

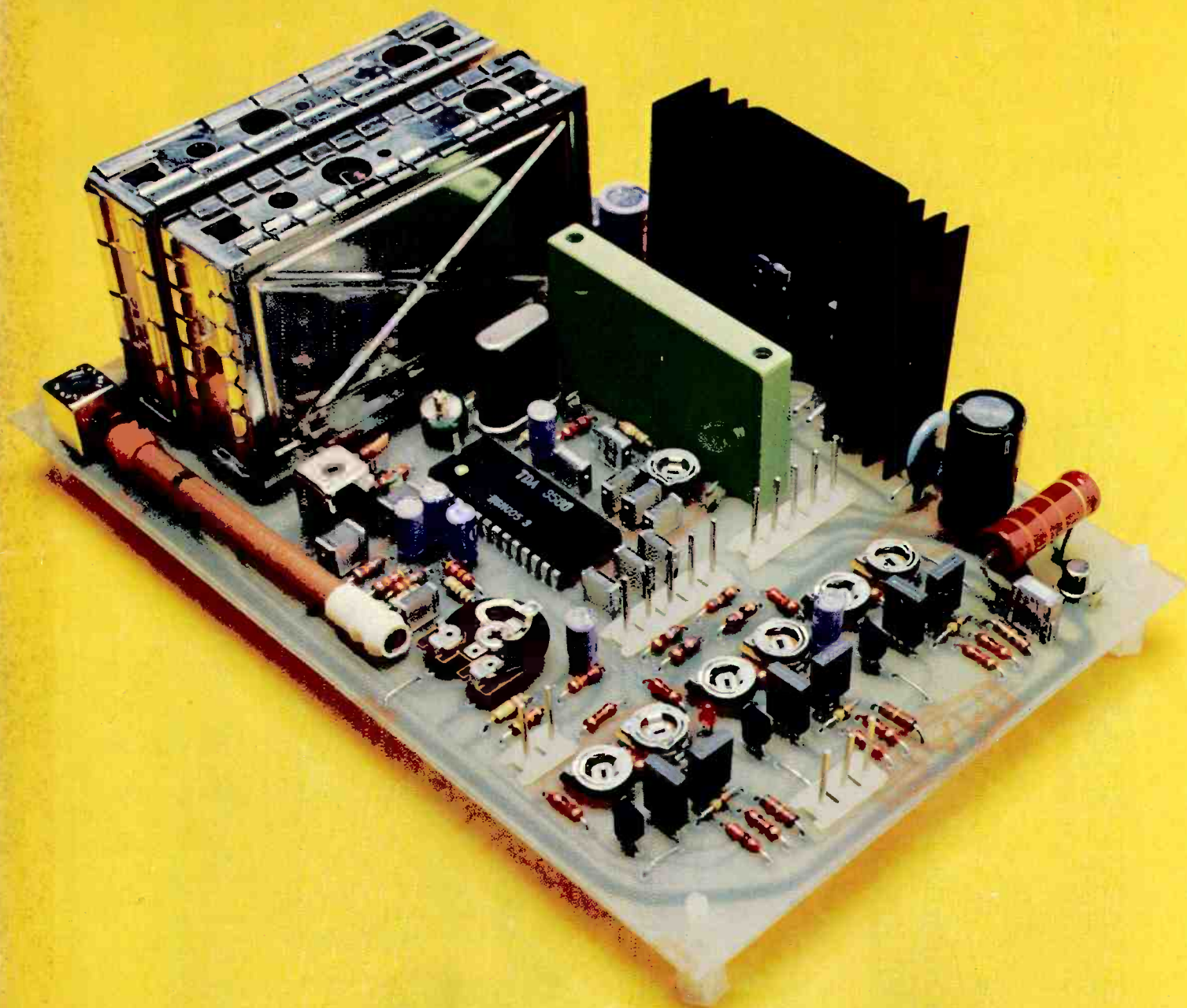
SEPTEMBER 1980

Australia \$1.50; Malaysia \$5.10; New Zealand \$1.60

60p

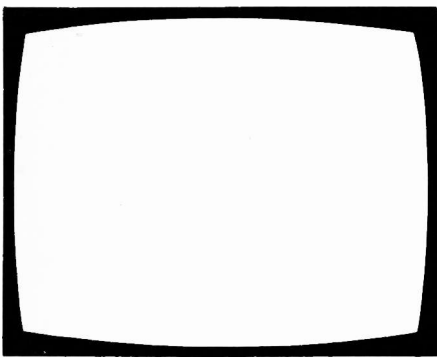
# TELEVISION

SERVICING-VIDEO-CONSTRUCTION-DEVELOPMENTS



**NEW CTV SIGNALS PANEL**  
**ALL ABOUT COILS**  
**REBUILT TUBES**  
**SERVICING ASA CTVs**  
**SALORA'S IPSALO CIRCUIT**





# TELEVISION

September  
1980

Vol. 30, No. 11  
Issue 359

## COPYRIGHT

©IPC Magazines Limited, 1980. Copyright in all drawings, photographs and articles published in *Television* is fully protected and reproduction or imitation in whole or in part is expressly forbidden. All reasonable precautions are taken by *Television* to ensure that the advice and data given to readers are reliable. We cannot however guarantee it and we cannot accept legal responsibility for it. Prices are those current as we go to press.

## CORRESPONDENCE

All correspondence regarding advertisements should be addressed to the Advertisement Manager, "Television", King's Reach Tower, Stamford Street, London SE1 9LS. Editorial correspondence should be addressed to "Television", IPC Magazines Ltd., Lavington House, Lavington Street, London SE1 0PF.

## SUBSCRIPTIONS

An annual subscription costs £10 in the UK, £11 overseas (\$24.20 Canada or USA). Send orders with payment to IPC Services, Oakfield House, Perrymount Road, Haywards Heath, Sussex.

## BINDERS AND INDEXES

Binders (£4.40) and Indexes (45p) can be supplied by the Post Sales Department, IPC Magazines Ltd., Lavington House, 25 Lavington Street, London SE1 0PF. Prices include postage and VAT. In the case of overseas orders, add 60p.

## BACK NUMBERS

Some back issues are available from the Post Sales Department, IPC Magazines Ltd., Lavington House, 25 Lavington Street, London SE1 0PF at 75p inclusive of postage and packing.

## QUERIES

We regret that we cannot answer technical queries over the telephone nor supply service sheets. We will endeavour to assist readers who have queries relating to articles published in *Television*, but we cannot offer advice on modifications to our published designs nor comment on alternative ways of using them. All correspondents expecting a reply should enclose a stamped addressed envelope.

Requests for advice in dealing with servicing problems should be directed to our Queries Service. For details see our regular feature "Service Bureau". Send to the address given above (see "correspondence").

## this month

- 585 Leader**
- 586 The Salora Ipsalo Circuit** *by George Wilding*  
The new Salora G chassis employs yet another variation on the combined line output stage/power supply theme, called Ipsalo. The operation of this novel circuit, which provides mains isolation and contributes to the very low power consumption of the chassis, is explained.
- 587 Suffer Little Children** *by Les Lawry-Johns*  
Children can cause as much trouble as any other type of client, as Les reports.
- 591 Components for TV, Part 3 – Wound Components** *by Harold Peters*  
The mysteries of wound components laid bare – what's in those coils, how they're wound the way they are and why, and the various problems that arise.
- 596 Teletopics**  
News, comment and developments.
- 598 New CTV Signals Board, Part 1** *by Luke Theodossiou*  
This new CTV panel for constructors features the Mullard/Philips TDA3560 single-chip decoder and an improved i.f. strip. Provision is made for the insertion of data signals in RGB form. The board can be used in the large-screen CTV project previously published or the forthcoming colour portable project. A remarkably compact panel layout has been achieved.
- 599 Readers' PCB Service**
- 602 Servicing ASA Hybrid CTVs** *by P. Cole*  
The ASA Models CT5003 and CT5004 were imported in fair quantities during the early 70s and are capable of above average performance. There are several unusual features to confuse the unwary. These and the stock faults are described.
- 606 Long-distance Television** *by Roger Bunney*  
Reports on DX reception and conditions, and news from abroad. Also how to arrange a DX installation in a compact, efficient manner that blends with the domestic scene.
- 609 Servicing the Beovision 3400 Series, Part 3** *by Eugene Trundle*  
This final instalment brings us to the source of most of the problems in these sets – the "double" line output stage (two PL509s, two LOPTs, etc.). Plus the raster correction and convergence departments.
- 612 The Great Optical Illusion** *by Malcolm Burrell*  
There's still time to visit this fascinating exhibition at the Science Museum, South Kensington. A brief account of what you'll find there.
- 613 Next Month in Television**
- 614 Rebuilt Tubes** *by Vivian Capel*  
Fitting a regunned tube can make all the difference to the economics of maintaining an old colour set. The better rebuilds give as good a performance as a new tube: Vivian Capel set out to discover what's involved in the rebuilding process.
- 616 Letters**
- 618 Service Bureau**
- 620 Test Case 213**

OUR NEXT ISSUE DATED OCTOBER WILL  
BE PUBLISHED ON SEPTEMBER 17

# THE UNBEATABLE BRIARWOOD SERVICE

## EX-EQUIPMENT SPARES

MISC. S/Output Trans.  
£1 + VAT + £1 P&P  
F/Output Trans.  
£1.25 + VAT + £1 P&P.  
Scancoils £1.50 + VAT  
+ £1 P&P. Other  
spares available, please  
write or phone for details.

### MONO TUBES

(tested)  
19" Rimguard £3.00  
23" Rimguard £4.00  
20" Rimguard £5.00  
24" Rimguard £6.00  
+ £5.00 P.&P.

### MONO TUNERS

6-button integrated all  
at £4.00  
U.H.F. P/Button D/S  
£3.50. U.H.F. P/Button  
S/S £4.00. Rotary £3.00  
+ £1 P&P.

### MONO LOPTS

All D/Standard Lopts  
at £4.00 + £1 P.&P.  
All S/Standard at  
£4.00 + £1 P.&P.

### MONO PANELS

i.e. Philips, Bush etc.  
£3.50 + £1 P.&P.  
Quotations for  
complete  
S/hand chassis if  
required. (Diff. prices)

PLEASE ADD 15% V.A.T.  
TO ALL ITEMS AND  
OVERSEAS AT COST.  
CASH WITH ALL ORDERS.

### VALVES (MONO & COLOUR)

PCL82	0.10	30C1	0.10	PCC189	0.10	EF183	0.10	PL504	0.25	ECL80	0.10
PCL83	0.25	30C17	0.10	30C15	0.10	EF184	0.10	6/30L2	0.10	PL509	1.00
PCL84	0.10	PCF802	0.10	30C18	0.25	6BW7	0.10	30PL1	0.25	PY500	1.00
PCL85	0.10	PCF805	0.25	PC97	0.20	EH90	0.10	30PL13/4	0.10	GY501	1.00
PCL86	0.10	PCF806	0.10	PC900	0.10	DY802	0.10	30FL1/2	0.25	PL508	0.50
PFL200	0.10	PCF808	0.25	EF80	0.10	PY800/1	0.10	ECC82	0.10	PCF200	0.50
PCF801	0.10	PCF80	0.10	EF85	0.10	PL36	0.25	ECC81	0.10	EY51	0.15

Please note there is 25p Postage and Packing per order.

WE DO NOT SELL RUBBISH  
AT BRIARWOOD TV

### D/STANDARD COLOUR SPARE PANELS

	IF	LUM	CHROMA	EHT	REG	CON	S/OUTPUT	POWER	L/TB	F/TB
Bush/Murphy	5.00	5.00	6.50	—	—	5.00	1.50	5.00	—	—
GEC/Sobell	5.00	5.50	—	—	—	5.00	—	—	—	7.50
Philips	5.00	7.00	—	—	—	5.00	—	—	—	5.00
Decca	5.00	9.00	9.00	—	—	5.00	2.00 (19" only)	6.00	—	5.00
Thorn 2000	5.00	5.00	5.00	6.50	6.50	7.00	—	6.50	10.00	5.00
Pye	7.00	6.00	7.00	—	—	5.00	—	—	—	5.00
Baird	6.50	8.50	7.00	—	—	5.00	—	—	—	5.00

Postage & Packing £1.25

### S/STANDARD COLOUR SPARE PANELS

	IF	LUM	CHROMA	VIDEO	CON	POWER	L/TB	F/TB
Bush 184	9.50	—	12.00	—	6.00	6.00	12.00	—
GEC Hybrid	6.00	6.50	9.00	—	5.00	—	—	12.00
Philips G6 S/S	9.50	—	10.00	—	5.00	—	—	6.00
Thorn 3000	6.00	6.00	6.00	—	5.00	20.00	20.00	6.00
Pye 691/693	6.00	6.00	8.00	—	5.00	—	15.00	5.00
Thorn 3500	6.00	6.00	6.00	6.50	7.50	20.00	20.50	6.00

Korting and other foreign  
panels available on request.

Postage & Packing £1.25

### COLOUR TUBES

17"	£15.00
18"	£15.00
19"	£15.00
19" A49/192	£18.00
20"	£18.00
22"	£20.00
25"	£15.00
26"	£22.00

Plus P&P £6.00  
New rebuilt tubes  
available on request.

### COLOUR TUNERS

Bush	£5.00
GEC	£5.00
Philips G6 S/S	£5.00
Thorn 3000	£5.00
Pye 691	£5.00

Some new tuners in stock,  
can supply on request. Many  
Foreign Tuners also available  
on request. Plus P&P £1.

### COLOUR LOPTS

Most Lopts available  
from £5.00. Both  
British & Foreign  
makes. Please ring  
or write.  
P&P per Lopt £1.

### MISC.

S/Output transformer  
from £1.50.  
F/Output from £1.25.  
Scancoils from £5.00.  
P&P £1.  
Other spares available on  
request.

### THORN 1500 TUNERS

NEW SPECIAL OFFER  
AT £8.00

Postage & Packing £1.00

**CALL IN AND SEE 100's OF TOP QUALITY COLOUR TV's  
ALWAYS IN STOCK**

All with good tested tubes • Clean cabinets complete • All sets ready for inspection

OPENING TIMES MON-FRI 9.00-12.00/1.00-5.45 (CLOSE 4.30 SAT)

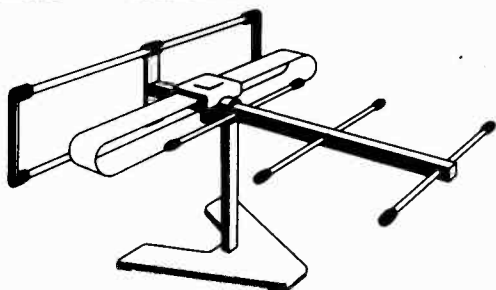
Briarwood T.V. Limited  
Britain's Mail Order  
T.V. Specialists

# BRIARWOOD



# BRIARWOOD TELEVISION LTD

## Britain's Mail Order TV Specialists



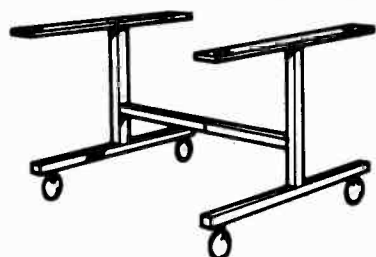
Wide band aerial for all UHF TV transmissions **£2.50**  
+ P&P £1.00

Mail order offers only.  
Good, Fully working Colour TV's  
- Engineer tested before despatch.

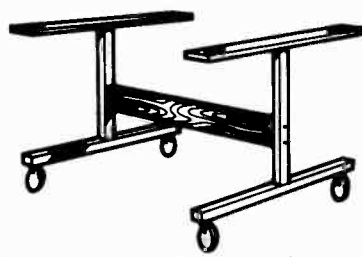
THORN	3000	19" @ <b>£70.00</b>	KORTING	22" @ <b>£70.00</b>
THORN	3000	25" @ <b>£60.00</b>	KORTING	26" @ <b>£80.00</b>

PYE	691	22" @ <b>£55.00</b>
PYE	691	26" @ <b>£55.00</b>
PYE	697	22" @ <b>£65.00</b>
PYE	697	26" @ <b>£65.00</b>
BUSH	184	19" @ <b>£70.00</b>
BUSH	184	22" @ <b>£70.00</b>
BUSH	184	26" @ <b>£70.00</b>
PHILIPS	K70	22" @ <b>£80.00</b>
PHILIPS	K70	26" @ <b>£80.00</b>
GEC	2040	19" @ <b>£55.00</b>
GEC	2040	22" @ <b>£55.00</b>
GEC	2040	25" @ <b>£55.00</b>
GEC	2040	26" @ <b>£65.00</b>

Please note there is 15% V.A.T. on all the above prices. Plus £10.00 p & p  
ENGLAND, WALES AND SCOTLAND. Inland N & S IRELAND **£15.00**



For any TV extending to 26".  
All metal frame **£7.80** + P&P £1.75



Fits 22"-26" TV's wood finished cross member.  
State size required **£5.75** + P&P £1.75

Good working Mono TV's  
PYE, GEC, BUSH, etc.

20" & 24" S/S	<b>£15.00</b>
20" & 24" D/S	<b>£14.00</b>
19" & 23" D/S P/Button	<b>£12.00</b>
19" & 23" D/S Rotary	<b>£8.00</b>

Cheques, P.O. or Cash with orders please  
P & P £5.00 for Mono TV's  
to England, Wales and  
Scotland.  
(Inland) N & S Ireland  
£7.00 per set.

Briarwood House, Preston Street, Bradford  
West Yorkshire BD7 1LU  
Tel: (0274) 306018

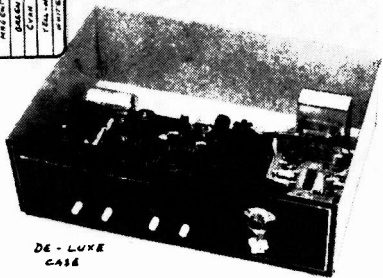
# MANOR SUPPLIES

## PAL COLOUR BAR GENERATOR

plus CROSS HATCH KIT (Mk. 4)



3RD SUCCESSFUL YEAR



DE-LUXE CASE

- ★ Output at UHF, applied to receiver aerial socket.
- ★ In addition to colour bars R-Y, B-Y etc.
- ★ Cross-hatch, grey scale, peak white and black level.
- ★ Push button controls, battery or mains operated.
- ★ Simple design, only five i.c.s. on colour bar P.C.B.

**PRICE OF MK4 COLOUR BAR & CROSS HATCH KIT £40.25 + £1.40 P/Packing. DE-LUXE CASE £5.95. ALUMINIUM CASE £3.30, BATT HOLDERS £1.70, ALTERNATIVE STAB. MAINS SUPPLY KIT £5.55.**

ALSO THE MK3 COLOUR BAR GENERATOR KIT FOR ADDITION TO MANOR SUPPLIES CROSS HATCH UNITS. £28.75 + £1.15 p.p. CASE EXTRA £2.00. BATT. HOLDERS £1.70.

- ★★ Kits include drilled P.C. board, with full circuit data, assembly and setting up instructions.
- ★★ All special parts such as coils and modulator supplied complete and tested, ready for use.
- ★★ Designed to professional standards.
- ★★ Demonstration models at 172 West End Lane, NW6.
- ★★ Every kit fully guaranteed. Technical back-up service.
- MK 4 DE LUXE (BATTERY) BUILT & TESTED £66.70 + £1.35 P&P.
- MK 4 DE LUXE (MAINS) BUILT & TESTED £80.50 + £1.50 P&P.
- VHF MODULATOR (CHI to 4) FOR OVERSEAS £4.60.

INFORMATION ON VIDEO TAKE-OFF FOR C.C.T.V.  
(ALL PRICES INCLUDE 15% VAT)

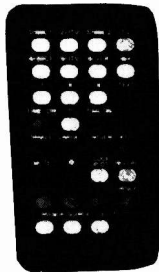
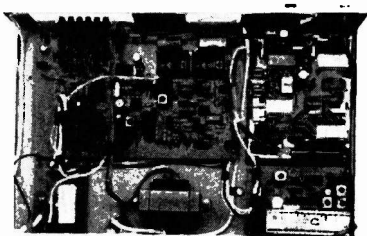
# MANOR SUPPLIES

## TELETEXT KIT (MK2)

(INCORPORATING MULLARD DECODER 6101VML)

BACKED BY YEARS OF EXPERIENCE

INFRA RED REMOTE CONTROL



- EXTERNAL UNIT, PLUGS INTO AE SOCKET OF TV RECEIVER.
- LATER SPEC (DOUBLE HEIGHT, BACKGROUND COLOUR ETC).
- INFRA RED REMOTE CONTROL (MULLARD 5000 SYSTEM) STATION SELECTION, TEXT, MIX, TIME, DOUBLE HEIGHT, HOLD, CLOCK, REVEAL RESET ETC. ETC.
- INCLUDES COMPLETE & TESTED 6101 VML (MULLARD) DECODER, SAW FILTER IF PANEL & 32 BUTTON REMOTE CONTROL HANDSET.
- SUITABLE FOR BBC DEAF SUB-TITLE TRANSMISSIONS, REMODULATES PICTURE.
- CONVERTS ANY UHF RECEIVER TO STATION SELECTION, REMOTE CONTROL AND TELETEXT. (SIMPLIFIED KIT AVAILABLE FOR REMOTE CONTROL ONLY).
- FACILITIES FOR VIDEO OUTPUT, MONITORS, CCTV ETC.
- AUDIO OUTLET FOR EXTERNAL HI-FI AMPLIFIER.
- EVERY KIT EASY TO ASSEMBLE & FULLY GUARANTEED. TECH. BACK-UP SERVICE.
- DE-LUXE CASE MEASUREMENTS APPROX. 154 x 104 x 34.
- WORKING MODEL AT 172 WEST END LANE, N.W.6.

FURTHER DETAILS ON REQUEST

ALSO, MANOR SUPPLIES TELETEXT MK 1 KIT (TEXAS) NOW WITH REMOTE CONTROL PRICE £193.20 P/P £2.80.

## TELETEXT & TELEVISION SPARES

SPECIAL OFFER TEXAS XMII TELETEXT MODULE NEW & TESTED. LIMITED QUANTITY AT HALF PRICE £75.00 p.p. £1.40.  
NEW "TELEVISION" COLOUR RECEIVER PROJECT ALL PARTS AVAILABLE AT PRESENT. POWER, SIGNAL & TIMEBASE. SEND OR PHONE FOR LIST. WORKING MODEL ON SHOW WITH TELETEXT. (PANEL TEST SERVICE NOW AVAILABLE).  
NEW SAW FILTER IF AMPLIFIER PLUS TUNER COMPLETE AND TESTED FOR T.V. SOUND & VISION £32.80 p.p. £1.10.  
TELETEXT 5V STABILISED MAINS POWER SUPPLY (FOR TEXAS OR MULLARD DECODERS) £6.70 p.p. £1.00.  
TELETEXT 23 BUTTON DE-LUXE HANDSET WITH 5 YDS. CABLE £11.30 p.p. £1.00. XM11 INTERFACE PANEL (THORN) £2.10 p.p. 75p.  
CROSS HATCH UNIT KIT, AERIAL INPUT TYPE, INCL. T.V. SYNC AND UHF MODULATOR. BATTERY OPERATED. ALSO GIVES PEAK WHITE & BLACK LEVELS. CAN BE USED FOR ANY SET £12.65 p.p. 50p. (ALUM CASE £2.60 p.p. 80p.) COMPLETE TESTED UNITS READY FOR USE (DE LUXE CASE) £26.00 p.p. £1.25.  
ADDITIONAL GREY SCALE KIT £3.35 p.p. 35p.  
TV TEST GENERATOR UHF MODULATOR £4.60 p.p. 40p.  
UHF SIGNAL STRENGTH METER KIT £20.00 (VHF VERSION £21.60). ALUM CASE £2.00 DE LUXE CASE £5.95 p.p. £1.60.  
CRT TESTER & REACTIVATOR PROJECT KIT FOR COLOUR & MONO £25.80 p.p. £1.80.  
"TELEVISION" NEW PORTABLE RECEIVER PARTS AVAILABLE.  
THORN 9000 TOUCH TUNE REMOTE CONTROL RECEIVER. UNIT PLUS TRANSMITTER HANDSET £18.40 p.p. £1.40.  
THORN 9000 FACIA INCL. CHANNEL SELECTOR, INDICATOR SET CONTROLS, SPEAKER £6.90 p.p. £1.60.  
PHILIPS 210, 300 Series Frame T.B. Panels £1.15 p.p. 75p.  
BUSH Z718, BC6100 SERIES SURPLUS LINE T.B. PANEL Z904. INCL. LOPT, EHT STICK, FOCUS ETC. 18" or 22" £17.25 p.p. £1.80.  
BUSH A823 IF PANEL (EXPORT VERSION) £3.25 p.p. £1.00.  
BUSH Z718 BC6100 SERIES IF PANEL £5.75 p.p. 80p.  
BUSH A816 IF PANEL (SURPLUS) £1.90 p.p. 80p.  
BUSH 161 TIMEBASE PANEL A634 £4.40 p.p. £1.25.  
GEC 2010 SERIES TIMEBASE PANEL £1.15 p.p. 95p.  
GEC 2040 (TYPE) CDA PANEL £2.88 p.p. £1.25.  
GEC 2040 CONVERGENCE PANEL £2.88 p.p. £1.30.  
PYE 697 Line T.B. P.C.B. type salvaged £4.80 p.p. £1.50.  
THORN 3000 IF Panel £9.78 p.p. £1.00.  
THORN 3000 LINE TB PCB £5.75 each p.p. 85p.  
THORN 3000 VID, IF, DEC, Ex Rental £5.75 each p.p. £1.30.  
THORN 8000/8500 POWER/SALV. SPARES £2.88 p.p. 60p.  
THORN 9000 LINE T.B. (incl. LOPT etc.), SALV., SPARES £8.62 p.p. £1.60.  
MULLARD AT1022 Colour Scan Coils £6.90 p.p. £1.60, AT1023/05 Convergence Yoke £2.90 p.p. 95p. AT1025/06 Blue Lat. 90p p.p. 40p.  
PHILIPS G9 Signal Board Panels for small spares £4.80 p.p. £1.00.  
PHILIPS G6 Single standard convergence panels £2.90 p.p. £1.20.  
G8 Decoder panels salvaged £4.25. Decoder panels for spares £2.00 p.p. £1.15.  
VARICAP UHF MULLARD U321 £8.97, ELC1043/05 £6.35 p.p. 45p., G.I. type (equiv. 1043/05) £4.00 p.p. 40p. Control units, 3PSN £1.40, 4PSN £1.75, 5PSN £2.00, 6PSN £2.10, Special Offer 6PSN £1.15 p.p. 40p.  
BUSH "Touch Tune" assembly, incl. circuit £5.75 p.p. 85p.  
VARICAP UHF-VHF ELC 2000S £9.80. BUSH TYPE £9.00 p.p. 85p.  
VARICAP VHF MULLARD ELC1042 £7.95 p.p. 45p.  
UHF/625 Tuners, many different types in stock. UHF tuners transisted. incl. s/m drive, £3.28. Mullard 4 position push button £2.88 p.p. £1.30.  
TRANSISTORISED 625 IF for T.V., sound, tested. £7.82 p.p. 75p.  
MULLARD EP9000 Audio Unit incl. LP1162 Module £4.38 p.p. 85p.  
LINE OUTPUT TRANSFORMERS. New guar. p.p. £1.00.

BUSH 145 to 186SS series.....	£8.50	THORN 1590/1591.....	£5.50
BUSH, MURPHY A816 series.....	£9.80	KB VC ELEVEN (003).....	£3.25
DECCA 20/24, 1700, 2000, 2401... £8.50		COLOUR LOPTS p.p. £1.25	
FERG, HMV, MARCONI, ULTRA 850 to 1580.....	£6.80	R.B.M. A823.....	£5.60
GEC 2000, 2047 series, etc.....	18.50	R.B.M. Z179.....	£6.70
INDESIT 20/24EGB.....	£8.50	DECCA "Bradford" (state Model No. etc).....	£10.15
ITT/KB VC1 to 53, 100, 200, 300 £8.50		DECCA 80, 100.....	£9.50
MURPHY 1910 to 2417 series.....	£8.50	GEC 2028, 2040.....	£11.30
PHILIPS 19TG170, 210, 300.....	£8.50	GEC 2110 Series.....	£12.20
PYE, INVICTA, EKCO, FERR. 368, 169, 569, 769 series.....	£8.50	ITT CVC 5 to 9.....	£10.15
		ITT CVC 30 Series.....	£10.15
		PYE 697 PC.....	£14.40
		PHILIPS G8.....	£10.15
		THORN 3000/3500 SCAN, EHT £7.85	
		THORN 8000/8500.....	£14.80

OTHERS AVAILABLE, PRICES ON REQUEST. ALSO F.O.P.TS.  
THORN MONO SCAN COILS (850 to 1500) £3.25 p.p. £1.00.  
THORN 950 3 Stick Tray £1.15 p.p. 55p. Most others available.  
THORN 3000/3500, 8000, 8500, MAINS TRANSF. £10.15 p.p. £1.60.  
6-3V CRT Boost Transformers £5.00 p.p. 95p.

CALLERS WELCOME AT SHOP PREMISES (Tel: 01-794-8751)

THOUSANDS OF ADDITIONAL ITEMS AVAILABLE  
NOT NORMALLY ADVERTISED, ENQUIRIES INVITED

### MANOR SUPPLIES

172 WEST END LANE, LONDON, N.W.6.

NEAR: W. Hampstead Tube Stn. (Jubilee) Buses 28, 159 pass door  
W. Hampstead British Rail Stns. (Richmond, Broad St.) (St. Pancras, Bedford)  
W. Hampstead (Brit. Rail) access from all over Greater London.

Mail Order: 64 GOLDERS MANOR DRIVE, LONDON N.W.11.  
ALL PRICES INCLUDE VAT AT 15%



Tube without rimband

# Why we always a new ri

Swing a 11lb steel ball from 6ft against a TV tube without a rimband and it'll go off like a grenade.

That's how vital a correctly fitted rimband is to tube safety.

But if it's not taken off during re-processing, the high temperature could cause the adhesive resin to fail.

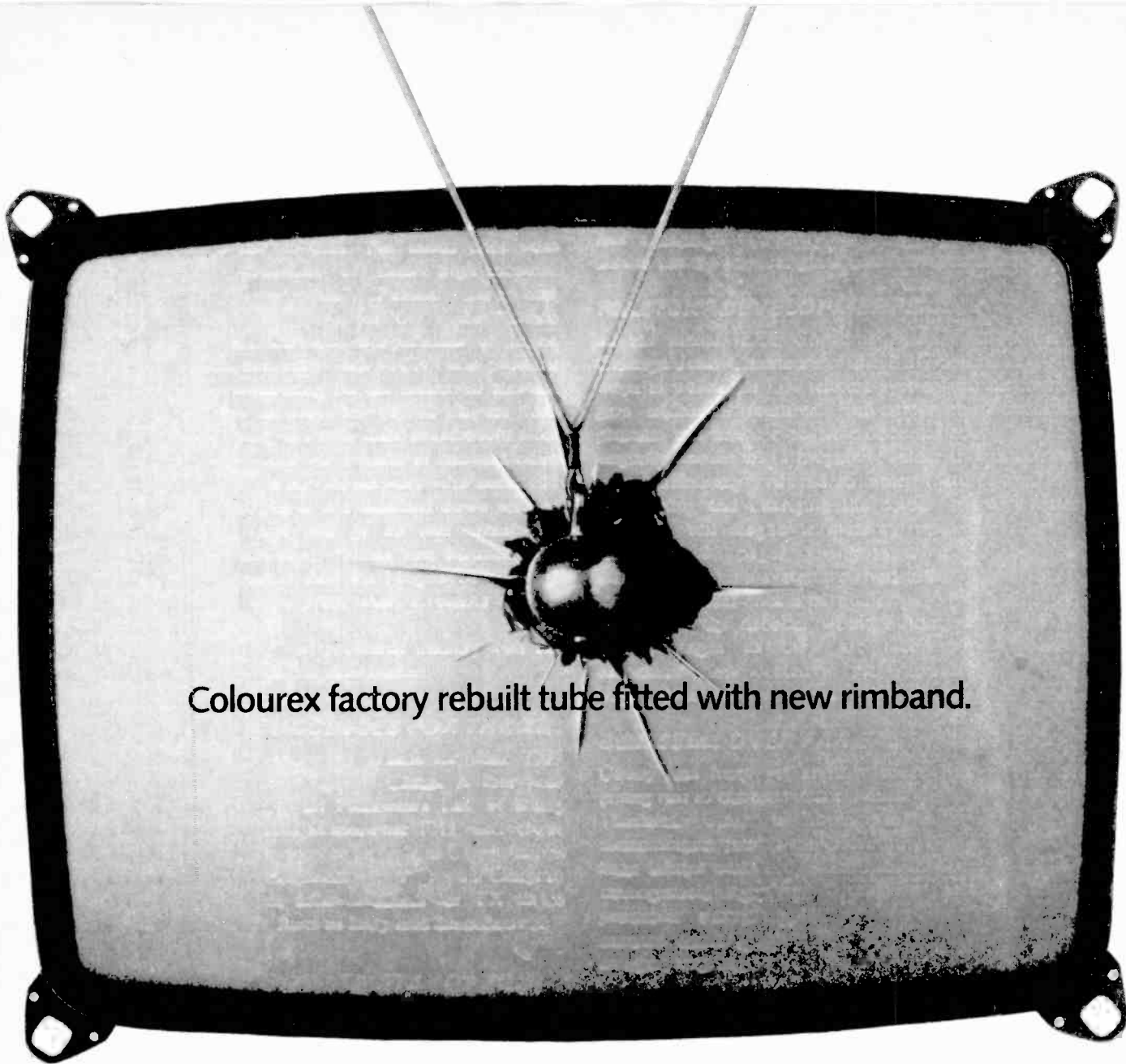
A defect that could turn out to be just as dangerous.

However, when tubes are being reprocessed at Mullard's factories every old rimband is thrown away.

With a new Mullard gun inserted the tube is pumped at a high temperature, ensuring a lasting quality picture.

One which, however closely he looks,





Colourex factory rebuilt tube fitted with new rimband.

# s insist on fitting rimband.

the viewer won't be able to tell from new.

Then, using fresh adhesive resin, we shrink on a brand new rimband.

When the 11lb ball is swung against the face of a Colourex tube it'll crack safely as shown on the right.

It's just one of the many tests that are

part of our regular checks. Because at Mullard, we're not prepared to take any chances. Are you?

For FREE wallchart with equivalents information simply clip the coupon and send to: Mullard Limited, Dept CIH, Mullard House, Torrington Place, London WC1E 7HD. TVI

Name \_\_\_\_\_

Address \_\_\_\_\_



## Mullard

### TRANSISTORS, ETC.

Type	Price (£)	Type	Price (£)	Type	Price (£)	Type	Price (£)	Type	Price (£)	Type	Price (£)	Type	Price (£)	Type	Price (£)	Type	Price (£)	Type	Price (£)	Type	Price (£)
AC107	0.48	AU103	2.40	BC192	0.56	BC377	0.28	BD234	0.68	BF222	0.51	BPX29	1.62	MPSU05	0.66	ZX500	0.18	2N3819	0.47		
AC117	0.38	AU107	2.78	BC204*	0.39	BC394	0.52	BD235	0.63	BF224 & J	0.22	BR101	0.53	MPSU06	0.78	ZX502	0.22	2N3820	0.72		
AC126	0.38	AU110	2.40	BC205*	0.39	BC440	0.89	BD236	0.63	BF240	0.32	BR103	0.64	MPSU05	1.28	ZX504	0.28	2N3886	1.08		
AC127	0.54	AU113	2.60	BC208*	0.37	BC441	0.89	BD237	0.68	BF241	0.31	BR303	1.08	MPSU06	0.82	2N404	1.30	2N3904	0.20		
AC128	0.46	BC107*	0.16	BC207*	0.37	BC461	0.78	BD238	0.68	BF244*	0.51	BR309	0.60	MPSU11	0.80	2N696	0.46	2N3905	0.20		
AC128BK	0.55	BC108*	0.15	BC208*	0.39	BC477	0.30	BD253	1.58	BF245*	0.43	BR339	0.60	MPU131	0.60	2N697	0.46	2N3906	0.20		
AC141	0.65	BC109*	0.16	BC209*	0.39	BC478	0.36	BD410	1.65	BF254	0.48	BRV56	0.44	OC26	1.90	2N706A	0.33	2N4036	0.20		
AC141K	0.70	BC113	0.22	BC211*	0.36	BC479	0.25	BD433	0.65	BF255	0.58	BS827	0.92	OC28	1.49	2N708	0.29	2N4123	0.17		
AC142	0.80	BC114	0.22	BC212*	0.17	BC547*	0.13	BD435	0.70	BF256L*	0.49	BT106	1.50	OC29	1.60	2N914	0.32	2N4124	0.17		
AC142K	0.85	BC115	0.24	BC212L*	0.17	BC548*	0.13	BD436	0.71	BF257	0.44	BT109	1.99	OC31	1.25	2N916	0.46	2N4126	0.17		
AC152	0.31	BC116*	0.25	BC213*	0.16	BC549*	0.16	BD437	0.74	BF258	0.52	BT116	1.46	OC36	1.25	2N918	0.54	2N4236	2.20		
AC152	0.38	BC117	0.30	BC213L*	0.16	BC550	0.24	BD438	0.75	BF259	0.54	BT119	5.18	OC42	0.90	2N930	0.29	2N4289	0.32		
AC153	0.42	BC118	0.24	BC214*	0.18	BC555	0.23	BD519	0.88	BF262	0.73	BU102	3.36	OC44	0.68	2N1164	8.29	2N4292	0.32		
AC153K	0.52	BC119	0.34	BC214L*	0.18	BC557*	0.16	BD520	0.88	BF263	0.88	BU105	1.80	OC45	0.63	2N11304	1.40	2N4416	0.85		
AC154	0.41	BC125*	0.30	BC225	0.42	BC558*	0.16	BD520	0.87	BF270	0.47	BU105/02	1.96	OC70	0.65	2N1305	1.29	2N4444	1.90		
AC176	0.45	BC126	0.30	BC237*	0.16	BC559*	0.17	BD600	0.87	BF271	0.42	BU108	2.98	OC71	0.73	2N1306	1.49	2N4921	0.80		
AC178	0.51	BC132	0.20	BC238*	0.16	BCY10	0.30	BD663BR	0.86	BF272A	0.30	BU126	2.91	OC72	0.73	2N1307	1.32	2N5042	1.65		
AC179	0.55	BC134	0.22	BC239*	0.22	BCY30A	1.06	BDX18	1.55	BF273	0.33	BU204	2.50	OC81	0.83	2N1308	1.53	2N5060	0.28		
AC187	0.85	BC135	0.21	BC251*	0.25	BCY32A	1.19	BDX32	2.95	BF274	0.34	BU205	2.58	OC81D	0.95	2N1711	0.42	2N5061	0.30		
AC187K	0.85	BC136	0.22	BC252*	0.26	BCY34A	1.02	BDY16A	0.63	BF336	0.63	BU206	2.59	OC139	1.30	2N1893	0.52	2N5064	0.63		
AC188	0.82	BC137	0.30	BC253*	0.38	BCY72	1.27	BDY18	0.57	BF337	0.66	BU208	2.75	OC140	1.35	2N2102	0.71	2N5086	0.49		
AC188K	0.61	BC138	0.35	BC2581A*	0.28	BD115	1.35	BDY20	2.29	BF338	0.68	BU407	1.38	OC170	0.80	2N2217	0.55	2N5087	0.50		
AC193K	0.70	BC140	0.36	BC2582A*	0.28	BD123	1.80	BDY38	1.38	BF355	0.72	BUV77	2.50	OC171	0.82	2N2218	0.38	2N5208	0.59		
AC194K	0.74	BC141	0.44	BC263*	0.26	BD124	1.80	BDY38	1.38	BF355	0.72	BUV77	2.50	OC171	0.82	2N2218	0.38	2N5208	0.59		
AC194K	0.74	BC141	0.44	BC263*	0.26	BD124	1.80	BDY38	1.38	BF355	0.72	BUV77	2.50	OC171	0.82	2N2218	0.38	2N5208	0.59		
AC194K	0.74	BC141	0.44	BC263*	0.26	BD124	1.80	BDY38	1.38	BF355	0.72	BUV77	2.50	OC171	0.82	2N2218	0.38	2N5208	0.59		

Alternative gain versions available on items marked\*.

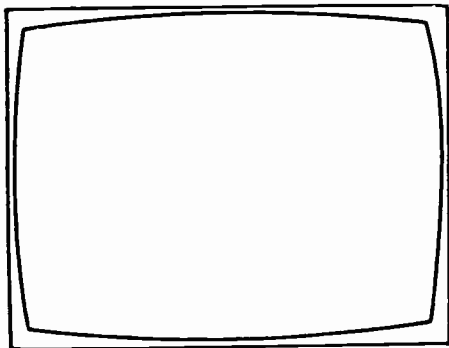
For matched pairs add 20p per pair.

### LINEAR IC's

Type	Price (£)	Type	Price (£)	Type	Price (£)	Type	Price (£)	Type	Price (£)	Type	Price (£)
BRC130P	0.93	SN7600BKE	2.56	TBA240A	3.98	TYA113	0.17	BY114	1.80		
CA810QM	2.44	SN76013N	1.66	TBA281	2.07	AA113	0.17	BY118	0.10		
CA93005	1.85	SN76013N	1.40	TBA395*	2.58	AA119	0.21	BY126	0.20		
CA93012	1.45	SN76018KE	2.56	TBA396	2.40	AA129	0.28	BY127	0.21		
CA93014	2.23	SN76023N	1.88	TBA400	2.20	AA143	0.18	BY140	0.35		
CA93018	0.71	SN760332N	2.80	TBA480Q	2.20	AA150	0.18	BY140	0.35		
CA93020	1.89	SN76110N	1.20	TBA500*	2.21	AA213	0.42	BY164	0.75		
CA93028A	0.80	SN76115N	1.12	TBA520*	2.98	AA215	0.35	BY176	2.80		
CA93028B	1.09	SN76118N	1.78	TBA530P	2.24	AY102	3.85	BY178	0.83		
CA93045	3.75	SN76131N	2.10	TBA540	2.88	BA100	0.24	BY184	1.44		
CA93046	0.70	SN76228N	2.60	TBA550*	3.13	BA102	0.36	BY189	5.90		
CA93065	1.74	SN76227N	1.81	TBA560*	3.18	BA104	0.19	BY190	4.30		
CA93068	1.90	SN76228N	1.81	TBA570	1.29	BA110	0.80	BY206	0.26		
CA93130S	1.45	SN76502N	1.92	TBA611B	2.58	BA111	0.70	BY238	0.25		
FC1161	2.40	SN76530P	0.97	TBA641	2.58	BA116	0.18	BY238/600	0.95		
FCJ101	3.32	SN76533N	1.38	TBA641A12	2.35	BA121	0.88	BYX70/500	0.53		
LM309K	1.98	SN76544N	1.85	TBA641B11	2.61	BA129	0.45	ITT44	0.68		
LM380N-14	1.65	SN76546N	1.85	TBA673	2.31	BA145	0.19	ITT210	0.03		
LM1303N	1.03	SN76570N	1.81	TBA700*	2.50	BA148	0.19	ITT272	0.80		
MC1307P	1.82	SN76620AN	0.99	TBA720AQ	2.38	BA154	0.06	MCR101	0.48		
MC1310P*	1.84	SN76650N	1.48	TBA720Q	2.38	BA155	0.17	MR854	1.10		
MC1321P*	1.68	SN76680N	0.84	TBA750*	2.18	BA156	0.12	OA5	0.88		
MC1330P*	0.83	SN76685N	0.96	TBA800	1.68	BA157	0.25	OA10	0.58		
MC1350P	1.22	TA7073P	3.51	TBA810A5	2.80	BA158	0.28	OA17	0.20		
MC1351P	1.42	TA7263	2.20	TBA811B	2.58	BA159	0.40	OA21	0.19		
MC1352P	1.42	TA7300	3.85	TBA940	3.52	BA164	0.40	OA90	0.15		
MC1357P	2.92	TA8320	1.10	TBA950	2.08	BA182	0.27	OA91	0.15		
MC1358P*	2.30	TA8350A	2.48	TBA990*	2.90	BA201	0.13	OA95	0.20		
MC1458G	1.43	TA8370A	1.18	TC2A70A*	3.55	BA202	0.14	OA200	0.13		
MC1498L	1.15	TA8435	1.70	TC2A80A	1.43	BA203	0.14	OA202	0.13		
MC3051P	0.58	TA8450	3.39	TC2A90A	3.46	BA216	0.08	OA210	0.89		
MFC400B	0.85	TA8521	1.10	TC4A20A	2.10	BA219	0.11	TLI209	0.14		
MFC4060A	0.98	TA8522	1.10	TC4A40A	1.87	BA243	0.45	TLI211	0.18		
MFC6040	1.11	TA8550	0.35	TC6A40	4.26	BA317	0.06	TV20	2.25		
MFC8020A	1.10	TA8560	1.93	TC6A50	4.26	BA318	0.07	IN916	0.06		
ML231	3.57	TA8570	2.20	TC6A60	4.26	BAV10	0.10	IN4001	0.07		
ML232	3.57	TA8611A	1.67	TC7A30	4.10	BAW21	0.06	IN4002	0.06		
NE555	0.72	TA8611B	1.89	TC7A40	4.04	BAW62	0.06	IN4003	0.06		
NE556	1.34	TA8621AXI	2.33	TC7A50	2.53	BAX13	0.07	IN4003	0.08		
NE566	1.95	TA8630Q	3.91	TC7A60	1.82	BAX16	0.10	IN4004	0.08		
SA11024	10.75	TA8630S	4.18	TC8A20	3.29	BAX17	0.19	IN4005	0.09		
SA11025	5.35	TA8661A	2.39	TD4A40	4.18	BAY72	0.16	IN4006	0.10		
SA5560A	2.01	TA8661B	1.78	TD41003	1.68	BB1048	0.52	IN4007	0.12		
SA570	2.01	TA700*	2.80	TD41004	2.73	BB1058	0.33	IN5400	0.16		
SC9503P	1.40	TA840	3.38	TD41005	3.04	BB1058G	0.30	IN5401	0.17		
SC9504P	1.38	TA8611A	0.95	TD41022	6.89	BR100	0.40	IN5402	0.20		
SL414A	1.91	TA8930A	1.43	TD41024	0.97	BY100	0.35	IS920	0.60		
SL432A	2.52	TA8930B	1.43	TD41034	2.98	BY103	0.35	IS921	0.11		
SL450	5.10	TA8960	3.20	TD42610	2.86						
SL917B	4.20	TA970	2.81	TD2A640	2.86						
SL918A	5.60	TAD100	2.66	ZN414	1.45						
SN72440N	5.95										
SN76001N	2.21	TBA120S*	0.99								
SN76003N	2.20	TBA120SA	1.02								
		TBA231	1.11								

### DIODES

Type	Price (£)	Type	Price (£)	Type	Price (£)	Type	Price (£)	Type	Price (£)	Type	Price (£)	Type	Price (£)	Type	Price (£)	Type	Price (£)
BY114	1.80	BY118	0.10	E2982Z	0.10	01	0.28	02	0.28	E2982D	0.26	EA258	0.26	E2982E	0.83	E2982F	0.22
BY118	0.10	BY126	0.20	/02	0.28	/02	0.28	E2982G	0.83	EA260	0.22	EA262	0.22	EA263	0.22	EA264	0.22
BY126	0.20	BY127	0.21	E2982H	0.26	EA265	0.22	EA266	0.22	EA267	0.22	EA268	0.22	EA269	0.22	EA270	0.22
BY140	0.35	BY140	0.35	EA258	0.26	EA259	0.26	EA260	0.22	EA261	0.22	EA262	0.22	EA263	0.22	EA264	0.22
BY164	0.75	BY176	2.80	E2982I	0.26	EA265	0.22	EA266	0.22	EA267	0.22	EA268	0.22	EA269	0.22	EA270	0.22
BY176	2.80	BY178	0.83	EA258	0.26	EA265	0.22	EA266	0.22	EA267	0.22	EA268	0.22	EA269	0.22	EA270	0.22
BY184	1.44	BY189	5.90	E2982J	0.26	EA265	0.22	EA266	0.22	EA267	0.22	EA268	0.22	EA269	0.22	EA270	0.22
BY189	5.90	BY190	4.30	EA258	0.26	EA265	0.22	EA266	0.22	EA267	0.22	EA268	0.22	EA269	0.22	EA270	0.22
BY206	0.26	BY238	0.25	E													



# TELEVISION

## EDITOR

John A. Reddihough

## ASSISTANT EDITOR

Luke Theodossiou

## ART EDITOR

Roy Palmer

## ADVERTISEMENT MANAGER

Roy Smith  
01-261 6671

## CLASSIFIED ADVERTISEMENTS

Colin R. Brown  
01-261 5762

## CORRECTIONS

The PL509 does not have its suppressor grid and cathode internally connected of course (page 423, June issue), but the suppressor grid resistor in the Kuba Florence nevertheless does burn up if a PL509 is fitted instead of a PL519 . . . Geoff Perrin's aerial mast (Oman) is 50ft, not 500ft. (July, page 475.) And the correct model number for the Sony power unit and effects generator mentioned in *Video at the Shows* last month is HVS2000P. Its suggested retail price is £71.50 including VAT.

## Chill Winds

The much talked about recession is now here and likely to get worse. At least the consumer stands to gain initially, as manufacturers and distributors set about clearing stocks that are expensive to finance. It's been said that the present is an almost once in a lifetime opportunity for bargains, as half the shops in the high streets run extended sales and special offers come thick and fast. Those with spare cash could do worse than to avail themselves of the current opportunities, though people tend to save more as the economic climate worsens, making the situation that bit more difficult. The small retailer is certainly in an awkward position, as suppliers offer ever greater discounts and the high street discounters seize the opportunity.

The problems of UK manufacturing industry have been analysed over and over again. Will there be an indigenous car industry in five years time, or a textile industry in a couple of years time? Undoubtedly there will, but its form and size are not easy to foresee. What about TV and video? Well, we don't have a video manufacturing capacity, so that means TV setmaking. The industry is very fortunate in that the UK public's habit of set rental provides a very effective cushion against the worst recessionary effects. With rental, the cash flow continues and you can also keep the sets moving. The UK's TV industry could have been in as bad a position as certain other industries without the support of the rental system. Had people rented radio sets, we might still have been producing these in quantity.

The TV industry in the UK has on the whole been well managed. Labour relations are well above average for the manufacturing section, and despite low profits investment in up to date sets and production techniques has been maintained. Thorn set about designing a colour receiver that would be competitive world wide in their TX series, and the export successes already achieved are heartening. Selling TX9s to Hong Kong is an achievement indeed!

Those massive Japanese corporations nevertheless continue to scare the European industry. And how remarkably well they do! In their last half year reports, Toshiba announced profits increased by 112%, JVC up 120% and Sony a massive 342% increase. During the period, Sony managed to increase sales of TV sets by 52% and VTRs by 66.9%. Admittedly the recession had yet to bite, and the Yen exchange rate helped.

It's not all that easy to understand why Japanese firms do so well so consistently. We all know about dedicated workforces and workaholics, and that certainly helps. But the financial workings of Japanese industry are somewhat mysterious. If you generally work on low profit margins, the sorts of heady figures we quoted above can easily occur. You can work on low margins, relying on turnover, if interest rates are low, you have the support of the banks and the government, and know that your production lines will never be disrupted. With large scale production there'll be adequate funds for R and D work, and with reliable products your sales are likely to remain buoyant. One of the remarkable things nevertheless is the way in which the rest of the world seems to act as a successful sales force for the Japanese manufacturers!

Are there any lessons for the UK in all this? Looking back, governments here have constantly rocked the economic boat with stop-go and all that, but industry must also take its share of the blame for the situation today. One thing one recalls is the dotty devotion to badge engineering. The same cars were sold with half a dozen different brand names stuck on them, and the same happened with TV sets. Whether the idea was to appeal to the UK's notorious class consciousness or to keep redundant sales managers in jobs is difficult to say . . . The fact is that a Volvo has always been just that, as have Volkswagens, Datsuns, Sonys, Hitachis and so on. Spend the money on a reliable product that anyone can use the world over, rather than on craftily contrived status symbols.

So we've mismanaged our marketing, and successive governments have mismanaged the economy: what else? Oh yes, we've mismanaged our investment programmes. Remember the property boom? A fat lot of good that did anyone. Then we seem to hanker after grandiose projects of the Concorde variety. What would the money lavished on that sort of thing have achieved elsewhere? And then, dare we mention it, there's all that money spent on military hardware. Successive governments have overlooked the fact that the globe no longer has all those large pink areas. It's salutary to recall that the two most successful economies in recent times, W. Germany and Japan, devote a relatively small proportion of their resources to military purposes. Expecting sense in this field is probably asking rather much however.

Meanwhile, those of you with jobs can help yourselves to those special offers of Jap cameras and VCRs.

# The Salora Ipsalo Circuit

George Wilding

TV DESIGNERS in recent years have paid a lot of attention to devising various ways of operating the line timebase and the power supply in tandem. After all, if you use a chopper to provide a regulated supply for a transistor line output stage, it's logical to switch the chopper transistor at line frequency. This in fact is a common enough arrangement nowadays. As far back as 1975, Thorn went a stage farther by integrating the two stages. As you all know, the famed Syclops circuit they adopted for the 9000 chassis used a single transistor as the chopper and line output switching device. It drove two transformers, the chopper transformer and the line output transformer.

At about the same time we noticed an interesting circuit suggested by Siemens. It was intended for use in large-screen monochrome receivers, and its advantages were the provision of mains isolation and low power consumption. We've never come across it in use, maybe because mains-isolated monochrome sets are rare birds indeed. The basic scheme is shown in Fig. 1, and as you can see this time we have one transformer and two transistors, the single transformer providing mains isolation in addition to being the line output/e.h.t. transformer.

The basic operation of this circuit is simple enough. Th1 is a wholly conventional thyristor rectifier producing a regulated h.t. supply. C1 is the h.t. reservoir capacitor, with R1 and C2 the h.t. smoothing components. R1 also senses the h.t. current, feedback from the junction of R1/C2 being taken to the control circuit to adjust the timing of the trigger pulses used to fire Th1. Transistor Tr1 is a self-oscillating chopper, driven by the flyback pulses applied to its base. When it switches on, energy is fed into the transformer via its collector winding. Those familiar with the Indesit T12 monochrome portable and the GEC 3133/3135 portables will immediately recognise this arrangement. The line output side is perfectly straightforward, with C3 smoothing the h.t. supply obtained at the top end of the line output transistor's collector winding. One thing you could call this circuit is "an inductive transfer system between the power supply and the line timebase". Which brings us to the new Salora G chassis.

Salora have adopted this basic approach and taken it some stages further for use in their new series G chassis, a mains/battery colour chassis designed to drive 90° PIL type tubes in sizes up to 22in. Low power consumption is obviously a prime requirement of a chassis that's to be able to do this, so the circuit we've briefly described is an attractive starting point. Salora call the circuit used in their G chassis "Ipsalo" - integrated power supply and line output. The power consumption figures achieved with the G chassis are certainly impressive - 38W with a 16in. tube and 45W with a 20 or 22in. tube, under normal viewing conditions.

The Ipsalo circuit is shown in greatly simplified form in Fig. 2. When operated from the mains, bridge rectifier BR1 will develop an h.t. supply of 300V across its reservoir capacitor C1. It won't do this however until Th1 is switched on. Th1 in fact is used for a totally different purpose from Th1 in Fig. 1. In this circuit both thyristors - Th1, and Th2 which replaces Tr1 in Fig. 1 - are switched at line frequency. Th1 is used as an electronic fuse, since with no

drive the h.t. supply is removed. It also provides the slow-start action. Th2 provides the regulation.

Th2 is switched on during the line scan period, being switched off by the line flyback pulse which is coupled to it via the transformer. As Salora point out, this is a much more economical way of switching it off than the method used to switch off the scan thyristor in thyristor line output circuits. Th2 is in fact being used as a chopper, with the shunt diode D1 providing an efficiency diode action.

The scan/e.h.t. side of the circuit is entirely conventional. Energy saving is achieved since there is no electrical connection between the h.t. supply provided by the thyristors and the line output stage, power transference being via the magnetic fields produced by the current pulses flowing in winding 1-2 of the transformer. This minimises the dissipation in the set.

The control circuit that drives the thyristors is mainly contained in a 28-pin thick-film hybrid i.c. (type LF0015) developed and manufactured by Salora. In addition to driving the thyristors, it controls the soft-start, electronic fusing and voltage limiting functions.

Fig. 3 shows the mains isolation arrangements in greater detail. The drives to both thyristors are transformer coupled, while a further transformer (MM1) feeds a second bridge rectifier from which the start-up supplies are obtained. A further feed, via DB38, supplies a sample proportional to the mains voltage to the control circuit.

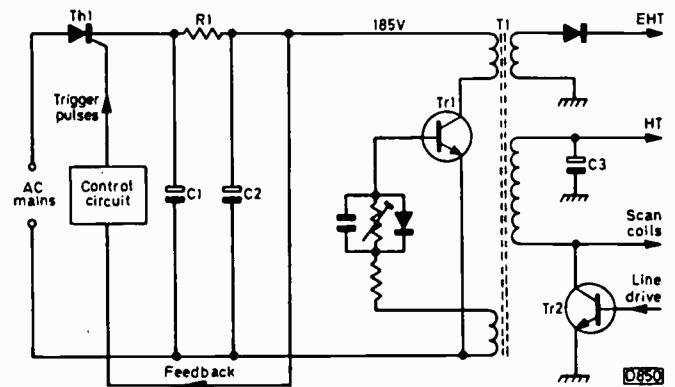


Fig. 1: Circuit suggested by Siemens for use in large-screen monochrome sets to give mains isolation and low power consumption.

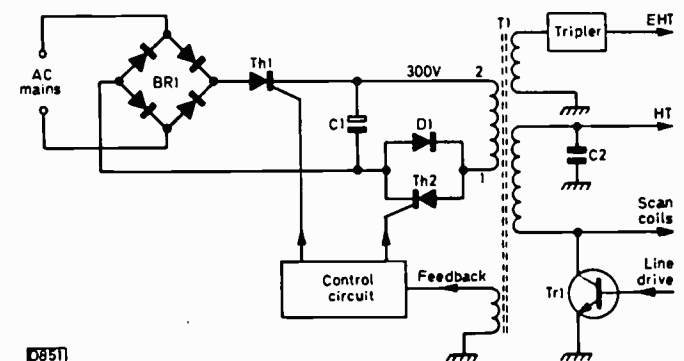


Fig. 2: Basic Ipsalo circuit used in the Salora G chassis, again giving mains isolation with low power consumption.

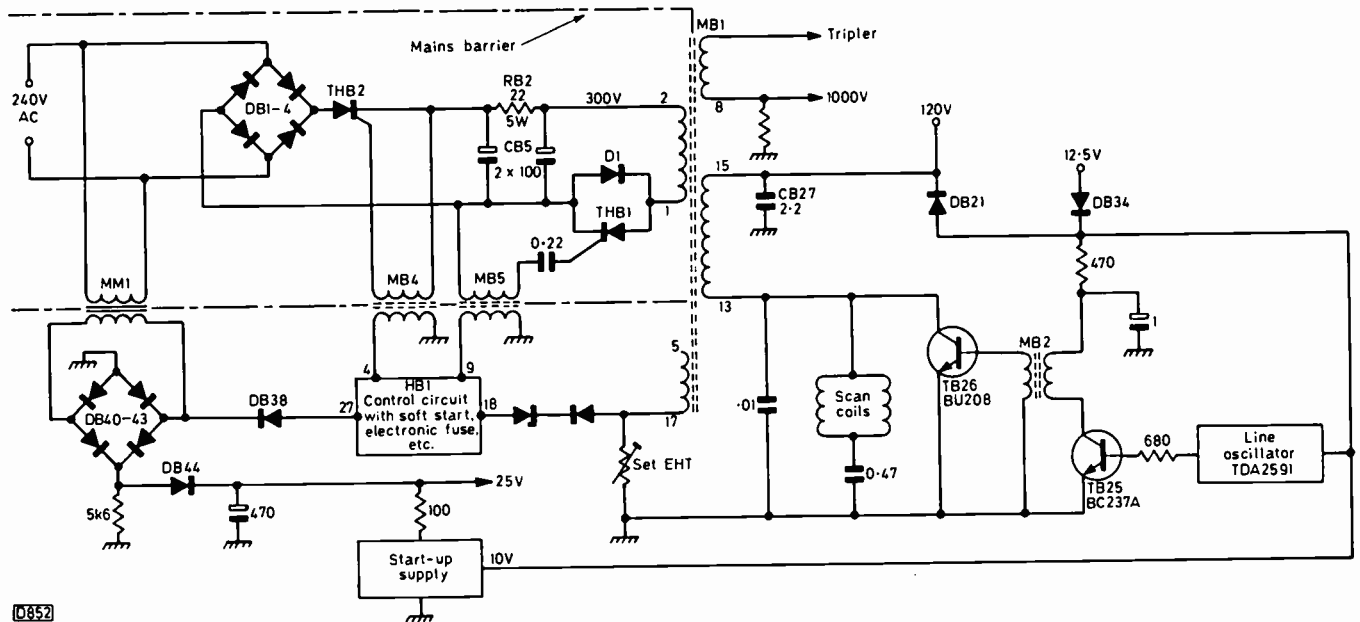


Fig. 3: The Ipsala arrangement in greater detail, showing the mains barrier system and the start-up feeds.

The sample pulse for regulation purposes comes from winding 5-17 on the combined power supply/line output transformer. If the amplitude on the sample pulse rises, the switch-on time of the regulator thyristor THB1 is delayed, thus stabilising the width, the e.h.t. voltage and the various d.c. supplies obtained from the transformer.

The drive to THB2 is removed should the voltage on the 20V or 28V rails rise excessively, thus shutting down the receiver's supply. If the over-voltage condition is transient, the circuit starts up again quickly, restoring normal operation. If there's a definite fault condition however THB2 remains cut-off. ■

# Suffer Little Children

Les Lawry-Johns

I'M often accused of being hard on old ladies. This isn't true. The reason I seem to come into contact with so many of them is that I'm soft when it comes to charging them a realistic amount for the job. This is fatal, because the word gets around and before you can say Jack the Ripper you have a whole host of elderly female customers and precious little in the bank. It's children that have been giving me a hard time lately however.

I was feeling rather shattered the other afternoon, having left a house where they kept a horse in the same room as the TV ... Arriving at the vicarage I thought I'd be in for a quiet few minutes at least. No such luck.

The vicar's wife opened the door. "It's the black and white set in the kitchen. It blew up at lunchtime."

In the kitchen stood a good old, reliable 20in. Philips G20T300. "It keeps the children quiet at mealtimes" she said.

I suppose the fact that it was out of action explains why all hell was breaking loose as the two young children fought, with earsplitting screams, to get their hands in my toolbox. The little girl was about two and was the younger. This may have accounted for her ability to scream far louder than her brother who, being a year older, would have been the boss if his sister hadn't been gifted with a tremendous pair of lungs to offset the age difference. I immediately joined battle with the little girl and attempted to wrest the 4BA nutspinner from her. Both of them objected to this, and the screaming assumed 100dB proportions.

During this time their mother calmly stood and explained something to me. I haven't the faintest idea what it was, as all I could see was her mouth opening and closing. In the end I gained control of the nutspinner by giving the little girl my penlight torch. Her brother then wanted it.

I looked round for aid. There wasn't any. The vicar's wife had left me to it and was busy answering the phone. How she could hear anything above the tumult I just don't know.

I removed the set's back cover and put the screws on the table next to it. The little girl grabbed the screws and ran off, hotly pursued by her brother, to where their mother still chatted on the phone despite the screams as the girl tripped over and her brother tumbled on top of her. I decided to take a leaf out of the mother's book and ignored the noise.

The PCL82's cathode decoupler had exploded and deposited its innards all over the place. I presumed that this was due to the usual PCL82 trouble - it runs into grid current, burns out its cathode bias resistor and leaves the decoupling capacitor to take the strain of the high cathode voltage. So I carefully brushed out the area, fitted a new PCL82, and laid underneath the set to unsolder the resistor and capacitor. It was while I was in this vulnerable position that the little angels returned to look at the funny man stretched out under their set.

"Wha dat?" enquired the boy.

"I'm trying to mend your TV set" I confided.

"Wha dat?" he repeated. "When BANG!"

At this the little girl burst out crying and ran screaming to her mother. "Man make telly go bang." By this time I'd

fitted the 470Ω resistor and was about to fit the electrolytic when the boy again said "when BANG". So I decided not to fit the capacitor until I'd checked the cathode voltage. I switched the set on and waited for the sound to come through, but the bias resistor started to smoke as the voltage across it soared over the 40V mark.

Scramble out to turn the set off. "Wha dat?" enquired the infant.

"Be quiet" I bullied as panic took over. The type of control grid coupling capacitor fitted in this chassis doesn't leak, so what else? I connected the meter to the control grid and switched on. Nothing till the PCL82 warmed up, then a very slight reading which vanished when I took out the valve. Faulty PCL82?

I just happened to have another, so in it went. The cathode resistor started to smoke again, something it hadn't done when the meter had been connected to the control grid. Wait a minute.

It was difficult to wait a minute, because both kids were now kicking up merry hell quarrelling about who was going to stand on my meter. I snatched up the meter and the tears flowed again. The vicar's wife picked up the little girl and her screams took on a new urgency. She didn't want to lose sight of the meter.

I gave up the battle and brought the set back to the peace and quiet of the shop where only grown ups shout and bawl about. In two minutes I'd found the cause of the trouble – a crack across the track from the control grid to the ferrite bead. This left the control grid floating. Having repaired this and fitted an electrolytic the cathode voltage remained just under 20V. We returned the set to the vicarage. "Wha dat" said the little boy . . .

### **Blue Angel**

I love little girls. Well most of them. Except one that is. She was six years old and sat as quiet as a mouse. Good as gold she was. Sitting there whilst I repaired the Philips G11. It only wanted a new 0.9μF scan-correction capacitor. We always carry these with us and it was no trouble to fit. Before refitting the back cover I leaned over and switched the set on. Not a lot happened so I switched it off and it burst into life. A nice bright picture appeared, with normal sound. I reached for the back cover and the sound faded out. Put the back cover down and prepare to do battle. The sound then came up normal and stayed there. Glance over the top and find the brightness well down. As I looked on it came up brighter and brighter. Then the colour practically faded away to give a black and white picture.

Suddenly I knew it was time to finish with the whole game. It was all too much for a simple soul like me. I walked round to the front of the set and it was then that I saw the red light come on at the top right corner. The penny dropped, and I pointed a finger at the little angel who, to her credit, had sat there the whole time without appearing to move a muscle or even smile.

"You" I said. And she burst out laughing. "Wait till I tell dad. He said you were clever but I knew I could fool you." She had the remote control unit tucked up beside her and had moved only one finger to operate the brightness, colour and sound. It had merged perfectly with her dark blue dress. Horror.

### **Out of the Mouths . . .**

I'd just finished the Pye hybrid set, after spending many hours patiently putting right a seemingly endless number of minor faults, most of which appeared to have resulted from

eager little fingers rather than component failure, when this very small boy came in. He looked at a point about two feet over my head and addressed me.

"Have you done our telly?"

"Which one?"

"This one."

"Yes, I've just finished it. Are you going to take it?"

"My uncle will come for it when the little hand is on the six and the big hand is on the three. Have you done it properly this time?"

"If you didn't fiddle around with it so much it wouldn't need resetting every few months."

"I don't fiddle. My uncle fiddles when we go to bed at night, and when we wake up the telly doesn't work."

"I'll talk to your uncle when he comes for it."

I did, but it didn't do much good because he'd also been up on the roof and moved the aerial around. So when he got the set home he still couldn't get a clear picture. The result of this was that the small boy turned up next morning and looked at my left ear.

"You didn't do our set nicely."

"Yes I did. I did it very nicely."

"You come to our house and do it again because when I woke up this morning it wasn't very nice and my mother is not pleased." Eventually I did go to their house. The aerial was the only one in the road pointing north-west, where there's no transmitter.

### **Foiled Again**

"Our set's gone wrong again" said the woman on the phone. "My husband brought it down to you a couple of months ago and the same thing's happened again. He can't bring it down this time. You'll have to come up." Roughly translated, this meant that the set had gone wrong, they wanted it repaired for nothing and they also wanted a house call for which they didn't want to pay.

For the life of me I couldn't remember a thing about the set. So I called at the house on the way back from another job. The set was a Decca 10 series one (hybrid colour chassis), so I could have done it. But I'd looked through the records for the last few months and couldn't find any mention of a Mr. Twister. I conserved my ammunition however until I'd found out just what was wrong.

The set appeared to be dead except for the tube heaters. This to me meant that the supply was present and there was probably an open-circuit in the heater chain. Checks showed that there was no h.t. either however. As a matter of fact there were no signs of life at all in the set – except at the on/off switch, and those tube heaters.

My mind went blank when I checked again at the mains transformer and found no life there at all. I was about to commit hari-kari when I noticed the heater isolating transformer, fitted so neatly that it escaped attention – so neatly fitted by me some two years earlier. So this was the "recent" repair.

I checked for h.t. shorts and couldn't find any, so I pressed in the thermal cut-out button. The valves then started to warm up. The sound hissed into life, and a nasty fizzing sound came from the right-hand side. I was just in time to see the tripler case arcing to chassis before the thermal trip cut out and the set went dead . . . except for the tube heaters of course.

I'd just finished fitting a new tripler unit when Mr. Twister arrived. I showed him the faulty unit.

"Ah yes, that's what you fitted last time."

"Oh no it bloody wasn't."

I'd rather deal with kids.

ARE YOU IN THE DARK?  
...ABOUT OUR



## COLOUR T.V. PANEL EXCHANGE REPAIR SERVICE

FULL RANGE OF  
THORN · RBM · PHILIPS  
PYE · INVICTA · GEC  
DECCA · TELPRO  
AND MANY OTHER MAKES

90 DAY GUARANTEE ON ALL REPAIRS  
SAME DAY POSTAL SERVICE

We employ a large skilled Staff, who utilise some of the most sophisticated Test equipment available, inclusive of AUTOMATIC FAULT FINDING COMPUTERS together with specially designed SERVICING JIGS which in short means to you :-

HIGH QUALITY REPAIRS - AT LOW COST



ONE OFF  
OR



100 OFF · NO ORDER TOO  
LARGE OR SMALL

SEND FOR PRICE LIST

SEND FOR CATALOGUE  
BLOCK DISCOUNTS FOR TRADE CONTRACTS

TO

**Campbell Electronics Ltd.**

Factory Unit E5, Halesfield 23, Telford Shropshire TF7 4QX  
Telephone: Telford (0952) 584373. Ext. 2. Telex 35191 Chamcon

# LOOK!

Phone: LUTON  
BEDS. 38716

## OPPORTUNITIES TRADE SALES

ALL SETS GUARANTEED  
COMPLETE

OVER SIX HUNDRED SETS

ALWAYS IN STOCK

Pye 20T, Philips G8;

Ferguson 3-3k5

Murphy, Bush, Decca, GEC

All from

£35.00 £50.00

Square Screen, Mono's from

£5.00 ALL MODELS

Sets for spares from

£2.00

All include VAT

## OPPORTUNITIES

9A, Chapel Street, Luton, Beds.

LUTON 38716

9.30-6.00 p.m. Weekdays, 10.30-1.00 p.m. Sundays.

# Technical Training in Radio, Television and Electronics

Start training TODAY and make sure you are qualified to take advantage of the many opportunities open to trained people. ICS can further your technical knowledge and provide the specialist training so essential to success.

ICS, the world's most experienced home study college has helped thousands of people to move up into higher paid jobs - and they can do the same for you.

Fill in the coupon below and find out how!

**There is a wide range of courses to choose from, including:**

### City and Guilds Certificates:-

Telecommunications Technicians,  
Radio, TV and Electronics Technicians,  
Electrical Installation Work,  
Technical Communications,  
Radio Amateur,  
MPT General Radio Communications  
Certificate.

### Diploma Courses:-

Electronic Engineering,  
Electrical Engineering,  
Computer Engineering,  
Radio, TV, Audio Engineering, Servicing and  
Maintenance. (inc. Colour TV)  
New Self-Build Radio Courses with Free Kits.

### Colour TV Servicing

Technicians trained in TV Servicing are in constant demand. Learn all the techniques you need to service Colour and Mono TV sets through new home study courses which are approved by a leading manufacturer.

### The ICS Guarantee

If you are studying for an examination, ICS will guarantee coaching until you are successful - at no extra cost.

POST OR PHONE TODAY FOR FREE BOOKLET.

I am interested in.....

Name .....

Address.....

..... Phone No: .....

**ICS** International Correspondence Schools,  
Dept. Y285, Intertext House,  
LONDON SW8 4UJ. Tel 622 991:  
(all hours)

# CAMPBELL

## ELECTRONICS Limited

Unit E5, Halesfield 23  
 Telford, Salop  
 TF7 4QX  
 Tel: Telford (STD 0952)  
 585799/584373  
 Telegrams: CAMELEC  
 Telex: CHAMCOM 35191

DISTRIBUTORS OF SPECIALIST SPARES TO RADIO & TELEVISION SERVICE DEPTS; NATIONWIDE

# Your source to better components

ITEMS SHOWN WITH \* INDICATES THESE ARE SOLD IN PACKS OF 5

TRANSISTORS																							
AC127	54	AF239	1.00	BC119	49	BC173	19*	BC547	14*	BD150B	1.75	BF123	29	BF222	29	BF450	52	BU111Y	3.18	R1038	2.72	TIP126	78
AC128	58	AF295S	1.15	BC125	20*	BC178	26*	BC548	14*	BD150C	1.09	BF154	25*	BF224	35*	BF458	52	BU126	2.10	R1039	2.74	TIP127	149
AC141	68	AL102	2.90	BC126	20*	BC179	28	BC549	19*	BD163	97	BF156	55	BF240	29*	BF459	62	BU204	1.79	R2008	2.89	TIP205S	64
AC142	68	AL103	2.80	BC136	23*	BC182L	14*	BCX31	30	BD166	61	BF158	39*	BF241	29*	BF441	43	BU205	2.53	R2009	2.52	TIP243	38
AC153	57	AU103	2.80	BC138	20*	BC183L	14*	BCX32	29*	BD181	103	BF160	59	BF255	34*	BF452	41	BU206	2.76	R2010	2.89	TIS90	35
AC176	59	AU106	3.56	BC137	20*	BC184L	14*	BCX33	29*	BD182	104	BF162	48	BF256	82	BF462	40	BU208	2.88	R2029	2.45	TIS91	35*
AC187	68	AU107	2.74	BC139	39*	BC186	39	BCX34	35	BD183	104	BF173	80	BF257	49	BF442	51	BU208/02	2.98	R2303	2.65	TIS92	46
AC188	68	AU108	2.74	BC140	39	BC187	33*	BCX36	35	BD187	87	BF177	80	BF258	49	BF447	61	BU208	2.76	R2305	2.81	TIX300	15*
AD149	1.64	AU110	2.90	BC141	38	BC212L	15*	BCY70	25*	BD201	76	BF178	35*	BF259	49	BF449	80	BU407	3.72	R2306	3.98	ZTX500	17*
AD161	7.5	AU111	2.90	BC142	39	BC217	16*	BCY71	34*	BD222	46	BF179	49	BF262	64	BF429	49	E1222	46	R2306	1.12	40636	140
AD162	1.03	AU112	2.90	BC143	39	BC218	16*	BCY72	25*	BD225	57	BF180	49	BF263	68	BF438	49	ME8001	3.5	R2540	3.39	2N697	35*
AF115	1.04	AU113	3.05	BC147	15*	BC23	19*	BD115	81	BD232	63	BF181	59	BF271	49	BF435	43	MJE340	77	TIP29	55	2N2905	39
AF116	1.04	BC107	1.71	BC148	11*	BC238	17*	BD116	98	BD233	63	BF182	50	BF273	20*	BF438	49	MJE520	71	TIP30	77	2N3053	28
AF117	1.04	BC107	1.71	BC149	15*	BC239	15*	BD131	80	BD234	80	BF183	50	BF274	27*	BF450	49	MJE2955	1.74	TIP31	37	2N3055	77
AF118	1.38	BC106	1.8*	BC153	20*	BC307	19*	BD132	72	BD237	76	BF184	49	BF324	57*	BF451	50*	MJE3055	1.03	TIP32	41	2N3703	16*
AF125	59	BC108	1.8*	BC154	20*	BC327	22*	BD133	69	BD238	87	BF185	49	BF336	49	BF452	50*	OC28	3.17	TIP33	62	2N3704	26*
AF126	61	BC113	2.0*	BC157	16*	BC327	22*	BD135	58	BD235	103	BF194	19*	BF337	49	BF453	1.19	OC35	2.55	TIP34	63	2N3705	15*
AF127	1.04	BC114	1.8*	BC158	15*	BC338	17*	BD136	58	BD237	75	BF195	19*	BF338	49	BF454	82	OC36	2.63	TIP41	47	2N3707	19*
AF139	86	BC115	2.3*	BC159	16*	BC384LC	29	BD140	58	BD506	77	BF196	19*	BF335	80	BF455	35	OC44	5.2	TIP42	50	2N5296	91
AF178	2.04	BC116	2.0*	BC160	39	BC461	35	BD144	2.49	BD510	65	BF197	19*	BF362	62	BU105-01	1.84	OC45	5.8	TIP42	50	2N5298	103
AF180	2.12	BC117	1.9*	BC170B	27	BC462	75	BD150A	94	BDX32	2.86	BF198	28*	BF363	62	BU105-02	1.84	OC71	63	TIP112	1.09	2N5496	78
AF181	2.14	BC118	3.3*	BC171	17*	BC463	75	BF115	59	BF199	25*	BF422	62	BF422	62	BU108	2.38	OC72	63	TIP117	1.37	Z5C1172Y	3.88
				BC172	19*	BC463	75	BF121	29	BF200	38	BF423	68	BU110	3.89	OC76	46	TIP121	78				

### THYRISTORS, SILICON SWITCHES, DIACS

BF142	51	BT109	1.58
BR100	29*	BT116	1.70
BR101	42*	BT119	4.43
BR4443	95	BT120	4.45
BRY39	60	CI060	7.3
BT106	1.31	OT112	2.00
BT108	1.71	TIC46	5.4*

### BRIDGE RECTIFIERS

B40	1.11		
BY164	5.6	KBS01	97
BY179	83	W02	39
BYW21	2.58	W04	35
BYW24	3.05	W06	85
BYW51	4.09	BR1	34
BYW62	4.18	BR2	49
BYW64	5.24	BR3	57
ITT3CD	5.0	BR4	56

### DIODES AND RECTIFIERS

AA112	18*	BA115	14*	BAX16	18*	BY206	20*	BYX10	18	IN4007	10*
AA116	18*	BA145	21*	BY126	13*	BY207	26*	AA47	12*	IN4148	04*
AA117	17*	BA155	14*	BY127	13*	BY210/400	33	OA91	12*	IN4448	23*
AA119	10*	BA156	12*	BY133	21*	BY210/800	42	IN4001	08*	IN5401	18*
AA143	13*	BA202	12*	BY176	2.04	BY227	36	IN4002	06*	IN5404	21*
AA144	09*	BA219	12*	BY182	1.15	BY251	36	IN4003	06*	IN5408	27*
AV102	2.03	BA315	27	BY184	58	BY255	35	IN4004	06*	ITT44	05*
AV106	1.88	BA317	31	BY187	93	BY298	66	IN4005	06*	ITT2002	25*
BA102	48	BAX13	05*	BY199	39	BY299	69	IN4006	09*		

### VALVES

DY802	85	PCL82	88
ECC82	66	PCL84	94
ECL80	69	PCL85	102
EF80	80	PCL86	115
EF183	77	PF1200	105
EF184	74	PL36	119
PC86	102	PL504	126
PC88	101	PL508	184
PC900	92	PL509	299
PCC189	89	PL519	342
PCF80	68	PCL802	322
PCF86	112	PY88	86
PCF200	230	PY800	1.85
PCF801	149	PY800	98
PCF802	94		

### INTEGRATED CIRCUITS

BRCM200	4.41	SN16348N	2.62	TBA641B11	3.71
BRCM300	4.51	SN16351NG	2.62	TBA651	3.92
BRCL330	1.05	SN72723L	2.21	TBA673	2.88
BT7822	6.88	SN78003N	2.20	TBA690	3.76
BT76018	2.59	SN78013N	1.70	TBA700	2.12
C500	3.53	SN78013ND	1.97	TBA720A	3.48
CA2704E	3.70	SN78023N	1.61	TBA750	2.01
CA2708E	3.56	SN78023DN	1.98	TBA800	2.30
CA505	1.72	SN78033N	1.94	TBA810AS	2.93
CA758E	4.50	SN78110N	2.11	TBA810S	2.93
CA9204E	2.58	SN78226DN	2.58	TBA820	1.96
CA2121	2.38	SN78227N	2.21	TBA890	5.20
CA3089E	4.56	SN78228N	2.43	TBA920	3.01
CA3090U	1.98	SN78530P	1.94	TBA940	4.08
ETT6016	2.30	SN78532N	2.33	TBA9502A	2.61
ETT6016	2.90	SN78533N	2.54	TBA970	5.40
LM1351	2.08	SN78544N	1.85	TBA990	3.33
LM1370	2.34	SN78546N	3.81	TBA1440G	4.39
MC1307P	2.62	SN78666E	1.67	TBA1441	4.39
MC1310P	2.20	TAA350A	1.72	TCA270	2.32
MC1327AP	3.53	TAA550A	31	TCA270S	5.40
MC1327P	1.56	TAA550B	31	TCA440	2.81
MC1330P	0.85	TAA550C	31	TCA640	3.92
MC1349P	2.28	TAA570	2.16	TCA650	4.25
MC1351P	2.08	TAA591	3.65	TCA730	4.61
MC1352P	1.64	TAA630S	5.18	TCA750	3.20
MC1358P	1.77	TAA661B	3.47	TCA800	3.58
MC7724CP	1.89	TAA700	5.16	TCA820	3.00
ML237B	2.59	TBA231	1.70	TCA900	1.95
SAA570	2.61	TBA240A	6.17	TCA910	1.96
SAA700	5.16	TBA395	4.41	TCA940	1.95
SAS580S	2.36	TBA396	3.88	TCE100P	4.68
SAS570S	2.38	TBA440C	4.37	TDA440	4.35
SAS580	3.68	TBA440N	2.54	TDA440N	4.35
SAS590	3.88	TBA480	2.30	TDA1170	3.33
SAS660	4.50	TBA500	3.47	TDA1412	5.03
SAS670	4.50	TBA510	3.47	TDA2527	5.52
SC9503P	1.80	TBA520	2.55	TDA2530	3.83
SC9504P	1.95	TBA530	2.38	TDA2560	4.79
SC9506P	3.55	TBA540	2.94	TDA2590	3.54
SL437F	7.91	TBA550	3.15	TDA2600	3.86
SL9018	5.24	TBA560C	3.10	TDA3950	3.39
SL917B	7.39	TBA570	2.35	ZTK33A	9.90
SL918A	7.91	TBA641A12	3.51		

## QUALITY COLOUR TELEVISIONS TESTED AND WORKING

Large quantities of most makes of top quality CTV's always available and at very competitive prices. Any quantity considered for delivery. Telephone now Telford (0952) 585799 for prices.

Personal callers welcome 9am-5pm Mon-Fri at our warehouse on Halesfield 23, Telford, Shropshire, where these sets can be seen working in our display area. Also available trolley stands to suit most makes.

### REPLACEMENT T.V. ELECTROLYTICS

TCE 1400		RR1	
150 - 100 - 100 - 100 - 150 - 325v	3.18	300 - 300 - 300v	2.87
TCE 1500		RR1	
150 - 100 - 150 - 300v	2.21	2500 - 2500 - 30v	1.43
TCE 950		RR1	
100 - 300 - 100 - 18 - 300v	2.01	600 - 300v	1.96
TCE 3000/3500		PYE	
175 - 100 - 100 - 350v	2.43	200 - 300 - 100 - 32 - 350v	3.97
TCE 8000		TCE	
1000 - 63v	.75	150 - 200 - 200 - 300v	2.78
TCE 8000		K.B.	
700 - 250v	1.55	200 - 200 - 200 - 50 - 300v	3.04
DECCA		PYE	
400 - 400 - 350v	2.38	200 - 200 - 75 - 25 - 300v	2.93
DECCA		PYE	
200 - 200 - 100 - 300v	2.65	300 - 800 - 250v	2.24
RR1/11T		RR1	
200 - 400v	1.87	470 - 470 - 250v	2.85
200 - 300 - 350v	2.58	GEC	
GEC		GEC	
200 - 200 - 150 - 50 - 300v	3.79	300 - 300 - 100 - 50 - 150 - 375v	5.92
		GEC	
		1000 - 2000 - 35v	1.38

### VARICAP TUNERS, DELAY LINES, CRYSTALS, etc.

ELC 1043 05	8.51
ELC 1043 06	8.51
U321 (Philips G11)	12.53
Delay Line DL50	2.00
Delay Line DL60	2.87
Luminance Delay Line For TBA560	3.04
Transducer AT4041/37	2.41
Linearity Coil AT4042/02	1.43
Linearity Coil AT4042/04	1.43
Colour Crystal 4.433619 M Hz	1.69



# Components for TV

Part 3

Harold Peters

## WOUND COMPONENTS

COILS or, to use a better word, inductances are dying out in TV applications: soon only the deflection coils will remain. Until then however we shall have to live and work with the wound products to be found within a TV set, and because they are the bits that most people fight shy of we'll try to keep our text fairly simple – realising that Henry might well turn in his grave.

Coils can be classified by weight into heavy, medium and light items. The heavies comprise the scan coils, line output transformer, mains choke and the transformer used in the switch-mode power supply. You could also include the bench isolating transformer. Medium weight items include the line driver transformer, shift, linearity and width coils, convergence assemblies and the ident coil used in discrete component colour decoders. The featherweights consist of i.f. and tuner coils, chroma bandpass and delay compensators, r.f. chokes etc. – a more numerous collection to make up for their lack of bulk!

### WIRE

They all use wire, and to understand them at all one golden rule about winding must be stated here and now: the more you bend a copper wire, the harder it is to wind it. So let's start by taking a look at copper wire and how it's made.

Insulated copper wire is made by drawing out a hot copper rod into a fine filament (see Fig. 12), coating it with an insulating varnish, and then putting it on to or in a drum for transit. For modern wires the insulant is polyurethane varnish.

Drawn copper wire is soft and pliant. Once bent however it becomes brittle and springy. In the pliant state it lays well when being wound. When it has become springy it's harder to lay evenly and tends to argue with the machine. Later, when the time comes to take the ends off, it tends to argue with the operator. Thus the best coils come from wire wound on large diameter spools that unspool without tension. Transferring wire from a big spool to little ones makes it more springy. In fact the wire that's been subjected to the least processing lays best. Brittle wire can be softened only by annealing with heat.

The basic method of drawing wire is to pass a hot copper rod through a series of dies of decreasing diameter. The wire gets longer and thinner all the time, and is eventually coated with the insulating varnish and spooled up. To do this without introducing springiness involves having a good long wire drawing area. If the manufacturer has not got the required space, he folds the process up – see Fig. 12(b) – by passing the wire around a series of increasing diameter pulleys instead, thus stretching it out. This will make it springy of course, so the wire needs to be annealed prior to spooling. A simple and reliable way to control this process is to use a varnish which discolours with heat, monitoring the shade of the finished wire. Wires made like this are usually of a marmalade colour. If it's necessary to colour code the wire, for example when the wire is to be used for bifilar windings, only straight drawn wire will do.

The after-treatment of wire may consist of lubrication or coating it with a second layer of insulation. If the latter is something like cellulose acetate, "bond" wire is produced. This can be treated after winding with acetone or by heating by means of a current passed through the wire, producing a solidified winding which needs no supporting former. Lubricated wires have a greasy look (like a worn LP) and a greasy feel. Their applications are limited, as the lubricant can in bulk production very soon clog up a winding machine, spoil the lay, or dry-joint the termination.

### Stranded Wire

Wire is stranded to make it flexible. This property has little merit in winding however, because when you terminate a stranded wire by soldering it you make it into a single conductor again, just at the point where the wire usually breaks anyway. If on the other hand the individual strands are individually varnished to insulate them one from another, the resultant wire will have superior h.f. properties – because the total surface area of the wire is increased. As we should know, h.f. signals travel along the surface of wires. This unfortunately results in expensive wire which doesn't look too good when wound.

### WINDINGS

There's a "chicken-egg" situation with respect to winding machines, bobbins and cores on the one hand and types of winding on the other – to understand the latter you are assumed to know a little about the former and vice versa. Windings are more interesting than the machines etc., so we'll begin with them.

### Single-layer Windings

The single-layer winding (see Fig. 13) is the simplest of all windings – a few turns of wire on a plastic former with an adjustable dust core. Just the thing to put with one of our low K ceramics (see Part 2) to tune through the i.f. band.

The  $Q$  or circuit magnification ("goodness" if you prefer) is related to the diameter of the wire, and varies with the signal frequency – the higher the frequency, the closer the

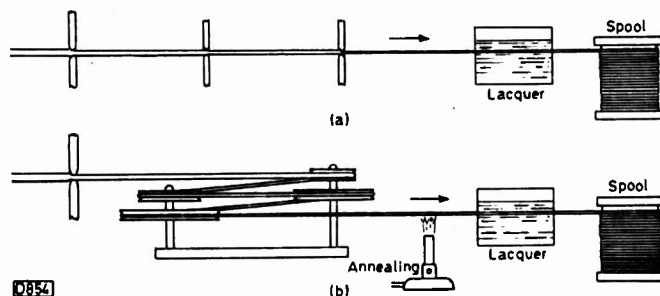


Fig. 12: Drawing wire. (a) From a copper rod, the wire is drawn through progressively thinner dies, then coated with insulant and spooled. (b) If space is limited, the wire is drawn by passing it around pulleys of increasing diameter. Because this bends the wire, it becomes springy and has to be annealed.

signal travels to the skin of the wire. As previously explained, you can increase the  $Q$  by using stranded insulated wire.

An iron dust core will change the inductance of a coil on a ratio of about 2:1. (A delay line driver coil will tune from  $15\mu\text{H}$  to  $8\mu\text{H}$  core in to core out.) Using a ferrite core in place of an iron dust core increases the ratio to 3:1, but the range of usable frequencies is limited to about 7MHz. The  $Q$  is normally stated at the frequency of use, as tuning varies the  $Q$  as well as the inductance.

A well designed coil will be on tune with the core halfway between the maximum and minimum settings – at this point the core should have its trimming slot flush with the top of the former/can. This condition permits maximum adjustability either way. To get the greatest tuning range, the core should be about half as long again as the winding. Maximum inductance then occurs when the core is protruding equally from the top and bottom of the winding. The tuning is likely to be sharp, but you can't have it all ways. To obtain a finer adjustment, space out the turns of wire along the former or reduce the  $Q$  by adding a damping resistor in the circuit or using a shorter core. Each of these techniques drastically reduces the tuning range.

There are often two tuning points on a coil – with the core coming out at the top or bottom. If the coil is mounted on a printed circuit board the top and bottom tuning points will each have a different  $Q$ . This is due to the damping effect of the copper tracks on the board – these behave like a shorted turn. In the lower position the core couples this shorted turn into the coil, damping its  $Q$  and increasing the leakage inductance.

Windings must be held rigidly on the former to prevent the inductance changing in use or when disturbed. To prevent movement you can fill the bobbin with wire, use bond wire, or apply an adhesive varnish. Avoid the temptation to make the winding rigid by binding it very tightly on the former. This is fraught with problems: expansion and contraction in use will loosen the winding in the end, and the wasp waist you've imparted to the coil former will certainly jam the core.

### Non-tunable Windings

Non-tunable, single-layer windings are frequently used as chokes to decouple r.f. and i.f. stages. For economy they are usually self-supporting or wound directly on to a ferrite rod and fixed with glue or varnish. Quite a wide variation in tolerance was accepted with these types of coil until recent times – better control of core material now makes it possible to wind such coils repeatedly with consistent

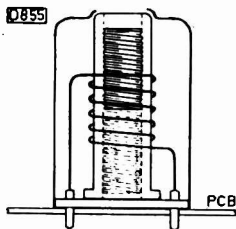


Fig. 13: A single-layer coil. The greatest tuning range is obtained when the core is one and a half times as long as the winding. Ideally, the coil should be on tune when the core is half-way into the winding – the top of the core is then usually flush with the top of the can. There will be a second tuning point at the bottom of the can: it may have a different  $Q$  because of the damping effect of the PCB.

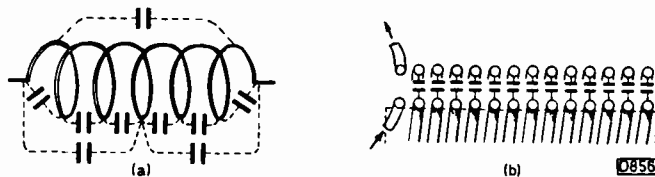


Fig. 14: (a) The self-capacitance of a single-layer coil – not a lot! (b) The self-capacitance of a layer winding – this time considerable.

accuracy. As a result there are now several ranges of precision fixed inductors. They look just like carbon film resistors, use the same colour code (reading microhenries for ohms) and carry the same IEC range of standard values. So be careful, and don't be fooled! Their consistency permits their use in broadly tuned applications such as the chroma input, delay line output, and stagger tuned i.f.s.

### Scramble Winding

The logical progression from a single-layer winding is to a scramble winding. In this the wire is allowed to pile up between the cheeks of a bobbin until the right number of turns has been put on. Although little conscious effort is applied to lay the wire evenly, it generally comes out level at the top, not bunched up at one cheek of the bobbin. The inductance of scramble windings is consistent with the number of turns, but the self-capacitance (see later) is variable and the possibility of short-circuited turns is high.

The latter occurs because of the pressure of the outer part of the winding on the turns lower down. Coil winders are aware of this problem of course, and carefully adjust the tension to produce consistently good windings. If you suspect shorted turns on a scramble winding, especially if the problem is intermittent, squeezing the winding during use (if safe) will cause visible detuning.

### Self-capacitance

Just as a capacitor has a certain amount of inductance, so a winding has a certain amount of capacitance. The layer of varnish on the wire can be regarded as the dielectric, together with any air trapped in the coil: the surface of the wire is the plate. See Fig. 14.

In a single-layer coil the self-capacitance is small in relation to the inductance, but in scramble and multilayer coils the self-capacitance becomes disproportionately high. Laying the wire back on itself can result in the leadout being very close to the start of the winding. This gives a high self-capacitance. Various methods of reducing a winding's self-capacitance will be described later on.

### Insulation

Also the voltage between adjacent turns becomes a hazard. For example, if an e.h.t. overwinding on a line output transformer had a "volts per turn" of around 20V (they usually contain 400 turns and give 8kV) and a scramble winding was used, it would be possible for two bits of the wire 80 turns apart to lay against each other. 80 turns at 20V per turn gives 1.6kV, which the insulation would have to withstand. It probably wouldn't. Flashover would occur, fusing the two wires together to produce a large number of short-circuit turns.

A "short-circuit turn", in case you're not familiar with this fault, absorbs much of the energy entering the coil, dissipating it in the bit of wire concerned in the form of heat

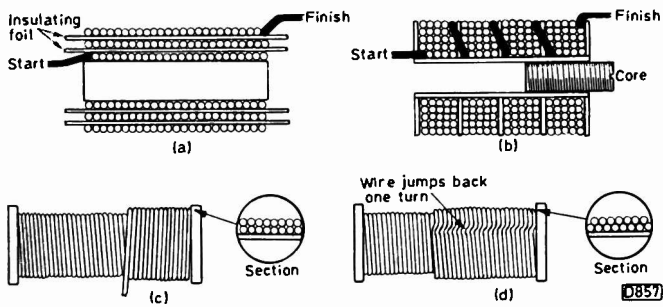


Fig. 15: Layer windings. (a) With insulation. (b) Toko style – by winding on a bobbin with many vertical cheeks, the inductance is maintained while the self-capacitance is reduced. (c) Layer winding without insulation. One layer lays from left to right, the next laying the other way: there's air between the layers and a chance of loose turns. (d) Orthocyclic winding. Subsequent layers drop into the spaces between the winding beneath: no air, no loose turns, and high inductance.

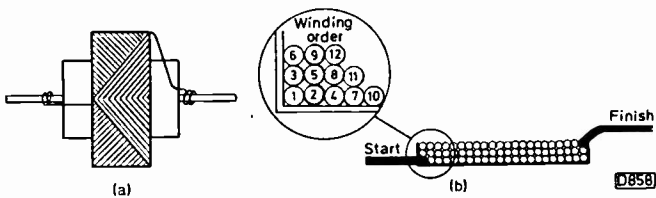


Fig. 16: (a) Wave-winding, the time-honoured method of reducing the self-capacitance of the winding: since no wire lays alongside another, there's little self-capacitance. (b) Semi-bank winding – using a slow traverse to get a "controlled scramble" effect. Wires lay alongside others at random, but the winding is very compact: the result is a coil a third the size of a wave-winding, with less self-capacitance.

(smoke, fire etc. . . .). Unless the wire is protected, the heat will eventually destroy the insulation of adjacent turns, spreading the damage throughout the winding.

In the e.h.t. overwinding example we've quoted there are 20V per turn, so if two adjacent turns short together they will have produced a secondary winding with an output of 20V and a resistance of say 1Ω. Ohm's law indicates that this combination will dissipate  $V^2/R$  or 400W – enough to catch the rest on fire.

Wire insulated with polyurethane varnish will withstand about 600V d.c., but it doesn't pay to rely solely on this. The varnish can crack when bent during winding, or there could be pinholes in the varnish caused by minute bubbles forming as the varnish is deposited.

### Insulated-layer Windings

If voltage problems are likely to arise, scramble windings are out. Instead we need insulated-layer windings (see Fig. 15). These are universally found in line output transformers, switch-mode transformers, line driver transformers, and the like.

After winding the first layer, the winding machine stops and an interleaving layer of dielectric material – usually plastic film – is wrapped over the winding. The second layer is then wound back over the first. This process is repeated until the winding is finished. The type of interleaving material used must suit the voltage which will be encountered in the application, and allowance must be made for pulses, spikes, and spurious waveforms. The interleaving must extend the full width of the former, and the windings should start and stop dead above each other and well within the interleaving, otherwise the end turn will fall down and short to the winding below.

The self-capacitance of interleaved-layer windings is

inherently high, but is much more consistent than a scramble winding. For this reason it's actually made use of in the modern diode-split type of line output transformer to provide the e.h.t. capacitors. A more recent variation in such transformers is to replace the wire with thin layers of metal foil. This gives even greater capacitance.

Where the self-capacitance must be kept low the thickness of the interleaving is increased. This puts more space into the winding, so its efficiency goes down, the leakage inductance goes up, and the power handling capability is small. In some line driver transformers the spacing is deliberately increased in order to avoid ringing effects on flyback transients.

### Layer Winding – Toko Style

An alternative method of keeping the self-capacitance down is to wind the coil in vertical layers, using a moulded bobbin with many intermediate cheeks. Slots are provided to permit the wire to hop from one gap to the next, and the wire needs to be guided accurately, since hopping to and fro between cheeks is not part of the game. This technique gives better efficiency. The ubiquitous Toko coil – see Fig. 15(b) – is a good example of this type of winding.

### Non-insulated Layer Windings

Where the turns per volt ratio is low, and insulation doesn't matter greatly, a winding can be layered without interleaving – see Fig. 15(c). The winding has to be tight and done on a machine with a traverse to ensure that it's evenly laid. Even so some air gets into the winding because if the wire travels from left to right on the bottom layer it will travel from right to left on the layer above. This will look like two threads in opposition, and there will form an air gap in between.

To get the most wire on to the bobbin, the upper layer can be dropped into the grooves of the layer beneath – see Fig. 15(d) – even if it seems to be going the wrong way. The upper wire "leans backwards" most of the time, and at one point in every turn it hops across from one groove into the next. This technique is called orthocyclic winding, and the skill in production lies in getting the point at which the wire hops over a turn to be a staggered progression throughout the entire winding. In this way very little air is trapped, and if the winding is then bonded an extremely efficient coil is produced. Orthocyclic windings are seldom found in TV, but there are applications in relay work and power transmission.

### Reducing Self-capacitance

Since the early days of the crystal set the traditional way of reducing the self-capacitance of a winding has been to criss-cross successive layers of the coil over the ones beneath (see Fig. 16). In this way no one turn ever lays alongside another turn for any length. Wave-winding, or cross-winding as it's sometimes called, traditionally uses wire which has been covered with a layer of cloth (silk, cotton, or acetate). The purpose of the cloth is to roughen the surface of the wire so that it will "hang on" to the winding below and stay rigid despite the reciprocation of the wire guides laying it in.

Modern polyurethane wire is too slippery, unless you make it sticky by passing it through a resin (colophony) solution during winding. This is a messy business at the best of times, and the winding still ends up fairly bulky and as inefficient as if you used cloth-covered wire.

The simplest way of producing a low-capacitance winding is to "semi-bank" it as a layer winding with a slow traverse. As the wire moves across the bobbin it runs up and down, trying to make three layers at once. For a given inductance such a winding uses very little wire, has a very high  $Q$ , and incredibly has less self-capacitance than a wave-winding of similar inductance.

To make a good wave-winding requires careful setting up of the machine. Even then it's slow to produce, so it pays to question the need to wave-wind from the very beginning. The reason might be simply that it was the only way the designer could think of getting his wire to stay on a plain former. If this is the case, scramble-wind on to a bobbin with cheeks and save time and wire.

### Bifilar Windings

You can't accurately make a small centre-tapped winding (the sort you need for the secondary of a delay line driver coil) by winding the same number of turns on top of a primary winding. It just doesn't balance. It's necessary to wind a bifilar coil (see Fig. 17). This consists of a pair of similar wires laid down side by side, with the centre tap made by joining the start of one winding to the finish of the other. Such a winding will be nicely balanced, with both sides of the tap having equal inductance – even with an adjusting core introduced through the centre.

For small quantity production, bifilar wire can be obtained. This is paired wire coated in dissimilar colours of varnish. Wire distinguished by using dissimilar conductors (e.g. plain and tinner copper) should not be used. It seldom balances at high frequencies.

In quantity production, two spools of dissimilar coloured wire are used. Care must be taken to terminate the windings correctly. It's so easy to take one winding forward to its terminating post, then take the other one backwards, thus producing a  $19\frac{1}{2} + 20\frac{1}{2}$  turns coil where  $20 + 20$  was intended.

### Printed Coils

Coils for i.f. and r.f. purposes can be printed on to the PCB in the form of a spiral (see Fig. 18). If an adjuster is needed, a screw-in core on a plastic former can pass through the middle. Otherwise the last turn can be extended by cutting out spokes with a sharp tool. Only low inductance values are practical, and although their inductance value is consistent the  $Q$  is variable due to the etching process altering the thickness of the conductors.

### Winding Machines

Most enthusiasts wind their coils on an ordinary hand drill. They will be comforted to know that the principle of even the most advanced winding machine is no different. The extra refinements are: a device for de-reeling the wire from the supply spool; a friction pad to offer uniform tension to the wire during winding – often with a built-in tension gauge; wire guide pulleys to feed the wire vertically on to the winding; a traversing mechanism to move the wire correctly across the bobbin – it can be made to reciprocate during wave-winding; and a turns counter – programmable to stop the machine after a certain number of turns has gone on.

In the conventional winding machine just described the work is rotated and the wire feed stays comparatively still. In quantity production a different technique is often used. It's called "fly-winding": the bobbin stays still, the wire

being spun round it on a rotating feed arm, rather like a lasso. This permits coil formers to be loaded on to a turret in a capstan winder, giving fully automated winding and terminating. Windings thus produced are no different from those produced conventionally – apart from bifilars. Here the two wires which make up the paired winding are fed in such a way that they cross over once every time the wire off the supply spool completes one turn. This gives an untidy look to the winding, but provided there are over 20 turns on the work it becomes an advantage rather than an impairment because the terminations become random, the self-capacitances are less, and the chance of making an unbalanced centre tap, as described above, is considerably reduced.

Degaussing coils need a winding technique all their own. Enthusiasts use a cycle wheel as a mandrel, professionals use machines as big as a room, fully automating the job. In between these extremes, some makers use a fly-winding technique.

There's even a machine that winds toroids, but we leave you to imagine how it does so.

### Formers and Bobbins

The various modern thermoplastics chosen for use as coil formers and bobbins are selected for economy coupled with serviceability.

Polycarbonate is the base of most i.f. coil formers. It's white, translucent, pliant, and usually comes with a number of spines inside the tube into which the core cuts its own thread. In i.f. applications it doesn't need to be heat resistant. Its two main disadvantages are that it is pliant, and under great winding tension will "wasp-waist" and jam the core; and secondly very little sticks to it. Polycarbonate seldom comes with a moulded on baseplate: it's more often provided with a separate one of tagged laminate.

Where something better is needed, nylon is used. This is more shiny in appearance than polycarbonate and is much tougher. It's still quite pliant. Frequently pigmented black, it can be moulded to include a baseplate and tags. It's frequently found in mains and sound output transformers.

Where heat is involved glass filled nylon is used. This can be worked in a similar fashion to ordinary nylon, but looks, feels and is a lot tougher. To be found in convergence adjusters, shift chokes, line drivers, etc.

When used as a convergence adjustment, it's usual to thread the tube of the moulding for the core, using a multistart thread (three or four start) to permit very rapid

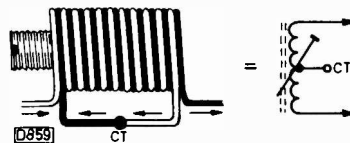


Fig. 17: Bifilar winding: to get a balanced, tunable centre-tapped winding, a pair of wires is wound and the start of one connected to the end of the other.

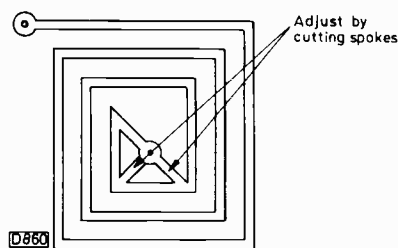


Fig. 18: A printed circuit coil.

movement of the core so that the movements on the raster are easier to observe.

### Core Material

There's not been much change in the core material used for a number of years. For low frequencies soft iron laminates are used, for medium frequencies ferrite cores, and for high frequencies iron dust cores. The advances there have been in recent years are mostly in the process control of the magnetic material so that there's less waste and the finished windings have a more consistent inductance and  $Q$ .

The aim of a core is to improve the  $Q$  of the coil by raising  $L$  (sic!) without raising  $R$ . Because of this, the efficiency of the core material is important.

### Losses

Core material suffers from two major losses. One is eddy current loss – when an electrical current is induced across the core itself from the winding. The other is hysteresis – the core material staying magnetised after a change of e.m.f. has caused a change of flux, so that energy is taken from the reverse change to demagnetise the core (see Fig. 19).

Eddy currents can be killed off by making the core material non-conductive. This is easy with ferrites and dust cores, as the ceramic binder is a good insulator anyway. Soft iron cores need laminating – that is to say, separating into thin vertical strips by means of thin layers of varnished paper, or even their own oxide layer. This makes the core continuous in the direction of the lines of force, but non-conductive crossways on, thus reducing any possible current flow.

Hysteresis only upsets a coil if the time taken to demagnetise the core is of the order of the frequency the thing is trying to handle. Soft iron laminates are o.k. for audio frequencies, ferrites are all right up to 7MHz, while iron dust cores should be used from there up.

### Construction

Ferrite and dust cores can be moulded to almost any reasonable shape, and you can usually spot the difference between them as ferrites are more brittle and shiny, with sharp edges, whilst iron dust has a crumbly look and feel to it. The difference is about the same as between a cup and a flower pot. Soft iron laminates are traditionally offered in the form of stampings shaped in pairs as E and I, or T and U (see Fig. 20), and are best fitted by alternately staggering each E (U) to enter from either end of the core, fitting the I (T) to the other. In bulk production they are often bunched

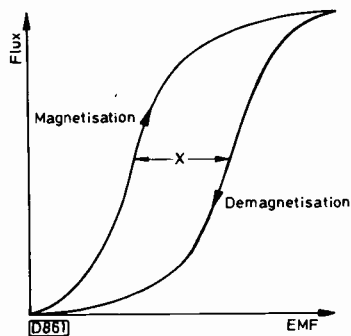


Fig. 19: Hysteresis: because of the time delay between the magnetisation and demagnetisation of the core material, there's an upper limit to the coil's frequency handling capability. The smaller the dimension  $X$ , the better the h.f. performance.

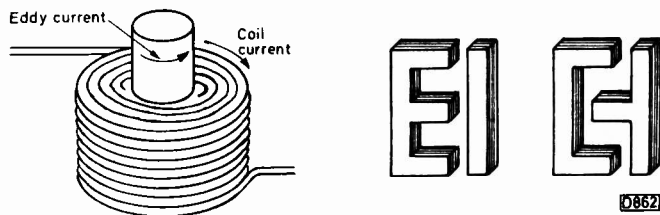


Fig. 20: Eddy currents. If the core is conductive, eddy currents will be induced, giving the effect of a shorted turn. Hence the need to laminate iron cores to reduce eddy current flow.

together for economy, but this more often than not leads to buzz problems. They must be securely clamped, and the last lamination must not be allowed to vibrate – by pushing a plastic wedge down the core, and/or by immersing in a varnish or resin.

C cores will be found in modern sets. Instead of using stampings, the soft iron is supplied in strip form and wound around a mandrel which is exactly the size of the eventual bobbin. The whole is immersed in resin, which is cured while the core is held tight. When rock hard, the core is carefully cut in two, slipped over the wound bobbin, glued up and clamped together. As before there can be a buzz problem unless the job is done with care and precision.

### Gapping

When C cores or ferrites are put round a bobbin to enclose the field a fantastic increase in inductance is possible. Because of variations in core material, grit in the gap or other manufacturing troubles, there can also be fantastic variations from one core's inductance to another.

If we settle for less inductance, we can make the winding consistent by leaving a gap in the joint. The gap itself must be precise, and must be the same every time. Spacings from 0.1mm to 1.0mm are common and are usually brought about by fitting a non-conducting shim of the required thickness in the gap. Conductive shims get hot with eddy currents.

A 'Z' shaped wire would do, but if you use insulating wire do not forget to allow for any varnish on it as this will be over the stated wire dimension.

Of recent years some leading coil makers have used glass beads for gapping. These are the same beads that you find on reflective number plates etc., but will have been graded into precise diameters. They are mixed into the glue used for uniting the two halves, and during the curing the joint is held under slight pressure. Any misshapen beads will be crushed by the clamping and the excess glue (usually an epoxy resin, like Araldite) will spread around the gap and set it solid.

When it comes to line output and scanning coils, there's a tendency for even the beaded glue joints to whistle away, sometimes at frequencies below the fundamental one. As these windings are usually clamped externally and do not rely on the jointing glue for rigidity, it's possible to use a flexible, rubbery, glue to hold the beads in the gap and to deaden the whistle somewhat.

A problem coil is the line linearity coil. This needs to be adjustable in manufacture. Once set correctly for your particular location however there's nothing to stop it being glued up to reduce whistle – you are unlikely to need to set it up again.

Standard Araldite is a fairly safe bet for all coil glueing. Rapid Araldite should be risked only if the coil is known to run cool. Linearity coils get very hot.

# Teletopics

## **ELECTRONIC MOVIE MAKING**

Portable video equipment is still a bulkier and more expensive option for the home movie maker than the traditional 8mm. camera, though once enthusiasts get used to using video equipment there's likely to be a decided shift away from photographic equipment: Mackintosh Consultants, in a report entitled "Home Video and Electronic Photography", estimate that sales of 8mm. cameras will decline by 50% over the next five years.

The thing that could accelerate this process is the advent of a combined, compact video camera/cassette recorder, so a prototype model unveiled by Sony recently in Tokyo is of particular interest. Sony call it a "video movie unit", and it's understood that other manufacturers, including BASF and Eumig in W. Germany, are working along similar lines. Sony's unit records on a compact cassette, using a solid-state image sensor (a CCD device). Since the cassette is non-standard, the idea would be to play it back via a "home editor" unit which would transfer the sound and vision signals on to any of the standard cassette formats now in use. This gives the added advantage of simple, instant editing.

Sony suggest that a further four-five years' development work will be required before the product is ready for launching on the market. They've extended an invitation to other manufacturers to start discussions on a common format for this type of equipment: let's hope that this time a joint system will emerge, with no more video wars.

## **GRANADA'S PORTABLE VIDEO SYSTEM**

Meanwhile Granada TV Rental are offering a portable video system for short-term or normal rental through 21 of their branches. The equipment is of the JVC VHS type, including a portable colour video camera, lightweight portable VCR and separate tuner/timer unit. The battery gives an hour's operation, and can be recharged from the tuner/timer or from the mains via an optional adaptor. Further showrooms will be handling the equipment as supplies increase. The rental terms are £21.95 monthly for the recorder, £18.95 for the camera and £7.95 for the tuner/timer; or for a three-day period £30 for the recorder, £25 for the camera and £9.50 for the tuner/timer, with additional daily rental charges if required.

## **THE RCA VIDEODISC**

In commenting on videodiscs last month we suggested that RCA had shown little interest in the European market to date. Preparations to market the system in Europe now seem to be getting under way however. At the recent US Consumer Electronics Show in Chicago it was announced that a joint venture has been set up to market the system in the German-speaking counties. In the UK the discs are to be handled by a joint venture between RCA Records (UK) and a subsidiary of the Associated Communications Corporation (previously ATV). Associated Communications Corporation recently took over Pye Records, and the joint venture will also be handling pre-recorded tapes and audio products.

RCA's videodisc player was on show at the Chicago exhibition, where it was also announced that the system is in

future to be known as CED - "Capacitance Electronic Disc". The preview Model SFT100 measures 15.6 x 17 x 5.8in., weighs about 20lb, consumes some 30W and is compatible with any TV receiver sold in the USA. CBS and Zenith Radio Corporation have entered into agreements to produce and market CED equipment.

Several UK companies, including GEC, have been licenced to make players for CED videodiscs.

## **RECORDING SOUND ON LOCATION**

JVC have come up with an interesting solution to the perennial problem of recording sound on location in a sensitive manner at the same time as the picture is being recorded. The omnidirectional built-in microphones used in video cameras are less than satisfactory for this use! A highly directional rifle microphone can be employed, but this still doesn't allow the cameraman to adjust the area of sound coverage relative to the lens angle - when the zoom lens is set to a wide angle the microphone should have an almost omnidirectional response, changing to a highly directional response when the camera zooms into a tight shot.

JVC's answer, in a camera to be released later this year, is an electronic "zoom" microphone linked to the zoom lens. The microphone unit is mounted above the lens and contains three inserts, two facing forwards and one backwards. In the wide-angle mode all three are in use: as the lens angle narrows, the output from the rear-facing microphone is reduced while that from the other two units is increased. Anti-phase signal addition is used to obtain the maximum directional effect on the tightest camera angles. Four separate equaliser/attenuator units are employed. The cost of this additional feature will be around £50 - well worthwhile if it works.

## **LINEAR VCRs**

BASF have decided to suspend work on their LVR machine, leaving this field to Toshiba who had working prototypes on display at the spring UK trade shows and at the Chicago US Consumer Electronics Show. According to BASF, currency changes made their LVR project uneconomic. It seems that the price of Toshiba's machine will be rather higher than previously expected: at around \$1,100 in the USA it will be only marginally cheaper than VHS and Betamax machines.

## **SALORA G CHASSIS**

We first mentioned the new Salora G TV chassis, with its very low power consumption, a couple of months ago. An article on page 586 describes the interesting power supply/line timebase system used, and we've now had an opportunity to study the full circuit. The signal circuits adopted are certainly capable of above average performance. Perhaps the most striking feature here is the use of separate vision and sound i.f. strips. The tuner feeds a BF199 i.f. preamplifier transistor which, in addition to driving a SAWF to form the vision i.f. response, provides a separate feed to the TDA2840 sound i.f. i.c. The latter is followed by a TDA120U 6MHz sound i.c. and a TDA2030 audio i.c., while on the vision side a TBA1440G provides the i.f. gain plus detection with a TDA120A for a.f.c. The single-chip decoder consists of a Mullard/Philips TDA3560 which drives class AB video output stages. The popular TDA1170 i.c. is used as the field timebase.

There's an elaborate tuning system, with a digital memory and automatic channel searching - also digital channel indication.

## **MORE OPTICAL VIDEODISC PLAYERS**

Philips, who have been test marketing their VLP videodisc system in the USA for some 18 months now (under the Magnavox label), are rapidly extending the areas in which the players and discs are on sale. The initial sites were apparently selected "because of their high-income, technologically-aware populations". Pioneer have now entered the market with players for the same "Disco Vision" discs. Pioneer Electronics Corporation of Japan originally set up a joint company with MCA (who produce the discs) in 1977, concentrating on the industrial market. The latter activity led to an order for 10,000 players from General Motors for training use with their distributors sales force in the USA and Canada. As a result of this and other orders, Pioneer established a service network with some 120 centres. The new Pioneer player is a slimmed down version of their industrial one, and will go on sale initially in Syracuse, Madison (Wisconsin), Dallas and Minneapolis. The basic machine is cheaper than the Magnavox one, but comes out at much the same price when a remote control unit is added.

Magnavox report having had problems initially with the player, with interfacing, and with distribution.

## **FURTHER EXPORT SUCCESSES FOR THORN**

Thorn have secured further export orders for their TX9 chassis, this time to Hong Kong and China. A four-year agreement has been signed with Promotors Ltd. of Hong Kong, who have been licenced to assemble TX9 receivers in Hong Kong and in a new factory to be built in China. Initial kits of components will be exported from Thorn's Gosport factory. This latest success follows orders for TX series chassis to be supplied in kit form to Italy and Scandinavia.

## **INTERNATIONAL VIEWDATA STANDARDS**

Following recent meetings of the relevant CCITT (International Consultative Committee on Telephones and Telegraphs) study groups in Montreal, the UK's Prestel and the French Teletel viewdata systems have been adopted as recommended international standards. Senior Prestel managers presented papers at the meetings, and gave live demonstrations of the latest developments — picture Prestel, and a new British Telecom display technique known as DRCS (dynamically redefinable character set). The latter gives improved drawings and graphic displays at little extra cost, using an extra character store in the TV set along with sets of special-purpose characters which are stored in the system's central computer. When these characters are required, they are transferred from the computer to the set and held there until they are no longer needed.

## **MITSUBISHI JOIN BREMA**

Mitsubishi Electric (UK) have been accepted as members of the British Radio and Electronic Equipment Manufacturers' Association. They join National (Matsushita), Sony and Toshiba as Japanese members with manufacturing plant in the UK.

## **NEW FAST DIODES REMOVE RFI PROBLEMS**

Mullard have developed two new families of fast-recovery epitaxial diodes (types BYV27 and BYV28) designed to overcome interference and power loss problems in switch-mode power supply and similar circuits, for example line output stages. Traditionally, soft-recovery diodes have been used in such applications, the reverse current after switch

off being reduced relatively slowly to avoid interference problems. A more attractive solution however is to design the diode so that there is minimal stored charge at switch-off — as with the new devices. This reduces turn-off losses and results in extremely low energy radiation. The new diodes use the popular glass bead encapsulation.

## **TELETEXT DEVELOPMENTS**

At the recent IEEE Consumer Electronics conference in Chicago John Chambers of the BBC described the various ways in which the UK teletext system can be developed to give additional features. Full-colour, high-definition still pictures will become possible once the cost of much higher capacity memories (a megabyte rather than a kilobyte) has been sufficiently reduced. Simpler features include word underlining and changing the colour of every letter in a word. A one megabyte memory would be able to store around 1,000 pages, giving rapid access to pages and making possible a system referred to as "linked pages". The idea here is that once a particular page has been selected by the viewer the decoder would automatically file a set of related pages as they are received (by following a command incorporated in the transmission of the initial page), giving instant access to the related stored pages.

## **CONCERN OVER FAR EAST IMPORTS**

Cheap sets from yet another source in the Far East are giving rise to concern in the industry. The source this time is Thailand, which is hoping to export some 200,000 monochrome sets to the UK during 1980-81 and is said to have labour costs only a tenth of those in the UK. A joint management-union report has been sent to the EEC. One particular worry is that imports from new Far Eastern sources could undermine voluntary restraint agreements reached with already established exporting countries.

## **STATION OPENINGS**

The following relay stations are now in operation:

- Ardentenny** (Strathclyde) BBC-1 ch. 39, BBC-2 ch. 45, Scottish Television ch. 49, TV4 ch. 52.
- Arrochar** (Strathclyde) BBC-1 ch. 21, Scottish Television ch. 24, BBC-2 ch. 27, TV4 ch. 31.
- Benagh** (County Down) BBC-1 ch. 22, Ulster Television ch. 25, BBC-2 ch. 28, TV4 ch. 32.
- Bowmore** (Islay) BBC-1 ch. 39, TV4 ch. 42, BBC-2 ch. 45, Scottish Television ch. 49.
- Brook Bottom** (Manchester) BBC-1 ch. 58, Granada Television ch. 61, BBC-2 ch. 64, TV4 ch. 68.
- Glengorm** (Mull) Scottish Television ch. 48, BBC-2 ch. 52, TV4 ch. 54, BBC-1 ch. 56.
- Glyn Ceiriog** (Clwyd) TV4 ch. 54, BBC-Wales ch. 58, HTV-Wales ch. 61, BBC-2 ch. 64.
- Llanbrynmaur** (Powys) BBC-Wales ch. 22, HTV-Wales ch. 25, BBC-2 ch. 28, TV4 ch. 32.
- Marlow Bottom** (Bucks) TV4 ch. 54, BBC-1 ch. 58, Thames/London Weekend Television ch. 61, BBC-2 ch. 64.
- Pontfadog** (Clwyd) BBC-Wales ch. 22, HTV-Wales ch. 25, BBC-2 ch. 28, TV4 ch. 32.
- Port Ellen** (Islay) BBC-1 ch. 22, Scottish Television ch. 25, BBC-2 ch. 28, TV4 ch. 32.
- Rostrevor Forest** (County Down) BBC-2 ch. 40, Ulster Television ch. 46, BBC-1 ch. 48, TV4 ch. 50.
- Rothsay Town** (Bute) BBC-1 ch. 55, Scottish Television ch. 59, BBC-2 ch. 62, TV4 ch. 65.
- Seaham** (Co. Durham) Tyne Tees Television ch. 41, BBC-2 ch. 44, TV4 ch. 47, BBC-1 ch. 51.
- Stocksbridge** (S. Yorks) TV4 ch. 54, BBC-1 ch. 58,

Yorkshire Television ch. 61, BBC-2 ch. 64.  
**Totley** (Sheffield) BBC-1 ch. 39, TV4 ch. 42, BBC-2 ch. 45,  
Yorkshire Television ch. 49.  
**West Kirby** (Merseyside) Granada Television ch. 24, BBC-

2 ch. 27, TV4 ch. 31, BBC-1 ch. 34.  
**Whitehead** (County Antrim) BBC-1 ch. 48, Ulster  
Television ch. 52, BBC-2 ch. 56, TV4 ch. 67.  
The above transmissions are all vertically polarised.

# New CTV Signals Board

## Part 1

Luke Theodossiou

WHEN we embarked on our colour receiver project back in the autumn of 1978, one of the features promised was a single chip colour decoder. Unfortunately RCA did not go ahead with the i.c. we'd hoped to be able to use, so we adopted a Mullard two chip solution. One of the problems encountered with the original signals board was a certain amount of instability – mainly due to layout capacitance effects on the feedback paths to the TDA3500. Not all constructors experienced this, and it can be cured by good earthing practice and adding small shunt capacitors across the feedback loops.

When the idea of a colour portable design began to take shape, it became evident that the signals section would be almost identical to that required for our large screen project. We adopted a design suitable for both purposes therefore. Those constructors who have completed the large-screen project may find it worthwhile to update this by building the new signals board – since it provides noticeably better performance than the old board. Those attracted by the idea of a colour portable can have a head start, particularly if the large screen project is already running since this will enable you to set up and test the new board.

### Design Considerations

The heart of the new board is obviously the single chip decoder. This is the Mullard TDA3560, which Thorn currently use in their TX10 chassis.

The i.c. has an extremely low peripheral component count, despite the fact that it offers direct RGB inputs (for teletext etc.) in the same way as the two chip set did. The RGB outputs from the i.c. don't require external feedback loops, simplifying the video output stages. It was decided to use the now classic class AB configuration, but with an additional small signal transistor which considerably improves the performance (more about this later).

The tuner we've chosen this time is a Telefunken unit which boasts higher gain (important for our portable project) and better image rejection performance than other similar units.

The i.f. module is the same size as the tuner unit, which is both convenient and aesthetically pleasing. It contains a preamplifier; a surface acoustic wave filter; a TDA2540 i.f. amplifier for generating a positive-going video signal for the decoder and a negative-going video signal for feeding to the sync separator; a 6MHz trap to remove the intercarrier sound signal from the video; and a TBA120U sound i.f. amplifier and detector. The unit is ready-built and prealigned, which makes life much easier for constructors without suitable instruments.

Unlike the original Philips modules, the new i.f. unit does not include the chroma filter and chroma trap (for removing the chrominance signal from the luminance channel). These are therefore external, and comprise L1, L2 and their

associated components.

For the audio output stage we have chosen the SGS TDA2006V, a 5-pin i.c. which is capable of producing around 10W into 8Ω. Again the number of peripheral components is kept to an absolute minimum.

The only remaining items are a +12V stabiliser, which uses the monolithic regulator 7812, and the +33V regulator for which the ubiquitous TAA550 is used.

### Circuit Description

Fig. 1 shows the complete circuit diagram of the board. The tuner and i.f. module, together with constructional details and the setting up procedure, will be given next month. In this issue we shall deal with the remaining circuitry, starting with the colour decoder.

### The Decoder

A 1V pk-pk positive-going composite video signal emanates from pin 6 of the i.f. module, at low impedance. This is split into the luminance and chrominance paths via R7 and R9 respectively. Resistor R7 matches the impedance of the luminance delay line so that the delay line "sees" 1kΩ. Similarly, R8 correctly terminates the delay line to minimise reflections and distortions. Capacitor C9 together with coil L1 form a series resonance circuit at the colour subcarrier frequency (4.43MHz). When at resonance, the effective impedance of the circuit is very low. In conjunction with R7, it forms an attenuator which removes the colour information from the luminance channel, thus avoiding patterning on the screen.

The parallel resonant circuit consisting of L2 and C11 forms a bandpass circuit in conjunction with R9, and allows only the chrominance information to pass to the i.c. via C12.

A block diagram of the decoder i.c. (TDA3560) is shown in Fig. 2. A good way of describing the functions performed by the i.c. and at the same time looking at the peripheral components is to describe the function of each pin.

**Pin 1: +12V supply.** The current taken by the i.c. is around 85mA.

**Pin 2: Control voltage for ident.** Capacitor C16 enables detection of the ident signal. During normal (colour) operation the voltage at this pin is typically +4.7V, dropping to +2.4V when a monochrome transmission is being received.

**Pin 3: Chroma input.** For correct operation within the a.c.c. range, the chroma input signal should be between 55mV and 1.1V pk-pk (25mV-500mV pk-pk burst).

**Pin 4: A.C.C. detector reference.** This pin is decoupled by C18 and the voltage under all conditions is +4.6V.

**Pin 5: A.C.C. control voltage.** A.C.C. is obtained by synchronous detection of the burst signal followed by a peak detector. Good noise immunity is obtained in this way,



and when a weak signal is being received there is no colour change.

**Pin 6: Colour control.** The control range is 50dB and the control voltage is 2V to 4V. A potential divider is formed by R20 and R22 and the pin is decoupled by C30. Resistor R21 is connected to the wiper of the colour control. The voltage at G1 varies from 0V to +12V, setting the voltage on pin 6 between +2V and +4V. When the colour killer is activated, the pin is internally pulled low and no chroma signal is applied to the demodulators. When this pin is connected to +12V, the colour killer is overruled to enable the oscillator frequency to be adjusted.

**Pin 7: Contrast control.** The control range is 17dB for a control voltage of between +2 to +4V. When the voltage at this pin is less than 1V, the output signal is suppressed. If any of the outputs goes higher than 9V, the peak-white limiter circuit is activated and reduces the output signals via the contrast control by discharging C23 via an internal current sink.

**Pin 8: Sandcastle and field blanking input.** Blanking of the output signals is effected when the voltage at this pin is between +2V and +6.5V. The burst gate and clamping

circuits are activated when the voltage is higher than +7.5V.

**Pin 9: Video data switching.** When the voltage is between +1V and +2V, the internal RGB signals are switched off and the inserted signals are applied to the output amplifiers. The switching times are less than 20ns to avoid colour fringing on the data signals.

**Pin 10: Luminance input.** The input signal should be around 0.45V pk-pk.

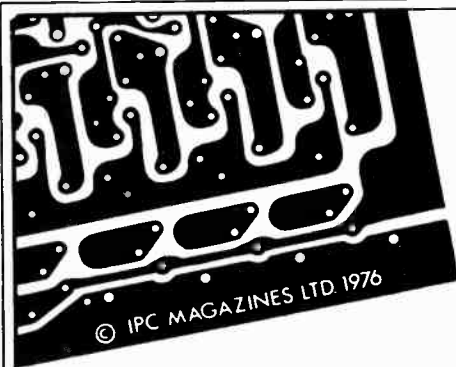
**Pin 11: Brightness control.** By varying the voltage on this pin, the black level of the output signals can be changed.

**Pins 12, 14 and 16: RGB outputs.** Nominal output is 5V black to white. The blanking level is always +2V.

**Pins 13, 15 and 17: RGB inputs.** The input signals are a.c. coupled via C26, C27 and C28. The amplitude should be 1V pk-pk.

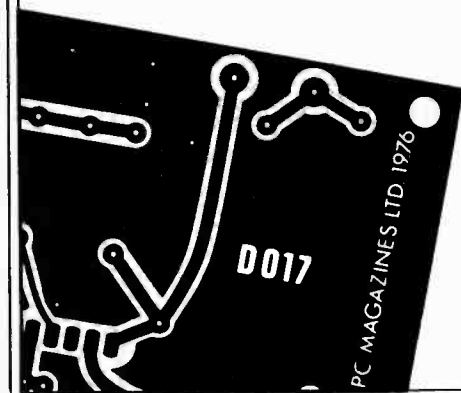
**Pins 18, 19 and 20: Black-level clamp capacitors.** These are C20, C21 and C22 respectively.

**Pins 21 and 22: U and V inputs.** The input signal is automatically fixed at the required level by means of the burst phase detector and a.c.c. generator. As the burst (applied differentially to these pins) is kept constant by the



All boards are epoxy glassfibre and are supplied ready drilled and roller-tinned.

Any correspondence concerning this service must be addressed to READERS' PCB SERVICES LTD, and not to the Editorial offices.



# TELEVISION READERS PCB SERVICE

Issue	Project	Ref. no.	Price
November 1976	Ultrasonic Remote Control	D007/D008	£3.85 per set
March 1977	Teletext Decoder Power Supply	D022	£3.75
May 1977	Teletext Decoder Input Logic	D011	£12.50
May 1977	Single-chip SPG	D030	£3.30
June 1977	Wideband Signal Injector	D031	£1.00
June 1977	Teletext Decoder Memory	D012	£10.50
July/Aug 1977	Teletext Decoder Display	D013	£11.00
August 1977	Logic State Checker	D038	£1.70
September 1977	Teletext Decoder Switch Board	D021	£1.75
September 1977	Teletext Decoder Mother Board	See D065	
October 1977	Teletext Decoder IF Board	See 11331	
Feb/March 1978	On-Screen Clock	D045	£7.50
April/May 1978	CRT Rejuvenator	D046	£3.00
May/June 1978	Test-Pattern Generator	D048	£12.50
Aug/Sept 1978	Diagnostic Pattern Generator	D051	£9.00
October 1978	Colour Receiver PSU Board	D052	£4.00
January 1979	Colour Receiver Signals Board	D053	£10.75
February 1979	Commander-8 Remote Control System	D054/5	£6.00 per set
March 1979	Colour Receiver Timebase Board	D049	£17.13
July 1979	Colour Pattern Generator	D062	£14.50
		D063	£9.15
September 1979	Teletext Decoder Options Board	D064	£8.50
August 1979	Teletext Decoder New Mother Board	D065	£6.00
August 1979	Simple Sync Pulse Generator	D067	£4.00
September 1979	New Teletext Signal Panel	11331	£8.00
October 1979	Teletext Keyboard	D057	£3.50
October 1979	Teletext Interface Board	D058	£5.00
November 1979	Colour Receiver Remote Control	D066	£5.00
January 1980	Remote Control Preamplifier	D061	£3.75
February 1980	Teletext/Remote Control Interface	D070	£9.50
February 1980	LED Channel Display	D071	£4.00
March 1980	Improved Sound Channel	D072	£3.25
May 1980	Monochrome Portable Signals Board	D074	£6.25
June 1980	Monochrome Portable Timebase Board	D075	£7.75
July 1980	Monochrome Portable CRT Base Board	D076	£1.00

To:- Readers' PCB Services Ltd. (TV), Fleet House, Welbeck St., Whitwell, Worksop, Notts.

Please supply p.c.b.(s) as indicated below:

Issue	Project	Ref.	Price

Prices include VAT and post and packing. Remittance with order please.

NAME \_\_\_\_\_  
ADDRESS \_\_\_\_\_  
Post Code \_\_\_\_\_

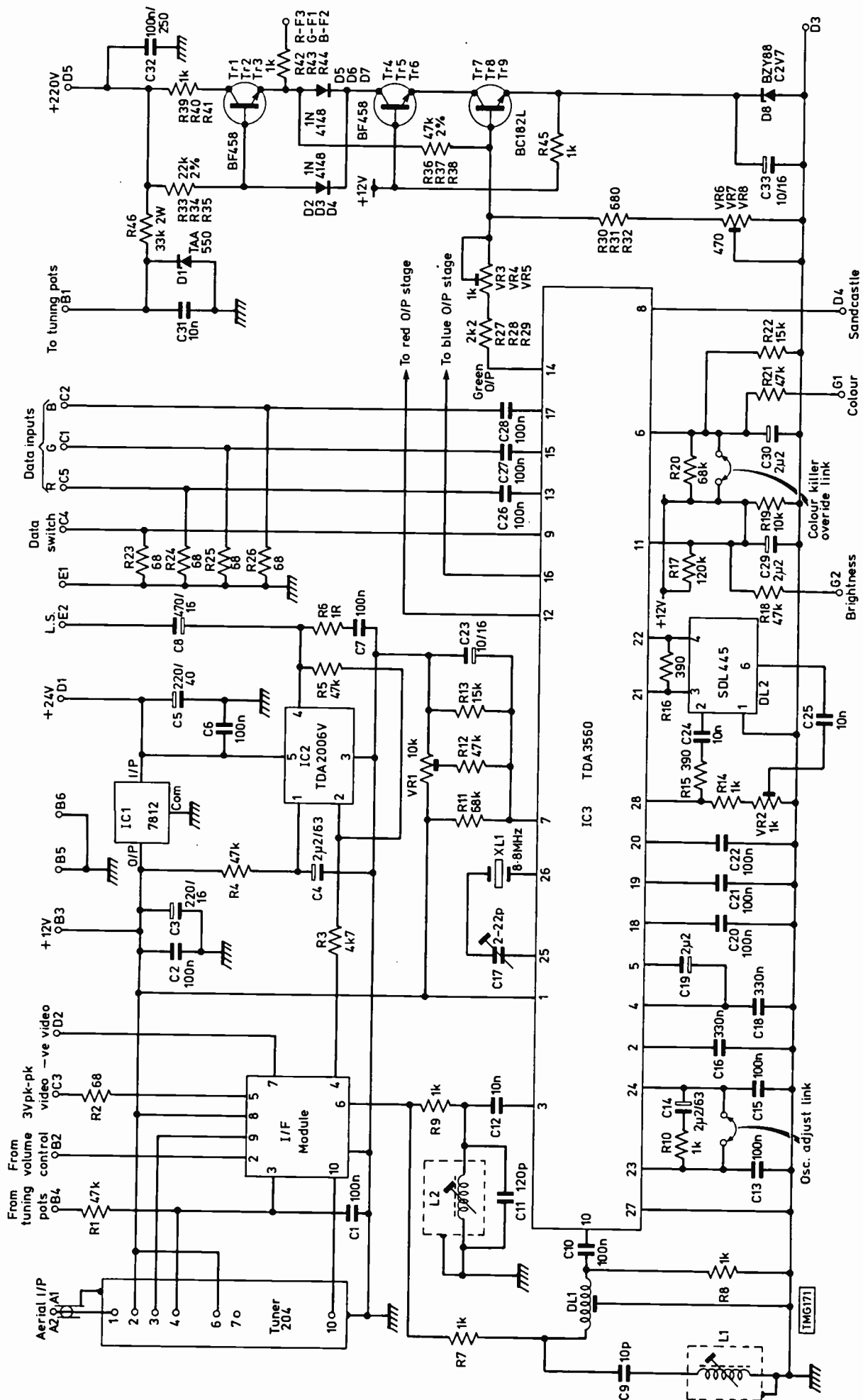


Fig. 1: Circuit diagram of the new signals panel, which can be used in the large-screen colour receiver project or the forthcoming colour portable project.

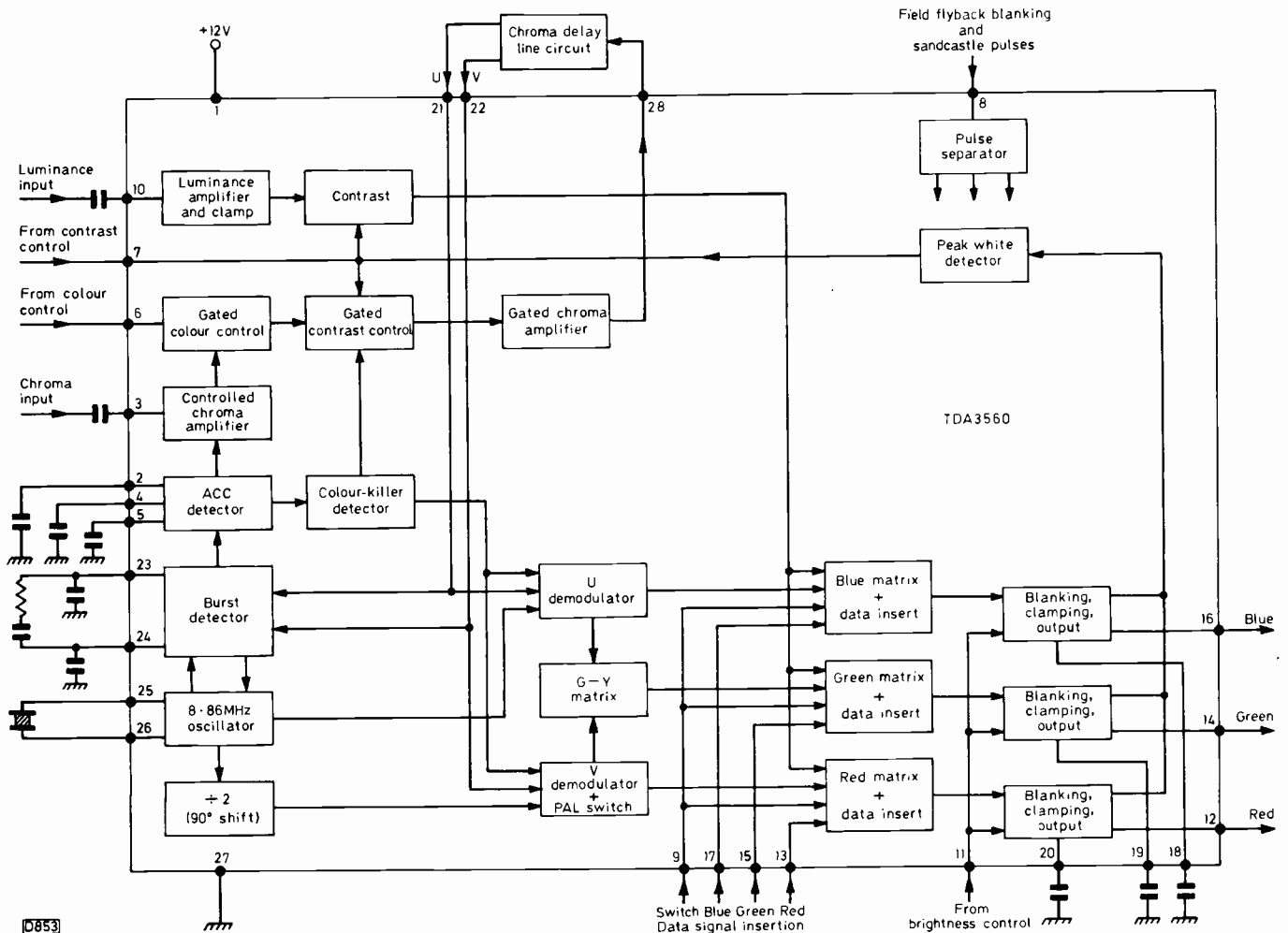


Fig. 2: Simplified block diagram of the TDA3560 decoder i.c.

a.c.c., the colour-difference signals automatically have the correct value. Resistor R16 damps the output coil inside the chroma delay line.

**Pins 23 and 24: Burst phase detector outputs.** The output of the burst phase detector is filtered by C13 and C15 and controls the reference oscillator. Optimum catching range is obtained by the time-constant set by R10 and C14.

**Pins 25 and 26: Reference oscillator.** The crystal XL1, in series with C17, determines the frequency. A frequency counter connected to pin 25 enables the frequency to be correctly set up.

**Pin 27: Earth.**

**Pin 28: Chroma amplifier output.** This is applied to pin 2 of the chroma delay line via R15 and C24, and to the centre tap of the delay line output transformer (integral with the delay line) via R14, VR2 and C25. The setting of VR2 determines the level of the undelayed signal mixed with the delayed signal.

### Video Output Stages

We've described the operation and merits of class AB video output stages several times, so here we'll concentrate on the departure from the basic configuration by the inclusion in our design of Tr7, 8 and 9.

These transistors form cascode circuits with Tr4, 5 and 6 respectively. The base of the upper transistor in the cascode is tied to +12V, therefore its emitter will sit at +11.4V. The lower transistor is thus operated at an emitter to collector voltage of 11.4V minus the zener voltage (2.7V), i.e. 8.7V. This mode of operation has several advantages. First of all

the Miller effect is minimised. The bandwidth is therefore increased without the need for capacitive compensation. Secondly, since the gain of a small-signal transistor such as the BC182L is considerably higher than that of the usual video output types, the stability of the output voltage against supply voltage variations is much improved, while crossover distortion is suppressed because of a higher feedback factor. Thirdly, as the dissipation in the lower transistor is very low, it doesn't affect the output voltage since the transistor doesn't warm up (with a consequent change in its base-emitter forward bias voltage). All this contributes to a very substantial improvement on the original design, the results of which can be easily seen on the screen.

### Audio Output

The TDA2006V audio output i.c. is operated in the inverting (virtual earth) mode. The audio signal from pin 4 of the i.f. module is applied to the inverting (-ve) input of the i.c. at pin 2. Feedback is taken to the same pin from the output via R5. The closed-loop gain of the system is the feedback resistor value divided by the source impedance (in our particular case this equals 1.1kΩ plus the value of the input resistor R3). The gain of the stage is therefore set at about 10 times.

The non-inverting input of the i.c. is referenced to +12V via R4 and decoupled by C4. This sets the quiescent output voltage at +12V, i.e. half the supply voltage. The network R6 and C7 prevents oscillations due to the inductive component of the speaker's impedance.

# Servicing ASA Hybrid CTVs

P. Cole

SETS fitted with the ASA hybrid colour chassis were imported by a Bristol firm during the early 70s colour boom period. There were two models, the 22in. CT5003 (A56-120X tube) and the 26in. CT5004 (A66-120X). They were manufactured in Finland, and the circuitry used is capable of giving above average performance.

The only i.c. in the set is the TAA550 (or ZTK33) tuning voltage stabiliser, discrete transistor circuitry being used throughout the i.f. strip and the decoder and RGB output stages. A PCL86 is used in the audio stages, a tertiary winding on the audio output transformer being used to provide negative feedback to the cathode of the triode section of the valve. This latter stage includes a.f. muting during the warm-up period, i.e. until the boost line has been established. There are three unusual aspects to the c.r.t. drive circuitry: the transistor R, G and B output stages drive the c.r.t.'s grids, while the common cathode circuit is used for beam limiting and switch-off spot suppression. We'll return to these latter features later.

The line timebase employs a PCF802, PL509 and PY500A (see the simplified circuit shown in Fig. 1), the tripler being either a TVK31 or a TM25-6W6. The only unusual feature of the line output stage is the use of an ECC81 triode in the width/e.h.t. stabilising circuit. The conventional VDR (see Fig. 1) is complemented by the ECC81 which conducts when the positive-going line flyback pulse appears at C307. The ECC81's cathode is held at a fixed voltage by the zener diode D45, its grid sensing the h.t. voltage via R384 and the boost voltage via R386. As a result, it

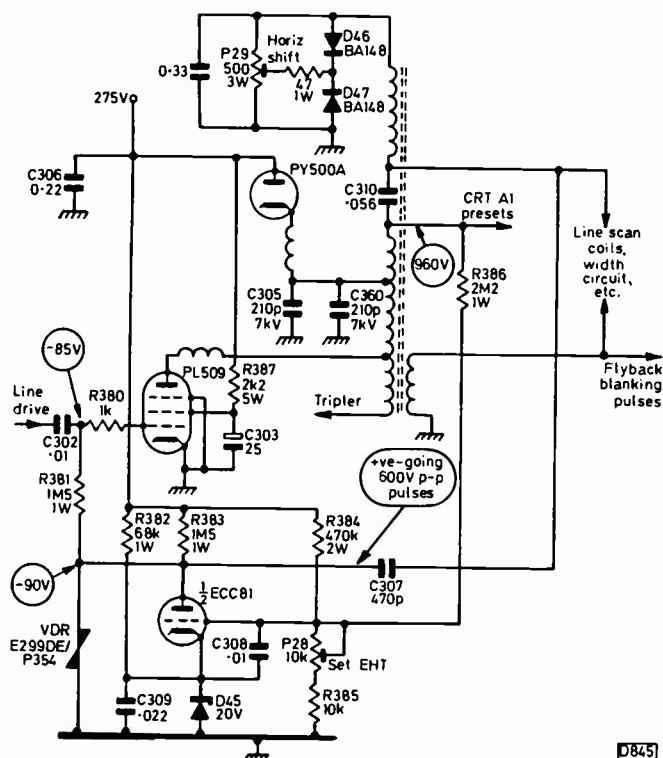


Fig. 1: Simplified circuit of the line output stage. Width/e.h.t. stabilisation is effected by the ECC81 triode, with the VDR providing protection in the event of failure of the triode. The negative control bias is developed by the pulse coupling capacitor C307 when the ECC81 conducts.

produces at its anode a negative voltage, proportional to the h.t. and boost voltages, to bias the line output valve. P28 should be set for 23kV e.h.t. or 950-970V on the boost rail. The VDR is included to prevent the e.h.t. rising above 27kV in the event of failure of the ECC81 valve. The other section of the valve acts as the field flyback blanking pulse amplifier. The line and field flyback blanking pulses are mixed at the anode of this valve, clipped by diode D54 and then fed to the c.r.t.'s first anodes.

The sync circuitry is quite elaborate. The sync separator itself is T14 (BC158) on the signals panel. This is followed by the sync pulse clipper T43 (BC178) which feeds the field sync pulse amplifier T44 (BC147) and a small ringing transformer which couples the line sync pulses to the flywheel line sync discriminator circuit.

The final two valves in the set form the field timebase. First is another ECC81. One section of this acts as a blocking oscillator, the second section forming a waveform shaping/driver stage. As you'd expect, a PL508 is used in the field output stage.

The power supply circuit is shown in Fig. 2. The only thing that might cause some confusion here is the use of three separate heater circuits. The ECC81 in parallel with the c.r.t.'s heaters is the e.h.t. regulator/pulse amplifier one.

To some common faults then. Valves and c.r.t. alight but no results will probably mean that R344 or R345 has gone open-circuit. The resistor concerned may simply have felt like doing so, or alternatively one of the BY127 diodes in the h.t. bridge rectifier circuit may have gone short-circuit. A blown mains fuse probably means a short-circuit BY127 diode, although I did once find the protection capacitor C314 short-circuit.

When the l.t. bridge rectifier D41 goes short-circuit, either the 0.5A fuse blows or, if an incorrectly rated fuse has been fitted, the mains transformer burns out. I mention this latter point because I've come across quite a few of these sets with a 2.5AT fuse fitted in this position. This can result in the mains transformer burning away quite merrily for some time before the set is switched off.

The l.t. bridge also goes open-circuit. The result is an unmodulated white raster. The same result occurs when R353 goes open-circuit.

No sound or picture with the PL508, PL509 and PY500A glowing excessively means a heater-cathode short in one of these valves. It's best to replace all three. Why no sound? Remember the muting arrangement mentioned earlier.

No e.h.t. with cool valves in the line output stage probably means that either the PL509's screen grid feed resistor R387 is open-circuit or there's no h.t. supply to the line output stage due to R349 having sprung open.

No e.h.t. with the valves in the line output stage overheating is normally due to one of four things: (1) the boost capacitor C310 short-circuit; (2) the tripler short-circuit (it can be replaced with a Phab universal type); (3) the line output transformer shorting to the core; (4) lack of line drive. In the latter event check whether the PCF802's anode load resistor R374 (33kΩ) is open-circuit.

In the event of lack of width, first try new PL509 and PY500A valves and then check the following: the print behind the line output transformer burns out; dry-jointed

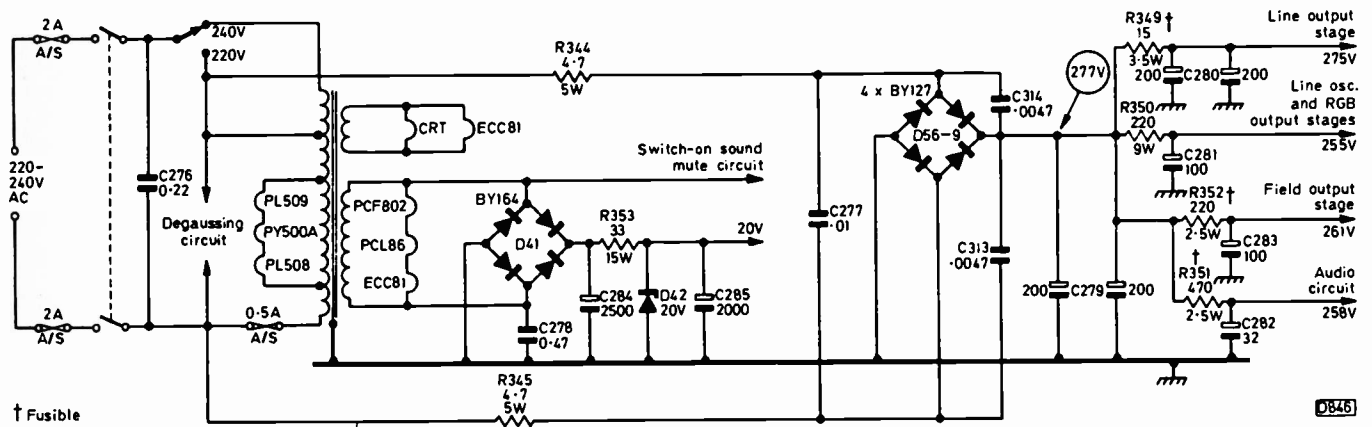


Fig. 2: Power supply circuitry. Note that the mains fuses are on the live side of the on/off switch.

connection(s) to the transformer; replace the transformer if it's burnt right up through the winding.

In the event of excessive width, check R386 and the ECC81 which may have lost emission.

Poor focus may be due to R421 (40M $\Omega$ ) or R420 (30M $\Omega$ ) changing value (they are in series with the focus control), a defective tripler, or sometimes the focus control (P31, 10M $\Omega$ ) leaking to chassis. If the correct control is not available an Erie unit can be used with R420/1 left out of circuit.

Field collapse with the sound o.k. can be due to several things: the valves – PL508 and ECC81; the vertical shift control P27 (22 $\Omega$ ) going open-circuit (thus open-circuiting the PL508's cathode); the blocking oscillator transformer M09 (low or varying ECC81 anode voltage); or R401 (1.5M $\Omega$ ) in the blocking oscillator's timing circuit increasing in value – in this case applying the meter to the ECC81's grid (pin 2) will open out the field scan. Field collapse with no sound occurs when R404 (270k $\Omega$ , 2W) goes open-circuit – no sound because this removes the boost supply to the height control and the sound mute circuit.

Lack of height with cramping occurs when R404 goes high-resistance or the ECC81 loses emission.

The top folded over half way down the screen is due to a faulty field blocking oscillator transformer. Top foldover with cramping is caused by C332 (0.022 $\mu$ F) going short-circuit – this capacitor is mounted on the field output transformer, across the secondary winding (pins 7 and 9).

Since the ECC81 valve in the line output stage screening can amplify the field flyback blanking pulses, lack of flyback blanking will be the result when this valve loses emission – or the relevant anode load resistor R423 (510k $\Omega$ , 1W) goes open-circuit.

Lack of brightness is generally caused by R336 (56k $\Omega$ , 1W) going high in value or open-circuit. This resistor links the high voltage end of the c.r.t.'s first anode presets to the

boost rail.

If the picture goes negative at high brightness levels, check the blanking diode D9 in the luminance channel (goes open-circuit) and the setting of P3 (a.g.c. preset) and P45 (luminance amplifier bias). The former is set by connecting an oscilloscope to point 30 (junction of R256/R267/C250) and adjusting the potentiometer so that there's no clipping of the field sync pulses even when the contrast and brightness controls are at maximum. P45 is similarly adjusted for no white clipping. If the waveform at point 14 (pin 5 of vision detector can Ke 21-11) is not then at 2.5V  $\pm$  0.5V peak-to-peak, repeat the adjustment of P3.

Sound faults are usually due to the PCL86 valve. The man's a genius! Here's another one though. The sound output transformer sometimes shorts between its primary and feedback windings, with the result that the h.t. feed resistor R351 overheats. This can be misleading.

The signal and decoder stages are fairly trouble free apart from intermittent or complete loss of colour due to a fault in the colour-killer circuit. Replacing T21 and T22 (BC182) usually cures this.

For an intermittent bright red, blue or green raster, check for dry-joints at the appropriate output transistor or a dirty drive preset (P16/17/18).

Tuning drift or intermittent loss of signals is more often than not caused by the pushbutton unit. I've successfully refurbished some of these by applying electroconductive paint to the print connectors – a replacement unit is very costly (approximately £20 at the time of writing). The TAA550 tuning voltage stabiliser seems to be fairly reliable. The ELC1043 (ELC2000S in some sets) varicap tuner can be responsible for all kinds of faults from drift to a white unmodulated raster.

To summarise then. Most of the faults are straightforward, though the absence of sound due to a timebase fault could confuse someone not familiar with the chassis.

Finally the beam limiter/switch-off spot suppressor circuit (see Fig. 3). This operates as follows. –350V peak-peak pulses are fed via R332 to the cathode of D38, which produces a –264V supply across its reservoir capacitor C267. This biases D37 on, and with no beam current a bleed current of 1.3mA flows via R331 and D37 to chassis. The c.r.t.'s cathode currents also flow via D37, but in the opposite direction to the bleed current. When the beam current reaches 1.3mA, D37 cuts off to provide the beam limiting action. The inclusion of switch-off spot suppression is unusual in a colour set but is simple to arrange with this circuit. S1 is ganged to the mains on/off switch, so that when the latter is switched to off S1 disconnects D37 and instead shorts out R331. With –264V at its cathodes, the c.r.t. rapidly discharges the e.h.t. ■

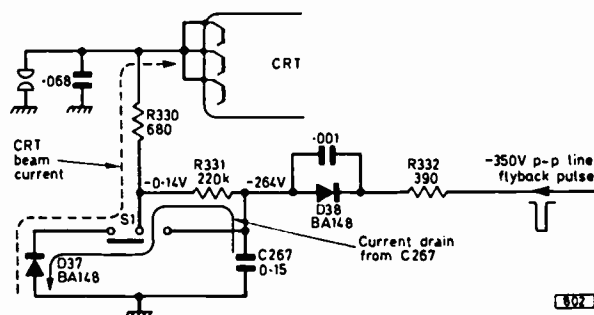
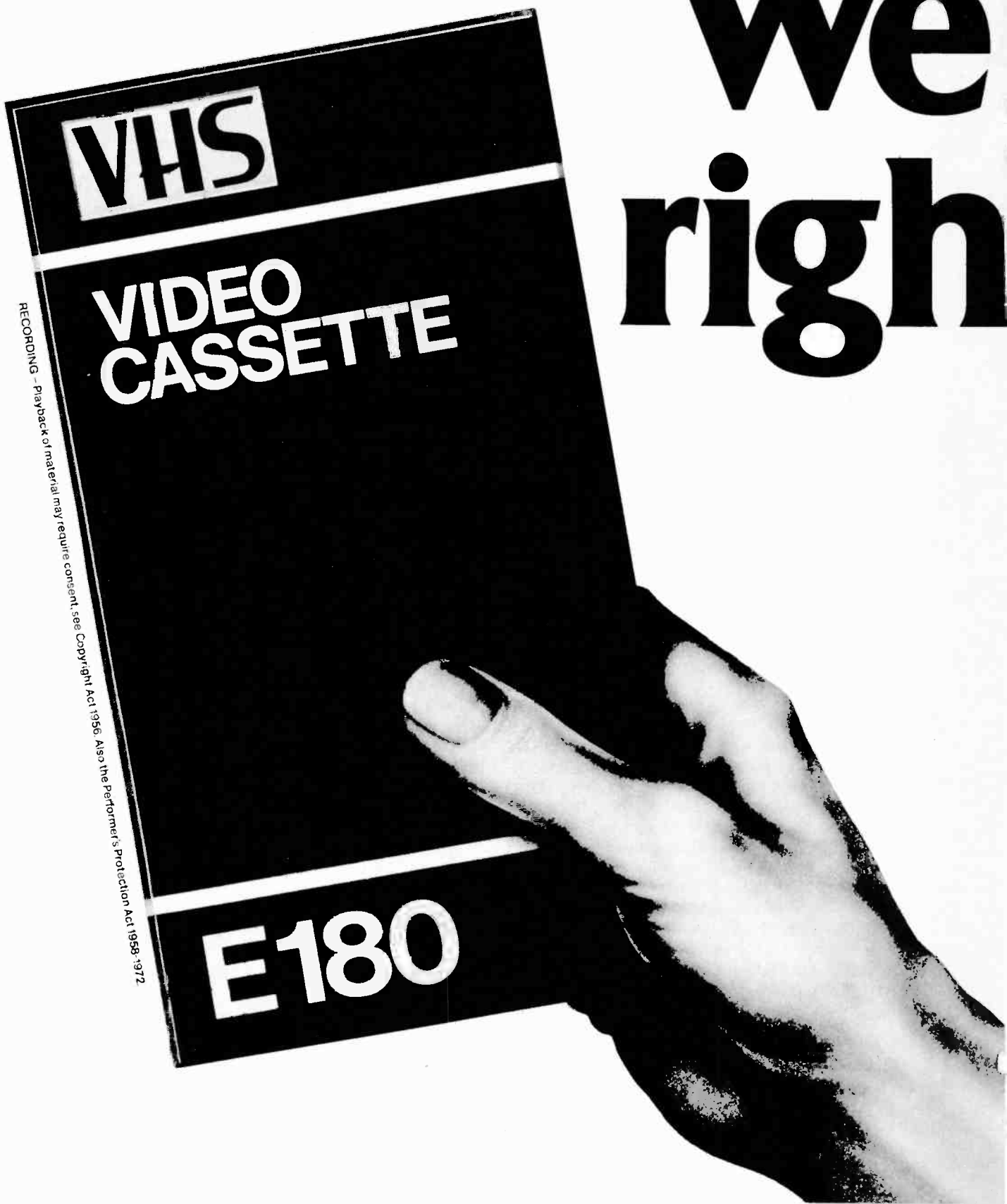


Fig. 3: The c.r.t.'s cathodes are strapped together and used for beam limiting and switch-off spot suppression.

# We right



Advertisement produced co-operatively by: Akai, Ferguson

# got it right, t from the start.

Believe it or not, 2 out of every 3 home video recorders sold or rented in this country in 1979 were VHS models. VHS was also the most successful home video system worldwide.

That represents a pretty overwhelming vote of confidence. How did we manage it?

At the outset we were determined to produce a home video system that was nothing short of outstanding. That's why VHS offers standards of reproduction, reliability and compatibility that are quite simply second to none.

And of course, if you build a better system in the first place there's less need to change it later on.

So while we have continually improved the quality of our recorders - there are now triple standard VHS machines which accept PAL, SECAM and NTSC - we have never changed the design of the VHS cassette. And it will not change in the future either. Which is more than can be said for some of our competitors.

By maintaining the same cassette, VHS has become the most compatible system available. So your customers will find it much easier to swap tapes with friends and enjoy the greatest range of pre-recorded material too.

VHS is the No. 1 system in the UK, Europe, the US and Japan.

Make sure you've got it.  
Right?

**The world's No.1 system.**



**VHS**

**Hitachi, JVC, Panasonic, Sharp.**

# Long-distance Television

Roger Bunney

ALTHOUGH there were some days with no SpE signals at all, there was a generally high level of SpE activity from mid-June to the end of the first week in July. For most of us, DX viewing is somewhat random, with the result that many major openings are probably missed. Brian Fitch (Scarborough) seems to be able to spend a lot of time "on the air" however, and his logs make envious reading indeed. He seems to have noted SpE activity at various times of the day on nearly all days during the period under review. My own log is as follows.

- 16/6/80 NRK (Norway) chs. E2, 3, 4; SR (Sweden) E2; YLE (Finland) E3; ORF (Austria) E2a; TVP (Poland) R1; CST (Czechoslovakia) R1.
- 17/6/80 Unidentified programmes on ch. E2.
- 18/6/80 Evening football, chs. E2, 3, 4; RAI (Italy) ch. IA. Hugh Cocks and David Martin reported sustained signals from Jordan on ch. E3 from 1800 onwards on this date.
- 19/6/80 TSS (USSR) R1, 2; NRK E2; RAI IA; RTVE (Spain) E2, 3; also many unidentified signals. Garry Smith (Derby) reports reception of TVR (Rumania) ch. R2 at 0800.
- 21/6/80 TSS R1.
- 27/6/80 NRK E2, 3, 4; SR E2, 3, 4.
- 28/6/80 NRK E2, 3, 4; YLE E3.
- 29/6/80 TSS R1, 2, 3; TVP R1, 2; JRT (Yugoslavia) E4; RAI IA, IB; also suspected Jordan ch. E3 (news programme with Arab content). An E3 test pattern consisting of black squares was observed at 1935-2000 and is reported to have been seen elsewhere at 1800. An Italian "free" station is suspected.
- 30/6/80 TSS R1 twice; CST R1; plus unidentified signals.
- 4/7/80 TSS R1 twice; TVP R1, 2; MTV (Hungary) R1; SR E2, 3, 4; NRK E2, 3, 4; RAI IA, IB.
- 7/7/80 TSS R1, 2. Correspondents reported receiving many Scandinavian stations during a long opening.

Tropospheric conditions have been indifferent (matching the weather!), while the last F2 reception was reported on June 8th (Gwelo, Zimbabwe ch. E2, at high levels).

Jim Maden, who was active in Cyprus in the 60s, has written to say that he's resumed the hobby once more, this time in South Africa. After investing in an up-market Wolsey Band I Cosmos amplifier, he received startling F2/TE results on June 3rd. From early afternoon the screen was abruptly filled with Gwelo ch. E2 plus RTVE E2, the UK chs. B1 and 2 and TF1 (French first chain). Even ch. R1 was "murky"! The opening lasted for about two hours.

Keith Hamer (Derby) reports good SpE conditions, particularly interesting being his reception of ORF chs. E2a and E3 on June 19th. The latter signal was from a low-power relay. On the same afternoon he received strong signals, in colour, from Iceland (RUV) on ch. E4.

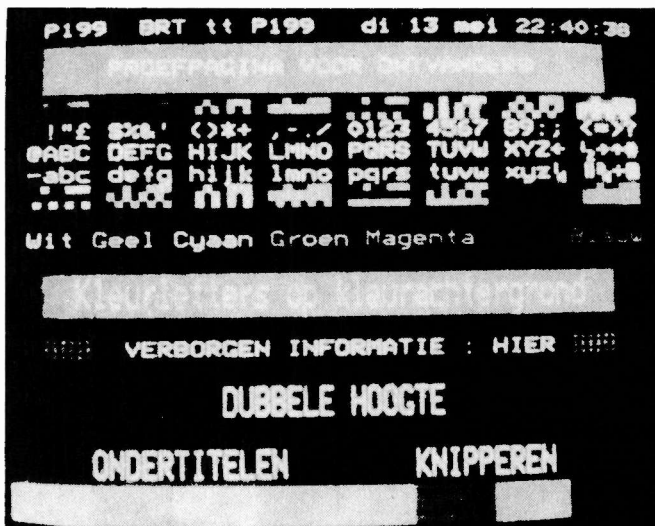
Ray Davies (Norwich) received Jordan ch. E4 on June 6th, the NCT Italian "free" station on ch. E3 on the 19th and, unusually, observed the TSS ch. R1 close down with the 0249 test pattern at 2345BST. Since Moscow is two hours ahead of the UK time, this is strange.

Ryn Muntjewerff (Holland) reports an opening between 1603-1709GMT on June 30th during which he saw two Arabic stations on ch. E3. The first and stronger was showing a programme with diplomas being presented; the second had US cartoons with Arabic subtitles. I suspect that the former was Jordan ch. E3 while the second could be from the Aramco HZ22 station at Dhahran.

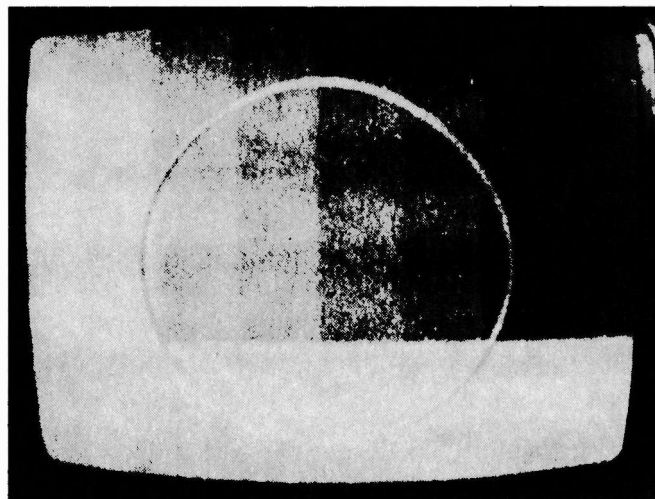
## News Items

**Lebanon:** The two programme companies have been absorbed into a single government supervised company, though alternative programming is still in operation. The ch. E2 and E4 outlets have been reactivated, and there's talk of higher power transmitters in the future. This is ideal for long-hop SpE propagation to the UK!

**UK:** Discussions have been reported between Thorn-EMI,



Teletext DX - the Belgian test page 199 received by Michael Roberts in Chelmsford. Michael has received similar quality teletext transmissions from Holland.



The "mystery" test pattern queried by several readers - it's an RTVE (Spain) regional test pattern. This shot comes from Graham Barker (Leeds) - signal on ch. E3.



British Aerospace and a Swiss publishing group on a plan to beam a satellite, English language programme to the European land mass. The idea would be to use one of the Swiss channel allocations (22, 26, 30, 34 and 38 at 19°W), with transmissions at 12GHz.

*Australia:* The weekday ethnic TV service starts on October 28th. At the weekends there's to be a community TV service called "Public Broadcasting Association".

*China:* There are now three TV channels in Peking, with a fourth expected to be added during the next two years.

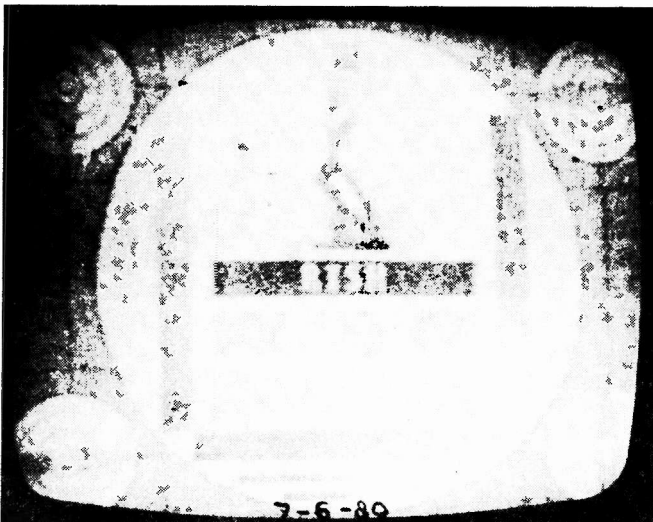
### From our Correspondents . . .

Once again a hefty post bag! Michael Roberts (Chelmsford) has been experimenting with DX teletext reception and has sent us a glorious colour photo of the BRT (Belgian) test page (199), received at u.h.f. He's received similar quality teletext transmissions from Holland.

Several readers have queried reception of a mystery test pattern (see photo). We can confirm that this is an RTVE regional test transmission.

Keith Hamer and Garry Smith have been on holiday in Switzerland, and whilst there took the opportunity to use a recently acquired Plustron colour set to monitor the various channels used by Italian "free" TV stations. They received many channels during their stay at Lugano, including two Campione based outlets, Tric Campione and RTV Excelsior. The test pattern resembled the Fubk one, but with a checkered band along the top of the rectangle and an identification below the centre. The programmes are apparently mainly rubbish, while RTV has distorted sound. Test patterns and music were transmitted throughout the night, RTV closing at dawn. During a day trip to Venice, with a visit to a local TV shop, several interesting patterns were received, including Tele Monte Carlo at some 200 miles (the PM5544 pattern with "TMC 2" identification). There are 460 Italian "free" stations at present, and to prevent piracy RAI now include the identification "RAI" (I've seen this, at the top right-hand side). Broadcasting in Italy seems to have gone mad.

Thomas E. King (PO Box 140, Kensington, NSW 2033, Australia) collects recordings of air checks (station identifications), both radio and TV. He's collected many while making overseas visits. He'd like to hear from those with similar interests in other parts of the world, with a view to trading identifications.



The Albanian ch. IC test card, received in Holland on 7/6/80 by Ryn Muntjewerff.

**CONTINENTAL AERIAL SPECIALISTS, RETAIL AND TRADE.  
GOLDEN ANODISED, WEATHER PROTECTED, SUPERB ARRAYS.  
FOR THE SHREWD D.I.Y. MAN  
MAIL ORDER TO U.K. ONLY  
ALL PARTS (EXCEPT COAX) EXCHANGEABLE FOR 7 DAYS.  
AT LEAST 10% DISCOUNT OFF ALL AERIALS  
SPECIAL PROMOTION OFFER  
15% + DISCOUNT ON MARGON RANGE**

#### IMPORTANT Quote TVM

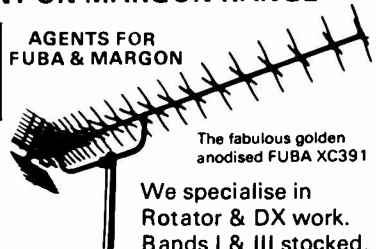
For highly graphic lists and Brochure Send 52p Refund of 40p on 1st purchase over £5

AGENTS FOR  
FUBA & MARGON

Stockists of the finest aerials available in Britain:

STOLLE FM aerials (W.Ger.)  
FUBA TV & FM aerials (W.Ger.)  
MARGON TV aerials (Hol.)  
UKW FM aerials (E.Ger.)  
ANTIFERRENCE TV & FM aerials (U.K.)

The fabulous golden anodised FUBA XC391



We specialise in  
Rotator & DX work.  
Bands I & III stocked.

### ASTRA (GOLDEN D.I.Y.) AERIALS

A friendly family firm. Our 25th. Jubilee Year.

D.I.Y. AERIAL SPECIALISTS FOR ALL DOMESTIC TV & FM RECEPTION

#### OUR 5-STAR AERIAL SERVICE

- ★ IT SAVES HALF ANY AERIAL INSTALLATION COSTS.
- ★ EVERY IMAGINABLE ANCILLARY AERIAL PART STOCKED.
- ★ FREE BEFORE AND AFTER ADVICE (WHAT NOT TO DO).
- ★ ADVICE ON RECEIVING ALTERNATIVE TV/FM PROGRAMMES.
- ★ ROTATING OR DISTRIBUTION AMPLIFIED SYSTEMS PLANNED. (PLUS SIMPLE SCHEMATICS SUPPLIED ON REQUEST).

Our anodised, hard wearing, continental aerial range are really something. Both TV & FM arrays have built in baluns. They're economical, effective, eye catching, a touch of class in a plastic age. Over 3000 aerials stocked: all transmitters: poles: lashings: rotators: clamps: wall brackets: amplifiers: diplexers: triplexers: baluns: low-loss coax white or brown, also super low-loss coax and 300 Ohm cable.

Many of our customers come from recommendation.  
53 WHITEHORSE ROAD, CROYDON, SURREY.

Nr. Spurgeons Bridge Tel: 01-684 4300  
Open 9.00-5.30 TUE-SAT. 01-684 5262  
Closed 12.30-1.30 Closed All Day Mon. 24 hr. answering service  
FM & TV AERIALS AND ROTATORS ON DISPLAY

## South West Aerial Systems

**10 OLD BOUNDARY ROAD,  
SHAFTESBURY, DORSET.  
SP7 8ND tel.0747 4370**

South West Aerial Systems - THE specialists for all receiving situations, TV-DXing installations and equipment, fringe and 2nd TV channels and for resolving problems in difficult locations in both TV and VHF-FM radio.

Customer consultancy is available from Roger Bunney and David Martin, each with 2 decades of reception experience and respected TV/DX authorities.

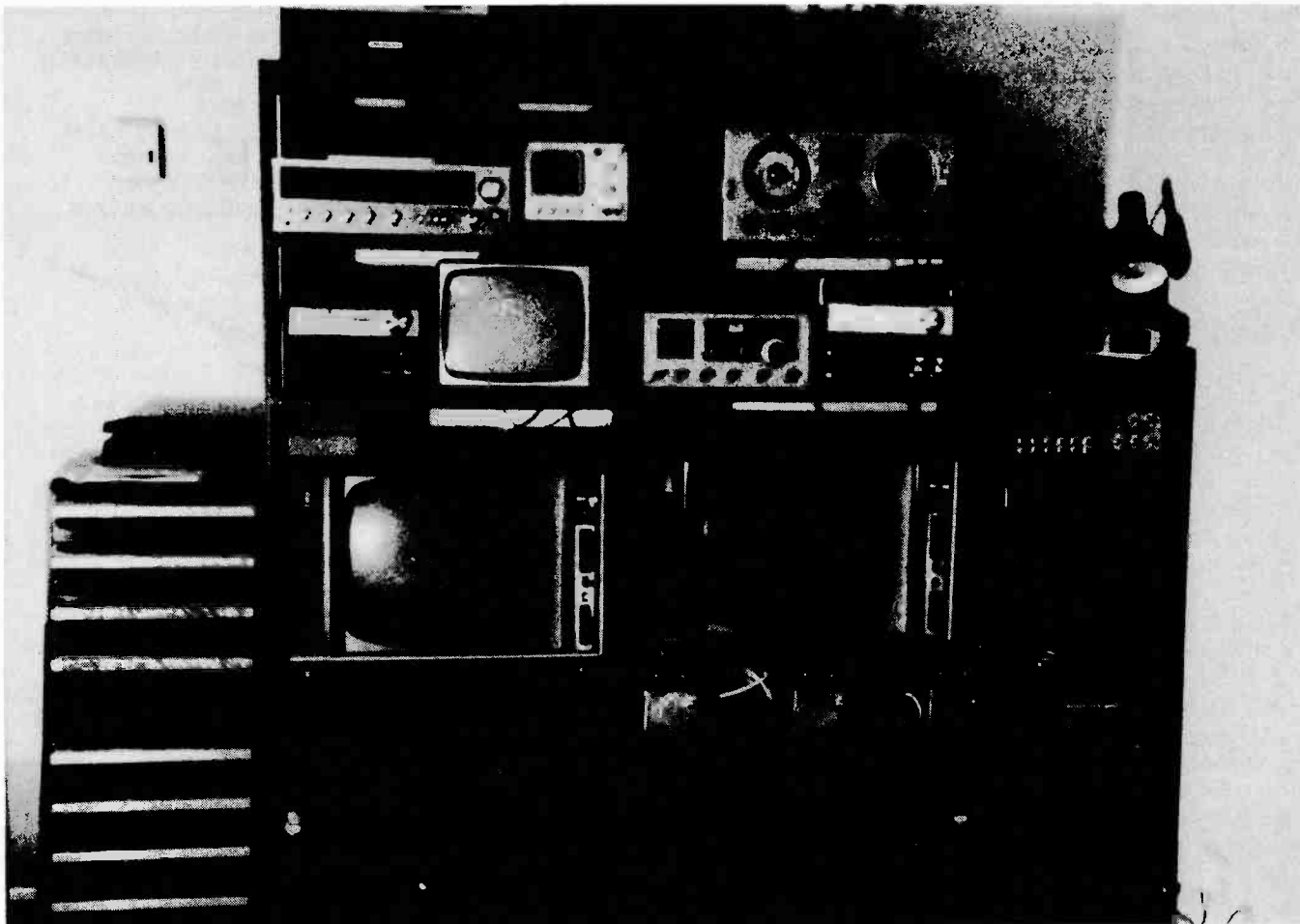
Our catalogue features a representative selection of aerial hardware from the foremost UK and European manufacturers. An EXCLUSIVE wideband Band 1 TVDXing range (designed by Roger Bunney and constructed in our workshop) covers all possible receiving situations and budgets. We can even supply 3 versions of the UHF 4 bay stacked bowtie - Wolsey's 'Colour King' (UK), Vorta's 'DX4/4' (Dutch) and Wisi's 'EE04' (WG) - the latter features stainless steel construction and ideal for a marine environment.

Examples from our range -

Teldis P 1450 wideband UHF masthead amplifier (25dB gain)	£20 21
Teldis P 1440 wideband UHF/VHF twin input 'Active diplexer' 16dB gain	
VHF 19dB gain UHF	£13 90
Teldis matching power supply for above units	£11 60
SWAS wideband 1, 4 element type WB4	£25 65
Fuba XC 391d multiple director wideband UHF array	£46 55

(all above prices include VAT and carriage)

Our catalogue at 25p tells more, leaflets on wideband Band 1 TVDXing arrays and caravan aerials tree (SAE please) or complete product file 35p. SAE all enquiries please

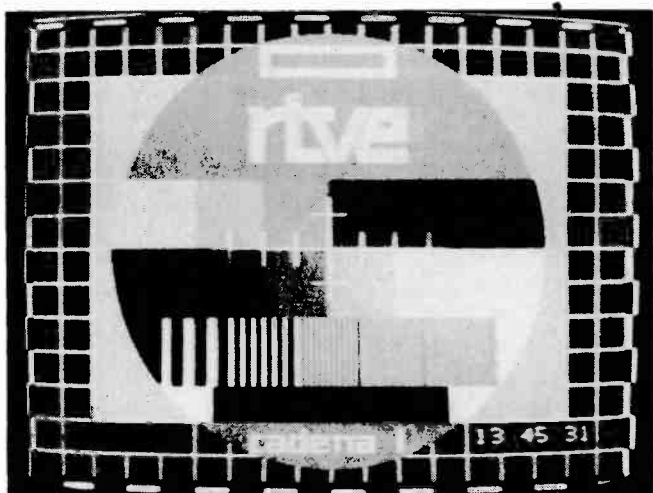


*The domestic end of Roger's DX-TV receiving installation, as rearranged last winter.*

Finally, I've heard that Leslie Green (Scunthorpe) has again been in hospital for a serious operation. I'm sure readers will join me in wishing him all the best.

### ***DX-TV Receiving Installation***

During the winter months earlier this year I completely rearranged the layout of my receiving equipment, with a view to increasing efficiency and also fitting the equipment into the domestic scene harmoniously – space in my typical



*RTVE Madrid ch. E2, received by Andrew Tett (Surbiton) on a modified Thorn 1400 chassis.*

modern terrace house is rather limited, and the equipment has to reside in the living room. After taking various measurements, I decided to purchase a free-standing MFI wall unit plus a couple of strong bedside cabinets. The unit came in kit form, enabling me to make various modifications during construction. The results are shown in the accompanying photo. The receiver on the right is mounted on a shelf to give a 3in. gap beneath, with the tuner units in front. The gap is convenient for the cabling required. A 4in. space is left above the receivers to make it easy to get at the sets and to ensure a good air flow – the sets use valves of course!

Flexibility in use means being able to change over aerials/amplifiers/filters easily, and this is where the bedside cupboards come in. The backs were removed, and a metal cable trunking tray fitted. The amplifiers etc. are bolted to this, ensuring rigidity and thorough earthing (I use amplifiers with diecast housings) via common earth wiring to the domestic mains earth. Connections are made via the coaxial patchfield on the shelf above the cupboard – more diecast boxes, with Belling-Lee surface-mounting coaxial sockets. You may think that this type of cable patching will result in losses, but in practice any losses are negligible. It's wise however to fit simple tin screening between each connection inside each diecast box, in order to avoid stray coupling between adjacent cables at the socket junctions. Individual mains switching to each amplifier is incorporated in the upper cabinet, which also contains the connections and power supplies for the masthead amplifiers.

Perhaps other enthusiasts would like to send details/photographs of their installations.

# Servicing the Beovision 3400 Series

Part 3

Eugene Trundle

## The Line Timebase

Almost the whole of the right-hand side of the main chassis is given over to line scanning and e.h.t. generation. Basically there are two output stages, the main generator which provides the e.h.t. and half the horizontal deflection power, and an auxiliary generator which furnishes the remaining 50% of the deflection power. It works in what might be described as quasi-push-pull with the main generator – see Fig. 3.

The presence of two output stages allows liberties to be taken with the e.h.t. regulation, based on the “50% fiddle factor”. What this means is that if the e.h.t. falls at high beam current due to poor regulation, picture ballooning can be avoided by reducing the deflection current by half as much, percentage wise, as the e.h.t. voltage drop. For example, if the e.h.t. falls by 10%, and the deflection current by 5%, then provided the vertical amplitude and focus voltage track these variations nobody will be any the wiser – unless he’s looking at an e.h.t. voltmeter. This compensation idea is exploited to a lesser extent in most solid-state receivers, where a so-called anti-breathing resistor is inserted in series with the h.t. feed to the line output stage.

Because the main generator supplies all the e.h.t. and 50% of the deflection power it needn’t be stabilized against mains voltage variations appearing on the h.t. line – provided the “fiddle factor” requirement is met. There is however a VDR circuit to ensure that the stage operates reasonably efficiently and to keep the e.h.t. above 20kV at maximum beam current. VDR 6R6 is the stabilizer, working in conventional fashion from pulses from the e.h.t. transformer, with the “set boost” control 8R5 referred via 8R3 and 8R4 to the +270V h.t. line instead of the boost line.

Various means of reducing dissipation in this stage are employed, such as running the suppressor grid at +32V and shaping the line drive waveform to match the e.h.t. current demand, feedback for this purpose coming via the step-up transformer 9L3.

The focus voltage is obtained by rectifying the flyback pulse at the pentode’s anode, with the reservoir capacitor 13C1 returned to a pulse output tap on the e.h.t. transformer to secure the correct focus voltage/e.h.t. tracking. The d.c. voltage tapped from the slider of the focus potentiometer 8R1 has a great big parabola (also from the e.h.t. transformer) superimposed on it so that focus is not lost towards the picture edges.

Returning to the e.h.t. transformer itself, the final anode voltage for the tube is derived via the GY501 from an overwinding on the transformer, with (unusually for a half-wave valve rectifier circuit) 5th harmonic tuning. This has the effect of improving the e.h.t. regulation at the expense of calling for a higher peak voltage in the primary circuit. E.H.T. regulation is also effected by 6D1, which couples the beam current flowing through the overwinding and regulates the PL509 accordingly. 6D1, sensing the e.h.t. current as it does, is also used for beam current limiting – a negative potential being built up in 6C5 as tube current increases. This is passed via a two-stage amplifier to the luminance output valve.

There are several additional secondary windings on the e.h.t. transformer. Windings 8-9 and 10-11 feed the line

scan coils. Secondary 4-5-6-7 provides pulse feeds to various other parts of the receiver, primarily the decoder and CDA clamps, and a –200V line for the brightness control network and silent warm-up circuit. The same line furnishes the collector voltage for the auxiliary generator stabilizer. Winding 1-2-3, with rectifiers 8D1 and 8D2, provides “floating” balanced outputs of +20V and –20V. These lines are fairly heavily loaded by the corner convergence and NS raster correction output amplifiers, each of which uses a complementary-symmetry transistor pair. We’ll come back to them.

The auxiliary generator consists of a PL509 and PY88 driving a second output transformer whose secondary winding drives a sawtooth current through the line scan coils to reinforce the scanning power provided by the main generator. Tertiary windings cater for corner convergence and a conventional d.c. horizontal shift circuit. Once again anode dissipation in the PL509 is kept down by operating the suppressor grid at +32V. Full stabilisation of this stage is required, and because EW correction is also applied here a transistor amplifier is used to control the PL509’s control grid voltage.

The flyback pulses appearing at point 9 on the scan transformer are applied to the width control 6R24 via 8R24 and 8R25. The potted-down pulses are rectified by 6D4 and applied to the base of transistor 6TR1. The emitter of this device is held at a fixed voltage by zener diode 6D3. As a result, the conduction of the transistor varies, its collector voltage being a function of the flyback pulse amplitude. Line drive pulses coming via 9C10 are clamped to this potential by 9D1. Thus stabilisation is achieved. The B+270V line is sampled via 6R23 to compensate for h.t. voltage variations.

A parabolic waveform at field rate, adjustable by 6R29 and 6R26 (amplitude and tilt), is applied to the emitter of 6TR1. Due to the presence of 6R20, the zener diode stabilization at this point is not very “stiff”, while the network 6C8/6R19 at the base of the transistor has a time-constant such that its base is effectively grounded for the relatively fast EW correction waveform applied to its emitter. Thus 6TR1 works in the common-emitter mode as a d.c. loop amplifier to provide stabilization and in the common-base mode as an EW correction amplifier.

To optimise the e.h.t. deflection power tracking, 6R15 links the control circuits for the two output stages. The gain of 6TR1 (common-base mode) increases with frequency, due to the time-constant in its base circuit, and this helps to compensate for the effect of short-term e.h.t. current demands such as a bright vertical bar on a dark background.

There’s no doubt that a goodly percentage of the problems that assail the 3400 chassis are in the stages just described. We’ve never had trouble with the line oscillator or driver stages, so we’ll come straight to the most usual symptom – no results and a blown 400mA fuse at the top of the e.h.t./deflection valve board.

If the fuse has blown gently, you might be lucky and find that the trouble is no more than an overload due to excessive brightness and contrast. This is not surprising, as the current in the fuse is 410mA with everything going flat out – or more if the beam limiter preset is over advanced. Adjust control no. 31 (beside the G-drive preset on the

CDA/luminance panel) for 0.75V across test points b4 at the top of board no. 6. If the trouble is recurrent, we fit a 500mA fuse in this position.

What is more likely is that failure of the fuse was caused by a heavily-damped main generator, with nearly one ampere being drawn. A burnt focus control may be at the root of this, betrayed by an evil smell. Much more common however is shorting turns in the e.h.t. transformer 8014039, curable only by replacement. Before condemning the transformer, it's prudent to confirm that drive is present at the grids (pins 1 and 8) of the PL509s. The screened leads taking the line drive to the panel sometimes short, although this is not as common as it was on the 2600/3200. If there's any suspicion of intermittent line drive, 2C15 (0.001 $\mu$ F) and 2C16 (470pF) in the driver stage should be replaced, though we have yet to experience this.

We find that fitting a 250 $\Omega$  10W resistor in series with the lower 400mA fuse, fitting PL519 valves in place of the PL509s, and reducing the e.h.t. by 10% increases the reliability of the scan/e.h.t. department.

The lower fuse fails less often than the upper one. When it blows violently for no apparent reason, hinge up the screened valve panel assembly, remove the screening can, and examine the print land connected to pin 3 of the PY88. This is in close proximity to the earthed sprite clip which secures the screening can, and intermittent arcing often occurs here: grind away the corner of the sprite clip, or trim back the print land, to cure this one.

Internal arcing in any of the four valves can cause random fuse-blowing.

Two odd faults to conclude this section. A half-size picture with bizarre geometry is the result when the auxiliary generator stops. Horizontal black lines at odd times and random spacings are sometimes caused by sparking in the spark-gap on the focus electrode (pin 9) of the c.r.t. Usually an audible "snicking" noise is produced, and the spark can be seen in darkness.

## NS Raster Correction

To compensate for pincushion distortion at the top and bottom of the raster, the 3400 uses a current generator in series with the field scan coils. See Fig. 4.

The waveform required is known as a butterfly from its appearance on the scope. It's generated by mixing line and field-rate waveforms in diodes 5D5/6, the shape of the modulation envelope being controlled by the amplitude and balance controls 5R25 and 5R22 and the tuned circuit 5L1/5C20, which is resonant at about 12.5kHz. A further line-rate component is added via 5C24 from the top and bottom correction phase controls 5R34 and 5R33. These controls are set to correct any tilt on the top and bottom horizontals of the raster.

The complete correction waveform is amplified in the power amplifier 5TR1/2/3 and 0TR4/5 whose output is applied via 5C26 (10 $\mu$ F) to the primary of the NS output transformer 12L1. The secondary of the transformer is tuned to resonance at line rate and its second harmonic by the network 12C1/2 and 12L2. The network is in series with the field scan coils, so that the vertical scanning current is suitably modulated to compensate for NS pincushion distortion.

If the NS correction department is not working properly, the result is either S-shaped top and bottom edges to the raster, or simply severe pincushion distortion at the top and bottom. If the latter symptom is accompanied by a very snowy picture, switch off before resistors 8R6 and 8R7 burn out, because the NS output stage 0TR4/5 will

probably be drawing a heavy current.

One of the rectifiers 8D1, 8D2 may have shorted, but it's more likely that the trouble is due to the transistors themselves or the 470pF anti-parasitic capacitors (15C1/2) associated with them. If 8D1 or 8D2 have to be replaced, use type MR854. Less commonly 5TR2 or 5TR3 are responsible, and the latter pair should be checked for consequential damage whenever 0TR4 or 0TR5 are found faulty. The 33 $\Omega$  stopper resistors (15R1/2) in the base leads to the output transistors sometimes swell up and burst as a result of faulty transistors or polystyrene capacitors.

The 5mH coil 5L1 is very fragile, and can go open-circuit to upset the NS correction. Just as common is failure of the tuning capacitor 12C1 (0.047 $\mu$ F) across the NS output transformer's secondary winding. This capacitor passes a lot of ripple current, and many types are not suited to life here. We find that the 630V polycarbonate type marketed by RS Components lasts well.

If difficulty is experienced in setting up the geometry (and it can be made very good), ensure that the yoke is square on the c.r.t. This should be when the pip on the deflection yoke is lined up with the moulded line on the c.r.t. flare.

## Convergence

Despite the complexity of the convergence arrangements (corner convergence is achieved by injecting a differential current into the line deflection circuit), troubles are not very common and many of them are "one-offs". We'll summarize the few stock faults that we've encountered without embarking on circuit descriptions.

The push-pull horizontal convergence output stages are fairly reliable – they work under less duress than the field and NS power amplifiers, and the odd failure is easily traced with a meter. The usual fault is an open-circuit base-emitter junction, causing red or green horizontal misconvergence. Sudden or intermittent loss of convergence at screen centre will very often be due to a wire coming adrift from the convergence yoke, or poor contact in the service switch by the 12HG7 valve. All the components prefixed 7 on the circuit diagram are in the pull-out convergence box, in which we've had random failures of the BC147 transistors, each time betrayed by incorrect electrode voltages. If the scope has to be called in, it will probably be to trace an open-circuit 10 $\mu$ F or 25 $\mu$ F capacitor in the vertical convergence section – on most occasions 7C14 or 7C15.

When adjusting the convergence, be careful not to break off the fragile white plastic knobs, and bear in mind that some of the corner convergence controls are located on panel no. 5 above the c.r.t. neck. If they don't do much, the chances are that someone has switched off the corner convergence at switch 5S1 on the same panel.

## Hardware

We've had a few cases of faulty loudspeakers. Like the wound components, the luminance output valve and many other parts, they must come from the manufacturer's UK service department as they are rather special.

The Philips c.r.t.s fitted to these receivers seem to go down relatively quickly, with the symptoms of poor grey-scale and soft focusing. While they'll soldier on for a long time in this condition, the performance capabilities of the electronics in the set justify replacing the tube. Rebuilt tubes are readily available, and seem to last longer than the originals if obtained from a good firm. Installing a replacement is no joke however, because the cabinet fits the

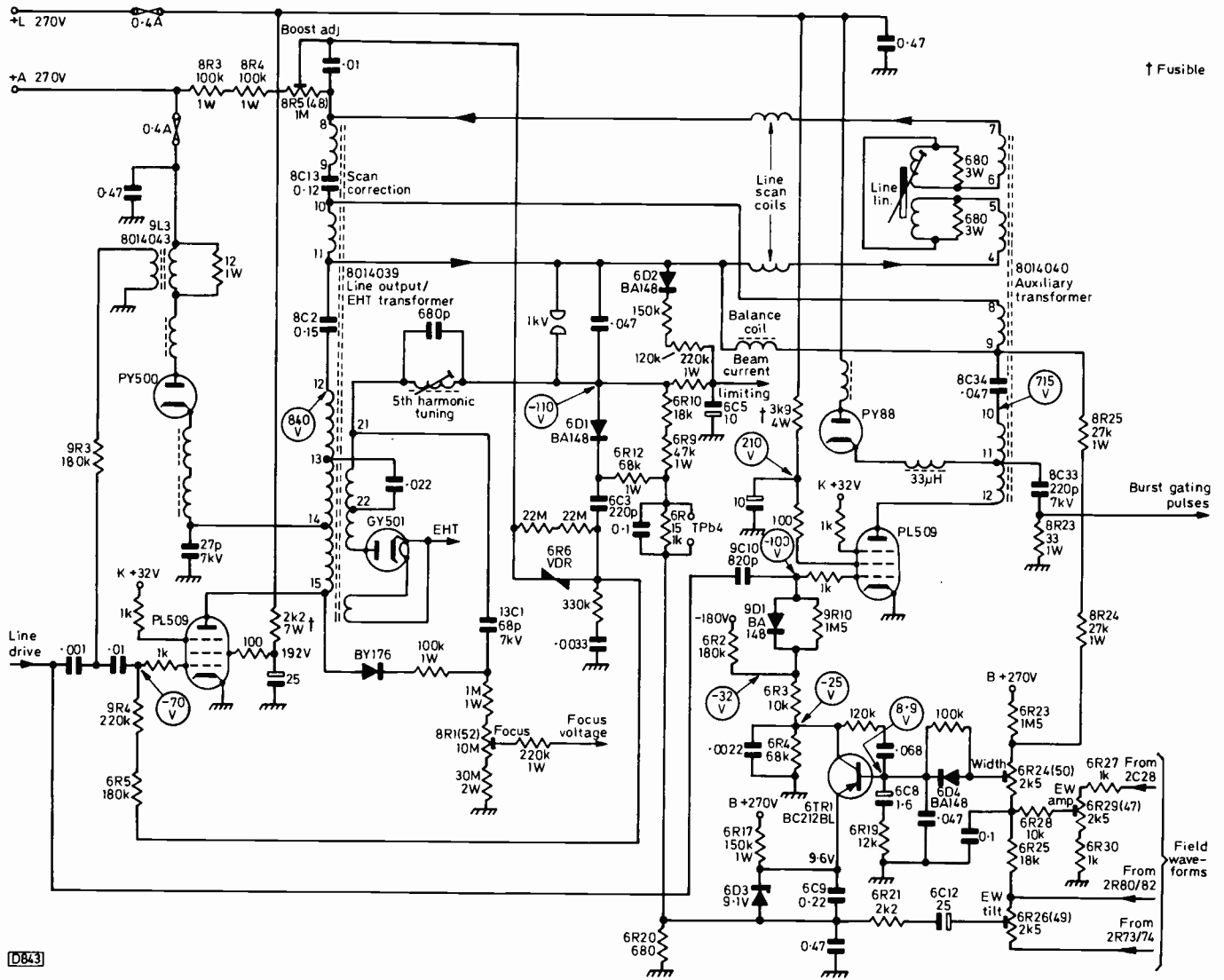


Fig. 3: Simplified circuit of the "double" line output stage used in the 3400 chassis. The voltage across 6C5 should be  $-1.1V$ .

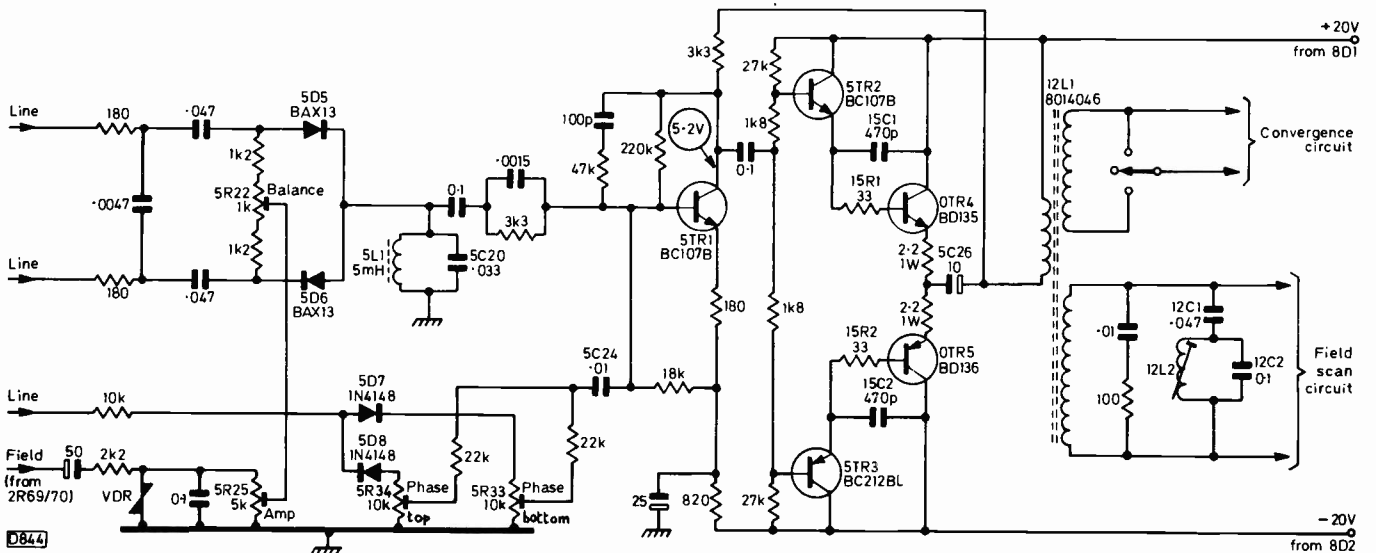


Fig. 4: The NS raster correction circuit, which gives rise to a fair number of the faults on these sets.

c.r.t. like a glove – remove the wooden wedge inside the top of the cabinet, and have the sticking-plaster ready for the odd skinned knuckle!

Purity adjustment on this type of c.r.t. is more critical than with the 90° type. Care is necessary to achieve good purity, though we've always managed without a

microscope. High beam current can cause overheating of the shadowmask, leading to the quaintly-named phenomenon of hot-bulge, in which a pink patch appears on a white object if it's large and lingering. Correct setting of the beam limiter and, if necessary, readjustment of the purity will go a long way to alleviate this problem. ■

# The Great Optical Illusion

Malcolm Burrell

THE Science Museum's TV exhibition "The Great Optical Illusion" opened back in March, the basic theme being to chart the technical development of TV during its first fifty years – since Baird first started regular experimental transmissions. I visited the South Kensington exhibition recently and was enthralled. It's on till September 28th, so as this issue of *Television* is due for publication on August 20th you've still some five weeks left to pay a visit. I feel it's well worth the effort. Admission is free, and the opening times are 10.00–17.45 weekdays and 14.30–17.45 on Sundays.

## Early Receivers

One of the things I particularly wanted to see was the sets of 1936, when the BBC's TV service was inaugurated, in operation. There was a 15in. Baird model of the time, looking rather like an old radiogram with a glass top where a mirror reflected forwards a bright, slightly defocused picture. In another setting close by, a Pye Model 817 was displaying a tiny but very sharp picture from a BBC demonstration film of the period.

Two sets made to sell at vastly different prices! The Baird set with its almost three foot long c.r.t., front silvered mirror and tall cabinet sold for 85 guineas in 1937. Its price was later reduced to 55gns. By the end of 1937, when the TV service had been running for a year, fewer than 2,000 sets had been sold. So manufacturers made efforts to produce cheaper sets. The Pye 817, with its 5in. c.r.t. that gave a 4 × 3½in. picture, is an example, dating from 1938. It was a table model that provided a low-level sound output for feeding to the gram sockets of an existing radio receiver, and sold for 23gns. It was giving much the steadier picture of the two sets however.

## Cameras

Standing opposite was an EMI type 1015 camera, measuring roughly 18 × 14 × 10in. This was the famous Emitron camera, the foundation stone of all-electronic TV – the first electronic eye you could say. In fact it did resemble the human eye, consisting of a 10in. diameter glass bulb that contained the photosensitive target, and a long stalk in which the electron gun resided. Two wide-angle lenses were fitted, with focusing by means of a knurled knob on the front of the camera. One lens provided the image for the



Studio A at Alexandra Palace during the mid 50s, with experimental colour (NTSC) cameras operating on 405 lines.

tube, the other projecting an inverted image on to a ground glass screen inside a rectangular housing at the side of the camera – the viewfinder. Particularly interesting was the use of miniature B8H valves in the head amplifier, wedged inside the beautifully constructed metalwork beneath the tube.

What a contrast with the grotesque, balding head of the ventriloquist's dummy, perched on a piece of rough timber attached to a decaying Nipkow disc – one of Baird's original, 10ft. long mechanical TV apparatus. He was working with very limited finances of course. It was in 1926 that Baird first demonstrated 30-line TV pictures publicly, and a separate exhibit enables you to see the flickering, low-definition pictures on a skeleton Baird televisor or a strategically placed c.r.t. monitor. Recognisable shapes can be seen, but the discomfort of the performers of the time is all too understandable.

Another camera on view is fitted with the CPS Emitron tube, and was first used to televise the wedding of Princess Elizabeth and Prince Philip in 1947. The CPS Emitron was one of the few orthicon-type tubes to go into production. The camera itself is larger than the earlier Emitron one, with a four-lens turret and electronic viewfinder. Close by is the slightly more compact Marconi Mk. I camera: it uses the 3in. image orthicon tube developed by RCA.

## Post-war Sets

As the strains of Adelle Dixon, Helen MacKay and Leslie Mitchell fade in the corner, the fanfare of *Television Newsreel*, now more associated with advertisements for Fiat motor cars, begins in another. A beautifully restored Bush TV22 demonstrates the excellent pictures these sets of the early 50s produced – while a bright, slightly softer image is to be seen on a 20in. Philips 1700A projection receiver.

Three non-operational Pye sets enable one to compare the styling of receivers from 1946, when the TV service reopened after the war, onwards. The B16T of 1946 still used mains-generated e.h.t. to power its 9in. tube, the whole lot being housed in a rather bulky table cabinet. A more compact 9in. model, the B18T, dating from 1948, shows the reduction in size (and weight!) made possible by the adoption of line flyback e.h.t. The one on show is fitted with a magnifying lens.

The 14in. Model V4 dates from about 1954 and features a tinted implosion screen giving improved contrast, edge controls, a sloping speaker panel, and a number of circuit features – black-level correction, flywheel line sync, and automatic picture control (a.g.c.) as Pye called it. The subsequent VT4 featured a thirteen-position incremental tuner for Bands I and III.

## Videotape

On the videotape side an enormous Ampex VR1000 using 2in. tape can be compared with various Sony machines using 1in. and ½in. tape. A recent compact Baird (JVC/Thorn) VHS machine is dwarfed by all. Few 405-line videotape recordings have survived, but an excellent 17in. Peto Scott monitor was showing extracts from some 1958 tapes of ABC's production of *Women in Love*. This was the

first programme where the tape was edited – literally by cutting! The picture quality was very good however, even in comparison with the 625-line programmes of today.

### Studio Equipment

Also on view here is a Moy telerecording camera. Until Ampex developed their first commercial tape machine, the only method of recording TV images was to photograph them. This resulted in a considerable loss of picture quality.

Whilst children enjoyed rolling on a board placed before a concealed EMI colour camera, their friends could watch them superimposed on a videotaped background of aerial views: two short programmes at another exhibit explain the technicalities of such special effects. The first, from the BBC training department, describes colour separation overlay – chroma key to everyone outside the BBC. Performers are placed against a blue background which is filled in by the picture from another camera. This makes it possible to combine live action with models or photographs. The second programme, made by The Moving Picture Company, briefly outlines the use of a digital field store in the Quantel effects unit, which makes artificial zoom effects, pictures within pictures, tumbling pictures and other effects possible.

The Cintel twin-lens flying-spot telecine machine, designed by T. C. Nutall in 1946-7, remained in production until 1975. Large enough to fill a small cottage, 350 of them were sold throughout the world. The specimen present was purchased by the BBC in 1958, subsequently transistorised and modified for colour. It remained in service until 1979.

From the days when Europe was only dreaming of colour comes a Marconi BD848 three-tube colour camera. It measured almost 4ft. in length and used 3in. image orthicon tubes, needing about three times the scene illumination required by a modern colour camera. Two of these majestic creatures graced studio A at Alexandra Palace in the mid 50s, during the early experiments with NTSC colour on 405 lines.

### And Yet More

Historical contrasts in projection TV are provided by a Decca 1000 receiver of 1953, struggling to illuminate a 5ft. diagonal screen, and the startlingly bright display provided by a Grundig 9000 unit.

Finally, amongst the teletext and TV games items, a Philips VLP disc player lay sleeping in its glass case. Outside the exhibition area however there were periodic demonstrations of the player (under the Magnavox banner). The discs, on the 525-line NTSC system, gave impressive results on an American Magnavox receiver. Once activated, the disc takes a few seconds to reach its optimum playing speed of 1,500 r.p.m., the screen being blank: the screen then suddenly flickers to life, with very stable pictures as the laser tracks across the disc in search of the required programme item. Frame freeze, and slow or fast forwards or backwards playing are all stable.

The multitude of cameras, receivers, c.r.t.s and other equipment assembled at this exhibition makes it essential viewing for anyone deeply interested in TV. Most of the important items in the development of the technology, from the mirror-drum scanner to the digital TV standards converter, are on show – with much of the equipment in operation. Sadly, many of the older cameras are non-operational: just as the nearby pumping engines need steam to live, so these cameras need the lifeblood of a technical, pioneering crew struggling to get a programme on the air! ■

# next month in

# TELEVISION

## ● VIDEO CAMERA PROJECT

An inexpensive, easy-to-build design for the constructor, using readily available components. The vidicon is a  $\frac{3}{4}$ in. type, and the unit can be operated from the mains or a 12V battery. The design uses i.c.s for most of the circuitry, and whilst being self-contained can also be synchronised to other sources.

## ● VCR NO COLOUR FAULTS

The colour signal processing circuitry used in VHS and Betamax machines can be responsible for some difficult no colour faults. Steve Beeching examines the circuitry and some of the problems that can arise, with particular reference to the Sony Betamax VCR.

## ● VINTAGE TV

David Looser has restored to working order a real oldie – an HMV Model 901. This takes us right back to the start of TV broadcasting in 1936, for the 901 was originally a dual-standard set (405/240 lines!).

## ● SERVICING THE INDESIT T12S

This portable requires a different servicing approach to most, featuring as it does a power supply with a transistor pump circuit that operates in conjunction with the LOPT. John Law describes the set and some common faults.

## ● THE PHILIPS PROJECTION TV SYSTEM

Projection TV has returned to the domestic scene after an absence of many years. Harold Peters describes the new Philips three-tube colour system.

**PLUS ALL THE REGULAR  
FEATURES**

**ORDER YOUR COPY ON THE FORM BELOW:**

TO .....  
(Name of Newsagent)

*Please reserve/deliver the OCTOBER issue of  
TELEVISION (60p), on sale September 17th, and  
continue every month until further notice.*

NAME .....

ADDRESS.....  
.....  
.....

# Rebuilt Tubes

*Vivian Capel*

THERE are many colour TV bargains about at present. Sets in poor condition can usually be brought up to a reasonable standard of performance given time and patience. The big question is the state of the tube. A new tube can cost more than the price of the set, thus taking the gilt off the gingerbread. One may get a set with a tube in good condition, but the really cheap sets tend to have tubes whose emission is failing. Many tubes may have been boosted to give a reasonable picture – for a while. A solution to this problem is to fit a rebuilt tube.

Many people feel dubious about rebuilt tubes however, especially when it comes to colour. There is certainly some variation in the quality of rebuilt tubes from different sources – and indeed some variation in the techniques used in reprocessing them. Let's start by considering some history.

## *History*

In the early days of TV the only option was a new tube. Then some enterprising firms started to open up old tubes and replace the gun – provided the phosphor screen was all right (it's usually good for at least a second life). The result was a much cheaper alternative to a new tube. While some rebuilt tubes were very good, others unfortunately were poor, with faults such as astigmatism, poor focus, poor emission, and early failure. The worst reproducers became notorious in the trade and in time disappeared. Others whose tubes were just passable survived by selling at rock bottom prices to back-street repairers. So fitting a rebuilt tube came to be considered as something of a risk.

In due course the tube makers themselves decided to start rebuilding tubes – the Mullard Lumenar range for example. These tubes were more expensive than those from independent rebuilders, but at least you knew you had a good quality product.

The supply situation thus became three-tiered – new tube, maker's rebuild and independent rebuild, in descending order of cost. While the price of an independently rebuilt tube may be attractive, what are the chances of getting a dud one? The problems that beset the monochrome tube rebuilders pale into insignificance when compared to colour. With rebuilt colour tubes you can get grey-scale tracking problems due to mismatched guns, deformed shadowmasks, purity problems and others.

To find out more on this subject I went along to the Supervision factory at Wickwar, Gloucestershire and spent a day looking around, tracing the course taken by a tube from the time it comes in as scrap glass to the time it's packed ready to leave as a rebuilt tube. I wanted in particular to check up on quality control, and must say I left considerably the wiser for the experience.

## *Initial Tests*

The tests start early, since you can't accept just any old tube for rebuilding. The incoming tube is first rigged to display a raster and the purity checked. If good purity cannot be obtained, the tube is rejected. The screen is also examined for missing dots. Tubes that cannot be run due to

an open-circuit heater or some other fault of this type are generally scrapped, though if the tube looks as if it might be a good one it may be sent for rebuilding at the risk of later rejection. Another preliminary test is for air in the tube. This will also lead to rejection, since the phosphor can be damaged if exposed to air for longer than 48 hours.

## *Rebuilding Procedure*

The first step is to clean the outside of the tube, at the same time marking the orientation of the old gun on the tube flare – usually this is with the blue gun towards the e.h.t. connector cavity. Air must next be let in, but only very slowly, otherwise the phosphor screen will be damaged and the tube contaminated. So a fine hole is drilled in the tube neck, opposite the gun support, using a pin-sized tungsten drill. It then takes about a quarter of an hour to exhaust the vacuum. From now on there's less than 48 hours to complete the job if the phosphor is to be preserved, so most tubes go through the rebuilding process within a working day.

To remove the old neck, a line is inscribed using a diamond tool. The neck is then severed by a hot-wire loop. The interior of the neck stub left is then cleaned with acetone and a brush that looks like a pipecleaner, and dried with warm air.

As the basis of the new neck, a length of glass tubing is welded on to the stub. The tube is longer than needed, the excess being removed when the new gun is in position. After this the tubes are stored face upwards ready to receive the new gun, overhead electric heaters warming the faceplates to avoid too rapid a temperature change when the tubes are later put into the furnace for pumping.

The guns used are made by one of the top US firms. Positioning the gun assembly in the tube neck is a very critical business, especially with Toshiba tubes. The firm has designed its own micro-alignment jig, which measures the distance between the gun and the faceplate to very fine limits. The gun assembly comes mounted on a glass disc which carries the pins and a thin glass tube through which evacuation takes place. Once the gun is positioned, the base is welded on; using a vertical stand with rotating gas jets. The excess length of tubing drops away. Rapid cooling has to be avoided, otherwise the glass disc may crack around the pins. So the tube is placed in an annealing stand where the temperature is gradually brought down to 275°C. This takes some fifteen minutes. The temperature of the faceplate is then further increased by another spell in the racks under the heaters.

## *Pumping*

The performance and life of a tube depends greatly upon the thoroughness of the evacuation. A perfect vacuum is impossible, so the tube builder aims to get it as high as he can. Cold pumping with a single pump will produce quite a good vacuum, but to get that little extra which makes all the difference to the results obtained quite elaborate methods are required.

Heating the tube in an oven expands the air and improves the vacuum obtained, so each tube is evacuated (pumped)



while heated to 385°C in an individual oven. This procedure takes four hours – during which the air is being continuously pumped out of the tube, using two pumps in series to give improved pumping efficiency. The vacuum in the evacuation tube attached to the base is frequently checked by using a high-voltage probe that produces visible ionisation. The pumps themselves are regularly removed for pen-and-gauge tests.

Before the tube is placed in one of the firm's 18 ovens, a block connector is fitted to its base. This enables heater current to be applied for cathode conversion. The connector also contains a heating element to melt the evacuation tube and seal it once pumping has been completed.

### **Cathode Conversion**

Conversion (cathode activation) is brought about by heating the cathode in as near a perfect vacuum as possible, at particular temperatures and for precisely controlled times. These vary for different guns. A typical activation schedule is 6.3V on the heater for one minute followed by 8.5V for one and a half minutes. The effect of this process is to change the cathode coating chemically to barium oxide. Some gas is liberated in the process, so pumping continues for a further ten minutes before the tube is finally sealed. During conversion the oven temperature is reduced to 200°C.

### **Gettering**

Most of the small amount of gas remaining is then removed by firing the getter. This is a magnesium ring which is attached to the gun assembly. With some rebuilt tubes the getter is fired just inside the tube neck. This is an easy operation, as it's done by placing the tube neck in a tank coil and positioning the neck so that the getter lies within the coil. A half kilowatt of r.f. (470kHz) is then applied to the coil.

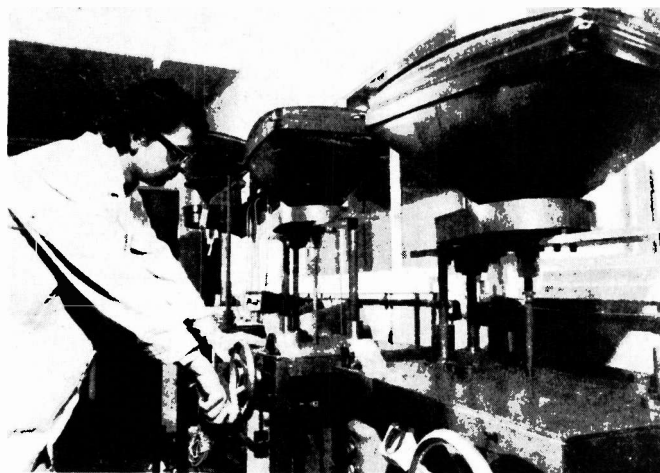
For maximum effectiveness however the best place to fire the getter is in the bowl of the tube – hence Supervision use "antenna" getters. These are mounted on the end of a long, flexible arm that extends from the gun assembly into the bowl. Firing poses a problem however. The tank coil must be close to the getter, otherwise the getter may not fire or may only partially fire. An unfired getter can actually liberate gas during normal tube use, making matters worse rather than better. It appears that it's not uncommon to find unfired getters when an old tube from a different source is dismantled. The difficulty is that the Aquadag coating conceals the position of the getter.

To overcome this problem, Supervision use a proximity detector probe to locate the position of the getter accurately, the position being marked on the outside. A special pancake-shaped tank coil is then applied to the marked position and the r.f. switched on. Gettering is carried out in a darkened booth so that the tell-tale orange flare can be seen reflected in the clear glass next to the faceplate.

### **Polishing and Sparking Off**

The tube is then conveyed to the polishing bay, where any faceplate scratches are polished out, and the first coat of fresh Aquadag is applied.

From here it goes on to be sparked off. The purpose of this is to remove from the guns any dust that may have been picked up before insertion in the neck of the tube. The tube is placed in a lead-lined compartment, to prevent



*Cleaning and drying the interior of the neck stub after removal of the old neck/gun assembly.*

X-ray radiation, and all gun electrodes are connected to earth. An e.h.t. lead is fitted to the final anode cavity, and e.h.t. is then applied, starting at 10kV and increasing to 60kV in 10kV steps.

### **Ageing**

The tube must next be aged. Like conversion, this is done by applying voltages for strictly controlled times according to the sequence prescribed for the particular type of gun. One sequence for example is 7V on the heater for five minutes, 11.5V for 1.5 minutes, 7V for 5 minutes again and finally 9V for 25 minutes, with h.t. on the anodes.

### **Testing**

After the final coating of Aquadag has been applied, tube testing starts. All three guns are emission tested. The gun manufacturers stipulate 1.8mA as the minimum for a pass, but anything below 2.2mA is rejected. Most tubes give 3mA or more. If you've ever had trouble getting good grey-scale tracking with a replacement tube, the next test will be of interest. This is to compare the balance between the three guns. The maximum difference laid down by the makers is 0.8mA. At Supervision no more than 10% (about 0.3mA for most tubes) is allowed.

Each tube is individually picture tested, which came as rather a surprise. There are test bays for each type of tube, with the necessary video drive, scan coils and convergence components. Testing includes purity, brightness and focus checks as well as convergence. At the same time the shadowmask is examined for dirt and the screen for missing dots.

Failure in any of these tests means rejection. Rejects with minor faults are sold as seconds, with the imperfection clearly marked. If the defect would materially affect performance however the tube is scrapped.

In addition, some tubes are selected for life tests. These are run for 48 days in two-hour cycles – 72 minutes on, followed by 48 minutes off. The measured emission must then be at least 80% of the initial figure. This test simulates a 3½ year life when used for the national average viewing period of 18 hours a week.

### **Banding**

One factor that hasn't been mentioned is removal of the rimband and fitting a new one after pumping. Is this

necessary? Some say yes, others no. It adds to the cost of course. Supervision have the equipment to include this feature in their tube rebuilding procedure, and provide rebanded tubes when an order specifies this.

### **The Original Question**

So back to our starting point, whether to fit a rebuilt tube? In performance there is little to choose between a properly processed rebuilt tube and a new one. Certainly those I saw on life test at Supervision were indistinguishable from new ones. What about life expectancy? This is slightly less than for a new tube. The reason for this is that before

new tubes and the rebuilds from some tube makers are fully evacuated the grid and the anodes are "bombed", i.e. subjected to r.f. heating similar to that used for gettering. As a result the electrodes glow red for some twenty minutes, driving out any gas trapped in the metal. Rebuilt tubes from independent rebuilders are not treated in this way at present, which means that impurities in the electrode structure may be liberated during a tube's life, forming small but significant amounts of gas during the later part of its life. Bearing in mind the substantial price difference however, and the fact that the set itself may have passed beyond economic repair in the meantime, a regunned tube from a reliable rebuilder is well worth considering. ■

# Letters

## DECCA MS2000/MS2400 SERIES

In the May *Service Bureau* the problem of a white line down the centre of the screen in a Decca monochrome set (Model MS2400) was mentioned. The reply suggested that the fault was line collapse. It's more likely to have been line cramp at the centre of the screen however. I've had this fault many times in the past on these sets. It's usually caused by resistor trouble in the line multivibrator stage – check the grid leak resistor R130 (680k $\Omega$ ) which goes high in value. If necessary, also check the associated resistors in the potential divider network across the h.t. line – R139 (330k $\Omega$ ) and R140 (56k $\Omega$ ).

I hope the following fault notes, collected over many years servicing these sets (MS2000/MS2400), may be of help to other readers:

*Cogging, pulling and streaking:* D205 (1N4148) video d.c. restorer diode leaky.

*Sound goes off after several hours:* Check the sound output transistor Tr201 (MJE340) for being loose on its heatsink.

*Low gain vision:* First i.f. amplifier transistor Tr3 (AF106) in the tuner unit short-circuit base-to-emitter. The AF139 is a suitable replacement.

*Low sound:* Check for 11V at pin 14 of the MC1351P intercarrier sound i.c. If low check the 12V zener diode D206 (a BZX61C12 is suitable here).

*No video, sound weak:* Last i.f. transformer primary winding L208 open-circuit.

*Distorted sound and buzzing:* Quadrature coil L207 open-circuit.

*No sound or raster, but e.h.t. o.k.:* H.T. feed resistor R203 (400 $\Omega$ , 5W) on i.f. panel open-circuit. Check for h.t. shorts.

*A.G.C. instability:* Faulty a.g.c. reservoir capacitor C245 (1 $\mu$ F tantalum).

*Overloading (contrast control inoperative):* C245 short-circuit.

*Vision instability:* C226 (0.005 $\mu$ F) which decouples the screen grid of the final i.f. amplifier valve low in value.

*Low vision i.f. gain:* C215 (0.005 $\mu$ F) which decouples the screen grid of the first i.f. amplifier valve leaky.

*Low contrast and flashing:* C215 leaky.

*Excessive brightness plus picture pulling:* C241 (0.003 $\mu$ F) which provides frequency compensation in the cathode circuit of the video output valve short-circuit.

*Cogging:* C240 (200 $\mu$ F) which decouples the video output valve's cathode open-circuit.

*Weak field sync with slight video smear:* C240 low in value.  
*Patterning and sound-on-vision effect:* C233 (0.01 $\mu$ F) across the primary winding of the sound output transformer open-circuit.

*Field collapse:* Field output transformer secondary winding open-circuit or the cross-coupling capacitor C115 (0.003 $\mu$ F) leaky.

*Lack of height:* High-resistance screened lead to field scan coils.

*Hum on field, slight hum on line:* Shorted turns on the h.t. smoothing choke CH1.

*Line oscillator dead:* Cross-coupling capacitor C120 (500pF) leaky.

*Incorrect line speed:* C114 (800pF) which couples pulses from the line oscillator to the line sync discriminator pentode leaky.

*Line tearing:* C113 (1 $\mu$ F) in the flywheel sync filter circuit open-circuit.

*Line cramping at screen centre:* R130 high-resistance, check also the values of R139/R140. The value of the oscillator cross-coupling capacitor C116 (25pF) is also critical if foldover at the centre is to be avoided. Use only the correct type of capacitor – 5% polystyrene (Suflex).

A common fault is to find that C122 (2 $\mu$ F electrolytic) has exploded. It decouples the boost supply to the height control and is on the timebase board. Make sure that all the pieces of electrolyte foil have been removed from around the base of the line oscillator valve, otherwise some very distressing line faults will be countered. To prevent the new capacitor suffering the same fate, replace the associated feed resistor R157 (680k $\Omega$ ) with a 1W type. This action should be taken whenever one of these sets is serviced.

These sets are a good few years old but are still worth refurbishing. They have a smart, modern appearance, and you're not likely to come across one with many of the faults listed above.

Alan Shaw,  
Bolton, Lancs.

*Editorial note:* Many thanks indeed for this helpful information. The full circuit for these sets appeared in our February (receiver circuits) and March (timebases/power supply) 1974 issues.

## INTERESTING VCR FAULT

David Matthewson's article on VCR Muting Systems in the June issue brought to mind an interesting fault I had not long since on a Sony U-matic VO1810 VCR. The machine was in the workshop for routine service, and is in use continuously in the "repeat" mode for eight hours a day. In fact

it's one of a number of machines in similar use, so it's normally quite easy for us to assess what's required – most of the faults are due to mechanical wear of course. We could well have missed this particular fault however, since the machines are used for playback only.

All worn mechanical items were replaced, and the standard alignment tape produced a perfect picture. I then made a recording, but on switching to playback there was no output at all. When the newly recorded section came to an end however, back came the video. Some brief checks were carried out – to ensure that r.f. was reaching the video heads and that control track pulses were being fed to the control head. All seemed o.k. I next removed the tape and tried playing it back on another machine. This time success, and the mystery deepened. The faulty machine would play a reference tape and would record, and its recordings could be played back on another machine – but it didn't seem to like its own tapes back!

After a fair amount of head scratching, I discovered that when the machine was playing back a known good tape the control track pulses were coming off the tape but were of very slightly low amplitude and mis-shapen. Now muting on the VO1810 is affected by the control pulses, or rather the lack of them. Another quick check with the scope, while recording, showed that the control pulses were at the correct level – up to control head. Inspecting the combined audio/control head revealed all. The gap was visible with the naked eye, though surprisingly the audio section was o.k.

On high-quality audio recorders the playback head sometimes has a slightly narrower gap than the record head, but in this case we had what amounted to the reverse condition, with the result that the head could not read its own laid-down slightly imperfect control pulses.

Replacement followed by a quick line-up proved the theory.

*D. R. Stone,  
London, E17.*

### SIMULATING A VARIAC

Malcolm Burrell seems to have made rather hard work of simulating a variac in his article on the Sony set (June issue). A single transformer will do. Connect the live side of the mains supply to tag 6 (0V) and the neutral side to tag 1 (250V), taking the 100V a.c. output from pins 1-5.

*R. J. Nunn,  
Diss, Norfolk.*

### MORE ON RESISTORS

May I say how interesting and enjoyable I found Harold Peters' article on resistors in the June issue. A few additional points may be of interest.

As Harold Peters says, carbon composition resistors were reliable and seldom failed unless overloaded. But they did drift, or rather wander in value, especially if subjected to considerable temperature cycling. Besides the painted style and those in ceramic tubes, some were moulded in a brown or black plastic – the Allen-Bradley resistors that came in during the war were in this style and were highly regarded. In parallel with carbon composition types, there was the Dubilier metallised resistor. Cynics said these were made of a glass tube and puff of smoke – but as they were accepted for inter-services use as grade 2 resistors along with carbon composition types they must have been satisfactory.

There were carbon film resistors (also called cracked- or pyrolytic-carbon) resistors long before the arrival of the

cheap, mass-produced types we've known for the last ten years or so, though they were rather too expensive for use in domestic equipment. They appeared towards the end of the war and were generally called high-stabs, with 5, 2 and 1% tolerance ratings. Come to think of it they must have been available elsewhere earlier – I've seen 1939-40 vintage Avometers with high-stabs bearing the well known SH monogram of Siemens-Halske. It often surprises engineers used to resistance values up to only 10M  $\Omega$  or so to find that carbon film resistors are available with values up to tens of thousands of megohms. I once used a pair of very high value in a demonstration oscillator, to give a period of several hours. Resistors of the order of 1,000M  $\Omega$  are useful as the feedback resistor in picoammeters and of course in the measurement of e.h.t. voltages.

The advent of the metal-oxide resistor some twenty years ago resulted in the rapid decline in the use of carbon film high-stabs with values of 1M  $\Omega$  or below. The metal-oxide resistor is virtually standard in military, industrial and laboratory equipment. Different manufacturers use different manufacturing techniques. In one well known brand, Elettrosil, tin oxide is deposited on very stable glass developed by the Corning glass company.

More than the other types referred to, carbon composition resistors produce excessive noise. When there's no applied potential difference, or only small signal voltages, the noise contributed by the resistor is just the irreducible thermal (Johnson) noise – so in this case substituting a different type of resistor will give no noise reduction.

There's a better quality carbon potentiometer – the moulded carbon type. It's smoother in operation, and generally more reliable and longer lasting. The Morganite types are marked in their own peculiar manner: the first two figures are the first two figures of the value, the third indicates the number of remaining noughts and the last two figures the percentage of total value at 50% rotation – thus 10410 means 100k  $\Omega$  log.

Wirewound potentiometers can also have a non-linear or tapered law. Except in very expensive ones this is effected by changing the gauge of the resistance wire at certain points along the track. Three gauges of wire are used, giving a characteristic made up of three straight lines. The shape that was shown in Fig. 2 is I believe known as the wine-glass shape.

*E. F. Good,  
Darlington, Co. Durham.*

### DON'T FORGET THE WIRE!

An interesting problem came our way recently – failure of a Ferguson Movie Star colour portable (early version) to operate on battery. The set worked all right in the workshop, so we blamed the customer's battery. When we returned the set however it refused to work – even with our own battery. What we initially overlooked was that we'd not operated the set in the workshop using the customer's battery lead but one lying around in the stores. It turned out that when the customer had bought the set a battery lead had not been available, so he'd made one up using 2A speaker wire. This was totally inadequate of course for passing the 8A required by the set, and the voltage drop along the wire was sufficient for the set to shut down. This serves to show that although the resistance of wire is usually ignored there are times when it can be quite significant – apart from the fire danger!

*D. Snelling,  
Clayhanger,  
Brownhills.*

# Service Bureau

*Requests for advice in dealing with servicing problems must be accompanied by a 75p postal order (made out to IPC Magazines Ltd.), the query coupon from page 619 and a stamped addressed envelope. We can deal with only one query at a time. We regret that we cannot supply service sheets nor answer queries over the telephone.*

## **RANK A823 CHASSIS**

The picture broke up, and to restore line sync the oscillator coil's core had to be set so that it's only about two turns in. A few days before this trouble started, the neon on the timebase panel lit, cutting off the e.h.t. The overvoltage protection control had to be turned down to get the e.h.t. back.

The overvoltage circuit trips when the h.t. is excessive. 8RV1 (set e.h.t.) should be set so that the voltage at the h.t. fuse 8F3 is approximately 200V. If the h.t. voltage cannot be reduced sufficiently, check the control transistor 8VT1, zener diode 8D2, the control (8RV1) and the values of 8R6 (in series with the control) and 8R9 (feedback). If the h.t. is in order but the neon still strikes, disconnect the collector of the protection transistor 5VT3 as a check – the circuit can trip due to a defective neon or 5VT3 being leaky. Once these points have been attended to and the h.t. has been set up correctly, if the oscillator is still not functioning properly suspect capacitor trouble in the line oscillator stage – the tuning capacitors 5C17/18/20 will need to be checked, also if necessary the decoupler 5C14, 5C7 associated with the ringing circuit and the flywheel sync discriminator diodes 5D2/3.

## **DECCA HYBRID CTV**

The problem with one of these "Bradford" sets is as follows. When the receiver is tuned off station, the first half of the scan is dark with no snow while the second half is normal, i.e. with snow. As a station is tuned in, the dark area reduces to an inch or two at the left-hand side, but the picture is always progressively brighter towards the right-hand side. Changing the line output stage valves has had no effect.

First check C434 (100 $\mu$ F) which decouples the cathode of the line output valve – this point affects the video via the beam limiting arrangement. If the set is the earlier 10 series, check if necessary C272 (0.0015 $\mu$ F) which feeds the line flyback blanking pulses to the c.r.t. The relevant capacitor on the 30 series is C219 (0.05 $\mu$ F) on the decoder panel. It's just possible that the boost capacitor C436 (0.22 $\mu$ F) is faulty, though this is unlikely.

## **THORN 3500 CHASSIS**

About half an hour after the set has been switched on, purple bands appear across the top and bottom of the picture, with some loss of line sync in these bands. After a while the colour goes completely and the line hold gets worse. Occasionally the colour will return sporadically in parts or all over the picture, then going again.

This is typical of burst gate timing drift, the clue being the line oscillator drift – this shifts the flyback pulse, delaying

the gating pulse so that the burst signal is reduced or lost. First adjust the line oscillator circuit therefore. This is done by removing the sync pulse feed – short the test point on the main chassis (lower at the left-hand side viewed from the front) to earth – then set the line hold control to the mid-position and tune the line oscillator coil for a stationary or nearly stationary picture. After doing this you may find that the fault has been cured. If drift is still present however the flywheel sync discriminator diodes, the reactance transistor and the electrolytics hereabouts, also possibly the oscillator tuning components, will have to be checked.

## **SONY KV1800UB**

The trouble with this set was a 5in. wide picture, due to the line oscillator running at the wrong speed. Replacing the line oscillator transistors Q509/510 cured the fault, but we found that the originals were type 2SC1363 instead of type 2SC1364 as specified in the manual. Is there any significance? Three days later the cut out operated, due to the series regulator transistor Q902 going short-circuit. This is type 2SD96A. Is there a substitute?

The 2SC1363 and 2SC1364 are similar enough for Sony to use either in the Q509/510 positions. Though Sony would no doubt be filled with horror, we've found that a BC171B will generally do as a substitute. Q902 is more difficult, being a high-dissipation device – the correct type should really be fitted here. We're surprised however that the circuit breaker trips when Q902 shorts, and suggest you check the mica washer on it and also the converter (Q802) and line output (Q801A and Q801B) transistors.

## **RANK A823A CHASSIS**

After the set's been on for about an hour, if the picture has a large white or near white area the field splits for a second or two, about two inches down from the top, then returns to normal. The problem then becomes worse until the picture remains split in two, with a one inch black band across the middle, the field sometimes rolling very slowly.

If you're lucky, all that's required is slight adjustment of the field hold control 5RV1. If adjusting this fails to cure the trouble, the following are suspect: the interlace diode 5D4, 5R14 (560k $\Omega$ ) which biases the base of the sync separator transistor, 5R20 (1M $\Omega$ ) in the field sync coupling network, the sync separator transistor 5VT2, and 5C18 (47 $\mu$ F) which decouples the supply to the field oscillator circuit. We've listed these in order of likelihood.

## **DECCA GYPSY**

From new there was slight foldover at the top of the raster (apparent only after the set had warmed up). Then the raster went completely, due to the line output transistor going short-circuit. A replacement restored the raster, but the top foldover subsequently got worse. Checking with freezer failed to find anything wrong in the field timebase, but on touching Tr9 (one of the field output stage transistors) the field collapsed. On removing my finger there was some picture, but only four inches high and with terrible foldover at the top and bottom. Since then I've replaced all the transistors in the field timebase, but the problem remains.

Top foldover on this portable is usually caused by leakage in D7 (BA157), which is in series with the field output stage and switches off to enable the flyback action to take place, or in the field scan coupling capacitor C57 (220 $\mu$ F). If these are in order, and the d.c. voltages in the field timebase are reasonably correct, the likelihood is that there are shorting turns in the scan coils.

### THORN 1500 CHASSIS

For the first hour and a half the set works well, then the bottom of the picture starts to jump and subsequently the whole field keeps closing in to a horizontal line for a few seconds before opening out again. Half an hour later the picture becomes steady again. A new PCL805 field output valve has failed to produce any improvement.

We suggest you check the condition of the two 18k $\Omega$  resistors R101/2 in the coupling circuit between the output pentode and the triode section of the valve. The symptoms you describe are consistent with one of these resistors being defective.

### TANDBERG CTV2-2

The mains fuse blew and on examination we found the following components in the power supply faulty: the chopper transistor Q977, the trigger thyristor Q976, the control transistor Q975, and the 160V rectifier D985. These were replaced, but when the set was switched on the sound and vision lasted for only about thirty seconds before the mains fuse again blew. Any ideas?

The 160V line supplies the line output stage. The first thing to check therefore is the BU108 (BU208) line output transistor, which can be responsible for sudden failure of Q977. Chopper transistor failure unfortunately usually means failure of the thyristor and control transistor as well: all must be replaced at the same time. Other things that can cause sudden failure of Q977 are the mains bridge rectifier diodes D976-9 if type 1N4005 (replace with BY127s), dry-joints (not easily visible) on the power supply transformer T975, and D992/Q981 if there are signs of distress in R998. The latter components are fitted in later production only: Q981 is an over-voltage crowbar thyristor connected to the 160V line, D992 is the reference zener diode that fires it, while R998 (10 $\Omega$ ) is in series with Q981.

### THORN 2000 CHASSIS

The fault on this set is no e.h.t. The trouble seems to be in the e.h.t. regulator circuit, as the driver transistor VT5 heats up quickly, also R11 in its feed circuit, then R1 on the power supply panel springs open (as it should do). On testing the regulator transistor itself (VT6) I find that there are low-resistance readings across all the junctions. It's type D1693, but I can't find any trace of this device. Can you also suggest an alternative for the e.h.t. generator transistor VT7 (type R1038)?

It seems that leakage in VT6 is the root of the trouble. A good substitute is the 2N3055 which is readily available. The R2008 or R2008B used in the 3000 series chassis can be used to replace the R1038. The driver VT5 can be replaced by an E1222. It would also be worth checking C2 (140 $\mu$ F) which decouples R11.

### ITT VC300 CHASSIS

The trouble with this portable is a hum bar, which moves up the screen, and a wavy picture. I've replaced the bridge rectifier, using BY127 diodes, also the transistors in the l.t. regulator circuit. The l.t. rail is correct at 11V, the current is 1.7A as quoted in the manual, and the set works normally when used with a car battery. The BY127s and the mains transformer run hot.

The current rating of the BY127 doesn't approach the 1.7A which this circuit demands. Even the original bridge rectifier used in the chassis proved not man enough, being replaced by a different ITT approved and supplied alternative. It's essential to use either this or high-current, low-voltage rectifiers such as the 6A types marketed by RS

Components. The ITT part number for the recommended bridge is 12547. Occasionally the cause of hum is the reservoir capacitor C14 (4,700 $\mu$ F - there are two of them if the set is a 15in. model).

### RANK A823AV CHASSIS

The trouble is tuning drift on all channels, always slight and towards the l.f. end of the scale. A normal picture can be obtained for 10-40 minutes (at the h.f. end of the scale only) but then slowly drifts off station, leaving the sound but no picture, just patterning with weak sync. I've changed the TAA550 regulator i.c. and the diodes in the a.f.c. circuit. Also the touch tuner refuses to hold on, reverting to "one" if any channel is not on station.

There seem to be two faults here. We suspect the touch tune unit for the "jumping to one" trouble - possibly the number one neon. The varicap tuner itself is the first suspect for the drift problem, though the tuner control unit is not above suspicion. The latter can be checked by rigging up a 22 or 25k $\Omega$  potentiometer in place of the tuning potentiometer bank in the set.

### DECCA 30 SERIES CHASSIS

The trouble with this set is intermittent loss of height. The picture will suddenly close in, at the top and bottom, then return to normal - the test/teletext signals are seen at the top when the raster collapses. Sometimes there's a sort of "threatening" action before the collapse suddenly occurs. The picture may then return to normal for a considerable time.

This fault on these sets is usually attributable to a dud spot on the height control potentiometer, in which case replacement is the only sure cure. If the height control is o.k., check for dry-joints on the panel and particularly the seating of plug/socket PT/A on the timebase board.

### THORN 8000 CHASSIS

The only things we've had to do to this set in the past have been to replace the line output transistor and the f.e.t. d.c. amplifier in the reference oscillator control loop. Now however we get horizontal yellowish lines across the raster for about three minutes after switching on, then the screen is filled with lines as though field and line sync are lost. The picture appears a minute or so later, and is generally satisfactory for the rest of the evening.

If both field and line hold are lost, the suspect is the tantalum capacitor C196 (3.3 $\mu$ F) on the signals panel. This couples the video signal to the buffer amplifier which in turn feeds the sync separator. If line hold only is affected, check the BA154 flywheel sync discriminator diodes W405/6 - by substitution, since they can cause trouble even if an ohmmeter test suggests that they are all right. Adjust the line oscillator coil L405 (line hold) if these diodes have to be replaced.

## QUERY COUPON

Available until 17th September, 1980. One coupon, plus a 75p (inc. VAT) postal order, must accompany EACH PROBLEM sent in accordance with the notice on page 618.

## TELEVISION SEPT. 1980

## RANK A816 CHASSIS

The initial trouble was excessive width. While checking the voltages around the line driver transistor 3VT17 however the BU105/01 line output transistor went short-circuit. A replacement went the same way, so I changed the line output transformer and the SN76533N line oscillator i.c. This produced scan for a few seconds, then puff! the new line output transistor went again. Any ideas? It's costing a bomb in BU105s.

We feel that the first suspect is the flyback tuning capacitor 3C61 (2,200pF). Other things we'd do before switching on again are to check the value of the current stabilising resistor 3R103 (1.8Ω), which is in series with the

base of the line output transistor, and disconnect the TV20 e.h.t. rectifier to clear this of suspicion. We assume that the resistors (3R118, 3R117 and 3R113) in series with the h.t. feed to the line output stage have not been tampered with.

## BUSH CTV25

The set is one of the later ones, with an e.h.t. multiplier. Unfortunately the multiplier has failed and replacements seem difficult to find. It's a quadrupler, made up from separate rectifier sticks. Can these be replaced, and if so what with?

Diode types BY182, BY184 and BY176 are all suitable for use in this application.

# TEST CASE

## 213

Each month we provide an interesting case of television servicing to exercise your ingenuity. These are not trick questions but are based on actual practical faults.

The symptoms on an ITT colour set fitted with the CVC20 solid-state chassis were no colour and very low contrast. The job was taken on by a small local servicing firm that occasionally uses the services of an experienced engineer as a consultant, and this particular set was eventually referred to him. The firm's technicians had tried fitting a replacement decoder/video panel without success, but had discovered that the control voltages fed to this panel from the contrast and colour controls were low. The 12V supply to the control panel was present and correct, so suspicion was directed to the beam limiter circuit (see Fig. 1).

So as not to waste any time, the two transistors involved, T1 and T2, were replaced. The picture was still flat and milky however. These two transistors are normally cut off, being intended to switch on and pull down the contrast and colour control voltages only when the e.h.t. current flowing to chassis through R20 exceeds the bleed current flowing via R20 and R23 – with D3 clamping the voltage at the

junction of R19/20/23 to -0.6V when the beam limiter circuit comes into operation.

The consultant was acquainted with all this, and decided to check the diode and the values of the resistors with his Avo. These turned out to be in order, and he started to wonder whether there was maybe a tripler fault. Voltage readings were next taken – and a strange set of circumstances was revealed! The voltage at the emitter of T1 was correct at 4.5V (zero beam current), while the voltage at the base of this transistor was found to be 1.8V. Though this was not correct, it nevertheless suggested that T1 was cut off, as it should be. The voltage at the collector of T1 was found to be markedly lower than it should have been however, while T2 was hard on. Shorting the base and emitter of either transistor to switch it off restored normal contrast and colour.

The consultant turned to another piece of test gear and quickly snipped out the offending component. What was it and what had happened to it? See next month for the answer and another test case item (about a VCR, so there!).

## SOLUTION TO TEST CASE 212

– page 564 last month –

The fact that disconnecting the heater chain in the VC200 chassis mentioned last month removed the hum on line scan symptom meant that the heater supply just had to be the source of the offending hum modulation on the raster. The line output valve's control grid circuit is quite a high-impedance one, and it became obvious to the engineer that this was the point of hum injection when he managed to reduce the severity of the symptom by artificially lowering the circuit impedance at this point.

Close inspection of the printed panel (it's made of SRBP material) with the PL504's valveholder removed revealed charring in this area. The conclusion then was that the trouble was due to leakage across the surface of the board beneath the valveholder. Although no leakage could be measured with a Megger, the fault was completely cured by isolating the print tracks and valveholder pins associated with the heater and line drive feeds (pins 1, 2, 4 and 5) and wiring them up with PVC covered wire instead. After this rather tricky operation the raster was rock steady. It was fortunate for Mrs. Williams that her set was on rental, otherwise her bank balance would have taken rather a heavy blow in labour charges!

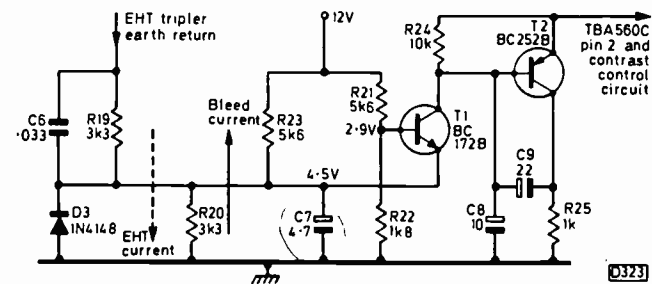
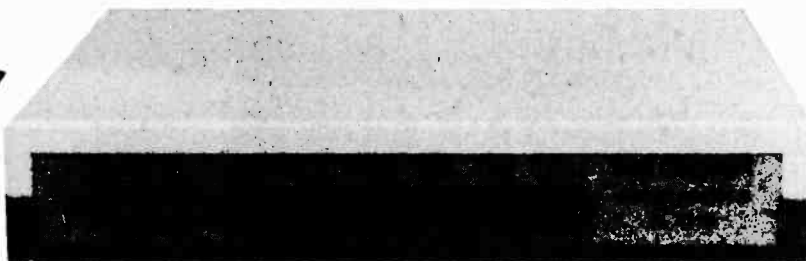


Fig. 1: Beam limiter circuit used in the ITT CVC20 chassis. R23 changed to 10kΩ, R22 to 910Ω and R25 to 470Ω in later production sets.

Published on approximately the 22nd of each month by IPC Magazines Limited, King's Reach Tower, Stamford Street, London SE1 9LS. Filmsetting by Trutape Setting Systems, 220-228 Northdown Road, Margate, Kent. Printed in England by Carlisle Web Offset, Newtown Trading Estate, Carlisle. Distributed by IPC Business Press (Sales and Distribution) Ltd., 40 Bowling Green Lane, London EC1R 0NE. Sole Agents for Australia and New Zealand – Gordon and Gotch (A/sia) Ltd.; South Africa – Central News Agency Ltd. Subscriptions: Inland £10, Overseas £11 per annum payable to IPC Services, Oakfield House, Perrymount Road, Haywards Heath, Sussex. "Television" is sold subject to the following conditions, namely that it shall not, without the written consent of the Publishers first having been given, be lent, resold, hired out or otherwise disposed of by way of Trade at more than the recommended selling price shown on the cover, excluding Eire where the selling price is subject to VAT, and that it shall not be lent, resold, hired out or otherwise disposed of in a mutilated condition or in any unauthorised cover by way of Trade or affixed to or as part of any publication or advertising, literary or pictorial matter whatsoever.

# The Professional COLOUR BAR GENERATOR kit

**ONLY**  
**£59.50**  
inclusive



**TRULY  
PORTABLE**

\*Compare the specifications with any kit or manufactured Colour Bar Generator on the market. Then compare the price. See Test Report in April 1980 Issue of Television.

**\*SPECIFICATION**

- (a) Line Frequency: 15,625 Hz±0.1%
- (b) Field Frequency: 50 Hz±0.1%
- (c) Interlace: 2:1
- (d) Subcarrier Frequency: 4.43361875 MHz
- (e) Colour System: PAL
- (f) Standard 75% Saturated 100% Amplitude  
Colour Bars, left to right: White, Yellow, Cyan,  
Green, Magenta, Red, Blue, Black

(g) Size 8" x 5½" x 1½" and weighs a mere 500g

\*Push Button Selection provides:

- (i) Peak White Raster
- (ii) Linearised Grey Scale
- (iii) Crosshatch
- (iv) Colour Bars
- (v) Red Raster

\*Direct connection to Television Aerial Socket

\* All kits are complete with a **PROFESSIONALLY FINISHED** Case, tinned, drilled and screen-printed P.C.B., step by step assembly instructions, and a simple setting up procedure (only **TWO** adjustments)

\* No extras to buy, not even Batteries. It comes complete with its own re-chargeable battery and charger (Approx. 10 hours running time per charge)

\* The backing of our After Sales Service Department

\* V.H.F. Modulator also available

\* Ready-built, aligned and tested for only £88.25, with a full twelve months guarantee

Also available with additional 1 volt p.p. 75 ohm video output. S.A.E. for details.

Prices inclusive of  
V.A.T. and Postage



**INTRACEPT ELECTRONICS LTD.,** 203 PICTON RD, LIVERPOOL L15 4LG  
Tel: 051-733 3042

## TV LINE OUTPUT TRANSFORMERS

by **FAST RETURN OF POST SERVICE**  
PRICES INCLUDE P. & P. & 15% VAT

**COLOUR TRANSFORMERS**

DECCA	CS1730, 1733, 1830, 1835
DECCA	30 series Bradford Chassis
DECCA	80, 100 series
ITT	CVC 5 to CVC 9
ITT	CVC 20, CVC 30, CVC 32
PHILIPS	G8, G9 Chassis
PHILIPS	K80 (Rewind only - old unit required - £12)

**£10  
RETAIL**  
**£9  
TRADE**  
(Trade Orders only)

**WINDINGS**

BUSH	Colour Hybrid quadrupler type	£6.00
RANK	T20A chassis	£6.00
PHILIPS	G6 EHT Overwind (exchange basis only)	£7.00
PHILIPS	G6 Primary	£5.00
PYE	691 to 697 EHT Overwind*	£3.00
PYE	691 to 697 Primary Winding*	£4.00
*please state which		
EMO	90 degrees	£7.00

**MONOLOPTS**

Most British & Foreign makes supplied.  
**£9 RETAIL**    **£8 TRADE**  
Separate windings also available.

**REWINDS**

Rewind Service Available  
Mono or Colour  
SAE all enquiries.

Open Mon. - Fri.                      9 to 5.30 pm                      Callers Welcome.  
All lopts and windings are new and guaranteed for 6 months.

**PAPWORTH  
TRANSFORMERS**  
80 Merton High Street  
London SW19 1BE

Barclaycard and  
Access welcome



**01-540 3955**

# ARE YOU

## USING YOUR SPARE TIME PROFITABLY?

If not, you're losing money. Money that you could be making by selling **used colour televisions from home** in the evenings. In fact, provided you start correctly and know exactly how to operate, you can easily earn a substantial **CASH INCOME** with a starting capital of less than £20. Our new unique publication "**How to Deal Successfully in Used Colour Televisions**" enables you to follow in the footsteps of many experts who have a great deal of combined experience in this lucrative home business, and who have 'pooled' their knowledge to help you. After all, to follow the advice of someone who has travelled the ground before you, is to be given the best possible start. And the hundreds of valuable trade secrets, hints, tips and suggestions in the guide show exactly how anyone of average intelligence can **succeed immediately**.

Every aspect, from securing the first television right through to rapid expansion of sales, is covered with the detailed knowledge of experts to ensure **certain success**. Indexed information on almost all makes of television is presented in clear tabular form, describing performance, reliability, price and service. In particular, the tips on expanding the business are very practical, and are almost automatic when put into practice. Pages of unique advice on advertising ensure that maximum sales are secured, and sources of supply are described in detail - for both televisions and new/used spares. Monochrome sets are also covered, as are "invisible" cabinet repairs. **Plus FREE on-going advice and FREE regular updating service.**

**You can start tomorrow - but you'll need our guide.** The latest big illustrated edition is out now, and costs just **£4.95** - a small price to pay for financial independence!

**ORDER TODAY FROM:**

GLDBUS INDUSTRIES LTD., UNIT 18, DARLEY ABBEY MILLS, DERBY.

To: **Globus Industries Ltd., Unit 18, Darley Abbey Mills, Derby.**  
Please send by return post "How to Deal Successfully in Used Colour Televisions"  
I enclose cheque/p.o. for **£4.95**.

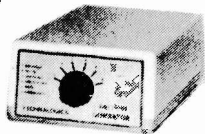
NAME.....  
ADDRESS.....  
.....

★ NEW ★

# COLOUR BAR GENERATOR

U.H.F. AERIAL INPUT PATTERN GENERATOR CPG6-RF

All Facilities of our PG6RF



## PLUS COLOUR BARS.

Produces 7 invaluable patterns.

**Robust, Battery Powered, Pocket Sized Unit,  
Plugs Straight into Aerial Socket.**

W H I T E	Y E L L O W	C Y A N	G R E E N	M A G E N T A	R E D	B L U E	B L A C K
-----------------------	----------------------------	------------------	-----------------------	---------------------------------	-------------	------------------	-----------------------

## FEATURES:

- ★ CROSSHATCH GRID
- ★ DOT MATRIX
- ★ VERTICALS
- ★ HORIZONTALS
- ★ WHITE RASTER
- ★ GREYSCALE
- ★ PLUS PAL COLOUR BARS;

ONLY 3 SIMPLE ADJUSTMENTS.

- ★ PG6RF OWNERS; Buy Add-On 'C6' Unit!

## ORDER NOW!

**PG6RF KIT £25.87 BUILT £33.35 – As per TV Review, Jan. 1979**

**C6 KIT £18.98 BUILT £26.45 – Add-on Colour to PG6RF**

**CPG6RF KIT £42.55 BUILT £63.25 – Both above combined.**

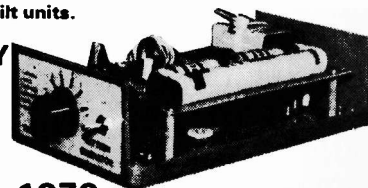
These prices INCLUDE P & P and 15% VAT. Export VHF versions available.

In response to demand we have produced an add-on Colour Bar unit C6 to upgrade the PG6RF to PAL COLOUR. A MUST for TV construction or servicing! Available as a KIT or BUILT & TESTED. Kit includes all components and ready built modulator etc. Hundreds sold, reliable design.

Full 12 month guarantee on built units.

## MAIL ORDER ONLY

Quantity Discount  
on application



**ACCESS  
ORDERS  
WELCOME**

**PLEASE NOTE OUR NEW ADDRESS. ORDER FROM:—  
TECHNALOGICS LIMITED (DEPT. TV)  
WINDMILL WORKS, STATION ROAD,  
SWINTON, MANCHESTER M27 2BU.  
TELEPHONE: 061-793 5293**

## TELEVISION ELECTRONIC DISTRIBUTION (SPARES) LTD.

412a Hanworth Road, Hounslow, Middlesex  
Telephone: 01-572 4668

## PANEL REPAIR/EXCHANGE SERVICE

TRADE ONLY

BERRYVISION 510 (set only).

EMO

THORN 3000/3500 Series,  
8000/8500/8800/9000 Series.

GEC Solid State 2110 Series.

PHILIPS G8 G9

RBM A802/823 AV (Ultrasonic) BC6100.

DECCA Solid State 80 Series/Hybrid 30 Series 10.

GRUNDIG 5010/6010 GB 5011/6011 GB.

PYE 691, 697, 713, 723, 731

SONY 1800UB

TRADE REPAIRS ON ALL SONY COLOUR T.V.'s

VERY COMPETITIVE PRICES.

3 MONTHS WARRANTY ON PANELS FROM  
DATE OF OUR INVOICE.

DISCOUNT FOR BULK PANEL ORDERS.  
CATALOGUE AVAILABLE ON REQUEST.

## APOLLO

**HIGH TEMPERATURE PUMPED COLOUR TUBES**  
Orders accepted by phone, same day delivery. Manchester  
area £3.50. Mail Order anywhere by request, fitting while  
you wait £15 extra.

18"	A47 – 342 x 343 x	£33.00
19"	A49 – 120 x / 192 x	£33.00
20"	A51 – 220 x / 110 x	£33.00
22"	A56 – 120 x / 123 x	£36.00
25"	A63 – 120 x	£39.00
26"	A66 – 120 x A67 – 120 x	£39.00

These tubes replace many Toshiba types.

Callers welcome, please phone first.

**061 799 0854**

Reg Office:

**43 Clarke Cres, Little Hulton,  
Nr. Manchester M28 6XM.**

While stocks last – 3 hour conversion kits for Philips 1500  
Video's £99 inc. P. & P.

## MAIL ORDER PROTECTION SCHEME

### INTRODUCTION

The Office of Fair Trading have agreed that the notice of the Mail Order Protection Scheme to appear in periodicals carrying mail order advertising should appear as follows:—

### "MAIL ORDER ADVERTISING

British Code of Advertising Practice

Advertisements in this publication are required to conform to the British Code of Advertising Practice. In respect of mail order advertisements where money is paid in advance, the code requires advertisers to fulfill orders within 28 days, unless a longer delivery period is stated. Where goods are returned undamaged within seven days, the purchaser's money must be refunded. Please retain proof of postage/despatch, as this may be needed.

### Mail Order Protection Scheme

If you order goods from Mail Order advertisements in this magazine and pay by post in advance of delivery, Television will consider you for compensation if the Advertiser should become insolvent or bankrupt, provided:

- (1) You have not received the goods or had your money returned; and
- (2) You write to the Publisher of Television summarising the situation not earlier than 28 days from the day you sent your order and not later than two months from that day.

Please do not wait until the last moment to inform us. When you write, we will tell you how to make your claim and what evidence of payment is required.

We guarantee to meet claims from readers made in accordance with the above procedure as soon as possible after the Advertiser has been declared bankrupt or insolvent.

This guarantee covers only advance payment sent in direct response to an advertisement in this magazine not, for example, payment made in response to catalogues etc., received as a result of answering such advertisements. Classified advertisements are excluded."



## Manufacturers Surplus Components FIT THE RIGHT PART

300 mixed  $\frac{1}{2}$  and  $\frac{1}{4}$  watt resistors £1.50  
 150 mixed 1 and 2 watt resistors £1.50  
 300 mixed Capacitors, improved pack, most types £3.75  
 100 mixed Electrolytics £2.20  
 300 mixed Printed Circuit mounting Components for various TVs, resistors, caps etc. £1.50  
 300 printed circuit Resistors  $\frac{1}{2}$  to 4 watt £1.00  
 100 High Wattage TV resistors, Wirewound etc. £2.75  
 100 mixed miniature Ceramic and Plate Caps £1.50  
 100 mixed polystyrene capacitors £2.20  
 25 mixed Pots and Presets £1.20  
 25 mixed TV Presets £1.00  
 20 assorted TV VDRs and Thermistors £1.20  
 10 assorted TV Convergence Pots £1.00  
 20 assorted TV knobs, includes push button, chrome, control types etc. Mostly Thorn and ITT £1.00  
 10 assorted Valve Bases, B9A, ceramic, EHT, etc. £1.00  
 20 assorted Sync Diodes blocks for various TVs £1.00  
 25 assorted Pulse Caps high voltage £1.25  
 10 Spark Gaps £1.00  
 20 assorted Zener Diodes 1 watt and 400MW £1.50  
 100 Mixed Diodes, includes zener, power, bridge, varicap, germanium, silicon etc. All full spec. £4.95

### NEW

4-433 C.T.V. Crystals  
 Long Leads 1.00 each  
 3 for £2.50

**Why Buy Expensive Triplers!**  
 Repair your old 5 and 3 sticks at a Fraction of the Cost.  
 10 Replacement Rectifier Sticks (Thorn). £1.00

### Special TV Bargain Parcels

Lots of useful parts including damaged panels, tuners, components etc. 10lb for £7.50

### Hardware Pack

Includes BA nuts and bolts, nylon, posidrive, self-tapping "P" clips, cable markers, clamps, fuse holders etc. £1 per lb.

Line linearity coils, 50p each, 3 for £1

100Q 4W white ceramic wirewounds, 12 for £1

4 Knobs black with chrome caps to fit ITT, Thorn, GEC and most small diam. shafts 60p per set

950 bottom panel complete with i.f. s switch etc. £3.00

Convergence Pots with knobs. 5Q, 10Q, 20Q, 30Q, 50Q, 100Q, 200Q, 1K. 8 of 1 type £1.00. 8 of each £7

### SAVE THAT TUBE.

Fit our C.R.T. Isolating Transformer. Ideal for HTR./Cath. Shorts. 200-220-240 inputs. 750-900 MA outputs with thermal cutout. Made for Thorn 4000 C.T.V. but works O.K. on other sets. £2.00 each 3 for £5.00

Degaussing V.D.R.'s (Red, Orange, Black), fit most sets. 5 for £1.

Coax. Aluminium. Free sockets. 50p each 3 for £1

Bush CTV 25 Quadrupler Remo type Q25B. equiv. to ITT. TU25 30K. with mounting brackets. £4.25 each. 3 for £10

GEC single standard, hybrid chassis. convergence panel. Brand new, complete with plugs and leads £2.50

G.E.C. S/S Hybrid Focus Assembly with lead £1.50

ITT Featherlight Super. Side Chassis, with controls, V. Cap Tuning Panel, Regulator, P/Button Switches. Bridge Rec. etc., etc. £3.50  
 I.C. for above £1.00

### SPECIAL OFFER

GEC transistor rotary tuners with slow drive, AE Skt. and leads 2010 Series £1.50

KB VC3 VHF tuner with valves £1.50

KB VC3 transistor tuner "UHF" £1.50

ITT VC200 transistor tuner (Phillips type) £1.50

ITT CVC5 power panel. New but five resistors never fitted £1.50

Pye mono mains droppers with fusible link. 147Q + 260Q 50p 3 for £1.00  
 69Q + 161Q 50p 3 for £1.00

R2010B £1 each

0.2" LED's

Red 10 for £1

Green or yellow 8 for £1

Portable TV EHT Sticks "Siemens TV 18 KV". Fit most portables 50p each 3 for £1.00

Pye 18" CT200 V. Cap P/B Assembly with leads and £3.90

### SHOPKEEPERS LOOK

Phillips "Antistatic Discleaners" individually packed RECORD CLEANERS 10 for £2. 100 for £15. 1000 for £100. R.R.P. over 50p. Sample 50p inc. p.&p.

White Ceramic TV Resistors 20Q 16W, 91Q 10W, 13Q 11W. 10 of any one type £1.20  
 10 of each type £3.00  
 2.2k fusible, vertical mounting Screen Feed resistors 9 watt

0.47Q  $\frac{1}{2}$  watt emitter resistors 8 for £1.00  
 10µF 400V modern Small Type 40 for £1.00

4.7µF 63V 20 for £1.00  
 1000µF 16V 10 for £1.00

Bias Caps 330µF 25V 10 for £1.00  
 470µF 25V 10 for £1.00  
 4,500µF 35V cans 80p each

R.B.M. 100µF + 32µF + 32µF 300V 50p each

### Avoid Lethal Shocks

Buy our specially designed EHT Probe, removes high voltage charges from tubes, caps, etc. Heavily insulated with lead and earth connector 60p each

B9A P.C. valve bases 20 for £1.00

EYB7/DYB7 EHT bases 10 for £1.00

C.T.V. Tube bases 5 for £1.00

20mm Antisurge Fuses. 630Ma

800MA, 1A, 1.25A, 1.6A. 12 for £1.00

2A, 2.5A, 3.15A 100 for £7.00

T8A 800Q 80p 3 for £2

TH3 thermistors 10 for £1.50

Aluminium Coax Plugs 8 for £1.00

Metal Coax Couplers 6 for £1.00

Miniature "Terry" clips ideal for screwdrivers and small tools etc. 40 for £1.00

Low profile 16 pin quill

I.C. Sockets (to fit most "Q" series I.C.) 12 for £1.00

Decca Bradford Tuners. 5 button (4 push, one tune) £2.75 each, 5 for £10.50. Also fit Rigonda mono TV.

Rediffusion/Doric Mk 13 5 stick Triplers can be modified for other sets £1.00

Miniature Level/Batt. Meters as fitted to many cassette recorders 90p

Also:- Miniature Mains Transformers 4.5V-0-4.5V at 250Ma 90p each. 3 for £2.50

Miniature Reed Switches 20 for £1.20. 100 for £4.

## ULTRASONIC TRANSDUCERS

Transmitter and receiver. 40 kHz 14 mm diam. £4.25 pair

### PUSHBUTTON KNOBS

Type 1 15mm long x 11mm diam. Brushed Aluminium Finish 10 for £1  
 Type 2 10mm long x 10mm diam. Chrome Finish 10 for £1  
 Both types fit standard  $3\frac{1}{2}$ mm square shafts as used on most music centres etc. 100 for £7  
 1000 for £50

### FOCUS UNITS

Rotary type. As fitted in "Thorn 8500", solid state G.E.C. and lots of other sets. £1.20 each 3 for £3.

BD131 4 for £1  
 BD132 4 for £1

## SPECIAL SCOOP PURCHASE OF MULLARD CAPACITORS

Spillages, Floor Sweepings, Cosmetic Imperfects etc. All mixed up. Factory clearance.

### UNREPEATABLE OFFER

Polyester C280's (Liquorice Allsorts) 100 mixed £2. 1000 mixed £12  
 Miniature Electrolytics (Blue Type) 100 mixed £2. £1000 mixed £12

### De Luxe Fibre Glass Printed Circuit Etching kits

Includes 150 sq. ins. copper clad F/G. board. 1 lb ferric chloride 1 dalo etch resist pen. Abrasive cleaner. Etch tray plus instructions. Special Price £4.95.  
 1 lb F.E. C1 To mil. spec. £1.25  
 5 lb F.E. C1. To mil. spec. £5.00  
 150 sq. in. Single sided board £2.00  
 150 sq. in. Double sided board £3.00

L.O.P.T. for R.B.M. 823A Chassis £4.50 each 3 for £10

33V Varicap Tuner Regulators. Equivalent to TAA550, SN76550, ZTK33 etc. Only 8 for £1

"Thorn 950" 3 stick tripler £1

## TRANSISTOR PACKS

Our Transistor Packs are even better than before! 100 NEW AND MARKED TRANSISTORS including BC238, ME0412, BF274, BC148, BC182L, BC338 and, or other similar types. A random analysis of these packs yielded between 98 and 108 transistors of 17 to 20 different types with an average total retail value of £14 - £16. OUR PRICE ONLY £4.95

200 transistors as above but including BD131, 2N3055, AC128, BFY50, BC154, BF394, BC184L, etc.

ONLY £9.95

BY476 (BY176) 18kV. 2.5Ma EHT REC 60p each 3 for £1.50

Send 50p P. & P. on all above items; send Cheque or P.O. with order to:-

### SENTINEL SUPPLY DEPT. TV

149a Brookmill Rd., Deptford, London SE8

(Mail Order address only. Callers by appointment) Trade enquiries for quantity welcome.

Surplus stocks purchased for cash.

## TV LINE OUTPUT TRANSFORMERS (ALL NEW AND FULLY GUARANTEED)

(Prices include VAT at 15%)

Discount to Trade Post and Packing 85p

<b>RANK BUSH MURPHY</b>	<b>PYE</b>
Z146 A640 dual std mono 8.50	169 173 569 573 769 series 8.50
Bush A792, A793 single std mono 8.50	RV293B 368 series 8.50
A774 single std mono 8.50	691 692 693 697 series colour
A816 solid state mono 9.60	Two types see below
Z712 T16a T16b mono portable 9.60	Wired in version 21.41
A823 A823b A823av colour 11.35	Printed circuit version 15.26
Z179 Z722 series colour 18.06	713 715 570 series colour 12.32
Z718 18" series 23.00	731 735 737 741 colour 9.51
Z718 20" 22" 26" series 23.00	725 colour 9.51
T20a T22-series colour 14.43	
<b>DECCA</b>	<b>FERGUSON HMV MARCONI ULTRA THORN</b>
MS2000 MS2400 mono 6.80	950 mk2 1400 mono 8.50
MS1700 2001 2020 2401 mono 8.50	1500 20" 1500 24" 1580 mono 8.50
MS2404 2420 2424 mono 8.50	1590 1591 1592 1593 mono 8.50
1210 1211 1511 portable 11.09	1612 1613 1712 mono 8.50
GYPSY portable 10.24	1600 1690 1691 mono 10.20
CS1730 1733 colour 9.51	1615 series mono 12.50
CS1830 1835 colour 9.51	3000 3500 EHT or SCAN 8.50
'30' series BRADFORD colour 9.51	8000 8000a series colour 12.14
80 series colour 9.51	8500 8800 series colour 12.14
100 series colour 9.51	9000 series colour 12.14
	9800 series colour 23.85
<b>G.E.C.</b>	<b>TELPRO</b> all models 9.51
2000 to 2064 dual std mono 8.50	<b>TANDBURG</b> CTV 2-2 colour 9.51
2047 to 2105 3112 to 3135 8.50	<b>NDROMENDE</b> solid state 9.51
"GAIETY" FINELINE 8.50	<b>TELEFUNKEN</b> 637 647 9.51
2114 portable mono 9.50	
3133 3135 portable mono 9.50	
DUAL STD hybrid colour 11.59	
SINGLE STD hybrid colour 11.59	
SINGLE STD solid state 9.51	
<b>INDESIT</b>	<b>WINDINGS</b>
20EGB 24EGB mono 9.51	Post & Packing 40p
<b>PHILIPS</b>	<b>RANK BUSH MURPHY</b>
170 series dual std mono 8.50	Colour hybrid quadrupler type 5.60
210 300 series mono 8.50	T20a T22 Z719 Z722 Pry & Sec 6.83
320 series solid state mono 10.00	Z718 series primary 5.60
G6 single std colour 19.88	Z718 series EHT overwind 7.20
G8 series colour 9.51	
G9 series colour 9.51	<b>PHILIPS</b>
G11 series colour 17.36	G6 eht overwind 7.20
	G6 primary 4.60
<b>KB-ITT</b>	<b>KORTING</b> hybrid series 7.60
VC2 to VC10 VC12 to VC100 9.00	<b>WALTHAM</b> 125 EHT overwind 3.00
VC200 VC205 VC207 mono 8.50	
VC300 VC301 VC302 portable 8.50	
CVC1 CVC2 colour 9.51	<b>PYE</b>
CVC5 CVC7 CVC8 CVC9 colour 10.00	691 to 697 EHT overwind* 3.07
CVC20 series colour 10.53	691 to 697 primary* 4.60
CVC30 CVC32 series colour 9.51	*Please state printed circuit or wired version
CVC40 series 21.19	
<b>GRUNDIG</b>	<b>FERGUSON HMV MARCONI ULTRA THORN</b>
HYBRID 717 1500 3010 colour 12.57	8000 8000a primary 4.50
5010 6010 5011 6011 6022 12.57	8500 8800 primary 4.50
2222 12.57	8500 8800 EHT overwind 6.00
1510 2210 2252 5012 colour 12.57	

Contact your nearest depot for service by return.  
Callers welcome. Please phone before calling.

**Tidman Mail Order Ltd.,**  
236 Sandycombe Road, Richmond, Surrey.

Approx 1 mile from Kew Bridge.

Phone: 01-948 3702

Mon-Fri 9 am to 12.30 pm, 1.30 to 4.30 pm, Sat 10 am to 12 pm.

**Hamond Components (Midland) Ltd.,**  
416, Moseley Road, Birmingham B12 9AX.

Phone: 021-440 6144.

Mon-Fri 9 am to 1 pm, 2 pm to 5.30 pm.

### T.V. ELECTROLYTIC CAPACITORS

600mfd 250v.	G8	£1.30
600mfd 300v.	G8	£1.50
600mfd 300v. (PC)	G9	£1.40
600mfd 300v.	A823	£1.40
400mfd 350v.	8500	£1.40
400mfd 400v. (PC)	9500	£1.76
470mfd 250v. (PC)	G11	£1.30
800mfd 250v. (PC)	G9	£1.50
200 + 300mfd 350v.	691	£1.80
400 + 400mfd 350v.	Decca	£2.30
150 + 150 + 100mfd	1500	£1.40
175 + 100 + 100mfd	3500	£1.75
200 + 200 + 75 + 25mfd	CVC5	£1.70
200 + 200 + 150 + 50mfd	2047	£1.70
200 + 200 + 100 + 32mfd	169	£2.20
300 + 300 + 150 + 100 + 50mfd	2040	£2.60
1000mfd 63v.	3500	50p
2200mfd 63v. (PC)	G9	80p
1250mfd 50v.	691	45p
4700mfd 25v. (PC)	1590	60p
2500 + 2500mfd 30v. (PC)	A823	90p

### PLASTIC FILM CAPACITORS

Mains Filter Capacitors 250v. AC working		
0.047mfd	26p.	0.22mfd 42p.
0.1mfd	36p.	0.33mfd 48p.
1.0mfd (Three wire type)	45p.	
1000v. DC range		
0.047mfd	22p.	0.22mfd 42p.
0.1mfd	28p.	0.47mfd 54p.
2kV Flyback suppression type		
4700pF	28p.	
5200pF	35p.	
11,000pF	48p.	
Scan correction type		
0.91mfd G11.	44p.	

## P. E. WHITE

22 York Road, Camberley,  
Surrey GU15 4HR.

### CASH WITH ORDER PLEASE

All the above prices are for single items.  
PLEASE ADD 30P. PER ORDER  
TO COVER POSTAGE AND PACKING.  
ADD VAT AT 15%

## QUALITY TV'S ALWAYS AVAILABLE

GOOD STOCKS OF MODERN COLOUR  
PLENTY OF SINGLE STANDARD MONO  
VERY COMPETITIVE PRICES  
COME TO THE BEST IN THE WEST

## TELETRADERS

ST. LEONARDS WAREHOUSE  
ST. LEONARDS ROAD, NEWTON ABBOT, DEVON

Telephone: (0626) 60154

# GEL TEL

WARNERS MILL  
SOUTH STREET  
BRAINTREE  
ESSEX

(0376) 26384

COLOUR & MONO TV'S  
WORKERS & NON-WORKERS,  
EX EQUIPMENT TUBES & PANELS

**RE-BUILT COLOUR TUBES**

**NOW** leap forward with the new generation  
**DE LUXE LSI REMOTE CONTROL COLOUR TV SYSTEM** **IN KIT FORM**  
**Forgestone 500 TELETEXT**  
 high quality colour television receiver  
 NEW INFRA-RED FULL FEATURE REMOTE CONTROL TELETEXT

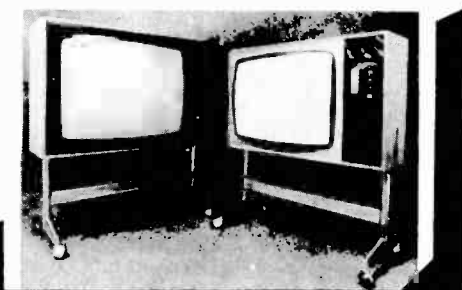
- \*Pin diode tuner
- \*Glass epoxy printed circuit panels
- \*Full technical construction manual
- \*Hi-Bri tube
- \*Eleven integrated circuits
- \*Ready built and aligned IF module
- \*High quality components
- \*Modern cabinets
- \*All solid state
- \*Fully isolated and protected power supply
- \*Diode split L.O.P.T.
- \*Low consumption

THE ULTIMATE in large screen 22" and 26" television receiver kits. Deluxe full spec. Teletext, 7 channel + VCR. Also video and audio in/out. 6 models in the 500 range.

*Buy as you build. All Forgestone Kits are for the constructor of today, sections of the Kit are available separately. Please send stamp for further details of these quality products.*

**Forgestone Colour Developments Limited**

Ketteringham, Wymondham, Norfolk, NR18 9RY  
 Telephone: Norwich 810453 (STD 0603)  
 Telephone or Mail Orders accepted on Access/Barclaycard



**SPECIAL OFFERS**

**NORTH**

19" GEC 2040 10 for £100

19" THORN 8500 6 for £200

Thornbury Roundabout,  
 Leeds Road, Bradford 3.  
 Tel: (0274) 665670

**SCOTLAND**

19" GEC 2040 Minus Tuner  
 20 for £100

Peacock Cross Industrial Estate,  
 Burnbank Road, Hamilton.  
 Tel: (0698) 282141

22" PYE 205 10 for £200

**North London**

Cedar House Nobel Road,  
 Eley Estate, Edmonton,  
 LONDON N 18. Tel: (01) 807 4090

**Chepstow**

Unit 4a, Bulwark Industrial Estate,  
 Chepstow, Nr. Bristol  
 Tel: Chepstow (02912) 6652

19" THORN 3000  
 10 for £300

**Birmingham**

48/52 Pershore Street,  
 Birmingham 5. Tel: (021) 622 1023

22"/26" KORTING  
 10 for £200

**South London**

395/397 Albany Road,  
 Off Walworth Road,  
 LONDON SE5.  
 Tel: (01) 703 4040

**Hockliffe**

Watling Street Hockliffe,  
 North Dunstable (on A5),  
 Leighton Buzzard.  
 Tel: (0525) 210768

**ALL PRICES PLUS VAT.**

**DELIVERY EXTRA.**



# JULY AWAKE AT NIGHTS

WORRYING ABOUT PROFITS?

*With Discount TV's*



- \* Thousands of untested S/S Colour TV's for disposal from £10.
- \* All with tested tubes and guaranteed complete.
- \* Buy with complete confidence from Britain's most reliable source.
- \* Hundreds of working polished TV's demonstrated before purchase.
- \* Visit our heated 10,000 square foot warehouse and choose your sets in comfort.
- \* Hundreds of B/W available.

- \* New TV Stands. Fully adjustable. **£5.00 + VAT** + £1.50 p. & p.



All prices are plus V.A.T. at 15%.  
Then add postage indicated.

**WMTV LTD.** HIGH STREET, KINGS HEATH, BIRMINGHAM B14 7JZ TEL: 021-444 6464/2575

*With Express Spares Service*

## Ex-Equipment Valves

	Tested	Untested
DY802/86/87	15	5
ECC82	10	5
PCF80	15	8
PCF802	10	5
PCL82	12	6
PCL84	15	8
PCL85/805	15	8
PCL86	12	6
PFL200	15	8
PL36	20	10
PL504	20	10
PL508	30	15
PL509	80	25
PL519	90	40
PY500	40	19
PY800/81/801	15	8
PY801/88	15	8
30FL1/2	25	12
PL802	£1.20	

Please add 10p per valve p. & p. for orders under £2.00.

## Ex-Equipment Colour Tubes

All fully tested.

19" (A49-120x)	£15.00
20" (A51-120x)	£20.00
22" (A56-120x)	£16.00
25" (A63-120x)	£10.00
26" (A66-120x)	£18.00

Tube prices + V.A.T.

- \* Discount of £3.00 on regunable old glass to callers only.
- \* For Express Mail Order, please add £4.00 per C.R.T. p&p.

## Ex-Equipment Spares

- \* Always available.
- \* Miscellaneous Scan Coils **£1.50 + V.A.T.** + £1 p&p.
- \* Tuners for colour and mono, **£4.00 + V.A.T.** + £1.00 p&p.
- \* Mono tubes and spares from **£2.00 + V.A.T.**
- \* Plessey TV sound IF Amp and discriminator i.c. SL432A with Data & Circuit **75p + VAT.**
- \* Rank, Bush, Murphy A823 Panels. Tested.
- \* IF panel **£5.00.**
- \* Power panel **£5.00.**
- \* Scan panel **£8.00.**
- \* Decoder 1 chip **£12.00.**
- \* Decoder 2 chip **£15.00.**
- \* EHT Tower **£15.00.**
- \* SL901B Colour i.Cs. Brand new, tested **£3.00.**

Other spares quoted for most makes.



## Re-Gunned Colour Tubes

19" (A49-192x)	£29.00
20" (A51-110x)	£30.00
22" (A56-120x)	£32.00
26" (A66-120x)	£34.00
26" (A67-120x)	£36.00

- \* Most other sizes in stock.

- \* For express mail order please add £4.00 p. & p. + £10.00 tube surcharge which will be refunded on return of unscratched colour glass.



# CARTERHILL LTD

*"the best in rebuilt cathode ray tubes"*

Have moved to larger premises at  
**UNIT 11, ALSTON WORKS,  
ALSTON ROAD,  
BARNET, HERTS.  
TEL: 01-441 1667.**

**BUT WE OFFER THE SAME VERY  
HIGH QUALITY TUBES WITH  
HIGH DEFINITION & LONG LIFE**

	EXCHANGE PRICE
19" A49 - 191x	£28.00 + VAT
18" A47 - 342/343x	£29.00 + VAT
20" A51 - 110x	£29.00 + VAT
22" A56 - 120x	£30.00 + VAT
25" A63 - 120x	£32.00 + VAT
26" A66 - 120/140x	£34.00 + VAT
26" A67 - 120x	£35.00 + VAT

Prices include FREE delivery within 10 miles radius. Callers welcome.

## VALVE BARGAINS

Any 5-80p, 10-£1.50, 50-£6.00.

Your choice from the following:  
ECC82, EF80, EF183, EF184, EH90,  
PCF80, PCF802, PCL82, PCL85/805,  
PL504, PY800, PY88, PFL200.

## COLOUR TV VALVES

PL508-PL509/519-PY500/A-PL802.  
All tested-**85p each.**

## 100 MULLARD C280/C281 CAPACITORS

Values from .01uf to 1.5uf 250V/W, our choice, good mixed selection. Price per 100 **£2.00.**

**SIGNAL INJECTORS** with (pre-set) variable AF, which emits RF harmonics into the UHF band. Protected up to 300 volts dc. Complete with leads **£5.70 each.**

All prices include VAT at 15%. P&P per order 30p. S.A.E. for leaflets. Access cards.

**ELECTRONIC MAILORDER LTD,**  
62 Bridge Street, Ramsbottom,  
Via Bury, Lancs. Tel. Ramsbottom 3036.

## AERIAL AMPLIFIERS

Aerial amplifiers can produce remarkable improvement on the picture and sound in fringe or difficult areas.

**B45** - for mono or colour this is tunable over complete UHF television band.

**B11** - for stereo or standard VHF/FM radio.

**B12** - for VHF television band 1 & 3.

All amplifiers are complete and ready to use.

Battery type PP3 or 8v to 18v dc, next to the set type fitting. Prices **£6.70 each.**

## REBUILT CATHODE RAY TUBES IN

### SOUTH WALES

NEWPORT

CARDIFF

NEATH

### C.R.T. SERVICES

274 Chepstow Road, Newport, Gwent.

Tel Newport 272005.

TUBES ALSO AVAILABLE FROM OUR STOCKISTS IN

CARDIFF

NEATH

Dependable TV, 9 Crwys Rd.

Sureview, 89 Windsor Rd.

Tel. Cardiff 44006

Tel. Neath 57676

### CURRENT PRICE LIST

A44-271X, A47-342X/343X	£30	470ERB22, 470FTB22	£40
A49-120X, A51-110X	£30	A51-161	£40
A56-120X, A56-140X	£33	A56-500X, 560HB22	£43
A63-120X, A66-120X	£36	A66-500X	£48
A66-140X, A67-120X/150X	£36		

Add 15% VAT to all prices.

Prices are based on a type for type exchange tube suitable for reprocessing.

**TWO YEAR GUARANTEE ON ALL TUBES**

## It's easy to complain about advertisements.

Every week, millions of advertisements appear in the press, on posters or in the cinema.

Most of them comply with the rules contained in the British Code of Advertising Practice and are legal, decent, honest and truthful.

But if you find one that, in your opinion, is wrong in some way, please write to us at the address below.

We'd like you to help us keep advertising up to standard.

**The Advertising Standards Authority.**

A.S.A. Ltd., Brook House, Torrington Place, London WC1E 7HN

## STANDARD T.V. TUBE

**HIGH QUALITY COLOUR AND MONO-CHROME REPLACEMENT TUBES AT COMPETITIVE PRICES.**

- ★ Complete New Gun fitted to every Tube.
- ★ Two year Guarantee
- ★ Every Tube Electrically Tested.
- ★ Every Tube Picture Tested.
- ★ Supplier to Major Rental Companies.

18", 19"	£25
20", 22"	£27
25", 26"	£29

All prices quoted assume the return of your old glass rebuildable condition. Old CRT cash/cheque with order. Please add VAT at 15%.

**S.STANDARD TV TUBE CO.**  
11-29, Fashion Street,  
London E1

Tel. 01-247 3097

## TELEVISION TUBE SHOP

*NEW TUBES AT CUT PRICES*

EUROPEAN TYPE Nos.

	Price £	VAT £
A28-14W.....	18.95	15% 2.84
A31-19W/20W.....	19.95	2.99
A31-120W/300W.....	17.95	2.69
A31-410W/510W.....	17.95	2.69
A34-100W.....	18.50	2.77
A38-160W.....	17.50	2.63
A44-120W.....	18.75	2.81
A50-120W.....	17.95	2.69
A59-23W.....	18.95	2.84
A61-120W.....	18.95	2.84

U.S.A./JAP. TYPE Nos.

9AGP4.....	19.50	2.92
190AB4/C4.....	17.50	2.62
230ADB4.....	28.50	4.28
230DB4/CT468.....	24.00	3.60
240AB4A.....	17.95	2.69
CT507 equiv.....	18.95	2.84
CT512.....	27.50	4.12
310DGB4/DMB4.....	23.00	3.45
310EUB4.....	19.95	2.99
310EYB4.....	18.75	2.81
310FDB4.....	19.95	2.99
310FXB4.....	17.50	2.62
310GNB4A.....	23.50	3.52
310HCB4.....	23.50	3.52
340AB4.....	19.50	2.92
340AYB4.....	25.25	3.79
340Rb4/CB4.....	24.50	3.68
340AHB4.....	24.50	3.68

**Some Rebuilt Japanese & European Types Available at £14.00 + VAT £1.75**

COLOUR TUBES (New & Colourex)

12VARP22.....	62.50	9.37
330AB22.....	67.50	10.12
470FUB22B.....	97.50	14.63
A44-271X.....	65.00	9.75
A47-342X.....	69.50	10.42
A47-343X.....	69.50	10.42
A49-191X.....	59.50	8.92
A51-161X.....	59.00	8.85
A51-220X.....	64.00	9.60
A56-120X.....	58.50	8.77
A63-120X.....	69.50	10.42
A66-120X.....	65.00	9.75
A66-140X/410X.....	70.50	10.57
A67-120X.....	65.00	9.75
A67-140X/200X.....	69.50	10.42
A67-150X.....	75.00	11.25

ALL TUBES TESTED BEFORE DESPATCH & GUARANTEED FOR 12 MONTHS! 4 YEAR GUARANTEES AVAILABLE ON MOST TYPES

CARRIAGE

Mono £3.00 Colour £4.00  
Mainland only. Overseas Rates on Application.

**TELEVISION TUBE SHOP LTD.**  
52 BATTERSEA BRIDGE RD.,  
LONDON, SW11.  
Tel. 228 6859/223 5088

## N.G.T. COLOUR TUBES

**First Independent Rebuilder with B.S.I. CERTIFICATION (Certificate No. 004).**

12 month's guarantee: 4 year option

All Colour Tubes are debanded, high temperature pumped and rebanded using new adhesives and tension strap.

Prices: 19" £28.50, 20" £29.50, 22" £31, and 26" £36.

**N.G.T. ELECTRONICS LTD.,**  
120, SELHURST ROAD., LONDON S.E.25  
Phone: 01-771 3535.

20 years experience in television tube rebuilding.

EMO - EUROSONIC - GRUNDIG - TELETON + ALL BRITISH MAKES ETC., ETC. ● ALL SPARES READILY AVAILABLE ●

**CREDIT AVAILABLE — TRADE ONLY**

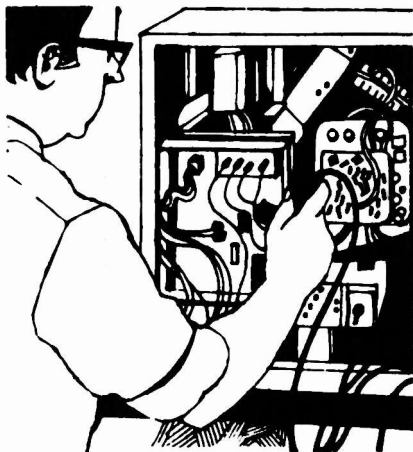
Almost any TV Component supplied by return "off the shelf" e.g. LOPTX - EHT trays - droppers - OSC coils - switches - cans - smoothers - I.C.'s, etc., etc.

**YOU CAN BE 95% SURE WE CAN SUPPLY ANY TV COMPONENT BY RETURN IF YOU NEED SPARES FAST - RING NOW!**

ACCESS AND BARCLAYCARD ACCEPTED.

S.A.E. FOR FREE SERVICE CATALOGUE.

**TELE-PORT (WTON) THE TELECENTRE, WORCESTER ST., WOLVERHAMPTON (0902) 773122**



### SETS & COMPONENTS

#### P. V. TUBES

NEW MONO TUBES		REBUILT COLOUR TUBES	
2 year warranty		2 year warranty	
MULLARD A31/B10 12"	£17	Glass for Glass exchange ex-stock.	
Replaces A31/120		17" 18" 19" 20"	£28
A31/410		22"	£38
A34/B10 14"	£18.50	25" 26" £34 26" 110" £38	
Replaces A34/100		CARRIAGE COSTS PER TUBE	
VEGA A88/120WR 20"	£12.00	All Mono £3.50 including 15% VAT	
VEGA A81/120WR 24"	£13.50	Colour £4.50	
12 months warranty All tube prices subject to 15% VAT			
MULLARD COLOUR TUBES—ALL SIZES IN STOCK—S.A.E. for prices.			

#### NEW VALVES

Valve prices include 15% VAT			
Type	Price	Type	Price
DY802	£1.30	PC888	£1.04
DY807	81p	PC889	82p
ECC81	71p	PC890	82p
ECC82	70p	PC891	82p
ECC83	74p	PC892	82p
ECC84	80p	PC893	82p
ECC85	78p	PC894	82p
ECC88	£1.83	PC895	82p
ECF80	82p	PC896	82p
EG481	74p	PC897	82p
EG484	£1.12	PC898	82p
ECL80	80p	PC899	82p
ECL82	80p	PC900	82p
ECL86	£1.80	PC901	82p
ECF88	£1.84	PC902	82p
EF80	82p	PC903	82p
EF85	73p	PC904	82p
EF88	80p	PC905	82p
EF89	80p		

#### ALL VALVES ARE NEW - BOXED - AND GUARANTEED

P&P CHARGES: 20p for 1 valve - 10p for each additional valve (Maximum £11) - 2p extra for each large valve - Post free for orders over £20.

#### I.T.T. RECTIFIER TRAYS

Prices include 15% VAT		P&P 50p per parcel	
THORN 950	£3.30	GEC 2110 after Jan. '77	£8.90
THORN 1500/1580	£2.87	GEC 1028	
THORN 1500 5 stick	£3.30	2028 1040	£5.72
THORN 1800	£3.17	ITT/KB CVCS/7/8/9	£8.08
THORN 3000/3500	£8.98	ITT/KB CVCS/20/25/30	£8.98
THORN 1400	£3.81	KORTING (similar to Siemens TVK1)	
THORN 8000	£2.87		£8.98
THORN 8500/8800	£5.53	PHILIPS 3113 550/1/3	£8.08
THORN 9000	£7.25	PHILIPS G8	£8.98
DECCA CTU 19/25	£6.07	PHILIPS D9	£8.20
DECCA CS1730/3		PYE 691/3	£5.07
CS1830/5	£3.17	PYE 731/25	£7.10
DECCA 1910 Bradford		RANK BM A823/2179	£8.34
2213	£8.22	RANK BM A823A/V	£8.08
DECCA 30	£8.08	REDIFUSION Mk 1	£8.34
DECCA 80	£8.34	B.R.C. 2000	£7.87
DECCA 100	£7.25	'UNIVERSAL TRIPLER'	£8.08
GEC 2110 before Jan. '77			

TRADE COUNTER OPEN MON-FRI 9am-5pm SAT MORN 9.30am-12 noon

**P.V. TUBES** 35A WATER STREET, ACCRINGTON, LANCASHIRE BB5 6PX Tel: (0264) 38521

## SMALL ADS

The prepaid rate for classified advertisements is 24p per word (minimum 12 words), box number 60p extra. Semi-display setting £4.80 per single column centimetre (minimum 2.5 cms), All cheques, postal orders etc., to be made payable to Television, and crossed "Lloyds Bank Ltd". Treasury notes should always be sent registered post. Advertisements, together with remittance, should be sent to the Classified Advertisement Manager, Television, Room 2337, IPC Magazines Limited, King's Reach Tower, Stamford St., London, SE1 9LS. (Telephone 01-261 5846).

## NOTICE TO READERS

Whilst prices of goods shown in classified advertisements are correct at the time of closing for press, readers are advised to check with the advertiser to check both prices and availability of goods before ordering from non-current issues of the magazine.

# SUFFOLK TUBES LIMITED

214 Purley Way, Croydon, Surrey.  
Tel: 01-686 7951/2/3/4

SUPPLIERS OF MONO AND COLOUR TUBES TO MAJOR RENTAL COMPANIES.

ALL COLOUR TUBES HOT PUMPED AT 385c AND REBANDED TO BRITISH STANDARD. 415 1972 CLAUSE 18-2.

19" and 22" TUBES APPROVED. OTHER TYPES PENDING.

BRITAIN'S LARGEST INDEPENDENT REBUILDER FOR 21 YEARS.

## TV WHOLESALE SUPPLIES LTD THE SPECIALISTS FOR

Good quality colour and Mono TVs. Fresh stocks in every week. Why not call and see our selection of PX, re-possession and ex rental TVs.

- ★ COMPETITIVE PRICES
- ★ FULL TEST FACILITIES.
- ★ DELIVERY ARRANGED IF NECESSARY.
- ★ SPARES FOR MOST MAKES OF MODERN RECEIVERS.
- ★ PLUS REGUNN TUBES AT COMPETITIVE PRICES.
- ★ ALSO EXPORT OUR SPECIALITY.

## TV WHOLESALE SUPPLIES LTD.

35 SHIPSTON ROAD, STRATFORD-UPON-AVON, WARWICKS.

TELEPHONE (0789) 4424.

Open 9.30 till 6.30 6 days a week.

On the main A34 Oxford road.

REPOSSESSION of C.T.V. all makes available also S/S Mono very competitive prices for quantity, export a speciality. Sinclair & Chamberlain Ltd., 021-356 7171, Ext. 2.

TURN YOUR SURPLUS capacitors, transistors, etc., into cash. Contact Coles-Harding & Co., 103 South Brink, Wisbech, Cambs. 0945 4188. Immediate settlement.

## TV TUBE REBUILDING

Faircrest Engineering Ltd., manufacture a comprehensive range of equipment for processing all types of picture tubes, colour and mono. Standard or custom built units for established or new businesses. We export world-wide and have an excellent spares service backed by a strong technical team.

Full training courses are individually tailored to customers requirements.

For full details of our service contact Neil Jupp

## FAIRCREST ENGINEERING LTD.

Willis Road, Croydon CRO 2XX  
Tel: 01-689 8741 01-684 1422/3

## IRISH TV DEALERS

Call now for a full range of colour and mono TVs. All sets sold working. Delivery can be arranged to any part of Ireland. Call write of phone:

## TELESCREEN

Bellanaleck Quay, Near Enniskillen,  
Co Fermanagh, N. Ireland  
Tel: Florencecourt 388.

# TELEVISIONS

# R A D E

Buy while the prices are so low. We have a terrific selection, far too large to mention in this advert. EXCELLENT QUALITY, Mono & CTVs (OUR RUBBISH GOES IN THE YARD). Good cabinets, available working or not to your requirements, testing facilities, BIG DISCOUNTS, W-I-D-E selection of makes and models to choose from. Ex-equip. tubes and panels, e.g. Thorn 3500 etc, CTV tubes £15.00 each, pic tested, also stands, legs and slot meters.

**Call and see us soon, we have the stock,  
if you have the cash.**

**You won't be disappointed.**

## GENERAL FACTORS

UNION ST, DONCASTER.  
TELEPHONE (0302) 49583-68416  
Mon-Sat 9 to 5.30

Good Motorway access from most parts of the country.

S  
A  
L  
E  
  
S  
A  
L  
E

## TV PANELS & MODULES

Designed and manufactured by LEDCo. Used by the leading TV rental and maintenance companies.

### PHILIPS G8 SERIES

A.F.C. Module £6.50  
Vision Gain Module £8.28

### PHILIPS 570 - PYE 713-715-735 etc.

I.F. Filter/Gain Module £11.45  
Detector Module £10.30

### PYE HYBRID RECEIVER

Solid State CDA Panel £21.00  
ditto in kit form £16.95  
Audio Module (LP1162 equiv) £6.60

**All prices include VAT and 1st class postage. Quantity discounts and credit terms available. Ask for details.**

**LEDCo** London Electronic Development Co.

21-23 Clifford Rd., London SE25 5JJ  
Tel. 01-656 7014

### TELFURB T.V. LTD.

No. 1 in

- ★ Used colour T.V.'s
- ★ Competitive prices
- ★ Technical expertise
- ★ Fully equipped premises.
- ★ Export

Phone or Call

51-53 HIGH STREET,  
WHEATLEY, OXFORD.

086-77-3849

### LLOYD ELECTRONICS

63 North Parade, Grantham,  
Lincolnshire

PL802/T Top Quality Solid State Valve •  
£2.50 each.

Solid State C.D.A. Panel for 'Pye' 203/205 series • £19 each.

I.F. Gain module for 'Pye' 713/731-series •  
£9.50 each.

Replacement 'Rank/Bush/Murphy' Power Supply Panel (A823) £17.50.

VAT & P/P included  
QUANTITY DISCOUNTS

### TV PATTERN GENERATORS

UHF output, plugs straight into aerial socket, 5 patterns, battery powered, size 3 3/4" x 3" x 1 1/2".

£17.45 including VAT  
Please add 30p towards P&P.

**NEW ★ COLOUR ★**

COLOUR BARS, GREY SCALE, CROSSHATCH, PEAK WHITE, PLUS SOUND, RING FOR PRICE AND AVAILABILITY.

**C. L. JERVIS**

15 Mercer Grove,  
Wolverhampton WV11 3AN.  
Tel. (0902) 736606.

## QUALITY REBUILT TUBES

HIGH TEMPERATURE PUMPING

COLOUR (2 year Guarantee)

90° up to 19"	£31
90° 20" - 22"	£33
90° 25" - 26"	£36
110° and PIL	£38

MONO (including thin necks) from  
£12.

All prices + VAT

Delivery UK Mainland £6.

4 year Optional Guarantee

Agents in West London, Croydon,  
Anglia.

Send or phone for full list and terms.

**WELTECH PICTURE TUBES**

Unit 3-10 Wembley Commercial Centre,  
East Lane, Wembley, Middx.  
01-908-1816

## VALVE BARGAINS

ANY 1-20p, 5-80p, 10-£1.25, 50-£5.50

ECC82, ECH84, EH90, PFL200, EF80, EF183, EF184, PCF80, PCF802, PCL82, PCL84, PCL85/805, PY81, PY800, PY88, PL36, PL504, 6F28, 30PL14.

COLOUR VALVES 65p EACH

PY500/A, PL508, PL509, PL519.

Postage & Packing 30p, no VAT

**VELCO ELECTRONICS**

9 Mendeville Terrace, Hawkeshaw, Via Bury, Lancs.

## WERNETH ELECTRONICS LTD

Winnington Road, Marple, Cheshire

### TUBE TEST INSTRUMENT

Full function professional field or workshop test instrument. Includes automatic reactivation & emission measurement. Supplied with CRT connecting box. Including most colour, in-line & mono bases. Full instructions & guarantee

**ONLY £48.85 inc £1 p&p. CWO.**

For full details - SAE please.

### WERNETH ELECTRONICS LIMITED

Freepost PO Box 9, Marple, Stockport, Cheshire SK6 6YE.

Export & Wholesale Terms Upon Request

## IRELANDS LARGEST DISTRIBUTORS OF COLOUR AND MONO TELEVISIONS

Mono from £5, Colour from £20, Delivery can be arranged. Working sets to order.

ALSO DISTRIBUTORS OF SERVICE EQUIPMENT, COMPONENTS AND TOOLS, AERIALS, VIDEO RECORDERS, RADIOS AND CASSETTES ETC.

**TELETRONICS, SESKINORE, OMAGH, CO. TYRONE. TEL: FINTONA 389**  
(STD 066 284)

DX-TV THE SPECIALISTS. SOUTH WEST AERIAL SYSTEMS 10, Old Boundary Road, Shaftesbury, Dorset.

### 20 AX & P.I.L. TUBE

Colour Tubes.....from £25  
20 AX all sizes.....from £25  
Toshiba P.I.L. All Sizes.....from £20  
Top quality Regun 90°. All sizes.....£28

RING: JEFFRIES 01-845 2036

## EUROLEC VIDEO SERVICES

35 Sandy Lane South, Wallington, Surrey.

Tels: 01-669 2611 Telex: 893819 EURLEC G.

All prices shown include VAT at the current rate. All items have had some commercial use unless otherwise stated.  
11" 1/2" video tape (new) £3.00 plus 50p P&P per order. 1/2" tape, used, price as above. 16mm "C" mount TV lenses, with focus, £10.00. SAE for current list 300ms and iris lenses. 2nd grade 8844 vidicons, £10.00, new £23.00. New 9" monitors, £120.00. National 9" monitors (used) req slight mod for CCTV use - with cct. £60.00. Sequential switchers from £15.00. Dennard camera rotators (used) £50.00. New sturdy camera tripods £22.00. New CCTV cameras. British made, £110.00. First grade (used) £70.00, second grade £55.00 (marked or low vidicons). Some items not up to above specs, various makes £40.00. With circuits if required, add £1.00. JVC 6000 Umatic £450.00. JVC 6060 Umatic £500.00. Receiver monitors (colour) from £250.00. New VCRs supplied. Used VCR/VTR normally available. Philips cassettes, broken tape £3.00 - suitable pancakes of new tape for above (1750) £3.50. E180 VHS cassettes, new but badly stored, some thus giving slightly 'spotty' picture, hence £6.00 only. E120, £5.00. Cordless telephone systems from £150.00. "Mini TV studios" and colour equipment to educational authorities - sale or hire service.

Overseas enquiries welcome. TERMS: Cash with order. SAE pse all enquiries. Prices include postage, except where stated. CALLERS BY APPT. ONLY please.

## VALVE LIST

ALL VALVES FULLY TESTED

Five valves or over postage paid  
Under five valves postage 6p each

DY86/87	15p	PC900	8p	PCL85/805	20p
EB91	15p	PC84	8p	PL36	20p
ECC82	10p	PCC85	20p	PL504	25p
ECL80	8p	PCC89	8p	PY32/33	15p
EF80	8p	PCC189	8p	PY81/800	15p
EF85	8p	PCC805	15p	PY801	20p
EF183	10p	PCF80	8p	U191	15p
EF184	10p	PCF80	10p	6F23	15p
EF190	15p	PCF805	20p	6/30L2	15p
EY86/87	15p	PCL82	15p	30F5	10p
PC86	15p	PCL83	15p	30FL1	20p
PC88	15p	PCL84	15p	30PL14	15p

### S. W. ELECTRONICS

114 Burnley Road, Rawtenstall, Rossendale, Lancs.

## LOOK!

### THORN 3000/3500 & 9000 TRIPLERS

High Quality Silicon Replacement Units

T3500 only £3.95 inc. P.P. Add 59p V.A.T.

T9000 only £4.95 inc. P.P. Add 74p V.A.T.

Quotes for 50+.

1 Year Guarantee

### WING ELECTRONICS

12, The Croft, Rayners Lane, Pinner, Middx.

## RE-BUILT COLOUR TUBES

19" £29.50, 20" £29.50, 22", 25",  
26" £30. One year guarantee. Colour  
TVs from £55 wk.

### MATRIX TV LTD.,

112 Essex Road, London N1. Tel: 01-226 1111

NEW G6 SPARES. Pye Hybrid, Bush A823, 161 Panels. Scan coils (AT1022 05) £6.50, used £4.50 valves, components. S.a.e. Sole, 37 Stanley Street, Ormskirk, Lancs L39 2DH.

## TV-DX.

### SPECIALISED RECEIVERS.

and ancillary equipment supplied. Please send SAE for details to:—

#### H. COCKS,

Cripps Corner, Robertsbridge,  
Sussex. Telephone 058083-317.

DECCA 18" CS1830 CTVs with Varicap Tuning 100 sets available at £86.25 each. (Price includes VAT.) Quantity discounts and delivery by arrangement. All sets tested and working. J. M. Pearson Trade TVs, 123 Sandy Lane, Middlestown, Wakefield. Phone 0924 260615. Overseas Orders Welcome.

## COLOUR TV's

Philips G8 Complete.

22" £55 26" £65

Discount for Bulk Buyers.

Tel: 965 1230

## COLOUR TUBES

Rebuilt with new electron gun, to British Standard. High temperature pumping.

Here is what you pay.

	VAT
17-18-19 inch.....	£29 4.35
20 inch.....	£30 4.50
22 inch.....	£31 4.65
25 inch.....	£34 5.10
26 inch.....	£35 5.25

Guarantee 2 years.

Exchange basis.

CALLERS ONLY

## TELESTAR TUBES

575c Moseley Road, Birmingham B12 9BS.

Tel: 021-440 5712.

DX-TV AERIALS and Equipment. At Discount Prices. Send 40p in stamps for Catalogue. Aerial Contractors (Southern), 28, Caulfield Road, Shoeburyness, Essex.

## T.V. SPARES, PANELS AND MANUALS PHILIPS · GRUNDIG

TELEVIEW 01-994 5537  
194, Acton Lane, London W.4.

## TELETRONIC (NORTH EAST) LIMITED.

"SEE-VU" Works, Strangford Road,  
Seaham, Co. Durham.  
Tel. (0783) 812142

Competitive - Reliable REBUILT COLOUR TUBES. Hot pumped and Rebanded. Two year guarantee - Four year available.

ENQUIRIES WELCOME. Ask for our list of sixty types JAPANESE 'IN LINES' and 20AX.

The North-East's largest rebuilder.  
Established 1957

Many tubes also available.

## Southern Valve Co.,

2nd Floor, 8 Potters Road, New Barnet, Herts.

Tel: 01-440 8841 for current prices & availability, all popular valves stocked. NO CALLERS. SAE Lists. Cash with order. Same Day Postal Despatch. (Lunch 12.30-2pm.)

Valves, Tubes, Aerials etc by LEADING-MAKERS. Send SAE Lists or Phone for current prices. Counter or MAIL ORDER. NO COD. Speedy Despatch assured. No order under £1.

Philip Bearman, 8 Potters Road, New Barnet, Herts.

Tel: 01-449 1934/5 (1934 Recording Machine).

Please phone for opening hours.

## VETERAN AND VINTAGE

### "SOUNDS VINTAGE"

The only magazine for all vintage sound enthusiasts, packed with articles by top writers, covering gramophones, photographs, 78s, wireless, news, history, reviews, etc. Bi-monthly. Annual subscription £6.00 (Airmail extra). Send 75p for sample copy.

28 Chestwood Close, Billericay, Essex.

## WANTED

WANTED Supplier of used Video Recorders for busy retail outlet. K & M Electronics. Tel: Huddersfield (0484) 28850.

TV SIGNAL STRENGTH METER, tested and use instructions. Graham, 9, Mere Close, Marlow. Tel. 062-84-4877.

NEW VALVES and CRT's required, PCL805, PL504, PL509, PY500A etc. Cash waiting. Bearma., 6/8 Potters Road, New Barnet, Herts. Tel: 01-449 1934/5.

COLOUR BAR GENERATOR, also Oscilloscope. 14 Green Lane, Letchworth, Herts. Tel. Letchworth 2655.

RADIO, TELEVISION and Tape Recorder Service Sheets wanted. Full details. Write Box No. 155.

RADIO & TELEVISION Servicing Books. 1975-1980. 0385-711544.

## EDUCATIONAL

## TV & COMPUTER SYSTEMS SERVICING

18 MONTHS full-time Modular  
Diploma course to include a high  
percentage of practical work.

- ELECTRONIC PRINCIPLES
- MONO TV & CCTV
- COLOUR TV & VCR
- DIGITAL & MICROELECTRONICS
- COMPUTERS & MICROPROCESSORS

Each of the above Modules are 12 weeks in duration. Individual Modules can be arranged for applicants with suitable electronics background.

Tuition fees (UK & Overseas) £360 per Module. - Computer Module £450.

Next session starts January 5th.

(Also available 2 1/2 year course in Marine Electronics & Radar.)

Prospectus from:

## LONDON ELECTRONICS COLLEGE

Dept: TT9, 20 Penywern Road,  
London SW5 9SU. Tel: 01-373 8721.

## BETTER JOB! BETTER PAY!

GET QUALIFIED WITH ICS IN:

COLOUR & MONO TV SERVICING  
COLOUR & MONO TV ENGINEERING  
COLOUR & MONO TV MAINTENANCE  
PLUS: Telecommunications, radio, electronics, electrical engineering, technical communications, radio communications, etc., etc.,

NEW: Self-build radio courses with free kits

Train in your own home, in your own time with ICS, the world's most experienced home study college.

RETURN THIS COUPON TODAY  
FOR FREE BROCHURE!

ICS Int. Correspondence Schools  
Y284 Intertext House, Stewarts Rd.  
London SW8 4JJ. Tel: 01-622 9911

Name .....

Address .....



## SERVICE SHEETS

# SERVICE SHEETS. SERVICE MANUALS PRACTICAL AND TECHNICAL BOOKS

COVERING COLOUR & MONO TELEVISIONS, RADIOS,  
RECORD PLAYERS, TAPE RECORDERS, ETC.

**SERVICE SHEETS £1.00 PLUS S.A.E. SERVICE MANUALS ON REQUEST.**

### BOOKS

PRICES INCLUDE POSTAGE U.K. ONLY

TVT '79 TRANSISTOR EQUIVALENT & DATA BOOK. (A TO Z). 272 Pages .....	£3.35
TVT '79 TRANSISTOR EQUIVALENT & DATA BOOK. (2N, 2S, ETC.). 392 Pages .....	£4.45
NEWNES COLOUR TELEVISION SERVICING MANUAL by G. J. King. Vol. 1 .....	£8.50
NEWNES COLOUR TELEVISION SERVICING MANUAL by G. J. King. Vol. 2 .....	£8.50
NEWNES COLOUR TELEVISION SERVICING MANUAL by G. J. King. Vol. 3 .....	£9.50
COLOUR TELEVISION SERVICING by G. J. King. 2nd Edition .....	£9.80
COLOUR TELEVISION THEORY by G. H. Hutson .....	£7.50
LONG DISTANCE TV RECEPTION FOR THE ENTHUSIAST by R. Bunney .....	£1.70
COLOUR TV WITH REFERENCE TO THE PAL SYSTEM by G. N. Patchett .....	£6.40
TELEVISION SERVICING HANDBOOK by G. J. King. 3rd Edition .....	£7.25
BEGINNERS' GUIDE TO TELEVISION by G. J. King. 5th Edition .....	£3.45
BEGINNERS' GUIDE TO COLOUR TELEVISION by G. J. King. 2nd Edition .....	£3.45
CATHODE-RAY OSCILLOSCOPE AND ITS USES by G. N. Patchett .....	£4.40
TELETEXT AND VIEWDATA by S.A. Money .....	£6.00
TOWERS' INTERNATIONAL TRANSISTOR SELECTOR. 2nd Update .....	£10.35

### COLOUR TV MANUALS

COVERING FOLLOWING MAKES  
PLEASE SEND S.A.E. FOR QUOTATION

ALBA, BRC, BUSH, DECCA, GEC,  
DEFIANT, MARCONI, EKCO, PYE,  
FERGUSON, DYNATRON,  
NATIONAL, HITACHI, INVICTA,  
ITT/KB, RGD, GRUNDIG, SOBELL,  
STELLA, SONY, MURPHY,  
PHILIPS, HMV, ULTRA & OTHERS.

### CIRCUIT DIAGRAM MANUALS

We supply circuit diagrams for televisions in Giant Binders, covering most British 'Single' and 'Dual Standard' models, consisting of 2 volumes on colour and 1 on black & white. Price £14.50 each post free or all 3 for £40.50 post free.

WE STOCK NEW AND SECONDHAND EDITIONS OF "RADIO AND TELEVISION SERVICING" BOOKS.  
FROM 1971-72 EDITION UP TO DATE. PRICES ON REQUEST.

BACK ISSUES OF FOLLOWING MAGAZINES AVAILABLE. CURRENT PRICE PLUS 25p POSTAGE PER COPY.  
P. WIRELESS, P. ELECTRONICS, E. ELECTRONICS, TELEVISION, ELECTRONICS TODAY, ELEKTOR

## BELL'S TELEVISION SERVICES

**190, KINGS ROAD, HARROGATE, N. YORKSHIRE. TEL. HARROGATE (STD 0423) 55885**

OPEN TO CALLERS DAILY 9.00 a.m. TO 5.00 p.m. (HALF DAY WEDNESDAY) PLEASE INCLUDE AN S.A.E. WITH ENQUIRIES

## G.T. THE TECHNICAL INFORMATION SERVICE 76 CHURCH STREET, LARKHALL, LANARKS ML9 1HE.

Over 200 different colour T.V. service manuals in stock. **PHONE:—**  
1000's of other manuals in stock for immediate delivery. **0698 883334**

Any single service sheet £1 + large SAE.

S.A.E. for free newsletter + bargain offer, e.g. Service sheets from under 40p, etc. + quotations for any service sheets/manuals etc. + free price lists.

### FREE £4 WORTH OF VOUCHERS

send very large s.a.e. and £2 for our  
2 GIANT SERVICE SHEETS &  
MANUALS CATALOGUES

### NEW 1980 BRITISH COL. TV REPAIR MANUAL £5.50 post paid.

4 Colour T.V. Repair Manuals - 2 British, 2 Foreign for £19  
All 6 McCourt British T.V. Repair Manuals Colour & Mono £29  
British CTVs - Circuits & Layouts - updated in 3 huge binders £37.50  
Open Weekdays 4-8 pm. Saturdays from 10 am.

## 30,000 SERVICE SHEETS IN STOCK COLOUR MANUALS ALSO AVAILABLE

TV Monos, Radios, Tuners £1. Tape Recorders, Record Players, Transistors and Stereograms at £1.25 each + S.A.E.  
except Colour TV Circuits £2. Car Radios £1.25. All Radiograms £1.25.

State if Circuit will do, if sheets are not in stock. All TV Sheets are full length 24 x 12, not in Bits & Pieces. All other Data full lengths.  
Free Fault Finding Chart or TV Catalogue with order. Crossed PO's Returned if Sheets Not in Stock.

**C. CARANNA, 71 BEAUFORT PARK, LONDON NW11 6BX. 01-458 4882. MAIL ORDER.**

SERVICE SHEETS from 50p and S.A.E. Catalogue 25p and S.A.E. Hamilton Radio, 47 Bohemia Road, St. Leonards, Sussex.

SERVICE SHEETS, Radio, TV, etc., 10,000 models. Catalogue 24p plus SAE with orders-enquiries. Telray, 154 Brook Street, Preston, PR1 7HP.

### MISCELLANEOUS

**VIDEORECORDER SERVICE** and Technical consultancy. B & B Electronics, Newark 76895. Call Steve Beeching.

**BURGLAR ALARM EQUIPMENT.** Latest Discount catalogue out now. Phone C.W.A.S. Alarm. 0274 682674.

**RIGONDA AGENTS.** For all spares and repairs. Fast despatch trade service available. 01-476 1928. Star Radio, 272 Barking Road, London, E13.

### BOOKS & PUBLICATIONS

**FULL REPAIR** data any named T.V. £5.50, with circuits, layouts, etc. £7. (AUST) 76 Church Street, Larkhall, Lanarks ML9 1HE.

### FOR SALE

**NEW BACK ISSUES** of 'Television' available 80p each post free. Open P.O./Cheque returned if not in stock - **BELL'S TELEVISION SERVICES**, 190 Kings Road, Harrogate, N. Yorkshire. Tel: (0423) 55885.

**PLEASE  
MENTION  
TELEVISION  
WHEN  
REPLYING  
TO  
ADVERTISEMENTS**

# DISPLAY ELECTRONICS

## REGUNNED COLOUR TUBES 2 YEAR GUARANTEE

Up to 19".....	<b>£29.50</b>
20".....	<b>£31.50</b>
22".....	<b>£33.50</b>
25".....	<b>£35.50</b>
26".....	<b>£37.50</b>

The above prices are for standard 38mm Delta Gun Types. Prices on application for P.I.L. Tubes etc. Some types available without pre-supply of glass at extra cost.

Carriage/Packing £5 up to 75 miles from works. £6.50 over. Please add 15% VAT

## REGUNNED MONO TUBES 2 YEAR GUARANTEE

20".....	<b>£11.00</b>
24".....	<b>£13.00</b>

Carriage/Packing £4.00 up to 75 miles from works. £5.00 over. Please add 15% VAT.

## CALLERS WELCOME

Late night Thursdays until 8pm  
Saturdays until midday.

N.B. Customers intending to collect orders are requested to telephone in advance:— even popular types may be out of stock for short periods.

## V.D.U./RADAR TUBES

We have supplied British and Foreign Airlines with rebuilt V.D.U. Tubes for several years and also have Radar Display Tubes operating on British Airfields.

Home and export enquiries for Radar Display Tubes manufactured from new (with phosphors to specification) are invited.

## WHOLESALE STOCKISTS

Following recent expansion of our production capability we are seeking wholesale stockists who have the facilities to hold stocks of tubes and who will give our customers the same service that they have come to rely upon at the factory

**WATERLOO ROAD,  
UXBRIDGE,  
MIDDLESEX**

**Telephone: Uxbridge 55800**

## COLOUR T.V. SPARES

Most parts for Decca's stocked

<b>LOPT</b>		
DECCA	10/30	<b>£10.80</b>
	80/100	<b>£10.20</b>
	Mono	<b>£12.00</b>
PHILIPS	G8	<b>£12.90</b>
BUSH	A774	<b>£15.00</b>
<b>TUNER CONTROL UNITS</b>		
DECCA		
4 Button		<b>£7.90</b>
6 Button		<b>£8.90</b>
7 Key		<b>£14.50</b>
Exchange 2230 Tuner Unit		<b>£10</b>
(5 Butt - New for old)		
6 Button GEC TCU		<b>£7.00</b>
1043-05 Tuner Unit		<b>£9.90</b>

See our *NEW Catalogue* for details.

Hundreds of correct spares listed.

Send stamp for free copy.

New 1590 or 1591 speakers **£4.90**

*Prices include 15% VAT*

Package/Posting 40p per order but Transformers and Panels £1.

## BOTTOMLEY'S TELEVISION

11 Leeds Road, Hipperholme,  
HALIFAX (0422) 202979

Callers Phone first. Exit 26 M62

## BIRMINGHAM AND DISTRICT DEALERS/ENGINEERS

# NEWS FLASH

**HIGH VACUUM  
QUALITY  
REBUILT TELEVISION  
PICTURE TUBES**

**COMPETITIVE PRICES**

**CONTRACT TERMS  
AVAILABLE**

**2 YEAR GUARANTEE**

E.G.		
17" 18" 19"	<b>£29.50 + VAT</b>	<b>£4.43</b>
20"	<b>£32.50 + VAT</b>	<b>£4.86</b>
22"	<b>£34.00 + VAT</b>	<b>£5.10</b>
25"	<b>£37.00 + VAT</b>	<b>£5.55</b>
26"	<b>£40.00 + VAT</b>	<b>£6.00</b>

**PIL Tubes our speciality.**  
All Prices For Tubes available on a Sound "Glass for Glass" basis otherwise **£20** surcharge

Built up to a standard  
not down to a price.

## TUBESURE LTD.

Unit 111, Middlemore Industrial Estate,  
Middlemore Road, Smethwick,  
West Midlands. Telephone: 021-558 7777.

Now at Bridgwater!

# WELLVIEW

**SERVES THE WEST**

## Exchange Colour

	our price	+VAT 15%	total price
A44/270X-271X	£27.00	£4.05	£31.05
A47/342X-343X	£27.00	£4.05	£31.05
A49/120X	£27.00	£4.05	£31.05
A51/110X	£27.00	£4.05	£31.05
A55/14X	£32.00	£4.80	£36.80
A56/120X	£32.00	£4.80	£36.80
A63/120X	£36.00	£5.40	£41.40
A66/120X	£36.00	£5.40	£41.40
A67/120X	£36.00	£5.40	£41.40
A67/200X	£36.00	£5.40	£41.40

## New Mono

	our price	+VAT 15%	total price
A31-120-300	£15.00	£2.25	£17.25
A50-120	£14.74	£2.21	£16.95
A61-120	£15.96	£2.39	£18.35

18 month full guarantee (Established ten years).

Send cash or cheque together with old tube with your order.

Carriage=£4.50 including VAT

**ALSO YOUR VALVE SUPPLIER  
NEW AND BOXED**

(inclusive of VAT)

DY802=74p	ECC82=64p	EF183=78p
EF184=64p	PCC89=72p	PCF802=98p
PCL82=78p	PCL84=92p	PCL805=97p
PFL200=£1.15	PCL86=97p	PL504=£1.38
PL509=£2.82	PL519=£2.92	PY88=70p
PY800=70p		PY500A=£1.52

Postage and Packing 10p per valve. All orders over £10 Free of charge.

Colour Sets.  
600 ex-rental TVs  
Good sets good prices  
Call and see

*All mail order and enquiries to  
Head Office and  
Factory*

## WELLVIEW TUBES LTD

Unit No1, Monmouth St,  
Bridgwater, Somerset.  
Tel. 0278 425690-722816



