

NOVEMBER 1977

Australia 75c
New Zealand 75c

South Africa 70c
Malaysia \$2.25

50p

TELEVISION

SERVICING·VIDEO·CONSTRUCTION·COLOUR·DEVELOPMENTS

servicing The RANK A823 Chassis

PART 1

also:

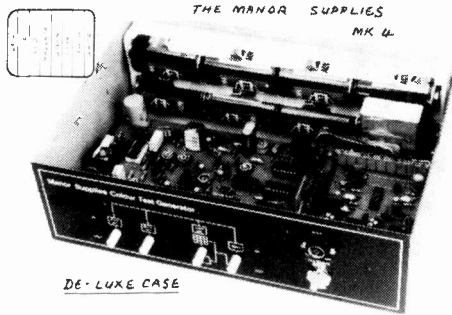
INSIDE TRIPLERS

AUTOMATIC TV SWITCH-OFF

ADJACENT CHANNEL RECEPTION

MANOR SUPPLIES COLOUR BAR GENERATOR

plus CROSS HATCH KIT (Mk. 4)



- ★ Output at UHF, applied to receiver aerial socket.
- ★ In addition to colour bars, all R-Y, B-Y and Lum. Combinations.
- ★ Plus cross hatch grey scale, peak white and black levels.
- ★ Push button controls, small, compact battery operated.
- ★ Simple design, only five i.c.s. On colour bar P.C.B.

PRICE OF MK4 COLOUR BAR & CROSS HATCH KIT £35.00 + 8% VAT + £1.00 P/Packing.

CASES, ALUMINIUM £2.40, DE-LUXE £4.80, BATT. HOLDERS £1.40. ADD 8% VAT TO ALL PRICES!

ALSO THE MK3 COLOUR BAR GENERATOR KIT FOR ADDITION TO MANOR SUPPLIES CROSS HATCH UNITS. £25.00 + £1.00 p.p. CASE EXTRA £1.40. BATT. HOLDERS £1.40. ADD 8% VAT TO ALL PRICES.

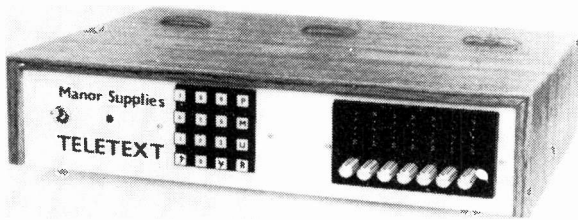
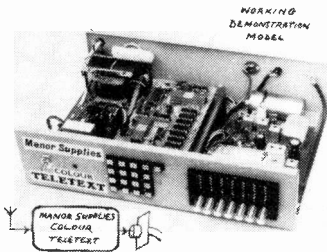
- ★★ Kits include drilled P.C. board, with full circuit data, assembly and setting up instructions.
- ★★ All special parts such as coils and modulator supplied complete and tested, ready for use.
- ★★ Designed to professional standards.
- ★★ Demonstration models at 172 West End Lane, NW6.
- ★★ Every kit fully guaranteed.

ALSO NOW AVAILABLE

MK4 DE LUXE (BATTERY) BUILT & TESTED £58.00 + 8% VAT + £1.20 P/Packing.

ALTERNATIVE MAINS SUPPLY KIT £5.78 + 8% VAT + 65p P/P. VHF MODULATOR (CH1 to 4) FOR OVERSEAS £3.50. INFORMATION ON VIDEO TAKE-OFF FOR C.C.T.V.

MANOR SUPPLIES TELETEXT 77 KIT (incl TEXAS DECODER). Full facilities in colour. External unit. AE input to set. Write or call for further information. See working demonstration model!



COLOUR, UHF & TELEVISION SPARES

TV PORTABLE LOPT, SCANCOIL, DRIVER £12.50, PAIR VIS GAIN, VIS SELECT (TESTED) £3.80 p.p. 85p.

TELETEXT 77, MANOR SUPPLIES NEW "EASY TO ASSEMBLE" KIT, INCL. TEXAS DECODER, AERIAL INPUT, COLOUR, MIXED T.V. PROGRAMME & TELETEXT, NEWSFLASH, UPDATE, AND MANY SPECIAL FEATURES NOT FOUND IN OTHER UNITS. DEMONSTRATION MODEL IN OPERATION AT 172 WEST END LANE, N.W.6. CALL OR WRITE FOR FURTHER INFORMATION.

CROSS HATCH UNIT KIT, AERIAL INPUT TYPE, INCL. T.V. SYNC AND UHF MODULATOR. BATTERY OPERATED. ALSO GIVES PEAK WHITE & BLACK LEVELS. CAN BE USED FOR ANY SET £11.00 + 45p. p.p.* (ALUM. CASE £2.00 p.p. 75p.*) COMPLETE TESTED UNITS, READY FOR USE (DE-LUXE CASE) £19.00 p.p. 90p.* ADDITIONAL GREY SCALE KIT £2.90 p.p. 30p*

"NEW TYPE" UHF SIGNAL STRENGTH METER KIT £18.00 p.p. 90p. (VHF VERSION £18.80 p.p. 90p.*)

CRT TESTER & REACTIVATOR PROJECT FULL KIT £18.80 p.p. £1.30.*

"TELEVISION" COLOUR SET PROJECT. MARK II DEMONSTRATION MODEL WITH LATEST IMPROVEMENTS. WORKING AND ON VIEW, LISTS AVAILABLE.

"TELEVISION" PROJECT CROSS HATCH KIT £3.60 p.p. 20p.*

VIDEO PRE-AMP MOD. KIT (Oct. '75 Article) £1.20 p.p. 20p.

SPECIAL OFFER I.F. Panel, leading British maker, similar design to "Television" panel. Now in use as alternative inc. circuit and connection data, checked and tested on colour, full details, £19.80 p.p. 95p.

"FIVE in ONE" PANEL replaces Tuner IF, Decoder, RGB, and sound boards of original project. Tested on colour, with all data. £35.00 p.p. £1.20.

MAINS TRANSFORMER 280W for "T.V." Colour Set £11.50 p.p. £1.50.

TRIPLER £6.00 p.p. 75p, ERIE FOCUS £2.20, p.p. 30p, NEW AUDIO UNIT £2.60 p.p. 30p. Original packs still available. List on Request.

STABILISER UNITS, "add on" kit for either 40V or 20V, £2.80 p.p. 35p.

GEC 2040 Surpl Panels, ex-rental, Decoder £5.00, T.B. £5.00 p.p. 90p.

BRC 3000 Surplus/Salv Panels, Decoder £7.50, Video £7.50 p.p. 90p.

DECCA Colour T.V. Thyristor Power Supply. HT, LT etc. £3.80 p.p. 95p.

BUSH CTV25 Power Supply Unit £3.20 p.p. £1.50.

PYE 697 Line T.B. P.C.B. for spares, £1.50 p.p. £1.00.

MULLARD AT1023/5 convergence yoke. New £2.50 p.p. 75p.

DLIE delay line. New 90p p.p. 40p. AT1025/06 blue lat. 75p p.p. 30p.

PHILIPS G6 single standard convergence panel, incl. 16 controls, switches etc., and circuits £3.75 p.p. 85p, or incl. yoke, £5.00. PHILIPS G8 panels for spares, decoder £2.50 p.p. 85p.

VARICAP, Mullard ELC1043 UHF tuner £4.50, ELC1043/05 £5.50, G.I. type (equiv. 1043/05) £3.50 p.p. 30p. UHF & VHF salvaged varicap tuners £1.50. Control units, 3PSN £1.25, 4PSN £1.80, 5PSN £2.30. Special offer 6PSN £1.00, 7PSN £1.80 p.p. 25p, TAA 550 50p p.p. 15p.

VARICAP VHF PHILIPS £3.80, ELC1042 £4.80, p.p. 30p, ELC1042 on PYE P.C.B. £5.40, Plug in 6 posn. control unit £2.50 p.p. 65p.

VARICAP UHF/VHF ELC 2000S £12.50 p.p. 65p.

UHF/625 Tuners, many different types in stock. Lists available. UHF tuners transistd. incl. s/m drive, indicator £3.85; 6 posn. or 4 posn. push-button £4.20 p.p. 85p. Integrated tuners BUSH, PYE 40 6 posn. £4.50 p.p. £1.20. AE ISOL 30p p.p. 20p.

TRANSISTORISED 625 IF for T.V., sound tested (as featured in Practical Wireless, Nov. '75). £6.80 p.p. 65p.

PHILIPS 625 I.F. Panel incl. cct 50p p.p. 50p.

TURRET TUNERS, KB "Featherlight" VC11, Philips 170 series, GEC 2010 £2.50, GEC 2018, 2019, 2038, 2039 5 position £4.20 p.p. 85p.

TBA "Q" I.C.s. 480, 530, 540, £2.20, 550, 560C, 920 £3.20 p.p. 15p.

HELICAL POTS, 100K. 4 for £1.20 p.p. 20p.

BRC 1500 Mains Droppers, two for 90p p.p. 50p.

LINE OUTPUT TRANSFORMERS. New guar. p.p. 85p.

BUSH 105 to 186SS, etc.....	£6.80	SPECIAL OFFERS
DECCA DR1, 2, 3, 121/123,		BUSH TV53/86, 95/99 ...
20/24, etc.....	£6.40	EKCO 380 to 390.....
DECCA MS2000, 2400.....	£5.80	EKCO 407/417.....
FERR., HMV, MARCONI,		FERR. 1084/1092.....
ULTRA 850, 900, 950 Mk. 1.....	£7.30	FERRG. 506 to 546.....
950II, 1400, 1500, 1590.....	£5.90	GEC 448/452.....
GEC 2000, 2047 series, etc.....	£6.40	KB VCI, VCI (003).....
INDESIT 20/24EGB.....	£6.40	P/SCOTT 733 to 738.....
ITT/KB VC2 to 53, 100, 200, 300.....	£6.20	REG 10-6, 10-17 etc.....
MURPHY 849 to 2417, etc.....	£6.80	SOBELL 195/282/8.....
PHILIPS 19TG121 to 19TG156.....	£4.80	MANY OTHERS STILL AVAILABLE
PHILIPS 19TG170, 210, 300.....	£6.40	COLOUR LOPTS p.p. £1.00.
PYE 11U, 368, 169, 769 series.....	£6.40	BUSH 182 to 1122 etc.....
PYE 40, 67 series (36 to 55).....	£3.80	MURPHY Equivalents.....
PAM, INVICTA, EKCO,		DECCA "Bradford"
FERRANTI equivalents as above.....		(state Model No. etc) ...
SOBELL 1000 series.....	£6.40	GEC 2028, 2040.....
STELLA 1043/2149.....	£6.40	PYE 691, 693, 697.....
		THORN 8500.....
		THORN 850 Time Base Panel, Dual Standard 50p p.p. 80p.
		MULLARD Scan Coils Type AT1030 for all standard mono 110° models, Philips, Stella, Pye, Ekco, Ferranti, Invicta £2.00 p.p. 85p.
		PHILIPS G8 Tripler (1174) £6.00 p.p. 75p. Others available.
		6.3V CRT Boost Transformers £2.90 p.p. 75p.; Auto type £1.80 p.p. 45p.

CALLERS WELCOME AT SHOP PREMISES

THOUSANDS OF ADDITIONAL ITEMS AVAILABLE NOT NORMALLY ADVERTISED

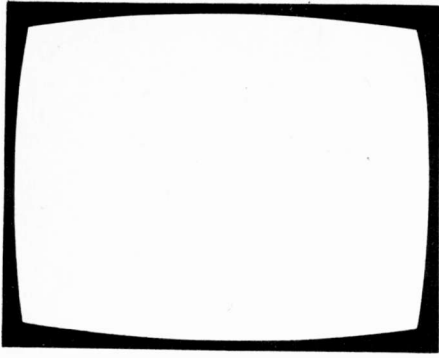
MANOR SUPPLIES

172 WEST END LANE, LONDON, N.W.6.

(Near W. Hampstead tube stn: 28, 59 159 Bus Routes) 01-794 8751

Mail Order: 64 GOLDERS MANOR DRIVE, LONDON N.W.11.

PLEASE ADD 12½% VAT TO PRICES (EXCEPT * 8%)



TELEVISION

November
1977

Vol. 28, No. 1
Issue 325

COPYRIGHT

© IPC Magazines Limited, 1977. Copyright in all drawings, photographs and articles published in *Television* is fully protected and reproduction or imitation in whole or in part is expressly forbidden. All reasonable precautions are taken by *Television* to ensure that the advice and data given to readers are reliable. We cannot however guarantee it and we cannot accept legal responsibility for it. Prices are those current as we go to press.

CORRESPONDENCE

All correspondence regarding advertisements should be addressed to the Advertisement Manager, "Television", Fleetway House, Farringdon Street, London EC4A 4AD. All other correspondence should be addressed to the Editor, "Television", Fleetway House, Farringdon Street, London EC4A 4AD.

BINDERS AND INDEXES

Binders (£2.85) and Indexes (45p) can be supplied by the Post Sales Department, IPC Magazines Ltd., Lavington House, 25 Lavington Street, London SE1 0PF. Prices include postage and VAT. In the case of overseas orders add 60p to cover despatch and postage.

BACK NUMBERS

Some back issues, mostly those published during the last two years, are available from our Post Sales Department (address above) at 70p inclusive of postage and packing to both home and overseas destinations.

QUERIES

We regret that we cannot answer technical queries over the telephone nor supply service sheets. We will endeavour to assist readers who have queries relating to articles published in *Television*, but we cannot offer advice on modifications to our published designs nor comment on alternative ways of using them. All correspondents expecting a reply should enclose a stamped addressed envelope.

Requests for advice in dealing with servicing problems should be directed to our Queries Service. For details see our regular feature "Your Problems Solved".

this month

- 7 **Where do we go from here?**
- 8 **Teletopics**
News, comment and developments
- 12 **Inside Triplers** *by Harold Peters*
Operation of e.h.t. triplers and their associated circuitry, together with what goes wrong and precautions that can be taken.
- 14 **Toil and Trouble . . .** *by Les Lawry-Johns*
More High Street goings on, packed with personalities and of course all those useful servicing hints.
- 15 **Readers' Printed Board Service**
- 17 **Which Valves to Stock?** *by Peter Duncan*
There are still many valved and hybrid sets around, but there are also many types of valve you'll probably never have to change again, so the problem of what to keep in stock is an important servicing consideration.
- 18 **Long-Distance Television** *by Roger Bunney*
Reports on DX reception and conditions, and news from abroad. Also an account of F2 propagation and reception.
- 21 **Automatic TV Switch Off** *by A. Youssefkhani*
A light-sensitive circuit which switches the receiver off when the room lighting is put out.
- 22 **The Television Monochrome Portable, Part 2** *by Keith Cummins*
Full component specifications and description of the signal circuits.
- 26 **Servicing the Rank A823 Colour Chassis, Part 1** *by R. W. Thomson*
This first part of an in-depth treatment of the first Rank solid-state colour chassis deals with the signal circuits and the rather unusual decoder.
- 33 **Adjacent Channel Reception** *by Hugh Cocks*
Steps that can be taken to improve the reception of weak signals on channels adjacent to strong local signals.
- 36 **The "TV" Teletext Decoder, Part 9** *by Steve A. Money,
T.Eng.(C.E.I.)*
Interwiring connections, setting up, and the effects produced by common decoding errors.
- 40 **TV Servicing: Beginners Start Here . . . , Part 2** *by S. Simon*
Tracing an open-circuit in the heater department, the correct operation of valves as amplifiers, and the effects produced by incorrect biasing, specifically in the field output stage.
- 44 **Letters**
- 45 **Next Month in Television**
- 46 **Your Problems Solved**
- 49 **Test Case 179**

OUR NEXT ISSUE DATED DECEMBER WILL BE
PUBLISHED ON NOVEMBER 21

TV

LINE OUTPUT TRANSFORMERS
All items new and guaranteed

MONO TRANSFORMER
(No Extra for Carriage)

£7.00ea

VAT @ 12½%

86p

DISCOUNT FOR TRADE.

TOTAL £7.86

<p>BUSH</p> <table border="0"> <tr><td>TV102C</td><td>TV128</td><td>TV183 or D</td></tr> <tr><td>TV103 or D</td><td>TV134</td><td>TV183S</td></tr> <tr><td>TV105 or D</td><td>TV135 or R</td><td>TV183SS</td></tr> <tr><td>TV105R</td><td>TV138 or R</td><td>TV185S</td></tr> <tr><td>TV106</td><td>TV139</td><td>TV186 or D</td></tr> <tr><td>TV107</td><td>TV141</td><td>TV186S</td></tr> <tr><td>TV108</td><td>TV145</td><td>TV186SS</td></tr> <tr><td>TV109</td><td>TV148</td><td>TV191D</td></tr> <tr><td>TV112C</td><td>TV161</td><td>TV191S</td></tr> <tr><td>TV113</td><td>TV165</td><td>TV193D</td></tr> <tr><td>TV115 or C</td><td>TV166</td><td>TV193S</td></tr> <tr><td>TV115R</td><td>TV171</td><td>TV198</td></tr> <tr><td>TV118</td><td>TV175</td><td>TV307</td></tr> <tr><td>TV123</td><td>TV176</td><td>TV313</td></tr> <tr><td>TV124</td><td>TV178</td><td>TV315</td></tr> <tr><td>TV125 or U</td><td>TV181 or S</td><td></td></tr> </table>	TV102C	TV128	TV183 or D	TV103 or D	TV134	TV183S	TV105 or D	TV135 or R	TV183SS	TV105R	TV138 or R	TV185S	TV106	TV139	TV186 or D	TV107	TV141	TV186S	TV108	TV145	TV186SS	TV109	TV148	TV191D	TV112C	TV161	TV191S	TV113	TV165	TV193D	TV115 or C	TV166	TV193S	TV115R	TV171	TV198	TV118	TV175	TV307	TV123	TV176	TV313	TV124	TV178	TV315	TV125 or U	TV181 or S		<p>DECCA</p> <table border="0"> <tr><td>DR1</td><td>DM35</td><td>DR123</td></tr> <tr><td>DR2</td><td>DM36</td><td>DR202</td></tr> <tr><td>DM3</td><td>DM39</td><td>DR303</td></tr> <tr><td>DR3</td><td>DR41</td><td>DR404</td></tr> <tr><td>DR20</td><td>DM45</td><td>DR505</td></tr> <tr><td>DR21</td><td>DR49</td><td>DR606</td></tr> <tr><td>DR23</td><td>DM55</td><td>666TV-SRG</td></tr> <tr><td>DR24</td><td>DM56</td><td>777TV-SRG</td></tr> <tr><td>DR29</td><td>DR61</td><td>MS1700</td></tr> <tr><td>DR30</td><td>DR71</td><td>MS2000</td></tr> <tr><td>DR31</td><td>DR95</td><td>MS2001</td></tr> <tr><td>DR32</td><td>DR100</td><td>MS2400</td></tr> <tr><td>DR33</td><td>DR101</td><td>MS2401</td></tr> <tr><td>DR34</td><td>DR121</td><td>MS2404</td></tr> <tr><td></td><td>DR122</td><td>MS2420</td></tr> </table>	DR1	DM35	DR123	DR2	DM36	DR202	DM3	DM39	DR303	DR3	DR41	DR404	DR20	DM45	DR505	DR21	DR49	DR606	DR23	DM55	666TV-SRG	DR24	DM56	777TV-SRG	DR29	DR61	MS1700	DR30	DR71	MS2000	DR31	DR95	MS2001	DR32	DR100	MS2400	DR33	DR101	MS2401	DR34	DR121	MS2404		DR122	MS2420	<p>MURPHY</p> <p>V843 all models to V979</p> <p>V153 V159 V173 V179 V1910 V1913 V1914 V2014 or S V2015D V2015S V2015SS V2016S V2017S V2019 V2023 V2027 V2310 V2311C V2414D V2415D V2415S V2015SS V2416D V2416S V2417S V2419 V2423</p>	<p>PHILIPS</p> <table border="0"> <tr><td>17TG100u</td><td>19TG170a...</td><td>21TG106u</td></tr> <tr><td>17TG102u</td><td>all models to</td><td>21TG107u</td></tr> <tr><td>17TG106u</td><td>19TG179a</td><td>21TG109u</td></tr> <tr><td>17TG200u</td><td>G19T210a</td><td></td></tr> <tr><td>17TG300u</td><td>G19T211a</td><td>23TG111a...</td></tr> <tr><td>17TG320u</td><td>G19T212a</td><td>all models to</td></tr> <tr><td></td><td>G19T314a</td><td>23TG164a</td></tr> <tr><td></td><td>G19T215a</td><td></td></tr> <tr><td>19TG108u...</td><td></td><td>23TG170a...</td></tr> <tr><td>all models to</td><td></td><td>all models to</td></tr> <tr><td>19TG164a</td><td>G20T230a...</td><td>23TG176a</td></tr> <tr><td></td><td>all models to</td><td></td></tr> <tr><td></td><td>G20T328</td><td></td></tr> <tr><td></td><td></td><td>G24T230a...</td></tr> <tr><td></td><td>21TG100u</td><td>all models to</td></tr> <tr><td></td><td>21TG102u</td><td>G24T310</td></tr> </table>	17TG100u	19TG170a...	21TG106u	17TG102u	all models to	21TG107u	17TG106u	19TG179a	21TG109u	17TG200u	G19T210a		17TG300u	G19T211a	23TG111a...	17TG320u	G19T212a	all models to		G19T314a	23TG164a		G19T215a		19TG108u...		23TG170a...	all models to		all models to	19TG164a	G20T230a...	23TG176a		all models to			G20T328				G24T230a...		21TG100u	all models to		21TG102u	G24T310
TV102C	TV128	TV183 or D																																																																																																																																														
TV103 or D	TV134	TV183S																																																																																																																																														
TV105 or D	TV135 or R	TV183SS																																																																																																																																														
TV105R	TV138 or R	TV185S																																																																																																																																														
TV106	TV139	TV186 or D																																																																																																																																														
TV107	TV141	TV186S																																																																																																																																														
TV108	TV145	TV186SS																																																																																																																																														
TV109	TV148	TV191D																																																																																																																																														
TV112C	TV161	TV191S																																																																																																																																														
TV113	TV165	TV193D																																																																																																																																														
TV115 or C	TV166	TV193S																																																																																																																																														
TV115R	TV171	TV198																																																																																																																																														
TV118	TV175	TV307																																																																																																																																														
TV123	TV176	TV313																																																																																																																																														
TV124	TV178	TV315																																																																																																																																														
TV125 or U	TV181 or S																																																																																																																																															
DR1	DM35	DR123																																																																																																																																														
DR2	DM36	DR202																																																																																																																																														
DM3	DM39	DR303																																																																																																																																														
DR3	DR41	DR404																																																																																																																																														
DR20	DM45	DR505																																																																																																																																														
DR21	DR49	DR606																																																																																																																																														
DR23	DM55	666TV-SRG																																																																																																																																														
DR24	DM56	777TV-SRG																																																																																																																																														
DR29	DR61	MS1700																																																																																																																																														
DR30	DR71	MS2000																																																																																																																																														
DR31	DR95	MS2001																																																																																																																																														
DR32	DR100	MS2400																																																																																																																																														
DR33	DR101	MS2401																																																																																																																																														
DR34	DR121	MS2404																																																																																																																																														
	DR122	MS2420																																																																																																																																														
17TG100u	19TG170a...	21TG106u																																																																																																																																														
17TG102u	all models to	21TG107u																																																																																																																																														
17TG106u	19TG179a	21TG109u																																																																																																																																														
17TG200u	G19T210a																																																																																																																																															
17TG300u	G19T211a	23TG111a...																																																																																																																																														
17TG320u	G19T212a	all models to																																																																																																																																														
	G19T314a	23TG164a																																																																																																																																														
	G19T215a																																																																																																																																															
19TG108u...		23TG170a...																																																																																																																																														
all models to		all models to																																																																																																																																														
19TG164a	G20T230a...	23TG176a																																																																																																																																														
	all models to																																																																																																																																															
	G20T328																																																																																																																																															
		G24T230a...																																																																																																																																														
	21TG100u	all models to																																																																																																																																														
	21TG102u	G24T310																																																																																																																																														
<p>PLEASE QUOTE PART NO. NORMALLY FOUND ON TX. BASE PLATE 4133, 4123, 4140 OR 00062.</p> <p>BAIRD</p> <table border="0"> <tr><td>600</td><td>628</td><td>662</td><td>674</td></tr> <tr><td>602</td><td>630</td><td>663</td><td>675</td></tr> <tr><td>604</td><td>632</td><td>664</td><td>676</td></tr> <tr><td>606</td><td>640</td><td>665</td><td>677</td></tr> <tr><td>608</td><td>642</td><td>666</td><td>681</td></tr> <tr><td>610</td><td>644</td><td>667</td><td>682</td></tr> <tr><td>612</td><td>646</td><td>668</td><td>683</td></tr> <tr><td>622</td><td>648</td><td>669</td><td>685</td></tr> <tr><td>624</td><td>652</td><td>671</td><td>687</td></tr> <tr><td>625</td><td>653</td><td>672</td><td>688</td></tr> <tr><td>626</td><td>661</td><td>673</td><td></td></tr> </table>	600	628	662	674	602	630	663	675	604	632	664	676	606	640	665	677	608	642	666	681	610	644	667	682	612	646	668	683	622	648	669	685	624	652	671	687	625	653	672	688	626	661	673		<p>GEC</p> <p>BT454 BT455 BT455DST</p> <p>2000DST... all models to 2044</p> <p>2047... all models to 2084</p> <p>2104 or /1 2105 or /1</p>	<p>KB-ITT</p> <p>By Chassis:</p> <table border="0"> <tr><td>VC1</td><td>VC52</td></tr> <tr><td>VC2</td><td>VC52/1</td></tr> <tr><td>VC3</td><td>VC100</td></tr> <tr><td>VC4</td><td>VC100/2</td></tr> <tr><td>VC11</td><td>VC200</td></tr> <tr><td>VC51</td><td>VC300</td></tr> </table> <p>Or quote model No.</p>	VC1	VC52	VC2	VC52/1	VC3	VC100	VC4	VC100/2	VC11	VC200	VC51	VC300	<p>INDESIT</p> <p>20EGB 24EGB</p>	<p>EMO WINDING</p>	<p>PYE</p> <table border="0"> <tr><td>11u</td><td>40F</td><td>58</td><td>64</td><td>81</td><td>93</td><td>161</td></tr> <tr><td>31F</td><td>43F</td><td>59</td><td>68</td><td>83</td><td>94</td><td>150 170</td></tr> <tr><td>32F</td><td>48</td><td>60</td><td>75</td><td>84</td><td>95/4</td><td>151 170/1</td></tr> <tr><td>36</td><td>48</td><td>61</td><td>76</td><td>85</td><td>96</td><td>155 171</td></tr> <tr><td>37</td><td>50</td><td>62</td><td>77</td><td>86</td><td>97</td><td>156 171/1</td></tr> <tr><td>39F</td><td>53</td><td>63</td><td>80</td><td>92</td><td>98</td><td>160</td></tr> </table>	11u	40F	58	64	81	93	161	31F	43F	59	68	83	94	150 170	32F	48	60	75	84	95/4	151 170/1	36	48	61	76	85	96	155 171	37	50	62	77	86	97	156 171/1	39F	53	63	80	92	98	160	<p>SOBELL</p> <p>ST196 or DS ST197 ST290 ST297</p> <p>1000DS... all models to 1102</p>	<p>THORN GROUP</p> <p>Ferguson, H.M.V., Marconi, Ultra.</p> <p>By Chassis: - 800, 850, 900, 950/1, 950/2, 950/3, 960, 970, 980, 981, 1400, 1500, 1500 (24"), 1580, 1590, 1591, 1592, 1600, 1612, 1613.</p> <p>Or quote model No.</p>																																							
600	628	662	674																																																																																																																																													
602	630	663	675																																																																																																																																													
604	632	664	676																																																																																																																																													
606	640	665	677																																																																																																																																													
608	642	666	681																																																																																																																																													
610	644	667	682																																																																																																																																													
612	646	668	683																																																																																																																																													
622	648	669	685																																																																																																																																													
624	652	671	687																																																																																																																																													
625	653	672	688																																																																																																																																													
626	661	673																																																																																																																																														
VC1	VC52																																																																																																																																															
VC2	VC52/1																																																																																																																																															
VC3	VC100																																																																																																																																															
VC4	VC100/2																																																																																																																																															
VC11	VC200																																																																																																																																															
VC51	VC300																																																																																																																																															
11u	40F	58	64	81	93	161																																																																																																																																										
31F	43F	59	68	83	94	150 170																																																																																																																																										
32F	48	60	75	84	95/4	151 170/1																																																																																																																																										
36	48	61	76	85	96	155 171																																																																																																																																										
37	50	62	77	86	97	156 171/1																																																																																																																																										
39F	53	63	80	92	98	160																																																																																																																																										

Tidman Mail Order Ltd.,
236 Sandycombe Road,
Richmond, Surrey.

Approx. 1 mile from Kew Bridge.
Phone: 01-948 3702

Contact your nearest depot for service by-return. Callers welcome. Please phone before calling.

MON-FRI 9 am to 12.30 pm.
1.30 pm to 4.30 pm.
SAT 10 am to 12 noon.

Hamond Components (Midland) Ltd.,
416, Moseley Road,
Birmingham B12 9AX.

MON-FRI 9 am to 1 pm.
2 pm to 5.30 pm.

Phone: 021-440 6144.

COLOUR TV LINE OUTPUT TRANSFORMERS E.H.T. RECTIFIER TRAYS (Prices on application)

THE BEGINNER'S GUIDE SERIES

a selection...

Beginner's Guide to Colour Television - 2nd Edition
Gordon J. King

Contents: Historical Outline, Colours and Signals. Pictures and Signals. The PAL System. Colour Transmission. Colour Pictures Tubes. Domestic Aerial Systems. The PAL Receiver. SECAM Basics. Colour Receiver Controls. Index
198 pages £2.25

Beginner's Guide to Electronics - 3rd Edition
Squires and Deason

Contents: Electric Currents. Direct and Alternating Currents. Electronic Components. Basic Electronic Circuits.

Test Instruments. Radar. Medical Electronics. Electronics in Space. Television. Electronics in Industry. The Future of Electronics. Training to be an Electronics Engineer. Modern Components. Computers. Index.
240 pages £2.25

Beginner's Guide to Radio 8th Edition
Gordon J. King

Contents: Electricity and magnetism. Radio signals. Signal propagation and reception. Transmitter principles. Receiver principles. Radio

components. Valves, solid-state devices and transistors. Integrated circuits. Microphone, pickup and loud-speaker. Modern radio receivers. Index.
240 pages £2.75

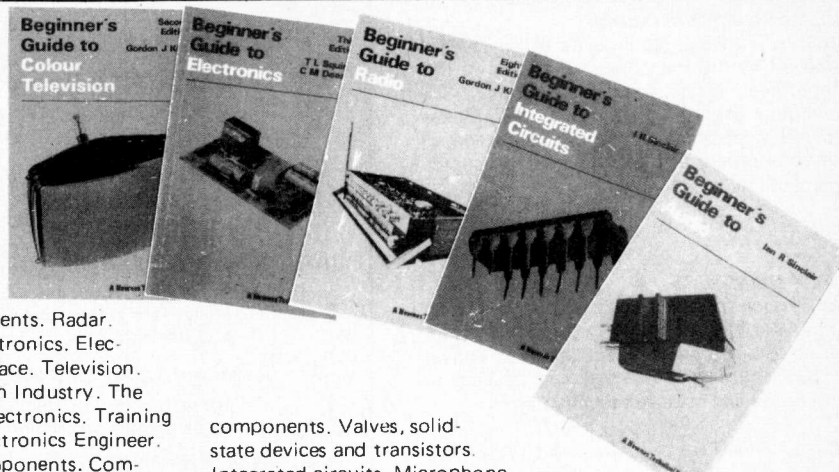
Beginner's Guide to Integrated Circuits
I.R. Sinclair

Contents: What is an integrated circuit? Production of i.c.s. Simple voltage amplifier i.c.s. Simple digital i.c.s. MOS i.c.s.

Domestic uses of i.c.s. Other specialised i.c.s. Practical construction. Index.
192 pages £2.75

Beginner's Guide to Audio
I.R. Sinclair

Contents: Sound and Recording. Replay and Reception. Voltage Amplifiers. Equalisation, filtering and Tone Controls. Output Stages. Loud-speakers. Recording and Reproduction Systems. Index.
192 pages £2.75



ORDER NOW from your local bookseller or from:
NEWNES TECHNICAL BOOKS
Borough Green, Sevenoaks, Kent TN15 8PH

Table of electronic components including Transistors, Diodes, Zener Diodes, Valves, Resistors, and Linear ICs with their respective prices.

REBUILT COLOUR TUBES ALL SIZES AVAILABLE

Full range of rebuilt mono tubes available, Standard, Rimband and Twin Panel.

- Complete new gun fitted to every tube.
12 months' guarantee.
18 years' experience in tube rebuilding.
Trade enquiries welcomed.

N.G.T. ELECTRONICS LTD. 20, Southbridge Road, Croydon, Surrey Telephone: 01-681 7848/9

COLOUR T.V. SPARES - FAST SERVICE

DECCA BRADFORD 10, 30 and 80 series. All parts supplied. LOPT £9.90, 17/1830 dropper £1.4, 4 butt cont unit £6.30, 6 butt £8.40, 3R9 15w 52p. Cut-out £1.48. Focus £3.25. Fusibles 61p. Vol/w 51.136, width 53p. 400/400 can £5. Tripler £9.22 boost 49p. IC1 £2. IC2 £2.31. Conv pots 48p. Line osc coil 95p. Mains trans £6.30. 2020 LOPT £9.90. Mono dropper £2.05.

THORN 3000. Tripler £9.90, PSU dropper £1.32, 1000 mfd £1.20. Mains TX £10.44. A1 switch 90p, 200 mfd 72p, 175/100/100 £3.57. Focus £3.68. Cut-out £1.48. Video TF pk £2.26. R2010 £1.84. E1222 95p. IR5 7w 30p, 8500 tripler £8.50, 1500 dropper £1.30. EHT tray £4.15. BAIRD 700/710 some ex-equip parts. (No Panels).

These are just a few examples

Send 13p stamps for catalogue and price list (free with an order) Prices include VAT (12 1/2%) Please add 25p for P&P.

BOTTOMLEY'S Television. 11 Leeds Road, Hipperholme, HALIFAX Phone Hx (0422) 202979.

REBUILT TUBES!

YOU'RE SAFE WHEN YOU
BUY FROM RE-VIEW!

HERE IS WHAT YOU PAY:

MONO

19" £10.00
23" £12.00

RIMBAND & TWIN PANEL

16", 17", 19" £10.00
20" £12.00
23" £14.00
24" £15.00

Carriage £2.70 inc. V.A.T.

COLOUR

17", 18", 19" £31.00
20" £32.00
22" £34.00
25" £36.00
26" £40.00

Exchange Basis £5 Deposit Returnable
Old Tube (Colour)
(carriage-ins. £3.25 inc. V.A.T.)

Guarantee 1 year

Cash or cheque with order,
or cash on delivery

Add 12½% V.A.T. to all orders

INQUIRIES S.A.E. PLEASE

RE-VIEW ELECTRONIC TUBES

237 LONDON ROAD,
WEST CROYDON, SURREY
Tel: 01-689 7735

ELECTRONIC MAILORDER LTD. VALVE BARGAINS

Any 5-64p, 10-£1.20, 50-£5.00. Your
choice from the list below.

ECC82, EF80, EF183, EF184, EH90, PCF80,
PCF802, PCL82, PCL84, PCL85, PCL805,
PL504, PY81/800, PY88, 30PL14, 6F28,
PFL200.

Colour Valves - PL508 PL509 PL519,
PY500/A. All tested (85p each).

Aerial Splitters - 2-way, 75 OHMS, Inside
Type, £1.50

AERIAL BOOSTERS

Aerial boosters can produce remarkable
improvements on the picture and sound, in
fringe or difficult areas.

B11 - For the stereo and standard VHF/FM
radio.

B12 - For the older VHF television - Please
state channel numbers.

B45 - For Mono or colour this covers the
complete UHF Television band.

All boosters are complete with battery with
Co-ax plugs & sockets. Next to the set fitting.
£4.20

100 - C280/1 CAPACITORS. Values from
.01uF to 1.5uF, 250v/w. Price £1.50 (mixed
packs).

100 - ELECTROLYTICS from 1uF to above
500uF. Mixed voltages. Price £2.00 (mixed
packs)

ALL PRICES INCLUDE VAT. P&P 30p PER ORDER. PLEASE
SEND UNCROSSED P.O. OR CHEQUES FOR RETURNING IF
WE ARE OUT OF STOCK OF CAPACITOR BARGAIN PACKS.
EXPORTS WELCOME AT COST.

62 BRIDGE STREET, RAMSBOTTOM,
BURY, LANCs
TEL: RAMS (070 682) 3036.

A. & S.

T.V. COMPONENTS

3 High Street,
Elstree, Herts.
Tel: 01-207 0520

APPOINTED G.E.C. STOCKISTS

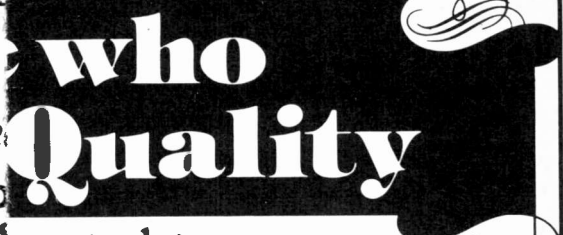
Quick Mail Order service.
L.O.P.T's, Panel Boards, Sc
Tuners, etc.

Also available Transistors and
a few listed below where Wh
Rental Companies and Tr
supplied with special quotations
request, on purchases of £10
£100 use **DISCOUNT**. If £10
VAT is purchased 10% **DISCO**
£20 excluding VAT 20% **DISC**
given. A few power Transistors
I.C.s have been **CUT IN PR**
are only available at these pri
stocks last.

I.C.s	TRANS
TAA 700.....£1.50	AC 127.....
TAA 550.....30p	AC 128.....
TBA 120AS.....75p	AC 188.....text
TBA 120SQ.....85p	AD 149.....
TBA 240A.....£2.00	AD 161.....
TBA 480Q.....£1.50	AD 162.....ese quality products
TBA 520Q.....£1.55	AF 139.....
TBA 530Q.....£1.20	AF 178.....
TBA 540Q.....£1.75	AF 239.....
TBA 550Q.....£1.75	BC 107.....
TBA 560CQ.....£1.90	BC 108.....
TBA 750Q.....£1.40	BC 109.....
TBA 800.....£1.20	BC 147.....
TBA 673.....£1.65	BC 148.....
TBA 920Q.....£1.90	BC 159.....
TBA 990Q.....£1.60	BC 187.....
TCA 270Q.....£2.10	BC 337.....
TCA 800Q.....£2.20	BD 131.....
CBF16848N.....£1.13	BD 132.....
ETTR6016.....£2.10	BD 253.....
SN16861AN.....£1.62	BDX 32.....
SN16862AN.....£1.62	BF 180.....
SN16861NG.....£1.62	BF 196.....
SN76013ND.....£1.10	BF 197.....
SN76013N.....£1.50	BF 258.....
SN76544N.....£1.60	BF 336.....
	BF 337.....
	BF 362.....
	BFY 50.....
	BU105/04.....
	BU 108.....
	BU 208.....
	2N1711.....
	R2008B.....
	R2010B.....

DIODES	RECTIFIER	DROPPER
BY 126.....15p	TV 20.....£1.80	G8.....55p
BY 127.....17p		
BY 164.....58p		
BY 238.....16p		
BZV 15/24R.....40p		
BZX 79.....20p		
OA 90.....10p		

TERMS C.W.O. - VAT 12½%
MINIMUM ORDER £5
P & P 50p - further postage may
pending weight and value of or
G.P.O. rates
All goods Branded of High Quality



who Quality Electronic kit ne 400 vision receiver

VARICAP TUNER UNITS
UHF: ELC1043/05, ELC1043/06
U321.
VHF/UHF: ELC2000, ELC2070.
Diode band switching P.C. Panel Kits
with tuner socket for VHF/UHF
Tuners, will fit our 400 type IF Kits,
ideal for DX-TV. IF block filter/Gain
Modules for above tuners available
separately. EXPORT enquiries invited,
5.5 Mhz. versions available.
TV integrated circuits for 'Television'
Construction Projects, also CRT's,
Triplers, Capacitors, Resistors, Multi-
turn Pots, wound components, etc.
Touch Tune Kits, parts for 'Television'
Unit. Send for lists or just ask us to
quote you.
Sensible prices for NEW, not reject
components.

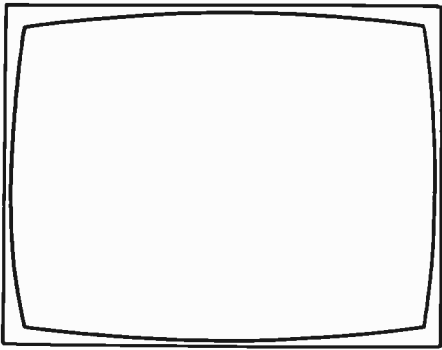
ements Limited
Tel: Norwich 810453 (STD 0603)

LAR DEMAND ING SOUND OFFER ONCE BI-PRE-PAK'S FAMOUS ROSS HATCH NERATOR MK.2

IN KIT FORM OR READY BUILT. GUARANTEED.
STANDARD PATTERN SELECTOR SWITCH
H FIBRE GLASS CASE 5¼" x 3" x 3"
ATES FROM SELF-CONTAINED BATTERIES
-IN I.C.s AND MORE SENSITIVE SYNC PICK-UP
JIT
ITIONS TO FULL PROFESSIONAL AND
MERCIAL REQUIREMENTS

SPECIAL BARGAIN OFFERS
NER by world famous manufacturer. BRAND NEW. Covers 625
annels 21 to 65. Standard TV. I.F. frequency output.
making a TV sound receiver. Price inc. p/p and V.A.T. **£1.95**
BUTTON TUNING ASSEMBLIES for varicap TV tuning.
£1.95; 7 button **£2.80 Both inc. p/p and VAT.**
RIFIER STICKS for colour TV triplers. 12 KV working.
1118XPA Inc. p/p and V.A.T. 65p.

STIRLING SOUND
VANGUARD WAY, SHOEBOURNESS, ESSEX
Telephone (03708) 5543
Shop - 220-224 West Rd., Westcliff-on-Sea, Essex SS0 90F
Telephone: (0702) 351048



TELEVISION

EDITOR

John A. Reddihough

TECHNICAL EDITOR

Luke Theodossiou

ART EDITOR

Peter Metalli

ADVERTS MANAGER

Roy Smith 01-634 4383

CLASSIFIED ADVERTS

Colin R. Brown 01-261 5762

PRICE INCREASE

We regret that it was not possible to warn readers last month of the increase in the price of *Television* to 50p, as the application was with the Prices Commission at the time of going to press. The reason for the increase is simply the effects of inflation on our costs, in particular the price of our printing paper which has to be imported. We hope that the steadier economic conditions will enable us to avoid further increases.

FRONT COVER

Our front cover shows a rear chassis view of a Bush receiver fitted with the Rank A823 chassis. What's the matchbox on the right-hand side doing? Well, this is an early production set in which the pincushion phase coil on the scan control panel and the fly-wheel line sync discriminator transformer on the scan drive panel were in close proximity and tended to interact, causing hooking at the top of the picture. The matchbox separating the panel cures! In subsequent production the scan drive panel was mounted the other way round

Where do we go from here?

Diligent readers of this magazine will notice a slight change this month in the arrangements listed immediately to the left. They may wonder whether this signifies any impending alterations in the magazine, and if so what? The answer is that it doesn't – unless, that is, an overwhelming number of you write to ask for some particular change in our coverage or emphasis. For the moment we propose to continue our present policy, which is to provide a service for all those interested in the technical side of domestic television, while evolving with the industry we serve and the changing technology.

What the change of editorship means is simply a break in our traditional link with our sister magazine *Practical Wireless*. This link goes back to the earliest days of this magazine, which was called *Practical Television* up to October 1970. *Practical Television's* initial appearance antedated the start of television transmissions in 1936. It first appeared in the early thirties, at a time when public interest in the possibility of the new medium and the form it would take was considerable. But the economic situation in the late thirties – and the technology – were such that television did not catch on in the way that colour did in the UK in the early seventies. By the outbreak of war in 1939 there were certainly no more than 20,000 television sets in the UK, nearly all in the London area since Alexandra Palace was the only transmitter. With the industry and the number of sets so small, there was hardly scope for a magazine devoted to the subject. *Practical Television* became a part of *Practical Wireless*, with a joint editor. The shared editorship continued when *Practical Television* was relaunched in April 1950, and has continued to the present day, though it's true to say that *Television* has enjoyed a considerable measure of independence for many years, certainly over the last decade. With the *Practical* group of magazines undergoing a certain amount of re-organisation however, *Practical Wireless* and several other titles leaving London for offices in Poole, Dorset, it was considered an appropriate time for *Television* to become completely independent.

The "Practical" was dropped from our title in October 1970, at the same time that we added the subheading "servicing, video, etc.". The change was not meant to suggest any lack of concern with practical matters, far from it, but simply to make it clear that with advances in television technology our scope was necessarily widening.

At the present time the role of the television set in the home is undergoing a major change. The first extension of its usefulness came with TV games and domestic videotape recorders, which enabled the public to feed signals into the set from sources other than the aerial (admittedly Baird had a video disc, but we've seen the pictures (?) it gave and will say no more about that!). A lot of development work is at present going into seventies' style video discs, and with the price of VCRs going ever upwards video discs and players may become a common feature of the domestic television scene before long. Then there's Teletext, now accepted by the Home Office as a permanent part of the transmitted signal, and the allied Viewdata system which will enable almost any information you can dial up on the telephone to be displayed on the screen of your TV set. The technology of television is in fact developing rapidly at present, which will give us plenty to report and comment upon for the foreseeable future.

And plenty of scope for constructional projects too, as the current Teletext decoder series shows. There is no sounder way of getting to grips with a subject than by building equipment. This takes us back to the earliest purpose of the magazine: to encourage experimentation and to enable those interested to become familiar with the technology through practical experience.

Teletopics

RANK'S NEW COLOUR CHASSIS

Rank have now released the circuit of their new T20A colour chassis, which uses the 20AX colour tube. It's interesting to compare this with Rank's other current colour chassis, the Z718, which employs the Toshiba RIS colour tube – both these tubes are of the in-line gun variety of course. At first glance the circuits look very similar, especially as the same signal (decoder/i.f./audio) panel is used. The field timebase and line oscillator (TBA950) are also much the same, and the overload trip works in the same way, earthing the base of the line driver transistor when it operates.

There are important differences however. The convergence circuitry is simplified, and while the EW modulator is retained NS correction is not required. The single BU208A line output transistor drives a transformer with a split primary winding (part in the collector and part in the emitter circuit), while the stick e.h.t. rectifier is replaced by a conventional tripler which also provides the focus and the c.r.t. first anode supplies – in the manner explained later in this issue.

The most significant change is the adoption of a switch-mode power supply to provide a stabilised 200V h.t. rail for the line driver and output stages and the RGB output stages. The basic circuit is shown in Fig. 1, and differs in several respects from other switch-mode circuits in common use. It consists basically of a chopper transistor Tr1 (BU326) which is connected as a blocking oscillator. When it switches on, current flows in the output winding of the oscillator transformer T. When it switches off, the collapsing magnetic field around the output winding produces a positive pulse which is rectified by D2. The trigger/control circuit consists of a BR103 silicon controlled switch which cuts Tr1 off. The point at which it fires is controlled by a BC252C transistor whose conduction is governed by a voltage proportional to the h.t. rail. The circuit is fail-safe in that no power is delivered to the load

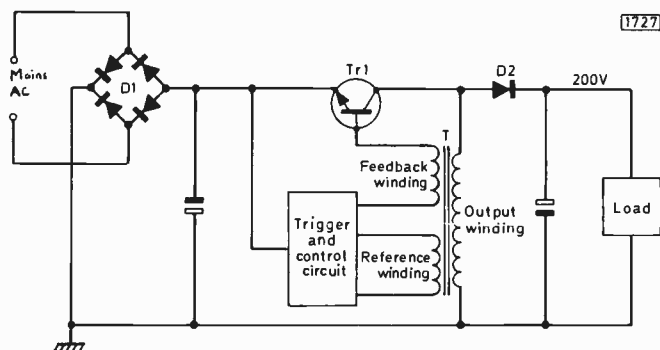


Fig. 1: The basic elements of the switch-mode power supply used in the new Rank T20A colour chassis. The chopper transistor Tr1 is connected as a blocking oscillator. It's controlled by a negative-going trigger pulse, supplied by a BR103 silicon controlled switch, which adjusts the timing of the blocking oscillator circuit by switching Tr1 off. The pulse developed across the reference winding is rectified and used to control the conduction of a transistor which in turn controls the point at which the BR103 fires.

whether the chopper transistor goes short- or open-circuit. In the event of a short-circuit load, the frequency rises thus reducing the average current to a safe value. Dead-set fault-finding is simplified in comparison to the Z718 in that with the line driver transistor fed from the h.t. rail the only start-up supply required is that to the TBA950. As before, this is provided by a capacitor charging from the h.t. supply.

Four models using this chassis have been announced so far, the 20in. BC6240, 22in. BC6340 and BC6348, and the 26in. BC6448. The latter two models feature ultrasonic remote control and touch tuning.

The circuit of the new Rank 12in. monochrome portable has also been released. It has two features in common with the recently announced Thorn portable (1690): continuous rotary tuning of the varicap tuner, and an e.h.t. rectifier which is encapsulated with the e.h.t. overwinding on the line output transformer. Also a couple of points in common with another well known portable: the use of a TBA800 i.c. to drive the field scan coils, and a BU407 line output transistor. The set is being produced at Plymouth.

TELETEXT AND VIEWDATA

The BBC and IBA Teletext transmissions have to date been officially regarded as experimental, though everyone involved considered them as having been established on a long-term basis. The Home Office has now officially confirmed to the British Radio Equipment Manufacturers' Association however that the services are "here to stay". Rank, who at present have the only set on the market fitted with a Teletext decoder as a standard feature, say that demand is currently in excess of output. Thorn are to release a Teletext receiver shortly.

Meanwhile the PO has announced that a substantial contract for the supply of Viewdata equipment and technology has been signed with the West German Post Office. The Viewdata system works on a similar basis to Teletext, but with the signals distributed via the telephone system. Under the terms of the contract, German firms will not be permitted to compete with UK firms in exporting Viewdata equipment until March 1980. It's hoped that this three-year lead in export markets will provide significant opportunities for UK firms.

CORRECTIONS

On page 651 last month, in the article on the Rank Z718 chassis, the part number of the field output transistor flash-over protection ferrite core was incorrectly given as 3421.0177 instead of 3241.0177. On the monochrome portable circuit last month (pages 644/5) Tr10 was incorrectly shown as an npn instead of a pnp transistor.

A RECAP

The progression from 90° delta gun colour tubes to 110° delta gun types and then to 90° and 110° in-line gun colour tubes has occurred at such a rate that one or two points

EX-EQUIPMENT SPARES

MONO TUBES (tested) 19" Rimguard £4.50 23" Rimguard £6.00 20" Rimguard £6.00 24" Rimguard £7.50 + £3.00 p.p.	MONO TUNERS 6 - button integrated all at £6.50 U.H.F. P/Button D/S £4.50 U.H.F. P/Button S/S £6.50 Rotary £3.00 + £1. p.p.	MONO LOPTS All D/Standard Lopts at £4.00 + £1. p.p. All S/Standard at £4.00 + £1. p.p.	MONO PANELS i.e. Philips, Bush etc. £3.50 + £1 p.p. Quotations for complete S/Hand chassis if required. (Diff prices)	MISC. S/Output Trans. £1 + VAT + £1 P&P F/Output Trans. £1.25 + VAT + £1. P&P Scancoils £1.50 + VAT + £1. P&P. Other spares available. please write or phone for details.
---	---	---	--	---

VALVES (MONO & COLOUR)

PCL82	0.10	PCF802	0.10	PCC86	0.10	EY86/7	0.10	30PL1	0.10	PL509	0.50
PCL83	0.10	PCF805	0.10	PC97	0.10	EY8/7	0.10	30PL13/4	0.10	PY500	0.50
PCL84	0.10	PCF806	0.10	PC900	0.10	DY802	0.10	30P12	0.10	GY501	0.50
PCL85	0.10	PCF808	0.25	EF80	0.10	PY800/1	0.10	30FL1/2	0.25	PL508	0.50
PCL86	0.10	PCF80	0.10	EF85	0.10	PL36	0.25	ECC82	0.10	PCH200	0.50
PFL200	0.10	PCC189	0.10	EF183	0.10	PL504	0.25	ECC81	0.10	PCF200	0.50
PCF801	0.10	PCC86	0.10	EF184	0.10	PL81	0.10	ECH81	0.10	CEY51	0.15
30C1	0.10	30C15	0.10	6BW7	0.10	6/30L2	0.10	ECL80	0.10		
30C17	0.10	30C18	0.10	ECC85	0.10	U26	0.10	ECL82	0.10		
PL83	0.10	PL84	0.10	EH90	0.10						

Please note there is 25p p.p. per order

D/STANDARD COLOUR SPARE PANELS

	IF	LUM	CHROMA	EHT	REG	CON	S/OUTPUT	POWER	L/TB	F/TB
Bush/Murphy	6.50	6.50	6.50	—	—	6.50	1.50	6.50	—	—
GEC/Sobell	6.50	7.50	—	—	—	6.50	—	—	—	7.50
Philips	6.50	9.50	—	—	—	7.50	—	—	—	6.50
Decca	6.50	12.50	12.50	—	—	6.50	2.00	8.00	—	6.00
							(19" only)			
Thorn 2000	6.50	7.50	7.50	6.50	6.50	7.00	—	8.00	9.50	6.50
Pye	7.50	7.50	9.50	—	—	6.50	—	—	—	4.00
Baird	6.50	8.50	8.50	—	—	6.50	—	—	—	6.00

Postage & Packing £1.25

S/STANDARD COLOUR SPARE PANELS

	IF	LUM	CHROMA	VIDEO	CON	POWER	L/TB	F/TB
Bush 184	9.50	—	20.00	—	8.00	6.00	20.00	—
GEC Hybrid	9.50	9.50	15.00	—	6.00	—	—	12.00
Philips G6 S/S	9.50	—	15.00	—	9.00	—	—	10.00
Thorn 3000	10.00	9.00	18.00	10.00	6.00	20.00	20.00	10.00
Pye 691/693	15.00	7.50	18.00	—	15.00	—	28.00	7.50
Thorn 3500	10.00	9.00	18.00	10.00	10.00	20.00	20.50	10.00

Korting and other foreign panels available on request.

Postage & Packing £1.25

COLOUR TUBES 19" 18.00 19" A49.192 £20 20" 20.00 22" 25.00 25" 18.00 26" 32.00 Plus P & P £4	COLOUR TUNERS Bush 6.50 GEC 6.50 Philips G6 S/S 6.50 Thorn 3000 6.50 (£8 new) Pye 691/697 7.50 Some new tuners in stock can supply on request. Many Foreign Tuners also available on request. Plus P & P £1	COLOUR LOPTS Most lopts available from £7.00. Both British & Foreign makes. Please ring or write. P & P per lopt £1	MISC. S/Output transformer from £1.50 F/Output from £1.25 Scancoils from £5.00 P & P £1 Other spares available on request.	CABINETS Many British & Foreign cabinets available. Please state. Speakers, masks, etc., available on request. Please phone or write.
--	--	--	--	--

T.V.'s (MONO)

Rotaries	
GEC	5.00
Thorn 950	5.00
K.B. Trans-tuners	5.00
Pye	5.00
etc.	

P/Button	
Thorn 1400	9.00
Bush 161	9.00
Baird	9.00
Philips 210	9.00
Pye	9.00
etc.	

P/Button	
20"	24"
Bush	11.00
GEC	11.00
Philips	11.00
Pye	11.00
etc.	

S/Standard	
20"	24"
Bush	15.00
GEC	15.00
Philips	15.00
Pye	15.00
Thorn	15.00
etc.	

COLOUR T.V.'s

D/S Colour	
19", 25" from £30	
i.e. GEC, Bush	
Philips, Baird	
etc.,	

S/S Colour	
19", 20", 22", 24" from £50	
Working from £65	
includes many makes as well as foreign models.	

REDUCTION ON QUANTITIES

WHY NOT TRY OUR EXPRESS MAIL ORDER ON ANY OF THE ITEMS LISTED.

PLEASE ADD 12½% V.A.T. TO ALL ITEMS AND OVERSEAS AT COST. CASH WITH ALL ORDERS.

BRIARWOOD TELEVISION LTD.
 Legram Mills, Summerville Road, Bradford, West Yorkshire BD7 1NS Tel (0274) 22046.

may not have registered properly. For instance, when and why was the degaussing shield first incorporated within the tube? Answer, with the introduction of 110° delta-gun tubes, because more effective magnetic shielding is required with the increased deflection angle. The shield is built into the 110° 20AX and PIL tubes, but is external on the 90° PIL tube. With in-line gun tubes two further changes occurred. First, due to the fact that beam landing errors are in the horizontal plane only, the degaussing coils are mounted horizontally instead of vertically. Secondly, due to the fact that the slotted shadowmask does not interrupt the degaussing field, the number of coil turns required is substantially reduced.

Another point: how does pincushion distortion compare between delta and in-line gun tubes? Answer, the astigmatic deflection fields used to give self-convergence with in-line gun tubes result in greater EW raster distortion but reduced NS raster distortion. Hence EW correction is used with all in-line gun c.r.t.s. With the 20AX tube NS distortion correction is not essential and is not found in the Philips G11 and Rank T20A chassis for example. NS correction is generally used with PIL tubes but is not strictly necessary with the smaller screen 90° versions of the tube.

Then you all thought that the PIL tube has a toroidal yoke, didn't you? And you're quite right. But there are now versions using semi-toroidal yokes – toroidal field coils and saddle wound line coils.

CES NOW PHILIPS

Combined Electronic Services Ltd., the servicing organisation for the Philips and Pye groups, has been renamed Philips Service Ltd. Improvements planned to coincide with the change include the introduction of a new computerised order handling system.

STATION OPENINGS

The following relay stations are now in operation:

Armagh (N. Ireland) BBC-1 channel 39, BBC-2 channel 45, ITV (Ulster Television) channel 49. Receiving aerial group B.

Bellingham (Northumberland) BBC-1 channel 21, ITV (Tyne Tees Television) channel 24, BBC-2 channel 27. Receiving aerial group A.

Guisborough (Cleveland) BBC-1 channel 57, ITV (Tyne Tees Television) channel 60, BBC-2 channel 63. Receiving aerial group C/D.

Kilkeel (N. Ireland) BBC-1 channel 39, BBC-2 channel 45, ITV (Ulster Television) channel 49. Receiving aerial group B.

Killowen Mountain (N. Ireland) ITV (Ulster Television) channel 24, BBC-2 channel 27, BBC-1 channel 31. Receiving aerial group A.

All the above transmissions are vertically polarised.

SERVICE CHARGES

The RETRA no longer recommends minimum servicing charges, but to provide guidance for dealers has carried out a survey amongst members in order to ascertain current average charges. It's understood that this exercise will be conducted at regular intervals in order to provide up-to-date guidance. The present average minimum charge for a call within a six mile radius was found to be £5.08 – calculated from a low of £3 to a high of £10. The £3 charge was for monochrome however and covered only the first quarter of

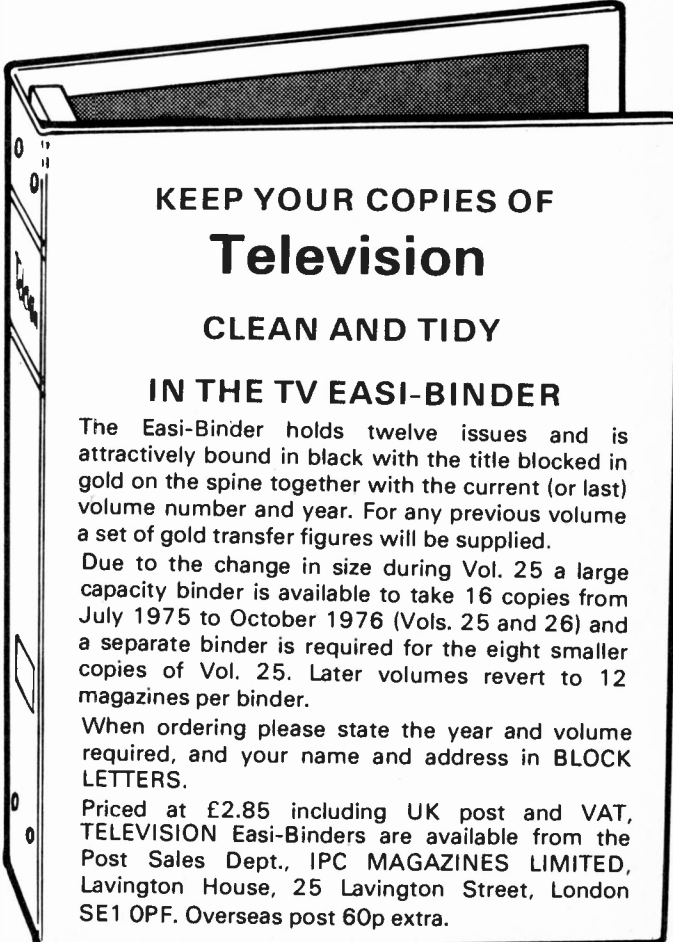
an hour, while the £10 charge was quoted by a London dealer for colour sets (his monochrome charge was £7.50). This initial survey covered only a limited number of dealers – 54. The average minimum repair charge was £3.66, while workshop charges averaged £5.09 for the first hour and £4.55 for the second. The average annual colour maintenance contract fee was £27.83 (lowest £24, highest £40): for monochrome the average was £12.91 (lowest £9, highest £26) though not all dealers will enter into contracts for monochrome sets.

HALF YEAR RESULTS

The latest set delivery figures released by BREMA cover the first six months of this year. Of 700,000 colour sets delivered, 550,000 were UK produced and 150,000 imported. The increase of 14% compared to the first half of 1976 was accounted for mainly by imports. Deliveries were running at 85% of the 1975 level and only 53% of the 1973 boom year level. On the monochrome side, total deliveries amounted to 515,000, with 240,000 UK produced and 275,000 imported. This represents a slight (5%) increase compared to 1976, but here again the increase compared to earlier years consists mainly of imported sets.

BEST CATALOGUE

A new catalogue has been received from Best Electronics (Slough) Ltd., Unit 4, Farnburn Avenue, Slough, Bucks., SL1 4XU. The company specialises in all types of spare parts for TV sets, including semiconductors, tubes and valves, as well as tools and measuring instruments. The catalogue is available free of charge from the above address.



KEEP YOUR COPIES OF
Television
CLEAN AND TIDY

IN THE TV EASI-BINDER

The Easi-Binder holds twelve issues and is attractively bound in black with the title blocked in gold on the spine together with the current (or last) volume number and year. For any previous volume a set of gold transfer figures will be supplied.

Due to the change in size during Vol. 25 a large capacity binder is available to take 16 copies from July 1975 to October 1976 (Vols. 25 and 26) and a separate binder is required for the eight smaller copies of Vol. 25. Later volumes revert to 12 magazines per binder.

When ordering please state the year and volume required, and your name and address in **BLOCK LETTERS**.

Priced at £2.85 including UK post and VAT, TELEVISION Easi-Binders are available from the Post Sales Dept., IPC MAGAZINES LIMITED, Lavington House, 25 Lavington Street, London SE1 0PF. Overseas post 60p extra.

Inside Triplers

Harold Peters

"YOU'LL have to excuse the dog, it's not well." Those of you who repaired your way through the old 405-only days will remember the awful smell that greeted you when the selenium h.t. rectifier went up, and the customers' excuses for the aura of organic decomposition that hung about the place for hours afterwards. There were sighs of relief all round when it was displaced by the BY100 silicon diode and its successors. A while after however one was struck by a puzzled "I've smelt that before". In about 1965 Thorn started to use selenium rectifier sticks for e.h.t. rectification. Then, a year or two after the start of colour television, selenium e.h.t. tripler trays came into wide use in colour sets. This time it meant not a two quid repair job but five times as much money changing hands with the replacement of the tripler.

Surprisingly little has been written about triplers themselves and their associated circuitry. Let's take a look therefore at how they work, why they sometimes don't, and what if anything can be done to stop failures setting you back anything up to £50 in repairs.

Triplers started to replace the shunt stabiliser/valve rectifier combination used in most early colour sets in about 1969-70. The valve combination consumed about 120W of line scan power, and emitted X-rays if not correctly set up. We had become accustomed to pencil type semiconductor e.h.t. rectifiers in monochrome sets, but these were required to deliver only about $100\mu\text{A}$, whereas the colour set needed up to a milliamp and a half at an e.h.t. of 25kV, some 7kV higher than monochrome.

To obtain this without the special screening the shunt stabiliser needed, and without having to wind a thin line output transformer overwinding, 8.5kV was generated and then tripled up. E.H.T. regulation always presents a problem when you triple, but can be brought to acceptable limits by tuning the line output transformer's leakage inductance to the fifth harmonic rather than the usual third harmonic of the line frequency. This has the effect of producing a broader, flat-topped flyback pulse, containing more energy than the spiky third harmonic one, and the addition of an efficient beam current limiter circuit ensures that the tripler's capabilities are not exceeded.

Circuit Operation

The basic tripler circuit, which works like a three stage pump, is shown in Fig. 1. The 8.4kV flyback pulse charges C1 through D1. During the next scan line the input drops to near chassis potential, and the charge across C1 is transferred via D2 to C2. The second flyback pulse arrives, also charging C1 via D1, but at the same time pushing the far end of C2 up to twice the flyback pulse amplitude (16.8kV). This action also charges C3 via D3, and so on the

second line scan C3 puts this charge on to the far end of C4 via D4. At this instant the voltages across C2 and C4 are (from left to right) 0kV, 8.4kV, 16.8kV. The third flyback pulse, like another stick on the sweep's brush, pushes these potentials up another 8.4kV, D5 charging the final capacitor – the c.r.t. glass – to 25.2kV.

Practical Improvements

Fig. 1 is the theoretical circuit, but can be improved upon in practice. For a start, C3 can be returned to the C1/D1 junction (see Fig. 5), permitting all the capacitors to be of the same voltage rating. Then an extra capacitor of the same type, C5, takes the place of the c.r.t., improving the regulation and permitting a safety resistor of about $50\text{k}\Omega$ to be fitted in the e.h.t. lead (or the tripler). If we now tap off at the junction of C1/D1 we have a suitable focus voltage for the tube. Again, did you notice that we ended up with 0.2kV too much at the c.r.t. anode? If we take the bottom of C1 to a point in the set at about +67V instead of chassis, it will charge up to that amount less than 8.4kV, namely 8.33kV, which tripled makes 25kV exactly. C1 is therefore usually brought out on a tap of its own.

Clipper Diode

Most modern triplers also have a clamping diode across the input terminals – generally drawn in circuit diagrams in such a manner that it looks as if it's one of the tripler's rectifier elements, which is confusing. The purpose of this diode is to remove the negative overswing (see Fig. 2) which follows the flyback pulse, thus improving the e.h.t. regulation. The arrangement shown in Fig. 3 is common in solid-state colour sets with transistor line output stages. The earthy end of the line output transformer's e.h.t. overwinding is taken to chassis via a resistor (R1), thereby obtaining a voltage proportional to the e.h.t. for beam limiting purposes. C1 provides smoothing. The clipper diode is D1 and its load C2/R2. The result of D1's clipping action is to produce a voltage of about -1kV across C2. What to do with it? If the networks R1/C1, R2/C2 are rearranged as shown in Fig. 4, we get a positive voltage of about 1kV at the earthy end of the e.h.t. overwinding. Just what we want to feed the tube's first anode potentiometers. We have also added 1kV to the final e.h.t., but this factor can be readily accommodated in the design of the line output transformer or by changing the point to which C1 (Figs. 1 and 5) is connected.

Faults

The most common trouble with early triplers was the smell mentioned at the beginning, due to one of the selenium rectifier rods failing. Local heating generated by one of the little discs being the wrong way round is the invariable

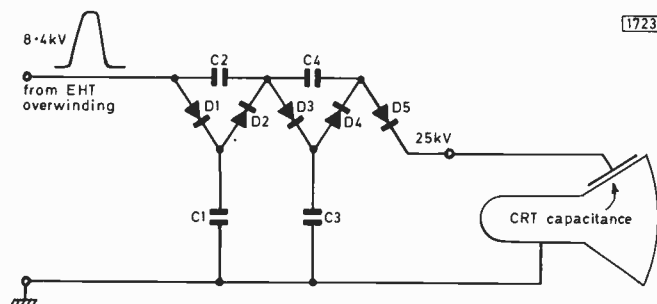


Fig. 1: The basic e.h.t. tripler circuit.

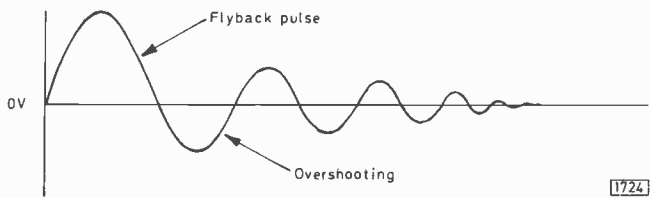


Fig. 2: The flyback pulse is followed by an overshwing which, if not removed, impairs the e.h.t. regulation.

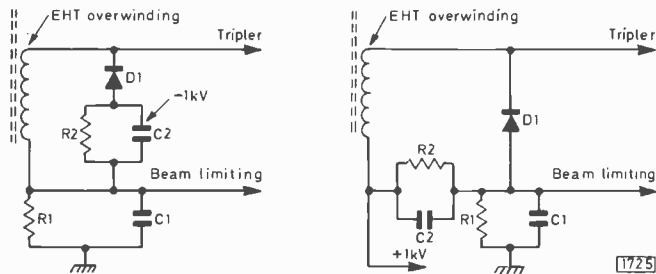


Fig. 3 (left): Clipper circuit (D1/R2/C2) to remove the overshwing. D1 conducts when the input to the tripler tries to swing negatively, and as a result the upper plate of C2 is changed to a voltage of about -1kV. The c.r.t. beam current returns to chassis via R1: in consequence a voltage suitable for driving a beam limiter circuit is present across R1/C1.

Fig. 4 (right): By rearranging the circuit as shown here a 1kV voltage suitable for supplying the c.r.t. first anode preset controls is obtained on the left-hand plate of C2.

prime mover: this disc will break down on the forward stroke. Modern triplers use the more reliable silicon diodes. Today's troubles usually begin with the flashover of one of the capacitors. Invariably this or any other failure will burn out the safety resistor in the c.r.t. anode cap or in some cases inside the body of the tripler, which will bulge and crack. Avalanche conditions can make the repair expensive. A failure of the focus assembly say could destroy not only the tripler but impair tube emission and take with it the line output transformer and line output transistor.

Precautions

Avoiding such failures is not an easy matter, especially if it isn't your set. Make sure that the beam limiter works, and that it limits the current to below the tripler's capabilities. 1·1mA is a good low value, and you will find very few sets with sufficient video drive to get above this level without crushing part of the signal.

If it is your own set, make sure that it is adequately venti-

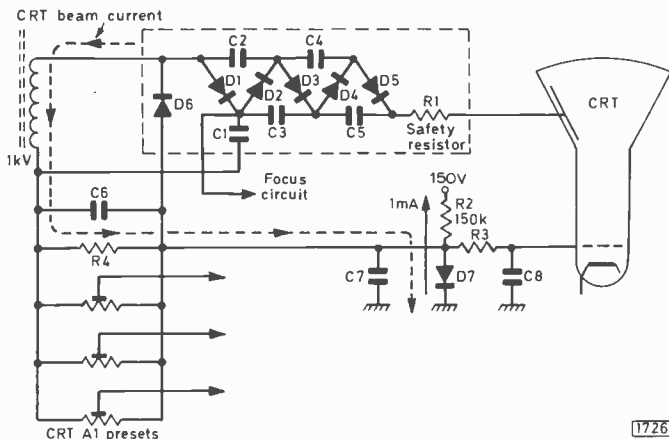


Fig. 5: The sort of e.h.t. tripler circuit commonly found in current colour receivers, with D7 providing beam limiting.

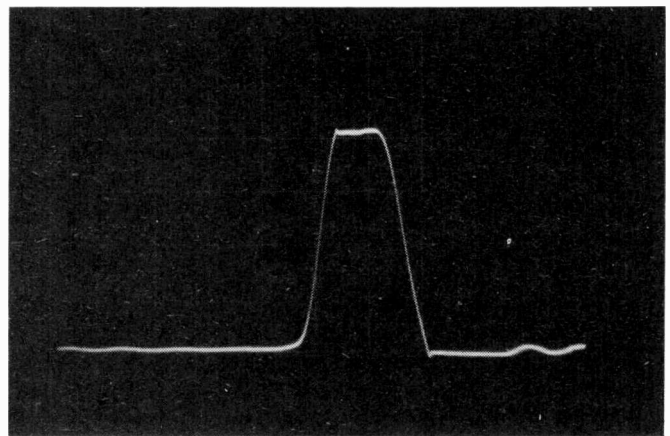


Fig. 6: Tripler input voltage pulse. Note flat top due to fifth harmonic tuning, and the absence of a negative-going overshwing due to the use of a clipper diode. Vertical scale 2kV/cm, horizontal scale 5µsec/cm. Pulse scoped with zero beam current.

lated – the cooler the chassis the better. If the set has not been used for a little while, e.g. after a holiday, air the room first to avoid risk of internal condensation. Turn the set off as soon as it fails, to reduce avalanching effects – dozens of viewers continue to watch a faulty set, waiting for the broadcaster to apologise. Train the family to check on another channel, and to recognise transmitter failure by removing the aerial for a second or two. "Open plan" houses seem to invite you to leave the set on all the while, and just go round and look at it when you want to view. This is inviting avalanche faults. Never watch a set unless you are looking at it!

Beam Limiting

Fig. 5 shows a widely used circuit with a simple beam limiter arrangement. The current limit is set at 1mA by applying 150V to 150kΩ. This 1mA passes through diode D7 which is forward biased and thus looks like a short. The beam current, struggling to get back from the tube to the bottom of the line output transformer, passes through the diode in the opposite direction, reducing the total current flowing through it in a manner that would delight Kirchhoff. When the beam current exceeds 1mA the diode is reverse biased and ceases to be a short. The voltage at the junction R2/R3 becomes negative, and is applied to the c.r.t.'s grids to turn the picture down to the point where only 1mA flows and the diode becomes a short once again. To vary the limiting one has merely to vary the value of the 150kΩ resistor.

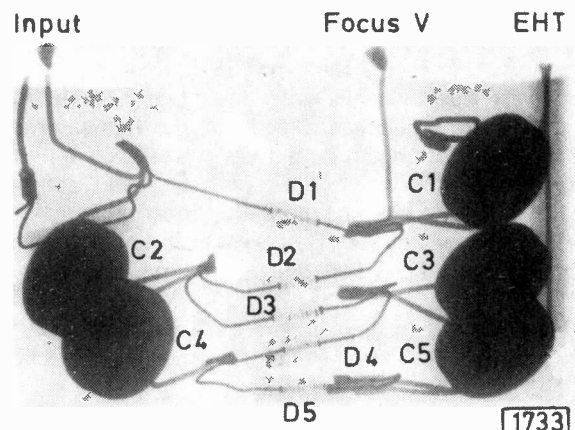


Fig. 7: X-ray photograph of an earlier type of selenium e.h.t. tripler, without a clipper diode.

Toil and Trouble...

Les Lawry-Johns

I MUST admit that I am never at my best first thing in the morning. The world then seems to me to be conspiring to cheat me out of my cup of tea and piece of toast, and when the world beats a path to my door before the humours have settled it's greeted with snarls and grunts. After say 9.30 (a.m.) a transformation takes place and I am once again the obliging, polite, helpful fellow that most know well (so they think). In short, before 9.30 I see the world as it is. After 9.30 I see it through rosy coloured glasses and I can then face almost anything. Almost, but there are limits.

Then, puff, it stopped speaking

Take the other morning. Just after nine, as I was busy thrashing the dog for fun, in walked a couple of gentlemen carrying a Bush TV161. Their command of English was not good.

"There is nothing wrong with the television you know", said beardy. "It will take you only a few minutes to put it right."

Non-beardy was equally helpful. "I think it is perhaps a fuse, as it was perfectly all right you understand and then, puff, it stopped speaking." I struggled for a few moments and then managed "Ah yes, there is a lot of it about you know".

Beardy was not distracted. "How much will it cost to replace this fuse?" I thought for a moment. There was an axe under the counter, or I could accidentally let off the fire extinguisher. "Perhaps we had better find out why the fuse failed?" I suggested, having considered the mess that would be caused by either of the above two alternatives. "Would you like to come back later when I have found the reason?"

Non-beardy was stubborn. If it was a fuse, he wanted to see it fitted with no hanky panky. Quick as a flash, my lightning sharp mind added up the possibility of a bit of fun. If the fuse had popped it was probably the mains filter capacitor, a shorted rectifier diode, or perhaps a shorted boost capacitor (returned to chassis in this model). Why not let them see that fuses do not just blow by themselves (except in some makes of colour sets, but that's neither here nor there)? Why not, why not?

In a trice the set was on the bench and the back was off. Beardy's head peered in at one side while non-beardy's head peered in at the other. I removed the shattered fuse from the lower right side. So that I would not get caught in any atomic fall out, I quickly checked with the ohmmeter: mains filter capacitor seemed o.k., but you never know with these, the rectifier diodes were not short-circuit, no h.t. shorts, and $1M\Omega$ from the top cap of the PY88 boost diode to chassis (boost capacitor not shorted). So that it would not fail too easily I put in a 2.5A fuse, plugged the set in and switched on.

Valves started to heat up nicely. Beardy beamed. "The fuse does not fail!" Feeling slightly bemused, I switched the meter to the 300V range and went to check the voltage at the main smoothers on the lower left side. At that moment there was a loud hiss and a jet of vapour shot out of the main smoothing can and hit me dead amidsthips (clean shirt

that morning no longer clean). Pop went the fuse and the two enthralled spectators vanished for a moment.

Beardy reappeared. "What did you do to our television set to make it go bang like this?" he demanded. "What did I do?" I screamed. "Look what your bloody set's done to my shirt." Non-beardy howled with laughter. "Do it again please, just once more." I scowled at him, slackened off the clamp holding the electrolytic, snipped off the tags and pulled it out, holding it with a pair of pliers. "Here it is, it's all yours."

Non-beardy took it and dropped it in one go. It was beardy's turn to laugh. "Hot, you know", he confided in me.

"Right", I said. "Now let's get down to it. If you want it done, say so." Anyway, after this it all passed off without further incident and away they went carrying their Bush which now spoke instead of hissed. I removed my shirt to ensure that I had not been permanently injured. "Look", I said to the chief squaw. She wasn't very sympathetic. "I wish I'd have seen it" she giggled. Resplendent in another clean shirt (we've got two, one now a different colour around the navel), we tackled the next job.

Dud rectifiers

This was a Philips G17T320. Many of these are now coming in with a shattered mains input fuse. This tends to direct attention to the mains filter capacitor which has not however been found at fault so far. Instead the fault has in each case been the bridge rectifier, which shorts from the negative end to the a.c. input. The power panel is secured by two screws and is easily removed without loss of the screws or the insulated stand off spacers – well done Philips. With the panel turned, the bridge can be removed quite easily. Note that the replacement should be a BY179. Check the voltage rating of any other type you use and also which end is positive and which is negative. Otherwise fit four BY127 or equivalents. Incidentally, the mains input filter capacitor is clipped to the side wall near this panel and is not near the on/off switch. Since we dealt with this series of receivers in the December 1976 and January 1977 issues we will not add servicing notes here.

Liquid problems

Just as we were wrapping up the Philips, a grey Renault 16 drew up outside, gleaming in the sun. Out hopped Derek, who is a river pilot and a regular customer. He looked decidedly wet on this dry, sunny day.

"Hallo Derek", we greeted him. "Did they make you walk the plank?"

"No" said Derek. "I've just come from the car wash."

"Wouldn't it have been better to take the car in with you?", we asked reasonably.

"Very funny" said Derek savagely. "I was in the car all right but the bloody fool I lent it to over the weekend hadn't shut the sunshine roof properly. Anyway, that heap of rubbish that I bought from you some time ago has gone

wrong. Can I bring it in when I've been home and dried out?"

Assuring him of our utmost co-operation, we watched him climb back into his car and drive off, little knowing that he was to be baptised yet again later that evening when a pint of beer placed on a high shelf would be accidentally knocked off smack on to poor Derek's head just as he stood back from the shove ha'penny board to admire his winning effort. Gusts of laughter filled Harold's bar, and some wit shouted "Consider yourself launched, God bless you and all who sail in you". This has little to do with the day's work, however: just thought you might like to know about it.

A nasty surprise

We then turned our attention to an ITT colour set which we had taken to be a CVC8 or something of that ilk. When we removed the rear cover however a cold hand clutched our heart. Not a valve in sight! The moment of truth was at hand. Our first CVC20.

"Help!", I yelled to the chief squaw. "Bring some strong coffee and blow the expense." The chief squaw appeared as though by magic, carrying the required tranquiliser. "What are you carrying on about now?", she asked sympathetically.

"It's this, this set. We haven't had one in before and I haven't done my homework and I'm frightened."

"Never mind, you'll sort it out. Do you think my hair looks all right this way or should I do it like I normally do?"

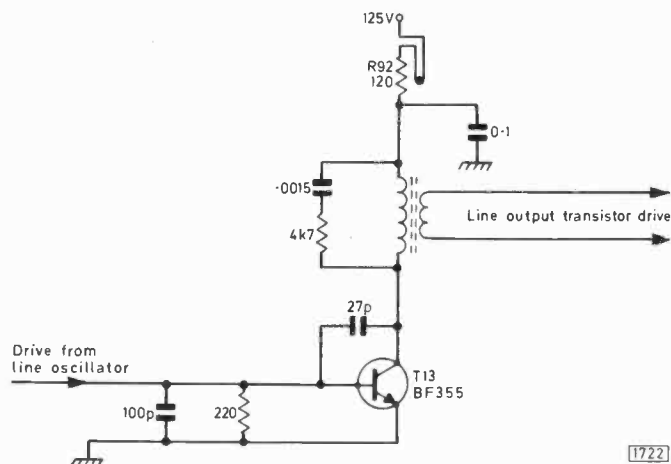
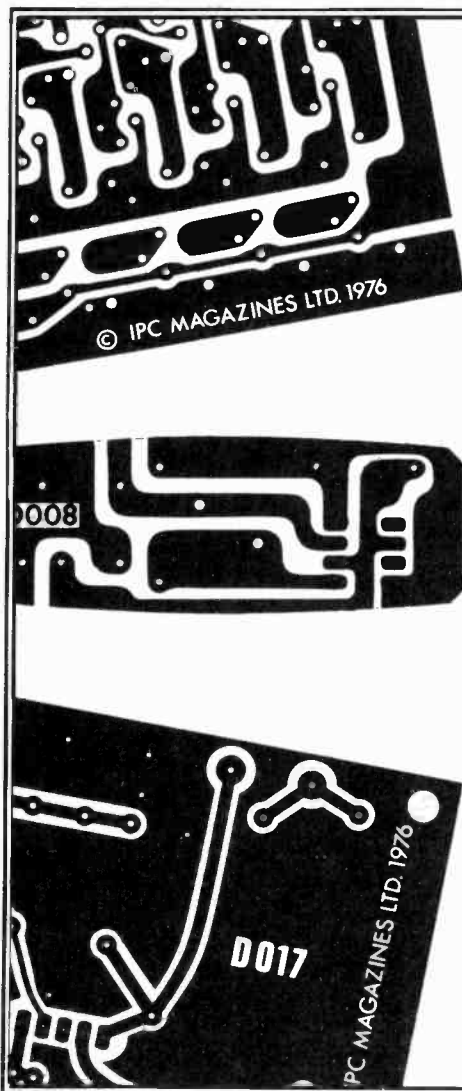


Fig. 1: Line driver stage, ITT CVC20 chassis.

This was it then. Alone and friendless. What about these women though? If they cared half as much about the inside of their heads as they do about the outside they'd all be rated as geniuses. Still they're not so bad really. Some are really quite useful. Back to the CVC20 however.

E. Trundle did a nice write up on the switch-mode power supply used in this receiver in the September issue, and readers not familiar with the circuit could well profit from a study of this.

The set we had on the bench had no e.h.t., although the



TELEVISION READERS PCB SERVICE

Issue	Project	Ref. no.	Price
April/May 1976	Video Effects Generator	DN0799A	£4.25
April/May 1976	Video Effects Generator/Fader only	DN0780A	£1.58
July 1976	Opto-coupled Audio Extractor	D001	£1.35
November 1976	Ultrasonic Remote Control	D007/D008	£2.95 per set
		D009	£1.25
		D017	£1.25
		{ D018 + u.h.f. mod. board }	£3.90 per set
Jan/Feb/March 1977	TV Pattern Generator		
March 1977	Teletext Decoder Power Supply	D022	£2.95
May 1977	Teletext Decoder Input Logic	D011	£9.80
May 1977	Single-chip SPG	D030	£3.00
June 1977	Wideband Signal Injector	D031	£0.65
June 1977	Teletext Decoder Memory	D012	£7.90
July/Aug 1977	Teletext Decoder Display	D013	£8.00
July/Aug 1977	TV Games in Colour	D034	£3.80
August 1977	Logic State Checker	D038	£1.50
September 1977	Teletext Decoder Switch Board	D021	£1.25
September 1977	Teletext Decoder Mother Board	D027	£4.00
September 1977	Touch Tuning System	D051/D052	£4.00 per set
October 1977	Teletext Decoder IF Board	D041	£6.00

All boards are epoxy glassfibre and are supplied ready drilled and roller-tinned. Any correspondence concerning this service must be addressed to READERS' PCB SERVICES LTD, and not to the Editorial offices.

To:- Readers' PCB Services Ltd. (TV), P.O. Box 11, Worksop, Notts.

Please supply p.c.b.(s) as indicated below:

Issue	Project	Ref.	Price

Prices include VAT and post and packing. Remittance with order please.

NAME _____

ADDRESS _____

Post Code _____

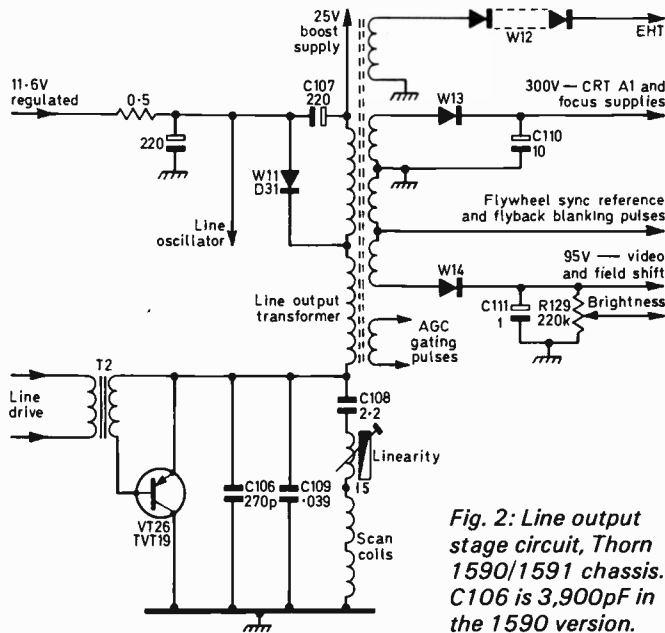


Fig. 2: Line output stage circuit, Thorn 1590/1591 chassis. C106 is 3,900pF in the 1590 version.

supply was present to the line driver and output transistors and there was a continuous note coming from the loud-speaker. This suggested that either the line oscillator was not functioning or the line driver transistor (see Fig. 1) was at fault. Its collector feed resistor R92 was not open-circuit so we took the easy path and noted that there was no voltage drop across it. Cold testing the driver base-to-emitter and base-to-collector did not at first show the correct readings, but then did so on the second attempt. Switching on again produced full e.h.t., full sound and full colour. . . .

Having been fooled by transistors in the past (cold testing often seems to bring them back to conduction), we immediately accused the driver transistor T13 (BF355), of being the culprit and whipped it out before it could say a word. We didn't have a BF355 to hand, so we used our favourite transistor of this type (high-voltage, medium-power npn), which is the BF337, and were rewarded by good results and have had no comeback so far.

No EHT again

The feeling of relief encouraged us to tackle the next job, which we thought was going to be an easy one, without delay. It was an Ultra Model 6816, which uses the 1590 Thorn chassis. The note said "very narrow and dark picture".

With the set on the bench there was no picture or raster at all, with not very much activity around the line output transformer. The supply line was correct at around 11.5V however. Checking for shorts around the rectifier diodes W13 and W14 (see Fig. 2) produced no fruitful results.

With these symptoms either one of those diodes or its smoothing electrolytic (C110 for W13, C111 for W14) is usually found to be at fault. Checking the boost diode W11 and capacitor C107 again produced little cheer. Disconnecting the scan coil coupling capacitor C108 merely produced a faint vertical line down the centre to show that the woeful loss of line output efficiency was still present. The AU113 line output transistor next received the best check of all - replacement - but the fault still persisted.

As the line oscillator was obviously working we were beginning to think in terms of a faulty line output transformer. There were other possibilities still to check however. Disconnecting the e.h.t. rectifier stick W12 produced no

better response. We then did what we should have done in the first place and checked the waveform at the base of the AU113. This was quite weird looking. Thus armed we attacked the driver VT25. This is a TIS90 and although it read reasonably on a cold test a replacement restored normal working.

Two drivers in a row! Decidedly back seat types. Still suspicious, we left the set on test but it behaved itself, thus proving that the drivers of today are not what they used to be.

Arcing, and a smell

The next item on the agenda was a large Ultra set fitted with the Thorn 3500 chassis. Arcing noise they said, and a smell. Easy we thought: the tripler. Removing the tripler lead to the e.h.t. transformer should restore normal time-base working and the correct voltage drop across the 1.5Ω monitoring resistor R907 on the beam limiter board. The voltage drop remained at over 3V however instead of 1.3V, and to prove the point the spring cut out sprung. At this the weak BBC-1 sound became loud ITV as the voltages went up with the load going down.

Making a few tests around the line timebase turned out to be fruitless (no the driver wasn't guilty, neither was the line output transistor). Capacitors were checked and all shouted their innocence. Still the suspicion lingered . . . arcing and smell. Brave to the last we unhooked the e.h.t. transformer and reconnected R907. It ran cool. Lunchtime.

During lunch a lady rang to say that the wood veneer on the front of her new TV set was buckled and could we let her have another set today as her grandchildren were coming at five o'clock and if they saw the buckle sticking out they would pull it off altogether. We complied with her request and only wish that we could get such prompt attention from the people who supplied us with the set. No such luck, it is still here and is likely to be for some time unless we get a carpenter on the job ourselves. Never mind, it's our problem.

Back to the 3500. We obtained and fitted a new e.h.t. transformer and were then in a quandary. Whether to connect the tripler and see, or to fit another one thus putting up the charge considerably. We decided to approach with caution. With the set on, we advanced the tripler lead towards the nipple of the transformer. The spark was not nice, it was more of a flame. We feared for the new transformer and some of the more responsive transistors. On fitting a new tripler all was well and the only difficult thing left was to write out the bill.

Hari Kari or Marta Hari?

We will not bore you with a description of the rest of the afternoon's activities except to say that they consisted of attending to intermittent faults on stereo units. These nearly caused us to commit Hari Kari (or is it Marta Hari, where you plunge a knife deep into a block of cheese).

Problems with a 1500

It was getting near closing time when an HMV mono set (1500 chassis) came in (all on its own, it just walked in) followed by its owner who had trained it well. He had just acquired it. Would we give it the once over?

Switching on produced a plain raster with no sound. This normally leads one to the i.f. transistors or the a.g.c. circuit of course. The a.g.c. amplifier transistor is VT3, which controls the second i.f. amplifier transistor VT5 which in

turn controls the base of the first i.f. amplifier transistor VT4 (no tuner a.g.c.). Checking voltages showed some funny readings of around 20V on the legs of VT4 and VT5, i.e. both saturated, and incorrect voltage at the base of VT3. VT3 is driven by the a.g.c. detector diode, which is fed from the slider of the preset contrast control in the emitter circuit of the first video transistor VT8. So we went on to VT8, where there was nothing at the emitter and very little at the base. The base bias is filtered by R30/C32 (see Fig. 1, page 40), and checking back we found nothing at the junction of R79/R136. R79 is the left-hand section of the dropper, and should have a value of 317Ω. It was open-circuit, leaving a high voltage at the input to the transistor supply line smoothing resistor R78. Fitting a replacement wirewound resistor restored normal voltages, but still no signals except for some short-wave noise creeping through the sound i.f. Checking through revealed that the fourth i.f. amplifier transistor VT7 was faulty. Replacing it restored sound and vision signals (this transistor often fails when the transistor

supply line rises excessively after R79 goes open-circuit), but. . . .

There was a nasty hum bar drifting up the screen, with the picture pulling and rolling. Check transistor supply line electrolytics. C58 proved to be faulty, not surviving the effect of R79 going open-circuit.

Replacing C58 restored near normal conditions, but on adjustment the local/distant tuner gain control R74 fell apart. A new one put us on the road again except for occasional picture roll, which as usual was cured by replacing R44, the upper resistor in the potential divider network feeding the screen grid of the 30FL2 sync separator.

All now seemed well except for an unpleasant smell which however proved not to be issuing from the e.h.t. tray but from the sewerage works across the river. The owner lacked transport, having come in a taxi. Would we phone for a cab? No taxi available at this time of the evening. Wait fifteen minutes. Then run him home, and his set. Reached the pub just in time to see Derek annointed.

Which Valves to Stock?

Peter Duncan

WITH valves no longer being used in current production TV receivers it is becoming increasingly important to decide what to keep in stock. The problems are roughly: which valves are worth laying in for future repairs, which ones aren't worth re-ordering, and which ones will probably never be used and should be stored out of the way?

The last two UK setmakers to produce hybrid colour chassis were Decca and ITT. The valves used in their final hybrid chassis are as follows: PCF802, PL509, PY500A, PCL86, PCL82, PCL805, PL508, PCF80. A set of these costs around £7.68 (based on the prices quoted by Bentley Acoustics in their August 1977 advertisement) and this represents the minimum stock required to be able to offer an efficient colour repair service. It seems to us that the future of any valve as a profitable spare is in some doubt if it's not one of these.

With the exception of Thorn, all UK setmakers started off by producing hybrid colour receivers. The additional valves required in order to be able to cater for these earlier colour chassis are as follows: PL504, ECC82, EF184, EF183, EF80, DY86/87, PCF805, PC97, PCL84, PL802, PFL200, GY501, PCF200, ECC81, PCC85, PCC88, EY51, PD500, EB91. Some of these are to be found in only the earlier, dual-standard chassis. The important ones are the PCL84, PL802 and ECC82. The Philips G6 chassis is still regularly encountered however and had a rather unusual valve line up. To be able to deal with these sets you'll need to have the following in stock: EF183, EF184, EF80, PFL200, PCC85, PCF200, ECC81, EY51, GY501 and PD500 – in addition to some of those listed in the second paragraph.

Service enthusiasts who worry when they cannot do an immediate repair to an old set requiring a replacement valve not in stock should relax: the RETRA code of practice allows up to fifteen working days for a repair, and valves can be obtained by return post from advertisers in *Television*. When ordering a valve specially for an old set it's wise to order a couple since new valves can unfortunately also be faulty. The cost of repairs carried out on old sets should

allow for the fact that you may be left with valves that are unlikely to be used.

There is a belief that foreign sets are constructed with infinite care to stringent, all-transistor quality specifications and are thus absolutely reliable. Not so! Foreign sets do fail, and when you take the back off you may be surprised to find a host of good old unreliable valves. Depending on which makes you may handle, the following is a list of some of the valves you may require – we're not repeating the types so far listed.

Bang and Olufsen: 12HG7, PL84, EAA91 (an EB91 will do however), ECL84, PY88.

Telefunken: ECH84, PL519.

Saba: PL519, PL95, PC92.

Sanyo: 3BS2A.

Kuba Porta-Colour (also known as the Granada Colourette): PC900, PY83, 1AD2.

Teleton: 3AT2, 6GH8A, 8FQ7, 10GK6, 17DW4A, 17JZ8A, 21LU8, 31JS6A, 40KD6.

The odd balls are mainly in early Japanese sets, due to the American influence. Note that the PL519 is an up-rated version of the PL509 and may be stocked in its place. Unless specialising in the repair of foreign sets it's best to regard these valves as "special order" types and quote five-fifteen days for repairs.

When it comes to monochrome sets the situation is more difficult, due to the greater variety of valves that have been used in them. To appreciate this it's only necessary to think of the Thorn 1400 and 1500 chassis which used such valves as the 6F28 and 30FL2. Stocking up to be able to deal with an extensive range of monochrome sets can be expensive, though many of the valves used will already be in stock for use in colour sets. The following are the main valves required, in addition to those listed in paragraphs two and three, to be able to deal with most of the valved and hybrid monochrome sets produced since 1970: PY88, PY801, DY802, PL36, PL81A, 6F28, 30FL2, 30FL14, 30PL1, 30PL14, ECL80 and, if you deal with Grundig sets, the PL95 and PCH200. ■

LONG-DISTANCE TELEVISION

ROGER BUNNEY

AUGUST was a rewarding month, with sustained Sporadic E activity throughout. This was not as intense as in June and July however. At the time of writing the usual decline experienced at this time of the year is taking place.

It seems that two enthusiasts may have experienced really long-range reception this month – a signal that appears to have come from the Gwelo, Rhodesian ch. E2 transmitter. The signal was received along the southern UK coast on August 17th, between 1800-1845 BST, from a southerly direction. The programme was in English and consisted of a quiz programme with white participants. We have written to the Rhodesian authorities to check on their transmissions at the time and will report further as soon as we have definite news.

The following brief log summarises the main events here at Romsey during the month.

- 4/8/77 Sp.E opening with signals from TSS (USSR) on channels R1 and 2, CST (Czechoslovakia) ch. R1, TVP (Poland) chs. R1 and 2 and SR (Sweden) ch. E2. A new electronic pattern was noted in use by TVP. It consists of a grey scale with three horizontal rows of black and white squares superimposed.
- 5/8/77 An excellent Sp.E opening all day! Most countries in Europe were received, and two new stations logged – YLE (Finland) ch. E4 and TSS Stalino ch. R4.
- 8/8/77 Sp.E reception from RAI (Italy) on chs. IA and IB, and JRT (Yugoslavia) ch. E3.
- 11 and 12/8/77 Many signal pings were noted during the Perseids Meteor Shower, some in Band III (ch. E5).
- 14/8/77 Evening Sp.E reception with ch. IA and several unidentified stations.
- 16/8/77 TVP ch. R1 noted with PM5544 test pattern with identification "TVP NTD 1" in lower rectangle. Also excellent evening Sp.E reception from NRK (Norway).
- 20/8/77 SR chs. E2 and 3 via Sp.E.
- 27/8/77 MTV (Hungary) chs. R1 and 2 via Sp.E.
- 29/8/77 CST ch. R1 via Sp.E.

News Items

Holland: It seems that the NOS Lopik ch. E4 transmitter will close at the end of 1978, with a change to ch. E37. A new network, NOS-3, will start transmissions in 1980. Channel details next month.

France: Listeners to BBC News on August 13th will have heard that the Bastia ch. F2 transmitter has been destroyed by two explosions. It will be out of action until early 1978. The Ajaccio transmitter on ch. F4 remains in operation. These transmitters are located in Corsica.

Satellites: We understand that the USSR has launched another direct broadcasting TV satellite Statsionar 2. This relays both mono and colour transmissions. The famed ATS-6, which provided so much excitement last year with its 860MHz transmissions, is continuing its experiments over North America. Using its s.h.f. link transmitters it provides Alaskan TV in both Anchorage (KAKM-TV) and Fairbanks (KUAC-TV) with live programmes from the Public Service Satellite Consortium at Denver, via a link at Morrison, Colorado.

A Mariner's Report . . .

We were extremely pleased to hear from Chris Ellison who lives near Derby. Chris is in the Merchant Navy and has considerable experience of TV installations on the various tankers that trade to the Gulf and elsewhere. At one stage aerial rotor units were employed, but due to the heavy weather often encountered these have fallen from favour and a Japanese copy of the RCA "Mini-state" omnidirectional array (an active array described in the December 1976 *Television*) is now generally used, enclosed in a circular fibreglass dome. Receivers are usually British hybrid chassis with switchable video modulation and inter-carrier sound spacings – and both v.h.f. and u.h.f. tuners of course. Line switching is sometimes fitted for American system M transmissions.

TV viewing can be frustrating due to receiver faults which at times lead to the system being out of commission for 50% of the time. Chris comments that a great time can be had since the aerials are often 150ft. a.s.l. – a



The Dubai ch. E2 station identification slide, featuring eagle and arabic script. Photo courtesy Alan Latham.

supertanker's bridge may be 100ft. a.s.l. plus another 50ft. for the aerials. Extensive use is also made of video cassettes.

Whilst on the subject of shipboard reception, John Lawrence (GW3WEZ) has sent us information from his company, IVS (UK) Ltd., of Redan Place, London W2. They can supply a television receiver called the Barco "Seagull". I feel that this is the receiver for the TV-DX enthusiast who either owns a luxury yacht or a luxury bank balance or both! The receiver is a multistandard colour one which switches between all known colour systems and most of the world's transmission standards (not 405 lines), namely B, C, D, E, G, I, K, L, M. If anyone has used one of these receivers we would be most interested to hear of their experiences.

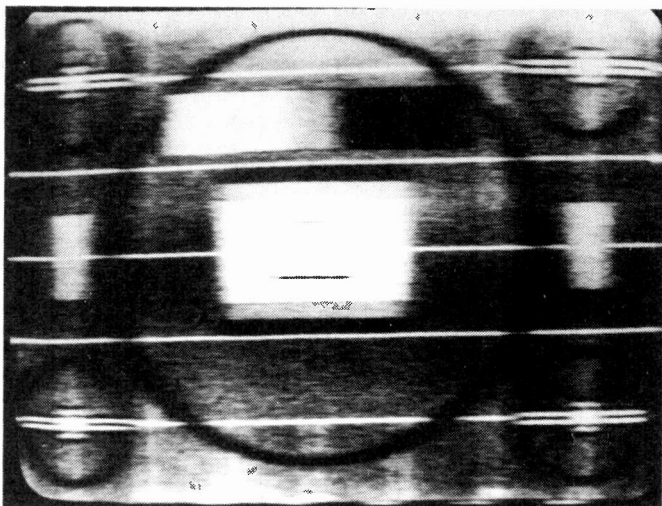
The Arabian Gulf

I was delighted to welcome Alan Latham who has been home on leave from Abu Dhabi. During our discussion further information came to light on TV activities in the Gulf. There are three u.h.f. transmitters in operation, Saudi Arabia on ch. E23, thought from Damman, and Dubai on chs. E33 and 41. Saudi Arabia is transmitting PAL, not withstanding earlier suggestions that they were using SECAM. Iran is the only country known to be radiating SECAM, on chs. E3, 4 and 8.

In the September column reference was made to Hetesi Laszlo's reception, thought to be Egypt. It's more likely to have been Dubai, due to the eagle and script. The ch. E2 Dubai caption is shown in the accompanying photograph. Interesting to note that the low-powered Ras Al Khaima transmitter with jamming signal are one and the same: the jammer is radiated from the transmitter itself! Alan has also succeeded in receiving the suspected ch. E3 Greek transmitter from Thessaloniki, as the illustration shows. A specialised receiver has been put into use for TV-DX, with a very restricted bandwidth.

From our Correspondents . . .

Andrew Emmerson has sent us a shot of his aerial system – at u.h.f. a Vorta VP91 wideband unit and at v.h.f. the Antiference MH308 combined Band I/III array. The f.m. array below is under test. Andrew (Faversham, Kent) has enjoyed a most successful Sp.E season and is considering the use of stacked Wolsey Colour Kings to assist with co-channel rejection. I feel I must comment on



Thessaloniki Greece ch. E2 received by Alan Latham at Dubai via Sporadic E propagation.

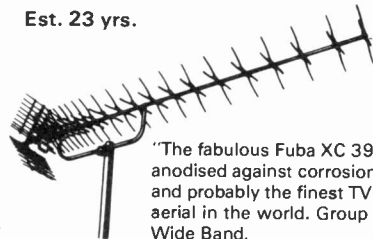
IF PREFERRED, QUALITY FM & TV INSTALLATIONS IN LONDON, SURREY, NORTH KENT, NORTH SUSSEX. 2 YEARS WRITTEN GUARANTEE
OUR SILVER JUBILEE YEAR D.I.Y. OFFER
10% OFF ALL AERIALS, ACCESSORIES & ROTATORS

Est. 23 yrs.

A really personalised mail order service but S.A.E. PLEASE!

Stockists of the finest aerials available in Britain:

FUBA TV & FM aerials also
AM/FM aerials (W. Germany)
JAYBEAM TV & FM aerials
ANTIFERENCE TV & FM aerials
UKW FM aerials (E. Germany)



"The fabulous Fuba XC 391 anodised against corrosion and probably the finest TV aerial in the world. Group or Wide Band.

ASTRA (D.I.Y.) AERIALS

GENUINE D.I.Y. SPECIALISTS TO THE TRADE AND RETAIL
Backed by 23 years practical aerial rigging experience

We are a family firm with a great deal of practical knowledge of TV & FM & Rotator aerial work. These days 90% of our trade is with D.I.Y. folk (saves half your costs). We charge for aerials and parts – the know-how is free. After-sales advice is also free. Some D.I.Y. firms will willingly sell you aerials but should you get stuck or need sensible advice – Oh Dear! Be ready for tons of blarney.

AERIALS & PARTS EXCHANGEABLE UNTIL SATISFIED.
ALSO SUPPLIERS TO THE TV & FM TRADE

Over 2,500 aerials stocked: All Bands: Masts: Lashings: Wall Brckts: Rotators: Televertas: Diplexers & Triplexers (specially imported) for mixing, variously, Bands 1, 2, 3, 4 and 5: Distribution and mast-head amplifiers: 2/3/4 way splitters: Padded outlets: Directional splitters: all types coax cable: quality 300 ohm cable.

Many of our customers come from recommendation.
53 WHITEHORSE ROAD, CROYDON

Nr. Gloster Pub & Garage
Open 9.30 – 5.30 MON – SAT
Open Lunchtime

Tel: 01-684 4300
01-684 5262
24 hr. answering service

FM & TV AERIALS AND ROTATORS ON DISPLAY

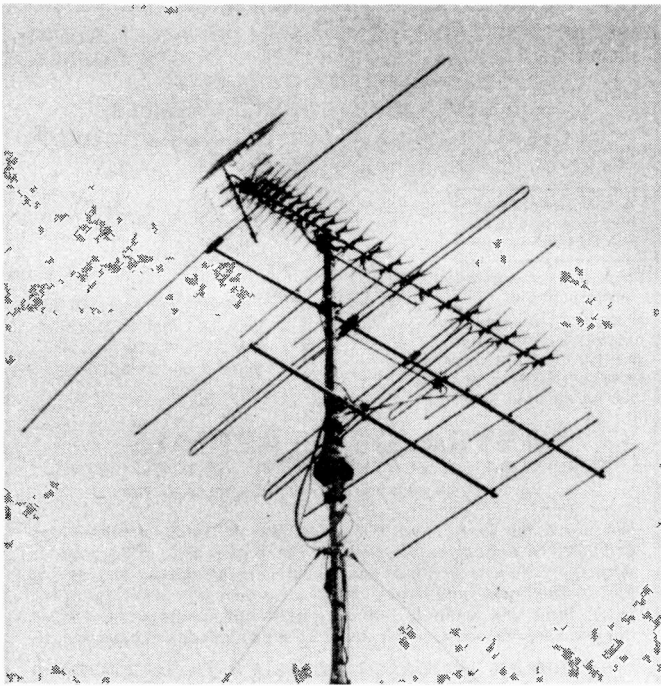
the aerial system as illustrated: the arrays are far too closely spaced – where possible a 3ft. spacing should be provided as a minimum to avoid mutual absorption effects between arrays. A close examination of the original photograph also revealed that one of the phasing rods between the Band I and III dipole terminations is missing! Andrew recently visited Boulogne on a hovercraft day trip and noted that in-line Band III/u.h.f. arrays are popular, with many u.h.f. arrays fixed on Dover. TV prices are high: a Sony 18in colour set at 3950 francs (Model KV1811DF) and at a Hypermarket PAL/SECAM receivers at 4990 francs (Telefunken) and 4890 francs (Philips) – there are approximately 8 francs to the UK £. Aerials are generally 75Ω, the coaxial plugs being similar but slightly smaller.

With increasing sunspot activity, Bob Copeman of Sydney, Australia has invested in a receiver with coverage over 30-50MHz in the hope of receiving several of the KBS (Korean Broadcasting System) radio links below 45MHz. There may also be paging station reception from the USA on 35.22 and 35.58 MHz.

Ray Davies (Lighthouse Close, Norwich) reports reception of a RETMA test card on ch. E4 on June 11th at 0820. I wonder whether this may be the Syrian transmitter again? He also received Nigeria (NTV) ch. E3 on the same day, from 1415-1500, with caption, announcer and music. Ray uses a semi-wideband Band I array with the reflector cut to ch. E2, the dipole to ch. R1 and the director to ch. E3.

Log-Periodic Array

We have been giving thought to a wideband log-periodic array for chs. E2-4 inclusive. If anyone has built one we



Andrew Emmerson's aerial system.

would be interested to have details, specifically on the mechanical problems associated with element mounting and boom insulation.

F2 Layer Reception

Various layers of ionised air surround the earth at heights between 80 and 400km. The F2 layer is at about 300km (200 miles) on a winter day and 450km (280 miles) on a summer day. At night the F2 layer combines with the F1 layer at about 350km (220 miles) during both the summer and winter. These – and the other layers in the ionosphere – reflect incident radio signals, their ability to do so being directly related to the Sun's ultra-violet radiation. As this radiation increases, so the ionosphere's ability to reflect signals at increasing frequencies improves. Since the F2 layer is the highest, a signal reflected from it will have the longest single-hop distance – some thousands of miles in fact.

The Sun's ultra-violet radiation is related to sunspot activity: more sunspots mean more radiation, in turn increasing the ionisation in the F2 layer so that the m.u.f. (maximum usable frequency) rises, hopefully into the lower TV spectrum. We are now well advanced into sunspot cycle number 21, and speculation (based on scientific research) suggests that the count may reach a high level this time, peaking in late 1978/early 1979. If this does happen, we could experience an upsurge in very long-distance TV signals on the lower TV channels. Sunspot cycle 20 had a low peak count in the late 60s unfortunately, with the m.u.f. reaching only 40MHz, but in 1957 there was an all-time record which resulted in the m.u.f. reaching the low 60MHz region. As a result, European TV was commonly received in the USA and as far distant as Australia.

Whilst it's unlikely that we shall experience such high m.u.f.s in the immediate future, we can nevertheless prepare for such a possibility. For maximum m.u.f.s over a given path the Sun must see the path and preferably be at noon over its midpoint. For example, for a propagation path to be established between the UK and the USA, with a six hour time difference, the midpath noon will be at 3p.m. UK time (assuming GMT). For optimum UK reception from Africa however noon will be at roughly the same time along the

whole path. So a north-south path is not so critical as an east-west one – indeed the latter may give reception for only a short time. This was born out by experience in 1957 of BBC TV reception on ch. B1 in Chicago: the signal tended to arrive at a particular time, remain for a period approaching thirty minutes, then fade out.

Vision signals received via F2 layer reflection (more accurately refraction) tend to be smeary, suffer from multiple images, and usually lack h.f. detail. Completely inferior in fact to the signals we normally experience via Sp.E. Success in this type of reception demands attention and study in order to determine the correct time and signal direction. Some days give enhanced results, followed by days with minimal results. Often the 27 day rotation period of the Sun gives a "repeat performance" the second time round.

Another consequence of high sunspot activity is transequatorial skip (sometimes called Spread F). In the early evening following a reasonably active day clouds of diffused ionisation capable of reflecting incident v.h.f. signals, often at frequencies 50% higher than the daytime m.u.f., occur as the two F layers merge. Although mainly confined to the Equatorial belt, it's possible for signals propagated in this way to arrive in southern UK. Again the signal is diffused and reflected via several clouds of ionisation, resulting in multiple images.

Both F2 layer and transequatorial skip reception tend to occur mainly during the late autumn through to the early spring. The first signs of improving F2 layer propagation appear in the short-wave bands, specifically the 13 and 11m broadcast bands and the 27MHz citizens' band used in the USA and certain European countries. Propagation is such that very small signals can travel over very long hop paths.

Coverage of the 30-40MHz spectrum is difficult since most communications/general purpose receivers only go up to 30MHz while UK v.h.f. TV transmissions start in the low 40MHz region with ch. B1. A wealth of signals can be present between 30-40MHz during periods of high sunspot activity however. There are US paging stations at 35.22 and 35.58MHz. These serve subscribers with various business/domestic calls and are generally confined to a given town or urban area. Stations that have been familiar in the UK are KIY508 Orlando and KIF650 Fort Lauderdale, both in Florida: their strength was such that during the last sunspot maximum they put in their appearance on the domestic TV set as direct breakthrough at i.f.! I have monitored as far west as KKI445 Houston and KKM248 Oklahoma City. Reception was always between 1600-1900 GMT. During the morning period signals were usually present from deep into the USSR. Harmonics are also commonly received from many Middle Eastern SW broadcast stations.

I'm exploring ways of covering this elusive spectrum (apart from buying an expensive receiver such as the Eddystone 990R!) and hope to report further shortly. For the record I initially modified an old RF26 unit, feeding its output into an elderly B40 communications receiver – with I must say considerable success. The following year a special converter was constructed (see design in *Practical Wireless* September 1970), again feeding into the B40 receiver.

If any reader has made or is at present using equipment which enables the 30-40MHz spectrum to be monitored I would be most grateful for details with a view to passing the information on for the benefit of others.

In talking about sunspot activity it's important to emphasise that the sun must not be observed directly or through a telescope as this will cause immediate and permanent eye damage.

Automatic TV Switch Off

A light-operated switch-off circuit

A. Youssefkhani

THE television light switch design featured in this article enables the television set to be automatically switched off when the light in the room is put out. It can be used in any set which has a mains transformer to provide a 6.3V supply, for example the many hybrid colour receivers which have a mains transformer with a 6.3V secondary winding to supply the c.r.t. heaters. Other sets can be adapted by fitting a separate 6.3V heater transformer. Switching the set on again has to be done manually.

The light switch is useful for anyone watching in bed: switching the light off then automatically switches off the television set.

Circuit Operation

The circuit is shown in Fig. 1. The power for the switching circuit is obtained from a bridge rectifier (RS

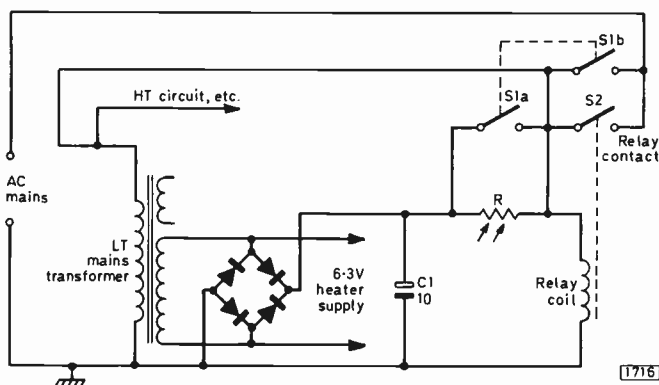


Fig. 1: Basic circuit, powered by a bridge rectifier fed from the 6.3V winding on the mains transformer. When the set has been switched on by means of S1, the relay energises and its contact S2 closes. When S1 is opened the relay continues to be energised via the light-dependent resistor R, so S2 remains closed and the set remains on. When the room light is extinguished, R's resistance increases and there is insufficient holding current for the relay to remain energised. So S2 opens and the set switches off.

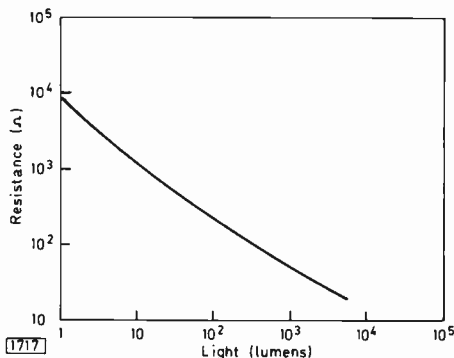


Fig. 2: Typical light/resistance characteristic curve for the Mullard RPY18 light-dependent resistor.

Components type 261-491) which is fed from the 6.3V heater winding on the transformer. The reservoir capacitor C1 is 10µF, 25V but may need to be varied to take into account the type of relay and light-sensitive resistor used (it provides the current required to energise the relay). In the author's version an RS Components 349-125 relay is used. This requires an energising current of 9.5mA and a holding current of 6.5mA. The light-sensitive resistor is a Mullard type RPY18. Its resistance increases as the light falling on it decreases – the light/resistance characteristic curve is shown in Fig. 2. The ambient light level in a room is generally about 20 lumens per square foot: at this level the resistance of the light-sensitive resistor is 807Ω.

To switch the set on, switch S1a/b is closed, thus supplying the receiver and shorting out the light-sensitive resistor R. Once the reservoir capacitor C1 has charged, the relay becomes energised and its contact (S2) closes. Open switch S1 and the set remains on with the light-dependent resistor now in circuit. If the room light is then switched off, the resistance of the light-dependent resistor rises to a very high value. Consequently the current through the relay coil falls below the hold-on value and S2 opens, switching the set off. To switch on again, S1a/b has to be closed.

Alternative Arrangements

Should the circuit be powered from a winding providing a different voltage, a suitable resistor can be added in series with the light-sensitive resistor or the value of C1 altered to compensate.

Unfortunately in this particular arrangement the neutral mains connection has to be permanently made. The more elaborate circuit shown in Fig. 3 can be used to overcome this problem, using a three pole switch such as the type commonly found in mains/battery portables and a relay with two contacts.

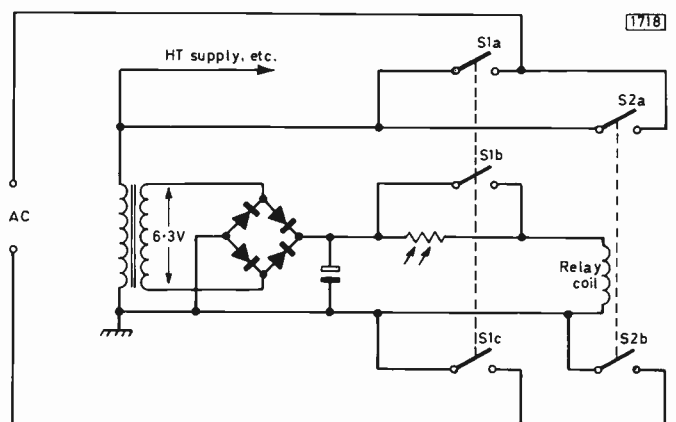


Fig. 3: This more complex circuit, with a three-pole switch and two-contact relay, has the advantage that both the live and neutral sides of the mains are switched.

The Television MONOCHROME PORTABLE RECEIVER

Part 2

Keith Cummins

WE ended last month with the basic power supply circuit which provides a regulated 11V line. This voltage is set by RV3, and if exceeded by half a volt or so the crowbar thyristor conducts, blowing the main protective fuse F4. We need rather more than 11V in a TV set however, so further "scan-derived" supplies are provided by the line output stage. These depend upon the line output transformer and tolerances in the line output stage, but are roughly as follows. First a 25V boost rail which powers the line output stage, the line driver stage, the field output integrated circuit and, as we have seen, is applied as a monitoring potential to D17 in the regulator circuit. Secondly a 95V rail for the video output transistor: the stabilised 32V line for the tuning circuit is also derived from this. Thirdly a 550V line for the c.r.t. first anode and focus electrodes. Fourthly the e.h.t., which is provided by the usual overwinding. And finally the pulses from pin 8 on the line output transformer are, in addition to being used to gate the a.g.c. circuit, rectified by D21 to provide a -5.6V rail for the video circuits.

IF Modules

The prototypes were fitted with the well known Mullard ELC1043/05 varicap u.h.f. tuner. The following i.f. strip consists of two modules which were designed for use in the Philips G8 colour chassis. The first, the "input selective" or "vision sensitivity" module, contains the initial, gain-controlled i.f. amplifier and the tuned circuits which shape the i.f. passband - the circuit is shown in Fig. 3. Forward a.g.c. is applied to the base of the BF196 transistor.

The majority of the i.f. gain is provided by the second module, which consists of three i.f. amplifier stages plus the detector diode. The first two stages are RC coupled. The third has a tuned circuit to drive the detector.

In the Philips G8 chassis a positive-going video output is required from the detector diode (with negative-going sync pulses - see Fig. 4). What we require however is a negative-going video output (positive-going syncs), so the detector diode has to be turned round so that the output is taken

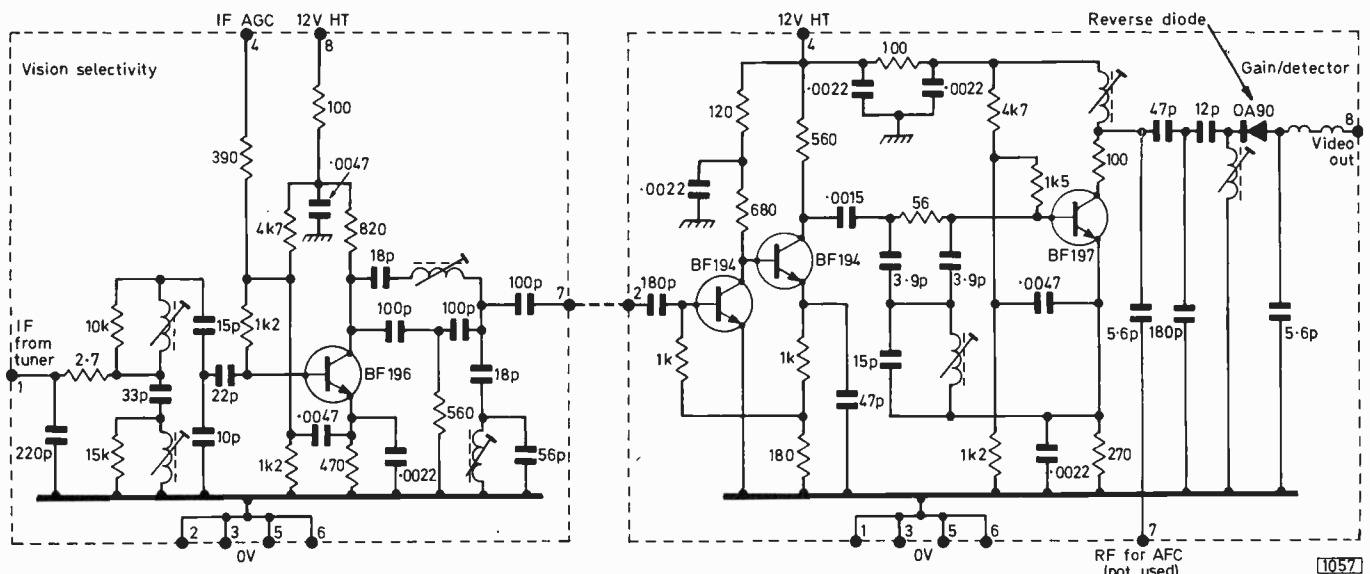


Fig. 3: Circuit diagram of the i.f. selectivity and gain modules. Note that the OA90 detector diode has to be reversed in order to give a negative-going video output.

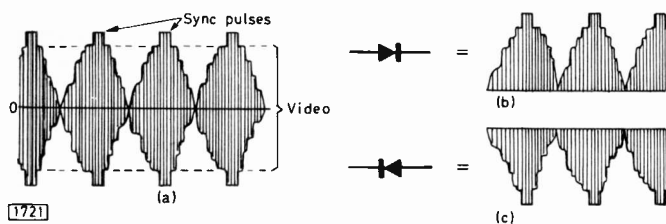


Fig. 4: Demodulating the negative-going 625-line vision signal. (a) Modulation, with negative-going video and positive-going sync pulses (maximum carrier amplitude); (b) the detector diode this way round provides a negative-going video output (positive-going sync pulses); (c) detector diode this way round gives a positive-going video output with negative-going sync pulses.

from its cathode instead of its anode. This is the only modification required, and the modules do not normally need alignment.

Video Circuits

Just to summarise then, the output from pin 8 of the gain and detector module consists of a signal with negative-going video and positive-going sync pulses. This composite vision signal also contains the 6MHz intercarrier sound signal. The detector's load resistor R49 is external to the module. The signal developed across this is first applied to an emitter-follower Tr7, whose high input impedance reduces the loading on the detector.

In order to simplify the design of the video stages while still retaining the elegance of d.c. coupling this section of the receiver operates with both positive and negative supplies. The stabilised 11V provides the positive supply for Tr7, while negative-going 8V pulses from the line output transformer are rectified by D21, smoothed by C45, and clamped at -5.6V by zener diode D22. This latter supply is highly stable, since the zener diode characteristics are most stable at around 5V.

Output Stage

Tr7 collector is supplied directly from the 11V line while its emitter is returned to the -5.6V line via its load resistor R61. The composite video signal, at about 1.25V peak-to-peak, is developed across this resistor and is fed to various parts of the receiver. We'll deal first with the video output transistor Tr11. Its base is driven directly with the video from R61 while its collector is fed from the 95V line via its collector load resistor R64. The transistor amplifies and inverts the video signal, which emerges in a positive-going form suitable for driving the grid of the c.r.t.

The video amplifier's emitter load consists, d.c.-wise, of R63, RV9 and R62 in series. This leads directly to the stabilised -5.6V supply. The a.c. gain of the stage is greater than the d.c. gain, since C46 decouples an amount of the emitter load determined by the setting of RV9, the contrast control. This attenuation of the d.c. component would cause black-level stability problems if d.c. coupling to the tube grid was employed, so instead a.c. coupling (C49) with d.c. restoration (D25) is used. This ensures that a genuine restoration to black occurs, whatever the amplitude of the video signal. Furthermore, shifts in d.c. level caused by working-point changes are not conveyed to the tube. As a result the displayed picture is very stable.

DC Restoration

The use of d.c. restoration with a.c. coupling enables a simple means of brightness control to be employed. The pedestal voltage for the d.c. restorer diode and its load is made variable by use of the brightness control potentiometer, which thus sets the d.c. restored video on the correct point of the tube's characteristic so that the black level causes beam extinction. This idea is by no means new. It was very popular in the early days of TV and has much to commend it. We have improved the circuit however by rendering it less susceptible to interference. Otherwise it is the same as that used by the writer 25 years ago for driving a VCR97 electrostatic tube!

We'll now examine this crucial part of the circuit in greater detail.

R68 feeds current through D26 into the brightness control line via the control potentiometer RV2. This line is decoupled to earth a.c.-wise by C50. Therefore, R69 and the anode of D25 are effectively connected to earth via D26 and C50 so far as the video signal is concerned. Under normal conditions, the positive-going video "sits" on the brilliance control voltage, with the d.c. level restored by the conduction of D25 on the tips of the negative-going sync pulses. By this means, the video signal presented to the grid of the tube maintains its correct black level. Unlike the cathode, the grid of the c.r.t. has no current flowing in it to upset the process of d.c. restoration. It will now be seen why grid drive was chosen in this design.

Interference Suppression

Since negative video modulation is employed for the 625-line transmissions, noise peaks will drive into the area of the sync pulses. Unchecked, such pulses would disturb the black level. But in our design, once the pulses exceed the normal level, the current flow through R68 is cancelled and the anode of D25 is driven negatively, so disconnecting the brightness control line by reversing the bias on D26, the noise limiter diode. Since R68 is now effectively in series with D25, normal d.c. restoration no longer takes place and C49 undergoes a much smaller change in charge level as a result. By this means the effect of interference on the black level is much reduced, as evidenced in harsh tests on the prototypes.

Beam Limiter

The action of the beam limiter, which safeguards the tube and the e.h.t. rectifier D11 against the effects of maladjustment, operates in a manner similar to that described above. Normally the tube cathode is held at about 95V by the conduction of D24. Once the tube's cathode current exceeds approximately $180\mu\text{A}$ however, the voltage across R72 is more than 95V and D24 is reverse biased. The tube now acts as a cathode-follower, with a large cathode resistor (R72), and little more current flows even though the grid drive may be increased. The cathode is decoupled to earth by C51.

Flyback Blanking

In order to blank out the field flyback lines an 8V pulse at field rate from pin 14 of the timebase integrated circuit IC105 is applied to the anode of D27. This charges C52 and the change in level is conveyed to the tube cathode via C51. Consequently D24 is reverse biased, and the tube cathode voltage shifts to about 98V. This blanks out the flyback lines. C52 then discharges through R73 and the circuit reverts to normal.

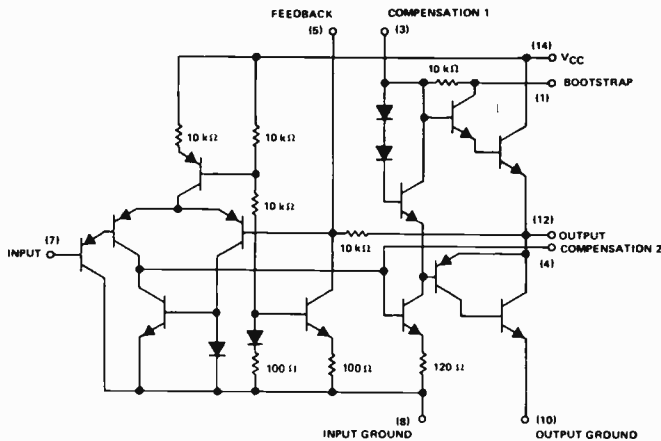


Fig. 5: Internal circuit of the Texas SN76001N i.c. which is used to drive the loudspeaker.

Tuning Voltage

We have now dealt with the path of the video signal to the picture tube. The 95V supply is "potted down" for the brilliance control, and as the feed is taken from the junction of R66 and R67 it's partially stabilised since R66 feeds the 32V voltage stabiliser IC101, which provides the tuning voltage for the varicap tuner via the tuning head. This stabilised voltage is also used to feed the oscillator section of the tuner, thus maintaining a very stable oscillator frequency. C47 is shunted across IC101 as a precaution against spurious oscillations in this device.

Video Distribution

Since we are dealing with the receiver section, we should now return to the video distribution point – the emitter of Tr7 – and find out the other functions that have to be fed from it.

A direct feed is taken to the timebase i.c. IC105 via R57 for the purpose of noise-cancelling – more of this later.

Sound Channel

Another feed, via R53, is taken to CF1, a 6.0MHz ceramic filter which accepts only the 6.0MHz intercarrier sound signal and efficiently rejects everything else. CF1 passes the 6.0MHz sound signal to the TBA120S amplifier, limiter and demodulator i.c.

The use of a ceramic filter and i.c. in this way makes the sound system very simple. The demodulator in the i.c. needs a quadrature tuned circuit tuned to 6.0MHz (L8, C66) and this forms the only adjustment that needs to be set up – a far cry from the sound circuits of a few years ago! The TBA120S contains a balanced, six-stage amplifier/limiter for the 6.0MHz signal. This is followed by the quadrature detector circuit which demodulates the f.m. sound. Only a few peripheral components are needed, mounted around the i.c. The i.c. incorporates audio pre-amplification circuitry, and the d.c. volume control acts on this – via pin 5. The a.f. output appears at pin 8, with de-emphasis provided by C62, and is coupled via R43 and C58 to the following audio output i.c., IC103, a Texas SN76001N.

The internal circuit of this is shown in Fig. 5. There is a total of twelve transistors, a buffer emitter-follower at the input, a long-tailed pair for feedback stabilisation, drivers and the output stage. There is a d.c. feedback path within the i.c., between pins 12 and 5 via a 10kΩ resistor. The feedback is adjusted by the values of the components

connected to pin 5. The audio output appears at pin 12 and is coupled to the 8Ω loudspeaker via C54 which also acts as the bootstrap capacitor. Compensation is required in order to maintain the h.f. stability and is effected by feedback to pins 4 and 3 via C56 and C55.

Note that the speaker leads are "hot" at 11V: care should be taken to avoid accidental short-circuits. Details for setting up the quadrature coil L8 appear later in the series. In order to ensure stability, special earthing arrangements have to be made for the output sections of i.c.s – these "special earth" connections must be routed to their appropriate points. This is taken into account in the design of the printed circuit board.

Sync Separation

We now return to the remaining circuits fed from the video distribution point. Basically these consist of transistors Tr9 and Tr10 which are both driven via the network C42, R54 and R55. We shall deal with Tr10 first.

This is the first stage of sync separation, and is driven at its emitter with negative-going video. This means that the emitter of this pnp transistor (shown incorrectly as an npn type in Fig. 2 last month) has positive-going sync pulses applied to it. The resultant emitter-base current produced by the sync pulses charges C43 which has a slow discharge path to the negative rail via R58. This "sliding bias" arrangement ensures that the transistor conducts on only the tips of the sync pulses, with the result that positive-going sync pulses appear at its collector. This again is fed from the negative rail. These pulses are completely clean with a strong input signal but a little noisy and with some video content on a weak input. The SN76544N i.c. fed from this circuit contains its own separator however: if the feed from Tr10 is noisy or not completely separated, the i.c. finishes the job off.

This double sync separator arrangement was arrived at during the development of the receiver, because the i.c. was rather reluctant to accept the low-level video directly from Tr7's emitter, and was working at its limits. The system described is highly satisfactory and should give good results with indifferent signal inputs.

AGC Circuit

The final video feed is to the base of the a.g.c. gate transistor Tr9. This is normally switched off, but is switched on to sample the video signal during the sync period by the 8V negative pulse fed from pin 8 of the line output transformer via R56, the set a.g.c. control RV8 and D19 to its emitter. We have therefore a sync tip system which operates by measuring the amplitude of the received sync pulses. These are an accurate indication of signal strength of course.

As a consequence of this gating action C41 is charged to a voltage dependent upon the vision carrier amplitude: it holds a charge dependent upon signal strength therefore. The following d.c. amplifier Tr8 turns on harder the greater the strength of the received signal. As a result its collector voltage rises towards the 11V rail. This voltage is fed to the base of the first i.f. transistor, in the vision selectivity module, via pin 4, providing forward a.g.c. action. A smaller proportion of this signal – attenuated by the potential divider action of R44 and R47 – is fed to the tuner unit. As the rate of change of gain in the controlled i.f. stage decreases with increasing a.g.c. bias voltage, the control in the r.f. amplifier stage takes over. The cross-over point is determined mainly by the value of R47. On test the a.g.c. system showed a control range in excess of 40dB.

★ Components List

Resistors:	R31	270 1W	R62	180	
R2	1k	R32	680k	R63	47
R3	10 11W	R33	15k	R64	3k3 2W
R4	270	R35	56k	R65	10k
R5	1k	R36	560	R66	1k8 1W
R6	100k 1W	R37	1k2	R67	3k9 1W
R7	330	R38	220	R68	100k
R8	1 4W	R39	33	R69	470k
R11	4k7	R40	1	R70	1k5
R12	10k	R41	10	R71	1k5
R13	10k	R43	1k	R72	470k
R14	1k	R44	3k3	R73	8k2
R15	1k	R46	6k8	R74	150
R16	220	R47	4k7	R75	22k
R17	100	R48	6k8	R76	470
R18	47	R49	4k7	R77	100
R19	270	R50	1k	R78	15
R20	10k	R51	4k7	R79	10k
R21	2k2	R52	47	RV1	5k log (with SW1)†
R22	1M5	R53	330	RV2	25k lin
R23	2M7	R54	180	RV3	5k preset
R24	47k	R55	1k	RV4	470 preset
R25	330k	R56	2k2	RV5	100k preset
R26	1k5	R57	330	RV6	470k preset
R27	8k2	R58	470k	RV7	470 preset
R28	330	R59	22k	RV8	1k preset
R29	150	R60	47	RV9	220 preset
R30	47	R61	1k		

Resistors $\frac{1}{2}$ W 5% unless otherwise stated.

All presets are subminiature horizontal mounting types.

† *Incorrect value shown on circuit.*

Capacitors:	C27	330p ceramic	
C1	2200/25	C28	100/25
C2	2200/25	C29	1000/25
C3	4 μ 7/35 tantalum bead	C30	100n ceramic
C4	1000/16	C31	10n ceramic
C5	470/16	C32	1/35V tantalum bead
C6	470/16	C33	22n ceramic
C7	10n 1000V	C34	100n ceramic
C8	1/250	C35	100n ceramic
C10	2 μ 2 polyester	C36	100n ceramic*
C11	33n 400V polyester	C37	100n ceramic
C12	22/16 tantalum bead	C38	100n ceramic
C13	100n ceramic	C39	100n ceramic
C15	2n2 ceramic	C40	470/16
C16	4 μ 7/35 tantalum bead	C41	4 μ 7/35 tantalum bead
C17	10/35 tantalum bead	C42	47n polyester
C18	5n6 polystyrene	C43	100n ceramic
C19	470/16	C44	82p ceramic
C20	100n polyester	C45	220/16
C21	220n polyester	C46	47/10 tantalum bead
C22	4n7 polyester	C47	1n ceramic
C23	330n polyester	C48	3n3 polystyrene
C24	47/16 tantalum bead	C49	470n polyester
C25	22/16 tantalum bead	C50	1/250
C26	100n ceramic	C51	470n polyester
		C52	100n ceramic
		C53	100n ceramic

C54	470/16	C62	2n2 ceramic
C55	100p ceramic	C64	Integral with yoke
C56	330p ceramic	C65	2n7 ceramic
C57	22/16 tantalum bead	C66	Integral with L8
C58	1/35 tantalum bead	C67	220/16
C59	100n ceramic	C68	100n ceramic
C60	100n ceramic	C74	10n polyester
C61	220/16	C75	2200/25
		C76	10n 1000V

*Omitted from circuit: decouples tuner tuning volts pin.

Semiconductors:	D12	BYX71-600	
Tr1	AD149	D13	BYX71-600
Tr2	BU407	D14	ZF9.1
Tr3	BC143	D15	BY206
Tr4	BC108	D16	BY206
Tr5	BD131	D17	BY206
Tr7	BC108	D19	OA91
Tr8	BC212L	D20	BY206
Tr9	BC108	D21	BY206
Tr10	BC212L	D22	ZF5-6
Tr11	BF179	D24	BY206
D1-4	RS 261-457	D25	OA91
D5	Red i.e.d. (0.2")	D26	OA91
D6	BY206	D27	BY206
D7	BY206	IC101	TAA550
D8	Green i.e.d. (0.2")	IC102	TBA120S
D9	BY206	IC103	SN76001N
D10	BY207	IC104	TBA800
D11	70CSD11	IC105	SN76544N
		THY1	C106

Miscellaneous:

CF1 SFE 6-OMA
 Selectivity module Philips G8, part no. 3113-108-2382-9
 Gain & demodulator module Philips G8, part no. 3113-108-2455-1. LS, 5 x 3 in. 8 Ω .
 Tuner Mullard ELC1043/05
 Tube CME1520 or A38-160W
 Heatsink for TBA800 – Staver type V8-800
 Heatsink for AD149 – Redpoint type TV3
 Heatsink for BU407 – Redpoint type TV1
 Heatsink for BF179 – Clip-on TO5 type
 Scan coils: type G11020*
 Line output transformer: ITT VC300 chassis*
 Driver transformer: ITT VC300 chassis*
 L1: 3A mains type filter choke
 L8: 6MHz coil*
 Mains transformer: Primary – 240V
 Secondary – 12V @ 3A
 Relay: RS Components type 349-131
 Fuseholders (4) for 20 mm fuses
 Mains input socket: miniature Bulgin
 Battery input socket: non-reversible 2-pin
 Printed circuit board reference no. DO32
 Channel selector assembly – 6 channel miniature type complete with fascia plate, available from Sendz Components.
 Cabinet kits (varnished teak veneer with matt black front) are available by mail order only from C K Cabinet Services, 66 Park Avenue, Barking, Essex at £14.50 including postage & packing.
 * Available from Manor Supplies

Because of the tightness of the control, the damping components C40 and R52 have to be included to prevent the a.g.c. system hunting intermittently after changing channel etc.

Returning to the a.g.c. gate, D20 acts as a clamp and D19 is included to prevent excess reverse emitter-base voltage being applied to Tr9 outside the gating period.

Adjustment of RV8 can be carried out either by using a 'scope and setting up to the point just short of sync crushing (viewing the video at Tr7's emitter), or by simply over-advancing until the receiver overloads (field slip, bent

verticals, etc), then backing off until correct operation is restored.

Before passing on to the timebases – next month – what is the network C42, R54 and R55 for? R55 limits the current loading on the video emitter-follower Tr7 under all conditions, while C42 provides a.c. coupling. R54 limits the inrush current to Tr9 and Tr10. If the receiver is used under good signal conditions the network could be omitted, but the performance under poor conditions is enhanced by this approach.

CONTINUED NEXT MONTH

Servicing the Rank A823 Colour Chassis

Part 1

R. W. Thomson

THE Rank A823 chassis was one of the first all solid-state colour chassis to appear, being introduced in 1969. It remained in production for many years, though substantial modifications were made to it. The second version, the A823A, incorporated a completely different scan panel and a decoder with two instead of a single i.c. The next version, the A823AV, used a varicap tuner. The final version, the A823B, incorporated changes in order to meet BEAB requirements. There were several minor modifications, particularly in the power supply section, at various times. Many of the bugs found in the initial A823 occur with monotonous regularity in the later versions however. To start with in this series we'll keep to the A823, taking in subsequent versions later.

Features

When it first appeared the A823 chassis was of very advanced design, with a thyristor stabilised power supply circuit, an i.c. in the decoder and another for intercarrier sound amplification, almost completely modular construction (very compact too, as our cover photograph shows), and last but not least all-transistor reliability. For those of you more used to later solid-state chassis a couple of points can be made immediately. First, the l.t. rails are mainly provided by the power supply board rather than the line output stage, though the latter does provide the 40V line which powers the field timebase. The c.r.t. heater is supplied from the mains transformer, so you can get the c.r.t. heater lighting up but nothing else happening. There is an over-voltage trip on the scan panel: this stops the line oscillator and thus the line output stage, with the result sound but no raster. An unusual thing is that the line driver stage, which can be troublesome, is powered from one of the l.t. rails.

Physical Arrangements

The chassis is virtually wrapped around the c.r.t. neck. Looking from the rear, the left-hand upright supports the power and the i.f. panels, with the decoder panel mounted on the reverse side. The field timebase circuit, plus the line oscillator, driver and excess voltage protection circuit, are to be found on one panel to the extreme right of the receiver, with the line output and e.h.t. unit, plus the scan controls, assembled to the left of this, nearest the c.r.t. neck. The convergence panel is very conveniently mounted between the uprights, and swings up for easy observation of the c.r.t. screen whilst making adjustments.

Tuner

Up to the sync separator, the receiver is fairly conventional. Like its contemporaries in the very early seventies it used a mechanical tuner. Designated type A770, this tuner soon established itself as highly reliable, with high-gain performance right through Bands IV and V.

Station selection is effected by four push-buttons. Like almost all the major components of the set the tuner is easily removed for servicing, plugs and sockets being used for all connections.

Two silicon transistors are used as r.f. amplifier and oscillator/mixer respectively. Both are npn types used in the grounded-base mode. Tuning is effected in the normal manner by means of a ganged variable capacitor in conjunction with four quarter-wave resonant lines. In the interests of high signal-to-noise ratios the r.f. stage does not come under control by the a.g.c. system until fairly high input signals are received. The point at which a.g.c. is applied to the r.f. amplifier in the tuner is set by adjusting a preset control on the i.f. panel. Other than occasional cleaning there are normally no servicing problems with the A770 tuner, though the occasional need for transistor replacement has to be carried out with care and precision. Once it's been proved that a tuner is defective, diagnosis follows the well-known formula: clean raster, no output signal at all, change the mixer transistor; noisy reception, snowy vision and fading, hissing sound, change the r.f. transistor. Care should always be taken before condemning the r.f. transistor however in case the symptoms are due to an aerial fault – including the socket and the connections to the tuner itself.

The tuning of these sets suffers from an old Bush failure which manifested itself for years on many models. For some reason, Bush have a penchant for using knobs made of material that doesn't stand up to a great deal of use. The

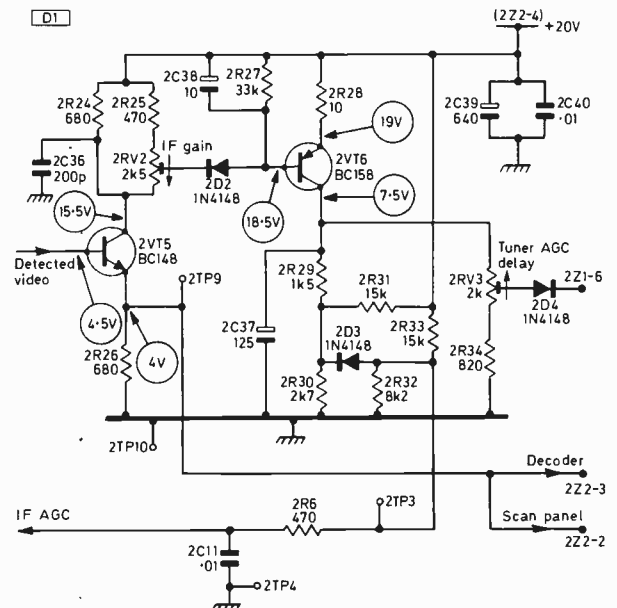


Fig. 1: The luminance emitter-follower and a.g.c. circuits. The 20V supply to the i.f. strip comes in via plug/socket 2Z2-4. 2Z1-6 feeds an a.g.c. bias to the tuner unit. The collector voltage of 2VT5 depends on the setting of 2RV2 while the collector voltage of 2VT6 depends on the setting of 2RV3. Later 2R30 1k Ω , 2R31 6.8k Ω , 2R34 1.5k Ω .

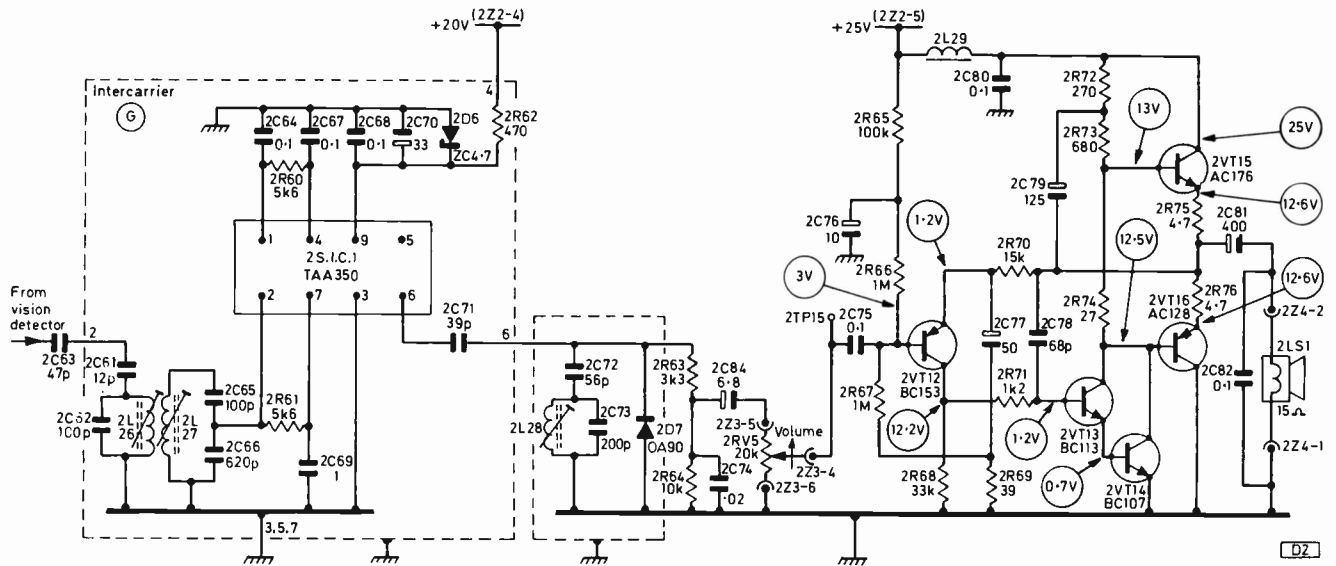


Fig. 2: The sound circuits. In later versions 2D6 was omitted and 2R62 increased to 680Ω. 2C65 changed to 120pF.

consequent wear on the inside of the knobs shows up as a refusal to engage the tuner spindle when fine tuning. The only cure is replacement, though a temporary repair can be effected by cutting an eighth of an inch off the clutch end of the offending knobs, thus allowing the small protrusions on the spindles to engage on fresh material inside the knob.

IF Stages

The i.f. circuitry is conventional too, using the familiar three-stage circuit with a cascode pair in the middle. In common with its black-and-white contemporaries, the A823's i.f. strip is built in the form of a series of small modules containing the various stages. This type of assembly was standard Bush/Murphy practice for years, and results in a clean, tidy receiver section which remains clean and tidy no matter how much goeey dust accumulates on the printed board. It doesn't lend itself to voltage tests on the various sections and transistors however. Test points are provided for checking gain, but as most readers won't have the equipment necessary for such tests it becomes necessary to check out the stages with an ohmmeter rather than a voltmeter when faults arise. As faults are very uncommon here, this is no great cause for tears.

AGC System

The a.g.c. and the intercarrier sound sections, complete with the audio stages, are also on this panel, which is known in the A823 chassis as the A809 panel. The a.g.c. is of the now common forward-bias type.

Looking at the circuit (Fig. 1), it will be seen that bias for the a.g.c. amplifier 2VT6 is obtained from diode 2D2. Negative bias is provided by rectifying the negative-going sync pulses appearing in the collector load of the luminance amplifier 2VT5. Under low or no-signal conditions, the peak rectifier circuit consisting of 2D2, its load resistor 2R27 and reservoir capacitor 2C38 produces insufficient voltage to turn 2VT6 on, so this transistor is inoperative. Diode 2D3 is permanently biased on under these conditions, the voltage at its anode from the potential divider 2R32/2R33 being greater than that at its cathode from the potential divider 2R30/2R31. The voltage on the a.g.c. line at the test point provided, TP3, is then approximately 3.5V.

When the signal at the collector of 2VT5 increases, diode 2D2 rectifies the sync pulse tips and produces an increasingly negative voltage across the base/emitter junction of 2VT6, turning this transistor harder on as the signal strength increases. The current through 2VT6 increases, causing an increase in voltage at the cathode of 2D3. This increases the impedance of the diode and, because there is less current through it, the voltage at its anode rises. This voltage is applied to the base of the first i.f. amplifier, so the current through it increases, lowering the gain of the stage. At this point the voltage across TP3 to deck will be approximately 4.5V positive, and no further increase is possible. The delayed tuner control system takes over if the signal strength is so high that it needs further attenuation.

This function is carried out by diode 2D4. The cathode side of this diode is connected to the r.f. amplifier's bias network in the tuner itself, the positive voltage available at that point providing the delay action. By suitably adjusting 2RV3 on the i.f. panel, the anode voltage of 2D4 can be selected so that the tuner a.g.c. action comes into effect only after full control has been exerted on the gain of the i.f. stages. In this way the tuner runs at full gain, reducing the mixer noise to an acceptable level, until the input signal is so great that cross-modulation would be a problem.

Correct adjustment of the two presets 2RV2 and 2RV3 is quite simple. With a signal properly tuned and the contrast turned fully up, rotate 2RV2 until the set locks "out", giving no signal conditions. Turn the control back again until the receiver again operates properly, with no picture judder, then continue to turn it back a fraction more. Adjust 2RV3 for minimum noise and no cross-modulation.

Sound Channel

A common detector, 2D1, in the final i.f. can (can K) is used for the luminance and the intercarrier sound signal. The latter passes via a bandpass tuned circuit (see Fig. 2) to the TAA350 intercarrier sound amplifier/limiter i.c. The output from this is demodulated by a slope detector circuit (2C72/2C73/2L28/2D7) and is then a.c. coupled to the volume control which in turn is a.c. coupled to the audio preamplifier 2VT12. The following stages are d.c. coupled – the Darlington pair driver stage 2VT13/14 and, in the output stage, our old friends the AC176/AC128. These

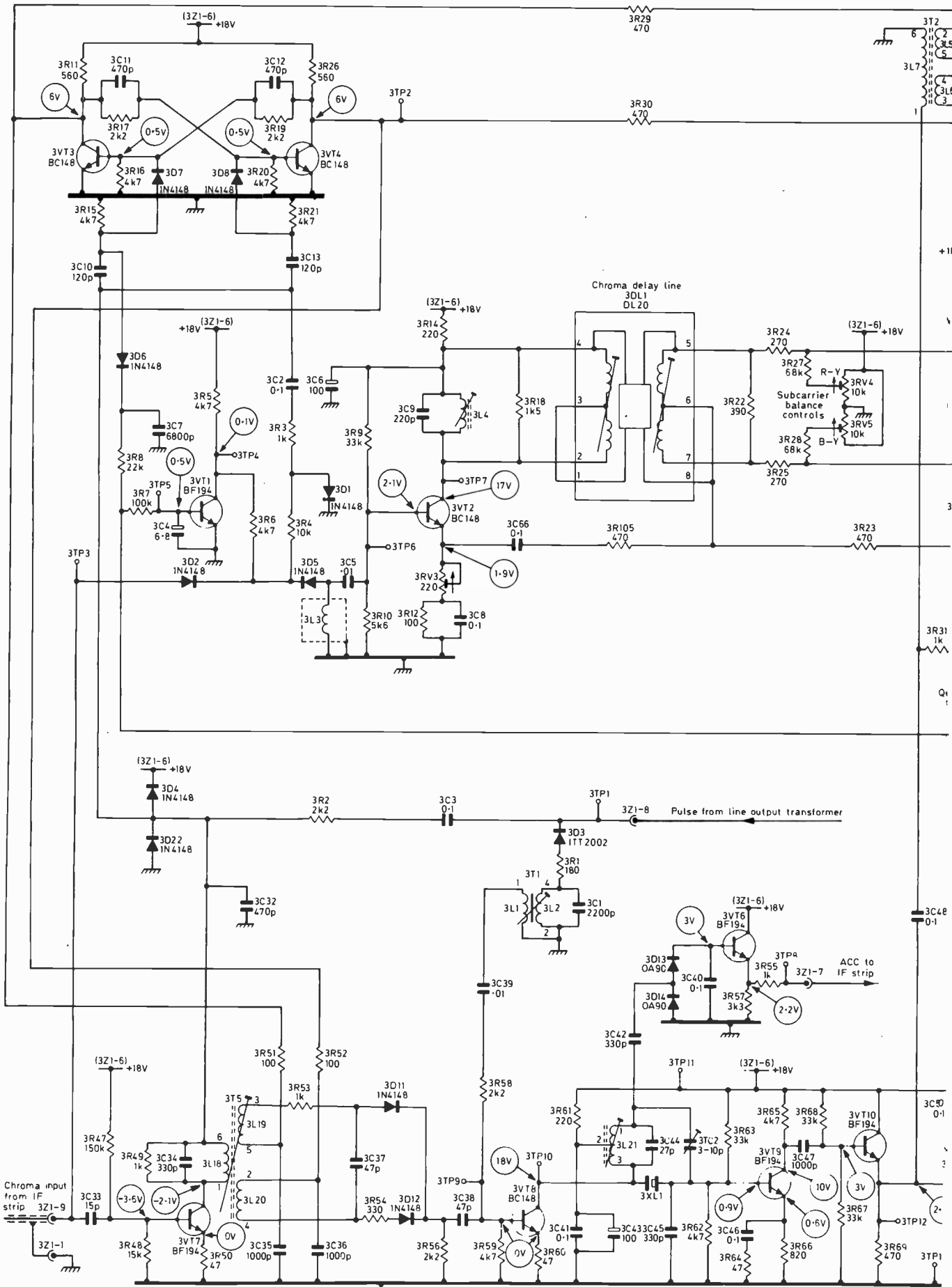
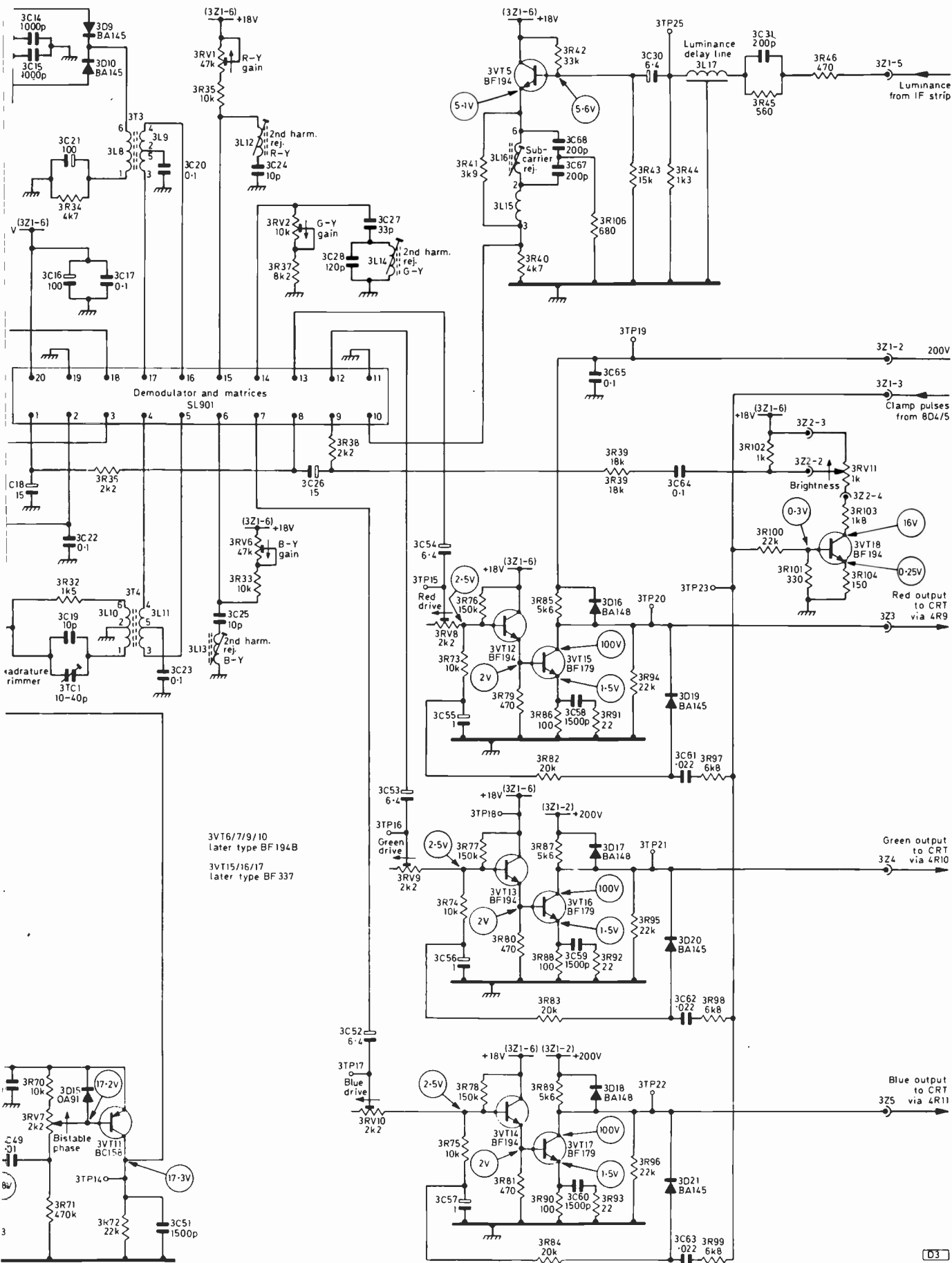


Fig. 3: Circuit diagram of the A807 decoder/RGB output panel. Vc setting of 3RV3. 3VT3, 3VT4, 3VT9 and 3VT11 voltages measured Vb 0.8V; 3VT9 Vc is 10V, Vb 2.1V, Ve 1.5V; 3VT11 Vc is 0.6V, Vb brightness the driver emitter voltages are 1.4V and the base voltage 1.7V and emitter voltages 0.8V.



Voltages measured with a 20kΩ/V meter. 3VT2 voltages depend on the brightness with colour: with colour off, 3VT3 Vc is 12V, Vb 0V; 3VT4 Vc is 0.5V, Vb 17.4V. 3VT12-17 voltages apply at maximum brightness. At minimum brightness, the output transistor collector voltages are 125V, base voltages

drive a 15Ω speaker and, thanks largely to the fact that 2VT12 is also used to provide good d.c. stabilisation (very important in d.c. connected transistor circuits), and the fact that the sound output is limited to 1.5W, the output gives few causes for complaint. 1.5W may seem laughable in these days of 50 × 50W stereo outfits, but there is more than enough volume for the average room and with a large speaker the sound quality on these sets is good.

IF Panel Faults

Faults are not common on the A809 i.f. panel. There are some regulars however. Poor field sync for example is commonly due to a dud 2C37 in the a.g.c. circuit. The same capacitor can be responsible for a.g.c. flutter, this time due to excessive capacitance: reduce its value from 125μF to 25μF. Low gain but with clean pictures and good sound and 2.2V a.g.c. bias at 2TP3 is due to 2C13 being defective: this 0.01μF decoupling capacitor is in the collector circuit of the first i.f. stage, in can J. The a.g.c. reservoir capacitor 2C38 can dry up to cause overloading (negative picture). The latter fault can also be caused by 2VT6 of course.

Sound Faults

No sound with loud hum is usually either the audio output transistors 2VT15/16 (which can also be responsible for low, distorted sound) or a dud TAA350 i.c. Less common causes of no sound are the driver transistors 2VT13/14, the slope detector diode 2D7 or the electrolytic coupler 2C84. The TAA350 can also be responsible for buzz and distorted sound.

If the TAA350 i.c. is suspect, check the following voltages:

- (1) Supply voltage to pin 9. This should be between 5 and 8V. If not within these limits, check the supply circuitry.
- (2) The following voltages should be obtained with a 20kΩ/V meter: pin 1 4.9V; pin 2 4.9V; pin 3 chassis earth line; pin 4 4.9V; pin 5 5.0V; pin 6 5.0V; pin 7 4.9V.
- (3) If any of these voltages are wrong, check the values of 2R60/61.
- (4) Check the current taken by the i.c. by inserting an Avo between pin 9 and the supply. It should be within the limits of 15-30mA for 6V supply at pin 9. The current is proportional to the supply voltage at this pin.
- (5) If errors are found during the above checks, replace the i.c. – bearing in mind that when new the i.c. has ten leads, only nine of which are used in the A823. Cut off the lead opposite the spigot before fitting.

If instability occurs after replacement, fit a 1μF electrolytic in place of the existing 2C69. This should have a minimum working rating of 30V. On later receivers, 2C64/67/68 were all changed to 0.05μF.

Severe crackling on sound is nearly always due to 2C64/67/68/69 on the A809 panel, but it should be borne in mind that as the type of capacitor used in these positions is of the semiconductor (barrier-layer) type, resistance tests are not conclusive, replacement being the only reliable method of testing.

Chrominance IF Stages

In addition to the main i.f. circuit, the luminance emitter-follower 2VT5, the a.g.c. circuit and the sound circuit, two of the cans on the A809 i.f. board are concerned with the chrominance signal – so no colour or intermittent colour can be due to a fault on this board.

The chrominance i.f. signal is taken off between the cascade i.f. stage and the final vision/sound i.f. stage and fed to can L. This contains an i.f. amplifier transistor 2VT8 (BF196) and a second transistor 2VT7 (BC148) which is used to apply a.c.c. to the base of 2VT8. The colour control acts on the base of 2VT7, the a.c.c. potential from the decoder board being applied to its emitter. The second module, can M, contains the final chrominance i.f. transistor 2VT9 (BF197), the chrominance detector diode 2D5 and the two-stage chrominance amplifier 2VT10/11 (both type BC148). Problems here are few and far between, but the transistors can be responsible for no colour or intermittent colour while the electrolytics 2C41 and 2C42 (both 10μF) which decouple the base and emitter of the a.c.c. transistor 2VT7 can be responsible for faulty colour control operation or fluctuation of the colour content.

Filter Fault

The only remaining source of trouble that comes to mind on the A809 i.f. panel is the input selective can H. Slight misalignment of the large core at the bottom of this module can give noisy chrominance and a sharply tuned buzz on sound. Very slight tweaking of this core usually cures this annoying fault, which is sometimes complained of as being intermittent buzz, the customer being unaware that very slight tuner retuning gets rid of it!

The Decoder

So we come to the decoder, which is probably one of the most reliable produced by a UK setmaker. This panel (A807) is easily distinguishable from the one used in later versions of the chassis since it has just one large i.c. instead of two. The RGB channels are also mounted on this board. Decoding errors are nearly always attributable to a faulty electrolytic, transistor or i.c., in that order, though most non-decoding faults (i.e. colours missing or predominant) are usually the result of defective RGB output transistors.

Before we go farther we had better mention that the decoder employs some rather unusual techniques. These all revolve around the use of a passive circuit instead of the usual feedback oscillator with a.f.c. loop to generate the reference signal. The bursts are applied direct to the passive crystal oscillator circuit, which thus rings and continues to do so throughout the active line until the next burst appears. For this to work effectively, the alternating PAL bursts have to be converted to a constant phase signal. This is achieved by a switching circuit which is driven by the same bistable that drives the PAL switch. It's worth taking a detailed look at the decoder circuit therefore (see Fig. 3).

The signal from the chrominance section of the i.f. strip arrives at pin 9 of plug 3Z1, where it takes two separate paths, one concerned with chroma processing – to the delay line driver 3VT2 and then to the i.c. – the other concerned with generating the reference signal. This latter path starts with the gated burst amplifier 3VT7.

Burst Blanking

The first step in the chrominance path is to blank out the burst signal, which would otherwise affect the clamping action in the RGB output circuits. Blanking is effected by feeding a pulse from the line output transformer to pin 8 of plug 3Z1: this pulse is of approximately 110V amplitude, but is clipped to 18V by 3D4 whose cathode is connected to the decoder's 18V rail.

The 18V pulse thus derived is used to switch off diodes 3D2 and 3D5 which are connected back to back in the chroma signal path to the base of 3VT2, the delay line driver. These diodes therefore switch off the chroma signal feed to this transistor during the burst period, removing the burst from the chroma path.

Delay Line Circuit

From 3VT2 the amplified signal passes into the delay line, while the direct path signal from the emitter of this transistor is fed to the centre-tap of the output from the delay line, where the normal addition/subtraction produces the R – Y and B – Y signals ready for insertion into the i.c. Balancing of the delayed and direct signals is obtained by adjusting the gain of 3VT2 by 3RV3.

Burst Processing

The other signal path is via 3C33 to the base of 3VT7, the first burst gate. As the collector supply voltage for this transistor consists of the same 18V pulse previously mentioned, it follows that this transistor conducts only during the burst period. The chroma information is therefore blocked at this point and only the burst appears across the primary of the phase switching transformer 3T5.

This transformer has two secondaries feeding two diodes, 3D11 and 3D12, which convert the swinging burst to a constant phase burst. Correct switching of these two diodes is accomplished by the squarewave output from the bistable circuit around 3VT3 and 3VT4. These two transistors are controlled by the steering diodes 3D7 and 3D8, which are in turn switched on by the 18V pulse already mentioned.

Passive Subcarrier Regenerator

To get back to the constant-phase burst at the cathodes of 3D11 and 3D12, this passes via 3C38 to the base of 3VT8, the second burst gate and crystal driver. In this decoder there is no local oscillator as such, a ringing circuit tuned to the subcarrier frequency being used instead. 3VT8 carries out this function, by supplying a constant-phase burst and “ringing” the crystal 3XL1 and its associated choke 3L21. 3VT8 is biased so that it will conduct only when a positive pulse is applied to its base, thus preventing the passage of signals during the line-scan periods. This positive pulse comes from the secondary of 3T1, which generates an overswing when 3D3 is switched off by a pulse from the line output transformer – yes, you guessed, the same old pulse again! The purpose of 3T1 is to delay the pulse in time so that 3VT8 conducts accurately during the whole of the burst period. When 3VT8 conducts, the constant-phase subcarrier burst “rings” the oscillator crystal, the resultant 4.43MHz regenerated carrier then being fed to 3VT9 for amplification.

The purpose of 3TC2 is to tune-out the residual burst, by feeding a controlled amount of burst into the base of 3VT9 in anti-phase with the original. After amplification, the subcarrier passes to the emitter-follower 3VT10 and from there to the i.c.

Automatic Chrominance Control

A.C.C. is effected by sampling the subcarrier present at the regenerator stage and doubling its voltage by 3D13, 3D14 and 3C40. This voltage biases the emitter-follower

3VT6 which supplies a gain-control voltage to the chroma module on the i.f. strip.

Colour Killing and Bistable Phasing

It will be remembered that diodes 3D2 and 3D5 were switched off during the burst period to stop the burst reaching the delay-line driver 3VT2. Obviously this is an ideal place to cut off the colour signals in the decoder, and this fact is made use of for colour killing purposes on monochrome reception. 3VT11 controls the phase of the bistable circuit and also biases the colour-killer transistor 3VT1.

If no subcarrier is present, as in monochrome reception, there will be no negative voltage developed at the anode end of 3D15 and, provided 3RV7 is properly adjusted, there will be no bias on the base of 3VT11. This transistor will be switched off therefore and its collector will be at chassis potential. The base of 3VT1 is connected directly to the collector of 3VT11 and is therefore also switched off, its emitter also being at chassis level. The collector of 3VT1 is taken to the 18V supply, and as this is connected via 3R6 to the cathodes of 3D2 and 3D5, these are both switched off, thus opening the chroma path and killing all colour. With the subcarrier present on colour, 3VT11 and 3VT1 switch on. 3R6 is then returned to chassis instead of the 18V rail, and 3D2/5 switch on.

Bistable phase is controlled by 3VT11 in the same way. If diodes 3D11 and 3D12 are switching at the wrong times – as would be the case if the bistable was out of step – their output will almost cancel out and a low output will be obtained from the regenerator circuit. If 3RV7 is properly set, the negative voltage generated by diode 3D15 will be insufficient to switch on 3VT11, its collector voltage will drop to chassis potential and, besides switching off the colour-killer, this will switch diode 3D6 hard on, bypassing the 18V pulse from its normal path to 3D7 and instead diverting it via 3C7 to chassis. The absence of this switching pulse from the anode of 3D7 means that 3VT3 is not switched, therefore the bistable circuit “misses a beat” and the phase is corrected.

Phase Shifting

When we left 3VT10, we had an amplified subcarrier of correct frequency at its emitter. Before we can feed this into the i.c. and let that piece of micro-technology do the rest, it's necessary to do a bit of phase-fiddling. The B – Y subcarrier has to be shifted through 90°, and this is the purpose of 3T4 and 3TC1 plus their associated components. The resultant is fed to pins 4 and 5 of the i.c.

The R–Y subcarrier needs a bit more done to it however. In order to demodulate the PAL signal correctly its phase must be reversed on alternate lines, in step with the alternations at the transmitter. The 180° phase change is carried out by alternately switching the two diodes 3D9 and 3D10 in such a way that the subcarrier output from 3T2 is always in the correct sense. The diode switching is done by the squarewaves from the bistable 3VT3/4. After further modification by 3T3, the phase-alternating subcarrier is fed to pins 16 and 17 of the i.c.

The SL901 IC

The SL901 integrated circuit carries out demodulation plus matrixing of the R and B signals to produce the G output. We've seen how the necessary information is

Table 1: SL901 Voltages

The voltages on the pins of the SL901 i.c. should be within the limits shown below, when measured with an 20k Ω /V meter (Avo 8) under normal signal conditions. Irreparable damage to the i.c. can be caused by shorting adjacent pins, so great care is required when making these voltage checks: it's best to take measurements from adjacent print areas.

Pin	Voltage	Pin	Voltage
1	1.8-2.6V	11	Chassis
2	4.5-5.5V	12	3.5-9V
3	4.5-5.5V	13	3.5-9V
4	6.5-7.8V	14	11-14V
5	6.5-7.8V	15	9.8-14V
6	9.8-14V	16	6.5-7.8V
7	3.5-9V	17	6.5-7.8V
8	1.8-2.6V	18	4.5-5.5V
9	Approximately 0.7V below pin 10	19	Chassis
10	4-6V	20	17-19V

extracted from the chroma signals ready for feeding into the i.c. All that remains is to supply the actual picture information and we're away! The video or luminance signals are supplied via pin 3Z1-5 to the delay line 3L17 from where they pass via 3C30 to the base of emitter-follower 3VT5. The signals at the emitter then pass through a subcarrier rejector 3L15/16 to the i.c.

RGB Channels

The red, green and blue video outputs obtained from the i.c. are fed to three identical output stages, each of which is provided with a preset control for grey-scale purposes. The three output transistors 3VT15, 16 and 17 have their collector voltages clamped by diodes 3D19, 20 and 21, the clamp pulse from the line output transformer coming into the decoder at pin 3Z1-3.

This same pulse is used to drive 3VT18, the brightness pulse inverter. The inverted pulse, of amplitude set by the brightness control 3RV11, is fed in to pin 8 of the i.c. where it is mixed with the decoded signal. As the clamp pulse occurs at the same time as the brightness pulse, it follows that the brightness control sets the voltage at which the three output transistor collectors are clamped. As this is also the c.r.t. cathode potential, picture brightness control is achieved.

Decoder Servicing

It may seem that undue attention has been given to the operation of this decoder. This is not because this decoder is particularly difficult to understand, the main object being to make clear what happens in each stage. How anyone can gaily start out on fault-finding if he doesn't know the function of each stage is beyond the writer to understand!

The main snag with this decoder as far as servicing goes is that it is impossible to work on it to any great extent without removing it from the chassis and operating it with extended leads. Special leads are available from Rank Radio International for this purpose.

Preliminary Tests

As with any decoder, voltage tests at relevant places usually indicate fault areas and narrow the field down when chasing colour faults. The first step is always to demobilise the colour-killer and see what then gives. It's surprising how many decoders suffer from defective colour-killers, the fault

disappearing as soon as the culprit is disarmed! On this decoder shorting 3TP11 to 3TP14 over-rides the colour-killer action, by switching 3VT1 on and removing the reverse bias on diodes 3D2/5. It takes a little time to decide whether the fault lies in the SL901 i.c., but as always voltage readings will usually indicate where the fault lies (see Table 1).

Common Faults

In cases of no colour, first make sure that the decoder's 18V supply is present. The 18V zener diode 8D1 in the power supply and 3C16 are both suspect.

Some of the stock faults on the A807 decoder panel are as follows.

Very low luminance, colour o.k.: Check the luminance delay line 3L17 and its connections, or coils 3L15 and 3L16. If shorting pins 9 and 10 of the i.c. cures the trouble, the i.c. is faulty.

No luminance, colour o.k.: Usually 3VT5, may be 3C30.

Intermittent colour: Apply freezer to the i.c. If the colour returns, replace it. If not check the setting of 3RV7, or 3VT11 and 3D15. Other possibilities are 3C43 (100 μ F) which decouples the supply to the crystal driver; 3VT6; 3C49. The trouble may be in the i.f. strip (2VT7-2VT11).

No colour: Check the 18V supply. Almost any of the transistors can be responsible, including those on the i.f. board handling the chrominance signal: 3VT11 seems to be the most common offender however, as over-riding the colour-killer will prove. Note that in this decoder the bistable transistors can be responsible for loss of colour, since the burst feed to the carrier signal regenerator will be affected. 3D14 in the a.c.c. detector circuit may be short-circuit.

Unstable colour at high saturation: Check 3VT6.

Colour bands: Check 3D3.

Streaky colour at high saturation settings: 3D11 and 3D12 out of balance.

Hanover bars: Check the setting of 3RV3, then 3VT2.

One colour missing, poor monochrome: I.C. faulty, but check the RGB signal coupling electrolytics 3C52/3/4.

One colour missing, monochrome wrong: Check RGB driver and output transistors.

One colour predominant: Compare RGB output transistor collector voltages. The low reading indicates the faulty channel. Check output and driver transistors and replace if either one shows a leakage on the ohms range of an ordinary Avo. If both are o.k. check the appropriate clamp diode 3D19/20/21, capacitors 3C55/6/7 and 3C61/2/3, and resistors 3R82/3/4. The diodes 3D17/8/9 are not required and may be removed.

Low brightness: Check 3VT18 and its emitter resistor 3R104.

Uncontrollable brightness: Check the clamp/brightness pulse feed capacitor 8C11 (0.1 μ F, 1kV) on the main chassis.

Luminance ringing: Dry-joint on luminance delay line.

As with all modern equipment, it pays to suspect any very small electrolytics in a faulty circuit: even tantalum types fail fairly frequently, but drilytic ones have a limited life.

If one is working from the Bush/Murphy service manual, note that in one of their modification sheets it states that the pulse clipper diode 8D4 is shown the wrong way round in the circuit on page H-3: this is very naughty, H-3 is perfectly o.k., it's page E-3 that's wrong!

TO BE CONTINUED

Adjacent Channel Reception

Hugh Cocks

TRYING to receive a weak station on a channel adjacent to a strong local transmission can be a problem. As is all too often the case nowadays, most of us have very strong local signals. So if a non-local ITV or a continental station we wish to receive is on a neighbouring channel, the picture may be marred by patterning and other overloading effects. When the aerial and preamplifier (assuming one is being used) have been lined up towards the distant station, excessive sound splatter from the local station may break up the picture if the weaker channel is immediately above it (we'll consider u.h.f. reception first).

UHF Reception

There is less trouble when the desired weak signal is on the channel immediately below the local one. In this case the very strong vision carrier is just above the much weaker f.m. sound carrier. One might imagine that "buzzing" would be heard on the weaker transmission, due to the strong neighbouring vision carrier, but in practice this doesn't happen since the f.m. discriminator for the most part rejects the a.m. vision carrier. Unfortunately this advantage is not present with French stations due to their use of a.m. sound. The writer has a struggle with the Caen channel 25 sound due to Stockland Hill on channel 26. There is buzz on sound most of the time unless Caen is very strong. Caradon Hill (Cornwall) channel 25 vision and sound are received without difficulty on the other hand.

Preamplifier Problems

A preamplifier will exaggerate the local channel spread, and in severe cases it's best to use an amplifier made out of an old tuner unit – see the writer's article in the March 1975 edition of *Television*. One peculiar form of interference is caused by internal intermodulation of the TV signal. For example, at u.h.f. the vision carrier lies 6MHz below the

sound carrier. If they are strong enough, the sound and vision carriers will beat together at 6MHz above the sound carrier, that is at 4MHz into the video spectrum of the next higher channel. There will also be a beat at 6MHz below the vision carrier. When a saturated colour is transmitted, all manner of beats may appear – see Fig. 1.

A method of improving the performance of a wideband preamplifier "under stress" (so to speak) from a strong interference signal is to reduce its supply voltage. If the voltage is reduced by about one-third, a good measure of gain is left but a lot of the spurious effects are removed. The simplest way to do this is to insert a potentiometer in the power supply: the optimum point is easy to find.

Aerial

An aerial with a very narrow forward lobe should ideally be used as this will reject a high proportion of the unwanted signal – providing the wanted transmitter is over 30° off beam to the strong local signal. Reception will prove very difficult indeed if the local signal and the wanted signal lie in virtually the same direction.

The Tuner Unit

The tuner unit is a most important part of the receiving chain if excessive interference is to be avoided under these conditions. It should preferably be a rotary type, with four-gang tuning – i.e. with a tuned aerial input circuit – as this will greatly reduce interference from adjacent channels. A varicap tuner may be tried, but in general a four-gang rotary tuner will give the best performance.

The IF Strip

Having checked these points, the weak station should be almost clear of patterning. If any further improvements are needed we must consider the i.f. strip in the receiver. It is essential to have the manual for the set. Check that the adjacent sound rejector is on tune at 41.5MHz, and that the adjacent channel vision rejector is at 31.5MHz. If the cores are easy to move and you feel confident in this part of the receiver, a turn either way will do no harm and the effect on the picture and sound should be noted. If the effect is beneficial, leave the core at its new position. If no difference is observed, return the core to its original position. If one does not feel brave enough to tamper with the i.f. strip, or tweaking the rejectors brings about a certain improvement but the depth of the notch in the i.f. response is not deep enough, the best solution is to fit an additional filter in the lead from the tuner to the i.f. strip.

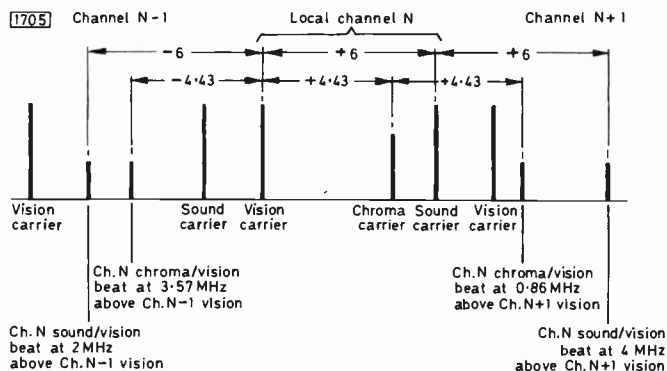


Fig. 1: Intermodulation beat frequencies at u.h.f.

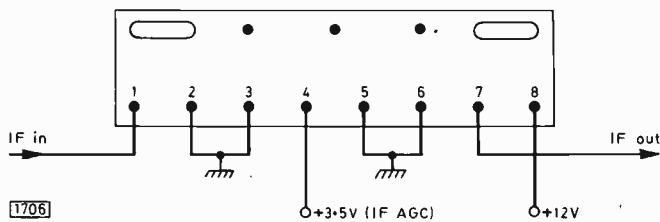


Fig. 2: Connections to the Philips U800 i.f. selectivity module, viewed from the base. The voltage for pin 4 can be obtained from a potential divider connected across the 12V supply. The power supply can be obtained within the receiver by dropping from a suitable point.

IF Filtering

The easiest filter to use is the Philips G8 selectivity module which is available from Manor Supplies and has been featured in several articles in these pages during the past few years.

There are four cores accessible from the top of the can. One of the two cores in the centre gives a very sharp notch and may be tuned to the rejection frequency required (depending on which side of the local channel the weak station is). The other three cores have a very broadband effect and may be adjusted for maximum noise on the screen. Two of these units can be placed in series to give a notch of exceptional depth. The unit may be powered from within the set itself, and in addition each unit introduces a small amount of gain. Fig. 2 shows the pin connections required.

UHF Filter

By this time the long-distance signal which was at first virtually swamped by the much stronger local one should be free of interference. One might be tempted to consider putting a filter in the aerial lead, but u.h.f. aerial filters tend to introduce a high loss.

Band III Reception

Band III continental stations generally use horizontal polarisation whilst most of our Band III signals are vertically polarised (apologies to those in East Anglia). This gives an immediate reduction in interference from the local station. I have found that using the filter shown in Fig. 3 in the aerial lead helps a great deal – it's essential to put it before any amplifier. The filter produces a very deep notch, and is generally tuned to the mid-frequency of the interfering station. When working close to the higher frequency side of the local channel, it's best to tune the filter as far i.f. as possible in order to reduce the inevitable slight loss close to the notch.

At the writer's location, where there is a high-level channel B9 signal, it's possible to receive channel B10 vision (channel B10 sound is virtually impossible). At the i.f. side of channel B9 it's possible to work as close to the ch. B9 sound carrier as 750kHz (ch. F9 vision).

In the i.f. strip the G8 selectivity panel is again very useful. Channel E7 vision (about 1.75MHz below channel B9 sound) was cleaned up tremendously by using one of the units. As the rejection frequencies required are not the standard ones it is impractical to adjust a standard i.f. strip since it couldn't be used on any other range of frequencies. The writer now employs a transistor preamplifier with the supply voltage reduced from 9V to about 6V (having

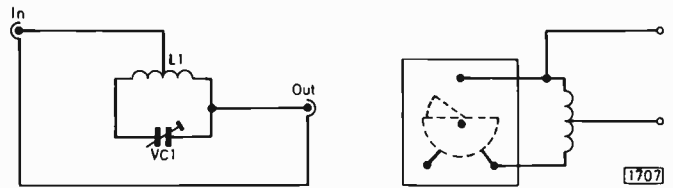


Fig. 3: Band III notch filter, tuneable from 160-220MHz. L1 consists of three turns of coaxial cable inner conductor wound across VC1, with a diameter of $\frac{1}{4}$ in. per turn. VC1 is a Jackson type C804 trimmer with a maximum capacitance of 25pF.

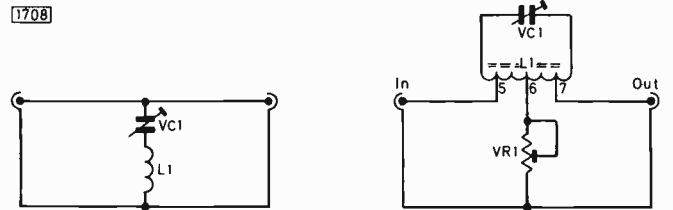


Fig. 4 (left): Acceptor circuit for f.m. radio rejection. L1 consists of five $\frac{1}{4}$ in. diameter turns of coaxial cable inner conductor. VC1 is a 3-30pF concentric trimmer.

Fig. 5 (right): Single frequency notch filter for use in Band I. VR1 is a 470 Ω miniature preset and VC1 a 3-30pF concentric trimmer. L1 consists of 11 turns of 26 s.w.g. e.c.w. wound on a $\frac{1}{4}$ in. coil former with dust core, spaced over the full length of the former and tapped at turns 5, 6 and 7.

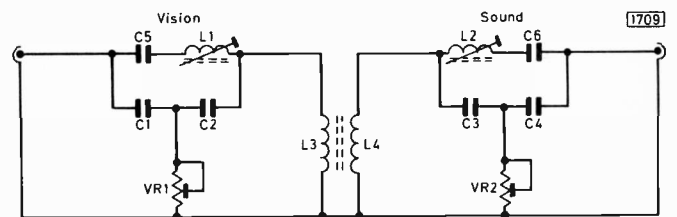


Fig. 6: Band I notch filter. C1/2/3/4 are 120pF, C5/6 22pF, all ceramic. VR1/2 are 470 Ω miniature presets. L1 and L2 consist of 8 turns of 26 s.w.g. wire wound on a $\frac{1}{4}$ in. coil former with dust core, medium spaced. L3/4 consist of 3 turns (each) of 26 s.w.g. wire wound on a ferrite bead or old dust core (hexagonal with hole in). The coil turns for L1/2 are optimised for ch. B2/3: for ch. 4/5 only five or six turns may be needed.

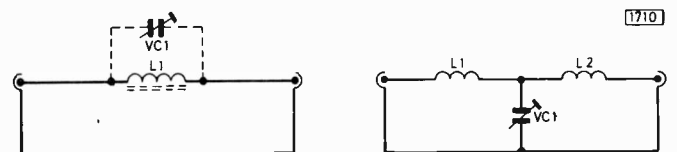
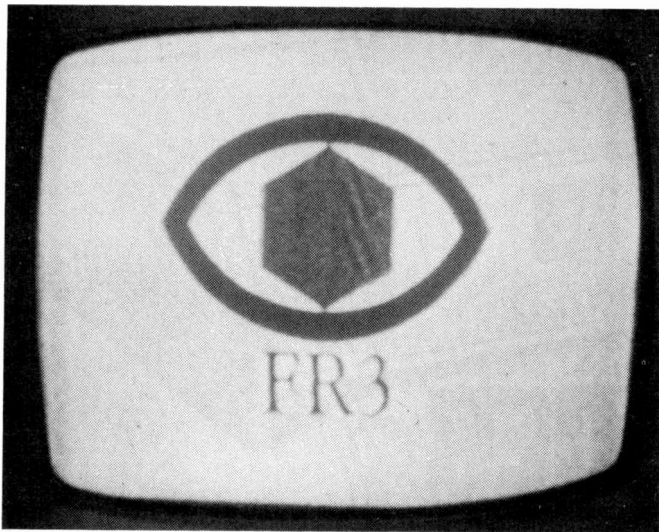


Fig. 7 (left): Wideband rejector to remove Band III breakthrough in Band I. L1 consists of 5 turns of coaxial cable inner conductor wound on a ferrite core. The optional trimmer, say 2-20pF, can be used if the attenuation is insufficient without it.

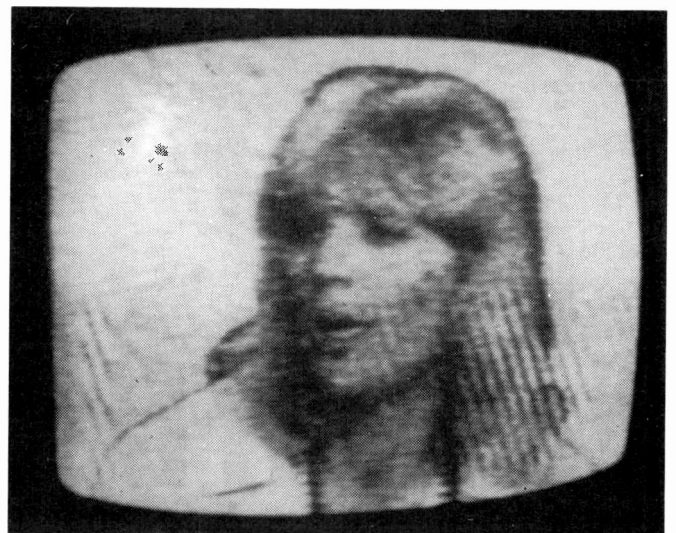
Fig. 8 (right): Absorption filter to remove u.h.f. breakthrough in Bands I/III. L1/2 consist of 2 turns of coaxial cable inner conductor, each $\frac{1}{4}$ in. diameter, air spaced over $\frac{1}{4}$ in. VC1 is a 10pF trimmer (or a fixed 10pF capacitor).

abandoned the valve type mentioned in the March 1975 *Television*). Plenty of gain is still provided but the cross-modulation effects are much reduced.

It's possible to use two of the filters shown in Fig. 3 in series, one tuned to the sound carrier frequency and the other to the vision carrier frequency of the local channel. The insertion loss will double however and this is not desirable on Band III.



FR3 (France) from Brest on channel 24, with ch. 23 chroma/vision beat interference. The ch. 23 burst can be seen half way across the screen.



Brest ch. 24 on programme, with a saturated chroma/vision beat pattern from ch. 23 at the bottom right-hand side. The burst is down the left-hand side.

At some locations one may be plagued by breakthrough of f.m. transmissions in the bottom end of Band III, even when living only moderately close (say 20 miles) to an f.m. station. The filter shown in Fig. 4 should greatly assist with this problem. Tune VC1 for minimum f.m. breakthrough.

Band I Reception

Band I is possibly the band most used by DXers, and most are unfortunate enough to have a strong local station. The author is lucky in this respect. At some locations a channel 1 signal will be present. This presents only a small problem, and the vision carrier can be notched out by using the single-frequency Band I notch filter shown in Fig. 5.

Channels 2-5 coincide with the European channels however (consult Roger Bunney's DX TV book for a full diagram if you are unsure). The double-frequency notch filter devised by Graham Deaves (Norwich), who has been kind enough to supply us with his design, is shown in Fig. 6.

At the sound and vision frequencies it gives a notch of roughly 50dB, with an insertion loss of about 1dB.

To set the filter up, first adjust the variable resistors to their maximum value, then tune the ferrite cores to the sound and vision frequencies respectively. The notch is very sharp indeed and, ideally, a non-metallic tool should be used to adjust the cores, otherwise some detuning will be noted on removing the screwdriver. After the notch has been set, slowly adjust the resistors. A deeper notch will appear at about half resistance. The cores and resistors should then be glued firmly into place otherwise detuning may occur after a period of time. By using the filter, R1 vision should be received with ease by those with a local station on ch. B2.

Fig. 7 shows a wideband rejector to remove Band III breakthrough in Band I.

PO Filters

The Post Office has been kind enough to supply us with a list of filters they can provide. These are particularly useful to those living close to a high-powered short-wave or v.h.f. public service band transmission. One can obtain these filters from local Post Office Radio Interference groups, but the Post Office say they cannot cope with a sudden large demand. See Table 1.

Table 1: PO Suppression Filters

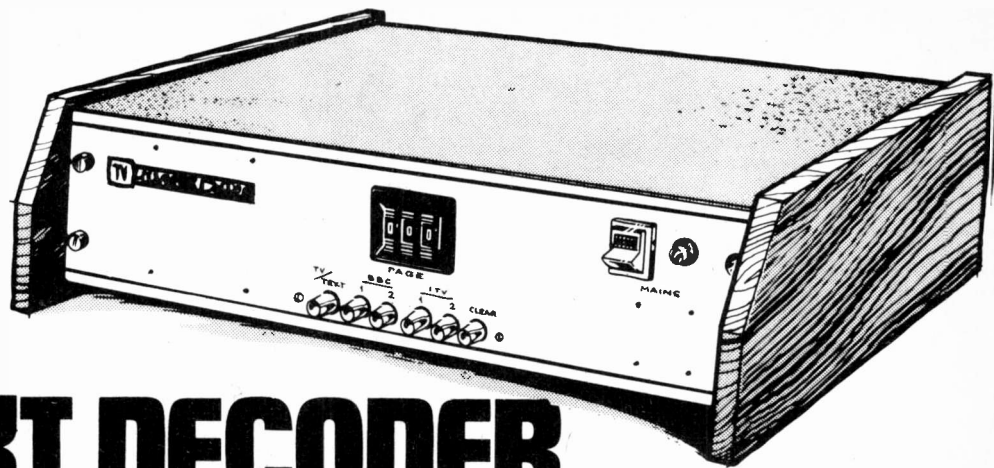
38A	High attenuation below 40Mhz.
45A	High attenuation below 45Mhz.
48/1A	Tunable notch filter, 35-50Mhz.
48/2A	Tunable notch filter, 45-100 Mhz.
48/3A	Tunable notch filter, 110-220Mhz.
49A	Aerial braid filter, tunable 16-40Mhz.
51A	Double-wound ferrite cored inductor, 0.75A rating.
52A	Double-wound ferrite cored inductor, 2.5A rating.
57A	Mains filter 150khz-25Mhz, 1.5A.
64/1A	Aerial braid filter 3-40Mhz.
64/2A	Aerial braid filter 40-220Mhz.
69A	Band-stop 120-170Mhz.
69B	Band-stop 120-170Mhz (deeper notch at 150Mhz.)
72A	High-pass above 460Mhz.

Preamplicifier Overloading

A good quality amplifier should be used at all times if overloading and its associated effects are to be avoided. Early wideband types were prone to interference from virtually all frequency bands. Not too uncommon was the reception of the Police all over the u.h.f. bands. Nowadays manufacturers are more aware of the problem and produce higher overload capability types. A regular problem is the presence on Bands I and III of u.h.f. local stations: the u.h.f. absorption filter shown in Fig. 8 should alleviate this problem.

Acknowledgements

Finally, thanks are due to Mr. J. Ramsey of the Post Office, Graham Deaves and Roger Bunney for their valuable assistance. ■



TELETEXT DECODER

Steve A. MONEY T. Eng.(CEI)

Part 9

HAVING completed the construction of the power supply, circuit cards and other sub-assemblies, the final stage of construction is to install the interwiring cables between the various sections. The decoder unit will then be complete and ready for alignment and setting up.

Interwiring

As a mother board arrangement has been used for joining up the main circuit cards, no interwiring is needed between them but three interconnecting cables are required to join the mother board to the power unit and the switch assemblies. Flat multicore ribbon cable is recommended for this purpose since it produces neat cable forms with the minimum of effort.

Fig. 1 shows the interwiring connections between the mother board and the other assemblies.

Although the individual cores of a ribbon cable are readily separated, it has been found in practice that some care is needed in carrying out this operation. It is advisable to practise on a short length of cable first to get the technique right before starting on the actual cables for the decoder. When making the cables start off with about 2 to 3 inches more cable than you need to allow for a second attempt at splitting the ends in case of accidents.

The individual cores of the ribbon cable will need to be separated for two or three inches at each end to allow them to be spread out to their proper connecting points on the board. Start the split between adjacent cores by carefully making a short cut between them using a razor blade or sharp knife. This small cut will allow the wires to be gently pulled apart when the cores should separate cleanly leaving fully insulated but separate wires. At this stage the cores should be split apart for about an inch to see that the separation is running cleanly. Sometimes the wire core will tear through the insulation, leaving a piece of bare wire exposed if the splitting process does not start correctly. If this happens make a new cut between the cores and try again. Separate each of the cores at each end of the cable so that the splits are running smoothly, and then split the cores back at each end to allow enough free wire for each core to run to its appropriate fixing position and cut off the individual cores to a length to give a neat lay of the cable when it is installed. At this point the ends can be bared and the wires tinned and soldered into position.

The main run of the cable should be left as a ribbon and some slack must be allowed to make installation easier. Approximate lengths of cable required are shown in Fig. 1.

Mother Board end	Power Cable (24 inches long)	Power Unit
0v IF Bd	Black	0v
0v IF Bd	Brown	0v
5v Disp Bd	Red	+5v (2)
5v IF Bd	Orange	+5v (1)
0v IF Bd	Yellow	0v (1)
0v Disp Bd	Green	0v (2)
-5v IF Bd	Blue	-5v
+12v IF Bd	Violet	+12v
+60v IF Bd	Grey	+60v
-12v Disp Bd	White	-12v

Mother Board end	Switch Cable (1) (12 inches long)	Switch Panel
Clear I/P PCB	Black	Clear
33v (IF PCB)	Brown	33v
0v (IF PCB)	Red	0v
TV (IF PCB)	Orange	Tuning V
0v (IF PCB)	Yellow	0v
Pic. O/P (IF PCB)	Green	Picture video
0v (Modulator)	Blue	0v
Input (Modulator)	Violet	Video to modulator
0v (Display PCB)	Grey	0v
Text O/P (Display PCB)	White	Text video

	Switch Cable (2) (12 inches long)	Page Switch
SW1 (I/P PCB)	Black	SW1
SW2 (I/P PCB)	Brown	SW2
SW4 (I/P PCB)	Red	SW4
SW8 (I/P PCB)	Orange	SW8
Mag (I/P PCB)	Yellow	Pole Mag SW
PU (I/P PCB)	Green	Pole P.U. SW
PT (I/P PCB)	Blue	Pole P.T. SW

Fig. 1: Interwiring connections.

Where the cables go to the mother board the ribbon is left intact to a point about halfway across the mother board and some of the cores will be folded back under the cable to run to their connection points on the board. This gives a neater cable run outside the mother board since the split ends will lie between the board and the front panel of the case.

The ribbon cable used has ten cores which are coded in the colours of the resistor colour code running from black through brown, red etc. to white. The colours chosen for each signal or supply feed are arranged to give the neatest layout at the mother board end. For the cables where less than ten cores are needed the unused cores can be stripped off the cable.

At this point the power unit, mains switch and fuse can be mounted on to the front panel and connected up. Also the cable from the u.h.f. modulator output can be connected to the output socket on the back panel of the case. Note that the page selection switch will need to be fitted to the front panel before its interconnecting cable is joined up.

The case used for the prototype was supplied by Catronics Ltd. We understand that this Company will be making supplies of the case available to constructors.

Initial Checks

For the first stages of checking it will be helpful to have the case dismantled so that only the front and back panels are being used. The mother board should not be fitted to the front panel at this stage in order to allow access to the track side for monitoring purposes. Lay the various parts of the decoder out so that none of the tracks or connections can be short circuited by contact with either the front or back panels.

A television receiver, preferably colour, will now be needed to provide the display. Connect a coaxial cable from the u.h.f. modulator output socket on the rear of the case to the aerial socket of the receiver. Switch on the receiver and if it has push button channel selection set it to one of the unused channels.

Only the i.f. board should be plugged in to the mother board for these initial tests. Switch on power to the unit and check that all power supply lines out of the power unit are working and that the correct voltages are present on the power feed at the mother board.

Set the u.h.f. modulator tuning potentiometer on the mother board to roughly midscale. Tune the selected button on the receiver until the carrier signal from the modulator is picked up. Normally there should be noise all over the screen and this will disappear as the carrier from the modulator is tuned in and activates the receiver a.g.c. Next adjust the modulator tuning potentiometer until the signal is received on a channel well away from the normally used local TV channels. For most purposes a point somewhere around channel 40 is usually quite suitable.

I.F. Alignment

The next stage in the proceedings will be to align the i.f. section of the decoder receiver card and for this a signal generator capable of producing a signal at 39.5MHz will be required. It is possible to carry out this process by using the second harmonic from a signal source running at 19.75 MHz if a high frequency generator is not available. Whilst a sweep generator might be helpful its use is not essential for i.f. alignment with this unit.

To inject the signal disconnect the 2n2 capacitor which

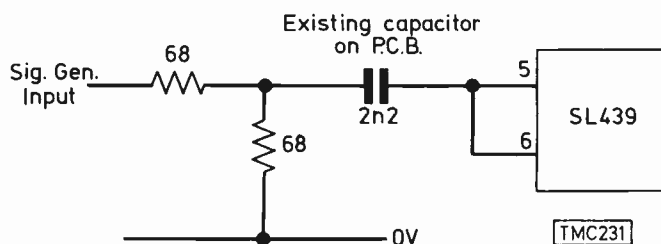


Fig. 2: Signal generator input arrangement.

connects the ELC1043/05 tuner output to the input of the SL439 preamplifier stage and insert the resistor network shown in Fig. 4. Connect a d.c. voltmeter or oscilloscope to pin 7 of the CA3046 and set it to measure the voltage at this point relative to 0V.

Set the a.g.c. delay and picture level potentiometers on the i.f. board to roughly midscale. With power off insert the board into its socket on the mother board and turn on the power again.

With an input signal level of about 100mV adjust the detector coil to give minimum d.c. voltage output from the point being monitored. It may be necessary to reduce the signal input to get a sharp tuning peak at the detector coil. Under these conditions there may be quite a bit of noise on the oscilloscope trace because the i.f. will very likely be running at maximum gain.

Next the a.f.c. coil needs to be tuned. For this monitor the d.c. voltage at pin 8 of the SN76660. Starting with the core out of the coil gradually insert it and note that the output voltage will change at pin 8 of the SN76660. At some point the a.f.c. voltage will swing in the other direction and rapidly change by some 5 or 6 volts as the a.f.c. circuit is tuned through the central part of its N curve. The coil should be adjusted so that the a.f.c. is on this central part of its characteristic. It will be necessary to slightly readjust this setting later in order to get optimum a.f.c. action.

This completes the basic i.f. alignment and the unit can now be switched off, the signal generator input removed and the tuner feed capacitor reconnected. We are now ready to test picture reception using an off air signal.

Plug an aerial into the tuner input of the decoder and switch on again. Set the mode switch to TV and select one of the channel selector switches. At this stage there should be a fairly noisy display on the TV receiver. Tune the channel tuning potentiometer associated with the selected channel until a signal is received. A picture should now appear on the display receiver. Adjust three of the channel selector switches and their potentiometers to produce the three local television pictures. With one of the channels selected set the a.g.c. delay until the picture just becomes noisy, then move the potentiometer back slightly from this position. This will set up the a.g.c. delay for the u.h.f. tuner. If the sync on the display receiver is erratic, the picture level control on the i.f. strip of the decoder may need to be reset. This control should normally be set up so that there is a 3V peak-to-peak video signal at the CA3046 pin 7 output point. The sync pulse amplitude should be approximately $\frac{1}{3}$ of the total amplitude.

If an oscilloscope is available the sync and the data slicer circuits can be roughly checked out at this stage. Check that a negative-going combined sync pulse train is present on pin 1 of the board edge connector. On pin 5 of the connector there should be a clean negative-going field sync pulse. If either of these signals is not present work back through the sync circuit sections of the CA3046 until the correct signal is found and this will indicate the area in which the fault lies.

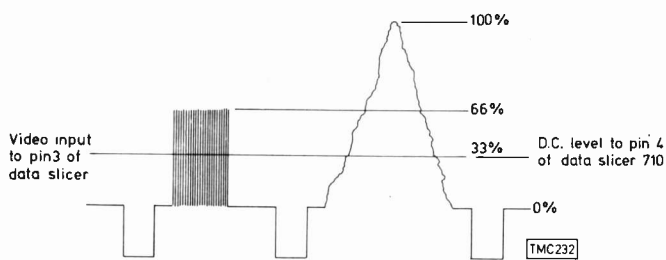


Fig. 3: Setting the data slicer d.c. reference level.

Slice Level Setting

Check that there is a video signal at pin 3 of the data slicer. This is the 710 comparator near the CA3046. Now the d.c. voltage at pin 4 of the 710 should be monitored. Adjust the Slice Level potentiometer (1k multiturn) until the d.c. level at pin 4 of the 710 is set at a point roughly 50% of the total amplitude of the video signal being fed in at pin 3. The amplitude of the video signal is measured from the sync tips upward towards peak white.

The sound trap can now be set up by looking at the video input to 3 of the slicer 710 and then adjusting the core for minimum 6MHz sound subcarrier at that point.

Text Mode Checks

For setting up the Text mode of operation it is useful to wire a switch across the Page Roll link connections on the input logic card and to remove the link if one has been inserted.

Switch off the power and insert the three logic cards into the mother board taking care that they are inserted the right way round. The component side of the boards should be facing the power unit end of the case.

Switch on again and check that picture reception is still working correctly. Switch the mode control to TEXT and a text/graphics display should appear on the screen of the display receiver. This will probably consist of a random pattern of symbols.

Set the Page Roll switch so that it leaves the link open circuit. At this stage some of the symbols on the display should begin to change and it is possible that whole or partial pages of text will start rolling down the screen.

Adjust the data slice level potentiometer to give the maximum rate of change in the display. Next adjust the clock generator tuned circuit on the i.f. board to give more sensible data and at this stage more or less correct pages of text should be appearing. Now readjust both the slice level and clock tuning settings until there is a minimum of errors on the displayed pages.

At this point the Page Roll switch can be closed to stop the rolling page display. Select page 100 on the PAGE switch (page 200 on BBC2). This page is a title page and is transmitted more frequently than the others. Press the CLEAR button on the front panel which should blank out the screen except for the header row. On the header row the page number should be changing as the various pages are received. After a short time page 100 (or 200) should be displayed on the screen. The page number in the header row should now be constant but the clock display at the end of the row should still be updating once every second.

Check text operation on all three channels. It may be necessary to slightly readjust the tuning or the a.f.c. coil setting for optimum results. The slice level and data clock coil settings should be the same on all three channels.

If everything checks out at this stage the unit can be assembled into its case and the page roll switch can be replaced by a wire shorting link. If desired the switch can be left in circuit and mounted on the rear panel of the decoder. The rolling page facility can sometimes be useful if you want to take a quick look through the transmitted magazine to see if anything interesting catches the eye. By making a note of the page numbers near the interesting page it is simply a matter of trying a few page numbers in that area until the desired page is found.

Fault Finding

In the above description of the setting to work of the decoder it has been assumed that everything is correct first time. On many units this is likely to be the case but on some there will be some faults due to the complexity of the project.

Many integrated circuits are only batch tested and it is possible that one of the devices in the unit may not meet its full specification. In many cases this will have no effect because the particular circuit is not being used to its full capacity. Most of the faults experienced will be found to be due to assembly errors which can easily be made on a complex logic board, and missed on subsequent visual inspection.

It is not possible here to cover all of the faults that could occur since the possibilities are very nearly infinite. Some of the more common problems likely to be encountered will however be dealt with.

If no display is produced in the TEXT mode this will usually be found to be a failure of the sync pulse feed to the display board. Check both line and field syncs and then track back through the circuit to find where they have disappeared.

Picture breakthrough on text and loss of sync on text are often caused by mistuning of either the i.f. or the tuner which results in attenuation of the sync pulses in the video signal. An incorrect setting of the picture level control on the TDA440 can produce a similar effect.

Incorrect setting of the data slicer produces more or less random bursts of errors all over the displayed page whilst incorrect data clock tuning will tend to give errors along one or two lines of the page.

If the data gate monostables on the input card have incorrect timing this usually results in alternate lines of text being accepted and displayed or in bad cases may stop the acceptance of all text. Check the relative timing of the data gate pulse and the teletext data using an oscilloscope, and adjust the time constants of the monostables until the two text lines sit within the data gate period.

Failure of one of the 2102 memory devices will give a single bit error in the code presented to the display board. This has the effect of changing half the symbols in the text so that for instance all the Bs might be presented as Cs and all the Ds would become Es and so on. This type of error is easily recognised and by working out from the context what the incorrect symbols should be and referring to the symbol code table it is possible to work out which bit of the code is incorrect and therefore which memory circuit needs to be investigated.

When the text display seems to be working correctly the width and position controls on the display board can be adjusted to centre the display on the screen. At this point the unit is ready for use and the constructor can sit back and spend many an hour looking through the various magazines being transmitted. Happy viewing! ■

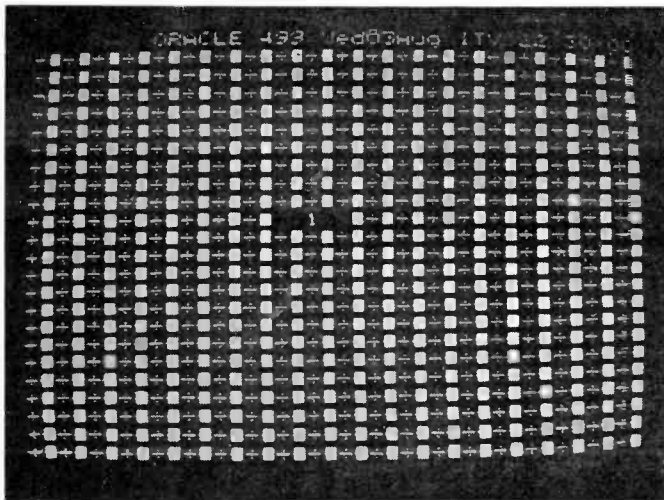


Fig. 4: Correct display of the clock cracker page.

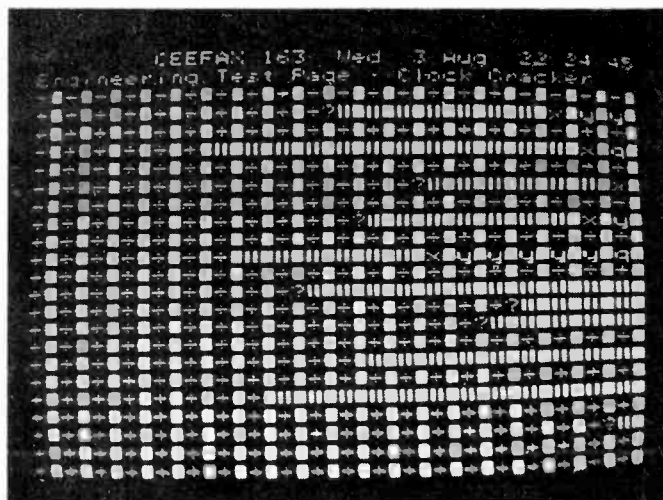


Fig. 7: Effect produced by incorrect data clock frequency.

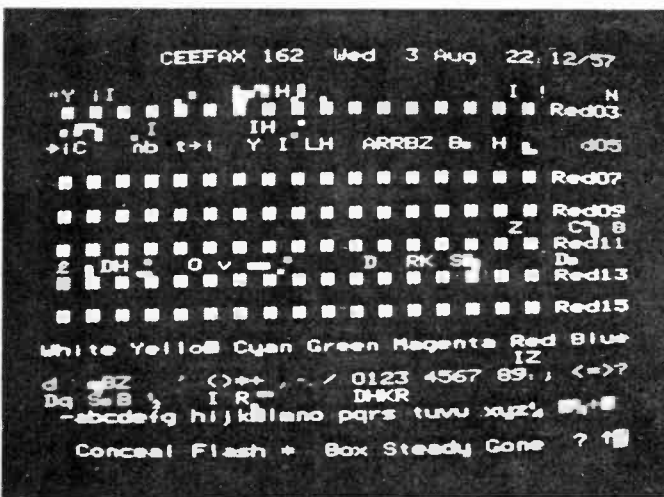


Fig. 5: Result of incorrect data input gate timing.

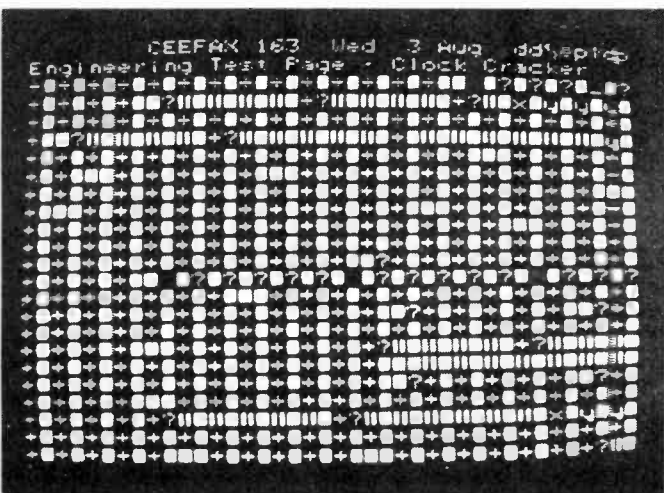


Fig. 6: Effect of incorrect data slicing level.

CORRECTIONS

Please note the following modifications which must be carried out on the mother board (D027).

Link pin 3 of the i.f. board to pin 3 of the display board.

The clear switch should be connected to pin 22 of the input logic card *only*, i.e. the copper track joining pin 22 to an adjacent pad for a wire link should be cut.

On the i.f. board (D041) contact 30 of the edge connector has been deleted. The connections to contacts 28 and 32 are transposed on the circuit and the board layout shown last month. The boards supplied to readers will be correct in these respects.

R30 (modulator) may be 3k3 or 4k7.

In a further brief article on the decoder next month we shall be summarising a number of points which have arisen from letters received from constructors.

TROUBLE-SHOOTING AND REPAIR SERVICE

Television Technical Services have informed us of their charges for dealing with the remaining modules in this project (see p.654 last month). These are as follows:

Modulator	£2.00
Input Card	£4.50
Memory Card	£3.50
Display Card	£4.50

The cost includes the replacement of *minor* components and return by registered post. Constructors will be informed of any major expensive component failures and given the option of replacement at additional cost or have the module returned. Please forward your module, with full remittance, to the address below, ensuring that the package will withstand the return mailing. As mentioned last month, the charge for aligning and fault-finding on the i.f./data recovery board is £4.50. If you wish to send all four boards for testing, write or phone for a quotation.

Television Technical Services
P.O. Box 29,
Plymouth, Devon.
Tel: 0752-813245

TV Servicing: Beginners Start Here...

Part 2

S. Simon

Last month we got as far as TV receiver valve heater chains. Let's take a practical example. One of the most common chassis in the black and white table model category is the Thorn 1500. It's used in many Ferguson, HMV, Ultra, DER and Marconiphone models employing 20 and 24in. tubes. There are five valves in the heater chain plus the c.r.t. heater of course (see Fig. 1). Say the complaint is that the set is dead, or appears to be, with the valve heaters not alight. How do you proceed? Answer: with caution.

With the rear cover removed, note that the mains supply lead is wired to the on/off switch via the brown (live) and blue (neutral) leads. With the receiver switched on, the two live switch contacts should bring a glow to your neon tester and the two blue contacts should not. We have already discussed the possibility of the plug being improperly wired, or a two-pin plug being connected the wrong way round, so get this right at this stage. Don't proceed further until you get a glow from the two brown leads and no glow from the two blue leads. Check the mains supply, the plug fuse and wire and the on/off switch if necessary.

Tracing the Open-circuit

Having obtained these correct conditions you then follow the live supply up to the 1.6A fuse (F1) which is roughly at the top centre of the main panel where you can see it because of the hole in the panel. The panel itself can be swung open by removing the lower right screw and slackening the upper right one. If the neon lights at both

sides of the fuse holder the fuse is obviously intact and this means that the set is by no means as dead as it appears. Hence the note of caution.

A glance at the circuit (Fig. 1) or even the print on the panel shows that the live supply continues up to two diodes. W7 supplies the valve heaters etc. and W8 the h.t. circuit. The fact that the heaters are not glowing means that we have an open-circuit on our hands. So you follow the circuit along to ascertain where the neon ceases to glow. If diode W7 is intact the glow will be present at both ends and up to one end of R111 which is roughly the centre section of the black mains dropper, at the top. It's more than likely, however, that there will be no glow at the other end of R111, and close examination may show visually where the fracture is. We have then established the cause of the open-circuit: not the fuse, not the diode, not a valve (or tube) heater but a fracture in the heater circuit dropper.

Now you have two alternatives. Either replace the whole dropper with its several sections, or shunt the defective section with the correct value wire-wound resistor of the right ohmic value. The value is usually marked on the dropper, and always on the circuit diagram. In this case it's 148Ω, so you would fit a replacement of about this value (say between 140 and 160Ω) and with a wattage rating in excess of say 150 times the current squared - 0.3A times 0.3A = 0.09, say 0.1 times 150 = 15W. Most types that are suitable are marked with either their current carrying ability or their safe wattage dissipation.

Getting the correct item is one thing, fitting it is another. Since it dissipates considerable heat, hooking it on with a dab of solder is not quite the thing. It must have a sound

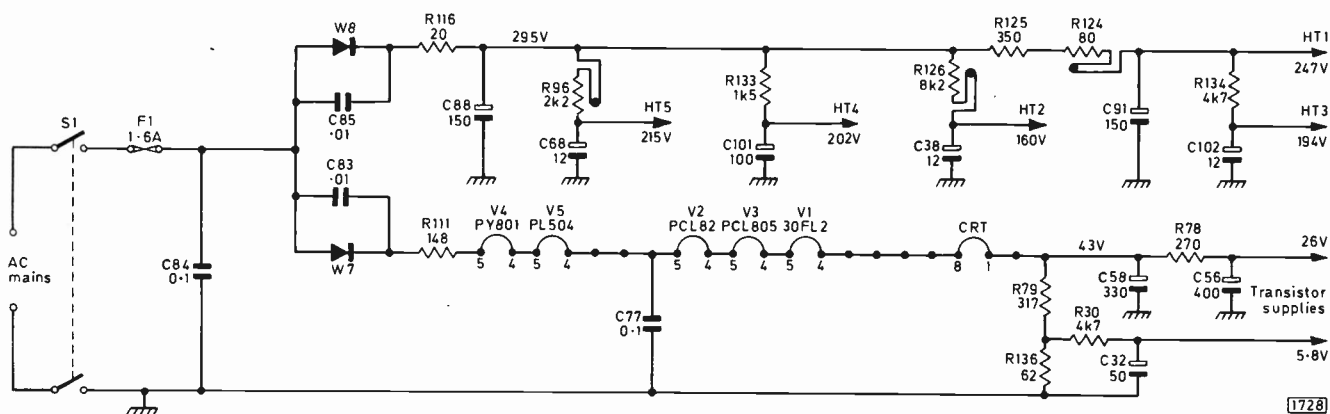


Fig. 1: The power supply circuits of the Thorn 1500 monochrome chassis. Rectifier diode W8 provides the h.t. supplies, with its surge limiter resistor R116, reservoir capacitor C88, and subsequent smoothing circuits to provide the HT1-HT5 rails. Rectifier diode W7, with the dropper resistor R111, feed the valve and tube heaters. The earthy end of the heater chain is connected to chassis via resistors R79 and R136, this arrangement being a convenient way of providing 26V and 5.8V supplies for the transistor circuits. C83 and C85 protect the rectifier diodes against transient spikes on the mains supply (if you look at the mains input waveform on a scope you'll see that it isn't quite of the clean sinewave form you might expect).

mechanical connection, either bolted on with small screws and nuts or connected with stout single 20 gauge or lower copper wire, wound tightly and soldered with high melting point solder.

The Heater Chain

We tend to get so used to the heater circuit dropper resistor in this type of set failing that it comes as some surprise when we find it intact. If you do, where do you go next? You follow the print on the panel along to the first valve base in the chain. This is usually either the efficiency diode (PY800, PY88, PY801 or the like) or the line output valve (PL504, PL500, PL36 or whatever). In this case it's the PY801 efficiency diode. It's only a matter of moments therefore to flit from pin 5 to pin 4 (these are the heater pins on most, not all, valves) to find where the neon fails to light – or your voltmeter fails to record a voltage. Quite often you hit the jackpot first time with pins 4 and 5 of the PY801 (in this case) and you fit a new valve – having ensured that there was no contributory cause for the failure. We will come back to this later. Assume that you are not one of the lucky ones and that the neon bravely glows at both PY801 heater pins. You go on to the PL504, nip smartly down to the bottom right PCL82 – maybe only to find that you also have full glow at pins 4 and 5 here. The circuit shows that the next valve in line is the PCL805, followed by the 30FL2. With a sinking heart you find that the neon still glows. What comes next? Ignoring any little dots on the circuit – these indicate wiring points and junctions – the c.r.t. is next. In the centre, with its neck sticking out invitingly. The heater pins are 1 and 8. If there is a glow at pin 8 but not at pin 1 your worst fears are confirmed, the tube has an open circuit heater. Personally we are such cowards that having found the heater dropper to be intact we always check the tube heater pins next in order to cut short the agony – at the price of being logical. What happens when the tube heater pins also light? That's another story.

Clearing up this story, the heater pins 1 and 8 are on either side of the locating slot on the base socket of tubes having a B8H (eight-pin) base. Pins are counted clockwise from the slot or gap in the case of both tubes and valves.

The Triode Valve

So far we've considered valve heaters and, when we came across rectifiers in Part 1, the cathode and anode. It will be recalled (I hope) that if the anode is connected to a voltage which is positive with respect to the cathode, the electrons given off by the heated cathode will travel through the evacuated valve to the anode and then pass into the external circuit. Just in passing, if there is any gas (air) in the valve this will absorb electrons and the device's efficiency will be impaired – it probably won't function properly at all. There are tell-tale signs: a blueish or purple glow as the vacuum is impaired and, as the amount of air increases, the silvery part of the valve's envelope turns white.

Two-electrode valves (anode and cathode – the heater isn't regarded as an "electrode") are called diodes and do little other than rectify. We need something more elaborate in order to generate, amplify and process signals. If we wind a fine wire in the form of a grid and mount it between the cathode and the anode, close to the cathode, we can use it to influence the flow of current between the cathode and anode – by varying the voltage we apply to this grid. You'd never believe it, but this is called a control grid. A three-

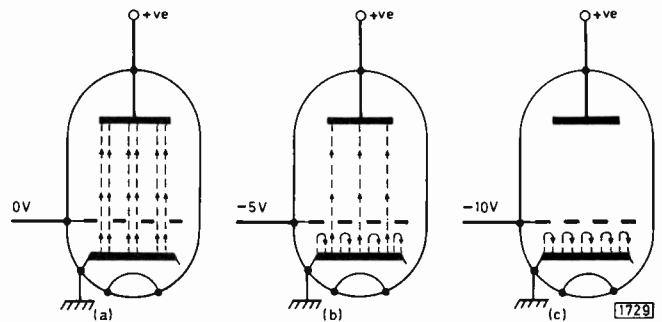


Fig. 2: The triode valve has a control grid between the cathode and the anode. Varying the voltage applied to it varies the current through the valve, as shown here. For maximum effectiveness the control grid is much closer to the cathode than the anode. In practice a bias voltage is applied to the valve in order to set the valve's working point (see later), and the signal waveform to be amplified is superimposed on this.

electrode valve (cathode/grid/anode) is called a triode. If the control grid is short of electrons, i.e. the voltage applied to it is positive with respect to the cathode, it will collect the electrons given off by the cathode and "grid current" will flow. Not at all what we want. So we take care to ensure that the grid is kept negative with respect to the cathode. In this condition it will not only not collect electrons: it will repel them (see Fig. 2), thus reducing the current flow between the cathode and the anode. The more negative we make the grid, the less current will flow through the valve to the anode. Valve action in other words . . . a pause here for cries of disbelief!

Amplification

Since the control grid is close to the cathode, only a small change in control grid voltage is required to produce a large change in anode current. In other words amplification: a small voltage change at the control grid produces a much larger voltage change at the anode – due to the varying anode current flowing through whatever we place as a load in series with the anode (either a resistor or a winding of some sort). See Fig. 3. The triode valve is a handy, simple device which is suitable for many purposes – for example as the line or field oscillator in a television receiver. It has limitations however. Improved results are obtained by inserting another grid between the control grid and the

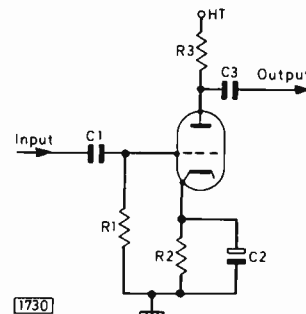


Fig. 3: Basic triode valve amplifier circuit. C1 couples the signal to the control grid, C3 coupling the amplified signal developed across the load resistor R3 to the following circuit. R1 provides a chassis return path for any electrons ending up on the control grid. The bias voltage is developed by R2 in the cathode circuit. The current flow through this makes the cathode positive with respect to the grid, which is effectively the same as applying a separate negative voltage to the grid to make it negative with respect to the cathode. C2 smooths the voltage developed across R2.

Different valves require different operating conditions (voltages on the various electrodes) and these are specified by the valve makers. Obviously valves required to handle large input voltage swings will require more negative bias (as it's called) than those handling small signal swings.

Practical Circuit

As a practical example, consider the field output stage used in the Thorn 1500 circuit (see Fig. 4). The valve here is the pentode section of a PCL805. The job of this section is to turn the sawtooth drive voltage applied to its control grid into a large sawtooth current which is sufficient to drive the scanning spot from the top to the bottom of the screen in a linear manner and then rapidly back to the top (the field flyback, which you don't, or shouldn't, see) ready for the commencement of the next field scan. If this worries you (since we haven't mentioned the field output transformer and the scanning coils and their part in all this) don't let it bother you since at this stage we are concerned only with the even build up of current in the valve and its rapid cut off as the grid is swung heavily negative.

Each type of valve has its own characteristics which can be shown in graphical form. The basic characteristic is a plot of anode current against control grid voltage, showing how the anode current rises from zero as the grid is made less negative (see Fig. 5). The plotted curve is not straight at the start and finish, and if we attempted to make use of the whole of the curve during the scan instead of only the straight part we would have distortion at the beginning and end of the scan, giving very poor linearity at the top and bottom of the picture. In practice this would mean that the picture would be compressed at the top and at the bottom, with the centre appearing normal; or the top or the bottom would be opened out, with wider spacing of the lines which make up the picture.

So we must confine the operation to the nice straight part of the curve. This is where the bias comes in, and timing is important. Timing brings us into realms not yet considered, but we are not concerned with this for the moment. What we are worried about is whether the pentode is working properly.

Loss of Emission

Obviously for a start the valve must have good electron emission from its cathode, otherwise there won't be enough current available to do the job we want it to do. If the cathode's emitting surface is covered with dead material, very few electrons will be emitted and little current will flow, resulting in reduced scan particularly at the bottom (maximum current should flow at the top of the slope of the sawtooth drive voltage applied to the control grid, at which point the scanning spot is being pushed to the bottom of the screen). We have fault possibility number one therefore: a worn valve can cause loss of height, the loss being more apparent at the bottom of the picture as a rule.

Defective Cathode Resistor

There are other and indeed more likely possibilities however. Remember for a start that the valve has to be biased (so that it operates on the straight part of the slope). This can be done in either of two ways. The grid can be made negative by actually applying a negative voltage to it, and again there are several ways of doing this. Or as we have seen the cathode can be made positive with respect to

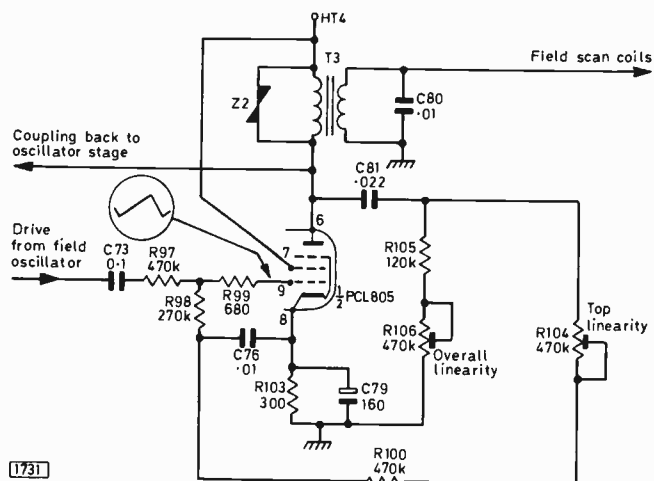


Fig. 4: A practical pentode amplifier circuit: the field output stage used in the Thorn 1500 chassis.

anode. This is termed the screen grid and a positive voltage is applied to it in order to improve the characteristics. The addition of this fourth electrode gives us the tetrode valve. There is still a problem however, since the varying anode potential gives rise to a tendency for the electrons to mill about between the screen grid and the anode. This effect is suppressed by adding a further grid (the suppressor grid . . . oh no!), or a pair of plates, between the screen grid and the anode. In the former case we have the pentode valve, in the latter the beam tetrode. Since the screen grid is supplied with a positive voltage it will collect some of the current flowing from the cathode, whose current equals the combined anode and screen grid currents therefore – the former large and the latter small (if all is well).

Cathode Bias

In practice a resistor may well be connected in series between the valve's cathode and chassis. The idea is that the cathode current, flowing through this resistor, produces a voltage across it – positive with respect to chassis and, if the control grid is returned to chassis, positive with respect to the control grid as well since the control grid does not (or should not) be passing current and there should therefore be no voltage across any resistor(s) connected between the control grid and chassis. Now making the cathode positive with respect to the control grid is the same as making the control grid negative with respect to the cathode – the condition we want.

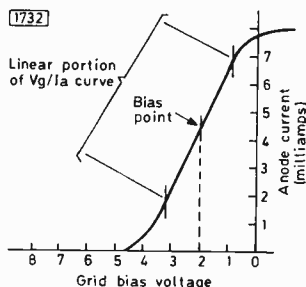


Fig. 5: The basic valve characteristic curve – a plot of anode current against grid voltage. The curve is linear over its centre portion, the bias voltage being used to ensure that the valve operates over this portion of its curve only. For example, if the input signal consists of a 1V peak-to-peak sinewave, then with $-2V$ bias the signal will move the grid voltage between $-1.5V$ and $-2.5V$, well within the linear part of the curve.

the grid, which is the same thing and is more common. The resistor inserted in the cathode circuit for this purpose is of a value determined by dividing the required bias voltage by the current normally flowing in the cathode circuit. This works out at something like 300Ω , usually a little more, depending upon the drive from the preceding stage. In Fig. 4 it's R103 and is in fact 300Ω .

So to fault possibility number two. The bias resistor can change value, either because it feels like it or because of damage done to it by being subjected to a heavy current greater than its rated value. Resistors are rated in Watts, which indicate the maximum power they can dissipate. You will remember that this is calculated by multiplying the voltage by the current. For example, if the current is 100mA (0.1A) and the voltage across the resistor is 20V the resistor would have to be able to dissipate 2W . In fact the current here is about half this, so a 1W resistor would be working flat out and therefore a 2W type would be more comfortable and able to deal with a certain amount of overloading without breaking down.

Safety Features

To digress for a moment, there are some sets in which these bias resistors are so mounted that when they overheat they melt the solder holding them and literally drop off. There are others where the resistor is so made that if an overload is presented it disintegrates in order to prevent further damage (the fact that it is no longer there breaks the circuit). A refinement on this theme is to have a wirewound resistor which can carry the excess current but after heating up sufficiently it melts the solder on a spring which flies open to break the circuit. R96 is an example of this in the 1500 chassis (see Fig. 1), also R124 and R126. The point about this is that it lets you know in which circuit the overload is occurring.

Bypass Capacitor

To get back to the PCL805's cathode resistor however (Fig. 4). You will see that it has a large value capacitor wired across it (C79, $160\mu\text{F}$). The purpose of this is interesting and in fact we have already briefly dwelt upon it when talking about the rising and falling output voltage from a rectifier. We said that to smooth out the voltage a capacitor could be added. This charges and holds most of its charge, thus filling in the troughs in the output from the rectifier and acting as a reservoir when the rectifier is not conducting or as a smoother when the voltage rise and fall is less marked.

Now the bias resistor has a fixed value, but as the current passing through it is varying (as the grid is driven by the sawtooth waveform) the voltage across it must also be varying – unless steps are taken to prevent this. In fact we may sometimes not wish to prevent this, but that's another story. In this case we don't want the bias, i.e. the cathode voltage, to vary and the purpose of the capacitor is to provide the necessary smoothing action: it smooths the voltage across the resistor, and you could say that it decouples it from variations occurring elsewhere.

While the capacitor retains its capacitance the bias is held steady. Unfortunately however several things can happen. The capacitor can "dry up", and it's then no longer what it's supposed to be and therefore cannot do what it's supposed to do. Alternatively, the capacitor may be chemically o.k. but may have parted company with one of its lead out wires. This amounts to the same thing in practice. Further, soldering is not always what it's supposed

to be and the lead out wires may not be making good electrical contact to the circuit (the blobs of solder on the panel). Quite often if a wire is not properly tinned (cleaned and solder dipped) it will make contact all the time it is "clean" but as it is chemically attacked, due to the lack of a soldered bond, the contact becomes poor and we have a "dry-joint" – this is not the result of a strike of brewers' draymen as you previously thought.

Fault possibility number three then: lack of decoupling across the bias resistor causes a drastic loss of height, mainly at the bottom. In fact about a third of the picture may be compressed upwards (but not *folded* up to give a brighter double scan), and the top is affected to a lesser extent.

In fact this third possibility is the most common condition met, and it's only a moment's job to hold another capacitor across the suspect (cathode to chassis) in order to prove it. The rules are simple. Use a capacitor of the same voltage rating or higher (say 25V or more) and of very approximately the same capacitance (say $250\mu\text{F}$). The positive end goes to the cathode, the negative end to chassis or to a convenient earth return (electrolytic capacitors have to be connected the right way round).

Resistor Checks

If the cathode resistor is suspect (and it should be), measure its value with an ohmmeter and examine it for signs of stress – usually shown up by discolouration. If in doubt replace it, as it can cause trouble. If it falls below 300Ω in value it will cause bottom compression with perhaps fold up, and the valve will be over run, thus shortening its life. If it rises in value to say 500Ω , the bottom of the picture will appear to stretch and the top compress, but above this value the overall height will be severely affected and the increased voltage developed across it will strain the decoupling capacitor which may then leak and act as a resistor in its own right, or explode to cause a nasty mess of silver foil and waxed paper (by now dried up) which splatters everywhere.

Field Collapse

It's quite common for the resistor to become completely open-circuit while the capacitor just sits there doing nothing. The net result is a horizontal white line across the centre of the screen since the valve is unable to pass current. This condition (of not passing current) need not be due to a fault in the cathode circuit however. It's usually due to a faulty valve, but a meter check will often prove that there is no h.t. voltage on the anode (pin 6). The first thing then is to check the voltage at pin 7 (screen grid). If this is present then the HT4 supply is intact and the fault is somewhere around the T3 primary winding area.

Notice we didn't say that the T3 primary winding is faulty. It could be, but usually the fault is simply poor contact on the print where the tags are soldered. Close examination often shows a crack around the connections (possibly due to rough handling).

So there you have one example of the use of a pentode valve as an amplifier, and the defects which can spoil its performance. We have not touched on the fault conditions which can affect the control grid, such as leakage through C73 or C81 cancelling the bias, but this will obviously have a similar effect to loss of cathode bias, i.e. bottom compression and fold up.

TO BE CONTINUED

LETTERS

I'd like to follow up A. Denham's excellent article on the hybrid Pye colour chassis in the September issue with the following comments, having had considerable experience of these sets.

Taking the sections of the chassis in the same order as in the article, the clamp diode D39A (type OA47, not present in earlier sets) in the brightness control circuit on the control panel is sometimes responsible for intermittent brightness variations while when it goes short-circuit it prevents the beam limiter working. The luminance d.c. restorer diode D39 can cause a plastic picture with cogging if it becomes leaky. The AC128 driver transistor in the earlier audio modules can be replaced with a silicon device (BC143, BFX88 etc.) with no further alterations, and no heatsink is required.

A fairly common decoder fault is intermittent colour due to C110 and C112 (both 390pF) in the reference oscillator circuit going open-circuit – they provide the base-emitter feedback. C114 (680pF) also gives trouble, causing weak chroma with a 90° phase shift. This capacitor is the lower section of the a.c. potential divider between the reference oscillator and the emitter-follower which comes after it. The easiest way to defeat the colour-killer on the chassis is to remove PL8 and refit it so that only the orange lead connects. On earlier sets the bistable was sometimes reluctant to work if the PL509 or the PY500 was sufficiently low-emission: this can be cured by connecting a 1,000pF capacitor across the trigger pulse coupling resistor R153 so as to partially differentiate the pulse. Another problem on earlier decoders was the burst gate pulse transformer L28 which provided a very narrow pulse: it's worthwhile replacing it with the later type which has a single winding and gives a broader pulse.

The CDA panel has always been the main trouble spot with these sets. Most of the trouble can be cured by a very simple modification however: reduce the values of the colour-difference output pentode grid leak resistors R380/1/2 from 2.2M Ω to 680k Ω . This prevents the PCL84s drawing grid current and the 12k Ω anode load resistors overheating. It's an idea to reduce the value of the luminance output pentode's grid leak resistor R352 from 4.7M Ω to 2.2M Ω for the same reason. A 6F28 makes a good replacement for the PL802 if the latter is not to hand – but cut the print to pin 6 or R356 and R357 will disappear in a cloud of smoke!

These sets and a few others using PCL84 colour-difference output stage/clamp circuits suffer from coloured smearing when the tube emission gets a bit low – usually two green bars on the test card when the contrast and/or the colour are turned up. This effect is due to the c.r.t. passing grid current via the 8.2M Ω clamp triode anode load resistors. It can be cured by increasing the values of the colour-difference signal coupling capacitors C368/9/70 from 680pF to 0.01 μ F, thus increasing the time-constant of the clamp circuits to more than a field period. First check that the first anode preset controls are not turned right down however.

In the field timebase, D45 (OA47) between the blocking oscillator and the field charging circuit can be responsible for excessive height, as also can the driver transistor VT25 (AC128) if it's leaky between its collector and base. With both these faults the set-white switch will not completely

collapse the field. VT25 can be replaced by a silicon device (e.g. BC126) provided a silicon diode is connected in the emitter lead of the lower output transistor VT27, with its anode to VT27's emitter for forward bias. Lack of height, with top and bottom cramping, is usually due to C455 (400 μ F) going open-circuit. It provides the a.c. return path for the field scan current and is mounted on the convergence panel. Lack of height with no cramping is usually the 20V zener diode D52 in the power supply section. Intermittent field bounce and loss of sync is sometimes due to the field sync pulse integrating capacitor C41 (0.0047 μ F) and interlace diode D4 (BA155) which are both on the i.f. panel.

Finally, a few headaches!

Weak field sync and bent verticals, with the sync separator transistor's (VT7, i.f. panel) collector voltage high, occurs when the value of the contrast control increases to around 2k Ω . The result is that all the signal is developed in the emitter circuit of the second phase splitter transistor, leaving nothing in its collector circuit for feeding to the sync separator transistor.

No raster with negative voltages at the c.r.t. grids is the result when the 295V h.t. rail smoothing capacitor C315 (300 μ F) goes open-circuit. Line pulses then appear on the h.t. rail and are d.c. restored by the CDA clamps so that negative voltages appear at the anodes of the PCL84 triodes.

Overloading and weak sync with the a.g.c. working occurs when the gain of the final i.f. amplifier transistor VT4 (BF197) is very low. This results in the sync pulses being clipped, so that insufficient a.g.c. is developed. – M. Phelan, *Holmfirth, W. Yorkshire.*

HALF MAINS VOLTAGE?

Many current television chassis use a transformerless bridge rectifier in the mains h.t. supply circuit in order to overcome the derating effect which half-wave rectification has on electricity supply generators, and technicians working on such receivers should be aware of the shock potential this arrangement presents – i.e. from chassis to earth.

The basic circuit is shown in Fig. 1. It has been stated in many places that the a.c. voltage present between the chassis and earth is half that of the mains, i.e. 120V a.c. On inspection however this turns out not to be the case. If we take voltage measurements with an Avo Model 8 on the 300V a.c. range we duly find 240V a.c. mains input (points A-B), and 120V a.c. between chassis and earth. But what must be remembered is that although the scale is calibrated in r.m.s. the meter reads mean values. So what is the meter telling us? Basically the Avo Model 8 and most other a.c. multimeters depend on the waveform being truly sinusoidal. If it's not, the form factor of the waveform must be taken into account. The same measurements made with a moving-iron meter, which indicates the true r.m.s. value, gives 240V a.c. across the mains but 170V a.c. from chassis to earth, a difference of 50V a.c. Which meter are we to believe?

Using an oscilloscope to see the mains and the chassis-earth waveforms we find that the peak-to-peak value of the latter approaches that of the mains supply while, as Fig. 2 shows, when the two are superimposed the effective power of the mains is not substantially greater.

To demonstrate the power involved, take two 25W 240V bulbs. Power one from a 120V a.c. source (measured with an Avo Model 8 and a moving-iron meter) obtained from a variac as shown in Fig. 3, and connect the other between chassis and earth. It will be found that the 120V half mains

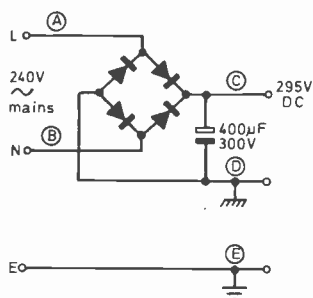


Fig. 1.

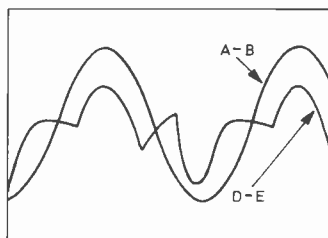
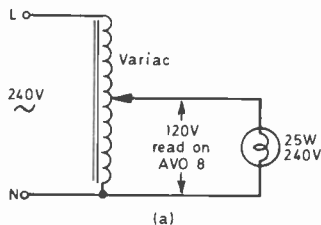
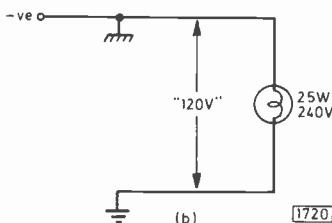


Fig. 2.

1719



(a)



(b)

1720

Fig. 3.

bulb just glows whereas the chassis-earth bulb shines quite brightly. As the bulbs respond to power and not to the shapes of the current or voltage waveforms, we have here perhaps a true indication of the shock potential. Using a photographic light meter to measure the relative light outputs, the 120V half mains bulb gave a reading of $7\frac{1}{2}$ and the chassis-earth bulb $9\frac{1}{2}$, two steps higher which indicates four times the light output.

Technicians working on such receivers should treat the receiver chassis in the same way as the mains therefore, and not believe the "half mains" reading given by their meters. — **T. I. Birnie, Tech (CEI), AMSERT, Lancaster.**

Editorial comment: That chassis-earth waveform looks as if it's due to the use of a thyristor regulated power supply following the bridge. Readers comments on this subject would be welcome.

SPLITTER PROBLEMS

In the August issue you gave advice in Your Problems Solved on connecting two aerials which are receiving two different transmitters to a common downlead. There can be problems however when using a resistive star matched splitter as suggested. Both aerials will pick up a certain amount of signal from say transmitter A. The aerial intended for transmitter A will of course be of the correct frequency group and pointed in the right direction, thus delivering the greater output voltage, but a smaller signal voltage will also be fed to the splitter by aerial B. Now depending on the relative phases of the two signals fed to the splitter an addition or subtraction process can occur. Thus the signal arriving at the receiver may be less than what you would expect as a result of the normal loss incurred by an arrangement of this sort. The aerial for transmitter B would probably be of a different group and pointing in another direction, but even so from my experience an appreciable signal can be obtained from an aerial of the wrong group receiving broadside on to the transmitter.

One cure for this is to cut the lengths of the coaxial leads from each aerial so that an in-phase condition is achieved, but in practice this is not so easy. In my own case I've solved the problem by having two separate downleads to the rear of the set, with an aerial changeover switch at the back of the set. — **B. C. Alabaster (Haverfordwest, Pems).**

next month in Television

● TEN YEARS OF COLOUR!

Next month's issue is a special one to commemorate ten years of colour TV broadcasting in the UK. Pat Hawker sets the scene with an account of the debate over the choice of colour system — whether to go for NTSC, SECAM, PAL or one of the other variants. E. Trundle describes ten years' experience of servicing colour receivers, from the early valved monsters to today's solid-state, slim-line sets with in-line gun c.r.t.s. And Harold Peters takes you behind the scenes with an account of the problems the setmakers have had to solve.

● VCR SERVO FAULTS

Dealing with faults in VCR servo circuits is a relatively new aspect of the servicing scene. Steve Beeching describes a logical approach to finding out where the trouble lies in the twin servo (head and capstan) system used in the Philips N1500 series of VCRs.

● CO-CHANNEL NOTCH FILTER

In some locations different ITV programmes are available on the same channel. Whichever is selected, there is the problem of co-channel interference. The vision carrier offset makes it possible to use a notch filter to reduce the interference however. Alan Latham describes an interesting RC notch filter with an f.e.t. amplifier to increase the Q factor. This can be inserted in the luminance channel.

PLUS ALL THE REGULAR FEATURES

ORDER YOUR COPY ON THE FORM BELOW:-

TO.....
(Name of Newsagent)

Please reserve/deliver the DECEMBER issue of TELEVISION (50p), on sale November 21st, and continue every month until further notice.

NAME.....

ADDRESS.....

Your PROBLEMS solved

Requests for advice in dealing with servicing problems must be accompanied by a 50p postal order (made out to IPC Magazines Ltd.), the query coupon from page 49 and a stamped addressed envelope. We can deal with only one query at a time. We regret that we cannot supply service sheets nor answer queries over the telephone.

TELEFUNKEN 511/711 CHASSIS

The set was bought in Germany in 1975. The fault is that the picture bends to the right, the bend moving up or down the screen. There is only one bend on the screen at any time, the shift being about half an inch – slightly larger to the right than to the left of the screen.

As the set is of continental origin it's probably set up for the lower continental mains voltage (220V). Consequently operation in the UK may have resulted in the premature failure of components in the power supply, resulting in the hum bar described. A number of components can be responsible, those usually failing being in the electronic smoothing circuit centred around T421 (2N3055). Check this transistor, and the associated transistors T422 (BD137) and T423 (BC182A), for leakage – usually from the collector to the emitter. If all is well, check R434 (56k Ω) in T423's base circuit – it tends to go open-circuit – and the 43V zener diode D426 which sometimes goes short-circuit. If the trouble persists, check C427 (10 μ F) and the reservoir capacitor C428 (1,000 μ F) for low capacitance – they are often responsible for a slight hum bar.

Having located the fault, it's most important to set up the power lines correctly. Set R403 for 12V between test point M401 and chassis, then R421 for 174V between M421 and chassis. The set should then operate more satisfactorily on the 240V mains supply.

ITT VC200 CHASSIS

The set takes anything from three to ten minutes to come on, because the line timebase is slow to start working. All the line timebase valves have been replaced.

C124, C126 and C127 in the line oscillator circuit can all be responsible for this, especially if they are of the polystyrene (see through) type. Check also the high-value resistors (R159A and B) in the width circuit, replacing them if necessary with a single 10M Ω , 2W high-stability resistor.

THORN 8500 CHASSIS

The height has reduced to a band about two inches high across the centre of the screen, the extreme top and bottom of the picture appearing to be folded over. Adjustment of the height control to maximum increases the height of the upper half of the picture by about a quarter of an inch.

This fault could lie almost anywhere in the field timebase unfortunately, but most faults occur in the driver and output

stages. The voltage at TP25, the centre point of the output circuit, is a good guide to the health of the preamplifier, driver and output transistors, VT408-VT411. It should be about 24V. If incorrect, remove the driver transistor VT409 and the output pair VT410 and VT411 and check them with a transistor tester. The simplest oscilloscope will display waveforms 27 and 28 – the field charging and output waveforms – and should be a great help in diagnosis.

DECCA 30 SERIES

After about ten minutes the green background control has to be adjusted as the picture goes very green. Later, the control has to be readjusted as the set settles down to normal working. Narrow green bands also occasionally flicker on and off.

A defective green output transistor (TR216) is often responsible, but its load resistor R297 is worth checking as well. Dry-joints on the board in the area around TR216 could be causing the problem, and the MC1327P i.c. is a remote possibility. Check the condition of the controls (VR317 and VR321) in the green output transistor's emitter circuit as well.

THORN 1400 CHASSIS

The trouble with this set is intermittent field collapse. After spending some hours checking and searching in the field timebase circuit however I can find nothing wrong. The set sometimes works all right for five minutes or so, at other times for half an hour. Tilting the set or tapping the cabinet restores the field scan, but I can't find any loose connections or faulty valves.

The fault is not necessarily in the field timebase itself. There is a separate h.t. supply (HT3) for the field output pentode for example (it comes from the centre section, R135, of the dropper resistor), while the oscillator triode is supplied from the boost line. Check whether these supplies are present when the fault occurs. Then check the print in the area of the field output transformer – this heavy component stresses the printed board, causing hairline cracks. Check the PCL805's valveholder – change it if in doubt. If all else fails, the trouble should come to light by monitoring the PCL805 voltages while tapping the board in the vicinity of the valve.

RANK A823 CHASSIS

The problem was sound but no raster. The 20V supply to the scan panel was found to be missing, with the feed resistor 8R2 on the power supply panel open-circuit. Replacing 8R2 produced a picture, but this collapsed twice so we switched off. We then found that the BD131 line driver transistor was short-circuit from collector to emitter – hence the original absence of the 20V rail and the open-circuit 8R2. The d.c. resistance of the line driver transformer's primary winding is only 0.2 Ω . Is this correct or should the transformer be replaced along with the driver transistor?

It's unlikely that the driver transformer is faulty. D.C. resistance readings are not quoted in the manual, but they would be small. What is more likely is that the driver transistor became defective due to failure of one of the damping components across the driver transformer's primary winding. These are 5C25 (0.22 μ F) and 5R35 (22 Ω). These can develop intermittent faults, so replacement of both, with adequately rated parts and a new BD131, should cure the trouble.

HB ELECTRONICS

22 Newland Street, Kettering, Northants.
 Mail order, phone Kettering 83922.
 All other enquiries Kettering 520910.
 Shop open, Monday to Saturday 9.00 to 6.00.
 Early closing Thursday 1.00 p.m.
 Closed daily for lunch 1.00 to 2.00.

PROBABLY THE LARGEST ALL
 ELECTRONICS STORE IN THE
 UK WITH 1000'S OF SQUARE
 FEET DEVOTED TO THE BEST
 IN CONSTRUCTIONAL
 ELECTRONICS.

TELETEXT DECODER

TEXAS INSTRUMENTS XM-11 TELETEXT DECODER MODULE NOW AVAILABLE ON THE AMATEUR MARKET

Special arrangements with Texas now make this purpose designed decoder available to the non-professional user.
 DAILY TELETEXT DEMONSTRATIONS NOW RUNNING IN OUR SHOWROOM.

DECODER FEATURES:

- Character rounding
- Alphanumerics
- Graphics
- Flashing display
- Update facility
- Date and Time on screen
- Boxed display
- Sound muting
- Seven colour display
- Upper and lower case characters

Full colour teletext decoding for less than the cost of discrete - Black and White only - designs.

£132.00 + 12½% VAT

Send SAE for further details. Installation advice and assistance freely available.

FULL COLOUR T.V. GAMES

NATIONAL'S FULL COLOUR TV GAME

CHIP SET SK 1122

Why settle for Black and White games or 'quasi colour' when the real thing is here now?

Six exciting colour video games on ordinary colour TV receivers as featured in this magazine.

Balls, paddles, scores, borders and background are each presented in their own vivid colour, with different combinations for each game; hit, border and scoring sounds are also generated during operation for greater realism.

Chip Set Complete.....£21.00 + 12½% VAT includes the three game chips, plus selected voltage regulator, plus all other semiconductors.

Send 30p for further details of the chips and colour TV game kit.

LOW COST CMOS

THE AWAITED BREAKTHROUGH IN CMOS PRICES IS HERE!

Brand new full spec devices fully guaranteed at prices you'll not believe.

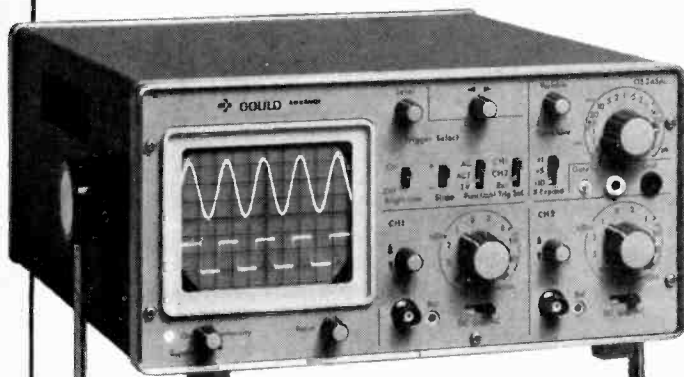
And an SAE brings details of even lower quantity mix prices and functional details of all the super MSI and LSI devices that are available.

CMOS data book available with pin outs, diagrams and circuits etc. Hundreds of pages for only £4.25

4000	.16	4044	.93	4440	13.93
4001	.16	4046	1.23	4450	3.22
4002	.16	4049	.39	4451	3.22
4006	1.00	4050	.39	4490	7.83
4007	.16	4051	.85	4501	.16
4008	.91	4052	.86	4502	.81
4011	.16	4053	.85	4503	.67
4012	.16	4066	.57	4507	.34
4013	.39	4068	.16	4508	2.27
4014	.94	4069	.16	4510	1.14
4015	.94	4070	.16	4511	1.42
4016	.43	4071	.16	4512	1.05
4017	.94	4072	.16	4516	1.14
4018	.94	4073	.16	4517	3.37
4020	1.04	4075	.16	4521	1.78
4021	.94	4076	1.21	4522	1.31
4022	.85	4077	.16	4526	1.11
4023	.16	4078	.16	4527	1.49
4024	.69	4081	.16	4528	.98
4025	.16	4082	.16	4529	1.08
4027	.46	4093	.57	4530	.64
4028	.84	4160	1.08	4536	3.30
4032	.94	4161	1.08	4541	1.27
4035	1.02	4162	1.08	4543	1.47
4038	.99	4163	1.08	4553	3.96
4040	1.03	4174	.98	4557	3.81
4042	.69	4175	.90	4566	1.32
4043	.93	4194	1.07	4583	.70
				4584	.56

GOULD ADVANCE OS245A

A professional-quality, dual-trace oscilloscope for just £175.00 (+VAT)



Fault finding, circuit testing or servicing!
 An oscilloscope is indispensable. Saves time and costly mistakes and enables you to tackle more ambitious electronic projects. Gould Advance offer you this professional-quality, dual-trace instrument at a price which brings it within reach of every enthusiast. Just look at these great Gould Advance features — then compare the OS245A for value, and send for yours today!

- ★ DC-10MHz Bandwidth ★ 5mV/div. sensitivity
- ★ Dual-trace ★ Time-base speed to 100ns/div.
- ★ Clear controls, simple operation
- ★ 4" CRT with 8 x 10 div.
- ★ Full 2 year guarantee with every instrument



**ONLY
 £175
 +VAT**



GOULD ADVANCE

To M. Connah, Gould Advance Ltd., Roebuck Road, Hainault, Essex, IG6 3UE. Telephone: 01-500 1000.
 Please send me an OS245A Oscilloscope.
 I enclose herewith cheque for £192.24 (price includes VAT, post and packing). Please make cheques payable to Gould Advance Ltd.

NAME _____

ADDRESS _____

Block Capitals
 Please

T/11.77

TTLs by TEXAS	74105	60p	C-MOS ICs	OP AMPS	TBA651	275p	BFX86/7/8	30p	2N3053	22p	VOLTAGE REGULATORS	(Plastic) Fixed
7400	16p	74107	36p	4000	1458	75p	BFY50	22p	2N3054	65p	1 Amp + ve	5V 7805
7400	30p	74109	70p	4001	301A	40p	BFY51	22p	2N3055	65p	1 Amp - ve	5V 7905
7400	32p	74110	55p	4002	3130	100p	BFY52	22p	2N3442	151p	12V 7812	130p
7400	32p	74111	80p	4006	3140	105p	BR39	45p	2N3702/3	14p	12V 7912	200p
7401	18p	74116	220p	4007	3900	70p	BSX19/20	20p	2N3704/5	14p	15V 7815	130p
7402	18p	74118	90p	4009	LM324N	130p	BT106	140p	2N3706/7	14p	15V 7915	200p
7403	18p	74120	90p	4011	LM339N	225p	BU108	31p	2N3773	320p	18V 7818	150p
7404	24p	74121	30p	4012	703	40p	BU108	31p	2N3819	27p	24V 7824	150p
7404	24p	74122	53p	4013	555	741	MJ2955	130p	2N3820	50p		
7404	24p	74123	73p	4014	110p	747	MJE340	70p	2N3823	54p		
7405	25p	74125	70p	4015	120p	748	MJE340	70p	2N3866	95p		
7406	45p	74126	76p	4016	54p		MJE3055	97p	2N3904/5	22p		
7407	45p	74128	90p	4017	110p		MPF102/3	40p	2N3906	22p		
7408	25p	74132	76p	4018	120p		MPF104/5	40p	2N4060	12p		
7409	27p	74136	81p	4019	54p		MPSA06	37p	2N4123/4	22p		
7410	18p	74141	85p	4020	95p		MPSA12	61p	2N4125/6	22p		
7410	30p	74142	300p	4022	100p		MPSA56	37p	2N4401/3	34p		
7411	28p	74145	90p	4023	21p		MPSU06	78p	2N4427	97p		
7412	28p	74147	275p	4024	75p		MPSU56	98p	2N4487	64p		
7413	36p	74148	173p	4025	21p		OC28	90p	2N5296	65p		
7414	96p	74150	135p	4028	220p		OC35/36	90p	2N5457/8	40p		
7416	35p	74151	77p	4027	81p		OC71	30p	2N5459	40p		
7417	40p	74153	92p	4028	152p		R2008B	225p	2N6027	60p		
7420	15p	74154	164p	4029	120p		R2010B	225p	2N6247	200p		
7421	45p	74155	97p	4030	59p		TIP29A	50p	2N6254	140p		
7422	27p	74156	97p	4040	130p		TIP29C	62p	2N6292	70p		
7423	36p	74157	96p	4042	90p		TIP30A	80p	3N140	105p		
7425	33p	74158	160p	4043	100p		TIP30C	72p	3N141	97p		
7427	40p	74159	220p	4046	150p		TIP31A	56p	3N187	200p		
7430	18p	74160	120p	4047	110p		TIP31C	63p	40361/2	45p		
7432	34p	74161	120p	4049	68p		TIP32A	68p	40409/10	65p		
7437	37p	74162	120p	4050	54p		TIP32A	63p	40411	325p		
7438	37p	74163	130p	4052	140p		TIP33A	85p	40594	90p		
7440	18p	74164	130p	4055	140p		TIP34A	70p	40595	97p		
7441	85p	74165	150p	4056	145p		TIP41C	84p	40673	70p		
7442	75p	74166	136p	4060	120p		TIP42A	76p				
7443	130p	74167	340p	4069	40p		TIP42C	96p				
7444	130p	74170	250p	4072	25p		TIP2955	76p				
7445	108p	74173	160p	4071	29p		TIS43	40p				
7446	108p	74174	130p	4081	25p		TIS93	12p				
7447	90p	74175	92p	4082	29p		ZTX108	12p				
7448	90p	74176	130p	4093	95p		ZTX300	16p				
7450	18p	74177	130p	4510	142p		ZTX500	20p				
7451	18p	74180	118p	4511	160p		2N697	25p				
7453	18p	74181	324p	4516	140p		2N698	40p				
7454	18p	74182	88p	4518	140p		2N706/8	22p				
7460	20p	74185	144p	4528	130p		2N918	43p				
7470	32p	74186	95p	4553	575p		2N930	19p				
7472	32p	74190	155p				2N1131/2	25p				
7473	37p	74191	160p				2N1304/5	75p				
7474	37p	74192	130p				2N1613	22p				
7475	48p	74193	130p				2N1711	22p				
7476	37p	74194	130p				2N1893	32p				
7480	54p	74195	104p				2N2180	120p				
7481	108p	74196	130p				2N2219	22p				
7482	85p	74197	130p				2N2222	22p				
7483	95p	74198	214p				2N2369	15p				
7484	103p	74199	214p				2N2484	52p				
7485	130p	74221	175p				2N2804/A	22p				
7486	36p	74251	151p				2N2905/A	22p				
7489	340p	74265	97p				2N2906/A	22p				
7490	43p	74278	314p				2N2926RB	9p				
7491	90p	74279	151p				2N2926YG	11p				
7492	55p	74283	205p									
7493	43p	74290	162p									
7494	96p	74293	162p									
7495	75p	74298	216p									
7496	90p	74365	162p									
7497	340p	74366	162p									
74100	116p	74390	216p									
74104	60p	74393	243p									

TELETEXT DECODER

(as being featured in current issue)

SPECIAL OFFER TO CONSTRUCTORS AT REDUCED PRICES:-

- 1) Power Supply Unit kit **£19.00 inc.**
- 2) Input Logic Card kit **£14.25 inc.**
- 3) Memory Board kit **£20.20 inc.**

Above kits contain all the components as listed in each article except P.C.B.s.

DISPLAY CARD KIT

All Resistors, Presets and Capacitors

3 - OA90	1 - 7402	1 - 7490
1 - 74165	1 - 7400	1 - 74121
1 - SN74S262N	1 - 7408	1 - 74123
1 - 74153	1 - 7404	2 - 74177
3 - 7474	1 - 7492	20 - Soldercon
2 - 7412	1 - 7473	Pins

Complete Kit as above **£25.00 inc.**
ALL ICs BY TEXAS INSTRUMENTS
All First Grade Branded Products Only

VAT INCLUSIVE PRICES Add 25p P. & P.
MAIL ORDER ONLY Govt., Colleges orders accepted

TECHNOMATIC LIMITED

54 Sandhurst Road, London NW9. Tel. 01-204 4333
Telex: 922800

PYE 713 CHASSIS

The fault seems to be tuner drift. The picture appears in monochrome when the set is switched on, gradually drifting until a full-colour picture is achieved. Pressing the tuning button fully home to switch off the a.f.c., then tuning in the station and releasing the button, results in an off-tune picture - the picture can be tuned in only when the button is not pressed fully home.

The trouble could be in the TCA270Q i.c. which provides the a.f.c. potential, but before replacing this we suggest you check R209 (22kΩ) which feeds the TAA550 stabiliser i.c., then the stabiliser i.c. itself, and also make sure that there is good contact on the 100kΩ tuning head potentiometers.

DECCA SERIES 10/30

There are alternate vertical light and dark bands on the left-hand side of the screen. The line linearity coil damping resistor R487 has been changed, but the fault persists.

The usual cause of this trouble, apart from the resistor you've changed, is a poor connection to the linearity coil. Check that it's intact, with no dry-joints, then check the line output valve's screen grid decoupling capacitor C432. Try connecting a 250pF, 12kV capacitor from the slider of the focus control to chassis, i.e. across R470. If necessary, check the line blanking circuit.

BAIRD 700 CHASSIS

The trouble with one of these dual-standard colour sets is lack of width and insufficient brightness - on both systems. The set e.h.t. controls are both at maximum, and replacing

the line timebase valves has made no improvement.

The trouble is usually due to the two high-value (2.7MΩ), series-connected resistors in the width circuit (R486A and B). Check whether they have increased in value. Also check the 1.8MΩ resistor which links the width v.d.r. to the PL509's control grid circuit if necessary.

DECCA CTV25

The problem is a red band down the right-hand side of the screen. The band is about three inches wide and ragged when the set is switched on, but after warming up the band covers half the screen, with a sharp edge. The picture on the other half of the screen is fair, but doesn't have any white in it while the background is tinted green. I've changed the three PCL84 colour-difference output valves and checked that the decoder board is properly earthed. When the receiver is tuned off station there is a split-screen effect, with the left-hand side dark and the right-hand side illuminated.

We presume from what you say that the fault is still present with the colour turned down. In this case the trouble would seem to be in the flyback blanking circuit in the PL802 luminance output pentode's cathode circuit. This can be checked by shorting out the blanking transistor TR204 - from collector to emitter. If this restores the picture to normal, though with flyback lines visible, check TR204, its base-emitter junction protection diode D203 and the associated components. If the fault remains, check the components in the R-Y PCL84's anode circuit - R663/C647/R664 - and C401 which decouples the feed to the c.r.t. first anode presets in the line output stage.

PYE 697 CHASSIS

We are having difficulty tracing a short-circuit immediately the set is switched on. It blew the printed circuit foil from pin 2 of the multi-plug back to the 2.5A mains fuse right off the board. The capacitors in the power supply, also C224 in the line output stage (boost rail decoupling) and all valves have been checked.

There are only a few things which will cause this severe blowing. The first is the mains filter capacitor C301, on the rear of the on/off switch, secondly a short between the print tracks around the fuse on the top of the panel – this requires removal of the tracks, then wiring the fuse holder separately from the edge connectors. Thirdly there's the h.t. rectifier (BY127) and just possibly its parallel protection capacitor (C304). A short-circuit l.t. bridge rectifier would blow the fuse, but not so violently – and the h.t. rectifier doesn't normally go short-circuit. If C301 is not short-circuit

therefore (disconnect to prove) probably either the on/off switch is internally shorted (it follows the mains fuse in these sets) or the print at the top of the panel is at fault.

THORN 8500 CHASSIS

The convergence on this set is faulty, the first three vertical lines on the test card appearing in the primary colours, with red on the right. Except for slight misconvergence at the extreme right-hand edge, the rest of the picture is perfect.

The problem is due to an R/G line convergence error and is usually cleared by adjusting the R/G amplitude and tilt controls R503 and L502 at the bottom right-hand corner of the tube-mounted convergence panel. Intermittent operation of R503 usually means that it has gone "noisy" and is in need of replacement. If you cannot get correct convergence and R503 is intact, the clamp diode W501 is suspect.

It was noticed that the receiver would function normally for quite a long time with its back removed, so the fault was certainly a temperature-sensitive one.

Various other tests in and round the line timebase circuit were conducted and it was not until one other component was examined in greater detail that the fault came to light. What else could cause the trouble? See next month's Television for the solution and for a further item in the Test Case series.

SOLUTION TO TEST CASE 178

– Page 666 last month –

The HMV Model 2647 in last month's Test Case has earthing interconnections coupling the front control panel, the shields of the tuners, and the external conductive coating of the picture tube. This group of interconnections is then taken to chassis via a wrap-round type of connection. By pulling on this the symptoms could be temporarily cleared.

There was clearly a high-resistance joint here which was in some way causing the supply ripple to be increased due to the minute current flowing. It has been known before for wrap-round connections to develop a diode effect, and this could well have been happening in this case. Anyway, the symptoms were completely cleared by remaking the connection and soldering.

QUERY COUPON

Available until 21 November 1977. One coupon, plus a 50p (inc. VAT) postal order, must accompany EACH PROBLEM sent in accordance with the notice on page 46.

TELEVISION NOV 1977



Each month we provide an interesting case of television servicing to exercise your ingenuity. These are not trick questions but are based on actual practical faults.

The problem with an early Thorn 1500 chassis was line drift. When the receiver was first switched on all was well for an hour or so, but after this time the picture would start tearing horizontally.

The chassis employs flywheel line sync, so attention was directed to this area, including replacement of any resistors and capacitors which, if changed in value with temperature, could cause a change in the line oscillator frequency. Replacements were made using high-stability components. These certainly helped to increase the stability, but the trouble still returned eventually.

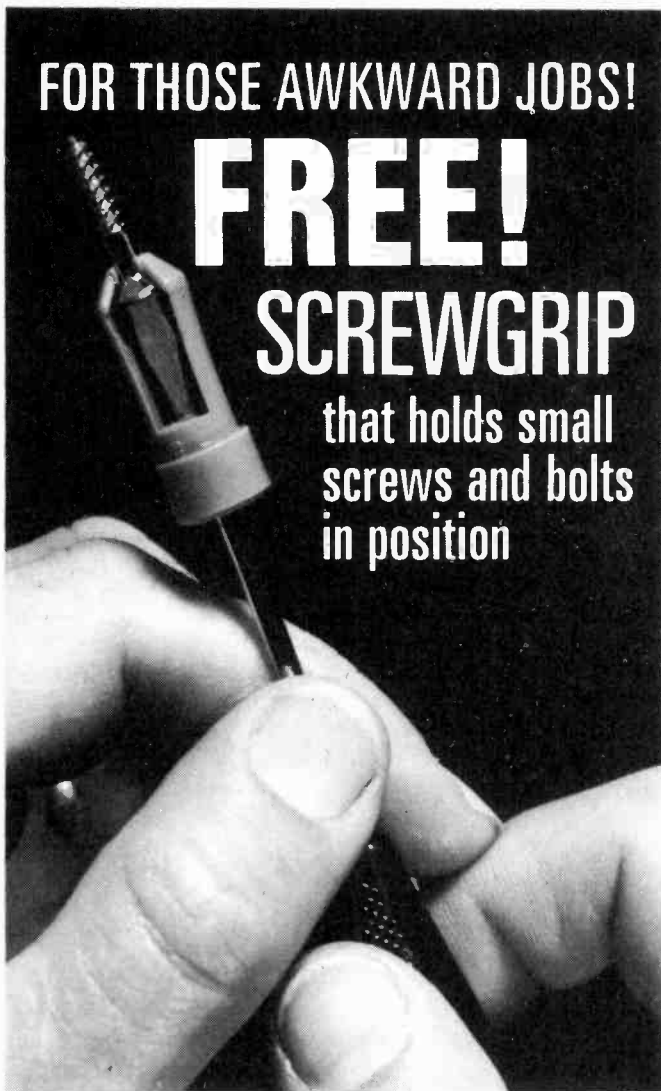
The circuit includes a d.c. amplifier transistor (VT10, BC109). Any d.c. drift introduced by this device could well cause the trouble, so this transistor was also replaced. This again helped, but failed to cure the trouble completely.

Published on approximately the 22nd of each month by IPC Magazines Limited, Fleetway House, Farringdon Street, London EC4A 4AD. Filmsetting by Pacesetters, London SE1. Printed in England by Carlisle Web Offset, Newtown Trading Estate, Carlisle. Distributed by IPC Business Press (Sales and Distribution) Ltd., 40 Bowling Green Lane, London EC1R 0NE. Sole Agents for Australia and New Zealand – Gordon and Gotch (A/sia) Ltd.; South Africa – Central News Agency Ltd. "Television" is sold subject to the following conditions, namely that it shall not, without the written consent of the Publishers first having been given, be lent, resold, hired out or otherwise disposed of by way of Trade at more than the recommended selling price shown on the cover, excluding Eire where the selling price is subject to VAT, and that it shall not be lent, resold, hired out or otherwise disposed of in a mutilated condition or in any unauthorised cover by way of Trade or affixed to or as part of any publication or advertising, literary or pictorial matter whatsoever.

FOR THOSE AWKWARD JOBS!

FREE! SCREWGRIP

that holds small
screws and bolts
in position



AND

FREE 48-PAGE HEATING SUPPLEMENT

Cut costs and keep cosy. That's the message for this winter. See what various heat sources are costing, ways of reducing expenditure and still staying warm – and a new gas-fired central-heating system that saves you money *automatically*. Great value!

Also home electrics info, design for a super bathroom, building a luxury kitchen and many more real money-saving projects.

FREE-ENTRY £1,000 VALUE COMPETITION

Home insulation products as prizes.

ALL IN
PRACTICAL

HOUSEHOLDER

NOVEMBER ISSUE OUT NOW 30p

TELEVISION ELECTRONIC DISTRIBUTION (SPARES) LTD.

412a Hanworth Road, Hounslow, Middlesex
Telephone: 01-572 4668

PANEL REPAIR/EXCHANGE SERVICE TRADE ONLY

THORN 2000 Series, 3000/3500 Series,
8000/8500 Series.

GEC Solid State 2110 Series.

PHILIPS G8

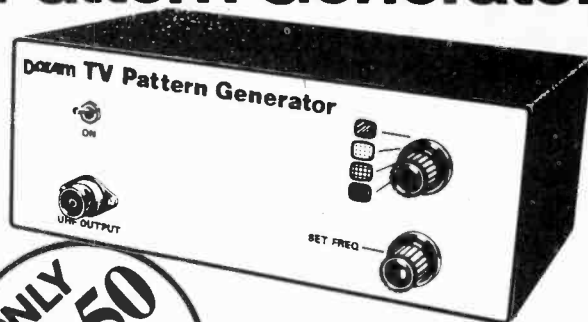
RBM A802/823

DECCA Solid State 80 Series

GRUNDIG 6010 GB

VERY COMPETITIVE PRICES. 3 MONTHS' WARRANTY FROM DATE OF OUR INVOICE. PRICES ON APPLICATION. DISCOUNT FOR BULK PANEL ORDERS. 10 MIXED LESS 10%, 15 MIXED LESS 12½%, 25 MIXED LESS 15%, 100 MIXED LESS 20% – NO DISCOUNT ON REPRINTS. 48 HOUR SERVICE WHEREVER POSSIBLE. ALSO VERY COMPREHENSIVE RANGE OF MULLARD TV COMPONENTS, CATALOGUE AVAILABLE ON REQUEST.

TV Crosshatch & Pattern Generator



ONLY
£34.50
+8% VAT
ORDER CODE
60-660-2

Built Tested and Guaranteed

or in D.I.Y. kit form £23.95+8% VAT
ORDER CODE 60-661-9

Only requires connection to UHF aerial socket and to the mains. The generator has its own pulse generator and UHF modulator producing fully interlaced scan, 625 lines. Frequency is adjusted using visual display on TV screen to lock line and frame sync. Select Blank raster, dots, greyscale or crosshatch to set static and dynamic convergence, geometry, focus, beam limiting, black level clamp etc. etc.

Allow 28 days delivery

DORAM Overseas orders—add 15% for p & p. All items offered for sale subject to the terms of business as set out in Doram Edition 4 catalogue. Why not send for this FREE catalogue (enclosing 20p p & p) containing over 3000 components and 35 kits? The comprehensive Doram range offers everything for the home constructor from simple resistors to complete L.S.I., despatched via our speedy mail service.

An Electrocomponents Group Company

Get a great deal from Marshall's

A. MARSHALL (LONDON) LTD. Dept: TV
LONDON - 40-42 Cricklewood Broadway, NW2 3ET
Tel: 01-452 0161/2 Telex: 21492
& 325 Edgware Road, W2. Tel: 01-723 4242/3.
GLASGOW - 85 West Regent St., G2 2QD. Tel: 041-332 4133
BRISTOL - 1 Straits Parade, Fishponds Rd., BS16 2LX. Tel: 0272 654201
Call in and see us 9-5.30 Mon.-Fri., 9-5.00 Sat. Trade & export enquiries welcome
NEW CATALOGUE 77
2nd edition for Autumn with over 8,000 line items. Plenty of new products and ideas.
35p post paid (25p to callers).

Our range covers over 8,000 items. The largest selection in Britain.

TOP 200 IC's TTL LINEARS

CA3018	0.81	LM380N-8	0.90	LM1845N	1.35	SN76008KE	2.50	TAA320A	1.15
CA3018A	1.06	LM380N14	0.98	LM1845N	1.35	SN76013N	1.70	TAA350A	2.48
CA3020	1.78	LM381AN	2.45	LM3900N	0.75	SN76013ND	1.57	TAA521	1.00
CA3020A	2.29	LM381N	1.60	LM3909N	0.58	SN76018KE	2.50	TAA522	1.90
CA3021	2.18	LM382N	1.25	MC1303L	1.47	SN76023N	1.50	TAA550	1.60
CA3022	1.83	LM384N	1.45	MC1304P	1.85	SN76023ND	1.57	TAA570	2.30
CA3023	1.78	LM386N	0.80	MC1305P	1.85	SN76033N	2.55	TAA811B	1.85
CA3036	0.97	LM387N	1.05	MC1306P	1.00	SN76110N	1.46	TAA821	2.15
CA3041	1.49	LM388N	1.00	MC1310P	1.91	SN76115N	1.87	TAA861A	1.32
CA3042	1.49	LM389N	1.00	MC1312P	1.98	SN76115N	2.06	TAA861B	1.32
CA3043	2.01	LM555CH	0.48	MC1327P	1.54	SN76131N	1.30	TAA930A	1.00
CA3044	1.84	LM565CN	1.30	MC1350P	0.75	SN76226N	1.94	TAA930B	1.05
CA3046	0.89	LM701C	2.80	MC1351P	1.20	SN76227N	1.51	TA0120	1.95
CA3048	2.23	LM702A	2.60	MC1352P	0.97	SN76228N	1.75	TBA120	0.65
CA3052	1.62	LM702C	0.75	MC1357P	1.45	SN76530N	0.91	TBA231	1.20
CA3064	1.64	LM7031N	1.05	MC1414L	1.20	SN76532N	1.50	TBA400	1.50
CA3065	1.74	LM709	0.65	MC1430P	2.20	SN76533N	1.30	TBA500	2.21
CA3066	3.02	LM709-8	0.45	MC1431P	3.00	SN76544N	1.44	TBA5000	2.30
CA3067	3.13	LM709-14	0.45	MC1433G	3.00	SN76545N	2.09	TBA510	2.21
CA3068	3.46	LM711N	0.55	MC1435G	1.80	SN76546N	1.44	TBA5100	2.30
CA3070	2.49	LM726	5.36	MC1437L	1.80	SN76550-2	0.41	TBA520	2.21
CA3071	2.31	LM733CN	1.46	MC1438R	7.46	SN76552-2	0.65	TBA5200	2.30
CA3072	2.37	LM741C	0.65	MC1439G	1.45	SN76570N	2.08	TBA530	1.98
CA3075	1.68	LM741C-8	0.40	MC1455G	1.55	SN76620AN	1.10	TBA5300	2.07
CA3076	1.93	LM741C-14	0.50	MC1456G	2.20	SN76550N	1.10	TBA540	2.21
CA3086	0.51	LM7470N	0.90	MC1495L	4.70	SN76660N	0.60	TBA550	3.13
CA3088F	1.59	LM748-8	0.50	MC1496G	1.10	SN76666N	0.92	TBA5600C	3.22
CA3089E	2.52	LM748-14	0.50	MC1529G	6.50	SL414A	2.35	TBA570	1.29
CA30900	3.80	LM1303N	1.47	MC1530G	6.50	SL415	2.50	TBA641B	2.50
LM301AH	0.67	LM1304N	1.85	MC1531G	6.50	SL610C	2.35	TBA700	1.52
LM301-8	0.44	LM1305N	1.85	MC1553G	6.50	SL611C	2.35	TBA720AQ	2.30
LM308H	1.82	LM1307N	1.10	MC1545L	6.75	SL612C	2.35	TBA750	1.98
LM308N	1.17	LM1351N	1.20	MC1545L	6.75	SL620C	3.50	TBA800	1.20
LM370N	3.00	LM1310N	1.91	MC1550G	0.80	SL621C	3.50	TBA820	1.03
LM371H	2.25	LM1458N	0.91	MC1552G	6.40	SL623C	5.75	TBA920	2.90
LM372N	2.15	LM1496N	0.91	MC1553G	6.40	SL630C	2.35	TBA940	1.62
LM373N	2.25	LM1800N	1.76	MC1590G	3.75	SL640C	4.00	TCA160B	1.81
LM374N	2.25	LM1808N	1.92	SAS560	2.50	SL641C	4.00	TCA280A	1.30
LM377N	1.75	LM1820N	1.10	SAS570	2.50	SL701C	2.00	TCA290A	3.13
LM378N	2.25	LM1841N	1.75	SN76001N	5.7	TAA283	1.25	TCA470	2.76
LM379S	3.95	LM1828N	1.75	SN76003N	2.55	TAA300	1.89	TCA800	3.13

WHY NOT PAY US A VISIT AT OUR NEW CENTRAL LONDON BRANCH AT 325 EDGWARE ROAD, W2, ABOUT 100 YARDS NORTH OF THE WESTWAY FLYOVER. EXTENSIVE STOCK RANGE. MANY SPECIAL OFFERS TO PERSONAL SHOPPERS ONLY.

TELEVISION TELETEXT DECODER

We can supply from stock complete kits of parts -

POWER SUPPLY EXCLUDING TRANSFORMER AND P.C. BOARD £12.50 + 65p P&P + 8% VAT.

INPUT LOGIC CARD UNIT EXCLUDING P.C. BOARD £15.50 + 50p P&P + 8% VAT.

MEMORY CARD KIT £32.00 + 60p P&P + 8% VAT.

DISPLAY CARD KIT £18.50 + 40p P&P + 8% VAT.

TV GAMES IN COLOUR - as featured in the July issue of this magazine. We can now offer complete kits of parts excluding the P.C. Boards at £35.00 delivered including VAT and p&p. Alternatively sets of TV Games Chips only, at £17.00 per set delivered including VAT and p&p.

We also carry a comprehensive range of transistors, diodes, bridges, thyristors, diacs, opto components, all kinds of integrated circuits, capacitors, resistors, plugs and sockets. ALL MANUFACTURERS BRANDED PRODUCTS.

Prices correct at 12 September, 1977, but please add VAT, p&p 40p.

ARE YOU IN THE DARK?.. ..ABOUT OUR COLOUR T.V. PANEL EXCHANGE REPAIR SERVICE



FULL RANGE OF
THORN · RBM · PHILIPS
PYE · INVICTA · GEC
DECCA · TELPRO
AND MANY OTHER MAKES

90 DAY GUARANTEE ON ALL REPAIRS
SAME DAY POSTAL SERVICE

We employ a large skilled Staff, who utilise some of the most sophisticated Test equipment available, inclusive of AUTOMATIC FAULT FINDING COMPUTERS together with specially designed SERVICING JIGS which in short means to you:-
HIGH QUALITY REPAIRS - AT LOW COST



ONE OFF
OR



100 OFF · NO ORDER TOO
LARGE OR SMALL

SEND FOR PRICE LIST

SEND FOR CATALOGUE
BLOCK DISCOUNTS FOR TRADE CONTRACTS

Campbell Electronics Ltd.

Factory Unit E5, Halesfield 23, Telford · Shropshire · TF7 4QX
Telephone: Telford (0952) 584373. Ext. 2. Telex 35191 Chamcon

TV LINE OUTPUT TRANSFORMERS

ALL MAKES SUPPLIED
PROMPTLY by our

**RETURN OF POST
MAIL ORDER SERVICE**

All Mono Lopts at the one price

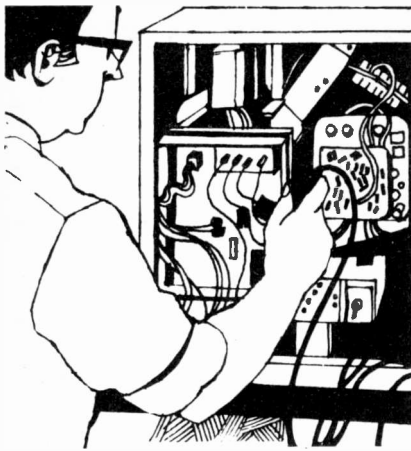
**£6.20
TRADE**

£6.75 RETAIL
(V.A.T. INCLUDED AT 12½%)

Postage and Packing 70p

All Lopts NEW and GUARANTEED
for SIX MONTHS

**PAPWORTH
TRANSFORMERS**
80 MERTON HIGH STREET,
LONDON,
S.W.19 **01-540 3955**



NOTA BENE

When replying to Classified Advertisements please ensure:

- (A) That you have clearly stated your requirements.
- (B) That you have enclosed the right remittance.
- (C) That your name and address is written in block capitals, and
- (D) That your letter is correctly addressed to the advertiser.

This will assist advertisers in processing and despatching orders with the minimum of delay.

SETS & COMPONENTS

VALVE BARGAINS

ANY 1-12p, 5-60p, 10-£1.00, 50-£4.50

ECC82, ECH84, EH90, DY86/7, EF80, EF183, EF184, PC86, PC88, PCF80, PCF802, PCL82, PCL84, PCL85/805, PCL86, PY81, PY800, PY88, PL36, PL504, 6F28, 30PL14.

COLOUR VALVES 30p EACH

PY500/A, PL508, PL509.

Postage & Packing 25p, no VAT

VELCO ELECTRONICS

9 Mandeville Terrace, Hawkhaw, Via Bury, Lancs.

4lbs BRAND-NEW COMPONENTS! Transistors, Diodes, Wire-wound/Carbon Resistors, Volume Controls, Presets, Electrolytic/Silver-Mica/Polyester/Polystyrene Capacitors Etc. Well assorted. £5. Inclusive. Milward, 369 Alum Rock Road, Birmingham B8 3DR.

EX RENTAL TV

19" UHF 625 £4.50
23" UHF 625 £6.00
Colour from £40.00

EDWARDS & SONS

103 Goldhawk Road, London W12
Tel: 01-743 6996

SPECIAL OFFER, BC307 10p, BC117 18p, R2008B £1.75, R2010B £1.75, 47µF 40v 4p, 100µF 25v 4p, 1500µF 63v 75p, MC1327P £1.50, BY127 15p, P & P 20p, IN4007 8p. C & M Electronics, 60 Marshalltown Road, Carrickfergus, BT38 9DE.

ELECTRONICALLY TESTED TV VALVES

DY86/7	15p	PC88	15p	PCL805/85	20p
ECC82	15p	PC97	15p	PFL200	25p
EF183	15p	PCF802	15p	PL504	20p
EF184	15p	PCL82	12p	PL36	15p
PC86	15p	PCL84	15p	U26	20p

SPECIAL OFFER - 12 PCL805/85 £2.50 post free

COLOUR TYPES

PL509	45p	PL508	40p	PY500/A	40p
-------	-----	-------	-----	---------	-----

Many others available, please send list of types required with s.a.e. for quotation. All valves subject to availability. P. & P. 11p first valve, thereafter 7p each, max. 90p. Orders over £12 post free.

Mail order only.

L. & D. COMPONENTS LTD.

71 WESTBURY AVE., LONDON N22 6SA

SMALL ADS

The prepaid rate for classified advertisements is 16p per word (minimum 12 words), box number 60p extra. Semi-display setting £3.20 per single column centimetre. All cheques, postal orders, etc., to be made payable to Television, and crossed "Lloyds Bank Ltd". Treasury notes should always be sent registered post. Advertisements, together with remittance, should be sent to the Classified Advertisement Manager, Television, Room 2337, IPC Magazines Limited, King's Reach Tower, Stamford St., London, SE1 9LS. (Telephone 01-261 5846).

CONDITIONS OF ACCEPTANCE OF CLASSIFIED ADVERTISEMENTS

1. Advertisements are accepted subject to the conditions appearing on our current advertisement rate card and on the express understanding that the Advertiser warrants that the advertisement does not contravene any Act of Parliament nor is it an infringement of the British Code of Advertising Practice.
2. The publishers reserve the right to refuse or withdraw any advertisement.
3. Although every care is taken, the Publishers shall not be liable for clerical or printers' errors or their consequences.

SETS & COMPONENTS

BARRON ELECTRICAL

WHOLESALE IN IRELAND NOW OFFER QUALITY USED

TV's TV's TV's TV's

MONO: THORN 950's, 1400's, PYE 169's, 368's, ALL SIZES FROM £12.50.

COLOUR: BUSH, PHILIPS, PYE, FROM £100, CLEAN CABINETS. BULK DISCOUNTS AVAILABLE.

VIEW AT OUR WAREHOUSE, STOCK CHANGING CONTINUALLY.

COMPONENTS: VALVES, RESISTORS, CAPACITORS, TRANSISTORS, REGUNNED TUBES. THIS MONTH'S SPECIAL - LABGEAR "TELE-VERTA's" £20 inc. VAT. UHF MULLARD ELC1043, EX-EQUIP. £2. G8 Tuners on P.C. £4. FUBA H/G AERIALS XC391 GROUP A, NOW ONLY £16.70 + VAT 20%. P.P. £1. NO VAT FOR UK BUYERS. PERSONAL CALLERS WELCOME. S.A.E. FOR PRICE LISTS.

57 RIVERVIEW ESTATE, GLASHEEN, CORK, IRELAND.

PHONE NO. 021-45465.

MAINS DROPPERS

Philips G8 47Ω	40p
Philips G8 2-2-68Ω	60p
Philips 210 118-148-LoopΩ	60p
Philips 210 30-125-2K85Ω	70p
Philips GT23 6-124-84Ω	70p
Thorn 3500 6-1-100Ω	70p
Thorn 1500 350-20-148-1500-317Ω	85p
Thorn 8000 56-1K-47-12Ω	85p
Pye 725 27-56Ω	60p
R.B.M. TV161 250-14-56Ω	65p
GEC 2108 8-15-17-70-63-188Ω	60p
Thorn 800/850 37-31-97-26-168Ω	60p
Thorn Dual 14-26-97-173Ω	60p
14-26-97-160Ω	60p
15-19-20-70-63-28-63Ω	60p

Post Free. Cash with order, VAT paid.

Durham Supplies

367 Kensington Street, Bradford 8, West Yorkshire

TIRRO ELECTRONICS the mail order division of RITRO ELECTRONICS UK offers a wide range of components for the amateur enthusiast. Large S.A.E. or 20p brings list. Grenfell Place, Maidenhead, Berks. SL6 1HL.

COLOUR TV's

Many working for disposal, trade only. All sizes and makes available. Mono sets also available.

INGERTONE (LONDON)

24 Dames Road, Forest Gate, London E7.
Tel: 01-555 5569.

INGERTONE (BRISTOL)

28 St. Thomas St., Bristol 1.
Tel: 0272-211179 (5063)

TURN YOUR SURPLUS capacitors, transistors, etc.. into cash. Contact Coles-Harding & Co., 103 South Brink, Wisbech, Cambs. 0945-4188. Immediate settlement.

VALVE LIST

ALL VALVES FULLY TESTED

Five valves or over postage paid
Under five valves postage 6p each

DY86/87	15p	PC900	8p	PCL85/805	20p
EB91	10p	PCC84	8p	PL36	20p
ECC82	12p	PCC85	20p	PL504	25p
ECL80	8p	PCC89	8p	PY32/33	15p
EF80	8p	PCC189	8p	PY81/800	15p
EF85	8p	PCC805	15p	PY801	20p
EF183	10p	PCF80	8p	U191	15p
EF184	10p	PCF86	15p	6F23	15p
EH90	13p	PCF805	20p	630L2	15p
EY86/87	13p	PCL82	15p	30F5	10p
PC86	15p	PCL83	15p	30FL1	20p
PC88	15p	PCL84	15p	30PL14	15p

AND MANY MORE AVAILABLE

S. W. ELECTRONICS

114 Burnley Road, Rawtenstall, Rossendale, Lancs.

BRC 2000, 3000, 3500, 8000, 8500.

Philips G8, Pye 691, 697, 713.

Bush Murphy 802, 823.

Panel Repair/Exchange Singles or Bulk.

MODULAR ELECTRONICS

160 Brabazon Road, Hounslow, TW5 9LP.
Telephone 01-897 0976.

200 NEW RESISTORS, well assorted. ½-2 Watts. Carbon-Hi-Stab Oxide, etc. £1.50 post free. Whitsam Electrical, 33 Drayton Green Road, London W13.

TV TUBE REBUILDING IS EASY

- Given the right plant and training. Western-Whybrow Engineering manufacture all items of plant and equipment and can supply a complete installation. Design is backed by twenty years experience of tube rebuilding (seven years of colour), and extensive U.S.A. experience.

If you can afford the best contact Western-Whybrow Engineering, Praa Sands, Cross Roads, Penzance. (073 676 2265).

SURPLUS STOCK

COLOUR TUBES used from.....	£10
S/S COLOUR TUBES new from.....	£25
S/S P.I.L COLOUR TUBES new from.....	£25
PORTABLE TUBES Mono Available	
CABINETS, COLOUR, MONO, from.....	£2
S/S COLOUR SETS MURPHY from.....	£60
S/S & D/S MONO, from.....	£5

RING:- JEFFRIES 01-845 2036.

COLOUR TV's £60-£150. All makes, some as new. The TV Exchange Centre, 60 Golborne Road, Kensington, London W10. 01-969 3722.

RECONDITIONED, FULLY GUARANTEED

Rotary High Vacuum Pumps For Tube Re-Building

VACUTECH LTD, 3A, FAIRFIELD AVENUE, HORLEY, SURREY RH6 7PB.
Telephone Horley (02934) 6008.

SERVICE SHEETS

SERVICE SHEETS. SERVICE MANUALS PRACTICAL AND TECHNICAL BOOKS

COVERING COLOUR & MONO TELEVISIONS, RADIOS, RECORD PLAYERS, TAPE RECORDERS, ETC.

SERVICE SHEETS 75p PLUS S.A.E. SERVICE SHEET CATALOGUE 50p

BOOKS

PRICES INCLUDE POSTAGE U.K. ONLY

SOLID STATE COLOUR TELEVISION CIRCUITS by G. R. Wilding	£6.20
NEWNES COLOUR TELEVISION SERVICING MANUAL by G. J. King. Vol. 1	£8.60
NEWNES COLOUR TELEVISION SERVICING MANUAL by G. J. King. Vol. 2	£8.60
NEWNES COLOUR TELEVISION SERVICING MANUAL by G. J. King. Vol. 3	£8.60
COLOUR TELEVISION SERVICING by G. J. King. 2nd Edition	£7.30
COLOUR TELEVISION THEORY by G. H. Hutson	£6.80
COLOUR TELEVISION PICTURE FAULTS by K. J. Bohlman	£2.90
COLOUR TV WITH REFERENCE TO THE PAL SYSTEM by G. N. Patchett	£5.70
MAZDA BOOK OF PAL RECEIVER SERVICING by D. J. Seal	£5.60
TELEVISION (COLOUR & MONOCHROME) Part 3 by G. N. Patchett	£4.35
TELEVISION SERVICING HANDBOOK by G. J. King. 3rd Edition	£6.10
BEGINNERS' GUIDE TO TELEVISION by G. J. King. 5th Edition	£2.65
BEGINNERS' GUIDE TO COLOUR TELEVISION by G. J. King. 2nd Edition	£2.65
CATHODE-RAY OSCILLOSCOPE AND ITS USES by G. N. Patchett	£4.00
SERVICING WITH THE OSCILLOSCOPE by G. J. King. 2nd Edition	£5.35
TOWERS' INTERNATIONAL TRANSISTOR SELECTOR. Revised Edition	£5.25

(SEND LARGE S.A.E. FOR FREE BOOK LISTS)

WE STOCK NEW AND SECOND HAND EDITIONS OF "RADIO AND TELEVISION SERVICING" BOOKS.
FROM VOLUME ONE UP TO 1976-77 EDITION. PRICES ON REQUEST.

BACK ISSUES OF FOLLOWING MAGAZINES AVAILABLE. CURRENT PRICE PLUS 25p POSTAGE PER COPY.

P. WIRELESS, P. ELECTRONICS, E. ELECTRONICS, TELEVISION, R. CONSTRUCTOR, ELECTRONICS TODAY, ELEKTOR.

BELL'S TELEVISION SERVICES

190, KINGS ROAD, HARROGATE, N. YORKSHIRE. TEL. HARROGATE (STD 0423) 55885

OPEN TO CALLERS DAILY 9.00 a.m. TO 5.00 p.m. PLEASE INCLUDE AN S.A.E. WITH ENQUIRIES

SERVICE SHEETS - COLOUR TV SERVICE MANUALS

Service Sheets for Mono TV, Radios, Record Players and Tape Recorders **75p**.

Please send large Stamped Addressed Envelope.

We can supply manuals for most makes of Colour Television Receivers by return Post.

**B.R.C. PYE EKCO PHILIPS ITT/KB SONY G.E.C. HITACHI BAIRD ULTRA INVICTA
FERGUSON H.M.V. MARCONI AND MANY MORE. LET US QUOTE YOU.**

Please send a Stamped Addressed Envelope for a prompt reply.

COMPREHENSIVE TV REPAIR MANUALS BY J. McCOURT

Mono Volumes 1, 2, 3 and 4. Colour Volumes 2, 3 and 4.

A must for the repair man, loaded with faults and cures, all at **£4.00** each plus 40p post.

Build yourself "The Colour TV Signal Injector", manual £1.45. Manual with printed circuit £2.30 post paid.

The McCourt circuit diagram manuals Mono and Colour. Send S.A.E. for full details.

Export enquiries welcome. International Reply Coupon please.

G. T. TECHNICAL INFORMATION SERVICE

**10 DRYDEN CHAMBERS, 119 OXFORD ST., LONDON W1R 1PA
MAIL ORDER ONLY**

LARGE SUPPLIERS OF SERVICE SHEETS AND COLOUR MANUALS

TV, RADIO, TUNERS, TAPE RECORDERS, RECORD PLAYERS, TRANSISTORS,
STEREOGRAMS, RADIOGRAMS. ALL AT 75p EACH EXCEPT COLOUR & CAR RADIOS.

PLEASE STATE IF CIRCUIT WILL DO, IF SERVICE SHEET NOT IN STOCK. LARGE S.A.E. WITH ALL
ENQUIRIES & ORDERS OTHERWISE CANNOT BE ATTENDED TO. UNCROSSED P.O.s OR
CROSSED P.O.s RETURNED IF SERVICE SHEETS ARE NOT AVAILABLE. ALL SERVICE MEN,
PLEASE NOTE, WE OPERATE A SAME DAY RETURN SERVICE. ALL CLAIMS OF NON-DELIVERY
SHOULD BE MADE WITHIN SEVEN DAYS. NO OVERSEAS MAIL PLEASE. MAIL ORDER ONLY OR
'PHONE 01-458 4882. FREE TV FAULT TRACING CHART OR TV LIST ON REQUEST WITH ORDER.

**C. CARANNA, 71 BEAUFORT PARK, LONDON, NW11 6BX.
NO CALLERS PLEASE**

LADDERS

ALUMINIUM Roof Crawlers. Sizes 12ft - 24ft. Also
make aluminium ext. up to 62½ft. Leaflets. The
Ladder Centre (TEL) Halesfield (1), Telford. Tel:
586644. Callers welcome.

BOOKS & PUBLICATIONS

SIMPLIFIED TV Repairs. Full repair instructions
individual British sets £4.50, request free circuit dia-
gram. Stamp brings details unique. TV Publications,
(Auset) 76 Church Street, Larkhall, Lancashire.

COLOUR TV MANUALS

COVERING FOLLOWING MAKES

ALBA, BRC, BUSH, DECCA, GEC,
DEFIANT, MARCONI, EKCO, PYE,
FERGUSON, DYNATRON,
NATIONAL, HITACHI, INVICTA,
ITT/KB, RGD, GRUNDIG, SOBELL,
STELLA, SONY, MURPHY,
PHILIPS, HMV, ULTRA.

PLEASE SEND S.A.E. FOR QUOTATION

"COMPREHENSIVE TV REPAIR MANUALS"

by McCourt. In 7 Volumes

These unique Books save time and money on repairs and cover
most British Colour & Mono sets. Price **£4.00** per volume
plus 45p POST, or complete 7 volumes for only **£27.00** POST
FREE. SEND FOR FREE LEAFLET.

SERVICE SHEETS for Radio, Television, Tape
Recorders, Stereo etc. With free fault-finding guide,
from 50p and S.A.E. Catalogue 25p and S.A.E.
HAMILTON RADIO, 47 Bohemia Road, St.
Leonards, Sussex.

SERVICE SHEETS, Radio, TV, etc., 10,000 models.
Catalogue 24p plus S.A.E. with orders/enquiries.
Telray, 154 Brook Street, Preston, PR1 7HP.

AERIALS

WRIGHT'S AERIALS

High gain arrays: Antiference XG8 £15.00, XG14 £25.00,
XG21 £36.00. Jaybeam MBM48 £13.90, MBM88 £25.30. Full
installation instructions. Labgear UHF mast-head amplifiers with
mains power supply £22.80. Wideband or grouped. Send large
SAE and 14p in stamps for lists, details, technical advice, etc.
Very wide range of aerials and accessories in stock. Prices
include mainland carriage and VAT. Semi airspaced coax cable
16p/metre (p. & p. 50p if ordered separately).

**3 CHELTENHAM RISE,
SCAWSBY, DONCASTER, S. YORKS.**

FOR SALE

BARGAINS GALORE, genuine new T.V. spares at
prices you can't afford to miss, immediate despatch.
Absolutely thousands in stock. E.g. transistors,
panels, scan coils, diodes, multi-section electrolytics,
condensers, pulse ceramics, disc ceramics, cables,
plugs, connectors, lamp holders, etc. Free detailed
lists. S.A.E. please. P.H.S., 18 Digby Avenue,
Mapperley, Nottingham. MAIL ORDER ONLY
PLEASE.

ORIGINAL TANDBERG 26" Colour T.V. Stands.
Teak Finish. New in Boxes. Ring 769 4704 AFTER
2 P.M.

FOR SALE

**Colour Televisions From £25.00 VAT inc.
D/S Mono From £4.00 VAT inc.
S/S Square Screens From £12.00 VAT inc.**

VISIT OUR WAREHOUSE AND SEE FOR YOURSELF.
WE HAVE 4 DELIVERIES OF FRESH STOCK WEEKLY.

TELECARE

BRITAIN'S LARGEST USED T.V. DISTRIBUTOR.
Unit B.1, Eley Road, Eley Estate,
Edmonton, London N18.
Tel: 01-807 5908/9 807 5900.



TOP U.K. SOURCE FOR QUALITY USED T.V.

10,000 mono & 5,000 CTV always available

Stable competitive prices – delivery arranged – generous quantity discounts – used spares always in stock.

TRADE ONLY Colour from £15.00 Mono from £2.00

WANTED

WANTED – New Valves, Transistors. Top prices, popular types. Kensington Supplies (A), 367 Kensington Street, Bradford 8, Yorkshire.

SURPLUS??? Turn it into cash. Phone 0491-35529 (Oxon).

WANTED FOR CASH
COLOUR & B/W T.V.'s ANY
QUANTITY – WILL COLLECT
SHEFFIELD PANEL REPAIRS
RING 0742 745168.

NEW VALVES and CRT's required. PCL805, PL504, PL509, PY500A etc. Cash waiting. Bearman, 6/8 Potters Road, New Barnet, Herts. Tel: 01-449 1934/5.

WANTED, Service manual for Sony CV2000B Video-corder. Loan would do. Box 137.

MISCELLANEOUS

CEEFAX ORACLE

Texas instruments Teletext Modules now in stock. You can be receiving Ceefax Oracle within hours of receiving your Module.

£140 inc. VAT.

D. J. McANULTY,
15, MAYFIELD DRIVE, MORECAMBE.
Phone 12 to 6 p.m. 0524 411454.

NOTICE TO READERS

Whilst prices of goods shown in classified advertisements are correct at the time of closing for press, readers are advised to check with the advertiser both prices and availability of goods before ordering from non-current issues of the magazine.

EDUCATIONAL

**BETTER JOB!
BETTER PAY!**

GET QUALIFIED WITH ICS IN:
COLOUR & MONO TV SERVICING
COLOUR & MONO TV ENGINEERING
COLOUR & MONO TV MAINTENANCE
PLUS: Telecommunications, radio, electronics, electrical engineering, technical communications, radio communications, etc., etc.

NEW: Self-build radio courses with free kits

Train in your own home, in your own time with ICS, the world's most experienced home study college.

RETURN THIS COUPON TODAY FOR FREE BROCHURE!

ICS Int Correspondence Schools
800M Intertext House Stewarts Rd.
London SW8 4UJ. Tel: 01-622 9911

Name

Address.....

TELEVISION TRAINING

12 MONTHS' full-time course in Radio & TV for beginners. (GCE – or equivalent – in Maths. and English.)

26 WEEKS' full-time course in Mono & Colour TV. (Basic electronics knowledge essential.)

13 WEEKS' full-time course in Colour TV. (Mono TV knowledge essential.)

These courses incorporate a high percentage of practical training.

NEXT SESSION starts on January 3rd.

PROSPECTUS FROM:
London Electronics College, Dept. TT11
20 Penywern Road, London SW5 9SU.
Tel. 01-373 8721.

ORDER FORM PLEASE WRITE IN BLOCK CAPITALS

Please insert the advertisement below in the next available issue of Television for

insertions. I enclose Cheque/P.O. for £

(Cheques and Postal Orders should be crossed Lloyds Bank Ltd and made payable to Television)

NAME

ADDRESS.....

Send to: Classified Advertisement Manager,
TELEVISION,
GMG, Classified Advertisement Dept., Rm. 2337,
King's Reach Tower, Stamford Street,
London SE1 9LS. Telephone 01-261 5846.

Rate
16p per word, minimum 12 words. Box No. 60p extra.

Company registered in England. Registered No. 53626. Registered Office: King's Reach Tower, Stamford Street, London SE1 9LS.

PHILIP H. BEARMAN

(VALVE SPECIALISTS)

SUPPLIERS TO H.M. GOVT. Etc.

NEW valves by Mullard, Mazda, Telefunken, Tungram, etc.

"QUALITY" BRANDED VALVES ONLY CARRY THE 90 DAY GUARANTEE. SEE OUR LISTS.

IMMEDIATE POSTAL DESPATCH LISTS S.A.E. DISCOUNT PRICES INCLUDING 6% ALLOWANCE IN LIEU OF GUARANTEE

PRICES FROM SEPT 1977 INCL. 12½% VAT (Correct at time of going to press)

DY86/7 55p	GY501 £1.35	PCF802 78p	PL36 95p	U25 60p	30P12 70p
DY802 60p	PC86 85p	PCF805 £1.45	PL84 70p	U26 60p	30PL1 £1.40
ECC81 45p	PC88 85p	PCF808 £1.45	PL504 £1.30	6F23 60p	30PL13 £1.00
ECC82 50p	PC97 75p	PCH200 £1.25	PL508 £1.40	6F28 92p	30PL14 £1.20
ECL80 70p	PCC84 35p	PCL82 65p	PL509 £2.25	20P4 70p	30PL15 £1.10
EF80 55p	PCC89 62p	PCL83 75p	PL802 £2.45	30C1 60p	Etc., Etc.
EF183 70p	PCC189 62p	PCL84 70p	PY811/83 50p	30C17 80p	
EF184 70p	PCF80 65p	PCL85 } 85p	PY800 65p	30FL1 £1.05	BY 100/127 etc.
EH90 75p	PCF86 65p	PCL805 } 85p	PY801 65p	30FL2 £1.05	all 21p each
EY51 80p	PCF200 £1.35	PD500 £3.25	PY500 £1.40	30L15 75p	with 10W resistor.
EY86/7 45p	PCF801 65p	PFL200 88p	PY500A £1.40	30L17 75p	

HUNDREDS OF OTHER TYPES AVAILABLE, VAST STOCKS.
 SEND SAE FOR COLOUR & MONO TRIPLER LIST, ALSO LATEST COMPONENT LIST. See separate Component, CRT and Transistor List. Many obsolete types available. SAE with enquiries please. Please verify current prices due to inflation etc. U.K. Post 13p per valve under £15.00 (max. 75p) but 2p extra larger valves (ADDITIONAL VALVES 7p) Overseas Post @ Cost.

(Adjacent to Post Office) **6 & 8 POTTERS RD., NEW BARNET**
 STOP PRESS PC92/96, PCL200, PL95, PL519 available!
 Also EY500A, EL509 etc. HERTS. Tel: 449/1934-5 (Robophone on 449/1934) also 441/2541
 (CLOSED 12.30-2 p.m. DAILY. OPEN SAT. A.M. ONLY)

TELEVISION TUBE SHOP

NEW TUBES AT CUT PRICES

A28-14W Equivalent	£17.95
A31-410W	£16.95
AW59-91/CME2303	£15.50
CME1201/A31-18W	£13.50
CME1220/A31-120W	£15.95
CME1420/A34-100W	£16.50
CME1520/A38-160W	£17.50
CME1602/A40-12W	£13.50
CME1713/A44-120	£17.50
CME1906/A47-13W	£12.50
CME2013/A50-120	£17.95
CME2306/A59-13W	£14.50
CME2313/A59-23W	£18.95
CME2413/A61-120W	£18.95

JAPANESE etc. TUBES

9AGP4	£17.50
190AB4	£15.00
190CB4	£15.00
230ADB4	£15.95
230DB4/CT468	£15.95
CT507	£17.50
240AB4A	£15.95
310DMB4/DGB4	£19.00
310DWB4/DJB4	£19.00
310EUB4	£19.50
310EYB4	£16.50
310FDB4	£19.95
310FXB4 Equivalent	£15.95
310GNB4A	£25.19
310HCB4	£19.95
340AB4	£19.50
340AYB4	£22.00
340CB4	£19.95
340RB4	£19.95
340AHB4	£24.50

COLOUR TUBES

12VARP22	£62.50
330AB22	£57.50
470FUB22B	£75.50
A47-342X	£75.00
A49-191X/120X	£52.00
A51-220X/510DJB22	£59.00
A56-120X	£62.00
A56-140X/410X	£55.00
A66-120X	£75.00
A63-11X/120X	£69.50
A67-120X	£77.00
A66-140X/410X	£55.00

ALL TUBES GUARANTEED 12 MONTHS

CARRIAGE:
 Mono £1.50, Colour £2.50
 N. Ireland £4.00

ADD VAT TO ALL PRICES

TELEVISION TUBE SHOP
 52 BATTERSEA BRIDGE RD.,
 LONDON, SW 11. Tel. 228 6859

WE GIVE GREEN SHIELD STAMPS

SOUTHERN VALVE COMPANY

Upper Floor, 8 Potters Road, New Barnet, Herts.

Telephone: 01-440/8641.

MAIL ORDER ONLY

MINIMUM ORDER 75p

ALL NEW & BOXED, "QUALITY" BRANDED VALVES GUARANTEED 3 MONTHS. BVA ETC. (TUNGSRAM ETC.). NOTE: PLEASE VERIFY CURRENT PRICES. Correct only at time of going to press. Some invoice makes available. 6% ALLOWED IN LIEU OF GUARANTEE! ALREADY DEDUCTED FROM OUR PRICES! VAT invoices issued on request.

DY86/7 49p	EF86 52p	GY501 £1.10	PCF802 57p	PL36 70p	PY500A £1.33
DY802 50p	EF89 40p	PC86 63p	PCF805 £1.45	PL81A 53p	UBF89 40p
ECC81 36p	EF183 42p	PC88 63p	PCF806 75p	PL83 50p	UCC85 46p
ECC82 36p	EF184 42p	PC97 70p	PCF808 £1.45	PL84 48p	UCH81 50p
ECC83 36p	EH90 50p	PC900 50p	PCL82 54p	PL500 } 90p	UCL82 55p
ECC85 40p	EL41 70p	PCC84 35p	PCL83 70p	PL504 } 90p	UCL83 58p
ECH81 44p	EL84 40p	PCC85 44p	PCL84 48p	PL508 £1.30	UF89 45p
ECH84 58p	EL509 £2.60	PCC89 50p	PCL85 } 62p	PL509 £2.20	UL41 75p
ECL80 52p	EM84 50p	PCC189 53p	PCL805 } 62p	PL519 £2.80	UL84 52p
ECL82 48p	EY86/7 38p	PCF80 50p	PCL86 65p	PL802 £2.45	UY41 48p
ECL86 40p	EY500A £1.50	PCF86 58p	PCL200 £1.45	PY88 55p	UY85 40p
EF80 33p	EZ80 40p	PCF200/1 £1.20	PD500 £3.25	PY800 50p	U25 60p
EF85 38p	EZ81 40p	PCF801 50p	PFL200 73p	PY801 50p	U26 60p

One valve post 13p, each extra valve 6p. MAX 75p. LISTS & ENQUIRIES, S.A.E. PLEASE! Large valves 2p, each extra. ALL PRICES INCLUDE VAT @ 12½%. ENQUIRIES WELCOMED FROM TRADE & RETAIL (same prices)

EMO - EUROSONIC - GRUNDIG - TELETON + ALL BRITISH MAKES ETC, ETC, ● ALL SPARES READILY AVAILABLE ● PANEL REPAIR SERVICE

EXAMPLES

Thorn 1500 Smoother	£2.18
Philips E8 Smoother	1.95
Thorn 8500 Dropper	0.72
R.R.I. 141 Dropper	0.70
Philips 210 Dropper	0.60
BF25B 0.38	8U126 1.95
BYX10 0.12	OA90 0.07
IN414S 0.03	B2Y88 0.12
Pye 691 Tripler	5.25
Korting Tripler	7.02
PCL85 0.69	PY500 1.21
DY802 0.44	PL504 0.87

ALMOST ANY T.V. COMPONENT SUPPLIED
 By return "off the shelf" e.g. LOPTX - EHT trays
 - droppers - OSC coils - switches - cans - smoothers
 - transistors - diodes - i.c.'s, etc., etc.

IF YOU REQUIRE ANY TV COMPONENT YOU CAN BE 95% SURE WE CAN SUPPLY BY RETURN.
 IF YOU'RE WAITING FOR SPARES - RING NOW!

FREE SERVICE CATALOGUE EMO CIRCUIT

Send 25p to cover post & packing

TELEPART (WTON) THE TELECENTRE, WORCESTER ST., WOLVERHAMPTON (0902) 772293

PHILIP H. BEARMAN

6 & 8 POTTERS ROAD, NEW BARNET, HERTS. Tel: 01-449 1934/5

NEW COLOUR TUBES

New tubes, fully tested

NEW MONO TUBES

EXPORT ENQUIRIES WELCOMED

Carriage £3.00

A44/271X	£55.00
A49/191X	£60.00
A51/110X	£65.00
510DNB22	
A56/120X	£65.00
A63/11X	£75.00
A63/200X	£75.00
A66/120X	POA
A67/120X	£89.50
A67/150X	£89.50

SPECIAL NOTE

NEW MONO TUBES AVAILABLE

A31/410W	£18.00*
CME1220/A31.120	£18.00*
CME1420/A34.120	£19.50†
CME1520/A38.160	£21.00*
CME1713/A44.120	£21.00*

Limited stocks
 2 year guarantee

Carriage £1.50

MW31/74	£3.00
14" 70°	£5.00
12"/14" 110°	Prices as per centre column.
A47/14W	£11.50
A59/15W	£14.00
A50/120WR	£18.00*
A61/120WR	£21.00*

MAZDA, TOSHIBA, USA, ETC. OTHERS AVAILABLE SHORTLY.
 *£1 less } 1 year
 †£2 less } g'roc

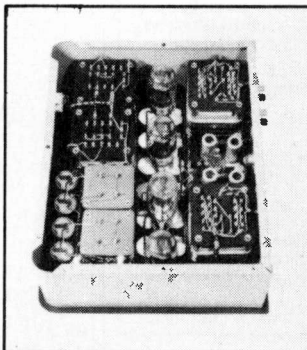
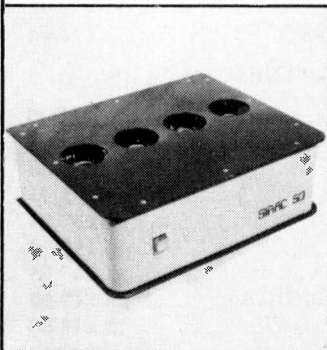
Others often available. £1 less for one year guarantee. Mostly two year guarantee. SAE with enquiries please.

NOTE: All prices subject to alteration due to market fluctuation and inflation. 110° prices usually as above. £5 allowed on old colour tube. Occasionally seconds available cheaper, enquiries welcomed. VAT included in all quoted prices at 12½%.

PLEASE MENTION TELEVISION WHEN REPLYING TO ADVERTISEMENTS

Sirac Mk1 Valve Amplifier

Circuit Diagrams
Outline Drawings
Exploded Views...



all you need to know for constructing Chris Rogers' outstanding new valve amplifier. Then compare the musicality for yourself with a transistor-type unit!

Controversial Comparison

An evaluation of the new crop of moving-coil phono cartridges and their complementary voltage step-up devices. Among those tested are the Fidelity Research FR 3, Entré I, Sony XL55, Ultimo 10A, and Nakamichi 1000, and 7 others.

Win some Aiwa Super-fi

Another big competition, with the new Autumn range of Aiwa equipment to be won.

Listening with Beyer

A special review of the Beyer infra-red headphone system.

Amplifiers Examined

This series for the more technically-minded looks this month at the 'Pulse Width Modulation' philosophy. We also test Cambridge's P80 amplifier - and the new Meridien loudspeaker/power amplifier and pre-amplifier.

PRACTICAL
HIFI & AUDIO

November issue

out now

TV'S! TV'S! TV'S!

'A' Price is good working order

'B' Price is complete but unserviced with tested tube

	'A'	'B'
Philips 25" G6 D/STD	£36.00	£20.00
GEC 19/25" D/STD	£40.00	£24.00
GEC 19" S/STD	£56.00	£40.00
GEC 22" S/STD	£72.00	£56.00
Thorn 3000 25" S/STD	£80.00	£64.00

ALL ABOVE PLUS £8 DELIVERY AND PLUS VAT.

100's OF COLOUR TV'S OFF THE PILE FROM £20.00.

Always a good selection of modern and older C.T.V. panels and scrap chassis cabinets, mono tubes etc. etc.

AGENT FOR TOP QUALITY MERCURY UHF SET TOP MULTIBAND AERIALS, BOXES OF 25 FOR £45. DEL. & VAT INC., OR SEND £2.75 FOR SAMPLE.

SQUARE SCREEN MONO

MOST MODELS AVAILABLE i.e., GEC, DECCA FROM £8.00, PHILIPS, PYE, THORN, BUSH FROM £10.00.

HUNDREDS OF 19"/23" MONO TV'S

to pick from at giveaway prices

i.e. Pye, Olympic, Philips 210, Thorn 1400 from £5.00.

All prices plus VAT

EXTRA SPECIAL OFFERS!

Philips 22" Single STD Colour TV's. Models 511, 512. Good working order with repolished cabinets. Singles at £64.00. Threes at £60.00 each. (Singles delivery and VAT inc. at £81.00 C.W.O.)

20"/24" GEC or Decca Mono TV's. Good working order. Singles at £16.00. Threes at £12.00 each. Singles delivery and VAT inc. at £24.00.

Please write for quotation on any set or spares.

Quantity discounts. Callers Welcome. Deliveries arranged.



WEST	SOUTHERN	NORTHERN	SCOTLAND
Unit 4A, Buhark Industrial Estate, Chepstow, Nr. Bristol. Tel. Chepstow (02912) 6652	Watling Street, Hockcliffe (3 miles north of Dunstable on A5). Tel. Hock- cliffe (052521) 768	Thornbury Roundabout, Leeds Road, Bradford 3. Tel. (0274) 665670	Peacock Cross Industrial Estate, Burnbank Road, Hamilton. Tel. (06982) 29511

COLOUR T.V.'s UNTESTED

Most Dual-standard; R.B.M., Philips G6, Decca, Pye, etc., from £25 + VAT.

Single-standard from £35 + VAT. Most makes available.

Monochrome from £3 + VAT. 'Square screen' from £6 + VAT. Circuit Diagrams available most sets £1 extra.

All working sets demonstrated. All untested sets can be fully inspected before purchase.

Ring or send s.a.e. for current prices and stock.

Usually scrap sets of many makes available from £10 + VAT.

Fresh stock of Castor Stands just in!

West Midlands TV Trade Sales

1532 Pershore Road (Main A441)

Stirchley, Birmingham, B30 2NW

(*Phone 021-458 2208)

Open all day Mon, Tues, Thurs, Fri, Sat. Half day Wed.

IT'S EASY WHEN YOU KNOW!

To avoid missing your copy of TELEVISION—simply complete this order form and hand it to your newsagent.

ORDER FORM

To:.....
(name of newsagent)

Address.....

.....

.....

Please reserve/deliver every month one copy of TELEVISION until further notice.

My Name

Address.....

.....

.....

SIDS Components

FAST, RELIABLE AND COMPETITIVE

SIDS full stock + price list available -
Just telephone 061 480 8244 or write to
- SIDS (Electronic Components) Ltd.
251, Wellington Road South, Stockport,
Cheshire.

TV Replacement Mains Droppers

MANUFACTURER	CHASSIS	MAKERS CODE	VALUES	SIDS ORDER CODE	SIDS PRICE EACH (p)
T.C.E.	1400	06E5.016	128R+16R+1K7+	C121	85
	1500	06E5.018	116R+462R+126R+1K5+317R	C113	63
	3000/3500	00E5.071	6R+1R+100R	C105	53
PHILIPS	8000	90E5.006	56R+1K+47R+12R	D123	59
	8500	90E5.007	50R+40R+1K5	D127	70
	210	50S01	30R+125R+2K5	D112	49
	210	50S11	118R+148R+L00P	D108	41
	G8	50811	47R	C103	24
PYE	G8	50832	2R2+68R	C102	39
	725	PL11062	27R+56R	D106	44
G.E.C.	2018	27840	8R+15R+17R+70R+63R+188R	DS114	55
	R.R.I.	TV161	AP48928	250R+14R+156R	D109
R.R.I.	RR1	A823	56R+68R	D150	63
	POWER WIREWOUND RESISTORS - DROPPER SECTIONS				
25mm x 25mm x 7mm					
WATTAGE					
12W					
ORDER CODE					
F104/VALUE REQUIRED					
VALUES					
4R7 7R5 10R 12R 15R 18R					
22R 24R 27R 33R 39R 47R					
50R 56R 68R 75R 82R 100R					
120R 150R 180R 200R 220R					
PRICE 0.25p EACH					

Diodes

TYPE	PRICE (p)
BA 115	16
BA 145	18
BA 148	16
BA 154/201	12
BA 155	14
BAX 13	5
BAX 16	9
BY 126	12
BY 127	13
BY 133	20
BY 199	25
BY 206	18
BYX 10	14
OA 47	10
OA 90	7
OA 91	7
OA 95	7
OA 202	7
IN 514	5
IN 4001	6
IN 4002	6
IN 4003	7
IN 4004	8
IN 4005	6
IN 4006	10
IN 4148	4

Valves

TYPE	PRICE EACH (p)
DY 87	56
DY 802	56
ECC 82	47
EF 80	40
EF 183	46
EF 184	46
EH 90	46
PC 86	69
PC 88	69
PC 900	56
PCC 89	57
PCC 189	57
PCF 80	49
PCF 86	55
PCF 801	60
PCF 802	62
PCF 804	63
PCL 85	60
PCL 86	60
PCL 87	75
PCL 88	69
PL 36	69
PL 84	51
PL 504	99
PL 508	105
PL 509	195
PL 519	270
PY 88	52
PY 800A	137
PY 800	52

ORDER NOW!

Integrated Circuits

At New Low Prices following Bulk purchase of New Plessey and Toshiba Stocks.

TYPE	PRICE (p)
MC 1348	150
ML 231B	230
ML 232B	230
SL 414A	240
SL 415A	280
SL 1310	160
SL 1327	115
SL 3046	82
SL 76544	140
SN 76003N	180
SN 76013N	140
SN 76013ND	124
SN 76023N	140
SN 76023ND	124
SN 76033N	180
SN 76110N	142
SN 76226N	180
SN 76227N	140
SN 76532N	180
SN 76533N	140
SN 76544N	150
SN 76550N	70
SN 76660N	120
SN 76666N	105
TA 7051P	165
TA 7072P	170
TA 7047P	150
TA 7141AP	120
TA 7171P/SAS	186
TA 570S	186
TA 7172P/SAS	186
TA 7173P	160
TA 7176P	40
TAA 550	45
TAA 570	185
TAA 661B	100
TAA 700	80
TBA 120AS	80
TBA 120S	100
TBA 440	300
TBA 4800	20
TBA 5200	170
TBA 5300	130
TBA 5400	180
TBA 5500	200
TBA 5600Q	210
TBA 750Q	150
TBA 800	120
TBA 8200	210
TBA 9900	180
TCA 270Q	225
TCA 800	225
TDA 440	310

NO MINIMUM ORDERS!
CASH WITH ALL ORDERS
ADD 12% VAT PLUS 25p POSTAGE.

EHT Trays

TYPE	DESCRIPTION	PRICE EACH (p)
101/TH	Thorn 950 Mk 11 1400	2.35
102/TH	Thorn 1500 3 Stick	2.30
103/TH	Thorn 1500 5 Stick	2.50
104/TH	Thorn 1590 Stick	40
105/IT	ITT Philips Mono Large Screen	72
106/RA	Rank Z 718	1.82
107/TH	Thorn 3000/3500	6.00
108/TH	Thorn 8000	2.30
109/TH	Thorn 8500	4.40
110/TH	Thorn 9000	6.60
111/DE	Decca Doubler	3.20
112/DE	Decca 30 Series	5.30
113/DE	Decca 80 Series	5.80
114/GE	G.E.C. Hybrid	5.30
115/GE	G.E.C. Solid State	5.80
116/IT	ITT CVC 1.5	5.30
117/IT	ITT CVC 20	5.30
118/PH	Philips G8	5.30
119/PH	Philips 550	5.30
120/PH	Pye 691/693	4.40
121/PH	Pye 731	5.80
122/RA	Rank AB23	5.30
125/KO	Korting	5.30
126/MU	Teleport/Carnival/Hamilton Stepteleport	5.30
128/PH	Philips G8 125 DB	5.80
129/DE	Decca 100 T30 AV	5.80

Subject to 10% Discount - 5 of any one type or 10 mixed types.

Resistors

Power Wirewound	Price (p)	Trade Pack Qty.
10 Watt		
Style Axial Leads - cement coated		
Range 10R 12R 25R 30R 33R 39R 47R 50R 68R 75R 82R 100R 120R 150R 180R 220R 250R 270R 330R 400R 470R 500R 550R 1K0 2K2 3K3 6K0 8K0 10K	60	(5)
5 Watt		
Style Radial Leads - cement coated		
Range 10R 15R 25R 33R 47R 68R 82R 100R 120R 150R 180R 220R 270R 330R 390R 470R 560R 680R 820R 1K0 1K2 1K5 1K8 2K2 2K7 3K3 3K9 4K7 5K6 6K8 8K2 10K 12K	60	(5)
2.5 Watt		
Style Radial Leads - cement coated		
Range R22 R33 R50 1R0 1R5 2R2 2R7 3R3 3R9 4R7 5R6 6R8 8R2 10R	60	(5)
RESISTORS: High Stability Carbon Film E 12 Range		
Power Ratings: 0.5W 1.0W & 2.0W watts. 0.5W rated at 70°C. 1.0W & 2.0W rated at 40°C.		
Tolerance 5%.		
Style - Axial Leads.		
Values		
10R 12R 15R 18R 22R 27R 33R 39R 47R 56R 68R 82R 100R 120R 150R 180R 220R 270R 330R 390R 470R 560R 680R 820R 1K 1K2 1K5 1K8 2K2 2K7 3K3 3K9 4K7 5K6 6K8 8K2 10K 12K 15K 18K 22K 27K 33K 39K 47K 56K 68K 82K 100K 120K 150K 180K 220K 270K 330K 390K 470K 560K 680K 820K 1M 1M2 1M5 1M8 2M2 2M7 3M3 3M9 4M7 5M6 6M8 8M2 10M		
Price Trade Pack Qty.		
0.5W 19 (10)		
1.0W 32 (10)		
2.0W 52 (10)		

Capacitors

Electrolytic: Axial Leads	Price	Trade Pack Qty.
25V WKG Range		
Value Vwkg Dimensions		
22uF 25 10 x 6mm	0.35 (5)	
47uF 35 18 x 8mm	0.60 (5)	
100uF 25 19 x 8mm	1.40 (5)	
220uF 25 21 x 11mm	1.20 (5)	
470uF 35 32 x 13mm	1.25 (5)	
1000uF 35 40 x 16mm	1.26 (3)	
2200uF 25 39 x 21mm	0.90 (3)	
63V WKG Range		
4.7uF 63 13.6 x 6.6mm	0.48 (5)	
22uF 70 18 x 7mm	0.50 (5)	
47uF 70 17 x 12mm	0.68 (5)	
100uF 70 32 x 10mm	0.90 (5)	
220uF 63 38 x 13mm	1.20 (3)	
470uF 70 38 x 16mm	1.20 (3)	
1000uF 70 38 x 24mm	1.35 (3)	
450V WKG Range		
1uF 450 28 x 12mm	0.80 (5)	
2.2uF 450 27 x 13mm	1.05 (5)	
4.7uF 450 32 x 13mm	1.05 (5)	
10uF 400 32 x 16mm	1.20 (5)	
15uF 450 40 x 19mm	1.40 (5)	
32uF 450 52 x 26mm	1.75 (5)	
CAPACITORS: Mixed Dielectric 1000V WKG		
New 660 Capacitors (moulded in flame retardant material)		
Value Voltage Price (p) Trade Pack Qty.		
0.01uF 1000 45 (3)		
0.022uF 1000 54 (3)		
0.033uF 1000 40 (2)		
0.047uF 1000 40 (2)		
0.1uF 1000 45 (2)		
0.22uF 1000 38 (1)		
0.47uF 1000 55 (1)		
0.1uF 1250 35 (1)		
CAPACITORS: Polyester 600V		
Sprague Purn Range 416P Filmtype		
Value Dimensions Price (p) Trade Pack Qty.		
0.01uF 18.2 x 4.8mm		
0.022uF 18.2 x 4.8mm		
0.033uF 18.2 x 5.2mm	50	(5)
0.047uF 18.2 x 6.0mm		
0.1uF 21.4 x 6.9mm		
0.22uF 22.2 x 9.5mm		
0.33uF 25.4 x 10mm	60	(5)
0.47uF 31.8 x 10.2mm		

ALL NEW AND BRANDED ITEMS

Multi Section Capacitors

MANUFACTURER	CHASSIS Nos.	CAPACITANCE mfd	VOLTAGE v	SIDS ORDER CODE	SIDS PRICE EACH (p)
T.C.E.	1500	150.150.100	350	CMS/5	115
	3000/3500	175.100.100	400/350	CMS/3	185
	10000/3500	8000	2500.2500	63	CMS/4
R.R.I.	A823	2500.2500	300	CMS/7	115
	A823	600	300	CMS/8	155
PYE	691	200.300	350	CMS/10	180
	697 & 723				
PHILIPS	G8	600	300	CMS/8	155
	CS1910	400.400	300	CMS/14	245
DECCA	02110	600	300	CMS/8	155

YOU'LL GO A LONG WAY FOR A BETTER DEAL

Semi Conductors

TYPE	PRICE (p)	TYPE	PRICE (p)	TYPE	PRICE (p)	TYPE	PRICE (p)
AC 107	28	BC 113	12	BC 213	15	BF 160	30
AC 126	27	BC 114	15	BC 213L	13	BF 167	26
AC 127	22	BC 115	16	BC 214	13	BF 173	24
AC 128	33	BC 116	16	BC 214L	13	BF 178	30
AC 128K	33	BC 116A	30	BC 237	15	BF 179	32
AC 141	27	BC 117	17	BC 238	12	BF 180	33
AC 141K	37	BC 118	17	BC 301	30	BF 181	32
AC 142	20	BC 119	28	BC 303	31	BF 182	35
AC 142K	31	BC 125	16	BC 327	20	BF 183	34
AC 150	33	BC 125B	18	BC 328	12	BF 184	30
AC 154	20	BC 126	15	BC 337	15	BF 185	28
AC 155	20	BC 132	15	BC 338	18	BF 186	36
AC 156	31	BC 136	18	BC 546	15	BF 194	12
AC 176	24	BC 136	18	BC 547	12	BF 195	12
AC 176K	38	BC 137	15	BC 548	18	BF 196	12
AC 187	20	BC 138	20	BC 549	12	BF 197	13
AC 187K	40	BC 139	24	BC 550	15	BF 197A	18
AC 188	27	BC 140	38	BC 557	14	BF 198	19
AC 188K	42	BC 141	26	BC 558	13	BF 199	20
AC 193K	40	BC 142	24	BC Y 72	20	BF 200	30
AC 194K	39	BC 143	24	BD 115	60	BF 218	56
AD 140	78	BC 147	12	BD 116	60	BF 224	30
AD 142	74	BC 147A	12	BD 124	70	BF 240	20
AD 143	72	BC 147B	12	BD 131	44	BF 241	20
AD 149	79	BC 148	10	BD 132	46	BF 257	30
AD 161	50	BC 149	12	BD 133	48	BF 258	32
AD 161/162PR	125	BC 153	15	BD 135	34	BF 259	28
AD 162	55	BC 154	15	BD 136	35	BF 260	30
AF 114	35	BC 157	13	BD 137	37	BF 337	34
AF 115	26	BC 158	12	BD 138	38		

3500 Thorn Triplers	£3.50	TIP112	25p	VHF Varicap Units		BA159	10p	
LP1193/1Mallard	£2.50	TIP115	25p	New	£2.50	BY184	25p	
TK25KC15BL	£1.50	TIP117	25p	VHF Varicap Units		TAA550	30p	
Ex Panel				New. 49-00-219-00 MHZ	£1.50	TBA510	£1.00	
TS2511TBD	£4.00	100 Mixed Electrolytics	£2.20			TBA480Q	£1.00	
		1000 MFD to 4 MFD	£2.50	Reject VHF Varicap		TBA550Q	£1.50	
TS2511TBK	£4.00	120 Mixed Pack of		Units	50p	TBA720A	£1.50	
TS2511TDT	£4.00	Electrolytics & Paper		AE Isolating Socket &		TBA790B131	£1.00	
TS2511TBQ	£1.50	Condensers	£1.20	Lead	45p	TBA800	95p	
TS2511TCE	£3.00	100 Green Polyester		6 Position 12.5k		TBA920	£2.00	
TS2511TCF	£3.00	Condensers		V/Resistors Units for		TAA700	£2.00	
TS2511TBH	£3.00	Mixed Values	£2.00	Varicap	50p	TBA530Q	£1.00	
TS2511TBS	£3.00	.1 MFD 2000v	15p	EHT Rectifiers Sticks		TBA550	£2.00	
1730 Decca	£3.00	.1 MFD 1000v	} 8p EACH	Used in Triplers		SN76544N	50p	
Mains Droppers		.01 MFD 1000v			x80/150		SN76640N	£1.00
69R + 161R	20p	.047 MFD 1000v			CSD118xMH	12p EACH	SAA570	50p
		.0047 MFD 1000v			CSD118xPA	15p	TBA120A	50p
147R + 260R	20p	200+200+100M 325v	40p	3 Off G770/HU37		TCA270Q	£2.00	
Thorn Mains Droppers		470+470M 250v	40p	Silicone	15p	Star Aerial Amps	£4.00	
6R + 1R + 100R	35p	100+200M 325v	30p	Bridge Rectifiers		CHANNEL B+C	EACH	
Thorn Mains On/Off		200+200+100+32M		1A 100v	20p	TV18	40p	
Switches	15p	350v	70p	2A 100v	25p	TV20	50p	
Thorn 2000 & 3000		150+200+200M 300v	50p	W005M	20p	Rectifier Sticks & Lead		
Series Hearing Aid		800M 250v	20p	BY127	10p	BU105	£1.00	
External Loudspeaker		600M-300v	£1.00	1N4007	20 for £1.00	BU105/04	£1.50	
Unit	£2.00	400M 400v	£1.00	IN4005	20 for £1.00	BU205	£1.90	
Focus Unit 3500 Thorn	£1.00	800+800M 250v	60p	BYX94 1200v 1 Amp.	15 for £1.00	BU208	£2.00	
4 Push Button Unit		200+100+100+50M		BB105	Varicap Diodes	2N3055	45p	
UHF Thorn	£3.50	300v	45p	BA182	12 for £1.00	BRCD1603	80p	
D.P. Audio Switch	7½p	200+100+100M 350v	70p	BY133	12p	Thorn		
4 Push Button Unit for		200+200+150+50	£1.00	BYX55/350	10p	BD138	20p	
Varicap	£1.00	100M 450v	25p	BY210/400	5p	BD252	20p	
7 Push Button Unit for		47M 450v	25p	BY206	15p	Audio O/P Trans.		
Varicap	£1.50	680M 100v	25p	BT106	95p	RCA16572	40p	
RIZ243619 Replacement		6800M 40v	35p	BT116	95p	RCA16573	PAIR	
for ELC 1043		100M-350v	20p	12 Kv Diodes 2M/A	30p	BU105 Ex. Panel	50p	
UHF Varicap new	£2.50	22M-350v	20p	18 Kv BYF3123 Silicone	30p	BU126 Ex. Panel	EACH	
BF127 BC350		33000 10v	30p	180PF 8Kv	10M 350v	5A-300	25p	
BF264 BF178		15000 40v	50p	1000PF 10Kv	100M 50v	TIC106 Thyristors	EACH	
BF180 BF121		4.7M 63v	5p EACH	1200PF 10Kv	330M 10v	RCA40506 Thyristors	50p	
BF181 BF257	15p EACH	1000M 63v		1000PF 12Kv	330M 25v	BC108	7p	
BF182 BF137		3000M 16v		160M 25v	330M 35v	BC188	10p	
BF300 BC161		4700M 10v		220M 25v	330M 50v	BC149C	7p	
AC128 BF185		1000M 63v		1000M 16v	330M 63v	Aerial Amp Power		
2N2222	10p	3000M 16v		220M 35v	470M 25v	Supplies 15 volts	£1.50	
2N3566	10p	330M 100v		220M 40v	470M 35v			
BC198	10p	4700M 10v		220M 50v	470M 40v			
2N1305	30p	1000M 63v		470M 25v	10p EACH			
MJE2021 90V 80V	15p	3300M 25v		22M 315v				
SJE5451 5A	EACH	1000M 10v						
90V 80V 5A NPN	28p	1000M 63v						
PNP	PAIR	3300M 25v	12½p EACH					
1N5349 Diode	10p	1000M 40v						
12v Z/Diodes	EACH	1000M 50v						
Mullard UHF T/Units	£1.50	1500M 25v						
300 Mixed Condensers	£1.50	1000M 10v						
300 Mixed Resistors	£1.50	1500M 40v						
30 Pre-Sets	50p	1000M 25v						
100 W/W Resistors	£1.50	1500M 50v						
40 Mixed Pots	£1.50	4700M 16v						
20 Slider Pots	£1.50	1000M 16v						
		100M 63v						

SENDZ COMPONENTS

2 WOOD GRANGE CLOSE,
THORPE BAY, ESSEX.

Reg. Office only -
No personal callers. Thank you.
Free Postage applies in U.K. only.

PLEASE ADD 12½% VAT