

PRACTICAL

JANUARY 1989 · £1.25

# ELECTRONICS

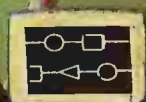
SCIENCE & TECHNOLOGY

TRACKING  
RAILWAY  
ELECTRONICS



CREWE

CHIPPING  
JNC.



INTER  
CHIMNEY  
25-12

WIN A  
COLOUR  
LCD TV

THE SCIENCE MAGAZINE FOR SERIOUS ELECTRONICS AND COMPUTER ENTHUSIASTS

# New REALISTIC® PORTABLE SCANNING RECEIVER

- Frequency Synthesized - No Crystals To Buy
- 68-88 MHz VHF-Lo
- 108-136 MHz (AM) Aircraft
- 136.005-174 MHz VHF-Hi
- 380-512 MHz UHF
- 806-960 MHz

**Realistic Pro-34.** Catch all the action on this hand-held programmable scanner. Features extended frequency coverage, including the new 800 MHz band! Scan up to 200 channels in 10 bands or search for new bands. Store frequencies in a special monitor band for one-key transfer to permanent memory. Lock-out key temporarily bypasses unwanted channels.

## The Key To Better Listening

Also features large LCD display showing channels and frequencies being scanned, monitored or programmed and has a switchable backlight for night viewing. Squelch control, built-in speaker, 1/8" earphone socket, flexible aerial and belt-clip. Includes BNC jack for adding external aerial.

# Tandy®

*Tune in to Tandy TODAY!*

Over 400 Stores  
And Dealers Nationwide  
Prices may vary at Dealers. Offers subject to availability.

Tandy, Tandy Centre, Leamore Lane,  
Walsall, West Midlands. WS2 7PS



Realistic PRO-34 £249.95.  
Cat. No. 20-9135



## COMPETITION

**WIN A COLOUR LCD TV** ..... 61

Match eight common terms to their definitions and supply a couple of names to two other statements – three of you could each win a superb Ferguson pocket sized liquid crystal display colour tv. Worth over £240!



## CONSTRUCTIONAL PROJECTS

**THE HOLMES MACHINE** by Owen Bishop ..... 12

Sherlock's deceptive ploy foreshadowed this blindingly simple security-enhancing mobile which in elementary steps shows Watson the table turns against the villains.

**CHRISTMAS FLASHERS** by Chris Bowes ..... 25

Spruce up the festive fir with flashing twinkles on its Bowes, tweek Rudolph's nose, chase the angels halo round the flickering candle, or put led-berry sauce on your random pudding.

**DUAL BEAM OSCILLOSCOPE – PART THREE** by John Becker .... 48

The Ys and wherefores of double tracking, and how Lissajous frequently finds twisted ratios make sure you clock on time.

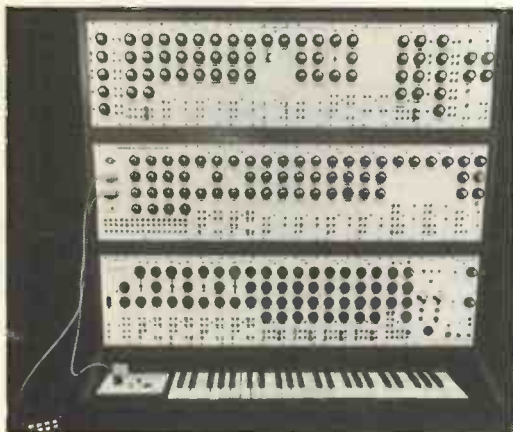
## SPECIAL FEATURES

**ELECTRONIC RAILWAYS – PART ONE** by Neil Harding ..... 19

Countless independent systems of electronic wizardry combine to assist passengers and goods along thousands of miles of worldwide rail networks.

**DIGITAL ELECTRONICS – PART FIVE** by Owen Bishop ..... 35

Customised interfaces keep logic families happily mixed, sensors hotly probe the lighter side of life, and driving the tri-state line leads to the traffic lights.



## REGULAR FEATURES

**EDITORIAL** by John Becker – High-ho Silver! ..... 9

**LEADING EDGE** by Barry Fox – Cordless phones ..... 8

**SPACEWATCH** by Dr. Patrick Moore – Supernova news ..... 46

**INDUSTRY NOTEBOOK** by Tom Ivall – The electronic persuader ..... 57

**READERS' LETTERS** – and a few answers ..... 45

**MARKETPLACE** – what's new, where and when ..... 4

**BOOKMARK** – your Ed's view of some new books published ..... 7

**ARMCHAIR BOOKSHOP** – have you browsed our good book list? ..... 54

**PCB SERVICE** – professional PCBs for PE Projects ..... 60

**TRACK CENTRE** – the PCB track layout page ..... 42

**BAZAAR** – Readers' FREE advertising service ..... 56

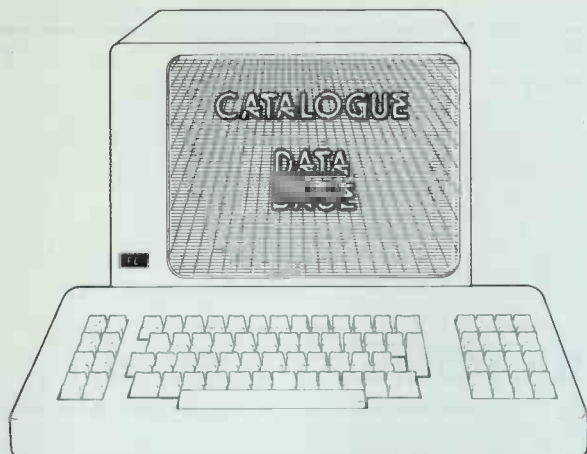
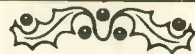
**ADVERTISERS' INDEX** ..... 62

## NEXT MONTH . . .

TIME MARCHES ON BUT WE'RE UP TO THE MARK PREPARING –  
★ AN ASTROLOGICAL CLOCK ★ ANOTHER IN THE TIME AND MEASUREMENT SERIES ★ A SPECIAL FEATURE ON HIGH DEFINITION TELEVISION ★ AND OF COURSE THERE'LL BE LOTS MORE, INCLUDING OUR REGULAR MINUTELY RESEARCHED TOPICAL NEWS, VIEWS AND FEATURES ★

WATCH-OUT FOR OUR FEBRUARY 1989 ISSUE  
IT'S ON SALE FROM FRIDAY JANUARY 6TH  
AND IS SECOND TO NONE!





We have recently received the following literature:

**CPVE – A Link Between School and Work** is the title of a leaflet issued by the Joint Board for Pre-Vocational Education. The leaflet is a simple guide and introduction to CPVE and will be of interest to students, parents and employers. Copies of the leaflet and other publicity material are available on request from The Sales Section, City and Guilds of London Institute, 76 Portland Place, London, W1N 4AA. 01-580 3050.

Maplin's 1989 catalogue is bigger and better than ever, and they've printed over 200,000 copies! It contains over 500 new products and has hundreds of price reductions in its 550 pages. As an introduction to the new range of Maplin cassette tapes, every buyer of the catalogue can send for two free C60 ferric tapes or one C60 chrome tape. The catalogue costs £1.95 and is available from any Maplin store, or from W.H. Smith. Maplin have also introduced a new professional supplies trade catalogue. Maplin Electronics, PO Box 3, Rayleigh, Essex, SS6 8LR. Tel: 0702 554161.

Eccentric are a company who will be of great interest to any electronics constructor who needs to interface mechanical assemblies to electronic control circuits – they stock Meccano parts! For some years your Ed has mourned the apparent demise of Meccano, but has learned that it's alive and well, and being comprehensively imported by Eccentric (who stock secondhand parts as well). I am sure they will be delighted to send you their catalogue and price list. Eccentric, Park Lane (off Park Street), Madeley, Telford, Shrops, TF7 5HE. 0952 583345.

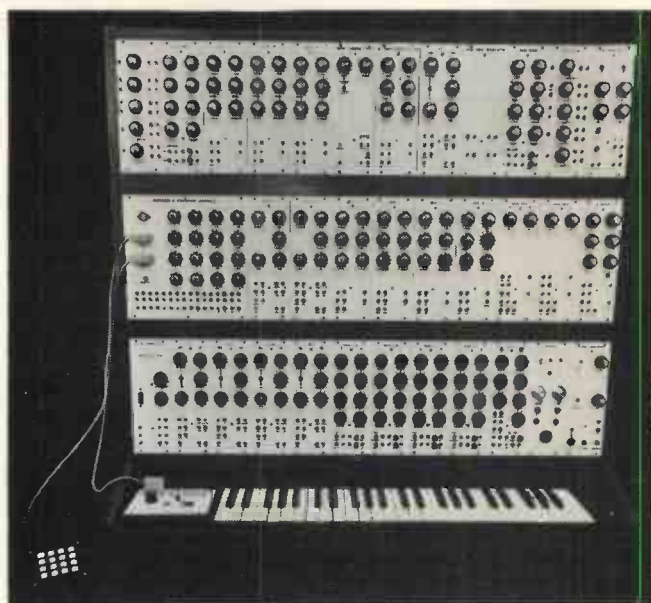
Circuit is a company consisting of three major divisions – consumer, educational and industrial, each division having its own team of experienced staff offering sales and customer service. Their new catalogue, priced at £1.30, will therefore be of considerable interest to any constructor in need of a broad range of electronic components, from the conventional to the less-easy to find. The catalogue also contains valuable discount vouchers, and information on an interesting competition with several prizes. Circuit Distribution Ltd, Park Lane, Broxbourne, Herts, EN10 7NQ. 0992 441306.

L.J. Technical Systems have a short-form catalogue covering many training systems, applications and courses. Though many of the services are aimed at professionals, dedicated amateur enthusiasts could also benefit from finding out more about this company L.J. Technical Systems Ltd, Francis Way, Bowthorpe Industrial Estate, Norwich, NR5 9JA. 0603 748001.

Integrated Measurement Systems brochure will be of interest to PC users. It covers a good variety of hardware and software that enables a PC to be linked to the outside world for numerous test, measurement and control applications in lab, industrial and engineering environments. Integrated Measurement Systems Ltd, 306 Solent Business Centre, Millbrook Road West, Southampton, Hants, SO1 0HW. 0703 771143.

**ADVERTISERS – HAVE  
YOUR CATALOGUE FREELY  
PUBLICISED HERE!**

## WHAT'S NEW



### Synthesiser Kits

For some time now there has been a noticeable shortage of synthesiser diy kits on the market. Perhaps mistakenly you Ed had concluded that the sophistication of low cost ready made synthesisers had deterred kit suppliers from competing in this field.

Digisound have now announced their determination to put paid to this theory by introducing a new range of modular synthesiser kits. Tim Higham of Digisound informs me

that their synthesisers are already used by a number of bands, including Wavestar who have just used on their latest album 'Moonstar'.

Many other music-orientated kits are available from Digisound and their range will be further increased in the near future by the addition of more keyboard and sound sampler kits. Drop Tim Higham a line and ask for a free copy of the glossy catalogue – he's at: Digisound, 16 Lauriston Road, Wimbledon, London, SW19 4TQ. Tel: 01-946 0467.

### Kit form audio

Dramatic cost savings are possible by buying TIME MACHINE'S new range of fully Professional audio processors in easy-to-build kit form.

Housed in standard 19 inch cases 1U high by 6 inches deep these units have tasteful modern styling and logical control layout. The General format is that of two independent channels which can be linked for stereo operation by means of a switch.

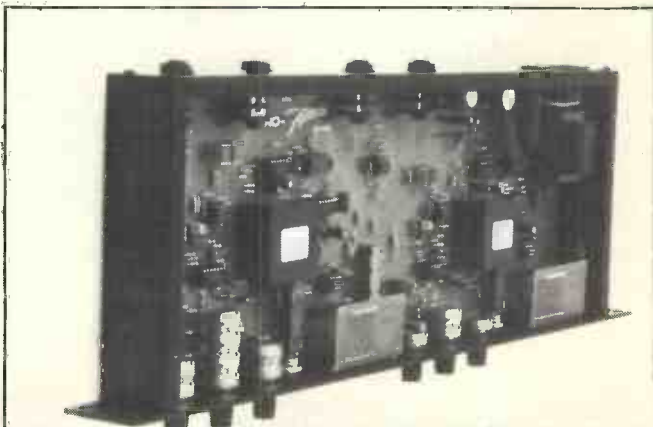
The range includes: the Activator

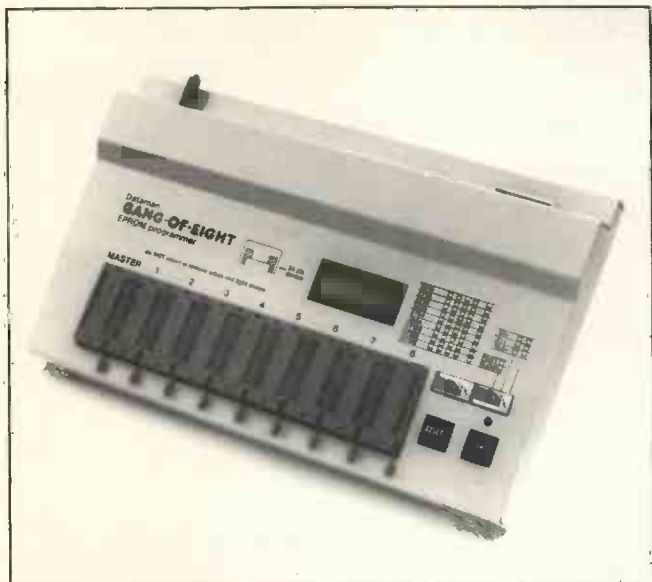
(a sophisticated enhancer), a dual noise gate/fade/panner, a compressor/expander with adaptive radio, and the silencer single ended noise reduction system.

Kits retail for around £130 +VAT. Fully built and tested units are also available, with user manuals, at £199 +VAT. These prices include UK carriage.

CONTACT: TIME MACHINE, Abbotsford, Deer Park Avenue, Teignmouth, Devon, TQ14 9LJ.

Tel: 06267 2353.





## Gang of Eight

Dataman is relaunching its production eeprom programmer, the Gang-of-Eight. The latest version comes as standard in a robust steel case with bi-directional RS232 serial interface facilitating programming via PC. G8 will handle 2516, 2532 and 2564 eeproms, as well as all 27 series from 2716 to 27512.

Setting is by use of dip switches. All settings are marked on the metal case for device type, programming

speed and voltage selection.

When programming, G8 checks that the slave devices have been erased and upon completion checks the match with the master. The led display confirms the stage of programming but to avoid visual monitoring G8 also provides audible feedback.

**CONTACT:** Dataman, Lombard House, Cornwall, Road, Dorchester, Dorset, DT1 1RX. Tel: 0305 68066.

## Radical Rigging

Concerned amateur radio users can now purchase a radically new 2m fm transceiver. The AMR1000 is a quality British made rig and is a development of the RT6500vhf radio telephone, which after only one year has become the best selling vhf set in the marine market.

The rig is available in two forms. The AMR1000 is a simple to operate fully channelised set able to function on both 12.5kHz and 25kHz channel spacing. The AMR1000S has all the

features of the AMR1000 but has additional features including full scanning and programming functions. Both sets feature a well laid out control panel with clear display.

A full range of power supplies, antennas and mounting accessories that allow the transceiver to be used at home or as a mobile are available.

Prices start at around £247 for the AMR1000 and £299 for the AMR1000S.

**CONTACT:** Navico Ltd, Star Lane, Margate, Kent. CT9 4NP. Tel: 0843 290290.



## COUNTDOWN

*If you are organising any event to do with electronics, big or small, drop us a line – we shall be glad to include it here.*

**Please note:** Some events listed here may be trade or restricted category only. Also, we cannot guarantee information accuracy, so check details with the organisers before setting out.

**Dec 11.** Satro Annual Computer and Technology Show. Music Hall, Aberdeen. 0224 273161. Satro, the Science and Technology Regional Organisation is a non-profit making organisation dedicated to supporting and enhancing science and technology education. Profits from the show will be devoted to developing computer and electronics clubs. **We hope it will be well supported.**

**Dec. 20.** IEEIE Computers for Engineers, Lecture SSEB, 75 Waterloo Street, Glasgow. 01-836 3357.

**Jan. 12.** IEEIE Communication in British Rail, Lecture. The Gonville Hotel, Cambridge. 01-836 3357.

**Jan. 16.** IEEIE Energy And Power Professional Group Lecture. CHP – Where are we now? IEE Faraday Room, Savoy Place, London. 01-836 3357.

**Feb 7-9.** Smartex – the surface mounting technology exhibition. Wembley Exhibition Hall. 01-302 8585.

**Apr 5-6.** Laboratory Science and Technology Show, Kelsey Kerridge, Cambridge. 0799 26699.

**Apr 25-27.** British Electronics Week. Olympia. 0799 26699.

**Jul 10-13.** EWEC '89. European wind energy conference and exhibition. Scottish Conference and Exhibition Centre, Glasgow. No reference tel. known.

## Scots Technology Show

**S**ATRO North Scotland and SATLINC (Science and Technology Links in the Community) are holding their third Computer and Technology show at the Music Hall on Sunday 11th December from 11am to 5pm.

SATLINC is an organisation for the mutual support of technology clubs, and all profits from the Show go to help the clubs.

At the show are displays of the uses of computers and technology in education, commercial stand display books, computers and software.

Above all the many amateur clubs show some of the exciting things that can be done with electronics, computers and technology in general.

There will also be a preview of SATROSPHERE, the permanent Interactive Science and Technology Exhibition due to open shortly in Aberdeen.

In short, there are entertainments for the whole family including competitions and games for the children.

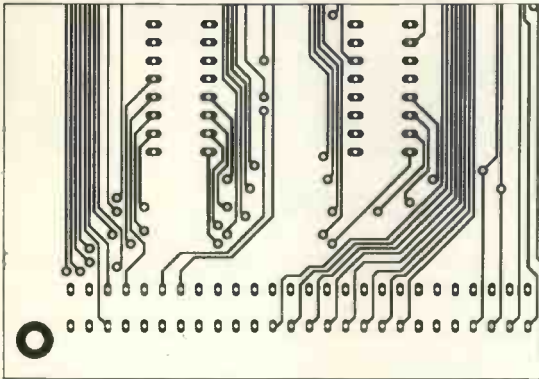
Northern readers who want to know about local science and technology clubs will find that Steve Delaney, 50 Stewart Crescent, Northfield Avenue, Aberdeen, AB2 5SR, probably has interesting information to offer.

**For further information on SATRO,** contact Dr. Lesley Glasser, University of Aberdeen, Marischal College, Broad Street, Aberdeen, AB9 1AS. Tel: 0224 273161.

# MAKING ELECTRONICS C.A.D. AFFORDABLE

## PCB LAYOUTS AND SCHEMATICS

### EASY-PC AND TINY-PC



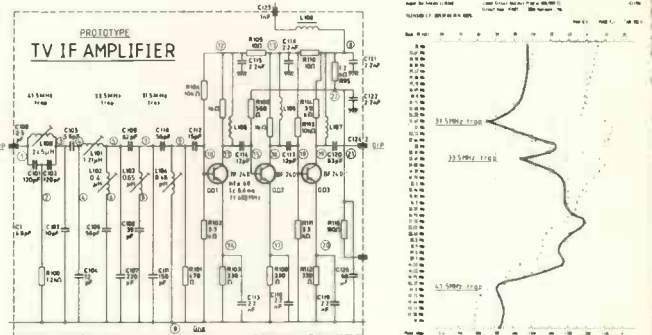
Excellent quality from dot matrix printer

Are you still using tapes and a light box.  
 Have you access to an IBM PC/XT/AT or clone incl. Amstrad 1640 & 1512?  
 Would you like to be able to produce PCB layouts up to 17" square?  
 With up to 8 track layers and 2 silk screen layers?  
 With up to eight different track widths anywhere in the range 002 to 531?  
 With up to 16 different pad sizes from the same range?  
 With pad shapes including round, oval, square, with or without hole?  
 With up to 1500 IC's per board, from up to 100 different outlines?  
 That can be used for surface mount components?  
 That is as good at circuit diagrams as it is at PCB's?  
 Where you can learn how to use it in around half an hour?  
 Standard output to dot matrix printer. Pen-plot and Photo-plot drivers available.

Price: TINY-PC £95.00 + VAT  
 EASY-PC £275.00 + VAT

## CIRCUIT ANALYSIS BY COMPUTER

### ANALYSER I AND ANALYSER II



For IBM PC/XT/AT and clones inc. Amstrad 1512, 1640, R.M. NIMBUS, BBC B, B+, and Master, Spectrum & Amstrad CPC series.

"ANALYSER II" - Analyses complex circuits for GAIN, PHASE, INPUT IMPEDANCE, OUTPUT IMPEDANCE and GROUP DELAY, over a very wide frequency range.

Can save days breadboarding and thousands of pounds worth of equipment.

Prices from £20 - £195.00 + VAT

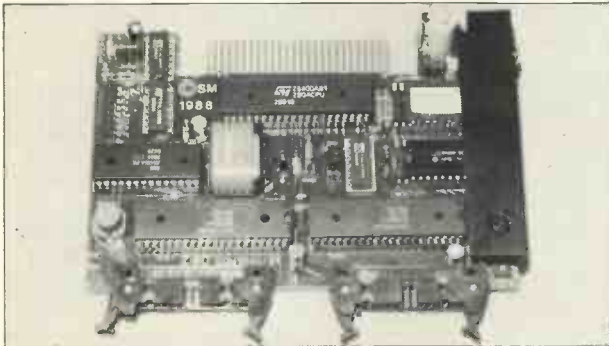
Write or phone for full details:

**Number One Systems Ltd**

REF  
 Harding Way, St. Ives, Huntingdon  
 Cambs. PE17 4WR. Tel: St. Ives (0480) 61778

## Z80A MICROCONTROLLER

A low cost single board micro-system providing all the requirements needed for many applications in industrial, experimental and educational fields.



Just some of its extensive features include:

- ★ Z80A CPU operating at 4MHz
- ★ EPROM socket - jumper link selectable as 2, 4, 8, 16 or 32K accepts 2716/2732/2764/27128/27256 EPROMS
- ★ RAM socket - jumper link selectable as 2, 8 or 32K accepts 6116/6264/62256 CMOS static RAMS - battery back up included
- ★ INPUT/OUTPUT - 2 Z80 PIOs providing 32 programmable I/O lines  
 HARDWARE COUNTER/TIMER - a Z80 CTC providing four independent counter/timer circuits
- ★ Expansion boards available - DtoA, 8 channel AtoD, RS232 serial I/O etc
- ★ Full documentation and user notes

**Z80 Single Board Controller fitted with 2Kx8 CMOS static RAM ONLY £94.95 + VAT - BUILT AND TESTED !!**

Specialising in microprocessor data logging and control applications, we provide a complete service covering any or all of the stages from initial hardware and software design through manufacture to final installation.

Phone/send for full details - OEM, trade and overseas enquiries welcome

**SM ENGINEERING**  
 Telephone 0323-766262

'St. Georges' Lion Hill Stone Cross  
 Pevensey, East Sussex BN24 5ED

12 Elder Way  
 Langley Business Park  
 Slough  
 Berkshire  
 SL3 6EP  
 Telephone: 0753 49502.  
 Fax: 0753 43812. Telex: 848132



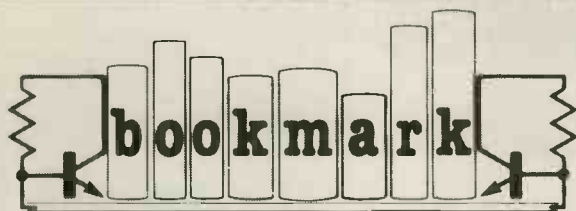
## DISTRIBUTORS OF ELECTRONIC COMPONENTS

BONEX IS PLEASED TO ANNOUNCE  
 THAT THEIR 1989 COMPONENTS CATALOGUE  
 IS NOW AVAILABLE

THE FOLLOWING PRODUCTS ARE AVAILABLE FROM BONEX

- |                          |                              |
|--------------------------|------------------------------|
| ★ I.F. TRANSFORMERS      | ★ NI-CADS, CABLES            |
| ★ FIXED INDUCTORS        | ★ SILVER/ENAMELLED WIRES     |
| ★ AXIAL INDUCTORS        | ★ FULL RANGE OF CAPACITORS   |
| ★ CHIP INDUCTORS         | ★ VARIABLE R.F. TRIMMERS     |
| ★ HIGH-POWER INDUCTORS   | ★ FULL RANGE OF CONNECTORS   |
| ★ MOULDED COILS          | ★ BNC/PL259/TNC/F/ADAPTERS   |
| ★ VARIABLE COILS         | ★ HARDWARE, BOXES, HEATSINKS |
| ★ QUADRATURE COILS       | ★ CMOS, TTL, LINEAR I.C.s    |
| ★ CERAMIC FILTERS        | ★ VOLTAGE REGULATORS         |
| ★ CRYSTAL FILTERS        | ★ SMALL SIGNAL TRANSISTORS   |
| ★ HELICAL FILTERS        | ★ AUDIO/POWER TRANSISTORS    |
| ★ LINEAR FILTERS         | ★ R.F. L. POWER TRANSISTORS  |
| ★ PILOT TONE FILTERS     | ★ R.F. H. POWER TRANSISTORS  |
| ★ U.H.F. FILTERS         | ★ FIELD EFFECT TRANSISTORS   |
| ★ TOROIDAL RINGS         | ★ GAS F.E.T.s                |
| ★ FERRITE CORES/BEADS    | ★ VMOS, MOSFETS, DARLINGTONS |
| ★ QUARTZ CRYSTALS        | ★ SWITCHES, TEST EQUIPMENT   |
| ★ SIGNAL DIODES          | ★ EXPO DRILLS, ANTEX IRONS   |
| ★ VARICAP DIODES         | ★ TOOLS, CUTTERS, REAMERS    |
| ★ ZENER DIODES           | ★ DRAKE TRANSFORMERS         |
| ★ DOUBLE BALANCED MIXERS | ★ VERO BOARD, BREAD BOARDS   |

Please send £1.50 to cover price of catalogue and postage.



Your Ed looks at some of the new books recently received.

**Chambers Science and Technology Dictionary.** Chambers-Cambridge University Press. £16.95. ISBN 1-85296-1. An excellent dictionary that claims to be the most comprehensive single-volume work of its kind. With over a thousand pages and 45000 entries the main areas covered include chemistry, engineering, botany, zoo-logy, medical science and physics. Extensive treatment is also given to architecture, behavioural science, computing, geology, nuclear engineering, astronomy, building, electronics, mathematics and printing. The coverage of electronics seems pretty thorough, though I spotted the omission of a few terms which I checked at random, eg transputer and foldback, but I was gratified to see that a lot of unexpected terms were included. Definitely a book to have prominently on a bookshelf.

**Designing DC Power Supplies.** G.C. Loveday. Benchmarks. £6.95. ISBN 1-871047-01-3. It's good to find another book which covers the much underrated subject of power supplies. This book tackles the problem of designing regulated dc supplies, covering target specifications, test strategies, design procedures and methods. Several design tasks are set, all with solutions given at the end of the book. Although 130 pages does not allow for full coverage of this important field, the discussions and examples given should give most readers a good working knowledge of many practical techniques.

**LSI Interfacing.** Mike James. Heinemann-Newnes. £12.95. ISBN 0-434-90889-4. Mike James is well known to us at PE as for some time he edited our sister magazine Program Now. With his additional experience as an electronics lecturer he is well qualified to be the author of this guide to the use of standard lsi interface chips. In it he examines the general principles of data transfers and connecting interface devices to microprocessor buses. He covers a range of devices by presenting block diagrams, pinouts and their software aspects, together with a discussion of programming methods. The data will be useful to programmers, designers and students.

**Digital Audio and Compact Disc Technology.** Sony Service Centre (Europe). Heinemann-Newnes. £20.00. ISBN 0-434-91868-7. Decidedly a book for which the market has been waiting. Sony is one of the forerunners in the fields of dat and cd, and is the co-inventor of the compact disc digital audio system. With this pedigree the publishers can justifiably claim that this is the definitive book on cd technology. The contents include the principles of digital signal processing, sampling, quantisation, a-d conversion, codes and error correction, optoelectronics, servo circuits, signal processing, digital audio recording systems, pcm, Video 8, R-Dat, S-Dat and Dash. This book should find wide appeal amongst audio engineers, students and hifi enthusiasts.

**Electronics Build and Learn.** R.A. Penfold. PC Publishing. £5.95. ISBN 1-870775-15-5. The established principle of "learn by doing" is emphasised by this authoritative book. Combining theory and practice, the book begins with full constructional details of a circuit demonstrator unit that is used in subsequent chapters to introduce common electronic components. Well illustrated with practical tests and experiments the book develops the basic theme and shows how useful circuits such as oscillators, multivibrators and logic functions can be built up. This book is available through the PE book service and I recommend it to any electronics novice.

**The Homebuilt Dynamo.** Alfred T. Forbes. Todd-Forbes Publishing £42 including air mail post. ISBN 0-9597749-0-4.

What a delight this book will be to any dedicated lover of anything to do with diy, ingenuity, and devotion to the completion of a job once started. It is the complete pictorial history of how Alfred Forbes built a dynamo to power his house in New Zealand. In 1969 he had decided to Live the Simple Life, buying a plot of land miles from anywhere, building his own house, and then finding the Electric Power People practically needed an arm and leg to bring power in. Alfred decided to build his own power plant, assuming there would be a book on the subject. There wasn't! Undeterred, he still went ahead, making practically everything with the aid of ordinary home workshop tools, and systematically photographing every stage of the work. The dynamo was ceremonially put into active service in 1984 and is capable of being used from 12V to 36V with a top rated output of 1000 watts – 28 amps and 36V at 740 rpm. Alfred stresses that this book is not just 'another diy book' but a careful diary with photographs, detailed working drawings and text that should enable anyone with an ordinary home workshop to produce the dynamo using the materials, tools and techniques described. It is a beautifully produced glossy book of nearly 200 A4 pages, and though not cheap will delight and assist anyone who loves a diy challenge. Definitely a book to put on your list of wanted Christmas presents.

**The Illustrated Dictionary of Electronics – Fourth Edition.** R.P. Turner and S. Gibilisco. Tab Books. £18.75. ISBN 0-8306-2900-9. Tab Books have excelled themselves with this book. It has well over 600 pages containing more than 27000 terms used in electronics and more illustrations than I would care to count. There are ample cross-references and numerous data tables have been included. Although random checks reveal that not all terms known to me have been covered, it is, nonetheless, the most comprehensive electronics dictionary I have come across and will prove invaluable to anyone interested in electronics.

**Electronic Circuit Design – Art and Practice.** T.H. O'Dell. Cambridge University Press. £9.95. ISBN 0-521-35858-2. The author says that this book has grown out of the experience he gained while involved in lab courses in electronic circuit design for final year undergraduates. In writing the book, though, he has taken a wider view by aiming it at any reader who has access to a simple electronics laboratory. He recognises that theoretical knowledge is essential, but that electronic circuit design can only be learnt by doing. An understanding of mathematics is preferable for a full appreciation of this informative book.

**Experiments in Artificial Neural Networks.** Ed Reitman. Tab Books. £13.20. ISBN 0-8306-9337-8. Ah! thinks I, picking up this book in anticipation of giving my brain an extra interactive expansion port. But no, I find hi-tech is still not high enough to improve my memory by means of a chip or two. Still, I'm interested by this book which describes simple neural networking systems that can store and retrieve information in a fashion similar to that used by the brain. It is basically an introduction to computer modelling and hardware experiments in this fascinating field of artificial intelligence. There are three projects, and a good variety of illustrative programs. The latter have been written for IBM clones, using MS-DOS and GWBASIC. It looks as though there is food for thought in this book.

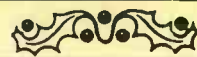
**Benchmark Book Company,** 59 Waylands, Swanley, Kent, BR8 8TN. Tel: 0322 64042.

**Cambridge University Press,** The Edinburgh Building, Shaftesbury Road, Cambridge, CB2 2RU. 0223 312393.

**Heinemann Professional Publishing,** 22 Bedford Square, London, WC1B 3HH. Tel: 01-637 3311.  
PC Publishing, 22 Clifton Road, London, N3 2AR.

**Tab Books** are imported from the USA by John Wiley and Sons Ltd, Baffins Lane, Chichester, W. Sussex, PO19 1UD. 0243 779777.

**Todd-Forbes Publishing,** PO Box 3919, Auckland, New Zealand.

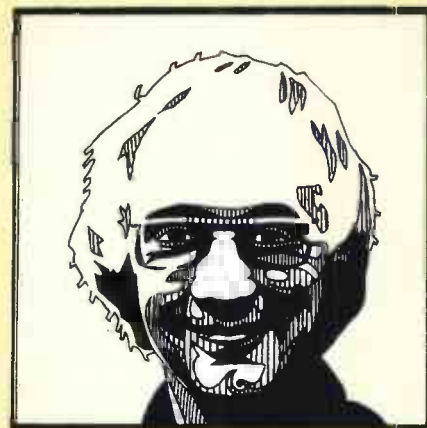


# CORDLESS PHONES

BY BARRY FOX  
Winner of the UK Technology Press Award

## STUCK IN THE DOOR

*Just when you thought the penny had dropped about 'standards', four different manufacturers are still looking for ways to reconcile their products*



Cordless telephones, as currently on sale for £100 or less, come in two parts: a mains-powered base station which plugs into the owner's home telephone line and a battery-operated handset which communicates with the base stations by two-way radio link. Transmitter power is limited to 10mW, which reduces communication distance to 50 metres in a building or at best 1 kilometre outside. The radio link carries speech as an analogue signal, which makes it prone to interferences and insecure. Passing cars with cellphones can eavesdrop the cordless link line. Anyone with a matching receiver can eavesdrop on someone else's conversation and sometimes even make calls on their base station and thus at their expense.

The second generation cordless telephone, or CT2, is an all-digital system, with speech transmitted as code. This gives better sound quality and much greater security. The dti has allocated a 4MHz slice of the uhf radio spectrum between 864MHz and 868MHz. This can accommodate 40 channels, each 100kHz wide.

Unlike conventional cordless phones, which use two separate radio channels for each half of a conversation, CT2 makes do with a single channel. The digits representing each half of the conversation are chopped up into small packets which alternately pass down the radio channel in opposite directions and are reconstructed at each end of the link for apparently continuous analogue speech. This technique, called "ping-pong", allows the 40 channels to carry 40 conversations.

Because the speech is digitally coded, the data stream can carry hidden extra codes which identify each user. This will make it possible for owners of CT2 handsets to use them not just at home with their own base stations, but with public base stations provided by entrepreneurs in busy streets, shops, railway stations and airports. These base stations will connect calls from handsets to the BT or Mercury network and later bill users on their own home phone accounts.

In the spirit of free competition the dti set a flexible standard operating standard (MPT 1334) in April 1987. This

specifies only the frequencies to be used and leaves individual manufacturers free to devise their own solutions to the tricky problem of squeezing two ping pong channels of speech into one 100 kHz radio channel.

At least four rival consortia have risen to the challenge and developed different coding systems, which are all incompatible with each other.

Shaye Communications at Winchester, grew out of a laboratory set up by Sir Clive Sinclair. In August last year Nokia Mobira of Finland paid £2.5 million for a 25% share of Shaye. The rest is owned by Fred Olsen, his Timex group and Sinclair Research. Shaye owns patents dating back to 1985 on CT2 technology which cleverly conserves battery power by setting transmission strength of the handset to the rock bottom limit needed for successful communication. Shaye plans to start selling mass-produced handsets before the end of the year. Bill Jeffrey of Shaye describes CT2 as "a tremendous opportunity, equivalent to home computers or video".

Rival company Libera, now owned by Ferranti, has been working on CT2 since 1986 and also plans to start selling systems this year. Libera has already built working prototypes of both handsets and public base stations. Libera has for two years been pressing the dti for an air



*...with public base stations provided by entrepreneurs in busy streets, shops ...*

interface standard which defines the signal coding, so that any handset will match any base station. The company has had enquiries from abroad, but European countries, like France and West Germany, with monopoly control of the telephone system, will not buy any technology unless it confirms to an approved European standard.

BT came late into CT2, placing a £6M contract with STC in July 1987, to develop a third system. GEC and Plessey are working on a fourth system, believed to be for use with Mercury. They are especially interested because the same technology can be used to provide buildings with cordless telephone switchboards.

British Telecom plans to install 5000 public base stations of phonepoints round the country but is waiting for the government to approve its involvement. Reluctantly BT acknowledges that it will have to install two, three or even four different base station systems at each location if all handset systems are offered for sale.

Recognising the absurdity of the current situation, which kills everyone's chance of selling their technology abroad, the rival manufacturers are now trying desperately to hammer out a solution that does not kill them all. Three months ago the DTI set a deadline of July for agreement. It passed.

Paul Hermer, commercial director for the Libera project at Ferranti notes ruefully: "Things are best for those who have done the least development work. For them it will be relatively cheap to change. Those who have taken the biggest risks, and done the most development, will have to foot the biggest bill for making changes".

Changing technical specification will most seriously affect Ferranti - Libera and Shaye, because they have already designed microchips for mass production. GEC, Plessey, BT and STC are still at an earlier stage of development. Shaye and Ferranti will look for compensation if they sacrifice their lead to help the rival companies compete for what BT describes as "the glittering prize" of sales to Europe.

*Continued on page 17*



# HIGH-HO SILVER!



**Editor:**

John Becker

**Sub-Editor:**

Helen Armstrong

**Technical Illustrator:**

Derek Gooding

**Advertisement Sales:**

Sarah Holtham

**Business Manager:**

Mary-Ann Hubers

**Circulation:**

David Hewett

**Publisher:**

Angelo Zgorelec

**Editorial and Advertising Address:**

Practical Electronics,  
Intra House, 193 Uxbridge Road,  
London W12 9RA  
Tel: 01-743 8888  
Telecom Gold: 87: SQQ567  
Fax: 01-743 3062

**Advertisements**

All correspondence relating to advertisements, including classified ads, should be addressed to: **The advertisement department, Practical Electronics, at the above address and telephone number.**

**Readers' Enquiries**

All editorial correspondence should be addressed to the editor and any letters requiring a reply should be accompanied by a stamped addressed envelope, or equivalent payment.

*We regret that lengthy technical enquiries cannot be answered over the phone.*

**Subscription Address:**

Practical Electronics, Subscription Dept.,  
P.O. Box 500, Leicester LE99 0AA.

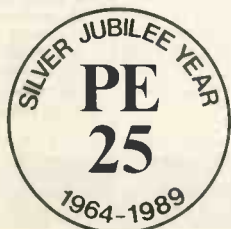
**Annual Subscription Rates:**

U.K. £15.00 Overseas £18.00

**Cover Illustration**

Paul Doherty.

© Intra Press 1989. Copyright in all drawings, photographs and articles published in PRACTICAL ELECTRONICS is fully protected, and reproduction or imitations in whole or in part are expressly forbidden. All reasonable precautions are taken by PRACTICAL ELECTRONICS to ensure that the advice and data given to readers is reliable. We cannot, however, guarantee it, and we cannot accept legal responsibility for it. Prices quoted are those current as we go to press. All material is accepted for publication on the express understanding that the contributor has the authority to permit us to do so.



**T**here is a feeling of time-warp around the office as we go to press with this issue.

The cover date is January 1989, yet, as is customary, it is published around three weeks before Christmas. This gives you masses of time to build some of the projects – the Christmas Flashers should make a good place to start. Or how about emulating Sherlock Holmes in a little bit of shadow play? The original idea may be nearly a century old, but villains still abound.

We are just as conscious of another time-warp factor, and it's of special significance to PE. You've probably noticed the '25 Years' motif we proudly display on this page and on the front cover. It's not just part of the cartoon – it's there because it means it – '89 is the twenty-fifth year since PE was first published.

Around 25 years ago a certain Fred Bennett and his colleagues were busy plotting to revolutionise the hobbyist electronics world. They had in mind a magazine that would show how electronics could interest a much wider readership than existed for the prevailing periodicals. These had titles mostly containing the words 'wireless' or 'radio' – words which largely described their contents. Fred and Co believed that a magazine with a broader electronics outlook would encourage more people to participate in a technology that could do far more than handle radio signals.

With Fred as it's founding editor, PE was destined to take the book-stalls by storm, starting with the November 1964 issue. Since then the electronics world has witnessed many changes and PE has played a vital role in keeping an international readership well informed about them.

PE continues to play the same role, and with the sophistication of modern technology there is enormous scope for people of all ages to become part of the hi-tech scene, and to learn how to understand it.

In making plans to celebrate our Silver Jubilee with the November 1989 issue, we are constantly reminded of the part PE has played for a quarter of a century. We are confident that we shall guide you into the even-more revolutionary electronics world of the twenty-first century.

Before then, though, we shall indulge in a little nostalgia by looking back at some of the key events of our first 25 years. Many of you, like myself, have been reading PE since Issue One, others have more recently discovered PE and the addictive nature of electronics. How about joining in with the nostalgia? No doubt you have reminiscences related to PE and the project or feature articles presented over the years. If you have, drop me a line or two, and the most interesting tales will find themselves on the Letter's page. I shall also be pleased to know of any early PE projects you still have.

In the meantime, and to celebrate a more immediate festivity, we all wish you Season's Greetings, and the best of luck in our LCD TV Competition.



THE EDITOR

## BBC Computer & Econet Referral Centre

|   |          |   |            |
|---|----------|---|------------|
| <b>AM815 BBC MASTER £346 (a)</b>        |          | <b>AM812 BBC MASTER Econet £315 (a)</b> |            |
| AMC06 Turbo (65C - 02) Expansion Module |          |   | £99 (b)    |
| ADC08 512 Processor                     | £195 (b) | ADJ24 Advanced Ref Manual               | £19.50 (c) |
| ADF14 Rom Cartridge                     | £13 (b)  | ADF10 Econet Module                     | £41 (c)    |
| ADJ22 Ref Manual Part 1                 | £14 (c)  | ADJ23 Ref Manual Part II                | £14 (c)    |
|   |          | BBC Master Dust Cover                   | £4.75 (d)  |

**BBC MASTER COMPACT**  
A free packet of ten 3.5 DS discs with each Compact

SYSTEM 1 128K Single 640K Drive and bundled software £385 (a)  
 SYSTEM 2 System 1 with a 12 Hi Res RGB Monitor £469 (a)  
 SYSTEM 3 System 1 with a 14 Med Res RGB Monitor £599 (a)  
 Second Drive Kit £99 (c) Extension Cable for ext 5.25 drive £12.50 (d)

View 3.0 User Guide £10 (d)      Viewsheet User Guide £10 (d)  
 BBC Dust Cover £4.50 (d)      1770 DFS Upgrade for Model B £43.50 (d)  
 ADF S ROM (for B with 1770 DFS & B Plus) £26 (d)      1 2 OS ROM £15 (d)  
 ACORN Z80 2nd Processor £329 (a)      ACORN 6502 2nd Processor £173 (b)  
 MULTIFORM Z80 2nd Processor £289 (b)      ACORN IEEE Interface £269 (a)  
 TORCH Z80 2nd Processor ZEP 100      £229 (a)  
 TZOP 240 ZEP 100 with Technomatic PD800P dual drive with built-in monitor stand      £439 (a)

**META Version III - The only package available in the micro market that will assemble 27 different processors at the price offered. Supplied on two 16K roms and two discs and fully compatible with all BBC models. Please phone for comprehensive leaflet £145 (b).**

We stock the full range of ACORN hardware and firmware and a very wide range of other peripherals for the BBC. For detailed specifications and pricing please send for our leaflet

## PRINTERS & PLOTTERS

|   |   |
|---|---|
| EPSON<br>EPSON LX86 ..... £189 (a)          | STAR NL10 (Parallel Interface) ..... £209 (a) |
| Optional Tractor Feed LX80/86 ..... £20 (c) | STAR NL10 (Serial Interface) ..... £279 (a)   |
| Sheet Feeder LX80/86 ..... £49 (c)          | STAR Power Type ..... £229 (a)                |
| FX800 ..... £319 (a)                        | <b>BROTHER HR20 ..... £329 (a)</b>            |
| FX1000 ..... £449 (a)                       |   |
| EX800 ..... £409 (a)                        | <b>COLOUR PRINTERS</b>                        |
| LO800 (80 col) ..... £439 (a)               | Dotprint Plus NLO Rom lor                     |
| LO1000 ..... £589 (a)                       | Epson versions for FX, RX, MX                 |
|   | and GLP (BBC only) ..... £28 (d)              |
| <b>TAXAN</b>                                | <b>PLOTTERS</b>                               |
| KP815 (160 cps) ..... £249 (a)              | Hlachi 672 ..... £459 (a)                     |
| KP915 (180 cps) ..... £369 (a)              | Graphics Workstation                          |
|   | (A3 Plotter) ..... £599 (a)                   |
| <b>JUKI</b>                                 | Plotmate A45M ..... £450 (a)                  |
| 6100 (Daisy Wheel) ..... £259 (a)           |   |
| <b>NATIONAL PANASONIC</b>                   |   |
| KX P1080 (80 col) ..... £149 (a)            |   |

## PRINTER ACCESSORIES

We hold a wide range of printer attachments (sheet feeders, tractor feeds etc) in stock. Serial, parallel, IEEE and other interfaces also available. Ribbons available for all above plotters. Pens with a variety of tips and colours also available. Please phone for details and prices.

**Plain Fanfold Paper with extra fine perforation (Clean Edge):**  
 2000 sheets 9.5" x 11" £13(b) 2000 sheets 14.5" x 11" £18.50(b)  
 Labels per 1000s: Single Row 3" x 1 7/16" £5.25(d) Triple Row 2-7/16" x 1 7/16" £5.00(d)

## MODEMS

All modems carry a full BT approval

**MIRACLE TECHNOLOGY WS Range**

WS4000 V21/23 (Hayes Compatible, Intelligent, Auto Dial/Auto Answer) ..... £149 (b)

WS3000 V21/23 Professional As WS4000 and with BELL standards and battery back up for memory ..... £245 (b)

WS3000 V22 Professional As WS300 V21/23 but with 1200 baud full duplex ..... £450 (a)

WS3000 V22 bis Professional As V22 and 2400 baud full duplex ..... £595 (a)

WS3022 V22 Professional As WS3000 but with only 1200/1200 ..... £350 (a)

WS3024 V22 Professional As WS3000 but with only 2400/2400 ..... £450 (b)

WS2000 V21/V23 Manual Modem ..... £95 (b)

DATA Cable for WS series/PC or XT ..... £10 (d)

**DATATALK Comms Package**  
 \* If purchased with any of the above modems \* ..... £70 (c)

**PACE Nightingale Modem V21/V23 Manual** ..... £75 (b)

(Offer limited to current stocks)

**SOFTY II**  
 This low cost intelligent epirom programmer can program 2716, 2516, 2532, 2732, and with an adaptor, 2564 and 2764. Displays 512 byte page on TV - has a serial and parallel I/O routines. Can be used as an emulator, cassette interface. Softy II Adaptor ..... £195.00 (b)      for 2764/2564 ..... £25.00

PLEASE TELEPHONE FOR CURRENT PRICES

**RT256 3 PORT SWITCHOVER SERIAL INTERFACE**  
 3 input/1 output or 1 input/3 output manual channel selection. Input/output baud rates, independently selectable 7 bit/8 bit, odd/even/none parity. Hardware or software handshake. 256K buffer, mains powered ..... £375 (b)

**PB BUFFER**  
 Internal buffer for most Epson printers. Easy to install, inst. supplied. PB128 128K ..... £99 (c)

## I.D. CONNECTORS

| (Speedlock Type) |             |            |            |
|------------------|-------------|------------|------------|
| No of ways       | Header Plug | Receptacle | Edge Conn. |
| 10               | 90p         | 85p        | 120p       |
| 20               | 145p        | 125p       | 195p       |
| 26               | 175p        | 150p       | 240p       |
| 34               | 200p        | 160p       | 320p       |
| 40               | 220p        | 190p       | 340p       |
| 50               | 235p        | 200p       | 390p       |

## D CONNECTORS

| No of Ways     |     |     |     |
|----------------|-----|-----|-----|
|                | 9   | 15  | 25  |
| <b>MALE:</b>   |     |     |     |
| Ang Pins       | 120 | 180 | 230 |
| Solder         | 60  | 85  | 125 |
| IDC            | 175 | 275 | 325 |
|                |     |     |     |
| <b>FEMALE:</b> |     |     |     |
| SI Pin         | 100 | 140 | 210 |
| Ang Pins       | 160 | 210 | 275 |
| Solder         | 90  | 130 | 195 |
| IDC            | 195 | 325 | 375 |
| SI Hood        | 90  | 95  | 100 |
| Screw          | 130 | 150 | 175 |
| Lock           |     |     |     |

## TEXTPOOL ZIF

|         |               |
|---------|---------------|
| SOCKETS | 24 pin £7.50  |
|         | 28 pin £9.10  |
|         | 40 pin £12.10 |

## DISC DRIVES

|   |          |
|---|----------|
| 5.25" Single Drives 40/50 switchable:                                     |          |
| TS400 400K/640K.....  | £114 (b) |
| PS400 400K/640K with integral mains power supply.....                     | £129 (b) |
| 5.25" Dual Drives 40/80 switchable:                                       |          |
| TD800 800K/1280K.....   | £199 (a) |
| PD800 800K/1280K with integral mains power supply.....                    | £229 (a) |
| PD800P 800K/1280K with integral mains power supply and monitor stand..... | £249 (a) |
| 3.5" 80T DS Drives:   |          |
| TS351 Single 400K/640K.....   | £99 (b)  |
| PS351 Single 400K/640K with integral mains power supply.....              | £119 (b) |
| TD352 Dual 800K/1280K.....  | £170 (b) |
| PD352 Dual 800K/1280K with integral mains power supply.....               | £187 (b) |
| PD853 Combo Dual 5.25"/3.5" drive with p.s.u.....                         | £229 (a) |

## 3M FLOPPY DISCS

Industry Standard floppy discs with a lifetime guarantee. Discs in packs of 10

|              |            |              |            |
|--------------|------------|--------------|------------|
| 5 1/4" Discs |            | 3 1/2" Discs |            |
| 40 T SS DD   | £10.00 (d) | 40 T DS DD   | £12.00 (d) |
| 80 T SS DD   | £14.50 (d) | 80 T DS DD   | £15.50 (d) |
|              |            | 80 T SS DD   | £20.00 (d) |
|              |            | 80 T DS DD   | £25.00 (d) |

## FLOPPICLENE DRIVEHEAD CLEANING KIT

FLOPPICLENE Disc Head Cleaning Kit with 28 disposable cleaning discs ensures continued optimum performance of the drives. 5 1/4" £12.50 (d)  
 3 1/2" £14.00 (d)

## DRIVE ACCESSORIES

|   |  |
|---|--|
| Single Disc Cable £6 (d)                | Dual Disc Cable £8.50 (d)              |
| 10 Disc Library Case £1.80 (d)          | 30 / 5 1/2" Disc Storage Box £6 (c)    |
| 50 x 5 1/2" Disc Lockable Box £9.00 (c) | 100 x 5 1/2" Disc Lockable Box £13 (c) |

## MONITORS

|   |   |
|---|---|
| <b>RGB 14"</b>  | <b>MONOCHROME</b>                               |
| 1431 Std Res ..... £179 (a)                                 | TAXAN 12" HI-RES ..... £119 (b)                 |
| 1451 Med Res ..... £225 (a)                                 | KX1201G green screen..... £90 (a)               |
| 1441 Hi Res ..... £365 (a)                                  | KX1203A amber screen..... £95 (a)               |
| <b>MICROVITEC 14" RGB/PAL/Audio</b>                         | <b>PHILIPS 12" HI-RES</b>                       |
| 1431AP Std Res ..... £199 (a)                               | BM7502 green screen ..... £75 (a)               |
| 1451AP Std Res ..... £259 (a)                               | BM7522 amber screen..... £79 (a)                |
| All above monitors available in plastic or metal case.      | 8501 RGB Std Res..... £139 (a)                  |
| <b>TAXAN SUPERVISION II</b>                                 | <b>ACCESSORIES</b>                              |
| 12" - Hi Res with amber/green options.                      | Microvitec Swivel Base ..... £20 (c)            |
| IBM compatible ..... £279 (a)                               | Taxan Mono Swivel Base with clock ..... £22 (c) |
| Taxan Supervision III ..... £319 (a)                        | Philips Swivel Base ..... £14 (c)               |
| <b>MITSUBISHI</b>   | BBC RGB Cable ..... £5 (d)                      |
| XC1404 14" Med Res RGB. IBM & BBC compatible ..... £219 (a) | Microvitec ..... £3.50 (d)                      |
|   | Taxan £5 (d) ..... Monochrome £3.50 (d)         |
|   | Touchtec - 501 ..... £239 (b)                   |

## ERASERS

UV1T Eraser with built-in timer and mains indicator. Built-in safety interlock to avoid accidental exposure to the harmful UV rays. It can handle up to 5 erasings at a time with an average erasing time of about 20 mins. £59 + £2 p&p. UV1A as above but without the timer. £47 + £2 p&p. For Industrial Users, we offer UV140 & UV141 erasers with handling capacity of 14 erasings. UV141 has a built in timer. Both offer full built in safety features. UV140 £69, UV141 £85. p&p £2.50.

## EXT SERIAL/PARALLEL CONVERTERS

|                              |          |
|------------------------------|----------|
| Mains powered converters     |          |
| Serial to Parallel.....      | £48 (c)  |
| Parallel to Serial.....      | £48 (c)  |
| Bidirectional Converter..... | £105 (b) |

**Serial Test Cable**  
 Serial Cable switchable at both ends allowing pin options to be re-routed or linked at either end - making it possible to produce almost any cable configuration on site. £24.75 (d)

**Serial Mini Patch Box**  
 Allows an easy method to reconfigure pin functions without rewiring the cable assay. Jumpers can be used and reused. £22 (d)

**Serial Mini Test**  
 Monitors RS232C and CCITT V24 Transmissions, indicating status with dual colour LEDs on 7 most significant lines. Connects in Line. £22.50 (d)

## CONNECTOR SYSTEMS

|                                  |   |  |
|----------------------------------|---|--|
| <b>EURO CONNECTORS</b>           | <b>AMPHENOL CONNECTORS</b>                      | <b>RIBBON CABLE</b>                    |
| 2 x 6-way (Commodore) ..... 300p | 36 way plug Centronics (solder 500p (IDC) 475p) | (grey/metre)                           |
| 2 x 10-way ..... 150p            | 24 way sct Centronics (solder) 550p (IDC) 500p  | 10-way ..... 40p    34-way ..... 160p  |
| 2 x 12-way (VIC 20) ..... 350p   | 24 way plug IEEE (solder) 475p (IDC) 475p       | 16-way ..... 60p    40-way ..... 180p  |
| 2 x 18-way ..... 140p            | 24 way sct IEEE (solder) 500p (IDC) 500p        | 20-way ..... 85p    50-way ..... 200p  |
| 2 x 23-way (Zx81) ..... 175p     | PCB Mtg Sct Ang Pin                             | 26-way ..... 120p    64-way ..... 280p |
| 2 x 25-way ..... 225p            | 24 way 700p 36 way 750p                         |  |
| 2 x 28-way (Spectrum) ..... 200p | <b>GENDER CHANGERS</b>                          |  |
| 2 x 36-way ..... 250p            | 25 way D type                                   |  |
| 1 x 43-way ..... 280p            | Male to Male ..... £10                          |  |
| 2 x 22-way ..... 190p            | Male to Female ..... £10                        |  |
| 2 x 43-way ..... 395p            | Female to Female ..... £10                      |  |
| 1 x 77-way ..... 400p            | <b>RS 232 JUMPERS</b>                           |  |
| 2 x 50-way (S100conn) ..... 600p | (25 way D)                                      |  |
|                                  | 24" Single end Male ..... £5.00                 |  |
|                                  | 24" Single end Female ..... £5.25               |  |
|                                  | 24" Female Female ..... £10.00                  |  |
|                                  | 24" Male Male ..... £9.50                       |  |
|                                  | 24" Male Female ..... £9.50                     |  |

**ATTENTION**  
 All prices in this double page advertisement are subject to change without notice. ALL PRICES EXCLUDE VAT Please add carriage 50p unless indicated as follows: (a) £8 (b) £2.50 (c) £1.50 (d) £1.00

74 SERIES

Table listing various 74 series components with part numbers and prices.

74LS SERIES

Table listing various 74LS series components with part numbers and prices.

74S SERIES

Table listing various 74S series components with part numbers and prices.

LINEAR ICs

Table listing various linear ICs with part numbers and prices.

Special offer to PE readers only - 10% off on all TTLs and CMOS

COMPUTER COMPONENTS

Table listing various computer components including CPUs, EPROMs, PROMs, and others.

VOLTAGE REGULATORS

Table listing various voltage regulators with part numbers and prices.

OTHER REGULATORS

Table listing various other regulators with part numbers and prices.

OTHERS

Table listing various other components with part numbers and prices.

KEYBOARD DECODERS

Table listing various keyboard decoders with part numbers and prices.

BAUD RATE GENERATORS

Table listing various baud rate generators with part numbers and prices.

UARTs

Table listing various UARTs with part numbers and prices.

MODULATORS

Table listing various modulators with part numbers and prices.

SOUND & VISION

Table listing various sound and vision components with part numbers and prices.

CRYSTALS

Table listing various crystals with part numbers and prices.

DISC CONTROLLER ICs

Table listing various disc controller ICs with part numbers and prices.

INTERFACE ICs

Table listing various interface ICs with part numbers and prices.

CHARACTER GENERATORS

Table listing various character generators with part numbers and prices.

TELETEXT DECODER

Table listing various teletext decoders with part numbers and prices.

OPTO-ELECTRONICS

Table listing various opto-electronics components with part numbers and prices.

COUNTERS

Table listing various counters with part numbers and prices.

DISPLAY DRIVERS

Table listing various display drivers with part numbers and prices.

WIRE WRAP SOCKETS BY TI

Table listing various wire wrap sockets by TI with part numbers and prices.

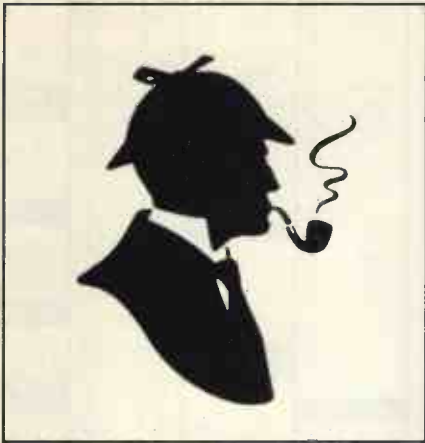
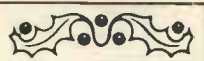
OPTO ISOLATORS

Table listing various opto isolators with part numbers and prices.

TURNED PIN LOW PROFILE SKTS

Table listing various turned pin low profile sockets with part numbers and prices.

TECHNOMATIC LTD. MAIL ORDERS TO: 17 BURNLEY ROAD, LONDON NW10 1ED. SHOPS AT: 17 BURNLEY ROAD, LONDON NW10 (Tel: 01 208 1177) Tel/Fax: 92280C Tel: 01-723 0233 305 EDGWARE ROAD, LONDON W2. PLEASE ADD 50p p&p & 15% VAT (Export: no VAT, p&p at Cost). Orders from Government Depts. & Colleges etc. welcome. Detailed Price List on request. Stock items are normally by return of post.



# THE HOLMES MACHINE

By Owen Bishop

## THE SHADOW FAMILY STAYS IN

Watson at Holmes? And why do Shadows move where no footfall is heard? Elementary, my dear reader. Those silent shapes are propelled by flip-flops. Read on ...

The germ of the idea for this project comes from Sir Arthur Conan Doyle's story. The adventures of the Empty House. The house in question was Camden House situated in Baker Street, London, exactly opposite to Sherlock Holme's room at No. 221B Holmes and Dr Watson had entered the empty house at night and were in a room facing on to the street. Watson takes up the story:

*'I crept forward and looked across at the familiar window. As my eye fell upon it, I gave a gasp and a cry of amazement. The blind was down and a strong light was burning in the room. The shadow of a man who was seated within was thrown in hard, black outline upon the luminous screen of the window. There was no mistaking the poise of the head, the squareness of the shoulders, the sharpness of the features. It was a perfect reproduction of Holmes. So amazed was I that I threw out my hand to make sure that the man himself was standing behind me. He was quivering with silent laughter.'*

Holmes then explained that the shadow is cast by a specially-made wax bust of himself. It is intended as a decoy to lure Colonel Moran – Holme's arch-enemy since the death of the infamous Professor Moriarty – into a carefully laid trap. Later, Watson continues:

*'I was about to make some remark to him, when I raised my eye to the lighted window, and again experienced almost as great a surprise as before. I clutched Holme's arm, and pointed upward.'*

*'"The shadow has moved!"' I cried.*

*'It was indeed no longer the profile, but the back, which was turned toward's us.*

*'Three years had certainly not smoothed the asperities of his temper or his impatience with a less active intelligence than his own.*

*'"Of course it has moved," said he. "Am I such a farcial bungler, Watson, that I should erect an obvious dummy, and expect that some of the sharpest men in Europe would be deceived by it? We have been in this room two hours, and Mrs Hudson (Home's housekeeper) has made some change in that figure eight times, or once in every quarter of an hour."*



*The lure worked. Colonel Moran too entered the empty house, with the intention of killing Holmes as he sat (so Morgan believed) by his window, using a ingeniously made and extremely powerful air rifle. Holmes and Watson surprised and overpowered the Colonel who was later arrested and brought to trial on several charges.*

### PROJECTION

This project is designed to throw moving shadows on the curtains of a room at night. Its aim is to give an observer the impression that the room is occupied. An intending intruder, believing that there is someone at home, will decide to try elsewhere.

In recent years there have been many devices marketed to turn room lighting on and off during the hours of darkness. One of the problems with these is that any type of regular switching is bound to be recognised as such by the intending intruder. It fails to act as a deterrent. Some of these devices can be programmed to switch the lights on and off frequently during the evening, with fairly irregular timings. The idea is that the frequent switching on and off of the lights is a sign that someone is

there, doing the switching. Yet, in the typical household, the living room lights go on at dusk and stay on until bedtime. The effect is far from realistic.

Holmes was right (as always!). There must be signs of activity within. Moving shadows are required. Holmes did not have the benefit of mos technology to help him, but his housekeeper did the job reasonably well.

### SHADOW SHOW

This project goes several stages beyond the Holmes subterfuge. The shadows actually move and in an apparently random way. There are periods of active movement with intervals of no movement. All of the following are determined randomly:

- \* the length of the active periods
- \* the length of the intervals between movement
- \* the speed of movement
- \* the amount of movement
- \* the direction of movement, which may sometimes change during a movement

The shadows are cast by a suitable object or objects placed on a platform. The platform is rotated from time to time by a step-per motor. As the platform rotates, the shadows move across the curtains.

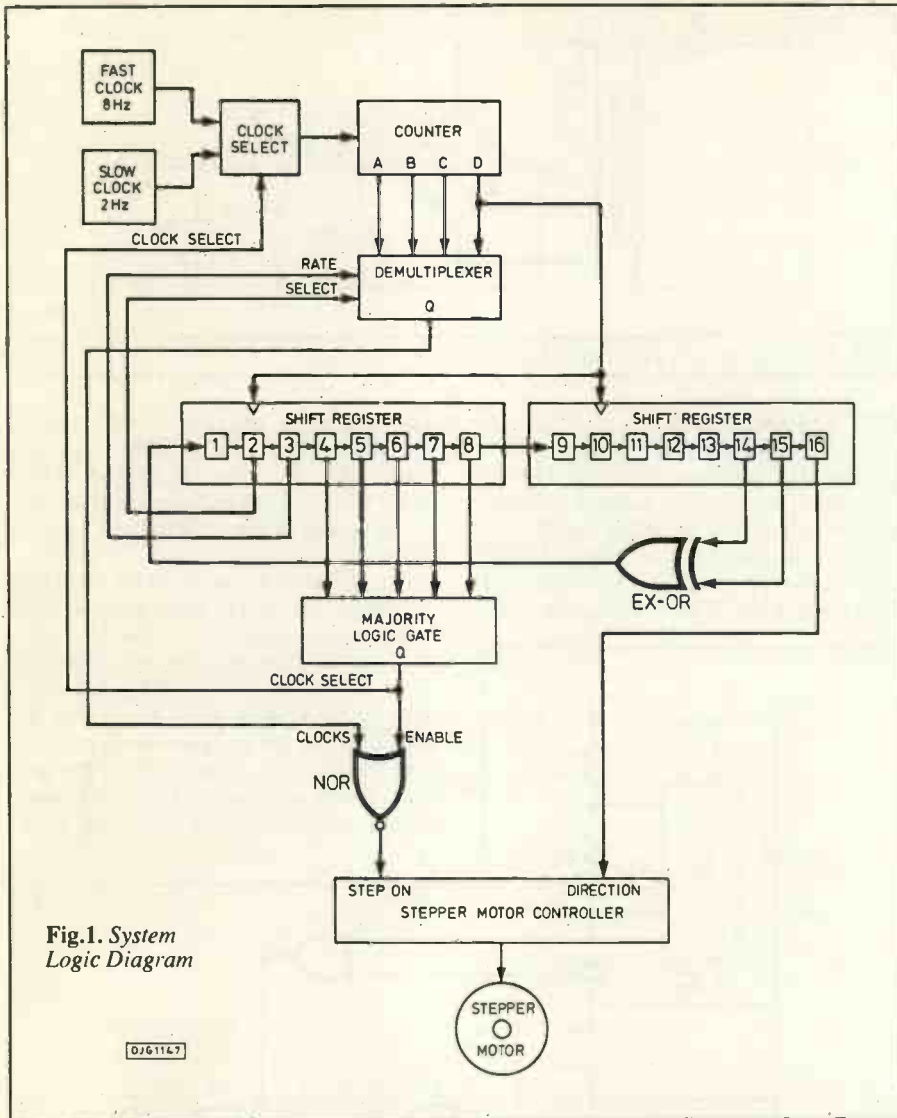


Fig. 1. System Logic Diagram

DJG1147

## RANDOM NUMBERS

Although Holmes did not instruct his housekeeper to change the position of the bust at irregularly spaced times, it is likely that she would have done so in practice. Busy with her other duties, she would spare the time to move the bust at roughly but not precisely regular intervals. Too much precision would have given the game away to the intelligent observer. Electronic circuits are inherently regular in operation. We must find some way of introducing a little randomness. Then the observer will be fooled into believing that there is a real live human in the room, not just a Holmes Machine.

The system (Fig. 1) is based on a random number generator built from a shift register. An interesting thing happens if we take the data from certain flip-flops in a shift register, perform the exclusive-OR operation on them, and feed the result back to the first flip-flop. In this circuit we use a 15-bit register and ex-OR the data from the 14th and 15th flip-flops. The 16th flip-flop, though it is present because the ics just happen to have eight flip-flops each, is not required for this operation.

Provided that one or more of the flip-flops contains '1' to begin with, we get a

sequence of bits that repeats itself only after 32767 shifts. Fig. 2 shows 25 consecutive stages of the sequence. This was listed using a computer program to simulate the register. Although the sequence can be pre-

|   |   |   |   |   |   |   |   |   |   |   |   |   |   |   |   |
|---|---|---|---|---|---|---|---|---|---|---|---|---|---|---|---|
| 1 | 1 | 1 | 0 | 0 | 0 | 1 | 0 | 1 | 0 | 0 | 0 | 0 | 0 | 0 | 1 |
| 1 | 1 | 1 | 1 | 0 | 0 | 0 | 1 | 0 | 1 | 0 | 0 | 0 | 0 | 0 | 0 |
| 0 | 1 | 1 | 1 | 1 | 0 | 0 | 0 | 1 | 0 | 1 | 0 | 0 | 0 | 0 | 0 |
| 0 | 0 | 1 | 1 | 1 | 1 | 0 | 0 | 0 | 1 | 0 | 1 | 0 | 0 | 0 | 0 |
| 0 | 0 | 0 | 1 | 1 | 1 | 0 | 0 | 0 | 1 | 0 | 1 | 0 | 0 | 0 | 0 |
| 0 | 0 | 0 | 0 | 1 | 1 | 1 | 1 | 0 | 0 | 0 | 1 | 0 | 1 | 0 | 0 |
| 1 | 0 | 0 | 0 | 1 | 1 | 1 | 1 | 0 | 0 | 0 | 1 | 0 | 1 | 0 | 1 |
| 1 | 1 | 0 | 0 | 0 | 1 | 1 | 1 | 1 | 0 | 0 | 0 | 1 | 0 | 0 | 1 |
| 1 | 1 | 1 | 0 | 0 | 0 | 0 | 1 | 1 | 1 | 1 | 0 | 0 | 0 | 1 | 0 |
| 0 | 1 | 1 | 1 | 0 | 0 | 0 | 0 | 1 | 1 | 1 | 1 | 0 | 0 | 0 | 0 |
| 0 | 0 | 1 | 1 | 1 | 0 | 0 | 0 | 0 | 1 | 1 | 1 | 1 | 0 | 0 | 0 |
| 0 | 0 | 1 | 1 | 1 | 1 | 0 | 0 | 0 | 0 | 1 | 1 | 1 | 1 | 0 | 0 |
| 1 | 0 | 0 | 1 | 1 | 1 | 0 | 0 | 0 | 0 | 1 | 1 | 1 | 1 | 1 | 1 |
| 0 | 1 | 0 | 0 | 1 | 1 | 1 | 0 | 0 | 0 | 0 | 1 | 1 | 1 | 1 | 1 |
| 0 | 0 | 1 | 0 | 0 | 1 | 1 | 1 | 0 | 0 | 0 | 1 | 0 | 0 | 1 | 1 |
| 1 | 0 | 0 | 1 | 0 | 0 | 1 | 0 | 0 | 1 | 1 | 1 | 1 | 0 | 0 | 0 |
| 0 | 1 | 0 | 0 | 1 | 0 | 0 | 1 | 1 | 1 | 1 | 1 | 0 | 0 | 0 | 0 |
| 0 | 0 | 1 | 0 | 0 | 1 | 0 | 0 | 1 | 1 | 1 | 1 | 1 | 0 | 0 | 0 |
| 0 | 0 | 0 | 1 | 0 | 0 | 1 | 0 | 0 | 1 | 1 | 1 | 1 | 1 | 0 | 0 |
| 1 | 0 | 0 | 1 | 0 | 0 | 1 | 0 | 0 | 1 | 0 | 0 | 1 | 1 | 1 | 1 |
| 0 | 1 | 0 | 0 | 0 | 1 | 0 | 0 | 1 | 0 | 0 | 1 | 0 | 0 | 1 | 1 |
| 0 | 0 | 1 | 0 | 0 | 1 | 0 | 0 | 1 | 0 | 0 | 1 | 0 | 0 | 1 | 1 |
| 0 | 0 | 1 | 0 | 0 | 1 | 0 | 0 | 1 | 0 | 0 | 1 | 0 | 0 | 1 | 1 |
| 0 | 0 | 1 | 0 | 0 | 1 | 0 | 0 | 1 | 0 | 0 | 1 | 0 | 0 | 1 | 1 |
| 0 | 0 | 1 | 0 | 0 | 1 | 0 | 0 | 1 | 0 | 0 | 1 | 0 | 0 | 1 | 1 |
| 1 | 0 | 0 | 1 | 0 | 0 | 1 | 0 | 0 | 1 | 0 | 0 | 1 | 0 | 0 | 1 |
| 1 | 0 | 0 | 1 | 0 | 0 | 1 | 0 | 0 | 1 | 0 | 0 | 1 | 0 | 0 | 1 |

Fig. 2. 25 Consecutive Stepping Stages

dicted (you can do it easily on paper if you do not have access to a computer), the practical effect is the same as if you took a coin and threw it 32767 times. Throwing a coin would give a truly random result, with roughly equal numbers of head and tails. The sequence obtained with the shift register is not truly random because it repeats itself eventually. But it is near enough to random to suit our purpose. It is pseudo-random. Incidentally, shift-registers are used in a similar way to generate the 'white noise' in sound-effects ics.

## USING RANDOMNESS

When the system is running, a pseudo-random sequence of binary digits is shifted along the register. We make use of the randomness to obtain the random movement of the shadows. There is little chance of an observer detecting any pattern in the activity. The sequence is so long that it takes several days of continuous running before it repeats.

To see how this is done, we return to Fig. 1, starting at the top left-hand corner. The two clocks are designated 'Fast' and 'Slow'. The fast clock determines how active the shadows are when they move. By setting the rate of this clock you can make it seem that the occupant of the room is a brisk, alert person, or rather more ponderous in their movements. The slow clock determines the average length of time between periods of movement. The apparent occupant can be made hyperactive or slothful.

The 'clock select' sub-circuit is used to determine which of the clocks is driving the circuit. A logic low on the 'clock select' line selects the fast clock during active periods. A high level selects the slow clock between active periods.

The selected clock pulses are fed to a counter, with four outputs running a half (A), a quarter (B), an eighth (C) and a sixteenth (D) of the selected clock rate. The slowest rate (D) is used to shift the register. Since the fast clock runs about four times quicker than the slow clock, the register is shifted about four times as quickly during active periods.

The counter outputs go to a demultiplexer, the function of which is to select one of the counter outputs for stepping on the motor. Output A gives the fastest movement while output D gives the slowest. The rate selected depends on the state of the 'rate select' inputs. These inputs are taken from flip-flops 2 and 3 of the register, but they could be taken from any pair of flip-flops – and not necessarily adjacent ones. The rates selected are A, B, C or D when the flip-flop contents are 00, 01, 10 or 11, respectively. As the sequence of digits is shifted along the register, an irregular sequence of 00s, 01s, 10s, and 11s appears on the rate select lines, selecting speed of movement apparently at random.

The output from flip-flop 16 (again, we could have chosen any flip-flop to provide the digit) decides whether the motor is to rotate clockwise or anti-clockwise.

## MAJORITY LOGIC GATE

We find it hard to suppress a note of triumph when writing about this part of the circuit. Years and years ago we read about the majority logic gate. It sounded much more interesting and impressive than the boring old NANDs and NORs. Here is democracy in electronic form! The majority vote wins. There are five inputs and, if three (any three) or more are high, then the output is high. Or, by using the W input, you can make it work the other way round. So we bought a 4530 ic, which contains two such gates. After experimenting with it and finding that it worked as specified, we consigned to our stock. In over a decade we have never found a use for it – until now! In this circuit, its output goes low when any three of flip-flops 4 to 8 hold logic '1'. This triggers the beginning of an active phase. The output of the majority logic gate is used to select the fast clock and to enable the NOR gate. Pulses from the clock then pass through to the stepper motor control ic.

The design uses flip-flop 4 to 8 to control the majority logic gate, but any five flip-flops, not necessarily adjacent, could be used. With the present arrangement, which uses consecutive flip-flops, once flip-flops 4, 5 and 6 are high, there will be at least three high outputs for the next two shifts. If more '1's are shifted into these flip-flops the gate output will be high for even more shifts. This gives a good chance of the motion continuing during several shifts, perhaps at different speeds and possibly with changes in direction. The result is periods of varied activity with relatively large breaks in between. By using other arrangements, for example flip-flops 1, 4, 7, 10, 13, you will obtain shorter but more frequent periods of activity. This is another way in which you can control the 'personality' of the Holmes Machine. It is mainly a matter of experimentation to obtain the effect that you think is right.

The 4530 ic contains two majority logic gates but, so far, we have found a use for only one of the gates. Now comes the ironic part. We need a NOR gate and it seems a waste to use a whole 4-gate ic to supply a single NOR gate. There is a majority logic gate to spare and, with a little ingenuity (Fig. 3), it can be used as a boring old NOR gate. So, if anyone else has an unemployed 4530 in their junk-box, here is a way of using it, at last!

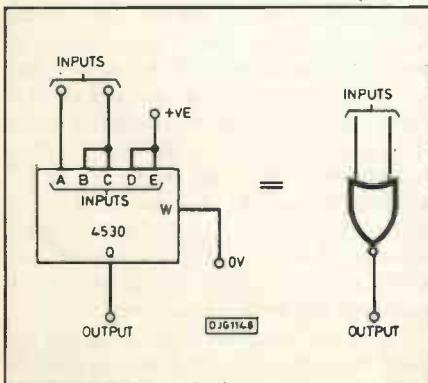


Fig. 3. Majority Logic Gate

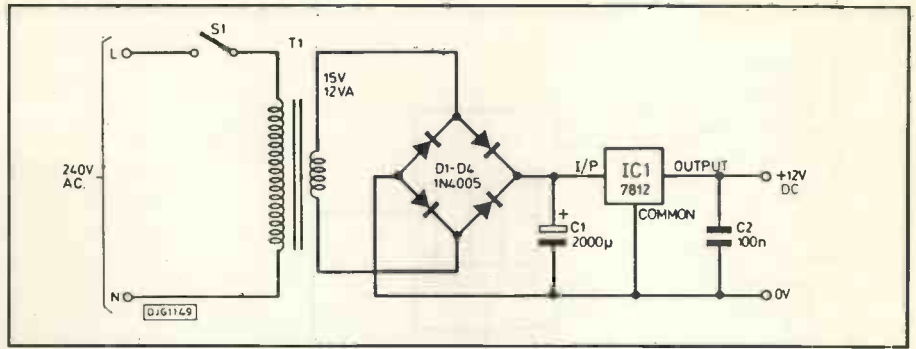


Fig. 4. Power supply circuit (Board 1)

## CIRCUIT DETAILS

Board 1 holds the power supply, a conventional 12V regulated dc circuit (Fig. 4). If a metal case is used, it should be connected to the earth line of the mains supply.

Board 2 is split into two halves. Circuit 2A (Fig. 5a) consists of the clocks and clock select logic. The clocks are straight-

forward astables, based on the 555 timer ic. The logic is provided by NOR gates in a single 4001 ic. There is a 'clock select' input, which causes the selected clock signal to appear at pin 11 when the input is high.

Fig. 5b shows the circuit of the other half of Board 2, the stepper motor control. This uses a special controller ic, the SAA1027. The 'step on' input goes to the counter terminal (C) of the ic. A high-going pulse steps on the counter of the ic, causing the outputs Q1 to Q4 to cycle through counts from 0000 to 1111. The motor steps on at each change of count. The direction of rotation is controlled by the input to the

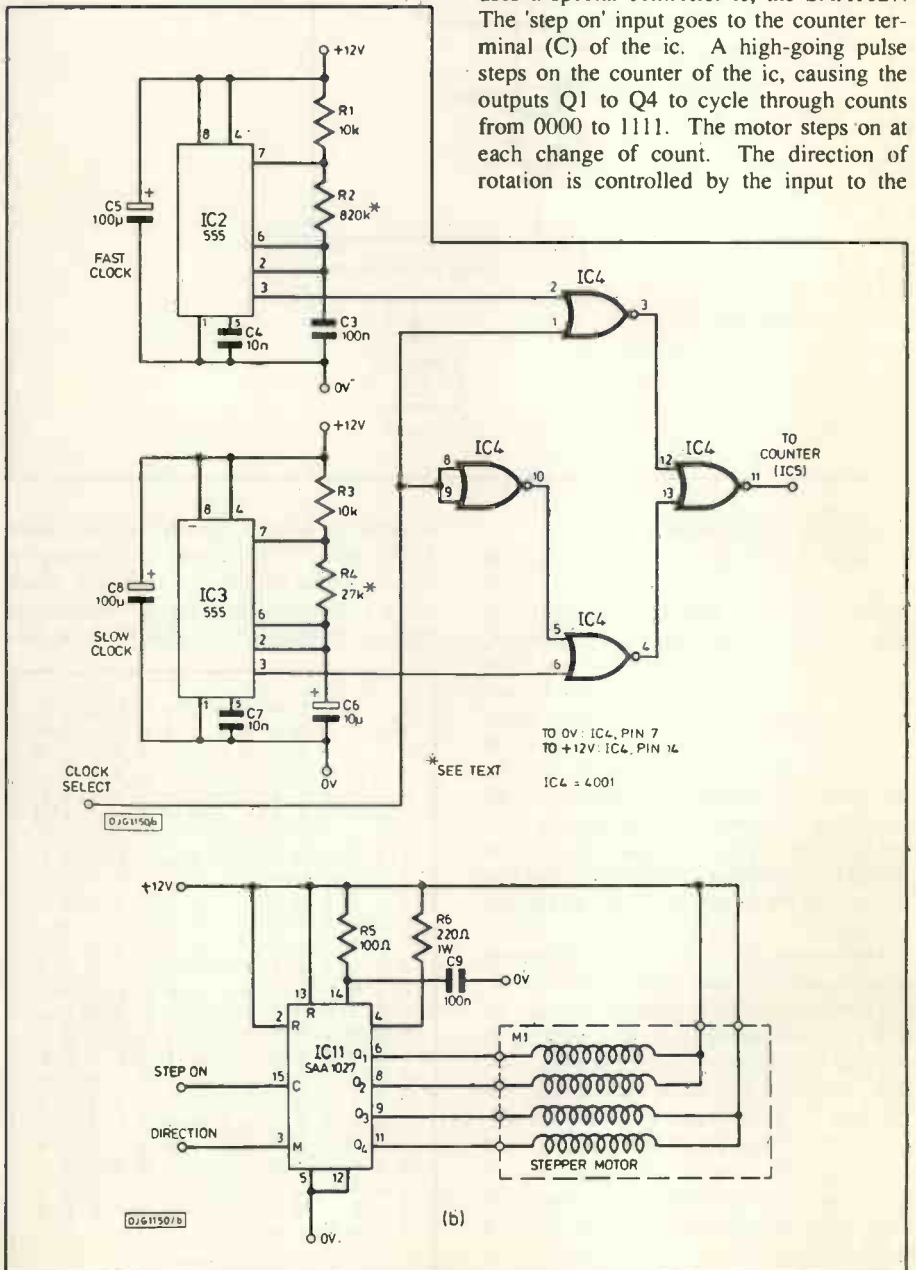


Fig. 5. Board 2 (a) clocks, (b) stepper motor control

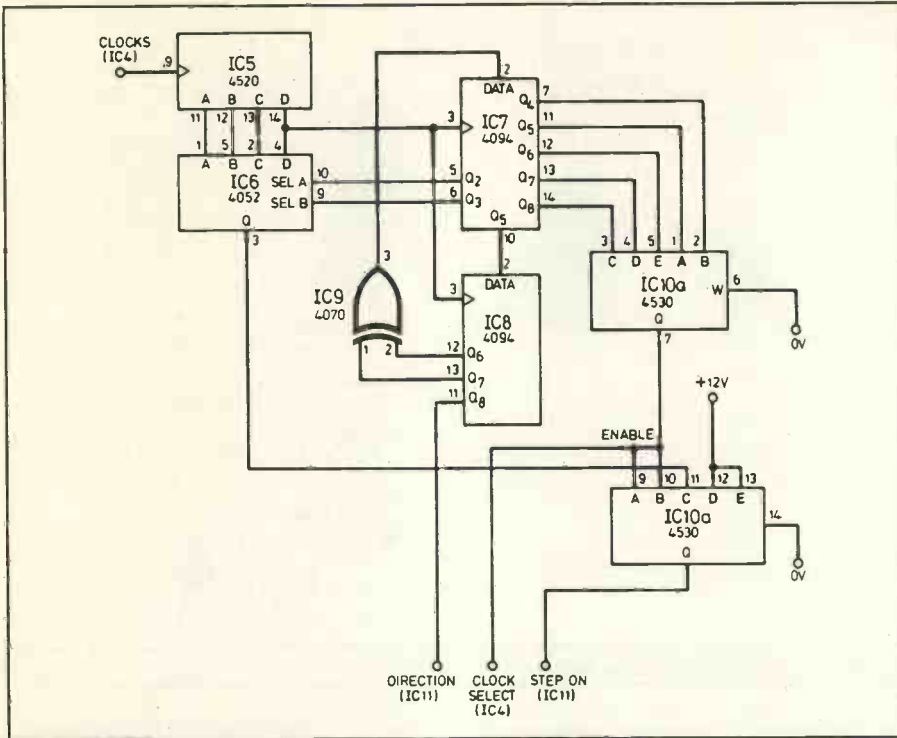


Fig.6. Board 3: Control logic

mode terminal (M) of the ic. The reset terminal (R) is not used, being connected to +12V.

Board 3 (Fig. 6) holds the Holmes logic. The 4520 ic has two 4-bit counters, of which only one is used. Its outputs go to the 4052 (beware the similarity in the ic numbers!) 4-line-to-1-line demultiplexer, or 1-of-4 switch. This ic can also switch analogue signals but here we are using it simply for selecting logic levels. The -5V pin (pin 7) is therefore connected to the 0V line. The 16-bit shift register is made from two 4094 ics cascaded in series. They are clocked simultaneously by pulses from the D output of the counter. These are serial-in-parallel-out registers with serial outputs. The Q5 serial output (slow-speed serial output) of the first register is used to feed the data from flip-flop 8 to the first flip-flop of the second register.

Connections from the flip-flop outputs to the majority logic gate, the select input of the demultiplexer and the direction control are shown in Fig. 6 as they were in the prototype. However, many other configurations are possible, as explained above. The only essential is the connections to the EX-OR gate must come from Q6 and Q7 of IC8, as shown.

The 4530 majority logic gate ic (IC10) contains two identical gates. Each gate produces a logical high when any three or more inputs are high. The output from each gate goes to an exclusive-NOR gate on the chip.

The other input of this gate is via terminal W. Thus, if W is held low as in this circuit, the output from the majority gate is inverted. Output low when three or more inputs are high.

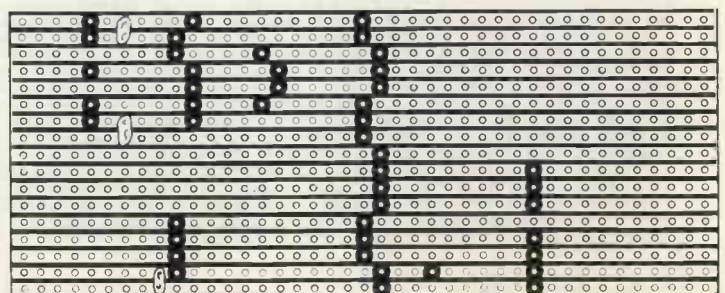
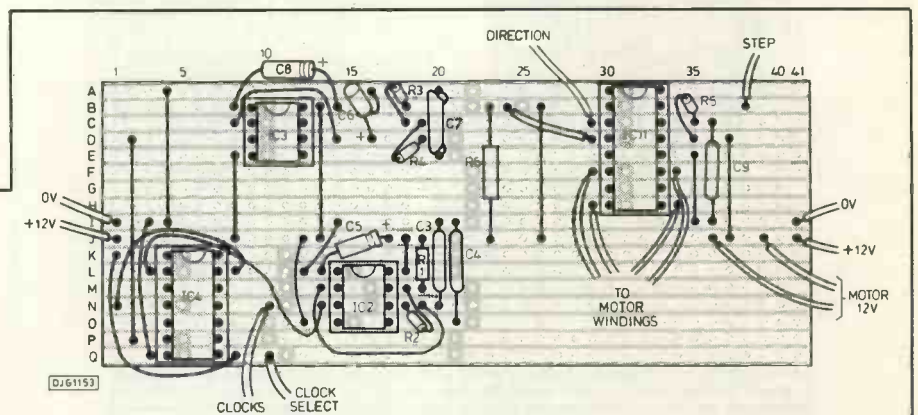
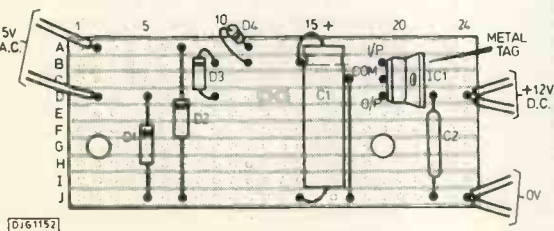
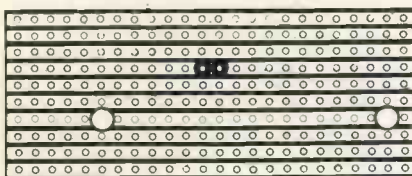
## CONSTRUCTION

The main point to remember is to take the usual anti-static precautions when handling the cmos ics (IC3-IC10 inclusive). Do not insert these ics into their sockets until a sub-circuit is built ready for testing. Remove them and place them on conductive foam while building the next sub-circuit. Wear clothing of natural fibres, not synthetics. Touch an earthed metal surface frequently while working and touch sharp-pointed tools such as forceps, pliers and screwdrivers against this surface every time before the tool is used.

Build the power supply first. The prototype has its main switch incorporated in the mains lead, but a toggle switch can be mounted on the case if preferred. The transformer is bolted into one corner of the case. Board 1 (Fig. 7) holds the remainder of the power supply components and is mounted on two short bolts beside the transformer. A heat sink is required on the regulator ic. It is advisable to bore ventilation holes in the case and lid. Take care with exposed mains wiring when testing the power supply circuit. As soon as it is working properly, run supply leads from Board 1 out through one of the holes in the case. Then screw the lid firmly down to eliminate risk from contacting the mains side of the power supply circuit.

Next build and test the clocks (Fig. 8). Timings are not critical. Indeed you may decide to vary the clock speeds to obtain a given effect. Increasing R2 from 820k to, say, 1M or 1M2 gives a slower movement.

Fig.7. (Below), Fig.8. (Right)  
Component layouts and track views  
for boards 1 and 2 respectively



Reducing it to, say, 560k or 680k increases movement rate – but would the occupant really move around that fast? Similarly, the value of R4 determines the length of time intervals between periods of activity. The greater the value of R4, the longer the times. The NOR gate ic (IC4) completes this section of Board 1. When ready, monitor the output (use an led, a logic probe, a voltmeter or an oscilloscope) from IC4 pin 11 as the clock select input is connected to 0V or +12V. A low input selects the fast clock. It is convenient for later testing if the clock select input pin is wired temporarily to 0V at this stage. Leave the other section of this board until later.

On Board 3 (Fig. 9), begin with the counter ic (IC5) and check its outputs. Then add the demultiplexer (IC6). Monitor its Q output while connecting the A and B select inputs to 0V or +12V:

| Select | input | Output same as from |
|--------|-------|---------------------|
| B      | A     | IC5, output         |
| 0V     | 0V    | A                   |
| 0V     | 12V   | B                   |
| 12V    | 0V    | C                   |
| 12V    | 12V   | D                   |

Build the shift register next (IC7, IC8). Do not connect it to ICs 6, 9 or 10 yet. Connect the data input (IC7 pin 2) temporarily to 0V. Quickly the flip-flops all fill with '0's. Monitor pins 4-7 and 11-14 in both ics to ascertain this. Then connect pin 2 temporarily to +12V. The flip-flops quickly fill with '1's. Now add the ex-OR gate (IC9) and complete the feedback connection to the register. You should always be able to find at least one flip-flop with a high output. It could happen by chance that all flip-flops assume the '0' state when the circuit is switched on, but this is unlikely

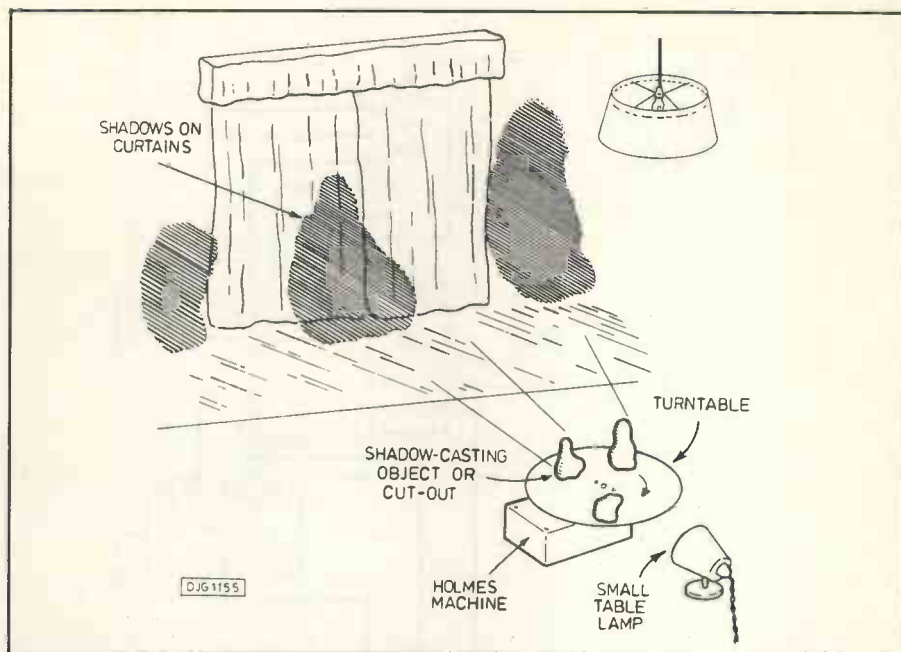


Fig.10. The Holmes Machine in action!

and has never yet happened in the prototype. If you do get 'all zeros', switch off and then on again.

Connect the register to ICs 6 and 10 and wire up the rest of IC10. The three outputs from this sub-circuit may now be tested. The 'direction' output alternates irregularly between '0' and '1'. The 'clock select' output alternates similarly. The 'step on' output alternates continuously but at varying rates, depending on which rate is being selected by the demultiplexer.

Finally make up the stepper motor control circuit. This has its own supply leads

from the power supply unit to reduce the risk of transients affecting the shift register.

Interconnect the boards for final testing. This is the point at which the 'clock select' line on Board 2 is connected to the 'clock select' pin on Board 3 instead of the 0V line. The leads of the stepper motor are usually colour-coded, and the coding should be set out on the leaflet accompanying the motor.

Switch on the power. From now on, you may have to wait for several minutes while the circuit is in its inactive phases. A paper pointer fixed with 'Blutack' to the spindle of the stepper motor helps to show what the motor is doing. When power is switched on, the motor should soon (or after several seconds) begin to rotate. It may rotate one step (7.5°) or several steps. It may rotate clockwise or anti-clockwise. Then there is a pause during which nothing seems to be happening. Be patient! Sooner or later, perhaps after a minute or more, the motor resumes activity again.

If all seems to be in order, mount the motor on the lid of the case so that its spindle projects up through the lid. Place the boards in their slots and screw down the lid of the case.

## TURNTABLE

There are various ways of making the turntable that carries the shadow-producing objects (Fig. 10). In the prototype, an old Meccano bush wheel was used for mounting. You could use a block of hard rubber (eg a bottle stopper such as that available from a home-brew store), with a hole drilled to be a tight fit on the spindle. The platform can be glued to that. That platform, which can be square, rectangular or circular (or completely irregular in shape) is made of any available material – plywood, hardboard, or metal. We used a spare piece of Formica laminate.

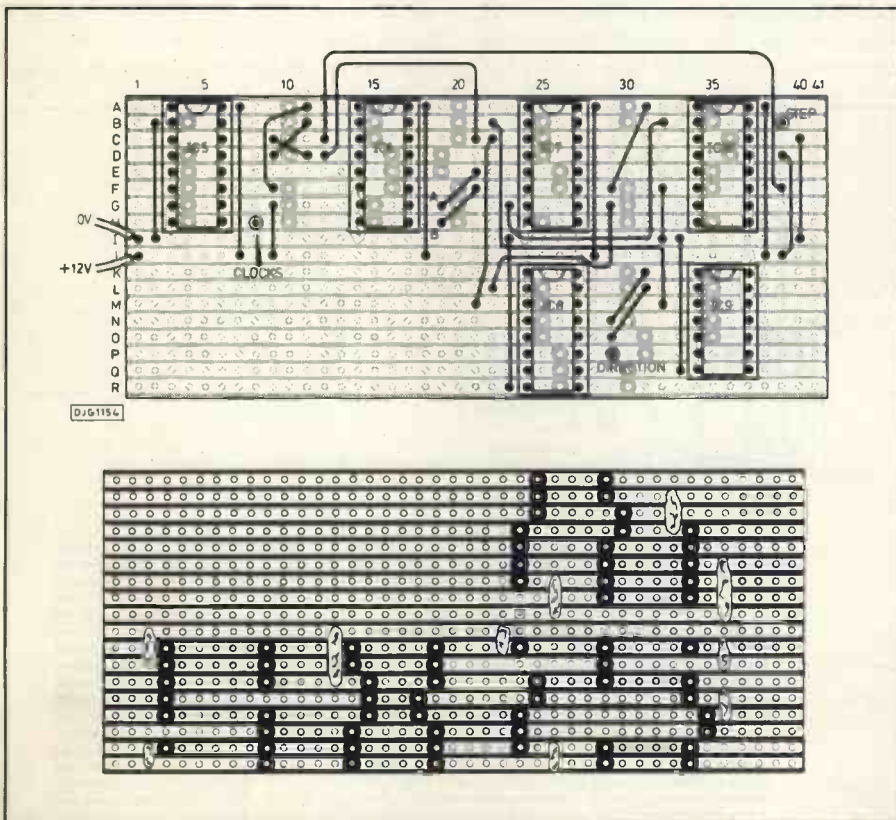


Fig.9. Component layout and track view for board 3



## COMPONENTS

### RESISTORS

- R1,R3 10k (2 off)
- R2 820k (but see text)
- R4 27k (but see text)
- R5 100
- R6 220, 1W

All 0.25W carbon or 0.6W metal film, 5% unless otherwise specified

### CAPACITORS

- C1 200 $\mu$  electronic 16V or 25V
- C2,C3 100 $\mu$  polyester (2 off)
- C4,C7 10 $\mu$  polyester (2 off)
- C5,C8 100 $\mu$  electrolytic 16V or 25V (2 off)
- C6 10 $\mu$  electrolytic 16V or 25V

### SEMICONDUCTORS

- D1-D4 1N4005 rectifier diodes, 1A (4 off)

### INTEGRATED CIRCUITS

- IC1 7812 12V regulator
- IC2,IC3 555 timer (2 off)
- IC4 4001 quadruple 2-input NOR gates
- IC5 4520 dual 4-bit binary counter
- IC6 4052 dual 1-of-4 analogue switch
- IC7,IC8 4094 8-bit shift register (2 off)
- IC9 4070 quadruple exclusive-OR gate
- IC10 4530 dual majority logic gate
- IC11 SAA1027 stepper motor driver

### MISCELLANEOUS

- T1 transformer 15V, 12VA
- M1 stepper motor, 12V, bi-directional, 4-phase, 7.5° step angle
- S1 SPST mains switch
- 8-pin dil sockets (2 off), 14-pin dil sockets (2 off), 16-pin dil sockets (6 off).
- Stripboard 10 strips by 10 holes (eg Vero 14354, 63mm x 25mm); 17 strips by 41 holes and 18 strips by 41 holes (cut from Vero 10347, 36 strips by 50 holes, 127mm x 95mm) – may be more or less than 41 holes if case dimensions different.
- 1mm terminal pins (24 off), abs box 190mm x 110mm x 60mm, nuts and bolts for mounting boards, fixing feet, grommet, plastic feet (4 off), materials for turntable and shadow-casters.

## PLATFORM

There is one point to consider when deciding which material to use for the platform. The action of a stepper motor is somewhat 'springy'. In moderation, this produces a natural non-mechanical action. In excess, it can produce a rather unnatural effect – the would-be intruder might think that you have a roomful of kangaroos. This effect can easily be damped down by making the platform sufficiently massive. Make it of thick wood or of metal sheeting. Alternatively, place a small object of mass about 1kg on it.

The most suitable diameter for the platform depends partly on the geometry of your room. A large platform will produce a greater movement of the shadows, allowing them to pass off the curtains and apparently out of the room.

The platform carries models or cut-outs to cast the shadows. It might be appropriate to have cutouts showing a man playing the violin, holding up a test-tube, or smoking a pipe. However this is carrying the illusion too far. Avoid trying to emulate a Javanese shadow-puppet show and go for much more subtle designs. The outlines of the models or cutouts need not resemble humans closely. We found that a small pepper-grinder produced most acceptable shadows. The objects or cutouts can be fringed with semi-transparent paper or plastic sheet, to blur the outlines.

## MODIFICATION

An interesting modification is to use a platform surfaced in rough-textured Formica. The objects slide about slightly as the platform rotates. The platform needs an edge about 1cm high to prevent them falling off. This adds even more randomness to the motion.

The source of light should be a small table-lamp, preferably with an adjustable mounting, an opaque shade and a reflector bulb. Place this so that the shadow or shadows are cast on the drawn curtains. If you have several models or cut-outs on the turntable, arrange it so that they do not all cast shadows on the window area at any one time. The shadows should be active but confusing to the observer. Therefore have

other room lighting on at the same time, so that the shadows are diluted and made more obscure. If you are out and the room lighting and the shadow-casting are switched off automatically at bed-time, the Holmes Machine's busy evening is brought to a realistic conclusion.

## GLOSSARY

### SHIFT REGISTERS

A shift register is a series of flip-flops, each of which holds one bit of binary data (0 or 1). This circuit uses a 16-bit register. Its registers might hold the data:

110010101100010

The shift register receives pulses from a clock circuit. At each clock pulse, the data is shifted on from one flip-flop to the flip-flop next door. In the example, a single shift would give:

X11001010110001

The X indicates that the data shifted into the first flip-flop depends upon what was present at the serial input of the register when the shift occurred. The data that was in the last flip-flop has been shifted out, and lost.

### EXCLUSIVE-OR

This is the 'same or different' logical operation, performed upon two inputs.

The result is low if the inputs are the same, and high if they are different. It is the logical equivalent of 'One OR the other, but not both'. This is the truth table:

| Inputs |   | Output |
|--------|---|--------|
| B      | A | Z      |
| 0      | 0 | 0      |
| 0      | 1 | 1      |
| 1      | 0 | 1      |
| 1      | 1 | 0      |

PE

## ELEMENTARY

*Had Holmes been living in our era, I am sure he would have added to the deception by also ensuring that the tv was turned on, allowing its screen flicker to fall on the window blind as well.*

Ed

## LEADING EDGE

*Continued from page 8*

Everyone, including the DTI, is now in a no-win situation. Letting market forces decide the winner between several incompatible systems will sour the public perception of CT2. Delaying the launch of CT2 by the year or so it will take manufacturers to re-design and re-tool to a common standard will give rival firms in foreign countries, including the Far East, valuable time to catch up and compete. The DTI may thus set an official standard but enforce it only after different systems have been sold for an interim period of several years. If this happens BT will hold

back on the sale of its own handsets.

I spoke with Sir Clive Sinclair about CT2. He acknowledges that at least two competing systems (Shaye and Ferranti – Libera) will be launched later this year, and later joined or replaced by a standard derived from these competing technologies – and thus incompatible with at least one of them. But he is still optimistic.

"There are two ways to set a standard, either have a committee, or let the public choose the system that works best. Often the latter is best, but in the case of CT2 a committee will make the decision quickly to help Britain sell into Europe. But I don't see the middle over stan-

dards as making any big difference. I don't think it will hold things back. Public base stations on 'phonopoints' will have to be multi-standard, that will cost more, and be a damn nuisance, but I don't see it as a big problem".

Out of curiosity I took the opportunity of asking Sir Clive Sinclair the big question. When he first filed patents on CT2 did he think about public base stations?

"No", admits Sir Clive "I have to be honest. I wasn't thinking about that. In fact I don't know who came out with the idea. I wish it had been mine, but it wasn't."

PE

# THE 'ALADDIN'S' CAVE OF ELECTRONIC & COMPUTER EQUIPMENT

## COLOUR MONITORS

16" Decca, 80 series budget range, colour monitors, features include: PIL tube, attractive teak style case, guaranteed 80 column resolution, only seen on monitors costing 3 times our price, ready to connect to a host of computer or video outputs. Manufacturers fully tested surplus, sold in little or hardly used condition with 90 day full RTB guarantee. 1000's Sold to date.  
DECCA 80 RGB - TTL + SYNC input for BBC type interface etc.  
DECCA 80 COMP 75 1" x 1" composite video input with integral audio amp & speaker ideal for use with video recorder or TELEBOX ST or any other audio visual use.  
Only £99.00 (E)

## HIGH DEFINITION COLOUR

BRAND NEW CENTRONIC 14" monitors in attractive style moulded case featuring hi res Mitsubishi 0.42 dot pitch tube with 669 x 507 pixels, 28MHz bandwidth, Full 90 day guarantee.  
Order as 1004-N2 for TTL + sync RGB for BBC etc £159.00 (E)  
1003-N1 for IBM PC etc fully CGA equiv £189.00 (E)  
1005-N2 RGB interface for QL 85 columns. £169.00 (E)

## 20" & 22" AV Specials

Superbly made, UK manufacture, PIL tube, all solid state colour monitors, complete with composite video and sound inputs, attractive teak style case. Ideal for a host of applications including Schools, Shops, Disco's, Clubs etc. Supplied in EXCELLENT little used condition with 90 day guarantee.  
20" Monitor £165.00 (F) 22" Monitor £185.00 (F)

## MONOCHROME

MOTOROLA M1000-100 5" CRT Black & white compact chassis monitor measuring only 11.6h, 12w, 22d. Ideal for CCTV or computer applications. Accepts standard composite video or individual H & V syncs. Operates from 12v DC at approx 0.8a. Some units may have minor screen marks, but still in very usable condition. Fully tested with 30 day guarantee & full data. Only £29.00 (C)  
Fully cased as above, with attractive moulded, desk standing swivel and tilt case. Dim. cm 12h, 14.5w, 26d. £39.00 (C)  
JVC type 751-7 5" Ultra compact Black & white chassis monitor for 12v 0.7a DC operation. Dim cm 11h, 14w, 18d. Simple DIY circuit data included to convert data and separate sync input to composite video input. Ideal portable equipment etc. Supplied with full data. Brand New £65.00 (B)

KGM 324 9" Green Screen. Little used fully cased, mains powered high res monitors with standard composite video input. Fully tested and in excellent condition. £49.00 (E)  
20" Black & White monitors by AZTEK, COTRON & NATIONAL. All solid state, fully cased monitors, ideal for all types of AV or CCTV applications. Units have standard composite video inputs with integral audio amp and speaker. Sold in good, used condition. Fully tested with 90 day guarantee. Only £85.00 (F)

## FLOPPY DRIVE SCOOP

Drives from Only £39.95

A MASSIVE purchase of standard 5.25" disk drives enables us to offer you prime product at all time super low prices. All units unless stated are removed from often BRAND NEW equipment, fully tested and shipped to you with a full 120 day guarantee. All units offered operate from +5 and +12 volts DC, are of standard size and accept the common standard 34 way interface connector.  
TANDON TM100-2A IBM compatible 40 track FH double sided Only £39.95 (B)  
TANDON TM101-4 FH 80 track double sided Only £49.95 (B)  
JAPANESE Half Height double sided drives by Canon, Tec, Toshiba etc. Specify 40 or 80 track Only £75.00 (B)  
TEAC FD55-F 40-80 track double sided Half Height Brand New £115.00 (B)

## DISK DRIVE ACCESSORIES

34 Way Interface cable and connector single £5.50, Dual £8.50 (A)  
5.25" DC power cable £1.75. Fully cased PSU for 2 x 5.25" Drives £19.50 (A) Chassis PSU for 2 x 8" drives £39.95 (B)

## 8" DISK DRIVES

SUGART 800/801 single sided refurbished £175.00 (E)  
SUGART 851 double sided refurbished £260.00 (E)  
MITSUBISHI M2894-63 Double sided swappable Hard or Soft sector BRAND NEW £275.00 (E)  
SPECIAL OFFER Dual 8" drives with 2mb capacity in smart case with integral PSU. Only £499.00 (F)

## COMPUTER SYSTEMS

TATUNG PC2000. Big brother of the famous EINSTEIN, the TPC2000 professional 3 piece system comprises: Quality high res GREEN 12" monitor, Sculptured 92 key keyboard and plinth unit containing the Z80A CPU and all control electronics PLUS 2 integral TEAC 5.25" 80 track double sided disk drives. Many other features include Dual 8" IBM format disk drive support, Serial and parallel outputs, full expansion port, 64k ram and ready to run software. Supplied complete with CPM, WORDSTAR, BASIC and accounts package.  
BRAND NEW Full 90 day guarantee. Original price OVER £1400  
Only £299(E)

EQUINOX (IMS) S100 system capable of running either TURBO or standard CPM. Unit features heavy duty box containing a powerful PSU, 12 slot S100 backplane, & dual 8" double sided disk drives. Two individual Z80 cpu boards with 192k of RAM allow the use of multi user software with upto 4 RS232 serial interfaces. Many other features include battery backed real time clock, all IC's socketed etc. Units in good condition and tested prior despatch, no documentation at present. Hence price of only £245.00 (F)  
S100 PCB's IMS A465 64k dynamic RAM, £55.00 (B) IMS A930 FDC controller £85.00 (B). IMS A862 CPU & i/o £65.00 (B)  
SAE for full list of other S100 boards and accessories.

## PRINTERS

Bulk purchase brings you incredible savings on a range of printers to suit all applications. Many other "one off bargains" can be seen at our South London Shop

HAZELTINE ESPRINT Small desktop 100 cps print speed with both RS232 and CENTRONICS interfaces. Full pin addressable graphics and 6 user selectable type fonts. Up to 9.5" single sheet and tractor paper handling Brand New Only £199.00 (E)  
CENTRONICS 150 series. A real workhorse for continuous use with tractor feed paper, either in the office, home or factory, desk standing. 150 cps 4 type fonts and choice of interfaces. Supplied BRAND NEW Order as:  
150-SN up to 9.5" paper handling £185.00 (E)  
150-SW up to 14.5" paper handling £225.00 (E)  
150-GR up to 14.5" paper plus full graphics £245.00 (E)  
When ordering please specify RS232 or CENTRONICS interface.

## Ultra Fast 240 cps NEWBURY DATA NDR 8840 High Speed Printers Only £449 !!

A special purchase from a now defunct Government Dept enables us to offer you this amazing British Made, quality printer at clearance prices. SAVING YOU OVER £1500 !! The NDR8840 features high speed 240 cps print speed with integral, fully adjustable paper tractor, giving exceptional fast paper handling for multi part forms etc. The unit features 10 selectable type fonts giving up to 226 printable characters on a single line. Many other features include Internal electronic vertical and horizontal tabs, Self test, 9 needle head, Up to 15.5" paper, 15 million character ribbon cartridge life and standard RS232 serial interface. Sold in SUPERB tested condition with 90 day guarantee. Only £449.00 (F)

EPSON model 512 40 column 3.5" wide paper roll feed, high speed matrix (3 lines per second) printer mechanism for incorporation in point of sale terminals, ticket printers, data loggers etc. Unit features bi directional printhead and integral roll paper feed mech with tear bar. Requires DC volts and simple parallel external drive logic. Complete with data. RFE and tested. Only £49.95 (C)

EPSON model 542 Same spec as above model, but designed to be used as a slip or flatbed printer. Ideal as label, card or ticket printer. Supplied fully cased in attractive, small, desk top metal housing. Complete with data. RFE and tested. Only £55.00 (D)

PHILIPS P2000 Heavy duty 25 cps bi directional daisy wheel printer. Fully DIABLO, QUME, WORDSTAR compatible. Many features include full width platen - up to 15" paper, host of available daisy wheels, single sheet paper handling, superb quality print. Supplied complete with user manual & 90 day guarantee plus FREE dust cover & daisy wheel. BRAND NEW Only £225.00 (E)

Most of the items in this Advert, plus a whole range of other electronic components and goodies can be seen or purchased at our

## \*\* South London Shop \*\*

Located at 215 Whitehorse Lane, London SE25. The shop is on the main 68 bus route and only a few miles from the main A23 and South Circular roads. Open Monday to Saturday from 9 to 5.30, parking is unlimited and browsers are most welcome. Shop callers also save the cost of carriage.

## MODEMS

Modems to suit all applications and budgets. Please contact our technical sales staff if you require more information or assistance.

## SPECIAL PURCHASE V22 1200 baud MODEMS ONLY £149 !!

MASTER SYSTEMS type 2/12 microprocessor controlled V22 full duplex 1200 baud. This fully BT approved modem employs all the latest features for error free data comms at the staggering speed of 120 characters per second, saving you 75% of your BT phone bills and data connect time !! Add these facts to our give away price and you have a superb buy !! Ultra slim unit measures only 45 mm high with many integral features such as Auto answer, Full LED status indication, RS232 interface, Remote error diagnostics, SYNC or ASYNC use, SPEECH or DATA switching, integral mains PSU, 2 wire connection to BT line etc. Supplied fully tested, EXCELLENT slightly used condition with data and full 120 day guarantee.

## LIMITED QUANTITY Only £149 (D)

CONCORD V22 1200 baud as new £330.00 (E)  
CONCORD V22 1200-2400 BIS £399.00 (E)  
RIXON Ex BT Modem 27 V22 1200 £225.00 (E)  
DATEL 4800 / RACAL MPS 4800 EX BT modem for 4800 baud sync use. £295.00 (E)  
DATEL 2412 2780/3780 4 wire modem unit EX BT fully tested. £199.00 (E)  
MODEM 20-1 75-1200 BAUD for use with PRESTEL etc EX BT fully tested. £49.00 (E)  
TRANSDATA 307A 300 baud acoustic coupler with RS232 I/O Brand New £49.00 (E)  
RS232 DATA CABLES 16 ft long 25w D plug to 25 way D socket. Brand New Only £9.95 (A)  
As above but 2 metres long £4.99 (A)  
BT plug & cable for new type socket £2.95 (A)

## RECHARGEABLE BATTERIES

Maintenance free, sealed long life LEAD ACID  
A300 12v 3 Ah £13.95 (A)  
A300 6v 3 Ah £9.95 (A)  
A300 6-0-6 v 1.8 Ah RFE £5.99 (A)

## NICKEL CADMIUM

Quality 12 v 4 Ah cell pack. Originally made for the TECHNICAL VIDEO company, this unit contains 10 high quality GE nicad, D type cells, configured in a smart robust moulded case with DC output connector. Dim cm 19.5 x 4.5 x 12.5. Ideal portable equipment etc. BRAND NEW £24.95 (E)  
12v 17 Ah Ultra rugged, all weather, virtually indestructible refillable NICAD stack by ALCAD. Unit features 10 x individual type XL1.5 cells in wooden crate. Supplied to the MOD and made to deliver exceptionally high output currents & withstand long periods of storage in discharged state. Dim cm 61 x 14 x 22 Cost over £250 Supplied unused & tested complete with instructions £95.00 (E)  
EX EQUIPMENT NICAD cells by GE Removed from equipment and believed in good, but used condition. 'F' size 7Ah 6 for £8 (B) Also 'D' size 4Ah 4 for £5 (B)

## BRAND NEW 85 Mb Disk Drives ONLY £399

End of line purchase enables this brand new unit to be offered at an all time super low price. The NEC D2246 8" 80 Mb disk drive features full CPU control and industry standard SMD Interface, Ultra high speed data transfer and access times leave the good old ST505E interface standing. Supplied BRAND NEW with full manual. Only £399.00 (E)  
Dual drive, plug in 135 Mb sub system for IBM AT unit in case with PSU etc. £1499.00 (F)  
Interface cards for upto 4 drives on IBM AT etc available Brand new at £395.00

## POWER SUPPLIES

All power supplies operate from 220-240 v AC Many other types from 3v to 10Kv in stock. Contact sales office for more details.  
PLESSEY PL12/2 Fully enclosed 12v DC 2 amp PSU. Regulated and protected. Dim cm 13.5 x 11 x 11 New £16.95 (B)  
AC-DC Linear PSU outputs of +5v 5.5a, -5v 0.6a, +24v 5a. Fully regulated and short proof. Dim cm 28 x 12.5 x 7 New £49.50 (C)  
POWER ONE PHC 24v DC 2 amps Linear PSU fully regulated New £19.95 (B)

BOSHART 13088 switch mode supply ideal disk drives or complete system. +5v 6a, +12.2.5a.-12 0.5a.-5v 0.5a. Dim cm 5.6 x 21 x 10.8. New £29.95 (B)

BOSHART 13090 same as above spec but outputs of +5v 6a, +12v 1.5a, +12v 0.5a.-12v 0.5a. New £39.95 (B)  
GREENDALE 19A06 60 Watt switch mode outputs +5v 6a, +12v 1a, -12v 1a, +15v 1A.D, 11 x 20 x 5.5 RFE Tested £24.95 (B)  
CONVER AC130-3001 High grade VDE spec compact 130 watt switch mode PSU. Outputs give +5v 15a, -5v 1a, +&-12v 6a. Dim 6.5 x 27 x 12.5. Current list price £190. Our price New £59.95.00 (C)  
FARNELL G6/60A Compact 5v 40 amp switch mode fully enclosed New £140.00 (C)

FARNELL G24 SS Compact 24v 5 amp switch mode fully enclosed New £95.00 (C)

## Special Offer EXPERIMENTORS PSU

ONLY £16.95 (C)

Made to the highest spec for BT this unit gives several fully protected DC outputs most suited to the Electronics Hobbyist. +5v 2a, +&-12v 1a, +24v 1a and +5v fully floating at 50ma. Ideal for school labs etc. Quantity discount available. Fully tested with data RFE = Removed From Equipment

## The AMAZING TELEBOX Converts your monitor into a QUALITY COLOUR TELEVISION

Brand new high quality, fully cased, 7 channel UHF PAL TV tuner system. Unit simply connects to your TV aerial socket and video monitor turning same into a fabulous colour TV. Dont worry if your monitor doesnt have sound, the TELEBOX even has an integral audio amp for driving a speaker plus an auxiliary output for headphones or Hi Fi system etc. Many other features: LED Status Indicator, Smart moulded case, Mains powered, Built to BS safety specs. Many other uses for TV sound or video etc. Supplied BRAND NEW with full 1 year guarantee. Carriage code (B)



TV SOUND & VIDEO TUNER ONLY £29.95

TELEBOX ST for monitors with composite video input £29.95  
TELEBOX STL as ST - but fitted with integral speaker £34.95  
TELEBOX RGB for use with analogue RGB monitors £59.95

Colour when used with colour CRT. RGB version NOT suitable for IBM-C/Clone type colour monitors. DATA sheet on request. PAL overseas versions CALL.

## MODEMS

Modems to suit all applications and budgets. Please contact our technical sales staff if you require more information or assistance.

## SPECIAL PURCHASE V22 1200 baud MODEMS ONLY £149 !!

MASTER SYSTEMS type 2/12 microprocessor controlled V22 full duplex 1200 baud. This fully BT approved modem employs all the latest features for error free data comms at the staggering speed of 120 characters per second, saving you 75% of your BT phone bills and data connect time !! Add these facts to our give away price and you have a superb buy !! Ultra slim unit measures only 45 mm high with many integral features such as Auto answer, Full LED status indication, RS232 interface, Remote error diagnostics, SYNC or ASYNC use, SPEECH or DATA switching, integral mains PSU, 2 wire connection to BT line etc. Supplied fully tested, EXCELLENT slightly used condition with data and full 120 day guarantee.

## LIMITED QUANTITY Only £149 (D)

CONCORD V22 1200 baud as new £330.00 (E)  
CONCORD V22 1200-2400 BIS £399.00 (E)  
RIXON Ex BT Modem 27 V22 1200 £225.00 (E)  
DATEL 4800 / RACAL MPS 4800 EX BT modem for 4800 baud sync use. £295.00 (E)  
DATEL 2412 2780/3780 4 wire modem unit EX BT fully tested. £199.00 (E)  
MODEM 20-1 75-1200 BAUD for use with PRESTEL etc EX BT fully tested. £49.00 (E)  
TRANSDATA 307A 300 baud acoustic coupler with RS232 I/O Brand New £49.00 (E)  
RS232 DATA CABLES 16 ft long 25w D plug to 25 way D socket. Brand New Only £9.95 (A)  
As above but 2 metres long £4.99 (A)  
BT plug & cable for new type socket £2.95 (A)

## RECHARGEABLE BATTERIES

Maintenance free, sealed long life LEAD ACID  
A300 12v 3 Ah £13.95 (A)  
A300 6v 3 Ah £9.95 (A)  
A300 6-0-6 v 1.8 Ah RFE £5.99 (A)

## NICKEL CADMIUM

Quality 12 v 4 Ah cell pack. Originally made for the TECHNICAL VIDEO company, this unit contains 10 high quality GE nicad, D type cells, configured in a smart robust moulded case with DC output connector. Dim cm 19.5 x 4.5 x 12.5. Ideal portable equipment etc. BRAND NEW £24.95 (E)  
12v 17 Ah Ultra rugged, all weather, virtually indestructible refillable NICAD stack by ALCAD. Unit features 10 x individual type XL1.5 cells in wooden crate. Supplied to the MOD and made to deliver exceptionally high output currents & withstand long periods of storage in discharged state. Dim cm 61 x 14 x 22 Cost over £250 Supplied unused & tested complete with instructions £95.00 (E)  
EX EQUIPMENT NICAD cells by GE Removed from equipment and believed in good, but used condition. 'F' size 7Ah 6 for £8 (B) Also 'D' size 4Ah 4 for £5 (B)

## BRAND NEW 85 Mb Disk Drives ONLY £399

End of line purchase enables this brand new unit to be offered at an all time super low price. The NEC D2246 8" 80 Mb disk drive features full CPU control and industry standard SMD Interface, Ultra high speed data transfer and access times leave the good old ST505E interface standing. Supplied BRAND NEW with full manual. Only £399.00 (E)  
Dual drive, plug in 135 Mb sub system for IBM AT unit in case with PSU etc. £1499.00 (F)  
Interface cards for upto 4 drives on IBM AT etc available Brand new at £395.00

## COOLING FANS

Keep your hot parts COOL and RELIABLE with our range of BRAND NEW cooling fans.

AC FANS Specify 240 or 110v  
3" Fan dim 80 x 80 x 38 £8.50 (B)  
3.5" ETRII Slimline 92 x 92 x 25 £9.95 (B)  
4" Fan Dim 120 x 120 x 38 £9.95 (B)  
As above - TESTED RFE Only £4.95 (C)  
10" round x 3.5" Rotron 10v £10.95 (B)  
DC FANS  
Papst Miniature DC fans 62x62x25 mm Order 812 6-12v or 814 24v £12.95 (A)  
4" 12v DC 12w 120 x 120 x 38 £12.50 (B)  
4" 24v DC 8w 120 x 120 x 25 £14.50 (B)  
BUHLER 12v DC 62 mm £12.95 (A)  
1000's of other fans and blowers in stock CALL or SAE for more details

## SPECIAL INTEREST

Please call for availability or further info.  
RACAL-REDAC real time, colour drafting £3950  
PCB layout system £2850  
DEC VAX11/750 inc 2 Mb Ram Dr, and full doc etc. Brand New £8500  
HP7580A 8 pen digital A1 drum plotter with IEEE interface As New £4750  
CHEETAH Telex machine £995  
1.5 kw 115v 60 Hz power source £350  
500 watt INVERTER 24v DC to 240v AC sine wave 50 Hz output £275  
SOLDER SYSTEMS th lead roller tinning machine for PCB manufacture £350  
CALLAN DATA SYSTEMS multi user INTEL based UNIX system complete with software and 40 Mb winchester disk drive. £2750  
WAYNE KERR RA200 Audio, real time frequency response analyzer £3000  
TEKTRONIX 1411/R PAL TV test signal standard £6900  
TEKTRONIX R140 NTSC TV test signal standard £875  
HP 3271A Correlator system £350  
PLESSEY portable Microwave speech / data link 12v DC, 70 mile range. The pair £275.00  
19" Rack cabinets 100's in stock from £15.00

DISPLAY -ELECTRONICS-

All prices for UK Mainland. UK Customers must ADD 15% VAT to total order value. Minimum order, cash £5, Credit Card £10. Official account orders from Government Depts, Universities, Schools & Local Authorities welcome - minimum account order value £25. Carriage charges (A) £1.50, (B) £3.50, (C) £8.50, (D) £8.50, (E) £10.00, (F) £15, (G) Call. All goods are supplied subject to our standard conditions of sale. All guarantees given on a return to base basis. We reserve the right to change prices & specifications without prior notice. Bulk trade & export enquiries most welcome.

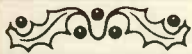
MAIL ORDER & OFFICES  
Open Mon-Fri 9.30-5.30  
32 Biggin Way,  
Upper Norwood,  
London SE19 3XF

LONDON SHOP  
1000's of Bargains for callers  
Open Mon-Sat 9-5.30  
215 Whitehorse Lane,  
South Norwood, London SE25

DISTEL © The ORIGINAL  
FREE of charge dial up data base  
1000's of items + info ON LINE NOW!!  
300 baud 01 679 1888, 1200/75 01 679  
6183. 1200 FDX 01 679 8769

ALL ENQUIRIES  
01 679 4414  
FAX 01 679 1927  
TELEX 894502





# THE ELECTRONIC RAILWAY

PART ONE BY NEIL HARDING

## THE SIGNAL IS READ!

*Fewer cables, smaller rooms, no more flags ... and complex tiers of multiplexed control signals and safety checks, make up the modern computerised railway signal box.*

On a modern railway system, from the time that a passenger parks the car, buys a ticket, checks the train departure time and travels on the train, right through to arriving at the destination, it is more than likely that dozens of independent systems of electronic wizardry will have been used to assist the passenger's total journey. It is probably just as likely that the same passenger is completely unaware of the extent of those systems, merely because they are not generally within the sight of the public eye.

However, with the volume of rail traffic on a modern railway today, whether it be freight or passenger traffic or both, it is evident that the electronic and computerised scene is here to stay, because without it the efficiency of the railway would be very, very poor.

This article is the first of a series of three which will look at the inroads that have been made into the railroads of today by modern electronics. During the course of the articles we shall identify those systems used in railway signalling and they look at electronics in the rest of the railway scene.

### RAILWAY SIGNALLING

Railway signalling has come a long way in the 160 years or more since the first passenger carrying train in the world was permitted to run, in the United Kingdom.

The first attempt to control the safe passage of trains was made with the use of "railway policemen" who displayed flags (red for "stop" and green for "all clear") to the drivers of trains in order to permit access through the advance track section and on to the next policeman. (In Britain these policemen, who were the forerunners of today's signalmen, gained the nickname "Bobbies" after the then Commissioner of the London Metropolitan Police, Sir Robert Peel. This name has stuck and, even today, Britain's signalmen, even those in modern sophisticated signalling control centres, are still nicknamed "Bobbies"!)

Since those early days signalling has progressed quite a lot, from the introduction of mechanical semaphore signalling through to colour light signalling and



*The Victoria signalling control centre and train describer for British Rail Southern Region*

now to "cab signalling" or even to completely automatic driverless trains which are controlled by electronic signalling. At the same time, it is ironic to note that in some places the most modern systems in use can be found only a few miles away from the signalling of yesteryear.

### VITALITY

Signalling systems fall into two categories. "Vital" systems, by definition, are used to control the safety side of the signalling system. "Non-vital", or "Less-vital", systems are those systems which, under failure conditions, will not affect the safe running of railway traffic in any way, even though the failure in itself may probably cause some disruption to services.

It is in this latter category, that of the "non-vital" systems, where the first use of electronics was to be found. One of the first devices to be developed for signalling use was the Train Describer, or "TD", not a signalling device in itself but, rather, an aid to the signalman. Used as an intended replacement of the

old system of train recording whereby signalmen would record the train's number as the train passed a certain fixed point on the track, say a starting signal. It was also used as a replacement



*Train describer cubicles at Victoria signalling centre*

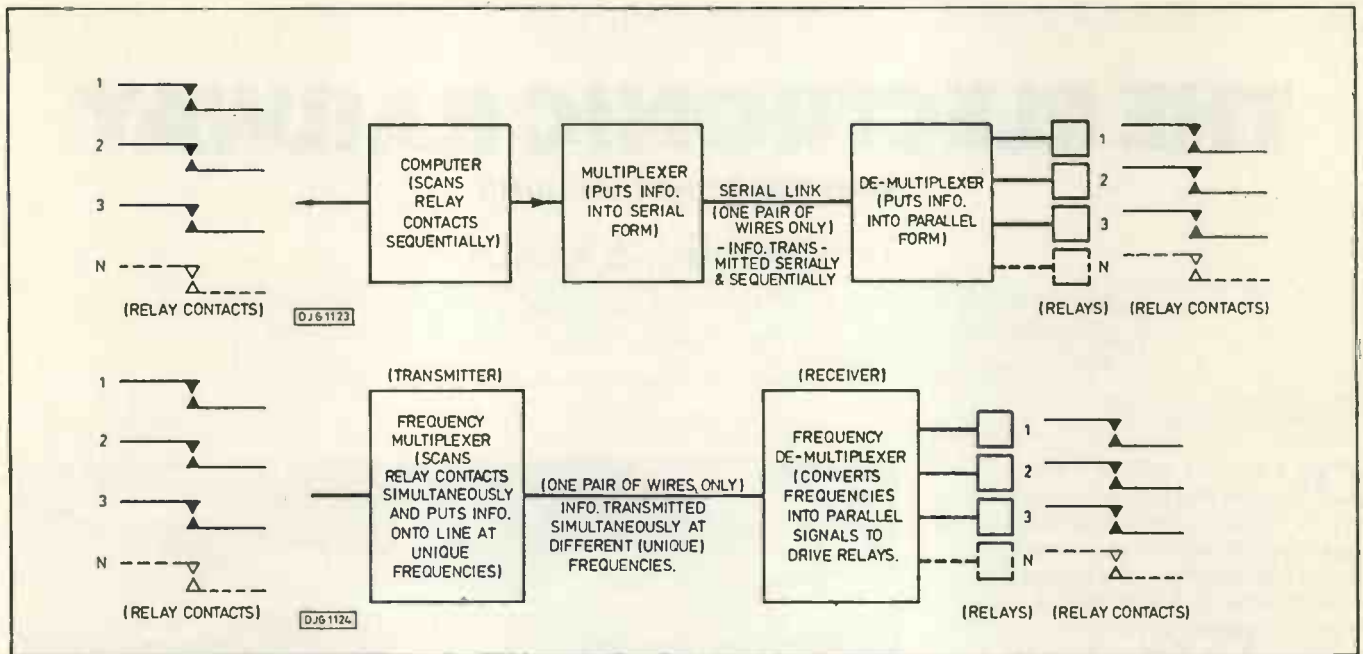


Fig.1 Remote control system. (Top) Time division multiplex, (Bottom) frequency division multiplex

for the "bell code" system in which a signalman would "describe" a train's type to a signalbox in advance, eg, fully braked freight or express passenger. The train describer allows a signalman to identify by train number the position and type of any particular train which is either within his control area or approaching it. Used in conjunction with track circuit indications on his control panel or, on an ultra-modern installation, his visual display unit, the train describer automatically steps on the identification of a train as it progresses through a signalling section or on to the next signalling control centre.

## REMOTE CONTROL

Another early use for the computer in the signalling field was in the introduction of the remote control system. Where a signalling control centre controls a signalling interlock several miles away, there has to be some way of operating

the relays which in turn control the signals and points at the interlocking. In the past the practice was to provide direct wire connections using multicore signalling cables. With the ever-increasing costs of copper cabling, though new methods had to be found to perform the required task. Hence the development of the time division multiplex (tom) remote control system. TOM involves the sequential scanning by a computer of a number of relay contacts (representing the signalling output functions) at the control centre. The information thus obtained is then sequentially transmitted over just one pair of wires to a second computer at a remote, or "field", interlocking and here the information is decoded to operate the required functions. There is, therefore, a vast saving in copper cabling between the control centre (or "office", as it is known) and the remote location. Hence there is a saving in overall costs, even though a transmitter/receiver computer system has been used. Because the system is used as an aid to the control of vital signalling equipment, rather than controlling them directly, it is said to be "non-vital".

With the tdm system, a period of time

is divided up by a number of functions being transmitted sequentially from one end of the system to the other. There is another system in use whereby a number of functions are transmitted/received over two wires, at unique frequencies for each function. With this system, known as fom, or frequency division multiplex, either "vital" or "non-vital" information can be distributed, depending upon the design of the system used. This system is invaluable where information may not necessarily need to be transmitted all the way along the total control system. For example, a road/rail level crossing may need to be controlled somewhere between the "office" and "field" locations.

## INTERLOCKING

What of the interlockings themselves? Indeed, what is an interlocking? This is the location where the logical cross-checking is carried out to ensure that no signal route becomes free to be operated until all opposing signal routes are first normalised and until all points are set in their correct positions for the safe passage of trains. Also, any other equipment or functions, such as groundframes, level crossings, etc, must be correctly set/normalised as required.

In the past the interlocking was carried out mechanically using rods, locks and tappets within a signalbox lever-frame. Lately, the mechanical mechanisms have been replaced by relay interlockings whereby electrical circuits have provided the (vital) checking as required. However, now we have witnessed the first of the computerised interlockings. Called "solid state interlockings", or ssi, there may be two or three computers which, through their predetermined programs, check their own and their partners' operation. This ensures and maintains the integrity of



Type RM (TDM) remote control equipment at Victoria signalling centre



Type RR Reed (FDM) remote control equipment at Waverley signalling centre



*Geographical route relay interlocking at Waverley signalling centre*



*Solid state interlocking (SSI) trackside signal module*



*SSI cubicles and technicians terminals at Inverness signalling centre*

the safety which would previously have been allowed with the relay interlockings. At a fraction of the cost of a relay interlocking, the ssi is the latest innovation to hit the signalling industry, with savings in times of installation as well as the cost involved in carrying out such installations. In addition, the buildings used to contain the equipment are much smaller than the conventional "relay rooms" of the past.

## TRAIN DETECTION

Mention was made earlier of the "track circuit". This forms the very basis for any signalling system and is the means of detecting the presence of a

train on a railway line. In essence, the track circuit is an insulated pair of rails which have a power supply at one end of the rails and a detection device, say a relay, at the other end of the rails. Without a train present on the track the detector is in the "track clear of trains" state. If, the detector is a relay, this will be in its energised state, where the power supply is feeding the relay's energisation coil.

Once a train enters the area of the track circuit the power supply is effectively removed from the circuit and the detector goes to the "train present" state. Again, if the relay is being used, this will de-energise. Thus an effective means of train detection is available. In the past, and even now, the track circuit

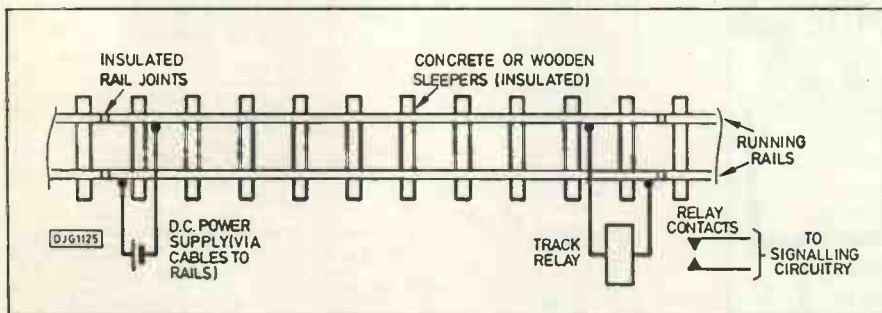
has been little more than a basic electrical circuit. These days, sophisticated arrangements are also often in use where a transmitter at one end of a section of track (which may not necessarily be insulated from the next section) operates a receiver at the other end of that section. The transmission frequency chosen is unique for a particular section, thus preventing false operation from adjacent track circuits. The presence of a train is detected by the receiver not receiving the transmitted "message" due to the train's wheels interrupting the circuit.

## EXTREME TEMPERATURES

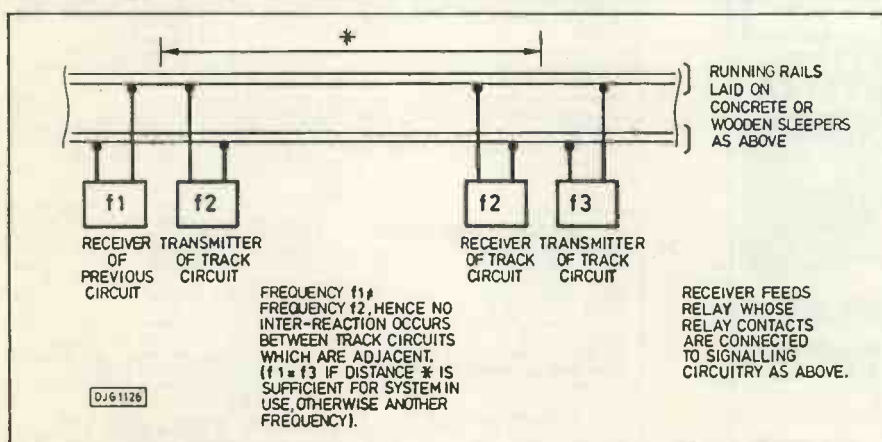
In some colder countries the railways have many problems due to the freezing up of point switches. This can involve delays to traffic while rail staff work to unfreeze them by applying either heat or de-freezing chemicals.

A better answer is to use automatic point heaters. In this method electronic sensors detect when the ambient temperature drops to a critical level. Automatic circuits are then operated which ignite a propane gas jet aimed at the point switches, thus melting the ice or snow.

At the opposite end of the temperature scale, heat can cause quite a lot of problems also. If a train's axle box overheats, say through the leaking out of lubricants, rolling stock can catch fire, sometimes with disastrous results. Some railways use "hot axle box detectors" which are electronic devices installed near the rails. These detect when an axle box of a vehicle is significantly higher in temperature than other axle boxes within the same train, working on the principle that not all the axle boxes will be running hot at any one time. The detector then transmits a message to a control centre or signalbox and records the details of the train concerned and even the exact vehicle and axle involved, so allowing the train to be stopped and inspected.



**Fig.2** Direct current track circuit



**Fig.3** Jointless track circuit

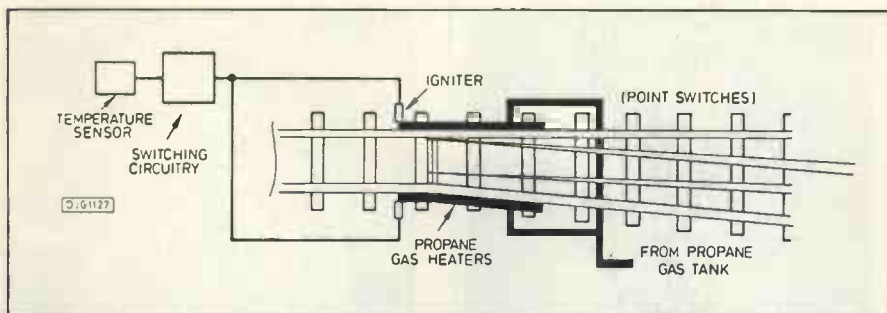


Fig.4 Automatic point switch heaters

## WAGON SORTING

Staying on the subject of detection devices, consider the freight yard. In some countries "hump yards" are used in which a shunting train has its "consist" of wagons uncoupled in such a way as will allow their correct separation into the required sidings. The information of the wagon "cuts" or portions is entered manually into a computer, along with details of their required destination sidings. A shunting locomotive then propels the entire train up and over a hump in the track at a constant low speed. As each cut of wagons goes over the hump, gravity allows them to run down the slope towards the receiving sidings. Special air-operated retarders slow down the rolling wagons if necessary. Point switches are operated to the correct positions for

the route to the desired sidings for that cut of wagons.

There are several detectors involved in the process. Each wagon, or cut of wagons, is dynamically weighed while rolling down the slope and acceleration is detected. This enables the correct "rollability" factor to be computed, and hence the correct air pressure on the retarders. As a parallel example, an egg can be held by very little pressure. However, apply too much pressure and the egg is crushed. Likewise, if too much pressure is applied to retard a wagon, then the wagon can literally be squeezed off the track. The whole process is computer-controlled to make the procedure as efficient as possible.

To be concluded next month

PE

The photographs in the Electronic Railway article have been kindly supplied by GEC-General Signalling Ltd.

## X-TRA BYTE SIZED

Integrated circuit manufacture currently depends on the use of visible light and optical techniques to literally print the circuit on the chip. With the call for smaller and faster chips, optical techniques are becoming increasingly incapable of the fine resolution required to minimise component size.

Researchers are currently turning to investigating X-rays as the possible successor to light rays for the next generation of devices. Having a very short wavelength, X-rays can create extremely sharp edges when projected through the printing masks. The penetrating power of X-rays presents problems, though, and the researchers, notably at IBM, are having to create special mask materials. There is the additional problem of focussing the X-rays, which unlike light, cannot be diverted by lenses. Consequently, the masks have to be cut to the precise sub-miniature size by an electron beam. Using an electron accelerator storage ring to boost the X-ray power available, IBM has found that line-definitions can be obtained that could enable 64 million megabyte chips to be reliably manufactured.

The research will eventually extend beyond X-rays when the maximum expected 256Mbyte chip is achieved, the limit to which X-ray techniques are likely to go. Ed.

**QUALITY... SECURITY SUPPLIES FOR DIY & TRADE**

**...AT LOWEST PRICES**

**CONTROL UNITS**

- Automatic
- Modular
- Lighting
- Timer

**SENSORS**

- Passive Infra-Red
- Ultrasonic
- Infra-Red Beam

**CARS & VANS**

- Contacts
- Security Lighting
- Cable Etc. Etc.

**ACCESSORIES**

- Pressure Pads

**HOMES & FACTORIES**

**PRODUCT OF THE MONTH**

**CPU 9000 SELF-CONTAINED ALARM SYSTEM** Immediate Security Without Installation  
For homes storerooms, clubhouses, caravans etc...

- Detects intruders up to 30ft
- Penetrating 103db Siren with auto reset.
- Compact size only 203x180x78mm.
- Easily extended for coverage of additional rooms or large areas.
- Operates from 240V ac and 12V dc. Priced £67.72 +VAT

**The Security Specialist**  
**RISCOMP LIMITED**

Dept. PE1, 51 Poppy Road, Princes Risborough, Bucks. HP17 9DB  
Callers by Appointment Office hours Mon - Fri 9am - 5pm  
(084 44) 6326

TELEPHONE OR SEND FOR FREE LITERATURE TODAY

| OSCILLOSCOPES   | SPECIAL OFFER AT ONLY £300 EACH  |
|---|--|
| TELEQUIPMENT D83. Dual Trace 50MHz Delay Sweep. Large Tube. With Manual. £350   | TELEQUIPMENT D755 (NATO approved version of D75) DUAL TRACE. Delay Sweep. 50 MHz.  |
| OSDSOR OSCILLOSCOPE CDU150. Dual Trace 35MHz. Delay Sweep. Solid State. Portable 8 x 10cm Display. With Manual. NOW ONLY £180 each  | TRIO RF SIGNAL GENERATOR Type SG402 100KHz-30MHz. Unused (P&P £7). ONLY £75  |
| Optional Front Protection Cover containing 2 Probes & Viewing Hood. £10   | COLOUR BAR GENERATOR Type PAL MC-101. 8 patterns Pocket Size. Rechargeable batteries. Complete with Battery Charger/Mains Adaptor. Unused (P&P £4) |
| SCOPEX 4D10 Dual Trace 10MHz With Manual £150   | COLOUR BAR GENERATOR Type PAL MC321. 8 patterns. Video/Sound Output. Unused (P&P £7). ONLY £175  |
| S.E. LABS SM111 Dual Trace 18MHz Solid State Portable AC or External DC operation 8 x 10cm display with Manual £150   | LABGEAR FIELD STRENGTH METERS £80 (P&P £7)   |
| TELEQUIPMENT D43. Dual Trace 15MHz. With Manual £100  | DECCA Colour Bar Generator type 82514. £125  |
| TELEQUIPMENT S54A. Single Trace 10MHz. Solid State. With Manual. £30  | PHILIPS COLOURBAR GENERATOR type 5508. Video out. Many functions. £150   |
| GOLD/ADVANCE OS255 Dual Trace 15MHz. With Manual. £225  | Labgear Colour Bar Generator KG1 8 Test Patterns. (P&P £4). ONLY £40 each  |
| ADVANCE OS250TV. Dual Trace 10MHz. With Manual. £150  | ADVANCE S362B. AM. 150KHz-220MHz. £45 (P&P £7).  |
| SCOPEX 4S6. Single Trace. 6MHz. With Manual £65   |  |
| MULTIMETERS   | NEW EQUIPMENT  |
| AVO 8 Complete with Batteries & Leads. From £45   | HAMEG OSCILLOSCOPE 604. Dual Trace 60MHz. Delay Sweep. Component Tester & 2 Probes. £575   |
| AVO 8 MkV Complete with Batteries & Leads. £90  | HAMEG OSCILLOSCOPE 203.6. Dual Trace 20MHz. Component Tester & 2 Probes. £314  |
| AVO TEST SET No 1 (Military version of AVO 8) Complete with batteries & leads. £65  | All Other Models Available.  |
| TEST LEADS suitable for AVOMETERS. Red & Black with 2 Croc-Clips & 2 Prods. (p&p £3) £5   | BLACK STAR FREQUENCY COUNTERS P&P £4   |
| Black "Ever-Ready" case for AVOs. Unused (P&P £4) £20   | Meteor 100-100MHz. £99   |
|   | Meteor 600-600MHz. £126  |
| LABGEAR CROSSHATCH GENERATOR Type CM6038-DB Crosshatch/Grey Scale/Blank Raster. Mains or BATTERY. Unused £18. Used £12 (P&P £3)   | Meteor 1000-1GHz. £175   |
| Marconi AF Power Meter TF893A 20Hz-35KHz 20mW-10W with Manual. (P&P £7). £25  | BLACK STAR JUPITER 500 FUNCTION GENERATOR. Sine/Square/Triangle. 0.1Hz-500KHz. P&P £4 £110   |
| Marconi RF Power Meter TF1152A1 DC-500MHz 0.5 to 25 Watts 50 ohm with Manual. (P&P £7). ONLY £45  | BLACK STAR ORION. PAL TV/VIDEO COLOUR PATTERN GENERATOR. £199  |
| MARCONI ATTENUATOR TF2162 DC-1MHz 600 ohm 0-111 Ohm in 0.1 Ohm steps. (P&P £7). £25   | HUNG CHANG DMM 7030. 3 1/2 digit. Hand held 28 ranges including 10 Amp AC/DC 0.1%. Complete with batteries & leads. P&P £4. £39.50                 |
| HATHFIELD ATTENUATOR DC-250MHz 50 ohm 0-100 Db. (P&P £4). £50   | AS ABOVE. DMM 6010. 0.25%. £39.50  |
|   | CARRYING CASE FOR ABOVE. £3 each   |
| ISOLATING TRANSFORMERS  | OSCILLOSCOPES PROBES. Switched x1; x10; P&P £3   |
| 240V In - 240V Out 500VA. £15 each P&P £5   |  |
| 240V In - 240V Out 100VA. £6 each P&P £3  |  |
| 240V In - 24V 200VA. £5 P&P £4  |  |
| 240V In - 24V Out 500VA. £6 P&P £5  |  |
| 240V In - 24V Out 100VA. £4 P&P £4  |  |
| USED EQUIPMENT - WITH 30 DAYS GUARANTEE. MANUALS SUPPLIED IF POSSIBLE. This is a VERY SMALL SAMPLE OF STOCK. SAE or Telephone for Lists. Please check availability before ordering. CARRIAGE all units £16. VAT to be added to Total of Goods & Carriage. |  |
| <b>STEWART OF READING</b><br>110 WYKEHAM ROAD, READING, BERKS RG6 1PL<br>Telephone: 0734 68041 Fax. 0734 351696<br>Callers welcome 9 am - 5.30 pm Mon. - Fri. (until 8 pm Thurs.)   |  |

## ELMASET INSTRUMENT CASE

300 x 133 x 217mm deep £10 ea (£2.20)

## REGULATORS

LM317T PLASTIC TO220 variable £1  
LM317 METAL £2.20  
7812 METAL 12V 1A £1  
7805/12/15/24V plastic 45p 100+20p 1000+ 15p  
7905/12/15/24 plastic 45p 100+20p 1000+ 15p  
CA3085 TO99 variable reg 2/£1  
LM338 5A VARIABLE £5

## COMPUTER ICs

4164-15 ex equipment £1  
27128A 250nS EPROM NEW £3.20  
1770 FLOPPY DISC CONTROLLER CHIP £10  
68008 PROCESSOR EX-EQPT £5  
27C256-30 ex-eqpt EPROM £3.00  
2764-30 £2  
2732-45 USED £2 100+ £1  
2716-45 USED £2 100+ £1  
1702 EPROM EX EQPT £5  
2114 EX EQPT 60p 4116 EX EQPT 70p  
6264-15 8k static ram £6  
6116-3 (D444C) £2.50  
4416 RAM £3.50  
ZN427E-8 £3.50  
ZN428E-8 £3.50  
Used 41256-15 £4.20

## CRYSTAL OSCILLATOR

1.8342 MHz 2/£1

## CRYSTALS

2.77 MHz/4.9152 MHz/49.504 £1 each

## TRANSISTORS

BC107, BCY70 PREFORMED LEADS  
full spec 20/£1 £4/100 £30/1000

## SIL RESISTOR NETWORKS

8 PIN 10k 22k 5/£1  
9 PIN 22k 5/£1  
10 PIN 68R 180R 22k 5/£1

## POWER TRANSISTORS

OC35 (Marked CV7084) £1  
POWER FET IRF9531 8A 60V 2/£1  
2N3055H RCA HOUSE NUMBERED 5/£2  
2SC1520 sim BF259 3/£1 100/£22  
TIP141/2 £1 ea TIP112/125/42B 2/£1  
TIP35B TIP35C £1.50  
SE9301 100V 10A DARL. SIM TIP121 2/£1  
2N3055 EX EQPT TESTED 4/£1  
PLASTIC 3055 OR 2955 equiv 50p 100/£35  
2N3773 NPN 25A 160V £1.80 10/£16  
BD132 5/£1

## QUARTZ HALOGEN LAMPS

A1/216 24V 150 WATTS £2.25  
H1 12V 50W (CAR SPOT) £1.50

## NICKEL CADMIUM BATTERIES

7.2 volts 1.8 A/hr. C CELLS IN PACKS OF 6 £5 p&p £1  
ZIF SOCKETS 2/£1.50  
TEXT TOOL single in line 32 way. Can be ganged for use with any dual in line devices.

## MISCELLANEOUS

OP AMP LM10CLN £2.90  
BNC 50 OHM SCREENED CHASSIS SOCKET 3/£1  
BNC TO CROC CLIPS LEAD 1 metre £1  
MOULDED INDUCTOR 470µH  
size of a 1 watt film resistor 5/£1  
TO-220 HEAT SINK sim RS 403-162 10/£2.50  
SMALL MICROWAVE DIODES AEI DC1028A 2/£1  
D.I.L. SWITCHES 10 WAY £1 8 WAY 80p 4/5/6 WAY 50p  
180 volt 1 watt ZENERS ALSO 12v 20/£1  
OLIVETTI LOGOS CALCULATOR KEYBOARD (27 KEY) PLUS 12 DIGIT FLUORESCENT DISPLAY ON DRIVER BOARD (i.e. CALCULATOR LESS CASE, TRANSFORMER AND PRINTER) £1.30  
PLASTIC EQUIPMENT CASE 9 x 6 x 1.25 in. WITH FRONT AND REAR PANELS CONTAINING PCB WITH EPROM 2764-30 AND ICS 7417 LS30 LS32 LS74 LS367 LM311 7805 REG, 9 WAY D PLUG, PUSH BUTTON SWITCH, DIN SOCKET £1.90  
VN10LM 60v 1/2A 5ohm TO-92 mosfet 4/£1 100/£20  
MIN GLASS NEONS 10/£1  
RELAY 5v 2 pole changeover looks like RS 355-741 marked STC 47WB05T 2/£1  
OMRON RELAY 3.6 volt coil 2p c/o contacts marked G4D-287P-BT2 2/£1  
MINIATURE CO-AX FREE PLUG RS 456-071 2/£1.50  
MINIATURE CO-AX FREE SKT. RS 456-273 2/£1.50  
DIL REED RELAY 2 POLE n/o CONTACTS £1  
RS 348-649 £1.50 100+£1  
CYLINDRICAL MAGNETS POWERFUL 4/£1  
SONNERSCHEIN DRYFIT BATTERY

12 volt 20A/HR £25 carr. £5  
NTC DISC THERMISTOR 7mm dia. 45Ω 2/£1  
PCB WITH 2N2646 UNIJUNCTION with 12v 4 POLE RELAY £1  
400m 0.5w thick film resistors (yes four hundred megohms) 4/£1  
MINIATURE CO-AX FREE PLUG RS 456-071 2/£1  
MINIATURE CO-AX FREE SKT. RS 456-273 2/£1.50  
STRAIN GAUGES 40 ohm Foil type polyester backed balco grid alloy £1.50 ea 10+ £1  
ELECTRET MICROPHONE INSERT £0.90  
Linear Hall effect IC Micro Switch no 613 S54 slm RS 304-267 £2.50 100+ £1.50

HALL EFFECT IC UGS3040 + MAGNET £1  
OSCILLOSCOPE PROBE SWITCHED X1 X10 £10  
CHEAP PHONO PLUGS 100/£2 1000/£18  
1 pole 12 way rotary switch 4/£1  
AUDIO ICS LM380 LM386 £1 ea  
555 TIMER 5/£1 741 OP AMP 5/£1  
ZN414 AM RADIO CHIP 80p  
COAX PLUGS nlce ones 4/£1  
COAX BACK TO BACK JOINERS 3/£1  
4 x 4 MEMBRANE KEYBOARD £1.50  
15.000uF 40V £2.50 (£1.25)  
INDUCTOR 200H 1.5A 5/£1  
NEW BT PLUG + LEAD £1.50  
1.25" PANEL FUSEHOLDERS 5/£1  
CHROMED STEEL HINGES 14.5 x 1" OPEN £1 ea  
TOK KEY SWITCH 2 POLE 3 KEYS ideal for car/home alarms £1

12v 1.2w small wire ended lamps fit AUDI VW TR7 SAAB VOLVO £3  
10/£1  
12V MES LAMPS 10/£1  
STEREO CASSETTE HEAD £2  
MONO CASS. HEAD £1 ERASE HEAD 50p  
THERMAL CUT OUTS 50 77 85 120°C £1 ea  
THERMAL FUSE 121°C 240V 15A 5/£1  
TRANSISTOR MOUNTING PADS TO-5/TO-18 £3/1000  
TO-3 TRANSISTOR COVERS 10/£1  
STICK ON CABINET FEET 30/£1  
PCB PINS FIT 0.1" VERO 200/£1  
TO-220 micas + bushes 10/50p 100/£2  
TO-3 mica + bushes 20/£1  
kynar wire wrapping wire 20z/£1  
PTFE min screened cable 10m/£1  
Large heat shrink sleeving pack £2  
CERAMIC FILTERS 6V9M/10.7M 50p 100/£20  
TOKIN MAINS RFI FILTER 250v 15A £3  
IEC chassis plug rfi filter 10A £3  
Potentialometer short spindles values 2k5 10k 25k 1m  
2M5 lin 5/£1  
500k lin 500k log 4/£1  
40KHz ULTRASONIC TRANSDUCERS EX-EQPT NO DATA £1/pr  
PLESSEY INVERTER TRANSFORMER 50 CYCLES  
11.5-0-11.5V to 240v 200VA £6 (£3)

## ZENERS

5.6V 1W3 SEMIKRON 50K AVAILABLE @£25/1000  
SUPPRESSOR OF606 120V BI DIRECTIONAL ZENER IN 3 AMP W/E PACKAGE 5/£1

## DIODES AND RECTIFIERS

BAW76 EQUIV 1N4148 £60/10,000  
1N4148 100/£1.50  
1N4004/SD4 1A 300V 100/£3  
1N5401 3A 100V 10/£1  
BA158 1A 400V fast recovery 100/£3  
BA159 1A 1000V fast recovery 100/£4  
120V 35A STUD 65p  
BY127 1200V 1.2A 10/£1  
BY254 800V 3A 8/£1  
BY255 1300V 3A 8/£1  
6A 100V SIMILAR MR751 4/£1  
VM88 800mA 100V DIL B/REC 5/£1  
BY164 BRIDGE RECTIFIER 2/£1  
1A 800V BRIDGE RECTIFIER 4/£1  
4A 100V BRIDGE 3/£1  
6A 100V BRIDGE 2/£1  
8A 200V BRIDGE 2/£1.35  
10A 200V BRIDGE £1.50  
25A 200V BRIDGE £2 10/£18  
25A 400V BRIDGE £2.50 10/£22

## SCRs

2P4M EQUIV CI06D 3/£1 100/£20  
MCR72-6 10A 600V SCR £1  
35A 600V STUD SCR £2  
TICV106D 800mA 400V SCR 3/£1 100/£15  
MEU21 PROC. UNIJUNCTION 3/£1

## TRIACS

NEC TRIAC AC08F 8A 600V TO220 5/£2 100/£30  
TXAL225 8A 400V 5MA GATE 2/£1 100/£35  
TRAL2230D 30A 400V ISOLATED STUD £4 each

## DIACS 4/£1

5/£2 100/£30  
2/£1 100/£35  
£4 each

## CONNECTORS

34 way card edge IDC CONNECTOR (disk drive type) £1.25  
CENTRONICS 36 WAY IDC PLUG £2.50  
CENTRONICS 36 WAY IDC SKT £4.00  
BBC TO CENTRONICS PRINTER LEAD 1.5M £3.50  
CENTRONICS 36 WAY PLUG SOLDER TYPE £4  
USED CENTRONICS 36W PLUG+SKT £3

USED D CONNECTORS price per pair  
D9 £1, D15 £1.50, D25 £2, D37 £2, D50 £3.50 covers 50p ea.

## WIRE WOUND RESISTORS

W21 or sim 2.5W 10 of one value £1  
R10 OR15 OR22 2R0 2R7 4R7 5R0 5R6 8R2 10R 12R 15R 18R £1  
20R 22R 27R 33R 36R 47R 56R 62R 91R 120R 180R 390R 430R  
470R 680R 820R 910R 1K15 1K2 1K5 1K8 2K4 2K7 3K3 3K0 5K0  
R05 (50 milli-ohm) 1% 3w 4 FOR £1  
W22 or sim 6W 7 OF ONE VALUE £1  
R47 R62 1R0 1R5 1R8 3R3 6R8 9R1 12R 20R 24R 27R 33R 51R  
56R 62R 68R 100R 120R 180R 220R 390R 560R 620R 910R  
1K0 1K2 1K5 1K8 2K2 2K7 3K3 3K9 4K7 8K2 10k 15k 16k 20k  
W23 or sim 9W 6 of one value £1  
R22 R47 1R0 1R1 15R 56R 62R 100R 120R 180R 220R 300R  
390R 680R 1K0 1K5 5K1 10K  
W24 or sim 12W 4 OF ONE VALUE £1  
R50 2R0 9R1 18R 22R 27R 56R 68R 75R 82R 100R 150R 180R  
200R 220R 270R 400R 620R 1K0 6K8 8K2 10K 15K

## PHOTO DEVICES

SLOTTED OPTO-SWITCH OPCOA OPB815 £1.30  
2N5777 £1  
TIL81 PHOTO TRANSISTOR £1  
TIL38 INFRA RED LED 5/£1  
OP1252 OPTO ISOLATOR 50p  
PHOTO DIODE 50p 6/£2  
MEL12 (PHOTO DARLINGTON BASE n/c) 50p  
RPY58A LDR 50p ORP12 LDR 70p  
LEDs RED 3 or 5mm 12/£1 100/£6  
LEDs GREEN OR YELLOW 10/£1 100/£6.50  
LEDs ASSORTED RED/GN/YW + INFRA/RED 200/£5  
FLASHING RED OR GREEN LED 5mm 50p 100/£35

## SUB MIN PRESETS HORIZONTAL

15/£1 100/£5  
1K 4K7 10K 22K 47K 1M 10M

## STC NTC BEAD THERMISTORS

G22 220R, G13 1K, G23 2K, G24 20K, G54 50K, G25 200K,  
G16 1M, RES @ 20°C DIRECTLY HEATED TYPE £1 ea  
FS22BW NTC BEAD INSIDE END OF 1" GLASS PROBE  
RES @ 20°C 200R £1 ea

## CERMET MULTI TURN PRESETS 3/4"

10R 20R 100R 200R 250R 500R 2K 2K2 2K5 5K 10K 22K 47K  
50K 100K 200K 500K 2M2 £1 ea

## IC SOCKETS

6 pin 15/£1 8 pin 12/£1 14/16 pin 10/£1 18/20 pin 7/£1,  
22/24/28 pin 4/£1 40 pin 30p

## SOLID STATE RELAYS

Zero voltage switching Control voltage 8-28v dc £2.50  
40A 250V AC SOLID STATE RELAYS £18

## POLYESTER/POLYCARB CAPS

1n/3n/5n/6n/2n/10n 1% 63v 10mm 100/£6  
10n/15n/22n/33n/47n/68n 10mm rad 100/£3.50  
100n 250v radial 10mm 100/£3  
100n 600v sprague axial 10/£1 100/£6 (£1)  
2u2 160v rad 22mm 100/£10  
10n/33n/47n 250v ac x rated 15mm 10/£1  
47n/250v ac x rated rad 4/£1  
1U 600V MIXED DIELECTRIC 50p ea.

## TRIMMER CAPACITORS all types 5/50p

SMALL 5pF 2 pin mounting 5mm centres  
SMALL MULLARD 2 to 22pF 4/50p  
SMALL MULLARD 5 to 50pF 4/50p  
grey larger type 2 to 25pF  
TRANSISTORS 2N4427 60p  
FEED THRU CERAMIC CAPS 1000pF 10/£1

## MINIATURE RELAYS Suitable for RF

5 volt coil 1 pole changeover £1  
5 volt coil 2 pole changeover £1  
12 volt coil 1 pole changeover £1

## MONOLITHIC CERAMIC

### CAPACITORS

10n 50v 2.5mm 100/£4.50  
100n 50v 2.5mm or 5mm 100/£6  
100n ax short leads 100/£3  
100n ax long leads 100/£6  
10n 50v di package 0.3" rad £4/100 £35/1000  
100n 50v di package 0.3" rad £10/100

## STEPPER MOTORS 4 PHASE 2 9V

WINDINGS £3.50 10/£30

## MAIL ORDER ONLY

MIN CASH ORDER £3.00 OFFICIAL ORDERS WELCOME  
UNIVERSITIES COLLEGES SCHOOLS GOVT DEPARTMENTS  
MIN. ACCOUNT ORDER £10.00

P&P AS SHOWN IN BRACKETS (HEAVY ITEMS)  
65p OTHERWISE (LIGHT ITEMS)

ADD 15% VAT TO TOTAL  
ELECTRONIC COMPONENTS  
BOUGHT FOR CASH



# KEYTRONICS

TEL. 0279-505543

FAX: 0279-757656

P O BOX 634

BISHOPS STORTFORD

HERTFORDSHIRE CM23 2RX



### No. 1 LIST BAKERS DOZEN PACKS

All packs are £1 each, if you order 12 then you are entitled to another free. Please state which one you want. Note the figure on the extreme left of the pack ref number and the next figure is the quantity of items in the pack, finally a short description.

- BD1 5 13A junction boxes for adding extra points to your ring main circuit.
  - BD2 5 13A spurs provide a fused outlet to a ring main where devices such as a clock must not be switched off.
  - BD7 4 In flex switches with neon on/off lights, saves leaving things switched on.
  - BD9 2 6V 1A mains transformers upright mounting with fixed clamps.
  - BD11 1 6 1/2in speaker cabinet ideal for extensions, takes our speaker. Ref BD137.
  - BD13 12 30 watt reed switches, it's surprising what you can make with these - burglar alarms, secret switches, relay, etc., etc.
  - BD22 2 25 watt reed speaker two unit cross-overs.
  - BD29 1 B.O.A.C. stereo unit is wonderful value.
  - BD30 2 Nicad constant current chargers adapt to charge almost any nicad battery.
  - BD32 2 Humidity switches, as the air becomes damper the membrane stretches and operates a microswitch.
  - BD34 48 2 meter length of connecting wire all colour coded.
  - BD42 5 13A rocker switch three tags so on/off, or change over with centre off.
  - BD45 1 24hr time switch, ex-Electricity Board, automatically adjust for lengthening and shortening day original cost £40 each.
  - BD49 10 Neon valves, with series resistor, these make good night lights.
  - BD56 1 Mini uniselector, one use is for an electric jigsaw puzzle, we give circuit diagram for this. One pulse into motor, moves switch through one pole.
  - BD59 2 Flat solenoids - you could make your multi-tester read AC amps with this.
  - BD67 1 Suck or blow operated pressure switch, or it can be operated by any low pressure variation such as water level in water tanks.
  - BD91 2 Mains operated motors with gearbox. Final speed 16 rpm, 2 watt rated.
  - BD103A 1 6V 750mA power supply, nicely cased with mains input and 6V output leads.
  - BD120 2 Stripper boards, each contains a 400V 2A bridge rectifier and 14 other diodes and rectifiers as well as dozens of condensers, etc.
  - BD122 10m Twins screened flex with white pvc cover.
  - BD126 10 Very fine drills for pcb boards etc. Normal cost about 80p each.
  - BD132 2 Plastic boxes approx 3in cube with square hole through top ideal for interrupted beam switch.
  - BD134 10 Motors for model aeroplanes, spin to start so needs no switch.
  - BD139 6 Microphone Inserts - magnetic 400 ohm also act as speakers.
  - BD148 4 Reed relay kits, you get 16 reed switches and 4 coil sets with notes on making c/o relays and other gadgets.
  - BD149 6 Safety cover for 13A sockets - prevent those inquisitive little fingers getting nasty shocks.
  - BD180 6 Neon indicators in panel mounting holders with lens.
  - BD193 6 5 amp 3 pin flush mounting sockets make a low cost disco panel.
  - BD196 1 in flex simmerstat - keeps your soldering iron etc. always at the ready.
  - BD199 1 Mains solenoid, very powerful, has 1in pull or could push if modified.
  - BD201 8 Keyboard switches - made for computers but have many other applications.
  - BD210 4 Transistors type 2N3045, probably the most useful power transistor.
  - BD211 1 Electric clock, mains operated, put this in a box and you need never be late.
  - BD221 5 12V alarms, make a noise about as loud as a car horn. Slightly soiled but OK.
  - BD242 2 6in x 4in speakers, 4 ohm made from Radiomobile so very good quality.
  - BD246 2 Tacho generators, generate one volt per 100 revs.
  - BD252 1 Panostat, controls output of boiling ring from simmer up boil.
  - BD259 50 Leads with push-on 1/4in tags - a must for hook-ups - mains connections etc.
  - BD263 2 Oblong push switches for bell or chimes, these can mains up to 5 amps so could be foot switch if fitted into patress.
  - BD268 1 Mini 1 watt amp for record player. Will also change speed of record player motor.
  - BD275 1 Guitar mic - clip-on type suits most amps.
  - BD283 3 Mild steel boxes approx 3in x 3in x 1in deep - standard electrical.
  - BD293 50 Mixed silicon diodes.
  - BD296 3 Car plugs with lead, fit into lighter socket.
  - BD305 1 Tubular dynamic mic with optional table rest.
- Most other packs still available and you can choose any as your free one.
- VERY POWERFUL 12 VOLT MOTORS - 1/4 HORSEPOWER**  
Made to drive the Sinclair C5 electric car but equally adaptable to power a go-cart, a mower, a rail car, model railway, etc. B brand new. Price £15.00 plus £2.00 postage. Our ref 15PB.



### ATARI 65XE COMPUTER

At 64k this is most powerful and suitable for home and business. Brand new, complete with PSU, TV lead, owner's manual and six games. Can be yours for only £45 plus £3 insured delivery.

**DATA RECORDERS ACORN** for Acorn Electron, etc., reference number ALF03, with TV lead, manual and PSU. Brand new. Price £110 plus £1.50 post. Order ref 10P44. ATARI XC12 for all their home computers. With leads and handbook. Brand new. Price £10 plus £2 post. Order ref 10P53.

**JOYSTICK FOR ATARI OR COMMODORE** for all Atari and Commodore 64 and Vic20. New. Price £5. Order ref 5P126.

**EXTRA SPECIAL OFFER** We will supply the Atari 65XE, data recorder XC12, joystick and six games for £57.50 plus £4 insured delivery.

**SUB-MIN TOGGLE SWITCH** Body size 8mm x 4mm x 7mm SBDT with chrome dolly fixing nuts. 4 for £1. Order Ref. BD649.

**EX GPO MULTI-RANGE TEST METER 12C1** Complete in real leather case with carrying handle - this is a 20,000 OPU instrument, with 19 ranges including AC and DC volts - dc current 5mA to 1A 30hrs ranges up to 20meg - the low ohms range is particularly useful, you will be able to read right down to one ohm and below. Not new but are in first class condition-tested and guaranteed. Price is £7.00. Order ref 7P5.

**Re-CHARGEABLE NICADS 'D' SIZE**  
These are tagged for easy joining together but tags, being spot welded, are easy to remove. Virtually unused, tested and guaranteed. £2.00 ref 2P141 or 6 wired together for £10.00 ref 10P47.

**STERO PLAYER DECK BSR**, 12 volt operated, belt driven with an 11in turntable, record cartridge. It will play 7in-10in or 12in individually at either 45rpm or 33rpm. Fitted speed selector and pick-up cueing lever. Price £12 plus £3 postage. Order ref 12P4.

2.5kw **TANGENTIAL BLOW HEATER** has an approximate width of 8in (plus motor), elements made of two 12kw sections so with switch available you can have 2.5kw, 1.2kw or cold blow. Over-heat control eliminates fire risk should fan stop or air flow be impeded. Fan blades are metal. Price £5 plus £2.50 post. Our ref 5P62. Switch 50p.

**ALBA TWIN CASSETTE RECORDER AND PLAYER WITH STEREO RADIO** This is a mains/battery portable made to sell, we understand, at about £50 but the ones we have are line rejects. They are brand new still in the manufacturers' boxes but have a slight defect associated with the cassette section. The radio and amplifier section, both mono and stereo, is perfectly OK. If you are handy at mending things then this should be for you. Price £20 or two for £38 plus £3 insured post, either package. Our ref 20P7 or 2 x 20P7.

### LASER TUBE

Made by Phillips Electrical. New and unused. This is helium-neon and has a typical power rating of 1.6mW. It emits random polarised light and is completely safe provided you do not look directly into the beam when eye damage could result. Do not use in the presence of children unless a diverging lens is fitted. **DON'T MISS THIS SPECIAL BARGAIN!** Price £29.95 plus £3 insured delivery.

**POWER SUPPLY FOR PHILIPS LASER** is now available in kit form. Price £13 plus £2 postage or made-up ready-to-use at £18 plus £2.50 postage. Our ref 13P1 for the kit and 18P1 for the made-up version.

**PAPST AXIAL FAN-MANUFACTURERS REF NO. TYP4560N.** This is mains operated, 15 watt rating and in a metal frame with metal blades so OK in high temperatures. Body size approx. 4 1/2" square x 1 1/2" thick. £6.00 each, plus £1.00 postage. Our ref 6P6.

**VERY POWERFUL MAGNETS** Although only less than 1" long and not much thicker than a pencil these are very difficult to pull apart. Could be used to operate embedded reed switches, etc. Price 50p each, 2 for £1.00. Ref BD642.



### ORGAN MASTER

Is a three octave musical keyboard. It is beautifully made, has gold plated contacts and is complete with ribbon cable and edge connector. Brand new, only £15 plus £3 postage. Order ref 15P15.

**MUSIC FROM YOUR SPECTRUM 128** We offer the Organ Master three octave keyboard, complete with leads and the interface which plugs into your 128. You can then compose, play, record, store, etc., your own music. Price £28 plus £3 special packing and postage. Order ref 28P2.

**20A DOUBLE POLE RELAY WITH 12V COIL** complete with mounting brackets made by the Japanese Omron Company. Price £2 each. Our Ref. 2P173A.

**TORRIDIAL MAINS TRANSFORMER** with twin outputs, 6.3V 2A and 12V 600mA, so ideal for FDO power supply. Price £5. Our Ref. 5P122.

**DOUBLE MICRO CASSETTE DECK** made by the Japanese ABS company. This takes two micro cassettes and is complete with motors, solenoids to select the deck to use and record and playback heads. Price £10. Our Ref. 10P49.

**QUICK FIX MAINS CONNECTOR** A must for your workshop. Saves putting on plugs as you just push the wires under the spring clips. Automatically off when lid is up. Price £7.50. Our Ref. 7P51.

**BT HANDSET** with curly lead terminating with flat BT plug. Colour cream. Price £5. Our Ref. 5P123.

### J & N BULL ELECTRICAL

Dept EE, 250 PORTLAND ROAD, HOVE  
BRIGHTON, SUSSEX BN3 5QT

**MAIL ORDER TERMS:** Cash, P.O. or cheque with order. Orders under £20 add £1.50 service charge. Monthly account orders accepted from schools and public companies. Access & Barclay orders accepted. Brighton (0273) 734648 or 203550.

### POPULAR ITEMS

Some of the many items described in our current list which will you receive if you request it

**3 1/2in FDD CHINON 80 track 500k.** Shugart compatible interface. Standard connections. Interchangeable with most other 3 1/2in and 5 1/4in drives. Brand new £28.50 plus £3 insured post.

**CASE NOW AVAILABLE FOR THE CHINON F353** This is the 80 track, single sided one which we have been selling at £28.50. The case is sheet metal, finish in hammer-belt with ample ventilation and rubber feet. Overall size 4 1/4in x 7in x 1 1/2in approx. Designed to take the ribbon cable and 3 core power lead. Price £8. Our ref 8P21.

**3in FDD HITACHI HFO3X3KA** Shugart compatible interface 500k on 3in disc. Recommended for many Amstrads but interchangeable with most drives. £29.50 plus £3 insured post.

**FDD CASE AND POWER SUPPLY KIT** for the 3in or 3 1/2in. £11.00. Ref 11P2 for the Chinon, 11P3 for the Hitachi.

**9in MONITOR** made for ICL, uses Phillips black and white tube. Brand new and complete but uncased. £18.00 plus £5.00 post.

**ACORN COMPUTER DATA RECORDER REF ALF03** Made for the Electron or BBC computers but suitable for most others. Complete with mains adaptor, leads and handbook. £10.00. Ref 10P44

**POWERFUL IONISER** Uses mains transformer. Generates approx. 10 times more ions than the normal diode/cap ladder circuits. Complete kit £11.50 plus £3.00 post.

**FREE POWER!** Can be yours if you use our solar cells - sturdy made modules with new system bubble magnifiers to concentrate the light and so eliminate the need for actual sunshine - they work just as well in bright light. Voltage input is 45 - you join in series to get desired voltage - and in parallel for more amps. Module C gives 400mA. Price £2. Our ref. 2P199 Module D gives 700mA. Price £3. Our ref. 3P42.

**SOLAR POWERED N-CAD CHARGER** 4 Ni-Cad batteries AA (HP7) charged in eight hours or two in only 4 hours. It is a complete, boxed ready to use unit. Price £8. Our ref. 8P3.

**90V 20A TRANSFORMER 'C'** Core construction so quite easy to adapt for other outputs - tapped mains input. Only £25 but very heavy so please add £5 if not collecting. Order Ref. 25P4.

**SWITCH AC LOADS WITH YOUR COMPUTER** This is easy and reliable if you use our solid state relay. This has no moving parts, has high input resistance and acts as a noise barrier and provides 4kW isolation between logic terminals. The turn-on voltage is not critical, anything between 3 and 30V, internal resistance is about 1K ohm. AC loads up to 10A can be switched. Price is £2 each. Ref. 2P183.

**METAL PROJECT BOX** Ideal size for battery charger, power supply etc.; sprayed grey, size 8in x 4 1/4in x 4in high, ends are lowered for ventilation other sides are flat and undrilled. Order Ref. 2P191. Price £1.

**BIG SMOOTHING CAPACITOR.** Sprague powerlytic 39,000uF at 50V. £3. Our ref. 3P41.

**4-CORE FLEX CABLE.** Cores separately insulated and grey PVC covered overall. Each copper core size 7/0.2mm. Ideal for long telephone runs or similar applications even at mains voltage. 20 metres £2. Our ref. 2P196 or 100 metres coil £8. Order ref. 8P19.

**6-CORE FLEX CABLE.** Description same as the 4-core above. Price 15 metres £2. Our ref. 2P197 or 100 metres £9. Our ref. 9P1.

**TWIN GANG TUNING CAPACITOR.** Each section is .0005uF with trimmers and good length 1/4in spindle. Old but unused and in very good condition. £1 each. Our ref. 8D630.

**13A PLUGS** Good British make complete with fuse, parcel of 5 for £2. Order ref. 2P185.

**13A ADAPTERS** Takes 2 13A plug, packet of 3 for £2. Order ref. 2P187.

**28V 0-20V Mains transformers** 2 1/2 amp (100 watt) loading, tapped primary, 200-245 upright mountings £4. Order ref. 4P24.

**BURGLAR ALARM BELL - 8"** Gong OK for outside use if protected from rain. 12V battery operated. Price £8. Ref. 8P2.

**24 HOUR TIME SWITCH - 16A** changeover contacts, up to 6 on/off per day. Nicely cased, intended for wall mounting. Price £8. Ref. 8P6.

**CAPACITOR BARGAIN - axial ended,** 4700uF at 25V. Jap made, normally 50p each, you get 4 for £1. Our ref. 613.

**PIEZO ELECTRIC FAN - An unusual fan,** more like the one used by Madame Butterfly than the conventional type, it does not rotate. The air movement is caused by two vibrating arms. It is American made, mains operated, very economical and causes no interference, so is ideal for computer and instrument cooling. Price is only £1 each. Ref. BD598.

**SPRING LOADED TEST PRODS - Heavy duty,** made by the famous Bulgin company, very good quality. Price 4 for £1. Ref. BD597.

**ASTEC P.S.U. - Switch mode type.** Input set for +230V. Output 3.5 amps at +5V, 1.5 amps at +12V, and 3 amps at +5V. Should be OK for floppy disc drives. Regular price £30. Our price only £10. Ref. 10T34. Brand new and unused.

**APPLIANCE THERMOSTATS - Spindle adjust type** suitable for convector heaters or similar. Price 2 for £1. Ref. BD582.

**3-CORE FLEX BARGAIN No. 1 - Core size 1.25mm** so suitable for long extension leads carrying up to 13 amps, or short leads up to 10 amps. 15mm for £2. Ref. 2P190.

**3-CORE FLEX BARGAIN No. 2 - Core size 1.25mm** so suitable for long extension leads carrying up to 13 amps, or short leads up to 25A. 10m for £2. Ref. 2P190.

**ALPHA-NUMERIC KEYBOARD - This keyboard** has 73 keys giving trouble free life and no contact bounce. The keys are arranged in two number pad, board size is approx. 13" x 4" - brand new but offered at only a fraction of its cost, namely £3 plus £1 post. Ref. 3P27

**WIRE BARGAIN - 500 metres** 0.7mm solid copper tinned and p.v.c. covered. Only £3 plus £1 post. Ref. 3P31 - that's well under 1p per metre, and this wire is ideal for push on connections.

**INTERRUPTED BEAM KIT - This kit** enables you to make a switch that will trigger when a steady beam of infra-red or ordinary light is broken. Main components - relay, photo transistor, resistors and caps, etc. Circuit diagram but no case. Price £2. Ref. 2P15.

**1/4TH HORSEPOWER 12 VOLT MOTOR** Made by Smiths, the body length of this is approximately 3in, the diameter 3in and the spindle 1/8th of an inch diameter. It has a centre flange for fixing or can be fixed from the end by means of 2 nuts. A very powerful little motor which revs at 3,000 rpm. We have a large quantity of them so if you have any projects in mind then you could rely on supplies for at least two years. Price £6. Our ref 6P1, discount for quantities of 10 or more.



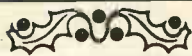
### OVER 400 GIFTS YOU CAN CHOOSE FROM

There is a total of over 400 packs in our Bakers dozen range and you become entitled to a free gift with each dozen packs.

A classified list of these packs and our latest 'News Letter' will be enclosed with your goods, and you will automatically receive our next news letter.







# CHRISTMAS FLASHERS



by Chris Bowes



## RUDOLPH THE RED LED REINDEER!

*The Three Wise Men had to make do with one star, but you can have as many as there are leds in your junk box! And rotating angels, flashing Rudolphins, flickering puddings and random candles! Strike a light!*

We are all used to the twinkling of the lights on the Christmas tree during the festive season but wouldn't it be nice to add a little more sparkle to other decorations? The circuits described in this article do just that. You can choose between angels with rotating halos, Rudolph with a flashing nose, pulsating stars, candles which flicker or a random circuit to liven up your decorative plum puddings, holly bunches or miniature Christmas trees. In fact the extent of what you can do is limited only by your ingenuity.

The circuits are designed so that you have a choice of outputs. You can use standard leds, high current-high intensity leds or even les or mes bulbs. This makes the circuits suitable for use in the home or in a big hall.

### RUDOLPH'S NOSE

This is the simplest of the circuits and is suitable for flashing off and on any single dc load. It may be used to make Rudolph's nose flash or to control a number of leds such as you might arrange into a large star or a small mock Christmas tree. The circuit for this project is shown in Fig. 1 and is

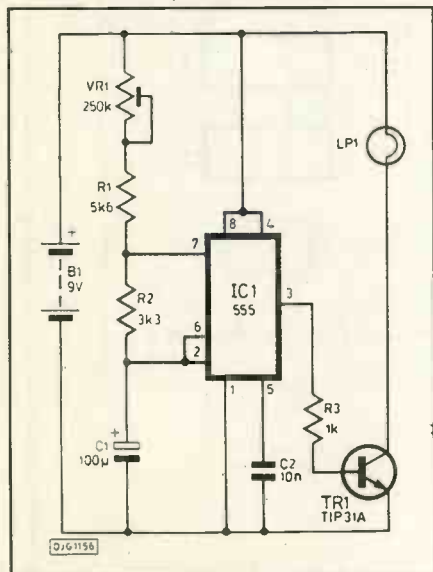


Fig.1. Rudolph's nose circuit

### RUDOLPH'S NOSE RESISTORS

R1 5k6

R2 3k3

R3 1k

All 1/4 watt 5%

### POTENTIOMETER

VR1 250k min horiz preset

### CAPACITORS

C1 100µF 10V electrolytic

C2 10n polyester

### SEMICONDUCTORS

TR1 TIP31A

IC1 555 timer bipolar or  
cmos type

### MISCELLANEOUS

LP1 6V mes bulb

B1 9 volt battery (PP9 or  
similar) and connector

basically a simple 555 timer astable circuit, the frequency and duration of which is governed by the values of VR1, R1, R2 and C1. The frequency of operation of the circuit is adjusted by setting VR1 and the component values given in the circuit diagram have therefore been chosen to give a fairly wide range of speeds. C2 is required to set the control voltage at pin 5 to the correct voltage when the bipolar version of the 555 timer is used. If you use the cmos version of the ic you may omit this component, although no harm is done by leaving it in the circuit if, for instance, you should need to change IC1 at any time.

The output from the 555 timer is only really sufficient to drive a very small load, such as a single led. For most applications this will not be sufficient, so a driver transistor (TR1) and bias resistor (R3) have been included in the circuit. To allow a substantial load (up to 1A) to be driven a TIP31A power transistor has been selected. In this circuit R3 acts as a current limiter to prevent the current flowing through the base/emitter junction of TR1 rising above a safe level. When the voltage at the output (pin 3) or IC1 rises to  $V_{SS}$  a current flows-

through both R3 and the base/emitter junction of TR1. This causes TR1 to conduct and a current is therefore made to flow through the load and the collector/emitter circuit, thus energising the load.

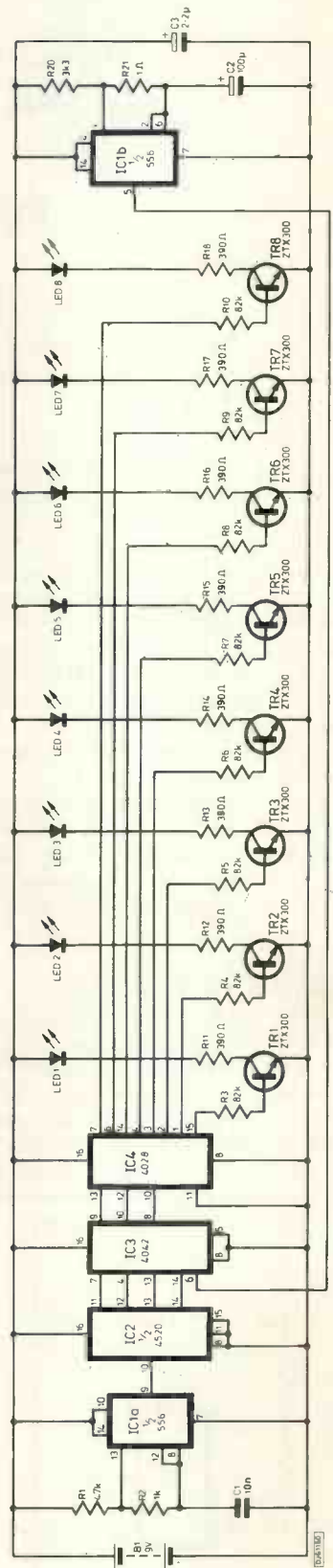
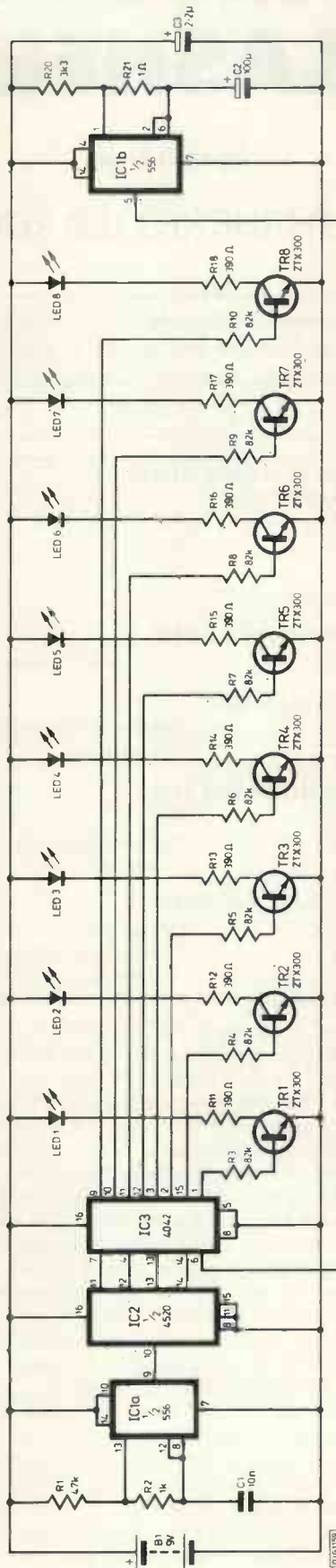
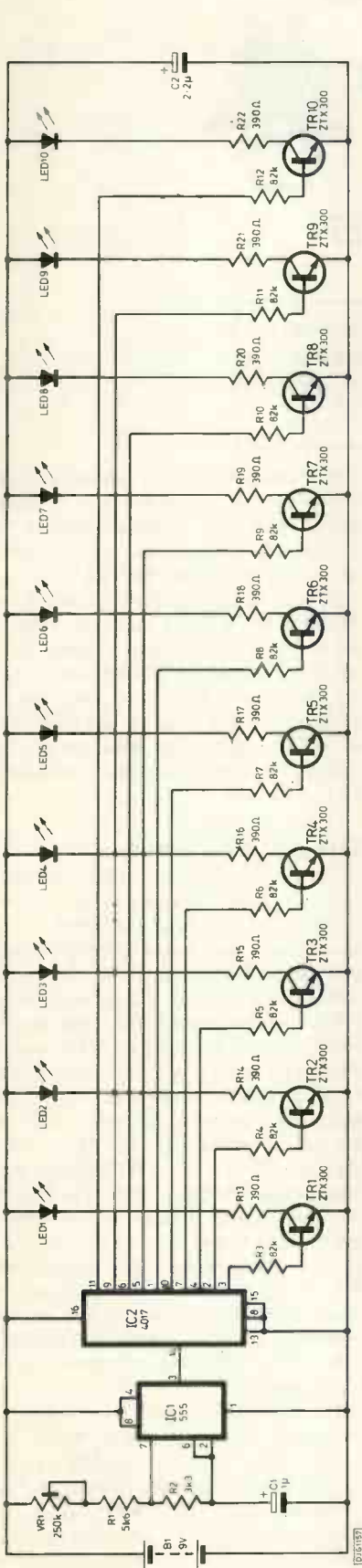
If your application only requires the circuit to drive a single led output then the driver transistor and bias resistor can be omitted. The circuit is modified by reducing the value of R3 to 380 ohms and connecting the led in place of TR1. The anode of the led replaces the base, and the led's cathode replaces the emitter connections of TR1 on the pcb.

### THE ANGEL'S HALO

The Angels Halo and Pulsating Star circuits are both basically simple ten way chaser circuits, with different output sequences. The diagram for the Angel's Halo circuit is shown in Fig. 2. This project is the standard ten way chaser, consisting of a 4017 counter, clocked by a standard 555 astable timer. As with Rudolph's nose, the timing pulses are generated by VR1 which is a 555 cmos timer configured in the astable mode. Here again the frequency of the output pulses is governed by the values of VR1, R1, R2 and C1. VR1 has been deliberately made a large value so as to make the circuit adjustable through a wide range of speeds, although in practice the effect is at its best when the circuit is running fairly fast, so C1 has been made a fairly small value. Note that this circuit, and all of the following projects, must be constructed with a cmos 555 timer, the bipolar version is not suitable.

The clock output from pin 3 of IC1 is connected to the CP<sub>0</sub> input of the 4017 counter IC2. The CP<sub>1</sub> and MR inputs of IC2 are kept at the logic 0 state, by being connected to 0 volts, which causes the counter to advance at every clock pulse output from IC1. This causes each of the outputs O<sub>0</sub> to O<sub>9</sub> of IC1 to be raised to the logic 1 state in turn. These outputs are then connected to the base of the appropriate driver transistors (TR1-10), via a bias resistor (R3-10). The transistor driver circuit operated in the same manner as is described

# CHRISTMAS FLASHERS



Left to Right: Fig.2. Angel's halo chase. Fig.3. Candle flicker; Fig.4. Random pudding.

## ANGELS HALO RESISTORS

|                 |          |
|-----------------|----------|
| R1              | 5k6      |
| R2              | 3k3      |
| R3-R12          | 82k      |
| R13-R22         | 390 ohms |
| All 1/4 watt 5% |          |

## POTENTIOMETER

|     |                      |
|-----|----------------------|
| VR1 | 250 min horiz preset |
|-----|----------------------|

## CAPACITORS

|    |                          |
|----|--------------------------|
| C1 | 1uF 10V pcb electrolytic |
| C2 | 2.2uF 16V tantalum       |

## SEMICONDUCTORS

|            |                              |
|------------|------------------------------|
| LED1-LED10 | high brightness leds, yellow |
| TR1-TR10   | ZTX 300                      |
| IC1        | 555 cmos timer               |
| IC2        | 4017 counter                 |

## MISCELLANEOUS

|                                     |                              |
|-------------------------------------|------------------------------|
| B1                                  | 9 volt battery and connector |
| 11 way ribbon cable to connect pcbs |                              |

Components lists refer to the versions illustrated in the main circuit diagrams (Fig. 1 to 5). Refer to Figs. 6, 7 and 7a for other versions of circuits.

## CANDLE FLICKER RESISTORS

|                 |          |
|-----------------|----------|
| R1              | 47k      |
| R2              | 1k       |
| R3-10           | 82k      |
| R11-19          | 390 ohms |
| R20             | 3k3      |
| R21             | 1 ohm    |
| All 1/4 watt 5% |          |

## CAPACITORS

|    |                            |
|----|----------------------------|
| C1 | 10nF polyester             |
| C2 | 100uF 10V pcb electrolytic |
| C3 | 2.2uF 16V tantalum         |

## SEMICONDUCTORS

|           |                             |
|-----------|-----------------------------|
| LED1-LED8 | high brightness led, yellow |
| TR1-TR8   | ZTX300                      |
| IC1       | 556 dual cmos timer         |
| IC2       | 4520 dual binary counter    |
| IC3       | 4042 quad latch             |

## MISCELLANEOUS

|    |                            |
|----|----------------------------|
| B1 | 9 volt battery & Connector |
|----|----------------------------|

## RANDOM PUDDING RESISTORS

|                 |          |
|-----------------|----------|
| R1              | 47k      |
| R2              | 1k       |
| R3-R10          | 82k      |
| R11-R19         | 390 ohms |
| R20             | 3k3      |
| R21             | 1 ohm    |
| All 1/4 watt 5% |          |

## CAPACITORS

|    |                            |
|----|----------------------------|
| C1 | 10nF polyester             |
| C2 | 100uF 10V pcb electrolytic |
| C3 | 2.2uF 16V tantalum         |

## SEMICONDUCTORS

|           |  |
|-----------|--|
| LED1-LED8 | high brightness led (Colour to suit application) |
| TR1-TR8   | ZTX300   |
| IC1       | 556 dual cmos timer                              |
| IC2       | 4520 dual binary counter                         |
| IC3       | 4042 quad latch                                  |
| IC4       | 4028 1-of-10 decoder                             |

## MISCELLANEOUS

|    |                              |
|----|------------------------------|
| B1 | 9 volt battery and connector |
|----|------------------------------|

above, energising the leds 1 to 10 in turn. The series resistors (R11-19) are included in the circuit to lower the voltage present across the led to the correct voltage for the devices specified and restrict the current flowing through them to the specified, safe level.

## FLICKERING CANDLE

The next two projects are based on random circuits which use the technique of loading the output from a fast running clock into a latch and displaying the output.

The candle flicker uses the circuit shown in Fig. 3. IC1a is half of a 556 dual cmos timer which is configured in the astable mode, to provide a high speed clock output. The frequency is, as for the previous circuits, determined by the values of R1, R2 and C1. In this application the values of these components are not critical, although they should be of the same order of magnitude as those specified. The pulses generated by the high speed clock circuit are fed into the CP<sub>1</sub> input of IC2, which is half of a 4520, 4-bit binary counter. The CP<sub>0</sub> and MR inputs of this counter are held at 0 volts and the circuit thus counts up, in binary, at high speed, forcing the outputs O<sub>0</sub> to O<sub>3</sub> to the logic 1 state in a binary sequence, which gives 16 possible output combinations. These outputs are connected to the inputs I<sub>0</sub> to I<sub>3</sub> of IC3, which is a 4042 quad latch, in a random fashion. (In fact the order in which the inputs and outputs are connected to this IC has been chosen so as to make the design of the pcb as easy as possible.) The E<sub>1</sub> input of the 4042 is connected to the output of IC1b, which is the other half of the 556 dual cmos timer. This is also con-

figured in the astable mode but the component values have been chosen so as to give an output which oscillates between the logic 0 and logic 1 states at a rate which is considerably slower than that of the high speed clock.

The E<sub>0</sub> input of IC3 is connected to 0 volts, making it permanently in the Logic 0 state. When both E<sub>0</sub> and E<sub>1</sub> of IC3 are at the same logic state the latch is opened and the state of the outputs O<sub>0</sub> and O<sub>3</sub> follow those of the corresponding inputs. When the two enable inputs are at different states then the outputs O<sub>0</sub> to O<sub>3</sub> remain at the state which existed when the two enable inputs were last both in the same logic state. Thus when the output from IC1b is at logic 0 the contents of the latch are changed to reflect the state of the outputs of IC2. The 4042 is also provided with inverting outputs O<sub>0</sub> to O<sub>3</sub> which are always at the opposite logic state to the corresponding normal output. Thus, with the circuit as designed, there will always be four outputs in the energised state and four outputs in the off state. Because the two clocks are running at different rates the outputs are made to flicker in a random fashion. If the output devices (leds or les bulbs) are positioned as a four in two decorative candles a realistic flicker effect is obtained. This circuit can also be used with any of the decorative ideas given for the Random Pudding circuit.

## RANDOM PUDDING

This circuit is a variation of the circuit used for the Flickering Candle, and is intended for use in decorative Christmas puddings (with the leds being the plums), holly bunches (with led berries) or minia-

ture illuminated Christmas trees with random flashing lights. Alternatively a number of these circuits could be used to give a twinkling star effect as a background for a Christmas Crib or flying Rudolph.

The circuit diagram for this project is given in Fig. 4. The circuit is identical in operation to that of the Flickering Candle except that only one output is energised at a time. This difference between the two circuits is achieved by the inclusion of a 4028, 1 of 10 decoder (IC4). The outputs from the latch (IC3) are taken, again in an order which makes the design of the pcb easy, to three of the inputs (I<sub>0</sub> to I<sub>2</sub>) of IC4. Input I<sub>3</sub> of IC4 is permanently held at the logic 0 state by virtue of being connected permanently to 0 volts. In this arrangement only one of the outputs, I<sub>0</sub> to I<sub>7</sub> of IC4 will be at the logic 1 state at any moment in time. The output so energised is determined by the value of the binary number present at the inputs I<sub>0</sub> to I<sub>2</sub> of IC4. As input I<sub>3</sub> is at the Logic 0 state this value can never exceed 0111 (decimal 7). The driver circuitry connected to the outputs of IC4 is identical to that for the previous circuit.

## PULSATING STAR

The circuit for this project is shown in Fig. 5. As with the other projects the first part of the circuit is a cmos 555 timer, configured as an astable. The clock output from IC1 is used to advance the 4017 counter as described above. In this application we require a different type of output sequence with which to control our output drivers to that required for the Angel's Halo. To achieve this the outputs O<sub>0</sub> to O<sub>9</sub> of the counter are connected to the six output driver

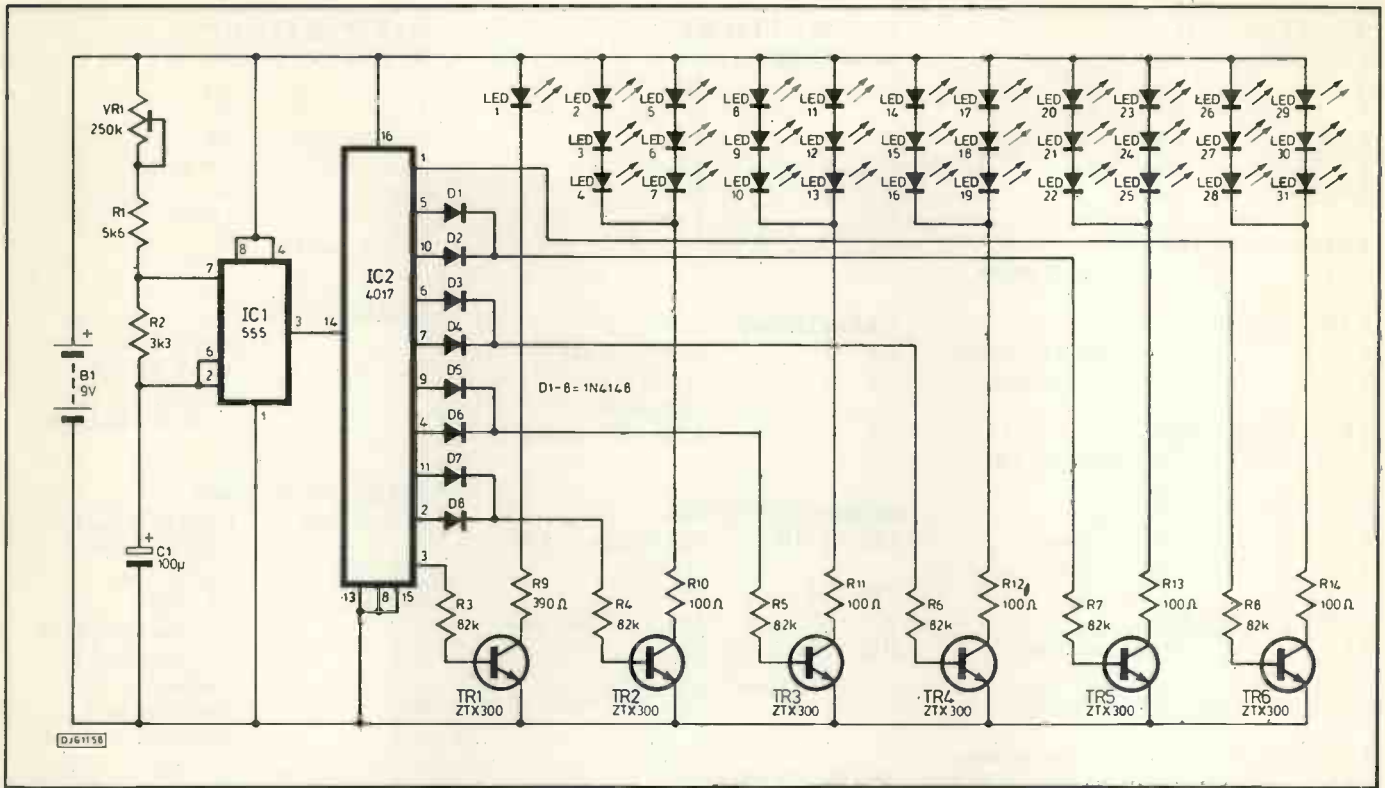


Fig. 5. Pulsating star circuit diagram

circuits, via D1 to D8, so as to cause the six outputs to be energised in the order:-

O<sub>1</sub>, O<sub>2</sub>, O<sub>3</sub>, O<sub>4</sub>, O<sub>5</sub>, O<sub>6</sub>, O<sub>5</sub>, O<sub>4</sub>, O<sub>3</sub>, O<sub>2</sub>, O<sub>1</sub>, O<sub>2</sub> and so on, with the sequence repeating ad infinitum.

This gives a backwards and forwards sweeping effect to the outputs, which are fed, through the respective dropping resistors, to the base of the transistors TR1 to TR6, which operate as described above. In

this project the leds (or other output indicators) *must* be driven via transistor current amplifiers since the load would otherwise exceed the recommended maximum current which may be drawn from the outputs of the 4017. The component values given in the circuit diagram are those required for high brightness leds. If your application requires normal leds with a current of 10mA the component values should be altered so that R3=68k, R4-R8=82k, R9=330 ohms and R10-R14=150 ohms.

The leds (both types) or bulbs are arranged as shown in Fig. 12 to form a series of spokes centered on LED1 and are driven in such a way that they produce a pattern which pulses in and out of LED1 which acts as a central point.

### ALTERNATIVE OUTPUTS

The outputs shown in all of the circuits given above (except for Rudolph's Nose) are designed to accommodate high brightness leds with currents too great for them to

be directly driven from the outputs of the cmos ics specified. (Cmos devices are limited to 100 mW power dissipation per output or a total dissipation of 500 mW per ic.) It is therefore necessary to use the simple transistor driver circuits shown when the circuits are used to drive more than four standard leds (drawing a maximum current of 10 mA each). It is however possible to use devices other than high brightness leds for the outputs of the circuits shown above providing that a few modifications are made.

### LOW POWER LEDS

If, for your application, you only need to drive a single led, with a maximum current of 10 mA from each output, with no more than five leds on at any one time then the leds can be driven directly from the outputs of the cmos ics without the need for a driver transistor. Modification of the circuit is a simple matter since it is only necessary to change the transistor bias resistor (typically

### PULSATING STAR RESISTORS

|         |          |
|---------|----------|
| R1      | 5k6      |
| R2      | 3k3      |
| R3-R8   | 82k      |
| R9      | 390 ohms |
| R10-R14 | 100 ohms |

### POTENTIOMETERS

|     |                       |
|-----|-----------------------|
| VR1 | 250k min horis preset |
|-----|-----------------------|

### CAPACITORS

|    |   |
|----|---|
| C1 | 100uF <sup>2</sup> 10V pcb electrolytic |
| C2 | 2.2uF 16V tantalum                      |

### SEMICONDUCTORS

|            |                               |
|------------|-------------------------------|
| LED1-LED31 | high brightness leds - yellow |
| D1-D8      | 1N4148                        |
| TR1-TR6    | ZTX300                        |
| IC1        | 555 cmos Timer                |
| IC2        | 4017 Counter                  |

### MISCELLANEOUS

|                                 |                            |
|---------------------------------|----------------------------|
| B1                              | 9 volt battery & connector |
| 7-way ribbon-cable to link pcbs |                            |

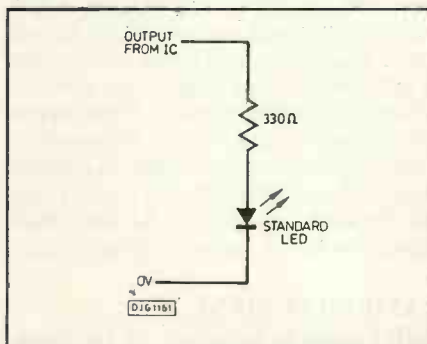
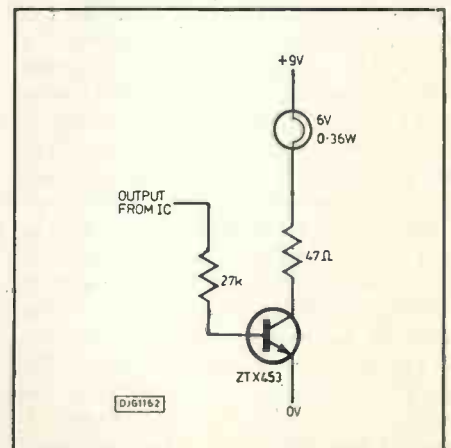


Fig. 6. (above) direct drive circuit for standard leds.

Fig. 7. (right) transistor driver circuit for 6V bulbs



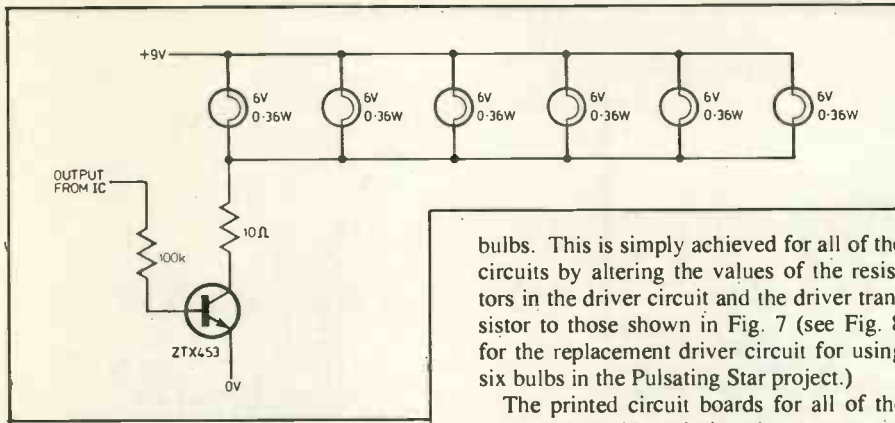
these circuits, but by then you are getting into the High Street Illumination league.

## CONSTRUCTION

The control circuits for all of the projects are built on the appropriate printed circuit boards, for which the foil patterns and the component layouts are shown in Figs. 9 to 15. It is anticipated that the leds or other output devices will be placed in holes drilled in appropriately shaped pieces of plastic or wood cut to shape, but foil patterns are also given for display pcbs for the Angel's Halo and Pulsating Star projects.

The foil patterns should be transferred to suitable boards which are then etched and drilled in the usual way. The components can then be inserted into the board and soldered in place. Although this process can be carried out in any convenient order, you will find that it is easier to perform this task if the components are inserted in ascending order of size. All the components of a particular size should be soldered into position before going onto a larger size of components. Care should be taken to ensure that polarity sensitive components are inserted into the board the correct way round.

The ics are best accommodated in sockets



**Fig.8.** Transistor driver circuit for 6V bulbs replacing leds in pulsating star circuit

82k) to the 330 ohm led current limiting series resistor and connect the led in place of the base and emitter connections of the ZTX300, as shown in Fig. 6. This modification may be used for all of the circuits given *except for the Pulsating Star Circuit.* (If low power leds are used in this project then the component values should be altered to those given in the circuit details for the Pulsating Star.)

bulbs. This is simply achieved for all of the circuits by altering the values of the resistors in the driver circuit and the driver transistor to those shown in Fig. 7 (see Fig. 8 for the replacement driver circuit for using six bulbs in the Pulsating Star project.)

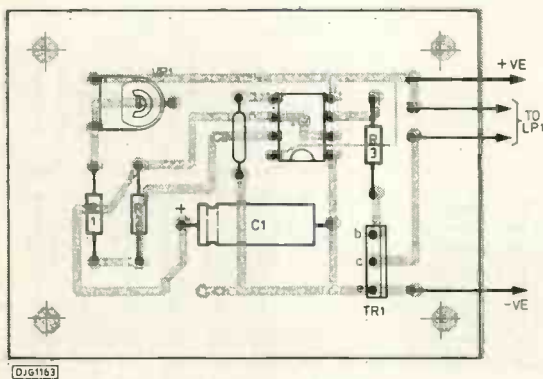
The printed circuit boards for all of the projects have been designed to accommodate both of the above variations.

## GREATER LOADS

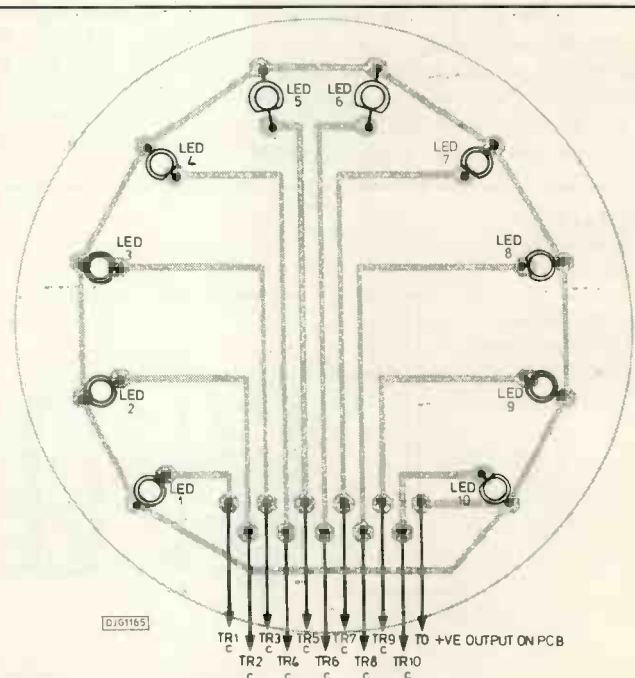
If you want to get really adventurous an even greater dc load could be driven by replacing the ZTX300 transistor with an output circuit such as that shown for Rudolph's nose, but the pcb design will also have to be altered. Indeed it is perfectly feasible to use a relay with mains contacts, switching mains voltage bulbs, in place of each of the output leds/bulbs in each of

## MES OR LES BULBS

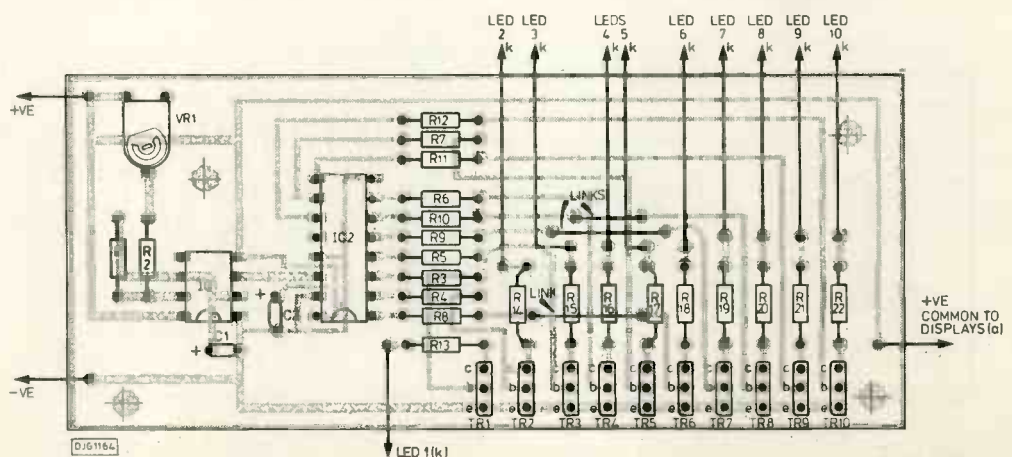
For a brighter display, perhaps in a larger room, such as a school or church hall you might wish to replace the leds with small-



**Fig.9. (above)** Rudolph's nose PCB layout



**Fig.10. (right)** Angel's halo control PCB layout



**Fig.11. (Top right)** Angel's halo display PCB

# CHRISTMAS FLASHERS

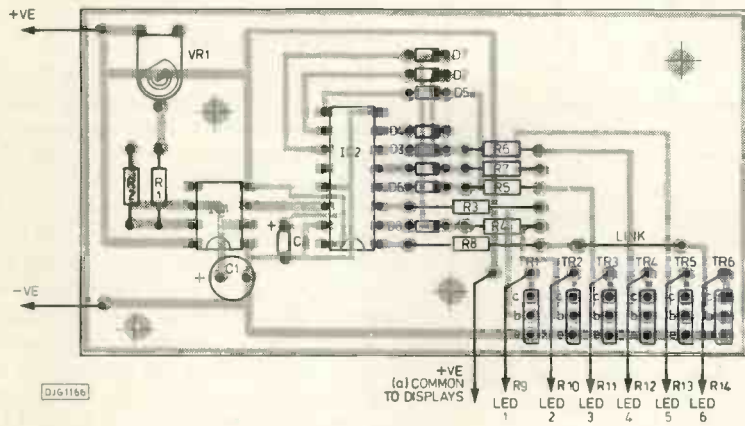
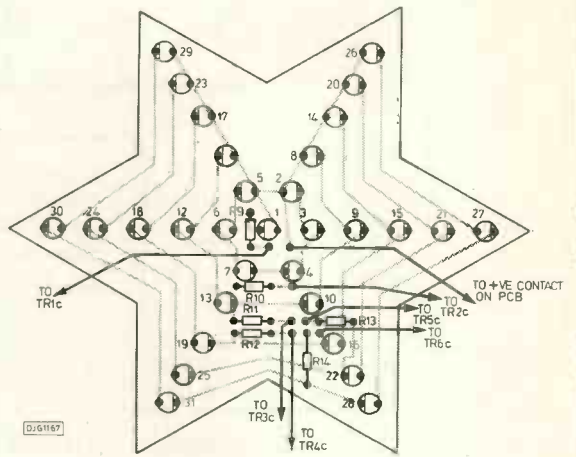


Fig. 12. (above) pulsating star control PCB layout  
Fig. 13. (right) pulsating star display PCB



which are soldered in place along with the other components. The ics should be inserted as the last task before testing out the unit.

## WIRING UP

Most of the pcs have been designed in such a way that it is possible to mount the leds or bulbs directly on them for testing the circuit but this will not produce an effective display (except in the case of the two special display boards). It is anticipated that constructors will wish to place the output

indicators in an appropriate place on the decoration and to connect them to the appropriate points on the pcs with wires. The boards are best not wired up until all the components, except for the ics, have been inserted and soldered. The ends of these wires must be prepared by tinning before soldering into place. On/off switches have not been included in the designs since it was felt that it would be easy enough to simply connect and disconnect the battery, but if a switch is required it is a simple enough matter to include one in

series between the battery positive connection and the pcb.

## TESTING

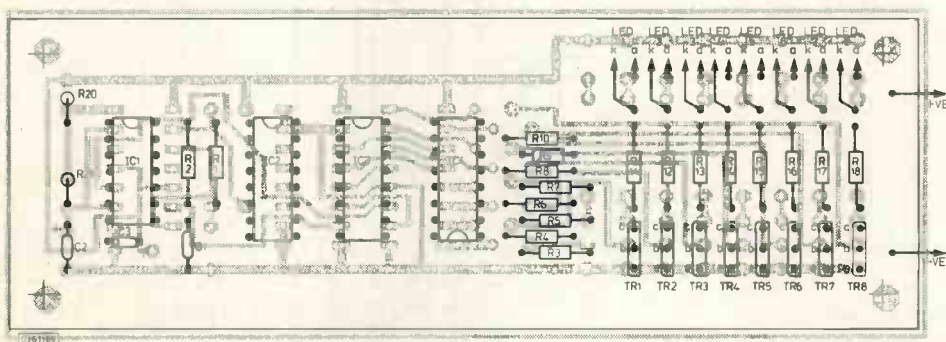
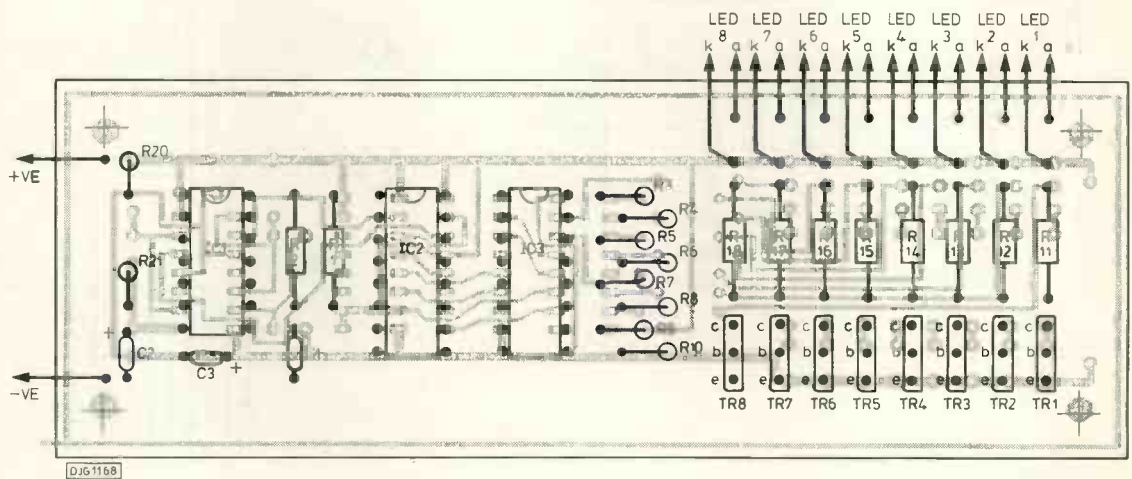
Once all the connections have been made the boards should be carefully checked before inserting the ics and testing the unit. The ics should then be inserted into the correct sockets, taking care to ensure that they are the correct way round.

The circuit can then be tested by connecting the battery and ensuring that the circuit works as described.

PE

Fig. 14 (right) Candle flicker PCB layout

Fig. 15. (below) Random pudding PCB layout





★LEARN BY BUILDING★ENJOY BY USING★

# PROJECT KITS

★BE CREATIVE★RAISE YOUR SKILLS★GET KITTED!★

## BURGLAR ALARM CONTROLLERS DETECTORS DETER DELINQUENTS

### MULTIZONE CONTROL

**(PE) SET280 £22.77**  
Two entry-zones, anti-tamper loop, personal attack, entry-exit timing, timed duration, automatic resetting, latching LED monitors.

### SINGLE ZONE CONTROL

**(PE) SET279 £9.32**  
With timed duration control and latching LED monitor.

Both units can be used with any standard detection devices, such as contact or magnetic switches, pressure pads, tremblers, ultrasonics, infrared etc, and will activate standard bells, strobes or sirens.

**CHIP TESTER (PE) SET258F £39.30**

Computer controlled logic and chip analyser

**CHORUS-FLANGER (PE) SET235 £59.99**

Mono-stereo. Superb dual-mode effects.

**CYBERVOX (EE) SET228 £44.76**

Amazing robot type voice unit, with ring-modulator and reverb.

**DISCO-LIGHTS (PE) SET245F £62.50**

3 chan sound to light, chasers, auto level.

**ECHO-REVERB (PE) SET218 £57.66**

Mono-stereo. 200ms echo, lengthy reverb, switchable multitracking.

### EPROM PROGRAMMER

**(PE) SET277 £25.25**

Computer controlled unit for 4K Eproms.

**EVENT COUNTER (PE) SET278 £31.50**

4-digit display counting for any logic source.

**MICRO-CHAT (PE) SET276 £64.50**

Computer controlled speech synthesiser.

**MICRO-SCOPE (PE) SET247 £44.50**

Turns a computer into an oscilloscope.

**MICRO-TUNER (PE) SET257 £55.32**

Computer controlled, tuning aid and freq counter.

**MORSE DECODER (EE) SET269 £22.16**

Computer controlled morse code-decoder.

**POLYWHATSI! (PE) SET252 £122.69**

Amazing effects unit, echo, reverb, double tracking, phasing, flanging, looping, pitch change, REVERSE tracking! 8K memory.

**REVERB (EE) SET232 £27.35**

Mono, with reverb to 4 secs, echo to 60ms.

**RING MODULATOR (PE) SET231 £45.58**

Fabulous effects generation, with ALC and VCO.

**STORMS! (PE) £29.50 each unit**

Raw nature under panel control! Wind & Rain SET250W. Thunder & Lightning SET250T.

### ★COMPUTER KITS

The software listing published with the computer kit projects are for use with C64, PET and BBC computers.

### MANY MORE KITS IN CATALOGUE

KITS include PCBs and instructions. Further details in catalogue. PCBs also available separately.



### DUAL BEAM OSCILLOSCOPE (PE)

2Y-amps, 6 ranges, variable level, DC to over 1MHz. 4 modes - Y1, Y2, Y1 & Y2, Y1 & Y2 to X. Time base variable from 0.05Hz to 20KHz. Variable sync level, polarity and source. Separate bright-line, brilliance and focus controls. Independent trace deflection controls. Details in catalogue - see below.

**VOICE SCRAMBLER (PE) SET287 £42.22**

32 switchable channels to keep your communications confidential.

### WEATHER CENTRE (PE)

Keep the Met Office in check and monitor the wind speed and direction, rain, temperature, soil moisture and sunny days.

Six detector circuits - KIT 275.1 £18.07

Automatic metered control monitor circuit - KIT 275.2 £40.95

Optional computer control circuit - KIT 275.3 £14.20

### ELECTRONIC BAROMETER

**(PE) SET285 £35.55**

Computer controlled unit for monitoring atmospheric pressure.

**GEIGER COUNTER (PE) SET264 £59.50**

A nuclear radiation detector for environmental and geological monitoring. With built in speaker, meter and digital output. This project was demonstrated on BBC TV.

## MANY MORE KITS IN CATALOGUE

Send 9"x4" SAE for detailed catalogue, and with all enquiries (overseas send £1.00 or 5 I.R.C.'s). Add 15% VAT. Add P&P - Sets over £50 add £2.50. Others add £1.50. Overseas P&P in catalogue. Text photocopies - Geiger 264 £1.50, others 50p, plus 50p post or large SAE. Insurance 50p per £50. MAIL ORDER, CWO, CHQ, PO, ACCESS VISA. Telephone orders: Mon-Fri, 9am - 6pm. 0689 37821. (Usually answering machine).

**PHONOSONICS, DEPT PE91, 8 FINUCANE DRIVE, ORPINGTON, KENT, BR5 4ED. MAIL ORDER**

## PROFESSIONAL SURVEILLANCE EQUIPMENT KITS

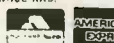
- MTX** Micro-miniature VHF transmitter. The smallest kit on the market measuring market measuring an incredible 17mm x 17mm including on-board mic. Super sensitive. Fully tuneable over FM band, 9V operation with range up to 1000m. £10.95
- VT500** High power version of the MTX with on-board PA stage providing 250mW of RF. Measures just 20mm x 40mm, power requirements 9-15V. Excellent sensitivity and stability. Fully tuneable over FM band. Ranges over 3000m can be expected. £12.95
- VOX75** Voice-activated transmitter. Variable sensitivity trigger level switches transmitter on when sounds are detected. Stays on for time delay variable between 1-20 sec. Fully tuneable output covers all FM band. Very sensitive and low standby current through CMOS circuitry. 9V operation, range up to 1000m. Measures 30mm x 40mm. £15.95
- CTX900** Sub-carrier scrambled transmitter. Audio is double modulated providing very secure transmissions. Any unauthorised listener will not be able to demodulate signal without DSX900 Decoder unit. Variable modulation on-board. Fully tuneable output covering FM band. 9V operation, range up to 1000m. Measures 30mm x 40mm. £18.95
- DSX900** Decoder unit for CTX900. Connects to earphone output of receiver to descramble signal from CTX900. Monitor using small speaker or headphones. Variable decode frequency on-board for best resolution. 9-12V operation. Measures 35mm x 50mm. £17.95
- TLX700** Micro size telephone transmitter. Connects onto line at any point and requires no batteries. Clearly transmits both sides of conversations on both incoming and outgoing calls. Undetectable by phone users. Fully tuneable output covering FM band. Range up to 1000m. Measures just 20mm x 20mm. £9.95
- ATR2** Micro size telephone recording unit. Connects onto line at any point and connects into ANY normal cassette recorder, standard or micro having MIC and REM sockets. Requires no batteries. Switches recorder on silently when phone is used for incoming or outgoing calls, switches off when phone replaced. Clearly records both sides of conversations. Undetectable by phone users. Measures 10mm x 35mm. £10.95
- XML900RF** Bug Detector/Locator. Wide band input circuitry detects presence of RF field and triggers flashing LED and piezo bleeper. Variable sensitivity enables source of transmission to be pinpointed to within 6 inches. Max sensitivity will detect MTX or similar transmitter at around 15-20 feet. 9V operation Measures 55mm x 55mm. £21.95

All kits come fully documented with concise assembly and setting-up instructions high quality fibreglass PCB and all components necessary to complete the module. All prices are inclusive but please add £1.50 to cover P&P. Orders over £50.00 post free. Please state requirements clearly and enclose cheque or PO to cover.

Phone orders on ACCESS or AMEX accepted. Tel: 0827 714476.

NOTE. It is illegal to operate a transmitter in the UK without a licence. Send 9"x4" S.A.E. for full catalogue of these and other surveillance kits.

SUMA DESIGNS, DEPT. PE, THE WORKSHOPS, 95 MAIN ROAD, BAXTERLEY, Nr. ATHERSTONE, WARCS CV9 2LE. TEL: 0827 714476



### VARIABLE VOLTAGE TRANSFORMERS

**INPUT 220/240V AC 50/60 OUTPUT 0-260V**  
 200W/0.1 amp max £24.00 p&p £3.00 (£31.05 inc VAT)  
 0.5KVA 2.5 amp max £26.50 £3.75 (£34.75 inc VAT)  
 1KVA 5 amp max £34.00 £4.25 (£43.99 inc VAT)  
 2KVA 10 amp max £49.00 £5.50 (£62.68 inc VAT)  
 3KVA 15 amp max £65.00 £6.25 (£81.94 inc VAT)  
 5KVA 25 amp max £115.00  
 10KVA 50 amp max £190.00  
 15KVA 75 amp max £285.00  
 Carriage on request



**3-PHASE VV TRANSFORMERS**  
Dual input 200/240V or 380-415V Star Connected 3KVA 6KVA 10KVA available. Phone for details.

**COMPREHENSIVE RANGE OF TRANSFORMERS-LT-ISOLATION & AUTO** (110-240V Auto transfer either cased with American socket and mains lead or open frame type. Available for immediate delivery.

**ULTRA VIOLET BLACK LIGHT FLUORESCENT TUBES**  
4ft 40 watt £10.44 (£12.00 inc VAT) Caller only  
2ft 20 watt £7.44 + £1.25 p&p (£9.99 inc VAT)  
13in 10 watt £5.50 + 75p p&p (£6.04 inc VAT)  
12in 8 watt £4.50 + 75p p&p (£5.04 inc VAT)  
9in 6 watt £3.60 + 50p p&p (£4.72 inc VAT)  
6in 4 watt £3.50 + 50p p&p (£4.72 inc VAT)

**230V AC BALLAST KIT** for either 6in, 9in or 12in tubes  
£5.50 + 55p p&p (£6.96 inc VAT)  
For 13in tubes £6.00 + 75p p&p (£7.75 inc VAT)

**400 WATT UV LAMP & BALLAST**  
Complete £56.80 + £3.50 p&p (£69.35 inc VAT)

**400 WATT UV LAMP**  
Only £28.00 + £2.50 p&p (£35.08 inc VAT)

**175 WATT SELF BALLASTED BLACK LIGHT MERCURY BULBS** Available with BC or ES fitting £14.00 + £1.25 p&p (£17.54 inc VAT)

### 12 VOLT BILGE PUMPS

Buy direct from the Importers  
500 GPH 15ft head 3 amp £12.08 + £1.50 p&p (£15.62 inc VAT)  
1750 GPH 15ft head 9 amp £19.25 + £2.00 p&p (£24.44 inc VAT)



### EPROM ERASURE KIT

Build your own EPROM ERASURE for a fraction of the price of a made-up unit kit of parts less case includes 12in 8 watt 2537 Angst Tube Ballast unit pair of bi-pin leads neon indicator on/off switch safety microswitch and circuit £13.60 + 75p p&p (£16.50 inc VAT)

### SUPER HY-LIGHT STROBE KIT

Designed for Disco, Theatrical users etc. Approx 16 joules. Adjustable speed £48.00 + £2.00 p&p (£57.50 inc VAT)  
Case and reflector £20.00 + £2.00 p&p (£25.30 inc VAT)  
SAE for further details including Hy-Light and Industrial Strobe Kits.

Ample Parking Space

Showroom open Monday/Friday

## SERVICE TRADING CO

57 BRIDGMAN ROAD, CHISWICK, LONDON W4 5BB

01-995 1560

ACCOUNT CUSTOMERS MIN. ORDER £10

### WIDE RANGE OF XENON FLASH TUBES

Write/Phone your enquiries

#### SOLID STATE RELAY

Single make will switch up to 250 V AC. 10 amp. operating voltage 3-32 V DC silent contactless opto-isolated. Fraction of maker's price £3.00 + 50 p p+p. Total inc VAT £4.03.

#### SPECIAL OFFER AC CAPACITORS

1.5 MFD 440V £2.00 5 MFD 440V £4.00  
2 MFD 440V £2.50 5.4 MFD 250V £2.00  
41 MFD 440V £3.50 6 MFD 650V £4.00  
p+p 50p per unit plus VAT to be added to total.

#### TORIN CENTRIFUGAL BLOWER

230V ac 2.800 RPM 0.9amp 130mm diameter impeller output 63 x 37mm overall size 195 x 160 x 150mm long. Price £11.50 + £2.50 p&p (£23 inc VAT)

#### SHADED POLE GEAR MOTORS

In the following sizes:  
9 RPM 12 RPM 30 RPM 160 RPM 110V AC or 240V AC with capacitors (supplied) Price inc VAT + p&p £12.65

#### GEARED MOTORS

Manufacturer's surplus new 38.3 RPM torque 35lb/in reversible 115V AC incl start capacitor and transformer for 230/240 AC. Ideal garage doors etc. Only £16 inc p&p + VAT.

#### 12 V DC COOLER EXTRACTOR FAN

New brushless motor 92mm sq. Total inc p&p + VAT £11.50.

Suitable transformer for 240V AC operation.

£5.20 + £1.00 p+p. Total inc VAT £7.13

#### 57RPM 240V

Continuously rated reversible 60lb/in Manufactured by GEC. New ideal for garage doors, curtains etc. Inc capacitor. Only £18.00 + £2.00 p&p (£23.00 inc VAT)

#### SOLID STATE EHT UNIT

Input 230/240V AC, Output approx 15KV. Producing 10mm spark. Built-in 10 sec timer. Easily modified for 20 sec, 30 sec to continuous. Designed for boiler ignition. Dozens of uses in the field of physics and electronics eg supplying neon or argon tubes etc. Price less case £8.50 + £1.00 p&p (£10.93 inc VAT) NMS

#### COOLING FANS-BRAND NEW

200/240V AC American Boxer 'Pewee' 7-bladed high efficiency cooling unit 80mm sq x 40mm deep 40cm approx

**EK-EQUIPMENT FANS** 120mm sq x 38mm deep in either 115V or 230V AC Tested and guaranteed Price £8.75 + £1.00 p&p (£10.07 inc VAT)

#### From stock at prices that defy competition

C/F Blowers Program Timers  
Microswitches Synch Motors  
write/phone your enquiries

NMS = NEW MANUF SURPLUS  
R&T = RECONDITIONED AND TESTED

# MAGENTA ELECTRONICS Ltd

## PROJECT KITS

Magenta supply Full Kits: Including PCB's (or Stripboard), Hardware, Components, and Cases (unless stated). Please state Kit Reference Number, Kit Title, and Price, when ordering. REPRINTS: If you do not have the issue of E.E. which includes the project, you will need to order the instruction reprint as an extra: 80p each. Reprints are also available separately—Send £1 in stamps.

| REF NO. | KIT-TITLE   | PRICE   | REF NO. | KIT-TITLE   | PRICE     |
|---------|---|---------|---------|---|-----------|
| 708     | AMSTRAD P10 Sept 88   | (phone) | 542     | PERSONAL RADIO June 86  | £11.53    |
| 709     | TIME SWITCH Aug 88  | £17.61  | 543     | WATCHDOG June 86  | £8.24     |
| 707     | SPEAKER July 88   | £3.99   | 529     | MINI STROBE May 86  | £13.86    |
| 706     | UNIVERSAL NICAD CHARGER July 88   | £6.99   | 528     | PA AMPLIFIER May 86   | £26.95    |
| 705     | ISOLINK July 88   | £24.51  | 523     | STEREO REVERB Apr 86  | £26.44    |
| 704     | VIDEO WIPER July 88   | £33.99  | 524     | VERSATILE PSU Apr 86  | £24.69    |
| 703     | HEADLIGHT REMINDER June 88  | £7.99   | 526     | FRELOADER Apr 86  | £8.48     |
| 702     | DOOR SENTINEL May 88  | £12.81  | 513     | BBC MIDI INTERFACE Mar 86                                     | £27.94    |
| 701     | SUPER SOUND EFFECTS GENERATOR May 88  | £12.99  | 514     | INTERVAL TIMER Mar 86   | £10.87    |
| 700     | CABLE & PIPE LOCATOR April 88   | £15.35  | 515     | STEREO HI-FI PRE-AMP  | £49.19    |
| 799     | STEREO NOISE GATE April 88  | £26.98  | 512     | MAINS TESTER & FUSE FINDER Mar 86                             | £8.82     |
| 778     | INDUCTIVE PROXIMITY DET. April 88   | £8.63   | 503     | FUNCTION GENERATOR Feb 86                                     | £24.84    |
| 777     | LOW FUEL ALERT April 88   | £6.43   | 504     | POWER SUPPLY FOR ABOVE  | £7.62     |
| 772     | SEMICONDUCTOR TESTER Mar 88   | £23.51  | 497     | MUSICAL DOOR BELL Jan 86                                      | £10.72    |
| 776     | UE DETECTOR Mar 88  | £11.80  | 493     | DIGITAL CAPACITANCE METER Dec 85                              | £41.55    |
| 775     | ENVELOPE SHAPER Mar 88  | £14.99  | 481     | SOLDERING IRON CONTROLLER Oct 85                              | £5.47     |
| 774     | SOS ALERT Mar 88  | £9.36   | 473     | R.I.A.A. PRE-AMP Sept 85                                      | £16.74    |
| 769     | VARIABLE 25V-2A BENCH POWER SUPPLY Feb 88   | £49.73  | 464     | STEPPER MOTOR INTERFACE FOR THE BBC COMPUTER less case Aug 85 | £11.68    |
| 770     | CAR LAMP CHECKING SYST. Feb 88  | £7.10   |         | 1035 STEPPER MOTOR EXTRA                                      | £14.50    |
| 770     | GAME TIMER Feb 88   | £14.32  |         | OPTIONAL POWER SUPPLY PARTS                                   | £5.14     |
| 765     | QUICKMASTER Jan 88  | £18.96  | 461     | CONTINUITY TESTER July 85                                     | £6.20     |
| 767     | TRANSISTOR CURVE TRACER (BBC)   | £14.98  | 459     | AMSTRAD USER PORT July 85                                     | £17.87    |
| 763     | AUDIO SIGNAL GENERATOR Dec 87   | £13.64  | 455     | ELECTRONIC DOORBELL June 85                                   | £7.56     |
| 764     | DUAL MAINS LIGHTS FLASHER Dec 87  | £20.98  | 453     | GRAPHIC EQUALISER June 85                                     | £26.94    |
| 749     | ACCENTED BEAT METRONOME Nov 87  | £20.95  | 444     | INSULATION TESTER Apr 85                                      | £19.58    |
| 740     | ACOUSTIC PROBE Nov 87   | £16.25  | 432     | GAMES TIMER Jan 85  | £9.11     |
|         | (less bolt & probe)   | £27.53  | 430     | SPECTRUM AMPLIFIER Jan 85                                     | £6.31     |
| 741     | BBC SIDEWAYS RAM/ROM Nov 87   | £27.53  | 417     | ODOOR CHIME Dec 84  | £10.78    |
| 744     | VIDEO CONTROLLER Oct 87   | £29.14  | 392     | BBC MICRO AUDIO STORAGE SCOPE INTERFACE Nov 84                | £36.25    |
| 745     | TRANSTEST Oct 87  | £9.70   |         | PROXIMITY ALARM Nov 84  | £22.66    |
| 734     | AUTOMATIC PORCH LIGHT Oct 87  | £17.17  | 387     | MAINS CABLE DETECTOR Oct 84                                   | £5.53     |
| 735     | CARAVAN FRIDGE ALERT Oct 87   | £5.44   | 386     | DRIIL SPEED CONTROLLER Oct 84                                 | £8.68     |
| 736     | STATIC MONITOR Oct 87   | £8.86   | 381     | GUITAR HEAD PHONE AMPLIFIER Sept 84                           | £7.98     |
| 723     | ELECTRONIC MULTIMETER Sept 87   | £46.96  | 362     | VARIACAP AM RADIO May 84                                      | £13.15    |
| 729     | NOISE GATE Sept 87  | £23.25  | 363     | EXPERIMENTAL POWER SUPPLY May 84                              | £23.58    |
| 728     | PERSONAL STEREO AMP Sept 87   | £14.31  | 364     | SIMPLE LOOP BURGLAR ALARM May 84                              | £17.16    |
| 730     | BURST-FIRE MAINS CONTROLLER Sept 87   | £13.57  | 358     | FUSE/DIODE CHECKER Apr 84                                     | £4.35     |
| 724     | SUPER SOUND ADAPTOR Aug 87  | £38.39  | 356     | QUASI STEREO ADAPTOR Apr 84                                   | £13.73    |
| 718     | 3 BAND 1.6-30MHz RADIO Aug 87   | £26.53  | 344     | SIGNAL TRACER Feb 84  | £10.77    |
| 719     | BUCCANEER I.B. METAL DETECTOR inc. coils and case, less handle and hardware July 87 | £26.45  | 337     | BIOLOGICAL AMPLIFIER Jan 84                                   | £24.14    |
| 720     | DIGITAL COUNTER/FREQ METER (10MHz) inc. case July 87                                | £67.07  | 334     | CONTINUITY TESTER Dec 83                                      | £12.58    |
| 721     | MONOMIX July 87   | £21.00  | 332     | CHILDREN'S DISCO LIGHTS Dec 83                                | £10.40    |
| 722     | FERMOSTAT July 87   | £12.14  | 333     | NOVEL EGG TIMER Dec 83 inc. case                              | £12.90    |
| 711     | VISUAL GUITAR TUNER Jun 87  | £22.98  | 301     | STORAGE 'SCOPE INTERFACE FOR BBC MICRO Aug 83 less software   | £19.34    |
| 715     | MINI DISCO LIGHT Jun 87   | £12.58  | 299     | HIGH POWER INTERFACE BOARD Aug 83 no case                     | £12.98    |
| 708     | WINDSCREEN WASHER WARNING May 87  | £5.12   | 292     | USER PORT I/O BOARD less cable + plug                         | £13.22    |
| 708     | FRIDGE ALARM May 87   | £9.00   |         | USER PORT CONTROL BOARD July 83 less cable + plug + case      | £31.67    |
| 707     | EQUALIZER (IONISER) May 87  | £15.53  | 277     | MW PERSONAL RADIO less case, May 83                           | £9.60     |
| 705     | BULB LIFE EXTENDER April 87 (less case)   | £5.24   | 276     | MOISTURE DETECTOR May 83                                      | £6.80     |
| 703     | EXP. SPEECH RECOGNITION April 87  | £20.98  | 270     | NOVELTY EGG TIMER April 83 less case                          | £6.91     |
| 700     | ACTIVE VR BURGLAR ALARM Mar 87  | £35.65  | 263     | BUZZ OFF March 83   | £5.60     |
| 591     | VIDEO GUARD Feb 87  | £10.39  | 262     | PUSH BIKE ALARM Feb 83  | £14.77    |
| 593     | CAR VOLTAGE MONITOR Feb 87  | £12.58  | 256     | ZK TAPE CONTROL Nov 82  | £8.98     |
| 594     | SPECTRUM SPEECH SYNTH. (no cal) Feb 87  | £20.92  | 252     | 2-WAY INTERCOM July 82 no case                                | £5.69     |
| 578     | SPECTRUM I/O PORT less case, Feb 87   | £9.44   | 243     | REFLEX TESTER July 82   | £9.79     |
| 579     | STEPPING MOTOR BOOSTER (for above) Feb 87   | £5.45   | 240     | EGG TIMER June 82   | £8.86     |
| 575     | STEPPING MOTOR MD200 Feb 87   | £16.80  | 237     | CAR LED VOLTMETER less case, May 82                           | £4.00     |
|         | inc. case, Jan 87   | £10.49  | 225     | CAMERA OR FLASH GUN TRIGGER Mar 82 less tripod bushes         | £17.20    |
| 569     | CAR ALARM Dec 86  | £12.47  | 205     | SUSTAIN UNIT Oct 81   | £17.63    |
| 571     | RANDOM NUMBER GENERATOR Dec 86  | £15.72  | 206     | TAPE NOISE LIMITER Oct 81                                     | £5.976.27 |
| 568     | BBC 16K SIDEWAYS RAM Dec 86   | £12.97  | 207     | HEADS AND TAILS GAME Oct 81                                   | £3.47     |
| 564     | CAR FLASHER WARNING Nov 86  | £9.37   | 209     | PHOTO FLASH SLAVE Oct 81                                      | £4.79     |
| 563     | 2000Hz DIG. FREQUENCY METER Nov 86  | £62.98  | 211     | FUZZ BOX Oct 81   | £10.05    |
| 562     | 10 WATT AUDIO AMPLIFIER Oct 86  | £36.70  | 197     | 0-12V POWER SUPPLY Sept 81                                    | £24.55    |
| 561     | LIGHT RIDER LAPEL BADGE Oct 86  | £10.20  | 181     | SOIL MOISTURE INDICATOR E.E. May 81                           | £5.66     |
| 560     | LIGHT RIDER DISCO VERSION   | £19.82  | 149     | GUITAR PRACTICE AMPLIFIER Nov 80                              | £22.95    |
| 559     | LIGHT RIDER 16 LED VERSION  | £13.64  |         | SOUND TO LIGHT Nov 80 3 channel                               | £29.38    |
| 558     | SCRATCH BLANKER Sept 86   | £56.83  | 124     | SPRING LINE REVERB UNIT Jan 80                                | £34.27    |
| 556     | INFRA-RED BEAM ALARM Sept 86  | £28.35  | 122     | IMBOARD BURGLAR ALARM Dec 79                                  | £8.38     |
| 555     | FREEZER FAILURE ALARM Sept 86   | £15.50  | 118     | DARKROOM TIMER July 79  | £4.03     |
| 554     | CAR TIMER Sept 86   | £8.72   | 113     | MICROCHIME DOORBELL Feb 79                                    | £21.98    |
| 553     | BATTERY TESTER Aug 86   | £7.19   | 111     | SOUND TO LIGHT Sept 78  | £10.98    |
| 544     | TILT ALARM July 86  | £7.82   | 100     | IN SITU TRANSISTOR TESTOR Jun 78                              | £9.42     |
| 546     | CARAVAN BATTERY MONITOR July 86   | £17.17  | 106     | WEMD SOUND EFFECTS Gen Mar 78                                 | £7.82     |
| 547     | SQUEAKIE CONTINUITY TESTER July 86  | £3.52   | 101     | ELECTRONIC DICE Mar 77  | £8.25     |
| 540     | ELECTRONIC SCARECROW July 86  | £8.87   |         |   |           |
| 540     | PERCUSSION SYNTH June 86  | £30.43  |         |   |           |

## TOP KITS

### MOSFET VARIABLE BENCH 25V 2.5A POWER SUPPLY



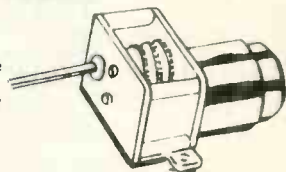
A superb design giving 0-25V and 0-2.5A. Twin panel meters indicate Voltage and Current. Voltage is variable from zero to 25V. Current-Limit control allows Constant Current charging of NICAD batteries, and protects circuits from overload. A Toroidal transformer MOSFET power output device, and Quad op-amp IC design give excellent performance.

OUR KIT REF. 769 £49.73

COMPONENTS, KITS, BOOKS, TOOLS, MOTORS, GEARS, PULLEYS, OPTICAL FIBRES, ROBOTICS, AND MUCH MUCH MORE - IN OUR NEW CATALOGUE £1.00

### MOTOR-GEARBOX ASSEMBLIES

Miniature gearboxes complete with quality electric motor. Variable ratios by fitting 1 to 6 gears. 1.5-4.5v, 3-2200 rpm. Long 3mm shaft. Ideal for robots and buggies.



SMALL (MGS) £3.49 LARGE (MGL) £3.98

### ADVENTURES WITH ELECTRONICS

An easy to follow book suitable for all ages. No soldering, uses an S DEC breadboard. Lots of clear diagrams and instructions to build 16 projects. Component pack includes S DEC and all components for the projects.

OPTICAL FIBRES TRIAL PACK OF 10 METRES. Nine assorted types & data.

£1.99

LEGO Technic Sets TEACHERS WE ARE STOCKISTS OF THE WHOLE RANGE. CONTACT US FOR BROCHURES. VERY COMPETITIVE PRICES AND QUICK DELIVERIES

### STEPPING MOTORS 12 VOLT

48 STEPS 1035 £14.50 | 200 STEPS M0200 £16.80

## MAGENTA ELECTRONICS LTD.

SHOP NOW OPEN - CALLERS WELCOME  
PE11, 135 HUNTER STREET,  
BURTON-ON-TRENT,  
STAFFS. DE14 2ST.  
0283 65435, Mon-Fri 9-5  
Access/Barclaycard (Visa) by  
phone or post.  
24 hr Answerphone for credit  
card orders.  
Our prices include VAT

ADD £1 P&P TO ALL ORDERS.  
PRICES INCLUDE VAT.  
SAE ALL ENQUIRIES.  
OFFICIAL ORDERS WELCOME  
OVERSEAS: Payment must be  
sterling.  
IRISH REPUBLIC and BFPO. UK  
PRICES.  
EUROPE: UK PRICES plus 10%.  
ELSEWHERE: write for quote  
SHOP HOURS: 9-5 MON-FRI.



0283 65435



# FROM MAGENTA

## A SELECTION OF OUR BEST PROJECT KITS

As usual these kits come complete with printed circuit boards, cases, all components, nuts, screws, wire etc. All have been tested by our engineers (many of them are our own designs) to ensure that you get excellent results.

### INSULATION TESTER

An electronic High Voltage tester for mains appliances and wiring. An inverter circuit produces 500 volts from a PP3 battery and applies it to the circuit under test. Reads insulation up to 100 Megohms. Completely safe in use.



**OUR KIT REF 444 £19.58**

### DIGITAL CAPACITANCE METER

Simple and accurate (1%) measurements of capacitors from a few pF up to 1,000 uF. Clear 5 digit LED display indicates exact value. Three ranges - pF, nF, and uF. Just connect the capacitor, press the button and read the value.



**£41.55  
OUR KIT  
REF 493**

### 3 BAND SHORTWAVE RADIO

Covers 1.6-30 MHz in 3 bands using modern miniature coils. Audio output is via a built-in loudspeaker. Advanced design gives excellent stability, sensitivity and selectivity. Simple to build.



**OUR KIT REF 718 £25.27**

### DIGITAL FREQUENCY METER

#### 200 MHz

An 8 digit meter reading from A.F. up to 200 MHz in two ranges. Large 0.5" Red LED display. Ideal for AF and RF measurements, Amateur and C.B. frequencies.



**KIT REF 563 £62.98**

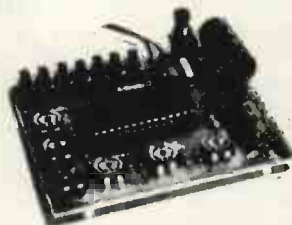
### 'EQUALISER' IONISER



A mains powered ioniser that produces a breeze of negative ions in the air. A compact, safe, simple unit that uses a negligible amount of electricity.

**KIT REF 707 £15.53**

### SUPER SOUND-EFFECTS GENERATOR



A wide range SN76477 sound effects board giving: Bird Chirps, Sirens, Helicopters, Explosions, Phaser Guns, Steam Train sounds, and more. Supplied without a case.

**KIT REF 781 £12.99**



## CAN YOU ANSWER YES TO ANY OF THESE QUESTIONS:-

- 1) DO YOU PROGRAM YOUR HOME COMPUTER?
- 2) HAVE YOU INTERFACED YOUR HOME COMPUTER WITH A PERIPHERAL?
- 3) ARE YOU INTERESTED IN AMATEUR RADIO?
- 4) ARE YOU FAMILIAR WITH DIGITAL ELECTRONICS?
- 5) ARE YOU DOING A COURSE INVOLVING ELECTRONICS?

If you can answer YES to one or more of these questions, you should consider entering the Computer Servicing Industry.

Micro System Maintenance Ltd is an established national computer service company and prides itself on successfully training individuals to become service engineers. The company has an established Training School in Weston-Super-Mare for the provision of training in both technology and the repair of personal computers and peripherals.

The selected candidates will be provided with a company car linked to an attractive benefits package.

If you wish to know more please feel free to contact MSM at the following address.

**MICRO SYSTEM MAINTENANCE LIMITED**  
**15 WESTMEAD INDUSTRIAL ESTATE**  
**WESTLEA**  
**SWINDON SN5 7YS**  
**TEL: (0793) 616888**

## POWER CONDITIONER

FEATURED IN ETI  
JANUARY 1988

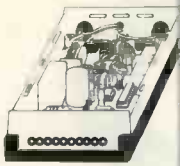
The ultimate mains purifier. Intended mainly for lowering the noise floor and improving the analytical qualities of top-flight audio equipment.

The massive filter section contains thirteen capacitors and two current balanced inductors, together with a bank of six VDRs, to remove every last trace of impulsive and RF interference. A 16 LED logarithmic display gives a second by second indication of the amount of interference removed.

Our approved parts set consists of case, PCB, all components (including high permeability toroidal cores, ICs transistors, class X and Y suppression capacitors, VDRs, etc.) and full instructions.

PARTS SET £28.50 + VAT

Some parts are available separately. Please send SAE for lists, or SAE + £1 for lists, circuit, construction details and further information (free with parts set)



## KNIGHT RAIDER

FEATURED IN ETI JULY 1987

The ultimate in lighting effects for your Lamborghini, Maserati, BMW (or any other car, for that matter). Picture this: eight powerful lights in line along the front and eight along it's rear. You flick a switch on the dashboard control box and a point of light moves lazily from left to right leaving a comet's tail behind it. Flip the switch again and the point of light becomes a bar, bouncing backwards and forwards along the row. Press again and try one of the other six patterns. An LED display on the control box lets you see what the main lights are doing.

The Knight Raider can be fitted to any car (it makes an excellent fog light) or with low powered bulbs it can turn any child's pedal car or bicycle into a spectacular TV-age toy!

The parts set consists of box, PCB and components for control, PCB and components for sequence board, and full instructions

Lamps not included  
PARTS SET £19.90 + VAT



## RAINY DAY PROJECTS



All can be built in an afternoon!

JUMPIN' JACK FLASH (ETI March 1988)

Spectacular rock stage and disco lighting effect! £6.90 + VAT

CREDIT CARD CASINO (ETI March 1987)

The wicked pool-table gambling machine £5.90 + VAT

MAINS CONTROLLER (ETI January 1987)

Isolated logic to mains interface £6.20 + VAT

MATCHBOX AMPLIFIERS (ETI April 1986)

Listen. 50W of Hi-Fi power from an amp small enough to fit in a matchbox! £6.50 + VAT

Matchbox Amplifier (20W) £8.90 + VAT

Matchbox Bridge Amplifier £3.90 + VAT

L165V Power Amplifier IC, with data and circuits

TACHO/WELL METER (ETI January 1987)

Turn your Metro into a Porsche! £16.40 + VAT

HI-FI POWER METER (ETI May 1987)

Measures Hi-Fi output power up to 100W - includes PCB, components, meters

Mono power meter £3.90 + VAT

Stereo power meter £7.20 + VAT



FEATURED IN ETI  
AUGUST 1988

There's nothing quite so encouraging as having a quantifiable result to show for your training efforts. If you are not particularly fit, your resting heart rate will be around 80 beats per minute. As your jogging, aerobics or sport strengthens your heart the rate will drop dramatically - possibly to 60bpm or less. With the S101, you can watch your progress day by day.

Breathing is important too. How efficiently do you take up oxygen? How quickly do you recover from oxygen debt after strenuous activity? The S101 will let you know.

The approved parts set consists of: case, 3 printed circuit boards, all components including 17 ICs, quartz crystal

75 transistors, resistors, diodes and capacitors, LCD

switches, plugs sockets, electrodes and full instructions

for construction and use

PARTS SET £33.80 + VAT

Some parts are available separately. Please send SAE for lists, or SAE + £2 for lists, circuit, construction details and further information (free with parts set)



## THE DREAM MACHINE

FEATURED IN ETI  
DECEMBER 1987



Adjust the controls to suit your mood and let the gentle, relaxing sound drift over you. At first you might hear soft rain, sea surf or the wind through distant trees. Almost hypnotic, the sound draws you irresistibly into a peaceful, refreshing sleep.

For many, the thought of waking refreshed and alert from perhaps the first truly restful sleep in years is exciting enough in itself. For more adventurous souls there are strange and mysterious dream experiences waiting. Take lucid dreams, for instance. Imagine being in control of your dreams and able to change them at will to act out your wishes and fantasies. With the Dream Machine it's easy!

The approved parts set consists of PCB, all components, controls, loudspeaker, knobs, amp, fuseholders, fuse, mains power supply, prestige case and full instructions.

PARTS SET £16.50 + VAT

AVAILABLE WITHOUT CASE FOR ONLY £11.90 + VAT

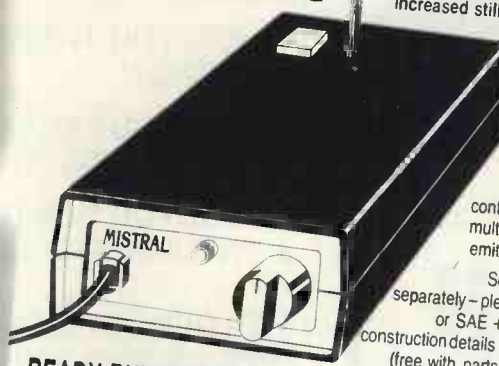
## THE MISTRAL AIR IONISER

The best ioniser design yet - this one has variable ion drive, built-in ion counter and enough power to drive five multi-point emitters. For the technically minded, it has nine main drive stages, five secondary drives, and a four section booster to give an output capability of almost fifteen billion ( $1.47 \times 10^{11}$ ) ions every minute, or  $2.45 \times 10^{11}$  ions per second. With extra emitters this can be increased still further!

PARTS SET £24.80 + VAT

The parts set includes case, printed circuit boards, 126 top grade components, all controls, lamps, hardware, a multi-point phosphor-bronze emitter and full instructions.

Some parts are available separately - please send SAE for lists, or SAE + £1 for lists, circuit and construction details and further information (free with parts set).



## READY-BUILT MISTRAL

The Mistral Ioniser (and most of our other projects) can now be supplied built, tested and ready to go. For details, please contact Peter Leah at P.L. Electronics, 8 Woburn Road, Eastville, Bristol BS5 6TT. Tel: 0272 522703.

## INTERNAL EMITTER £2.69 + VAT

Can be used in place of the P-B external emitter, or both can be used together for the highest ion output. Parts set includes PCB, ion emitters, components and instructions.

## IPA BOARD CLEANER

£0.98 + VAT

Essential for removing grease and flux residues from the Mistral PCB to achieve peak performance. Applicator brush supplied.

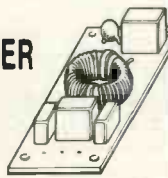
## ION DISPERSION METER

£16.40 + VAT

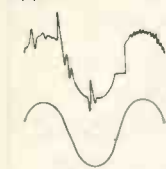
A hand-held test meter to check ion levels in your room and output of any ioniser. Parts set available January 1989 onwards.

## MAINS CONDITIONER

FEATURED IN ETI  
SEPTEMBER 1986



Cleans up mains pollution easily and effectively. You'll hardly believe the difference in your Hi-Fi, TV, Video, and all other sensitive equipment.



PARTS SET £4.90 + VAT

RUGGED PLASTIC CASE £1.65 + VAT

## POWERFUL AIR IONISER

FEATURED IN ETI  
JULY 1986

Ions have been described as 'vitamins of the air' by the health magazines, and have been credited with everything from curing hay fever and asthma to improving concentration and putting an end to insomnia. Although some of the claims may be exaggerated, there is no doubt that ionised air is much cleaner and purer, and seems much more invigorating than 'dead' air.

The DIRECT ION ioniser caused a great deal of excitement when it appeared as a constructional project in ETI. At least an ioniser that was comparable with (better than?) commercial products was viable, good to build... and fun! Apart from the serious applications, some of the suggested experiments were outrageous!

We can supply a matched set of parts, fully approved by the designer, to build this unique project. The set includes a roller lined printed circuit board, 66 components, case, mains lead, and even the parts for the tester. According to one customer, the set costs about a third of the price of the individual components. What more can we say?

PARTS SET WITH BLACK CASE £11.50 + VAT

PARTS SET WITH WHITE CASE £11.80 + VAT



## LM2917 EXPERIMENTER SET

Consists of LM2917 IC, special printed circuit board and detailed instructions with data and circuits for eight different projects to build. Can be used to experiment with the circuits in the 'Next Great Little IC' feature (ETI, December 1986).

LM2917 EXPERIMENTER SET £5.80 + VAT

## LEDs

Green rectangular LEDs for bar-graph displays.

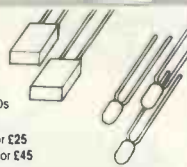
50 for £3.50 500 for £25

100 for £6 1000 for £45

DIGITAL AND AUDIO EQUIPMENT LEDs

Assorted 3mm LEDs: red, green, yellow and orange.

25 of each (100 LEDs) for £6.80



U.K. orders: please add 80p post and packing and 15% VAT to total.

Eire and overseas: no VAT. Carriage and insurance £4.50

Please allow up to 14 days for delivery.

## BRAINWAVE MONITOR



FEATURED IN ETI  
AUGUST 1987

The most astonishing project ever to have appeared in an electronics magazine. Similar in principle to a medical EEG machine, this project allows you to hear the characteristic rhythms of your own mind! The alpha, beta and theta forms can be selected for study and the three articles give masses of information on their interpretation and powers.

In conjunction with Dr. Lewis's Alpha Plan, the monitor can be used to overcome shyness, to help you feel confident in stressful situations, and to train yourself to excel at things you're 'no good' at.

Our approved parts set contains case, two PCBs, screening can for bio-amplifier, all components (including three PMI precision amplifiers), leads, brass electrodes and full instructions

PARTS SET £36.90 + VAT ALPHA PLAN BOOK £2.50 SILVER SOLUTION (for plating electrodes) £3.60 + VAT

Parts set available separately. We also have a range of accessories professional electrodes, books, etc. Please send SAE for lists, or SAE + £2 for lists, construction details and further information (free with parts set).

Specialist  
SEMICONDUCTORS  
LIMITED

SALES DEPT., ROOM 108, FOUNDERS HOUSE, REDBROOK, MONMOUTH, GWENT.

# DIGITAL ELECTRONICS

By Owen Bishop

## PART 5 – INTERFACING

*This month we explain the meaning of 'interfacing' in digital electronics – the difference between digital and analogue, and between logic-to-logic and real-world. As usual, there are investigations to carry out and modules to build.*

One of the main themes of this series is that it is not only possible but really easy to join together lots of little black boxes to make bigger black boxes. In other words, we work with simple logic modules that can be put together in hundreds of different ways to build an enormous variety of electronic systems. The electronic systems may range in complexity from a door buzzer circuit to a computer. If we are to be able to do this we must know how modules can be joined to each other. This is what it meant by this month's topic, interfacing. We shall deal with all kinds of interfacing except one particular field – interfacing electronic circuits to microcomputers. That will form the subject of a later part of this series. The subject of interfacing has lots of minor details about it that are not really worth memorising. Read the paragraphs below to get the gist of the subject, then keep this article handy for reference when you actually have a project to design.

If we are simply interfacing one logic gate to another gate of the same series, then a length of wire will do the trick. Though even, in this clear case, there is something to think about. Electric current travels fast, but logic gates are fast too. If the wire connecting one gate to another is too long, the delay while a high or low pulse travels along the wire may be sufficient to upset the operation of the system. So an important rule is to keep connections as short as possible. Avoid having wires longer than 500mm. This also reduces possible problems due to electromagnetic effects causing spikes to be generated in the wires. Later in this article we see what to do if wires must be long, when you are transmitting data from one room to another, for example, or controlling a robot.

If any logic circuit needs more than about three ics, it seems an inescapable law that you can't find all the logic types you require in one logic series. It might be that the cmos 4000 series is just right for most of the circuit, but you are virtually forced to use one low power ttl ic because there is no equivalent 4000 ic available. How to interface the different logic series is something we all need to know about. Different series have different supply voltage ranges and often different input/output levels. The most fussy are standard ttl, LS ttl and HCT

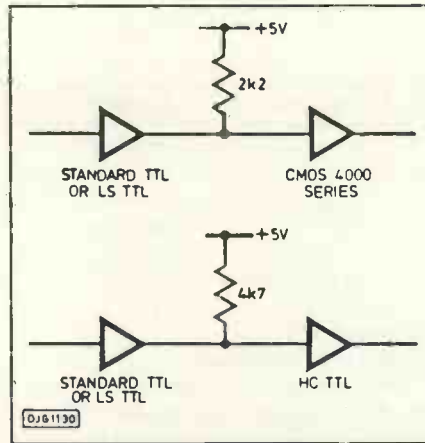


Fig.1. Interfacing logic systems, all at 5V.

ttl. They need a regulated 5V supply so, if a circuit has any of these in it, it is usually more convenient to run all the logic at 5V. We sometimes need a pull-up resistor when joining one gate to another of a different series. Fig. 1 shows when this needs to be done. The triangles represent 'any gate' in the series. Pull-up resistors are needed because the 'high' output voltage from standard or LS ttl is not quite high enough to be recognised by HC ttl or the 4000 series. A straightforward wire connection can be used for other interfacing, such as cmos to ttl, standard ttl to HCT ttl, etc.

It may sometimes be more convenient to power the ttl ics at 5V, and the cmos ics at

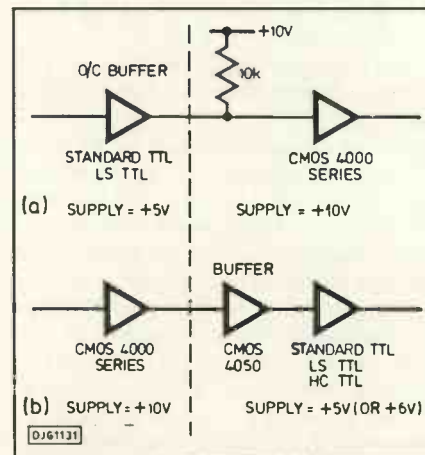


Fig.2. Interfacing logic series when TTL is at 5V and CMOS is at a higher voltage

another voltage. This could be preferable if the cmos ics are to be connected to other ics which won't work at 5V. Fig. 2 shows ways of handling this. When connecting ttl to 4000 series, the ttl ic must have an open collector output. Usually the output stage of a ttl gate has an active pull-up. This is to pull the output voltage up when the output is supposed to be 'high' (Fig. 3a). But a high output from ttl is normally only about 3.4V, which is not high enough to drive a cmos ic working at 10V. With an open-collector output (Fig. 3b) there is no pull-up circuit on the chip. The collector is left 'open' for a pull-up resistor to be connected externally. The pull-up resistor is connected to the higher voltage, such as the 10V supply voltage of the 4000 series gate (Fig. 2a). A high output from the ttl gate now produces an input voltage high enough to affect the cmos gate.

The most generally used open-collector buffers are the 7406 (NOT, or inverting gates) and 7407 (TRUE or non-inverting gates). The resistor can be connected to any external voltage up to 30V. Such outputs are also useful for driving other

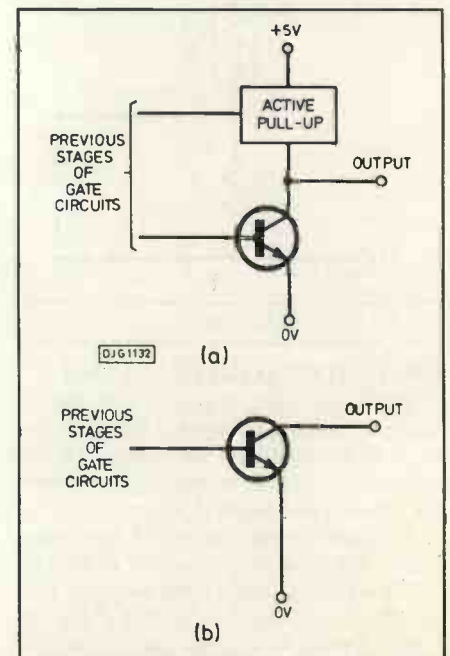


Fig.3. Output stages of (a) active pull-up and (b) open-collector TTL

devices, such as lamps, that work on voltages greater than 5V. There are also ttl NAND, NOR and AND gates with open-collector outputs. Gates of this type are often referred to as buffers because their main function is not to perform logic but to act as an interface between parts of a circuit that have different characteristics.

The cmos 4050 buffer in Fig. 2b is powered from the 5V supply, so it is compatible with the ttl gate that follows it. Its input stage is specially designed to accept input voltages up to 15V without suffering damage. This means that it can take its input from a cmos gate running on a 10V supply.

## FANOUT

This is the number of logic inputs that can be fed from a single logic output. In most circuits this creates no problem since it is not often that we want to drive more than two or three inputs from one output. In any case, cmos inputs (4000, HC ttl, or HCT ttl) draw virtually no current and fanout is unlimited. Actually, in a 4000 series circuit, fanout is limited (to 50 gates), but this is not likely to worry you very often!

The table shows the fanout numbers for driving standard ttl and LS ttl – the only situation in which you need to think about fanout. In most cases, fanout is large enough to be no problem. An exception is the 4000 series which drives only one low power ttl gate and will not drive standard ttl. If you need to drive standard TTL from 4000 series cmos, you must use one of the cmos buffer ics (see table). There is more about buffers and tri-state outputs later. Input pins of certain ics may be connected to more than one logic input on the chip. Examples are clock, set and reset inputs of flip-flops, which may be equivalent to two ordinary inputs.

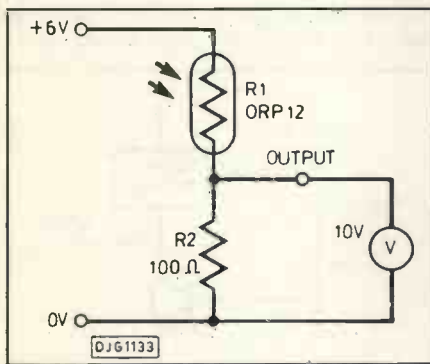


Fig.4. Light sensitive circuit

## REAL WORLD INTERFACING

Interfacing logic to logic is fine but we need real-world interfacing if our system is to be of practical use. In other words, the system must have input and output sections. We consider real-world input first.

The most obvious real-world input interface is the press-button, switch or key, by which we tell a circuit what we want it to do. The interfacing may consist of just the button, switch or key by itself, though it may be preferable to de-bounce it. Module 4 (Oct 88) is a good example of such an interface.

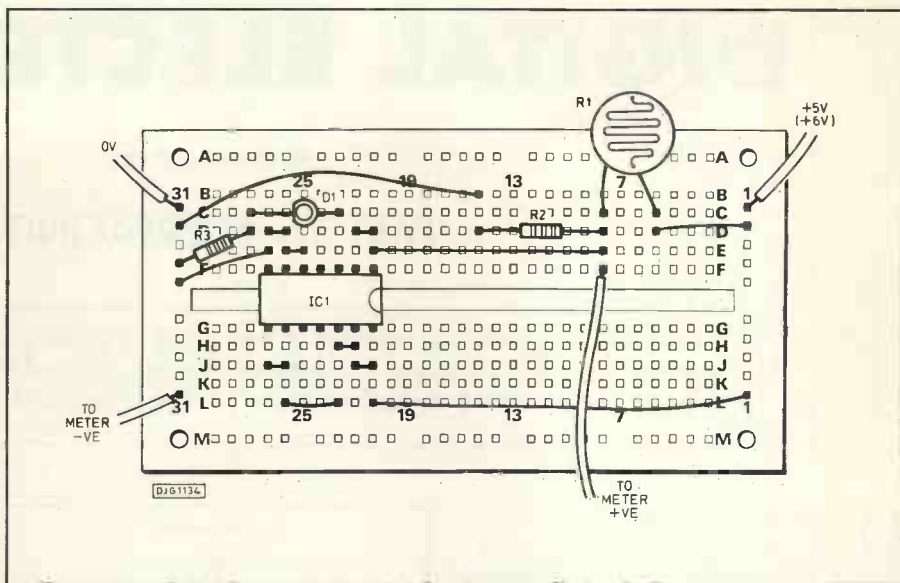


Fig.5. Breadboard layout of circuits for Figs. 4 and 6.

In a previous article we described a security system that operates only by day. It needs a light-sensitive input stage. There are various ways of building this sort of interface. One way is shown in Fig. 4. Let's find out how it works.

## Investigation 1

### Light-sensitive interface

The interface has a light sensor, consisting of a light-dependent resistor (ldr) alternatively known as a photoconductive cell (pcc). ldrs (or pccs) are made of cadmium sulphide. This is a semiconductor material, the resistance of which depends on the amount of light falling on it. Resistance is high in darkness or low light, but is much less in bright light. We make use of this fact in the light-sensitive interface.

1. Connect the circuit as shown in Fig. 5. For the present do not include the components on the lower half of the board (IC1, D1, R3), which will be added later.
2. Cover the ldr with a small box (or your hand) to keep light away from it.
3. Switch on the power. Read the meter.
4. Gradually remove the box (or your hand), do that an increasing amount of light falls on the ldr. Watch how the meter reading changes.
5. What is the meter reading when the ldr is fully exposed?
6. Gradually replace the box (or your hand). Watch how the meter reading changes.

What is happening is that the resistance of the ldr falls gradually as the ldr receives more light. The ldr (R1) and the fixed resistor (R2) act as a potential divider. As the resistance of R1 falls, the voltage at the junction between R1 and R2 rises.

This interface gives us an output voltage that varies according to the amount of light. Now we need to arrange for this to have an effect on a logic gate. Add IC1, D1 and R3 to the breadboard, to make the circuit shown in Fig. 6. The figure shows the connections if a 4011 ic is used to provide the gate. The inputs to the unused gates are connected to +5V (pins 8, 9, 12, 13) or 0V

(pins 5, 6) for reliable action. If you are using ttl, the pins to be connected to 5V or 0V are 4, 5, 9, 10, 12 and 13 (as in Fig. 8).

The output level from the gate is indicated by the led (D1), but you could use a logic probe instead. Now to continue with the investigation.

7. Vary the amount of light falling on the ldr. What happens to the output? When is the output low? When is the output high?

## Interfaces to design

### (Comments on p. 41)

1. Design a light-sensitive interface that has a low output in the light and a high input in the dark.
2. Design a light-sensitive interface that has low input in the dark, high input in the light, and that can be adjusted to change from low to high at any given light level.

## IMPROVING THE INTERFACE

The interface described above gives a good clear response if the light level is distinctly weak or distinctly strong. What happens when it is in-between? For example, if the level of light is increasing slowly as the sun rises, there are in-between light levels which are neither weak nor strong. What is the interface to do at these levels?

We can decide on a particular threshold light level and say 'If it is darker than this, it is night – the interface must have a low output. If it is as bright or brighter than this, it is day – the interface must have a high out-

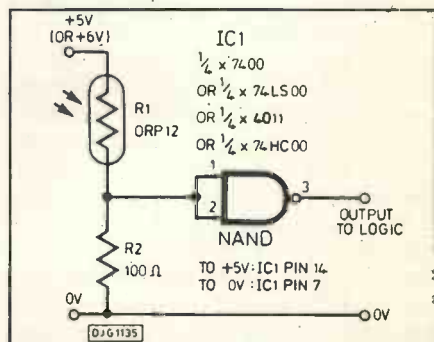


Fig.6. Light sensitive input interface

put.' We then design the interface to trigger at the level we have decided on. But, just after the sun has risen and day has just begun and the interface is giving a high output, a small cloud passes in front of the sun. This reduces the light level. The interface returns to its night-time state! What a short day! This could happen many times during dawn. Under such circumstances, the interface output changes many times from low to high and back again. It settles at high only when the sun is so far above the horizon that clouds can not reduce light below the threshold level.

The reverse situation occurs at sunset. Imagine a porch lamp that is to be turned on at dusk. In cloudy weather, the lamp flickers on and off for perhaps half an hour at sunset. The cure for such erratic behaviour is to use a Schmitt trigger gate, as described in part 2 (Oct 88), instead of the NAND gate of Fig. 6. In a Schmitt trigger interface designed to operate at sunrise, the gate changes state when the light level first reaches the selected level. Clouds do not normally reduce light level sufficiently to make the gate change back again. This principle is used in the interface described below. It is also used in this month's Module 7, as you can find out by building it and experimenting with it.

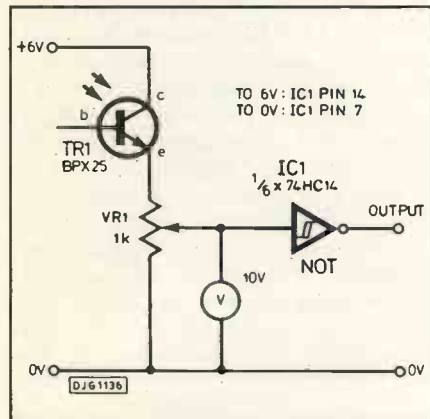


Fig. 7. A light sensitive interface, using a photo transistor and a Schmitt trigger gate. The meter is used for investigating the action of the gate

## PHOTO-TRANSISTOR SENSOR

This is another sensor used for detecting light. In Fig. 7 it looks as though we have forgotten the base connection, but it is not necessary to supply current to the base of a phototransistor. When light shines on the transistor, charge carriers are produced in its base region. The effect is the same as if a current is flowing into the base region. The brighter the light, the bigger the effect. Increasing the light has the same effect as an increased base current.

As in an ordinary transistor, increasing the base current increases the collector current. So the final effect of increasing the light is to cause an increased collector current to flow. The current flows on through VR1. The bigger the current the bigger the voltage developed across VR1. We tap this voltage at any required level by adjusting

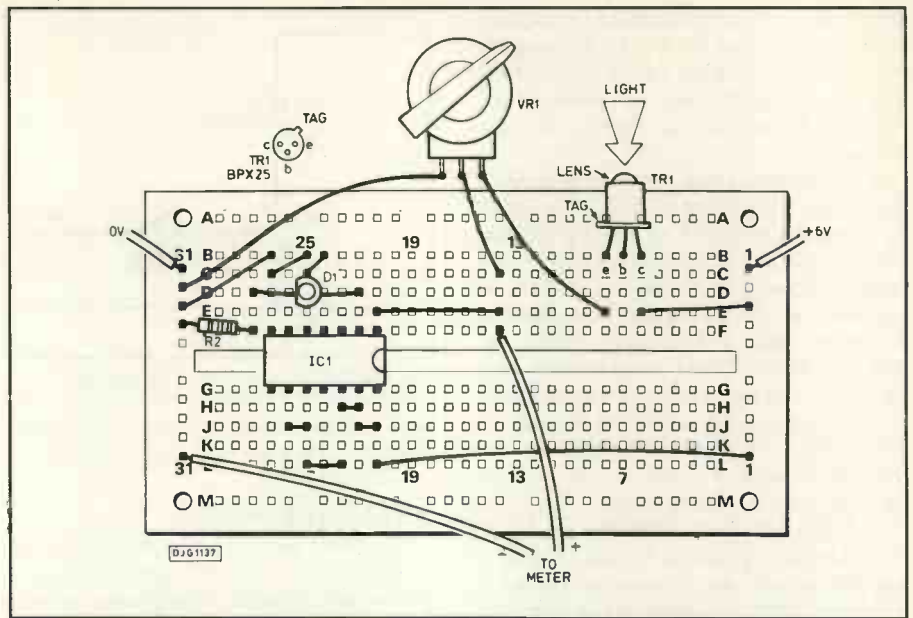


Fig.8. Breadboard layout of the circuit in Fig. 7.

VR1. In this interface we use a 74HC14 ic which is a cmos ttl gate with a Schmitt trigger input. The reason for preferring this type of gate input was explained in the previous section. Follow the instructions below to find out how it works.

## Investigation 2 Phototransistor interface

The circuit has a variable resistor, so that it can be set to trigger at a required light level. The phototransistor is in a metal case with a small lens to direct the light on to the tiny transistor inside.

1. Arrange a bench lamp to shine on the phototransistor from a distance of about 50cm, and make sure that the lens is pointing directly at the lamp. Bend the wire leads of the phototransistor, if necessary.

2. The voltmeter measures the voltage at the wiper of VR1. This is the voltage that is being input to the gate. Turn VR1 to raise the voltage to 3V or more. If it does reach this level, check that the phototransistor is pointing at the lamp. If it is already pointing at the lamp and the voltage is not high enough, bring the lamp nearer. The led should now be off.

3. Slowly turn VR1 to reduce the voltage. Watch the led and stop turning VR1 as soon as the lamp goes on (ie, the input to the gate counts as 'low'). What is the voltage? This is the lower threshold voltage of the gate.

4. Turn VR1 slowly back again. The led does not immediately go off. Continue turning VR1 slowly until the led goes off. What is the voltage? This is the upper threshold voltage of the gate.

5. Slowly place your hand between the lamp and the phototransistor. You will see the voltage fall as the light level decreases. As the voltage reaches the lower threshold the led comes on.

6. Slowly take your hand away. Does the led go out immediately?

7. Continue moving your hand slowly away and watch the voltage increase as the amount of light reaching the phototransistor

increases. This is what would happen at sunrise.

8. Stop moving your hand as soon as the upper threshold is reached and the led goes off. Now try moving your hand a little way back - this is the cloud passing over the rising sun. Does the led immediately come on again? (see p. 41).

## CHOOSING LIGHT SENSORS

The ldr and the phototransistor work in different ways, but with the same effect - a change of voltage. An important difference between them is that the phototransistor responds more rapidly than the ldr to changes in light level. With a slowly changing light level, such as sunrise, the ldr is fast enough. But, if you have to detect a sudden and short-lived change such as the momentary breaking of a light-beam, an ldr may not have time to respond before the light is restored to its high level again. For applications such as these, which include detecting a racing-car passing the winning post or articles moving along a conveyor-belt, the phototransistor has the advantage. Its response time can be further reduced by

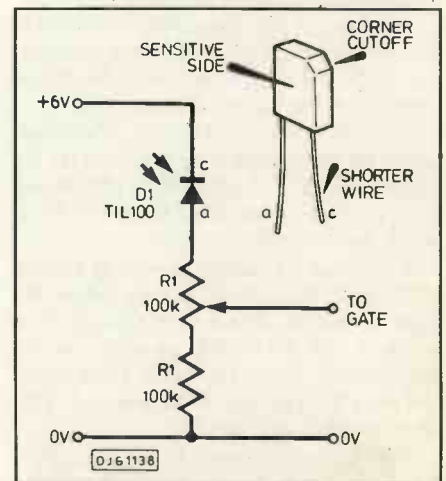


Fig.9. Using a photo-diode. Inset: the TIL100

connecting its base terminal to the positive supply through a resistor of high value. This provides a small steady base current which puts the transistor into readiness for sudden changes in the amount of light falling on it.

Another sensor that has several applications is the photodiode (Fig. 9). It is usually connected as shown, so that it is reverse-biased. You might think that nothing would happen, because a reverse-biased diode is supposed to prevent current from flowing. However, there is a current flowing, the leakage current. This is small but, if it goes on to flow through a high resistance, a sizeable voltage appears across the resistor. In bright light, the leakage current of the TIL100 is around 15µA. The voltage developed across the resistors is:

$$V = IR = 0.000015 \times 200000 = 3V$$

By choosing a suitable resistor, or using a variable resistor, we can arrange to obtain a voltage suitable for triggering a gate at a given light level. The TIL100 photodiode has a large sensitive area and is particularly sensitive to infra-red. It has many applications, including remote-control systems and intruder detection.

### Investigation 3 Infra-red interface

Investigate the behaviour of the TIL100 photodiode as in Investigation 2, using a bench lamp as a source rich in infra-red radiation.

### TEMPERATURE SENSOR

The most useful device for sensing changes in temperatures is the thermistor. This is made from a resistive material, the resistance of which changes markedly with change in temperature. Two kinds of thermistor are available. Those with positive temperature coefficient (ptc) have increased resistance as temperature increases. Those with negative temperature coefficient (ntc) have decreased resistance with increased temperature. The latter type is used in the next investigation.

### Investigation 4 Temperature-sensitive interface

A range of ntc thermistors is available with different resistances at room temperature (25°C). The type chosen for this investigation has a resistance of about 47k.

1. Set up the circuit (Fig. 10). The breadboard layout is similar to Fig. 8, with R1 instead of TR1. Adjust VR1 until the led goes on. The voltage at the wiper of VR1 is below the lower threshold.

2. Increase the voltage slowly, by turning VR1, until the voltage is just below the upper threshold. The led remains off. Use a meter to find this position, as in Investigation 2, or experiment a few times and note the position of the knob of VR1 when the led first comes on.

3. Grip the thermistor gently with your finger, to warm it. What happens to the led?

4. Remove your fingers to let the ther-

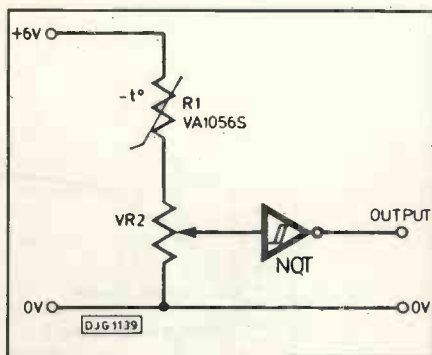


Fig.10. Temperature sensitive interface

mistor cool. Does the led immediately come on? Does it ever come on? (p. 41).

### ANALOGUE INPUTS

We have confined our discussion and investigations to binary inputs. For example, we have thought of light levels as being 'high' (=day) or 'low' (=night). We have thought of temperature as being 'too darned hot' (so sound the alarm) or 'not too darned hot' (keep quiet). In our light sensors, we have even gone to the trouble to use a trigger circuit to make a clear distinction between day and night. In-between states are not recognised.

In other applications we want to know exactly what the light level (or temperature) is. A digital thermometer, for example, must be able to measure temperature to the nearest degree, or even more precisely than that. 'Too hot' or 'too cold' is not good enough. For applications such as this we need to replace the binary input with an analogue input. Analogue inputs (and outputs) will be next month's topic.

### OUTPUT INTERFACES

These are the interfaces that make something happen in the real world. One of the

simplest of these is the humble led. We have used this frequently to indicate what is going on in the logic circuit. It does not do much except please you or annoy you, depending on what you expected it to do!

In practical applications of digital electronics we use output interfaces to drive devices such as lamps, motors, sirens, bells, solenoids, heaters – all of which are electrically-powered. Driving these devices is a matter of switching them on or off as required. Controlling the brightness of lamps or the speed of motors is usually a matter for analogue output circuits which, as stated above, will be described next month.

Fig. 11 illustrates some techniques for driving external devices from logic circuits. The simplest form of switching is to drive the device directly from the logic output (a). Only a few milliamps is available from the gate. The led indicator is our most common example of this. Using gates with open oscillator outputs, we can drive lamps and other low-current devices that operate on higher voltages (b).

If more current is required, we use a transistor switch (c). For currents up to 300mA a low-power transistor such as the ZTX300 can be used. A medium-power transistor (BD131) can carry up to 3A, while a high-power transistor (2N3055) can carry up to 15A. As well as higher currents, these transistors can power devices that operate at higher voltages (up to 25V, 45V and 60V respectively). Higher voltage and higher currents mean higher power – a heat sink may be necessary. Transistor switches can be used for a wide range of outputs interfaces, including lamps, audible warning devices, sirens, solenoids, dc motors, and amplifiers. If the load is inductive (ie, it has an electromagnetic coil in it), it is important to connect a diode across it, as shown by the dotted lines in Fig. 11c. This

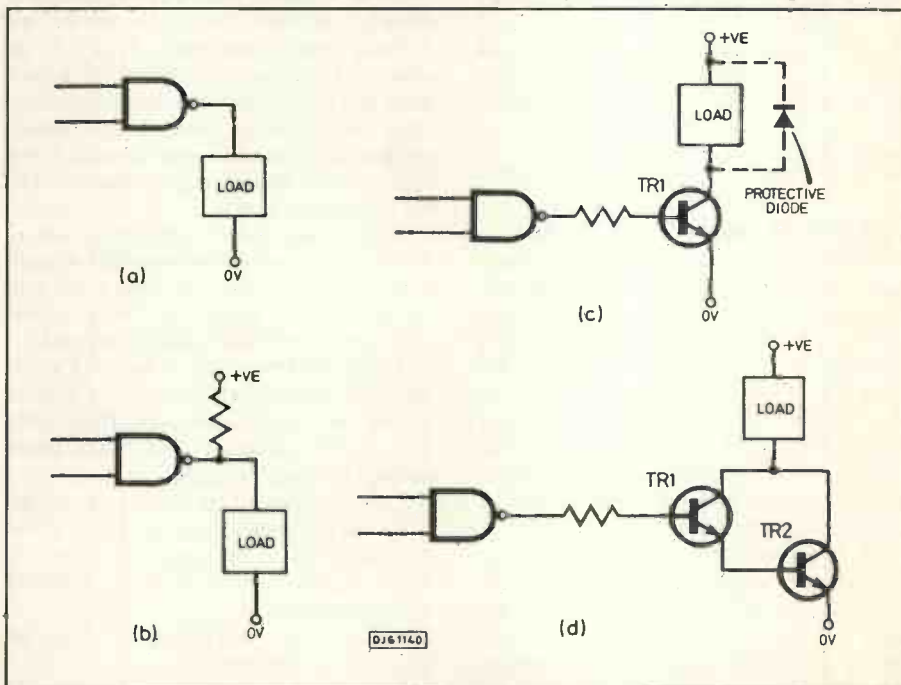


Fig.11. Output interfaces: (a) direct logic device, (b) open-collector output, (c) transistor switch, (d) Darlington switch.

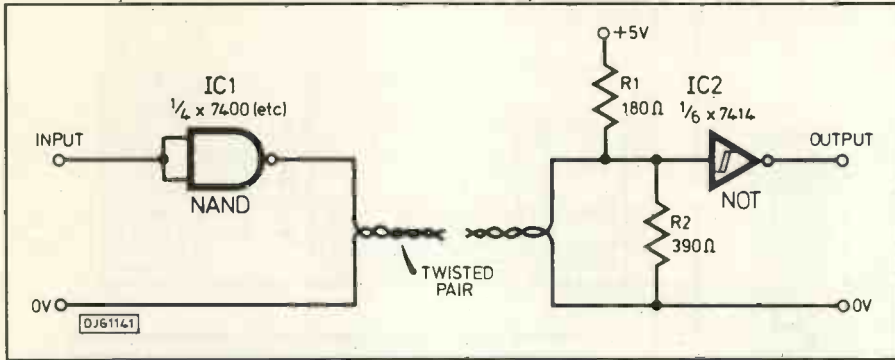


Fig.12. Line driving with TTL

is because of the strong back emf that the coil generates when the current in it is suddenly switched off. The back emf may be several hundred volts. It produces large currents through the transistor in the wrong direction and possibly destroys it. The protective diode conducts such currents safely away. Use it in circuits for driving electric bells, relays, motors and solenoids.

Although the transistor may be able to cope with large currents, it may be that the logic gate is unable to provide sufficient base current to switch the transistor. This is often the problem with power transistors, which usually do not have such a high current gain as the low-power transistors. The 2N3055, for example, has a current gain of only 45. If we are trying to switch a motor requiring 5A, the base current to the power transistor must be at least 111mA. Obviously no logic gate could supply a current of this magnitude. In this case we use two transistors, connected as a Darlington Pair (Fig. 11d). TR1 can be a high-gain low-power transistor, and TR2 is a low-gain high-power transistor. The gate supplies a small base current to TR1. The collector current of TR1 is (say) 200 times larger than this, and becomes the base current of TR2. The gain of TR2 might be 50, giving an overall current gain of 10000 for the pair. Only 0.5mA is required from the gate to result in a current of 5A through the load.

Another way of switching is to use a relay. Use any of the circuits in Fig. 11, with the relay coil as the load. Apart from their being able to switch loads operating at high voltages (250V or more), an high currents (10A or more), relays are able to switch alternating current, including audio signals. This is something that the transistor switches described above can not do. Some relays can be energised directly from a ttl output, as in Fig. 11a. This type is often available in dil package like an integrated circuit, which makes it very convenient for mounting on the circuit board beside the logic ics. These low-power relays usually have lower voltage and current ratings than the larger types. If you use these, take care not to overload them as sparking may cause the contacts to weld together – and there's no way of getting inside the package to prise them apart!

The larger relays are best driven by making their coil the load of a transistor switch (Fig. 11c or 11d). This is the technique adopted for the relay of Module 8. Note the

protective diode in the module. Some types of relay have a diode built in, but this type does not. With a suitable relay, you can interface to anything from a low-voltage lamp, an alarm bell, a radio set, an ac motor or an immersion heater to a ship's turbine or airport landing lights.

## LINE DRIVING

If we feed the output from a logic gate into a long wire, the logic levels at the far end of the wire may be very different from those at the starting point. The gate may not succeed in driving the levels firmly high or low. Electromagnetic interference may generate voltage spikes on the line. Sudden changes of voltage may be reflected back from the far end of the wire. We can reduce the electromagnetic effect by twisting the signal wire and the 0V wire around each other. This is known as a twisted pair.

We can improve the reception of logic levels at the far end by using special buffer gates designed for line driving and line receiving. Fig. 12 shows a way of driving and receiving, using ordinary ttl gates. The driver is any standard ttl gate, such as the NAND gate illustrated. This is connected as a NOT gate, so it inverts the original logic level. Connection to the receiving ic is by way of a twisted pair of wires. At the receiving end the input of the Schmitt trigger gate is held ready to move up or down according to the signal arriving along the line. The Schmitt trigger input helps to ensure that minor changes in voltage, caused by interference, have no effect on the gate. The gate is a NOT gate, so it

inverts the logic level back to the original state. This method of line driving is not as reliable as using specially-designed line driving ics but is satisfactory for many purposes.

## TRI-STATE OUTPUTS

This name is a bit of a puzzler, since it sounds as if we have a new type of logic with three possible states. Could they be 'high', 'low' and 'your guess is as good as mine'? No, there are only the two usual states 'high' and 'low'. The third state is 'mind your own business'. In other words, in the third state, the output of the logic circuits inside the ic is disconnected from the output pin of the ic and you can't tell what the output is. A more technical way of saying this is that the third state is high impedance.

Gates with three-state outputs are very commonly used in computers and other microprocessor-based circuits. In these, it is necessary to transfer data from one part of the circuit to another. For example, in a computer we may need to transfer data from:

- \* the memory to the microprocessor,
- \* the microprocessor to the memory,
- \* the disc drive to the memory,
- \* the microprocessor to the printer,

and many other transfers too. We could have several sets of wires – one set for every data transfer to be made. But we usually need at least eight wires for data transfer. The interior of the computer would soon begin to look even more like a bird's nest than it does already. The solution is to have just one set of connections, the data bus, to which all the parts of the computer are connected. Fig. 13 shows a data bus (only four lines to make the drawing simpler). This has four devices attached to it – these might be the output or input stages of the memory, the microprocessor, the disc drive or the printer. Device A, B and C all have outputs connected to the bus. These are 'talkers'. They put data on to the bus. Device D has inputs connected to the bus. It is a 'listener'. It reads the data that is present on the bus.

D can receive data from A or from B or from C. The important thing is that A, B

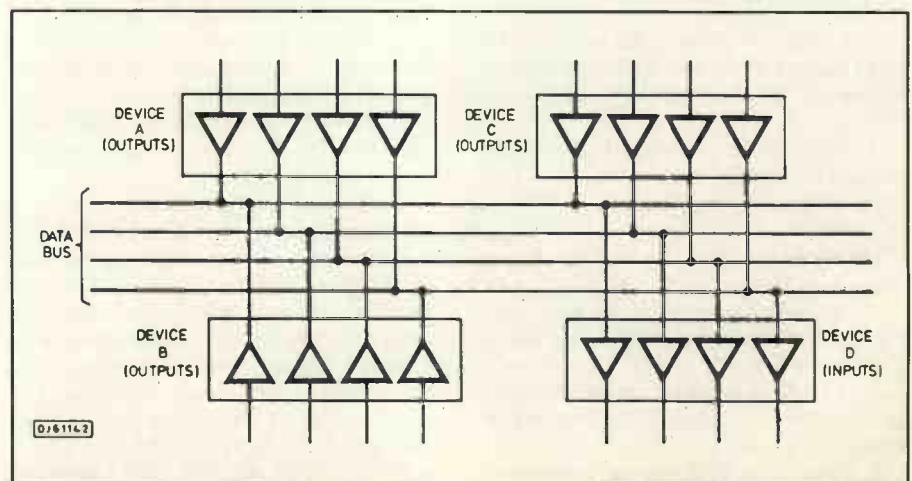


Fig.13. Using Tri-state outputs

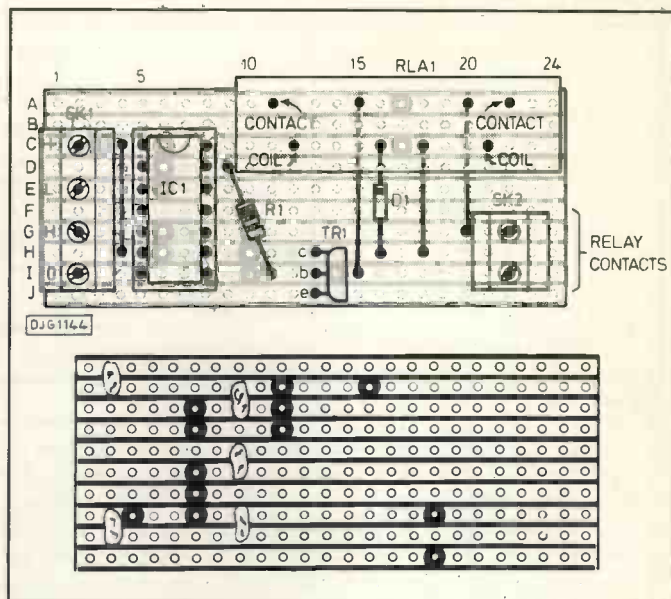
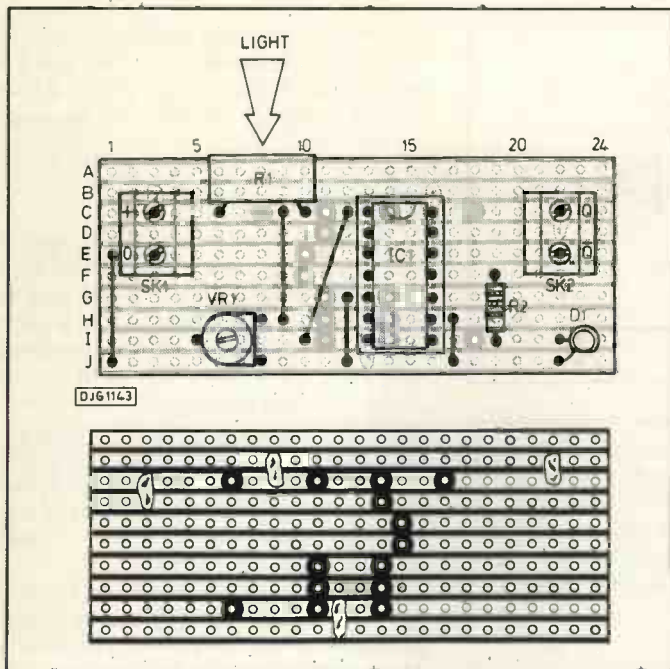


Fig. 14. (Left) Module 7: Light sensor  
Fig. 15. (Right) Module 8: Relay

and C must not all talk at once. This is where the TRI-state outputs are used. The outputs of the gates in devices A to C are all three-state outputs. When a device is not supposed to be putting data on the bus, its outputs are switched to the high impedance, or disabled state. The logic of the computer control circuit is such that only one device is enabled to put data on the bus at any one time. D listens happily to one talker at a time, without being confused.

## TEST YOURSELF

Answers on p. 41

- Which gate-to-gate interfaces need a pull-up resistor?
- What happens to the resistance of an ldr when the amount of light falling on it is reduced?
- How many standard ttl gates can be driven from an HC ttl output?
- What kinds of sensor can be used in a light-sensitive input interface? Which would you choose for the fastest response?
- What is the difference between a ptc thermistor and an ntc thermistor? Which sort did we use in the temperature sensitive interface?
- In Fig. 10, what is the effect on the input voltage of the gate as the temperature increases? What is the effect on the output voltage?
- Which of the circuits of Fig. 11 would you use for interfacing to:
  - an electric fan driven by a 240V ac motor.
  - a beacon operating at 12V dc and requiring 4A.
  - an audible warning device on a washing machine, operating at 6V dc and taking a current of 10mA.
  - a small dc motor on a robot, operating at 3V, 250mA and able to be reversed by reversing the current.
- What is the third state of a three-state output and where is it most often used?

## MODULES OF THE MONTH

### 7. Light Sensor

This module (Fig. 14) is based on a ldr and is adjustable to trigger over a wide range of light levels. Output Q is high when the light is below the set level and is low when it is above. Output Q is the inverse of output Q. The led shows the state of output Q. The ldr faces toward the top edge of the board, but can be mounted to face in other directions. It can also be connected on an extension lead if preferred. The module takes 6mA when the led is off, and 15mA when it is on.

#### Parts required

- R1 ORP12 light-dependent resistor (or similar type)
- R2 180 ohm carbon or metal-film
- VR1 1k preset resistor, miniature,
- IC1 74HC14, hex Schmitt trigger inverters
- D1 TIL209 or similar led
- SK1, SK2 pc terminal 2-way 14-pin dil socket. Stripboard Vero 14345.

### 8. Relay

This module (Fig. 15) drives a relay from logical inputs. There are two inputs:

L activates the relay when it receives a low input; if this input is not being used, connect it to the positive supply (+).

H activates the relay when it receives a high input; if this input is not being used, connect it to 0V (0).

Both inputs may be used in a circuit - ie, the relay is activated if L is low OR H is high (or both). There is room on the board to substitute any small relay. The type specified is a reed relay with a normally-open switch which closes when the relay is activated. Another type in the same series has a change-over switch; substitute a 3-way terminal for SK2 if you are using this. The contacts of the specified relay are rated at 500mA, 200V dc, 10W, with a non-reactive load. This module takes 3mA when

quiescent and 30mA when the relay is energised.

#### Parts required

- R1 56k, carbon or metal film
- D1 1N4148 silicon diode
- TR1 ZTX300 npn transistor
- IC1 74LS02 quadruple 2-input NOR
- RLA1 encapsulated reed relay, form A (Electromail stock no. 348-970)
- SK1 pc terminal 4-way
- SK2 pc terminal 2-way
- 14-pin dil socket
- Stripboard Vero 14345

## SYSTEMS OF THE MONTH

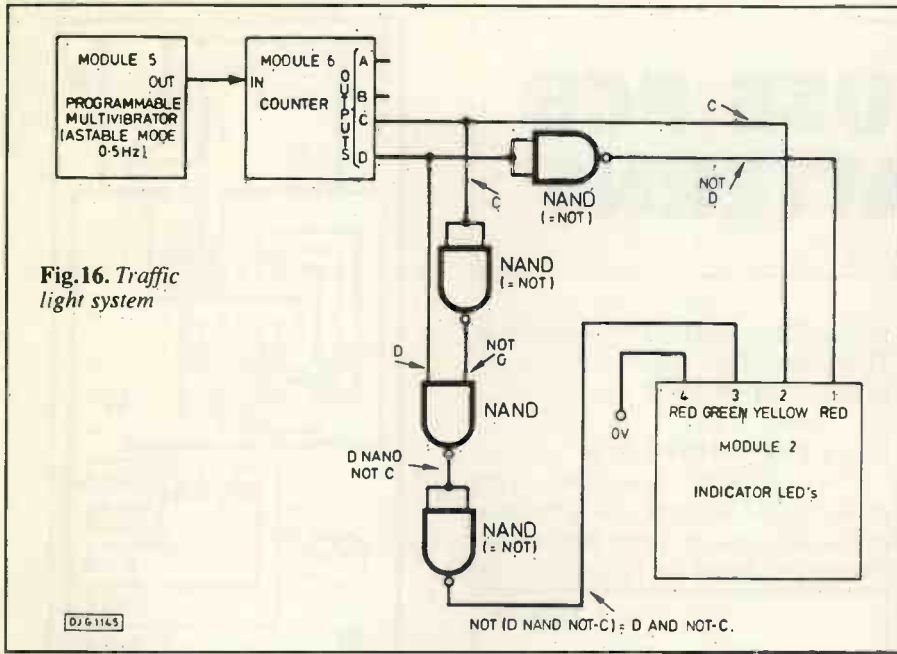
Here are two systems that you can build using some of the modules described in previous months:

### 1). Traffic lights (Fig. 16)

This is powered by Module 1, a bench psu or a 6V battery. The timer is the programmable multivibrator (Module 5) set to run in astable mode at 0.5Hz. Its output drives the counter (Module 6) which runs through the following stages:

| Count | Outputs | leds to be lit |
|-------|---------|----------------|
|       | D C B A |                |
| 0     | 0 0 0 0 |                |
| 1     | 0 0 0 1 | Red            |
| 2     | 0 0 1 0 |                |
| 3     | 0 0 1 1 |                |
| 4     | 0 1 0 0 |                |
| 5     | 0 1 0 1 | Red and yellow |
| 6     | 0 1 1 0 |                |
| 7     | 0 1 1 1 |                |
| 8     | 1 0 0 0 |                |
| 9     | 1 0 0 1 | Green          |
| 10    | 1 0 1 0 |                |
| 11    | 1 0 1 1 |                |
| 12    | 1 1 0 0 |                |
| 13    | 1 1 0 1 | Yellow         |
| 14    | 1 1 1 0 |                |
| 15    | 1 1 1 1 |                |





**Fig. 16.** Traffic light system

To decode this output and make it switch the leds we need use only outputs D and C. This gives us the following logical statements:

| Statement               | Logic circuit needed       |
|-------------------------|----------------------------|
| Red is on when D=0      | NOT D                      |
| Yellow is on when C=1   | Drive yellow direct from C |
| Green is on D=1 AND C=0 | D AND NOT-C                |

Instead of using an AND gate for the green light, it is more convenient (though more confusing) to use NANDs: D AND NOT-C = NOT (D NAND NOT-C)

The logic is wired up on a breadboard, using a single 74LS00 ic.

The same sequence of lights is obtained using the A and B outputs instead, with the clock running at one quarter of the speed.

**Design problems:** The lights are at a cross-road. Design the logic to operate the lights for the crossing road; i.e. 0-3 gives green, 4-7 gives yellow, 8-11 gives red, 12-15 gives red and yellow. (No answer given - try it out on the breadboard!).

**2. Light-triggered alarm (Fig. 17):** The alarm sounds when the light beam is broken or the alarm-button is pressed. It continues to sound until the reset button is pressed. Use a 74LS02 for the two NOR gates.

**Design problem:** Replace Module 8 and the bell with an oscillator based on Module 5.

## BUFFERS

| Series                    | Number | Logic                |
|---------------------------|--------|----------------------|
| Series ttl open-collector | 7406   | NOT (inverting)      |
|                           | 7407   | TRUE (non-inverting) |
| CMOS 4000                 | 4049   | NOT (inverting)      |
|                           | 4050   | TRUE (non-inverting) |
|                           | 4502   | NOT (inverting)*     |

\* with tri-state outputs

## DIGITAL ELECTRONICS

### Comments

#### Interfaces to design

1. There are two ways of setting about this. One is to interchange the ldr and resistor R2 (Fig. 6). Make R2 larger (100k is suitable) to get the gate to change state at typical light levels. The other approach is to invert the output from the gate. Feed the output to a second gate in the same ic. This too has its inputs connected to make it act as a NOT (INVERT) gate. The output from this is the inverse of the output from the first gate, which is what is required.

2. The circuit is the same as Fig. 6, except that R2 is replaced by a variable resistor of low value, for example, 1k. The gate input is taken from the wiper of this resistor. The light level at which the gate

### Answers to questions

1. TTL or LS ttl to 4000 series or HC ttl; ttl or LS ttl to 4000 series when the 4000 series i.c. is operating on a higher supply voltage.
2. It increases.
3. Two inputs.
4. LDR, phototransistor, photodiode.
- For speed, use a phototransistor or photo-diode.
5. PTC = positive temperature coefficient; resistance increases with increasing temperature; ntc = negative temperature coefficient; resistance decreases with increasing temperature. The output voltage decreases when the input voltage equals or exceeds the upper threshold voltage of the gate.
- 7(a), a heavy-duty relay rated for at least 240V and 5A.
- (b), a power transistor.
- (c), try driving direct from the gate output; if this does not give a loud enough sound, use a low-power transistor.
- (d), since current must be reversible, a relay is used. Since current and voltage are small, this can be a low-rated type, possibly driven directly from the gate output.
8. High-impedance. Used where output feeds data to a data bus.

output changes depends on the setting of this variable resistor.

#### Investigation 2

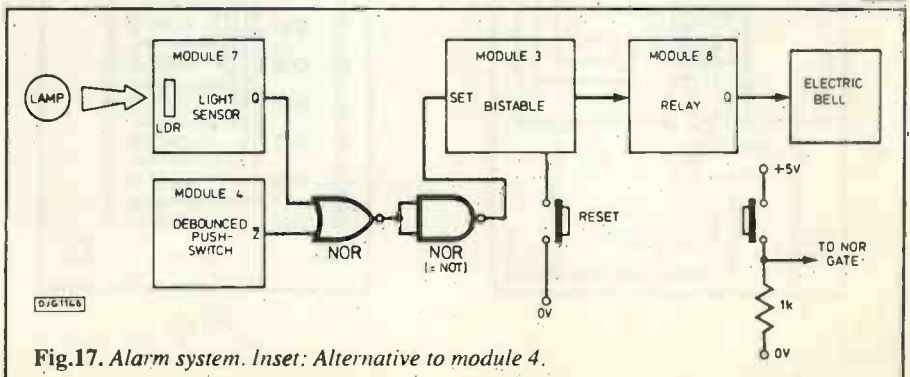
If the supply voltage is 6V, the lower threshold of the gate is approximately 2V. The upper threshold is approximately 2.8V. At step 6 the led does not go out immediately; you have to withdraw your hand until the voltage reaches the upper threshold. At step 8 the led does not come on unless the voltage falls below the lower threshold.

#### Investigation 4

At step 3 the led comes on, usually within a second if you have set the voltage close below the upper threshold. The slight reduction in resistance of the thermistor produces a slight rise in voltage, sufficient to trigger the gate to change state. The led does not come on when you take your fingers away. You need to cool the thermistor, perhaps by putting ice on it, to make the led come on again. This interface is suitable for a fire alarm system, but not for a thermostat. Why?

## FANOUT NUMBERS

| Output from          | Input to Standard ttl | LS ttl |
|----------------------|-----------------------|--------|
| Standard ttl         | 10                    | 40     |
| LS ttl               | 5                     | 20     |
| HC or HCT ttl        | 2                     | 10     |
| 4000 series          | 0                     | 1      |
| Standard ttl buffers | 30                    | 60     |
| LS ttl buffers       | 15                    | 60     |
| HC ttl buffers       | 4                     | 15     |
| 4000 series buffers  | 2                     | 4      |



**Fig. 17.** Alarm system. Inset: Alternative to module 4.



# HOW TO USE PCB TRACK PATTERNS

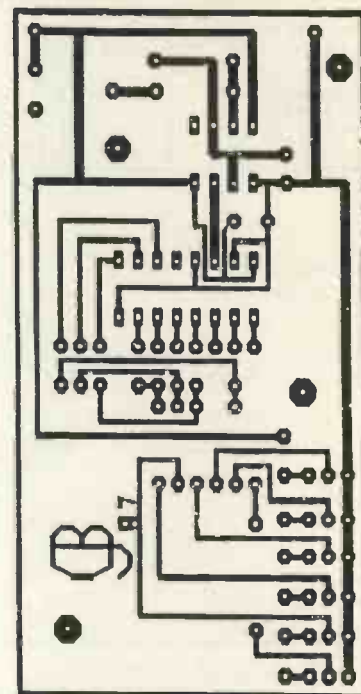
## ISODRAFT METHOD

Have a normal photocopy made, ensuring good dense black image. Spray ISODraft Transparentiser onto copy in accordance with supplied instructions.

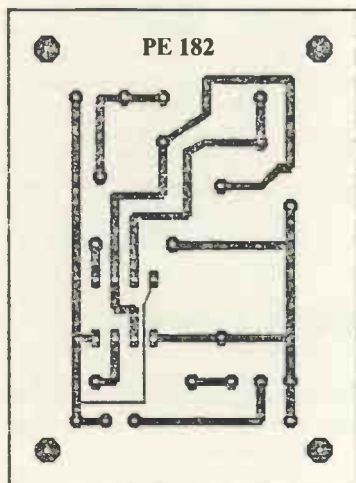
ISODraft is available from Cannon & Wrin, 68 High Street, Chislehurst, Kent. Tel: 01-467 0935.

## NEXT PRINT ONTO PCB

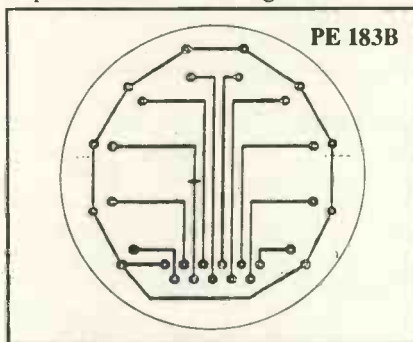
Place positive transparency onto photosensitised copper clad fibre glass, cover with glass to ensure full contact. Expose to Ultraviolet light for several



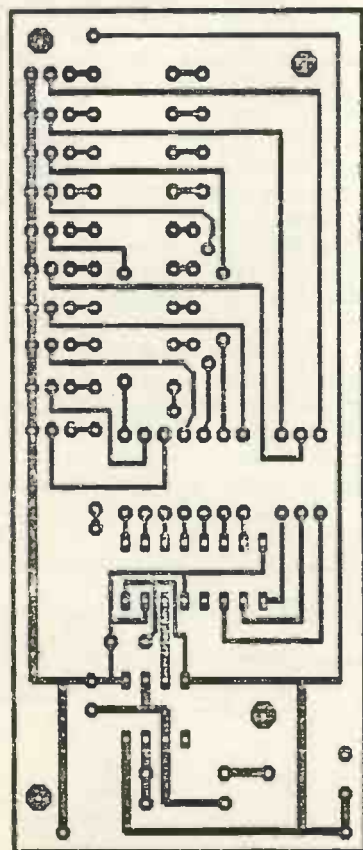
PE 185A



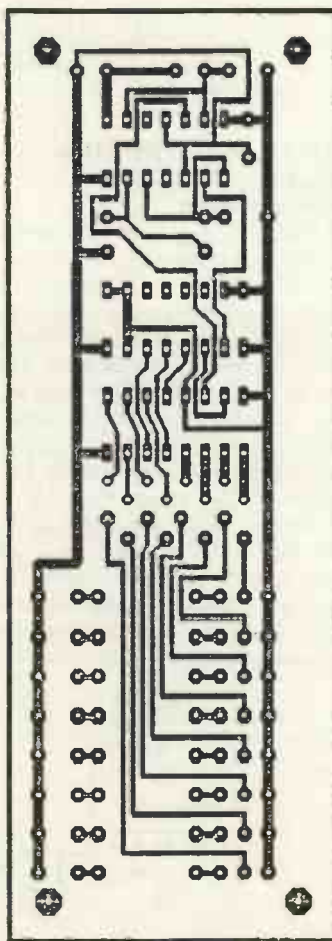
PE 182



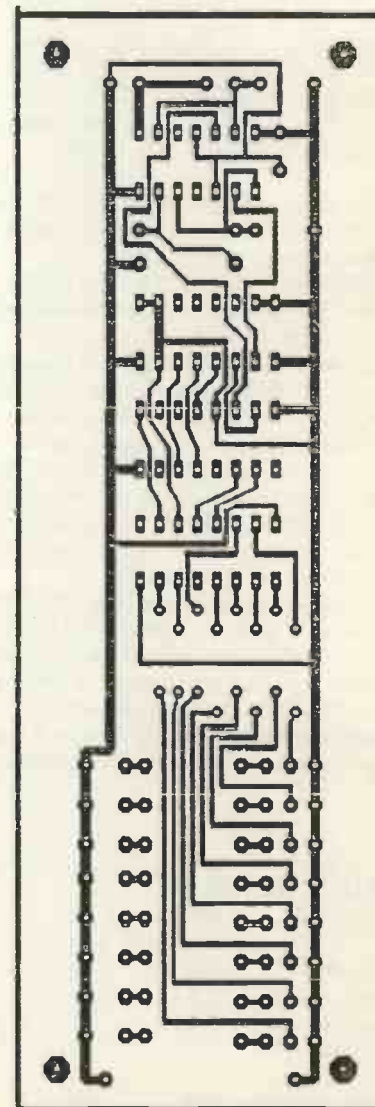
PE 183B



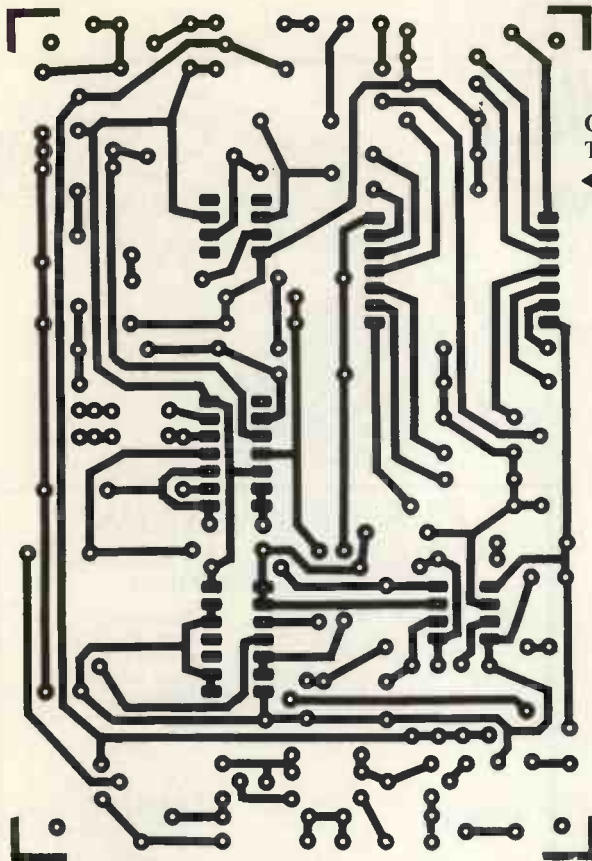
PE 183A



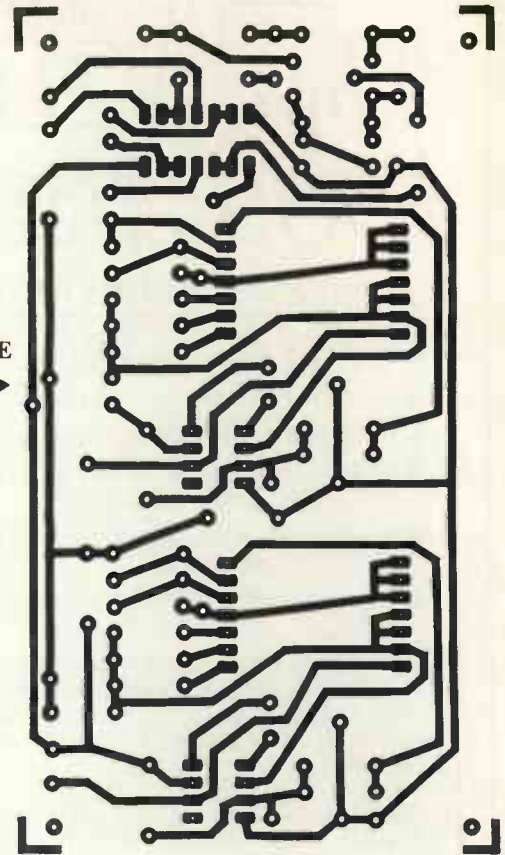
PE 184



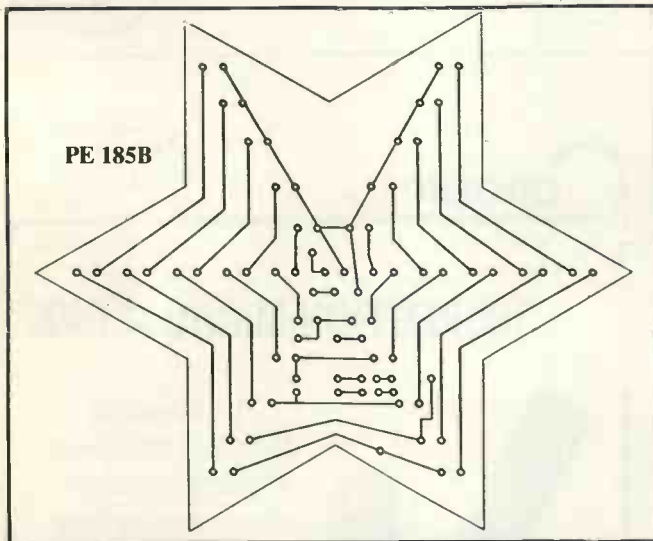
PE 186



OSCILLOSCOPE  
TIME BASE



OSCILLOSCOPE  
Y-AMPS



PE 185B

minutes (experiment to find correct time – depends on UV intensity).

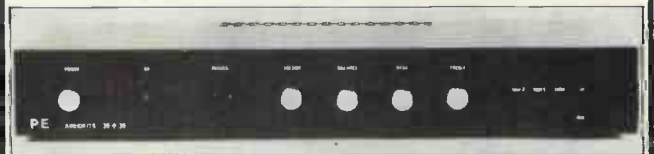
Develop PCB in Sodium Hydroxide (available from chemists) until clean track image is seen, wash in warm running water. Etch in hot Ferric Chloride, frequently withdrawing PCB to allow exposure to air. Wash PCB in running water, dry, and drill holes, normally using a 1mm drill bit.

(PCB materials and chemicals are available from several sources – study advertisements.)

**\* CAUTION – ENSURE THAT UV LIGHT DOES NOT SHINE INTO YOUR EYES. PROTECT HANDS WITH RUBBER GLOVES WHEN USING CHEMICALS.**

**ALTERNATIVE METHOD**

Buy your PCB ready made through the PE PCB SERVICE, most are usually available.



**PE 30 + 30 AMPLIFIER**

Build this superb amplifier and enjoy high quality sound at a fraction of the cost of comparable manufactured amplifiers. Available in 3 versions.

|         |          |      |                |
|---------|----------|------|----------------|
| 30 + 30 | STANDARD | 30W  | £172           |
|         | STANDARD | 40 W | £185           |
|         | IMPROVED | 40W  | £400 p&p £6.00 |

PCB AND COMPONENTS AVAILABLE SEPARATELY

INTEGRATED AMPLIFIER KITS FROM £99.50

PREAMPS FROM £166

POWER AMPS FROM £195

**AUDIOKITS XMAS SALE**

SEND FOR OUR LIST OF BUILT & TESTED AMPLIFIERS INCLUDING DISCONTINUED MODELS, 30 + 30 KITS, MODULES etc.

|            |                             |
|------------|-----------------------------|
| <b>NEW</b> | TO3P Mosfets 25J 162, £4.50 |
|            | 25K 1058 £4.50              |

For full details of AUDIOKITS amplifier kits and components please send SAE (overseas 3 IRC's) to

**AUDIOKITS PRECISION COMPONENTS**  
6 Mill Close, Borrowwash, DERBY DE7 3GU

Tel: 0332 674929

# CRICKLEWOOD

## OUT NOW!

# ELECTRONICS

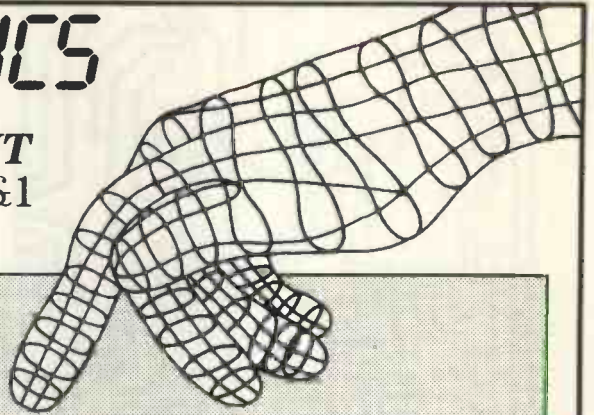
## 1989 100 PAGE COMPONENT CATALOGUE PRICE £1

SEND OFF FOR YOUR COPY TODAY...

- WE STOCK AN UNRIVALLED RANGE
- ALL OUR COMPONENTS ARE FIRST CLASS BRANDED ITEMS
- WE OFFER A SAME DAY SERVICE ON ALL STOCK ITEMS
- NO MINIMUM ORDER—IF YOU NEED ONE COMPONENT WE CAN SUPPLY ONE COMPONENT
- WE HAVE ADOPTED A NEW LOWER PRICING POLICY + QUANTITY DISCOUNTS
- FREE VOUCHERS WITH YOUR CATALOGUE—ORDER ONE NOW!..

JUST FILL IN THE COUPON OPPOSITE AND POST IT WITH YOUR £1 PAYMENT TO THE ADDRESS BELOW. YOU WILL RECEIVE NOT ONLY OUR SUPERB 100 PAGE CATALOGUE, BUT ALSO FREE VOUCHERS WHICH YOU CAN USE ON YOUR NEXT COMPONENTS ORDER.

CRICKLEWOOD ELECTRONICS LTD 40 CRICKLEWOOD BROADWAY LONDON NW2 3ET TEL: 01-450 0895/452 0161 FAX: 01-208 1441 TELEX: 814877



### FREE VOUCHERS!

SEND OFF FOR YOUR CATALOGUE AND VOUCHERS TODAY.

I WOULD LIKE TO RECEIVE..... COPY(COPIES) OF THE 1989 CRICKLEWOOD ELECTRONICS COMPONENT CATALOGUE. I ENCLOSE £..... PLEASE ENCLOSE MY FREE VOUCHERS.

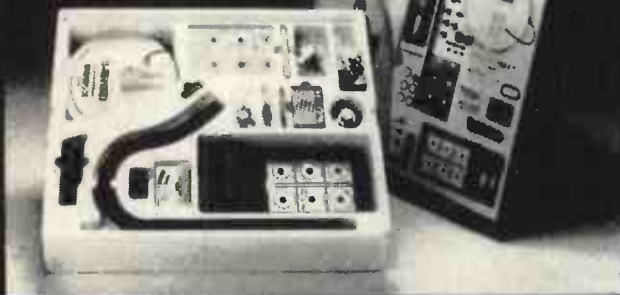
Tape your £1 coin here, or send a cheque or postal order for £1.00 for every catalogue you require.

NAME.....

ADDRESS.....



## TWO GREAT HOBBIES



ONLY £124.50 INC VAT

## ...IN ONE GREAT KIT!

The K5000 Metal Detector Kit combines the challenge of DIY Electronics assembly with the reward and excitement of discovering Britain's buried past.

**THE KIT** — simplified assembly techniques require little technical knowledge and no complex electronic test equipment. All stages of assembly covered in a detailed 36 page manual.

**THE DETECTOR** — features Analytical Discrimination & Ground Exclusion, backed by the proven pedigree of C-Scope, Europe's leading detector manufacturer.

Ask at your local Hobby/Electronics shop or contact:—

### CSCOPE

C-Scope International Ltd., Dept. PE  
Wotton Road, Ashford, Kent TN23 2LN.  
Telephone: 0233 629181.

## OBONIC LTD

32 Ludlow Road  
Guildford  
Surrey GU2 5NW  
Tel 0483 505260  
Telex 28604 Ref 1321

## INSPECTION MICROSCOPE



The compact design of the Spirig microscope allow almost any surface to be closely inspected.

The self illuminated pocket microscopes are about the size of a long slim pack of cigars. They weigh 4½ ounces and provide a clear 30-power magnification (with the Spirig — 30 £27.12), or a 100-power magnification (with the Spirig — 100 £42.89)

A SPIRIG COMPANY



# READERS' LETTERS

## LEDDING EDGE

Dear Ed,

I read with great interest Owen Bishop's Digital Electronics Pt. 1. It's very informative and starts from the very basics. The Sept. 88 issue of PE is the first one that I have seen and was one of the best electronics mags on the shelf - I eagerly await more issues.

I have a couple of queries, though. In the indicator module, why use IC1. cannot logic levels from any source be coupled, via resistors, straight to the leds? Secondly, why is a 120 ohm resistor used for led current limiting? With a psu line of 5V, it appears that over 40mA will flow through the led, in excess of its capabilities.

Keith Clapson, Oxon.

*The indicator board is a general purpose module, and since some logic ics cannot supply the current necessary to drive leds, a more powerful buffer is required as an interface, hence IC1, which has more than enough output power available.*

*Since there is a drop of about 2V across the led, the equation is not  $5V/120R$ , but  $3V/120R$ , which equals 25mA. A good question!*

Ed.

## LINK TRAINER

Dear Ed,

Well done again PE - another superb idea. I have taken PE for many years now and although I'm not a professional, I do try out a lot of your projects and am always glad when a series like Digital Electronics comes as part of my information-packed issue.

Unfortunately, I do have a moan - the Veroboard diagrams in part one were unclear. How about numbering the underside diagram, and shouldn't we use wire links instead of blobs of solder?

Apart from the minor moan, keep it up PE, you're worth every penny.

Dave Heneghan, Epsom.

*Thanks, compliments and points well noted. Parts two onwards have clearer track layouts. Would other readers prefer extra links to solder blobs?*

Ed.

## METERING METAL

Dear Mr Becker

I am one of the very old school, from the days of swinging coil reactions and bright emitter valves; the days of fusing lead and sulphur in order to obtain crystals. I built my first receiver in 1922, including the making of coils, condensers and transformers etc.

I have just found your magazine - very interesting but a little strange to me, all those funny words!

The metal detector article in the July issue interested me so much that I have obtained the CS209 chip for it, but I have a couple of questions. Can I modify the circuit to include a meter, and if the voltage is increased to 18V will this improve the search range?

Sorry if this is elementary, but I am 77 years of age and have forgotten a lot.

Arthur Bloomer  
(ex G6SO), Camborne.

*We are delighted to hear your interests have crossed the years. I pass you over to Robert for the answers to your questions.*

Ed.

*For meter indication an inexpensive tuning meter of about 200µA to 250µA full scale deflection should suffice. It should be connected from IC1 pin 4 to the positive supply rail via a 22k resistor and a 47k potentiometer connected in series. The pot is adjusted for the highest sensitivity that does not result in the meter being driven beyond full scale.*

*A higher supply voltage is unlikely to result in increased search range, but very careful adjustment of VRI will optimise it.*

Robert Penfold.

## ULTRASONIC TAPE

Dear Ed,

Your readers may be interested to know of one or two snags we came across while building Robert Penfold's Ultrasonic Tape Measure of March 87, and of our solutions to them.

The circuit and pcb diagrams differed in that R6 and R7 were interchanged as were R8 and R9.

We found the pulse width of the lfo too long, though the frequency was ok, so allowing two bursts of the 40kHz pulses and consequent resetting before an echo was received. A working solution was obtained by changing C3 to 20nF and R3 to 20M. This ensured only one burst. The counter clock frequency appeared to be twice what it should be, we changed R4 to about 560 ohms to correct this though we are concerned that this might affect its stability. We also found it necessary to widen the distance between transducers to 70mm. The Schmitt trigger signal appears noisy and we are considering a filter for this stage.

Arnold Collett,  
Wolverhampton Poly.

*A few people have encountered difficulties with this unit but the only known error was the swapped resistors, a fact reported in Points Arising. I no longer have the prototype and cannot check on the capacitor values, although a lot of previous checking brought no further errors to light. I do not understand the point about reducing R4, which would further reduce the pulse width from the lfo rather than affecting the counter clock frequency. Anyway, if anyone has difficulties it is worthwhile making the suggested mods to the lfo values.*

Robert Penfold

## CALLING HEBAREK ZBADIA

Dear Sir,

I have received a letter from one of your readers, Mr Hebarek Zbadia. Unfortunately he did not tell me his address and since he sent money with his letter I would like to contact him urgently.

Could you kindly appeal to him through your pages?

C.R. Brown,  
7 Mayfield Drive, Buckley,  
Clwyd, CH7 2PL.

*It's amazing how frequently advertisers also come up against the problem of anonymity, especially when people illegibly sign their letters without using block capitals.*

Ed.

## STRIKING INTEREST

Dear Ed,

I was most annoyed about the recent postal strike. It happened just as PE was due, so I had to wait two weeks for the October issue of my favourite magazine -

what inconsideration!

But it was worth the extra long wait, for, as usual, it had brilliant articles, beautiful presentation and the interesting and unusual projects make it the best magazine I have ever come across. Keep up the good work.

Benjamin Summers, Norwich.

*We also ran up against postal delays of urgent material, resulting in two articles having to be postponed. However the merits of the strike may be regarded, such actions must surely prompt more people to go over to using electronic mail systems of various types.*

Ed.

## OMNIPOTENT

Dear Mr. Becker,

Please accept our latest catalogue which we hope you will find comprehensive enough to merit a mention in your "News and Marketplace" feature.

Our main business is in over-the-counter sales, but we are happy to say that the mail order side of our business is growing steadily as customers try us and find that we rarely send out an incomplete order.

Being a small company means that customers get a more personal service. We do try to help as best we can, not least by trying to keep in stock the goods we say we have, so avoiding disappointment.

We would also like to take this opportunity to congratulate you on the way the magazine has developed over the past few years, it really has improved tremendously.

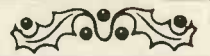
Janice Borthwick, Omni  
Electronics, 174 Dalkeith Road,  
Edinburgh, EH16 5DX.

*Your catalogue is very comprehensive, and I was pleased to include a mention of it in the October issue. I hope your business benefited from the additional publicity.*

*Thank you for your kind remarks about PE, we too really try to offer people what they want - I believe people respond to the personal approach.*

*We are pleased to mention any advertiser's catalogue on the News pages if we are sent a copy. Whether the catalogue is one page or a thousand is immaterial if the goods are of interest to our readers. Likewise, we shall be pleased to try to publicise details of any advertiser's new product or service, especially if accompanied by a suitable photograph. The News pages are a free, but valuable, shop window of which more advertisers should take advantage.*

Ed.



## OUR REGULAR LOOK AT ASTRONOMY

# SPACEWATCH

BY DR PATRICK MOORE CBE

### SUPER SOLAR POWER

*The Sun is becoming more active, which is more than can ever be said about Phobos 1, and while Discovery is back on course, we could wait a thousand years for U Scorpii to become spectacular.*

Activity on the Sun is on the increase, and already there are suggestions that the next solar maximum may be at least as energetic as that of 1958-9, the most active on record. But has this anything directly to do with the weather we experience on Earth?

Measurements carried out from the Solar Maximum Mission satellite (SMM) suggest that the Sun is actually brighter when it is most active. True, the difference is not very great – about 1 part in 2500 – but it could be significant. Of course, more of the surface is covered by the relatively dark sunspots near maximum, but evidently this is more than offset by the greater brilliance of the faculae, brilliant areas usually associated with active spot-groups.

It has also been suggested that longer-term fluctuations do affect our climate. During the period of the so-called Maunder Minimum, from 1645 to 1715, when spots were rare, we experienced the 'Little Ice Age' when the Thames froze for every year between 1680 and the end of the decade. In

America, Thomas Crowley and Gerald North now suggest that a sustained change in solar output could affect the climate strongly enough to cause mass extinctions – and this brings us back to the dinosaurs, which I discussed last month! However, it is all very tentative, and we must await further results from SMM and other satellites.

On the debit side, there now seems no hope of regaining contact with Phobos 1, the Russian probe which was accidentally switched off by a faulty command from the ground station and which the computer did not override. This leaves us only with Phobos 2, which should rendezvous with Mars next month. Luckily it was Phobos 2 which carried the "frog" which will hop over the surface of the tiny Martian satellite, so that all is not lost.

Of course the success of the Shuttle launch of October, when *Discovery* performed almost faultlessly, is encouraging in every way. Astronomers are particularly delighted, because it means that if nothing else goes wrong we may hope that the

Hubble Space Telescope will be put into orbit early in 1990. This is eagerly awaited – not least because the telescope itself has not been improved by the long delay; it was never built to endure long periods on the ground. However, if it really is launched in the first part of 1990, it should perform up to expectations. We may also hope now for more definite timings of other future probes, such as CRAF (Comet Rendezvous and Asteroid Fly-by) and Cassini, the all-important mission to Saturn and its enigmatic satellite Titan.

First, however, will come the Voyager 2 pass of Neptune in August 1989. So far all is well; astronomers everywhere are keeping their fingers crossed!

#### SUPERNOVA NEWS

Astronomers are still hard at work analyzing the results from supernova SN 1987A, in the Large Cloud of Magellan. As we know, the progenitor star was not a red supergiant, but a blue one – which explains why the outburst was underluminous by

## The Sky This Month

During December there are still several bright planets on view. Venus, in the morning sky, is of about magnitude -4, and is unmistakable even though it has started to draw in toward the Sun and will not rise until after 7am at the end of the month. It is gibbous, with a phase of over 85 per cent – rather like the shape of the Moon a few days from full – and no telescope will show anything upon its brilliant surface apart from a few vague shadings now and then.

Mars remains in the evening sky. It is still brighter than any star apart from Sirius, but its apparent diameter has dropped to only about 10 seconds of arc at the end of December as compared with 23 seconds of arc at opposition last autumn. However, observations of it are still useful. Generally, Mars develops dust-storms when near perihelion, and one such storm has been expected, but at the time when I write these words (October 4) it has not developed, so that Mars, like the Earth, is having unusual weather! The south polar cap has now become very small.

Jupiter reached opposition on 23 November, and is still excellently placed, moving on Taurus not far from the star-clusters of the Pleiades and the Hyades. It is above the horizon almost throughout the night, and this is an excellent time to look for the Galilean satellites. The remaining bright planets, Saturn and Mercury, are to all intents and

purposes out of view this month.

The Moon is new on December 9, at first quarter on the 16th, full on the 23rd and last quarter on the 31st. It is at perigee (closest to the Earth) on the 16th, and apogee (greatest distance) on the 2nd and the 30th.

There is one good meteor shower this month: the Geminids, which last from the 7th to the 16th, with maximum on the 13th. This is usually rich, and this year the Moon will not interfere to any great extent – so why not try some meteor photography near the maximum of the shower? Later (17th to 25th December) we have another regular shower, the Ursids, but these are not so rich as the Geminids, and the Moon will be inconveniently obtrusive.

By now Orion rises reasonably early, and we also have the brilliant retinue, from Sirius through Procyon, the Twins (Castor and Pollux), Capella and Aldebaran. Look too for the Milky Way, which stretches in a glorious band from one horizon to the other. The W of Cassiopeia is near the zenith or overhead point which means that Ursa Majoris is low down; the Square of Pegasus is descending in the west, and Vega skirts the northern horizon. In the early hours of the morning Leo, the Lion, makes its entry in the east, headed by the first-magnitude Regulus – so-called "Royal Star".

supernova standards (a blue star has less surface area than a red one). There are also some other strange facts. The celebrated "Mystery Spot", 1/20 of a second of arc away from the centre of the outburst, now seems to have disappeared, and it is best to admit that we do not have the slightest idea of what it really was. Unless it reappears, we will have great trouble in finding out.

The neutrino observations have also been under scrutiny. The 19 neutrinos recorded by the 'water detectors' at Kamiokande in Japan and under Lake Erie seem unquestionably to have come from the supernova, and indicate that the mass of a neutrino of this kind really is negligible by any stan-

dards. However, the neutrinos reported from the Mont Blanc detector a few hours earlier now seem definitely to have been spurious, and not associated with the supernova.

Meanwhile, when can we expect a new supernova in our Galaxy? We cannot tell – but we can hope. The best candidate is probably Eta Carinae, in the far south of the sky, which is an erratic variable – in the 1830s it outshone every star in the sky apart from Sirius, though for a century now it has hovered just below the limit of naked-eye visibility. Another is U Scorpii, a recurrent nova which has flared up in 1863, 1906, 1936 and 1979. Observations now indicate

that a new outburst has occurred, so that the star rose from its normal magnitude of 18 to brighter than 11 for a few days. The outburst was discovered in 1987 by the South African amateur Danie Overbeek, and there are suggestions that U Scorpii may be a potential supernova. Unfortunately its distance is not known, and estimates range between 10,000 light-years to 200,000 light-years. It is a binary, so that if it does 'go supernova' it will be of Type I, whereas SN 1987A was, of course, of Type II.

We must wait and see. Watch U Scorpii; in a thousand years or so, or even before, it may provide us with something really spectacular!

PE

## Do not miss a single issue of **Astronomy Now**

UK Price £15  
**Astronomy Now**  
July 1989



Place a regular order with your  
newsagent or  
take out an annual subscription.



Rates: U.K. £15 - Outside U.K. £18 (Surface Mail)  
Airmail Rates:

North Africa & Middle East £25

North & South America £30

Australia, New Zealand & Far East £35

Cheques payable to U.S. banks now accepted: \$35 (Surface Mail), \$55 (Air Mail) for North America.

Send your subscription now to: Astronomy Now  
Subscription Dept, Alan Wells International, P.O. Box  
500, Leicester, LE99 0AA.  
Tel: 0858 410510

Astronomy Now is published by Intra Press, publishers of Practical Electronics, Program Now and Office at Home

### SOFTMACHINE DISTRIBUTION LTD FOR OEMs/TRADE

- ★ EPROM WRITER
- ★ PC HAND TOOLS
- ★ COMPUTER CASES
- ★ MAIN BOARDS
- ★ EPROM ERASER
- ★ CPU STANDS
- ★ POWER SUPPLY
- ★ MONITORS

TRADE HOURS: 10 - 6pm  
TEL: 01-8077644 FAX: 01-807 2748

**SOFTMACHINE**  
DISTRIBUTION LTD

SOFTMACHINE DISTRIBUTION LTD  
UNITS F18/F25, HARBET ROAD,  
LEA VALLEY, EDMONTON,  
LONDON, N18 3LR ENGLAND.

### MEMORIES

EPROM - SRAM - DRAM - EEPROM - 2716 - 2732 - 2764 - 27128 - 27256 - 27512 - 4116 - 4164 - 41256 - 2114 - 6116 - 6264 - CMOS AND LOW POWER

### MICROPROCESSORS

NEC - INTEL - MOTOROLA - AMD - 8085 - 68000 - Z80A - 80186 - 8086

|                       |                      |
|-----------------------|----------------------|
| Semiconductor Sensors | Integrated Circuits  |
| Ferrite Cores         | Potentiometers       |
| Optoelectronics       | LEDs                 |
| Semiconductors        | Connectors           |
| Thermistors           | Suppression Switches |



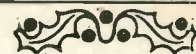
LOWEST PRICES WORLDWIDE FOR MEMORIES, DIGITAL, LINEAR I.C.'S.  
SEND FOR COMPLETE COMPONENTS CATALOGUE. U.K. £1.50 EXPORT \$2.50

### PVS ELECTRONIC COMPONENTS

244 Deansgate Court  
Deansgate Manchester M3 4BQ

Phone 061-831-7086 & 0650 374674 24Hrs. Telex 666702 Fax 061-835-2418





# DUAL BEAM OSCILLOSCOPE

PART THREE BY JOHN BECKER  
BE Ys TO THE EVENT

*In the last part of the PE Dual Beam 'Scope project, we describe the Y-input amplifiers and the beam splitter, and describe a number of useful functions for the 'scope.*

So far, in the last two issues, we have powered up the tube and have the beam sweeping nicely across the screen face. Perhaps some of you have already had the trace going vertically as well – by turning the tube on its side! This month I'll show how the vertical trace is produced without trickery, by describing the two Y-input amps and the beam splitter. Then I'll give a few hints on using a scope.

There are two input amps, which are identical to one another and have been kept to a minimum of simplicity. Fig. 25 shows one of them. Consisting of switched passive attenuation and switched active gain stages they amend the input signal levels to meet the dictates of the screen display height.

The input signal comes in via the relevant input socket and is immediately pre-

sented with a choice of routes by S8. Signals with an ac content, ie, frequency signals, are decoupled by leaving S8 open and routing them through C21. For pure dc voltages, or ac signals with little or no dc bias, S8 is closed so bypassing C21. Where frequency signals may be imposed on a high dc voltage level, the dc is removed by opening S8 to interpose C21 in the path.

Following S8 is the attenuator selection switch S6a and a chain of three potential-dividing resistors. They nominally attenuate the input potential to one-tenth and one-hundredth. More precise resistor values could be substituted if exact division ratios are desired.

After S6a, ac signals pass through C22, but dc voltages meet R41, on the other side of which are D11 and D12. This combina-

tion restricts the maximum voltages that can appear at this junction to approximately those of the power lines.

The working voltage of the standard polyester capacitors used in the prototype for C21 and C22 is 160Vdc. If voltages higher than this are to be probed, capacitors of a higher voltage rating should be substituted. The same also applies to C17 of the external sync input shown in part two.

Non-inverting opamp IC6 acts as a buffer and gain stage. The LM6361 suggested will handle frequencies well in excess of 3MHz. VR6 adjusts the dc output offset level. The LM6364 and LM6365 are equally suitable without circuit modification. Alternatively, a TL071 or TL081 could be substituted for IC6 (and for IC4), though they will only handle frequencies up to

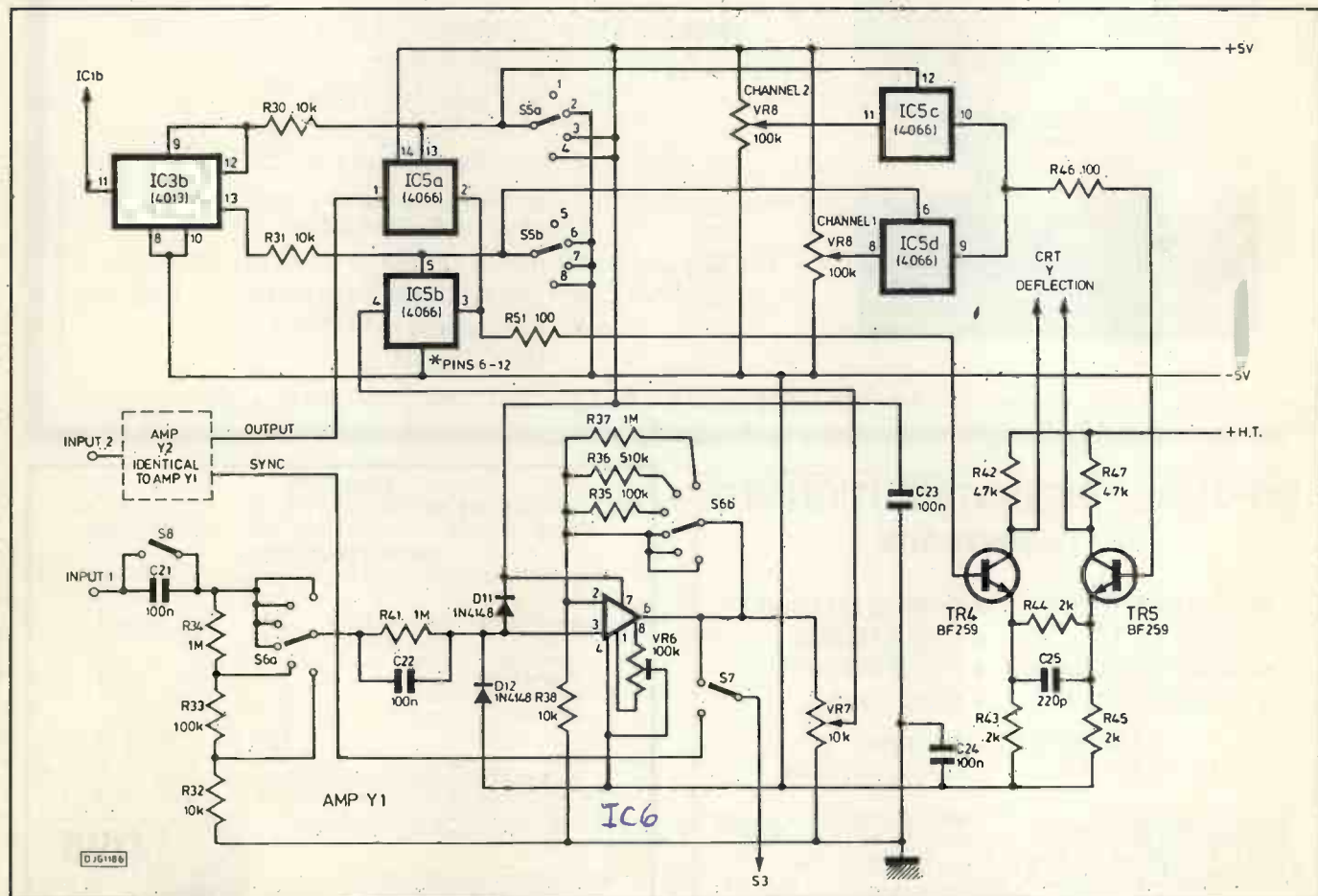


Fig.25 Circuit diagram of Y-drive amplifiers and beam splitter



about 150kHz and VR6 must be connected across pins 1 and 5 instead of pins 1 and 8.

With S6b in positions one to three, no gain is given and the signal attenuation is selected via S6a. With S6 in position 3, the signal passes through the opamp with neither attenuation nor amplification. In positions four to six, S6a routes an unattenuated signal, but S6b selects nominal gains of 10, 50 and 100. Different gain factors may be given by substituting other resistance values if preferred. In reality, viable use of gains of 100 and above will depend upon how carefully and neatly you connect your overall wiring since stray signals from the rest of the circuits could be picked up at high gains.

For each of the two channels the output of IC6 is brought to S7, a single internal sync signal routing switch. This allows the time base sync trigger to be selected from either channel.

Following IC6, panel pot VR7 controls the signal level sent through one of the gates of IC5a-b (more about these in a moment), after which it controls the vertical deflection drive transistor TR4. The action of TR4 and TR5 is similar to that of TR1 and TR2 of the X-trace drive, except that the offset deflection positioning is done by one of the two VR8 pots as selected by gates IC5c-d. This method enables each Y-trace to be independently positioned vertically on the screen by the respective pot.

With VR7 set for maximum level and with S6 on position 3, a 1V p-p input signal will give a vertical trace of approximately half the screen height.

## BEAM SPLIT

In order to display two waveforms on the screen we simply insert an automatic changeover switch at the output of the two Y amps. We then constantly switch back and forth from one amp to the other. By applying slightly different dc biases, also routed by switched gating, to both Y signals the screen will display the two traces at different positions.

The switching between the traces needs to be synchronised so that the changeover does not occur while the trace is already moving across the screen. The output of IC1b in Fig. 20 is taken to the input of flip-flop IC3b in Fig. 25. IC3b is wired so that the twin outputs produce opposing logic levels each time a pulse is received on the input. In other words, when one output goes high, the other goes low, and vice-versa.

Each time the output of IC1b goes high at the end of the sweep period, the pulse triggers IC3b into its next state. The control pins of the four analogue gates IC5a-d, are connected to the respective flip-flop outputs. Each gate opens when the control pin goes to logic 1, and closes for logic 0. Although digitally controlled, the open gates will allow analogue signals to pass through virtually unattenuated. Each pair of gate outputs are commuted and then fed to the respective Y-axis deflection drivers TR4 and TR5.

For most X-axis sweep rates the alternate switching between the Y amps will be sufficiently fast so that the traces appear to be occurring simultaneously. At very slow sweep speeds, of course, the alternate switching will be apparent.

Incidentally, I experimented with high speed toggling between Y amps *during* slow sweeps, blanking the sweep at the moment of transition between amps. This is a method used on commercial scopes with more expensive screens and circuitry. The characteristics of the tube used in this project, though, appeared incapable of allowing clean traces to be produced with this technique.

S5 is included to provide a choice of Y display modes. In position one, the dual mode is selected. In the next two modes just one trace is displayed, either Y1 or Y2. This is done by forcibly opening one gate pair by holding the control high, while holding the other gate pair closed by taking its control low. The inclusion of R30 and R31 prevent adverse loading of the outputs of IC3b.

As an idea for experimentation, it is possible to split a single beam into more than just two traces. If two octal gates, such as 4051s, were to be used, eight traces could be displayed. In this case the gate selection would be performed by replacing IC3b with a binary counter. Connecting the first three

outputs to the multiplexed control inputs of the 4051s, the latter can be cycled through each of their eight individual outputs. In reality, the circular three-inch screen of this scope is probably insufficiently large for eight traces to be usefully displayed, and the pcb would need modifying, but the technique could certainly be used for a larger rectangular screen.

S5 in position four diverts amp Y2 to the X-plates in place of the sweep generator. This enables Lissajous to be drawn, as discussed later.

## Y-BOARD ASSEMBLY

Fig. 26 shows the component layout for the third printed circuit board. This pcb holds both Y-amps, the beam splitter circuit, and the Y-axis drive transistors.

Note that, as with the X-board, the pcb mounting rotary switches are soldered to the *back* of the board. Again make sure that the pins are satisfactorily soldered, and that the semiconductors and electrolytic capacitors are inserted correctly.

The remaining control pots, switches and sockets are shown in Figs. 23 and 24 of part two. Make all connections except for those to the Y tags of the tube base, and the +250V supply (pins 21-23).

Observant readers may have noticed by now that not all consecutive component and

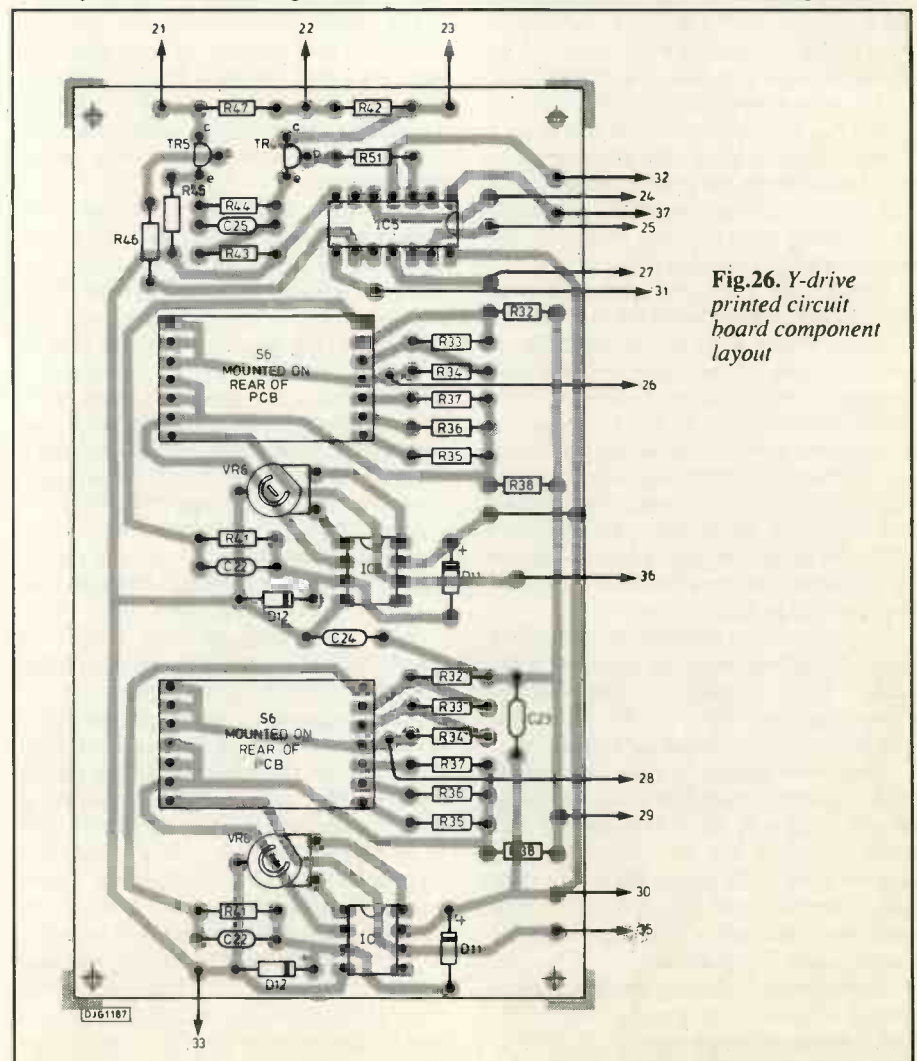


Fig.26. Y-drive printed circuit board component layout

connection numbers are used. True, on bench testing the prototype, it was found possible to simplify the circuit in some areas.

## Y-AMP TESTING

With all ics inserted, temporarily connect the wipers of both VR8s to gates IC5a-b in place of the VR7 wipers. Monitor the junction of IC5 pins 2 and 3 on a meter, and check that with S6 in positions 2 and 3 the respective VR8 will vary the output voltage up and down. Reconnect the VR7s and VR8s to their correct points. Now monitor the junction of IC5 pins 9 and 10 and check that with S6 in positions 2 and 3 the respective VR8s vary the levels at this junction. Next set each VR8 for a slightly different voltage, switch the time base to a slow rate and check that pins 12 and 13 of IC3b toggle up and down. Again monitor IC5 pins 9 and 10, switch S5 to position 1 and observe that the gates are switching between the two VR8s.

Centre the X-trace on the screen, and switch off. Remove the two temporary Y-deflection pots referred to earlier in the article, and connect pcb pins 21-23 to their correct tube and ht points. Set VR9 for minimum resistance, switch on again and if necessary readjust VR11 so that the positive ht is at +250Vdc.

Switching between both channels, adjust the respective VR8 and check that the X-trace moves up and down the screen. With S5 on position one both traces should be seen to be independently variable.

You can now check the front end of each Y amp. First, connect each Y-amp input to 0V. Then monitor the junctions of each IC6 and VR7 in turn and carefully adjust the offset control VR6 so that a reading of 0V is present at all settings of S6.

Remove the input 0V temporary links and connect a lead between the 50Hz output and each Y amp input in turn. With S6 on position 3 and S8 open turn up VR7 until you see a vertical waveform on the screen. Set the sync switches S3 and S7 to the correct channel path and adjust the sync level pot VR5 until the trace stabilises. If necessary, select a different X-sweep rate with S1 and also adjust the variable sweep rate pot VR2. Switching the sync phase switch S4 up and down the waveform display should shift position by half a cycle.

Switching S5 to position one, the 50Hz signal should appear on one trace, while the other trace remains unmodulated. Connecting the 50Hz into the other amp will then swap the roles of each trace.

Temporarily couple the two Y amp inputs so that the 50Hz feeds both circuits simultaneously. Set both VR7s to maximum output level, switch both S6s to the same position whereby both screen traces are seen fully. Position each trace on top of each other and observe that their amplitudes are roughly equal to one another.

Finally, adjust VR3 so that the X-trace extends an inch or so to either side of the screen width, allowing latitude for VR4 to shift the trace to left and right.

## FREQUENCY MEASUREMENTS

It is the rate at which the beam spot travels between two points that determines the calibration of a displayed Y-axis frequency. The number of times per second that the beam crosses the screen is irrelevant to this calculation. You can trigger the sweep just once per minute and still know that the distance between two waveform peaks represents a particular frequency.

The factor that governs the sweep rate across the screen is the rate at which the control voltage changes between two levels. If the beam takes precisely one second to cross one centimetre, during which time one complete waveform cycle is vertically displayed, the waveform frequency is 1Hz. From this observation you know that if ten full cycles are shown within that 1cm, the frequency is 10Hz. If you increase the rate at which the sweep control voltage changes by a factor of ten, so that the sweep covers 1cm in 0.1 secs, then ten full cycles appearing within 1cm will represent 100Hz, and so on up the scale.

## PERSISTANT SWEEPS

Although you need the beam to cross only for a given number of cycles per centimetre, it is advantageous to repeat the sweep as frequently as possible for two reasons. First, you obviously want to observe the monitored waveform long enough to make measurements and note how the waveform may change across a period of time. Secondly, a single sweep, especially when sampling high frequencies, is usually insufficient for the eye to adequately register the detail, even though image persistence may help.

One source of persistence is due to the human eye being capable of retaining an image on the retina for several tenths of a second, even after the original image source has disappeared. Another source is the tube itself since the fluorescent screen coating will also continue to glow for a brief period after the beam has passed. Indeed, tubes are manufactured in a variety of screen materials to offer different persistence rates. Despite these factors, unless the sweep is slow, the image still needs reinforcing at a frequent rate for it to be readily observable. Hence the requirement for retriggering the beam at the earliest practical moment - it's usually so we can see the darn thing!

When switching between ramp rate ranges, ideally the rates should be matched multiples. The normal tolerances of the actual components used will inevitably result in imprecise ratio changes, though the variations can be corrected by adjustment of VR2. You could, of course, at greater expense, substitute capacitors of a more precise tolerance. You could also replace S1 by an RS Components' rotary switch kit with two 1-pole 12-way rotors and include intermediate capacitor values.

At the fastest switched ramp rate and with VR2 at minimum resistance, ten cycles of a 1MHz signal can be displayed. At the slowest setting and with VR2 at maximum resistance, the sweep takes approximately

five seconds to cross the screen. The 50Hz reference generator can be used for low frequency calibration, though a signal generator with known outputs frequencies provides a better overall answer.

## AMPLITUDE MEASUREMENTS

Whereas the horizontal deflection measurements represent time and frequency, vertical deflections represent voltage levels. The 50Hz generator is useful here as well. Once its output has been set to a known level, the relative screen positions of the vertical trace can be observed and adjusted by the VR6s so that amplitude is related to vertical displacement. DC voltage levels may also be monitored, when S8 is closed. First set the trace centrally on the screen, then probe the voltage source.

As I mentioned earlier, the precision of the attenuation and gain resistors will determine the uniformity between switched input

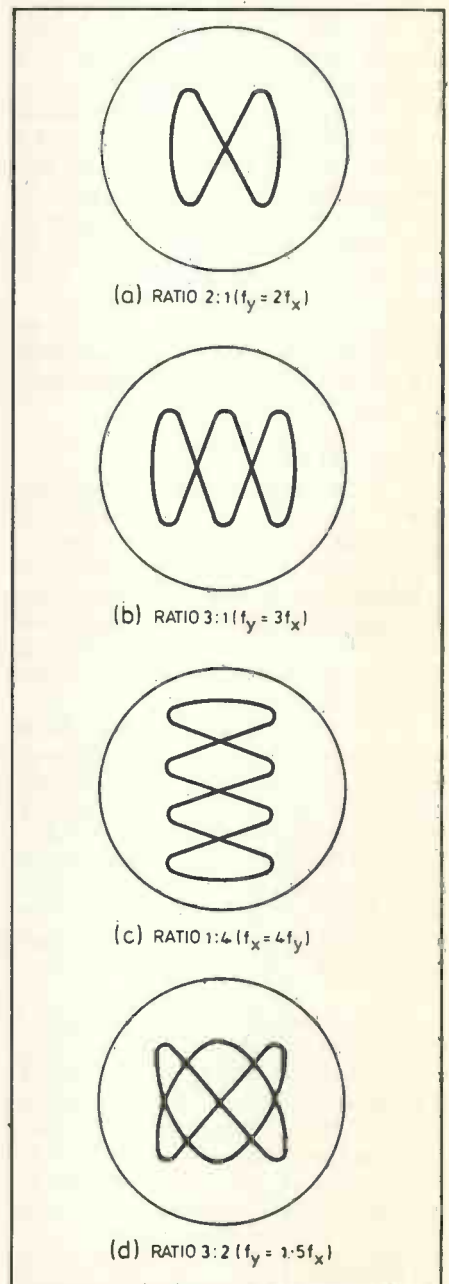


Fig.27. Lissajous Figures indicate frequency relationships

levels. You will also remember that the IC6 opamps have an offset correction control. Inevitably, even very small variations in the equivalent levels of the power supply will be reflected in the basic dc output level of the opamps. This will be further enhanced when gain is switched in, resulting in the deflection of the vertical trace. The precise setting of the VR6 offset controls will minimise the deflection when switching between gain ranges.

Within the bounds of the slowest sweep rate, there is no lower limit to the input frequency. The upper frequency limit of the LM6361 input opamps is well above 3MHz, though the characteristics of the tube and the simplicity of the Y-deflection drivers impose a lower top frequency limit. The observed signal amplitude decreases with frequency, with a usable maximum of about 2MHz, but beyond that the vertical signal trace becomes too small. When frequencies rise above about 500kHz, square-waves will also increasingly be reshaped to triangle waves, as the frequency gets closer to the drive transistors' gain limits.

## DUAL BEAM MONITORING

One big advantage of seeing two traces on the screen is that comparisons between signals can be made. There are many ways in which the facility may be used, of which I'll quote only a few, plus some general hints on scope use.

With one probe connected to the input of an amplifier the other probe can be used to follow the signal through the amp at various points. Comparisons of amplitude, phase shifting and shape changing are just some of the qualities for which you can look.

## MATCHING OSCILLATORS

Two oscillators can have their fundamental or harmonic frequencies precisely matched by taking a probe to each and synchronising the sweep trace to one of them. By adjusting one of the oscillators, the relevant peak counts can first be corrected. Then when the rates are fairly closely matched it will be seen that the second trace moves in relation to the other. A forward movement indicates that it's running faster than the primary oscillator, and vice-versa. Carefully adjusting the rate in the correct direction, the relative movement will cease when both oscillators are running at precisely matched frequencies. The matching of crystal controlled oscillators for clocks is one obvious use.

If you were trying to match frequencies by moving a single probe from one oscillator to the other, you could never achieve this same degree of precision since you would be trying to see mere fractions of horizontal displacement between separate observations. However, you can use just one probe to achieve matching precision if you connect the external sync input to the primary oscillator, and then observe the second oscillator on the screen. Obviously, this method also applies to single beam scopes. With a dual beam scope, the same

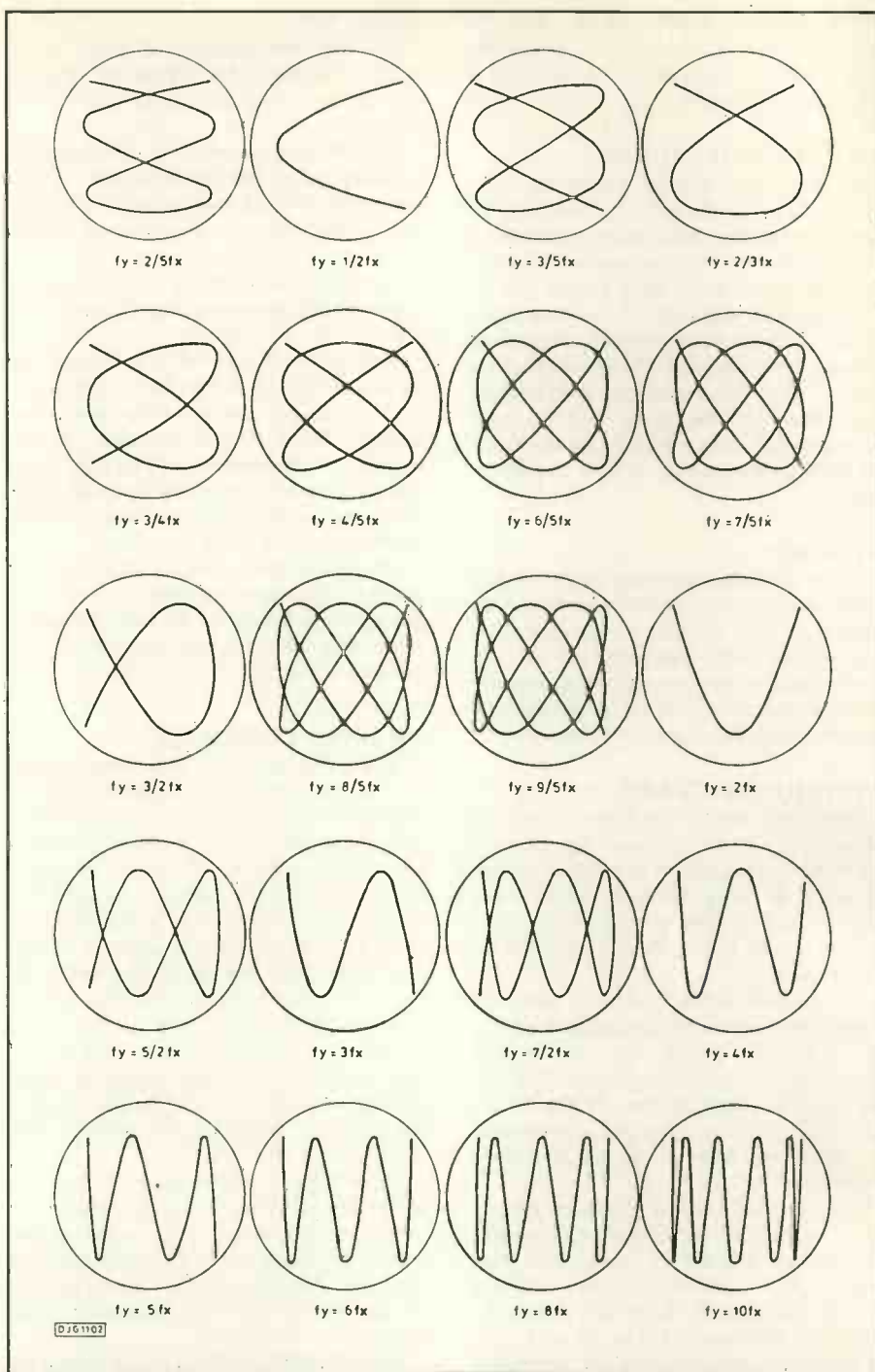


Fig.28. Lissajous figures used for calibrating a sine-wave generator

technique allows two oscillators to be observed relative to a third.

## MONITORING DELAYS

Monitoring reverb or echo delay units is another ideal dual-beam function. By syncing one trace to the input, the other can monitor the delayed output and the screened distance between the original and delayed events measured, from which the delay time can be established.

Delays or displacements between logic signals can also be monitored, syncing on one and observing both. Switching to the opposing sync phase trigger is also beneficial in cases like this, effectively advancing or retarding the sync point by half a cycle.

Additionally, by opening the 'bright-line'

switch S2, the situation occurring immediately after an infrequent event can be monitored. In this mode, the trace is synchronised to the infrequent event signal. In its absence the trace will remain untriggered and the screen stay dark. On receipt of the sync trigger the trace will start across and the signal from the second probe will be seen.

## COMPARISON MARKER

Two probes can also be used in another fashion, to monitor comparative signal levels. One probe is used as the investigator, and the other as a marker. The amplitude of one signal is first monitored and the marker is moved vertically to a particular reference point on the trace. The investigative probe

is then moved to another signal source and the level here compared with the marked one. Further comparisons can be made at other strategic points.

## CURRENT MEASURING

Current flow can be monitored using either one or two probes. By measuring the screen deflection both before and after a known value resistor, the peak difference is read and from it the peak current can be found by applying Ohm's Law. Conversely, if the current is already known, a resistance value may be equivalently calculated. Note though, that the impedance and inherent capacitance of the probe and its input amplifier will have an effect on the signal or voltage levels from a high impedance source.

## TUNING

An oscilloscope of either single or dual trace variety is virtually indispensable in the tuning of filter circuits. It is so easy to observe the shape and amplitude of a filtered signal while carrying out adjustments to filter controls. Even for audio signals it beats listening for volume and distortion.

## LISSAJOUS FIGURES

Practically every book I've ever seen on scopes talks about Lissajous figures. I've included the facility on this scope, though in fact I've rarely found the need to use them. Perhaps experienced readers may care to tell me how important they find the figures to be...

A Lissajous figure is created when two signals are individually applied to the X and Y deflection plates, and necessitates bypassing the time base generator. In this way patterns, such as those in Fig. 27 are displayed and from them phase or frequency differences between the signals can be established.

The classical use of a Lissajous figure is for frequency determination, usually, though not necessarily, using two sine waves. With a known frequency sine wave fed to one pair of deflection plates, the unknown sine wave is fed to the other pair. A series of loops is seen on the screen, and providing their ratios are within about ten-to-one, the nature of the pattern will be determined by the frequency relationship. If the frequency ratios are precisely related harmonics, eg, 2:1, 3:1, 1:4, 3:2 as in Fig. 27, the pattern will be stationary. Any shift away from the harmonic will result in the apparent rotation of the figure - moving

pictures, folks!

The full interpretation of these figures can be complex and is beyond the scope of this article. Nonetheless, I'll give a few examples.

The frequency ratio can be found by counting the number of times that the pattern touches imaginary or real horizontal and vertical lines. In Fig. 27a, two peaks touch the X line, and one touches the Y line, the ratio is therefore 2:1. By similar reasoning, the pattern in Fig. 27d represents 3:2.

A further selection of ratio patterns is shown in Fig. 28, and as you can see, you don't necessarily need to have complete patterns displayed to find the ratio. If you examine the first display of Fig. 28 there is one loop on the X base, and two and a half loops on the Y side, converting to whole numbers the ratio is 2:5.

The figures don't always make such neat patterns and phase relationships will alter the pattern produced by the same frequency ratio. Fig. 29 shows three possible shapes for each of the ratios 2:1 and 3:2.

## PHASING LISSAJOUS

The phase relationship between signals can be established by interpretation of the patterns produced for given ratios. Take a simple example of two sinewaves of identical frequency, produced perhaps by monitoring the input and output of an amplifier. If there is no phase shift a diagonal line from 225° to 45° will be seen, as in Fig. 30a. If the phase has changed by 180°, ie, it has been inverted, the line will then be seen between 315° and 135°, Fig. 30b. Intermediate phase shifts will result in figures ranging from the diagonal lines, through ellipses to circles, the latter occurring when one signal lags the other by 90°, or precedes it by 270°.

Knowledge of precise phase changes will be largely academic to most people, so I won't go into detail about analysing the curves, but simply refer those interested to Fig. 31. Measurements of this type also require that the deflection amplitudes of the two signals are identical.

Ignoring mathematics, you can have a bit of fun (and probably impress a neighbour with your cleverness) with Lissajous figures by adjusting frequency inputs and waveforms to produce endlessly revolving patterns of different complexities. The figures are easier to control, and measure, when the frequencies are in the low audio range - higher rates are less easy to manage.

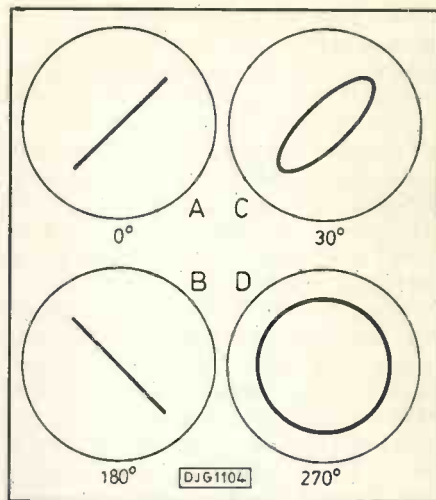


Fig.30. Portraying phase relationships

## SHAPING LISSAJOUS

Although the Lissajous technique can be used for waveforms of any shape, those with fast leading or trailing edges, such as sawteeth and squarewaves, tend to be difficult candidates. As a hint, though, you can sometimes make the pattern more observable for frequency matching by turning the brilliance fully up and defocussing, so spreading the beam more widely on the screen. Turning out the room lights can also help to make fast transients more visible in this and other scope modes!

To put this scope into Lissajous mode, switch S5 to position four. This opens the analogue gate to amp Y1 only, and routes Y2 to VR3. Signals from the Y1 amp will continue to control the vertical trace, whereas Y2 will now control the horizontal trace. It will usually be preferable to switch S2 open and turn down the sync control.

Lissajous figures are also discussed by Ian Hickman in the *Oscilloscopes* book I referred to in part one. Another book, mentioned in Bookmark recently, also looks at them - *Meters and Scopes (How to Use Test Equipment)*, by Robert J. Traister, published by Tab Books, ISBN 0-8306-2826-6.

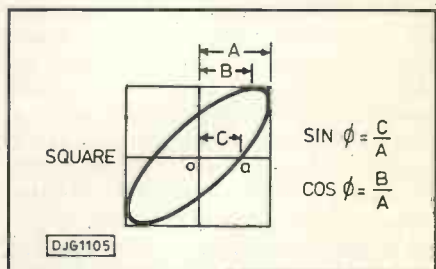


Fig.31. Measuring phase difference

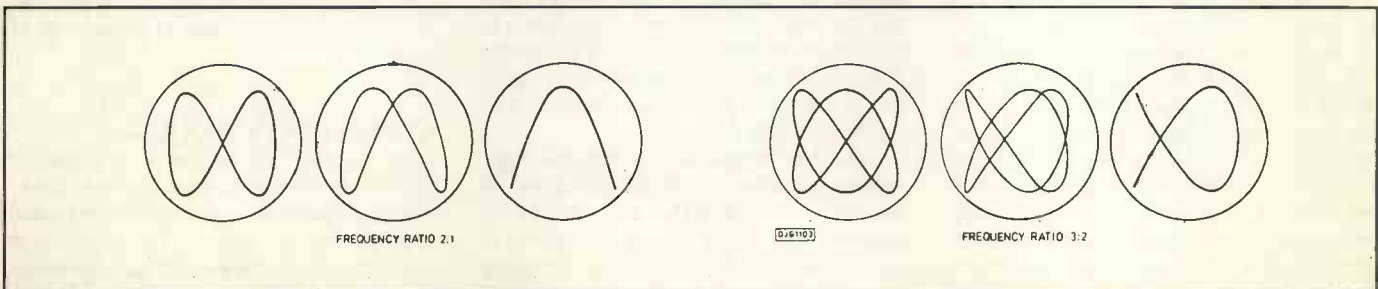


Fig.29. Variations in Lissajous patterns for the same frequency ratio

## COMPONENTS OSCILLOSCOPE Y-AMPS

### RESISTORS

|                 |              |
|-----------------|--------------|
| R30-R32,R38     | 10k (6 off)  |
| R33,R35         | 100k (4 off) |
| R34,R37,R41     | 1M (6 off)   |
| R36             | 510k (2 off) |
| R42,R47         | 47k (2 off)  |
| R43-R45         | 2k (3 off)   |
| R46,R51         | 100 (2 off)  |
| All 1/4 watt 5% |              |

### CAPACITORS

|         |                        |
|---------|------------------------|
| C21-C24 | 100n polyester (6 off) |
| C25     | 220p polystyrene       |

### POTENTIOMETERS

|     |                          |
|-----|--------------------------|
| VR6 | 100k skeleton (2 off)    |
| VR7 | 10k mono rotary (2 off)  |
| VR8 | 100k mono rotary (2 off) |

### SEMICONDUCTORS

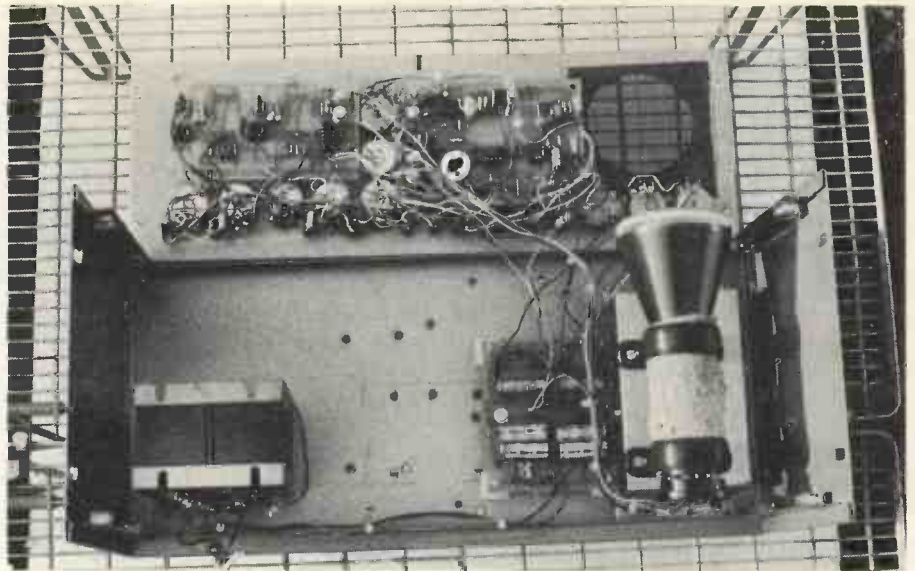
|         |                |
|---------|----------------|
| D11,D12 | 1N4148 (4 off) |
| TR4,TR5 | BF259 (2 off)  |
| IC5     | 4066           |
| IC6     | LM6361 (2 off) |

### SWITCHES

|       |                   |
|-------|-------------------|
| S5    | 3p4w rotary       |
| S6    | 2p6w pcb mounting |
| S7,S8 | min spdt (3 off)  |

### MISCELLANEOUS

Knobs (9 off), Phonosonics PCB290B, 8-pin ic socket (2 off), 14-pin ic socket, 3.5mm jack sockets (2 off)



Suppose you are examining a high frequency signal, but wish to periodically compare its amplitude with that of a much lower frequency. When you need to look at the lower frequency the present high rate of the X sweep may be too fast for any of the slow waveform to be seen. You could switch down the time base rate accordingly, or simply turn the sync control fully down. Both waveforms will then be seen as a blur and amplitude differences readily compared. Even for measurements of individual waveforms this method can sometimes be easier than trying to see exactly where the waveform peak occurs.

Another use of non-sync viewing is when monitoring the swing of a very low frequency, of only fractions of a Hertz for example. Switch to a high time base rate, take off sync and the low frequency will be represented by a continuous line sweeping and down the screen. This is an easier technique than switching to a synchronised low sweep rate when you will alternately be waiting for the start of the trace and then observing a solitary dot moving on the screen.

As an aside, when I was a film editor it was acceptable grammar for the verb 'to synchronise' to be extended to forms such as 'sunk-up', 'unsunk' and 'sank'. I've even heard 'sunk-up', though 'sunked-up' was more common.

Neither sync nor optimum time base setting are needed for simple signal tracing, or dc level checking. In these instances seeing a vertical displacement of any sort is often enough to give answers about whether a signal is present or not, and as to whether a line is positive, negative or neutral.

## SWEEPING UP THE TRACES

A scope is a vital piece of test gear for any electronics hobbyist, and in my own workshop it is used far more regularly than an ordinary meter. May you find as much benefit and pleasure from building and using this scope as I did when I built my first one. Once you've used a scope, however simple, you'll reap the rewards from an enlightened view of how electronics works. So get the tube and beam yourself a board...

PE

## SYNCING FEELINGS

It may seem that it is always desirable for a non-Lissajous waveform to be synchronised with the time base. This is true in many instances, for frequency assessment and shape comparison, for example. In other cases it's more convenient if the trace is just a fast blur.

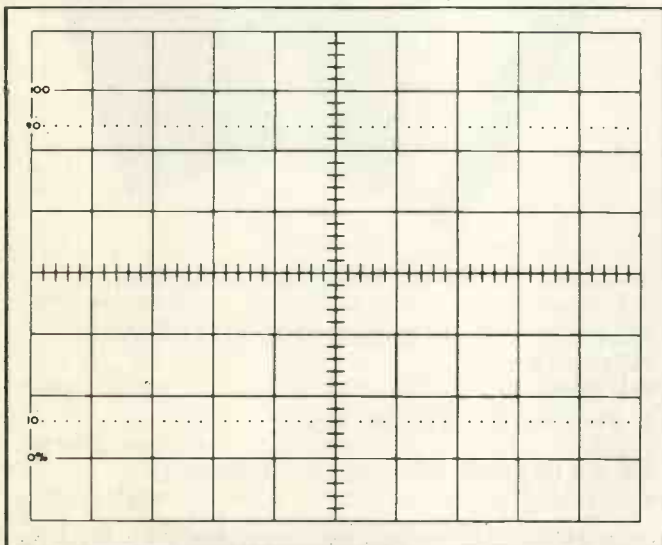


Fig.32. Typical oscilloscope screen graticule, which can be enlargement photocopied onto clear film, then mounted in front of scope tube



Your Ed believes scopes can often be used in place of meters - but will they meet the ticket for our meter-maids?



# PRACTICAL ELECTRONICS

## ARMCHAIR BOOK SHOP



### INTRODUCING DIGITAL AUDIO

A non-mathematical introduction to the new digital technology.  
 Ian R. Sinclair. 112 pages. £5.95

### PRACTICAL DIGITAL ELECTRONICS HANDBOOK

For enthusiasts, technicians and students. With nine constructional projects.  
 Mike Tooley. 208 pages. £6.95

### PRACTICAL MIDI HANDBOOK

For musicians and electronic enthusiasts: a practical how-to book.  
 R.A. Penfold. 160 pages. £5.95

### ELECTRONICS : BUILD AND LEARN

An introduction to electronics for the first timer. With constructional projects.  
 R.A. Penfold. 128 pages. £5.95

### ELECTRONIC HOBBYISTS HANDBOOK

Provides a source of information that the amateur enthusiast is likely to need for day-to-day pursuance of hobby electronics  
 R.A. Penfold. 88 pages. £4.95 Order code BP233.

### HOW TO GET YOUR ELECTRONIC PROJECTS WORKING

Essential reading for anyone who wants first-time success in project assembly.  
 R.A. Penfold. 81 pages. £2.50 Order code BP110.

### ELECTRONIC SECURITY DEVICES

Full of ideas and examples for keeping your property safe.  
 R.A. Penfold. 102 pages. £2.50 Order code BP56.

### ELECTRONIC MUSIC PROJECTS

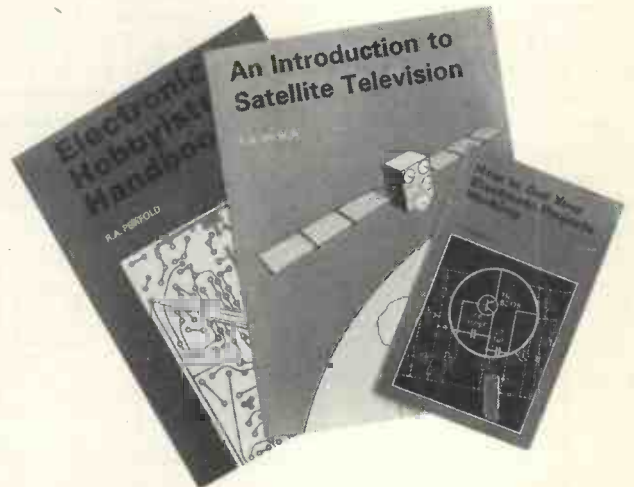
24 Simple music projects for the creative musician.  
 R.A. Penfold. 106 pages. £2.50 Order code BP74.

### MORE ADVANCED POWER SUPPLY PROJECTS

A companion book to BP76 and of interest to anyone who needs information on recent psu developments.  
 R.A. Penfold. 92 pages. £2.95 Order code BP192.

### AN INTRODUCTION TO SATELLITE TELEVISION

Informative answers to many of the questions about the fast arriving communications revolution.  
 F.A. Wilson. 104 pages. £5.95 Order code BP195.



### GETTING THE MOST FROM YOUR MULTIMETER

R.A. Penfold £2.95 Order code BP239

### BEGINNERS GUIDE TO BUILDING ELECTRONICS PROJECTS

R.A. Penfold £1.95 Order code 227

### IC PROJECTS FOR BEGINNERS

F.G. Rayer £1.95 Order code BP97

### 340 SOLDERLESS BREADBOARD PROJECTS

R.A. Penfold Books 1 and 2 £2.25 each Order codes BP107 and BP113

### PRACTICAL ELECTRONIC BUILDING BLOCKS-BOOK 1

### PRACTICAL ELECTRONIC BUILDING BLOCKS-BOOK 2

R.A. Penfold. Book 1 128 pages, Book 2 128 pages, £1.95 each  
 Order codes BP117, BP118.

## BOOK ORDER FORM

Remittance should be sent to:  
 PE Book Service, Practical Electronics,  
 Intra House, 193 Uxbridge Road, London W12 9RA.  
 Cheques should be crossed and made payable to  
 Intra Press.

Please supply the following books:

| BOOK DESCRIPTION                      | CODE | QTY | PRICE |
|---------------------------------------|------|-----|-------|
|                                       |      |     |       |
|                                       |      |     |       |
|                                       |      |     |       |
|                                       |      |     |       |
|                                       |      |     |       |
|                                       |      |     |       |
|                                       |      |     |       |
|                                       |      |     |       |
|                                       |      |     |       |
|                                       |      |     |       |
| UK ORDERS ADD 50p POST PER BOOK       |      |     |       |
| OVERSEAS ORDERS ADD 70p POST PER BOOK |      |     |       |
| TOTAL ENCLOSED                        |      |     |       |
| NAME AND ADDRESS                      |      |     |       |
|                                       |      |     |       |
|                                       |      |     |       |

# PRACTICAL ELECTRONICS ARMCHAIR BOOK SHOP



## PRACTICAL ELECTRONICS HANDBOOK

A useful and carefully selected collection of standard circuits rules-of-thumb, and design data for professional engineers, students and enthusiasts involved in radio and electronics.

This revised edition contains more details on computers and microprocessors and has been brought up to date throughout.

Ian Sinclair. 1986 Revised Edition.

£7.95

Order code NT1.

## OSCILLOSCOPES (HOW TO USE THEM, HOW THEY WORK)

This second edition has been updated to cover new techniques and new instruments which have been introduced since the publication of the first edition in 1981. Illustrated with diagrams and photographs of many more oscilloscopes than the first edition, the book will appeal to everyone who wants to know about oscilloscopes, from the school student to the graduate, from the hobbyist to the technician.

Ian Hickman. 2nd Edition 1986.

£6.95

Order code NT3.

## OP-AMPS (THEIR PRINCIPLES AND APPLICATIONS)

This edition provides a source of practical circuits using both new devices and well-established ones like the 741, and including all component values. Written in a simple, non-mathematical style and specifically directed to the non-academic reader.

Brian Dance. 2nd Edition 1986.

£6.50

Order code NT2.



## DIGITAL IC EQUIVALENTS AND PIN CONNECTIONS

A. Michaels. 256 pages. £5.95 Order code BP140.

## LINEAR IC EQUIVALENTS AND PIN CONNECTIONS

A. Michaels. 320 pages. £5.95 Order code BP141.

## INTERNATIONAL TRANSISTOR EQUIVALENTS GUIDE

A. Michaels. 320 pages. £3.50 Order code BP85.

## POWER SUPPLY PROJECTS

R.A. Penfold. 96 pages. £2.50 Order code BP76.

## MIDI PROJECTS

R.A. Penfold. 96 pages. £2.95 Order code BP182.

## MORE ADVANCED ELECTRONIC MUSIC PROJECTS

R.A. Penfold. 128 pages. £2.95 Order code BP174.

## MODERN ELECTRONIC TEST EQUIPMENT

The subjects covered include analog and digital meters, oscilloscopes, signal sources, frequency, time and event counters, spectrum and logic analysers, displays and automatic test equipment.

Keith Brindley. £6.95 Order code NT4.

## NEWNES ELECTRONICS POCKET BOOK

Despite the increasing emphasis on microcomputers, the aims of the book are unchanged; namely the presentation of all aspects of electronics in a readable and largely non-mathematical form for both the enthusiast and the professional engineer.

E.A. Parr. 5th edition £9.95 Order code NT10.

## BEGINNER'S GUIDE TO INTEGRATED CIRCUITS

An outstanding book for the beginner to electronics.

Ian R. Sinclair. Second edition £5.95 Order code NT8.

## INTRODUCTION TO 6800/6802 MICROPROCESSOR SYSTEMS, HARDWARE, SOFTWARE, EXPERIMENTATION

"This book is very thorough." (*Electronics and Computing*)

"This text has long been needed ... essential reading." (*Micro Forecast*).

R.J. Simpson & T.J. Terrell New Edition

£10.95

Order code NT9.



## GETTING THE MOST FROM YOUR PRINTER

A guide to making the most of your printer.

J.W. Penfold £2.95 Order code BP181

## MICRO INTERFACING CIRCUITS BOOK 1

## MICRO INTERFACING CIRCUITS BOOK 2

R.A. Penfold. Book 1 112 pages £2.25, Book 2 112 pages, £2.75

Order codes BP130, BP131.

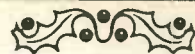
## AN INTRODUCTION TO COMPUTER PERIPHERALS

J.W. Penfold. 80 pages. £2.50 Order code BP170.

## MICROPROCESSING SYSTEMS AND CIRCUITS

F.A. Wilson. 256 pages. £2.95 Order code BP77.





# Free Reader Adverts

*Searching for that elusive component?  
Surplus equipment to sell?  
Read the rules and fill in the form below to have your free ad published in PE BAZAAR.*

**Electronic drums** "brain". Syntoms, synbals, synclap 11 module cased unit. Every parameter fully adjustable. Bargain £59. Robin Asher, Nottingham (0602) 253916.

**4 Dolby-B** circuits, raedy built (videosonic). All information provided. Two stereo pairs, £16. Robin Asher Nottingham (0602) 253916.

**Dolby-B** circuit kits (Wireless World). All information provided. 2 small circuit boards. £10 stereo pair. Robin Asher Nottingham (0602) 253916.

**Wanted:** transformer for Gould OS245A Oscilloscope, R Payne, 3 Old Bell Lane, Rettendon Common, Chelmsford, Tel: 0245 400601. (Not later than 7.30 pm.)

**For sale:** Tektronix 453 dual trace 50mhz delay sweep oscilloscope, good condition, £280 ono. Bryan Potter, 10 Holmbury Close, Southgate West, Crawley RH11 8TG Tel: 0293 513787.

**Resistors** 2% metal film mixed values. 200 for £2.00. 5 2732 EPROMS used once £5.00 A. Hazledine, 4 Cowper Street S-O-T Staffs ST4 3LA.

**Need friends** having hobbies of computers, electronics and aeronautics from any place. Syed Masroor Bukhari, 22A Hasnain Esquire Hospital Road, Hyderabad 71000, Pakistan.

**Tech R.F.** signal generator £39 millivoltmeter. £24 metrix Wobbulator (R.F. sweep generator) £37. R Hearn, 10 Speedwell Close, Pakefield, Lowestoft, Suffolk NR33 7DU. Tel: 0502 566026.

**Wireless Worlds** Jan 1967 to Oct 1980 complete excellent condition. What offers? Tel: Horsham 0403 63052.

**PE** Joana electronic piano wood case. Slight fault circuit diagram. Available £50 ono. Tel: 061 4567685.

**WANTED** TS430'S cash. Also information on the Zenith data systems equipment manual circuit etc. Tel: 0299 403858

**Cathode Ray** tube VCR97 six inch screen £5 plus postage. Tel: 0424 213479.

**Rectangular** LEDs green 6p red 8p each + 19p stamp to William Goss, TRAXX, 9 Ranleigh Gardens, Southampton, Hants SO1 2TH.

**Scope** W.W design 1964 complete data unfinished modified for 5 inch C.R.T. 3-9v/cm sensitivity T948 £45 Tel: (078) 729744, Sudbury.

**PYE** radio wanted. Can be minus valves type 39JH A39JH PE60 circuit. Must be complete. 01-747 1271.

**WANTED:** Heathkit ET3100 kit or built good order. Mr. GS Buttrick, 32 West Cliff Park Drive, Dawlish, Devon EX7 9EW. (0626) 864120.

**Interested** in Electronics and Pen-freindship? Write now if you don't want to miss a like-minded freind! Mamlukar Rahman, 154 Madar Bukhsh Hall, Rajshahi University, 6205 Bangladesh.

**Practical Electronics** 1969 to 1975 most issues plus easibinders. Will split if necessary. Offers plus p&p. 39 Tynperley Court, Kings Road, Horsham, West Sussex RH13 5SU. Tel: 0403 67080 evenings.

**Will swap** five 4164 drams for two 6264 static rams. BD Summers, 39A Cromer Road, Hellesdon, Norwich NR6 6LX.

**I wil exchange** a nice gift from Iran for a mini drill details from Nima Yavari-Esphahan Sheikh Bahaei Ave-koye Ferdosi Kakh-No 49 Iran

**256 Dynamic RAM** chip (Tandy) 150ns. access time, £4. Tel: Devises (0380) 77600.

**Exchange.** Souvenirs from Iran for a good desolder pump. Mehran Jafari, Banafsheh Shomali Avenue - 12m Sepideh No. 17 - Khaneh Esphahan - Esphahan - Post Code 81959 - Iran.

**Hameg** (German) HM203.5 as new, with manual and box £180 ono. G. Hobbs, 36 The Spittal, Castle Donnington, Derbys, DE7 2NQ. Tel: 0332 810024.

**Apple IIE.** 2 disc drives. Applesoft and manuals inc. monitor £150 CAE. Parallel printer £150. GW Goodrich, 47 Stanley Road, Brighton, E. Sussex BN1 4NH.

**Wanted:** Manual or info on telequipment servicescope type S32. K. Simmons, 5 Orchard Close, Little Port, Cambs CB6 1NU.

**Wanted:** leak delta 70 stereo amplifier in any condition. Tel: 01-366 4350 or please write. N.A. D'as Weerasinha, 212 Lavender Hill, Enfield, Middx. EN2 8NJ.

**Wanted:** Everyday Electronics April 1988 volume 17 No. 4 in good condition. Ian Davis, 11 Phillip Street, Pukekohe 1800, New Zealand.

**Micro** size telephone recording unit (ATR2). Assembled kit plus instructions, unwanted gift, £10. Mr. B. Gohil, 63 Groveway, Wembley, Middx. HA9 6JS.

**Pre 1950** radios small radiograms, valves, books, anything old, interesting wanted. **For sale** Heathkit oscilloscope £25. T. Wilkinson, DLF RAF Farningley, Doncaster, DN9 3LQ. TRel: 770771 Ext. 462.

**Arcade video** game PCBs working. Many useful parts needs PSU and colour monitor £25. Includes information. Michael Srbljanin, 11 Cooper Street, Nuneaton, Warks CV11 4BP. Tel: (0203) 342825.

**Hammond** reverb unit, 96 note generator board, Maplin autochord board's full data, £40 P. Paid. Seon Smyth, "De Porres", 67 East Princes St. Helensburgh G84 7DG. Tel: (0436) 71181.

## PE BAZAAR

|                |  |  |  |
|----------------|--|--|--|
|                |  |  |  |
|                |  |  |  |
|                |  |  |  |
| Name & Address |  |  |  |
|                |  |  |  |
|                |  |  |  |
|                |  |  |  |

Please publish the following small ad. FREE in the next available issue. I am not a dealer in electronics or associated equipment. I have read the rules.  
Signature.....Date.....

**RULES** Maximum of 16 words plus address and/or phone no. Private advertisers only (trade or business ads. can be placed in our classified columns). Items related to electronics only. No computer software. PE cannot accept responsibility for the accuracy of ads. or for any transaction arising between readers as a result of a free ad. We reserve the right to refuse advertisements. Each ad. must be posted within one month of cover date. (One month later for overseas readers).  
Send this form (or a photocopy of it) to:  
PE Bazaar, Practical Electronics, 193 Uxbridge Road, London W12 9RA.





# THE ELECTRONIC PERSUADER

BY TOM IVALL

## CORNERED IN A SQUARE

*The media can't control what you think, but it does control what you think about. . . when it comes down to it, what is the difference?*

**D**o you ever wonder if television viewing is influencing your life in any way? On the face of it the electronics industry seems to have produced a very powerful machine for changing our brain connections through the visual and auditory nerve pathways. Certainly it's the programme material that is responsible for arousing our emotions and thoughts. But the effectiveness with which this software does its job must depend a great deal on the current level of hardware technology.

This whole question is brought to mind by the prospect of increasing deregulation in UK broadcasting. A government White Paper due out at the time of writing will propose that the IBA should be abolished and all commercial television (terrestrial broadcasting, cable and satellite) be controlled by a new tv authority. Many broadcasting professionals fear this will mean lower programme standards, less real choice for viewers and a reduction in quality public service programming.

Clearly, television commercials do persuade people to go out and buy the goods or services advertised. Whether the portrayal of violence on tv influences people to a similar extent to go out and commit violent acts is a matter for continuing debate. Probably a lot depends on the life experience of the individual viewer. For example, having become a rather cynical person, I make a point of never buying anything that is advertised on tv. But I have to admit that this selective, negative reaction is in itself an acknowledgement of the power of persuasion being applied.

A strong characteristic of domestic tv is its ability to exclude reality. To start with, consider how this works through the physical facts of the television set operating in the home. The images on the screen are produced by means of transmitted light from glowing phosphor sources, whereas we normally see most things in the world be reflected light. Sound is usually present most of the time, even though the real world often has to be interpreted in comparative silence.

The pictures are viewed in the humdrum surroundings of household objects and events. A furious bit of drama could be working itself out on the screen immediately next to a plate of sandwiches or a sleeping cat. On this screen the people and objects are miniatures, and the convergence feedback of our binocular vision tells us that the images are not the same as the originals seen at a distance. Overall the effect is something like a brightly lit toy theatre.

Within these physical limitations the deliberately selective processes of the broadcaster are operating. There is an old adage that newspapers can't tell you what to think but they do control what you think *about*. Selection and exclusion on television begin with the overall policy of the broadcaster. This is implemented first in programme planning and then in the structure and content of individual programmes. In political discussions, for example, the agenda is set in advance. Any controversy is held within previously determined limits, which can be enforced later by editing the video recording.

But it's in the 'language' and conventions of the visual presentation that we see exclusion and selection most immediately. First the sequence of shots is selected. Then each shot is structured by a variety of artifices – by choice duration, framing, lighting, the angle and distance from which it's taken, and so on. The precise meaning or mood which the viewer is expected to attach to the resulting images is fixed by the use of sound. Speech and music are very specific in their effects.

One result of this concentration of selective processes is a distancing or alienation of the viewer from normal experience. Jonathan Miller describes it well in a book on the one-time media guru, Marshall McLuhan. The images which television presents, he says, are "curiously dissociated from all other senses. The viewer sits watching them all in the drab comfort of his own home, cut off from the pain, heat and smell of

what is actually going on. Even the sound is artificial. .... All these effects serve to distance the viewer from the scenes which he is watching, and eventually he falls into the unconscious belief that the events which happen on tv are going on in some unbelievably remote theatre of human activity. The alienating effect is magnified by the fact that the tv screen reduces all images to the same visual quality. Atrocity and entertainment alternate with one another on the same rectangle of bulging glass. Comedy and politics merge into one continuous ribbon of transmission."

Perhaps what Miller describes is the result of the most powerful selective process of all – in the mind of the viewer. If we seem to go into a kind of trance when watching tv it is because we have involuntarily agreed to suspend judgement on the reality of what is appearing on the screen. We have colluded with the tv producer in allowing ourselves to be transported by his art, shutting out our normal, hard-headed, sceptical selves.

In this irrational state of suspended belief the contrived images and sounds become more 'real' to us than the real world. Temporarily we can be persuaded of anything. This mental state, and how to produce it, is well understood by television playwrights, propagandists and makers of commercials. The influence of the medium lies in the unperceived surrender of our minds.

One effect of continually excluding reality is to artificially raise the expectations of some people – particularly the deprived or unhappy – of what life should be like. Goodies are dangled in front of them. In the case of individuals who enjoy or need vigorous or violent action, certain tv programmes raise their levels of expectation of excitement from life. They have become addicted to their own adrenalin. When this excitement is not produced by the normal routine of living they go out and create it. This could be one contributory factor to the increasing violence in our society.

# FULL-TIME TRAINING COURSES

## 2 YEAR BTEC NATIONAL DIPLOMA

Electronics and Communications Engineering

(TV, Computers, Programming, IT)

## 1 YEAR BTEC NATIONAL CERTIFICATE

### 1. Electronic Equipment Servicing

(TV, Video, CCTV)

### 2. Computing Technology

(Microprocessors, DataComms, Interfacing)

### 3. Information Technology

(Telecomms, Satellite TV, CD, Networks)

### 4. Software Engineering

(Assembler, BASIC, PASCAL, CAD/CAM)

COURSES COMMENCE

Monday 9th Jan./ 24th April 1989

## LONDON ELECTRONICS COLLEGE

Dep: AA, 20 Penywern Road, London SW5 9SU. Tel: 01-373 8721

# Omicron 2

The practical surveillance solution

17.95

- Ideal eavesdropper or baby monitor
- Less than 1/2 matchbox size
- Absolutely shockproof housing
- Built-in sensitive microphone
- Battery life 72 hrs (Alkaline)
- Full 12 months warranty



Simply clip Omicron 2 to battery and hide - no adjustments, no fiddling, no fuss. Hear every sound perfectly on an ordinary FM radio up to 1/4 mile away. This must be the easiest to use, best value surveillance device available.

No quibble 14 day money back guarantee.

TRADE ENQUIRIES **MILLEA ELECTRONICS** Tel: (0484) WELCOME 476-772 LEYDOR ROAD, HUDDERSFIELD, HD7 4DF. 460103

### Series X Mixer Kits

- ★ up to 1,000 inputs
- ★ on-board mic input
- ★ 6 auxiliaries
- ★ versions for recording PA, radio, disco
- ★ From £9.92



Send 19p for catalogue to:  
K. Tek, P.O. Box 172a, Surbiton,  
Surrey KT6 6HH. Tel: 01-399-3990

Sample our quality with

## A FREE P.C.B

PAYNE ELECTROPRINT LIMITED

15 years PRINTED CIRCUIT manufacture

★ Single/double sided

★ Plated Through Hole

★ Small or large quantities

Write to: Dept A, Marcus Road, Dunkeswell, Nr. Honiton, Devon, EX14 8TT

# PRACTICAL ELECTRONICS CLASSIFIED

Reach thousands of serious electronic and computer enthusiasts. Advertise in PE Classified pages: Rates 20p per word or £8.50 per single column cm (plus VAT). Send your advertisement with your remittance to PE, Intra House, 193 Uxbridge Road, London W12 9RA. Tel: 01-743 8888.

LET PE WORK FOR YOU!

### FACTORY CLEARANCE SALE

Printed Circuit Boards, 48" by 48" Sheets, single-sided, double-sided, glass and paper. 1/32" + 1/16" + 8" + many off cuts

1000 off contactors, 4 pole x 110volts AC - unused, as new.

1000 off compressed air valves, single coil, single port, also double coil, double port 110 volt AC unused, as new.

1000 off modules in McMurdo plug-in boxes with 110 volt transformers, relays and transistors. Ideally converted to time units etc.

Many more items available, telephone or writ for free stock sheets.

ELECTECHNIQUES Selsley, Stroud, Glos GL5 5JY Tel: (04536) 3129. Fax: (04536) 5921

### SURPLUS/REDUNDANT ELECTRONIC COMPONENTS WANTED

I/Cs - Tuners - Transistors - Valves - Diodes etc. any quantity considered - immediate payment.

ADM ELECTRONIC SUPPLIES

Tel: 0827 873311 Fax: 0827 874835

### DEANSGATE ELECTRONICS

We stock a large range of electronic components, test equipment, telephone accessories, computer accessories, microphones, speakers, discoloring, mixers, meters, stylus, so call in and have a look around.

263 Deansgate, Manchester  
Telephone: 061-834 1185

Resistors 1/4 W 5% carbon (E12) 1p metal film 1% (E24) 3p Resistor Pack 85 different E12 values + zero ohm link total contents 1000 resistors £8.95

LEDs red/green 3/5mm 6p each. Yellow 11p

Cable ties 75mm 1p each £5.95/1,000 £49.50/10,000

Power transistors TIP35C (NPN), TIP36C (PNP)

100v 25A TOP3 plastic case £1.56ca

100dB piezo buzzer £1.50 standard buzzer £0.80

Solar cells 0.45v 100mA £1.48 700mA £3.50

Stepping motor 4 phase 12v 7.5 step 50 ohms £8.95

SA11027 stepping motor driver chip £3.95

Miniature FM transmitter Kit 100-108 Mhz high quality sound Idea for cordless microphones or guitars etc £7.48

Metal latching XLR line plug £1.35 line socket £1.48

Ferric chloride pack for mixing with 1/2L water £1.40

Automatic squeeze action wire strippers £3.45

Special offers Limited Stock

Computer Grade Capacitors with screw terminals

58000uf 60v £4.00 4700uf 63v £1.50

38000uf 20v £1.95 87000uf 10v £1.50

Stereo LW/MW/FM Tuner pre-amp assembly complete with volume/tone controls and tuning scale

Brand new in makers carton £5.95, faulty £1.95

Circuit diagram description and setting up procedure for tuner assembly described above £0.50

LCD display 16 digit 7x5 dots dot matrix £2.50

CMOS TTL 74HC 74F Linear transistors kits capacitors resistors tools etc always in stock

Please add 75p P&P per order VAT included

JPG Electronics 276 Chatsworth Road Chesterfield S40 2BH

Access orders (0246) 211202. Callers welcome

## L.F. HANNEY

77 Lower Bristol Road, Bath, Avon.

Tel: 0225-24811

Your electronics component specialist for

AVON, WILTS. & SOMERSET

Open every day, except on Thursday

## OMNI ELECTRONICS

stock a wide range of electronic components at

174 Dalkeith Road  
Edinburgh EH 16 5DX

Tel: 031 667 2611

Open Mon-Fri 9am-6pm

Sat. 9am-5pm

Send 2x18p stamps for NEW CATALOGUE!

### TURN YOUR SURPLUS

ICS transistors etc into cash, immediate settlement. WE also welcome the opportunity to quote for complete factory clearance. Contact:

COLES-HARDING & CO.

103 South Brink, Wisbech, Cambs.

ESTABLISHED 15 YEARS

Tel: 0945 584188

Fax: 0945 588844

Carbon Film Resistors 1/4W E24 series 0-51R to 10M0 - 1p  
100 off per value - 75p 1000 off in even hundreds per value - £7  
Metal Film 1/4W 10R0 to 1M0 5% E12 series - 2p 1% E24 series - 3p  
1/2Watt metal/carbon film E24 series 1R0 to 10M0 - 1 1/2p  
1 Watt metal/carbon film E12 series 4R7 to 10M0 - 5p  
BC107/8/9 - 12p BC547/8/9 - 8p BC182L 184L - 10p  
BFY50/51/52 - 20p 2N3055 - 50p TIP31A, 32A - 25p TIP41, 42 - 40p

Tantalum head subminiature electrolytics (Mids/Volts)  
0-1/35, 0-2/25, 0-4/7/35, 3-3/16, 4-7/16 - 14p 4-7/35 - 15p  
2-2/35, 4-7/25, 10/5 - 15p 4-7/35, 6/8/16 - 16p 10/16, 22/6 - 20p  
22/16 - 30p 33/10 - 30p 47/10 - 35p 100/6 - 40p

Aluminium Electrolytics (Mids/Volts)  
1/50, 2-2/50, 4-7/25, 4-7/50, 10/16, 10/25, 10/50 - 5p 22/16, 22/25 - 6p  
22/50, 47/16, 47/25, 47/50 - 6p 100/16, 100/25 - 7p 100/50 - 12p  
100/100 - 14p 220/16 - 8p 220/25, 220/50 - 10p 470/16, 470/25 - 11p  
1000/25 - 18p 1000/35, 220/25 - 22p 4700/25 - 70p

Miniature Polyester Capacitors 250V Wkg. Vertical Mounting  
-01, -015, -022, -033, -047, -068 - 4p 0-1 - 5p 0-15, -22 - 6p 0-47 - 8p

Mylar Capacitors 100V Wkg. Vertical Mounting E12 Series  
1000p to 8200p - 3p 01 to 068 - 4p 0-1 - 5p 0-15, 0-22 - 6p

Subminiature Ceramic Plate 100V Wkg. E12 Series Vertical Mounting  
2% 1P8 to 47P - 3p 56P to 330P - 4p 10% 390P to 4700P - 4p  
Ceramic plate/disc E6 Series 50V 22P to .047 - 2p

Polystyrene Capacitors 63V Wkg. E12 Series Axial Mounting  
10P to 820P - 3p 1000P to 10,000 - 4p 12,000P - 5p  
1N4148 - 2p 1N4002 - 4p 1N5404 - 14p W01 bridge - 25p  
0A91 - 6p AA143 - 8p W005 - 20p 1N4006 - 6p  
Zener diodes E24 series 3V3 to 33V 400mW - 8p 1 watt - 12p  
L.E.D's Red, Green & Yellow 3mm & 5mm - 10p 8mm - 35p  
20mm fuse 0-1A to 5A quick blow - 5p Anti Surge - 8p  
High Speed drills 0.8mm, 1.0mm, 1.3mm, 1.5mm, 2mm - 30p  
Expo Reliant drilling machines 12V d.c. with improved 3-jaw chuck 6.50  
Nicads AA - 80p HP11 - £2 PP3 - £4.20 Universal Chargers - £6.50  
Glass reed switches single pole make contacts - 8p Magnets - 12p

VAT inclusive. Return postage 25p (free over £5). Lists free.

THE C.R. SUPPLY CO.,

127 Chesterfield Road,  
Sheffield S8 ORN. Tel. 557771.

★★★ KITS ★★★

- Miniature VHF/FM transmitter £3.75 ●
  - Telephone transmitter (no batteries needed) £6.99 ●
  - Automatic telephone monitor to start/stop your cassette when telephone is used, recording all conversations £8.99 ●
    - Voice operated switch £9.99 ●
    - AF/RF signal injector tracer £5.99 ●
    - Bleeper VHF/FM transmitter £9.99 ●
    - High power telephone transmitter £7.99 ●
  - Tricolour car battery monitor £4.25 ● Rogerbleep £4.99 ●
    - Receiver preamp, 15db gain £7.99 ●
    - Drill speed controller, complete with cable, socket, box etc. £9.99 ●
- SAE LIST, P&P Free, Fire and overseas £2  
 Access orders accepted by telephone.  
 Cheque / P.O. to:  
**A.C. Electronics, 99 Greenheath,**  
**Hednesford, Staffs.**

**Phone**  
**Claire Hanson**  
 with your  
 classified ad!  
**01-743 8888**

We now accept payment by  
 Access and Visa

**You can also use PE**  
**Fax Line:**  
**01-743-3062**

**BARGAIN'S TO CLEAR**  
 Resistor's 1/4 W 2% METAL FILM 1.5 p each or 500 for £6 (50 DIFF VALUES). COPPER CLADDING 18in x 10in x 0.6 mm THICK. D/SIDED F/GLASS £3 each. MIXED DIELECTRICS - 0.1µF, 0.047µF, 0.033µF CAPAC. 'ORS; PK40 FOR £1. ZENER DIODES 12v, 1w - 5p each. 2732, 2716 EPROMS. PRO/ONCE £1 EACH. 8085 M.P.U £4. P/SUPPLIES - 5v, 45A £20, 12v, 18A - £20. 5v 100A - £30. 0.1" P.C.B EDGE CONNECTORS 54 PIN - £4 EACH ADD 50p P&P TO B.K., 22 NORTH STREET, NEWCASTLE, STAFFS. ST5 1BD

**CALIBRATION**  
 Need not cost a fortune. For a free quote on your D.M.M., oscilloscope or frequency counter. Send type of instrument, Make and Model details to:-  
 Calibration Lab,  
 Blueharow Limited,  
 Brookside Cottage,  
 Main Road, Brighthstone,  
 I.O.W. PO30 4DJ  
 Tel: 0983 740845

**THE SCIENTIFIC WIRE COMPANY**  
 811 Forest Road, London E17. Telephone 01-531 1568

| ENAMELLED COPPER WIRE |       |      |      |
|-----------------------|-------|------|------|
| SWG                   | 1 lb  | 8 oz | 4 oz |
| 8 to 34               | 3.63  | 2.09 | 1.10 |
| 35 to 39              | 3.82  | 2.31 | 1.27 |
| 40 to 43              | 6.00  | 3.20 | 2.25 |
| 44 to 47              | 8.67  | 5.80 | 3.49 |
| 48                    | 15.96 | 8.58 | 6.38 |

| SILVER PLATED COPPER WIRE |       |      |        |
|---------------------------|-------|------|--------|
|                           | 10 lb | 5 lb | 2.5 lb |
| 14 to 30                  | 1.97  | 2.93 | 1.97   |

| TINNED COPPER WIRE |       |      |        |
|--------------------|-------|------|--------|
|                    | 10 lb | 5 lb | 2.5 lb |
| 14 to 30           | 3.97  | 2.41 | 1.39   |

Post Free. Please add V.A.T. at 15%. Orders under £3.00 add 50p SAE for list of copper and resistance wire.  
 Dealer enquiries welcome.

**SERVICES**

**PCB Services.** PCBs draughted on Autocad. We will make drilled PCBs to your specifications. 1 off to small production runs. Send your Artwork or circuit diagrams. Cost 6p/cm<sup>2</sup> single sided 12p/cm<sup>2</sup> double sided, 2p/cm<sup>2</sup> for Artwork production. For further details contact Tommy Knight, Production Dept., Intec (Inverclyde) Ltd, 5 East Blackhall Street, Greenock PA15 1HD.

**HEATHKIT U.K.** Spares and service centre. **Cedar Electronics, Unit 12, Station Drive, Bredon, Tewkesbury, Glos. Tel (0684) 73127**

Do you service electronic products or computers? If so, than advertise in PE classified pages!

**SPECIAL OFFERS**

Video senders £14.90. Aerial boosters £9.70. S.A.E. for leaflets. **Electronic Mail Order, Ramsbotham, Lancs. BL0 9AG**

**REDUNDANT STOCK- FANTASTIC BARGAINS**  
 10Mb Winchester £50, Sanyo MBC550 PC alike £150, 5 1/4 DS floppy drive £25, QWERTY keyboard RS232 out with info £15, RGB 20" monitor £35, Computer PCBs with 8086 etc for parts £10/Kg. Add £6.50 P&P on larger items. Send £1 for complete list. Cheques to B. Thurlow, 64 Newman Street, London W1A 4SE

**CLEARANCE**, Wide variet items, electronics, mechanical, optical, motors, tools, collectors' items. Valves 1/2 dealer's price. SAE for list. Laboratories, Maplehurst RH13 6LL Tel: (040) 376236.

**OSCILLOSCOPE Farnell, D.T.C.** 12 dual trace D.C. 12 MHZ, component testing, shoulder case as new. List price £450 + VAT. Sell at £350. Tel: 651-5713.

**VOICE/SOUND** activated switches, easy to follow diagrams and uses. Only £1.00. Components and PCBs available: **Herrington, 63 Home Farm Road, Hanwell London W7 1NL.**

**SURVEILLANCE**

**Surveillance devices,** lasers, Tesla coils, scramblers, ultrasonic and many more, over 100 designs, send SAE to: **Plancentre, Old Wharf, Dynock Road, Ledbury HR8 2HS**

**NEW VHF MICROTRANSMITTER KIT**, tuneable 80-115 Mhz, 500 metre range, sensitive electret microphone, high quality PCB. **SPECIAL OFFER** complete kit **ONLY £5 POST FREE.** Access orders telephone 021 411 1821. Cheques/ P.O.'s to: **Quantek Electronics Ltd, (Dept P.E.), 45a Station Road, Northfield, Birmingham, B31 3TE**

**BOOKS**

**Electronics: Build and Learn** - by well known author R. A. Penfold. Price £5.95. Available from all good bookshops or PE Book Service.

**MISCELLANEOUS**

**PRINTED CIRCUIT BOARDS, prototype and production. Quick turnaround, competitive prices. Details from Sherwood Circuits, Welbeck St., Nr. Worksop, Notts S80 4TW**

**D.O.S. TRAINING XT/AT and Amstrad Compatibles.** Works on any 5 1/4 floppy or/and hard drive combination. Disks and textbooks £16.00 + £1.25 p&p. ALSO Floppy Disks, 5 1/4 premium guaranteed quality. Double sided, double density for XT - £4.00 for 10 and A.T. High density 1.2M Byte £25.25 for 10. All above disks include Box, Labels, Sleeves, Tabs. Bulk F.D. 5 1/4 £3.50 for 10 DS/DD. Disks only. All disk guaranteed. Add p&p 65p per 10 disks Cheques or money orders to: **Shipman Company, Technical Training Centre, 3 Wilford Grove SKEGNESS, Lincs, PE25 3EZ.**

Make money in 1989! Use Practical Electronics classified pages for your small ads. For details phone Claire Hanson on 01-743-8888.

**A & G ELECTRONICS LTD**

If you are buying Electronics Components elsewhere you are almost certainly paying too much! Write to us for a free 1989 catalogue and start saving money. Please send two 19p stamps towards postage. **P.O. Box 443 London E14 6JU Tel:01-519-6149**

**SPECIAL OFFERS**

- Cassette Motor large and small. 2 for £1.00
  - Mono and stereo cassette heads. 2 for £1.00
  - Auto-Reverse heads. £2.00 each. Small speakers. 2 for £1.50.
  - Microphone small for cass. tel. etc. 2 for £1.00
- Please add 75p p&p. VAT inc Access card accepted. **Golden Orange Supplies, Brockhollands Road, Woodside, Bream, Lydney Glos.. Tel: 0594-563009.**

**(0734) 341835 CSS Ltd (0734) 341835**

- 256K DRAMS 100 n/s Ex-equipment 500 £5.00 each
- 256K DRAMS 120 n/s Ex-equipment 600 £4.00 each
- 256K DRAMS 150 n/s Ex-equipment 800 £3.80 each
- 64K DRAMS 120 n/s Ex-equipment 100 £1.00 each
- 64K DRAMS 150 n/s Ex-equipment 250 £0.80 each
- 64K DRAMS 200 n/s Ex-equipment 1,000 £0.50 each
- 64K DRAMS 120 Brand new 112 £2.00 each
- 1 TELEX CHEETAH £500.00
- 1 H/P 7221C 8-COLOUR PLOTTER CALL:

**(0734) 341835 CSS LTD (0734) 341835**

**HYBRID POWER CONTROLS**

- ★ **BF HYBRID** £7.95  
 12 Amp 240 Volt complete Zero Voltage Proportional Heater Control (no radio interface).
- ★ **PC1R** £3.45  
 1 Amp 240 Volt Phase Angle Controller - Light Dimmer (requires 220k pot.)
- ★ **PC12R** £6.95  
 12 Amp 240 Volt Phase Angle Controller - Light Dimmer, Drill Speed, Heater Control. (Requires 220k pot.)

Prices include VAT + p&p.  
 SAE for details on above products.  
 Full range of thyristors, Triacs, Fuses,  
 Heatinks & Ring Circuits etc.  
 Trade enquiries welcome





# READY-MADE P.C. BOARDS

Simplify your project assembly – use a ready-made printed circuit board. All are fully drilled and roller tinned. Just slot in the components as shown in the project texts, and solder them. PCBs are the professional route to project perfection.

## MAIL ORDERING

Select the boards you want, and send your order to  
**PE PCB SERVICE, PRACTICAL ELECTRONICS,**  
**193 UXBRIDGE ROAD, LONDON W12 9RA.**

Prices include VAT and postage and packing. Add £2 per board for overseas airmail. Cheques should be crossed and made payable to **Intra Press**.

Quote the project name and PCB Code Number, and print your name and address in **Block Capitals**. Do not send any other correspondence with your order.

## TELEPHONE ORDERS (OPEN 24 HOURS)

Use your Access card and phone your order to

**0268 289923**

clearly stating your name and address, card number, and order details.

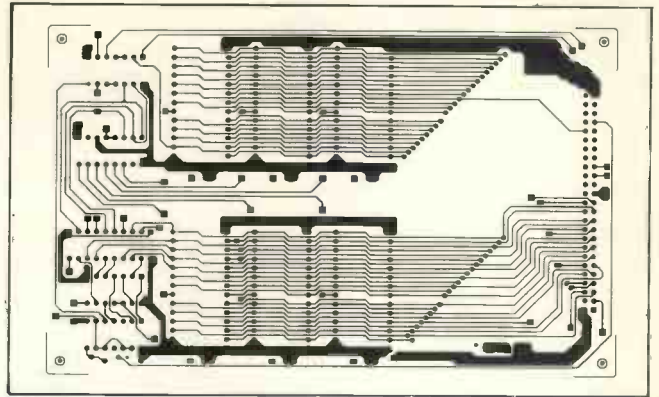
All orders receive priority attention, but allow 28 days for delivery in case a PCB is temporarily out of stock.

**WE CAN ONLY SUPPLY THE PCBs LISTED HERE**

**CHECK LATEST ISSUE FOR PRICES BEFORE ORDERING**

PHOTOCOPIES OF THE TEXTS MAY BE BOUGHT FROM THE EDITORIAL OFFICE AT £1.00 EACH PART (£1.50 OVERSEAS). P&P INCLUSIVE.

COMPONENTS ARE AVAILABLE FROM ADVERTISERS.



|  |         |        |
|--|---------|--------|
| <b>JULY 86</b>   |         |        |
| PASSIVE IR DETECTOR – burglar detection                        | 115     | £3.90  |
| 200MHZ COUNTER – professional specification                    | 00D     | £30.88 |
| <b>SEP 86</b>  |         |        |
| FIBRE-OPTIC LINK – computer comms.                             | ODE     | £10.14 |
| <b>OCT 86</b>  |         |        |
| DRUM SYNTHESISER   | 121     | £7.67  |
| MAINS DELAY TIMER – selectable 15 to 120 mins. Set of 2 PCBs.  | 122     | £7.92  |
| MAINS DIMMER – touch control up to 400W.                       | 123     | £3.90  |
| <b>NOV 86</b>  |         |        |
| REMOTE JOYSTICK – infrared computer controller. Set of 2 PCBs. | 124     | £10.86 |
| BABY ALARM – through-the-mains transceiver.                    | 125     | £10.71 |
| <b>DEC 86</b>  |         |        |
| VIDEO ENHANCER – manually adjustable video improvement.        | 126     | £8.76  |
| <b>JAN 87</b>  |         |        |
| VIDEO FADER – simple inexpensive video mixer                   | 127     | £4.50  |
| VOICE SCRAMBLER – confidential trans.                          | 128     | £8.06  |
| <b>MAR 87</b>  |         |        |
| 4 CHANNEL ENHANCER   | 135     | £4.60  |
| LIGHT PEN – uses fibre optics for accuracy                     | 136     | £4.10  |
| ULTRASONIC TAPE MEASURE  | 138     | £9.50  |
| <b>APR 87</b>  |         |        |
| VIGILANTE CAR ALARM – keeps cars alert                         | 139     | £5.90  |
| INDUCTIVE LOOP TRANSCEIVER – remote control for models:        | 143/144 | £7.80  |
| <b>MAY 87</b>  |         |        |
| BRIGHT FUZZ – Foot operated overdrive                          | 145     | £3.90  |
| <b>JUN 87</b>  |         |        |
| AUDIO SIGNAL GENERATOR   | 146     | £10.20 |

|  |         |        |
|--|---------|--------|
| <b>JUL 87</b>                                |         |        |
| WORD GENERATOR – 16-bit binary words         | 147     | £13.42 |
| SCOPE STORE oscilloscope add-on data storage | 148     | £11.94 |
| <b>SEP 87</b>                                |         |        |
| SPEECH PROCESSOR – clarifies speech          | 150     | £5.86  |
| GCSE TIMER UNIT – versatile variable delay   | 151     | £5.18  |
| FUNGEN – triple waveform signal generator    | 152/153 | £9.69  |
| LIGHT CONTROLLER – delayed switching         | 154     | £4.64  |
| <b>OCT 87</b>                                |         |        |
| TEACHER LOCKER – digital lock control        | 155     | £7.50  |
| POWER SUPPLY – stabilised ±15V               | 156     | £7.50  |
| GUITAR TO SYNTH – music interface            | 157A/B  | £9.95  |
| <b>NOV 87</b>                                |         |        |
| DUAL POWER SUPPLY – GCSE                     | 158     | £6.20  |
| MIDI EXPANDER – Music Interface              | 159     | £5.04  |
| <b>DEC 87</b>                                |         |        |
| RS 232C TO MIDI                              | 160     | £6.43  |
| TEACHER RADIO – GCSE                         | 161     | £5.58  |
| <b>JAN 88</b>                                |         |        |
| EGG TIMER                                    | 162A-C  | £12.44 |
| LEGO BUGGY DRIVER                            | 163     | £6.42  |
| <b>FEB 88</b>                                |         |        |
| TEACHER TALKBACK – GCSE                      | 164     | £6.36  |
| DC MOTOR SERVO                               | 165     | £7.53  |
| <b>MAR 88</b>                                |         |        |
| APPLIANCE TIMER                              | 166A/B  | £9.38  |
| TEACHER LIGHTSHOW – GCSE                     | 167A/B  | £9.09  |
| LOGIC ANALYSER – Double-sided                | 168     | £20.65 |
| <b>APR 88</b>                                |         |        |
| LIGHT METAL EFFECTS                          | 169     | £7.10  |
| TEACHER COUNTER                              | 170     | £4.95  |
|  | 171     | £4.92  |
| <b>MAY 88</b>                                |         |        |
| RF SPEECH PROCESSOR                          | 172     | £6.26  |
| <b>JUN 88</b>                                |         |        |
| AMSTRAD ROM EXPANSION                        | 173     | £10.80 |
| MAINS MODEM                                  | 174     | £4.27  |
| <b>JULY 88</b>                               |         |        |
| VOCALS ELIMINATOR                            | 175     | £4.31  |
| <b>AUGUST 88</b>                             |         |        |
| SPEAKING CLOCK                               | 176     | £10.50 |
| <b>SEPT 88</b>                               |         |        |
| BBC MULTIPLEXER                              | 177     | £4.50  |
| <b>OCT 88</b>                                |         |        |
| METAL DETECTOR.                              | 178     | £6.50  |
| <b>DEC 88</b>                                |         |        |
| PLD PROGRAMMER                               | 179     | £9.90  |
|  | 180     | £4.90  |
| PANNING MIXER                                | 181     | £7.80  |
| <b>JAN 89</b>                                |         |        |
| CHRISTMAS FLASHERS:                          |         |        |
| RUDOLPH'S NOSE                               | 182     | £6.25  |
| ANGEL'S HALO                                 | 183A/B  | £9.40  |
| CANDLE FLICKER                               | 184     | £6.25  |
| PULSATING STAR                               | 185A/B  | £13.00 |
| RANDOM PUDDING                               | 186     | £6.25  |

# ED'S CRYSTAL GAZING CHRISTMAS COMPETITION!



**WOULDN'T YOU LOVE TO WIN ONE  
OF THESE SUPERB FERGUSON  
PTV01 POCKET-SIZED LCD COLOUR  
TVS?  
WORTH AROUND £250 EACH!**

They're compact and light-weight and have a very watchable 2.6 inch (6.6cms) liquid crystal display. There's automatic press-button channel selection with on-screen indication of channel tuning and a similar button arrangement controls volume.

The PTV01 is truly portable requiring only six AA size alkaline batteries. Each tv has a built-in speaker, and comes complete with a neat, black soft carrying case, aerial adaptor, carrying strap and accessory earphone. There is a tilt stand at the rear which, when pulled out, allows the set to stand freely.

## HOW TO ENTER

Ed's quoted ten definitions for terms and names in regular electronic use, he's also given eight of the answers in a different order. Decide which answer goes with which definition and write it in the box. Two definitions are without quoted answers so into the relevant box just enter a name or term which you think is most appropriate.

The names of those with all the correct answers will be put into Ed's ex-Christmas hat on January 31st 1989 and the first three names drawn out will each win one of the three lcd tvs. The next three names drawn out will each win twelve month's free subscription to PE.

The winners will be announced in the April 1989 issue of PE, on sale from March 5th.

### THE EDITOR'S DECISION IS FINAL!

Send the entry form to: **Practical Electronics  
TV Competition, Intra House, 193 Uxbridge  
Road, London W12 9RA**

### EIGHT OF THE ANSWERS:

Battery, capacitance, chip, Farad, Henry,  
impedance, microprocessor, resistance.

## THREE POCKET LCD COLOUR TV'S TO BE WON!

### LCD TV ENTRY FORM

#### TEN DEFINITIONS:

|  |  |
|--|--|
|  | ● The property exhibited by two conductors separated by a dielectric, whereby an electric charge becomes stored between the conductors.  |
|  | ● A multicell device which generates dc electricity by means of electro-chemical action and having a current supplying capability usually expressed in amp-hours.                  |
|  | ● One or more elements that contain the control unit and logic functions suitable for use as the central processing unit of a microcomputer or dedicated automatic control system. |
|  | ● The absolute SI unit of electrostatic capacitance, defined as that which, when charged by a potential difference of one volt, carries a charge of one coulomb.                   |
|  | ● The absolute SI unit of self and mutual inductance of a closed circuit in which one volt is produced by a current changing uniformly at one amp per second.                      |
|  | ● A small slab, wafer, or die of dielectric or semiconductor material on which a subminiature component or circuit is formed.  |
|  | ● In electrical and acoustical fields the real part of the impedance characterised by the dissipation of energy as opposed to its storage.   |
|  | ● The total opposition offered by a circuit or device to the flow of alternating current, the symbol for which is Z, and having the ohm as its unit.                               |
|  | ● The science magazine for serious electronics and computer enthusiasts celebrating its silver jubilee in 1989.  |
|  | ● A leading British organisation committed to innovation, design, technology and reliability in audio, hifi, tv and video.   |

#### NOT PART OF THE COMPETITION, BUT PLEASE TELL ME:

Have you access to a computer, if so what type? \_\_\_\_\_

Which computer programming languages do you know? \_\_\_\_\_

Name(in caps) \_\_\_\_\_

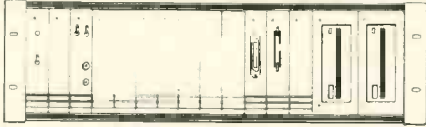
Address \_\_\_\_\_

\_\_\_\_\_

\_\_\_\_\_

\_\_\_\_\_

# Interak 1 BUILD YOUR OWN COMPUTER



INTERAK can be commenced with the minimum of outlay. Bare boards from £10.95; beg borrow or steal the components, or buy from us - all parts available separately. No special or custom chips (ie PALS, ULAs, ASICs etc) used - no secrets.

Go as fast or as slowly as your funds and enthusiasm permit.

Made for those who must know what goes inside. Full circuit diagrams and descriptions are provided. And honestly, can you really use a computer effectively if you don't know what's inside and nobody will tell you?

Solid engineering construction - something to be proud of. 19" 3U rack mounting, plug in circuit boards and modular construction keeps obsolescence at bay.

Flourishing Independent Users Group, and newsletter. Hundreds of programs on disk at little or no cost from the Users Group.

Program in machine code (Assembler), Basic, "C", Forth, etc Database, Word Processing, Scientific applications.

Cassette tape operation or disk (up to 4 drives, 1 Megabyte 3.5" available from us, but you can add 3", 5.25", 8" if you want). Disk operating system CP/M Plus.

64K RAM, Z80 based at present with potential for expansion to a 16 Megabytes address space and Zilog's latest Z80280 In the future.

Needs no specialised knowledge to construct, and we will happily get you out of a jam if you get into one.

Availability of personal and individual after sales service, impossible to obtain from large companies, who are only after your money.

Security of supply - from Greenbank Electronics, established in 1970.

**Greenbank**

For more details write or phone us:

Greenbank Electronics, Dept (E12P), 460 New Chester Road, Rock Ferry, Birkenhead, Merseyside. L42 2AE. Tel: 051-645 3391.

## INDEX TO ADVERTISERS

|                            |       |                     |       |
|----------------------------|-------|---------------------|-------|
| A & G Electronics          | 59    | Kollar B.           | 58    |
| AC Electronics             | 59    | London Electronics  |       |
| A.D.M. Electronic Supplies | 58    | College             | 58    |
| Astronomy Now              | 47    | M & A Radio         | 58    |
| Audiokits                  | 43    | Magenta Electronics | 32,33 |
| B.K. Electronics           | IBC   | Maplin Electronics  | OBC   |
| Blue Harrow                | 58    | Micro Systems       | 33    |
| Bonex                      | 6     | Millea Electronics  | 58    |
| Bull J.                    | 24    | Number One Systems  | 6     |
| Cambridge Computer         |       | Omni                | 58    |
| Science Ltd                | 59    | Payne Electroprint  | 58    |
| Classified Ads             | 58,59 | Phonosonics         | 31    |
| Cobonic Ltd                | 44    | PVS Electronic      |       |
| Coles Harding              | 58    | Components          | 47    |
| Computer Salvage           |       | Riscomp             | 22    |
| Specialists                | 59    | Scientific Wire     | 59    |
| Cricklewood Electronics    | 44    | Service Trading     | 31    |
| C.R. Supply Co.            | 58    | SM Engineering      | 6     |
| C-Scope                    | 44    | Soft Machine        | 47    |
| Deansgate                  | 58    | Specialist          |       |
| Display Electronics        | 18    | Semiconductors      | 34    |
| Electrotechniques          | 58    | Stewart of Reading  | 22    |
| Golden Orange Supplies     | 59    | Suma Designs        | 31    |
| Greenbank Electronics Ltd. | 62    | Sutronics           | 59    |
| Hanney, L.F.               | 58    | Tandy               | IFC   |
| J.P.G. Electronics         | 58    | Technomatic         | 10,11 |
| Keytronics                 | 23    | T.K. Electronics    | 62    |

PLEASE MENTION PRACTICAL ELECTRONICS  
WHEN REPLYING TO ADVERTS



## THREE SIMPLE CONSTRUCTION KITS

Especially aimed for the beginner. Have fun with your project even after you have built it and also learn a little from building it. These kits include high quality solder resist printed circuit boards, all electronic components (including speaker where used) and full construction instructions with circuit description.

- SK1 DOOR CHIME - plays a tune when activated by a pushbutton ..... £3.90
  - SK2 WHISTLE SWITCH - switches a relay on and off in response to whistle command ..... £3.90
  - SK3 SOUND GENERATOR - produces FOUR different sounds, including police/ambulance/fire-engine siren and machine gun ..... £3.90
- SPECIAL OFFERS FOR SCHOOL AND TRAINING CENTRES** - Contact Sales Office for discounts and samples.

## ELECTRONIC GUARD DOG KIT

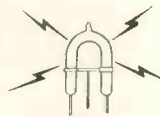


One of the best deterrents to a burglar is a guard dog and this new kit provides the barking without the bite! The kit when assembled can be connected to a doorbell, pressure mat or any other intruder detector and will produce a random series of threatening barks making the would-be intruder think you have a guard dog and try his luck elsewhere. The kit is supplied complete with high quality PCB, mains transformer, all components and instructions. The kit even includes a horn speaker which is essential to produce the loud sound required. The "dog" can be adjusted to produce barks ranging from a Terrier to an Alsatian and contains circuitry to produce a random series of barks giving a more realistic effect. Don't delay, fit one before you go on holiday and let our dog help you guard your home.

**XX125 Complete kit of parts** ..... £24.00

## POWER STROBE KIT

Designed to produce a high intensity light pulse at a variable frequency of 1 to 15Hz, this kit also includes circuitry to trigger the light from an external voltage source (eg. a loudspeaker) via an opto isolator.



Instructions are also supplied on modifying the unit for manual triggering, as a slave flash in photographic applications or as a warning beacon in security applications. The kit includes a high quality pcb, components, connectors, 5Ws strobe tube and full assembly instructions. Supply: 240V ac. Size: 75x50x45.

**XX124 Stroboscope Kit** ..... £13.75

## VERSATILE REMOTE CONTROL KIT

This kit includes all components (+ transformer) to make a sensitive IR receiver with 16 logic outputs (0-15V) which with suitable interface circuitry (relays, triacs, etc - details supplied) can be used to switch up to 16 items of equipment on or off remotely. The outputs may be latched (to the last received code) or momentary (on during transmission) by specifying the decoder IC and a 15V stabilised supply is available to power external circuits.



Supply: 240V AC or 15-24V DC at 10mA. Size (excluding transformer) 9 x 4 x 2 cms. The companion transmitter is the MK18 which operates from a 9V PP3 battery and gives a range of up to 60ft. Two keyboards are available MK9 (4-way) and MK10 (16-way), depending on the number of outputs to be used.

**MK12 IR Receiver (incl. transformer)** ..... £16.30

**MK18 Transmitter** ..... £7.50

**MK9 4-Way Keyboard** ..... £2.20

**MK10 16-Way Keyboard** ..... £6.55

**601 133 Box for Transmitter** ..... £2.60

## SOLID STATE RELAY BARGAIN

- \*ZERO VOLTAGE SWITCHING- No radio interference problems
  - \*2.5 KV INPUT to OUTPUT ISO. LATION- No risk of damage to your computer or driver circuits
  - \*4 KV TERMINALS TO HEAT-SINK ISOLATION- Simply bolt onto a heatsink
  - \*3V to 32V INPUT VOLTAGE- easily interfaced to TTL or CMOS LOGIC.
  - \*24V to 240V rms LOAD VOLTAGE- allowing mains loads to be switched.
  - \*BUILT IN SNUBBER NETWORK- Enabling switching of inductive loads.
  - \*10A MAXIMUM CURRENT- 4A with no heatsink fitted at 40°C.
- CD240/10 £2.25**



## SUPER SENSITIVE FM MICROBUG



Highly sensitive FM transmitter measuring only 45 x 25 x 15mm, including the built-in microphone. Frequency 88-100MHz enabling reception on a standard domestic FM radio. Range approximately 300m depending on terrain. Powered by 9V PP3 (7mA). Its small size and highly sensitive electret microphone makes it ideal for surveillance, baby alarm, etc.

**INTRODUCTORY PRICE** ..... £5.50

## MICROPROCESSOR TIMER KIT

Designed to control 4 outputs independently switching on and off at present times over a 7-day cycle. LED display of time and day, easily programmed via 20 way keyboard. Ideal for central heating control including different switching time for weekends. Battery back-up circuit. Includes box 18 time settings.



**CT6000K** ..... £47.20

**XX114 Relay kit for CT6000K includes PCB connectors and one relay. Will accept up to 4 relays 3A/240V c/o contacts** ..... £4.30

**701 115 Additional relays** ..... £1.80

## DISCO LIGHTING KITS

**DL1000K** This value-for-money 4-way chaser features by-directional sequence and dimming, 1kW per channel ..... £19.25

**DL21000K** - A lower cost uni-directional version of the above. Zero switching to reduce interference ..... £10.80

**DLA/1** Optional opto input allowing audio 'beat/light response ..... 77p

**DL3000K** - 3-channel sound to light kit features zero voltage switching, automatic level control and built-in microphone. 1kW per channel. ..... £15.60

The DL8000K is an 8-way sequencer kit with built in opto-isolated sound to light input which comes complete with a pre-programmed EPROM containing EIGHTY - YES 80 different sequences including standard flashing and chase routines. The KIT includes full instructions and all components (even the PCB connectors) and requires only a box and a control knob to complete. Other features include manual sequence speed adjustment, zero voltage switching, LED mimic lamps and sound to light LED and a 300W output per channel. And the best thing about it is the price: **ONLY £31.50.**

## GIANT SOLAR CELLS

**NOW IN STOCK** these giant size solar panels 12x12in will deliver 12 volts 200mA in bright sunlight and 11.5 volts 60mA on a typical British summer day (dull and overcast). **HUNDREDS OF USES** in the car or caravan, e.g. Charging NiCads, powering low voltage circuits where mains or battery supplies are inconvenient or coupled to a lead acid battery and a simple inverter you could build yourself a self contained mains supply for low power appliances. Stock No. 303 145. £14.50 (plus £1.75 for p&p on total order).

**TH ELECTRONICS**  
13 BOSTON RD.  
LONDON W7 3SJ  
Tel: 01 567 8910



**ORDERING INFORMATION:  
ALL PRICES EXCLUDE VAT**

FREE P&P on orders over £20 (UK only), otherwise add 75p + VAT. Overseas P&P: Europe £2.75. Elsewhere £6.50. Send cheque/PO/Barclaycard/Access No. with order. Giro No. 529314002.

**LOCAL AUTHORITY AND EXPORT ORDERS WELCOME  
GOODS BY RETURN SUBJECT TO AVAILABILITY**

**SEND 9" x 6" SAE & 50p FOR  
CATALOGUE OR CALL AT  
SHOP Mon-Fri 9-5 pm  
Saturday 10-4 pm**



**OMP POWER AMPLIFIER MODULES-TURNABLES-DIMMERS-LOUDSPEAKERS-19 INCH STEREO RACK AMPLIFIERS**

**OMP POWER AMPLIFIER MODULES**

Supplied ready built and tested.

**OMP POWER AMPLIFIER MODULES** Now enjoy a world-wide reputation for quality, reliability and performance at a realistic price. Four models available to suit the needs of the professional and hobby market, i.e., Industry, Leisure, Instrumental and Hi-Fi etc. When comparing prices, NOTE All models include Toroidal power supply, Integral heat sink, Glass fibre P.C.B., and Drive circuits to power compatible VU meter. Open and short circuit proof.

**THOUSANDS OF MODULES PURCHASED BY PROFESSIONAL USERS**



**OMP100 Mk 11 Bi-Polar** Output power 110 watts R.M.S. into 4 ohms, Frequency Response 15Hz - 30KHz - 3dB, T.H.D. 0.01%, S.N.R. -118dB, Sens. for Max. output 500mV at 10K, Size 355 x 115x65mm. **PRICE £33.99 + £3.00 P&P.**



**NEW SERIES II MOS-FET MODULES**

**OMP/MF 100 Mos-Fet** Output power 110 watts R.M.S. into 4 ohms, Frequency Response 1Hz - 100KHz - 3dB, Damping Factor, >300, Slew Rate 45V/uS, T.H.D. Typical 0.002%, Input Sensitivity 500mV, S.N.R. -125dB. Size 300 x 123 x 60mm. **PRICE £39.99 + £3.00 P&P.**

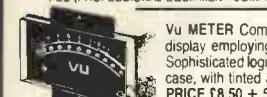


**OMP/MF200 Mos-Fet** Output power 200 watts R.M.S. into 4 ohms, Frequency Response 1Hz - 100KHz - 3dB, Damping Factor >300, Slew Rate 50V/uS, T.H.D. Typical 0.001%, Input Sensitivity 500mV, S.N.R. -130dB. Size 300 x 155 x 100mm. **PRICE £62.99 + £3.50 P&P.**



**OMP/MF300 Mos-Fet** Output power 300 watts R.M.S. into 4 ohms, Frequency Response 1Hz - 100KHz - 3dB, Damping Factor >300, Slew Rate 60V/uS, T.H.D. Typical 0.0008%, Input Sensitivity 500mV, S.N.R. -130dB. Size 330 x 175 x 100mm. **PRICE £79.99 + £4.50 P&P.**

NOTE:— MOS-FET MODULES ARE AVAILABLE IN TWO VERSIONS, STANDARD— INPUT SENS. 500mV BAND WIDTH 100KHz. PEC (PROFESSIONAL EQUIPMENT COMPATIBLE)— INPUT SENS. 775mV, BAND WIDTH 50KHz. ORDER STANDARD OR PEC



**VU METER** Compatible with our four amplifiers detailed above. A very accurate visual display employing 11 L.E.D. diodes (7 green, 4 red) plus an additional on/off indicator. Sophisticated logic control circuits for very fast rise and decay times. Tough moulded plastic case, with tinted acrylic front. Size 84 x 27 x 45mm. **PRICE £8.50 + 50p P&P.**

**LOUDSPEAKERS**



**LARGE SELECTION OF SPECIALIST LOUDSPEAKERS AVAILABLE, INCLUDING CABINET FITTINGS, SPEAKER GRILLES, CROSS-OVERS AND HIGH POWER, HIGH FREQUENCY BULLETS AND HORNS, LARGE S.A.E. (30p STAMPED) FOR COMPLETE LIST.**

**McKENZIE:— INSTRUMENTS, P.A., DISCO, ETC.**

- ALL MCKENZIE UNITS 8 OHMS IMPEDANCE**
- 8" 100 WATT C8100GPM GEN. PURPOSE, LEAD GUITAR, EXCELLENT MID., DISCO. RES, FREQ. 80Hz. FREQ. RESP. TO 14KHz. SENS. 99dB. **PRICE £28.59 + £2.00 P&P.**
  - 10" 100 WATT C10100GP GUITAR, VOICE, ORGAN, KEYBOARD, DISCO, EXCELLENT MID. RES, FREQ. 70Hz. FREQ. RESP. TO 6KHz. SENS. 100dB. **PRICE £34.70 + £2.50 P&P.**
  - 10" 200 WATT C10200GP GUITAR, KEYBOARD, DISCO, EXCELLENT HIGH POWER MID. RES, FREQ. 45Hz. FREQ. RESP. TO 7KHz. SENS. 98dB. **PRICE £47.48 + £2.50 P&P.**
  - 12" 100 WATT C12100GP HIGH POWER GEN. PURPOSE, LEAD GUITAR, DISCO. RES, FREQ. 45Hz. FREQ. RESP. TO 14KHz. SENS. 100dB. **PRICE £36.66 + £3.50 P&P.**
  - 12" 100 WATT C12100TC (TWIN CONE) HIGH POWER WIDE RESPONSE, P.A., VOICE, DISCO. RES, FREQ. 45Hz. FREQ. RESP. TO 14KHz. SENS. 100dB. **PRICE £37.63 + £3.50 P&P.**
  - 12" 200 WATT C12200B HIGH POWER BASS, KEYBOARDS, DISCO, P.A. RES, FREQ. 40Hz. FREQ. RESP. TO 7KHz. SENS. 100dB. **PRICE £64.17 + £3.50 P&P.**
  - 12" 300 WATT C12300GP HIGH POWER BASS LEAD GUITAR, KEYBOARDS, DISCO, ETC. RES, FREQ. 45Hz. FREQ. RESP. TO 5KHz. SENS. 100dB. **PRICE £85.79 + £3.50 P&P.**
  - 15" 100 WATT C15100BS BASS GUITAR, LOW FREQUENCY, P.A., DISCO. RES, FREQ. 40Hz. FREQ. RESP. TO 5KHz. SENS. 98dB. **PRICE £53.70 + £4.00 P&P.**
  - 15" 200 WATT C15200BS VERY HIGH POWER BASS. RES, FREQ. 40Hz. FREQ. RESP. TO 4KHz. SENS. 99dB. **PRICE £73.26 + £4.00 P&P.**
  - 15" 250 WATT C15250BS VERY HIGH POWER BASS. RES, FREQ. 40Hz. FREQ. RESP. TO 4KHz. SENS. 99dB. **PRICE £80.53 + £4.50 P&P.**
  - 15" 400 WATT C15400BS VERY HIGH POWER, LOW FREQUENCY BASS. RES, FREQ. 40Hz. FREQ. RESP. TO 4KHz. SENS. 102dB. **PRICE £94.12 + £4.50 P&P.**
  - 18" 400 WATT C18400BS EXTREMELY HIGH POWER, LOW FREQUENCY BASS. RES, FREQ. 27Hz. FREQ. RESP. TO 3KHz. SENS. 99dB. **PRICE £167.85 + £5.00 P&P.**

**EARBENDERS:— HI-FI, STUDIO, IN-CAR, ETC.**

- ALL EARBENDER UNITS 8 OHMS EXCEPT EB8-50 AND EB10-50 DUAL 4 AND 8 OHM. BASS, SINGLE CONE, HIGH COMPLIANCE, ROLLED FOAM SURROUND**
- 8" 50 WATT EB8-50 DUAL IMPEDANCE, TAPPED 4/8 OHM BASS, HI-FI, IN-CAR. RES, FREQ. 40Hz. FREQ. RESP. TO 7KHz. SENS. 97dB. **PRICE £8.90 + £2.00 P&P.**
  - 10" 50 WATT EB10-50 DUAL IMPEDANCE, TAPPED 4/8 OHM BASS, HI-FI, IN-CAR. RES, FREQ. 40Hz. FREQ. RESP. TO 5KHz. SENS. 99dB. **PRICE £12.00 + £2.50 P&P.**
  - 10" 100 WATT EB10-100 BASS, HI-FI, STUDIO. RES, FREQ. 35Hz. FREQ. RESP. TO 3KHz. SENS. 96dB. **PRICE £27.50 + £3.50 P&P.**
  - 12" 60 WATT EB12-60 BASS, HI-FI, STUDIO. RES, FREQ. 28Hz. FREQ. RESP. TO 3KHz. SENS. 92dB. **PRICE £21.00 + £3.00 P&P.**
  - 12" 100 WATT EB12-100 BASS, STUDIO, HI-FI, EXCELLENT DISCO. RES, FREQ. 26Hz. FREQ. RESP. TO 3KHz. SENS. 93dB. **PRICE £32.00 + £3.50 P&P.**
  - FULL RANGE TWIN CONE, HIGH COMPLIANCE, ROLLED SURROUND**
  - 5 1/2" 60 WATT EB5-60TC (TWIN CONE) HI-FI, MULTI-ARRAY DISCO ETC. RES, FREQ. 63Hz. FREQ. RESP. TO 20KHz. SENS. 92dB. **PRICE £9.99 + £1.50 P&P.**
  - 6 1/2" 60 WATT EB6-60TC (TWIN CONE) HI-FI, MULTI-ARRAY DISCO ETC. RES, FREQ. 38Hz. FREQ. RESP. TO 20KHz. SENS. 94dB. **PRICE £10.99 + £1.50 P&P.**
  - 8" 60 WATT EB8-60TC (TWIN CONE) HI-FI, MULTI-ARRAY DISCO ETC. RES, FREQ. 40Hz. FREQ. RESP. TO 18KHz. SENS. 89dB. **PRICE £12.99 + £1.50 P&P.**
  - 10" 60 WATT EB10-60TC (TWIN CONE) HI-FI, MULTI-ARRAY DISCO ETC. RES, FREQ. 35Hz. FREQ. RESP. TO 12KHz. SENS. 86dB. **PRICE £16.49 + £2.00 P&P.**

**TRANSMITTER HOBBY KITS**

- PROVEN TRANSMITTER DESIGNS INCLUDING GLASS FIBRE PRINTED CIRCUIT BOARD AND HIGH QUALITY COMPONENTS COMPLETE WITH CIRCUIT AND INSTRUCTIONS**
- 3W FM TRANSMITTER 80-108MHz. VARICAP CONTROLLED PROFESSIONAL PERFORMANCE, RANGE UP TO 3 MILES, SIZE 38 x 123mm, SUPPLY 12V @ 0.5AMP. PRICE £14.49 + £1.00 P&P**
  - FM MICRO TRANSMITTER (BUG) 100-108MHz VARICAP TUNED COMPLETE WITH VERY SENS FET MIC, RANGE 100-300m. SIZE 56 x 46mm, SUPPLY 9V BATT. PRICE £8.62 + £1.00 P&P**



3 watt FM Transmitter

\* PRICES INCLUDE V.A.T. \* PROMPT DELIVERIES \* FRIENDLY SERVICE \* LARGE S.A.E., 30p STAMPED FOR CURRENT LIST.

**OMP VARISPEED TURNTABLE CHASSIS**



- ★ MANUAL ARM ★ STEEL CHASSIS ★ ELECTRONIC SPEED CONTROL 33 & 45 ★ WARI PITCH CONTROL ★ HIGH TORQUE SERVO DRIVEN DC MOTOR ★ TRANSIT SCREWS ★ 12" DIE CAST PLATTER ★ NEON STROBE ★ CALIBRATED BAL. WEIGHT ★ REMOVABLE HEAD SHELL ★ 1/2" CARTRIDGE FIXINGS ★ CUE LEVER ★ POWER 220-240V 50/60Hz ★ 390x305mm ★ SUPPLIED WITH MOUNTING CUT-OUT TEMPLATE.

**PRICE £59.99 + £3.50 P&P.**

**OPTIONAL MAGNETIC CARTRIDGES**

**STANTON AL500**  
PRICE £16.99 + 50p P&P

**GOLDRING G850**  
PRICE £6.99 + 50p P&P

**OMP MOS-FET POWER AMPLIFIERS, HIGH POWER, TWO CHANNEL 19 INCH RACK**

**THOUSANDS PURCHASED BY PROFESSIONAL USERS**



**NEW MXF SERIES OF POWER AMPLIFIERS**  
THREE MODELS:— **MXF200 (100w + 100w)**  
**MXF400 (200w + 200w)** **MXF600 (300w + 300w)**

All power ratings R.M.S. into 4 ohms.

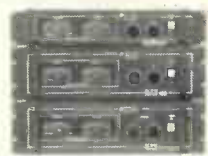
**FEATURES:** ★ Independent power supplies with two Toroidal Transformers ★ Twin L.E.D. VU meters ★ Rotary indexed level controls ★ Illuminated on/off switch ★ XLR connectors ★ Standard 775mV inputs ★ Open and short circuit proof ★ Latest Mos-Fets for stress free power delivery into virtually any load ★ High slew rate ★ Very low distortion ★ Aluminium cases ★ MXF600 Fan Cooled with D.C. Loudspeaker and Thermal Protection.

**USED THE WORLD OVER IN CLUBS, PUBS, CINEMAS, DISCOS ETC.**

**SIZES:—** MXF 200 W19" x H3 1/4" (2U) x D11"  
MXF 400 W19" x H5 1/4" (3U) x D12"  
MXF 600 W19" x H5 1/4" (3U) x D13"

**PRICES: MXF200 £171.35**  
**MXF400 £228.85**  
**MXF600 £322.00**

SECURICOR DELIVERY £12.00 EACH



**OMP LINNET LOUDSPEAKERS**

THE VERY BEST IN QUALITY AND VALUE



MADE ESPECIALLY TO SUIT TODAY'S NEED FOR COMPACTNESS WITH HIGH OUTPUT SOUND LEVELS. FINISHED IN HARDWEARING BLACK VINYL WITH PROTECTIVE CORNERS, GRILLE AND CARRYING HANDLE. INCORPORATES 12" DRIVER PLUS HIGH FREQ. HORN FOR FULL FREQ. RANGE. 45Hz-20KHz BOTH MODELS 8 OHM, SIZE H18" x W15" x D12".

CHOICE OF TWO MODELS

POWER RATINGS QUOTED IN WATTS RMS FOR EACH CABINET

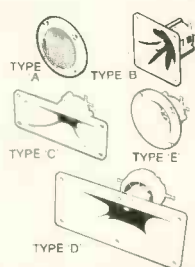
**OMP 12-100 (100W 100dB) PRICE £159.99 PER PAIR**  
**OMP 12-200 (200W 102dB) PRICE £209.99 PER PAIR**

SECURICOR DEL.— £12.00 PER PAIR

**PIEZO ELECTRIC TWEETERS-MOTOROLA**

**PIEZO ELECTRIC TWEETERS — MOTOROLA**

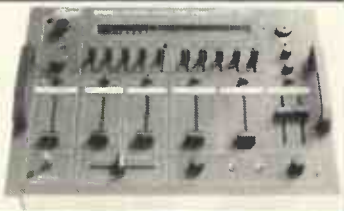
Join the Piezo revolution. The low dynamic mass (no voice coil) of a Piezo tweeter produces an improved transient response with a lower distortion level than ordinary dynamic tweeters. As a crossover is not required these units can be added to existing speaker systems of up to 100 watts (more if 2 put in series). **FREE EXPLANATORY LEAFLETS SUPPLIED WITH EACH TWEETER.**



**TYPE 'A' (KSN2036A)** 3" round with protective wire mesh, ideal for bookshelf and medium sized Hi-Fi speakers. Price £4.90 each + 50p P&P.  
**TYPE 'B' (KSN1005A)** 3 1/2" super horn. For general purpose speakers, disco and P.A. systems etc. Price £5.00 each + 50p P&P.  
**TYPE 'C' (KSN6016A)** 2" x 5" wide dispersion horn. For quality Hi-Fi systems and quality discos etc. Price £6.99 each + 50p P&P.  
**TYPE 'D' (KSN1025A)** 2" x 6" wide dispersion horn. Upper frequency response retained extending down to mid range (2KHz). Suitable for high quality Hi-Fi systems and quality discos. Price £9.99 each + 50p P&P.  
**TYPE 'E' (KSN1036A)** 3 3/4" horn tweeter with attractive silver finish trim. Suitable for Hi-Fi monitor systems etc. Price £5.99 each + 50p P&P.  
**LEVEL CONTROL** Combines on a recessed mounting plate, level control and cabinet input jack socket. 85x85mm. Price £3.99 + 50p P&P.

**STEREO DISCO MIXER**

**STEREO DISCO MIXER** with 2 x 5 band L & R graphic equalisers and twin 10 segment L.E.D. VU Meters. Many outstanding features 5 inputs with individual faders providing a useful combination of the following:—  
3 Turntables, 4 Line including CD plus Mic with talk over switch Headphone Monitor. Pan Pot L & R. Master Output controls. Output 775mV. Size 360x280x90mm. Supply 220-240V.  
**Price £134.99 — £4.00 P&P**



**B. K. ELECTRONICS** Dept PE

UNIT 5, COMET WAY, SOUTHEND-ON-SEA, ESSEX. SS2 6TR  
TEL: 0702-527572 FAX: 0702-420243

POSTAL CHARGES PER ORDER £1.00 MINIMUM. OFFICIAL ORDERS WELCOME FROM SCHOOLS, COLLEGES, GOVT. BODIES, ETC. PRICES INCLUSIVE OF V.A.T. SALES COUNTER. VISA ACCESS ACCEPTED BY POST, PHONE OR FAX.



# THE NEW MAPLIN CATALOGUE IT'S OUT OF THIS WORLD SEND FOR YOUR COPY TODAY

**ORDER  
OF YOUR COPY  
CATALOGUE ON SALE SOON**

Pick up a copy from any W.H. Smith for just £1.95 or post this coupon now to receive your copy by post for just £1.95 + 50p p & p. If you live outside the U.K. send £3.40 or 15 International Reply Coupons. I enclose £2.45.

Name \_\_\_\_\_  
Address \_\_\_\_\_

Send to Maplin Electronics, P.O. Box 3, Rayleigh, Essex SS6 8LR.  
Post Code \_\_\_\_\_

PE 89

**AVAILABLE FROM 11th NOVEMBER 1988 IN ALL W.H. SMITH STORES**

