

ELECTRONICS

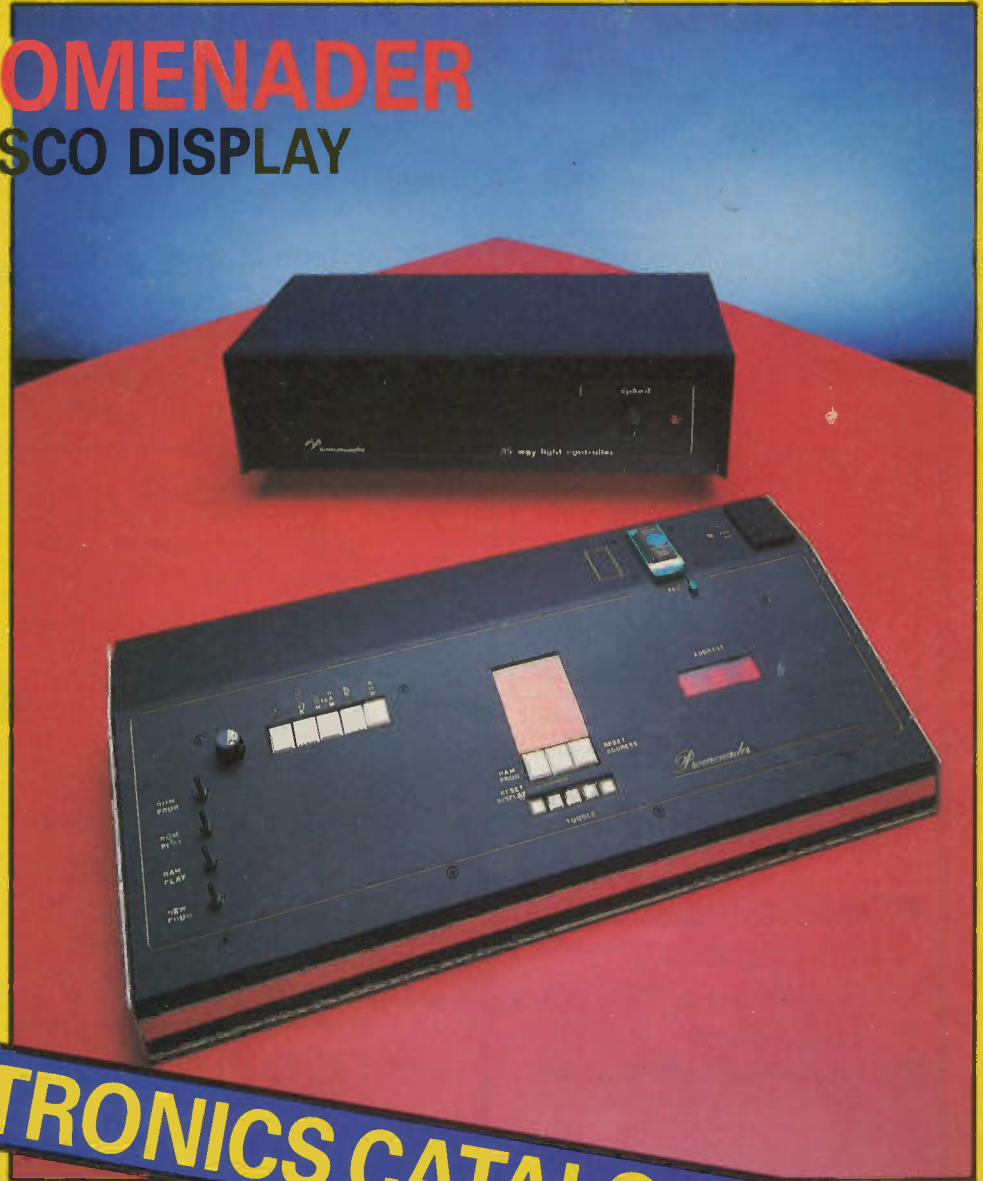
SCIENCE & TECHNOLOGY

THE PE PROMENADER 35-CHANNEL DISCO DISPLAY

VIDEO
ENHANCER

STeBus
IS BACK!

Z80 SINGLE
STEPPER



FREE ELECTRONICS CATALOGUE WORTH 70P

DESIGN –

Integrators explained using Op-Amps

TECHNOLOGY –

Making Professional Front Panels

EXPERIMENTATION – *Voice Compression*

PLUS SPECIAL CHRISTMAS BUYERS GUIDE!

Full kits include pcb's, hardware, cases (unless stated otherwise), IC sockets, wire, nuts & bolts.
Article reprints extra 70p each.

THIS MONTH'S KITS - S.A.E. OR PHONE FOR PRICES

PASSIVE INFRA-RED DETECTOR July 86	£38.46
ECHO/REVERB UNIT July 86	£41.95
THERMOCOUPLE INTERFACE FOR DVM Jun 86	£15.98
NOTCHER EFFECTS UNIT May 86	£31.46

TTL LOGIC CHECKER May 86	£20.95
SOUND ACTIVATED SWITCH Apr 86	£41.55
SCRATCH & RUMBLE FILTER (Stereo) Apr 86	£18.89
PHOTOGRAPHIC TRIGGER UNIT Apr 86	£35.68
TEMPERATURE/ANALOGUE INTERFACE Apr 86	£43.87
SPECTRUM HARDWARE RESTART (uncased) Mar 86	£28.49
AMSTRAD I/O Mar 86	£24.18
FIBROPTIC AUDIO LINK Mar 86	£27.65
FIBROPTIC CABLE 80p/metre	£14.15
LOGIC PROBE Feb 86	£17.43
COMPUTER MOVEMENT DETECTOR Feb 86	£17.43
SPECTRUM SPEECH SYNTH & 8-BIT I/O PORT Jan 86	29.58
HIGH PERFORMANCE STEPPING MOTOR DRIVER Dec 85	£22.98
EXTRAS: Transformer £5.98; Case £2.95; BBC lead & plug £1.98; Motor-1D35 £14.50; MD200 £16.80.	
COMMODORE USER PORT EXPANDER Nov 85	£11.98

MODEL RAILWAY TRACK CONTROL Nov 85	£44.98
'SQUINT' ROBOT EYES Nov 85	£9.55
TOUCH CONTROL PSU Oct 85	£31.22
MODULATED SYNDRUM Oct 85	£29.24
RS232 TO CENTRONICS CONVERTER Sept 85	£49.44
CAR BOOT ALARM Sept 85	£12.89
COMPUTER ENVELOPE SHAPER Aug 85	24.39
VOLTMETER MEMORY ADAPTOR July 85	£11.99
STYLUS KEYBOARD FOR COM 64 Jun 85	£10.50
SYNTHESIZER INTERFACE FOR COM 64 Jun 85	£17.26
AMSTRAD SYNTHESIZER INTERFACE May 85	£27.90
CYLINDER THERMOSTAT May 85	£23.95
BBC POWER CONTROL INTERFACE Apr 85	£22.98
GUITAR ACTIVE TONE CONTROL less case Sept 83	£14.36
PROGRAM CONDITIONER June 83	£22.40
AUTO TEST SET May 83	£41.54
WIPEY DELAY Apr 83 less relay	£9.89
BATTERY TESTER Apr 83	£15.90

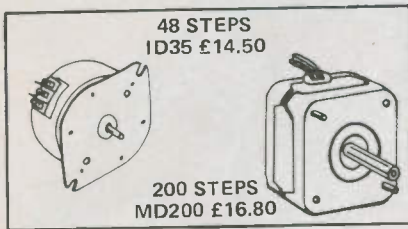
DIGITAL CAPACITANCE METER

A superb instrument with a five digit 0.5 inch LED display giving direct readout of pF, nF and uF from 1pF to 1,000 uF. Exceptionally easy to use. A crystal timebase eliminates setting up procedures. Ideal for schools, labs, and industry as well as electronics enthusiasts from beginners to experts. Complete kit - including PCB, case, all components and hardware, £39.57. Reprints of article 70p.

HIGH PERFORMANCE STEPPING MOTOR DRIVER

As featured in December issue
Kit including PCB, I.C. & All Parts £22.98
Transformer 30V 18VA £5.98 extra
Case (houses PCB only) £2.95 extra
Lead & Connector for BBC Computer £1.98
Motors - 1D35 £14.50 - MD200 £16.80
TEA1012 also available separately £6.88. Data £1.99

STEPPING MOTORS



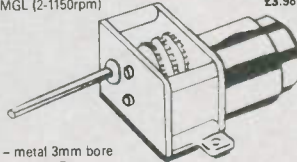
BBC STEPPER MOTOR INTERFACE KIT £13.99 PCB, driver IC, components, connectors and leads included. Demonstration software, listings, circuit diagram, pcb layout and construction details given. Requires unregulated 12Vdc power supply. INTERFACE KIT (ref PE) £13.99
OPTIONAL POWER SUPPLY PARTS £4.67

PE HOBBYbus

Kit including double sided p.c.b. excluding DIN sockets £49.98.
DIN 41612 a+c sockets £2.20 each or 10 for £18.

DC MOTOR SETS

MOTOR - GEARBOX ASSEMBLIES 1.5V-4.5V
Miniature precision made. Complete with quality electric motors. Variable reductions ratios. Long 3mm dia output shafts.
Small unit - type MGS (3-2200rpm) £3.49
Large unit - type MGL (2-1150rpm) £3.98



PULLEY WHEELS - metal 3mm bore	
10mm dia	£1.75
20mm dfa	£1.84
30mm	£1.99
METAL COLLAR WITH screw - 3mm bore	24p
FLEXIBLE SPRINT COUPLING 3mm L31mm	68p
FLEXIBLE METAL COUPLING 3mm	£2.98
DC MOTOR 1.5V-4.5V RPM 4,400-8,700	
Shaft dia 2mm L10mm. Body 29x35mm	
DC MOTOR TYPE - Dc28	£1.98
FLEXIBLE STEEL SPRING DRIVING BELT 12" long. Joins to itself or 2 more can be joined where long lengths are needed.	47p

MINI MODEL MOTORS 1.5-3V

TYPE MM1	TYPE MM2
59p	61p

BBC HEART RATE

BBC Heart Rate Monitor - Ready Built £35.99

Practise relaxation or monitor fitness with this plug-in heart rate monitor. Connects directly to the BBC computer. Programs give continuous heart rate displays, bar charts, graphs etc. Supplied with sensor, software & instructions - ready to plug in and use.

DRY BATTERY CHARGER

AS FEATURED IN P.E.

We have produced a full kit of parts to build the Dry Battery Charger featured in the August issue of P.E. This is a designer approved full kit of parts complete with Case, PCB, and a set of four special top quality Battery Holders.

The metal case lid swings open so that the batteries are fully enclosed during charging for complete safety. Any number of batteries (up to 4) can be charged at a time. The kit is supplied in 3 versions for AA cells, C cells, or D cells. These differ only in the type of battery holders and charging resistors supplied.

Conversion kits are available to change between types.

DIY BATTERY CHARGER KITS

AA cells	£24.12
C cells	£25.27
D cells	£26.57

VERKON DC-DC CONVERTERS

These compact efficient voltage converters allow one or two NICAD or ALKALINE cells to be used as the power source for circuits requiring 6, 9, 12, 14 or 20 volts. The economy and reliability gains that come from this arrangement are excellent - just compare the cost of a single NICAD cell with that of a NICAD PP3. This is only part of the story - we have a full leaflet which shows how to calculate the savings which can be made. Just send a stamped addressed envelope for more information, performance curves etc.

VERKON DC-DC CONVERTERS

V6	6 volts from 1 Nicd or Alk-Mn	£7.28
V9a	9 volts from 1 Nicd	£7.28
V12	12v from 1 Alk-Mn	£7.28
Vt12	14v from 2 x Nicd	£8.63
Vt18	20v from 2 x Nicd	£8.63

CATALOGUE

Brief details of each kit, book contents, and illustrations and descriptions of our range of tools and components are all included. Robotics and Computing section included. Our advert shows just a selection of our products. Up to date price list enclosed. Official orders welcome. Catalogue & Price List - Send £1 in stamps etc or add £1 to your order. Price list only 9x4 SAE. Catalogue free to schools/colleges requested on official letterhead.

SHOP NOW OPEN - CALLERS WELCOME

MAGENTA ELECTRONICS LTD.
PE12, 136 HUNTER ST.,
BURTON-ON-TRENT
STAFFS, DE14 2ST
0283 65435 Mon-Fri 9-5.
Shop Hours 9-5 Mon-Fri.
ADD 80P P&P TO ALL ORDERS.
PRICES INCLUDE VAT.
SAE ALL ENQUIRIES.
OFFICIAL ORDER WELCOME.

Access/Barclaycard (Visa) by phone or post.
24 hr Answerphone for credit card orders.



OVERSEAS: Payment must be sterling.
IRISH REPUBLIC and BFPO: UK PRICES
EUROPE: UK PRICES plus 10%.
ELSEWHERE: write for quote.



KAYCOMP MICROPROCESSOR TRAINER AND SINGLE BOARD COMPUTER

A new single board training and evaluation system for the 16-bit 68000 Series Microprocessor. A standard working system in kit form costs just **£110.00 including VAT**. Programs are developed and written with the aid of an on-board monitor program. The system is programmed and run via an RS232 link from either a standard terminal or a BBC Computer programmed to act as a terminal (we supply the necessary software). Optional extras include a line by line assembler, a peripheral I/O port and timer, and a G64 bus interface. Full sets of technical literature, programming information and manufacturers' data sheets are available to accompany the system.

AVAILABLE FROM STOCK NOW
PHONE OR WRITE FOR FULL DETAILS REF PE10

68000

68705 MICROCONTROLLER TRAINER

A stand-alone unit with hexadecimal keyboard and 9-digit seven-segment display. Uses a control oriented 68705 microprocessor with a comprehensive monitor system. A bank of 8 LEDs and switches allows I/O control programs to be run before connecting to 'real' external circuits. An AD-D/A board is also available along with full support literature. An excellent introduction to machine code programming right down to 'bit' level. Used in many educational establishments. A complete system costs under £50.
All in stock - Phone or write for details PE10

68000 'Kaycomp' system with monitor program, 8MHz system clock, 2k x 16 RAM, and RS232 duart interface (in kit form need +5, +12, -12V supplies)	£110.00
68230 P.I.T. add-on	£11.97
G64 bus interface add-on	£5.49
8k x 16 RAM upgrade	£9.24
Assembler + disassembler program	£24.46

CONSTRUCTIONAL PROJECTS

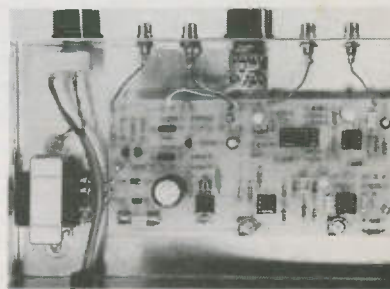
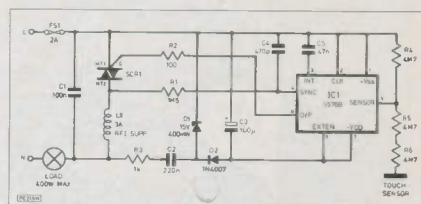
- VIDEO ENHANCER** by R.A. Penfold 16
 A low-cost and relatively simple project for all video enthusiasts which can offer hours of entertainment. There is also a follow up, a video fader, coming next month.
- PE PROMENADER** by Mike Delaney 28
 One of the most versatile disco lights and display programmers available as a hobbyist project. It features stand alone EPROM programmer, 35-channel display and a simple to control playback unit. What's even better – you don't have to be a programming genius or even a computer owner to use it!
- VOICE COMPRESSOR** by The Prof. 24
 This is the latest of our Experimental Electronics projects. It was designed in response to a readers' enquiry about voice compression techniques which do not alter the original tone.

SPECIAL FEATURES

- STeBus IS BACK** by Richard Whitlock 38
 To make up for the mistakes in our previous article, we have produced this in-depth look at all aspects of the STE system, one of the most rapidly growing processor systems used by industry.
- TECHNOLOGY-PROFESSIONAL FRONT PANELS**
 by The Prof. 44
 There is no need to build brilliant constructional projects only to spoil them by putting them in a 'scrappy box'.
- DESIGN-INTEGRATORS** 20
 A look at the design of integrators which are used in many circuits for hundreds of applications.
- CHRISTMAS BUYERS GUIDE** 42
 A look at the latest in electronic miniaturisation available to the consumer plus a chance to do your Christmas shopping.

REGULAR FEATURES

- EXPERIMENTAL ELECTRONICS** 24
 A chance to experiment with voice compression.
- MICROFORUM** 48
 This month, a 'single stepper' for Z80 based equipment plus the Robot Report.
- NEWS AND MARKET PLACE** 4
INGENUITY UNLIMITED 52
SPACEWATCH AND THE SKY THIS MONTH
 by Patrick Moore OBE 46
 Our regular astronomy page reports on current events and phenomena in the world of space exploration and astronomy. Plus, what to look for in the sky this month.
- THE LEADING EDGE** by Barry Fox 14
 In-depth news on the technology behind the technology.
- INDUSTRY NOTEBOOK** By Nexus 50
 Our regular look at the electronics industry. How was Industry Year?



THE SCIENCE MAGAZINE FOR SERIOUS ELECTRONICS ENTHUSIASTS

WHAT'S NEW

CATALOGUE CASEBOOK



Over the last month we have received the following catalogues:

The 10th Anniversary edition, Sept 1986 to January 1987, **Electronic Components catalogue** from Verospeed. Details from Verospeed, Stanstead Road, Boyatt Wood, Eastleigh, Hants SO5 4ZY.

MS Components Ltd., **Electronics catalogue**. Details from MS Components, Zephire House, Waring Street, West Norwood, London SE27 9LH.

The winter catalogue of **Electronic Components and Accessories** from Cirkkit available from selected book stalls, price £1.20. Details from Cirkkit Distribution, Park Lane, Broxbourne, Herts EN10 7NQ.

Choosing and Using **Telephones** – advice on the services offered by BT available free from OFTEL Press Office, Room E24, Atlantic House, Holborn Viaduct, Lonon EC1N 2HQ.

Comprehensive guide to Flukes range of **digital multimeters** available from **Fluke (GB) Ltd.**, Colonial Way, Watford, Herts WD2 4TT.

The **Tandy 1986-87 Electronics Catalogue** available free of charge from 360 Tandy Stores and authorised dealers throughout the UK.

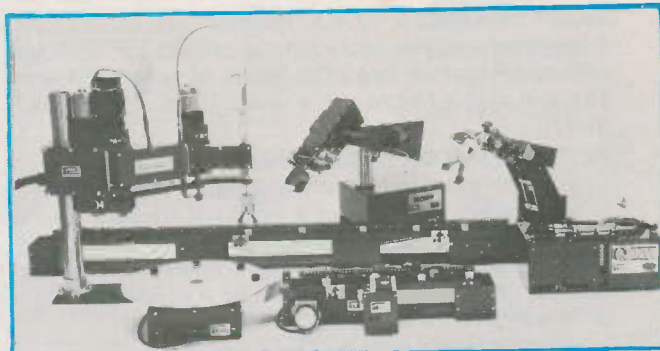
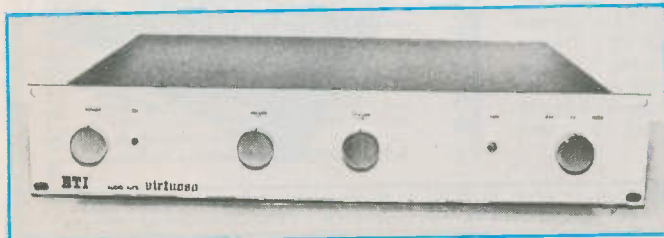
Hi-di-Fi

As most hi-fi enthusiasts will know, the quality of components such as resistors, capacitors, wiring and associated hardware is an important factor in hi-fi equipment design. A noisy resistor in a critical stage in an amplifier, for example, can nullify the effect of spending a lot of money on the rest of the design.

Audiokits, an established hi-fi company, recognise these

problems and have taken a fresh look at many existing designs including the Modular Audio Power System published in PE, and are making available a range of kits which include higher grade components which dramatically improve the sound quality of the original design.

In addition to supplying complete kits, Audiokits are able to supply individual high grade components such as Wondercaps and close tolerance resistors.



Aries Sockets

As the trend towards greater memory size increases it is getting more difficult to find suitable test sockets which can cater for the various sizes of memory i.c.s. Aries electronics have recognised this problem and are now offering test sockets which can accommodate devices up to 32 pins. This is in anticipation of 8Mb EPROM devices which are sure to appear shortly. Aries can offer a complete range of test sockets suitable for all currently available memory devices.



CD Store

A new compact disc storage unit which will conveniently hold 12 discs is available from Earley Marketing Ltd. With a recommended price of around £9.99 it's a little expensive when you consider that CDs can be thrown around, dropped and generally abused with no loss of reproduction quality. However, if you have splashed out on a CD player and are proud of your collection, it might make a nice Christmas present.

It is designed to facilitate an increasing disc collection as it can be clipped to similar units which make up an 'infinite modular system'. The motivation behind the design comes from a need identified by W.H. Smiths and is said to be 'The best British designed compact disc storage unit on the market'. Not interested in CD myself, I would like to see a similar design for computer disc storage at a reasonable price.

Don't be a Wally – Get WALLI!

WALLI (Work-cell Amalgamated Logical Linguistic Instructions) is a powerful high level language by which up to four robots and four expansion boards, 'daisy chained' together, may be intelligently operated from a single control computer.

WALLI has been set free by Cybernetic Applications who have produced this simplified language to operate their training robots and auxiliary equipment so that they may simulate a complete production line.

Cybernetic Applications was started by Dick Becker two years ago, during which time he has produced, and is marketing, four robots designed and manufactured by them in Britain. They are the Neptune I and II, Mentor, Naiad and Serpent I and II, all featured in Practical Electronics.

Toroids

Catering for a special requirement of the German Electronics market has enabled Cotswold Electronics to supply a range of 'budget' toroidal transformers at 15, 25 and 40VA in addition to their standard range. All their transformers in this range conform to various B.S., IEC and VDE specifications.



Geiger

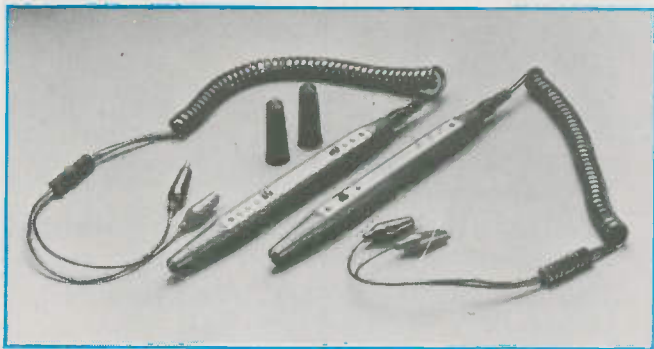
The Geiger Counter project published in August this year has proved to be one of our most popular projects in recent years with interest coming from thousands of readers. John Becker of Phonosonics who designed the project has been inundated with orders for complete kits.

In order to cater for the less experienced hobbyist and the complete novice to constructional projects, Phonosonics now have available a complete range of Geiger counters in both kit form and ready built. Their range includes instruments with panel meters and audible indication with computer interface to almost pocket size meters ready built.

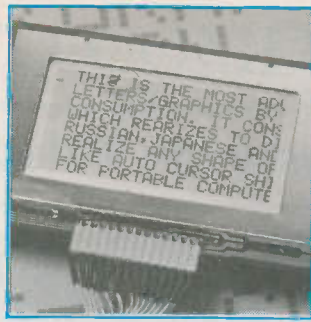


Probe and Pulser

OK Industries are now offering their PRB-50/PLS-500 kit at a special price of £100. The digital logic probe is capable of testing digital circuits from d.c. to beyond 500MHz with a pulse width sensitivity down to 10ns over a range of 3V to 18V



making it useful for both TTL and CMOS circuits. The pulser has switchable options which enable it to inject 100mA signals into circuit nodes of 2µA duration with low repetition rates of 0.5Hz or high repetition rates of 500Hz. It can also drive a node which is not driven by a host circuit or more importantly if the node is under circuit power, it can sense state and voltage and provide the correct voltage at sufficient power to force the node into opposite state.



Useful Computer Bits

Earlier this year PE mentioned the M150 mini printer from Epson of which over one million have been sold.

Epson have now added to their range of mini peripherals with the introduction of their M185 printer, an addition to the 180 range, and the latest in their mini l.c.d. modules which make a total of seven available.

As the trend towards smaller personal computers and portables is increasing, these products will obviously find their way into numerable designs. With a dedicated processor, a bit of memory and a few control chips and a keyboard, together with a mini printer and display, you have a complete system. At this rate it won't be long before pocket computer systems are available at affordable prices.

Epsons mini display, the EG2201, uses what they call their 'new high contrast ratio super TN technology' which they claim is up to twice as high as that found in conventional large capacity graphic l.c.d.s. and for all practical purposes, 'matches the speed of a CRT and has a life expectancy in excess of 50,000 hours'.

PSU Range

Verospeed, a well known name to the hobbyist and professional alike, have recently announced a new series of Power supplies which offer a range of features not to be found on many conventional PSUs. They are a family of Thurlby power supplies called the PL range and provide simultaneous voltage and current monitoring on l.e.d. displays with voltage, variable, from 0 to 150% of the rated output and current from 0 to 110%.

Chips For FAX, Video, Memory and Lasers

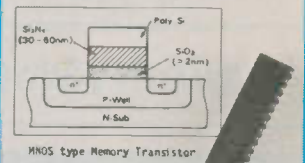
This month we have news of several new i.c.s from Hitachi, Intel, Mullard and Mitsubishi, most of them designed for specific or high-tech applications.

The HM58C65 from Hitachi is a 64K EEPROM organised as 8K X 8 and contains on-chip latches and timer. It has a single rail power supply and power on/off data protection circuitry. Using low power CMOS technology it still manages to maintain excellent speed characteristics.

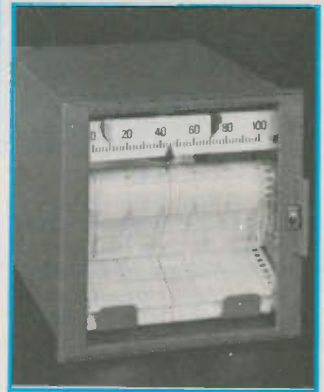
"first time ever GaAs semiconductor laser with two wave lengths"

Mullard have launched a 256 X 8-bit CMOS EEPROM, the PCB 8582, which has an IC interface which allows a low pin count (8-pin d.i.l.). Power consumption is low and on-chip multiplier provides higher voltages for programming thus enabling the chip to work from a single rail, 5V, supply. A new erasable programmable logic device (EPLD) from Intel, the 5C180, is available from Rapid Silicon. It is a CMOS LSI device which is capable of replacing up to 2,000 equivalent gates of TTL and 74HC SSI/MSI logic. For graphic systems the HM53462 from Hitachi, a dual port DRAM, is designed especially for video applications. Also from Hitachi, a new type of chip is under design, a 'document image compression and expansion processor' (DICEP). Samples are available of the HD63085Y i.c. which is designed for applications in FAX machines, copiers, word processors and telex terminals. It is primarily intended for use in conjunction with their HD63084 DIPP - document image preprocessor which digitalises analogue document image data from an optical sensor. The HD63085Y can compress an A4 document in less than one second.

EEPROM



For the first time ever, a gallium arsenide (GaAs) semiconductor laser with two different wavelengths switchable by changing the current, has been developed. Semiconductor lasers are used widely in CD players. The new chip from Mitsubishi allows multiplexed wavelengths for optical communications within a single unit, greatly expanding the traffic capacity.



Case of Recording

Kent Industrial Measurements Ltd. now have a short case strip chart recorder for around £300 which, they say, is one of the most economically priced single pen recorders on the market.

It requires a panel depth of 186mm and provides fast response, reliability and accuracy from a linear motor pen drive. The input can be derived from a wide range of sensors or transducers producing either d.c. or a.c. voltages or currents over a wide frequency range.



WHAT'S HAPPENING

Trends in personal computing – hardware and software



Computer Add-ons

As most readers of PE own at least one personal computer, it's fitting that we should mention a few computer items in the news pages. Practical Electronics recently had a stand at the PCWshow in London and we were able to assess the general trend in the home micro market.

As expected, the price of more powerful home micros is falling with Amstrad launching an IBM compatible for less than £500. Also as expected in general there are far fewer new computers being launched than in previous years as the buying trend seems to have peaked. However, trade in computer add-ons and software is still going strong with a need for continuing service for existing owners. Next year we will see the price of previously expensive software dropping dramatically, bringing excellent software packages within the range of the amateurs and hobbyists.

Zenith Data Systems are offering a relatively low-cost real time clock system for IBMs, and of course their clones, and Electronic & Computer Warehouse are offering a similar system for Commodore 64s.

As reported earlier this year, in PE, Acorn were working on a reduced instruction set computer and were thought to have a long lead over their competitors. However, Kuma Computers has brought out an RISC processor for the Atari ST which is capable of 7.5 million instructions per second (MIPS). This system can be connected to the ROM port of the Atari ST 68000 based

computer providing an extremely cost effective system for advance problem solving previously impossible on a system of this size.

Meanwhile the new BBC Master series of computers seems to be gaining wide ranging approval especially from the education sector. Because of many companies' long term involvement with Beeb compatible products, software and peripheral back-up for the Master series shouldn't be any problem. Paul Fray Ltd., a typical example, has launched a new real time software package, Spider 2, which for the Master series comes in cartridge form and provides real time processing power and allows some degree of parallel processing to be carried out.

Red Boxes

For years now, we have been predicting the arrival of cheap home micros with the ability to provide real-world control functions. Things have been a little slow – most manufacturers have stayed with traditional peripherals such as printers, plotters and monitors etc. Other than a few simple control units and robots, computer add-ons have been left, largely, to electronics magazines such as PE. Now, however, General Information Systems are supplying attractively packaged intelligent computer add-ons which offer a range of features. The units are called "Red Boxes" and will be described in detail in next months' PE.

FIRM CONTACT

Further details of the products, services and companies mentioned in the News pages of Practical Electronics may be obtained from the following sources:

Cybernetic Applications, Portway Trading Estate, Andover, Hampshire.

Phonosonics, 8 Finucane Drive, Orpington, Kent BR5 4ED.

Verospeed BICC Electronics, Boyatt Wood, Eastleigh, Hants SO5 4ZY.

Audio Kits, 6 Mill Close, Borrowash, Derby, DE7 3GU.

Zenith Data Systems Ltd., St. Johns Court, Easton Street, High Wycombe, Buckinghamshire HP11 1JX.

Paul Fray Ltd., Willowcroft, Histon Road, Cambridge CB4 3JD.

Earley Marketing Ltd., Unit 8, Mercury House, Calleva Park, Aldermaston, Berkshire RG7 4QW.

Epson (UK) Ltd., Dorland House, 388 High Road, Wembley, Middlesex HA9 6UH.

Mitsubishi Electric Corporation, Public Relations Department, 2-3 Marunouchi, 2 Chome, Chiyoda-ku, Tokyo, 100 Japan.

Hitachi Electronic Components (UK), 21 Upton Road, Watford, Hertfordshire WD1 7TP.

NEC Business Systems (Europe) Ltd, Camden Office, 35 Oval Road, London NW1 7EA.

Rediffusion Radio Systems Limited, Newton Road, Crawley, West Sussex RH10 2PY.

Department of Trade and Industry, 1 Victoria Street, London SW1 0ET.

British Telecom, Press and Broadcast Office, British Telecom Centre, Floor A3, 81 Newgate Street, London EC1A 7AJ.

Cirkit Distribution, Park Lane, Broxbourne, Hertfordshire EN10 7NQ.

Fluke (GB) Limited, Colonial Way, Watford, Hertfordshire WD2 4TT.

Rapid, Rapid House, Denmark Street, High Wycombe, Buckinghamshire HP11 2ER.

Aries Electronics (Europe) Ltd., Alfred House, 127 Oatlands Drive, Weybridge, Surrey KT13 9LB.

Cotswold Electronics Ltd., Unit T.1., Kingsville Road, Kingditch Trading Estate, Cheltenham GL51 9NX.

Kent Industrial Measurements Ltd., Howard Road, Eaton Socon, St Neots, Huntingdon, Cambridgeshire PE19 3EU.

OK Industries UK Ltd., Barton Farm Industrial Estate, Chickenhall Lane, Eastleigh, Hants SO5 5RR.

Kuma Computers Ltd., 12 Horseshoe Park, Pangbourne, Berkshire RG8 7JW.

Electronic & Computer Workshop Ltd., 171 Broomfield Road, Chelmsford, Essex CM1 1RY.

WHAT'S TO COME

*Telecomms, satellite TV and radio services – looking to the future***The X Factor**

For years the British telephone service under both the GPO and BT has been the subject of many a critical and cynical comment, a situation BT is looking to change. The truth is, though, that they provide a first class service bearing in mind they have a network of thousands of miles of cable, thousands of telephone exchanges and millions of telephones to maintain. In recent years the problem has been that with their long term plans to replace all existing exchanges with microprocessor controlled electronic ones, they have been reluctant to invest the necessary time and money on present equipment, much of which is now thirty or so years old. The mere fact that it works at all is amazing when you consider that the bulk of the control and switching equipment is electromechanical – how many washing machines or cars of that age are around now?

Now, however, things are really moving. BT are promising to install, on average, one new digital exchange, every working day. Many, but not all, of the new exchanges will be of the System X type which, because of problems with initial development, are already outdated in some respects. Nevertheless around 2.5 million digital lines per year will be coming into service offering far more facilities than can be offered using the present system.

By the end of this decade, almost half of all BT customers will be connected to digital exchanges allowing faster call set-up times, better quality of service, and the possibility of a wide range of office automation devices via the IDA. The IDA, Integrated Digital Access, allows modern computer and technology based equipment to originate digital 'calls' and talk to other similarly based machines.

Satellite

Despite its slow start, the satellite receiving equipment industry in the UK seems to be picking up with many more manufacturers and suppliers joining in the fun. NEC and DER have concluded an agreement where DER will distribute the NESAT system through each of their 369 outlets.



By becoming the first major rental company to offer satellite equipment, DER is now one of the largest single sources of satellite receivers in Europe. However, I suspect that will change in the not too distant future.

Rediffusion has launched a range of satellite TV equipment under their Satellite Systems Division. They have gone for a range of discrete products and packages which allow easy installation and a choice of dishes and 'electronic blocks'. Their domestic systems are available in 'carry-home' packs for DIY customers at around £1,000.

Grundig are also producing a satellite package to complement their range of TVs and VCRs. Whilst their receiver is only £399, the complete package will set you back in the region of £1,700.

Personally, I wouldn't advise anybody to rush out and buy satellite equipment in time for Christmas as prices are sure to fall dramatically in the next couple of years or so.

Bids from a number of large companies were placed this year with the government for a share in the UK based satellite industry proposed for the future. Amstrad, a company famous for its value for money consumer electronics products, was amongst the 'bidders'. At the PCW show, earlier this year, an Amstrad employee told me that they are very keen to get into this market and expect to be able to

produce a complete package for only a few hundred pounds. One thing is certain, if they do enter the market, competition will certainly get hot.

Radio Control

In order to ensure better radio communications, services and products, the DTI has issued a consultative document outlining proposals for the establishment of a third party quality assurance scheme within the industry.

"give me three good reasons"

Industry Minister, Geoffrey Pattie, said there were three

reasons for the establishment of this scheme. The radio industry would gain many benefits from good management practice for quality assurance, there would be reduced need for multiple assessments internationally and regulation of the radio spectrum could, at least in part, be taken away from the DTI.

It is envisaged that if the scheme comes into force, it will apply to manufacturers and importers of radio equipment as well as installers and repairers. In addition some categories of radio users and radio services will be affected.

COUNTDOWN

If you are organising any electrical, computing, electronic, radio or scientific event, big or small, drop us a line. We shall be glad to include it here. Address details to COUNTDOWN, Practical Electronics, 16 Garway Road, Bayswater, London W2 4NH.

PLEASE NOTE: Some of the exhibitions and events mentioned here are trade only or may be restricted to certain visitors. Also please check dates, times and any other relevant details with the organisers before setting out as we cannot guarantee the accuracy of the information presented here.

Instrumentation 87, Feb 25–26, Harrogate Exhibition Centre, March 25–26, Bristol Crest Hotel.

Audio 86, Nov 12–15, Olympia 2.

Drives/Motors/Controls & PC Systems, Nov 25–27, NEC, Birmingham.

Laboratory Manchester 87, April 8–9.

British Electronics Week 87 Olympia, April 28–30.

British Manufacturing Technology Week 87, Olympia, June 2–5.

IEEIE Lectures (various), Oct–Nov 86.

THE WORLD OF



FOR ONLY £2.50

ELECTROMAIL - A BRAND NEW WAY TO BUY RS PRODUCTS.

- Over 13,000 products from a single source.
- The quality range – proven by industry.
- Excellent stock availability.
- 24 hour ordering.
- 704 page catalogue.

Write or phone today for your copy of the new Electromail catalogue.

It's an invaluable technical reference packed with photographs and detailed descriptions of the complete product range.

Send £2.50 or, if phoning, quote your Access/Visa number.

The Electromail service is only available to UK customers.

ELECTROMAIL

Dept. 501, PO Box 33, Corby, Northants. NN17 9EL

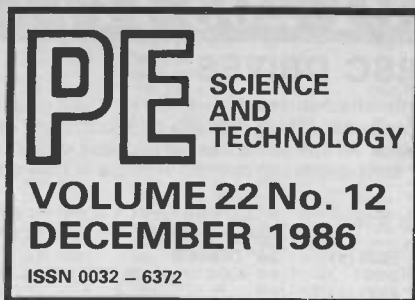
TELEPHONE:

0536 204555



NEW
CATALOGUE -
NEW PRODUCTS
NOVEMBER 1986
EDITION AVAILABLE
NOW!

Batteries
Cables and accessories
Conduit and trunking systems
Connectors
Control and switchgear
Drafting aids
Emergency/safety lighting
Enclosures and accessories
Fasteners
Fuses & circuit breakers
Instruments
Integrated circuits
Optoelectronics/indicators
Power supplies
Printed circuit boards & fabrication
Relays, solenoids and sensors
Resistors and capacitors
Security & safety products
Semiconductors
Service aids
Soldering and desoldering
Speakers & microphones
Suppressors & filters
Switches
Technical books and videos
Timers, counters, controllers
Tools & production aids
Transformers and wound components
Wiring accessories
Workshop equipment



Editor:

Richard Barron

Personal Assistant:

Karen Poole

Editorial Assistant:

Mary-Ann Hubers

Consultant (Electronics):

R. A. Penfold

Advertisement Sales Manager:

Ian Forbes

Publisher:

Angelo Zgorelec

PE Services

Practical Electronics offers a wide range of services to readers including: p.c.b.s, books, subscriptions, back numbers, and software listings. However, due to increased administration costs we can no longer provide photocopies of articles over three years old.

Readers' Enquiries

All editorial correspondence should be addressed to the editor and any letters requiring a reply should be accompanied by a stamped addressed envelope. Please address editorial correspondence to: Practical Electronics, 16 Garway Rd., London W2 4NH. Tel. 01-727 7010

We regret that lengthy technical enquiries cannot be answered over the phone.

Advertisements

All correspondence relating to advertisements, including classified ads, should be addressed to: The advertisement manager, Practical Electronics.

PE Services

PE EDITORIAL TEL. 01-727 7010
ADVERTISEMENT DEPT.
TEL. (01) 434 3532

MY BIT AT THE BEGINNING – 5

Well, that's another publishing year over and now it's time to look towards 1987. However, before I forget, the publishers, staff and myself would like to wish (somewhat early for some) a Happy Christmas to all readers, advertisers and supporters of PE and as they say on the radio, to anyone else who knows us. And for those who think that actions speak louder than words, we are pleased to be able to give away, in conjunction with Greenweld Electronics, an 80-page components catalogue worth 70p. Also, if you make use of our special Christmas order form you can save money on a number of special offers.

It looks as if 1987 is going to be a good year for Practical Electronics as we have a host of excellent constructional projects and features lined up as well as a few surprises.

I hope that you will agree, we are finally getting the balance right, ensuring that there is something of interest to everyone. In response to your demands, we think that together with our regulars, the Experimental Electronics, Design and Technology Features each month offer the best possible editorial profile for a hobbyist magazine. And we are not the only ones who think that!

One of the largest electronic and engineering suppliers in the Middle East has approached us with a view to publishing a Middle East edition of PE. This will take the form of a complete edition of each issue together with additional pages and cover printed in Arabic. This will be available throughout the Middle East from December onwards. It will be distributed to many of their existing customers and sold to most of the universities and teaching establishments.

Whilst continuing to develop PE, we are also launching two new magazines which might be of interest to you. For beginner, experienced or professional astronomers, we are launching "ASTRONOMY NOW", a colour magazine with a wealth of interesting features on all aspects of astronomy, telescope building and astronomical physics. For anyone working at or from home, especially using computers or information technology equipment, we are launching OFFICE AT HOME. Both magazines will be available in early 1987. Keep an eye open for them or fill in an order form to give to your newsagent – or order a subscription for "Spacewatch" at a special introductory price to PE readers using the order form in next month's issue of PE.

MIDDLE EAST PE

A special Middle East edition of Practical Electronics is now being distributed every month throughout the Middle East. It is published under license by Arab Engineers Ltd. See page 62 for details.

OUR JANUARY 1987 ISSUE WILL BE ON SALE FRIDAY, DECEMBER 5th 1986 (see page 41)

© Intrapress 1986. Copyright in all drawings, photographs and articles published in PRACTICAL ELECTRONICS is fully protected, and reproduction or imitations in whole or part are expressly forbidden. All reasonable precautions are taken by PRACTICAL ELECTRONICS to ensure that the advice and data given to readers is reliable. We cannot, however, guarantee it, and we cannot accept legal responsibility for it. Prices quoted are those current as we go to press.

BBC Micro Computer System

BBC Master Series	Second Drive Kit..... £99 (c)
AMB15 BBC MASTER Foundation computer 128K..... £395 (a)	UPGRADE KITS
AMB12 BBC MASTER Econet computer 128K (only ANFS)..... £319 (a)	1770 DFS Upgrade for Model B £43.50 (d)
AMC06 Turbo (65C102) Expansion Module..... £105 (b)	Basic II ROM..... £22.50 (d)
ADF13 Rom Cartridge..... £13 (d)	1.2 OS ROM..... £15 (d)
ADF10 Econet Module..... £43 (c)	DNFS ROM..... £17.50 (d)
ADJ22 Ref. Manual Part I..... £14.95 (c)	ADFS Rom (for B with 1770 DFS & B Plus)..... £26 (d)
ADJ23 Ref. Manual Part II..... £14.95 (c)	64K Upgrade Kit for B Plus..... £35 (d)
ADJ24 Advanced Ref. Manual..... £19.50 (c)	ECONET ACCESSORIES
ACORN ADD-ON PRODUCTS	Econet Starter kit..... £85 (d)
6502 2nd Processor..... £179	Econet Socket Set..... £29 (c)
Torch ZEP 100..... £229 (a)	Econet Bridge..... £174 (b)
Multiform Z80 2nd Processor..... £299 (b)	File Server Level II..... £120 (b)
Acorn Teletext Adaptor..... £125 (b)	Printer Server Rom..... £41 (d)
Acorn IEEE Interface..... £269 (a)	10 Stallion Lead set..... £26 (d)
BBC Master Compact SYSTEM 1	Adv. Econet User Guide..... £10 (d)
128K, Single 640K Drive & bundled software..... £399 (a)	COMMUNICATIONS ROMS
SYSTEM 2	Terminator..... £25 (d)
System 1 with a 12" Med -Res RGB Monitor..... £469 (a)	Communicator..... £49 (d)
SYSTEM 3	Commstar..... £28 (d)
System 1 with a 14" Med Res RGB Monitor..... £599 (a)	DATABASE £24 (d)
	BBC FIRMWARE & SOFTWARE
	Database Management Systems, Word Processors, Languages, Spreadsheets, Utilities
	For full details on the wide range of above packages please write to us.

PRINTERS

EPSON	
LX86NLQ (80 col)..... £229 (a)	
FX85 (80col) NLQ 8K RAM..... £315 (a)	
FX105 (136col)..... £449 (a)	
LQ800 (80col)..... £459 (a)	
LQ1000 (136col)..... £659 (a)	
JX80 4 colour..... £420 (a)	
TAXAN KP10 (80col) NLQ£219 (a)	
TAXAN KP91 (156col)..... £389 (a)	
NATIONAL PANASONIC KXP1080 (80col)..... £159 (a)	
STAR NL10 (Parallel I'face)..... £239 (a)	
STAR NL10 (Serial I'face)..... £279 (a)	
JUKI 6100 Daisy..... £249 (a)	
BROTHER HR15 Daisy Wheel..... £299 (a)	
CANNON PJ1080A (Colour)..... £409 (a)	
INTEGREX Inkjet Colour..... £549 (a)	
EPSONH180 A4 Plotter..... £325 (a)	
HITACHI 672 A3 Plotter..... £464 (a)	
Paper:	
2000 Sheets Fanfold:	
9.5" x 11"..... £13 (b)	
14.5" x 11"..... £18.50 (b)	
Labels: (per 1000)	
3.5" x 17/16" Single row..... £5.25 (d)	
27/16" x 17/16" Triple row..... £5.00 (d)	

ACCESSORIES

EPSON	
FX plus sheet feeder..... £129.00 (b)	
LX80 Sheet feeder..... £49.00 (b)	
Paper Roll Holder..... £17.00 (d)	
FX80 Tractor attachment..... £37.00 (c)	
Interfaces:	
8148 RS232..... £28.00 (c)	
8148 RS232 + 2K..... £57.00 (c)	
8132 Apple II..... £90.00 (c)	
8165 IEEE + cable..... £65.00 (c)	
Serial & Parallel Interfaces with larger buffers available.	
Ribbons:	
RX/FX/MX80..... £5.00 (d)	
RX/FX/MX100..... £10.00 (d)	
LX80..... £8.00 (d)	
Spare pens for H180..... £7.50/set (d)	
FX80 Tractor Attachment £37 (c)	
KAGA TAXAN	
RS232 Interface + 2K Buffer..... £85 (c)	
Ribbon KP810/910..... £8.00 (d)	
JUKI:	
RS232 Interface..... £85 (c)	
Spare Daisy Wheel..... £14.00 (d)	
Ribbon..... £2.50 (d)	
Sheet Feeder Attachment..... £182 (a)	
Tractor Feeder Attachment..... £129 (a)	
BROTHER HR15:	
Sheet Feeder..... £189 (a)	
Tractor Feeder..... £99 (a)	
Ribbons Carbon or Nylon..... £4.50 (d)	
Red Correction Ribbon..... £2.00 (d)	
BBC Printer Lead:	
Parallel (42")..... £7.00 (d)	
Serial..... £7.00 (d)	
Printer Leads can be supplied to any length.	

MODEMS

— All modems listed below are BT approved

MIRACLE 3000:	
MIRACLE WS2000 V21/23 Manual..... £99 (b)	
MIRACLE WS4000 V21/23. (Hayes Compatible, Intelligent, Auto Dial/Auto Answer)..... £149 (b)	
MIRACLE WS3000 V21/V23 As WS4000 and with BELL standards and battery pack up for memory..... £275 (b)	
MIRACLE WS3000 V22 As WS3000 V21/V23 but with 1200 baud full duplex..... £475 (a)	
MIRACLE WS3000 V22 bis As V22 and 2400 baud full duplex..... £629 (a)	
MIRACLE WS3022 As WS3000 but with only 1200/1200..... £395 (a)	
MIRACLE WS3024 As WS3000 but with only 2400/2400..... £570 (b)	
DATA Cable for WS series/PC or XT..... £10 (d)	
DATATALK Comms Package *if purchased with any of the above modems*..... £70 (c)	
PACER Nightingale Modem V21/V23 Manual £95 (b)	
Serial Test Cable	
Serial Cable switchable at both ends allowing pin options to bare-routed or linked at either end using a 10 way switch making it possible to produce almost any cable configuration on site.	
Available as M/M or M/F..... £24.75 (d)	

DISC DRIVES

These are fully cased and wired drives with slim line high quality mechanisms. Drives supplied with cables manuals and formatting disc suitable for the BBC computer. All 80 track drives are supplied with 40/80 track switching as standard. All drives can operate in single or dual density format.

PDP800P (2 x 400K/2 x 640K 40/80T DS) with built in monitor stand..... £263 (a)	PS400 with psu 1 x 400K/1 x 640K 40/80T DS..... £129 (b)
PD800 (2 x 400K/2 x 640K 40/80T DS)..... £245 (a)	3.5" DRIVES
TD800 (as PD800 but without psu)..... £226 (a)	1 x 400K/1 x 640K 80T DS TS35..... £99 (b)
TS400 1 x 400K/1 x 640K 40/80T DS..... £114 (b)	PS35 1 with psu..... £119 (b)
	2 x 400K/1 x 640K 80T DS TD35..... £170 (b)
	PD35 2 with psu..... £187 (b)

3M FLOPPY DISCS

High quality discs that offer a reliable error free performance for life. Each disc is individually tested and guaranteed for life. Ten discs are supplied in a sturdy cardboard box.

5 1/4" DISCS	3 1/2" DISCS
40T SS DD £10.50 (d)	40T DS DD £12.75 (d)
80T SS DD £16.50 (d)	80T SS DD £20.00 (d)
	80T DS DD £27.00 (d)

DISC ACCESSORIES

FLOPPICLENE Disc Head Cleaning Kit with 20 disposable cleaning discs ensures continued optimum performance of the drives..... 3 1/2" £16 (d), 5 1/4" £14.50 (d)	
Single Disc Cable..... £8 (d)	Dual Disc Cable..... £8.50 (d)
10 Disc Library Case..... £1.80 (c)	30 Disc Case..... £6 (c)
40 Disc Lockable Box..... £8.50 (c)	100 Disc Lockable Box..... £13 (c)

MONITORS

All 14" monitors now available in plastic or metal cases, please specify.

MICROVITEC: 14" RGB	14" RGB with PAL & Audio
1431 Std Res..... £179 (a)	1431 AP Std Res..... £195 (a)
1451 med Res..... £225 (a)	1451 AP Med Res..... £210 (a)
1441 Hi Res..... £365 (a)	
Swivel Base for Plastic 14" Microvitecs..... £20 (c)	
20" RGB with PAL & Audio	
2030CS Std Res..... £380 (a)	2040CS Hi Res..... £685 (a)
TAXAN SUPERVISION II £279 (a)	
TAXAN SUPERVISION III with amber/green option, BBC & IBM..... £325 (a)	
MITSUBISHI XC1404 14" RGB Med Res IBM & BBC Compatible..... £229 (a)	
MONOCHROME MONITORS:	
TAXAN KX1201G Hi Res 12" Etched Green Screen..... £90 (a)	
TAXAN KX1202G Hi Res 12" Long Persistence (P39)..... £98 (a)	
TAXAN KX1203A Hi Res 12" Etched Amber Screen..... £96 (a)	
PHILIPS BM7502 12" Hi Res Green Screen £75 (a)	
PHILIPS BM7522 12" Hi Res Amber Screen £79 (a)	
HANTAREX HX12 £69 (a)	
Swivel Base for Taxan Monochrome fitted with Digital Clock..... £21 (c)	

SPECIAL OFFER

2764-25..... £2.00
27128-25..... £2.50
6264LP-15..... £3.40

ATTENTION

All prices in this double page advertisement are subject to change without notice.

ALL PRICES EXCLUDE VAT
Please add carriage 50p unless indicated as follows:
(a) £8 (b) £2.50 (c) £1.50 (d) £1.00

Serial Mini Patch Box

Allows an easy method to reconfigure pin functions without rewiring the cable assy. Jumpers can be used and reused. £22 (d)

Serial Mini Test

Monitors RS232C and CCITT V24 Transmissions, indicating status with dual colour LEDs on 7 most significant lines. Connects in Line. £22.50 (d)

GANG OF EIGHT INTELLIGENT FAST EPROM COPIER

Copies up to eight eproms at a time and accepts all single rail eproms up to 27256. Can reduce programming time by 80% by using manufacturer's suggested algorithms. Fixed Vpp of 21 & 25 volts and variable Vpp factory set at 12.5 volts. LCD display with alpha moving message. £395 (b).

SOFTY II

This low cost intelligent eprom programmer can program 2716, 2516, 2532, 2732, and with an adaptor, 2564 and 2764. Displays 512 byte page on TV — has a serial and parallel I/O routines. Can be used as an emulator, cassette interface. Softy II..... £195 (b)
Adaptor for 2764/2564. £25.00 (c)

UV ERASERS

All erasers with built in safety switch and main indicator.
UV1 B erases up to 6 eproms at a time..... £47 (c)
UV1 T as above but with a timer..... £59 (c)
UV140 erases up to 14 eproms at a time..... £88 (b)
UV141 as above but with a timer..... £88 (b)

I.D. CONNECTORS

(Speedblock Type)	
No of ways	Header Recept. Edge Conn.
10	90p 85p 120p
20	145p 125p 195p
26	175p 150p 240p
34	200p 160p 320p
40	220p 190p 340p
50	235p 200p 390p

D CONNECTORS

No of Ways	9	15	25	37
MALE:				
Ang. Pins	120	180	230	350
Solder	60	85	125	170
IDC	175	275	325	-
FEMALE:				
St Pin	100	140	210	380
Ang. pins	160	210	275	440
Solder	90	130	195	290
IDC	195	325	375	-
St Hood	90	95	100	120
Screw	130	150	175	-
Lock	-	-	-	-

TEXTFOOL ZIF

SOCKETS	24-pin £7.50
	28-pin £9.00
	40-pin £12

EDGE CONNECTORS

0.1" 0.156"	
2 x 6 way (commodore)	150p 300p
2 x 10 way	150p 350p
2 x 12 way (vic 20)	150p 350p
2 x 18 way	150p 350p
2 x 23 way (ZX81)	175p 220p
2 x 25 way	225p 220p
2 x 28 way (Spectrum)	200p 220p
2 x 36 way	250p 220p
1 x 43 way	260p 220p
2 x 22 way	190p 220p
2 x 43 way	395p 500p
1 x 77 way	400p 500p
2 x 50 way (S100conn)	600p 500p

EURO CONNECTORS

DIN 41612	Plug Socket
2 x 32 way St Pin	230p 275p
2 x 32 way Ang Pin	275p 320p
3 x 32 way St Pin	260p 300p
3 x 32 way Ang Pin	375p 400p
IDC Skt A + B	400p
IDC Skt A + C	400p
For 2 x 32 way please specify spacing (A + B, A + C).	

MISC CONNS

21 pin Scart Connector	200p
8 pin Video Connector	200p

AMPHENOL CONNECTORS

Solder ZDC	
36 way plug	500p 475p
36 way skt	550p 500p
24 way plug	475p 475p
IEEE	475p 475p
24 way skt	500p 500p
IEEE	500p 500p
PCB Mtg Skt Ang Pin	36 way 750p

GENDER CHANGERS

25 way D type	
Male to Male.....	£10
Male to Female.....	£10
Female to Female.....	£10

RS 232 JUMPERS

(25 way D)	
24" Single end Male	£5.00
24" Single end Female	£5.25
24" Female Female	£10.00
24" Male Male	£9.50
24" Male Female	£9.50

RIBBON

(grey/metre)			
10-way	40p	34-way	160p
16-way	60p	40-way	180p
20-way	85p	50-way	200p
28-way	120p	64-way	280p

DIL HEADERS

Solder IDC	
14 pin	40p 100p
16 pin	50p 110p
18 pin	60p -
20 pin	75p -
24 pin	100p 150p
28 pin	160p 200p
40 pin	200p 225p

TECHNOLINE

VIEWDATA SYSTEM
Using 'Prestel' type protocols for information and orders phone 01-450 9764. 24 hour service, 7 days a week.

74 SERIES		74LS162A		74S08		A063		85p	
7400	30p	74181	340p	74S10	50p	4063	85p		
7401	30p	74182	340p	74S11	50p	4066	40p		
7402	30p	74183	180p	74S12	50p	4067	230p		
7403	30p	74184	180p	74S13	50p	4068	25p		
7404	30p	74185	180p	74S14	50p	4069	24p		
7405	30p	74186	180p	74S15	50p	4070	24p		
7406	30p	74187	180p	74S16	50p	4071	24p		
7407	30p	74188	180p	74S17	50p	4072	24p		
7408	30p	74189	180p	74S18	50p	4073	24p		
7409	30p	74190	180p	74S19	50p	4074	24p		
7410	30p	74191	180p	74S20	50p	4075	24p		
7411	30p	74192	180p	74S21	50p	4076	24p		
7412	30p	74193	180p	74S22	50p	4077	24p		
7413	30p	74194	180p	74S23	50p	4078	24p		
7414	30p	74195	180p	74S24	50p	4079	24p		
7415	30p	74196	180p	74S25	50p	4080	24p		
7416	30p	74197	180p	74S26	50p	4081	24p		
7417	30p	74198	180p	74S27	50p	4082	24p		
7418	30p	74199	180p	74S28	50p	4083	24p		
7419	30p	74200	180p	74S29	50p	4084	24p		
7420	30p	74201	180p	74S30	50p	4085	24p		
7421	30p	74202	180p	74S31	50p	4086	24p		
7422	30p	74203	180p	74S32	50p	4087	24p		
7423	30p	74204	180p	74S33	50p	4088	24p		
7424	30p	74205	180p	74S34	50p	4089	24p		
7425	30p	74206	180p	74S35	50p	4090	24p		
7426	30p	74207	180p	74S36	50p	4091	24p		
7427	30p	74208	180p	74S37	50p	4092	24p		
7428	30p	74209	180p	74S38	50p	4093	24p		
7429	30p	74210	180p	74S39	50p	4094	24p		
7430	30p	74211	180p	74S40	50p	4095	24p		
7431	30p	74212	180p	74S41	50p	4096	24p		
7432	30p	74213	180p	74S42	50p	4097	24p		
7433	30p	74214	180p	74S43	50p	4098	24p		
7434	30p	74215	180p	74S44	50p	4099	24p		
7435	30p	74216	180p	74S45	50p	4100	24p		
7436	30p	74217	180p	74S46	50p	4101	24p		
7437	30p	74218	180p	74S47	50p	4102	24p		
7438	30p	74219	180p	74S48	50p	4103	24p		
7439	30p	74220	180p	74S49	50p	4104	24p		
7440	30p	74221	180p	74S50	50p	4105	24p		
7441	30p	74222	180p	74S51	50p	4106	24p		
7442	30p	74223	180p	74S52	50p	4107	24p		
7443	30p	74224	180p	74S53	50p	4108	24p		
7444	30p	74225	180p	74S54	50p	4109	24p		
7445	30p	74226	180p	74S55	50p	4110	24p		
7446	30p	74227	180p	74S56	50p	4111	24p		
7447	30p	74228	180p	74S57	50p	4112	24p		
7448	30p	74229	180p	74S58	50p	4113	24p		
7449	30p	74230	180p	74S59	50p	4114	24p		
7450	30p	74231	180p	74S60	50p	4115	24p		
7451	30p	74232	180p	74S61	50p	4116	24p		
7452	30p	74233	180p	74S62	50p	4117	24p		
7453	30p	74234	180p	74S63	50p	4118	24p		
7454	30p	74235	180p	74S64	50p	4119	24p		
7455	30p	74236	180p	74S65	50p	4120	24p		
7456	30p	74237	180p	74S66	50p	4121	24p		
7457	30p	74238	180p	74S67	50p	4122	24p		
7458	30p	74239	180p	74S68	50p	4123	24p		
7459	30p	74240	180p	74S69	50p	4124	24p		
7460	30p	74241	180p	74S70	50p	4125	24p		
7461	30p	74242	180p	74S71	50p	4126	24p		
7462	30p	74243	180p	74S72	50p	4127	24p		
7463	30p	74244	180p	74S73	50p	4128	24p		
7464	30p	74245	180p	74S74	50p	4129	24p		
7465	30p	74246	180p	74S75	50p	4130	24p		
7466	30p	74247	180p	74S76	50p	4131	24p		
7467	30p	74248	180p	74S77	50p	4132	24p		
7468	30p	74249	180p	74S78	50p	4133	24p		
7469	30p	74250	180p	74S79	50p	4134	24p		
7470	30p	74251	180p	74S80	50p	4135	24p		
7471	30p	74252	180p	74S81	50p	4136	24p		
7472	30p	74253	180p	74S82	50p	4137	24p		
7473	30p	74254	180p	74S83	50p	4138	24p		
7474	30p	74255	180p	74S84	50p	4139	24p		
7475	30p	74256	180p	74S85	50p	4140	24p		
7476	30p	74257	180p	74S86	50p	4141	24p		
7477	30p	74258	180p	74S87	50p	4142	24p		
7478	30p	74259	180p	74S88	50p	4143	24p		
7479	30p	74260	180p	74S89	50p	4144	24p		
7480	30p	74261	180p	74S90	50p	4145	24p		
7481	30p	74262	180p	74S91	50p	4146	24p		
7482	30p	74263	180p	74S92	50p	4147	24p		
7483	30p	74264	180p	74S93	50p	4148	24p		
7484	30p	74265	180p	74S94	50p	4149	24p		
7485	30p	74266	180p	74S95	50p	4150	24p		
7486	30p	74267	180p	74S96	50p	4151	24p		
7487	30p	74268	180p	74S97	50p	4152	24p		
7488	30p	74269	180p	74S98	50p	4153	24p		
7489	30p	74270	180p	74S99	50p	4154	24p		
7490	30p	74271	180p	74S00	50p	4155	24p		

LINEAR ICs

COMPUTER COMPONENTS

Part No.	Price	Part No.	Price	Part No.	Price
AD7581	£15	LM710	40p	TBA820M	75p
ADC0808	110p	LM711	40p	TBA820	75p
AM7815DC	22p	LM712	40p	TBA850	225p
AY-1506	200p	LM713	40p	TC9108	500p
AY-3-8910	450p	LM714	40p	TC9A90	175p
CA3018A	100p	LM715	40p	TD1010	22p
CA3028A	110p	LM716	40p	TD1022	70p
CA3046	70p	LM717	40p	TD1024	110p
CA3140E	225p	LM718	40p	TD1170S	300p
CA3080	50p	LM719	40p	TD2002	325p
CA3080E	70p	LM720	40p	TD2003	190p
CA3080E	70p	LM721	40p	TD2004	200p
CA3080E	70p	LM722	40p	TD2006	320p
CA3080E	70p	LM723	40p	TD2020	230p
CA3080E	70p	LM724	40p	TD2030	230p
CA3080E	70p	LM725	40p	TD2053	500p
CA3080E	70p	LM726	40p	TD2058	750p
CA3080E	70p	LM727	40p	TD2059	750p
CA3080E	70p	LM728	40p	TD2060	750p
CA3080E	70p	LM729	40p	TD2061	750p
CA3080E	70p	LM730	40p	TD2062	750p
CA3080E	70p	LM731	40p	TD2063	750p
CA3080E	70p	LM732	40p	TD2064	750p
CA3080E	70p	LM733	40p	TD2065	750p
CA3080E	70p	LM734	40p	TD2066	750p
CA3080E	70p	LM735	40p	TD2067	750p
CA3080E	70p	LM736	40p	TD2068	750p
CA3080E	70p	LM737	40p	TD2069	750p
CA3080E	70p	LM738	40p	TD2070	750p
CA3080E	70p	LM739	40p	TD2071	750p
CA3080E	70p	LM740	40p	TD2072	750p
CA3080E	70p	LM741	40p	TD2073	750p
CA3080E	70p	LM742	40p	TD2074	750p
CA3080E	70p	LM743	40p	TD2075	750p
CA3080E	70p	LM744	40p	TD2076	750p
CA3080E	70p	LM745	40p	TD2077	750p
CA3080E	70p	LM746	40p	TD2078	750p
CA3080E	70p	LM747	40p	TD2079	750p
CA3080E	70p	LM748	40p	TD2080	750p
CA3080E	70p	LM749	40p	TD2081	750p
CA3080E	70p	LM750	40p	TD2082	750p
CA3080E	70p	LM751	40p	TD2083	750p
CA3080E	70p	LM752	40p	TD2084	750p
CA3080E	70p	LM753	40p	TD2085	750p
CA3080E	70p	LM754	40p	TD2086	750p
CA3080E	70p	LM755	40p	TD2087	750p
CA3080E	70p	LM756	40p	TD2088	750p
CA3080E	70p	LM757	40p	TD2089	750p
CA3080E	70p	LM758	40p	TD2090	750p
CA3080E	70p	LM759	40p	TD2091	750p
CA3080E	70p	LM760	40p	TD2092	750p
CA3080E	70p	LM761	40p	TD2093	750p
CA3080E	70p	LM762	40p	TD2094	750p
CA3080E	70p	LM763	40p	TD2095	750p
CA3080E	70p	LM764	40p	TD2096	750p
CA3080E	70p	LM765	40p	TD2097	750p
CA3080E	70p	LM766	40p	TD2098	750p
CA3080E	70p	LM767	40p	TD2099	750p
CA3080E	70p	LM768	40p	TD2100	750p
CA3080E	70p	LM769	40p	TD2101	750p
CA3080E	70p	LM770	40p	TD2102	750p
CA3080E	70p	LM771	40p	TD2103	750p
CA3080E	70p	LM772	40p	TD2104	750p
CA3080E	70p	LM773	40p	TD2105	750p

For KITS & COMPONENTS -
Choose the easy way - with
**refundable with first order*

Send 50p* & SAE for CATALOGUE

ORDERS: RING (01) 567 8910 - 24 HRS.



MICROPROCESSOR TIMER KIT

Designed to control 4 outputs independently switching on and off at preset times over a 7-day cycle. LED display of time and day, easily programmed via 20 way keyboard. Ideal for central heating control including different switching times for week-ends). Battery back-up circuit. Includes box. 18 time settings.

CT600K £42.90
XK114 Relay Kit for CT6000 includes PCB, connectors and one relay. Will accept up to 4 relays. 3A/240V c/o contacts £4.30
701 115 Additional Relays £1.80



DISCO LIGHTING KITS

DL1000K This value-for-money 4-way chaser features by-directional sequence and dimming. 1kW per channel. £17.50
DLZ1000K - A lower cost uni-directional version of the above. Zero switching to reduce interference. £9.85
DLA/1 Optional opto input allowing audio 'beat'/light response 70p
DL3000K -3-channel sound to light kit features zero voltage switching, automatic level control and built-in microphone. 1kW per channel. £14.25



The **DL8000K** is an 8-way sequencer kit with built in opto-isolated sound to light input which comes complete with a pre-programmed EPROM containing EIGHTY - YES 80! different sequences including standard flashing and chase routines. The KIT includes full instructions and all components (even the PCB connectors) and requires only a box and a control knob to complete. Other features include manual sequence speed adjustment, zero voltage switching, LED mimic lamps and sound to light LED and a 300W output per channel. And the best thing about it is the price:

ONLY £28.50

HOME CONTROL CENTRE

This kit enables you to control up to 16 different appliances by means of coded pulses in the mains wiring which may be decoded by special receivers anywhere in the house. The transmitter may be controlled manually or by the computer interface enabling your favourite micro to make your coffee in the morning, switch lights anywhere in the house or your electric blanket in your bedroom. Just think of the possibilities - and no wiring!

This kit comprises a transmitter with pre-drilled box and two receivers.

XK111 £46.20
XK111 Additional receivers £11.00

VERSATILE REMOTE CONTROL KIT

This kit includes all components (+ transformer) to make a sensitive IR receiver with 16 logic outputs (0-15V) which with suitable interface circuitry (relays, triacs, etc - details supplied) can be used to switch up to 16 items of equipment on or off remotely. The outputs may be latched (to the last received code) or momentary (on during transmission) by specifying the decoder IC and a 15V stabilised supply is available to power external circuits.

Supply: 240V AC or 15-24V DC at 10mA.
 Size (excluding transformer) 9 x 4 x 2 cms. The companion transmitter is the MK18 which operates from a 9V PP3 battery and gives a range of up to 60ft. Two keyboards are available MK9 (4-way) and MK10 (16-way), depending on the number of outputs to be used.

MK12 IR Receiver (incl. transformer) £14.85
MK18 Transmitter £7.50
MK9 4-Way Keyboard £2.00
MK10 16-Way Keyboard £5.95
601 133 Box for Transmitter £2.60



DVM/ULTRA SENSITIVE THERMOMETER KIT

Based on the ICL 7126 and a 3 1/2 digit liquid crystal display, this kit will form the basis of a digital multimeter (only a few additional resistors and switches are required - details supplied), or a sensitive digital thermometer (-50°C to +150°C) reading 0.1°. The kit has a sensitivity of 200mV for a full-scale reading, automatic polarity and overload indication. Typical battery life of 2 years (PP3).
 £17.00



HOME LIGHTING KITS

These kits contain all necessary components and full instructions and are designed to replace a standard wall switch and control up to 300w. of lighting.

TDR300K Remote Control Dimmer £16.45
MK6 Transmitter for above £4.95
TD300K Touchdimmer £8.50
TS300K Touchswitch £8.50
TDE/K Extension kit for 2-way switching for TD300K £2.70



ELECTRONIC LOCK KIT

With hundreds of uses in doors, garages, car anti-theft devices, electronic equipment, etc. Only the correct easily changed four-digit code will open it! Requires a 5V to 15V DC supply. Output 750mA. Fits into standard electrical wall box. Complete kit (excl. front panel) **XK101** £12.50
701 150 Electronic lock mechanism for use with the above kit. £16.50



ELECTRONICS
13 BOSTON RD.
LONDON W7 3SJ
Tel: 01 567 8910

SEND 9" x 6" SAE & 50p FOR CATALOGUE OR CALL AT SHOP Mon-Fri 9-5 pm Saturday 10-5 pm

ORDERING INFORMATION:
ALL PRICES EXCLUDE VAT

FREE P&P on orders over £20 (UK only), otherwise add 75p + VAT. Overseas P&P: Europe £2.75. Elsewhere £6.50. Send cheque/PO/Barclaycard/Access No. with order. Giro No. 529314002.

LOCAL AUTHORITY AND EXPORT ORDERS WELCOME
GOODS BY RETURN SUBJECT TO AVAILABILITY

CRICKLEWOOD ELECTRONICS LTD



It's no secret...

that there is a real difference at *Cricklewood Electronics*. That's why you should never be without the **FREE CRICKLEWOOD ELECTRONICS COMPONENTS CATALOGUE**, for sheer variety, competitive prices and service from the U.K.'s number one 100% component shop. No gimmicks, no gadgets or computers, just components, millions of them, all easily available by mail order, calling or credit card telephone orders. Just pick up the phone (or a pen) to get your **FREE** copy now (no SAE required). You have nothing to lose

CRICKLEWOOD ELECTRONICS LIMITED
 40 Cricklewood Broadway, London NW2 3ET

Tel: 01-450 0995/01-452 0161
 Telex: 91 4977



SAXON MOSFET AMPLIFIERS

UNBEATABLE PRICES!!!

SLAVE MODEL	AP 100 100W RMS £69
	AP 200 200W RMS £89
2 INPUT GENERAL PURPOSE MODEL	AP 100S £79
	AP 200S £99
P.A. MODEL	★ 6 INPUTS
	★ 3 CHANNELS
	★ ECHO IN/OUT
★ TREBLE/BASS EACH CHANNEL	★ INDIVIDUAL VOLUMES
★ MASTER PRESENCE	
	AP 100M £99
	AP 200M £119

Write or phone for a **FREE BROCHURE** on these incredible amplifiers

P.E. HYPERCHASER £84.95

4 CHANNEL PSEUDO INTELLIGENT LIGHT UNIT

- ★ 16 Programmes
- ★ Manual Flash Buttons
- ★ Manual/Auto Programme
- ★ Strobe Outputs
- ★ Individual Dimming
- ★ Sound To Light

Not just a light unit but a sophisticated & comprehensive effects unit. A full kit of parts including P.C.B., Facia, Case, etc. Reprint of article on request.

P.E. STAR DESK £209

★ + 4 CHANNEL LIGHT MIXING DESK

- ★ 8 Channel Twin Preset Mixer
- ★ 4 Independent Channels
- ★ 8 Programmes
- ★ 1KW Output/Channel (can be boosted to 2KW/Ch)
- ★ Timed Crossfade
- ★ Strobe Outputs
- ★ 4/8 Channel Sequences
- ★ Manual Flash Buttons
- ★ Boosted to 2KW/Ch
- ★ Soft/Hard Sequence

A truly magnificent unit ideal for clubs, groups, drama, etc. A full kit of parts inc. PCB, Facia, Case, etc. Reprint of article on request.

ACCESS CROYDON DISCO CENTRE
 327 Whitehorse Road, Croydon, Surrey CR0 2HS
 (01) 684 8007 9am-5pm. Mon-Sat. (Closed Wed.)
 Post & Packing £4 per item. Please allow 14 days for delivery

INSTALL YOUR OWN SYSTEM AND SAVE

SECURITY

MODULES ACCESSORIES KITS

NEW

Control Unit CA 1382

with automatic circuit testing and simple on/off operation.

- Fully automatic siren re-set.
- Audible entry & exit warning
- Alarm Sounded memory.
- 2 separate loop inputs + 24hr circuits.
- Built-in electronic siren.
- Easily installed, full instructions supplied.



This brand new control panel provides effective and reliable control of all types of security installations. Using advanced electronics, the unit automatically checks the loop circuits every time that it is switched on, thereby reducing the possibility of false alarms and incorrect operation. Using a simple on/off key switch, it is easily operated by all members of the family. Additionally, 24hr personal attack and anti-tamper protection is provided irrespective of whether or not the unit is switched on. Housed in a strong, attractive steel case, the unit is supplied with full operating instructions and 2 keys. Supplied fully built and tested ready for installation.

Also available in kit form with fully built electronics
£39.95 + VAT

ONLY £44.95 + VAT

RISCOMP LIMITED

Dept. PE 62,
51 Poppy Road,
Princes Risborough,
BUCKS HP17 9DB.
Tel: (084 44) 6326



Order by 'phone or mail or call at our showroom and see

UNITS ON DEMONSTRATION

Monday to Friday 9.00 - 5.00 p.m.
Saturday 9.00 - 1.00 p.m.
Please add 15% VAT and 75p P&P to all UK orders
Export no VAT - postage at cost

Lighting Controller DP 3570

only **£13.95 + VAT**



This versatile module provides timed switching of loads up to 3A for pre-set times between 10 secs and 5 mins, the timed period being triggered by the opening or closing of an external loop or switch. The built-in 12V 250mA power supply is available for operating external sensors. Priced only £13.95 + VAT. Suitable plastic enclosure, £2.85 + VAT.

500W Quartz Halogen Floodlight FL 500



only **£14.95 + VAT**

Whilst intended for security lighting applications, this unit is suitable for lighting patios, pathways and gardens etc. Supplied complete with 500W lamp, priced only £14.95 + VAT. Protective grill, £1.95 + VAT.

Infrared System IR 1470



only **£25.61 + VAT**

Consisting of separate transmitter and receiver both of which are housed in attractive moulded cases, the system provides an invisible modulated beam over distances of up to 50ft operating a relay when the beam is broken. Intended for use in security systems, but also ideal for photographic and measurement applications. Size 80 x 50 x 35mm.

HW 1250 - Enclosure & fixings for CA 1250



only **£9.50 + VAT**

This attractive case is designed to house the control unit CA 1250, together with the appropriate LED indicators and key switch. Supplied with the necessary mounting pillars and punched front panel, the unit is given a professional appearance by an adhesive silk screened label. Size 200 x 180 x 70mm.

Control Unit CA 1250



Price **£19.95 + VAT**

This tried and tested control unit represents the finest value for money in control systems, providing the following features:

- Built-in electronic siren drives 2 loud speakers
- Provides exit and entrance delays together with fixed alarm time
- Battery back-up with trickle charge facility
- Operates with magnetic switches, pressure pads, ultrasonic or I.R. units
- Anti-tamper and panic facility
- Stabilised output voltage
- 2 operating modes full alarm anti-tamper and panic facility
- Screw connections for ease of installation
- Separate relay contacts for external loads
- Test loop facility

Digital Ultrasonic Detector US 5063



only **£13.95 + VAT**

- 3 levels of discrimination against false alarms
 - Crystal control for greater stability
 - Adjustable range up to 25ft
 - Built-in delays
 - 12V operation
- This advanced module uses digital signal processing to provide the highest level of sensitivity whilst discriminating against potential false alarm conditions.

Complete systems from only

£39.95 + VAT

For full information of systems and accessories, send or call for details

KIT AND PCB SERVICE



PE & EE KITS

		Unboxed	Boxed
Chorus Flanger (PE*)	SET 235	£54.49	£59.99
Cybervox (EE*)	SET 28	£39.26	£44.76
Disco Light Control (PE*)	SET 245F	£57.00	£62.50
Echo-Reverb (PE*)	SET 128	£52.16	£57.66
Mixer 4ch Mono (PE*)	SET 229M	£44.45	£49.95
Mixer 4ch Stereo (PE*)	SET 229S	£82.15	£89.95
Noise Gate (PE*)	SET 227	£22.11	£26.61
Phaser (PE*)	SET 226	£36.86	£42.36
Reverb - Mono (EE*)	SET 232	£22.85	£25.35
Ring Modulator (PE*)	SET 231	£40.08	£45.58
Signal Gen (PE*)	SET 233	£41.46	£46.96
Thunder & Lightning (PE*)	SET 250T	£26.00	£29.50
Wind & Rain Storm (PE*)	SET 250W	£26.00	£29.50

* = Kit as Published

AUDIO EFFECTS

		Unboxed	Boxed
Blow Box	SET 214	£24.83	£29.33
Flanger	SET 153	£23.95	£28.45
Frequency Changer	SET 172	£60.06	£65.56
Frequency Doubler	SET 98	£10.80	£15.30
Fuzz (Smooth)	SET 209F	£15.08	£19.58
Guitar Modulo	SET 196	£19.06	£23.56
Guitar Overdrive	SET 56	£23.54	£29.04
Hand Clapper	SET 197	£22.19	£26.69
Multi-Processor	SET 189	£53.53	£61.33
Reverb - Stereo	SET 203	£32.04	£36.54
Rhythm Generator	SET 240	£54.49	£59.99
Ring Mod (Simple)	SET 179	£19.40	£23.90
Storm Effects	SET 154	£18.10	£23.60
Tom-Tom Synth	SET 190	£14.87	£19.37
Tremolo	SET 136	£11.12	£15.62
Vibrato	SET 137	£23.55	£29.05
Wah (Auto & Manual)	SET 140	£18.86	£24.36
Wah (Triggered)	SET 58	£14.34	£18.84

CONTROLLERS

		£9.12	£13.62
Bass Boost	SET 138B	£9.12	£13.62
Compander	SET 238	£18.49	£22.99
Envelope Shaper	SET 174	£20.70	£25.20
Fader (Voice Op)	SET 167	£17.72	£22.22
Graphic Equaliser	SET 217	£20.83	£25.33
Guitar To Synth	SET 173	£35.91	£41.41
Headphone Amp Mono	SET 156M	£13.57	£18.07
Headphone Amp Stereo	SET 156S	£22.15	£26.65
Hum Cut	SET 141	£12.31	£16.81
Microphone Pre-amp	SET 144	£10.43	£14.93
Mixer 4 channel Mono Simple	SET 256	£15.49	£19.99
Mock Stereo	SET 213	£19.87	£24.37
Sustain	SET 222	£20.81	£25.31
Tone Control	SET 139	£15.51	£21.01
Treble Boost	SET 138T	£9.12	£13.62
Vocoder	SET 152	£72.15	£79.95
Vodafone Robot Voice	SET 155	£13.81	£18.31

PCB SERVICE

Printed circuit boards for all projects designed by John Becker and published in PE are available separately, as shown in catalogue.



GEIGER COUNTERS

BUILT GEIGERS

Portable, general purpose radiation monitor, with loudspeaker, meter and computer output.
Ready-built unit TZ-272 £75.50. P&P £2.50.

GEIGER KITS

PE Geiger, audio & master output - Unit 264 with heavy duty box as published with normal black steel box without box

£69.50
£59.50
£55.00

POCKET Geiger, LED readout - SET 271 £39.50

PARTS & CATALOGUE

Boxes - Linkafex Robust Diecast, SET 234 19 inch steel rack, others Black Steel & Aluminium. All kits include PCBs, parts, instructions. Free wire & solder with boxed sets. Further details in Catalogue of over 70 kits - Send 9 x 4 S.A.E. (Overseas Catalogue send £1.00 or 5 IRC).

ORDERS & POST

Mail order, CWO, CHO, PO, Access, Visa. Details correct at press, E&OE. Add 15% VAT. Add P&P - unboxed kits £1.00 each, SET 234 £3.50. Other boxed kits £1.50 each. PCBs add 70p total regardless of qty. Insurance 50p per £50. Overseas P&P in catalogue.

Text photocopies - DDL-MCS £1.50, others 50p each. Send large stamped envelope.

**BECKER-PHONOSONICS, Dept PE6D,
8 Finucane Drive, Orpington,
Kent BR5 4ED. Tel: 0689 37821.**

THE LEADING EDGE

REPORT BY BARRY FOX

The technology behind the products



BEFORE long the popular press is bound to report that we will soon have 3-D viewing from home video. In September, JVC in Japan started selling a 3-D videodisc system for home use. Earlier in the year Sharp showed the same system to the British trade at a London hotel. Leeds University has developed a similar system for video tape and computer graphics. All these systems work, although not very well. For technical reasons they work better in Japan (and America) than Europe. Here's why.

The Department of Biophysics at Leeds University built a system which displays full colour 3-D pictures on a conventional TV set; the pictures can be derived either direct from a computer or from a pair of video cameras and a videotape recorder. Leeds developed it to study biological macromolecules containing many thousands of atoms. These are so complex that two-dimensional representations are indecipherable. The British army is evaluating the system as a way of displaying a 3-D training film made for tank drivers and gunners.

TECHNIQUE

The technique used is tachistoscropy, or frame sequential stereoscopy. Whereas with cinema 3-D systems the left and right eye images are displayed simultaneously, and viewed separately through coloured or polarising filters, the sequential system displays the images alternately on a TV screen. The viewer watches through a pair of spectacles which alternately shutter the left and right eyes, so that each eye sees only the images intended for it on the screen. The images are recorded in left-right-left sequence on tape, or generated in sequence by a computer.

The difficult part is to synchronise the spectacle shuttering with the sequence of images on screen. The Leeds system does this by superimposing a pair of light spots on the image at the corner of the screen. The spot for the left eye image is in a slightly different position to the spot for the right eye image. A pair of light sensors, stuck to the screen, monitor the spots and produce a series

of left and right image switching signals. These are fed down wires to liquid crystal spectacle lenses. When the left light sensor registers a spot on screen, the resultant switching signal shutters the right l.c.d. spectacle lens, and vice-versa.

The system on sale in Japan uses a VHD videodisc instead of video tape or computers. VHD has been sold for several years in Japan as an alternative to Laservision as a carrier for films and music videos. The VHD disc is 26cm in diameter and holds up to an hour of ordinary TV pictures and f.m. analogue stereo sound per side. For 3-D the left and right eye images are recorded on the same disc, one after the other. So the TV screen displays a rapid sequence of left and right eye perspectives. The viewer looks through electrically switched l.c.d. spectacles. The left and right lenses alternately block and transmit light. Switching signals from the video disc player synchronise the system so that the left l.c.d. lens is always closed when the right image is on screen, and the right lens closes when the left image is displayed.

Normally recordings made in this way would be unwatchable on conventional players. Cleverly, JVC capitalises on a disadvantage of its VHD videodisc system to make them compatible. The small, 26cm, VHD disc is able to store a full hour of colour TV and sound information because it records two full pictures for each revolution. This is what makes it difficult for VHD to display clear still pictures. When the readout head is halted or 'locked in the groove' it displays an image on screen which is derived from two still pictures in rapid alteration. If the pictures are not identical, which they won't be if the scene content is moving, the image flutters on screen.

But the two-pictures-per-revolution format provides the ideal carrier for 3-D pictures. One right eye image and one left eye image is recorded for each revolution. When the disc plays on a 3-D player it reads both, and the TV screen displays a rapid sequence of left and right eye perspectives. The synchronised spectacle shutters do the rest. The effect is quite a good depth of image.

When the disc is played on a conventional player of the type sold for several years in Japan, it ignores one image from each revolution. So the image displayed on screen is a single eye 2-D view of the 3-D scene.

THE SNAG

The snag is that, even at the 50Hz picture rate used for Japanese and US TV, each eye sees only 30 images a second. This is too slow to prevent the eye and brain perceiving an irritating flicker. The effect really is very objectionable, and it is even worse on European 50Hz TV, as was clearly seen when computer firm First Class Peripherals of Reading demonstrated a £2000 Leeds system package at a computer show in London earlier this year. Each eye sees only 25 pictures a second and flicker is much more noticeable. The technology may be acceptable for industry and medicine, for teaching students surgery, for instance, but it is surely a non-starter for domestic entertainment; prolonged viewing would be very nasty on the eyes.

It remains to be seen how video buffs in Japan take to 3-DVHD. The first three releases, costing around £40 a disc, are *Jaws 3*, *Friday 13th Part 3* and *Momoco Club*, described by JVC as featuring 'cute teenage girls'. Seven more similar discs will follow this year.

Although Japanese punters will buy almost anything new because it is new, it is hard to imagine even the Japanese punter regarding 3-D VHD as anything more than a gimmick. Indeed, however clever the technology of VHD, this disc format seems ultimately doomed. Like the ill-fated CED disc from RCA, it relies on contact between the disc and a tracking stylus which reads changes in electrical capacitance. Laservision is an optical system, like compact disc, so there is no wear in use. In Japan, as in the USA, there are now dual optical players - which handle both compact discs and video discs. Sales of VHD and Laservision have been running at around 50/50 until now, but this year VHD's share is dipping. The none-too-cheap and flickering thrill of 3-D is unlikely to stop the rot.

BI-PAK BARGAINS

Pack No.	Qty	Description	Price
VP1	300	Assorted Resistors mixed values & types	£1.00
VP2	300	Carbon Resistors 1/4 watt pre-formed, mixed	£1.00
VP3	200	1/4 watt Min. Carbon Resistors mixed values	£1.00
VP4	200	1/2-1 watt Resistors mixed values & types	£1.00
VP5	200	Assorted Capacitors all types	£1.00
VP6	200	Ceramic Caps. Miniature, mixed values	£1.00
VP8	100	Mixed Ceramic Disc. 80pF-015pF	£1.00
VP9	100	Assorted polyester/polystyrene Caps	£1.00
VP10	60	C280 Caps. metal foil, mixed values	£1.00
VP11	50	Electrolytics, all sorts	£1.00
VP12	40	Electrolytics, 47mF-150mF, mixed volts	£1.00
VP13	30	Electrolytics, 150mF-1000mF, mixed volts	£1.00
VP14	50	Silver Mica Caps. mixed values	£1.00
VP15	25	01/250v Min. Layer Metal Caps	£1.00
VP16	50	Wirewound Res. mixed watt values	£1.00
VP17	50	Metres PVC Single Strand Wire, mixed cois	£1.00
VP18	30	Metres PVC Multi Strand Wire, mixed cois	£1.00
VP19	40	Metres PVC Single/Multi Strand Wire	£1.00
VP20	6	Rocker Switches, 2z 240V	£1.00
VP21	10	Assorted Switches, slider, push, etc	£1.00
VP22	200	Sq. Inches total Copper Clad Board	£1.00
VP23	10	40mm Solder Pots. 100K Lin	£1.00
VP24	10	125' Clear showing red LEDs	£1.00
VP25	10	Mixed shape and colour LEDs	£1.00
VP26	15	Small 125' Red LEDs	£1.00
VP27	15	Large 2" Red LEDs	£1.00
VP28	10	Rectangular 2" Red LEDs	£1.00
VP29	30	Assorted volts Zeners 250m-2w	£1.00
VP30	10	Assorted volts Zeners 10w, coded	£1.00
VP31	10	5a SCRs TO66 50-400v, coded	£1.00
VP32	20	3a SCRs TO66 up to 400v, coded	£1.00
VP33	200	Sil. Diodes like 1N4148	£1.00
VP34	200	Sil. Diodes like OA200/BAX13/16	£1.00
VP35	50	1a 1N4000 Diodes, all good, uncoded	£1.00
VP36	100	Sq. Inches total Copper Fibre-Glass Board	£1.00
VP37	8	Black Pointer Knobs, 1/4w Std	£3.00
VP38	100	Sil. Trans. NPN plastic coded. Data	£3.00
VP39	100	Sil. Trans. PNP plastic coded. Data	£3.00
VP40	40	TTL I.C.s all new gates - Flip Flop - MSI. Data	£4.00
VP41	40	CMOS I.C.s all new, inc. data	£4.00
VP42	10	Black Heatshinks, fit TO-3 and TP220. Drilled	£1.00
VP43	4	Power-Fin Heatshinks, 2 x TO-3, 2 x TO-66	£1.00
VP44	15	Asst. Heatshinks, TO-18-5-18-220	£1.00
VP45	50	BC107/8 NPN Transistors. Good, uncoded	£1.00
VP46	50	BC177/8 PNP Transistors. Good, uncoded	£1.00
VP47	10	Sil. Power Trans. Similar 2N3055. Uncoded	£1.00
VP48	5	Pairs NPN/PNP Plastic Power Trans. Data, 4a	£1.00
VP49	30	Asst. Sil. Rects. 1A-10A. Mixed volts	£1.00
VP50	60	NPN Sil. Switching Trans. TO-18 and TO-92	£1.00
VP51	60	PNP Sil. Switching Trans. TO-18 and TO-92	£1.00
VP52	15	Asst. Audio Plugs. Phono-Drum-Jack, etc	£1.50
VP53	15	Asst. Audio Sockets. Photo-Drum-Jack, etc	£1.50
VP54	20	Asst. I.C. Dtl Sockets. 8-40 Pin	£2.50
VP55	10	I.C.s 4116 Memories	£2.00
VP56	100	Semiconductors from around the world. Mixed	£4.00
VP57	25	Opto Special pack. Assorted. Super Value	£5.00
VP58	10	Hybrid LED Colour Displays	£4.00
VP59	20	Asst. I.C.s, linear, etc. All coded	£2.00
VP60	100	All sorts Transistors. NPN/PNP	£1.00
VP81	1	Echant and Drill Kit. PCB. Inc drill, transfers etc	£10.50
VP83	1	Electronic Buzzer. 6v. 25MA	£0.95
VP84	1	Electronic Buzzer. 9v. 25MA	£0.95
VP85	1	Electronic Buzzer. 12v. 25MA	£0.95
VP86	1	TECASBOTY 96 Component and Semiconductor Pack	£8.00
VP87	1	Telephone Pick-up. Coil with 3.5mm Jack Plug	£1.25
VP88	1	Pillow Speaker with 3.5mm Jack Plug	£1.45
VP89	1	2m Metallized Tape	£1.00
VP95	1	Small Plastic Vise, with suction base	£1.75
VP96	1	Signal Injector, push button operation	£2.50
VP97	1	Logic Probe/Tester. Supply 4.5v - 18. DTL, TTL, CMOS	£10.50
VP99	1	Universal Tester with ceramic buzzer	£5.00
VP100	1	Electrical Circuit Tester for cars, electrical, TV	£1.00
VP102	1	13 Piece Tool Set. Screwdrivers, pliers, etc	£7.50
VP103	1	6 Piece "Stanley" Screwdriver Set. Flat & Crosspoint	£3.50
VP104	1	Ratchet Screwdriver Set. 4 blades. Real Value	£1.75
VP107	1	Piezoelectric buzzer, miniature 12v	£1.25
VP108	1	Piezoelectric buzzer, miniature 240v	£1.25
VP112	1	Sub Resistance Box. 36 values 50hms-1kOhm	£4.75
VP113	1	Coax Antenna Switch, 2 way	£4.75
VP114	1	Coax Antenna Switch, 3 way	£4.75
VP115	1	High Pass Filter/Suppressor. CB/TV	£0.50
VP116	1	Low Pass Filter. VHS/TV Band	£3.00
VP128	1	Miniature FM Transmitter/Babyphone	£6.50
VP130	6	RED 7 Seg. CC 14mm x 7.5mm FND353 LED Display	£2.00
VP131	4	GREEN 7 Seg. CA 6' LDP XAN6520 LED Display	£2.00
VP132	5	RED 7 Seg. CC 6' LDP XAN6940 LED Display	£2.00
VP133	6	RED Overflow 6' 3 x CA 3xCC 6630/50 LED Display	£2.00
VP134	5	GREEN Overflow 6' CA XAN6530 LED Display	£2.00
VP135	5	RED 7 Seg. CA 3' XAN3061 LED Display	£2.00
VP136	3	DUAL RED 7 Seg. CA DL527 DPR LED Display	£2.00
VP137	3	DUAL RED 7 Seg. CA DL727 DPR LED Display	£2.00
VP138	20	Assorted LED Displays - our mix, with data	£5.00
VP139	1	Pick-up Tool, spring loaded	£1.75
VP140	50	Precision Resistors 2-1% Tol	£1.00
VP141	40	1N4002 Sil. Rects. 1a 100v, preformed pitch	£1.00
VP142	4	40A Power Rectifiers, silicon, TP48 300V/PV	£1.00
VP143	5	BY197 12KV Sil. Diodes in carriers. 2.5MA	£1.00
VP144	4	100K Lin Multi-turn Pots. Ideal vari cap, tuning	£1.00
VP145	10	Assorted Pots. inc. dual & switched types	£1.00
VP146	25	Solid Tantalum Caps. mixed values	£1.00
VP147	1	Fair Opto Coupled Modules	£3.60
VP148	30	Presets, horizontal and vertical, mixed values	£1.00
VP150	20	BC1039 Sil. Trans. NPN 30v 200mA Hfe240+	TO92 £1.00
VP151	25	BC171B Sil. Trans. NPN 45v 100mA Hfe240+	TO92 £1.00
VP152	15	TIS90 Sil. Trans. NPN 40v 400mA Hfe100+	TO92 £1.00
VP153	15	TIS91 Sil. Trans. NPN 40v 400mA Hfe100+	TO92 £1.00
VP154	15	MPSA56 Sil. Trans. PNP 80v 800mA Hfe50+	TO92 £1.00
VP155	20	BF585 Sil. Trans. NPN eqvt. BF184 H.F.	TO92 £1.00
VP156	20	BF495 Sil. Trans. NPN eqvt. BF173 H.F.	TO92 £1.00
VP157	15	ZTX500 series Sil. Trans. PNP plastic	£1.00
VP158	15	ZTX107 Sil. Trans. NPN eqvt. BC107, plastic	£1.00
VP159	15	ZTX108 Sil. Trans. NPN eqvt. BC108, plastic	£1.00
VP161	25	BC183L Sil. Trans. NPN 30v 200mA	TO92 £1.00
VP162	5	SJES451 Sil. Power Trans. NPN 80v 4A Hfe20+	£1.00
VP163	2	NPN/PNP pairs Sil. Power Trans. like SJES451	£1.00
VP164	4	2N6289 Sil. Power Trans. NPN 40v 40w 7A Hfe30+	£1.00
VP165	6	BF133 NPN Sil. Trans. 80v 5A Hfe50-200	TO93 £1.00
VP166	5	BF134 NPN Sil. Trans. 100v 5A Hfe50-200	TO93 £1.00
VP167	1	BUY69C NPN TO3 VCB 500 10A 100W Hfe15+	£1.00
VP168	10	BC478 eqvt. BC271 PNP Sil. Trans.	TO18 £1.00
VP169	10	BX327 eqvt. BC394 NPN Sil. Trans. 80v 50mA	TO18 £1.00
VP170	10	Assorted Power Trans. NPN/PNP coded & data	£1.00
VP171	10	BF355 NPN TO-39 Sil. Trans. eqvt. BF258 225v 100mA	£1.00
VP172	10	SM1502 PNP TO39 Sil. Trans. 100v 100mA Hfe100+	£1.00
VP173	150	De-soldered Sil. Trans. from boards. 10mm leads, good	£1.00
VP174	5	DIL Switches 1 & 2 way side, 6 way SPST, Asst	£1.00
VP175	20	LES and MES Bulbs, assorted volts	£1.00
VP176	30	Fuses 20mm & 1/4" Glass, assorted values	£1.00
VP177	1	Pack Assorted Hardware, nuts, bolts, etc.	£1.00
VP178	5	Asst. Battery Holders & Clips. PP39,AA,D etc.	£1.00
VP179	3	Pairs Proc. Clips. insulated 2 small, 1 large set	£1.00
VP180	25	Tantalum Bead Caps. assorted values	£1.00
VP181	10	1 and 2 watt Resistors, assorted values	£1.00
VP182	4	1000uF 50v Electrolytics	£1.00
VP183	12	Phono Plugs, Sockets and Connectors, 4 of each	£1.00
VP184	3	4A400V Traces, plastic	£1.00
VP187	10	SCRs 800MA 200v 2N5064, plastic	TO92 £1.00
VP188	1	Project Board, drilled, 100 pins + Insertion Tool	£1.00
VP189	1	Pack 100 single sided pins for VP188	£0.50
VP190	1	8" 8ohm 15 watt RMS Speaker	£6.00
VP191	1	Stereo Headphones. Walkman type, 3.5mm plug	£2.50

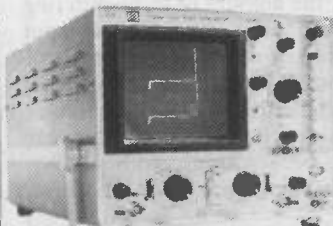
BI-PAK

Send your orders to Dept. EK, BI-PAK PO BOX 6 WARE, HERTS
TERMS CASH WITH ORDER, SAME DAY DESPATCH, ACCESS.
BARCLAYCARD ALSO ACCEPTED. TEL 0763-48851. GIRO 388 7006.
ADD 15% VAT AND £1.00 PER ORDER POSTAGE AND PACKING.



Use your credit card. Ring us on 0763-48851 NOW
and get your order even faster. Goods normally
sent 2nd Class Mail.
Remember you must add VAT at 15% to your order.
Total Postage add £1.00 per Total order.

Why sit on the fence? COME ON DOWN . . . THE PRICE IS RIGHT!



Type 3132 - Dual Trace
20MHz; 2mV/div calibrated. 40ns/div(max) sweep.
14 trigger functions. Triple DC source +5V, ±12V.
Component comparator.



Type 3036 - Single Trace with 5" CRT
20MHz, 2mV/div calibrated. 40ns/div triggered sweep.
Component tester.



Type 3031 - Single Trace
20MHz, 2mV/div calibrated. 40ns/div triggered sweep.
Component tester. Compact size.

★ THE CHOICE IS YOURS ★
Just 'phone or write for your FREE copy of our catalogue and Price List.

Crotech Instruments Limited

2 Stephenson Road, St. Ives, Huntingdon, Cambs. PE17 4WJ
Telephone: (0480) 301818



*RRP excluding delivery and VAT.

VIDEO ENHANCER

BY R.A. PENFOLD

Soft focus or sharpening images

Many people own video recorders and composite video signal monitors and for those who want to improve picture quality this is the project to do it. Please note, though, this project will not work with VHF signals.

VIDEO enhancers vary considerably in their level of sophistication and features, and a basic type is really just a kind of video tone control. By giving a slightly reduced bandwidth a soft focus effect can be obtained, which can be used either for effect, or to combat a high noise level rather like using treble cut in an audio system to counteract record surface noise or tape hiss. High frequency boost gives an effect which is similar to increased contrast, with the impression of increased sharpness, but like treble boost in an audio system, any noise present on the signal tends to be more obvious. In the case of a video

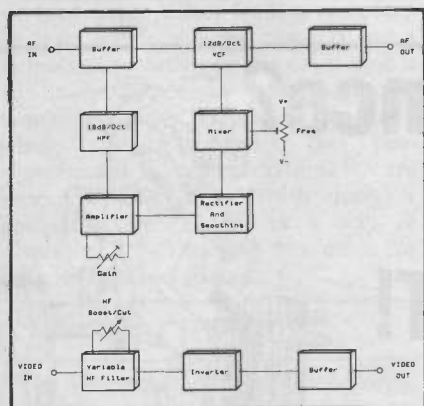


Fig.1. Block diagram

signal the noise manifests itself primarily in the form of 'grain'.

Like the tone controls in an audio system, whether the use of boost, or cut, or neither, will give the most satisfactory results depends on the particular signal source in use, the equipment in the system, and the user's personal taste. The enhancer described here has a single control which gives a virtually flat response over the relevant frequency range when it is at a central setting, but which can be backed off to give a reasonably strong soft focus effect, or advanced to give a sharpening effect. The unit is designed to operate with a standard composite video signal (not a UHF television signal), and connects between the video output of a recorder and the composite (not RGB) input of a monitor, or in some similar

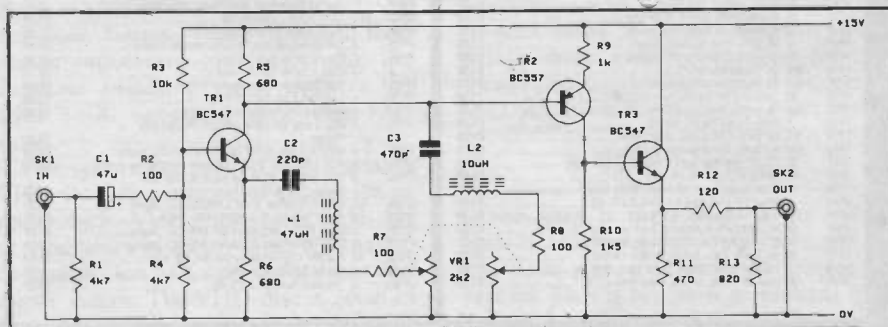


Fig.2. Video section circuit diagram

arrangement which provides a suitable signal for processing.

The unit also processes the audio signal, and it provides dynamic noise reduction. This method of noise reduction is excellent for combating high frequency noise such as tape 'hiss', and can give much improved results when applied to the many video recorders which have less than hi-fi audio performance. Dynamic noise reduction is a single ended noise reduction system which only operates during playback, and it will therefore operate with any signal source as no encoding is required at the recording stage.

ENHANCER OPERATION

As will be apparent from the enhancer block diagram of Fig. 1, the video and audio processor stages are completely separate. The video stages are just a simple boost/cut variable filter stage, followed by an inverter which counteracts the inversion which occurs through the filter. Bear in mind that, unlike an audio signal, the polarity of a video signal must be correct, with a

positive picture signal and negative synchronisation. The final stage is a buffer amplifier which provides a suitably low output impedance.

The audio processing is rather more complex, and dynamic noise reduction is provided by dynamic lowpass filtering. This could be regarded as a variable treble cut control with the amount of cut provided being automatically adjusted to suit the input signal level. With low input levels the background noise is most noticeable, and maximum treble cut is applied so as to give a large reduction in the 'hiss' level. As the input level is increased, the amount of treble filtering is decreased, until at maximum input there is little or no high frequency roll-off. The point of this is that the signal tends to mask the noise at medium to high signal levels, and the filtering can therefore be reduced without any increase in the noise level becoming apparent.

This system of noise reduction is not perfect in that it does result in a significant loss of treble response at low to medium signal levels but, with no loss of brilliance on loud passages, this is less



VIDEO ENHANCER

obvious than one would expect, and subjectively there is usually a large improvement in the audio quality if dynamic noise reduction is used on noisy signals.

A buffer stage is used at the input of the noise reduction circuit, and the output from this is split between two signal paths. One is the main signal path, and this consists of a second order lowpass (voltage controlled) filter followed by a buffer stage. A 12dB per octave filter offers optimum performance for this application.

The second signal path is the side-chain which generates the control voltage for the filter. The first stage in the side chain is a third order (18dB per octave) highpass filter with a cutoff frequency of approximately 2kHz. It has to be borne in mind here that although loud signals tend to mask the noise, some signals mask it better than others. In particular, high frequency signals mask the noise much better than low frequency ones. Without this filtering there would be a danger of strong bass signals activating the unit and lifting the filtering, but not masking the consequent increase in noise properly. This filter ensures that the unit can only be activated by signals which will fully mask the background noise.

An amplifier boosts the signal by a preset amount prior to rectification and

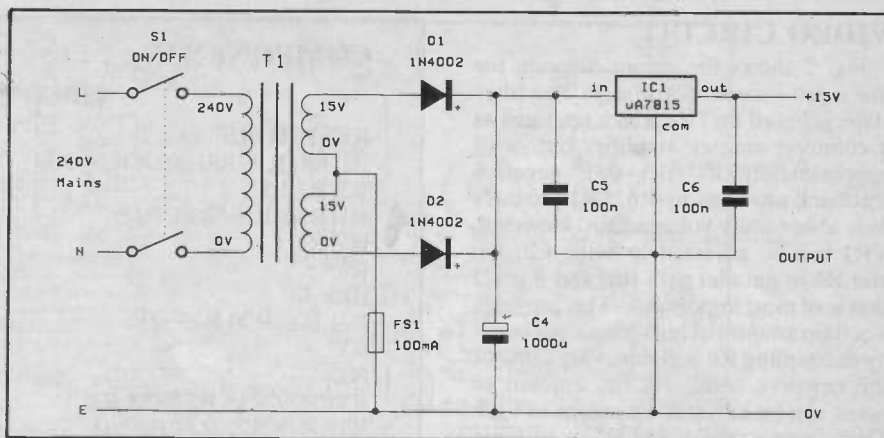


Fig.4. Power supply circuit diagram

smoothing, to generate a voltage which is roughly proportional to the high frequency input signal level. For the unit to work effectively the attack and decay times of the smoothing circuit must be quite short, otherwise the filter would fail to respond to brief bursts of strong high frequency signal and, of more importance, the filtering would remain lifted for a short while if a strong high frequency signal should suddenly cease. This would result in audible bursts of noise. On the other hand, making the attack and decay times too short would result in very rapid changes in the filter's control voltage, which would produce significant levels of distortion. There is

no real difficulty in finding compromise times which give good results in practice, and this is aided here by the highpass filtering which ensures that there are no low to medium frequency signals to smooth out.

The control voltage applied to the filter is obtained by mixing the output of the smoothing circuit with the variable output voltage of a potentiometer. The potentiometer is adjusted to give the required filter cutoff frequency under quiescent conditions, and the gain control is adjusted so that the filtering is only just fully lifted under full input conditions with a reasonably strong high frequency content in the input signal.

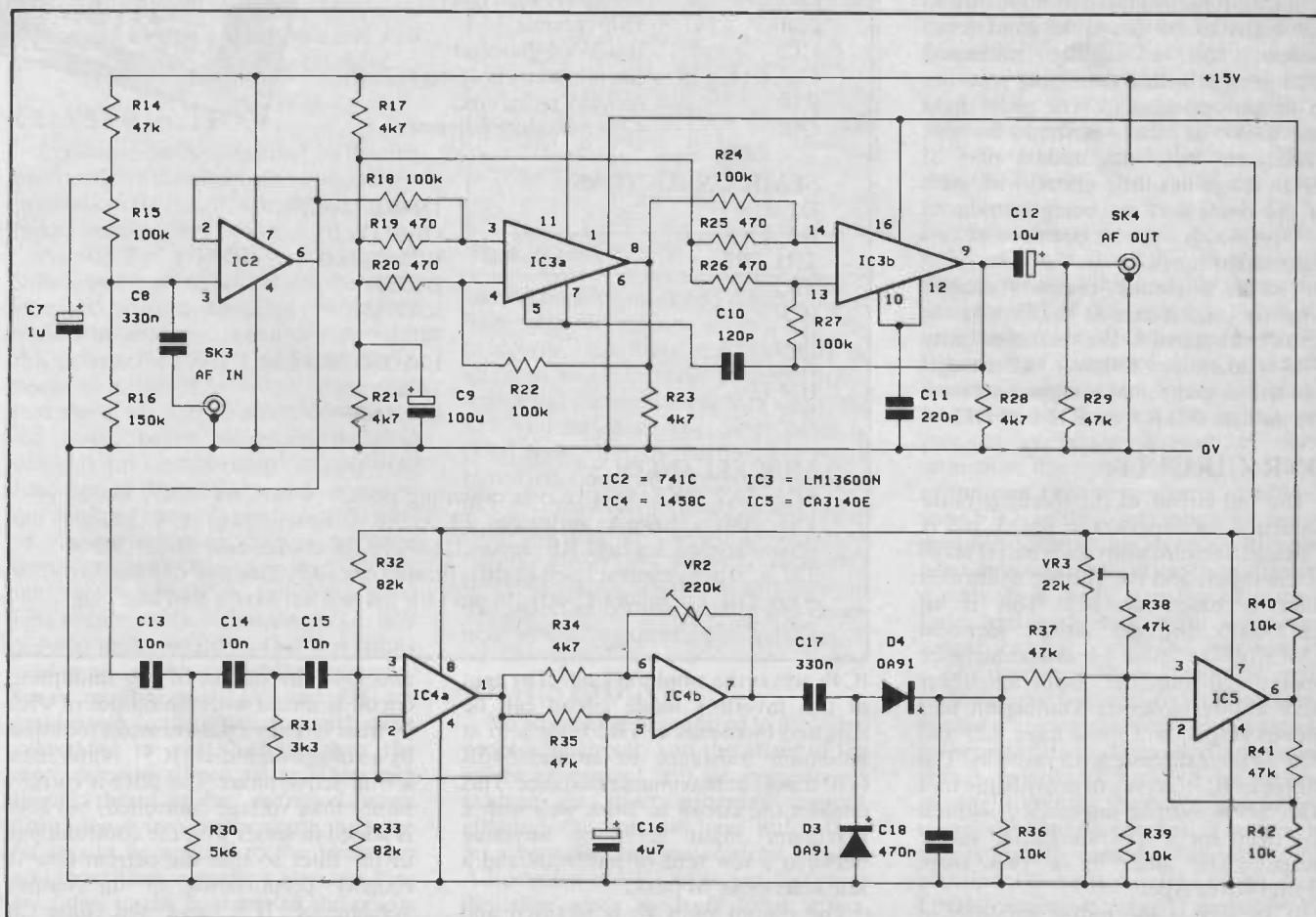


Fig.3. The DNR circuit diagram

VIDEO CIRCUIT

Fig. 2 shows the circuit diagram for the video section of the unit. The filter stage is based on TR1 which operates as a common emitter amplifier but, with approximately 100 per cent negative feedback provided by R6, TR1 provides only about unity voltage gain. However, VR1 can be adjusted to bring C2, L1, and R7 in parallel with R6, and it is C2 that is of most importance. This provides a certain amount of high frequency boost by decoupling R6 and removing some of the negative feedback; the amount of boost can be adjusted by means of VR1. The purpose of L1 and R7 is to tame the boost at high frequencies outside the input frequency range, in order to avoid noise and stability problems.

VR1 can also be adjusted to shunt C3, L2, and R8 from the collector of TR1 to earth, and these have the effect of providing high frequency roll-off. It is actually C3 that provides the roll-off and L2 plus R8 simply provide taming of the response. Again, VR1 can be adjusted to vary the amount of filtering. Of course, the two sections of VR1 are used in antiphase, so that the high frequency cut is provided at one end of its adjustment range, with the high frequency boost being provided at the other end. Ideally a centre tapped potentiometer would be used in this application, but suitable components do not seem to be available from retail outlets, and a slightly revamped arrangement with a dual gang type has to be utilized instead. The only slight drawback of this method is that adjustment over the middle part of VR1's range has little effect, with most of the boost and cut being introduced well towards the extremes of its adjustment range.

TR2 is a second common emitter amplifier and it acts as the inverter to restore the signal to the correct polarity. TR3 is an emitter follower buffer stage, and the output signal is tapped off from the emitter of TR3 via R12 and R13.

DNR CIRCUIT

The full circuit of the dynamic noise reduction unit appears in Fig. 3. IC2 is a straightforward unity gain buffer stage at the input, and the voltage controlled filter is based on IC3. This is an LM13600N (or the almost identical LM13700N) dual transconductance operational amplifier. Both amplifiers have emitter follower Darlington pair output stages, and these have R23 and R28 as their discrete load resistors. The buffer in IC3b serves to provide the unit with a low output impedance without the need for a separate buffer at the output. The filter is a two stage Butterworth type.

IC4a acts as the buffer amplifier in the highpass filter, and this is a conventional three pole active design.

COMPONENTS . . .

VIDEO ENHANCER

RESISTORS

R1, R4, R17, R21, R23, R28, R34	4k7 (7 off)
R2, R7, R8	100 (3 off)
R3, R36, R39, R40, R42	10k (5 off)
R5, R6	680 (2 off)
R9	1k
R10	1k5
R11, R19, R20, R25, R26	470 (5 off)
R12	120
R13	820
R14, R29, R35, R37, R38, R41	47k (6 off)
R15, R18, R22, R24, R27	100k (5 off)
R16	150k
R30	5k6
R31	3k3
R32, R33	82k (2 off)

POTENTIOMETERS

VR1	2k2 1in dual gang
VR2	220k sub-min hor. preset
VR3	22k hor. sub-min preset

CAPACITORS

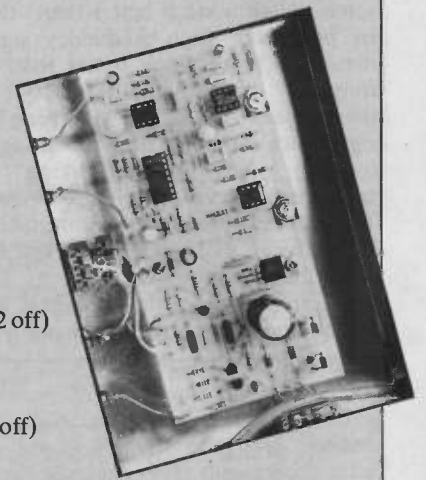
C1	47 μ 25V radial elect
C2, C11	220p ceramic (2 off)
C3	470p ceramic
C4	1000 μ 25V radial elect
C5, C6	100n ceramic (2 off)
C7	1 μ 63V radial elect
C8, C17	330n miniature polyester (2 off)
C9	100 μ 16V radial elect
C10	120p ceramic
C12	10 μ 25V radial elect
C13, C14, C15	10n miniature polyester (3 off)
C16	4 μ 7 63V radial elect
C18	470n miniature polyester

SEMICONDUCTORS

D1, 2	1N4002 (2 off)
D3, 4	OA91 (2 off)
TR1, TR3	BC547 (2 off)
TR2	BC557
IC1	μ A7815
IC2	741C
IC3	LM13600N or LM13700N
IC4	1458C
IC5	CA3140E

MISCELLANEOUS

SK1, SK2, SK3, SK4 chassis mounting phono (4 off); S1 rotary mains; FS1 20mm 100mA antisurge; T1 mains primary, twin 15V 100mA secondaries; L1 47 μ H RF choke; L2 10 μ H RF choke; case about 203 x 127 x 51mm; control knob (2 off); printed circuit board; pair of fuseclips; 8 pin DIL i.c. holder (3 off); 16 pin DIL i.c. holder; Mains lead and plug, pins, wire, etc.



IC4b acts as the amplifier stage. The gain of this inverting mode circuit can be adjusted by means of VR2 from zero at minimum resistance to around 54dB (470 times) at maximum resistance. This enables the circuit to work well with a maximum input level of anything between a few tens of millivolts and a few volts peak to peak.

The output of IC4b is rectified and smoothed by a conventional halfwave circuit based on germanium diodes D3

and D4. The output of the smoothing circuit is mixed with the output of VR3 by what is really a passive mixer followed by a voltage amplifier (IC5), rather than a true active mixer. The filter is current rather than voltage controlled, but R40 is added in series with the control input of the filter so that the current flow is roughly proportional to the output voltage of IC5, and the filter is effectively converted from current to voltage control.

VIDEO ENHANCER

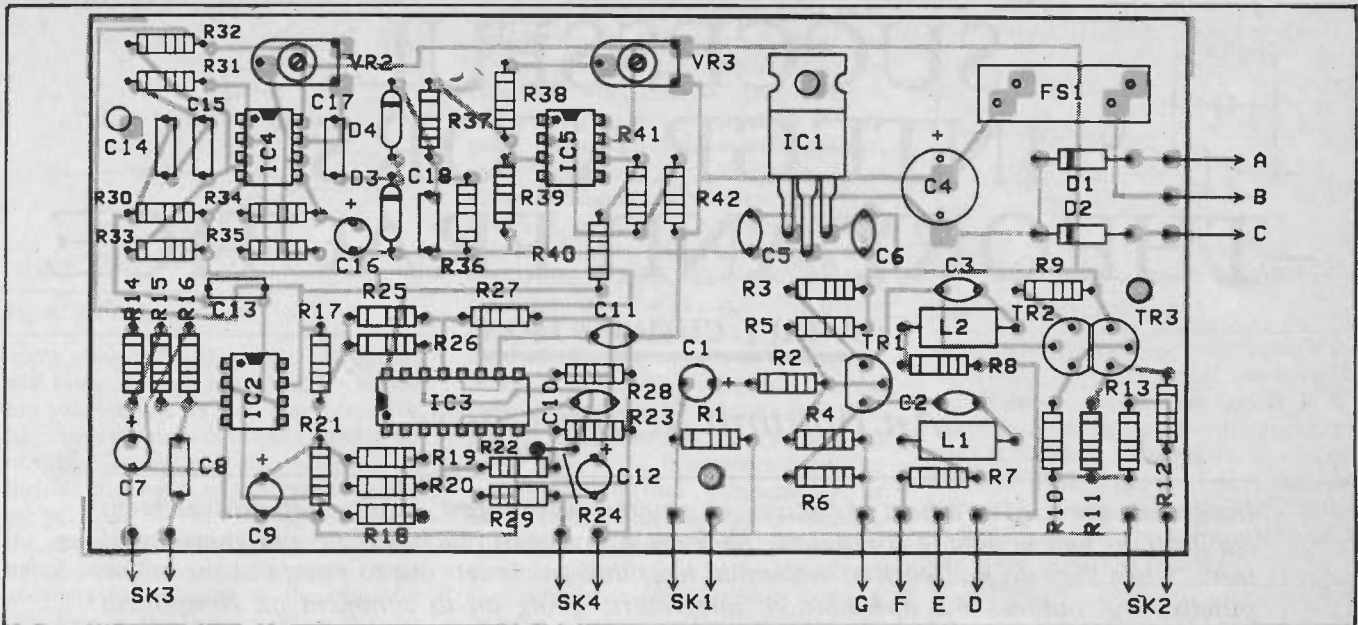


Fig. 5. P.c.b. details

POWER SUPPLY

There is nothing out of the ordinary about the mains power supply circuit (Fig. 4). This uses a mains transformer which has twin 15 volt secondary windings connected to effectively give a 15-0-15 volt winding to drive a push-pull type rectifier circuit. C4 provides a large amount of smoothing, with IC1 then providing regulation and electronic smoothing so that a low ripple and well stabilised +5 volt output is provided.

CONSTRUCTION

Construction is simplified by having practically all the components on a single printed circuit board, and details of the board are provided in Fig. 5.

As IC5 has a PMOS input stage it should be fitted in a socket and the other standard antistatic handling precautions should be observed when dealing with this device. Fuse FS1 is mounted on the board in a pair of fuseclips. Make sure that these are fully pushed down onto the board before soldering them in place. It is preferable to use an ant surges fuse rather than the more common quick-blow type as the latter would tend to blow at switch-on due to the large surge current as C4 charges up. IC1 does not require a heatsink, but it is a good idea to mount it horizontally and to bolt it down to the board so that it is firmly held in place without putting any undue stress on the pads. D3 and D4 are germanium diodes which are much more vulnerable to heat damage than the more familiar silicon types. Due care should therefore be exercised when fitting these two components, and the bit should be applied to the joints for no longer than is really necessary. Pins are fitted to the board at all the points where connections to off-board components will eventually be made.

Little hard-wiring is required in order to complete the unit. It is not essential to use screened leads to connect the sockets to the board, but these leads

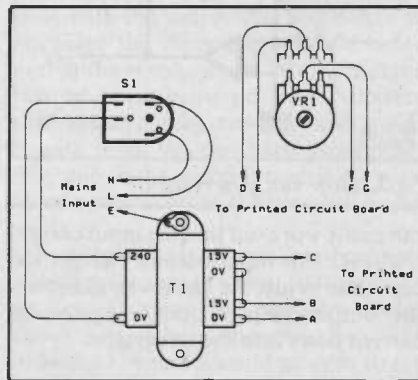


Fig. 6. Wiring details

should be kept short and direct. SK1 to SK4 are all phono sockets on the prototype, but these can obviously be changed to other types if these would better suit the equipment with which the unit will be used. The other point to point style wiring is illustrated in Fig. 6 in conjunction with Fig. 5. (e.g. point 'A' in Fig. 5 connects to point 'A' in Fig. 6). Although the power supply wiring is very simple, check the finished unit very carefully paying particular attention to this aspect of construction as any errors here would be potentially disastrous.

ADJUSTMENT

No adjustment is required to the video processing circuit, and the effect of the enhancer control will be immediately evident on most program sources, although the unit will have little effect on a very dull and low contrast picture. Adjustment of VR1 in an anticlockwise direction gives the soft focus effect, while setting it in the opposite direction gives the outline sharpening effect. The

degree of control provided by the unit can be increased by raising the values of C2 and C3, but in practice the specified values give what is really about the maximum usable degree of boost and cut. There should be no significant change in brightness or contrast with the unit added into the system and VR1 adjusted to a mid-setting.

If suitable test gear is available, VR3 can be set for the desired filter cutoff frequency (with VR2 set for minimum gain so as to prevent the unit from responding to the test signal). VR2 is then advanced to a point where a strong high frequency signal just about fully lifts the filtering (i.e. raises the cutoff frequency to around 15 to 20kHz).

It is perfectly possible to set up the unit correctly without the aid of any test equipment, and this possibly represents the best way of doing things. With VR2 set for zero gain, VR3 is adjusted to give the required degree of noise reduction. Avoid the temptation to set the cutoff frequency too low as, although it will give an impressive amount of noise reduction, this would result in the action of the unit becoming clearly audible in use. VR2 is then advanced as far as possible without an increase in noise becoming apparent on medium strength signals. It is really a matter of using a little trial and error with a program source that has a wide dynamic range.

As described here the unit only provides monophonic audio processing, but for stereo operation it would merely be necessary to build up a second printed circuit board to handle the second channel (omitting the power supply and video circuits of course). The power supply is easily capable of supplying the additional current required by an extra DNR circuit. It would probably be necessary to resort to a slightly larger case though.

PF

SUCCESSFUL INTEGRATORS - THEORY AND PRACTICE

BY PAUL CUTHBERTSON

An op-amp design course

Integrators are used in a host of circuits, to generate wave forms, in filters, in measurement applications and in analog computers. They are a source of much wailing and gnashing of teeth, when they do not work as we would like; this article sets out to point out the major pitfalls, and outlines the operation of integrators, going on to comment on component selection and to describe a practical, high performance circuit. Many of the topics discussed apply to designing with op-amps in general.

A PERFECT integrator's output voltage will ramp according to the size and direction of the current flowing into it. Fig 1 shows the general circuit for an integrator, and the behaviour of the output voltage with various input currents flowing.

The current flows into the capacitor, charging it, and since the op-amp attempts to keep its two inputs at the same voltage, the output has to ramp to keep pace with the charging. The inverting input of the op-amp is a virtual earth. We have to assume that no current flows into the input of the op-amp; this is an important point and is mentioned in greater detail later. Incidentally I have chosen to regard a current flowing into the integrator as positive. Zero volts is defined as being half way between the power supply rails, this being the usual case. These comments apply to the ideal integrator, which does not exist, but which will serve to illustrate the principle.

INPUT RESISTOR

Fig 2 shows how we can generate the current from an input voltage via a simple resistor. The circuit probably looks a bit more familiar now. Since the inverting input is held at zero volts, we

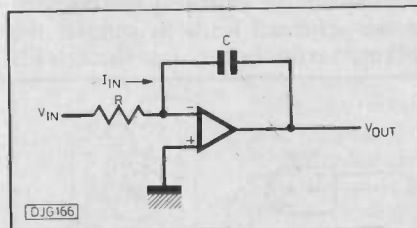


Fig.2. How can you resist it?

can easily work out that the input current is V_{IN}/R . This input current charges the capacitor in just the same way as before, the output voltage going negative as current flows into the integrator.

SUMMING JUNCTION

Fig 3 shows how we can add on further resistors to make a summing junction. The input currents are summed at the inverting input of the op-amp, which is still held at zero volts, so we can work out the currents for each resistor separately and add them to get the total current. We must pay attention to the polarity of the current; if we have a current flowing away from the junction, it is negative and adding it in will send the total more negative.

To take an example, assume that the

input resistors are all equal at 1M. If we have three input voltages of one volt, two volts, and minus four volts, then the net current will be minus one μA , and the integrator output will ramp positive. To be more poetic, all the current 'supplied' by the positive inputs has been 'drained away' by the negative input, and then some. Furthermore, if we imagine that one of the input resistors is connected to zero volts or left open, then its contribution to the input currents is nothing.

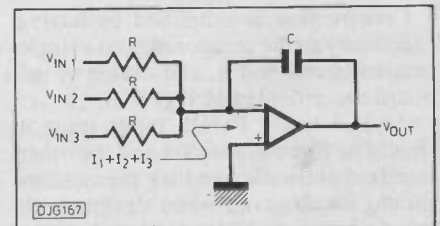


Fig.3. Some thing is happening!

CAPACITOR VALUE

At this stage it would be useful to be able to work out how fast the integrator output will ramp, for a particular size of capacitor. We can use the equation $CV = it$ if we wish to invoke currents, but since $i = V/R$, we can simplify this to $C = t/R$ and rearrange it to make any of capacitance, resistance or time the subject on the left hand side. $t = CR$ is one way of rearranging it - now does that look familiar? It's the relationship for time constant. In this context, it means that the integrator capacitor C will charge through the same magnitude as the input voltage (but in the opposite direction of course) in CR seconds.

If the output starts at zero volts, and our R and C are 1uF and 1M, and we

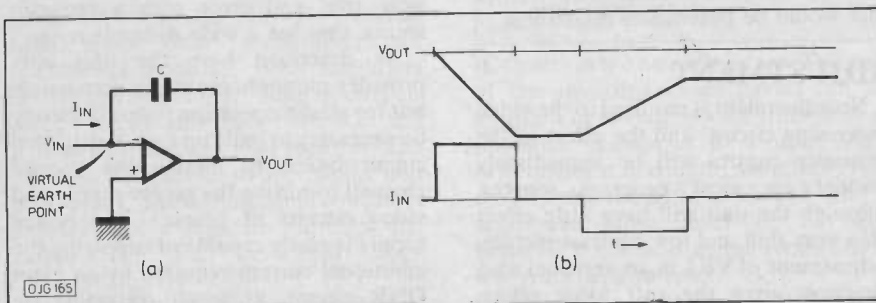


Fig.1. Basic principles.

INTEGRATORS

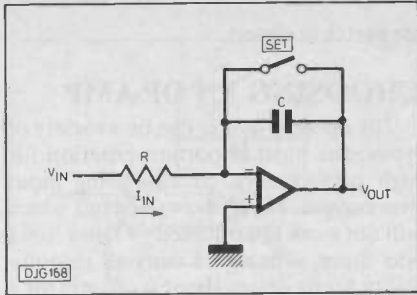


Fig.4. Set circuit.

apply ten volts to the input, the output will ramp through ten volts, (to minus ten volts) in one second. This integrator has a time constant of 1s and a bandwidth of 1Hz. To expand the equation to include the input and output voltages, we get $V_{out} = -V_{in} t/RC$ where V_{out} is the change in output voltage from the initial condition, and the minus sign accounts for ramping in the opposite direction to the input voltage. We are assuming that the input voltage remains steady over the period of interest.

What happens with a varying input voltage is quite interesting, but we cannot go into that here.

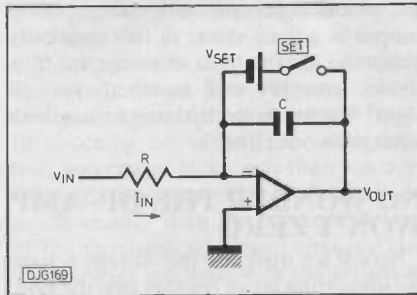


Fig.5 A game set.

SETTING AND HOLDING

When the integrator is part of a computation or measurement circuit, the ability to set an initial condition, and to hold the integrator at any time (i.e. to get it to ignore the inputs), is mandatory. Similar principles might apply to filters and waveform generators whose ranges we wish to switch, or to waveform generators which must be reset every cycle, say to generate saw teeth (or saw teeth?). Without discussing the exact nature of any switches just yet, we can take a look at where they must go in the circuit.

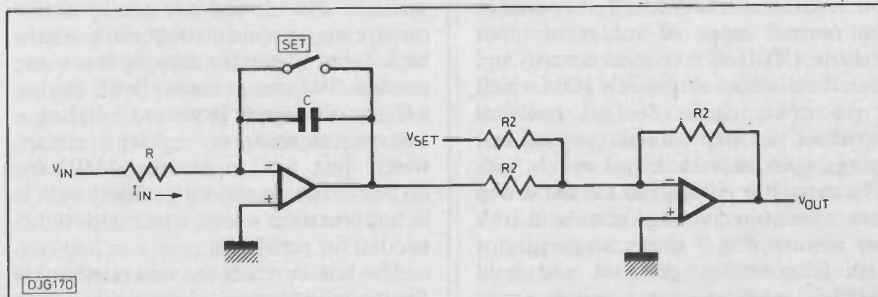


Fig.6. Game, set and match.

Discharging the capacitor is quite simple; see Fig 4. A switch is connected across the capacitor, which shorts the capacitor when closed, discharging it and setting an initial condition of zero volts. It is more likely that we want to set some initial non zero condition. Fig 5 shows the usual text book circuit, which connects a battery or other voltage source across the capacitor, charging it to that voltage with the switch closed. This is all right in so far as it goes, but practically we may want to set a number of integrators at once, to a variety of different voltages. We cannot use the same voltage source for all our integrators, unless we switch both sides of it (if we didn't, the integrators would be connected together permanently at some point and their operation would be deranged). It seems that we have to have a number of two pole switches, and set each integrator individually, or as many floating voltage sources as there are integrators.

This is one of the class of problems known to engineers as the 'lets add another bit on's. The extra bit we add in this case is another op-amp plus a few resistors. Fig 6 shows how we can get away with the simple shorting switch to discharge the capacitor, and add in the V_{set} at the second stage. Notice that the two op-amp circuit no longer inverts, although an analog computer user would require it to. We can have gains other than one in the second stage if we wish. More on this score in the practical circuit below.

To hold the integrator, let us simply interrupt the input current, so that it can no longer charge the capacitor. Fig 7 shows a switch in the ideal position. Individual switches could go next to the input terminals, (for range switching perhaps) but see below for comments regarding CMOS analog transmission gates.

CHOOSING A CAPACITOR

To begin with the least complex of the decisions a designer of integrators is faced with, we should take a look at the capacitor. Calculating a capacitor value is discussed above. If we end up needing a monstrous value, we should consider increasing the input resistance, and if we are after huge time constants, of the

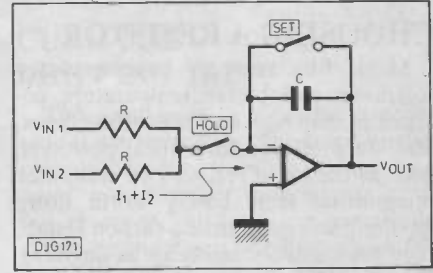


Fig.7. This is a hold up.

order of hundreds of seconds, then it may even be worth going digital; but there is no space to discuss that aspect here. Another trick to increase the apparent time constant is to attenuate the input voltage. Really large, close tolerance capacitors such as a 10μ 5% polycarbonate can cost us a fiver a shot, and are reserved for the wealthy!

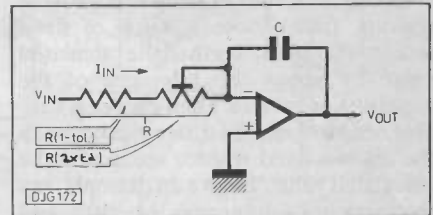


Fig.8. Trimming her up (Not sexist).

As far as types are concerned, let us not be tempted to use electrolytics. They have a high leakage current, a poorly specified capacitance value, they are polarised, and (less important) have a high equivalent series resistance and inductance. Any of these failings is enough to tell us to leave them alone.

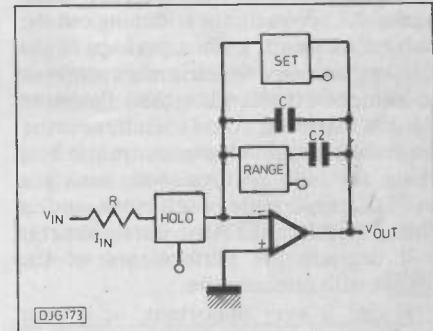


Fig.9. Transmission gates to the rescue.

For integrators used in computation, measurement and waveform generation, we need stability and low leakage currents. For values up to about 10nF, polystyrene types have excellent low leakage characteristics, and silver mica better temperature stability than most, and both are available in 1% or 2% tolerances quite cheaply.

For values greater than 10n polyester is a reasonable choice, even for computation purposes, if we are not to get expensive. We can trim out the larger initial tolerance. Polycarbonate has a better temperature stability than polyester, and is available in uF sizes. A stable, close tolerance ceramic in a high value is expensive.

CHOOSING A RESISTOR

Metal film resistors have a closer tolerance and better temperature coefficient than high stability carbon types, and are preferred for critical positions, such as the input resistors on computer integrators. It is hardly worth using anything less good than a carbon resist, they are virtually as cheap as anything less. For filters, generally speaking, we are less concerned with precision, but for other purposes it is good to be able to trim out the variations in time constant, due to resistor and capacitor tolerances. Fig 8 shows a fixed and a variable resistor in series for adjustment; we can get quite 'close in' with the fixed resistor, and use the pot to trim the rest of the way, avoiding a very coarse, difficult adjustment.

To choose values of fixed and variable resistor, first choose a value of fixed resistor that is smaller than the calculated value by about the tolerance of the capacitor or greater. Then choose a variable resistor twice the difference between the chosen fixed resistor value and the calculated value. To give an example, say the capacitor tolerance is $\pm 10\%$ and R needs to be $1M$. We might choose the fixed resistor to be $910k$ and the variable resistor to be $200k$. This might be a bit tight if the capacitor value really is 10% out; although it makes for a nice fine adjustment. It may be better to choose a fixed resistor of $820k$, and a variable resistor of $500k$, which gives a wider, but coarser, adjustment.

Carbon skeleton pots are very cheap and quite adequate for trimming out the worst excesses of a filter, perhaps of the Chebyshev shape which is more sensitive to component tolerance than the more lenient Bessels and Butterworths. Multiturn cermet trimmers are the best thing for high performance, having a better temperature coefficient and a finer adjustment. Any potentiometer will degrade the performance of the circuit with temperature.

If this is very important, or if your pocket is more important than your time, (if you're like me you'll have difficulty making up your mind on that one!) consider selecting two fixed resistors to put in series to make up the required value. It is easier to use series resistors than parallel, and the result is likely to be just as close to the value you want. This method is not amenable to quick adjustment! A decade box is handy if you are going to select resistors. Metal film resistors are often available in the E24 values, getting closer to the value you ultimately need.

SWITCH SELECTION

Having dispensed with the passive side of things, there are two items left; the switches, if needed, whether mechanical or electronic, and the op-amp itself.

Taking the switches first, we could choose panel switches, relays, or CMOS transmission gates. At the simplest, we can have a push button on the front panel, and two wires trailing to the circuit board. This is all right until we consider that a single button will only work one integrator, and that the wiring, which is carrying tiny currents, can pick up interference very easily. The integrating action might end to 'smooth out' at pickup, but even so! Let's avoid the situation if at all possible.

A better solution is to use reed relays, where one panel mounted control can work many circuits, and the conductors carrying our precious signals can all be safely left on the board. However, relays can be expensive and they suffer from bounce. If we have a computer integrator, which we run for a millisecond at a time and then sample, we don't want a hold relay clattering up and down for five or six times that, not on your life. Add to this the power consumption of the coils, the drive requirements, electromagnetic noise, temperature variations, and the rest, and we can end up in a pickle with more than a few relays.

The analog transmission gate to the rescue. They use very little power, are quiet in use and do not suffer from bounce. They are easy to drive too. The types most commonly seen are the 4016/4066 kind, or the 4051 multiplexer or similar for range switching and the like. The 4066 and 4016 are pin compatible, the 4066 being the improved version with a lower and more consistent 'on' resistance. (Does anyone still buy 4016's?)

Their drawbacks are that, like most semiconductors of our acquaintance, they are easily damaged; and their 'on' resistance, rather than the few milliohms of a relay, are some tens of ohms typically. However with a little consideration we can get round these inconveniences and the results are excellent.

Firstly, if we power the CMOS from $15V$, (actually $\pm 7.5V$) the 'on' resistance is at its lowest and varies least. The op-amps we use should not mind working from the same supplies. Secondly, by positioning the switches next to the virtual earth point, when 'on', the voltage on the transmission channel is never very far from zero, and the resulting swing in 'on' resistance is kept to a minimum. The 'on' resistance is very small compared to the normal range of values of input resistor, (300Ω as a very maximum) and the off resistance is typically $10M$ which is an open circuit for all practical purposes. In experiments carried out using a 4066, as hold and set switch, with a 1μ capacitor charged to $1V$, the droop rate of the stored voltage was about $1mV$ per minute. Fig 9 shows an integrator with transmission gate set and hold switches, plus one for a simple range switch. The 'on' resistance of the gate limits the current which flows when the

set switch is closed.

CHOOSING AN OP-AMP

The op-amp we use can be a variety of types, the most important criterion for high performance circuits being input bias current. Fig 10 shows a circuit which will not work (guaranteed - I know 'cos I was there, although I deny all responsibility for its design, honest officer) for a number of reasons. The symptoms were, that the amplifier could not be zeroed, that the output voltage jumped when the set button was released and then ramped quickly away, and that when the input was grounded the output voltage ramped quickly back down to a poor almost-zero. Not terribly good behaviour for an integrator.

A lot of these undesirable effects can be explained in terms of input bias currents. Looking at the specification of the chosen op-amp, (a 725) we saw that the input bias current was some $80nA$ max. Input bias current is defined as the average of the input currents flowing into the input of the op-amp. The input offset current is the difference between the two bias currents when the op-amp output is a zero volts; in this case only about $1nA$. The bias currents for this device are very well matched, yes, all right, but are large by comparison with what we would like.

NO WONDER THE OP-AMP WON'T ZERO

Now if we work out the voltage across the inverting input resistor and the non inverting input resistor, $100k$ and $47k$ respectively, we get $8mV$ on the inverting input and a little less than $4mV$ on the non inverting input, which amounts to a voltage differential of more than $4mV$; multiply this by the open loop gain ($127dB$) and there is no wonder the amplifier will not zero. In practice, as the output voltage swings, the bias currents change, and the equilibrium position is a few hundred millivolts from zero.

In practice, as the output voltage swings, the bias currents change, and the equilibrium position is a few hundred millivolts from zero; but this is still too much to null. All this illustrates the reason for keeping the impedances on the two inputs of an op-amp the same - it 'reduces offsets', and it is good practice on any op-amp circuit especially where high gains or precise zero dc levels are needed. We can get away with having unbalanced inputs if we are building a voltage reference or regulator circuit, which just has to sit at $10.00V$ for instance, but we cannot get away with it in any situation where a true zero out is needed for zero input.

The bias currents are also responsible for the initial 'jump' when the set switch is released. With the switch closed, the bias currents flow for preference in the

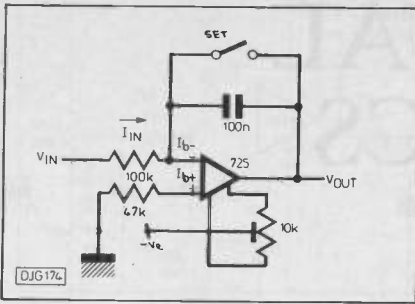


Fig.10. The one that got away.

switch, not through the input resistor. Immediately the switch is released, the voltage due to the 100k resistor is again imposed on the inverting input resulting in the jump described. Actually, making the nulling better makes the jump worse...

The ramping with no input current is caused by the bias currents charging the capacitor. At 80nA a 100nF capacitor will charge to 200mV in a quarter of a second; in practice it took a few seconds to do this. When the input resistor is returned to ground, the currents flow in it, plus some current from the capacitor which discharges it.

It may seem as though I am labouring this point about bias currents, but it really is the single most important factor in choosing an op-amp for integrator use, and causes more woe than you may imagine. Because they are usually so much smaller than the currents flowing in the feedback and input circuits, bias currents get ignored, with the results as explained.

SMALL BIAS

So choose an op-amp with the smallest input bias current generally available. Taking the 3140, which is an internally compensated 741 look alike, the specification says that it has an input bias current of 10pA max, four orders of magnitude better than the 725. When applied to the circuit above, the 'jump' comes down to less than a millivolt, and the trimmer can be adjusted to reduce the output voltage creep for zero input, to a few mV per minute.

Output creep is the term I use to signify that tendency of an integrator to integrate what is in theory a zero input, which is due to offsets and can be trimmed out. With the input open circuit, creep is replaced by droop, familiar to sample and hold circuit designers especially those who work all night. As explained above very low droop rates are obtained in practice.

An additional advantage of the 3140 is its 110kHz full power bandwidth, as opposed to a mere 10kHz for the 741. As far as filters are concerned, we have in the 3140 and its ilk the bandwidth to get high Q's in the upper audio bands, and the low input bias currents to use higher

input resistances, for larger time constants and lower cut off frequencies. Thus we are able to push back the frontiers of audio filtering into the sub audio and the ultrasonic. As far as computation and wave form generation are concerned, the low level input biasing allows larger, more accurately defined time constants and more precise integration.

CURE THE DRIPPING TAP

The solution is to cure the dripping tap. If we must stop the integrator for periods of time, then we should fit a 'hold' switch rather than relying on it not to creep. Also we can practically eliminate the creep by nulling with the standard nulling potentiometer. If we

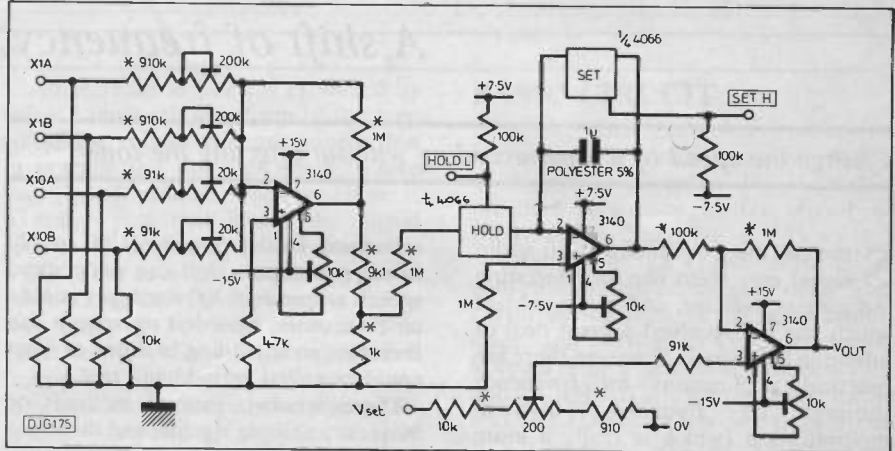


Fig.11. High performance computation integrator (lights, camera, action).

ROGUES GALLERY

Before going on to describe briefly a practical integrator circuit, a quick look in my collection of heinous practices reveals one or two that apply to the integrator. Apart from the aforementioned electrolytic capacitors and unbalanced input resistances, (Ugh!) there is the so called leaky integrator. Now there is really no excuse for this as there is always a better way to arrange matters. A resistor added across the capacitor, can you believe it, in an attempt to-stop the output creep.

In a filter circuit there are feedback networks which work to keep the output stable in the absence of an input signal. With a wave form generating integrator the circuit is cycling continuously and any creep is expressed as an error in the frequency. But in the computation integrator, and more so in the measurement integrator, the input may be zero for periods of time and the integrator must not creep if we can possibly avoid it.

To turn back to the resistor-across-the-capacitor lark, if we liken our capacitor to a bucket and the input current to a running tap, then the leakage resistor is like cutting a tiny hole in the bottom of the bucket. This is all right if the tap is just dripping and we want the bucket to stay empty, but if we then run the tap, as the bucket fills up the water runs out of our little hole faster and faster until it keeps pace with the tap - i.e. our integrator is an integrator no longer. Worse yet, when we want to turn off the tap and hold our level steady to measure it, it is falling away before our very eyes!

want a sort-of-integrator for one reason or another then plank in a resistor, but let's not have any such corruption if we want to measure or compute.

Fig 11 shows a computer integrator circuit, built with easily available components. Some features of this circuit require explanation. The first and third integrator op-amps are powered from +/- 15V to get the +/- 10V range required as standard from an analog computer element. The second op-amp is powered from the CMOS supplies to prevent damage to the CMOS. An attenuator reduces the signal levels from the summer stage, and the final stage has a gain of -10 to push the levels back up to those needed. The overall operation is inverting.

PE



NEXT MONTH OUR DESIGN
FEATURE DEALS WITH
ELEMENTS OF HI-FI.
WE WILL HAVE AN INDEPTH
LOOK AT THE USE OF
COMPONENTS IN ALL AREAS
OF HI-FI AND
MUSIC RPROJECTS.



EXPERIMENTAL ELECTRONICS

BY THE PROF

A shift of frequency

Change the speed of a tape recording without affecting the tone!

SHIFTING the frequencies in an audio signal may seem like an interesting but useless exercise, and it is a subject which has not received a great deal of attention in the past. However, there are practical applications for frequency shifting, or frequency division/multiplication (which is really a more accurate description of the process). The lack of attention the subject has received is probably due more to the difficulties involved than any real lack of practical applications.

something in the region of 100 to 120 words per minute, but can understand speech at speeds of 300 words per minute or even more. Speeded up speech can therefore rival reading in terms of what could be called verbal baud rate.

There are two general methods of frequency shifting signals, and these are the heterodyne and delay line systems. Taking the heterodyne method first, this is essentially the same as the system used to generate single sideband radio signals. The audio signal is mixed with

The heterodyne system is limited in practical value by its inability to provide much downward shift, and by the fact that the harmonic relationship of the shifted frequencies is totally destroyed. This makes it unsuitable for many practical applications, including voice pitch correction in fast playback systems. The delay line system is much better in both respects, and it can provide large upwards or downwards shifts in frequency without altering the harmonic relationships of the constituent frequencies. In other words, rather than shifting frequencies up or down by a specified number of Hertz, this method multiplies or divides the frequencies by a specified factor. In the fast playback application, the doubling or trebling of the pitch can theoretically be perfectly counteracted by a delay line frequency shifter circuit.

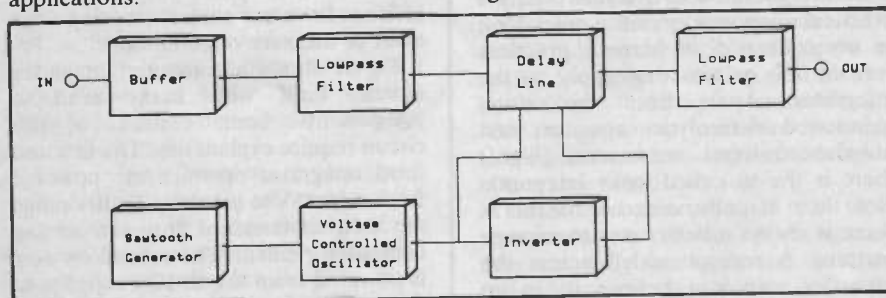


Fig.1. Basic frequency shifter block diagram

FIGURES OF SPEECH

An obvious application is in the field of electronic music, in 'harmonisers' and similar applications, where the processed signal is mixed with the straight-through signal to give richer and more interesting sounds. Another interesting application is in variable speed tape recorders. The general idea here is to have a tape recorder where the playback speed can be altered, but the pitch of the output is not subjected to the usual changes associated with wrong playback speed. The main purpose of this type of equipment is to enable dictation machines and similar gadgets to play back at two or three times normal speed without the pitch of the signal being doubled or trebled. This is not just a matter of getting the signal to sound right for the sake of it, and intelligibility is significantly enhanced by maintaining the original pitch, or at least something approximating to it. The point of speeding up the playback speed is simply that most people talk at

the output of a carrier oscillator to produce sum and difference frequencies. A system of filtering or phasing is used to eliminate the difference in frequencies, leaving the sum frequencies which are effectively the input frequencies boosted by an amount which is equal to the carrier frequency.

Although it sounds simple in theory, it can be difficult to get good results from this system. By tuning in a single sideband radio transmission and varying the tuning either side of the correct setting, the upwards and downwards shifts in pitch can be heard, but only a modest amount of downwards shift can be achieved before the effective carrier frequency is placed within the frequency components of the input signal, resulting in it becoming scrambled. In fact in an extreme case the frequencies would become inverted (i.e. high frequencies would become bass frequencies, and low frequencies would be changed to high tones). This is a popular method of voice scrambling, and is a topic to which we might return in a later article.

The basic arrangement for this type of circuit is shown in the block diagram of Fig. 1. The top row of blocks represent a standard 'bucket brigade' CCD delay line having a buffer stage at the input, a lowpass filter, the delay line itself, and then another lowpass filter. The principles of CCD delay lines have been covered in Practical Electronics before, and will not be discussed in detail here. The general scheme of things is to sample the input voltage repeatedly, and to pass the sampled voltages along a series of charge storage capacitors before they finally emerge from the final capacitor at the output. This gives a stepped version of the input signal, but the final lowpass filter removes the steps and restores the original signal. Of course, it takes time for the samples to travel through the capacitor chain and find their way to the output, and the delay time is controlled by the number of delaying stages plus the speed at which the samples are passed along the chain. This second factor is controlled by a clock oscillator.

A voltage controlled oscillator (VCO) is used to provide the clock signal, and an inverter stage provides an antiphase signal so that the delay line is fed with

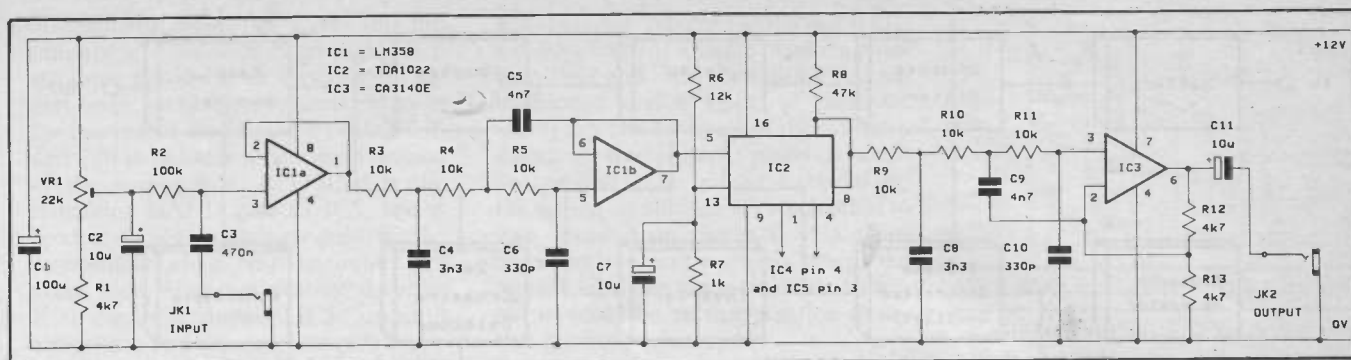


Fig. 2. Frequencies shifter main circuit diagram

the required two phase clock signal. The voltage controlled oscillator is frequency modulated by a sawtooth generator. This setup is very much like a conventional vibrato effects unit, but the sawtooth generator would instead be a triangular type in a vibrato unit. Although one might expect the effect of modulating the clock frequency to be a steady fall in pitch as the frequency is swept downwards followed by a complementary increase in pitch as it is increased, this is not quite what happens. The pitch actually switches between a higher one than normal and a lower pitch, not a gradual swing from one to the other. This is analogous to the sudden apparent change in the pitch of a car's engine caused by the doppler shift as it speeds past.

An increase in pitch is produced by using a sawtooth waveform of the type where the voltage sweeps upwards, but in practice this does not seem to give very good results. The problem is basically just that when the signal returns to its initial (low) voltage the VCO is set to a low frequency, and it takes a long time for the samples within the chip to be clocked out. This effectively gives short bursts of boosted frequency signal with comparatively long periods of silence in between. This severely chopped up signal is of little practical value. Fortunately, most applications require frequency dividing and not multiplication, but it would probably be possible to improve results greatly from the frequency boosting system if necessary. Possibly a second

BASIC CIRCUIT

Nothing terribly complex or expensive is required for a basic frequency shifter of the type outlined in Fig. 1, and a practical frequency shifter circuit is shown in Fig. 2 and Fig. 3.

Taking Fig. 2 first, this is a conventional bucket brigade delay line circuit having IC1a as the input buffer stage, and IC1b as an 18dB per octave lowpass filter with a cutoff frequency of about 10kHz. IC2 is the delay line itself, and the TDA1022 is a 512 stage type. IC3 is another 18dB per octave 10kHz lowpass filter, but it has been modified slightly in order to give about 6dB of voltage gain to compensate for losses through IC2.

Turning now to Fig. 3, IC4 is the clock oscillator, and this is the voltage controlled oscillator section of a CMOS 4046BE phase locked loop. The other sections of this device are ignored. In the past I have used one of the phase comparators in the 4046BE as an inverter to generate the second clock phase, but some recent 4046BEs seem to provide a non-inverted signal from the phase comparator if this is tried. IC5 (a CMOS two-input NAND gate wired as an inverter) is therefore used to provide the antiphase clock signal.

IC6 functions as the sawtooth generator, and this operates in what is almost a conventional triangular/squarewave oscillator circuit. However, the addition of D1 results in the positive going part of the waveform being greatly shortened due to D1 effectively short circuiting timing resistor R18 on this part of each output cycle, and the output

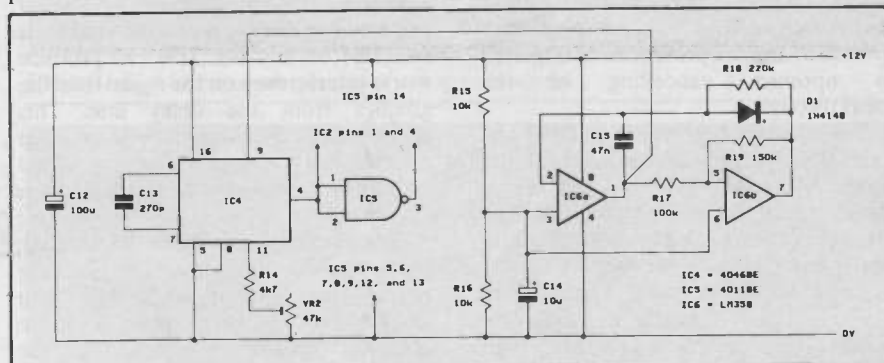


Fig. 3. Clock oscillator and sawtooth generator

With a sawtooth waveform of the type having a downwards sloping ramp the effect is to give a reduction in the pitch of the output signal. However, when the sawtooth signal returns to its peak value the samples held in the delay line are suddenly clocked out at a much higher rate, giving a short burst of high frequency output. The number of output cycles is always equal to the number of input cycles, but what we are doing here is to have a long period of slightly reduced frequency followed by a short period of greatly boosted frequency. This gives an output signal which is predominantly at reduced frequency, but the short bursts of higher frequency are usually audible, although not as clear 'beeps' of sound. Just how well the glitches stand out, and the exact sound they produce, depends on the nature of the input signal.

delay line could be used to recycle the signal and provide a signal to fill in the gaps. Anyway, here we will only consider frequency reduction, which represents a somewhat less difficult technical problem.

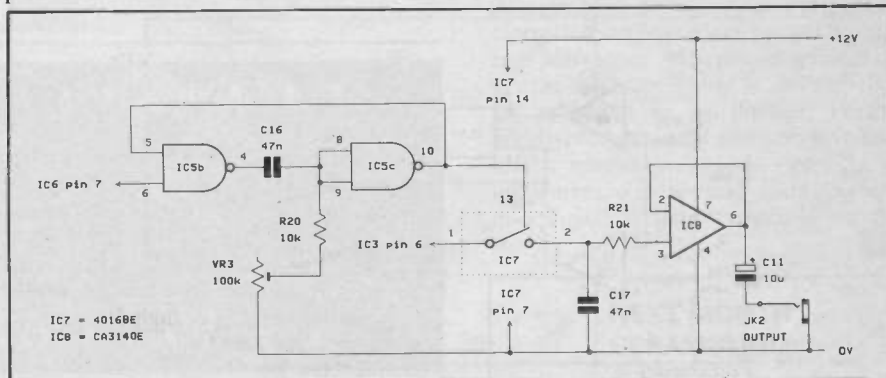


Fig. 4. A simple blanking circuit

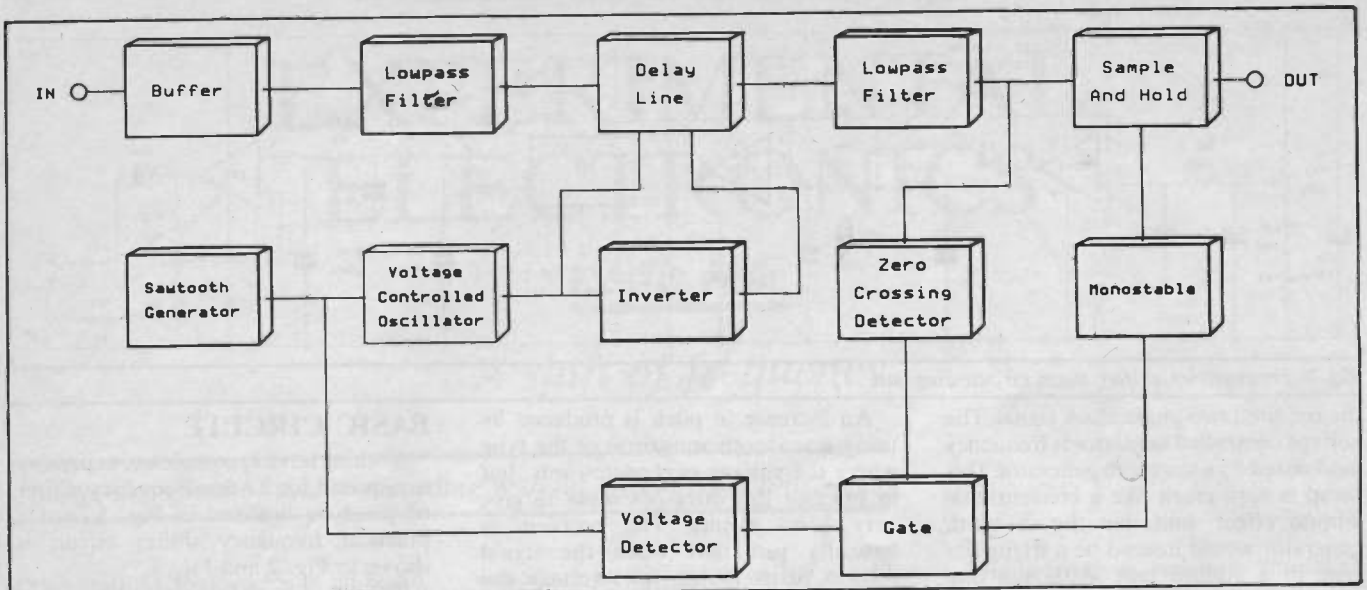


Fig.5. Improved frequency shifter block diagram

waveform is modified to the required downwards sloping sawtooth type. If you would like to try the circuit as a frequency booster, reversing the polarity of D1 will change the output signal to a positive ramp. It might be necessary to trim one or two circuit values in order to give a suitable output voltage swing for IC4 though.

There are two preset resistors in the circuit, and VR1 is simply adjusted for symmetrical clipping, and the circuit can handle signals of up to several volts peak to peak. VR2 controls the output frequency range of IC6, and for maximum effectiveness it should be set for the longest maximum delay comensurate with good audio quality. The clock frequency needs to be at least double the maximum input frequency for acceptable results, giving a minimum clock frequency of about 20kHz. This is about the minimum acceptable anyway if audible breakthrough of the clock signal at the output is to be avoided.

RESULTS

The circuit certainly produces a downwards shift in frequency, but it also gives a lot of strong glitches on the output which ruin the audio quality. To some extent the unwanted output signals

are due to breakthrough of the modulation signal at the output. This is due to changes in clock frequency producing variations in the quiescent output voltage of the delay line, and this is something that is common to all the CCD delay line chips that I have encountered. The problem can be greatly reduced, although not eliminated, by connecting a 2M2 linear preset between pin 3 of IC3 and pin 1 of IC6. The breakthrough at the output is out of phase with the sawtooth output from IC6, and the preset can be adjusted to optimise cancelling of the breakthrough.

One obvious refinement to the basic scheme of things would be to blank the signal during the glitches, and Fig. 4 shows the circuit of a suitable blanker. This is based on a sample and hold circuit which has CMOS analogue switch IC7 to cut off the signal, and C17 to maintain the signal level during the blanking period. IC8 merely acts as an ultra-high input impedance buffer stage so that the charge on C17 is not significantly altered during the blanking period. This part of the circuit is added in series with the output of the original circuit, with C11 and JK2 being transplanted from the original circuit to this one.

The blanking pulse is generated by two of the previously unused gates of IC5, and these are connected in a standard CMOS monostable configuration. This is triggered from the pulse output of IC6, which generates a brief negative going pulse at the end of each cycle. VR3 is adjusted to give an output pulse that is just long enough to blank out the burst of high frequency output signal.

In use this circuit is not particularly effective, and the problem is one of switching glitches as the signal is switched on and off. This can produce worse interference on the signal than the glitches from the delay line. This problem can be overcome to a large extent by using the modified arrangement shown in the block diagram of Fig. 5.

This is much the same as the original, but it has the addition of the blanking circuit (the 'sample and hold' and 'monostable' blocks), plus a more complex means of triggering the monostable. The general idea is to blank the signal as it passes through the zero voltage point, and this is achieved by triggering the monostable from a zero crossing detector which provides a suitable output pulse each time the output signal passes through the zero volts point. This arrangement is unworkable since it would trigger the blanking circuit each time the signal went through zero, whereas we only require the blanking action when the signal goes through zero volts and the signal from the sawtooth generator is at or near to its minimum level. A voltage detector is therefore used to detect when the sawtooth signal has almost reached the end of a cycle, and via a gate circuit this enables the zero crossing detector to trigger the monostable.

The circuit diagram of the zero crossing detector and gate circuit appears in Fig. 6. The zero crossing detector is actually a window

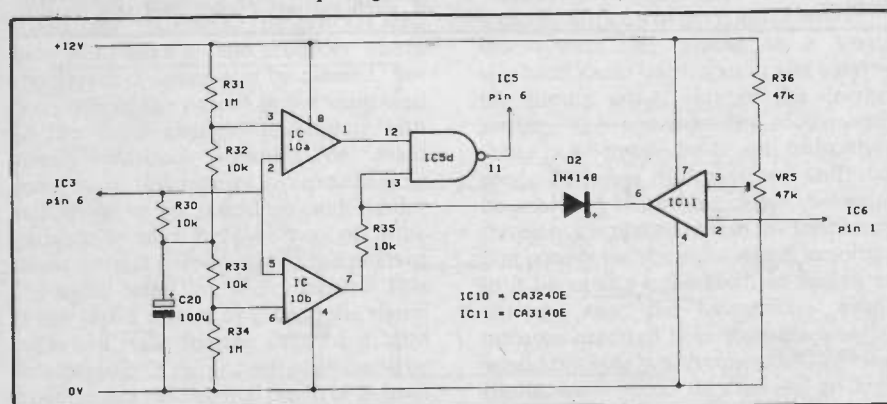


Fig.6. Zero crossing detector and gate circuit

discriminator based on IC10, and the outputs of both devices go high when the input signal is at or very close to the zero level. An accurate reference voltage for this circuit is obtained by using R30 and C20 to produce a smoothed version of the output from IC3. IC5d is the remaining NAND gate of IC5, and it produces a negative trigger pulse for the monostable when both its inputs are taken high. However, voltage detector IC11 clamps one input of IC5d low until almost the end of each sawtooth cycle. IC11's output then goes high, leaving the relevant input of IC5d to go to either logic state, as dictated by IC10b. VR5 is adjusted to give a suitable enable point on the sawtooth cycle, and as with most of the other adjustments associated with this system, it is a matter of setting this preset for what subjectively gives the best results.

Results are substantially improved by the zero crossing circuitry, with the glitches rendered far less severe, although still quite obvious on most

signal sources. Another advantage is that a combination of suitable blanking pulse duration and the cancelling circuit mentioned earlier seems to eliminate totally any breakthrough of the sawtooth signal at the output, giving a silent background under quiescent conditions. On setting an old cassette mechanism to give speeded up playback of a voice recording the unit certainly brings the signal back down to a more natural pitch, but it would be an exaggeration to say that it gives perfect results.

An interesting way of using the system is to employ the ring modulator circuit of Fig. 7 to mix the shifted and unshifted signals. Ring modulation gives metallic gong and bell type sounds, but with the conventional method of having the input mixed with the output of a fixed frequency oscillator the sound obtained depends very much on the input frequency. Some notes provide excellent sounds, while others sound far from harmonious. With this system the musical interval between the two mixed

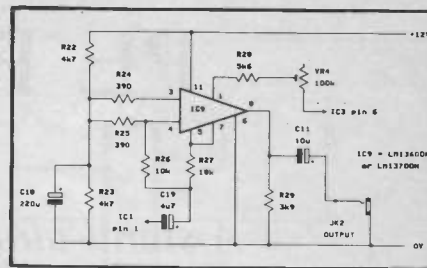


Fig.7. Ring modulator circuit diagram

signals is constant, and so is the effect obtained. VR4 can be adjusted to balance out the input signals so as to leave only the sum and difference frequencies, but in practice it would normally be set to let through the input signal quite strongly and in effect to mix it with the sum and difference frequencies.

IMPROVEMENTS

The system as described here certainly works quite well, but definitely leaves room for improvement. The degree of shift can be altered by varying the operating frequency of the sawtooth generator, but this frequency can not be boosted very much without producing side effects which make the system unworkable. To obtain large shifts a longer delay line would be needed, and the TDA1097 1536 stage device (as used in some fairly recent PE projects) is the obvious candidate. Although it might seem a good idea to use a very long delay line with a low sawtooth frequency to give infrequent glitches, this does not work well, as it tends to chop the signal so that quite long chunks are cut out and, if taken to extreme, complete syllables or even whole words would be eliminated.

To some extent the remaining switching glitches on the output can be counteracted by using lowpass filtering. However, the best way of tackling them would be to improve the zero crossing circuits. At present they ensure that the cutoff occurs as the signal goes through zero, but it is switched on again as soon as the monostable pulse ceases, regardless of the signal voltage at that instant. There should be a worthwhile improvement in the output signal quality if the circuit was arranged so that the monostable pulse was effectively elongated until the signal passed through zero volts again. With this refinement the system would probably be developed as far as would be worthwhile. Further improvements would probably give little real advantage and could be implemented more easily and effectively in a digital system - which is another story.

PE

**NEXT MONTH
SCRAMBLING
CIRCUITS**

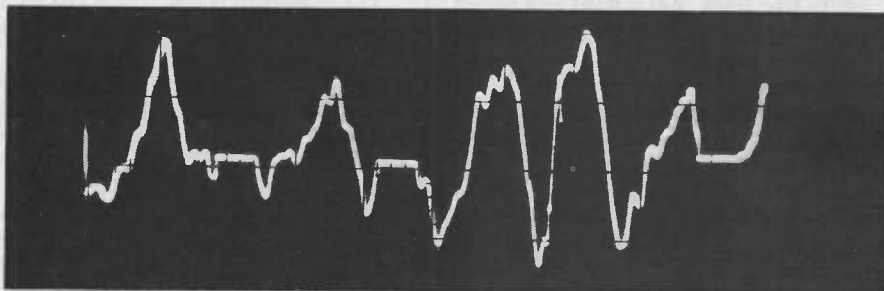


Photo.1. Blanked periods seen in short speech signal

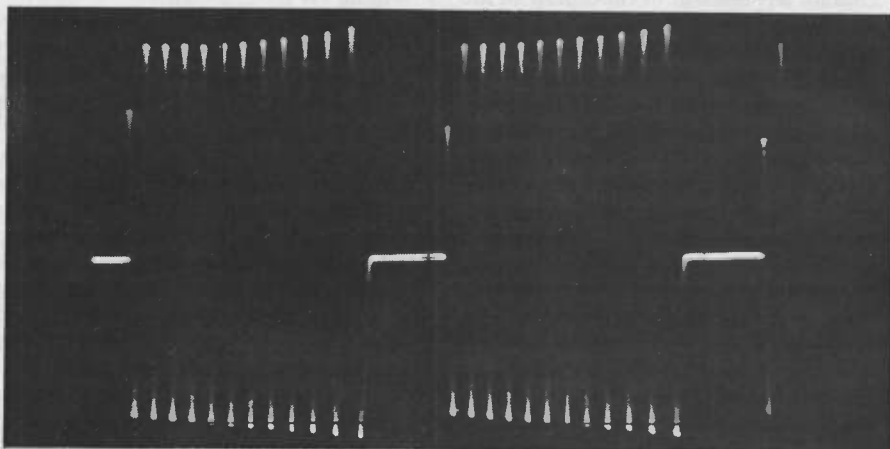


Photo.2. Sinewave output showing blanked section

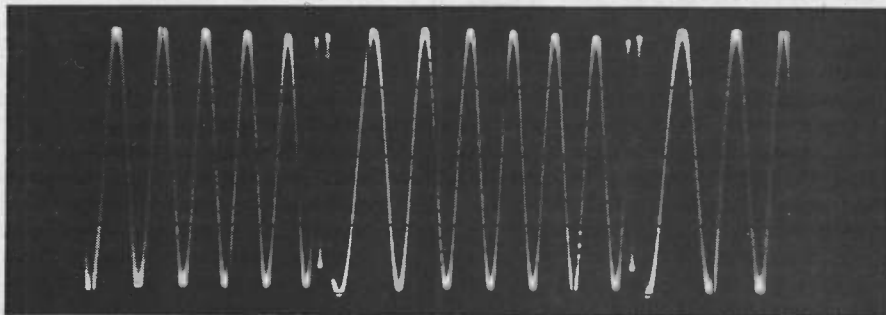


Photo.3. The stretching and bunching effect

PE PROMENADER

PART ONE BY MIKE DELANEY

A stand-alone programmer without a computer!

We have had lots of letters in recent years expressing concern that hobbyist electronic magazines, PE included, carry too many computer projects. With this in mind we bring you an EPROM controlled disco sequencer/programmable display which doesn't need a computer to program it!

"ANYONE who has had to sit through a typical disco-light display such as I had to a while back would gladly suffer a power cut!" said a friend of mine. This led to a discussion about the complexity of a 'good' system, and set me off to thinking whether it would be feasible to load a program into a memory device of some sort, tape, disc or ROM, for recall later.

The friend that made the remark is also a disco operator, but is not particularly switched on when it comes to programming. Thus whatever system was to be used must be simple to programme, preferably without even mentioning the word.

I dare say that many constructors are put off a project once they see that PROMs are involved, since this almost always requires either hours of laborious HEX-DUMPING, or having to send away for ready programmed PROMs.

Due to the complexity and expense of discs, and the unreliability of tape, it appeared that PROM was the only answer. EPROM of the 32K calibre are very reasonably priced now, and it seemed a good idea to pursue this approach.

32k of PROM is made up of 4096 bytes of 8 bits, but how best to use it? This was answered quite by accident, in fact while I was thinking of the possibility of using a dot matrix printer drive chip. This was when the possibility of a 5 by 7 matrix started to become a reality.

Having a system which would allow the use of PROMs as storage space would, if tackled in the right way, enable the disco operator to turn up at a gig with a pocket full of programs, so the audience should never get bored.

Having got this far the only problem to overcome was that of the programming. It had to be simplified to the stage of 'press and see the result', by having a built in display of l.e.d.s. It was with all these considerations in mind that the final design was developed. And now, of course, I have to ask myself why I did not use a processor in the first place. There are a lot of chips in the programmer, but they are in the main fairly easy to obtain. The machine can

be seen to be working, more than can be said for a processor-based unit, where it's all in the firmware. And, of course, it would still be necessary to obtain the system firmware in order for the system to run . . .

So what we are left with is a fairly complex board, double-sided and some pretty fine track, but a tried and tested system which has been giving excellent service for some time, and can be operated by a person who has no experience of programming.

THE FINAL DESIGN

Before getting down to the nitty-gritty of explaining how the Promenader works it might be as well to have a summary of all the facilities available.

Following power up the RAM will contain any amount of rubbish in all the address locations. In order to make it possible to locate the end of the recorded data they must all be set high. This is achieved by selecting ROM PLAY, with S3, leaving the EPROM socket empty, and transferring data from ROM TO RAM, with S5. By omitting the PROM the data lines are pulled high by resistors, as is standard tri-state practice. This will leave the RAM clear for programming. The state of an apparently clean EPROM may be verified by S4, ROM CHECK, when in Rom Play mode. If any bit of the 2046 should be set low the address clock will stop, and the display will show the location of the error. This saves a lot of time when loading a PROM, and was added to the unit after an apparently erased PROM created an unexpected display!

In order to add to an existing program, where space remains on the PROM, it is necessary to transfer the program already stored, to the RAM, and this is done by selecting ROM PLAY and ROM TO RAM together. Since ALL the data are transferred from the PROM, it is convenient to leave the transfer running after the last of the recorded data, so that the unprogrammed 1's are also transferred to the RAM ensuring that the rest of the RAM space is clear.

The display is made up of 40 LEDs,

35 of which are the model for the finished display, and the other seven, located to the left of the matrix are an indicator as to which ROW is being programmed. The ROW select switch, S8 is successively pressed to clock down the rows, and cycles round to the beginning for corrections etc.

The individual lamps are set HIGH or LOW (ie. the LED is LIT or OUT) by pressing one of five switches, S13 to 17, each of which corresponds to one COLUMN of the five. These TOGGLE switches may either set high or low, depending upon the position of the +/- switch, S10. The plus sign indicates a high, and the led would be lit when the toggle is pressed and the polarity switch S10 is not pressed. Pressing down S10 when a toggle switch is selected will set that particular bit LOW, and the LED will be OFF.

Switch S7, NEW PROG must be ON before a programme can be recorded. This switch is used to access the data to the RAM only, and does not change the data on PROM.

When making up a program it was found that most of the time the lamps were made to 'BUILD UP' from a simple start with perhaps only one lamp on at the start of a sequence, to all on at the end. The prototype automatically extinguished all the lamps after each group of 7 had been dumped to RAM, but this was changed on the final design to leave them unchanged. This was found to reduce programming time and errors many times over.

Switch S12 RESET DISPLAY will, however, switch all the LEDs off if required.

RESET ADDRESS switch, S11, is useful when running back over a program. Depressing it sets the address bus to 000, and allows the memory to be read from the beginning.

'END' is not a self-destruct instruction, but another time-saver. Depressing it when in either RAM or ROM PLAY will automatically halt the system clock at the end of the recorded data. This makes adding or correcting very much easier, since the electron is faster than the finger!

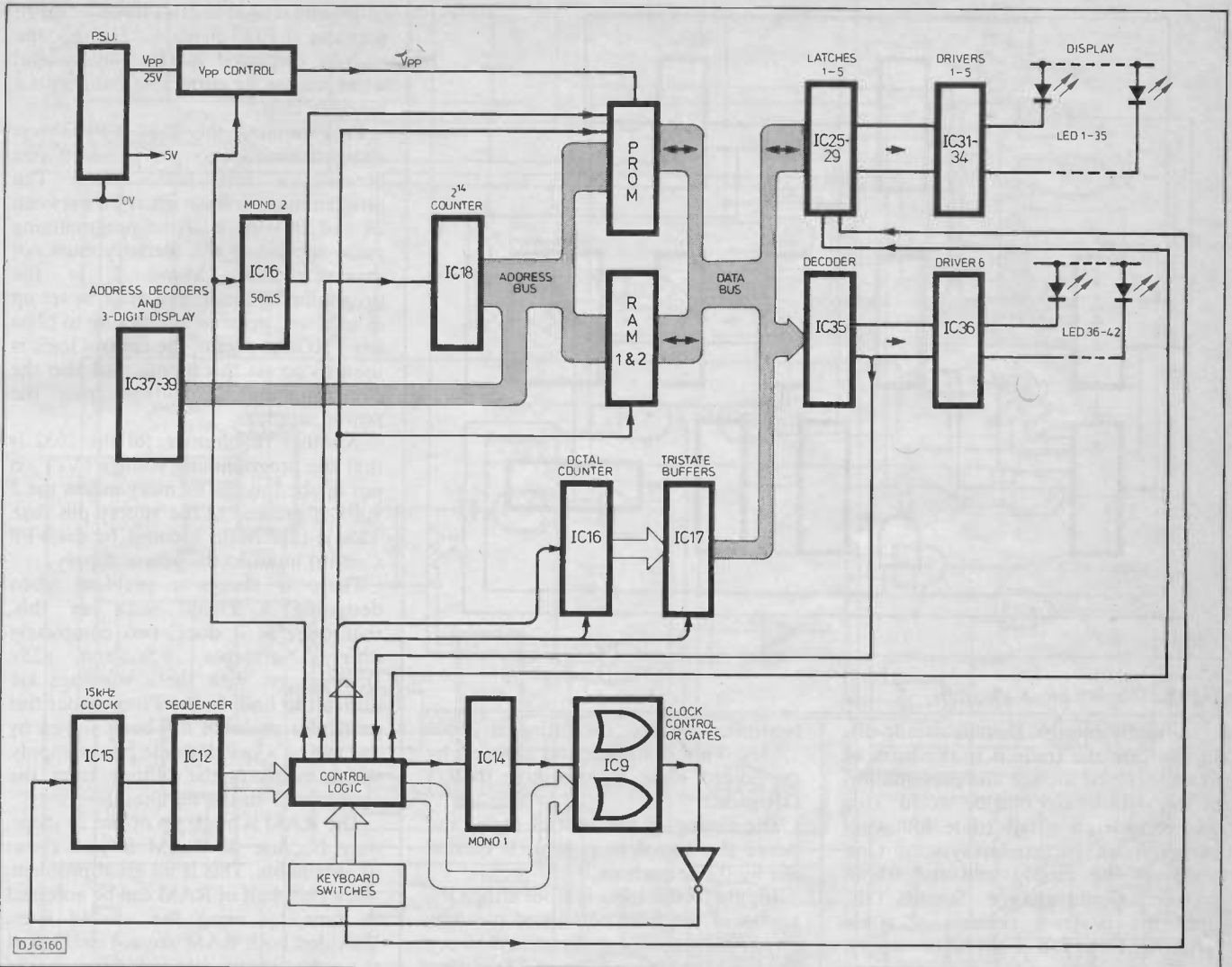


Fig.1a. Programmer block diagram.

The programming of the PROM is achieved by selecting RAM PLAY and then ROM PROG. An indicator is used to confirm that the programming voltage, VPP, is present at the ROM.

The unit will, and in fact has functioned as a crude PROM copier. I use the word 'crude', since there is no check that the data has been transferred correctly, so be wary of using it for any particularly demanding copying. I was going to incorporate a check of some sort, thus increasing the flexibility of the unit until I realised the complexity of a reasonably foolproof check. This type of unit is very definitely best left to a processor circuit.

The pause time between each seven bytes is variable, from a very slow rate - so that all the bits can be checked, and the clock halted with the NEW switch if required - to a high-speed get-there-quickly. This latter speed is most useful when going back over a new program during its creation. I had not realised how fast a flash of inspired brilliance could become the most monotonous and repetitious bore until I made up a full 2046 bytes in one sitting. That was all

that was needed to bring in the high speed mod!

This completes the overview of the system, and I am the first to comment that it really SHOULD have been done using a processor. However, my friend (the guy hoping for the power cut) got his super disco display in about a quarter of the time it would have taken to develop such a system. Certainly there are a lot of chips, but the Promenader does afford a lot of facilities, and at quite a reasonable price.

DATA ORGANISATION

Having decided to use a 7 x 5 matrix of lamps it remained to sort out how best to organise the way in which the programs could be easily stored, recalled and decoded.

One byte of eight bits lends itself neatly to coding as five data bits, and the remaining three as address bits, and this approach is the one chosen. In this design the highest three are used as the address bits. Fig. ? shows a typical arrangement of data as it would appear if it were listed as 1's and 0's, and is the

sort of pattern which might easily be used.

The most significant three bits are a repeated BCD count from one to seven. The other five bits are the recorded data which drive the lamps in the display. A '1' in these five represents a 'Lamp On' on the output. It is worth noting that when a program has been stored a BCD 7 (111) in the MS three is ALWAYS followed by the BCD 1 (001).

However, this will not be so when the end of the recorded data is reached. Since the EPROM is erased to leave all bits HIGH (1) the end of any recording will be followed by another BCD 7. It is this sequence of data which is used to detect the end of the recording, or if there are no EPROMs present, since the data lines are pulled HIGH, by resistors.

Using this method of storage has the advantage of being comparatively easy to decode later. No special synchronising or timing pulses or clocks are required. Since the address is also part of the stored information, all that is needed is a BCD counter to ensure that the correct data is presented at the right time for further processing.

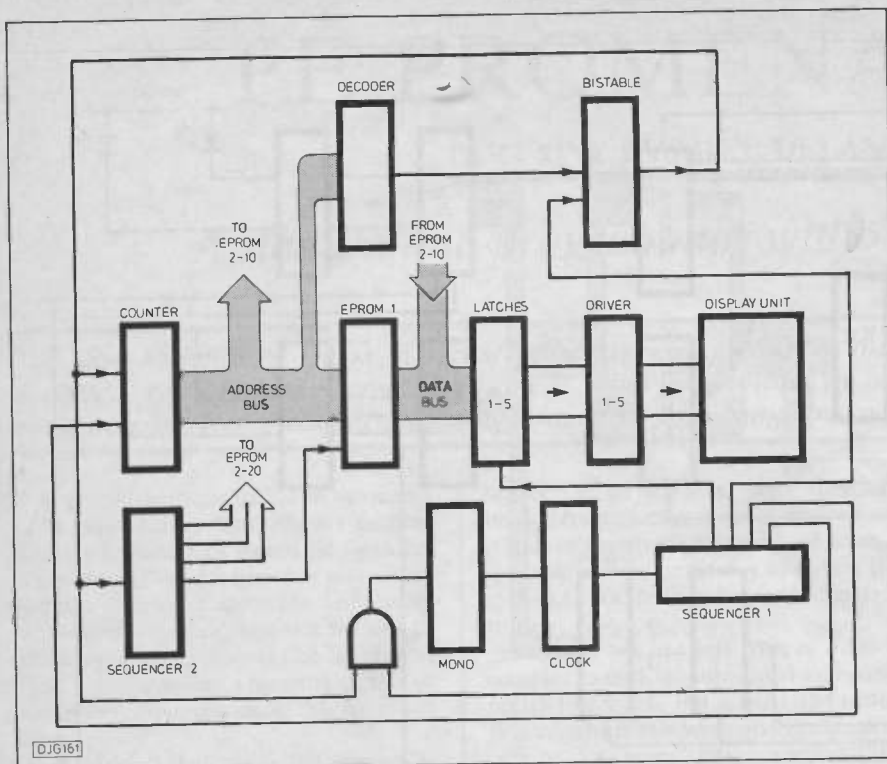


Fig.1b. Display block diagram.

Naturally enough, there is a trade-off. In this case the trade is in the form of more involved storage and presentation of the data to the outside world. This was considered a fair trade following early tests on synchronous systems. One glitch on the supply, and the whole program would change. Sounds OK, until the program consists of some lettering! Then you might be insulting a person in a foreign language, and not even know it! During normal use it was found that recording was a fairly demanding pastime. One lapse of concentration and at best you would have a quick correction of the lamps to do. At worst the EPROM would be residing in the eraser (AGAIN!!!).

To overcome this the data are first stored in RAM, from which it may be checked, overwritten if required, and finally stored on PROM. From this, it was decided to add the facility of data transfer from PROM to RAM as well.

Now we were able to record some of the program, pop down the road for a swift half and return later to correct all the mistakes we'd made before we went out!

This did open up the possibility of adding to an existing program. Fig. (a) to (e) show clearly how the data bits appear during a sequence of five sets of seven bytes. It would be a very difficult task indeed to produce a HEX-dump of such a sequence, and then follow it during a programming period.

BLOCK DIAGRAM

Fig. 1 shows the block diagram for the programmer unit. The system clock is a

controlled astable, oscillating at about 15kHz. This is started and stopped by the control logic, by two three INPUT OR gates.

The timing of the control logic, and hence the complete system, is carried out by the sequencer.

Inputs to the logic is from either the keyboard, or from certain of the data bits in the recorded program in memory. The keyboard is made up of 17 switches in all, some of which are latching, but most are press to make. The keys are non-encoded, that is to say, all the decoding is done within the logic, and is entirely static.

Outputs from the control logic go to the memory and output stages of the circuit.

The address bus is driven by a buffered CMOS divider counter chip. It is not necessary for this bus to be tri-state, which helps in reducing the complexity of this stage. The data bus must be bi-directional of course, enabling the exchange of data between the memory chips and also the latches which follow.

During the recording stage part of the data encoding is made up of a three bit BCD code which is a count from the control logic into an octal/decimal counter. The output from this is tri-stated onto the data bus via a tri-state buffer. All the other chips on the bus have their own enable lines for bussing purposes. Data from the bus is latched through to output drivers, current limited by resistor networks, and displayed on 42 LEDs.

Also displayed is the HEX address which is present on the address bus. This

is done by three special purpose decoder chips, and is used to drive three .5" seven segment LED displays. Having the address displayed in this way is vital when adding or correcting data onto a memory chip.

Programming the 2532 EPROM is straightforward enough, provided you observe a few basic rules. The programming voltage must lie between 24 and 26 volts, and the programming pulse applied to the memory must not exceed 55mS. Mono 2 is the programming timer, and must be set up at test, and prior to attempting to blow any PROMs. Again, the control logic is used to access this mono, and also the 25v programming voltage from the power supply.

Another requirement of the 2532 is that the programming voltage (VPP) is not applied to the memory unless the 5 volts is present at the supply pin first. This is taken into account by the VPP Control input to the power supply.

There is always a problem when designing a circuit such as this, requiring, as it does, two completely different voltages, +5v and +25v. Transformers with these windings are difficult to find. In the Promenader this particular problem has been solved by the use of a switch-mode power supply, which converts the output from the transformer to the required levels.

The RAM is made up of two 2k chips, only because 4k RAM is just about unobtainable. This is no great problem, since each half of RAM can be accessed in turn by using the enable lines. Provided both RAM are not enabled at the same time no data corruption should occur.

THE OSCILLOSCOPE

Figs. 2 and 3 show the complete circuit for the Promenader Programmer Unit. Oscillographs, A to K appear in Fig. 4. and these should be studied while reading the circuit description.

In order to make this description easier to follow I will explain the operations involved in firstly recording, then playback. Lastly the PROM programming will be described.

Starting with an apparently cleared EPROM in IC22, the first thing to do is to check that it really is fully erased.

Closing S3 and S4 will select ROM PLAY and ROM CHECK respectively. S3 takes IC2a/1 high and IC2b/6 low. Provided both S1 and S2 are open, 2a/3 will go high, taking 1d/11 low (TP6), and enabling the output from the PROM via the OE pin, 20. Pin 10 of IC6c will also go high, partly enabling the outputs of ICs 10b and 8c, though at this time 10b/6 will remain low and 8c/10 high.

ROM CHECK, switch S4 takes 3a/2 and 1c/9 high, and 1c10 immediately goes low, disabling monostable IC14, a 555 timer.

PE PROMENADER

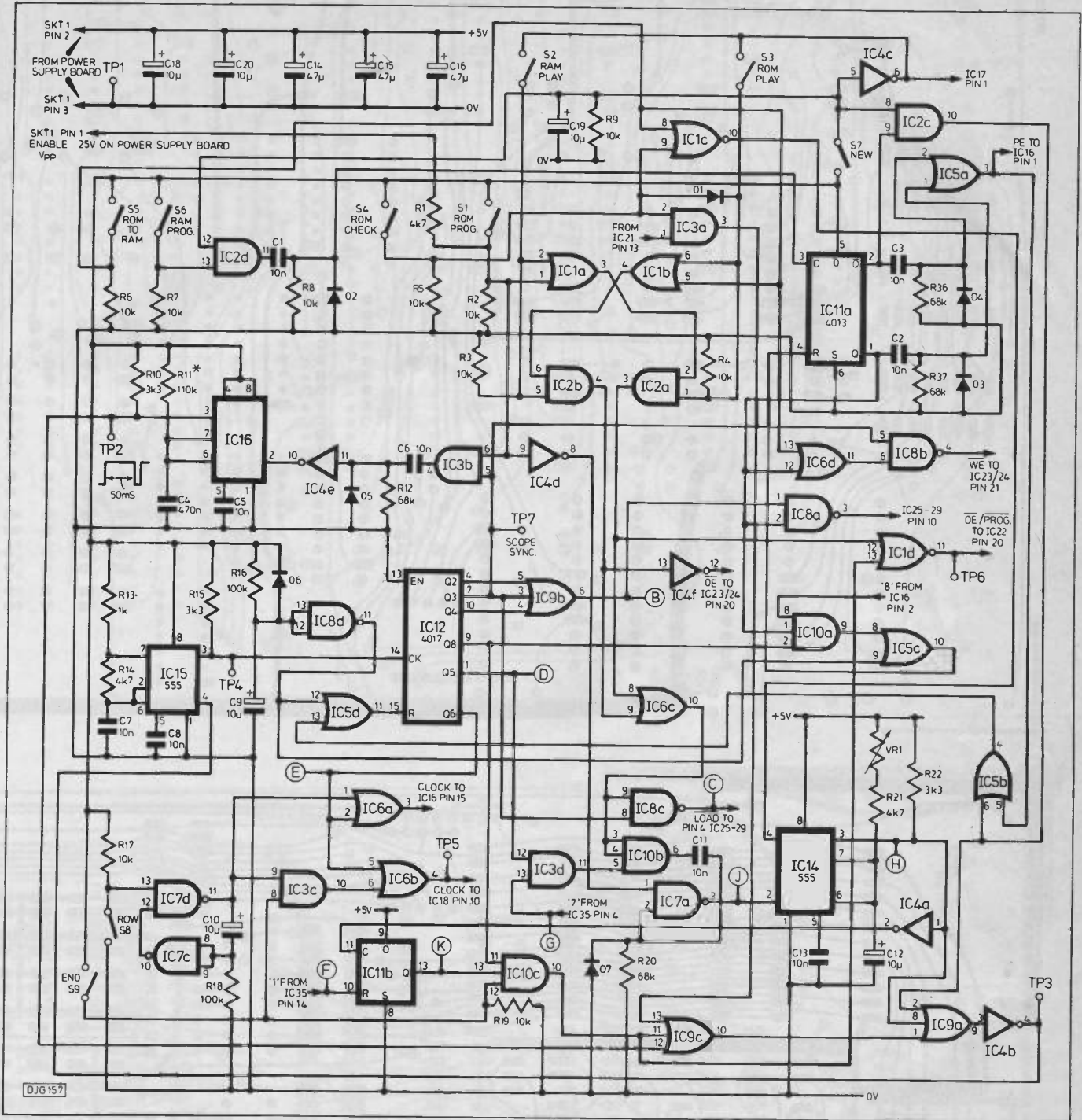


Fig.2. Programmer circuit diagram.

Pin 3 of IC3a will remain low provided pin 1 is also low. IC21 is a 4068, 8-input NAND gate, whose inputs are connected to the data bus, and its output will be low provided the DATA lines are ALL HIGH, i.e. the PROM is clean. Thus 3a/3 will be low until an error is detected.

OR GATE 9c output is low until an error is detected, and this low is inverted by 4b, and appears as a high level at TP4, enabling the main system clock, IC15 via its control pin. Yes – yet another 555 – they get everywhere!

The system clock is therefore allowed to free-run at about 15kHz, which

appears on TP4 and the clock input of the 4017 sequencer. The sequencer starts to cycle through, each of its outputs going high in turn, and in fact is to allow the system settling time, as are Q7 and Q9.

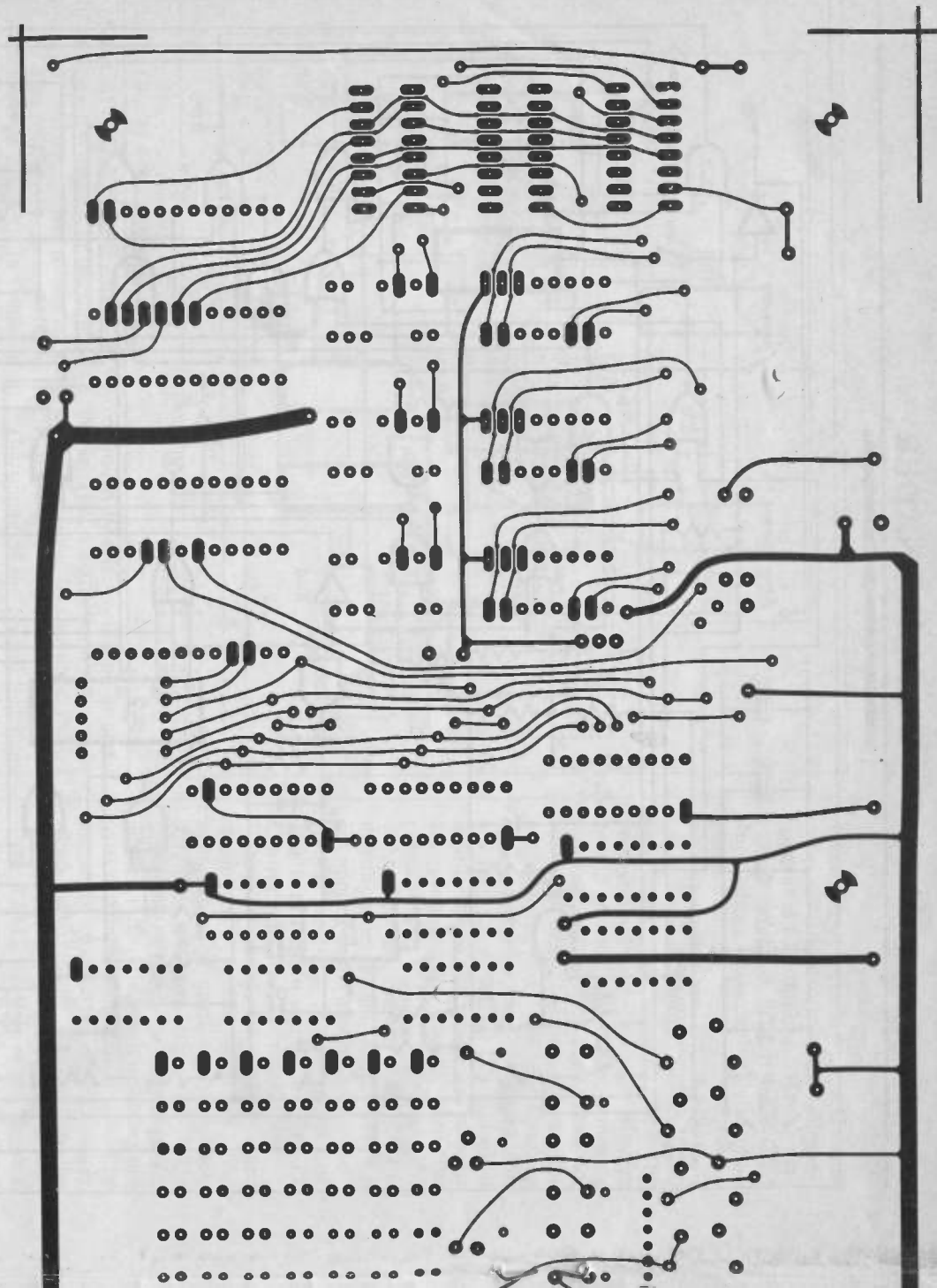
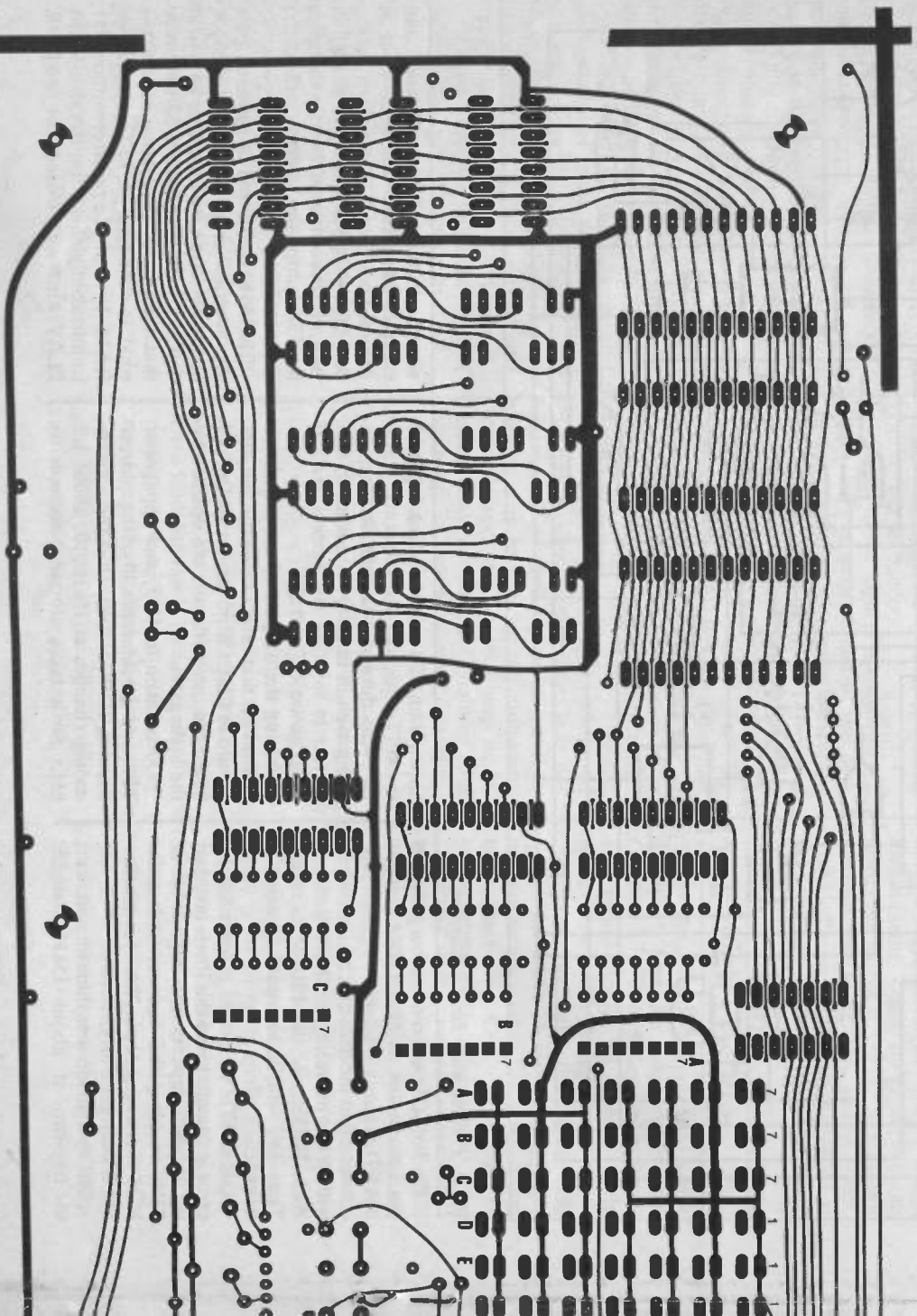
Tracing the outputs of the sequencer will reveal that only one of the outputs is used in CHECK mode, that is Q6, pin 5. All the other outputs are blocked by the logic gates.

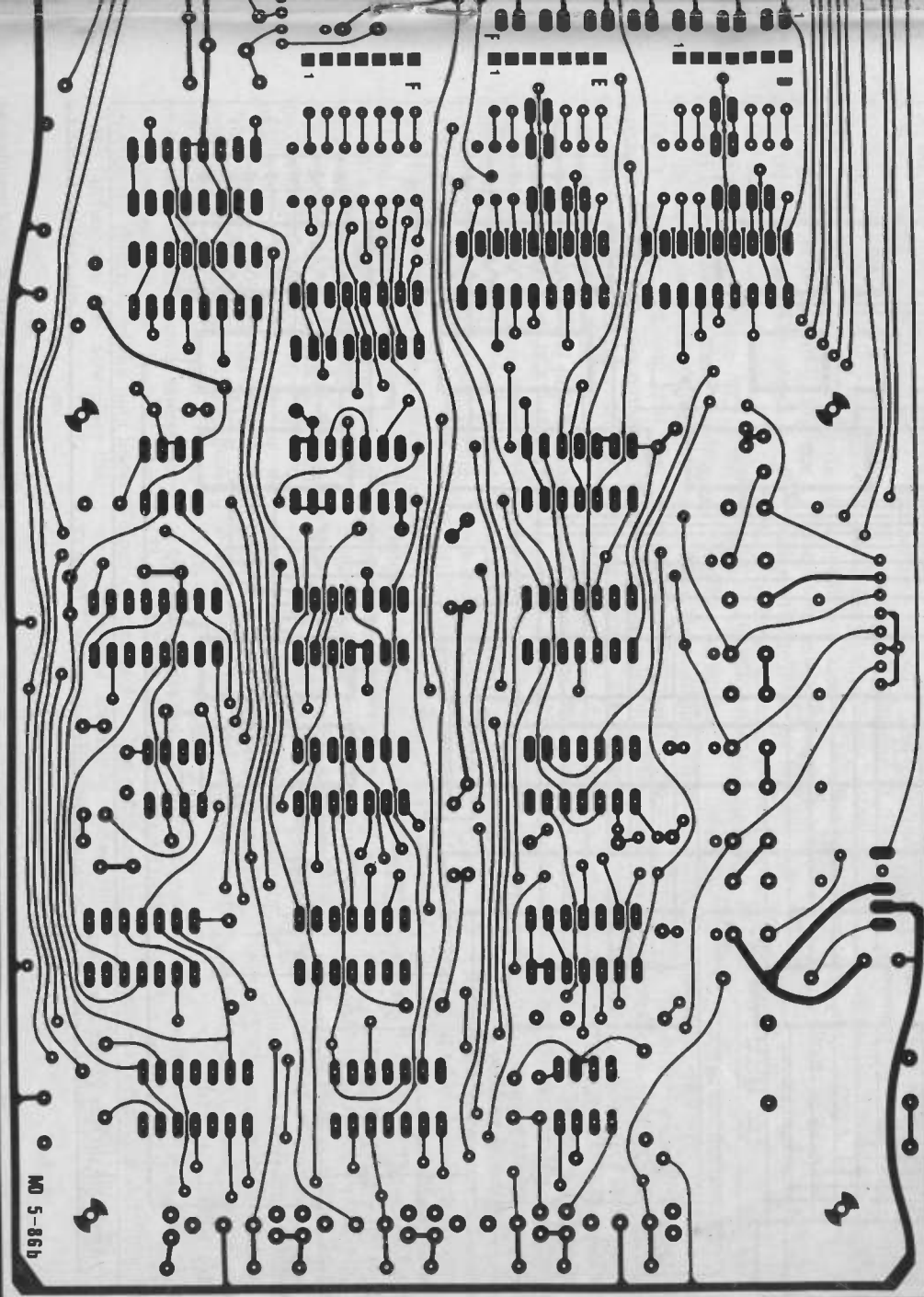
Q6 is taken to 6b/5, and appears at TP5, and the input pin 10 of the address counter, IC18, a 4040. Thus the address coding changes at 15kHz/10, about 1.5 kHz. So it takes around 3 seconds to

access all the address locations and complete a check. When an error is detected pin 13 of IC21 goes high, taking 3a/3 high also. 9c/10 and 9a/9 go high in turn, and the output of inverter 4b/4 goes low. This stops the system clock at the error address.

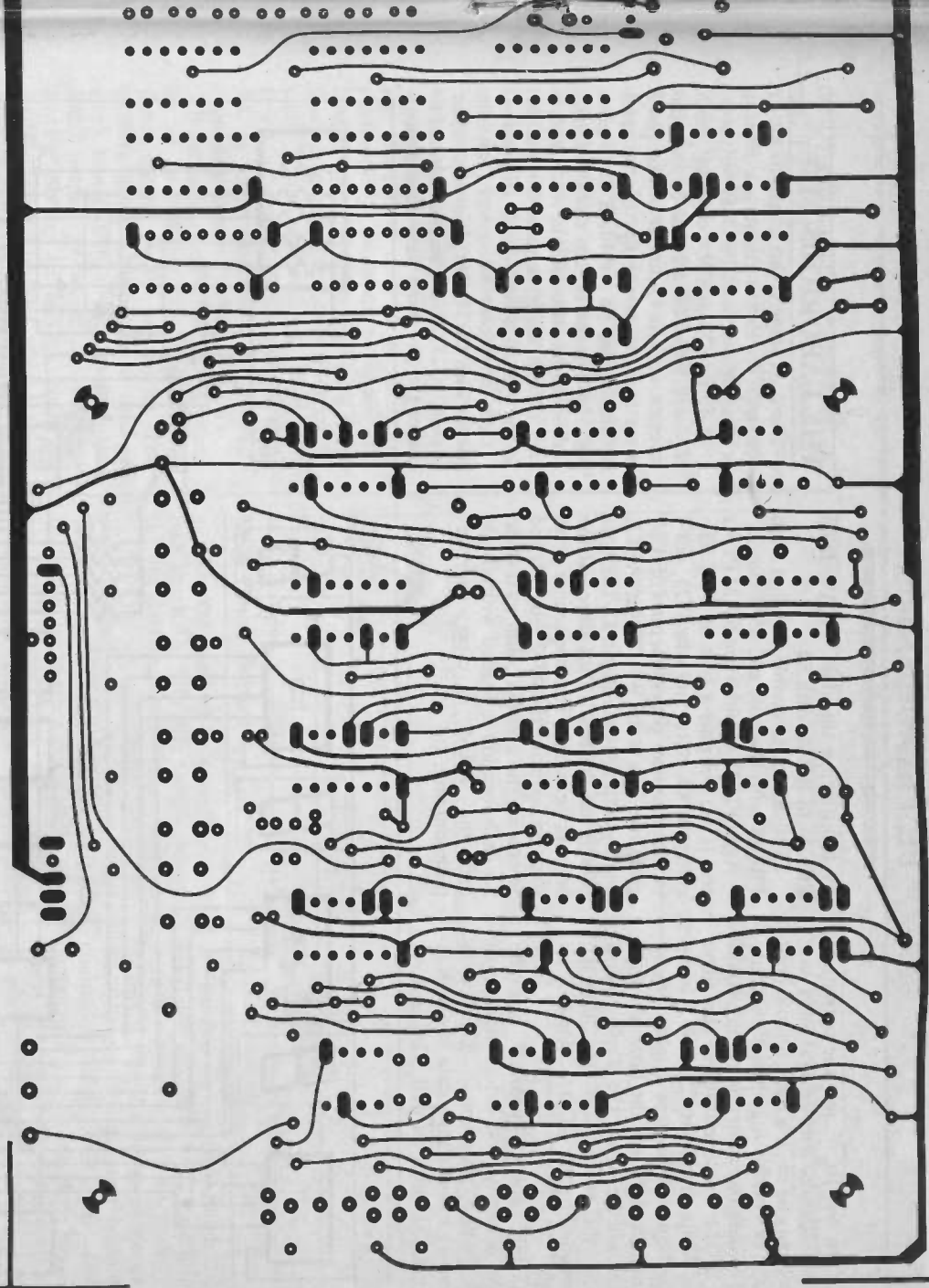
The 4040 is allowed to continue past the overflow stage, so that the check continues to run for as long as S4 is held down. Diode D1 bypasses S3 to ensure that the output data being checked is what is contained in PROM, and not RAM. It would be possible without D1 to mistakenly check the RAM if RAM PLAY switch were closed. The two NOR

PROGRAMMER





MO 5-85b



gates, 1a and 1b, disable the outputs of 2a and 2b, and ensure that only one switch may be on at a time. Should both S2 and S3 be on together, this would lead to data bus contention, since RAM and ROM would output at the same time. While the ROM CHECK is being carried out the address display will be cycling through, and the bottom line of LEDs will be lit on the display panel (since the data will be 11111111, corresponding to BCD address 7, all lamps ON).

Having satisfied yourself that the ROM is empty, and before starting to store a new program in RAM it is necessary to set all the data bits high in both RAM chips as well. This is done

by transferring the data, all 1's, from PROM to RAM, with S5.

S3 is closed, to enable the data from PROM onto the bus, and S5 is closed.

Again, IC1b disables the RAM PLAY and IC14, but puts a high on 8b/5. The system clock starts and when Q3, pin 7 of the sequencer goes high, pin 4 of IC8b goes low. This is the WRITE ENABLE line in to the RAM, on pin 21. The data present on the bus is thus stored at the address selected. The sequencer then steps on, clocking the 4040 with Q6, and advancing the address count as it does. So each location is loaded with all 1's, and the RAM is clear to start programming.

THE LABORIOUS BIT!

The next stage is the laborious bit! If you wish to lose a friend ask him to program a couple of PROMs for you!

Closing S7, NEW, disables both playback switches, S2 and S3, via the inverter, 4c. The Q output of 11a, pin 2 is set high on power up, by the reset circuit, 8d and 5c pin 10. IC2c/10 goes high, halting the system clock via 9a/2, and holds the sequencer in reset, with a high on pin 15, from gates 5b and 5d. So the system is completely stopped.

Data may now be entered on the latches with the TOGGLE switches. The latches, IC25-29, are each connected to one of the five lamp data lines through

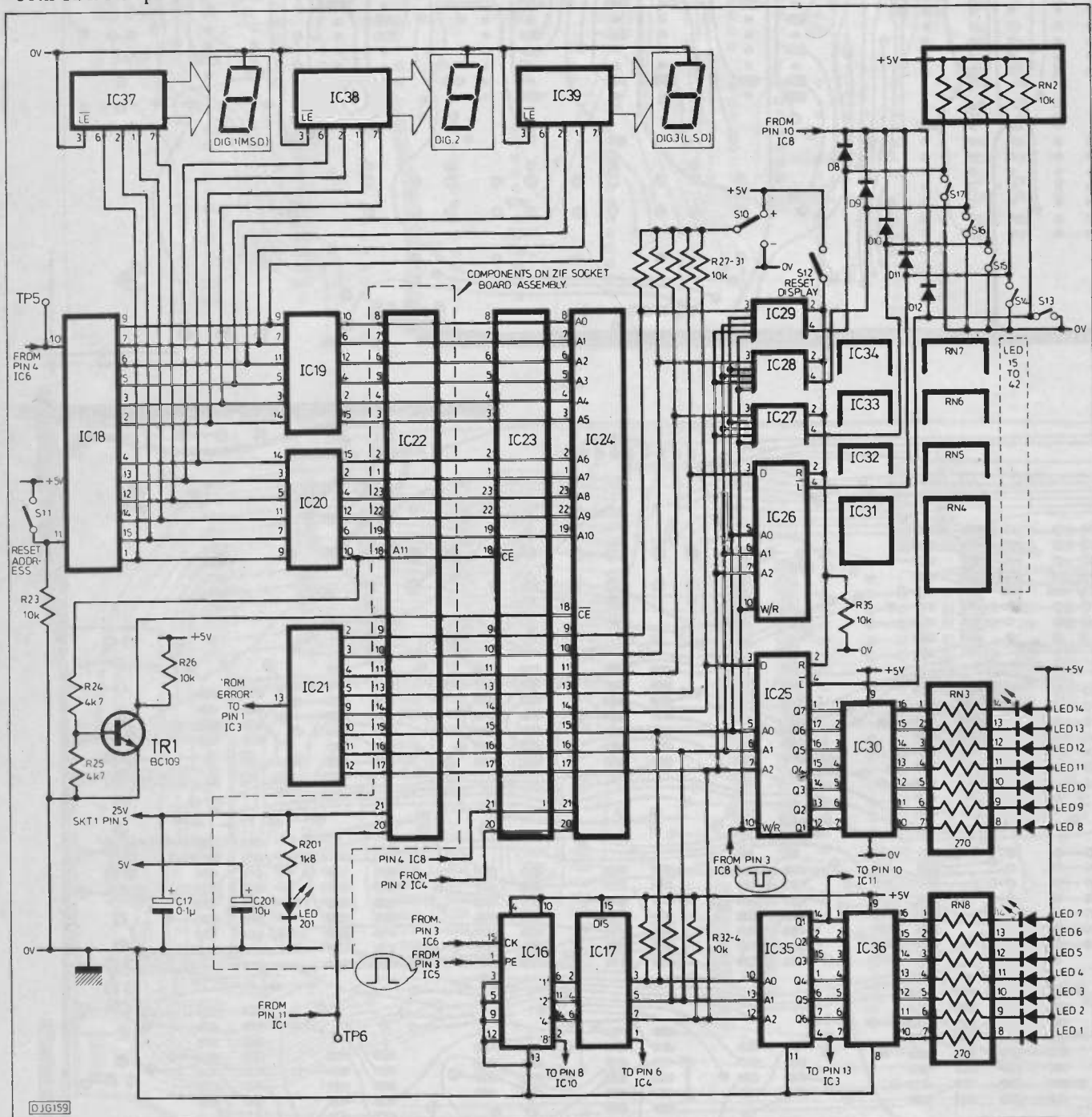


Fig.3. Programme display circuit diagram.

the Data in/out pin 3. Pressing one of the TOGGLE switches takes the corresponding LATCH pin, 4, low, this stores the data present on that latch input. Pin 10 of the latches is high at this point, through 8a/3, this is the W/R line, and determines the direction of data flow to the latches. When it is low the data is read from the latches.

Resistors R27 to 31 are not connected directly to the 5 volt line as you might expect, but to S10. Holding down a toggle switch, and pressing the +/- switch, S10, will take the data in to the latch low, and turn the lamp off.

The latches are 4599's, which comprise 8 separate flip-flops which are accessed through a BCD code on pins 5, 6 & 7. The contents of each of the latches is continuously available to drive the lamps, through buffers, IC30-34. From this it is apparent that only seven of the eight latches are needed, since only seven lines are used. The address BCD 000 is never used, and this latch is redundant in each of the five 4599's.

Pressing S8 triggers the MONO made up of 7c and 7d. This is needed to debounce the ROW switch, S8. The positive going edge of this is used to clock round IC16, a 4516 counter, the BCD outputs of which are taken to tristate buffer, IC17. This buffer is enabled by a low on pin 1, which is taken from the output of IC4c/6, and the BCD address for the latches is fed onto D5, 6 and 7 lines of the data bus.

At the same time they are also taken to IC35, a 4028, a BCD to Decimal decoder. This chip decodes the input, and outputs a high on one of ten lines. Again, we only use seven. These outputs go to a buffer, IC36, and to LEDs, this shows the ROW which is being addressed by the BCD bus to the latches.

So now we can select the ROW, TOGGLE the LEDs and make the data stored in the latches either +(ON) or -(OFF). Having decided that the correct lamps are lit it only remains to save onto the RAM, and this is done by pressing RAM PROG once.

Switch S6, RAM PROG puts a high onto 2d/13, and 2d/11 goes high since S7 is already closed. The output from 2d is differentiated by C1/R8 and caused bistable 11a, a 4013, to flip over, taking pin 1 high and pin 2 low.

Pin 1 going high sets a high on 8b/5, 8a/1 and 10a/1. Pin 2 going low blocks 2c, enabling the sequencer and starting the clock. The positive edge pin 1 is differentiated by C2/R11, and Presets the BCD address counter, IC16, to address 001.

As the Q2 output of the sequencer goes high, the output of 8a/3 also goes low via the OR gate, 9b, and remains so for three clock counts, setting the W/R line low on the latches. This reverses the direction of the data lines to the latches, and they now place the latched data onto the bus.

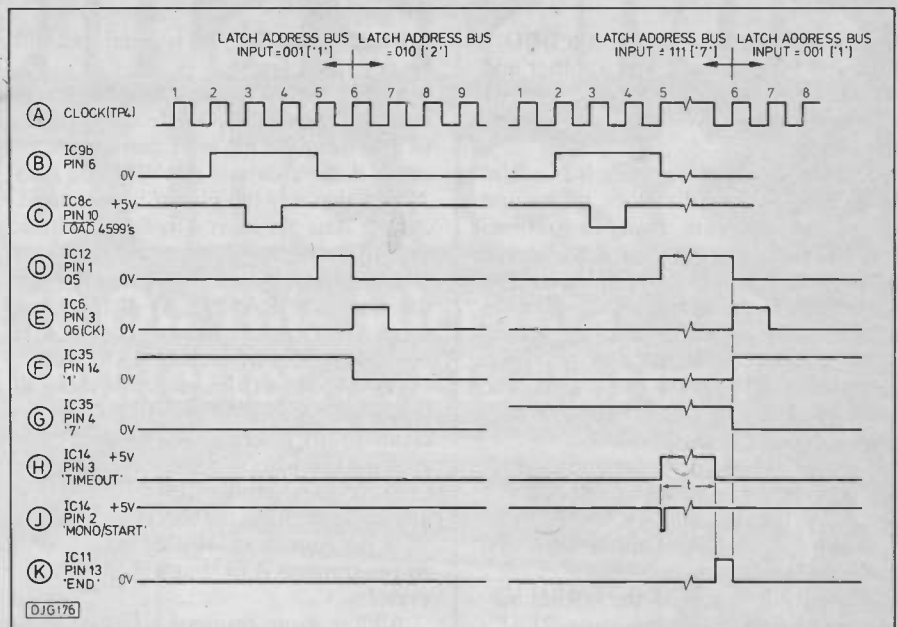


Fig.4. Timing diagram

When Q3 goes high 8b/4 goes low, and puts the RAM into WE mode, storing the five data and three address bits.

Q6 of the sequencer clocks the BCD and 4040 address counters by one, and the sequence is then repeated until the BCD counter reaches decimal '8', and pin 2 of IC16 goes high.

When this occurs pin 8 of 10a goes high. Two clock pulses later, that is, when Q8 goes high, the output of 10a goes high, resetting the 4017, and presetting the 4516 through C3/R10 and 5a. The BCD counter is preset merely for the sake of convenience, as it was found in practice that most new programmes are most easily written from the top down. The main address counter is not reset of course, otherwise the data just stored would be overwritten!

This is the recording sequence, and it is repeated, seven addresses at a time, to the maximum of 2046 addresses, giving almost 300 different ets per EPROM.

Following the dumping of a few sequences onto RAM it is nice to have a replay of what you've just done, checking that there are no mistakes prior to burning it into PROM.

NEW switch, S7 is switched off, and RAM PLAY (obvious, ain't it?), is switched on. The 4040 address counter must be reset to 000, by closing S11 so that the programme runs from the beginning. IC2b/4 goes high, enabling the RAM output on pin 20, through the inverter 4. 6c/10 goes high, enabling gates 8c and 10b. The main system clock is allowed to run, and the sequencer starts clocking through.

Q2 and Q4 outputs do nothing, but Q3 clocks 8c/10 low. This is the LOAD lines on the latches, the same lines as were addressed separately during the TOGGLE sequence. They are all pulled

low for one clock pulse through Diodes 8-12, and this latches the data through to their outputs.

The Q6 output of the sequencer clocks the 4040 round by one, and this sequence continues until the BCD address contained in the highest three bits of the bus is a 7 (111). When this occurs it is decoded by IC35, whose Q7 output will go high. This is taken to 3d/13. The sequencer had clocked this data through at the last Q6 output high stage, so 3d/11 remains low until the NEXT time Q5 goes high, that is 10 clock pulses later. Doing the timing this way round, dump data first and clock second allows address 000H to be used.

ANOTHER 555

Having reached the seventh byte and latched the data into the 4599s, Q5 of the sequencer goes high, and 3d/11 follows. This pushes 10b/6 high, and the leading edge of the pulse is differentiated by C11/R20, inverted by 7a, and fires MONI 1 (Yes folks... another 555 timer!). Pin 3 of the mono goes high, stopping the system clock for a time depending upon the setting of VR1. In this way the data from the seven addresses which has been latched into the 4599s is held, enabling the eye to register the display. The second part of IC11, a 4013, is clocked by the inverted output from the mono via 4a/2. The clock input of the 4013 is EDGE triggered, and at the end of the timing delay the Q output, pin 13 goes high. Provided the next BCD address in the data is a decimal 1 (001), which it will be during a sequence of recorded data, then the Q1 output of IC35 will go high and reset 11b via pin 10.

Playback of all the data will follow this sequence until the end of the recording is reached. What will happen

then is the system will detect a BCD 7, followed by another 7, and another and so on. This has the effect of triggering the mono every cycle, and bringing in the display delay.

During a replay sequence it is useful to be able to stop the clock at the end of the recorded data, ready to continue with the recording. Holding END closed takes 10c/12 high, the end of the display time out sets 10c/13 high, and when Q8 of the 4017 goes high the clock will be stopped by 10c, 9c, 9a and 4b. Then selecting NEW again will reset the sequencer, so that the first available empty address is used.

Should it be necessary, the 4040 address clock can be advanced one at a time by holding END closed and pressing S8, ROW. This is achieved through 3c and 6b.

The output data from the latches may be reset to all low by pressing RESET DISPLAY, S12. Unfortunately the 4599s can only be set one bit at a time.

When making up a program it is certainly worthwhile doing say a couple of dozen stores on RAM before checking and dumping onto PROM. The PROM PROG sequence is as follows.

Closing S1, ROM PROG and S2 RAM PLAY will start the programming sequence. S1 enables 3b, and blocks 7a, this prevents the mono being triggered.

MAIN CLOCK

The main clock is allowed to run and the 4017 runs as before. When Q3, pin 7 of the 4017 goes high a positive going pulse is differentiated from the output of 3b/4, by C6/R12. This short duration positive pulse is inverted by 4e, and triggers MONO 2 (can you believe, yet another 555??). It is this mono which produces the Programming pulse to the PROM, and it is most important that the output pulse length is carefully checked before attempting to blow a PROM. See below, setting up and testing.

As a result of the trigger pulse on pin 2 of the 555, the output pin, 3 goes high for 50mS. This positive pulse is used to stop the main clock via 9c/12, and programs the PROM on pin 20, via IC1d/11, TP6.

Before any data can be blown into the PROM it is necessary for the programming voltage to be applied to pin 21. In the case of the 2532 this VPP is 25 volts. It may be applied as a steady voltage, and not pulsed if you wish, and this is the method used here. Control of the VPP is by the ROM PROG switch, which feeds a high level out to the power supply through resistor R1. Should the VPP be applied without the 5v line, then the PROM can (AND WILL!) be damaged. Using the 5v line to enable the 25v line safeguards against this possible danger.

Exactly how the VPP is generated will be described later.

Taking pin 20 of the PROM low will either cause the PROM to output data to the bus, if VPP is at zero volts, or make it store data if the VPP line is as 25v. In this way the pinout is simplified. As the data are stored in each address, the LED display on the front will show what is being stored in sequence, since the unit is in RAM PLAY at the same time. This is a handy check that everything is going according to plan.

At the end of the recorded data all eight lines will go high, and since the clean prom is erased to all bits high anyhow, no harm will come to the unprogrammed bits. This is why it is advisable to clear the RAM before you start programming. It only takes 50mS to programme it in, but a lot longer to erase!

Adding more program to an existing PROM – for example, after getting back from the pub! – is done in the same way as described above, and the end of the existing data can then be easily detected with the END switch. Having stopped at the last recorded byte it is necessary to keep the END switch depressed until the NEW switch is closed, otherwise the clock will start up again.

When attempting to correct or change any seven bytes it is necessary to first identify the START ADDRESS of the particular bytes, and by running the Display Timer mono at a very slow speed halt the clock at the last good byte immediately preceding the error. Then all that is needed is to overwrite the locations where the error occurs. Sounds simple, but it does require a bit of thought. The clock is halted most conveniently by flicking over the NEW switch.

Applying the VPP voltage to the PROM turns on the LED mounted on the board next to the ZIF socket. This is as much to confirm correct operation as warn. The programming voltage is decoupled by C17 which should be a 35 volt tantalum.

The prom socket is a zero insertion force (ZIF) type, and is mounted on a separate piece of Vero board, connected to the rest of the system with a header and ribbon cable. On test it was found necessary to decouple the 5v supply to the PROM with a 10µF cap, this was because the ribbon cable was left fairly long, and the supply line was picking up noise, probably from the power supply. The address bus from the 4040 is decoded by three 7-segment display driver chips. These are 9368s, and are special in that they will decoce and display HEX (A, B, C, etc.), and contain on-chip constant-current output drivers, so limiting resistors are not required.

IC19 and 20 are not inverting buffers, type 4050. Address line A11 is used to enable one or other of the RAM chips.

Transistor (do you remember them things? funny little fellas with three legs!), TR1 inverts the A11 line, which is fed to the $\bar{C}\bar{E}$ input of the high order RAM, enabling its output from address 800H to FFFH. I have had it suggested, and I hope it was a joke . . . , that my next publication should be '101 things you can do with a 555 on a wet Sunday afternoon', but I think this is too long a title!

THE POWER SUPPLY

Mains power is applied to a 0-9, 0-9 transformer, via a double pole switch, ganged with VR1. Both the primary and the secondary windings are fused, the secondary fuse being located on the supply board. It is a good idea to take the supply in to the unit through a special mains filter type input socket, this will reduce noise either coming in or going out of the circuit. Not a bad idea near high-power disco gear.

The low voltage output is rectified and smoothed in the usual way before being applied to a pair of TL497s. These devices are switch-mode subsystems, and require a minimum of external parts to provide a stepped up or down output. The only thing to watch out for is that the DC voltage applied to 14 does not exceed 15 volts WRT ground.

IC1 steps the input down to 5v. Resistor R1, which is made up of two in parallel, is the output current limit resistor, and C3 determines the timing of the switching. The 5 volt line has to be capable of delivering in the order of 750mA, but the 497 can only supply 500mA. To overcome this problem TR1, a P-Channel MOS FET is used as a current booster. R2 and 3 drive the FET well into saturation. L1 is a hand wound coil on a RS ferrite type RM10/400, and comprises 19 turns of 20swg en. cu. wire. Capture diode D1 is a special high speed type, designed for use in SMPSs. In case of problems in obtaining exactly the same type the PCB has been laid out so as to accept either a normal tubular style, or one of the T0 220 type of encapsulations. The output voltage is set up by adjusting VR1, and this should be done BEFORE ADDING ANY OF THE MEMORY CHIPS. The 5v line should be set to 5.1 volts, and no more. C4 is the usual smoothing cap on the output. The 25v line is a little more involved.

Next month – construction and testing of the Programmer Unit. **PE**

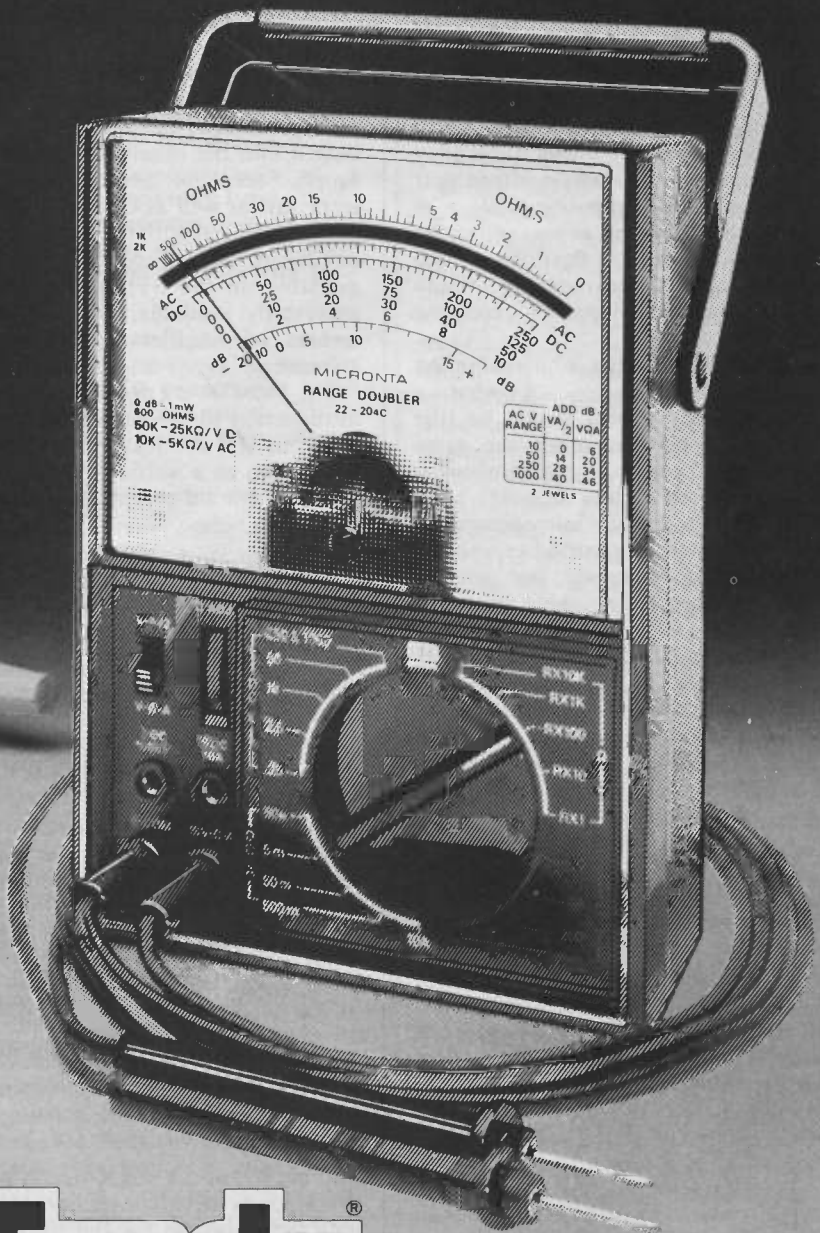
The parts list for the programmer will be published next month and the p.c.b. will be available from the PE PCB Service.

Micronta® stands up to the test

Save £13 On This Micronta
43-Range Multitester.... £16.95 For 1

Act now and save £13.00 on one of our best testers! Single knob function switch-makes range selection a snap. 50,000 ohms per volt. DC volts: 0-250 mV, 2.5-10-50-250-1000 at 50 k Ω /V; 0-125 mV, 1.25-5-25-125-500 at 25k Ω /V, AC volts: 0-10-50-250-1000 at 10k Ω /V; 0-5-25-125-500 at 5 k Ω /V. DC current: 0-50 mA, 5-50-500mA, 10A at 50 k Ω /V, 0-25 mA, 2.5-25-250 mA, 5A at 25 k Ω /V. Resistance: Rx1, Rx10, Rx100, Rx1000, Rx10,000 Ω (10 ohms centre scale). Decibels: -20 to +62 in 8 ranges. Accuracy: $\pm 3\%$ DC, $\pm 4\%$ AC. Size: 6 $\frac{11}{16}$ x 4 $\frac{7}{8}$ x 2". With leads and instructions. Requires one "AA" and one 9v battery.

22-204 £16.95
Normal Price £29.95



Tandy®

For The Best In High Quality Electronics

Over 300 Tandy Stores And Dealerships Nationwide.
See Yellow Pages For Address Of Store Nearest You

Tandy Corporation (Branch UK), Tandy Centre, Leamore Lane, Bloxwich, Walsall, WS2 7PS

STE BUS

PART ONE BY RICHARD WHITLOCK

The Omnibus is here!

The use of the STEbus in industry is becoming extremely popular amongst firms requiring a versatile 8-bit processor system. It is expected to carry an IEEE standard in the near future making it the only 8-bit bus to do so. There is no doubt that STE is here to stay and will become extremely popular with designers and users alike. In this article we take a close look at all aspects of STE.

THE STE bus, soon to be the subject of a definitive IEEE standard, is, for users of 8-bit microprocessors, one of the most exciting and liberating developments in the whole fifteen year history of microcomputing. This may seem a wild claim but, as we explore the potential power, flexibility and sophistication of the concept, I think that most readers will come to recognise its truth.

The STE bus is the 8-bit realisation of a new conception of what a microcomputer system should be (the VME bus performs much the same function for users of microprocessors with 16-bit wide data busses). Most earlier multi-board microcomputers have been for all the world like a single-board design 'chopped up' into a collection of modules, some necessary and some optional, from which the user could assemble the facilities required for a given application. So far, so good: a flexible, economical approach. However, the limitations of the approach lie in the means by which the various boards are linked together: the bus. Mechanically and electrically reliable it may be, but adaptable it certainly is not. It will be based upon the control signal and timing characteristics of a particular family of microprocessors, and will present real problems to anyone who wishes to impose another family of microprocessors upon it. Take a look at a Z80 based S-100 system for example or, if you can find one, a 6800 based S-100. (The S-100 was designed with the 8080's most primitive status signals very much in mind.) The solution to the problem of making one microprocessor look like another takes a lot of logic and a lot of board space. STE tackles the problem of accommodating alternative microprocessors on a single standard bus by specifying its own set of control signals and signal exchange sequences, which any microprocessor can be made to imitate with relative ease.

With STE, the user will no longer be limited to the software base of a single microprocessor family. If some

particularly attractive piece of software becomes available, then the appropriate microprocessor can be bought and slotted into the existing system. Power supply, backplane, memory and I/O will work just as well as ever with the new board. Similarly with hardware: if a new intelligent device controller becomes available on the STE bus, then it is universally available, not just to the owners of Shufflebus Z80 or 6502 systems.

Fig. 1 and Table 1 provide a condensed introduction to the signals used on the STE bus and the features provided by the system as a whole. A brief perusal of these will aid comprehension of the discussion below.

FUNCTIONAL ELEMENTS OF AN STE BUS SYSTEM

There are four functional elements involved in the STE concept.

- A) The System Controller
- B) The Bus Arbiter
- C) Bus Masters
- D) Slave sub-systems

A) The System Controller. Each STE Bus System has a single System Controller. The System Controller has three mandatory functions:

- i) To generate the System Clock signal, SYSCLK. This is a 16Mhz, nominally square-wave, TTL level signal with the following timing specification:

Cycle time = 62.5 ns, +1 ns/-1 ns.

Clock High time = 31.25ns, +10 ns/-10 ns

Clock Low time = 31.25 ns, +10 ns/-10 ns

The backplane SYSCLK line is driven continuously by a conventional totem-pole buffer output for the whole time that the system is powered up.

- ii) To generate an initial power-on reset signal for the whole system, SYSRST*, with a duration of between 200ms and 500ms, times being measured from the point at which the 5V V_{cc} supply reaches its minimum acceptable level of 4.875V. If the 5V supply

subsequently falls below this minimum acceptable level then the system controller is required to assert SYSRST* for the whole of the time that the 5V supply is below specification. SYSRST* is driven by an open collector buffer.

- iii) To monitor the data transfer handshake signals during every bus cycle and to generate the Transfer Error signal, TFRERR*, if, having once been initiated, the handshake process is not completed within a set time. This set time is required to be user selectable, the standard specifying only that the user shall be able to select a time of 8μs or less, in addition to longer periods which may be available. This stipulation is made to accommodate those microprocessors which have a limited bus cycle stretch capability. TFRERR* is driven by an open collector buffer.

If the necessary monitoring circuits are available, the system controller has a fourth, optional, function defined. If advance warning of a power failure is available more than 4μs before the 5V supply falls below 4.875V, then the following shut-down scheme should be followed:

- a) Attention request 0, ATNRQ0*, should be activated immediately power failure is detected.
- b) Over 2 millisecs later SYSRST* should be activated. The timing of SYSRST* is further defined to be at least 50μs before the 5V line drops below 4.875V.

This operation is of particular use where battery backed RAM is available to store vital data before SYSRST* becomes active, or where real-world controlled machinery may need to be left in a stable condition before control ceases. On the following power up, whether from 'cold' or at the end of a temporary power fluctuation, ATNRQ0* should be

Table 1.

IMPORTANT FEATURES OF THE STE BUS SYSTEM

A) MECHANICAL:	<ul style="list-style-type: none"> i) Compatible with the 19-inch equipment sub-rack. ii) Single or double eurocard sized boards and modules. iii) IEC 603-2/DIN 41612 indirect connectors. iv) Total position independence of logic boards and modules in the backplane.
B) ELECTRICAL:	<ul style="list-style-type: none"> i) 16MHz system clock. ii) Terminated bus signal lines capable of supporting 200nS data transfer cycles. iii) +5V, +12V, -12V and standby power supplies available, ready regulated, on the backplane.
C) LOGICAL:	<ul style="list-style-type: none"> i) 1Mb memory space and 4Kb I/O space addressable via the bus. ii) Address valid signal. iii) 8-bit bidirectional data bus: asynchronous data. Transfers controlled by two line handshake. iv) Transfer error signal to terminate accesses to non-responding addresses. v) Multiple bus masters accommodated to a maximum of three fully independent systems. vi) Eight prioritised attention request lines for user defined asynchronous status signalling: interrupt requests, direct memory access requests, error condition flagging etc.
D) SYSTEM GOALS:	<ul style="list-style-type: none"> i) Bus operation completely independent of the specific characteristics of particular families of microprocessor and support components in all respects except overall bus cycle time. ii) Total compatibility between boards from different sources adhering to the standard.

reasserted, or be still asserted, if logic functioning has not been lost, until the 5V supply is back above 4.875V. 200 μ s to 500 μ s later the SYSRST* signal may be removed.

B) The Bus Arbiter. The Bus Arbiter has a single simple function; to ensure that only one potential controller of the system bus attempts to use it at a time and further to ensure that the current controller has the use of the bus, without interference, until it has finished a number of complete data transfer cycles. The bus arbiter must ensure that each time a new device takes control of the bus, the signals imposed upon the bus lines by the previous controller have had time to disappear and the bus lines are in their rest states as dictated by the termination networks. To achieve this the bus arbiter inserts a delay of one SYSCLK cycle between one device quitting the bus and another being granted permission to put its signals on the bus.

Devices capable of controlling the bus to initiate data transfers are termed 'Masters' (see below). To obtain control of the bus, a master signals the bus arbiter by pulling whichever bus request line, BUSRQ0* or BUSRQ1*, is exclusively assigned to that master, low by means of an open collector buffer. This line then must remain pulled low until the master has gained control of the bus and made as many data transfers as required. In due course, when the bus

arbiter has determined that the requesting master has the highest priority amongst competing requests and the necessary bus settling time has elapsed, the master is granted permission to gate its signals onto the bus. The bus arbiter does this by setting low the bus acknowledge line, BUSAKO* or BUSAK1*, exclusively assigned to that master and corresponding to the bus request line from that master, i.e. BUSRQ0*/BUSAKO* and BUSRQ1*/BUSAK1*. From then on the master has exclusive control of the bus until such time as it allows its bus request signal to return high, whereupon the bus arbiter drives the corresponding bus acknowledge signal high and that master's bus control is over for the time being. Once its bus acknowledge signal has gone high again a master may apply for another period of control of the bus at any time.

There are only two pairs of bus request/bus acknowledge lines on the backplane, so how can the system accommodate three masters? If the bus arbiter shares a board with one master there can be a third pair of lines internal to that board which can function in exactly the same way as those on the backplane. It was stated above that the bus request/bus acknowledge signal pairs were each exclusively allocated to a single master. This will be the case in most systems where three masters or less are all that is required. However, in

super-complex systems, it is permissible to attach a group of masters to each of the line pairs, provided that a system of intra-group signalling, using the attention request lines, is implemented, to ensure that only one of the group can request bus control at a time.

C) Masters. An STE master is any system element that has the capability of taking control of the system bus for the purpose of transferring data from one system element to another.

Typically a master will be a microcomputer in its own right, in the sense that it will consist of a microprocessor, ROM, RAM and I/O, in addition to an interface to the STE bus. This internal memory and I/O is directly addressable by the master's own microprocessor, without gaining control of the STE bus, and is not addressable by any other master, either directly or via the STE bus. Thus masters' microprocessors have a private sphere in which they can be programmed to work while they are not in command of the STE bus. In this internal space they will typically exhibit all their family peculiarities, operating as normal Z80s, 6502s, 8088s, 6809s etc, with all the variety of timing and control signals that this entails. However, when they address those parts of their memory maps which correspond to their interfaces to the STE bus, then their particular signals will be transformed, by the particular logic of their STE bus interface, into a single standard set of signals suitable for the STE bus lines and asynchronous signalling protocols.

Clearly the precise logic necessary to interface a particular microprocessor to the STE bus will, in general, be unique to that type or family of devices. For this reason the STE bus signalling protocols are defined in terms of sequences of events with few intervening time intervals specified. A few minimum intervals are specified where the signal propagation and settling delays of the driver-connector-backplane-connector-receiver complex demand attention. A few maximum intervals are specified at the end of a bus cycle, when cancelling active signals and generally clearing the bus of redundant information are important. On the whole the standard is permissive rather than restrictive and there will be many, more or less efficient, ways of transforming a given microprocessor's native signals into STE standard forms.

Now we know roughly what a master may consist of internally and we have examined the essentials of how it acquires control of the STE bus. It must be obvious that there must be a great deal more to the business of sharing the STE bus amongst a number of masters to create an efficient system. As things stand, the first master to be awarded the control of the bus could 'hog' it for ever.

STeBUS FEATURE

Fig. 1.

THE STE BUS SIGNALS

CONNECTOR PIN ROW 'a'			CONNECTOR PIN ROW 'c'		
Ground	0V	1	0V	Ground	
V _{cc} Regulated supply	+5V	2	+5V	Regulated supply V _{cc}	
Data Line 0 (3S) (M&S)	DO-LSB	3	D1	Data Line 1 (3S) (M&S)	
Data Line 2 (3S) (M&S)	D2	4	D3	Data Line 3 (3S) (M&S)	
Data Line 4 (3S) (M&S)	D4	5	D5	Data Line 5 (3S) (M&S)	
Data Line 6 (3S) (M&S)	D6	6	MSB-D7	Data Line 7 (3S) (M&S)	
Address Line 0 (3S) (M)	AO-LSB	7	0V	Signal return Guard track	
Address Line 2 (3S) (M)	A2	8	A1	Address Line 1 (3S) (M)	
Address Line 4 (3S) (M)	A4	9	A3	Address Line 3 (3S) (M)	
Address Line 6 (3S) (M)	A6	10	A5	Address Line 5 (3S) (M)	
Address Line 8 (3S) (M)	A8	11	A7	Address Line 7 (3S) (M)	
Address Line 10 (3S) (M)	A10	12	A9	Address Line 9 (3S) (M)	
Address Line 12 (3S) (M)	A12	13	A11	Address Line 11 (3S) (M)	
Address Line 14 (3S) (M)	A14	14	A13	Address Line 13 (3S) (M)	
Address Line 16 (3S) (M)	A16	15	A15	Address Line 15 (3S) (M)	
Address Line 18 (3S) (M)	A18	16	A17	Address Line 17 (3S) (M)	
Bus Cycle Type = R/W*	(3S) (M)	17	MSB-A19	Address Line 19 (3S) (M)	
Bus Cycle Type See Text	(3S) (M)	18	CM1	Bus Cycle Type + Mem/IO*	(3S) (M)
Address strobe	(3S) (M)	19	0V	Signal return Guard track	
Slave handshake	(OC) (S)	20	DATSTB*	Master handshake	(3S) (M)
Transfer error	(OC) (C)	21	0V	Signal return Guard track	
Attention request	(OC)	22	SYSRST*	System Reset Signal	(OC) (C&M)
Attention request	(OC)	23	ATNRQ1*	Attention Request	(OC)
Attention request	(OC)	24	ATNRQ3*	Attention request	(OC)
Attention request	(OC)	25	ATNRQ5*	Attention request	(OC)
Signal return/Guard track	0V	26	ATNRQ7*	Attention request	(OC)
Bus access request	(OC) (M)	27	BUSRQ1*	Bus access request	(OC) (M)
Bus access grant	(TP) (A)	28	BUSAK1*	Bus access grant	(TP) (A)
16 MHz system clock	(TP) (C)	29	+VSTBY	Battery or V _{cc} , as required	
Auxiliary supply, reg'd	-12V	30	+12V		
V _{cc} regulated supply	+5V	31	+5V		Regulated supply V _{cc}
Ground	0V	32	0V	Ground	

* = Active low signal, i.e. true when pulled low, false when high or not driven.

KEY

LSB = least significant bit; MSB = most significant bit;

First bracket shows type of line driver used; TP = totempole, OC = open collector, 3S = three state.

Second bracket shows source(s) of signal; A = bus arbiter, C = system controller, M = master, S = slave.

In fact, we have so far only hinted at the existence of a bus arbitration algorithm and implied only one mode of bus tenure on the part of masters. The alternatives that can be implemented in combinations of hardware and software within the STE standard are much more complicated and flexible than this.

Take the case of a system with two masters. The simplest possible approach would be for each master to take control of the bus for arbitrarily long periods, as and when its requests were granted. The bus arbitration algorithm could be a simple priority scheme. If two requests arrived in the same time slot then the master on BUSRQ0* would be given priority over the one on BUSRQ1*, otherwise each new request would have to wait for the other master to finish. Each master would be operating in a 'release-when-done' mode. Given a degree of software discipline this scheme can work well in a wide variety of situations.

RELEASE - WHEN - DONE

Suppose now that one of the masters was engaged in an application that required short, regularly spaced, periods of bus control. Examples could be some

sort of machine control or data logging. Now it would be better if the master so engaged could somehow signal to the other master to get off the bus, briefly, in the event of both requiring access simultaneously. An attention request line could be used to interrupt the latter master's microprocessor or to set a flag which the latter master polled regularly. Thus the master with a tight schedule could get control of the bus quickly as and when it needed it. In this case the master with the regular access requirement could operate in the simple 'release-when-done' mode while the other master would be operating in 'release-on-request' mode. In this case the 'release-when-done' master would make its requests to the bus arbiter via the higher priority BUSRQ0* line, so as to be awarded bus control in the event of both requests coming in the same time slot.

Note that the bus arbitration algorithm, probably embodied in hard wired logic, is identical in both the above cases. Considerable flexibility can be accommodated by reprogramming masters' software and perhaps relocating a few jumpers on masters' boards. If this is still insufficient then a more complicated bus arbiter can be used, as

there is no restriction placed upon the nature of the bus arbitration algorithm by the STE standard. Rotating priority schemes, sequential access schemes etc are permissible if they meet the needs of a particular application.

A common factor in all the foregoing discussion is that at power up the bus is in the hands of the bus arbiter and subsequently no master acquires control of the bus without requesting it, and possibly having to wait for a period. In the case where a master shares a board with the bus arbiter, not only can there be three-master bus sharing in all the ways touched on above, but a new possibility is opened, that of a 'default master'.

A default master has control of the bus whenever no other master has been granted control. Thus it automatically has the lowest priority for bus control. When the bus is otherwise free, the default master is able to place its signals on the bus whenever necessary but, when a bus request from another master is received by the bus arbiter, the default master must be somehow driven off the bus until it is again free. How this is done will depend to a great extent on which microprocessor is at the heart of the default master. It may be stopped,

totally, at the end of its current or next instruction cycle by asserting a HALT or DMARQ type signal, the resulting acknowledge signal being taken as clearance to transfer bus control to the requesting master. Its clock may be stopped at an early stage of the next instruction cycle, before any timing signal edges of use to the STE interface logic have occurred. There are a multitude of methods applicable to different devices. If the default master is addressing internal memory and I/O at the time that the bus request arrives, it may even be possible to let it run until it tries to use the STE bus. The common factor in all these approaches is that they all require signals other than BUSRQ* and BUSAK* to be exchanged between the default master and the bus arbiter. These signals are not provided for on the backplane and so default master and bus arbiter must share a board.

Finally, on masters, it is the responsibility of logic internal to the master to generate the appropriate local reset signals in response to SYSRST* and masters are permitted to hold SYSRST* low for additional periods of time to perform internal diagnostics if required. During the assertion of SYSRST* Masters may request bus

control, and the bus arbiter may grant it to one or another, but no signals may be put onto the bus until SYSRST* is released.

It is this latter type of secondary processor that is becoming extremely important in STE terms. Typically they interface to the STE bus as a few I/O ports to which the STE masters write quasi-high level instructions or data to be processed and from which they read status information or result data. This is the limit of these slave systems' interactions with the STE bus. Internally however they may be extremely complex, amounting to microcomputers as powerful as any master.

This delegation of time consuming functions to secondary processors has a number of important consequences for the whole system. The demands on bus time are reduced since now a few bytes of coded instructions transferred may be the equivalent of frequent reads and writes to 'dumb' I/O devices. Master microprocessor time is also freed, allowing more complicated supervisory tasks to be undertaken in real time. Finally, and perhaps economically the most important, master programming is simplified and speeded, since, in most cases, high-level languages will run fast

enough for the most demanding tasks, without recourse to machine-coded segments.

Of course a wide range of 'dumb' and semi-intelligent I/O devices and peripheral controllers are available for less demanding and more cost-critical high volume applications.

D) Slaves. Memory and I/O port arrays which are capable of being controlled, i.e. written to and read from, by masters via the STE bus, are termed slaves.

This sounds very pedestrian in comparison to our earlier discussions. Certainly ROM and RAM are much the same in any system, but I/O for the STE bus is rapidly becoming something else! With the large potential markets for boards with the standardised interface to the STE bus, manufacturers are really getting stuck into intelligent I/O processors. Today almost any CPU-time intensive task can be delegated to a secondary processor. Examples range from the more or less integrated floating-point arithmetic co-processors, which can greatly enhance the computational speed of recently introduced microprocessors, to devices like intelligent stepper motor controllers, based upon general purpose single-chip microcomputers. PE

PART TWO - NEXT MONTH - STE READ AND WRITE CYCLES

DON'T MISS YOUR FIRST ISSUE OF 1987

★ **HI-FI DESIGN**
Design ideas and circuit elements for true hi-fi.

VIDEO FADER ★
Following from this month's Video Enhancer, we have another super project for video enthusiasts. This is a cost effective approach to video mixing allowing simple fade-up and fade-down functions.

★ **DEAF ALARM**
Deafness or partial hearing is suffered by thousands of people and it's no joke. This project is a simple alarm-clock add-on which provides an effective alarm for the deaf.

Plus all our regulars including circuit ideas for Ingenuity Unlimited, Micro Forum, and News and Market Place.

**WE HAVE A BRILLIANT
EDITORIAL FEATURES
PLAN LINED UP FOR
NEXT YEAR INCLUDING
REGULAR DESIGN AND
TECHNOLOGY
FEATURES,
MICROFORUM FOR ALL
HOME MICROS,
EXPERIMENTAL
ELECTRONICS AND
SOME GREAT
CONSTRUCTIONAL
PROJECTS**

ON SALE FRIDAY DEC. 5th 1986

ELECTRONICS CHRISTMAS BUYERS GUIDE



It's getting close to Christmas and as usual at this time of year, the TV and press are full of tempting advertisements for Christmas presents and the like. However, if you're anything like me, you probably leave all your shopping until the last minute without giving it the attention you might have liked.

As an electronics magazine, we have been keeping a close eye on what is available in terms of good value, good quality electronic devices, accessories and gadgets as well as looking for simple electronic novelties. Here we present a selection of just a few that fit into these categories – something for everyone – and in addition, as a small Christmas present from us, we are offering £1 off our subscriptions and £1 off our binders to all readers who fill in the special Christmas order form and return it to us before December 15th 1986.

Also, any item ordered from these pages before December 1st 1986 will be dispatched in time to reach you before Christmas.

PE SUBSCRIPTIONS

Coming up to the new year, we have an outstanding features and projects list lined up for 1987. There has never been a better time to guarantee your copy of PE delivered to your door each month. If you fill in the special form now, you can save £1 off our normal rates – Merry Christmas!

UNIVERSAL TIMER-CLOCK ALARM

This attractive alarm clock-timer folds away to fit snugly into a handbag, pocket or briefcase and can function in either 12 hour or 24 hour mode. It has a presettable alarm clock and works off commonly available batteries. One very useful feature for the globe trotters of this world is the automatic timer-zone selector. Simply set the time zone and the display will automatically change to the correct time whichever part of the world you might be in.
Price £15.95 inc. VAT and p&p



PE BINDERS

We can offer the latest PE binders at a special Christmas price of only £4.95 giving a saving of £1. It makes an ideal present for all PE readers who are proud about how they keep their magazines.

Price £4.95 inc. VAT and p&p

USE THE
ORDER FORM
ON PAGE 53



MERRY
CHRISTMAS

POCKET DIGITAL MULTIMETER

One of the smallest available digital multimeters offering outstanding features, proven reliability and excellent value. This meter was featured in our October and November issue of PE and our newswriter gave it an exceptional write-up.

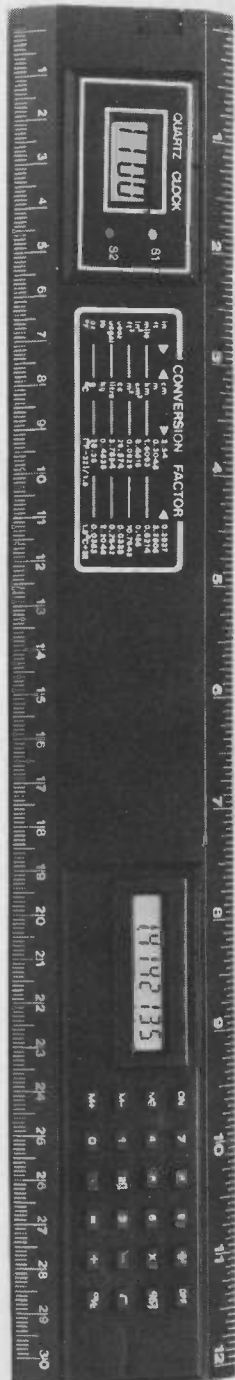
Price £25.95 inc. VAT and p&p



SEE-THRU CALCULATOR

It's not just a gimmick but a working calculator which you can actually see right through. With the wonders of modern l.c.d. and miniature technology you can get your sums right and amaze your friends at the same time.

Price £7.95 inc. VAT and p&p



MULTIFUNCTION ELECTRONIC DESK RULER

An attractive desk accessory for learning or working environments. It's a practical ruler with a fitted pop-up digital clock, and a built in electronic calculator. The amazing thing is - it only takes up marginally more space than any normal ruler!

Price £7.95 inc. VAT and p&p

ELECTRONIC KEYFINDER

A novelty key finder for all forgetful and disorganized key carriers. This product is the epitome of electronic miniaturization. Simply attach your keys to the key-ring and when you have put them down and forgotten where, simply whistle, and they will whistle back.

Price £4.99 inc. VAT and p&p



MERRY CHRISTMAS

ELECTRONIC INDEX

Despite publishing our index every December it's surprising how difficult it is to find a particular article when you can't remember the title or issue. We have overcome this problem by creating a database covering all articles published in the last five years in PE. The program comes on an 80 track or 40 track (prepared on an 80/40 switchable) disk for the model B BBC. The program is designed to be able to use keywords to identify authors, articles, references or issues and includes a keyword search. Alternatively, a printout of an alphanumeric list of authors and articles is available at the same cost. The printout has, currently, 4000 entries.

Price £7.95 inc. VAT and p&p



USE THE ORDER FORM ON PAGE 53

CITIZEN POCKET BLACK & WHITE TV

One of the smallest pocket l.c.d. TVs in the world. This product comes from Citizen, one of the most famous names in digital watches in the world. It offers many advantages over traditional CRT type TVs and comes complete with batteries, and earphone. For low light operation and in-car use, the backlight and car battery adaptor are optional extras.

TV Price £89.95 inc. VAT and p&p
Battery Adaptor Price £9.95 inc. VAT and p&p

Backlight Price £9.95 inc. VAT and p&p

PROFESSIONAL FRONT PANELS

BY 'THE PROFESSOR'

Go-faster stripes for electronic constructional projects!

Practical Electronics is traditionally a magazine for the serious experienced constructor. However, many of the projects featured are attracting newcomers to the hobby—especially those from the world of computers. Over the next few months, the 'prof' will be describing a range of useful tips and techniques for all hobbyists from novice to professional.

IT IS probably true to say that with most projects the electronic side of construction is the easy part, and it is dealing with the mechanical side of things and getting a professional looking finish that represents the biggest hurdle. Using a ready made printed circuit board or a home constructed type produced with the aid of rub-on transfers it is fairly easy to obtain really neat results, but with the external finishing things tend to be more difficult. While a high standard of finish will not make a project perform any better, proud hobbyists should strive for the best possible finish. It would be a mistake to let high quality exterior finish become the primary aim with little attention being paid to the standard of electrical construction (which would be comparable to the hi-fi fanatics who only hear the quality of reproduction and not the music), but producing a neat finish is a worthwhile and rewarding aspect of construction.

PHOTO-PANELS

Most modern cases have a high quality of finish, and it is the panel legends that largely determine whether a project looks home-made or like a commercially produced product. Good results can be achieved by applying rub-on transfers direct to the case, but standard of finish does not compare with that of most ready made equipment. Many readers will be aware of photographic methods of front panel production, but the exact way in which these are produced is less well known. It is actually a much more simple process than one might think, and it is not essential to have any special or expensive equipment. It is certainly

something that is within the capabilities of most electronics hobbyists. Results with even a very small and simple panel design are really first rate, and the effect is something that really needs to be seen 'in the flesh' in order to fully appreciate it. A common complaint about panels finished with rub-on lettering is that the letters are easily chipped, and spraying on a protective coating only partially alleviates the problem. For reasons that will become apparent later, this problem is completely overcome when using photographically produced front panels, which are very durable indeed.

When producing a panel the first requirement is for a 'master' from which the photographic copy can be made. This is normally made from rub-on transfers applied to drafting film, and the latter is available from some of the larger component retailers. It is sold as an aid to printed circuit production, but is equally valid in this application which has strong similarities to simple methods of photographic printed circuit production. Single mat, double mat, and transparent types are all suitable, although the double mat variety is probably the easiest to use. Tracing paper is also usable, but it is less stable than proper drafting film and might give slightly less accurate results.

What is probably the easiest way of doing things is to draw out the required front panel design on paper, and to then fix the drafting film over this so that it can be easily and precisely copied. With a case that has a removable front panel it is possible to mark the design onto the panel itself, and to then fix the drafting film over the panel for copying purposes.

A wide range of letter styles and types are available these days, and there are also lines and various symbols available which can be used to good effect. A point to bear in mind is that the final panel is a negative of the master, and black lettering on a clear background becomes clear lettering on a black background. The colour of the letters is determined by a backing paper which can be white or one of several colours. In fact it would be feasible to patch together a backing made from several different colours to produce multicoloured lettering, but it is difficult to envisage many projects where the gaudy result would be desirable.

If a largely black panel is not required, areas of the master can be covered over with drawing ink (or any other strong ink) so that these areas appear as the background colour on the final panel. An alternative is to use a double negative system so that the final panel is a positive of the master, or to produce a master that is a negative of the required panel design. The latter would be very difficult to produce in practice, and making a negative copy of the master and then using this to produce the final panel is the more practical approach. However, this is something I have not yet tried, and results obtained using the single negative method are perfectly adequate for most purposes.

Rub-on transfers are not the only way of producing the master, and something like a simple computer drawing package and a plotter or printer can give good results, as will anything that can produce a reasonably opaque design on drafting film or tracing paper.

EXPOSURE

The film is a slow type which is only sensitive to ultraviolet light. It can therefore be exposed to ordinary daylight without becoming fogged, but it should be stored under dark conditions and it should not be subjected to direct

sunlight. A darkroom and safety-light are totally unnecessary. Ideally the film should be exposed in an ultraviolet exposure box, and inexpensive units of this type are available from a few components retailers. The film is exposed in the manner shown in Fig. 1 (the sensitive side of the film is the semi-mat side incidentally, and the plain side is the one with the high gloss finish). The master should have markings to show the limits of the panel (a dot to indicate each corner is sufficient) and the film should be trimmed down to size prior to exposure. It is tempting to simply leave the film over-size, and then precisely trim it down to size once it has been fixed in position. The problem with doing this is that it would be difficult to precisely position the finished panel, and a more practical alternative would be to cut the film just marginally over-size, and then do the final trimming once it has been fixed in place.

Ultraviolet light boxes, even the more simple types, are not particularly cheap, and few constructors will be prepared to buy one especially for producing front panels. An alternative is to put together a simple device which holds the master and film in place against a sheet of clear plastic or glass, and to use sunlight as the light source. The problem with this method is that it is impossible to accurately control the exposure, and this would almost certainly result in a certain amount of wasted film. With an ultraviolet light box the recommended starting points for exposure times are 45 seconds for a 120 watt box and 90 seconds for a 32 watt type. The optimum exposure time depends on factors such as the distance from the tubes to the film, and how well or otherwise the drafting film or tracing paper used for the master allows ultraviolet light to pass through to

the film. With any photographic process of this type over exposure is always preferable to under exposure, especially if the design on the master is produced using materials that are well and truly opaque. With a 16 watt light box and double mat drafting film I found that an exposure time of 5 minutes gave good results. Direct sunlight requires a comparable exposure time.

DEVELOPMENT

For development two plastic trays are required; one containing sufficient developer to cover the film easily, and the other containing water. The film is immersed in the developer for ten seconds, and then it is removed and placed onto a paper towel with the sensitive side uppermost. The use of photographic tongs is recommended when handling the film as the softened emulsion is easily damaged. A pad soaked in developer is then used to gently wipe away the exposed areas of emulsion. No more than gentle wiping should be used or all the emulsion might be removed. If necessary the film can be returned to the developer for further development, but this is not usually necessary.

Once the unwanted emulsion has been removed the film is rinsed in the tray of water and carefully wiped with the pad to remove residues. The film can then be dried with a paper towel or even using a hairdrier, but it seems to dry quite rapidly if just left to dry naturally.

Inspection of the completed film will often reveal scratches or small spots where the emulsion has been removed. These can easily be filled in using a technical pen or any pen which has good black ink and is capable of marking onto the plastic backing of the film.

Permasign panel making kits and materials plus Alfac transfers are available from Verospeed, Stansted Road, Boyatt Wood, Eastleigh, Hants SO5 4ZY.

Even quite large blemishes can be invisibly mended in this way, and very minor blemishes are unlikely to show when the film is fixed in place. The film can be placed against a sheet of white paper for inspection purposes, and any imperfections which fail to show up when trying this will not be visible on the finished panel.

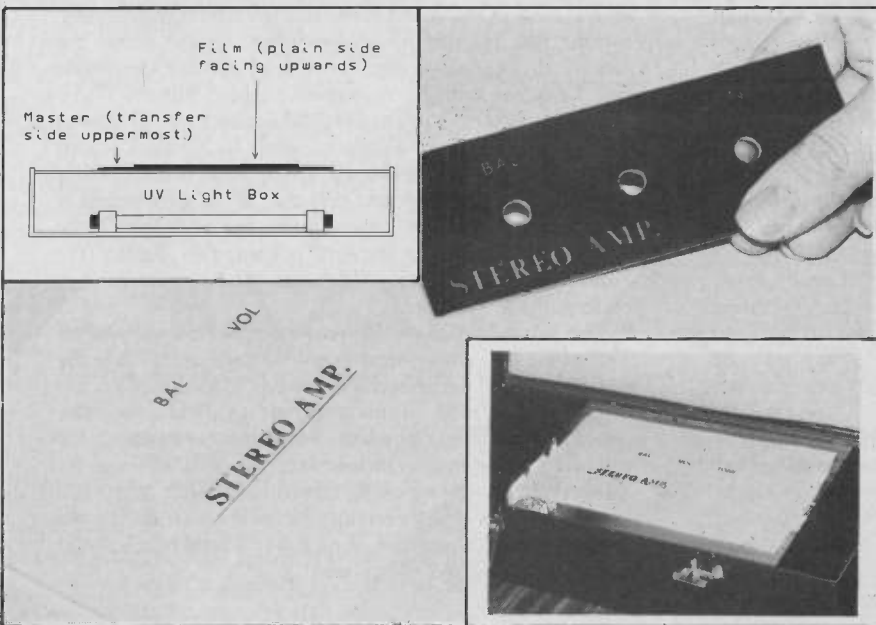
FINALLY

The final process is to fix the film in place on the case. It is glued in place using a laminate which is self adhesive on both surfaces. It is white on one side and either red, blue, green, or yellow on the other. Either the white or coloured side can face outwards, depending on whether white or coloured lettering is required. Clear material is also available, for use where the natural finish of the case must show through. This should be quite effective on aluminium and brushed aluminium effect panels.

Probably the best way of fitting everything in place is to first remove the backing paper from the laminate, then fix the laminate in position, trim it precisely to size using a modelling knife, and finally remove the front layer of release paper so that the film can be pressed into place. The adhesive is extremely powerful, and this makes it imperative to have the film accurately positioned before starting to press it into place. If it has to be removed it is likely to be damaged to the point where a new copy has to be made. Once it is in place any final trimming to size can be carried out. The manufacturers recommend that the film should be fixed to the laminate, and that the two should then be fixed to the case. I found this to be a more awkward way of doing things, but it might be preferred by some constructors and would be worth trying.

The film is placed emulsion side down, leaving the plain side with its high gloss finish facing forwards. This largely accounts for the high quality of finish obtained, and it also means that the lettering is protected by a tough layer of plastic which renders it virtually chip- and scratch-proof. At first there may be a mottled effect on the lettering, but this clears of its own accord in a few hours. If a mat finish is preferred to the natural gloss finish of the film, spraying with a clear mat finish lacquer will have the desired effect.

PE





NON-TECHNICAL TRIBUTE

IT IS sad to record the death of a man who was not technically an astronomer, but who made notable contributions in popularizing astronomical knowledge. Chesley Bonestell, the great 'space artist', has died at the age of 98. He was trained as an architect, but later made his reputation by his book illustrations, beginning with *The Conquest of Space*, written by Willy Ley – one of the original German rocket pioneers. Later, Bonestell collaborated with Ley and with Werner von Braun, who went to the United States after the defeat of Germany and master-minded

the launching of the first American satellite, Explorer 1.

Bonestell's pictures of planetary surfaces as he believed them to be have been shown to be remarkable in their accuracy; only now and then can it be seen that some of the necessary scientific

"the sky is blue"

knowledge was not then available – as when Mars was given a blue sky! But quite apart from his superb artistic skill, he took immense care with his detail, and he set a trend which has inspired many later artists, of whom the latest to achieve world fame is Paul Doherty.

There is still considerable discussion about how to explain the observation of temporary 'holes' in the upper atmosphere, shown by ultra-violet images of the airglow taken by the US satellite Dynamics-Explorer 1, where the emission strength drops suddenly to only a few per cent of its normal value. Each area lasts for less than three minutes, covering an area of 1000 square miles. L. Frank, J. Sigwarth and J. Craven, of Iowa, attribute these 'holes' to the impacts of miniature comets, made up of what they call a fluffy frozen-water aggregate impacting at some 25 miles per second. The Iowa scientists

SPACEWATCH

BY DR PATRICK MOORE OBE

Our regular look at astronomy

The weather looks good on Mars – with blue skys? What is the explanation for the temporary holes which appear in the upper atmosphere?

The Sky This Month

ONCE more this is not a particularly favourable time for planetary observers. Venus passes through inferior conjunction on 5 November, and by the middle of the month has become visible low above the south-eastern horizon before sunrise; Mars and Jupiter, both in Aquarius, are to be seen in the south-west during the evenings, but are past their best for this year (Mars has declined to magnitude 0.1), and Saturn is out of view altogether. This leaves us with Mercury, which is a morning object low above the south-eastern horizon late in November. On the 13th it will pass in transit across the Sun's face, though unfortunately this phenomenon will not be visible from Britain.

The only planets closer to the Sun than we are, are Mercury and Venus. Therefore, there must be times when they are lined up with respect to the Sun, so that they appear as black disks slowly crossing the Sun's face. During the transit, Venus is large enough to be visible with the naked eye, but it is not likely that there is anyone now living who has seen a transit; the last was in 1882, the next will not be until 2004. But transits of Mercury are less uncommon, and are interesting to watch, though optical aid is needed. They can occur only during May and November; the last before this month's was in 1973, while the next will be on 16 November 1993 and 15 November 1999. They are not rapid, and Mercury takes several hours to cross the solar disk. On 13 November, the transit will begin at 01.43 GMT and end at 06.31, so that it will be visible from Australia, Asia, part of Antarctica, Africa (except the north-west) and Eastern Europe.

The first transit of Mercury to be observed was that of 7 November 1631, which had been predicted by Johannes Kepler and was observed by the French astronomer Pierre Gassendi. On 7 November 1677 Edmond Halley, of comet fame, watched a transit from the island of St. Helena, where he had gone to study the southern stars, and later he suggested that transits might be used to

measure the length of the astronomical unit, or Earth-Sun distance. His method was sound enough in theory, and was actually used for transits of Venus, which are much easier to study than those of Mercury, but the whole principle is not obsolete, so that modern transits are of no more than academic importance.

However, this month's phenomenon is interesting, and anyone who is able to observe it may care to try some photography – remembering, as always, that it is dangerous to look directly at the Sun, so that the only really safe method is to project the solar image on to a screen held or fixed behind the eyepiece of the telescope. It will be noticeable that Mercury will look much darker than any sunspots which happen to be visible.

The 'summer triangle' of the brilliant stars Vega, Altair and Deneb is still to be seen, though Altair is dropping toward the horizon by mid-evening. In the south the Square of Pegasus is dominant; look too for the bright star Fomalhaut in Piscis Australis (the Southern Fish), which is well south of the celestial equator and is always low even in Southern England, while in North Scotland it barely rises. Ursa Major, the Great Bear, is at its lowest in the north, which means that the 'W' of Cassiopeia is close to the zenith or overhead point; but midnight Orion is coming into view in the east, preceded by Taurus (the Bull) with the red star Aldebaran and the lovely star-cluster of the Pleiades.

The Moon is full on 16 November, which will not be welcomed by meteor observers – because the 17th is the maximum of the Leonid shower. The Leonids are notoriously erratic. Sometimes, as in 1966, they can provide magnificent displays, while at other times hardly any meteors from the shower can be seen. There is no reason to expect anything spectacular this year, but meteor observers will certainly be on the alert during the early hours of November 17, and they would much prefer the Moon to be out of the way!

develop their theory so as to explain the traces of water vapour in the atmosphere of Venus, and also the liquid which may once have flowed along the riverbeds of Mars. The theory has met with a little support, but it does seem that a 'rain of mini-comets' would produce far too much water to be in any way plausible, and few astronomers take the idea at all seriously.

The two Russian Vega probes, which bypassed Halley's Comet a few days before Giotto did so, went to their target by way of Venus, and dropped balloons into the atmosphere of that peculiar planet. They floated at around 33 miles above the surface, which is near the top of the thickest part of the cloud layer, and continued to transmit for almost 50 hours, moving at an average speed of from 150 to 155 mph. Vega 1 registered a temperature 12 degrees higher than that of Vega 2, though it was at the same height, so that clearly there are definite variations inside the planet's atmosphere. There are also unexpectedly strong upcurrents and downcurrents. Both probes dropped landers onto Venus's surface; no cameras were carried on these occasions, but soil analysis was undertaken, and everything indicates that the evolution of the surface has been dominated by vulcanism. Vega 2's analyzed sample of surface material seems to contain four to five per cent of

sulphur by weight, though there is admittedly a chance that there may have been reactions with atmospheric gases to produce a thin sulphur-rich layer over some other variety of rock.

THE LATEST ON MILLISECOND PULSARS

Pulsars have caused theoretical problems many sleepless nights ever since their unexpected discovery nearly two decades ago. However, there seems no doubt that they really are rotating neutron stars, the remnants of Type II supernova explosions. Until fairly recently the quickest spinner was the pulsar in the Crab Nebula, which had a period of $1/30$ of a second; this fits in well with the idea that the Crab is the youngest known pulsar - it is unquestionably the remnant of CN Tauri, the supernova observed in the year 1054. The detection of a pulsar spinning at 642 revolutions per second was quite unexpected. Since then two more 'millisecond pulsars' have been found, one of which has a period of 163 revolutions a second and the other (PSR 1855 + 09) 186 revolutions a second - in other words, 5.36 milliseconds.

It looks as though these ultra-fast pulsars are different from the older types. Since pulsars appear to be slowing down by tiny but measurable amounts,

the millisecond pulsars cannot be very old if this is the only mechanism involved; in fact they do not seem to be slowing down at all. Assuming that they are neutron stars, we must deduce some way of keeping them 'wound up', so to speak.

The second millisecond pulsar was found to be a binary system, presumably with a Main Sequence star, or at least something much less evolved and condensed than a neutron star, associated with its pulsar companion. If the pulsar is pulling material away from the other star, and this material arrives at an angle, it may prevent any measurable slowing-down: in fact, quite the reverse; it may speed up the pulsar's rotation.

The new millisecond pulsar, PSY 1855 +09, has now also been found to be a member of a binary system, and this lends support to the hypothesis. On the other hand, it is certainly difficult to visualize a body the size of a neutron star - at least several miles in diameter - rotating at such a speed; even with the amazing density of neutron material, the star cannot be very far from being in danger of disruption. Altogether the millisecond pulsars are very strange objects indeed, and as yet we cannot be confident that our explanation of them is really satisfactory.

PE

PE BAZAAR

Wanted: Sub-miniature electric motors by R.H. Warring. Price and condition to F. Hill, 19 Leigh Road, Sale, Cheshire M33 2LR or telephone 061 973 3559.

150W Switchmode PSU +5V @ 13-6A +12V @ 1.0A, +24V @ 1.7A, -12V @ 0.2A. Working perfectly £29.00. S. Cramp, 68 Heath Drive, Chelmsford, Essex CM2 9HF. Tel: 0245 59027.

Wanted: Mushroom user/printer port module operating data. Will pay costs. Contact Frank Jones, 20 Blunham Road, Mogerhanger, Bedford. Tel: 0767 40220.

Wanted: Electronics Wireless World August 1984 to January 1985. HMV/Maron 1936 9-valve MW/LW Radiogram. Mr M. Usher, 85 Bromham Road, Redford. Tel: 54767.

New Units Tuac: TL30 power Amp PS 30 supply VA06 Pre Amp PSU2 supply Raymer 5 watt mono 5 lot. W.L. Scott, 194 Elsenham Street, London SW18 5NR. Tel: 01-870 6112.

5µf 25V Tants (1200 off) £15 PCB switches (RS Type 338) 2-pole only 45p each. P. Makin, Leadbeaters Farm, Overhutton, Bolton BL5 1BT. Tel: (0942) 892193.

Cased PSU 12v2A £14 Psion Micro computer 6301 CPU 6116 RAM £9 TULS783 £10.25 2764 £2.10. Nick Spiers, 114 Greenway, Tunbridge Wells, Kent TN2 3JN. Tel: 0892 44070.

Must clear 1000's surplus components. SAE for list. Cased PSU 12V, 2A £14. Psion micro computer £9. Nick Spiers,

114 Green Way, Tunbridge Wells, Kent TN2 3JN. Tel: 0892 44070.

Olivetti 8 inch disc drive unit (uncased) plus 15 discs. Perfect condition £150. Buyer must collect. David A. Iivgles, 7 Castlenoy Road, Broughty Ferry, Dundee DD5 2LQ.

Thanndar 600MHz Freq Counter Tf200 plus TP600 Prescaler plus case service manual plus X1-X10 probe. All new sell £150 plus P&P. 6 sets Pros-software for TRS80 model 100 each cost £30-£150. Sell £10 each. Tel: 04738 5526.

Clearing out lots of components, computer bits, equipment, old mags etc. All very cheap. Details from Ian Harris, 39 Coventry Road, Reading, Berks. Tel: 0734 661907.

PE BAZAAR

A free readers' advertising service

Please publish the following small ad. FREE in the next available issue. I am not a dealer in electronics or associated equipment. I have read the rules.

Signature Date

Please read the **RULES** then write your advertisement here - one word to each box. Add your name, address and/or phone no.

SEND TO: PE BAZAAR, PRACTICAL ELECTRONICS, 16 GARWAY ROAD, LONDON, W2 4NH.

Name & Address:			

MICRO FORUM

ALAN TREVENNOR

Simple Z80 single stepper circuit

THE Z80 microprocessor is to be found as the central processor in top selling Amstrad and Sinclair home computers (to name only two). One of the most interesting uses for such home micros is developing firmware for single board application systems. The major problem comes with debugging such firmware, since address conflicts often arise which prevent debug on the mother machine. The circuit to be described here is a simple single stepper for Z80 application systems. Many previous circuits have been published, but this one has the virtue of simplicity and cheapness. The single step facility provided allows the use of a meter to ascertain the state of each address or data line before going on to the next instruction.

Fig. 1 shows the circuit in block diagram form. The Wait bar signal is an input to pin 24 of the Z80. Wait bar freezes the Z80 when it is pulled low. The M1 bar signal is an output from pin 27 of the Z80 which goes low to indicate that the MPU is fetching the first byte of an opcode. There are a number of Z80 multibyte opcodes for which M1 will go low several times. These are the opcodes which have a first byte with a Hex value of CB, DD, ED or FD. If desired link LK1 can be used to make the Z80 halt at every Read or Write using RD bar or WR bar. Note that M1 bar is also used in conjunction with IORQ bar to signal interrupt acknowledge. One further point to note is that if you are using the Z80 transparent refresh feature for dynamic memory in your application system this method of single stepping will be unsuitable, since when the MPU is halted the refresh feature also stops. The circuit is suitable for systems using static memories like the 6116 or 6264.

Referring to Fig. 1 the circuit consists of three blocks. The first block is a NAND latch whose output controls the state of the Wait bar line into the Z80

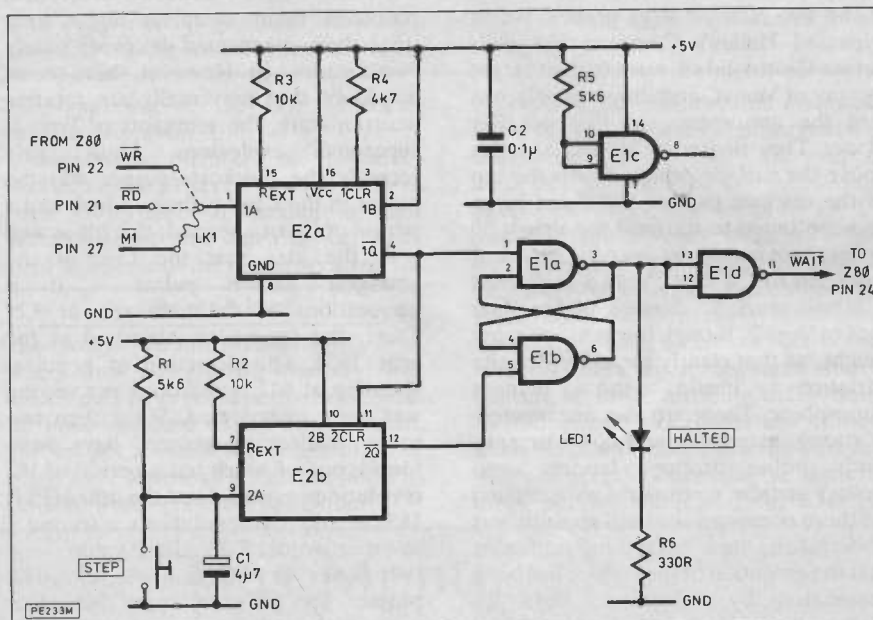


Fig. 1.

and therefore commands run or freeze. The other two blocks are monostables which deliver pulses to set or reset the latch. The monostable which sets the latch to enable the Z80 to run is triggered from the Step push button, while the monostable which resets the latch and therefore freezes the MPU is triggered by whichever signal from the Z80 is selected using link LK1. The user can select M1 bar, RD bar, or WR bar as the stop signal source. Readers may like to modify the design to freeze the Z80 when a particular device is addressed, by connecting its CS bar line into this circuit.

Fig. 2 is the circuit diagram of the stepper. The selected stop signal source is fed into the negative tripper input of E2a. Triggering this monostable pulses pin 4 low which sets the NAND latch formed by E1a and E1b, and makes pin 11 of E1d go low - thus stopping the

Z80. Also when a stop pulse is issued to the input of the latch the CLR bar input of E2b is pulsed low, ensuring that the monostable has an inactive output. When monostable E2b is triggered by pressing the STEP button its pin 12 pulses low, resetting the NAND latch and enabling the Z80 to run again. The capacitor and resistor R1 and C1 help to debounce the push button which should preferably have a snap action. On power-up the stepper will stop the Z80 at address zero if RD bar or M1 bar are selected as the stop signal source; if WR bar is selected the MPU halts when it first tries to write to the memory or I/O address spaces. E2c remains unused and could be used to invert high going stop signal sources. If unused, its inputs (pins 9 and 10) should be connected to +5 volts via a 5K6 resistor as shown. This will improve the noise immunity of the rest of the circuit.

If it is desired to have the facility to stop the Z80 in mid program, this can easily be accomplished by the addition of a normally closed switch connected between ground and the pin 3 side of resistor R4. This holds E2a in reset so that the NAND latch can never be set by the selected stop signal. When the Z80 is to be stopped, the switch is opened and the next incoming pulse to pin 1 of E2a stops the Z80 as before. This is useful where you need to stop a program which appears to hang up in the middle.

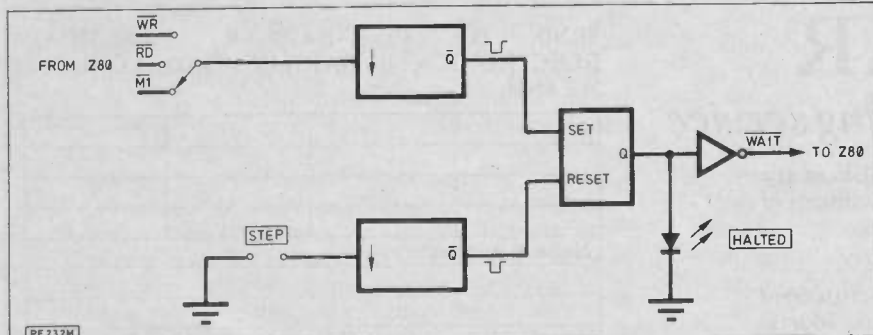


Fig. 2.

MICE AND ROBATS

REPORT BY JOHN BILLINGSLEY

at the Institution of Electrical Engineers, earlier this year

As reported earlier this year, the IEE is the official host to the Micro-mouse contest and John Billingsley an active "mouser" reports on the latest battle in London. The final was both entertaining and interesting with a line up of 12 runners.

AN ASSORTMENT of strange contraptions cluttered the hallowed Council Chamber of the Institution of Electrical Engineers as contestants readied their machines for action, thirteen mice and four ping-pong playing robots. Ever since the contest came to Britain, the Chairman of the IEE's Computing and Control Division has had the duty of Judge. Now the IEE has officially adopted the role of annual host to the contest.

A notable newcomer was David Otten's MITee Mouse from Boston, trying its wheels for the first time in serious competition. Otten's pilgrimage to the contest was beset with difficulties; on top of an eighteen hour delay in his flight, a four hour holdup by British Rail threatened to make him miss the contest. But it was all seen to be worth the effort when MITee, as guest contestant running first, put up a time of 1 min 44 seconds followed by one of the 36 seconds, scoring 32.37 points.

"I would have liked to beat it by a lot more"

The new scoring scheme was in use. To the time from starting square to centre is added two seconds per minute of elapsed 'appearance time', less ten seconds if the mouse has run to and from the centre entirely untouched until the scoring run is made. The scheme was entirely successful in deterring trackside fiddling. Most contestants achieved their best scores well within fifteen minutes, and by retiring early allowed stand-by non-qualifiers to put in an appearance in the final. Twelve mice ran in all.

As the mice took their turns to run, MITee's time appeared impregnable. Sterling Mouse, veteran of the 1980 contest, emerged from its plastic pail to score 93.48 seconds with bonus. To its shame, Knownaim only managed a second-run best of 103.12 while Thezeus 6 was let down by its batteries without a single successful score.

With only Thezeus 4 and Enterprise left to run, the BBC television cameras stood by to give live coverage of the final. Thezeus 4 lost its bonus, and on

its second run scored 68 seconds – still not good enough to beat the visitor. As Enterprise started its run the TV presenter moved close to David Otten,

"live commentary on Prestel Clubnet"

ready to broadcast a few words from the victor. First run 68.75, still too slow. Then as the telecine ran to lead into the live coverage, Enterprise snatched victory with a score of 28.78, on a bonus run taking 34 seconds. The presenter changed tack smartly, and thrust a microphone under David Woodfield's nose as Enterprise set off on an even faster run.

"Are you pleased that Enterprise beat the American mouse?"

"I would have liked to beat it by a lot more," was the dour reply.

Generous cash prizes were donated by the Institution of Electrical Engineers. David Woodfield carried off prizes of £150 and £50 for the efforts of Enterprise and Knownaim – plus of course a brass cheese trophy. Alan Dibley took the runner-up's trophy plus £100, while Nick Smith gained a rather unexpected £75. Mike Windibank's Spike was the only mouse to admit to being a novice, and carried off £50 plus the Novice trophy.

The truest novice, however, was the American MITee Mouse which as a visitor was not strictly eligible to compete in the British Finals. In addition to a special visitor's trophy, Robert Scott-Kerr awarded David Otten £100 for the splendid effort of achieving second best time.

"clearly much more work needed"

One half of the rostrum had been occupied by a large wooden contraption. This was Bill Urmenyi's entry in the Robot ping-pong contest. As the mice were cleared away, Andrew Pinder's machine came to join it in battle. This Brunel system is starting to look professional and businesslike, with pneumatic cylinders and a sturdy construction. Bill's machine flexed and whirred, but with no great control.

Andrew's machine hissed and lunged, but clearly there is much more work needed.

John Marr's 'Zillian' now faced John Knight's 'Charlie' with much more chance of a rally. As the ball was launched towards Charlie, the ingenious vision system locked on, the bat followed under risp servo control, and the beam-breaker fired the bat to give an excellently playable return – all with no human intervention.

"the anglepoise mechanism also showed promise"

Sadly, Zillian found the lighting too dazzling or too dim, and failed to strike up the first rally in Robat history. Its display screen showed great ability of the vision system to lock on to a bright object and predict its path – but it preferred to track the spotlight rather than the ball. The anglepoise-like mechanism also showed promise, but failed to make the necessary contact.

Prizes of £150 and £100 were donated by the Portsmouth firm of Nautech Ltd., to help the winners on their way to the mid-September European finals at Euromicro in Venice. These were won by John Knight and John Marr, respectively.

Venice should see the contest really come alive. In addition to the four Robats seen at the IEE plus another machine by James Chidley and Derek Hall, there are at least two non-British entries. From their historic micromouse achievements the Finnish team from Tampere University promise to be a force to reckon with, while Keith Buffington is bringing a Swiss contender from Zurich's ETH Institute.

Throughout the contest, Vernon Quaintance and his colleagues had been hammering their keyboards to provide a live commentary on the Prestel Club-Spot pages. These pages had scored 400 'hits' by early evening. By the time I had staggered back to Portsmouth, the results had already been picked up by Ceefax and were featured on page 266. Electronic publishing might really be getting somewhere!

PE



INDUSTRY NOTEBOOK

Financial performances and gadgets galore!

REPORT BY TOM IVAL – PEs NEXUS

1986 was Industry Year but it seems that, with the exception of the electronics sector, we were not too industrious.

AS THE eminently forgettable 1986 Industry Year gently fades into obscurity the electronics sector can at least take some comfort from the fact that its financial performance will not look too bad against the general background of UK manufacturing. During the year some of the biggest companies in this field reported rather poor results relative to their 1984/85 figures.

At GEC, for example, electronics was mainly responsible for a 3.3% fall in pre-tax profits to £701 million in the year ending last March. Ferranti, which is now almost wholly an electronics company, experienced the larger drop of 11% to £41 million pre-tax profit over the same period.

Mainly because of the Inmos losses I mentioned in the October issue, Thorn-EMI's pre-tax profit was down 3.3% to £104.7 million. Subsumed in this result is some £200 million brought in from the sale of unprofitable businesses. Investment in cellular radio manufacturing and problems in data communications sales brought the Racal pre-tax profit down by 31% to £90.21 million.

But the picture was not uniformly gloomy. Down among the medium-sized companies, for instance, Oxford Instruments reported a massive 88% jump in pre-tax profits to £17.2 million on the relatively small turnover of £76 million. It's nice to know that helping people through medical instrumentation can be healthy for business as well.

Curiously, two of the oldest and best known names in British electronics are Italian: Marconi and Ferranti. Whether it's something to do with the alleged volatility of the Italian temperament I don't know, but both have experienced financial misadventures and business scandals not in keeping with traditional British phlegm.

Marconi, founded by the brilliant but odd Guglielmo of that name, who carried a sword-stick and belonged to the Italian Fascist Party, had severe financial troubles in its early years. There was also the notorious 'Marconi Scandal' of 1912 concerning alleged corruption of government ministers and price rigging of the company's shares.

Marconi was taken over by GEC and is now the most profitable of GEC's businesses with a turnover of about £1.5 billion, mostly from military electronics manufacturing.

Ferranti, though its turnover is somewhat smaller at about £600 million, is also a big wheel in UK military electronics. Currently, 31% of its turnover and 45% of its operating profit come from military equipment. Of 60 commercial announcements made over the past few months, 25 were in this field.

The other big earner for Ferranti – 38% of both turnover and profit – is computer systems, in which the company has been a great pioneer. The first Ferranti digital computer, Mark I, appeared about 25 years ago, a development from Manchester University's computer research in the 1950s. The turnover and profit figures seem to indicate that it is easier to make a profit from military electronics than from computer systems – perhaps because of the notorious 'cost plus' system I discussed in the July issue.

Ferranti was founded in the late 19th century by the pioneering electrical engineer Sebastian de Ferranti and at first was largely in power generation and transmission. For most of its life it has been a family business and even today it has a member of that family, Basil de Ferranti, as chairman of the board. Under Vincent de Ferranti, who was interested in radio, the firm started to make components for radio and television sets. Then the power transformer and electricity meter businesses were sold off to leave the company principally in electronics and related electromechanical engineering.

In this case the scandal was connected with guided missile equipment the company was producing for the Ministry of Defence. They were accused of making too much profit out of this business and, as it was public money involved, they had to pay back some of it. This did not help the company's finances and eventually, for a variety of reasons, it went bust. But because Ferranti's technological and human resources were valuable to this country it was rescued by the old National

Enterprise Board (the same that started Inmos), which bought a majority shareholding. Today it is a well managed public company with shares quoted on the Stock Exchange and an apparently stable future.

Despite high unemployment in the UK, average wages are rising faster than inflation. So many people have a good deal of disposable income. Much of this has been picked up by retailers of electrical and electronics goods, helped enthusiastically by the money lenders. Indeed this boom in personal consumption has been mainly responsible for recent economic growth in the UK.

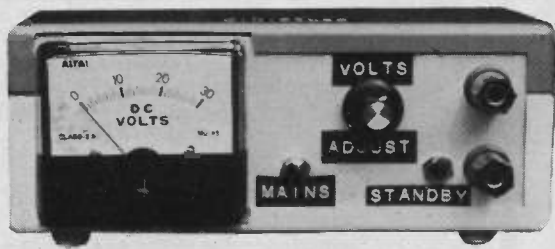
In consumer electronics there is now a tremendous variety of toys and trinkets available in the shops, quite apart from the standard domestic radio/television/hi-fi/video recording equipment. We have had digital watches (now somewhat *déclassé*), pocket calculators, home computers, and car, camera and washing-machine control systems for many years. But now, I see, you can also buy such electronics-based novelties as a pedometer for jogging, a wrist-band pulse monitor, a nerve stimulator for muscle pains, an infra-red triggered sentry light, an acidity tester for wine-making and a key-ring which beeps when you whistle to it (see our Christmas Offer) so that you can find it when it's lost. This is not all.

There is a wrist-band information store, a digital clock powered electrochemically by plants, fruit or soft drinks, and an alarm-clock which stops ringing when you shout at it from your bed, not to mention a whole range of domestic special-purpose calculators and computers.

Some years ago I remember a director of Intel haranguing an audience of consumer electronics manufacturers at a conference. He maintained it was their duty to use a lot of chips in their products in order to keep the semiconductor firms in business. The message must have got home, particularly in the Far East. Many of the resulting products are trivial or bizarre, but when all the junk has disappeared I suspect there may be a residue of genuinely useful artefacts to help us in our daily lives. **PE**

WEDNESDAY ELECTRONICS

MINIPOWER POWER SUPPLY UNIT £29.95



At last! A full power supply unit at a really affordable price. The brief specification is as follows:-

- 0-30 VDC output, fully adjustable.
 - 0-1.5 amps.
 - 0.01% Load Regulation.
 - Ripple rejection 65 db
 - Line regulation 0.3%
 - Small size for your bench, just 165mm x 85mm x 60mm.
 - Weight: 850 gm.
- Send cheque/postal order for £31.70 (incl. £1.75 p&p) to: **WEDNESDAY ELECTRONICS, 3 CHURCH STREET, OFFENHAM, WORCS WR11 5RW.** Allow 14 days delivery. **VISA and ACCESS WELCOME**

RETAIL • MAIL ORDER
TRADE • EXPORT •
EDUCATION

HENRY'S NEW CATALOGUE

**WITH
FREE
DISCOUNT
VOUCHERS**
(Total value £4.00)

**COMPONENTS • INSTRUMENTS • EQUIPMENT
SEMICONDUCTORS • CONNECTORS • TEST
AND MEASURING INSTRUMENTS
CABLES • TOOLS • BOARDS • BOXES
AUDIO AND PA EQUIPMENT • SECURITY
AND COMMUNICATIONS • TV-VIDEO
HI-FI • COMPUTER ACCESSORIES**

PLUS - PLENTY OF BARGAINS

**POST
TODAY**

SEND LARGE S.A.E. (min 12" x 9" with
98p stamp UK) - (Overseas send
£1.00 with address) Price £1.00 to callers
**FREE ON WRITTEN REQUEST TO ALL TRAINING
AND EDUCATIONAL ESTABLISHMENTS** (ref PE)

**OFFICIAL
ORDERS
WELCOME**

QUANTITY DISCOUNTS AVAILABLE

HENRY'S AUDIO ELECTRONICS

404 Edgware Road, London W2 1ED.
Sales office: 01 - 258 1831
OPEN 6 DAYS A WEEK - ALL WELCOME

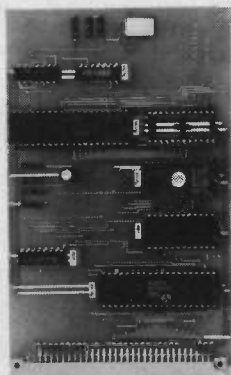


- ★ 6502 MICROPROCESSOR CONTROL CARD
 - ★ 2K SRAM SUPPORTS 8K EPROM
 - ★ 6522 VIA 16 LINES OF I/O WITH HANDSHAKE
 - ★ ASSEMBLED OR IN KIT FORM
 - ★ FULL HARDWARE AND SOFTWARE BACKUP
- £55 ASSEMBLED £46.40 INKIT FORM £30 BARE BOARD
- ★ SUBSTANTIAL REDUCTIONS FOR LARGE ORDERS

For further details
JMJ ELECTRONICS
14, BLENNHEIM CLOSE
SHEPETH
NR. ROYSTON
HERTS SG8 6PT
ROYSTON (0763) 62184



ELECTRONICS



MAKE YOUR INTERESTS PAY!

More than 8 million students throughout the world have found it worth their while! An ICS home-study course can help you get a better job, make more money and have more fun out of life! ICS has over 90 years experience in home-study courses and is the largest correspondence school in the world. You learn at your own pace, when and where you want under the guidance of expert 'personal' tutors. Find out how we can help YOU. Post or phone today for your **FREE** information pack on the course of your choice (tick one box only).

Electronics	<input type="checkbox"/>	Radio, Audio and TV Servicing	<input type="checkbox"/>
Basic Electronic Engineering (City & Guilds)	<input type="checkbox"/>	Radio Amateur Licence Exam (City & Guilds)	<input type="checkbox"/>
Electrical Engineering	<input type="checkbox"/>	Car Mechanics	<input type="checkbox"/>
Electrical Contracting/Installation	<input type="checkbox"/>	Computer Programming	<input type="checkbox"/>

GCE over 40 'O' and 'A' level subjects



Name _____ P. Code _____
Address _____
International Correspondence Schools, Dept EDS C, 312/314 High St.,
Sutton, Surrey SM1 1PR. Tel: 01-643 9568 or 041-221 2926 (24 hrs).

CMOS	4089	806	74LS55	174	74LS257	422	Z80HCTC 800P	LINEAR ICS	LM301	25p
4000	13p 4094	48p 74LS73	18p 74LS74	22p 74LS259	58p 74LS260	38p 74LS273	28p 74LS258	AN-214P	200p LM331	35p
4001	13p 4095	48p 74LS74	22p 74LS259	58p 74LS260	38p 74LS273	28p 74LS258	AN-240P	150p LM324	35p	
4002	13p 4096	58p 74LS75	28p 74LS260	38p 74LS273	28p 74LS258	28p 74LS260	AN-380	120p LM339	40p	
4006	36p 4099	50p 74LS78	28p 74LS266	28p 74LS273	82p 74LS273	28p 74LS266	AN-7110	140p LM348	60p	
4007	13p 4501	30p 74LS83	43p 74LS279	40p 74LS280	140p 74LS280	43p 74LS279	AN-7114	180p LM380	100p	
4008	36p 4502	38p 74LS85	45p 74LS280	140p 74LS280	40p 74LS293	30p 7400	AN-7115	180p LM381	150p	
4009	20p 4503	32p 74LS86	30p 74LS290	30p 7400	22p 74LS315	30p 7400	AN-7120	140p LM382	130p	
4010	21p 4504	59p 74LS90	32p 74LS293	30p 7400	22p 74LS350	30p 7400	AY3-1270	680p LM387	100p	
4011	13p 4506	60p 74LS91	76p 74LS365	57p 7401	18p 74LS810	18p 7401	AY3-1350	300p LM709 DIL	30p	
4012	13p 4507	60p 74LS92	38p 74LS368	37p 7402	18p 74LS810	360p 7402	AY3-8912	400p LM741	18p	
4013	19p 4507	33p 74LS93	38p 74LS367	35p 7403	22p 74LS360	670p LM741 MET	AY3-3600	40p LM747	45p	
4014	35p 4508	70p 74LS95	47p 74LS368	38p 7404	40p CA270	40p LM747	CA3048	190p LM748	35p	
4015	34p 4510	37p 74LS96	60p 74LS373	56p 7405	10p CA3048	49p LM1458	CA3048	190p LM1458	38p	
4016	18p 4512	42p 74LS107	32p 74LS374	85p 7406	40p CA3060	280p LM3900	CA3060	280p LM3900	30p	
4017	31p 4513	80p 74LS109	34p 74LS375	58p 7407	40p CA3080E	70p M-51513L	CA3080E	70p M-51513L	180p	
4018	33p 4513	75p 74LS112	39p 74LS399	80p 7408	25p CA3085	510p M-51515L	CA3085	510p M-51515L	270p	
4019	28p 4514	75p 74LS112	39p 74LS399	80p 7408	20p CA3089E	150p M-51516	CA3089E	150p M-51516	200p	
4020	35p 4515	80p 74LS113	32p 7413	35p 7413	35p CA3090AQ	300p M-51517L	CA3090AQ	300p M-51517L	280p	
4021	35p 4516	80p 74LS113	32p 7413	35p 7413	45p CA3130E	80p MB3712	CA3130E	80p MB3712	180p	
4022	36p 4517	120p 74LS122	42p 7417	7417	30p CA3130S	100p MB3730	CA3130S	100p MB3730	280p	
4023	13p 4518	38p 74LS123	42p 7420	22p 7420	38p CA3140E	38p MB3756	CA3140E	38p MB3756	280p	
4024	25p 4519	30p 74LS124	85p 2114	200p 7421	25p CA3189E	250p MC1327	CA3189E	250p MC1327	70p	
4025	13p 4520	38p 74LS125	38p 27256	400p 7425	15p CA3240E	90p NE555	CA3240E	90p NE555	20p	
4026	60p 4522	60p 74LS132	40p 2718	200p 7430	14p LA-1156W	220p TA-751	LA-1156W	220p TA-751	40p	
4027	18p 4526	40p 74LS133	34p 2732	280p 7437	28p HA-1197	170p SAS560	HA-1197	170p SAS560	110p	
4028	29p 4527	44p 74LS136	35p 2784	240p 7442	46p HA-1319	250p SN76003N	HA-1319	250p SN76003N	140p	
4029	36p 4528	40p 74LS138	35p 2784	240p 7442	60p HA-1338	170p TA-76119N	HA-1338	170p TA-76119N	70p	
4030	17p 4529	75p 74LS139	35p 4116	75p 7451	22p LA-1342	170p SN76111	LA-1342	170p SN76111	70p	
4031	90p 4532	52p 74LS145	35p 4116	75p 7451	10p HA-1368WR	180p T2800	HA-1368WR	180p T2800	52p	
4032	54p 4551	80p 74LS147	120p 4184	110p 7454	25p HA-1368	180p TA-7120	HA-1368	180p TA-7120	80p	
4033	60p 4553	180p 74LS148	80p 6118	180p 7470	30p HA-1389	140p TA-7146P	HA-1389	140p TA-7146P	400p	
4034	80p 4555	29p 74LS151	32p 6264-15	250p 7473	30p HA-1392	230p TA-7193P	HA-1392	230p TA-7193P	400p	
4036	45p 4556	29p 74LS151	32p 6264-15	250p 7473	40p HA-1397	250p TA-7200	HA-1397	250p TA-7200	200p	
4038	180p 4557	180p 74LS154	90p 6802	220p 7475	25p HA-1398	240p TA-7201	HA-1398	240p TA-7201	200p	
4037	75p 4583	60p 74LS154	90p 6802	220p 7475	90p LA-1201	85p TA-7203	LA-1201	85p TA-7203	180p	
4038	48p 4584	30p 74LS156	47p 8821	140p 7482	70p LA-1352	120p TA-7204	LA-1352	120p TA-7204	110p	
4039	190p 4585	42p 74LS157	30p 8840	310p 7485	30p LA-1365	140p TA-7205	LA-1365	140p TA-7205	80p	
4040	36p 15p	15p 74LS158	38p 8850	110p 7489	40p LA-3301	120p TA-7220P	LA-3301	120p TA-7220P	200p	
4041	36p 15p	15p 74LS158	38p 8850	110p 7489	45p LA-4051	130p TBA395	LA-4051	130p TBA395	80p	
4042	30p 74LS SERIES	15p 74LS160	48p 8080A	400p 7490	36p LA-4031	140p TBA550	LA-4031	140p TBA550	16p	
4043	36p 74LS00	15p 74LS161	50p 8085A	320p 7492	45p LA-4030	200p TA-7609	LA-4030	200p TA-7609	270p	
4044	36p 74LS01	15p 74LS162	48p 8155	380p 7493	35p LA-4032	140p TBA125S	LA-4032	140p TBA125S	45p	
4045	72p 74LS02	15p 74LS163	48p 8155	380p 7493	48p LA-4050	130p TBA396	LA-4050	130p TBA396	80p	
4046	45p 74LS03	15p 74LS164	43p 8156	380p 7495	80p LA-4051	180p TBA396	LA-4051	180p TBA396	80p	
4047	45p 74LS04	15p 74LS165	65p 8224	270p 7497	30p LA-4100	120p TBA520	LA-4100	120p TBA520	100p	
4048	27p 74LS05	15p 74LS168	74p 8226	270p 74107	52p LA-4101	100p TBA530	LA-4101	100p TBA530	100p	
4049	18p 74LS08	15p 74LS168	82p 8228	270p 74111	85p LA-4102SK	140p TBA540	LA-4102SK	140p TBA540	100p	
4050	20p 74LS09	15p 74LS169	85p 8245	500p 74116	85p LA-4112	250p TBA560	LA-4112	250p TBA560	100p	
4051	38p 74LS09	15p 74LS170	80p 8250	850p 74119	40p LA-4125	210p TA-7501	LA-4125	210p TA-7501	100p	
4052	37p 74LS10	15p 74LS174	39p 8251	300p 74122	40p LA-4140	70p TBA800	LA-4140	70p TBA800	35p	
4053	37p 74LS11	15p 74LS175	42p 8253	340p 74123	20p LA-4201	120p TBA810S	LA-4201	120p TBA810S	60p	
4054	63p 74LS12	22p 74LS190	65p 8255	380p 74125	40p LA-4220	120p TBA820	LA-4220	120p TBA820	70p	
4055	52p 74LS14	30p 74LS191	82p 8256A	1200p 74132	42p LA-4222	140p TBA850	LA-4222	140p TBA850	100p	
4056	52p 74LS15	15p 74LS192	50p 8257A	370p 74141	66p LA-4420	130p TBA890	LA-4420	130p TBA890	100p	
4060	40p 74LS20	15p 74LS194	53p 8259	370p 74145	70p LA-4430	130p TCA270	LA-4430	130p TCA270	40p	
4063	52p 74LS21	15p 74LS195	62p 8271	4400p 74153	45p LA-4480	170p TCA800	LA-4480	170p TCA800	200p	
4066	20p 74LS22	15p 74LS196	82p 8272	1300p 74155	45p LA-4481	170p TCA940	LA-4481	170p TCA940	100p	
4067	130p 74LS24	38p 74LS198	82p 8273	850p 74157	45p LA-5112	120p TDA1170	LA-5112	120p TDA1170	100p	
4068	13p 74LS25	15p 74LS197	52p 8278	150p 74161	50p Please add 50p and VAT at 15%. Govt. Colleges, etc. orders accepted					
4069	13p 74LS26	15p 74LS221	56p 8282	400p 74160	60p Quotations given for Large Quantities					
4070	13p 74LS28	15p 74LS240	56p 8283	400p 74164	70p All brand-new Components					
4071	13p 74LS30	15p 74LS241	56p 8284	500p 74167	80p All values are new and boxed					
4072	13p 74LS32	17p 74LS242	56p 8288	1000p 74173	90p Rise for items not listed. We stock 3,000 items					
4073	13p 74LS33	17p 74LS243	60p 8748	2800p 74175	50p					
4075	13p 74LS37	16p 74LS244	60p 9025A&B2	800p 74176	45p					
4076	45p 74LS38	16p 74LS245	60p Z80ACPU	1800p 74180	50p					
4077	13p 74LS40	16p 74LS247	60p Z80BCPU	800p 74182	45p					
4078	13p 74LS42	32p 74LS248	60p Z80DMA	850p 74192	40p					
4081	13p 74LS47	66p 74LS249	92p Z80AP10	250p 74196	40p					
4082	13p 74LS48	66p 74LS251	30p Z80AP10	250p 74197	45p					

INGENUITY UNLIMITED

Two-Type Charger

HIS circuit is for a battery charger, to charge both lead acid and nickel-cadmium type rechargeable cells. There are many types available for one type or the other but I have never seen one for both before.

The charger incorporates no metering to keep its cost down but the six l.e.d.s which show the position of the range switch are dimmed if the battery is not connected, for example there is a loose connection of the battery. This prevents hours of charging time from being wasted.

This charger is not very efficient as lots of heat must be dissipated sometimes, but such small amounts of electricity are usually not noticeable on an electricity bill. To use the charger, the correct range indicated by the relevant l.e.d., the required charging time, method of connection, maximum number of cells to be charged and range for each common battery type is shown in the table.

When switched to one of the lead acid ranges, 13.8V and 6.9V one of these voltages is present at the 741's non-inverting input and the output voltage is present at the inverting input. If the output voltage is too high then the output of the 741 goes low. The emitter follower arrangement reduces the output voltage. The opposite happens if the output voltage is too low, so the voltage at the output remains constant at the desired voltage. The zener diode produces the reference voltage which is with respect to the battery's negative terminal and not 0V.

The constant current for charging ni-cad cells is produced through the 33 ohm resistor for D, C and AA cells and through the 240 ohm resistor for PP3 cells. Under a constant current these

BATTERY	12V LEAD ACID	6V LEAD ACID	SIZE D NI-CAD	SIZE C NI-CAD	SIZE AA NI-CAD	PP3 NI-CAD	6V 100mA-NI-CAD
RANGE	7.5V	6.9V	500mA	200mA	50mA	5mA	5mA
CHARGE TIME FULLY CHARGED	18 HOURS	18 HOURS	CAPACITY (Ah) x 1.2 CHARGE RATE (A)				
HALF CHARGED	8 HOURS	8 HOURS	CAPACITY (Ah) x 0.5 CHARGE RATE (A)				
	13.8V LEAD ACID	6.9V LEAD ACID	500mA NI-CAD	UP TO 16 IN SERIES	UP TO 16 IN SERIES	ONE OR TWO IN SERIES	ACROSS OUTPUT TERMINALS
	NO UNIFORMITY IN LEAD ACID CHARGING RATES TO BE MATCHED	NO UNIFORMITY IN LEAD ACID CHARGING RATES TO BE MATCHED	33 OHM NI-CAD	CONSTANT CURRENT			
	13.8V LEAD ACID	6.9V LEAD ACID	240 OHM NI-CAD				
	SAME CHARGE CONDITION AND AMP		1000mA UP TO 16 IN SERIES				

resistors have a constant voltage which is kept at the desired level as for the lead acid ranges.

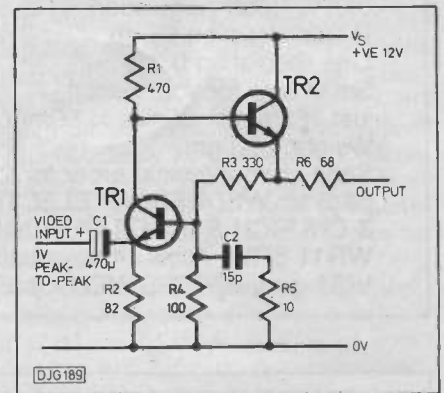
In order to show that the batteries are connected, another op-amp senses the negative output terminals voltage. When a battery is connected this voltage is usually above the 0.1V produced at the non-inverting input of the op-amp so its output voltage is low making the current through the l.e.d.s around 14mA – brighter than if the battery were not connected and the op-amps output were high. On a lead acid range if the battery is almost fully charged, and the current charging it is less than 7mA, the l.e.d. dims since the potential across the 15 ohm resistor is below 0.1V. This could be an indication that the battery is fully charged but if there is any ambiguity then the battery can be disconnected for 30 seconds and then reconnected. The current surge which happens when a lead acid battery is first connected should briefly light the l.e.d.

D.E.

Low-Cost High Performance Video Amp

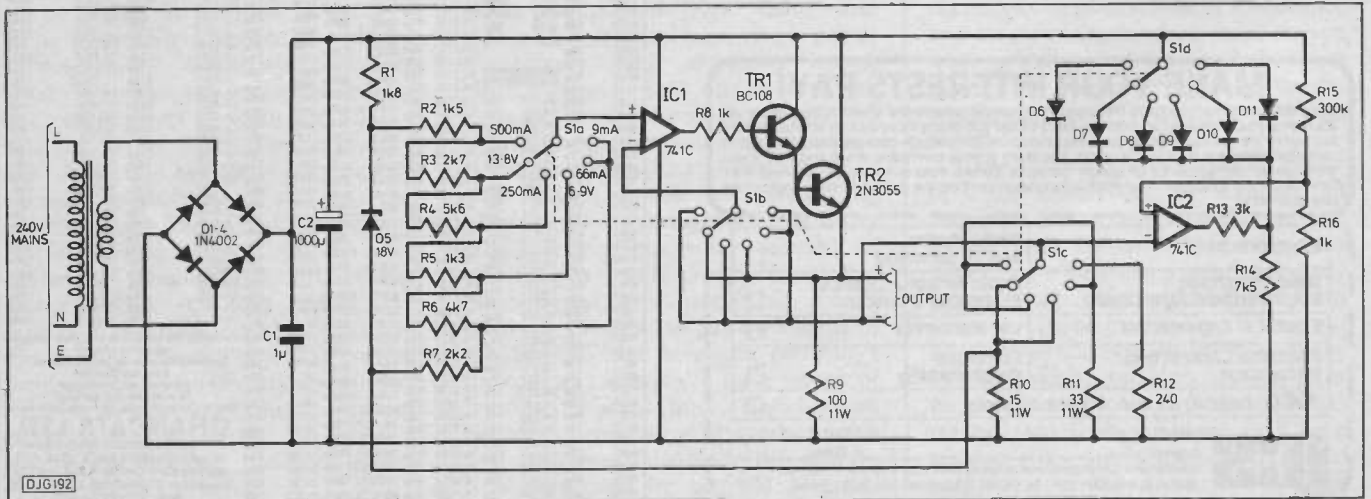
THE circuit shown in Fig. 1 is an unusual type of simple, very-wide bandwidth non-inverting video

amplifier. It uses standard low cost components and exhibits a bandwidth of 5MHz to better than 75MHz without the need for expensive RF resistors and has a 75 ohm input and output impedance. TR1 whilst configured for grounded base operation actually has a relatively higher than normal input impedance due to the negative feedback applied from the output to its base, R2 alone then virtually sets the input impedance. TR2 is an output emitter follower buffer and gives the circuit a suitably low output impedance necessary for matching into 75 ohm coaxial cable.



The closed loop gain is set around 4 times by the ratio of $(R3 + R4) / R4$, C1 sets the lower frequency limit and C2 acts as the video compensation capacitor, the time constant of C2 and R4 should match that of R1 and the total stray capacitance seen at TR1 collector in order to preserve the upper frequency response. This will obviously need a small adjustment depending upon the style of layout adopted. R5 is included to avoid instability in the feedback loop since at very high frequencies the switching delays of each transistor turn the feedback positive creating a VHF phase shift oscillator.

L.S.



PRACTICAL ELECTRONICS ARMCHAIR SCIENTIFIC AND TECHNICAL BOOK SHOP

QUALITY BOOKS AT REASONABLE PRICES

WHY A BOOK SERVICE?

We receive hundreds of letters from readers from all over the world complaining that they are unable to get hold of books or information on various subjects.

The information is available if only you know where to look. Unfortunately, it's looking that takes so much time. By expanding our book service to include books from a variety of publishers we are able to keep you informed as to what is available on a wide range of subjects.

All the books in our service are available from our editorial office at the recommended retail price plus postage and package. (We are not allowed to sell them at below cover price.) In addition to our book service, we have commissioned some independent reviews of some selected titles in order to give a fair and balanced view as to their suitability, quality and value. These reviews will appear regularly to back up our service. Descriptions of books accompanying titles in the book service are not independent reviews but are merely indications of their contents.

BOOK ORDER FORM

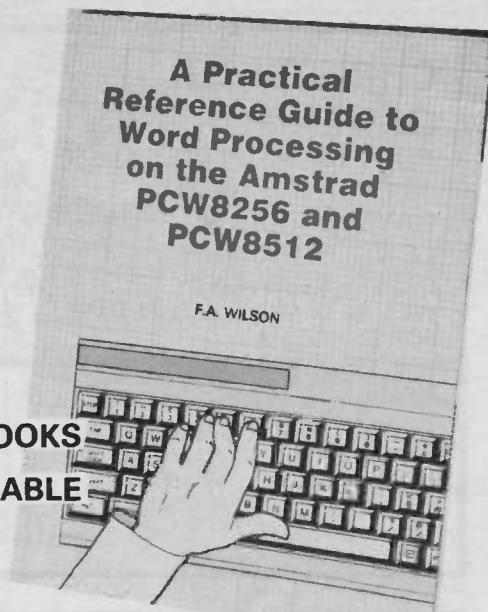
Please supply the following books listed on the enclosed form.

Remittances should be sent to:
PE Book Service, Practical Electronics, 16 Garway Road, Bayswater, London W2 4NH. Cheques should be crossed and made payable to Practical Electronics.

PRICES INCLUDE POSTAGE AND PACKING FOR INLAND ORDERS BUT PLEASE ADD £2 PER ORDER FOR OVERSEAS*

BOOK DESCRIPTION	CODE	QTY	PRICE
ADD £2 FOR OVERSEAS*			
TOTAL ENCLOSED			
NAME AND ADDRESS			

QUALITY BOOKS AT REASONABLE PRICES



A PRACTICAL GUIDE TO WORD PROCESSING ON THE AMSTRAD PCW 8256 AND PCW 8512

There have been 1000's of Amstrad computers sold - this book is a guide to using the word processing facilities
F.A. Wilson 1986, 182 pages, £6.45 inc p&p, Order code **BP187**

TV-DXING HANDBOOK

R. Bunney, 1986, 96 pages, £6.45 inc p&p, Order code **BP176**.

GETTING THE MOST FROM YOUR PRINTER

A guide to making the most of your printer, £3.45 inc p&p, Order code **BP181**.

MICRO INTERFACING CIRCUITS BOOK 1 MICRO INTERFACING CIRCUITS BOOK 2

R.A. Penfold, 1984, Book 1 112 pages, Book 2 112 pages, £2.75 each inc p&p, Order codes **BP130, BP131**.

EASY ADD-ON PROJECTS FOR COMMODORE 64, VIC 20, BBC MICRO AND ACORN ELECTRON

O. Bishop, 1985, 208 pages, £3.45 inc p&p, Order code **BP134**.



EASY ADD-ON PROJECTS FOR AMSTRAD CPC 464, 6128 and MSX COMPUTERS

O. Bishop, 1986, 196 pages, £3.45 inc p&p, Order code **BP171**.

AN INTRODUCTION TO COMPUTER PERIPHERALS

J.W. Penfold, 1985, 80 pages, £3.00 inc p&p, Order code **BP170**.

MICROPROCESSING SYSTEMS AND CIRCUITS

F.A. Wilson, 1980, 256 pages, £2.45 inc p&p, Order code **BP77**.

AN INTRODUCTION TO COMPUTER COMMUNICATIONS

R.A. Penfold, 1986, 96 pages, £3.45 inc p&p, Order code **BP177**.

AN INTRODUCTION TO 68000 MACHINE CODE

Price £3.45 inc p&p, Order code **BP184**.

PRACTICAL ELECTRONICS ARMCHAIR BOOK SHOP

DIGITAL IC EQUIVALENTS AND PIN CONNECTIONS
A. Michaels, 1985, 256 pages, £6.45 inc p&p, Order code **BP140**.

LINEAR IC EQUIVALENTS AND PIN CONNECTIONS
A. Michaels, 1985, 320 pages, £6.45 inc p&p, Order code **BP141**.

INTERNATIONAL TRANSISTOR EQUIVALENTS GUIDE
A. Michaels, 1981, 320 pages, £4.00 inc p&p, Order code **BP85**.

ELECTRONICS SCIENCE PROJECTS
O. Bishop, 1982, 144 pages, £2.75 inc p&p, Order code **BP104**.

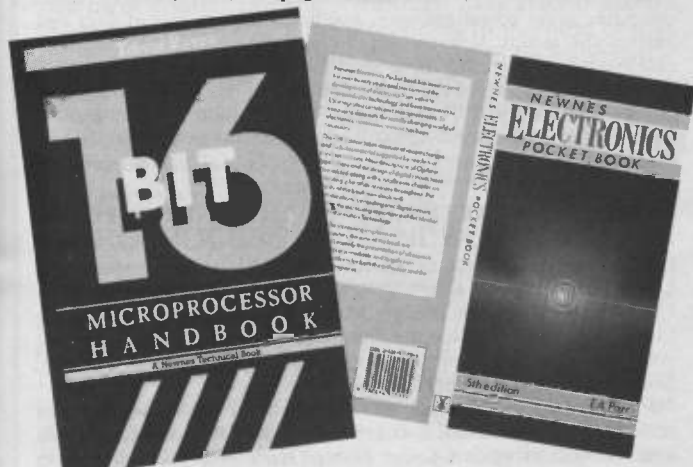
POWER SUPPLY PROJECTS
R.A. Penfold, 1980, 96 pages, £3.00 inc p&p, Order code **BP76**.

PRACTICAL ELECTRONIC BUILDING BLOCKS—BOOK 1
PRACTICAL ELECTRONIC BUILDING BLOCKS—BOOK 2
R.A. Penfold, 1983, Book 1 128 pages, Book 2 12 pages, £2.45 each inc p&p, Order codes **BP117, BP118**.

AUDIO PROJECTS
F.G. Rayer, 1981, 96 pages, £2.45 inc p&p, Order code **BP90**.

PRACTICAL ELECTRONICS CALCULATION AND FORMULAE
F.A. Wilson, 1979, 256 pages, £3.45 inc p&p, Order code **BP53**.

MORE ADVANCED ELECTRONIC MUSIC PROJECTS
R.A. Penfold, 1986, 128 pages, £3.45 inc p&p, Order code **BP174**.



16-BIT MICROPROCESSOR HANDBOOK
Trevor Raven
The 16-bit Microprocessor handbook examines the characteristics of the four most popular chips: 8086, Z8000, and 99000. Over 95% of the 16-bit microcomputers available on the market today incorporate one or other of them.
£9.95 inc p&p Order code **NT7**

NEWNES ELECTRONICS POCKET BOOK
E.A. Parr, 5th edition, 1986
Despite the increasing emphasis on microcomputers, the aims of the book are unchanged; namely the presentation of all aspects of electronics in a readable and largely non-mathematical form for both the enthusiast and the professional engineer.
£9.45 inc p&p Order code **NT10**

BEGINNER'S GUIDE TO INTEGRATED CIRCUITS
Ian R. Sinclair, Second edition 1983
"As before Ian Sinclair has managed to produce an outstanding book for the beginner to electronics." (*Everyday Electronics*)
£5.45 inc p&p Order code **NT8**

INTRODUCTION TO 6800/6802 MICROPROCESSOR SYSTEMS HARDWARE, SOFTWARE AND EXPERIMENTATION
R.J. Simpson & T.J. Terrell
"This book is very thorough." (*Electronics and Computing*)
"This text has long been needed . . . essential reading." (*Micro Forecast*)
£8.45 inc p&p Order code **NT9**

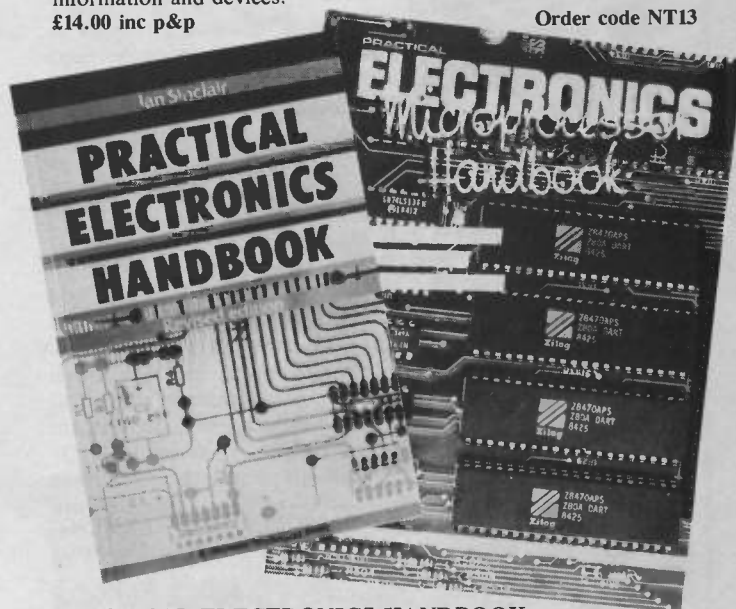
QUALITY BOOKS AT REASONABLE PRICES

OP-AMPS (THEIR PRINCIPLES AND APPLICATIONS)
Brian Dance, 2nd Edition 1986
This edition provides a source of practical circuits using both new devices and well-established ones like the 741, and including all component values. Written in a simple, non-mathematical style and specifically directed to the non-academic reader.
£6.00 inc p&p Order code **NT2**

OSCILLOSCOPES (HOW TO USE THEM, HOW THEY WORK)
Ian Hickman, 2nd Edition 1986
This second edition has been updated to cover new techniques and new instruments which have been introduced since the publication of the first edition in 1981. Illustrated with diagrams and photographs of many more oscilloscopes than the first edition, the book will appeal to everyone who wants to know about oscilloscopes, from the school student to the graduate, from the hobbyist to the technician.
£6.00 inc p&p Order code **NT3**

MODERN ELECTRONIC TEST EQUIPMENT
Keith Brindley, 1986
The subjects covered include analog and digital meters, oscilloscopes, signal sources, frequency, time and event counters, spectrum and logic analysers, displays and automatic test equipment.
£7.45 inc p&p Order code **NT4**

PRACTICAL ELECTRONICS MICROPROCESSOR HANDBOOK
Ray Coles, 1986
Can be used to select an appropriate microprocessor for a particular task as a comprehensive reference source for the technician, as an overall introduction to the microprocessor scene, or as a primer for the engineering student.
Taken from Practical Electronics and updated to include new information and devices.
£14.00 inc p&p Order code **NT13**



PRACTICAL ELECTRONICS HANDBOOK
Ian Sinclair, 1986 Revised Edition
A useful and carefully selected collection of standard circuits rules-of-thumb, and design data for professional engineers, students and enthusiasts involved in radio and electronics.
This revised edition contains more details on computers and microprocessors and has been brought up to date throughout.
£6.45 inc p&p Order code **NT1**

PRACTICAL ELECTRONICS ARMCHAIR SCIENTIFIC AND TECHNICAL BOOK SHOP

QUALITY BOOKS AT REASONABLE PRICES

NEWNES RADIO AND ELECTRONICS ENGINEER'S POCKET BOOK

Keith Brindley

First published in 1940 and continuously in print ever since the book is an A-Z of information from aerial dimensions to zener diodes, abbreviations and symbols to world time.

This splendid and unsurpassed pocket reference book cannot be too strongly recommended to anyone with an interest in the fascinating fields of radio and electronics engineering

£6.00 inc p&p

Order code NT11

SERVICING PERSONAL COMPUTERS

M. Toolely, 1985

"At last a crucial gap in the huge pile of micro-computer literature is filled." (*Education Equipment*)

"A very worthwhile publication." (*Television*)

£18.45 inc p&p

Order code NT12

PRACTICAL DESIGN OF DIGITAL CIRCUITS

Ian Kampel, 1986

"This is a book which the reader will refer to repeatedly as a source of instruction and inspiration." (*Whats New in Electronics*)

£11.00 inc p&p

Order code NT5

THE ART OF MICRO DESIGN

A.A. Berk, 1984

"After reading this book the reader should be able to read manufacturers' data sheets and begin micro-design with confidence and an up to date knowledge of the chips and techniques available . . . Good luck!" (*Everyday Electronics*)

£14.45 inc p&p

Order code NT6



INTRODUCTION TO MICROCOMPUTER ENGINEERING

D.A. Fraser, Department of Electronics Chelsea College, University of London, 1985, 295 pages

This book presents the material needed for a serious technical course on the design and operation of microcomputers, and on the properties of microprocessors which form the heart of the computer. The text follows introductory courses on electronic logic and programming, and can be used in conjunction with practical work on microcomputers.

Contents: Basics; The intel8085; The Zilog Z-80; The Motorola 6800; The MOS-Technology MCS6502; Other Microprocessors; Subsystems: Analogue Signals; Systems and Testing.

£15.00 inc p&p

Order code EN3

PRINCIPLES OF COMPUTER COMMUNICATION NETWORK DESIGN

J. Seidler, Institute of Fundamentals of Informatics, Polish Academy of Sciences, Translation Editor: Richard Deasington, IBM United Kingdom Laboratories Ltd, Southampton, 1983, 567 pages

This unified and systematic analysis of network performance and theory of operation is compatible with the recent trend in computer systems which indicates the growing importance of computer networks. It reflects the technical progress in the field of electronic digital circuits, and describes, classifies and evaluates the quality and optimisation of the rules of computer communication systems operation.

£20.45 inc p&p

Order code EN4

THE MICRO IN THE LABORATORY

C.G. Morgan, Lecturer, University of Salford, 1984, 194 pages

The book begins with a survey of computer concepts and electronics as they affect the laboratory worker. It explains the type of computer equipment needed to collect data efficiently. Next, taking the BBC computer as an actual example, you'll see how to record data and analyse the results. Voltage output comes next, with the control of external laboratory equipment from the micro.

"... is certainly one of the best in the area of using microcomputers in the laboratory... thoroughly recommended." (*Laboratory Computer*)

£9.45 inc p&p

Order code N2

APPLIED CIRCUIT THEORY - MATRIX AND COMPUTER METHODS

P.R. Aaby, Department of Electrical and Electronic Engineering, University of London King's College, 1980, 490 pages

Contents: Basic Circuit Theory; Matrix Analysis of Networks; Non-Linear DC Analysis; Nodal Admittance Matrix Methods; Two-part Analysis; Transfer Function Analysis; State Variable Analysis; Sensitivity Analysis; Tolerance Analysis.

"If you are seeking a book to take you from fundamental circuit concepts to computeraided analysis and design then this is certainly worth considering." (*A.M. Close, Heriot-Watt University, in Computer-aided Design*)

£10.50 inc p&p

Order code EN1

UNDERSTANDING & EXPANDING YOUR AMSTRAD 464, 664 & 6128

Alan Trevennor, 350 pages

Starting with an easy but in-depth approach to understanding how the Amstrad computers and Z80 processor work, even those with little electronics knowledge will be able to get to grips with all the important pieces of hardware.

With this knowledge - plus some inexpensive components - exciting projects can be undertaken. A speech synthesizer, expansion ROM board and a 4-channel Rs 232 interface are introduced and - for the more adventurous - a complete EPROM programmer and a local area network for office, factory or school. Software to drive each project is included in the book and Assembly language programming is introduced with many examples. The complete kits described in each project, made by Halstead Designs, are readily available if you need them!

This book lifts your Amstrad computer from a novelty to a really useful adjunct to your life.

Note: software disc available direct from Amsoft.

£9.45 inc p&p

Order code N1

DIGITAL AND MICROPROCESSOR ENGINEERING

S.J. Cahill, Senior Lecturer, School of Electrical and Electronic Engineering, Ulster Polytechnic, 1981, 513 pages

This presentation of the topics of random and microprocessor logic in an unusually unified manner, places particular emphasis on design strategems based on current integrated circuits.

£15.10 inc p&p

Order code EN2

INDEPENDANT SCIENTIFIC AND TECHNICAL BOOK REVIEWS



MODERN ELECTRONIC TEST EQUIPMENT

Keith Brindley

131 pages 215 × 137mm (soft cover) £6.95

William Heinemann Ltd.

ISBN 0 434 90567 4

These days there is more to the world of test equipment than test meters and oscilloscopes, and this book sets out to cover the whole field from analogue multimeters through to ATE (automatic test equipment) systems. The subjects covered on the way include digital meters, oscilloscopes, signal sources, frequency, time, and event counters, spectrum, analysers, and logical analysers. An appendix details the various types of display used in modern test equipment (analogue meters, CRTs, and LCDs).

Although this book is aimed at engineers, technicians, students, and teachers, and is designed to help them choose suitable test gear and use it to the full, it should also be of interest to the electronics hobbyist who wishes to keep up to date with developments in the field of test equipment. In a book of this size it would be impossible to go into great detail about all the topics covered, but it is written in a clear and concise manner which fully exploits the available space. It certainly gives a good idea of what is available, what it can do, and how it does it.

PRACTICAL ELECTRONICS MICROPROCESSOR HANDBOOK

Ray Coles

152 pages 245 × 190mm £13.50

Newnes Technical Books

ISBN 0 408 01583 7

The name of Ray Coles will be familiar to many Practical Electronics readers as the author of many articles in past issues of the magazine. In fact the 'Practical Electronics' part of the title is due to this book being based on the popular 'Micro File' series of articles which ran in Practical Electronics from November 1982 to July 1984. These articles form the core of this book, but there is a lot of additional material. This is mainly in the form of the first three chapters which cover the history of the microprocessor, the basics of microprocessor hardware, and various aspects of software. There is also a final chapter which does some crystal ball gazing, and the original Micro File articles are sandwiched between this and the three introductory chapters. These have been reworked into three chapters covering 8 bit, 16 bit, and single chip microprocessors.

What makes this such a valuable book is its wide coverage of the various microprocessors which are currently available, including the more obscure (but potentially useful) types such as the 1802 and the single chip devices. Obviously there is a limit to the amount of data that can be provided for each device, but there is a useful run down on each one including basic details of support chips, the instruction set, pinout details, etc. A very readable and informative book which is ideal for anyone who wants to know what's available and what it can and can not do, and much easier going than the alternative of wading through several books dealing with specific types of microprocessor. Of dubious value though, for anyone who has a full set of the original articles.

PRACTICAL ELECTRONICS HANDBOOK

Ian Sinclair

199 pages 215 × 135mm (soft cover) £5.95

Newnes Technical Books

ISBN 0 408 00447 9

A useful compilation of standard circuits, rules-of-thumb, and design data. This book is intended for use by professional engineers, students, enthusiasts, or anyone else involved in radio and electronics. The range of subjects covered includes passive and active circuits, discrete component circuits including oscillators, amplifiers, filters, and power amplifiers. Although this book was first published in 1977, and to some extent shows its age, it has been newly revised and both linear and digital integrated circuits are included. Circuit descriptions are provided, together with either sample component values or details of how to calculate values (using what is in general not particularly advanced mathematics). The range of subjects covered is actually quite wide, including some radio frequency circuits for example, but this does mean that coverage of some subjects is rather superficial. The book is written in the readable style for which its author is well known.

All in all a useful volume of circuits, digital integrated circuit pinout diagrams, and other information, but probably of more use to those of relatively little experience rather than the old-hand. It certainly represents good value for money.

16 BIT MICROPROCESSOR HANDBOOK

Trevor Raven

170 pages 215 × 137mm (soft cover) £9.95

Newnes Technical Books

ISBN 0 408 01318 4

The four most popular 16 bit microprocessor families are covered in this book (Intel 8086, Motorola 68000, Zilog 8000, and TI 99000). It is probably the first two of these that will interest most readers, as they are the only ones which have achieved widespread use in personal computers. However, the book is aimed at designers as well as those wishing to know about the particular chip used in their personal computer. The inclusion of a complete description of all four chips is therefore well justified, and also makes the book of more interest to someone who simply wishes to know more about what types are available, and what features each chip supports.

Although an introduction to 16 bit microprocessors is included, this is not really a beginners book, and it is probably of most use to those who are familiar with 8 bit microprocessors and wish to take a step up the ladder to 16 bit types. A description of the variations in each family are included, and in the 8086 section for example, some information on the 8088, 80186, and 80188 is also provided. Some information on the main support chips in each family is also given, but the book is less than extensive in this respect. In addition to sections on the four chip families there are also sections covering 16 bit personal computers, and more usefully, a chapter covering 16 bit operating systems.

Reviews by R.A.P.1986

INDEX

JANUARY 1986 TO DECEMBER 1986

VOLUME 22

Constructional Projects

Amstrad I/O – by Richard Sargent. Allows up to 241/0 lines to be controlled from any user port address. **March, 20**

Burglar Alarm by J B Rust. A powerful, flexible system at an affordable price. **February, 20**

Bytebox Modifications by J R Kelley and Ray Stuart. Further ideas for the sideways ROM project and battery-backed RAM. **April, 26**

BBC PSU by Ray Stuart. Computer controlled power project. **May, 38**

Computer Movement Detector by R A Penfold. Doppler effect unit – a simple computer interface. **February, 10**

Clock Timber by Pablo. An interesting clock design with practical applications. **March, 42**

Drill Speed Controller by William Woodard. Clever control console for low voltage current drills. **January, 32**

DG Beacon Timber by R A Penfold. Offshore navigation aid with crystal controlled accuracy. **May, 10**

Dry cell charger by Rod Cooper. Better use of batteries constructional Project. **July, 16**

Experimenting with Robots by Sam Withey. Part five safe disc or bi-polar motor interface using opto-isolators. **January, 42**

We conclude the series with application of the DC/Stepper motor driver. **February, 48**

Echo – Reverb by M P Horsey. Produce crazy crescendo, eries echo and raucus reverb. **July, 38**

Fibre Optic Audio Link by R A Penfold. Audio transmission system employing fibre optic light guide. **March, 10**

Fibre Optic Data Link by R A Penfold. Reduce program crashes due to mains borne interference and RFI. **September, 38**

Final construction and testing. **October, 45**

Guitar Tracker by R A Penfold. Transform a simple electric guitar into a versatile synthesizer **June 26**

Hardware Restart by R Macfarlane. Provides a spectrum reset facility without loss of memory contents. **March, 28**

Hobby Bus D to A/A to D by Ray Stuart. Universal analogue board for the PE hobby bus. **September, 12**

IR Communicator by the Prof. Techniques and applications of infra-red light for communication purposes. **September, 18**

Logic Probe by Tim Watson. A useful and versatile test aid for TTL and CMOS. **February, 36**

Logic Checker by Peter Collins. Simple but extremely useful test gear for TTL packages. **May, 44**

Modular Mixer by John M H Becker. Comprehensive music mixer with lots of options. **January, 20**

Part Two final Constructional details and system options. **February, 18**

Micro-scope by John M H Becker. Part two Make an "Oscilloscope" out of a micro. **January, 50**

Micro Chip Tester by John M H Becker. A CMOS and TTL i.c. tester. **August, 16**

Mains Delay/Timer by G R Hynes. A novel touch-sensitive lights dimmer. **October, 33**

Notcher Effects unit by John Simon. Audio Add-on to produce some very unusual effects. **May, 24**

Passive IR Detector by R A Penfold. Fun with fresnel lenses for light control or burgular detection. **July, 10**

PE Hobby Board by Richard Barron. A universal interface and peripheral controller for all home micros. **May, 31**

PE Hobby Bus by Richard Barron. Part two. Construction details and pcb design **June, 32**

PE Hobby Bus part three by R A Penfold. Computer connections and software for Z80-based micros. **July, 34**

Part Four Full connection details and software for the BBC oric, vic and commodore machines. **August, 44**

PE Promenader by Mike Delaney. 35-channel light display unit – programmable. **December, 28**

PE SBC-1 (HD63701V) by Nick Hampshire. Our first SBC constructional using advance technology. **June, 36**

PEHB Universal Eprom Programmer by Laurie Lambert and Gerry Browse. If you need some firmware then this is the project you need. **October, 49**

Part Two final details **November, 38**

Percussion synthesiser by R A Penfold. An electronic drum synth. **October, 16**

Photographic Trigger unit by R E Head. Flexible aid for photographers – sound or light triggered for automatic flash or motor wind. **April, 32**

Portable geiger counter by John M H Becker. A stand alone test instrument with computer interface option. **August, 30**

Remote Controlled Joystick by R A Penfold. Freedom of control for computers. **November, 16**

RS232 Breakout Box by John Lewis. Give yourself a break, sort out your computer's communication. **January, 10**

Spectrum speech synthesiser and 8-bit 1/0 port by G Hodgson. Give your computer "Freedom of speech" and more besides! **January, 10**

Sound Switch by R A Penfold. A useful add-on incorporation? A CCD delayline. **April, 10**

Stebus power supply by Fariba Sanieenejad. **April, 20**

Scratch and Rumble Filter by D Stone. Stereo noise reduction system. **April, 50**

Stebus Power Supply and Backplane part two. Module construction details and final installation **May, 40**

SBC part 2 by Nick Hampshire. **October, 42**

Shoestring Satellite by Andrew Randle. Build a complete system for around £250. **November, 26**

Temperature/Analogue Interface by R A Penfold. Amstrad or spectrum analogue port designed for accurate temperature measuring application. **April, 28**

Tempestuous Storm Effects by John M H Becker. Realistic props – wind, rain, thunder and lightning. **June, 18**

Thermocouple Interface by G J Phillips. Turns a digital multimeter into an accurate thermometer. **June, 44**

Touch Controlled Dimmer by G R Hynes. A novel touch-sensitive lights dimmer. **October, 33**

Video Enhancer by R A Penfold. A project for video enthusiast. **December, 16**

Voice Compressor by the Prof. An experimental project using voice compression techniques. **December, 24**

Wireless Baby Alarm by R E Head. A through the mains Baby Alarm **November, 32**

20MHZ Universal Counter by Mike Delaney. Professional Spec test instrument for the hobbyist. **June, 10**

POINTS ARISING

Burglar Alarm (Feb '86)	March, 9
Clock Timer (March '86)	
Photographic Trigger Unit (April '86)	June, 6
PE Hobby Bus (May '86)	
Book Review (April '86)	July, 6
Fibre Optic Data Link (August '86)	
SBC Part 2 (August '86)	September, 9
STe bus (August '86)	October, 10
Geiger Counter (August '86)	
Percussion Synthesiser (Oct '86)	November, 8

SPECIAL FEATURES

Alternative Robotics by Professor John Billingsley. Robotics for the hobbyist – fun and interest with technical excellence.

July, 26

Bytebox Update. The latest ideas for the popular sideways ROM projects.

April, 26

Better use of Batteries by R Cooper. Recharging dry cells – it can be done – PE shows you how.

June, 16

Dry cells technology and practical charging details.

July, 16

Better use of batteries part 3. Technicalities of various types of batteries.

August, 38

Conclusions and reminders.

October, 36

Cad in Electronics by Chris Kelly. The techniques, application and benefits of this relatively new technology.

August, 12

Comment Special by Stewart Boyle and William McMillin. Chernobyl is now history but the debate continues.

August, 28

DC Control of Analogue Signals by L Sage. Useful circuits and ideas for d.c. control

September, 32

Designing Filters by A B Bradshaw. A design feature in pictures.

October, 38

Electronic Mail by Barry Fox. The latest in information technology – the facts and figures.

???

EMI means trouble by Simon Battman. Interference, a growing menace.

April, 60

Experimental Electronics by the Prof.

September, 18

IR Communication

November, 22

Amplifier Classes

December, 24

Voice Compression

Familiar Family Functions by R A Penfold. This article leads you through the 'Logic Jungle'

September, 44

Introduction to microprocessor systems by Michael Tooley BA and David Whitefield MA MSC CENG MIEE. Part four Interrupt processing and peripheral control.

January, 26

Part Five 1/0 Control using the 6821 and an introduction to the 6502

February, 13

Part Six The 6522 PIA, the Z80 and its peripheral devices.

March, 14

Integrators by Paul Cutherberston. An op-amp design course

December, 20

LCD Technology Pocket TVs – the future technology

November, 42

Microelectronics Education Programme by Graham Bevis and Michael Page

???

Part One, the What, Why and How of MEP.

January, 14

Part Two, Microelectronics for all

February, 40

Moulded wiring boards by Richard Barron. The pcb of the future.

A look at a new technique which is set to revolutionize electronic equipment assembly.

August, 26

PE Special Offer, Solar cells for the "Solar Challenge"

June, 39

Lascar DP 2020 Digital Multimeter

January, 25

Practical Micromouse by A Dibley. Tips and techniques for practical robot designs using a Z x 81

July, 28

Professional Front Panels by the Prof. Make your projects look good!

Readers survey A chance to tell us what you want and a special offer into the bargain.

March, 25

Robot Sketch by B A Billingsley. What are robots?

October, 58

Setting the standards by Richard Barron. The PE standards for an industrial and hobby micro interface bus.

April, 16

Silicone contamination by Gerald Kingsbury. Science feature the silicone factor.

April, 40

Shoestrung Cad-cam by R A Penfold. A close look at the CAD - CAM software packages available to the hobbyist.

September, 24

StE bus standards by Richard Whitlock. The industry standard IEEE bus.

December, 38

The PE Challenge. Come up with a good design and it could be commercially manufactured.

May, 22

The Leading Edge by Barry Fox. The technology behind the technology.

June, 43

The featherless woodpecker by Simon Battman. A true modern day mystery story.

September, 48

TV – the complete picture by Barry Fox.

October, 22

Using Solar Cells by Nick Hampshire. Amorphous silicon plates and silicon wafers – which?

May, 20

Video Pick-ups A look at the variety of pick-up lines

November, 42

NEWS AND GENERAL FEATURES

BAZAAR: January,41; February,52; March,48;51; April,54; May,55; June,55; July,55; August,53; September,41; October,34; November, 50;

BOOK REVIEWS: January,52; February,39; March,40; April,56; May,56; June,56; July,56; August,41; September,42; October,-; November,44;

COMMENT: May,57; June,57; July,57; August,28,29; September,31;

EDITORIAL: January,7; February,7; March,7; April,-; May,-; June,-; July,-; August,7; September,7; October,9; November,9;

INDUSTRY NOTEBOOK: January,48; February,17; March,49; April,48; May,-; June,7; July,58; August,50; September,50; October,21; November,36;

INGENUITY UNLIMITED: January,-; February,23,35; March,24,37; April,44,47; May,-; June,34,35; July,-; August,-; September,51; October,-; November,-;

LEADING EDGE: February,24; March,19; April,15; May,14; June,43; July,15; August,42; September,17; October,15; November,14;

LETTERS: January,18; February,-; March,25; April,7; May,39; June,-; July,7; August,51; September,-; October,44; November,-;

MICRO-FORUM: January,45; February,38; March,38; April,23; May,36; June,40; July,50; August,-; September,-; October,-; November,-;

SPACE WATCH: January,40; February,34; March,47; April,38; May,43; June,42; July,44; August,36; September,36; October,52; November,21;

SPECIAL OFFERS

SPECIAL OFFERS: January,25; February,25; March,-; April,-; May,-; June,39; July,-; August,-; September,10,43; October,29,56; November,8;

P.C. BOARDS

Printed circuit boards for certain PE constructional projects are now available from the PE PCB Service, see list. They are fully drilled and roller tinned. All prices include VAT and postage and packing. Add £2 per board for overseas airmail. Remittances should be sent to: PE PCB Service, Practical Electronics, Practical Electronics Magazines, 16 Garway Road, London W2 4NH. Cheques should be crossed and made payable to Practical Electronics.

Please note that when ordering it is important to give project title, order code and the quantity. Please print name and address in Block Capitals. Do not send any other correspondence with your order.

Readers are advised to check with prices appearing in the current issue before ordering.

NOTE: Please allow 28 days for delivery. We can only supply boards listed here.

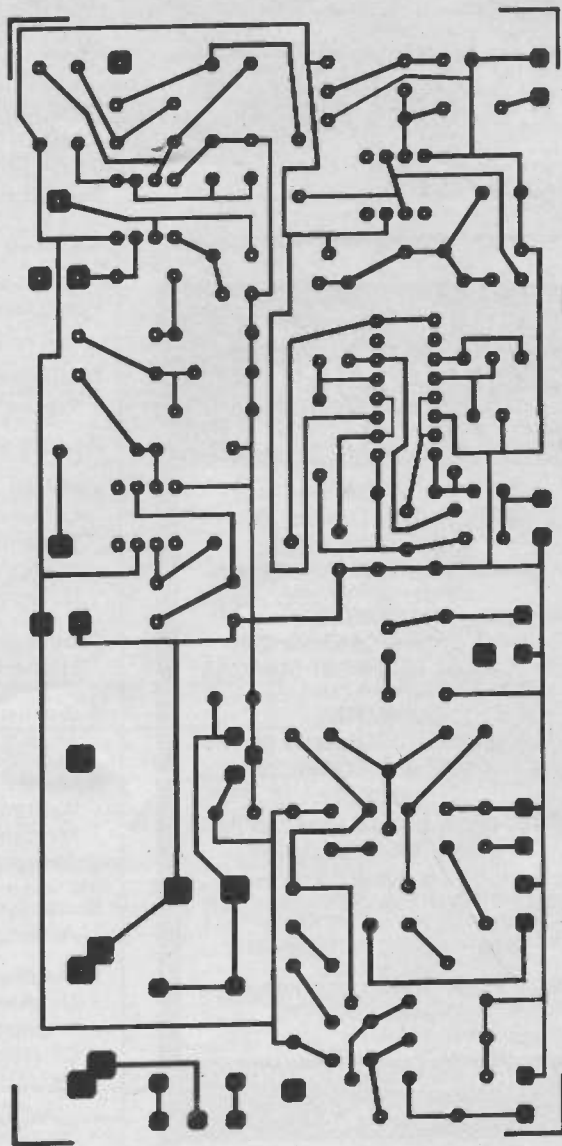
TELEPHONE ORDERS (LINES OPEN 24 HOURS)

You can now order your printed circuit boards by telephone, quoting your Access credit number. The number to ring is: 0268 710722. In stock items will be despatched within 24 hours of receipt of order. If you ring out of office hours please state your order, credit card number and address clearly, as the order is recorded on an answering machine.

PROJECT TITLE	ORDER CODE	COST
MAR '84 Spectrum Autosave	430-01	£3.90
JUNE '84 Cross Hatch Generator	406-01	£3.90
JULY '84 Simple Logic Analyser I EPROM Duplicator Alarm System Oscilloscope Calibrator	407-01 407-02 407-03 407-04	£7.73 £3.90 £3.90 £4.23
AUG '84 Comm. 64 RS232C Interface Field Measurement " " Simple Logic Analyser II	408-01 408-02 408-03 408-05	£3.90 £3.90 £3.90 £3.90
SEPT '84 Parallel to Serial Converter Through the Mains Controller " "	409-01 409-02 409-03	£3.90 £3.90 £3.90
OCT '84 Logic Probe	410-01	£3.90
NOV '84 Computer DFM Adaptor	411-01	£3.90
DEC '84 Ni-Cad Charger	412-01	£3.90
JAN '85 Outrider Car Computer (Set of 2)	501-01	£9.10
FEB '85 Modular Audio Power System Pt-1: Power Amp Board Spectrum DAC/ADC Board	502-01 502-02	£4.19 £3.90
MAR '85 Modular Audio Power System Pt-2: Pre-Amp/Line Driver Main Board Heart Beat Monitor - Main Circuit Board - Detector Low Cost Speech Synthesiser	503-01 503-02 503-03 503-04 503-05	£5.00 £5.12 £8.90 £6.62 £3.42
Power Control Interface Disc Drive PSU Modular Audio Power System Pt-3: Test Signal Source Power Supply	504-01 504-02 APRIL '85 504-09 504-10	£3.90 £6.54 £4.20 £4.17

Amstrad Synthesizer Interface	505-01	£4.23
Rugby Clock Pt-2	504-03	£24.22
"	MAY '85 504-05	£5.12
"	504-06	£9.54
"	504-07	£5.40
"	504-08	£10.24
CBM64 Music Keyboard		
Keyboard	JUNE '85 506-02	£4.55
Main PCB	506-03	£3.90
MTX 8 Channel A to D	JULY '85 507-01	£3.92
Voltmeter Memory Adapter	506-01	£3.90
Envelope Shaper	AUG '85 508-01	£3.90
Car Boot Alarm	SEPT '85 509-01	£3.90
RS232 To Centronics Converter	509-03	£4.95
Touch Control PSU	OCT '85 001	£4.90
Exp. with Robots (double-sided)	004	£16.91
Modulated Syndrum	005	£4.90
CBM User Port Expander	006	£3.93
Model Railway Track Control	010	£5.44
*Bytebox: ROM Board (double-sided)	002	£12.75
ZIF Socket	003	£3.90
RAM Board	NOV '85 007	£4.95
Battery Backed RAM	008	£3.90
EPROM Board	009	£3.90
*Special Price - Complete set of 5 boards	00A	£23.00
DEC '85		
Model Railway Rec Board - A	016	£3.90
Track Control Rec Board - B	017	£4.86
Rec Board - B Ext	018	£3.93
Test Load	019	£3.90
Exp. with Robots Spectrum Speech Synth & 8-Bit I/O Port (double sided)	022	£3.90
JAN '86		
Burglar Alarm Main Board	020	£4.97
Bell Driver	FEB '86 021	£3.90
Logic Probe	024	£4.20
Computer Movement Detector	509-02	£3.90
Clock Timer	027	£6.38
Fibre Optic Audio Link		
Transmitter	MAR '86 025	£3.90
Receiver	026	£3.90
Set of two boards	00B	£5.87
Hardware Restart (double-sided)	508-02	£6.98
Temperature/Analogue Interface	101	£3.90
Sound Activated Switch	102	£5.30
Photographic Trigger Unit		
Set of two boards	APRIL '86 00C	£6.63
IEEE1000 PSU	105	£4.62
Scratch and Rumble Filter	106	£4.51
Notcher Effects Unit	107	£5.61
Logic Checker	MAY '86 108	£4.09
D.F. Beacon Timer	109	£5.31
STEBus backplane	110	£10.90
Guitar Tracker	111	£5.92
Thermocouple Interface	112	£3.90
PE Hobby Board	JUNE '86 113	£22.81
BBC Light-pen	114	£3.90
Passive IR Detector	115	£3.90
200MHz counter		
Main board	JULY '86 116	£16.26
Display board	117	£12.35
Set of two boards	00D	£25.88
Fibre Optic Data Link		
Set of two boards	SEPT '86 00E	£8.46
PEHB D/A-A/D	120	£6.42
Drum Synthesizer	OCT '86 121	£6.42
Time Delay - Mains (Set of 2)	122	£6.64
Mains Dimmer	123	£3.90
Remote control Joystick	NOV '86 124	£8.90
Set of two boards		
Wireless Baby Alarm	125	£8.79
Set of two boards		
Video Enhancer	DEC '86 126	£4.90

PE
PECB
SERVICE
SEE
PAGE 53
AND 60
FOR
DETAILS



VIDEO
ENHANCER
PCB PATTERN
ORDER CODE
PE 126

INDEX TO ADVERTISERS

BiPak Components	15	London Electronics College	62
B.K. Electronics	63	Magenta Electronics	IFC
Cricklewood Electronics	12	Maplin Electronics	OBC
Croydon Disco	12	Omega	62
Crotech Instruments	15	Phonosonics (Becker)	13
C.R. Supply Co.	62	Riscomp	13
Electromail	8	Scientific Wire Co.	62
Grandata	51	Tandy	37
Henries Audio	51	Technomatic	10,11
I.C.S.	51	T.K. Electronics	12
I.G.S.	62	Wednesday Electronics	51
JMJ Electronics	51		

PLEASE MENTION PRACTICAL ELECTRONICS WHEN
REPLYING TO ADVERTISEMENTS

R.S.P. ELECTRONICS

109 EASTGATE STREET
GLOUCESTER GL1 1PY
TEL. 0452 23034

TRANSFORMERS		SEMICONDUCTORS/ICs	
6.0.6v 250ma.	150p	AU 103	160p
12.0.12v 150ma.	260p	AC 128k	35p
24.0.24v 100ma.	240p	AF 180	65p
20.0.20v 1A.	280p	BA 182	20p
35v 2A.	300p	BD 253	80p
7.5/160v 250ma.	180p	BF 159	25p
0.12.18v 3A.	290p	LA 3350	72p
17.0.12 3A.	320p	MC 1310p	140p
40.0.40 1A.	230p	MB 3712	150p
CAPACITORS		TCA 160B	48p
100uf 63v.	15p	TBA 810AS	70p
47uf 160v.	30p	WO2 200v 1A Rec	35p
47uf 25v.	12p	2N 5294	70p
220 uf 40v.	30p	DPDT Min Slide	15p
1000uf 16v.	30p	DPDT Toggle 2A	50p
1250uf 25v.	32p	CARBON COMP	
2200uf 25v. Radial	62p	RESISTORS	
2000uf 4v.	15p	50p per 100 1 value	
32+32uf 350v.	33p	£3.00 per 1000 1 value	
2500uf 50v.	70p	MANY VALVES	
4700uf 30v. Radial	100p	AVAILABLE	
		ADD 70p p&p + 15% VAT	

PROMS—EPROMS—PALs

ANY PROGRAMMABLE IC SUPPLIED OR BLOWN

PRICES (including Programming)
2716—£2.85 2732—£3.10
2764—£2.60 27128—£3.85 etc
BIPOLAR PROMS from £1.50
e.g. 82S123, 18S030, 74S288
PALs, PLDs etc. from £4.05
e.g. 82S153, 16L8, EP300
Full design and prototyping service
Any quantity programmed—SAE or phone for details,
P.L.S., 16 Wordsworth Drive, Cheam, Surrey,
SM3 8HF—Phone 01-644 8095

COMPONENTS

CLEARING LABORATORY, scopes, generators, P.S.U.'s, bridges, analysers, meters, recorders etc. Tel. 0403-76236.

*** 68008 Single Board Computer, contains 80 T/D/S disc interface, colour display, 8K monitor, 1 megabyte RAM, 2 serial & 2 parallel ports, RTC, etc. Runs SK-DOS 68k bare P.C.B. or built. Also 6809 micro-set system and tangerine conversions. s.a.e. for details. (State which) Ralph Allen Eng., Forncett-End, Norwich.

TV TO SCOPE. Easy to build unit simply plugs into TV aerial socket converting it into a large screen oscilloscope. Circuit & plans £3. (Total building cost is approx £12). SAE details. J. BOBKER, 29 Chadderton Drive, Unsworth, Bury, Lancs.

DISCOUNT COMPONENT PACKS - All £1 each. 35 - 1uf 63V capacitors, 40 - 1N4001 diodes, 11 - 2 way DIN speaker plugs, 200 - 1K 5% 0.25W resistors, 35 - 4.7uf 63V capacitors, 10 - 3.5mm miniature jack sockets, 115 - 100K 5% 0.5W resistors, 30 - 22uf 25V capacitors, 200 - 4R7 5% 0.25W resistors. DISCOUNT SOLDER - 10M pack multicore 75p. 13 Amp 3 pin plugs - 48p each, European or shaver adaptors 78p each. Full discount pricelist sent with every order. All prices include VAT. Please add 45p p&p to all orders and send payment with order to - IC Electronics, Mail Order Dept., P.O. Box 130, Aberdeen AB9 8HQ.

SERVICES

HEATHKIT U.K. SPARES AND SERVICE CENTRE. Cedar Electronics, Unit 12, Station Drive, Bredon, Tewkesbury, Glos. Tel. (0684) 73127.

PRICES SLASHED ON OUR MOST POPULAR DEVICES

CMOS					
4001	0.16	4011	0.16	4017	0.35
Transistors					
BC107	0.12	BC108	0.12	BC109	0.12
2N3055	0.42	2N3904	0.09		
Diodes					
1N4001	0.03	1N4005	0.04	1N4148	0.02
LEDs					
green/red	5mm/3mm dia				0.06
Resistors					
E12 range	5% 0.25 W	1R-10M	0.01		
postage and packing 0.40. VAT included. JPG Electronics, 276 Chatsworth Road, Chesterfield S40 2BH. Access orders 0246 211202.					

PRACTICAL ELECTRONICS

ADVERTISING DEPT.

Carbon Film Resistors 1/4W E24 series D-51R to 10MΩ - 1p
 100 off per value - 75p 1000 off in even hundreds per value - £7
 Metal Film 1/4W 10R0 to 1MΩ 5% E12 series - 2p 1% E24 series - 3p
 BC107/8/9 - 12p BC547/8/9 - 8p BC557/8/9 - 8p BC182L 184L - 10p
 BFY50/51/52 - 20p 2N3055 - 50p TIP31A, 32A - 25p TIP 41,42 - 40p

Tantalum bead semiconductor electrolytics (Mkds/Volts)
 0-1/35, 0-2/35, 0-4/35, 3-3/16, 4-7/16 - 14p 4-7/35 - 15p
 2-2/35, 4-7/25, 10/6 - 15p 4-7/35, 6-8/16 - 16p 10/16, 22/16 - 20p

Aluminium Electrolytics (Mkds/Volts)
 1/50, 2-2/50, 4-7/25, 4-7/50, 10/16, 10/25, 10/50 - 5p 22/16, 22/25 - 6p
 22/50, 47/16, 47/25, 47/50 - 6p 100/16, 100/25 - 7p 100/50 - 12p
 100/100 - 14p 220/16 - 18p 220/25, 220/50 - 10p 470/16, 470/25 - 11p
 1000/25 - 25p 1000/35, 2200/25 - 22p 4700/25 - 70p

Miniature Polyester Capacitors 250V Wkg. Vertical Mounting
 -01, -015, -022, -033, -047, -068 - 4p 0-1 - 5p 0-15, -22 - 8p 0-47 - 8p

Mylar Capacitors 100V Wkg. Vertical Mounting E12 Series
 1000p to 8200p - 3p -01 to -068 - 4p 0-1 - 5p 0-15, 0-22 - 6p

Subminiature Ceramic Plate 100V Wkg. E12 Series Vertical Mounting
 2% 1P8 to 47P - 3p 56P to 330P - 4p 10% 330P to 4700P - 4p

Polystyrene Capacitors 63V Wkg. E12 Series Axial Mounting
 10P to 820P - 3p 1000P to 10,000P - 4p 12,000P - 5p
 1M4148 - 2p 1N4002 - 4p 1N4006 - 6p 1N5404 - 14p WD1 bridge -
 25p 0A91 - 6p

Zener diodes E24 series 3V3 to 33V 400mW - 8p 1 watt - 12p
 L.E.D's Red, Green & Yellow 3mm & 5mm - 10p 8mm - 35p
 20mm fuse 0-1A to 5A quick blow - 5p 5P Anti Surge - 8p

High Speed drills 0-9mm, 1-0mm, 1-3mm, 1-5mm, 2mm - 25p
 Expo Reikant drilling machines 12V d.c. with improved 3-jaw chuck £6.50
 Nicads AA - 80p HP11 - £2 PP3 - £4.20 Universal Chargers - £6.50
 Glass reed switches single pole make contacts - 8p Magnets - 12p

VAT inclusive. Return postage 20p (free over £5). Lists free.

THE C.R. SUPPLY CO.,
 127 Chesterfield Road,
 Sheffield S8 0RN. Tel. 557771.

OMEGA ELECTRONICS

DISTRIBUTORS OF ELECTRONIC COMPONENTS
 SOFTWARE & HARDWARE FOR AMSTRAD & MSX
 COMPUTERS

ATTENTION!! SCHOOLS, COLLEGES, UNIVERSITIES,
 GOVERNMENT INSTITUTIONS, ELECTRONICS REPAIR FIRMS
 AND DISTRIBUTORS.

WE CAN SUPPLY YOU WITH ALMOST ANY ELECTRONIC
 COMPONENT IN 1 OFF OR QUANTITY AT VERY COMPETITIVE PRICES.
 THESE ARE JUST A FEW OF THE LINES WE HANDLE

TRANSISTORS FET'S MOSPOWER DEVICES
 4000 SERIES CMOS
 74HC CMOS
 CONSUMER - MICROPROCESSORS - PERIPHERAL IC'S
 DYNAMIC RAMS
 STATIC RAMS
 EPROMS - EPROM PROGRAMMERS
 RECTIFIERS - BRIDGE RECTIFIERS
 LED'S - 7 SEG DISPLAYS
 CONNECTORS - ALL TYPES
 IC SOCKETS
 DISC DRIVES
 3.5", 5.25" and 8" FLOPPY DISCS
 PRINTERS

WE CAN SUPPLY SURFACE MOUNTING DEVICES
 WE ALSO SUPPLY SOFTWARE & HARDWARE FOR
 AMSTRAD & MSX COMPUTERS. LIST & PRICES ON REQUEST.

A	4000	0.13	4029	0.29	4082	0.13	L
L	4001	0.13	4030	0.13	4085	0.24	O
L	4002	0.13	4040	0.30	4093	0.16	W
A	4006	0.28	4042	0.23	4094	0.49	
B	4007	0.13	4043	0.31	4099	0.37	L
R	4008	0.28	4044	0.31	4508	0.70	O
A	4009	0.16	4047	0.39	4510	0.30	W
N	4010	0.16	4049	0.16	4511	0.45	
D	4011	0.13	4050	0.16	4512	0.34	P
A	4012	0.13	4051	0.31	4514	0.61	R
N	4013	0.19	4052	0.31	4516	0.34	I
E	4014	0.28	4053	0.31	4518	0.34	C
W	4015	0.28	4054	0.52	4520	0.34	E
A	4016	0.17	4056	0.55	4526	0.34	S
D	4017	0.27	4066	0.19	4528	0.30	
E	4018	0.27	4068	0.13	4532	0.47	
V	4019	0.27	4069	0.13	4538	0.39	
I	4020	0.29	4071	0.13	4539	0.36	
C	4022	0.29	4073	0.13	4543	0.39	
E	4023	0.13	4075	0.13	4555	0.31	
S	4024	0.23	4076	0.37	4572	0.20	
A	4025	0.13	4077	0.21	4584	0.34	
A	4027	0.16	4078	0.13	4585	0.85	
A	4028	0.24	4081	0.13			

PLEASE ENQUIRE FOR QUANTITY DISCOUNT
 SPECIAL OFFER NEC 6164-15 DRAMS ONLY 0.90p EACH.
 MAIL ORDERS ON ABOVE WELCOME. PLEASE ADD 50p + VAT.

EXPORT ENQUIRIES WELCOME
 TEL: 01-951 5526
 P.O. BOX 135, EDWARE HA8 5NA

FULL-TIME TRAINING COURSES

2 YEAR
B-TEC National Diploma (OND)
ELECTRONICS &
COMMUNICATIONS ENGINEERING
(Television & Computing)

15 MONTHS
B-TEC National Certificate (ONC)
ELECTRONIC EQUIPMENT SERVICING
(Television & Video)

15 MONTHS
B-TEC National Certificate (ONC)
COMPUTING TECHNOLOGY

9 MONTHS
B-TEC Higher National Certificate (HNC)
COMPUTING TECHNOLOGY
& ROBOTICS

HIGH PERCENTAGE OF COLLEGE BASED
 PRACTICAL WORK
 SHORT COURSES WITH PREVIOUS
 KNOWLEDGE
 NO EXTRA CHARGES FOR OVERSEAS
 STUDENTS

Prospectus from:

LONDON ELECTRONICS COLLEGE
 Dept: AA, 20 Penywern Road,
 London SW5 9SU. Tel: 01-373 8721

BENCH POWER SUPPLY
 Stabilised output. 5-9-12 & 15v at 1 amp.
 Overload protected. £22.95

DUAL POWER SUPPLY
 Fully regulated and current limited. Metered
 voltage and current. 0-25v, 1 amp. £69.50

LOGIC PROBE
 Switched for TTL or CMOS. £17.95

INFRA-RED REMOTE CONTROL
 High security. Numerous applications, switching
 house and car alarms, garage doors, car locks,
 etc. £26.
 Prices include p&p. All products carry a 12 mth
 guarantee. Trade enquiries welcome.
Phasor Circuits, 12 Kendall Road, Leicester,
LE4 7GP. Tel: (0533) 830953.

THE SCIENTIFIC WIRE COMPANY
 811 Forest Road, London E17. Telephone 01-531 1568

SWG	ENAMELLED COPPER WIRE		
	1lb	8 oz	4 oz
8 to 34	3.63	2.09	1.10
35 to 39	3.82	2.31	1.27
40 to 43	6.00	3.20	2.25
44 to 47	8.67	5.80	3.49
48	15.96	9.58	6.38

SILVER PLATED COPPER WIRE

14 to 30	9.09	5.20	2.93
----------	------	------	------

TINNED COPPER WIRE

14 to 30	3.97	2.41	1.39
----------	------	------	------

Fluxcore
 Solder
 5.90 3.25 1.82 0.94
 Prices include P&P VAT. Orders under £2 add 20p.
 SAE for list of copper and resistance wire.
 Dealer-enquiries welcome.

SCIENCE AND TECHNOLOGY MIDDLE EAST

Published by:
 Arab Engineers Limited

Managing Editor:
 Nassar El-Madhoun

Deputy Editor: Sami Al-Hussainy

Editorial Assistants:
 D. Baxter United Kingdom
 B. Neilson Middle East
 M. Yousof Middle East
 O. Omar Middle East

Production Manager:
 Hamed Muntaser

Advertising Sales Manager:
 Miss V. Clutton

Advertising Sales Executives:
 Ashraq Mazhar
 Mohammed Shareef
 Akbar Agha

Subscription Manager:
 Akram Aziz

Consultants:
 Dr. Ahmed Kamal - Cairo
 University
 Dr. Hafez Al-Samray - Computer
 Dr. Osama Al-Bustani -
 Electronics
 Mr. Derek Bird - Service

Editorial Office for U.K. and
 Europe:

Arab Engineers Limited
 6th Floor, Carolyn House,
 Dingwall Road, Croydon
 Surrey CR9 3EP
 England, U.K.
 Telephone: 01-686 5834
 Telex: 941 3254 ARABCR G

Editorial Office for Middle East:

Arab Engineers Limited
 P.O. Box 3390
 Jeddah 21471
 Saudi Arabia
 Telephone: 671 7285
 Telex: 602401 ALDERA SJ

Advertising Office:

Arab Engineers Limited
 6th Floor, Carolyn House,
 Dingwall Road, Croydon
 Surrey CR9 3EP
 England, U.K.

TO ADVERTISE ON THESE PAGES
 TEL: 01-727 7010

OMP POWER AMPLIFIER MODULES

OMP POWER AMPLIFIER MODULES

Now enjoy a world-wide reputation for quality, reliability and performance at a realistic price. Four models available to suit the needs of the professional and hobby market. i.e., Industry, Leisure, Instrumental and Hi-Fi etc. When comparing prices, NOTE all models include Toroidal power supply, integral heat sink, Glass fibre P.C.B., and Drive circuits to power compatible Vu meter. Open and short circuit proof.

Supplied ready built and tested.

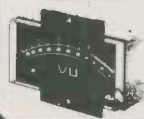
OMP100 Mk II Bi-Polar Output power 110 watts R.M.S. into 4 ohms, Frequency Response 15Hz - 30KHz -3dB, T.H.D. 0.01%, S.N.R. -118dB, Sens for Max output 500mV at 10K, Size 355 X 115 X 65mm. **PRICE £33.99 + £3.00 P&P.**

OMP/MF100 Mos-Fet Output power 110 watts R.M.S. into 4 ohms, Frequency Response 1Hz - 100KHz -3dB, Damping Factor 80, Slew Rate 45V/uS, T.H.D. Typical 0.002%, Input Sensitivity 500mV, S.N.R. -125dB, Size 300 X 123 X 60mm. **PRICE PRICE £39.99 + £3.00 P&P.**

OMP/MF200 Mos-Fet Output power 200 watts R.M.S. into 4 ohms, Frequency Response 1Hz - 100KHz -3dB, Damping Factor 250, Slew Rate 50V/uS, T.H.D. Typical 0.001%, Input Sensitivity 500mV, S.N.R. -130dB, Size 300 X 150 X 100mm. **PRICE £62.99 + £3.50 P&P.**

OMP/MF300 Mos-Fet Output power 300 watts R.M.S. into 4 ohms, Frequency Response 1Hz - 100KHz -3dB, Damping Factor 350, Slew Rate 60V/uS, T.H.D. Typical 0.0008%, Input Sensitivity 500mV, S.N.R. -130dB, Size 330 X 147 X 102mm. **PRICE £79.99 + £4.50 P&P.**

NOTE: Mos-Fets are supplied as standard (100KHz bandwidth & Input Sensitivity 500mV). If required, P.A. version (50KHz bandwidth & Input Sensitivity 775mV). Order - Standard or P.A.



Vu METER Compatible with our four amplifiers detailed above. A very accurate visual display employing 11 L.F.D. diodes (7 green, 4 red) plus an additional on/off indicator. Sophisticated logic control circuits for very fast rise and decay times. Tough moulded plastic case, with tinted acrylic front. Size 84 X 27 X 45mm. **PRICE £8.50 + 50p P&P.**

LOUDSPEAKERS 5" to 15" up to 400 WATTS R.M.S. Cabinet Fixing in stock. Huge selection of McKenzie Loudspeakers available including Cabinet Plans. Large S.A.E. (28p) for free details.

POWER RANGE

- 8" 50 WATT R.M.S. Hi-Fi/Disco.
- 20 oz magnet 1 1/2" ally voice coil. Ground ally fixing escutcheon. Res. Freq. 40Hz. Freq. Resp. to 6KHz. Sens. 92dB. PRICE £10.99 Available with black grille £11.99 P&P £1.50 ea.
- 12" 100 WATT R.M.S. Hi-Fi/Disco.
- 50 oz magnet 2" ally voice coil. Ground ally fixing escutcheon. Die-cast chassis. White cone. Res. Freq. 25Hz. Freq. Resp. to 4KHz. Sens. 95dB. PRICE £28.60 + £3.00 P&P ea.

McKENZIE

- 12" 85 WATT R.M.S. C1285GP Lead Guitar/Keyboard/Disco.
- 2" ally voice coil. Ally centre dome. Res. Freq. 45Hz. Freq. Resp. to 6-5KHz. Sens. 98dB. PRICE £29.99 + £3.00 P&P ea.
- 12" 85 WATT R.M.S. C1285TC P.A./Disco 2" ally voice coil. Twin cone.
- Res. Freq. 45Hz. Freq. Resp. to 14KHz. PRICE £31.49 + £3.00 P&P ea.
- 15" 150 WATT R.M.S. C15 Bass Guitar/Disco.
- 3" ally voice coil. Die-cast chassis. Res. Freq. 40Hz. Freq. Resp. to 4KHz. PRICE £57.87 + £4.00 P&P ea.
- 10" 60 WATT R.M.S. 1060GP Gen. Purpose/Lead Guitar/Keyboard/Mid. P.A.
- 2" voice coil. Res. Freq. 75Hz. Freq. Resp. to 7.5KHz. Sens. 99dB. PRICE £19.99 + £2.00 P&P.
- 10" 200 WATT R.M.S. C10200GP Guitar/Keyboard/Disco.
- 2" voice coil. Res. Freq. 45Hz. Freq. Resp. to 7KHz. Sens. 101dB. PRICE £44.76 + £3.00 P&P.
- 15" 200 WATT R.M.S. C15200 High Power Bass.
- Res. Freq. 40Hz. Freq. Resp. to 5KHz. Sens. 101dB. PRICE £62.41 + £4.00 P&P.
- 15" 400 WATT R.M.S. C15400 High Power Bass.
- Res. Freq. 40Hz. Freq. Resp. to 4KHz. Sens. 102dB. PRICE £89.52 + £4.00 P&P.

WEM

- 5" 70 WATT R.M.S. Multiple Array Disco etc.
- 1" voice coil. Res. Freq. 52Hz. Freq. Resp. to 5KHz. Sens. 89dB. PRICE £22.00 + £1.50 P&P. ea.
- 8" 150 WATT R.M.S. Multiple Array Disco etc.
- 1" voice coil. Res. Freq. 48Hz. Freq. Resp. to 5KHz. Sens. 92dB. PRICE £32.00 + £1.50 P&P. ea.
- 10" 300 WATT R.M.S. Disco/Sound re-enforcement etc.
- 1 1/2" voice coil. Res. Freq. 35Hz. Freq. Resp. to 4KHz. Sens. 92dB. PRICE £36.00 + £2.00 P&P. ea.
- 12" 300 WATT R.M.S. Disco/Sound re-enforcement etc.
- 1 1/2" voice coil. Res. Freq. 35Hz. Freq. Resp. to 4KHz. Sens. 94dB. PRICE £47.00 + £3.00 P&P. ea.

SOUNDLAB (Full Range Twin Cone)

- 5" 60 WATT R.M.S. Hi-Fi/Multiple Array Disco etc.
- 1" voice coil. Res. Freq. 63Hz. Freq. Resp. to 20KHz. Sens. 86dB. PRICE £9.99 + £1.00 P&P. ea.
- 6 1/2" 60 WATT R.M.S. Hi-Fi/Multiple Array Disco etc.
- 1" voice coil. Res. Freq. 56Hz. Freq. Resp. to 20KHz. Sens. 89dB. PRICE £10.99 + £1.50 P&P. ea.
- 8" 60 WATT R.M.S. Hi-Fi/Multiple Array Disco etc.
- 1 1/2" voice coil. Res. Freq. 38Hz. Freq. Resp. to 20KHz. Sens. 89dB. PRICE £12.99 + £1.50 P&P. ea.
- 10" 60 WATT R.M.S. Hi-Fi/Disco etc.
- 1 1/2" voice coil. Res. Freq. 35Hz. Freq. Resp. to 15KHz. Sens. 89dB. PRICE £16.49 + £2.00 P&P.

PANTEC HOBBY KITS. Proven designs including glass fibre printed circuit board and high quality components complete with instructions.

- FM MICROTRANSMITTER (BUG)** 90/105MHz with very sensitive microphone. Range 100/300 metres. 57 x 46 x 14mm (9 volt) Price: £8.62 + 75p P&P.
- 3 WATT FM TRANSMITTER** 3 WATT 85/115MHz varicap controlled professional performance. Range up to 3 miles 35 x 84 x 12mm (12 volt) Price: £14.49 + 75p P&P.
- SINGLE CHANNEL RADIO CONTROLLED TRANSMITTER/RECEIVER** 27MHz. Range up to 500 metres. Double coded modulation. Receiver output operates relay with 2amp/240 volt contacts. Ideal for many applications. Receiver 90 x 70 x 22mm (9/12 volt). Price: £17.82 Transmitter 80 x 50 x 15mm (9/12 volt). Price: £11.29 P&P + 75p each. S.A.E. for complete list.

3 watt FM Transmitter

POSTAL CHARGES PER ORDER £1.00 minimum. OFFICIAL ORDERS WELCOME, SCHOOLS, COLLEGES, GOVERNMENT BODIES, ETC. PRICES INCLUSIVE OF V.A.T. SALES COUNTER VISA/ACCESS/C.O.D. ACCEPTED



* PRICES INCLUDE V.A.T. * PROMPT DELIVERIES * FRIENDLY SERVICE * LARGE S.A.E. 28p STAMP FOR CURRENT LIST

BURGLAR ALARM

Better to be 'Alarmed' than terrified. Thandar's famous 'Minder' Burglar Alarm System. Superior microwave principle. Supplied as three units, complete with interconnection cable. **FULLY GUARANTEED.**

Control Unit - Houses microwave radar unit, range up to 15 metres adjustable by sensitivity control. Three position, key operated fascia switch - off - test - armed. 30 second exit and entry delay.

Indoor Alarm - Electronic swept freq. siren. 104dB output.

Outdoor Alarm - Electronic swept freq. siren. 98dB output. Housed in a tamper-proof heavy duty metal case.

Both the control unit and outdoor alarm contain rechargeable batteries which provide full protection during mains failure. Power requirement 200/260 Volt AC 50/60Hz. Expandable with door sensors, panic buttons etc. Complete with instructions.

SAVE £138.00 Usual Price £228.85

BKE'S PRICE £89.99 + £4.00 P&P

? Why buy a collection of self-assembly boards!

IDEAL for Workshops, Factories, Offices, Home, etc. Supplied ready built.



OMP LINNET FET SPEAKERS

The very best in quality and value. Made specially to suit today's need for compactness with high sound output levels. Finished in hard wearing black vinylite with protective corners, grille and carry handle. All models 8 ohms. Full range 45Hz - 20KHz. Size 20" X 15" X 12". Watts R.M.S. per cabinet. Sensitivity 1W 1mtr dB

OMP 12-100 Watts 100dB. Price £149.99

per pair.

OMP 12-200 Watts 102dB. Price £199.99

per pair.

Delivery: Securicor £8.00 per pair



OMP 19" STEREO RACK AMPS



Professional 19" cased Mos-Fet stereo amps. Used the World over in clubs, pubs, discos etc. With twin Vu meters, twin toroidal power supplies, XLR connections. MF600 Fan cooled. Three models (Ratings R.M.S. into 4ohms). Input Sensitivity 775mV

MF200 (100 + 100)W. £169.00 Securicor

MF400 (200 + 200)W. £228.85 Delivery

MF600 (300 + 300)W. £299.99 £10.00

1 K-WATT SLIDE DIMMER

- * Control loads up to 1Kw
- * Compact Size 4 1/2" X 1" X 2 1/2"
- * Easy snap in fixing through panel/cabinet cut out
- * Insulated plastic case
- * Full wave control using 8 amp triac
- * Conforms to BS800

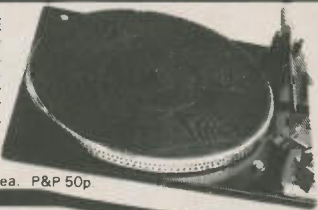
* Suitable for both resistance and inductive loads. Innumerable applications in industry, the home, and disco's, theatres etc.

PRICE £13.99 + 75p P&P

BSR P295 ELECTRONIC TURNTABLE

* Electronic speed control 45 & 33 1/2 r.p.m. * Plus/Minus variable pitch control * Belt driven * Aluminium platter with strobed rim * Cue lever * Anti-skate (bias device) * Adjustable counter balance * Manual arm * Standard 1/2" cartridge fixings * Supplied complete with cut out template * D.C. Operation 9-14v D.C. 65mA

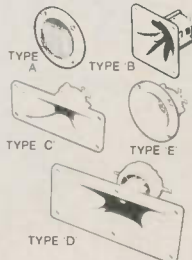
Price £36.99 - £3.00 P&P.



ADC O4 mag. cartridge for above. Price £4.99 ea. P&P 50p

PIEZO ELECTRIC TWEETERS MOTOROLA

Join the Piezo revolution. The low dynamic mass (no voice coil) of a Piezo tweeter produces an improved transient response with a lower distortion level than ordinary dynamic tweeters. As a crossover is not required these units can be added to existing speaker systems of up to 100 watts (more if 2 put in series). **FREE EXPLANATORY LEAFLETS SUPPLIED WITH EACH TWEETER.**



TYPE 'A' (KSN2036A) 3" round with protective wire mesh. Ideal for bookshelf and medium sized Hi-Fi speakers. Price £4.90 each + 40p P&P

TYPE 'B' (KSN1005A) 3 1/2" super horn. For general purpose speakers, disco and P.A. systems etc. Price £5.99 each + 40p P&P

TYPE 'C' (KSN6016A) 2" X 5" wide dispersion horn. For quality Hi-Fi systems and quality discos etc. Price £6.99 each + 40p P&P

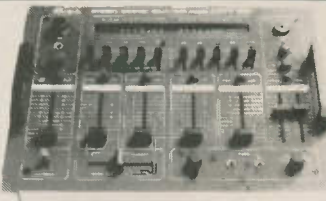
TYPE 'D' (KSN1025A) 2" X 6" wide dispersion horn. Upper frequency response retained extending down to mid range (2KHz). Suitable for high quality Hi-Fi systems and quality discos. Price £9.99 each + 40p P&P

TYPE 'E' (KSN1038A) 3 3/4" horn tweeter with attractive silver finish trim. Suitable for Hi-Fi monitor systems etc. Price £5.99 each + 40p P&P

LEVEL CONTROL Combines on a recessed mounting plate, level control and cabinet input jack socket. 85 X 85 mm. Price £3.99 + 40p P&P

STEREO DISCO MIXER

STEREO DISCO MIXER with 2 X 5 band L & R graphic equalisers and twin 10 segment L.E.D. Vu Meters. Many outstanding features 5 inputs with individual faders providing a useful combination of the following: - 3 Turntables (Mag), 3 Mics, 4 Line plus Mic with talk over switch. Headphone Monitor. Pan Pot. L & R Master Output controls. Output 775mV. Size 360 X 280 X 90mm. **Price £134.99 - £3.00 P&P**



B. K. ELECTRONICS Dept PE

UNIT 5, COMET WAY, SOUTHEAD-ON-SEA, ESSEX, SS2 6TR TEL: 0702-527572

**ON
SALE
FROM
14TH
NOV.
DON'T
MISS
YOUR
FREE
GIFT.
ORDER
YOUR
COPY
NOW!**

1987 BUYER'S GUIDE TO ELECTRONIC COMPONENTS

Maplin



Pick up a copy of our new 1987 catalogue from all branches of W.H. Smith for just £1.50.
Or post this coupon now, to receive your copy by post for just £1.50 + 40p p & p. If you live outside the U.K. send £2.50 or 11 International Reply Coupons. I enclose £1.90.

Name

Address

..... Post Code

PE/12/86

**AVAILABLE
IN ALL
W.H. SMITH
STORES FROM
14TH NOV.
ORDER YOUR
COPY NOW!**

MAPLIN ELECTRONIC SUPPLIES LTD.

Mail Order: P.O. Box 3, Rayleigh, Essex SS6 8LR.
Telephone: Southend (0702) 554161

SHOPS

- BIRMINGHAM Lynton Square, Perry Barr, Tel: 021-356 7292.
- LONDON 159-161 King Street, Hammersmith, W6.
Telephone: 01-748 0926.
- MANCHESTER 8 Oxford Road, Tel: 061-236 0281.
- SOUTHAMPTON 46-48 Bevois Valley Road, Tel: 0703 225831.
- SOUTHEND 282-284 London Rd, Westcliff-on-Sea, Essex.
Telephone: 0702-554000
Shops closed all day Monday.