

THE No 1 UK MAGAZINE FOR ELECTRONICS TECHNOLOGY & COMPUTER PROJECTS

# **EPE** EVERYDAY PRACTICAL ELECTRONICS

www.epemag.co.uk

www.epemag.com

## **MIDI DRUM KIT - 1**

- ♪ 546 different drum sounds
- ♪ Use with a computer or synthesiser
- ♪ Up to seven instruments at one time
- ♪ Percussion plate, hand plate and foot activation
- ♪ LCD shows sensor, patch and volume settings

**WIN A  
MICROCHIP PICDEM  
MC DEVELOPMENT  
BOARD**

## **TEACH-IN 2008**

### **Using PIC microcontrollers**

Part Two – Programme

Basic Commands Plus

Simple LED Control



## **PIC SPEECH SYNTHESISER**

Add speech to your PIC projects

## **IPOD AND MP3 CHARGER**

Charge from a plug-pack or car battery

DEC 2007 £3.75







**HB7 Stirling Engine**

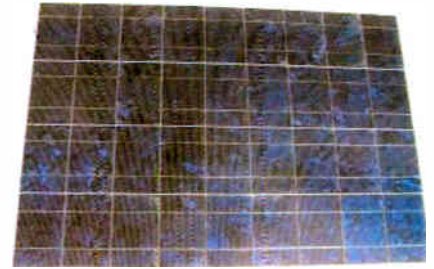
Base measurements: 128 mm x 108 mm x 170 mm, 1 kg  
 Base plate: beech - Working rpm: 2000 rpm/min. (the engine has a aluminium good cooling Cylinder)  
 Bearing application: 10 high-class ball-bearings  
 Material: screw, side parts all stainless steel  
 Cylinder brass, Rest aluminium and stainless steel.  
 Available as a kit £80.75 or built £84.99  
[www.mamodspares.co.uk](http://www.mamodspares.co.uk)



**STEAM ENGINE KIT**

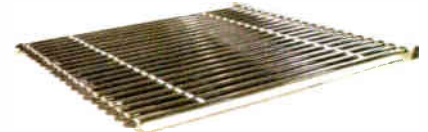
Everything in the kit enables you to build a fully functional model steam engine. The main material is brass and the finished machine demonstrates the principle of oscillation. The boiler, uses solid fuel tablets, and is quite safe. All critical parts (boiler, end caps, safety vent etc.) are ready finished to ensure success. The very detailed instruction booklet (25 pages) makes completion of this project possible in a step by step manner. Among the techniques experienced are silver soldering, folding, drilling, fitting and testing. £29.70 ref STEAMKIT Silver solder/flux pack £3.50 ref SSK

[www.mamodspares.co.uk](http://www.mamodspares.co.uk)



**Solar Panels**

We stock a range of solar photovoltaic panels. These are polycrystalline panels made from wafers of silicon laminated between an impact-resistant transparent cover and an EVA rear mounting plate. They are constructed with a lightweight anodised aluminium frame which is predrilled for linking to other frames/roof mounting structure, and contain waterproof electrical terminal box on the rear. 5 watt panel £29 ref 5wnav 20 watt panel £99 ref 20wnav 60 watt panel £249 ref 60wnav. Suitable regulator for up to 60 watt panel £20 ref REGNAV

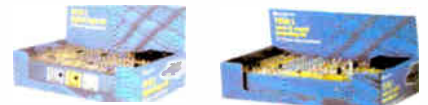


**Solar evacuated tube panels**

(20 tube shown) These top-of-the-range solar panel heat collectors are suitable for heating domestic hot water, swimming pools etc - even in the winter! One unit is adequate for an average household (3-4 people), and it is modular, so you can add more if required. A single panel is sufficient for a 200 litre cylinder, but you can fit 2 or more for high water usage, or for heating swimming pools or underfloor heating. Some types of renewable energy are only available in certain locations, however free solar heating is potentially available to almost every house in the UK! Every house should have one - really! And with an overall efficiency of almost 80%, they are much more efficient than electric photovoltaic solar panels (efficiency of 7-15%). Available in 10, 20 and 30 tube versions. 10 tube £199, 20 tube £369, 30 tube £549. Roof mounting kits (10/20 tubes) £12.50, 30 tube mounting kit £15



**BENCH PSU 0-15V 0-2a** Output and voltage are both smooth and can be regulated according to work, Input: 230V, 21/2-number LCD display for voltage and current, Robust PC-grey housing Size 13x15x21cm, Weight 3,2kg £48 REF trans2



**NEW ELECTRONIC CONSTRUCTION KITS**

This 30 in 1 electronic kit includes an introduction to electrical and electronic technology. It provides components that can be used to make a variety of experiments including Timers and Burglar Alarms. Requires: 3 x AA batteries. £15.00 ref BET1803

**AM/FM Radio** This kit enables you to learn about electronics and also put this knowledge into practice so you can see and hear the effects. Includes manual with explanations about the components and the electronic principles. Req's: 3 x AA batts. £13 ref BET1801

This 40 in 1 electronic kit includes an introduction to electrical and electronic technology. It provides components that can be used in making basic digital logic circuits, then progresses to using Integrated circuits to make and test a variety of digital circuits, including Flip Flops and Counters. Req's: 4 x AA batteries. £17 ref BET1804

The 75 in 1 electronic kit includes an introduction to electrical and electronic technology. It provides components that can be used to make and test a wide variety of experiments including Water Sensors, Logic Circuits and Oscillators. The kit then progresses to the use of an integrated circuit to produce digital voice and sound recording experiments such as Morning Call and Burglar Alarm. Requires: 3 x AA batteries. £20 ref BET1806

[www.slips.co.uk](http://www.slips.co.uk)



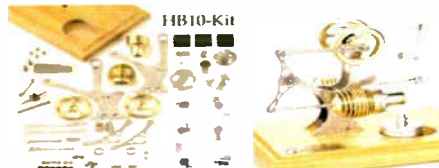
**HB9 Stirling engine**

Base measurements: 156 mm x 108 mm x 130 mm, 0,6 Kg  
 Base plate: beech Working rpm: approx. 2,000 min  
 Bearing application: 6 high-class ball-bearings  
 Material of the engine: brass, aluminium, stainless steel  
 running time: 30-45 min.  
 Available as a kit £97.75 or built £101.99  
[www.mamodspares.co.uk](http://www.mamodspares.co.uk)



**HB14 Stirling Engine**

Base measurements: 156 mm x 108 mm x 150 mm, 1 kg  
 Base plate: beech Working rpm: 2000 - 2500 rpm/min, .  
 Incl. drive-pulley for external drives Bearing application: 10 high-class ball-bearings Material: screw, side parts total stainless steel Cylinder brass Rest aluminium, stainless steel Available as a kit £140.25 or built £144.50  
[www.mamodspares.co.uk](http://www.mamodspares.co.uk)



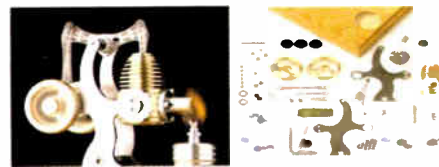
**HB10 Stirling Engine**

Base measurements: 156 mm x 108 mm x 130 mm, 0,6 Kg  
 Base plate: beech Working rpm: approx. 2,000 rpm  
 Bearing application: 6 high-class ball-bearings  
 Material of the engine: brass, aluminium, stainless steel  
 running time: 30-45 min  
 Available as a kit £97.75 or built £101.99  
[www.mamodspares.co.uk](http://www.mamodspares.co.uk)



**HB15 Stirling Engine**

Base measurements: 128 mm x 108 mm x 170 mm, 0,75 kg  
 Base plate: beech Working rpm: 2000 rpm/min. (the engine has a aluminium good cooling Cylinder)  
 Bearing application: 6 high-class ball-bearings  
 Material: screw, side parts total stainless steel  
 Cylinder brass Rest aluminium, stainless steel  
 Available as a kit £97.75 or built £102  
[www.mamodspares.co.uk](http://www.mamodspares.co.uk)



**HB11 Stirling Engine**

Base measurements: 156 mm x 108 mm x 130 mm, 0,7 Kg  
 Base plate: beech  
 Working rpm: 2000 - 2500 rpm/min, run Bearing application: 4 high-class ball-bearings  
 Material: screw, side parts total stainless steel  
 Cylinder brass Rest aluminium, stainless steel.  
 Available as a kit £97.75 or built £101.99  
[www.mamodspares.co.uk](http://www.mamodspares.co.uk)



**HB16 Stirling Engine**

Base measurements: 128 mm x 108 mm x 170 mm, 1 kg  
 Base plate: beech Working rpm: 2000 rpm/min. (the engine has a aluminium good cooling Cylinder)  
 Bearing application: 10 high-class ball-bearings  
 Material: screw, side parts total stainless steel  
 Cylinder brass Rest aluminium, stainless steel.  
 Available as a kit £140.25 or built £144.50



**HB12 Stirling Engine**

Base measurements: 156 mm x 108 mm x 130 mm, 1 Kg  
 Base plate: beech Working rpm: 2000 - 2500 rpm/min, Bearing application: 6 high-class ball-bearings  
 Material: screw, side parts total stainless steel  
 Cylinder brass Rest aluminium, stainless steel.  
 Available as a kit £136 or built £140.25  
[www.mamodspares.co.uk](http://www.mamodspares.co.uk)



**2kW WIND TURBINE KIT**

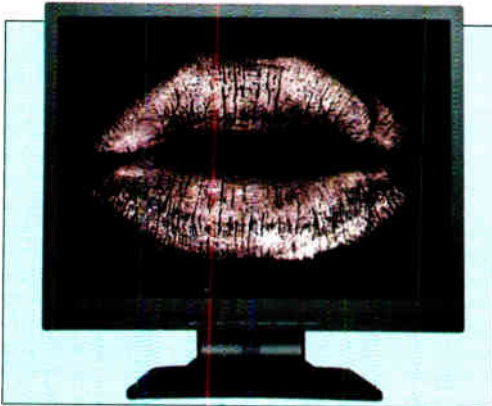
The 2kW wind turbine is supplied as the following kit: turbine generator 48v three taper/ twisted fibreglass blades & hub 8m tower (four x 2m sections) guylines / anchors / tensioners / clamps foundation steel rectifier 2kW inverter heavy-duty pivot tower. £1,499



**HB13 Stirling Engine**

Base measurements: 156 mm x 108 mm x 150 mm, 0,75 kg  
 Base plate: beech Working rpm: 2000 - 2500 rpm/min, Bearing application: 6 high-class ball-bearings  
 Material: screw, side parts total stainless steel  
 Cylinder brass Rest aluminium, stainless steel.  
 Available as a kit £97.75 or built £101.99

**BULL GROUP LTD**  
 UNIT D HENFIELD BUSINESS PARK  
 HENFIELD SUSSEX BN5 9SL  
 TERMS: C/ CARDS, CASH, PO, CHEQUE OR  
 ONLINE ORDERING. PRICES PLUS VAT  
 UK DELIVERY £5.50  
 TEL 0870 7707520 FAX 01273 491813  
[sales@bullnet.co.uk](mailto:sales@bullnet.co.uk)



## Projects and Circuits

- MIDI DRUM KIT** by John Clarke  
Drums without the skins 12
- PIC SPEECH SYNTHESIZER** by John Becker  
PIC-generated speech for PIC projects 36
- A CHARGER FOR YOUR IPOD OR MP3 PLAYER** by John Clarke  
Charge from a mains plug-pack or a car battery 52
- AVR ISP SOCKETBOARD** by Peter Smith  
Supports dual-in-line AVR micros 64

## Series and Features

- TECHNO TALK** by Mark Nelson  
Mother Knows Best 10
- TEACH-IN 2008 – USING PIC MICROCONTROLLERS PART 2**  
by John Becker  
Programme basic commands, plus simple LED control 26
- CIRCUIT SURGERY** by Ian Bell  
More on SPICE simulation 32
- PIC N' MIX** by Mike Hibbett  
Display Menus 44
- PROTECTING YOUR DESIGNS AND COPYRIGHT** by Sara Ludlam  
Are you being copied? Can you stop copycats? If so, how? 58
- INTERFACE** by Robert Penfold  
Visual Basic 6 – Is it time to move on? 62
- NET WORK** by Alan Winstanley  
Keeping your word 72

## Regulars and Services

- EDITORIAL** 7
- NEWS** – Barry Fox highlights technology's leading edge  
Plus everyday news from the world of electronics 8
- CD-ROMS FOR ELECTRONICS**  
A wide range of CD-ROMs for hobbyists, students and engineers 48
- WIN A MICROCHIP PICDEM MC DEVELOPMENT BOARD**  
Free entry online competition 51
- SUBSCRIBE TO EPE** and save money 61
- READOUT** John Becker addresses general points arising 69
- DIRECT BOOK SERVICE**  
A wide range of technical books available by mail order, plus more CD-ROMs 73
- EPE PCB SERVICE**  
PCBs for EPE projects 76
- INDEX FOR VOLUME 36** 77
- ADVERTISERS INDEX** 80

© Wimborne Publishing Ltd 2007. Copyright in all drawings, photographs and articles published in *EVERYDAY PRACTICAL ELECTRONICS* is fully protected, and reproduction or imitations in whole or in part are expressly forbidden.

Our January 2008 issue will be published on Thursday, 13 December 2007, see page 80 for details.

Readers' Services • Editorial and Advertisement Departments 7





Ho! Ho! Ho! Christmas 2007 is on its way  
**BUT DON'T PANIC!!**

We have some fantastic gift ideas for young (and older) enquiring minds



**Electronic Project Labs**

An electronics course in a box! A classroom no previous knowledge and require NO solder. See website for full details



30 in ONE - £16.95  
Order Code EPL030KT



130 in ONE - £39.95  
Order Code EPL130KT



300 in ONE - £59.95  
Order Code EPL300KT



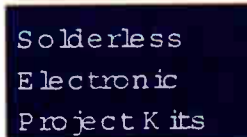
500 in ONE - £149.95  
Order Code EPL500KT



Robot Sensor - £19.95  
Order Code EPLR20KT



Digital Recording Laboratory - £29.95  
Order Code EPLDRKT



AM-FM Radio Kit - £6.95  
Order Code ERKAFKT



Short Wave Kit - £6.95  
Order Code ERKSWKT



Crystal Radio Kit - £6.95  
Order Code ERKCKT



Electronic Bell - £8.95  
Order Code EAKEBKT



Electronic Motor - £8.95  
Order Code EAKEMKT



Generator - £8.95  
Order Code EAKEGKT



Room Alarm - £4.95  
Order Code EAKRAKT



Hand Held Metal Detector - £9.95  
Order Code ELMDX7KT



Metal Detector - £9.95  
Order Code ELMDKT

**Mechanical Motorised Wooden Kits**

Future engineers can learn about the operation of transmissions steered through gears or pulleys. Easy to build, no glue or soldering required.



Automech - £12.95  
Order Code C21-605KT



Coptermech - £12.95  
Order Code C21-604KT



Trainmech - £12.95  
Order Code C21-606KT



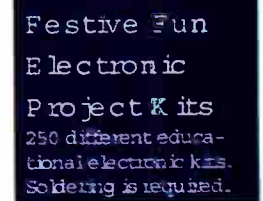
Hexapod Monster Robomech - £17.95  
Order Code C21-883KT  
(soldering required)



Stegomech - £12.95  
Order Code C21-602KT



Tyrannomech - £12.95  
Order Code C21-601KT



Musical LED Jingle Bells - £17.95  
Order Code C21-1176KT



Flashing LED Christmas Tree - £6.95  
Order Code 4080KT

See our website for even more great gift ideas!





**Robot Kits**  
 These educational electronic robot kits make a great introduction to the exciting world of robotics and require NO soldering. See website for details



**Moon Walker - £34.95**  
 Order Code 4015KT



**Hyper Peppy - £29.95**  
 Order Code 4016KT



**Robotic Arm - £59.95**  
 Order Code 4017KT



**Sumo Man - £59.95**  
 Order Code 4019KT



**PIbot Advanced Robot**  
 - our most advanced robot to date (please see our website for full details) - £99.95  
 Order Code 4026KT

**Tools & Equipment**



**Soldering Set - £9.95**  
 Order Code SOL939



**Hobby Tool Set - £17.95**  
 Order Code HTK300



**20 Piece Electronics Tool Set - Now £24.95**  
 Order Code HTK368



**5" Illuminated Magnifier - £44.95**  
 Order Code HTM015



**48W Digital Soldering Station - £59.95**  
 Order Code SOL050



**3-12V 1.5A PSU - £19.95**  
 Order Code PSU400



**0-30V/0-3A Regulated Power Supply - £89.95**  
 Order Code PSU676



**Hobby DMM - £5.95**  
 Order Code MM006



**Clamp Meter - £14.95**  
 Order Code MC616



**Helping Hands - £6.95**  
 Order Code HTS165



**Ultrasonic Distance Measurer - £24.95**  
 Order Code UDM634



**Universal Battery Tester - £4.95**  
 Order Code UBT393



**Credit Card Sales**  
**0871 717 7168**

**Home and Leisure**



**4-ch Sequencer - £49.95**  
 Order Code ELT298



**12V 150W Power Inverter - £29.95**  
 Order Code RPI530



**Snow Machine - £99.95**  
 Order Code ELT598



**Metal Detector - £34.95**  
 Order Code MDS920



**2x200W Car Booster Amplifier - £79.95**  
 Order Code AMP022



**120mm Rechargeable Spotlight - £18.95**  
 Order Code TOR260



**20W Guitar Amplifier with Overdrive - £69.95**  
 Order Code MUS033



**Deluxe Microscope Set - £26.95**  
 Order Code SCI284



**Multi-Band Radio Receiver - £24.95**  
 Order Code RAD4997



**4 in 1 PC Link Telescope - Now £99.95**  
 Order Code SCI293



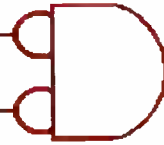
**Audio/Video Transmission System - £54.95**  
 Order Code AVE125



**www.QuasarElectronics.com**

Secure Online Ordering Facilities • Full Product Listing, Descriptions & Photos • Kit Documentation & Software Downloads

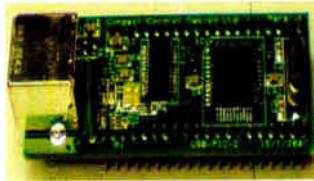
# Compact Control Design



Compact Control Design has a range of off the shelf products designed to meet your control, monitoring and acquisition needs. All products use the latest technology to provide top performance in a small size and at a low cost. We also provide a full hardware and software design service.

## P0701 USB PIC

USB 2.0 interface. Can be bus powered or self powered. Powerful PIC18F4580 Microcontroller running at 40MHz. Up to 10MIPS performance. All microcontroller I/O pins available except RA6, RA7 (oscillator) and RC6, RC7 (serial port). Bootloader pre-programmed and download software included, enabling quick and easy programming of applications. No need for a separate programming device. Many example applications and firmware available, see Compact Control Design download page. Connector has standard 40 pin 0.1" pitch 0.6" wide footprint. High quality tuned pin connectors suitable for most IC sockets and prototyping boards.

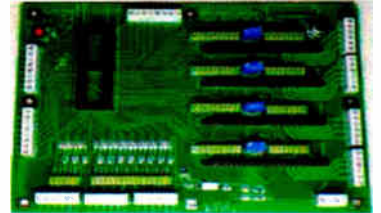


Compatible with Microchip's MPLab 'free of charge' programming environment. Libraries and linker scripts included to support assembler programs (MPLab) and popular compilers.

PRICE:£26.00  
+ VAT

## P0704 Developer Board

The P0704 developer board is an ideal way to get started with our USB-PIC module and motor driver modules. All of the USB-PIC module I/O signals are available through screw terminals making connections to sensors, switches, lamps, relays etc. easy. Ports B & E (11 I/O signals) can also be configured with pull-ups and input filtering suitable for connection to limit switches, home position sensors etc. The board supports up to 4 motor driver modules, each module position accepts either a Stepper motor module or a DC motor module. The board allows bus-powered or self powered operation of the USB-PIC module & includes a P0615 mini regulator so only a single power supply is required for the motor driver modules.

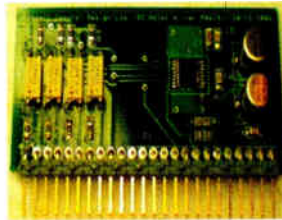


All options are configured using jumpers, and stepper motor drive current can be easily adjusted for each module by variable resistors. All connections are made by high quality screw terminals. The board has been designed to accommodate other driver modules as they become available.

PRICE:£55.00  
+ VAT

## P0613 DC Motor

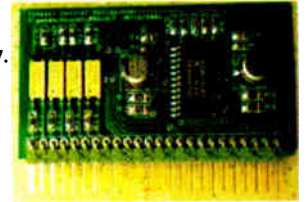
Pulse width modulation control for DC motors, electro-magnets etc. It has a motor supply voltage of 8 to 36V. The maximum drive current is 2.5 Amp. There are pulse and direction inputs. The PWM control is up to 100KHz. Mode input for controlling motor braking and sleep input for power saving. There is built in short circuit and over temperature protection, a fault output pin activates if either of these is detected. No heat sink is required. The board has dimensions of 66x30mm and is 12mm high. There is an adapter available providing easy to use screw terminals for all connections. All the control inputs are opto-isolated.



PRICE:£14.00  
+ VAT

## P0612 Stepper Motor Driver

The unit has a motor supply voltage of 5 to 30V. The maximum drive current per phase is 750mA. It has current mode control. The drive current is controlled with a resistor. It has a selectable step size of full, half, 1/4 + 1/8. There is a step frequency of 0 to 200KHz and reset and sleep inputs for initialization and power saving. It is a compact size with dimensions of 66x32mm by 12mm high. The P0612 does not require a heat sink. There is an adapter available which provides easy to use screw terminals for all connections. All the control inputs are opto-isolated.



PRICE:£15.00  
+ VAT

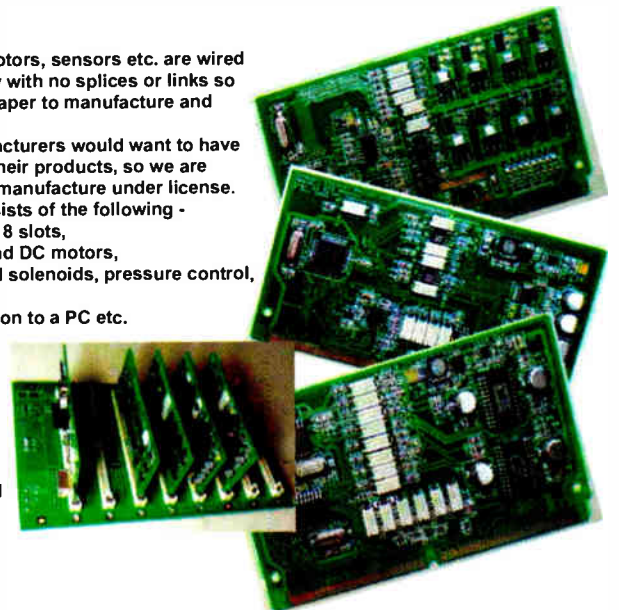
## MonCon

MonCon is a product range intended to form the intelligence at the heart of any equipment from bench-top scientific instruments, production equipment, ATE etc. up to large process control systems. The MonCon range takes a new approach to monitoring and control by using modules that encapsulate a complete task, such as the stepper motor controller module that includes all inputs and outputs necessary to form a complete stepper motor controller/driver including encoder feedback. The general purpose modules, such as the Analogue input board are designed to be customized at minimum cost. We can supply such modules to your requirements at little or no additional cost. The MonCon range is based on a collection of modules, each performing specific and well defined tasks. All modules plug into a back plane which provides power distribution, intercommunication and incorporates the necessary connectors linking the MonCon system to the rest of the equipment. The modules and backplane connectors have been designed to simplify the interconnection requirements within your equipment.

Most devices, such as stepper motors, sensors etc. are wired to the MonCon backplane directly with no splices or links so the wiring loom is simplified, cheaper to manufacture and more reliable.

We understand that many manufacturers would want to have full control over critical parts of their products, so we are happy to allow our customers to manufacture under license. The product range currently consists of the following - standard back planes with 4, 6 or 8 slots, controller modules for stepper and DC motors, controller modules for valves and solenoids, pressure control, flow control etc. a USB interface to allow connection to a PC etc. various I/O modules, Parallel I/O, relay output and Analogue I/O modules.

The MonCon range has been designed with flexibility in mind. Backplanes and modules to meet your requirements can generally be designed & supplied within 6 weeks of receiving a full specification.







**CAN-1 Board** - Interface CAN via MCP2551

**CANSPI Board** - Make CAN network with SPI interface

**RS485 Board** - Connect devices into RS-485 network

**Serial Ethernet** - Make ethernet network with SPI Interface (ENC28J60)

**IrDA2 Board** - IrDA2 serve as wireless RS232 communication between two MCU's

## EasyPIC4 Development Board

Complete Hardware and Software solution with on-board USB 2.0 programmer and mikroCD



Following tradition of its predecessor EasyPIC3 as one of the best PIC development systems on the market, EasyPIC4 has more new features for the same price. The system supports 8-, 14, 18, 20, 28 and 40 pin PIC microcontrollers (it comes with a PIC16F877A), USB 2.0 on-board programmer with mikroCD (In-Circuit Debugger) enables very efficient debugging and faster prototype development. Examples in C, BASIC and Pascal language are provided with the board.

## Uni-DS 3 Development Board

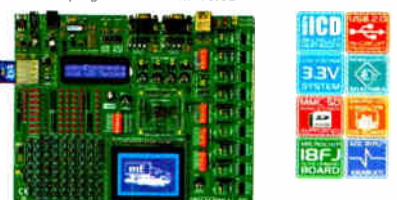
Complete Hardware and Software solution with on-board USB 2.0 programmer



The system supports PIC, AVR, 8051, ARM and Psoc microcontrollers with a large number of peripherals. In order to continue working with different chip in the same development environment, you just need to switch a card. UNI-DS3 has many features that make your development easy. You can choose between USB or External Power supply. Each MCU card has its own USB 2.0 programmer!

## LV 18FJ Development Board

Complete Hardware and Software solution with on-board USB 2.0 programmer and mikroCD



System supports 64, 80 and 100 pin PIC18FxxJxx microcontrollers (it comes with PIC18F47J60 - PIC18 Microcontroller with an integrated 10Mbps Ethernet, communications peripheral, 80 Pin Package). LV 18FJ is easy to use Microchip PIC18FxxJxx development system. USB 2.0 on-board programmer with mikroCD (In-Circuit Debugger) enables very efficient debugging and faster prototype development. Examples in C, BASIC and Pascal language are provided with the board.

**CF Board** - Easy way to use Compact Flash in your design.

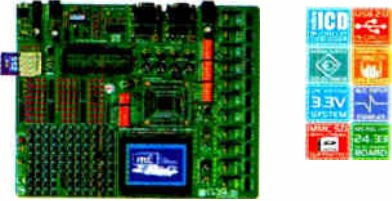
**MMC/SD Board** - Easy way to use MMC and SD cards in your design.

**EEPROM Board** - Serial EEPROM board via I2C interface.

**RTC Board** - PCF3583 RTC with battery backup.

## LV24-33 Development Board

Complete Hardware and Software solution with on-board USB 2.0 programmer and mikroCD



System supports 64 80 and 100 pins PIC24F/24H/dsPIC33F microcontrollers (it comes with PIC24FJ96GA010 - PIC24 16-bit Microcontroller, 96 Kbit Flash Memory 8 Kbit RAM in 100 Pin Package). Examples in BASIC, PASCAL and C are included with(in) the system. You can choose between USB and External Power supply. LV 24-33 has many features that make your development easy. USB 2.0 on-board programmer with mikroCD (In-Circuit Debugger) enables very efficient debugging and faster prototype development.

## EasysPIC4 Development Board

Complete Hardware and Software solution with on-board USB 2.0 programmer and mikroCD



The system supports 18, 28 and 40 pin microcontrollers (it comes with dsPIC30F4013 general purpose microcontroller with internal 2-bit ADC). EasysPIC4 has many features that make your development easy. Many of these already made examples in C, BASIC and PASCAL language guarantee successful use of the system. Ultra fast USB 2.0 on-board programmer and mikroCD (In-Circuit Debugger) enables very efficient debugging and faster prototype development.

## dsPICPRO 3 Development Board

Complete Hardware and Software solution with on-board USB 2.0 programmer and mikroCD



The system supports dsPIC microcontrollers in 64 and 80 pins packages. It is delivered with dsPIC30F6014A microcontroller. dsPICPRO3 development system is a full-featured development board for the Microchip dsPIC MCU. dsPICPRO3 board allows micro-controller to be interfaced with external circuits and a broad range of peripheral devices. This development board has an on-board USB 2.0 programmer and integrated connectors for MMC/SD memory cards, 2 x RS232 port, RS485, CAN, on-board ENC28J60 Ethernet Controller, DAC etc...

**ADC Board** - 12-bit analog-to-digital converter (ADC) with 4 inputs.

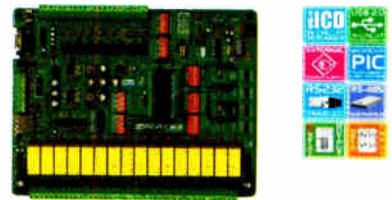
**DAC Board** - 12-bit digital-to-analog converter (DAC) with SPI.

**Keypad 4x4 Board** - Add keypad to your application.

**Accel Board** - Accel is an electronic device that measures acceleration forces.

## PICPLC16B Development Board

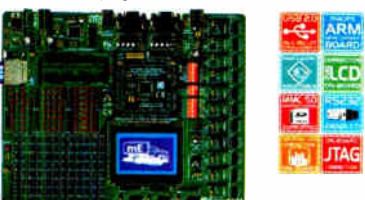
Complete Hardware and Software solution with on-board USB 2.0 programmer and mikroCD



PICPLC16B is a system designed for controlling industrial systems and machines. 16 inputs with optocouplers and 16 relays (up to 10A) can satisfy many industrial needs. The ultra fast mikroCD (In-Circuit Debugger) enables very efficient debugging and faster prototype development. Features: RS485, RS232, Serial Ethernet, USB 2.0 on-board programmer and mikroCD (In-Circuit Debugger) on-board.

## EasyARM Development Board

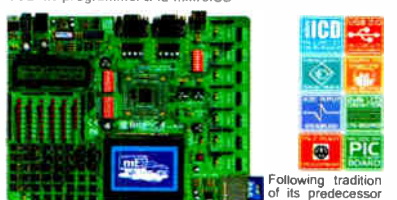
Complete Hardware and Software solution with on-board USB 2.0 programmer



EasyARM board comes with Philips LPC2214 microcontroller. Each jumper, element and pin is clearly marked on the board. It is possible to test most of industrial needs on the system: temperature controllers, counters, timers etc. EasyARM has many features making your development easy. One of them is on-board USB 2.0 programmer with automatic switch between run and programming mode. Examples in C language are provided with the board.

## BIGPIC4 Development Board

Complete Hardware and Software solution with on-board USB 2.0 programmer and mikroCD



Following tradition of its predecessor BIGPIC3 as one of the best 80-pin PIC development systems on the market, BIGPIC4 continues the tradition with more new features for the same price. System supports the latest 64 and 80-pin PIC microcontrollers (it is delivered with PIC18F2520). Many of these already made examples in C, BASIC and Pascal language guarantee successful use of the system. Ultra fast on-board programmer and mikroCD (In-Circuit Debugger) enables very efficient debugging and faster prototype development.

## PICFlash with mikroCD support



PICFlash programmer - an ultra fast USB 2.0 programmer for the PIC microcontrollers. Continuing its tradition as one of the fastest PIC programmer on the market, a new PICFlash with mikroCD now supports more PIC MCUs giving developer a wider choice of PIC MCU for further prototype development.

## mikroElektronika Compilers

Pascal, Basic and C Compilers for various microcontrollers



Supporting an impressive range of microcontrollers, an easy-to-use IDE, hundreds of ready-to-use functions and many integrated tools makes MikroElektronika compilers one of the best choices on the market today. Besides mikroCD, mikroElektronika compilers offer a statistical module, simulator, bitmap generator for graphic displays, 7-segment display conversion tool, ASCII table, HTML code export, communication tools for SD/MMC, UDP (Ethernet) and USB, EEPROM editor, programming mode management, etc.

Each compiler has many routines such as examples such as EEPROM, FLASH and MMC, reading/writing SD and CF cards, writing character and graphics on LCDs, manipulation of push-buttons, 4x4 keyboard and PS/2 keyboard input, generation of signals and sounds, character string manipulation, mathematical calculations, I2C, SPI, RS232, CAN, USB, RS485 and OneWire communications, Manchester coding management, logical and numerical conversion, PWM signals, interrupts, etc. The CD-ROM contains many already-written and tested programs: to use with our development boards.

## EasyAVR4 Development Board

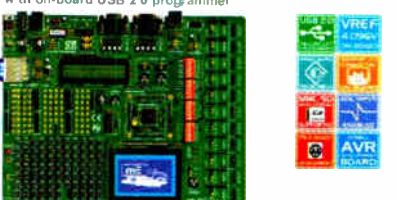
with on-board USB 2.0 programmer



The system supports 8, 20, 28 and 40 pin microcontrollers (it comes with ATMEGA16). Each jumper, element and pin is clearly marked on the board. It is possible to test most of industrial needs on the system: temperature controllers, counters, timer etc. EasyAVR4 is an easy-to-use Atmel AVR development system. Ultra fast USB 2.0 on-board programmer enables very efficient and faster prototype development. Examples in BASIC and Pascal language are provided with the board.

## BIGAVR Development Board

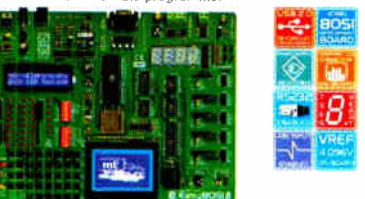
with on-board USB 2.0 programmer



The system supports 64-pin and 160-pin AVR microcontrollers (it is delivered with ATMEGA128 working at 10MHz). Many already made examples guarantee successful use of the system. BIGAVR is easy to use Atmel AVR development system. BIGAVR has many features that makes your development easy. You can choose between USB or External Power supply. BIGAVR also supports Character LCD as well as Graphic LCD.

## Easy8051B Development Board

with on-board USB 2.0 programmer



System is compatible with 14, 16, 20, 28 and 40 pin microcontrollers (it comes with AT89S5253). Also there are PLCC44 and PLCC32 sockets for 32 and 44 pin microcontrollers. USB 2.0 Programmer is supplied from the system and the programming can be done without taking the microcontroller out.

## EasyPSoC3 Development Board

with on-board USB 2.0 programmer



The system supports 8, 20, 28 and 48 pin microcontrollers (it comes with CY8C7843). Each jumper, element and pin is clearly marked on the board. EasyPSoC3 is an easy-to-use PSoC development system. On-board USB 2.0 programmer provides fast and easy in-system programming.

- All of our products are shipped in special protective boxes.
- On-line secure ordering provides fast and safe way of buying our products.

mikroElektronika manufactures competitive development systems. We deliver our products across the globe and our satisfied customers are the best guarantee of our first-rate service. The company is an official consultant on the PIC microcontrollers and the third party partner of Microchip company. We are also an official consultant and third party partner of Cypress Semiconductor since 2002 and official consultant of Philips Electronics company as well. All our products are RoHS compliant.

<http://www.mikroe.com/en/distributors/>

Find your distributor: UK, USA, Germany, Japan, France, Greece, Turkey, Italy, Slovenia, Croatia, Macedonia, Pakistan, Malaysia, Austria, Taiwan, Lebanon, Syria, Egypt, Portugal, India.

Please visit our website for more info <http://www.mikroe.com>

SOFTWARE AND HARDWARE SOLUTIONS FOR EMBEDDED WORLD



### PCB Production - Development

**0.1" Copper Stripboard**

Size	Tracks/Holes	£0.24
25 x 64mm	9T / 25H	£0.24
64 x 95mm	24T / 37H	£0.87
95 x 127mm	36T / 50H	£1.41
95 x 432mm	36T / 170H	£4.39
100 x 100mm	39T / 38H	£1.40
100 x 500mm	39T / 199H	£6.20
119 x 455mm	46T / 179H	£5.40

Stripboard track cutter £1.99

### Solderless Breadboard

Tie Points & Size	Power Rails	£2.75
390 81 x 60mm	2	£2.75
840 175 x 67mm	2	£4.86
740 175 x 55mm	1	£4.03
640 175 x 42mm	0	£3.08

Many other sizes available, also jump wires & matrix board.

### PCB Production - Drafting Materials

**A4 Artwork Film** (per 10 sheets)

Clear Manual Film	£1.20
Clear Laser Film	£1.75
White HQ Laser Film	£4.62

**Etch Resist Pens**

"Data" Pen	£3.36
"Stagatler" Fine Pen	£0.96

**Etch Resist Transfers**

Seno mixed DIL pads	£2.24
Seno mixed Rnd pads	£2.24
Alfoc mixed pads	£1.84
Transfer Spatular	£1.25

We carry the full range of Seno & Alfoc PCB transfers, see our catalogue for full details.

### Soldering Irons

A 48W adjustable temperature soldering iron and soldering accessories. Irons from 12 to 100 Watts.

20W 240V Basic	£3.74
25W 240V Ceramic	£7.14
30W 240V Basic	£4.68

### Desolder Pumps

Basic 165 x 18mm	£2.85
Antistatic 195mm	£3.92
Antex Mini 198mm	£6.02
Antex Pro 210mm	£10.26

### Soldering Station

A 48W adjustable temperature soldering station with a rotary dial, LED Temperature metering, on/off switch, iron holder and tip cleaning sponge. This station features accurate heat sensing for instant compensation & stable temperatures. Adjustable temperature range of 150 - 420°C, Low voltage iron with Silicone cable. Supply: 240V, Iron: 24V 48W

**Model 167-540 £41.66**

### Soldering Station

A 48W adjustable temperature soldering station with a rotary dial, Digital Temperature indicator, on/off switch, iron holder and tip cleaning sponge. This station features accurate heat sensing for instant compensation & stable temperatures. Adjustable temperature range of 150 - 480°C, Low voltage iron with Silicone cable. Supply: 240V, Iron: 24V 48W

**Model 167-570 £55.61**

### Digital Multimeter

**Model: 121-120**

**Price: £11.47**

A highly featured digital multimeter for professional use. Offers 30 ranges and 8 functions including temperature, capacitance, diode, continuity and hFE measurement. Large 3.5 digit LCD display with automatic polarity indicator. Supplied with shrouded test leads, K type temperature probe and shock proof rubber holster

### Technical Specifications

DC voltage	200mV - 1000V (±0.5%)
AC volts	2V - 700V (±0.8%)
DC current	2mA - 20A (±1.2%)
AC current	200mA - 20A (±1.8%)
Resistance	200 Ohms - 20M Ohms (±0.8%)
Capacitance	2000pF - 20µF (±2.5%)
Temperature	0°C - 1000°C (±1.5%)
Frequency	20kHz (±1%)
Max display	1999
Power supply	9V (PP3 battery)
Dimensions	88 x 173 x 40 mm

### PCB Production - Processing Equipment

We carry a large range of the photographic & chemical processing equipment for PCB production, a full list with full technical specifications is available in our catalogue or visit our web site.

### UV Exposure units

2 x 8W Tubes, 6 min timer  
229 x 159mm working area  
Model 332-002 £98.75  
4 x 15W Tubes, 7 1/2 min timer  
330 x 260mm working area  
Model 332-004 £209.48

### Chemical Processing

Low cost plastic tray £2.30  
Process tanks feature electrically operated pumps and/or heaters with thermostat control, suitable for boards upto 320 x 260mm.  
Universal Tank with heater  
Model 333-007 £169.58  
Bubble etch Tank with heater & bubble pump  
Model 333-004 £208.48 Any of these items, carriage £5.50

### PCB Production - Tools

#### Drill Bits

HSS parallel shank bits available in sizes from 0.3mm to 2.0mm

0.3-0.95mm in 0.05mm steps	£0.60ea	£4.00/10
1.0-2.0mm in 0.1mm steps	£0.40ea	£3.60/10

HSS Reduced shank (2.35mm) bit available in sizes from 0.6mm to 1.7mm in 0.1mm steps £0.84ea £7.60/10

Reground Tungsten carbide reduced shank available in sizes from 0.6 to 1.6mm in 0.1mm steps £1.90

#### Drilling Machines

Expo Reliant 12V drill, 3.8mm capacity, 8400rpm £12.78  
Expo Zircon 12V drill, 3.8mm capacity, 11900rpm £14.20

Minicraft MX1 230V, 8000 - 21000rpm with chuck & collet. Model EPE270-390  
Normal price £48.51

### SPECIAL PRICE

**£31.02**

### Servisal Products

#### Aerosols

200ml Switch Cleaner	£2.30
200ml Freezer	£4.39
400ml Foam Cleanser	£2.13
400ml Cleaner / lubricant	£2.79
75ml Vide Head Cleaner	£1.94
200ml Aero Klene	£3.33
200ml Aero Duster	£5.13
250ml Cold Clean	£3.14
200ml Label remover	£3.52
400ml Isopropyl alcohol	£3.42

#### Tubes

10g Heatsink Compound	£1.66
25g Heatsink Compound	£2.60
50g Silicone grease	£3.16

### Bench Power Supplies

A range of single output regulated bench power supplies with variable voltage & current limiting. Features: Short circuit and "Foldback" overload protection, Metal case with on/off switch, outputs via Red, Black & Green (Earth) 4mm shrouded sockets



**Model: 461-550**

**Model: 461-552**

**Model: 461-554**

**0-30V0-3A**

**0-50V0-3A**

**0-30V 0-10A**

**£70.88**

**£81.00**

**£135.00**

### Panel Meters

High quality analogue panel meters, class 2, zero point correction, mirror scale and prewired for panel illumination. Meter size 46 x 60mm, Cutout size 38mmØ.

#### Range

0-50uA	6k5
0-100uA	1k0
0-500uA	430Ω
0-1mA	200Ω
0-10mA	2Ω6
0-50mA	1Ω2
0-100mA	0.2Ω5
0-1A	60m5
0-3A	20m5
0-5A	12m5
0-15A	4m5
0-10V	10k
0-15V	15k
0-30V	30k
±50uA	1k9

All meters £5.89 each

6V Lamps £1.23 / pair



### Magnifying Desk Lamp

A high quality scratch resistant magnifying glass fitted to a balanced swivel arm and desk mount. An integral fluorescent tube provides illumination. Magnification 3x Lens 120mmØ Tube 22W Daylight simulation.

**Model: 028-205 £28.80**



### PCB Production - Laminates

#### Copper clad - paper

Single sided low cost paper composite board

100 x 160mm Board	£0.54
100 x 220mm Board	£0.62
160 x 233mm Board	£1.02
220 x 233mm Board	£1.40
8" x 12" Board	£1.96

#### Copper clad - glass fibre

Single & Double 1.6mm 305g/m<sup>2</sup>

100 x 160mm Single	£1.06
100 x 220mm Single	£1.49
160 x 233mm Single	£2.29
220 x 233mm Single	£2.88
8" x 12" Single	£3.98
100 x 160mm Double	£1.09
100 x 220mm Double	£1.25
160 x 233mm Double	£2.30
220 x 233mm Double	£2.90
8" x 12" Double	£4.05

#### Photoresist Coated

1.6mm 35 micron Pre-coated with a high quality photoresist layer. Ava lable in low cost paper composite or Glass fibre, Single & Double sided. Other sizes also available.

Size	Paper		Glass Fibre	
	Single	Double	Single	Double
4 x 6"	£1.47	£1.82	£1.89	£2.17
6 x 12"	£4.20	£5.04	£5.60	£6.23
9 x 12"	£6.30	£7.70	£8.40	£9.38
10 x 12"	£8.19	£10.01	£10.78	£11.83
12 x 12"	£8.26	£10.08	£10.99	£12.25
100 x 160mm			£2.38	£2.66
203 x 114mm			£3.01	£3.43
220 x 100mm			£3.08	£3.71
233 x 160mm			£4.83	£5.32
233 x 220mm			£6.83	£7.70

### PCB Production - Chemicals

100ml Aerosol Photoresist spray, covers 2m <sup>2</sup>	£4.62
50g Powder developer, makes 10lt	£1.09
500g Powder developer, makes 10lt	£7.08
250g Ferric Chloride Pellets, makes 500ml	£1.68
500g Ferric Chloride Pellets, makes 1lt	£3.04
2.5kg Ferric Chloride Pellets, makes 5lt	£9.84
1.1kg Clear Fine etch crystals, makes 5lt	£17.58
90g Tin Plating Powder, make. 1lt	£11.58
200ml Aerosol Flux spray	£3.41
110ml Aerosol PCB Lauquer spray	£3.54

### Tools - Cutters & Strippers

We carry a wide range of specialist tools for the electronics industry including

#### Side Cutters

130mm Low cost	£1.99
115mm Draper	£2.38
115mm Box Jointed	£4.26
145mm Long reach	£3.40

#### Wire Strippers

130mm Low cost	£2.30
150mm Draper 5mmØ	£5.86

### Tools - Ratchet Crimping Pliers

High quality ratchet crimping pliers for various terminals including Automotive, Data, Power and Data connection.

Red / Blue / Yellow	£15.80
3NC / 7NC RA Series	£15.08
RJ11 / 12 Data Series	£22.32
RJ45 Data Series	£20.43
RJ11 / 12 & 45 Series	£11.83

#### CK® Tools Crimp Pliers

Green/Red/Blue	£24.38
Red/Blue/Yellow	£22.88
0.24-2.5mm <sup>2</sup> cr mps	£26.01
0.5-6.0mm <sup>2</sup> crimps	£26.01
Non insulated crimps	£24.38

### Cable - Ribbon

7/0.127mm Grey ribbon cable on a 0.05" 1.27mm pitch with a red identifying stripe. Supplied by 305mm (1ft) or on full 30.5m (100ft) reels.

Size	per 305mm	per Reel
10 Way	£0.10	£5.80
14 Way	£0.14	£7.50
16 Way	£0.16	£8.58
20 Way	£0.20	£10.72
26 Way	£0.26	£13.94
34 Way	£0.34	£18.22
40 Way	£0.40	£21.44
30 Way	£0.50	£26.80
60 Way	£0.64	£33.92
DC Crimp tool		£10.60

### CAT5e Networking

UTP Cable  
Conforms to CAT5e  
100MHz standard.  
ETA verified TIA/EIA 568-B.2

305m Box	£45.31
100m Reel exc carriage.	£22.28

#### RJ45 Outlet Kit

Backing Box  
2 Gang Plate  
RJ45 Module  
Blank Module  
Coloured id inserts.  
£2.99ea £2.42 (10+)

#### Tools

Plastic punch down tool & cable stripper	£1.40
Professional punch down IDC & trim tool	£7.38

#### Outlets

CAT5e Outlet Module	£1.70
1 Gang Plate (2 Mods)	£0.50
2 Gang Plate (4 Mods)	£0.75
1 Module Blank	£0.25
1 Module Blank	£0.35
2 Module Blank	£0.45

Other keystone outlets, switches & accessories available. Patch & Cross-over leads from £0.50

Now available online  
Our large range of tools by



**New**  
**The Electronics Shop .co.uk**  
Sound & Lighting  
equipment for the Entertainment Industry

Tel: 0191 2514363  
Fax: 0191 2522296  
sales@esr.co.uk

Station Road  
Cullercoats  
Tyne & Wear  
NE30 4PQ

Prices Exclude Vat @17.5%  
UK Carriage £2.50 (less than 1kg)  
£5.50 greater than 1kg or >£30  
Cheques / Postal orders payable to  
ESR Electronic Components.  
PLEASE ADD CARRIAGE & VAT TO ALL ORDERS



# EPE EVERYDAY PRACTICAL ELECTRONICS

THE UK's No.1 MAGAZINE FOR ELECTRONICS TECHNOLOGY & COMPUTER PROJECTS

**VOL. 36 No. 12 DECEMBER 2007**

## Editorial Offices:

EVERYDAY PRACTICAL ELECTRONICS EDITORIAL  
Wimborne Publishing Ltd., Sequoia House, 398a Ringwood  
Road, Ferndown, Dorset BH22 9AU  
Phone: (01202) 873872. Fax: (01202) 874562.

Email: enquiries@epemag.wimborne.co.uk

Web Site: www.epemag.co.uk

EPE Online (downloadable version of EPE): www.epemag.com

EPE Online Shop: www.epemag.wimborne.co.uk/shopdoor.htm

See notes on Readers' Technical Enquiries below - we regret technical enquiries cannot be answered over the telephone.

## Advertisement Offices:

EVERYDAY PRACTICAL ELECTRONICS ADVERTISEMENTS  
Sequoia House, 398a Ringwood Road, Ferndown, Dorset BH22 9AU  
Phone: 01202 873872 Fax: 01202 874562

Email: stewart.kearn@wimborne.co.uk

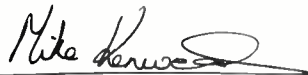
## Timely

It seems that our *Banning The Bulb* feature and *Standby Power Saver* project, both published last month, were very timely with the recent Government announcement of a voluntary initiative, led by major retailers and energy suppliers, to replace incandescent lamps with energy efficient types over the next few years. Secretary of State Hilary Benn also said "I want to see more retailers, manufacturers and service providers taking action to phase out the least efficient products from their ranges, for example, certain set top boxes and TVs, and so help offer greener choices to their customers".

The government has proposed the following schedule for retailers: By January 2008, cease replacing stock of all inefficient (General Lighting Service, GLS) A-shaped incandescent lamps of energy rating higher than 100W (predominantly 150W lamps). By January 2009, cease selling all inefficient GLS A-shaped lamps of energy rating higher than 60W (predominantly 150W lamps, 100W lamps, plus some 75W lamps). By January 2010, cease selling all GLS A-shaped lamps of energy rating higher than 40W (predominantly 60W lamps). By 31 December 2011, cease selling all remaining inefficient GLS A-shaped lamps and 60W 'candle' and 'golfball' lamps. (predominantly 40W and 25W A-shaped GLS bulbs, and 60W candles and golfballs).

## Confusion

Although golfball, candle and GU10 reflector versions of CFLs are now available (see *Banning The Bulb* in the October issue), the government's *Notes To Editors* indicate that they expect these types, together with tungsten halogen lamps and lamps for "non-lighting electrical appliances", to continue to be available "because suitable energy-efficient alternatives do not currently exist." At this stage, there seems to be no recognition of the fact that very few CFLs will work with standard incandescent dimmers. We see this as being a major problem when dissatisfied customers return their CFLs because they won't work in a dimmer circuit. Maybe there will be a greater range of dimmable CFLs available before the 2009 suggested cessation of supply of 100W GLS lamps.



## AVAILABILITY

Copies of *EPE* are available on subscription anywhere in the world (see opposite) and from all UK newsagents (distributed by SEYMOUR). *EPE* can also be purchased from retail magazine outlets around the world. An Internet on-line version can be purchased and downloaded for just \$18.99US (approx £9.50) per year, available from [www.epemag.com](http://www.epemag.com)



## SUBSCRIPTIONS

Subscriptions for delivery direct to any address in the UK: 6 months £19.95, 12 months £37.90, two years £70.50; Overseas: 6 months £23.00 standard air service or £32.00 express airmail, 12 months £44.00 standard air service or £62.00 express airmail, 24 months £83.00 standard air service or £119.00 express airmail. To subscribe from the USA or Canada call Express Mag toll free on 1877-363-1310

Online subscriptions, for downloading the magazine via the Internet, \$18.99US (approx £9.50) for one year available from [www.epemag.com](http://www.epemag.com).

Cheques or bank drafts (in £ sterling only) payable to *Everyday Practical Electronics* and sent to EPE Subs. Dept., Wimborne Publishing Ltd, Sequoia House, 398a Ringwood Road, Ferndown, Dorset BH22 9AU. Tel: 01202 873872. Fax: 01202 874562. Email: subs@epemag.wimborne.co.uk. Also via the Web at: <http://www.epemag.wimborne.co.uk>. Subscriptions start with the next available issue. We accept MasterCard, Amex, Diners Club, Maestro or V.s.a. (For past issues see the *Back Issues* page.)

## BINDERS

Binders to hold one volume (12 issues) are available from the above address. These are finished in blue PVC, printed with the magazine logo in gold on the spine. Price £7.95 plus £3.50 p&p (for overseas readers the postage is £6.00 to everywhere except Australia and Papua New Guinea which cost £10.50). Normally sent within seven days, but please allow 28 days for delivery - more for overseas.

Payment in £ sterling only please. Visa, Amex, Diners Club, Maestro and MasterCard accepted. Send, fax or phone your card number, card expiry date and card security code (the last 3 digits on or just under the signature strip), with your name, address etc. Or order on our secure server via our UK web site. Overseas customers - your credit card will be charged by the card provider in your local currency at the existing exchange rate.

Editor: MIKE KENWARD

Consulting Editors: DAVID BARRINGTON  
JOHN BECKER

Subscriptions: MARILYN GOLDBERG

General Manager: FAY KEARN

Editorial/Admin: (01202) 873872

Advertising Manager:

STEWART KEARN (01202) 873872

On-line Editor: ALAN WINSTANLEY

EPE Online (Internet version) Editors:

CLIVE (MAX) MAXFIELD and ALVIN BROWN

## READERS' TECHNICAL ENQUIRIES

E-mail: [techdept@epemag.wimborne.co.uk](mailto:techdept@epemag.wimborne.co.uk)

We are unable to offer any advice on the use, purchase, repair or modification of commercial equipment or the incorporation or modification of designs published in the magazine. We regret that we cannot provide data or answer queries on articles or projects that are more than five years' old. Letters requiring a personal reply *must* be accompanied by a stamped self-addressed envelope or a self-addressed envelope and international reply coupons. We are not able to answer technical queries on the phone.

## PROJECTS AND CIRCUITS

All reasonable precautions are taken to ensure that the advice and data given to readers is reliable. We cannot, however, guarantee it and we cannot accept legal responsibility for it.

A number of projects and circuits published in *EPE* employ voltages that can be lethal. You should not build, test, modify or renovate any item of mains-powered equipment unless you fully understand the safety aspects involved and you use an RCD adaptor.

## COMPONENT SUPPLIES

We do not supply electronic components or kits for building the projects featured, these can be supplied by advertisers.

We advise readers to check that all parts are still available before commencing any project in a back-dated issue.

## ADVERTISEMENTS

Although the proprietors and staff of *EVERYDAY PRACTICAL ELECTRONICS* take reasonable precautions to protect the interests of readers by ensuring as far as practicable that advertisements are *bona fide*, the magazine and its publishers cannot give any undertakings in respect of statements or claims made by advertisers, whether these advertisements are printed as part of the magazine, or in inserts.

The Publishers regret that under no circumstances will the magazine accept liability for non-receipt of goods ordered, or for late delivery, or for faults in manufacture.

## TRANSMITTERS/BUGS/TELEPHONE EQUIPMENT

We advise readers that certain items of radio transmitting and telephone equipment which may be advertised in our pages cannot be legally used in the UK. Readers should check the law before buying any transmitting or telephone equipment, as a fine, confiscation of equipment and/or imprisonment can result from illegal use or ownership. The laws vary from country to country; readers should check local laws.



## Photographer's Paradise

Barry Fox wonders if Hewlett Packard's got the answers for photographers' nightmares

Do you have shoeboxes full of photo negatives and slides? Do you have fat friends who don't like being photographed? Hewlett Packard has answers for both problems.

As well as scanning paper documents in the usual way, the new Scanjet G4050 can be used to automate the digitisation of photo film negatives or transparencies. The scanner comes with three A4 size carriers, one for 30 negative frames in five 35mm film strips, one for 16 slides, and one for larger format pictures. The carrier is loaded with film and placed on the scanner glass. Whereas most scanners have a light source in the base under the glass, the 4050 also has a light source in the lid that hinges down over the glass. So it can scan an image either by reflection (from below) or by transmission (from above).

Resolution is 4800 × 9600 dpi, with an option to make two passes using two lamps which scan for six colours,

with frequencies between the usual single lamp, single pass, Red, Green and Blue. This gives 96-bit accuracy. PC software creates JPEG negative or positive image strips to match the film sequence. An infra-red lamp helps identify scratch marks and repair by pixel-by-pixel replacement from surrounding content. The software can be switched to distinguish between different film colour balances, such as Kodachrome and Ektachrome.

Two new digital photo printers due this autumn, the A626 and A825 have touch screen controls for all the usual crop and red-eye editing. But each also has a new one-touch feature called 'slimming'. This can doctor an image to 'make subjects more slender'. In plain English it makes a fat person look thinner.

The picture is displayed on the printer screen before printing and the 'slimming' option selected to show a touch slider control for squeezing the centre

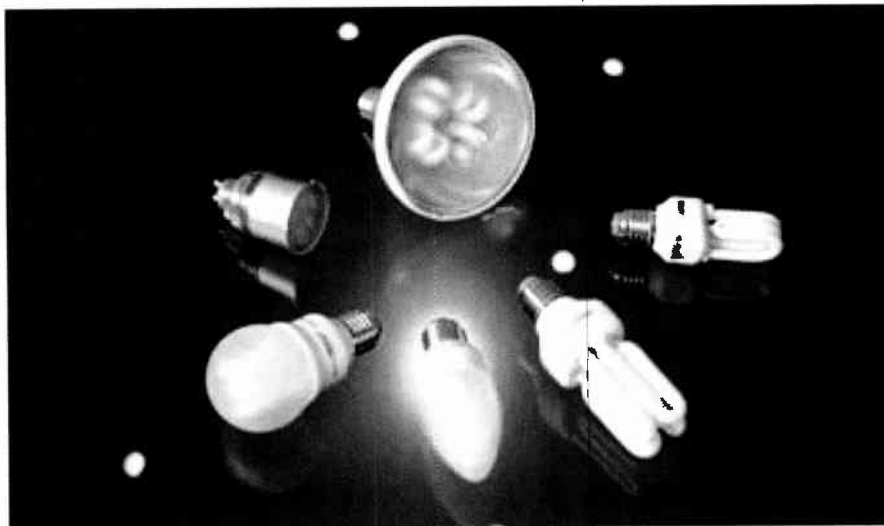
area of the image to a variable degree. The sides of the picture are left unaffected. So if a 'fattie' is standing between two slim friends, moving the slider makes the fattie look slender to match.

HP has tried putting the feature in cameras but now thinks it belongs in a printer so that all pictures, old and new, can benefit from a touch of digital surgery without the hassle of having to transfer the picture to a PC and use complicated editing software.

HP's new Pavilion HDX Entertainment Notebook PC has a 20-inch HD screen and HD-DVD read/write drive. This is a surprise because HP has always been a staunch supporter of the rival Blu-ray format.

A spokesman says this is purely because HD-DVD drives were ready earlier. "We are committed to Blu-ray" he assures. "We expect to introduce it in a Combo this Christmas which takes either HD or Blu-ray discs".

## MEGAMAN DIMMERABLE LAMPS



The latest addition to Megaman's energy saving lamps is their Dimmerable Range, which enables users to enjoy the benefits of dimmable fluorescent lighting without the need for special control gear or control wiring. This unique product can be used with a conventional light switch and with normal lamp holders, meaning no change to the existing on/off fitting and saving on any extra retrofit costs. No additional control wiring or transformers are required for use.

Lamps in the range can change the ambience of a room at the flick of a switch, providing dimming of GLS replacement compact fluorescent lamps using a built-in electronic ballast and offering a high performance, linear dimming capability. Dimming is stepless from 10% to 100%, with no delay in response to dimming signals from the switch. Lamps can also be switched off at any dimming setting. The lamps provide a 10,000 hour life, flicker-free operation with stable light

output and are compatible with most electronic dimmers and digital dimmers for incandescent and halogen lamps.

The range is currently available in 11W and 18W tubular lamps, an 11W GLS Style, PAR38, 7W and candle and 11W GU10 lamp.

Browse [www.megamanuk.com](http://www.megamanuk.com).

### Smile When You're Ready!

Hot on the heels of HP's home printer, which makes people look slimmer, comes a pair of new cameras from Sony that only take a picture when the subject is smiling. The Cyber-shot T200 and T70 digital cameras have a so-called 'Smile Shutter'. The camera uses optical facial recognition to spot the shape of a smiling mouth. It then snaps the shot automatically.

If there are several people in the view, the photographer uses a touch screen viewfinder to select one of them for smile control. The shutter then only fires when the selected subject smiles. The camera can also be set to shoot a rapid sequence of six pictures, so the photographer can choose later which one has captured the best smile. At the same time as detecting smiles, the camera automatically adjusts exposure, flash and focus. Prices range from £229 to £299.

Barry Fox



## Budget LCD Oscilloscope

The PDS5022S bench Digital Storage Oscilloscope from Audon has been specifically designed as an entry level instrument for educational, hobby and budget-driven applications. Although low-cost, the PDS5022S is packed with a wide range of useful functions usually only seen on higher-end DSOs, such as video trigger and auto-measurement. The large full-colour LCD display makes for a clear unambiguous waveform display.

The PDS5022S is a 100MS/s dual channel 8-bit DSO with a 25MHz bandwidth, featuring a large 7.8-inch 640 x 480 pixel colour LCD display. It has easy-to-use controls and a simple and clear menu system. A compact and robust design that will not take up too much bench space.

There are several display modes: Normal mode operates like a standard scope, with simple manual control of timebase, triggering, etc. XY Mode is where CH1 is displayed on the horizontal axis and CH2 is on the vertical axis. When the oscilloscope is under the sampling mode in which no trigger is found, the data appears as light spots.

There is also an Auto-set mode, that allows the oscilloscope to display and measure unknown signals automatically. This function optimizes the position, range, timebase and triggering and assures a stable display of virtually any waveform. There is also an Average Display mode, where the displayed waveform is an average of a pre-set number of waveform samples. This can eliminate noise which can otherwise obscure readings.

The PDS5022S is supplied with carry case, scope leads, CD and manual and is available ex-stock for just £215.

For further information contact Audon Electronics, +44 (0)115 925 8412, Fax: +44 (0)115 925 9757. Email: [info@audon.co.uk](mailto:info@audon.co.uk). Web: [www.audon.co.uk](http://www.audon.co.uk)

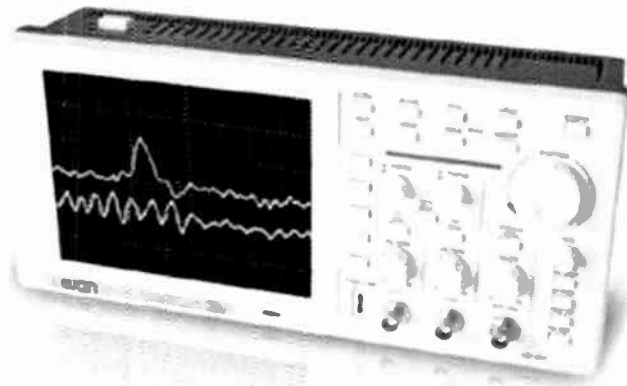
## SQUIRES' 2008 CAT

We have received a copy of the *Squires Tools and Materials Catalogue 2008*. It is a good thick (over 480 pages) illustrated book, detailing products of interest to anyone who delights in electronics, modelling or craft hobbies.

Squires could no longer fit everything into just the one catalogue, so they will now be publishing a separate *Electronic Components Catalogue*. Anyone wishing to receive a copy of either of these catalogues should contact Squires. Tel: 01243 842424. Fax: 01243 842525.

Email: [sales@squirestools.com](mailto:sales@squirestools.com). Or call at their shops in Bognor Regis.

At the beginning of this year, Squires opened a new, second shop in Bognor Regis, just two doors down from their existing one. The new shop was opened to accommodate their ever expanding range of tools, materials and electronic components, many of which are in great demand from



amateur electronic hobbyists and professional users alike, and are often hard to find anywhere else.

The new shop has proved extremely popular with all of their customers, and can be found at 108C, London Road, Bognor Regis PO21 1DD. The original shop is at 100 London Road.

## Microchip's Student Support

*Students will benefit from a newly-refurbished laboratory which has been opened at the University of Reading, thanks to a £40,000 investment from Microchip.*

*Microchip Technology – whose European Headquarters is based in Wokingham – is a major supplier of microcontrollers, digital signal controller and analogue ICs, and has an established track record of supporting education through the donation of funding, equipment and software.*

*The School of Systems Engineering already uses Microchip's devices in its teaching and project work and when an opportunity arose to refurbish an existing teaching laboratory, an approach was made to see if further support would be forthcoming.*

*Chris Guy, Head of the School of Systems Engineering, said: "Students on Electronic Engineering and Cybernetics courses will benefit greatly from this exciting new development. It will enhance the learning of all existing students while acting as a major recruitment tool for potential undergraduates."*

*Ganesh Moorthy, Executive Vice-President said "Microchip was delighted to offer a full package to enhance the laboratory – which now boasts a full suite of the latest Microchip Technology hardware, software and development tools ... It has been a pleasure to partner with one of the leading technology Universities and to help ensure students learn in a modern, hi tech environment."*

*For more information, visit the Microchip website at [www.microchip.com](http://www.microchip.com).*

## OPTIMISED 2.4GHz ANTENNAS

RF Solutions has announced its new range of high quality 2.4GHz antennas, specifically designed and manufactured for operation with low power, short range telemetry systems, Wi-Fi and computer systems. The use of these antennas gives optimum range and reliability to a wide range of applications.

Tuned to a frequency of 2.4GHz to 2.5GHz, the compact and flexible helical 'Stubby' whip antenna benefits from a rugged plastic finish and 90 degree SMA fixing. This antenna is available as BNC, 4BA, M4 screw fixing. A slightly different model is available with a 90 degree 'joint' with SMA fixing.

They also market a twin gain directional antenna, which is small enough to be used indoors or in an industrial environment and a compact mini dipole with a 2.5 metre coax lead. This mini dipole antenna is rugged and benefits from a +2.1dBi gain and SMA fixing.

Other antennas operating on a 2.4GHz frequency available from RF Solutions include a flat whip model, designed for panel mounting, and an onboard antenna suitable for PCB mounting for embedded applications which operates either a horizontal or a vertical polarisation. The company can also supply omnidirectional and multimode antennas of a rugged industrial construction, which can be fitted with TNC female connectors. Non-standard frequencies are available on request.

RF Solutions provide a wide range of high quality, passive and high gain antennas, including flexi 1/4 wave, helical, puk, embedded, dipoles and Yagi.

Further information from RF Solutions, Unit 21, Cliffe Industrial Estate, South Street, Lewes, East Sussex BN8 6JL. Tel: 01273 898000 Fax: 01273 480661. Web: [www.rf-solutions.co.uk](http://www.rf-solutions.co.uk). Email: [sales@rfsolutions.co.uk](mailto:sales@rfsolutions.co.uk)



## Mother Knows Best

**Mother Nature, that is. Why reinvent the wheel when Mother Nature has already done the R&D work and the design optimisation for you? Plants and insects have developed ingenious techniques that can be replicated for industrial, medical and military purposes. Bionics and electronics have a great future in combination, as Mark Nelson explains.**

**M**ENTION bionics and many people will think of the 1970s TV series *The Six Million Dollar Man* or its spin-off *The Bionic Woman*. Based on the *Cyborg* novels, both programmes revolved around characters who had received artificial organs and body parts to enhance their human abilities. Back then, electronically-powered legs, arms, and eyes were purely fictional, but today medics and engineers are taking an increasing interest in natural processes and, by investigating them, harnessing them for new applications.

*Wikipedia* defines bionics as the replacement or enhancement of organs or other body parts by mechanical versions. The term is an amalgamation of biology + electronics, which makes sense, although some experts derive it from the classic Greek word element for 'life' and leave out the electronics. Either way, there's a very strong connection with our subject.

### Neural networks

It's important to understand that bionics is a two-way technology transfer process. We can employ science to manufacture artificial body parts, or we can copy natural processes for manufacturing. In each case man is imitating – and possibly finessing – nature. Possibly the first was Velcro, conceived by a scientist who puzzled why plant burrs clung so tenaciously to the fur of his dog. Observation that the surface of the lotus flower plant, which is practically unsticky, led to the development of dirt and water-repellent coatings and paints for anything (the lotus effect). Sonar, radar, and ultrasound imaging in medicine borrow from the echolocation of bats, while in computing we have neural networks and swarm intelligence.

Three months ago, 1,800 medical engineering delegates to the annual *IEEE Engineering in Medicine and Biology Society* conference in Lyon, France were told they must leverage nature's forces. Keynote speaker, Prof David Beebe (University of Wisconsin) described how studying how flower petals fell off as they decayed led to the design of a toxin detector with two arms stuck together. In the presence of botulism the adhesive between the two arms degrades rapidly to provide a clear indication.

His lab has also developed an efficient microfluidic pump, based on what the researchers had learnt from studying the

movement of fish. Others in his team used the hydrophobic properties of a lotus leaf to create a liquid lens with an adjustable focal length.

### Telefantasy to truth

*Spiderman* is less 'old hat' than *The Bionic Man* and the sticky hands and feet that enable him to scale vertical walls could soon be fact rather than fantasy according to an Italian physicist. Not just arachnids but geckos too, it appears, use a combination of capillary action and molecular attraction to keep the tiny hairs on their legs 'magnetised' to surfaces. So says Professor Nicola Pugno of the Polytechnic University of Turin (Italy), who in June declared that synthetic suits could harness the same nanoscale forces to enable humans to hang onto walls or ceilings.

His *Spiderman* suit would be made by weaving millions of 10-nanometre thick carbon nanotubes into threads about one centimetre thick with their ends splayed out, fan-like, to maximize contacts and thus stickiness, it was reported in trade journal *EE Times*.

Copying nature could also save us energy. Research at the University of Bath comparing natural and man-made technologies indicates that 'mother nature' is far more efficient than our high-tech designs.

Explains Professor Julian Vincent, who is leading this research, "A man-made hammer has a very heavy head, so that it is heavy to carry around and lift but can do a lot of work with one hit. It relies on inertia. But the woodpecker's hammer, its head, relies on speed. It is very light to carry around, and functions rather like a whip, with the heavier body moving a small amount, and the lighter head, on its long neck, moving much faster. They can each deliver the same amount of impact energy, but they do it in a very different way."

### Bionic bees

As well as working for nothing to provide us with honey, royal jelly and wax for church candles, the unpaid army of honey bees is doing us an even greater favour. No, we won't be employing bees to build nanocircuits in their hives, but scientists are looking to our fuzzy friends to learn new ways of performing electronic functions.

Last year, *BBC News* reported that an artificial lens array, containing more than 8,500 hexagonal lenses packed into an area the size of a pinhead, had been developed by scientists at the University of California, Berkeley.

Modelled on a bee's eye, the lens array could be used in tiny, omni-directional surveillance devices, ultra-thin cameras or for high-speed motion sensors. It may also have medical applications, such as imaging the gut.

Designers of video surveillance systems are examining the way that insects can process images, combining extreme brightness and shade without batting an eyelid (they probably don't have eyelids anyway). According to Dr Russell Brinkworth of the University of Adelaide, a tiny insect can outperform any current artificial vision system.

The individual cells of an insect's eye can adjust independently to image areas with differing illumination so as to capture the maximum amount of information they see. You can judge the importance of this work by the fact that his team is receiving funding from the United States Air Force.

Israel is developing a nanotechnology-based bionic hornet the same size as the real insect. Functioning like existing 'drone' surveillance devices, but on a nano scale, this miniature weapon could chase and photograph targets, even in urban landscapes.

Prototypes for the new weapons are expected before the end of 2009, according to Reuters. The agency quoted the country's Deputy Prime Minister as saying: "The war in Lebanon proved that we need smaller weaponry. It's illogical to send a plane worth \$100 million against a suicidal terrorist. So we are building futuristic weapons."

### Flash in the pan

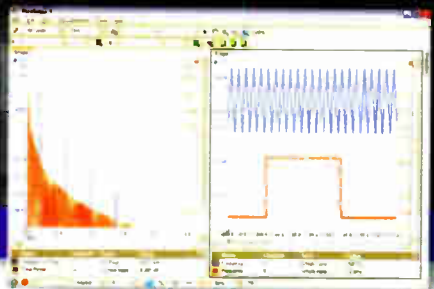
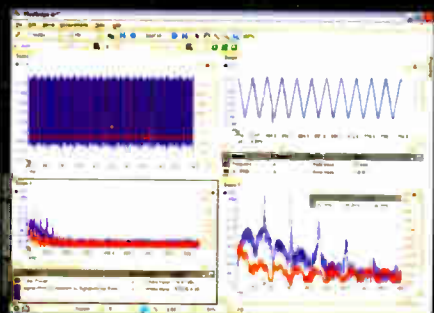
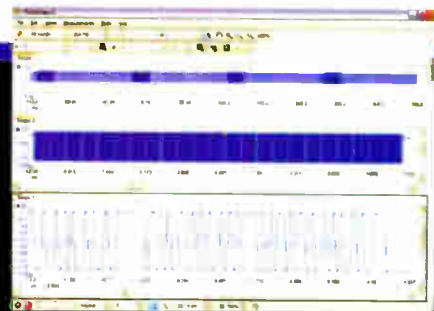
Well, not a pan but a kettle in fact. Right now a story that is engaging local radio and newspapers where I live concerns an unfortunate lady whose kettle has an unearthly influence over the street lamp outside her house. The tale may have gone national – and been solved – by the time you read this, but if not, it will give you an interesting puzzle to ponder.

Every time Northampton pensioner Sally Barnet makes a cup of tea at night, the lamp outside her kitchen window goes out and then comes on again a few seconds later. An engineer from electricity provider e-On confirmed an engineer had been to test the cables at her home, but it was too early to tell what the problem was.

I said the influence was unearthly and I suspect there's a missing earth cable somewhere but that's just my own speculation. If you have any ideas or have encountered even spookier symptoms of a similar kind, please do write in!



# USB Connected High Speed PC Oscilloscopes



5000 SERIES

## PicoScope 5000 Series

### The No Compromise PC Oscilloscopes

With class-leading bandwidth, sampling rate, memory depth and an array of advanced high-end features, the PicoScope 5000 PC Oscilloscopes give you the features and performance you need without any compromise.

250 MHz bandwidth  
1 GS/s real-time sample rate  
128 megasample record length

#### Advanced Triggers

In addition to the standard triggers the PicoScope 5000 series comes as standard with pulse width, window, dropout, delay, and logic level triggering.

#### 250 MHz Spectrum Analyser High-speed USB 2.0 Connection

#### Automatic Measurements

#### Arbitrary Waveform Generator

Define your own waveforms or select from 8 predefined signals with the 12 bit, 125 MS/s arbitrary waveform generator.

#### Waveform Playback Tool

PicoScope software now allows you to go back, review, and analyse up to 1000 captures within its waveform playback tool.

**pico**  
Technology

3000 SERIES

The PicoScope 3000 Series of oscilloscopes from Pico Technology includes general purpose and high resolution models: With 12 bit resolution and 1% accuracy, the 10MHz PicoScope 3424 is able to detect changes as small as 0.024% (244ppm) – making it the ideal 4-channel oscilloscope for analog design and analysis. The higher speed 8 bit models in the PicoScope 3000 series feature sampling rates up to 200MS/s and up to 1 MS/s record lengths for general purpose and portable applications.



2000 SERIES

The PicoScope 2000 series oscilloscopes offer single and dual channel units that offer highly portable/low cost solutions to general purpose testing. The award winning 25MHz handheld PicoScope 2105 fits comfortably into the palm of your hand yet still includes the powerful features found in larger oscilloscopes.



VISIT [www.picotech.com/scope440](http://www.picotech.com/scope440)

to check out our full line of PC-based instruments or call **01480 396 395** for information and a product catalogue



## Constructional Project

OK, ALL YOU BUDDING PHIL COLLINS AND RINGO STARRS OUT THERE . . .  
HERE'S YOUR CHANCE TO OWN A LOW-COST 'DRUM KIT' WHICH CAN  
PRODUCE JUST ABOUT ANY MUSICAL SOUND YOU CAN THINK OF – AND  
THERE'S NOT A DRUMSKIN IN SIGHT! YOU DON'T EVEN NEED  
TO BUY A PAIR OF DRUMSTICKS!

by John Clarke



# MIDI DRUM KIT

## PART 1



**F**or centuries, drums have been an integral part of music, used in everything from tribal music, jazz, rock and blues, right through to symphony orchestras. In many cultures, drums play an integral part during ceremonies and religious events.

Modern drums tend to be based on instruments that are used in established cultures. For example, from the Afro-Cuban cultures we have been introduced to the bongo and the conga, while from the American native Indians comes the tom-tom. Cymbals of various descriptions have originated from Europe, Turkey and China.

Traditionally, drums have tended to be made from natural products such as carved timber and animal skins, while cymbals are usually manufactured from brass. These instruments have a charm of their own and produce a unique sound that is dependent on the products used in their manufacture.

Modern instruments are made using high-technology materials such as stainless steel, aluminium and its alloys, plus many types of plastics. The sound produced by these instruments can be tightly controlled so that each instrument has a distinctive and consistent sound.

Often, these sounds are recorded in a digital form so that they can be played back using a synthesiser. The technique for recording is called 'sampling'.

Other synthesiser sounds are not recordings at all but synthesised sounds made using oscillators, noise and envelope control to recreate the required effect.

Once the drum sounds are recorded or created, we can replay them repeatedly just by signalling the synthesiser to play a particular sample.

The data sent to the synthesiser is in a format called MIDI (Musical Instrument Digital Interface) and includes information such as the required instrument to be played, its volume and its position in the left and right sound stage.

By adding sensors to detect when the recorded 'drum' sound is to be played, we can drive the synthesiser with the MIDI signal to faithfully reproduce the required drum sound whenever the sensor is struck.

This is the basis of an electronic drum kit – and the project presented here, the MIDI Drum Kit. It can reproduce a vast array of drum sounds without having to use conventional instruments to make the sounds.

Drum sounds can be initiated using an electronic keyboard to play the instruments or you can use a drum kit. The advantage of the drum kit is that it can be played in a similar way to a real drum set, so its operation is more natural.

There is no doubt that a real drum kit with its highly polished crash plates, finely crafted drums and the physical presence of the instruments all arranged in a group is an impressive sight. An electronic drum kit just doesn't quite have the same appeal because electronic drum kits are basically uninteresting to look at.

After all, with a real drum kit, you can see the instruments and even watch them working, particularly with the Hi-Hat, the cymbals and the foot-driven drum.

For these reasons, MIDI drum kits are not often used for live performances but mainly for recording and producing synthesised music.

An electronic drum kit's claim to fame is therefore not its looks but instead its versatility and the significantly lower cost than is available with any 'physical' drum kit.

It is also much easier to transport and it produces sound in a form that can be readily recorded.

Tables 1 and 2 show the drum sounds that can be used with the MIDI Drum Kit when connected to a synthesiser located within a musical instrument (such as keyboards), or via a computer that has a sound card.

Synthesisers supporting the MIDI level 2 standard can also reproduce the extra sounds ranging from 27 to 35 and from 81 to 87 for the standard kit plus the other drum sets. These include the Room, Power, Electronic, TR-808, Jazz, Brush, Orchestra and Sound Effects sets.

Most synthesisers and computers with sound cards manufactured after 1995 are likely to support these extra drum sets.

Of course, if you know enough about music software, you can generate your own set of sounds using VST (Virtual Studio Technology) or similar hardware emulators, or add in already created drum patches yourself.

## Presentation

The MIDI Drum Kit electronics is housed in a plastic box that can be mounted on a stand along with the pad sensors, or used as a free-standing unit with the sensors remotely attached. It includes a Liquid Crystal Display, which can show the selected drum (or other sound) for each sensor pad input, the various settings and the overall volume and left to right positioning. Six pushbutton switches are used to change the settings.

Eight phono inputs at the side of the box are for the seven sensor pad connections and the footswitch. Other connections are at the rear of the box and are for the MIDI-out, the serial connector, the games port connector and the

## Features

- Sound output via a computer and speakers or synthesiser
- Up to 21 instruments selectable for the standard drum kit set
- 7 extra kits (with MIDI 2) including Brush, Jazz and Orchestra sets
  - 7 instruments can be played at the one time
- Footswitch control of instrument No.7 to select another instrument (eg, closed and open Top Hat)
- Instrument triggers include percussion plate, hand plate and foot activation units
- Volume level can vary with striking pressure on the trigger plate
- Four settings for sensor pad volume: wide variation, two compressed and a fixed full level
- LCD shows sensor selections, patch and volume level and settings
- Adjustable soundstage positioning within left and right channels
- Can be used with a synthesiser or computer (with sound card)
  - MIDI out, sound card (DB15) or serial (DB9) connections available
- USB operation via a serial to USB converter
- Plugpack powered



# Constructional Project

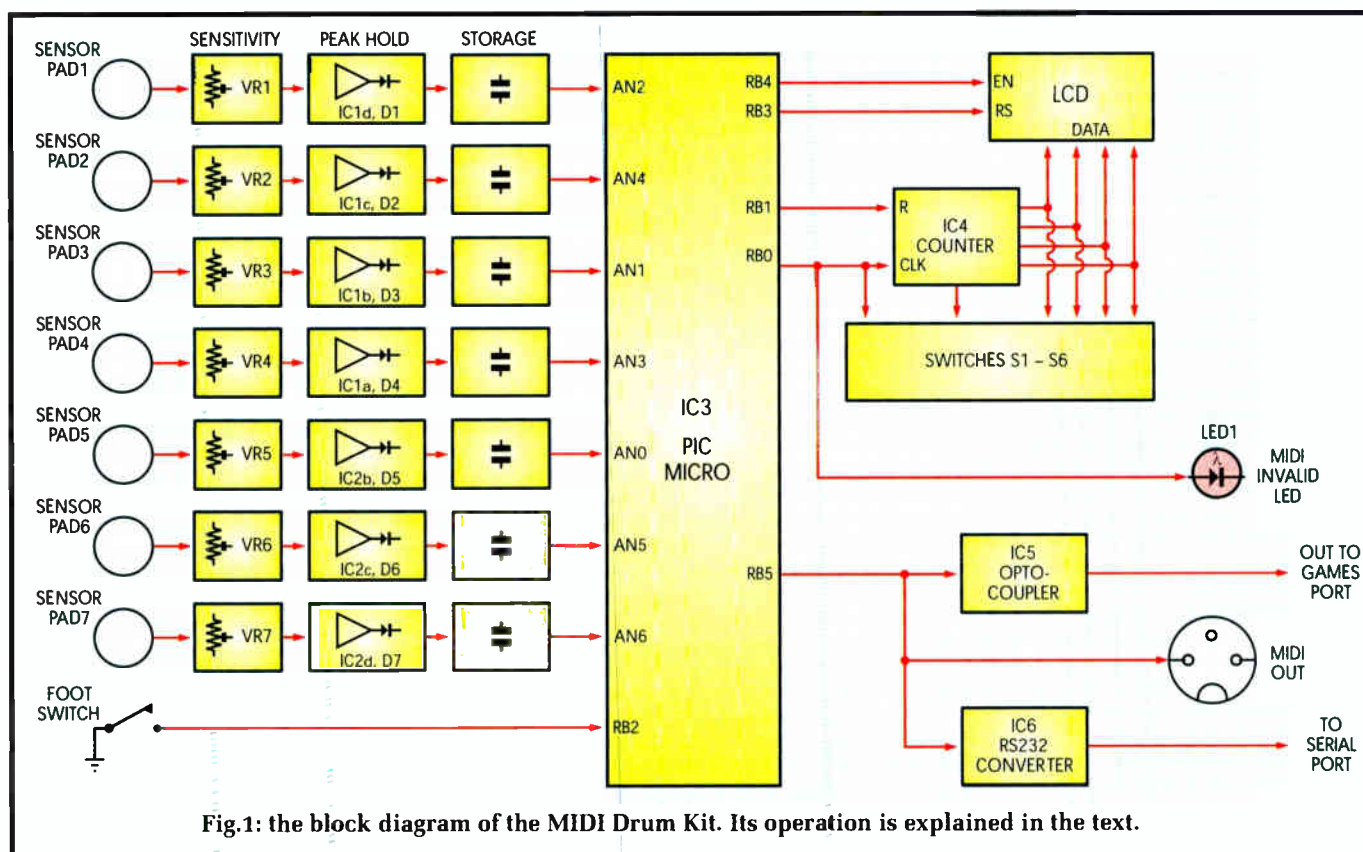


Fig.1: the block diagram of the MIDI Drum Kit. Its operation is explained in the text.

DC power sockets. One of the DC sockets is for the 9V DC plugpack input and the other for DC output to connect to optically-operated sensor pads. A power switch is included and the LED adjacent to the MIDI socket shows the 'MIDI invalid' indication. More about this later.

## Synthesiser

As mentioned before, there is neither a synthesiser nor amplifier within the MIDI Drum Kit – it must be connected to an external synthesiser and the audio output of this synthesiser connects to headphones or to an amplifier and loudspeakers, mixing desk, etc.

By far the most common source of a synthesiser is the one inside a standard personal computer or laptop – every sound card has a synthesiser. Another source is an electronic instrument such as a MIDI keyboard. The MIDI Drum Kit can be used with either of these synthesisers.

Signals from the MIDI Drum Kit are sent as a series of codes that command the synthesiser to produce sounds. The codes are sent in MIDI format – this is a standardised signal used by the music industry to control synthesisers.

What is different about the drum sounds in MIDI is that they can only be used on one channel (or two channels for MIDI 2) out of a total of 32 channels available for use with MIDI. These are channel 10 plus channel 11 when using the MIDI level 2 standard. In addition, while other channels produce notes of a particular instrument setting, channel 10 produces a sampled sound of an instrument for the note selection instead. The instrument setting for the other channels becomes the patch number for the drum set.

To connect to a MIDI musical instrument, you connect a MIDI lead from the MIDI Drum Kit's MIDI socket to the instrument's MIDI input.

When connecting to a computer, you have three possible options:

- use the games port (if the computer has one), which connects directly to the computer's sound card; or
- use the serial outlet and connect this directly to a serial port on the computer (again, if the computer has one); or
- use the computer's USB port.

A games port, which has a DB15 connector, will accept MIDI signals directly. However, many modern computers do not have a games port and some modern ones don't have an RS232C serial port either. Those computers will, however, have at least one (and usually several) USB ports.

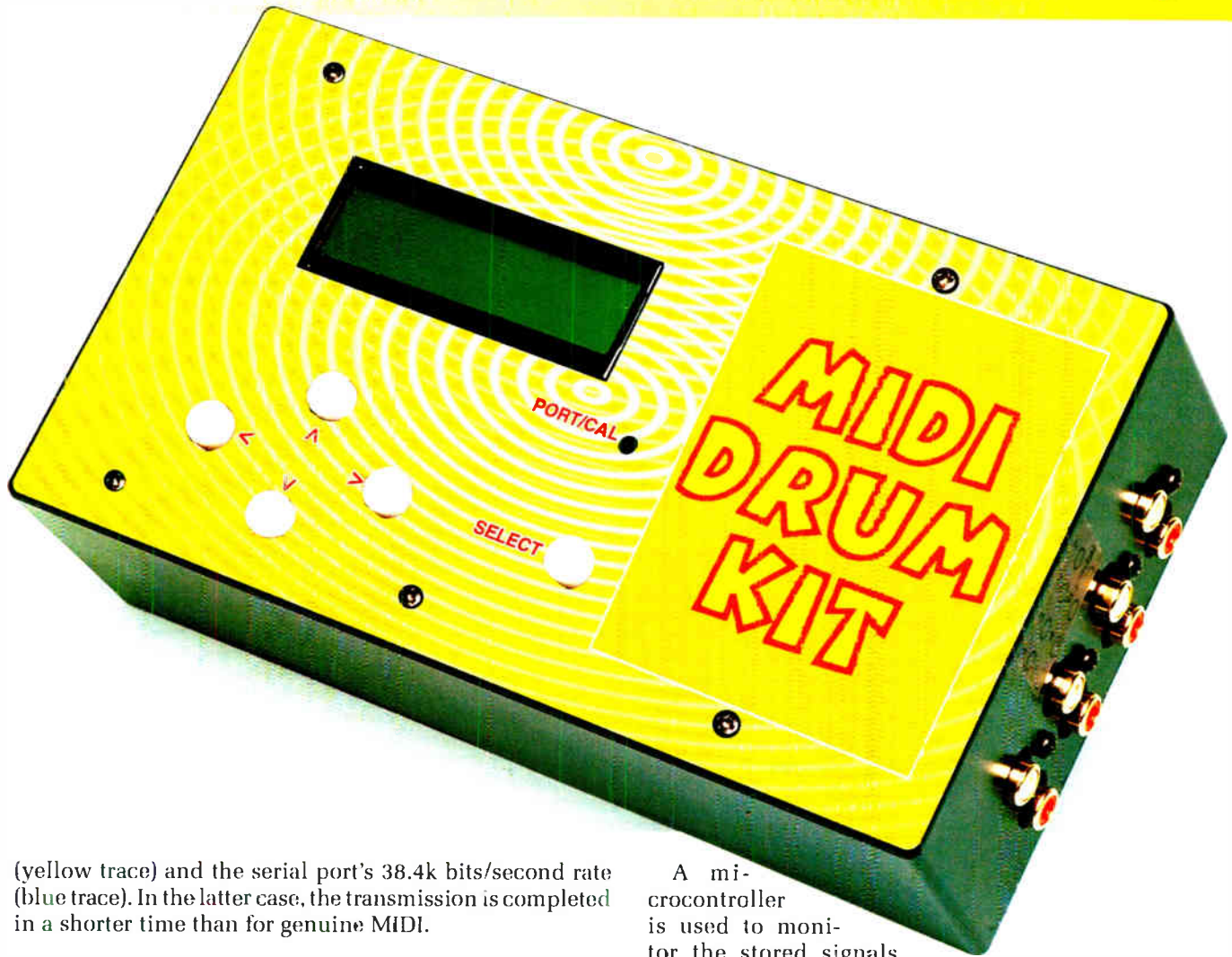
If you do not have a games port or serial port, then the only way to use the MIDI Drum Kit is via a USB port. For this, you will need either a MIDI-to-USB converter or a serial port to USB converter.

MIDI-to-USB converters currently cost around £30, while serial-to-USB converters are only about £15, so if you need to use the USB port we recommend the serial-to-USB option. In either case, software will need to be installed in order for the USB ports to respond to the signals sent by the MIDI Drum Kit.

## There is a difference!

When using the serial output from the MIDI Drum Kit to make the computer connection, the signal sent by the MIDI Drum Kit is not genuine MIDI standard. This means that the MIDI signal provided on the MIDI output cannot be used to drive a MIDI instrument when the unit is configured for serial output. In this case an LED lights to indicate that the MIDI output is invalid.

The oscilloscope waveforms in Fig.2 show the difference between the genuine 31.25k bits/second MIDI signal



(yellow trace) and the serial port's 38.4k bits/second rate (blue trace). In the latter case, the transmission is completed in a shorter time than for genuine MIDI.

## Software

Software is required when using the computer as the synthesiser source. The main software is the sequencer program. This accepts the MIDI signal sent by the MIDI Drum Kit and directs it to the sound card's synthesiser. The sequencer also provides many other functions such as the ability to record the music, store it and play it back. Panning from left to right, instrument change, looping and quantisation effects are also available.

We used Rave, a freely-available sequencer program that can be downloaded from the internet. The software works with Windows 95, 98, Me, 2000, NT and XP. We will explain how to download, install and use the software in a later issue. Professional sequencers can also be used and these have the advantage that you can edit and create your own sounds.

Software for the serial port driver works with Windows 95, 98, Me, 2000, NT and XP. The Serial to USB port driver works with Windows 98 through to XP.

## Block Diagram

Fig.1 shows the block diagram for the MIDI Drum Kit. Sensor pads from PAD1 to PAD7 are connected to identical circuitry, including a sensitivity trimpot, a peak-hold buffer and storage. The sensitivity adjustment allows any sensor to be adjusted to match the sensitivity of other sensor pads. Following the sensitivity adjustment, the signal from each sensor plate is rectified and the peak value from the sensor is stored.

A microcontroller is used to monitor the stored signals from the sensor plates at the analogue inputs AN0 to AN6 and the 'footswitch' input RB2. If a signal at any of the PAD inputs reaches a predetermined value, then the microcontroller decides that the associated sensor pad has been struck and a MIDI signal is produced at output RB5. This is then applied to an optocoupler, the MIDI output socket and the RS-232 converter.

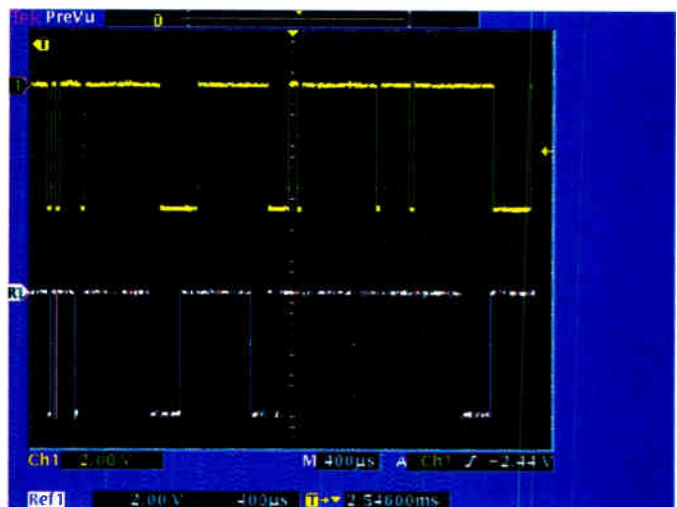


Fig. 2: these oscilloscope waveforms show the difference between genuine MIDI and the 'serial MIDI' for the computer's sound card. As you can see, the lower trace is completed over a shorter time.



# Constructional Project

The optocoupler provides isolation between the MIDI Drum Kit and the computer connection via the games port. This prevents hum loops forming if the MIDI output is also connected to a synthesiser.

The RS-232 converter converts the 0-5V signal from the microcontroller to a nominal  $\pm 10V$  signal for the serial port. When using the serial port connection, the 'MIDI invalid' LED lights to indicate that the signal on the MIDI outlet is not able to drive a synthesiser.

The microcontroller also drives the LCD and monitors switches S1 to S6. Input RB2 of the microcontroller checks if the footswitch is open or closed.

## The circuit

The MIDI Drum Kit circuit (Fig.2) can be divided into two parts: the analogue section (sensor plate input circuitry) and the digital section (the microcontroller, LCD and switches and the MIDI output sections).

The circuitry for pad inputs PAD1 to PAD7 is identical. The signal source can be either a piezo transducer or an optical sensor circuit (as we shall see later).

The signal from each pad is tied to the +5V supply via the full 20k $\Omega$  resistance of the associated trimpot. In each case, the trimpot wiper can be adjusted between the full signal level, when set fully toward the Pad signal input, or to no-signal when the wiper is set at 5V. The signal is AC-coupled with a 100nF capacitor to remove the DC voltage, so that only the AC signal from the sensor passes. The DC level is then set at a nominal +2.5V using a voltage divider comprising two 100k $\Omega$  resistors across the 5V supply.

IC1 and IC2 contain operational amplifiers (op amps) wired as peak detectors. Normally, the output sits at the same voltage as the non-inverting input (eg, pin 12). When a signal is applied to pin 12, the op amp's output varies in response to this and the diode at the output charges the 1 $\mu$ F capacitor to the peak of the signal. When there is no signal at the input, the voltage across the 1 $\mu$ F capacitor will be discharged via the 100k $\Omega$  resistor across it, but not before microcontroller IC3 measures the peak voltage that was present on the 1 $\mu$ F capacitor (ie, at input AN2 of IC3).

Immediately IC3 detects this voltage, input AN2 is set to be an output and it is able to discharge the 1 $\mu$ F capacitor via the 2.2k $\Omega$  resistor as soon as the voltage at the cathode of diode D1 falls.

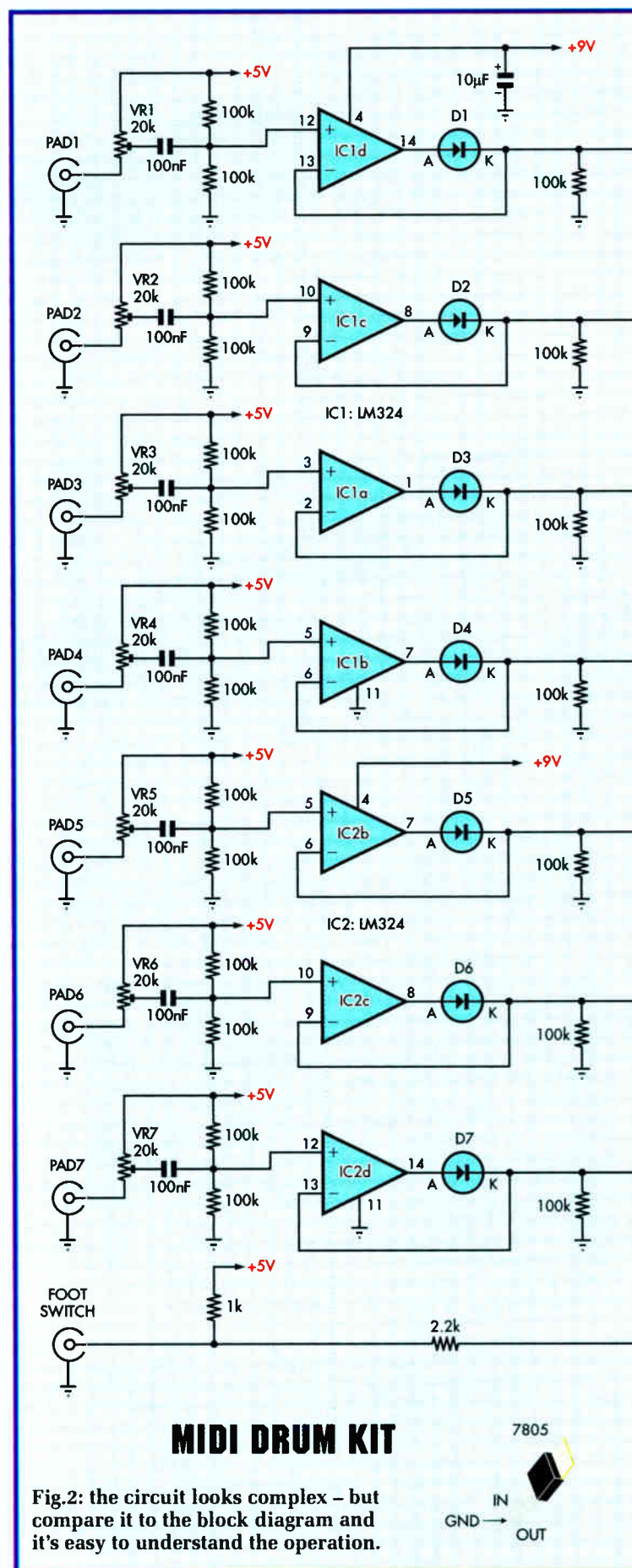
The footswitch input is tied to the 5V supply via a 1k $\Omega$  resistor. This sets IC3's RB2 input high when the switch is open. When the switch is closed, RB2 is pulled to ground. These levels are also detected by IC3.

## Digital circuitry

The digital circuitry comprises IC3, IC4, IC5 and the LCD module. IC3 is a PIC16F88 microcontroller from Microchip. It includes features such as a 10-bit multi-channel analogue-to-digital converter and a serial output that can produce MIDI format signals at 31.25kHz bit rate, with the required stop and start bit.

The serial output can also be set to provide the 38.4kHz signal suitable for the serial port on a computer. Either of these two bit rates is accurate when the microcontroller operates at 16MHz and we do this using crystal X1 between pins 15 and 16.

IC3 is supplied with 5V between pins 14 and 5, with 100 $\mu$ F and 100nF capacitors decoupling this rail. The 100nF







## Constructional Project



End-on and side-on views showing the eight inputs (left); above is the DC in/out, games port socket, serial socket, invalid MIDI LED and MIDI output

capacitor reduces high-frequency noise and the  $100\mu\text{F}$  reduces the supply impedance at lower frequencies.

The LCD module is driven from IC3, using outputs RB4 and RB3 to control the Enable and Register Select inputs on the module. The data lines are obtained from IC4's counter outputs, Q1 to Q4. IC4 is driven at its clock and reset inputs via IC3 outputs RB0 and RB1 respectively. IC4 is included to expand the two RB0 and RB1 lines into four outputs to drive the data lines for the LCD module. This expansion also allows the circuit to monitor the opening and closing of six switches (S1 to S6).

Note that the LCD module has eight data lines, but we are only driving the upper four bits (DB4 to DB7). Data, therefore, must be sent as two 4-bit blocks in order to drive the display. The enable input and the register select input are control lines to place characters on the display and to set the character position.

IC3's RB0 line provides clock pulses for counter IC4 and simultaneously turns the 'MIDI Invalid' LED on or off, as required. It can do this because when the LED is supposed to be off, the clock pulses are so quick that they don't have time to light the LED.

Switches S1 to S6 are monitored using IC3's RA5 input, which is normally held high via the  $10\text{k}\Omega$  resistor to the 5V supply. The input will be pulled low if any switch is closed and its corresponding switch connection to IC4 is also pulled low. Since IC3 has full control over the state of IC4's inputs and outputs, it is able to determine if a switch is closed and which one it is.

The output comes from RB5 of IC3. This provides the signal for the MIDI output socket and the games port, via optocoupler IC5, along with the serial output via RS232 driver IC6. The signal to the MIDI output socket is fed via  $220\Omega$  resistors, one from output RB5 to MIDI socket pin 5 and the other from 5V to MIDI socket pin 4.

In the case of the LED optocoupler, when RB5 turns its LED on, the internal transistors are also switched on and the output (pin 6) is pulled to ground. When the LED is off, the transistor is off and the output is pulled to pin 8 via the  $470\Omega$  resistor. The  $100\text{k}\Omega$  resistor from the base of the internal transistor within IC5 to ground speeds up the transistor turn-off.

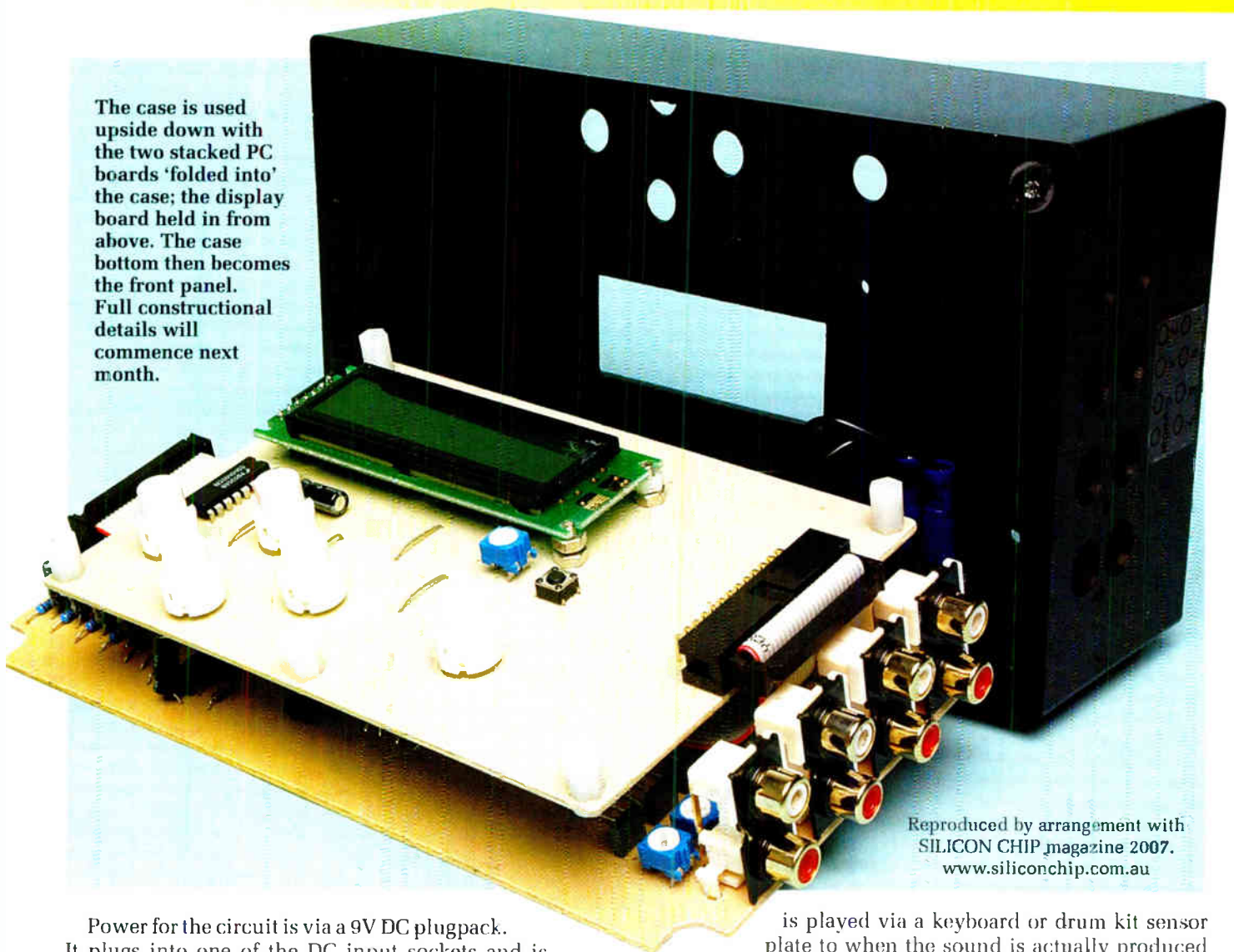
When the circuit is connected to a computer games port, pin 8 of IC5 is connected to the computer's 5V supply. Note that the 'grounds' are shown with a different symbol to the rest of the MIDI circuit. This indicates that the grounds are different – the transistor side of IC5 is connected to the computer's ground rather than the MIDI circuit's ground. The 5V supply on the transistor for IC5 is decoupled using  $10\mu\text{F}$  and  $100\text{nF}$  capacitors.

IC6 converts the logic levels (0-5V) on the micro's RB5 output to RS232 voltage levels ( $\pm 10\text{V}$ ) to drive pin 2 on the serial port. With only a +5V supply rail, the MAX232 generates the higher positive and negative voltages required for RS232 communications using two internal charge-pump voltage converters. One converter doubles the supply voltage to +10V (nominal) and the other inverts the result to obtain -10V. Four external  $1\mu\text{F}$  capacitors provide the necessary storage and filtering.

### Specification

Sensor pad volume range: .....	From full to off in typically >120 steps
Left to right pan: .....	128 steps from 0 at full left to 127 for full right
Main volume: .....	from full volume at 127 to off at 0
Sensor pad volume range: .....	36dB max range on Wide variation setting,
.....	18dB range on compressed 1 setting,
.....	12dB range on compressed 2 setting and
.....	0dB range on the Fixed maximum volume setting.
Delay from sensor strike to MIDI signal out: .....	typically $\approx 1.2\text{ms}$
Latency (delay between MIDI out signal to sound produced): .....	depends on synthesiser
Repetition rate for sensor pad: .....	adjustable from 0 to 255 in steps of 4 corresponding to a
.....	maximum of 224ms or a slowest repeat rate of 4.4/s.
.....	(Typically set at 100 for a repeat rate of about 9/s.)
Sensor threshold: .....	adjustable from 0 through to 127 in steps of 1. Values of less than 5 typical.
Current consumption: .....	150mA with 9V DC in
MIDI out: .....	5mA loop, electrical isolation for games port (31.25k bits/second)
Serial out: .....	RS232 levels (38.4k bits/second)

The case is used upside down with the two stacked PC boards 'folded into' the case; the display board held in from above. The case bottom then becomes the front panel. Full constructional details will commence next month.



Reproduced by arrangement with  
SILICON CHIP magazine 2007.  
[www.siliconchip.com.au](http://www.siliconchip.com.au)

Power for the circuit is via a 9V DC plugpack. It plugs into one of the DC input sockets and is switched by S7. After passing through polarity protection diode D8, a 9V (nominal) supply is available, as well as a +5V supply, provided by REG1.

Another DC socket, wired in parallel with the power input socket, provides a 9V outlet for the optical sensor pad circuitry. It doesn't matter which socket is used for which.

### Sensor pads

The sensor pad circuitry comprises either a piezo transducer or an optical pickup – see Fig.3.

The optical sensing circuitry uses an infrared LED and a phototransistor in the one package. Light from the LED strikes the phototransistor which causes it to conduct. When the light is partially or fully interrupted between the LED and phototransistor, the conduction of the transistor reduces depending on the amount of light that is blocked. The LED is supplied with current from the 9V supply.

Since this is unregulated, the supply is heavily filtered using a series 470 $\Omega$  resistor and 470 $\mu$ F capacitor. This smooths the voltage before driving the LED via another 470 $\Omega$  resistor. Diode D9 is included to provide reverse polarity protection.

### Latency

Sometimes, a troublesome aspect when playing sounds with MIDI is latency. This is the delay from when a sound

is played via a keyboard or drum kit sensor plate to when the sound is actually produced and heard. The delay can sometimes be quite noticeable when the synthesiser in a computer is used for playing the sounds rather than the synthesiser in a musical instrument. The latency is largely dependent upon the sound card's capabilities and the software that's used with it. We'll look at this in more detail when we describe using the software in a later issue.

However, the latency of the MIDI Drum Kit between detection of a sensor plate being struck to sending the MIDI signal is minimal; typically 1.2ms. Generally, it is accepted that an overall 10ms delay is unnoticeable.

The MIDI Drum Kit can be used with up to eight sensor pads to allow playing seven instruments simultaneously (no, you don't need seven hands!).

The eighth input can be used with a footswitch that changes the instrument selection. It is ideal for operating the open and closed Hi-Hat cymbals – eg, the closed Hi-Hat sound is generated when the seventh sensor pad is struck and the footswitch is pressed (closed), while the open Hi-Hat sound is generated if it's struck and the foot-switch is open.

Sounds produced when the sensor pads are struck can be any that are available within the particular selected Drum Set, as shown in Table 1. Output volume level is dependent on how hard the sensor pads are struck. Alternatively, there are settings that compress the volume level or one that only



# Constructional Project

## TABLE 1: DRUM SET DESCRIPTIONS

Patch Number	Drum Set Name	Description
1	Standard Kit	The General MIDI Standard drum kit. The only kit specified by General MIDI Level 1(35 to 81 inclusive).
9	Room Kit	Similar to the Standard kit but with more ambient percussive sounds.
17	Power Kit	Similar to the Standard kit but with a more powerful kick and snare sounds.
25	Electronic Kit	Made up of sounds emulating those of various electronic drum machines.
26	TR-808 Kit	Analogue drum kit that is reminiscent of the Roland TR-808 Rhythm Machine.
33	Jazz Kit	Jazz-styled set that is nearly identical to the Standard kit.
41	Brush Kit	Similar to the Standard kit but with many brush sounds added.
49	Orchestra Kit	An immense collection of concert drums and timpani for orchestral-styled music.
57	Sound FX Kit	A collection of sound effects.

## TABLE 2: DRUM SETS

Patch	1	9	17	25	26	33	41	49	57
Note	Standard	Room	Power	Electronic	TR-808	Jazz	Brush	Orchestra	Sound FX
27	High Q	High Q	High Q	High Q	High Q	High Q	High Q	Closed Hi-Hat	-
28	Slap	Slap	Slap	Slap	Slap	Slap	Slap	Pedal Hi-Hat	-
29	Scratch Push	Scratch Push	Scratch Push	Scratch Push	Scratch Push	Scratch Push	Scratch Push	Open Hi-Hat	-
30	Scratch Pull	Scratch Pull	Scratch Pull	Scratch Pull	Scratch Pull	Scratch Pull	Scratch Pull	Ride Cymbal	-
31	Sticks	Sticks	Sticks	Sticks	Sticks	Sticks	Sticks	Sticks	-
32	Square Click	Square Click	Square Click	Square Click	Square Click	Square Click	Square Click	Square Click	-
33	Metronome Click	Metronome Click	Metronome Click	Metronome Click	Metronome Click	Metronome Click	Metronome Click	Metronome Click	-
34	Metronome Bell	Metronome Bell	Metronome Bell	Metronome Bell	Metronome Bell	Metronome Bell	Metronome Bell	Metronome Bell	-
35	Kick Drum 2	Kick Drum 2	Kick Drum 2	Kick Drum 2	Kick Drum 2	Jazz Bass Drum 2	Jazz Bass Drum 2	Concert Bass Drum 2	-
36	Kick Drum 1	Kick Drum 1	Mondo Kick	Electric Bass Drum	TR-808 Bass Drum	Jazz Bass Drum 1	Jazz Bass Drum 1	Concert Bass Drum 1	-
37	Side Stick	Side Stick	Side Stick	Side Stick	TR-808 Rim Shot	Side Stick	Side Stick	Side Stick	-
38	Snare Drum 1	Snare Drum 1	Gated Snare Drum	Electric Snare Drum	TR-808 Snare Drum	Snare Drum 1	Brush Tap	Concert Snare Drum	-
39	Hand Clap	Hand Clap	Hand Clap	Hand Clap	Hand Clap	Hand Clap	Brush Slap	Castanets	High Q
40	Snare Drum 2	Snare Drum 2	Snare Drum 2	Gated Snare Drum	Snare Drum 2	Snare Drum 2	Brush Swirl	Concert Snare Drum	Slap
41	Low Tom 2	Room Lo Tom 2	Room Lo Tom 2	Electric Lo Tom 2	TR-808 Low Tom 2	Low Tom 2	Low Tom 2	Tympani F	Scratch Push
42	Closed Hi-Hat	Closed Hi-Hat	Closed Hi-Hat	Closed Hi-Hat	TR-808 Closed Hi-Hat	Closed Hi-Hat	Closed Hi-Hat	Tympani F#	Scratch Pull
43	Low Tom 1	Room Lo Tom 1	Room Lo Tom 1	Electric Lo Tom 1	TR-808 Low Tom 1	Low Tom 1	Low Tom 1	Tympani G	Sticks
44	Pedal Hi-Hat	Pedal Hi-Hat	Pedal Hi-Hat	Pedal Hi-Hat	TR-808 Closed Hi-Hat	Pedal Hi-Hat	Pedal Hi-Hat	Tympani G#	Square Click
45	Mid Tom 2	Room Mid Tom 2	Room Mid Tom 2	Electric Mid Tom 2	TR-808 Mid Tom 2	Mid Tom 2	Mid Tom 2	Tympani A	Metronome Click
46	Open Hi-Hat	Open Hi-Hat	Open Hi-Hat	Open Hi-Hat	TR-808 Closed Hi-Hat	Open Hi-Hat	Open Hi-Hat	Tympani A#	Metronome Bell
47	Mid Tom 1	Room Mid Tom 1	Room Mid Tom 1	Electric Mid Tom 1	TR-808 Mid Tom 1	Mid Tom 1	Mid Tom 1	Tympani B	Guitar Fret Noise
48	High Tom 2	Room Hi Tom 2	Room Hi Tom 2	Electric Hi Tom 2	TR-808 High Tom 2	High Tom 2	High Tom 2	Tympani C	Guitar Cut Noise Up
49	Crash Cymbal	Crash Cymbal	Crash Cymbal	Crash Cymbal	808 Cymbal	Crash Cymbal	Crash Cymbal	Tympani C#	Guitar Cut Noise Down
50	High Tom 1	Room Hi Tom 1	Room Hi Tom 1	Electric Hi Tom 1	TR-808 High Tom 1	High Tom 1	High Tom 1	Tympani D	Double Bass String Slap
51	Ride Cymbal	Ride Cymbal	Ride Cymbal	Ride Cymbal	Ride Cymbal	Ride Cymbal	Ride Cymbal	Tympani D#	Flute Key Click

52	Chinese Cymbal	Chinese Cymbal	Chinese Cymbal	Reverse Cymbal	Reverse Cymbal	Chinese Cymbal	Chinese Cymbal	Typani E	Laughing
53	Ride Bell	Ride Bell	Ride Bell	Ride Bell	Ride Bell	Ride Bell	Ride Bell	Typani F	Screaming
54	Tambourine	Tambourine	Tambourine	Tambourine	Tambourine	Tambourine	Tambourine	Tambourine	Punch
55	Splash Cymbal	Splash Cymbal	Splash Cymbal	Splash Cymbal	Splash Cymbal	Splash Cymbal	Splash Cymbal	Splash Cymbal	Heartbeat
56	Cowbell	Cowbell	Cowbell	Cowbell	TR-808 Cowbell	Cowbell	Cowbell	Cowbell	Footsteps 1
57	Crash Cymbal 2	Crash Cymbal 2	Crash Cymbal 2	Crash Cymbal 2	Crash Cymbal 2	Crash Cymbal 2	Crash Cymbal 2	Concert Cymbal 2	Footsteps 2
68	Vibra-Slap	Vibra-Slap	Vibra-Slap	Vibra-Slap	Vibra-Slap	Vibra-Slap	Vibra-Slap	Vibra-Slap	Applause
59	Ride Cymbal 2	Ride Cymbal 2	Ride Cymbal 2	Ride Cymbal 2	Ride Cymbal 2	Ride Cymbal 2	Ride Cymbal 2	Concert Cymbal 1	Door Creaking
60	High Bongo	High Bongo	High Bongo	High Bongo	High Bongo	High Bongo	High Bongo	High Bongo	Door Closing
61	Low Bongo	Low Bongo	Low Bongo	Low Bongo	Low Bongo	Low Bongo	Low Bongo	Low Bongo	Scratch
62	Mute Hi Conga	Mute Hi Conga	Mute Hi Conga	Mute Hi Conga	TR-808 High Conga	Mute Hi Conga	Mute Hi Conga	Mute Hi Conga	Wind Chimes
63	Open Hi Conga	Open Hi Conga	Open Hi Conga	Open Hi Conga	TR-808 Mid Conga	Open Hi Conga	Open Hi Conga	Open Hi Conga	Car Engine
64	Low Conga	Low Conga	Low Conga	Low Conga	TR-808 Low Conga	Low Conga	Low Conga	Low Conga	Car Brakes
65	High Timbale	High Timbale	High Timbale	High Timbale	High Timbale	High Timbale	High Timbale	High Timbale	Car Passing
66	Low Timbale	Low Timbale	Low Timbale	Low Timbale	Low Timbale	Low Timbale	Low Timbale	Low Timbale	Car Crash
67	High Agogo	High Agogo	High Agogo	High Agogo	High Agogo	High Agogo	High Agogo	High Agogo	Siren
68	Low Agogo	Low Agogo	Low Agogo	Low Agogo	Low Agogo	Low Agogo	Low Agogo	Low Agogo	Train
69	Cabasa	Cabasa	Cabasa	Cabasa	Cabasa	Cabasa	Cabasa	Cabasa	Jet Plane
70	Maracas	Maracas	Maracas	Maracas	TR-808 Maracas	Maracas	Maracas	Maracas	Helicopter
71	Short Hi Whistle	Short Hi Whistle	Short Hi Whistle	Short Hi Whistle	Short Hi Whistle	Short Hi Whistle	Short Hi Whistle	Short Hi Whistle	Starship
72	Long Lo Whistle	Long Lo Whistle	Long Lo Whistle	Long Lo Whistle	Long Lo Whistle	Long Lo Whistle	Long Lo Whistle	Long Lo Whistle	Gun Shot
73	Short Guiro	Short Guiro	Short Guiro	Short Guiro	Short Guiro	Short Guiro	Short Guiro	Short Guiro	Machine Gun
74	Long Guiro	Long Guiro	Long Guiro	Long Guiro	Long Guiro	Long Guiro	Long Guiro	Long Guiro	Laser Gun
75	Claves	Claves	Claves	Claves	TR-808 Claves	Claves	Claves	Claves	Explosion
76	High Woodblock	High Woodblock	High Woodblock	High Woodblock	High Woodblock	High Woodblock	High Woodblock	High Woodblock	Dog Bark
77	Low Woodblock	Low Woodblock	Low Woodblock	Low Woodblock	Low Woodblock	Low Woodblock	Low Woodblock	Low Woodblock	Horse Gallop
78	Mute Cuica	Mute Cuica	Mute Cuica	Mute Cuica	Mute Cuica	Mute Cuica	Mute Cuica	Mute Cuica	Birds Tweet
79	Open Cuica	Open Cuica	Open Cuica	Open Cuica	Open Cuica	Open Cuica	Open Cuica	Open Cuica	Rain
80	Mute Triangle	Mute Triangle	Mute Triangle	Mute Triangle	Mute Triangle	Mute Triangle	Mute Triangle	Mute Triangle	Thunder
81	Open Triangle	Open Triangle	Open Triangle	Open Triangle	Open Triangle	Open Triangle	Open Triangle	Open Triangle	Wind
82	Shaker	Shaker	Shaker	Shaker	Shaker	Shaker	Shaker	Shaker	Seashore
83	Jingle Bell	Jingle Bell	Jingle Bell	Jingle Bell	Jingle Bell	Jingle Bell	Jingle Bell	Jingle Bell	Stream
84	Belltree	Belltree	Belltree	Belltree	Belltree	Belltree	Belltree	Belltree	Bubble
85	Castanets	Castanets	Castanets	Castanets	Castanets	Castanets	Castanets	Castanets	-
86	Mute Surdo	Mute Surdo	Mute Surdo	Mute Surdo	Mute Surdo	Mute Surdo	Mute Surdo	Mute Surdo	-
87	Open Surdo	Open Surdo	Open Surdo	Open Surdo	Open Surdo	Open Surdo	Open Surdo	Open Surdo	-

Table 1 (at top left) shows the number of drum sound kits that can be accessed with the MIDI Drum Kit. Note that older version synthesisers (pre-1995) may only provide for the standard drum kit. Table 2 (Drum Sets) shows the list of instruments or sounds that can be selected within each drum kit. As you can see, there are more than just a few available!



## MIDI Drum Kit Controls

When first powered up, the MIDI Drum Kit display shows 'MIDI DRUM KIT -PLAY-'. This is the display that should be selected while actually playing the drum kit.

Pressing the Port/Cal switch displays the current port setting on the top line and ^ CALIBRATE ^ on the lower line. The port setting is changed from < MIDI PORTS > to < SERIAL PORT > using the left or right arrow switches as shown by the < and > bracketing around the words. The MIDI invalid LED lights when the Serial Port is selected. The Calibration selection is normally only ever used once, after the MIDI Drum Kit has been completed. Pressing the ^ switch calibrates the unit so that the quiescent voltage level for each pad sensor input is registered. This ensures that we get the best sensor response for each pad. To exit from the Port selection and calibration, press the Port/Cal switch again.

Note that the four switches arranged in a quad pattern below the LCD are labelled with < > ^ and v. These arrows are also shown on the display when the switches can be used to change the item within the two arrows. So a value or wording located within the < and > brackets can be altered by the < and > switches. The values within the ^ and v brackets can be altered using the ^ and v switches.

Pressing the SET switch selects one of several modes that are available to make changes to the way the Drum Kit sounds and works. The first press brings up the PATCH mode. This allows selection of the various drum kit patches available using this MIDI Drum Kit. The top line on the display shows the patch number, showing 1 for Standard, 9 for Room, 17 for Power, 25 for Electronic, 26 for TR808, 33 for Jazz, 41 for Brush, 49 for Orchestra and 57 for Sound Effects. These patch numbers refer to the MIDI instrument numbers. The lower line on the display shows the patch type in words, as indicated above. For example, the display shows < Standard > when patch 1 is selected. The patch is changed using the < and > switches. Note that if your synthesiser does not support the MIDI 2 standard, then only the standard drum set will be played, regardless of the patch setting.

The next mode is Pan and Volume settings, selected using the Set switch. At left, the word Pan is shown and below this is the Pan value surrounded by the < and > bracketing.

The value is changed by pressing the < switch to decrease the value and the > to increase the value. The pan sets the soundstage for the drum kit sound to be produced between the left and right channels. 0 sets the sound fully left, 63 is centred (equal left and right levels) and 127 is fully right.

Volume is shown at right with the value directly below this and surrounded by the ^ and v arrows. The value can be changed using these ^ and v switches from 127 (full volume) down to 0 for no sound and any value in between.

The next mode selected with the SET switch is the Repeat/Threshold system parameter settings. These are provided to compensate for physical factors that affect the sensor pads.

With any hard material that is struck with a drumstick or similar object, it is likely to ring or resonate for some time afterwards. The sensor pads have been carefully designed using materials that do not resonate excessively. However, there will always be some resonance in any design.

Resonance will affect the rate at which a sensor pad can be repeatedly struck. To cater for variances in the pads and their resonance, we have included the Repeat setting. This can be set to produce the best repeat rate that is possible. Values are adjustable from 0-255 in steps of 4, corresponding to a maximum of 224ms or a slowest repeat rate of 4.4/s. It's typically set at 100 for a repeat rate of about 9/s. Use the < or > switches to alter the value.

In a similar way, when there are several sensor pads attached to a common frame, there is likely to be a small amount of interaction between sensors. So if one sensor is struck, other sensors can detect the vibration through the frame. The adjustment of the Threshold value will prevent this interaction from happening. Typically, a value less than 5 will be correct. Use the ^ and v switches to alter the value.

Pressing the SET switch again will show the Pad Volume setting. The second line will show Fixed, Vary Wide, Compress 1 or Compress 2. You can change from one to the other with the < and > switches. The Fixed setting means that the drum's sounds will be always at their maximum volume when the sensor is struck. The other settings mean that the volume will be dependent on the degree that the sensor is struck. The wide variation setting gives the full 36dB dynamic range of control, while the compress 1 and compress 2 settings give an 18dB and 12dB dynamic range respectively. Basically, the compression boosts the minimum volume level for the drum sounds but does not change the maximum volume level available.

Pressing the SET switch will return the display to showing MIDI DRUM KIT -PLAY-. Be certain that this is the setting that you use when playing the drum kit properly. This is because this setting is designed to provide the best response from the pad sensors as they are struck. You can use the other display settings when setting up and changing instruments and patches but be aware that the sensors may not react as well as when the MIDI DRUM KIT -PLAY- is shown.

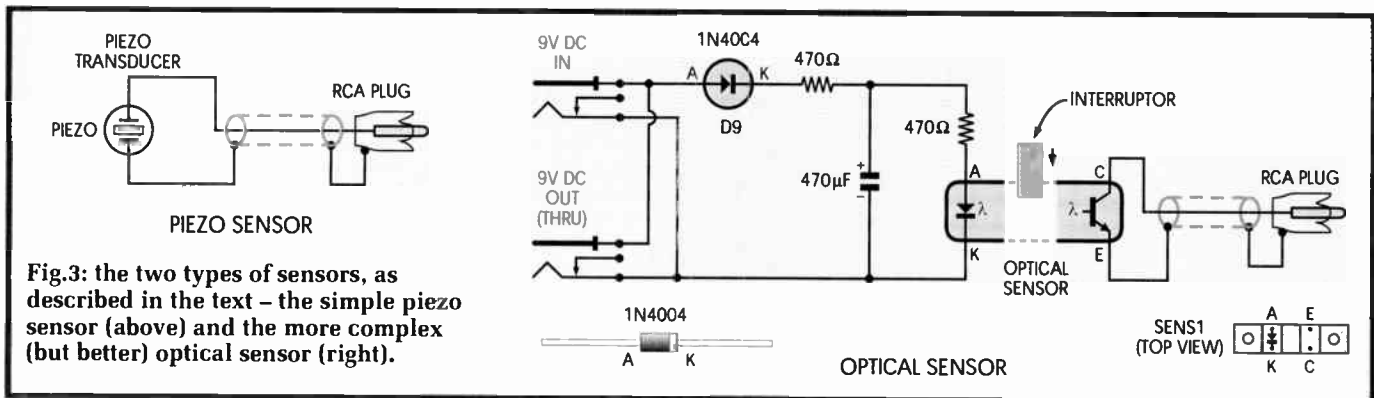
To select the PAD settings, press the SET switch or the < or > switches. The display will show for example < PAD 1 > v #50 ^ on the first line. This indicates that the setting for PAD 1 is the 'drum' selection number 50. This is the Hi Tom 1 in the standard drum set. The second line on the display shows for example PATCH 1, then a speaker icon and a number. The Patch number indicates the selected patch (1 for standard patch).

Initial settings are Patch 1 and the Kick Drum selected for pad 1, the Snare Drum for pad 2, the Hi Tom for Pad 3, the Mid Tom for pad 4, the Ride Cymbal for Pad 5, the Crash Cymbal for pad 6, and the Open Hi-Hat and the Closed Hi-Hat for sensor 7. The pad 7 selections are changed with the footswitch. The pad selections can be changed to your own preferences using the list provided to make your selections.

The speaker icon and number is a diagnostic tool to allow checking which sensor pad is connected to which input. Basically, the number after the volume icon shows the detected volume level that is played by striking the pad. All you need to do is to repeatedly strike a sensor pad and change the PAD selection (with the < and > switches) until the number after the volume icon shows numbers greater than 0 as the pad is struck. The struck pad will be connected to the currently selected PAD input shown on the display. A right arrow appears also to indicate that a sensor is struck but not necessarily the sensor that you have currently showing on the display. Note that this feature is not easy to use if the Fixed pad volume is selected, since the volume does not change but stays at 127.

The PAD settings are adjusted using the ^ and v switches to select type numbers from 27 through to 87. These select the 'drum' sound required for the selected pad. The PAD selection is changed with the < or > switches selecting PAD 1 through to PAD 7. PAD 7 is shown as either 7a or 7b and is again selected using the < or > switches. The 7a pad 'drum' selection is the 'drum' selection when the foot switch is open and the 7b selection is when the foot switch is closed.

You can return to the MIDI DRUM KIT -PLAY- display by pressing the SET switch and return to the pad settings with the < or > switches without having to cycle through all the other settings that are available. Note that the pad number seen on the display will change up or down, depending on the < or > switch that is pressed.



**Fig.3: the two types of sensors, as described in the text – the simple piezo sensor (above) and the more complex (but better) optical sensor (right).**

plays at the maximum level. In this latter case, the overall volume is then dependent on the master volume setting and the volume setting for the amplifier connected to the audio signal. The sound duration is fixed and is set by the sample within the synthesiser.

The sensor pad designs use readily available components that can be obtained from electronics stores and your local hardware shop. In its simplest form, a piezo transducer can be mounted onto a length of plastic tubing and wired to an RCA phono plug lead. The tube is then tapped with a fingernail, thimble or drumstick to trigger the sound production. This is an ideal sensor pad for stick, click, metronome, whistle and even cymbals or drums if you wish.

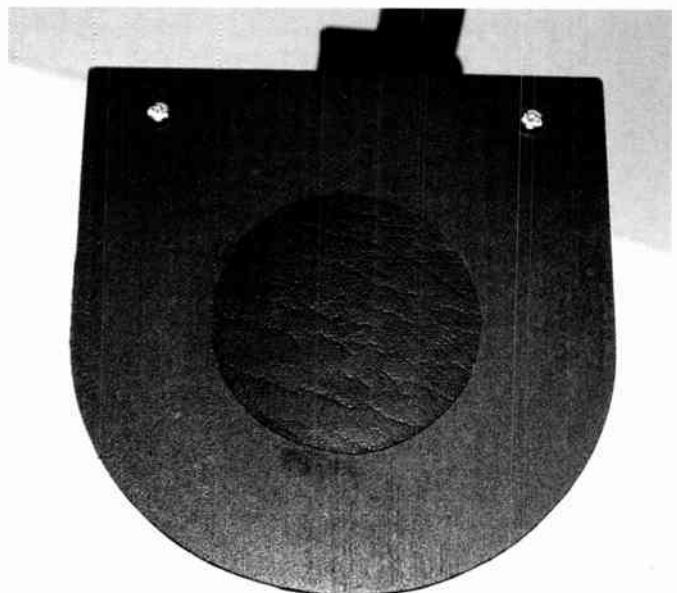
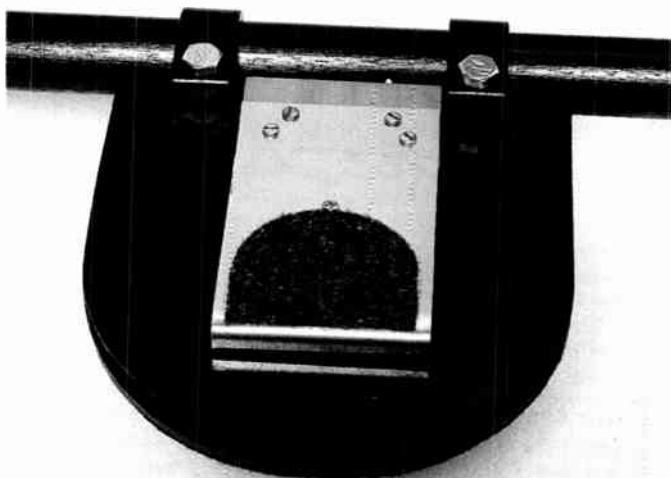
A piezo transducer is also used in the percussive sensor. This transducer is mounted onto a semi-circular shaped piece of MDF (Medium Density Fibreboard) and this board is then attached to a light-duty frame using plastic clamps. The pad is ideal for virtually all types of instruments as it can be mounted in space (on the frame), in the positions required for ease of playing. The sensor pad must also be struck with a stick or similar hard object. This type of pad has the advantage that it is very easy to build.

The percussive sensor pad does, however, have the disadvantage that it produces a sound of its own when

tapped. This is normally drowned out by the actual drum sounds. It may, however, be a problem and so we have added settings that can play the drum sound at a louder level, even when the sensors are tapped very lightly. This keeps the unwanted sound at a low level. In addition, the pad can be covered with some vinyl or similar material to deaden the percussive sound or alternatively, the sticks can be rubberised. Such damping will also mean that the pads will have to be hit harder to develop the same sound level from the synthesiser.

High-precision sensors can also be made for the MIDI Drum Kit and are based on optical sensing. They can be operated by the palm of the hand, your feet or fingers. The optical pads provide a high degree of play control and good volume variation with different pad pressure. They also do not make any noise of their own. They have the disadvantage of being more complex to build, and if they are to be mounted on a stand, it must be of high strength to prevent movement when the sensors are played – particularly if the musician gets a little carried away . . .

**Next month** we will describe the construction of the MIDI Drum Kit, making the sensor pads and setting it up. That will include downloading and installing the required software and we'll also describe how to use it.



**The two types of sensor: at left is the optical variety and at right the piezo model. The optical type, though more complex to construct, has several advantages.**



# Everyday Practical Electronics Featured KITS

Everyday Practical Electronics Magazine has been publishing a series of popular kits by the acclaimed Silicon Chip Magazine Australia. These projects are 'bullet proof' and already tested down under. All Jaycar kits are supplied with specified board components, quality fibreglass tinned PCBs and have clear English instructions. Watch this space for future featured kits.

## Voltage Monitor Kit

KC-5424 £6.00 + post & packing

This versatile kit will allow you to monitor the battery voltage, the airflow meter or oxygen sensor in your vehicle. The kit features 10 LEDs that light up in response to the measured voltage, preset 9-16V, 0-5V or 0-1V ranges complete with a fast response time, high input impedance and auto dimming for night driving. Kit includes PCB with overlay, LEDs, all electronic components and clear English instructions.

• Requires 12VDC power

Recommended box UB5  
(HB-6015) £0.83 each

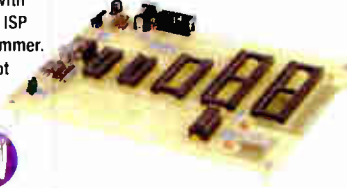


## AVR Adapter Board Kit

KC-5421 £10.25 + post & packing

A low cost system to program, erase, and rewrite the data and program memory in your AVR microprocessor. Kit includes everything you need to support in-system programming, complete with a regulated power supply, clock source and microcontroller IC socket. Designed in conjunction with KC-5420 AVR ISP Serial Programmer.

Note: Does not include ZIF sockets.



## Studio 350 High Power Amplifier Kit

KC-5372 £55.95 + post & packing

It delivers a whopping 350WRMS into 4 ohms, or 200WRMS into 8 ohms. Using eight 250V 200W plastic power transistors, it is super quiet, with a signal to noise ratio of -125dB(A) at full 8 ohm power. Harmonic distortion is just 0.002%, and frequency response is almost flat (less than -1dB) between 15Hz and 60kHz. Kit supplied in short form with PCB and electronic components. Kit requires heatsink and +/- 70V power supply (a suitable supply is described in the instructions).

• As published in  
Everyday Practical Electronics  
Magazine October & November 2006



## The Flexitimer Kit

KA-1732 £5.95 + post & packing

This kit uses a handful of components to accurately time intervals from a few seconds to a whole day. It can switch a number of different output devices and can be powered by a battery or mains wall adaptor. The kit includes PCB and all components.

• As published in *Everyday Practical Electronics Magazine* October 2007

Requires 12-15VDC  
wall adaptor (Maplin  
GS75S £10.99)



## Audio Video Booster Kit

KC-5350 £31.95 + post & packing

This kit will boost your video and audio signals preserving them for the highest quality transmission to your projector or large screen TV. It boosts composite, S-Video, and stereo audio signals. Kit includes case with silkscreened and punched panels, PCB and all electronic components.

• As published in *Everyday Practical Electronics Magazine* March 2006



Requires 9VAC wall adaptor  
(Maplin #GU09K £9.99).

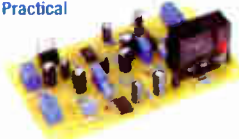
## Delta Throttle Timer

KC-5373 £7.95 + post & packing

It will trigger a relay when the throttle is depressed or lifted quickly. There is a long list of uses for this kit, such as automatic transmission switching of economy to power modes, triggering electronic blow-off valves on quick throttle lifts and much more. It is completely adjustable, and uses the output of a standard throttle position sensor. Kit supplied with PCB and all electronic components.

• As published in *Everyday Practical Electronics Magazine* November 2006

Recommended box UB3  
HB-6013 £1.05



## Lead Acid Battery Zapper Kit

KC-5414 £11.75 + post & packing

This simple circuit is designed to produce bursts of high-energy pulses to help reverse the damaging effects of sulphation in wet lead acid cells. This is particularly useful when a battery has been sitting for a period of time without use. The effects are dependant of the battery's condition and type, but the results can be quite good indeed. Kit supplied with case, silkscreened lid, leads, inductors, and all electronic components, with clear English instructions.

• As published in *Everyday Practical Electronics Magazine* July 2007



## RFID Security Module Receiver Kit

KC-5393 £28.95 + post & packing

Radio Frequency Identity (RFID) is a contact free method of controlling an event such as a door strike or alarm etc. An "RFID Tag" transmits a unique code when energised by the receiver's magnetic field. As long as a pre-programmed tag is recognised by the receiver, access is granted. This module provides normally open and normally closed relay contacts for flexibility. It works with all EM-4001 compliant RFID tags. Kit supplied with PCB, tag, and all electronic components.

• As published in *Everyday Practical Electronics Magazine* August 2007



## PIC Based Logic Probe

KC-5457 £4.50 + post & packing

Unlike ordinary logic probes, this one is driven by a PIC processor and operates over a wide supply voltage of 2.8VDC to 5VDC. It is extremely compact and uses surface mount devices on a PCB only 5mm wide. The probe includes a 'pulse stretcher' that will let you see very short pulses and a latch function to 'hold' frequent pulses. Kit includes PCB and all specified electronic components including pre-programmed PIC.

You'll need to add your own case and probe - a clear ballpoint pen and a needle work well.



## Universal Speaker Protection and Muting Module Kit

KC-5450 £8.75 + post & packing

Protects your expensive speakers against damage in the event of catastrophic amplifier failure such as a shorted output transistor. In addition, the circuit also banishes those annoying thumps that occur when many amplifiers are switched on or off, especially when the volume is set to a high level. The design also incorporates an optional over temperature heat-sensor that will disconnect the speakers if the output stage gets too hot. Configurable for

supply voltages between 22VDC-70VDC. Supplied with a silk screened PCB, relay and all electronic components.



## Subwoofer Controller Kit

KC-5452 £29.00 + post & packing

Using this kit to control your external speaker and sub-amplifier can give you loads of bass without taking up much space. The kit has all the features you could want, including low and high pass filters, parametric equaliser and auto-turn on for external equipment. The controller is 12 volt DC powered and can also be used in automotive applications.

• Kit supplied with silk screened PCB and processed panels.



## "The Champ" Audio Amplifier

KC-5152 £1.95 + post & packing

This tiny module uses the LM386 audio IC, and will deliver 0.5W into 8 ohms from a 9 volt supply making it ideal for all those basic audio projects. It features variable gain, will happily run from 4-12VDC and is smaller than a 9 volt battery, allowing it to fit into the tightest of spaces.

• PCB and all electronic components included.



More Information? Secure Ordering?  
[www.jaycarelectronics.co.uk](http://www.jaycarelectronics.co.uk)



# Easy, Secure Ordering! Minimum order only £10

## Top Selling AUDIO/VIDEO Kits

### IR Remote Control Extender MKII

KC-5432 £7.25 + post & packing

Operate your DVD player or digital decoder using its remote control from another room. It picks up the signal from the remote control and sends it via a 2-wire cable to an infrared LED located close to the device. This improved model features fast data transfer, capable of transmitting Foxtel digital remote control signals using the Pace 400 series decoder. Kit supplied with case, screen printed front panel, PCB with overlay and all electronic components.

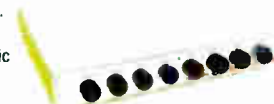


Requires 9VDC wall adaptor  
(Maplin #GS74R £10.99)

### 4 Channel Guitar Amplifier Kit

KC-5448 £28.75 + post & packing

This is an improved version of our popular guitar mixer kit and has a number of enhancements that make it even more versatile. The input sensitivity of each of the four channels is adjustable from a few millivolts to over 1 volt, so you plug in a range of input signals from a microphone to a line level signal from a CD player etc. A headphone amplifier circuit is also included for monitoring purposes. A three stage EQ is also included, making this a very versatile mixer that will operate from 12 volts. Kit includes PCB with overlay & all electronic components.



### Universal Stereo Preamp Kit

KC-5159 £5.25 + post and packing

Based around the low noise LM833 dual op-amp IC, this preamp is designed for use with a magnetic cartridge, cassette deck or dynamic microphone. It features RIAA/IEC equalisation, and is supplied with all components to build either the phono, tape or microphone version.

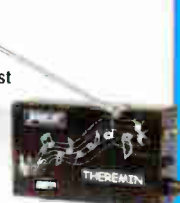
- Measuring only 80 x 78 x 30mm, it is ideal for incorporating into existing equipment and is hence supplied short form of PCB and specified components plus PCB standoffs for mounting.
- +/- 15VDC required



### Theremin Synthesiser Kit

KC-5295 £14.75 + post & packing

The Theremin is a weird musical instrument that was invented early last century but is still used today. The Beach Boys' classic hit "Good Vibrations" featured a Theremin. By moving your hand between the antenna and the metal plate, you create strange sound effects like in those scary movies! Kit includes a machined, silkscreened and pre drilled case, circuit board, all electronic components, and clear English instructions.



Requires 12VDC wall adaptor (Maplin #GSR74R £9.99)

### Smart Card Reader and Programmer Kit

KC-5361 £15.95 + post & packing

Program both the microcontroller and EEPROM in the popular gold, silver and emerald wafer cards. Card used needs to conform to ISO-7816 standards, which includes ones sold by Jaycar. Powered by 9-12 VDC wall adaptor or a 9V battery. Instructions outline software requirements that are freely available on the internet. Kit supplied with PCB, wafer card socket and all electronic components. PCB measures: 141 x 101mm.

\* As published in Everyday Practical Electronics May 2006

Requires 9-12VDC wall adaptor  
(Maplin #UG01B £13.99)



Jaycar cannot accept responsibility for the operation of this device, its related software, or its potential to be used in relation to illegal copying of smart cards in cable TV set top boxes.

## Build-Yourself Electronic Project Kits

### Looking for a particular KIT?

Checkout Jaycar's extensive range.

We have kits and electronic projects for use in:

- Audio & Video
- Car & Automotive
- Computer
- Learning & Educational
- Lighting
- Power
- Test & Meters
- General Electronics Projects just for fun!



430+ pages  
ALL prices in PDS

### Post and Packing Charges

Order Value	Cost	Order Value	Cost
£10 - £49.99	£5	£200 - £499.99	£30
£50 - £99.99	£10	£500+	£40
£100 - £199.99	£20		

Max weight 12lb (5kg). Heavier parcels POA. Minimum order £10.

Note: Products are despatched from Australia, so local customs duty and taxes may apply.

How to order:  
Phone: Call Australian Eastern Standard Time Mon-Fri on 0800 032 7241

Email: [techstore@jaycarelectronics.co.uk](mailto:techstore@jaycarelectronics.co.uk)  
Post: PO BOX 6424, Silverwater NSW 1811, Australia  
Expect 10-14 days for air parcel delivery



## Accessories

### PCB Holder with Magnifying Glass

TH-1983 £3.75 + post and packing

Anytime you need that extra bit of help with your PCB assembly, this pair of helping hands will get you out of trouble. With a 90mm magnifying glass, it also provides an extra pair of eyes.

- Size: Base: 78 x 98mm
- Height: 145mm



### Resistance Wheel

RR-0700 £5.75 + post and packing

Convenient resistance selection. Select from 36 values from 5 ohms to 1M ohms.

- Comes complete with leads and insulated crocodile clips.
- Uses 0.25W resistors with 5% tolerance



### Component Lead Forming Tool

TH-1810 £2.00 + post and packing

Get the hole spacing for your resistors and diodes perfect every time. This handy forming tool provides uniform hole spacing from 10 to 38mm. Suitable for production assembly, education and training. The tool is double sided with one side for use with D047 outline diodes (eg 1N914) and 1W zener diodes; the other side being suitable for 1/5W resistors, D041 outline diodes (eg 1N4004). An incredibly handy tool!



### Magnifier Headset

QM-3510 £8.50 + post and packing

Minimising eyestrain while leaving your hands free this headset gives a wide field of vision, can be worn over prescription eyeglasses and can be tilted up out of the way when not in use. Four different magnifying multiples, lightweight, excellent for close work.



Check out the Jaycar range in your FREE Catalogue - logon to  
[www.jaycarelectronics.co.uk/catalogue](http://www.jaycarelectronics.co.uk/catalogue)

or check out the range at

[www.jaycarelectronics.co.uk](http://www.jaycarelectronics.co.uk)

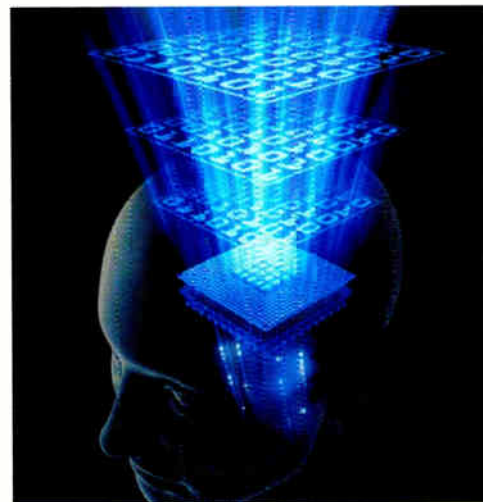
0800 032 7241

(Monday - Friday 09.00 to 17.30 GMT + 10 hours only)  
For those who want to write: 100 Silverwater Rd  
Silverwater NSW 2128 Sydney AUSTRALIA

**Jaycar**  
Electronics



# Teach-In 2008



## Using PIC Microcontrollers

### Part Two – Programme Basic Commands Plus

### Simple LED Control

**JOHN BECKER**

**T**his month we start off by describing a simple demonstration program that shows how just a single LED can be turned on or off. Such actions can be useful in larger programs to indicate an occurrence of an event or action in the software, either for cosmetic reasons, or for testing purposes when writing programs. We also describe a 'rotating' display of eight LEDs.

We then go on to describe a slightly more sophisticated program that can be used as a gaming dice, with LEDs to represent the spots on its surface. In the program discussed, the dice LEDs do not necessarily turn on in the order we expect them to in a conventional dice, however this will be remedied in the program discussed in Part 3.

#### Single LED control

This part's first circuit diagram for control of LEDs, is shown on the right hand side of Fig.1.2, from last month, comprising just LEDs D2 to D9 and their ballast resistors R14 to R21. The breadboard is not needed yet. Just connect LINK A as shown in Fig.1.3 last month on the Master Control PCB to allow the eight LEDs to be activated. (Ensure that LINK B is not connected.)

Let's examine the program commands that cause the LED display to be shown. The program listing is shown in Listing 2.1.

In Listing 2.1, the first things to notice are lines 1 and 2:

```
; TEACHINB01.ASM 07JUN07 -  
TEACH IN 2008 PT2  
; turn on individual LEDs seperately
```

These lines describe the function of the program for the sake of the software writer, and anyone else who examines it. They are preceded by a semicolon (;). Any statement preceded by a semicolon, is ignored by the PIC programming software when assembling the code, and allows the software writer to place helpful comments against lines of program code, or elsewhere, so that their purpose is clear.

The next line is:

```
include p16f628.inc
```

#### Listing 2.1

```
; TEACHINB01.ASM 07JUN07 - TEACH IN 2008 PT2  
; turn on individual LEDs seperately  
  
include p16f628.inc  
  
__config $3F30 ; internal 4MHz oscillator  
  
CBLOCK h'20'  
CLKCNT  
ENDC  
  
ORG 0 ; reset vector  
goto STARTIT  
ORG 4 ; Interrupt vector address  
goto STARTIT  
ORG 5 ; PIC program memory start location  
  
STARTIT bsf STATUS,5  
movlw b'00000000' ; all PORTB as output  
movwf TRISB ; data direction register for PORTB  
movlw b'10000111' ; timer 1:256, pull-ups off (bit 7 =1)  
movwf OPTION_REG  
bcf STATUS,5  
  
call DELAY  
bsf PORTB,0 ; turn on LED at RB0  
call DELAY  
bsf PORTB,1 ; turn on LED at RB1  
call DELAY  
bsf PORTB,2 ; turn on LED at RB2  
call DELAY  
bsf PORTB,3 ; turn on LED at RB3  
call DELAY  
bsf PORTB,4 ; turn on LED at RB4  
call DELAY  
bsf PORTB,5 ; turn on LED at RB5  
call DELAY  
bsf PORTB,6 ; turn on LED at RB6  
call DELAY  
bsf PORTB,7 ; turn on LED at RB7  
  
PROGEND nop  
goto PROGEND  
  
DELAY movlw 25 ; set delay counter to 25  
movwf CLKCNT ; (for 1/25th sec x 5)  
clrf INTCON ; clear interrupt flag  
;  
DELAY2 btfss INTCON,2 ; has a timer time-out been detected?  
goto DELAY2 ; no  
bcf INTCON,2 ; yes  
decfsz CLKCNT,F ; dec counter, is it zero?  
goto DELAY2 ; no  
return ; yes  
  
END
```

This indicates to the assembly program that it is to *include* (import) a file named **p16F628.inc** at this point. Such *include* files can have many functions, and are particularly useful when chunks of code are 'library' code that can be used in many programs without change. They save having to rewrite the same code each time it is needed. It is common for code sections to be repeated in many programs, and using *include* files is one way in which it can be done. Simply copying and pasting a section is another method.

In this instance, the file is one provided by Microchip and specifies the many Special Function Registers (SFRs) that are used by the PIC named (PIC16F628 in this case). There are equivalent Microchip .inc files for all PICs, some of which are provided with the control software described last month. (They can also be downloaded from Microchip's website.)

It is, of course, possible to also specify the same SFRs and their addresses as part of the program, but the use of the correct .inc file saves that task. You may examine the file's contents through a text editor, but do not change it in any way.

It is worth noting that *include* files such as this do not take up any PIC memory. They are simply used by the assembly program.

Examples of how you would code in (equate) SFRs and user registers are shown later in the series.

## PIC configuration

Next comes the line:

```
_config $3F30 ; internal 4MHz oscillator
```

An important concept to understand is that all PICs must be 'configured' for the application they are intended to control. Such configuration includes the selection of oscillator type, and matters such as Watchdog timer and Code Protection bits use (which are discussed in a future part). Once the configuration has been set it is not normally necessary to change it for the same application (and it is difficult to do so without special techniques).

In this case, the configuration (Config) code simply tells the PIC when it is being programmed by the software to use its internal 4MHz oscillator to control the rate at which the commands are processed when the program is run.

Be aware that the Config codes for various PIC functions vary widely between PICs. See the datasheet for the PIC in question (available via [www.microchip.com](http://www.microchip.com)).

The control software described last month allows the Config codes to be set/shown for a small variety of PICs, including the PIC16F628. For the sake of *Teach In 2008* you do not actually need to know the Config codes for the various demo programs, as they all have that information embedded into them as part of the PIC programming software.

## Numerical formats

In this instance, the Config code is quoted in the hexadecimal format. There are three main formats that can be used to express numerical values in a program.

They may be expressed in decimal (e.g. 0, 4, 5) (which can also be specified in the form of D'xx' – where 'xx' is any decimal value between 0 and 255).

Hexadecimal format may also be used (indicated by a prefix of H), in the form H'00' and h'7F' for example. The range is normally h'00' to h'FF' (0 to 255), but it is possible to use double-byte values between 0 and 65525, with the range h'0000' to h'FFFF'. Note that H' or h' are normally used, though this may depend on the assembler software you are using.

Binary is the third format, prefixed by b' and terminated by an apostrophe ('), in the form and range b'00000000' to b'11111111' (0 TO 255).

## ORG and GOTO statements

The next five program lines involve **ORG** and **GOTO** statements:

```
ORG 0 ; reset vector  
goto STARTIT  
ORG 4 ; Interrupt vector  
address  
goto STARTIT  
ORG 5 ; PIC program memory  
start location
```

At this stage they need not concern you, but they will be discussed later. Note, however, that no additional commands (other than Table statements which are discussed in a future part), may be added to the code before the next line (or its equivalent in another program): **STARTIT**.

## STATUS register

PICs are 'told' in manufacture to adopt certain 'default' conditions when first switched on. One of these default conditions is that PORTA and PORTB are configured (set) to act as inputs. When in an input condition they are simply held in a high impedance state (floating), and so could be adversely affected by stray electrical fields (the default conditions for all PIC registers are shown in the datasheet).

The demonstrator program in Listing 2.1 needs PORTB to be capable of outputting any value between 0 and 255 (an 8-bit byte). The STATUS register is that which is used to set the PIC's data direction bits (among other things). Its table of functions was shown in Part 1, Table 1.3.

After **STARTIT** (such sub-program identity statements are known as *Labels*), come the lines:

```
bsf STATUS,5  
movlw b'00000000' ; all PORTB as output  
movwf TRISB ; data direction register for PORTB  
movlw b'10000111' ; timer 1:256, pull-ups off (bit 7=1)  
movwf OPTION_REG  
bcf STATUS,5
```

If you examine a PIC's datasheet, you will see that its user-memory is split into various sections, generally known as *Banks*. Part of an example memory map was in Table 1.2 of Part 1. The PIC has to be told which Bank it has to use and in which order to access certain SFRs within it. The SFRs which set the port data direction registers

(DDRs) are in Bank 1 for the PIC16F628 (and many other PICs, but not all).

Selection between Bank 0 and Bank 1 is controlled by bit 5 of the STATUS register. When it is *clear* (equals 0), Bank 0 is selected, when *set* (equals 1), Bank 1 is selected.

Only PORTB concerns us for this short program. Its DDR is known as TRISB.

In order to set all eight PORTB pins for use as outputs, as we need to, we first set STATUS to access Bank 1, with the statement:

```
bsf STATUS,5
```

Command **bsf** means Bit Set File register – set the named bit (5 in this case) of the named register (STATUS). (The terms 'set' and 'clear' were defined in Part 1.)

The binary value of b'00000000' (0) is then set into TRISB, with the two commands:

```
movlw b'00000000'  
movwf TRISB
```

**movlw** means 'move the literal value that follows into the Working Register – known by the letter 'W' ('move' in this case means 'copy' – the original value itself remains where it is, and just a copy of it is placed into the named register).

**movwf** means move (copy) the value in W to the File then named. Thus the value in W is now copied to register TRISB.

Any bit set to a 1 in the DDR then behaves as an input pin and any bit set to a 0 can be used as an output (but also see later).

The DDR is now configured for all PORTB bits to behave as outputs.

All PIC ports can have their DDrs set via a suitable TRIS statement. The PIC16F628 also has a PORTA, which is shown in use next month, and its DDR is set via TRISA. Some PICs have more ports, eg PORTC, PORTD, PORTE and equivalent DDR registers, eg TRISC, TRISD and TRISE.

PICs can have any individual bit of any file byte acted upon directly. Each bit can be set high (as above with STATUS – bsf), or low by a single command bcf (Bit Clear File register), which is now used to return the PIC to Bank 0:

```
bcf STATUS,5
```

As we shall show in a future part, a single command will also determine the status of any individual bit.

Now we can change the value within PORTB (and then output byte values to the world) as we wish. Right now we can simply use the command:

```
bsf PORTB,0
```

This causes the LED on PORTB bit 0 (RB0) to turn on. The next seven lines then cause the other LEDs to turn on in the sequence shown.

Two commands remain:

```
nop  
goto PROGEND
```

Command **nop** means 'no operation', allowing a command to be used but which does nothing except introduce a pause of one PIC clock cycle (whose timed length



depends on the rate of the oscillator used).

The **goto PROGEND** command tells the program to go to (*loop back* in this case) to the Label **PROGEND**, which immediately precedes **nop**. The effect is that the program continues doing nothing active – for ever – until it is reset somehow to again perform the same total sequence of commands.

Ignore the DELAY calls and routines for the DELAY, DELAY 2. They will be discussed in a later part.

Finally, there is the statement **END**. Not all assemblers/programmers need this statement to indicate that the program has now reached its end. It is best, though, if it is always included.

## Resetting the program

If the PIC were to be installed in another PCB rather than the provided Control one, there might be no way to end this demo program except by switching off its power supply. However, this Control PCB (and the TK3 PCB) has a Reset switch built in, S1.

Pressing S1 causes the program to restart from the beginning without power being switched off.

There are now two facts that you need to consider, regarding the contents of the registers, although their effect will not be apparent with this demo.

First, using the Reset switch causes all existing register values to remain as they were prior to the switch being pressed. This is beneficial in some applications, such as the single Dice program described later.

Perhaps more importantly in other applications, all the values held in the registers are unknown when power is switched on following a switch off.

It is usually essential that any register used in the program should always be given a known starting value at the moment of switch on. This will be demonstrated in the Part 3 discussion next month.

## More on LED controlling

Let's examine LED control in a bit more detail, still using the LEDs on the Control PCB.

Load program **TeachinB03.hex** into the PIC and run it. What you will see is that the eight individual LEDs on PORTB are again being turned on at the same time that the preceding one is turned off. The movement will appear to be going from right to left, from bit 0 to bit 7 (D2 to D9), and restarting at bit 0.

There are several ways of doing this (and many reasons why you should need to). Two programming techniques are discussed here, the one in Listing 2.2, and then a much shorter one, later in Listing 2.3. The one in Listing 2.2 demonstrates the use of the commands **MOVLW**, **MOVWF**, **RLF**, **BTFSS**, and how two loops can be 'nested' and made dependent upon each other.

Referring to the display you see on the LEDs at the moment, controlled by **TeachinB03**, the Carry bit clearing technique is being used immediately prior to the **RLF** command. We shall show what happens if the Carry is not cleared when **TeachinB02** is viewed later.

Listing 2.2 contains the command **MOVLW 1**. The **MOVLW** command (MOVE

## Listing 2.2

```

; TEACHINB03.ASM 07JUN07 - TEACH IN 2008 PT2
; STATUS Carry flag checking

#DEFINE BANK0 BCF STATUS,5
#DEFINE BANK1 BSF STATUS,5

include p16f628.inc

CBLOCK h'20'
CLKCNT
ENDC

__config $3F30 ; internal 4MHz oscillator

ORG 0 ; reset vector
goto STARTIT
ORG 4 ; Interrupt vector address
goto STARTIT
ORG 5 ; PIC program memory start location

STARTIT clrf PORTA ; clear Port A data register
        clrf PORTB ; clear Port B data register
        BANK1 ; BANK 1
        clrf TRISA ; Port A direction register for output
        clrf TRISB ; Port B direction register for output
        movlw b'10000111' ; timer 1:256, pull-ups off (bit 7 = 1)
        movwf OPTION_REG
        BANK0 ; BANK 0

LOOP1 movlw 1 ; load value of 1 into Working register
      movwf PORTB ; load this value as data into Port B
      bcf STATUS,C ; clear Carry flag

LOOP2 call DELAY
      rlf PORTB,F ; rotate value of PORTB left by 1 logical place
      btfss STATUS,C ; check Carry flag is set
      goto LOOP2 ; this command is actioned only if PORTB is
                ; not yet 0
                ; the program jumping back to address
                ; LOOP2
      goto LOOP1 ; this command is only actioned when
                ; PORTB now = 0

DELAY movlw 25 ; set delay counter to 25
      movwf CLKCNT ; (for 1/25th sec x 5)
      clrf INTCON ; clear interrupt flag
      ;
      ;
      btfss INTCON,2 ; has a timer time-out been detected?
      goto DELAY2 ; no
      bcf INTCON,2 ; yes
      decfsz CLKCNT,F ; dec counter, is it zero?
      goto DELAY2 ; no
      return ; yes

END

```

Literal value into W, 1 in this case) is the command which allows literal values (numbers) contained within the program itself to be moved (copied) into the Working register for further manipulation.

The range of values is from 0 to 255, i.e. an 8-bit byte. Command **MOVLW 1** instructs that the value of 1 is to be moved into W. Literal values may be expressed in decimal, hexadecimal or binary, eg:

```

MOVLW 73 (decimal)
MOVLW H'49' (hexadecimal)
MOVLW B'01001001' (binary)

```

Literals may also be the address values of other files whose names have been specified at the head of the program, or they

may be the values assigned to be represented by other words or letters. The following are all legal commands:

```

MOVLW STATUS
MOVLW PORTB
MOVLW W
MOVLW LOOP1

```

Respectively, the commands would move into W the address value of STATUS (which is specified as 3 for the PIC16F628), the address value of PORTB (6), the value assigned to be represented by W (0), the address within the program at which the command line prefaced by label LOOP1 resides (a value known only to the program - unless you examine the LST file).

Following the `MOVLW 1` command in Listing 2.2 is the command `MOVWF PORTB`, (`MOVE W into File`) which simply copies the contents of `W` into the file specified, in this case `PORTB`, still leaving that value in `W` (unimportant in this program, but it can be in other programs). Apart from the destination statement, no commas or other statements are needed (or allowed) with this command. The `MOVWF` command is the only way in which full bytes of data can be copied from `W` into other destinations. As used in Listing 2.2, it is the value of 1 which is copied.

## Rotation and shifting

Many of you will be familiar with the concept of shift registers. Data can be loaded into the register either serially (bit entry) or in parallel (byte entry). The data can be shifted to the 'left' or 'right' in the chip, in response to a clock signal. The shifted data can then be made available either serially as bits, or in parallel as a byte.

When data is shifted left and read as a byte (parallel output), each shift has the effect of multiplying the value by two. Shifting to the right divides it by two. Take the 8-bit binary code 00000100 (decimal 4), for example. If this is shifted left by one place, the result is 00001000 (decimal 8). If the code had been shifted right by one place, the result would be 00000010 (decimal 2).

Most files within a PIC are capable of having their data shifted (rotated) to the left or to the right (although doing so on the SFRs may sometimes produce unpredictable results). The two commands are `RLF` and `RRF` (`Rotate Left File` and `Rotate Right File`). Both commands have to be followed by the file which is to have its data rotated, then a comma and then the destination, either `F` or `W`.

There are two problems associated with rotating a file's contents left or right. First, consider the situation when a file (for example, call it `PORTB`) contains a value such as 11010111 (decimal 215); there are many numbers that could illustrate the point about to be made.

Suppose the rotate left command `RLF PORTB,F` is given, all bits are rotated left by one place. The value retained in `PORTB` becomes 10101110 (decimal 174) which is definitely not  $2 \times 215$ ; the original left-hand bit has vanished from this 8-bit byte – a 9-bit byte would be needed to show the correct answer.

Alternatively, suppose the rotate right command `RRF PORTB,F` is given, all bits are rotated right by one place. The value retained in `PORTB` becomes 01101011 (decimal 107), which is definitely not  $215/2$ ; the original right-hand bit has vanished from this 8-bit byte.

In some cases, of course, the intention of rotating left or right may have nothing to do with multiplying or dividing a value by 2. It may be that we simply want to change the position of the bits for another purpose, such as changing the commands sent to the outside world to turn equipment on or off. In this case, the arithmetic accuracy of the rotate result would be immaterial.

The other problem (although it can be used beneficially) is that bits rotated out from either end of the byte are rotated into the Carry bit of `STATUS`. Simultaneously,

the previous value held in the Carry bit is rotated into the byte at the other end.

Suppose that the Carry bit is initially zero. In the first `RLF` example above, the original value of 11010111 would be rotated left and the result would be correct as shown (10101110) because the 0 has come in to the right from the Carry bit. However, the last left-hand bit of the original value (which is a 1) would now be in the Carry bit.

Suppose that another rotate left is made. The bits within `PORTB` would be rotated left but, at the same time, the Carry bit from the previous rotation would now be rotated into `PORTB` from the right. The value held in `PORTB` thus becomes 01011101 (decimal 93), and again the Carry bit now holds the 1 from `PORTB` bit 7.

Therefore, the next rotation will result in an answer of 10111011 (decimal 187). To avoid a set Carry bit (which retains the status last acquired anywhere in the program) being rotated automatically into a file byte from the other end, the Carry bit can be cleared by the command `BCF STATUS,C` prior to each rotate command, unless, of course you want a Carry bit rotated into a byte.

## Bit testing

Another command we are introducing in Listing 2.2 is `BTFSS`, Bit Test File Skip if Set. What `BTFSS` does is to examine the status of the file bit specified in the remainder of the command (bit `C` of `STATUS` in this case: `BTFSS STATUS,C`). The word Set now becomes the important one. The PIC is being asked to test if the bit specified is Set (ie, is it logic 1?).

Programs are stored as instructions in consecutive memory bytes. These bytes are numbered from zero upwards, with location 5 being the true start of the full program for most PICs (although it can be a different later address).

In Listing 2.2, we know that the answer from `BTFSS` will be either true or false. When the PIC performs the `BTFSS` command, the answer is automatically added to the `PCL`. Therefore, if the answer is true (1) the `PCL` has 1 added to it and so the next-but-one instruction is performed. If the answer is false (0), then zero is added to `PCL` and so the very next instruction is performed.

With the command `BTFSS STATUS,C`, we are checking if bit `C` of `STATUS` is set (true). If it is true that the bit is set, then the 1 of the truth answer is added to `PCL` and so the command `GOTO LOOP2` is bypassed and that which says `GOTO LOOP1` is performed. If `STATUS` bit `C` is not set (false) then the program simply takes `GOTO LOOP2` as the next command because the 0 of the false answer is added to `PCL`.

What the program of Listing 2.2 does is the simple action of repeatedly 'moving' an active LED from right to left.

First, at label `LOOP1`, the value of 1 is moved into `W`, this is then moved into `PORTB`, setting its bit 0 to 1 and clearing bits 1 to 7. As a result, the first LED at the right is turned on (D2) and the others (D3 to D9) are turned off. In binary, `PORTB`'s value is now 00000001.

Next, the Carry bit of `STATUS` is cleared to prevent it from interfering with the results of the rotate-left command that follows at label `LOOP2` (as discussed earlier). You will see that this command is `RLF PORTB,F`. The `F` suffix means that

the result of the rotation is retained in `PORTB`, and the contents of `PORTB` will have shifted so that the second LED (D3) has come on because the 1 previously set by the `MOVWF` command has shifted from `PORTB`'s bit 0 to its bit 1. Since the Carry bit was previously cleared, 0 is moved into `PORTB` bit 0, turning off LED D2. The binary value has become 00000010.

Now the value of the Carry bit in `STATUS` is checked to see if a 1 has been shifted out from `PORTB` bit 7. In fact, it cannot have occurred yet, since it takes eight shifts to bring the 1 from the right and into Carry. However, the PIC is not aware of that fact, so the Carry bit has to be checked following each shift left. If the Carry bit is not yet set, the command `GOTO LOOP2` is performed, the program jumps back to that stated position and the `RLF` command is again actioned.

As a result, the third LED (D4) will come on and the second LED (D3) will go out, binary 00000100.

Eventually, after eight shifts, the 1 will have shifted through all eight bits of `PORTB` and into the Carry bit. At this point, there will be no bits set in `PORTB`, and so no LEDs will be on. Now, on the test for the Carry bit being set, the answer will be true, command `GOTO LOOP2` will be bypassed and the command `GOTO LOOP1` will be performed, the program jumping to that label. The whole sequence then recommences by a 1 again being loaded into `PORTB` bit 0. As written, the program will repeat until the PIC is switched off or the Reset switch is used.

## Command BTFSC

There is a command which is the opposite of `BTFSS`, namely `BTFSC` (Bit Test File Skip if Clear). What this command does is to check if it is true that the bit being tested is clear (0). If it is true that the bit is clear, then the answer is 1. If it is false that the bit is clear (that the bit is not 0, but 1), then the answer is 0.

Using `BTFSC` in the program of Listing 2.2 would produce entirely the wrong result. Can you see why?

## A faster LED rotation

Load the PIC with the program in Listing 2.3, `TeachinB02.hex` – it will be seen to be shifting the LED display to the left, as occurred when `TeachinB03` was run.

You should notice that `TeachinB02` is running a bit faster than `TeachinB03` did. This is because there are now fewer commands to process for the same result. Simplicity of code usually makes for faster processing speeds (or rather, fewer commands to be processed to perform a particular function, will result in a faster processing speed).

Look at Listing 2.3 and you will see how few commands there are in the loop, just two. Let's examine the program flow. In the listing everything up to the statement `BANK0` is the same as in `TeachinB03`. Then advantage is taken of the fact that a set Carry bit will be shifted into a file when it is rotated left or right; the command `BSF STATUS,C` is given before the loop, so setting the Carry bit. Now when `PORTB` is rotated left with the command `RLF PORTB,F`, the Carry bit comes straight into `PORTB` bit 0, turning on LED D2.



## Listing 2.3

; TEACHINB02.ASM 07JUN07 - TEACH IN 2008 PT2

```
#DEFINE BANK0 BCF STATUS,5
#DEFINE BANK1 BSF STATUS,5

include p16f628.inc

__config $3F30 ; internal 4MHz oscillator

CBLOCK h'20'
CLKCNT
ENDC

ORG 0 ; reset vector
goto STARTIT
ORG 4 ; Interrupt vector address
goto STARTIT
ORG5 ; PIC program memory start location

STARTIT clrf PORTA ; clear Port A data register
        clrf PORTB ; clear Port B data register
        BANK1 ; BANK 1
        clrf TRISA ; Port A direction register for output
        clrf TRISB ; Port B direction register for output
        movlw b'10000111' ; timer 1:256, pull-ups off (bit 7 = 1)
        movwf OPTION_REG
        BANK0 ; BANK 0

        call DELAY

        bsf STATUS,C ; set the Carry bit in STATUS

LOOP rlf PORTB,F ; rotate left PORTB
     call DELAY
     goto LOOP ; repeat

DELAY movlw 25 ; set delay counter to 25
      movwf CLKCNT ; (for 1/25th sec x 5)
      clrf INTCON ; clear interrupt flag

DELAY2 btfs INTCON,2 ; has a timer time-out been detected?
       goto DELAY2 ; no
       bcf INTCON,2 ; yes
       decfsz CLKCNT,F ; dec counter, is it zero?
       goto DELAY2 ; no
       return ; yes

END
```

## Parts List – Teach-In 2008 – Part 2

IC2 PIC16F628, (as listed in Part 1) programmed  
R1 to R6 470Ω resistors 0.25W (6 off)  
D1 to D6 red LED (6 off)

Control PCB (as described in Part 1)  
Plug-in breadboard, 64 holes long (6.7in x 2.5in), 0.1in pitch  
Solid, insulated connecting wire

power to the Controller. One or more LEDs will turn on, representing the dice value. Press the Reset switch on the Controller, and the LEDs should show a different value, between 1 and 6. Pressing the switch again will produce a different value, and so on.

The rest of the program up to STARTIT, and the next four commands after it, is as you have been using so far. Then follow:

```
DICELOOP incf PORTB,F
          incf PORTB,F
          incf PORTB,F
DICEEND nop
          goto DICEEND
```

## Command INCF

Command **incf** means 'increment' (add one to) the value already existing in the named register that follows (PORTB). We don't actually know what value is already in PORTB, as we have not told it to start with any given value (although we can, as we shall see. Should adding 1 to the value within PORTB result in a total of 256, PORTB automatically rolls over to a value of 0. (The range of any 8-bit byte is always 0 to 255.)

The same INCF action is performed three times, so each time the switch is pressed, the existing PORTB value simply has three added to it each time the program

Simultaneously, the Carry bit is cleared. The next command is GOTO LOOP, which the program does, again to rotate PORTB, causing D3 to come on and D2 to go out. For eight rotations left, the Carry bit remains clear, then on the ninth rotation the original 1 that has traversed PORTB will drop into the Carry bit, to be rotated back into PORTB on the next rotation. And so it goes on, indefinitely.

There are numerous situations in which rotation occurs and when the setting of the Carry bit is desirable. In this way, for example, several files can be coupled as a very long shift register:

```
BSF STATUS,C
RLF FILE1,F
RLF FILE2,F
etc. to
RLF FILE15,F
```

## Gaming dice

To conclude this month we use LEDs to show the first stages of how a representation of the dots on a gaming dice can be simulated. The program is shown in Listing 2.4. The circuit diagram we shall use is in Fig.2.1, and the breadboard layout is given in Fig.2.2. Disconnect the LINK A wire on the Control PCB and connect LINK B to ensure that the LEDs are reverse biased.

Program the PIC with the hex file required.

Connect the PIC Controller board to the breadboard as shown, using insulated solid connecting wires. Switch on the

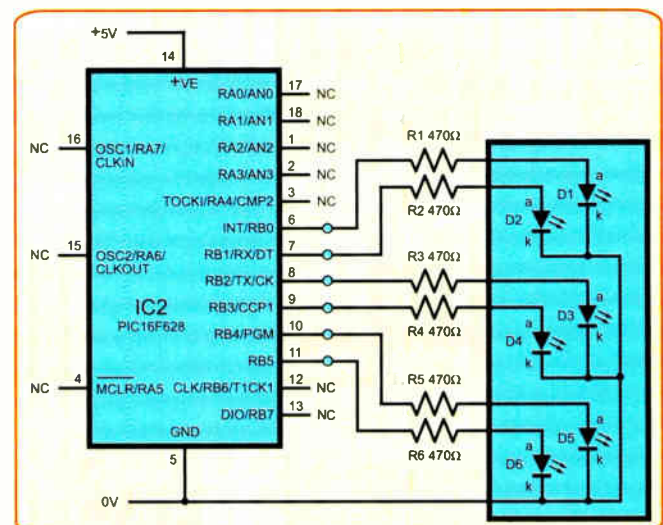


Fig. 2.1. Circuit diagram for the LED control demonstration

## Listing 2.4

```

; TEACHINB04.ASM 07JUN07 - TEACH IN 2008 PT2

include p16f628.inc

__config $3F30      ; internal 4MHz oscillator

ORG 0               ; reset vector
goto STARTIT
ORG 4               ; Interrupt vector address
goto STARTIT
ORG 5               ; PIC program memory start location

STARTIT    bsf STATUS,5
           movlw b'00000000' ; all PORTB as output
           movwf TRISB      ; data direction register for PORTB
           bcf STATUS,5

DICELOOP   incf PORTB,F     ; increment PORTB count
           incf PORTB,F     ; increment PORTB count
           incf PORTB,F     ; increment PORTB count

DICEEND    nop
           goto DICEEND

END
    
```

restarts, thus the number shown on the dice LEDs will be different each time. (Remember what was said about PIC registers and contents at the moments of switch and reset?)

(There are, of course, other ways to add to values, as will be discussed in the series.)

You will find that the dice display does not following the normal convention. We shall show how this can be changed in Part 3 next month. We shall also take the dice demo a stage further and discuss other commands that can be used with it to extend its usefulness.

### Something to think about

Until Part 3 next month, have a think about how you would modify the rotating LEDs program so that alternate LEDs are turned on. As to quite how you interpret that is up to you. But imagine the flashing displays around fun fair stalls and think how you might simulate a simple one.

Also, try it with every *third* LED turned off in the rotating display, then every *fourth*, then every *fifth*, etc. Keep in mind what was said earlier about chaining registers with some of the rotating values.

There are no definitive answers – this is just to get you thinking as a programmer who has a display idea in mind.

You might also care to see what happens if RRF is used instead of RLF in the relevant demos, and what would happen if you incorrectly used W in place of F, or BTFSF in place of BTFS where appropriate. Common mistakes to make sometimes!

### Next Month

In Part 3 we show how a similar concept can be used to create the example of two normal gaming dice showing the dice dots resulting when they are 'shaken' (activated by a switch). The dice dot order will become as normally expected. Several new concepts and commands will be introduced and discussed.

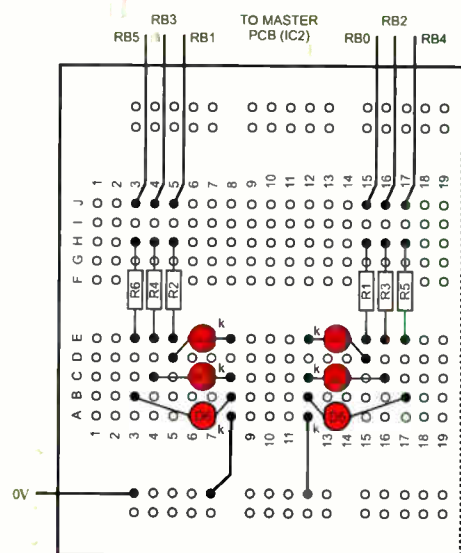


Fig.2.2. Breadboard layout for the circuit in Fig.2.1.

# ELECTRONICS TEACH-IN

BY MIKE TOOLEY plus FREE CD-ROM

## OUT NOW

### ONLY £6.99 FROM WHSMITH

£8.50 including p & p – from our *Direct Book Service*

A broad-based introduction to electronics – find out how circuits work and what goes on inside them. Plus 15 easy-to-build projects. The 152 page A4 book comes with a free CD-ROM containing the whole *Teach-In 2006* series (originally published in *EPE*) in PDF form, interactive quizzes to test your knowledge, TINA circuit simulation software (a limited version – plus a specially written TINA Tutorial), together with simulations of the circuits in the *Teach-In* series, plus Flowcode (a limited version) a high level programming system for PIC microcontrollers based on flowcharts.

Available from larger branches of WHSmith or see our *Direct Book Service*





# Circuit Surgery

Ian Bell



Last month we started to look at the use of SPICE circuit simulation as there have been a number of discussions related to this on the *EPE Chat Zone* forum (via [www.epemag.co.uk](http://www.epemag.co.uk)).

For example, *atferrari* asks:

*Using LT Spice, how could I simulate a repetitive signal with 12 levels between +2V and -2V?*

For the benefit of readers less familiar with simulation tools, we provided a brief introduction to SPICE, with particular reference to LTSpice from Linear Technology ([www.linear.com](http://www.linear.com)) because it is freely available for download and has featured in *Chat Zone* discussions.

This month we move on to discuss the topic of *atferrari's* question in more detail. As we discussed last month, the schematic for simulation must include voltage sources to model the power supply and signal sources. It is also often useful to include a load for the circuit so that the results are more realistic. Fig.1 shows a simple circuit schematic suitable for simulation, which we will use here as an example. It is not the circuit that *atferrari* was working on, but as it is the sources we are looking at, this does not matter.

In Fig.1 the voltage source labelled Vsignal provides the input signal for the simulation. VSupplyP and VSupplyN are 5V DC voltage sources for the power supplies. All the voltage sources are set up in more or less the same way, but more infor-

## More on SPICE simulation

mation is required if something other than a simple DC voltage is required.

### Names and labels

Once a voltage source has been placed on the schematic it should first be given a meaningful name by right-clicking on the default name and entering the new name in the window that opens. Using meaningful names will help later when you are selecting simulated signals to view as waveforms. Similarly, the wires in the circuit (referred to as 'nets' in SPICE) should be named. At the very least you should give meaningful names to the nets whose waveforms you would like to view.

In Fig.1 we have labelled nets Input and Output. To label a net click on the 'net name' button on the toolbar, enter the name and then click on the relevant wire to name it.

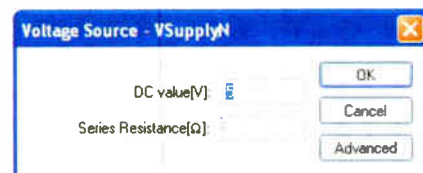


Fig.2. Setting the DC value of a voltage source

### Configuration

To configure a voltage (or current) source right click on the voltage source. This will open a window in which the DC value can

be entered (see Fig.2). For sources other than DC the 'Advanced' button must be clicked. You can also enter a signal component on the schematic, which will preconfigure the voltage source with a sine wave.

*Atferrari* wanted a complex waveform, not just a simple pulse train or sine wave. One way of doing this is to set the signal voltage source to have a Piecewise Linear (PWL) function. A PWL waveform is one defined by 'joining the dots'. You define a number of time and voltage coordinates in chronological sequence. The voltage of the source changes linearity from one step to the next over the time between the points. So if you used the pairs:

0 0 1m 2 2m 2 10m 0

The voltage would be 0V at time zero and rise in a linear ramp to reach 2V at time 1ms. It would then stay at 2V until time 2ms, after which it would ramp back down to 0V over the next 8ms, that is, reaching 0V at time 10ms.

To configure a voltage source to produce a PWL waveform, first right-click on the source, and if the DC voltage window appears click on the Advanced button. The 'Independent Voltage Sources' window will open. Select PWL from the list of functions as shown in Fig.3.

You can type in the four points as shown in Fig.3, but if you need more points you will need to click the 'Additional PWL Points' button. This will open a new window in which you can enter a long list of PWL points, see Fig.4.

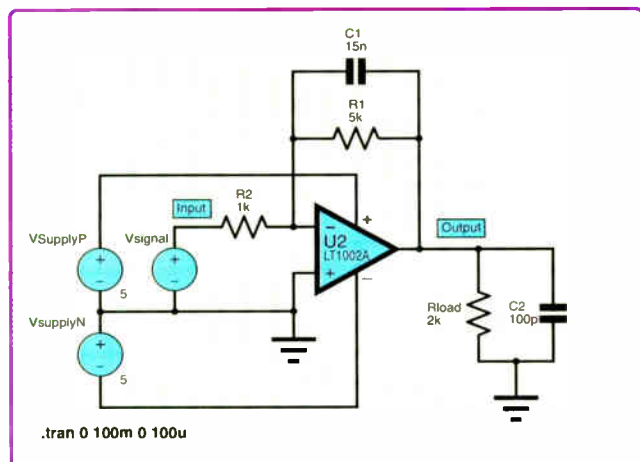


Fig.1. Example circuit schematic suitable for LTSpice simulation

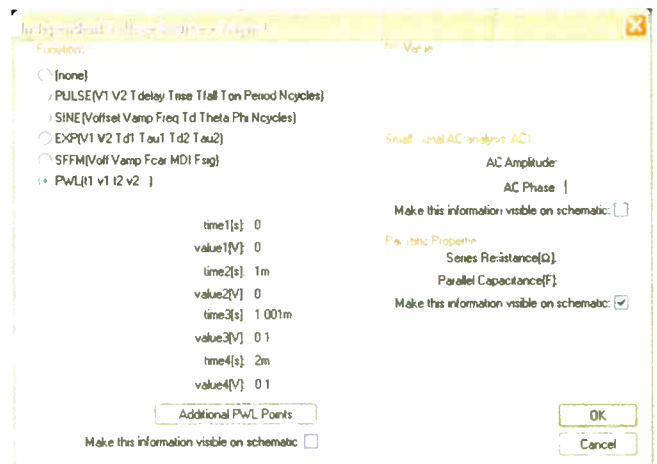


Fig.3. Selecting the PWL function for a voltage source

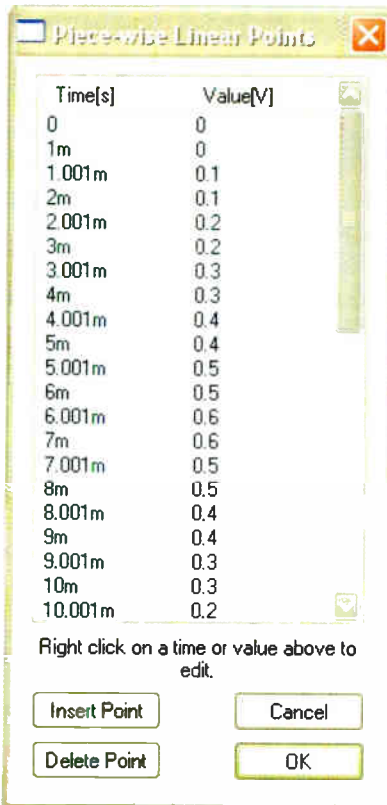


Fig.4. Entering PWL data points

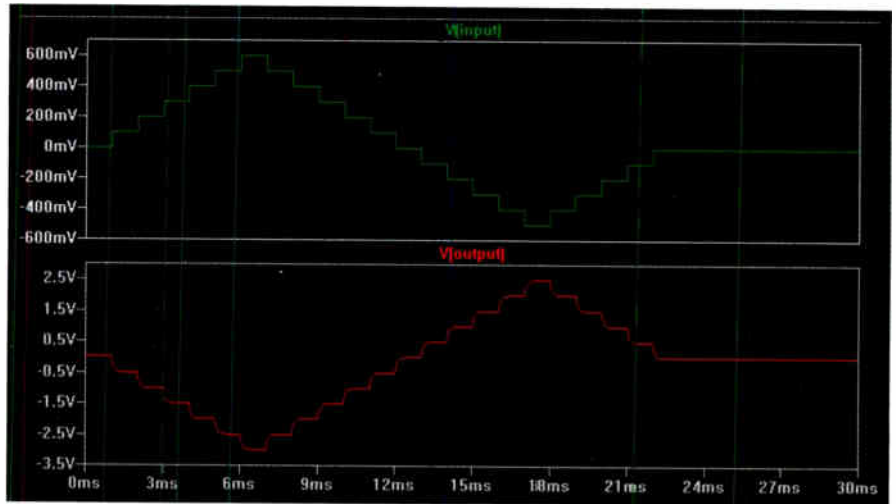


Fig.7. Simulation results using the defined PWL waveform

command directly. Even more usefully, you can copy the text and edit it elsewhere. When you right-click on the PWL command the command text is selected in the 'Enter new Value for Signal' window that opens (see Fig.6).

So just Ctrl-C on the keyboard to copy it to the clipboard. You can then paste the command text into an editor such as Notepad; it will look something like the following:

Once you have the complete single line of text of the PWL command in your text editor you can paste it back into the 'Enter new value' window. First copy, then with focus on the 'Enter new value' window in LTSpice, hit Ctrl-V on the keyboard. Then click OK in the 'Enter new value' window to update the command. If you get PWL values out of chronological sequence, you will get an error message when you run the simulation. You can edit and paste again or

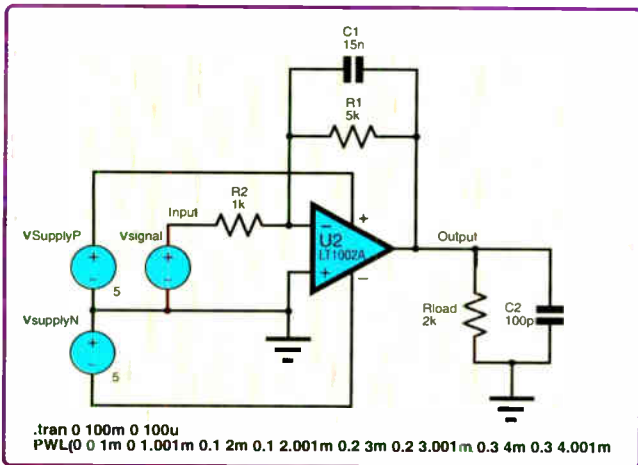


Fig.5. Example circuit with PWL function shown on the schematic

```
PWL(0 0 1m 0 1.001m 0.1 2m 0.1 2.001m 0.2 3m 0.2 3.001m 0.3
4m 0.3 4.001m 0.4 5m 0.4 5.001m 0.5 6m 0.5 6.001m 0.6 7m
0.6 7.001m 0.5 8m 0.5 8.001m 0.4 9m 0.4 9.001m 0.3 10m 0.3
10.001m 0.2 11m 0.2 11.001m 0.1 12m 0.1 12.001m 0.0 13m 0.0
13.001m -0.1 14m -0.1 14.001m -0.2 15m -0.2 15.001m -0.3
16m -0.3 16.001m -0.4 17m -0.4 17.001m -0.5 18m -0.5
18.001m -0.4 19m -0.4 19.001m -0.3 20m -0.3 20.001m -0.2
21m -0.2 21.001m -0.1 22m -0.1 22.001m 0.0)
```

This code creates a staircase triangular waveform. You can edit the PWL command relatively quickly and easily this way to create a large number of data points, but

use the table in the source properties (as in Fig.4) to correct the problem.

If you are able to program in VB, C# or any other high level language you could write code to generate PWL points, written out as text formatted into a PWL command and then paste these into LTSpice.

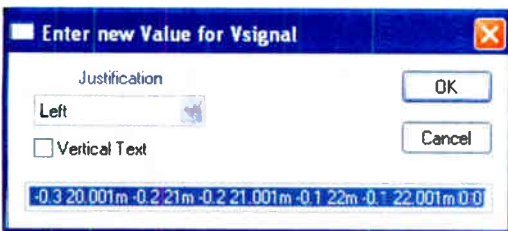


Fig.6. Editing the PWL command

Entering data into this table is a bit slow, but there is another way. If you tick the 'Make this information visible on the schematic' tickbox in the 'Independent Voltage Sources' window (see Fig.3) you will see the SPICE command used to invoke the PWL behaviour of the source on the schematic (see Fig.5).

You can right-click on this text to open a window in which you can edit the

```
18.001m -0.4
19m -0.4
19.001 -0.3
20m -0.3
20.001m -0.2
21m -0.2
21.001m -0.1
22m -0.1
22.001m 0.0
)
```

remember that the command has to be all on one line. Make sure 'WordWrap' is on if you use Notepad (in the Edit menu) so that you can see everything. To avoid confusion you can edit as shown below, putting a space at the end of each line, and then delete the end-of-lines. This makes it easier to see what you are doing.

## Simulation result

Fig.7 shows the result of simulating our example circuit with the PWL waveform defined above. You can see that the integrator action of the circuit results in a rounded staircase waveform at the output compared with the input.

We have defined a complex waveform, but we have not quite solved *aferrari's* problem. He required a repetitive waveform, whereas we only have one cycle. At this point we find that LTSpice lacks a feature found in a number of other SPICE simulators; that is the ability to automatically repeat the PWL waveform. Typically, we could charge the PWL command from say:

```
PWL(0 0 1m 0 1.001m 0.1 2m 0.1
2.001m 0.2 3m 0.2)
```

to something like

```
PWL(0 0 1m 0 1.001m 0.1 2m 0.1
2.001m 0.2 3m 0.2) R
```



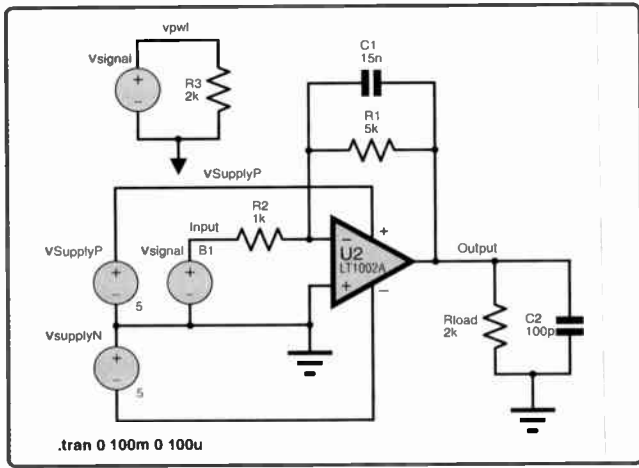


Fig.8. Adding a behavioural voltage source

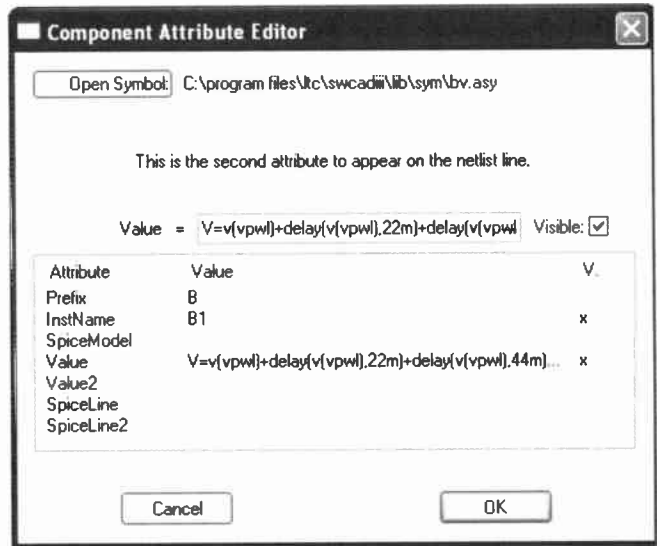


Fig.9. Component attribute editor for the behavioural source

to get a repeated version of the waveform. It appears that LTSpice does not allow us to do this.

*Afferrari's* solution to the lack of PWL repeat was to use a large number of pulse sources instead. The combined output provided the waveform he needed. This approach only works if the required waveform happens to be amenable to it.

Another workaround for the lack of PWL repeat is to use an arbitrary behavioural voltage (or current) source. These sources have output voltages (or currents) which are defined in terms of equations based on circuit voltages and currents, and time and temperature.

To apply this to Fig.1 first move (don't drag) the Vsignal source off on its own and add a resistive dummy load to it. Label the output net of the Vsignal source with a name, say **vpwl**.

### Behaviour

Click on the component icon in the schematic editor toolbar and select **bv** (behavioural voltage source) from the list. Place this on the schematic in the place vacated by the moved Vsignal source. The schematic should look like Fig.8.

We now have to enter the equation for the behavioural source. We can use the **delay** function to create delayed versions of our PWL signal and add these together. Right click on the behavioural source to open the 'Component Attribute Editor' window as shown in Fig.9.

Click on the 'Value' attribute and enter the mathematical expression for the behaviour of the source:

$$V=v(vpwl)+delay(v(vpwl),22m)+delay(v(vpwl),44m)+delay(v(vpwl),66m)$$

This adds together the signals due to the voltage original PWL waveform, plus three copies delayed by 22ms, 44ms and 66ms. Note that **vpwl** is the net name and **v(vpwl)** is the voltage on that net, **delay(x,t)** creates a delayed version of signal **x** delayed by time **t**. There is one thing not quite right though, if we run the simulation and zoom in on one of the delayed parts of the waveform it will be seen that the edges are not as sharp as defined in the PWL. This can be resolved by changing the maximum timestep in the .tran simulation command to **1u** instead of **100u** that is shown on the schematic in Fig.8, this slows the simulation but increases the accuracy. We now get four repeats of the PWL, as shown in

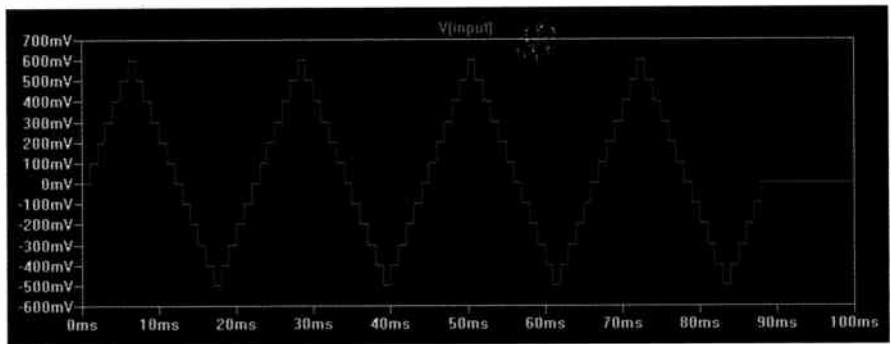



Fig. 10. Repetitive PWL produced by behavioural source

Fig. 10. To change the simulation command right click on it on the schematic or select 'Edit Simulations Command' from the Simulate Menu.

### Conclusion

We have looked at a couple of features of LTSpice which allow us to create complex waveforms, PWL functions and behavioural sources. It is also possible to put multiple voltage sources in series, as *afferrari* did in his only solution to the question he posted on spice sources.

LTSpice also provides the facility to read a .wav audio file and use this as a simulation waveform. Other versions of SPICE may provide other features for waveform input or definition, or have more flexible versions of the same functions, for example a PWL function that can be automatically repeated.



**Get your magazine 'instantly' anywhere in the world – buy and download from the web.**  
**TAKE A LOOK, A FREE ISSUE IS AVAILABLE**  
**A one year subscription**  
**(12 issues) costs just \$18.99 (US)**  
**Back issues are also available**

[www.epemag.com](http://www.epemag.com)

## Batteries



Zinc Chloride, Alkaline, NiMH, NiCD & Sealed Lead Acid batteries. We carry battery packs for racing & radio control. We also manufacture the NiCD Bot-Pack+, a high performance custom made pack with forced cooling options for the most demanding applications.

Sample pricing:

- GP AA Greencell £0.79 / pk4
- GP AA Greencell £0.13 / cell in trade boxes of 320 (ideal for schools)
- GP AA Ultra Alkaline £1.20 / pk4
- GP AA NiMH 1300mAh £3.95 / pk4
- Racing packs from £11.95
- 12V 2.2Ah to 44Ah SLA from £6.99

## Power Supplies / Chargers



13.8V 20A power supply with Amps display £43.87

Power supplies fixed and variable voltage to 15V 40A. Chargers for NiCD, NiMH, LiPo & SLA batteries to 12V 20A.



Sample pricing:

- GP AA charger with 2 off 1300mAh cells £5.45
- 13.8V 20A Power Supply from £34.12

## Motors



As well as motors, we have wheels, axles & bearings to help complete your project.

Probably the best range of DC model motors in the UK. From under 0.5W to 1000W, 1.5 to 36V. Geared motors from 0.3W to 800W. Ideal for most model engineering applications especially robotics. Planetary geared motors from just 1.2g to our top of the range 750W (that's 1HP) weighing in at 6.35kg.



Sample pricing:

- Visit our website to see over 140 models of motor
- 12V 150W Motor £17.95
- Geared motors from £4.70
- 750W 36V geared motors from £90.95

Visit our website to see over 2,000 products to order on-line. Need advice?, we offer full technical support via our FAQ forum.

Technobots Ltd  
The Old Grain Store  
Rear of 62 Rumbidge Street  
Totton, Hampshire, SO40 9DS  
Tel: 023 8086 3120 Fax 023 8086 1534  
Lines open Mon - Thur 0900 to 1330

# Technobots.co.uk

## Robotics, Models and Technology Supplies

Established in 2001, Technobots Ltd supply a wide range of electronics and engineering products to the hobby market, schools, Colleges & Universities.

## Motor Speed Controllers



DC motor speed controllers from 1A to 300A. Various interfacing options including RC, I2C, serial &

analogue voltage. Relay reversing and fully solid state H-bridge, single and dual channel variants.



Sample pricing:

- Dual 1A motor controller £17.09
- 10A motor controller kits from £19.87
- 75A controllers from £87.50

## Radio Control



A wide range of radio control products including transmitters, receivers, servos, gyros, crystals, interfaces, leads etc.

Sample pricing:

- 4-Channel 40MHz FM transmitter / receiver / crystals from £34.95

## Microcontrollers



The 'PICAXE' range of programmable microcontrollers. Write in BASIC or Flowchart and download straight into the microcontroller, so no expensive programmers are required. The 8 pin version provides 5 i/o pins (1 analogue input). The 18 pin version provides 8 outputs and 5 inputs (3 of the inputs have analogue capabilities). The 28-pin version provides 9-17 outputs, 0-12 inputs and 0-4 separate analogue inputs.

Sample pricing:

- 8 pin starter kit including software, lead, battery holder, PCB & components for £9.94
- 28 pin version pictured above £21.74

## Robot Kits

We carry a wide range of robot kits from BEAM to full combat and includes the very popular Robonova biped walker. Kits range in price from £16.95 to £689.05 built by enthusiasts & school pupils from all over the UK. Many are programmable via a PC, RC or autonomous. Full details of these and lots more can be found on our website.



## Mechanical & Hardware



We carry a wide range of mechanical products many of which are hard to find elsewhere. Bearings from 1mm to 30mm bore. Plastic and steel pulleys, plastic and

steel gears from MOD 0.5 to MOD 2.0. Steel chain sprockets in 6 & 8mm, 3/8" & 1/2" pitch. Silver steel, EN24T steel, collets & shaft couplings. Nuts and



bolts from M2 to M12, springs, clips & Pins. Wide range of engineering materials including aluminium (6082 T6 to 12mm thick), brass tube, rod, sheet etc..

Polycarbonate sheet from 1mm to 12mm thick, PVC sheet, polymorph etc.. Wheels from 9mm to 250mm diameter.

## Featured Product



We believe this to be the lowest retail priced 4-channel 40MHz FM radio control set in the UK. The set includes the transmitter, receiver and crystal pair from just £34.95. Upgrade options available.

Sample pricing:

- Transmitter, receiver and xtls £34.95
- As above but with a set of 8 AA batteries £35.95 or with a set of 8 AA rechargeable batteries £41.49
- Add a fast charger for an additional £11.46

## Electrical



Glass, automotive and maxi fuses from 1A to 100A, fuse holders, cable from 0.5mm<sup>2</sup> to 16mm<sup>2</sup>.

Pre-stripped wire kits for breadboards. Connectors from 5A to 300A, wide range of crimp connectors bagged in 100's or in kits. Circuit breakers from 3A to 30A. Cable ties, tie bases, spiral wrap and heatshrink (1.2 to 101.6mm diameter).

## All prices include VAT



Whilst we are an internet based company, we do have a shop where visitors are very welcome to browse.

Please check our website for opening hours and if making a long journey, we suggest phoning first to ensure stock availability. If ordering on-line, 90% of orders dispatched within 2 working days.

PayPal





# PIC Speech Synthesiser

By John Becker



## How to add speech to your PIC projects

**F**OR a long time it was felt that it would be useful if readers were able to add a speech phrase or two to their PIC projects, punctuating some sort of occurrence in the software or external events. The design presented here allows that to be done, provided the user has PIC programming facilities.

It uses a set of pre-recorded phonemes (sounds that make up speech) and allows their recall to make up words when desired, outputting the audio to an existing amplifier. In the English language there are 59 phonemes widely used for such purposes. Any words and phrases can be created by users to suit their needs, triggering them when required.

Ideally, of course, a library of complete words would be available, but the memory capacity required by the PIC would be too great to handle. A PC and its harddrive would be needed. The phoneme compilation works, and indeed has been around electronically for perhaps 20 years or more. The drawback is that the speech sounds somewhat mechanical, without changes of emphasis such as we use

when speaking normally. Ways round this are discussed later.

In English there are 26 letters to the alphabet, but each can have a different pronunciation depending on where in a word they occur, hence the need for more phonemes than there are alphabet letters. This does mean, of course, that a certain amount of respelling of words must be made to reflect the way the letters are pronounced. Guidance on this is given near the end of the text.

### Phoneme sources

The set of phonemes supplied with the software was downloaded free from the internet. They originated for use with a speech chip once popular many years ago, the SP0256, but which is no longer manufactured. In fact the author still has an SP0256, so could have actually extracted the phonemes from that, but was saved the necessity by the free download.

Provision has also been made for readers to record and use their own phonemes, instead of the supplied ones. This enables the speech to be tailored to the pronunciation more familiar to the user's own background.

The actual recording of the user's phonemes is via a dedicated circuit and printed circuit board, plus PC software written in Visual Basic 6 (VB6), and supplied as a standalone .EXE file, so VB6 itself does not need to be installed on the PC.

### Speech play circuit

First, the circuit that does the actual 'talking' is discussed, and then the recording aspect. The Speech Playback circuit is shown in Fig.1.

Copies of this circuit can be used in your PIC design, or a different PIC used in which the source code (slightly modified perhaps) forms a separate subroutine that can be called from the software for the main aspect of your program.

The heart of the circuit in Fig.1 is IC1, a PIC16F628 microcontroller running at 20MHz, as set by crystal X1. Speech playback timings are basically related to the 20MHz clock.

However, the PIC software introduces a brief delay into the playback loop, set by the resistance formed by resistor R1 and 'rate' preset VR1, and the capacitance of C3. Each time round the playback loop, the PIC discharges





# Constructional Project

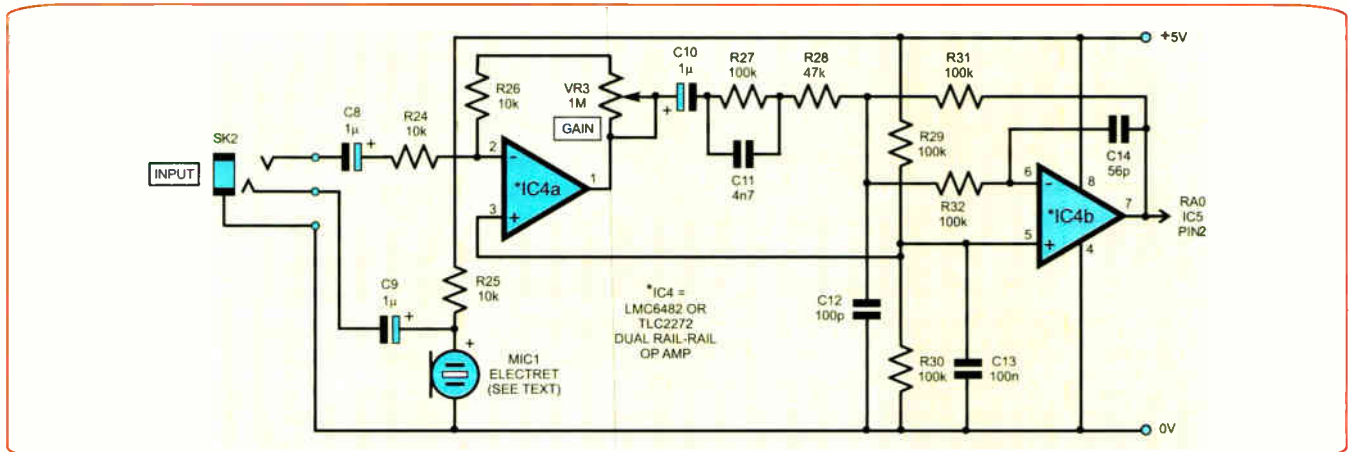


Fig.2: Mic input preamplifier circuit diagram. The Mic preamp is optional, and these components can be omitted

From the audio source, the signal passes to IC4a, which provides a signal level gain stage, controlled by potentiometer VR3. The output from IC4a is coupled, via capacitor C10, to the stage around IC4b, which provides a small amount of frequency bandwidth correction.

From IC4b, the output signal is DC coupled to the analogue-to-digital conversion (ADC) input at pin RA0 of PIC IC5 (Fig.3). This PIC also works at 20MHz, as set by crystal X2. The PIC samples the ADC signal and outputs the digital result to the PIC's RS232 serial interface pin RC6 at the rate of 19200 Baud.

The output goes to the input of RS232 chip IC7 in Fig.4, which is configured and used as in many EPE projects. This chip connects to a PC via one of its serial port (COM) connectors. Note that USB ports *cannot* be used with this design. Specially written PC software then takes over.

A 9V DC power supply or battery is required to power the Record circuit. The 9V is reduced to 5V by regulator IC8. This 5V also powers the Playback unit.

## PC recording software

It is believed that any PC running Windows platforms up to and including XP can be used with this design. The suitability of Vista is not known.

The Recording Mode software supplied for the PC takes the incoming RS232 serial data and stores it to disk. Each phoneme to be recorded is selected on screen and allocated a specific file name.

Having recorded all the user-spoken phonemes, the files can be edited and then combined into a single file for sending back to the Recording circuit for storage in the serial EEPROM, IC6

in Fig.3. That chip is then transferred to the Playback PCB, where it is used as the phoneme data source as IC2. Note that IC6 and IC2 are, in fact, the same chip.

Sending the phonemes to the serial EEPROM is required whether the supplied or user-recorded phonemes are to be used. More on this later.

## Assembly

There are two PCBs for the Speech Synthesiser, with their component and track layout details shown in Fig.5 (Playback) and Fig.6 (Record). If the user-recording aspect of the circuit is not required, omit the components shown in Fig.2. All the components

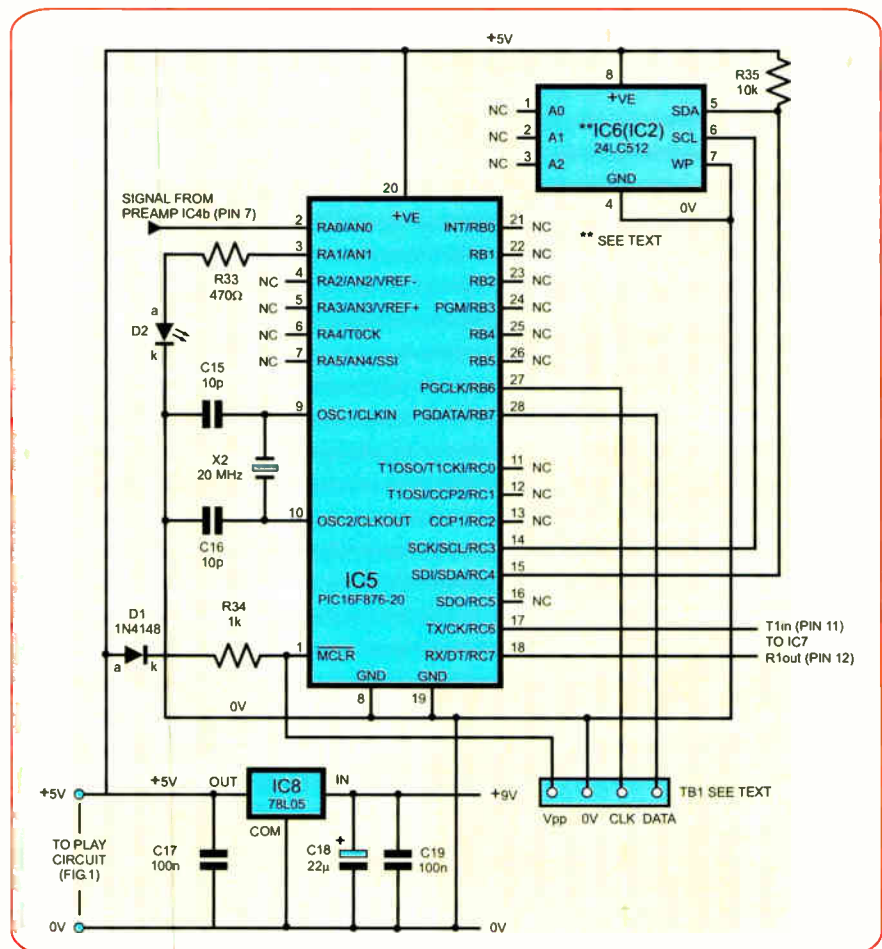


Fig.3: Circuit diagram for the speech recording control. Note that IC8 voltage regulator's +5V output also powers the playback circuit Fig.1

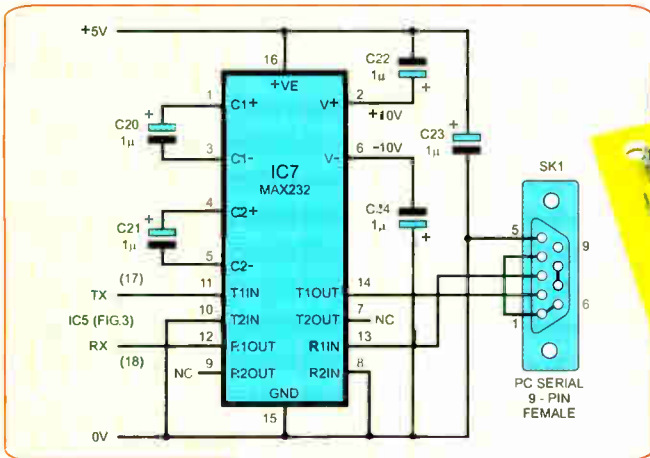
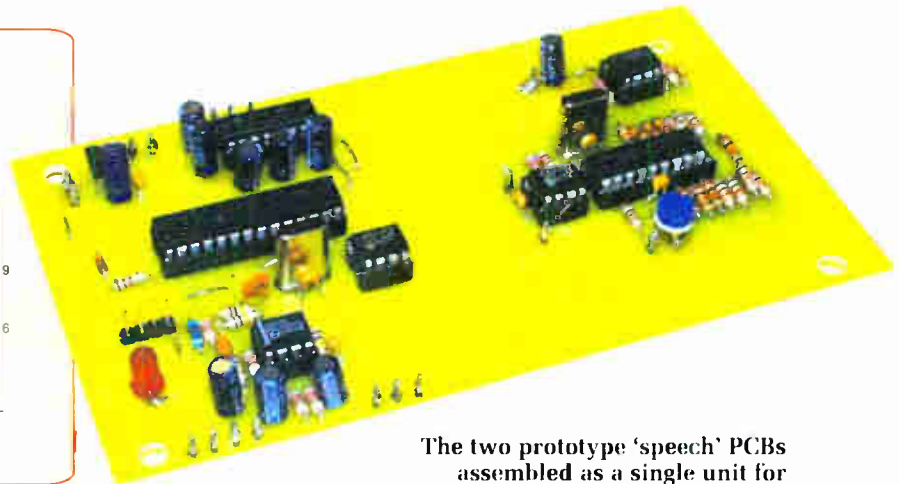


Fig.4: Circuit diagram for RS232 serial interface



The two prototype 'speech' PCBs assembled as a single unit for development convenience

## Parts List – PIC Speech Synthesiser

### PLAYBACK PCB

- 1 PC board, code 650 (Playback), available from the *EPE PCB Service*, size 71mm x 56mm
- 1 20MHz crystal (X1)
- 1 2k $\Omega$  miniature round carbon preset (VR1)
- 1 10k $\Omega$  rotary carbon potentiometer, log. (VR2 – see text)
- 1 18-pin DIL socket
- 2 8-pin DIL socket
- Multistrand connecting wire; plastic knob for VR2 (optional – see text); 4 solder stakes; solder, etc.

#### Semiconductors

- 1 PIC16F628-20 microcontroller, 20MHz (IC1)
- 1 24LC512 serial EEPROM (IC2 and IC6 – see text)
- 1 LM358 dual op amp (IC3)

#### Capacitors

- 2 10pF ceramic disc, 0.2in pitch (C1, C2)
- 2 10nF ceramic disc, 0.2in pitch (C3, C4)
- 1 22nF ceramic disc, 0.2in pitch (C6)
- 1 100nF ceramic disc, 0.2in pitch (C5)
- 1 1 $\mu$ F radial elect. 16V (C7)

#### Resistors (0.25W 5% carbon film)

- 1 470 $\Omega$  (R1) 2 4k7 (R21, R22)
- 12 10k $\Omega$  (R2, R3, R12 to R20, R23)
- 8 20k $\Omega$  (R4 to R11)

### RECORD PCB

- 1 PC board, code 651 (Record), available from the *EPE PCB Service*, size 84mm x 68mm
- 1 20MHz crystal (X2)
- 1 9-pin D-type serial connector, female (SK1)
- 1 28-pin DIL socket
- 1 16-pin DIL socket
- 1 8-pin DIL socket
- 1 4-way header pin (TB1)
- Multistrand hook-up wire; serial comms cable (see text); 20 solder stakes; solder, etc.

#### Semiconductors

- 1 1N4148 signal diode (D1)
- 1 5mm red LED (D2)
- 1 PIC16F876A-20 microcontroller, 20MHz (IC5)
- 1 24LC512 serial EEPROM (IC6) – This is also IC2 on Playback PCB (see text)
- 1 MAX232 RS232 serial interface (IC7)
- 1 78L05 +5V 100mA voltage regulator (IC8)

#### Capacitors

- 2 10pF ceramic disc, 0.2in pitch (C15, C16)
- 2 100nF ceramic disc, 0.2in pitch (C17, C19)
- 5 1 $\mu$ F radial elect. 16V (C20 to C24)
- 1 22 $\mu$ F radial elect. 16V (C18)

#### Resistors (0.25W 5% carbon film)

- 1 470 $\Omega$  (R33) 1 1k $\Omega$  (R34)
- 1 10k $\Omega$  (R35)

### MIC INPUT PREAMP

(Fig.2. optional – see text)

- 1 LMC6482 or TLC2272 rail - to - rail op amp (IC4)
- 1 8-pin DIL socket
- 1 electret microphone insert (MIC1)
- 1 switched mono jack socket, to suit external microphone if used (SK2)
- 1 1M $\Omega$  rotary carbon potentiometer, lin. (VR3)

#### Capacitors

- 1 56pF ceramic disc, 0.2in pitch (C14)
- 1 100pF ceramic disc, 0.2in pitch (C12)
- 1 4n7 ceramic disc, 0.2in pitch (C11)
- 1 100nF ceramic disc, 0.2in pitch (C13)
- 3 1 $\mu$ F radial elect. 16V (C8 to C10)

#### Resistors (0.25W 5% carbon film)

- 3 10k $\Omega$  (R24 to R26)
- 1 47k $\Omega$  (R28)
- 5 100k $\Omega$  (R27, R29 to R32)





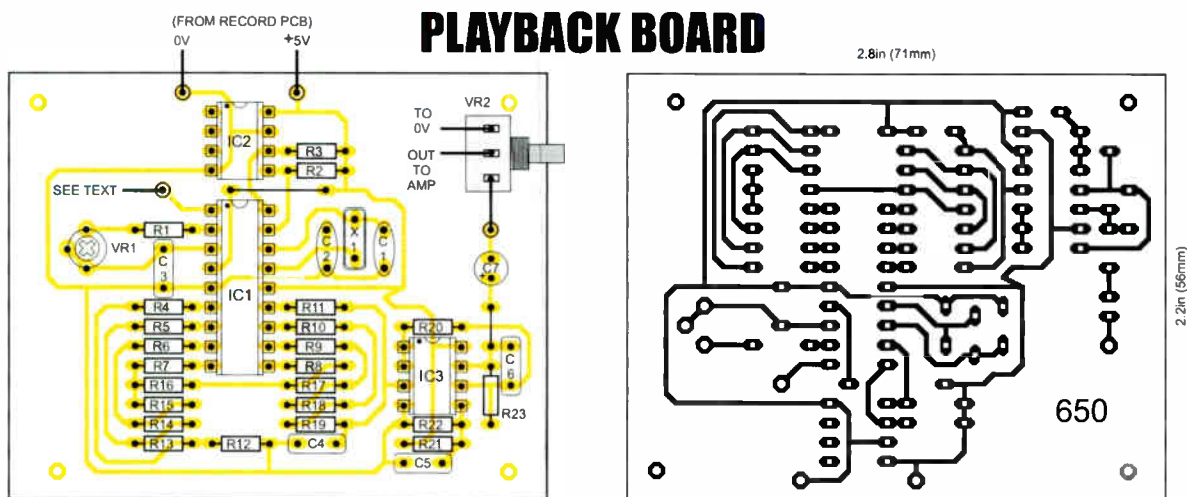


Fig.5: Playback printed circuit board component layout and full-size copper track master

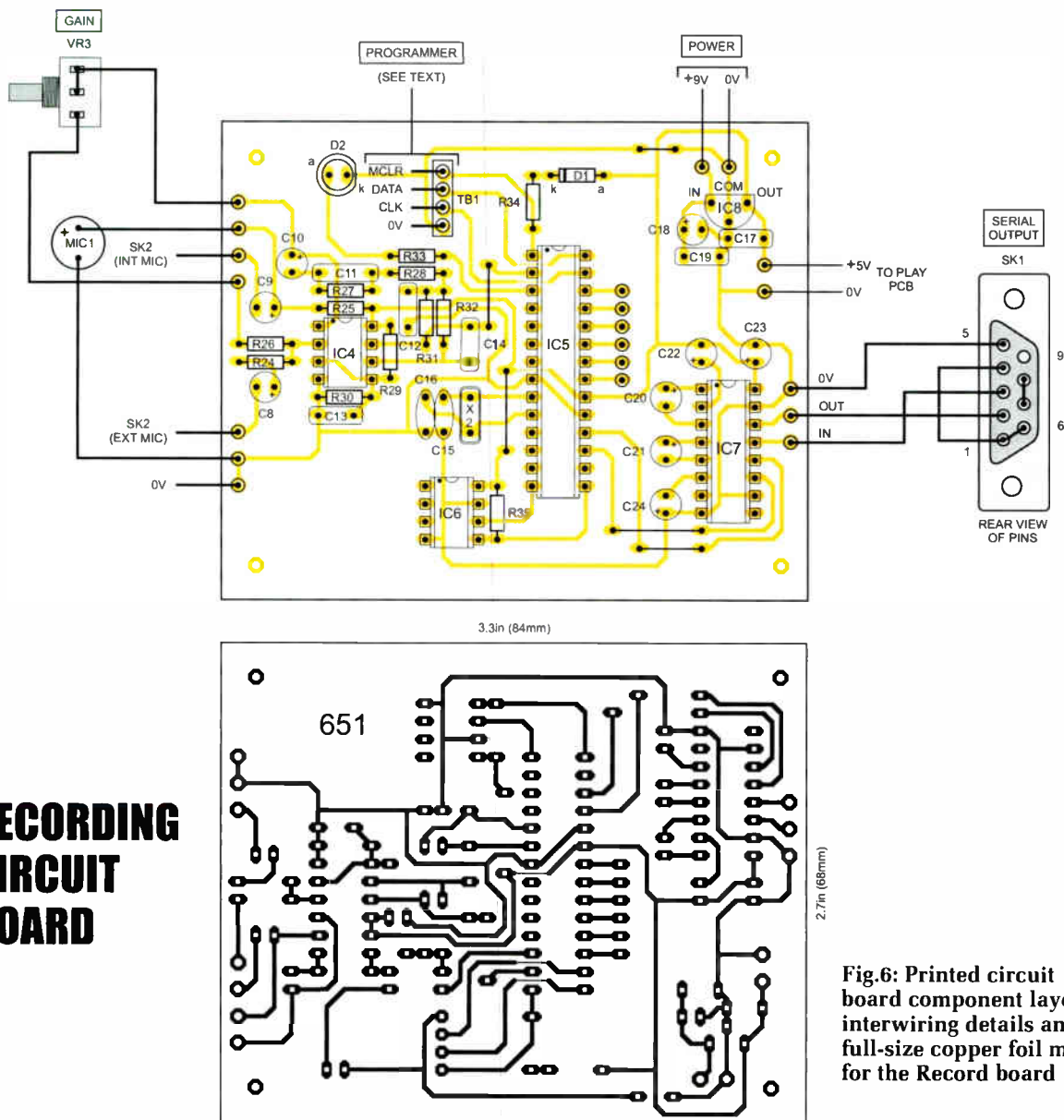


Fig.6: Printed circuit board component layout, interwiring details and full-size copper foil master for the Record board

in Fig.3 and Fig.4 are needed for both versions. The PCBs are available from the *EPE PCB Service*, codes 650 (Playback) and 651 (Record).

Assemble the PCBs in order of ascending component size, commencing with the few on-board wire links. Use sockets for the DIL (dual-in-line) ICs and observe the correct polarity of the electrolytic capacitors and all semiconductors. Do not insert the DIL ICs until the correctness of the power lines, and all component positionings and orientations, have been double-checked.

Recheck the power lines after inserting all DIL ICs. Always switch off before correcting any fault.

Because any spoken message required depends on individual needs, you must program your own PICs via suitable PIC programming software and hardware. The source code was written in the author's *TK3* software. It is believed to be suitable for all MPASM-compatible programmers.

A case is not required for the circuit as described here.

## PC program

The VB6 PC program has been written with two main screen areas. The first allows all the supplied recorded phoneme waveforms to be displayed. An example of it is shown in Fig.7.

A group of 64 buttons at the top of the screen allows the individual phoneme waveforms to be selected and displayed (although the Pause buttons have no display associated with them). The phoneme shown in Fig.7 is that for the letter 'N', as used in the word *anchor*. Hover the mouse cursor over any button for brief details of its use to appear as a message box.

Below the buttons are shown the code numbers allocated to each phoneme. These are the codes originally used with the SP0256 speech chip mentioned earlier.

For each phoneme waveform displayed, details of the number of bytes it uses and the minimum and maximum voltage values of the waveform are shown.

The Creating Phonemes button tells you that this can be done through the Edit Screen. But for the moment, the main screen can be used to send the supplied phonemes to the serial EEPROM on the Record PCB.

Insert the serial EEPROM into the socket on the Record PCB. With the Record PCB connected to the PC via a suitable serial cable (as used with stand-

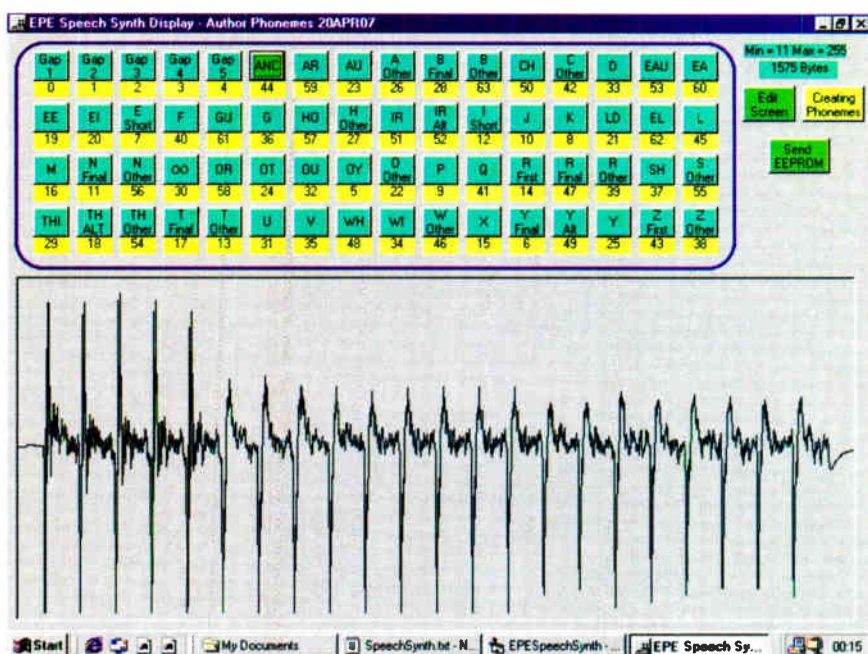


Fig.7: Main PC screen example. The phoneme shown is that for the letter 'N', as used in the word *anchor*

ard modems) and the PIC units powered, click the Send EEPROM button.

This causes the complete set of supplied phonemes to be sent to the serial EEPROM. Once done, switch off the power, and transfer the EEPROM to the Playback PCB, where it can now be used with any speech message you wish to play (more on this later).

With the EEPROM now installed for Playback, switch on. The unit now plays back the message initially supplied with the software. Adjust preset VR3 until the voice tone (frequency) sounds right to your ear.

## Recording phonemes

When recording your own phonemes, click the button for the one required. This allocates a specific name to the file that can then be created. If you choose the wrong button, simply select the one you really want.

With the Record PCB connected to the PC via the serial cable, click the Get Data button. This triggers the PIC to now accept audio data from the preamp on that board. The LED comes on when you start speaking, at which point you then immediately record the sound of the phoneme you selected.

The sampled data is output to the PC which stores it. Both PIC and PC then wait until you wish to record the next phoneme in the same way. Having recorded a phoneme, its waveform can be examined by pressing the Show Orig Waveform button.

Set the recording level so that the waveform nearly covers the maximum height of the display area, without clipping distortion. The phoneme may be re-recorded if you wish by the same process as before.

Having recorded a satisfactory waveform its front and end sections may be edited. With the waveform shown on the Edit Screen, move the red and green sliders and their associated marker lines to embrace any excess length of waveform that has no variation, ie about midway amplitude without deflection. Then click the Delete button to delete the marked section.

Only the start and end sections should be trimmed. Do not select any central portion.

A new file is then created, into which the remaining waveform is stored on disk. Having stored the data, the screen then reloads the data in the new file and shows the complete length of waveform as it now is. The other end, or the same end again, can then be trimmed. You may start again if you wish by recalling the original waveform via its button. The modified waveform may be viewed at any time by selecting a phoneme and clicking the Show Mod Waveform button.

## Compiling

Having recorded and edited all your own phonemes, they can then be compiled to a single file. To do so, click the CONC (concatenate) button. There fol-



lows a brief assembly procedure in which you end up with two files, **UserAllphons.txt** and **UserEEPaddresses01.txt**.

The screen tells you the length of the former file – ensure that it does not exceed the maximum 65535 bytes allowed. If it does, you will need to further trim the phonemes until the file is less than the maximum length.

This file can then be sent to the serial EEPROM chip, in the same way as with Author Phonemes. The second file needs to be assembled into the PIC program for Playback.

Open the **SpeechPlayxx.asm** file (where 'xx' is the current version number) through your PIC programming software. Near the top of that file are the statements:

```
; PHONEME ADDRESSES
```

```
include "AuthorPhonemeAddresses.inc"
```

```
;include "UserPhonemeAddresses.inc"
```

Put a semicolon colon (;) in front of the Author line and remove the semicolon from the User line. Save the asm file, recompile as a hex file and send that to the PIC. That's all there is to creating your own phonemes.

## Speech messages

Initially, the **SpeechPlayxx.asm** file calls in a message used in the prototype, called in as **TESTMSG01.inc** (as commanded at the end of the asm file). This simply tells you that 'Today is Tuesday' (irrespective of the true day of the week!), constantly repeating it until the power is switched off. You can create your own message and use it in place of the author's.

TESTMSG01.inc consists of the following data statements (prefixed by the indented 'DE', followed by a value):

```
DE 15 ; 0 number of values needed
DE 13 ; 'T' ; 1
DE 15 ; 'O' ; 2
DE 33 ; 'D' ; 3
DE 20 ; 'Y' ; 4
DE 1 ; ' ' ; 5
DE 12 ; 'I' ; 6
DE 43 ; 'S' ; 7
DE 1 ; ' ' ; 8
DE 13 ; 'T' ; 9
DE 31 ; 'U' ; 10
DE 43 ; 'S' ; 11
DE 33 ; 'D' ; 12
DE 20 ; 'A' ; 13
```

```
DE 1 ; ' ' ; 14
```

```
DE 1 ; ' ' ; 15
```

The first value gives the number of bytes that the PIC software has to process to play the complete statement. The remaining values are the numbers allocated to the phonemes in question (a complete list of which can be found towards the head of the **SpeechPlayxx.asm** file. The value of 1 calls one of the pause lengths into play to allow a short 'breathing space' between words.

It will be apparent that this message is nearly the same as if written in correct English; but note the differences. The reason will be obvious when you study the phoneme list and the usages in terms of pronunciation. You could certainly try spelling it all correctly, and you'll hear how different the words sound.

The choice of the correct phonemes requires practice and experiment to obtain the sounds that you find to be correct – it's partly subjective, and depends on the speech dialect and pronunciation with which you are most familiar. More later.

As the test program is written, direct access to the speech statement is immediately made. In your own program you could arrange the code so that messages are triggered at particular points within the code. They can also be arranged to be activated by an external source, triggering PIC input RA2.

You could also have several short messages stored within the Data EEPROM space available with the chosen PIC (256 bytes in a PIC16F628), triggering them, as required, from different parts of the program, or in respect of a counter incremented when RA2 is triggered. The scope is large.

## Tone and amplitude

The use of varying tone (frequency) and amplitude to give emphasis to different parts of a sentence, as in normal spoken language, is an area ripe for experimentation. Six variants have been made possible with the supplied software:

- Raise frequency
- Lower frequency
- Normal frequency
- Raise amplitude
- Lower amplitude
- Normal amplitude

The frequency/amplitude values can be changed by the user, not just

the basic values triggered by the command values. Details of the procedure are in the .asm file itself and it's best if you study those rather than have it explained here. Note that choosing a corrective value causes that value to be used by all subsequent phonemes until it is changed. The **TESTMSG10.inc** file supplied gives examples of all six variants. The method by which the author uses the variants can also be changed. It is up to you.

## Spelling guidance

Guidance on re-spelling words to provide the required phoneme data in program statements is available through the Edit screen. Click on the Phoneme Use Guide button to access it.

## Software

All the software for this design can be download free from the *EPE Downloads* site (access via [www.epemag.co.uk](http://www.epemag.co.uk)).

Download (copy) all the files into a common folder according to your choice, on the C drive (in theory the program can also be run from another drive, but this has not been proved).

The PC software was designed through Visual Basic 6 (VB6) and supplied both as source code and a standalone .EXE file. The latter does not need VB6 to be installed on the the PC and is run simply by double-clicking on its icon.

Occasionally, readers have had difficulty with the serial communication aspect of the EXEs. The author of the serial control program says that this can be cured by installing the entire *EPE* Serial software from our downloads site at

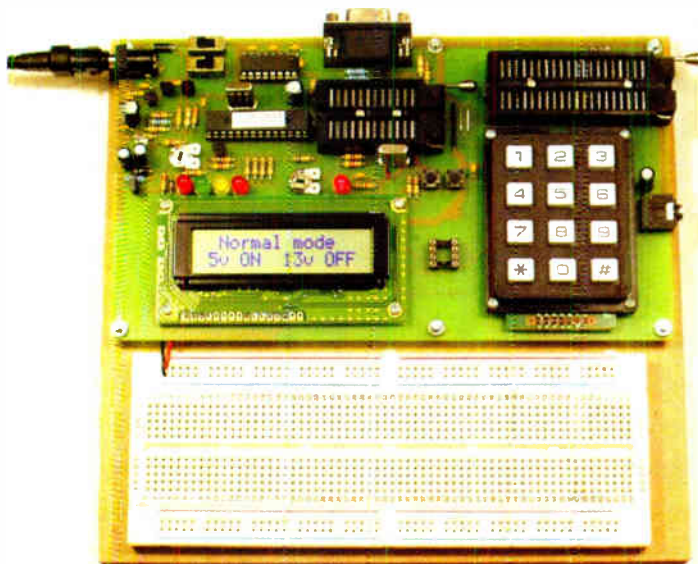
```
ftp://ftp.epemag.wimborne.co.uk/pub/PICS/SerialOCX/">ftp://ftp.epemag.wimborne.co.uk/pub/PICS/SerialOCX/.
```

Download all the serial files into a temporary folder, make sure you have *no* other applications running (including Virus checkers, email clients, Visual Basic etc) and run the **SETUP.EXE** and follow the prompts. This will install a copy of the OCX and all its correct sub-components and correctly install and register them. He confirms that he's tested the OCX software on Windows 98, ME, XP and 2000.

Most readers should not find this process necessary.

Enjoy the vocal opportunities offered by this whole design! *EPE*

# Learn About Microcontrollers



## P927 PIC Training Course £159

The best place to begin learning about microcontrollers is the PIC16F627A. This is very simple to use, costs just £1.30, yet is packed full of features including 16 input/output lines, internal oscillator, comparator, serial port, and with two software changes is a drop in replacement for the PIC16F84.

Our PIC training course starts in the very simplest way. At the heart of our system are two real books which lie open on your desk while you use your computer to type in the programme and control the hardware. Start with four simple programmes. Run the simulator to see how they work. Test them with real hardware. Follow on with a little theory....

Our PIC training course consists of our PIC programmer, a 300 page book teaching the fundamentals of PIC programming, a 274 page book introducing the C language, and a suite of programmes to run on a PC. The module uses a PIC to handle the timing, programming and voltage switching. Two ZIF sockets allow most 8, 18, 28 and 40 pin PICs to be programmed. The programming is performed at 5 volts, verified with 2 volts or 3 volts and verified again with 5.5 volts to ensure that the PIC works over its full operating voltage. UK orders include a plugtop power supply.

P927 PIC Training & Development Course comprising....

Universal 16C, 16F and 18F PIC programmer module

+ Book Experimenting with PIC Microcontrollers

+ Book Experimenting with PIC C

+ PIC assembler and C compiler software on CD

+ PIC16F627A, PIC16F88, PIC16F870

and PIC18F2321 test PICs. .... £159.00

(Postage & insurance UK £10, Europe £18, Rest of world £25)

## Experimenting with PIC Microcontrollers

This book introduces PIC programming by jumping straight in with four easy experiments. The first is explained over ten and a half pages assuming no starting knowledge of PICs. Then having gained some experience we study the basic principles of PIC programming, learn about the 8 bit timer, how to drive the liquid crystal display, create a real time clock, experiment with the watchdog timer, sleep mode, beeps and music, including a rendition of Beethoven's *Fur Elise*. Then there are two projects to work through, using a PIC as a sinewave generator, and monitoring the power taken by domestic appliances. Then we adapt the experiments to use the PIC16F877 family, PIC16F84 and PIC18F2321. In the space of 24 experiments, two projects and 56 exercises we work through from absolute beginner to experienced engineer level using the most up to date PICs.

## Experimenting with PIC C

The second book starts with an easy to understand explanation of how to write simple PIC programmes in C. Then we begin with four easy experiments to learn about loops. We use the 8/16 bit timers, write text and variables to the LCD, use the keypad, produce a siren sound, a freezer thaw warning device, measure temperatures, drive white LEDs, control motors, switch mains voltages, and experiment with serial communication.

Web site:- [www.brunningsoftware.co.uk](http://www.brunningsoftware.co.uk)

## PH27 Training Course £195

PIC training and Visual C# training combined into one course. All the features of the P927 course with an extra book and enhanced programmer module.

The PIC programmer module has a new control PIC fitted which has a huge amount of free memory (as PICs go) and it has the ability to write experimental PIC code into itself. By writing our experimental code into the control PIC we are able to use the RS232 port which will already be connected to our PC. This is a very convenient way to start our serial communication experiments. The control PIC is also programmed with a library of useful subroutines. These include subroutines for displaying text on an LCD, for creating a known time delay and for digitising an audio waveform to collect data for an oscilloscope trace.

PH27 PIC & Visual C# training Course comprising.....

Enhanced 16F and 18F PIC programmer module

+ Book Experimenting with PIC Microcontrollers

+ Book Experimenting with PIC C

+ Book Experimenting with Serial Communication

+ PIC assembler, PC assembler

and PIC C compiler software on CD

+ PIC16F627A, PIC16F88, PIC16F870

and PIC18F2321 test PICs. .... £195.00

(Postage UK £10, Europe £20, Rest of world £37)

## Visual C# Course £88

Visual C# Training Course comprising.....

Book Experimenting with Visual C#

+ AUX200 latching serial port

+ liquid crystal display assembly

+ programme text on CD

+ pack of components. .... £88.00

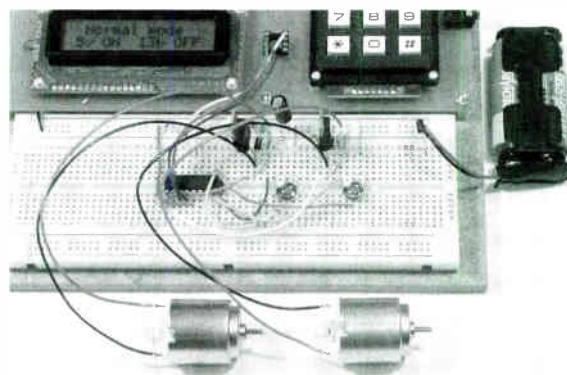
(Postage UK £8, Europe £14, Rest of world £22)

See:- [www.brunningsoftware.co.uk/vcreview.htm](http://www.brunningsoftware.co.uk/vcreview.htm)

## Ordering Information

Both training courses need either a free serial port on your PC or a USB to COM adapter (full details on web-site). All software referred to in this advertisement will operate within Windows XP, NT, 2000 or later.

Telephone with Visa, Mastercard or Switch, or send cheque/PO. All prices include VAT if applicable.



## White LED and Motors

Our PIC training system uses a very practical approach. Towards the end of the second book circuits need to be built on the plugboard. The 5 volt supply which is already wired to the plugboard has a current limit setting which ensures that even the most severe wiring errors will not be a fire hazard and are very unlikely to damage PICs or other ICs.

We use a PIC16F627A as a freezer thaw monitor, as a step up switching regulator to drive 3 ultra bright white LEDs, and to control the speed of a DC motor with maximum torque still available. A kit of parts can be purchased (£30) to build the circuits using the white LEDs and the two motors. See our web site for details.

Mail order address:

**Brunning Software** 138 The Street, Little Clacton, Clacton-on-sea,  
Essex, CO16 9LS. Tel 01255 862308



# PIC N' MIX

MIKE HIBBETT

Our periodic column for your PIC programming enlightenment

## Displaying Menus

This month we look at a more advanced programming problem – providing for input and output to our pet project from keys and an LCD, or perhaps over a serial port interface. In some cases this is quite simple and can be implemented with a few lines of code, but when the interaction required between a user and the device gets more involved (perhaps you want to offer a multitude of user-selectable features) then the problem becomes more complex and a certain amount of advanced planning is required to get it right.

Many microcontroller equipped projects demand some kind of user interface – a means of changing the way the device operates, viewing information etc. It's often the reason why we add a microcontroller to a design, so that we can make changes 'on the fly', rather than have to re-wire the circuit.

### LCD feedback

In modern times an LCD has become the default route for providing feedback to a user. As their use in consumer products has exploded, LCD modules have become very cheap – a two line by sixteen character display module can be purchased for as little as £5.

A decade or so ago designers would have provided a serial port interface for interaction with a device, requiring the connection of a PC running a 'terminal emulation' program such as *hyperterm*, which emulates a physical terminal display unit popular in the early days of computing. Even today, a serial port interface still has its uses, especially if you want to provide a means of transferring data between the device and a PC. The removal of serial ports from modern PCs is making this more difficult, and over the next few years we will see a gradual progression from serial ports to USB interfaces – a subject that has been covered to some extent by *EPE*, and that will no doubt feature in many future articles.

For now, however, both LCD displays and serial interfaces remain a very useful means of providing interaction with our microcontroller equipped projects – and it can be very easy to do, if we design it right from the beginning.

The technique that we will discuss here will work equally well for LCD or serial port implementations. The problems are exactly the same – how do you provide a series of menus, allow for user input and handle key presses without interfering with the main operation of the device?

### Typical problems

Let's start by considering some of the problems associated with presenting

information to a user. Typically, a program will run in what is known as a *main loop* – a series of operations in a list that return back to a starting point and continue forever. We design our routines so that they execute quickly enough to operate correctly. For example, in a hypothetical heater controller, your 'main loop' might look like this:

```
reset:
  call init_hw

loop:
  call read_temp
  btfs temp_level, 0
  call heater_off
  btfs temp_level, 0
  call heater_on
  goto loop
```

we rely on *read\_temp*, *heater\_off* and *heater\_on* being quick and deterministic (ie, taking a known range of possible execution times) to ensure that our program will be able to control the temperature, and not overheat. For programs that require no user intervention this is usually quite easy. When we add routines to provide user intervention, such as changing the desired temperature, things get rather more complicated. We must provide for input from the user without interrupting the critical operation of the program.

User interaction is generally a slow process. The simple program above, running on a processor equipped with a 10MHz crystal, could quite easily run that loop at a rate of tens of microseconds. Responding to user interaction via a keypad or serial port, however, could require tens of seconds – a million times slower! Changes of that order of magnitude to the operation of the main loop could completely disrupt what you want to do, so we have to take care with the design of the user interface software.

The second problem is to do with the complexity of implementing the menu software itself. The 'logic' behind handling multiple key presses in different screens

or menus can cause the software to explode into a long, difficult to read and maintain jumble if not properly defined. Even when using a high level language like C.

### Goals

The goal for a good menu design is becoming clear:

1. Keep the code for each menu option isolated from the other code
2. Separate the software that displays the menus from the actual menu specific code
3. Do not duplicate code that handles key presses in each menu
4. Minimise the interference between the act of displaying a menu and the 'real' application

Goals one to three are related, and goal four is very hard to get right.

Before we start designing the code, we need to decide on the number of keys and type of display to use, as this will have a minor effect on the design. The two line by sixteen character alphanumeric LCD panel is a popular and low cost display, so we will use that in our example. For the keys, you have to consider what type of information you will be entering.

If your menu system is simple, perhaps only displaying information or providing the ability to select options from a fixed list, then you can probably get by with just two buttons: one to scroll through the list, and one to 'select'. If you are providing options that require numeric data to be entered, then the classic 'cursor' interface of 'up, down, left, right, and action' buttons

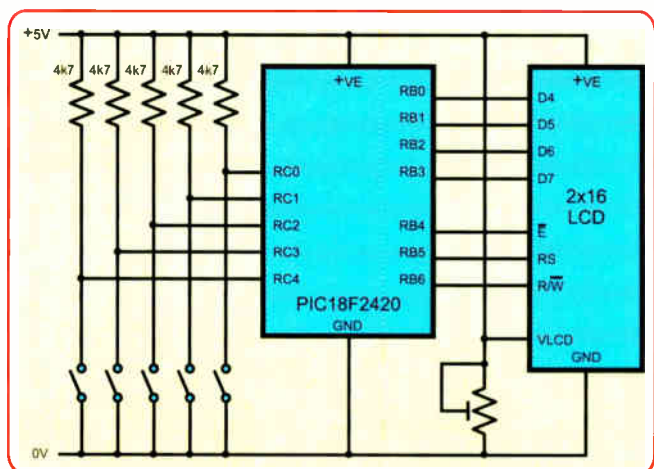


Fig.1 Example circuit

will be more appropriate. For our example, we will use the latter combination of five keys since this is a more interesting combination to demonstrate in software.

The example circuit is shown in Fig.1, on which all the software that we create for this month's article will run. It's a very simple circuit: we use the internal oscillator (an on-chip resistor and capacitor) which we set to run at 8MHz. The choice of port pins for the connection of the LCD is very important, as will be seen later. We have chosen the PIC18F2420 device because we can use it with the free Microchip C compiler, allowing us to demonstrate programs written in both C and assembler.

Now let's take a look at two designs for handling menus, one very simple (that will be fine in a few example cases) and another, more complicated design that will suit a much wider range of applications, and also represents the 'best practice' approach.

### Simple design

An example where a simple display solution will work could be an electronic lock. An LCD displays 'Door Locked', until a user presses a key. The display then shows 'Door Open', operates a solenoid unlocking the door, and then after a few seconds (giving someone time to pull the door open), it turns the solenoid off, and returns the display to 'Door Locked'. The flowchart design for this is shown in Fig.2. (If you are confused by the use of flowcharts, refer to last month's *Pic N'Mix* article on the subject.)

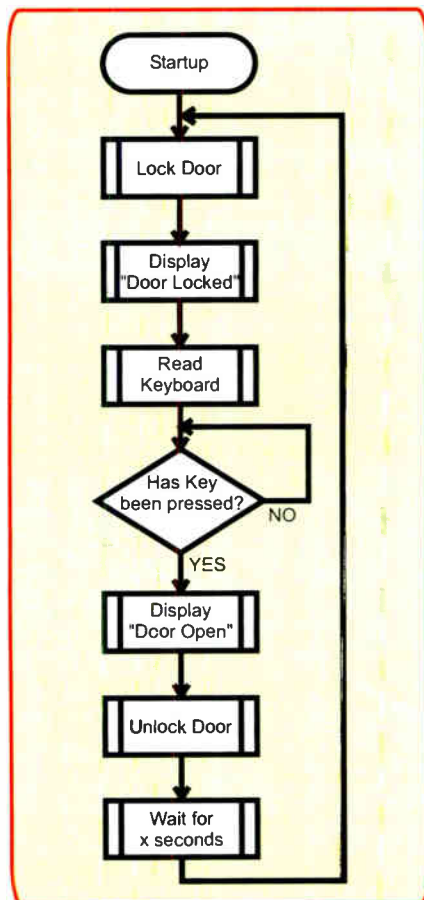


Fig.2 Simple design

This simple example has no special timing requirements, other than the delay for a few seconds while the door is left unlocked. It is quite acceptable to have the program loop continuously waiting for a keypress as it has nothing else to do. The program for this is quite unexceptional, and is shown in *list1.asm*. (This file and all other source code examples mentioned in this article can be found on the *EPE* website in the *Pic N'Mix* section of the Downloads page.) The exact equivalent program written in C can be found in *list1.c*.

It's interesting to note that while we had to write the assembler routines for driving the LCD, in the C program we didn't have to – the C library files supplied by Microchip include routines to drive LCDs. This is one of the great things about using a high level language – so many of the 'utility' functions we might want to use have already been written for us. If you have installed the free Microchip C compiler, look at the *MPLAB-C18-Libraries.pdf* file, located in the *c:\mcc18\doc* directory, to see the full list of functions provided. If you read this document you will notice that the library routines for driving an LCD expect the display to be wired to specific ports, as we have used on our example circuit – hence the original choice of pins!

In this article we are not interested in the mechanics of writing to the LCD – these are fixed by the design on the LCD hardware, and can be found by examining the example code – instead it is how we design our application to use them. So let's now look at the more complex example, which is the main purpose of this article.

### More complex design

Consider an application like a temperature controller. First, it reads the current temperature (presumably from a temperature sensor connected to an analogue input on the processor). If the temperature is above a set 'upper limit', it turns the heater off. If the temperature is below a set 'lower limit', it turns the heater back on. The program must loop round this process very quickly to ensure that the temperature does not rise too high or fall too low. The design for this is shown in Fig.3.

Now, what happens when we want to add an LCD display and keyboard to the project to allow the user to view the current temperature and change the upper and lower limits? If we use the previous design idea, when the program halts while the user is changing a limit setting, the temperature could go dangerously high or low. That's obviously not what we want!

We can deal with this problem by designing the menu code so that it responds to key presses one at a time. Every time a key is pressed, the display menu function is called, which handles just that one keypress, and then returns. The display menu function 'remembers' what state it is in (ie, it remembers what keys have been pressed before). This kind of functionality in a program is called a *State Machine*, and can be a very powerful way to deal with such problems.

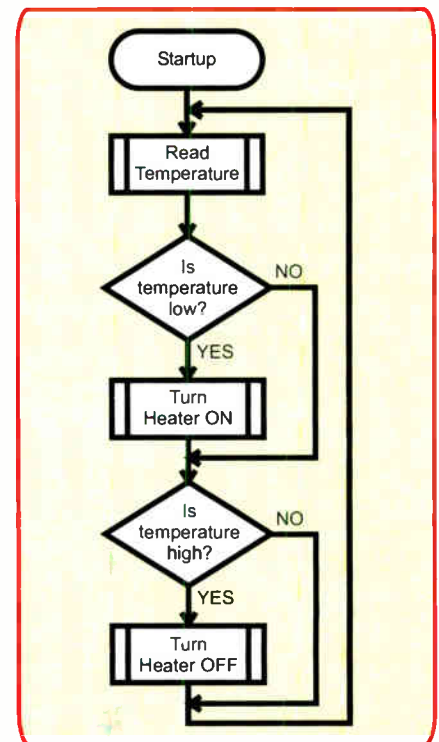


Fig.3 Initial temperature control design

### State machines

State machines have some very useful features: they are easy to design, they are simple to code (especially in a high level language), and they can operate very quickly. They rely on the use of a variable, initialised to a known value at start-up, which tracks the state through successive calls to the code. The state changes only when one of a number of pre-defined events occur. These events (which could be interrupts, key presses, timeouts etc) are converted to an 'event number' that is unique for the type of event. This event number is used by the state machine to look up the corresponding code that will be executed.

The translation of the state machine found in Fig.4 and Fig.5 to actual code is shown in the source file *menu.c* (also available on the website). You will see that this routine takes as an input a variable called *eventType*, which is used to indicate what event has happened: *startup* or *keypress*. The *startup* event is an artificial event created for the purpose of 'telling' the menu system to set itself up. You can see from Fig.4 and Fig.5 how different input events will cause the menu display state machine to go through different states.

At each event, indicated by the arrow-headed lines, a small piece of code is executed. You may notice that some events do not cause a change of state – for example, the *UPKEY* and *DOWNKEY* events shown at the bottom of the State Machine. That's quite normal, and in this case the code associated with the event simply increments a variable and updates the display.

The 'brains' of the state machine software – and this is where its elegance lies – is not actually in software. It's in the array variable called *states* at the top of the file. This array holds one entry for each state that the state machine can be in, and each entry contains a



list of pointers to functions, one for each possible event. *Pointers*, in the C programming language, can be a very difficult concept to understand, but it isn't necessary to understand them to use them.

State machines find uses in all kinds of software, including the TCP/IP protocol that powers the Internet.

By implementing these small functions, one for each event that can occur in a state, the design of the program can be very easy to see. The array variable defines how the program works, the function pointers specified in the array variable provide the work, and the state machine itself – **menuStates** in this case – is so generic in operation that you could re-use it anywhere.

The number of events that your state machine should respond to is up to you; if you add more keys, the number goes up, and you might want to have more than one timer signal to handle different events (such as a 10s timer for timing out on no

by having a 'NULL' entry in the array.

The array variable, while quite easy to read, removes all the complexity of conditional branches and loops in your code. For larger, more complex designs, it can also run faster as the lookup table approach takes less time to reach the code that needs to be run, rather than skipping down a series of if statements or branch instructions.

This has been a very quick introduction to the use of state machines for helping with displaying menus, and while a complex subject to get to grips with, they do help make the task of writing software easier. We will look at other uses for state machines in a later article.

### More randomness

Reader Ed Grens had an interesting spin on the 'Random Number Generator' brain teaser from a few months back. Ed says:

*I have used 'random' numbers a lot, and the Monte Carlo method is almost entirely on mainframes and PCs and have had cause to examine the performance of a few alternatives. Pseudo-Random generators (in software) can give good overall distribution of 'random' numbers over an interval, but when the sequence of large samples of such numbers is examined it is (almost) always non-random.*

*Naturally occurring random noise in many systems, including the atmosphere, has been used as a truly random number source. The noise in reverse-biased semiconductor devices at small currents is a good such source, and a Zener diode is a convenient device, able to provide about 20mV p-p random output at about 20µA current.*

*The key is to use a low-noise driver with very high output impedance. The LTC1340 varactor driver is such a driver, providing about 20µA at 9.2V with supply and input voltages both at 5V. The Zener noise is amplified by a high-gain-bandwidth-product, low-noise op amp and converted to hi/lo (1/0) output with a high-speed comparator. The reference voltage to the comparator is adjusted to give equal numbers of 1s and 0s. This output is then latched and clocked into the MCU or PC.*

Thanks for that Ed.

### Brain teaser

We'll finish this month with another brain teaser.

PIC microcontrollers can operate at a wide range of clock frequencies and the more observant of you may have noticed that most (if not all) of them can operate down to DC – ie, the clock signal can stop altogether without damaging the processor. (Older processors based on NMOS tech-

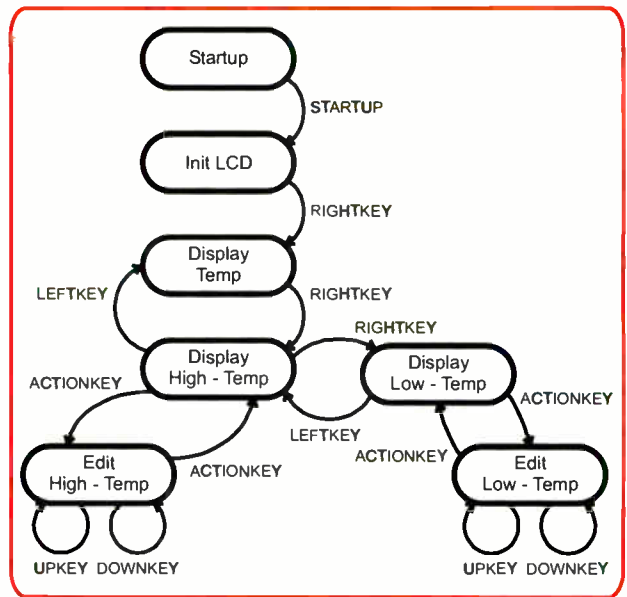


Fig.5 Display menu state machine

nology such as the 6502 would be permanently damaged if that happened, as the author experienced to his cost!) *EPE* have never published a design which took advantage of this facility (it was used in the original *EPE PIC Tutorial* a few years ago) but it can be quite useful. Can you think of any examples where it might?

Submissions by email to **mike.hibbett@gmail.com** or in writing to *EPE*.

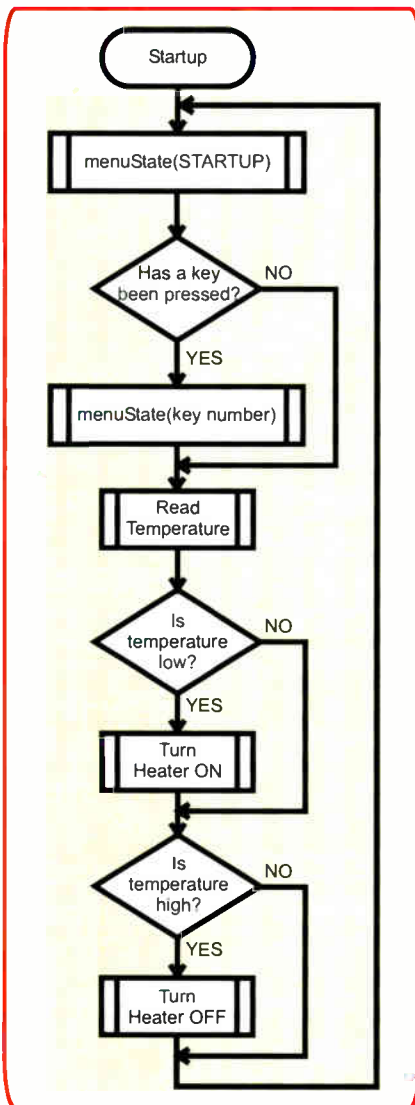


Fig. 4 Final design flowchart

keypress, and a 1s timer for toggling information shown on the display). If you add an extra event signal, then you add an extra column to the menuStates array variable. You will not want to have all events handled by every possible state in your code, and this is dealt with, as shown in **menu.c**,

ANDRE LAMOTHE'S

## XGAMESTATION

LEARN STEP-BY-STEP HOW TO DESIGN AND BUILD YOUR OWN VIDEO GAME CONSOLE!

Design inspired by the Atari 800/2600, Sinclair ZX Spectrum, Apple II & Commodore 64!

Complete Package eBook Integrated IDE

SX52 CPU 80 MIPS! OPEN SOURCE!

FEATURES:

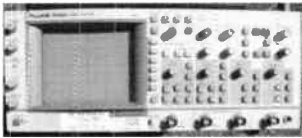
- Great for Hobbyists AND Students!
- Complete Software Development Kit!
- eBook on Designing the XGS Console!
- Parallax SX-Key Compatible!
- Fully Assembled XGS Micro Edition Unit!
- The Fun Way to Learn Embedded Systems!

PAL & NTSC COMPATIBLE!

WWW.XGAMESTATION.COM

SUPPORT@NURVE.NET | PH 51 2.266.2399(USA)

Check out our website, 1,000s of items in stock.



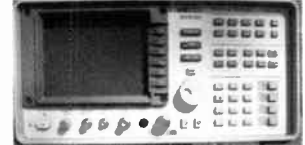
PM3082 - £195



HP 34401A - £500 to £550



HP33120A - £575 to £700



HP 8563A - £6,000

## DIGITISING/STORAGE OSCILLOSCOPES

HP 54616B Digitising 500MHz 2GS/S 2 Channel	£1,100
TEKTRONIX TDS520 Digitising 500MHz 500MS/S 2 Channel	£800
TEKTRONIX TDS360 Digitising 200MHz 1GS/S 2 Channel	£650
TEKTRONIX 2232 Dual Trace 100MHz 100MS/S	£325
HP 54600B Dual Trace 100MHz 20MS/S with RS232C, 2HP Probs, Ops Manual Pouch & Front Cover	£325
TEKTRONIX TDS224 Digitising 100MHz 4 Channel 1GS/S	£750

## SCOPEMETERS

FLUKE 97 Dual Trace 50MHz 25 MS/S	£295
-----------------------------------	------

## OSCILLOSCOPES

TEKTRONIX 2465B 4 Channel 400MHz Delay Cursors etc incl Tek Probs	£750
PHILIPS PM3082 2+2 Channels 100MHz Delay TB etc Autoless	£195
TEKTRONIX 2445A 4 Channel 150MHz Delay Sweep Cur etc	£375
GOULD OS300 Dual Trace 20MHz	£75
PHILIPS PM3217 Dual Trace 50MHz Delay Sweep	£125
FARNELL DTV12-14 Dual Trace 12MHz	£40
TEKTRONIX P6139A 100MHz Prober - Unused	£140

## STEWART of READING

17A King Street, Mortimer, Near Reading RG7 3RS  
 Telephone: (0118) 933 1111  
 Fax: (0118) 933 2375  
 www.stewart-of-reading.co.uk  
 9am-5.00pm Monday to Friday



MARCONI 2024 - £1,250 to £1,500

## SPECTRUM ANALYSERS

HP 8563A 9KHZ-22GHZ Synthesised	£6,000
HP 8560A 50HZ-2.9GHZ Synthesised Various opts	£1,900
HP 8590A 10KHZ-1.5GHZ	£3,250
HP 3580F 5HZ-50KHZ	£295
ADVANTEST TR4132 100KHZ-1000MHZ	£750

## SIGNAL GENERATORS

HP 83731A Synthesised 1-20GHZ	£5,000
Marconi 2032 Sig Gen 10KHZ-5.4GHZ Opt 01/02/06	£3,250
Avionics	£1,400
HM 8648A Sig Gen 0.1-1000MHZ	£750
G galtronic 7100 Synth 10MHZ-20GHZ (internal sweep mod - 130 to +15dBm)	£3,000
Marconi 2024 9KHZ-2.4GHZ - HPIB used/unused	£1,250/£1,500
Marconi 2022E Synthesised AM/FM 10KHZ-1.01GHZ	£500
Marconi 2019A Synthesised AM/FM 80KHZ-1640MHZ	£500
HP 33120A Function Gen 100 microHZ-15MHZ u-adj/unused	£150-£195
HP 33120A Function Gen 100 microHZ-15MHZ u-adj/unused	£575-£700
T T I TG210 Function Gen 0.002HZ-2MHZ TTL etc	£70
R&S APN62 Synth Function Gen 1HZ-260KHZ Ball/Unbal Output LCD	£195
Metrx G.5000 Pulse Gen 50MHz Programmable	£150
HP 3325A Synthesised Function Gen 21MHZ	£295

## FREQUENCY COUNTER/TIMERS

HP 3312A Function Gen 0.1HZ-13MHZ AM/FM Sw-ep/Tri/Burst etc	£175
HP 3112A Pulse Gen 50MHZ	£350
HP 3116 Pulse Function Gen 50MHZ	£750
Gold J3B Sine/Sq Osc 10HZ-100KHZ Low Distortion	£50-£75
HP 5350B Counter 20 GHZ	£750
Marconi 2440 Counter 20 GHZ	£500
Racal 1998 Counter 10HZ-1.3GHZ	£225
Racal 1991 Counter/Timer 160MHZ 9 Digit	£150
HP 53131A Universal Counter 3GHZ Op. 001 oven unused/used	£995/£750
HP 53131A Universal Counter 225MHz Oven-in original boxes - unused/used	£700/£600

## DIGITAL MULTIMETERS

HP/Agilent 34401A 6 1/2 Digit Solartron 7150Plus 6 1/2 Digit True RMS IEEE with temp measurement	£500/£550
Fluke 77 series 2 3 1/2 Digit Handheld	£75
AvO 8 Mk6 In Ever Ready Case with Leads etc	£75
AvO 8 Mk6 with Leads etc	£50
Goodwill GVT427 Dual Ch AC Millivoltmeter 10mV in 12 ranges 10HZ-1MHZ Unused	£60

## MISCELLANEOUS

MARCONI 2955A Radio Communications Test Set	£1,000
MARCONI 2955 Radio Communications Test Set	£625
MARCONI 6963B RF Power Meter with head	£500
MARCONI 893C AF Power Meter Smad Measurement Unused	£50
HP 4192A Impedance Analyser with 16047A Text Fixture etc	£3,500
HP 8902A Measuring Receiver 150KHZ-1300MHZ	£4,500
HP 85032A Calibration Kits	£450
SEAWARD Nova Pat Tester	£195
BIRD 43 Wattmeter - Many Elements Available	£75
HUNTRON 1000 Tracker	£75
RACAL DANA 9343M LCR Databridge Digital Auto Measurements of RCL QD	£95
RACAL 9008 Automatic Modulation Meter 1.5MHZ-2GHZ	£60
MEGGER PATZ Tester	£95

## POWER SUPPLIES

FARNELL AP60/50 0-60V 0-50A 1KW Switch Mode	£400
FARNELL H60/250-60V 0-25A	£400
THURLBY PL320GMD 0-30V 0-2A Twice Digital	£160
HP 6626A Precision High Resolution 4 Outputs 0-7V 0-15mA or 0-50V 0-5A Twice 0-16V 0-2A or 0-50V 3-2A Twice	£500
FARNELL XA35 2T 0-35V 0-2A Twice Digital	£95
FARNELL B30/1030V 10A Variable No Meters	£55
FARNELL LT30-1 0-30 0-1A Twice	£60
FARNELL L30 2 0-30v 0-2A	£50
THURLBY PL 330-0-32V 0-3A Digital (Kenwood badged)	£75
THURLBY PL 320-0-30V 0-2A Digital	£55
TAKASAGO GM035-2 0-35V 0-2A 2 Meters	£35

## Used Equipment - GUARANTEED.

Most Manuals supplied  
 Please check availability before ordering or calling.  
 Prices plus carriage and VAT



electronic design ltd

tel. 01298 70012  
 fax. 01298 70046  
 www.peakelec.co.uk  
 sales@peakelec.co.uk

NEW! High Capacity Alkalines!  
 At Silly Prices!

## Atlas DCA £55



Atlas DCA Model DCA55 Semiconductor Analyser

## Atlas ESR £89



Atlas ESR Model ESR60 ESR and Capacitance Meter

## Atlas LCR £79



Atlas LCR Model LCR40 Inductor, Capacitor, Resistor Analyser

## Atlas SCR £89



Atlas SCR Model SCR100 Triac and Thyristor Analyser



2 x C Ultra Alkaline



2 x D Ultra Alkaline



8 x AAA Ultra Alkaline



9v PP3 Ultra Alkaline



GP23A/MN21 12V Ultra Alkaline



12 x AA Ultra Alkaline

UK: Please add £1.00 p&p to your order. Prices include UK VAT. Please see website for overseas pricing.



# EPE IS PLEASED TO BE ABLE TO OFFER YOU THESE ELECTRONICS CD-ROMS

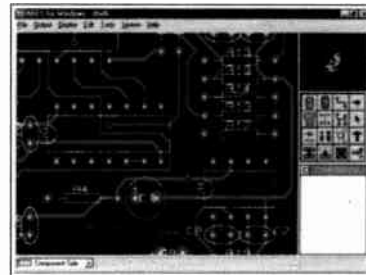
## ELECTRONICS PROJECTS



Logic Probe testing

*Electronic Projects* is split into two main sections: **Building Electronic Projects** contains comprehensive information about the components, tools and techniques used in developing projects from initial concept through to final circuit board production. Extensive use is made of video presentations showing soldering and construction techniques. The second section contains a set of ten projects for students to build, ranging from simple sensor circuits through to power amplifiers. A shareware version of Matrix's CADPACK schematic capture, circuit simulation and p.c.b. design software is included. The projects on the CD-ROM are: Logic Probe; Light, Heat and Moisture Sensor; NE555 Timer; Egg Timer; Dice Machine; Bike Alarm; Stereo Mixer; Power Amplifier; Sound Activated Switch; Reaction Tester. Full parts lists, schematics and p.c.b. layouts are included on the CD-ROM.

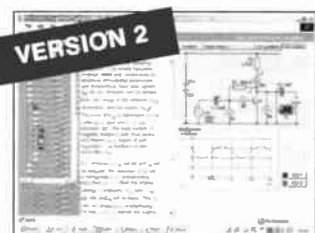
## ELECTRONICS CAD PACK



PCB Layout

Electronics CADPACK allows users to design complex circuit schematics, to view circuit animations using a unique SPICE-based simulation tool, and to design printed circuit boards. CADPACK is made up of three separate software modules. (These are restricted versions of the full Labcenter software.) **ISIS Lite** which provides full schematic drawing features including full control of drawing appearance, automatic wire routing, and over 6,000 parts. **PROSPICE Lite** (integrated into ISIS Lite) which uses unique animation to show the operation of any circuit with mouse-operated switches, pots, etc. The animation is compiled using a full mixed mode SPICE simulator. **ARES Lite** PCB layout software allows professional quality PCBs to be designed and includes advanced features such as 16-layer boards, SMT components, and an autorouter operating on user generated Net Lists.

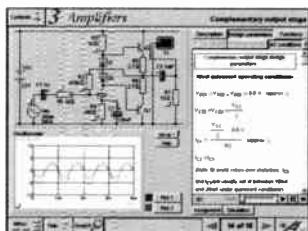
## ELECTRONIC CIRCUITS & COMPONENTS V2.0



Circuit simulation screen

Provides an introduction to the principles and application of the most common types of electronic components and shows how they are used to form complete circuits. The virtual laboratories, worked examples and pre-designed circuits allow students to learn, experiment and check their understanding. Version 2 has been considerably expanded in almost every area following a review of major syllabuses (GCSE, GNVQ, A level and HNC). It also contains both European and American circuit symbols. Sections include: **Fundamentals**: units & multiples, electricity, electric circuits, alternating circuits. **Passive Components**: resistors, capacitors, inductors, transformers. **Semiconductors**: diodes, transistors, op.amps, logic gates. **Passive Circuits**. **Active Circuits**. **The Parts Gallery** will help students to recognise common electronic components and their corresponding symbols in circuit diagrams. Included in the Institutional Versions are multiple choice questions, exam style questions, fault finding virtual laboratories and investigations/worksheets.

## ANALOGUE ELECTRONICS

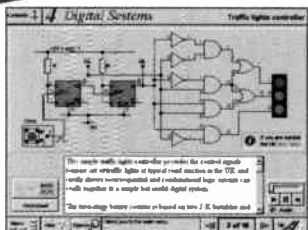


Complimentary output stage

*Analogue Electronics* is a complete learning resource for this most difficult branch of electronics. The CD-ROM includes a host of virtual laboratories, animations, diagrams, photographs and text as well as a SPICE electronic circuit simulator with over 50 pre-designed circuits.

Sections on the CD-ROM include: **Fundamentals** – Analogue Signals (5 sections), Transistors (4 sections), Waveshaping Circuits (6 sections), **Op.Amps** – 17 sections covering everything from Symbols and Signal Connections to Differentiators. **Amplifiers** – Single Stage Amplifiers (8 sections), Multi-stage Amplifiers (3 sections). **Filters** – Passive Filters (10 sections), Phase Shifting Networks (4 sections), Active Filters (6 sections). **Oscillators** – 6 sections from Positive Feedback to Crystal Oscillators. **Systems** – 12 sections from Audio Pre-Amplifiers to 8-Bit ADC plus a gallery showing representative p.c.b. photos.

## DIGITAL ELECTRONICS V2.0

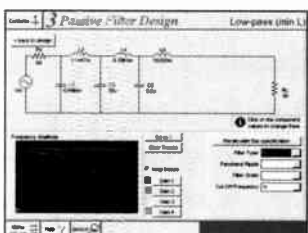


Virtual laboratory – Traffic Lights

*Digital Electronics* builds on the knowledge of logic gates covered in *Electronic Circuits & Components* (opposite), and takes users through the subject of digital electronics up to the operation and architecture of microprocessors. The virtual laboratories allow users to operate many circuits on screen.

Covers binary and hexadecimal numbering systems, ASCII, basic logic gates, monostable action and circuits, and bistables – including JK and D-type flip-flops. Multiple gate circuits, equivalent logic functions and specialised logic functions. Introduces sequential logic including clocks and clock circuitry, counters, binary coded decimal and shift registers. A/D and D/A converters, traffic light controllers, memories and microprocessors – architecture, bus systems and their arithmetic logic units. Sections on Boolean Logic and Venn diagrams, displays and chip types have been expanded in Version 2 and new sections include shift registers, digital fault finding, programmable logic controllers, and microcontrollers and microprocessors. The Institutional versions now also include several types of assessment for supervisors, including worksheets, multiple choice tests, fault finding exercises and examination questions.

## ANALOGUE FILTERS



Filter synthesis

*Analogue Filters* is a complete course in designing active and passive filters that makes use of highly interactive virtual laboratories and simulations to explain how filters are designed. It is split into five chapters: **Revision** which provides underpinning knowledge required for those who need to design filters. **Filter Basics** which is a course in terminology and filter characterization, important classes of filter, filter order, filter impedance and impedance matching, and effects of different filter types. **Advanced Theory** which covers the use of filter tables, mathematics behind filter design, and an explanation of the design of active filters. **Passive Filter Design** which includes an expert system and filter synthesis tool for the design of low-pass, high-pass, band-pass, and band-stop Bessel, Butterworth and Chebyshev ladder filters. **Active Filter Design** which includes an expert system and filter synthesis tool for the design of low-pass, high-pass, band-pass, and band-stop Bessel, Butterworth and Chebyshev op.amp filters.

## ROBOTICS & MECHATRONICS



Case study of the Milford Instruments Spider

Robotics and Mechatronics is designed to enable hobbyists/students with little previous experience of electronics to design and build electromechanical systems. The CD-ROM deals with all aspects of robotics from the control systems used, the transducers available, motors/actuators and the circuits to drive them. Case study material (including the NASA Mars Rover, the Milford Spider and the Furby) is used to show how practical robotic systems are designed. The result is a highly stimulating resource that will make learning, and building robotics and mechatronic systems easier. The Institutional versions have additional worksheets and multiple choice questions.

- Interactive Virtual Laboratories
- Little previous knowledge required
- Mathematics is kept to a minimum and all calculations are explained
- Clear circuit simulations

## PRICES

Prices for each of the CD-ROMs above are:

(Order form on third page)

(UK and EU customers add VAT at 17.5% to "plus VAT" prices)

Hobbyist/Student .....£45 inc VAT  
 Institutional (Schools/HE/FE/Industry).....£99 plus VAT  
 Institutional 10 user (Network Licence) .....£249 plus VAT  
 Site Licence.....£499 plus VAT

# PICmicro TUTORIALS AND PROGRAMMING

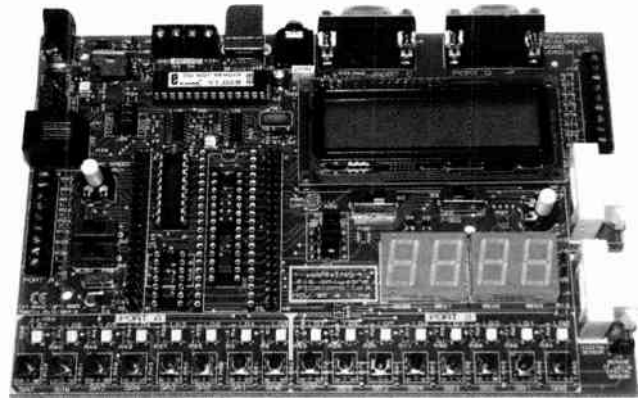
HARDWARE

## VERSION 3 PICmicro MCU DEVELOPMENT BOARD

Suitable for use with the three software packages listed below.

This flexible development board allows students to learn both how to program PICmicro microcontrollers as well as program a range of 8, 18, 28 and 40-pin devices from the 12, 16 and 18 series PICmicro ranges. For experienced programmers all programming software is included in the PPP utility that comes with the development board. For those who want to learn, choose one or all of the packages below to use with the Development Board.

- Makes it easier to develop PICmicro projects
- Supports low cost Flash-programmable PICmicro devices
- Fully featured integrated displays – 16 individual I.e.d.s, quad 7-segment display and alphanumeric I.c.d. display
- Supports PICmicro microcontrollers with A/D converters
- Fully protected expansion bus for project work
- USB programmable
- Can be powered by USB (no power supply required)



£158 including VAT and postage, supplied with USB cable and programming software



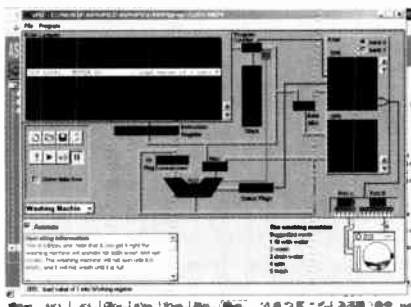
**£40 OFF** Buy the Development Board together with any Hobbyist/Student or Institutional versions of the software CD-ROMs listed below and take £40 off the total (including VAT) price.

## SOFTWARE

### ASSEMBLY FOR PICmicro V3 (Formerly PICtutor)

Assembly for PICmicro microcontrollers V3.0 (previously known as PICtutor) by John Becker contains a complete course in programming the PIC16F84 PICmicro microcontroller from Arizona Microchip. It starts with fundamental concepts and extends up to complex programs including watchdog timers, interrupts and sleep modes. The CD makes use of the latest simulation techniques which provide a superb tool for learning: the Virtual PICmicro microcontroller. This is a simulation tool that allows users to write and execute MPASM assembler code for the PIC16F84 microcontroller on-screen. Using this you can actually see what happens inside the PICmicro MCU as each instruction is executed which enhances understanding.

- Comprehensive instruction through 45 tutorial sections
- Includes Vlab, a Virtual PICmicro microcontroller: a fully functioning simulator
- Tests, exercises and projects covering a wide range of PICmicro MCU applications
- Includes MPLAB assembler
- Visual representation of a PICmicro showing architecture and functions
- Expert system for code entry helps first time users
- Shows data flow and fetch execute cycle and has challenges (washing machine, lift, crossroads etc.)
- Imports MPASM files.

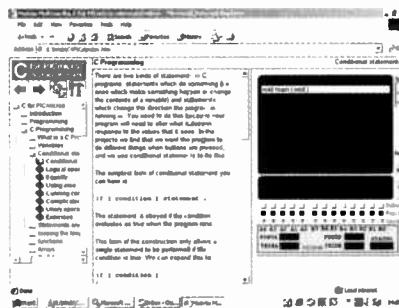


### 'C' FOR 16 Series PICmicro VERSION 4

The C for PICmicro microcontrollers CD-ROM is designed for students and professionals who need to learn how to program embedded microcontrollers in C. The CD contains a course as well as all the software tools needed to create Hex code for a wide range of PICmicro devices – including a full C compiler for a wide range of PICmicro devices.

Although the course focuses on the use of the PICmicro microcontrollers, this CD-ROM will provide a good grounding in C programming for any microcontroller.

- Complete course in C as well as C programming for PICmicro microcontrollers
- Highly interactive course
- Virtual C PICmicro improves understanding
- Includes a C compiler for a wide range of PICmicro devices
- Includes full Integrated Development Environment
- Includes MPLAB software
- Compatible with most PICmicro programmers
- Includes a compiler for all the PICmicro devices.



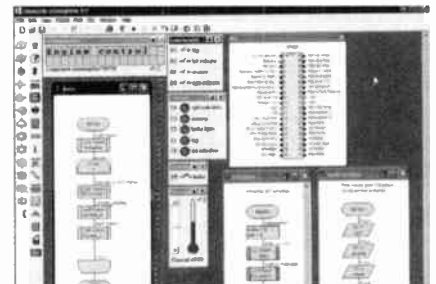
Minimum system requirements for these items: Pentium PC running Windows 98, NT, 2000, ME, XP; CD-ROM drive; 64MB RAM; 10MB hard disk space.

### FLOWCODE FOR PICmicro V3

Flowcode is a very high level language programming system for PICmicro microcontrollers based on flowcharts. Flowcode allows you to design and simulate complex systems in a matter of minutes. A Powerful language that uses macros to facilitate the control of devices like 7-segment displays, motor controllers and I.c.d.'s. The use of macros allows you to control these devices without getting bogged down in understanding the programming.

Flowcode produces MPASM code which is compatible with virtually all PICmicro programmers. When used in conjunction with the Version 3 development board this provides a seamless solution that allows you to program chips in minutes.

- Requires no programming experience
- Allows complex PICmicro applications to be designed quickly
- Uses international standard flow chart symbols
- Full on-screen simulation allows debugging and speeds up the development process.
- Facilitates learning via a full suite of demonstration tutorials
- Produces ASM code for a range of 18, 28 and 40-pin devices
- New features in Version 3 include 16-bit arithmetic, strings and string manipulation, improved graphical user interface and printing, support for 18 series devices, pulse width modulation, I2C, new ADC component etc.
- The Hobbyist/Student version is limited to 4K of code (8K on 18F devices)



## PRICES

Prices for each of the CD-ROMs above are:

(Order form on next page)

(UK and EU customers add VAT at 17.5% to "plus VAT" prices)

Hobbyist/Student  
 Institutional (Schools/HE/FE/Industry)  
 Institutional/Professional 10 user (Network Licence)  
 Site Licence  
 Flowcode 10 user (Network Licence)  
 Flowcode 50 user (Network Licence)

£45 inc VAT  
 £99 plus VAT  
 £300 plus VAT  
 £599 plus VAT  
 £350 plus VAT  
 £699 plus VAT



## SPECIAL PACKAGE OFFER

### TINA Pro V7 (Basic) + Flowcode V3 (Hobbyist/Student)

**TINA Analogue, Digital, Symbolic, RF, MCU and Mixed-Mode Circuit Simulation, Testing and PCB Design**

**£50.00**

including VAT and p&p

TINA Design Suite is a powerful yet affordable software package for analysing, designing and real time testing analogue, digital, MCU, and mixed electronic circuits and their PCB layouts. You can also analyse RF, communication, optoelectronic circuits, test and debug microcontroller applications.

Enter any circuit (up to 100 nodes) within minutes with TINA's easy-to-use schematic editor. Enhance your schematics by adding text and graphics. Choose components from the large library containing more than 10,000 manufacturer models. Analyse your circuit through more than 20 different analysis modes or with 10 high tech virtual instruments. Present your results in TINA's sophisticated diagram windows, on virtual instruments, or in the live interactive mode where you can even edit your circuit during operation.

Customise presentations using TINA's advanced drawing tools to control text, fonts, axes, line width, colour and layout. You can create, and print documents directly inside TINA or cut and paste your results into your favourite word-processing or DTP package.

TINA includes the following Virtual Instruments: Oscilloscope, Function Generator, Multimeter, Signal Analyser/Bode Plotter, Network Analyser, Spectrum Analyser, Logic Analyser, Digital Signal Generator, XY Recorder.

**Flowcode V3 (Hobbyist/Student)** – For details on Flowcode, see the previous page.

This offer gives you two separate CD-ROMs in DVD style cases – the software will need registering (FREE) with Designsoft (TINA) and Matrix Multimedia (Flowcode), details are given within the packages.

**Get TINA + Flowcode for a total of just £50, including VAT and postage.**

### PROJECT DESIGN WITH CROCODILE TECHNOLOGY

#### An Interactive Guide to Circuit Design

An interactive CD-ROM to guide you through the process of circuit design. Choose from an extensive range of input, process and output modules, including CMOS Logic, Op-Amps, PIC/PICAXE, Remote Control Modules (IR and Radio), Transistors, Thyristors, Relays and much more.

Click Data for a complete guide to the pin layouts of i.c.s, transistors etc. Click More Information for detailed background information with many animated diagrams.

Nearly all the circuits can be instantly simulated in Crocodile Technology\* (not included on the CD-ROM) and you can customise the designs as required.

#### WHAT'S INCLUDED

Light Modules, Temperature Modules, Sound Modules, Moisture Modules, Switch Modules, Astables including 555, Remote Control (IR & Radio), Transistor Amplifiers, Thyristor, Relay, Op-Amp Modules, Logic Modules, 555 Timer, PIC/PICAXE, Output Devices, Transistor Drivers, Relay Motor Direction & Speed Control, 7 Segment Displays. Data sections with pinouts etc., Example Projects, Full Search Facility, Further Background Information and Animated Diagrams.

#### Runs in Microsoft Internet Explorer

\*All circuits can be viewed, but can only be simulated if your computer has Crocodile Technology version 410 or later. A free trial version of Crocodile Technology can be downloaded from: [www.crocodile-clips.com](http://www.crocodile-clips.com). Animated diagrams run without Crocodile Technology.

**Single User £39.00 inc. VAT.**

**Multiple Educational Users (under 500 students) £59.00 plus VAT. Over 500 students £79.00 plus VAT.**

(UK and EU customers add VAT at 17.5% to "plus VAT" prices)



Over 150 pages  
Over 600 images

## DIGITAL WORKS 3.0



Counter project

*Digital Works Version 3.0* is a graphical design tool that enables you to construct digital logic circuits and analyze their behaviour. It is so simple to use that it will take you less than 10 minutes to make your first digital design. It is so powerful that you will never outgrow its capability ● Software for simulating digital logic circuits ● Create your own macros – highly scalable ● Create your own circuits, components, and i.c.s ● Easy-to-use digital interface ● Animation brings circuits to life ● Vast library of logic macros and 74 series i.c.s with data sheets ● Powerful tool for designing and learning.  
**Hobbyist/Student £45 inc. VAT.**  
**Institutional £99 plus VAT.**  
**Institutional 10 user £249 plus VAT.**  
**Site Licence £599 plus VAT.**

### ELECTRONIC COMPONENTS PHOTOS

A high quality selection of over 200 JPG images of electronic components. This selection of high resolution photos can be used to enhance projects and presentations or to help with training and educational material. They are royalty free for use in commercial or personal printed projects, and can also be used royalty free in books, catalogues, magazine articles as well as worldwide web pages (subject to restrictions – see licence for full details).

Also contains a FREE 30-day evaluation of Paint Shop Pro 6 – Paint Shop Pro image editing tips and on-line help included!

**Price £19.95 inc. VAT**



Minimum system requirements for these CD-ROMs: Pentium PC, CD-ROM drive, 32MB RAM, 10MB hard disk space. Windows 95/98/NT/2000/ME/XP, mouse, sound card, web browser.

#### Please send me: **CD-ROM ORDER FORM**

- Electronic Projects
- Electronic Circuits & Components V2.0
- Analogue Electronics
- Digital Electronics V2.0
- Analogue Filters
- Electronics CAD Pack
- Robotics & Mechatronics
- Assembly for PICmicro V3
- 'C' for 16 Series PICmicro V4
- Flowcode V3 for PICmicro
- Digital Works 3.0

#### Version required:

- Hobbyist/Student
- Institutional
- Institutional/Professional 10 user
- Site licence



- PICmicro Development Board V3 (hardware)

- TINA Pro V7 Basic + Flowcode V3 Hobbyist/Student
- Electronic Components Photos
- Project Design – Single User
- Project Design – Multiple User (under 500 students)
- Project Design – Multiple User (over 500 students)

Note: The software on each version is the same, only the licence for use varies.

Full name: .....

Address: .....

..... Post code: ..... Tel. No: .....

Signature: .....

I enclose cheque/PO in £ sterling payable to WIMBORNE PUBLISHING LTD for £

Please charge my Visa/Mastercard/Amex/Diners Club/Switch: £

Valid From: ..... Card expiry date: .....

Card No: ..... Maestro Issue No. ....

Card Security Code ..... (The last 3 digits on or just under the signature strip)

### ORDERING ALL PRICES INCLUDE UK POSTAGE

Student/Single User/Standard Version price includes postage to most countries in the world  
EU residents outside the UK add £5 for airmail postage per order

**Institutional, Multiple User and Deluxe Versions** – overseas readers add £5 to the basic price of each order for airmail postage (do not add VAT unless you live in an EU (European Union) country, then add 17½% VAT or provide your official VAT registration number).

**Send your order to:**  
**Direct Book Service**  
**Wimborne Publishing Ltd**  
**Sequoia House, 398a Ringwood Road**  
**Ferndown, Dorset BH22 9AU**

To order by phone ring  
**01202 873872. Fax: 01202 874562**

Goods are normally sent within seven days

E-mail: [orders@wimborne.co.uk](mailto:orders@wimborne.co.uk)

Online shop:  
[www.epemag.wimborne.co.uk/shopdoor.htm](http://www.epemag.wimborne.co.uk/shopdoor.htm)

# Win one of three Microchip PICDEM MC Development Boards For Motor Control Design

EACH WORTH  
OVER  
**£150**

**M**icrochip's PICDEM MC Development Board makes it easy for engineers of all experience levels to cost-effectively add the efficiency and reliability of electronic motor control to their embedded designs.

The new PICDEM MC supports creation of both AC Induction Motor (ACIM) and Brushless DC (BLDC) advanced motor control applications with the PIC18FXX31 family of MCUs. These devices feature three advanced motion control modules, including a built-in quadrature encoder interface.

The PICDEM MC board is also constructed with complete electrical isolation from

the power circuitry, allowing users to plug in the MPLAB In-Circuit Emulator (ICE 2000) or MPLAB In-Circuit Debugger (ICD 2) for full programming, debugging and emulation while high power is connected to the board. In addition, the PICDEM MC board's isolated serial-port PC interface to the MC-GUI software enables users to modify their application parameters on the fly. The PICDEM MC combines the above features with included hex, assembler and C source files to provide a complete reference design for ACIM and BLDC motor control applications.



The system is supported by Microchip's Motor Control Design Centre ([www.microchip.com/motor](http://www.microchip.com/motor)) and the free to download MC-GUI. Engineers will easily be able to add electronic control to their motor-driven products, reduce development time and costs.

For the chance to win one of these boards, log on to: [www.microchip.com/epicdemmc](http://www.microchip.com/epicdemmc) and enter your details into the online entry form.

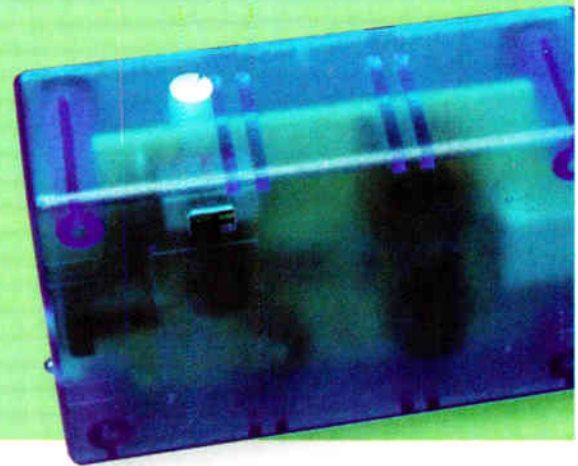


Charge your IPOD without connecting it to a computer!

# Build a charger for your or MP3 player

By JOHN CLARKE

This Charger can be used to charge your IPOD or MP3 player without connecting to your computer's USB port. It can be powered using a DC plugpack or from 12V DC in your car and it can also be used to power any accessory normally run from a USB port.



USING THE USB PORT on your computer to charge your IPOD or MP3 player's batteries is not always practical. What if you do not have a computer available at the time or if you do not want to power up a computer just for charging? Or what if you are travelling?

Chargers for IPODs and MP3 players are available but you need separate models for charging at home and in the car. This charger can be used virtually anywhere.

While we call the unit a charger, it really is nothing more than a 5V supply that has a USB outlet. The actual charging circuit is incorporated within the IPOD or MP3 player itself, which only requires a 5V supply.

As well as charging, this supply can run USB-powered accessories such

as reading lights, fans and chargers, particularly for mobile phones.

The supply is housed in a small plastic case with a DC input socket at one end and a USB type 'A' outlet at the other end, for connecting to an IPOD or MP3 player when charging. An LED shows when power is available at the USB socket.

Maximum current output is 660mA, more than adequate to run any USB-powered accessory. (The specification for the computer USB 2.0 port requires the USB port to deliver up to 500mA at an output voltage between 5.25V and 4.375V).

### Circuit details

The circuit is based around an MC34063 switchmode regulator. This

has high efficiency so that there is very little heat produced inside the box, even when delivering its maximum output current. The circuit is more complicated than if we used a 7805 3-terminal regulator but since the input voltage could be 15V DC or more, the voltage dissipation in such a regulator could be 5W or more at 500mA, and 5W is far too much for a 7805, even with quite a large heatsink.

Hence, we have taken the switchmode approach. This is illustrated in Fig.1(a) and involves a switch (S1), inductor L1, diode D1 and capacitor C1. When the switch is closed, current flows through inductor L1 into the load. The current (Path 1) slowly builds up from zero to the peak value, as shown in Fig.1(b).

When this peak current is reached, the switch opens and current from the inductor flows through diode D1 to discharge the inductor energy into the load. This current path is shown as Path 2. Capacitor C1 is included to act as a reservoir of power to smooth out the voltage produced across the load.

The output voltage is dependent on the load and the ratio of time that switch 1 is closed to when it is open. It is also dependent on the

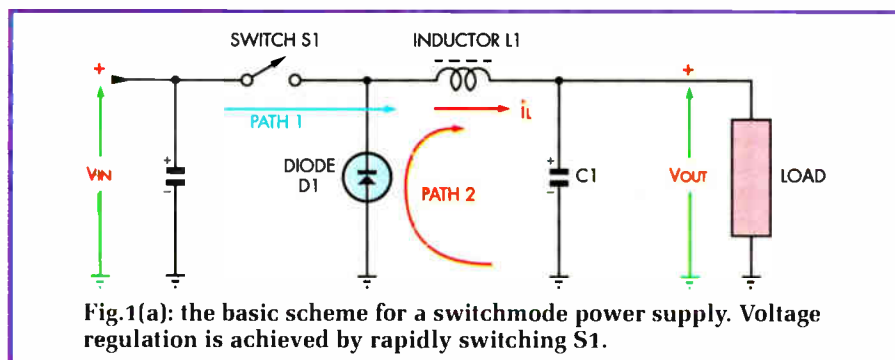


Fig.1(a): the basic scheme for a switchmode power supply. Voltage regulation is achieved by rapidly switching S1.

## iPOD



peak current through L1 and the input voltage. This type of circuit can be very efficient because voltage control is achieved by rapidly switching the input. The small amount of power dissipated is mainly due to voltage losses in the switching device and diode D1.

Fig.2 shows the full supply circuit, which is based on an MC34063 switchmode controller IC. Its internal schematic is shown in Fig.3. The switching function of S1 [in Fig.1(a)] is provided by the internal transistor (Q1). The internal oscillator sets the switching period, while the 'peak sense' limits the current flowing in inductor L1 by controlling the on-time for transistor Q1. The 1.25V reference and comparator provide a feedback arrangement to monitor and control the output voltage.

Power from the DC socket passes through diode D2 and slide switch S1 to IC1. D2 protects against reverse polarity and the adjacent Transient Voltage

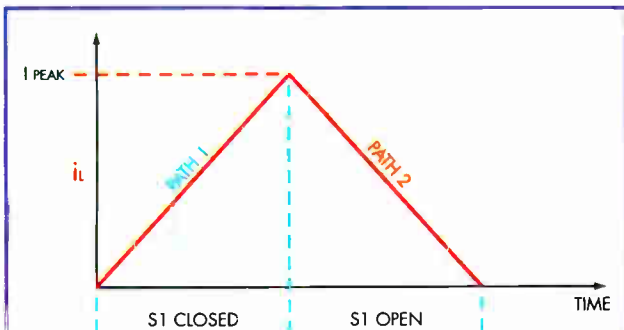


Fig.1(b): this diagram shows the current through L1 when S1 is closed (blue) and opened (red).

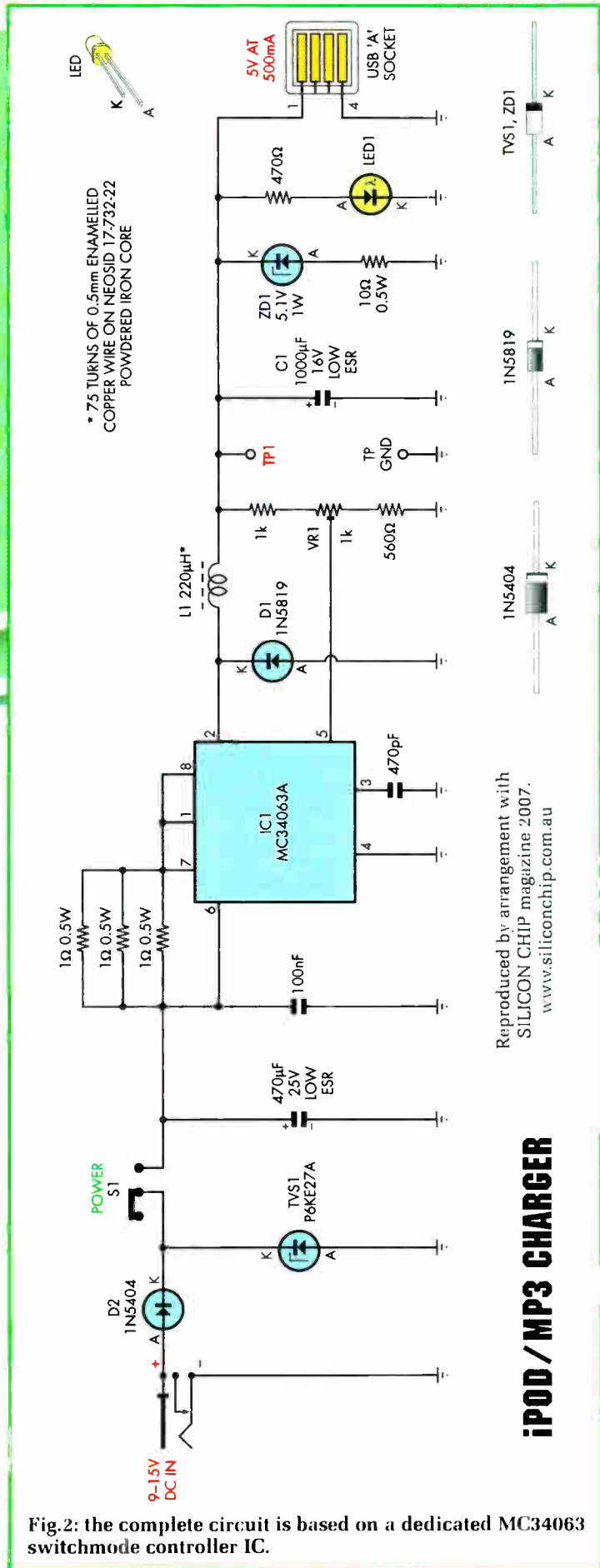


Fig.2: the complete circuit is based on a dedicated MC34063 switchmode controller IC.

Reproduced by arrangement with SILICON CHIP magazine 2007. www.siliconchip.com.au

## iPOD / MP3 CHARGER



# Constructional Project

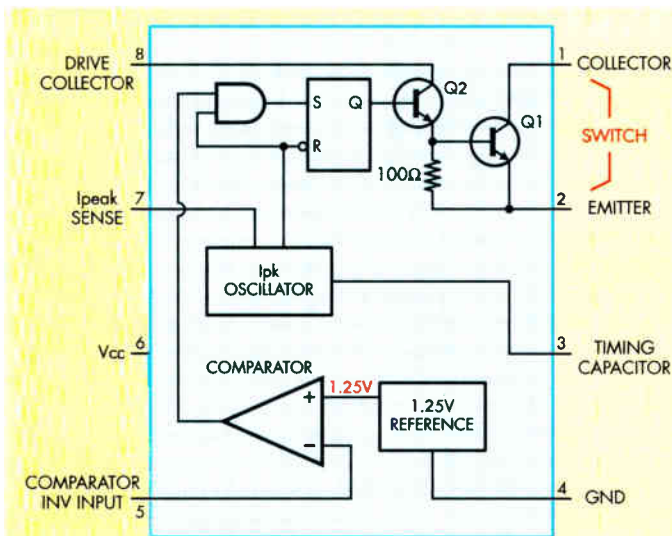


Fig.3: inside an MC34063 switchmode controller IC. The internal oscillator sets the switching period, while transistor Q1 does the switching.

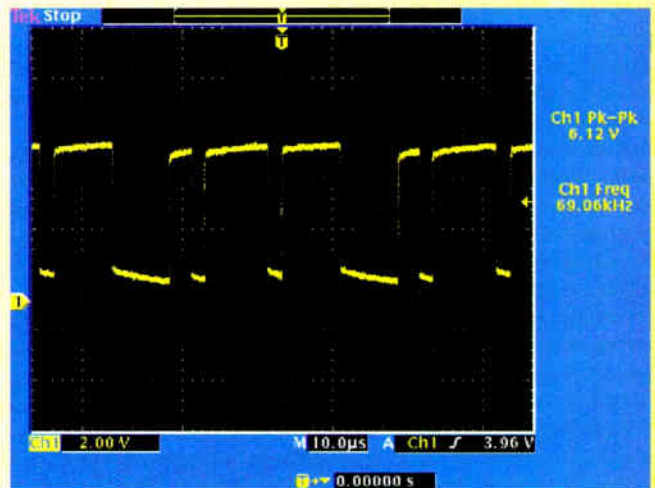


Fig.4: this switching waveform was measured across the output with an 8Ω resistive load, resulting in a current of 625mA. Note how the switching shows signs of 'hunting', as the circuit constantly maintains a 5V output.

Suppressor (TVS1) clamps any fast spikes which may be riding on the input supply. Further filtering is provided by a 470µF low-ESR (Effective Series Resistance) capacitor.

As previously described, current is switched to L1 using the internal transistor in IC1. In operation, the three paralleled 1Ω resistors between pins 6 and 7 monitor the current through L1. When the current reaches 1A, pin 7 becomes 300mV lower than pin 6 and the internal transistor switches off. The energy stored in L1 is then dumped into capacitor C1 via Schottky diode D1.

The resulting output voltage is filtered using a 1000µF low-ESR capacitor.

## Output voltage control

Pin 5 of IC1 monitors the output via a voltage divider consisting of a

1kΩ resistor, trimpot VR1 and a 560Ω resistor to ground. VR1 sets the output voltage to 5V.

Zener diode ZD1 and the 10Ω resistor are included to catch any output overshoot voltages which can occur if the output load is suddenly reduced. As explained, the switching of L1 controls output regulation. If the load is suddenly reduced, the only way IC1 can stop any voltage rise is to prevent any switching of power to L1 and let capacitor C1 drop back to 5V. So, to prevent voltage overshoot, ZD1 begins to conduct when the voltage reaches 5.1V, with the current through it limited by its series 10Ω resistor.

In normal circumstances, when the output voltage is correctly set to 5V, ZD1 will not conduct unless the voltage rises momentarily. However, if VR1 is set so that the output voltage is higher than 5V, ZD1 conducts

continuously. Because of this, the range of adjustment for VR1 has been deliberately restricted to limit the output to be no more than 6.5V, under worst-case conditions.

This worst-case setting occurs when VR1 is set fully clockwise (towards the 560Ω resistor) and when VR1 is 20% high in value and the reference for IC1 is at its maximum at 1.32V (typically, IC1's reference is 1.25V but this could be anywhere within the range of 1.18V to 1.32V).

With 6.5V at the output, there will be 140mA through ZD1 and the 10Ω resistor. Dissipation in ZD1 will be 0.7W (below its 1W rating), while dissipation in the 10Ω 0.5W resistor will be 0.2W. When VR1 is set correctly, the output is protected against producing transients above 5V.

Should the output become shorted, the fault current will be limited to a safe value at or below 120mA, as set by the paralleled current sense resistors.

## Construction

All the components for the charger are mounted on a PC board coded 648 (available from the *EPE PCB Service*) and measuring 79 × 47mm. This board is mounted upside down in a small plastic case measuring 83 × 54 × 31mm. The screw covers for the lid then serve as rubber feet.

Begin construction by checking the PC board for breaks or shorts between the copper tracks. Repair these as necessary. That done, make sure the holes

## Specifications

Output voltage .....	5V
Output current .....	660mA maximum for 5V out
Input voltage range .....	9.5V to 15V DC
Input current requirement .....	500mA for 9V in, 350mA for >12V input
Input current with output shorted .....	120mA at 9V in, 80mA at 15V in
Output ripple .....	14mV (from no load to 660mA)
Load regulation .....	25mV (from no load to 660mA)
Line regulation .....	20mV change at full load from 9 to 18V input
No load input current .....	20mA

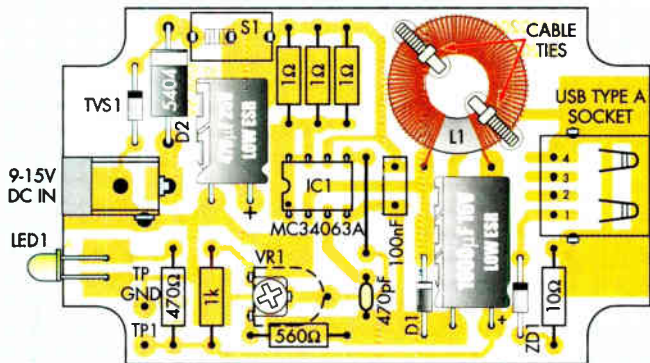


Fig.5: install the parts on the PC board as shown here. Inductor L1 is secured using cable ties.

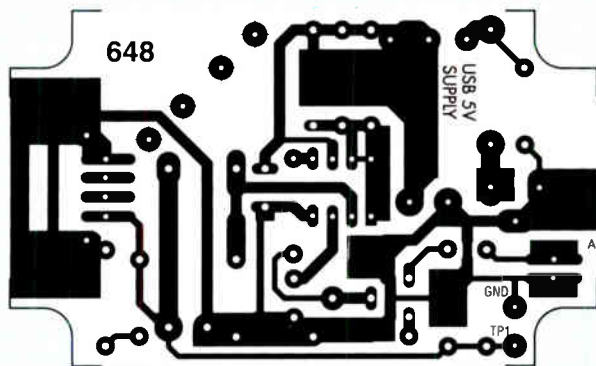
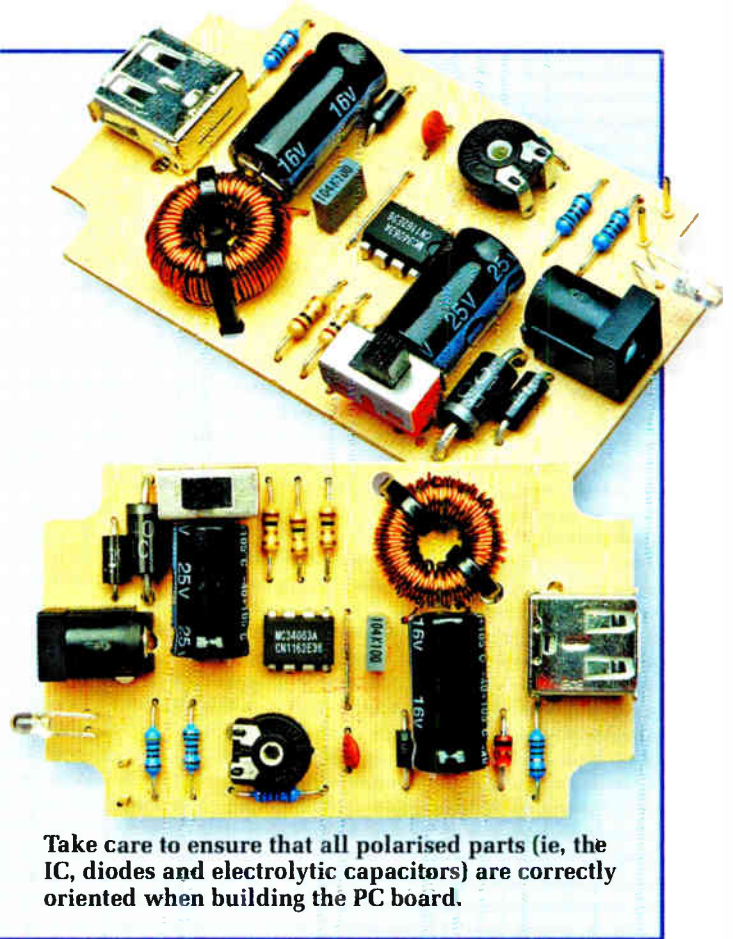


Fig.6: the full-size etching pattern for the PC board.



Take care to ensure that all polarised parts (ie, the IC, diodes and electrolytic capacitors) are correctly oriented when building the PC board.

are the correct size for each component and check that the PC board clips neatly into the integral side pillars in the specified box.

The component overlay for the PC board is shown in Fig.5. First, insert and solder the resistors, links and trimpot. You should check the resistor values with a digital multimeter. Make sure IC1 is mounted with the orientation shown.

The two electrolytic capacitors are mounted on their side to allow clearance in the box; make sure they are mounted with the correct polarity. LED1 is mounted with cranked leads so that it can poke through a hole in the side of the case. Again, take care with its polarity.

There are four diodes on the PC board, including the Zeners and TVS.

Make sure you insert the correct ones in each position and with the correct orientation. Once they are in, insert and solder in the two PC stakes followed by slide switch S1. The latter is mounted so that the top of its body is 10mm above the PC board surface.

Inductor L1 is wound on a powdered iron toroid with 0.5mm enamelled copper wire. Wind on 75 turns in two layers spaced evenly around the core. The wire ends must be scraped clean of enamel and tinned, before soldering.

Alternatively, if the wire is coated with red enamel, this can normally be melted off with the tip of your soldering iron. The toroid is secured to the PC board with two cable ties.

Fig.7 shows the drilling details for the case. You have to drill holes for the DC socket and LED in one end, the switch at the top and the USB socket in the other end of the box. Mark these out and drill and file as necessary.

## Testing

Initially wind VR1 fully anticlockwise. That done, set your multimeter to read DC volts and connect it between terminals TP1 and GND. Apply power to the input, switch on and adjust VR1 so that the voltage is 5V.

Table 1: Resistor Colour Codes

No.	Value	4-Band Code (1%)
1	1kΩ	brown black red brown
1	560Ω	green blue brown brown
1	470Ω	yellow violet brown brown
1	10Ω	brown black black brown
3	1Ω	brown black gold gold

Table 2: Capacitor Codes

Value	μF Code	EIA Code	IEC Code
100nF	0.1μF	104	100nF
470pF	NA	471	470p

5-Band Code (1%)
brown black black brown brown
green blue black black brown
yellow violet black black brown
brown black black gold brown
NA



## Parts List

- 1 PC board, code 648, available from the *EPE PCB Service*, size 79 x 47mm
- 1 UB5 transparent blue plastic case, size 83 x 54 x 31mm
- 1 12V DC plugpack fitted with a 2.5mm DC plug and rated at 350mA minimum
- 1 fused cigarette lighter socket lead with 2.5mm DC plug
- 1 SPDT slide switch (S1)
- 1 USB PC-mount 'A' socket
- 1 PC-mount 2.5mm DC socket
- 1 powdered-iron toroidal core, measuring 14.8 x 8 x 6.35mm (Neosid 17-732-22, or equivalent)
- 1 2m length of 0.5mm enamelled copper wire
- 1 50mm length of 0.7mm tinned copper wire
- 1 M3 x 12mm countersunk screw
- 1 M3 tapped x 12mm Nylon spacer
- 2 100mm cable ties
- 2 PC stakes
- 1 1k $\Omega$  horizontal trimpot (VR1)

### Semiconductors

- 1 MC34063A switchmode controller (IC1)
- 1 1N5819 1A Schottky diode (D1)
- 1 1N5404 3A diode (D2)
- 1 P6KE27A 600W transient voltage suppression diode (27V) (TVS1)
- 1 5.1V 1W Zener diode (ZD1)
- 1 3mm green LED (LED1)

### Capacitors

- 1 1000 $\mu$ F 16V low-ESR PC electrolytic (C1)
- 1 470 $\mu$ F 25V low-ESR PC electrolytic
- 1 100nF MKT polyester
- 1 470pF miniature ceramic

### Resistors (0.25W, 1%)

- 1 1k $\Omega$             1 10 $\Omega$  1/2W
- 1 560 $\Omega$         3 1 $\Omega$  1/2W 10%
- 1 470 $\Omega$

This can generally be set to within 20mV of 5V (ie. 4.98V to 5.02V) using the trimpot.

Check that LED1 lights. If it doesn't, check that it is the right way around. If there is still no power indication, use a multimeter to check for voltage at pin 6

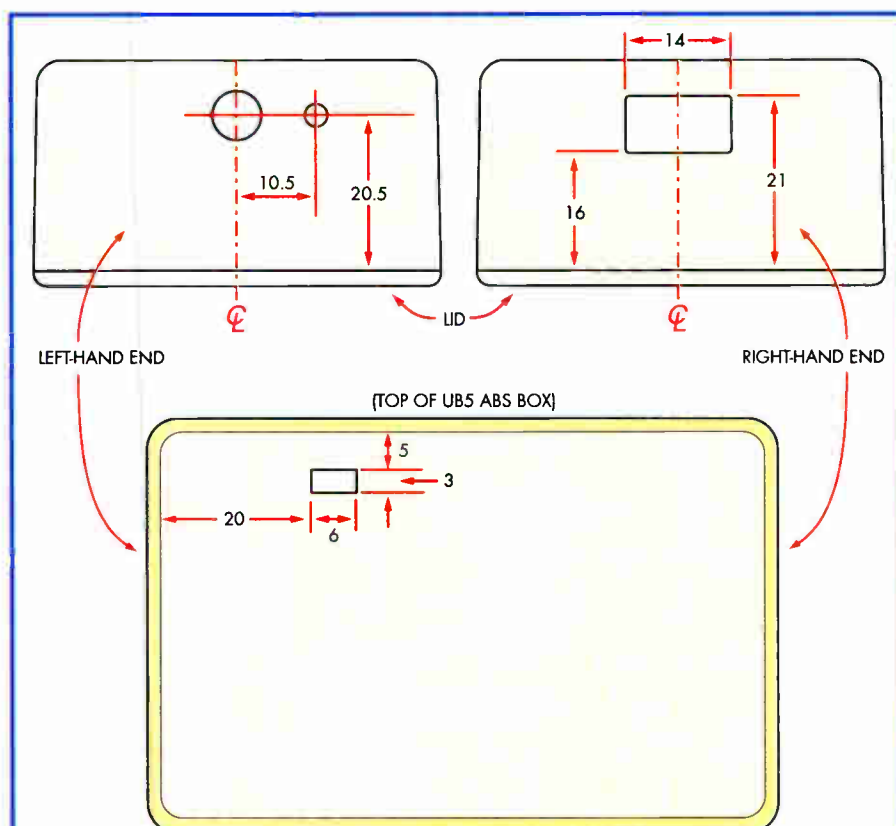
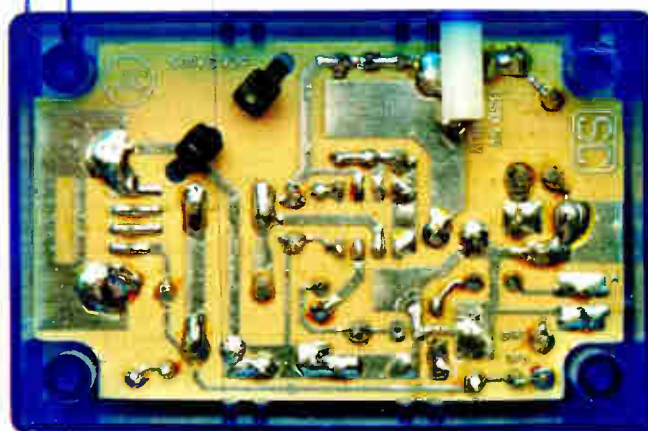


Fig.7: here are the drilling details for the plastic case. The square cutouts are made by drilling small holes around the inside perimeter, knocking out the centre pieces and filing to shape.



The PC board is clipped upside down into the bottom of the case and is secured using an M3 tapped Nylon spacer. This spacer ensures that the board doesn't move when the slide switch is operated.

of IC1 and for a similar voltage at pins 1, 7 and 8. If there is no voltage here, perhaps the DC socket plug has the wrong polarity. The plug should have the positive to the centre hole and the negative to the outer case.

When testing is complete, the PC board can be clipped into the case, making sure the LED protrudes from its hole in the side of the case. The section of PC board directly below the switch will need supporting so it is not pushed out of position when the slide switch is operated. We used an

M3 tapped Nylon spacer in the side of the case to support the PC board and this is secured using an M3 screw.

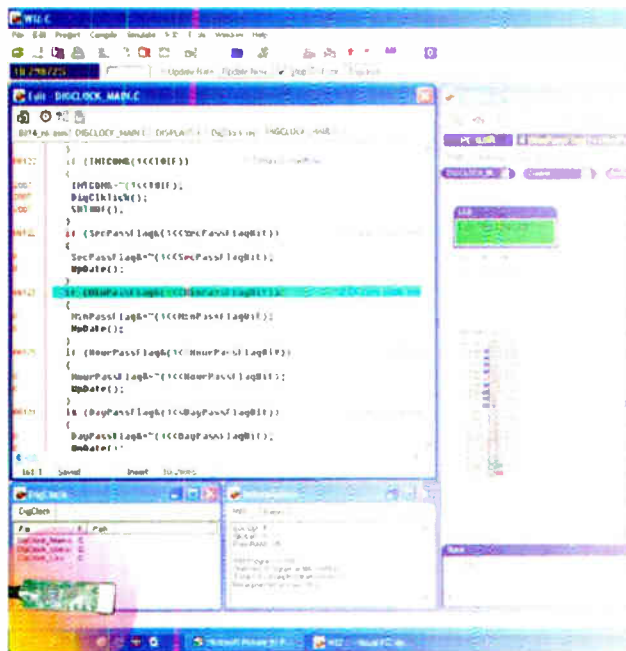
To do this, hold the spacer tightly against the PC board directly below the switch and mark out the position of the hole for the screw. The transparent box makes positioning of this hole easy. Now drill out the hole and secure the spacer. Finally, fit the lid and insert the rubber feet into the screw holes.

EPE

Footnote: *iPod* is a trademark of Apple Computer, Inc.

## Forest Electronics – PIC Programmers, Development Boards and Compilers

### WIZ C - PIC C Compiler – Cheaper, More Capable & Now - a Free Version



#### PIC C Compiler, WIZ-C

- WIZ-C is more than a C Compiler for the PIC – it is a complete development environment with rapid access to library components with point and click set up.
- Ideal for beginners,
- **Free version available from [www.fored.co.uk](http://www.fored.co.uk)**

#### PIC Development boards

- FED have development boards for all popular PIC sizes from 8 to 40 pins
- Boards include LED's, Switches, Interfaces, Power Supply, In Circuit Programming etc.
- USB development system included in the range
- **Priced from £4.00 Details from [www.fored.co.uk](http://www.fored.co.uk)**

#### PIC Programmers

- FED have serial and USB PIC programmers
- All have ZIF programming and In Circuit Capability
- **Details from [www.fored.co.uk](http://www.fored.co.uk)**

We accept major credit cards and Switch.

Order securely from our site [www.fored.co.uk](http://www.fored.co.uk) or contact us by phone or fax on 01590-681511. email [info@fored.co.uk](mailto:info@fored.co.uk).

Forest Electronic Developments

[www.fored.co.uk](http://www.fored.co.uk)

[info@fored.co.uk](mailto:info@fored.co.uk)

# MAGENTA

## ELECTRONICS LTD

**135 Hunter Street Burton on Trent Staffs DE14 2ST**  
**Tel: 44 (0)1283 565435 Fax: 44 (0)1283 546932**

**Chips, Parts & Kits for EPE Projects**

Programmed PICs and chips for most EPE projects.  
 Check our website or 'phone for prices.  
 We have supplied kits for EPE\* projects for almost 30 years!!  
 (& Everyday Electronics)

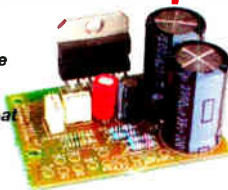
### 20W Stereo Amp.

Wide band Low distortion 11W /channel Stereo 20W Mono. True (rms) Real Power

Short Circuit & Overheat Protected. Needs 8 to 18V supply.  
 (Kit inc. all parts & heatsink for stereo or mono)

**KIT 914- £11.90**

Latest Technology  
 - Stable, Reliable,  
 high performance



### Top Kits.

ICEbreaker PIC16F877 in - circuit emulator - Kit 900.... £34.99

1kV/500V Insulation Tester Inc. drilled case -Kit 848.. £32.95

Pipe Descaler - High Power with led monitor - Kit 868..£22.95

Ultrasonic PEST Scarer random 32k pulses Kit867..£19.99

P-I Metal Detector Micro based design - sensitive Kit847..£63.95

**MAGENTA Bat Detectors**

Our original famous KIT detector KIT 861...£37.99 & See the new built MKIIb and MKIII on the web.

**All Prices Include VAT, Add £3.00 P&P per order, or £7.99 for next day. Chqs. P.O. & most major cards accepted. Mail Order Only.**

MAGENTA

[www.magenta2000.co.uk](http://www.magenta2000.co.uk)  
[sales@magenta2000.co.uk](mailto:sales@magenta2000.co.uk)



**agar Circuits**

**PCB DESIGN & MANUFACTURE**  
 for both the Hobbyist and Professional

PCBs designed and produced from :

- Notes
- Schematics
- Specifications
- Descriptions
- Print - outs
- Gerbers

Available With or without component assembly

\* FREE \* PCB PROTOTYPE With Quantity Orders

Email: [adinfo@agarcircuits.com](mailto:adinfo@agarcircuits.com)  
 Tel: 028 (90) 738 897

**Laser**  *Why tolerate when you can automate?*



**X-10** Home Automation



**C-Bus Shop**  
C-Bus and C-Bus Wireless

[www.cbushop.com](http://www.cbushop.com)



**TAV** KAT5 AV transmission and IR control system



**BARIX** Barix Ethernet based MP3, communications and control systems

[www.laser.com](http://www.laser.com)

*Integrators, Installers, Trade and Retail customers welcome*

**Laser Business Systems Ltd**  
 Tel: +44 (0) 20 8441 9788  
 Fax: +44 (0) 20 8449 0430  
 Email: [info@laser.com](mailto:info@laser.com)  
 16 Garthland Drive, EN5 3BB



# Protecting Your Designs and Copyright



Sara Ludlam of Ludlams Solicitors is a specialist Intellectual Property lawyer. In this article, specially written for *EPE* readers, Sara explains how best to protect your design ideas from copyright infringement or theft.

**Are you being copied? Can you stop copycats? If so how?**

ONE of our readers, a consultant electronics engineer, recently asked about his rights in relation to a manufacturer whom he alleged had “ripped off his design work”. The query raises lots of legal questions in the area known as Intellectual Property law (copyright, design rights, patents, trade marks etc., known collectively as ‘IP law’) – an area of law which is often misunderstood. Our reader kindly agreed that his experience could be used in this article to illustrate IP rights, and what can and cannot be done to protect IP rights.

The query was passed on to me, an English IP lawyer, and for some of the more technical aspects of this article I have relied on the expertise of *EPE*’s On-line Editor, Alan Winstanley.

## Budding ideas

Many budding inventors have ideas that they think might be patentable or worth protecting in some other way. Electronics manufacturers and designers these days are involved not only with hardware design (eg circuitry and printed circuit board layouts etc.) but also the associated software, often involving the development of microcontroller source codes that are embedded into controller chips (creating firmware). So what sort of protection is available to individuals or companies seeking to prevent their idea from being pirated by anyone else?

The first thing I should say, since this is a magazine about electronics, is that most software programs in the UK *cannot* be protected by patents. It is a controversial issue in the UK. It is not the case in all countries, as some do allow patent law to protect software programs. This article will only deal with the rights available in the UK. However, many countries are signatories to various international treaties which allow IP rights to be treated and protected in a similar manner, worldwide. There are some variations, so if you are not a British citizen then you would need to check your IP rights with a local lawyer.

## A patently good idea

Patents give you a 20 year monopoly right in an invention, but it can only be obtained if your invention falls within what is acceptable as an ‘invention’. There is a list of what cannot be protected by patent law in the UK in the Patents Act 1976, and you can also find lots of useful information about it at the UK Intellectual Property Office website [www.ipo.gov.uk](http://www.ipo.gov.uk). (Google has launched a beta Google Patents Search engine at [www.google.com/patents](http://www.google.com/patents) indexing about seven million US-based patents issued by the United States Patent and Trademark Office or USPTO).

Most new software does *not* contribute what has been described as a ‘technical effect’ to the body of knowledge already in the world. It cannot therefore be patented. If you are unsure, you should ask your local patent attorney, but *do not tell anyone* else about your new software or invention. If you tell people about your invention without requiring them to sign a confidentiality or Non-Disclosure Agreement (NDA) first, it is considered to be ‘public’ knowledge and patent law will not protect it.

Patents are generally considered to be one of the best forms of IP protection available, but there are downsides. Patents are published and can be accessed by anyone, as Google has shown. They can be quite expensive to register and if you want to register the invention in more than one country they become very expensive. Renewal fees are also payable. As the maximum life of a patent is 20 years, once your time is up anyone can use your invention by following the published patent specification.

## Copyright

Copyright is the main form of protection for software in the UK. Unlike patent rights, though, copyright is an automatic right in the UK. It exists automatically on the creation of a new work, without the need for registration. (This is not the case

in all countries and it is recommended that in the USA you should register any copyright works at the Copyright Registry.)

The lack of registration can cause a problem if there is an argument about when you wrote the software and if you really are the first author or creator of the work. It is, therefore, strongly recommended that you always post yourself a copy of the original work (or the earliest copy you have) and date and sign it. Do not then open the envelope, but keep it somewhere safe in case your authorship or the date of creation is ever questioned.

The duration of copyright protection depends on what type of copyright work you have created. If the copyright work is a literary work, the protection expires at the end of the period of 70 years from the end of the calendar year in which the author dies, subject to certain legislative variations. If your copyright work is computer generated, copyright expires at the end of the period of 50 years from the end of the calendar year in which the work was made. If the work is a joint work or another type of work then other rules apply.

If someone designs a circuit and draws it out by hand, or with a computer-aided package that work is protected by copyright if it is a novel circuit. If someone else takes the same circuit diagram and redraws it so it looks different then that constitutes copyright infringement. But you may need to have evidence that your copyright work had been copied. If the electrical circuit is the same, the idea is the same, but the circuit looks different then you would need to show that the infringer had worked from your original.

## Design rights

The third area of IP law which might be relevant to an electronics or software engineer is that of design right. There are two types of design right in the UK: those which can be registered and those which cannot.

Design rights protect original, non-commonplace designs of the shape or configuration of products. Design right is not a monopoly right, unlike patent rights, but instead it is a *right to prevent copying*.

## A typical case

The above is a very simple summary to draw the distinction between various aspects of Intellectual Property rights. A specific case involving an *EPE* reader is discussed next.

Our reader spoke of having his "design work ripped off". He provided some samples of his electronics work to a manufacturer when tendering for a job. He did not get the contract, but later discovered that the manufacturer was producing an identical circuit board to the circuit board he had supplied as a sample, and they were incorporating it into their machinery. It looked like – and appeared to do – what his prototype did.

## Jurisdiction

My first question was to ask where the reader resided. I knew he was Irish but did not know if he was from the Republic or from Northern Ireland. The answer was Northern Ireland. If he had been from the Republic of Ireland I would have had to refer him to a local lawyer, despite the similarities in IP law in both jurisdictions. As it was, I was able to advise him on IP law but could not act in relation to any court proceedings because the law in the United Kingdom varies depending on where you are. (England and Wales share common jurisdiction, but Scotland and Northern Ireland are separate and covered by their own legal systems.)

Thereafter, my advice was that if the reader had created an original work then it may be protected by copyright and/or design right. It is important to note that if there had been the possibility of patent protection, this right would have been lost when the work was shown to the manufacturer concerned.

## Who owns copyright?

So, who owns the copyright in the work? Copyright *cannot* be transferred to another without a *written document* assigning such rights, and such a document must refer to consideration having been given for the transfer, and the document *must* be signed by the assignor. This means that even if you have been paid for your design work, *the copyright does not belong to the party that commissioned the work* unless you have said so in writing and signed such a document.

This point is a common misconception. It would seem logical that if you paid a third party to, say, write some bespoke software for you, or design a new machine, then once you had paid that software programmer or designer, you would own the copyright in that work. This is not the case.

You own the copy of the work you may have been given further to payment or as otherwise agreed. You may also have certain rights to reproduce that work and use it in various situations. But such reproduction rights and right to use the work is limited in scope unless you are the copyright owner in that work, having taken a written assignment of copyright from the creator

of the work. If you have not, then you are using the work under a licence. You do not own the copyright in that work.

The licence might be express, if you have agreed terms. For example, the licence might state that you can only reproduce the work for your employees' use, and use it in the UK. Or the licence may be implied where there is no formal agreement, and the law would have to infer the terms of that licence from the way in which the parties have behaved. For example, how much was paid for the work, and has the copyright owner controlled further uses of the work?

Our reader did not sign a document transferring any IP rights to the manufacturer. He is, therefore, still the owner of any original copyright in that work.

He was not paid for his work developing the circuit board prototype. Therefore, any implied licence which the manufacturer may have had to keep the prototype and use it, would be limited to examination and consideration only.

Our reader made it clear to the manufacturer that it was not entitled to use the prototype to develop it further and any such work must be done by the reader himself. But if the reader fails to take steps to stop the manufacturer from reproducing the prototype, then the manufacturer's implied licence will include the right to reproduce it.

Remember that copyright does not need to be registered, as I have explained above, but it does need to be protected if you are to maintain it. So the reader would need to prove that he is the author/creator of the work *and show that he is the first person to design that particular circuit board*. If there are no records of creation, this can be a difficult process, so do bear in mind that you should keep rough drafts and prototypes when developing new work, as evidence of your creativity and originality.

Also, be aware that the first owner of a copyright work will be the creator/author unless the work is *created in the course of employment*. In such an instance the work and copyright in the work is automatically the property of the *employer*. The reader confirmed that he was self-employed and therefore he was the owner of any copyright in the circuit board.

## Is it an original work?

Then our reader explained that an engineer working for the manufacturer had provided him with certain parameters around which his work needed to fit, and he gave the reader a specification. Our reader had to use these specifications and parameters to create his circuit board.

Obviously, any elements of the work created by the reader which replicate a third party's work will not be protected by copyright, as they will not be original works. However, if our reader's work is all original, albeit designed to fit around other circuitry, it will have copyright protection. (Such 'must fit' criteria may however exempt the work from attracting design right protection, which I cover below.)

The reader went on to explain that his own prototype was created further to a design brief from the manufacturer which required certain components to fit into an existing system.

If the specification provided by the manufacturer had been incorporated into the final design of our reader's circuit board design, it may be held that the final work is a 'joint' work and as such the manufacturer and the reader have joint rights of copyright in it. This would be an issue decided on the evidence, and whether the work of one party could be extricated and used independently of the work provided by the other.

## Is there evidence of copying?

Unlike patents, but similarly to design rights, copyright is not a monopoly right. Copyright will only allow the copyright owner the right to stop a third party from copying his/her rights. If the third party has created the same or a similar work from scratch, without reference to your work, then you cannot prevent their use of such a work. So any evidence of copying by the manufacturer will be useful.

In our example, the reader possessed such evidence because he had incorporated certain personal identifiers into the circuit board. These were not necessary for the circuit board to work but had been copied by the manufacturer. Such evidence is excellent in any claim for copyright infringement. (In written works, authors sometimes incorporate such deliberate mistakes for protection. If these are reproduced in a copy by a third party they act as direct evidence of copying and can help settle a claim for infringement very quickly!)

The reader was also suspicious because he claimed the manufacturer did not have much expertise in this particular area and the electronics engineer from the manufacturer with whom he had met had little experience with working with engine electrics. Our reader had provided answers to questions which suggested that the manufacturer was developing the prototype without his authority. The use of email in this context is fabulous because if you keep copies of your emails, they provide great evidence.

## No design rights

The reader originally claimed that his "design had been ripped off". Use of the word 'design' is not the same in a legal context as it is in everyday speech. English law defines 'design' as any aspect of the shape or configuration (whether internal or external) of the whole or part of an article.

It also defines what Design Right does not subsist in and the list is as follows:

- (a) A method or principle of construction;
- (b) Features of shape or configuration of an article which enable the article to be connected to, or placed in, around or against, another article so that either article may perform its function, or are dependent upon the appearance of another article of which the article is intended by the designer to form an integral part;
- (c) Surface decoration.

Unlike copyright, a Design Right is owned by the party *that commissioned the work*.

The reader did not provide enough information for me to establish whether there was any Design Right protection available



for his circuit board, but insofar as there was a requirement that the board 'must fit' another system, and it was a commissioned work, it seemed unlikely that the reader had any such rights.

## Costs

The legal cost of a copyright or design right infringement claim will depend on the experience of your lawyers. The more experienced the lawyer, the more efficiently the matter will be conducted, the better the quality of advice you will get, and the more likely you are to settle the matter on commercial terms or win a court case.

Another client a few years ago took advice on a claim for copyright infringement from his local solicitors who did not have the relevant expertise. As a result of that advice, he did not settle the claim and ended up in the High Court as a defendant. If you are party to court proceedings there is no way out unless you settle, and settlement always involves payment of legal costs. When this client finally came to me, we had the case transferred to the County Court because the value of the claim in damages was very small and it was not therefore an appropriate matter to be heard before the High Court; ultimately we had the matter struck out. The client had still spent an arguably unnecessary two years in management time, stress and legal fees. Experts may seem to be more expensive in

the short term, but are always better value in the long run.

## Damages and notices

You are normally entitled to recover damages for unauthorised use by a third party of your copyright or design right work. (This is subject to the caveat covered below re. use of notices). 'Damages' is the value placed on the harm done to you by the unauthorised third party use of your work. It is assessed either by an account of the profits made by the third party having used your work, or by the amount you have lost by such unauthorised activity.

It is important if you are the owner of IP rights in a work that you tell the world about it by using 'notices'. In relation to copyright, the notice is the well known symbol ©. Next to this symbol you should put the name of the copyright owner, either an individual or a company, and the date.

If your work has design right protection available to it then a further notice should be published on the work or its packaging: 'Design Rights owned by [...]. [Date]'

The reason why I say you should always tell the world that the work they are looking at is a copyright or design right protected work is because of 'damages'. If a third party uses your work without your authority, and there is no copyright or design right notice on it, they may be able to successfully argue that

damages are not appropriate because their use of your work was 'innocent'.

If it is shown that at the time of the infringement the defendant did not know *and had no reason to believe* that design right or copyright subsisted in the work to which the action relates, the claimant is not entitled to damages against that defendant. So, by using notices you are removing any opportunity for an infringer to avoid paying you damages.

Hopefully, my general advice above will help designers to understand the differences between different aspects of their Intellectual Property (IP) rights. If you have any queries arising out of intellectual property rights then the Intellectual Property Office (IPO) website is very helpful for general information and expert bespoke advice for your jurisdiction is crucial if you have a particular problem. **EPE**

Sara Ludlam has successfully handled a number of high profile cases on behalf of major UK brands. Ludlams provides specialist legal advice in the field of copyright, trade marks, design rights, patents, software agreements, licensing agreements, IP litigation, franchising and related areas. Contact details are at: [www.ludlams.co.uk](http://www.ludlams.co.uk)

## Electronics Engineers - Join A Winning Team! UK and Czech Republic

We are looking for Engineers for the United Kingdom & Czech Republic.

The Lektronix Group of Companies are the worlds leading provider of Industrial Automation repairs with an enviable reputation for the best in technical excellence and customer service.

Due to the huge demand for our services we need to employ additional engineers at our three UK workshops (West Midlands, South Wales and Northern Ireland) to keep pace with the work we are receiving.

Also, due to future expansion throughout Europe we are looking for English speaking engineers to train and work in the UK with eventual relocation to our workshop in Brno, Czech Republic.

We are looking for Electronic Repair Engineers, Electronic Repair Technicians and Electronic Component Level Repair Engineers.

Do you have an interest in electronics?  
Have you any experience in the field of practical electronics?  
Have you experience in Radio/Television/Home Electronics?  
Does your hobby/interest include electronics?  
Are you willing to learn new tricks - electronic engineering?  
Do you want work in an exciting and challenging environment?  
Do you have any experience with Machine Tool Systems - PLC's - Servo Drives - Servo Motors - Monitors-VDU's - AC Drives - DC Drives - Temperature Control - Digital Electronics - Analogue Electronics?

We offer a competitive salary and all the other benefits normal with a go ahead company.

# Lektronix



Please Contact: Mr Brian Stewart  
Lektronix Ltd, Unit C1, Anchor Brook Ind Park,  
Wharf Approach, Aldridge, West Midlands,  
WS9 8EQ, United Kingdom.

Telephone +44 (0)1922 455555 for an application form or apply on line at [www.lektronix.net](http://www.lektronix.net)





# EPE EVERYDAY PRACTICAL ELECTRONICS



UK readers you can  
**SAVE 60p**  
on every issue of *EPE*

How would you like to pay £3.15 instead of £3.75 for your copy of *EPE*?  
Well you can – just take out a one year subscription and save 60p an issue,  
or £7.20 over the year

You can even save over 81p an issue if you subscribe for two years  
– a total saving of £19.50

Overseas rates also represent exceptional value

### You also:

- Avoid any cover price increase for the duration of your subscription
- Get your magazine delivered to your door each month
- Ensure your copy, even if the newsagents sell out

Order by phone or fax with a credit card or by post with a cheque or postal order, or buy on-line from [www.epemag.co.uk](http://www.epemag.co.uk) (click on “Subscribe Now”)

## EPE SUBSCRIPTION PRICES

Subscriptions for delivery direct to any address in the UK: 6 months £19.95, 12 months £37.90, two years £70.50; Overseas: 6 months £23.00 standard air service or £32.00 express airmail, 12 months £44.00 standard air service or £62.00 express airmail, 24 months £83.00 standard air service or £119.00 express airmail.

Cheques or bank drafts (in £ sterling only) payable to *Everyday Practical Electronics* and sent to *EPE* Subs. Dept., Wimborne Publishing Ltd., Sequoia House, 398a Ringwood Road, Ferndown, Dorset BH22 9AU. Tel: 01202 873872. Fax: 01202 874562. Email: [subs@epemag.wimborne.co.uk](mailto:subs@epemag.wimborne.co.uk). Also via the Web at <http://www.epemag.co.uk>. Subscriptions start with the next available issue. We accept MasterCard, Amex, Diners Club, Maestro or Visa. (For past issues see the *Back Issues* page.)

## ONLINE SUBSCRIPTIONS

Online subscriptions, for downloading the magazine via the Internet, \$18.99US (approx. £9.50) for one year available from [www.epemag.com](http://www.epemag.com).

## USA/CANADA SUBSCRIPTIONS

To subscribe to *EPE* from the USA or Canada please telephone Express Mag toll free on 1877 363-1310 and have your credit card details ready. Or fax (514) 355 3332 or write to Express Mag, PO Box 2769, Plattsburgh, NY 12901-0239 or Express Mag, 8155 Larrey Street, Anjou, Quebec, H1J 2L5. Email address: [expsmag@expressmag.com](mailto:expsmag@expressmag.com). Web site: [www.expressmag.com](http://www.expressmag.com).

USA price \$79(US) per annum, Canada price \$125(Can) per annum – 12 issues per year.

*Everyday Practical Electronics*, periodicals pending, ISSN 0262 3617 is published twelve times a year by Wimborne Publishing Ltd., USA agent USACAN at 1320 Route 9, Champlain, NY 12919. Subscription price in US \$79(US) per annum. Periodicals postage paid at Champlain NY and at additional mailing offices. POSTMASTER: Send USA and Canada address changes to *Everyday Practical Electronics*, c/o Express Mag., PO Box 2769, Plattsburgh, NY, USA 12901-0239.

## SUBSCRIPTION ORDER FORM



6 Months: UK £19.95, Overseas £23.00 (standard air service), £32.00 (express airmail)

1 Year: UK £37.90, Overseas £44.00 (standard air service) £62.00 (express airmail)

2 Years: UK £70.50, Overseas £83.00 (standard air service) £119.00 (express airmail)

To: *Everyday Practical Electronics*,  
Wimborne Publishing Ltd., Sequoia House,  
398a Ringwood Road, Ferndown, Dorset BH22 9AU  
Tel: 01202 873872 Fax: 01202 874562  
E-mail: [subs@epemag.wimborne.co.uk](mailto:subs@epemag.wimborne.co.uk)

I enclose payment of £ ..... (cheque/PO in £ sterling only), payable to *Everyday Practical Electronics*

My card number is: .....  
Please print clearly, and check that you have the number correct

Signature .....

Card Security Code ..... (The last 3 digits on or just under the signature strip)

Card Ex. Date ..... Maestro Issue No. ....

Name .....

Address .....

Post code ..... Tel. ....

Subscriptions can only start with the next available issue.



# INTERFACE

Robert Penfold



## VISUAL BASIC 6 – IS IT TIME TO MOVE ON?

AS REGULAR readers of *Interface* will know, the software featured in these articles is usually written using Visual BASIC 6, which is now a rather dated version of the Visual BASIC programming language. However, it is what could reasonably be deemed the last true version of this programming language, since it was subjected to massive and fundamental changes when the first .NET version was produced.

Programs for PC hardware projects that were easily handled using Visual BASIC 6 became much more awkward to write with later versions. The current versions of Visual BASIC seem to be aimed at those producing large and complex pieces of software, and they are less well suited to producing programs for PC projects, many of which require simple software that can be written in a few minutes using Visual BASIC 6.

Using Visual BASIC 6 is becoming problematic, and this is a situation that is likely to become steadily worse with the passage of time. It suffers the inevitable troubles associated with ageing software.

While it is not officially obsolete, it is clear that it is no longer fully supported by Microsoft. It will run under the Windows Vista operating system, but only after a fashion. Long-term use with Windows Vista would probably result in a few major difficulties arising. Fortunately, programs written using Visual Basic 6 generally seem to have good compatibility with the Windows Vista operating system, but success with every program is not guaranteed.

### Moving on

Of course, it is not essential to remain faithful to Visual BASIC 6, and it is possible to move on to other programming languages. The obvious move is to a current version of Visual BASIC, and there are two main choices for those that opt for this route. The obvious next step is to try Visual BASIC 2005 Express Edition, which effectively replaces the standard version of this programming language, and is available as a free download. Visit the following web address for more details: <http://msdn2.microsoft.com/en-us/express/aa718406.aspx>

Unusually for a free program, the licence conditions are not particularly

restrictive, and actually seem to be more accommodating than those of the standard versions of previous Visual BASIC languages. You are free to use and distribute any programs written using this software, with no significant restrictions.

Visual BASIC 2005 Express Edition has been featured in previous *Interface* articles, and it will not, therefore, be considered any further here. However, it is fundamentally the same as the commercial versions, so it is a good idea to try the free version before spending a substantial amount of money on one of the commercial products.

### Visual studio

The free Express versions of the Microsoft programming languages are available as separate downloads. As far as can be ascertained, the commercial versions are no longer sold as individual products, and do not exist as separate entities. Instead, you have to buy Visual Studio 2005, which includes Visual BASIC, Visual C++, and Visual C#. One slight problem with this is that the standard version of Visual Studio 2005 is about three times the price that used to be charged for the standard version of Visual Basic 6.

Admittedly, it gives the option of trying the other main Microsoft programming languages, and in some respects it is more like the Professional version of Visual BASIC 6. For example, the licensing conditions are less restrictive than for the standard version of Visual BASIC 6. Even so, it is a shame that there is no low-cost, fully supported, and reasonably full version of Visual BASIC 2005 available.

When the program is run for the first time it is necessary to select the normal programming environment, which basically just means choosing the programming language that will be used for most projects. The other programming languages are still available when launching the program on subsequent occasions, and it is just a matter of choosing the appropriate one when choosing the type of project that will be produced. Things look much the same as the Express version once into the program, with the main panel showing the latest news about Visual studio.

Things also look much the same as the Express version when a new project is started (Fig.1), with a form in the main panel, a Toolbox in the column on the left, and a Properties panel in the right-hand column. It works with **Inpout32.dll** utilizing the same method that is used for the Express version, and discussed in previous *Interface* articles. The basic scheme of things is to make **Inpout32.dll** available to the system by placing it in the C:\Windows\system32 directory, and then to add a module to the project so that it is able to recognise the new commands.

The module is added by going to the Project menu and selecting the Add Module option. A pop-up window is then used to provide a name for the new module, or the default can be accepted. The following code is then entered for the module:

```
Option Strict Off
Option Explicit On
Module Inpout
    Public Declare Function
    Inp Lib "inpout32.dll" Alias
    "Inp32" (ByVal PortAddress
    As Short) As Short
    Public Declare Sub Out
    Lib "inpout32.dll" Alias
    "Out32" (ByVal PortAddress
    As Short, ByVal Value As Short)
End Module
```

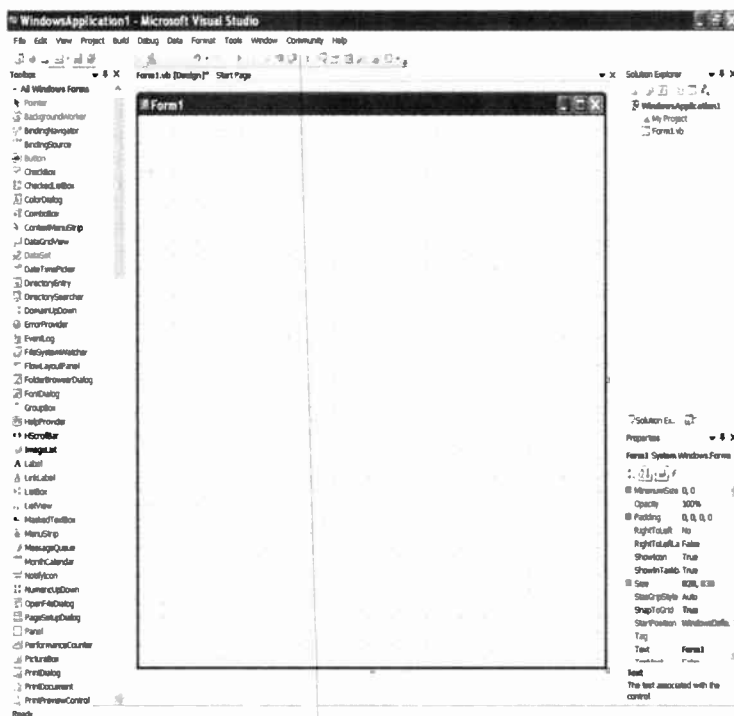


Fig.1. As one would probably expect, Visual BASIC 2005 Professional has a basic setup that is essentially the same as that of the Express version. The form has a Toolbox of components to its left and the Properties window in the right-hand column

The INP and OUT commands should then work correctly, and if everything is all right, the usual hint text will appear when you are entering an INP or OUT instruction. The hint text will not appear if something is not quite as it should be, and the word INP or OUT will then be underlined to show that it has not been recognised. The most likely cause of this problem is the **Inpout32.dll** file either being absent or not being where the program expects to find it.

The module can be saved by right-clicking its tab and selecting the Save option from the pop-up menu. It will be saved under its current name with a '.vb' extension being added automatically.

In order to use the Inp and Out commands in the future it is just a matter of starting a new project and then adding the module to it. With an existing module this is done by selecting Add Existing Item from the Project menu, and using the file browser to find and open the correct module file. Do not use the Open File option in the File menu, as this will load the module's file, but it will not be used in the desired fashion.

### Drawing on experience

One respect in which Visual BASIC 2005 Express Edition falls well short of the capabilities of Visual BASIC 6 is in the graphics department. Using graphics with the Express version of Visual BASIC has been covered in previous *Interface* articles. Experience with the previous version of Visual Studio suggested that the 2005 version was unlikely to be much better, and this is certainly the case. In their standard forms, Visual BASIC 2005 Standard and Professional Editions do not appear to offer any more than the Express version.

The usual components such as buttons, scrollbars, and labels are present, and there are instructions that permit simple graphic elements to be drawn onto a form. Unfortunately, there are no components that are comparable to the Line and Shape components of Visual BASIC 6. These enable shapes and lines to be dragged onto a form, 'fine tuned', and then, if necessary they can be controlled by the program. Among other things, this makes it very easy to implement analogue displays such as bargraphs and virtual panel meters.

Although there are no Shape or Line components included as standard, they are available as free add-ons in the form of Microsoft Visual Basic 2005 Power Packs 2.0. This software can be downloaded via the following address, which also includes some basic information about using these components:

<http://msdn2.microsoft.com/en-gb/vbasic/bb735936.aspx>

Having downloaded the program file, it is just a matter of running it to install the new components, which will then automatically appear in the Toolbox when Visual BASIC is run. There are actually three Shape components. These are the LineShape, OvalShape, and RectangularShape components. The OvalShape component actually produces circles and ellipses, while the other two do exactly as their names suggest. Fig.2 shows a form with examples of all three types of shape component.

While the new Shape components are not exactly the same as their Visual BASIC 6 counterparts, they are very similar, and can be used in much the same

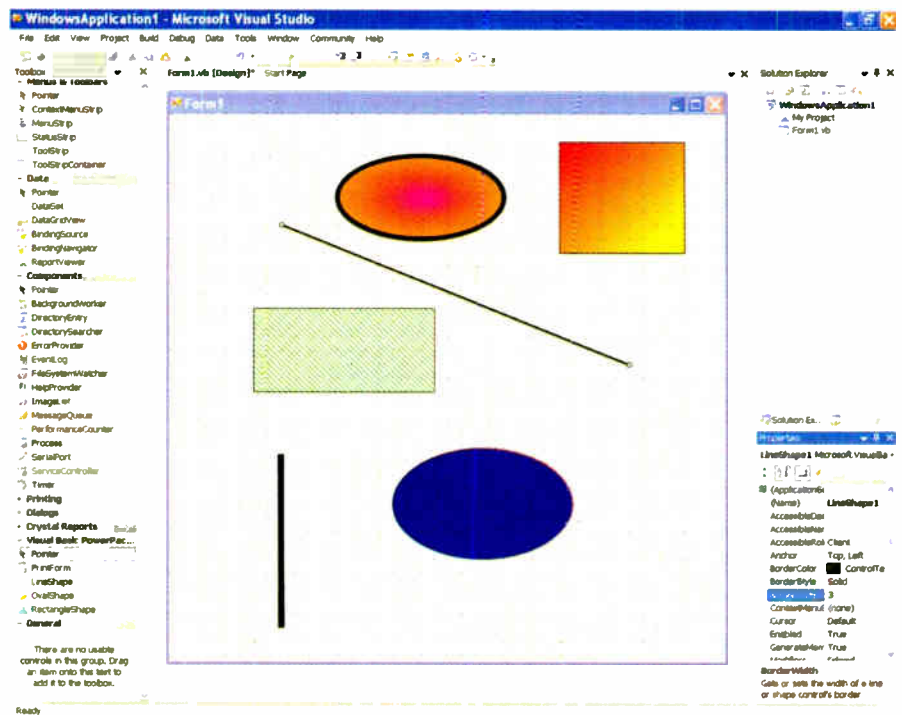


Fig.2. Some lines and shapes produced with the aid of the add-on Shape components. The RectangularShape and OvalShape components can have a range of fill types, including a choice of gradient types

way. One difference is that their co-ordinate system is not the high resolution type of Visual BASIC 6, but a much lower resolution type that appears to be based on screen pixels.

This is probably something that is enforced by a change in the general co-ordinate system of the newer versions of Visual BASIC. The co-ordinates of the shapes can be altered using program commands, so it is easy to implement bargraphs and virtual panel meters. Fig.3 shows a dummy virtual meter that is controlled by the horizontal scrollbar, rather than readings from a port, but it could be made to respond to values from a port without any difficulty.

Visual BASIC 2005 Express Edition would be greatly improved by the addition of these components, but as far as can be ascertained, this is not possible. The Power Packs 2 file can be downloaded and installed, but the additional components do not appear in the Toolbox when Visual BASIC is run.

### Finally

All versions of Visual BASIC 2005 are supplied with a serial port component as standard. This might not seem to be of great importance since ordinary RS232C serial ports are now obsolete and have not been a standard feature of new PCs for some time. However, some USB input/output boards are installed in the computer as ordinary COM serial ports, and can then be accessed as if they were genuine serial ports. Once the drivers have been installed it should be possible

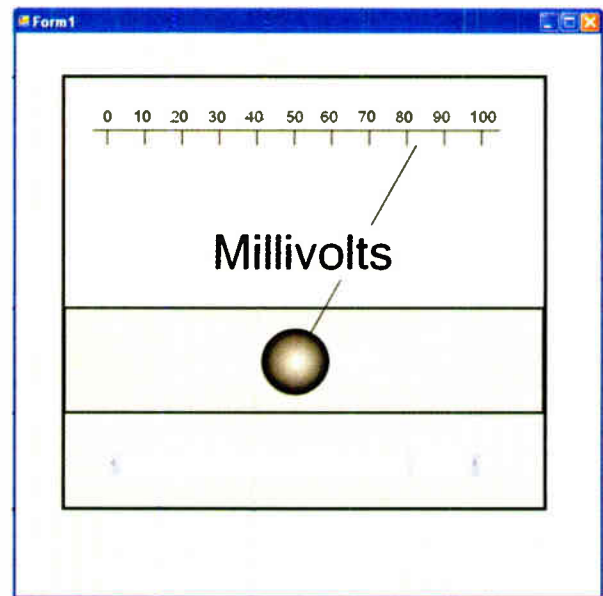
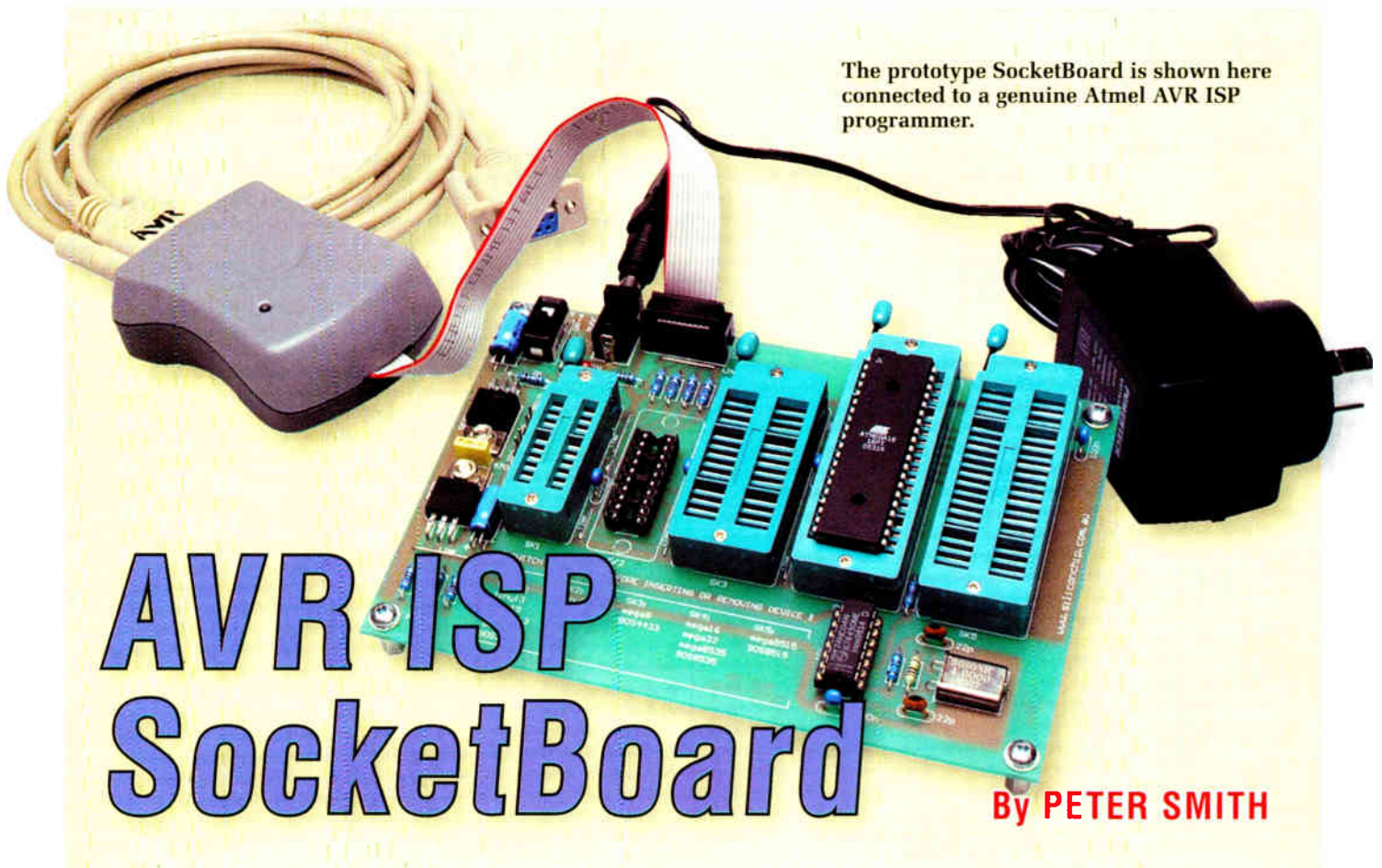


Fig.3. A virtual panel meter produced using the Shape components. It is controlled by the horizontal scrollbar, but could just as easily be made to respond to readings from an input port

to use Visual BASIC 2005 with USB boards of this type without the need for any software add-ons.

The Standard and Professional editions of Visual BASIC 2005 can certainly act as a good substitute for Visual BASIC 6, but only with the aid of some add-on components if the full graphics potential of Visual BASIC 6 is required. Users moving from Visual BASIC 6 to one of the 2005 versions should bear in mind that numerous changes to the language are evident when using the newer versions. It can take a while to get used to these changes, making it tough going when first making the switch, and possibly for some time afterwards.





The prototype SocketBoard is shown here connected to a genuine Atmel AVR ISP programmer.

# AVR ISP SocketBoard

By PETER SMITH

**Teamed with an AVR in-system programmer, this board enables you to programme Atmel microcontrollers on the spot – without an expensive production programmer or development system. It supports just about all dual-in-line AVR micros and includes over-current protection.**

**M**OST ATMEL AVR microcontrollers can be programmed via their in-built serial programming interfaces (SPI). This method is ideal for in-situ programming, such as might be used in manufacturing or for firmware development or field upgrades.

In this scenario, the micro remains in its socket on the application board and a low-cost in-system programmer (ISP) is plugged into a dedicated programming header. In other words, the microcontroller does not have to be removed from its socket and plugged into a parallel programmer each time a firmware update is required.

However, in some cases it is desirable to programme a microcontroller stand-alone, such as when the application board is unavailable or doesn't include an ISP (or JTAG) header. A low-cost method of stand-alone programming might also be useful where a batch of chips is needed for a small prototype run and the cost of a commercial parallel programmer is prohibitive.

This is where the AVR ISP SocketBoard comes in. It provides the minimum of functions necessary to support in-system programming, including a regulated power supply, clock source and microcontroller

IC socket. Just connect your in-system programmer to a PC, plug its ISP cable into the SocketBoard's on-board header and add a DC plugpack. You're then ready to start programming!

### Programming sockets

As you can see from the photos, the SocketBoard contains five programming sockets. Why so many? Well, we've provided one programming socket for each group of micros with common SPI pinouts. This allowed us to eliminate the switching logic that would have been required if we'd used just a single, 40-pin socket, so greatly simplifying design and construction.

We expect that many constructors will install just one or two programming sockets (depending on their requirements), to keep costs as low as possible. The overlay diagram (Fig.2) lists specific device types and the sockets (SK1 to SK5) that support them. For example, to program the ATmega16, socket SK4 must be installed.

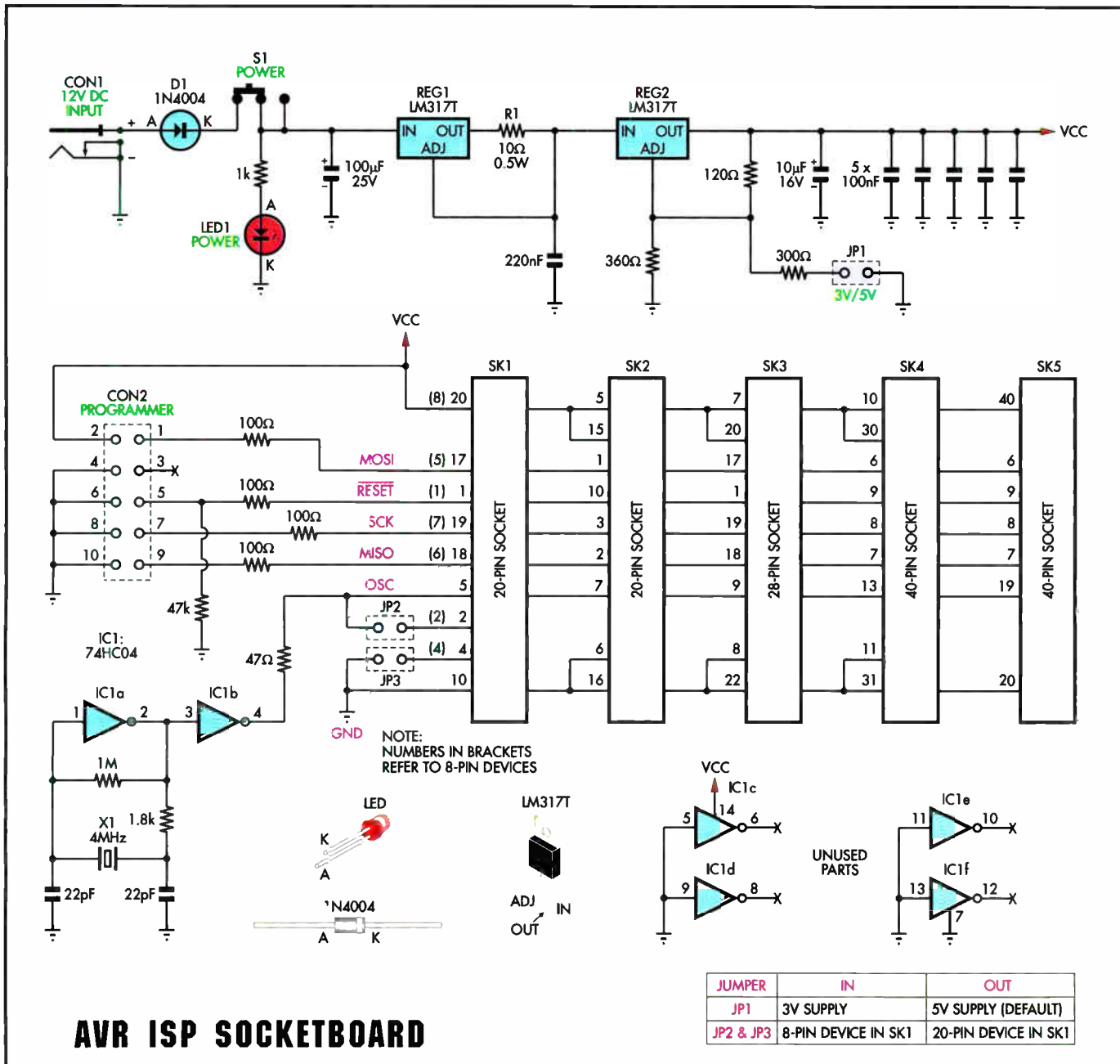


Fig.1: the SocketBoard consists of a current-limited power supply, oscillator, ISP header and a series of programming sockets. This simple configuration supports most dual-in-line packaged AVR micros. Surface-mounted equivalents can be accommodated by using commercial DIL adapters.

For cases where quantities of chips need to be programmed, the board will accept standard zero insertion force (ZIF) sockets as well. There is absolutely no need to install ZIF sockets (as shown in our photos) for occasional programming; this would simply be expensive overkill.

The unit can be powered from a 12V DC 150mA (or higher) unregulated plugpack, which also powers the ISP programmer when it's plugged into the on-board header.

## Operation

As mentioned, the SocketBoard provides the minimum of functions necessary to support in-system programming. As stated, this includes a series of programming sockets to accommodate the different types of AVR micros, a regulated power supply, and a clock source.

The power supply is based around two series-connected LM317 adjustable positive regulators (see Fig.1). The first regulator acts as a current

limiter. In normal operation, it performs no function. However, should the current through R1 increase to a level where about 1.25V is dropped across it, REG1 begins to reduce the voltage at its OUT terminal. In effect, REG1 then acts as a constant current source, limiting output current to a maximum of 125mA.

In normal operation, the complete setup consumes an average of about 20 to 40mA, depending on the type of in-system programmer connected. The remaining capacity (85 to 105mA) leaves a comfortable margin, which in most cases is still low enough to preserve any micro that might be accidentally reversed in a socket. It also





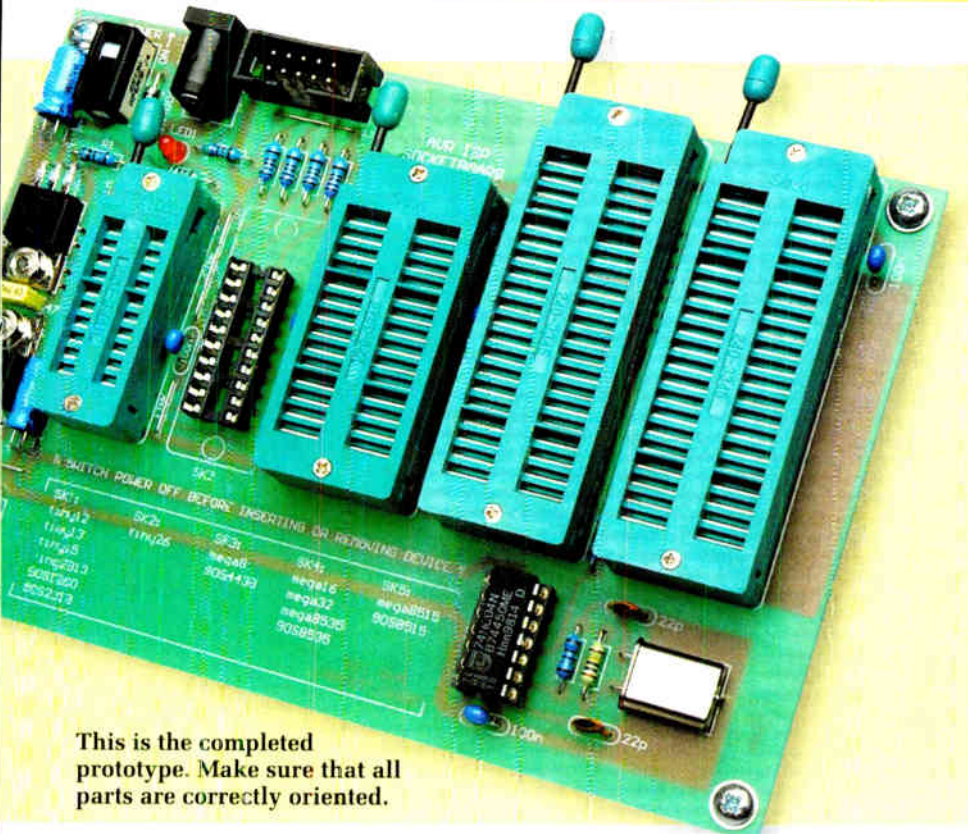
## Suitable Programmers

This project has been tested with two programmer variants, as follows:

- **AVR ISP Serial Programmer**, as described in the October 2002 issue of *Silicon Chip*. This programmer connects to your PC's serial port. It's available as a kit from Jaycar Electronics (Cat. KC-5340).

- **AVR ISP Programmer**. This genuine Atmel item is supplied pre-assembled and again, it connects to your PC via a free serial port.

Reproduced by arrangement with  
SILICON CHIP magazine 2007.  
[www.siliconchip.com.au](http://www.siliconchip.com.au)



This is the completed prototype. Make sure that all parts are correctly oriented.

protects other components if an internally short-circuited micro is plugged into a socket.

The second regulator (REG2) is configured as a conventional voltage regulator. Without JP1 installed, it produces +5V to power the system. Installing JP1 reduces this to +3V. Some constructors may find this lower voltage useful for verifying the memory in micros that are destined for 3V systems.

As well as power, AVR micros require a clock source for their internal programming circuits to operate. This is provided by a Pierce oscillator, which is composed of a 4MHz crystal (X1), two resistors and one gate of a 74HC04 hex inverter (IC1a). A second gate (IC1b) buffers the clock signal before it is applied to all of the programming sockets. A 47Ω resistor provides series termination and current limiting.

All that now remains to be described is the ISP interface. This is extremely simple indeed, as it consists only of a 10-pin DIL header (CON2) and five resistors. The four 100Ω series resistors act as peak current limiters, in case the ISP cable or a chip is accidentally inserted with power applied. These also help to protect the programmer if a faulty micro is inserted in a socket.

The remaining resistor (47kΩ) pulls down the interface's RESET line, so

that the micro is held in the reset state if a programmer is not connected or is non-functional.

### Assembly

Using the overlay diagram (Fig.2) as a guide, install all the low-profile components first, starting with the wire links and resistors. There are seven links in total, all of which can be fashioned from 0.7mm tinned copper wire or similar.

Follow with all of the capacitors, noting that the leads of the 10μF and 100μF units must be bent at right angles before installation. Before bending the leads, check that you have the positive leads oriented correctly.

The crystal (X1) also mounts horizontally, so bend its leads about 2 to 3mm from the can before installation. Once in place, a short length of tinned copper wire should be soldered to the top of the can and the pad directly below to secure it in position.

Diode D1, LED1, header CON2 and the 14-pin socket for IC1 can now go in. All of these items are polarised, so make sure that they're installed the right way around. Don't plug the 74HC04 into its socket just yet, though; it's a good idea to test the power supply first (see below).

All of the remaining items can now be installed, leaving the five programming sockets (SK1 to SK5) until last.

The two LM317 regulators (REG1 and REG2) should be attached to the PC board using M3 × 6mm screws, nuts and flat washers. As shown, their leads must be bent at right angles before installation. Be sure to tighten the screw and nut before soldering the leads, otherwise damage to the regulator package or PC board may result.

The three 2-pin headers (JP1 to JP3) can be cut down from a longer section using a sharp knife. Check that each header is sitting square on the PC board surface before soldering.

Finally, install just the programming sockets (SK1 to SK5) that you require. For casual use, low-cost IC sockets can be installed in any or all of the indicated positions. Alternatively, ZIF type sockets can be fitted to any positions that are expected to be high usage – it's up to you.

### Testing

Connect a 12V DC source to the DC socket (CON1), noting that the centre pin is the positive input. If the power connections are accidentally reversed, nothing bad will happen as a series diode (D1) provides polarity protection.

Now apply power by sliding switch S1's actuator towards the edge of the



# Constructional Project

## Parts List

- 1 PC board coded 649, available from the *EPE PCB Service*, size 145 x 105mm
- 1 4MHz crystal (HC49 package) (X1)
- 1 DPDT PC-mount slide switch (S1)
- 1 10-pin dual-row shrouded (boxed) PC-mount header
- 1 2.1mm PC-mount DC socket (CON1)
- 2 20-pin IC sockets (SK1, SK2)
- 1 28-pin IC socket (SK3)
- 2 40-pin IC sockets (SK4, SK5)
- 1 6-pin 2.54mm (0.1-inch) SIL header strip (for JP1 to JP3)  
– see text

3 jumper shunts

6 M3 x 6mm pan head screws

2 M3 x 6mm nuts and washers

4 M3 x 10mm tapped spacers

160mm (approx.) 0.7mm tinned copper wire (for links)

*Note 1: if desired, small stick-on feet can be used in place of the tapped spacers.*

### Semiconductors

1 74HC04 hex inverter (IC1)

2 LM317T adjustable voltage regulators (REG1, REG2)

1 1N4004 diode (D1)

1 3mm high-brightness red LED (LED1)

### Capacitors

1 100µF 25V PC electrolytic

1 10µF 16V PC electrolytic

1 220nF 50V MKT polyester

5 100nF 50V monolithic (multi-layer) ceramic

2 22pF 50V ceramic disc

### Resistors (0.25W, 1% metal film)

1 1MΩ            1 300Ω

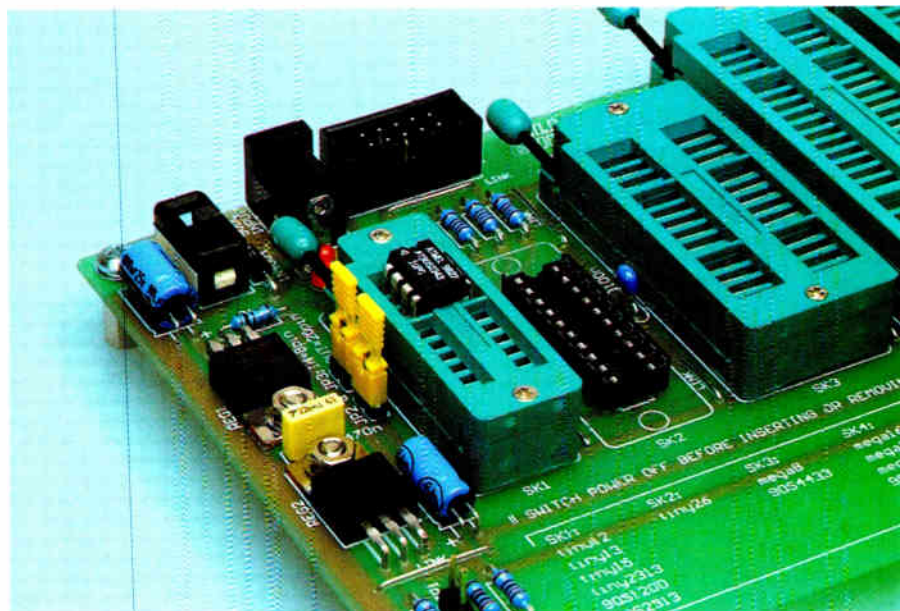
1 47kΩ           1 120Ω

1 1.8kΩ          4 100Ω

1 1kΩ            1 47Ω

1 360Ω          1 10Ω 0.5W

*Note 2: See text regarding the IC sockets required*



8-pin devices are programmed in the first 20-pin socket (SK1). Here's how they're inserted, with pin 1 in the same position as for 20-pin devices. Note that jumper shunts must be installed on JP2 and JP3 when programming 8-pin devices.

Next, use your multimeter to measure the voltage between pins 7 and 14 of IC1's socket. Expect a reading of 5V ±5%. Temporarily insert a jumper shunt on JP1 and measure the voltage again. This time, you should get the lower reading of 3V ±5%. When done, remove the jumper, as in the majority of applications, a 5V supply is preferred for programming.

If the power supply checks out, switch off and insert IC1 into its socket. Naturally, the position of the notched (pin 1) end of this IC must match that of the IC socket.

### Using it

It doesn't take a lot of grey matter to use the SocketBoard. Simply switch power off, plug your in-system programmer into the AVR ISP connector (CON2), and insert the microcontroller to be programmed into the designated socket. After switching on, the micro can be programmed following the instructions supplied with your ISP.

**Important: always switch the power off before inserting or removing a microcontroller from its programming socket.**

Note that 8-pin micros present a special case. Instead of a separate socket, all 8-pin devices are programmed in the first 20-pin socket (SK1). In addition, jumper shunts must be installed on JP2 and JP3 to route signals to the

correct places for these diminutive devices.

After programming an 8-pin device, the two jumper shunts (JP2 and JP3) should be removed if you also intend to program 20-pin devices in the same socket. This ensures that there is no possibility of damage to the larger devices.

If a faulty micro is inserted in a socket or if a working device is inserted backwards, the current-limit function will swing into action. In most cases, the current passed through the part should not be destructive – if the problem is noticed right away and power is switched off immediately! *EPE*

## Warning!

Programming the 'reset disable' fuse present on some smaller AVR devices disables the RESET input, with the side effect of preventing further programming via the SPI port. In other words, you'll no longer be able to use your in-system programmer to erase, read, write or verify the affected part.

To restore SPI access, the device must be erased on a parallel programmer, high-voltage serial programmer or JTAG programmer, depending on the device in question. Do not experiment with fuse settings unless you know exactly what they do!

board. The power LED should light immediately. If it doesn't, either the power connections are reversed or there is an assembly error. Carefully recheck the board against the overlay diagram and look for dry or missed solder joints.

# READOUT

## WIN AN ATLAS LCR ANALYSER WORTH £79

Email: [editorial@wimborne.co.uk](mailto:editorial@wimborne.co.uk)

**John Becker addresses some of the general points readers have raised. Have you anything interesting to say? Drop us a line!**

All letters quoted here have previously been replied to directly.

An Atlas LCR Passive Component Analyser, kindly donated by Peak Electronic Design Ltd., will be awarded to the author of the *Letter Of The Month* each month.

The Atlas LCR automatically measures inductance from 1 $\mu$ H to 10H, capacitance from 1pF to 10,000 $\mu$ F and resistance from 1 $\Omega$  to 2M $\Omega$  with a basic accuracy of 1%.  
[www.peakelec.co.uk](http://www.peakelec.co.uk)



## ★ LETTER OF THE MONTH ★

### Flowcharts

Dear EPE,

Your correspondence with Edward Chase in the August issue reminded me of my experience with flowcharts. In the olden days, the flowchart was about the only design and documentation tool available, and some managers regarded them as the 'bee's knees'.

Early in my career, I encountered a manager who ruthlessly required all junior programmers to prepare flowcharts and insisted that we were not allowed to write even a single line of our program until he had reviewed and approved our flowchart(s). Although this policy seemed draconian at the time, it taught me much:

\* Nothing, not even a waste of time, is a total waste of time

\* If the program is so simple that a flowchart can describe it, it is so simple that it describes itself, and other descriptions are superfluous

\* If the program is so complicated that some aid would be useful, it is so complicated that a flowchart is inadequate

\* It is a huge chore to keep the flowchart and the program together. Even in modern times, with modern word processors like Word, the flowchart and the program will almost always be main-

tained as separate files, and the file containing the flowchart risks being lost or becoming obsolete

\* Managers can't read flowcharts anyway.

Most programmers 'think' in the language in which they program. I remember an interview of the great polymath, Jacob Bronowski. He had a very complicated life, moving from Israel, to Germany, to England. He reported that he did arithmetic in Hebrew, algebra in German, and calculus in English.

Programmers are similar. When programming a PIC, I really do think in terms of 'movf' and 'addwf' and 'movwf', rather than in terms of 'a = b + c', and certainly not in terms of boxes with lines joining them. I am reasonably certain that other programmers do too.

To cope with my problem manager, I learnt a trick from my more experienced colleagues. We would write our programs more or less secretly, and once they were written, we'd rewrite them as flowcharts to show to our manager. Sadly, this confirmed his belief that flowcharts were wonderful. Once he had approved our flowcharts, we appeared to write our programs almost instantly.

Modern design and documentation tools are much better than flowcharts. The most versatile is the pseudo language. Most programmers invent their own. For historical reasons, I write in a pseudo-Pascal; I'm sure modern programmers write in pseudo-C.

Another tool, borrowed from our commercial colleagues, is the decision table. This is surprisingly useful for real time applications, and has two important benefits. First, forgotten cases become conspicuous, like a missing tooth. Second, it is easy to follow the advice of Kernighan and Plauger, 'First get it right; worry about making it fast or efficient only if that is necessary, and do that only after you are confident that it is right.'

If we ignore efficiency, it is easy to design a correct table and to be confident that it is correct. Once the table has been designed, it is easy to shuffle the rows about to spot the most efficient way to implement it.

Even in real-time programming, if the answer is wrong, it doesn't matter how quickly our wonderful program achieved it.

**Keith Anderson,  
Kingston, Tasmania**

*Thank you Keith for another valuable insight from you.*

### What Energy Saving?

Dear EPE,

I have been reading (and not just in *EPE*) some of the slightly desperate sounding measures that are proposed to save a few watts of power usage here and there. But in some cases I am completely at a loss to see where the energy is saved.

Measures such as using low-energy lamps, and switching equipment off instead of into a standby mode, seem to be aimed at the domestic user. In spite of the impressive figures generated by quoting the national or global sum, the actual energy saved from these measures will be close to zero, except possibly in summer.

Why? Well, by far the greatest part of domestic energy use goes into intentionally heating the house, but it should be remembered that all the other energy used (except for light lost through the windows) also finishes up as heat.

Usually the house heating will be thermostatically controlled. But a consequence of this is that, if the unintentional heating is reduced, the real heating system will just work that bit harder to make up the deficiency!

So by all means buy expensive lamps and switch off unused equipment if it makes you feel virtuous. But then listen to

see if you can hear your boiler coming on more often to compensate! Where is the saving?

**Tony Jaques (Tony, G3PTD),  
Stretford, Manchester, by email**

*Thanks Tony, I can't see a flaw in what you say. Can anyone?*

### Calibration

Thirty years ago, when I worked as chief calibration engineer, I obtained a precision voltmeter from Solatron. It could measure a volt down to seven decimal places and was so accurate that it showed there was no such thing as a standard volt to measure. Even the so-called chemical standard cells showed fluctuations due to tiny temperature changes.

With hindsight, we all should have realised that no way can you measure anything that accurately with DC amps using 1% tolerance resistors, especially as they change with age as well. They thought that all you had to do was to introduce a numerical offset and it would stay magically accurate for years.

Funny thing was, the men from the ministry believed every word of it. As it was, if you declared it as the firm's primary standard then the ministry would want it to be kept in a glass case and

never used, yet on one calibration job alone it saved 14 hours work.

Even now you can buy a digital voltmeter for £10 in the market which is sold as 10 times more accurate than an Avo 8. The norm was that calibration test gear had to be 10 times as accurate as the gear under test and there was nothing on the market at any price that could do it.

**George Chatley,  
via email**

*That's interesting George. I can't believe that the typical hobbyist is ever going to require such acute accuracy - or are they?*

### ADE7756AN IC

Dear EPE,

If it would be helpful to any future constructors of the *Energy Meter* project (May '07), I now have a spare supply of the ADE7756AN ICs at £4 each, UK post inclusive. If any reader would like one, then please email me at: [jmhaldwin2005@yahoo.co.uk](mailto:jmhaldwin2005@yahoo.co.uk).

**John Baldwin,  
via email**

*Thanks John, your kind offer is now publicised!*



## 12V Car Battery Chargers

I recently made the following comment on the EPE Chat Zone (via [www.epemag.co.uk](http://www.epemag.co.uk)). Some of the resulting replies follow:

I've just been trying to buy a 12V battery charger for my car. In the distant past I've built my own but for the last 30 years or so have been using one I inherited, with a meter to show the charging current, something which I find useful to observe.

I have failed to find a similar modern one. Those from Halfords either have no visible current monitoring and just show whether the battery is charging or not, or have a digital display and at a horrendous price.

Does anyone know of a source for such chargers with an analogue meter needle? Max current about 5 amps.

**philwarn:** I suggest you buy a cheap 5 to 6 amp 12 volt charger and use a cheap analogue/digital multimeter to monitor the current. I also suggest you browse eBay.

**zeitghost:** A moving iron ammeter will give a more realistic reading for the charging current (square law and all that). Maplin did a 5A or 10A one. A true rms digital meter would do the same thing.

**vlf:** A high current 12V lamp bulb in series would be much cheaper... gives dim light at full charge, and medium to bright on low charge, or constant brightness for a duff battery.

**john\_becker:** Thanks all – I had hoped/expected I could go into a local car spares shop and get what I wanted, but apart from Halfords and a local shop, I don't know anyone else, but wondered if other known-name sources might be around.

I'm very surprised that no-one seems to want an analogue meter version now. They used to be the only thing available – many, many years ago. Yes, a meter in series would do the trick I guess. Just a bulb is also a workable idea.

Another odd thing is that car spares shops around here used to be quite numerous, but all there seems to be now is one in rather a 'back-water' area, apart from Halfords. Has car maintenance as a hobby gone the way of so many things?

**zeitghost:** Yup – died the death – about all you can do these days is replace the oil, oil filter and air filter. Everything else is largely unfixable without special tools, or worse, special software. Ho hum.

One of my electric windows just failed and the loom has about 15 wires in it. The motor itself has two relays and a micro-controller, plus a Hall sensor to count revolutions and monitor current. Probably a snip at £100!

**gordon:** John, not sure what your budget is but Argos have one for £30.

I also agree that fixing modern cars is not as easy as it once was, everything seems to be shoehorned in. I think most modern cars tell the mechanic what is wrong via the onboard computer!

*Gordon also quoted a full URL, but it's too long to repeat here – browse the Argos site at [www.argos.co.uk](http://www.argos.co.uk). When I browsed it, the charger was what I wanted, with analogue meter. I went into my local Argos and bought one from stock. It's a very nice one. Thank you Gordon.*

## MPLab Mistake

First off, may I say I really look forward to receiving EPE every month.

In your Sept 2007 edition and Mike Hibbett's article *Using MPLAB*, I think there is a mistake. On page 39 the line above the 3rd last paragraph reads:

`'MPLIB utils.lib random.o delays.o'`

To create a library you should include the `/c` (create) switch. So, therefore, I think this line should read:

`MPLIB /c utils.lib random.o delays.o.`

If you try it you will see what I mean. Another handy switch is the `/t` switch. This displays the names of the object modules contained in a library file. So to see what is in `utils.lib` you type:

`mplib /t utils.lib`

**Peter Barrett MIEAust,**  
via email

*Mike Hibbett replied to Peter:*

Well spotted, thanks. The `/c` was left off by mistake.

Thanks also for pointing out the tip about displaying the contents of libraries. If you run MPLIB without any command line options, it will display several other interesting options too, which the more adventurous might like to investigate.

**Mike Hibbett,**  
via email

## MPLab ORG

Dear EPE,

I have been reading with interest Mike Hibbett's recent series on *Using MPLAB* and I have also been reading the *PIC Tutorial V2*. There is something I do not understand. In the *PIC Tutorial Listing 1* it shows ORG 0, 4 and 5 but in the MPLAB Fig.1 it does not show anything about ORG 0, 4 and 5. How does the software work without these. Does MPLAB put this in automatically?

**Pepe Rush,**  
via email

*Mike Hibbett replies:*

Well spotted Pepe. The example code does not include an ORG 0 statement because the assembler defaults to zero. It's not MPLAB doing this, but the assembler program that MPLAB uses 'under the hood'.

It's probably a good idea to put the ORG statement in though, because it shows your original intention more clearly. Thanks for drawing our attention to the point.

**Mike Hibbett,**  
via email

## Loud Bangs and Memories

I believe the picture on the Editorial page of the Sept '07 issue shows the DC-DC converter module from a PCI 10Mbps network card. Wow, how that picture took me back. I've seen these go bang many times as, probably 17 years ago I used to repair network cards (they were expensive at the time).

I've had a DC-DC converter explode immediately after fitting it brand new from the manufacturer's shipping tube: the entire 'lid' of the package was removed and some rather large, sharp lumps of encapsulation embedded themselves in the plasterboard ceiling. The end result was a free tube of replacement parts from the manufacturer, and the habit now of turning away from a board when it's powered up and a healthy understanding of what parts should and probably should not be encapsulated.

I don't encapsulate anything unless it's absolutely necessary and even then only after careful consideration. Electrolytic and tantalum capacitors being my main concerns. I try to arrange for the tops of capacitors to be exposed wherever possible so that any malfunction that results in

pressure build up can be vented without causing loud bangs and flying debris.

Thanks for making me remember my age and keep up the good work with the mag. I've been reading it in all its various forms for over 20 years now and I still look forward to seeing what's in next month's issue.

**Clint Sharp,**  
via email

*Thanks Clint. Horrifying what can happen with some faults if one is not aware of the possibilities.*

## Sinclair ZX81

*Martin(?) recently emailed Alan Winstanley seeking his soldering guidance and enclosing a photo of a PCB for Alan to examine:*

I am building a Sinclair ZX81 from detailed instructions which don't seem to indicate two separate solder joints for each component. That said, the board does have tracks on both sides and what would be the point in that unless they were supposed to be soldered on both sides? Some joints seem to be soldered and some don't! It seems to be crucial to me. What do you think?

*Alan replied to Martin:*

It's an old board from an era where double-sided PCBs were more primitive – they would not want you to insert a resistor from the top, through a solder pad, if it wasn't meant to connect to the track on top, because otherwise there would be a risk of the component lead shorting the track on top (e.g. the bottom ends of some resistors should IMHO be soldered to the large copper track on top. They're almost shorting to it anyway.)

The solder through-holes are big compared with modern PCBs, and so in that case the answer is actually 'yes' – they have left so much space to make it possible for molten solder to pass through and join both sides together in a solid well of solder.

It is better still to add small amounts of solder on top just to help the process along. Just a quick dab with the iron. I have seen this form of construction many times. All the 'empty' solder pads you see are vias, connecting through to tracks on the other side of the board. If you can fix a wobbly 16k RAM pack you may be on to a winner!

**Alan Winstanley**  
via email

## Maglev Systems

Dear EPE,

I have enjoyed your magazine now for some years and find it helpful in all aspects! For some time I have had an interest in Linear Induction Power, primarily maglev systems. I have all Professor Braithwaite's notes from 1947, when British Railways were running initial tests.

The Professor's notes give details of three model versions to build. While I am happy to build a model based on his notes, my problem is lack of knowledge as regards the control structure to run a model. As an amateur model engineer, I am more conversant with live steam railways. Is there any reader who could point me in the right direction to build a test model? I do not have access to a computer.

**R.D. Mitchell,**  
Gt. Yarmouth, Suffolk.

*Anyone who can help please write to Readout.*

# Build Your Own Weather Station



- ▶ Measure Wind Speed
- ▶ Measure Wind Direction
- ▶ Measure Temperature
- ▶ Easy Build Kit
- ▶ FREE Software
- ▶ USB or RS232
- ▶ Optional Humidity Module
- ▶ Optional Pressure Module
- ▶ Optional Rainfall Gauge
- ▶ Simple 1-wire® connection
- ▶ Build and add your own devices

Weather Starter Kit	£59
RS232 Interface	£25
USB Interface	£29
Humidity Module	£39
Pressure Module	£49
Rainfall Gauge	£59

Prices exclude VAT and delivery

For more information, manuals and downloads on this and other interesting products see [www.audon.co.uk](http://www.audon.co.uk)

**audon** Electronics

[www.audon.co.uk](http://www.audon.co.uk) | +44 (0)115 925 8412 | Fax +44 (0)115 925 9757

## SHERWOOD ELECTRONICS

Buy 10 x £1 Special Packs and choose another one FREE

SP1	15 x 5mm Red LEDs	SP135	5 x Miniature slide switches
SP2	12 x 5mm Green LEDs	SP136	3 x BFY50 transistors
SP3	12 x 5mm Yellow LEDs	SP137	4 x W005 1.5A bridge rectifiers
SP5	25 x 5mm 1 part LED clips	SP138	20 x 2.2/63V radial elect. caps.
SP6	15 x 3mm Red LEDs	SP142	2 x CMOS 4017
SP7	12 x 3mm Green LEDs	SP143	5 Pairs min. crocodile clips (Red & Black)
SP9	10 x 3mm Yellow LEDs	SP144	5 Pairs min crocodile clips (assorted colours)
SP9	25 x 3mm 1 part LED clips	SP146	10 x 2N3704 transistors
SF10	100 x 1N4148 diodes	SP147	5 x Stripboard 9 strips x 25 holes
SF11	30 x 1N4001 diodes	SP151	4 x 8mm Red LEDs
SF12	30 x 1N4002 diodes	SP152	4 x 8mm Green LEDs
SF18	20 x BC182B transistors	SP153	4 x 8mm Yellow LEDs
SP20	20 x BC184B transistors	SP154	15 x BC548B transistors
SP23	20 x BC549B transistors	SP156	3 x Stripboard 14 strips x 27 holes
SP24	4 x CMOS 4001	SP160	10 x 2N3904 transistors
SP25	4 x 555 timers	SP161	10 x 2N3906 transistors
SP26	4 x 741 Op Amps	SP164	2 x C106D thyristors
SP28	4 x CMOS 4011	SP165	2 x LF351 Op Amps
SP29	4 x CMOS 4013	SP166	20 x 1N4003 diodes
S-33	4 x CMOS 4081	SP167	5 x BC107 transistors
S-34	20 x 1N914 diodes	SP168	5 x BC108 transistors
S-36	25 x 10/25V radial elect caps	SP172	4 x Standard slide switches
SP37	12 x 100/35V radial elect caps	SP173	10 x 220/25V radial elect caps
SP38	15 x 47/25V radial elect caps	SP174	20 x 22/25V radial elect caps
SP39	10 x 470/16V radial elect caps	SP175	20 x 1/63V radial elect. caps
SP40	15 x BC237 transistors	SP177	10 x 1A 20mm quick blow fuses
SP41	20 x Mixed transistors	SP178	10 x 2A 20mm quick blow fuses
EP42	200 x Mixed 0.25W C.F. resistors	SP181	5 x Phono plugs - asstd colours
EP47	5 x Min PB switches	SP182	20 x 4.7/63V radial elect. caps
EP49	4 x 5 metres stranded-core wire	SP183	20 x BC547B transistors
EP102	20 x 8-pin DIL sockets	SP186	8 x 1M horizontal trim pots
SP103	15 x 14-pin DIL sockets	SP189	4 x 5 metres solid-core wire
SP104	15 x 16-pin DIL sockets	SP192	3 x CMOS 4066
SP109	15 x BC357B transistors	SP195	3 x 10mm Yellow LEDs
SP112	4 x CMOS 4093	SP197	6 x 20-pin DIL sockets
SP115	3 x 10mm Red LEDs	SP198	5 x 24-pin DIL sockets
SP116	3 x 10mm Green LEDs	SP199	5 x 2.5mm mono jack plugs
SP118	2 x CMOS 4047	SP200	5 x 2.5mm mono jack sockets
SP124	20 x Assorted ceramic disc caps		
SP126	6 x Battery clips - 3 ea PP3 + PP9		
SP130	100 x Mixed 0.5W C.F. resistors		
SP131	2 x TL071 Op Amps		
SP133	20 x 1N4004 diodes		
SP134	15 x 1N4007 diodes		

RESISTOR PACKS - C.Film

RP3	5 each value - total 365 0.25W	£3.40
RP7	10 each value - total 730 0.25W	£4.65
RP10	1000 popular values 0.25W	£6.60
RP4	5 each value - total 305 0.5W	£4.20
RP8	10 each value - total 610 0.5W	£6.85
RP11	1000 popular values 0.5W	£8.95

2008 Catalogue available £1 inc. P&P or FREE with first order. P&P £1.75 per order. NO VAT. Cheques and Postal Orders to: **SHERWOOD ELECTRONICS, 10 NEWSTEAD STREET, MANSFIELD, NOTTS. NG19 6JJ**

# PCB-POOL®

SERVICING YOUR COMPLETE PROTOTYPE NEEDS

## 1 EUROCARD

- (160 x 100 mm)
- + Tooling
- + Photoplots
- + VAT

**€49**

Price example  
Any size and contour possible!

- Optional:**
- Soldermask
  - Fast-turnaround
  - Silkscreen
  - 4-Layer Multilayer
  - 6-Layer Multilayer

DOWNLOAD OUR FREE LAYOUT SOFTWARE!



FreePhone 0800-3898560 Tel: +353 (0)61 Fax: +353 (0)61

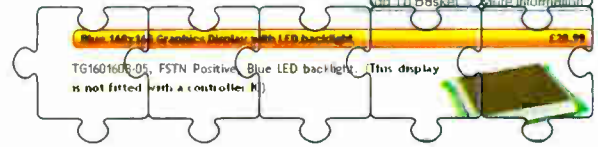
Simply send your files and order ONLINE **PCB-POOL.COM**

## componentbin.com

Our online store contains an ever expanding variety of products designed for engineers, hobbyists and students. These include:

- ARM Development Systems
- Ethernet Modules
- RF Modules
- Graphic LCD Displays (With example software!)
- Home Automation
- Power Conversion
- Components & Connectors
- And Much More!
- Educational Discounts Available

Full product support with reference software and secure online ordering to kickstart your development.



[www.componentbin.com](http://www.componentbin.com)  
+44 (0) 1354 778224



# Net Work



Alan Winstanley

## Keeping your word

One of the author's perennial grumbles is the way in which Microsoft Word has become the market's wordprocessor by default, pre-installed into many personal computer systems as part of Microsoft Office as if no alternative is available. The writer has blissful memories of typing early manuscripts for this magazine on a 1992 pre-Internet 486 PC using the wonderful Lotus Ami Pro word processor, a very elegant software package that was ultimately subsumed into IBM as Lotus Smartsuite.

The arrival of the Internet meant that new online features were integrated into successive releases of word processing packages – which is why (annoyingly) Word converts web addresses into clickable hyperlinks, and why Word offers to save documents as HTML web pages full of enough source code to make many web designers shudder.

This month's *Net Work* points the way for those looking at the thorny problem of free and paid-for Word and Office software upgrades, helping to fix any document compatibility problems along the way.

Today's upgraders face some agonising questions, the most important one being the choice of operating system. Some battle-hardened IT consultants still eschew Windows Vista in favour of XP, due to the headaches of software compatibility and the lack of hardware drivers. Some enthusiasts and experimenters may favour Linux and some will marvel at the latest Intel-based Apple Mac OS systems that can run Windows XP seamlessly using Parallels Desktop for Mac software (see [www.parallels.com](http://www.parallels.com)).

Looking at commercial word processing packages first, the writer admits to having persevered with Microsoft Word 2000 for far too long. It has become long in the tooth, offers too many options that make it counter productive, not to mention being clunky and downright annoying at times. However, it's familiar and it works. Obviously, the pressure is always on to upgrade, which brings problems of steep learning curves, as well as ensuring compatibility with legacy documents and files generated by one's peers.

This latter problem was highlighted recently when handling Word documents created with Microsoft's latest package. Word 2007 is very different from its predecessors and is the result of enormous usability research plus a focus on XML integration. There seems to be no dispute that the heavyweight Microsoft Office 2007 is the ultimate iteration of this powerful software. One problem though is that Word 2003 and earlier versions do not recognise native Word 2007 files, because Word 2007 saves files in its XML-based .docx format by default. For most readers, it is not worth upgrading just to open newer 2007 filetypes.

All is not lost though, and a search on the Internet reveals resources that help users handle this increasing problem. First, Word 2007 users should enable 'Compatibility mode' (q.v.) and export their work as the older .doc format instead of the new .docx (XML) filetype. More details of compatibility are blogged by the Microsoft Office Team at <http://tinyurl.com/3bnweu> – scroll down to click through to read Part 2.

Owners of previous versions of Word can also install the free Microsoft Office Compatibility Pack, and the place to go is <http://support.microsoft.com/kb/924074>. In difficult cases, one solution is to export files in a basic common format such as RTF (Rich Text Format), which will at least preserve the text and basic style. This is especially so when handling Microsoft Works .wps documents.

A free trial of Office 2007 is available from <http://office.microsoft.com/>. Microsoft Word 2007 costs about £160 (\$320) alone, and Office tips the scales at some £370 (\$740). Upgrade and home/student prices are available and it is absolutely essential to shop around, Googling for the best price.

## Some wordy alternatives

Looking at alternative word processing packages, the veteran Word Perfect word processor is alive and kicking as part of a modernised Corel Office X3 (ie version 13) package (see [www.corel.com](http://www.corel.com)), with home and office suites available from £50 (\$99). This may well suit readers wanting a commercially-supported product but without the industry-strength or cost of Office 2007.

Die-hard Lotus Ami Pro fans might consider IBM Lotus Smartsuite Millennium Edition 9.8 for about £190. Details are listed on [www.ibm.com](http://www.ibm.com). It includes Word Pro ('for today's Internet-centered world') though it does not claim to be Vista compatible. Lotus Smartsuite is increasingly a legacy product that still enjoys a following, but examine the datasheets very closely before committing to buy.

Sun Microsystems offers the very popular StarOffice suite, incorporating StarOffice Writer, Calc spreadsheet, Draw graphics and Impress presentations. Singapore Airlines offers StarOffice onboard for its business customers. StarOffice 8 is a fully featured suite at a remarkably low cost (£35/\$69.95) and may be just the thing for the non-demanding casual user. Linux and Solaris versions are also produced. Download a trial from [www.sun.com/staroffice](http://www.sun.com/staroffice).

If cost is an issue, then OpenOffice (or more correctly, OpenOffice.org), is an open source product founded on Sun's StarOffice that is a completely free download from <http://www.openoffice.org>. Wikipedia offers interesting background reading about its evolution at <http://tinyurl.com/uwmsx>. It is standards-compliant open source software, and claims to offer compatibility with major office suites; technical readers may also enjoy its 'Math' equation editor package. You can install OpenOffice.org on as many PCs as you wish, give it away, send it to friends and use it for any purpose, without worrying about the cost of licences.

Working with the Open Source community is very different from dealing with commercial enterprises: there is a spirit of friendliness and helpfulness, and an eagerness to share ideas and help fellow users, but without the corporate focus. Provided you can accept this unpolished community approach to using software, OpenOffice.org might be the perfect solution for many *EPE* readers who do not need the latest and greatest in office programs – and who enjoy writing equations! You can email me at: [alan@epemag.demon.co.uk](mailto:alan@epemag.demon.co.uk)



*OpenOffice.org is a completely free downloadable software suite containing a word processor, spreadsheet, graphics package and equations editor*

## Electronics Teach-In + Free CD-ROM

### Mike Tooley

A broad-based introduction to electronics – find out how circuits work and what goes on inside them. Plus 15 easy-to-build projects. The 152 page A4 book comes with a free CD-ROM containing the whole Teach-In 2006 series (originally published in EPE) in PDF form, interactive quizzes to test your knowledge, TINA circuit simulation software (a limited version – plus a specially written TINA Tutorial), together with simulations of the circuits in the Teach-In series, plus Flowcode (a limited version) a high level programming system for PIC microcontrollers based on flowcharts.



The Teach-In series covers everything from Electric Current through to Microprocessors and Microcontrollers and each part includes demonstration circuits to build on breadboards or to simulate on your PC.

In addition to the Teach-In series, the book includes 15 CMOS-based simple projects from the Back-To-Basics series by Bart Trepak, these are: Fridge/Freezer Alarm, Water Level Detector, Burglar Alarm, Scarecrow, Digital Lock, Doorchime, Electronic Dice, Kitchen Timer, Room Thermometer, Daily Reminder, Whistle Switch, Parking Radar, Telephone Switch, Noughts and Crosses Enigma and a Weather Vane. There is also a MW/LW Radio project in the Teach-In series.

152 pages + CD-ROM **Order code ETI** £8.50

## Robotics

### INTRODUCING ROBOTICS WITH LEGO MINDSTORMS Robert Penfold

Shows the reader how to build a variety of increasingly sophisticated computer controlled robots using the brilliant Lego Mindstorms Robotic Invention System (RIS). Initially covers fundamental building techniques and mechanics needed to construct strong and efficient robots using the various "click-together" components supplied in the basic RIS kit. Then explains in simple terms how the "brain" of the robot may be programmed on screen using a PC and "zapped" to the robot over an infra-red link. Also, shows how a more sophisticated Windows programming language such as Visual BASIC may be used to control the robots.

Details building and programming instructions provided, including numerous step-by-step photographs.

288 pages – large format **Order code BP901** £14.99

### MORE ADVANCED ROBOTICS WITH LEGO MINDSTORMS – Robert Penfold

**Covers the Vision Command System**

Shows the reader how to extend the capabilities of the brilliant Lego Mindstorms Robotic Invention System (RIS) by using Lego's own accessories and some simple home constructed units. You will be able to build robots that can provide you with 'waiter service' when you clap your hands, perform tricks, 'see' and avoid objects by using 'bats radar', or accurately follow a line marked on the floor. Learn to use additional types of sensors including rotation, light, temperature, sound and ultrasonic and also explore the possibilities provided by using an additional (third) motor. For the less experienced, RCX code programs accompany most of the featured robots. However, the more adventurous reader is also shown how to write programs using Microsoft's VisualBASIC running with the ActiveX control (Spirit.OCX) that is provided with the RIS kit.

Detailed building instructions are provided for the featured robots, including numerous step-by-step photographs. The designs include rover vehicles, a virtual pet, a robot arm, an 'intelligent' sweet dispenser and a colour conscious robot that will try to grab objects of a specific colour.

298 pages **Order code BP902** £14.99

### ANDROIDS, ROBOTS AND ANIMATRONS – Second Edition – John Iovine

Build your own working robot or android using both off-the-shelf and workshop constructed materials and devices. Computer control gives these robots and androids two types of artificial intelligence (an expert system and a neural network). A lifelike android hand can be built and programmed to function doing repetitive tasks. A fully animated robot or android can also be built and programmed to perform a wide variety of functions.

The contents include an Overview of State-of-the-Art Robots; Robotic Locomotion; Motors and Power Controllers; All Types of Sensors; Tilt; Bump; Road and Wall Detection; Light; Speech and Sound Recognition; Robotic Intelligence (Expert Type) Using a Single-Board Computer Programmed in BASIC; Robotic Intelligence (Neural Type) Using Simple Neural Networks (Insect Intelligence); Making a Lifelike Android Hand; A Computer-Controlled Robotic Insect Programmed in BASIC; Telepresence Robots With Actual Arcade and Virtual Reality Applications; A Computer-Controlled Robotic Arm; Animated Robots and Androids; Real-World Robotic Applications.

224 pages **Order code MGH1** £16.99

## DIRECT BOOK SERVICE

**NOTE: ALL PRICES INCLUDE UK POSTAGE**

The books listed have been selected by *Everyday Practical Electronics* editorial staff as being of special interest to everyone involved in electronics and computing. They are supplied by mail order to your door. Full ordering details are given on the last book

For a further selection of books see the next two issues of EPE.

## Radio

### BASIC RADIO PRINCIPLES AND TECHNOLOGY

Ian Poole

Radio technology is becoming increasingly important in today's high technology society. There are the traditional uses of radio which include broadcasting and point to point radio as well as the new technologies of satellites and cellular phones. All of these developments mean there is a growing need for radio engineers at all levels.

Assuming a basic knowledge of electronics, this book provides an easy to understand grounding in the topic. Chapters in the book: Radio Today, Yesterday, and Tomorrow; Radio Waves and Propagation; Capacitors, Inductors, and Filters; Modulation; Receivers; Transmitters; Antenna Systems; Broadcasting; Satellites; Personal Communications; Appendix – Basic Calculations.

263 pages **Order code NE30** £20.00

### PROJECTS FOR RADIO AMATEURS AND S.W.L.S.

R. A. Penfold

This book describes a number of electronic circuits, most of which are quite simple, which can be used to enhance the performance of most short wave radio systems.

The circuits covered include: An aerial tuning unit; A simple active aerial; An add-on b.f.o. for portable sets;

A wavetrap to combat signals on spurious responses; An audio notch filter; A parametric equaliser; C.W. and S.S.B. audio filters; Simple noise limiters; A speech processor; A volume expander.

Other useful circuits include a crystal oscillator, and RTTY/C.W. tone decoder, and a RTTY serial to parallel converter. A full range of interesting and useful circuits for short wave enthusiasts.

92 pages **Order code BP304** £4.45

### AN INTRODUCTION TO AMATEUR RADIO

I. D. Poole

Amateur radio is a unique and fascinating hobby which has attracted thousands of people since it began at the turn of the century. This book gives the newcomer a comprehensive and easy to understand guide through the subject so that the reader can gain the most from the hobby. It then remains an essential reference volume to be used time and again. Topics covered include the basic aspects of the hobby, such as operating procedures, jargon and setting up a station. Technical topics covered include propagation, receivers, transmitters and aerials etc.

150 pages **Order code BP257** £5.49

## Computers and Computing

### THE INTERNET FOR THE OLDER GENERATION

Jim Gatenby

Especially written for the over 50s. Uses only clear and easy-to-understand language. Larger type size for easy reading. Provides basic knowledge to give you confidence to join the local computer class.

This book explains how to use your PC on the Internet and covers amongst other things: Choosing and setting up your computer for the Internet. Getting connected to the Internet. Sending and receiving emails, photographs, etc., so that you can keep in touch with family and friends all over the world. Searching for and saving information on any subject. On-line shopping and home banking. Setting up your own simple web site.

228 pages **Order code BP600** £8.99

### BUILD YOUR OWN PC –

Fourth Edition

Morris Rosenthal

More and more people are building their own PCs. They get more value for their money, they create exactly the machine they want, and the work is highly satisfying and actually fun. That is, if they have a unique beginner's guide like this one, which visually demonstrates how to construct a state-of-the-art computer from start to finish.

Through 150 crisp photographs and clear but minimal text, readers will confidently absorb the concepts of computer building. The extra-big format makes it easy to see what's going on in the pictures. The author goes 'under the hood' and shows step-by-step how to create a Pentium 4 computer or an Athlon 64 or Athlon 64FX, covering: What first-time builders need to know; How to select and purchase parts; How to assemble the PC; How to install Windows XP. The few existing books on this subject, although badly outdated, are in steady demand. This one delivers the expertise and new technology that fledgling computer builders are eagerly looking for.

224 pages – large format **Order code MGH2** £16.99

### THE PIC MICROCONTROLLER YOUR PERSONAL INTRODUCTORY COURSE – THIRD EDITION John Morton

Discover the potential of the PIC microcontroller through graded projects – this book could revolutionise your electronics construction work!

A uniquely concise and practical guide to getting up and running with the PIC Microcontroller. The PIC is one of the most popular of the microcontrollers that are transforming electronic project work and product design.

Assuming no prior knowledge of microcontrollers and introducing the PICs capabilities through simple projects, this book is ideal for use in schools and colleges. It is the ideal introduction for students, teachers, technicians and electronics enthusiasts. The step-by-step explanations

make it ideal for self-study too: this is not a reference book – you start work with the PIC straight away.

The revised third edition covers the popular reprogrammable Flash PICs: 16F54/16F84 as well as the 12F508 and 12F675.

270 pages **Order code NE36** £18.50

### PROGRAMMING 16-BIT PIC MICROCONTROLLERS IN C

– Learning to Fly the PIC24 Lucio Di Jasio  
(Application Segments Manager, Microchip, USA)

A Microchip insider tells all on the newest, most powerful PICs ever! Focuses on examples and exercises that show how to solve common, real-world design problems quickly. Includes handy checklists to help readers perform the most common programming and debugging tasks. FREE CD-ROM includes source code in C, the Microchip C30 compiler, and MPLAB SIM software, so that readers gain practical, hands-on programming experience.

Until recently, PICs didn't have the speed and memory necessary for use in designs such as video- and audio-enabled devices. All that has changed with the introduction of the first-ever 16-bit PIC family, the PIC24. This new guide teaches readers everything they need to know about the architecture of these new chips, how to program them, how to test them and how to debug them. Lucio's common-sense, practical, hands-on approach starts out with basic functions and guides the reader step-by-step through even the most sophisticated programming scenarios.

Experienced PIC users and newcomers alike will benefit from the text's many thorough examples, which demonstrate how to nimbly side-step common obstacles and take full advantage of all the new features.

496 pages + CD-ROM **Order code NE45** £32.50

### NEWNES PC TROUBLESHOOTING POCKET BOOK – THIRD EDITION Howard Anderson, Mike Tooley

All the essential data for PC fault-finding and upgrading. This book provides a concise and compact reference that describes, in a clear and straightforward manner, the principles and practice of fault-finding and upgrading PCs and peripherals. The book is aimed at anyone who is involved with the installation, configuration, maintenance, upgrading, repair or support of PC systems. It also provides non-technical users with sufficient background information, charts and checklists to enable the diagnosis of faults and help to carry out simple modifications and repairs. In order to reflect rapid changes in computer technology (both hardware and software) this new edition has been completely revised.

256 pages **Order code NE41** £20.50



# Theory and Reference

## ELECTRONIC CIRCUITS – FUNDAMENTALS & APPLICATIONS

Third Edition

Mike Tooley

A comprehensive reference text and practical electronics handbook in one volume – at an affordable price! New chapter on PIC microcontrollers – the most popular chip family for use in project work by hobbyists and in colleges and universities.

New companion website: spreadsheet design tools to simplify circuit calculations; circuit models and templates to enable virtual simulation; a bank of on-line questions for lecturers to set as assignments, and on-line self-test multiple choice questions for each chapter with automatic marking, to enable students to continually monitor their progress and understanding.

The book's content is matched to the latest pre-degree level courses, making this an invaluable reference for all study levels, and its broad coverage is combined with practical case studies, based in real-world engineering contexts throughout the text.

The unique combination of a comprehensive reference text, incorporating a primary focus on practical applications, ensures this text will prove a vital guide for students and also for industry-based engineers, who are either new to the field of electronics, or who wish to refresh their knowledge.

400 pages

Order code NE43

£24.95

## BEBOP TO THE BOOLEAN BOOGIE

Second Edition

Clive (Max) Maxfield

BOOK PLUS CD-ROM

This book gives the "big picture" of digital electronics. This in-depth, highly readable, up-to-the-minute guide shows you how electronic devices work and how they're made. You'll discover how transistors operate, how printed circuit boards are fabricated, and what the innards of memory ICs look like. You'll also gain a working knowledge of Boolean Algebra and Karnaugh Maps, and understand what Reed-Muller logic is and how it's used. And there's much, MUCH more. The author's tongue-in-cheek humour makes it a delight to read, but this is a REAL technical book, extremely detailed and accurate. Comes with a free CD-ROM which contains an eBook version with full text search plus bonus chapter – An Illustrated History of Electronics and Computing.

**Contents:** Fundamental concepts; Analog versus digital; Conductors and insulators; Voltage, current, resistance, capacitance and inductance; Semiconductors; Primitive logic functions; Binary arithmetic; Boolean algebra; Karnaugh maps; State diagrams, tables and machines; Analog-to-digital and digital-to-analog; Integrated circuits (ICs); Memory ICs; Programmable ICs; Application-specific integrated circuits (ASICs); Circuit boards (PCBs and DWBs); Hybrids; Multichip modules (MCMs); Alternative and future technologies.

500 pages

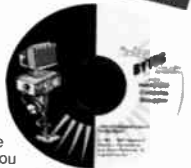
Order code BEB1

£27.50

## BEBOP BYTES BACK (and the Bebop Computer Simulator) CD-ROM

Clive (Max) Maxfield and Alvin Brown

This follow-on to *Bebop to the Boolean Boogie* is a multimedia extravaganza of information about how computers work. It picks up where "Bebop 1" left off, guiding you through the fascinating world of computer design... and you'll have a few chuckles, if not belly laughs, along the way. In addition to over 200



megabytes of mega-cool multimedia, the CD-ROM contains a virtual microcomputer, simulating the motherboard and standard computer peripherals in an extremely realistic manner. In addition to a wealth of technical information, myriad nuggets of trivia, and hundreds of carefully drawn illustrations, the CD-ROM contains a set of lab experiments for the virtual microcomputer that let you recreate the experiences of early computer pioneers. If you're the slightest bit interested in the inner workings of computers, then don't dare to miss this!

Over 800 pages in Adobe Acrobat format

CD-ROM

Order code BEB2 CD-ROM

£21.95



## GETTING THE MOST FROM YOUR MULTIMETER

R. A. Penfold

This book is primarily aimed at beginners and those of limited experience of electronics. Chapter 1 covers the basics of analogue and digital multimeters, discussing the relative merits and the limitations of the two types. In Chapter 2 various methods of component checking are described, including tests for transistors, thyristors, resistors, capacitors and diodes. Circuit testing is covered in Chapter 3, with subjects such as voltage, current and continuity checks being discussed.

In the main little or no previous knowledge or experience is assumed. Using these simple component and circuit testing techniques the reader should be able to confidently tackle servicing of most electronic projects.

96 pages

Order code BP239

£5.49

## STARTING ELECTRONICS, THIRD EDITION

KEITH BRINDLEY

A punchy practical introduction to self-build electronics. The ideal starting point for home experimenters, technicians and students who want to develop the real hands-on skills of electronics construction.

A highly practical introduction for hobbyists, students, and technicians. Keith Brindley introduces readers to the functions of the main component types, their uses, and the basic principles of building and designing electronic circuits.

Breadboard layouts make this very much a ready-to-run book for the experimenter, and the use of multimeter, but

not oscilloscopes, and readily available, inexpensive components makes the practical work achievable in a home or school setting as well as a fully equipped lab.

288 pages

Order code NE42

£11.50

## THE AMATEUR SCIENTIST

CD-ROM – VERSION 2

CD-ROM

The complete collection of The Amateur Scientist articles from *Scientific American* magazine. Over 1,000 classic science projects from a renowned source of winning projects. All projects are rated for cost, difficulty and possible hazards. Plus over 1,000 pages of helpful science techniques that never appeared in *Scientific American*.

Exciting science projects in: Astronomy; Earth Science; Biology; Physics; Chemistry; Weather... and much more!

The most complete resource ever assembled for hobbyists, and professionals looking for novel solutions to research problems. Includes extensive Science Software Library with even more science tools. Suitable for Mac, Windows, Linux or UNIX. 32MB RAM minimum, Netscape 4.0 or higher or Internet Explorer 4.0 or higher. Over 1,000 projects

CD-ROM

Order code AS1 CD-ROM

£19.95



## eBAY FOR BEGINNERS

Cherry Nixon

There are two kinds of people, those who are trading on eBay and the rest who are missing out. Though eBay has been embraced by entrepreneurs all over the world, it remains the peoples' site and offers the largest market for the smallest fee.

eBay presents an opportunity for everyone, the trick is to master it. This book shows you how to start trading on eBay UK. It also offers advice on getting organised and tips to put you ahead.

The book has been developed from Cherry's popular hands-on course "Buying and Selling on eBay for Technological Simpletons". In addition to fully explaining eBay and how to trade on it there are sections on Paypal, producing pictures of your sale items, fees and accounts, safety and security, including what to do when things go wrong and what protection is provided.

178 pages

Order code BP551

£8.99



# Music, Audio and Video

## MAKING MUSIC WITH YOUR COMPUTER

Stephen Bennett

Nearly everyone with musical aspirations also has a computer. This same computer can double as a high quality recording studio capable of producing professional recordings. This book tells you what software and hardware you will need to get the best results.

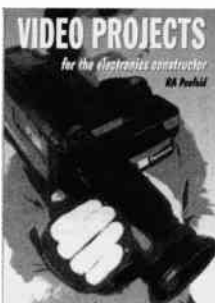
You'll learn about recording techniques, software and effects, mixing, mastering and CD production.

Suitable for PC and Mac users, the book is full of tips, "how to do" topics and illustrations. It's the perfect answer to the question "How do I use my computer to produce my own CD?"

92 pages

Order code PC120

£10.95



## QUICK GUIDE TO MP3 AND DIGITAL MUSIC

Ian Waugh

MP3 files, the latest digital music format, have taken the music industry by storm. What are they? Where do you get them? How do you use them? Why have they thrown record companies into a panic? Will they make music easier to buy? And cheaper? Is this the future of music?

All these questions and more are answered in this concise and practical book which explains everything you need to know about MP3s in a simple and easy-to-understand manner. It explains:

How to play MP3s on your computer; How to use MP3s with handheld MP3 players; Where to find MP3s on the Web; How MP3s work; How to tune into Internet radio stations; How to create your own MP3s; How to record your own CDs from MP3 files; Other digital audio music formats.

Whether you want to stay bang up to date with the latest music or create your own MP3s and join the on-line digital music revolution, this book will show you how.

60 pages

Order code PC119

£7.45

## VIDEO PROJECTS FOR THE ELECTRONICS CONSTRUCTOR

R. A. Penfold

Written by highly respected author R. A. Penfold, this book contains a collection of electronic projects specially designed for video enthusiasts. All the projects can be simply constructed, and most are suitable for the newcomer to project construction, as they are assembled on stripboard.

There are faders, wipers and effects units which will add sparkle and originality to your video recordings, an

audio mixer and noise reducer to enhance your soundtracks and a basic computer control interface. Also, there's a useful selection on basic video production techniques to get you started.

Complete with explanations of how the circuit works, shopping lists of components, advice on construction, and guidance on setting up and using the projects, this invaluable book will save you a small fortune.

Circuits include: video enhancer, improved video enhancer, video fader, horizontal wiper, improved video wiper, negative video unit, fade to grey unit, black and white keyer, vertical wiper, audio mixer, stereo headphone amplifier, dynamic noise reducer, automatic fader, push-button fader, computer control interface, 12 volt mains power supply.

124 pages

Order code PC115

£10.95 £5.45

**ALL PRICES INCLUDE UK POST & PACKING FOR A FURTHER SELECTION OF BOOKS SEE THE NEXT TWO ISSUES**

# Data and Design

## PRACTICAL ELECTRONIC FILTERS

Owen Bishop

This book deals with the subject in a non-mathematical way. It reviews the main types of filter, explaining in simple terms how each type works and how it is used.

The book also presents a dozen filter-based projects with applications in and around the home or in the constructor's workshop. These include a number of audio projects such as a rhythm sequencer and a multi-voiced electronic organ.

Concluding the book is a practical step-by-step guide to designing simple filters for a wide range of purposes, with circuit diagrams and worked examples.

88 pages

Order code BP299

£5.49

## DIGITAL LOGIC GATES AND FLIP-FLOPS

Ian R. Sinclair

This book, intended for enthusiasts, students and technicians, seeks to establish a firm foundation in digital electronics by treating the topics of gates and flip-flops thoroughly and from the beginning.

Topics such as Boolean algebra and Karnaugh mapping are explained, demonstrated and used extensively, and more attention is paid to the subject of synchronous counters than to the simple but less important ripple counters. No background other than a basic knowledge of electronics is assumed, and the more theoretical topics are explained from the beginning, as also are many working practices. The book concludes with an explanation of microprocessor techniques as applied to digital logic.

200 pages

Order code PC106

£9.59



## A BEGINNER'S GUIDE TO TTL DIGITAL ICs

R. A. Penfold

This book first covers the basics of simple logic circuits in general, and then progresses to specific TTL logic integrated circuits. The devices covered include gates, oscillators, timers, flip/flops, dividers, and decoder circuits. Some practical circuits are used to illustrate the use of TTL devices in the "real world".

142 pages

Order code BP332

£5.45

## MICROCONTROLLER COOKBOOK

Mike James

The practical solutions to real problems shown in this cookbook provide the basis to make PIC and 8051 devices really work. Capabilities of the variants are examined, and ways to enhance these are shown. A survey of common interface devices, and a description of programming models, lead on to a section on development techniques. The cookbook offers an introduction that will allow any user, novice or experienced, to make the most of micro-controllers.

240 pages

Order code NE26

£23.50

## RADIO BYGONES

We also carry a selection of books aimed at readers of *EPE's* sister magazine on vintage radio *Radio Bygones*. These books include Jonathan Hill's excellent *Radio Radio*, a comprehensive book with hundreds of photos depicting the development of the British wireless set up to the late 1960s.

The four volumes of our own *Wireless For the Warrior* by Louis Meulstee are also available. These are a technical history of radio communication equipment in the British Army and clandestine equipment from pre-war through to the 1960s.

For details see the shop on our UK web site at [www.epemag.co.uk](http://www.epemag.co.uk) or contact us for a list of *Radio Bygones* books.

# Project Building & Testing

## ELECTRONIC PROJECT BUILDING FOR BEGINNERS

R. A. Penfold

This book is for complete beginners to electronic project building. It provides a complete introduction to the practical side of this fascinating hobby, including the following topics:

Component identification, and buying the right parts; resistor colour codes, capacitor value markings, etc; advice on buying the right tools for the job; soldering; making easy work of the hard wiring; construction methods, including stripboard, custom printed circuit boards, plain matrix boards, surface mount boards and wire-wrapping; finishing off, and adding panel labels; getting "problem" projects to work, including simple methods of fault-finding.

In fact everything you need to know in order to get started in this absorbing and creative hobby.

135 pages

Order code BP392

£5.49

## ELECTRONIC PROJECTS FOR EXPERIMENTERS

R. A. Penfold

Many electronic hobbyists who have been pursuing their hobby for a number of years seem to suffer from the dreaded "seen it all before" syndrome. This book is fairly and squarely aimed at sufferers of this complaint, plus any other electronics enthusiasts who yearn to try something a bit different. No doubt many of the projects featured here have practical applications, but they are all worth a try for their interest value alone.

The subjects covered include:- Magnetic field detector, Basic Hall effect compass, Hall effect audio isolator, Voice scrambler/descrambler, Bat detector, Bat style echo location, Noise cancelling, LED stroboscope, Infra-red "torch", Electronic breeze detector, Class D power amplifier, Strain gauge amplifier, Super hearing aid.

138 pages

Order code BP371

£5.45

## PRACTICAL FIBRE-OPTIC PROJECTS

R. A. Penfold

While fibre-optic cables may have potential advantages over ordinary electric cables, for the electronics

enthusiast it is probably their novelty value that makes them worthy of exploration. Fibre-optic cables provide an innovative interesting alternative to electric cables, but in most cases they also represent a practical approach to the problem. This book provides a number of tried and tested circuits for projects that utilize fibre-optic cables.

The projects include:- Simple audio links, F.M. audio link, P.W.M. audio links, Simple d.c. links, P.W.M. d.c. link, P.W.M. motor speed control, RS232C data links, MIDI link, Loop alarms, R.P.M. meter.

All the components used in these designs are readily available, none of them require the constructor to take out a second mortgage.

132 pages

Order code BP374

£5.45

## DISCOVERING PICS

W.D. Phillips

A good introduction to PIC programming, covering everything you need to know to get you started. No previous knowledge of microcontrollers is required, but some previous experience with electronic circuits is assumed. Covers the basic concept of a microcontroller, fundamentals of a PIC-based circuit and using the MPLAB program. Further chapters introduce binary, PIC architecture, the instruction set, the PIC memory map and special registers plus real world programming. Four simple projects are also fully described: a Wavy Wand, an Electronic Dice, a Games Timer and a Pulse Monitor.

The associated CDROM contains the book in PDF format, MPLAB (plus instruction manuals in PDF format) and all the programs covered in the book as assembler (ASM) files. Those that wish to programme their own PICs will require a PIC programmer.

In addition a p.c.b. based hardware kit is also available that makes up into the Wavy Wand which will spell out a short message via a line of I.e.d.s when waved through the air.

190 pages, A4 spiral bound

Book + CDROM Order code DOC1

£22.00

Book + CDROM + Hardware Order code DOC2

£28.50

## BOOK ORDERING DETAILS

All prices include UK postage. For postage to Europe (air) and the rest of the world (surface) please add £2 per book. For the rest of the world airmail add £3 per book. CD-ROM prices include VAT and/or postage to anywhere in the world. Send a PO, cheque, international money order (£ sterling only) made payable to Direct Book Service or card details, Visa, Mastercard, Amex, Diners Club or Maestro to:

DIRECT BOOK SERVICE, WIMBORNE PUBLISHING LTD.,  
SEQUOIA HOUSE, 398A RINGWOOD ROAD, FERNDOWN, DORSET BH22 9AU.

Orders are normally sent out within seven days of receipt, but please allow 28 days for delivery - more for overseas orders. Please check price and availability (see latest issue of *Everyday Practical Electronics*) before ordering from old lists.

For a further selection of books and CD-ROMs see the next two issues of *EPE*.

Tel 01202 873872 Fax 01202 874562. Email: [dbs@epemag.wimborne.co.uk](mailto:dbs@epemag.wimborne.co.uk)

Order from our online shop at: [www.epemag.co.uk/shopdoor.htm](http://www.epemag.co.uk/shopdoor.htm)

## BOOK/CD-ROM ORDER FORM

Full name: .....

Address: .....

.....

.....

..... Post code: ..... Telephone No: .....

Signature: .....

I enclose cheque/PO payable to DIRECT BOOK SERVICE for £ .....

Please charge my card £ ..... Card expiry date.....

Card Number ..... Maestro Issue No.....

Card Security Code ..... (The last 3 digits on or just below the signature strip)

Please send book/CD-ROM order codes: .....

.....

Please continue on separate sheet of paper if necessary  
If you do not wish to cut your magazine, send a letter or copy of this form



# PCB SERVICE

Printed circuit boards for most recent *EPE* constructional projects are available from the PCB Service, see list. These are fabricated in glass fibre, and are fully drilled and roller tinned. Double-sided boards are NOT plated through hole and will require 'vias' and some components soldering both sides. All prices include VAT and postage and packing. Add £1 per board for *airmail* outside of Europe. Remittances should be sent to **The PCB Service, Everyday Practical Electronics, Wimborne Publishing Ltd., Sequoia House, 398a Ringwood Road, Ferndown, Dorset BH22 9AU. Tel: 01202 873872; Fax 01202 874562; Email: orders@epemag.wimborne.co.uk. On-line Shop: www.epemag.wimborne.co.uk/shopdoor.htm.** Cheques should be crossed and made payable to *Everyday Practical Electronics* (Payment in £ sterling only). **NOTE: While 95% of our boards are held in stock and are dispatched within seven days of receipt of order, please allow a maximum of 28 days for delivery – overseas readers allow extra if ordered by surface mail.** Back numbers or photocopies of articles are available if required – see the *Back Issues* page for details. We do not supply kits or components for our projects.

**Please check price and availability in the latest issue. A large number of older boards are listed on, and can be ordered from, our website.**

Boards can only be supplied on a payment with order basis.

PROJECT TITLE	Order Code	Cost
'Smart' Slave Flash	APR '06 560	£6.18
Programmable Continuity Tester	561	£5.87
PortaPAL		
– Microphone Board	562	£6.18
– Auxiliary Board	563	£5.87
– Main Board	564	£8.56
– Charger Board	565	£6.66
Omni Pendulum	566	£6.34
Smart Card Reader/Programmer	MAY '06 567	£7.61
LED Lighting For Your Car (set of 15 boards)	568	£14.75
Digital Reaction Timer	569	£7.13
Poor Man's Metal Locator	JUN '06 570	£5.71
★ Digital Instrument Display for Cars		
– Micro Board	571	} pair £7.77
– Display Board	572	
Widgy Box	573	£7.29
Phone Ring & Test	574	£6.82
★ Sudoku Unit	JUL '06 575	£6.66
PC Power Monitor	576	£6.50
Home Theatre Sound Level Checker	AUG '06 577	£6.66
Adjustable DC-DC Converter For Cars	578	£6.50
★ Telephone Dialler For Buglar Alarms	579	£6.97
★ High Intensity Torch	580	£5.39
★ Low Cost 50MHz Frequency Meter	SEP '06	
Version 1	581	£6.66
Version 2	582	£6.66
Version 3	583	£6.66
Smart Mixture Display for your Car	584	£6.50
Water Level Gauge – Sensor	585	} pair £6.98
– Display	586	
Fridge Door-Open Alarm	OCT '06 587	£5.71
Linear Supply For 1W Star LEDs (Pair)	588a & b	£6.50
Through-Glass Alarm	589	£7.61
Quick Brake	NOV '06 590	£6.50
Studio 350 Power Amplifier	591	£9.51
Micropower Battery Protector	592	£5.71
★ Giant LED Message Display – Master	594	£5.55
– Slave	595	£6.50
Lapel Microphone Adaptor	DEC '06 593	£6.18
RGB To Component Video Converter (double sided)	596	£12.69
USB Power Injector	597	£5.87
★ Mind Trainer	598	£6.50
Balanced Microphone Preamp	JAN '07 599	£6.82
High-Efficiency Power Supply for 1W Star LEDs	600	£6.19
Jumping Spider	601	£5.71
★ Programmable Robot	FEB '07 602	£6.50
Courtesy Light Delay	603	£5.87
★ Deep Cycle Battery Charger		
Power Board	604	} set £11.10
Control Board	605	
Display Board	606	
★ PIC Digital Geiger Counter (double sided)	607	£12.53
IR Remote Checker	MAR '07 608	£6.35
★ SMS Controller	609	£7.93
★ Lap Counter For Swimming Pools	610	£7.14
★ PIC Polyphonium – Main Board	611	£8.25
PIC Polyphonium – LED Display Interface	APR '07 612	£7.13
Students' Amp – Amplifier	613	£6.02
– PSU	614	£6.02
Star Power	615	£6.50

PROJECT TITLE	Order Code	Cost
Bass Extender	MAY '07 618	£5.87
Caravan Lights Check	619	£6.18
★ Energy Meter – Main Board	JUN '07 616	} pair £9.83
– Display Board	617	
3V to 9V Converter (PCB plus TL499A IC)	620 + chip	£7.53
Bat Sonar	621	£6.03
MiniCal 5V Meter Calibration Standard	JUL '07 622	£6.82
Lead-Acid Battery Zapper	623	£6.50
Video Reading Aid	624	£6.50
Digi-Flash Slave	625	£5.55
TwinTen Stereo Amplifier	AUG '07 626	£9.83
Printer Port Hardware Simulator	627	£6.66
★ RFID Security Module	628	£6.02
★ V2 PC Scope – Control Board	629	£7.13
Analogue Board	630	£6.50
★ Flexitimer – Main Board	SEPT '07 631	£7.29
– Display Board 1	632	£7.29
– Display Board 2	633	£7.29
– Display Board 3	634	£7.29
Pocket Tens Unit	635	£6.35
★ Simple Seismograph	OCT '07 636	£6.66
★ V8 Doorbell		
– Main Board	637	} pair £11.42
– Display Board	638	
★ Standby Power Saver		
– Transmitter	639	£6.34
– Receiver	640	} pair £6.97
– PSU	641	
Vehicle Voltage Monitor	NOV '07 642	£6.34
★ USB Electrocardiograph	643	£7.61
★ Inductance & Q-Factor Meter	644	£7.93
Experimenter's Audio System – Main Board	645	} pair £7.61
– PSU	646	
★ Teach-In '08 – Master Control Board	647	£7.93
iPod or MP3 Player Charger	DEC '07 648	£5.87
AVR ISP Socketboard	649	£7.61
★ PIC Speech Synthesiser – Playback	650	£6.03
– Record	651	£6.66

## EPE SOFTWARE

★ All software programs for *EPE* Projects marked with an asterisk, and others previously published, can be downloaded *free* from our Downloads site, accessible via our home page at: [www.epemag.co.uk](http://www.epemag.co.uk).

## PCB MASTERS

PCB masters for boards published from the March '06 issue onwards can also be downloaded from our UK website ([www.epemag.co.uk](http://www.epemag.co.uk)); go to the 'Downloads' section.

## EPE PRINTED CIRCUIT BOARD SERVICE

Order Code Project Quantity Price

Name .....

Address .....

Tel. No. ....

I enclose payment of £..... (cheque/PO in £ sterling only) to:



**Everyday Practical Electronics**

MasterCard, Amex, Diners Club, Visa or Switch/Maestro



Card No .....

Valid From ..... Expiry Date .....

Card Security Code ..... Maestro Issue No .....  
(The last 3 digits on or just under the signature strip)

Signature .....

**NOTE:** You can also order p.c.b.s by phone, Fax, Email or via the shop on our website on a secure server:

<http://www.epemag.co.uk>

### CONSTRUCTIONAL PROJECTS

1W STAR LEDs POWER SUPPLY	Jan 38	MAN'S Q METER, POOR	Jun 38
3V TO 9V CONVERTER by Peter Smith	Jun 12	METER CALIBRATION STANDARD, MINICAL 5V	Jul 52
5V METER CALIBRATION STANDARD, MINICAL	Jul 52	METER INDUCTANCE & Q-FACTOR	Oct 28, Nov 70
12V BATTERIES, CHARGER FOR DEEP-CYCLE	Jan 52, Feb 58	METER, ENERGY	May 12, Jun 52
12V BATTERIES, DEEP-CYCLE CHARGER FOR	Jan 52, Feb 58	METER, POOR MAN'S Q	Jun 38
20W, STUDENTS' AMP	Apr 10	MICROPHONE PREAMP, BALANCED	Jan 10
		MIDI DRUM KIT by John Clarke	Dec 12
AID, VIDEO READING	Jul 24	MINICAL 5V METER CALIBRATION STANDARD by Barry Hubble	Jul 52
AMP 20W, STUDENTS'	Apr 10	MODULE, RFID SECURITY	Aug 22
AMPLIFIER, TWINTEN STEREO	Aug 48	MONITOR, VEHICLE MULTI-VOLTAGE	Nov 12
AUDIO SYSTEM, EXPERIMENTER'S	Nov 58	MP3/iPOD CHARGER	Dec 52
AVR ISP SOCKETBOARD by Peter Smith	Dec 64	MULTI-VOLTAGE MONITOR, VEHICLE	Nov 12
BALANCED MICROPHONE PREAMP by John Clarke	Jan 10	PAIN RELIEF, POCKET TENS	Sep 12
BASS EXTENDER by Rick Waiters	May 42	PC SCOPE, V2	Aug 12, Sep 64
BAT SONAR by Thomas Scarborough	Jun 24	PIC DIGITAL GEIGER COUNTER	
BATTERIES, CHARGER FOR DEEP-CYCLE 12V	Jan 52, Feb 58	by Robert Lane and Steve Thompson	Feb 11
BATTERY ZAPPER, LEAD-ACID	Jul 12	PIC POLYPHONIUM by John Becker	Mar 26, Apr 38
BREAKOUT BOX, USB	Sep 56	PIC SPEECH SYNTHESISER by John Becker	Dec 36
BUILD YOUR OWN SEISMOGRAPH by Dave Dobeson	Oct 62	POCKET TENS by John Clarke	Sep 12
		POLYPHONIUM, PIC	Mar 26, Apr 38
CALIBRATION STANDARD, MINICAL 5V METER	Jul 52	POOLS, LAP COUNTER FOR SWIMMING	Mar 60
CAMERA FLASH SLAVE, DIGITAL	Jul 63	POOR MAN'S Q METER by Maurie Findlay	Jun 38
CARAVAN LIGHTS CHECK by Terry de Vaux-Balbirnie	May 28	PORT HARDWARE SIMULATOR, PRINTER	Aug 66
CAR MULTI-VOLTAGE MONITOR	Nov 12	POWER SAVER, STANDBY	Oct 52
CHARGER FOR DEEP-CYCLE 12V BATTERIES by John Clarke	Jan 52, Feb 58	POWER, STAR (Luxeon Star LED)	Apr 22
CHARGER, iPOD/MP3	Dec 52	POWER SUPPLY, 1W LUXEON STAR LEDs	Jan 38
CHECK, CARAVAN LIGHTS	May 28	PREAMP, BALANCED MICROPHONE	Jan 10
CHECKER, IR REMOTE	Mar 44	PRINTER PORT HARDWARE SIMULATOR by Jim Rowe	Aug 66
CONTROLLER, SMS	Mar 10, Apr 50, May 56	PROGRAMMABLE DIGITAL TIMER, FLEXITIMER	Sep 28
CONVERTER, 3V TO 9V	Jun 12	PROGRAMMABLE ROBOT by Thomas Scarborough	Feb 44
COUNTER FOR SWIMMING POOLS. LAP	Mar 60		
COUNTER, LAP FOR SWIMMING POOLS	Mar 60		
COUNTER, PIC DIGITAL GEIGER	Feb 11	Q METER, POOR MAN'S	Jun 38
COURTESY LIGHT DELAY by John Clarke	Feb 26	Q-FACTOR METER, INDUCTANCE &	Oct 28, Nov 70
DC-DC CONVERTER	Jul 12	RADIO EXPERIMENTERS AUDIO/PSU SYSTEM	Nov 58
DEEP-CYCLE 12V BATTERIES, CHARGER FOR	Jan 52, Feb 58	READING AID, VIDEO	Jul 24
DELAY, COURTESY LIGHT	Feb 26	REMOTE CHECKER, IR	Mar 44
DIGI-FLASH SLAVE by Terry de Vaux-Balbirnie	Jul 63	RFID SECURITY MODULE by Peter Smith	Aug 22
DIGITAL CAMERA FLASH SLAVE	Jul 63	ROBOT, PROGRAMMABLE	Feb 44
DIGITAL GEIGER COUNTER, PIC	Feb 11		
DIGITAL TIMER, FLEXITIMER	Sep 28	SAVER, STANDBY POWER	Oct 52
DOORBELL V8	Oct 12	SCOPE, V2 PC	Aug 12, Sep 64
DRUM KIT, MIDI	Dec 12	SECURITY MODULE, RFID	Aug 22
		SEISMOGRAPH, BUILD YOUR OWN	Oct 62
ELECTROCARDIOGRAPH, USB	Nov 34	SIMULATOR, PRINTER PORT HARDWARE	Aug 66
ENERGY METER by John Clarke	May 12, Jun 52	SLAVE, DIGI-FLASH	Jul 63
EXPERIMENTER'S AUDIO SYSTEM by Stef Niewiadomski	Nov 58	SMS CONTROLLER by Peter Smith	Mar 10, Apr 50, May 56
EXTENDER, BASS	May 42	SOCKETBOARD, AVR ISP	Dec 64
		SONAR, BAT	Jun 24
FLASH SLAVE, DIGI-	Jul 63	SPEECH SYNTHESISER, PIC	Dec 36
FLEXITIMER by Jim Rowe	Sep 28	SPIDER, JUMPING	Jan 22
		STANDARD, MINICAL 5V METER CALIBRATION	Jul 52
GEIGER COUNTER, PIC DIGITAL	Feb 11	STANDBY POWER SAVER by John Becker	Oct 52
		STAR LED POWER SUPPLY (STARPOWER), LUXEON	Apr 22
HARDWARE SIMULATOR, PRINTER PORT	Aug 66	STAR LEDs, HIGH EFFICIENCY POWER SUPPLY FOR 1W LUXEON	Jan 38
HIGH EFFICIENCY POWER SUPPLY FOR 1W LUXEON		STAR POWER (LUXEON STAR LED) by Peter Smith	Apr 22
STAR LEDs by Peter Smith	Jan 38	STEREO AMPLIFIER, TWINTEN	Aug 48
		STUDENTS' AMP (20W) by Peter Smith	Apr 10
iPOD/MP3 CHARGER by John Clarke	Dec 52	SWIMMING POOLS, LAP COUNTER FOR	Mar 60
INDUCTANCE & Q-FACTOR METER by Leonid Lerner	Oct 28, Nov 70	SWITCH-MODE POWER SUPPLY FOR LUXEON LEDs	Apr 22
IR REMOTE CHECKER by Jim Rowe	Mar 44	SYNTHESISER, PIC SPEECH	Dec 36
ISP SOCKETBOARD, AVR	Dec 64	SYSTEM, EXPERIMENTER'S AUDIO	Nov 58
JUMPING SPIDER by Thomas Scarborough	Jan 22	TENS, POCKET	Sep 12
		TIMER, FLEXI	Sep 28
KIT, MIDI DRUM	Dec 12	TWINTEN STEREO AMPLIFIER by Jim Rowe and Peter Smith	Aug 48
LAP COUNTER FOR SWIMMING POOLS by Rick Waiters	Mar 60	USB BREAKOUT BOX by Stan Swan	Sep 56
LEAD-ACID BATTERY ZAPPER by Jim Rowe	Jul 12	USB ELECTROCARDIOGRAPH by Jim Rowe	Nov 34
LED POWER SUPPLY, LUXEON STAR	Apr 22		
LEDs, HIGH EFFICIENCY POWER SUPPLY FOR 1W LUXEON STAR	Jan 38	V2 PC SCOPE by John Becker	Aug 12, Sep 64
LIGHT DELAY, COURTESY	Feb 26	V8 DOORBELL by John Clarke	Oct 12
LIGHTS CHECK, CARAVAN	May 28	VEHICLE MULTI-VOLTAGE MONITOR by John Clarke	Nov 12
LOUDSPEAKER BASS EXTENDER	May 42	VIDEO READING AID by JIM Rowe	Jul 24
LUXEON STAR LED POWER SUPPLY (STARPOWER)	Apr 22	ZAPPER, LEAD-ACID BATTERY	Jul 12
LUXEON STAR LEDs, HIGH EFFICIENCY POWER SUPPLY FOR 1W	Jan 38		



## SPECIAL SERIES

<b>C FOR PICs by Mike Hibbett</b>			<b>POWER OF MECHATRONICS by Darren Wenn (Unless marked)</b>	
Part 3 Cross-compiling a C program	Jan 28		Introduction	May 59
Part 4 A practical implementation of using C for USB control of LCDs	Feb 34		Part 1: Mechatronics Design	Jun 30
<b>CIRCUIT SURGERY By Ian Bell</b>			Part 2: Controlling Motors	Jul 44
A Brief Guide To Counters	Mar 54		Part 3: Stepping Up a Gear	Aug 42
Active current measurement	Apr 55		Part 4: Adding Speech To Your Application	Sep 48
Inductor size and SPICE simulation	Nov 31		Part 5: A New Dimension by Ian Pearson	Oct 36
Line Level - What it is	Feb 56		Part 6: A simple approach to RF networking by Colin Greaves	Nov 54
Linear Voltage Regulators and Capacitors - Part 1	Jul 42		<b>PIC N' MIX by Mike Hibbett (unless marked)</b>	
Linear Voltage Regulators and Capacitors - Part 2	Aug 38		All about PIC special features	Jul 20
Linear Voltage Regulators and Capacitors - Part 3	Sep 44		Displaying Menus	Dec 44
More on SPICE simulation	Dec 32		Implementing a software PLL for serious users of PICs	
Regulator stability and switch bounce	Oct 46		by Keith Anderson	Jan 20, Feb 24
Step-up Converters Using Transformers	Jun 36		More on 1-wire protocol	Oct 24
Understanding power MOSFETs	Jan 46		PIC Timers	Mar 22
Using a 4046 phase-locked loop IC	May 55		PICs and ADCs	May 24
<b>INGENUITY UNLIMITED</b>			PICs and USARTs	Apr 18
2-wire LEDs Driver	Mar 52		Reviewing Microchip's PICkit2	Jun 20
10V to 15V Battery Voltmeter	Jul 59		Single-wire communication protocol interface for PICs	Sep 24
Alternative LED Flasher	Feb 54		Starting a new PIC project - some guidance	Aug 20
Atmospheric Change Monitor	Aug 70		Using Flowcharts	Nov 46
Automatic PSU Control	Dec 00		<b>PLEASE TAKE NOTE</b>	
Competition Winners	Feb 54		Caravan Lights Check	Jun 37
Courtesy Light Delay	May 53		Low-Cost 50MHz Frequency Meter	May 49
Ding-Dong Doorbell	Jun 49		PC Scope	Oct 26, Nov 17
Measuring Colour Temperature	Sep 68		PIC Digital Geiger Counter	Mar 49, May 49
Micropower Call Monitor	Jul 58		PIC N' MIX (Dec'06)	Jan 21
Mobile Phone Switch	Jun 48		<b>PRACTICALLY SPEAKING by Robert Penfold</b>	
Monitoring PSU output current and voltage	Oct 27		Diode identification	Sep 60
Pico Prize Winners	May 52		Front panel labels	May 48
Short-Range Radio Control	Jan 50		Hard wiring	Mar 38
Switched-Capacitor Sinewave Generator	Mar 53		Mounting circuit boards	Jan 26
Ultra-Regulated LED	May 52		Semiconductor identification	Jul 48
Wind Speed Monitor	Apr 58		Static charge vulnerability	Nov 66
<b>INTERFACE by Robert Penfold</b>			<b>TEACH-IN 2008 - Using PIC Microcontrollers by John Becker</b>	
Are your software programs Vista compatible?	Apr 30		Part 1: Introduction	Nov 20
Improved Visual BASIC controls	Feb 32		Part 2: Programme Basic Commands plus Simple LED control	Dec 26
More On Windows Vista Compatibility	Jun 46		<b>USING MPLAB by Mike Hibbett</b>	
Problems of Setting Parallel Port Outputs to Inputs	Aug 60		Part 1: An introduction to MPLAB	Jun 42
Setting Parallel Port Outputs to Inputs	Oct 60		Part 2: Initial Stages of Program Writing	Jul 34
Visual BASIC 6 - Is it time to move on?	Dec 62		Part 3: Debugging	Aug 30
			Part 4: Relocatable Development	Sep 38

## REGULAR FEATURES

<b>EDITORIAL</b>	Monthly	<b>TECHNO TALK by Mark Nelson</b>	
<b>NET WORK - THE INTERNET PAGE</b> surfed by Alan Winstanley		Automotive electronics looks set to change gear	Apr 16
A Fistful of Dollars	Jun 66	Every Little Helps?	Jul 10
A failing memory; Biometric memory gets a thumbs up	Apr 64	Keeping The Lights On	Oct 10
Anti-virus trials and tribulations	Nov 82	Leaner and greener	May 10
At Your Service	Sep 73	Lucky Strike?	Jan 17
Better Browsing	Jan 62	Mother Knows Best	Dec 10
Blog your log today; Impressive Service	Jul 74	Sea Change In Electronics	Jun 10
Failing memories; Remote backups; Price of restoration	May 64	Soldering Schadenfreude	Feb 10
First steps in broadband	Oct 76	Two Birds With One Stone	Aug 10
Internet Explorer 7	Mar 69	Two Cheers For Eco-Lamps	Sep 10
Keeping your word	Dec 72	Watery Wireless	Mar 20
More Internet Explorer tips; Don't print it - PDF it!		Witricity	Nov 10
How to shop online smoothly	Feb 73		
Virtually there; Street wise	Aug 74		
<b>NEWS plus reports by Barry Fox</b>	Monthly	<b>GENERAL FEATURES</b>	
<b>READOUT</b> addressed by John Becker	Monthly	<b>BANNING THE BULB by Dave Geary</b>	Oct 40
		<b>E-BLOCKS AND FLOWCODE 3 (Review) by Robert Penfold</b>	Aug 62
		<b>IFA ELECTRONICS SHOW BERLIN by Barry Fox</b>	Nov 28
		<b>VISUAL C TRAINING COURSE (Review) by Robert Penfold</b>	Apr 46
		<b>PROTECTING YOUR DESIGNS AND COPYRIGHT by Sara Ludlam</b>	Dec 58

## SPECIAL OFFERS AND SERVICES

<b>ADVERTISERS INDEX</b>	Monthly	<b>FREE - Cover-mounted Mechatronics CD-ROM</b>	June
<b>BACK ISSUES</b> Feb 52, Mar 50, May 50, Jun 62, Jul 60, Aug 46, Sep 54, Nov 76		<b>FREE ENTRY COMPETITION</b>	
<b>CD-ROMS FOR ELECTRONICS</b>	Monthly	Win a Microchip PICDEM MC development board for motor control	Dec 51
<b>DIRECT BOOK SERVICE</b>	Monthly (except Oct)	<b>FREE ENTRY COMPETITION</b>	
<b>ELECTRONIC MANUALS</b> Feb 70, Mar 58, May 58, Jul 62, Sep 62, Nov 81		Win a Microchip PICkit 2 Debug Express Kit!	Apr 29
<b>ELECTRONICS TEACH-IN CD-ROM</b>	Jul 71	<b>PIC PROJECTS CD-ROM</b>	Feb 77, Jul 51, Sep 72, Nov 78
<b>EPE PCB SERVICE</b>	Monthly	<b>PIC RESOURCES CD-ROM</b>	Feb 21, Mar 68, May 54, Jun 45, Jul 56, Sep 74, Nov 69



**CLASSIFIED ADVERTISEMENTS**

# EPE EVERYDAY PRACTICAL ELECTRONICS

Everyday Practical Electronics reaches more UK readers than any other UK monthly hobby electronics magazine, our sales figures prove it. We have been the leading monthly magazine in this market for the last twenty-two years.

If you want your advertisements to be seen by the largest readership at the most economical price our classified and semi-display pages offer the best value. The prepaid rate for semi-display space is £10 (+VAT) per single column centimetre (minimum 2.5cm). The prepaid rate for classified adverts is 40p (+VAT) per word (minimum 12 words).

All cheques, postal orders, etc., to be made payable to Everyday Practical Electronics. **VAT must be added.** Advertisements, together with remittance, should be sent to Everyday Practical Electronics Advertisements, Sequoia House, 398a Ringwood Road, Ferndown, Dorset BH22 9AU. Phone: 01202 873872. Fax: 01202 874562. Email: [epeds@wimborne.co.uk](mailto:epeds@wimborne.co.uk). For rates and information on display and classified advertising please contact our Advertisement Manager, Stewart Kearn as above.

**Mechatronics-online.co.uk**  
 Suppliers of Mechanical and Electronic Components & Kits  
 To the Hobbyist, Student, and Professional  
[Technical@mechatronics-online.co.uk](mailto:Technical@mechatronics-online.co.uk)  
[Sales@mechatronics-online.co.uk](mailto:Sales@mechatronics-online.co.uk)  
 Tel 01442 247840  
 Visit our website  
[www.Mechatronics-online.co.uk](http://www.Mechatronics-online.co.uk)

**GPS video overlay unit**  
  
 Display GPS data as text over the signal from any composite video camera.  
**WWW.STV5730A.CO.UK**

New professional 2.4GHz video senders, audio and video transmitter and receiver units. Ideal for remote cameras eliminating wiring.  
 4 separate switch selectable channels, 2.4GHz operation, boxed receiver.  
 Only £79.00 complete with mains power supplies and instructions.  
  
 Email: [cliff@bizantium5.freemove.co.uk](mailto:cliff@bizantium5.freemove.co.uk) or phone 07504060138

**BTEC ELECTRONICS TECHNICIAN TRAINING**  
 NATIONAL ELECTRONICS VCE ADVANCED ICT  
 HNC AND HND ELECTRONICS FOUNDATION DEGREES  
 NVQ ENGINEERING AND IT DESIGN AND TECHNOLOGY  
**LONDON ELECTRONICS COLLEGE**  
 20 PENYVERN ROAD  
 EARLS COURT, LONDON SW5 9SU  
 TEL: (020) 7373 8721  
[www.lec.org.uk](http://www.lec.org.uk)

**N.R. BARDWELL Ltd – est 1948**  
**Electronic Component Supplies**  
 LED's, Semis, IC's Resistors, Caps, etc send 44p for lists. 1000's bargains at our secure site: [www.bardwells.co.uk](http://www.bardwells.co.uk)  
 288, Abbeydale Rd. Sheffield. S7 1FL  
 0845 166 2329 (local rate)

**VALVES AND ALLIED COMPONENTS IN STOCK.** Phone for free list. Valves, books and magazines wanted. Geoff Davies (Radio), tel. 01788 574774.  
**FOR ½ PRICE VALVE CLEARANCE** catalogue send £1.00 in 1st or 2nd class stamps **FOR COMBINED VALVE & COMPONENT CLEARANCE** list send £1.50 in 1st or 2nd class stamps. W. Burcher, 676 Foxhall Road, Ipswich, Suffolk, IP3 8NQ. Tel: 01473 272218.

**BOWOOD ELECTRONICS LTD**  
 Suppliers of Electronic Components  
 Place a secure order on our website or call our sales line  
 All major credit cards accepted  
 Web: [www.bowood-electronics.co.uk](http://www.bowood-electronics.co.uk)  
 Unit 1, McGregor's Way, Turnoaks Business Park,  
 Chesterfield, S40 2WB. Sales: 01246 200222  
 Send 60p stamp for catalogue


**CL ChocolateLabrador**  
 Fantastic new Microchip PIC® based training modules  
 Unique and exclusive designs  
 P&P just £4.95 All UK pcst sent 1st Class.  
 \*Visit our website for great gift ideas  
[www.choclab.eu](http://www.choclab.eu)

**ELECTRONICS TEACH-IN**  
  
**Electronics Teach-In**  
 plus **FREE CD-ROM**  
**On Sale Now at WHS £6.99**

**RSH ELECTRONICS**  
 UK & International Suppliers of Electronic Components & Kits  
**Seasonal Xmasman & Stripboard Project Kits Including:**  
 Twinkling Christmas Tree, Flashing Star, Animated Bell  
 Plus a great range of hobby components for the electronics enthusiast.  
 P&P £2.50 (orders over £25 free P&P) No Min Order. No VAT  
**ORDER ONLINE AT OUR NEW WEBSITE:**  
[www.rshelectronics.co.uk](http://www.rshelectronics.co.uk)

**THIS SPACE COULD BE YOURS FOR JUST £25**  
 Contact Stewart on 01202 873872  
[stewart.kearn@wimborne.co.uk](mailto:stewart.kearn@wimborne.co.uk)

**EPE Online**  
[www.epemag.com](http://www.epemag.com)  
 Get your magazine 'instantly' anywhere in the world – buy and download from the web.  
**TAKE A LOOK, A FREE ISSUE IS AVAILABLE**  
 A one year subscription (12 issues) costs just \$18.99 (US)  
 Back issues are also available





# Europe's Largest Surplus Store

20,000,000 Items on line NOW!  
New items added daily

Established for over 25 years, UK company Display Electronics prides itself on offering a massive range of electronic and associated electro-mechanical equipment and parts to the Hobbyist, Educational and Industrial user. Many current and obsolete hard to get parts are available from our vast stocks, which include:

- ◆ 6,000,000 Semiconductors
- ◆ 5,000 Power Supplies
- ◆ 25,000 Electric Motors
- ◆ 10,000 Connectors
- ◆ 100,000 Relays & Contactors
- ◆ 2000 Rack Cabinets & Accessories
- ◆ 4000 Items of Test Equipment
- ◆ 5000 Hard Disk Drives

**We Ship Worldwide**

**Surplus Wanted**

[www.distel.co.uk](http://www.distel.co.uk)

Display Electronics  
29 / 35 Osborne Road  
Thornton Heath  
Surrey UK CR7 8PD

Telephone  
[44] 020 8653 3333  
Fax [44] 020 8653 8888

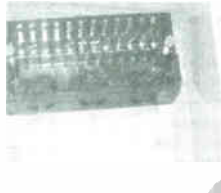
## Rechargeable Batteries With Solder Tags

NIMH		NICAD	
AA 2000mAh	£2.82	AA 650mAh	£1.41
C 4Ah	£4.70	C 2.5Ah	£3.60
D 9Ah	£7.60	D 4Ah	£4.95
PP3 150mAh	£4.95		

### Instrument case with edge connector and screw terminals

Size 112mm x 52mm x 105mm tall

This box consists of a cream base with a PCB slot, a cover plate to protect your circuit, a black lid with a 12 way edge connector and 12 screw terminals built in (8mm pitch) and 2 screws to hold the lid on. The cream bases have minor marks from dust and handling price £2.00 + VAT(=£2.35) for a sample or £44.00+VAT(=£51.70) for a box of 44.



866 battery pack originally intended to be used with an orbitel mobile telephone it contains 10 1.6Ah sub C batteries (42 x 22 dia. the size usually used in cordless screwdrivers etc.) the pack is new and unused and can be broken open quite easily £7.46 + VAT = £8.77



Please add £1.66 + VAT = £1.95 postage & packing per order

**JPG Electronics**  
Shaws Row, Old Road, Chesterfield, S40 2RB.  
Tel 01246 211202 Fax 01246 550959  
[www.JPGElectronics.com](http://www.JPGElectronics.com)  
Mastercard/Visa/Switch

Callers welcome 9.30 a.m. to 5.30 p.m. Monday to Saturday

**EPE** EVERYDAY PRACTICAL  
ELECTRONICS

**NEXT MONTH**

### PIC CARILLON

Want to be a bell ringer? This design produces bell-like sounds, using the multiple harmonics of sinewaves to give the tonality expected from bells, complete with the decay of each note played. A simple monophonic unit is described but additional channels can be added allowing multiple notes. The unit can be interfaced to the *PIC Polyphonium* (April & May '07), allowing musical scores to be composed and played.

### PHONE/FAX MISSED CALL ALERT

This device detects an incoming call on your phone or fax, lights an LED and latches on a relay, which you can use to switch on a lamp or horn in another room or your garage etc.

### SERIAL I/O CONTROLLER & ANALOGUE SAMPLER

Looking for an easy-to-drive I/O controller? This unit connects to the serial port of your PC and can be programmed to switch relays, in response to voltage, resistance, temperature and digital inputs. It also includes comprehensive system timers to control the relays and you can set the system up to operate as a PLC-style controller.

**JANUARY '08 ISSUE ON SALE DECEMBER 13**

## ADVERTISERS INDEX

AGAR CIRCUITS	57
AUDON ELECTRONICS	71
BETA-LAYOUT	71
BRUNNING SOFTWARE	43
BULL GROUP	Cover (ii)
COMPACT CONTROL DESIGN	4
DISPLAY ELECTRONICS	80
ESR ELECTRONIC COMPONENTS	.6, Cover (iii)
FOREST ELECTRONIC DEVELOPMENTS	57
JAYCAR ELECTRONICS	24/25
JPG ELECTRONICS	80
LABCENTER	Cover (iv)
LASER BUSINESS SYSTEMS	57
LEKTRONIX LTD	60
MAGENTA ELECTRONICS	57
MIKROELEKTRONIKA	5
NURVE NETWORKS LLC	46
PEAK ELECTRONIC DESIGN	47
PICO TECHNOLOGY	11
QUASAR ELECTRONICS	2/3
SHERWOOD ELECTRONICS	71
STEWART OF READING	47
TECHNOBOTS	35
TSIEN	71

### ADVERTISEMENT OFFICES:

SEQUOIA HOUSE, 398A RINGWOOD ROAD, FERNDOWN, DORSET BH22 9AU  
PHONE: 01202 873872 FAX: 01202 874562  
EMAIL: [epeds@wimborne.co.uk](mailto:epeds@wimborne.co.uk)

For Editorial address and phone numbers see page 7

Everyday Practical Electronics, ISSN 0262 3617 is published monthly (12 times per year) by Wimborne Publishing Ltd., USA agent USACAN Media Dist. Srv. Corp. at 26 Power Dam Way Suite S1-S3, Plattsburgh, NY 12901. Periodicals postage paid at Plattsburgh, NY and at additional mailing Offices. POSTMASTER: Send address changes to Everyday Practical Electronics, c/o Express Mag., PO Box 2769, Plattsburgh, NY, USA 12901-0239.





# velleman<sup>TM</sup>

## Free Catalogue

0845 251 4363

**VELLEMAN<sup>®</sup>** is a major European distributor of high quality electronic products. They have been trading for more than 35 years and operate from Gavere, Belgium. With a network of over 17,000 dealers in more than 80 countries.

**We are now able to offer you the complete range** of their electronic kits, modules and PC based development products. If you would like a copy of the latest 80 page catalogue please phone, fax or email your name and address. [www.esr.co.uk/velleman](http://www.esr.co.uk/velleman)

**Audio Amplifier**  
2 x 15Wrms (4 ohm) or 2 x 10Wrms (8 ohm). Overheating & short circuit protected. No need for rectifier & smoothing, only AC supply required.

**K4003 Kit** £12.95  
**VM113 Assembled** £14.75

**Audio Amplifier**  
100Wrms @ 4ohm DC supply circuit on board with LED indication ideal for active speaker system or subwoofer, guitar amp, home theatre systems, etc. Overload & short-circuit protected.

**K8060 Kit** £11.95  
**VM100 Assembled with heatsink** £25.95

**Audio Amplifier**  
Stereo 2 x 50Wrms or a Mono 100Wrms amplifier. Three input sensitivity settings. Overload & short-circuit protection, protection against incorrect power supply polarity. Speaker transient suppression.

**K4004 Kit** £39.95  
**Digital Storage Oscilloscope**

PC based using supplied windows software. All standard oscilloscope functions are available. Its operation is just like a normal oscilloscope. Connection is through the computer's parallel port, the scope is completely optically isolated from the computer port.

**K8031 Kit** £71.95  
**PCS100A Assembled** £85.00

**PC Function Generator**  
0.01Hz to 1MHz crystal-based, optically isolated from the PC. Sine, square & triangle. Includes: Windows™ '95/'98/NT/2000/XP integrated software for the function generator.

**K8016 Kit** £76.95  
**PCG10A Assembled** £98.95

**PIC Programmer**  
Suitable for a wide range of Microchip<sup>®</sup> PIC<sup>™</sup> microcontrollers, onboard configurable 40 pin. ZIF socket, Microcontroller selection using patch jumper, easy to use programming PICprog2006<sup>™</sup> software included, SUBD connector set included.

**K8076 Kit** £16.45

**1A Power Supply**  
Low cost universal symmetric power supply just add a suitable transformer and a heatsink, ... trimmers can be replaced by potentiometers to allow continuous adjustment of output, LED output indicators.

**K8042 Kit** £8.45

**PIC Programmer**  
For Microchip<sup>®</sup> FLASH PIC<sup>™</sup> microcontrollers supports 4 different 300 mil. PICs: 8p, 14p, 18p and 28p test buttons and LED indicators. Supplied with programming examples & easy connection to a PC through the serial port. Supplied with a PIC16F627 and software to compile and program your source code.

**K8048 Kit** £13.45  
**VM111 Assembled** £24.95

**USB Interface**  
A interface board with 5 digital input & 8 digital output channels. In addition, there are two analogue inputs & two analogue outputs with 8 bit resolution. All communication routines are contained in a Dynamic Link Library (DLL). You may write custom Windows (95SE, 2000, Me, XP) applications in Delphi, Visual Basic, C++ Builder or any other 32-bit Windows application development tool: that supports calls to a DLL.

**K8055 Kit** £16.90  
**VM110 Assembled** £27.95

**USB Interface Board**  
With a total of 33 input/outputs: including analogue / digital and +1PWM output. Connection to the computer is galvanically optically isolated, so that damage to the computer is not possible thus providing a high level of secure implementation. Supplied with test software & examples.

**K8061 Kit** £44.85

**High Power LED Driver**  
Power up to four 1W or two 3W high-power LEDs (not incl.) Delivers accurate constant current required by most high-power LEDs, built in rectifier for easy connection to AC source, compact size, short circuit protected, no heatsink required.

**K8071 Kit** £4.45  
**VM143/1W for 1W LEDs** £6.95  
**VM143/3W for 3W LEDs** £7.35

**Remote Control by Telephone**  
Turn up to three devices on or off over the telephone. It is also possible to check the condition of a switch (open or closed). A major advantage of this circuit lies in the fact that audio signals are used to tell whether a specific output has been turned on or off. Operation is protected by a user defined code which is simply keyed in from the telephone keypad.

**K6501 Kit** £26.95

**USB DMX Interface**  
Control DMX fixtures using a PC and USB interface, test software and "DMX Light Player" software is included, a DLL is provided to write your own software. Stand-alone test function that outputs all 512 channels at a time, with adjustable levels.

Supplied with case, lead & CDROM

**K8062 Kit** £43.45  
**VM116 Assembled** £49.95

**Remote Control Transmitter**  
For use with the K8057/VM109 2 channel RF receivers. Generates unique 32-bit code more than 1,000,000,000 unique codes code can easily be changed for safety purposes choose continuous or 'burst' transmission LED indicator.

**K8059 Kit** £7.85

**Remote Control Receiver**  
Two relay contact outputs for use with K8059 and VM108 two channel RF code lock transmitters, toggle or pulse function selectable per output, can learn a unique 32-bit code from the transmitters, store up to 31 transmitters, LED indicators for outputs and functions.

**K8057 Kit** £10.95

**Remote Control Transmitter**  
Compact 2-button IR keychain remote compatible with most Velleman IR receivers, 2 powerful IR LEDs for a range of up to 15m, 16 channels (allow use of multiple transmitters in one room), easy channel configuration, no jumpers required.

**MK162 Mini Kit** £6.25

**Remote Control Receiver**  
Two channels with relay output (24VAC/DC 1A max.) ultra compact channel and reception indication through LEDs toggle / pulse selection for each channel learn mode for channel ID all settings are stored in EEPROM compatible with most Velleman Kit IR remotes.

**MK161 Mini Kit** £6.85

**3-30V 3A Power Supply**  
Suitable as a power supply for all common Velleman kits using a stabilised DC voltage between 3 and 30V, 3A max. Of course this power supply unit can also be used for other purposes. By replacing the trimmer by a potentiometer, it may even be used as an adjustable power supply unit. Supplied with heat sink.

**K7203 Kit** £17.95

**Sound to Light Unit**  
Low, mid and high channels. Sensitivity adjustment per channel. LED indication per channel. Attractive translucent enclosure. Microphone included. Noise suppressed according to EN55015

**K8017 Kit** £24.95

**Clap On/Off Switch**  
Operate your lighting simply by clapping your hands. Good immunity against surrounding noises, '1-clap' or '2-clap'-mode selection, '2-clap'-mode features built-in safety turn-off timer (approx. 5h), output relay 'pulse' or 'toggle' selection.

**MK139 Mini Kit** £7.35

**Voice Changer**  
Make your voice sound like a robot, add vibrato effect, use the 'pitch'-buttons and make your voice sound lower or higher, built-in microphone and power amplifier with volume control, just add a speaker.

**MK171 Mini Kit** £6.95

**Ultrasonic Radar Module**  
Buzzer output: fast / slow / continuous distance indication with 3-LED-bar adjustable alarm. LED alarm indicator, dry contact NO/NC relay

**VM125 Assembled** £16.45

**IR Light Barrier**  
Audible (85dB) and visible (LED) alert, range: 1 to 4m, on/off switch provided, power supply: 9V battery, holder and adapter jack included

**MK120 Mini kit** £4.95

**Over 300 Kits, Mini Kits & Modules - Full Catalogue Available**



**Tel: 0191 2514363**  
**Fax: 0191 2522296**  
**sales@esr.co.uk**

**Station Road**  
**Cullercoats**  
**Tyne & Wear**  
**NE30 4PQ**

Prices Exclude Vat @17.5%  
UK Carriage £2.50 (less than 1kg)  
£5.50 greater than 1kg or >£30  
Cheques / Postal orders payable to  
ESR Electronic Components.  
PLEASE ADD CARRIAGE & VAT TO ALL ORDERS



# PROTEUS DESIGN SUITE

## TIME FOR A CHANGE ?



## NEW IN DESIGN SUITE 7:

**NEW:** Redesigned User Interface includes modeless selection, modeless wiring and intuitive operation to maximise speed and ease of use.

**NEW:** Design Explorer provides easy navigation, design inspection tools and cross-probing support to improve quality assurance and assist with fault finding.


**NEW:** 3D Visualisation Engine provides the means to preview boards in the context of a mechanical design prior to physical prototyping.

**NEW:** Simulation Advisor includes reporting on simulation problems with links to detailed troubleshooting information where appropriate.

**NEW:** Trace capability within both MCU and peripheral models provides detailed information on system operation which allows for faster debugging of both hardware and software problems.

**NEW:** Hundreds of new device models including PIC24, LPC2000, network controllers and general purpose electronic components.

## Electronic Design From Concept To Completion

**Labcenter**  [www.labcenter.com](http://www.labcenter.com)  
**Electronics**

Labcenter Electronics Limited  
Registered in England 4692454

E-mail: [info@labcenter.com](mailto:info@labcenter.com)

Tel: +44 (0) 1756 753440

Fax: +44 (0) 1756 752857

Registered Address: 53-55 Main Street, Grassington, North Yorks, UK, BD23 5AA