

THE No 1 UK MAGAZINE FOR ELECTRONICS TECHNOLOGY & COMPUTER PROJECTS

FREE
MICROCHIP CD-ROM

EPE EVERYDAY PRACTICAL **ELECTRONICS**

www.epemag.co.uk

www.epemag.com

MECHATRONICS - 1

Add a whole new level of control and intelligence to your projects

NEVER BUY ANOTHER 9V BATTERY
3V to 9V DC-DC Converter

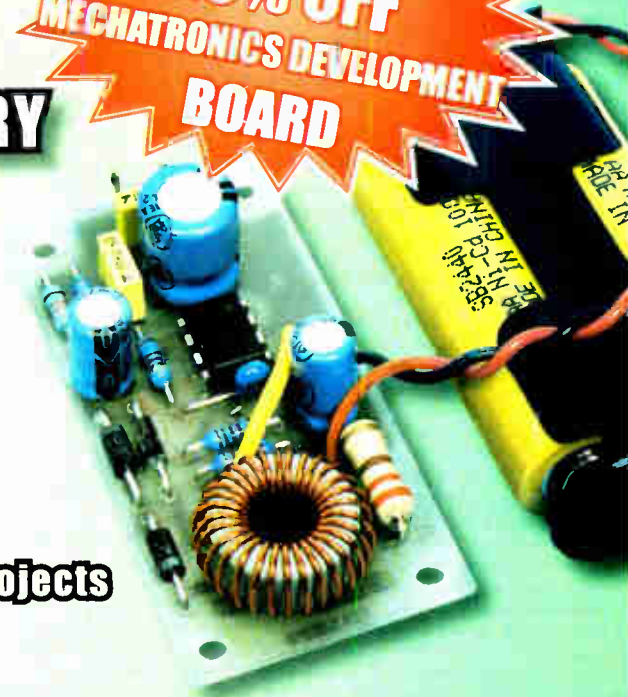
BAT SONAR

Listen to the sounds of bats plus an ultrasonic sonar

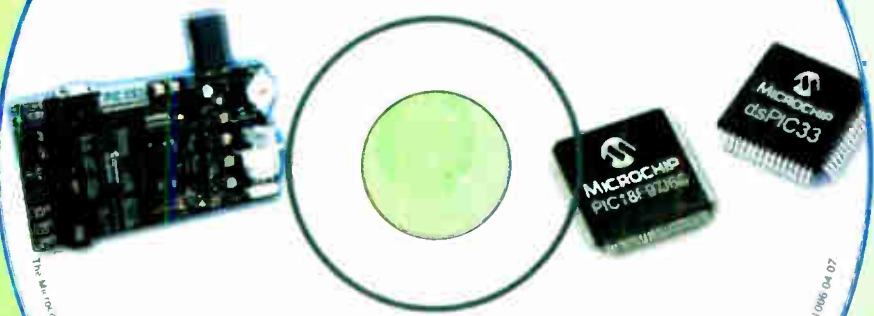
NEW SERIES - Using MPLAB

How to use MPLAB when writing code for your projects

SPECIAL OFFER
20% OFF
MECHATRONICS DEVELOPMENT BOARD



Microchip Mechatronics Design Series



PROTEUS DESIGN SUITE



labcenter electronics www.labcenter.com

FREE CD-ROM INCLUDES:

- * MPLAB IDE, Microchip's Integrated Development Environment
- * MPLAB C18 and C30 Compilers - student edition
- * Proteus VSM, Labcenter's Virtual System Modelling simulation software
- * Mechatronics Application Notes and Development Tool Selector

JUNE 2007 £3.50





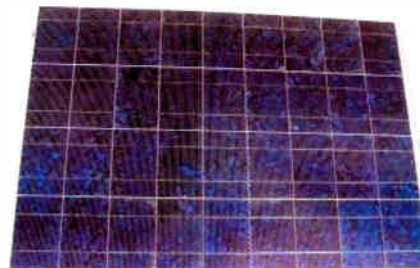
HB7 Stirling Engine

Base measurements: 128 mm x 108 mm x 170 mm, 1 kg
 Base plate: beech - Working rpm: 2000 rpm/min. (the engine has a aluminium good cooling Cylinder)
 Bearing application: 10 high-class ball-bearings
 Material: screw, side parts all stainless steel
 Cylinder brass, Rest aluminium and stainless steel.
 Available as a kit £80.75 or built £84.99
www.mamodspares.co.uk



STEAM ENGINE KIT

Everything in the kit enables you to build a fully functional model steam engine. The main material is brass and the finished machine demonstrates the principle of oscillation. The boiler, uses solid fuel tablets, and is quite safe. All critical parts (boiler, end caps, safety vent etc.) are ready finished to ensure success. The very detailed instruction booklet (25 pages) makes completion of this project possible in a step by step manner. Among the techniques experienced are silver soldering, folding, drilling, fitting and testing. £29.70 ref STEAMKIT Silver solder/flux pack £3.50 ref SSK
www.mamodspares.co.uk



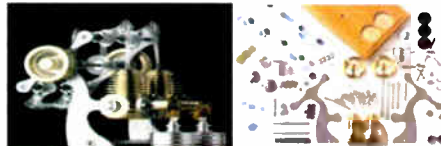
Solar Panels

We stock a range of solar photovoltaic panels. These are polycrystalline panels made from wafers of silicon laminated between an impact-resistant transparent cover and an EVA rear mounting plate. They are constructed with a lightweight anodised aluminium frame which is predrilled for linking to other frames/roof mounting structure, and contain waterproof electrical terminal box on the rear. 5 watt panel £29 ref 5wnav 20 watt panel £99 ref 20wnav 60 watt panel £249 ref 60wnav. Suitable regulator for up to 60 watt panel £20 ref REGNAV



HB9 Stirling engine

Base measurements: 156 mm x 108 mm x 130 mm, 0,6 Kg
 Base plate: beech Working rpm: approx. 2,000 min
 Bearing application: 6 high-class ball-bearings
 Material of the engine: brass, aluminium, stainless steel
 running time: 30-45 min.
 Available as a kit £97.75 or built £101.99
www.mamodspares.co.uk



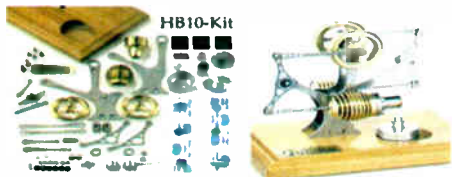
HB14 Stirling Engine

Base measurements: 156 mm x 108 mm x 150 mm, 1 kg
 Base plate: beech Working rpm: 2000 - 2500 rpm/min, .
 Incl. drive-pulley for external drives Bearing application:
 10 high-class ball-bearings Material: screw, side parts total
 stainless steel Cylinder brass Rest aluminium, stainless
 steel Available as a kit £140.25 or built £144.50
www.mamodspares.co.uk



Solar evacuated tube panels

(20 tube shown) These top-of-the-range solar panel heat collectors are suitable for heating domestic hot water, swimming pools etc - even in the winter! One unit is adequate for an average household (3-4 people), and it is modular, so you can add more if required. A single panel is sufficient for a 200 litre cylinder, but you can fit 2 or more for high water usage, or for heating swimming pools or underfloor heating. Some types of renewable energy are only available in certain locations, however free solar heating is potentially available to almost every house in the UK! Every house should have one -really! And with an overall efficiency of almost 80%, they are much more efficient than electric photovoltaic solar panels (efficiency of 7-15%). Available in 10, 20 and 30 tube versions. 10 tube £199, 20 tube £369, 30 tube £549. Roof mounting kits (10/20 tubes) £12.50, 30 tube mounting kit £15



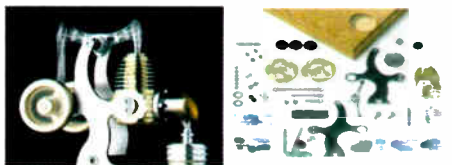
HB10 Stirling Engine

Base measurements: 156 mm x 108 mm x 130 mm, 0,6 Kg
 Base plate: beech Working rpm: approx. 2,000 rpm
 Bearing application: 6 high-class ball-bearings
 Material of the engine: brass, aluminium, stainless steel
 running time: 30-45 min
 Available as a kit £97.75 or built £101.99
www.mamodspares.co.uk



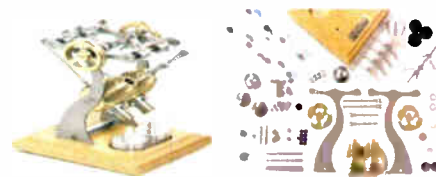
HB15 Stirling Engine

Base measurements: 128 mm x 108 mm x 170 mm, 0,75 kg
 Base plate: beech Working rpm: 2000 rpm/min. (the engine has a aluminium good cooling Cylinder)
 Bearing application: 6 high-class ball-bearings
 Material: screw, side parts total stainless steel
 Cylinder brass Rest aluminium, stainless steel
 Available as a kit £97.75 or built £102
www.mamodspares.co.uk



HB11 Stirling Engine

Base measurements: 156 mm x 108 mm x 130 mm, 0,7 Kg
 Base plate: beech
 Working rpm: 2000 - 2500 rpm/min, run Bearing application:
 4 high-class ball-bearings Material: screw, side parts
 total stainless steel Cylinder brass Rest aluminium, stain-
 less steel.
 Available as a kit £97.75 or built £101.99
www.mamodspares.co.uk



HB16 Stirling Engine

Base measurements: 128 mm x 108 mm x 170 mm, 1 kg
 Base plate: beech Working rpm: 2000 rpm/min. (the engine has a aluminium good cooling Cylinder)
 Bearing application: 10 high-class ball-bearings
 Material: screw, side parts total stainless steel
 Cylinder brass Rest aluminium, stainless steel.
 Available as a kit £140.25 or built £144.50



HB12 Stirling Engine

Base measurements: 156 mm x 108 mm x 130 mm, 1 Kg
 Base plate: beech Working rpm: 2000 - 2500 rpm/min.
 Bearing application: 6 high-class ball-bearings
 Material: screw, side parts total stainless steel
 Cylinder brass Rest aluminium, stainless steel.
 Available as a kit £136 or built £140.25
www.mamodspares.co.uk



2kW WIND TURBINE KIT

The 2kW wind turbine is supplied as the following kit: turbine generator 48v three taper/twisted fibreglass blades & hub 8m tower (four x 2m sections) guylines / anchors / tensioners / clamps foundation steel rectifier 2kW inverter heavy-duty pivot tower: £1,499



BENCH PSU 0-15V 0-2a Output and voltage are both smooth and can be regulated according to work, Input 230V, 21/2-number LCD display for voltage and current, Robust PC-grey housing Size 13x15x21cm, Weight 3,2kg £48 REF trans2



NEW ELECTRONIC CONSTRUCTION KITS

This 30 in 1 electronic kit includes an introduction to electrical and electronic technology. It provides components that can be used to make a variety of experiments including Timers and Burglar Alarms. Requires: 3 x AA batteries. £15.00 ref BET1803

AM/FM Radio This kit enables you to learn about electronics and also put this knowledge into practice so you can see and hear the effects. Includes manual with explanations about the components and the electronic principles. Req's: 3 x AA batts. £13 ref BET1801

This 40 in 1 electronic kit includes an introduction to electrical and electronic technology. It provides components that can be used in making basic digital logic circuits, then progresses to using integrated circuits to make and test a variety of digital circuits, including Flip Flops and Counters. Req's: 4 x AA batteries. £17 ref BET1804

The 75 in 1 electronic kit includes an introduction to electrical and electronic technology. It provides components that can be used to make and test a wide variety of experiments including Water Sensors, Logic Circuits and Oscillators. The kit then progresses to the use of an integrated circuit to produce digital voice and sound recording experiments such as Morning Call and Burglar Alarm. Requires: 3 x AA batteries. £20 ref BET1806
www.slips.co.uk



HB13 Stirling Engine

Base measurements: 156 mm x 108 mm x 150 mm, 0,75 kg
 Base plate: beech Working rpm: 2000 - 2500 rpm/min.
 Bearing application: 6 high-class ball-bearings
 Material: screw, side parts total stainless steel
 Cylinder brass Rest aluminium, stainless steel.
 Available as a kit £97.75 or built £101.99

BULL GROUP LTD
 UNIT D HENFIELD BUSINESS PARK
 HENFIELD SUSSEX BN5 9SL
 TERMS: C/ CARDS, CASH, PO, CHEQUE OR
 ONLINE ORDERING. PRICES PLUS VAT
 UK DELIVERY £5.50
 TEL 0870 7707520 FAX 01273 491813
sales@bullnet.co.uk

ISSN 0262 3617

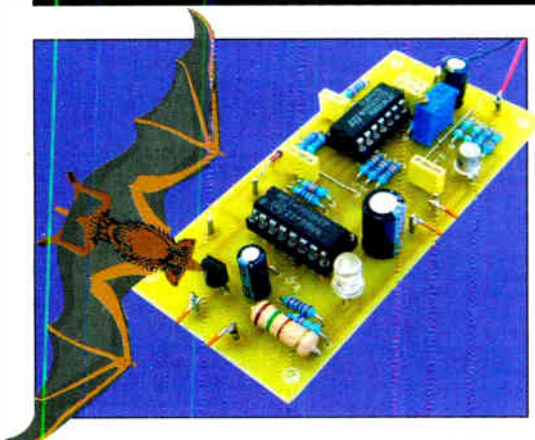
PROJECTS ... THEORY ...
NEWS ... COMMENT ...
POPULAR FEATURES ...

VOL. 36. No. 6 JUNE 2007

EPE EVERYDAY PRACTICAL ELECTRONICS

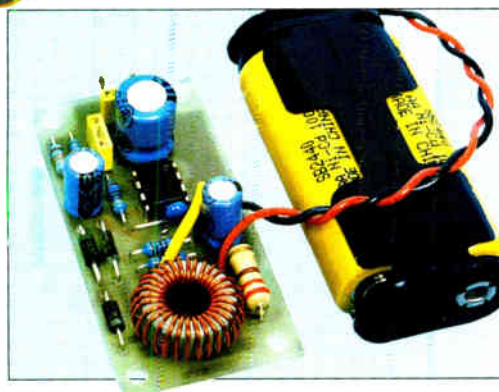
INCORPORATING ELECTRONICS TODAY INTERNATIONAL

www.epemag.co.uk
EPE Online: www.epemag.com



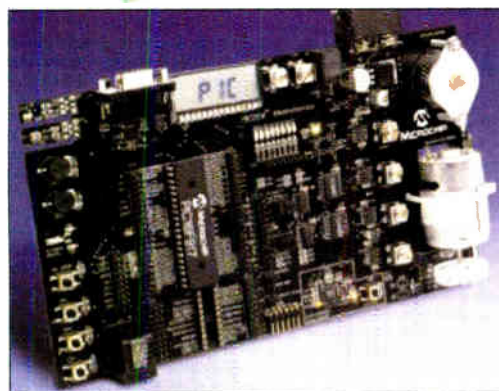
Projects and Circuits

- 3V TO 9V CONVERTER** by Peter Smith 12
Never buy another 9V battery
- BAT SONAR** by Thomas Scarborough 24
Listen in to the sounds of bats, plus an ultrasonic sonar
- A POOR MAN'S Q METER** by Maurie Findlay 38
Simple circuit to measure inductance and 'Q'
- INGENUITY UNLIMITED - Sharing your ideas with others** 48
Mobile Phone Switch; Ding-Dong Doorbell
- ENERGY METER - PART 2** by John Clarke 52
Control your power costs



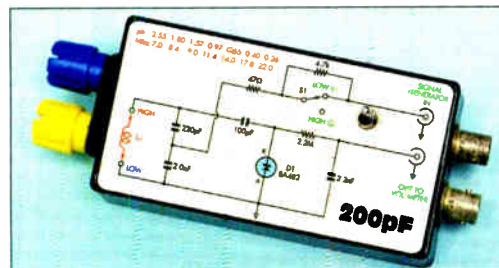
Series and Features

- TECHNO TALK** by Mark Nelson 10
Sea Change In Electronics
- PIC N' MIX** by Mike Hibbett 20
Reviewing Microchip's PICkit2
- THE POWER OF MECHATRONICS - 1** 30
Mechatronics Design
- CIRCUIT SURGERY** by Ian Bell 36
Step-up Converters Using Transformers
- USING MPLAB - PART 1** by Mike Hibbett 42
An introduction to MPLAB
- INTERFACE** by Robert Penfold 46
More On Windows Vista Compatibility
- NET WORK - THE INTERNET PAGE** surfed by Alan Winstanley 66
A Fistful of Dollars



Regulars and Services

- EDITORIAL** 7
- NEWS** - Barry Fox highlights technology's leading edge 8
Plus everyday news from the world of electronics
- CD-ROMS FOR ELECTRONICS** 32
A wide range of CD-ROMs for hobbyists, students and engineers
- PLEASE TAKE NOTE** 37
Caravan Lights Check
- PIC RESOURCES CD-ROM** 45
EPE PIC Tutorial V2, plus PIC Toolkit Mk3 and a selections of PIC-related articles
- SUBSCRIBE TO EPE** and save money 50
- BACK ISSUES** 62
Did you miss these?
- READOUT** John Becker addresses general points arising 64
- DIRECT BOOK SERVICE** 67
A wide range of technical books available by mail order, plus more CD-ROMs
- EPE PCB SERVICE** 70
PCBs for EPE projects
- FREE - Cover-mount Mechatronics CD-ROM**
- ADVERTISERS' INDEX** 72



© Wimborne Publishing Ltd 2007. Copyright in all drawings, photographs and articles published in **EVERYDAY PRACTICAL ELECTRONICS** is fully protected, and reproduction or imitations in whole or in part are expressly forbidden.

Our July 2007 issue will be published on Thursday, 14 June 2007, see page 72 for details.

Everyday Practical Electronics, June 2007

Readers' Services • Editorial and Advertisement Departments 7



QUASAR
electronics
Get Plugged In!

Quasar Electronics Limited
PO Box 6935, Bishops Cleeve
CM23 4WP, United Kingdom
Tel: 0870 246 1826
Fax: 0870 460 1045
E-mail: sales@quasarelectronics.com
Web: www.QuasarElectronics.com

All prices INCLUDE 17.5% VAT.
Postage & Packing Options (Up to 2Kg gross weight): UK Standard 3-7 Day Delivery - £3.95, UK Mainland Next Day Delivery - £8.95, Europe (EU) - £6.95, Rest of World - £9.95 (up to 0.5Kg).
Order online for reduced price UK Postage!
Payment: We accept all major credit/debit cards. Make cheques/PO's payable to Quasar Electronics.
Call now for our FREE CATALOGUE with details of over 300 kits, projects, modules and publications. Discounts for bulk quantities.



08717 Credit Card Sales 177 168

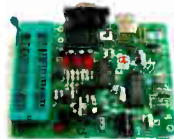
PIC & ATMEL Programmers

We have a wide range of low cost PIC and ATMEL Programmers. Complete range and documentation available from our web site.

Programmer Accessories:

40-pin Wide ZIF socket (ZIF40W) £15.00
18Vdc Power supply (PSU010) £19.95
Leads: Parallel (LDC136) £4.95 / Serial (LDC441) £4.95 / USB (LDC644) £2.95

NEW! USB & Serial Port PIC Programmer



USB/Serial connection. Header cable for ICSP. Free Windows XP software. See website for PICs supported. ZIF Socket and USB lead extra. 18Vdc.

Kit Order Code: 3149KT - £37.95

Assembled Order Code: AS3149 - £49.95

NEW! USB 'All-Flash' PIC Programmer

USB PIC programmer for all 'Flash' devices. No external power supply making it truly portable. Supplied with box and Windows XP Software. ZIF Socket and USB lead not incl.



Assembled Order Code: AS3128 - £44.95

Assembled with ZIF socket Order Code: AS3128ZIF - £59.95

'PICALL' ISP PIC Programmer



Will program virtually all 8 to 40 pin serial-mode AND parallel-mode (PIC15C family) PIC microcontrollers. Free Windows software. Blank chip auto detect for super fast bulk programming. Optional ZIF socket.

Assembled Order Code: AS3117 - £24.95

Assembled with ZIF socket Order Code: AS3117ZIF - £39.95

ATMEL 89xxxx Programmer



Uses serial port and any standard terminal comms program. 4 LED's display the status. ZIF sockets not included. Supply: 16Vdc.

Kit Order Code: 3123KT - £24.95

Assembled Order Code: AS3123 - £34.95

Introduction to PIC Programming

Go from complete beginner to burning a PIC and writing code in no time! Includes 49 page step-by-step PDF Tutorial Manual, Programming Hardware (with LED test section), Win 3.11—XP Programming Software (Program, Read, Verify & Erase), and 1rewritable PIC16F84A that you can use with different code (4 detailed examples provided for you to learn from). PC parallel port.



Kit Order Code: 3081KT - £16.95

Assembled Order Code: AS3081 - £24.95

ABC Maxi AVR Development Board

The ABC Maxi is ideal for developing new designs. Open architecture built around an ATMEL AVR AT90S8535 microcontroller. All circuits are embedded within the package and additional add-on expansion modules are available to assist you with project development.



Features

8 Kb of In-System Programmable Flash (1000 write/erase cycles) • 512 bytes internal SRAM • 512 bytes EEPROM • 8 analogue inputs (range 0-5V) • 4 Opto-isolated Inputs (I/Os are bi-directional with internal pull-up resistors) • Output buffers can sink 20mA current (direct LED drive) • 4 x 12A open drain MOSFET outputs • RS485 network connector • 2-16 LCD Connector • 3.5mm Speaker Phone Jack • Supply: 9-12Vdc

The ABC Maxi STARTER PACK includes one assembled Maxi Board, parallel and serial cables, and Windows software CD-ROM featuring an Assembler, BASIC compiler and in-system programmer.

Order Code ABCMAXISP - £89.95

The ABC Maxi boards only can also be purchased separately at £69.95 each.

Controllers & Loggers

Here are just a few of the controller and data acquisition and control units we have. See website for full details. Suitable PSU for all units: Order Code PSU445 £8.95

Rolling Code 4-Channel UHF Remote

State-of-the-Art. High security. 4 channels. Momentary or latching relay output. Range up to 40m. Up to 15 Tx's can be learnt by one Rx (kit includes one Tx but more available separately). 4 indicator LED's. Rx: PCB 77x85mm, 12Vdc/6mA (standby). Two & Ten Channel versions also available.



Kit Order Code: 3180KT - £44.95

Assembled Order Code: AS3180 - £51.95

Computer Temperature Data Logger

Serial port 4-channel temperature logger. °C or °F. Continuously logs up to 4 separate sensors located 200m+ from board. Wide range of free software applications for storing/using data. PCB just 38x38mm. Powered by PC. Includes one DS1820 sensor and four header cables.



Kit Order Code: 3145KT - £18.95

Assembled Order Code: AS3145 - £25.95

Additional DS1820 Sensors - £3.95 each

Most items are available in kit form (KT suffix) or pre-assembled and ready for use (AS prefix).

DTMF Telephone Relay Switcher

Call your phone number using a DTMF phone from anywhere in the world and remotely turn on/off any of the 4 relays as desired. User settable Security Password, Anti-Tamper, Rings to Answer, Auto Hang-up and Lockout. Includes plastic case. 130 x 110 x 30mm. Power: 12Vdc. Kit Order Code: 3140KT - £46.95



Assembled Order Code: AS3140 - £59.95

Serial Port Isolated I/O Relay Module



Computer controlled 8 channel relay board. 5A mains rated relay outputs and 4 opto-isolated digital inputs (for monitoring switch states, etc).

Useful in a variety of control and sensing applications. Programmed via serial port (use our new Windows interface, terminal emulator or batch files). Serial cable can be up to 35m long. Once programmed, unit can operate without PC. Includes plastic case 130x100x30mm. Power: 12Vdc/500mA. Kit Order Code: 3108KT - £54.95

Assembled Order Code: AS3108 - £64.95

Infrared RC 12-Channel Relay Board



Control 12 onboard relays with included infrared remote control unit. Toggle or momentary. 15m+ range. 112 x 122mm. Supply: 12Vdc/0.5A

Kit Order Code: 3142KT - £47.95

Assembled Order Code: AS3142 - £59.95

PC / Standalone Unipolar Stepper Motor Driver

Drives any 5, 6 or 8-lead unipolar stepper motor rated up to 6 Amps max. Provides speed and direction control. Operates in stand-alone or PC-controlled mode. Up to six 3179 driver boards can be connected to a single parallel port. Supply: 9Vdc. PCB: 80x50mm. Kit Order Code: 3179KT - £11.95



Assembled Order Code: AS3179 - £18.95

Bi-Polar Stepper Motor Driver also available (Order Code 3158 - details on website)

DC Motor Speed Controller (100V/7.5A)



Control the speed of almost any common DC motor rated up to 100V/7.5A.

Pulse width modulation output for maximum motor torque at all speeds. Supply: 9-18Vdc. Box supplied. Dimensions (mm): 60Wx100Lx60H. Kit Order Code: 3067KT - £13.95

Assembled Order Code: AS3067 - £19.95

Bidirectional DC Motor Driver also available (Order Code 3166 - details on website)

Hot New Kits This Summer!

Here are a few of the most recent kits added to our range. See website or join our email Newsletter for all the latest news.

EPE Ultrasonic Wind Speed Meter



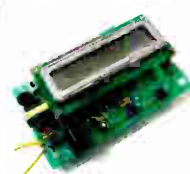
Solid-state design wind speed meter (anemometer) that uses ultrasonic techniques and has no moving parts and does not need calibrating. It is intended for sports-type activities, such as track events, sailing, hang-gliding, kites and model aircraft flying, to name but a few. It can even be used to monitor conditions in your garden. The probe is pointed in the direction from which the wind is blowing and the speed is displayed on an LCD display.

Specifications

- Units of display: metres per second, feet per second, kilometres per hour and miles per hour
- Resolution: Nearest tenth of a metre
- Range: Zero to 50mph approx.

Based on the project published in Everyday Practical Electronics, Jan 2003. We have made a few minor design changes (see website for full details). Power: 9Vdc (PP3 battery). Main PCB: 50x83mm. Kit Order Code: 3168KT - **£36.95**

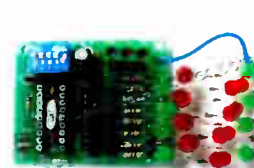
Audio DTMF Decoder and Display



Detects DTMF tones via an onboard electret microphone or direct from the phone lines through an audio transformer. The numbers are displayed on a 15

character, single line display as they are received. Up to 32 numbers can be displayed by scrolling the display left and right. There is also a serial output for sending the detected tones to a PC via the serial port. The unit will not detect numbers dialled using pulse dialling. Circuit is microcontroller based. Supply: 9-12V DC (Order Code PSU445). Main PCB: 55x95mm. Kit Order Code: 3153KT - **£20.95**
Assembled Order Code: AS3153 - **£29.95**

EPE PIC Controlled LED Flasher



This versatile PIC based LED or filament bulb flasher can be used to flash from 1 to 176 LEDs. The user arranges the LEDs in any pattern they wish. The kit comes with 8 super bright red LEDs and 8 green LEDs. Based on the Versatile PIC Flasher, EPE Magazine Dec 02. See website for full details. Board Supply: 9-12Vdc. LED supply: 9-45Vdc (depending on number of LED used). PCB: 43x54mm. Kit Order Code: 3169KT - **£11.95**

Most items are available in kit form (KT suffix) or assembled and ready for use (AS prefix).

FM Bugs & Transmitters

Our extensive range goes from discreet surveillance bugs to powerful FM broadcast transmitters. Here are a few examples. All can be received on a standard FM radio and have adjustable transmitting frequency.

MMTX' Micro-Miniature 9V FM Room Bug



Our best selling bug! Good performance. Just 25x15mm. Sold to detective agencies worldwide. Small enough to hide just about anywhere. Operates at the 'less busy' top

end of the commercial FM waveband and also up into the more private Air band. Range: 500m. Supply: PP3 battery. Kit Order Code: 3051KT - **£8.95**
Assembled Order Code: AS3051 - **£14.95**

HPTX' High Power FM Room Bug

Our most powerful room bug. Very impressive performance. Clear and stable output signal thanks to the extra circuitry employed. Range:

1000m @ 9V. Supply: 6-12V DC (9V PP3 battery clip supplied). 70x15mm. Kit Order Code: 3032KT - **£9.95**
Assembled Order Code: AS3032 - **£17.95**



MTTX' Miniature Telephone Transmitter



Attach anywhere along phone line. Tune a radio into the signal and hear exactly what both parties are saying. Transmits only

when phone is used. Clear, stable signal. Powered from phone line so completely maintenance free once installed. Requires no aerial wire - uses phone line as antenna. Suitable for any phone system worldwide. Range: 300m. 20x45mm. Kit Order Code: 3016KT - **£7.95**
Assembled Order Code: AS3016 - **£13.95**

Wide Band Synthesised FM Transmitter



PLL based crystal-locked wide band FM transmitter delivering a high quality, stable 10mW output. Accepts both MIC audio signal (10mV) and LINE input (1v p-p) for example

hi-fi, CD, audio mixer (like our kit 1052) or computer sound card. Supply: 9-15Vdc. Kit Order Code: 3172KT - **£19.95**
Assembled Order Code: AS3172 - **£32.95**

3 Watt FM Transmitter



Small, powerful FM transmitter. Audio pre-amp stage and three RF stages deliver 3 watts of RF power. Use with

electret microphone supplied or any line level audio source (e.g. CD or tape OUT, mixer, sound card, etc). Aerial can be an open dipole or Ground Plane. Ideal project for the novice wishing to get started in the fascinating world of FM broadcasting. 45x145mm. Kit Order Code: 1028KT - **£23.95**
Assembled Order Code: AS1028 - **£31.95**



QUASAR
electronics
Get Plugged In!

Credit
Card
Sales
0871
717
7168

Electronic Project Labs

Great introduction to the world of electronics. Ideal gift for budding electronics expert!

500 in 1 Electronic Project Lab

Top of the range. Complete self-contained electronics course. Takes you from beginner to 'A' Level standard and beyond! Contains all the hardware and manuals to assemble 500 projects. You get 3

comprehensive course books (total 368 pages) - *Hardware Entry Course*, *Hardware Advanced Course* and a microprocessor based *Software Programming Course*. Each book has individual circuit explanations, schematic and connection diagrams. Suitable for age 12+.

Order Code EPL500 - **£149.95**

Also available - 30-in-1 **£15.95**, 130-in-1 **£37.95** & 300-in-1 **£59.95** (details on website)



Tools & Test Equipment

We stock an extensive range of soldering tools, test equipment, power supplies, inverters & much more - please visit website to see our full range of products.

Precision Digital Multimeter (4.5 Digit)



A highly featured, high-precision digital multimeter with a large 4.5 digit LCD display. High accuracy (0.05%). Auto-zeroing, polarity selection and over-range indication. Supplied complete with shrouded test leads, shock-proof rubber holster, built-in probe holder and stand. Supplied fully assembled with holster, battery and presentation box. Features include:

Capacitance • Audio Frequency • Data Hold • hFE / Diode Test • Auto Power Off

Technical Specifications
DC voltage: 200mV-1000V • AC voltage: 2V 700V • DC current: 2mA-20A • AC current: 20mA-20A • Resistance: 200Ω-200MΩ • Capacitance: 2nF-20uF • Frequency: 20kHz • Max display: 19999

Order Code: MM463 - Was **£44.95** Now on sale at just **£29.95!**

See our website for more special offers!

No.1
3KITS

www.QuasarElectronics.com

Secure Online Ordering Facilities • Full Product Listing, Descriptions & Photos • Kit Documentation & Software Downloads

SERIAL COMMUNICATIONS SPECIALISTS

Test and Measurement Solutions



featured products

CAN-USB

USB - CAN Bus adapter
£81.50



CAN-232
RS232 - CAN Bus Adapter
£61.00

Affordable CAN Bus Solutions from £61 (CAN-232)

CANUSB and CAN-232 are small adapters that plug into any PC USB / RS232 Port respectively to give instant CAN connectivity. These can be treated by software as a standard Windows COM Port. Sending and receiving can be done in standard ASCII format. These are high performance products for much less than competitive solutions.

=== Bronze Prize Winner ===
NASA Tech Briefs 2004
Products of the Year

£125.00

ANT16

16 channel logic analyzer
- probe set extra
£195.00



DS1M12 2 channel 1MS/s PC scope,
signal generator & data logger

USB Instruments - PC Oscilloscopes & Logic Analyzers

Our PC Instruments may be budget priced but have a wealth of features normally only found in more expensive instrumentation. Our oscilloscopes have sophisticated digital triggering including delayed timebase and come with application software and DLL interface to 3rd Party apps. Our ANT8 and ANT16 Logic Analyzers feature 8/16 capture channels of data at a blazing 500MS/S sample rate in a compact enclosure.

Low Profile Version
also available

uPCI-400HS

4 Port UPCI RS232 Serial Card
Spider Cable or COMBOX IO
(extra)
£65.00



£10.00

UPCI Serial Cards from £15 (uPCI-100L)

Discover our great value for money range of multi-port uPCI serial cards. Supporting from one to eight ports, the range includes RS232, RS422, RS485 and opto-isolated versions. Our 4 port and 8 port models can connect through external cables or the innovative wall mounting COMBOX.

** NEW LOW PRICE **



USB-2COM-M £36.00
2 Port Industrial USB RS232 Serial
with wall mount bracket and 5V
DC auxiliary output



USB-COM-PL
£12.50

Quality USB to RS232 converter
cable with detachable 10cm
extender cable. FTDI Chipset
and Drivers for superior
compatibility and O.S. support.

1 to 16 port USB to Serial Adapters from £12.50

With over 20 different models available, we probably stock the widest range of USB Serial Adapters available anywhere. We offer converter cables, multi-port enclosure style models in metal and plastic, also rack mount units with integral PSU such as the USB-16COM-RM. Serial interfaces supported include RS232, RS422 and RS485. We also supply opto-isolated RS422 and RS485 versions for reliable long distance communications. All our USB Serial products are based on the premium chipsets and drivers from FTDI Chip for superior compatibility, performance and technical support across Windows, MAC-OS, CE and Linux platforms.

NETCOM-813
£350.00



8 Port Industrial Ethernet RS232
/ RS422 / RS485 Serial Server
with wall mount bracket and
PSU.

ES-W-3001-M
£125.00



Single Port high performance
Industrial Wireless Ethernet
RS232 / RS422 / RS485 Serial
Server with PSU and wall mount
bracket. Connects wired also.

Ethernet & Wi-Fi 802-11b/g RS232/422/485 Serial Servers

One to eight port Industrial strength Ethernet and Wireless ethernet serial RS232/RS422/RS485 Servers. Connect to your serial device remotely over your Wireless network, Ethernet or via the Internet. Based on the 32-bit ARM CPU these systems offer powerful serial connectivity and a wealth of features. WLAN models comply with IEEE 802.11b/g, max. 54 Mb/s and also offer a 10/100Mbps secondary ethernet connection. All models come complete with PSU. Prices start at only £85.00 (NetCOM 111).

EasySync Ltd

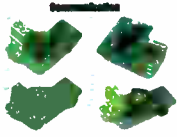
373 Scotland Street
Glasgow G5 8QB U.K.

Tel: +44 (141) 418-0181 Fax: +44 (141) 418-0110

Web : <http://www.easysync.co.uk>

E-Mail: sales@easysync.co.uk

* Prices shown exclude carriage and VAT where applicable

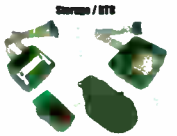


CAN-1 Board - Interface CAN via MCP2551
\$18.00 USD

CAN-2 Board - Make CAN network with SPI interface
\$21.00 USD

RS485 Board - Connect devices into RS-485 network
\$17.00 USD

Serial Ethernet - Make ethernet network with SPI interface (ENC28J60)
\$28.00 USD

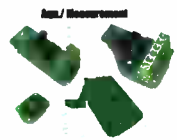


CF Board - Easy way to use Compact flash in your design
\$18.00 USD

MMC/SD Board - Easy way to use MMC and SD cards in your design
\$18.00 USD

EEPROM Board - Serial EEPROM board via I2C interface
\$9.00 USD

RTC Board - PCF8583 RTC with battery backup
\$16.00 USD



ADC Board - 12-bit analog-to-digital converter (ADC) with 4 inputs
\$22.00 USD

DAC Board - 12-bit digital-to-analog converter (DAC) with SPI
\$18.00 USD

Keypad 4x4 Board - Add keypad to your application
\$9.00 USD

Accel. Board - Accel. is an electronic device that will measure acceleration forces
\$16.00 USD

PICFlash with mikroCD support

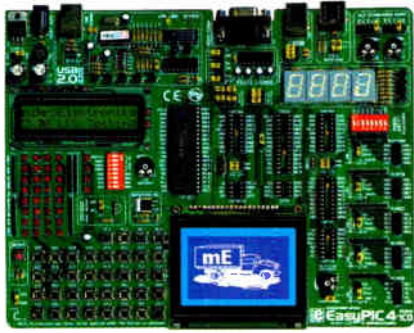


PICFlash programmer - an ultra fast USB 2.0 programmer for PIC microcontrollers. Continuing its tradition as one of the fastest PIC programmers on the market, the new PICFlash with mikroCD now supports more PIC MCUs giving the developer a wider choice of PIC MCU for further prototype development. mikroCD debugger enables you to execute mikroC / mikroPascal / mikroBasic programs on a host PIC microcontroller and view variable values, Special Function Registers (SFR), memory and EEPROM as the program is running.....\$89.00 USD

- All of our products are shipped in special protective boxes.
- On-line secure ordering provides a fast and safe way to buy our products.

Find your distributor: UK, USA, Germany, Japan, France, Spain, Greece, Turkey, Italy, Slovenia, Croatia, Macedonia, Pakistan, Malaysia, Austria, Taiwan, Switzerland, Lebanon, Syria, Egypt, Portugal

EasyPIC4 Development Board with on-board USB 2.0 programmer and mikroLCD



3 in 1 SYSTEM

HARDWARE IC ON-BOARD
USB 2.0 ON-BOARD PROGRAMMER
HIGH PERFORMANCE DEVELOPMENT BOARD

EasyPIC4 development board: Following in the tradition of the EasyPIC3 as one of the best PIC development systems on the market, the EasyPIC4 has more new features for the same price. The system supports 8, 14, 18, 20, 28 and 40 pin PIC microcontrollers (it comes with a PIC16F877A).



mikroLCD is a highly effective tool for Real-Time debugging on a hardware level. The LCD debugger enables you to execute a mikroC/mikroPascal/mikroBasic program on a host PIC microcontroller and view variable values, Special Function Registers (SFR), memory and EEPROM as the program is running.

On-board USB 2.0 PICFlash programmer - an ultra fast USB 2.0 programmer for fast MCU programming. Continuing its tradition as the fastest PIC programmer on the market, the new PICFlash with mikroCD now supports more PIC MCUs giving the developer a wider choice of PIC MCU for further prototype development.



Package contains: EasyPIC4 development system, USB cable, Serial cable, User's manual, MikroLCD manual, CD with software, drivers and examples in C, BASIC and Pascal language. Note: LCD DS1820 temp sensor and GLCD are optional.

EasyPIC4 Development System \$119.00 USD
Optional:
2x16 LCD and DS1820 temperature sensor \$15.00 USD
Graphic LCD 128x64 dots \$17.00 USD

mikroElektronika Compilers

Pascal, Basic and C Compilers for various microcontrollers



Supporting an impressive range of microcontrollers, an easy-to-use IDE, hundreds of ready-to-use functions and many integrated tools makes MikroElektronika compilers one of the best choices on the market today. Besides mikroCD, mikroElektronika compilers offer a statistical module, simulator, bitmap generator for graphic displays, 7-segment display conversion tool, ASCII table, HTML code export, communications tools for SD/MMC, JDP (Ethernet) and USB, EEPROM editor, programming mode management, etc.

Each compiler has many routines and examples such as EEPROM, FLASH and MMC, SD and CF card reading/writing, writing to character and graphic LCDs, manipulation of push-buttons, 4x4 keyboard and PS/2 keyboard input, generation of signals and sounds, character string manipulation, mathematical calculations, I2C, SPI, RS232, CAN, USB, RS485 and OneWire communications, Manchester coding management, logical and numerical conversion, PWM signals, interrupts, etc. The CD-ROM contains many ready-written and tested programs for use with our development boards.

Regular prices:
mikroBasic(PIC) \$149.00 USD
mikroPascal(PIC) \$149.00 USD
mikroC(PIC) \$249.00 USD

Price with discount:
mikroBasic(PIC) (-30%) \$99.00 USD
mikroPascal(PIC) (-30%) \$99.00 USD
mikroC(PIC) (-30%) \$175.00 USD

mikroBasic(AVR) \$149.00 USD mikroBasic(AVR) (-30%) \$99.00 USD
mikroPascal(AVR) \$149.00 USD mikroPascal(AVR) (-30%) \$99.00 USD

mikroBasic(dsPIC) \$149.00 USD mikroBasic(dsPIC) (-30%) \$99.00 USD
mikroPascal(dsPIC) \$249.00 USD mikroPascal(dsPIC) (-20%) \$199.00 USD
mikroC(dsPIC) \$249.00 USD mikroC(dsPIC) (-30%) \$175.00 USD

LV24-33 Development Board

The Complete Hardware and Software solution with on-board USB 2.0 programmer and mikroLCD

System supports 64, 80 and 100 pin PIC24F/24H/dsPIC33F microcontrollers (it comes with PIC24FJ96GA010 - PIC24 16-bit Microcontroller, 96 KB Flash Memory, 8 KB RAM in 100 Pin Package). Examples in BASIC, PASCAL and C are included with the system. You can choose between USB or External Power supply. LV 24-33 has many features that makes your development easy. Explore new PIC24F/24H/dsPIC33F PIC MCU's with LV 24-33 and experience all advantages of this microcontrollers.

LV24-33 Development System \$149.00 USD

Uni-DS 3 Development Board

with on-board USB 2.0 programmer

System supports PIC, AVR, 8051, ARM and PSoC microcontrollers with a large number of peripherals. It is enough to switch a card and continue working in the same development environment but with a different chip. Uni-DS3 has many features that makes your development easy. You can choose between USB or External Power supply. Each MCU card has own USB 2.0 programmer on it!

Uni-DS 3 Development System (with one MCU card)..... \$199.00 USD

dsPICPRO2 Development Board

with on-board USB 2.0 programmer

System supports dsPIC microcontrollers in 64 and 80 pin packages. It is delivered with dsPIC30F6014A microcontroller. The dsPICPRO2 development system is a full-featured development board for Microchip dsPIC MCU. dsPICPRO2 board allows microcontroller to be interfaced with external circuits and a broad range of peripheral devices. This development board has an on-board USB 2.0 programmer and integrated connectors for SD/CF memory cards, 2 x RS232 port, RS485, CAN, DAC, etc..

dsPICPRO2 Development System \$239.00 USD

EasyARM Development Board

with on-board USB 2.0 programmer

EasyARM board comes with Philips LPC2214 microcontroller. Each jumper, element and pin is clearly marked on the board. It is possible to test most of the industrial needs on the system: temperature controllers, counters, timers etc. EasyARM has many features to make your development easy. One of them is on-board USB 2.0 programmer with automatic switch between 'run' and 'programming' mode. Examples in C language are provided with the board.

EasyARM Development System \$149.00 USD

Easy8051A Development Board

with on-board USB 2.0 programmer

System is compatible with 14, 16, 20 and 40 pin microcontrollers (it comes with AT89S8252). USB 2.0 programmer is built in and programming can be done without removing the microcontroller. Many industrial applications can be tested on the system: temperature controllers, counters, timers etc. Easy8051A development system is a full-featured development board for 8051 microcontrollers. It was designed to allow students or engineers to easily exercise and explore the capabilities of the 8051 microcontrollers.

Easy8051A Development System \$114.00 USD

BIGPIC4 Development Board

with on-board USB 2.0 programmer and mikroLCD

Following in the tradition of its predecessor, the BIGPIC3 as one of the best 80-pin PIC development systems on the market, BIGPIC4 continues tradition with more new features for same price. System supports the latest 64 and 80-pin PIC microcontrollers (it is delivered with PIC18F8520). Many ready made examples guarantee successful use of the system. Ultra fast on-board programmer and mikroLCD (In-circuit Debugger) enables very efficient debugging and faster prototype developing. Examples in C, BASIC and Pascal language are provided with the board.

BIGPIC4 Development System \$132.00 USD

EasyAVR4 Development Board

with on-board USB 2.0 programmer

System supports 8, 20, 28 and 40 pin microcontrollers (it comes with ATMEGA16). Each jumper, element and pin is clearly marked on the board. It is possible to test most of the industrial needs on the system: temperature controllers, counters, timers etc. EasyAVR4 is an easy to use Atmel AVR development system. On-board USB 2.0 programmer makes your development easy. Examples in BASIC and Pascal language are provided with the board.

EasyAVR4 Development System \$114.00 USD

EasyPSoC3 Development Board

with on-board USB 2.0 programmer

System supports 8, 20, 28 and 48 pin microcontrollers (it comes with CY921843). Each jumper, element and pin is clearly marked on the board. EasyPSoC3 is an easy to use PSoC development system. On-board USB 2.0 programmer provides fast and easy in system programming. EasyPSoC3 has many features that makes your development easy. You can choose between USB or External Power supply. EasyPSoC3 also supports Character LCD as well as Graphic LCD.

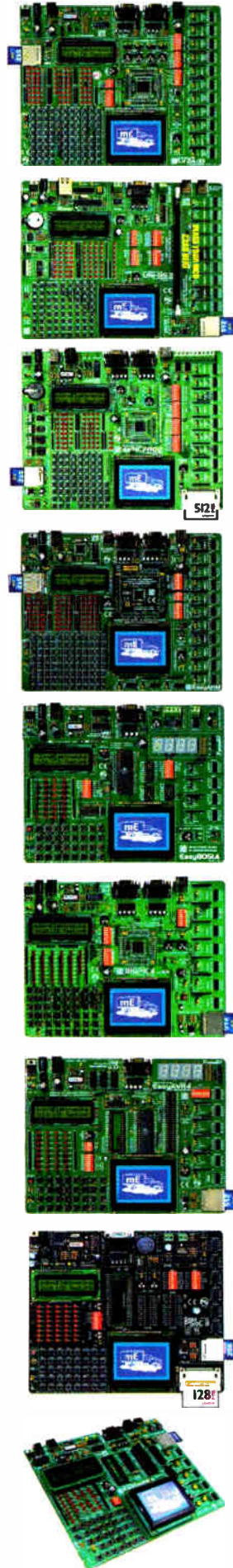
EasyPSoC3 Development System \$169.00 USD

EasysPIC3 Development Board

with on-board USB 2.0 programmer

System supports 18, 28 and 40 pin microcontrollers (it comes with dsPIC30F4013 general purpose microcontroller with internal 12 bit ADC). EasysPIC3 has many features that make your development easy. Many ready made examples in C, BASIC and PASCAL language guarantee successful use of the system. On-board USB 2.0 programmer allows for faster prototype development.

EasysPIC3 Development System \$119.00 USD



PCB Production - Development

0.1" Copper Stripboard

Size	Tracks/Holes	£0.24
25 x 64mm	9T / 25H	£0.24
64 x 95mm	24T / 37H	£0.87
95 x 127mm	36T / 50H	£1.41
95 x 432mm	36T / 170H	£4.39
100 x 100mm	39T / 38H	£1.40
100 x 500mm	39T / 199H	£6.20
119 x 455mm	46T / 179H	£5.40

Stripboard track cutter £1.99

Solderless Breadboard

Tie Points & Size	Power Rails	£2.75
390 81 x 60mm 2		£2.75
840 175 x 67mm 2		£4.86
740 175 x 55mm 1		£4.03
640 175 x 42mm 0		£3.08

Many other sizes available, also jump wires & matrix board.

PCB Production - Drafting Materials

A4 Artwork Film (per 10 sheets)

Clear Manual Film	£1.20
Clear Laser Film	£1.75
White HQ Laser Film	£4.62

Etch Resist Pens

"Dalo" Pen	£3.36
"Squadler", Fine Pen	£0.96

Etch Resist Transfers

Seno mixed DIL pads	£2.24
Seno mixed Rnd pads	£2.24
Alfac mixed pads	£1.84
Transfer Spatular	£1.25

We carry the full range of Seno & Alfac PCB transfers, see our catalogue for full details.

Soldering Irons

We carry in stock a wide range of soldering iron and soldering accessories, irons from 12 to 100 Watts.

20W 240V Basic	£3.74
25W 240V Ceramic	£7.14
30W 240V Basic	£4.68

Desolder Pumps

Basic 165 x 18mm	£2.85
Antistatic 195mm	£3.92
Antex i/Mini 198mm	£6.02
Antex Pro 210mm	£10.26

Soldering Station

A 48W adjustable temperature soldering station with a rotary dial, LED temperature metering, on/off switch, iron holder and tip cleaning sponge. This station features accurate heat sensing for instant compensation & stable temperatures. Adjustable temperature range of 150 - 420°C, Low voltage iron with Silicone cable. Supply: 240V, Iron: 24V 48W

Model 167-540 £41.66

Soldering Station

A 48W adjustable temperature soldering station with a rotary dial, Digital temperature indication, on/off switch, iron holder and tip cleaning sponge. This station features accurate heat sensing for instant compensation & stable temperatures. Adjustable temperature range of 150 - 480°C, Low voltage iron with Silicone cable. Supply: 240V, Iron: 24V 48W

Model 167-570 £55.61

Digital Multimeter

Model: 121-120 Price: £11.47

A highly featured digital multimeter for professional use. Offers 30 ranges and 8 functions including temperature, capacitance, diode, continuity and HFE measurement. Large 3.5 digit LCD display with automatic polarity indicator. Supplied with shrouded test leads, K type temperature probe and shock proof rubber holster.

Technical Specifications

DC voltage	200mV - 1000V (±0.5%)
AC volts	2V - 700V (±0.8%)
DC current	2mA - 20A (±1.2%)
AC current	200mA - 20A (±1.8%)
Resistance	200 Ohms - 20M Ohms (±0.8%)
Capacitance	2000pF - 20µF (±2.5%)
Temperature	0°C - 1000°C (±1.5%)
Frequency	20kHz (±1%)
Max display	1999
Power supply	9V (PP3 battery)
Dimensions	88 x 173 x 40 mm

PCB Production - Processing Equipment

We carry a large range of the photographic & chemical processing equipment for PCB production, a full list with full technical specifications is available in our catalogue or visit our web site.

UV Exposure units

2 x 8W Tubes, 6 min timer	
229 x 159mm working area	
Model 332-002	£98.75
4 x 15W Tubes, 7½ min timer	
330 x 260mm working area	
Model 332-004	£209.48

Chemical Processing

Low cost plastic tray	£2.30
Process tanks feature electrically operated pumps and/or heaters with thermostat control, suitable for boards upto 320 x 260mm.	
Universal Tank with heater	Model 333-007 £169.58
Bubble etch Tank with heater & bubble pump.	Model 333-004 £208.48

Any of these items, carriage £5.50

PCB Production - Tools

Drill Bits

HSS parallel shank bits available in sizes from 0.3mm to 2.0mm

0.3-0.95mm in 0.05mm steps	£0.60ea	£4.00/10
1.0-2.0mm in 0.1mm steps	£0.40ea	£3.60/10

HSS Reduced shank (2.35mm) bit available in sizes from 0.6mm to 1.7mm in 0.1mm steps £0.84ea £7.60/10

Reground Tungsten carbide reduced shank available in sizes from 0.6 to 1.6mm in 0.1mm steps £1.90

Drilling Machines

Expo Reliant 12V drill, 3.8mm capacity, 8400rpm	£12.78
Expo Zircan 12V drill, 3.8mm capacity, 11900rpm	£14.20

Microcraft MX1 230V, 8000 - 21000rpm with chuck & collet. Model EPE270-390 Normal price £48.51

SPECIAL PRICE £31.02

Servisol Products Aerosols

200ml Switch Cleaner	£2.30
200ml Freezer	£4.39
400ml Foam Cleanser	£2.13
400ml Cleaner / Lubricant	£2.79
75ml Vide Head Cleaner	£1.94
200ml Aero Klene	£3.33
200ml Aero Duster	£5.13
250ml Cold Clean	£3.14
200ml Label remover	£3.52
400ml Isopropyl alcohol	£3.42

Tubes

100g Heatsink Compound	£1.66
25g Heatsink Compound	£2.60
50g Silicone grease	£3.16

Bench Power Supplies

A range of single output regulated bench power supplies with variable voltage & current limiting. Features: Short circuit and "Foldback" overload protection, Metal case with on/off switch, outputs via Red, Black & Green (Earth) 4mm shrouded sockets

Model: 461-550	0-30V 0-3A	£70.88
Model: 461-552	0-50V 0-3A	£81.00
Model: 461-554	0-30V 0-10A	£135.00

Panel Meters

High quality analogue panel meters, class 2, zero point correction, mirror scale and prewired for panel illumination. Meter size 46 x 60mm, Cutout size: 38mmØ.

Range	Int Ω	£
0-50µA	6k5	
0-100µA	1k0	
0-500µA	430Ω	
0-1mA	200Ω	
0-10mA	20Ω	
0-50mA	1Ω2	
0-100mA	0Ω65	
0-1A	60mΩ	
0-3A	20mΩ	
0-5A	12mΩ	
0-15A	4mΩ	
0-10V	10k	
0-15V	15k	
0-30V	30k	
±50µA	1k9	

All meters £5.89 each
6V Lamps £1.23 / pair

Magnifying Desk Lamp

A high quality scratch resistant magnifying glass fitted to a balanced swivel arm and desk mount. An integral fluorescent tube provides illumination. Magnification 3x Lens: 120mmØ Tube: 22W Daylight simulation.

Model: 028-205 £28.80

PCB Production - Laminates

Copper clad - paper

Single sided low cost paper composite board	
100 x 160mm Board	£0.54
100 x 220mm Board	£0.62
160 x 233mm Board	£1.02
220 x 233mm Board	£1.40
8" x 12" Board	£1.96

Copper clad - glass fibre

Single & Double 1.6mm 305g/m²	
100 x 160mm Single	£1.06
100 x 220mm Single	£1.49
160 x 233mm Single	£2.29
220 x 233mm Single	£2.88
8" x 12" Single	£3.98
100 x 160mm Double	£1.09
100 x 220mm Double	£1.25
160 x 233mm Double	£2.30
220 x 233mm Double	£2.90
8" x 12" Double	£4.05

Photoresist coated

1.6mm 35 micron Pre-coated with a high quality photoresist layer. Available in low cost paper composite or Glass fibre, Single & Double sided. Other sizes also available.

Size	Paper Single	Double	Glass Fibre Single	Double
4 x 6"	£1.47	£1.82	£1.89	£2.17
6 x 12"	£4.20	£5.04	£5.60	£6.23
9 x 12"	£6.30	£7.70	£8.40	£9.38
10 x 12"	£8.19	£10.01	£10.78	£11.83
12 x 12"	£8.26	£10.08	£10.99	£12.25
100 x 160mm			£2.38	£2.66
203 x 114mm			£3.01	£3.43
220 x 100mm			£3.08	£3.71
233 x 160mm			£4.83	£5.32
233 x 220mm			£6.83	£7.70

PCB Production - Chemicals

500ml Aerosol Photoresist spray, covers 2m²	£4.62
50g Powder developer, makes 1l	£1.09
500g Powder developer, makes 10l	£7.08
250g Ferric Chloride Pellets, makes 500ml	£1.68
500g Ferric Chloride Pellets, makes 1l	£3.04
2.5kg Ferric Chloride Pellets, makes 5l	£9.84
1.1kg Clear Fine etch crystals, makes 5l	£17.58
90g Tin Plating Powder, makes 1l	£11.58
200ml Aerosol Flux spray	£3.41
110ml Aerosol PCB Lauver spray	£3.54

Tools - Cutters & Strippers

We carry a wide range of specialist tools for the electronics industry including

Side Cutters

130mm Low cost	£1.99
115mm Draper	£2.38
115mm Box Jointed	£4.26
145mm Long reach	£3.40

Wire Strippers

130mm Low cost	£2.30
150mm Draper 5mmØ	£5.86

Tools - Ratchet Crimping Pliers

High quality ratchet crimping pliers for various terminals including Automotive, Data, Power and Data connections

Red / Blue / Yellow	£15.80
BNC / TNC RF series	£15.08
RJ11/12 Data Series	£22.32
RJ45 Data Series	£20.43
RJ11/12 & 45 Series	£11.83

CKO Tools Crimp Pliers

Green/Red/Blue	£24.38
Red/Blue/Yellow	£22.88
0.24-2.5mm² crimps	£26.01
0.5-6.0mm² crimps	£26.01
Non insulated crimps	£24.38

Cache - Ribbon

7/0 127mm Grey ribbon cable on a 0.05" 1.27mm pitch with a red identifying stripe. Supplied by 305mm (1ft) or an full 30.5m (100ft) reels.

Size	per 305mm	per Reel
10 Way	£0.10	£5.80
14 Way	£0.14	£7.50
16 Way	£0.16	£8.58
20 Way	£0.20	£10.72
26 Way	£0.26	£13.94
34 Way	£0.34	£18.22
40 Way	£0.40	£21.44
50 Way	£0.50	£26.80
60 Way	£0.64	£33.92
IDC Crimp tool		£10.60

CAT5e Networking

UTP Cable conforms to CAT5e 100MHz standard, ETA verified TIA/EIA 568-B.2

305m Box	£45.31
100m Reel	£22.28

exc carriage.

RJ45 Outlet Kit

Backing Box	
2 Gang Plate	
RJ45 Module	
Blank Module	
Coloured id inserts.	
£2.99ea £2.42 (10+)	

Tools

Plastic punch down tool & cable stripper	£1.40
Professional punch down IDC & trim tool	£7.38

Outlets

CAT5e Outlet Module	£1.70
1 Gang Plate (2 Mods)	£0.50
2 Gang Plate (4 Mods)	£0.75
1/2 Module Blank	£0.25
1 Module Blank	£0.35
2 Module Blank	£0.45

Other keystone outlets, switches & accessories available. Patch & Cross-over leads from £0.50

Now available online
Our large range of tools by

CK **DRAPER** **JOKARI**

Life long life

New
The Electronics Shop.co.uk
Sound & Lighting
equipment for the Entertainment Industry

ESR
ELECTRONIC COMPONENTS
www.esr.co.uk

Tel: 0191 2514363
Fax: 0191 2522296
sales@esr.co.uk

Station Road
Cullercoats
Tyne & Wear
NE30 4PQ

Prices Exclude Vat @17%
UK Carriage £2.50 (less than 1kg)
£5.50 greater than 1kg or >£30
Cheques / Postal orders payable to
ESR Electronic Components.
PLEASE ADD CARRIAGE & VAT TO ALL ORDERS

Editorial Offices:
EVERYDAY PRACTICAL ELECTRONICS EDITORIAL
Wimborne Publishing Ltd., 408 Wimborne Road East, Ferndown,
Dorset BH22 9ND
Phone: (01202) 873872. Fax: (01202) 874562.
Email: enquiries@epemag.wimborne.co.uk
Web Site: www.epemag.co.uk
EPE Online (downloadable version of EPE): www.epemag.com
EPE Online Shop: www.epemag.wimborne.co.uk/shopdoor.htm
See notes on Readers' Technical Enquiries below – we regret technical enquiries cannot be answered over the telephone.
Advertisement Offices:
EVERYDAY PRACTICAL ELECTRONICS ADVERTISEMENTS
408 Wimborne Road East, Ferndown, Dorset BH22 9ND
Phone: 01202 873872 Fax: 01202 874562
Email: stewart.kearn@wimborne.co.uk

Lightbulb Lunacy

The recent announcement by the EU that we may all be forced to use CFL (compact fluorescent lamp) light bulbs by 2009, follows a similar ruling in Australia a few months ago. The new ruling has been heavily condemned in Australia as being basically unworkable and, no doubt, it will also be in Europe. How such legislation can be suggested without any proper research beats me. Are our politicians so blinded by the global warming protagonists that they will do anything to jump on the bandwagon, no matter how unworkable the legislation?

If this ruling is enforced – something I doubt will occur – then the initial cost both in financial terms and to the environment, will be massive. CFLs will not work in enclosed fittings as the heat generated burns them out. No suitable CFLs are available for a wide range of light fittings including all low voltage spotlights. Because CFLs take some time to warm up they tend to be left on longer and the mercury vapour, phosphors and the electronics used in them give increased disposal problems.

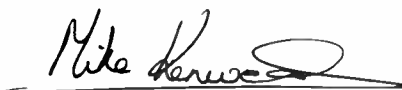
Most CFLs will not work with dimmers and have a poor power factor so, whilst they might give a reduced electricity bill, they are not so effective at reducing the actual power that needs to be generated.

We have yet to see any research that investigates and compares the 'carbon footprint' of incandescent bulbs and CFLs. An independent body needs to look at all the factors, including raw materials, manufacture, packaging, transport, (CFLs are significantly heavier), power factor, recycling etc.

We hope to investigate the pros and cons in a feature article in a few months time. Meanwhile, we wait to see if those behind this proposed legislation will be forced to think again, or if they will try to inflict this massive expense on us all. CFLs are excellent in certain situations and we encourage their use where appropriate.

We fully support any sensible form of energy saving in an effort to preserve what natural resources are left in the world, but we need to encourage it – not take a heavy handed attitude. There is little doubt that LED lighting will prove to be the way forward in the future, backed up by CFLs and other types (including incandescent bulbs) in suitable situations, but to try to force everyone into using CFLs everywhere will never work. This simply seems to be the EU jumping on the carbon emissions global warming bandwagon – one which many scientists dispute.

No doubt the companies making CFLs and light fittings will be rubbing their hands together at the massive profit this could make for them. Hopefully, a balanced view will be forthcoming over the next two years.



AVAILABILITY

Copies of EPE are available on subscription anywhere in the world (see opposite) and from all UK newsagents (distributed by SEYMCUR). EPE can also be purchased from retail magazine outlets around the world. An Internet on-line version can be purchased and downloaded for just \$15.99US (approx £9.00) per year available from www.epemag.com

SUBSCRIPTIONS

Subscriptions for delivery direct to any address in the UK: 6 months £18.75, 12 months £35.50, two years £66; Overseas: 6 months £21.75 standard air service or £30.75 express airmail, 12 months £41.50 standard air service or £59.50 express airmail, 24 months £78 standard air service or £114 express airmail. To subscribe from the USA or Canada call Express Mag toll free on 1877-363-1310

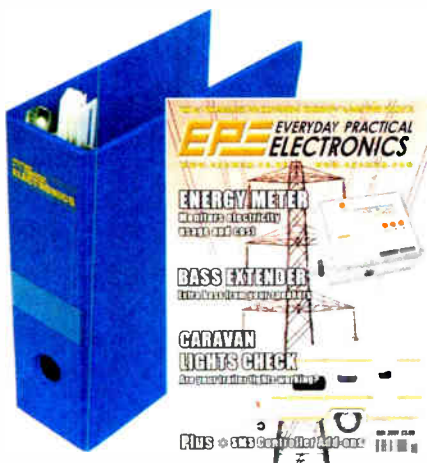
Online subscriptions, for downloading the magazine via the Internet, \$15.99US (approx £9.00) for one year available from www.epemag.com.

Cheques or bank drafts (in £ sterling only) payable to Everyday Practical Electronics and sent to EPE Subs. Dept., Wimborne Publishing Ltd, 408 Wimborne Road East, Ferndown, Dorset BH22 9ND. Tel: 01202 873872. Fax: 01202 874562. Email: sucs@epemag.wimborne.co.uk. Also via the Web at: <http://www.epemag.wimborne.co.uk>. Subscriptions start with the next available issue. We accept MasterCard, Amex, Diners Club, Maestro or Visa. (For past issues see the Back Issues page.)

BINDERS

Binders to hold one volume (12 issues) are available from the above address. These are finished in blue PVC., printed with the magazine logo in gold on the spine. Price £7.95 plus £3.50 p&p (for overseas readers the postage is £6.00 to everywhere except Australia and Papua New Guinea which cost £10.50). Normally sent within seven days, but please allow 28 days for delivery – more for overseas.

Payment in £ sterling only please. Visa, Amex, Diners Club, Maestro and MasterCard accepted. Send, fax or phone your card number, card expiry date and card security code (the last 3 digits on or just under the signature strip), with your name, address etc. Or order on our secure server via our UK web site. Overseas customers – your credit card will be charged by the card provider in your local currency at the existing exchange rate.



Editor: MIKE KENWARD

Consulting Editors: DAVID BARRINGTON
JOHN BECKER

Business Manager: DAVID J. LEAVER

Subscriptions: MARILYN GOLDBERG

General Manager: FAY KEARN

Editorial/Admin: (01202) 873872

Advertising Manager:

STEWART KEARN (01202) 873872

On-line Editor: ALAN WINSTANLEY

EPE Online (Internet version) **Editors:**

CLIVE (MAX) MAXFIELD and ALVIN BROWN

READERS' TECHNICAL ENQUIRIES

E-mail: techdept@epemag.wimborne.co.uk

We are unable to offer any advice on the use, purchase, repair or modification of commercial equipment or the incorporation or modification of designs published in the magazine. We regret that we cannot provide data or answer queries on articles or projects that are more than five years' old. Letters requiring a personal reply *must* be accompanied by a stamped self-addressed envelope or a self-addressed envelope and international reply coupons. We are not able to answer technical queries on the phone.

PROJECTS AND CIRCUITS

All reasonable precautions are taken to ensure that the advice and data given to readers is reliable. We cannot, however, guarantee it and we cannot accept legal responsibility for it.

A number of projects and circuits published in EPE employ voltages that can be lethal. You should not build, test, modify or renovate any item of mains-powered equipment unless you fully understand the safety aspects involved and you use an RCD adaptor.

COMPONENT SUPPLIES

We do not supply electronic components or kits for building the projects featured, these can be supplied by advertisers.

We advise readers to check that all parts are still available before commencing any project in a back-dated issue.

ADVERTISEMENTS

Although the proprietors and staff of EVERYDAY PRACTICAL ELECTRONICS take reasonable precautions to protect the interests of readers by ensuring as far as practicable that advertisements are bona fide, the magazine and its publishers cannot give any undertakings in respect of statements or claims made by advertisers, whether these advertisements are printed as part of the magazine, or in inserts.

The Publishers regret that under no circumstances will the magazine accept liability for non-receipt of goods ordered, or for late delivery, or for faults in manufacture.

TRANSMITTERS/BUGS/TELEPHONE EQUIPMENT

We advise readers that certain items of radio transmitting and telephone equipment which may be advertised in our pages cannot be legally used in the UK. Readers should check the law before buying any transmitting or telephone equipment, as a fine, confiscation of equipment and/or imprisonment can result from illegal use or ownership. The laws vary from country to country; readers should check local laws.

Sony's Progress

Barry Fox reports that Sony has been through some difficult times
but is coming back strongly.

SONY has been through tough times recently 'most notably losing the portable market to Apple and the iPod', but is now 'flourishing' according to Fujio Nishida, the new President of Sony Europe. "But I do not want Sony to be famous for being famous. I want Sony to be the leading digital entertainment brand in Europe. I know that sounds suspiciously close to arrogance but I believe we have the technological firepower to make it happen."

Nishida was speaking at Sony's *Media Experience* event on the Greek island of Rhodes recently, with 430 journalists and 200 Sony staff flown in by chartered planes from 28 European and ex-Eastern bloc countries. Soft spoken, with good English and persuasive enthusiasm, Nishida reminds you of a young Akio Morita, the charismatic founder of the company who died in 1999 and left the company with a succession of leaders who did little to inspire confidence.

Europe now accounts for 29% of Sony's global sales, making Europe Sony's number one market – largely due to the success of the Bravia LCD TVs, with sales up from 1 million in 2005 to 2.5 million in 2006.

The new Arsenal Emirates soccer stadium in London has been kitted out with 450 HDTV LCD screens and there are now plans to use WiFi to send pictures round the stadium to fans.

Lost face

At the end of last year Sony lost face, and the Christmas market to Nintendo's Wii, by having to delay the European launch of

PlayStation 3. The games console, which also plays Blu-ray movie discs, finally went on sale in March, with just under a million players shipped to shops in PAL countries. So anyone who has wanted to buy has been able to find one. Nick Sharples of Sony Computer Entertainment admits this has prompted snipes that PS3 sales are not going well: "We are damned if we do and damned if we don't."

PS3 games are not region coded, but the players are coded because Blu-ray movie discs carve the world into three zones, A, B and C. So far most movies have been coded for playback in all regions, though. The first 500,000 PS3 owners can register for a free copy of *Casino Royale* on Blu-ray. Another 10,000 copies were sold retail in the UK alone during the first week.

In Japan, Blu-ray is winning the blue laser format war hands down. Over the last three months 95% of the HDTV recorders sold for recording HDTV broadcasts have been Blu-ray and only 5% HD-DVD.

Unlike Panasonic, Sony is not yet selling an HDTV camcorder which uses solid-state memory instead of tape or disc. Says Sony spokeswoman Yoshiko Matsuda: "The price of memory is still too high and the capacity too low."

AVCHD MPEG-4 system

Like Panasonic, however, Sony is using the new AVCHD MPEG-4 recording system to capture HDTV. The UX3 (€1000) and UX7 (€1300) use blank 8cm DVDs. Sony is also exploiting the

new xvYCC (extended video YCC) colour system recently standardized by the IEC, and catered for by the new Ver 1.3 HDMI digital connection standard. With xvYCC-capable screens like the latest Bravias, the new IEC system, which Sony calls x.v.Colour, displays 1.8 times the currently available range of video colours.

The latest Bravia TV sets can also accept a 24p input signal, as delivered by top end Blu-ray players, such as the BDP-SE1, which Sony will launch this summer for close to £1000. With 24p the movie is shown as shot, with 24 full, progressively scanned pictures a second, instead of 25fps in Europe or 30fps in the USA. So there is no 4% hike in speed and audio pitch, no 4% cut in running time, and none of the panning judder seen when 3:2 pulldown is used to show 24fps movies at 30fps.

Because the PS3 is subsidised by the profits which Sony expects from games sales, it is by far the cheapest Blu-ray player – at around £425. But the PS3 lacks 24p playback. Sony also showed a prototype TV for the UK, with built in MPEG-4 (AVC H264) decoder. So it can be used to view HDTV Freeview transmissions, if the UK government allocates frequencies for digital terrestrial HD broadcasting. The set was demonstrated in Greece with signals recorded from the Crystal Palace transmitter in London, which the BBC is using for its HD DTTV broadcasts.

Thomas Scarborough Books Online

We are delighted to tell you that Thomas Scarborough has published a series of books, available via the web. Thomas has long been a contributor to *EPE*, designing full constructional projects and sharing his circuit ideas through *Ingenuity Unlimited*. He has published his ideas through many other electronics mags as well, and is arguably the most widely-published electronics writer/designer of the 21st Century. He is renowned for his 'alternative methods' of solving electronic requirements simply.

To begin with, he has placed five of a series of electronics booklets on the web at <http://stores.lulu.com/store.php?AcctID=980032>, devoting the whole backcover of the books to *EPE*.

The first in the series of books is *free* as a download, as an advertisement for the rest. All the booklets are available as

downloads (\$1.00 each) or as printed copies (\$6.95 ea.) – with Book 1, again, being *gratis*.

All the booklets contain five designs, none using more than six components.

Rather than itemise the subjects here, browse the above website. We are sure they will entertain, fascinate and captivate electronics constructors everywhere.

INTERFACING ROBOTS

Research linking robots, ants and humans has gained funding at Newport's University. Underwater robotics and industrial automation are two of the areas which will benefit from research starting up in the Robotic Intelligence Lab at the University of Wales.

The research project, 'Defying the Rules: How Self-Regulatory Social Systems Work', will study how behavioural rules and environmental factors enable self-reg-

ulating interactive behaviour to emerge, and examine a wide range of social systems – human, animal and robotic – in order to develop theories and models of emergent self-regulation.

"In particular, I will be researching multi-robot control methods for applications where communication is limited but reliability is all-important – in areas such as underwater robotics," explained the Lab's Director and Senior Lecturer, Dr Torbjorn Dahl. "Understanding how self-regulation emerges can also improve the way governments handle community regeneration and can also improve existing technologies for automated manufacturing."

The funding has been awarded by the Engineering and Physical Sciences Research Council (EPSRC) which will give the project over half a million pounds over the next three years.

Browse www.newport.ac.uk.

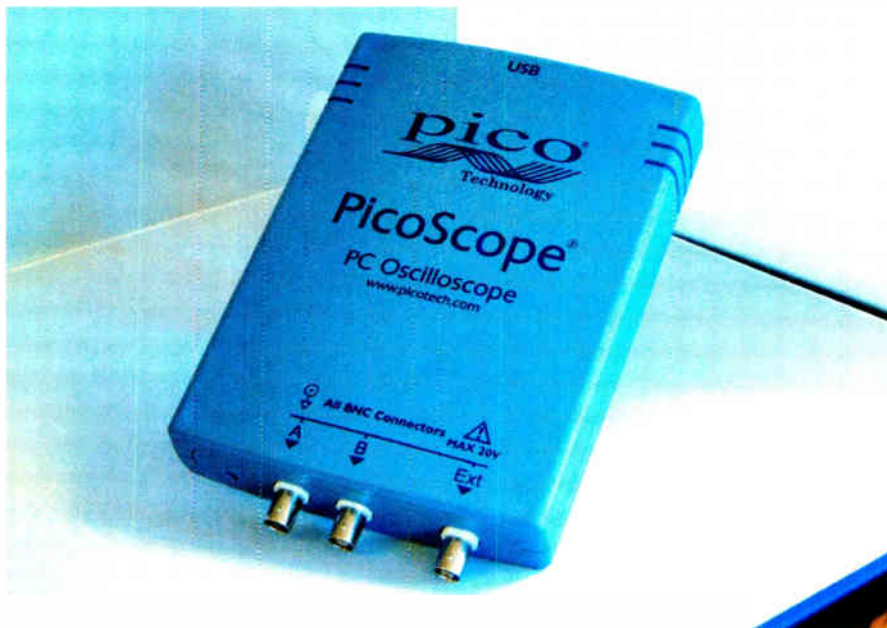
Pico Upgrades IU Awards

Pico Technology have long sponsored our *Ingenuity Unlimited* pages, making annual awards of PicoScopes to the most ingenious readers. They have generously upgraded their awards. Thank you Pico!

For the best *IU* submission during the year they offer their latest 4-channel oscilloscope, the PicoScope 3206, worth £799. To the annual runner-up they will offer the handheld PicoScope 2105, worth £199.

PicoScope oscilloscopes simply connect to the USB port of any standard Windows-based PC, making full use of the PC's processing capabilities, large screens and familiar graphical user interfaces. They are supplied with PicoScope software (oscilloscope, spectrum analyser and meter). Also supplied is PicoLog data acquisition software that transforms your PC into a high-speed datalogger.

For more information on PicoScopes and a variety of data acquisition products, browse: www.picotech.com.



Bletchley Park 2007 Events

The 2007 programme of events at Bletchley Park, Milton Keynes, includes six Battle of Britain Memorial flypasts and a range of activities for young and old, including an Alice in Wonderland event, Churchill Weekend, Forties Family Festival, Classic Car and Motorbike Picnic and Enigma Reunion. Visitors can also explore the many permanent exhibitions and private collections.

The flypasts will coincide with a number of special weekends at the Park. Subject to weather conditions, they are scheduled for 28 May, 9 and 23 June, 8 and 22 July and 22 September.

Bletchley Park, home to the codebreakers of the Second World War and the birthplace of the modern computer, is a museum and heritage site. Its fascinating history and wide range of exhibits and private collections provide something of interest for all ages and make it a great day out for all the family. A newly launched £10 adult and £22.50 family annual season ticket allows free and unlimited visits to the Park for up to 12 months following the first visit, while children under 12 years' old are free.

Other major events in 2007 (dates to be confirmed) will be the inauguration of Hut 8. This is where Alan Turing and his fellow codebreakers cracked the Nazi Enigma cipher and where Turing famously padlocked his mug to a radiator. Also planned is the launch of a fully-operational rebuild of Colossus, the world's first semi-programmable electronic computer, which was used by codebreakers to read encrypted German messages.

Please check before travelling as some exhibits are not always open. For visitor information, contact 01908 640404, email info@bletchleypark.org.uk, or go to www.bletchleypark.org.uk

Bletchley Park is open during 2007 every day except 21 April, Christmas Day, Boxing Day and New Years Day:

- 1 November to 31 March: weekdays, weekends and Bank Holidays 10.30am - 4.00pm.

- 1 April to 31 October: weekdays 9.30am - 5.00pm, weekends and Bank Holidays 10.30am - 5.00pm.

MERG Journal

The Model Electronic Railway Group (MERG) has sent its latest Journal. In its 46-page A4 format, it gives details of the Group's activities and highlights some of the track layouts used by its members. There are also discussions of electronic circuits such as 555 timers and examples of using PIC code to control train or track functions. Technical bulletins on various control block options are included as additional supplements, along with a list of membership updates.

It looks a superbly informative document for those who are heavily involved in railway modelling, and if you are, then you should belong to the Group, which now consists of over 800 members. They attribute this quantity to the huge interest in DCC and the large reservoir of resources that they are able to offer to the modellers.

For more information contact Nicholas Griffin, Publicity Manager, Spread Eagles, Melbury Abbas, Dorset SP7 0DU. Group website: www.merg.info.

NEW FLASH DEVICES

Microchip has announced eight new members of the cost-effective PIC24F 16-bit microcontroller family, with up to 64 Kbytes of Flash program memory and up to 8 Kbytes of RAM, in smaller, lower cost, 28- and 44-pin packages, including a tiny 6x6mm 28-pin QFN package option.

'Peripheral Pin Select' pin-mapping allows designers to use the available pins exactly as they like. For many applications, this can allow the use of a smaller, more cost-effective microcontroller. The wide range of on-board peripherals includes two independent channels each of I²C, UART and SPI communications.

The new family is supported by the MPLAB IDE - including the enhanced Visual Device Initializer, which graphically assists the Peripheral Pin Select feature, generating the required initialisation code. The MPLAB C30 C compiler provides industry-leading code densities, along with free maths and peripheral libraries. For emulation and debugging with the new family, Microchip offers the MPLAB

REAL ICE and the cost-effective MPLAB ICD 2.

In addition, a new version of the Explorer 16 development board is available, fitted with a 44-pin PIC24FJ64GA004. For those who already own the Explorer 16 board, a new Plug-in Module (PIM) has been created to enable development with the new family. A number of PICtail Plus daughter cards are also available for use with the Explorer 16 board that enable designers to add Ethernet connectivity, an SD/MMC card, speech playback or an IrDA(r) interface.

Microchip has also developed a web seminar about this new 16-bit family, which can be viewed now at www.microchip.com/training.

Looking Deeper into Space

A new technology developed by University of Birmingham scientists is enabling astronomers to observe in more detail some of the most distant and spectacular phenomena in the universe without needing to build bigger telescopes.

Professor Mike Lancaster and his team at the University's Department of Electronic, Electrical and Computer Engineering are using superconductors to build filters for radio telescopes that make them more sensitive to distant objects such as rapidly rotating pulsars and remote, evolving galaxies.

In collaboration with astronomers at the Jodrell Bank telescope and other major observatories in the US and Australia, Professor Lancaster has been developing relatively inexpensive, 'plug and play' devices that allow the incredibly weak signals from cosmic bodies trillions of miles from Earth to pass unhindered, but screen out any unwanted interference from terrestrial sources such as mobile phones and television transmitters.

Mike Lancaster explains, "Our filters are able to distinguish between the signals coming from a remote star and those from a local mobile phone by homing in on the precise frequencies we require. It's like a narrow radio turnstile shutting out intruders."

Sea Change In Electronics

The marine environment is the setting for a number of remarkable developments in electronics, so grab your sickness pills and lifebelt – while Mark Nelson takes you on an inspection cruise of some highly improbable but genuine things to come

Sea change is one of those annoying expressions that are so criminally overused nowadays and I used the phrase for this article's title only because it seemed apt. To be honest, until I started researching this article I had no idea what a sea change was.

In case you too are in the dark, I discovered that it comes from Shakespeare's *The Tempest*, written in 1610, in which the bard has the character Ariel sing:

Full fathom five thy father lies;

Of his bones are coral made;

Those are pearls that were his eyes:

Nothing of him that doth fade

But doth suffer a sea-change

Into something rich and strange.

Sea-nymphs hourly ring his knell.

The original meaning was 'a change brought about by the sea' but as with many of Shakespeare's quotable quotes, the obscure literal sense has been replaced by a more common popular meaning.

Strange but True

There you go, and never let it be said that these articles are lacking in culture! We'll return now to scientific topics, including oceanic sensors for monitoring climate change, gas sensors and batteries made from materials dredged from the seabed, plus the mysterious case of ozone that's nothing of the sort.

Measuring climate change in deep sea waters may sound a strange way of going about things but it has nothing to do with April 1st and makes sense once explained. The National Oceanography Centre, based at Southampton University, uses an electronic 'laboratory on a chip' to measure the number of tiny phytoplankton plants in seawater.

Quoted on news website MDSL Net, researcher Dr Matt Mowlem said: "We will measure chemistry and biology in the ocean for climate change and pollution research. This involves testing and making bio-sensors by borrowing microelectronic techniques to make micro-fluidic and micro-optical systems."

Abnormal Numbers

The numbers of phytoplankton (algae) in the sea vary seasonally, according to temperature and light intensity. Increasing temperatures and light intensity stimulate their growth, leading to an increase in population density, and abnormal numbers could point

to global warming. The University of Southampton's School of Electronics has embarked on a project to develop chips that can count the number of phytoplankton in water samples. The micro fluidic devices will be connected to various electronics and through optical fibres to LEDs for spectral analysis.

"We will flow sea water through them to measure and characterise plankton," said Dr Mowlem, explaining that the devices will be installed in a new generation of battery-powered buoys that are dropped into the ocean and repeatedly dive to 2,000m; measuring temperature, pressure and salinity as they rise to the surface. Data is transmitted to satellites during periods on the surface.

He concluded, "[Currently] there are 3,000 deployed at any one time and they have already improved weather forecasting."

Diatomic Detection

Diatoms, as everyone knows – don't they!, are a kind of algae that leave behind a skeleton of silica when they die. They are very small, no more than 20 to 200 microns in diameter or length normally. Industrially they have many uses, including paint and toothpaste, and are found in fresh and marine waters, the soil and in fact almost anywhere moist.

Now there are two electronic applications as well, thanks to a chance meeting between a ceramics expert and a marine biologist on a bus in Germany. Professor Ken Sandhage of Georgia Institute of Technology told Trade journal *Electronics Weekly*, "We got talking and the biologist showed me some pictures of diatoms. These are a type of algae that leave a silica skeleton. It turns out every one of 100,000 species is genetically-tuned to make identical nano-featured structures."

Sandhage's team has succeeded in converting the silica skeleton into silicon chemically, then adding platinum wires to make a sensor for nitric oxide. "It is a very sensitive detector," he says, "and when you increase the concentration from 1ppm, to 2ppm, to 3ppm it detects the changes as a change of resistivity in a few seconds." According to the report, the university also sees applications for marine diatoms in batteries, because of the high surface area to volume ratio, and the modified skeletons also emit a small amount of light.

Oh for Ozone

It was the US movie actress Mae West who once said: "Too much of a good thing can be wonderful", but she obviously didn't have ozone in mind. Ozone, you will recall, is a highly active form of oxygen, with three atoms instead of two. It occurs naturally and

is produced artificially by a high voltage electrical discharge. Discovered in 1826 and used medically since the 1870s, it still has a wide following and you can find plenty of praise for ozone therapy on alternative health websites.

Indeed, it was once so highly esteemed that the Central Line of the London Underground railway was once equipped with its own ozone plant. In 1912 a company called Ozonair won a contract to purify the atmosphere on what was then called the Central London Railway. The firm is still going by the way but the underground ozone apparatus disappeared a long time ago.

In small concentrations ozone is healthy, killing germs and mould spores. Too much of a good thing is in this case not 'perfectly marvellous', however, which is why we are told to avoid placing laser printers next to our desks, because these can give off high concentrations of ozone. Ozone also occurs when sunlight reacts with volatile organic compounds that exist in hydrocarbon vehicle emissions.

Even at relatively low concentrations, ozone can trigger irritation of the eyes, respiratory tract, nose, throat, and trachea. Signs of irritation include heavy coughing and tightness in the chest area. If the gas reaches a higher concentration, it may hamper lung function seriously. Fortunately, the molecule's unstable nature means its half-life is six to eight hours, meaning its concentration halves in that period.

Breathe Deeply?

Healthy ozone was always said to be the characteristic smell of the seaside. As children we were told it was ozone and that we should breathe deeply to gain the benefit of this highly active oxygen.

It seems we were mistaken. The 'ozone' is in fact dimethyl sulphide (DMS), which is released by microbes that live near plankton and marine plants, including seaweeds and some salt-marsh plants. It is also produced by cooking certain vegetables, notably corn and cabbage, and seafoods.

The discovery that DMS is the true scent of the sea is the conclusion of Prof Andrew Johnston, a research project leader from the University of East Anglia. Correcting the mistakes of the past, he states: "We were misled, twice over. First, because that distinctive smell is not ozone, it is dimethyl sulphide. And second, because inhaling it is not necessarily good for you."

That said, he declares the gas is a remarkably effective food marker for ocean-going birds such as shearwaters and petrels. It also plays a vitally important role in the formation of cloud cover over the oceans, cooling our overheated climate.



How many pieces of test equipment can you buy for £99?

With a PoScope USB instrument you get the features of an oscilloscope, spectrum analyser, chart recorder, logic analyser (with UART, SPI, I²C and 1-wire serial bus decoding), pattern generator and square-wave/PWM generator. That's equivalent to six pieces of test equipment for £99 including UK delivery and VAT.

PoScope is a low-cost USB-based instrument that adds invaluable test equipment features to your desktop or notebook PC. Being PC-based, all measurements can be printed, copied to the clipboard and saved as text, bitmap or vector graphics for subsequent analysis or to import into other programs. PoScope is ideal for use by electronics hobbyists, students and engineers alike and is particularly suited to those developing with microcontrollers such as PIC and AVR.

PoScope provides the following operation modes:

- 2-channel oscilloscope with 100Hz to 200kHz sampling, -20V to +20V input range, 10-bit ADC resolution, absolute, differential and external triggering, adjustable pre-trigger and marker measurements.
- 2-channel spectrum analyser with k1/rr factor measurement, Hamming, Hanning, Blackman and Blackman-Harris FFT window functions.

- 2-channel chart recorder with 0.01Hz to 200kHz sampling, maximum, minimum and average voltage measurements for each channel and waveform record over several tens of hours.
- 16-channel (8 when pattern generator used) logic analyser with 1kHz to 8MHz sampling, versatile triggering with adjustable pre-trigger, external clocking, preset pulse miss, preset bit sequence/edge, decoding of UART, SPI, I²C and 1-wire serial interfaces.

- 8-channel 1kHz to 1MHz pattern generator with tabular waveform formatting or direct timing chart plotting on the screen.
- Square-wave/PWM (pulse width modulation) generator.

Compatible with Microsoft Windows ME, 2000 and XP, PoScope is supplied with easy-to-use software and a USB cable. Oscilloscope probes and logic analyser test lead/clip sets are available separately.

Order now on **Freephone 0800 612 2135** or online at www.paltronix.com

PALTRONIX
EQUIPMENT FOR ELECTRONICS DEVELOPMENT, TRAINING & EXPERIMENTATION

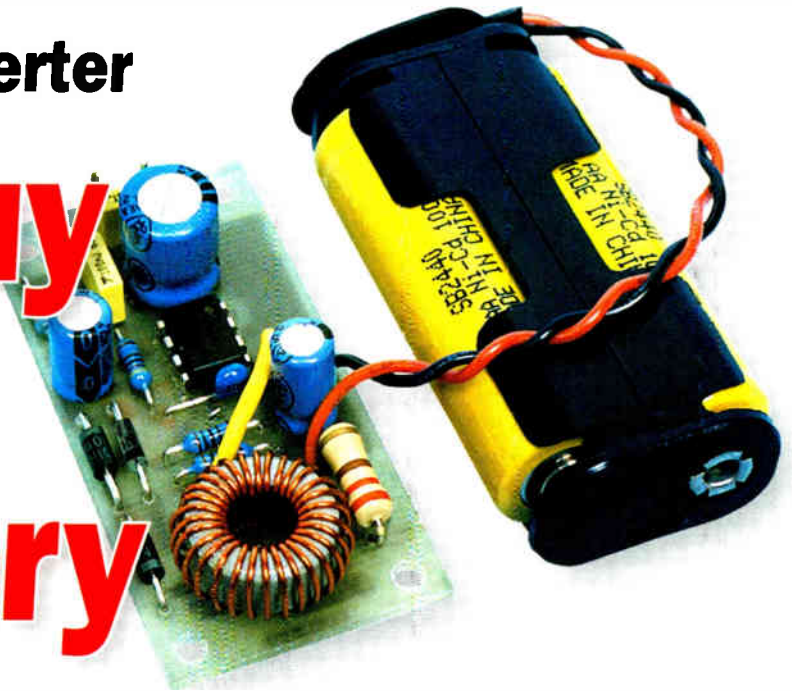
Paltronix Limited
Unit 3 Dolphin Lane, 35 High Street, Southampton SO14 2DF
Telephone: 0845 226 9451 Facsimile: 0845 226 9452
Email: sales@paltronix.com Web: www.paltronix.com



All major credit and debit cards accepted

3V to 9V DC-DC Converter

Never buy another 9V battery



Bought a 9V battery lately? They're horribly expensive and they don't last very long if you want more than a few milliamps out of them. The solution: build this little DC-DC converter so you can use AA, C or D size cells instead.

By PETER SMITH

SAY YOU WANT a 9V battery to supply 40mA to a circuit. That's a pretty modest current but if you use a PP3 style 9V battery it won't last long at all. In fact, if you're using a typical 'heavy duty' 9V battery, it will last less than 20 minutes before the voltage drops to 7.8V. That may be enough to stop your circuit working. Or maybe you are using an alkaline type. Depending on the brand and price, you might get about two hours life. Not good.

By comparison, two AA alkaline cells driving this DC-DC Converter circuit to give 9V at 40mA will last about 7 hours. And rechargeable AA cells can be even better. Table 1 shows the comparisons.

This circuit can deliver up to 90mA at 9V (with less life from the cells) or can be set to deliver anywhere between 4.5V and 20V. You might never have to buy another 9V battery ever again.

This project is based around the Texas Instruments TL499A, its output voltage is programmable, making it

suitable for use in a variety of low-power applications. This design is specified for use with two cells. This enables the converter to produce more realistic output current levels. For low-power applications, two cells are also more cost effective, as more of their energy is extracted before the terminal voltage falls below the converter's minimum input voltage.

We've also included support circuitry for the TL499's on-board series (linear) regulator, meaning that it can

be powered from a plugpack when a mains outlet is available. In addition, a trickle-charge function is provided for use with rechargeable batteries.

The PC board is roughly the same size as a 2 x 'AA' cell holder, so in some applications it will be possible to build it right into the equipment that it powers. Alternatively, it could be housed in a small plastic box.

TL499A basic operation

A functional block diagram of the TL499A appears in Fig.1. It contains a switching regulator and series regulator. Let's look at the switching regulator section first.

The switching regulator operates as a conventional step-up pulse-width modulated (PWM) DC-DC converter. A variable frequency oscillator drives the base of a power transistor, which acts as a switch between one side of a 'boost' inductor and ground.

Referring to the circuit diagram in Fig.2 and also the block diagram Fig.1, you can see that one end of the inductor (L1) is connected to battery positive. The other end is connected to pin 6 of the TL499A – the collector of the switching transistor (Q1).

When the transistor switches on, the current through L1 ramps up with time, storing energy in the inductor's magnetic field. When the transistor turns off, the magnetic field collapses, generating an instantaneous voltage which causes the blocking diode to conduct, thereby transferring the

Main Features

- Use it to replace 9V batteries
- Runs from AA, C or D cells
- Up to 90mA current at 9V
- Can be set for 4.5V to 20V output
- Supports DC plugpack input
- Optional trickle charge for NiCad and NiMH batteries

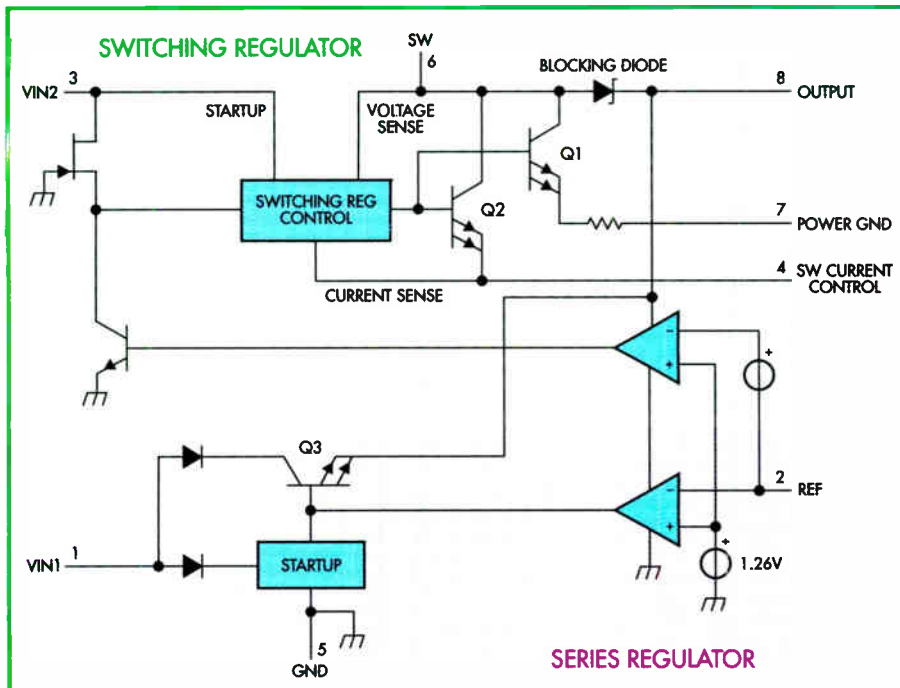


Fig.1: the functional block diagram of the TL499A. It's housed in an 8-pin DIL package and contains both series (linear) and step-up switching regulators.

inductor's energy to the output filter capacitor and load via pin 8.

The second transistor (Q2) forms part of a cycle-by-cycle current limiting circuit. This circuit turns off the switching transistor (Q1) when the current through it reaches a predetermined level. A 150Ω resistor from pin 4 to ground sets the peak current level to about 500mA.

The PWM circuit uses a fixed off time/variable on time scheme to maintain a regulated output voltage under varying line (battery voltage) and load conditions. Under light-load conditions, the switching frequency can be as low as a few kHz. With maximum load and minimum input voltage, it increases to over 20kHz.

Now let's turn our attention to the series regulator section. Again, this section is quite conventional, consisting of an NPN series pass element

(Q3), a voltage reference and an error amplifier.

DC voltage applied to pin 1 is passed through to the output at pin 8 via transistor Q3. The base of Q3 is driven by an error amplifier, which compares a 1.26V (nominal) reference voltage on its non-inverting input with the voltage at pin 2.

Looking at the circuit diagram (Fig.2), you can see that resistors R1, R2 and R3 close the feedback loop, connecting the output voltage back to the error amplifier's inverting input. The output voltage is determined by the expression:

$$V_{OUT} = V_{REF} (1 + R1 \parallel R2/R3)$$

Substituting our listed values gives:

$$V_{OUT} = 1.26 (1 + 33k\Omega \parallel 220k\Omega/4.7k\Omega) = 8.95V$$

In fact, by choosing appropriate values for R1 and R2, the output voltage can be programmed for any value

Parts List

- 1 PC board, code 620 available from the *EPE PCB Service*, 59 x 29mm
- 1 14.8mm powdered-iron ring-core toroid (Neosid 17-732-22)
- 1 700mm-length (approx) 0.63mm enamelled copper wire
- 1 2 x AA (or C or D) cell holder
- 2 x 1.5V cells to suit cell holder
- 1 9V battery snap
- 1 panel-mount 2.1mm or 2.5mm DC socket (optional)
- 1 12V DC plugpack (see text)
- 6 1mm PC board pins (stakes)
- Hot melt glue or neutral cure silicone sealant

Semiconductors

- 1 TL499A Power Supply Controller IC (IC1). Available with PCB 620 from the *EPE PCB Service*
- 2 1N4004 1A diodes (D1,D2)
- 1 1N4732A 4.7V 1W Zener diode (ZD1)

Capacitors

- 1 470μF 25V PC electrolytic
- 1 220μF 25V PC electrolytic
- 1 100μF 25V PC electrolytic
- 1 1μF 50V monolithic ceramic
- 2 100nF 50V MKT polyester

Resistors (0.25W 1%)

- 1 220kΩ
- 1 150Ω
- 1 33kΩ
- 1 10Ω
- 1 4.7kΩ
- 1 270Ω 1W 5%
- 1 220Ω 1W 5% (for testing)

between 4.5V and 20V. A handy list of resistor values for the most common voltage ranges is presented in Table.3.

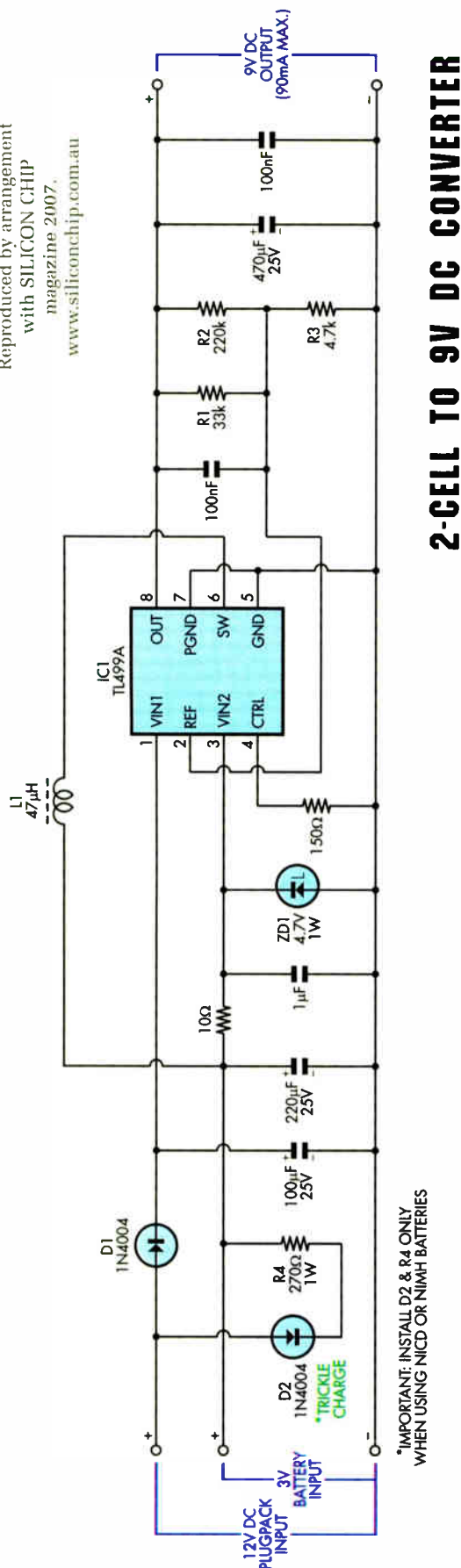
Regulator priority

A similar voltage feedback scheme is used by the switching regulator control circuits. In this case, however, the error amplifier circuit has been modified so that the output voltage will be about 2-3% lower than from the series regulator. This gives priority to the series regulator, because its slightly higher output voltage 'forces off' the switching regulator.

In practice, this means that when the unit is running from batteries and a plugpack is connected, switch-over between the two sources occurs automatically. Power to the output is uninterrupted, ignoring the small increase in voltage (about 180mV for

Type	Service Life	Conditions
9V Heavy Duty	≈ 18 min.	40mA Load, 7.8V Cutoff
9V Alkaline (Rayovac A1604)	≈ 2 hours	40mA Load, 7.8V Cutoff
2 x AA Alkaline	≈ 7 hours	230mA Load, (40mA Output), 1V/Cell Cutoff (9V Output)
2 x AA NiMH (2000mAh)	≈ 7.7 hours	230mA Load (40mA Output), 1V/Cell Cutoff (9V Output)

Reproduced by arrangement
with SILICON CHIP
magazine 2007.
www.siliconchip.com.au



*IMPORTANT: INSTALL D2 & R4 ONLY
WHEN USING NICKEL OR NIMH BATTERIES

Fig.2: only an external inductor and a few passive components are required to build a complete power supply using the TL499A. D2 and R4 are optional, providing a trickle charge to the battery when a plugpack is connected.

9V out). When the series regulator is operating, the switching regulator shuts down and battery drain drops to just 15µA (typical).

Texas Instruments refers to the voltage difference between the switching and series regulators as the 'change voltage'. For more detailed information on the TL499A, you can download the datasheet from www.ti.com

Complete circuit

Very little external circuitry is required to construct a complete power supply using the TL499A. Looking first at the input side of the circuit (Fig.2), the DC plugpack input is polarity-protected with a series diode (D1) and then filtered with a 100µF capacitor before being applied to the series regulator input (pin 1).

At the battery input, a 220µF capacitor compensates for battery lead length, terminal contact resistance and increasing cell impedance during discharge.

Additional filtering is provided using a 10Ω resistor and 1µF capacitor before the battery voltage is applied to the switching regulator input (pin 3). This filter removes much of the high frequency switching noise present on the 'hot' side of inductor L1.

Zener diode ZD1 clamps the voltage on pin 3 to less than the maximum (10V) rating of the IC. It also prevents the trickle charge circuit from powering the output side of the circuit (via L1 and IC1), both unwanted side-effects that would otherwise occur when the circuit is powered from a plugpack without batteries installed.

Note: to keep board size to a minimum, polarity protection has not been provided on the battery input. As cell orientation is obvious for most battery holders, you may not be concerned about this omission. However, if your application demands input polarity protection, then the additional circuitry shown in Fig.4 can be inserted prior to the converter's input terminals. A simple series diode will not suffice in this case, as it would seriously impede circuit performance.

Trickle charge circuit

If you're using rechargeable cells, then D2 and R4 can be installed to provide trickle charging whenever a plugpack is connected. A resistor value of 270Ω limits the charge current to about 50mA, dependant on input and battery voltages. This current level is suitable for cells of 1000mAh and higher. For lower cell capacities, you should select a more appropriate value for R4 using the following formula:

$$R4 = (V_{IN} - V_D - V_{BATT}) / (Ah \times 0.05)$$

Where V_{IN} = plugpack voltage, V_D = diode voltage drop, V_{BATT} = fully charged battery voltage, Ah = battery capacity in amp/hours.

For example, if you're using 650mAh cells with a 12V unregulated plugpack that puts out 16V:

$$R4 = (16 - 0.7 - 3) / (0.65 \times 0.05) = 378\Omega \text{ (use } 390\Omega)$$

Note that while the trickle charge function will top-up your batteries as well as compensate for self-discharge, it is not intended to recharge flat cells. Do not be tempted to increase the trickle charge current

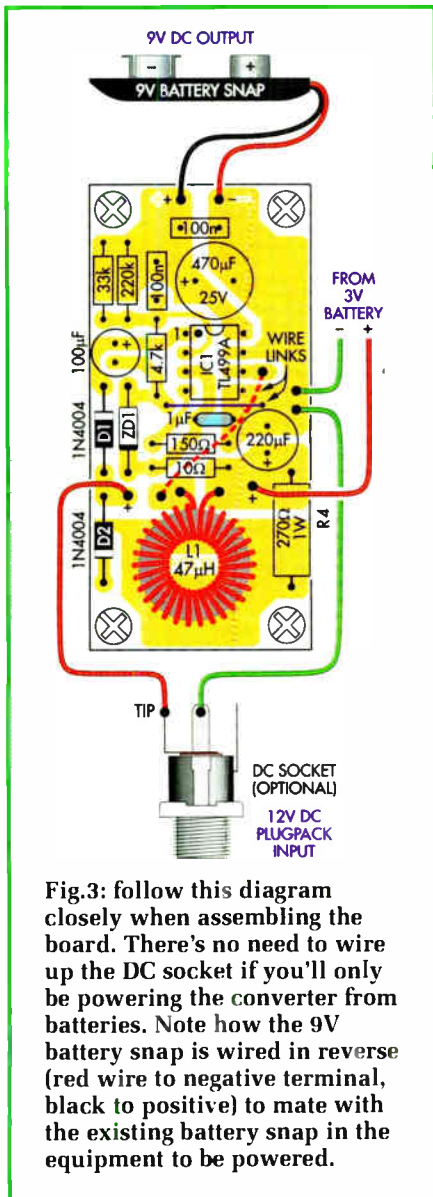


Fig.3: follow this diagram closely when assembling the board. There's no need to wire up the DC socket if you'll only be powering the converter from batteries. Note how the 9V battery snap is wired in reverse (red wire to negative terminal, black to positive) to mate with the existing battery snap in the equipment to be powered.

beyond the recommended 0.05C rate. Doing so may shorten the life of your cells, or in the extreme case, cause a fire or explosion! If in doubt, refer to the manufacturer's data sheets for the maximum recommended trickle charge rate.

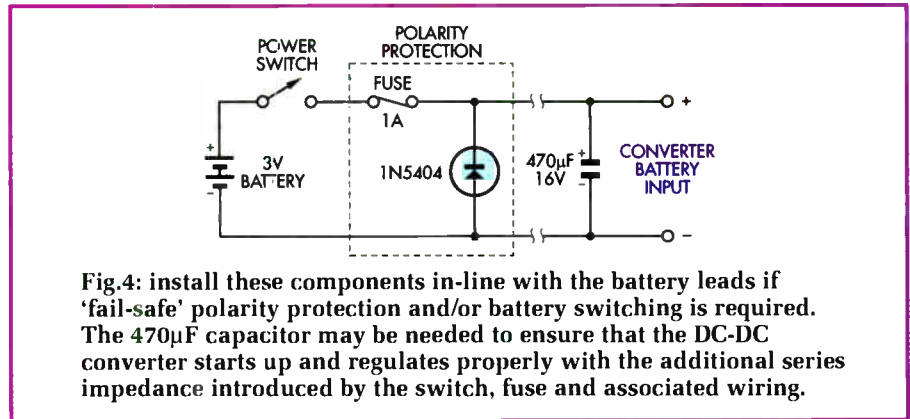


Fig.4: install these components in-line with the battery leads if 'fail-safe' polarity protection and/or battery switching is required. The 470µF capacitor may be needed to ensure that the DC-DC converter starts up and regulates properly with the additional series impedance introduced by the switch, fuse and associated wiring.

On the output side of the circuit, the 100nF capacitor across the top two resistors reduces ripple and noise in the feedback signal to pin 2. Finally, 470µF and 100nF capacitors provide the maximum permissible filtering ahead of the output terminals.

Voltage and current limits

Using the component values shown, the series regulator (plugpack) input can be as high as 17V. This limit is imposed by the maximum continuous power dissipation of the TL499A (0.65W recommended), as well as power dissipation in the trickle charge circuit.

If you've programmed the output for less than 9V, then use a lower voltage plugpack (less than 12V) to keep IC power dissipation under control. Remember that unregulated plugpacks put out higher voltages than specified when lightly loaded. Ideally, the input voltage needs to be only about 3V higher than the output to achieve regulation and minimise dissipation.

The switching regulator can source up to 100mA of current. Table 4 provides a convenient method of determining the maximum available current for typical input and output voltage combinations when operating from battery power.

Although the TL499A includes in-built over-temperature and over-current protection, you should not exceed the listed current levels to avoid possible damage to the chip. Excessive loading will also cause high ripple voltage and loss of regulation at the output.

Also, note that being a step-up (boost) type converter, there is a current path from the battery, through the inductor (L1) and the internal blocking diode to the output, even when the switcher is shut down. The diode is designed for a maximum current of 1A, a level that could easily be exceeded if the output terminals are accidentally shorted together.

About efficiency & battery life

The switching regulator's efficiency depends on the input and output voltages and the load current. As shown in Table 4, the maximum output current with 3V at the input is 90mA. In this configuration, the circuit is about 55% efficient. Therefore, we can say that with a step-up ratio of 3:1, the input power will be about 1.25W at full load.

This represents a considerable current demand on the batteries. In the case of alkaline batteries, the voltage decays rapidly to less than 1V/cell

Table 2: Resistor Colour Codes

No.	Value	4-Band Code (1%)	5-Band Code (1%)
1	220kΩ	red red yellow brown	red red black orange brown
1	33kΩ	orange orange orange brown	orange orange black red brown
1	4.7kΩ	yellow violet red brown	yellow violet black brown brown
1	150Ω	brown green brown brown	brown green black black brown
1	10Ω	brown black black brown	brown black black gold brown
1	270Ω (5%)	red violet brown gold	not applicable
1	220Ω (5%)	red red brown gold	not applicable

Constructional Project

Table 3: R1 and R2 Values For Common Output Voltages		
VOUT	R1	R2
4.5V	22kΩ	27kΩ
5V	15kΩ	180kΩ
6V	33kΩ	39kΩ
7.5V	27kΩ	180kΩ
9V	33kΩ	220kΩ
12V	47kΩ	270kΩ
15V	56kΩ	560kΩ

Table.3: to program the converter for a different output voltage, just change the values of R1 and R2. Typical voltage ranges together with the necessary resistor values are listed here.

under heavy-load conditions, which means that available output power decreases as well.

The most important points to consider are:

- (1). Alkaline cells are best suited for intermittent and/or light-load use. The high self-discharge rate of rechargeables (especially NiMH types) makes them unsuitable in this application unless trickle-charged.
- (2). Rechargeable cells are best suited for high current, continuous-use applications. Although the initial terminal voltage is less than for alkaline cells, they have an almost flat voltage discharge curve. The lower (1.2V/cell) terminal voltage means that about 70mA max. output current is possible at 9V, but it will be sustainable over most of the battery life.
- (3). Carbon cells are not recommended

due to the high peak switching current drawn by the converter.

Assembly

Using the overlay diagram in Fig.3 as your guide, begin by installing the wire link (just below IC1) using tinned copper wire. Follow this up with all the resistors and diodes (D1, D2 and ZD1), taking care to align the banded ends of the diodes as shown.

Note that the 270Ω 1W resistor should be mounted about 1mm proud of the board to aid heat dissipation.

Important: D2 and R4 should only be installed if you'll be using rechargeable batteries and the plugpack input. Do not install these components if using alkaline batteries.

The TL499A (IC1) can go in next. It is important that this chip is soldered directly to the PC board – don't use an IC socket! This maximises heat transfer and eliminates contact resistance. The notched (pin 1) end must be oriented as shown on the overlay diagram.

Install all of the capacitors next, noting that the electrolytics go in with their positive leads aligned as indicated by the '+' symbol.

Winding the inductor

The inductor is hand wound on a 14.8mm powdered-iron toroid, Neosid Part No. 17-732-22 (or similar). You'll need about 700mm of 0.63mm enamelled copper wire for the job.

In total, 30 turns are required to

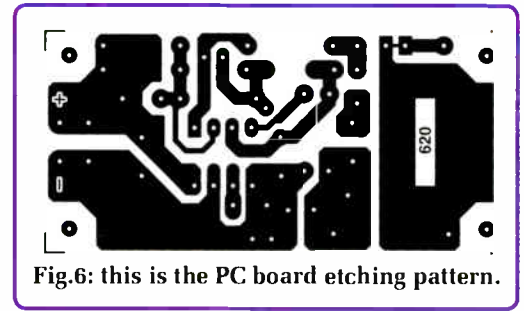


Fig.6: this is the PC board etching pattern.

achieve the 47μH inductance value. The wire must be wound on tightly, with each turn positioned as close as possible to the last. Do not overlap turns. One complete layer should make exactly 30 turns. Be careful not to kink the wire as you thread it through the centre of the toroid, otherwise you won't be able to fit all 30 turns in the available space.

Bend and trim the start and finish ends as necessary to get a neat fit in the PC board holes. Scrape the enamel insulation off the wire ends with a sharp blade and tin with solder prior to soldering to the PC board.

With the inductor in place, all that remains is to install an insulated wire link between pin 6 of IC1 and the spare hole on one side of the inductor. Make this link from medium-duty hook-up wire and keep it as short as possible. That done, the inductor can be permanently fixed to the PC board using hot-melt glue or neutral cure silicone sealant.

Hookup and testing

All connections to the board are

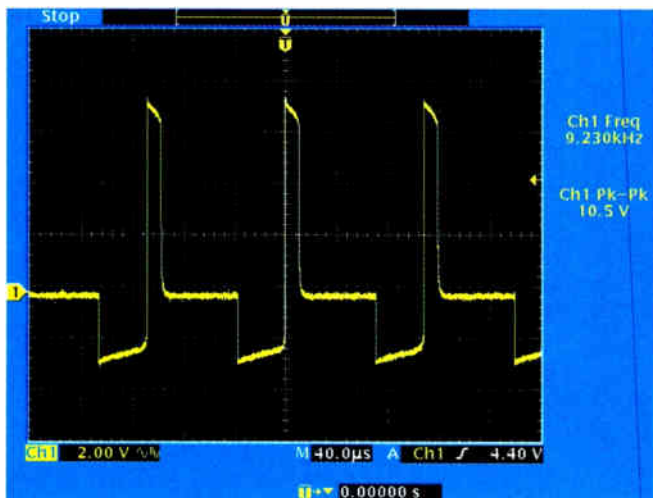


Fig.5: this waveform was captured on pin 6 of the TL499A switching regulator IC with a 40mA load (ie, the 220Ω test load). The switching frequency is a little over 9kHz in this case.

Table 4									
OUTPUT VOLTAGE (V)	BATTERY INPUT VOLTAGE (V)								MAXIMUM OUTPUT CURRENT (mA)
	1.1	1.2	1.3	1.5	1.7	2	2.5	3	
20						20	25	30	
15				15	20	30	45	55	
12	10	15	20	25	30	40	55	70	
10	15	20	25	30	35	45	65	80	
9	20	25	30	35	40	50	70	90	
6	30	35	40	45	55	75	95	100	
5	35	40	45	55	70	85	100	100	
4.5	35	45	50	60	75	95	100	100	

Table.4: the maximum switching regulator output current depends on the input and output voltages. This table enables you to predict the maximum current for the chosen output voltage as battery voltage declines.

made with medium-duty hook-up wire. If desired, PC board pins (stakes) can be installed at each connection point rather than soldering the wires directly to the board.

Note that the wiring length from the battery holder to the input terminals must not exceed 100mm. Where possible, replace existing light-duty battery holder wiring with medium-duty cable and twist the leads tightly together to reduce radiated noise.

The converter draws a small quiescent current (a few milliamps) under no-load conditions. Therefore, for light-load or intermittent use, you'll need to install a switch in series with the battery. Use a switch with a 2A rating or higher.

Note: to counter the effects of switch contact resistance (and fuse resistance, if used), you may need to install a capacitor between the switch output and battery negative leads (see Fig.4).

In cases where the converter is to be used in place of a 9V battery, a battery clip can be used to make the connection to the existing battery clip in the equipment. **As shown on the overlay**

Plugpack Operation Without A Battery

When the trickle charge circuit (D2 & R4) is installed and the converter is powered from the plugpack input without a battery connected, the output voltage will fall short of 9V. This occurs because the trickle-charge circuit is pulling the 'SW' pin higher than the 'VIN2' pin, causing the TL499A to erroneously select the step-up switching regulator instead of the linear regulator.

If you must operate the unit from a plugpack without a battery installed, then you can solve this problem in one of two ways:

- (1). Remove the trickle charge components (D2 and R4); or
- (2). Fit a 2-pin header so that the trickle-charge circuit can be disabled (via a jumper shunt) at will. You will note on the circuit board layout that provision has been made for this directly beneath D2.

First, remove D2 and cut the small track that joins the two square pads. Install a 2-pin header and refit D2, noting that you'll probably need a new diode with longer leads so that it can be positioned between the new header and L1.

diagram (Fig.3), you'll need to wire the clip leads in reverse, so that it mates up with the correct polarity!

Before using the converter for the first time, connect a 220Ω 1W resistor across the output terminals and apply battery power. Use your multimeter to measure the voltage across this resistor. If the switching regulator is doing

its job, you meter should read close to the desired voltage.

If you'll be using a plugpack as well, then connect it up while monitoring the output voltage. As stated earlier, you should see a small increase in voltage (about 180mV), indicating that the series regulator has taken over and shut down the switching regulator. *EPE*

No Compromise Oscilloscope



Other oscilloscopes in this price range force you to compromise on one of the key specifications:

sampling rate, memory depth or bandwidth.

The PicoScope 5000 series is a no compromise PC oscilloscope at a price every engineer can afford.

www.picotech.com/scope415

01480 396395

pico
Technology



1GS/s sampling rate

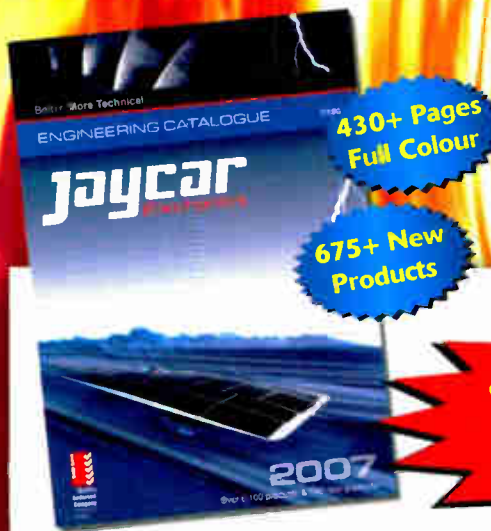
250MHz bandwidth

128M sample buffer memory

125MS/s 12 bit AWG built in

PicoScope 5203
32M buffer £1195

PicoScope 5204
128M buffer £1795



Grab a Red Hot

Visit us at www.jaycarelectronics.co.uk and obtain your free copy of our 430+ page, full colour catalogue. We have an extensive range of electronics kits and the best in innovative gadgets.



POST AND PACKING CHARGES:

Order Value	Cost	Order Value	Cost
£20 - £49.99	£5	£200 - £499.99	£30
£50 - £99.99	£10	£500+	£40
£100 - £199.99	£20		

Max weight 12lb (5kg). Heavier parcels POA. Minimum order £20. Note: Products are dispatched from Australia, so local customs duty and taxes may apply.

How to order:
Phone: Call Australian Eastern Standard Time Mon-Fri on 0800 032 7241
Email: techstore@jaycarelectronics.co.uk
Post: PO BOX 6424, Silverwater NSW 1811.
Expect 10-14 Days For Air parcel delivery

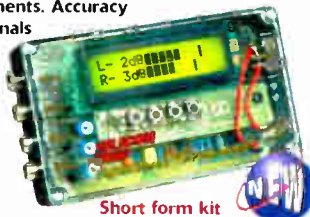
Stereo VU and Peak Meter Kit

KC-5447 £20.50 + post & packing

Accurately monitor audio signals to prevent signal clipping and ensure optimum recording levels. This unit is very responsive and uses two 16-segment bargraphs to display signal levels and transients peaks in real time. There are a number of display options to select, and both the signal threshold and signal level calibration for each segment are adjustable. Kit supplied with PCBs, LCD and all electronic components. Accuracy within 1dB for signals above -40dB.

- Case not included use HB-6082 £2.95

Requires 9-12VDC wall adaptor (Maplin #JC91Y £14.99)



Short form kit

Battery Zapper MKII Kit

KC-5427 £29.00 + post & packing

This kit attacks a common cause of failure in wet lead acid cell batteries: sulphation. The circuit produces short bursts of high level energy to reverse the damaging sulphation effect. This new improved unit features a battery health checker with LED indicator, new circuit protection against badly sulphated batteries, test points for a DMM and connection for a battery charger. Kit includes case with screenprinted lid, PCB with overlay, all electronic components and clear English instructions.

- Suitable for 6, 12 and 24V batteries
- Powered by the battery itself



Improved model for 2007

50MHz Frequency Meter MKII Kit

KC-5440 £20.50 + post & packing

This compact, low cost 50MHz Frequency Meter is invaluable for servicing and diagnostics. This upgraded version, has a prescaler switch which changes the units from MHz to GHz, kHz to MHz and Hz to kHz, and has 10kHz rounding to enable RC modellers to measure more accurately. Kit includes PCB with overlay, enclosure, LCD and all electronic components.

Other features include:

- 8 digit reading (LCD)
- Prescaler switch
- Autoranging Hz, kHz or MHz
- 3 resolution modes including 10kHz rounding, 0.1Hz up to 150Hz, 1Hz up to 16MHz and 10Hz up to 16MHz

Improved model for 2007



Requires 5VDC wall adaptor (Maplin L66BQ £7.79)

Jacob's Ladder High Voltage Display Kit

KC-5445 £11.75 + post & packing

With this kit and the purchase of a 12V ignition coil (available from auto stores and parts recyclers), create an awesome rising ladder of noisy sparks that emits the distinct smell of ozone. This improved circuit is suited to modern high power ignition coils and will deliver a spectacular visual display. Kit includes PCB, pre-cut wire/ladder and all electronic components.

- 12V car battery or >5Amp DC power supply required



Improved model for 2007



IR Remote Control Extender MKII

KC-5432 £7.25 + post & packing

Operate your DVD player or digital decoder using its remote control from another room. It picks up the signal from the remote control and sends it via a 2-wire cable to an infrared LED located close to the device. This improved model features fast data transfer, capable of transmitting Foxtel digital remote control signals using the Pace 400 series decoder. Kit supplied with case, screen printed front panel, PCB with overlay and all electronic components.

Requires 9VDC wall adaptor (Maplin #GS74R £10.99)

Improved model for 2007



DC Relay Switch

KC-5434 £4.00 + post & packing

An extremely useful and versatile kit that enables you to use a tiny trigger current - as low as 400µA at 12V to switch up to 30A at 50VDC. It has an isolated input, and is suitable for a variety of triggering options. The kit includes PCB with overlay and all electronic components with clear English instructions.



Voltage Regulator Kit

KC-5446 £4.50 + post & packing

This handy voltage regulator can provide up to 1,000mA at any voltage from 1.3 to 22VDC. Ideal for experimental projects or as a mini bench power supply etc. Kit supplied with PCB and all electronic components.



Programmable High Energy Ignition System

Ignition System

KC-5442 £26.25 + post & packing

This advanced and versatile ignition system can be used on both two & four stroke engines. The system can be used to modify the factory ignition timing or as the basis for a stand-alone ignition system with variable ignition timing, electronic coil control and anti-knock sensing.

Features:

- Timing retard & advance over a wide range
- Suitable for single coil systems
- Dwell adjustment
- Single or dual mapping ranges
- Max & min RPM adjustment
- Optional knock sensing
- Optional coil driver

Kit supplied with PCB, diecast case, and all electronic components

Hand Controller

KC-5386 £25.95 + post & packing

This LCD hand controller is required during the initial setting-up procedure. It plugs into the main unit and can be used while the engine is either running or stopped. Using this Hand Controller, you can set all the initial parameters and also program the ignition advance/retard curve. Kit supplied with silk screened and machined case, PCB, LCD, and all electronic components.

Ignition Coil Driver

KC-5443 £13.00 + post & packing

Add this ignition coil driver to the KC-5442 Programmable Ignition System and you have a complete stand-alone ignition system that will trigger from a range of sources including points, Hall Effect sensors, optical sensors, or the 5 volt signal from the car's ECU. Kit includes PCB with overlay and all specified components.

- Kit supplied with PCB, and all electronic components

Kit this Summer

Everyday Practical Electronics Feature Kits

Everyday Practical Electronics Magazine has been publishing a series of popular kits by the acclaimed Silicon Chip Magazine Australia. These projects are 'bullet proof' and already tested down under. All Jaycar kits are supplied with specified board components, quality fibreglass tinned PCBs and have clear English instructions. Watch this space for future featured kits.

3V - 9V DC-to-DC Converter Kit

KC-5391 £4.95 + post & packing

This little converter allows you to use regular Ni-Cd or Ni-MH 1.2V cells, or alkaline 1.5V cells for 9V applications. Using low cost, high capacity rechargeable cells, this kit will pay for itself in no time. You can use any 1.2-1.5V cells you desire. Imagine the extra capacity you would have using two 9000mAh D cells in replacement of a low capacity 9V cell. Kit supplied with PCB, and all electronic components.



As published in this month's Everyday Practical Electronics Magazine!

Automotive Courtesy Light Delay

KC-5392 £5.95 + post & packing

This kit provides a time delay in your vehicle's interior light, for you to buckle-up your seat belt and get organised before the light dims and fades out. It has a 'soft' fade-out after a set time has elapsed, and has universal wiring. Kit supplied with PCB with overlay, all electronic components and clear English instructions.

- As published in Everyday Practical Electronics Magazine



Recommended box UBS HB-6015 £0.83

SMS Controller Module Kit

KC-5400 £15.95 + post & packing

Control appliances or receive alert notification from anywhere. By sending plain text messages this kit will allow you to control up to eight devices. It can also monitor four digital inputs. It works with old Nokia handsets such as the 5110, 6110, 3210, and 3310, which can be bought inexpensively if you do not already own one. Kit supplied with PCB, pre-programmed microcontroller and all electronics components with clear English instructions.

* Requires a Nokia data cable which can be readily found in mobile phone accessory stores.

- As published in Everyday Practical Electronics Magazine April 2007

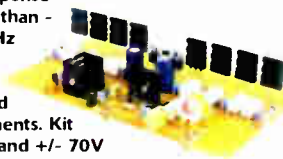


Studio 350 High Power Amplifier Kit

KC-5372 £55.95 + post & packing

It delivers a whopping 350WRMS into 4 ohms, or 200WRMS into 8 ohms. Using eight 250V 200W plastic power transistors, it is super quiet, with a signal to noise ratio of -125dB(A) at full 8 ohm power. Harmonic distortion is just 0.002%, and frequency response is almost flat (less than -1dB) between 15Hz and 60kHz. Kit supplied in short form with PCB and electronic components. Kit requires heatsink and +/- 70V power supply (a suitable supply is described in the instructions).

- As published in Everyday Practical Electronics October & November 2006



Luxeon Star LED Driver Kit

KC-5389 £9.75 + post & packing

Luxeon high power LEDs are some of the brightest LEDs available in the world. They offer up to 120 lumens per unit, and will last up to 100,000 hours! This kit allows you to power the fantastic 1W, 3W, and 5W Luxeon Star LEDs from 12VDC. Now you can take advantage of these fantastic LEDs in your car, boat, or caravan.

- Kit supplied with PCB, and all electronic components.

- As published in Everyday Practical Electronics Magazine April 2007



Smart Card Reader and Programmer Kit

KC-5361 £15.95 + post & packing

Program both the microcontroller and EEPROM in the popular gold, silver and emerald wafer cards.

Card used needs to conform to ISO-7816 standards, which includes ones sold by Jaycar. Powered by 9-12 VDC wall adaptor or a 9V battery. Instructions outline software requirements that are freely available on the internet. Kit supplied with PCB, wafer card socket and all electronic components. PCB measures: 141 x 101mm.

- As published in Everyday Practical Electronics May 2006



Requires 9-12VDC wall adaptor (Maplin #UG01B £13.99)

Jaycar cannot accept responsibility for the operation of this device, its related software, or its potential to be used in relation to illegal copying of smart cards in cable TV set top boxes.

Three Stage FM Transmitter

KJ-8750 £6.50 + post & packing

This is a Three-Stage radio transmitter that is so stable you could use it as your personal radio station and broadcast all over your house. Great for experiments in audio transmission. Includes a mic, PCB with overlay and all other parts.

- Requires 9V battery (not included)
- Instructions included in kit

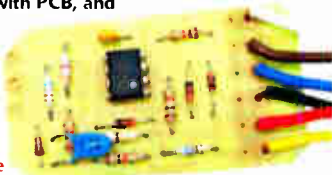


Fuel Cut Defeat Kit

KC-5439 £6.00 + post & packing

This simple kit enables you to defeat the factory fuel cut signal from your car's ECU and allows your turbo charger to go beyond the typical 15-17psi factory boost limit. - Note: Care should be taken to ensure that the boost level and fuel mixture don't reach unsafe levels.

- Kit supplied with PCB, and all electronic components.



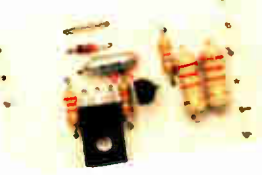
Note: Prototype shown

Variable Boost Kit for Turbochargers

KC-5438 £6.00 + post & packing

It's a very simple circuit with only a few components to modify the factory boost levels. It works by intercepting the boost signal from the car's engine management computer and modifying the duty cycle of the solenoid signal.

Kit supplied in short form with PCB and overlay, and all specified electronic components.



Note: Prototype shown

Log on to www.jaycarelectronics.co.uk/catalogue for your FREE catalogue!

0800 032 7241

(Monday - Friday 09.00 to 17.30 GMT + 10 hours only).

For those who want to write: 100 Silverwater Rd Silverwater NSW 2128 Sydney AUSTRALIA

430+ page Catalogue

All prices in £



Jaycar Electronics

www.jaycarelectronics.co.uk

World Radio History

PIC N' MIX

Our periodic column for your PIC programming enlightenment

MIKE HIBBETT

Reviewing Microchip's PICkit2

THIS month we take a look at Microchip's PICkit2 Debug Express unit, a low cost combined programmer and debugger device suitable for use with virtually all PIC microcontrollers. Available for about £25 from Microchip Direct, it's a low cost tool that promises to 'get you going' in PIC development quickly, and at a reasonable cost.

Programming and debugging

Programming and debugging microcontrollers has come a long way in the last 15 years. Back in the early 90's debugging was still done with expensive emulators, which even for the small PIC processor cost over a thousand pounds. Hobbyists had no option other than to use the 'crash and burn' technique of programming a PIC, observing the bugs and then programming another chip with revised software.

Probing the internal operation of the PIC was done by writing software to generate debug output (over a serial port or sometimes just an LED) at strategic points in the code – a crude technique still used today in some cases. Special microcontrollers with UV erasable memory were used, which took 10 minutes or more to erase. It focused one's mind on the debugging activity!

Those engineers lucky enough to have access to an emulator live in a completely different world. Emulators use special 'bonded-out' variants of the processor which have extra pins to allow access to internal data signals. Application code runs in the emulator itself and a special header cable connects the processor's I/O pins to your target board, plugging in where the processor would normally fit. Emulators enable the user to single step each instruction, view the contents of registers and define complex breakpoints (for example, 'halt the emulator when this instruction has been executed 10 times', or 'halt on this instruction if the variable *i* equals seven'). These bonded-out processors are extremely expensive, and require a large amount of supporting electronics, hence the hefty price tag.

Fortunately, microcontroller manufacturers realised how difficult the situation was, and so they started putting special interfaces on their microcontrollers to allow an external device – an in-circuit debugger – to take control of the processor. This typi-

cally involved providing a few pins on the processor that are dedicated to debug operation and a tiny amount of additional electronics inside the processor to manage some of the supporting functionality.

Debugger functions

These debuggers offer two main areas of functionality:

Halt: A signal from the debugger to the processor to stop what it is doing immediately and allow the debugger to examine the contents of registers.

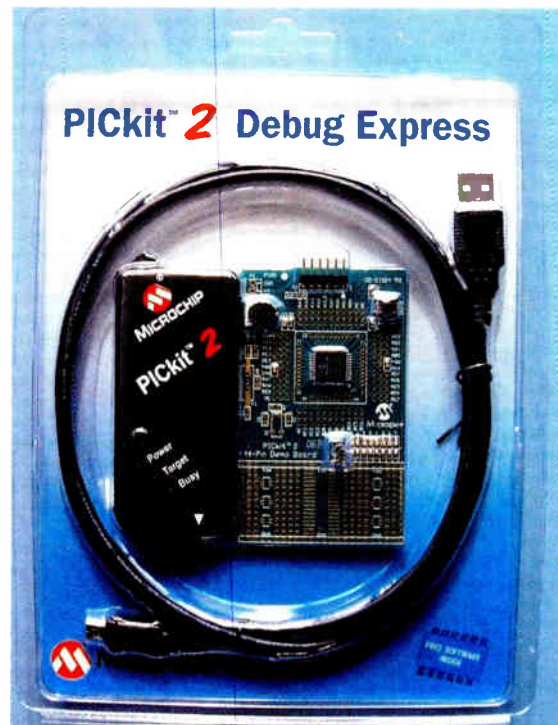


Fig. 1. PICkit2 supplied in its blister pack

Breakpoints: These are code memory addresses the user can specify, which, should the application code reach any of them while it is running, will cause the processor to halt and return control to the debugger.

To enable the debugger to examine the contents of registers once the application has halted requires a small 'background debugger' application to be downloaded into the processor alongside the main application to be debugged. The debugger hardware communicates with this program to extract the contents of memory for display on the PC.

This debug application is automatically downloaded when you start debugging your application; the process is invisible

to you, although you do have to bear in mind that about 200 to 300 bytes of program space will be taken up by this support code. This should not cause any problems unless your application completely fills the flash memory.

By imposing these limitations – requiring a small amount of code space, and taking up a few I/O pins – microcontroller manufacturers were able to provide highly functional debugging tools at a tenth of the price of previous solutions.

These in-circuit debuggers offered an additional benefit over emulators: you could design your production PCB with a small header on it that would provide a debug interface, and not need to design a different board capable of accepting the emulator cable. This is an important factor if you are building small, compact circuits or employ surface mount technology.

PICkit2

The PICkit2 is supplied in a simple, small blister-pack, showing a tiny plastic cased device, a USB cable and a PCB (Fig. 1). Apart from these hardware components, the PICkit2 comes with two CDs and four pieces of paper.

It's important when installing a new device like this to read everything first before plugging anything in. The documentation consists of a registration card, a contents list, a backing card (containing useful system requirements) and a typical 'Read First' card.

Oddly enough, the 'Read First' sheet doesn't really have any useful information on it. The most important information can be found on the text printed on the two CDs. One, the 'PICkit Starter Kit' CD includes the text 'Insert This CD First' – the only really useful information provided in all the printed documentation supplied. This 'first' CD contains the USB drivers, programming utility and assembly programming tutorials, and the second CD contains a copy of MPLAB.

In operation, the PICkit2 debugger consists of two main components: software that runs on the PC, and a hardware interface to connect the PC to your target board. A USB cable connects the debugger to the PC and a small 0.1 inch pitch header is provided to connect to your target hardware. You will need to provide a matching pin-header on your board to use the PICkit2,

and full instructions are provided in the documentation. The PCB is supplied as a simple example of this.

As with any USB-based interface, care needs to be taken when installing the software. USB interfaces are sensitive to the order in which you install software or plug in interfaces, so it is always a good idea to read the supplied documentation carefully first before plugging anything in or inserting software CDs. USB interfaces require driver software to be installed before any applications that use them. It's important therefore to follow the manufacturer's instructions about the order in which software should be installed. 'Insert This CD First' is a clear indication of the order we should be installing them!

Internet Explorer

Something to bear in mind before you do insert that first CD is that it relies on Internet Explorer being the default Internet application present on the PC. The installation program uses Internet Explorer to copy the tutorial programs from the CD, and if you are using an alternative browser like Firefox (as millions of users do) then the tutorial programs will not load.

If you have been using Firefox then you must set Internet Explorer to be the default Internet application. To do this, run Internet Explorer, select 'Tools' from the main menu, then 'Internet Options' and click on 'Make default' under 'Default web browser'.

Inserting the CD causes the installation program to automatically start. This offers a number of options for installing documents such as a small selection of application notes and datasheets, plus the full schematics and source code for the hardware on the debugger itself. Kudos to Microchip for doing this – it's a great source of inspiration on to how to design and build real products.

There is a section on 'Lessons' which is rather confusing – these buttons link to just the source code examples. The tutorials themselves are found under the 'User Guide' section in the 'Low Pin Count Demo Board User's Guide'. Not exactly intuitive. And as we will find out later, they appear to be of no use anyway.

Installing PICKIT2

Having taken some time browsing the various documents, it was time to install the PICKit2. Once installed we plugged in the PICKit2 to the PC via the USB cable, and started up the newly installed PICKit2 program.

Running the PICKit2 application revealed a dialogue interface not unlike many other PIC programming software packages. Options are clear and there is a helpful user guide available from the main menu.

Time to plug in the PCB. This is a small prototyping board equipped with a PIC16F917 processor, eight LEDs and a variable resistor connected to the ADC input. There is a small amount of prototyping area on the board which makes it ideal for someone starting out with PIC programming. As the PICKit2 is able to supply the board power through the USB port, you

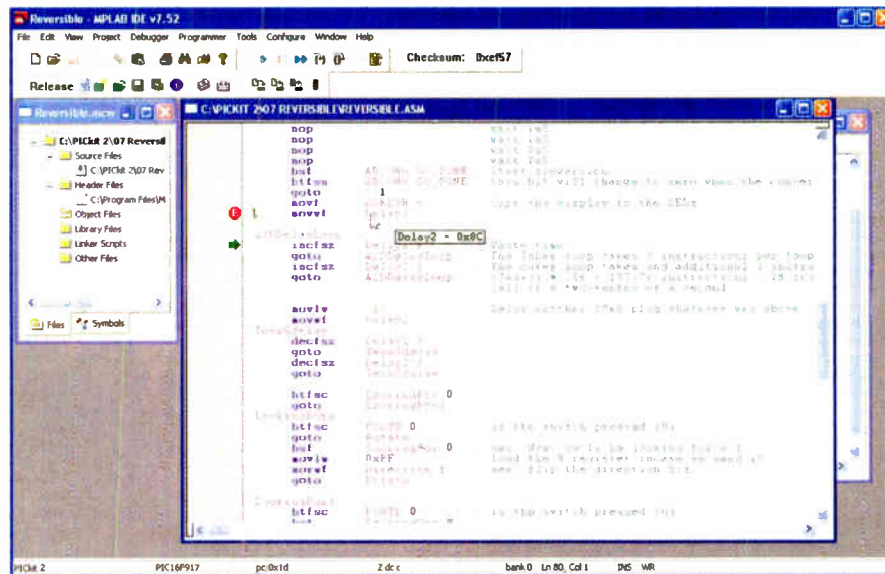


Fig.2. A typical MPLAB screen in debugging mode

don't even need an external power supply to power the target board (so long as it doesn't draw more than 100mA. If it does, you will have to power it using an external power supply.)

Plugging in the PCB, the programmer recognised the CPU type automatically, and a simple demo application, preloaded on the board, started to run. Easy.

Programming the PIC on the board is simple too – load the .hex file containing your code, click 'Program', and it's done in a few seconds. No need to remove the debugger while running your program, so you can run round the code->program->test->code loop quickly.

MPLAB debugging facilities

Looking round the options on the PICKit2 application, however, revealed no evidence of any debugging facilities – so where are they? This is where the second disk comes in – MPLAB.

MPLAB is a fully integrated editor, assembler, simulator and debugger program. We won't go into too much detail on MPLAB here because it will be covered in another article, but we will take a look at the debugger features offered within it.

Installation of MPLAB was again straightforward. The CD also offers the student edition of the Microchip C compiler – a very powerful high level programming language that we covered in a previous series of articles. For now, to examine the debugging capabilities we will focus on debugging assembly language programs but it should be pointed out that you can also debug C programs, should you wish.

Much to our surprise the version of MPLAB supplied on the CD, v7.40, provided no support for the PICKit2 as a debugger! You have to obtain the latest version of the software, v7.52, from the Microchip website. That's a 40MB download which requires a broadband connection to download. Or a good natured friend!

Having downloaded and installed the latest MPLAB application it became clear that the PICKit2 programming utility is also out of date. The latest version of that is

available on the Microchip website and was downloaded too.

Tutorials

To get you up and running quickly, the CD provides some tutorials on assembly language programming with example source code that you can load directly into the MPLAB application and start debugging immediately. Once again, there was a problem – the processor fitted to the prototyping PCB is as PIC16F917, yet the tutorial examples were for the PIC16F690, and would not work. Fortunately, Microchip provide an updated set of tutorials on their website, and once these were downloaded we were back in business.

The effort was worth the wait. Fig.2 shows an example of MPLAB debugging a program that is running on the target board. The program has been halted so that the variables can be viewed and the program single-stepped line-by-line to see each instruction being executed. While users of programs like Visual Basic will be very familiar with this kind of operation, it's a huge leap forward for those used to developing programs on small embedded processors.

In MPLAB you have windows for viewing/editing the source code, buttons that build and download the program and a window (as shown) that can be used to view and step through the program as it runs on the target board's PIC processor. You really have to play with this yourself to realise just how powerful all these integrated features are.

Although the list of processors supported for debugging is short – only the PIC16F690 and PIC16F917 are fully supported – Microchip are clearly moving forward quickly with new releases of software to provide support for further processors and additional features. The PICKit2 application supports a much wider range of PIC processors, but only for programming.

System requirements

As far as system requirements are concerned, you are going to need a modern

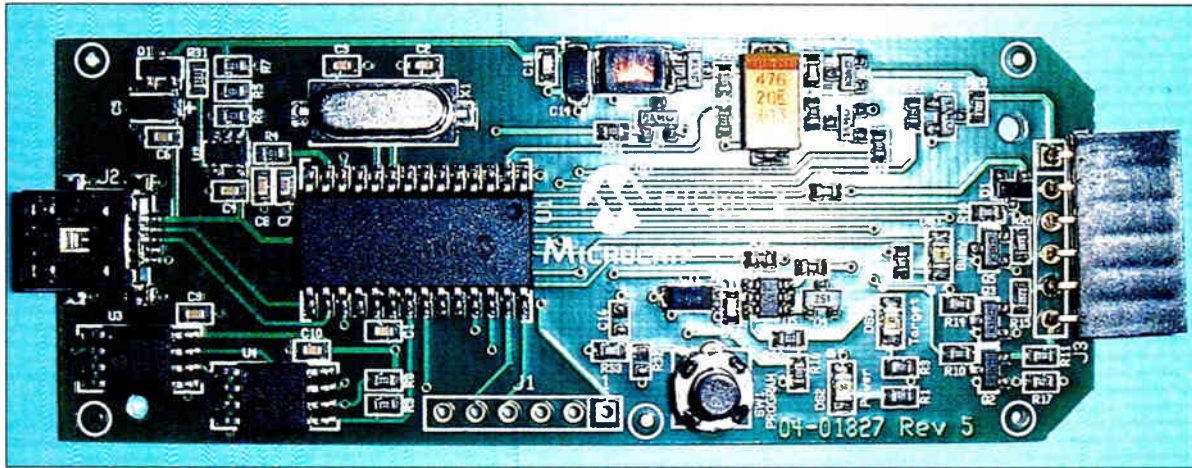


Fig.3. PICkit2 printed circuit board

operating system – at least Windows 98 Second Edition – and a few hundred MB of disk space. The PC must be equipped with a USB port, of course.

Our review was performed on a modern, low-end laptop, with Windows XP and 512MB of RAM. On this machine the MPLAB environment operated very smoothly.

Of course, like all engineers, we were curious about what is inside the PICkit2 debugger, so we dismantled the product to take a look. You can see the results in Fig.3.

Disassembly was quite easy – the case is a simple two-piece design that just clicks together. Inside is a single, double-sided PCB with a PIC18F2550, two EEPROM memory devices and a few discrete components. A large coil suggests that there is a voltage multiplier on-board (to provide the +12V programming voltage).

It's a tidy, simple design that looks like it could be quite reliable and safe to transport about – important if, like the author,

you find yourself moving equipment around from one location to another. The board and case parts clipped back together again easily, but we would recommend that you do **not** try this yourself to minimise the risk of damaging the PCB.

Conclusion

Software installation was frustrating and time consuming requiring the downloading of large files from the Internet, but the effort was worth it. Although the range of microcontrollers supported is quite limited there is clear evidence that Microchip are working hard to fill the gaps. The IDE itself and the facilities provided are excellent and it provides an easy to use, polished professional interface.

The software in the PICkit2 debugger itself – the debugger firmware – is stored in flash, and can therefore be updated easily. Microchip are making full use of this, having already raised the software from v1.20 to v2.20 so it looks like this low cost

debugger will have a long operational life.

In summary, it's a great little device for a great little price. The installation instructions could do with some improvement and the supplied software is out of date, but once you have downloaded the latest versions from the Microchip website the integration of the hardware and MPLAB works perfectly. A great aid for anyone starting with microcontrollers or who wants a small reliable PIC programmer, but also ideal for the professional designer who wants to maximise his productivity. We hope Microchip continue swiftly with the addition of support for existing processor types within the debugger.

Microchip's comments

Microchip comment that the PICkit2 supplied to us was an early production unit. When they manufacture the PICkit2 units they do issue all data. They also state that customers should always check the Microchip website for the latest update issue, all are free downloads.



OUT NOW £6.99

ELECTRONICS TEACH-IN

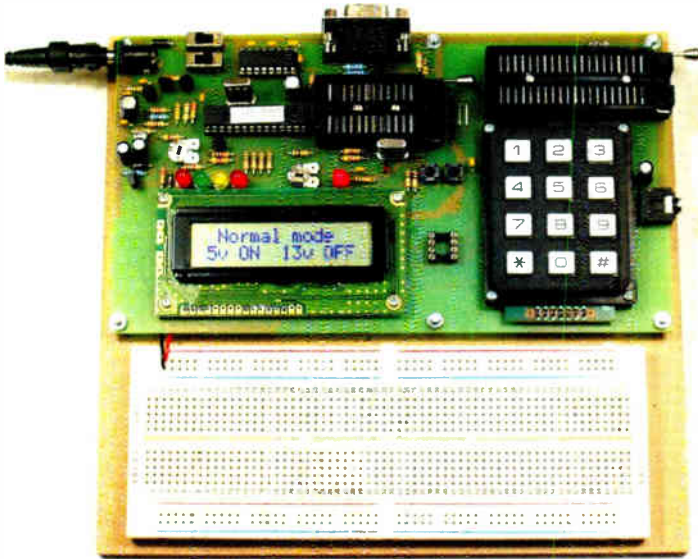
BY MIKE TOOLEY

plus FREE CD-ROM

A broad-based introduction to electronics – find out how circuits work and what goes on inside them. Plus 15 easy-to-build projects. The 152 page A4 book comes with a free CD-ROM containing the whole *Teach-In 2006* series (originally published in *EPE*) in PDF form, interactive quizzes to test your knowledge, TINA circuit simulation software (a limited version – plus a specially written TINA Tutorial), together with simulations of the circuits in the Teach-In series, plus Flowcode (a limited version) a high level programming system for PIC microcontrollers based on flowcharts.

Available from larger branches of WHSmith or see our *Direct Book Service*, Page 67

Learn About Microcontrollers



PIC Training Course £159

The best place to begin learning about microcontrollers is the PIC16F627A. This is very simple to use, costs just £1.30, yet is packed full of features including 16 input/output lines, internal oscillator, comparator, serial port, and with two software changes is a drop in replacement for the PIC16F84.

Our PIC training course starts in the very simplest way. At the heart of our system are two real books which lie open on your desk while you use your computer to type in the programme and control the hardware. Start with four simple programmes. Run the simulator to see how they work. Test them with real hardware. Follow on with a little theory.....

Our PIC training course consists of our PIC programmer, a 300 page book teaching the fundamentals of PIC programming, a 274 page book introducing the C language, and a suite of programmes to run on a PC. The module uses a PIC to handle the timing, programming and voltage switching. Two ZIF sockets allow most 8, 18, 28 and 40 pin PICs to be programmed. The programming is performed at 5 volts, verified with 2 volts or 3 volts and verified again with 5.5 volts to ensure that the PIC works over its full operating voltage. UK orders include a plugtop power supply.

P927 PIC Training & Development Course comprising.....

Universal 16C, 16F and 18F PIC programmer module

+ Book Experimenting with PIC Microcontrollers

+ Book Experimenting with PIC C

+ PIC assembler and C compiler software on CD

+ PIC16F627A, PIC16F88, PIC16F870

and PIC18F2321 test PICs. £159.00

(Postage & insurance UK £10, Europe £18, Rest of world £25)

Experimenting with PIC Microcontrollers

This book introduces PIC programming by jumping straight in with four easy experiments. The first is explained over ten and a half pages assuming no starting knowledge of PICs. Then having gained some experience we study the basic principles of PIC programming, learn about the 8 bit timer, how to drive the liquid crystal display, create a real time clock, experiment with the watchdog timer, sleep mode, beeps and music, including a rendition of Beethoven's *Fur Elise*. Then there are two projects to work through, using a PIC as a sine wave generator, and monitoring the power taken by domestic appliances. Then we adapt the experiments to use the PIC16F877 family, PIC16F84 and PIC18F2321. In the space of 24 experiments, two projects and 56 exercises we work through from absolute beginner to experienced engineer level using the most up to date PICs.

Experimenting with PIC C

The second book starts with an easy to understand explanation of how to write simple PIC programmes in C. Then we begin with four easy experiments to learn about loops. We use the 8/16 bit timers, write text and variables to the LCD, use the keypad, produce a siren sound, a freezer thaw warning device, measure temperatures, drive white LEDs, control motors, switch mains voltages, and experiment with serial communication.

Web site:- www.brunningssoftware.co.uk

Visual C# Course £88

Visual C# Training Course comprising.....

Book Experimenting with Visual C#

+ AUX200 latching serial port

+ liquid crystal display assembly

+ programme text on CD

+ pack of components. £88.00

(Postage UK £8, Europe £14, Rest of world £22)

You will need to download Visual C# Express which is free. Full instructions are in the book.

In October 2003 Martin Crane purchased our original PIC training course and in September 2005 he updated to the latest version. Three weeks before Christmas 2006 we had a telephone call from Mrs Crane to order our Visual C# training course as a Christmas present for her husband. On 21st March 2007 we received an email from Martin Crane which includes his personal review of the course. Here are a few lines from his text.....

For years I've wished to write my own applications that control external equipment from my PC.

Eureka!! Peter Brunning has shown just how simple it really is. I am up and running at last. Most people seem to start with Visual BASIC, I found it truly frustrating. C# has combined everything you could wish for and more besides. The visual interface will be instantly familiar to Visual BASIC users but with far more options. The code side is dealt with by Peter in such a way that with no knowledge what so ever you can within a very short time be using the serial port. Brunning Software's serial port interface (included with the course) comes pre-programmed but the code is listed in the book together with the available features. Congratulations Peter for producing a truly hands on training package.

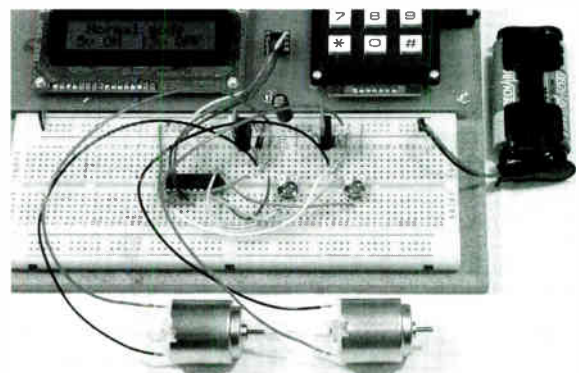
Martin Crane
(a very satisfied customer)

See:- www.brunningssoftware.co.uk/vcreview.htm

Ordering Information

Both training courses need either a free serial port on your PC or a USB to COM adapter (full details on website). All software referred to in this advertisement will operate within Windows XP, NT, 2000 or later.

Telephone with Visa, Mastercard or Switch, or send cheque/PO. All prices include VAT if applicable.



White LED and Motors

Our PIC training system uses a very practical approach. Towards the end of the second book circuits need to be built on the plugboard. The 5 volt supply which is already wired to the plugboard has a current limit setting which ensures that even the most severe wiring errors will not be a fire hazard and are very unlikely to damage PICs or other ICs.

We use a PIC16F627A as a freezer thaw monitor, as a step up switching regulator to drive 3 ultra bright white LEDs, and to control the speed of a DC motor with maximum torque still available. A kit of parts can be purchased (£30) to build the circuits using the white LEDs and the two motors. See our web site for details.

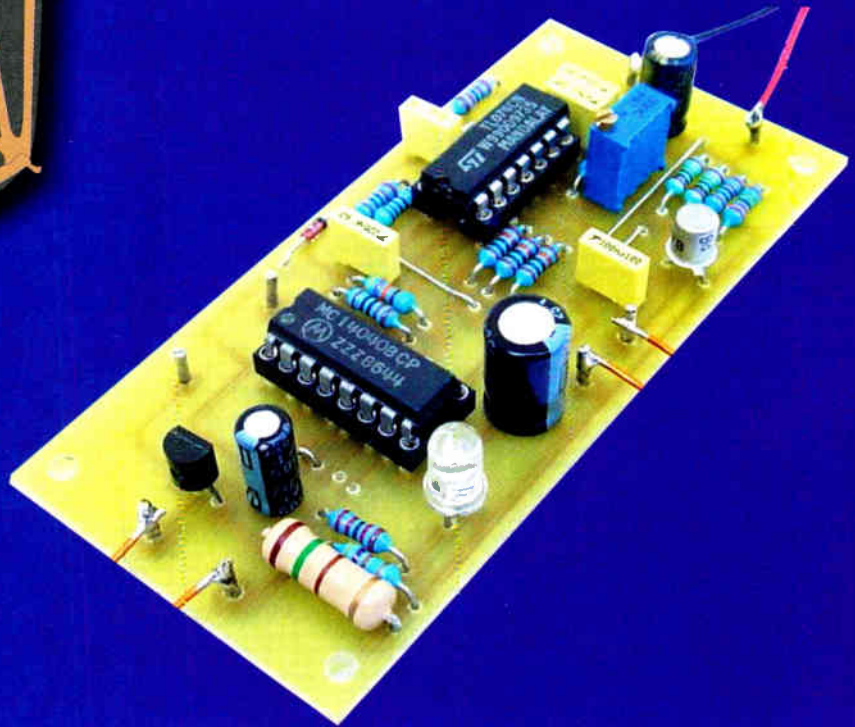
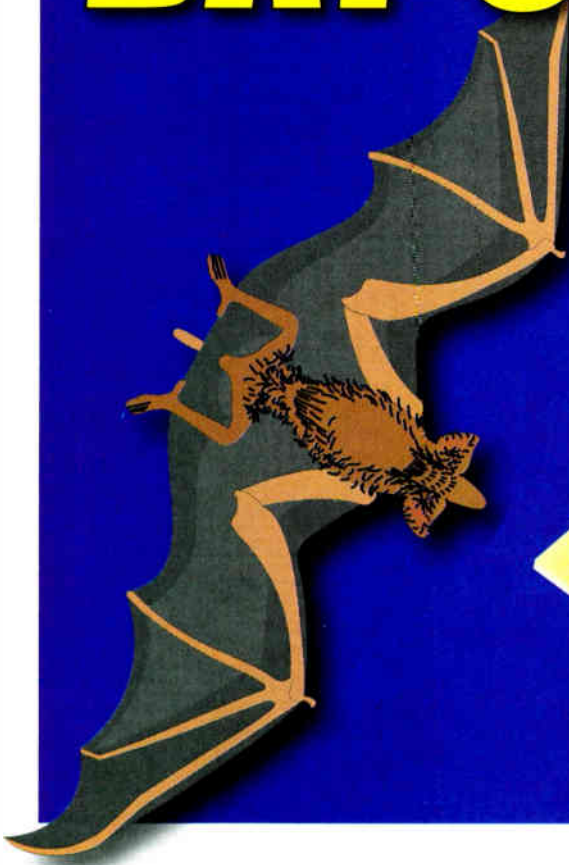
Mail order address:

Brunning Software

138 The Street, Little Clacton, Clacton-on-sea,
Essex, CO16 9LS. Tel 01255 862308

BAT SONAR

By THOMAS SCARBOROUGH



Tune into the secretive world of bats with this low-cost detector. With the addition of just a few extra components you can even create a simple sonar system

THE author was at a loss as to what to name this project. While it is in the first instance a very sensitive bat detector, it is also an ultrasonic remote control – and, with some simple surgery, may serve as a sound navigation ranging system (sonar).

Although sonar is usually associated with navigation ranging under water, it may also be used to good effect in air (for instance, to detect boats in a fog). In this case, the circuit will detect objects at a specific distance (about eight metres), while ignoring them at greater or lesser distances (e.g. 6m or 10m).

Bats typically emit bursts of ultrasound in the range of 15kHz to 200kHz, depending on the species. However, sounds above about 80kHz are rare. Some cheap piezo input devices will pick up bats at up to about 60kHz, and this is suitable for most species.

Bats are, of course, not the only creatures which emit ultrasound. The author has picked up a number of unidentified creatures with bat detectors – presumably all of them insects.

Window of sound

As a bat detector, the circuit has a number of special characteristics:

these being highlighted in the Features panel. The circuit further lends itself to converting it into a sonar system. Only a handful of additional components being required.

If one pulses a short stream of ultrasound, and opens up a ‘window’ for listening to the echo, one has a system that will detect objects at specific distances. One of the reasons why this has not been made a ‘foreground’ feature of this design is that dealing with bouncing (ultra) sound waves can be tricky, and may require a great deal of patience. However, details are included for the creation of an excellent sonar system.

Block diagram

The block diagram, shown in Fig.1, shows the simplicity of the design in concept. An extremely sensitive four-stage preamplifier (incorporating TR1 and IC1b to IC1d) amplifies the input from the piezo input device

to the point where this is capable of clocking a divider.

The divider, in this case, divides the input frequency by 16. As an example, a 40kHz signal would be divided down to an audible 2.5kHz. This is then output to a loudspeaker and/or to an LED, as desired.

The Bat Sonar includes two innovations, without which it would be a far less capable circuit:

- Op amp oscillator IC1a resets divider IC2 at about 750Hz. This means that all frequencies below 12kHz (750Hz x 16) at the IC2 clock input will be trapped by the divider, not being fast enough to outpace the reset pulses. Since 12kHz is very high in the audio range, and since 12kHz *continuous* would be required for pulses to reach the output, natural sounds are all but completely excluded.

- One further innovation is required. Supposing that divider IC2 should be clocked between 12kHz and 24kHz. In this case, only a single divided-down pulse would exit the divider for every 16 to 32 pulses received at the clock input. That is, the sound output would be completely 'flat', where the input may vary considerably in frequency.

With this in mind, as soon as a pulse is detected at the output, a feedback circuit causes oscillator IC1a (the high-pass 'filter') to be momentarily disabled. Thus the circuit is capable of reproducing nuances of sound, e.g. an ultrasonic tremolo.

Circuit details

The full circuit diagram for the Bat Sonar is shown in Fig.2. The front end of the circuit is a simple, common emitter, transistor preamplifier

SPECIAL FEATURES

- ★ The circuit is exceedingly sensitive. As an example, with its high-pass 'filter' suitably adjusted, it will pick up the ultrasound created by hands (palm-prints) rubbing together at a distance of several metres.
- ★ It is extraordinarily flexible. It may use almost any piezo input device of one's choosing; whether a 40kHz ultrasonic receiver or a cheap piezo sounder. It also offers two audio outputs (loud and soft), and a visual output.
- ★ Filtering out of low frequencies is virtually total, so you can mount an output loudspeaker and a microphone on top of each other. Not only this, but the Bat Sonar will pick up ultrasound even where there is strong background noise, for example, a piano playing in the same room.
- ★ The one small disadvantage of this design is that the sound output is a square wave. Thus, the Bat Sonar has a harsher sound than some bat detectors, and a constant volume.

(TR1). The base (b) of TR1 is biased through resistor R1. Transistor TR1 is a.c. coupled to a three-stage op amp preamplifier IC1b to IC1d, with the first stage being biased at the input through resistors R3 and R4. The gain of the first stage IC1b is adjusted through multiturn preset VR1. Typically, a mid-way setting will usually be found suitable.

The piezo input device (X1) may be any one of a range of devices: for example, a cheap piezo sounder; a 40kHz ultrasonic receiver; a small piezo cone tweeter; or a piezo speaker. The device which was found to perform best (better, in fact, than a 40kHz ultrasonic receiver) was a small piezo cone tweeter. This was found to work at up to about 60kHz. The least suitable devices are cheap piezo sounders,

chiefly for the reason that they generate too much noise. They are capable of working up to about 40kHz.

The amplified signal at the output of preamplifier IC1b to IC1d then clocks divider IC2, a CMOS 12-stage ripple counter. The output (divided by 16) is taken from output Q4 (pin 5) of IC2.

Op amp relaxation oscillator IC1a sends short pulses to IC2's Reset pin 11, resetting IC2 at about 750Hz, and cancelling all input pulses below 12kHz – as described earlier. For this reason, no standard filters are included in the circuit – they are not required.

It needs to be borne in mind that in order for a 12kHz signal to exit the divider (IC2), this needs to be 12kHz *continuous*. This means that erratic ultrasound needs to be

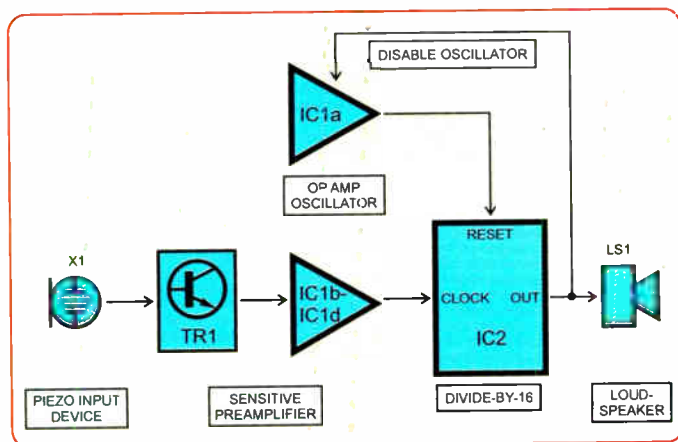
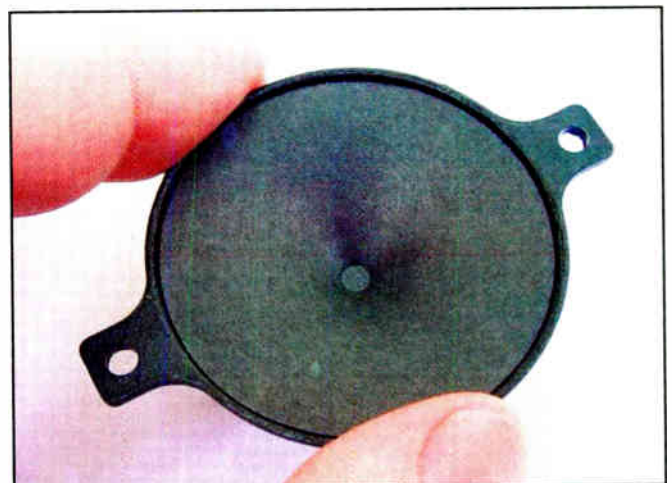


Fig.1. Basic block diagram for the Bat Sonar



Constructional Project

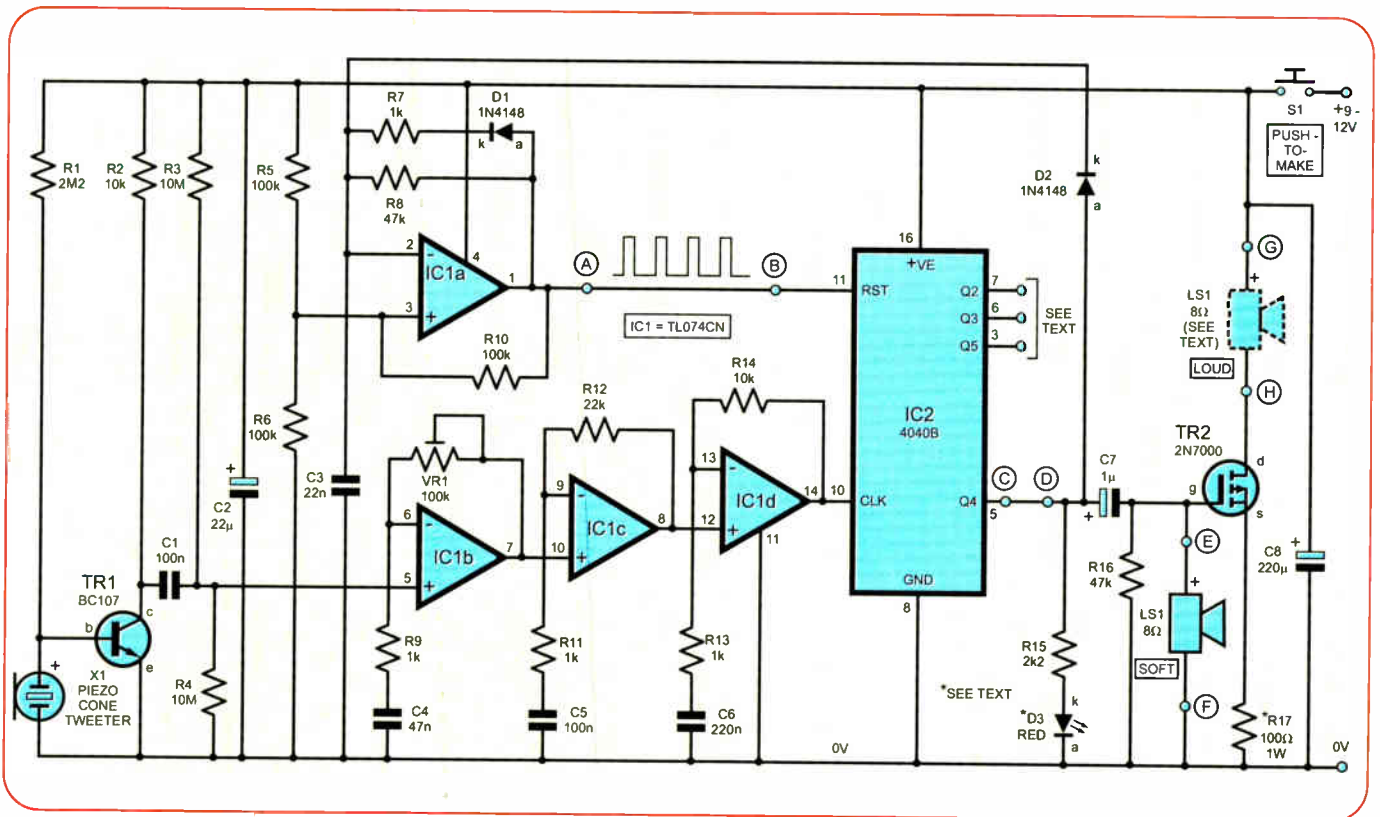


Fig.2. Complete circuit diagram for the Bat Sonar. The circled points on the circuit enable 'variations on a theme' to be undertaken as discussed in the text

somewhat higher than 12kHz to be detected. You can experiment with the frequency of oscillator IC1a by altering the values of resistor R8 and capacitor C3. A lower frequency (i.e. higher values for R8 and C3) would cause the circuit to hear near-ultrasound or random ultrasound, e.g. the crinkling of plastic.

Finally, IC2's output is taken to a small loudspeaker (LS1). There is effectively no feedback, so the speaker may be mounted close to the piezo input device. A loudspeaker *must* be used here, and not a piezo tweeter. LEDD3 may be used with or without a loudspeaker, and provides a visual indication of ultrasound. This could be very useful if you should not wish to disturb animals or insects being listened to.

Two circuit options are provided for a loudspeaker. The output may be taken directly from points E and F, and this is recommended. Alternatively, it may be taken, much amplified by FET TR2, from points G and H. However, there may then be a slight loss of sensitivity to the circuit. This latter option is not only for the benefit of noise-freaks – it is also capable of switching a relay (see below).

Remote control

The circuit is very easily converted to a remote control system. Due to its complete elimination of lower frequencies, it could, for example, be used to open a garage door, without one needing to be concerned about the system being triggered by dogs barking or cars hooting etc.

In this case, resistor R17 is replaced with a link wire, and the dashed speaker LS1 with a relay. The relay coil being connected between points G and H on the circuit. An electrolytic capacitor is wired across points E and F, observing the correct polarity – and the value of resistor R16 is raised to perhaps 1MΩ. Capacitor C7 is replaced with a 1N4148 diode, with its cathode (k) pointing to TR2's gate (g).

In this way, R16 and the added capacitor serve as a simple timer. The timing period will be a little less than $t = CR$. For example, a 1MΩ value for R16 and 100μF for the added capacitor would switch the relay for more than a minute. The relay should have a coil resistance greater than 60 ohms.

An ultrasonic oscillator (the transmitter) is, of course, required to trigger such a circuit. This may be virtually

any simple oscillator tuned to an ultrasonic frequency, using a suitable output device, e.g. a piezo tweeter. Datasheets for the 555 timer or the CMOS 4047B multivibrator include such simple circuits, as well as the equations to calculate the output frequency.

Note that the Bat Sonar may not only be used as a remote control, but with simple modifications to the input, it may be used to switch when, for example, machinery runs too fast or too slow.

Sonar system

The Bat Sonar may be converted to a sonar system with remarkable ease (see Fig.3.). This is accomplished by simply inserting the add-on circuit of Fig.3 between points A and B (IC1a pin1 and IC2 pin11) of the main circuit (Fig.2.).

This switches an ultrasonic oscillator, then waits several milliseconds before opening up a 'window' to listen for the return stream of ultrasound. If the distance to the object being detected is correct, the ultrasound will enter the 'window' and the circuit will trigger. The remote control circuit described above may be used to switch a relay.

Note that this is not a silent circuit. In theory, it would seem to be – however, the switching of the ultrasonic transmitter causes the output device to emit sound at the frequency at which it is switched. Alternatively

IC3 output 1 (pin 2) enables an ultrasonic oscillator. A standard 555 astable oscillator would suffice for a few metres' range, with its Reset (pin 4) being used to enable the oscillator. It is suggested that the ultrasonic oscillator should have a separate power supply, with the 0V rail of both circuits being commoned.

There is almost no limit to the power of the ultrasonic oscillator. For instance, a power amplifier wired as a relaxation oscillator, together with a piezo speaker, could achieve a considerable range – as much as tens of metres.

At present, if (as suggested) IC3 is switched at about 750Hz, and IC3 cycles through nine stages before opening up a 'window' to receive the return stream, one has a delay of 12ms between transmission and reception. Since sound travels at about 330 metres per second, this is about four metres return, or two metres to the target. The calculation is $330 \text{ metres per second} / 750\text{Hz} \times 9 \text{ stages} = 3.96 \text{ metres return}$.

The frequency of oscillator IC1a may be lowered to extend the range of the sonar system, and different output pins (Q2 to Q5) may be tried to widen or narrow the 'window' which receives return pulses.

If the frequency of IC1a is halved, and IC2 output Q4 (pin 5) is used, this should be suitable for a range of 8m return – assuming that the ultrasonic oscillator (the transmitter) has sufficient volume. For 16 metres return, the frequency of IC1a would be halved again, and output Q5 (pin 3) may be tried.

Needless to say, the frequency of the ultrasonic oscillator will also come

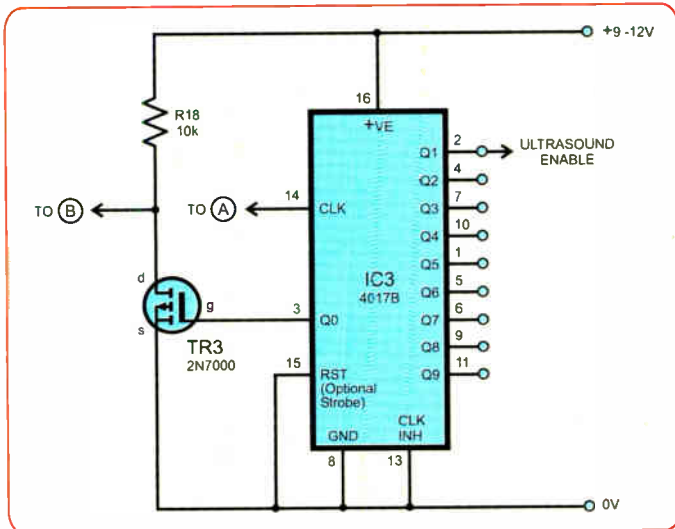


Fig.3. Add-on circuit for converting to a sound sonar system

(see below) it may emit a click every time it is strobed.

While the author successfully tested the circuit shown in Fig. 3, when tried in his workroom, it was found that the ultrasound may bounce all around the room. Ideally, the sonar would be used to detect objects blocking a clear path, e.g. boats on the water, or cars on the road. The author would suggest setting up the circuit on a clear surface with a single wall in front of one, e.g. a wall on a tennis court.

One may further need to adjust the sensitivity of the circuit, calculate the required period of bounce, and balance the frequency of ultrasonic transmission against the number of return pulses required to trigger the circuit.

At any rate, as a start, you can easily wire up the circuit shown, and go from there. Suitable holes are provided on the printed circuit board (PCB) to make this 'a snap'. It is suggested that, instead of taking the output from IC2 output Q4 as shown in Fig. 2, this should be taken from output Q3 (Q2 and Q5 are also provided for experimentation). Output Q3 requires only eight pulses at IC2's clock input instead of sixteen, thus making reception of the return pulse less tricky. Note that the circuit board link between points A and B is omitted when IC3 is inserted into the circuit.

Parts List – Bat Sonar

- 1 PC board, code 621, available from the *EPE PCB Service*, size 90mm x 42mm
- 1 plastic case, size and type to individual choice
- 1 piezoelectric input device (preferably a small cone tweeter – see text) (X1)
- 1 100kΩ cermet preset – top adjust (VR1)
- 1 miniature loudspeaker – see text (LS1)
- 1 pushbutton switch, push-to-make (S1)
- 1 9V or 12V battery, with clips (see text)
- 1 14-pin DIL socket (IC1)
- 1 16-pin DIL socket (IC2)

Solder pins (8 off); plastic covered, single-core link wire; multistrand connecting wire; solder etc.

Semiconductors

- 2 1N4148 signal diodes (D1, D2)
- 1 5mm or 3mm red ultra-bright LED (D3)
- 1 BC107B *n-p-n* transistor (TR1)
- 1 2N7000 *n*-channel FET (TR2)
- 1 TL074CN quad FET op amp (IC1)

- 1 4040B CMOS 12-stage ripple counter (IC2)
- 1 4017B decade counter (optional, see Fig.3.) (IC3)
- 1 2N700 *n*-channel FET (optional, see Fig.3.) (TR3)

Capacitors

- 1 22nF polyester or ceramic (C3)
- 1 47nF polyester or ceramic (C4)
- 2 100nF polyester or ceramic (C1, C5)
- 1 220nF polyester or ceramic (C6)
- 1 1μF radial elect. 16V (C7)
- 1 22μF radial elect. 16V (C2)
- 1 220μF radial elect. 16V (C8)

Resistors (0.25W 5% carbon, except R17)

- 2 10MΩ (R3, R4)
- 1 2M2 (R1)
- 3 100kΩ (R5, R6, R10)
- 2 47kΩ (R8, R16)
- 1 22kΩ (R12)
- 2 10kΩ (R2, R14)
- 1 2k2 (R15)
- 4 1kΩ (R7, R9, R11, R13)
- 1 100Ω 1W (or >68Ω – see text) (R17)
- 1 10kΩ (optional, see Fig.3.) (R18)

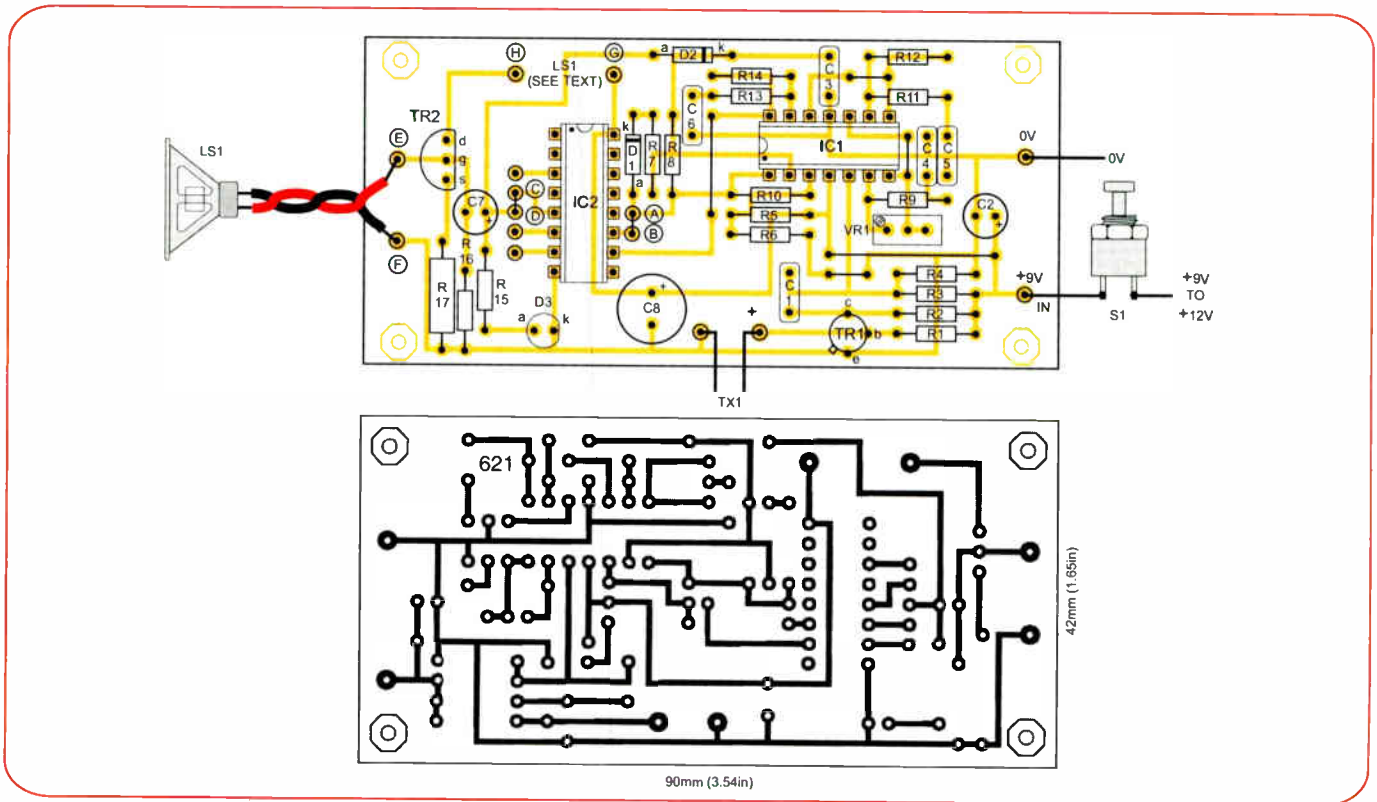


Fig. 4. Bat Sonar printed circuit board component layout, wiring details and full-size underside copper foil master

into play. The lower its frequency, the fewer pulses there are to clock IC2. A signal of around 15kHz was used in the author's experiments.

In this form, as described, the Bat Sonar may be a noisy animal, emitting a 750Hz drone as it pulses the ultrasonic transmitter. There is a possibility for greatly improving this by strobing IC3 at reset pin 15. This being the case, the circuit would only send out a pulse as often as required. For instance, it could send out a click (a stream of ultrasound) only once every so many seconds – bearing in mind that its response to moving objects may no longer be immediate.

Construction

The printed circuit board (PCB) measures 90mm x 42mm (3.50in x 1.66in) and is available from the *EPE PCB Service*, code 621. Since IC2 is a CMOS device, dual-in-line (DIL) sockets are used, and anti-static precautions are advised for IC2 (in particular, discharge your body to earth before handling this IC).

It needs to be noted that IC1 is used here as a sensitive preamplifier, therefore any *unsound* solder joints may disrupt its operation far more easily than would normally be the case. Any

trouble-shooting should put this possibility high on the list.

Referring to Fig. 4, begin construction by soldering in position the six link wires. Solder the eight solder pins, and the two DIL sockets – observing the correct orientation of the sockets. Continue with the resistors and capacitors – noting the polarity of the electrolytic capacitors – and preset VR1. Note that VR1 may be replaced with a 100kΩ, front panel mounting, rotary potentiometer if desired, with a little loss of precision.

Solder in position diodes D1, D2, LED D3 and transistors TR1 and TR2, noting their polarities. Finally, solder the battery clip to its solder pins, inserting a push-to-make pushbutton switch in the positive wire as shown – being careful again to observe correct battery polarity. A mistake here could destroy the circuit. Solder the piezo pickup device X1 to its solder pins (polarity is not crucial here), and if desired, a loudspeaker either to solder pins E and F, or G and H (again, polarity is not crucial).

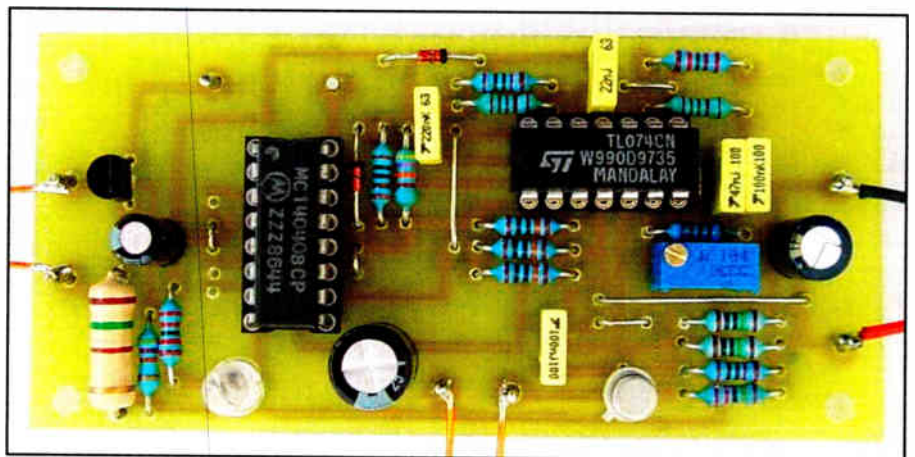


Fig. 4. Components mounted on the completed 'bat board'

Bats found in Britain and Ireland

Bat type	Abundance	Region	Wingspan (cm)	Body (cm)
GREATER HORSESHOE	Scarce	SW England	34	6.4
LESSER HORSESHOE	Common	Wales, SW England, W. Eire	25	4
PIPISTRELLE	Abundant & Widespread	All Eng, Scotland, Wales, Eire & NI	22	3.5
NOCTULE	Common	All Eng (except for north). All Wales	36	7.5
LEISLERS	Rare	Central England	30	3.5
SEROTINE	Common	S & E England up to Midlands	36	6.4
COMMON LONG-EARED	Abundant & Widespread	All Eng, Wales & Scot (Except northern areas). All Eire & NI	25	4.5
NATTERER'S	Common	All Eng & Wales, SW Scot. All Eire & NI	26	4.5
BARBASTRELLE	Uncommon	SE & mid England, S Wales	27	4.5
MOUSE-EARED	Rare (Extinct?)	Sussex, Dorset	40	7
BECHSTEIN'S	Very rare	Dorset	28	4.5
WHISKERED	Common	All Eng, Wales, S. Scot	24	4
DAUBENTON'S	Widespread	All Eng, Wales. Most Scot, Eire-except SW	25	4.5

Note that some ultra-bright LEDs may confuse as to their polarity. The most reliable indicator is the 'flat' on

the side of the plastic encapsulation, which is on the side of the cathode (k) pin.

Insert IC1 and IC2 in their DIL sockets, ensuring that they are inserted the right way round – again observing anti-static precautions for IC2.

In use

Press pushbutton S1 to turn on the circuit. Red LED D3 may or may not illuminate. If it does not illuminate, turn preset VR1 clockwise – alternatively, turn VR1 anti-clockwise.

Adjust multiturn preset VR1 until there is only intermittent pulsing of LED D3, or intermittent crackling in the loudspeaker. At this point, the circuit is set to its maximum sensitivity. Such sensitivity may, however, not be required or even desirable – for example, if the Bat Sonar should be used as a remote control system.

The sensitivity of the circuit can drift a little as battery power wanes. Therefore, to use the circuit continuously at maximum sensitivity, you might wish to drill a hole in the case for the adjustment of multiturn preset VR1 – or use a potentiometer mounted on the case. **EPE**

Laser  *Why tolerate when you can automate?*



X-10
Home Automation



C-Bus Shop
C-Bus and
C-Bus Wireless



KATS AV transmission
and IR control system

www.cbushop.com



Barix Ethernet based
MP3, communications
and control systems

www.laser.com

Integrators, Installers, Trade and Retail customers welcome


Laser Business Systems Ltd
Tel: +44 (0) 20 8441 9788
Fax: +44 (0) 20 8449 0430
Email: info@laser.com
16 Garthland Drive, EN5 3BB

www.Mechatronics-online.co.uk
Mechanical and Electronic Components

Suppliers of Mechanical and Electronic Components to the hobbyist, student and professional.

- Screws
- Nuts
- Washers
- Aluminium Sheet
- Rod
- Pvc Sheet
- Gears
- Spacers
- Resistor Kits
- Capacitor Kits
- Transistors
- Integrated circuits
- Microprocessor boards
- Electronic kits
- Motors
- Servos
- Electronic Tools
- Light Engineers Tools
- Prototyping
- Batteries

Robotics and Mechatronics



Visit our website
mechatronics-online.co.uk
Sales@mechatronics-online.co.uk
Tel: 01442 247040

MAGENTA

ELECTRONICS LTD

135 Hunter Street Burton on Trent Staffs DE14 2ST
Tel: 44 (0)1283 565435 Fax: 44 (0)1283 546932

Chips, Parts & Kits for EPE Projects

Programmed PICs and chips for most EPE projects. Check our website or phone for prices. We have supplied kits for EPE* projects for almost 30 years!! (& Everyday Electronics)

20W Stereo Amp.

Wide band Low distortion 11W /channel Stereo 20W Mono. True (rms) Real Power

Short Circuit & Overheat Protected. Needs 8 to 18V supply. (Kit: inc. all parts & heatsink for stereo or mono)

Latest Technology - Stable, Reliable, high performance

KIT 914- £11.90

Top Kits.

ICEbreaker PIC16F877 in - circuit emulator - Kit 900.... £34.99

1kV/500V Insulation Tester Inc. drilled case -Kit 848.. £32.95

Pipe Descaler - High Power with led monitor - Kit 868..£22.95

Ultrasonic PESt Scarer random 32k pulses Kit867..£19.99

P-I Metal Detector Micro based design - sensitive Kit847..£63.95

MAGENTA Bat Detectors
Our original famous KIT detector KIT 861...£37.99 & See the new built MkIIb and MKIII on the web.

All Prices include VAT, Add £3.00 P&P per order, or £7.99 for next day. Chqs. P.O. & most major cards accepted. Mail Order Only.

MAGENTA

www.magenta2000.co.uk
sales@magenta2000.co.uk

The Power of Mechatronics

Part One – Mechatronics Design

IN this, the first of a series of articles on mechatronic design, we look at how mechatronics can add a whole new level of control and intelligence to your projects. Each article in the series will explore a different mechatronics project, including motor control with PIC16/18 microcontrollers, migration to 16-bit microcontrollers or Microchip dsPIC digital signal controllers, virtual simulation using Proteus VSM, wireless connectivity and how to make your application talk back.

These projects, and more, are based on Microchip's PICDEM Mechatronics Development Board. This easy-to-use board helps you to explore this emerging technology and is available from ACAL Semiconductors with an exclusive discount of 20% for all *EPE* readers.

The basics of mechatronics

Mechatronics has been defined in many different ways over the years. Definitions include:

- "Incorporating electronics more and more into mechanisms."
- "The integration of mechanical engineering with electronics and intelligent computer control in the design," and
- "The application of complex decision making to the operation of physical systems."

In essence, mechatronics is adding intelligence to a mechanical design or replacing mechanical designs with an intelligent electronic solution. As technology advances, designs that were once purely mechanical are now best done with electronics or a combination of both.

There are many benefits to a mechatronics solution. These benefits include:

- 1) Enhanced features and functionality
- 2) More user-friendly
- 3) Precision control
- 4) More efficient
- 5) Lower cost
- 6) Flexible design (reprogrammable)
- 7) More reliable
- 8) Smaller
- 9) Safer

More features

Incorporating a PIC microcontroller into a design allows for expanded features and functionality. A mechanical design typically provides only one function. Designing with a microcontroller offers the flexibility of adding features like LCD displays, light-

ing LEDs, a user interface, programmability, safety features, speed control, soft-startup . . . the list goes on and on.

Modern washing machines, for instance, offer many features over the mechanical designs of old. These features include a display that gives cycle information as well as providing a stain removal guide. These machines use microcontrollers to more effectively (and efficiently) vary the speed of different cycles based on the content being washed.

User-friendly

Mechatronics solutions also appeal to consumers because they are more user-friendly. The improvement in automotive technology over the past decades is evidence of this fact. Power windows, power door locks, keyless entry, and numerous other conveniences testify to the fact that consumers prefer mechatronic solutions.

Precision control

Flow rate, speed, position and any number of other variables can be controlled precisely with a microcontroller. In many applications, purely mechanical solutions are not as efficient, nor as precise as mechatronic solutions. Cruise control in an automobile is a great example of how a mechatronic solution allows for precise control.

A microcontroller-based solution will factor in many different variables (ie velocity, acceleration, cumulative changes in velocity) in order to give the car a smooth acceleration to the desired speed, as well as maintaining a constant velocity over varying load conditions.

More efficient

The efficiency of a system can be improved by adding intelligence to the design. Certain portions of the system can be shut-off when not in use or a microcontroller can make better use of the energy available by offering the precision control described previously. Techniques such as pulse width modulation (PWM) can be used instead of resistive elements to vary the voltage and current to a load, thereby increasing the efficiency of the system.

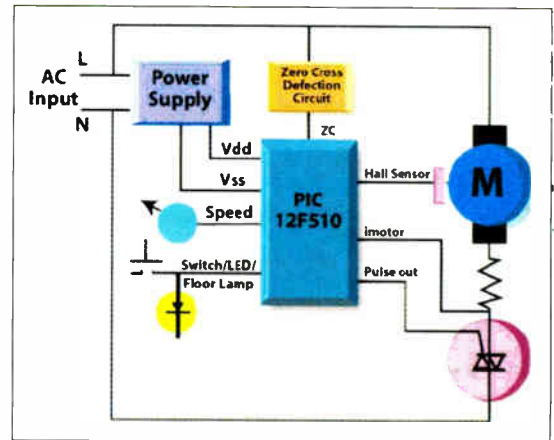


Fig. 1. Pulse Width Modulation (PWM)

Lower cost

In some cases, a mechatronic solution costs less than the alternative mechanical solution. A complex mechanical solution may be simplified using a microcontroller-based approach. Design time, product size, and reliability can all be improved with a mechatronic solution. All these factors impact the cost over the lifetime of a product.

Flexible design

Design flexibility is a huge advantage to designing with a microcontroller. The specifications of a product can change during the course of its design. When a PIC microcontroller is used, the timing of a signal, the sequence of events, or any number of software controlled parameters can be changed quickly without the need for a product redesign. This flexibility also allows the same hardware to be used in different products. The software is simply changed to meet the needs of each product.

Increased reliability

Mechanical designs are prone to wear and tear over time. In many situations a mechatronic solution is more reliable. A good example of this is the odometer in your car. Mechanical odometers use a direct drive system that consists of a flexible cable running from the transmission to the odometer gauge. The solution is unreliable because the cable is prone to failure. The modern mechatronic solution consists of a slotted wheel and optical encoder or toothed wheel and magnetic pickup and a digital display, which increases system reliability.

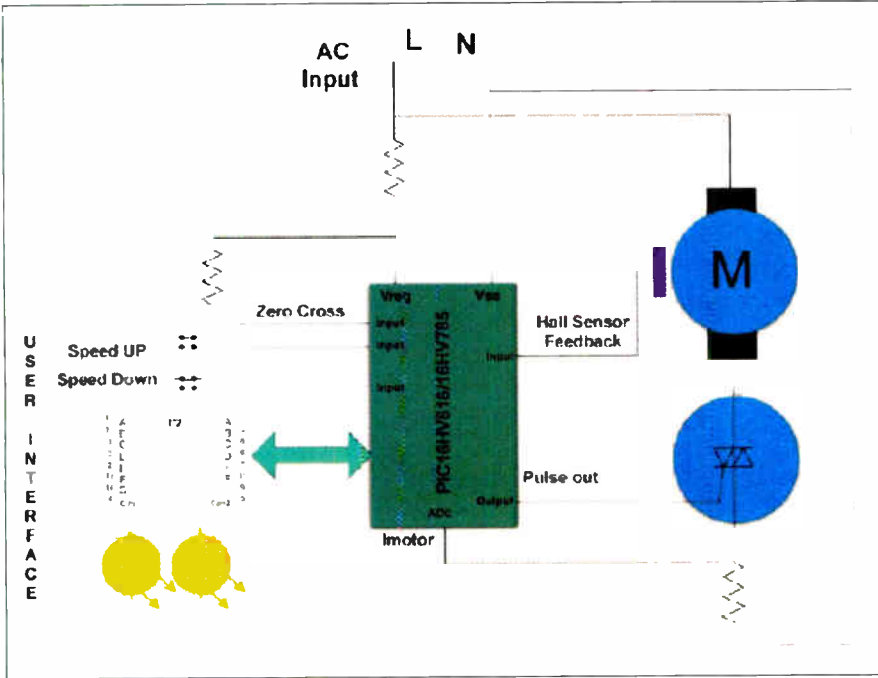


Fig.2. Design flexibility of a microcontroller

Smaller size

Adding a microcontroller to a system may result in space savings. Motor drive circuits, for instance, traditionally had to have over-sized drive stages to handle in-rush current. In-rush current can be limited and the size of the drive stage can be reduced by implementing soft-startup using a microcontroller.

Safer

Adding intelligence to a system makes it safer. Whether you add an automatic shutdown to a coffee pot or sense when a system is overheating, numerous safety checks can be easily added to a system when a microcontroller is controlling the system.

Mechatronics as a system

A mechatronics design is a control system. One or more inputs are fed to a microcontroller. These inputs may have to undergo some signal conditioning before being read by the microcontroller. The microcontroller then implements a control algorithm that interprets the various inputs into the appropriate output or outputs. Again, signal conditioning may be necessary on the output side of the system before driving an actuator or display.

In a closed-loop system, feedback is received so that the microcontroller is able to monitor and adjust the output as necessary. Providing power to the microcontroller is the last piece of the mechatronic system. In summary, the components of a mechatronic system are input, output, a control algorithm, signal conditioning (if necessary), and power.

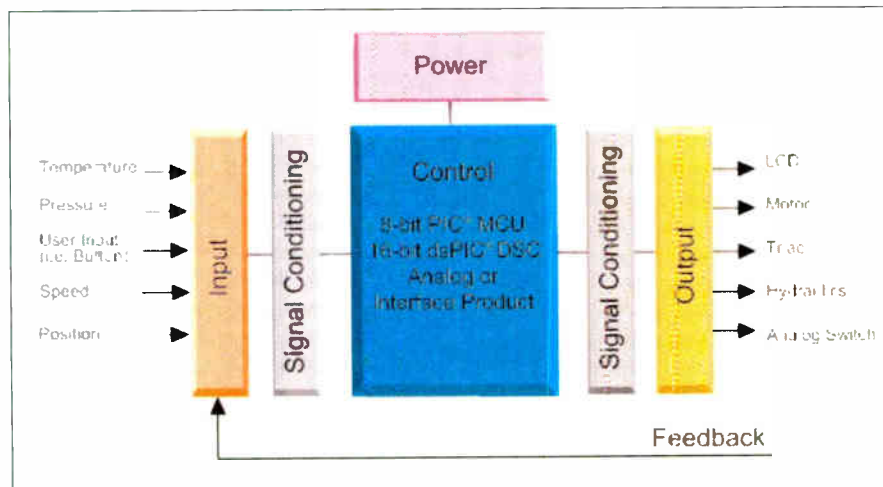


Fig.3. Components of a mechatronics system

Application notes

Good examples of Mechatronic applications are described in two of the many Microchip applications notes. These are:

AN958 Low-Cost Electric Range Control Using a Triac

www.microchip.com/stellent/idcplg?1dcService=SS_GET_PAGE&nodeId=1824&appnote=en021266

AN861 Smart Air Handler using ProMPT™ and the PIC18F2539

www.microchip.com/stellent/idcplg?1dcService=SS_GET_PAGE&nodeId=1824&appnote=en012062

Exclusive development board offer

The Microchip PICDEM Mechatronics Development Board not only supports all of the projects featured in this series of articles but also includes nine example projects, each complete with source code:

- Switch debouncing and lighting an LED
- How to read an analogue sensor
- Brushed DC motor speed control

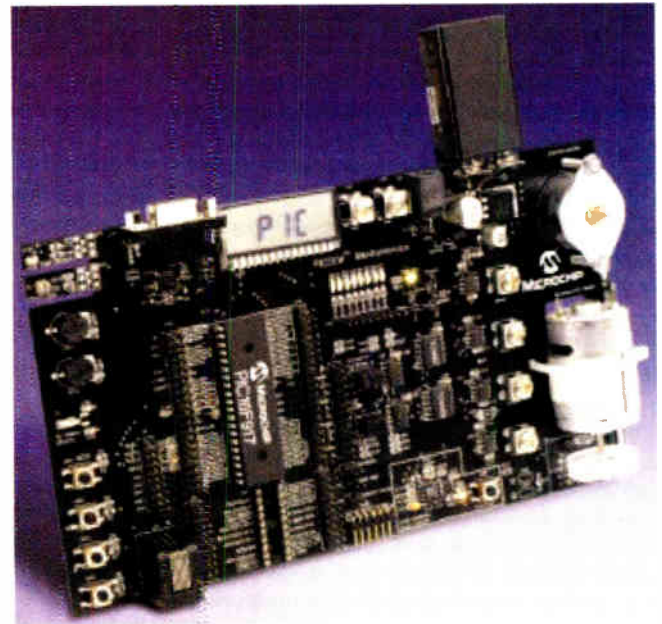


Fig.4. The Microchip Mechatronics Development Board

- Speed feedback
- Stepper motor control
- How to use the USART for RS-232 communication
- How to use the Capture, Compare and PWM module
- How to use comparators

To claim your exclusive *EPE* 20% discount on the Microchip PICDEM Mechatronics Development Board contact ACAL Semiconductors on Telephone: +44 (0)118 902 9702. Fax: +44 (0)118 902 9614. Email: sales@acalsemis.co.uk. Website: www.acalsemis.co.uk

References:

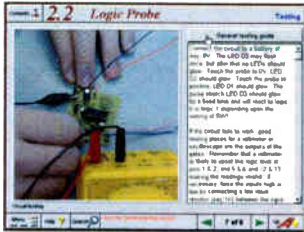
1. *The Mechatronics Handbook*, Bishop, Robert

www.microchip.com/mechatronics

EPE

EPE IS PLEASED TO BE ABLE TO OFFER YOU THESE ELECTRONICS CD-ROMS

ELECTRONICS PROJECTS

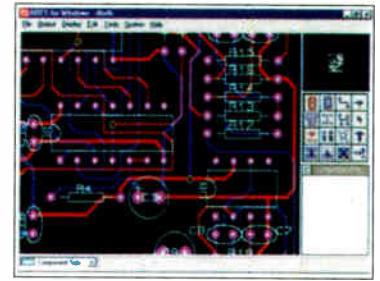


Logic Probe testing

Electronic Projects is split into two main sections: **Building Electronic Projects** contains comprehensive information about the components, tools and techniques used in developing projects from initial concept through to final circuit board production. Extensive use is made of video presentations showing soldering and construction techniques. The second section contains a set of ten projects for students to build, ranging from simple sensor circuits through to power amplifiers. A shareware version of Matrix's CADPACK schematic capture, circuit simulation and p.c.b. design software is included.

The projects on the CD-ROM are: Logic Probe; Light, Heat and Moisture Sensor; NE555 Timer; Egg Timer; Dice Machine; Bike Alarm; Stereo Mixer; Power Amplifier; Sound Activated Switch; Reaction Tester. Full parts lists, schematics and p.c.b. layouts are included on the CD-ROM.

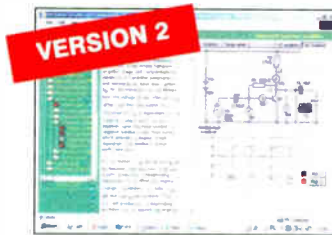
ELECTRONICS CAD PACK



PCB Layout

Electronics CADPACK allows users to design complex circuit schematics, to view circuit animations using a unique SPICE-based simulation tool, and to design printed circuit boards. CADPACK is made up of three separate software modules. (These are restricted versions of the full Labcenter software.) **ISIS Lite** which provides full schematic drawing features including full control of drawing appearance, automatic wire routing, and over 6,000 parts. **PROSPICE Lite** (integrated into ISIS Lite) which uses unique animation to show the operation of any circuit with mouse-operated switches, pots, etc. The animation is compiled using a full mixed mode SPICE simulator. **ARES Lite** PCB layout software allows professional quality PCBs to be designed and includes advanced features such as 16-layer boards, SMT components, and an autorouter operating on user generated Net Lists.

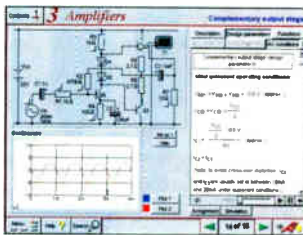
ELECTRONIC CIRCUITS & COMPONENTS V2.0



Circuit simulation screen

Provides an introduction to the principles and application of the most common types of electronic components and shows how they are used to form complete circuits. The virtual laboratories, worked examples and pre-designed circuits allow students to learn, experiment and check their understanding. Version 2 has been considerably expanded in almost every area following a review of major syllabuses (GCSE, GNVQ, A level and HNC). It also contains both European and American circuit symbols. Sections include: **Fundamentals:** units & multiples, electricity, electric circuits, alternating circuits. **Passive Components:** resistors, capacitors, inductors, transformers. **Semiconductors:** diodes, transistors, op.amps, logic gates. **Passive Circuits.** **Active Circuits.** **The Parts Gallery** will help students to recognise common electronic components and their corresponding symbols in circuit diagrams. Included in the Institutional Versions are multiple choice questions, exam style questions, fault finding virtual laboratories and investigations/worksheets.

ANALOGUE ELECTRONICS



Complimentary output stage

Analogue Electronics is a complete learning resource for this most difficult branch of electronics. The CD-ROM includes a host of virtual laboratories, animations, diagrams, photographs and text as well as a SPICE electronic circuit simulator with over 50 pre-designed circuits.

Sections on the CD-ROM include: **Fundamentals** – Analogue Signals (5 sections), Transistors (4 sections), Waveshaping Circuits (6 sections), **Op.Amps** – 17 sections covering everything from Symbols and Signal Connections to Differentiators. **Amplifiers** – Single Stage Amplifiers (8 sections), Multi-stage Amplifiers (3 sections). **Filters** – Passive Filters (10 sections), Phase Shifting Networks (4 sections), Active Filters (6 sections). **Oscillators** – 6 sections from Positive Feedback to Crystal Oscillators. **Systems** – 12 sections from Audio Pre-Amplifiers to 8-Bit ADC plus a gallery showing representative p.c.b. photos.

ROBOTICS & MECHATRONICS

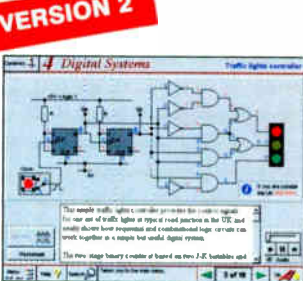


Case study of the Milford Instruments Spider

Robotics and Mechatronics is designed to enable hobbyists/students with little previous experience of electronics to design and build electromechanical systems. The CD-ROM deals with all aspects of robotics from the control systems used, the transducers available, motors/actuators and the circuits to drive them. Case study material (including the NASA Mars Rover, the Milford Spider and the Furby) is used to show how practical robotic systems are designed. The result is a highly stimulating resource that will make learning, and building robotics and mechatronic systems easier. The Institutional versions have additional worksheets and multiple choice questions.

- Interactive Virtual Laboratories
- Little previous knowledge required
- Mathematics is kept to a minimum and all calculations are explained
- Clear circuit simulations

DIGITAL ELECTRONICS V2.0

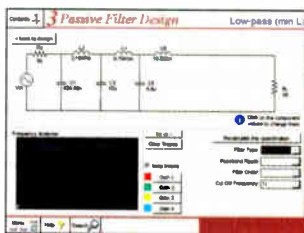


Virtual laboratory – Traffic Lights

Digital Electronics builds on the knowledge of logic gates covered in *Electronic Circuits & Components* (opposite), and takes users through the subject of digital electronics up to the operation and architecture of microprocessors. The virtual laboratories allow users to operate many circuits on screen.

Covers binary and hexadecimal numbering systems, ASCII, basic logic gates, monostable action and circuits, and bistables – including JK and D-type flip-flops. Multiple gate circuits, equivalent logic functions and specialised logic functions. Introduces sequential logic including clocks and clock circuitry, counters, binary coded decimal and shift registers. A/D and D/A converters, traffic light controllers, memories and microprocessors – architecture, bus systems and their arithmetic logic units. Sections on Boolean Logic and Venn diagrams, displays and chip types have been expanded in Version 2 and new sections include shift registers, digital fault finding, programmable logic controllers, and microcontrollers and microprocessors. The Institutional versions now also include several types of assessment for supervisors, including worksheets, multiple choice tests, fault finding exercises and examination questions.

ANALOGUE FILTERS



Filter synthesis

Analogue Filters is a complete course in designing active and passive filters that makes use of highly interactive virtual laboratories and simulations to explain how filters are designed. It is split into five chapters: **Revision** which provides underpinning knowledge required for those who need to design filters. **Filter Basics** which is a course in terminology and filter characterization, important classes of filter, filter order, filter impedance and impedance matching, and effects of different filter types. **Advanced Theory** which covers the use of filter tables, mathematics behind filter design, and an explanation of the design of active filters. **Passive Filter Design** which includes an expert system and filter synthesis tool for the design of low-pass, high-pass, band-pass, and band-stop Bessel, Butterworth and Chebyshev ladder filters. **Active Filter Design** which includes an expert system and filter synthesis tool for the design of low-pass, high-pass, band-pass, and band-stop Bessel, Butterworth and Chebyshev

PRICES

Prices for each of the CD-ROMs above are:

(Order form on third page)

(UK and EU customers add VAT at 17.5% to "plus VAT" prices)

Hobbyist/Student.....	£45	inc VAT
Institutional (Schools/HE/FE/Industry).....	£99	plus VAT
Institutional 10 user (Network Licence).....	£249	plus VAT
Site Licence.....	£499	plus VAT

PICmicro TUTORIALS AND PROGRAMMING

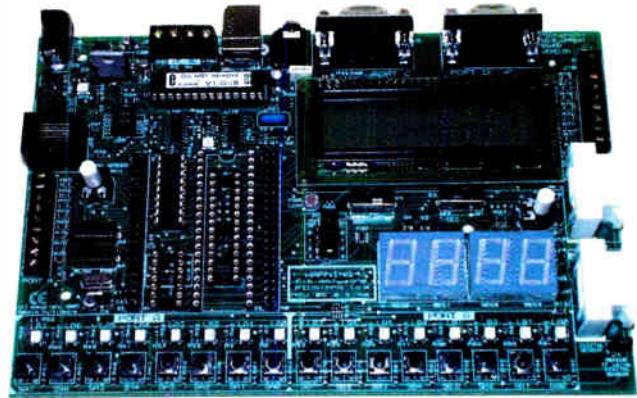
HARDWARE

VERSION 3 PICmicro MCU DEVELOPMENT BOARD

Suitable for use with the three software packages listed below.

This flexible development board allows students to learn both how to program PICmicro microcontrollers as well as program a range of 8, 18, 28 and 40-pin devices from the 12, 16 and 18 series PICmicro ranges. For experienced programmers all programming software is included in the PPP utility that comes with the development board. For those who want to learn, choose one or all of the packages below to use with the Development Board.

- Makes it easier to develop PICmicro projects
- Supports low cost Flash-programmable PICmicro devices
- Fully featured integrated displays – 16 individual I.e.d.s, quad 7-segment display and alphanumeric I.c.d. display
- Supports PICmicro microcontrollers with A/D converters
- Fully protected expansion bus for project work
- USB programmable
- Can be powered by USB (no power supply required)



£158 including VAT and postage, supplied with USB cable and programming software

SPECIAL OFFER

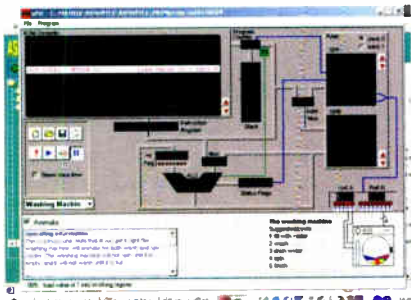
£40 OFF Buy the Development Board together with any Hobbyist/Student or Institutional versions of the software CD-ROMs listed below and take £40 off the total (including VAT) price.

SOFTWARE

ASSEMBLY FOR PICmicro V3 (Formerly PICtutor)

Assembly for PICmicro microcontrollers V3.0 (previously known as PICtutor) by John Becker contains a complete course in programming the PIC16F84 PICmicro microcontroller from Arizona Microchip. It starts with fundamental concepts and extends up to complex programs including watchdog timers, interrupts and sleep modes. The CD makes use of the latest simulation techniques which provide a superb tool for learning: the Virtual PICmicro microcontroller. This is a simulation tool that allows users to write and execute MPASM assembler code for the PIC16F84 microcontroller on-screen. Using this you can actually see what happens inside the PICmicro MCU as each instruction is executed which enhances understanding.

- Comprehensive instruction through 45 tutorial sections
- Includes Vlab, a Virtual PICmicro microcontroller: a fully functioning simulator
- Tests, exercises and projects covering a wide range of PICmicro MCU applications
- Includes MPLAB assembler
- Visual representation of a PICmicro showing architecture and functions
- Expert system for code entry helps first time users
- Shows data flow and fetch execute cycle and has challenges (washing machine, lift, crossroads etc.)
- Imports

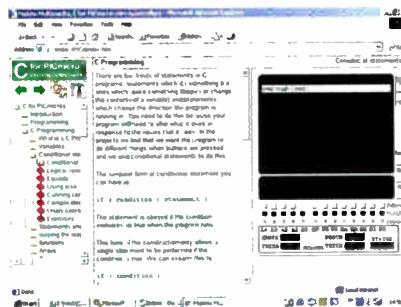


'C' FOR PICmicro VERSION 2

The C for PICmicro microcontrollers CD-ROM is designed for students and professionals who need to learn how to program embedded microcontrollers in C. The CD contains a course as well as all the software tools needed to create Hex code for a wide range of PICmicro devices – including a full C compiler for a wide range of PICmicro devices.

Although the course focuses on the use of the PICmicro microcontrollers, this CD-ROM will provide a good grounding in C programming for any microcontroller.

- Complete course in C as well as C programming for PICmicro microcontrollers
- Highly interactive course
- Virtual C PICmicro improves understanding
- Includes a C compiler for a wide range of PICmicro devices
- Includes full Integrated Development Environment
- Includes MPLAB software
- Compatible with most PICmicro programmers
- Includes a compiler for all the PICmicro devices.



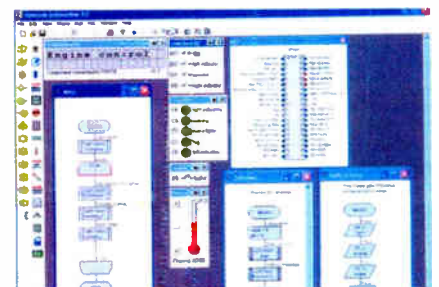
Minimum system requirements for these items: Pentium PC running Windows 98, NT, 2000, ME, XP; CD-ROM drive; 64MB RAM; 10MB hard disk space.

FLOWCODE FOR PICmicro V3

Flowcode is a very high level language programming system for PICmicro microcontrollers based on flowcharts. Flowcode allows you to design and simulate complex robotics and control systems in a matter of minutes.

Flowcode is a powerful language that uses macros to facilitate the control of complex devices like 7-segment displays, motor controllers and I.c.d. displays. The use of macros allows you to control these electronic devices without getting bogged down in understanding the programming. Flowcode produces MPASM code which is compatible with virtually all PICmicro programmers. When used in conjunction with the Version 3 development board this provides a seamless solution that allows you to program chips in minutes.

- Requires no programming experience
- Allows complex PICmicro applications to be designed quickly
- Uses international standard flow chart symbols (ISO5807)
- Full on-screen simulation allows debugging and speeds up the development process
- Facilitates learning via a full suite of demonstration tutorials
- Produces ASM code for a range of 18, 28 and 40-pin devices
- New features in Version 3 include 16-bit arithmetic, strings and string manipulation, improved graphical user interface and printing, support for 18 series devices, pulse width modulation, I2C, new ADC component and many more.



PRICES

Prices for each of the CD-ROMs above are:

(Order form on next page)

(UK and EU customers add VAT at 17.5% to "plus VAT" prices)

Hobbyist/Student
 Institutional (Schools/HE/FE/Industry)
 Institutional/Professional 10 user (Network Licence)
 Site Licence
 Flowcode 10 user (Network Licence)
 Flowcode 50 user (Network Licence)

£45 inc VAT
 £99 plus VAT
 £300 plus VAT
 £599 plus VAT
 £350 plus VAT
 £699 plus VAT

SPECIAL PACKAGE OFFER

NEW

TINA Pro V7 (Basic) + Flowcode V3 (Hobbyist/Student)

TINA Analogue, Digital, Symbolic, RF, MCU and Mixed-Mode Circuit Simulation, Testing and PCB Design

£50.00

including VAT and p&p

TINA Design Suite is a powerful yet affordable software package for analysing, designing and real time testing analogue, digital, MCU, and mixed electronic circuits and their PCB layouts. You can also analyse RF, communication, optoelectronic circuits, test and debug microcontroller applications.

Enter any circuit (up to 100 nodes) within minutes with TINA's easy-to-use schematic editor. Enhance your schematics by adding text and graphics. Choose components from the large library containing more than 10,000 manufacturer models. Analyse your circuit through more than 20 different analysis modes or with 10 high tech virtual instruments. Present your results in TINA's sophisticated diagram windows, on virtual instruments, or in the live interactive mode where you can even edit your circuit during operation.

Customise presentations using TINA's advanced drawing tools to control text, fonts, axes, line width, colour and layout. You can create, and print documents directly inside TINA or cut and paste your results into your favourite word-processing or DTP package.

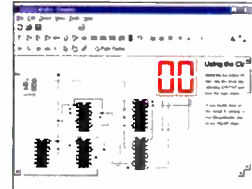
TINA includes the following Virtual Instruments: Oscilloscope, Function Generator, Multimeter, Signal Analyser/Bode Plotter, Network Analyser, Spectrum Analyser, Logic Analyser, Digital Signal Generator, XY Recorder.

Flowcode V3 (Hobbyist/Student) – For details on Flowcode, see the previous page.

This offer gives you two separate CD-ROMs in DVD style cases – the software will need registering (FREE) with Designsoft (TINA) and Matrix Multimedia (Flowcode), details are given within the packages.

Get TINA + Flowcode for a total of just £50, including VAT and postage.

DIGITAL WORKS 3.0



Counter project

Digital Works Version 3.0 is a graphical design tool that enables you to construct digital logic circuits and analyze their behaviour. It is so simple to use that it will take you less than 10 minutes to make your first digital design. It is so powerful that you will never outgrow its capability ● Software for simulating digital logic circuits ● Create your own macros – highly scalable ● Create your own circuits, components, and i.c.s ● Easy-to-use digital interface ● Animation brings circuits to life ● Vast library of logic macros and 74 series i.c.s with data sheets ● Powerful tool for designing and learning.
Hobbyist/Student £45 inc. VAT.
Institutional £99 plus VAT.
Professional 10 user £249 plus VAT.
Site Licence £599 plus VAT.

PROJECT DESIGN WITH CROCODILE TECHNOLOGY

An Interactive Guide to Circuit Design

An interactive CD-ROM to guide you through the process of circuit design. Choose from an extensive range of input, process and output modules, including CMOS Logic, Op-Amps, PIC/PICAXE, Remote Control Modules (IR and Radio), Transistors, Thyristors, Relays and much more.

Click Data for a complete guide to the pin layouts of i.c.s, transistors etc. Click More Information for detailed background information with many animated diagrams.

Nearly all the circuits can be instantly simulated in Crocodile Technology* (not included on the CD-ROM) and you can customise the designs as required.

WHAT'S INCLUDED

Light Modules, Temperature Modules, Sound Modules, Moisture Modules, Switch Modules, Astables including 555, Remote Control (IR & Radio), Transistor Amplifiers, Thyristor, Relay, Op-Amp Modules, Logic Modules, 555 Timer, PIC/PICAXE, Output Devices, Transistor Drivers, Relay Motor Direction & Speed Control, 7 Segment Displays. Data sections with pinouts etc., Example Projects, Full Search Facility, Further Background Information and Animated Diagrams.

Runs in Microsoft Internet Explorer

*All circuits can be viewed, but can only be simulated if your computer has Crocodile Technology version 410 or later. A free trial version of Crocodile Technology can be downloaded from: www.crocodile-clips.com. Animated diagrams run without Crocodile Technology.

Single User **£39.00 inc. VAT.**

Multiple Educational Users (under 500 students) **£59.00 plus VAT.** Over 500 students **£79.00 plus VAT.**

(UK and EU customers add VAT at 17.5% to "plus VAT" prices)



Over 150 pages
Over 600 images

ELECTRONIC COMPONENTS PHOTOS

A high quality selection of over 200 JPG images of electronic components. This selection of high resolution photos can be used to enhance presentations or to help with training and educational material. They are royalty free for use in commercial or personal printed projects, and can also be used royalty free in books, catalogues, magazine articles as well as worldwide web pages (subject to restrictions – see licence for full details). Also contains a FREE 30-day evaluation of Paint Shop Pro 6 – Paint Shop Pro image editing tips and on-line help included!



Price **£19.95 inc. VAT**

Minimum system requirements for these CD-ROMs: Pentium PC, CD-ROM drive, 32MB RAM, 10MB hard disk space. Windows 95/98/NT/2000/ME/XP, mouse, sound card, web browser.

Please send me: **CD-ROM ORDER FORM**

- Electronic Projects
- Electronic Circuits & Components V2.0
- Analogue Electronics
- Digital Electronics V2.0
- Analogue Filters
- Electronics CAD Pack
- Robotics & Mechatronics
- Assembly for PICmicro V3
- 'C' for PICmicro V2
- Flowcode V3 for PICmicro
- Digital Works 3.0

Version required:

- Hobbyist/Student
- Institutional
- Institutional/Professional 10 user
- Site licence



- PICmicro Development Board V3 (hardware)

- TINA Pro V7 Basic + Flowcode V3 Hobbyist/Student
- Electronic Components Photos
- Project Design – Single User
- Project Design – Multiple User (under 500 students)
- Project Design – Multiple User (over 500 students)

Note: The software on each version is the same, only the licence for use varies.

Full name:

Address:

..... Post code: Tel. No:

Signature:

I enclose cheque/PO in £ sterling payable to WIMBORNE PUBLISHING LTD for £

Please charge my Visa/Mastercard/Amex/Diners Club/Switch: £

Valid From: Card expiry date:

Card No: Maestro Issue No.

Card Security Code (The last 3 digits on or just under the signature strip)

ORDERING

ALL PRICES INCLUDE UK POSTAGE

Student/Single User/Standard Version price includes postage to most countries in the world
 EU residents outside the UK add £5 for airmail postage per order

Institutional, Multiple User and Deluxe Versions – overseas readers add £5 to the basic price of each order for airmail postage (do not add VAT unless you live in an EU (European Union) country, then add 17½% VAT or provide your official VAT registration number).

Send your order to:

Direct Book Service
 Wimborne Publishing Ltd
 408 Wimborne Road East
 Ferndown, Dorset BH22 9ND

To order by phone ring

01202 873872. Fax: 01202 874562

Goods are normally sent within seven days

E-mail: orders@wimborne.co.uk

Online shop:

www.epemag.wimborne.co.uk/shopdoor.htm

Batteries



Zinc Chloride, Alkaline, NiMH, NiCD & Sealed Lead Acid batteries. We carry battery packs for racing & radio control. We also manufacture the NiCD Bot-Pack+, a high performance custom made pack with forced cooling options for the most demanding applications.

Sample pricing:

- GP AA Greencell £0.79 / pk4
- GP AA Greencell £0.13 / cell in trade boxes of 320 (ideal for schools)
- GP AA Ultra Alkaline £1.20 / pk4
- GP AA NiMH 1300mAh £3.95 / pk4
- Racing packs from £11.95
- 12V 2.2Ah to 44Ah SLA from £6.99

Power Supplies / Chargers



13.8V 20A power supply with Amps display £43.87

Power supplies fixed and variable voltage to 15V 40A. Chargers for NiCD, NiMH, LiPo & SLA batteries to 12V 20A.



Sample pricing:

- GP AA charger with 2 off 1300mAh cells £5.45
- 13.8V 20A Power Supply from £34.12

Motors



Probably the best range of DC model motors in the UK. From under 0.5W to 1000W, 1.5 to 36V. Geared motors from 0.3W to 800W. Ideal for most model engineering applications especially robotics. Planetary geared motors from just 1.2g to our top of the range 750W (that's 1HP) weighing in at 6.35kg.



As well as motors, we have wheels, axles & bearings to help complete your project.



Sample pricing:

- Visit our website to see over 140 models of motor
- 12V 150W Motor £17.95
 - Geared motors from £4.70
 - 750W 36V geared motors from £90.95

Visit our website to see over 2,000 products to order on-line. Need advice?, we offer full technical support via our FAQ forum.

Technobots Ltd
The Old Grain Store
Rear of 62 Rumbidge Street
Totton, Hampshire, SO40 9DS
Tel: 023 8086 3120 Fax 023 8086 1534
Lines open Mon - Thur 0900 to 1330

Technobots.co.uk

Robotics, Models and Technology Supplies

Established in 2001, Technobots Ltd supply a wide range of electronics and engineering products to the hobby market, schools, Colleges & Universities.

Motor Speed Controllers



DC motor speed controllers from 1A to 300A. Various interfacing options including RC, I2C, serial &

analogue voltage. Relay reversing and fully solid state H-bridge, single and dual channel variants.



Sample pricing:

- Dual 1A motor controller £17.09
- 10A motor controller kits from £19.87
- 75A controllers from £87.50

Radio Control



A wide range of radio control products including transmitters, receivers, servos, gyros, crystals, interfaces, leads etc.

Sample pricing:

- 4-Channel 40MHz FM transmitter / receiver / crystals from £34.95

Microcontrollers



The 'PICAXE' range of programmable microcontrollers. Write in BASIC or Flowchart and download straight into the microcontroller, so no expensive programmers are required. The 8 pin version provides 5 i/o pins (1 analogue input). The 18 pin version provides 8 outputs and 5 inputs (3 of the inputs have analogue capabilities). The 28-pin version provides 9-17 outputs, 0-12 inputs and 0-4 separate analogue inputs.

Sample pricing:

- 8 pin starter kit including software, lead, battery holder, PCB & components for £9.94
- 28 pin version pictured above £21.74

Robot Kits

We carry a wide range of robot kits from BEAM to full combat and includes the very popular Robonova tipped walker. Kits range in price from £16.95 to £689.05 built by enthusiasts & school pupils from all over the UK. Many are programmable via a PC, RC or autonomous. Full details of these and lots more can be found on our website.



Mechanical & Hardware



We carry a wide range of mechanical products many of which are hard to find elsewhere. Bearings from 1mm to 30mm bore. Plastic and steel pulleys, plastic and

steel gears from MOD 0.5 to MOD 2.0. Steel chain sprockets in 6 & 8mm, 3/8" & 1/2" pitch. Silver steel, EN24T steel, collets & shaft couplings. Nuts and



bolts from M2 to M12, springs, clips & Pins. Wide range of engineering materials including aluminium (6082 T6 to 12mm thick), brass tube, rod, sheet etc..

Polycarbonate sheet from 1mm to 12mm thick, PVC sheet, polymorph etc.. Wheels from 9mm to 250mm diameter.

Featured Product



We believe this to be the lowest retail priced 4-channel 40MHz FM radio control set in the UK. The set includes the transmitter, receiver and crystal pair from just £34.95. Upgrade options available.

Sample pricing:

- Transmitter, receiver and xtals £34.95
- As above but with a set of 8 AA batteries £35.95
- or with a set of 8 AA rechargeable batteries £41.49
- Add a fast charger for an additional £11.46

Electrical



Glass, automotive and maxi fuses from 1A to 100A, fuse holders, cable from 0.5mm² to 16mm².

Pre-stripped wire kits for breadboards. Connectors from 5A to 300A, wide range of crimp connectors bagged in 100's or in kits. Circuit breakers from 3A to 30A. Cable ties, tie bases, spiral wrap and heatshrink (1.2 to 101.6mm diameter).



All prices include VAT



Whilst we are an internet based company, we do have a shop where visitors are very welcome to browse.

Please check our website for opening hours and if making a long journey, we suggest phoning first to ensure stock availability. If ordering on-line, 90% of orders dispatched within 2 working days.

PayPal



Circuit Surgery

Ian Bell



Step-up Converters Using Transformers

A WHILE ago on the *EPE Chatzone* (via www.epemag.co.uk), user *Poriet* mentioned using a Royer converter for producing 200V to 400V DC from a 12V DC supply. Poriet asked about the most appropriate frequency to use for step-up converters using transformers. We will look at the Royer circuit first and then discuss a few general points about power converters.

Royer converters

The Royer converter is a classic power converter circuit first described by G.H. Royer in 1954, and is shown in its basic form in Fig.1. These days the most common use of Royer converters is probably for generating the high voltages needed for display backlighting (using CCFLs – Cold Cathode Florescent Lamps).

The Royer circuit is self-oscillating, with feedback provided from a transformer winding. The oscillation is square wave in nature rather than sinusoidal because the transformer is driven into saturation (an appropriate transformer must be used to achieve efficient operation). The resistor network provides bias and ensures that the circuit starts oscillating when power is applied.

The transistors switch on and off out of phase with one-another, with a duty cycle of 50%. The voltage induced in the

secondary winding depends on V_{in} and the transformer turns ratio. Appropriate transistors should be used and they must have high gain (h_{FE}), low $V_{CE(sat)}$, low on-resistance ($R_{CE(sat)}$) and high collector-base breakdown voltage. Transistors specifically designed for high current switching applications should be used.

Royer circuit

In Fig.2 is shown a modified Royer converter based on a circuit from a design note from Zetex, who make transistors such as the ZTX650, ZTX849 and ZTX449, which are suitable for use in these circuits. The circuit is a slight modification of that in Fig.1, which does not need a centre-tapped feedback winding.

The Zetex circuit uses two ZTX449 transistors, two 560Ω resistors and two ceramic 0.1μF decoupling capacitors, together with a toroidal transformer with windings W1 and W2 (primary) each having 10 turns, W3 (feedback) having four turns, and W4 (secondary) having 28 turns. The output is 12V at 2W from a 5V supply at 77% efficiency and has an operating frequency of over 80kHz. Increasing the input voltage or the number of secondary windings will give a higher output voltage (adjust resistors and capacitors to suit). Other Zetex switching transistors (or

equivalent) may be used in more demanding versions of the circuit.

The Royer circuit is often used in conjunction with a controller. A simple circuit of this type is shown in Fig.3. The controller (typically a specialist IC) drives a Buck switchmode power supply circuit (Q3, L1, D1, C2) which regulates the input to the Royer circuit. The controller may use a feedback signal from the output of the Royer converter (in the case of a CCFL supply this would be the lamp current).

A number of ICs have been produced which can control Royer converters, particularly from Linear Technology (www.linear.com). These include the LT1172, LT1182, LT1186, LT1372 and LT1697, and are typically aimed at CCFL power supplies.

Waveforms

Although use of sinewaves is not necessary, there are Royer-based step-up converters that use sinusoidal oscillation. Use of sinewaves cuts the level of harmonics of the basic switching frequency, which can be responsible for radio frequency noise and interference. Fig.4 shows a modified Royer circuit in which sinusoidal operation occurs due to the presence of inductor L1 and capacitor C1. We have not shown the

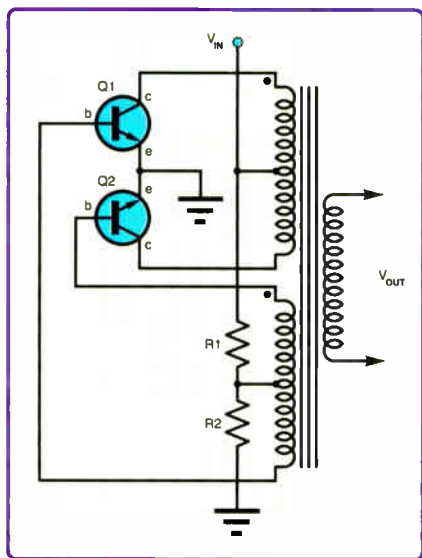


Fig.1. Basic Royer power converter

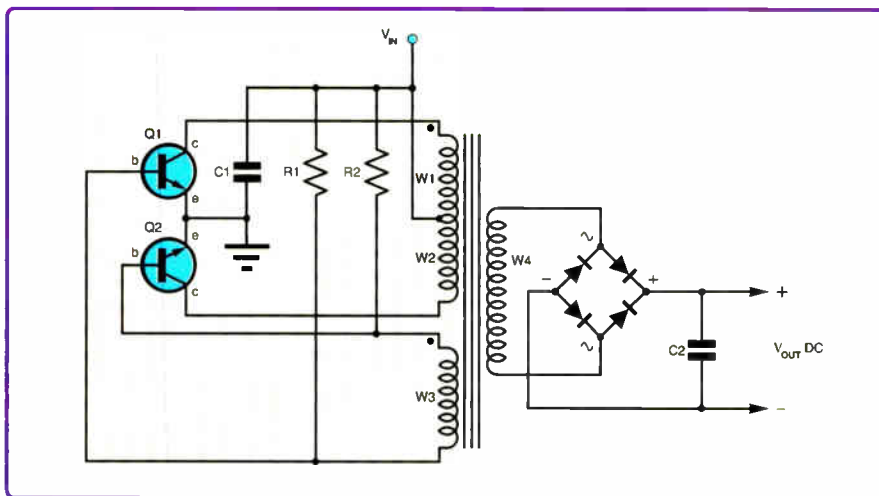


Fig.2. Circuit diagram for a modified Royer step-up DC-to-DC converter. The circuit is a slight modification of Fig.1 in that it does not need a centre-tap in the feedback winding

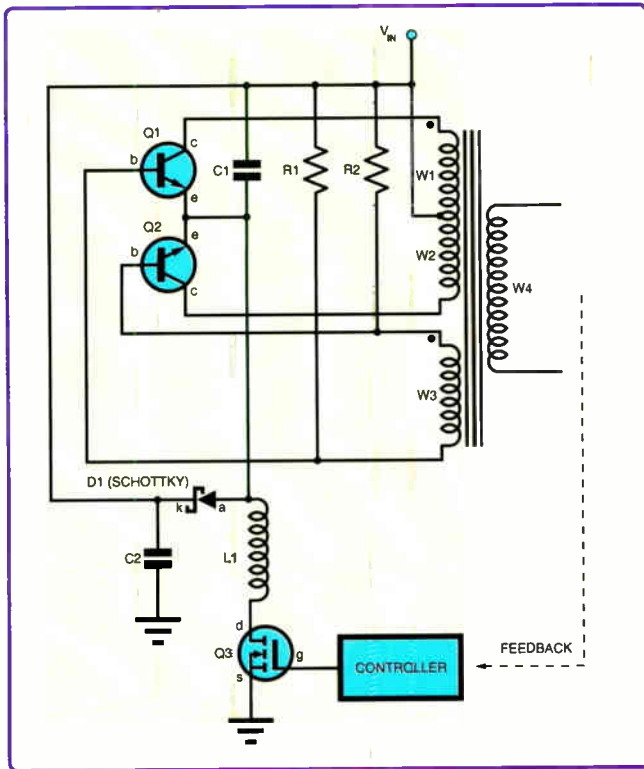


Fig.3. Circuit diagram of a Royer converter with controller

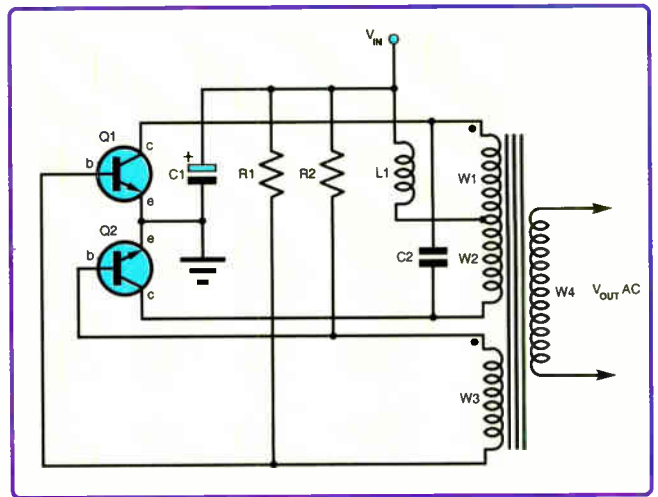


Fig.4. Version of Royer circuit with sinusoidal operation

rectifier and smoothing capacitor in Fig.4 in order to save space.

The transformer provides the voltage step-up in accordance with its turns ratio and must be driven by a varying voltage (only AC signals are coupled to the secondary of transformer). In mains power supplies the input to the transformer primary is a 50Hz or 60Hz sinewave.

For DC-to-DC converters, neither a sinewave nor a frequency as low as this has to be used. Higher frequencies enable smaller transformers to be used, and if above audio frequencies will give silent operation.

Pulsed inputs to the transformer (or other inductor) are commonly used in switching power supplies, as they are relatively easy-to-generate using control logic. This logic often uses pulse modulation (switching pulses on or off, or modifying their length) to control the output voltage as the load varies.

Transformer sources

One company making suitable transformers for Royer converters is Coiltronics (a brand of Cooper Bussmann). Coiltronics produce a range of these transformers using ferrite core material (see Fig.5). The transformers can supply output current up to 30mA and operate at frequencies in the range from 40kHz to 80kHz. They can deliver output power from 2.5W to 14W.

The maximum continuous primary voltage ranges from about 10V to 25V RMS and the maximum secondary voltage is 1340V RMS. The transformers have a small physical size and are available both in through-hole and surface mount versions. Small size is important in the CCFL application for which these transformers are targeted because they

are often used in portable products.

For data on the Coiltronics transformers use the CCFL link on web page www.coopercoiltronics.com/3/CooperCoiltronicsDataSheetList.html.

Efficiency and regulation

Efficiency is often a key parameter in power conversion. Power is given by voltage \times current, so if a power converter is 100% efficient we get $P_{in} = V_{in} \times I_{in} = P_{out} = V_{out} \times I_{out}$. If the converter is less than 100% efficient then P_{out} will be less than P_{in} by the efficiency factor.

In this application we need high efficiency so that the battery is not drained too quickly. The ideal $V_{in}I_{in} = V_{out}I_{out}$ also shows us that if we increase the voltage ($V_{out} > V_{in}$), then the current available at the output will be proportionally less than I_{in} .

So for example, with a perfect converter 5mA at 48V would draw 27mA from a 9V input. A real converter would take more current, this should be borne in mind when considering battery life.

Another important general power supply specification is regulation: in fact there are two factors to consider here – line regulation and load regulation. Line regulation indicates how much the output voltage changes as the input voltage changes and is calculated using:

Line Regulation =

$$\frac{V_{out} \text{ at max input} - V_{out} \text{ at min input}}{V_{out} \text{ required}} \times 100\%$$

Load regulation indicates how much the output varies with varying load and is calculated using:

Load Regulation =

$$\frac{V_{out} \text{ at 50\% load} - V_{out} \text{ at full load}}{V_{out} \text{ required}} \times 100\%$$

There may be a small AC signal superimposed on the DC output of a supply. This is known as a *ripple voltage* and is usually expressed simply in volts, but could also be given as a percentage of the supply voltage.



Fig.5. Transformer suitable for use with Royer converter circuit

PLEASE TAKE NOTE

Caravan Lights Check (May '07)

Page 29, Fig.1. Please note that the type number shown on the circuit diagram for dual op amp IC2 is incorrect. It should be a type **LM358**. The parts listing is correct.



By Maurie Findlay, MIEAust

This simple unit is made from a few inexpensive components and allows you to make measurements which usually require an expensive Q-meter. In conjunction with a signal generator and an electronic voltmeter, inductance and 'Q' can be measured quite accurately.

EXPERIMENTERS and even professionals setting up a test bench have to think hard before buying test instruments.

Depending on the special interest, items such as a multimeter, regulated power supply, counter, oscilloscope, RF and AF signal generators would come high on the list.

Money can be saved by building test gear described in *EPE* over the years. Sometimes out-of-date equipment

from schools and government departments can be overhauled and brought into service. But for most people, the purchase of a Q-meter would probably be pretty low on the priority list.

There are at least two reasons for this. Inexpensive hand-held bridges can measure inductance reasonably accurately, provided the values are not too small (say below 10 μ H). Second, the selective components used in modern equipment usually come in block

form such as ceramic, crystal or mechanical filters with the characteristics specified by the manufacturer.

No longer does the designer have to specify the inductance and Q of a whole series of coils to make up a filter for, say, the intermediate frequency (IF) section of a receiver.

On the other hand, inductances to a fraction of a μ H are used in the signal frequency circuits of both transmitters and receivers for filters,

tuning, coupling and decoupling circuits.

Inductors used for coupling between tuned circuits and to active devices are usually quite critical but they are not adjustable.

So this discussion is about a simple test jig which, when used in conjunction with a signal generator and an electronic voltmeter, allows the inductance and Q of small coils to be measured accurately by resonance with a known value capacitor.

It comes into its own when dealing with inductors below about 10µH. It can easily be adapted to measure a range of inductance by altering the value of the capacitor.

Most readers will regard this as an ideas article rather than a constructional project to be copied component for component. The model illustrated is just one of many ways the basic idea can be used.

Now let's get down to the principles and then the practice.

When an inductor is placed in parallel with a capacitor to form a tuned circuit, the resonant frequency is given by:

$$f = \frac{1}{2\pi\sqrt{LC}}$$

where f, L and C are in the basic units of Hertz, Henries and Farads.

If we know f and C, the equation can be rearranged to give the value of L in microhenries (µH) when C is in picofarads (pF) and the frequency in megahertz (MHz). C is known and fixed. We vary the frequency and calculate L.

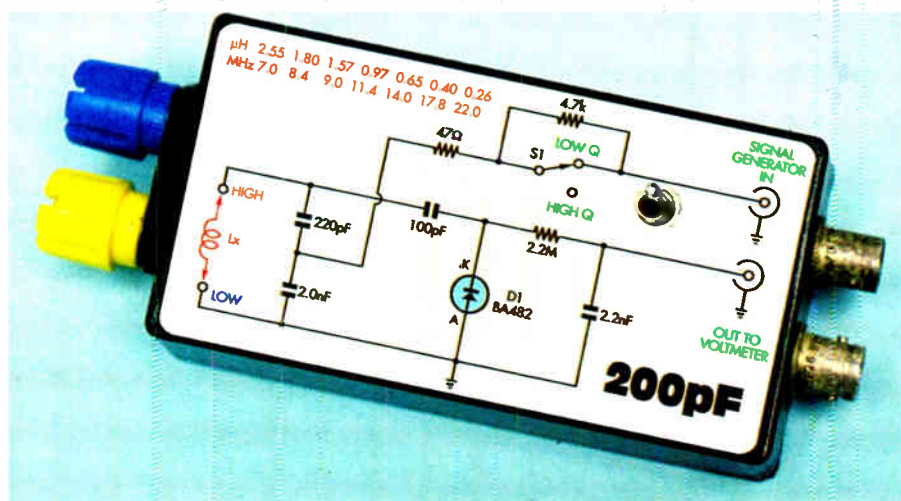
This can be done from the formula, or more conveniently from a graph plotting inductance against frequency. For convenience, we present graphs for C = 50pF, 200pF and 500pF (see Fig.2).

C is the value of the capacitor which effectively appears between the 'HIGH' and 'LOW' terminals of the test jig (see Fig.1) and is made up of two capacitors in series, the one connecting to the LOW terminal being about 10 times the value of the capacitor connecting to the HIGH terminal.

Accuracy of the readings depends on the accuracy of the latter.

Mica and polystyrene capacitors can be obtained with a 1% tolerance, but these days you won't find such items on many component suppliers shelves.

In general terms, ceramic capacitors are not suitable for this job. This capacitor is the only critical component required for the project.



With less than a dozen components, a digital multimeter and practically any RF signal generator, you can measure Q and inductance very easily. The old-style point-to-point wiring is housed in a shielded metal box.

We have found capacitors with 1% tolerance in ex-military equipment. Alternatively, you may have to ask a favour of a friend with access to laboratory test equipment.

It is unlikely that you will be able to get the values of C required with a single capacitor and so various combinations of serial and parallel may be needed.

The value of two capacitors in series is calculated by multiplying the two values and dividing this figure by the sum of the two values (remember resistors in parallel?).

For 220pF in series with 2000pF this works out to be 198.2pF. Not bad but you can always select a nominal 2000pF capacitor which is a little on the high side.

For most purposes, the reading from the graph will be accurate enough. If

you need greater accuracy, calculate the value of inductance from the formula.

For measurements to be made, it is necessary to excite the tuned circuit formed by the fixed C and the unknown L and measure its response.

To do this, some of the RF energy must be fed into this tuned circuit. It is not possible to do this without having some effect on both the frequency and the losses of the tuned circuit. In practice, the errors are acceptable provided the frequency and natural Q of the tuned circuit are not too high.

Some expensive commercial Q-meters go to a great deal of trouble to reduce errors. With the simple techniques used here, the accuracy is acceptable for most purposes up to about 300MHz and a Q of 200.

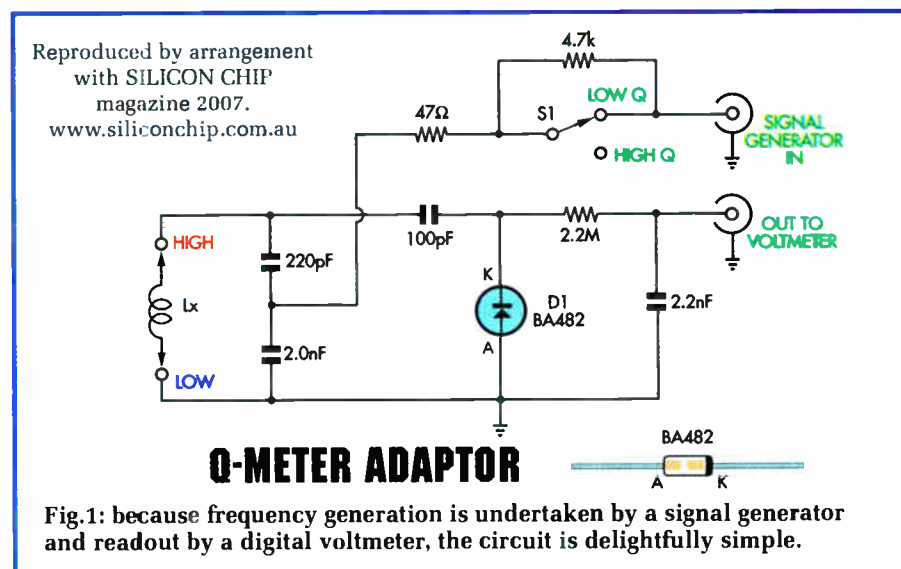
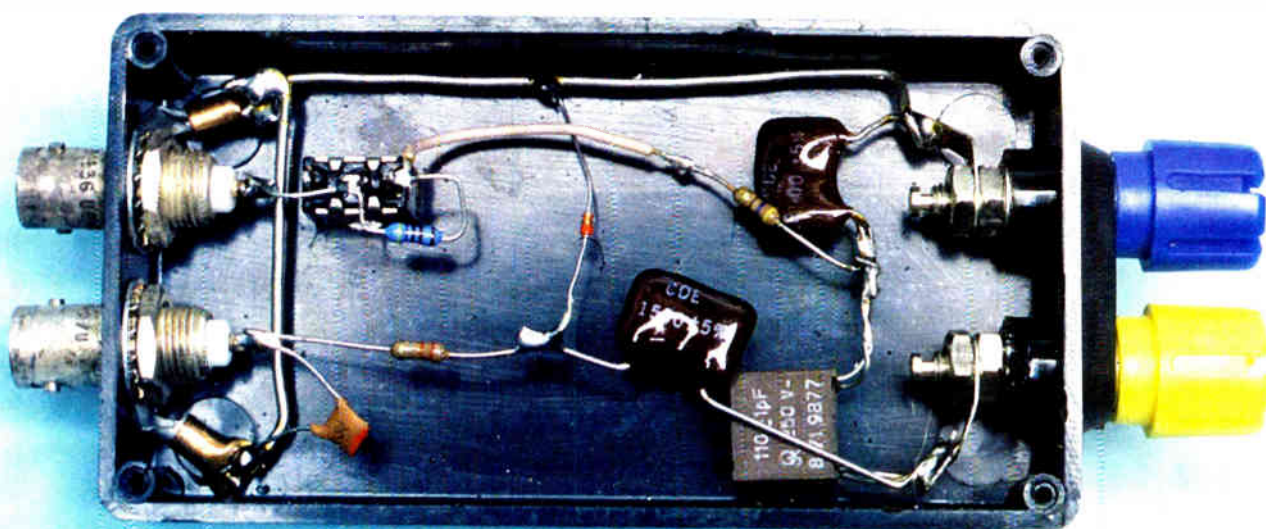


Fig.1: because frequency generation is undertaken by a signal generator and readout by a digital voltmeter, the circuit is delightfully simple.

Constructional Project



Inside the box: four capacitors, three resistors, a diode and a switch make up the total component count. BNC connectors have been used for the oscillator input and multimeter output, but these are not mandatory.

Standard practice for Q-meters is to excite the tuned circuit by inserting a small value, non-inductive resistor in series with the inductor under test. The output of the signal generator is applied across this resistor, sometimes through an RF transformer. The instrument measures the RF current through the resistor and the Q (magnification factor) can be measured by an RF voltmeter across the circuit.

The simple system used here couples into the tuned circuit partly by reactive and partly by resistive components. It fits in with the usual signal generator that is designed to feed

into 50Ω. Modern generators usually have a maximum output of 1V RMS and the older types 100mV with $\times 2$ switching if used without amplitude modulation.

The suggested circuit shows a switch labelled 'HIGH Q' and 'LOW Q'. This switch is left in the HIGH Q position if you have a high output signal generator and a sensitive voltmeter in order to keep the coupling between the generator and the tuned circuit low. However, with low-Q tuned circuits and low output signal generators, you can at least get a reading, even if it is less accurate.

Don't worry about the signal generator not being correctly terminated. In this case, it doesn't matter.

Again, looking at the suggested circuit (Fig.1), the detector is in a shunt diode arrangement using a BA482 low-capacitance, low-loss silicon diode. There are other diodes which will do the job just as well.

The output of the detector is fed to a connector and then to a DMM set to a DC scale. Most DMMs have an input resistance of 10MΩ or greater. The older valve electronic voltmeters usually have a 0-1.5V scale, while the most sensitive range for modern DMMs may be 200mV.

The net result of losses brought about by the exciting signal and the loading of the detector is that the measured Q of very efficient inductors will be less than the true value. The same applies to expensive commercial Q-meters, although some of the best of them do have built-in circuits to partially compensate.

Because we don't know the precise value of the RF used to excite the tuned circuit, the value of Q has to be measured by indirect means.

Use is made of the universal selectivity curve (see Terman *Electronic and Radio Engineering* and others). The curve has the same general shape, regardless of the value of Q and the frequency and can be of great value when designing tuned filters with special characteristics.

For the purposes of measuring Q we are interested in the response at three frequencies. These are: the

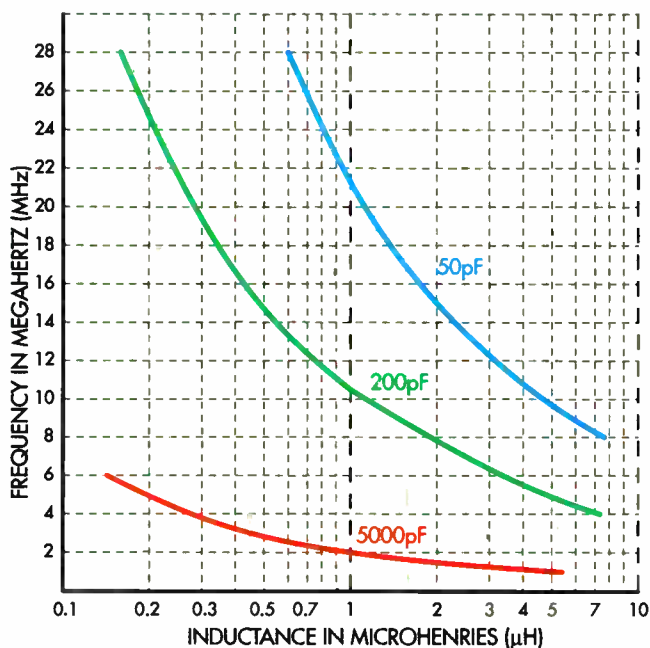


Fig.2: in many cases, you'll be able to read values straight off these graphs without having to resort to formulas. We've shown three easily-arranged capacitance values.

maximum; the frequency lower than the maximum at which the response is 0.707 (-3dB); and the frequency above the maximum at which the response is 0.707.

The difference between the two -3dB frequencies is the bandwidth. The Q of the circuit is the centre frequency divided by the bandwidth.

If you are making a lot of measurements, it soon becomes a matter of routine and given a pocket calculator, you can work very quickly.

There will be cases where you do not need to know the precise value of Q and you can zip through a series of readings by noting that the reading on the voltmeter is above a certain value.

The Q-meter jig pictured here was originally set up to check the inductors for low-pass filters used in HF radio transceivers operating between 2MHz and 20MHz. Inductance values between about 0.2µH and 3.0µH were used and the values needed to be within about 5%. A parallel capacitance of 200pF brought the resonant frequencies within the range of even the older HF signal generators.

To cover a wide range of inductance values, there is always the possibility of installing switched capacitors or a calibrated variable capacitor, but

the jig is so simple that two or more separate units may be just as easy. For very small value inductors, as may be used in VHF equipment, a switched arrangement may not be practical.

Having made up the jig in a form that suits your purpose, find a low-Q inductor, ideally of known value, and work out the resonant frequency.

With the signal generator and voltmeter connected, tune the signal generator for maximum indication. The signal generator should be set for maximum output. Note the reading of the DMM. If too low for convenience you can reduce the value of the 4.7kΩ resistor as required. The lower the value the greater the reduction in the measured Q.

Similarly, you can increase the reading of the voltmeter slightly by reducing the value of the series resistor, marked 2.2MΩ on the circuit, to about 1MΩ.

Using a 47Ω resistor in series with a 50Ω output signal generator (ie, the switch in the LOW Q position), a coil with a true Q of 250 will measure only about 50. If you are only concerned with the inductance value, this may not matter.

Having adjusted the set-up to suit your instruments, the routine for measurement goes like this:

Inductance

- Connect voltmeter and signal generator
- Connect unknown inductor
- Tune signal generator for maximum meter deflection and note the frequency
- Read the inductance from the graph for the corresponding value of C or calculate the inductance from the formula

Q value

- Using the signal generator's attenuator, reduce the output by 3dB
- Note the meter reading
- Return the signal generator's attenuator to the setting for full output
- Adjust the signal generator's frequency higher, to the point where the meter reading drops to the -3dB point
- As above, but on the low-frequency side. Subtract this frequency from the one above to obtain the bandwidth
- Q is then the centre frequency divided by the bandwidth

If your signal generator has a digital readout or you can connect a counter to read frequency, very good accuracy can be obtained.

Happy measuring!

EPE

EPE BINDERS

**KEEP YOUR MAGAZINES SAFE –
RING US NOW!**

This ring binder uses a special system to allow the issues to be easily removed and re-inserted without any damage. A nylon strip slips over each issue and this passes over the four rings in the binder, thus holding the magazine in place.

The binders are finished in hard-wearing royal blue p.v.c. with the magazine logo in gold on the spine. They will keep your issues neat and tidy but allow you to remove them for use easily.

The price is £7.95 plus £3.50 post and packing. If you order more than one binder add £1 postage for each binder after the initial £3.50 postage charge (overseas readers the postage is £6.00 each to everywhere except Australia and Papua New Guinea which costs £10.50 each).

Send your payment in £'s sterling cheque or PO (Overseas readers send £ sterling bank draft, or cheque drawn on a UK bank or pay by card), to **Everyday Practical Electronics, Wimborne Publishing Ltd, 408 Wimborne Road East, Ferndown, Dorset BH22 9ND.**

Tel: 01202 873872. Fax: 01202 874562.

E-mail: editorial@epemag.wimborne.co.uk

Web site: <http://www.epemag.co.uk>

Order on-line from:

www.epemag.wimborne.co.uk/shopdoor.htm

We also accept card payments. Mastercard, Visa, Amex, Diners Club or Switch (minimum card order £5). Send your card number and card expiry date plus Switch issue No. with your order.



ANDRE LAMOTHE'S
XGAMESTATION
LEARN STEP-BY-STEP HOW TO DESIGN
AND BUILD YOUR OWN VIDEO GAME CONSOLE!

Design inspired by the Atari 800/2600,
Sinclair ZX Spectrum, Apple II & Commodore 64!


Complete Package


eBook


Integrated IDE

SX52 CPU
80 MIPS!

OPEN SOURCE!

FEATURES:

- Great for Hobbyists AND Students!
- Complete Software Development Kit!
- eBook on Designing the XGS Console!
- Parallax SX-Key Compatible!
- Fully Assembled XGS Micro Edition Unit!
- The Fun Way to Learn Embedded Systems!

RAL & NTSC
COMPATIBLE!











WWW.XGAMESTATION.COM
SUPPORT@NURVE.NET PH 925.736.2098 (USA)

Using MPLAB

How to use MPLAB when writing the source code for your PIC projects Part One – An introduction to MPLAB by Mike Hibbett

MICROCONTROLLERS are useless without software. Writing software, unless you started programming in the 1970s on PDP-8s and are a whizz with toggle switches, is a Herculean task without some kind of tool (an assembler) to help you. Over the years, higher level languages have come along which significantly improve the design and implementation of software, and alongside the language supporting programs – editors and debugging environments – have improved too.

For years users worked with simple text editors to enter their programs, then ran an assembler or compiler to turn that text into the binary representation used by the microcontroller. Initially this was quite natural – computers of the day could only support one single, text-based application running at a time – but as computers grew in power to support graphical displays and multiple, simultaneously operating programs, a more user-friendly set of tools began to appear, called Integrated Development Environments (IDE). These programs provide live, simultaneous multiple window views of your program – the source code, file registers, debugger etc.

To be fair, many users are still content to use the simple text-based editor to develop their software, and declare that it is a more efficient way to write software. But there are also many who consider the IDE to offer an enormous productivity advantage, once the ‘learning curve’ associated with an IDE is conquered. Hopefully, this series of articles will get you through the learning curve with the minimum of pain, and then you can decide for yourself which approach is best for you.

Visual IDE concept

You may already be familiar with the visual IDE concept if you have used the Microsoft Visual Basic or Borland products for developing software on a PC. These products were first developed years ago, driven by the large number of users who develop software for PCs. Tools for the embedded market took a little longer to catch up, but there are now many different IDEs available for the different microcontrollers available on the market and PICs, being such a popular microcontroller, have a number of IDEs available from different vendors.

Microchip realised that it is easier to sell microcontrollers if there are good tools available and have been developing their own range of software tools, many available for free, to support the sale of their core products. The MPLAB IDE is their offering, and this product is provided for free download from their website. It’s a large download – some 40MB – which means that for those only with dial-up access to the Internet, it is inaccessible. Fortunately this month we are able to offer

on our cover-mounted CD a full copy of the most recent version of this program.

Microchip are constantly updating this program so if you do have broadband access to the Internet (or a friend who has) then you can download the updates as and when they appear. The updates tend to be minor (adding support in the debugger for new processor variants, for example) so although the version on the cover CD may quickly become outdated, it should be more than suitable for your needs for some time to come.

In this series of articles we will slowly introduce the features of MPLAB and help you through the initial, steep, learning curve that often puts first-time users off. If you have used an IDE such as Visual Basic before, the basic concepts will be familiar to you, but there will still be a number of new concepts to get to grips with – programming for an embedded processor is very different to programming for a PC. Walking through a few examples over the next few months will enable you to get to grips with the basic features, and later on we will introduce the more powerful features available – and they are indeed powerful!

But we are jumping ahead. We should first introduce the process of writing software using MPLAB, so let’s define some of the technical terms that are used.

Definitions

Editor: A program (or Window, in the case of an IDE) that is used for typing in program instructions.

Source file: A text file that contains the assembly language instructions that you will type in using the editor. One or more source files are typically used in a project.

Header file: Sometimes called an *include* file, this is a file that contains text that can be included into another text file by specifying its name. Typically used to include processor specific register definitions, such as the names of SFRs and bit fields.

Workspace: A file used by the IDE to identify the files and settings associated with a project. There is normally one workspace per project.

Assembler: A program (or menu option in the IDE) that translates assembly code in your project’s source files into object code, the raw binary instructions used by the microcontroller. It may also create a standard *.hex* format file that can be read by programming software.

Object File: A binary format file that contains all or parts of a program. Normally collated with other files by the linker to create the final application program file.

Linker: A program that collects several object code files together and adds the ‘links’ so that calls to routines in different files match up. It also generates the text

format output file that can be read by programming software.

Librarian: A program that can collate many object code files into a single file, called a *.lib* file. This can be useful if you want to create re-usable utility modules and share them among several projects.

Build, Make: Generic terms which refer to the act of running the assembler and optionally the linker and librarian on a collection of one or more source files to create a program file.

IDE purpose

The purpose of the IDE is to translate your source file or files into a program file containing the binary representation suitable for use by your chosen processor. In general, the build process can work in one of two ways: *Absolute* or *Relocatable*. In Absolute mode you specify the starting address in flash where blocks of code will be placed, using an *ORG* statement within the source files. This is the technique that most people start off with, since it is the simplest way to write an application and requires the least thought.

For more complex projects, or one where you want to be able to re-use software in other projects, then Relocatable mode is provided. In this mode your source files do not specify exactly where individual sections of code go; instead, you specify a ‘section name’. The linker program is run to take your assembled source files and a ‘linker script’, written by yourself, which specifies the absolute locations where each section of code will start. If several source files use the same section name then the linker will choose itself where the code of individual source files will end up inside that section of memory. Fig.1 and Fig.2 give an overview of the process.

As it is more complex, we will be covering relocatable projects later in the series, and start with Absolute mode.

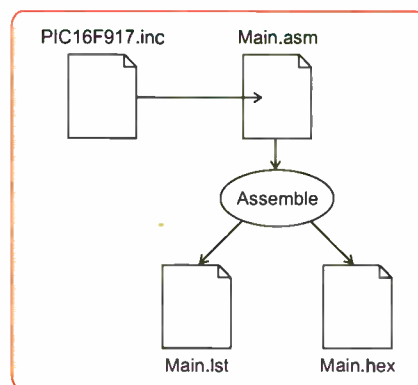


Fig.1. The simple build process

Software Building

MPLAB is capable of building programs written in the C high level language using a freely downloadable C compiler that

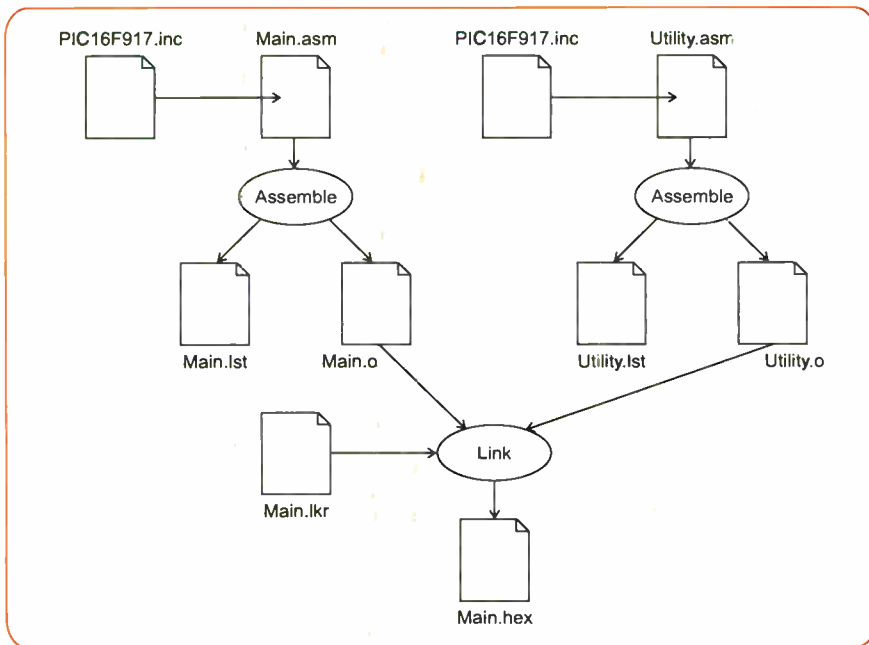


Fig.2. The advanced build process

integrates seamlessly in the IDE. As we have already covered this feature in earlier articles we will concentrate on programming in assembly language. The techniques, tools and approach are all very similar, however, so what you learn here can be easily transferred to programming in C.

For those of you more used to building your software using a command line assembler, you will know that the method of building programs is a simple single command line, probably not unlike:

C:\picasm main.asm -iPIC16F917.inc -main.hex

which instructs the assembler program **picasm.exe** to take the source files **main.asm** and **PIC16F917.inc** and turn them into the program file **main.hex**, which you could then download to your PIC. You would probably use your favourite text editor to create the source files. It probably took a while to get the hang of the command line options, but there were not many and so you no doubt very quickly picked up the appropriate options and have been able to forget about them, concentrating instead on adding assembly instructions to your text files.

An IDE presents a radically different approach. Apart from offering many features above and beyond your simple assembler, it presents them *all at once*, in a Windows menu and dialog box driven user interface. MPLAB provides the following features, all within the one program:

- Editor
- Assembler
- Compiler (optional)
- Linker
- Librarian
- Programmer
- Simulator
- H/W Debugger

With all these features presented in one program, it's no wonder things appear complicated!

So let's return to the overview of how programs are created, and how MPLAB helps in the process.

The old way

Programs are entered into a text file using any text editor, often into a single file for small programs. For larger programs you might place code in additional text files that are 'included' into the main file by a **#include filename** line (called a directive). Assembly language files are typically given the file extension of **.asm**, although that is not mandatory. These files are called *source files*.

You would then close the editor and run the assembler program. This is responsible for converting the source files into a format suitable for loading into the chip. This effectively performs two steps in one: converts your text into the actual binary data required by the processor, then translates that into a standard format recognised by the programming software that we use to actually move the program into the processor. This final format, typically a text file itself, is normally given a file extension

of **.hex**. Not all assemblers produce a separate binary file, going straight for a hex file.

You would then connect your target board or microcontroller chip to the programming interface, run the programming software and transfer the program down to the microcontroller.

Finally, you would power up the target board, play with it to find errors, and if any are found, go back to the beginning, editing your source files, presumably with either a correction to the errors found, or some 'debugging output' to try to understand the problem. Repeat, often late into the night.

The MPLAB way

IDEs like MPLAB improve on the old way by bringing the editor, assembler and programmer into a single program. But the sum is much greater than the parts, because each of the previously independently functioning programs now know about each other and co-operate together. The IDE program acts like a coordinator. When you open the programmer menu, it already knows what your program file name is, and in seconds you can download load it and run it while still viewing your source file. Even better, if an error occurs during the assembly process, you simply click on the error message in the output window and the IDE automatically opens the relevant source file and positions the cursor on the offending line.

On top of this, MPLAB provides an integrated debugger – a function that allows you to visually step through the execution of your program, either in a built-in simulator or while running on a real processor. This feature alone justifies the effort of learning how to use MPLAB. You no longer have to observe the operation of your software from the outside: now you can watch every branch, and inspect register values at each step.

There is a lot of ground to cover which we will do over the next few months. First, we need to install MPLAB.

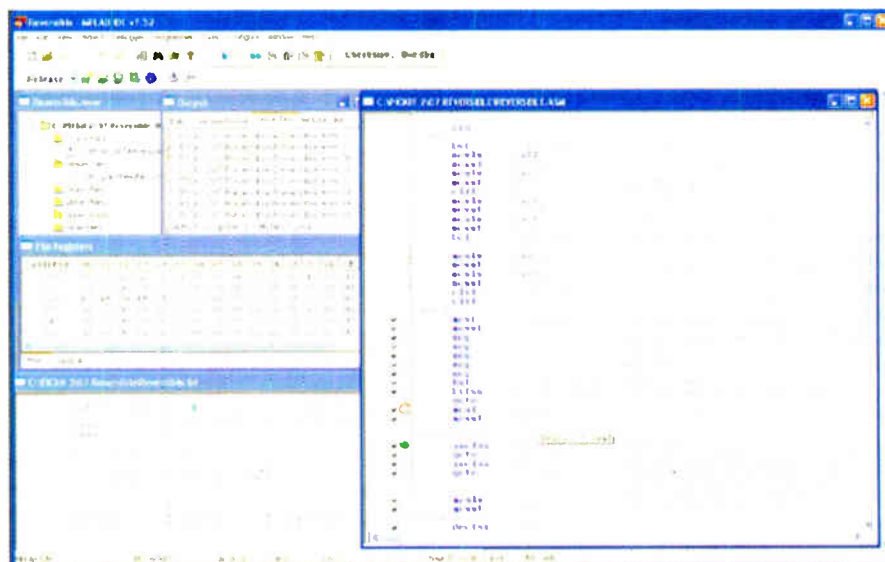


Fig.3. MPLAB in use

Installation

If you want to download MPLAB from the Internet, go to the Microchip website (www.microchip.com), and on the main page under the heading 'Design' click on the 'MPLAB IDE' link. Download MPLAB IDE – 'MPLAB IDE v7.xx Full Zipped Installation' from the bottom of the page under 'Software Downloads'. Save it to your hard drive.

Once the file is downloaded, double-click on the file **MP7xx.zip** and extract the files into a temporary folder on your desktop. In that directory, double click on **MP7xx_setup.exe** to start the installation. Accept the defaults, answer 'I agree'

to the usual license statement and the installation will start. When the MPLAB IDE Document Select dialog appears, close it.

Alternatively, the current version of MPLAB is present on this month's cover-mounted CD. Simply insert the CD, wait for the installation program to start and follow the instructions. For now, install only MPLAB, to ensure the detailed instructions in the tutorials can be followed.

Documentation for the IDE can be found on the Microchip website at the bottom of the page where you downloaded the install file. The 'Users Guide and Quick Start Guide'

should be downloaded, if you have Internet access. Additional help can be found within the IDE under 'Help', 'Topics'.

Next Month

Next month we write our first application and debug it in the simulator. For now, though, feel free to play with the user interface and look at the documentation. Don't be afraid to experiment; in the unlikely event that you delete some important files re-installation is straightforward.

To whet your appetite, Fig.3 shows a typical debugging activity on a program running on the simulator – and we shall get to that stage next month!

PCB-POOL®
SERVICING YOUR COMPLETE PROTOTYPE NEEDS

1 EUROCARD
(160 x 100 mm)
+ Tooling
+ Photoplots
+ VAT
€49

Price example
Any size and contour possible!

Optional:

- Soldermask
- Fast-turnaround
- Silkscreen
- 4-Layer Multilayer
- 6-Layer Multilayer

FREE LAYOUT SOFTWARE!

Freephone 0800-3898560
Tel.: +353 (0)61 701170
Fax: +353 (0)61 701165
pcb-pool@beta-layout.com

PCB-POOL.COM

PEAK
tel. 01298 70012
fax. 01298 70046
www.peakelec.co.uk
sales@peakelec.co.uk

electronic design Ltd

Handheld Test Gear - Cool, Smart.

Atlas DCA
Semiconductor Analyser £55

Atlas LCR
Passive Component Analyser £79

Atlas ESR
Capacitance and ESR Meter £59

Atlas SCR
Triac/Thyristor Analyser £109

Prices include UK delivery and VAT

All Major Credit Cards Accepted!

ElmScan 5 USB Scan Tool

- Diagnose any car with EOBD
- Based on the ELM327 IC
- Supports all EOBD and OBD-II protocols
 - ✓ ISO15765-4 (CAN)
 - ✓ ISO14230-4 (Keyword 2000)
 - ✓ ISO9141-2
 - ✓ J1850 VPW
 - ✓ J1850 PWM
- 9600 or 38400 baud
- Supported by more software than any other OBD interface
- Inexpensive
- Full Speed USB 1.1
- Automatic protocol detection
- Package includes cables, software CD, and Quick Start Guide
- Buy from your local UK distributors!

www.ElmScan5.com/epe

EPE PIC RESOURCES CD-ROM V2

VERSION 2 NOW AVAILABLE



Version 2 includes the EPE PIC Tutorial V2 series of Supplements (EPE April, May, June 2003)

ONLY £14.45
INCLUDING VAT and P&P

The CD-ROM contains the following Tutorial-related software and texts:

- EPE PIC Tutorial V2 complete series of articles plus demonstration software, John Becker, April, May, June '03
- PIC Toolkit Mk3 (TK3 hardware construction details), John Becker, Oct '01
- PIC Toolkit TK3 for Windows (software details), John Becker, Nov '01

Plus these useful texts to help you get the most out of your PIC programming:

- How to Use Intelligent L.C.D.s, Julian Ilett, Feb/Mar '97
- PIC16F87x Microcontrollers (Review), John Becker, April '99
- PIC16F87x Mini Tutorial, John Becker, Oct '99
- Using PICs and Keypads, John Becker, Jan '01
- How to Use Graphics L.C.D.s with PICs, John Becker, Feb '01
- PIC16F87x Extended Memory (how to use it), John Becker, June '01
- PIC to Printer Interfacing (dot-matrix), John Becker, July '01
- PIC Magick Musick (use of 40kHz transducers), John Becker, Jan '02
- Programming PIC Interrupts, Malcolm Wiles, Mar/Apr '02
- Using the PIC's PCLATH Command, John Waller, July '02
- EPE StyloPIC (precision tuning musical notes), John Becker, July '02
- Using Square Roots with PICs, Peter Hemsley, Aug '02
- Using TK3 with Windows XP and 2000, Mark Jones, Oct '02
- PIC Macros and Computed GOTOs, Malcolm Wiles, Jan '03
- Asynchronous Serial Communications (RS-232), John Waller, unpublished
- Using I²C Facilities in the PIC16F877, John Waller, unpublished
- Using Serial EEPROMs, Gary Moulton, unpublished
- Additional text for EPE PIC Tutorial V2, John Becker, unpublished

NOTE: The PDF files on this CD-ROM are suitable to use on any PC with a CD-ROM drive. They require Adobe Acrobat Reader – included on the CD-ROM

Order on-line from
www.epemag.wimborne.co.uk/shopdoor.htm
or www.epemag.com (USA \$ prices)
or by Phone Fax Email or Post

EPE PIC RESOURCES V2 CD-ROM ORDER FORM

Please send me (quantity) EPE PIC RESOURCES V2 CD-ROM

Price £14.45 each – includes postage to anywhere in the world.

Name

Address

.....

.....

..... Post Code

I enclose cheque/P.O./bank draft to the value of £

Please charge my Visa/Mastercard/Amex/Diners Club/ Maestro

£

Card No.

Card Security Code (The last 3 digits on or just under the signature strip)

Valid From Expiry Date

Maestro Issue No.

SEND TO: **Everyday Practical Electronics, Wimborne Publishing Ltd.,**

408 Wimborne Road East, Ferndown, Dorset BH22 9ND.

Tel: 01202 873872. Fax: 01202 874562.

Email: orders@epemag.wimborne.co.uk

Payments must be by card or in £ Sterling – cheque or bank draft drawn on a UK bank.

Normally supplied within seven days of receipt of order.

Send a copy of this form, or order by letter if you do not wish to cut your issue.

BECOME A PIC WIZARD WITH THE HELP OF EPE!

INTERFACE



Robert Penfold

MORE ON WINDOWS VISTA COMPATIBILITY

THE problems associated with interfacing your own hardware to a PC running Windows Vista were mentioned in the previous *Interface* article. In particular, there is a problem in using the **Inpout32.dll** add-on to enable Visual BASIC 6 and other programming languages to communicate with devices in the PC's input/output map. This method has been used extensively with *EPE* projects that interface via the printer ports, and it is also the method normally used with circuits featured in this series of articles. Unfortunately, **Inpout32.dll** seems to be ignored when using Windows Vista.

As pointed out previously, the failure of **Inpout32.dll** to work with Windows Vista was something of a surprise. The whole point of the Windows XP version of this file is that it uses approved methods of contacting the ports, making it compatible with the more pernickety versions of Windows, such as Windows 2000 and XP. It seemed reasonable to assume that it would therefore work just as well with Windows Vista.

Vista UAC

A discussion on the Logix4U website suggests that the problem is due to **Inpout32.dll** installing a driver when it is run:

www.logix4u.net/forum/index.php?topic=15.0

Installing the driver requires administrative privileges, and the usual dialogue box should appear so that the user can provide the necessary authorisation. However, for some reason the dialogue box does not appear, and the user cannot provide permission. Consequently, the driver is not installed and **Inpout32.dll** fails to work. Superficially the main program appears to work, and in most respects it is operational, but no communication with the ports takes place.

The problem is due to a security feature of Vista called User Account Control (UAC). This new feature tends to make its presence apparent soon after you start using Vista, and periodically thereafter. You find that it is necessary to provide permission before some programs will run, even if you are using an account that has administrator privileges. This does not usually occur when using large application programs that have been properly installed, but it is very likely to happen when running small applications such as compression/decompression programs.

The purpose of UAC is to prevent malicious programs from being installed, leaving the user blissfully unaware that anything has happened. The user will be asked to provide permission if something tries to install a malicious program, and the installation process can then be blocked by operating the appropriate button.

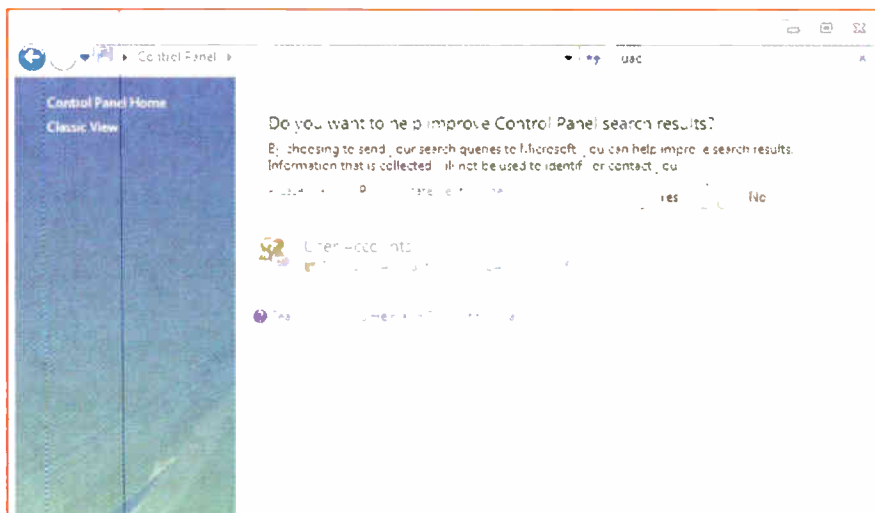


Fig. 1. The search produced this window, which has a link to the UAC control window

Setting a program to work in the Windows XP compatibility mode is the obvious way around the **Inpout32** problem, but it does not provide a solution. Vista will still require permission in order to run **Inpout32.dll**. On the face of it, **Inpout32.dll** can be made to work by switching off the UAC feature, and this does indeed seem to solve the problem.

However, with UAC totally disabled, so is the added security that it would otherwise provide. This is probably of little consequence with a standalone PC that does not have an Internet connection, but it is not something that can be recommended with a PC that is on a large network and (or) has an Internet connection.

Check-in or check-out

One way of switching off UAC is to first launch the Control Panel via its entry in the Start menu. Then type 'UAC' into the search textbox near the top right-hand corner of the window, which should produce a screen that looks something like Fig. 1. Left-clicking the 'Turn User Account Control (UAC) on or off' will change the window to the one shown in Fig. 2. Here the tick is removed from the checkbox and the OK button is operated. You are then given the option of restarting the computer, and the change will not take effect until the computer has been rebooted. Essentially, the same method can be used to reinstate UAC, but the checkbox is ticked at the window of Fig. 2. Once again, the change will not take effect until the computer has been rebooted.

This method certainly seems to work well, with **Inpout32.dll** working in the same way that it does with Windows XP. The obvious problem is that an important security feature of Windows Vista is lost if

this operating system is used with UAC switched off. Whether it is worth taking the risk is something that each user has to assess individually. It is not a good long-term solution for a PC that has a permanent Internet connection.

Strangely, it does not seem to be necessary to leave the UAC feature switched off. If it is switched off, a program that uses **Inpout32.dll** is run, and then UAC is switched back on, any programs that use **Inpout32.dll** then seem to work normally. While it is not possible to guarantee that things will work this way on all PCs running Windows Vista, it seems quite likely that they will. Anyway, for anyone needing to use **Inpout32.dll** on a Vista based PC it is worth trying this method.

Pre-loading

An alternative to simply switching off UAC is to use an installer program that loads the necessary driver before the main program is run. It is possible to obtain such a program, together with 32-bit and 64-bit versions of **Inpout32.dll**, from this web site:

www.highrez.co.uk/Downloads/InpOut32/default.htm

This method seems to require the version of **Inpout32.dll** supplied with the installer rather than one of the earlier versions from other sources. The obvious advantage is that it does not require the user to alter any of the system settings in order to get programs to work properly, which is an important point for those supplying software for third-parties to use.

Possibly a fully user-friendly version of **Inpout32.dll** will become available in due course. On the face of it anyway, it would not require much change to the XP version, which does work with Vista once the UAC

problem has been circumvented. In the meantime, at least it is possible to use *EPE* projects that use *Inpout32.dll* with a PC that runs under Windows Vista. It just requires a certain amount of preamble before everything will work properly.

Back to BASICS

As pointed out in the previous *Interface* article, Visual BASIC 6.0 will run under Windows Vista, but only just. Errors occur when it is installed, and more are often produced when it is run. It is probably usable provided only relatively simple programs are produced, but it is diffi-

seem to be under the impression that the current download is only a 30-day trial version, this is not actually the case. It will only run for 30-days if it is not registered with Microsoft. However, registration is free, so the 30-day limit can be removed at no charge.

The registration site seems to be inaccessible at times, but with a bit of persistence the program can eventually be registered. The program can be downloaded here:

<http://msdn.microsoft.com/vstudio/express/downloads/>

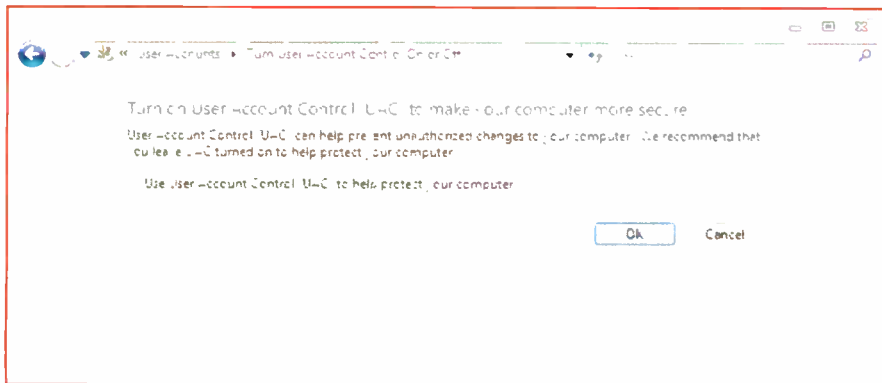


Fig.2. The checkbox is ticked in order to switch on the UAC feature, or the tick is removed in order to switch it off. The computer must be restarted before the change will take effect

cult to have much confidence in a program that operates in this fashion. Microsoft does not guarantee anything beyond 'it just works' compatibility.

There is potentially a problem with software produced using Visual BASIC 6.0 not running properly on a computer that is running under Windows Vista. Again, Microsoft only guarantees 'it just works' compatibility. This could result in programs running in something less than perfect fashion under Vista, and this could occur regardless of the operating system used by the computer to produce the software.

In other words, the fact that Visual BASIC 6.0 is run under Vista does not guarantee that it will produce fully Vista compatible programs. In practice, though, this does not seem to be a major problem, and trying a few programs written using Visual BASIC 6.0 produced perfectly acceptable results under Vista.

The way to obtain guaranteed compatibility with Windows XP and Vista is to use a more modern version of Visual BASIC, but this does require a certain amount of adjustment. There are numerous differences in the way things are handled using Visual BASIC 6 and more recent versions of this language. However, it seems that it will be necessary to move on to a more up-to-date version as Windows XP is gradually phased out in the coming years.

Free launch

It is worth pointing out that the free version of Visual BASIC (Visual BASIC 2005 Express Edition) is still available as a download from the Microsoft web site. There has been a certain amount of confusion over this program, which was originally made available at no charge for one year from its launch date. This time limit was later removed, and it is still available as a free download. Although some people

Visual BASIC 2005 Express will run under Windows Vista and XP, as will the programs produced. This programming language is compatible with *Inpout32.dll*. However, the BAS file supplied with *Inpout32.dll* cannot be used to integrate it with Visual BASIC 2005 Express. This problem has been covered in previous *Interface* articles, and is easily solved. It is just a matter of adding a short piece of code ahead of the code for the form, and any components. This is all that is required:

```
Option Strict Off
Option Explicit On
Module InpOut32_Declarations
'Inp and Out declarations for port I/O
using inpout32.dll.
Public Declare Function Inp Lib
"inpout32.dll" Alias "Inp32" (ByVal
PortAddress As Short) As Short
Public Declare Sub Out Lib
"inpout32.dll" Alias "Out32" (ByVal
PortAddress As Short, ByVal Value
As Short)
End Module
```

The Inp and Out commands will operate like normal Visual BASIC instructions once this has been added. The usual hint text should appear when typing these commands. Something has gone awry if the hint text does not appear and parts of the command are underlined in blue.

Check that the code is correct in every detail and that it is placed ahead of any other code. Of course, when running Visual BASIC 2005 under Windows Vista it is still necessary to get *Inpout32.dll* to load properly before programs can be compiled and tested, but there should be no further problems once this has been done.

Visual BASIC 2005 Express does have a few limitations, as discussed in previous *Interface* articles. In particular, its graphics capability is not equal to those of the full versions of Visual BASIC. On the other hand, this program is still more than adequate for producing most software for PC add-ons, it is free, and it is fully compatible with Windows XP and Vista. Despite its limitations, it is a good choice for producing the software for your own projects.

Fundamentals

In this series of articles it is not possible to cover the basics of PC interfacing each time a circuit or program is featured. Some of the fundamentals of interfacing are covered from time-to-time, but things are still likely to be difficult for those who are new to PC interfacing.

Information about PC interfacing can be found on the Internet, but the quantity is not vast, and much of it is many years out of date. There are some excellent sites though, and some of these provide some useful information for beginners.

The original *Inpout.dll* add-on was designed by Jan Axelson, and her excellent web site at www.lvr.com has a great deal of information about PC interfacing, plus links to sites where further information is available. There is a useful and well produced web page at: www.codeproject.com/useritems/Inpout32_read.asp that provides some information about using Visual BASIC 2005 Express plus *Inpout32.dll* to interface via a PC's parallel port.

The XP version of *Inpout32.dll* is available from www.logix4u.net/inpout32.htm. The web site and the additional files supplied with *Inpout32.dll* explain the way in which it is used. Many of the questions received about *Inpout32.dll* are actually covered by one or other of these. The main point to remember is that this file can only work if it is available to the system. It should either be placed in the Windows\system32 folder, or in the same folder as the program it supports.

Please mention

EPE EVERYDAY PRACTICAL ELECTRONICS

when replying to advertisements

To advertise in

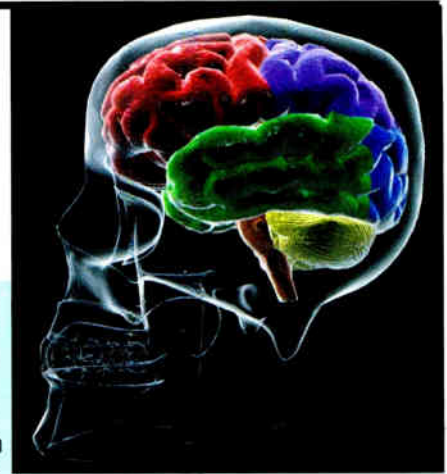
EPE EVERYDAY PRACTICAL ELECTRONICS

Please contact **Stewart Kearn**

on **01202 873872**

or stuart.kearn@wimborne.co.uk

Ingenuity Unlimited



WIN A PICO PC-BASED OSCILLOSCOPE WORTH £799

- 20MHz Analogue Bandwidth Dual Channel Storage Oscilloscope
- Spectrum Analyser
- Multimeter
- Frequency Meter
- USB Interface.

If you have a novel circuit idea which would be of use to other readers then a Pico Technology PC-based oscilloscope could be yours.

Every 12 months, Pico Technology will be awarding a PicoScope 3206 digital storage oscilloscope for the best IU submission. In addition a PicoScope 2105 Handheld 'Scope worth £199 will be presented to the runner up.

Our regular round-up of readers' own circuits. We pay between £10 and £50 for all material published, depending on length and technical merit. We're looking for novel applications and circuit designs, not simply mechanical, electrical or software ideas. Ideas *must be the reader's own work* and **must not have been published or submitted for publication elsewhere**. The circuits shown have NOT been proven by us. *Ingenuity Unlimited* is open to ALL abilities, but items for consideration in this column should be typed or word-processed, with a brief circuit description (between 100 and 500 words maximum) and include a full circuit diagram showing all component values. **Please draw all circuit schematics as clearly as possible**. Send your circuit ideas to: *Ingenuity Unlimited*, Wimborne Publishing Ltd., 408 Wimborne Road East, Ferndown, Dorset BH22 9ND. (We do not accept submissions for IU via email.) Your ideas could earn you some cash and a prize!

Mobile Phone Switch – *Freely phone home and control an appliance*

THERE are several designs that the author has seen for controlling appliances remotely via a mobile phone, but they have all involved connecting a microcontroller to the serial port of the phone and either using the Caller ID, or parsing data from an SMS message. Not only are these devices complex to build, they are also specific to a particular model of phone.

The circuit presented in Fig.1 is much easier and cheaper to build and should work on any mobile phone, as long as the screen lights up when it receives a call. The way it works is simple, the mobile phone receives a call causing its screen to light up, a light

dependent resistor (LDR) detects this and triggers a flip-flop (IC1) which turns a relay on or off, thus controlling the power to whatever is connected to the relay contacts. Finally, as the circuit does not answer the call, nor receive an SMS message, there are no call charges incurred.

The circuit is based around a 4013 dual flip-flop IC, which is configured in such a way that its two outputs change state with each high-going pulse to its trigger input. LDR1, which is an ORP12 light dependent resistor, is placed so that it faces the screen of the mobile phone. The sensitivity of LDR1 can be adjusted by VR1.

When the phone rings and the screen lights up, the resistance of LDR1 falls, this turns on transistor TR1, which could be any sort of general purpose NPN transistor. Capacitor C1 acts as a smoothing capacitor, which maintains a continuous high logic level even if the screen on the mobile phone flashes when it rings. If the screen of the phone you are using doesn't flash then this component can be omitted.

Resistor R2 pulls the input to IC1 low and also discharges C1 when the phone is not ringing. Transistor TR2 is controlled by the Q1 output of IC1 and is used to turn

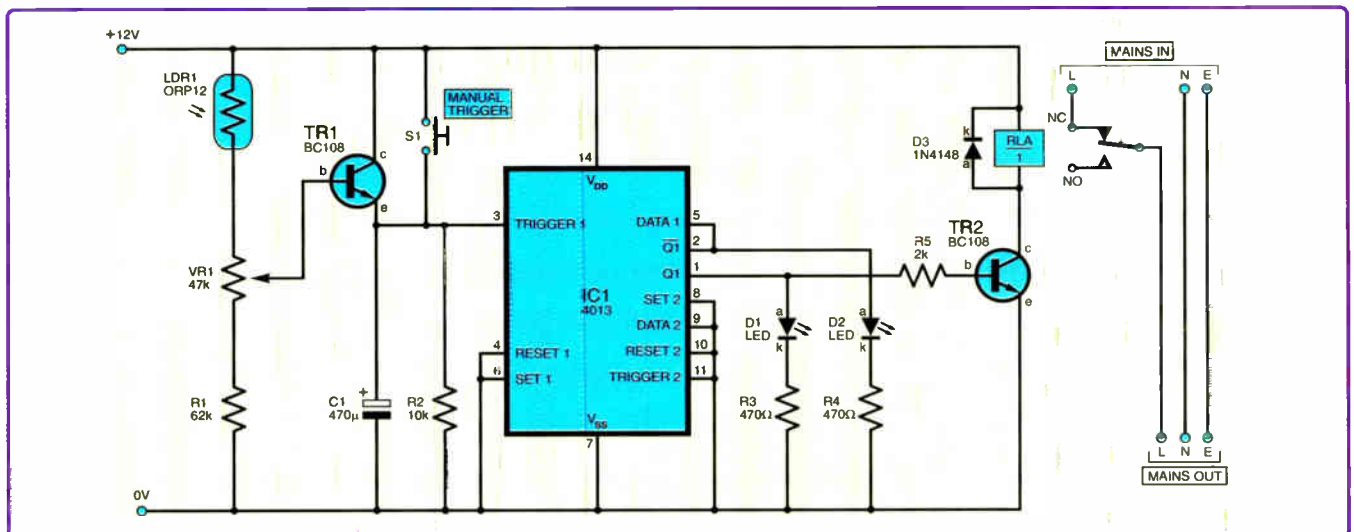


Fig.1. Complete circuit diagram for the Mobile Phone Switch

on or off the relay, RL1, which controls the *Live* mains supply of the attached device.

LEDs D1 and D2 indicate whether the relay is on or off and diode D3 protects the circuit from the back EMF pulse induced at the moment that the relay coil is turned off. Switch S1 can be used to manually trigger the circuit and can be omitted if not required.

The whole circuit, along with the phone, should be mounted in a lightproof enclosure so it is not accidentally triggered by ambient light. If the circuit is to be in permanent operation then you should ensure the phone's charger is connected to prevent the battery running out.

It is a good idea to use a brand new sim card, which can usually be obtained for free, or very little cost, from most of the

major mobile network providers. This will make the circuit more reliable as only you will have the telephone number to operate the device. However, the circuit will still be triggered by the occasional wrong number, or text message sent by the network provider, so it shouldn't be used to control any critical appliances.

Ian Hill, Plymouth

Ding-Dong Doorbell – All Bells But No Whistles

The traditional 'ding-dong' doorbell is well known. Often it uses two tuned metal pipes which serve as inexpensive 'bells'. These are then struck in a ding-dong sequence. This circuit (Fig.2.) emulates such a ding-dong doorbell. While it replicates the sound quite effectively, it is not the bells of St. Paul's! It might best be described as the sound of Swiss cowbells!

Note that Channel 2, with the exception of IC1b, is identical to Channel 1, and is therefore not shown in the circuit diagram in Fig.2.

How it works

The traditional ding-dong doorbell employs two small hammers, which strike the tuned metal pipes in sequence when the doorbell pushbutton is pressed. The Ding-Dong Doorbell replicates this 'striking' action with monostable IC1, used as a decoder. This distinguishes between the press and the release of S1. On press and release respectively, a brief, timed negative-going pulse is created at IC1 output pins 7 and 9 simultaneously.

If one should wish to create only a 'ding', as is created, for example, by a domed bell at a hotel reception, then alternative, simpler (optional) connections are shown in the insert in Fig.2.

While the traditional ding-dong doorbell has a fundamental frequency, it also creates harmonics to produce a rich sound. For this purpose, two oscillators are employed for each of Channels 1 and 2 (i.e. four oscillators in all). Frequently, electronic projects

use only a fundamental frequency, and this produces an all-too-obviously cheap 'electronic' sound. The two Channel 1 oscillators comprise IC2a to IC2c and IC2d to IC2f, with surrounding components. Each oscillator may be adjusted by means of the multiturn presets VR1 and VR2, to create the desired tone and harmonics.

In order to create harmonics, the frequencies of the two oscillators need to be mixed. For this, an unusual mixer is employed. Inverters IC2c and IC2d each create mirror images of the oscillators' sound outputs. If the mirror images are of about the same amplitude when mixed, then they cancel each other out. This is the quiescent state of affairs.

However, when TR1's gate (g) goes 'low', these amplitudes become unbalanced, and a sound is generated. Quite a rich blend of harmonics can be created, covering almost the entire audio spectrum. In fact, even ultrasonic sounds may be mixed to create audible harmonics into the bass region.

The sound of a traditional ding-dong doorbell has *decay* – that is, it decays or fades quite quickly after the pushbutton is pressed. With this in mind, when S1 is pressed, TR1 switches off as C8 instantly charges, thus taking TR1's gate 'low'. The conductance of TR1 then gradually increases as C8 again discharges. This again, gradually, brings the 'mirror image' tones into opposition. One may experiment with decay by changing the values of C8 and R11 in particular. Preset VR3 also

controls the decay rate, as well as setting the output amplitude.

Finally, amplifier IC3 is employed to produce up to about 1W RMS in speaker LS1 (there is also a 3W RMS version of this IC, the LM386-3). Capacitor C10 may be inserted to increase volume, and this may be chosen to suit, between about 100nF and 10µF. This would be required in particular if a supply voltage lower than 12V is used. The author simplified the design by omitting the Zobel protection network, and this should not be missed here. Details may be obtained from the LM386 datasheets.

To set up the circuit, VR3 needs to be adjusted to create the desired decay. If it is incorrectly set, there may be no sound at all. Once this is done, VR1 and VR2 are adjusted for a suitable tone and harmonics.

It may be tricky to find a rich and pleasing sound, since small adjustments can send the harmonics 'all over the place'. However, there will be no difficulty obtaining a 'ding' or a 'dong' of some sort to begin with. If Channel 2 has been built as well, the same procedure is followed there.

The circuit draws a fairly high current, of over 10mA. Observant electronics enthusiasts might notice, however, that when the doorbell pushbutton is pressed, it takes a short moment for C2 to go 'high'. If, therefore, S1 could trigger a circuit which caused the Ding-Dong Doorbell to power up faster than C2 goes high, then the circuit could be on standby with nearly zero current consumption (say, a few microamps).

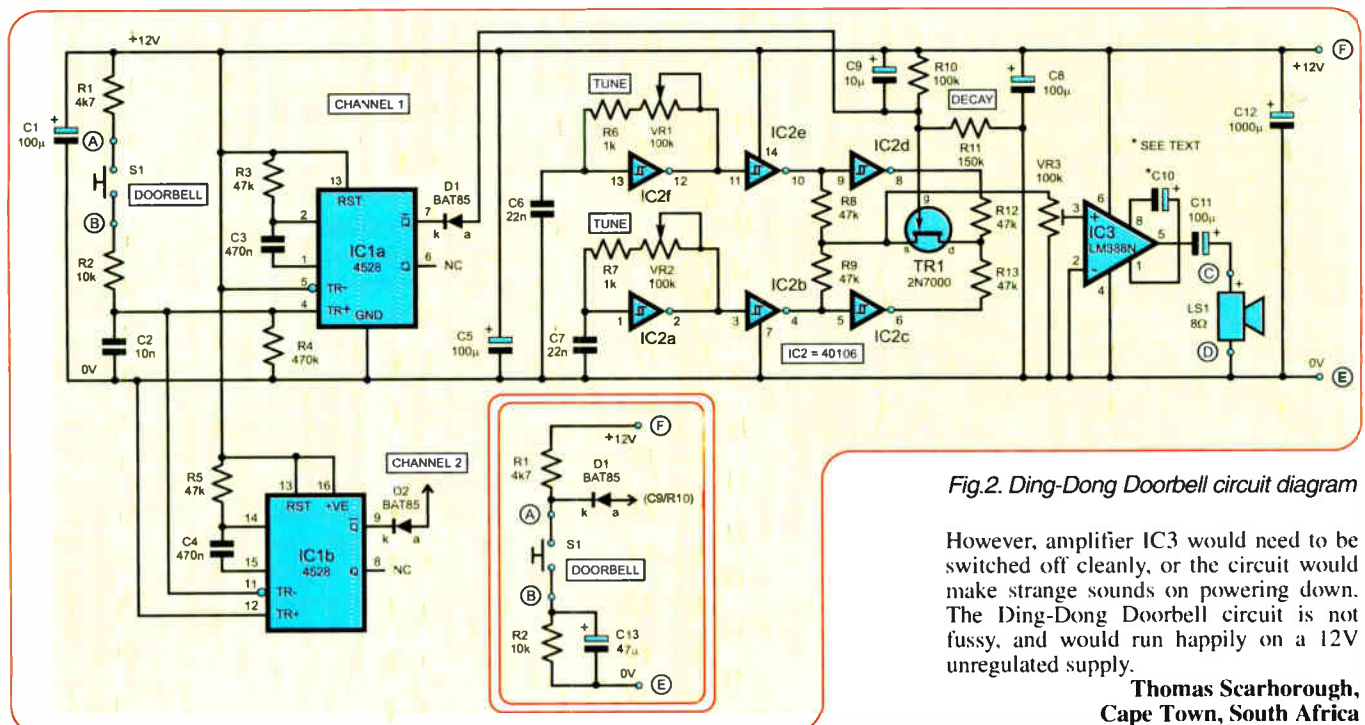


Fig.2. Ding-Dong Doorbell circuit diagram

However, amplifier IC3 would need to be switched off cleanly, or the circuit would make strange sounds on powering down. The Ding-Dong Doorbell circuit is not fussy, and would run happily on a 12V unregulated supply.

Thomas Scarborough,
Cape Town, South Africa



EPE EVERYDAY PRACTICAL ELECTRONICS



UK readers you can
SAVE 54p
on every issue of *EPE*

How would you like to pay £2.96 instead of £3.50 for your copy of *EPE*?
Well you can – just take out a one year subscription and save 54p an issue,
or £6.50 over the year

You can even save 75p an issue if you subscribe for two years
– a total saving of £18.00

Overseas rates also represent exceptional value

You also:

- Avoid any cover price increase for the duration of your subscription
- Get your magazine delivered to your door each month
- Ensure your copy, even if the newsagents sell out

Order by phone or fax with a credit card or by post with a cheque or postal order, or buy on-line from www.epemag.co.uk (click on “Subscribe Now”)

EPE SUBSCRIPTION PRICES

Subscriptions for delivery direct to any address in the UK: 6 months £18.75, 12 months £35.50, two years £66; Overseas: 6 months £21.75 standard air service or £30.75 express airmail, 12 months £41.50 standard air service or £59.50 express airmail, 24 months £78 standard air service or £114 express airmail. Cheques or bank drafts (in £ sterling only) payable to *Everyday Practical Electronics* and sent to *EPE* Subs. Dept., Wimborne Publishing Ltd., 408 Wimborne Road East, Ferndown, Dorset BH22 9ND. Tel: 01202 873872. Fax: 01202 874562. Email: subs@epemag.wimborne.co.uk. Also via the Web at <http://www.epemag.co.uk>. Subscriptions start with the next available issue. We accept MasterCard, Amex, Diners Club, Maestro or Visa. (For past issues see the *Back Issues* page.)

ONLINE SUBSCRIPTIONS

Online subscriptions, for downloading the magazine via the Internet, \$15.99US (approx. £9.00) for one year available from www.epemag.com.

USA/CANADA SUBSCRIPTIONS

To subscribe to *EPE* from the USA or Canada please telephone Express Mag toll free on 1877 363-1310 and have your credit card details ready. Or fax (514) 355 3332 or write to Express Mag, PO Box 2769, Plattsburgh, NY 12901-0239 or Express Mag, 8155 Larrey Street, Anjou, Quebec, H1J 2L5. Email address: expsmag@expressmag.com.

Web site: www.expressmag.com. USA price \$60(US) per annum, Canada price \$97(Can) per annum – 12 issues per year.

Everyday Practical Electronics, periodicals pending, ISSN 0262 3617 is published twelve times a year by Wimborne Publishing Ltd., USA agent USACAN at 1320 Route 9, Champlain, NY 12919. Subscription price in US \$60(US) per annum. Periodicals postage paid at Champlain NY and at additional mailing offices. POSTMASTER: Send USA and Canada address changes to *Everyday Practical Electronics*, c/o Express Mag., PO Box 2769, Plattsburgh, NY, USA 12901-0239.

SUBSCRIPTION ORDER FORM



- 6 Months: UK £18.75, Overseas £21.75 (standard air service), £30.75 (express airmail)
- 1 Year: UK £35.50, Overseas £41.50 (standard air service) £59.50 (express airmail)
- 2 Years: UK £66.00, Overseas £78.00 (standard air service) £114 (express airmail)
- To: *Everyday Practical Electronics*, Wimborne Publishing Ltd., 408 Wimborne Road East, Ferndown, Dorset BH22 9ND
Tel: 01202 873872 Fax: 01202 874562
E-mail: subs@epemag.wimborne.co.uk

I enclose payment of £ (cheque/PO in £ sterling only), payable to *Everyday Practical Electronics*

My card number is:
Please print clearly, and check that you have the number correct

Signature

Card Security Code (The last 3 digits on or just under the signature strip)

Card Ex. Date Maestro Issue No.

Name

Address

Post code Tel.

Subscriptions can only start with the next available issue.

Build Your Own Weather Station



- ▶ Measure Wind Speed
- ▶ Measure Wind Direction
- ▶ Measure Temperature
- ▶ Easy Build Kit
- ▶ FREE Software
- ▶ USB or RS232
- ▶ Optional Humidity Module
- ▶ Optional Pressure Module
- ▶ Optional Rainfall Gauge
- ▶ Simple 1-wire® connection
- ▶ Build and add your own devices

Weather Starter Kit £59
 RS232 Interface £25
 USB Interface £29
 Humidity Module £39
 Pressure Module £49
 Rainfall Gauge £59

Prices exclude VAT and delivery

For more information, manuals and downloads on this and other interesting products see www.audon.co.uk

AUDON Electronics

www.audon.co.uk | +44 (0)115 925 8412 | Fax +44 (0)115 925 9757

SHERWOOD ELECTRONICS

PLEASE NOTE NEW MAIL ORDER ADDRESS

Buy 10 x £1 Special Packs and choose another one FREE

SP1 15 x 5mm Red LEDs	SP134 15 x 1N4007 diodes
SP2 12 x 5mm Green LEDs	SP135 5 x Miniature slide switches
SP3 12 x 5mm Yellow LEDs	SP136 3 x BFY50 transistors
SP5 25 x 5mm 1 part LED clips	SP137 4 x W005 1.5A bridge rectifiers
SP6 15 x 3mm Red LEDs	SP138 20 x 2-2/63V radial elect. caps.
SP7 12 x 3mm Green LEDs	SP142 2 x CMOS 4017
SP8 10 x 3mm Yellow LEDs	SP143 5 Pairs min. crocodile clips (Red & Black)
SP9 25 x 3mm 1 part LED clips	SP144 5 Pairs min. crocodile clips (assorted colours)
SP10 100 x 1N4148 diodes	SP146 10 x 2N3704 transistors
SP11 30 x 1N4001 diodes	SP147 5 x Stripboard 9 strips x 25 holes
SP12 30 x 1N4002 diodes	SP151 4 x 8mm Red LEDs
SP18 20 x BC182B transistors	SP152 4 x 8mm Green LEDs
SP21 20 x BC184B transistors	SP153 4 x 8mm Yellow LEDs
SP23 20 x BC549B transistors	SP154 15 x BC548B transistors
SP24 4 x CMOS 4001	SP156 3 x Stripboard, 14 strips x 27 holes
SP25 4 x 555 timers	SP160 10 x 2N3904 transistors
SP25 4 x 741 Op.Amps	SP161 10 x 2N3906 transistors
SP23 4 x CMOS 4011	SP162 2 x C106D thyristors
SP23 3 x CMOS 4013	SP165 2 x LF351 Op.Amps
SP33 4 x CMOS 4081	SP166 20 x 1N4003 diodes
SP34 20 x 1N914 diodes	SP167 5 x BC107 transistors
SP35 25 x 10J25V radial elect. caps.	SP168 5 x BC108 transistors
SP37 12 x 100J35V radial elect. caps.	SP171 8 Metres 18SWG solder
SP38 15 x 47J25V radial elect. caps.	SP172 4 x Standard slide switches
SP39 10 x 470J16V radial elect. caps.	SP173 10 x 220J25V radial elect. caps
SP40 15 x BC237 transistors	SP174 20 x 22J25V radial elect. caps
SP41 20 x Mixed transistors	SP175 20 x 1/63V radial elect. caps
SP42 200 x Mixed 0.25W C.F. resistors	SP177 10 x 1A 20mm quick blow fuses
SP47 5 x Min. PB switches	SP178 10 x 2A 20mm quick blow fuses
SP49 4 x 5 metres stranded core wire	SP181 5 x Phono plugs - asstd colours
SP101 8 Metres 22SWG solder	SP182 20 x 4.7J63V radial elect. caps.
SP102 20 x 8-pin DIL sockets	SP183 20 x BC547B transistors
SP103 15 x 14-pin DIL sockets	SP189 4 x 5 metres solid core wire
SP104 15 x 16-pin DIL sockets	SP192 3 x CMOS 4066
SP109 15 x BC557B transistors	SP195 3 x 10mm Yellow LEDs
SP12 4 x CMOS 4093	SP197 6 x 20 pin DIL sockets
SP15 3 x 10mm Red LEDs	SP198 5 x 24 pin DIL sockets
SP16 3 x 10mm Green LEDs	SP199 5 x 2.5mm mono jack plugs
SP18 2 x CMOS 4047	SP200 5 x 2.5mm mono jack sockets
SP24 20 x Assorted ceramic disc caps	
SP126 6 x Battery clips - 3 ea. PP3 + PP9	
SP130 100 x Mixed 0.5W C.F. resistors	
SP131 2 x TL071 Op.Amps	
SP133 20 x 1N4004 diodes	

RESISTOR PACKS - C.Film

RP3 5 each value - total 365 0.25W	£3.40
RP7 10 each value - total 730 0.25W	£4.65
RP10 1000 popular values 0.25W	£6.60
RP4 5 each value-total 345 0.5W	£4.30
RP8 10 each value-total 690 0.5W	£6.95
RP11 1000 popular values 0.5W	£8.95

2007 Catalogue available £1 inc. P&P or FREE with first order. P&P £1.75 per order. NO VAT Cheques and Postal Orders to: Sherwood Electronics, 10 NEWSTEAD STREET, MANSFIELD, NOTTS. NG19 6JJ

PLEASE ENSURE YOU TELEPHONE TO CHECK AVAILABILITY OF EQUIPMENT BEFORE ORDERING OR CALLING.

SPECIAL OFFERS

OSCILLOSCOPES

TEKTRONIX 2247A 4 Channel 100MHz Counter/Timer Voltm-Tr	£275
TEKTRONIX 2335 Dual Trace 100MHz Delay Sweep	£125
TEKTRONIX 485 Dual Trace 350MHz Delay Sweep	£300
IWATSU S55711 4 Channel 100MHz Delay Sweep	£150
PHILIPS 3055 2+1 Channel 100MHz Dual TB Delay - Autoset	£150
PHILIPS 3055 2+1 Channel 60MHz Dual TB Delay - Autoset	£150
PHILIPS PM3217 Dual Trace 50MHz Delay Sweep	£125
KIKUSUI COS6100 E Trace 100MHz Delay	£150
TEKTRONIX 475A Dual Trace 250MHz Delay Sweep	£175
TEKTRONIX 475 Dual Trace 200MHz Delay Sweep	£150
TEKTRONIX 465B Dual Trace 100MHz Delay Sweep	£125
TEKTRONIX 465 Dual Trace 100MHz Delay Sweep	£95
PHILIPS PM3209 Dual Trace 50MHz Delay	£125
PHILIPS PM3215 Dual Trace 50MHz	£75
KENWOOD CS4035 Dual Trace 40MHz	£50
PANASONIC VP5654A Dual Trace 40MHz	£50
HITACHI V525 Dual Trace 50MHz Cursors	£90
HITACHI V523 Dual Trace 50MHz Delay	£85
HITACHI V425 Dual Trace 40MHz Cursors	£75
HITACHI V422 Dual Trace 40MHz	£70
HITACHI V223 Dual Trace 20MHz Delay	£50
HITACHI V222 Dual Trace 20MHz	£50
HITACHI V212 Dual Trace 20MHz	£50
FARNELL DTV12-11 Dual Trace 12MHz	£40

STORAGE

PHILIPS PM3320 Dual Trace 20MHz 250MS S	£300
LECROY 8400 Dual Trace 125MHz	£325
TEKTRONIX 468 Dual Trace 160MHz Delay Sweep	£325
Storage	£200
VELLEMAN HPS5 1MHz 5MHz Sampling Handheld Unused	£200

ANALYSERS

ADVANTEST R326 A 100Hz-8GHz	£4500
TEKTRONIX 492P 100Hz-21GHz	£2250
HP8560A 50Hz-2.95GHz Built In Tracking Gen	£3250
HP 8560A 50Hz-2.95GHz	£2950
HP 8559A 10MHz-22GHz	£350
HP 8555A 10MHz-22GHz	£750
HP 853A with 8555A 100kHz-21GHz	£1100
HP 182T with 8555A 100kHz-21GHz	£750
HP182T with 8558B 100kHz-150MHz	£600

HP 182T with 8557A 10kHz-350MHz	£300-£400
HP 140T with 8555A 10MHz-18GHz	£500
ADVANTEST TR4131 10kHz-3.5GHz	£950
WAYNE KERR SSA1000A 150kHz-1GHz	£950
MARCONI 2382 200Hz-400MHz High Resolution	£1250
MARCONI 2370 30Hz-110MHz	£500
HP 6754A Network Analyser 1-1300MHz	£500
MARCONI 6500A Amplitude Analyser with Traad	£750
HP 334A Distortion Analyser 5Hz-600kHz	£100

SIGNAL GENERATORS

HP 8350B Sweeper with 83542B 10MHz-20GHz	£1500
HP 8350A Sweeper with 83542A 10MHz-20GHz	£1250
HP 8350B Main Frame Only	£125
HP 13525B RF Plug-in for 8350 0.1-8.4GHz	£500
HP 13550A RF Plug-in for 8350 2-20GHz	£300
HP 8660C Sig Gen 1.3GHz	£450
HP 8660C Sig Gen 2.6GHz	£750
HP 86603A RF Plug-in for 8660C 1-2600MHz	£...
HP86631B Auxiliary Section 1R 8660C	£...
HP86632B Modulation Section for 8660C	£...
MARCONI 2017 0.1-124MHz Low Phase Noise	£500
MARCONI 2019 Synthesised AM/FM 80kHz-1040MHz	£325
FLUKE 6060B AM/FM Syn Sig Gen 10kHz-105MHz	£300
LEA L5521B Sig Gen 25-950MHz	£200
HP 8656B Synthesised 0.1-80MHz	£500
HP 8656A Synthesised 0.1-80MHz	£400
HP 8640A AM/FM 500kHz-512MHz	£150
HP 8620C Sweeper Osc with 46290B 2-18 6GHz	£500
HP8620C Sweeper Osc with 86222B 0.1-2.1 GHz	£400
HP8620C/B/A with any of the following plug-ins	£150-£200
HP 86220A Plug in 10-1340MHz	£...
HP 86230B Plug in 1.5-4GHz	£...
HP 86235A Plug in 1.74-4GHz	£...
HP 86240A Plug in 2-8.5GHz	£...
HP 86240C Plug in 3-6.85GHz	£...
HP 86245A Plug in 5.9-12.4GHz	£...
HP86250B Plug in 8-12.4GHz	£...
HP 86250D Plug in 8-12.4GHz	£...
HP 86260A Plug in 12.4-18GHz	£...
MARCONI TF2015 AM/FM 10-520MHz	£95
MARCONI TF2016 AM/FM 10kHz-120MHz	£95
PHILIPS PM5328 100kHz-160MHz with 2CMHz Freq Counter IEE	£225
PANASONIC VP817A AM/FM 100kHz-10MHz	£...
FM 0-100kHz Digital Display etc Unusec	£225

HP 3165A Programmable Signal Source 1MHz-50MHz (Pulse Function)	£325
HP 3325A Synthesised Function Gen 21MHz	£350
HP 3312A Function Gen 0.1Hz-13MHz AM/FM Sleep Tr/Burst etc	£200
WAVETEK 21 Stabilised Function Gen 11MHz	£225
WAVETEK 23 Synthesised Function Gen 12MHz	£175
EXACT 529 AM/FM Function Gen 20MHz	£250
ANALOGUE 2030 Synthesised Multi Function Wavemeter	£250
THANDER TG593 Pulse Function Gen 5MHz	£195
THANDER TG502 Sweep Function Gen 5MHz	£195
KRON-HITE 5200A Sweep Func Gen 0.0003Hz-3MHz	£150
HP 3310B Info as 3310A - etc	£120
HP 3310A Pulse Gen 0.005Hz-5MHz Sine Sq/Tri/Ramp/Pulse	£80
PHILIPS PM5132 Function Gen 0.1Hz-2MHz	£95
PHILIPS PM5131 Function Gen 0.1Hz-2MHz	£75
FEEDBACK FG601 Func Gen 0.001Hz-1MHz	£300
HP 8112A Pulse Gen 5MHz	£750
HP 8111A Pulse Generator 20MHz	£400
LYONS PG73N Pulse Gen 20MHz	£50
LEADER LAG120B Sine/Sq Audio Generator 10Hz-1MHz	£60
FARNELL LFM4 Sine/Sq Osc 10Hz-1MHz Low Distortion, TTL Output, Amplitude Meter	£60
GGULD J38 Sine/Sq Osc 10Hz-100kHz Low Distortion	£50-£75
FARNELL LF1 Sine/Sq Oscillator 10Hz-1MHz	£150
MARCONI SANDERS 6055C Signal Source 850-2000MHz	£125
MARCONI SANDERS 6055B Signal Source 850-2150MHz	£125
MARCONI SANDERS 6056B Signal Source 2-4GHz	£125
MARCONI SANDERS 6057B Signal Source 4.5-8.5GHz	£125
MARCONI SANDERS 6059A Signal Source 12-18GHz	£125
MARCONI SANDERS 6070A Signal Source 400-1200MHz	£125
FLUKE 6011A Synthesised 1MHz	£125
PHILIPS 5514V Colour Bar Generator Video	£195
BLACK STAR ORION Colour Bar Gen	£50
BLACK STAR ORION Laser Version Metal Case	£75

HP 5316A Universal Counter 0-100MHz HP1B	£95
THANDAR TF810 Frequency Counter 5Hz-200MHz Battery	£60
THANDAR TF200 Frequency Meter 10Hz-200MHz 8 digit	£40
BLACK STAR 1325 Counter 5Hz-100MHz	£50
BLACK STAR 1325 Counter Timer 1300Hz	£150
BECKMAN UC10A Universal Counter 120MHz	£60
LEADER LDC9043 Digital Counter 100MHz	£125

DIGITAL MULTIMETERS ETC

SOLARTRON 7150 6 1/2 digit True RMS IEEE	£75
SOLARTRON 7150Plus As Above + Temp Measurement	£100
DATRON 1065 5 1/2 digit Auto Cal AC DC Resistance IEEE	£95
FLUKE 77 3 1/2 digit Handheld	£35
FLUKE 77 Series 2 3/4 digit Handheld	£45
FLUKE 806A 4 1/2 digit True RMS Handheld	£75
BECKMAN HD110 3 1/2 digit Handheld in Carry Case	£30
TTI 1905A 5 1/2 digit Bench	£60
SOLARTRON 7045 4 1/2 digit Bench	£30
AVO OA116 3 1/2 digit with Batteries & Leads	£20
AVO 8 Mk6 in Ever Ready Case with Leads etc	£75
AVO 8 Mk5 with Leads etc	£25
RACAL 9301A True RMS RF Millivoltmeter	£150
RACAL 9300 True RMS Millivoltmeter 5Hz-20MHz usable to 60MHz	£30
RACAL 9300B as R300	£40
GOODWILL GTV427 Dual Chan AC Millivoltmeter 10mV in 12 ranges 10Hz-1MHz Unused	£75
KENWOOD VT176 Dual Chan Millivoltmeter	£40

POWER SUPPLIES

FARNELL XA35 2T 0-35V 0-2A Twice Digital	£95
FARNELL LT30-2 0-30V 0-2A Twice	£110
FARNELL B3020 30V 20A Variable No Meters	£110
FARNELL B3010 30V 10A Variable No Meters	£55
FARNELL LT30-1 0-30V 0-1A Twice	£75
FARNELL L30 2 0-30V 0-2A	£55
FARNELL L30 1 0-30V 0-1A	£40
FARNELL E350 0-350V 0-200mA	£125
FARNELL 030-2T 0-35V 0-2A Twice Digital	£35
THURLEY PL330 0-32V 0-3A Digital (Kenwood badged)	£75
THURLEY TS3015 0-30V 0-2A LCD	£65
THURLEY PL320 0-30V 0-2A Digital	£55
TAKASAGO GMO35-3 0-35V 0-2A 2 Meters	£45
TAKASAGO GMO35-2 0-35V 0-2A 2 Meters	£35
ISOLATING TRANSFORMER - Yellow - 500VA with 13AMP Socket	£35

FREQUENCY COUNTERS/TIMERS

EP 371 Source Locking Microwave Counter 10Hz-18GHz	£325
EIP 331 Alcohol Microwave Counter 825MHz-18GHz	£195
HP 5386A Counter 10Hz-3GHz	£350
FEEDBACK SC230 Counter 1-3GHz	£75
RACAL 9616 Counter 10Hz-520MHz	£75
RACAL 9606 Universal Counter 200MHz	£95
RACAL 9604 Counter Timer 50MHz	£50
RACAL 1991 Counter Timer 160MHz 9 digit	£195
MARCONI 2431A Frequency Counter 200MHz	£50
MARCONI 2437 Counter Timer 100MHz	£75
HP 5340A Automet Microwave Counter 10Hz-18GHz	£250

STEWART of READING

17A King Street, Mortimer, Near Reading RG7 3RS
 Telephone: (0118) 933 1111. Fax: (0118) 933 2375
www.stewart-ct-reading.co.uk

Open 9am-5.00pm Monday to Friday (other times by arrangement)

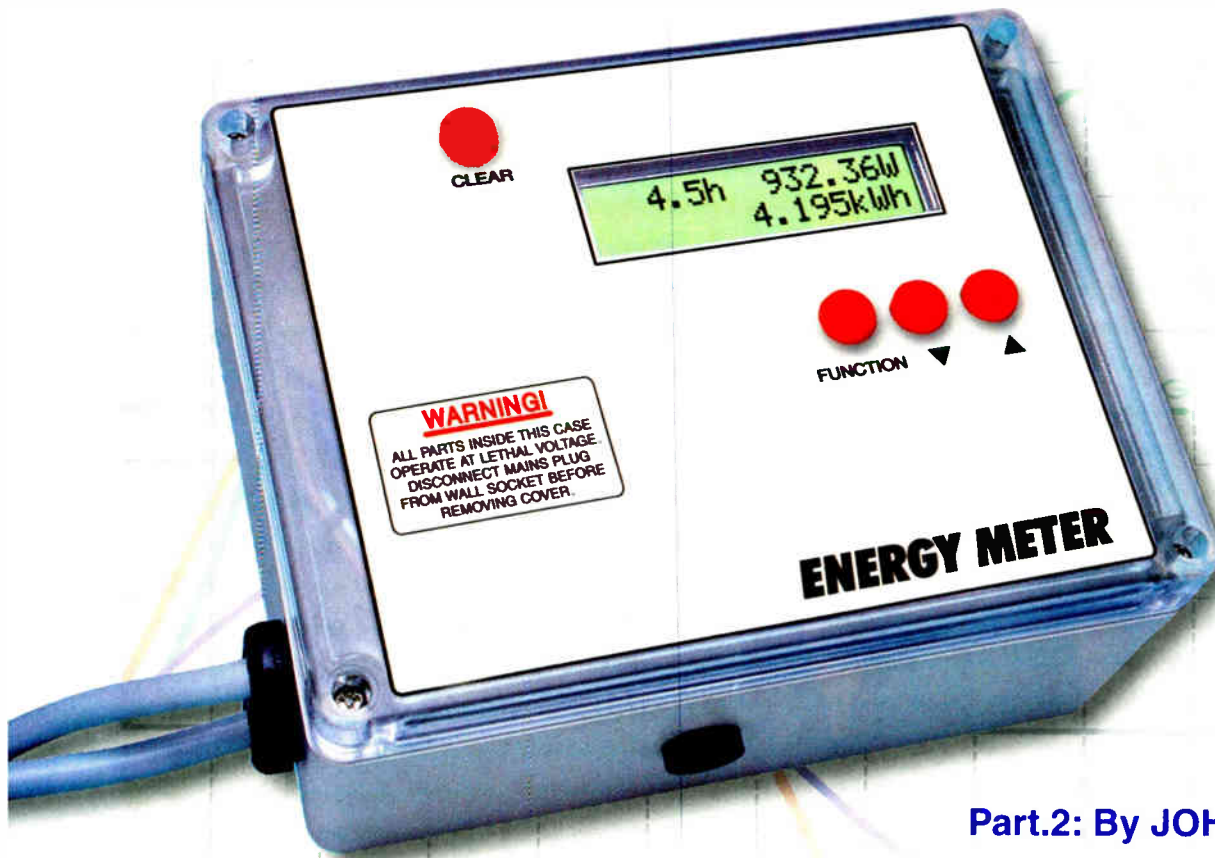


Used Equipment - GUARANTEED. Manuals supplied

This is a VERY SMALL SAMPLE OF STOCK. SAE or Telephone for lists.

Please check availability before ordering.

CARRIAGE all units £16. VAT to be added to Total of Goods and Carriage



Part.2: By JOHN CLARKE

Control your power costs with the: **ENERGY METER**

Last month, we looked at the main features of the Energy Meter and described the circuit. This month, we present the full construction details and give the calibration procedure.

BUILDING THE ENERGY METER is quite straightforward but make sure that you refer to our warning panel. This is not a project for the inexperienced!

As shown in the photos, all the parts are mounted on two PC boards: (1) a main PC board coded 616 (138 × 116mm); and (2) a display PC board coded 617 (132 × 71mm) for the LCD

module and switches. Both boards are available from the *EPE PCB Service*.

Note that the display board was designed to accept three different LCD modules. The straight-line 14-pin connection caters for two types of modules, while the dual 7-way connection is for the third type.

Begin by checking the PC boards for the correct hole sizes. The LCD

module and transformer require 3mm mounting holes, while the switches require 6.5mm holes. In addition, 2mm holes are required for the mains wire connections.

Check also that there are no breaks in the copper tracks or shorts between any of the tracks or pads. Note, however, that one of the tracks on the main board has no connection at one end (ie, near the 10Ω resistor, to the right of the transformer). This is correct – this track simply functions as an earth guard, so don't join it to anything.

Display board assembly

Fig.8 shows the component layout on the display board. Install the wire link first, followed by trimpot VR1 and

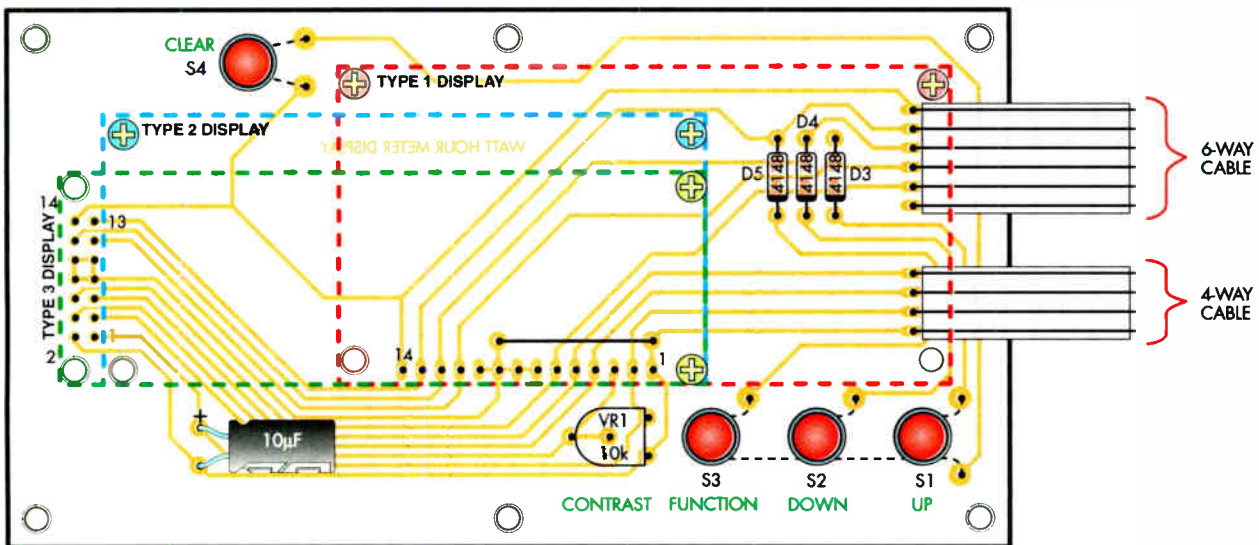


Fig.8: follow this layout to install the parts on the display PC board.

diodes D3-D5 (make sure the diodes are all oriented correctly)

That done, install the 10µF capacitor, again taking care with polarity. It must be mounted with its leads bent at right angles, so that the capacitor lies on its side against the board. This is necessary to provide clearance when the assembly is later secured to the lid.

If you are using the Type 1 LCD module, the 6-way and 4-way rainbow cables need to be soldered into position now, since the LCD module covers the wiring points. Both cables should be about 120mm long. Similarly, you should also fit the six PC stakes adjacent to the switch positions – ie, two

adjacent to S1, one each next to S2 and S3, and two adjacent to S4.

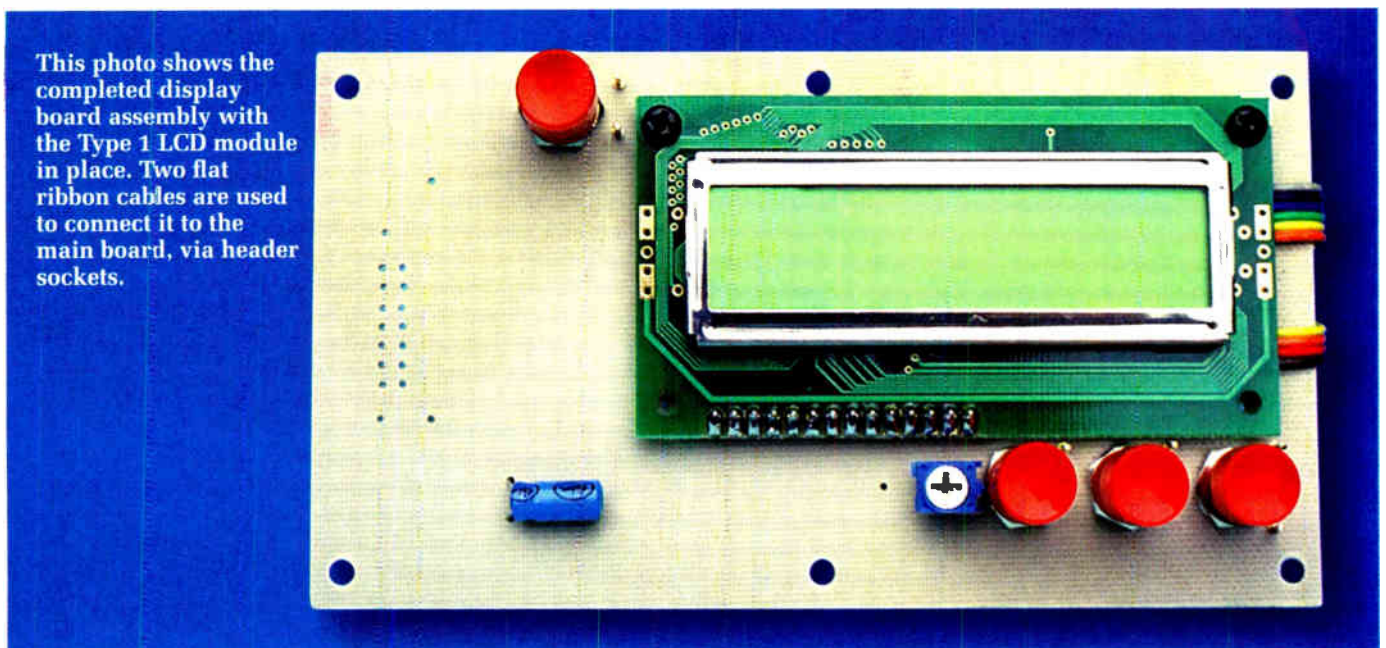
Now for the LCD module. Both the Type 1 and Type 2 modules are connected to the PC board using a single in-line 14-pin header, while the Type 3 module uses the dual 7-pin header instead.

Before mounting the module, fit two M3 x 9mm Nylon screws and nuts to the two corner positions opposing the header – see Fig.8. Do the nuts all the way up, then push the module down onto the PC board and secure it using two more Nylon nuts. Finally, make sure that the header is pushed flush against the PC board before soldering all the header pins.

The display board assembly can now be completed by installing the four pushbutton switches. The switch terminals are wired together and soldered to the PC stakes using 0.7mm tinned copper wire as shown on Fig.9.

Main board assembly

Fig.10 shows how the parts are installed on the main PC board. Begin by installing the links and the resistors but don't install the 0.01Ω 3W resistor (R1) or link R2 at this stage. You can use the colour code table (Table 1) as a guide to selecting each resistor but it's also a good idea to check the values



This photo shows the completed display board assembly with the Type 1 LCD module in place. Two flat ribbon cables are used to connect it to the main board, via header sockets.

Constructional Project

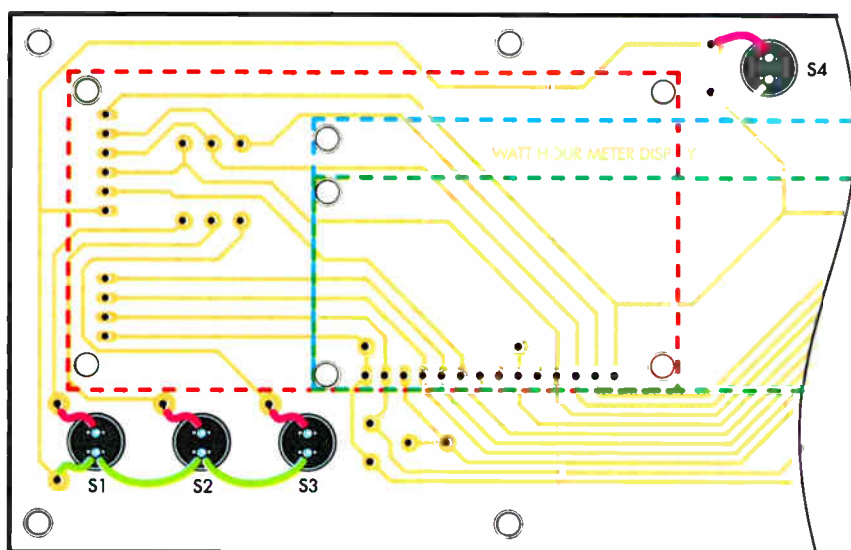


Fig.9: the switch terminals are wired together and soldered to adjacent PC stakes on the display board using 0.7mm tinned copper wire.

using a digital multimeter, as some colours can be hard to read.

Next, install the diodes and bridge rectifier BR1, taking care to orient them as shown. That done, IC1 can be soldered directly to the PC board and a socket installed for microcontroller IC2. Don't plug the IC in yet – that step comes later, after a few initial checks.

The capacitors and crystals can be mounted now. Make sure that the 100 μ F and 1000 μ F 25V electrolytic capacitors are placed in the correct positions and check that all electrolytics are oriented correctly. Once they're in, install transistor Q1 with its metal tab facing towards the battery. Similarly, install regulator REG1 as shown.

The next step is to install PC stakes at all those points marked with a green asterisk (*). There are eight PC stakes in all. Follow these with the MOV and the 4-way and 6-way pin headers (the plastic guide tabs on the headers go towards the centre of the board).

Resistor R2 is next on the agenda. It is made using 0.2mm enamelled copper wire. Note that you must remove the

enamel insulation from the wire where it is soldered to the PC board, so that the solder flows onto the bare copper. This can be done by heating the wire with a soldering iron so that the insulation melts, before applying the solder.

Resistor R1 (0.01 Ω) can now be installed and soldered in place. Finally, complete the PC board by installing the 3-pin header (ie, to take link LK1 or LK2).

Battery back-up

The back-up battery is required only if the Energy Meter is to be used for long term measurements, where the elapsed time and kWh tally must be kept in memory if there is a blackout. **Most people will elect to leave the battery out, since they don't need this facility.**

If you do intend to use the battery, solder the battery clip lead to the PC stakes. A hole is also provided on the PC board for the battery holder and this is secured using an M3 \times 6mm screw, nut and shakeproof washer. A dab of silicone sealant can be used to ensure that the nut cannot come loose.

Resistor R3 (680 Ω , 0.5W) is installed on the PC board only if you intend using a rechargeable battery. Also, don't install the battery clip if you elect not to use battery back-up, as it could short out other components.

Although the battery holder provides a firm grip on the battery, it's possible that the battery could come loose if the case is subject to rough treatment or vibration. To prevent this, two M3 \times 15mm tapped Nylon spacers are installed on the PC board at either end of the battery, to prevent horizontal movement. Alternatively, these two Nylon spacers can be attached to the side of the case instead.

A third Nylon spacer is later fastened to the side of the case above the battery to prevent vertical movement, thus effectively trapping the battery in its holder (see photos).

Note that all spacers should be attached using M3 \times 6mm Nylon screws (DO NOT use metal screws here). A countersunk Nylon screw is used to secure the spacer that's attached to the side of the case.

Attaching the header sockets

The next step is to attach the ends of the rainbow cable leading from the display PC board to the 4-way and 6-way header sockets using the supplied metal crimp connectors. These are crimped to the stripped wire ends and secured in place with the insulation clamp using small pliers. The connectors are then slid into the pin header

Table 2: Capacitor Codes

Value	μ F Code	EIA Code	IEC Code
100nF	0.1 μ F	104	100n
33nF	0.033 μ F	333	33n
1nF	0.001 μ F	102	1n0
33pF	–	33	33p

Table 1: Resistor Colour Codes

No.	Value	4-Band Code (1%)	5-Band Code (1%)
2	2.2M Ω	red red green brown	red red black yellow brown
1	10k Ω	brown black orange brown	brown black black red brown
5	1k Ω	brown black red brown	brown black black brown brown
1	680 Ω	blue grey brown brown	blue grey black black brown
1	68 Ω	blue grey black brown	blue grey black gold brown
1	10 Ω	brown black black brown	brown black black gold brown

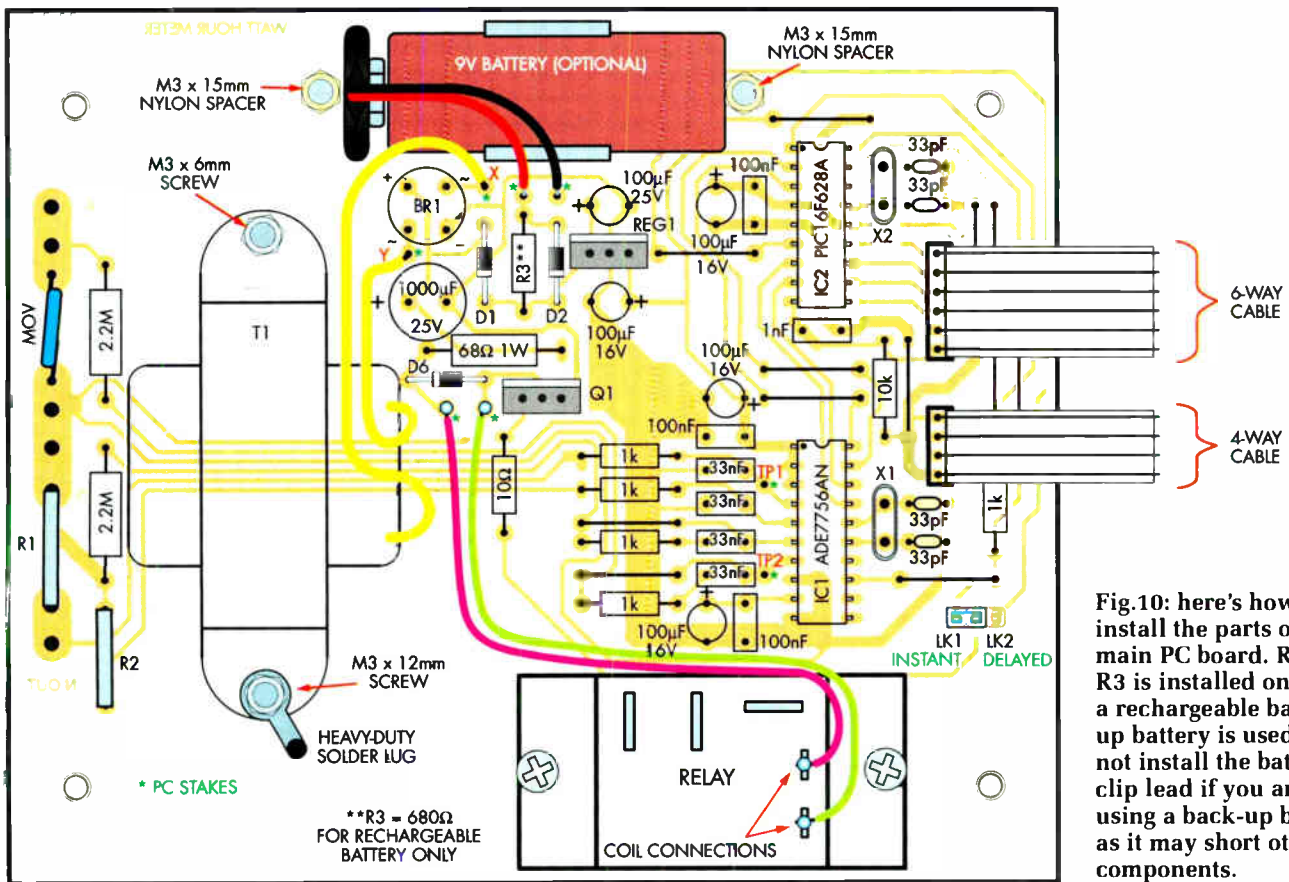


Fig.10: here's how to install the parts on the main PC board. Resistor R3 is installed only if a rechargeable back-up battery is used. Do not install the battery clip lead if you are not using a back-up battery, as it may short other components.

socket shells (but make sure you get the headers the right way around).

That done, it's a good idea to go back over the two boards and check that all parts are correctly oriented and are in the correct locations.

Initial tests

Now for some initial tests of the PC board assemblies. In the interests of safety, these tests are carried out using a low-voltage DC or AC power supply (eg, from a plugpack). The step-by-step procedure is as follows:

(1). Connect a 12V DC or 10-12V AC supply to the X and Y PC stakes adjacent to BR1. If you're using a DC supply, it can be connected either way round since the bridge rectifier takes care of the polarity.

(2). Measure the voltage between REG1's tab and its output pin – you should get a reading of 5V. If the voltage is less than 4.75V or more than 5.25V, switch off the power immediately and check for incorrect component placement and orientation.

(3). Assuming everything is OK, switch off, plug IC2 into its socket (make sure that it is oriented correctly) and adjust trimpot VR1 on the display

board, so that the LCD module shows good contrast between the background and the displayed characters.

(4). Check that the switches work by pressing the Function switch – the display should now show the cost in '£' rather than the 'kWh' value (ie, at the lower righthand side of the display).

(5). Hold the Function switch down until the display goes to the cost per kWh calibration mode. When it does, check that the initial 10.0c (in the UK this value is for pence) value can be increased with

the Up switch and decreased with the Down switch.

(6). Press the Clear switch and hold it down for five seconds. The display should go back to the kWh reading.

Assuming it all works, you can disconnect the low-voltage power supply and move on to the next stage in the construction – installing power transformer T1 and the mains wiring.

Transformer mounting

Transformer T1 and the relay can now be mounted. The relay is secured

WARNING!

This circuit is directly connected to the 230V AC mains. As such, all parts may operate at mains potential and contact with any part of the circuit could prove FATAL. This includes the back-up battery and all wiring to the display PC board.

To ensure safety, this circuit MUST NOT be operated unless it is fully enclosed in a plastic case. Do not connect this device to the mains with the lid of the case removed. DO NOT TOUCH any part of the circuit unless the power cord is unplugged from the mains socket.

This is not a project for the inexperienced. Do not attempt to build it unless you know exactly what you are doing and are completely familiar with mains wiring practices and construction techniques.

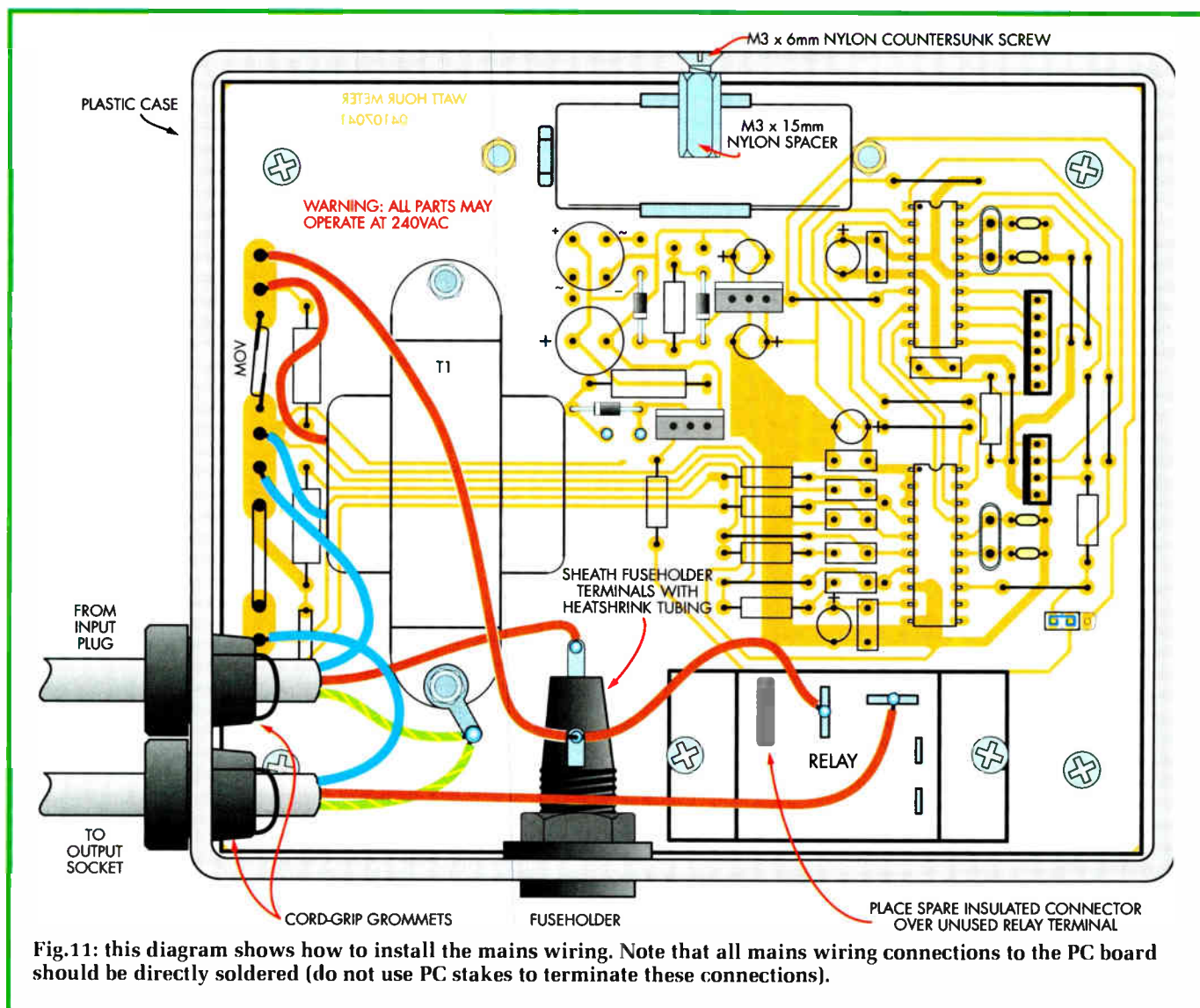


Fig.11: this diagram shows how to install the mains wiring. Note that all mains wiring connections to the PC board should be directly soldered (do not use PC stakes to terminate these connections).

using two M3 × 6mm screws and nuts, while the transformer is fastened using an M3 × 6mm screw, nut and star washer on one side and an M3 × 12mm screw, nut and star washer on the other. The latter mounting screw is also used to secure the earth solder lug, by fitting an additional star washer and lock nut – see Fig.12.

After mounting the transformer, connect its 12.6V secondary leads to the X and Y PC stakes on the PC board. Similarly, connect its brown and blue primary wires to the Live and Neutral positions on either side of the MOV – see Fig.11.

Mains wiring

To ensure safety, be sure to use a plastic case to house the Energy Meter. There must be no metal screws going into this case. DO NOT use a metal case for this unit.

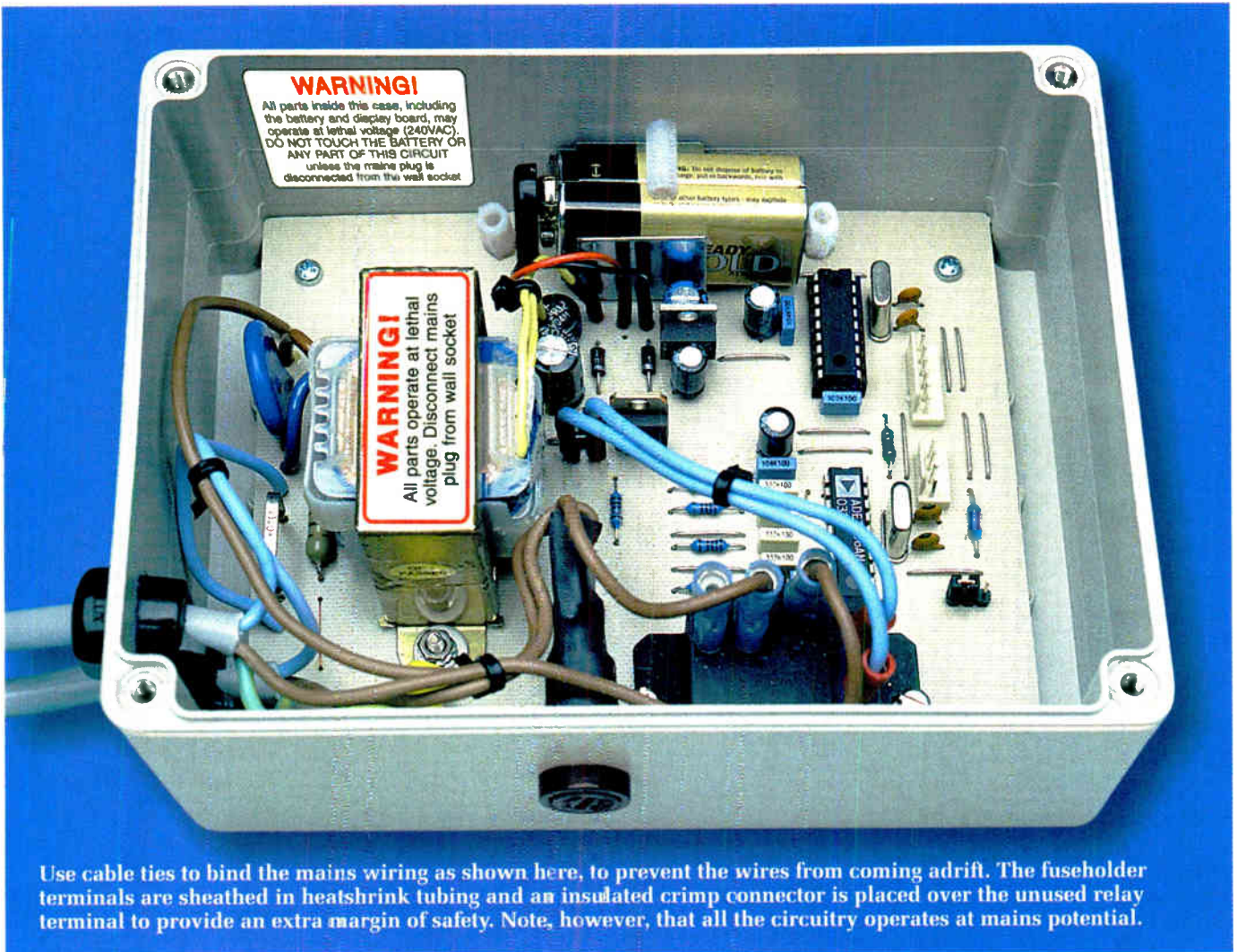
Begin the mains wiring by stripping back about 150mm of the outer sheath from each cable, then feed the two cables through the entry holes in the case (output cable at top). Solder their Neutral leads directly to the PC board, as shown in Fig.11 (do not use PC stakes here). Shorten each lead as necessary before soldering it to the PC board but don't make them too short – you don't want any strain on the leads once everything is in the case.

Once that's done, you can mount the safety fuseholder (**be sure to use a safety type suitable for 230V AC, as specified**) and run the wiring to it. Note that the lead from the mains input cord goes to the end terminal of the fuseholder, while two other leads connect the middle terminal to the PC board and one of the relay terminals.

To ensure safety, the fuseholder should be sheathed in heatshrink tubing (see photo). This involves slipping a 35mm length of heatshrink tubing over the three leads before soldering them to the fuseholder terminals. That done, the heatshrink tubing is slid into position over the fuseholder body and shrunk down with a hot-air gun.

All connections to the relay are made by terminating the leads in insulated spade crimp connectors. Be sure to use a ratchet-driven crimping tool for this job, to ensure a professional result. Don't use a cheap crimp tool as supplied with automotive terminal sets – they aren't good enough for crimping mains connections.

Note also that for safety reasons, it is wise to place a spare insulated connector over the unused NC terminal of the relay – see Fig.11. Having said



Use cable ties to bind the mains wiring as shown here, to prevent the wires from coming adrift. The fuseholder terminals are sheathed in heatshrink tubing and an insulated crimp connector is placed over the unused relay terminal to provide an extra margin of safety. Note, however, that all the circuitry operates at mains potential.

that, all parts and wiring in this unit could be at 230V AC (depending on the house wiring) but there's no harm in minimising the risk of contact.

Mains earth wiring

Now for the mains earth wiring – see Fig.12. First, slip a 25mm length of 6mm-diameter heatshrink tubing over the two earth leads, then twist the bared wire ends together and feed them through the hole in the solder lug. If the wires won't fit, it's simply a matter of slightly enlarging the hole by running an oversize drill bit through it

That done, the leads should be soldered to the lug and the heatshrink tubing pushed down over the connection and shrunk down to protect the joint and provide strain relief (see photo).

Finally, the solder lug can be attached to the transformer mounting screw using another nut and shake-proof washer. This arrangement not

only securely anchors the solder lug but also provides earthing for the transformer case.

Be sure to follow the earthing arrangement exactly, as it's important for safety. In particular, note that the earth wires must be soldered. DO NOT rely on a crimp connection.

You can now complete the wiring by running the leads between the relay coil connection terminals and the

PC board. These leads are crimped to 2.8mm spade connectors at the relay end and soldered to PC stakes at the other end. It's a good idea to cover the latter connections with 2.8mm heatshrink tubing, to prevent the wires breaking at the PC stakes.

Final assembly

Now that the wiring has been completed, the PC board can be secured

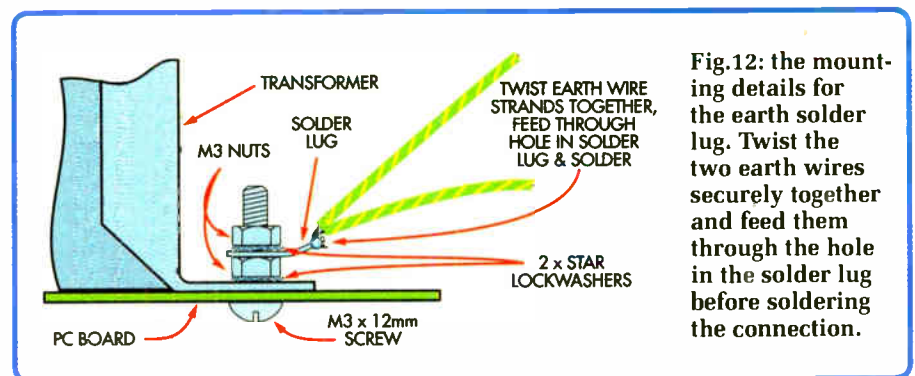
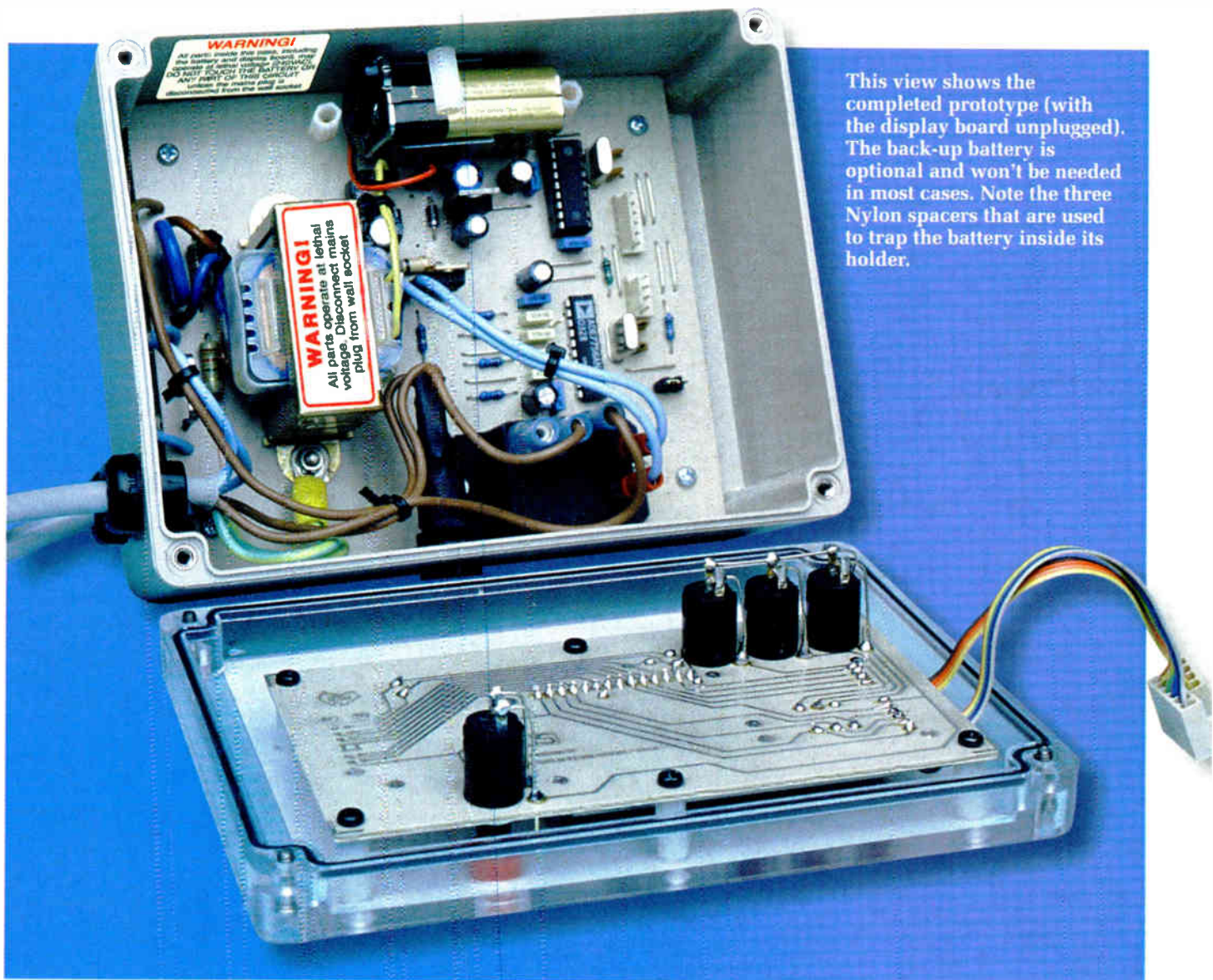


Fig.12: the mounting details for the earth solder lug. Twist the two earth wires securely together and feed them through the hole in the solder lug before soldering the connection.

Constructional Project



This view shows the completed prototype (with the display board unplugged). The back-up battery is optional and won't be needed in most cases. Note the three Nylon spacers that are used to trap the battery inside its holder.

inside the box using the four supplied self-tapping screws (one at each corner). These screws go into integral mounting pillars within the box. That done, the mains cords should be clamped securely in position using the supplied cord clamp grommets.

Note that these cord clamp grommets must grip the mains cords tightly – you must not be able to pull the cords out, even if you place considerable strain on them.

With the cords now secured, use cable ties to lace the mains wiring together, as shown in the photos. This not only keeps the wiring looking neat and tidy but also prevents the leads from breaking since they can no longer move about.

Next, secure the display board to the lid of the case as shown in Fig.13. This is mounted on six M3 × 12mm Nylon spacers, which in turn are secured to

the lid using M3 × 6mm countersunk Nylon screws.

Important: you must use Nylon screws where indicated on the diagrams and in the text, to ensure that all mains voltages remain within the case. There must be NO metal screws protruding through the Energy Meter's case.

The display board headers can now be plugged into their corresponding header pins on the main board. That done, the optional back-up battery can be installed by fitting the battery clip, then pushing the battery down into its holder, so that it sits between the two board-mounted Nylon spacers at either end. The remaining M3 × 15mm Nylon spacer should then be installed immediately above the battery (see Figs.10 and 11) and secured using an M3 × 6mm countersunk Nylon screw.

Next, place a shorting link onto

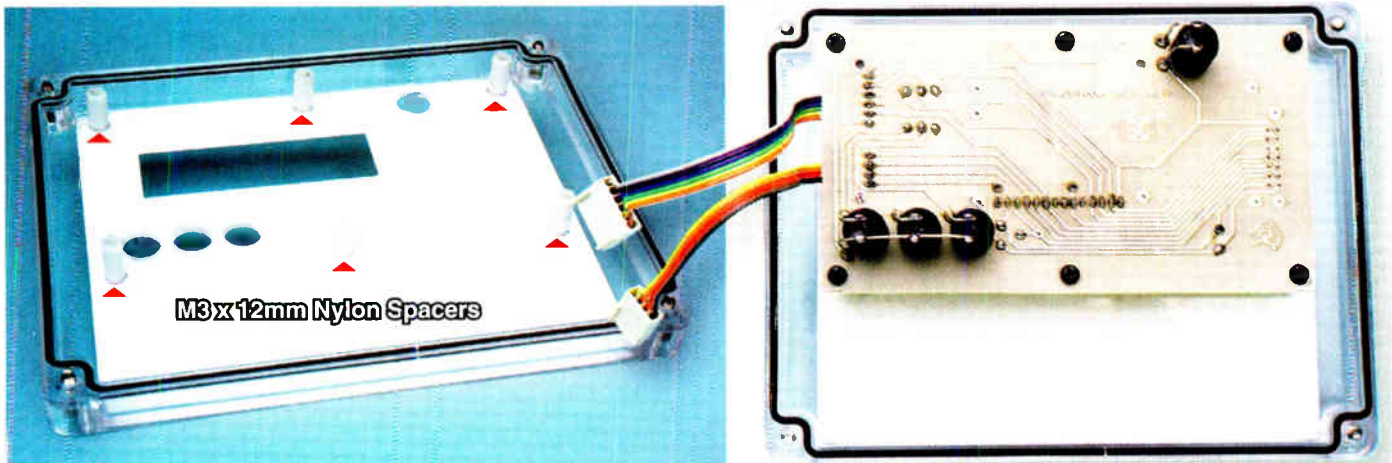
either LK1 or LK2. Select the LK1 position if you want the relay to immediately switch on when power is restored after a brownout or blackout. Alternatively, choose the LK2 position so that the relay only switches on after an 18-minute delay when power is restored.

Finally, glue the warning label into place on the side of the case (near the battery) and attach the case lid, making sure that no components are shorted as the lid closes. The supplied metal screws can be used to secure the lid to the case, since they do not go inside the box.

A second warning label must be securely affixed to the front panel.

Calibration

The Energy Meter is now ready for calibration so that it will display the correct wattage, kWh and energy



The six 12mm-long M3 Nylon spacers are secured to the lid of the case using M3 x 6mm Nylon countersink-head screws. The display is then secured to these spacers using cheesehead M3 x 6mm screws.

costs. Calibration will also allow the brownout operation to function correctly.

Make sure that the lid is fitted before plugging the unit into the mains. In particular, note that ALL parts inside the case, including the battery and display board, operate at lethal voltage (ie, 230V AC) if Live and Neutral are transposed in the house wiring (eg, behind a wall socket). In that case, the entire circuit will be live and dangerous when it is plugged in, EVEN IF THE POWER SWITCH IS OFF.

For this reason, you must not remove the cover or touch any part of the circuit without first unplugging the unit from the wall socket.

As detailed in the accompanying panel, the various calibration modes are accessed by holding down the Function switch. Here's the procedure for each mode:

(1). COST: for the energy cost adjustment, the display will show CENTS/kWh on the top line and the cost (eg, 10.1 Cents) on the lower line (in the UK this value is for pence). The correct rate can be obtained from your electricity bill but note that some electricity suppliers have different rates, depending on the amount of electricity used.

This means that you will need to decide which rate applies to the appliances being measured.

(2). ZERO OFFSET: the OFFSET adjustment is made without a load connected. Press the Up or Down switch so that the wattage value stays at 0.00W (if a negative value is showing, the calibration value should be increased till it shows 0.00).

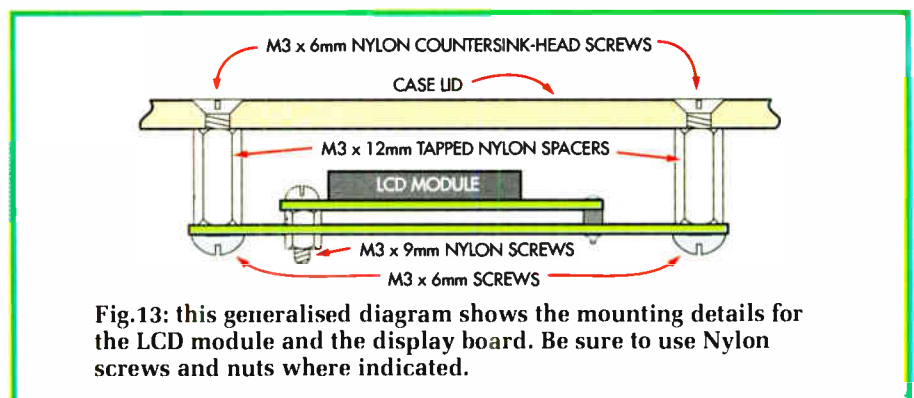


Fig.13: this generalised diagram shows the mounting details for the LCD module and the display board. Be sure to use Nylon screws and nuts where indicated.

Generally, the value should not need to be altered much from the default setting. When changing values, it is important to wait for at least 11 seconds so that the wattage value will update to its current reading with the new offset value.

(3). POWER ADJUSTMENT: the POWER adjustment sets the calibration of the wattage reading. This is done by connecting a high-current

resistive load, such as a two-bar heater which can draw at least 5A (ie, a heater with a rating of 1000W, or 1kW).

Here's the procedure:

(a). First, you need to measure the resistance of the heater when the elements are hot. To do this, set your multimeter to measure ohms and plug the heater into a mains socket. Allow the elements to heat up to fully red for a few minutes, then pull out the mains



The bared ends of the two mains Earth leads are twisted together, fed through the hole in the soldering lug and then soldered. A piece of heatshrink tubing is then slid down and shrunk over the connection to keep the leads together and provide strain relief. Use a small drill to enlarge the hole in the solder lug to accept the twisted Earth wires if necessary.

Calibration Selections

(1) The first calibration selection is the **ENERGY COST ADJUSTMENT**. The display will show 'CENTS/kWh' on the top line and the cost (eg, 10.0 cents) on the lower line. The cost/kWh can then be adjusted from 0 cents to 25.5 cents in 0.1 cent steps by using the Up and Down switches to select the required value. (In the UK this value is for pence).

(2) The next calibration selection is the **OFFSET**. This is used to zero the wattage reading to 0.00W when no load is connected.

Basically, the Offset adjustment removes the effect of crosstalk between the current and voltage signals, which could otherwise cause a wattage reading to be displayed with no load connected. Setting this adjustment also prevents the kWh reading from increasing when the load is connected but there is no load current.

During calibration, the word 'OFFSET' is shown on the lefthand side of the display, while the current wattage value is shown to the right. Below this is the offset calibration value, which is shown between < and > brackets. The initial value is 7 but this can be adjusted from -2048 to +2048 in steps of 1 using the Up and Down switches. Each step represents an adjustment of about 0.12% in the wattage reading.

(3) The **POWER** adjustment is next in the sequence and is used to calibrate the kWh value. The power calibration values are adjustable from -2048 to +2048 in steps of 1, with each step representing a change of 0.0244%. This gives an overall adjustment range of $\pm 50\%$.

(4) Next comes the **PHASE SHIFT** adjustment facility. This alters the phase difference between the measured voltage and measured current.

With a resistive load, the phase difference between the voltage and the current should be 0 – ie, they are in phase. However, the mains voltage monitoring and the current detection circuitry used in the Energy Meter can introduce small phase changes that need to be compensated for.

These phase differences can be trimmed out in 62 4.47 μ s steps, ranging from -138.6 μ s to +138.6 μ s. This is equivalent to 0.08° per step at 50Hz, with a 2.49° maximum leading or lagging adjustment.

(5) The next pressing of the Function switch displays the Brownout **SAG LEVEL**. If the mains voltage falls below this preset value, then a brownout condition is flagged on the lower lefthand side of the display (ie, the display shows 'SAG'). Typically, the brownout voltage can be adjusted from 290V all the way down to 0V in 57 steps of about 5.1V each.

(6) The **SAG LEVEL CAL** is the next mode in the sequence. This calibrates the voltage reading shown for the brownout (SAG) threshold level and the hysteresis, so that the unit trips correctly at the set voltage. This adjustment is available in 180 steps using the Up and Down switches, with each step changing the voltage reading by about 5V.

(7) Next comes the **SAG HYSTERESIS** (Brownout hysteresis) adjustment. This sets the voltage above the SAG LEVEL to which the mains must rise before the brownout indication (SAG) switches off. Again, this voltage is typically adjustable in 5.1V steps from 0-290V.

This hysteresis is included to prevent the brownout detection from repeatedly cycling on and off at the trip point.

(8) The final mode is the **SAG HALF CYCLES**. This sets the number of mains half-cycles over which the brownout voltage must stay below the SAG Level before a brownout is detected.

This factor is adjustable from 1-255 half-cycles in steps of one half-cycle. The default value is 100 (equivalent to a period of 1s for 50Hz mains), which means that the mains voltage must stay below the SAG Level for 100 half-cycles before a brownout is detected.

If the brownout facility is not required, the SAG LEVEL can be set to 0V (or to a very low voltage). This will effectively disable brownout detection and power will always be applied to the appliance.

Once all the calibration modes have been cycled through, pressing the Function switch again returns the display to its 'normal' mode – ie, so that it shows the measured values.

(b). Now measure the resistance the meter shows when the two probes are connected together. This may be around 0.1 Ω and this value should be subtracted from the heater element reading to obtain the true heater resistance value.

(c). Carefully measure the mains voltage using suitable mains-rated multimeter probes, with the meter set to measure 250V AC.

(d). Using a calculator, square the mains voltage reading (eg, 230V \times 230V = 52,900) and divide the result by the true resistance of the heater (eg, 52,900/50.0 = 1058W). The result is the wattage drawn by the heater.

(e). Plug the heater into the Energy Meter's socket and adjust the POWER calibration value until the display shows the calculated wattage value. Pressing the Up switch will give a higher wattage reading on the display, while the Down switch will give a lower wattage reading. Be sure to wait 11 seconds after each adjustment, so that the display has time to update.

The actual value may change on each wattage update but it should average out to the calculated value. The calibration should be accurate to better than 0.5%, providing the mains voltage has not altered and the multimeter is accurate.

Note that the kWh calibration is also set by calibrating the wattage reading and is effectively locked to this calibration. Typically, the wattage measured each second is divided by 3600 (the number of seconds in one hour). This divided value is then added every second to the existing kWh value.

Note also that to convert from watt-hours to kWh, the value is divided by 1000. In the Energy Meter, we are obtaining the wattage over a 10.986328-second period and so we do not divide by 3600 and then by 1000. Instead we divide by 32,768 and then by 10. The result is the same.

(4). **PHASE SHIFT**: this adjustment is not required for most purposes. This is because we have used resistive current and voltage sensing and this will not alter the phase by any significant amount.

However, phase compensation will be required if a different current sensor is used that introduces a phase error. For example if a current transformer is used in place of the 0.01 Ω resistor (R1) and it introduces a phase lag of 0.2°, then a phase correction of 0.2° will be needed.

plug and quickly measure the resistance of the elements by connecting the multimeter probes between the Live and Neutral pins on the plug.

Note that this resistance will begin to drop as the elements cool. Make a note of the highest reading and repeat the procedure by heating the elements up again.

The phase correction is made in the amplifier 2 signal chain. This means that a phase lag in channel 1 will require that a similar phase lag be introduced into the second channel. Note that this phase lag (or delay) in channel 2 is a positive value.

Alternatively, if the current transducer introduces a phase lead, then the delay in channel 2 will need to be a negative value.

The conversion from phase shift in degrees to phase shift in microseconds is made using the equation: $shift\ in\ degrees = 360 \times phase\ value\ in\ seconds \times 50Hz$. Alternatively, $phase\ shift\ in\ seconds = shift\ in\ degrees / (360 \times 50)$.

For example, a 0.2° phase shift is equivalent to an $11.1\mu s$ shift. In this case, we use the closest setting which is $13.4\mu s$ (the phase settings are in $4.47\mu s$ steps).

(5). BROWNOUT: four parameters must be set here: SAG LEVEL, SAG LEVEL CALibration, SAG HYSTERESIS and SAG CYCLES.

The SAG LEVEL and SAG HYSTERESIS should both initially be at 0V, while SAG CYCLES should be set to 100 cycles. If these are not already set to these values, select the required mode using the Function switch and adjust the value using the Up and Down switches.

If brownout detection isn't required, simply set the SAG LEVEL to 0V and skip the following procedure by pressing the Function switch until the display shows the hours, wattage and energy consumption.

For brownout calibration, just follow this step-by-step procedure:

(a). Select the SAG LEVEL mode,

then carefully measure the mains voltage using a multimeter with mains-rated probes (and set to read 250V AC).

(b). Set the SAG LEVEL voltage using the Up switch until the SAG indicator shows. Check that this is the correct SAG threshold by stepping down in value to check if the SAG indication goes off. Note that these changes must be done slowly since there will be a 1-second lag for SAG detection.

Note also that the voltage reading will probably not be the same as the measured mains voltage. This can be corrected by accessing the SAG LEVEL CAL mode and adjusting the reading shown on the lower line to be as close as possible to the measured mains voltage.

(c). Reduce the SAG LEVEL to a suitable value for brownout detection. Setting a low voltage will reduce the likelihood of a brownout indication and if set at below 50V, will completely prevent brownout detection. Conversely, setting the SAG LEVEL voltage too high will cause nuisance brownout detection.

A setting between 200V and 180V should be suitable.

(d). Adjust the SAG HYSTERESIS (brownout hysteresis). This sets the voltage that the mains must rise above the SAG LEVEL before the brownout indication switches off. In other words, the mains voltage must rise by the SAG Hysteresis value above the SAG Level in order to reapply power to the appliance.

Generally, a setting of about 5-15V would be suitable here but make sure that when you add this hysteresis voltage to the SAG level, the result is

WARNING!

ALL PARTS INSIDE THIS CASE OPERATE AT LETHAL VOLTAGE. DISCONNECT MAINS PLUG FROM WALL SOCKET BEFORE REMOVING COVER.

WARNING!

All parts inside this case, including the battery and display board, may operate at lethal voltage (230V AC). **DO NOT TOUCH THE BATTERY OR ANY PART OF THIS CIRCUIT** unless the mains plug is disconnected from the wall socket

WARNING!

All parts operate at lethal voltage. Disconnect mains plug from wall socket

The top warning label must be laminated and securely attached to the outside of the case. The bottom two labels go inside the case (see photos for locations)

less than the normal mains voltage. If not, the brownout detection (and indication) will remain in force after the power returns to normal (and the appliance will remain off).

(e). Finally, set the SAG HALF CYCLES. You should use a value greater than 50 here, to ensure that any momentary drops in the supply voltage are not detected as a brownout.

A value of 100 should be suitable. This means that the brownout must last at least one second before the relay switches off to disconnect power.

That's it – your new Energy Meter is now ready for use. *EPE*

Reproduced by arrangement with SILICON CHIP magazine 2007. www.siliconchip.com.au



agar

Circuits



PCB DESIGN & MANUFACTURE

for both the Hobbyist and Professional

PCBs designed and produced from :

- Notes
- Schematics
- Specifications
- Descriptions
- Print - outs
- Gerbers

Available With or without component assembly

* FREE * PCB PROTOTYPE With Quantity Orders

Email: adinfo@agarcircuits.com
Tel: 028 (90) 738 897



www.epemag.com

Get your magazine 'instantly' anywhere in the world - buy and download from the web. A one year subscription (12 issues) costs just \$15.99 (US)

www.epemag.com

TAKE A LOOK, A FREE ISSUE IS AVAILABLE

We can supply back issues of *EPE* by post, most issues from the past five years are available. An *EPE* index for the last five years is also available at www.epemag.co.uk or see order form below. Alternatively, indexes are published in the December issue for that year. Where we are unable to provide a back issue a photocopy of any *one article* (or *one part* of a series) can be purchased for the same price. Issues from Jan. 99 are available on CD-ROM – see next page – and back issues from recent years are also available to download from www.epemag.com.

Please make sure all components are still available before commencing any project from a back-dated issue.

DID YOU MISS THESE?

FEB '06 Photocopies only

PROJECTS • Highly Flexible Keypad Alarm • Active 3-way Crossover • Status Monitor • Jazzy Heart.

FEATURES • Teach-In 2006 – Part 4 • Techno Talk • Circuit Surgery • Interface • PIC 'N' Mix • Net Work – The Internet Page

MAR '06 Photocopies only

PROJECTS • PortaPAL Public Address Amplifier – Part 1 • Telescope Interface • Power Up • Video – Audio Booster

FEATURES • Teach-In 2006 – Part 5 • Practically Speaking • Circuit Surgery • Techno Talk • PIC 'N' Mix • Net Work – The Internet Page

APR '06 Photocopies only

PROJECTS • A Programmable Continuity Tester • Omni Pendulum • PortaPAL Public Address Amplifier – Part 2 • 'Smart' Slave Flash Trigger

FEATURES • Teach-In 2006 – Part 6 • Consumer Electronics Show • E-Chip Review • Techno Talk • PIC 'N' Mix • Net Work – The Internet Page

MAY '06

PROJECTS • LED Lighting For Your Car • Smart Card Reader and Programmer • Nail Sniffer and Volts Hound • Digital Reaction Timer.

FEATURES • Teach-In 2006 – Part 7 • Practically Speaking • Ingenuity Unlimited • Circuit Surgery • Techno Talk • PIC 'N' Mix • Net Work – The Internet Page

JUN '06

PROJECTS • Poor Man's Metal Locator • Wiggy Box Distortion Effects For Your Guitar • Phone Ring & Test • Digital Instrument Display For Cars – Part 1.

FEATURES • Interface • Circuit Surgery • Ingenuity Unlimited • Techno Talk • PIC 'N' Mix • Teach-In 2006 – Part 8 • Net Work – The Internet Page



JUL '06 Photocopies only

PROJECTS • PIC Sudoku Unit • A Dirt Cheap High Current Bench Supply • PC Power Monitor • Digital Instrument Display For Cars – Part 2.

FEATURES • Teach-In 2006 – Part 9 • Ingenuity Unlimited • Practically Speaking • Circuit Surgery • Techno Talk • PIC 'N' MIX • Net Work – The Internet Page

AUG '06

PROJECTS • Loudspeaker Level Meter • Telephone Dialler for Burglar Alarms • Adjustable DC-DC Converter for Cars • High Intensity Torch

FEATURES • Circuit Surgery • Techno Talk • Teach-In 2006 – Part 10 • PIC 'N' Mix • Interface • Ingenuity Unlimited • Net Work – The Internet Page

SEPT '06

PROJECTS • Low Cost 50 MHz Frequency Meter • Smart Mixture Display for Your Car • Human Powered LED Torches • Water Level Gauge

FEATURES • Teach-In 2006 – Part 11 • Ingenuity Unlimited • Circuit Surgery • Techno Talk • PIC 'N' Mix • Practically Speaking • Net Work – The Internet Page

OCT '06

PROJECTS • Studio 350 Power Amplifier - Part 1 • Fridge Door-Open Alarm • Through-Glass Alarm • Linear Supply for 1W Star LEDs

FEATURES • Ingenuity Unlimited • Circuit Surgery • Techno Talk • PIC 'N' Mix • Interface • Net Work – The Internet Page

NOV '06

PROJECTS • Giant LED Message Display • Micropower Battery Protector • Quick Brake • Studio 350 Power Amplifier – Part 2

FEATURES • C For PICs – Part 1 • Ingenuity Unlimited • Circuit Surgery • Techno Talk • PIC 'N' Mix • Practically Speaking • Net Work – The Internet Page

DEC '06

PROJECTS • USB Power Injector • RGB To Component Video Converter • Lapel Microphone Adaptor For PA Systems • Mind Trainer

FEATURES • C For PICs – Part 2 • Circuit Surgery • Interface • Ingenuity Unlimited • Techno Talk • PIC 'N' Mix • Net Work – The Internet Page



JAN '07

PROJECTS • Balanced Microphone Preamp • Jumping Spider • High Efficiency Power Supply For 1W Luxeon Star LEDs • Charger For Deep-Cycle 12V Batteries – Part 1

FEATURES • C For PICs – Part 3 • Circuit Surgery • Practically Speaking • Techno Talk • PIC 'N' Mix • Net Work – The Internet Page

FEB '07

PROJECTS • PIC Digital Geiger Counter • Courtesy Light Delay • Programmable Robot • Charger for Deep Cycle 12V Batteries – Part 2

FEATURES • C For PICs – Part 4 • Techno Talk • PIC 'N' Mix • Interface • Ingenuity Unlimited • Circuit Surgery • Net Work – The Internet Page

MAR '07

PROJECTS • PIC Polyphonium – Part 1 • Lap Counter for Swimming Pools • IR Remote Checker • SMS Controller – Part 1

FEATURES • Techno Talk • Practically Speaking • PIC 'N' Mix • Ingenuity Unlimited • Circuit Surgery • Net Work – The Internet Page



APR '07

PROJECTS • Students' 20W Amp Module • Star Power • PIC Polyphonium – Part 2 • SMS Controller – Part 2

FEATURES • Ingenuity Unlimited • PIC 'N' Mix • Interface • Visual C Training Course Review • Circuit Surgery • Net Work – The Internet Page

MAY '07

PROJECTS • Energy Meter – Part 1 • Bass Extender • Caravan Lights Check • SMS Controller Add-Ons

FEATURES • Ingenuity Unlimited • Circuit Surgery • Practically Speaking • Techno Talk • PIC 'N' Mix • Net Work – The Internet Page

BACK ISSUES ONLY £4.00 each inc. UK p&p.

Overseas prices £4.75 each surface mail, £5.75 each airmail.

We can also supply issues from earlier years: 2001 (except Feb., May, Aug. to Nov.), 2002 (except Feb., June, Aug. to Nov.), 2003 (except June), 2004 (except June, July, Oct. and Dec.), 2005 (except Feb., Nov., Dec.), 2006 (except Jan., Feb., Mar., Apr. and July). Where we do not have an issue a photocopy of any *one article* or *one part* of a series can be provided at the same price.

ORDER FORM – BACK ISSUES – PHOTOCOPIES– INDEXES

Send back issues dated

Send photocopies of (article title and issue date)

Send copies of last five years indexes (£4.00 for five inc. p&p – Overseas £4.75 surface, £5.75 airmail)

Name

Address

.....Tel:

I enclose cheque/PO/bank draft to the value of £

Please charge my Visa/Mastercard/Amex/Diners Club/Maestro £

Card No. Maestro Issue No

Valid From Card Expiry Date Card Security Code

(The last 3 digits on or just under the signature strip)

SEND TO: Everyday Practical Electronics, Wimborne Publishing Ltd., 408 Wimborne Road East, Ferndown, Dorset BH22 9ND.
Tel: 01202 873872. Fax: 01202 874562.

E-mail: orders@epemag.wimborne.co.uk On-line Shop: www.epemag.wimborne.co.uk/shopdoor.htm
Payments must be in £ sterling – cheque or bank draft drawn on a UK bank. Normally supplied within seven days of receipt of order.
Send a copy of this form, or order by letter if you do not wish to cut your issue.

MO6/07

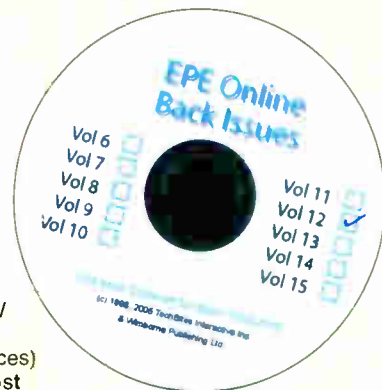
STORE YOUR BACK ISSUES ON CD-ROMS

**VOL 15
NOW AVAILABLE**

**ONLY
£14.45** each
including VAT
and p&p



A great way to buy *EPE* Back Issues – our CD-ROMs contain back issues from our *EPE Online* website plus bonus articles, all the relevant PIC software and web links. Note: no free gifts are included. All this for just £14.45 each including postage and packing.



- VOL 1: BACK ISSUES** – January 1999 to June 1999
Plus some bonus material from Nov and Dec 1998
- VOL 2: BACK ISSUES** – July 1999 to December 1999
- VOL 3: BACK ISSUES** – January 2000 to June 2000
- VOL 4: BACK ISSUES** – July 2000 to December 2000
- VOL 5: BACK ISSUES** – January 2001 to June 2001
- VOL 6: BACK ISSUES** – July 2001 to December 2001
- VOL 7: BACK ISSUES** – January 2002 to June 2002
- VOL 8: BACK ISSUES** – July 2002 to December 2002
- VOL 9: BACK ISSUES** – January 2003 to June 2003
- VOL 10: BACK ISSUES** – July 2003 to December 2003
- VOL 11: BACK ISSUES** – January 2004 to June 2004
- VOL 12: BACK ISSUES** – July 2004 to December 2004
- VOL 13: BACK ISSUES** – January 2005 to June 2005
- VOL 14: BACK ISSUES** – July 2005 to December 2005
- VOL 15: BACK ISSUES** – January 2006 to June 2006

Order on-line from
[www.epemag.wimborne.co.uk/
shopdoor.htm](http://www.epemag.wimborne.co.uk/shopdoor.htm)
or www.epemag.com (USA \$ prices)
or by phone, Fax, E-mail or Post

NOTE: These CD-ROMs are suitable for use on any PC with a CD-ROM drive. They require Adobe Acrobat Reader (available free from the Internet – www.adobe.com/acrobat)

WHAT IS INCLUDED

All volumes include the *EPE Online* editorial content of every listed issue, plus all the available **PIC Project Codes** for the PIC projects published in those issues. Please note that we are unable to answer technical queries or provide data on articles that are more than five years old. Please also ensure that all components are still available before commencing construction of a project from a back issue. Note: Some supplements etc. can be downloaded free from the Library on the *EPE Online* website at www.epemag.com. No advertisements are included in Volumes 1 and 2; from Volume 5 onwards the available relevant software for *Interface* articles is also included.

EXTRA ARTICLES – ON ALL VOLUMES

BASIC SOLDERING GUIDE – Alan Winstanley's internationally acclaimed fully illustrated guide. **UNDERSTANDING PASSIVE COMPONENTS** – Introduction to the basic principles of passive components. **HOW TO USE INTELLIGENT L.C.D.s**, by Julyan Ilett – An utterly practical guide to interfacing and programming intelligent liquid crystal display modules. **PhyzyB COMPUTERS BONUS ARTICLE 1** – Signed and Unsigned Binary Numbers. By Clive "Max" Maxfield and Alvin Brown. **PhyzyB COMPUTERS BONUS ARTICLE 2** – Creating an Event Counter. By Clive "Max" Maxfield and Alvin Brown. **INTERGRAPH COMPUTER SYSTEMS 3D GRAPHICS** – A chapter from Intergraph's book that explains computer graphics technology. **FROM RUSSIA WITH LOVE**, by Barry Fox – Russian rockets launching American Satellites. **PC ENGINES**, by Ernest Flint – The evolution of Intel's microprocessors. **THE END TO ALL DISEASE**, by Aubrey Vinton – The original work of Rife. **COLLECTING AND RESTORING VINTAGE RADIOS**, by Paul Stenning. **THE LIFE & WORKS OF KONRAD ZUSE** – a brilliant pioneer in the evolution of computers. Note: Some of the **EXTRA ARTICLES** require WinZip to unzip them.

BACK ISSUES CD-ROM ORDER FORM

Please send me the following Back Issue CD-ROMs. Volume Numbers:.....

Price £14.45 each – includes postage to anywhere in the world.

Name

Address

Post Code

I enclose cheque/P.O./bank draft to the value of £

Please charge my Visa/Mastercard/Amex/Diners

Club/Maestro

£

Card No.

Card Security Code (The last 3 digits on or just under the signature strip)

Valid From Expiry Date

Maestro Issue No.

SEND TO: **Everyday Practical Electronics,
Wimborne Publishing Ltd.,
408 Wimborne Road East, Ferndown, Dorset BH22 9ND.**

Tel: 01202 873872. Fax: 01202 874562.
E-mail: orders@epemag.wimborne.co.uk

Payments must be by card or in £ Sterling – cheque or bank draft drawn on a UK bank.

Normally supplied within seven days of receipt of order.

READOUT

Email: john.becker@wimborne.co.uk

John Becker addresses some of the general points readers have raised. Have you anything interesting to say? Drop us a line!

All letters quoted here have previously been replied to directly.

WIN AN ATLAS LCR ANALYSER WORTH £79

An Atlas LCR Passive Component Analyser, kindly donated by Peak Electronic Design Ltd., will be awarded to the author of the *Letter Of The Month* each month.

The Atlas LCR automatically measures inductance from 1 μ H to 10H, capacitance from 1pF to 10,000 μ F and resistance from 1 Ω to 2M Ω with a basic accuracy of 1%.

www.peakelec.co.uk



★ LETTER OF THE MONTH ★

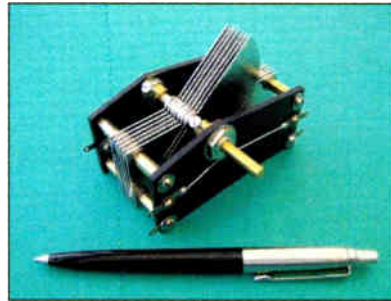
DIY Variable Capacitor

Recently on our Chat Zone (via www.epemag.co.uk), the topic of RF chokes and their sources arose. As part of the discussion one reader showed a photograph of a variable capacitor he had made for himself. I thought you would be interested. He commented:

Chokes are not such a problem in themselves. However, I write articles on building small valve radio sets and my main aim was to find a source of chokes for the benefit of my readers. I have found of late that small components (capacitors, resistors etc) are getting harder to find. Ironically enough, the valves themselves are still no problem. Cheap variable capacitors are also becoming scarce, but I have been experimenting successfully with making my own 0-300pF air-spaced one.

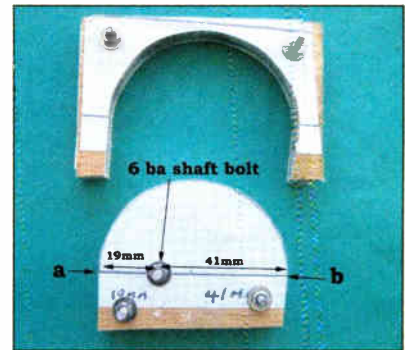
For the shape of the vanes, I didn't try anything clever or use any formula. I decided on a vane width of 60mm simply because that was the physical size that I wanted. The vanes have a radius of 30mm and the shaft is simply offset to one side. Cutting them out seemed an insurmountable problem for some time. The solution was to sandwich all the pieces of aluminium between two pieces of plywood and bolt the whole lot together. I then stuck a paper drawing on top and cut them out using a small hobby type bandsaw.

The fixed plates are sandwiched between two pieces of plywood. A plan is



pasted on top. Drill in the securing holes and clearance holes first. Using a small hobby bandsaw, cut along D and C. Move bolts D and C into lower two securing holes to maintain clamping. Cut along A and B. Move bolts A and B into upper securing holes to maintain clamping. Cut off sides along A and D and also B and C.

Cut out moving vanes in similar manner. Cut the circumference out first, then cut along A and B, manoeuvring saw around a



washer on the 6BA shaft bolt. This method makes very flat vanes which only need a bit of trimming with a file or wet and dry paper. Cut and drill acrylic end supports. Assembly is self-explanatory after that.

Robert Wilson (CZ name Shipbuilder).

Browse home page

www.miniatureships.blogspot.com/

Geothermal Energy

Dear EPE,

As any scuba diver knows, 0.3% is the average concentration of carbon dioxide in the atmosphere. Until recently, we never thought that the small amount of extra CO₂ production from human activity could permanently damage the environment. Now we know better and it's reassuring that this fact is becoming common knowledge, thanks to various efforts to which recent editorials and other correspondence in *EPE* have contributed.

In tackling this problem, let's take care to think through our actions. Making more efficient use of insulation seems logical, the Sun will shine anyway and it's nature's source of energy on our planet. That's why plants evolved photosynthesis. On the other hand, should we extract heat from the core of our planet?

Once again we have the situation where a little perturbation of the natural order, this time the premature loss of geothermal energy, doesn't seem significant. But that's what we once said about adding a 'little extra' CO₂ to the atmosphere. If the earth's core is cooling at a particular rate then this

is likely to be in long-term balance with the natural environment.

Will our attempts to tap this heat cause faster cooling, even by an apparently tiny amount? If so, will that have any effect? We now realise that our 'tiny' interventions are actually significant. Let's not take a risk that will cause harm for the next generation. We should concentrate on energy sources that, as far as we can tell, have the lowest risk, not take further chances with our delicate environmental equilibrium.

Godfrey Manning G4GLM, Edgware, Middlesex, via email

That's a significant observation Godfrey. Probably one that not many people will have thought of.

Perhaps, though, a distinction must be drawn between types of geothermal source. There are those which are being created by the movement of the Earth itself – the rocks rubbing together by natural tectonic movement, possibly aided by the Sun's gravitational pull.

Iceland, for example, benefits from this thermal source. It is positioned across two of the Earth's plates, which are gradually separating, causing friction, and thus heat,

as they do. You can see where this is happening at locations in Iceland. The Icelanders harness this heat and use it as their principal energy source. On the face of it, I can't see why our extracting that renewable heat could be a long term problem. Or does any one think any different?

BTW, Matthew Parris, who writes for The Times has a website you might be interested in. The address quoted in The Times is timesonline.co.uk/ecowarrior, though I could not access it, so I did a Google on The Times, and found the site. The article that took my interest, installing heat extraction from the earth for his house, was published on 7 April.

Alternative Energy Projects

Dear EPE,

With regard to the editorial 'Windy!' in the February issue, I agree with your comments about a complete wind generator project being a non-starter. As I'm sure you know, there is a wealth of good information on the internet, and my site at <http://beehive.thisisgrimsby.co.uk/ALPS> gives a fair round up of some of the better ones. There are some ancillary electronic projects for alternative energy systems. I

have had well over 400 hits already in two months!

I built your solar hot water controller in the early eighties. This worked very well for fifteen years until the flat roof started leaking. I've built several versions of your *Wind-up Torch*, which I am finding very useful. I am involved with building various generators based on easy-to-find parts, perhaps even a solar controller, or wind generator charge controller. I am considering putting in a link to your magazine on my website.

Paul Thompson, via email

Thanks Paul

Engineers' Creed

Dear EPE,

I refer to the letter by Ken Wood in the January issue. I can offer a little help, but only a little. The creed is very old, circa 1965, and relates to the invention of the planar technology for making transistors, invented by Fairchild.

In the early days, there were umpteen different ways of making transistors, and companies such as RCA and Texas Instruments made much of their technologies. A big problem was getting the real junctions to look like the neat drawings in the text books, that is, flat, and some technologies were what we would now regard as bizarre.

For example, the grown junction transistor was made by pulling the crystal slowly out of molten material and changing the doping as the crystal was drawn out. Even more bizarre, the process worked and produced some transistors that were regarded at the time as amazingly good.

Another technology was the mesa. In practice, it was easy to get the middle of the transistor right, but there were all sorts of problems round the edges, so these were etched away leaving the transistor looking like a mesa of the American deserts. These also worked, and mesa transistors were noted for being wonderfully rugged, relative to other transistors available. I think the early 2N3055 used this technology.

Fairchild more or less creamed the opposition by using gas diffusion to produce transistors with flat junctions. *Planar* was a much more technical and marketable name than *flat*, so nearly everything from Fairchild was *planar*.

The competing technologies persisted for quite some time, and for low frequency power use, the mesa technology in particular had some benefits over the planar technology, but once the integrated circuit appeared, the planar technology became so commonplace that it ceased to be special or noteworthy.

Sadly, I too can't remember the rest of the creed.

Keith Anderson, Kingston, Tasmania, via email

Thanks Keith. Can anyone remember any more?

Punched Paper

Dear EPE,

Reading John's piece on the *Polyphonium* in the March '07 issue, I thought you might like to know that perforated paper rolls were first used by Basile Bouchon in 1725 to try to control a draw loom for producing the pattern. (A draw loom has many strings to control the warp threads for the pattern. An assistant, a draw boy, was needed by the weaver to pull the strings as needed.)

In 1728 Falcon used cardboard rectangles laced together. Vaucanson, famous for marvellous automata, in 1744 reverted to the paper roll. In 1775 Philippe de Lasalle improved the cardboard rectangle system.

In 1806 Jacquard improved the system and many believe he made it workable, although many believe that it was not until 1817 that Antoine Breton perfected it, even though it is always now known as the Jacquard loom. Charles Babbage in 1833 developed the idea of his Analytical Engine which would have used Jacquard type punched cards for its program control.

Automatic musical instruments used drums with pins in them until perforated rolls started appearing as late as around 1876 onwards. Many of these devices sensed the holes mechanically, although most later music machines seem to have

worked pneumatically. Hollerith used punched cards from about 1889, but I have not yet found when the sensing of the holes changed from mechanical to electrical.

Alan S. Raistrick, via email

Thank you Alan, that's fascinating. I had no idea.

Electrolytic Capacitors

Dear EPE,

In response to Bill Stiles' letter in the March issue, I would like to comment on the voltage ratings of electrolytic capacitors. General purpose electrolytics are rated for a working temperature of up to 85 degrees Celcius, and higher temperature ones at 105 degrees. At lower temperatures they can withstand greater voltages, so for equipment in a domestic environment where the temperature is unlikely to exceed say 40 degrees C, there is an additional safety margin. So the capacitor rated at 75V would be quite satisfactory in the *Studio 350* amplifier (see Oct/Nov '06).

David Sharp, via email

Thank you David

IR Remote Checking

Dear EPE,

Your March '07 issue features an article on an *IR Remote Checker* which was interesting to see how to detect IR, but I thought you may also be interested in another way of checking to see if your TV remote is working. If you have a mobile phone that is equipped with a camera, if you press a button on your remote and point it at your camera phone then you should see the IR LED flickering on the image that the camera sees.

I realise that this may 'defeat the object' of your article, but it is always a useful tip for those that like to buy your magazine but don't have the resources to build every project they like.

Mark Hickman, via email

Thanks Mark, and Editor Mike confirms that your technique works.

Radio Bygones

The leading UK magazine for vintage radio enthusiasts



ARTICLES on restoration and repair, history, circuit techniques, personalities, reminiscences and just plain nostalgia – you'll find them all. Plus features on museums and private collections and a full-colour photo-feature in every issue.

ITS MOSTLY about valves, of course, but 'solid-state' – whether of the coherer and spark-gap variety or early transistors – also has a place.

FROM THE DAYS of Maxwell, Hertz, Lodge and Marconi to what was the state-of-the-art just a few short years ago...

THERE IS ALSO a selection of free readers' For Sale and Wanted advertisements in every issue.

Radio Bygones covers it all!

THE MAGAZINE is published six times a year, and is only available by postal subscription. It is not available at newsagents.

TO TAKE OUT a subscription, or to order a sample copy, please contact:

RADIO BYGONES, Wimborne Publishing Ltd.,

408 Wimborne Road East, Ferndown, Dorset BH22 9ND.

Tel: 01202 873872. Fax 01202 874562.

Web sites: www.radiobygones.co.uk

www.radiobygones.com

Now Also Available to
BUY ONLINE
www.radiobygones.com
Log on, pay by credit card and download the magazine to your PC
ONLY \$9.99 (US dollars) FOR 6 ISSUES
A free issue is available

Net Work



Alan Winstanley

A fistful of dollars

One of the many 'bees in my bonnet' is the often deplorable standards of service and advice that Britain's high-tech retail chainstores mete out to customers, who should really demand a better deal and vote with their feet. The independent sector often shows larger rivals the meaning of good service and how to build a trustworthy reputation, which will bring customers back again and again – the same is now true of e-commerce web sites.

UK readers will know that the US dollar exchange rate has hit about two dollars to the pound sterling, which is great news for those who import merchandise priced in dollars or who visit the USA. Bad news for American tourists though: the UK is even more expensive than usual.

Armed with a tantalising exchange rate, this month's *Net Work* offers some timely advice for Internet surfers who are considering buying from the USA. In search of some replacement digital camera equipment and thoroughly depressed by the offerings in the UK High Street, I decided to pop over to New York to see what's available there.

I did my homework beforehand on the particular equipment that I needed to buy, reading reviews and websites along the way before settling down to the job of comparing prices. Before rushing online to snap up a bargain, one very important aspect relates to operating voltages: would 110V 60Hz USA equipment work in the UK? The manufacturer's web site confirmed that it would, using a suitable figure-8 mains lead on the worldwide power supply (great!). Would any necessary software be compatible?

Also, bear in mind that equipment warranties will be US-only and EU Distance Selling Directives do not apply, so there is no seven day change of mind. Buying at arm's length this way will always be a bit of a gamble and larger purchases are only for confident buyers who have done their research first.

I travelled to New York in the virtual sense of course, and after some intensive 'googling' I devised a short-list of suppliers. I judged these American shopping sites using the same sort of criteria I apply to bricks and mortar stores. Do they look and feel sincere and reputable? Are they easy to search and compare? What was the response to Emails like? Why should I trust them?

I quickly eliminated some rivals and settled on the website operated by B&H Photographic (www.bhphotovideo.com). They claim to be the world's largest retail vendors of imaging equipment, and it was extremely refreshing to see 'England (UK)' appear in the dropdown list of destinations available. In the event, however, it was important to swot up beforehand on their International web help section, as there is a sting in the tail....

A few dollars, more

Dollar prices were sometimes half of those in the UK, cementing in my view that the UK's deserved reputation for 'Rip Off Britain'. However, there are some hidden extras to be wary of – import duty in the low percentage points will be levied along with 17.5% VAT, and the couriers will also charge their own duty deferment fees for handling the duties on your behalf. On small items, the couriers' fees are a significant cost that makes the operation less worthwhile. (I award a black mark to UPS UK who previously threatened to sue the writer for import duty that I had already paid to their driver. So keep a record!)

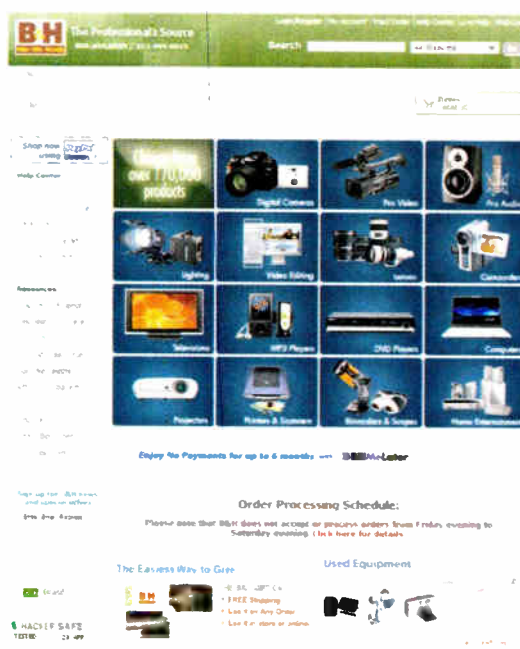
The B&H website also showed cumulative overseas shipping costs in real time as items were added to the cart – a reassuring feature. After the best part of an hour spent online, the shopping cart was brimming with bargains and it was time to head over to the checkout. The usual personal details were registered and a credit card number was typed in – and then the web browser crashed!

At such times one wonders whether the order has been entered properly, if at all, or will a credit card be charged twice? Using the browser History (available via the Favorites menu on IE7) it is easy to trace steps and re-open the cart. Logging in to B&H My Account to check Pending orders revealed... an empty account! However, the contents of the cart had been remembered so I picked up where I left off and completed the payment phase. (Usually, this is the case unless cookies have been disabled in the browser.) The order then appeared as Pending.

Or at least I thought I had completed the payment procedure: an email confirmation was received promptly from B&H but having processed the order and charged my credit card, the sting in the tail was that additional credit card verification steps were now required for first-time buyers, as outlined beforehand in the FAQ. This involved scanning both sides of the credit card and emailing the images to B&H by insecure mail or uploading via a non-secure web link. In the small print of credit card agreements you will find that credit details can only be transmitted by secure servers (<https://>), so this final hurdle is somewhat of concern as it opens an opportunity for credit card theft with no recourse of action to the credit card company.

Nevertheless, taking a balanced view based on reputation and the general 'look and feel' of trustworthiness meant that two JPGs were soon on their way. Anyway, there was no option. The lesson for short-sighted British retailers is that rather than buy from them, I have ordered \$1500 worth at arm's length from a company halfway round the world that I had never heard of. The next question is – did the order go through and did the goods arrive? More next month!

You can contact the writer at alan@epemag.demon.co.uk



With the US dollar so attractive, B & H Photo of New York provides a huge high quality website dedicated to international photo and video sales. See www.bhphotovideo.com

NEW

Electronics Teach-In + Free CD-ROM

Mike Tooley

A broad-based introduction to electronics – find out how circuits work and what goes on inside them. Plus 15 easy-to-build projects. The 152 page A4 book comes with a free CD-ROM containing the whole Teach-In 2006 series (originally published in *EPE*) in PDF form, interactive quizzes to test your knowledge, TINA circuit simulation software (a limited version – plus a specially written TINA Tutorial), together with simulations of the circuits in the Teach-In series, plus Flowcode (a limited version) a high level programming system for PIC microcontrollers based on flowcharts.

The Teach-In series covers everything from Electric Current through to Microprocessors and Microcontrollers and each part includes demonstration circuits to build on breadboards or to simulate on your PC.

In addition to the Teach-In series, the book includes 15 CMOS-based simple projects from the *Back-To-Basics* series by Bart Trepak, these are: Fridge/Freezer Alarm, Water Level Detector, Burglar Alarm, Scarecrow, Digital Lock, Doorchime, Electronic Dice, Kitchen Timer, Room Thermometer, Daily Reminder, Whistle Switch, Parking Radar, Telephone Switch, Noughts and Crosses Enigma and a Weather Vane. There is also a MW/LW Radio project in the Teach-In series.

152 pages + CD-ROM **Order code ETI** **£8.50**

THE AMATEUR SCIENTIST 3-0 CD-ROM

The complete collection of The Amateur Scientist articles from *Scientific American* magazine. Over 1,000 classic science projects from a renowned source of winning projects. All projects are rated for cost, difficulty and possible hazards.

Plus over 1,000 pages of helpful science techniques that never appeared in *Scientific American*.

Exciting science projects in: Astronomy; Earth Science; Biology; Physics; Chemistry; Weather . . . and much more! The most complete resource ever assembled for hobbyists, and professionals looking for novel solutions to research problems.

Includes extensive Science Software Library with even more science tools. Suitable for Mac, Windows, Linux or UNIX. 32MB RAM minimum, Netscape 4.0 or higher or Internet Explorer 4.0 or higher.

Over 1,000 projects

CD-ROM **Order code ASICD-ROM** **£19.95**

PROJECT CONSTRUCTION

IC 555 PROJECTS

E. A. Parr

Every so often a device appears that is so useful that one wonders how life went on before without it. The 555 timer is such a device. Included in this book are over 70 circuit diagrams and descriptions covering basic and general circuits, motor car and model railway circuits, alarms and noise makers as well as a section on 556, 558 and 559 timers. (Note: No construction details are given.) A reference book of invaluable use to all those who have any interest in electronics, be they professional engineers or designers, students or hobbyists.

167 pages **Order code BP44** **£5.49**

POWER SUPPLY PROJECTS

R. A. Penfold

This book offers a number of power supply designs, including simple unregulated types, and variable voltage stabilised designs, the latter being primarily intended for use as bench power supplies for the electronics workshop. The designs provided are all low voltage types for semiconductor circuits. The information in this book should also help the reader to design his own power supplies. Includes cassette PSU, Ni-Cad charger, voltage step-up circuit and a simple inverter.

91 pages **Order code BP76** **£5.49**

HOW TO USE OSCILLOSCOPES AND OTHER TEST EQUIPMENT

R. A. Penfold

This book explains the basic function of an oscilloscope, gives a detailed explanation of all the standard controls, and provides advice on buying. A separate chapter deals with using an oscilloscope for fault finding on linear and logic circuits, plenty of example waveforms help to illustrate the control functions and the effects of various fault conditions. The function and use of various other pieces of test equipment are also covered, including signal generators, logic probes, logic pulsers and crystal calibrators.

104 pages **Order code BP267** **£5.49**



DIRECT BOOK SERVICE

The books listed have been selected by *Everyday Practical Electronics* editorial staff as being of special interest to everyone involved in electronics and computing. They are supplied by mail order direct to your door. Full ordering details are given on the last book page.

FOR A FURTHER SELECTION OF BOOKS
AND CDROMS SEE THE SHOP ON OUR UK WEBSITE –
www.epemag.co.uk

All prices include UK postage

ELECTRONIC PROJECT BUILDING FOR BEGINNERS

R. A. Penfold

This book is for complete beginners to electronic project building. It provides a complete introduction to the practical side of this fascinating hobby, including the following topics:

Component identification, and buying the right parts; resistor colour codes, capacitor value markings, etc; advice on buying the right tools for the job; soldering; making easy work of the hard wiring; construction methods, including stripboard, custom printed circuit boards, plain matrix boards, surface mount boards and wire-wrapping; finishing off, and adding panel labels; getting "problem" projects to work, including simple methods of fault-finding.

In fact everything you need to know in order to get started in this absorbing and creative hobby.

135 pages **Order code BP392** **£5.49**

TEST EQUIPMENT CONSTRUCTION

R. A. Penfold

This book describes in detail how to construct some simple and inexpensive but extremely useful, pieces of test equipment. Stripboard layouts are provided for all designs, together with wiring diagrams where appropriate, plus notes on construction and use.

The following designs are included:-

AF Generator, Capacitance Meter, Test Bench Amplifier, AF Frequency Meter, Audio Multivoltmeter, Analogue Probe, High Resistance Voltmeter, CMOS Probe, Transistor Tester, TTL Probe. The designs are suitable for both newcomers and more experienced hobbyists.

104 pages **Order code BP248** **£4.49**

COMPUTING

COMPUTING FOR THE OLDER GENERATION

Jim Gatenby

Especially written for the over 50s, using plain English and avoiding technical jargon. Large clear type for easy reading.

Among the many practical and useful ideas for using your PC that are covered in this book are: Choosing, setting up and understanding your computer and its main components. Writing letters, leaflets, invitations, etc., and other word processing jobs. Keeping track of your finances using a spreadsheet. Recording details of holidays and other ideas using a database. Using the Internet to find useful information, and email to keep in touch with family and friends. Making 'back-up' copies of your work and checking for viruses. How to use Windows XP to help people with impaired vision, hearing or mobility.

Provides the basic knowledge so you can gain enough confidence to join the local computer class.

308 pages **Order code BP601** **£8.99**

THE INTERNET FOR THE OLDER GENERATION

Jim Gatenby

Especially written for the over 50s. Uses only clear and easy-to-understand language. Larger type size for easy reading. Provides basic knowledge to give you confidence to join the local computer class.

This book explains how to use your PC on the Internet and covers amongst other things: Choosing and setting up your computer for the Internet. Getting connected to the Internet. Sending and receiving emails, photographs, etc., so that you can keep in touch with family and friends all over the world. Searching for and saving information on any subject. On-line shopping and home banking. Setting up your own simple web site.

228 pages **Order code BP600** **£8.99**

RADIO

SETTING UP AN AMATEUR RADIO STATION

I. D. Poole

The aim of this book is to give guidance on the decisions which have to be made when setting up any amateur radio or short wave listening station. Often the experience which is needed is learned by one's mistakes, however, this can be expensive. To help overcome this, guidance is given on many aspects of setting up and running an efficient station. It then proceeds to the steps that need to be taken in gaining a full transmitting licence.

Topics covered include: The equipment that is needed; Setting up the shack; Which aerials to use; Methods of construction; Preparing for the licence.

86 pages **Order code BP300** **£4.45**

EXPERIMENTAL ANTENNA TOPICS

H. C. Wright

Although nearly a century has passed since Marconi's first demonstration of radio communication, there is still research and experiment to be carried out in the field of antenna design and behaviour.

The aim of the experimenter will be to make a measurement or confirm a principle, and this can be done with relatively fragile, short-life apparatus. Because of this, devices described in this book make liberal use of cardboard, cooking foil, plastic bottles, cat food tins, etc.

Although primarily a practical book with text closely supported by diagrams, some formulae which can be used by straightforward substitution and some simple graphs have also been included.

72 pages **Order code BP278** **£4.00**

25 SIMPLE INDOOR AND WINDOW AERIALS

E. M. Noll

Many people live in flats and apartments or other types of accommodation where outdoor aerials are prohibited, or a lack of garden space etc. prevents aerials from being erected. This does not mean you have to forgo shortwave-listening, for even a 20-foot length of wire stretched out along the skirting board of a room can produce acceptable results. However, with some additional effort and experimentation one may well be able to improve performance further.

This concise book tells the story, and shows the reader how to construct and use 25 indoor and window aerials that the author has proven to be sure performers.

50 pages **Order code BP136** **£2.25**

TICKLING THE CRYSTAL Domestic British Crystal Sets of the 1920's

Ian L. Sanders

The first book dedicated to the topic of British crystal sets to be published in the last 25 years. For a very brief period during the early 1920's, these simple receivers played a crucial role in the expansion of domestic wireless throughout the United Kingdom. For many families, rich and poor, the crystal set provided an introduction to the new pastime of listening-in to broadcast programmes. Rapidly made obsolete from homes as suddenly as it had arrived, but not without leaving its mark on the history of wireless.

Written by a long-time authority and enthusiast, *Tickling the Crystal* is the most comprehensive work on the subject ever assembled. Containing almost two hundred excellent quality photographs and a wealth of previously unpublished material, it cannot fail to be an invaluable reference for anyone interested in the history of early wireless receivers.

256 pages hardback **Order code TC1** **£34.00**

THEORY AND REFERENCE

BEBOP TO THE BOOLEAN BOOGIE

Second Edition

Clive (call me Max) Maxfield

This book gives the "big picture" of digital electronics. This in-depth, highly readable, up-to-the-minute guide shows you how electronic devices work and how they're made. You'll discover how transistors operate, how printed circuit boards are fabricated, and what the innards of memory ICs look like. You'll also gain a working knowledge of Boolean Algebra and Karnaugh Maps, and understand what Reed-Muller logic is and how it's used. And there's much, MUCH more. The author's tongue-in-cheek humour makes it a delight to read, but this is a REAL technical book, extremely detailed and accurate.

Contents: Fundamental concepts; Analog versus digital; Conductors and insulators; Voltage, current, resistance, capacitance and inductance; Semiconductors; Primitive logic functions; Binary arithmetic; Boolean algebra; Karnaugh maps; State diagrams, tables and machines; Analog-to-digital and digital-to-analog; Integrated circuits (ICs); Memory ICs; Programmable ICs; Application-specific integrated circuits (ASICs); Circuit boards (PWBs and DWBs); Hybrids; Multichip modules (MCMs); Alternative and future technologies.

470 pages – large format **Order code BEB1 £26.95**

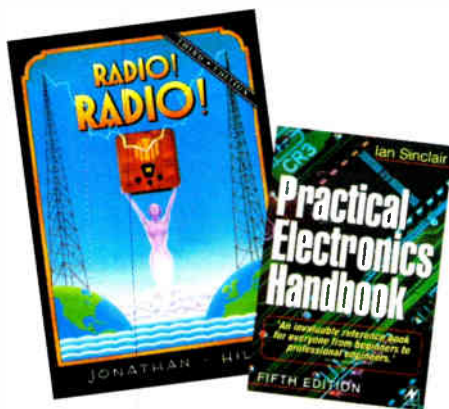
BEBOP BYTES BACK (and the Bebop Computer Simulator) CD-ROM

Clive (Max) Maxfield and Alvin Brown

This follow-on to *Bebop to the Boolean Boogie* is a multimedia extravaganza of information about how computers work. It picks up where "Bebop I" left off, guiding you through the fascinating world of computer design... and you'll have a few chuckles, if not belly laughs, along the way. In addition to over 200 megabytes of mega-cool multimedia, the CD-ROM contains a virtual microcomputer, simulating the motherboard and standard computer peripherals in an extremely realistic manner. In addition to a wealth of technical information, myriad nuggets of trivia, and hundreds of carefully drawn illustrations, the CD-ROM contains a set of lab experiments for the virtual microcomputer that let you recreate the experiences of early computer pioneers. If you're the slightest bit interested in the inner workings of computers, then don't dare to miss this!

Over 800 pages in Adobe Acrobat format

CD-ROM **Order code BEB2 CD-ROM £21.95**



RADIO! RADIO! (Third Edition) Jonathan Hill

A celebration in words and pictures of the development of the British wireless set from its experimental beginnings in Victorian England, to the foundation of a domestic wireless manufacturing industry and the inception of broadcasting in the early 1920's. The story continues on through the design-conscious 1930's (where the radio really came into its own as a piece of furniture), to the war-torn and austere days of the 1940's.

The first transistor radios began to appear in the second half of the 1950s and in this new edition, this rather neglected area has been fully covered by a section all of its own which includes a directory listing of nearly 3,000 different transistor models. The book finishes after the 1960s, by which time our long established and once great radio industry had all but been destroyed by foreign imports.

Now with 320 pages and over 1,000 illustrations, informative captions and carefully researched text *Radio! Radio!* is the first and still the only truly comprehensive book of its kind ever to be published.

320 pages (A4 Hardback) **Order code RR1 £40.95**

GETTING THE MOST FROM YOUR MULTIMETER

R. A. Penfold

This book is primarily aimed at beginners and those of limited experience of electronics. Chapter 1 covers the basics of analogue and digital multimeters, discussing the relative merits and the limitations of the two types. In Chapter 2 various methods of component checking are described, including tests for transistors, thyristors, resistors, capacitors and diodes. Circuit testing is covered in Chapter 3, with subjects such as voltage, current and continuity checks being discussed.

In the main little or no previous knowledge or experience is assumed. Using these simple component and circuit testing techniques the reader should be able to confidently tackle servicing of most electronic projects.

96 pages **Order code BP239 £5.49**

DIGITAL GATES AND FLIP-FLOPS

Ian R. Sinclair

This book, intended for enthusiasts, students and technicians, seeks to establish a firm foundation in digital electronics by treating the topics of gates and flip-flops thoroughly and from the beginning.

No background other than a basic knowledge of electronics is assumed, and the more theoretical topics are explained from the beginning, as also are many working practices. The book concludes with an explanation of microprocessor techniques as applied to digital logic.

200 pages **Order code PC106 £9.95**

OPERATIONAL AMPLIFIER USER'S HANDBOOK

R. A. Penfold

The first part of this book covers standard operational amplifier based "building blocks" (integrator, precision rectifier, function generator, amplifiers, etc.), and considers the ways in which modern devices can be used to give superior performance in each one. The second part describes a number of practical circuits that exploit modern operational amplifiers, such as high slew-rate, ultra low noise, and low input offset devices. The projects include: Low noise tape preamplifier, low noise RIAA preamplifier, audio power amplifiers, d.c. power controllers, opto-isolator audio link, audio millivolt meter, temperature monitor, low distortion audio signal generator, simple video fader, and many more.

120 pages **Order code BP335 £5.45**

PRACTICAL ELECTRONICS HANDBOOK – Fifth Edition. Ian Sinclair

Provides a practical and comprehensive collection of circuits, rules of thumb and design data for professional engineers, students and enthusiasts, and therefore enough background to allow the understanding and development of a range of basic circuits.

Contents: Passive components, Active discrete components, Circuits, Linear I.C.s, Energy conversion components, Digital I.C.s, Microprocessors and microprocessor systems, Transferring digital data, Digital-analogue conversions, Computer aids in electronics, Hardware components and practical work, Micro-controllers and PLCs, Digital broadcasting, Electronic security.

440 pages **Order code NE21 £24.50**

MUSIC, AUDIO AND VIDEO

QUICK GUIDE TO DIGITAL AUDIO RECORDING

Ian Waugh

Covers:

- What computer system you need
- Sound and digital audio essentials
- What to look for in a sound card
- What effects to use
- The art of mixing
- How to burn your music to CD
- How to post your songs on the Web

All modern music recordings use digital audio technology. Now everyone with a computer can produce CD-quality recordings and this book shows you how. Written in a clear and straightforward style, it explains what digital audio recording is, how to use it, the equipment you need, what sort of software is available and how to achieve professional results.

Computer-based recording is the future of music and 208 pages **Order code PC121 £7.95**

this book shows how you can join the revolution now.

QUICK GUIDE TO MP3 AND DIGITAL MUSIC

Ian Waugh

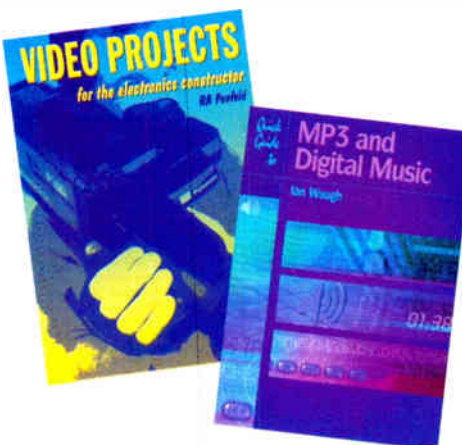
MP3 files, the latest digital music format, have taken the music industry by storm. What are they? Where do you get them? How do you use them? Why have they thrown record companies into a panic? Will they make music easier to buy? And cheaper? Is this the future of music?

All these questions and more are answered in this concise and practical book which explains everything you need to know about MP3s in a simple and easy-to-understand manner. It explains:

How to play MP3s on your computer; How to use MP3s with handheld MP3 players; Where to find MP3s on the Web; How MP3s work; How to tune into Internet radio stations; How to create your own MP3s; How to record your own CDs from MP3 files; Other digital audio music formats.

60 pages **Order code PC119 £7.45**

NEW



ELECTRONIC PROJECTS FOR VIDEO ENTHUSIASTS

R. A. Penfold

This book provides a number of practical designs for video accessories that will help you get the best results from your camcorder and VCR. All the projects use inexpensive components that are readily available, and they are easy to construct. Full construction details are provided, including stripboard layouts and wiring diagrams. Where appropriate, simple setting up procedures are described in detail; no test equipment is needed.

The projects covered in this book include: Four channel audio mixer, Four channel stereo mixer, Dynamic noise limiter (DNL), Automatic audio fader, Video faders, Video wipers, Video crispener, Mains power supply unit.

109 pages **Order code BP356 £5.45**

VIDEO PROJECTS FOR THE ELECTRONICS CONSTRUCTOR

R. A. Penfold

Written by highly respected author R. A. Penfold, this book contains a collection of electronic projects specially designed for video enthusiasts. All the projects can be simply constructed, and most are suitable for the newcomer to project construction, as they are assembled on stripboard.

There are faders, wipers and effects units which will add sparkle and originality to your video recordings, an audio mixer and noise reducer to enhance your soundtracks and a basic computer control interface. Also, there's a useful selection on basic video production techniques to get you started.

Complete with explanations of how the circuit works, shopping lists of components, advice on construction, and guidance on setting up and using the projects, this invaluable book will save you a small fortune.

Circuits include: video enhancer, improved video enhancer, video fader, horizontal wiper, improved video wiper, negative video unit, fade to grey unit, black and white keyer, vertical wiper, audio mixer, stereo headphone amplifier, dynamic noise reducer, automatic fader, pushbutton fader, computer control interface, 12 volt mains power supply. **£10.95**

124 pages **Order code PC115 £5.45**

ALL PRICES INCLUDE UK POST & PACKING

FAULT FINDING, CIRCUITS AND DESIGN

PIC BASIC PROJECTS – 30 PROJECTS USING PICBASIC AND PICBASIC PRO

BOOK + CDROM

Dogan Ibrahim

Covering the PICBASIC and PICBASIC PRO compilers, this thoroughly revised edition, previously entitled PICBASIC Programming and Projects, provides an easy-to-use toolkit for developing applications with PICBASIC. Numerous simple projects give clear and concrete examples of how PICBASIC can be used to develop electronics applications, while larger and more advanced projects describe program operation in detail and give useful insights into developing more involved microcontroller applications.

Packed with simple and advanced projects which show how to programme a variety of interesting electronic applications using PICBASIC. Covers the new and powerful PIC16F627 and PIC16F73, and the popular PIC16F84 and PIC16F877 models. The CDROM includes program source files, HEX code, data sheets of devices, sensors and schematics of the circuits used in the book.

358 pages

Order code NE44

£21.50

DISCOVERING PICS

W.D. Phillips

BOOK + CDROM + HARDWARE

A good introduction to PIC programming, covering everything you need to know to get you started. No previous knowledge of microcontrollers is required, but some previous experience with electronic circuits is assumed. Covers the basic concept of a microcontroller, fundamentals of a PIC-based circuit and using the MPLAB program. Further chapters introduce binary, PIC architecture, the instruction set, the PIC memory map and special registers plus real world programming. Four simple projects are also fully described; a Wavy Wand, an Electronic Dice, a Games Timer and a Pulse Monitor.

The associated CDROM contains the book in PDF format, MPLAB (plus instruction manuals in PDF format) and all the programs covered in the book as assembler (ASM) files. Those that wish to programme their own PICs will require a PIC programmer.

In addition a p.c.b. based hardware kit is also available that makes up into the Wavy Wand which will spell out a short message via a line of l.e.d.s when waved through the air.

190 pages, A4 spiral bound

Book + CDROM Order code DOC1

£22.00

Book + CDROM + Hardware Order code DOC2

£28.50

PRACTICAL OSCILLATOR CIRCUITS

A. Flind

Extensive coverage is given to circuits using capacitors and resistors to control frequency. Designs using CMOS, timer i.c.s and op.amps are all described in detail, with a special chapter on "waveform generator" i.c.s. Reliable "white" and "pink" noise generator circuits are also included. Various circuits using inductors and capacitors are covered, with emphasis on stable low

frequency generation. Some of these are amazingly simple, but are still very useful signal sources.

Crystal oscillators have their own chapter. Many of the circuits shown are readily available special i.c.s for simplicity and reliability, and offer several output frequencies. Finally, complete constructional details are given for an audio sinewave generator.

133 pages

Order code BP393

£5.49

PIC IN PRACTICE (2nd Edition)

David W. Smith

A graded course based around the practical use of the PIC microcontroller through project work. Principles are introduced gradually, through hands-on experience, enabling hobbyists and students to develop their understanding at their own pace. The book can be used at a variety of levels. Contents: Introduction to the PIC microcontroller; Programming the 16F84 microcontroller; Introductory projects: Headers, porting code – which micro?; Using inputs; Keypad scanning; Program examples; The 16C54 microcontroller; Alphanumeric displays; Analogue to digital conversion; Radio transmitters and receivers; EEPROM data memory; Interrupts; The 12 series 8-pin microcontroller; The 16F87X microcontroller; The 16F62X microcontroller; Projects; Instruction set, files and registers; Appendices; Index.

308 pages

Order code NE39

£19.50

COIL DESIGN AND CONSTRUCTIONAL MANUAL

B. B. Babani

A complete book for the home constructor on "how to make" RF, IF, audio and power coils, chokes and transformers. Practically every possible type is discussed and calculations necessary are given and explained in detail. Although this book is now twenty years old, with the exception of toroids and pulse transformers little has changed in coil design since it was written.

96 pages

Order code BP160

£4.49

PRACTICAL ELECTRONIC FAULT FINDING AND TROUBLESHOOTING

Robin Pain

To be a real fault finder, you must be able to get a feel for what is going on in the circuit you are examining. In this book Robin Pain explains the basic techniques needed to be a fault finder.

Simple circuit examples are used to illustrate principles and concepts fundamental to the process of fault finding. This is not a book of theory, it is a book of practical tips, hints and rules of thumb, all of which will equip the reader to tackle any job. You may be an engineer or technician in search of information and guidance, a college student, a hobbyist building a project from a magazine, or simply a keen self-taught amateur who is interested in electronic fault finding but finds books on the subject too mathematical, or specialised.

The fundamental principles of analogue and digital fault finding are described (although, of course, there is no such thing as a "digital fault" – all faults are by nature analogue). This book is written entirely for a fault finder using only the basic fault-finding equipment: a digital multimeter and an oscilloscope. The treatment is non-mathematical (apart from Ohm's law) and all jargon is strictly avoided.

274 pages

Order code NE22

£28.99

A BEGINNERS GUIDE TO CMOS DIGITAL ICs

R. A. Penfold

Getting started with logic circuits can be difficult, since many of the fundamental concepts of digital design tend to seem rather abstract, and remote from obviously useful applications. This book covers the basic theory of digital electronics and the use of CMOS integrated circuits, but does not lose sight of the fact that digital electronics has numerous "real world" applications.

The topics covered in this book include: the basic concepts of logic circuits; the functions of gates, inverters and other logic "building blocks"; CMOS logic i.c. characteristics, and their advantages in practical circuit design; oscillators and monostables (timers); flip/flops, binary dividers and binary counters; decade counters and display drivers.

119 pages

Order code BP333

£5.45

AUDIO AMPS

BUILDING VALVE AMPLIFIERS

Morgan Jones

The practical guide to building, modifying, fault-finding and repairing valve amplifiers. A hands-on approach to valve electronics – classic and modern – with a minimum of theory. Planning, fault-finding, and testing are each illustrated by step-by-step examples.

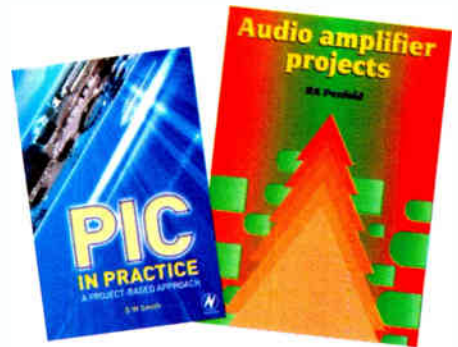
A unique hands-on guide for anyone working with valve (tube in USA) audio equipment – as an electronics experimenter, audiophile or audio engineer.

Particular attention has been paid to answering questions commonly asked by newcomers to the world of the vacuum tube, whether audio enthusiasts tackling their first build, or more experienced amplifier designers seeking to learn the ropes of working with valves. The practical side of this book is reinforced by numerous clear illustrations throughout.

368 pages

Order code NE40

£22.50



AUDIO AMPLIFIER PROJECTS

R. A. Penfold

A wide range of useful audio amplifier projects, each project features a circuit diagram, an explanation of the circuit operation and a stripboard layout diagram. All constructional details are provided along with a shopping list of components, and none of the designs requires the use of any test equipment in order to set up properly. All the projects are designed for straightforward assembly on simple circuit boards.

Circuits include: High impedance mic preamp. Low impedance mic preamp. Crystal mic preamp. Guitar and GP preamplifier. Scratch and rumble filter. RIAA preamplifier. Tape preamplifier. Audio limiter. Bass and treble tone controls. Loudness filter. Loudness control. Simple graphic equaliser. Basic audio mixer. Small (300mW) audio power amp. 6 watt audio power amp. 20/32 watt power amp and power supply. Dynamic noise limiter.

A must for audio enthusiasts with more sense than money!

116 pages

Order code PC113

£10.95 £5.45

VALVE AMPLIFIERS

Second Edition, Morgan Jones

This book allows those with a limited knowledge of the field to understand both the theory and practice of valve audio amplifier design, such that they can analyse and modify circuits, and build or restore an amplifier. Design principles and construction techniques are provided so readers can devise and build from scratch, designs that actually work.

The second edition of this popular book builds on its main strength – exploring and illustrating theory with practical applications. Numerous new sections include: output transformer problems; heater regulators; phase splitter analysis; and component technology. In addition to the numerous amplifier and preamplifier circuits, three major new designs are included: a low-noise single-ended LP stage, and a pair of high voltage amplifiers for driving electrostatic transducers directly – one for headphones, one for loudspeakers.

288 pages

Order code NE33

£34.00

BOOK ORDERING DETAILS

All prices include UK postage. For postage to Europe (air) and the rest of the world (surface) please add £2 per book. For the rest of the world airmail add £3 per book. CD-ROM prices include VAT and/or postage to anywhere in the world. Send a PO, cheque, international money order (£ sterling only) made payable to **Direct Book Service** or card details, Visa, Mastercard, Amex, Diners Club or Switch/Maestro to: **DIRECT BOOK SERVICE, WIMBORNE PUBLISHING LIMITED, 408 WIMBORNE ROAD EAST, FERNDOWN, DORSET BH22 9ND.**

Books are normally sent within seven days of receipt of order, but please allow 28 days for delivery – more for overseas orders. *Please check price and availability (see latest issue of Everyday Practical Electronics) before ordering from old lists.*

For a further selection of books see the next two issues of *EPE*.

Tel 01202 873872 Fax 01202 874562. E-mail: dbs@wimborne.co.uk

Order from our online shop at: www.epemag.co.uk

BOOK ORDER FORM

Full name:

Address:

..... Post code: Telephone No:

Signature:

I enclose cheque/PO payable to DIRECT BOOK SERVICE for £

Please charge my card £ Card expiry date.....

Card Number Switch/Maestro Issue No.

Card Security Code (the last three digits on or just below the signature strip)

Please send book order codes:

Please continue on separate sheet of paper if necessary

PCB SERVICE

Printed circuit boards for most recent *EPE* constructional projects are available from the PCB Service, see list. These are fabricated in glass fibre, and are fully drilled and roller tinned. Double-sided boards are NOT plated through hole and will require 'vias' and some components soldering both sides. All prices include VAT and postage and packing. Add £1 per board for *airmail* outside of Europe. Remittances should be sent to **The PCB Service, Everyday Practical Electronics, Wimborne Publishing Ltd., 408 Wimborne Road East, Ferndown, Dorset BH22 9ND. Tel: 01202 873872; Fax 01202 874562; Email: orders@epemag.wimborne.co.uk. On-line Shop: www.epemag.wimborne.co.uk/shopdoor.htm.** Cheques should be crossed and made payable to *Everyday Practical Electronics* (Payment in £ sterling only). **NOTE: While 95% of our boards are held in stock and are dispatched within seven days of receipt of order, please allow a maximum of 28 days for delivery – overseas readers allow extra if ordered by surface mail.** Back numbers or photocopies of articles are available if required – see the *Back Issues* page for details. We do not supply kits or components for our projects.

Please check price and availability in the latest issue. A large number of older boards are listed on, and can be ordered from, our website. Boards can only be supplied on a payment with order basis.

PROJECT TITLE	Order Code	Cost
★PIC Chromatone	NOV '05 537	£6.82
Back-To-Basics 8 – Noughts and Crosses Enigma	538	£6.66
– Weather Vane Repeater	539	£6.18
★ Multi-Function F/C Switch	540	£5.87
★ Speed Camera Watch Mk2	541	£6.35
Solid-State Valve Power Supply	DEC '05 542	£6.35
★ Vehicle Frost Box Mk2	543	£5.71
★ Propeller Monitor	544	£6.02
Solid-State Hammond	545	£6.18
★PIC Ambilux	JAN '06 546	£5.71
Sunset Switch	547	£6.98
Current Clamp Adaptor for Multimeters	548	£5.39
★ Tiptronic-Style Gear Indicator		
– Micro Board	549	} per set £7.61
– Display Board	550	
– Hall Speed Board	551	
★ Keypad Alarm	FEB '06 552	£6.02
3-Way Active Crossover	553	£9.20
Jazzy Heart	554	£6.02
Status Monitor – Transmitter	555	} pair £7.61
– Receiver	556	
Power Up	MAR '06 557	£6.82
Video/Audio Booster (double-sided)	558	£12.00
★ Telescope Interface	559	£6.50
'Smart' Slave Flash	APR '06 560	£6.18
Programmable Continuity Tester	561	£5.87
PortaPAL		
– Microphone Board	562	£6.18
– Auxiliary Board	563	£5.87
– Main Board	564	£8.56
– Charger Board	565	£6.66
Omni Pendulum	566	£6.34
Smart Card Reader/Programmer	MAY '06 567	£7.61
LED Lighting For Your Car (set of 15 boards)	568	£14.75
Digital Reaction Timer	569	£7.13
Poor Man's Metal Locator	JUN '06 570	£5.71
★ Digital Instrument Display for Cars		
– Micro Board	571	} pair £7.77
– Display Board	572	
Widgy Box	573	£7.29
Phone Ring & Test	574	£6.82
★ Sudoku Unit	JUL '06 575	£6.66
PC Power Monitor	576	£6.50
Home Theatre Sound Level Checker	AUG '06 577	£6.66
Adjustable DC-DC Converter For Cars	578	£6.50
★ Telephone Dialler For Buglar Alarms	579	£6.97
★ High Intensity Torch	580	£5.39
★ Low Cost 50MHz Frequency Meter	SEP '06 581	£6.66
Version 1	582	£6.66
Version 2	583	£6.66
Version 3	584	£6.50
Smart Mixture Display for your Car	585	} pair £6.98
Water Level Gauge – Sensor	586	
– Display		
Fridge Door-Open Alarm	OCT '06 587	£5.71
Linear Supply For 1W Star LEDs (Pair)	588a & b	£6.50
Through-Glass Alarm	589	£7.61

PROJECT TITLE	Order Code	Cost
Quick Brake	NOV '06 590	£6.50
Studio 350 Power Amplifier	591	£9.51
Micropower Battery Protector	592	£5.71
★ Giant LED Message Display – Master	594	£5.55
– Slave	595	£6.50
Lapel Microphone Adaptor	DEC '06 593	£6.18
RGB To Component Video Converter (double sided)	596	£12.69
USB Power Injector	597	£5.87
★ Mind Trainer	598	£6.50
Balanced Microphone Preamp	JAN '07 599	£6.82
High-Efficiency Power Supply for 1W Star LEDs	600	£6.19
Jumping Spider	601	£5.71
★ Programmable Robot	FEB '07 602	£6.50
Courtesy Light Delay	603	£5.87
★ Deep Cycle Battery Charger		
Power Board	604	} set £11.10
Control Board	605	
Display Board	606	
★ PIC Digital Geiger Counter (double sided)	607	£12.53
IR Remote Checker	MAR '07 608	£6.35
★ SMS Controller	609	£7.93
★ Lap Counter For Swimming Pools	610	£7.14
★ PIC Polyphonium – Main Board	611	£8.25
PIC Polyphonium – LED Display Interface	APR '07 612	£7.13
Students' Amp – Amplifier	613	£6.02
– PSU	614	£6.02
Star Power	615	£6.50
Bass Extender	MAY '07 618	£5.87
Caravan Lights Check	619	£6.18
Energy Meter – Main Board	JUN '07 616	} pair £9.83
– Display Board	617	
3V to 9V Converter (PCB plus TL499A IC)	620 + chip	
Bat Sonar	621	£6.03

EPE SOFTWARE

★ All software programs for *EPE* Projects marked with an asterisk, and others previously published, can be downloaded *free* from our Downloads site, accessible via our home page at: www.epemag.co.uk.

PCB MASTERS

PCB masters for boards published from the March '06 issue onwards can also be downloaded from our UK website (www.epemag.co.uk); go to the "Downloads" section.

EPE PRINTED CIRCUIT BOARD SERVICE

Order Code	Project	Quantity	Price
Name			
Address			
Tel. No.			
I enclose payment of £..... (cheque/PO in £ sterling only) to:			
			
			
Everyday Practical Electronics MasterCard, Amex, Diners Club, Visa or Switch/Maestro			
Card No			
Valid From		Expiry Date	
Card Security Code		Maestro Issue No	
(The last 3 digits on or just under the signature strip)			
Signature			
NOTE: You can also order p.c.b.s by phone, Fax, Email or via the shop on our website on a secure server: http://www.epemag.co.uk			

Everyday Practical Electronics reaches more UK readers than any other UK monthly hobby electronics magazine, our sales figures prove it. We have been the leading monthly magazine in this market for the last twenty-two years.

If you want your advertisements to be seen by the largest readership at the most economical price our classified and semi-display pages offer the best value. The prepaid rate for semi-display space is £10 (+VAT) per single column centimetre (minimum 2.5cm). The prepaid rate for classified adverts is 40p (+VAT) per word (minimum 12 words).

All cheques, postal orders, etc., to be made payable to Everyday Practical Electronics. **VAT must be added.** Advertisements, together with remittance, should be sent to Everyday Practical Electronics Advertisements, 408 Wimborne Road East, Ferndown, Dorset BH22 9ND. Phone: 01202 873872. Fax: 01202 874562. Email: epads@wimborne.co.uk. For rates and information on display and classified advertising please contact our Advertisement Manager, Stewart Kearn as above.

**www.
CONTROLBITZ
.com**

**BTEC ELECTRONICS
TECHNICIAN TRAINING**

NATIONAL ELECTRONICS
VCE ADVANCED ICT
HNC AND HND ELECTRONICS
FOUNDATION DEGREES
NVQ ENGINEERING AND IT
DESIGN AND TECHNOLOGY

LONDON ELECTRONICS COLLEGE
20 PENYWERN ROAD
EARLS COURT, LONDON SW5 9SU
TEL: (020) 7373 8721
www.lec.org.uk

BOWOOD ELECTRONICS LTD
Suppliers of Electronic Components
Place a secure order on our website or call our sales line
All major credit cards accepted
Web: www.bowood-electronics.co.uk
Unit 1, McGregor's Way, Turnoaks Business Park,
Chesterfield, S40 2WB. Sales: 01246 200222
Send 60p stamp for catalogue


EP EVERYDAY PRACTICAL ELECTRONICS

**VISIT OUR ONLINE
SHOP TO ORDER
SUBSCRIPTIONS (AND
RENEWALS), BACK
ISSUES, CDROMS,
BOOKS, PCBS, AND
MANUALS**

www.epemag.co.uk

**Versatile Programmable PIC
On Screen Display System**



Free demo code
PAL - NTSC compatible

- PIC 16F628 microcontroller
- 28 by 11 character screen
- Fully programmable
- Text over composite video
- Demo software available
- Free I/O for sensors or buttons

TEXT, GPS or DATA

www.STV5730A.co.uk

N.R. BARDWELL Ltd – est 1948
Electronic Component Supplies

LED's, Semis, IC's Resistors, Caps, etc
send 44p for lists. 1000's bargains at our
secure site: www.bardwells.co.uk
288, Abbeydale Rd. Sheffield. S7 1FL
0845 166 2329 (local rate)

Daniels Den

New Catalogue For Gadgets & toys for boys
Visit the website

www.danielsden.co.uk
Dreamland, Hanger 18, Bargain Basement

RSHELECTRONICS

ELECTRONIC COMPONENTS & KITS
P&P still just £2.50 (orders over £25 Free P&P)
A wide range of popular components.
No Minimum Order. No Sign-up. No VAT.
Visit our easy to use website
www.rshelectronics.co.uk

**THIS SPACE
COULD BE YOURS
FOR JUST £50**

Contact Stewart on 01202 873872
stewart.kearn@wimborne.co.uk

Miscellaneous

VALVES AND ALLIED COMPONENTS IN STOCK. Phone for free list. Valves, books and magazines wanted. Geoff Davies (Radio), tel. 01788 574774.

WANTED OLD HALF INCH FERRITE RODS. Must be half inch (12.7mm) in diameter and be six inches long or more. will pay very good money for the ferrite rods. Contact Peter Tankard on Sheffield 0114 2316321 between 9am and 10pm.

FOR ½ PRICE VALVE CLEARANCE catalogue send £1.00 in 1st or 2nd class stamps FOR COMBINED VALVE & COMPONENT CLEARANCE list send £1.50 in 1st or 2nd class stamps. W. Burcher, 676 Foxhall Road, Ipswich, Suffolk. IP3 8NQ. Tel: 01473 272218.

DIGITAL MULTIFLEXER Colour 16 channel zoom and freeze frame function. Brand new and boxed £100. Tel: Michael 0191 2575781

EP Online
www.epemag.com

**Get your magazine
'instantly' anywhere
in the world – buy
and download from
the web.**

**TAKE A LOOK, A
FREE ISSUE IS
AVAILABLE**

**A one year subscription
(12 issues) costs just
\$15.99 (US)**

**Back issues are also
available**

EP Online
www.epemag.com

Europe's Largest Surplus Store

20,000,000 Items on line NOW !
New items added daily

Established for over 25 years, UK company Display Electronics prides itself on offering a massive range of electronic and associated electro-mechanical equipment and parts to the Hobbyist, Educational and Industrial user. Many current and obsolete hard to get parts are available from our vast stocks, which include:

- ◆ 6,000,000 Semiconductors
- ◆ 5,000 Power Supplies
- ◆ 25,000 Electric Motors
- ◆ 10,000 Connectors
- ◆ 100,000 Relays & Contactors
- ◆ 2000 Rack Cabinets & Accessories
- ◆ 4000 Items of Test Equipment
- ◆ 5000 Hard Disk Drives

We Ship Worldwide

Surplus Wanted

www.distel.co.uk

Display Electronics
29 / 35 Osborne Road
Thornton Heath
Surrey UK CR7 8PD

Telephone
[44] 020 8653 3333
Fax [44] 020 8653 8888

Rechargeable Batteries With Solder Tags

NIMH

AA 2000mAh£2.82
C 4Ah£4.70
D 9Ah£7.60
PP3 150mAh£4.95

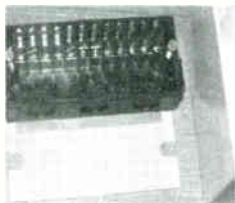
NICAD

AA 650mAh £1.41
C 2.5Ah£3.60
D 4Ah£4.95

Instrument case with edge connector and screw terminals

Size 112mm x 52mm x 105mm tall

This box consists of a cream base with a PCB slot, a cover plate to protect your circuit, a black lid with a 12 way edge connector and 12 screw terminals built in (8mm pitch) and 2 screws to hold the lid on. The cream bases have minor marks from dust and handling price £2.00 + VAT(=£2.35) for a sample or £44.00+VAT (=£51.70) for a box of 44.



866 battery pack originally intended to be used with an orbital mobile telephone it contains 10 1.6Ah sub C batteries (42 x 22 dia. the size usually used in cordless screwdrivers etc.) the pack is new and unused and can be broken open quite easily £7.46 + VAT = £8.77



Please add £1.66 + VAT = £1.95 postage & packing per order

JPG Electronics
Shaws Row, Old Road, Chesterfield, S40 2RB.
Tel 01246 211202 Fax 01246 550959
www.JPGElectronics.com
Mastercard/Visa/Switch
Callers welcome 9.30 a.m. to 5.30 p.m. Monday to Saturday

EPSEVERYDAY PRACTICAL ELECTRONICS

NEXT MONTH

VIDEO READING AID

Do you have a family member with vision problems – like cataracts, or age-related macular degeneration? Here's a low cost video reading aid that will make it much easier for them to read a book or newspaper. It combines a small CMOS TV camera with a video processor which boosts the contrast and allows them to select either a positive or negative enlarged image for viewing on a TV set or video monitor.

MINICAL 5V METER CALIBRATION STANDARD

How accurate is your digital multimeter? Find out with this simple yet accurate DC voltage reference. If your meter fails the grade, the reference can be used as the calibration standard too. And as a bonus, we've thrown in a crystal-locked frequency reference which doubles as a crystal checker.

LEAD-ACID BATTERY ZAPPER

This simple circuit is designed to extend the working life of liquid-electrolyte lead-acid batteries, by dissolving the lead-sulphate crystals which form on their plates. It's powered by the battery itself (or by a charger) and 'zaps' the battery with a series of high-voltage pulses.

• USING MPLAB – 2 • THE POWER OF MECHATRONICS – 2

JULY '07 ISSUE ON SALE JUNE 14

ADVERTISERS INDEX

AGAR CIRCUITS61
AUDON ELECTRONICS51
BETA-LAYOUT44
BRUNNING SOFTWARE23
BULL GROUP	Cover (ii)
DISPLAY ELECTRONICS72
EASYSYNC4
ESR ELECTRONIC COMPONENTS6
JAYCAR ELECTRONICS18/19
JPG ELECTRONICS72
LABCENTER	Cover (iv)
LASER BUSINESS SYSTEMS29
MAGENTA ELECTRONICS29
MECHATRONICS29
MICROCHIP	Cover (iii)
MIKROELEKTRONIKA5
NURVE NETWORKS LLC41
PALTRONIX11
PEAK ELECTRONIC DESIGN44
PICO TECHNOLOGY17
QUASAR ELECTRONICS2/3
SCANTOOL44
SHERWOOD ELECTRONICS51
STEWART OF READING51
TECHNOBOTS35

ADVERTISEMENT OFFICES:

408 WIMBORNE ROAD EAST, FERNDOWN, DORSET BH22 9ND
PHONE: 01202 873872 FAX: 01202 874562
EMAIL: epeads@wimborne.co.uk

For Editorial address and phone numbers see page 7

Everyday Practical Electronics, ISSN 0262 3617 is published monthly (12 times per year) by Wimborne Publishing Ltd., USA agent USACAN Media Dist. Srv. Corp. at 26 Power Dam Way Suite S1-S3, Plattsburgh, NY 12901. Periodicals postage paid at Plattsburgh, NY and at additional mailing Offices. POSTMASTER: Send address changes to Everyday Practical Electronics, c/o Express Mag., PO Box 2769, Plattsburgh, NY, USA 12901-0239.

16-bit Microcontrollers



16-bit PIC24 MCUs and dsPIC® Digital Signal Controllers

Unified 16-bit Architecture

- PIC24F, low-cost entry level
- PIC24H, 40 MIPS high performance
- dsPIC30F/33F for seamless DSP integration

Low-Risk Design

- Easy migration from 8-bit MCUs
- Common core instruction set and architecture
- Peripheral and Pin compatible families
- One development tool platform for all products
- Free MPLAB® IDE Integrated Development Environment
- Other tools include C-compiler, programmer and In-Circuit Emulator

Visualise...16-bit Microcontrollers with 32-bit Performance and 8-bit Simplicity

Today's embedded systems demand more. The 16-bit PIC® microcontroller families from Microchip give you the performance and flexibility you need with 8-bit simplicity. Pin and code compatibility lowers risk, and allows re-use of development tools, software and

hardware designs. For the most demanding applications the dsPIC digital signal controller families seamlessly integrate high-performance DSP capabilities with the PIC microcontroller core.

**Over 50 PIC24 Microcontrollers and dsPIC Digital Signal Controllers sampling today.
For data sheets, samples and pricing go to www.microchip.com/16bit**

microchip
DIRECT
www.microchipdirect.com

Now
Pb-free!
RoHS Compliant

 **MICROCHIP**
www.microchip.com/16bit

PROTEUS DESIGN SUITE

TIME FOR A CHANGE ?



NEW IN DESIGN SUITE 7:

NEW: Redesigned User Interface includes modeless selection, modeless wiring and intuitive operation to maximise speed and ease of use.

NEW: Design Explorer provides easy navigation, design inspection tools and cross-probing support to improve quality assurance and assist with fault finding.

NEW: 3D Visualisation Engine provides the means to preview boards in the context of a mechanical design prior to physical prototyping.

NEW: Simulation Advisor includes reporting on simulation problems with links to detailed troubleshooting information where appropriate.

NEW: Trace capability within both MCU and peripheral models provides detailed information on system operation which allows for faster debugging of both hardware and software problems.

NEW: Hundreds of new device models including PIC24, LPC2000, network controllers and general purpose electronic components.

Electronic Design From Concept To Completion

Labcenter  www.labcenter.com
Electronics

Labcenter Electronics Limited
Registered in England 4692454

E-mail: info@labcenter.com

Tel: +44 (0) 1756 753440

Fax: +44 (0) 1756 752857

Registered Address: 53-55 Main Street, Grassington, North Yorks, UK, BD23 5AA

World Radio History