

THE No.1 MAGAZINE FOR ELECTRONICS TECHNOLOGY & COMPUTER PROJECTS

EVERYDAY

SEPTEMBER 2004

PRACTICAL ELECTRONICS

£3.10

RADIO CONTROL FAILSAFE

For fighting robots,
race cars and
boats

WART ZAPPER

An inexpensive
project that
destroys
most
warts

ALPHAMOUSE GAME

Fun with a mouse,
an I.C.D. and
letters



NEW SERIES

LIGHT EMITTING DIODES

Operation and Applications



<http://www.epemag.wimborne.co.uk>



Colour CCTV camera, 8mm lens, 12V d.c. 200mA 582x628 Resolution 380 lines Automatic aperture lens Mirror function PAL Back Light Compensation MLR. 100x40x40mm. Ref EE2 £75.90

Built-in Audio .15lux CCD camera 12V d.c. 200mA 480 lines s/n ratio >48db 1V P-P output 110mm x 60mm x 50mm. Ref EE1 £108.90



Metal CCTV camera housings for internal or external use. Made from aluminium and plastic they are suitable for mounting body cameras in. Available in two sizes 1 - 100 x 70 x 170mm and 2 - 100 x 70 x 280mm. Ref EE6 £24.20 EE7 £28.60 multi-position brackets. Ref EE8 £8.80



Excellent quality multi-purpose TV/TF screen, works as just a LCD colour monitor with any of our CCTV cameras or as a conventional TV. Ideal for use in boats and caravans 49.7MHz-91.75MHz VHF channels 1-5.168-25MHz 222.75MHz VHF channels 6-12. 471.25MHz-869.75MHz. Cable channels 112.325MHz-166.75MHz Z1-Z7. Cable channels 224.25MHz-446.75MHz Z8-Z35 5" colour screen. Audio output 150mW. Connections, external aerial, earphone jack, audio/video input, 12V d.c. or mains. Accessories supplied Power supply, Remote control, Cigar lead power supply, Headphone Stand/bracket. 5" model £152.90 Ref EE9, 6" model £163.90. Ref EE10

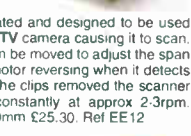


Fully cased IR light source suitable for CCTV applications. The unit measures 10 x 10 x 150mm, is 12V d.c. operated and contains 54 infra-red LEDs. Designed to mount on a standard CCTV camera bracket. The unit also contains a daylight sensor that will only activate the infra-red lamp when the light level drops below a preset level. The infra-red lamp is suitable for indoor or exterior use. Typical useage would be to provide additional IR illumination for CCTV cameras. £53.90. Ref EE11

Mains operated and designed to be used with any CCTV camera causing it to scan. The clips can be moved to adjust the scan angle, the motor reversing when it detects a clip. With the clips removed the scanner will rotate constantly at approx 2-3rpm. 75 x 75 x 80mm £25.30. Ref EE12



Colour CCTV Camera measures 60x45mm and has a built-in light level detector and 12 IR LEDs 0.2 lux 12 IR LEDs 12V d.c. Bracket Easy connect leads £75.90. Ref EE15



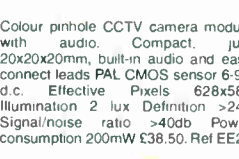
A high quality external colour CCTV camera with built-in infra-red LEDs measuring 60 x 60 x 60mm Easy connect leads colour Waterproof PAL 1/4in. CCD 542 x 588 pixels 420 lines 0.05 lux 3.6mm F2.78 deg lens 12V d.c. 400mA Built-in light level sensor. £108.90. Ref EE13

Colour pinhole CCTV camera module with audio. Compact, just 20x20x20mm, built-in audio and easy connect leads PAL CMOS sensor 6.9V d.c. Effective Pixels 628x582 Illumination 2 lux Definition >240 Signal/noise ratio >40db Power consumption 200mW £38.50. Ref EE21



Colour pinhole CCTV camera module with audio. Compact, just 20x20x20mm, built-in audio and easy connect leads PAL CMOS sensor 6.9V d.c. Effective Pixels 628x582 Illumination 2 lux Definition >240 Signal/noise ratio >40db Power consumption 200mW £38.50. Ref EE21

A small colour CCTV camera measuring just 35 x 28 x 30mm. Supplied complete with bracket, microphone and easy connect leads Built-in audio Colour 380 line resolution PAL 0.2 lux +18db sensitivity Effective pixels 628 x 582 Power source 6-12V d.c. Power consumption 200mW £39.60. Ref EE16



Complete wireless CCTV system with video. Kit comprises pinhole colour camera with simple battery connection and a receiver with video output. 380 lines colour 2.4GHz 3 lux 6-12V d.c. manual tuning Available in two versions, pinhole and standard. £86.90 (pinhole) Ref EE17. £86.90 (standard). Ref EE18



Small transmitter designed to transmit audio and video signals on 2.4GHz. Unit measures 45 x 35 x 10mm. Ideal for assembly into covert CCTV systems Easy connect leads Audio and video input 12V d.c. Complete with aerial Selectable channel switch £33. Ref EE19



2.4GHz wireless receiver Fully cased audio and video 2.4GHz wireless receiver 190x140x30mm, metal case, 4 channel, 12V d.c. Adjustable time delay. 4s, 8s, 12s, 16s. £49.50. Ref EE20

The smallest PMR446 radios currently available (54x87x37mm). These tiny handheld PMR radios not only look great, but they are user friendly & packed with features including VOX, Scan & Dual Watch. Priced at £64.90 PER PAIR they are excellent value for money. Our new favourite PMR radios! Standby - 35 hours Includes: - 2 x Radios, 2 x Belt Clips & 2 x Carry Strap £64.90 Ref ALAN1 Or supplied with 2 sets of rechargeable batteries and two mains chargers £93.49. Ref Alan2



Betronics BEL550 Euro radar and GATSO detector Claimed Detection Range: GATSO up to 400m. Radar & Laser guns up to 3 miles. Detects GATSO speed cameras at least 200 metres away, plenty of time to adjust your speed £350.90. Ref BEL550

TheTENS mini Microprocessors offer six types of automatic programme for shoulder pain, back/neck pain, aching joints, Rheumatic pain, migraines headaches, sports injuries, period pain. In fact all over body treatment. Will not interfere with existing medication. Not suitable for anyone with a heart pacemaker. Batteries supplied. £21.95 Ref TEN327 Spare pack of electrodes £6.59. Ref TEN327X



Dummy CCTV cameras These motorised cameras will work either on 2 AA batteries or with a standard DC adapter (not supplied) They have a built-in movement detector that will activate the camera if movement is detected causing the camera to 'pan' Good deterrent. Camera measures 20cm high, supplied with fixing screws. Camera also has a flashing red l.e.d. built in. £10.95. Ref CAMERAB

INFRA-RED FILM 6" square piece of flexible infra-red film that will only allow IR light through. Perfect for converting ordinary torches, lights, headlights etc to infra-red output only using standard light bulbs Easily cut to shape. 6" square £16.50. Ref IRF2 or a 12" sq for £34.07 IRF2A



GASTON SEALED LEAD-ACID BATTERIES 1-3AH 12V @ £5.50 REF GT1213 3-4AH 12V @ £8.80 REF GT1234 7AH 12V @ £8.80 REF GT127 17AH 12V @ £19.80 REF GT1217

All new and boxed, bargain prices. Good quality sealed lead-acid batteries

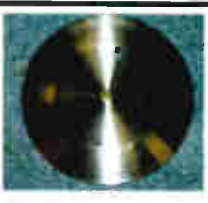
SOLAR PANEL 10 watt silicon solar panel, at least 10 year life, 365 x 26mm, waterproof, ideal for fixing to caravans, boat, motorhomes etc. Nicely made unit with fixing holes for secure fittings. Complete with leads and connectors. Anodised frame. Supplied with two leads, one 3M lead is used for the clip with two croc clips. the other lead is used to connect extra panels. Panels do NOT require a blocking diode, they can be left connected at all times without discharging the battery. £93.49. REF PAN 8A solar regulator 12V, 96 watt, 150mm x 100mm x 25mm. £30. REF SOLREG2



High-power modules (80W+) using 125mm square multi-crystal silicon solar cells with bypass diode. Anti-reflection coating and BSF structure to improve cell conversion efficiency: 14%. Using white tempered glass, EVA resin, and a weatherproof film along with an aluminium frame for extended outdoor use, system Lead wire with waterproof connector. Four sizes, 80W 12V dc. 1200 x 530 x 35mm, £315.17. REF NE80. 123W 12V d.c., 1499 x 662 x 46mm, £482.90. REF NDL3. 125W 24V, 1190 x 792 x 46mm, £482.90. REF NEL5 and 165W 24V. 157 x 826 x 46mm. £652.30

BULL GROUP LTD
 UNIT D, HENFIELD BUSINESS PARK,
 HENFIELD, SUSSEX BN5 9SL
TERMS: CASH, PO, CHEQUE PRICES + VAT
WITH ORDER PLUS £5.50 P&P (UK) PLUS VAT.
24 HOUR SERVICE £7.50 (UK) PLUS VAT.
OVERSEAS ORDERS AT COST PLUS £3.50
 Tel: 0870 7707520 Fax 01273 491813
 Sales@bullnet.co.uk
 www.bullnet.co.uk

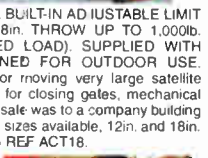
THE TIDE CLOCK. These clocks indicate the state of the tide. Most areas in the world have two high tides and two low tides a day, so the tide clock has been specially designed to rotate twice each lunar day (every 12 hours and 25 minutes) giving you a quick and easy indication of high and low water. The Quartz tide clock will always stay calibrated to the moon. £23.10 REF TIDEC



LINEAR ACTUATORS 12-36V D.C. BUILT-IN ADJUSTABLE LIMIT SWITCHES. POWER COATED 18in. THROW UP TO 1,000lb. THRUST (400lb. RECOMMENDED LOAD) SUPPLIED WITH MOUNTING BRACKETS DESIGNED FOR OUTDOOR USE. These brackets originally made for moving very large satellite dishes are possibly more suitable for closing gates, mechanical machinery, robot wars etc. Our first sale was to a company building solar panels that track the sun! Two sizes available, 12in. and 18in. throw. £32.95. REF ACT12, £38.45 REF ACT18.



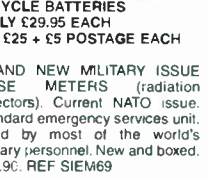
POWERSAFE DEEP CYCLE BATTERIES 12V 51AH, NOW ONLY £29.95 EACH YUASA 6V 100AH NOW ONLY £25 + £5 POSTAGE EACH



BRAND NEW MILITARY ISSUE DOSE METERS (radiation detectors). Current NATO issue. Standard emergency services unit. Used by most of the world's military personnel. New and boxed. £75.90. REF SIEM69



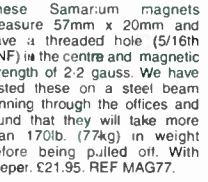
NIGHT VISION SYSTEM. Superb hunting rifle sight to fit most rifles, grooved for a telescopic sight. Complete with infra-red illuminator. Magnification 2.7x. Complete with rubber eye shield and case. Opens up a whole new world! Russian made. Can be used as a hand-held or mounted on a rifle. £108.90. REF PN:



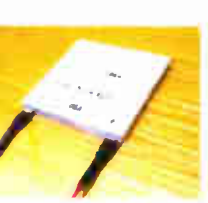
These Samarium magnets measure 57mm x 20mm and have a threaded hole (5/16th UNF) in the centre and magnetic strength of 2.2 gauss. We have tested these on a steel beam running through the offices and found that they will take more than 170lb. (77kg) in weight before being pulled off. With keeper. £21.95. REF MAG77.



Peltier Effect heat pump. Semiconductor thermo-electric device which works on the Peltier effect. When supplied with a suitable electric current, can either cool or heat. Also when subject to an externally applied temperature gradient can produce an electric current. Ideal for cooling or controlling the temperature of sub assemblies. Each module is supplied with a comprehensive 18-page Peltier design manual featuring circuit designs, design information etc., etc. The Peltier manual is also available separately. Maximum watts 56.2 40 x 40mm lmax. 5-5A Vmax. 16.7 Tmax (c-dry N2). 72. £32.95 (inc. manual. REF PELT1. Just manual £4.40 REF PEL2.



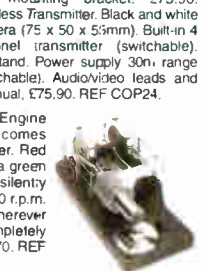
New transmitter, receiver and camera kit. £75.90. Kit contains four channel switchable camera with built-in audio, six IR l.e.d.s and transmitter, four channel switchable receiver, 2 power supplies, cables, connectors and mounting bracket. £75.90. Wireless Transmitter. Black and white camera (75 x 50 x 53mm). Built-in 4 channel transmitter (switchable).



Audio built-in 6 IR l.e.d.s. Bracket/stand. Power supply 30n range Wireless Receiver 4 channel (switchable). Audio/Video leads and scart adapter. Power supply and manual. £75.90. REF COP24.



This miniature Stirling Cycle Engine measures 7in. x 4in. and comes complete with built-in alcohol burner. Red flywheels and chassis mounted on a green base, these all-metal beauties silently running at speeds in excess of 1,000 r.p.m. attract attention and create awe wherever displayed. This model comes completely assembled and ready to run. £106.70. REF SOL1



SHOP ONLINE
 WWW.BULLNET.CO.UK

ISSN 0262 3617
PROJECTS ... THEORY ... NEWS ...
COMMENTS ... POPULAR FEATURES ...

VOL. 33. No. 9 SEPTEMBER 2004
Cover illustration by jgr22

EVERYDAY
PRACTICAL
ELECTRONICS

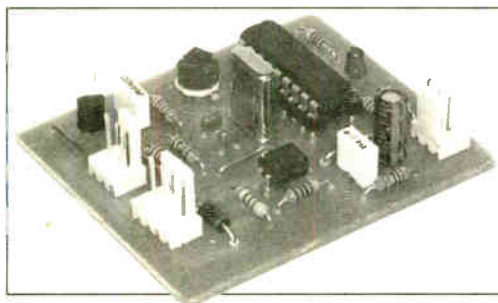
INCORPORATING ELECTRONICS TODAY INTERNATIONAL

www.epemag.wimborne.co.uk
EPE Online: www.epemag.com



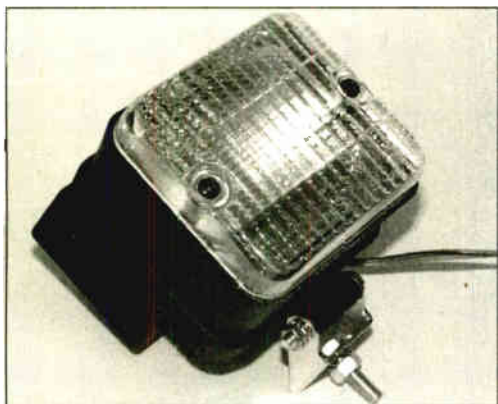
Projects and Circuits

- RAINBOW LIGHTING CONTROLLER** by David Geary 608
Brighten up your garden's night-time colour scheme
- INGENUITY UNLIMITED - Sharing your ideas with others** 614
Betty's Flasher; Water Safety Lock; Audio Frequency Synthesiser;
Line-O-Light; Automatic Morse Beacons; Fine-Tuning for DC Receivers
- RADIO CONTROL FAILSAFE** by Ken Ginn 620
How to keep your RC models safely controlled and prevent mayhem!
- EPE WART ZAPPER** by Thomas Scarborough 629
Exterminate those unwanted warts!
- ALPHAMOUSE GAME** by John Becker 634
Let that mouse sort out those shifty characters!



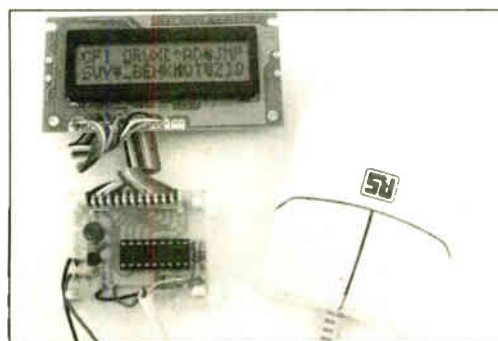
Series and Features

- TECHNO TALK** by Andy Emmerson 612
From POTS to PANS - telephone technology has reached its use-by date
- NET WORK - THE INTERNET PAGE** surfed by Alan Winstanley 624
Domains and IP Addresses; Broadband Turn-On
- CIRCUIT SURGERY** by Alan Winstanley and Ian Bell 626
Back-E.M.F. Protection; Overrated L.E.D.s
- PRACTICALLY SPEAKING** by Robert Penfold 638
A novice's guide to buying and stocking-up components
- PIC N' MIX** by Andrew Jarvis 646
Hex files - the truth is out there!
- LIGHT EMITTING DIODES - OPERATION AND APPLICATIONS - 1**
Basic Principles by Anthony H. Smith, BSc. (Hons) 652
Commencing a short series intended to answer all those l.e.d. questions
you've longed to ask
- HIGH SPEED BINARY TO DECIMAL FOR PICS** by Peter Hemsley 659
It really is amazingly fast!



Regulars and Services

- PIC RESOURCES CD-ROM** Invaluable to all PICkers! 602
- EDITORIAL** 607
- NEWS** - Barry Fox highlights technology's leading edge
Plus everyday news from the world of electronics 618
- SHOPTALK** with David Barrington 623
The *essential* guide to component buying for *EPE* projects
- BACK ISSUES** Did you miss these? Many now on CD-ROM 640
- READOUT** John Becker addresses general points arising 643
- CD-ROMS FOR ELECTRONICS** 649
A wide range of CD-ROMs for hobbyists, students and engineers
- DIRECT BOOK SERVICE** 661
A wide range of technical books available by mail order, plus more CD-ROMs
- ELECTRONICS MANUALS** 664
Essential CD-ROM reference works for hobbyists, students and
service engineers
- PRINTED CIRCUIT BOARD AND SOFTWARE SERVICE** 665
PCBs for *EPE* projects. Plus *EPE* project software
- ADVERTISERS INDEX** 668



© Wimborne Publishing Ltd 2004. Copyright in all drawings, photographs and articles published in **EVERYDAY PRACTICAL ELECTRONICS** is fully protected, and reproduction or imitations in whole or in part are expressly forbidden.

Our October 2004 issue will be published on Thursday, 9 September 2004. See page 599 for details

Readers Services • Editorial and Advertisement Departments 607

Visit our website
www.distel.co.uk

THE ORIGINAL SURPLUS WONDERLAND!

THIS MONTH'S SELECTION FROM OUR VAST EVER CHANGING STOCKS

Surplus always
wanted for cash!

GIANT 10" 7-SEGMENT DISPLAYS

A bulk purchase enables us to bring to you these GIANT 7-segment digital displays at a now affordable price! The 10" character size gives exceptional readability at long distances and enables a host of applications including, score boards, digital clocks, counters, event timers etc. As the units are a simple electro-mechanical device and operate from 12V DC, simple switching via switches, relays, PIC or PC may be used to control single or multiple digits. Units feature integral 'Zero Power' memory which greatly simplifies design. For an excellent DIY practical article, see the May issue of 'Everyday Practical Electronics' magazine. Ideal School / College construction project. Supplied in good RFE condition, complete with data sheet.



Less than 30% of makers price **Only £29.95(B) or 4 / £99.00(D)**
Order RW44 Order PH26

THE AMAZING TELEBOX



TV SOUND & VIDEO TUNER
CABLE COMPATIBLE

Converts your colour monitor into a QUALITY COLOUR TV!!

The TELEBOX is an attractive fully cased mains powered unit, containing all electronics ready to plug into a host of video monitors or AV equipment which are fitted with a composite video or SCART input. The composite video output will also plug directly into most video recorders, allowing reception of TV channels not normally receivable on most television receivers* (TELEBOX MB). Push button controls on the front panel allow reception of 8 fully tuneable 'off air' UHF colour television channels. TELEBOX MB covers virtually all television frequencies VHF and UHF including the HYPERBAND as used by most cable TV operators. Ideal for desktop computer video systems & PIP (picture in picture) setups. For complete compatibility - even for monitors without sound - an integral 4 watt audio amplifier and low level Hi Fi audio output are provided as standard. Brand new - fully guaranteed.

TELEBOX ST for composite video input type monitors **£36.95**
TELEBOX STL as ST but fitted with integral speaker **£39.50**
TELEBOX MB Multiband VHF/UHF/Cable/Hyperband tuner **£69.95**
For overseas PAL versions state 5.5 or 6 MHz sound specification.
*For cable / hyperband signal reception Telebox MB should be connected to a cable type service. Shipping on all Telebox's, code (B)

NEW State of the art PAL (UK spec) UHF TV tuner module with composite 1V pp video and NICAM hi fi stereo sound outputs. Micro electronics all on one small PCB only 73 x 160 x 52 mm enable full tuning control via a simple 3 wire link to an IBM pc type computer. Supplied complete with simple working program and documentation. Requires +12V & +5V DC to operate. **BRAND NEW - Order as MY00. Only £39.95 code (B)**
See www.distel.co.uk/data/my00.htm for picture & full details

HARD DISK DRIVES 2 1/2" - 14"

- 2 1/2" TOSHIBA MK1002MAV 1.1Gb laptop (12.5 mm H) **New £59.95**
- 2 1/2" TOSHIBA MK4313MAT 4.3Gb laptop (8.2 mm H) **New £105.00**
- 2 1/2" TOSHIBA MK6409MAV 6.4Gb laptop (12.7 mm H) **New £98.00**
- 2 1/2" TOSHIBA MK1614GAV 1.8Gb laptop (12 mm H) **New £149.95**
- 2 1/2" to 3 1/2" conversion kit for PC's, complete with connectors **£15.95**
- 3 1/2" COMPAQ 313706-B21 (IBM) 9 gb RLT/SCSI3 **New £199.00**
- 3 1/2" FUJII FK-309-26 20mb MFM I/F RFE **£59.95**
- 3 1/2" CONNER CP3024 20 mb IDE I/F (or equiv.) RFE **£59.95**
- 3 1/2" CONNER CP3044 40 mb IDE I/F (or equiv.) RFE **£69.00**
- 3 1/2" QUANTUM 40S Prodriv 4e 42mb SCSI I/F, New RFE **£49.00**
- 5 1/4" MINISCRIBE 3425 20mb MFM I/F (or equiv.) RFE **£49.95**
- 5 1/4" SEAGATE ST-238R 30 mb RLL I/F Refurb **£69.95**
- 5 1/4" CDC 94205-51 40mb HH MFM I/F RFE tested **£69.95**
- 5 1/4" HP 97548 850 Mb SCSI RFE tested **£99.00**
- 5 1/4" HP C3010 2 Gbyte SCSI differential RFE tested **£195.00**
- 8" NEC D2246 85 Mb SMD interface. **New £99.00**
- 8" FUJITSU M2322K 160Mb SMD I/F RFE tested **£195.00**
- 8" FUJITSU M2392K 2 Gb SMD I/F RFE tested **£345.00**

Many other floppy & H drives, IDE, SCSI, ESDI etc from stock, see website for full stock list. Shipping on all drives is code

TEST EQUIPMENT & SPECIAL INTEREST ITEMS

- | | | | |
|---|-------|--|-------|
| MITSUBISHI FA3445ETKL 14" Ind. spec SVGA monitors | £245 | HP6030A 0-200V DC @ 17 Amps bench power supply | £1950 |
| FARNELL 0-60V DC @ 50 Amps, bench Power Supplies | £95 | Intel SBC 486/125C08 Enhanced Multibus (MSA) New | £1150 |
| FARNELL AP3080 0-30V DC @ 80 Amps, bench Supply | £1850 | Nikon HFX-11 (Ephiphot) exposure control unit | £1450 |
| KINGSHILL CZ4031 0-50V @ DC 200 Amps - NEW | £3950 | PHILIPS PM5518 pro. TV signal generator | £1250 |
| 1kW to 400 kW - 400 Hz 3 phase power sources - ex stock | EPOA | Motorola VME Bus Boards & Components List. SAE / CALL | EPOA |
| IBM 8230 Type 1, Token ring base unit driver | £760 | MPA | £1450 |
| Wayne Kerr RA200 Audio frequency response analyser | £2500 | Trio 0-18 vdc linear, metered 30 amp bench PSU. New | £550 |
| INFODEC 1U, 24 port, RJ45 network patchpanels, #TH93 | £49 | Fujitsu M3041R 600 LPM high speed band printer | £1950 |
| 3COM 16670 12 Port Ethernet hub - RJ45 connectors #LD97 | £69 | Fujitsu M3041D 600 LPM printer with network interface | £1250 |
| 3COM 16671 24 Port Ethernet hub - RJ45 connectors | £89 | Siemens K4400 64Kb to 140Mb demux analyser | £2950 |
| 3COM 16700 8 Port Ethernet hub - RJ45 connectors NEW | £39 | Perkin Elmer 299B Infrared spectrophotometer | £500 |
| IBM 53F5501 Token Ring ICS 20 port lobe modules | EPOA | Perkin Elmer 597 Infrared spectrophotometer | £3500 |
| IBM MAU Token ring distribution panel 8228-23-5050N | £45 | VG Electronics 1035 TELETEXT Decoding Margin Meter | £3250 |
| AIM 501 Low distortion Oscillator 9Hz to 330KHz, IEEE I/O | £550 | LightBand 60 output high spec 2u rack mount Video VDA's | £495 |
| ALLGON 8360.11805-1880 MHz hybrid power combiners | £250 | Sekonic SD 150H 18 channel digital Hybrid chart recorder | £1995 |
| Trend DSA 274 Data Analyser with G703(2M) 64 I/O | EPOA | B&K 2633 Microphone pre amp | £300 |
| Marconi 6310 Programmable 2 to 22 GHz sweep generator | £4500 | Taylor Hobson Talysurf amplifier / recorder | £750 |
| Marconi 2022C 10KHz-1GHz RF signal generator | £1550 | ADC S200 Carbon dioxide gas detector / monitor | £1450 |
| HP1650B Logic Analyser | £3750 | BBC ANM20/3 PPM Meter (Ernest Turner) + drive electronics | £75 |
| HP3781A Pattern generator & HP3782A Error Detector | EPOA | ANRITSU 9854A Optical DC-2.5Gb/w wavelform monitor | £5650 |
| HP6621A Dual Programmable GPIB PSU 0-7 V 160 watts | £1800 | ANRITSU ML93A optical power meter | £990 |
| HP6264 Rack mount variable 0-20V @ 20A metered PSU | £475 | ANRITSU Fibre optic characteristic test set | EPOA |
| HP54121A DC to 22 GHz 4 channel test set | EPOA | R&S FTDS Dual sound unit | £650 |
| HP8130A opt 0-20 300 MHz pulse generator, GPIB etc | £7900 | R&S SBUF-E1 Vision modulator | £775 |
| HP A1, A0 8 pin HPGL high speed drum plotters - from HP | £550 | WILTRON 6630E 12.4 / 20GHz RF sweep generator | £5750 |
| HP DRAFTMASTER 1 8 pin high speed plotter | £750 | TEK 2445 150 MHz 4 trace oscilloscope | £1250 |
| EG-G Brookdeal 95035C Precision lock in amp | £1800 | TEK 2465 300 MHz 3 trace oscilloscope rack mount | £1955 |
| Keithley 590 CV capacitor / voltage analyser | EPOA | TEK TDS390 400MHz digital realtime + disk drive, FFT etc | £2900 |
| Racal ICR40 dual 40 channel voice recorder system | £3750 | TEK TDS524A 500MHz digital realtime + colour display etc | £5100 |
| Fiskers 45KVA 3 ph On Line UPS - New batteries | £4500 | PHILIPS PW1730/10 60KV XRAY generator & accessories | £3950 |
| Emerson AP130 2.5kVA industrial spec. UPS | £1499 | VARIACS - Large range from stock - call or see our website | EPOA |
| Manly Tally MT645 High speed line printer | £2200 | CLAUDE LYONS 12A 240V single phase auto. volt. regs | £325 |
| Intel SBC 486/133SE Multibus 486 system. 8Mb Ram | £945 | | |

IC's - TRANSISTORS - DIODES

OBSOLETE - SHORT SUPPLY - BULK
10,000,000 items EX STOCK
For MAJOR SAVINGS
CALL or see web site www.distel.co.uk
COMPUTER MONITOR SPECIALS

Legacy products
High spec genuine multisync.
CGA, EGA, VGA, SVGA

Mitsubishi FA3415ETKL 14" SVGA Multisync colour monitor with fine 0.28 dot pitch tube and resolution of 1024 x 768. A variety of inputs allows connection to a host of computers including IBM PCs in CGA, EGA, VGA & SVGA modes, BBC, COMMODORE (including Amiga 1200), ARCHIMEDES and APPLE. Many features: Etched faceplate, text switching and LOW RADIATION MPR specification. Fully guaranteed, in EXCELLENT little used condition. Tilt & Swivel Base £4.75

VGA cable for IBM PC included. **Only £129 (E)** Order as CG73

External cables for other types of computers available - CALL

Generic LOW COST SVGA Monitors
We choose the make, which includes Compaq, Mitsubishi, IBM, etc. Supplied ready to run with all cables. Standard RTB 90 day guarantee.

14" £59.00	15" £69.00	17" £79.00
-------------------	-------------------	-------------------

Supplied in good used condition. Shipping code (D)

VIDEO MONITORS

PHILIPS HCS35 (same style as CM8833) attractively styled 14" colour monitor with both RGB and standard composite 15.625 KHz video inputs via SCART socket and separate phono jacks. Integral audio power amp and speaker for all audio visual uses. Will connect direct to Amiga and Atari BBC computers. Ideal for all video monitoring / security applications with direct connection to most colour cameras. High quality with many features such as front concealed flap controls, VCR correction button etc. Good used condition - fully tested - guaranteed
Dimensions: W14" x H12 3/4" x 1 1/2" D. **Only £99.00 (E)**

PHILIPS HCS31 Ultra compact 9" colour video monitor with standard composite 15.625 KHz video input via SCART socket. Ideal for all monitoring / security applications. High quality, ex-equipment fully tested & guaranteed (possible minor screen burns). In attractive square black plastic case measuring W10" x H10" x 1 1/2" D. 240 V AC mains powered. **Only £79.00 (D)**

INDUSTRIAL COMPUTERS

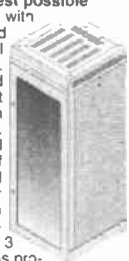
Tiny shoebox sized industrial 40 Mhz 386 PC system measuring only (mm) 266 w X 88 h X 272 d. Ideal for dedicated control applications running DOS, Linux or even Windows! Steel case contains 85 to 265 V AC 50 / 60 Hz 70 Watt PSU, a 3 slot ISA passive backplane and a Rocky 318 (PC104) standard, single board computer with 8 MByte NON VOLATILE solid state 'Disk On Chip' RAMDISK. System comprises: Rocky 318 (PC104) SBC ISA card with 40MHz ALI 386SX CPU, 72 pin SIMM slot with 16 MByte SIMM, AMI BIOS, battery backed up real time clock. 2 x 9 pin D 16550 serial ports. EPP/ECP printer port, mini DIN keyboard connector, floppy port, IDE port for hard drives up to 528 MByte capacity, watchdog timer and PC/104 bus socket. The 8 MByte solid state 'disk on a chip' has its own BIOS, and can be fished, formatted & booted. Supplied BRAND NEW fully tested and guaranteed. For full data see featured item on website. Order as Q660s of applications inc: firewall, routers, robotics etc **Only £99.00 (D)**

19" RACK CABINETS

Europe's Largest Stocks of quality rack cabinets, enclosures and accessories. Over 1000 Racks from stock

This month's special
33 / 42 / 47 U - High Quality All steel Rack Cabinets

Made by Eurocraft Enclosures Ltd to the highest possible spec, rack features all steel construction with removable side, front and back doors. Front and back doors are hinged for easy access and all lockable with five secure 5 lever barrel locks. The front door is constructed of double walled steel with a 'designer style' smoked acrylic front panel to enable status indicators to be seen through the panel, yet remain unobtrusive. Internally the rack features fully slotted reinforced vertical fixing members to take the heaviest of 19" rack equipment. The two movable vertical fixing struts (extras available) are pre punched for standard 'cage nuts'. A mains distribution panel internally mounted to the bottom rear, provides 8 x IEC 3 pin Euro sockets and 1 x 13 amp 3 pin switched utility socket. Overall ventilation is provided by fully louvered back door and double skinned top section with top and side louvers. The top panel may be removed for fitting of integral fans to the sub plate etc. Other features include: fitted castors and floor levers, prepunched utility panel at lower rear for cable / connector access etc. Supplied in excellent, slightly used condition with keys. Colour Royal blue, some grey available - CALL - Can be supplied in many other configurations.



33U Order as BC44 External dimensions mm=1625H x 635D x 603 W. (64" H x 25" D x 23 3/4" W) Only £245	42U Order as DT20 External dimensions mm=2019H x 635D x 603 W. (79.5" H x 25" D x 23 3/4" W) Only £345	47U Order as RV36 External dimensions mm=2019H x 635D x 603 W. (88" H x 25" D x 23 3/4" W) Only £410
---	---	---

Call for shipping quotation

COLOUR CCD CAMERAS

Undoubtedly a miracle of modern technology & our special buying power! A quality product featuring a fully cased COLOUR CCD camera at a give away price! Unit features full auto light sensing for use in low light & high light applications. A 10 mm fixed focus wide angle lens gives excellent focus and resolution from close up to long range. The composite video output will connect to any composite monitor or TV (via SCART socket) and most video recorders. Unit runs from 12V DC so ideal for security & portable applications where mains power not available. Overall dimensions 66 mm wide x 117 deep x 43 high. Supplied BRAND NEW & fully guaranteed with user data, 100's of applications including Security, Home Video, Web TV, Web Cams etc, etc.



Order as LK33 **ONLY £79.00 or 2 for £149.00 (E)**

SOFTWARE SPECIALS

NT4 WorkStation, complete with service pack 3 and licence - OEM packaged. **ONLY £89.00 (B)**
ENCARTA 95 - CDROM. Not the latest - but at this price! **£7.95**
DOS 5.0 on 3 1/2" disks with concise books c/w QBasic. **£14.55**
Windows for Workgroups 3.11+ Dos 6.22 on 3.5" disks **£55.00**
Windows 95 CDROM Only - No Licence - **£19.95**

Wordperfect 6 for DOS supplied on 3 1/2" disks with manual **£24.95**

SOLID STATE LASERS

Visible red, 670nm laser diode assembly. Unit runs from 5 V DC at approx 50 mA. Originally made for continuous use in industrial bar-code scanners, the laser is mounted in a removable solid aluminium block, which functions as a heatsink and rigid optical mount. Dims of block are 50 w x 50 d x 15 h mm. Integral features include over temperature shutdown, current control, laser OK output, and gated TTL ON / OFF. Many uses for experimental optics, comms & lightshows etc. Supplied complete with data sheet.
Order as TD91 **ONLY £24.95 (A)**

DC POWER SUPPLIES

Virtually every type of power supply you can imagine. Over 10,000 Power Supplies Ex Stock - Call or see our web site.

RELAYS - 200,000 FROM STOCK

Save £££'s by choosing your next relay from our Massive Stocks covering types such as Military, Octal, Cradle, Hermetically Sealed, Continental, Contactors, Time Delay, Reed, Mercury Wetted, Solid State, Printed Circuit Mounting etc., CALL or see our web site www.distel.co.uk for more information. Many obsolete types from stock. Save £££'s

DISPLAY
ELECTRONICS

ALL MAIL TO
Dept PE, 29 / 35 Osborne Rd
Thornton Heath
Surrey CR7 8PD
Open Mon - Fri 9.00 - 5.30

18 Million Items On Line Now!
Secure ordering, Pictures, Information
www.distel.co.uk
email = admin@distel.co.uk

ALL ENQUIRIES
0208 653 3333
FAX 0208 653 8888

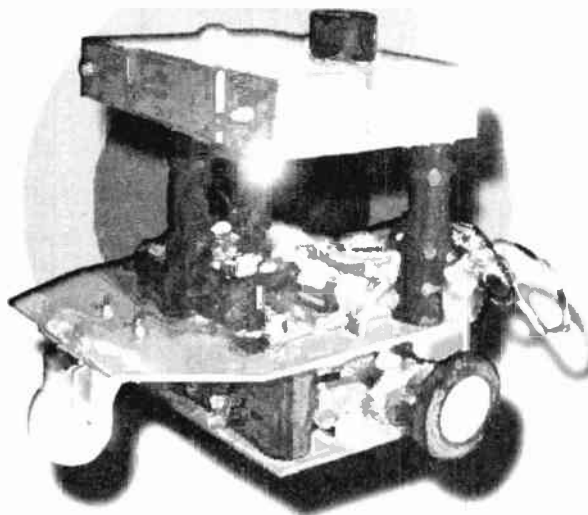
All prices for UK Mainland, UK customers add 17.5% VAT to TOTAL order amount. Minimum order £10. Bona Fide account orders accepted from Government, Schools, Universities and Local Authorities - minimum account order £50. Cheques over £100 are subject to 7 working days clearance. Carriage charges (A)=£3.50, (B)=£6.50, (C)=£10, (D)=£15.00, (E)=£18.00, (F)=CALL. Allow approx 3 days for shipping - faster CALL. All goods supplied to our Standard Conditions of Sale which can be viewed at our website and unless stated guaranteed for 90 days. All guarantees on a return to base basis. All rights reserved to change prices / specifications without prior notice. Orders subject to stock. Discounts for volume. Too CASH prices paid for surplus goods. All trademarks and names etc acknowledged. © Display Electronics 2002. E & O E.

NEXT MONTH

SMART KARTS – 1

The start of an exciting range of articles describing the construction of a mobile buggy with various sensors and a PIC microcontroller "brain" which can be programmed to tailor the Smart Kart's performance to your requirements. The programming is fully explained so that readers can understand the buggy's "thinking" and modify it as required.

The first article describes the construction of a "line runner" type of buggy, later parts will add to its abilities with extra sensors and actuators attached to the basic chassis.



MOON AND TIDE CLOCK CALENDAR

Presenting a novel design in which the phases of the moon and the ebb and flow of the tide are shown on a graphics liquid crystal display, along with clock and calendar data. It also illustrates how a PS/2 PC keyboard can be interfaced to a PIC-controlled circuit which only infrequently needs to have its settings adjusted, such as this design's real-time factors for the Moon, tide, clock and calendar.

Moon status is displayed graphically, mimicking what you actually see in real life, providing 256 separate progressions from full Moon to full Moon. Tide display is in a form of a bargraph. When the tide is rising, a black triangle expands upwards until its peak reaches the top of the screen. As the tide then falls, the peak of the triangle is slowly flattened, until the tide has fully receded, prior to rising again. Just for fun, there is also an optional little gimmick when high tide occurs – revealed next month!

EPE THEREMIN

Probably one of the wierdest electronic musical instruments ever invented, the Tneremin has been around for about 80 years and is probably more popular than ever now. For those not in the know, it is played without any physical contact between the performer and the instrument. The pitch and volume are controlled by separate hands moving near to two "aerials" on the instrument.

This up-to-date design employs no unusual components and is straightforward to build and set up – playing it well may be more of a challenge!

VOLTS CHECKER

When measuring voltages around the home, in the lab, or out in the field, some kind of voltmeter – either a traditional moving coil type, or a digital multimeter – is usually indispensable. However, there are many instances where a basic "go/no go" indication is more than sufficient – for example, when tracing a fault in a car electrical system, or when checking a mains circuit to see whether it is "live".

Housed in a small plastic case, the Volts Checker is a handy, pocket-sized instrument that can be used to check an a.c. or d.c. voltage as low as 3V d.c. or as high as 240V r.m.s. Using the unit could not be easier – just connect the two leads to the circuit under test and an l.e.d. will illuminate if there is a healthy voltage present. Furthermore, there is no need to worry about which node is positive and which is negative, the unit automatically senses any d.c. voltage regardless of polarity. Alternating voltages, such as those produced by step-down transformers in consumer equipment or high-voltage mains domestic circuits, are dealt with just as easily.

NO ONE DOES IT BETTER

EVERYDAY
PRACTICAL
ELECTRONICS

**DON'T MISS AN
ISSUE – PLACE YOUR
ORDER NOW!**
Demand is bound to be high



Quasar Electronics Limited
PO Box 6935, Bishops Stortford,
CM23 4WP
Tel: 0870 246 1826
Fax: 0870 460 1045
E-mail: sales@quasarelectronics.com

Add £2.95 P&P to all UK orders or 1st Class Recorded – £4.95.
Next day (insured £250) – £7.95. Europe – £5.95. Rest of World – £9.95
(order online for reduced price UK Postage).
We accept all major credit/debit cards. Make cheques/POs
payable to Quasar Electronics Limited.
Prices include 17.5% VAT. MAIL ORDER ONLY.
Call now for our FREE CATALOGUE with details of over 300
high quality kits, projects, modules and publications.



QUASAR 0871 CREDIT CARD SALES 717 7168

Helping you make the right connections!

PIC & ATMEL Programmers

We have a wide range of low cost PIC and ATMEL Programmers. Complete range and documentation available from our web site.

Programmer Accessories:

40-pin Wide ZIF socket (ZIF40W) £15.00
18VDC Power supply (PSU010) £19.95
Leads: Parallel (LEAD108) £4.95 / Serial (LEAD76) £4.95 / USB (LEADUAB) £2.95

NEW! USB 'All-Flash' PIC Programmer

USB PIC programmer for all 'Flash' devices. No external power supply making it truly portable. Supplied with box and Windows Software. ZIF Socket and USB Plug A-B lead not incl.



Kit Order Code: 3128KT – £29.95

Assembled Order Code: AS3128 – £39.95

Enhanced "PICALL" ISP PIC Programmer

Will program virtually ALL 8 to 40 pin PICs plus certain ATMEL AVR, SCENIX SX and EEPROM 24C devices. Also supports In System Programming (ISP) for PIC and ATMEL AVRs. Free software. Blank chip auto detect for super fast bulk programming. Requires a 40-pin wide ZIF socket (not included)

Assembled Order Code: AS3144 – £54.95

ATMEL 89xxx Programmer

Uses serial port and any standard terminal comms program. 4 LEDs display the status. ZIF sockets not included. Supply: 16VDC.



Kit Order Code: 3123KT – £29.95

Assembled Order Code: AS3123 – £34.95

NEW! USB & Serial Port PIC Programmer

USB/Serial connection. Header cable for ICSP. Free Windows software. See website for PICs supported. ZIF Socket and USB Plug A-B lead extra. 18VDC.

Kit Order Code: 3149KT – £29.95

Assembled Order Code: AS3149 – £44.95

Introduction to PIC Programming

Go from a complete PIC beginner to burning your first PIC and writing your own code in no time! Includes a 49-page step-by-step Tutorial Manual, Programming Hardware (with LED bench testing section), Win 3.11-XP Programming Software (will Program, Read, Verify & Erase), and a rewritable PIC16F84A that you can use with different code (4 detailed examples provided for you to learn from). Connects to PC parallel port.



Kit Order Code: 3081KT – £14.95

Assembled Order Code: AS3081 – £24.95

ABC Maxi AVR Development Board

The ABC Maxi board has an open architecture design based on Atmel's AVR AT90S8535 RISC microcontroller and is ideal for developing new designs.



Features:

- 8Kb of In-System Programmable Flash (1000 write/erase cycles) • 512 bytes internal SRAM • 512 bytes EEPROM
- 8 analogue inputs (range 0-5V)
- 4 Opto-isolated Inputs (I/Os are bi-directional with internal pull-up resistors)
- Output buffers can sink 20mA current (direct I.e.d. drive) • 4 x 12A open drain MOSFET outputs • RS485 network connector • 2-16 LCD Connector
- 3.5mm Speaker Phone Jack
- Supply: 9-12VDC.

The ABC Maxi STARTER PACK includes one assembled Maxi Board, parallel and serial cables, and Windows software CD-ROM featuring an Assembler, BASIC compiler and in-system programmer.

Order Code ABCMAXISP – £79.95

The ABC Maxi boards only can also be purchased separately at £59.95 each.

Controllers & Loggers

Here are just a few of the controller and data acquisition and control units we have. See website for full details. Suitable PSU for all units: Order Code PSU445 – £8.95

Rolling Code 4-Channel UHF Remote

State-of-the-Art. High security.

4 channels. Momentary or latching relay output. Range up to 40m. Up to 15 TXs can be learned by one Rx (kit includes one Tx but more available separately).

4 indicator LEDs.

Rx: PCB 77x85mm, 12VDC/6mA (standby).

Two & Ten Channel versions also available.

Kit Order Code: 3180KIT – £41.95

Assembled Order Code: AS3180 – £49.95



Computer Temperature Data Logger

Serial port 4-channel temperature logger. °C or °F. Continuously logs up to 4 separate sensors located 200m+ from board. Wide range of free software applications for storing/using data. PCB just 38x38mm. Powered

by PC. Includes one DS1820 sensor and four header cables.

Kit Order Code: 3145KT – £19.95

Assembled Order Code: AS3145 – £26.95

Additional DS1820 Sensors – £3.95 each



NEW! DTMF Telephone Relay Switcher

Call your phone number using a DTMF phone from anywhere in the world and remotely turn on/off any of the 4 relays as desired. User settable Security Password, Anti-Tamper, Rings to Answer, Auto Hang-up and Lockout. Includes plastic case. 130 x 110 x 30mm. Power: 12VDC.



Kit Order Code: 3140KT – £39.95

Assembled Order Code: AS3140 – £49.95

Serial Port Isolated I/O Module



Computer controlled 8-channel relay board. 5A mains rated relay outputs and 4 opto-isolated digital inputs (for monitoring switch

states, etc). Useful in a variety of control and sensing applications. Programmed via serial port (use our new Windows interface, terminal emulator or batch files). Serial cable can be up to 35m long. Includes plastic case 130 x 100 x 30mm. Power: 12VDC/500mA.

Kit Order Code: 3108KT – £54.95

Assembled Order Code: AS3108 – £64.95

Infra-red RC 12-Channel Relay Board

Control 12 on-board relays with included infra-red remote control unit. Toggle or momentary. 15m+ range. 112 x 122mm.

Supply: 12VDC/0-5A.

Kit Order Code: 3142KT – £41.95

Assembled Order Code: AS3142 – £51.95



PC Data Acquisition & Control Unit

Monitor and log a mixture of analogue and digital inputs and control external devices via the analogue and digital outputs. Monitor pressure, temperature, light intensity, weight, switch state, movement, relays, etc. with the appropriate sensors (not supplied). Data can be processed, stored and the results used to control devices such as motors, sirens, relays, servo motors (up to 11) and two stepper motors.



Features

- 11 Analogue Inputs – 0-5V, 10 bit (5mV/step)
- 16 Digital Inputs – 20V max. Protection 1K in series, 5-1V Zener
- 1 Analogue Output – 0-2.5V or 0-10V. 8 bit (20mV/step)
- 8 Digital Outputs – Open collector, 500mA, 33V max
- Custom box (140 x 110 x 35mm) with printed front & rear panels
- Windows software utilities (3-1 to XP) and programming examples
- Supply: 12V DC (Order Code PSU203)

Kit Order Code: 3093KT – £69.95

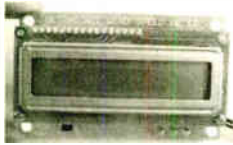
Assembled Order Code: AS3093 – £99.95

Most items are available in kit form (KT suffix) or pre-assembled and ready for use (AS prefix).

Hot New Kits This Summer!

Here are a few of the most recent kits added to our range. See website or join our email Newsletter for all the latest news.

NEW! EPE Ultrasonic Wind Speed Meter



Solid-state design wind speed meter (anemometer) that uses ultrasonic techniques and has no moving parts and does not need

calibrating. It is intended for sports-type activities, such as track events, sailing, hang-glider, kites and model aircraft flying, to name but a few. It can even be used to monitor conditions in your garden. The probe is pointed in the direction from which the wind is blowing and the speed is displayed on an LCD display.

Specifications

- Units of display: metres per second, feet per second, kilometres per hour and miles per hour
- Resolution: Nearest tenth of a metre
- Range: Zero to 50mph approx.

Based on the project published in *Everyday Practical Electronics*, Jan 2003. We have made a few minor design changes (see website for full details). Power: 9VDC (PP3 battery or Order Code PSU345).

Main PCB: 50 x 83mm.
Kit Order Code: 3168KT – £34.95

NEW! Audio DTMF Decoder and Display

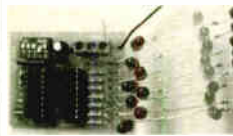


Detects DTMF tones via an on-board electret microphone or direct from the phone lines through the onboard audio transformer. The

numbers are displayed on a 16-character, single line display as they are received. Up to 32 numbers can be displayed by scrolling the display left and right. There is also a serial output for sending the detected tones to a PC via the serial port. The unit will not detect numbers dialled using pulse dialling. Circuit is microcontroller based.

Supply: 9-12V DC (Order Code PSU345).
Main PCB: 55 x 95mm.
Kit Order Code: 3153KT – £17.95
Assembled Order Code: AS3153 – £29.95

NEW! EPE PIC Controlled LED Flasher



This versatile PIC-based LED or filament bulb flasher can be used to flash from 1 to 160

LEDs. The user arranges the LEDs in any pattern they wish. The kit comes with 8 superbright red LEDs and 8 green LEDs. Based on the Versatile PIC Flasher by Steve Challinor, *EPE Magazine* Dec '02. See website for full details. Board Supply: 9-12V DC. LED supply: 9-45V DC (depending on number of LED used). PCB: 43 x 54mm.
Kit Order Code: 3169KT – £10.95

Most items are available in kit form (KT suffix) or assembled and ready for use (AS prefix)

FM Bugs & Transmitters

Our extensive range goes from discreet surveillance bugs to powerful FM broadcast transmitters. Here are a few examples. All can be received on a standard FM radio and have adjustable transmitting frequency.

MMTX' Micro-Miniature 9V FM Room Bug



Our best selling bug! Good performance. Just 25 x 15mm. Sold to detective agencies worldwide. Small enough to hide just about anywhere.

Operates at the 'less busy' top end of the commercial FM waveband and also up into the more private Air band. Range: 500m. Supply: PP3 battery.
Kit Order Code: 3051KT – £8.95
Assembled Order Code: AS3051 – £14.95

HPTX' High Power FM Room Bug

Our most powerful room bug.

Very Impressive performance. Clear and stable output signal thanks to the extra circuitry employed. Range: 1000m @ 9V. Supply: 6-12V DC (9V PP3 battery clip supplied). 70 x 15mm.
Kit Order Code: 3032KT – £9.95
Assembled Order Code: AS3032 – £17.95

MTTX' Miniature Telephone Transmitter



Attach anywhere along phone line. Tune a radio into the signal and hear

exactly what both parties are saying. Transmits only when phone is used. Clear, stable signal. Powered from phone line so completely maintenance free once installed. Requires no aerial wire – uses phone line as antenna. Suitable for any phone system worldwide. Range: 300m. 20 x 45mm.
Kit Order Code: 3016KT – £7.95
Assembled Order Code: AS3016 – £13.95

3 Watt FM Transmitter



Small, powerful FM transmitter. Audio preamp stage and three RF stages deliver 3 watts of RF power. Can be used with the electret

microphone supplied or any line level audio source (e.g. CD or tape OUT, mixer, sound card, etc). Aerial can be an open dipole or Ground Plane. Ideal project for the novice wishing to get started in the fascinating world of FM broadcasting. 45 x 145mm.
Kit Order Code: 1028KT – £22.95
Assembled Order Code: AS1028 – £34.95

25 Watt FM Transmitter

Four transistor based stages with a Philips BLY89 (or equivalent) in the final stage. Delivers a mighty 25 Watts of RF power. Accepts any line level audio source (input sensitivity is adjustable). Antenna can be an open dipole, ground plane, 5/8, J, or YAGI configuration. Supply 12-14V DC, 5A. Supplied fully assembled and aligned – just connect the aerial, power and audio input. 70 x 220mm.
Order Code: 1031M – £124.95



QUASAR
electronics

Helping you make the right connections!

**CREDIT
CARD
SALES
0871
717
7168**

Electronic Project Labs

Great introduction to the world of electronics. Ideal gift for budding electronics expert!

500-in-1 Electronic Project Lab

This is the top of the range and is a complete electronics course taking you from beginner to 'A' level standard and beyond! It contains all the parts and instructions to assemble 500 projects. You get three comprehensive course books (total 368 pages) – *Hardware Entry Course*, *Hardware Advanced Course* and a micro-computer based *Software Programming Course*. Each book has individual circuit explanations, schematic and assembly diagrams. Suitable for age 12 and above.
Order Code EPL500 – £149.95
30, 130, 200 and 300-in-1 project labs also available – see website for details.



Number 1 for Kits!

With over 300 projects in our range we are the UK's number 1 electronic kit specialist. Here are a few other kits from our range.

- 1046KT – 25W Stereo Car Booster £29.95
- 3087KT – 1W Stereo Amplifier £4.95
- 3105KT – 18W BTL mono Amplifier £9.95
- 3106KT – 50W Mono Hi-fi Amplifier £19.95
- 3143KT – 10W Stereo Amplifier £9.95
- 1011-12KT – Motorbike Alarm £12.95
- 1019KT – Car Alarm System £11.95
- 1048KT – Electronic Thermostat £9.95
- 1080KT – Liquid Level Sensor £6.95
- 3003KT – LED Dice with Box £7.95
- 3006KT – LED Roulette Wheel £8.95
- 3074KT – 8-Ch PC Relay Board £29.95
- 3082KT – 2-Ch UHF Relay £26.95
- 3126KT – Sound-Activated Relay £7.95
- 3063KT – One Chip AM Radio £10.95
- 3102KT – 4-Ch Servo Motor Driver £15.95
- 3155KT – Stereo Tone Controls £8.95
- 1096KT – 3-30V, 5A Stabilised PSU £32.95
- 3029KT – Combination Lock £6.95
- 3049KT – Ultrasonic Detector £13.95
- 3130KT – Infra-red Security Beam £12.95
- SG01MKT – Train Sounds £6.95
- SG10 MKT – Animal Sounds £5.95
- 1131KT – Robot Voice Effect £9.95
- 3007KT – 3V FM Room Bug £6.95
- 3028KT – Voice-Activated FM Bug £12.95
- 3033KT – Telephone Recording Adpt £9.95
- 3112KT – PC Data Logger/Sampler £18.95
- 3118KT – 12-bit Data Acquisition Unit £52.95
- 3101KT – 20MHz Function Generator £69.95

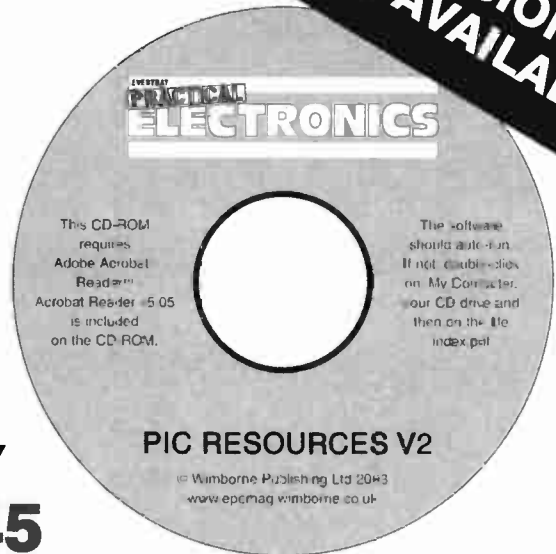
www.quasarelectronics.com

Secure Online Ordering Facilities ● Full Product Listing, Descriptions & Photos ● Kit Documentation & Software Downloads



EPE PIC RESOURCES CD-ROM V2

**VERSION 2
NOW AVAILABLE**



Version 2 includes the EPE PIC Tutorial V2 series of Supplements (EPE April, May, June 2003)

**ONLY
£14.45
INCLUDING
VAT and P&P**

The CD-ROM contains the following Tutorial-related software and texts:

- EPE PIC Tutorial V2 complete series of articles plus demonstration software, John Becker, April, May, June '03
- PIC Toolkit Mk3 (TK3 hardware construction details), John Becker, Oct '01
- PIC Toolkit TK3 for Windows (software details), John Becker, Nov '01

Plus these useful texts to help you get the most out of your PIC programming:

- How to Use Intelligent L.C.D.s, Julyan Ilett, Feb/Mar '97
- PIC16F87x Microcontrollers (Review), John Becker, April '99
- PIC16F87x Mini Tutorial, John Becker, Oct '99
- Using PICs and Keypads, John Becker, Jan '01
- How to Use Graphics L.C.D.s with PICs, John Becker, Feb '01
- PIC16F87x Extended Memory (how to use it), John Becker, June '01
- PIC to Printer Interfacing (dot-matrix), John Becker, July '01
- PIC Magick Musick (use of 40kHz transducers), John Becker, Jan '02
- Programming PIC Interrupts, Malcolm Wiles, Mar/Apr '02
- Using the PIC's PCLATH Command, John Waller, July '02
- EPE StyloPIC (precision tuning musical notes), John Becker, July '02
- Using Square Roots with PICs, Peter Hemsley, Aug '02
- Using TK3 with Windows XP and 2000, Mark Jones, Oct '02
- PIC Macros and Computed GOTOs, Malcolm Wiles, Jan '03
- Asynchronous Serial Communications (RS-232), John Waller, unpublished
- Using I²C Facilities in the PIC16F877, John Waller, unpublished
- Using Serial EEPROMs, Gary Moulton, unpublished
- Additional text for EPE PIC Tutorial V2, John Becker, unpublished

NOTE: The PDF files on this CD-ROM are suitable to use on any PC with a CD-ROM drive. They require Adobe Acrobat Reader – included on the CD-ROM

Order on-line from
www.epemag.wimborne.co.uk/shopdoor.htm
 or www.epemag.com (USA \$ prices)
 or by Phone, Fax, Email or Post.

EPE PIC RESOURCES V2 CD-ROM ORDER FORM

Please send me (quantity) EPE PIC RESOURCES V2 CD-ROM

Price £14.45 each – includes postage to anywhere in the world.

Name

Address

.....

.....

..... Post Code

I enclose cheque/P.O./bank draft to the value of £

Please charge my Visa/Mastercard/Amex/Diners Club/Switch/Maestro

£

Card No.

Card Security Code (The last 3 digits on or just under the signature strip)

Valid From Expiry Date

Switch Issue No.

**SEND TO: Everyday Practical Electronics,
 Wimborne Publishing Ltd.,
 408 Wimborne Road East, Ferndown, Dorset BH22 9ND.
 Tel: 01202 873872. Fax: 01202 874562.
 Email: orders@epemag.wimborne.co.uk**

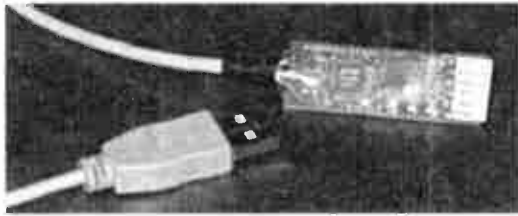
Payments must be by card or in £ Sterling – cheque or bank draft drawn on a UK bank.

Normally supplied within seven days of receipt of order.

Send a copy of this form, or order by letter if you do not wish to cut your issue.

BECOME A PIC WIZARD WITH THE HELP OF EPE!

NEW FROM FED – FEDPIC Key - USB In Circuit Programmer / Debugger



FEDPIC Key – Ultra-Miniature USB In Circuit Serial Programmer and Debugger

Pricing **£60.00**

Description : Our new in-circuit programmer/debugger for PIC's operates on the PC USB port, requires no additional power supply and the programmer application runs under Windows '98, ME, 2000 or XP.

Programs : 12Cxxx, 12Fxxx, 16Fxxx, 18Cxxx and 18Fxxx devices and flash upgradeable for future devices.

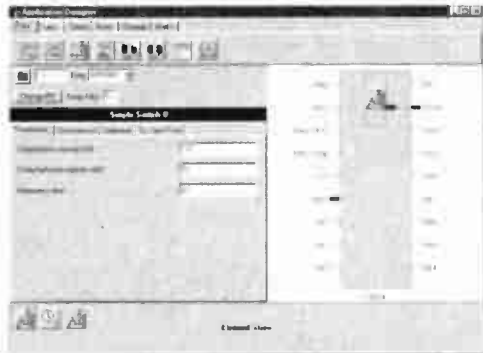
Operates on a simple 6 pin SIL connector and includes the FED In Circuit Debugger. FEDPIC Key Debugger has the same functionality as our standard ICD described below, but runs 3 times faster !

FED – PIC and AVR – ANSI C Compiler products

Visual Development for the FED C Compilers WIZ-C for PIC, AVIDICY for AVR

- An application designer for the FED PIC or AVR C Compilers FULLY including the PIC or AVR C Compiler
- Drag a software component on to your design & set up the parameters using check boxes, drop down boxes and edit boxes (see shot below)
- Connect the component to the device pins using the mouse
- Select your own C functions to be triggered when events occur (e.g. Byte received, timer overflow etc.)
- Simulate, Trace at up to 10x the speed of other simulators
- Generate the base application automatically and then add your own functional code in C or assembler
- WIZ-C supports over 80 PICS - **16F87x, 16F627/8, 16C55x, 16C6x, 16F8x, 16C7xx 18Cxx, 18Fxxx, 12F629/675 etc.**
- AVIDICY supports normal and Mega range devices
- Demonstration download available :

www.fored.co.uk/CDemo.htm



Screen shot (left) shows push button element connected to a PIC. Parameters may be set to control debounce and repeat. C function may be specified to call when the button is pressed

FED ANSI C Compiler for PIC and AVR

- C Compiler designed to ANSI standards
- Supplied with library routines for C standard functions and many interface applications including I2C, LCD, LED's, timers, EEPROM, IRDA, Dallas 1 Wire, Hex Keypad, Maths, asynchronous serial interfacing, clocked data etc.
- With complete development/simulation environment including LCD/Keypad/LED/RS232 terminal
- View your simulation on a logic analyser application showing waveforms, timing or analogue results
- Profiler shows execution count, execution time and average time for functions and code blocks
- Smart linker – efficiently tiles routines throughout memory to minimise long jumps and page setting bits
- Supports the FEDPIC Key and FED In Circuit Debugger for PIC devices 16F87x and 18Fxx devices – See web site for more details.

WIZ-C and C Compiler Pricing :

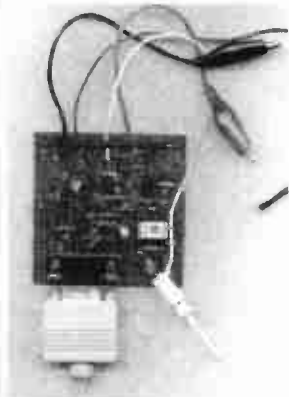
AVR or PIC C Compiler	£60.00
AVR or PIC C Compiler Professional	£90.00
AVIDICY or WIZ-C	£70.00
AVIDICY or WIZ-C Professional	£100.00

WIZ-C products are provided with introductory tutorial, full extensive manuals provided on CD.

All prices may be **reduced by £20.00** if the product is purchased at the same times as WIZ-ASM, serial or USB programmer, or our Development board.

In Circuit Debugger board (or use the new FEDPIC Key)

Supports 16F87x and 18Fxxx



- ICD and FEDPIC Key, allow real hardware to be examined & programs to be debugged and to be run in real time on your application
- The FED ICD requires only one data I/O pin on the PIC which can be chosen from any of ports B, C or D.
- Can program and re-program applications in circuit
- Up to 13 breakpoints (18F version)
- Run, Animate, single step and step over, run to cursor line, set PC to any value in the program
- Trace execution in the original C or Assembler source files
- View and change values of PIC special function registers, W and the ports.
- Standard serial interface to PC

Programmers and Development Board (See web pages)

USB Programmer - 40 pin multi-width ZIF socket. Same range of devices as our serial programmer (below).

Price : £90/kit

PIC Programmer - Handles serially programmed PIC devices in a 40 pin multi-width ZIF socket. 16C55X, 16C6X, 16C7X, 16C8x, 16F62x, 16F8X, 12C508, 12C509, 16C72XPIC 14000, 16F37X, 18Cxxx, 18Fxxx, 12F6xx etc.

Also In-Circuit programming.

Operates on PC serial port

Price : £45/kit, £50/built & tested

Development Board – For ALL 40 pin PICS from 16cxxx, 16Fxxx and 18C/Fxxx. Includes In-Circuit Programmer – NO separate programmer required. LCD interface, hex keypad, LED's and Driver, 32 I/O pins on header, I2C EEPROM, 2 Serial Interfaces, Will run FED PIC BASIC (supplied free on CD ROM), 1A 5V regulator etc.

The CD-ROM is supplied with FED PIC BASIC and Compiler

Price : £35/kit, £45/built & tested, CD - £5.00.

Manual on CD-ROM or download free from our web site

Forest Electronic Developments
12 Buldowne Walk Sway,
LYMINGTON, Hampshire, SO41 3DU
Email – info@fored.co.uk
Web Site – <http://www.fored.co.uk>
01590-681511 (Voice/Fax)



Prices Please add £3.00 for P&P and handling to each order, and then EU residents add VAT at 17.5% Cheques/POs payable to Forest Electronic Developments, phone with credit card details, or order using Credit card or Switch from our secure web site

Full Details on the web – <http://www.fored.co.uk>

MAIL ORDER ONLY • CALLERS BY APPOINTMENT

EPE PROJECT PICS

Programmed PICs for *EPE Projects
 12C508/9 - £3.90; 16F627/8 - £4.90
 16C84/16F84/16C71 - £5.90
 16F876/877 - £10.00
 All inc. VAT and Postage
 (*Some projects are copyright)

EPE MICROCONTROLLER P.I. TREASURE HUNTER

The latest MAGENTA DESIGN - highly stable & sensitive - with I.C. control of all timing functions and advanced pulse separation techniques.

- High stability drift cancelling
- Easy to build & use
- No ground effect, works in seawater



- Detects gold, silver, ferrous & non-ferrous metals

- Efficient quartz controlled microcontroller pulse generation.
- Full kit with headphones & all hardware

KIT 847 £63.95

PIC PIPE DESCALER

- SIMPLE TO BUILD
- HIGH POWER OUTPUT
- AUDIO & VISUAL MONITORING
- SWEPT FREQUENCY

An affordable circuit which sweeps the incoming water supply with variable frequency electromagnetic signals. May reduce scale formation, dissolve existing scale and improve lathering ability by altering the way salts in the water behave.

Kit includes case, P.C.B., coupling coil and all components. High coil current ensures maximum effect. L.E.D. monitor.



KIT 868 £22.95 POWER UNIT.....£3.99

MICRO PEST SCARER

Our latest design - The ultimate scarer for the garden. Uses special microchip to give random delay and pulse time. Easy to build reliable circuit. Keeps pets/pests away from newly sown areas, play areas, etc. uses power source from 9 to 24 volts.

- RANDOM PULSES
- HIGH POWER
- DUAL OPTION



Plug-in power supply £4.99

KIT 867.....£19.99

KIT + SLAVE UNIT.....£32.50

WINDICATOR

A novel wind speed indicator with LED readout. Kit comes complete with sensor cups, and weatherproof sensing head. Mains power unit £5.99 extra.

KIT 856.....£28.00

★ TENS UNIT ★

DUAL OUTPUT TENS UNIT

As featured in March '97 issue.

Magenta have prepared a FULL KIT for this excellent new project. All components, PCB, hardware and electrodes are included. Designed for simple assembly and testing and providing high level dual output drive.

KIT 866. . Full kit including four electrodes £32.90

Set of 4 spare electrodes £6.50

1000V & 500V INSULATION TESTER



Superb new design. Regulated output, efficient circuit. Dual-scale meter, compact case. Reads up to 200 Megohms.

Kit includes wound coil, cut-out case, meter scale, PCB & ALL components.

KIT 848..... £32.95

EPE TEACH-IN 2000

Full set of top quality NEW components for this educational series. All parts as specified by EPE. Kit includes breadboard, wire, croc clips, pins and all components for experiments, as listed in introduction to Part 1.

*Batteries and tools not included.

TEACH-IN 2000 -

KIT 879 £44.95

MULTIMETER £14.45

SPACEWRITER

An innovative and exciting project. Wave the wand through the air and your message appears. Programmable to hold any message up to 16 digits long. Comes pre-loaded with "MERRY XMAS". Kit includes PCB, all components & tube plus instructions for message loading.

KIT 849.....£16.99



12V EPROM ERASER

A safe low cost eraser for up to 4 EPROMS at a time in less than 20 minutes. Operates from a 12V supply (400mA). Used extensively for mobile work - updating equipment in the field etc. Also in educational situations where mains supplies are not allowed. Safety interlock prevents contact with UV.

KIT 790.....£29.90

SUPER BAT DETECTOR

1 WATT O/P, BUILT IN SPEAKER, COMPACT CASE 20kHz-140kHz NEW DESIGN WITH 40kHz MIC.

A new circuit using a 'full-bridge' audio amplifier i.c., internal speaker, and headphone/tape socket. The latest sensitive transducer, and 'double balanced mixer' give a stable, high performance superheterodyne design.

KIT 861.....£27.99

ALSO AVAILABLE Built & Tested... £42.99



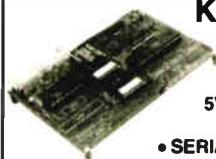
68000 DEVELOPMENT TRAINING KIT

- NEW PCB DESIGN
- 8MHz 68000 16-BIT BUS
- MANUAL AND SOFTWARE
- 2 SERIAL PORTS
- PIT AND I/O PORT OPTIONS
- 12C PORT OPTIONS

KIT 621

£99.95

- ON BOARD 5V REGULATOR
- PSU £6.99
- SERIAL LEAD £3.99



Stepping Motors

MD100...Std 100 step...£9.99

MD200...200 step...£12.99

MD24...Large 200 step...£22.95



MOSFET MkII VARIABLE BENCH POWER SUPPLY 0-25V 2-5A

Based on our Mk1 design and preserving all the features, but now with switching pre-regulator for much higher efficiency. Panel meters indicate Volts and Amps. Fully variable down to zero. Toroidal mains transformer. Kit includes punched and printed case and all parts. As featured in April 1994 EPE. An essential piece of equipment.



Kit No. 845£64.95

ULTRASONIC PEST SCARER

Keep pets/pests away from newly sown areas, fruit, vegetable and flower beds, children's play areas, patios etc. This project produces intense pulses of ultrasound which deter visiting animals.

- KIT INCLUDES ALL COMPONENTS, PCB & CASE
- EFFICIENT 100V TRANSDUCER OUTPUT
- COMPLETELY INAUDIBLE TO HUMANS
- UP TO 4 METRES RANGE
- LOW CURRENT DRAIN



KIT 812.....£15.00

SIMPLE PIC PROGRAMMER

KIT 857... £12.99

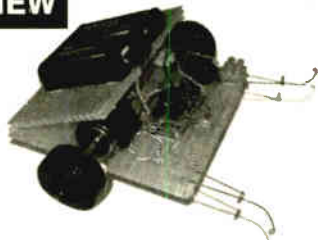
Includes PIC16F84 chip disk, lead, plug, p.c.b., all components and instructions

Extra 16F84 chips £3.84
 Power Supply £3.99

MAGENTA BRAINBOT I & II

- Full kit with ALL hardware and electronics
- As featured in *EPE* Feb '03 – KIT 910
- Seeks light, beeps, avoids obstacles
- Spins and reverses when 'cornered'
- Uses 8-pin PIC
- ALSO KIT 911 – As 910 PLUS programmable from PC serial port – leads and software CD provided

NEW



KIT 910 £16.99 KIT 911 £24.99

PIC 16F84 MAINS POWER 4-CHANNEL CONTROLLER & LIGHT CHASER

- ZERO VOLT SWITCHING
- OPTO ISOLATED 5 Amp
- 12 KEYPAD CONTROL
- HARD-FIRED TRIACS
- WITH SOURCE CODE
- SPEED & DIMMING POT.
- EASILY PROGRAMMED

Kit 855 £39.95

PIC 16F84 LCD DISPLAY DRIVER

INCLUDES 1-PIC16F84 WITH DEMO PROGRAM SOFTWARE DISK, PCB, INSTRUCTIONS AND 16-CHARACTER 2-LINE

LCD DISPLAY

Kit 860 £19.99

Power Supply £3.99

FULL PROGRAM SOURCE CODE SUPPLIED – DEVELOP YOUR OWN APPLICATION!

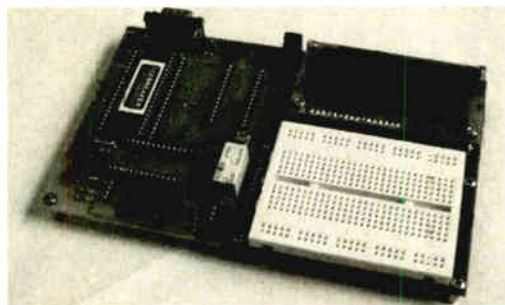
Another super PIC project from Magenta. Supplied with PCB, industry standard 2-LINE x 16-character display, data, all components, and software to include in your own programs. Ideal development base for meters, terminals, calculators, counters, timers – Just waiting for your application!

8-CHANNEL DATA LOGGER

As featured in Aug./Sept. '99 *EPE*. Full kit with Magenta redesigned PCB – LCD fits directly on board. Use as Data Logger or as a test bed for many other 16F877 projects. Kit includes programmed chip, 8 EEPROMs, PCB, case and all components.

KIT 877 £49.95 inc. 8 x 256K EEPROMS

ICEBREAKER
□□□□□□□□□□



PIC Real Time In-Circuit Emulator

- Icebreaker uses PIC16F877 in circuit debugger
- Links to Standard PC Serial Port (lead supplied)
- Windows™ (95+) Software included
- Works with MPASM and MPLAB Microchip software
- 16 x 2 L.C.D., Breadboard, Relay, I/O devices and patch leads supplied

As featured in March '00 *EPE*. Ideal for beginners AND advanced users. Programs can be written, assembled, downloaded into the microcontroller and run at full speed (up to 20MHz), or one step at a time.

Full emulation means that all I/O ports respond exactly and immediately, reading and driving external hardware.

Features include: Reset; Halt on external pulse; Set Breakpoint; Examine and Change registers, EEPROM and program memory; Load program, Single Step with display of Status, W register, Program counter, and user selected 'Watch Window' registers.

KIT 900 . . . £34.99

POWER SUPPLY £3.99 STEPPING MOTOR 100 STEP £9.99

EPE TEACH-IN 2004

THE LATEST SERIES – STARTED NOV '03
ALL PARTS INCLUDING PROTOTYPE BREADBOARD AND WIRE – AS LISTED ON p752 NOV. ISSUE (EXCL MISC.)
"A BRILLIANT NEW ELECTRONICS COURSE"

KIT 920 . . . £29.99

ADDITIONAL PARTS – AS LISTED UNDER MISCELLANEOUS – BUT LESS RADIO MODULES, SOLENOID LOCK AND MOTOR/ GEARBOX.

KIT 921 . . . £12.99

EPE PIC Tutorial V2

EPE APR/MAY/JUNE '03 and PIC RESOURCES CD

FOLLOW THIS SERIES WITH EPE PIC TOOLKIT 3

- THE LATEST TOOLKIT BOARD – 8, 18, 28 AND 40-PIN CHIPS
- MAGENTA DESIGNED P.C.B. WITH COMPONENT LAYOUT AND EXTRAS
- L.C.D. BREADBOARD AND PIC CHIP INCLUDED
- ALL TOP QUALITY COMPONENTS AND SOFTWARE SUPPLIED

KIT 880 . . . £34.99 WITH 16F84

PIC TUTOR 1 MARCH - APRIL - MAY '98 EPE SERIES 16F84

PIC TUTOR BOARD KIT

Includes: PIC16F84 Chip, TOP Quality PCB printed with Component Layout and all components* (*not ZIF Socket or Displays). Included with the Magenta Kit is a disk with Test and Demonstration routines.

KIT 870 £27.95, Built & Tested £42.95

Optional: Power Supply – £3.99, ZIF Socket – £9.99

LCD Display £7.99 LED Display £6.99

Reprints Mar/Apr/May 98 – £3.00 set 3

SUPER PIC PROGRAMMER

- READS, PROGRAMS, AND VERIFIES
- WINDOWS® SOFTWARE
- PIC16C AND 16F – 6X, 7X, AND 8X
- USES ANY PC PARALLEL PORT
- USES STANDARD MICROCHIP ● HEX FILES
- DISASSEMBLER SOFTWARE
- PCB, LEAD, ALL COMPONENTS, TURNED-PIN SOCKETS FOR 18, 28, AND 40 PIN ICs

● SEND FOR DETAILED INFORMATION – A SUPERB PRODUCT AT AN UNBEATABLE LOW PRICE.

Kit 862 £29.99

Power Supply £3.99

PIC STEPPING MOTOR DRIVER

INCLUDES PCB, PIC16F84 WITH DEMO PROGRAM, SOFTWARE DISC, INSTRUCTIONS AND MOTOR.

Kit 863 £18.99

FULL SOURCE CODE SUPPLIED ALSO USE FOR DRIVING OTHER POWER DEVICES e.g. SOLENOIDS

Another Magenta PIC project. Drives any 4-phase unipolar motor – up to 24V and 1A. Kit includes all components and 48 step motor. Chip is pre-programmed with demo software, then write your own, and re-program the same chip! Circuit accepts inputs from switches etc and drives motor in response. Also runs standard demo sequence from memory.

MAGENTA

All prices include VAT. Add £3.00 p&p. Next day £6.99

Tel: 01283 565435 Fax: 01283 546932 E-mail: sales@magenta2000.co.uk

092004



Station Road, Cullercoats, Tyne & Wear, NE30 4PQ

Prices Exclude Vat @17 1/2%. UK Carriage £2.50 (less than 1kg) £5.50 greater than 1kg Cheques / Postal orders payable to ESR Electronic Components. PLEASE ADD CARRIAGE & VAT TO ALL ORDERS



See Next / Last Months Ad. for COMPONENT ACCESSORIES

Table of electronic components including 4000 Series, 74HC Series, Linear ICs, EPROM's, RAM, Bridge Rectifiers, A/D Converters, Voltage Regulators, Thyristors, Diodes, Transistors, and Resistors. Columns include part number, price, and description.

Table of electronic components including EPROM's, RAM, Bridge Rectifiers, A/D Converters, Voltage Regulators, Thyristors, Diodes, Transistors, and Resistors. Columns include part number, price, and description.

Table of electronic components including EPROM's, RAM, Bridge Rectifiers, A/D Converters, Voltage Regulators, Thyristors, Diodes, Transistors, and Resistors. Columns include part number, price, and description.

Table of electronic components including EPROM's, RAM, Bridge Rectifiers, A/D Converters, Voltage Regulators, Thyristors, Diodes, Transistors, and Resistors. Columns include part number, price, and description.

Quality Components No surplus or redundant stock. All from leading manufacturers.

Quality Service Sameday despatch on all stock items. Friendly helpful staff.

Fast Delivery Nextday service for all small (<1kg) orders at no extra charge. 3 day service for orders >1kg

No Minimum Order Order what you need, no pack quantities or min order value.

Quantity Discounts Available We offer discounts for all items subject to quantity required, phone, fax or email for a quote.

We carry a large range of capacitors in stock, including: Ceramic Mini Disc, Dipped Ceramic Multilayer, Dipped & Boxed Polyester, Mylar Film, Polystyrene, Plastic Film, MKT Polyester, Tantalum Bead, Sub-miniature Radial, 105 C Radial, Low Leakage Radial, Non Polarised Radial & Axial, PCB Cap Electrolytics, Polypropylene & Ceramic Trimmers and Tuning capacitors. Full technical details available.

Resistors - Please State Value Required per 100 of one value only

Preset Resistors - Please State Value Required Enclosed, 10mm Square Horiz / Vert. 1000 - 1M0 0.15W £0.12 Each

Potentiometers - Please State Value Required Single Gang 1/2" Shaft, 25mm Dia. 470k-2M2 Linear £0.56 Each

New Catalogue Free with all orders or via the internet.

New Cable Section

Tel: 0191 2514363 Fax: 0191 252296 Email: sales@esr.co.uk http://www.esr.co.uk

EVERYDAY
PRACTICAL
ELECTRONICS

THE No.1 MAGAZINE FOR ELECTRONICS TECHNOLOGY & COMPUTER PROJECTS

VOL. 33 No. 9 SEPTEMBER 2004

Editorial Offices:
EVERYDAY PRACTICAL ELECTRONICS EDITORIAL
WIMBORNE PUBLISHING LTD., 408 WIMBORNE ROAD EAST,
FERNDOWN, DORSET BH22 9ND
Phone: (01202) 873872. Fax: (01202) 874562.

Email: enquiries@epemag.wimbome.co.uk
Web Site: www.epemag.wimbome.co.uk
EPE Online (downloadable version of EPE): www.epemag.com
EPE Online Shop: www.epemag.wimbome.co.uk/shopdoor.htm
See notes on **Readers' Technical Enquiries** below – we regret lengthy technical enquiries cannot be answered over the telephone.

Advertisement Offices:
EVERYDAY PRACTICAL ELECTRONICS ADVERTISEMENTS
MILL LODGE, MILL LANE,
THORPE-LE-SOKEN, ESSEX CO16 0ED
Phone/Fax: (01255) 861161 Email: epeads@aol.com

Not Again!

We are about to go to press with this issue and Peter (our typesetter and advertisement copy controller) has just pointed out that we still need the *News* pages – John has that under control – and my *Editorial*, which I had forgotten about! It seems that the months go by at an ever faster rate, but I guess that comes with age. Once again lacking some inspiration I thought I would look at what other Editors of electronics magazines from around the world write about in their editorials.

Oz and US

In Australia it seems there is concern that compact fluorescent lamps do not live up to the promise of lasting five to eight times longer than normal light bulbs. (We notice some in the UK claim 10 times longer life.) Whilst in the USA they are much more interested in telling all their advertisers what their features will be in 2005.

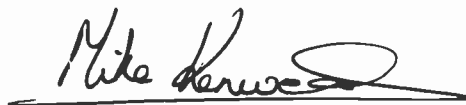
I guess that reflects a concern for the environment and one for marketing, which just possibly also reflects the political outlook in those countries.

International

Of course, *EPE* is truly international and I guess you could say that our editorials tend to concentrate on issues of direct concern to electronics enthusiasts – last month it was the problems with getting copies of *EPE*: in July intermittent faults and software bugs; in June the low price of electronics gadgets and innovative projects we have published; May concentrated on the Amateur Scientist CD-ROM we sell – see the *Direct Book Service* pages, whilst April was a review of what goes on in the editorial office.

When I look back at this lot it is pretty mundane stuff, but hopefully it's what is of interest and concern to you, our readers. Some of it is also aimed at keeping you interested and informed on all things *EPE* and hopefully you will keep reading. I guess you can say that we are truly a magazine for electronics enthusiasts everywhere, whether they are professionals, students, retired technicians or engineers, or pure hobbyists.

Hopefully you will find plenty to interest you within these pages.



Editor: MIKE KENWARD

Deputy Editor: DAVID BARRINGTON

Technical Editor: JOHN BECKER

Business Manager: DAVID J. LEAVER

Subscriptions: MARILYN GOLDBERG

Administration: FAY KENWARD

Editorial/Admin: (01202) 873872

Advertisement Manager:

PETER J. MEW, (01255) 861161

Advertisement Copy Controller:

PETER SHERIDAN, (01202) 873872

On-Line Editor: ALAN WINSTANLEY

EPE Online (Internet version) **Editors:**

CLIVE (MAX) MAXFIELD and ALVIN BROWN

READERS' TECHNICAL ENQUIRIES

E-mail: techdept@epemag.wimbome.co.uk

We are unable to offer any advice on the use, purchase, repair or modification of commercial equipment or the incorporation or modification of designs published in the magazine. We regret that we cannot provide data or answer queries on articles or projects that are more than five years old. Letters requiring a personal reply *must* be accompanied by a **stamped self-addressed envelope** or a **self-addressed envelope and international reply coupons**.

PROJECTS AND CIRCUITS

All reasonable precautions are taken to ensure that the advice and data given to readers is reliable. We cannot, however, guarantee it and we cannot accept legal responsibility for it.

A number of projects and circuits published in *EPE* employ voltages that can be lethal. **You should not build, test, modify or renovate any item of mains powered equipment unless you fully understand the safety aspects involved and you use an RCD adaptor.**

COMPONENT SUPPLIES

We do not supply electronic components or kits for building the projects featured, these can be supplied by advertisers (see *Shoptalk*). **We advise readers to check that all parts are still available before commencing any project in a back-dated issue.**

ADVERTISEMENTS

Although the proprietors and staff of EVERYDAY PRACTICAL ELECTRONICS take reasonable precautions to protect the interests of readers by ensuring as far as practicable that advertisements are *bona fide*, the magazine and its Publishers cannot give any undertakings in respect of statements or claims made by advertisers, whether these advertisements are printed as part of the magazine, or in inserts.

The Publishers regret that under no circumstances will the magazine accept liability for non-receipt of goods ordered, or for late delivery, or for faults in manufacture.

TRANSMITTERS/BUGS/TELEPHONE EQUIPMENT

We advise readers that certain items of radio transmitting and telephone equipment which may be advertised in our pages cannot be legally used in the UK. Readers should check the law before buying any transmitting or telephone equipment as a fine, confiscation of equipment and/or imprisonment can result from illegal use or ownership. The laws vary from country to country; readers should check local laws.

AVAILABILITY

Copies of *EPE* are available on subscription anywhere in the world (see opposite), from all UK newsagents (distributed by COMAG) and from the following electronic component retailers: Omni Electronics and Yebo Electronics (S. Africa). *EPE* can also be purchased from retail magazine outlets around the world. An internet on-line version can be purchased and downloaded for just \$10.99US (approx £7) per year available from www.epemag.com

SUBSCRIPTIONS

Subscriptions for delivery direct to any address in the UK: 6 months £16.50, 12 months £31, two years £57; Overseas: 6 months £19.50 standard air service or £28.50 express airmail, 12 months £37 standard air service or £55 express airmail, 24 months £69 standard air service or £105 express airmail. To subscribe from the USA or Canada see the last magazine page. Online subscriptions, for downloading the magazine via the Internet, \$10.99US (approx £7) for one year available from www.epemag.com. Cheques or bank drafts (in £ sterling only) payable to *Everyday Practical Electronics* and sent to EPE Subs, Dept., Wimborne Publishing Ltd, 408 Wimborne Road East, Ferndown, Dorset BH22 9ND. Tel: 01202 873872. Fax: 01202 874562. Email: subs@epemag.wimbome.co.uk. Also via the Web at: <http://www.epemag.wimbome.co.uk>. Subscriptions start with the next available issue. We accept MasterCard, Amex, Diners Club, Maestro or Visa. (For past issues see the *Back Issues* page.)

BINDERS

Binders to hold one volume (12 issues) are available from the above address. These are finished in blue p.v.c., printed with the magazine logo in gold on the spine. Price £6.95 plus £3.50 p&p (for overseas readers the postage is £6.00 to everywhere except Australia and Papua New Guinea which cost £10.50). *Normally sent within seven days but please allow 28 days for delivery – more for overseas.*

Payment in £ sterling only please. Visa, Amex, Diners Club, Maestro and MasterCard accepted. Send, fax or phone your card number, card expiry date and card security code (the last 3 digits on or just under the signature strip), with your name, address etc. Or order on our secure server via our UK web site. Overseas customers – your credit card will be charged by the card provider in your local currency at the existing exchange rate.



Rainbow Lighting Controller

David Geary

Brighten up your garden's night-time colour scheme!



THIS design originated both from the annoyance of frequently changing conventional small lamps in a garden lighting set, the addition of a small water feature and the subsequent desire to “do something different”. Using the latest developments in l.e.d. technology seemed the obvious answer.

Replacing lamps with l.e.d.s brings optical problems. Inevitably, decorative lighting is required to emit light in all directions, and this would either require a cluster of l.e.d.s, or a reflector, mirror, diffuser arrangement.

Thoughts along these lines then provoked the question “what colour?”, and so the perhaps less obvious answer of “all colours”. Since all colours can be derived from a mix of red, blue, and green, it should be possible to add life to a static display by varying the colour of emitted light. In practice, mixing colours to get a single, varying colour light is near impossible without specialist optics. However, the display remains interesting and different with various mixes of colours being visible.

All of this leaves the original problem of optics. The project described here gets around this by using a reversing light housing available from Halfords – complete with mirror and diffusing lens.

The controller described here is simple, and can be easily adapted for small incandescent lamps, or a chain of l.e.d.s – indeed, there is no reason why one controller could not be adapted by adding some buffer gates and extra transistor stages to run a large number of displays.

After watching the prototype for a while, this is the electronic equivalent of the Lava Lamp!

Choice of L.E.D.

The design started with some research into the l.e.d.s available. An RGB (red, green, blue) l.e.d. is available, but the brightness of the various colours varies. The cost of these l.e.d.s is significant and a number would be required.

However, it is possible to purchase very high brightness l.e.d.s individually. Farnell (see *Shoptalk* page) offer a range of l.e.d.s

designed for external signage at reasonable cost.

The design was intended to run from the 12V a.c. supply provided with the existing lighting set, and therefore running the l.e.d.s at or near their maximum current rating was not a design constraint.

For all practical purposes, l.e.d.s are generally considered to have an infinite life. It is important to recognise, though, that while they may remain working, light output reduces over time. This project therefore does not have an infinite life, and l.e.d.s may need replacing every few years to maintain the effectiveness of the display.

Some time was spent selecting the correct l.e.d.s to use; the green and blue colours are very effective. The red l.e.d. was originally a “Giant Red”, which provides a deep red colour. However, it is impossible to focus this into the back of the reflector, and it was felt to lack “punch”. This was then changed to those specified later, which are a lighter red, very bright, but need careful focussing into the reflector.

Other Parameters

The project needs to be installed in the garden, therefore it needs to be waterproof and be able to survive cold winters. As said, the author's available supply is 12V a.c., with a few hundred milliamps easily available.

Having decided to use red, green, and blue as the l.e.d. colours, the design should fade rather than switch between them. A variety of modes should enable testing as well as an appropriate display once installed.

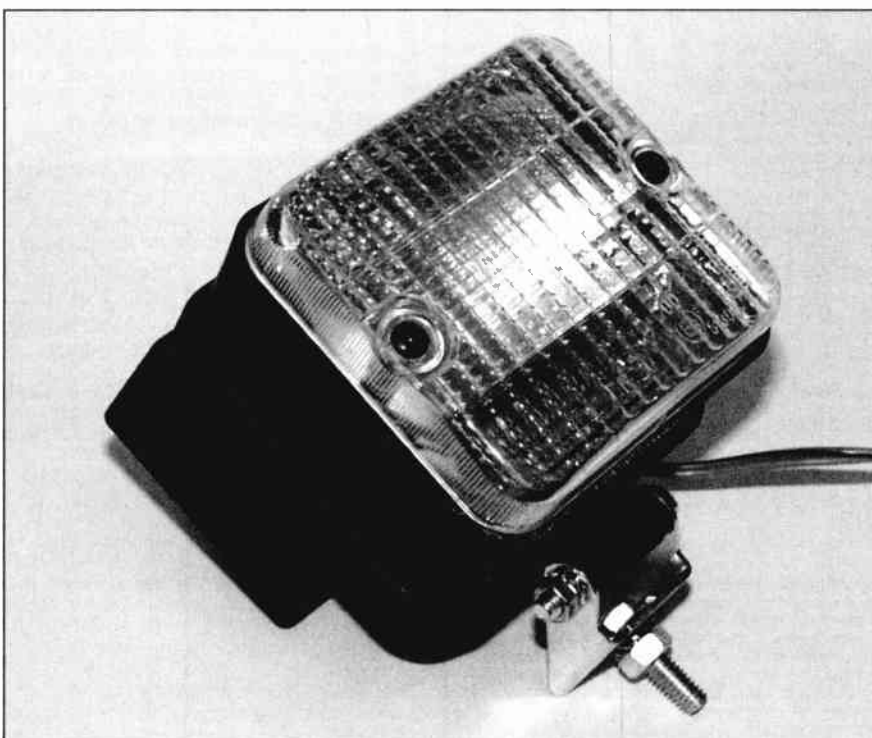
Additionally, it would be desirable to make the final design self-contained and cheap enough to be repeatable around the garden.

Ripe for PICing

The final circuit for the Rainbow Lighting Controller is fairly simple, as shown in Fig.1.

It uses a PIC16F84 microcontroller, IC1, whose pins RA0 to RA2 control three power transistors, TR1 to TR3, via buffering resistors R1 to R3. The transistors then control l.e.d.s D1 to D5, which are buffered by resistors R4 to R6.

In the prototype the PIC is operated at 3.579545MHz, as set by crystal X1 in



conjunction with capacitors C1 and C2. This frequency is not critical and other crystal speeds may be used, such as the more common 3-2768MHz or 4MHz devices.

The power supply can be provided by any unit intended for outdoor use and capable of supplying 12V a.c. at a minimum of about 100mA. The author's unit was powered by the supply from an existing commercial lighting set.

The 12V a.c. supply is rectified by REC1, smoothed by capacitor C6 and regulated down to +12V d.c. by IC3. This supply is used to power the l.e.d.s. It is also regulated down to +5V by IC2, which then supplies power to the PIC. Capacitors C3 and C4 provide local smoothing.

Power may alternatively be provided by a 12V car battery, in which case bridge rectifier REC1 and 12V regulator IC3 may be omitted.

When power is first applied to the circuit, the PIC is reset via its MCLR pin, with resistor R7 and capacitor C5 providing a brief delay in the response.

An 8-way dual-in-line (d.i.l.) switch module, controls the modes available via its switches, S1 to S8. They are connected to Port B pins RB0 to RB7, which are biased normally-low via 8-way resistor s.i.l. (single-in-line) module RM1.

Switch Modes

The switch mode functions are outlined in Table 1.

The brightness of the l.e.d.s is controlled using pulse width modulation (PWM). The maximum brightness is, of course, controlled by the series resistors R4 to R6.

Table 1: Switch (S1 to S8) Mode Functions

Switch	PIC Pin	Purpose	Option
S1	RB0	Fade/Overlap	off for fade
S2	RB1	Run/Freeze	off to freeze at that point in the cycle
S3	RB2	Red High Start	off for high brightness on reset and static display
S4	RB3	Blue High Start	off for high brightness on reset and static display
S5	RB4	Green High Start	off for high brightness on reset and static display
S6 to S8	RB5 to RB7	Speed	set in binary, 000 for fastest, 111 for slowest, RB5 = LSB, RB7 = MSB

The blue and green l.e.d.s specified are both static sensitive and easily destroyed by over-current. Whilst the design is clearly ripe for customisation, be very careful to ensure appropriate resistors are calculated. Table 2 shows the data for the specified l.e.d.s and the web address for the datasheet. Note the figure for V_{fwd} for the blue and red l.e.d. is doubled as two are used in series.

Take care to make all track breaks first. A proper spot face cutter is a worthwhile investment! Assemble the components in order of ascending size, but starting with the d.i.l. (dual-in-line) socket and the on-board link wires.

The prototype originally showed just how susceptible to stray capacitance a PIC running fairly fast can be, indeed different settings of the d.i.l. switches affected the reliable starting of the clock. It was found to be important that redundant lengths of track around the crystal side of the PIC (and the double-breaks shown) should be removed.

Construction

The Rainbow Lighting Controller is constructed on stripboard, whose assembly and track cutting details are shown in Fig.2.

Table 2: L.E.D. Data

L.E.D.	Farnell	V_{fwd}	mA max	V max.	R value	R diss
Blue	366-4569	7.4	25	12	184Ω	115mW
Green	302-7752	4.0	24	12	333Ω	192mW
Red	623-672	4.2	20	12	390Ω	156mW

Data: www.farnell.com/datasheets/24360.pdf, /41355.pdf, /5727.pdf, respectively

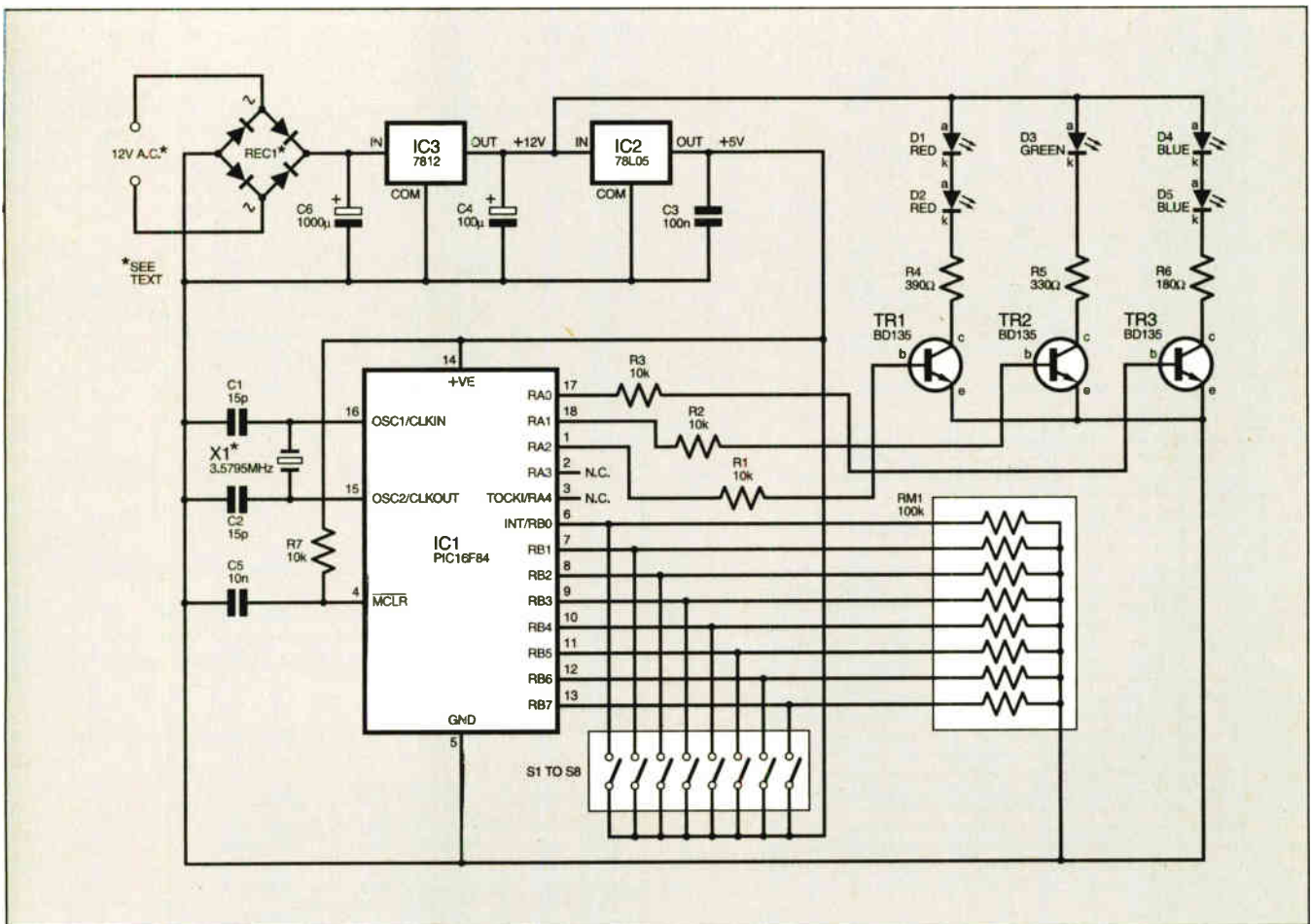
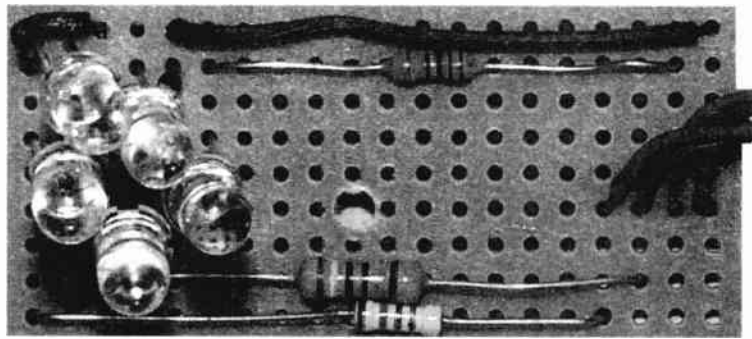
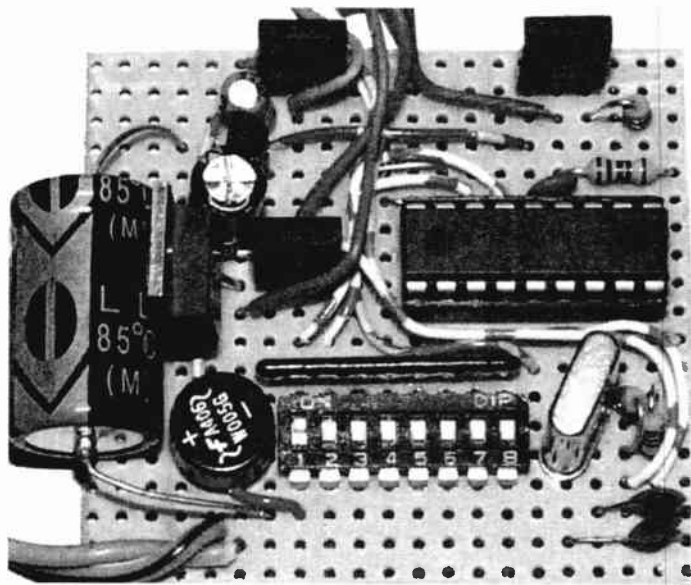


Fig. 1. Complete circuit diagram for the Rainbow Lighting Controller.



(Above) The "rainbow" display l.e.d.s mounted on an optional piece of stripboard together with their ballast resistors. This board is mounted inside the lamp reflecting dome.

(Left) The author's prototype circuit board component layout. In the final version, and layout diagram, some of the wire links have been repositioned, a larger piece of stripboard has been used, and capacitor C6 is in a different place.

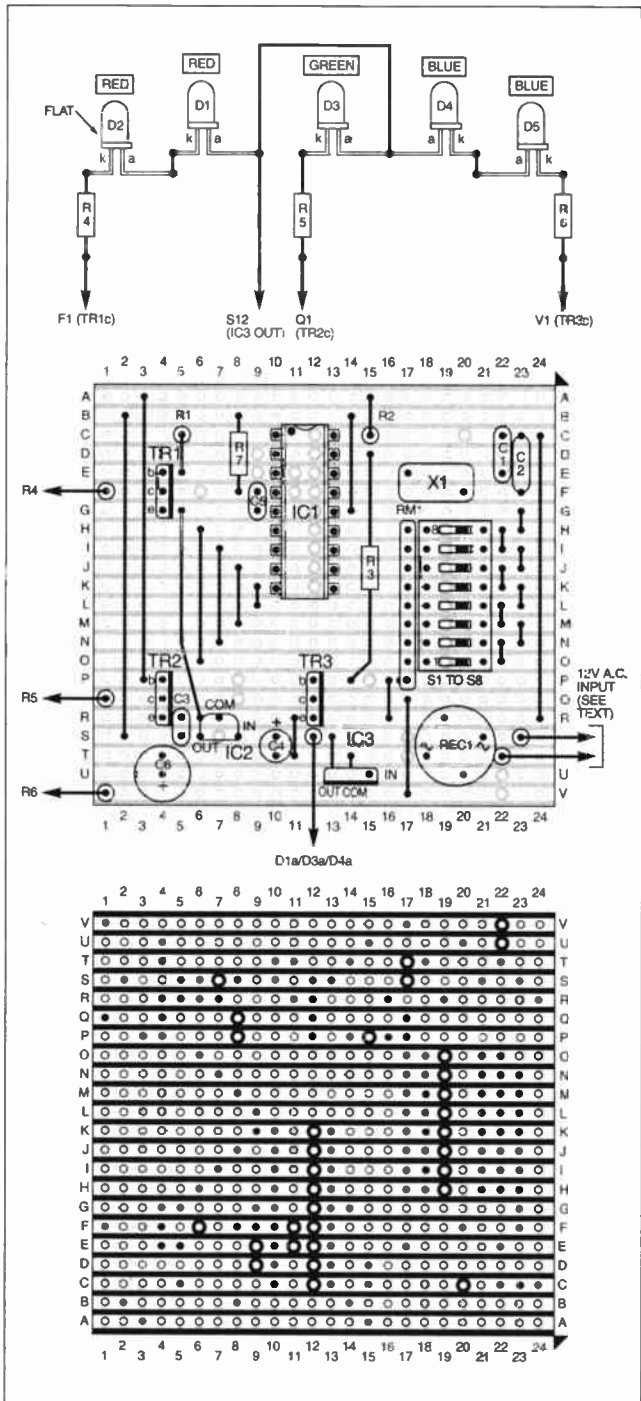


Fig.2. Circuit board component layout, wiring details and details of breaks required in the copper tracks.

The non-PIC side pins of the d.i.l. switch are shown as linked together on the diagram – using small individual track-bridging links. Note the dot on one end of resistor module RM1 and make sure this is positioned on the stripboard as shown.

Lighting Enclosure

The control circuit stripboard is mounted in a small box bolted to the rear of the chosen lighting head, with wires passing through holes suitably drilled in both.

The design of the lighting head is one ripe for experimentation. The lighting enclosure used by the author was a Halfords Ring

COMPONENTS

<p>Resistors</p> <p>R1 to R3, 10k (4 off)</p> <p>R4 390Ω</p> <p>R5 330Ω</p> <p>R6 180Ω (3 off)</p> <p>RM1 100k s.i.l. 8-way commoned resistor module</p> <p>All 0.25W 5% or better.</p> <p>Capacitors</p> <p>C1, C2 15p disc ceramic, 2.5mm pitch (2 off)</p> <p>C3 100n disc ceramic, 2.5mm pitch</p> <p>C4 100μ radial elect. 25V</p> <p>C5 10n disc ceramic, 2.5mm pitch</p> <p>C6 1000μ radial elect. 35V</p> <p>Semiconductors</p> <p>D1, D2 red l.e.d., 5mm, high-brightness (2 off)</p> <p>D3 green l.e.d., 5mm, high-brightness</p> <p>D4, D5 blue l.e.d., 5mm, high-brightness (2 off)</p> <p>TR1 to TR3 BD135 medium power <i>n</i>p<i>n</i> transistor (3 off)</p> <p>IC1 PIC16F84A microcontroller, pre-programmed (see text)</p> <p>IC2 78L05 +5V 100mA voltage regulator</p> <p>IC3 7812 +12V 1A voltage regulator (see text)</p> <p>REC1 W005 50V 1A bridge rectifier (see text)</p> <p>Miscellaneous</p> <p>S1 to S8 s.p.s.t. d.i.l. 8-way switch module</p> <p>X1 crystal 3.5795MHz (see text)</p>	<p>See SHOP TALK page</p> <p>(see text)</p>
---	--

Stripboard, 24 holes 22 strips; 18-pin d.i.l. socket; lighting enclosure to suit application (see text); power supply (see text); small plastic case for stripboard (see text); connecting wire; solder, etc.

Approx. Cost
Guidance Only

£16

excl. lamp

RL015 fitting. Other housing types may be used and modified appropriately. The Halfords type was modified by removing the bracket that normally serves as a lampholder and trimming it to a simple bracket.

This can be used to mount the l.e.d.s and resistors R4 to R6 on a separate piece of stripboard if preferred. Leave a one-centimetre l.e.d. lead length so they can be angled by gently bending the leads. This approach would offer the flexibility to experiment with the l.e.d. lighting head without disturbing the rest of the circuitry.

Power is fed through the hole in the fitting provided for the purpose and back through the rear of the fitting to a "chocolate block" (or similar method), from which loose wires connect to the board.

Installation

You will need to experiment with the installation site for the best results. Given the optics of the fitting described, make sure that the l.e.d.s point towards the centre of the back of the fitting to maximise efficiency.

Note that the red l.e.d.s specified have a very narrow viewing angle. In the prototype, one l.e.d. was positioned to face diagonally across the fitting to ensure the maximum "bounce" around inside the fitting, while the other faced the centre of the back of the fitting as described above.

Remember that the specified types are static sensitive, so until they are installed make sure you use a wrist strap, or otherwise ensure that you discharge static electricity from your body before handling them. They are also very prone to failure from over-current so be careful to ensure the current limiting resistors R4, R5, and R6 are correctly connected.

Make sure that the unit is properly waterproofed, regardless of the "lip" on the inside of most small enclosures. At one stage with the prototype it stopped working, and the author was greeted by a water-filled box on investigation!

Some PVC tape around the lid, and between the fitting and enclosure, solved the problem. Some mastic between the back of the fitting and the enclosure might help with persistent leaks – or, of course, a



The bulbholder bracket removed from the lamp housing.

fitting big enough to enclose the electronics as well!

Software

The PIC software was developed and programmed in the TASM dialect using *EPE Toolkit TK3*. The latter may also be used for translating from TASM to MPASM to suit other programming assemblers if required. The hex file is in the standard MPASM format and does not need translating.

For those who are interested in PIC programming – PIC Port A is used for output only, and Port B is used purely for reading the d.i.l. switch. The principle is that initial brightness values (software variables red, blue, and green) are set by the d.i.l. switch. The values are swept between 1 and 255 under the control of a fade-mode variable (fctrl). This controls which colour is varied at each sweep through the program.

Varying the value in fctrl therefore varies the behaviour of the controller. To achieve non-overlap mode, where only one colour is visible at a time, this is set at "00000001" and rotated left at each set of 256 sweeps through the first part of the program. For colour overlap, this is left at its default value of 00001001.

It is possible to prevent any colour change by selecting static mode (Port B, 1

high) – this option allows the display to be frozen at any time (see *stat* routine).

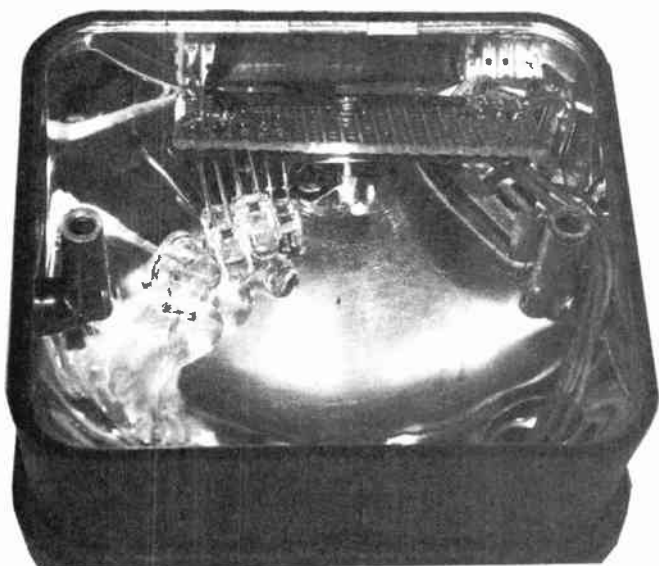
The overall speed control is effected at the beginning of the code headed *start*, by simply calling the display routine (*DIS*) repetitively. This routine effects Pulse Width Modulation control of each l.e.d. by copying the brightness level to a temporary variable, and then decrementing until the variable for each colour reaches zero, at which point the relevant l.e.d. is switched off.

In use, each l.e.d. is slightly lit at nearly all times. This does not detract from the overall effect and is useful for checking all is well!

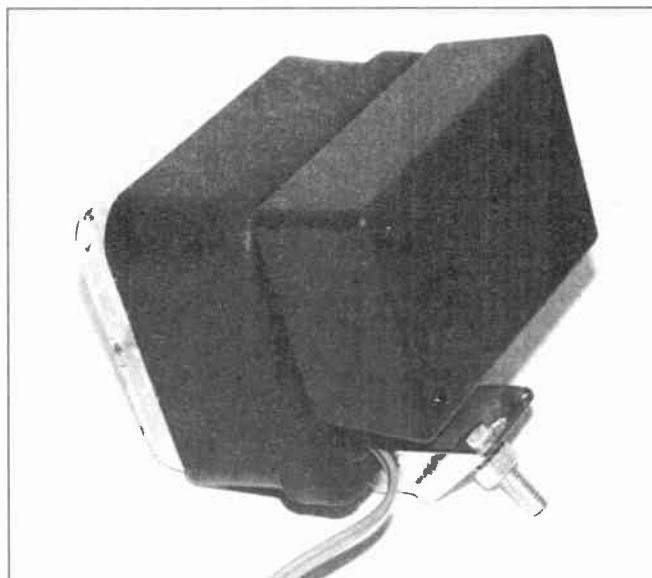
Resources

Software, including source code files, for the Rainbow Lighting Controller is available on 3.5-inch disk from the Editorial office (a small handling charge applies – see the *EPE PCB Service* page). It can also be downloaded free from the *EPE Downloads* page, accessible via the home page at www.epemag.wimborne.co.uk. It is held in the PICs folder, under Rainbow Lighting. Download all the files within that folder.

This month's *Shop Talk* provides information about obtaining pre-programmed PICs, and the sourcing of components. □



The display l.e.d.s mounted inside the lamp housing. Note the l.e.d.s face inwards towards the centre of the light reflector.



Completed controller unit mounted on the rear of the lighting head.

From Pots To Pans

The telephone technology used since the 1870s has finally reached its use-by date, as Andy Emmerson reports.

IF LOVE means never having to say you're sorry, then techno-talk means not having to apologise for talking technical. And that's what we're doing this month but hopefully in an understandable way.

Does it really matter how telephones work, as long as they do work? Probably not for most people, but we're different, aren't we? We enjoy taking telephones to bits and seeing if we can recognise any of the parts inside. We probably even fancy we know how the network functions, at least at outline level.

Not for much longer, however. The telephone system – or at least the majority of the UK network – is changing forever, hotly followed by many other systems around the world. British Telecom is the first in the world to commit its entire network to the new technology but that distinction need not concern us much.

Old POTS, New PANS

Twenty years ago some bright spark coined the phrase POTS and PANS, at a time when stored processor control (i.e. computer-controlled) telephone exchanges were a major novelty. The Plain Old Telephone System (POTS for short) was being enhanced with Positively Amazing New Services (PANS) and we all gasped with admiration. Soon afterwards came the transition from analogue to digital, which brought clearer calls and much improved reliability.

What none of these enhancements did was alter the nature of the telephone network, which relied on switched circuits connecting subscribers. In other words, from my telephone to yours was a static wired (or part-wire, part radio) connection, passing through one or more telephone exchanges on the way. For the entire duration of our call you and I would have the exclusive use of this connection, a concept that had not altered since the first experiments of Graham Bell and others in the 1870s.

A century and a quarter without fundamental change is not bad going in the modern era but it is coming rapidly to an end. What's more, the new technology is truly amazing, even though its announcement was lost in the fog of words that is all too common in the information overload that we tend to suffer now.

Cloud Cover

If you read books on networking you'll know that clouds are a handy way of portraying complex networks in diagrams. The fog can easily obscure vital information, however, as was the case recently when BT took the wraps off its 21st Century Network (21CN). Most coverage majored

on the £1 billion annual cost savings expected, overshadowing the more fundamental implications of what is truly a radical change in direction.

Radical change? From BT? Yes of course, credit where it's due! BT is the first national telco in the world to commit entirely to a soft (non circuit-switched) network, meaning we need to examine the nature of this step change, its technical implications and the likely impact on us as users.

Mark my words, this announcement must be recognised as a defining moment, as significant as the change from analogue to digital. Sure, the immediate impact will be slight, simply because the transition for users has to be seamless and gradual, maintaining provision for "legacy" customer premises equipment and services.

Nevertheless, this cannot obscure the fact that today's times are the last throes for circuit-switched communication, a technology at the heart of communication since Cooke and Wheatstone's electric telegraph of the 1830s. This is also the dawn of an era of new service offerings unfettered by narrowband, fixed line technology constraints. However fanciful it may sound, this really is big news. Unconvinced? Let's see...

Building Strategy

The strategy behind building 21CN is to migrate voice, data and Internet services to one single, advanced system. The new network treats voice traffic, video, fax and computer-to-computer communication all as data in a single Internet Protocol (IP) format. This data will cross the network using packet technology over virtual or "soft" connections rather than the circuit-switched technology used on today's public switched telephone network (PSTN).

There will be no telephone exchanges as such, but multimedia "softswitches", supporting a range of broadband and narrowband access technologies, will connect calls, which will be delivered to subscribers through multi-service access nodes (MSANs). Marconi is supplying the softswitches and the MSANs and there will be far fewer of them than there are telephone exchanges at present.

The simplified architecture of the new network will also bring up to 15 per cent reduction in the 73 million wire and 400,000 fibre connections in BT's network, plus up to 70 per cent reduction of 100,000 termination points. Fewer "wires and boxes" will mean simpler service management, reduced fault liability, less power consumption and significant cost reduction, along with faster service activation, enhanced test access and better resource

utilisation. On this BT justifies its claims to a richer customer experience and substantial operational savings.

21CN, says BT, will give users the same kind of personal configuration of their telecomms facilities as they have over desktop PC applications. You will be able to control provision of your services online at any time of day or night, fine-tuned with the exact features and facilities you want, to help you work smarter and more creatively. BT's "ubiquity" offerings will make flexible working from home an option for more people, cutting costs and making for better quality of life.

Attractive leisure services enabled by broadband will bring into the house more entertainment and support for hobby activities, allowing home life to expand where people want it. Putting more things under your control (video on demand, online shopping and home banking are only three examples) will help put the balance back into life. And it's all coming to your telephone line very soon (starting 2006).

Death Knell for Dial Phones

One minor casualty of the new network is the humble dial telephone that some of us still use. Whilst the new MSAN access hub mentioned above has interfaces for conventional POTS telephones (not to mention all sorts of broadband and optical fibre connections as well), it will recognise only tone dialling telephones. The old loop-disconnect or pulse signalling used in phones fitted with dials and first-generation push-button keypads will not be recognised and BT will have to contact all subscribers to make sure they are aware of the change. The timetable states that migration to the new network will begin in 2006, with most users transferred two years later.

Diehard dial fans need not worry, however, as adapters will be available, and a simple and effective solution is already on sale in the USA. It's a matchbox-sized converter that plugs in series between your telephone's line cord and the phone socket. It is designed for the U.S. (Western Electric, RJ-11) plugs and sockets but that's a minor problem.

On incoming calls it does not interfere in any way. On outgoing calls it recognises each digit dialled and sends the appropriate touch-tone signal in the short pause between each digit. Obviously you can use it only on lines that recognise tones only; if you used it on a normal BT line you would get wrong numbers because the exchange would recognise both the pulse and tone signals for each digit dialled. You can see the product at <http://www.sandman.com/pdf/page91.pdf>; the order reference is CID6K.

atlas LCR

Passive Component Analyser

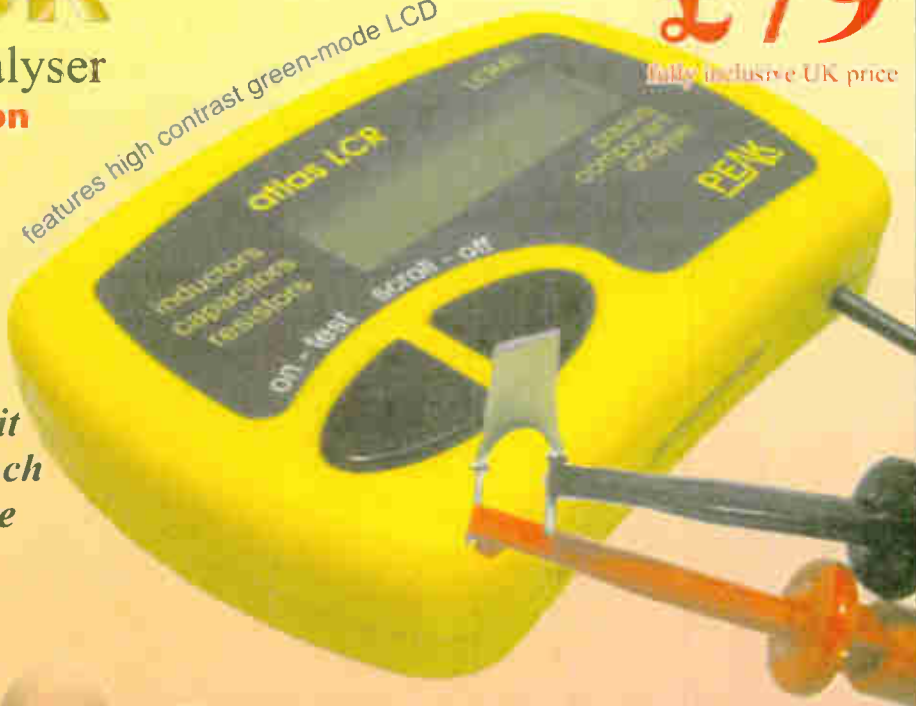
**Automatic Identification
and Measurement**

Inductance: 1 μ H to 10H
Capacitance: 1pF to 10,000 μ F
Resistance: 1 Ω to 2M Ω
Basic accuracy: 1%

*"Astonishingly, this little unit
seems to pack most of the punch
of a large and very expensive
automated LCR bridge
into its tiny case."*

Andy Flind - EPE Magazine

features high contrast green-mode LCD



£79

fully inclusive UK price

£60

fully inclusive UK price

atlas DCA

Semiconductor Analyser

**Automatic Pin-out Identification:
Just connect any way round!**

Transistor gain measurement
MOSFET gate threshold measurement
PN junction characteristics measurement
Shorted Junction identification
Transistor leakage measurement
Auto power on/off

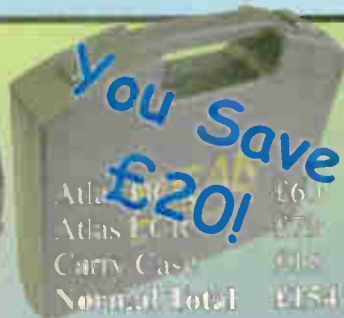
Bipolar transistors, Darlington transistors,
Diode protected transistors, Resistor shunted transistors,
Enhancement mode MOSFETs, Depletion mode MOSFETs,
Junction FETs, Diodes and diode networks,
LEDs (+ bicolours)

enclosure colours may vary

star pack!

LCR40 and DCA55 Pack
Why not order both analysers in the
NEW special edition carry case
and save yourself **£20!!**

£134!

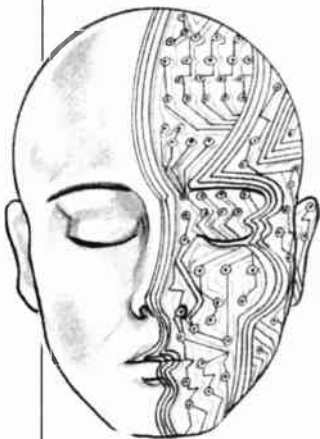


Atlas LCR40	£69
Atlas DCA55	£79
Carry Case	£15
Normal Total	£163

Visit www.peakelec.co.uk to download the data sheets, user guides and copies of independent reviews. You can pay using a cheque, postal order, credit or debit card and even pay securely online. Please contact us for your volume requirements.

Also available from Farnell,
Maplin, Rapid and CPC
(prices vary)

INGENUITY UNLIMITED



Our regular round-up of readers' own circuits. We pay between £10 and £50 for all material published, depending on length and technical merit. We're looking for novel applications and circuit designs, not simply mechanical, electrical or software ideas. Ideas *must be the reader's own work* and **must not have been published or submitted for publication elsewhere**. The circuits shown have NOT been proven by us. *Ingenuity Unlimited* is open to ALL abilities, but items for consideration in this column should be typed or word-processed, with a brief circuit description (between 100 and 500 words maximum) and full circuit diagram showing all component values. **Please draw all circuit schematics as clearly as possible.**

Send your circuit ideas to: *Ingenuity Unlimited*, Wimborne Publishing Ltd., 408 Wimborne Road East, Ferndown Dorset BH22 9ND. (We do not accept submissions for *IU* via E-mail.) Your ideas could earn you some cash and a prize!



WIN A PICO PC BASED OSCILLOSCOPE WORTH £586

- 100MS/s Dual Channel Storage Oscilloscope
- 50MHz Spectrum Analyser
- Multimeter • Frequency Meter
- Signal Generator

If you have a novel circuit idea which would be of use to other readers then a Pico Technology PC based oscilloscope could be yours. Every 12 months, Pico Technology will be awarding an ADC200-100 digital storage oscilloscope for the best *IU* submission. In addition, a DrDAQ Data Logger/Scope worth £69 will be presented to the runner up.

Betty's Flasher – Kindly Light

An elderly woman in our congregation had an l.e.d. flasher on her garage door to put fear into would-be thieves. Unfortunately, one of said thieves stole the l.e.d. flasher. Could I make her a new one? So I designed this one from scratch, which will theoretically flash brightly for more than ten years, and is named after her!

L.E.D. flashers seldom last for more than one year off AA batteries – the once-popular LM3909 flasher being a well-known example. On the other hand, the l.e.d. flasher shown in circuit diagram Fig.1 will flash an ultrabright l.e.d. brightly for ten years or more off three alkaline AA batteries.

The circuit uses an RC oscillator based on a single gate, IC1a, of a CMOS 4093 Schmitt trigger quad NAND gate. However, instead of wiring l.e.d. D2 from the output of IC1a to one of the power rails, as is frequently done, D2 is placed in capacitor C1's discharge path instead. That is, capacitor C1 discharges

through l.e.d. D2 and resistor R2. Thus l.e.d. D2 is powered directly by the capacitor.

Since C1 charges through R1 and D1, the circuit's power consumption is essentially determined by the value of resistor R1 – plus the "overhead" of IC1, which is almost negligible at $2\mu A$ to $3\mu A$. With a value of $220k\Omega$ for R1 at 4.5V, this means that C1 draws little more than $20\mu A$.

Quality alkaline batteries have a capacity rating of around 2.6Ah, so that a further calculation of $2.6Ah / (20 + 3\mu A)$ reveals that the flasher is destined in theory to work for more than 13 years off one set of batteries. The flash rate is about 1Hz.

Power may further be conserved by increasing the value of R1 to $470k\Omega$ and reducing C1 to $4.7\mu F$. This would offer a 20-year flasher, if the batteries were theoretically perfect, and the flash would still be fairly respectable. Note that other makes of 4093 i.c. may change the characteristics of the flasher.

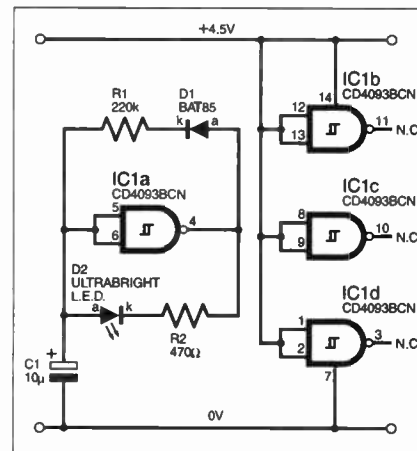


Fig.1. Betty's L.E.D. Flasher circuit diagram.

Thomas Scarborough, Cape Town, South Africa

Water Safety Interlock – Flood Barrier

THE interlock circuit diagram shown in Fig.2 disconnects a water pump and itself from the mains electricity supply as soon as the water rises to a predefined level, as set by the positioning of sensor probes A and B.

The sensors, which can be household pins or iron nails, are held suspended in the tank at a level just below the water overflow outlet. Pressing push-to-make switch S1 energizes relay RLB and turns on the mains a.c. supply to the water pump and sensing circuit.

Initially, with the water level below the sensors, npn transistor TR1 (a BC184, BC548 or similar device) is turned off and relay RLA is not energized, with its normally-closed (n.c.) contacts closed and so conducting current to RLB and turning it on. In this condition, RLB's normally-open (n.o.) contacts are closed and current flows to the water pump. Thus water flows into the water tank.

As soon as water touches across both sensors, transistor TR1 is turned on, thereby energizing RLA, whose contacts now

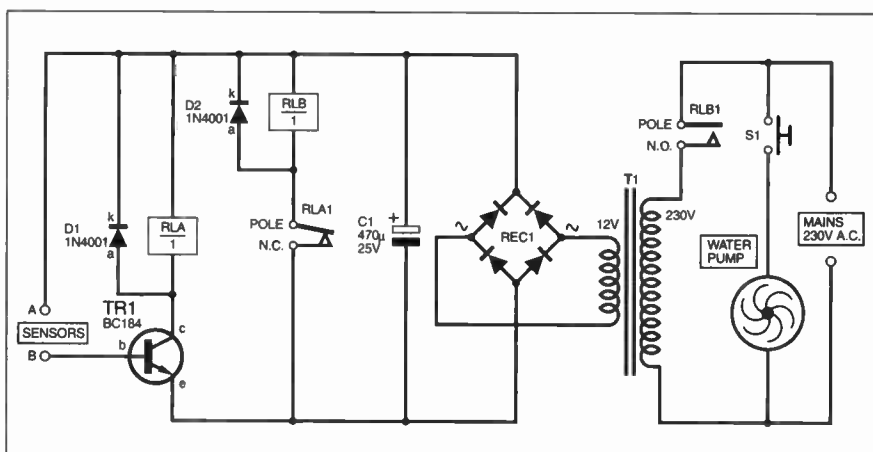


Fig.2. Circuit diagram for a Water Safety Interlock.

open. As a result RLB turns off, its contacts open and the pump and the circuit turn off again. They remain off until switch S1 is pressed again, causing the cycle to repeat.

This mains electricity circuit must only be constructed by those who are suitably qualified or supervised.

Ejaz ur Rehman, Islamabad, Pakistan

Audio Frequency Synthesiser – Squaring Up and Down

A SIMPLE way of generating a very stable and accurate audio frequency is to use a crystal oscillator followed by a programmable divider circuit. The circuit diagram shown in Fig.3 does just this.

Inverting gate IC1a is used as a crystal-controlled oscillator whose output is buffered by IC1b and fed to the clock (CK) input of the 12-stage binary counter, IC2, used as a variable divider. The number that the frequency is to be divided by is set by switches S1 to S12, and can be any value between 1 and 4095, the switch settings representing the division number in binary form.

In conjunction with switches S1 to S12 and resistor R4, diodes D1 to D12 perform a NAND gate function having up to 12 inputs. Via the double inversion provided by IC1e and IC1f, the NAND gate's output controls the counter's reset pin (MR). When the count value at outputs Q0 to Q11 reaches the value selected by the switches, the NAND gate function goes high and the counter is reset. IC1e and IC1f improve the pulse shape.

On the low-to-high transition, the reset pulse from IC1f can be used to trigger JK flip-flop IC3b via switch S13, to provide a 1:1 mark-space ratio pulse from IC3b output Q, dividing the frequency by a further two in the process. The pulse from this output is fed to the combined bases (b) of transistors TR1 and TR2 used as output drivers,

which provide the first of two outputs from the synthesiser, buffered by resistor R6 (limiting current to 100mA max.).

This output frequency may be further divided by two, by being triggered from output Q of flip-flop IC3a, as selected by switch S13. This gives a total division ratio of up to 16,384, giving a minimum output frequency of 61Hz when using a 1MHz crystal. The second, anti-phase, output is via transistor pair TR3 and TR4, under control of IC3b output pin Q2.

One measure of the quality of a frequency synthesiser is its step size – that is, how big the frequency change is from one setting to the next. In this circuit the division ratio changes in steps of two or four due to IC3a and IC3b, so the step size is two or four times the calculated figure.

Using a 1MHz clock and with IC3b clocked directly by the reset pulse, the following is a selection of approximate step sizes:

Frequency	Step Size
500Hz	0.5Hz
1kHz	2Hz
2kHz	8Hz
10kHz	200Hz
50kHz	5kHz

A way of adding more steps is to get the divider to divide by a different number

(n+1) on the marks rather than on the spaces. This results in an asymmetrical output waveform, but it gives 50% more steps. The method will only work with even division ratios in the divider circuit, as switch S1 must be in the open position (this is why there is a 50% increase rather than 100%).

The function that achieves this is formed around IC1c, IC1d and associated components. Counter output Q0 is buffered by IC1c whose output feeds into the discrete NAND gate formed by resistor R5 and diodes D16 and D17. When IC3a output Q1 is high, pulses from IC1c trigger IC1d, whose output then triggers the common reset connection via diode 19.

However, when IC3a pin Q1 is low, the input to IC1d is held low and cannot respond to pulses from IC1c, consequently the reset line cannot be triggered high by IC1d, thereby increasing the division ratio by one. This function can itself be inhibited, via diode D18 and switch S14.

Be aware that although the circuit works faultlessly with a 1MHz crystal, it was found that it worked very poorly and intermittently with a 4MHz crystal. The prototype was powered by a mains adaptor supplying 12V at up to 250mA.

P. A. Tomlinson, Hull

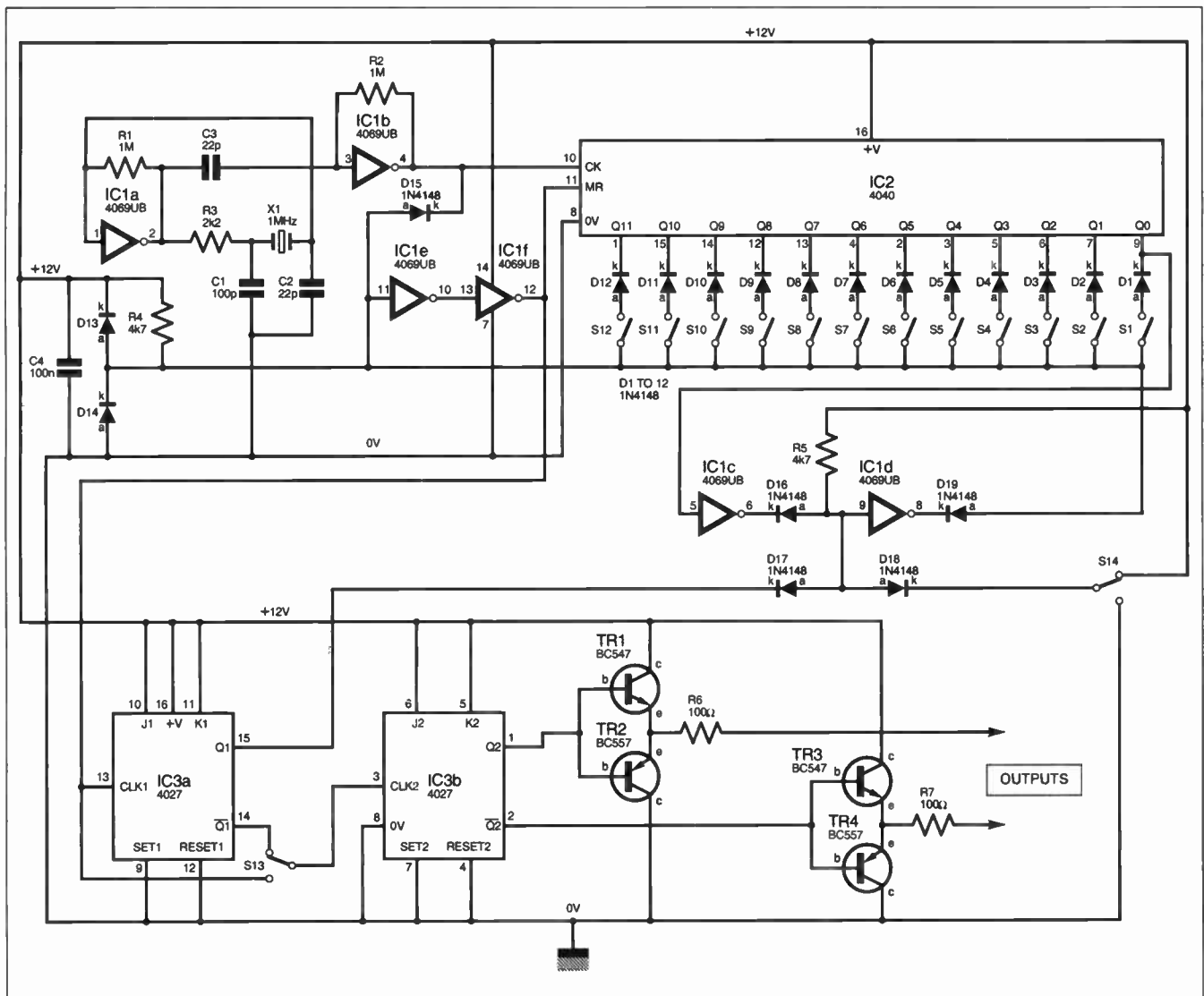


Fig.3. Circuit diagram for an Audio Frequency Synthesiser.

Line-O-Light – Eternal Light!

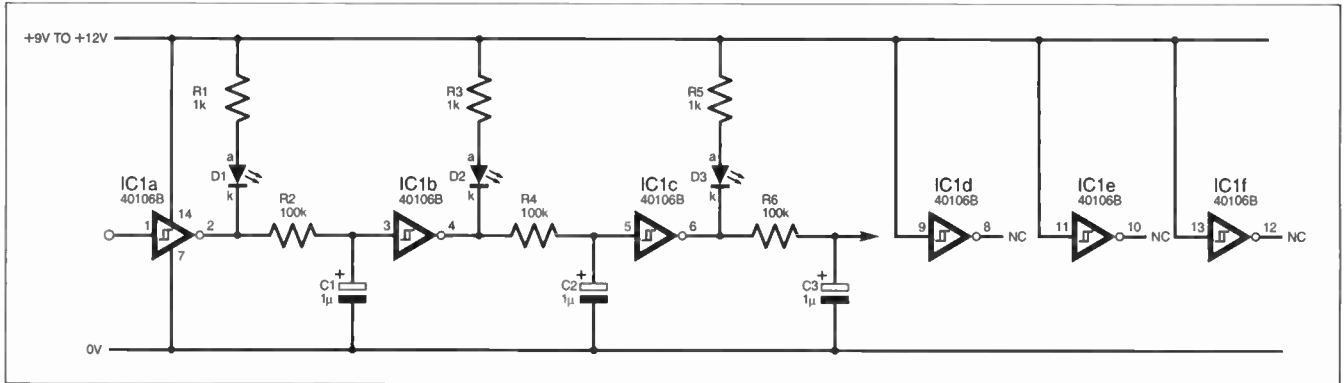


Fig.4. Circuit diagram for the Line-O-Light.

THE circuit in Fig.4 represents a simple "Line-O-Light" which may be infinitely extended.

As things stand in Fig.4, if the junction of resistor R6 and capacitor C3 is wired back to the input at IC1a pin 1, one to two l.e.d.s will illuminate simultaneously in sequence. However, this sequence may be lengthened at will, with two more Schmitt inverter gates being inserted into the sequence each time. In this case, one more l.e.d. lights up for every two gates added. For instance, if a total of five gates were used, two to three l.e.d.s in the sequence would illuminate at the same time.

Described in brief, the charge on the

capacitors is shunted round and round the "circle", to illuminate l.e.d. after l.e.d. Each capacitor is charged through its attendant resistor. As the charge on the capacitor at a gate's input goes high, so the gate's output goes low, with the result that the following capacitor begins to discharge, and so on.

On the surface of it, it might seem that the same would be accomplished with a simple flip-flop flashing l.e.d.s alternately. However, the average number of l.e.d.s which light in this circuit is the number of gates divided by two. With a flip-flop, it would be the number of l.e.d.s divided by two. This makes for a slightly different effect.

Also, if the value of one of the capacitors in this circuit is increased, a periodic delay is introduced into the Line-O-Light. Further effects may be achieved by charging or discharging the capacitors more rapidly through resistor-diode combinations, or by wiring a resistor of one's choice from any output to any input.

As the circuit stands, the illuminated l.e.d.s are shunted round the "circle" at about 1Hz. This may be changed by changing the values of the capacitors or their attendant resistors.

Thomas Scarborough,
Cape Town, South Africa

Automatic Morse Beacons – Keying the Flightpath

AS part of a larger flight simulation project, emulating an ILS (Instrument Landing System) marker beacon, the possible code sequences embedded in a standard binary count were explored. It was found possible to generate continuous dots, continuous dashes or continuous dot-dash pairs, all with correct Morse spacing (one dash equals three dot lengths, one inter-symbol space equals one dot length). As the sequence generators are driven by a common clock, all Morse outputs will be at the same speed.

The technique explained here and shown in Fig.5 might stimulate readers into looking at binary sequences to obtain other patterns needed for logic or Morse purposes. It uses two 74LS163 synchronous binary counters, IC1 and IC3, and a NAND gate, IC2a.

The input clock signal triggers IC1 and IC3 to step through their 4-bit sequences. In fact, only parts of the sequences are needed. Taking the repeated dot-dash pairs from IC1, these occur at decimal steps 11, 12, 13, 14, 15, 0. In binary, and in order of outputs QD, QC, QB, QA, this is 1011, 1100, 1101, 1110, 1111, 0000.

Feeding the rightmost two least significant bits at QA and QB into NAND gate IC2a, where "any low gives a high", the input/output sequence becomes:

BA	NAND
11	0
00	1
01	1
10	1
11	0
00	1

Therefore, a correct sequence with a space (one time period), a dash (three time periods), another space and then a dot (one time period) is generated at IC2a output pin 3. To make this sequence cycle back to

the beginning, IC1's synchronous load pin 9 is activated by the leftmost, most significant bit, QD. Looking at the 4-bit sequence, bit QD is 1 at all times, except for the very last member of that sequence.

So, on the next clock pulse after bit QD pulls the load pin low, IC1's input registers are loaded with the logic levels on their pins, in this case loading the binary value 1011, as required at the start of the 4-bit sequence.

The other sequence, a dash of three periods followed by a single-period space (the length of a dot), is found at IC3 output pin QC. Looking at the four-bit sequence for decimal values 5, 6, 7, 8 gives:

D	C	B	A
0	1	0	1
0	1	1	0
0	1	1	1
1	0	0	0

This has been tabulated so as to emphasise bit C. Note the three 1s, representing the correct dash sequence, and then a 0, in the right place to force a synchronous re-load of input logic 0101 on the next clock cycle.

For continuous dots, look at bit A in the above sequence. On the first clock pulse, bit A changes state (say from off to on), on the second pulse it reverts. So the clock will run at twice the symbol rate of the required Morse and this applies to all sequences.

Note that the 74LS163 loads synchronously, at the end of each cycle.

Godfrey Manning G4GLM,
Edgware, Middx

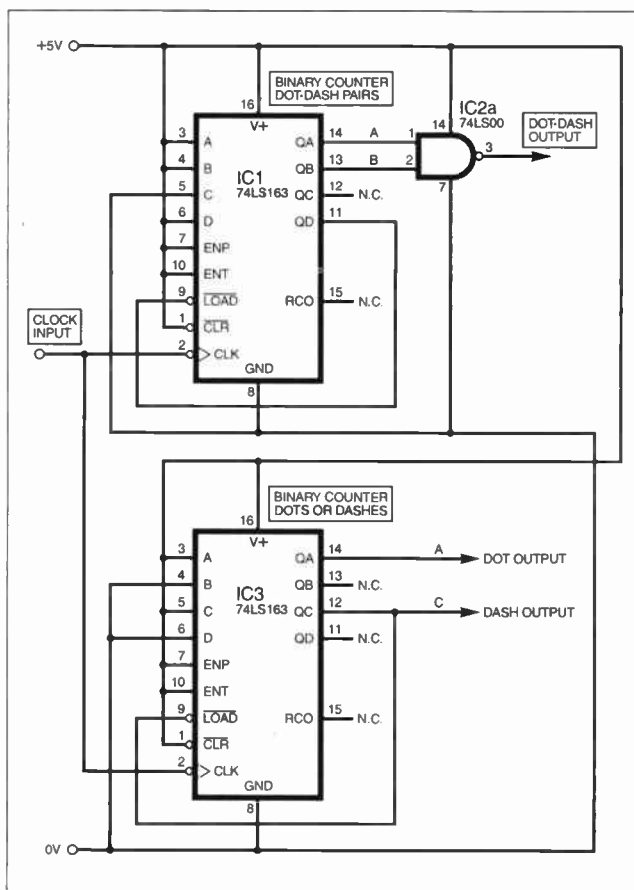


Fig.5. Automatic Morse Beacons circuit diagram.

Fine-Tuning for DC Receivers – Potted Improvement

THE sensitivity and constructional simplicity of Direct-Conversion (D.C.) h.f. receivers has seen the publication of numerous circuits, and the commercial production of many radio-kits. Their popularity is well-justified by excellence of performance, except for one important aspect of those circuits which use a varactor diode as the main-tuning element. All too often, resolution of SSB and CW (single-sideband and continuous wave) signals is extremely difficult because of the relatively coarse frequency-control provided by the potentiometer used as the main tuner, such as shown in Fig.6a.

The simple and low-cost modification shown in Fig.6b remedies that problem, by adding a low-value variable-resistor to act as a fine-tuner. A 1k Ω linear potentiometer, VR2, with a 470 Ω fixed resistor, R2, connected directly in parallel, effectively makes a variable resistor whose value changes from a few ohms to about 320 Ω as the spindle is rotated. When connected as shown in Fig.6b, the very effective fine-tuning control so produced really takes the sting out of resolving SSB signals, and the winking-out of CW signals.

To do this, first make the fine-tuner control by soldering the 470 Ω resistor across the two outer tags of the 1k Ω linear potentiometer, then solder to it two short lengths of PVC-covered wire, one to an outer tag and one bridging the centre tag to the other outer tag. Now cut the zero-volt connecting wire of the main tuning potentiometer where shown in Fig.6a, and solder the two fine-tuner wires to where the cut was made. Unlike a tuning-capacitor, this type of tuning-control is not in itself frequency-sensitive, hence screening is not vital so it could be used experimentally without the receiver.

Edwin Chicken G3BIK.
Morpeth, Northumberland

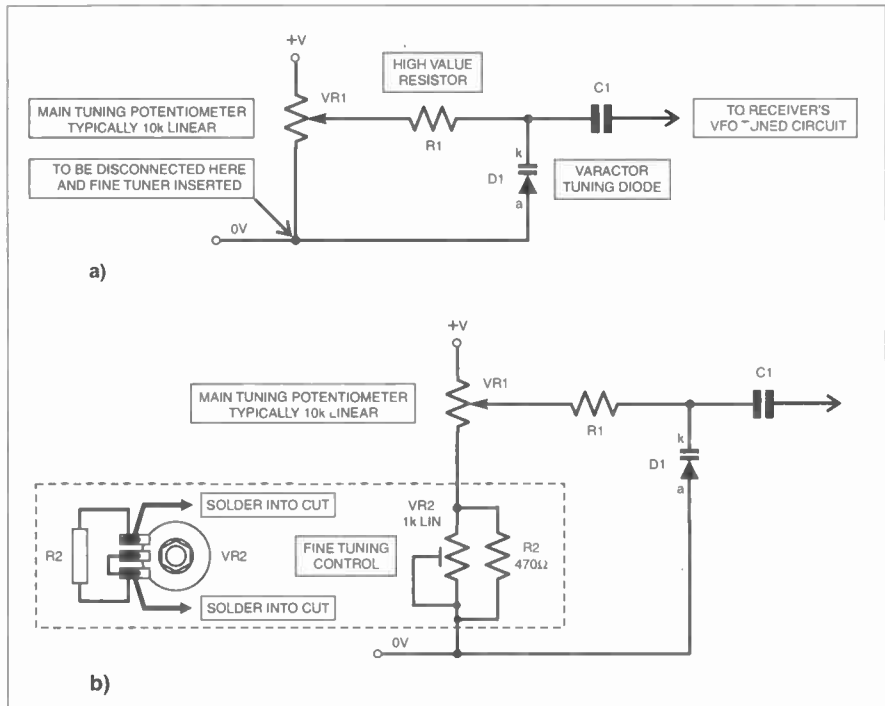


Fig.6. Adding fine tuning to Direct Conversion receivers. a) Typical varactor tuning circuit and b) suggested amendment to provide easier fine tuning.

INGENUITY UNLIMITED BE INTERACTIVE

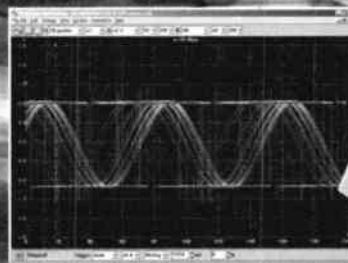
IU is your forum where you can offer other readers the benefit of your Ingenuity. Share those ideas, earn some cash and possibly a prize!



PicoScope 3000 Series PC Oscilloscopes

The PicoScope 3000 series oscilloscopes are the latest offerings from the market leader in PC oscilloscopes combining high bandwidths with large record memories. Using the latest advances in low power electronics, the oscilloscopes draw their power from the USB port of any modern PC, eliminating the need for mains power.

- High performance: 10GS/s sampling rate & 200MHz bandwidth
- 1MB buffer memory
- Advanced display & trigger modes
- Compact & portable
- Supplied with PicoScope (oscilloscope/spectrum analyser) & PicoLog (data acquisition) software.



PicoScope	3004	3006	3008
Bandwidth	50MHz	100MHz	200MHz
Sampling rate (impedive)	2.5GS/s	5GS/s	10GS/s
Sampling rate (single shot)	50MS/s	100MS/s	200MS/s
Channels	2 + Ext. trigger	2 + Ext. trigger/50 ps	2 + Ext. trigger/50 ps
Oscilloscope timebases	2ns/div to 50ns/div	2ns/div to 50ns/div	1ns/div to 50ns/div
Timebase accuracy	50ppm	50ppm	50ppm
Spectrum ranges	0 to 25MHz	0 to 50MHz	0 to 100MHz
Record length	256k	512k	1M
Resolution accuracy		0 bits / 3%	
Range		10mV to 2V/div	
PC Connection/Power supply		USB 2.0 / USB 1.1 (optional)	

Tel: 01480 396395

www.picotech.com/scope185

pico
Technology Limited

CHARGED CABLES FOR AUDIOPHILES

Skeptics, look away now – Barry Fox's story is not for you!

JAPANESE electronics specialist Marantz has a marketing partnership with US connector cable company AudioQuest, and Joe Harley of VP Product Development was present in Barcelona recently at a trade seminar to unveil a new system called DBS, Dielectric Bias System. Developed by AQ founder Bill Low and Richard Vandersteen, DBS claims to improve the sound of a hi-fi system by turning speaker and component connecting cables into electrically charged capacitors

The idea, says Harley, comes from the question which AudioQuest thinks needs answering – “why does my hi-fi system sound better after it has been switched on for several hours”. AQ's suggested answer is “because the cables gather a d.c. electrical bias charge”.

Core of the Solution

The new cable has an extra central core which is connected to the positive terminal of a small 36V battery pack, with the negative terminal connected to the outer shield. “There is no current drain so batteries last as long as if they were on the shelf,” says Harley.

“It takes about two days for the dielectric charge to build up. The effect is that the system sounds fundamentally better. I see it as an audio no-brainer. It's a major leap forward and a number one sonic influence.”

Seen but not Heard

The effect cannot be demonstrated by switching the battery on and off because of the long charge-up time, so AQ is offering journalists matched pairs of cables with and without batteries. There is a practical problem, says Harley. “Airport X-ray machines pick up the cables as a coil of thick wire with battery pack, and you get surrounded by security guards”.

Every Marantz seminar ends with a demonstration by Ken Ishiwata of music played through high-end Marantz components. This year he used DBS interconnects with an SA11 SACD player, PM11 amp and Mordaunt Short Performance speakers. Unfortunately there was no opportunity to switch between DBS with and without power. So the press never did get the chance to hear whether the dramatic advantages claimed by AudioQuest are clearly audible.

Kent Electronics Course

DR KEN SMITH G3JIX tells us that he intends to run a course in the Canterbury, East Kent, area on electronics and radio, which will cover the new Advanced Radio Amateurs' syllabus, as well as a few more general electronics principles. The course is planned for September next and will offer some practical “hands-on” experience in project building.

With some subsidiary work, the course will lead interested students to the Advanced Radio certificate. It will also be valuable for junior staff and apprentices in local electronics and radio companies, as well as people interested in electronics generally.

Dr Ken Smith is well known for his tutorial work in electronics, history of radio, astronomy etc. Initial enquiries should be sent to him:

K. L. Smith G3JIX, Staple Farmhouse, Staple, Canterbury, Kent CT3 1JX. Tel: 01304 813175. Email: g3jix@aol.com.

AUTUMN NVCF SHOW

THE autumn *National Vintage Communications Fair* (NVCF) takes place on Sunday 10 October 2004 at Hall 11, NEC, Birmingham. Doors open 10.30 a.m. to 4 p.m., admission £5 (under-14s free). Early entry, from about 8.30 a.m., admission £20. All tickets (on the door). Admission includes a free 32-page “Collectors' Guide” (while stocks last). Car parking charges apply.

The October show sees a major display being staged, celebrating the “One Hundredth Birthday” of the thermionic valve with over 400 valves on display.

For more information contact NVCF, 122B Cannon Street Road, Whitechapel, London E1 2LH.

Tel: 07947 460161.

Email: info@nvcf.org.uk.

Web: www.bvws.org.uk.

HANDHELD SCOPE



FLUKE has announced new enhancements to its dual-input ScopeMeter 190 series of handheld oscilloscopes. Increasing their power to analyse signals, all the colour and monochrome models of these scopes now offer increased waveform resolution. The 190C colour models also include frequency spectrum analysis using Fast Fourier Transformation (FFT) analysis as a standard feature.

This battery-powered series offers up to 200MHz bandwidth and 2.5GS/s real-time sampling rates. The waveform memories have been increased by 150%, now allowing 3000 samples per channel to be acquired. This greatly increased waveform resolution can be used with the new 16x zoom function to find tiny details in a waveform.

For more information contact Fluke (UK) Ltd., Dept EPE, 52 Hurricane Way, Norwich, Norfolk NR6 6JB.

Tel: 0207 942 0700

Fax 0207 942 0701.

Web: www.fluke.co.uk.

CHIPPED DIAMONDS

Diamonds are a microchip's new best friend, says Barry Fox.

If chips in an electrical device get too hot, their life shortens. A metal heatsink can suck heat from the air inside a device and transfer it to the air outside, but the heat must first be spread from the chips to the sink. Metal is no good for this because it short circuits the electrics.

Element Six of the Isle of Man is now patenting a new way to use diamond, which is a good electrical insulator and moves heat efficiently because the crystal lattice vibrates (WO 2004/34466). The new heat spreader is affordable – especially for mission-critical circuits – because the diamond layer is only 10 micrometres thick, made by vapour-deposition from very hot hydrocarbon, such as methane, and hydrogen.

The trick is to deposit the film on a silicon support that is peppered with partly embedded low grade diamond grit particles. The protruding tips of the grits provide a strong bond for the smooth thin film. Heat streams from the chip through the film to the sink, keeping the chip cool.

Vintage Museums

OUR attention has been drawn to two museums in the West of England. The information came in a leaflet entitled *A Guide for Enthusiasts of Vintage Radio in the West*.

Montacute TV and Radio Memorabilia Museum is the first highlighted. It offers "a nostalgic trip through the world of radio and TV with a collection of radios from vintage wirelesses to novelty transistors and an extensive range of memorabilia, games, books and toys. It featured on BBC's *Antique Inspectors* and Channel 4's *Collectors Lot!*

It is open from Easter until the end of October, daily and Saturdays 10 to 5, Sundays 10.30 or 12 to 5.30 (closed Tuesdays early April and October). Phone for details of winter opening.

The other is described as Washford's unique Radio Museum, which is housed in part of a listed 1930s BBC transmitting station "a fascinating and nostalgic experience of broadcasting history situated within Tropicquaria".

Its address is Tropicquaria, Washford Cross, Watchet, W. Somerset TA23 0JX. Tel: 01984 640688.

Email: tropical@golobalnet.co.uk

Web: www.tropicquaria.co.uk

Stewart's Move

STEWART of Reading, renowned suppliers of guaranteed used equipment, tell us that they have moved. Their new address is Dept EPE, 17A King Street, Mortimer, Nr Reading RG7 3RS. Tel: 0118 933 1111. Fax: 0118 933 2375.

Web: www.stewart-of-reading.co.uk

Bletchley Park's New Exhibition

BLETCHLEY Park, also known as Station X, was the site of the British successful attempts to crack Nazi cyphers during World War 2. The new exhibition tells the true and complete story of Bletchley Park's WW2 code breaking, which historians think shortened the war by two years.

On public display for the first time is a piece of an original Colossus, the worlds first semi-programmable electronic computer, developed for Bletchley Park. The exhibition begins with a timeline and a children's cartoon history of Bletchley Park and includes an interactive display of a German U-boat Enigma station, a "Y" (radio listening) station and a four-rotor (coding wheel) Enigma machine.

Bletchley Park's Chief Patron, HRH Duke of Kent KG, opened *The Bletchley Park Story* on 10 June, in phase one of the National Code Centre's new exhibition complex, Block B, which is a wartime building overlooking the Park's lake.

The new official filmed history of Bletchley Park, *Churchill's Secret Passion*, gives the inside story by the people who worked there.

Bletchley Park is at Milton Keynes MK3 6EB. Open daily. Tel: 01908 647269.

Web: www.bletchleypark.org.uk

Mobilising Research Funds

WE have been contacted by the Roy Castle Lung Cancer Foundation who tell us that old mobile phones and empty printer cartridges can be recycled and the proceeds used to help fund vital research into the early detection, diagnosis and treatment of lung cancer. If you have any such items lurking around at home or at work, you are invited to send them to:

Roy Castle Recycling Appeal (EL), 31-37 Etna Road, Falkirk FK2 9EG. For more details visit www.recyclingappeal.com/roycastle, or phone 08712 505050.

ROBOTIC GAMES

UK Robotics have recently launched an exciting new national competition, UK Robot Games, and will be attending the *Design & Technology* show at the NEC, Birmingham in November. They will be displaying a variety of robotic projects, including some that have appeared on a number of TV shows, plus creations brought along from a number of invited schools, and there will be live demonstrations. The aim of the show is to get schools interested in building robotic creations and compete in the larger national competition.

The games are a contest for home-made machines that walk, swim, jump, climb, solve mazes, fight, race, play football and even box. Trophies will be presented for interesting designs and for winning robots in the various categories. The tournament is designed to stimulate interest from young people in science and technology. However, it is open to all and will be held in regions all over the UK in the spring of 2005, culminating with a grand final in the summer.

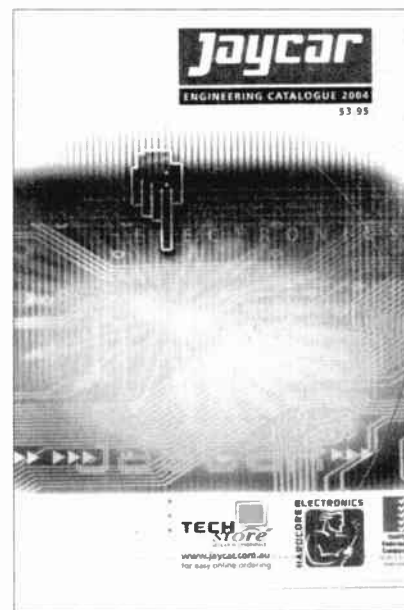
The games have been organised by a group of robot enthusiasts whose creations have appeared on TV programs like *Robot Wars* and *Technogames*. Representatives from Antex, Technobots, and Roaming Robots, who are sponsoring the stand, will be in attendance to help schools with any questions.

For more information, and the rules for entering the competition, browse www.ukroboticgames.org.

EVENT HORIZON

THERE are many events that deserve publicising here – radio fairs, auctions, general gatherings, and even news about local electronics clubs. If you would like to offer us something newsworthy for possible inclusion in this section, drop us a line or email us. Remember though that we need material in at least a month before we are due to go to press with the next issue.

JAYCAR'S CAT



WE have received (thumping on the News Desk!) Jaycar's 400+ page catalogue. Jaycar are a well-established Australian company and have produced the catalogue with prices shown in pounds Sterling, making it simple to order and pay for goods direct from the UK! Their secure on-line ordering system also ensures that your ordering is safe and secure.

The catalogue is crammed with over 6000 products, ranging across what appears to be the full "alphabet" of electronic categories, from ABS cases, computer accessories and electronic components, through kits, semiconductors and TV accessories, to ZIF sockets and even zoom lens.

You can request a free copy by logging on to Jaycar's website at www.jaycar-electronics.co.uk/catalogue. Their postal contact details are: Jaycar Electronics, Dept EPE, 100 Silverwater Road, Silverwater, NSW 2128, Sydney, Australia. Tel: 0800 032 7421.

Radio Control Failsafe

Ken Ginn



Senses failure of the RC system and renders the model motionless and safe, can be linked to almost any land-based RC model.

THIS failsafe unit was developed for use in radio control (RC) models, originally for combat robots, but it can be applied to any land-based RC model. There is a statutory requirement for such a failsafe device, in particular with the rules associated with the use of fighting robots. The safety aspect is, of course, of paramount importance.

In RC systems, especially when there is a fault, such as in the case of the loss of transmitter signal at the receiver, the effect could be to send the robot or model into uncontrollable action and cause damage to property, the model itself, or indeed to bystanders.

This unit is designed to sense the moment of failure of the RC system and put the robot or model into a safe condition, rendering it motionless.

There are commercial failsafes on the market, but they only provide a settable pulse width output during the failure of the system. This steady signal is used to provide a stable failsafe pulse to the model's speed controller during a loss of signal.

This failsafe unit is "transparent" during normal operation. During a fail situation it provides the servo or speed controller with a reliable and steady train of pulses, the value of which is set by a preset potentiometer. When the unit is used with a speed controller, on a model boat for instance, the latter's supply can be switched off via a relay during failsafe, and the controller put into neutral – a belt and braces approach maybe, but it is better to err on the side of caution!

Radio Control Format

What we have to consider regarding the RC format, is the signal being received from the model. Under normal operating conditions the attached servo will respond to the position on the transmitter's joystick. Coupling an oscilloscope to a receiver's servo output we would see a positive-edged pulse having a duration in the range of 1-0ms to 2-0ms, repeating every 20ms or so – i.e. updated about fifty times per second.

The actual pulse width duration will depend upon the joystick's position. Any

pulse received by the radio receiver servo output which is outside the set parameters should cause a failsafe condition to occur. Usually this would be caused by very short duration pulses, typically less than 1-0ms, rather than anything greater than 2-0ms.

When monitoring the servo output of an RC receiver during a transmitter failure, a series of short pulses will be seen, usually of about 30µs to 50µs duration, and caused

In the positive power line from PL1 pin 1, resistor R3 and diode D2 are included to protect the PIC against power line transients.

The signal from PL1 pin 2 is fed to PIC pin RB3, which is configured as an input. Resistor R1 biases RB3 low in the absence of an input signal. The combination of components VR1, R2 and C1 on PIC pin RB5 allow the software to set a controllable value for the output pulse under the fail conditions.

Light emitting diode D1 will not illuminate under normal operating conditions, but should the pulse width being fed to the unit fall outside what is defined as a valid signal (a pulse width of 1-0ms to 2-0ms) then it will be turned on.

The signal output from the PIC pin RA0 under both valid and fail conditions is fed to plug PL2. Under normal valid signal conditions, PIC pin RA1 is held high, supplying current to optocoupler IC2, so turning on its internal transistor. When an invalid pulse is detected and the unit goes into fail mode, RA1 goes low, turning off the optocoupler.

The output from the optocoupler at its pin 3 controls Darlington transistor TR1, which in turn controls relay RLA1. The relay's switch contacts are connected so that they cut off the power supply to the model's or robot's motors and/or weapon. The maximum relay current permissible by TR1 is approximately 200mA.

Program Operation

Initialisation

When the unit is first switched on there is a built-in delay of two seconds. The Fail l.e.d. (D1) will flash twice, then remain off while the unit is receiving a valid signal. When an invalid signal is received, D1 will flash twice, then remain on, indicating a fail condition.

Running – Valid Pulses

When valid pulses are being received by the unit, they are re-generated at PIC pin RA0 from where they are fed to output plug PL2. Simultaneously, optocoupler IC2 and transistor TR1 are turned on, via PIC pin

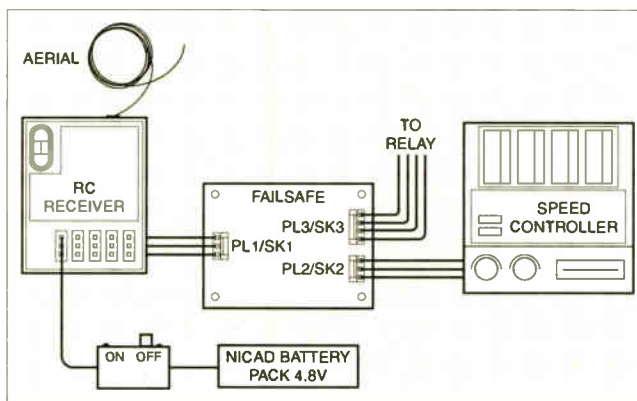


Fig.1. System schematic diagram for the Radio Control Failsafe.

purely by noise from receiver. They are well out of the normal operating range of a servo or speed controller, and will most certainly result in erroneous actions.

Observing the actions of a servo under these conditions, the output arm of the servo will be seen to be twitching. In the case of a speed controller, the motor may spontaneously power up in forward or reverse.

Failsafe Circuit

As shown in Fig.1, the failsafe unit is connected between the RC receiver and the associated circuitry, such as a speed controller. Power to the failsafe unit is supplied by the receiver.

The complete circuit diagram for the Radio Control Failsafe is shown in Fig.2. At the heart of the circuit is a PIC16F84A-10 microcontroller, IC1. This is operated at 10MHz, as set by crystal X1.

The circuit is connected to the RC Receiver via plug PL1, through which power is supplied, plus the control signal.

RA1, which drives the l.e.d. within IC2, buffered by resistor R7.

Running – Fail Condition

Should the transmitter be switched off during the time the receiver is powered, the Fail l.e.d. will illuminate, indicating the fail condition. The output from RA1 will go low, causing TR1 to turn off, thus de-energising the failsafe relay RLA1.

The output pulse from the unit during the failsafe condition will be stable and have a width set by preset VR1. This is set manually for a pulse width of between 1.0ms and 2.0ms, nominally 1.5ms, see later.

Running and Back-Working

Assume now that a fault has occurred but been fixed and the system is now working as it should. The PIC will see the first valid pulse (again being between 1.0ms and 2.0ms), remain in failsafe mode and start counting the received valid pulses.

Once the counter has reached 100 (taking about two seconds), failsafe mode is exited and normal operation resumed. The signal from the RC receiver is now fed to the speed controller, full control having now been established between the transmitter and the RC model.

Running – Failsafe Mode

When the receiver is not receiving a valid signal from the transmitter, the failsafe will receive a series of short duration pulses. This will be the result of the receiver trying to interpret the r.f. noise received as a valid signal. Since the receiver does not have a squelch circuit, the noise will become random pulses of very short duration.

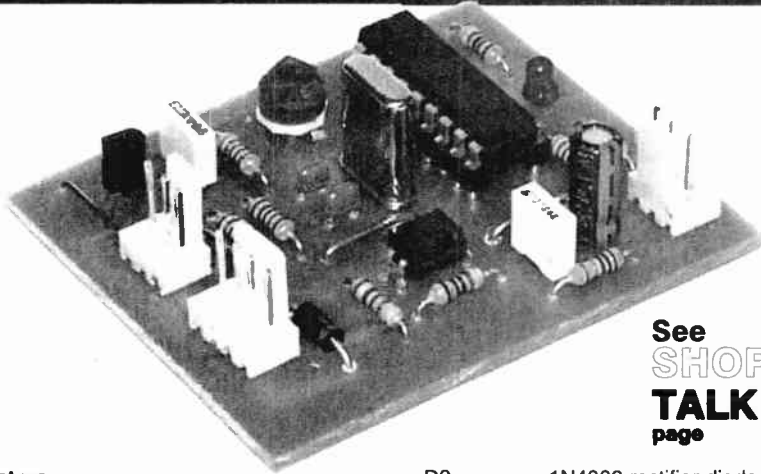
The failsafe circuit will be triggered by these pulses and go immediately into failsafe condition. It will then wait 17ms before looking for another pulse, and checking its validity.

Construction

The unit is built on a single-sided printed circuit board (p.c.b.). This board is

COMPONENTS

*Approx. Cost
Guidance Only* **£16**



**See
SHOP
TALK
page**

Resistors		D3	1N4002 rectifier diode
R1, R6	100k (2 off)	TR1	BC875 npn Darlington transistor
R2, R4	4k7 (2 off)	IC1	PIC16F84A-10 microcontroller, pre-programmed, see text
R3	1Ω	IC2	SFH618-2 4-pin optocoupler
R5, R7	470Ω		
R8	see text		
R9	1k		
All 0.25W 5% metal film			
Potentiometer		Miscellaneous	
VR1	5k preset, min round cermet	X1	10MHz crystal
		PL1, PL2	3-pin plug, p.c.b. mounting, 2.5mm pitch (2 off)
Capacitors		PL3	4-pin plug, p.c.b. mounting, 2.5mm pitch
C1	22n polyester, 5mm pitch	RLA1	5V to 24V d.c. relay (see text)
C2	47μ radial elect. 25V, 2.5mm pitch		
C3	100n polyester, 5mm pitch		
C4, C5	22p ceramic disc, 2.5mm pitch (2 off)		
Semiconductors		Printed circuit board, available from the EPE PCB Service, code 465; 18-pin d.i.l. socket; connecting cables to suit RC equipment; solder, etc.	
D1	red l.e.d., 3mm		
D2	5V6 1.3W Zener diode		

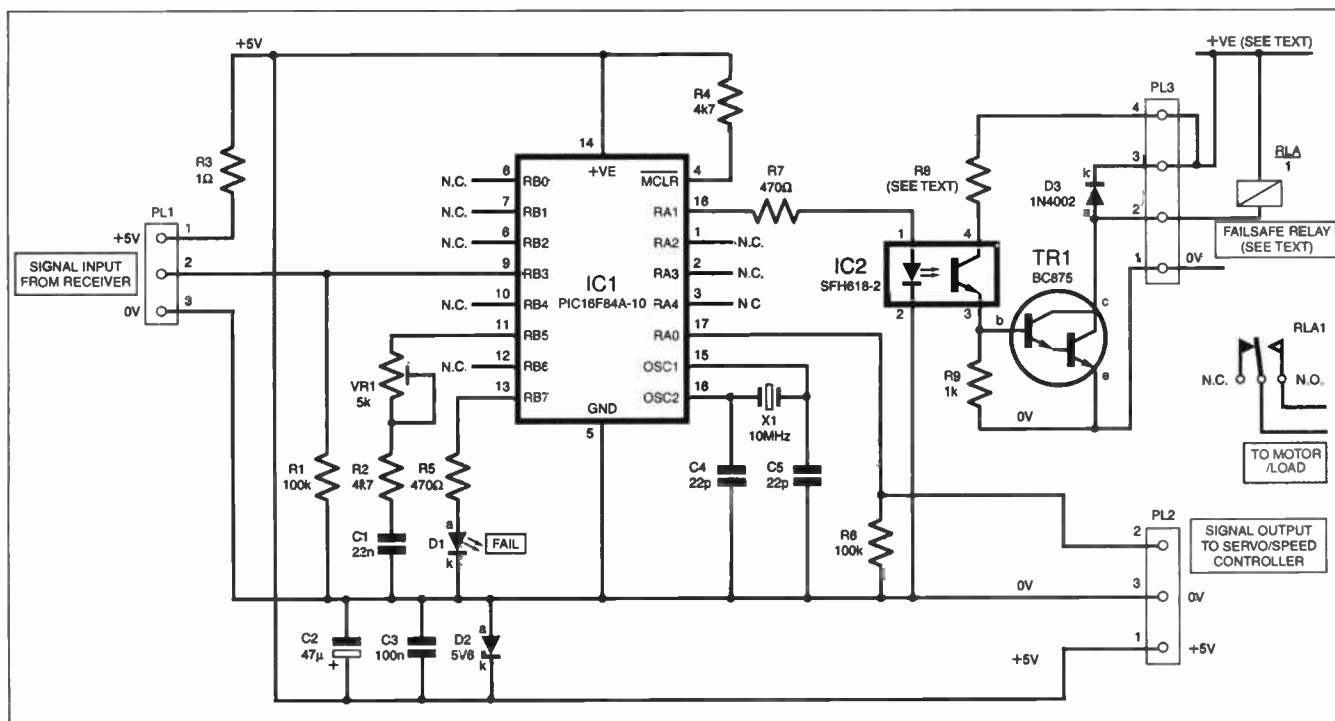


Fig.2. Complete circuit diagram for the Radio Control Failsafe. Note the value of R8 will depend on the supply voltage of the model (5V to 24V d.c.) – see text.

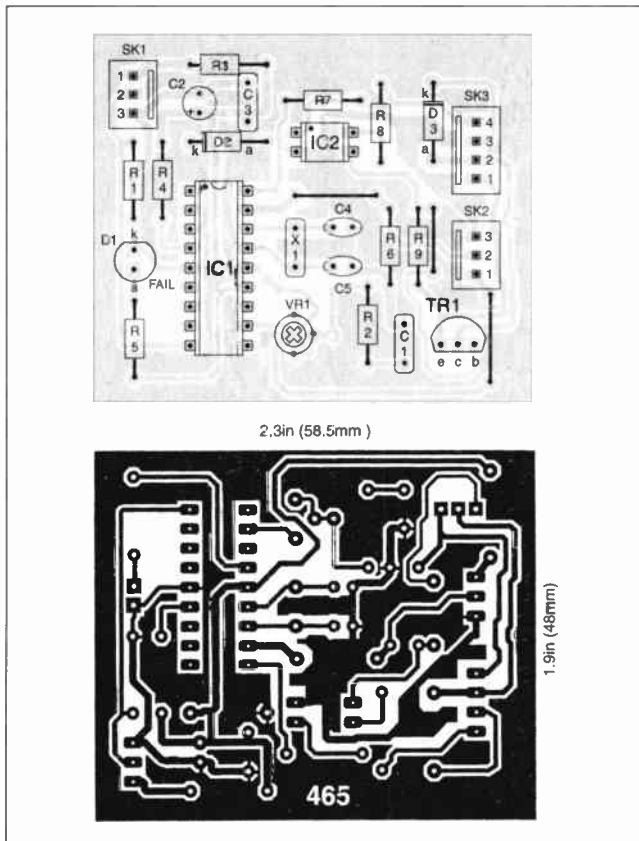


Fig.3. Printed circuit board component layout and full-size underside copper foil master for the Radio Control Failsafe. Note: the "shorts" which appear on some of the pads are thermal relief tracks which connect the pads to the earth plane.

available from the *EPE PCB Service*, code 465. Its component layout and tracking details are shown in Fig.3.

Connections to and from the board are made by three p.c.b. mounted plugs. This facilitates connection to the radio control equipment and the failsafe relay. The relay is not mounted on the p.c.b., but placed in a position best suited to the unit whose power is being controlled. Its contacts should be rated to suit the required current.

The unit can be used to switch 5V, 6V, 12V or 24V d.c. relays, up to a coil current of about 200mA. Because of the choice of supply voltage, the value of resistor R8 has to be selected to supply the correct base bias to transistor TR1. For 5V or 6V operation R8 should be 1k2, for 12V use 3k9, and for 24V use 8k2.

Since the circuit will be subject to a considerable amount of vibration when in use, it would be wise to ensure components are mounted snug against the p.c.b. IC_i must be mounted in a dual-in-line (d.i.l.) socket. In the prototype, optocoupler IC2 was soldered directly to the board, although a d.i.l. socket could be cut to suit it if preferred.

Once the p.c.b. has been assembled, carry out a thorough examination, checking for solder bridges and dry joints, and for incorrect orientation of components such as diodes, capacitors and i.c.s.

Setting Up

Set preset potentiometer VR1 to midway, this should give a "valid" output pulse width at PL2 of approximately 1.5ms.

If possible, connect the completed unit to a bench power supply and raise the supply voltage from zero to 5V, and watch the current drawn from the power supply. At 5V,

the current drawn should not exceed 10mA. Switch off the circuit and then switch it back on again. Note that the Fail l.e.d. will wait for two seconds then flash twice to indicate that the unit is initialising. It will then turn on for a third time and remain on, showing the unit has fallen into failsafe mode.

Disconnect the unit from the bench power supply and connect up a transmitter/receiver combo to the unit. Now having control over the pulse width fed to the failsafe, adjust the RC joystick to the central position. Here we shall assume that the generated pulse width is 1.5ms. This can be checked if an oscilloscope is available to calibrate the unit. See Fig.4.

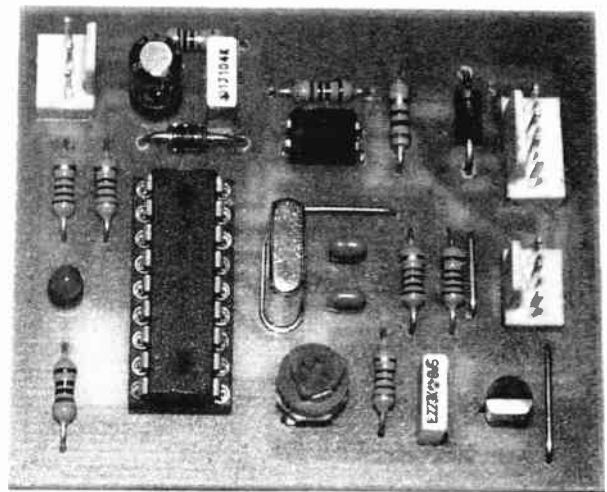
With the transmitter switched off and the receiver powered the failsafe should go through its initialisation routine, with the

two second delay before the Fail l.e.d. flashes twice and remains on. But should the transmitter be switched on first, and then the receiver switched on, you will see the l.e.d. flash twice after two seconds, and after finding valid pulses from the receiver, the l.e.d. will remain off. This will indicate that the width of the incoming pulses is correctly between 1.0ms and 2.0ms.

Speed Controller Check

Connect the unit between the RC receiver and a speed controller, the latter powered via the relay. Two choices of connection are shown in Fig.5.

Switch on the transmitter, then the receiver and associated circuitry. Again the Fail l.e.d. will go through its initialisation sequence.



Component layout on the completed Failsafe circuit board.

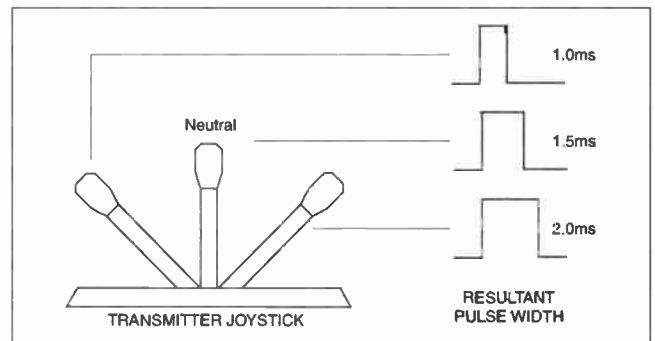


Fig.4. Translation of RC joystick positioning to servo speed control pulse width.

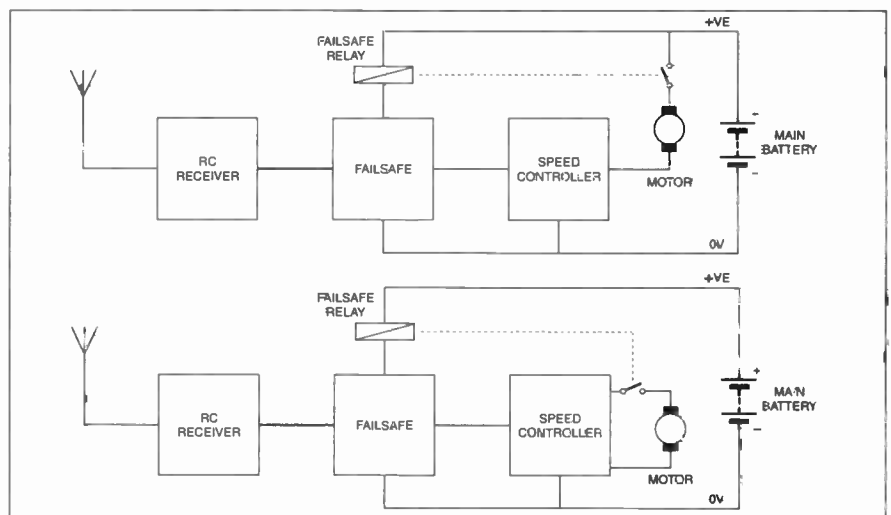


Fig.5. Connection details for linking the failsafe relay to loads.

The pulse width should still be in the region of 1.5ms when the unit goes into failsafe mode. Moving the joystick back and forth through its travel will control the speed controller as per normal. The mid-point joystick position will correspond to the neutral position of the speed controller. So in essence the failsafe unit will not be evident during normal operation.

Ensure that the pulse width produced at each end of the joystick's travel falls within the window of 1.0ms to 2.0ms, otherwise the unit will go into failsafe mode when the speed controller is at full speed forward or reverse, due to the pulse width being outside the valid window.

Switching off the transmitter, the failsafe unit will immediately fall into failsafe mode, and the Fail l.e.d. will illuminate. The speed controller should now come to

rest in the neutral position, as set by preset VR1, and the power failsafe relay will now de-energise, turning off power to the speed controller.

Should the speed controller still be active, moving forward or reverse, adjust preset VR1 to trim the speed controller into its neutral position.

Resources

Software, including source code files, for the Radio Controlled Failsafe is available on 3.5-inch disk from the Editorial office (a small handling charge applies – see the *EPE PCB Service* page) or it can be downloaded *free* from the *EPE Downloads* page, accessible via the home page at www.epemag.wimborne.co.uk. It is held in the PICs folder, under Failsafe.

Caution

The use of radio control models and combat robots can be very dangerous, and adequate precautions must be observed by their builders and operators, who are legally responsible for any injury or damage caused by their models. □



SHOP TALK

with David Barrington

Rainbow Lighting Controller

The highbrightness l.e.d.s called up for the *Rainbow Lighting Controller* project came from Farnell (☎ 0870 1200 200 or www.farnellinone.co.uk). Their order codes are as follows: red, 623-672; green, 302-7752; blue, 366-4569. The article also contains web site details for obtaining the relevant l.e.d. data sheets so readers who wish to use their own l.e.d.s can compare them with the author's.

The lighting enclosure chosen by the author is a "modified" Halfords Ring RL015 reversing-light fitting. Other lighting heads may be used and adapted as appropriate.

You will need to experiment with the positioning of the l.e.d.s within the lighting head to obtain the best effects. In the prototype, due to their narrow viewing angle, the red l.e.d.s were positioned so that one pointed towards the centre back and the other one faced diagonally across the reflector dish.

The frequency of the PIC crystal is not critical and other crystal speeds may be used, particularly the more common 3.2768MHz or 4MHz. The author's crystal is stamped 3-5795MHz.

The power supply can be provided by any mains isolated unit *intended for outdoor use* and capable of supplying 12V a.c. at a minimum of about 100mA. The author's p.s.u. is part of an existing commercial lighting set.

For those readers unable to program their own PICs, a ready-programmed PIC16F84A microcontroller can be purchased directly from the author for the sum of £7.50 each inclusive (add £1 for overseas). Orders should be sent to David Geary, 38 Mayday Gardens, Blackheath, London, SE3 8NN. Payments should be made out to David Geary, in £ sterling only and drawn on a British bank.

The software is available on a 3.5in. PC-compatible disk (Disk 7) from the *EPE Editorial Office* for the sum of £3 each (UK), to cover admin costs (for overseas charges see page 665). It is also available for *Free* download from the *EPE* website, accessible via the Downloads click-link on our home page at www.epemag.wimborne.co.uk (path PICs/RainbowLighting).

Finally, don't forget that the lighting head and finished controller unit need to be completely waterproofed against all the winter elements.

Radio Control Failsafe

The SHF618-2 4-pin optocoupler used in the *Radio Control Failsafe* project was purchased from Maplin (☎ 0870 264 6000 or www.maplin.co.uk), code CY94C.

Some readers may have difficulty finding the BC875 npn Darlington transistor used to drive the low voltage relay. This is currently listed by Maplin (see above), code N55AC. However, there does not appear to be any special technical characteristics about this Darlington device and, no doubt, our component advertisers will be able to suggest a suitable alternative.

The Failsafe p.c.b. is capable of switching 5V, 6V, 12V or 24V d.c. relays. As the maximum relay coil drive current available from the specified Darlington transistor is restricted to the 200mA mark, it follows that the chosen relay should be capable of operating within this range. Its contacts should, of course, be rated according to the requirements of the model being controlled.

The relay is not mounted directly on the p.c.b. but located in a position best suited to the model being controlled. This also allows for a wider selection of relay as it is "wired" to the board via a plug and socket linking arrangement. The p.c.b. header-pin plugs and matching line socket connectors used should be available from most of our components advertisers.

For those readers unable to program their own PICs, a preprogrammed PIC16F84A-10 microcontroller can be purchased from Magenta Electronics (☎ 01283 565435 or www.magenta2000.co.uk) for the inclusive price of £5.90 each (overseas add £1 p&p). The software is available on a 3.5in. PC-compatible disk (Disk 7) from the *EPE Editorial Office* for the sum of £3 (UK), to cover admin costs (for overseas charges see page 665). It is also available for *Free* download from the click-link option on the *EPE* home page at www.epemag.wimborne.co.uk (take path PICs/RCfailsafe).

The printed circuit board is available from the *EPE PCB Service*, code 465 (see page 665).

EPE Wart Zapper

Apart from the important Safety warning (which readers are encouraged to read carefully *before* attempting any treatment), most, if not all, components needed to construct the *EPE Wart Zapper* project should prove to be readily available from our components advertisers.

The pulse switching transistor may be almost any n-channel power MOSFET device, such as the BUZ11 or IRF510. The CMOS oscillator i.c. is a standard item from the 4000 series.

The MN21 or 23A keyfob battery should be generally available, you could try your local car spares or photographic shop. Make sure you insert the battery the correct way round, the circuit has no reverse polarity protection.

The small Zapper printed circuit board is available from the *EPE PCB Service*, code 464. The choice and size of plastic box is left to individual preference.

Finally, as stated in the article, the voltage, current, frequency and duration of treatment must not be rashly modified. A year's experimentation and "field" trials lies behind this design.

AlphaMouse Game

The author indicates that a PIC16F627 or 628 microcontroller will run the *AlphaMouse Game* project. For those readers unable to program their own PICs, a "plug-in and go" microcontroller can be purchased from Magenta Electronics (☎ 01283 565435 or www.magenta2000.co.uk) for the inclusive price of £4.90 each (overseas add £1 p&p).

The software, including source code files, is available on a 3.5in. PC-compatible disk (Disk 7) from the *EPE Editorial Office* for the sum of £3 (UK), to cover admin costs (for overseas charges see page 665). It is also available for *Free* download from the click-link option on the *EPE* home page at www.epemag.wimborne.co.uk (take path PICs/AlphaMouse).

Stocks of 2-line 16-character per line alphanumeric l.c.d.s appear to be common lines amongst our advertisers now. (Check the pinouts before wiring-in.) If you wish to use an identical one to the designer, this too came from the above mentioned company.

The printed circuit board is available from the *EPE PCB Service*, code 466 (see page 665).

PLEASE TAKE NOTE

Portable Mini Alarm

(July '04)

Page 451, Fig.5. The annotations for resistors R4 and R5 on the Sensor p.c.b. component layout diagram should be swapped over to agree with the circuit diagram. Resistor R5 (100k) should be the one that connects to the positive lead of capacitor C3, at the bottom edge of the p.c.b.

PIC Magnetometry Logger

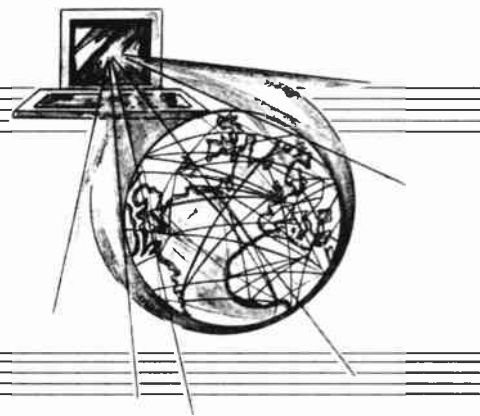
(July '04 Shoptalk)

It has been pointed out that two of the digits in the phone number we gave for Speake & Co, the suppliers of the FGM-3 flux sensors, have become transposed. The correct phone number should be 01600 780150.

SURFING THE INTERNET

NET WORK

ALAN WINSTANLEY



THE latest headlines from the Internet world include details of MSN's redesigned search engine (www.msn.co.uk and countries), with a major new search product due from Microsoft soon. Meanwhile, Google is being increasingly criticised by some users (including the writer) for delivering unfocused portal-based results that cause the user to search all over again on a portal site (e.g. a search for "hotels Dorset" would result in hotel directory web sites being listed).

Yahoo, now a decade old, is waiting in the wings to take over the top spot from Google, but it lacks the clean minimal front-end that Googlers value so much. Meantime it's also worth trying other engines including www.teoma.com or www.dogpile.com to see if they make life easier when searching the Internet.

What's in An (IP) Address?

This month's *Net Work* column looks at domain names – starting with some background on domains and those mysterious things called IP addresses. Domain names such as wimborne.co.uk are nothing more than human-recognisable address labels that represent locations on a network. These locations have unique numerical codes called IP – Internet Protocol – addresses such as the IP of 62.64.162.72, which is the unique IP address that my system was allocated when it connected to the Internet a few seconds ago. Web servers, mail servers and domain name servers (DNS) have unique addresses that identify them on the Internet. At www.internic.net there is a non-technical document explaining DNS in more detail.

It's the job of the domain name system to translate friendly human-readable addresses into the unique numerical address that networks can understand. In a nutshell, when you type a web site address (URL) into your web browser, your Internet Service Provider refers to a domain name server that translates your request into the unique IP address related to that domain. Once the numerical code has been "resolved" then you're in business: your ISP can connect you to the server that hosts the web site related to the domain. If there is no web server configured for that domain (or if e.g. the domain is non-existent), you'll get an error message.

When you email fred@epemag.wimborne.co.uk, the DNS resolves the friendly readable address into the IP address of that domain. The domain configuration also contains mail routing information (the mail exchange or MX records), and it's the job of the email recipient's own ISP to route mail through their network to his mailbox.

One problem for Internet service providers has been that there haven't always been enough IP addresses to go around. It is critical that mail and web servers have a fixed (static IP) address, otherwise the Internet wouldn't know where to take you when you typed www.epemag.wimborne.co.uk, or if you sent an email to fred. But when you connect to the Internet, it isn't always necessary for you to have the same IP address every time. Instead, your presence may be allocated an IP from a pool of numbers – a *dynamic* IP address – which is returned to the pool ready for use by someone else after you disconnect. Demon Internet (www.demon.net) was unusual in allocating a static IP to its dialup customers from day one, and the writer's original epemag.demon.co.uk address still has the same IP some ten years later. The latest upgrade to the IP system (IPv6) allows for considerable growth in numbers.

A fixed address is fundamental for those who run their own servers (mail or web) or who use virtual private networking (VPN) to connect from home to their office network. Static IP is also handy for videoconferencing, so that you always know the IP address of other users (which you can "dial" through your webcam program). If you want to know your own IP address when online, visit a site such as www.ipchicken.com or type `winipecfg` at the Run line. In

Windows XP, right-click the dial-up icon in the System Tray, click "Status" and then click the "Details" tab to see your IP address.

Your IP is Your Fingerprint

Thanks to your IP address, whenever you connect to the Internet you leave fingerprints everywhere. The ISPs know the phone numbers being used to connect to the Internet, due to the use of Caller Line ID. They also register IP addresses allocated to Internet sessions. When you access almost any web site, logs on the web server record the IP address of the user (but **not** their name, email address or any personal data – logs only understand IP addresses). Thus a web server record is created of the fact that (say) IP address 62.64.162.72 downloaded files called **project index.html** and **myproject.jpg** on whatever time and date the requests were made.

By analysing web server and ISP logs, experts can compile data about which IP address downloaded what and when, and if necessary they can trace the route all the way back to a telephone number and therefore to a physical address. A number of hackers who tried to penetrate secure systems had their IP traced and were captured red-handed, even though they were hacking into computers in another country altogether.

It is also common for web site owners to analyse web server logs to glean general statistics about usage and bandwidth. On a sister magazine, the writer regularly trawls server logs to track down unusual patterns of activity. A massive download from the same IP might point to, say, a third party web site enframing our web pages within their web site, in breach of our copyright, or linking to our graphics and using them in their own web pages. It is routine to find examples of unwanted linking or suspicious downloading and put a stop to it.

Logs can also tell us what web browsers and what operating systems are being used by visitors (48% of you have Windows XP, less than 1% use a Mac or Linux, one of you runs CP/M and one of you has an Amiga!). Logs indicate what search engine terms were typed in to arrive at our web site, the volume of traffic sorted by hour, day, week and month. Raw server logs can be analysed in very many ways to determine click-through patterns and a whole lot more besides. If logs aren't available, there are many third-party statistic services that web site owners can use instead, such as Extreme Tracking (www.extreme-dm.com) or FreeStats at <http://freestats.com>.

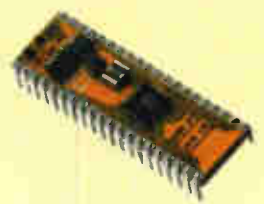
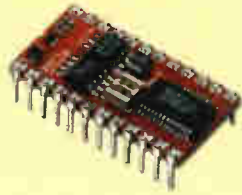
Broadband Turn-On

Broadband continues to roll out across Britain, with satellite users signing up with suppliers such as ehotspot.co.uk. Other vendors such as WRBB (Wireless Rural Broadband) promised much but have slipped away into the night. Britain's dialup users can however cheer to news from BT that broadband trigger levels have been shelved.

Most phone exchanges will be ADSL-enabled by 2005, and there is encouraging news on rate-adaptive ADSL that allows the distance between user and phone exchange to be increased as well. Their web site (www.bt.com) quotes a conversion date for the author's exchange (yippee!) of 25th May 2005.

This is an about-turn following their unloved "thermometer" trigger level system (see *Net Work* September 2002) which showed how frustratingly remote the prospects of receiving ADSL appeared to be. BT now promises alternative technologies in areas where ADSL will never be available.

Next month I'll continue with practical aspects of domain names: how to find one, buy one and utilise it. You can email comments to alan@epemag.demon.co.uk.



BS2-IC

BS2-SX

BS2E-IC

BS2P/24

BS2P/40

Parallax BASIC Stamps - still the easy way to get your project up and running!



Serial Alphanumeric and Graphic Displays, Mini-Terminals and Bezel kits

www.milinst.com



Animated Head



3-Axis Machine



Six-Legged Walkers



Robotic Arms

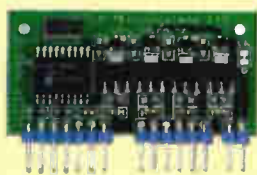


Bipeds

Robotic models for both the beginner and the advanced hobbyist



Servo Drivers



Motor Drivers



On-Screen Displays



DMX Protocol



U/Sound Ranging

Animatronics and Specialist Interface-Control Modules



Quadravox MP3 & Speech Systems



SensoryInc Voice Recognition



Parallax Ubicom Tool Kits



Tech-Tools PIC & Rom Emulators



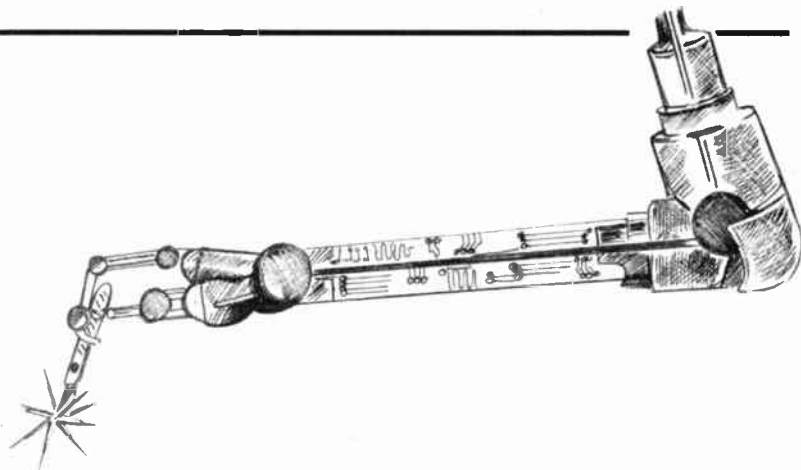
BASICMicro PIC BASIC Compilers

Development Tools

Milford Instruments Limited Tel 01977 683665, Fax 01977 681465, sales@milinst.com

Circuit Surgery

Alan Winstanley and Ian Bell



We look at H-bridge inverter MOSFET protection, and some characteristics of light-emitting diodes this month.

Back E.M.F. Protection

"I'm experimenting with an inverter to generate alternating voltages from a pulse width modulation controlled current into a primary coil of a transformer. I believe that a common method is to use a centre-tapped primary with the supply voltage at the centre tap. By alternately switching each primary ground, the alternating e.m.f. is induced into the secondary.

"However, I wish to use only a single primary, with direction of current controlled by an H-bridge type of arrangement. With the first set up, protecting the MOSFET switches would be a matter of shunting each coil to the centre tap with a diode, each diode with its cathode connected to the centre tap. This way, the diodes block the passage of current from the centre tap to ground when the relevant switch is open, but allow the back e.m.f. to be dissipated around the coil when the switch snaps shut.

"How would I protect against back-e.m.f.s in a second set up though: a diode would work in one direction but would effectively short the system in the other. I was thinking about using two back to back Zener diodes across the primary but I don't know what the proper solution is." Thanks from Gerard Galvin by email.

When current in an inductive load such as a motor or transformer secondary is switched off the magnetic field, which had been established by the supplied current, collapses inducing a reverse voltage known as the back-e.m.f (electromotive force). This back-e.m.f. may result in voltages large enough to damage or destroy the semiconductor devices used to switch the load.

The more rapid the change in current as the inductor is switched off, and the larger the inductor value, the greater the back-e.m.f. generated. A 12V relay coil, for example, can generate over 300V reverse voltage when the coil switches off.

The usual method of preventing the back-e.m.f. from causing problems is to place a diode (sometimes called the "freewheeling diode") across the inductor. This diode is reverse biased when the power

device is on, but is forward biased by the back-e.m.f. so the diode dissipates the power or feeds it back to the power supply. Obviously the freewheeling diode must have sufficient switching speed, and power handling capacity, to cope with the energy from the back-e.m.f.

H-Bridge

An outline of a typical H-bridge driver circuit is shown in Fig.1. The pairs of diagonally opposite transistors (TR1/TR4 and TR2/TR3) are alternately switched on together by the drive circuit causing the current to alternately flow in opposite directions through the load. All transistors should be briefly off during the switchover to prevent the series transistors from causing a short circuit of the supply.

As our reader points out, the fact that current is switched through the load in both directions in an H-bridge means that we cannot put protection diodes across the inductor. The standard arrangement for protection diodes for a MOSFET H-bridge is given in Fig.1. The diodes (D1 to D4) are reverse biased with respect to normal circuit voltages during all parts of the switching cycle, but are forward biased with respect to back-e.m.f.s and therefore provide a path for the current to feed back into the power supply, and they clamp (or limit) the voltage across the transistors.

Many power MOSFETS include internal protection diodes so you may not have to add extra diodes to your circuit. However, the internal diodes (if present) are not necessarily adequate in all situations so it essential to consult the device's data sheet. Adding external diodes as shown is a sensible precaution. I.M.B.

Overrated L.E.D.s

"I have read that if you operate a white l.e.d. at its rated capacity (say 20mA) that heating occurs in the l.e.d. chip and that its life is reduced dramatically. Pulsing it at 10% to 20% on-time and at a higher voltage will reduce the power consumption, extend the life and yet yield the same apparent light output.

Also, is there a quantitative way to measure the intensity of an l.e.d. for comparative purposes? One suggestion is to measure intensity at one metre distance from a white wall. I would welcome your comments." Bill Merson, by email.

There is a lot of interest in power l.e.d. applications, which are finding their way into torches, security illuminators and decorative lighting. My favourite source of information about the operation of light-emitting diodes is Agilent (a company that evolved out of HP's optical components division), see www.agilent.com. Some extremely interesting data sheets are available from their web site, which will appeal to more advanced constructors and design engineers alike.

In Agilent's Application Note I-005 *Operational Considerations for LED*

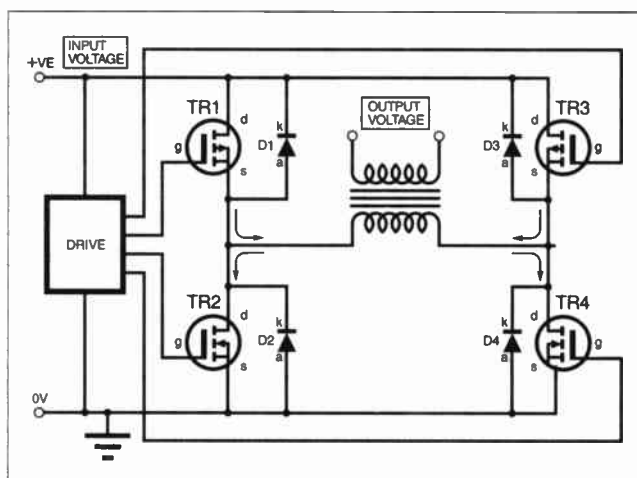


Fig.1. Outline H-bridge circuit showing MOSFET protection diodes, and direction of current flow.

lamps and Display Devices, it is stated that for best pulsed operation, a rectangular current waveform of 100Hz or more is strongly recommended. In this mode it is the *peak* junction temperature, not the average that determines the performance of the l.e.d., says Agilent.

Stressed Out

The same data sheet provides fully worked examples of calculations for both pulsed and d.c. l.e.d. operation, bearing in mind the heatsinking requirements necessary to ensure the l.e.d. chip is not operated beyond the maximum allowed. It is the l.e.d. chip temperature which ultimately determines precisely how far you can "push" an l.e.d.

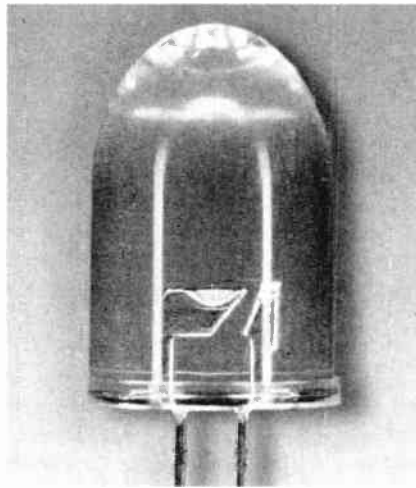
Like every other semiconductor device, the permissible power dissipation is a function of the forward current multiplied by the forward voltage, as well as factoring in the ambient and junction temperatures and the effects of thermal resistances (these last values indicate how quickly the l.e.d. chip can pump heat away to ambient before the chip overheats).

In fact, you can overdrive an l.e.d. beyond the published ratings provided that you are mindful of temperatures, which is probably the biggest single factor determining lamp reliability. Pulsing an l.e.d. may induce thermal stress in the l.e.d. assembly, notably the internal gold wire connector, and reduce reliability. Heat is also generated when the chip is turned on and this would contribute to failure in high power uses.

I am often surprised by the lack of copper track heatsinking on high-power l.e.d. projects. Heatsinking can be provided in the form of copper track areas on the printed circuit board, to sink heat away from the anode or cathode as necessary. Which electrode needs to be heatsinked depends on the l.e.d. design, but usually you would aim to heatsink the cathode (easy to identify by looking into the package: the Cup "reflector" containing the l.e.d. chip is usually the cathode.)

Pulsed or D.C. Operation?

Agilent states that d.c. operation is better than pulsed operation when considering light level output. They say that it is better to drive an l.e.d. with a high d.c. current to

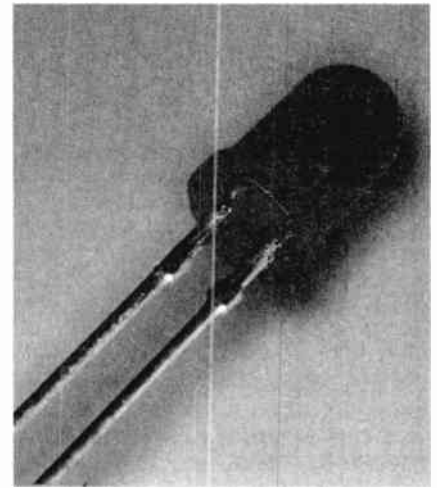


A large superbright l.e.d. – the cathode is the "cup" terminal, on the left and the gold connecting wire can also be seen.

obtain the necessary light output to be viewed by a human observer. A high peak current and low duty cycle to pulse-drive an l.e.d. produces less average light output over time.

They go on to say that there are only two reasons for wanting to pulse drive an l.e.d. anyway: to strobe an array of light-emitting diodes (e.g. in moving message displays), or to obtain a peak pulse of light to be received by a detector in a non-visual emitter/ detector application, when a peak pulse of light produces a high peak photocurrent in the detector. We might want to pulse an l.e.d. in order to save power: indeed the first l.e.d. pocket calculators (the l.c.d. had yet to be invented), used digital l.e.d. displays that were multiplexed, or flashed on and off in sequence too fast for the human eye to notice, in order to help with battery life and reduce the number of connecting wires needed.

More information on the heatsinking requirements of l.e.d.s is given in Agilent's Application Brief A04 *L.E.D. Lamp Thermal Properties* and also Application Brief I-002 *Thermal Resistance Values for L.E.D. lamps*. We have also touched upon l.e.d. heatsinking in *Circuit Surgery*, November 2002.

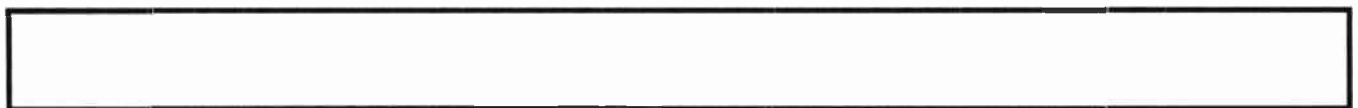



Standard red l.e.d. with tinned steel wire leadouts. The flat on the body denotes the cathode. Photos: Alan Winstanley

Intense Light

On the second question about light intensity, I think it would need a specially calibrated rig to measure l.e.d. output characteristics in any meaningful way. Measuring against a white wall would not be effective, because there are too many variables including ambient light and varying colour temperature (e.g. sunlight or incandescent bulbs), making it impossible to produce consistently accurate and meaningful readings. A standardised and calibrated optodetector would be needed, operating under controlled conditions.

Measuring intensity is one thing, but how to measure colour? In order to describe colours, a standard colour model called the CIE (Commission International d'Eclairage) was created in 1931 and has been adopted internationally. Its use goes beyond the scope of *Circuit Surgery* but one excellent reference is at www.colorsystm.com/projekte/eng/37ciee.htm. For hobby use though, it's never necessary to characterise or classify l.e.d.s to such an extent. You will find much more information on using l.e.d.s in our new *Light Emitting Diodes* series starting in this issue. A.R.W.

Get your magazine "instantly" anywhere in the world – buy from the web.

TAKE A LOOK, A FREE ISSUE IS AVAILABLE

A one year subscription (12 issues) costs just \$10.99 (US)

www.epemag.com

N. R. BARDWELL LTD (Est. 1948)

100	Signal Diodes: 1N4148	£1.00	80	Ass'd capacitors 1nF to 1µF	£1.00
75	Rectifier Diodes 1N4001	£1.00	200	Ass'd disc ceramic capacitors	£1.00
50	Rectifier Diodes 1N4007	£1.00	50	Ass'd Signal Presets (grn, stand, carmet)	£1.00
10	W01 Bridge Rectifiers	£1.00	50	Ass'd RF chokes (inductors)	£1.00
10	555 Timer I.C.s	£1.00	25	Ass'd grommets	60p
4	741 Op Amps	£1.00	8	Ass'd di switches	£1.00
50	Assorted Zener Diodes 400mW	£1.00	8	Ass'd push-button switches, multi-throw, multi-pole	£1.00
12	Assorted 7-segment Displays	£1.00	30	Ass'd di sockets up to 40 way	£1.00
35	Assorted l.e.d.s, var. shapes, colours & sizes	£1.00	10	TV coax plugs, plastic	£1.00
25	5mm l.e.d.s, red or green or yellow	£1.00	40	metres very thin connecting wire, red	£1.00
25	3mm l.e.d.s, red or green or yellow	£1.00	20	1in. glass reed switches	£1.00
75	5mm l.e.d.s, green, 6-5mm legs	£1.00	100	Any ohm value 1/4W 5% r/f resistors range 1R to 10M	£0.45
50	Axial l.e.d.s, 2mcd red Diode Package	£1.00	10	7812 Voltage Regulators	£1.00
25	Ass'd. High Brightness l.e.d.s, var. colrs	£1.00	300	Ass'd resistors, 1/4W 1/2W, mostly on tapes	£1.00
20	BC182L Transistors	£1.00			
25	BC212L Transistors	£1.00			
30	BC237 Transistors	£1.00			
20	BC327 Transistors	£1.00			
30	BC328 Transistors	£1.00			
30	BC547 Transistors	£1.00			
20	BC547B Transistor	£1.00			
30	BC548 Transistors	£1.00			
30	BC549 Transistors	£1.00			
25	BC557 Transistors	£1.00			
30	BC558 Transistors	£1.00			
25	BC559 Transistors	£1.00			
20	2N3904 Transistors	£1.00			
100	1nf 50V wkg Axial Capacitors	£1.00			
80	Ass'd capacitors electrolytic	£1.00			

288 Abbeydale Road, Sheffield S7 1FL
Phone (local rate): 0845 166 2329
Fax: 0114 255 5839
 e-mail: sales@bardwell.co.uk
 web: www.bardwell.co.uk
 Prices include VAT. Postage £1.85
 44p stamp for lists or disk
 P.O.s, Cheques and Credit Cards accepted
SEE OUR WEB PAGES FOR MORE COMPONENTS AND SPECIAL OFFERS

Easy, Safe, Fast...

Part of our extensive build-it-yourself kit range

Yes, they're from Down Under, but don't worry, we've been selling kits to the UK for over 10 years. We just haven't advertised the fact before!

Improve your car's performance and fuel economy

KC-5300 £18.30

DIGITAL FUEL MIXTURE DISPLAY KIT

Mounts onto the dashboard of your vehicle to display the air-fuel ratio in real time on the 3-digit LED display and programmable 10-LED bargraph. See website for full list of features. Kit includes machined & silkscreened case, circuit board, all electronic components and comprehensive assembly instructions. Size: 83 x 54 x 31mm

Note: Designed for unleaded and diesel motors or for short term tuning of leaded motors. EGO sensor required if your car does not already have one.



Get the Best Quality Video from your Home Theatre System

KC-5390 £29.00

VIDEO SIGNAL STABILISER KIT

Did you know you are not getting the best picture from that expensive DVD movie you paid good money for?? Movie companies deliberately tamper with the video signal to restrict copying, but this robs you of the true high quality picture your system is capable of and you deserve. Get the picture you paid for and strip out these annoying signals, including Macrovision, by connecting our Doctor Video Kit inline with your DVD player or VCR. Kit supports S-Video and composite video signals. Case, circuit board, electronic components and comprehensive assembly instructions are supplied.



9VAC Mains Adaptor required (Maplin #GU09K - £9.99)

Portable and Affordable Frequency Meter

KC-5369 £19.95

50MHz FREQUENCY METER KIT

Featuring a 16 character Liquid Crystal Display, 9V battery or Mains operation, high accuracy, Hz, KHz or MHz display, high and low resolution modes, all built into a compact case measuring 130 x 67 x 44mm. Kit supplied with machined silk-screened case, circuit board, all electronic components and comprehensive assembly instructions.

9-12 volt mains adaptor - use Maplin #GS74R £9.99



ORDER on-line: www.jaycarelectronics.co.uk

Visit our website for easy, safe and fast orders.

- Browse our entire product range online – over 6,000 products
- Comprehensive search by category, keyword, product number and price
- View over 3,500 semiconductor datasheets and application notes
- Secure online ordering and payment gateway using 128-bit encryption
- And we're from Australia with over 20 years experience so you can trust us.



www.jaycarelectronics.co.uk



FREE
424 page
Catalogue

New 2004 Catalogue - all 424 pages

The wonder from Down Under

We have a brand new catalogue priced in UK Pounds crammed with over 6,000 exciting products. You can get one FREE by logging on to our website and filling out the catalogue request form at:

www.jaycarelectronics.co.uk/catalogue
(Offer valid till October 2004).



Log on to

www.jaycarelectronics.co.uk/catalogue
for your FREE catalogue!

TOLL FREE ORDERING 0800 032 7241

(We are open 11pm to 7:30am GMT, which equates to 9am to 5:30pm our time)

For those that want to write:

100 Silverwater Rd Silverwater NSW 2128 Sydney Australia

We Stock...

Electronic Components

Electronic Project Kits

Test & Measurement Equipment

Power Products & Accessories

Audio & Video Equipment & Accessories

Computer & Telecoms Accessories

Security & Surveillance Equipment

Jaycar
Electronics

EPE Wart Zapper

Thomas Scarborough

Exterminate those unwanted warts with this low-cost easy-build project – high success rate reported in “field tests”

AS IMPROBABLE as it may seem, the common wart may be destroyed with a simple circuit that uses a tiny keyfob battery delivering a boosted 24V to the skin. Taking into account the resistance of the skin, this translates to just 100 μ A or so passing through the wart internally, thus delivering a fraction (about one-quarter) of the peak power delivered by a typical TENS unit.

Removing warts has never been much fun, and the use of the EPE Wart Zapper is likely to be painful – but only briefly, and not too much.

Burn-Out

The present method is far to be preferred over the messy and painful practice of burning off warts with liquid nitrogen (also called cryosurgery, or “controlled frost-bite”)! Besides, liquid nitrogen treatment may be counter-productive, in that it sometimes augments the treated warts, it sometimes does permanent damage to the skin (particularly darker skin), and poses a far greater risk of infection.

A more modern method of removing warts goes by the name “electrodesiccation” (or sometimes, “radio frequency thermal ablation”) – that is, burning off warts electrically with several *watts* of power. This is tidy, and is *quicker* than the method presented here. However, electrodesiccation tends to be expensive, and is unavailable to people in less developed or more remote areas of the world. Also, it could be

dangerous to try to implement as an amateur project.

The EPE Wart Zapper therefore brings the destruction of warts within the scope of the amateur constructor. For the price of a doctor’s consultation for the dreaded liquid nitrogen treatment, or for the price of a single session of electrodesiccation, several Zappers could be built. Moreover, it should destroy many warts with a single keyfob battery.

Origination

The Wart Zapper originally came about by accident. The author suffered a local infection which eluded antibiotics, and decided to treat it with Crane frequencies. Without knowing what voltage or current to apply, the treatment was surprisingly and entirely successful – yet it caused some damage to the skin. *What if*, he thought, Dr. Crane’s frequencies would cause similar damage to warts?

Four successive prototypes were tested on several volunteers, as well as two prototypes being tested by doctors. The final prototype achieved close to a 100% success rate with the common wart (a brown or skin-coloured, rough wart), and significant success with other types of wart.

Before and after sequence.



The Zapper’s high success rate does not of course guarantee that it will work in every case. However, it does offer reason for hope that the device would be effective in a great many cases.

Five theories have been put forward as to why the device works:

1. It disrupts the normal functioning of cell membranes through cell resonance
2. It destroys the chemical composition of cells through electrolysis
3. It causes iontophoresis (the leaching of ions into the wart)
4. It stimulates immunomodulatory chemicals
5. Ionic agitation within the wart results in frictional heating, causing tissue coagulation.

How It Works

The present project was deliberately designed on the basis of No.1 – namely the disruption of the normal functioning of cell membranes through cell resonance. The theory is that alien cells, such as wart cells, begin to resonate when bombarded with a specific electrical frequency. This disrupts the normal chemical processes at the cell boundary, and kills the cell.

However, in practice, the Zapper worked better than this. In many cases it appeared to explode the wart cells, and this could on occasion even be heard.

Theory No.2 (electrolysis, or a “flat” d.c. voltage) was also found to have a significant effect on warts – however, this did immediate, superficial damage to healthy tissues as well, and the experiment was not repeated. Thus it is thought that electrolysis may *contribute* to the destruction of warts, but it does not seem to offer an adequate explanation as to why the present circuit works.

Of the other possibilities listed earlier, No.3 (iontophoresis) would seem to be excluded, since probes made of various metals, as well as graphite, were tried with equal success.

SAFETY AND CAUTION

Despite the very small currents used by this circuit, little is understood about the effects of electricity on the human body, and the EPE Wart Zapper should be used with this caution in mind.

In early experiments, when the author was seeking to establish the correct “exposure” required to destroy a wart, he caused himself some temporary damage to a nearby fingernail. Similarly, an article in EPE (“Electrotherapy – A Brief History”, Dec ’03) reported stiffness in a finger joint that had been subjected to a related treatment.

*These are relatively minor side-effects, yet it should be borne in mind that the Zapper is capable of doing some damage if misused. Therefore the voltage, current, frequency, and duration of treatment described in this article **must not** be rashly modified. A year’s experimentation lies behind this design, and most if not all of the mistakes have hopefully been made.*

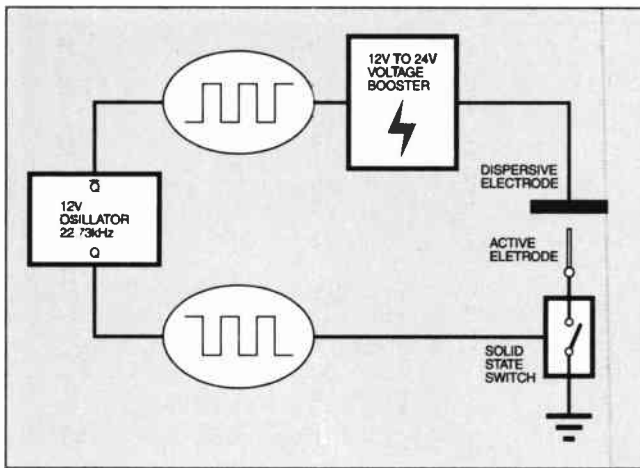
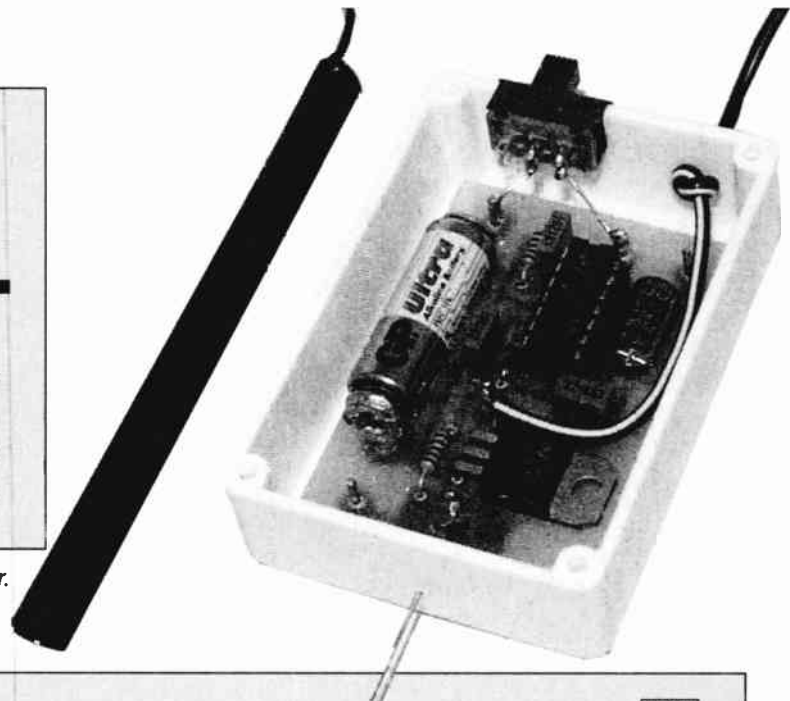


Fig.1. Simple block diagram for the EPE Wart Zapper.



Theory No.4. (the stimulation of immunomodulatory chemicals) would seem hard to explain in light of the spectacular destruction of some warts.

Finally, while the author had no way of testing No.5 (frictional heating through ionic agitation), it would seem unlikely that a few milliwatts of power would raise the temperature within a wart to the 47°C required for its complete destruction – that is, for the denaturation of tissue proteins.

Medical History

During the 1950s, Dr. John Crane established a frequency close to the one used in the present design, as one ideally suited to treating warts and the wart virus (strictly speaking, a group of viruses), and this is used here with suitable voltage and current.

While researching this project, the author found two Crane frequencies for warts (2.127kHz and 21.27kHz), and empirically settled on the higher frequency.

It has since been questioned whether Dr. Crane's frequencies are at all significant, or whether *any* frequencies within a few hundred or even thousand Hertz would work just as well. Assuming that Dr. Crane's 21.27kHz frequency is indeed optimal, close frequencies and harmonics might yield similar results. A frequency close to Dr. Crane's original frequency is followed here, with the important difference that it is applied directly to a wart, rather than being used as a treatment for the virus.

Practical Experience

Although, during testing, virtually all common warts and plane warts were ultimately removed by the Wart Zapper, there were some differences in the effect that the device had.

In several cases, a wart was obliterated first time, never to return. These were usually small common warts, less than 4mm in diameter. However, with close constellations of warts (at first glance looking like a single wart), or with larger warts, the wart was sometimes destroyed in part, but needed follow-up treatments (or simultaneous treatments) to destroy all of it.

During testing, only one wart proved to be really difficult to remove, and in this case it measured 12mm across. After four simultaneous treatments, it had been significantly reduced in size (to almost half), but was still some way from complete destruction. It would be worth commenting that this particular wart completely defied liquid nitrogen treatment.

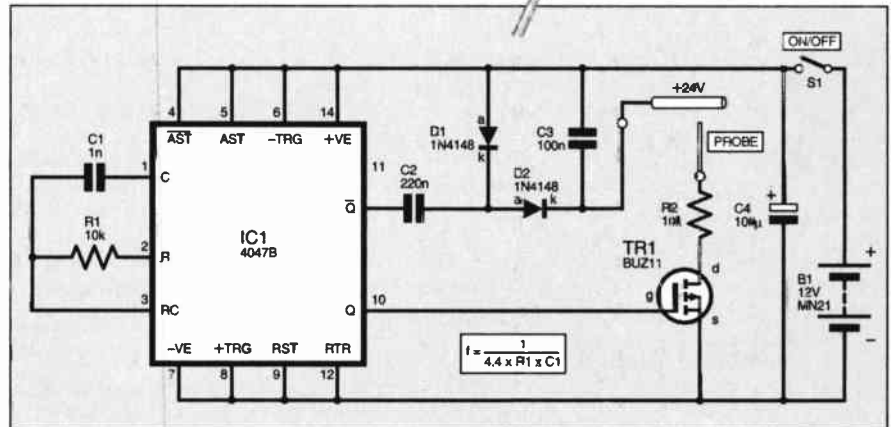


Fig.2. Complete circuit diagram for the EPE Wart Zapper.

In almost every case, little or no pain was experienced when the Zapper was first applied, although one subject jumped when the device was first switched on (this may be obviated with a small modification – see “Circuit Refinements” later).

After a certain period of painlessness, which varied from about half a minute to three-and-a-half minutes, subjects suddenly felt a burning or even “spine-chilling” pain, inside and under the wart. This pain only lasts about half a minute, and then it subsides. However, it is necessary for the removal of the wart, and needs to be “stuck out”. When the pain has subsided (or after five minutes, whichever may come first), the probe is removed.

It should immediately be apparent that the wart is “just not the same” – in fact in many cases, the wart melted with a fizzle even before the treatment was over. The skin immediately surrounding the wart may be irritated for a few hours, and there may be a slight swelling around the wart.

Ultimately a scab is likely to form, and perhaps three weeks after treatment the wart should “give up the ghost” and come off – or, in some cases, partly come off. Don't ever remove a wart too soon, or break its surface, or even agitate it, since this could leave a deep wound, and infection could represent a risk. If it is left alone, there should be no infection.

If a treatment should have little or no effect, it would be sensible to consult a doctor.

Circuit Description

The EPE Wart Zapper uses a single oscillator i.c. (see block diagram Fig.1) with two complementary outputs. The author used the Q output to power a 12V to 24V voltage booster, and the Q output to pulse 24V through the electrodes.

One of these electrodes is positive (+24V – called the *dispersive* electrode), and this may either be a metal grip held in the hand, or a metal plate applied to an area of skin near a wart. The other electrode is negative (0V – called the *active* electrode), and this is a sharp(ish) metal point, which is used for direct contact with the wart.

After much experimentation, the author settled on a 24V 22.73kHz (to accommodate standard component values) square wave, applied to a wart for five minutes. It was found that pulses of a minimum 1mW power passing through the wart internally were required to achieve any effect, and that 3mW to 6mW pulses were adequate.

The full circuit diagram for the EPE Wart Zapper is shown in Fig.2, and very little is required for the circuit to work effectively. Theoretically, it simply needs to pulse 24V at a little more than 21kHz, using a square wave of equal mark-space ratio. Current across the probes is limited by resistor R2 to 2.4mA maximum, so as to protect the circuit if the probes should be short-circuited.

One needs also to factor in the conductivity of the flesh, and this rarely falls

below about 200k, therefore little more than about $100\mu\text{A}$ would course through the wart itself.

The oscillator (IC1) is a CMOS 4047B i.c., which offers superior performance to most simple CR oscillators. This includes an internal divider, which guarantees an equal mark-space ratio for the square wave. The frequency of the square wave at pins 10 and 11 is roughly calculated by the formula $f=1/(4.4 \times R1 \times C1)$. A doubled frequency (45.45kHz) is available at pin 13.

Transistor TR1 provides an efficient switch, for pulsing the voltage through the flesh, and may be almost any power MOSFET. The voltage at TR1's gate is shown in Fig.3. C4 serves as a supply decoupling capacitor, and S1 as an on-off switch.

The miniature 12V keyfob battery used in the prototype (an MN21 or 23A) would be expected to last about 10 hours to 20 hours continuous, depending on the make of the battery.

Construction

The EPE Wart Zapper is built on a printed circuit board (p.c.b.) measuring just 60mm x 40mm (2½in. x 1½in.). The top-side component layout, off-board wiring details and full-size copper foil master are shown in Fig.4. This board is available from the *EPE PCB Service*, code 464.

As will be seen from the photographs, the prototype is built into a very small case. It should not be difficult, in fact, to redesign it to fit into an oversized "pen".

Commence construction by soldering the battery holder to the p.c.b. (two 8mm crimp terminals), attaching a round-head (No.2) paper fastener to the negative (0V) crimp terminal. Solder the seven solder pins and the 14-pin dual-in-line (d.i.l.) socket to the p.c.b., take note of it's orientation.

Mount and solder in position the two resistors, the four capacitors (note the orientation of C4), the two diodes, and transistor TR1 (also note these orientations).

Two solder pins stand spare on the p.c.b., in case a different battery and/or active electrode should be used.

Assembly

Insert the p.c.b. in the case as shown in the photographs. Mount on-off switch S1

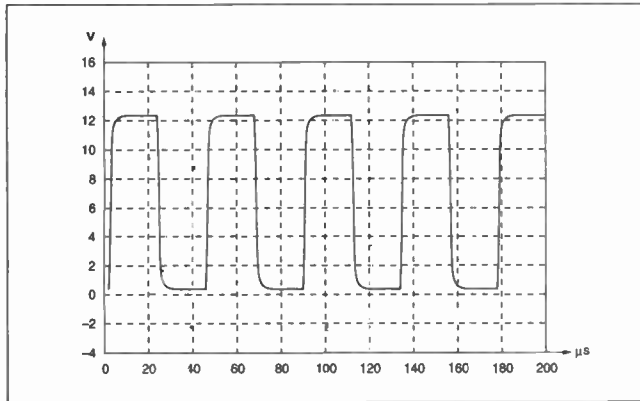


Fig.3. Waveform showing the voltage at MOSFET TR1's gate.

Circuit Refinements

The author decided on a bare-bones approach to the design, and various refinements may be added as desired.

For instance, an ultrabright l.e.d. with a 10k ballast resistor in series may be wired between IC1 pins 11 and 7, as a simple indication that the unit is on and working. This would, however, increase current consumption (and reduce battery life) by as much as one-third. Also, an audible sign of life may be added to the circuit when in use, or even a "battery low" indicator.

For all but the brave, it is recommended that a 470k potentiometer be inserted into the dispersive (+24V) electrode's wire to prevent the possibility of a brief electrical jolt at switch-on, or on first applying the active electrode to a wart. In this case, the unit is switched on and the active electrode applied – then the potentiometer is turned up (that is, its resistance is reduced).

Boost Voltage

Lastly, it might be worth explaining how and why the circuit comes to pulse 24V through a wart when its battery is only rated 12V.

Most importantly, the higher voltage helps the circuit to overcome skin resistance, so that it is able to provide the 3mW to 6mW power necessary to destroy a wart internally. As the voltage is raised, so the power pulsed through the wart increases, as is confirmed by the equation $I = V/R$.

This boosted voltage is achieved by means of a standard voltage doubler, which is powered by the spare Q output pin 11 of IC1. A 12V battery thus directly powers the circuit, while a boosted 24V is switched through MOSFET TR1 to the electrodes.

Layout of components on the completed p.c.b. showing the battery "terminals".

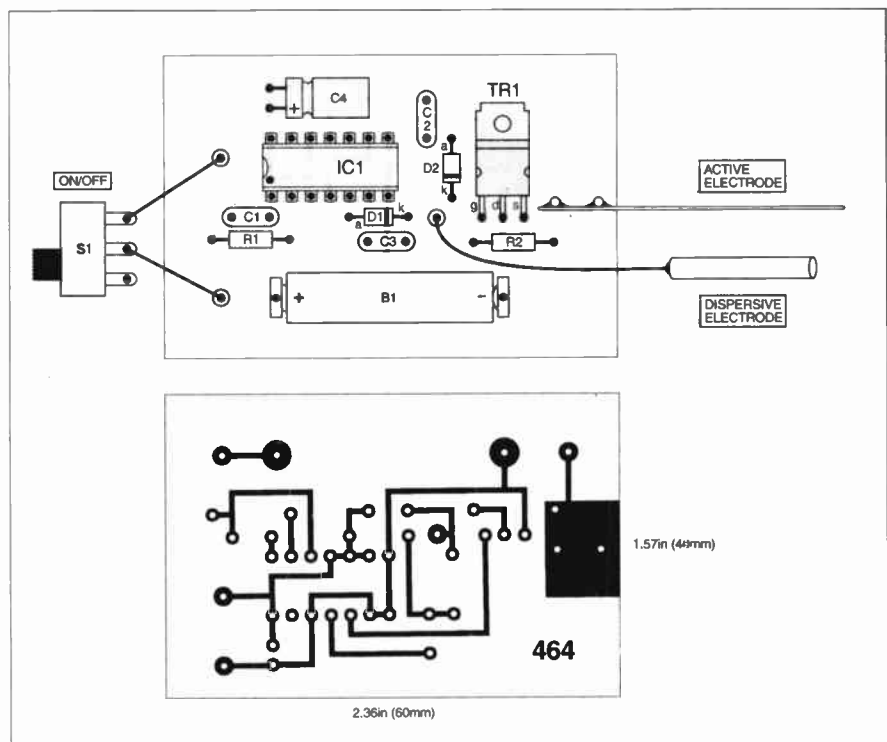
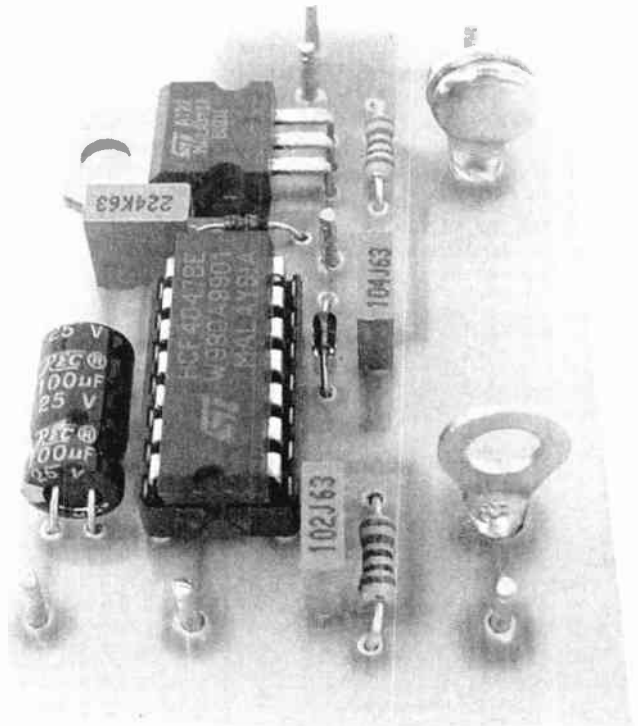


Fig.4. Wart Zapper topside printed circuit board component layout and off-board wiring details together with a full-size underside copper foil master.

on the case, and connect it as shown (this should be switched off to begin with). Be sure to insert the battery the correct way round in its holder, since the circuit has no reversed polarity protection – a mistake here could destroy the circuit.

Drill a hole in the case next to the switch, through which the wire to the dispersive electrode (a metal grip or metal plate) is passed, and solder it to the dispersive electrode solder pin as shown. Make sure that there is sound electrical contact to the metal grip or plate.

Now drill a hole for the active electrode, which is inserted through the end of the case, and soldered to the two solder pins as shown. This probe may be a needle which has had its sharp point filed off with a fine file to make a sharp(ish) stub.

Insert IC1 in the d.i.l. socket, observing anti-static precautions (first touch your body to ground). The whole p.c.b., if desired, may be secured in the case with a little epoxy glue.

In Use

Considerable experimentation preceded the development of this circuit, and the results gave the author a new respect for the potential risks of electricity, however small

COMPONENTS

Resistors

R1, R2 10k 0.25W
5% carbon film (2 off)

See **SHOP TALK** page

Potentiometer

VR1 470k/500k miniature rotary carbon, lin. (optional – see text)

Capacitors

C1 1n polyester
C2 220n polyester
C3 100n polyester
C4 100µ radial elect. 16V

Semiconductors

D1, D2 1N4148 signal diode (2 off)
TR1 BUZ11 n-channel power MOSFET (or similar, e.g. IRF510)
IC1 4047B CMOS oscillator

Miscellaneous

S1 on-off slide switch
B1 12V MN21/A23 keyfob battery

Printed circuit board (60mm x 40mm) available from the *EPE PCB Service*, code 464; small ABS case, size 70mm x 50mm x 25mm approx.; 14-pin d.i.l. socket; brass pipe (140mm x 10mm dia.) for dispersive electrode; 40mm needle for active electrode; roundhead (No.2) paper fastener and 8mm crimp terminal (2 off) for battery holder – see text; 1 metre insulation multistrand connecting wire; solder pins (7 off); solder etc.

Approx. Cost
Guidance Only

£8
excl. batt.

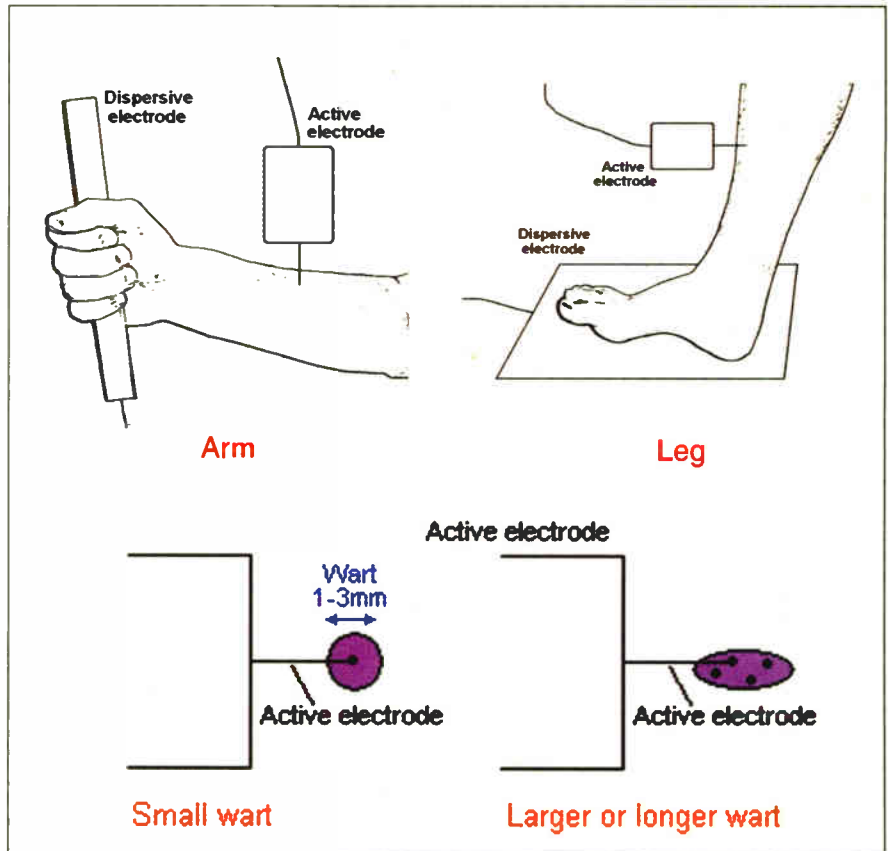


Fig.5. Suggested wart treatment procedures.

the voltages and currents which are applied.

Skin resistance can vary between about 100k (kilohms) and 8M (megohms), depending on the day and the situation. Therefore to ensure consistency of results, skin resistance needs to be kept relatively low. Use a little skin moisturiser where the skin makes contact with the dispersive electrode, as well as a little moisturiser on the wart itself.

Constructors are advised not to use the circuit where current would flow across the head or the heart, and never in a case where a person uses a pacemaker or has any history of epilepsy. All the precautions that apply to a TENS device apply also to the Wart Zapper.

Treatment

If treating a wart e.g. on the lower or upper arm, hold a metal grip (the dispersive electrode) in the same hand. If it is not convenient to use a grip, rest the limb to be treated (e.g. a foot) on a metal plate instead, which is again connected as the dispersive electrode. The active electrode, which is a sharp metal point (but not too sharp) – is rested directly and gently on the top of the wart – see Fig.5.

If the wart is large (say 5mm or more in diameter), it might be an idea to tackle one or the other side of it first, since the Zapper is unlikely to kill all of it at once.

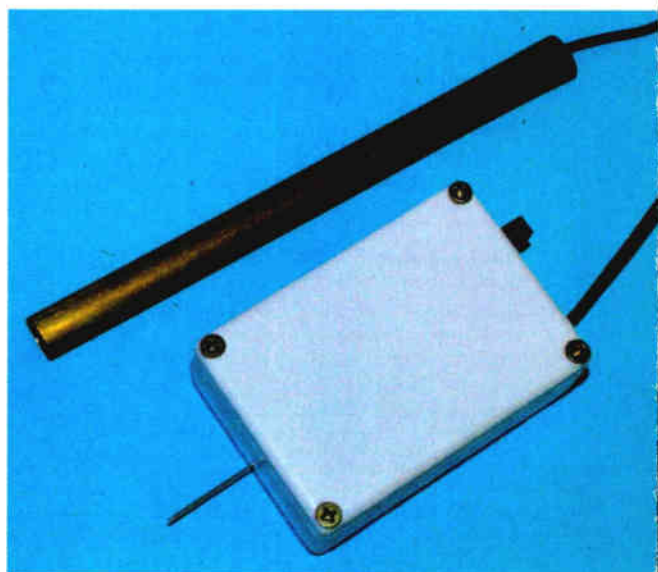
Switch on, apply the Wart Zapper to a wart for up to five minutes (see above), then switch off. Be prepared for the possibility of a brief initial jolt, and be prepared to suddenly experience

perhaps half a minute of sharp pain. If you do not see this through until the pain subsides, the wart may not be destroyed.

The Wart Zapper came as a welcome relief to the author's son, who could not bear the suggestion of further treatment with liquid nitrogen. He claimed that it was far preferable, and that the pain was "not bad" in comparison. When asked after school one day how his treated warts were progressing, he replied, "Very badly – for the warts!"

No Guarantees

While this circuit comes with no guarantees, it is nothing ventured, nothing gained! The author, with several willing "guinea-pigs", and further volunteers queuing up, found that the EPE Wart Zapper was entirely successful – most of the time. □



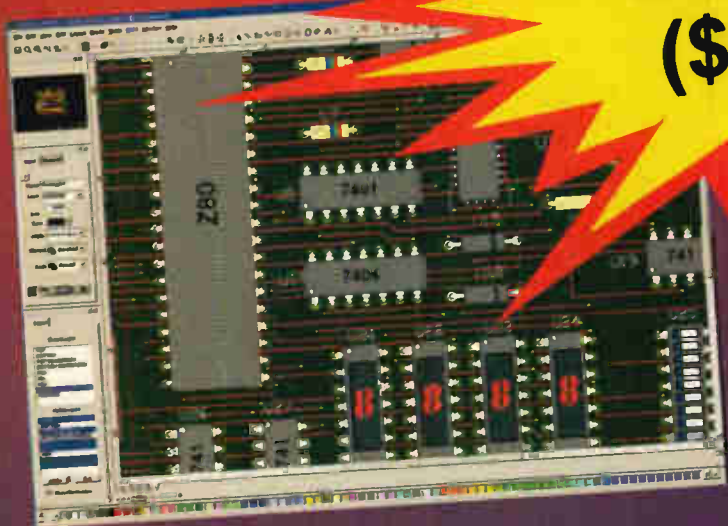
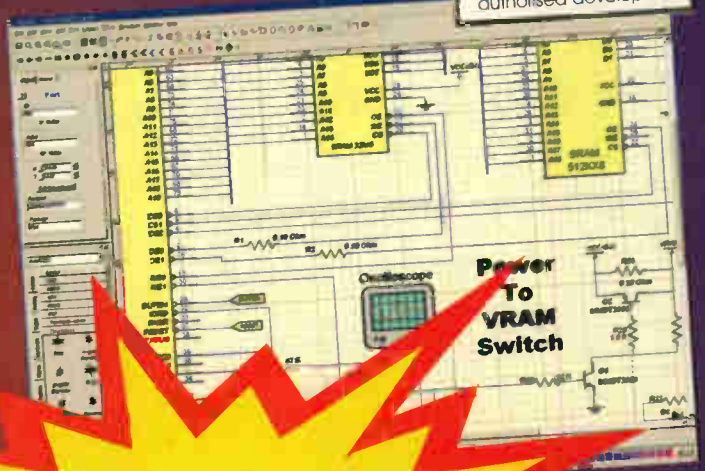
TM

Autotrax

Electronic Design Automation



- Schematic Capture
- SPICE Simulation
- PCB Layout
- Auto-Layout/Router
- 3D PCB Visualization
- Database Support



**Only £57
(\$95US)**

- Drag and drop parts onto your schematic. Connect them together.
- Add virtual instruments such as scopes and function generators.
- Use the PCB design wizard to create your PCB.
- Autolayout and autoroute the board.
- View the board in 3D.
- Output to Gerber and AutoCAD/Solidworks.

Over 35,000 users

To find out more go to www.autotraxEDA.com

Free version available for small scale projects. (only pin limited)

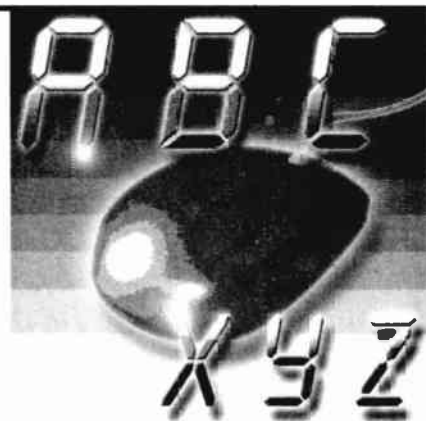


Why wait? Download AutoTRAX EDA NOW!
www.autoTRAX.com

AlphaMouse Game

John Becker

Let that mouse sort out those shifty characters!



DO you remember those childhood toys which comprised a square frame enclosing 15 or more letters that you slid around to arrange into different orders? Perhaps even your children have one now. In their day they were the forerunners of Rubic's Cube, before both became ousted by PlayStation and the like.

Recently, the author was considering how best to illustrate in a simple fashion the way in which a PC's mouse could be put to alternative good use with a PIC, following on from his article *PIC to PS/2 Mouse and Keyboard Interfacing* (Aug '04). Somehow, these letter frames came to mind, and sparked off a series of high-speed bashings at the keyboard to write the code for a modern equivalent.

The result of just a few hours coding and programming is this AlphaMouse Game, in which a 2-line 16-character (per line) alphanumeric liquid crystal display (l.c.d.) replaces the lettered frame, and a PC's PS/2 mouse controls the movements of 31 letters around the 32-position area.

Trappings

Unable to resist addiction again, the author has inevitably used a PIC microcontroller to do the hard work, interpreting your leisurely efforts at moving and

clicking the mouse as the whim takes you. And unlike the original frame game, you've been provided with the full 26-letter alphabet, plus a handful of symbols to arrange into what ever order takes your fancy.

There is a randomiser which selects the letters presented and in what order prior to each game. The variety is practically infinite, and you are probably as likely to get repeats of letters scattered around as you are to get just one of each. Should you find some games looking harder than others, you may even activate the randomiser again if you don't like the offering!

You can also deliberately select games in which four spaces instead of one are provided, into which the letters can be shunted while sorting the others. Even the author, not normally one for much game-playing, found himself getting hooked on the game's fascination – and the way in which it is sometimes necessary to “trap” a letter using others, in order to make it go into the space you want. A bit like persuading sheep to go into their pen without a sheepdog!

All of this fun can be had with just a few components – four resistors, a couple of capacitors, a PIC16F627 (or 628) and an l.c.d. Not even a crystal is needed, nor a voltage regulator if you use a 6V battery.

But if you use a regulator the game can be run with a 9V battery. Oh, and you need a PS/2 type mouse – but your PC is likely to have one of those anyway, and even if it doesn't, one can be bought inexpensively from any computer supplier.

Software and pre-programmed PICs for the AlphaMouse Game can be obtained as stated later.

Circuit Description

So, look at Fig.1 – it shows how simple the circuit is. The PIC microcontroller is notated as IC1, to which the mouse is connected at pins RA0 and RA1 via socket SK1. Pin RA0 is used by the software in both input and output modes for data transfer between the PIC and the mouse. Consequently, resistor R3 is in series with the connecting line to buffer it, and R1 is used to bias the pin high when it is acting as an input, as required by the mouse's own controller chip.

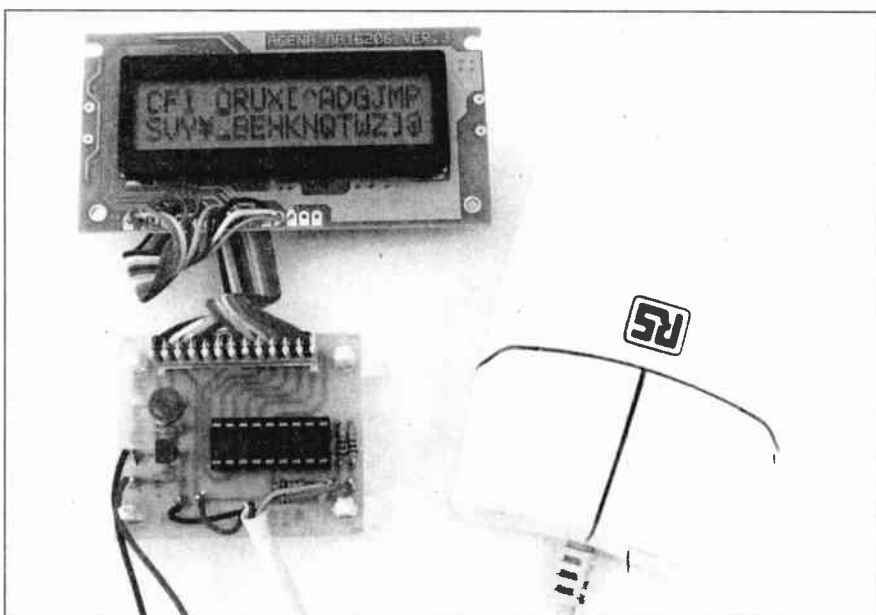
As this circuit can also be used with the keyboard interface described in the July issue, it also includes resistors R2 and R4, as required by that software for mutual accessing of the clock pin (RA1) by the keyboard and PIC. For this mouse game though, R2 can be omitted and R4 replaced by a wire link (but it does not matter if both these resistors are retained).

The PIC controls the l.c.d., X1, in 4-bit mode via Port B. The pins here are used in the author's standard order. Preset potentiometer VR1 controls the l.c.d.'s screen contrast, and once set can be ignored.

For those who wish to power the game from a 9V battery (e.g. PP3), voltage regulator IC2 should be included, to drop the supply down to +5V. For those who want to power the game using a 6V battery (using four AA type cells, for example), IC2 should be omitted, but linking its allocated input and output pads on the printed circuit board (p.c.b.).

Power line smoothing capacitors C1 and C2 should be retained whichever power source you use. Switch S1 is optional.

That's all there is to it! Indeed it will be spotted by those who use the author's *Toolkit TK3* PIC programming hardware and software, that the circuit can be readily assembled on *TK3*'s board, and the game played from there!



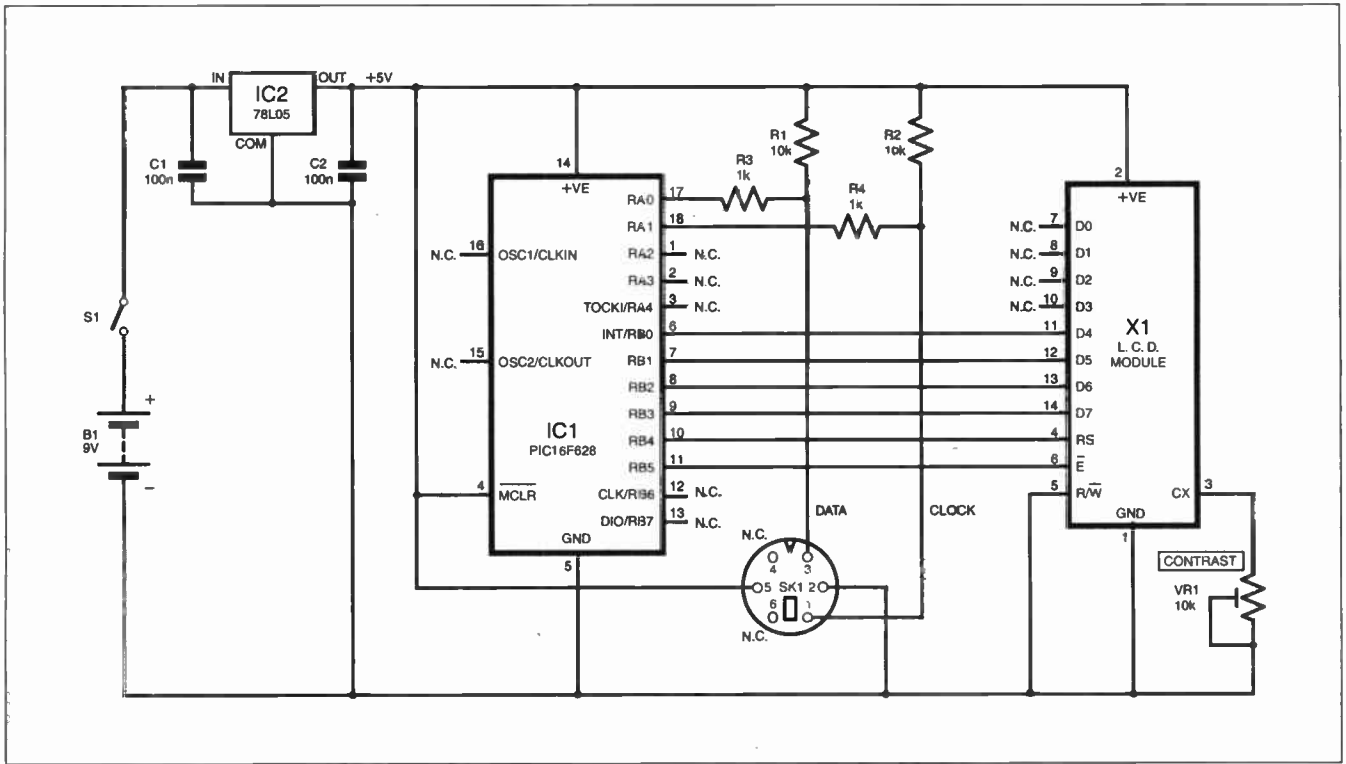


Fig. 1. Complete circuit diagram for the AlphaMouse Game.

Construction

Despite the last comment, a p.c.b. has been designed for use with this game. It is available from the *EPE PCB Service*, code 466. Its assembly and track layout details are shown in Fig.2.

You should, of course, use a dual-in-line (d.i.l.) socket for the PIC. Start off assembly by inserting the socket (but without the PIC at this stage!). Then solder in the other few components in ascending order of size. After which, add 1mm terminal pins for the l.c.d., power supply and mouse. A standard mini 6-pin female DIN connector should be connected to the latter via short leads. The pinouts are shown in Fig.2.

As always, check everything before applying power (we don't want you exclaiming anything in unusual letter sequence having damaged something through carelessness!).

It's up to you as to whether you box this game as a permanent source of future entertainment. If you do, a plastic one measuring 150mm x 80mm x 50mm would do the job nicely, once you've cut an l.c.d.

COMPONENTS		Approx. Cost Guidance Only	£13 excl. battery
Resistors	R1, R2 R3, R4	10k (see text) 1k (see text)	<p>See SHOP TALK page</p> <p>Miscellaneous</p> <p>S1 min. s.p.s.t. switch (optional)</p> <p>SK1 mini 6-pin DIN female connector, line or chassis mounting to suit</p> <p>X1 2-line 16-character (per line) alphanumeric l.c.d. module</p> <p>Printed circuit board (optional – see text), available from the <i>EPE PCB Service</i>, code 466; 18-pin d.i.l. socket; battery and connector to suit (see text); 1mm terminal pins; connecting wire; solder etc.</p>
Potentiometer	VR1	10k min. round preset	
Capacitors	C1, C2	100n ceramic disc, 5mm pitch (2 off)	
Semiconductors	IC1	PIC16F627 or PIC16F628 microcontroller (pre-programmed) (see text)	
	IC2	78L05 +5V 100mA voltage regulator (optional – see text)	

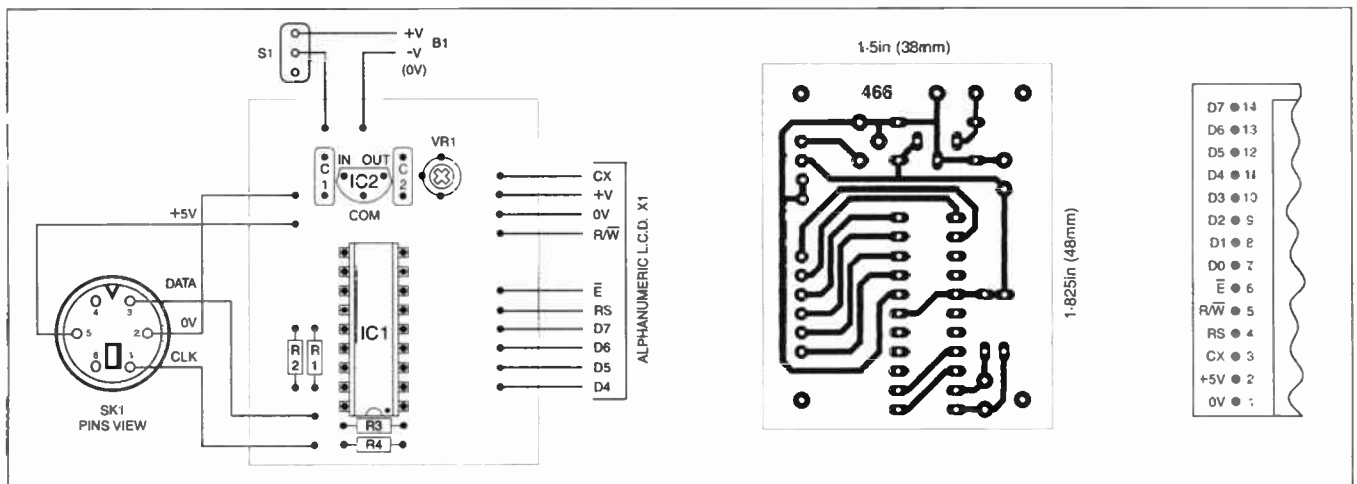


Fig.2. Component layout and master track pattern for the AlphaMouse Game. Typical l.c.d. pinouts are shown to the right.

viewing slot, of course. You would also need the power on-off switch S1 (without a case you can just plug a battery in and out of a connector).

It just remains for you to discharge static electricity from your body, by touching something earthed, then carefully push in the pre-programmed PIC (the right way round), apply power – and the game is on!

Random Beginnings

When power is applied, the PIC sets up the l.c.d. for use in 4-bit mode, it then enters the randomisation routine. At power-up time the PIC's registers take on random values and one of these is taken as the initial "seed" for this routine.

There are 32 registers allocated to hold the letters or other characters that will be displayed on screen. A 32-step loop is entered in which the "seed" value is added to a counter.

Each time round the loop, that counter's value is ANDed in the W register with 31 to restrict its range. Then 64 is added to convert that value to one within the l.c.d.'s character generator range between 64 and 95 (from the @ symbol, through the 26 capital letters A to Z, followed by "I", an unprintable (by our typesetting system) oriental symbol, then "j", "^" and "_"). The character symbol value is stored into the character register pointed to by the loop count.

Because the "seed" value is never zero (intentionally avoided), the counter's value changes each time round the loop, and so different characters are selected at each step, 32 of them.

At the end of the loop, the next random value is used to determine where the blank space is to be placed. The whole lot is then displayed on the l.c.d. screen, such as:



Game Play

In case you don't know, the idea of the game is to rearrange the random set of characters into any order that suits you. For example, from "A" upwards, or "Z" downwards, with the additional symbols in whatever order you choose. There are no rules – it's up to you.

The only way in which you can rearrange the characters is in the painstaking way! First you have to move the mouse vertically between the two lines and sideways along them until the underline (cursor) symbol appears below the character you want to move. That character, though, must be adjacent to the blank position on screen, to the left or right, above or below the blank.

Left-clicking the mouse on the chosen character will cause it and the blank to change places. You then choose and click the next letter to move. More often than not while arranging the sequence you will in effect simply be moving the blank in order to capture the next character of the sequence. If you don't have patience, this game is not for you – there are no shortcuts (unless you rewrite the program)!



Having arranged the letters in the required sequence, you have won! (Off to the hospitality zone for suitable refreshment!) But the bug's probably hit you – so play again . . .

Well, you could try to rearrange the sequence in the opposite order, as you probably did with the original frame game. Or you can activate the randomiser again. There are two ways of doing this with your mouse, either click both buttons simultaneously, or click the right one (the left one on its own has no effect on accessing the randomiser).

Clicking either of these button options runs the randomiser in the same way as when power was first applied. However, the "seed" acquisition is different. While you were challenging nature's natural ordering system and imposing your own, another counter was running at the same time. It is the much rolled-over 8-bit value that this has acquired which now becomes the "seed"; and the next time you select randomising, another "seed" will have grown, and so on.

It's worth noting (as you probably will) that some sequences appear more random than others. This is usually due to whether the "seed" has an even or odd value. Odd values will normally generate greater variety. But you have no control over this – if you dislike the sequence you see, click again to select another.

If both buttons are pressed, at the end of the 32-step randomising loop, just a single blank is generated. However, if you hold down the right hand button slightly longer than the left, four blank spaces will be scattered on screen at random. This might make the game a bit simpler (but don't count on it!). You do not even need to use the left button if you want to give yourself four blankety-blanks, just click the right button.

While randomising is going on (and repeats the sequence over and over for as long as buttons are pressed), the screen flashes each sequence at speed. You really do see your letters being well-sorted (and without postcodes too)!



Sheepdogging

While in the four-blanks game, you will often have to "shepherd" the chosen character into the required blank slot, whereas it actually wants to go into another adjacent slot (a mind of their own, these letters, sometimes).

But you, by knowing the rules of shepherding, can countermand such woolly behaviour:

The program has been written so that it checks whether a clicked character does indeed have an adjacent blank slot. The order checking for blanks is:

1. Check for blank to the left of character. If present accept it.

2. If not present, check for blank to the right of character. If present accept it.

3. If not present, check for blank above character (if selected line has an "above"). If present accept it.

4. If not present, check for blank below character (if selected line has a "below"). If present accept it.

5. If not present, you've selected a letter without an adjacent blank, so try again with better self-control!

Suppose now you have selected a letter to move, and it has more than one adjacent blank – could even have three. You want the character to go into the blank above it, but in accordance with the above rules of engagement, the wretched sheep (sorry – character) wants to go left, and is determined to do so!

You're the bright one – stop that escapee's route so that it has to go up into capture. Bring in a letter from the left to get the left blank out of the way. But now the protocol dictates the escape route is to the right, so you need to block that too. Surrender and capture! Other similar situations are not uncommon – all the more fun to the hunting order!

Pic 'N Play

So there you are, a simple but entertaining novelty for you to put together. It also shows one application for using a PIC with a PS/2 mouse. There are countless more to be invented. If you're a PIC programmer, invent some!

It would also be fun for any PICer to play around with the simple code for this AlphaMouse and add other features to it. It would also be worthwhile reading the *PIC to PS/2 Mouse and Keyboard* article referred to earlier.

Resources

Software, including source code files, for the AlphaMouse Game is available on 3.5-inch disk from the Editorial office (a small handling charge applies – see the *EPE PCB Service* page). It can also be downloaded *free* from the *EPE* Downloads page, accessible via the home page at www.epemag.wimborne.co.uk. It is held in the PICs folder, under AlphaMouse. Download all the files within that folder.

This month's *Shop Talk* provides information about obtaining pre-programmed PICs, and the sourcing of components.

The PIC program source code (ASM) was written using *Toolkit TK3* software (also available via the Downloads page) and a variant of the TASM dialect. It may be translated to MPASM via *TK3* if preferred.

The run-time assembly is supplied as an MPASM HEX file, which has configurations embedded in it (internal oscillator, WDT off, POR on, all other values off). If you wish to program the PIC yourself, simply load this HEX file into the PIC using your own PIC programming software and hardware. □

Next Month

To conclude our look at interfacing PICs to mice and keyboards, next month we show a moon and tide clock design which has its settings adjusted by a PS/2 keyboard.

For rapid development of electronic systems...



Eblocks™

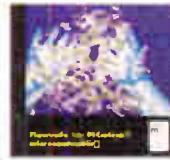
E-blocks are SMD circuit boards, each of which contains a block of electronics typically found in an electronic system. E-blocks can be programmed in C-Assembly and are tightly integrated with Flowcode - which instantly converts flow charts into PICmicro code.



Low cost USB PIC programmers (Starting at £27 model shown £69)



plus a wide range of add-on boards and accessories...



...plus incredibly easy to use software based on flow charts...



...equals extremely rapid system development: like this mobile text messaging system built from E-blocks.

...and solutions for learning and development...

Hands on training courses



training courses in PICmicro(R) programming CPLD programming and ECAD

Resources for learning CPLD programming



Complete courses in electronics and programming



Equipment for datalogging, control and PC 'scopes



...and more at:



...see www.matrixmultimedia.co.uk

Matrix Multimedia Limited
sales@matrixmultimedia.co.uk
t. 0870 700 1831 f. 0870 700 1832



A COMPLETE RANGE OF INVERTERS 150W TO 2500W - 12V & 24V

A Complete range of regulated inverters to power 220V and 240V AC equipment via a car, lorry or boat battery. Due to their high performance (>90%) the inverters generate very little heat. The high stability of the output frequency (+/-1%) makes them equally suitable to power sensitive devices.



These inverters generate a modified sine wave, which are considerably superior to the square waves which are produced by most other inverters. Due to this superior feature they are capable of powering electrical equipment such as TV's, videos, desktop & notepad computers, microwave ovens, electrical lamps, pumps, battery chargers, etc.

Low Battery Alarm

The inverters give an audible warning signal when the battery voltage is lower than 10.5V (21V for the 24V version). The inverter automatically shuts off when the battery voltage drops below 10V (20V for the 24V version). Fuse protected input circuitry.

Order Code	Power	Voltage	Was	Price
651.581	150W Continuous	12V	£36.39	£29.72
651.578	150W Continuous	24V	£36.39	£29.72
651.582	300W Continuous	12V	£50.64	£41.93
651.585	300W Continuous	24V	£50.64	£41.93
651.583	600W Continuous	12V	£101.59	£83.76
651.593	600W Continuous	24V	£101.59	£83.76
651.587	1000W Continuous	12V	£177.18	£147.52
651.597	1000W Continuous	24V	£177.18	£147.52
651.602	1500W Continuous	12V	£314.52	£261.18
651.605	1500W Continuous	24V	£314.52	£261.18
651.589	2500W Continuous	12V	£490.54	£416.27
651.599	2500W Continuous	24V	£490.54	£416.27



ILLUSTRATION SHOWN IS 651.593 600W VERSION

All prices are inclusive of V.A.T. Carriage £8.00 Per Order

Many uses include:- Fetes . Fairgrounds . Airshows . Picnics . Camping . Caravans . Boats . Carnivals . Field Research and . Amateur Radio field days * Powering Desktop & Notepad Computers.

DELIVERY CHARGES ARE £6.00 PER ORDER. OFFICIAL ORDERS FROM SCHOOLS, COLLEGES, GOVT. BODIES, PLC'S ETC. PRICES ARE INCLUSIVE OF V.A.T. SALES COUNTER. VISA AND ACCESS ACCEPTED BY POST, PHONE OR FAX, OR EMAIL US AT SALES@BKELEC.COM. ALTERNATIVELY SEND CHEQUE OR POSTAL ORDERS MADE PAYABLE TO BK ELECTRONICS.



B.K. ELECTRONICS



UNIT 1, COMET WAY, SOUTHEND-ON-SEA, ESSEX, S82 6TR
TEL: +44(0)1702-527572 FAX: +44(0)1702-420243

For Full Specifications View our web site at:-

WWW.BKELEC.COM/INVERTERS.HTM

PRACTICALLY SPEAKING

Robert Penfold looks at the Techniques of Actually Doing It!

OBTAINING all the components for a project, right down to the last nut and bolt, can be frustrating and time consuming. It might be possible to get all the components from one supplier, but many projects now seem to require at least one special component that is not widely stocked. You just have to accept that it will sometimes be necessary to order parts from two or three suppliers, especially when building larger projects.

The Truth is in There

Many projects now require one or two components that are difficult to track down. Fortunately, in the case of *EPE* projects at least one source will have been located for you by the author or the staff. Details of suppliers for "awkward" components will often be given in the text of the article or in the components list.

Also refer to the magazine's *Shoptalk* feature, which gives buying advice for every project featured that month. A lot of your time and ours can be saved by checking the magazine properly for the information you require before making an enquiry. The answer is almost certain to be in there somewhere.

Many component suppliers now have online catalogues and ordering systems, but it is still worthwhile obtaining printed versions of a few component catalogues. You can learn a great deal about components by browsing through catalogues. Identifying the real thing is much easier if you have familiarised yourself with the components by studying the photographs in catalogues first.

When building old designs it is important to check that all the components are available before you start buying any of them. It is an irony of modern electronics that the chances of obtaining an electronic valve from 60 years ago are often better than those of obtaining a semiconductor produced just a few years ago.

There were big changes in the world of electronics during the 1990s, and this rendered many popular projects of the past obsolete. A few recent devices have popped up only to disappear again shortly afterwards. It is sensible to ascertain the availability of all the components before starting to buy the parts for any project.

Stock Answers

Life is much easier if you have a stock of the more frequently used components. To some extent this is a matter of convenience, and it avoids having to order long lists of components each time you wish to construct a project. It is only necessary to order the more specialised items if you already have the "run of the mill" components. Buying small components such as resistors

and capacitors one by one tends to be quite expensive, so buying a stock of them is potentially cheaper in the long run.

A good stock of components is definitely an asset, but "good" is the important word here. Unless the components are chosen wisely you will waste a lot of money buying a "pig in a poke". There is no point in buying components for stock unless you are likely to use them in a reasonable time span.

In general, it is not worthwhile having expensive components in stock. To do so would tie up a significant amount of money, and there would be no guarantee that the components would ever be used. Try to concentrate on inexpensive components that feature regularly in most projects.

The humble resistor is the obvious starting point, but do not bother with the more exotic types such as close tolerance (one or two per cent) and high power components. These are used infrequently, and are relatively expensive. Ordinary 0.25 watt 5 per cent tolerance carbon film resistors are a different proposition, since they feature prominently in practically every project and are quite cheap. The only complication is that a large number of different values are used, but with careful buying it should be possible to obtain several hundred resistors for a few pounds.

It is definitely worth considering one of the resistor packs that are offered by some component retailers. These typically offer a full range of values from 10 ohms to one megohm, or possibly an even wider range.

The contents of these packs are usually weighted to take into account the fact that some resistor values are used more than others. Values of 1k, 4k7, 10k, 47k, and 100k for example, tend to be used far more than most other values. Very high and very low values are used relatively little.

Experience suggests that the weighting in favour of the more popular values is inadequate, and these still tend to be used up first. However, the weighting should ensure that you do not end up with stacks of little-used values. If you do a large amount of project construction it will probably be worthwhile buying 100 of each of the most popular values.

Doubling Up

In the early days of what was then *Everyday Electronics*, readers were sometimes advised to build up a stock by buying twice as many resistors as they actually needed, and this remains a good way of doing things. Clearly this method does not provide an instant stock of resistors, but it is relatively painless because you will hardly notice the increased cost of each project. The

clever bit is that you will automatically obtain larger quantities of the popular values, and less of the little-used ones. Furthermore, the weighting should accurately reflect the true popularity of each value. A stock can be built up more quickly by ordering three or four times as many of each value than are actually needed for each project.

Another way of obtaining a stock of resistors is to buy "bargain" packs of surplus stock. While these packs offer good value for money, they do have potential drawbacks. In particular, the range of values included could be quite small, and there is little chance of a full range being covered. The included values might not be ones that you use very often, and there could be some unusual values.

Most projects for the home constructor only use resistor values in the E12 series (1, 1.2, 1.5, 1.8, 2.2, 2.7, 3.3, 3.9, 4.7, 5.6, 6.8, 8.2 and their decades). It is probably only worth stocking resistors in this series of values.

Resistors are also available in the E24 series, which consists of the E12 series plus 12 intermediate values (1.1, 1.3, 1.6, 2.0, 2.4, 3.0, 3.6, 4.3, 5.1, 6.2, 7.5, 9.1 and their decades). As these values are little used in projects for the home constructor it is best to buy them only when they are needed.

Bargain packs often include some non-standard values, and you might also find that many of the resistors are old and (or) high wattage components. These are often too big to fit into modern component layouts. Bargain packs are better suited to "old hands" who can quickly sort through the components, spot the useful ones, and then test them.

Preset resistors (potentiometers) are not as cheap as ordinary resistors, but a small stock of them should not cost too much. Again, obtaining a pack having a full range of values is likely to be much cheaper than buying the components individually. Ordinary potentiometers are relatively expensive, and it is probably best to buy them as and when they are needed.

Capacitors

Building up a useful stock of capacitors is difficult due to the huge range that is currently available. Each value is available in several types, and within each type there could well be several physical variations. Buying a really comprehensive stock of capacitors would therefore be extremely expensive. Unfortunately, capacitors cost a little more than the "dirt cheap" prices associated with resistors. Being realistic about it, when building up a stock of capacitors it is necessary to make compromises.

It is probably best to start with the higher value capacitors, which are normally of the electrolytic variety. Physically, there are two general types of electrolytic capacitor. These are the axial lead and radial (printed circuit or p.c.b.) mounting varieties.

The axial versions seem to be little used these days and most modern projects require the radial type. A radial component will usually fit quite well in place of an axial type, so you can probably manage quite well without any axial electrolytic capacitors.

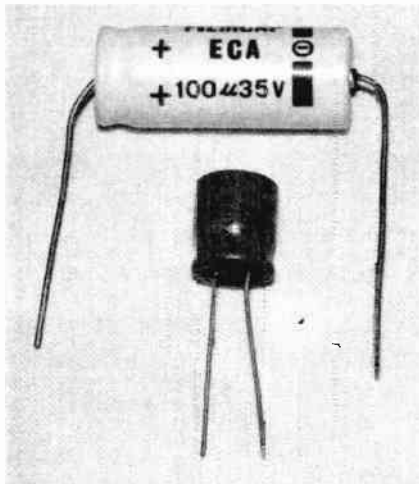


Fig.1. The 100µ 35V axial electrolytic dwarfs the more modern 100µ 25V radial type below

High value capacitors are only widely available in the E6 range of values, which is just every other value in the E12 series (1.0, 1.5, 2.2, 3.3, 4.7, 6.8 and their decades). However, only every other value in this series (1.0, 2.2, 4.7 and their decades) is used to any extent. A basic stock of electrolytic capacitors could, therefore, be rationalised to something like 20 each of the following values and working voltages.

1µ	50 to 100V	10µ	50V	100µ	16V
2µ2	50 to 100V	22µ	25V	220µ	16V
4µ7	50 to 100V	47µ	25V	470µ	16V

It's a Matter of Values

Very high values tend to be used less than the lower values, so 10 of each value above 10µF would probably suffice. The very high value components are quite expensive and it is not worth stocking them on the off-chance that you will need them one day.

Buying bargain packs of electrolytic capacitors is risky because these components are not noted for their longevity, and older components are often massive when compared to modern equivalents (see Fig.1). Packs of new electrolytic capacitors are a much safer alternative.

Middle value capacitors of about 1nF to 470nF in value are available in such a wide range of shapes and sizes that it is impractical to stock them all. Probably the most popular types these days are the printed circuit mounting (box-shaped) type with 5mm (0.2 inch) or 7.5mm (0.3 inch) lead spacing. A

small stock of either or both of these would be useful, as would some 100n ceramic capacitors.

Values of less than 1nF are relatively little used these days, but are available in several types such as ceramic plate, polystyrene, and silvered mica. Ceramic plate capacitors are the cheapest and are consequently more widely used than the other types. This makes them the best choice for stock purposes, but they are unlikely to be good substitutes for other types.

Semiconductors

The range of semiconductors on offer to electronics hobbyists is truly vast. Many semiconductors are specialised components but there are some "standards" that are worth having in stock.

The NE555 timer is possibly the most used chip in designs for the home constructor. Although perhaps not as popular as it was in the past, it is still worthwhile having a few of the standard chip and a low-power version such as the TLC555CP. Beginners can have a lot of fun and learn a great deal by experimenting with some 555 timer projects.

A vast range of logic devices is available, with several variations on each basic type. The rise of the PIC processor heralded the decline of ordinary logic devices, so it is probably not worthwhile stocking any of them. The once standard 741C op.amp (operational amplifier) is also little used these days and has been superseded by various improved but different versions.

The TL071CP is a good choice for a stock op.amp, as it has a generally high specification and works well at low voltages, but it will not replace all other op.amps. It should only be used in designs where it is stated that a general-purpose op.amp is all that is required.

No constructor should be without some general-purpose silicon diodes such as the 1N914 or 1N4148. These can often be bought in quantities of 50 or 100 at quite low prices. Some small rectifier diodes such as the 1N4007 are also useful. Note that this component can be used safely in place of lower voltage versions such as the 1N4002 and 1N4004.

It is worth having some small transistors, but bear in mind that substituting semiconductors is a bit risky unless you know what you are doing. If an article states that any general purpose transistor will do, then either a BC549 (npn) or BC559 (pnp) should be fine. Even if two transistors have the same encapsulation they will not necessarily have the same lead-out configuration, so due care *must* be taken in order to avoid connection errors. Some larger component catalogues have leadout

diagrams and there is no shortage of semiconductor data on the Internet.

Nuts and Bolts

It is definitely a good idea to have a stock of small mechanical items such as nuts, bolts, and spacers, which are easily forgotten when ordering the parts for a project. The most reliable means of mounting circuit boards is to use bolts about 12.5mm to 25mm long. 6BA bolts used to be the best choice for this application, but these days either the slightly larger M3 or smaller M2.5 metric types have to be used.

Experience suggests that M2.5 bolts are best for mounting stripboard, and the M3 size is best for custom printed circuit boards. Some matching spacers about 5mm or so in length are normally used to hold the board clear of the case. Plastic stand-offs offer an alternative means of mounting boards, but few of them seem work well with stripboard.

Beginners should start with battery powered projects, so it is a good idea to have some PP3 size battery connectors. Other useful mechanical parts to have in stock are some small control knobs and d.i.l. (dual in-line) holders for 8-pin, 14-pin and 16-pin integrated circuits.

Make sure that you also have plenty of insulated connecting wire such as 7/0-2 equipment wire, and a large reel of 22s.w.g. multi-core solder. This avoids the frustration of running out of one or the other just as a project nears completion.

Compartmentalise

With even a modest stock of components it is important to have everything stored sensibly so that any desired component can be quickly found.

It is easy to improvise a storage system, but it is not necessarily worthwhile as the real thing can now be obtained quite cheaply from DIY stores, etc. These units are probably intended for woodscrews and the like, but most of them are perfect for electronic components.

Small compartmentalised trays and boxes are also ideal for storing electronic bits and pieces (see Fig.2). In general, lots of small compartments are better than a few large ones. You can then have a limited range of values in each compartment, making it easy to find the right one.

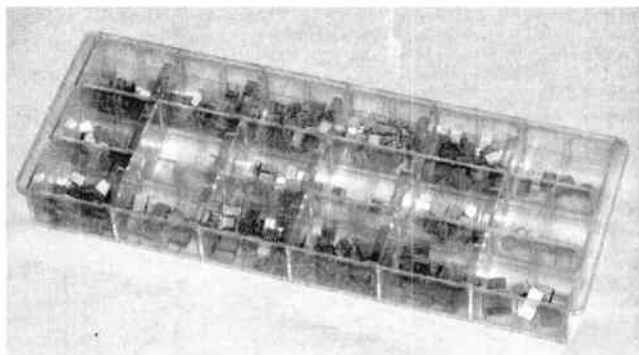


Fig.2. Small compartmentalised trays make it easy to quickly find the required component. This one contains dozens of p.c.b. mounting capacitors.

We can supply back issues of *EPE* by post, most issues from the past three years are available. An *EPE* index for the last five years is also available at www.epemag.wimborne.co.uk or see order form below. Alternatively, indexes are published in the December issue for that year. Where we are unable to provide a back issue a photocopy of any *one article* (or *one part* of a series) can be purchased for the same price. Issues from Nov. 98 are available on CD-ROM – see next page – and issues from the last six months are also available to download from www.epemag.com. Please make sure all components are still available before commencing any project from a back-dated issue.

DID YOU MISS THESE?

MAY '03

PROJECTS • Super Motion Sensor • Earth Resistivity Logger – Part 2 • Door Chime • Back-To-Basics-4 (Live Wire Detector, Medium Wave Radio).
FEATURES • Ingenuity Unlimited • Techno Talk • Practically Speaking • Circuit Surgery • Net Work – The Internet Page • *SPECIAL SUPPLEMENT* – EPE PIC Tutorial V2 – Part 2.

JUNE '03

PROJECTS • Fido Pedometer • PICronos L.E.D. Wall Clock – Part 1 • Back-To-Basics-5 (Mini Theremin, Twilight Switch) • Radio Circuits-1 (Crystal Set, MK484 TRF Receiver, Headphone Amplifier).
FEATURES • Ingenuity Unlimited • Techno Talk • Interface • Circuit Surgery • New Technology Update • Net Work – The Internet Page • *SPECIAL SUPPLEMENT* – EPE PIC Tutorial V2 – Part 3.

JULY '03

PROJECTS • EPE Mini Metal Detector • Low Range Ohmmeter Adaptor Mk2 • Radio Circuits-2 (Q-Multiplier, MW Reflex Radio, Speaker Amplifier) • Ultimate Egg Timer • PICronos L.E.D. Wall Clock – Part 2.
FEATURES • Ingenuity Unlimited • Circuit Surgery • Techno Talk • Practically Speaking • Flowlog Lite Review • Net Work – The Internet Page.



AUG '03

PROJECTS • EPE PIC Met Office-1 • Alarm System Fault Finder • Master/Slave Intercom • Electronic Two-Up • Radio Circuits-3 (Regenerative Receivers).
FEATURES • Digital Command Control for Model Trains • Ingenuity Unlimited • Circuit Surgery • Interface • Techno Talk • New Technology Update • Net Work – The Internet Page.

SEPT '03

PROJECTS • PIC-A-Colour • Vibration Alarm • Priority Referee • EPE PIC Met Office-2 • Radio Circuits-4 (Tuning Systems).
FEATURES • Using the PIC's "High" Operator • Practically Speaking • Ingenuity Unlimited • Techno Talk • Circuit Surgery • Net Work – The Internet Page.

OCT '03

PROJECTS • RC Car Wars • Serial Interface for PICs and VB6 • Practical Radio Circuits-5 (Super Regen. Receiver) • Spooky Bug.
FEATURES • PIC Breakpoint • Ingenuity Unlimited • Interface • Techno-Talk • New Technology Update • Net Work – The Internet Page.

NOV '03

PROJECTS • PIC Random L.E.D. Flasher • Cardboard Clock • Practical Radio Circuits-6 (S.S.B. and Direct Conversion Receiver) • Anyone At Home?
FEATURES • Teach-In 2004 – Part 1 • Ingenuity Unlimited • Practically Speaking • Techno Talk • Circuit Surgery • New Technology Update • Net Work – The Internet Page.

DEC '03

PROJECTS • PIC Nim Machine • Practical Radio Circuits-7 (Superhet Tuner) • PIC Virus Zapper Mk2 • Christmas Cheeks.
FEATURES • Teach-In 2004 – Part 2 • Electrotherapy • Circuit Surgery • Ingenuity Unlimited • Techno Talk • High-Speed Decimal To Binary For PICs • Interface • Network – The Internet.



JAN '04

PROJECTS • Car Computer • Practical Radio Circuits-8 (Dual-Conversion SW Receiver) • Bedside Nightlight • PIC Watering Timer.
FEATURES • GPS to PIC and PC Interface • Practically Speaking • Teach-In 2004 – Part 3 • Ingenuity Unlimited • Techno Talk • Circuit Surgery • New Technology Update • Net Work – The Internet Page.

FEB '04

PROJECTS • PIC LCF Meter • Sonic Ice Warning • Jazzy Necklace • PIC Tug-of-War.
FEATURES • Surface Mount Devices • Circuit Surgery • Teach-In 2004 – Part 4 • Interface • Ingenuity Unlimited • Techno Talk • Net Work – The Internet Page.

MAR '04

PROJECTS • Bat-Band Converter • Emergency Stand-by Light • MIDI Health Check • PIC Mixer for RC Planes.
FEATURES • Teach-In 2004 – Part 5 • New Scientist CD-Rom Review • Circuit Surgery • Techno Talk • Ingenuity Unlimited • Practically Speaking • Net Work – The Internet Page.

APRIL '04

PROJECTS • EPE Experimental Seismograph Logger 1 • Infra-Guard Monitor • Loft Light Alarm • PIC Moon Clock.
FEATURES • USB To PIC Interface • Ingenuity Unlimited • Teach-In 2004 Part 6 • Interface • Techno Talk • Circuit Surgery • New Technology Update • Net Work – The Internet Page • Pull-Out – Semiconductor Classification Data.

MAY '04

PROJECTS • Beat Balance Metal Detector • In-Car Laptop PSU • Low-Frequency Wien Oscillator • EPE Experimental Seismograph Logger-2.
FEATURES • Coping With Lead-Free Solder • Teach-In 2004 – Part 7 • Ingenuity Unlimited • Techno Talk • Circuit Surgery • Practically Speaking • Pic-N-Mix • Net Work – The Internet Page.

JUNE '04

PROJECTS • PIC Quickstep • Crafty Cooling • MIDI Synchronome • Body Detector Mk2.
FEATURES • Clinical Electrotherapy • Ingenuity Unlimited • Teach-In 2004 – Part 8 • Interface • Circuit Surgery • Techno Talk • PIC-N-Mix • Net Work – The Internet Page.



JULY '04

PROJECTS • Portable Mini Alarm • Bongo Box • Hard Drive Warbler • EPE PIC Magnetometry Logger-1.
FEATURES • Making Front Panel Overlays • Practically Speaking • Teach-In 2004 – Part 9 • Ingenuity Unlimited • Circuit Surgery • Techno Talk • PIC-N-Mix • Net Work – The Internet Page.

AUG '04

PROJECTS • EPE Scorer • Keyring L.E.D. Torch • Simple F.M. Radio • EPE PIC Magnetometry Logger – 2.
FEATURES • PIC To PS/2 Mouse and Keyboard Interfacing • Techno Talk • Circuit Surgery • Teach-In 2004 – Part 10 • Interface • Ingenuity Unlimited • PIC-N-Mix • Net Work – The Internet page.

BACK ISSUES ONLY £3.50 each inc. UK p&p. Overseas prices £4 each surface mail, £5.50 each airmail.

We can also supply issues from earlier years: 1999 (except Feb., May, Aug., Sept., Dec.), 2000 (except Feb., Mar., July, Oct.), 2001 (except May, Aug. to Nov.), 2002 (except June, Aug. to Nov.) Where we do not have an issue a photocopy of any *one article* or *one part* of a series can be provided at the same price.

ORDER FORM – BACK ISSUES – PHOTOCOPIES – INDEXES

- Send back issues dated
- Send photocopies of (article title and issue date)
- Send copies of last five years indexes (£3.50 for five inc. p&p – Overseas £4 surface, £5.50 airmail)

Name

Address

Tel:

I enclose cheque/P.O./bank draft to the value of £

Please charge my Visa/Mastercard/Amex/Diners Club/Switch £ Switch Issue No.

Card No.

Valid From Card Expiry Date Card Security Code

(The last 3 digits on or just under the signature strip)

SEND TO: Everyday Practical Electronics, Wimborne Publishing Ltd., 406 Wimborne Road East, Ferndown, Dorset BH22 9ND.

Tel: 01202 873872. Fax: 01202 874562.

E-mail: orders@epemag.wimborne.co.uk On-line Shop: www.epemag.wimborne.co.uk/shopdoor.htm

Payments must be in £ sterling – cheque or bank draft drawn on a UK bank. Normally supplied within seven days of receipt of order.

Send a copy of this form, or order by letter if you do not wish to cut your issue.

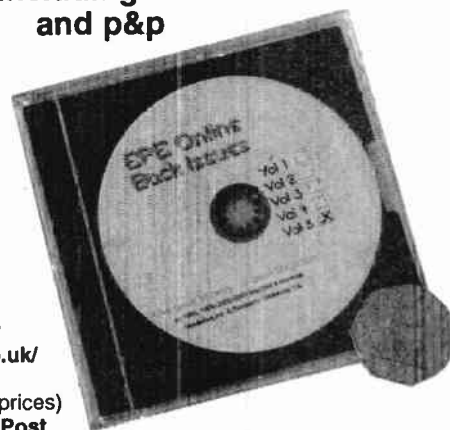
M09/04

STORE YOUR BACK ISSUES ON MINI CD-ROMS



**VOL 10
NOW AVAILABLE**

**ONLY
£14.45 each**
including VAT
and p&p



A great way to buy **EPE Back Issues** – our mini CD-ROMs contain back issues from our **EPE Online** website plus bonus articles, all the relevant PIC software and web links. **Note: no free gifts are included.** All this for just **£14.45 each** including postage and packing.

- VOL 1: BACK ISSUES** – January 1999 to June 1999
Plus bonus material from November and December 1998
- VOL 2: BACK ISSUES** – July 1999 to December 1999
- VOL 3: BACK ISSUES** – January 2000 to June 2000
- VOL 4: BACK ISSUES** – July 2000 to December 2000
- VOL 5: BACK ISSUES** – January 2001 to June 2001
- VOL 6: BACK ISSUES** – July 2001 to December 2001
- VOL 7: BACK ISSUES** – January 2002 to June 2002
- VOL 8: BACK ISSUES** – July 2002 to December 2002
- VOL 9: BACK ISSUES** – January 2003 to June 2003
- VOL 10: BACK ISSUES** – July 2003 to December 2003

Order on-line from
[www.epemag.wimborne.co.uk/
shopdoor.htm](http://www.epemag.wimborne.co.uk/shopdoor.htm)
or www.epemag.com (USA \$ prices)
or by phone, Fax, E-mail or Post

NOTE: These mini CD-ROMs are suitable for use on any PC with a CD-ROM drive. They require Adobe Acrobat Reader (available free from the Internet – www.adobe.com/acrobat)

WHAT IS INCLUDED

All volumes include the **EPE Online** editorial content of every listed issue, plus all the available **PIC Project Codes** for the PIC projects published in those issues.

Note: Some supplements etc. can be downloaded free from the Library on the **EPE Online** website at www.epemag.com. No advertisements are included in Volumes 1 and 2; from Volume 5 onwards the available relevant software for *Interface* articles is also included.

EXTRA ARTICLES – ON ALL VOLUMES

BASIC SOLDERING GUIDE – Alan Winstanley's internationally acclaimed fully illustrated guide. **UNDERSTANDING PASSIVE COMPONENTS** – Introduction to the basic principles of passive components. **HOW TO USE INTELLIGENT L.C.D.s**, by Julian Ilett – An utterly practical guide to interfacing and programming intelligent liquid crystal display modules. **PhyzyB COMPUTERS BONUS ARTICLE 1** – Signed and Unsigned Binary Numbers. By Clive "Max" Maxfield and Alvin Brown. **PhyzyB COMPUTERS BONUS ARTICLE 2** – Creating an Event Counter. By Clive "Max" Maxfield and Alvin Brown. **INTERGRAPH COMPUTER SYSTEMS 3D GRAPHICS** – A chapter from Intergraph's book that explains computer graphics technology. **FROM RUSSIA WITH LOVE**, by Barry Fox – Russian rockets launching American Satellites. **PC ENGINES**, by Ernest Flint – The evolution of Intel's microprocessors. **THE END TO ALL DISEASE**, by Aubrey Scoon – The original work of Rife. **COLLECTING AND RESTORING VINTAGE RADIOS**, by Paul Stenning. **THE LIFE & WORKS OF KONRAD ZUSE** – a brilliant pioneer in the evolution of computers. A bonus article on his life and work written by his eldest son, including many previously unpublished photographs.

Note: Some of the **EXTRA ARTICLES** require WinZip to unzip them.

BACK ISSUES MINI CD-ROM ORDER FORM

- Please send me (quantity) BACK ISSUES CD-ROM VOL 1
- Please send me (quantity) BACK ISSUES CD-ROM VOL 2
- Please send me (quantity) BACK ISSUES CD-ROM VOL 3
- Please send me (quantity) BACK ISSUES CD-ROM VOL 4
- Please send me (quantity) BACK ISSUES CD-ROM VOL 5
- Please send me (quantity) BACK ISSUES CD-ROM VOL 6
- Please send me (quantity) BACK ISSUES CD-ROM VOL 7
- Please send me (quantity) BACK ISSUES CD-ROM VOL 8
- Please send me (quantity) BACK ISSUES CD-ROM VOL 9
- Please send me (quantity) BACK ISSUES CD-ROM VOL 10

Price £14.45 each – includes postage to anywhere in the world.

Name

Address

..... Post Code

I enclose cheque/P.O./bank draft to the value of £

Please charge my Visa/Mastercard/Amex/Diners Club/Switch

£

Card No.

Card Security Code (The last 3 digits on or just under the signature strip)

Valid From Expiry Date

Switch Issue No.

**SEND TO: Everyday Practical Electronics,
Wimborne Publishing Ltd.,**

408 Wimborne Road East, Ferndown, Dorset BH22 9ND.

Tel: 01202 873872. Fax: 01202 874562.

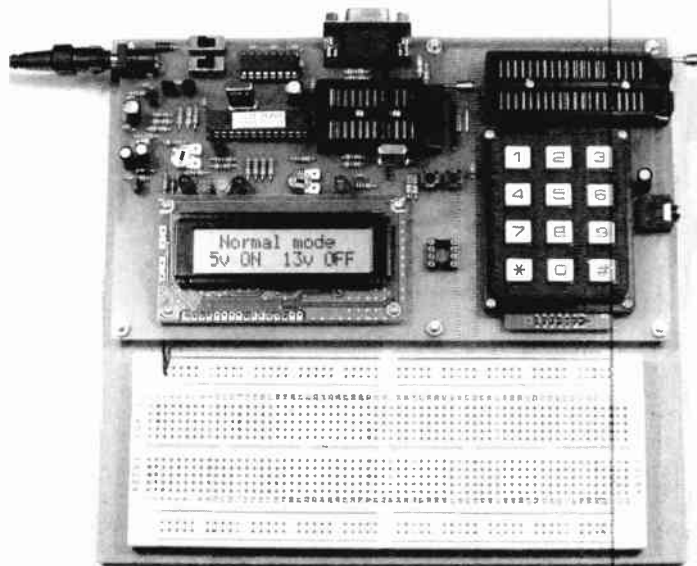
E-mail: orders@epemag.wimborne.co.uk

Payments must be by card or in £ Sterling – cheque or bank draft drawn on a UK bank.

Normally supplied within seven days of receipt of order.

Send a copy of this form, or order by letter if you do not wish to cut your issue.

Learn About Microcontrollers



PIC Training & Development System

The best place to start learning about microcontrollers is the PIC16F84. This is easy to understand and very popular with construction projects. Then continue on using the more sophisticated PIC16F877 family.

The heart of our system is two real books which lie open on your desk while you use your computer to type in the programme and control the hardware. Start with four very simple programmes. Run the simulator to see how they work. Test them with real hardware. Follow on with a little theory....

Our complete PIC training and development system consists of our universal mid range PIC programmer, a 306 page book covering the PIC16F84, a 262 page book introducing the PIC16F877 family, and a suite of programmes to run on a PC. The module is an advanced design using a 28 pin PIC16F870 to handle the timing, programming and voltage switching requirements. The module has two ZIF sockets and an 8 pin socket which between them allow most mid range 8, 18, 28 and 40 pin PICs to be programmed. The plugboard is wired with a 5 volt supply. The software is an integrated system comprising a text editor, assembler disassembler, simulator and programming software. The programming is performed at 5 volts, verified with 2 volts or 3 volts applied and verified again with 5.5 volts applied to ensure that the PIC is programmed correctly over its full operating voltage. DC version for UK, battery version for overseas. UK orders include a plugtop power supply.

- Universal mid range PIC programmer module
 - + Book *Experimenting with PIC Microcontrollers*
 - + Book *Experimenting with the PIC16F877* (2nd edition)
 - + Universal mid range PIC software suite
 - + PIC16F84 and PIC16F870 test PICs. £159.00
- (Postage & insurance UK £10, Europe £15, Rest of world £25)

Experimenting with PIC Microcontrollers

This book introduces the PIC16F84 and PIC16C711, and is the easy way to get started for anyone who is new to PIC programming. We begin with four simple experiments, the first of which is explained over ten and half a pages assuming no starting knowledge except the ability to operate a PC. Then having gained some practical experience we study the basic principles of PIC programming, learn about the 8 bit timer, how to drive the liquid crystal display, create a real time clock, experiment with the watchdog timer, sleep mode, beeps and music, including a rendition of Beethoven's *Für Elise*. Finally there are two projects to work through, using the PIC16F84 to create a sinewave generator and investigating the power taken by domestic appliances. In the space of 24 experiments, two projects and 56 exercises the book works through from absolute beginner to experienced engineer level.

Hardware & Ordering Information

Our latest programmer module connects to the serial port of your PC (COM1 or COM2), which enables our PIC software to operate directly within Windows 98, XP, NT, 2000 etc.

Telephone with Visa, Mastercard or Switch, or send cheque/PO for immediate despatch. All prices include VAT if applicable.

Web site:- www.brunningssoftware.co.uk

NEW 32 bit PC Assembler

Experimenting with PC Computers with its kit is the easiest way ever to learn assembly language programming. If you have enough intelligence to understand the English language and you can operate a PC computer then you have all the necessary background knowledge. Flashing LEDs, digital to analogue converters, simple oscilloscope, charging curves, temperature graphs and audio digitising.

Kit now supplied with our 32 bit assembler with 84 page supplement detailing the new features and including 7 experiments PC to PIC communication. Flashing LEDs, writing to LCD and two way data using 3 wires from PC's parallel port to PIC16F84.

- Book + made up kit 1a + software..... £73.50
 - Book + unmade kit 1u + software..... £66.50
- (PP UK £4, Europe £10, Rest of world £14)

C & C++ for the PC

Experimenting with C & C++ Programmes teaches us to programme by using C to drive the simple hardware circuits built using the materials supplied in the kit. The circuits build up to a storage oscilloscope using relatively simple C techniques to construct a programme that is by no means simple. When approached in this way C is only marginally more difficult than BASIC and infinitely more powerful. C programmers are always in demand. Ideal for absolute beginners and experienced programmers.

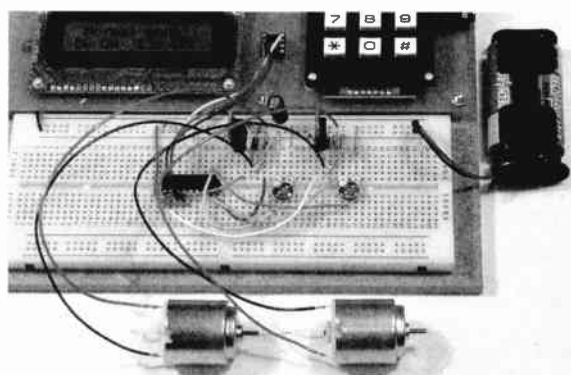
- Book + made up kit 2a + software £57.50
 - Book + unmade kit 2u + software £51.50
 - Book + top up kit 2t + software £37.98
- (PP UK £4, Europe £10, Rest of world £14)

The Kits

The assembler and C & C++ kits contain the prototyping board, lead assemblies, components and programming software to do all the experiments. The 'made up' kits are supplied ready to start. The 'top up' kit is for readers who have already purchased kit 1a or 1u.

Assembler and C & C++

Click on 'Special Offers' on our website for details of how to save by buying a combined kit for assembler and C & C++.



Experimenting with the PIC16F877

The second PIC book starts with the simplest of experiments to give us a basic understanding of the PIC16F877 family. Then we look at the 16 bit timer, efficient storage and display of text messages, simple frequency counter, use a keypad for numbers, letters and security codes, and examine the 10 bit A/D converter.

The PIC16F627 is then introduced as a low cost PIC16F84. We use the PIC16F627 as a step up switching regulator, and to control the speed of a DC motor with maximum torque still available. We study how to use a PIC to switch mains power using an optoisolated triac driving a high current triac. Finally we study how to use the PICs USART for serial communication to a PC.

Mail order address:

Brunning Software 138 The Street, Little Clacton, Clacton-on-sea, Essex, CO16 9LS. Tel 01255 862308

READOUT

Email: john.becker@wimborne.co.uk

John Becker addresses some of the general points readers have raised. Have you anything interesting to say? Drop us a line!

All letters quoted here have previously been replied to directly.

WIN AN ATLAS LCR ANALYSER WORTH £79

An Atlas LCR Passive Component Analyser, kindly donated by Peak Electronic Design Ltd., will be awarded to the author of the *Letter Of The Month* each month.

The Atlas LCR automatically measures inductance from 1 μ H to 10H, capacitance from 1pF to 10,000 μ F and resistance from 1 Ω to 2M Ω with a basic accuracy of 1%.



★ LETTER OF THE MONTH ★

Overripe Student

Dear EPE,

I am new to electronics, having less than 12 months experience. I suppose I could be called a mature first year student. Although at 70 years of age, *overripe* would be more appropriate.

I am an ex-pat and I've lived "down under" for 32 years. Having emigrated with my wife and kids as part of the last of the £10 tourists on assisted passage. It cost your Government \$22.00 to get rid of us. Workaholicism kept me in the workforce beyond retirement age, believing that stress won't affect you if you enjoy your work. Two major "heart events" as my wife calls them, soon put paid to that misconception. There was no option other than to retire.

The favoured pastime up until then was flying an ultralight aeroplane. Suddenly grounded and deprived of a favourite pastime, I thought the next best thing would be radio controlled model planes – a "piece of cake". Five scratch-built planes and seven spectacular write-offs later (two belonged to a mate), resulted in another misconception being dispelled. A decision was made to give it up before someone got killed. But I overheard my wife say to our daughter "I daren't think about what he could get up to next".

The problem was solved when I remembered that one of the interesting things about remote controlled model planes is the electronics side of things. So, the decision was made to teach myself electronics. Who would have thought that a mere cerebral pastime could be so challenging and rewarding? I will not pretend that it is easy. There are no courses available to overripe students and learning from books leaves a lot to be desired, especially with my limited IQ. But the advantage of aging is that a drop in testosterone levels allows your brain to grow back a little and helps concentration.

I discovered *EPE* in November 2003 at my local newsagent. Eureka! At last, a publication

that lives up to the name "practical", and doesn't assume all its readers are physics or maths graduates. For down to earth, hands on learning, your magazine tops the lot. Your *Teach-In* has been a godsend, and has been more help than all the other publications put together.

Because most of my available time has been spent coming to grips with the theory, only two projects have been completed so far. An adjustable regulated power supply, and the *Bio Feedback Tension Monitor* featured in your Dec '03 issue. The latter has had plenty of use believe me. I can't wait to get started on the *Beat Balance Metal Detector* (May '04). There are plenty of old gold workings not far from here. If I find a record sized nugget I will name it *EPE!*

At the moment BASIC STAMP and other PICs are taking their toll of an aging brain. And even if I never make it to designing my own circuits or devising a new compiler language, it's shaping up to be a lot of fun trying. You can teach an old dog new tricks, you just have to convince him it's worth the effort. So far, thanks to your magazine it's been well worth the effort. It took a lifetime to discover electronics; unfortunately there is not a lifetime to enjoy it. Ah well, "such is life". Thank you for an excellent publication,

**Dave Jones,
Brisbane, Australia**

As someone "ripening nicely", I hear what you are saying, Dave, although I've not had the mishaps which you've endured (as detailed more fully in your email)! I totally agree about keeping "ze little grey cells" working. The stimulation of electronics, and more particularly software writing, is highly conducive to this!

*So thanks for your comments, and best wishes for a productive retirement, helped by *EPE*, and that gold nugget!*

Jazzy Kites

Dear EPE,

There will always be the good and the bad, the interesting and not so interesting. I found Thomas Scarborough's *Jazzy Necklace* (Feb '04) interesting. My interest led me to bread-board the circuit for evaluation. Because I like kite flying at night the circuit had possibilities and I constructed two sets of strings with eight l.e.d.s each, and then fastened each one to the wings of my kite. The control box containing the circuit and battery was in the centre. By using white l.e.d.s the display gave a very distinctive twinkling light.

I've just got back from Kitty Hawk, NC-USA (where the Wright Brothers flew), where I received several great comments as to how nice the display looked. I suppose if I was into PIC's, similar results could have been obtained. Some day I'll get into that. Right now my kite flying activities are taking too much time!

Ray Heller, via email

That sounds great Ray. I sent your comments on to Thomas, who responded:

*A really nice letter. This is what I find a lot – that people see more in a project than is published, and I could foresee that the *Jazzy Necklace* might be adapted to other purposes.*

**Thomas Scarborough,
Cape Town, South Africa, via email**

PIC Car Computer

Dear EPE,

Regarding Mike Hibbett's *PIC Car Computer* (Jan '04), the components list quotes three sockets but the circuit diagram shows five. What are the other sockets meant to be, and what is "5-way BERG header"? Also, can I safely replace the 24LC64 with a 24LC256 EEPROM instead?

Gavin Oliver, Australia, via email

Mike Hibbett replies:

Well spotted; SK4 is a header for connecting the batteries, and SK5 is for mounting the keypad. The PCB has 0.1in. pitch holes in these positions, and it is up to you if you wish to fit sockets to mate with the power leads and keypad. No special connectors are required or specified. It will depend on what connection you have on your keypad. The header should be a 4-way, not 5-way. This socket is for the programming interface – if your microcontroller is pre-programmed or you use an external programmer, then you will not need to fit a header here. If you are going to fit a 4-way header in SK1, you want a vertical mounting one; these are available from www.altronics.com.au/cat.asp?cat=14&grp=177&id=P5494.

In general, any 0.1in. pitch header/connector arrangement may be used. Berg connectors (www.berg.com) are widely used, such as on disk drive interfaces, and can be purchased from most electronic suppliers in the UK. Alternatives are Molex connectors which have a friction locking mechanism. I believe that a 24LC256 part can be used in place of the 24LC64, although I have not tested it.

Mike Hibbett, via email

Thanks Mike.

IR AutoSwitch

Dear EPE,

I have built Max Horsey's *IR AutoSwitch* (July '02) exactly as it is described in the article and I am experiencing sensitivity problems. In order to trigger the relay, my hand has to be around 10cm away from the sensor while in the text it is stated that this distance is about 30cm. Is there any possible way to increase the sensitivity of this circuit?

Vassilis Papanikolaou, via email

Max replies:

The physical arrangement of the emitters and sensor makes a large difference to the sensitivity, for example, if some of the infra-red is allowed to reach the sensor by reflections within the case, the sensitivity will be greater. The danger, of course, is that the relay is permanently triggered. Perhaps a better way of increasing the range is to use more efficient IR emitters. A browse through the RS catalogue reveals some new emitters which are worth a try.

Max Horsey, via email

VB Express

Dear EPE,

I have enjoyed your various PIC and Visual Basic projects over the past years (and wanting to see more!). Microsoft plans to release new "entry level" products for their .Net development products, the "Express" series will be available at very little cost (or free). The current beta versions are free to download (<http://lab.msdn.microsoft.com/express/>). I've installed VB 2005 Express, and it even has a serial port "control"! It produces compiled .exe files.

Although the syntax is slightly different from VB6, or the MSCE used in some previous projects, they may be worth a look.

PS: What about a PIC project that transfers data via Bluetooth?

**Klaus Lehnert,
Auckland, New Zealand, via email**

Thanks Klaus, that's useful info, which I have also sent on to Robert Penfold.

Bluetooth? That may be beyond what we are into at this stage in this context!

GPS CHECKSUM

Dear EPE,

After experiencing several checksum related problems with the *GPS to PIC and PC Interfacing* project (Jan '04) I thought I would "cry-for-help" and put my problems forward on the Chat Zone. Andrew Jarvis came to the rescue and helped me them sort out.

Here is the code change that solved the first checksum problem, it just requires the extra line indicated:

```
CHECKIT: BLOCK1
movf INDF,W
BLOCK0
xorlw '**
btfs STATUS,Z
goto CHECK2
xorlw '** ; add this new line
xorwf CHECKSUM,F
incf FSR,F
movf FSR,W
xorlw $6F
btfs STATUS,Z
goto CHECKIT
goto EOFPROBLEM
```

The next problem that we encountered was a checksum error message whenever the checksum ended in 9. The solution – both commands "addlw 247" in the original should be changed to "addlw 246":

```
CHECK2: incf FSR,F
BLOCK1
movf INDF,W
BLOCK0
movwf PROMVAL
movlw 48
subwf PROMVAL,F
movf PROMVAL,W
addlw 246 ; changed to 246
; from 247

btfs STATUS,C
goto CHECKV1
movlw 7
subwf PROMVAL,F
```

```
CHECKV1: incf FSR,F
BLOCK1
movf INDF,W
BLOCK0
movwf STORE
movlw 48
subwf STORE,F
movf STORE,W
addlw 246 ; changed to 246
; from 247

btfs STATUS,C
goto CHECKV2
movlw 7
subwf STORE,F
```

I'm using a Motorola Oncore M12+ which is essentially a "bare-bones" GPS module without an I.C.D., keypad or antenna. The native output from the M12+ is Motorola's own binary data format but it can be switched to provide seven NMEA 0183 data sentences, including GPRMC and GPGGA.

The primary difference between the Garmin 12 and the Motorola M12+ is the length of the data fields in some of the NMEA data sentence. The Motorola M12+ has an additional ".00" (fractions of a second) on the Time of Fix field and an extra digit (4 digits not 3) for the seconds field of the Longitude and Latitude values. The possibility of field length differences between GPS manufacturers was pointed out in original article.

I had a look at the code in the *PIC Magnetometry Logger* (Jul/Aug '04) (MAGGY700.ASM) which contains portions of code re-used from GPS320.ASM. I suspect that it will generate the same problems and that the above fixes should be applied to avoid the same checksum problems as I encountered with GPS320.ASM.

Peter Stolcs, via the Chat Zone

Thanks Pete and Andrew for getting this sorted. Yes, the Maggy code was a direct copy of the GPS section. Both sets of code on our Downloads site have been amended, and renamed to GPS330.ASM and MAGGY710.ASM.

I found Andrew's help useful when writing the GPS article, his knowledge in that field being well in excess of mine.

Thanks for L.C.F. Meter

Dear EPE,

I want to thank you again for the Feb '04 *PIC L.C.F. Meter* project on behalf of myself and several members of an Amateur Radio QRP club here in Columbus, Ohio. As I said in a Chat Zone posting, it was one of the most interesting projects that I've played with in a while and I learned quite a bit, both from my own experimentation and from the input of others in the CZ. I have to admit that I was somewhat surprised to see my postings from the CZ in *Readout* of May '04.

Anyway, there have been several iterations of your meter constructed by our club and every one has functioned flawlessly. I have posted pictures on a web page and I thought you might enjoy seeing the various "flavors" of your meter that our members have built, the URL is www.touchinglittlelives.org/meter/finished.html.

Also, I'd like to let you know that all of your efforts are appreciated worldwide. There are currently three *TK3* boards in use full time locally that were built by club members from the information presented in the Nov '01 supplement. Besides your *PIC Tutorial* there is also an on-line PIC tutorial presented by the NJQRP club. Between the two courses, we are slowly muddling our way through these fascinating little beasts!

There used to be several magazines here in the States similar to *EPE* that offered hands-on learning experience through construction articles. Unfortunately the majority are no longer in publication and I am thankful that *EPE* hasn't joined those ranks. I guess it just shows that quality lasts! And, of course, the "more than reasonable" price for an annual on-line subscription makes *EPE* a very cheap investment in quality learning.

Thanks John for your time and your excellent articles.

Mike Doty, Columbus, USA, via email

Reading your email made my day Mike. Thank you!

That's really nice to know on all counts, including the web site. As threatened, you find yourself being quoted in Readout again! Despite my natural "English reserve", I'm not averse to having my trumpet blown! All the very best wishes to you and your club, and enjoy your PICing...

Crafty Cooling

Dear EPE,

In the Peltier effect project *Crafty Cooling* (June '04), the fan is to extract air from the box, not blow it in. Why is that? Isn't the flow reversible?

I've just decided to fan-cool the box containing some high-wattage resistors on a project I'm working on. Unfortunately, each component dissipates over 1W and, even though 3W rated, they run hot unless fanned. Now, my fan pushes air into the box, the escape route being holes in the walls next to each set of resistors. I thought that this must cause flow in the required direction. Output air feels cool and the box doesn't get hot. But, is "suck rather than blow" recommended for a good reason?

Incidentally, old computers are also a source of re-usable 12V fans (if you don't mind cleaning the dust off first). Even failed power supplies can still be stripped to rescue the fan, and a finger-guard or similar mounting metalwork often comes as a bonus!

Godfrey Manning,
Edgware, Middx, via email

Terry de Vaux-Balbirnie, author of *Crafty Cooling*, replies:

As a physicist, I would say that "suck" and "blow" are, indeed, the same – it is just a case of reversing the direction of air flow. However, the pattern of flow will not be the same. In other words, if the fan were used to "blow" air across heatsink fins and subsequently out of the ventilation holes, it would not follow the same course as if air was "sucked" and flowed from the ventilation holes to the fan.

I felt that air entering ventilation holes would tend to pass across the whole area of the heatsink more effectively than if air was blown from the fan. That is why I chose this method and it worked well in the prototype unit. There was no other good reason. It could be that "blow" would be just as good! For your project, I would try both methods and choose the one that works best. I wish you the best of luck with it!

Terry de Vaux-Balbirnie,
via email

Interfacing to VB

Dear EPE,

I have been reading your Robert Penfold's recent *Interface* articles, regarding "Interfacing Visual Basic with the new Input32.DLL" (Oct, Dec '03, Feb '04), as well as John Becker's *GPS to PIC and PC Interfacing* article (Jan '04) with great interest.

The articles discuss the interfacing process using VB6. I've recently purchased the standard version of Microsoft Visual Basic.Net and I'm now wondering whether the tools described in the above articles could be used with VB.Net (standard) to do serial port interfacing. If not, could you suggest a cause of action, which would enable me to do serial port input and output from a VB.Net program?

Pieter van Zyl,
Johannesburg, South Africa

As I don't have VB.Net, I sent Pieter's query on to Robert, who replied:

As far as I can gather, there is no way of importing the BAS file into VB.Net in a fashion that will enable the Inp and Out instructions to be recognised. A bit of delving on the Internet came up with a roundabout solution which is to load the demo program supplied with Input32.dll, or any similar VB6 program. VB.Net will then convert this to a VB.Net compatible program. You can then edit the program into your new one, and both the Inp and Out instructions should be recognised. I have not thoroughly tested this method, but it seems to work.

I will see if I can work this into an *Interface* article in a bit more detail, including an "empty" VB.Net program that readers can use as a starting point. As you are no doubt aware, VB.net is not exactly ideal for our purposes. VB5/6 are much better.

Robert Penfold,
via email

Thanks, Robert, that would be most useful.

Free PSUs?

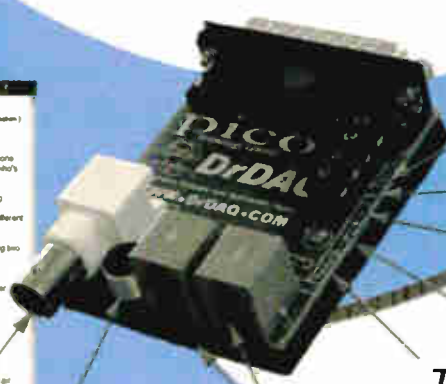
Dear EPE,

Chips get smaller and cheaper, power supplies don't. Try your local computer shop (a proper one that does upgrades) and beg an old PC power supply (e.g. the AT variety). It's probably scrap to them, but with $\pm 5V$ and $\pm 12V$ it's a useful source for us – just right for logic including TTL (in its modern forms) and dual-rail capability for op.amps. Upgraded computers need more current and further voltage supplies (such as 3-3V) so these old units are becoming redundant.

Godfrey Manning,
Edgware, Middx, via email

Thanks Godfrey – that's worth highlighting!

DrDAQ Data Logger



- Output
- Resistance
- Voltage
- Light level
- Temperature

pH
Microphone

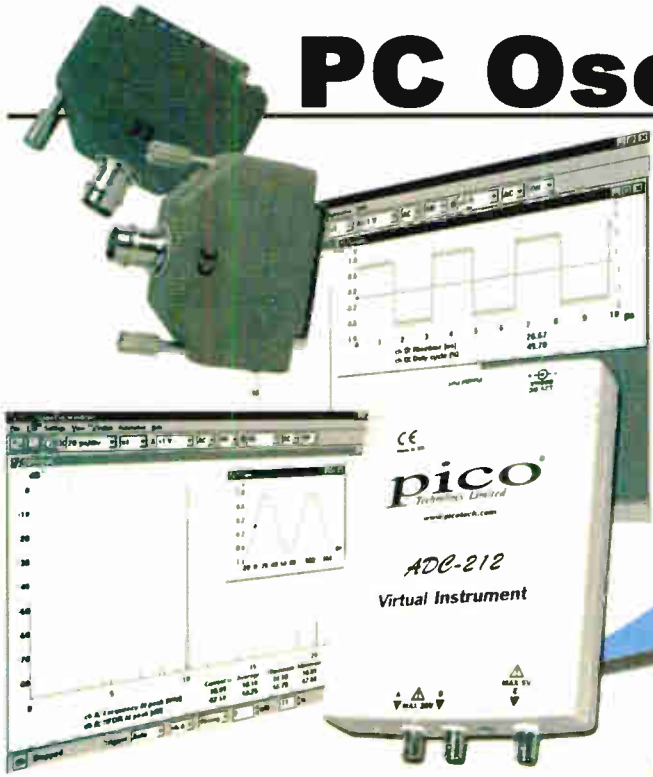
External sensors: Humidity
Temperature
O2 In Air
Reed Switch

- Low cost - under £60
- Built in sensors for light, temperature and sound (level and waveforms)
- Use DrDAQ to capture fast signals
- Outputs for control experiments
- Supplied with both PicoScope (oscilloscope) and PicoLog (data logging) software

For more information on DrDAQ, please visit:

www.picotech.com/drdaq100

PC Oscilloscopes



- Scope and spectrum analyser functions
- A fraction of the cost of benchtop scope
- Save multiple setups, for ease of use
- Save, print and e-mail your traces
- FREE technical support for life
- FREE software and upgrades
- Automated measurements

For more information on our scopes, please visit:

www.picotech.com/scope186

Tel: 01480 396395 Fax: 01480 396296 E-mail: sales@picotech.com

PICO
Technology Limited

PIC N' MIX

ANDREW JARVIS
Our periodic column for your PIC programming enlightenment

Hex Files: The Truth is Out There (if you follow the paper trail)

NEVER might you have expected that we would be writing about Teletype machines in this column, or the punched cards and paper tape they processed! (If you're too young to know what that means, Teletype machines were the terminals for old computers that typically used punched paper tape as a storage medium – and they are rapidly disappearing into text books).

The association with PICs is an incongruous one that emerges when you open the “hex” files – those familiar products of programming activity. Assemblers produce them, projects distribute them and programmers utilise them – so the chances are you will have some lying around, even if their *raison d'être* needs a little investigation.

Absolutely Fabulous

When *TK3* or other assembler converts your program into absolute machine code the result is stored as a hex file (it's “absolute” because the file contains information about exactly where in device memory the code will be loaded, and it can't be changed unless you assemble the source code again). Programmers like *TK3* or an MPLAB PicStart/PicKit 1 combination take the hex files and use them to program the PIC.

In theory, any PIC programmer should be able to take and use a hex file, which makes them a sort of lowest common denominator in PIC development and enables interoperability between different development tools. I can write a program using the MPLAB IDE, assemble it then use *TK3* to program the PIC with the hex file. It also means that I can pass around much smaller files than the ASM equivalent for a project and I can remove the need for interested parties to be required to build the code.

Non Reversible

The interesting point is that this process is not reversible. It is not possible to take a hex file in isolation and know for which PIC it was produced. The format is completely device independent. Hex files are not unique to PICs, far from it. It just happens to be the preferred format for Microchip and therefore most tools that follow their lead. There are other formats that would work just as well if supported, like the Motorola S-record for example.

It's easy to prove that the hex file format is a generic one, because when you look into the detail of them, there is absolutely nothing contained within to tie it to a PIC – which effectively renders it useless unless you tell the programmer which device you are working with. For *TK3* this means “Select PIC

type”, for MPLAB you must “Select Device” from the configuration menu.

Paper Trail

The hex file has evolved into a few different flavours now, but the origin of the format can be traced right back to when machine code programmers stored their work on paper tape or those old magnetic tape reels. Such media were not exactly reliable, so a more structured way of storing and retrieving data had to be found that was better than simply dumping the bytes sequentially.

I have to confess that I can't imagine writing code using Teletype machines and paper tape. The nearest I got was a ZX Spectrum and boxful of C90 audio cassettes, but even that separated tape-saved data into structured blocks, with a header that contained type information, file name, length of data block and the address from which it was saved.

The physical data structure chosen for hex files would make the process of saving and restoring machine code altogether more robust for the developer of days gone by. The code was represented using printable ASCII characters so that it could be transferred using character-only communication media and it was split into smaller records containing a start address so that the loader would know where to position it. Records began with a start marker and ended with a rudimentary checksum for the loader to validate.

INHX8M

The most common format today for *EPE* projects is the Intel Hex INHX8M, which retains many of the same characteristics described above. There are two different record types to consider; data and end-of-file. Every data record looks like this:

- Start of record mark
1 byte – ASCII colon character “:”
- Record length
1 byte – two hex digits that specify the number of data bytes
- Address
2 bytes – four hex digits that specify the load address for this part of memory, ordered as high byte first, then low byte. Using two bytes here means that the INHX8M format can only be used with a 16-bit address space (max FFFF).
- Record Type
1 byte – always “00” for the data record
- Data
n-bytes – two hex digits for every data byte specified in record length. Ordered high byte first, then low byte.

- Checksum

1 byte – hex representation of the 2's complement of the sum of all preceding bytes

Taking a section of a hex file from an *EPE* project to illustrate this, the code in Listing 1 is the last part of the hex file distributed as *Maggy700.hex* for the *EPE PIC Magnetometry Logger* (July/Aug '04), but any other would do.

Decoding the first line gives a record length of 10 (16 decimal, remember all numbers are hex) following the start of record marker “:”. The load address is “0F70” followed by confirmation that this is a data record “00”. The bytes from “45” through to “08” are the 16 data bytes and “5B” is the checksum.

Double Jeopardy

The penultimate line is worth a look, also a data record with only two bytes to load at address “400E”. Wait a minute! The *EPE Magnetometry Logger* uses a PIC16F877, which has 8K of user memory extending to “1FFF”. In programming mode, it extends further from “2000” to “3FFF”, though not all configuration memory space is physically implemented.

But still “400E” seems way out. It turns out that every address in the INHX8M format should contain only one byte, but the problem is that every PIC address uses two bytes to represent the instruction word. So every address in the hex file is twice the PIC address we need, and therefore all addresses in the hex file must be halved to get the real PIC address. If we half “400E” the answer is “2007” which we know is the address of the configuration word.

The end-of-file record is much more straightforward:

- Start of record mark
1 byte – ASCII colon character “:”
- Record length
1 byte – always “00” – there are no data bytes to follow
- Address
2 bytes – always “0000” since this field is not used
- Record Type
1 byte – Always “01” for the end-of-file record
- Checksum
1 byte – Always “FF”, can be pre-calculated

Since all the fields of this record are constant, we can say that the end-of-file record will always look like this: :00000001FF (as confirmed by the last line of Listing 1).

When *EPE* starts to deal in PIC18Fxxx projects, then the hex file format will need

Listing 1. Extract from *EPE Magnetometry Logger* hex file, showing the last seven records.

```
:100F70004522BA0A3A1EB62FBA013D223C163A085B
:100F80005F204522BA0A3A1EBF2F061EC52F5D27D5
:100F9000A5238C1EC92F1A08473C031DC92F932374
:100FA0006827A6275027F60106306225061AD62F95
:020FB000080037
:02400E00323F3F
:00000001FF
```

to change to INHX32 to support the addressable memory range of the 16-bit core. Luckily, it is almost the same as the 8-bit version but with another record type (extended linear address) to describe the upper 16 bits of the address.

As we have already established, you cannot do anything useful with a hex file until you make some assumptions about the device it was intended for. That is exactly what had to be done with the "400E" example – how could it be known it looked wrong if it was not known, that it was intended for a 16F877? But once you have that information then the gloves are off and the code can easily be "mapped"

into the memory of a device by the programmer.

The Key to TK3

The key to this particular map is not the datasheet for the device, helpful as that is, but the programming specification,

which is an entirely separate document, because it's arguably relevant only to the very enthusiastic, or those with an interest in creating or understanding a programmer like *TK3*. These documents reveal "special" memory locations that are only accessible in programming mode, in addition to the user program memory. They represent User IDs, EEPROM data memory and the PIC configuration word. Microchip actively encourages device programmers to support this "extra" information that can be embedded into a hex file.

Assuming mid-range PICs, if you find an address within the hex file in the range

0000 to 1FFF, then you can reasonably expect that the code is heading for user program memory (1FFF represents the 8K maximum addressable memory space). If it lies within the range 2000 to 2003 then it's identification information (User ID), 2007 is the address of the configuration word and finally the data EEPROM content starts at 2100 and continues with one data byte per address. Remember that in a hex file these address values will be doubled up.

Most of the programming specification documents contain a nice little reminder near the back that demonstrates just how "strongly" Microchip feel about device programmer support for this extra embedded information. The reason for it brings us right back to where we started – that of portability. After all, what would be the point of distributing a hex file if you had to also list your configuration settings and EEPROM content, then program them separately. It would surely be quicker to use paper.

Next Time: As much fun as you can have with a hex file viewer.

Radio Bygones

The leading magazine for vintage radio enthusiasts

Now Also Available to
BUY ONLINE
www.radiobygones.com
Log on, pay by credit card and download the magazine to your PC
ONLY \$9.99 (US dollars)
FOR 6 ISSUES
A free issue is available online

ARTICLES on restoration and repair, history, circuit techniques, personalities, reminiscences and just plain nostalgia – you'll find them all. Plus features on museums and private collections and a full-colour photo-feature in every issue.

IT'S MOSTLY about valves, of course, but 'solid-state' – whether of the coherer and spark-gap variety or early transistors – also has a place.

FROM THE DAYS of Maxwell, Hertz, Lodge and Marconi to what was the state-of-the-art just a few short years ago . . .

THERE IS ALSO a selection of free readers' For Sale and Wanted advertisements in every issue.

Radio Bygones covers it all!

THE MAGAZINE is published six times a year, and is only available by postal subscription. It is not available at newsagents.

TO TAKE OUT a subscription, or to request a sample copy, please complete the form below and return it to:

RADIO BYGONES, Wimborne Publishing Ltd, 408 Wimborne Road East, Ferndown, Dorset BH22 9ND.

Tel: 01202 873872. Fax: 01202 874562. Web sites: www.radiobygones.co.uk www.radiobygones.com



RADIO BYGONES ORDER FORM



A SAMPLE COPY of Radio Bygones £3.50
(Add 70p for overseas Airmail postage)

SUBSCRIPTIONS (post paid): **1 YEAR 2 YEAR**

UNITED KINGDOM	£19.75	£37.50
REST OF EUROPE (AIRMAIL)	£22.00	£42.00
REST OF THE WORLD (AIRMAIL)	£27.00	£52.00

- Yes, I would like a sample copy for £3.50
- Yes, I would like to take out a subscription for:
- One year (6 issues) Two years (12 issues)

I enclose a cheque/Eurocheque/PO for £ payable to Wimborne Publishing Ltd

Please debit my Visa/Mastercard/Switch/Maestro card

My card number is:

.....
Please print clearly, and check that you have the number correct

The card is valid from:

Switch/Maestro Issue No:

My name is

My address

Post Code/Zip Tel

Signed

If you do not wish to cut your issue, send a letter or a copy of this form.

**FREE
CD-ROMS, BOOK,
DATA CHART**

**SPECIAL
UK SUBSCRIPTION OFFER**

**FOUR FREE GIFTS
+ SAVE OVER 50p A COPY**

Take out a new UK subscription before the end of August 2004 and we will send you the following free gifts! You can also save over 50p a copy on the newsstand price with a 12-month subscription.

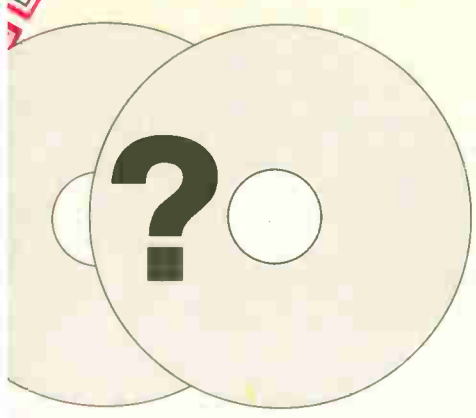
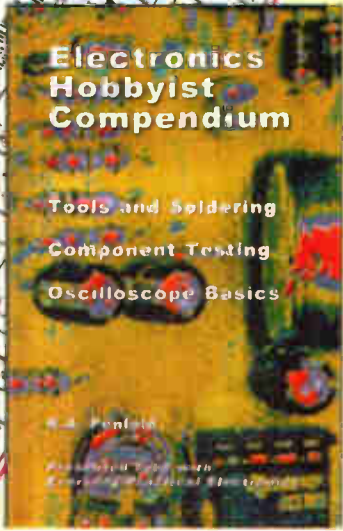
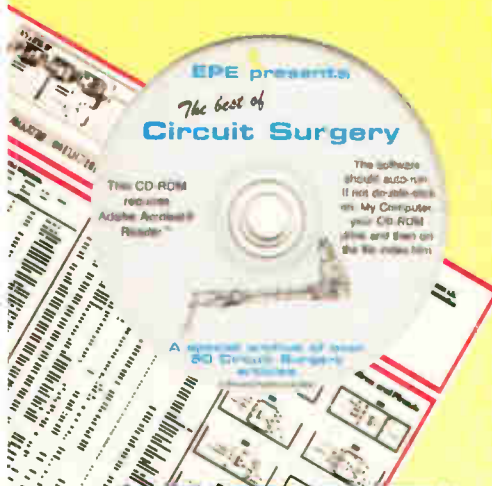
- ★ **FREE** The best of *Circuit Surgery* CD-ROM. A special archive of over 50 *Circuit Surgery* articles
- ★ **FREE** *Electronics Hobbyist Compendium* book covering Tools and Soldering, Component Testing, Oscilloscope Basics
- ★ **FREE** Op.Amp Data Chart. Hundreds of specifications and pin-outs for a massive range of op.amps on a 76cm x 58cm wall chart
- ★ **FREE** – with 12-month subscriptions only – mystery twin CD-ROM. Data on microcontrollers plus development tools and utilities

**FILL IN THE FORM (or a copy of it)
AND POST IT OFF NOW!**

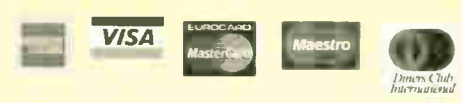
**DON'T DELAY!
OFFER ENDS AUG 31, 2004**

(Overseas readers – subscription information is given on the last page of the magazine.)

You can also subscribe by phone, fax or via our web site at www.epemag.wimborne.co.uk – click on "Subscribe Now". (The site does not show the free gifts but every new UK subscription taken before Aug 31, 2004 will receive the relevant free gifts.)



**SPECIAL UK OFFER
SUBSCRIPTION ORDER FORM**



Please send me:
 12 months UK subscription plus 4 free gifts £31
 6 months UK subscription plus 3 free gifts £16.50

Orders must be received on or before 31 Aug 2004

I enclose payment of £ (cheque/PO), payable to *Everyday Practical Electronics*

Name Address.....

My card number is:
Please print clearly, and check that you have the number correct

Signature Tel. No.

Card Security Code (The last 3 digits on or just under the signature strip)

Card Start Date Card Ex. Date Switch/Maestro Issue No.

Subscriptions can only start with the next available issue. For back numbers see the *Back Issues* page.

Send to *EPE Subs Offer*, Wimborne Publishing Ltd., 408 Wimborne Road East, Ferndown, Dorset BH22 9ND
Tel. 01202 873872 Fax 01202 874562

EPE IS PLEASED TO BE ABLE TO OFFER YOU THESE ELECTRONICS CD-ROMS

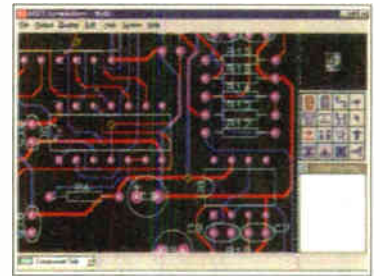
ELECTRONICS PROJECTS



Logic Probe testing

Electronic Projects is split into two main sections: **Building Electronic Projects** contains comprehensive information about the components, tools and techniques used in developing projects from initial concept through to final circuit board production. Extensive use is made of video presentations showing soldering and construction techniques. The second section contains a set of ten projects for students to build, ranging from simple sensor circuits through to power amplifiers. A shareware version of Matrix's CADPACK **schematic capture, circuit simulation and p.c.b. design** software is included. The projects on the CD-ROM are: Logic Probe; Light, Heat and Moisture Sensor; NE555 Timer; Egg Timer; Dice Machine; Bike Alarm; Stereo Mixer; Power Amplifier; Sound Activated Switch; Reaction Tester. Full parts lists, schematics and p.c.b. layouts are included on the CD-ROM.

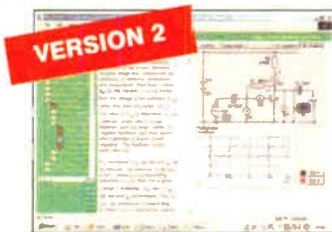
ELECTRONICS CAD PACK



PCB Layout

Electronics CADPACK allows users to design complex circuit schematics, to view circuit animations using a unique SPICE-based simulation tool, and to design printed circuit boards. CADPACK is made up of three separate software modules. (These are restricted versions of the full Labcenter software.) **ISIS Lite** which provides full schematic drawing features including full control of drawing appearance, automatic wire routing, and over 6,000 parts. **PROSPICE Lite** (integrated into ISIS Lite) which uses unique animation to show the operation of any circuit; with mouse-operated switches, pots, etc. The animation is compiled using a full mixed mode SPICE simulator. **ARES Lite** PCB layout software allows professional quality PCBs to be designed and includes advanced features such as 16-layer boards, SMT components, and an autorouter operating on user generated Net Lists.

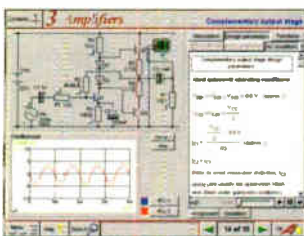
ELECTRONIC CIRCUITS & COMPONENTS V2.0



Circuit simulation screen

Provides an introduction to the principles and application of the most common types of electronic components and shows how they are used to form complete circuits. The virtual laboratories, worked examples and pre-designed circuits allow students to learn, experiment and check their understanding. Version 2 has been considerably expanded in almost every area following a review of major syllabuses (GCSE, GNVQ, A level and HNC). It also contains both European and American circuit symbols. Sections include: **Fundamentals:** units & multiples, electricity, electric circuits, alternating circuits. **Passive Components:** resistors, capacitors, inductors, transformers. **Semiconductors:** diodes, transistors, op.amps, logic gates. **Passive Circuits. Active Circuits. The Parts Gallery** will help students to recognise common electronic components and their corresponding symbols in circuit diagrams. Included in the Institutional Versions are multiple choice questions, exam style questions, fault finding virtual laboratories and investigations/worksheets.

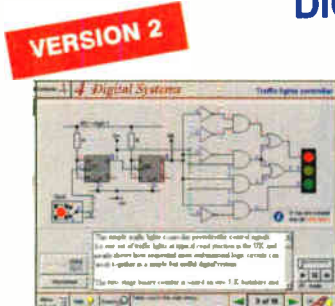
ANALOGUE ELECTRONICS



Complimentary output stage

Analogue Electronics is a complete learning resource for this most difficult branch of electronics. The CD-ROM includes a host of virtual laboratories, animations, diagrams, photographs and text as well as a SPICE electronic circuit simulator with over 50 pre-designed circuits. Sections on the CD-ROM include: **Fundamentals** – Analogue Signals (5 sections), Transistors (4 sections), Waveshaping Circuits (6 sections), **Op.Amps** – 17 sections covering everything from Symbols and Signal Connections to Differentiators. **Amplifiers** – Single Stage Amplifiers (8 sections), Multi-stage Amplifiers (3 sections). **Filters** – Passive Filters (10 sections), Phase Shifting Networks (4 sections), Active Filters (6 sections). **Oscillators** – 6 sections from Positive Feedback to Crystal Oscillators. **Systems** – 12 sections from Audio Pre-Amplifiers to 8-Bit ADC plus a gallery showing representative p.c.b. photos.

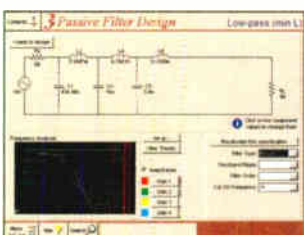
DIGITAL ELECTRONICS V2.0



Virtual laboratory – Traffic Lights

Digital Electronics builds on the knowledge of logic gates covered in *Electronic Circuits & Components* (opposite), and takes users through the subject of digital electronics up to the operation and architecture of microprocessors. The virtual laboratories allow users to operate many circuits on screen. Covers binary and hexadecimal numbering systems, ASCII, basic logic gates, monostable action and circuits, and bistables – including JK and D-type flip-flops. Multiple gate circuits, equivalent logic functions and specialised logic functions. Introduces sequential logic including clocks and clock circuitry, counters, binary coded decimal and shift registers. A/D and D/A converters, traffic light controllers, memories and microprocessors – architecture, bus systems and their arithmetic logic units. Sections on Boolean Logic and Venn diagrams, displays and chip types have been expanded in Version 2 and new sections include shift registers, digital fault finding, programmable logic controllers, and microcontrollers and microprocessors. The Institutional versions now also include several types of assessment for supervisors, including worksheets, multiple choice tests, fault finding exercises and examination questions.

FILTERS



Filter synthesis

Filters is a complete course in designing active and passive filters that makes use of highly interactive virtual laboratories and simulations to explain how filters are designed. It is split into five chapters: **Revision** which provides underpinning knowledge required for those who need to design filters. **Filter Basics** which is a course in terminology and filter characterization, important classes of filter, filter order, filter impedance and impedance matching, and effects of different filter types. **Advanced Theory** which covers the use of filter tables, mathematics behind filter design, and an explanation of the design of active filters. **Passive Filter Design** which includes an expert system and filter synthesis tool for the design of low-pass, high-pass, band-pass, and band-stop Bessel, Butterworth and Chebyshev ladder filters. **Active Filter Design** which includes an expert system and filter synthesis tool for the design of low-pass, high-pass, band-pass, and band-stop Bessel, Butterworth and Chebyshev op.amp filters.

ROBOTICS & MECHATRONICS



Case study of the Milford Instruments Spider

Robotics and Mechatronics is designed to enable hobbyists/students with little previous experience of electronics to design and build electromechanical systems. The CD-ROM deals with all aspects of robotics from the control systems used, the transducers available, motors/actuators and the circuits to drive them. Case study material (including the NASA Mars Rover, the Milford Spider and the Furby) is used to show how practical robotic systems are designed. The result is a highly stimulating resource that will make learning, and building robotics and mechatronic systems easier. The Institutional versions have additional worksheets and multiple choice questions.

- Interactive Virtual Laboratories
- Little previous knowledge required
- Mathematics is kept to a minimum and all calculations are explained
- Clear circuit simulations

PRICES

Prices for each of the CD-ROMs above are:

(Order form on third page)

(UK and EU customers add VAT at 17.5% to "plus VAT" prices)

Hobbyist/Student£45 inc VAT
 Institutional (Schools/HE/FE/Industry).....£99 plus VAT
 Institutional 10 user (Network Licence)£199 plus VAT
 Site Licence.....£499 plus VAT

PICmicro TUTORIALS AND PROGRAMMING

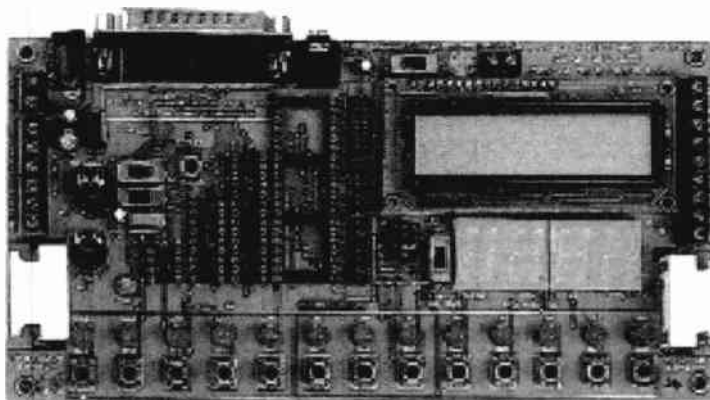
HARDWARE

VERSION 2 PICmicro MCU DEVELOPMENT BOARD

Suitable for use with the three software packages listed below.

This flexible development board allows students to learn both how to program PICmicro microcontrollers as well as program a range of 8, 18, 28 and 40-pin devices. For experienced programmers all programming software is included in the PPP utility that comes with the development board. For those who want to learn, choose one or all of the packages below to use with the Development Board.

- Makes it easier to develop PICmicro projects
- Supports low cost Flash-programmable PICmicro devices
- Fully featured integrated displays – 13 individual I.e.d.s, quad 7-segment display and alphanumeric I.c.d. display
- Supports PICmicro microcontrollers with A/D converters
- Fully protected expansion bus for project work
- All inputs and outputs available on screw terminal connectors for easy connection



£145 including VAT and postage

12V 500mA plug-top PSU (UK plug) £7

25-way 'D' type connecting cable £5

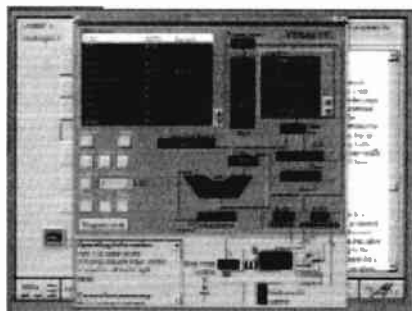
SOFTWARE

Suitable for use with the Development Board shown above.

ASSEMBLY FOR PICmicro V2 (Formerly PICtutor)

Assembly for PICmicro microcontrollers V2.0 (previously known as PICtutor) by John Becker contains a complete course in programming the PIC16F84 PICmicro microcontroller from Arizona Microchip. It starts with fundamental concepts and extends up to complex programs including watchdog timers, interrupts and sleep modes. The CD makes use of the latest simulation techniques which provide a superb tool for learning: the Virtual PICmicro microcontroller. This is a simulation tool that allows users to write and execute MPASM assembler code for the PIC16F84 microcontroller on-screen. Using this you can actually see what happens inside the PICmicro MCU as each instruction is executed which enhances understanding.

- Comprehensive instruction through 39 tutorial sections
- Includes Vlab, a Virtual PICmicro microcontroller: a fully functioning simulator
- Tests, exercises and projects covering a wide range of PICmicro MCU applications
- Includes MPLAB assembler
- Visual representation of a PICmicro showing architecture and functions
- Expert system for code entry helps first time users
- Shows data flow and fetch execute cycle and has challenges (washing machine, lift, crossroads etc.)
- Imports MPASM files.



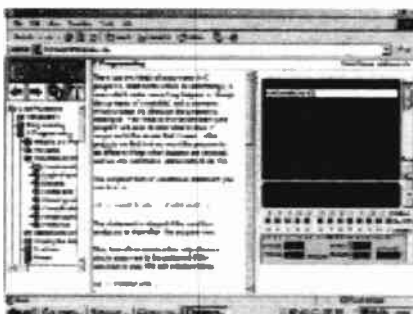
Virtual PICmicro

'C' FOR PICmicro VERSION 2

The C for PICmicro microcontrollers CD-ROM is designed for students and professionals who need to learn how to program embedded microcontrollers in C. The CD contains a course as well as all the software tools needed to create Hex code for a wide range of PICmicro devices – including a full C compiler for a wide range of PICmicro devices.

Although the course focuses on the use of the PICmicro microcontrollers, this CD-ROM will provide a good grounding in C programming for any microcontroller.

- Complete course in C as well as C programming for PICmicro microcontrollers
- Highly interactive course
- Virtual C PICmicro improves understanding
- Includes a C compiler for a wide range of PICmicro devices
- Includes full Integrated Development Environment
- Includes MPLAB software
- Compatible with most PICmicro programmers
- Includes a compiler for all the PICmicro devices.



Minimum system requirements for these items: Pentium PC running Windows 98, NT, 2000, ME, XP; CD-ROM drive; 64MB RAM; 10MB hard disk space.

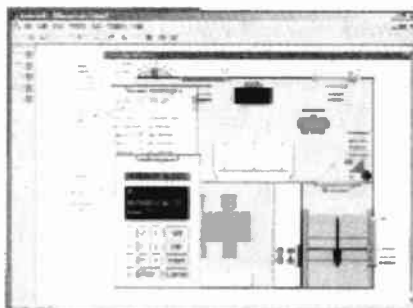
FLOWCODE FOR PICmicro

Flowcode is a very high level language programming system for PICmicro microcontrollers based on flowcharts. Flowcode allows you to design and simulate complex robotics and control systems in a matter of minutes.

Flowcode is a powerful language that uses macros to facilitate the control of complex devices like 7-segment displays, motor controllers and I.c.d. displays. The use of macros allows you to control these electronic devices without getting bogged down in understanding the programming involved.

Flowcode produces MPASM code which is compatible with virtually all PICmicro programmers. When used in conjunction with the Version 2 development board this provides a seamless solution that allows you to program chips in minutes.

- Requires no programming experience
- Allows complex PICmicro applications to be designed quickly
- Uses international standard flow chart symbols (ISO5807)
- Full on-screen simulation allows debugging and speeds up the development process
- Facilitates learning via a full suite of demonstration tutorials
- Produces ASM code for a range of 8, 18, 28 and 40-pin devices
- Institutional versions include virtual systems (burglar alarms, car parks etc.).



Burglar Alarm Simulation

PRICES

Prices for each of the CD-ROMs above are:

(Order form on next page)

(UK and EU customers add VAT at 17.5% to "plus VAT" prices)

Hobbyist/Student
Institutional (Schools/HE/FE/Industry)
Flowcode Institutional
Institutional 10 user (Network Licence)
Site Licence

£45 inc VAT
£99 plus VAT
£70 plus VAT
£249 plus VAT
£599 plus VAT

TEACH-IN 2000 – LEARN ELECTRONICS WITH EPE

EPE's own *Teach-In* CD-ROM, contains the full 12-part *Teach-In* series by John Becker in PDF form plus the *Teach-In* interactive software (Win 95, 98, ME and above) covering all aspects of the series. We have also added Alan Winstanley's highly acclaimed *Basic Soldering Guide* which is fully illustrated and which also includes *Desoldering*. The *Teach-In* series covers: Colour Codes and Resistors, Capacitors, Potentiometers, Sensor Resistors, Ohm's Law, Diodes and L.E.D.s, Waveforms, Frequency and Time, Logic Gates, Binary and Hex Logic, Op.amps, Comparators, Mixers, Audio and Sensor Amplifiers, Transistors, Transformers and Rectifiers, Voltage Regulation, Integration, Differentiation, 7-segment Displays, L.C.D.s, Digital-to-Analogue. Each part has an associated practical section and the series includes a simple PC interface (Win 95, 98, ME ONLY) so you can use your PC as a basic oscilloscope with the various circuits.

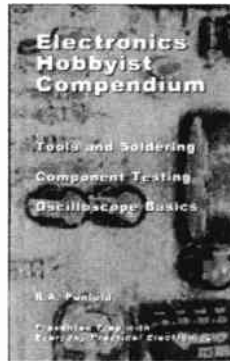


Sine wave relationship values

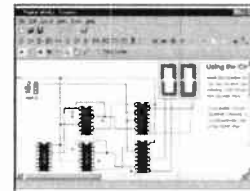
A hands-on approach to electronics with numerous breadboard circuits to try out. **£12.45** including VAT and postage. Requires Adobe Acrobat (available free from the Internet – www.adobe.com/acrobat).

FREE WITH EACH TEACH-IN CD-ROM – *Electronics Hobbyist Compendium* 80-page book by Robert Penfold. Covers Tools For The Job: Component Testing; Oscilloscope Basics.

FREE BOOK WITH TEACH-IN 2000 CD-ROM



DIGITAL WORKS 3.0



Counter project

Digital Works Version 3.0 is a graphical design tool that enables you to construct digital logic circuits and analyze their behaviour. It is so simple to use that it will take you less than 10 minutes to make your first digital design. It is so powerful that you will never outgrow its capability ● Software for simulating digital logic circuits ● Create your own macros – highly scalable ● Create your own circuits, components, and i.c.s ● Easy-to-use digital interface ● Animation brings circuits to life ● Vast library of logic macros and 74 series i.c.s with data sheets ● Powerful tool for designing and learning. **Hobbyist/Student £45 inc. VAT. Institutional £99 plus VAT. Institutional 10 user £199 plus VAT. Site Licence £499 plus VAT.**

ELECTRONICS IN CONTROL

Two colourful animated courses for students on one CD-ROM. These cover Key Stage 3 and GCSE syllabuses. **Key Stage 3:** A pictorial look at the Electronics section featuring animations and video clips. Provides an ideal introduction or revision guide, including multi-choice questions with feedback. **GCSE:** Aimed at the Electronics in many Design & Technology courses, it covers many sections of GCSE Electronics. Provides an ideal revision guide with Homework Questions on each chapter. Worked answers with an access code are provided on a special website.

Single User £29 inc. VAT. Multiple User £39 plus VAT
Student copies (available only with a multiple user copy) £6 plus VAT
 (UK and EU customers add VAT at 17.5% to "plus VAT" prices)

MODULAR CIRCUIT DESIGN

Contains a range of tried and tested analogue and digital circuit modules, together with the knowledge to use and interface them. Thus allowing anyone with a basic understanding of circuit symbols to design and build their own projects. Version 3 includes data and circuit modules for a range of popular PICs; includes PICAXE circuits, the system which enables a PIC to be programmed without a programmer, and without removing it from the circuit. Shows where to obtain free software downloads to enable BASIC programming. Essential information for anyone undertaking GCSE or "A" level electronics or technology and for hobbyists who want to get to grips with project design. Over seventy different Input, Processor and Output modules are illustrated and fully described, together with detailed information on construction, fault finding and components, including circuit symbols, pinouts, power supplies, decoupling etc.

Single User £19.95 inc. VAT. Multiple User £34 plus VAT
 (UK and EU customers add VAT at 17.5% to "plus VAT" prices)

VERSION 3

ELECTRONIC COMPONENTS PHOTOS

A high quality selection of over 200 JPG images of electronic components. This selection of high resolution photos can be used to enhance projects and presentations or to help with training and educational material. They are royalty free for use in commercial or personal printed projects, and can also be used royalty free in books, catalogues, magazine articles as well as worldwide web pages (subject to restrictions – see licence for full details). Also contains a **FREE** 30-day evaluation of Paint Shop Pro 6 – Paint Shop Pro image editing tips and on-line help included!



Price £19.95 inc. VAT

Minimum system requirements for these CD-ROMs: Pentium PC, CD-ROM drive, 32MB RAM, 10MB hard disk space. Windows 95/98/NT/2000/ME/XP, mouse, sound card, web browser.

CD-ROM ORDER FORM

Please send me:

<input type="checkbox"/> Electronic Projects <input type="checkbox"/> Electronic Circuits & Components V2.0 <input type="checkbox"/> Analogue Electronics <input type="checkbox"/> Digital Electronics V2.0 <input type="checkbox"/> Filters <input type="checkbox"/> Electronics CAD Pack <input type="checkbox"/> Robotics & Mechatronics <input type="checkbox"/> Assembler for PICmicro <input type="checkbox"/> 'C' for PICmicro <input type="checkbox"/> Flowcode for PICmicro <input type="checkbox"/> Digital Works 3.0 <hr/> <input type="checkbox"/> PICmicro Development Board (hardware) <input type="checkbox"/> Development Board UK plugtop power supply <input type="checkbox"/> Development Board 25-way connecting lead <hr/> <input type="checkbox"/> Teach-In 2000 + FREE BOOK <input type="checkbox"/> Electronic Components Photos <input type="checkbox"/> Electronics In Control – Single User <input type="checkbox"/> Electronics In Control – Multiple User <input type="checkbox"/> Modular Circuit Design – Single User <input type="checkbox"/> Modular Circuit Design – Multiple User	Version required: <input type="checkbox"/> Hobbyist/Student <input type="checkbox"/> Institutional <input type="checkbox"/> Institutional 10 user <input type="checkbox"/> Site licence	
---	--	--

Note: The software on each version is the same, only the licence for use varies.

Full name:

Address:

.....Post code:Tel. No:

Signature:

I enclose cheque/PO in £ sterling payable to WIMBORNE PUBLISHING LTD for £

Please charge my Visa/Mastercard/Amex/Diners Club/Switch: £

Valid From: Card expiry date:

Card No: Switch Issue No.

Card Security Code (The last 3 digits on or just under the signature strip)

ORDERING

ALL PRICES INCLUDE UK POSTAGE

Student/Single User/Standard Version price includes postage to most countries in the world
EU residents outside the UK add £5 for airmail postage per order

Institutional, Multiple User and Deluxe Versions – overseas readers add £5 to the basic price of each order for airmail postage (do not add VAT unless you live in an EU (European Union) country, then add 17½% VAT or provide your official VAT registration number).

Send your order to:
Direct Book Service
Wimborne Publishing Ltd
408 Wimborne Road East
Ferndown, Dorset BH22 9ND

To order by phone ring
01202 873872. Fax: 01202 874562
 Goods are normally sent within seven days
E-mail: orders@wimborne.co.uk
Online shop:
www.epemag.wimborne.co.uk/shopdoor.htm

Light Emitting Diodes – Operation and Applications

Anthony H. Smith, BSc. (Hons)



Part 1 – Basic principles

THE author first encountered a light emitting diode in 1971. It was about 3mm in diameter, housed in a metal can with a small, domed window on top. When biased with sufficient current, it emitted a rather feeble red light from a tiny chip just visible through the window.

At the time, he considered it something of a curiosity, as did many other students and engineers who found it interesting more for its novelty value than for its potential as a viable light source. Nowadays, however, nearly everyone is familiar with light emitting diodes, or I.e.d.s. Their use is now so widespread, it is almost impossible to avoid them. From their early uses as simple indicator lights, I.e.d.s have evolved into versatile components whose low power requirements and high efficiency make them an almost ideal light source.

Ubiquitous

They can be found in numeric displays on many consumer electronic devices and scientific instruments, they are used as backlights in mobile phones and portable computers, and recently they

have moved into the territory formerly occupied by incandescent lamps and fluorescent tubes, where they are employed as a source of highly efficient illumination.

Today's range of brighter, more colourful I.e.d.s makes them well suited to a range of lighting applications where their energy-savings potential is huge. One recent estimate suggested that replacing the incandescent traffic signals in the United States with high-brightness I.e.d.s would save nearly 2.5 billion kWh every year!

In this series of articles, we examine the features, construction and behaviour of I.e.d.s. We look at the electrical characteristics of different I.e.d. types and examine various ways of biasing them. In particular, we contrast the merits of different I.e.d. driver circuits, and examine some of the many special-purpose I.e.d. driver i.c.s that are currently available.

The series will be concluded by looking at some of the more unusual applications for

I.e.d.s, and you will discover how I.e.d.s have not just one, but *four* different uses.

Construction

Given their versatility, it is not surprising that I.e.d.s can be found in many different shapes, sizes, colours and styles. Photo 1 shows a small selection of common types. Typical products include lamps, light bar annunciators, bargraph arrays and alphanumeric devices.

Despite the enormous variety of different packages, however, nearly all I.e.d.s are based on the same physical structure responsible for generating the beam of light. The construction of a common plastic I.e.d. is shown in Fig. 1.

In this typical arrangement, the semiconductor chip is attached to the cathode post, sometimes using a tiny reflector dish to maximise the light output. A short length of wire attached to the surface of the chip is bonded to the anode post. The whole assem-

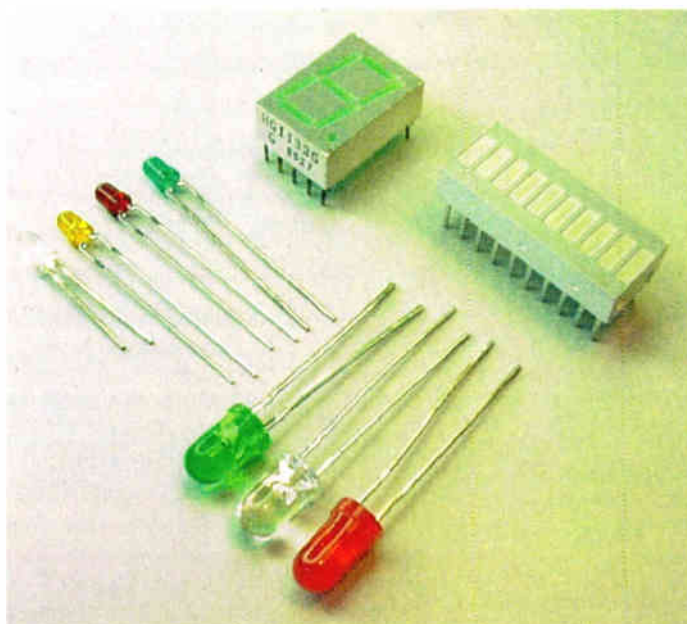


Photo 1. A small selection of common I.e.d. types

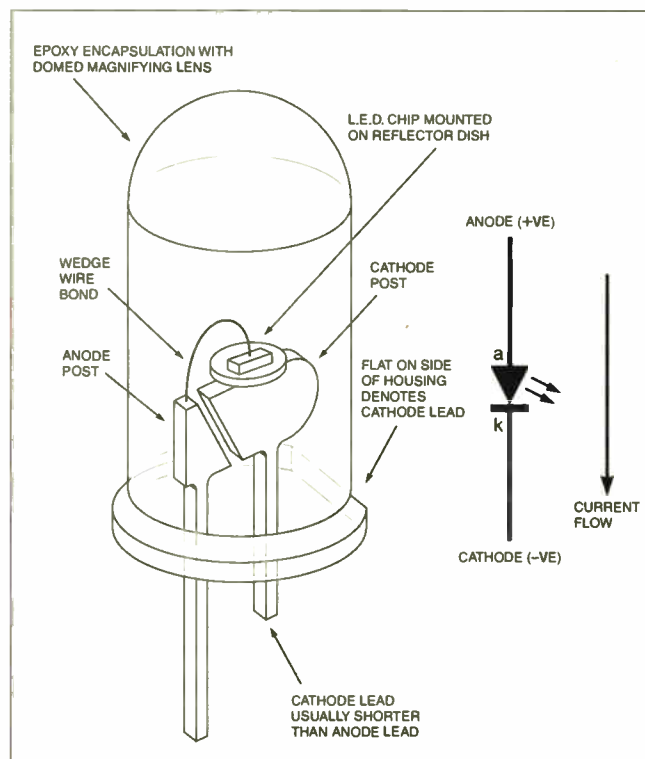


Fig. 1. Construction of a typical common plastic I.e.d.

bly is housed in a moulded plastic casing, usually with a magnifying dome lens at the top. The lamp's cathode lead is usually identified by being slightly shorter than the anode lead, and there is often a flat surface on the cathode side of the moulding.

The basic structure of all l.e.d.s consists of the die, or light emitting semiconductor material, some kind of lead frame on which the die is mounted, and a plastic or epoxy encapsulation which surrounds and protects the die. L.E.D.s can be obtained in rectangular, triangular and even trapezoidal shapes. The round variety is available in several diameter sizes, the most common being the T-1 (3mm dia.) and T-1 $\frac{3}{4}$ (5mm dia.) sizes, although larger diameters, such as 8mm, 10mm and even 20mm, are readily available.

The electrical symbol for an l.e.d. is also depicted in Fig.1. It is largely identical to that of a standard diode, but with the addition of arrows to represent emitted light. When the anode is made positive with respect to the cathode, the l.e.d. is forward biased, and – just as in a standard diode – conventional current flows in the direction indicated.

Electricity into Light

Converting electricity into light is not a new phenomenon – the common filament bulb has been doing just that for over a century. However, the mechanism involved is significantly different to the one responsible for generating light in an l.e.d.

When current is passed through the filament of a light bulb, the electrical resistance of the filament, just as in any other conductor, results in power dissipation. The electromagnetic energy produced is given off as heat and light. Generally, the higher the temperature of the filament, the greater the total radiation emitted, and the greater the proportion of that is light. This process, known as *incandescence*, produces broadband visible radiation which is a function of the temperature of the light source.

The l.e.d., on the other hand, makes use of a phenomenon called *luminescence*, which is the name given to all forms of visible radiant energy due to causes other than temperature. There are several types of luminescence, such as *electroluminescence*, *chemiluminescence*, *photoluminescence*, and others. Luminescence refers to the narrow-band radiation emitted by a change in energy states within a material when it is excited by an external source.

In any forward-biased *pn* junction, a recombination of charge carriers – holes and electrons – takes place, mainly close to the junction itself. During this recombination process, the energy possessed by each unbound electron is transferred to another state. In all semiconductor *pn* junctions, some of this energy is given off as heat, and some in the form of *photons*, or light energy. The photons have a radiation frequency which is characteristic of the semiconductor material itself.

In materials such as silicon (Si) and germanium (Ge), most of the energy is radiated as heat, and the emitted light is negligible. However, by combining specific materials to produce compounds such as gallium arsenide phosphide (GaAsP), it is possible to maximise the light output, thereby producing an efficient light source. This process, known as *electroluminescence*,

results in emitted light that is either invisible (infrared), or which lies in the visible part of the spectrum.

Unlike the filament bulb, l.e.d.s emit energy in narrow wavelength bands of the electromagnetic spectrum. The composition of the materials in the semiconductor chip determines the wavelength, and therefore the colour, of the emitted light. For example, a “blend” of aluminium gallium indium phosphide (AlGaInP) tends to produce light in the red to amber range, while l.e.d.s constructed from indium gallium nitride (InGaN) generally produce blue and green light.

A Brief History

Electroluminescence was first observed in silicon carbide (SiC) by Captain Henry Joseph Round almost a century ago in 1907. Born in Staffordshire, Round was a prolific inventor who notched up over a hundred patent applications, and worked for many years for the Marconi Company, at one time as personal assistant to Guglielmo Marconi.

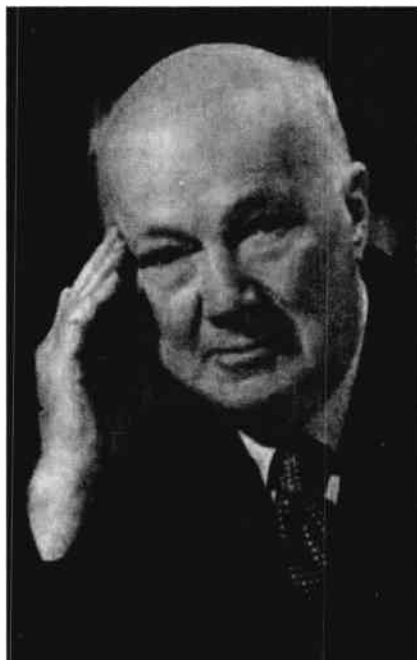


Photo 2. Captain H. J. Round. Courtesy www.captain-round.co.uk.

Much of Round's research was in the relatively new field of wireless communications, and he did considerable work on the thermionic valve, being one of the first to discover that it could generate continuous wave oscillations.

At the outbreak of the First World War, Round was seconded to Military Intelligence with the task of building a network of valve-based direction-finding stations to cover the entire Western Front. These stations, which Round had developed just prior to the onset of war, were successful in pinpointing the location of enemy transmitters.

In May 1916, in the hours before the Battle of Jutland, Captain Round's system detected a seven-mile change of position of the German fleet 300 miles away at Wilhelmshaven. This was a clear indication that the German ships had put to sea, thus giving the British fleet invaluable intelligence. For his services to the country

Captain Round was awarded the Military Cross.

It was in 1907, however, that Round noticed that yellow light was emitted when he passed an electrical current through a silicon carbide detector, and in a letter to *Electrical World*, he reported that “the application of an electric potential across silicon carbide could effect the generation of light.”

Lossev and Destriau

Ironically, Round did not pursue his discovery, and it was not until 1923 that the effect was re-discovered by O. V. Lossev of the Nijni-Novgorod Radio Laboratory in Russia. Lossev correctly assumed that the observed effects represented the inverse of Einstein's well-known photoelectric effect, and the phenomenon is now known as the *Lossev Effect*.

The next recorded observation of electroluminescence was by Georges Destriau in 1936-37, who reported the emission of light from zinc sulphide (ZnS) powders after applying an electrical current. Destriau worked in the laboratories of Marie Curie in Paris. The Curies had been early pioneers in the field of luminescence as a result of their research into radium. Destriau is said to be the first person to have coined the word “electroluminescence” to describe the phenomenon he observed.

Clearly, the work of Round, Lossev and Destriau was of fundamental importance in the field of electroluminescence, but who exactly was the “father” of the l.e.d.? In one way or another, several individuals have been credited with this title. In 1952, for example, Heinrich Welker, a Siemens scientist, laid the scientific foundations for the development of the l.e.d. with his pioneering research into gallium arsenide.

Further developments in the early 1960s have been attributed to researchers at the RCA Laboratories in Princeton, USA, and at the Philips Research Laboratories in Aachen, Germany. At Texas Instruments, Bob Biard and Gary Pittman developed an infrared l.e.d., the TI-SNX-100, which was originally sold at the exorbitant price of \$130!

Holonyak

Although these, and other, scientists have contributed to modern l.e.d. research, it is clear that one individual towers above all others in the field of semiconductor light emission. The son of Slavic immigrants who settled in southern Illinois, Nick Holonyak is generally regarded as the true heir to the throne in the kingdom of l.e.d. development.

Whilst at the University of Illinois in 1954, Holonyak was a student of John Bardeen who had just arrived from Bell Telephone Laboratories after inventing the transistor with Messrs Brattain and Shockley. Perhaps as a result of such illustrious tuition, Holonyak went on to develop a staggering range of semiconductor devices, such as tunnel diodes, transistors, PNP switches and silicon-controlled rectifiers (SCRs).

If you have a dimmer switch in your house, thank Holonyak – he created the triac version of the SCR, the main component in all dimmer switches. It was in 1960, however, that Holonyak developed the first

GaAsP PN junction. Within two years, he had developed the visible-light semiconductor laser, and in 1962 while at General Electric (GE), he invented the first practical light-emitting diode, which was later commercialised by GE.

In recognition of his outstanding contributions to the research and practical applications of light emitting diodes and lasers, Holonyak has been showered with glittering prizes. His list of honours include the U.S. National Medal of Science, membership in the Russian Academy of Sciences and the Japan Prize, essentially Japan's Nobel Prize.

To cap it all, in 2002, he was selected as a fellow of the American Association for the Advancement of Science, having been chosen for his "pioneering contributions to the realisation of high-performance visible light emitting diodes and injection lasers".

Emission Impossible?

Despite the ground-breaking work of Holonyak and his peers, the early I.e.d.s produced very little light and critics doubted whether they would ever form a viable source of electrical light emission. However, several companies, such as chemicals giant Monsanto, saw a future market for GaAsP I.e.d.s, and after consultations with Holonyak and GE they decided to press on with I.e.d. development, and rival companies such as Hewlett Packard also entered the arena.

As a result of this vision and commitment, light emitting diodes have evolved considerably over the past four decades. The first commercial units began to appear in the late 1960s, usually consisting of a compound of gallium arsenide (GaAs). By combining the metal gallium with arsenic (a highly toxic material sometimes used as rat poison!), the world's first solid-state light source was born.

Many of the first commercially successful GaAs I.e.d.s had a spectral peak at 950nm. Being in the infrared region, they were completely invisible to the human eye. The first commercially usable visible I.e.d.s started to appear in the late 1960s, and the 1970s saw rapid growth in the I.e.d. market as improved devices were used in numeric displays for calculators and then digital watches.

During the 1970s, additional colours and wavelengths became available. The most common materials were gallium phosphide (GaP) for green and red, and gallium arsenide phosphide (GaAsP) which could be combined to produce orange, high efficiency red, and yellow.

Up to the 1970s, most I.e.d.s required an operating current of 20mA, or more, to produce adequate light output. However, in the late 1970s, new "low current" devices began to appear, typically made from gallium phosphide doped with zinc oxide. These I.e.d.s provided high brightness at low current levels of just a few milliamps, or less.

L.E.D. development continued apace in the 1980s, with new types appearing that were brighter and more efficient than those produced using older technologies. During this period, a new material, gallium aluminium arsenide (GaAlAs) was developed which provided superior performance over earlier I.e.d.s. The new types were over 10 times brighter than standard I.e.d.s due to

increased efficiency and novel die structures. Additionally, the voltage required for operation was lower, thereby reducing the overall power consumption.

Despite these advances, there remained significant drawbacks with the GaAlAs material. In particular, it was only available in a red 660nm wavelength. However, in the 1990s, I.e.d.s made from a new material, indium gallium aluminium phosphide (InGaAlP) started to appear. Having a dominant wavelength that could be as low as 550nm or as high as 630nm, the new types were available in green, yellow, orange and orange-red.

Around this time, the first I.e.d.s bright enough to be used in outdoor applications began to appear. Usually made from aluminium gallium arsenide (AlGaAs), these red I.e.d.s appeared as high-mount vehicle brake lights, and were even employed in a range of traffic lights.

Birth of the Blues

During the 1990s, companies such as Siemens, Cree and Nichia were pioneering research into producing blue I.e.d.s. Some of the first blue I.e.d.s appeared in 1991, and were fabricated from the same material used to make some types of sandpaper - the super hard crystal silicon carbide (SiC). The availability of blue I.e.d.s made it possible to create full-colour advertising signs and even small video displays.

Being such a hard and brittle crystal, however, made silicon carbide a difficult material to work with, and many of the early SiC I.e.d.s were very expensive and had a relatively high failure rate. Consequently, research into other materials led to I.e.d.s made from compounds such as gallium nitride (GaN) and indium gallium nitride (InGaN).

Modern blue I.e.d.s are over 100 times more efficient than earlier types and can produce excellent brightness at relatively low current levels. Today, blue I.e.d.s can be found in traffic signals, and combined with other colours are used in huge video display boards inside sports stadiums and in full-colour scrolling advertising signs.

Attractive Features

As well as their obvious versatility, there are many other features that make I.e.d.s an attractive and extremely useful light source, particularly when compared with other light emitting mechanisms such as tungsten filament lamps and gas discharge tubes. Being made of plastics and resin, I.e.d.s have superb mechanical strength allowing them to withstand considerable vibration and shock. As there is no glass to shatter and no filament to break, I.e.d. lamps can withstand much more physical abuse than the incandescent lamp.

Since I.e.d.s do not depend on thermal radiation to produce light, they tend to be free of waste and wear and consequently have very long lifetimes. When operated properly, many I.e.d. lamps can be expected to provide over 10 years of continuous use, thereby minimising the need for costly maintenance.

It is not true that I.e.d.s generate no heat at all, and we describe shortly how some high-power types actually require heat-sinking under certain conditions! In general, however, the process of converting electrical current into light is an efficient one,

and generates little heat compared to incandescent lamps. Inevitably, this leads to significant energy savings.

In order to produce the same amount of light as an incandescent lamp, an I.e.d. consumes only a fraction of the electrical power. For example, an I.e.d. cluster designed to replace a 30W incandescent bulb in an automotive application would consume only around 2W while producing the same level of brightness.

Perhaps the most appealing feature of the I.e.d., though, is the ease with which it can be "driven". Since the voltage and current levels are low, the power requirements are usually much less than those of other light sources. As well as making the I.e.d. highly suitable for battery-powered, and even solar-powered, applications, it also makes it much simpler to design the drive circuits.

Later, we start to examine the techniques and circuits that can be used not just to drive an I.e.d., but also to get the best out of it in different applications. First, however, we must review a little of the terminology associated with I.e.d.s and light sources.

Terminology

When designing an I.e.d. circuit, one of the main considerations is "how bright must it be?". For visible-light I.e.d.s (i.e., not infrared applications), "brightness" is very much a subjective quantity. Furthermore, our visual sensitivity to light varies strongly as a function of wavelength. The human eye has maximum sensitivity to light in the yellow-green part of the spectrum (around 550nm), where it is around 20 times more sensitive than the red part of the spectrum (above 660nm). Thus, a red I.e.d. emitting exactly the same light energy as a green I.e.d. would appear considerably dimmer to the human eye.

You will be familiar with electrical quantities such as voltage, current, impedance, and so on. However, you may be less conversant with quantities associated with photometry, quantities such as luminance which at one time or another has had several apparently arcane units, such as the Stilb, Apostilb, Lambert, foot-Lambert, Blondel, Skot and Nit!

Fortunately, when dealing with I.e.d.s, three quantities, namely *luminous flux*, *luminous intensity* and *luminous efficacy*, are generally sufficient for describing the photometrical behaviour of a particular device. In simple terms, we can conceive of luminous flux as light energy radiating from a point source and crossing through a unit area on the surface of an imaginary sphere. The unit of luminous flux is the *lumen* (lm) or *millilumen* (mlm).

Naturally, the larger the amount of luminous flux crossing a given area, the greater will be the associated luminous intensity. The unit of luminous intensity is the *candela* (cd) or *millicandela* (mcd). The luminous intensity of an I.e.d. is the figure which most closely represents its "brightness".

In an ideal I.e.d. all of the electrical energy entering the device would be converted into emitted light. In practical devices, however, the conversion process is not 100% efficient, so it is important to have some measure of the emitted light energy relative to the input power. This is specified

Table 1: Electrical Characteristics @ 25°C for HLMP-1000 and HLMP-1503

Symbol	Characteristic	Colour	Min.	Typ.	Max.	Units	Test Conditions
I_V	Luminous Intensity	Red	0.5	1.0		mcd	$I_F = 20mA$ $I_F = 10mA$
		Green	1.0	5.0			
θ	Viewing Angle	Red		60		Deg.	
		Green		60			
V_F	Forward Voltage	Red	1.4	1.6	2.0	V	$I_F = 20mA$ $I_F = 10mA$
		Green	1.5	2.1	2.7		
η_V	Luminous Efficacy	Red		–		lm/W	
		Green		595			
τ_s	Speed of Response	Red		10		ns	
		Green		500			

in terms of luminous efficacy, which has units of lumens per watt (lm/W).

The efficacy of a given l.e.d. depends on several factors, in particular the kind of chip material, and also on the wavelength of the emitted light.

Typical Characteristics

In order to get a feel for the terms used when specifying an l.e.d., we will examine the characteristics of two Agilent (formerly Hewlett Packard) l.e.d.s, the green HLMP-1503, and the older red HLMP-1000. Table 1 lists some of the most important characteristics specified at given levels of forward current.

The forward current, symbol I_F , is simply the current flowing through the l.e.d. when it is forward biased. Not surprisingly, the forward current has a pronounced effect on the luminous intensity: the greater the current, the brighter the l.e.d. The HLMP-1000 and HLMP-1503 both exhibit a fairly linear relationship between intensity and current. For example, doubling the forward current will roughly double the intensity, although this is not the case for all l.e.d.s.

We can see that the green l.e.d. is typically five times brighter than the red type, even though the green l.e.d.'s specified forward current is half that of the red part. Whether or not a luminous intensity of 1.0mcd to 5.0mcd is sufficient will naturally depend on the particular application. Although it may be adequate for dull ambient light conditions, it may be necessary to drive the l.e.d. at a higher forward current, or select a brighter part, if it is to be viewed in bright sunlight.

The viewing angle is the off-axis angle at which the luminous intensity has fallen to half its axial value. This is the reason why l.e.d.s appear brighter when viewed "full on". The HLMP-1000 and HLMP-1503 both have a reasonably broad viewing angle (60 degrees). Some l.e.d.s have a much "narrower" viewing angle. This is often the case for "high intensity" or "superbright" types, where the light is focused into a relatively narrow beam in order to maximise the light intensity.

The speed of response denotes the rate at which an l.e.d. can be switched on and off. For many applications, this characteristic is unimportant. However, for high speed signaling applications such as fibre optic telecommunications, the l.e.d.'s switching speed can be a critical factor.

One of the l.e.d.'s most important electrical characteristics is its forward voltage, denoted V_F . When biased at moderate current levels, the voltage drop across a common signal diode such as the 1N4148 will

be in the region 600mV to 700mV. The forward voltage of an l.e.d., though, tends to be much greater than that of a signal diode, and is influenced considerably by the colour. In this example, the red l.e.d. has a lower forward voltage than the green part, even though it is operating at twice the forward current.

It is not uncommon for blue and white l.e.d.s to exhibit forward voltages in the region 3V to 5V. As we will see shortly, the relationship between V_F and I_F can play an important role in designing a suitable driver circuit.

Maximum Ratings

Like all electrical components, l.e.d.s have *absolute maximum ratings* which should be observed when designing a particular drive circuit. Exceeding the maximum ratings may result in degraded light output, a shortened life time, or possibly complete failure of the l.e.d.

The *maximum d.c. current* rating specifies the upper limit on the d.c. forward current. The green HLMP-1503 has a maximum current rating of 30mA, whereas the red HLMP-1000 can tolerate a maximum level of 50mA.

The *peak operating forward current* indicates the maximum transient current that can be tolerated for brief durations. This is usually specified at a given frequency and duty cycle, and provides a measure of the maximum pulsed current that the part can tolerate. The HLMP-1503, for example, can tolerate peak currents as large as 90mA.

Another area where the l.e.d. differs from the "standard" diode is in terms of the *maximum reverse voltage*, V_R . Whereas rectifier diodes like the 1N4005 can tolerate reverse voltages as high as 600V, most l.e.d.s have maximum reverse breakdown voltages as low as 5V. When the breakdown voltage is exceeded, the l.e.d. experiences an "avalanche" breakdown. The reverse current flow increases rapidly as higher reverse voltages are applied. Unless steps are taken to limit the reverse current, exceeding the maximum V_R rating could damage the device.

Other ratings such as *maximum operating temperature* and *maximum power dissipation* must be taken into account. Also, remember that l.e.d.s are semiconductor devices which can be damaged by excessive electrostatic discharge (ESD).

The Bright Stuff

The HLMP-1000 and HLMP-1503, having a luminous intensity of 1.0mcd to 5.0mcd, are not exceptionally bright by

today's standards. When used as general purpose indicators on products such as video equipment, personal computers, photocopiers, test equipment, and so on, l.e.d.s with intensity of around 5mcd to 20mcd are usually adequate. However, more demanding applications – particularly where there is high ambient brightness such as outdoor uses – call for brighter l.e.d.s.

During the 1980s, manufacturers experimented with novel compounds, and found that adding aluminium and phosphorus to the conventional gallium arsenide material to produce gallium aluminium arsenide phosphide (GaAlAsP) resulted in much greater intensity.

In the 1990s, developments in the compound indium gallium aluminium phosphide (InGaAlP) led to "ultrabright" l.e.d.s in red, orange, yellow and green, which produced high brightness at modest forward current levels of around 5mA to 20mA.

Terms such as "high intensity", "superbright", "hyperbright", "ultrabright", and even "super ultrabright", are often used to describe l.e.d.s in the high brightness category. The precise meaning of these terms often varies from one manufacturer to another. As a rough guide, the high intensity types usually provide intensity in the 10mcd to 70mcd range, whereas the intensity of the superbright, hyperbright and ultrabright types may be anywhere from 20mcd to 200mcd.

At the top end of the range come the super ultrabright types (sometimes called "very high intensity" or "high power") which often have intensity in the 100mcd to 1000mcd range, and may even be as high as 40 candelas or more!

High brightness l.e.d.s are quickly replacing conventional lighting in a wide variety of applications, such as stop lights, pedestrian signals and road hazard signs. Being easily visible in daylight makes them ideally suited to use in variable message signs such as the one in Times Square, New York, which displays commodities, news and other information. Recent technical breakthroughs have made high brightness l.e.d.s available in the entire colour spectrum, including red, yellow, green, blue, violet and white.

Light Source

Companies such as Agilent, Nichia, Siemens and Toshiba produce very bright l.e.d.s in a range of colours. Some of the brightest l.e.d.s currently available are made by a company called Lumileds Lighting of San Jose, California. Photo 3 shows a selection of Lumileds l.e.d.s from the "Luxeon" range of power light sources. Of particular interest is the Luxeon "Star" at the bottom right.

This device comprises a powerful l.e.d. mounted on an aluminium-core p.c.b. which allows the device to be mounted on a heatsink for optimum cooling. It is available in white, green, blue, royal blue, cyan, red, red-orange and amber. The standard version of the Luxeon Star can be operated at a forward current as high as 350mA. Note that this is a continuous d.c. current rating, not a peak rating, and is much greater than the maximum forward current rating of the majority of common l.e.d.s.

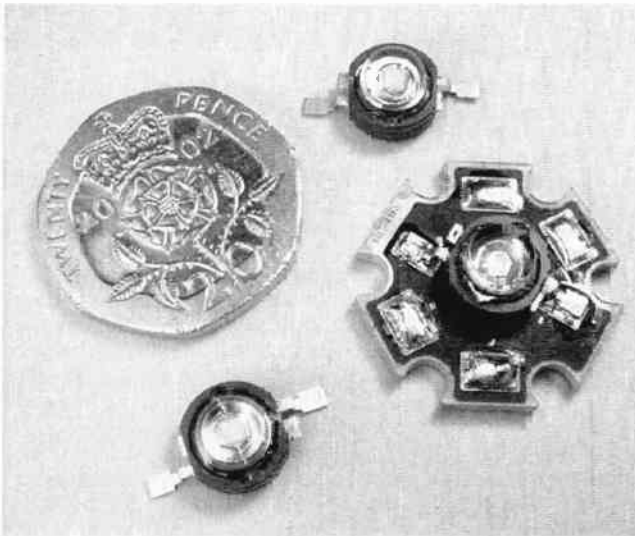


Photo 3. A selection of "Luxeon" I.e.d.s from Lumileds.

At 350mA, the luminous intensity of the Luxeon Star ranges from 80 to an incredible 825 *candelas* (not millicandelas), depending on the colour! When operated at 350mA, the forward voltage of the device is typically around 3.5V, corresponding to an electrical input power of 1.2W. Although much of this power is converted to light, a good deal is given off as heat, hence the need for heatsinking to cool the I.e.d. chip.

So bright are the Lumileds I.e.d.s that certain blue types require a Class 2 Laser safety warning, which cautions users not to stare directly into the beam!

Photo 4 illustrates a Lumileds LXHL-PE01 cyan I.e.d. connected in series with a "conventional" high brightness green I.e.d. with a forward current of 20mA flowing through them. Although the conventional I.e.d. produces good brightness, the Lumileds part is dazzling in comparison.

When testing the LXHL-PE01, the author was surprised at just how much light the sample emitted with only a few hundred microamps of forward current. With the current increased to around 50mA, the intensity was staggering.

More information on the Luxeon range of I.e.d.s can be found at www.lumileds.com. They can be pur-

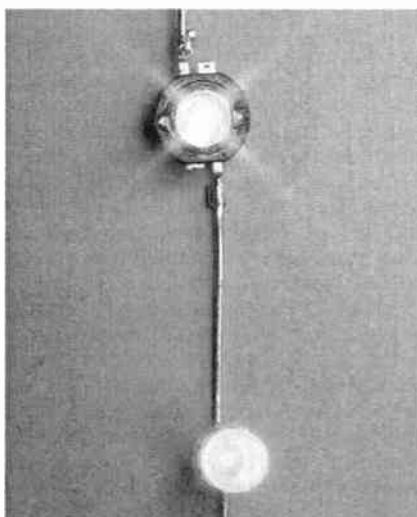


Photo 4. A Lumiled LXHL-PE01 cyan I.e.d. (top) in series with a "conventional" high brightness green I.e.d.

chased from Future Electronics (www.futureelectronics.com) and Farnell (www.farnell.com).

The White Stuff

We showed earlier that an I.e.d.'s emitted wavelength, and hence its colour, falls within a fairly narrow band determined primarily by the semiconductor compound. Therefore, given that white light contains all the colours of the visible spectrum, how is it possible to make an I.e.d. that emits white light?

Essentially, there are two techniques that may be employed to produce an I.e.d. that has a white appearance. One method consists of red, green, and blue I.e.d. chips packaged closely together, such that the emitted light beams "mix together" to form a composite colour. This kind of array is capable of producing a variety of colours, but with the appropriate currents flowing in each chip, the combination appears white.

The second technique, pioneered mainly by Nichia in Japan in the mid-1990s, employs a blue I.e.d. chip coated with a white inorganic phosphor material. When the blue light strikes the inner surface of the phosphor, the device emits a broadband white glow. In simple terms, this technique can be considered a combination of electroluminescence and phosphorescence, and is widely used in modern white I.e.d.s.

Over the past few years, white I.e.d.s have become much more commonplace and are finding applications in portable devices such as laptop computers and mobile phones, where they are well suited to backlighting the display, and are also used to illuminate the phone's keypad. High brightness types are also replacing incandescent bulbs in flashlights where their energy efficiency and ruggedness are obvious advantages.

However, like the blue I.e.d.s on which they are based, white I.e.d.s exhibit a fairly large forward voltage, sometimes as high as

5V. Naturally, this poses problems for low-voltage applications, such as battery-powered equipment with just one or two cells. However, we shall show in a later article how special circuit techniques can be used to drive white I.e.d.s from power sources as low as one volt. For the moment, though, we will examine some of the basic techniques for illuminating, or "driving", an I.e.d.

Current Control

The I.e.d. is essentially a current-controlled device in that the forward current, I_F , must be controlled, or regulated, in some way so as to produce a well-defined light intensity. We showed earlier that luminous intensity is directly dependent on the forward current, and many I.e.d.s exhibit a fairly linear relationship between the two quantities.

Forward voltage, V_F , is also dependent on forward current, although in a highly non-linear fashion. The curves shown in Fig.2, generated from actual measurements on samples of the HLMP-1000 3mm red I.e.d. and a 5mm green I.e.d., illustrate the non-linear relationship between V_F and I_F . The test data were obtained using the simple circuit shown alongside the graph, where a variable current source is used to excite the I.e.d. sample.

Note the marked difference in the shape of the characteristics. As the forward current (plotted on the Y-axis) is increased from zero, the forward voltage of the red I.e.d. also increases until it reaches around 1.6V. At this point, further increases in I_F have little effect on V_F , which remains fairly constant over the vertical part of the characteristic. The green I.e.d., however, exhibits a more gradual increase in V_F , resulting in an "exponential" shape to its characteristic.

As well as having differently-shaped characteristics, the I.e.d.s also exhibit significant differences in V_F at any given value of I_F . For example, at $I_F = 20mA$, the red I.e.d. has $V_F = 1.65V$, whereas the forward voltage of the green sample, 3.27V, is roughly twice as large.

It is often the case that I.e.d.s with shorter wavelength (blue, green, etc.) have significantly larger V_F than long-wavelength I.e.d.s (orange and red).

Resistor Biasing

The simplest way to control the I.e.d.'s forward current is to use a series resistor as

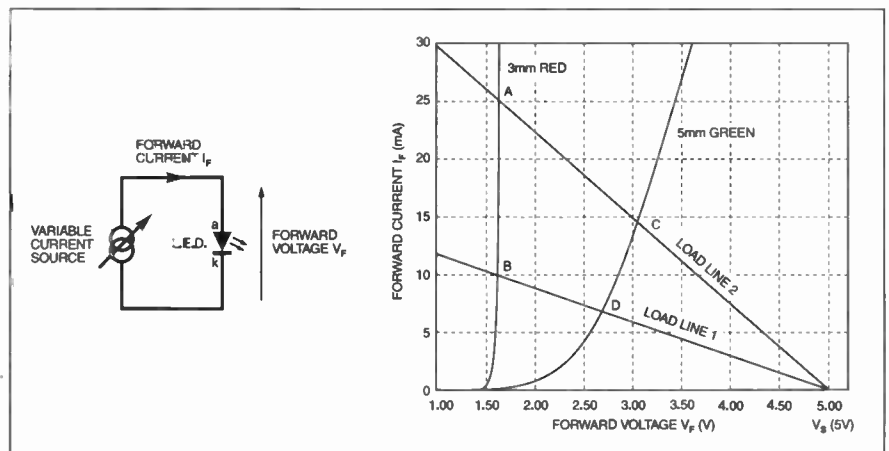


Fig.2. Operating characteristics for different I.e.d. samples.

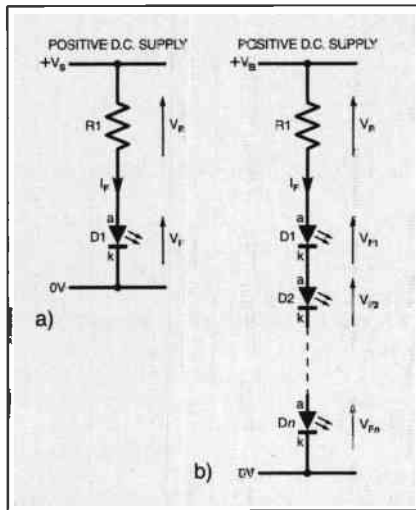


Fig.3. Using a series resistor to set forward current.

shown in Fig.3a. Since the resistor, R1, and the l.e.d., D1, are connected in series, the same current, I_F , flows through both. The magnitude of the current is given by :

$$I_F = \frac{V_R}{R1} = \frac{V_S - V_F}{R1} \quad (A)$$

where V_R is the voltage dropped across R1, V_F is the l.e.d.'s forward voltage, and V_S is the d.c. supply voltage. This equation can be rearranged to give an expression for R1:

$$R1 = \frac{V_S - V_F}{I_F} \quad (\Omega)$$

Therefore, assuming we have a fairly well regulated supply voltage, and knowing the desired value of forward current, we may use this formula to select R1. However, there is a problem – what value of V_F should we use?

One solution is to use the typical value quoted in the manufacturer's data sheet. However, as we saw in Table 1, V_F is usually quoted only at one value of I_F ; for other values of forward current, V_F could be significantly different. Fortunately, many manufacturers also publish the l.e.d.'s characteristics, usually in a form similar to the curves in Fig.2.

Although such characteristics only represent typical performance, they can be useful in determining an approximate relationship between V_F and I_F .

As an example, assume we wish to operate the 3mm red l.e.d. at a forward current of 10mA from a 5V supply. The characteristic shows that V_F is approximately 1.63V at $I_F = 10\text{mA}$. Inserting these values into the formula gives $R1 = 337\Omega$, the nearest preferred value being 330Ω . Using this value would establish the operating conditions at point B on the characteristic – see Fig.2.

If we draw a line between this point and the 5V point on the X-axis, we obtain the load line for a value of $R1 = 330\Omega$.

Constructing a load line is useful in determining the operating conditions for other l.e.d. types. For instance, we see that Load Line 1 cuts the 5mm green l.e.d. characteristic at point D. This means that with $V_S = 5\text{V}$ and $R1 = 330\Omega$, the green l.e.d. would have a forward voltage of around 2.65V and a corresponding forward current

of approximately 6.7mA – quite different to the red l.e.d.'s operating conditions.

The second load line, Load Line 2, corresponds to a value of $R1 = 130\Omega$. Clearly, the difference in the operating conditions for the red and the green l.e.d. has widened. Whereas the red l.e.d.'s forward current would be 25mA, the value of I_F for the green part would be much lower, at around 14.5mA.

These examples show that the series resistance must be chosen carefully to suit a particular l.e.d. type, otherwise significant differences in forward current, leading to noticeable shifts in intensity, will arise.

Series L.E.D.s

The arrangement in Fig.3b shows how several l.e.d.s may be connected in series, provided, of course, that the supply voltage is large enough to support them. For a given value of I_F , the required series resistance is given by:

$$R1 = \frac{V_S - (V_{F1} + V_{F2} + \dots + V_{Fn})}{I_F} \quad (\Omega)$$

where n is the number of l.e.d.s in the string. Since the same forward current flows through each l.e.d., this approach is only suitable to l.e.d.s having similar characteristics, otherwise the luminous intensity could vary considerably from one l.e.d. to another.

Provided the l.e.d.s are of the same type, we may assume that they have the same forward voltage, V_F , and thereby simplify the expression for R1:

$$R1 = \frac{V_S - nV_F}{I_F} \quad (\Omega)$$

Parallel L.E.D.s

For cases where the available voltage is too low to support several l.e.d.s in series, the natural alternative is to connect them in parallel. Fig.4 shows the wrong way and the right way to do this.

In Fig.4a, two l.e.d.s connected in parallel share the same series resistor, R1. However, the total current I_T flowing through R1 will not divide equally between the l.e.d.s unless they share exactly the same characteristic. For example, if we connected the above-mentioned 3mm red and 5mm green l.e.d.s in parallel, the red l.e.d., which has much lower forward voltage at all current levels, would "pull down" the common forward voltage, V_F , to its own level, thereby starving the green l.e.d. of current.

Under these conditions, I_{F1} would not equal I_{F2} , and most of the available current, I_T , would flow in the red l.e.d. As a result, the green l.e.d. would either appear very dim, or may even be completely "off". The recommended solution is shown in Fig.4b, where each l.e.d. has its own series resistor.

This approach allows each resistor to

be chosen individually to produce the required intensity in its series l.e.d.

Although using a series resistor to set an l.e.d.'s forward current is a cheap and simple option, it can have significant drawbacks. In particular, fluctuations in supply voltage, V_S , and variations in V_F (caused by part-to-part differences or temperature changes) will inevitably lead to changes in I_F and luminous intensity. However, we will see in a later article how the use of a current source circuit can alleviate most of these problems.

Using an A.C. Supply

For cases where a suitable d.c. supply is not available, it is possible to drive an l.e.d. directly from an a.c. power source. The circuit in Fig.5a illustrates the simplest way of doing this. However, this basic solution should only be used when the peak value of the a.c. supply voltage, V_{AC} , is less than 5V, or so, otherwise the l.e.d. could suffer reverse breakdown on negative half cycles of V_{AC} .

For cases where V_{AC} exceeds 5V, one of the circuits in Fig.5b or Fig.5c may be used. The circuit in Fig.5b uses a series diode, D1, to block reverse current flow through the l.e.d. when the potential at test point TP2 is positive with respect to TP1. However, when TP1 is positive with respect to TP2, both D1 and the l.e.d. are forward biased, and the instantaneous value of forward current through the series chain is:

$$I_F = \frac{V_R}{R1} = \frac{V_{AC} - V_D - V_F}{R1} \quad (A)$$

where V_D is the instantaneous voltage across D1 and V_F is the instantaneous forward voltage across D2.

The value of R1 must be large enough to ensure that the peak forward current (occurring when V_{AC} is at its positive peak) is less than the l.e.d.'s maximum peak forward current rating. Also, diode D1's peak reverse voltage rating must be greater than the peak negative a.c. voltage.

For low voltage applications, a signal diode such as the 1N4148 may be adequate, but for mains operation, a diode such as the 1N4004 with a reverse voltage rating greater than 350V would be necessary.

The circuit shown in Fig.5c employs D1 as a shunt across the l.e.d. to limit, or clamp, the reverse l.e.d. voltage to the "diode drop" of D1. On positive half cycles, when the l.e.d. is forward biased, the diode sees a

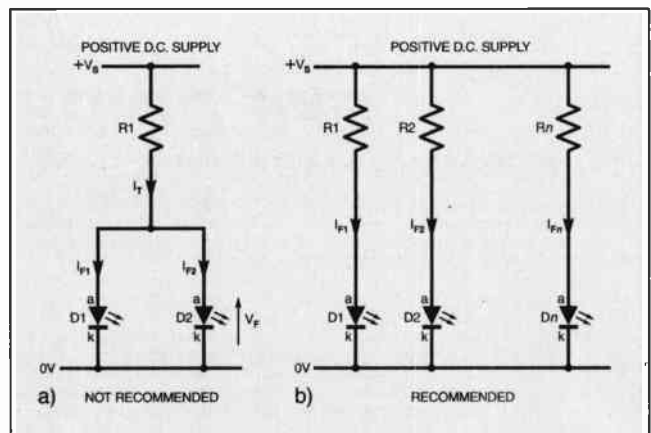


Fig.4. Connecting l.e.d.s in parallel, (a) not recommended, (b) recommended.

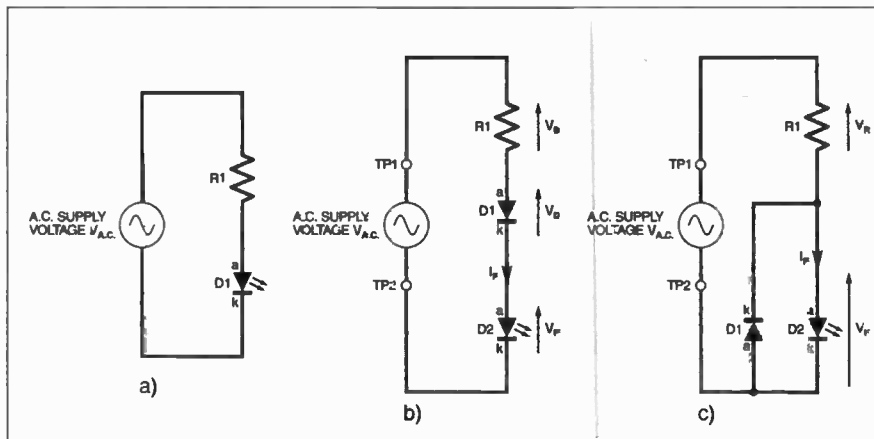


Fig.5. Operating I.e.d.s on an a.c. supply.

reverse voltage equal to the relatively small forward voltage of the I.e.d. Therefore, D1 needs only a small reverse voltage rating, allowing practically any diode with adequate current rating to be used.

Furthermore, since the diode is no longer in series with the I.e.d., no voltage is "wasted" across it, which can be a significant advantage for low voltage supplies.

The circuit in Fig.5c appears superior to that in Fig.5b, but we must also consider the power dissipation in resistor R1 which can be significant if V_{AC} is large, such as a mains-powered application. In Fig.5b, current flows through the resistor only on positive half cycles of V_{AC} , so its average power dissipation is roughly half that of the resistor in Fig.5c where current flows in R1 on both half cycles of V_{AC} .

Half Wave Rectification

For each circuit, the I.e.d. current, I_F , only flows on positive half cycles of V_{AC} . In other words, the I.e.d. current is *half wave rectified*, since the I.e.d. is acting not just as a light emitter, but also as a rectifying element. This fact must be taken into account when selecting the value of resistor R1 to give adequate I.e.d. brightness.

Since an I.e.d.'s apparent brightness is determined by the average forward current flowing through it, we must select a value of R1 that will set the average value of I_F sufficient to provide adequate intensity. For cases where the supply is sinusoidal, it can be shown that the value of R1 is related to the required average current, $I_{F(av)}$, by the equation:

$$R1 = \frac{(\sqrt{2} \times V_{RMS}) - V_F}{\pi \times I_{F(av)}} \quad (\Omega)$$

where V_{RMS} is the root-mean-square (r.m.s.) value of the a.c. voltage source.

For example, let's say we wish to establish an average current of 20mA through the 3mm red I.e.d. using the circuit of Fig.5c with a 6V r.m.s. voltage source. Taking $V_F = 1.65V$, the equation yields $R1 = 108.8\Omega$, the nearest preferred value being 110Ω .

For a half wave rectified sinewave, the peak and average current values are related by $I_{F(pk)} = \pi \times I_{F(av)}$, so in this example, the peak current value is $\pi \times 20mA = 62.8mA$, safely within the HLMP-1000 I.e.d.'s peak rating.

Mains Operation

Operating an I.e.d. directly from the mains voltage supply can be extremely dangerous and should not be attempted unless proper precautions are taken. The lack of an isolating transformer means that the I.e.d. could be at live mains potential. Unless steps are taken to insulate the I.e.d. in some way, this could prove fatal.

A further problem involves the power rating of the series resistor. When operating on a 240V r.m.s. mains supply, the resistor required to set an average I.e.d. current of just 20mA would need a power rating in excess of 10 watts!

However, assuming that the I.e.d. can be properly insulated to prevent lethal shocks, the circuit shown in Fig.6 provides an alternative approach for mains operation.

Here, most of the mains voltage is dropped across capacitor C1, which – being a reactance – dissipates no power. The small-valued resistor R1 is necessary only to limit power-up transients and requires only a low power rating. For a particular

value of average forward current, $I_{F(av)}$, the required value of C1 is given by:

$$C1 = \frac{I_{F(av)}}{0.9 \times \pi \times V_{RMS} \times f} \quad (F)$$

where f is the frequency of the mains supply and V_{RMS} is the r.m.s. value of V_{AC} . This equation takes account of the fact that the capacitor current, I_C , flows on both half cycles of V_{AC} , whereas I_F flows in the I.e.d. only on positive half cycles.

For example, with $V_{RMS} = 240V$, and a 50Hz supply frequency, an average current of $I_{F(av)} = 10mA$ would require a 295nF capacitor. Choosing a 330nF preferred value would result in $I_{F(av)} = 11.2mA$.

Although this technique requires a class X capacitor rated at full mains voltage and safety requirements, the capacitor size would be much smaller than a high power resistor. Furthermore, since C1 dissipates no power, the heat generated by the circuit is negligible.

Next Month

Having shown how I.e.d.s can be operated on sinusoidal a.c. sources, we shall show in the next part of this series how other a.c. waveshapes, such as square waves, can be put to good use in varying an I.e.d.'s brightness. We will also look at the best ways to interface I.e.d.s with logic devices, and examine a variety of I.e.d. flasher circuits.

Acknowledgement

The author would like to thank Mark van den Berg, Lumileds' European Marketing Manager, for his assistance with this article.

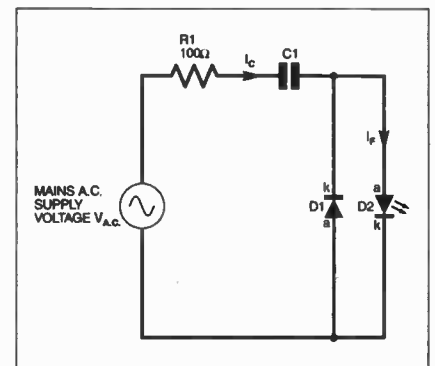


Fig.6. Mains powered I.e.d. circuit. Note the safety requirements given in the text for this circuit.



EPE BINDERS

KEEP YOUR MAGAZINES SAFE – RING US NOW!

This ring binder uses a special system to allow the issues to be easily removed and re-inserted without any damage. A nylon strip slips over each issue and this passes over the four rings in the binder, thus holding the magazine in place.

The binders are finished in hard-wearing royal blue p.v.c. with the magazine logo in gold on the spine. They will keep your issues neat and tidy but allow you to remove them for use easily.

The price is £6.95 plus £3.50 post and packing. If you order more than one binder add £1 postage for each binder after the initial £3.50 postage charge (overseas readers the postage is £6.00 each to everywhere except Australia and Papua New Guinea which costs £10.50 each).

Send your payment in £'s sterling cheque or PO (Overseas readers send £ sterling bank draft, or cheque drawn on a UK bank or pay by card), to Everyday Practical Electronics, Wimborne Publishing Ltd, 408 Wimborne Road East, Ferndown, Dorset BH22 9ND. Tel: 01202 873872. Fax: 01202 874562.
E-mail: editorial@epemag.wimborne.co.uk Web site: <http://www.epemag.wimborne.co.uk>
Order on-line from www.epemag.wimborne.co.uk/shopdoor.htm

We also accept card payments. Mastercard, Visa, Amex, Diners Club or Maestro. Send your card number and card expiry date plus Maestro Issue No. with your order.







High Speed Binary To Decimal For PICs

Peter Hemsley

It really is amazingly fast!

MANY microcontroller projects use alphanumeric liquid crystal displays (l.c.d.s) to display information to the user. This information includes numeric data which would normally be in binary format. However, most people like to see numbers as decimal, thus making binary to decimal an essential library routine for the programmer.

In this maths lesson we show you how to express a binary number in terms of powers of ten, and so create a super-fast 16-bit binary-to-decimal routine for PICs.

Converting base 2 to base 10 directly would prove excessively long because there would be 16 bits to process, each of them individually, therefore a different method is required. No doubt you are all familiar with writing binary numbers as hexadecimal digits, converting hex to decimal would involve processing only four hex digits, which is a significant simplification.

Base Line

If the four hex digits of a 16-bit binary number are represented by H3 (msd), H2, H1 and H0 (lsd) then a number N can be expressed as:

$$N = H3 \times 4096 + H2 \times 256 + H1 \times 16 + H0$$

Expand the expression to:

$$N = H3 \times 4000 + H3 \times 90 + H3 \times 6 + H2 \times 200 + H2 \times 50 + H2 \times 6 + H1 \times 10 + H1 \times 6 + H0$$

Now group together the terms of powers of ten:

$$N = H3 \times 4 \times 1000 + H2 \times 2 \times 100 + (H3 \times 9 + H2 \times 5 + H1) \times 10 + 6 \times (H3 + H2 + H1) + H0$$

Writing each term separately:

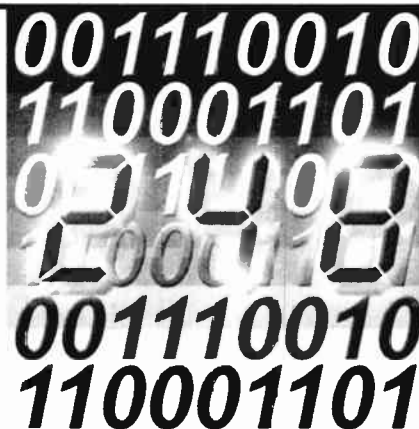
$$\begin{aligned} D0 &= 6 \times (H3 + H2 + H1) + H0 && (\times 1) \\ D1 &= H3 \times 9 + H2 \times 5 + H1 && (\times 10) \\ D2 &= H2 \times 2 && (\times 100) \\ D3 &= H3 \times 4 && (\times 1000) \end{aligned}$$

The Dx's are not decimal digits (as yet) but they are expressed in terms of powers of ten and the sum total of them does add up to the original binary number N. We want to use a single byte for each Dx but D0 could exceed 255, also D1 contains a multiply by 9 and 5, both being inconvenient to write in assembler. So let's try and simplify the multiplications to overcome these problems, starting with the original expression:

$$N = H3 \times 4096 + H2 \times 256 + H1 \times 16 + H0$$

We can re-write this as $N = H3 \times (4100 - 4) + H2 \times (260 - 4) + H1 \times (20 - 4) + H0$

This looks better, no odd numbers, some easy multiplication by powers of two, and four zeros (which means they can be ignored, $X \times 0 = 0$). On the downside there are three subtractions, but as we shall see these will eventually combine into a single term.



Now repeat to obtain the Dx's:

$$N = H3 \times 4 \times 1000 + H3 \times 100 - H3 \times 4 + H2 \times 2 \times 100 + H2 \times 6 \times 10 - H2 \times 4 + H1 \times 2 \times 10 - H1 \times 4 + H0$$

Grouping the powers of ten:

$$N = H3 \times 4 \times 1000 + (H3 + H2 \times 2) \times 100 + (H2 \times 6 + H1 \times 2) \times 10 + H0 - (H3 + H2 + H1) \times 4$$

$$\begin{aligned} D0 &= H0 - (H3 + H2 + H1) \times 4 && (\times 1) \\ D1 &= H2 \times 6 + H1 \times 2 && (\times 10) \\ D2 &= H3 + H2 \times 2 && (\times 100) \\ D3 &= H3 \times 4 && (\times 1000) \end{aligned}$$

Everything looks good so far except for D0, which could have a positive or a negative value. First let's find the limits of D0 by putting numbers into the expression. Since each hex digit ranges from 0 to 15 the minimum and maximum values for D0 are:

$$\begin{aligned} D0 &= 0 - (15 + 15 + 15) \times 4 = -180 \\ D0 &= 15 - (0 + 0 + 0) \times 4 = 15 \end{aligned}$$

Therefore the value of D0 can range from -180 to +15.

This would not be very convenient to write assembler code for, we need the values either all positive or all negative. Making the values all negative will have advantages as we shall see later.

Standardised Signs

To make D0 negative for all values, we can subtract any number greater than 15. The number should be a multiple of 10 so as not to change the least significant decimal digit of the value. If we subtract 20 this will make all values of D0 negative and then we can simply add 2 to the next higher order of power of ten, i.e. D1, to keep the net result the same. So:

$$\begin{aligned} D0 &= H0 - (H3 + H2 + H1) \times 4 - 20 \\ D1 &= H2 \times 6 + H1 \times 2 + 2 \end{aligned}$$

Now find the limits and the subtraction required for D1, D2 and D3:

$$\begin{aligned} D0 &= H0 - (H3 + H2 + H1) \times 4 - 20 \\ D1 &= H2 \times 6 + H1 \times 2 + 2 - 130 = H2 \times 6 + H1 \times 2 - 128 \\ D2 &= H3 + H2 \times 2 + 13 - 60 = H3 + H2 \times 2 - 47 \\ D3 &= H3 \times 4 + 6 - 70 = H3 \times 4 - 64 \end{aligned}$$

Ok, we now have an expression for each of the decimal digits, but each Dx also contains values of higher order powers of ten. What we must now do is divide each Dx by 10 and add the result of the division to next higher order Dx, the remainder of the division being our much desired decimal digit.

This is where making the Dx's negative pays dividends. To do the division we simply keep adding 10 until the result goes positive and at the same time subtracting 1 from the next higher order Dx. This results in a positive remainder in the Dx. An overflow is needed for D3. This is D4 (ten thousands digit) with an initial

Listing 1

; Fast 16-Bit Binary to Decimal by Peter Hemsley
 ; Input: 16-bit binary in NUMHI and NUMLO
 ; Output: Decimal (BCD) digits in D4(msd), D3, D2, D1, D0(lsd)
 ; No temporary variables required
 ; Code size: 46 instructions
 ; Execution time: Variable, approx. 150 to 170 cycles

Bin2DecFast

```

movf    NUMHI,w    ; Hex Digit 0X00 (H2)
iorlw   0xF0      ; w = H2 - 16
movwf   D0        ; D0 = H2 - 16
movwf   D1        ; D1 = H2 - 16
addwf   D1,f      ; D1 = H2 * 2 - 32
addwf   D1,f      ; D1 = H2 * 3 - 48, C = 1
movwf   D2        ; D2 = H2 - 16
rlf     D2,f      ; D2 = H2 * 2 - 31
swapf   NUMHI,w  ; Hex Digit X000 (H3)
iorlw   0xF0      ; w = H3 - 16
addwf   D2,f      ; D2 = H3 + H2 * 2-47 Done!
movwf   D3        ; D3 = H3 - 16
addwf   D3,f      ; D3 = H3 * 2 - 32
addlw   D'52'     ; w = H3 + 36
addwf   D0,f      ; D0 = H3 + H2 + 20
swapf   NUMLO,w  ; Hex Digit 00X0 (H1)
iorlw   0xF0      ; w = H1 - 16
addwf   D1,f      ; D1 = H2 * 3 + H1 - 64
addwf   D0,f      ; D0 = H3 + H2 + H1 + 4, C = 1
rlf     D0,f      ; D0 = (H3 + H2 + H1) * 2 + 9,
                  ; C = 0
comf    D0,f      ; D0 = -(H3 + H2 + H1) * 2 - 10
rlf     D0,f      ; D0 = -(H3 + H2 + H1) * 4 - 20
  
```

```

movf    NUMLO,w  ; Hex Digit 000X (H0)
andlw   0x0F     ; w = H0
addwf   D0,f     ; D0 = H0 - (H3 + H2 + H1) * 4
                  ; - 20 Done!
rlf     D1,f     ; C = 0, D1 = H2 * 6 + H1 * 2 -
                  ; 128 Done!

movlw   D'7'
movwf   D4       ; D4 = 7
addlw   D'3'     ; w = 10, C = 0
rlf     D3,f     ; D3 = H3 * 4 - 64 Done!

mod0
addwf   D0,f     ; D(X) = D(X) mod 10
decf    D1,f     ; D(X + 1) = D(X+1) + D(X) div
                  ; 10

skpc
goto    mod0

mod1
addwf   D1,f
decf    D2,f
skpc
goto    mod1

mod2
addwf   D2,f
decf    D3,f
skpc
goto    mod2

mod3
addwf   D3,f
decf    D4,f
skpc
goto    mod3

return
  
```

value of 0 plus 7 carried over from D3. The final set of expressions are:

```

D0 = H0 - (H3 + H2 + H1) * 4 - 20
D1 = H2 * 6 + H1 * 2 - 128
D2 = H3 + H2 * 2 - 47
D3 = H3 * 4 - 64
D4 = 7
  
```

Reduce D0 to D3 such that $D(x) = D(x) \bmod 10$, and $D(x + 1) = D(x + 1) + D(x) \text{ div } 10$

PIC Routine

The PIC routine in Listing 1 is the author's implementation of these expressions to produce a 16-bit binary-to-decimal routine. It has been highly optimised to use the PIC's architecture and instructions to the full, resulting in a compact and very fast routine. If you require the digits to be in ASCII text format, simply add 48 to each digit before outputting it.

For the interest of budding PIC programmers, and experts alike, here is some of the PIC-trickery (programming tricks) used by the author to make the routine more efficient.


Multiplying a number by 2 is usually achieved using RLF with the Carry clear. However, if the Carry is set prior the execution of RLF then: $RLF\ X = X \times 2 + 1$.

To make a positive number negative, the sequence COMF and INCF would normally be used. But what, in mathematical terms, would be the result of COMF alone? Simply it is $COMF\ X = -X - 1$. To obtain the lower nibble of a number in the W register $ANDLW\ 0x0F$ would be used, and followed by $ADDLW\ 0xF0$ (-16 decimal) to subtract 16 from the W register. These two instructions can be replaced by a single $IORLW\ 0xF0$.

If the Carry is required to be clear (or set) for a particular operation try and find a place in your program where the Carry is guaranteed to be in the required state. This saves having to use CLRC and SETC instructions, the author uses these instructions only when necessary.

Download

Listing 1 is available for *Free* download from our Downloads site, access via www.epemag.wimborne.co.uk. It is in the *PIC Tricks* folder within the main PIC source codes folder.



THE No.1 MAGAZINE FOR ELECTRONICS TECHNOLOGY & COMPUTER PROJECTS

NEWSAGENTS ORDER FORM

Please reserve/deliver a copy of *Everyday Practical Electronics* for me each month

Signed

Name and Address

.....

..... Post Code

Everyday Practical Electronics is published on the second Thursday of each month and distributed S.O.R. by COMAG
Make sure of your copy of EPE each month – cut out or photostat this form, fill it in and hand it to your newsagent.

DIRECT BOOK SERVICE

NOTE: ALL PRICES INCLUDE UK POSTAGE

FREE *Electronics Hobbyist Compendium* book with Teach-In 2000 CD-ROM



EPE TEACH-IN 2000 CD-ROM

The whole of the 12-part *Teach-In 2000* series by John Becker (published in *EPE* Nov '99 to Oct 2000) is now available on CD-ROM. Plus the *Teach-In 2000* interactive software (Win 95, 98, ME and above) covering all aspects of the series and Alan Winstanley's *Basic Soldering Guide* (including illustrations and Desoldering).

Teach-In 2000 covers all the basic principles of electronics from Ohm's Law to Displays, including Op.Amps, Logic Gates etc. Each part has its own section on the interactive software where you can also change component values in the various on-screen demonstration circuits.

The series gives a hands-on approach to electronics with numerous breadboard circuits to try out, plus a simple computer interface (Win 95, 98, ME only) which allows a PC to be used as a basic oscilloscope.

ONLY £12.45 including VAT and p&p

Order code Teach-In CD-ROM

Circuits and Design

DISCOVERING ELECTRONIC CLOCKS

W. D. Phillips

This is a whole book about designing and making electronic clocks. You start by connecting HIGH and LOW logic signals to logic gates. You find out about and then build and test bistables, crystal-controlled astables, counters, decoders and displays. All of these subsystems are carefully explained, with practical work supported by easy to follow prototype board layouts.

Full constructional details, including circuit diagrams and a printed circuit board pattern, are given for a digital electronic clock. The circuit for the First Clock is modified and developed to produce additional designs which include a Big Digit Clock, Binary Clock, Linear Clock, Andrew's Clock (with a semi-analogue display), and a Circles Clock. All of these designs are unusual and distinctive.

This is an ideal resource for project work in GCSE *Design and Technology: Electronics Product*, and for project work in AS-Level and A-Level *Electronics and Technology*.

194 pages, A4 spiral bound **Order code DEP1** £17.50

DOMESTIC SECURITY SYSTEMS

A. L. Brown

This book shows you how, with common sense and basic do-it-yourself skills, you can protect your home. It also gives tips and ideas which will help you to maintain and improve your home security, even if you already have an alarm. Every circuit in this book is clearly described and illustrated, and contains components that are easy to source. Advice and guidance are based on the real experience of the author who has an alarm installer, and the designs themselves have been rigorously put to use on some of the most crime-ridden streets in the world.

The designs include all elements, including sensors, detectors, alarms, controls, lights, video and door entry systems. Chapters cover installation, testing, maintenance and upgrading.

192 pages **Order code NE25** £20.99

MICROCONTROLLER COOKBOOK

Mike James

The practical solutions to real problems shown in this cookbook provide the basis to make PIC and 8051 devices really work. Capabilities of the variants are examined, and ways to enhance these are shown. A survey of common interface devices, and a description of programming models, lead on to a section on development techniques. The cookbook offers an introduction that will allow any user, novice or experienced, to make the most of microcontrollers.

240 pages **Order code NE26** £23.99

A BEGINNER'S GUIDE TO TTL DIGITAL ICs

R. A. Penfold

This book first covers the basics of simple logic circuits in general, and then progresses to specific TTL logic integrated circuits. The devices covered include gates, oscillators, timers, flip/flops, dividers, and decoder circuits. Some practical circuits are used to illustrate the use of TTL devices in the "real world".

142 pages **Order code BP332** £5.45

PRACTICAL ELECTRONICS CALCULATIONS AND FORMULAE

F. A. Wilson, C.G.I.A., C.Eng., F.I.E.E., F.I.E.R.E., F.B.I.M.

Bridges the gap between complicated technical theory, and "cut-and-ried" methods which may bring success in design but leave the experimenter unfulfilled. A strong practical bias - tedious and higher mathematics have been avoided where possible and many tables have been included.

The book is divided into six basic sections: Units and Constants, Direct-Current Circuits, Passive Components, Alternating-Current Circuits, Networks and Theorems, Measurements.

256 pages **Order code BP53** £5.49

Computing & Robotics

WINDOWS XP EXPLAINED

N. Kantaris and P. R. M. Oliver

If you want to know what to do next when confronted with Microsoft's Windows XP screen, then this book is for you. It applies to both the Professional and Home editions.

The book was written with the non-expert, busy person in mind. It explains what hardware requirements you need in order to run Windows XP successfully, and gives an overview of the Windows XP environment.

The book explains: How to manipulate Windows, and how to use the Control Panel to add or change your printer, and control your display; How to control information using WordPad, Notepad and Paint, and how to use the Clipboard facility to transfer information between Windows applications; How to be in control of your filing system using Windows Explorer and My Computer; How to control printers, fonts, characters, multimedia and images, and how to add hardware and software to your system; How to configure your system to communicate with the outside world, and use Outlook Express for all your email requirements; How to use the Windows Media Player 8 to play your CDs, burn CDs with your favourite tracks, use the Radio Tuner, transfer your videos to your PC, and how to use the Sound Recorder and Movie Maker; How to use the System Tools to restore your system to a previously working state, using Microsoft's Website to update your Windows set-up, how to clean up, defragment and scan your hard disk, and how to backup and restore your data; How to successfully transfer text from those old but cherished MS-DOS programs.

268 pages **Order code BP514** £7.99

INTRODUCING ROBOTICS WITH LEGO MINDSTORMS

Robert Penfold

Shows the reader how to build a variety of increasingly sophisticated computer controlled robots using the brilliant Lego Mindstorms Robotic Invention System (RIS). Initially covers fundamental building techniques and mechanics needed to construct strong and efficient robots using the various "click-together" components supplied in the basic RIS kit. Explains in simple terms how the "brain" of the robot may be programmed on screen using a PC and "zapped" to the robot over an infra-red link. Also, shows how a more sophisticated Windows programming language such as Visual BASIC may be used to control the robots.

Detailed building and programming instructions provided, including numerous step-by-step photographs.

288 pages - large format **Order code BP901** £14.99

MORE ADVANCED ROBOTICS WITH LEGO MINDSTORMS - Robert Penfold

Covers the Vision Command System

Shows the reader how to extend the capabilities of the brilliant Lego Mindstorms Robotic Invention System (RIS) by using Lego's own accessories and some simple home constructed units. You will be able to build robots that can provide you with 'waiter service' when you clap your hands, perform tricks, 'see' and avoid objects by using 'bats radar', or accurately follow a line marked on

the floor. Learn to use additional types of sensors including rotation, light, temperature, sound and ultrasonic and also explore the possibilities provided by using an additional (third) motor. For the less experienced, HCX code programs accompany most of the featured robots. However, the more adventurous reader is also shown how to write programs using Microsoft's VisualBASIC running with the ActiveX control (Spirit.CCX) that is provided with the RIS kit.

Detailed building instructions are provided for the featured robots, including numerous step-by-step photographs. The designs include rover vehicles, a virtual pet, a robot arm, an 'intelligent' sweet dispenser and a colour conscious robot that will try to grab objects of a specific colour.

298 pages **Order code BP902** £14.99

PIC YOUR PERSONAL INTRODUCTORY COURSE

SECOND EDITION John Morton

Discover the potential of the PIC microcontroller through graded projects - this book could revolutionise your electronics construction work!

A uniquely concise and practical guide to getting up and running with the PIC Microcontroller. The PIC is one of the most popular of the microcontrollers that are transforming electronic project work and product design.

Assuming no prior knowledge of microcontrollers and introducing the PICs capabilities through simple projects, this book is ideal for use in schools and colleges. It is the ideal introduction for students, teachers, technicians and electronics enthusiasts. The step-by-step explanations make it ideal for self-study too: this is not a reference book - you start work with the PIC straight away.

The revised second edition covers the popular reprogrammable EEPROM PICs: P16C84/16F84 as well as the P54 and P71 families.

270 pages **Order code NE36** £15.99

INTRODUCTION TO MICROPROCESSORS

John Crisp

If you are, or soon will be, involved in the use of microprocessors, this practical introduction is essential reading. This book provides a thoroughly readable introduction to microprocessors, assuming no previous knowledge of the subject, nor a technical or mathematical background. It is suitable for students, technicians, engineers and hobbyists, and covers the full range of modern microprocessors.

After a thorough introduction to the subject, ideas are developed progressively in a well-structured format. All technical terms are carefully introduced and subjects which have proved difficult, for example 2's complement, are clearly explained. John Crisp covers the complete range of microprocessors from the popular 4-bit and 8-bit designs to today's super-fast 32-bit and 64-bit versions that power PCs and engine management systems etc.

222 pages **Order code NE31** £20.99

The books listed have been selected by *Everyday Practical Electronics* editorial staff as being of special interest to everyone involved in electronics and computing. They are supplied by mail order direct to your door. Full ordering details are given on the last book page.

FOR A FURTHER SELECTION OF BOOKS SEE THE NEXT TWO ISSUES OF *EPE*

All prices include UK postage

NEWNES INTERFACING COMPANION

Tony Fischer-Cripps

A uniquely concise and practical guide to the hardware applications and design issues involved in computer interfacing and the use of transducers and instrumentation.

Newnes Interfacing Companion presents the essential information needed to design a PC-based interfacing system from the selection of suitable transducers, to collection of data, and the appropriate signal processing and conditioning.

Contents: Part 1 - Transducers; Measurement systems; Temperature; Light; Position and motion; Force, pressure and flow. Part 2 - Interfacing; Number systems; Computer architecture; Assembly language; Interfacing; A to D and D to A conversions; Data communications; Programmable logic controllers; Data acquisition project. Part 3 - Signal processing; Transfer function; Active filters; Instrumentation amplifier; Noise; Digital signal processing.

320 pages **Order code NE38** £26.99

Testing, Theory and Reference

THE AMATEUR SCIENTIST CD-ROM

The complete collection of The Amateur Scientist articles from *Scientific American* magazine. Over 1,000 classic science projects from a renowned source of winning projects. All projects are rated for cost, difficulty and possible hazards.

Plus over 1,000 pages of helpful science techniques that never appeared in *Scientific American*. Exciting science projects in: Astronomy; Earth Science; Biology; Physics; Chemistry; Weather . . . and much more! The most complete resource ever assembled for hobbyists, and professionals looking for novel solutions to research problems. Includes extensive Science Software Library with even more science tools.

Suitable for Mac, Windows, Linux or UNIX. 32MB RAM minimum, Netscape 4.0 or higher or Internet Explorer 4.0 or higher. Over 1,000 projects

Order code AS1 CD-ROM

£19.95



BEBOP BYTES BACK (and the Beboputer Computer Simulator) CD-ROM

Clive (Max) Maxfield and Alvin Brown

This follow-on to *Bebop to the Boolean Boogie* is a multimedia extravaganza of information about how computers work. It picks up where "Bebop I" left off, guiding you through the fascinating world of computer design . . . and you'll have a few chuckles, if not belly laughs, along the way. In addition to over 200 megabytes of mega-cool multimedia, the CD-ROM contains a virtual microcomputer, simulating the motherboard and standard computer peripherals in an extremely realistic manner. In addition to a wealth of technical information, myriad nuggets of trivia, and hundreds of carefully drawn illustrations, the CD-ROM contains a set of lab experiments for the virtual microcomputer that let you recreate the experiences of early computer pioneers. If you're the slightest bit interested in the inner workings of computers, then don't dare to miss this!

Over 800 pages in Adobe Acrobat format

Order code BEB2 CD-ROM

£21.95



DIGITAL ELECTRONICS – A PRACTICAL APPROACH With FREE Software: Number One Systems – EASY-PC Professional XM and Pulsar (Limited Functionality)

Richard Monk

Covers binary arithmetic, Boolean algebra and logic gates, combination logic, sequential logic including the design and construction of asynchronous and synchronous circuits and register circuits. Together with a considerable practical content plus the additional attraction of its close association with computer-aided design including the FREE software.

There is a 'blow-by-blow' guide to the use of EASY-PC Professional XM (a schematic drawing and printed circuit board design computer package). The guide also conducts the reader through logic circuit simulation using Pulsar software. Chapters on p.c.b. physics and p.c.b. production techniques make the book unique, and with its host of project ideas make it an ideal companion for the integrative assignment and common skills components required by BTEC and the key skills demanded by GNVQ. The principal aim of the book is to provide a straightforward approach to the understanding of digital electronics.

Those who prefer the 'Teach-In' approach or would rather experiment with some simple circuits should find the book's final chapters on printed circuit board production and project ideas especially useful.

250 pages

Order code NE28

£21.99

FREE SOFTWARE

OSCILLOSCOPES – FIFTH EDITION

Ian Hickman

Oscilloscopes are essential tools for checking circuit operation and diagnosing faults, and an enormous range of models are available.

This handy guide to oscilloscopes is essential reading for anyone who has to use a 'scope for their work or hobby; electronics designers, technicians, anyone in industry involved in test and measurement, electronics enthusiasts . . . Ian Hickman's review of all the latest types of 'scope currently available will prove especially useful for anyone planning to buy – or even build – an oscilloscope.

The contents include a description of the basic oscilloscope; Advanced real-time oscilloscope; Accessories; Using oscilloscopes; Sampling oscilloscopes; Digital storage oscilloscopes; Oscilloscopes for special purposes; How oscilloscopes work (1): the CRT; How oscilloscopes work (2): circuitry; How oscilloscopes work (3): storage CRTs; plus a listing of Oscilloscope manufacturers and suppliers.

288 pages

Order code NE37

£22.99

EDA – WHERE ELECTRONICS BEGINS

Clive "Max" Maxfield and Kuhoo Goyal Edson

ON SALE 50% OFF

"Did you ever wonder how the circuit boards and silicon chips inside your personal computer or cell phone were designed? This book walks you through the process of designing a city on an alien planet and compares it to designing an electronic system. The result is a fun, light-hearted and entertaining way to learn about one of the most important – and least understood – industries on this planet."

EDA, which stands for *electronic design automation*, refers to the software tools (computer programs) used to design electronic products. EDA actually encompasses a tremendous variety of tools and concepts. The aim of this book is to take a 30,000-foot view of the EDA world. To paint a "big picture" that introduces some of the most important EDA tools and describes how they are used to create integrated circuits, circuit boards and electronic systems. To show you how everything fits together without making you want to bang your head against the nearest wall.

Specially imported by EPE – Excellent value £29.95

98 pages – Large format

Order code EDA1

£14.95 while stocks last

PRACTICAL ELECTRONIC FAULT FINDING AND TROUBLESHOOTING Robin Pain

To be a real fault finder, you must be able to get a feel for what is going on in the circuit you are examining. In this book Robin Pain explains the basic techniques needed to be a fault finder.

Simple circuit examples are used to illustrate principles and concepts fundamental to the process of fault finding. This is not a book of theory, it is a book of practical tips, hints and rules of thumb, all of which will equip the reader to tackle any job. You may be an engineer or technician in search of information and guidance, a college student, a hobbyist building a project from a magazine, or simply a keen self-taught amateur who is interested in electronic fault finding but finds books on the subject too mathematical or specialised.

The fundamental principles of analogue and digital fault finding are described (although, of course, there is no such thing as a "digital fault" – all faults are by nature analogue). This book is written entirely for a fault finder using only the basic fault-finding equipment: a digital multimeter and an oscilloscope. The treatment is non-mathematical (apart from Ohm's law) and all jargon is strictly avoided.

274 pages

Order code NE22

£25.99

ELECTRONIC TEST EQUIPMENT HANDBOOK

Steve Money

In most applications of electronics, test instruments are essential for checking the performance of a system or for diagnosing faults in operation, and so it is important for engineers, technicians, students and hobbyists to understand how the basic test instruments work and how they can be used.

The principles of operation of the various types of test instrument are explained in simple terms with a minimum of mathematical analysis. The book covers analogue and digital meters, bridges, oscilloscopes, signal generators, counters, timers and frequency measurement. The practical uses of these instruments are also examined.

206 pages

Order code PC109

£9.95

DIGITAL GATES AND FLIP-FLOPS

Ian R. Sinclair

This book, intended for enthusiasts, students and technicians, seeks to establish a firm foundation in digital electronics by treating the topics of gates and flip-flops thoroughly and from the beginning.

Topics such as Boolean algebra and Karnaugh mapping are explained, demonstrated and used extensively, and more attention is paid to the subject of synchronous counters than to the simple but less important ripple counters.

No background other than a basic knowledge of electronics is assumed, and the more theoretical topics are explained from the beginning, as also are many working practices. The book concludes with an explanation of micro-processor techniques as applied to digital logic.

200 pages

Order code PC106

£9.95

UNDERSTANDING ELECTRONIC CONTROL SYSTEMS

Owen Bishop

Owen Bishop has produced a concise, readable text to introduce a wide range of students, technicians and professionals to an important area of electronics. Control is a highly mathematical subject, but here maths is kept to a minimum, with flow charts to illustrate principles and techniques instead of equations.

Cutting edge topics such as microcontrollers, neural networks and fuzzy control are all here, making this an ideal refresher course for those working in industry. Basic principles, control algorithms and hardwired control systems are also fully covered so the resulting book is a comprehensive text and well suited to college courses or background reading for university students.

The text is supported by questions under the headings Keeping Up and Test Your Knowledge so that the reader can develop a sound understanding and the ability to apply the techniques they are learning.

228 pages

Order code NE35

£20.99

HOW ELECTRONIC THINGS WORK – AND WHAT TO DO WHEN THEY DON'T

Robert Goodman

You never again have to be flummoxed, flustered or taken for a ride by a piece of electronics equipment. With this fully illustrated, simple-to-use guide, you will get a grasp on the workings of the electronic world that surrounds you – and even learn to make your own repairs.

You don't need any technical experience. This book gives you: Clear explanations of how things work, written in everyday language. Easy-to-follow, illustrated instructions on using test equipment to diagnose problems. Guidelines to help you decide for or against professional repair. Tips on protecting your expensive equipment from lightning and other electrical damage. Lubrication and maintenance suggestions.

Covers: colour TVs, VCRs, radios, PCs, CD players, printers, telephones, monitors, camcorders, satellite dishes, and much more!

394 pages

Order code MGH3

£21.99

VINTAGE RADIOS – COLLECTING ● SERVICING ● RESTORING

Tony Thompson

The essential guide to collecting, repairing and restoring vintage valve radios. These receivers are becoming ever more popular as collectibles, this is a good thing because it means that a very large piece of technological history is being reclaimed when at one time many thought it lost forever. If you look around, you will find plenty of valve radio sets just waiting for a loving restoration. They may not yet be the most highly prized, and they are unlikely to be in top condition, but they can be yours and, if you develop the skills outlined in this book, you will possess radio receivers to be proud of.

The book covers radio history, styling, faultfinding, chassis and cabinet restoration, types of set.

124 pages spiral bound

Order code TT1

£12.95



All prices include UK P&P



Theory and Reference

ELECTRONICS MADE SIMPLE

Ian Sinclair

Assuming no prior knowledge, *Electronics Made Simple* presents an outline of modern electronics with an emphasis on understanding how systems work rather than on details of circuit diagrams and calculations. It is ideal for students on a range of courses in electronics, including GCSE, C&G and GNVQ, and for students of other subjects who will be using electronic instruments and methods.

Contents waves and pulses, passive components, active components and ICs, linear circuits, block and circuit diagrams, how radio works, disc and tape recording, elements of TV and radar, digital signals, gating and logic circuits, counting and correcting, micro-processors calculators and computers, miscellaneous systems.

199 pages

Order code NE23

£13.99

SCROGGIE'S FOUNDATIONS OF WIRELESS AND ELECTRONICS - ELEVENTH EDITION

S. W. Amos and Roger Amos

Scroggie's Foundations is a classic text for anyone working with electronics, who needs to know the art and craft of the subject. It covers both the theory and practical aspects of a huge range of topics from valve and tube technology, and the application of cathode ray tubes to radar, to digital tape systems and optical recording techniques.

Since *Foundations of Wireless* was first published over 60 years ago, it has helped many thousands of readers to become familiar with the principles of radio and electronics. The original author Sowerby was succeeded by Scroggie in the 1940s, whose name became synonymous with this classic primer for practitioners and students alike. Stan Amos, one of the fathers of modern electronics and the author of many well-known books in the area, took over the revision of this book in the 1980s and it is he, with his son, who have produced this latest version.

400 pages

Order code NE27

£23.99

GETTING THE MOST FROM YOUR MULTIMETER

R. A. Penfold

This book is primarily aimed at beginners and those of limited experience of electronics. Chapter 1 covers the basics of analogue and digital multimeters, discussing the relative merits and the limitations of the two types. In Chapter 2 various methods of component checking are described, including tests for transistors, thyristors, resistors, capacitors and diodes. Circuit testing is covered in Chapter 3, with subjects such as voltage, current and continuity checks being discussed.

In the main little or no previous knowledge or experience is assumed. Using these simple component and circuit testing techniques the reader should be able to confidently tackle servicing of most electronic projects.

96 pages

Order code BP239

£5.49

PRACTICAL ELECTRONIC FILTERS

Owen Bishop

This book deals with the subject in a non-mathematical way. It reviews the main types of filter, explaining in simple terms how each type works and how it is used.

The book also presents a dozen filter-based projects with applications in and around the home or in the constructor's workshop. These include a number of audio projects such as a rhythm sequencer and a multi-voiced electronic organ.

Concluding the book is a practical step-by-step guide to designing simple filters for a wide range of purposes, with circuit diagrams and worked examples.

188 pages

Order code BP299

£5.49

PREAMPLIFIER AND FILTER CIRCUITS

R. A. Penfold

This book provides circuits and background information for a range of preamplifiers, plus tone controls, filters, mixers, etc. The use of modern low noise operational amplifiers and a specialist high performance audio pre-amplifier i.c. results in circuits that have excellent performance, but which are still quite simple. All the circuits featured can be built at quite low cost (just a few pounds in most cases). The preamplifier circuits featured include: Microphone preamplifiers (low impedance, high impedance, and crystal). Magnetic cartridge pick-up preamplifiers with R.I.A.A. equalisation. Crystal/ceramic pick-up preamplifier. Guitar pick-up preamplifier. Tape head preamplifier (for use with compact cassette systems).

Other circuits include: Audio limiter to prevent overloading of power amplifiers. Passive tone controls. Active tone controls. PA filters (highpass and lowpass). Scratch and rumble filters. Loudness filter. Mixers. Volume and balance controls.

92 pages

Order code BP309

£4.49

Project Building

ELECTRONIC PROJECTS FOR EXPERIMENTERS

R. A. Penfold

Many electronic hobbyists who have been pursuing their hobby for a number of years seem to suffer from the dreaded "seen it all before" syndrome. This book is fairly and squarely aimed at sufferers of this complaint, plus any other electronics enthusiasts who yearn to try something a bit different.

The subjects covered include:- Magnetic field detector, Basic Hall effect compass, Hall effect audio isolator, Voice scrambler/descrambler, Bat detector, Bat style echo location, Noise cancelling, LED stroboscope, Infra-red "torch", Electronic breeze detector, Class D power amplifier, Strain gauge amplifier, Super hearing aid.

138 pages

Order code BP371

£5.45

PRACTICAL FIBRE-OPTIC PROJECTS

R. A. Penfold

While fibre-optic cables may have potential advantages over ordinary electric cables, for the electronics enthusiast it is probably their novelty value that makes them worthy of exploration. Fibre-optic cables provide an innovative interesting alternative to electric cables, but in most cases they also represent a practical approach to the problem. This book provides a number of tried and tested circuits for projects that utilize fibre-optic cables.

The projects include:- Simple audio links. F.M. audio link, P.W.M. audio links, Simple d.c. links, P.W.M. d.c. link, P.W.M. motor speed control, RS232C data links, MIDI link, Loop alarms, R.P.M. meter.

All the components used in these designs are readily available, none of them require the constructor to take out a second mortgage.

132 pages

Order code BP374

£5.45

ELECTRONIC MUSIC AND MIDI PROJECTS

R. A. Penfold

Whether you wish to save money, boldly go where no musician has gone before, rekindle the pioneering spirit,

or simply have fun building some electronic music gadgets, the designs featured in this book should suit your needs. The projects are all easy to build, and some are so simple that even complete beginners at electronic project construction can tackle them with ease. Stripboard layouts are provided for every project, together with a wiring diagram. The mechanical side of construction has largely been left to the individual constructors to sort out, simply because the vast majority of project builders prefer to do their own thing.

None of the designs requires the use of any test equipment in order to get them set up properly. Where any setting up is required, the procedures are very straightforward, and they are described in detail.

Projects covered: Simple MIDI tester, Message grabber, Byte grabber, THRU box, MIDI auto switcher, Auto/manual switcher, Manual switcher, MIDI patchbay, MIDI controlled switcher, MIDI lead tester, Program change pedal, Improved program change pedal, Basic mixer, Stereo mixer, Electronic swell pedal, Metronome, Analogue echo unit.

138 pages

Order code PC116

£5.45

VIDEO PROJECTS FOR THE ELECTRONICS CONSTRUCTOR

R. A. Penfold

Written by highly respected author R. A. Penfold, this book contains a collection of electronic projects specially designed for video enthusiasts. All the projects can be simply constructed, and most are suitable for the newcomer to project construction, as they are assembled on stripboard.

There are faders, wipers and effects units which will add sparkle and originality to your video recordings, an audio mixer and noise reducer to enhance your soundtracks and a basic computer control interface. Also, there's a useful selection on basic video production techniques to get you started.

Circuits include: video enhancer, improved video enhancer, video fader, horizontal wiper, improved video wiper, negative video unit, fade to grey unit, black and white keyer, vertical wiper, audio mixer, stereo headphone amplifier, dynamic noise reducer, automatic fader, pushbutton fader, computer control interface, 12 volt mains power supply.

124 pages

Order code PC115

£5.45

BOOK ORDERING DETAILS

All prices include UK postage. For postage to Europe (air) and the rest of the world (surface) please add £2 per book. For the rest of the world airmail add £3 per book. CD-ROM prices include VAT and/or postage to anywhere in the world. Send a PO, cheque, international money order (£ sterling only) made payable to **Direct Book Service** or card details, Visa, Mastercard, Amex, Diners Club or Maestro to:

**DIRECT BOOK SERVICE, WIMBORNE PUBLISHING LTD.,
408 WIMBORNE ROAD EAST, FERNDOWN, DORSET BH22 9ND.**

Books are normally sent within seven days of receipt of order, but please allow 28 days for delivery - more for overseas orders. *Please check price and availability (see latest issue of Everyday Practical Electronics) before ordering from old lists.*

For a further selection of books see the next two issues of *EPE*.

Tel 01202 873872 Fax 01202 874562. Email: dbs@epemag.wimborne.co.uk

Order from our online shop at: www.epemag.wimborne.co.uk/shopdoor.htm

BOOK ORDER FORM

Full name:

Address:

..... Post code: Telephone No:

Signature:

I enclose cheque/PO payable to DIRECT BOOK SERVICE for £

Please charge my card £ Card expiry date.....

Card Number Switch/Maestro Issue No.....

Card Security Code (the last three digits on or just under the signature strip)

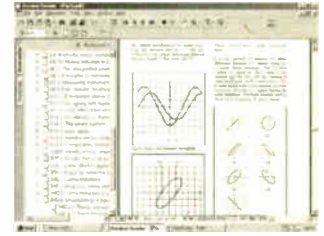
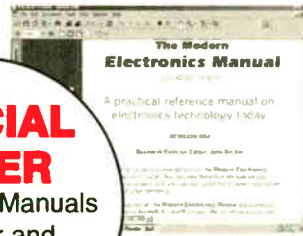
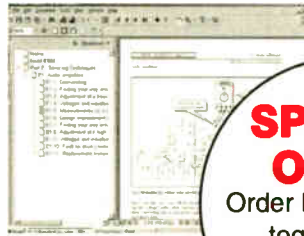
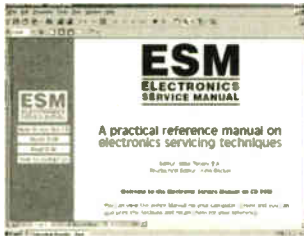
Please send book order codes:

Please continue on separate sheet of paper if necessary
If you do not wish to cut your magazine, send a letter or copy of this form

ELECTRONICS MANUALS ON CD-ROM £29.95 EACH

ELECTRONICS SERVICE MANUAL

THE MODERN ELECTRONICS MANUAL



SPECIAL OFFER
Order both Manuals together and **SAVE £10**

Everything you need to know to get started in repairing electronic equipment

- Around 900 pages • Fundamental principles • Troubleshooting techniques • Servicing techniques • Choosing and using test equipment • Reference data • Manufacturers' web links
- Easy-to-use Adobe Acrobat format • Clear and simple layout
- Vital safety precautions • Professionally written • Supplements

SAFETY: Safety Regulations, Electrical Safety and First Aid.
UNDERPINNING KNOWLEDGE: Electrical and Electronic Principles, Active and Passive Components, Circuit Diagrams, Circuit Measurements, Radio, Computers, Valves and Manufacturers' Data, etc.
PRACTICAL SKILLS: Learn how to identify Electronic Components, Avoid Static Hazards, Carry Out Soldering and Wiring, Remove and Replace Components.
TEST EQUIPMENT: How to Choose and Use Test Equipment, Assemble a Toolkit, Set Up a Workshop, and Get the Most from Your Multimeter and Oscilloscope, etc.
SERVICING TECHNIQUES: The Manual includes vital guidelines on how to Service Audio Amplifiers. The Supplements include similar guidelines for Radio Receivers, TV Receivers, Cassette Recorders, Video Recorders, Personal Computers, etc.
TECHNICAL NOTES: Commencing with the IBM PC, this section and the Supplements deal with a very wide range of specific types of equipment – radios, TVs, cassette recorders, amplifiers, video recorders etc.
REFERENCE DATA: Diodes, Small-Signal Transistors, Power Transistors, Thyristors, Triacs and Field Effect Transistors. Supplements include Operational Amplifiers, Logic Circuits, Optoelectronic Devices, etc.

The essential reference work for everyone studying electronics

- Over 800 pages • In-depth theory • Projects to build
- Detailed assembly instructions • Full components checklists • Extensive data tables • Manufacturers' web links
- Easy-to-use Adobe Acrobat format • Clear and simple layout • Comprehensive subject range • Professionally written • Supplements

BASIC PRINCIPLES: Electronic Components and their Characteristics; Circuits Using Passive Components; Power Supplies; The Amateur Electronics Workshop; The Uses of Semiconductors; Digital Electronics; Operational Amplifiers; Introduction to Physics, including practical experiments; Semiconductors and Digital Instruments.

CIRCUITS TO BUILD: The Base Manual describes 12 projects including a Theremin and a Simple TENS Unit.

ESSENTIAL DATA: Extensive tables on diodes, transistors, thyristors and triacs, digital and linear i.c.s.

EXTENSIVE GLOSSARY: Should you come across a technical word, phrase or abbreviation you're not familiar with, simply look up the glossary and you'll find a comprehensive definition in plain English.

The Manual also covers **Safety** and provides web links to component and equipment **Manufacturers and Suppliers**.

Full contents list available online at: www.epemag.wimborne.co.uk

Supplements: Additional CD-ROMs each containing approximately 500 pages of additional information on specific areas of electronics are available for £19.95 each. Information on the availability and content of each Supplement CD-ROM will be sent to you.

Presentation: CD-ROM suitable for any modern PC. Requires Adobe Acrobat Reader which is included on the CD-ROM.

Wimborne Publishing Ltd., Dept Y9, 408 Wimborne Road East, Ferndown, Dorset BH22 9ND. Tel: 01202 873872. Fax: 01202 874562.

PLEASE send me



THE MODERN ELECTRONICS MANUAL CD-ROM

ELECTRONICS SERVICE MANUAL CD-ROM

I enclose payment of £29.95 (for one Manual) or £49.90 for both Manuals (saving £10 by ordering both together).

FULL NAME (PLEASE PRINT)

ADDRESS

.....

.....

.....POSTCODE

SIGNATURE

I enclose cheque/PO in UK pounds payable to Wimborne Publishing Ltd.

Please charge my Visa/Mastercard/Amex/Diners Club/Switch/Maestro

Card No Switch/Maestro Issue No

Valid From Expiry Date

Card Security Code (The last 3 digits on or just under the signature strip)

ORDER FORM

Simply complete and return the order form with your payment to the following address:

Wimborne Publishing Ltd,
Dept. Y9,
408 Wimborne Road East, Ferndown,
Dorset BH22 9ND

Price includes postage to anywhere in the World

We will happily exchange any faulty CD-ROMs but since the content can be printed out we do not offer a refund on these items.

Your CD-ROM(s) will be posted to you by first class mail or airmail, normally within four working days of receipt of your order

PCB SERVICE

Printed circuit boards for most recent *EPE* constructional projects are available from the PCB Service, see list. These are fabricated in glass fibre, and are fully drilled and roller tinned. All prices include VAT and postage and packing. Add £1 per board for airmail outside of Europe. Remittances should be sent to The PCB Service, *Everyday Practical Electronics*, Wimborne Publishing Ltd., 408 Wimborne Road East, Ferndown, Dorset BH22 9ND. Tel: 01202 873872; Fax 01202 874562; Email: orders@epemag.wimborne.co.uk On-line Shop: www.epemag.wimborne.co.uk/shopdoor.htm. Cheques should be crossed and made payable to *Everyday Practical Electronics* (Payment in £ sterling only).

NOTE: While 95% of our boards are held in stock and are dispatched within seven days of receipt of order, please allow a maximum of 28 days for delivery – overseas readers allow extra if ordered by surface mail. Back numbers or photostats of articles are available if required – see the Back Issues page for details. We do not supply kits or components for our projects.

Please check price and availability in the latest issue. A large number of older boards are listed on our website. Boards can only be supplied on a payment with order basis.

PROJECT TITLE	Order Code	Cost
★ PICAXE Projects-2 Temperature Sensor; Voltage Sensor; VU Indicator (Multiboard)	DEC '02 373	£3.00
★ Versatile PIC Flasher	377	£5.07
★ PICAXE Projects-3: Chaser Lights 6-Channel Mains Interface	JAN '03 373	£3.00
EPE Minder – Transmitter	381	£5.08
– Receiver	378	£4.75
★ Wind Speed Monitor	379	£5.39
380	£5.08	
Tesla Transformer	FEB '03 382	£5.07
★ Brainbot Buggy	383	£3.00
★ Wind Tunnel	384	£6.02
200kHz Function Generator	MAR '03 385	£6.34
Wind-Up Torch Mk II	386	£4.75
★ Driver Alert	387	£6.35
★ Earth Resistivity Logger	388	£6.02
★ Intelligent Garden Lights Controller	389	£3.96
★ PIC Tutorial V2 – Software only	–	–
Door Chime	MAY '03 390	£5.07
Super Motion Sensor	391	£5.55
Radio Circuits-1 MK484 TRF Receiver	JUNE '03 392	£4.44
Headphone Amp	393	£4.28
★ Fido Pedometer	394	£4.91
★ PICronos L.E.D. Wall Clock	395	£14.65
EPE Mini Metal Detector	JULY '03 396	£4.28
Radio Circuits – 2 Q-Multiplier	397	£4.28
MW Reflex Radio	398	£4.60
Wave Trap	399	£4.28
Speaker Amplifier	400	£4.44
Ohmmeter Adaptor MkII	401	£4.60
Ultimate Egg Timer (Top Tenner)	403	£4.91
★ EPE PIC Met Office	AUG '03 402	£10.46
Alarm System Fault Finder	404	£4.44
Radio Circuits-3 Regen. Radio	405	£5.07
Tuning Capacitor Board	406	£4.28
Master/Slave Intercom (Top Tenner)	407	£4.75
Two-Up (Top Tenner)	408	£4.91
Priority Referee (Top Tenner)	SEPT '03 410	£5.07
Vibration Alarm (Top Tenner)	411	£5.39
Radio Circuits-4 Varicap Tuner	412	£4.44
Coil Pack – General Coverage	413	£5.07
Coil Pack – Amateur Bands	414	£4.75
★ PIC-A-Colour – Software only	–	–
Spooky Bug (Top Tenner)	OCT '03 409	£5.07
Radio Circuits-5 Crystal Marker	415	£4.44
Super Regen. Receiver	419	£5.07
Buffer Amplifier	420	£4.44
★ Serial Interface for PICs and V86	416	£5.23
★ PIC Breakpoint – Software only	–	–
Anyone At Home – Logic Board	NOV '03 421	£6.35
– Relay Board	422	£6.02
Radio Circuits-6 Direct Conversion SW Receiver	423	£6.02
★ PIC Random L.E.D. Flasher	424	£4.60
★ PIC Virus Zapper Mk2	DEC '03 425	£5.72
Radio Circuits-7 SW Superhet Tuner/Mixer	426	£5.70
Christmas Cheeks (double-sided)	427	£4.44
★ PIC Nim Machine – Software only	–	–
Bedside Nightlight (Top Tenner)	JAN '04 417	£4.44
Sound Trigger	418	£4.60
Timing/Lamp	428	£5.71
Radio Circuits-8 Dual Conversion SW Rec. – I.F. Amp	429	£4.45
– Signal-Strength Meter	430	£4.75
– B.F.O./Prod. Detector	431	£7.61
★ Car Computer (double-sided)	–	–
★ PIC Watering Timer – Software only	–	–
★ GPS to PIC and PC Interface – Software only	–	–
Jazzy Necklace	FEB '04 432	£5.40
Sonic Ice Warning	433	£5.39
★ LCF Meter	434	£5.00
★ PIC Tug-of-War	435	£5.00
Bat-Band Converter	MAR '04 436	£4.76
★ MIDI Health Check – Transmitter/Receiver	437	£7.61
Emergency Stand-by Light	438	£5.55
★ PIC Mixer for RC Planes – Software only	–	–
★ Teach-In '04 Part 5 – Software only	–	–

PROJECT TITLE	Order Code	Cost
Infra-Guard	APR '04 439	£5.07
★ EPE Seismograph Logger	440	} pair £6.50
Control Board	441	
Sensor Amp. Board	442	
★ Moon Clock	442	£5.71
★ Teach-In '04 Part 6 – Software only	–	–
In-Car Lap-Top PSU	MAY '04 443	£4.60
Beat Balance Metal Detector	444	£4.60
Teach-In '04 Part 7	445	£4.91
Transmitter	446	£4.75
Receiver	447	£4.44
Moisture	448	£5.71
★ PIC Quickstep	JUNE '04 449	£4.91
Body Detector MkII	449	£4.91
★ Teach-In '04 Part 8 – Software only	–	–
★ MIDI Synchronome – Software only	–	–
Hard Drive Warbler	JULY '04 450	£4.60
★ Bongo Box	451	£6.02
Portable Mini Alarm – Sensor	452	£5.23
– Counter	453	£5.07
★ Teach-In '04 Part 9	454	£5.07
PIC Combination Lock Alarm Monitor	455	£5.71
★ EPE Magnetometry Logger	456	£4.12
Keyring L.E.D. Torch	AUG '04 457	£5.39
★ Teach-In '04 Part 10 – PIC Curtain or Blind Winder	458	£5.07
Simple F.M. Radio – F.M. Tuner	459	£4.75
– Tone Control	347	£4.60
– Audio Power Amp (TDA2003)	460	£5.39
– Power Supply	461	£6.66
★ EPE Scorer – Control Board	462	£7.93
– Display Board	463	£5.55
– Slave Board	–	–
★ PIC to Mouse/Keyboard – Software only	–	–
EPE Wart Zapper	SEPT '04 464	£4.60
★ Radio Control Failsafe	465	£4.76
★ AlphaMouse Game	466	£4.60
★ Rainbow Lighting Controller – Software only	–	–

EPE SOFTWARE

Software programs for *EPE* projects marked with a single asterisk ★ are available on 3.5 inch PC-compatible disks or free from our Internet site. The following disks are available: **PIC Tutorial V2** (Apr-June '03); **EPE Disk 3** (2000); **EPE Disk 4** (2001 – excl. PIC Toolkit TK3); **EPE Disk 5** (2002); **EPE Disk 6** (2003 – excl. Earth Resistivity and Met Office); **EPE Disk 7** (Jan 2004 to current cover date); **EPE Earth Resistivity Logger** (Apr-May '03); **EPE PIC Met Office** (Aug-Sept '03); **EPE Seismograph** (Apr-May '04); **EPE Magnetometry Logger** (July-Aug '04); **EPE Teach-In 2000**; **EPE Spectrum**; **EPE Interface Disk 1** (October '00 issue to current cover date). **EPE Toolkit TK3** software is available on the **EPE PIC Resources CD-ROM**, £14.45. Its p.c.b. is order code 319, £8.24. ★★ The software for these projects is on its own CD-ROM. The 3.5 inch disks are £3.00 each (UK), the CD-ROMs are £6.95 (UK). Add 50p each for overseas surface mail, and £1 each for airmail. All are available from the *EPE PCB Service*. All files can be downloaded free from our Internet FTP site, accessible via our home page at: www.epemag.wimborne.co.uk.

EPE PRINTED CIRCUIT BOARD SERVICE

Order Code Project Quantity Price

Name

Address

Tel. No.

I enclose payment of £..... (cheque/PO in £ sterling only) to:



Everyday Practical Electronics



MasterCard, Amex, Diners Club, Visa or Switch/Maestro



Card No.

Valid From Expiry Date

Card Security Code Switch/Maestro Issue No
(The last 3 digits on or just under the signature strip)

Signature

NOTE: You can also order p.c.b.s by phone, Fax, Email or via our Internet site on a secure server:

<http://www.epemag.wimborne.co.uk/shopdoor.htm>

Everyday Practical Electronics reaches twice as many UK readers as any other UK monthly hobby electronics magazine, our sales figures prove it. We have been the leading monthly magazine in this market for the last nineteen years.

If you want your advertisements to be seen by the largest readership at the most economical price our classified and semi-display pages offer the best value. The prepaid rate for semi-display space is £10 (+VAT) per single column centimetre (minimum 2.5cm). The prepaid rate for classified adverts is 40p (+VAT) per word (minimum 12 words).

All cheques, postal orders, etc., to be made payable to Everyday Practical Electronics. **VAT must be added.** Advertisements, together with remittance, should be sent to Everyday Practical Electronics Advertisements, Mill Lodge, Mill Lane, Thorpe-le-Soken, Essex CO16 0ED. Phone/Fax (01255) 861161.

For rates and information on display and classified advertising please contact our Advertisement Manager, Peter Mew as above.

VVT TRANSFORMERS

Transformers and Chokes for all types of circuits including specialist valve units
Custom design or standard range
High and low voltage

Variable Voltage Technology Ltd

Unit 3, Sheat Manor Farm, Chillerton,
Newport, Isle of Wight, PO30 3HP
Tel: 0870 243 0414 Fax: 01983 721572
email: sales@vvt-cowes.freeserve.co.uk

www.vvttransformers.co.uk

The Versatile, Programmable On Screen Display System www.STV5730A.co.uk



- Fully programmable
 - PIC 16F628 microcontroller
 - Demo software code available
 - OSD IC 28 by 11 screen
 - I/O lines free to connect sensors or buttons
 - Serial or PC keyboard interface versions
- PAL - NTSC compatible
- TEXT, GPS or DATA

TRANSFORMERS

- Custom Wound
- 1 Phase to 50kVA
- 3 Phase to 100kVA
- A.C. and D.C. Chokes
- H.T. up to 5kV
- Transformer Kits
- Coils up to 1m Dia.
- Transformer Rectifiers
- Toroidals
- Motor Generators

Visit www.jemelec.com for details
or request our free leaflet

Jemelec, Unit 7, Shirebrook Business Park, Mansfield, NG20 8RN

Tel: 0870 787 1769

EPE NET ADDRESSES

EPE FTP site: <ftp://ftp.epemag.wimbome.co.uk>

Access the FTP site by typing the above into your web browser, or by setting up an FTP session using appropriate FTP software, then go into quoted sub-directories: PIC-project source code files: /pub/PICS
PIC projects each have their own folder; navigate to the correct folder and open it, then fetch all the files contained within. Do not try to download the folder itself!

EPE text files: /pub/docs

Basic Soldering Guide: solder.txt

Ingenuity Unlimited submission guidance: Ing_unlt.txt

New readers and subscribers info: epe_Info.txt

Newsgroups or Usenet users advice: usenet.txt

Ni-Cad discussion: nicadfaq.zip and nicad2.zip

Writing for EPE advice: write4us.txt

You can also enter the FTP site via the link at the top of the main page of our home site at:

<http://www.epemag.wimbome.co.uk>

Shop now on-line: www.epemag.wimbome.co.uk/shopdoor.htm

X-10® Home Automation We put you in control™

Why tolerate when you can automate?

An extensive range of 230V X-10 products and starter kits available. Uses proven Power Line Carrier technology, no wires required.

Products Catalogue available Online.

Worldwide delivery.

Laser Business Systems Ltd.

E-Mail: info@laser.com

<http://www.laser.com>

Tel: (020) 8441 9788

Fax: (020) 8449 0430



BTEC ELECTRONICS TECHNICIAN TRAINING

VCE ADVANCED ENGINEERING
ELECTRONICS AND ICT
HNC AND HND ELECTRONICS
NVQ ENGINEERING AND IT
**PLEASE APPLY TO COLLEGE FOR
NEXT COURSE DATE**
FULL PROSPECTUS FROM

LONDON ELECTRONICS COLLEGE
(Dept EPE) 20 PENYERN ROAD
EARLS COURT, LONDON SW5 9SU
TEL: (020) 7373 8721

TOTALROBOTS

ROBOTICS, CONTROL & ELECTRONICS TECHNOLOGY

High quality robot kits and components
UK distributor of the OOPic microcontroller

Secure on-line ordering

Rapid delivery

Highly competitive prices

Visit www.totalrobots.com

Tel: 0208 823 9220

SWAYSCIENCE

LOW TEMPERATURE DESOLDERING (60°C-80°C)

Remove electronic components without heat damage to semiconductors or p.c.b.s.

★ Cost Effective ★ Free Details

★ Safer than most solder itself

★ Trade and Retail Enquiries Welcome

TEL: 0778 770 3785

BOWOOD ELECTRONICS LTD

Suppliers of Electronic Components

Place a secure order on our website or call our sales line
All major credit cards accepted

Web: www.bowood-electronics.co.uk

Unit 1, McGregor's Way, Turnoaks Business Park,

Chesterfield, S40 2WB. Sales: 01246 200222

Send 60p stamp for catalogue

Miscellaneous

**FREE! PROTOTYPE PRINTED CIRCUIT
BOARDS!** Free prototype p.c.b. with quantity orders. Call Patrick on 028 9073 8897 for details. Agar Circuits, Unit 5, East Belfast Enterprise Park, 308 Alberbridge Road, Belfast BT5 4GX.

**PRINTED CIRCUIT BOARDS - QUICK
SERVICE.** Prototype and production artwork raised from magazines or draft designs at low cost. PCBs designed from schematics. Production assembly, wiring and software programming. For details contact Patrick at Agar Circuits, Unit 5, East Belfast Enterprise Park, 308 Alberbridge Road, Belfast, BT5 4GX. Phone 028 9073 8897, Fax 028 9073 1802. Email agar@argonet.co.uk.

**VALVES AND ALLIED COMPONENTS IN
STOCK.** Phone for free list. Valves, books and magazines wanted. Geoff Davies (Radio), tel. 01788 574774.

KITS, TOOLS, COMPONENTS. S.a.e. catalogue: Sir-Kit Electronics, 52 Severn Road, Clacton, CO15 3RB. www.geocities.com/sirkituk.

Computer Software

ELECTRONICS AND ELECTRICAL V8.2 colourful highly interactive software as used in schools and colleges. Now downloadable for just £4.95, normally £120. FREE trial download www.eptsoft.com.

GCSE MATHS V8.2 colourful highly interactive software as used in schools and colleges. Now downloadable for just £4.95, normally £120. FREE trial download www.eptsoft.com.

We have moved to: 17A King Street, Mortimer, Nr. Reading RG7 3RS
Tel No: 0118 933 1111 Fax No: 0118 933 2375

MISCELLANEOUS CLEARANCE STOCK

OSCILLOSCOPES	
Tektronix 465B Dual Trace 100MHz Delay fitted into 19in rack frame	£125
MARCONI EQUIPMENT	
TF2300 FMA/M Modulation Meter	£30
TF1073A/2S Variable Attenuator 750 ohm DC-150MHz	£15
TF2600B AC Mill Volt Meter 1mV-100V FSD 10Hz-10MHz	£20
TF2162 MF Attenuator DC-1GHz 50 ohm 0-111dB	£20
TF2163 UHF Attenuator DC-1GHz 50 ohm	£50
64601 Power Meter with Head	£35
TF2331 Distortion Meter	£50
TF2173 Synch for TF2016 Sig Gen - No linking cables	£50
TF2005R Two Tone Source	£30
MISCELLANEOUS CLEARANCE	
Comark 6500 Microprocessor Thermometer	£30
Keithley 26100 Logarithmic Picoammeter	£60
Sullivan AC1012 4 Decade Resistance Box 0-05%	£10
Brandenburg 020 Static Freq Converter 110/240V input 50/60Hz Output 115V 400Hz 20VA	£75
Narda 706 Attenuator	£10
Analogue Associates X800 Audio Amplifier 800watt (400w per Channel no DC Protection)	£100
Receiver SX400 in Ally Carrying Case	£75
W&G PCG2 PCM Channel Generator	£50
Jetmatic RS619-171 Desolder Station	£40
Racal 9841 Frequency Meter 3GHz Noise Tubes	£50
Racal/Dana 9921 UHF Freq. Counter 3GHz	£100
Syston Donner 6053 Freq Counter 20Hz-3GHz Noise Tubes	£50
Sivers Lab 12400 - 18000 MHz	£10
Sivers Lab 5212 2500 - 4000MHz-C2k4	£10
Time 2003N DC Voltage Potentiometer 0.02% Grade	£30
Croplex V510 DC Standard 10V	£50
Dawe 1461D A.C. Analyser	£15
Dawe 1405D Sound Level Meter	£25
Cambridge 44228 Potentiometer in Wooden Case	£50
Weircliffe Model 6 Bulk Eraser	£20
Casella TB620 Heat Stress Monitor	£30
Novation MM3000 Hygrometer	£20
JJ Instruments PL4 Recorder	£20
Casella Drum Recorder	£30
Negretti 0-55C Drum Recorder	£30
Negretti 125 Series Drum Recorder	£30
Sato Kaiyoki NS307 Hydrotograph Dual Channel -15c to +40c	£50
OK Industries CEC00-015 Surface Resistivity/Resistance to Ground Meter - Nic Probe	£10
Meggar 500V Wind Up Small	£25

HP 8413A Phase-Gain Indicator	£40
HP 8501A Transistor Test Fixture (goes with 8510 Network Analyser)	£100
HP 8410A Network Analyser Accessories Kit	£100
HP 1335A Display in 19in rack	£25
HP 11604A Universal Extension	£20
HP 4437A Attenuator	£20
HP 400C AC Voltmeter	£20
HP 5383A Freq. Counter 520MHz	£40
HP 5336B Triple Output PSU 0-6V 2.5A +0-0.5A	£40
Wiltron 6100 Sweep Gen with 6219 2-8GHz & 61280 7.9-12.4GHz Plug-ins	£100
Micro-Tel MSR903 Microwave Receiver	£150
Micro-Tel 1200 Wide Range Receiver	£150
PAE 25065D/2605D/2650D VHF Receiver/Drive Unit	£50
Marconi TP2357 with TP2356 Selective Level Meter/Level Oscillator 20MHz - Piced per pair	£50
Ling Dynamic PO 300 Vibrator Drive and Power Oscillator	£100
HP 16300DG Logic Analyzers with Probs - No Grabbers	£75
HP 8616A Signal Generator 1.8-4.5GHz	£50
Marconi 6700A/B Sweep Oscillator Main Frame only	£40
Weinacht/Marconi 430C S/Oscillator 12-4-18GHz Plug-in	£95
Wavelet 1728 Programmable Signal Source, No Front Panel Controls	£50
Texcan V560 Signal Generator 1-1000MHz	£150
Texcan S450 Attenuator 50ohm 1-122dB	£15
EIP 350C Autohot Counter 20Hz-12.4GHz	£50
EM A7 DC Network Amplifier	£40
AWA F242A Distortion & Noise Meter	£40
Exact 121 Sweep Function Generator	£50
Telet Capton 4000 Closed Caption Decoder 120V	£25
Wizard Power Supply 13.8V 32AMP Unused	£40
Sorenson DCR40-20A 0-40V 0-20A	£50
HP 3495A Scanner	£40
HP 1415 with 8553L & 8552A Spectrum Anal 110MHz	£150
TeikSony 990AD Programmable Digitizer	£30
Tektronix 851 Digital Tester	£35
Tektronix DAS9100 Series Digital Analysis System	£40
Wayne Kerr S110 Standard Capacitor 10uuf	£30
Time 505 Current Source 0-190	£40
Fluke 9025A Multimeter	£20
HP 3710A IF/BB Transmitter with 3716A B-B Transmitter	£50
HP 3712A IF/BB Receiver with 3293D DIF Phase Detector	£50
HP 3711A IF/BB Transmitter	£50
Singer Stoddart NM3757 EM/Field Intensity Meter	£75
Exact 170 Amplifier	£30
H.N. Speakers Disco Type MID/BASS 2x12in. (500 Watts) - sold as a pair	£150
HP 8755C Swept Amplitude Analyser Plug-in - No Probes	£20
Gallen Kamp Thermostat Hotplate 0-300 C	£20
Ealing Photomultiplier Supply with EM1 9798B/04 Photomultiplier	£30
Datapulse 101 Pulse Generator	£20

EXTRA SPECIAL OFFERS

H.P. 8560A Spectrum Analyser, 50Hz-2.9GHz	£3250
H.P. 8569B Spectrum Analyser, 10MHz-22GHz	£1500
MARCONI 2382 Spectrum Analyser, 200Hz-400MHz	£1,250
TEKTRONIX 2465A Oscilloscope, 4-ch, 350MHz	£750
TEKTRONIX 2246 Oscilloscope, 4-ch, 100MHz	£375
H.P. 8640A AM/FM Signal Gen, 500kHz-50MHz	£175

SPECIAL OFFERS

OSCILLOSCOPES	
LECROY 9400A dual trace, 170MHz, 5G/S	£500
LECROY 9400 dual trace, 125MHz	£400
TEKTRONIX 468 dual trace, 100MHz, digital storage	£300
TEKTRONIX 475 dual trace, 200MHz, delay sweep	£250
TEKTRONIX 465B dual trace, 100MHz, delay sweep	£250
TEKTRONIX 465 dual trace, 100MHz, delay sweep	£175
PHILIPS PM3217 dual trace, 50MHz, delay sweep	£150
THURBY PL320QMD 0-30V 0-2A twice digital PSU	£150
H.P. 68312A 0-20V 0-2A Communications PSU	£200
H.P. 6625A Precision High Resolution PSU, 4 outputs, 0-7V 0-15A or 0-50V 0-5A twice, 0-16V 0-0.2A or 0-50V 0-2A twice	£500
CIRIUS CR1254 Sound Level Meter with calibrator 80-130dB LED	£95
WAYNE KERR 8424 Component Bridge	£50
RACAL 9300 True RMS Voltmeter, 5Hz-20MHz usable to 60MHz, 10V-316V	£50
RACAL 9300B True RMS Voltmeter, 5Hz-20MHz usable to 60MHz, 10V-316V	£75
AND DA116 Digital Avometer with battery and leads	£20
FARNELL LF44 Sine/Sq Oscillator, 10Hz-1MHz, low distortion TTL output, amplitude meter	£75
FARNELL J3B Sine/Sq Oscillator, 10Hz-100kHz, low distortion	£60
HEIME 1000 LCD Clamp Meter, 0-1000A, in carrying case	£35
FLUXE 77 Multimeter 3 1/2 digit handheld with battery & leads	£45
KENWOOD VT176 2-Channel Multivoltmeter	£50
KENWOOD FL140 Wow and Flutter Meter	£30
KENWOOD FL180A Wow and Flutter Meter	£75
KENWOOD FL180 Wow and Flutter Meter, unused	£125
MARCONI 6960B Power Meter with 6920 head, 10MHz-20GHz	£450
SOLARTRON 7150 DMV 6 1/2-digit True RMS IEEE	£75
SOLARTRON 7150 Plus As 7150 + temp. measurement IEEE Cables	£100
H.P. 3312A Function Gen, 0-1Hz-13MHz, AM/FM Sweep/Sq/Tri/Burst etc	£200
H.P. 3314A Function Gen, 0-005Hz-6MHz, Sine/Sq/Tri/Ramp/Pulse	£80
RACAL 900B Automatic Modulation Meter, 1-5MHz-2GHz	£90

STEWART of READING

17A King Street, Mortimer, Near Reading RG7 3RS
 Telephone: (0118) 933 1111. Fax: (0118) 933 2375
 www.stewart-of-reading.co.uk

Callers welcome 9am-5.30pm Monday to Friday (other times by arrangement)

Used Equipment - GUARANTEED. Manuals supplied

This is a VERY SMALL SAMPLE OF STOCK. SAE or Telephone for lists.
 Please check availability before ordering.
 CARRIAGE all units £16. VAT to be added to Total of Goods and Carriage

SQUIRES

MODEL & CRAFT TOOLS

A COMPREHENSIVE RANGE OF MINIATURE HAND AND POWER TOOLS AND AN EXTENSIVE RANGE OF

ELECTRONIC COMPONENTS

FEATURED IN A FULLY ILLUSTRATED

656 PAGE MAIL ORDER CATALOGUE

2004 ISSUE

SAME DAY DESPATCH

FREE POST AND PACKAGING

Catalogues: FREE OF CHARGE to addresses in the UK.
 Overseas: CATALOGUE FREE, postage at cost charged to credit card

SHOP EXTENSION NOW OPEN

Squires, 100 London Road, Bognor Regis, West Sussex, PO21 1DD

TEL: 01243 842424

FAX: 01243 842525



FRUSTRATED!

Looking for ICs TRANSISTORS?

A phone call to us could get a result. We offer an extensive range and with a world-wide database at our fingertips, we are able to source even more. We specialise in devices with the following prefix (to name but a few).



2N 2SA 2SB 2SC 2SD 2P 2SJ 2SK 3N 3SK 4N 6N 17 40 AD ADC AN AM AY BA BC BD BDT BDV BDW BDX BF BFR BFS BFT BFX BFY BLY BLX BS BR BRX BRY BS BSS BSV BSW BSX BT BTA BTB BRW BU BUK BUB BUT BUY BUW BUX BUZ CA CD CX CXA DAC DG DM DS DTA DTC GL GM HA HCF HD HEF ICL ICM IRF J KA KIA L LA LB LC LD LF LM M M5M MA MAB MAX MB MC MDAJ MJE MJF MM MN MPS MP5A MP5H MP5A MRF NJM NE OM OP PA PAL PIC PN RC S SAA SAB SAD SAJ SAS SDA SG SI SL SN SO STA STK STR STRD STRM STRS SVI T TA TAA TAG TBA TC TCA TDA TDB TEA TIC TIP TIPL TEA TL TLT TMP TMS TPU U UA UAA UC UDN ULN UM UPA UPC UPD VN X XR Z ZN ZTX + many others

PLEASE VISIT OUR WEB SITE AT
www.cricklewoodelectronics.com
 We Stock a Massive Range of Components

Mail, phone, Fax Credit Card orders and callers welcome



Cricklewood Electronics Ltd
 40-42 Cricklewood Broadway London NW2 3ET
 Tel: 020 8452 0161 Fax: 020 8208 1441

Watch Slides on TV.

Make videos of your slides. Digitise your slides (using a video capture card) "Liesgang diatv" automatic slide viewer with built in high quality colour TV camera. It has a composite video output to a phono plug (SCART & BNC adaptors are available). They are in very good condition with few signs of use. More details see www.diatv.co.uk.
£91.91 + VAT = £108.00



Board cameras all with 512 x 582 pixels 8.5mm 1/3 inch sensor and composite video out. All need to be housed in your own enclosure and have fragile exposed surface mount parts. They all require a power supply of between 10V and 12V DC 150mA.
47MIR size 60 x 36 x 27mm with 6 infra red LEDs (gives the same illumination as a small torch but is not visible to the human eye) £37.00 + VAT = £43.48
30MP size 32 x 32 x 14mm spy camera with a fixed focus pin hole lens for hiding behind a very small hole £35.00 + VAT = £41.13
40MC size 39 x 38 x 27mm camera for 'C' mount lens these give a much sharper image than with the smaller lenses £32.00 + VAT = £37.60
Economy C mount lenses all fixed focus & fixed iris
VSL1220F 12mm F1.6 12 x 15 degrees viewing angle £15.97 + VAT £18.76
VSL4022F 4mm F1.22 63 x 47 degrees viewing angle £17.65 + VAT £20.74
VSL6022F 6mm F1.22 42 x 32 degrees viewing angle £19.05 + VAT £22.38
VSL8020F 8mm F1.22 32 x 24 degrees viewing angle £19.90 + VAT £23.38

Better quality C Mount lenses

VSL1614F 16mm F1.6 30 x 24 degrees viewing angle £26.43 + VAT £31.06
VWL813M 8mm F1.3 with iris 56 x 42 degrees viewing angle £77.45 + VAT = £91.00
1206 surface mount resistors E12 values 10 ohm to 1M ohm
100 of 1 value £1.00 + VAT 1000 of 1 value £5.00 + VAT

866 battery pack originally intended to be used with an orbital mobile telephone it contains 10 1.6Ah sub C batteries (42 x 22 dia. the size usually used in cordless screwdrivers etc.) the pack is new and unused and can be broken open quite easily
£7.46 + VAT = £8.77



Please add £1.66 + vat = £1.95 postage & packing per order

JPG Electronics

Shaws Row, Old Road, Chesterfield, S40 2RB.

Tel 01246 211202 Fax 01246 550959

Mastercard/Visa/Switch

Callers welcome 9.30 a.m. to 5.30 p.m. Monday to Saturday

ADVERTISERS INDEX

AUTOTRAX	633
N. R. BARDWELL	627
B.K. ELECTRONICS	Cover (iv)/637
BRUNNING SOFTWARE	642
BULL GROUP	Cover (ii)
CRICKLEWOOD ELECTRONICS	667
DISPLAY ELECTRONICS	598
ESR ELECTRONIC COMPONENTS	606
FOREST ELECTRONIC DEVELOPMENTS	603
JAYCAR ELECTRONICS	628
JPG ELECTRONICS	668
LABCENTER	Cover (iii)
MAGENTA ELECTRONICS	604/605
MATRIX MULTIMEDIA	637
MILFORD INSTRUMENTS	625
PEAK ELECTRONIC DESIGN	613
PICO TECHNOLOGY	617/645
QUASAR ELECTRONICS	600/601
SHERWOOD ELECTRONICS	668
SQUIRES	667
STEWART OF READING	667

ADVERTISEMENT MANAGER: PETER J. MEW

ADVERTISEMENT OFFICES:

EVERYDAY PRACTICAL ELECTRONICS, ADVERTISEMENTS, MILL LODGE, MILL LANE, THORPE-LE-SOKEN, ESSEX CO16 0ED.

Phone/Fax: (01255) 861161

For Editorial address and phone numbers see page 607

SHERWOOD ELECTRONICS

FREE COMPONENTS

Buy 10 x £1 Special Packs and choose another one FREE

SP1 15 x 5mm Red LEDs	SP133 20 x 1N4004 diodes
SP2 12 x 5mm Green LEDs	SP134 15 x 1N4007 diodes
SP3 12 x 5mm Yellow LEDs	SP135 6 x Miniature slide switches
SP5 25 x 5mm 1 part LED clips	SP136 3 x BFY50 transistors
SP6 15 x 3mm Red LEDs	SP137 4 x W005 1.5A bridge rectifiers
SP7 12 x 3mm Green LEDs	SP138 20 x 2-263V radial elect. caps.
SP8 10 x 3mm Yellow LEDs	SP140 3 x W04 1.5A bridge rectifiers
SP9 25 x 3mm 1 part LED clips	SP142 2 x CMOS 4017
SP10 100 x 1N4148 diodes	SP143 5 Pairs min. crocodile clips (Red & Black)
SP11 30 x 1N4001 diodes	SP146 10 x 2N3704 transistors
SP12 30 x 1N4002 diodes	SP147 5 x Stripboard 9 strips x 25 holes
SP18 20 x BC182 transistors	SP151 4 x 8mm Red LEDs
SP20 20 x BC184 transistors	SP152 4 x 8mm Green LEDs
SP23 20 x BC549 transistors	SP153 4 x 8mm Yellow LEDs
SP24 4 x CMOS 4001	SP154 15 x BC548 transistors
SP25 4 x 555 timers	SP156 3 x Stripboard, 14 strips x 27 holes
SP26 4 x 741 Op.Amps	SP160 10 x 2N3904 transistors
SP28 4 x CMOS 4011	SP161 10 x 2N3906 transistors
SP29 3 x CMOS 4013	SP165 2 x LF351 Op.Amps
SP33 4 x CMOS 4081	SP166 20 x 1N4003 diodes
SP34 20 x 1N914 diodes	SP167 5 x BC107 transistors
SP36 25 x 10/25V radial elect. caps.	SP168 5 x BC108 transistors
SP37 12 x 100/35V radial elect. caps.	SP172 4 x Standard slide switches
SP39 10 x 470/16V radial elect. caps.	SP173 10 x 220/25V radial elect. caps.
SP40 15 x BC237 transistors	SP174 20 x 22/25V radial elect. caps.
SP41 20 x Mixed transistors	SP177 10 x 1A 20mm quick blow fuses
SP42 200 x Mixed 0.25W C.F. resistors	SP178 10 x 2A 20mm quick blow fuses
SP47 5 x Min. PB switches	SP181 5 x Phono plugs - asstd colours
SP49 4 x 5 metres stranded core wire	SP182 20 x 4-7/63V radial elect. caps.
SP102 20 x 8-pin DIL sockets	SP183 20 x BC547 transistors
SP103 15 x 14-pin DIL sockets	SP187 15 x BC239 transistors
SP104 15 x 16-pin DIL sockets	SP189 4 x 5 metres solid core wire
SP105 4 x 74LS00	SP192 3 x CMOS 4066
SP109 15 x BC557 transistors	SP193 3 x 10mm Yellow LEDs
SP112 4 x CMOS 4093	SP197 6 x 20 pin DIL sockets
SP115 3 x 10mm Red LEDs	SP198 5 x 24 pin DIL sockets
SP116 3 x 10mm Green LEDs	SP199 5 x 2.5mm mono jack plugs
SP118 2 x CMOS 4047	SP200 5 x 2.5mm mono jack sockets
SP124 20 x Assorted ceramic disc caps	
SP126 6 x Battery clips - 3 ea. PP3 + PP3	
SP130 100 x Mixed 0.5W C.F. resistors	
SP131 2 x TL071 Op.Amps	

RESISTOR PACKS - C.Film

RP3 5 each value - total 365 0.25W	£3.20
RP7 10 each value - total 730 0.25W	£4.45
RP10 1000 popular values 0.25W	£6.35
RP4 5 each value-total 345 0.5W	£4.10
RP8 10 each value-total 690 0.5W	£6.75
RP11 1000 popular values 0.5W	£8.60

2004 Catalogue now available £1 inc. P&P or FREE with first order.

P&P £1.50 per order. NO VAT

Chèques and Postal Orders to:

Sherwood Electronics,
7 Williamson St., Mansfield,
Notts. NG19 6TD.

EPE SUBSCRIPTIONS

Subscriptions for delivery direct to any address in the UK: 6 months £16.50, 12 months £31, two years £57; Overseas: 6 months £19.50 standard air service or £28.50 express airmail, 12 months £37 standard air service or £55 express airmail, 24 months £69 standard air service or £105 express airmail.

Cheques or bank drafts (in £ sterling only) payable to *Everyday Practical Electronics* and sent to *EPE Subs. Dept.*, Wimborne Publishing Ltd., 408 Wimborne Road East, Ferndown, Dorset BH22 9ND. Tel: 01202 873872. Fax: 01202 874562. Email: subs@epemag.wimborne.co.uk. Also via the Web at <http://www.epemag.wimborne.co.uk>. Subscriptions start with the next available issue. We accept MasterCard, Amex, Diners Club, Switch or Visa. (For past issues see the Back Issues page.)

ONLINE SUBSCRIPTIONS

Online subscriptions, for downloading the magazine via the Internet, \$10.99US (approx. £7) for one year available from www.epemag.com.

USA/CANADA SUBSCRIPTIONS

To subscribe to *EPE* from the USA or Canada please telephone Express Mag toll free on 1877 363-1310 and have your credit card details ready. Or fax (514) 355 3332 or write to Express Mag, PO Box 2769, Plattsburgh, NY 12901-0239 or Express Mag, 8155 Larney Street, Anjou, Quebec, H1J 2L5. Email address: expmag@expressmag.com.

Web site: www.expressmag.com.

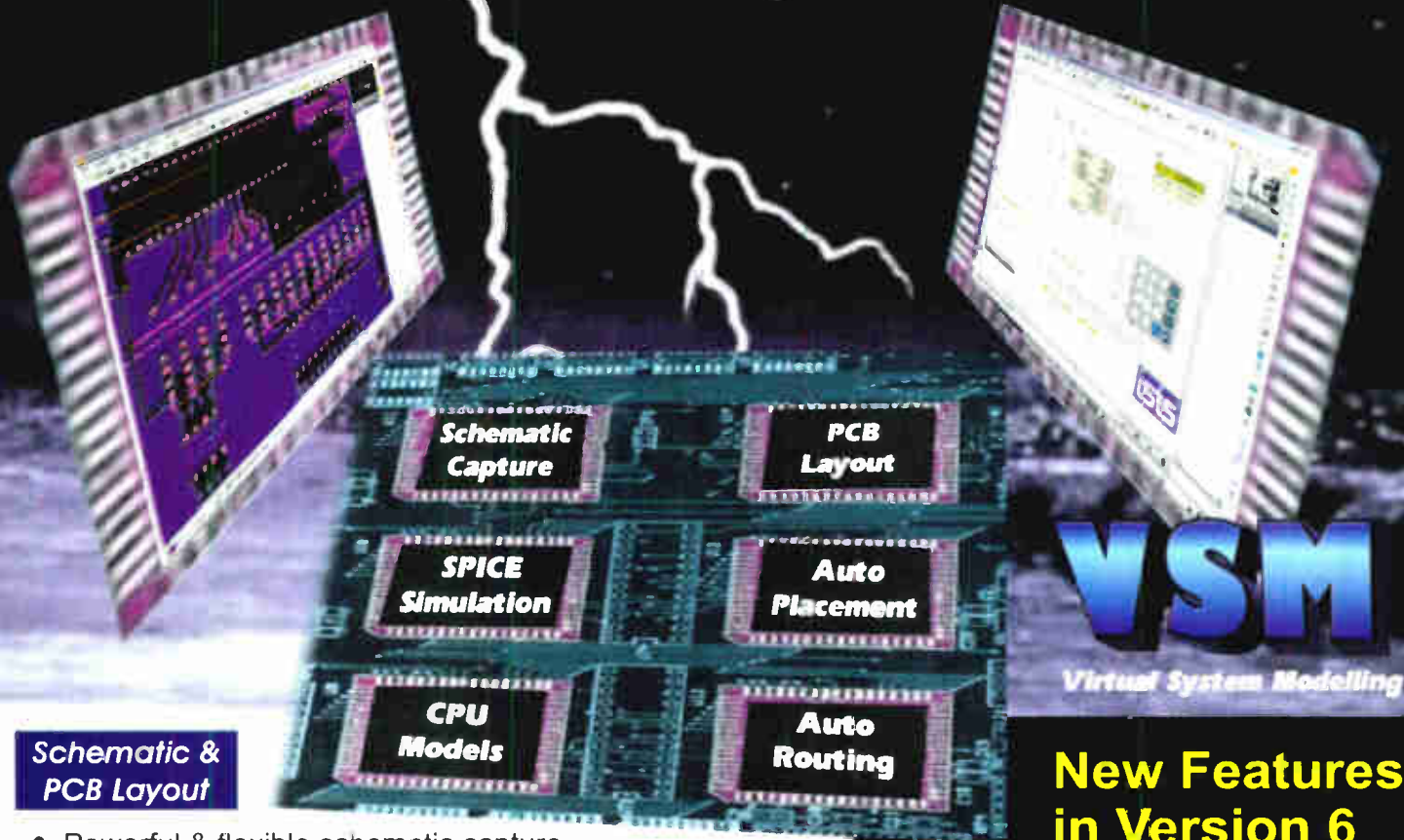
USA price \$60(US) per annum, Canada price \$97(Can) per annum - 12 issues per year.

Everyday Practical Electronics, periodicals pending, ISSN 0262 3617 is published twelve times a year by Wimborne Publishing Ltd., USA agent USACAN at 1320 Route 9, Champlain, NY 12919. Subscription price in US \$60(US) per annum. Periodicals postage paid at Champlain NY and at additional mailing offices. POSTMASTER: Send USA and Canada address changes to *Everyday Practical Electronics*, c/o Express Mag., PO Box 2769, Plattsburgh, NY, USA 12901-0239.

Published on approximately the second Thursday of each month by Wimborne Publishing Ltd., 408 Wimborne Road East, Ferndown, Dorset BH22 9ND. Printed in England by Apple Web Offset Ltd., Warrington, WA1 4RW. Distributed by COMAG Magazine Marketing, Tavistock Rd., West Drayton, UB7 7QE. Subscriptions INLAND: £16.50 (6 months); £31 (12 months); £57 (2 years). OVERSEAS: Standard air service, £19.50 (6 months); £37 (12 months); £69 (2 years). Express airmail, £28.50 (6 months); £55 (12 months); £105 (2 years). Payments payable to "Everyday Practical Electronics", Subs Dept, Wimborne Publishing Ltd. Email: subs@epemag.wimborne.co.uk. EVERYDAY PRACTICAL ELECTRONICS is sold subject to the following conditions, namely that it shall not, without the written consent of the Publishers first having been given, be lent, resold, hired out or otherwise disposed of by way of Trade at more than the recommended selling price shown on the cover, and that it shall not be lent, resold, hired out or otherwise disposed of in a mutilated condition or in any unauthorised cover by way of Trade or affixed to or as part of any publication or advertising, literary or pictorial matter whatsoever.

PROTEUS

The Complete Electronics Design System



Schematic & PCB Layout

- Powerful & flexible schematic capture.
- Auto-component placement and rip-up/retry PCB routing.
- Polygonal gridless ground planes.
- Libraries of over 8000 schematic and 1000 PCB parts.
- Bill of materials, DRC reports and much more.

Mixed Mode SPICE Circuit Simulation

- Berkeley SPICE3F5 simulator with custom extensions for true mixed mode and interactive simulation.
- 6 virtual instruments and 14 graph based analysis types.
- 6000 models including TTL, CMOS and PLD digital parts.
- Fully compatible with manufacturers' SPICE models.

Proteus VSM - Co-simulation and debugging for popular Micro-controllers

- Supports PIC AVR, 8051, HC11 and ARM micro-controllers
- Co-simulate target firmware with your hardware design.
- Includes interactive peripheral models for LED and LCD displays, switches, keypads, virtual terminal and much, much more.
- Provides source level debugging for popular compilers and assemblers from Crownhill, IAR, Keil, and others.

New Features in Version 6

- Drag and drop toolbars.
- Visual PCB packaging tool.
- Improved route editing.
- Point and click DRC report.
- Multiple design rules (per net).
- Multiple undo/redo.

Call Now for Upgrade Pricing

Works with
PIC Basic Plus
from Crownhill
Associates

labcenter

Electronics

53-55 Main Street, Grassington. BD23 5AA

Tel: 01756 753440
Fax: 01756 752857

Contact us for
Free Demo CD

www.labcenter.co.uk
info@labcenter.co.uk



POWER AMPLIFIER MODULES-LOUDSPEAKERS-MIXERS 19 INCH STEREO AMPLIFIERS-ACTIVE CROSS/OVERS.

* PRICES INCLUDE V.A.T.
* PROMPT DELIVERY

OMP MOS-FET POWER AMPLIFIERS HIGH POWER, TWO CHANNEL 19 INCH RACK

10,000's
SOLD
TO PRO
USERS



THE RENOWNED MXF SERIES OF POWER AMPLIFIERS

FOUR MODELS:- MXF200 (100W + 100W) MXF400 (200W + 200W)
MXF600 (300W + 300W) MXF900 (450W + 450W)

ALL POWER RATINGS ARE R.M.S. INTO 4 OHMS, WITH BOTH CHANNELS DRIVEN
FEATURES:- * Independent power supplies with two toroidal transformers
* Twin L.E.D. Vu Meters * Level controls * Illuminated on/off switch * Jack / XLR inputs
* Speakon Outputs * Standard 775mV inputs * Open and Short circuit proof * Latest Mos-Fets
for stress free delivery into virtually any load * High slew rate * Very low distortion * Aluminium
cases * MXF600 & MXF900 fan cooled with D.C. Loudspeaker and thermal protection.

USED THE WORLD OVER IN CLUBS, PUBS, CINEMAS, DISCOS ETC

SIZES:-
MXF200 W19" D11" H3 1/2" (2U)
MXF400 W19" D12" H5 1/4" (3U)
MXF600 W19" D13" H5 1/4" (3U)
MXF900 W19" D14" H5 1/4" (3U)

PRICES:- MXF200 £175.00 MXF400 £233.85
MXF600 £329.00 MXF900 £449.15
SPECIALIST CARRIER DEL £12.50 Each



ABSOLUTE HIGH END CLASS D AMPLIFIER

The OMP MFD600 can be used as a stand alone monoblock amplifier or fitted into existing loudspeakers to make them active

- Compact design due to switch mode P.S.U.
- 90% Efficient high switching frequency
- Small size, fits in a 110mm x 92mm opening
- Neutrik® Combi input balanced / unbalanced
- Output fully protected
- Status LEDs - Presence / Clip / Protect
- 600W / 2 Ohm - 500W / 4 Ohm - 300W / 8 Ohm
- All powers in R.M.S.
- Volume control. Input sensitivity 775mV
- Freq. Response 2Hz-20kHz
- Light weight 3kg

**Stunning performance
Audiophile Quality**

For further information please look at our website at www.bkelec.com and click on the modules and hybrids button

Special quantity pricing and customised artwork for OEM's.

Price £281.12 Inc Vat Each or £499.00 Per Pair when quoting this advert

Carriage UK Mainland Only £8.00



100 WATT ACTIVE SUB BASS AMPLIFIER PANEL



AN ACTIVE SUB BASS AMPLIFIER WITH A TRUE 100W RMS OUTPUT, SUPERB CONSTRUCTION WITH THE FACILITIES TO INTEGRATE SEEMLESSLY INTO MOST HI-FI OR HOME CINEMA SETUPS. USE THIS PANEL PLUS ONE OF OUR LOUDSPEAKERS TO MAKE YOUR OWN SUB WOOFER THAT WILL MATCH OR BEAT MOST COMMERCIALY AVAILABLE SUB WOOFERS.

FEATURES:- * 100W RMS INTO 8 OHMS * HIGH AND LOW LEVEL INPUTS * TOROIDAL TRANSFORMER * SHORT CIRCUIT PROTECTION * D.C. SPEAKER PROTECTION * FREQUENCY ROLL OFF, LOWER 10Hz, UPPER 60Hz TO 240Hz (FULLY ADJUSTABLE) * AC3 COMPATIBLE FILTER CAN BE BYPASSED FOR 5-1 FORMATS. * AIRTIGHT CONSTRUCTION * TENS OF THOUSANDS OF OUR PANELS ALREADY IN USE. * COMPLETE WITH LEADS

SPECIFICATIONS:- * POWER 100W RMS @ 8 OHMS * FREQ RESP. 10Hz 15KHz -3dB * DAMPING FACTOR >200 * DISTORTION 0.05% * S/N A WEIGHTED >100dB * SUPPLY 230V A.C. * WEIGHT 2.7Kg * SIZE H254 X W254 X D94mm

THERE ARE 2 VERSIONS OF THE ABOVE PANEL AVAILABLE :- **BSB100/8 8 OHM VERSION** **BSB100/4 4 OHM VERSION** BOTH PANELS ARE PRICED AT £117.44 + £5.00 P&P INCL. V.A.T. CHECK WEBSITE FOR PANELS UP TO 500W

FLIGHTCASED LOUDSPEAKERS

A new range of quality loudspeakers, designed to take advantage of latest loudspeaker technology and enclosure designs. All models utilise high quality studio cast aluminium loudspeakers with factory fitted grilles, wide dispersion constant directivity horns, extruded aluminium corner protection and steel ball corners, complimented with heavy duty black covering. The enclosures are fitted as standard with top hats for optional loudspeaker stands. The FC15-300 incorporates a large 16 X 6 inch horn. All cabinets are fitted with the latest Speakon connectors for your convenience and safety. Five models to choose from.

WEDGE MONITOR



PLEASE NOTE:- POWER RATINGS QUOTED ARE IN WATTS R.M.S. FOR EACH INDIVIDUAL CABINET ALL ENCLOSURES ARE 8 OHMS
15=15 Inch speaker
12=12 Inch speaker

- ibf FC15-300 WATTS Freq Range 35Hz-20kHz, Sens 101dB, Size H695 W502 D415mm Price:- £299.00 per pair
- ibf FC12-300 WATTS Freq Range 45Hz-20kHz, Sens 96dB, Size H600 W405 D300mm Price:- £249.00 per pair
- ibf FC12-200 WATTS Freq Range 40Hz-20kHz, Sens 97dB, Size H600 W405 D300mm Price:- £199.00 per pair
- ibf FC12-100 WATTS Freq Range 45Hz-20kHz, Sens 100dB, Size H546 W380 D300mm Price:- £179.00 per pair
- ibf WM12-200 WATTS Freq Range 40Hz-20kHz, Sens 97dB, Size H418 W600 D385mm

SPECIALIST CARRIER DEL:- £12.50 per pair, wedge monitor £7.00 each
Optional Metal Stands PRICE:- £49.00 per pair Delivery:- £6.00

OMP MOS-FET POWER AMPLIFIER MODULES

SUPPLIED READY BUILT AND TESTED

These modules now enjoy a world-wide reputation for quality, reliability and performance at a realistic price. Four models are available to suit the needs of the professional and hobby market i.e. Industry, Leisure, Instrumental and Hi-Fi etc. When comparing prices NOTE that all models include toroidal power supply, integral heatsink, glass fibre P.C.B. and drive circuits to power a compatible Vu meter. All models are open and short circuit proof

THOUSANDS OF MODULES PURCHASED BY PROFESSIONAL USERS

- OMP/MF 100 Mos-Fet Output Power 110 watts R.M.S. into 4 ohms, frequency response 1Hz - 100kHz -3dB, Damping Factor >300, Slew Rate 45V/uS, T.H.D. typical 0.002%, Input Sensitivity 500mV, S.N.R. 110dB, Size 300 x 123 x 60mm. Price:- £43.85 + £4.00 P&P
 - OMP/MF 200 Mos-Fet Output Power 200 watts R.M.S. into 4 ohms, frequency response 1Hz - 100kHz -3dB, Damping Factor >300, Slew Rate 50V/uS, T.H.D. typical 0.001%, Input Sensitivity 500mV, S.N.R. 110dB, Size 300 x 155 x 100mm. Price:- £67.35 + £4.00 P&P
 - OMP/MF 300 Mos-Fet Output Power 300 watts R.M.S. into 4 ohms, frequency response 1Hz - 100kHz -3dB, Damping Factor >300, Slew Rate 60V/uS, T.H.D. typical 0.001%, Input Sensitivity 500mV, S.N.R. 110dB, Size 330 x 175 x 100mm. Price:- £84.75 + £5.00 P&P
 - OMP/MF 450 Mos-Fet Output Power 450 watts R.M.S. into 4 ohms, frequency response 1Hz - 100kHz -3dB, Damping Factor >300, Slew Rate 75V/uS, T.H.D. typical 0.001%, Input Sensitivity 500mV, S.N.R. 110dB, Fan Cooled, D.C. Loudspeaker Protection, 2 Second Anti Thump Delay, Size 385 x 210 x 105mm. Price:- £137.85 + £6.00 P&P
 - OMP/MF 1000 Mos-Fet Output Power 1000 watts R.M.S. into 2 ohms, frequency response 1Hz - 100kHz -3dB, Damping Factor >300, Slew Rate 75V/uS, T.H.D. typical 0.001%, Input Sensitivity 500mV, S.N.R. 110dB, Fan Cooled, D.C. Loudspeaker Protection, 2 Second Anti Thump Delay, Size 422 x 300 x 125mm. Price:- £264.00 + £12.00 P&P
- NOTE: MOS-FET MODULES ARE AVAILABLE IN TWO VERSIONS: STANDARD - INPUT SENS 500mV BANDWIDTH 100kHz OR PEC * (OPTIONAL EQUIPMENT COMPATIBLE) INPUT SENS 775mV BANDWIDTH 50kHz ORDER STANDARD OR PEC

WHARFEDALE - CHALLENGER COMPETITION SERIES CAR SUB WOOFERS



A superb range of car sub woofer loudspeakers manufactured by Wharfedale. Five models to choose from. All 4 Ohm

Challenger ProBass professional series sub woofers with cast aluminium chassis, heavy duty magnets and fitted with a steel protective grille (Not Shown)
PB-10 10 Inch 100W RMS 300W Max Price £29.37
PB-15 15 Inch 300W RMS 800W Max Price £45.82

Titan Competition series with pressed steel chassis (No Grille)
TC10-150 10 Inch 150W RMS 400W Max Price £28.20
TC12-200 12 Inch 200W RMS 600W Max Price £36.42
TC15-300 15 Inch 300W RMS 800W Max Price £43.47

Shown TC15-300

For more bargains go to www.bkelec.com and click on the bargain corner button

Carriage £8.00 any quantity

A punchy 10 Inch, a shockingly powerful 12 Inch and an awesome 15 Inch that will make your ears inform your eyes what they are missing out on! CAR HI-FI magazine had this to say about the 10 Inch 150W sub: "This debutante needs a good shove by a punchy amplifier before it slurs, but when it does, the lion roars. There's no doubting the authority it carries, and there's a highly prominent musical element - precise and snappy!" Please note we have tried these loudspeakers for PA use with great success with our MXF range of amplifier and OMP MF mosfet modules

B.K. ELECTRONICS REF DB
UNIT 1 COMET WAY, SOUTHEND-ON-SEA, ESSEX. SS2 6TR.
TEL.: 01702-527572 FAX.: 01702-420243
Web:- <http://www.bkelec.com> E-Mail sales@bkelec.com



DELIVERY CHARGES:- PLEASE INCLUDE AS ABOVE, TO A MAXIMUM AMOUNT £30.00. OFFICIAL ORDERS FROM SCHOOL, COLLEGES, GOVT. PLCs ETC. PRICES INCLUSIVE OF V.A.T. SALES COUNTER. CREDIT CARD ORDERS ACCEPTED BY POST PHONE OR FAX.