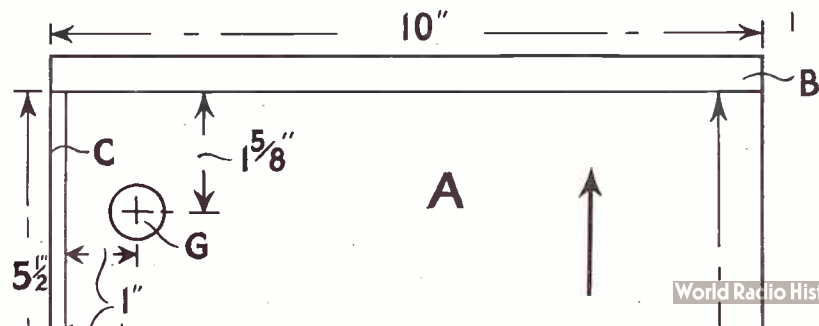
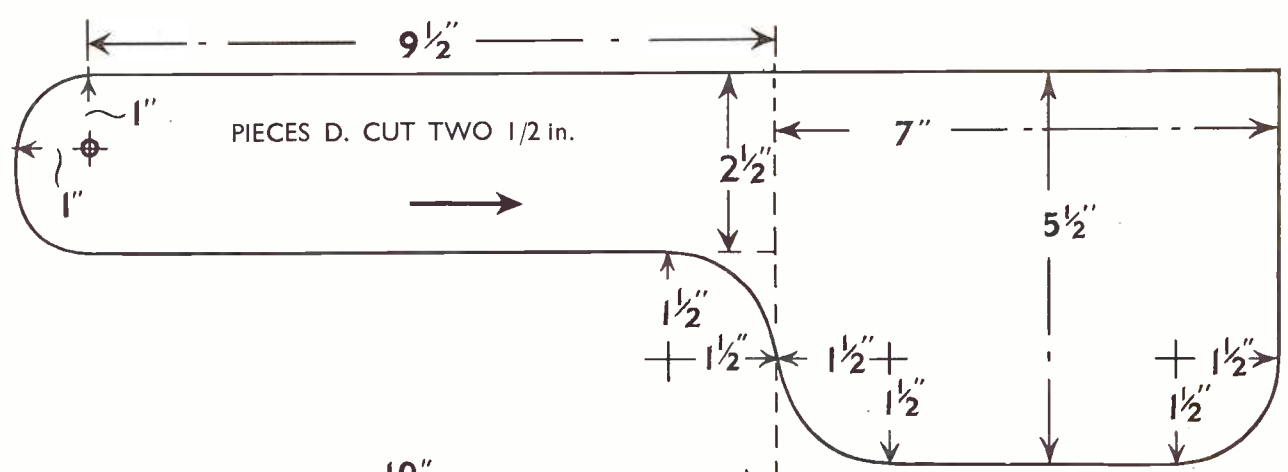
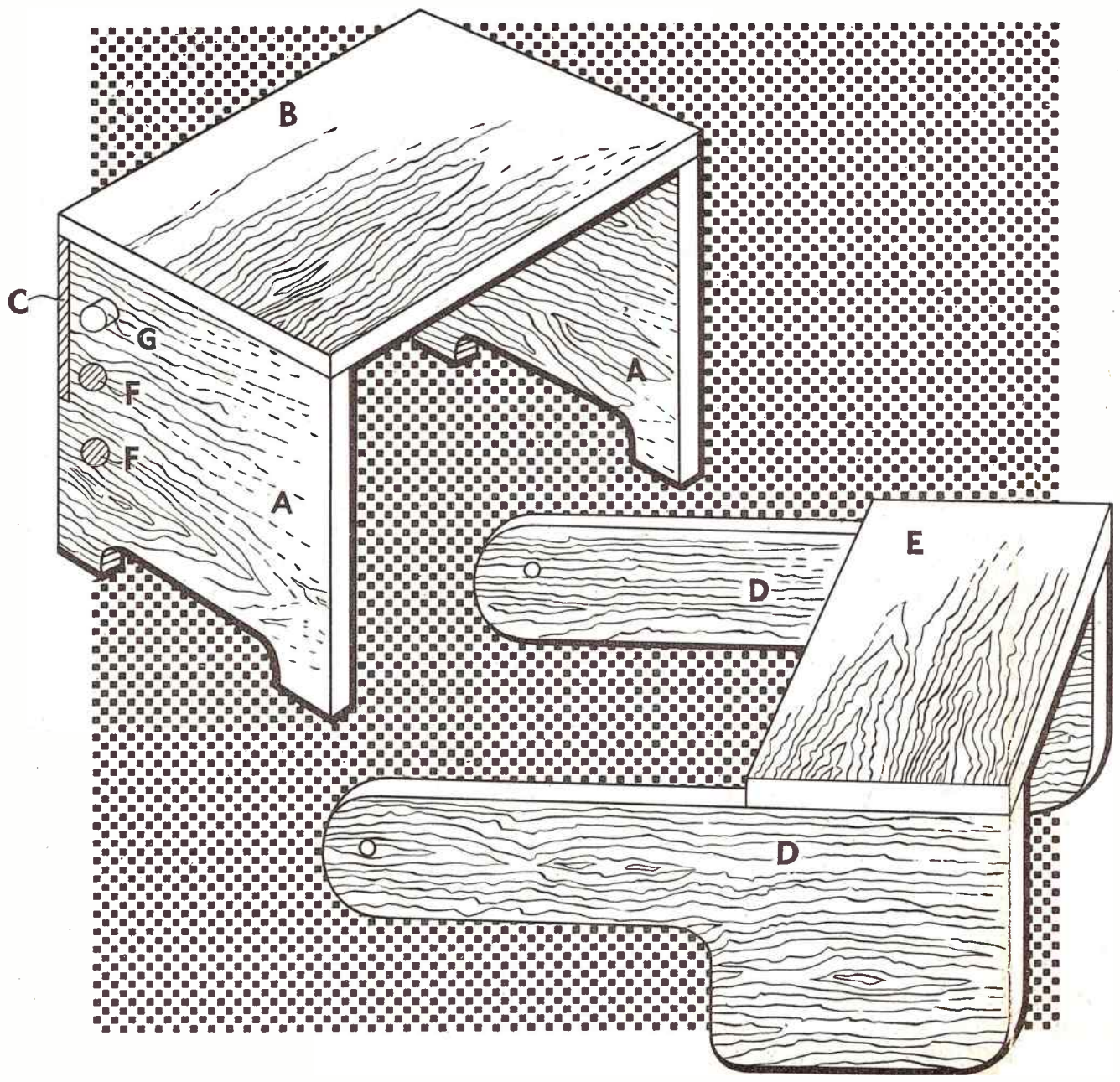


US
A
HEA
FRETS
BLA
FO
CUTT
TH
CURV



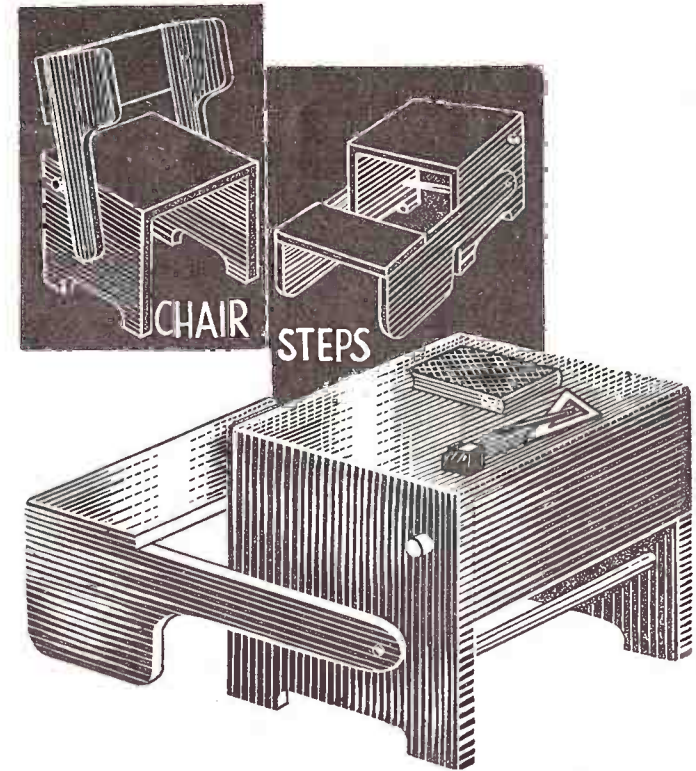
THE ARROWS INDICATE DIRECTION OF GRAIN OF WOOD

SIDE VIEW



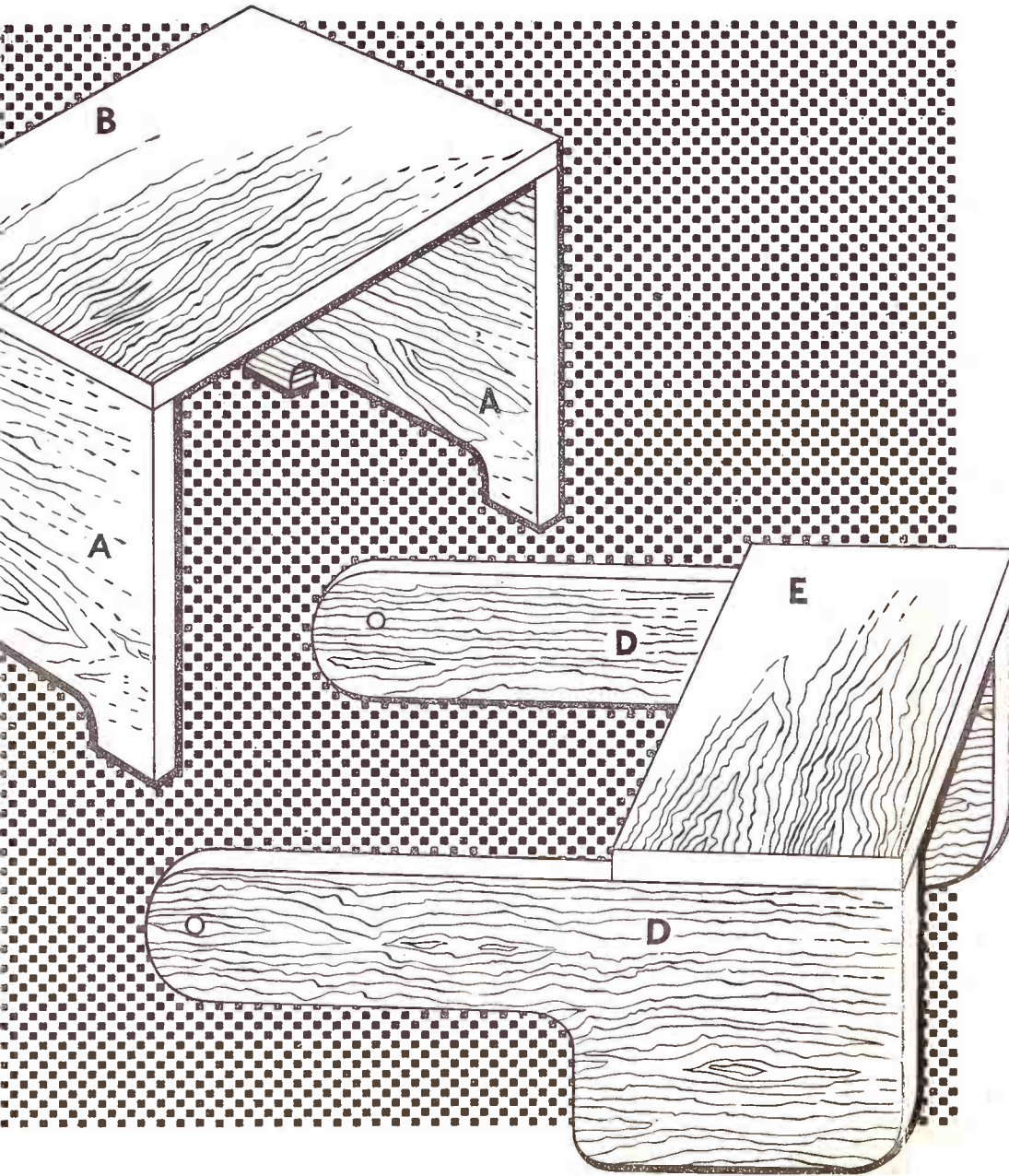
G

THE THREE-IN-ONE STEP-CHAIR DESK FOR THE TINY TOT



USE
A
HEAVY
FRETSAW
BLADE
FOR
CUTTING
THE
CURVES

SIZE —
20 ins.
FROM
BACK TO
FRONT
12 5/8 ins.
WIDE



9 1/2"

EASY
TO

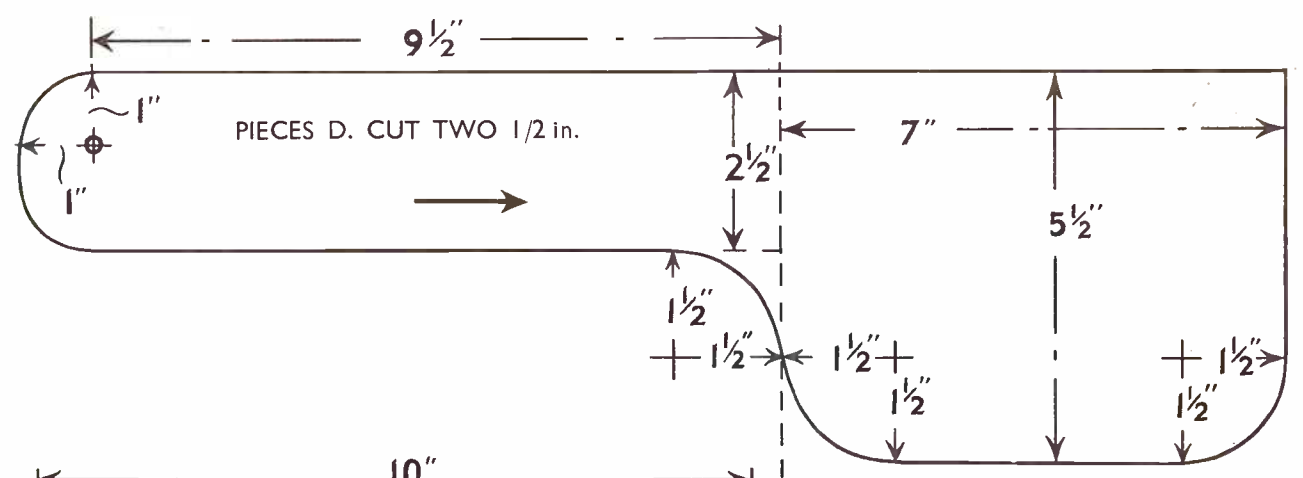
PANELS OF WOOD REQUIRED
FOR THIS DESIGN
TWO S8 ONE Q4
A KIT OF MATERIALS FOR MAKING THIS DESIGN
IS SUPPLIED BY HOBBIES LIMITED
DEREHAM, NORFOLK.
PRICE ON APPLICATION.



PANELS OF WOOD R
 FOR THIS DESIG
TWO S8 ON
 A KIT OF MATERIALS FOR MAK
 IS SUPPLIED BY HOBBIE
 DEREHAM, NORFOLK
 PRICE ON APPLICATION

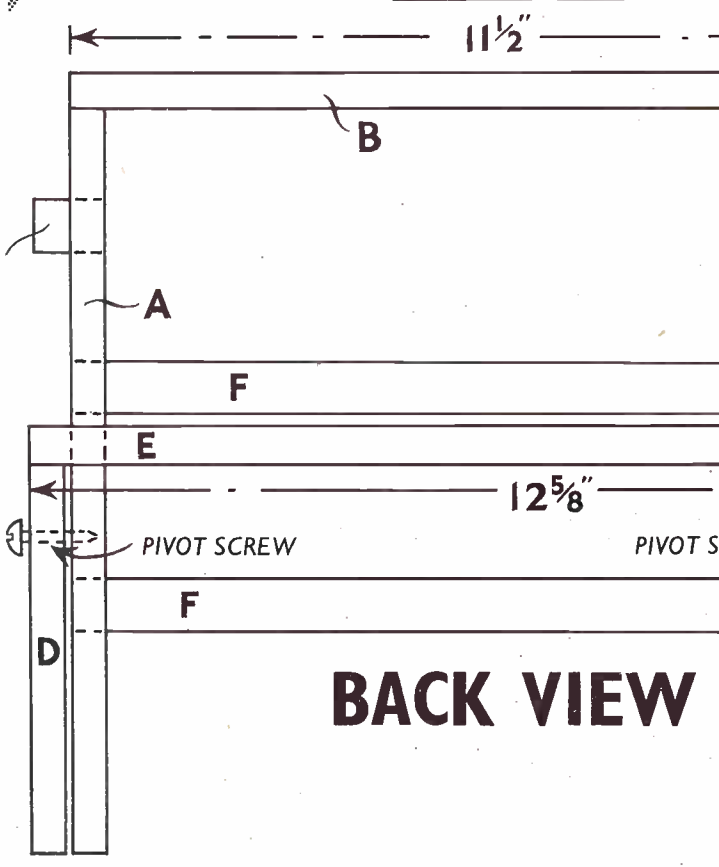
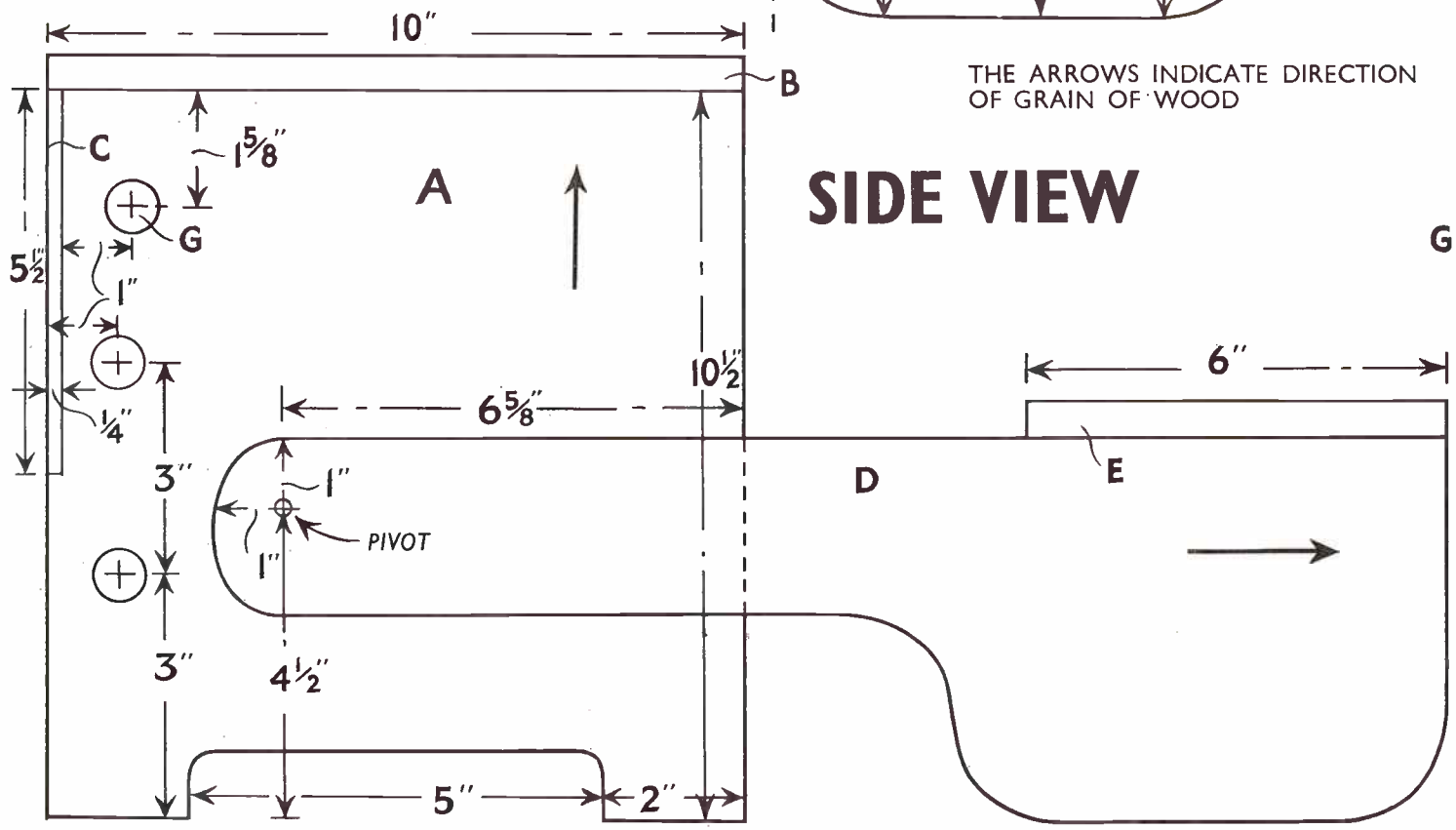


Use **CASCAMIT**
 'One Shot'
 Resin Glue
 for all Wood Glu
 ● Mixed & use cold ● Waterpr
 ● Gap-filling and non-staining
 Stocked by: Ironmongers, Build
 Manufactured by:
LEICESTER, LOVELL & CO. LTD. No



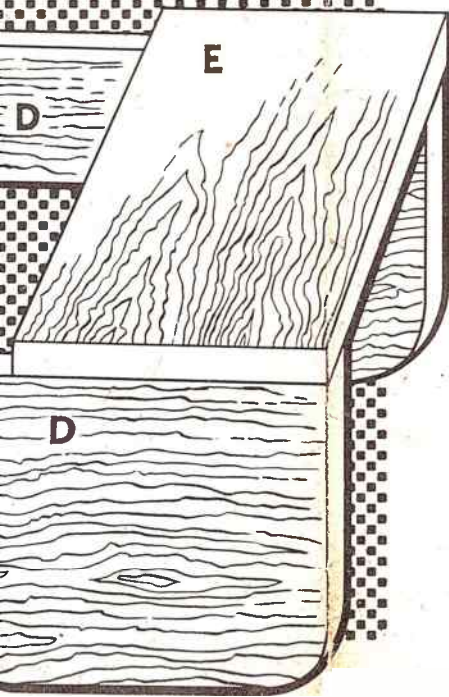
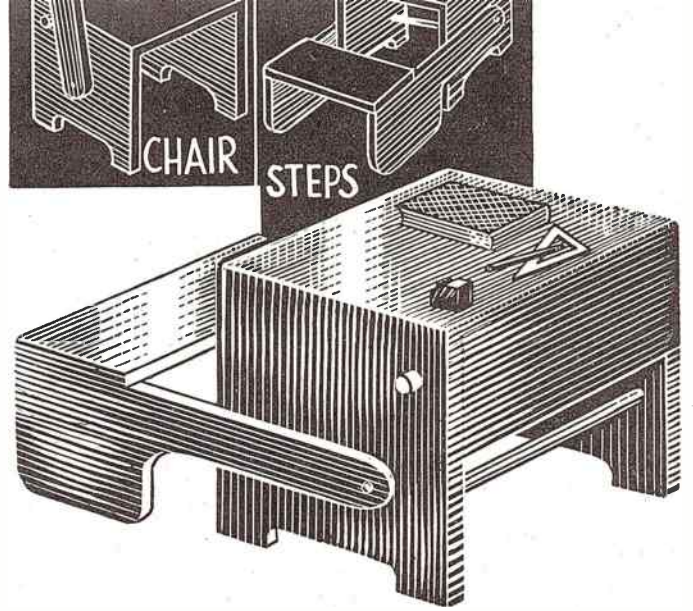
THE ARROWS INDICATE DIRECTION OF GRAIN OF WOOD

SIDE VIEW



BACK VIEW

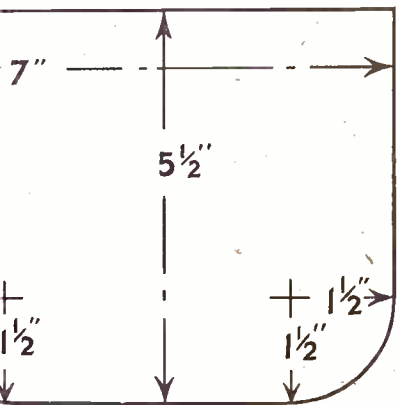
**FOR
CUTTING
THE
CURVES**



SIZE —
20 ins.
FROM
BACK TO
FRONT
12⁵/₈ ins.
WIDE

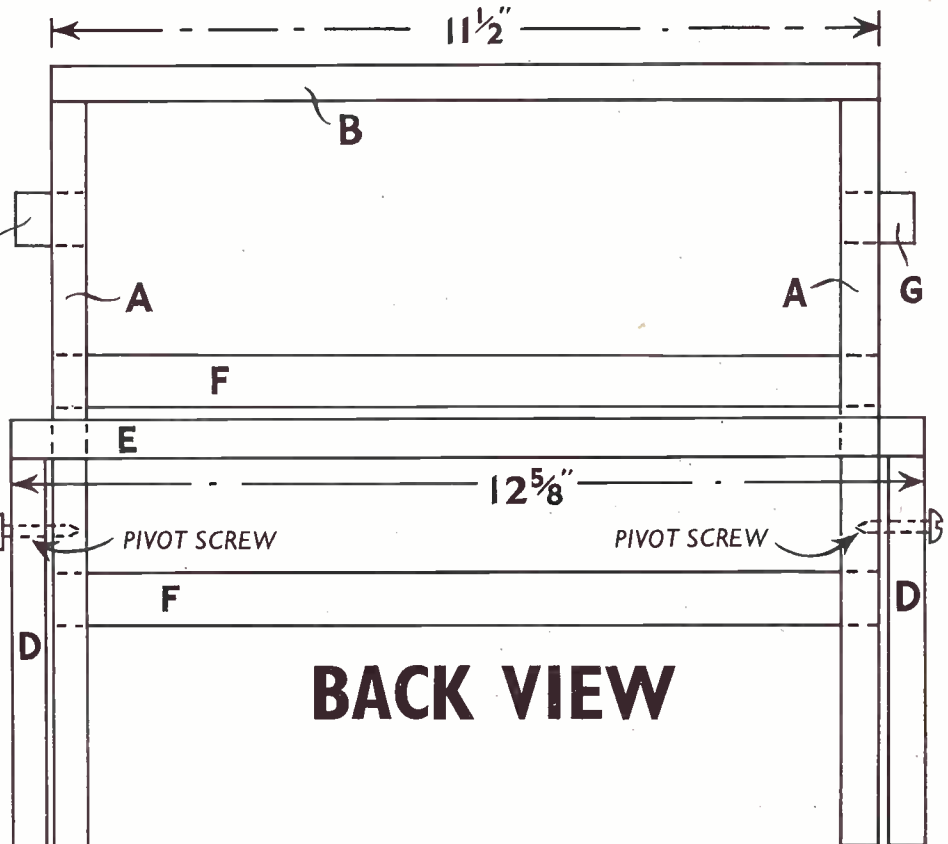
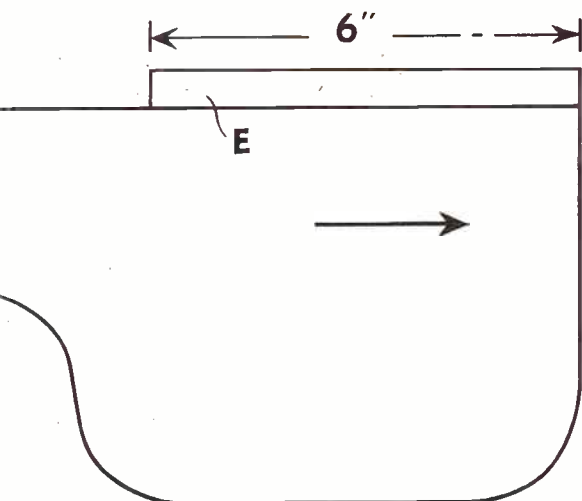
PANELS OF WOOD REQUIRED
FOR THIS DESIGN
TWO S8 ONE Q4
A KIT OF MATERIALS FOR MAKING THIS DESIGN
IS SUPPLIED BY HOBBIES LIMITED
DEREHAM, NORFOLK.
PRICE ON APPLICATION.

**EASY
TO
MAKE**



THE ARROWS INDICATE DIRECTION
OF GRAIN OF WOOD

FRONT VIEW



BACK VIEW

Use **CASCAMITE**
'One Shot'
Resin Glue
for all Wood Gluing



- Mixed & use cold
- Waterproof type
- Gap-filling and non-staining

Obtainable in:
3 1/2-oz.; 7-oz.
and 18-oz tins.

Stocked by: Ironmongers, Builders' Merchants, etc.

Manufactured by:

LEICESTER, LOVELL & CO. LTD. North Baddesley, Southampton