

# Hi-Fi

## WORLD

NO. 22 JUNE 1996 SUPPLEMENT

## BOOK REVIEWS:

**AUDIO VALVE  
AMPLIFIERS** by  
Rainer zur Linde

**BUILD YOUR OWN  
HIGH END AUDIO  
EQUIPMENT,**  
Elektor Electronics

**WE BUILD AND  
TEST HART'S  
CHIARA  
SINGLE-ENDED  
HEADPHONE AMPLIFIER**



**ELECTRONICS  
WORKBENCH:  
SIMULATE YOUR DESIGNS ON  
A PC BEFORE YOU BUILD**

**FREE D.I.Y. SUPPLEMENT No. 22**



# CHELMER VALVE COMPANY

for

## High Quality Audio Valves

We offer below a selection of our CVC PREMIUM range of audio valves. These CVC BRAND valves are from selected world wide sources, processed in our special facility to provide low noise/hum/microphony PRE-AMP valves and POWER VALVES burnt-in for improved stability and reliability. Use this sheet as your order form. If you require matched pairs, quads or octets etc. Please allow £1.00 extra per valve for this service and mark alongside the valve type number 'M2,M4, M8' etc as required.

### Price list and Order Form for CVC PREMIUM Audio Valves

PRE-AMP VALVES	Unit Price	Qty	Total Price	RECTIFIERS	Unit Price	Qty	Total Price																				
ECC81/12A7WA	5.00			EZ80	4.00																						
ECC82/12AU7WA	4.50			EZ81	4.25																						
ECC83/12AX7WA	5.00			GZ32	7.00																						
ECC85	5.00			GZ33	7.00																						
ECC88	4.50			GZ34	6.00																						
ECF82	5.00			GZ37	6.00																						
ECL82	5.00			5U4G	5.00																						
ECL86	5.00			5V4GT	4.00																						
EF86	4.50			5Y3GT	3.50																						
E80F Gold Pin	9.00			5Z4GT	3.50																						
E81CC Gold Pin	6.20																										
E82CC Gold Pin	6.20			<b>SOCKETS ETC</b>	<b>Unit Price</b>	<b>Qty</b>	<b>Total Price</b>																				
E83CC Gold Pin	6.20			B9A (Chassis or PCB)	1.60																						
E88CC Gold Pin	7.20			B9A (Ch or PCB) Gold	3.00																						
6EU7	6.00			Octal (Ch or PCB)	1.80																						
6SL7GT	4.00			Octal (Ch or PCB) Gold	4.20																						
6SN7GT	4.50			4 Pin (For 2A3, 300B)	3.30																						
6922	5.00			4 Pin Jumbo (For 211 Etc.)	11.00																						
7025	6.20			4 Pin Jumbo Gold (For 211 Etc.)	15.00																						
				5 Pin (For 807)	3.00																						
<b>POWER VALVES</b>	<b>Unit Price</b>	<b>Qty</b>	<b>Total Price</b>	7 Pin (For6C33C-B)	4.50																						
EL34/6CA7	7.50			Screening Can (For ECC83 Etc.)	2.00																						
EL34 (Large Din)	8.50			Anode Connector (For 807 Etc.)	1.50																						
EL84/6BQ5	4.00			Anode Connector (For PL519 Etc)	1.60																						
E84L/7189A	5.50			Retainer (For 6L6WGC Etc.)	2.00																						
KT66	9.20																										
KT77	12.00			<b>MATCHING CHARGES</b>	£																						
KT88	12.50			<b>POST &amp; PACKING (UK)</b>	£3.00																						
KT88 (Gold Special)	19.80			<b>TOTAL EXC VAT</b>	£																						
2A3 (4 or 8 Pin)	14.50			<b>VAT @ 17.5% (UK/EEC ONLY)</b>	£																						
211	22.00			<b>TOTAL TO PAY</b>	£																						
300B	50.50																										
6C33C-B	27.00			Please make cheques payable to: 'CHELMER VALVE COMPANY' or pay by ACCESS/MASTERCARD/VISA Please give details:																							
6L6GC	6.50			<table border="1" style="width:100%; height:20px;"> <tr> <td></td><td></td><td></td><td></td><td></td><td></td><td></td><td></td><td></td><td></td><td></td><td></td><td></td><td></td><td></td><td></td><td></td><td></td><td></td><td></td> </tr> </table>																							
6L6WGC/5881	8.00			SIGNATURE: .....	EXP. DATE: .....																						
6V6GT	5.00			NAME: .....																							
6080	12.00			ADDRESS: .....																							
6146B	10.20			.....																							
6336A	46.00			.....																							
6550A	11.00			.....																							
6550WA	13.50			.....																							
6550WB	13.50			.....																							
7581A	11.00			.....																							
807	8.00			.....																							
811A	10.50			.....																							
812A	34.00			.....																							
845	30.00			.....																							
Total carried forward ...				.....																							

**VALVE AMPLIFIERS SOUND BETTER STILL WITH CVC PREMIUM VALVES!**

130 New London Road, Chelmsford, Essex. CM2 0RG. Tel: 01245 355296/265865 Fax: 01245 490064

# Supplement

## Contents

All rights to the designs are reserved by World Audio Design Ltd. They are published for single use by private individuals. They are not to be used for commercial gain without prior permission from World Audio Design Ltd.  
 Audio Publishing Ltd and World Audio Design Ltd accept no responsibility for accident or injury arising from the construction or use of any of the designs published.  
 All of the projects in this supplement have gone through rigorous listening and test procedures. The performance and specification of these projects can only be guaranteed on kits bought directly from World Audio Design Ltd.

### KIT NEWS

All of the latest news on products for budding DIY enthusiasts.

5

### HART HEADPHONE AMPLIFIER KIT

Many hi-fi components these days neglect to include a headphone output. Hart electronics offer a high quality solution in kit form and we have built one.

8

### ELECTRONICS WORKBENCH

Electronics Workbench allows you to model and test your designs on a PC before you lift a soldering iron. We give it a whirl.

13

### AUDIOCAD PRO

A CAD package to help you out with your speaker designs. This one includes a section on horn design though, which makes it well worth seeking out.

19

### BOOK REVIEWS

#### BUILD YOUR OWN AUDIO VALVE AMPLIFIERS

A practical introduction to valves leads into numerous designs for pre and power amplifiers for audio and musical instruments.

23

#### BUILD YOUR OWN HIGH-END AUDIO EQUIPMENT

An anthology of Elektor Electronics' audio circuits brought together in one paperback.

25

### DIY LETTERS

Tell us about your quibbles and DIY niggles. Give us the good news too of how you put together a kit or, um, two.

27



**α****Billington Gold****Ω**

Long known as specialists in rare tube brands, Billington Export provides a line of premium-grade valves to fill the increasing demand for hard-to-find tubes! BILLINGTON GOLD features specially tested valves selected for long life, low microphony and low noise. Versions with gold plated pins are available. BILLINGTON GOLD brand comes from a variety of countries around the world. We have carefully chosen the best manufacturer for each type, with an

emphasis on the highest audio quality and product reliability. We stock one million valves including: BRIMAR, GE USA, GEC UK, MAZDA, MULLARD, RCA, RUSSIAN/SOVTEK/SVETLANA, SYLVANIA, TESLA, THERMIONIC, TUNGSRAM and other rare brands, as well as sockets and CRTs.

**BILLINGTON GOLD**

2A3	£15.00
6L6GC	£9.50
12AX7	£5.25
300B	£60.00
811A	£12.00
845	£33.00
6550B	£18.00
E81CC	£5.25
E81CC-01	£9.50
E82CC	£4.50
E82CC-01	£8.50
E83CC-01	£8.50
E88CC	£7.50
ECC81	£5.25
ECC82	£4.50
ECC83	£5.25
ECC88	£6.90
EL34	£9.95
EL84	£3.60
KT66	£9.50
KT88	£18.50

**RARE BRANDS**

3AMP1A Tungstram Hungary	24.00	6550A GE USA	42.00
5C-450A STC UK	180.00	CV4003 Mullard UK	POA
5R4GY RCA	POA	CV4004 Brimar UK	POA
5Y3GT RCA	3.00	CV4024 Mullard UK	7.50
68H6 RCA	2.48	DG7-32 Tungstram Hungary	24.00
6L6WGB Sylvania	15.00	ECC81 Mullard UK (CV4024)	7.50
6V6GT STC UK	5.93	ECC82 Mullard UK (CV4003)	POA
12BH7A GE	15.00	ECC83/ECC803S Tesla	13.13
12E1 STC/ITT UK	15.00	EF86 GEC UK (CV4085)	19.50
13E1 STC UK	135.00	GZ32 Mazda	9.00
85A2 Mullard	5.93	GZ37/CV378 Mullard UK	POA
807 USA	8.20	KT90 Yugoslavian	41.50
5687 Sylvania	6.45	PL519 Tungstram	9.30

**YUGOSLAVIAN/ETC**

5CG7 Yugoslavian	6.75	ECC83 Yugoslavian	3.09
6X4W Raytheon USA	3.60	ECC85 Tungstram	3.45
5751 (USE ECC83)		ECL86 Tungstram	3.45
6366A	72.00	KT90 Yugoslavian	45.00

**RUSSIAN/SVETLANA**

6A57G	3.60
6B4G	19.50
6SN7GT	3.30
SV811-3	22.75
SV811-10	22.75

Try us for ALL Russian/Svetlana valves

**SOVTEK**

5U4G	3.60	ECC83/12AX7WB	3.50
6L6WGC	6.00	ECL82	2.25
6SL7GT	2.50	EF86	POA
12AX7WA	3.50	EL34G	6.20
12AX7WB	3.50	EL84	1.99
5881/6L6WGC	6.00	GZ34	5.40
		GZ34/5Y3GT	2.90

**SOCKETS**

Jumbo 4-pin for 211, 845, etc.	£11.50
Jumbo 4-pin, Gold Plated, for 211	£19.50
UX4 for 2A3, 300B, 811A, etc.	£1.95
UX4 Large Locking Type for 300B	£6.60
B5 UK	POA
UX5 McMurdo UK for 807	£3.60
B7A for 6C33CB	£3.23
B7G McMurdo UK, chassis, skirted	£0.72
813 Ceramic	£7.50
Octal McMurdo UK	£1.20
Octal PCB, nylon	£2.70
Octal PCB, foreign	£1.20
B9A for ECC83, EL34, EF86, suitable for pre-amps	
- Ceramic, skirted, chassis, screening can;	
Chinese	£1.20
Russian	£0.90
-PCB, gold pins	£2.40
B9D Magnoval, chassis, for PL519	£1.88

We supply sockets for all valves listed in this advertisement

**CHINESE**

300B Silverstone	60.00
ECC88	3.90
EL34	5.95

**TOPCAPS**

For 2C34 807 etc	£1.20
For 12E1, 5B-254M, PL519	£2.93

**MATCHED TESTING**

£2.00 Per Valve
(£4.00 per pair)

All items in stock at time of going to press. Prices in GB pounds and subject to fluctuation: please check before placing your order. We stock over 3000 valve types and 400 types of CRT. Please ask for our free 50 page catalogue of valves and/or our CRT catalogue.

Payment is accepted by:

ACCESS, AMERICAN EXPRESS, DEBIT CARD, JCB, MASTERCARD, VISA, Bankers Draft, Bank Telex, Eurocheque and Cheque (UK only).

MINIMUM ORDER: UK £50.00 + VAT & Carriage. Export £100.00 (US \$150.00) + Carriage.



**1 E GILLMANS TRADING ESTATE  
BILLINGSHURST  
WEST SUSSEX RH14 9EZ UK  
TEL: (0)1403 784961 FAX: (0)1403 783519**

VISITORS STRICTLY BY APPOINTMENT PLEASE

# KIT NEWS

## RUSS ANDREWS' 1996 CATALOGUE

High quality audio components supplier Russ Andrews Turntable Accessories has published its 1996 Audiophile components catalogue. The catalogue comprises of a mixture of in-depth articles, product descriptions and application notes.

All of the products described in the catalogue are available by mail order.

For more information and a free copy of the catalogue contact them on 0800 373467.

### RATA

Edge Bank House,  
Skelmergh,  
Kendal,  
Cumbria LA8 9AS

## QUAD'S BACK IN KIT FORM

Academy Sound's back panel upgrade for the Quad 33 is now available in kit form. This comprises a completely new back panel fitted with high quality gold plated phono sockets, instead of the original DIN sockets.

The upgrade kit comes with full fitting instructions and should be suitable for anyone with good soldering skills and presumably a Quad 33 handy. The price will be £138 which includes complementary Ixos interconnect leads and carriage. This is a saving of £47 over the fitted version and of course there's the added pleasure of doing it yourself!

Academy Sound  
Bank House,  
St Agnes,  
Cornwall  
TR5 0QW  
☎ 01872 553317



## TRANSFORMERS FOR VALVE AMPLIFIERS

One Electron, designers and manufacturers of audio transformers for valve amplifiers, have appointed Antique Electronic Supply as their exclusive distributor. There are three transformers available at the moment, the PT-UBT-1 suitable for 2A3s, EL34s, 300Bs etc in parallel single-ended mode, the PT-UBT2 for single 300B, 6X4, 6X5, 6X6, 6X8, 6X9, 6X4, 6X5, 6X6, 6X8, 6X9 etc and a power transformer PT-BFT-1.

Antique Electronic Supply  
6221 South Maple Avenue,  
Tempe, AZ 85283  
☎ 602 820 5411

## MAS CONSTRUCTION

New to the hi-fi scene, M.A.S. Construction and Building Service are offering a range of DIY services from 'speaker upgrade notes to cabinet construction. Included in the notes is information on spiking systems and details of a silver plated copper cable you can build for £1.28/metre.

The charge for cabinet construction starts at £148, but the notes cost a mere £4.95.

M.A.S. Construction & Build Service  
45 Lapwing Close,  
Parklands,  
Blyth,  
Northumberland NE24 3SE  
☎ 01670 354726

## PICO YOUR RESULTS

So you spent all your money on a PC and you've only a few hundred pounds left for test equipment, what do you do? Well one option would be to buy one of Pico Technology's Virtual Instruments. Via a choice of analogue to digital conversion units (depending on requirements) the PicoScope and PicoLog software provide a range of instruments controlled by your PC. These include a, digital storage oscilloscope, spectrum analyser, voltmeter, chart meter and frequency meter amongst others. The ADC's plug directly into a PC's parallel or serial ports.

Pico Technology  
Broadway  
House,  
149-151 St.  
Neots Rd,  
Hardwick,  
Cambridge  
CB3 7QJ  
☎ 01954 211716



## definitive audio

### \* BORDER PATROL 300B Power Amplifiers.

10 Watt single-ended power amplifiers using 300B output valves and choke input filter power supplies.

The traditional single-ended qualities of sweetness, fluidity and integration are combined with wide bandwidth and strong bass performance. Unlike many single-ended designs, which have a tendency to lose resolution and shape when the music becomes complex, these amplifiers remain composed and controlled with firm extended bass and uniform dynamic consistency across the whole frequency range. They are highly recommended to anyone with an efficient (loudspeakers of 89dB / watt + sensitivity) and revealing system and are equally suited to all types of program material. Price: £2499.00

### \* HORNING AGATHON Loudspeakers.

Two way Lowther based horn speakers with huge dynamics and fine resolution. High efficiency (96 dB / watt), wide bandwidth designs with low coloration and excellent timbre reproduction. An ideal compliment to low powered valve amplification. Price £3555.00.

### \* BRAVURA Loudspeakers.

Single way Lowther based horns- the classic configuration. Enormously dynamic and efficient with extended bass and fine resolution. Two models: Brio and Accelerando. Price £5950 and £6600.

### \* DEFINITIVE AUDIO.

Off board valve rectified, choke input power-supply upgrade for Audio Innovations EL34 and 2A3 based amplifiers. Developed in conjunction with Border Patrol Power Amplifiers this upgrade reduces distortion, increases resolution and dynamic range and strengthens bass performance. Price £550.00

### \* SECOND HAND EQUIPMENT FOR SALE

Audio Innovations S200 pre-amp	£250	(£350).
Audio Innovations S200 power-amp	£225	(£500).
Gale 402A loudspeakers Chrome End Caps and stands		offers
Kenwood KA7050R Integrated Mosfet with- Full remote control	£200	(£450).
Audio Innovations S500 integrated	£495	(£1199)
Impulse H5 Oak	£799	(£1750)
Impulse H6 Grey / Black	£650	(£1250)
Impulse H7 Walnut	£400	(£750)

Tel/Fax: Brighton 01273 276716/208649

# NVA

## BLACK BOX RANGE KITS

A range of easy to assemble solid state kit amps, with fully tested and fitted printed circuit boards. If you are competent with a soldering iron these kits should be no problem. A full rebuild and sort out service available.

AP30	Integrated Amplifier	£230.00
AP50	Integrated Amplifier	£320.00
	Phono Stage Fitted	£70.00
A60	Stereo Power Amplifier	£300.00
A70	Mono Power Amplifier	£570.00 Pair
A80	Mono Power Amplifier	£880.00 Pair
P50	4 Input Pre Amp	£180.00
P90	6 Input Pre Amp	£240.00
	Phono 1 MM or MC Phono Unit	£170.00
	Phono 2 MM or MC Phono Unit	£240.00
	P.S.U. Power Supply for Phono 2	£180.00

EX REVIEW/DEMONSTRATION STOCK BARGAINS, The Emotive Statement (TES) CD Player £1000.00 RRP £2000.00

NVA, 6 Watermill Ind. Est., Aspenden Road, Buntingford, Hertfordshire SG9 9JS

Tel: 01763 272707 Fax: 01763 271594

## TECHNICAL & GENERAL

### Some Necessities - From the Original Classic Turntable Specialists

Connoisseur		P&P
	BD1/2 Drive Belt	10.25 1.85
	BD1/2 Motor Suspension kit	13.95 2.45
	SAU.2 Headshell	16.75 2.55
	SAU.2 Connecting lead	15.95 3.55
Garrard	Standard Models	
	Wired arm tubes	from 12.75 2.55
	Cartridge carriers (sliders)	10.25 1.85
	Idler Wheels	9.85 2.25
	301/401 Transcription Models	
	Original Thrust pad assembly	10.25 2.25
	Original Idler tension spring	2.95 1.85
	Original Speed control disc - 401	13.75 2.20
	Xeroxcopy Owners Manual 301 incl. full size mounting template	7.85 1.85
	Xeroxcopy Owners Manual 401 incl. full size mounting template	5.70 1.85
	Replacement Intermediate drive wheel	19.95 2.85
	Replacement 301 control knobs	
	On-Off/Speed select	pair 20.25 2.55
	Replacement 301 suppressor unit	5.65 2.25
	Replacement 301 motor pulley (-2%), (-1%), (Std), (+1%)	each 12.65 2.25
	Replacement 301 Chrome plated mounting bolts	set 4.70 2.25
	Recommended Lubrication set - early 301/standard 301/401 - please specify	5.60 1.85
Goldring/Lenco		
	Idler wheel (lock-nut or clip fixing)	19.95 2.85
	Arm Pivot bearings with Instructions	8.25 1.85
	Spindle/Main bearing assembly complete	24.85 3.85
	Headshells	from 21.95 2.55
	Instruction books	from 4.20 1.85
Thorens		
	TD.124 series	
	Idler wheel - original	27.50 2.85
	Idler wheel - our redesigned replacement	15.35 2.55
	Drive belt	15.25 1.85
	Chassis spring suspension (replaces 'mushrooms')	13.85 2.55
	150/160 series	
	Drive belt	10.25 1.85
	Suspension springs (-1%), (Std), (+1%)	set 11.85 2.55
	Suspension bushes	set 12.50 2.25
	Armboards for most models	from 16.90 2.55
Cecil Watts Dustbugs/Parastats/ (spares incl. Preener wicks)		
Cartridges and styl for 78s & Mono LPs in addition to current Stereo LP		

TECHNICAL & GENERAL PO Box 53, Crowborough, E.Sussex. TN6 2BY Tel:- 01892 654534

## KEF CONSTRUCTOR SERIES

## Wilmslow Audio

KEF Uni-Q Technology, the unique KEF driver design that delivers a sharply focused sound stage throughout a room, is now available to the home constructor.

KEF's Constructor Series of loudspeaker drive units and dividing networks, may be used in systems of your own design, or by following the KEF kit plans below:

**KEF Kit 60** - A two-way bookshelf/stand-mounted loudspeaker using a single 8"

Uni-Q drive unit in a compact 18 litre reflex loaded enclosure. The DN60 dividing network allows bi-wiring/bi-amping.

**KEF Kit 80** - An 8" Auxiliary Bass Radiator augments the output of the main 8" Uni-Q driver used with a DN80 bi-wireable dividing network. This is a floorstanding loudspeaker with exceptional bass response.

**KEF Kit 90** - An 8" dedicated bass unit, 8" Uni-Q and DN90 bi-wireable dividing network give this three way floorstander extended bass output down to 35 Hz (-6dB).

KEF have designed a range of drive units and dividing networks which, with simple DIY skills, can be transformed into State-of-the-Art loudspeakers capable of giving years of truly high-fidelity performance.

Kit	60	70	80
Boxed	£215	280	370
Total	£290	370	460

Free DIY speaker catalogue export £3.50



**KEF Kit 60**  
2-way bookshelf/  
stand-mounted



**KEF Kit 80**  
2-way floorstanding



**KEF Kit 90**  
3-way floorstanding

Dept. HFV  
Wellington Close, Parkgate Industrial Estate,

Knutsford, Cheshire WA16 8XL

Tel: 01565 650605

Fax: 01565 650080

Open Tuesdays to Saturdays  
4 demonstration rooms

ACCESS VISA  
AMEX

# KIT NEWS

## TO RUSSIA WITH MONEY

The Defence Enterprise Fund, a U.S. government private venture capital fund to finance joint ventures that promote defence conversion in Russia, has decided to pour \$3 million into Svetlana Electron Devices. Svetlana is an American corporation which owns a major share of the privatised Svetlana electron tube complex in St. Petersburg, Russia.



In its pre-privatisation days Svetlana was busy producing a line of military products that included components used in military radar and ocean deployed offensive and defensive equipment. Now, with funding from the old enemy, they produce power tubes and glass vacuum tubes for civilian uses worldwide.

Svetlana Electron Devices  
3000 Alpine Road,  
Portola Valley, CA 94028 USA  
☎ 415 233 0429

## POLYSWITCHES FROM FALCON

Polyswitches are conductive polymer PTC devices which have a very low resistance when cold, but when an overload occurs and their temperature increases they rise suddenly to a much higher resistance. A range of Polyswitches are now stocked by Falcon

Acoustics of Mulbarton. These components can be useful for minimising the complexity of protection circuitry for loudspeaker crossover units or power amplifier output stages.

Falcon Acoustics  
Tabor House,  
Norwich Road,  
Mulbarton, Norwich,  
Norfolk NR14 8JT  
☎ 01508 578272

## NVA'S LOW POWER AMPLIFIER

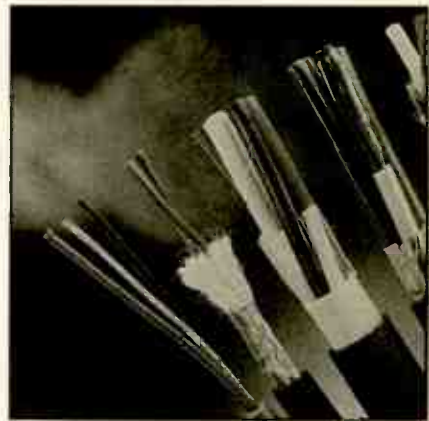
A new low power amplifier suitable for driving headphones and high efficiency loudspeakers is available from NVA. The AP10 is a 15watt per channel machine built to the same dimensions as the P50, Phono 1/2, DACon and PSU units in their range. The AP10 is available with black Perspex or chrome front panels. It is priced as a kit at £130, whilst a fully built and tested version can be bought for £160. A variation, the AP10x, is also available which has four line inputs and a selector switch, intended to be used as an integrated amplifier. Kit price for the '10x is £150 and built price £200.

NVA  
6 Watermill Ind. Est.,  
Aspenden Road,  
Buntingford,  
Hertfordshire SG9 9JS  
☎ 01763 272707

## BELDEN AUDIO CABLES FROM ELECTROMAIL

Electromail are steadily increasing the number of items in their audio range, with Belden audio cables the latest to be added. The new range includes screened audio cables and 'speaker cables.

The analogue audio cables use a tinned copper conductor with polypropylene insulation and a paper tape separator to facilitate jacket



stripping. The cable also has a bonded Beldfold shield and a drain wire for grounding purposes.

Belden's loudspeaker cable is intended for amplifier to speaker connection and for the internal wiring of loudspeakers themselves.

The cable is a four conductor, 14-gauge high flex cable for bi-amp or tri-amp 'speaker connections and, we are informed, is compatible with Neutrik Speakon connectors.

Also included in the range are high flex multi-pair snake cables and microphone cables.

Electromail  
PO Box 33,  
Corby,  
Northants NN17 9EL  
☎ 01536 204555

## OS-CON AUDIO OFFER

Audio-Links are running a promotional offer until the 30th June to introduce constructors to their range of Os-Con SG audio grade electrolytic capacitors. They believe, due to the unique technology implemented, they are the best electrolytic capacitors available. The offer entitles you to a discount of 20% off the catalogue price.

Audio Links  
7 Fairmont Crescent,  
Scunthorpe,  
North Lincolnshire DN16 1EL  
☎ 01724 870432



# A High Quality Headphone Amplifier



**Haider Bahrani builds and tests Hart's Chiara headphone amplifier and Andante power supply.**

**T**his one came courtesy of Hart Electronic Kits of Oswestry in Shropshire and it's a 'Chiara' class A headphone amplifier, as designed by John Linsley Hood. Well, actually I was sent two kits, the headphone amplifier itself along with the 3565 'Andante' power supply.

The original brief for this amplifier was published in Gramophone in October 1992 with Mr Linsley Hood clearly defining his intention as putting forward a design that can be easily built by the DIY enthusiast with little or no adjustment (or tweaking) necessary afterwards. Hence the reason for using an emitter follower in a 'single-ended' class A configuration at the output stage as opposed to a push-pull one. The latter requires quiescent current and bias adjustment and possible thermal coupling while the former has it fixed in the design.

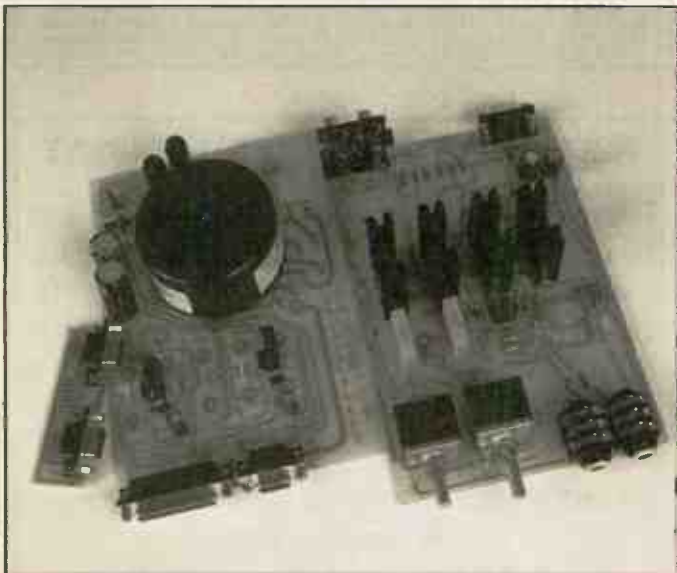




▲ The Chiara kit unassembled



▲ The power supply module prior to assembly



▲ The completed PCB's of both Chiara and the Andante

## BUILDING THE CIRCUIT BOARDS

Hart truly do make every effort to accommodate their kits to the absolute beginner. Provided is a hearty wad of paper introducing the wannabe constructor to the world of PCB construction and DIY electronics. The kit instructions too are a step-by-step guide - I followed them to the letter.

The order of assembly seems to have been well thought through. Mounting the PCB components is done in ascending size and height, making soldering a lot neater and easier. The only other tools necessary, other than the obligatory soldering iron, are a pair of wire cutters, screw drivers (crossed head and flat-blade) and a multimeter - one with basic voltage and resistance measurement will do. Everything else, including 'super audio grade silver solder', is provided.

## FINAL ASSEMBLY

Once the PCBs were complete the front and rear plates of the headphone amplifier and the rear plate of the power supply were mounted. The end plates attach first to the PCB-mounted sockets, and are then screwed to the case. This too was a very neatly set out procedure, particularly the use of plastic bushes for the volume and balance control shafts which ensured they were wobble-free.

The power supply front plate wasn't mounted in the same way, and this was cause for my first criticism, though a minor one at that. Because there's only a power switch and LED on this panel, it isn't held to the PCB. This made it awkward to solder the LED in place and care was needed not to stress its mounting legs while the panel was attached to the bottom plate. My only other moan while I'm on a roll is that I struggled a bit getting the transformer to fit in the holes provided. This is probably just due to a combination of tolerance errors and nothing that a little bit of effort, a pair of pliers and some gentle persuasion couldn't sort out.

There's no wiring in the headphone amplifier - everything's neatly PCB-mounted, but construction of the power supply did require a little. These were primarily for the mains supply/switch connections plus the routing to the extra dc supply outputs (small PCB shown). The casing in both cases tidily slides together giving two elegant pieces of equipment.

## SOUND QUALITY

Using Beyerdynamic DT 531 headphones with my Ziggy Stardust CD playing in our Audiolab 8000CDM transport and a Pink Triangle Da Capo CD convertor, I plugged myself into the 'Chiara'.

'Starman' was a stop on the way through I certainly couldn't miss, and I wasn't disappointed. The sound was clear and pacy with plenty of life.

## Riverside Audio

18, Riverside, Cambridge CB5 8HL. Telephone/FAX: (01223) 512253

Our aim at Riverside Audio is to enable the home constructor to build valve amplifiers which combine superb sound quality with the professional finish of the best high-end products - at a low price. Our rigorous and conservative designs ensure that you get long and trouble free service from your amplifier. We offer our amplifiers in various forms, from circuit designs, through printed circuit boards, to full kits and even fully assembled amplifiers for those who cannot wait to listen to them.

**The Riverside 4040** is our integrated amplifier. It features dual mono construction and has five line level inputs and both 4Ω and 8Ω outputs. The output stage is configured in the classic McIntosh connection, which gives stable, wide-band operation even with difficult loudspeaker loads. The stainless steel chassis and transformer cover are hand polished to a mirror finish, and come with a semi-matt black valve cover. 4xEL34, 4x6CC83, 2x6CC82. A full description, including circuit diagram, is given in the 4040 reference manual, £6.50. Kit £780, fully assembled £995.

Technical specification: dual mono construction, 40W/channel, 12Hz to 25kHz power bandwidth, distortion <0.1%, five line level inputs, tape output, 230/240V mains input.

Stereo amplifier circuit board: board only £49.50; component pack (including valve bases), add £63; populated board £125; full valve set, add £45. Power supply board: board only £20.50; component pack, add £44; populated board £66. Input board: board only £15.50; component pack, add £16; populated board £33.

The output transformers are configured for the McIntosh connection and have excellent low frequency response and a primary reflected impedance of 3800Ω. Full connection instructions provided. Price £70. The mains transformer is wound for dual mono construction, as this gives superior isolation between channels which sharpens imaging and eliminates inter-channel ground loops in the amplifier. Primary 0-230-240V. Secondaries 2x295V@0.25A (0.4A int.), 2x70V@30mA, 2x6.3V@5A. Price £60. Other primary voltages can be supplied to special order. Data sheets giving connection diagrams, specifications, as well as circuits for using each transformer, £2.50 each.

The chassis, comprising main chassis and transformer cover, is hand polished, welded 1/16" stainless steel - NC machine tooled for a perfect fit and clean finish. Each kit also includes a mesh valve cover and baseplate, finished in

semi matt black. Price £310. Also available in mild steel finished in black, £195. For those who wish to use one of these high quality chassis for their own projects, details of the chassis are given in the 4040 reference manual, £6.50.

Connector kit: twelve gold plated phono connectors, two sets of loudspeaker terminals, an IEC mains socket with integral fuse and switch, and an IEC mains lead with fitted 13A plug, £51.50. Cable kit: all cables required for the 4040, £6.

**The Riverside P2 phono preamplifier** is designed to partner the Riverside 4040 for those who enjoy the vinyl sound. Equalization is provided for moving magnet output to line level. The P2 features a high accuracy feedback RIAA equalization circuit, ensuring a natural tonality, a regulated high voltage supply per channel and cathode follower outputs. 3x6CC83, 1x6CC81, 2x6CF80. Full details and circuit diagram in the P2 reference manual, £6.50. Kit £225, fully assembled £275.

Technical specification: 47kΩ input impedance, 1kΩ impedance output for driving long interconnects.

Stereo circuit board: board only £25; component pack, add £37.50; populated board £70; full valve set £20.

The mains transformer is wound for dual mono construction and is toroidal for low leakage flux. Primary 0-230-240V. Secondaries 2x295V@20mA, 2x6.3V@0.45A, 16V@1A. Price £30. Other primary voltages can be supplied to special order. These transformers are also suitable for power supplies in preamplifiers and other line level valve circuits - see data sheet for details, £2.50.

The chassis (main chassis and transformer cover) is made from mild steel. Each kit comes complete with a mesh valve cover and baseplate, finished in black. Price £110. For those who wish to use a high quality chassis for their own projects, details of the chassis are given in the P2 manual, £6.50.

Connector kit: four gold plated phono connectors, IEC mains socket with integral fuse and switch, and IEC mains lead with fitted 13 A plug, £15.

We normally ship within three working days. If we do not have the item in stock we will advise you of expected delivery and confirm before despatch. P&P (in UK): £2 for each part of £40, maximum of £10; manuals free of charge. Assembled units despatched by courier free; courier service on other items £10.

Write, phone or FAX for a catalogue sheet of the full range of Riverside products.

## THE Service Specialists

From Classic Valve to Digital LaserDisc...

You supply the Problem, We supply the Solution!

QUAD • GRANT • LEAK • RCA • REVOX • ALTOBASS • RADFORD • PIONEER • LUMLEY • TEAC • YAMAHA • AVANTIC etc.

For over 20 years we have provided un-matched technical services to Enthusiast and Pro. alike. We've satisfied customers at all points of the compass - even in Australia!

What makes us so popular? Simply, we're the best!

**RESTORATION.** Messrs, Leak, Walker, Radford *et al.* got it right! Yesteryear's great designs are, in the main, fine. They certainly don't need converting into something else, which seems to be a current trend. We will carefully restore your classic using modern high-quality components; this alone frequently improves the sound quality enormously. We will not, though, alter the original design in an attempt to "improve" it. Enjoy owning and listening to a Classic... not a latterday fad.

**REPAIR/CALIBRATION.** Even the finest equipment's will suffer an occasional breakdown and need meticulous repair, calibration and alignment. The only standards we recognise and work to are Manufacturers Original. Our Test & Measurement facilities are probably the best in this sector of the Industry... and we know how to use them!

**KIT-BUILDING.** There are numerous kits around nowadays. They all require skill/experience to build satisfactorily and, in the case of valve equipment, safely. Some designs are good, others ....well, let's just say their 'designers' would benefit from a sojourn on that celebrated desert island with only Terman and Langford-Smith for company! Whichever kit you choose, though, it will benefit from a professional build. We will build it, de-bug it and give you a set of Final Test figures from your sample.

**KIT-RESCUE.** In trouble? It won't work? *Nil desperandum.* Contact us about a rescue/re-furbish.

For more details of our comprehensive services, 'phone or fax:-

(0113) 244 0378

AUDIO LABORATORIES (LEEDS)

## AUDIO LINKS

### 1996 CATALOGUE

SPECIALIST COMPONENTS  
AT REALISTIC PRICES

£2.00 A COPY

TEL/FAX 01724 870432

7 Fairmont Crescent, Scunthorpe,  
North Lincolnshire DN16 1EL

## Falcon Acoustics Ltd

Incorporating Falcon Electronics Falcon Components

New Audio Amateur reprint; published on CDROM of Radlotron Designer's Handbook by Langford-Smith.

New and updated FOCAL 'State of the Art' Kits  
FOCAL 'In-car' & JMLab Speaker Systems.

Increased range of SOLEN 400v & 630v Polypropylene capacitors.  
DRIVE UNITS: by FOCAL, and a pick of the best from other manufacturers.

CROSSOVER NETWORKS - Active & Passive, Components, Accessories,  
Large range of Capacitors + Falcon Custom-wound Inductors.

AUDIO AMATEUR PUBLICATIONS

Loudspeaker Design Cookbook 5, Recipes Cookbook, Mullard Valve Circuit, plus lots more in P/L.  
Back year sets of Speaker Builder, Audio Amateur & Glass Audio, plus the Audio Anthology Set.

COMPUTER PROGRAMS

Large selection of Programs available from the very comprehensive Liberty AudioSuite test program via AIRR and LoudSpeaker Ver.6, BassBox 5.1, to the basic Bullock/White Boxresponse.

Also the IMP FFT Test Kit and the Mitey Mic Kit/Preamp Kit for Audiosuite or AIRR  
Send for our FREE price list PL25: Just send a large S.A.E. (36p stamp) or US\$2 bill overseas,  
Europe US\$1 bill or 3 International Reply Coupons (IRC) to:- (Dept HFW) Tabor House,  
Norwich Road, MULBARTON, Norwich, Norfolk. NR14 8JT Tel. (01508) 578272

## RESTORATION OF CLASSIC EQUIPMENT

ELECTRONICS ENGINEER (DEGREE/MAES) WITH OVER 40 YEARS EXPERIENCE AND SPECIALIST KNOWLEDGE OF QUAD, RADFORD, LEAK, ROGERS AND ARMSTRONG, ETC. EXTENSIVE FACILITIES ENABLE ORIGINAL STANDARDS WITH DETAILED REPORTS OF WORK CARRIED OUT. APPARATUS IS DEMONSTRATED PRIOR TO CLIENTS DEPARTURE. AVAILABLE 7 DAYS A WEEK. VALVE TESTING A SPECIALITY.

CIRCUIT DATA AND AUDIO EQUIP ON OFFER...

PLEASE ENQUIRE

TEL 0181 504 5467 WOODFORD, ESSEX



Faster tracks like 'Sexy MF' of Mr Symbol's (now apparently called Prince again!) Symbol CD presented a harder sound than some might appreciate, but otherwise it was full and dynamic with fairly good separation. Reggae fans though may be a bit disappointed, but then these aren't 20 inch cones stacked to the ceiling.

The DT 531s, being closed headphones, do give, as is typical of their kind, a more confined sound than open counterparts. I tried several other 'phones and the results were always pleasing, with a detailed, spacious and open sound.

Tori Amos' 'Blood Roses' gave a wonderful sensation of her fingers tinkling the Harpsichord keys, between my ears.

As with Jimi Hendrix's 'Highway Chile', my Stratocaster wasn't handy so an air guitar was necessary.

Comparing the Chiara with the headphone stage on the Audiolab 8000Q preamplifier did make it seem like a hill in the shadow of a mountain. The Audiolab had a clearer and fuller sound filling in the gaps in the lower registers, sweetening the treble and opening the image. Mind you, to get your hands on this headphone amp you would have to pay a great deal more, and it'd be without the added bonus of building it yourself. Well Ziggy played guitar and so did I at some points. Jolly pleasant stuff indeed.

## CONCLUSION

Overall, particularly for the DIY newcomer, this is a very well presented and easy to build kit with a good sonic performance to match. Excellent for accelerating a beginner's learning curve ●

**Hart Chiara** £109.50  
**Hart Andante PSU** £85.42

**Hart Electronic Kits**  
**Penylan Mill,**  
**Oswestry,**  
**Shrops. SY10 9AF**  
**☎ 01691 652894**

## SINGLE-ENDED OR PUSH-PULL?

In his design, Linsley Hood opted for a single-ended configuration. This is not to dismiss push-pull circuits out of hand. Considering the properties of each, one can be left to choose the appropriate topology for the given circumstances.

### Single-Ended

With a typical bipolar transistor single-ended output stage, the output device swings the full audio signal, positive and negative half cycles. The output terminal (emitter) is held at half supply volts and passes half the peak output current when idling, meaning that in a powerful output stage it must dissipate a lot of heat. However, it does not have to "crossover" to another device, so device thermal matching and crossover distortion are eliminated. This configuration, by its very nature, is Class A only.

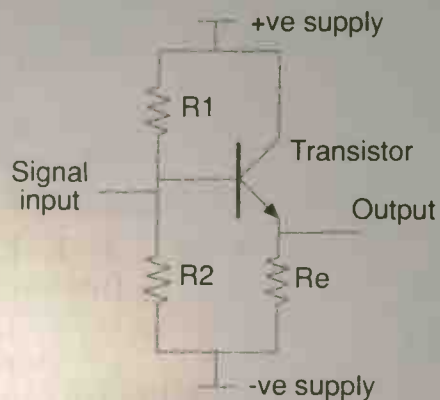
### Push-Pull

Push-pull circuits use two output devices biased just into conduction (Class AB case). When complementary transistors (i.e. NPN/PNP) are used, one will turn on during the negative half cycle and the other during the positive half cycle. One pushes whilst the other pulls, as it were.

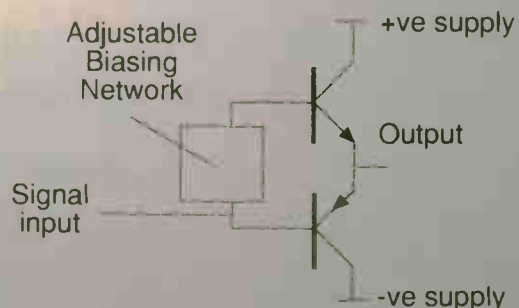
When there's strict division of labour between the output devices, the method of operation is known as Class B. When there's some overlap, to make a smooth change between them and minimise crossover distortion, Class AB, and when both share fully, Class A.

As the quiescent current required for each transistor is zero in Class B and low in Class AB, compared to the single-ended case, thermal dissipation is a lot less and efficiency much higher.

## SINGLE ENDED CONFIGURATION



## BASIC PUSH PULL TOPOLOGY



# The AP ELECTRONICS Route to Musical Happiness

## EXPERIMENT

With different interconnecting and loudspeaker cables  
With SonicLink custom designed mains cables  
By changing resistors and capacitors  
With large power supplies  
By applying simple modifications to improve your circuits  
By bypassing high value capacitors with higher quality lower values  
Purchased from the AP ELECTRONICS CATALOGUE

## LEARN

From your experiments  
The features which give the best sound quality.  
From knowledge gained through reading AP PERFORMANCE AUDIO

## MODIFY

Use the knowledge gained from experimentation  
And from tips published in AP PERFORMANCE AUDIO  
To rebuild your own amplifiers  
To improve the sound quality of your system  
To get greater enjoyment from your favourite music.

## BUILD

Build your own hifi equipment  
From the excellent range of AP ELECTRONIC kits

## DESIGN

Design the equipment of your dreams  
Make your dream come true  
With kits & parts purchased from the AP ELECTRONICS catalogue

**A P E L E C T R O N I C S**

15 Derwent Business Centre,

Clarke St,

Derby DE1 2BU

Tel: +44-1332-674929 Fax: +44-1332-298836



----- cut out -----

To: AP ELECTRONICS, 15 Derwent Business Centre, Clarke St, Derby DE1 2BU, UK.

Please send me

AP ELECTRONICS CATALOGUE (UK/EC £4.95, Export £6.95) \_\_\_\_\_

AP PERFORMANCE AUDIO 1996 (Min 3 issues) (UK/EC £5, Export £10) \_\_\_\_\_

I enclose cheque/P.O. \_\_\_\_\_ Payable to "AUDIOKITS" or please debit

My Credit Card \_\_\_\_\_ Exp \_\_\_/\_\_\_

FULL NAME \_\_\_\_\_ SIGNATURE \_\_\_\_\_

ADDRESS \_\_\_\_\_

POST CODE & COUNTRY \_\_\_\_\_



# ELECTRONICS WORKBENCH

## Version 4

**An electronics simulator for the masses? Interactive Image Technology of Canada have had a go at producing one. Their latest version is reviewed by Haider Bahrani.**

**T**he first time I came across an Electronics Workbench package was a number of years back now whilst doing my degree. These were the days when Intel 386 based PCs were the state of the art and DOS was the predominant user interface. Having laboured away on programs like Spice and Analyser where inputting a circuit required a full blown programming session, the idea of a package that allowed you to build the circuit schematically and simulate it was very attractive.

It was this early version that invited me into a world where at the click of a mouse button I could have virtually any standard laboratory instrument. There was also the bonus of one or two which weren't typically found on a student's workstation, including a Bode plotter. OK, it was slow and the device models

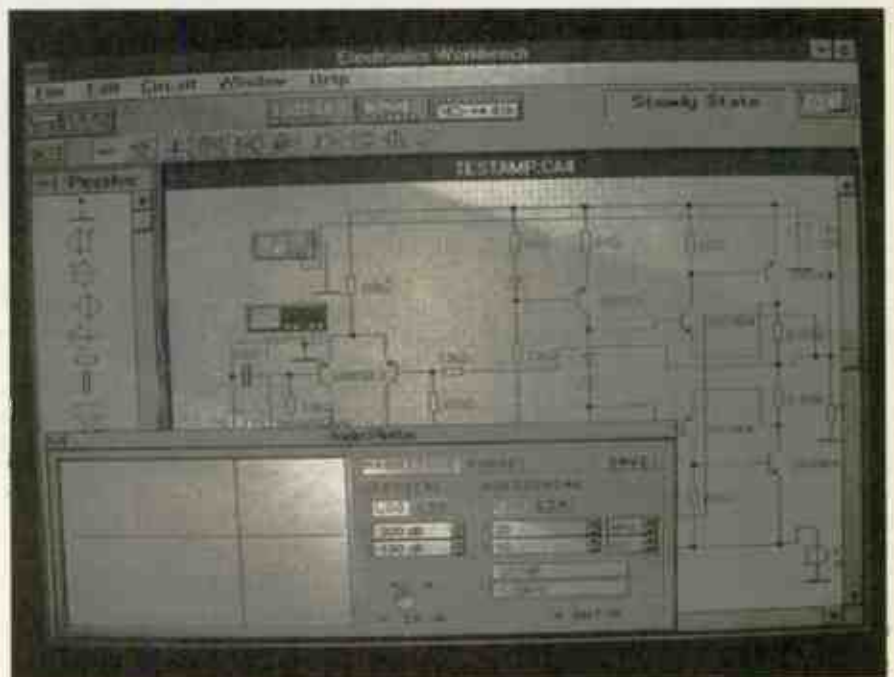
lacked the sophistication of its programmable counterparts, but it was user friendly and encouraged experiment.

With Version 4 in my grasp I took little time rushing to my PC to install it. The one sent to me runs under Windows, but it is also available for DOS and the Apple Macintosh. Having spent some time growing in educational establishments, the new version now seems intent on tackling the professional

design field. As far as ease of use is concerned, Workbench is certainly first class. The much more expensive Microcap and workstation based Hspice are not as user friendly in my opinion, making Workbench look even better value at £199.

### **WORKBENCH INSTRUMENTS**

So what has Workbench got going for itself? Well instead of having a breadboard, components and test



An analogue amplifier circuit with the Bode plotter in action.

# LANGREX SUPPLIES LTD

DISTRIBUTORS OF ELECTRONIC VALVES, TUBES AND SEMI-CONDUCTORS AND I.C.S.

PHONE  
0181 684 1166

1 MAYO ROAD • CROYDON • SURREY CR0 2QP  
24 HOURS EXPRESS MAIL ORDER SERVICE ON STOCK ITEMS

FAX  
0181 684 3056

A selection of our stocks of **New Original Mullard - Brimar** audio types made in UK.  
Many other brands available.

STANDARD TYPES			SPECIAL QUALITY TYPES			
ECC81	MULLARD	6.00	A2900/CV 6091 GEC		17.50	
ECC82	MULLARD	6.00	E88CC - GOLD PIN MULLARD		8.50	
ECC88	MULLARD	6.00	E88CC SIEMENS GOLD PIN		8.50	
ECH81	MULLARD	3.00	E88CC-01 / CV2493 GOLD PIN MULLARD		10.00	
ECL82	MULLARD	3.50	E188CC - GOLD PIN MULLARD		8.50	
EL33	MULLARD	10.00	ECC81 - M8162 / CV4024 MULLARD		6.50	
GZ32	MULLARD	8.50	ECC81 - 6201 / GOLD PIN MULLARD		8.50	
GZ33	MULLARD	6.00	ECC82 / CV4003 MULLARD		6.50	
GZ34	MULLARD	15.00	ECC83 / CV4004 BRIMAR		6.50	
5Z4G	BRIMAR	5.00	EF86 - CV 4085 GEC		12.00	
6SL7GT	BRIMAR	4.50	ECC83 - CV 4004 MULLARD		8.50	
6SN7GT	BRIMAR	4.50	<b>AMERICAN TYPES</b>			
6V6GT	BRIMAR	4.25	5 R4GY RCA	6.00	12AX7A GE	7.00
6X5GT	BRIMAR	2.50	5 Y3WGTA / B SYL / GE	3.50	12BY7A GE	7.00
			6 B4G WESTINGHOUSE	22.00	6146B GE	15.00
			6 FQ7/6CG7 SYL	7.50	6550A GE	25.00
			6L6GC GE	12.50	7027A GE	20.00
			6L6WGB SYL	10.00	7581A SYL	15.00

THESE ARE A SELECTION FROM OUR STOCK OF OVER 6000 TYPES. PLEASE CALL OR FAX FOR AN IMMEDIATE QUOTATION ON ANY TYPES NOT LISTED. WE ARE ONE OF THE LARGEST DISTRIBUTORS OF VALVES IN THE UK. SAME DAY DESPATCH VISA/ACCESS ACCEPTABLE. OBSOLETE TYPES A SPECIALITY.

CREDIT CARD MIN ORDER £10.00.

OPEN TO CALLERS MON.-FRI. 9AM - 4PM. CLOSED SATURDAY

U.K. P&P 1-3 VALVES £2.00, 4-6 VALVES £3.00 ADD 17.5% VAT TO TOTAL INC P&P. O'SEAS P & P PLEASE ENQUIRE

VISA

Access

# Connect the dots.



Introducing The Parts Connection's first complete DIY kit: the Assemblage DAC-1 Digital Processor.

It comes in a small package (24cm x 5cm x 18cm chassis), but packs a big punch and a very musical sound. Designed for the rookie or first time kit builder, the only tools required are a pencil tip soldering iron, a screw driver, a wrench, a pair of electronics pliers, and a wire stripper or hobby knife. With only 21 solder joints and a handful of nuts and bolts, this kit goes together in one evening (typically about an hour). It's as easy as connecting the dots.

The parts quality is top notch. The board comes assembled and tested, implementing the Burr Brown 1702 DAC, a Crystal 8412 input receiver, an NPC 5813 digital filter, Analog Device's AD844 and 847 op amps and a custom potted toroidal power transformer.

At \$449 US, the Assemblage DAC-1 offers an outstanding value in digital conversion and comes with a *Satisfaction Guarantee* (return it with-

in 30 days of purchase for a full refund) and an *Assembly Guarantee* (if you can't get it running, we will!). We challenge you to find a DAC anywhere near this price with better measured performance, component quality, and most importantly, sound quality. Call us for more specific information on the performance or construction features.

To order the DAC-1 kit or to order The Parts Connection 1994 Catalog (for £3), full of a lot of other exciting stuff (including a \$10 US discount coupon good on your first order over \$100 US), send us your request and mailing address - or call with credit card information.

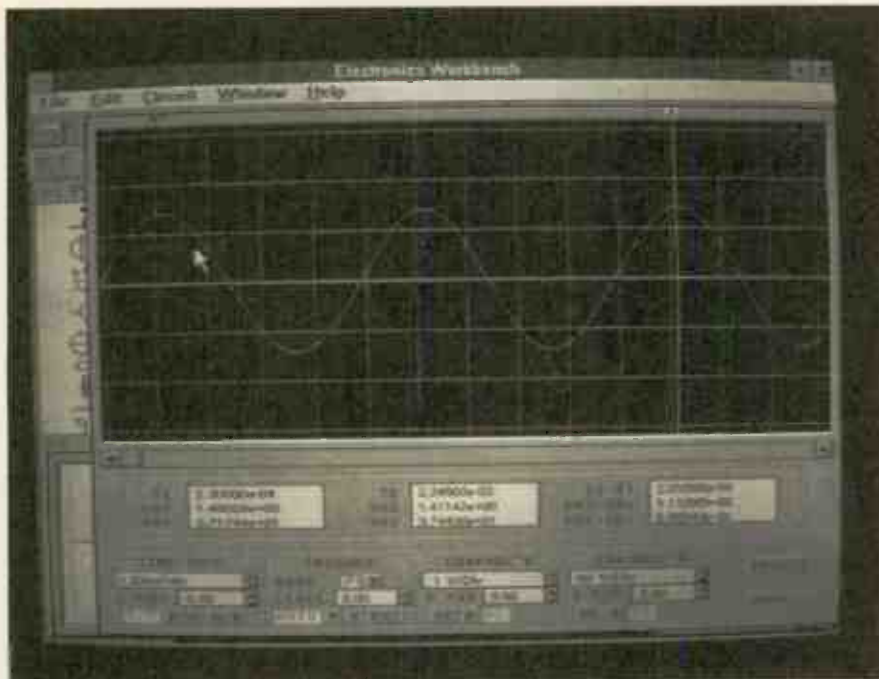
A S S E M B L A G E

**THE PARTS CONNECTION**  
A DIVISION OF SONIC FRONTIERS INC

2790 Brighton Road, Oakville, Ontario, Canada L6H 5T4  
Telephone 0101-905-829-5858 Facsimile 0101-905-829-5388

Toll Free Order Line 1-800-769-0747 (U.S. & Canada only)





Workbench's oscilloscope showing the amplifier's output.

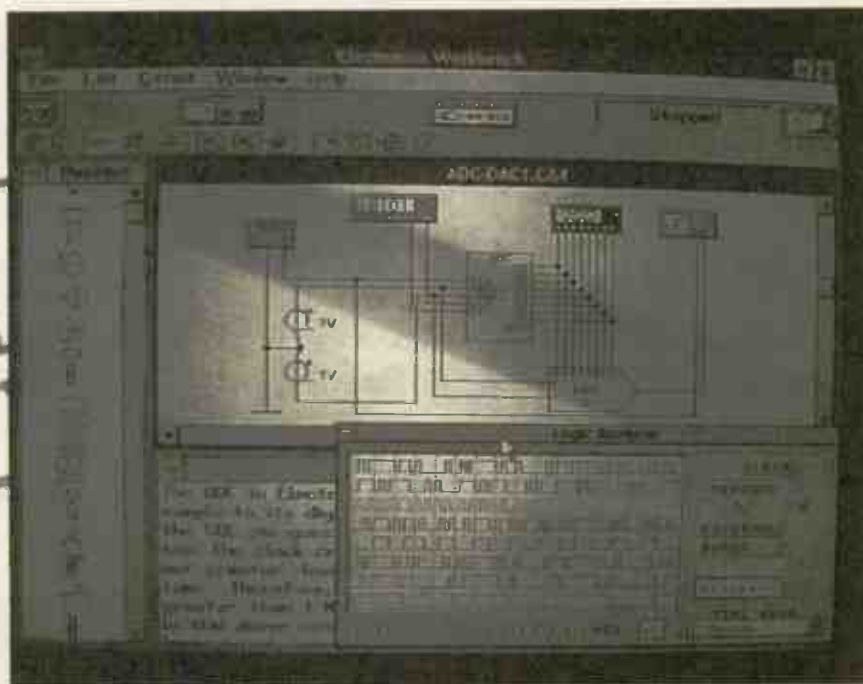
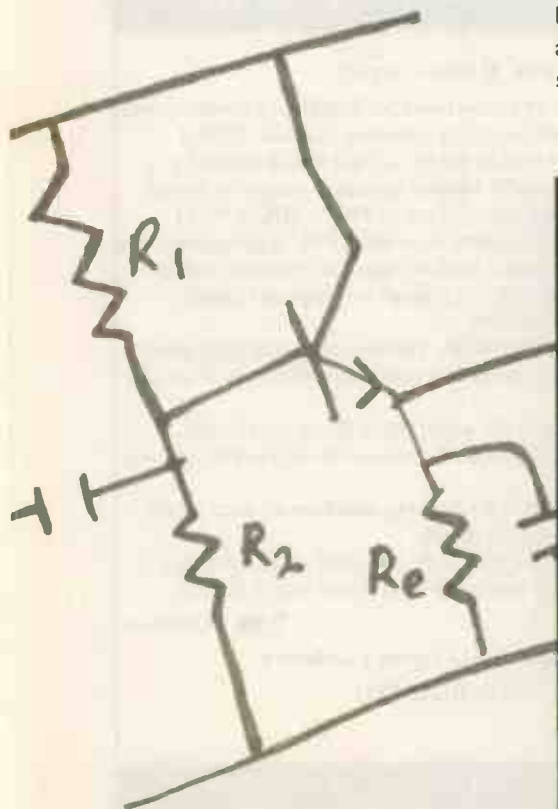
Bode plotter and logic converter, which presents logic in gate, truth table and Boolean formats, can be pulled down onto the work area and plugged into the circuit. If we haven't been spoiled enough already, an endless number of voltmeters and ammeters can be pulled out of the indicator parts bin and plugged into desired points on our circuit.

The multimeter allows the measurement of both DC or AC voltage and current as well as resistance at DC and dB loss between two points. The decibel values are set at a default reference of 1 volt, but as with nearly everything else in this package, can be customised to suit your requirements. The oscilloscope has similar characteristics to those of a standard dual-channel, real world device with basic triggering facilities and markers allowing point reference measurement along the horizontal axis.

instruments in front of you, Workbench places them on the computer screen. The standard test instruments available include a multimeter, oscilloscope, function generator, logic analyser and logic word generator. These can be accessed via icons at the top of the screen in typical Windows fashion.

The not so typical items such as the

Bode plotter, having the least sophisticated of representations, in a not so standard fashion, can only display phase or magnitude responses at any one time. This does make it less straightforward to read off gain and phase margins (which is really one of the powers of the facility), but at least it is there.



An ADC-DAC circuit showing off the logic analyser.



## Vacuum Tubes for Audio Are Back!

*Glass Audio* brings together yesterday's tube with today's improved components, voltage control, and the exciting new Soviet tubes, to make smooth sound in your livingroom possible again!

# YES!

Please send my first issue of *Glass Audio*. I'll pay just \$45.00 for six issues (1 year); \$80.00 for 12 issues (2 years) of the best information on tubes to be found anywhere. I understand that my satisfaction is guaranteed!

Name \_\_\_\_\_

Street & Number \_\_\_\_\_

City \_\_\_\_\_ Postal Code \_\_\_\_\_

Country \_\_\_\_\_

REMIT IN US \$ DRAWN ON A US BANK ONLY. PRICE GOOD THROUGH DECEMBER 31, 1995.

We Accept MC/VISA.

## *Glass Audio*

PO Box 176, Dept. HFWS, Peterborough, NH 03458-0176 USA  
Phone: (603) 924-9464 or FAX 24 hours a day (603) 924-9467

## The Vintage Audio Co.

SHOWROOM OPENING AT THE  
END OF JULY

WE ARE PLEASED TO ANNOUNCE THE  
OPENING OF OUR FIRST SHOWROOM  
IN HENLEY ON THAMES HERE YOU WILL  
BE ABLE TO SEE OUR FULL RANGE OF  
VALVE AMPLIFIERS FROM £467 TO £20,000.  
WE WILL ALSO BE SUPPLYING VALVES, OFF  
THE SHELF PARTRIDGE AND SOWTER  
TRANSFORMERS. IN ADDITION TO AN IN  
HOUSE REPAIR SERVICE AND ADVICE  
CENTRE.

PLEASE CALL IN AND SEE US AT THE

## Vintage Audio

SHOWROOM

(FOR MORE INFO PLEASE CALL 01239-891448)

## Loricraft Audio

Specialists in Garrard, Thorens and SME.

### PSU II Power Supply

Now in its second year of production PSU II mkII is a power supply that mimics a perfect mains supply, allowing Garrard 301/401 TD124 to be used anywhere in the world, and was developed as a result of our more technically minded customers requiring a more advanced PSU over our successful active PSU I. Whilst PSU I cleans and reshapes the incoming wave from PSU II generates a low distortion wave from which is both voltage and frequency stable. PSU II can also be used with CD players pre amps and tuners .  
PSU I £149.00 PSU II £400.00

Supply and service of Garrard, Thorens, and other high quality turntables using genuine and newly manufactured part to original specifications.

Also manufacturers of the world finest Plinth for Garrard 301/401 Thorens TD124 now with 5mm covers and finest hinges if required.

Loricraft PRC 1 Record Cleaning machine as used by the professionals. Please send for details.

Loricraft Garrard 401s with SME arms and record cleaning machines are in use with recording studios and record dealers.

*T.M. O'Sullivan*

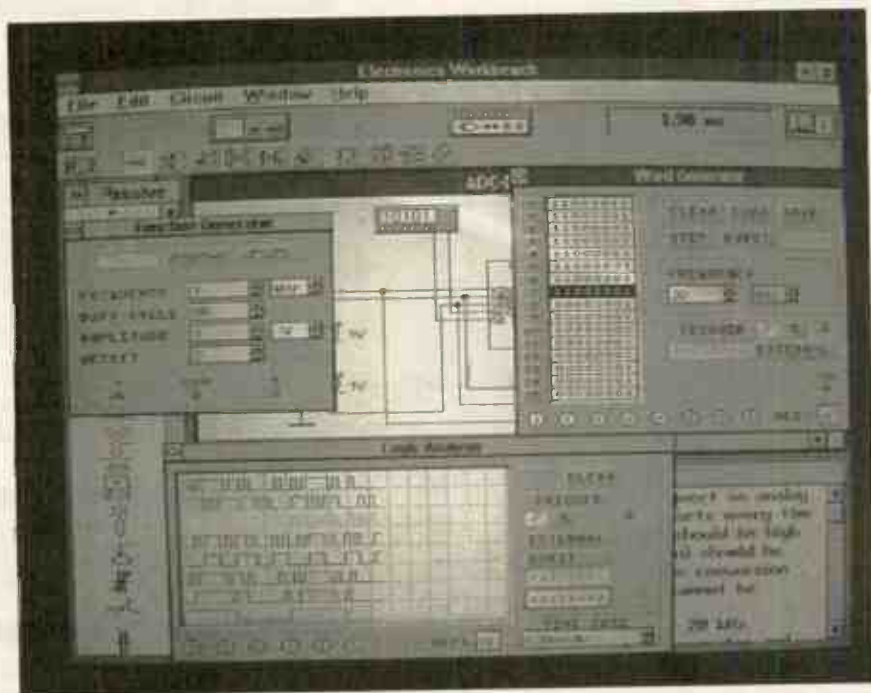
4 Big Lane, Goose Green Lambourn,  
Berks RG16 7XQ

• New 1996 catalogue available •

Fax /  
Ansaphone: **01488 72267**

Suppliers of Art Audio Amplifiers, Goldring, Ortofon, & SME





Function Generator, Word generator and Logic Analyser in action.

### CIRCUIT SIMULATION

For circuit stimulation the function generator provides the standard triangular, sine and square waves with variable frequencies and offsets. The logic analyser provides graphical and hexadecimal displays of digital circuits' outputs. The logic word generator is for driving these digital circuits by producing 16 8-bit words which can be pumped through one word at a time, all together or in cycles if desired.

The core of the Electronics Workbench package is based on Berkeley Spice 2G6. The device models can be customised. A Spice I/O module can be added to the standard package which allows you to export the netlists for analysis using a Spice package. You can also import device models from Spice versions 2 and 3. Another add on also allows the export of schematics to PCB design packages such as QuickRoute, a review of which we hope to bring you in the not too distant future.

### Analogue Simulation

One of the frills of this most recent update of the Workbench package is the combination of both analogue and digital simulation onto one virtual breadboard. I had quite a bit of fun with the analogue simulation which is probably the most powerful aspect, managing to put together circuits and simulate them very easily.

Double clicking on active devices allows

you to easily modify their parameters. Clear, concise details are given in the technical reference manual. If the devices aren't specified the program defaults to the ideal. As it is a Spice based simulator both transient and steady state analysis is possible, with an option to revert to linear operation if it can be assumed that all active devices will operate in their linear regions.

### Digital Simulation

Much the same as with the analogue components, the digital and hybrid (including 555 timers, DACs and ADCs) component circuits can be put together using the ideal form. The components can then be replaced with TTL, CMOS or 74 series blocks etc. from the vast libraries, either provided or obtainable as extras from the 2100 or so Model Libraries available for the package.

The logic converter was probably the most interesting aspect for me as I used to hate doing Boolean algebra and Karnaugh mapping in my student days. Once I had supplied all of the input and output data, Workbench did the rest for me, building the circuit on screen. What more could you ask for?

### CONCLUSION

Educationally Workbench is superb, with everything mouse handy on the screen. A budding designer can experiment by simulating device faults, forcing them to short or open circuit and even add current leakage into the circuit. As a designer's package it is a perfect tool for pre-evaluation work; the speed you can put together a circuit and get a response out of it is phenomenal. It doesn't, for now, provide the detail and low level programmability that a Spice package would have, but then we are playing a different game here. For this money we should be queuing for it. PC not included!

Available from:

**Robinson Marshall**  
**Nadella building,**  
**Progress Close,**  
**Leofric Business Park,**  
**Coventry CV3 2TF**  
**☎ 01203 233216**









# AUDIO CAD PRO

**AudioCad Pro is one of the most advanced loudspeaker simulation packages available for the PC. Dominic Baker outlines its basic features - more to follow in the next Supplement.**

**A**udioCad Pro is quite different to the majority of loudspeaker modelling packages. Whereas most rely on Thiele-Small parameters alone to predict a result, AudioCad Pro is aimed more at the professional and enthusiast with access to PC based measurement equipment. It can interface with just about any PC measurement package like Liberty's IMP, MLSSA, etc. If you have a package not already catered for, the author offers to write the necessary interface software for you. The 'real' measured data for the driver you are using can be imported into the package, making it more accurate in its calculations.

So, for example, if you input the measured impedance curve for a driver, AudioCad Pro will use this to perform calculations such as driver inductance ( $L_e$ ), resonance frequency ( $f_s$ ), and total electrical and mechanical quality factors ( $Q_{ts}$ ,  $Q_{es}$ ,  $Q_{ms}$ ).

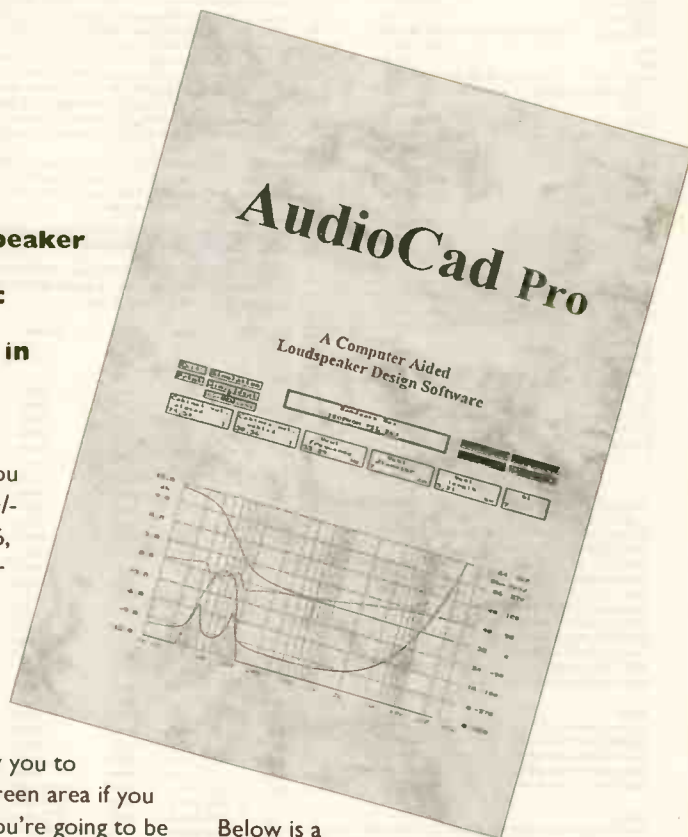
AudioCad Pro requires an IBM PC compatible, 286 or higher with at least 640kB of memory, a VGA graphics card and DOS 3.0 or later. It takes up 2MB of hard disc space once installed, but during the installation process it needs 5MB of free hard disc space. It is copyright protected, and once installed, the copyright code is moved from the floppy to your hard disc; it can be installed up to three times though in case of error, like insufficient hard disc space.

Aimed primarily at professionals, AudioCad Pro allows you to set the configuration in a number of different

forms. For example, you can choose between +/- 24 or 48dB range, 0-16, 32, 64, or 256ohms for impedance, and the frequency over which the simulation will be performed. This is not such an important point, but it does allow you to make full use of the screen area if you have an idea of what you're going to be looking for.

For the crossover optimisation section, the number of points AudioCad uses to calculate the data over can be set to 64, 128, 256, or 512. In most cases this can be set to the lowest value, where it will work fastest; it is only a simulation package, so don't be fooled into thinking that just because you've selected the highest resolution it will be more accurate.

In its basic form, AudioCad Pro is very similar to the majority of loudspeaker modelling packages. If you don't have access to PC based measurement equipment, the Thiele-Small parameters for the driver can be entered from manufacturers' data and then the box volume and tuning frequency can be entered and optimised on screen. One useful feature of AudioCad Pro though, is its 'Calculate Parameters' section, which determines whether the data you have entered is feasible - a useful check, as it's common to find typographic errors in manufacturers' data sheets.



Below is a brief outline of the main sections of AudioCad Pro. It is such an involved package, with so many features and options, that it is impossible to cover everything in one article. In the next Supplement we'll take a deeper look, using Liberty's Audiosuite to calculate the Thiele-Small parameters, response, impedance and phase curves, and then import this data into AudioCad Pro for simulation.

## Closed Boxes

As you'd expect, this section is similar to most other packages. There is provision for entering the serial resistance of the system, which includes your amplifier's internal resistance, the cable's resistance and that of the crossover, as there is for all simulations. The effects of the damping material can also be entered, which can effect cabinet volume by up to 30% for a heavily stuffed box.

## Vented Boxes

Here again AudioCad Pro is similar to most modelling packages. Like BoxModel

it takes into account the loss factor caused by a leaky box, vent and damping materials. But usefully, the program adjusts this depending on the volume of the box, larger boxes having higher losses than small ones. And you can model both circular and rectangular ports, which is a useful feature.

### Band Pass

The band pass enclosure, a driver mounted in a chamber driving a second chamber loaded by a reflex port, can also be modelled, as can a band pass two, where the driver sees a reflex loaded volume either side of the cone. These configurations are most useful for designing subwoofers, and a reasonable amount of practical advice is given. For example, for the band pass two case the author advises that you keep the volume of each chamber and their tuning frequencies identical, and that the ports terminate on opposite sides because their outputs are 180° out of phase.

In fact, there is useful practical advice littered everywhere throughout the manual, which will be a great help to many enthusiasts attempting a new type of design for the first time.

### Transmission Lines

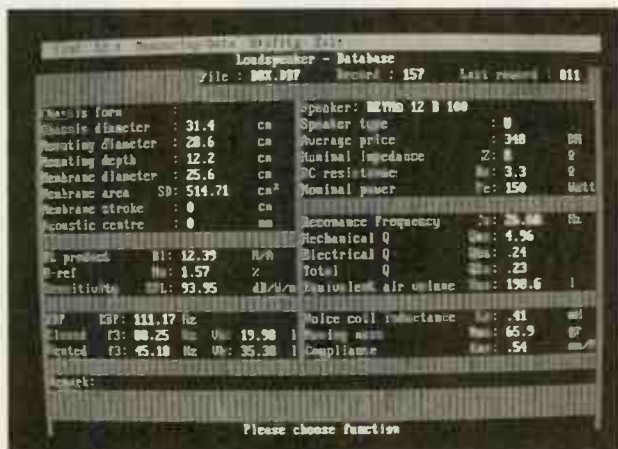
Where AudioCad Pro starts to become interesting is in its ability to model transmission line enclosures and horns. For TLs, the cabinet width, opening cross section, exit cross section, volume and length of the line can all be adjusted and optimised. It is a fairly basic simulation, but then there are so few packages that model TLs that it is still extremely valuable.

### Horns

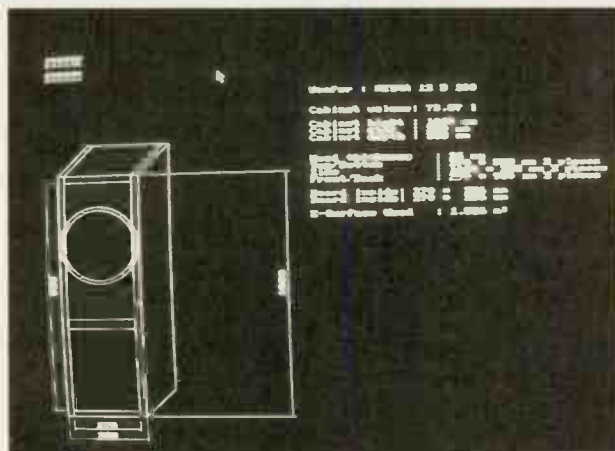
Even more valuable is the section on horn loudspeakers. AudioCad Pro is the first program I have come across that covers this topic. Again, a lot of practical advice is given to aid the designer in making the right decisions for driver

choice and so on. The simulation itself concentrates on exponential and Tractrix horn profiles, giving the user the ability to vary chamber volume, fore chamber volume, throat area, horn length and mouth area. I hope to have a

The positions of these can be moved, distances between drivers and proportions entered. If you have a printer, these make a very useful plan to hand to your local woodworker, and should ensure that no mistakes are made during construction.



Driver parameters can be entered from manufacturers' data sheets or imported from a PC measurement package.



Audio Cad Pro can produce 3-D cabinet diagrams to make construction easier.

model of a small Tractrix horn driven by a 34mm dome tweeter up and running in time for the next Supplement, fingers crossed.

### Cabinet Draw

AudioCad Pro will produce either 2-D or 3-D drawings of your cabinet for you. Here the thickness of the material you intend to use can be entered and AudioCad Pro will calculate the dimensions of the box, showing a representation of the loudspeaker complete with driver and port cut-outs.

### Crossover Design

AudioCad Pro also comes with a crossover designer. Using the driver data entered, it will predict values for crossover components for 1st-4th order designs. If you have the driver Re, fs, Qms, Qes and Le, it will also calculate a suitable network for impedance equalisation. This corrects for the rise in impedance towards high frequencies caused by a voice coil inductance, and is only really of use for midrange and bass drivers. It will also calculate values for an L-pad attenuator, given the attenuation you need in dBs to match the other drivers in your system.

When using the crossover optimisation section, the author recommends finding Le at the crossover point you are aiming for, if you don't have the impedance curve data. This is good advice; it is important to know how the driver is behaving at the crossover point so that the data is relevant to where you are working.

### Acoustical Centres

More often than not, the acoustical centres of the drivers you are using will not

be aligned. The distance between the acoustic centres of the two drivers causes a phase shift that will effect your crossover design. AudioCad Pro can be informed of the distance between the acoustical centres of the drivers you are using, and then take this into account when optimising the crossover.

In the next Supplement we'll bring you a more in-depth look at some of AudioCad Pro's features ●



# SPEAKER KITS FROM IPL ACOUSTICS

Over a 9 year period I.P.L. ACOUSTICS have developed a range of high quality speaker kits, using the best units from SEAS, MOREL, AUDAX, and I.P.L. and have produced a comprehensive range of speakers which will compete with the most expensive of commercial designs.

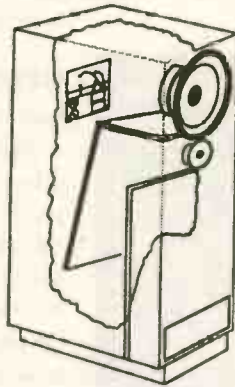
All speakers have biwired crossover kits containing high quality components and terminals.

**S5TL  
TRANSMISSION LINE**



PLUS KIT .....£373.00  
TOTAL KIT .....£496.00

**FIVE  
TRANSMISSION  
LINE KITS**



TRANSMISSION LINE  
PLUS KITS .....£166.00 -  
.....£373

**M3TL  
TRANSMISSION LINE**



PLUS KITS .....£166.00  
TOTAL KIT .....£230.00

**A2 H.D.A.  
AEROGEL KIT**



PLUS KIT .....£185.50  
TOTAL KIT .....£255.00

**S3TLM METAL  
TRANSMISSION LINE**



PLUS KIT .....£216.50  
TOTAL KIT .....£295.50

PRE-VENEERED CABINET KITS NOW AVAILABLE. Carriage charge extra on all kits.

If you would like further details please send large SAE with 36p stamp for PAGE SPEAKER BUILDING CATALOGUE, comprising VALUABLE ADVICE on DESIGNING, BUILDING, and TESTING speakers and full technical specifications including response curves of eight kits, drive units, and details of SPECIALIST CABLES and ACCESSORIES. KITS FOR A.V. USE NOW AVAILABLE.

I.P.L. Acoustics, 2 Laverton Road, Westbury, Wiltshire, BA13 3RS. Tel: 01373 823333

## DECADE KITS

**1000 Electronic Crossover.** Offers two Low-Pass and two High-Pass Filters (2nd Order - 12dB/Oct.) having independent inputs and outputs, but with tracking variable cutoff frequency controls. Two frequency ranges are provided: 100-1KHz, and 1KHz-10KHz. Boards may be cascaded or connected as Band-Pass filters for special applications. Two boards make a 3-way stereo crossover system. The HPFs may be reconfigured as LF boost equalizers, allowing a single board to serve as a very competent subwoofer crossover/equalizer. Gold-plated I/O jacks. 12VDC (up to 30VDC) power required. PCB is 5.50 x 4.05 inches. (US) \$39.95 ea.

**Loudman™ Stereo Power Booster.** Connects to the earphone jack of your WalkMan® or other low-power circuit design. Less than 0.05% midrange distortion (THD). Requires 50-60VDC power (36VAC 1.5A min. transformer secondary rating). A heatsink is provided, but this should be fitted to a metal panel for the best heat removal. Overall size approx. 3.0 x 8.0 x 2.4 inches (US) \$37.95 ea.

Decade Engineering will soon introduce a very economical **100W Subwoofer Amplifier kit** with built-in L+R mixing, LPF and LF boost equalization. Please enquire if you would like more information on this new product when it's available!

Decade Kits include a high-quality glass-epoxy PC Board, all PCB-mounting components, Assembly Instructions and Theory of Operation. Power supply, enclosure and interconnects are supplied by the customer. **Cheap and fast** overseas product support is available via email.

**UK agent wanted.**

Shipping charges additional. Visa/Mastercard accepted. Decade Engineering, 2302 5th St. NE, Salem, OR 97303 (USA), email: 73054.1755@compuserve.com, fax: 503.399.9747, tel: 503.363.5143

## HOVLAND • MUSICAP®

new distribution for Europe

### IMPROVE YOUR IMAGE

The Hovland "sound" is fast, tight, dynamic, dramatic and clean. Non of the over bright aggressive treble of most polypropylenes, and non of the soggy bass or lumpy sonic characteristics of most plastic film caps.

#### Coupling Caps

value	voltage	1 to 9 uk retail inc vat	10+ uk retail inc vat
0.010	1600	£8.34	£7.09
0.10	400	£7.15	£6.08
0.10	600	£9.54	£8.11
0.22	400	£9.69	£8.24
0.47	400	£10.32	£8.77
0.47	600	£17.71	£15.05
2.0	400	£23.15	£19.68

#### Speaker Caps

value	voltage	1 to 9 uk retail inc vat	10+ uk retail inc vat
1.0	100	£13.93	£11.84
1.5	100	£16.63	£14.13
1.8	100	£17.03	£14.47
2.0	100	£18.93	£16.09
2.2	100	£19.63	£16.68
2.7	100	£20.13	£17.11
2.7	200	£25.93	£22.04
3.0	100	£26.33	£22.38
3.0	200	£20.73	£17.62
3.3	100	£23.10	£19.63
4.0	100	£25.50	£21.67
5.0	100	£28.54	£24.25
6.0	100	£32.20	£27.37
7.0	100	£34.07	£28.96
8.0	100	£36.89	£31.36
9.0	100	£39.74	£33.78
10.0	100	£39.74	£33.78

OEM, TRADE AND RETAIL ENQUIRIES WELCOME

Ben-Dor, Lumb Carr Rd, Holcombe, Bury, Lancs, BL8 4NH, England.

Tel/Fax: + 44 (0)1706 823025

SJS Electroacoustics





# Build your own Audio Valve Amplifiers

by Rainer zur Linde, reviewed by Noel Keywood.

This book was written by a German, Rainer zur Linde, for *Elektor*, a Dutch magazine. But that doesn't make it half-Dutch; for the most part "Build Your Own Audio Valve Amplifiers" is quite easy to understand if you have a grounding in electronics. All the same, its history in particular did remind me that culturally the English channel has always been a lot wider than the Atlantic.

Although Philips, a Dutch company, bought its way into Britain and its Empire when it purchased Mullard from Captain W.O. Mullard in 1925, valves like Philips' AD1 power triode are rarely mentioned in the U.K., but it gets star billing in this book: "the legendary AD1 was both the pinnacle and final development of output triodes". British and American readers who've never heard of the AD1 might be a bit baffled by this and its apparent superiority to the DA100 and the 212E, for example.

None of this impinges on the main strengths of the book though, which is to present a wide variety of circuits, many or all of which have been built and tested. There are more than ten power amplifiers, for example, with output powers up to 20watts. However, although at one level the book is very much a hands-on publication, it is not aimed at the beginner. There are enough graphs of transfer curves and formulae to keep a design engineer happy, but an absence of basics.

I was puzzled by some of the book's curiosities. On p128 the author talks of "the KT88 used as a pentode in the prototype", when in fact it is a Beam

Tetrode. The beam deflector plates I presume Linde treats as a suppressor grid. Since, it is said, RCA developed the beam tetrode to get around Philips' 1926 patents for the pentode, it may well be that Europeans (other than Brits) treat the RCA 6L6, GEC KT (Kinkless Tetrode) series valves and all other beam tetrodes as pentodes-in-kind. This is confusing for Brits and Americans, who make a clear distinction between the two.

Also, although there are long discussions on why and how distortion harmonics affect sound quality, delivered with a confidence that I find disturbing in its simplicity, there is no mention at all of the role and importance of transformers. Of all things - especially in modern day valve amps - it is the output transformer that most affects performance.

Trouble is, transformers are so complex to model theoretically and build practically, their design is a black art about which little has been written. I can sympathise with Rainer zur Linde; I know of only one book that discusses audio transformer design in useful detail.

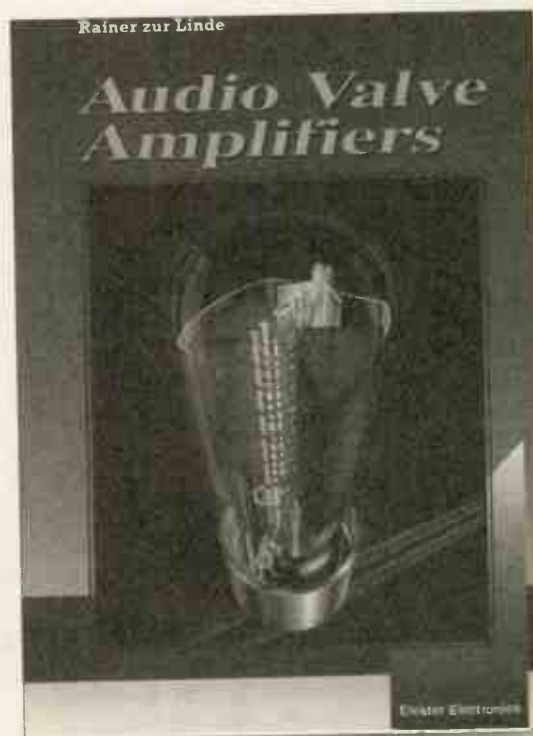
At times Rainer zur Linde had me baffled. I presumed that a 2xKT88 design, upon which Chapter 8 is based, would deliver good power. My presumption seemed to be confirmed by opening observations about push-pull being "a must", "for higher audio powers". A pair of KT88s can swing up to 40W or so, or 100W in fixed bias, GEC tell us.

Rainer zur Linde triode connected this high power Tetrode and used it in single-ended configuration to deliver just 6W. In my view, this is a bizarre way to use a KT88!

I have talked about the curiosities of the book, but it has strengths. In particular I liked its cookbook of solid-state power supplies and backup circuits - they're scattered far and wide throughout the book. Purists may groan, but I believe there's a lot to be said for "modern" valve amplifiers relying on the flexibility and cheapness of solid-state circuits in certain non-critical areas.

In true German manner, Rainer unashamedly includes arrays of relay switching circuits for an input busbar, with lines of ICs, albeit not in the signal path. He also includes a small but interesting final chapter on valve output stages, including filtering, for CD players using Philips' TDA1541 convertor chip and there is, earlier on, a sizeable chapter on musical instrument amplifiers.

On balance I found *Build Your Own Audio Valve Amplifiers* a rather curious book, possessing a medley of strengths and weaknesses. For those who already know a bit about valve load curves, biasing and what have you, it contains useful information. It is fine if you use its circuit ideas for, perhaps, your own design. In this sense it can make a valuable contribution ●



# Seas Loudspeakers



*Seas P21REX*

At SEAS, we take pride in working according to the highest standard. We put a lot of effort into speaker design, using materials and techniques which give the best audible results even if this means time consuming and painstaking production processes. Many critical parts are produced in-house some of which made by special purpose machinery designed and built by Seas. Quality is a key word in every aspect of our activity. We monitor the quality of the parts and materials which we purchase, and of the parts and operations made in-house. We use sophisticated equipment and highly trained and experienced personnel to check that our finished products meet their specifications.

**U.K. Trade Distribution:**

**Radio Components Ltd., 428 Whippendell Road, Watford, Herts.**

**Tel: 01923 - 250665 Fax: 01923 - 250188**

## The Vintage Audio Co.

### VALVES

WE HAVE ACQUIRED A LARGE INVENTORY OF VALVES.

CALL US WITH YOUR REQUIREMENTS WE CAN SUPPLY MOST TYPES FROM STOCK AT SENSIBLE PRICES

### PARTRIDGE OUTPUT TRANSFORMERS

WE CAN SUPPLY MOST POPULAR TYPES FROM STOCK.

THESE ARE ORIGINAL PARTRIDGE TRANSFORMERS MADE FOR US BY PARTRIDGE IN GUILFORD

CALL or  
FAX us on  
(01239)  
891448

TEL & FAX

### VINTAGE AUDIO

BRINHELYGEN  
EGLWYSRW,  
CRYMYCH,  
DYFED, WALES  
SA41 3SS

## MANTICORE MAKE MORE MUSIC

Turntable Servicing - all makes - please ring for details.

### ARISTON - LOGIC - THORENS SPARES

Arm rewiring - Manticore standard cable	£94.50
Arm rewiring - Van den Hul. Isoda	£168.00
Arm rewiring - Cardas	£168.00
Silver plated mains cable with IEC socket	£52.50
Aerolam equipment support	£58.50
Fibreham equipment support - superior performance	£136.50
Mantra replacement belt - supplied in twos	£23.10
Logic DM101 belt - supplied in twos	£23.10
Logic DM101 spring sets	£24.15
Rega armspacers - polished aluminium 1mm increments	£12.00
Impex motor, pulley and PCB	£100.00
Manticore Jazz turntable - choice of tonearms	POA
Manticore Magister with 12" Magician	£3,990.00
Manticore Mantra turntable - the classic - no arm	£525.00
Manticore Musician tonearm	£425.00
Manticore Magician tonearm	£750.00
Manticore 12" Magician tonearm	£850.00
<i>Part-ex available against all other tonearms</i>	
MB5i off-board power supply "suits most decks"	£320.00
MB6 off-board power supply	£520.00
Motor rebuild	£170.00
RIAA and preamplifier "system Integrity wiring"	£690.00
Active crossovers and AV amplifier	POA

Please telephone or write for more information and a copy of Mumbo Jumbo



### MANTICORE AUDIO VISUAL

MAV Shareholders Ltd.  
The Courtyard, 56c Shortmead Street,  
Biggleswade, Beds. SG18 0AP  
Tel: 01767 318437 (office) and 0585 583653 (mobile)

## TECHNICAL INFORMATION BULLETIN No. 1

### MANTICORE TURNTABLE POWER SUPPLIES

Manticore Audio Visual's range of power supplies suit all turntables fitted with the Phillips Impex range of AC synchronous motors. This includes Manticore (of course!), Linn, Rega, Logis, Ariston (not all models), Systemdek and many more. Our power supplies can also be adapted to other AC synchronous motors and we have built up a lot of experience over the years in this area.

The entry level model, the MB5i, is a quartz crystal based amplifier that runs at 33 and 45 RPM. The highly sophisticated MB6 in addition, has a computer referenced phase lag and separate amplification for each set of poles of the motor.

Manticore has the policy of helping our customers to progress along the upgrade path, and we will always take an MB5, or mb5i in part exchange at full cost price against an MB6. Consequently we often have pre-owned MB5 or MB5i in stock at very good prices.

A detailed specification sheet is available for both current models.

We believe the MB6 to be the finest turntable power supply on the market. Our customers agree, and we have many testimonials to that effect. A sample of these is contained in the product information pack.

Our products are very reliable. At the time of placing this advert, no production MB6s have ever gone wrong in the field.

All Manticore Audio Visual products come with a lifelong guarantee. This is qualified in the following way - electronic components, such as transistors, are guaranteed until the end of their reasonable working lifetime. Mechanical assemblies for the most part manufactured by us are guaranteed until the reasonable end of their specified design life. The first Mantra was produced 12 years ago and is still in fine shape.



# BUILD YOUR OWN HIGH END AUDIO EQUIPMENT

Satisfy your high-end urges with this book from Elektor Electronics, reviewed by Haider Bahrani.

**B**uild Your Own High-End Audio Equipment is, roughly, an anthology of articles and designs that have appeared in Elektor Electronics magazine. The book is presented in six parts laid out in a reasonably logical order with each one covering an aspect of the audio reproduction chain.

Part one is reserved for preamplifiers or as the heading describes them, voltage amplifiers. The first of these is a simple NE5534 (or similar) op-amp based line preamplifier circuit with input select, balance and volume controls only. A simple relay switch on delay circuit is added in for good measure.

The second circuit has a few more frills. For starters an RIAA circuit is included, usable/adaptable for both MM and MC cartridges. The phono stage circuitry is sophisticated, utilising a combination of operational amplifiers and matched pair transistors for the input differential stages. The final circuit shown in this section adds the not so typically high-end tone controls and a headphone amplifier for the budding builder who really wants them.

Descriptions and construction details for all of the above circuits are kept to the point and reasonably clear. Ideas for enhancement and different component selections are also on offer, giving the average reader with even the most basic of electronics backgrounds plenty of room to experiment.

The following part, in much the same vein, concentrates on power amplification. Four circuits are shown in ascending order of power and

complexity. The first two amplifiers shown use HEXFET and the not so commonly used IGBT (Insulated Gate Bipolar Transistor) devices respectively in their output stages whilst the final two rely on normal transistors.

Part three is dedicated to headphone amplifiers. Three circuits are given, presenting a variety of different ideas. The first of these is IC based (again NE5534) with a digitally switched volume control. The second is a fully discrete circuit with bipolar transistors in push-pull configuration throughout. The last of the bunch jumps back into IC mode with a miniaturised circuit taking advantage of the Philips TDA1308T surface mount headphone driver.

The fourth part of the book ponders the ethos of surround sound. It delves into some basic principles leading into the latter half of the section which presents a domestically usable design. Construction, calibration and circuit description are all well detailed, as are response characteristics and component lists.

Stepping somewhat back into line, section five connects us to the final link in the hi-fi/human interface, the loudspeaker. First is a three-way loudspeaker set up with IC amplifiers driving the upper and mid frequencies and discrete bipolar transistors driving the low frequency end. Full calculations of filter component

values are provided, with various options including more complex filter arrangements.

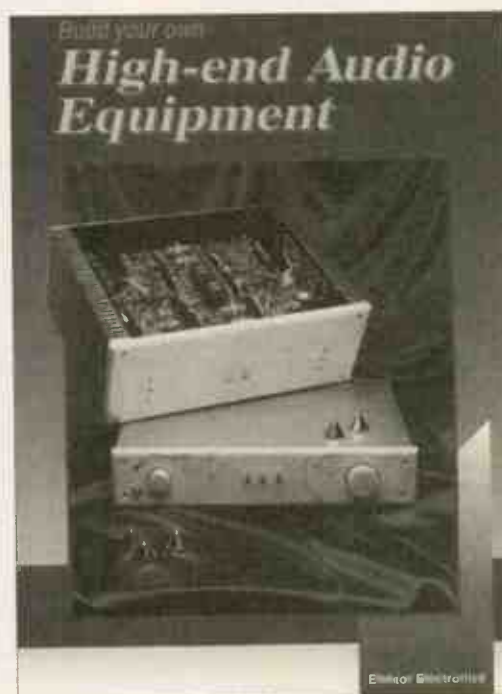
The following two loudspeaker projects are an active, phase linear, crossover network and a mini active sub-woofer. The former of these two utilises time delay circuitry for phase correction. Again all the calculations are clearly presented, including the Linkwitz low frequency correction network formulae.

And so the final part. This section has logically been reserved for testing. The first part of the section describes the circuitry, build and use of a phase check unit for audio systems. Finally there's a general overview of PC based test systems available, placed in vastly varying price brackets, for measuring your electronic masterpieces. Most (not all) of the PCB layouts for the circuits shown are presented in the appendix.

Hobbyists and professionals alike should find some stimulation within this neat little collection, which is as much one of ideas as it is of fun to build circuits. I will certainly be making some space on my bookshelf for it.

**Price** £14.95

**Available from:**  
Gazelle Book Services  
Falcon House, Queen Square,  
Lancaster LA1 1RN  
☎ 01524 68765



# KIT & COMPONENT SUPPLIERS

## LOUDSPEAKER KIT SUPPLIERS

### Falcon DIY Speakers

**Falcon Acoustics Ltd. Tabor House, Norwich Road, Mulbarton, Norfolk NR14 8JT. Tel. 01508 578272**  
UK distributors of FOCAL drive units, Kits, In Car and JMLab speaker systems plus SOLEN (SCR - Chateauroux) polypropylene capacitors and the largest audio inductor manufacturer in the UK. Stocking Audio Amateur Publications and Computer software. Comprehensive range of D.I.Y. Speaker kits, Parts, Accessories and Books.  
Please send large SAE (36p) for free price list.  
"Everything but the wood"

### Audiocab

**9 Skew Bridge Close, Wootton Bassett, Swindon, Wilts. SN4 7DW. Tel: 0793 848437.**  
Loudspeaker cabinet kits are the speciality of "AUDIOCAB". Whether you are prototyping your own loudspeakers or working to a design published in Hi-Fi World, including the KLS3, "AUDIOCAB" will produce a bespoke kit to your specification. "Biscuit jointing" is used to ensure perfect alignment of adjacent panels and cabinets are dry assembled and sanded before dispatch. David Barfield, proprietor, says "no prior experience of woodworking will be required to build our kits and achieve a professional finish". Kits will normally be supplied in 25mm unfinished MDF but any finish is available and designs are usually enhanced by the use of mouldings to escape from the normal "square box". Ready built cabinets can also be specified. Professional, trade and retail enquiries are invited.

### Wilmslow Audio

**Wellington Close, Parkgate Trading Estate, Knutsford, Cheshire WA16 8DX  
Tel. 0565 650605 Fax. 0565 650080**  
Extensive range of drive units and over 30 different designs of self-assembly kit. Two 'ATC' kits now available. Drive units include those from KEF, Dynaudio, Audax, SEAS, Peerless, Scanspeak and Morel. Everything required for the loudspeaker builder and four dem rooms to listen to the kits in built-up form. Two new kits from Morel - one 3 litre, magnetically shielded, one 11 litre book shelf.

### IPL Acoustics

**2 Laverton Road, Westbury, Wilts BA13 3RS. Tel. 0373 823333**  
IPL supply a range of eight speaker kits using drive units from SEAS, Morel, Audax, Visaton etc. including four transmission lines to suit all room sizes. We also supply a full range of drive units, capacitors, and cabinet accessories as well as silver plated P.T.F.E. insulated cables.

### UPLIFTING SOUNDS - Tel: 0121 777 4196

Offers assistance in the design and construction of loudspeakers and audio furniture. From innovative to stylistic talk through your ideas with an enthusiast and choose your own level of involvement.

## VALVE AND OUPUT TRANSFORMER SUPPLIERS

### P.V. Tubes

**104 Abbey Street, Accrington, Lancs. BB5 1EE  
Tel. 0254 236521/232611 24 hrs a/p. Fax. 0254395361**

For all your electronic components. Valves are new in branded boxes and matched pairs are available. Pts call for types and prices. We are closed all day Wednesday.

### Vintage Valves,

**PO Box 147, Station A, Vancouver B.C. Canada, U6C 2M3. Fax (604) 876 5876.**  
Dynaco, Sherwood, Scott, The Fisher, McIntosh, Eico, Hamon Kardon, Heath, Altec, Stromberg-Carbon. Many vintage parts and equipment available on request.

### Wilson Valves

**28 Banks Ave., Golcar, Huddersfield, West Yorks HD7 4LZ.  
Tel. 0484 654650/420774. Fax. 0484 655699.**  
Mail order. Call us to find out more about our extensive range of valves. Over 1,000 different types stocked. S.A.E. for list. (Please mark for Dept. HFV).

**Langrex Supplies Ltd  
1 Mayo Road, Croydon, Surrey CR0 2QP  
Tel. 081 684 1166 or fax. 081 684 3056**

One of the largest distributors of electronic valves, tubes and semi-conductors in the UK by original UK and USA manufacturers. Obsolete types are a speciality. Telephone or fax for an immediate quotation.

### Billington Export Ltd.

**IE Gillmans Trading Est., Billingshurst West Sussex RH14 9EZ  
Tel. 01403 784961 or Fax. 01403 783519**  
Billington Export Ltd. holds large stocks of audio valves including many obsolete brands such as Mullard, GEC, Brimar etc. as well as Sovtek, Thermionic Gold Brand and the recently introduced Billington Gold range. Also Cathode Ray Tubes (eg. used in Marantz tuner 10B). 50 page catalogue available, tel or fax for a quotation. Minimum order £50.00 UK, £100 export.

### PM Components

**Springhead Enterprise Park Springhead Road, Gravesend, Kent DA11 3HD. Tel. 0474 560521**  
P.M. Components Ltd are the specialist component company for High End Audio enthusiasts. We have a design and manufacturing base for audio valves and associated products and have a capability to produce custom tubes for major manufacturers. Our 70 page catalogue is available at £2.50 including U.K. postage. P.M. Components are major stockists for Golden Dragon, Mullard, GEC and Teonex valves and have a vast archive of vintage tubes gathered from every manufacturer in the world.

### Chelmer Valve Company

**130 New London Road, Chelmsford, Essex CM2 0RG. Tel 0245 265865 Fax. 0245 490064.**  
Supplier of premium range of audio valves, other valves and components also available. (Please see our ad on outside back cover of this supplement).

### RESTORATION

**GT Audio 5 Upper Road, Higher Denham, Bucks UB9 5EJ. Tel. 0895 833099**  
Professional repair/restoration of all hi-fi including classic and vintage equipment. Supplier of very high quality electronic components, in particular types which are difficult to source. Original valves available, i.e., Mullard, Brimar, GEC, GE, RCA, Sylvania etc.

## COMPONENT SUPPLIERS

### Audiocom,

**2 Swallowtree Gardens, Saundersfoot, Dyfed, West Wales, SA69 9DE.  
TEL: 01834 814036**

Audiocom are suppliers of the highest quality specialist components including:- Ansar, Holco, Analogue Device, Linear Technology, Elna, Alps, OS-CON Electrolytics, Nichicon MUSE Premium Grade & High Grade type Electrolytics, Mains Cords (silver plated OFC/P.T.F.E. Ins. wire) Plus much more all at very competitive prices. For a FREE Spring/Summer 1996 catalogue, phone or write to the above address.

### Hart Electronic Kits Ltd Penylan Mill,

**Oswestry, Shropshire SY10 9AF  
24 Hr sales/enquiries. Tel. 0691 652894**  
A range of Audiophile kits for 80 watt Power Amplifiers, Tuners, Pre-Amps and Moving Coil/Moving Magnet RIAA Pickup Preamps. All kits are fully engineered, with our thirty years design experience, for easy constructions from circuits by John Lindsey Hood, the most respected designer in the field. Send for lists.

### V.R.R.

**30 Melbourne Ave., Worthing. BN12 4RT. Tel: 01903 501158**

Vintage Radio Restoration

Classic C-core Transformers:

380-0-380v @ 240mA £25

6.3v @ 10A + 6.3v @ 3A £20

Chokes: 9H @ 240mA £15

or complete set £50

Output transformers stocked for single-ended and push-pull designs. High voltage capacitors. Kits and ready built valve amplifiers.

### AP Electronics

**20 Derwent Centre, Clarke Street, Derby, DE1 2BUT**  
Check out the AP ELECTRONICS 1994 catalogue. It's free with every order of over £40.00 or can be purchased for a £4.95 cheque payable to 'AUDIOKITS'.

Over 80 pages include pre and power amplifier kits, high grade audiophile resistors, capacitors and semiconductors, audio and mains cables, gold and rhodium plated connectors and COMPONENT NOTES on using high grade parts. A quarterly newsletter 'AP PERFORMANCE AUDIO' has been recently launched and your first issue is free.

### Cambridge Scientific Supplies

#### 12 Willow Walk

**Cambridge CB1 1LA.  
Tel: 01223 811 716 Fax: 01223 501 833**  
Specialist wire products for the knowledgeable audiophile including:- Silver wire (>99.99% purity, stress free) unique quadruple PTFE insulated Silver wire, Silver loaded solder, PTFE sleeving and Nylon braid sleeving, premium Gold plated connectors and plugs. Custom assembly available. Call Peter Bullock for a catalogue and application note.

### RushAudio

**126 Station Rd., Tempsford, Sandy SG19 2AY. Tel. 01767 640779 Fax. 01767 640617**

RushAudio stock high quality British made polypropylene capacitors (630V dc) ideal for PSU applications. 30uF (100mm x 50mm dia) £22; 40uF (100 x 63) £27; 50uF (100 x 63) £32; 100uF (125 x 76) £55. Carriage: 1 capacitor £2; 2 - £4; 3 or more - £6. Unfortunately VAT is extra on total of goods plus carriage. Cheque with order appreciated for prompt delivery.

Audio Synthesis have in stock the following audiophile components:

A large selection of Vishay Bulk Foil Resistors, WBT audio connectors for pre and power amplifiers, Teflon insulated high purity SilverWire in various diameters, pure silver interconnects and speaker cables. Kits are available for the original PASSION and ProPASSION passive controllers and attenuators. For 1996 brochures and full details please contact **Audio Synthesis PO Box 100, Ilkley, West Yorkshire LS29 9XW Tel: 01943 600404 Fax: 01943 600383**

### Audio-Links

**7 Fairmont Crescent, Scunthorpe, North Lincolnshire DN16 1EL.  
Tel/Fax: 01724 870432**

Vast range of highest quality electronic components and accessories for the D.I.Y. enthusiast. VAT incl. prices, mail order and a friendly service. Open Monday to Saturday 10am - 7pm  
CATALOGUE AVAILABLE £2.00

### Russ Andrews Audiophile Components

**Edge Bank House, Skelsmergh, Kendal, Westmorland. LA8 9AS  
Tel. 01539 823247 Fax. 01539 823317**

World leading supplier of the highest quality premium grade components. If you want the very best sounding resistors, capacitors, inductors, volume controls, wire etc. send for our 1994/95 catalogue. We also have a range of our own design of amplifiers, pre-amps, speakers and CD players built with our components. To receive your copy of our 1994/95 catalogue just mail, phone or fax the address above.

## VINTAGE DIY

### Loricraft Audio

**4 Big Lane, Goose Green, Lambour, Berks RG16 7SQ. Tel. 0488 72267**  
Specialist restoration of 301's and 401's using genuine spares and re-manufactured parts to original pristine standards in our newly built workshops designed primarily for these purposes.

## CLASSIC TURNTABLES

### Technical & General

**P.O. Box 53, Crowborough, East Sussex TN6 2BY. Tel. 01892 65 45 34.**

The original specialist source of spares, replacements and expertise for the classic turntables. Years of actual experience and comprehensive range of parts (originals and re-manufactures), manuals, ancillaries, No dubious 'improvements' - no harmful 'modifications'. Our specialities: Connoisseur; Garrard; Goldring; Lenco; S.M.E.; Thorens; Watts; Ortofon; Shure; Cartridges and styli for 78s, Mono LPs, Stereo LPs.





# D.I.Y. Letters

## HOME BUILD K5881

I have built the 5881 amplifier, with all my own parts and it was hard work. The overall performance is not satisfactory. The sound is very clear, with deep bass, full bodied and detailed, but also it has a strident sound in the treble and sibilance with human voice.

The output transformers are McIntosh 230 replicas (by audio Classics, N.Y.), with 5.4kohms primary. I think your transformer is 6kohms.

My question is - is it necessary to adjust any part values, such as grid resistors or feedback, for best sonic results?

The power transformer is custom built, but it is under powered, giving 360 volts, 250mA, and as a result, all the working voltages are 20% under your values.

As a solution I want to duplicate the power supply, with one transformer and choke per channel. Is this correct or is it necessary to

have more parts or change any values?

**Miguel Angel Alfonso Martinez Elche,**  
Spain.

*Oh dear! We can't usefully comment on an amplifier that uses unknown transformers and operates at too low an H.T. voltage. For low distortion the output transformers must match the output valves and too low an impedance reduces power and raises distortion.*

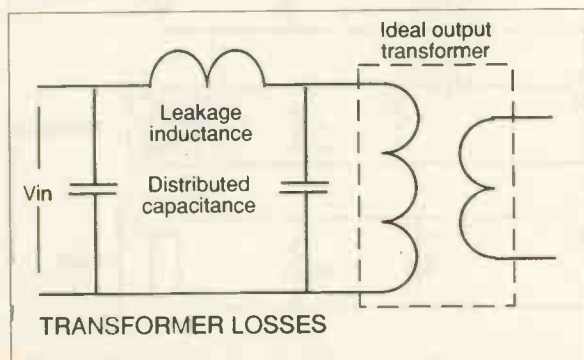
*The output transformers of our K5881 amplifier are carefully load matched for optimum power transfer with minimum distortion and broad load matching, using a high speed distortion analyser. They are of relatively high impedance. These transformers use multi-*

*section windings to minimise distributed capacitance, in order to obtain flat high frequency response and relatively distortion free treble. Otherwise, the output valve ends up driving a capacitor whose impedance at high frequencies is so low, the output valve cannot supply enough current and serious slewing occurs at high output levels. The result is serious third harmonic distortion.*

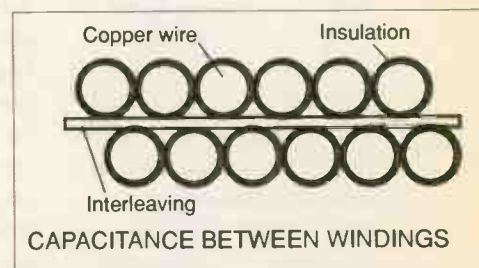
*The gap between coil layers (see diagram) introduces distributed capacitance and is adjusted by the thickness of the insulant. This adjustment must be balanced against the leakage inductance, which increases as capacitance decreases. Transformers, as a science, are so complex theoretically, that their design and construction is a black art, one that demands both knowledge and experience for success.*

*Your transformers are of too low impedance, which will degrade treble quality. Furthermore, low H.T. will result in reduced power output. The best thing to try is parallel 5881s, which will utilise the low H.T. and match the transformers better. NK*

*I think that your main problem is that you have made a cheesecake using Gorgonzola cheese. Not that your transformers stink but the circuit and your transformers just*



Leakage inductance and distributed capacitance need to be carefully controlled in a transformer.



Distributed capacitance in a transformer is determined by the gap between coil layers.

aren't compatible. Your output transformer's H.F. parameter's and load impedance are not correct for this circuit.

The K5881 achieves excellent linearity by running the 5881 valves at a high voltage and by using a transformer with a very high 11k anode to anode impedance. They are specially wound to reduce self capacitance which is very important at such a high impedance as the loading effect of shunt capacitance causes distortion and phase shifts which lead to a humped frequency response or, even worse, HF instability.

Your mains transformer is not delivering the juice the circuit needs to kick into action, so it needs serious modification to get it working. You need to bite the bullet and either get a set of K5881 transformers or build another circuit which is more suited to your transformer set.

The 5881 valve can work at lower voltages and load impedances but you will need to redesign the output stage to account for this. You say you are getting a 360V H.T., try changing the cathode resistors to 270 ohms, this will increase the current through them putting the circuit back into Class A. Adjust the EF86 cathode resistor to give an anode voltage of 100V. Put a network of 220pF and 10K in series across the EF86 anode load resistor, use a 630V polystyrene capacitor, and try again.

If you can get hold of an oscilloscope and signal generator then monitor the output waveform and use a 10kHz square wave signal. If there is any strange blurring and ringing on the trace then try increasing the 220pF cap in 47pF steps until the oscillation stops. If you get stuck the best

place to go for advice is probably a guitar shop with a repair technician, who will have experience of valve amp circuits and access to test gear. AG

### SPLIT CROSSOVERS

I was interested to read Douglas Floyd-Douglass' report on the excellent QLN Signature speakers, a product I discovered at the Bristol show early last year and enjoyed tremendously. Being a bit of a DIY'er and having built a pair of Bailey Transmission Line speakers many years ago, and a very capable Crimson 100W/Ch amplifier which is still in constant use, I was pleased to speak at length to one of the QLN representatives on the philosophy of their external crossover units. My present system consists of: a Lingo'd LP12/Zeta and Audio Technica OC30 (more balls than a Klyde!), a Cyrus Discmaster-Dacmaster, Quad 34/606 and JBL SLI 120Ti 'speakers, a tremendous combination for my liking of loud rock music.

Looking towards future upgrades, my questions are two-fold: 1. Having delved inside the JBLs and found the crossovers to be manufactured in a relatively agricultural manner, can I re-manufacture them 'a-la' QLN, using high quality materials to re-assemble the current components, and using the option of a single input, or splitting the input/crossover stages completely? I predict this will give me the versatility of experimenting with different physical positioning of the crossovers and different cables and their configurations,

but will it improve the performance of the, already satisfying, 120s?

2. I think I would like to build a high quality passive pre-amp, but am unaware of the pitfalls, complexities and problems created by this approach. Apart from requiring the obvious phono stage amplifier, I see a passive switching unit/volume control as being the answer to the 'single piece of wire' philosophy. I know that my other sources will drive the '606 without an intermediate pre-amp and also see this as being a way of saving money when the time comes to upgrade my amplification. I believe the Quad 34 to be my weakest link at the moment, but instead of spending funds on a new pre/power combination, I would like to take the passive pre-amp route and invest all available funds on a high quality power

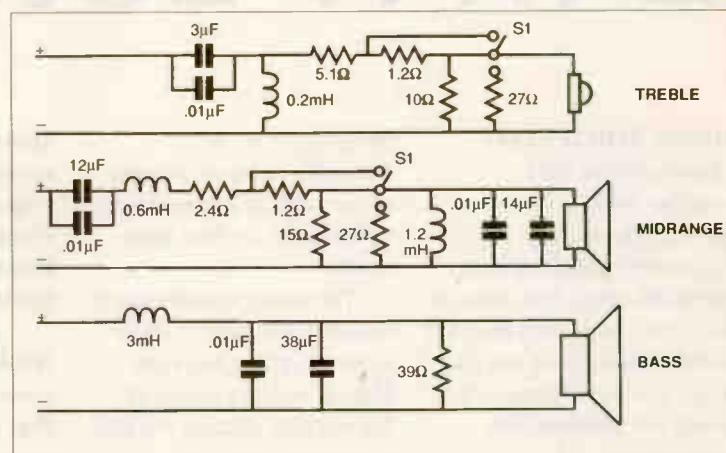
amp, possibly valve, such as the Tube Technology mono-blocs.

I would appreciate your views and advice on this approach and look forward to playing with my soldering iron once again in the near future.

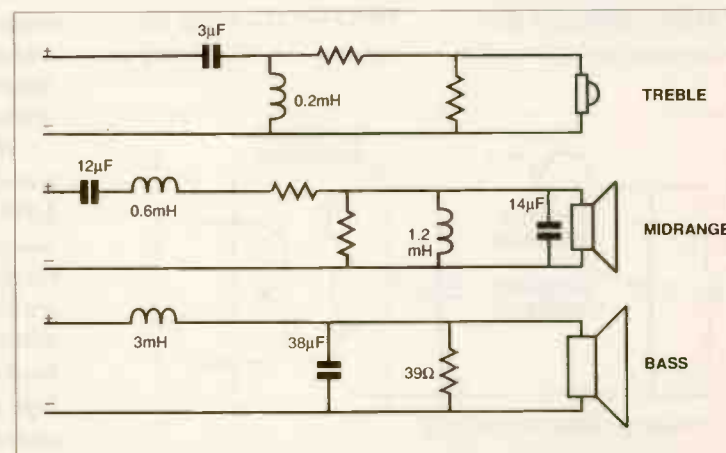
**WOMEA (H) G. Dunsmuir HMS Illustrious.**

*There is certainly plenty of room for experimentation and tweakery with your JBLs, but a few things to be aware of first.*

*Replacing the existing parts with better quality components, like polypropylene capacitors and higher grade inductors, may unbalance your loudspeakers. Even though we call a capacitor a capacitor it also has a resistance and some*



JBL's SL 120Ti loudspeaker crossover has switches for setting midrange and treble level and all capacitors are bypassed by 0.01µF.



In simplified form it is easier to see that it is a 2nd order design. Using high quality components and 'fixing' midrange and treble level the crossover could be re-built to this circuit.



inductance and an inductor will have some resistance and capacitance.

The components in the existing crossover will have been carefully tuned to each other to give a predicted response.

Changing a capacitor for a higher grade equivalent will normally add some brightness, due to its different characteristics, mainly lower impedance. A higher grade inductor will normally use thicker wire, so will have a lower resistance too, allowing more signal to pass.

The different

characteristics can be enough to unbalance the crossover, causing a peak or a dip where before there was a smooth roll off. In most cases the effects are very mild though, so it is worth experimenting; better components will certainly improve the sound. You have a switch to set midrange and treble level on your JBLs too, so once you have found the balance you like with the new components, I'd recommend hard wiring the whole crossover without these. Use high quality speaker cable and

silver loaded solder for best results.

I'd keep the original crossovers too; not only will they serve as a useful benchmark when you are building the upgraded version, but if you sell them, it will be easy to return them to their original form.

Although it looks quite complicated, the crossover in the 120Tis is a quite straight-forward 2nd order design. When you replace the capacitors, ignore the .01 $\mu$ F bypass capacitors. For example, in the treble arm there is a 3 $\mu$ F

capacitor bypassed by 0.01 $\mu$ F; replace this with a single, high quality 3 $\mu$ F capacitor. I suspect that JBL have used cheap capacitors, then bypassed them with low value polypropylenes - a more economical approach than putting in a good polyprop in the first place. I'm only guessing though, as I can't see inside your 'speakers.

I have drawn the simplified circuit you should end up with. There are no values on some resistors because this will depend on which switch position you prefer. DB

## Letter of the Month

### DECODING FOR STEREO

Some years ago I was lucky enough to obtain a Leak Troughline 3 mono tuner for the grand sum of £8. Its erstwhile owner had 'upgraded' to a modern transistor device.

The Leak certainly sounded, and continues to sound, absolutely superb, but I must really get round to fitting a decent stereo decoder. Do you have any suggestions as to where I may be able to obtain such a thing, either in kit form or ready made? I should be most grateful for your advice.

Philip Thornton-Evison  
Grove,  
Oxon.

*I've had some very pleasing results from Studio 12s decoder, which is available either in kit or ready built form. It is a very simple device to build, taking around 1hour to finish. The main circuit board comes built and tested, so all that's needed is to wire up the mains transformer and a few other components. We reviewed this decoder in our June '95 DIY Supplement and its performance was very good.*

*A couple of months later Studio 12 made a few small modifications to improve performance further. One of the coupling capacitors was*

*removed altogether so that the decoder is direct coupled to the MPX output of the tuner, the sensitivity potentiometer was increased to 1M $\Omega$  and the two output coupling capacitors increased to 10 $\mu$ F. I listened to this decoder again after these modifications, which all of Studio 12s decoders now come with as standard, and I must say that the level of performance is now really first class.*

*In kit form it is available for £28.50 and built up it's £48.50. You can contact Studio 12 on Tel: 01736 798393. If you're keen to experiment, try using a higher quality potentiometer and Solen or other high quality polypropylene signal capacitors. Oh, and another useful thing is that it boosts the output level a little, making it compatible with a wider range of amplifiers. DB*



WIN A MAPLIN  
SOLDERING IRON  
KIT COMPLETE  
WITH A LENGTH  
OF SILVER SOLDER

*The writer of the most interesting DIY letter each month will receive a superb Maplin soldering iron, stand, booklet on good soldering practice and a length of high quality silver solder. Write in to: Hi-Fi World DIY letters, 64 Castellain Rd, Maida Vale, London W9 1EX.*



A properly aligned and serviced Leak Troughline tuner will benefit from a good stereo decoder.

# SINGLE-ENDED MOSFET AMPLIFIER - UPDATE

Hi-Fi World DIY Letters  
64 Castellain Road,  
Maida Vale,  
London,  
W9 1EX

Dear Hi-Fi World, I read the article about the 15W single-ended MOSFET amplifier with great interest (DIY Supplement No 20, February 1996). Whenever I buy Hi-Fi World, I do so mostly for the circuits published. Usually they are carefully drawn but this time I was disappointed to find several problems. From Hi-Fi World I did not expect such a way of publishing a circuit diagram: I would like to draw your attention to the following points:

1. Andy Grove, in his description of how his circuit works, refers to parts R1, C1, etc. but these are not shown on the circuit diagram.
2. What exactly does "10 turns" mean on the circuit diagram next to the 47kΩ resistor?
3. Are the 100Ω and 10Ω resistors meant to be connected in parallel in the source of the VN2406L MOSFET?
4. On Chris Found's alternative circuit diagram as many as four components are indicated without the values shown.
5. I can see no evidence that Chris Found's circuit uses considerably less feedback than Andy Grove's. The open-loop gains should be similar (the bias currents are similar and apart from a small amount of local feedback caused by the 100Ω resistor in the source of the P-channel FET in Chris Found's circuit, they are the same). The closed-loop gain is set to similar values (37 and 48). What accounts for the "considerably reduced feedback"?

*Laszlo Gaspar*

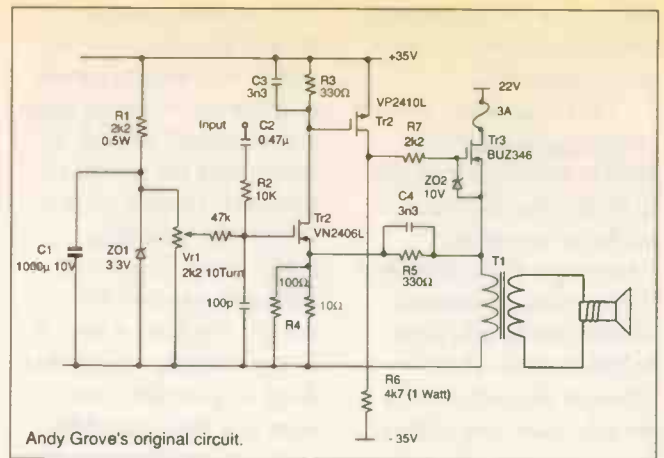
Laszlo Gaspar  
Nottingham.

Clearly the single-ended MOSFET amplifier circuits published in our February supplement have been causing some confusion. We have to be very careful here. Building an electronic device can be dangerous and many of the questions we have received have come from inexperienced builders who are simply not safe to construct such a device. Some of your points are valid though, so I hope the following will help clear up any confusion.

Below are the two

corrected circuit diagrams. The labels R1, C1 etc. should refer directly to Andy Grove's original article.

Now to answer some of your questions. One of the clearly visible differences between Andy and Chris' circuits are the ways they've treated the feedback. There is actually an approximate 28% decrease in feedback between Andy's and Chris' set ups although at best (or worst), admittedly, it only constitutes a 0.06volt reduction in the amount of voltage feedback. This, particularly as



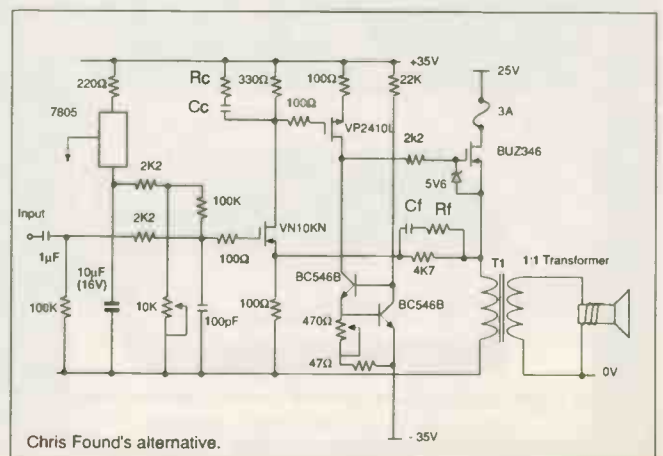
Andy Grove's original circuit.

far as the first circuit is concerned, is only true in the midband frequencies as Andy has employed a fair bit of phase lag compensation. This in the form of C3 and C4 acts with the 330Ω resistors to form a phase lead network. These reduce gain at high frequencies (this one starts to operate at about 10kHz) taking it down to 0dB level before the 180 degree phase inversion which will occur, turning the -ve feedback in to +ve leading to oscillations at and above these frequencies.

Chris Found's circuit although shown unmarked in the original diagrams, didn't employ the same form of compensation. If anyone wishes to build this circuit they should

omit Cf, Rf, Cc and Rc to start with and if any problems occur (ie. oscillations) try placing a 3.3nF capacitor in place of Cc and Rc as in the first circuit and as ball park values 47pF for Cf and 100Ω for Rf. I have to stress that these values are untested on this circuit, but are a reasonable starting point.

To answer your questions, two and three; firstly the 10 turns refer to a multi-turn preset resistor. These types are a lot easier to set accurately offering far better precision and tolerance. And yes, the 100Ω and 10Ω resistors are in parallel at the source of the VN2406L (R4 as shown) giving approximately 9Ω. This value isn't so critical and just a 10Ω or an 8.2Ω resistor in place would do, although it will vary sensitivity a little. Happy building. HB



Chris Found's alternative.



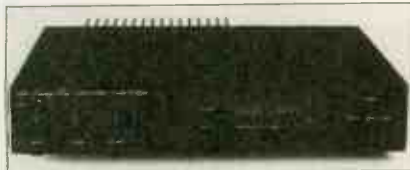
# HART

## Hart Audio Kits - Your Value for Money Route to Better Sound

2 Penylan Mill, Oswestry, Shropshire, UK. SY 10 9AF  
Phone 01691 652894 Fax. 01691 662864

Hart Audio Kits and factory assembled units use the very best audiophile components in circuit designs by the renowned John Linsley Hood to give you unbeatable performance and unbelievable value for money.

We have always led the field for easy home construction to professional standards, even in the sixties we were using easily assembled printed circuits when Heathkit in America were still using tagboards! Many years of experience and innovation, going back to the early Dinsdale and Bailey classics gives us incomparable design expertise in the needs of the home constructor. The current range of Hart kits is designed to give you all the components for a matching ensemble of audio excellence



### K1100 AUDIO DESIGN 80 WATT POWER AMPLIFIER.

This fantastic John Linsley Hood designed amplifier is the flagship of our range, and the ideal powerhouse for your ultimate hi-fi system. This kit is your way to get EX performance at bargain basement prices. Unique design features such as fully FET stabilised power supplies give this amplifier World Class performance with startling clarity and transparency of sound, allied to the famous HART quality of components and ease of construction. Useful options are a stereo LED power meter and a versatile passive front end giving switched inputs, with ALPS precision Blue Velvet low-noise volume and balance controls. Construction is very simple and enjoyable with all the difficult work done for you, even the wiring is pre-terminated, ready for instant use! All versions are available with Standard components or specially selected Super Audiophile components at £29.60 extra per channel, plus £2.40 if you want to include Gold Plated speaker terminals.

K1100B Complete STANDARD Amplifier Kit,	£395.21
A1100B Factory Assembled.	£499.21
K1100SC Complete SLAVE Amplifier Kit, £	£333.62
A1100SC Factory Assembled.	£422.62
K1100M Complete MONOBLCK Amplifier Kit,	£261.20
A1100M Factory Assembled.	£329.20
RLH10 Reprints of latest Amplifier articles.	£4.50
K1100CM Construction Manual with full parts lists	£5.50

**K1400 AUDIOPHILE PREAMPLIFIER.** A versatile ultra high quality preamp with no less than seven inputs, all switched by sealed high quality relays. Separate tape output selection Class 'A' headphone output for two phones. Lo-Z long line drive facility

Standard Kit	£348.49
K1400T Kit with Tri-range tone controls	£398.41



### "CHIARA" SINGLE ENDED CLASS "A" HEADPHONE AMPLIFIER.

First Module to appear in our new "2000 Range" of kits. This unit provides a high quality 'phone output for those many amplifiers that do not have one. Easily installed with special link-through facility the unit draws its power from our new Andante Ultra High Quality linear toroidal supply. Housed in the neat, black finished, Hart minibox II features the wide frequency response, low-distortion and 'musicality' that one associates with designs from the renowned John Linsley Hood. Pre-terminated interconnecting leads and PCB mounted sockets prevent supply polarity reversal and on-board diagnostics provide visual indication of supply line integrity. Volume and balance controls are Alps 'Blue Velvet' components. Very easily built, even by beginners, since all components fit directly on the single printed circuit board and there is no conventional wiring whatsoever. The kit has very detailed instructions, and even comes with a roll of Hart audiograde silver solder. It can also be supplied factory assembled and tested. Selling for less than the total cost of all the components, if they were bought separately, this unit represents incredible value for money and makes an attractive and harmonious addition to any hi-fi system.

K2100 Complete Kit	£109.50
K2100SA Series Audiophile version with selected audiophile components	£112.46
A2100SA Factory Assembled and Tested "Chiara"	£148.46



K3565 "Andante" Audiophile Power Supply Kit to suit	£85.42
A3565 Factory Assembled and Tested "Andante"	£128.42
Special Offer, Both Units in Kit Form together, with SA version "Chiara" with mains and DC Supply lead	ONLY £184.92
Factory Assembled and Tested	ONLY £267.88

**K1450 MAGNETIC PICKUP PREAMPLIFIER KIT** features a totally discrete component implementation with the superior sound of the Shunt Feedback concept. High quality components fitting to an advanced double sided printed circuit board make this a product at the leading edge of technology that you will be proud to own. Nevertheless with our step by step instructions it is very easy and satisfying to assemble. The higher current consumption of this unit means that it is best powered by our new Andante Audio Power Supply, itself an advanced piece of technology in a matching case. This supplies the superbly smoothed and stabilised supply lines needed by my sensitive preamplifier and features a fully potted Hi-grade toroidal transformer along with a special limited shift earthing system for hum free operation. The K1450 is suitable for all moving coil and moving magnet transducers this unit is especially recommended for, and will extract the very best from the modern generation of low output high quality moving coil transducers.

This magnificent kit, comes complete with all parts ready to assemble into the fully finished 228 x 134 x 63mm case. Comes with full, easy to follow, instructions as well as the Hart Guide to PCB Construction, we even throw in enough Hart Audiograde Silver Solder to construct your kit!

K1450 Complete Kit	£111.50
K1450SA Audiophile Kit	£133.94

Why not buy the reprints and construction manual for the kit you are interested in to see how easy it is to build your own equipment the HART way. The FULL cost can be credited against your subsequent kit purchase



### ALPS "Blue Velvet" PRECISION AUDIO CONTROLS.

Now you can throw out those noisy ill-matched carbon pots and replace with the real hi-fi components only used selectively in the very top flight of World class amplifiers. The improvement in track accuracy and matching really is incredible giving better tonal balance between channels and rock solid image stability.

<b>MANUAL POTENTIOMETERS</b>	
2-Gang 100K Lin.	£15.67
2-Gang 10K, 50K or 100K Log.	£16.40
2-Gang 10K Special Balance, zero crossstalk and zero centre loss	£17.40

<b>MOTORISED POTENTIOMETERS</b>	
2-Gang 20K Log Volume Control	£26.20
2-Gang 10K RD Special Balance, zero crossstalk and less than 10% loss in centre position.	£26.90

### SOLDERING

The size of modern components makes the right soldering equipment essential for good results. Everything we offer we actually use in our own workshops! See our Lists for the full range.

845-620 XS240 ANTEX 240v 25w Soldering Iron. This is the ideal Multi-purpose iron as the bit is designed to totally surround the element giving the best heat transfer. This excellent design also means that although it is small and handy enough for modern components its heating capacity is better than larger irons of conventional construction. Excellent Value.	£9.93
845-080 ST4 Lightweight Soldering Iron Stand. This has provision for the classic damp sponge for bit wiping	£2.95

### HART SUPER AUDIOGRADE SILVER SOLDER.

Hart Super Audiograde Silver Solder has been specially formulated for the serious audiophile. Not only does it give beautiful easy-to-make joints but it is designed to melt at normal soldering temperatures avoiding the possibility of thermal damage to components or the need for special high temperature irons. A very low residue flux makes perfect joints easy but eliminates the need for board cleaning after assembly.

845-007 3mtrs 22SWG in Hart Mini Tube	£3.90
845-006 100g Reel Special Valve Grade, 20swg	£12.00
845-009 100g Precision PCB Grade, 22swg	£14.75
845-110 100g Reel Superfine 24SWG for ultra precise control and easy working.	£21.45

### 32W VALVE AMP TRANSFORMERS

Special set toroidal transformers, 2 output & 1 mains for the "Hot Audio Power" valve amplifier design described in the Oct. 1995 issue of "Wireless World". Total Wt 4.8kg. Special price for the set. £99  
Post £9  
Photocopies of Article by Jeff Macaulay £2

### TECHNICAL BOOKSHELF

"**NUBEO ELECTRONICS**" J.L. Linsley Hood  
Now entirely re-written by the master himself this new book covers the underlying audio techniques and equipment in tape recording, tuners, power output stages, digital audio, test instruments and loudspeaker crossover systems. £18.95  
ISBN 0-7506-2181-8

"**THE ART OF LINEAR ELECTRONICS**." J.L. Linsley Hood.  
The definitive linear electronics and audio book. Learn how to read circuit diagrams and understand amplifiers and how they are designed to give the best sound. The standard reference for all who work, or are interested in this field  
0-7506-0668-4. £16.95

**HART Exclusive! FREE amendments sheet with each copy.**

"**THE ART OF SOLDERING**" R. Brewster.  
Absolutely essential reading for anyone who ever picks up a soldering iron  
ISBN 0-85935-324-3 0 £3.95

"**ACTIVE FILTER COOKBOOK**" Don Lancaster.  
All the inside information on the calculation on construction of Low-pass, high pass and band-pass filters using Bessel, Chebyshev and Butterworth topologies  
BK154. £18.95

"**HOW TO USE OSCILLOSCOPES & OTHER TEST EQUIPMENT**" R.A. Penfold  
BP267. £3.50

"**THE LOUSPEAKER DESIGN COOKBOOK**" New 5th Ed. Vance Dickason.  
All the information you need to build your own super loudspeaker system.  
ISBN: 1-882580-10-9 £25.95

**ELECTROSTATIC LOUSPEAKER DESIGN AND CONSTRUCTION** Ronald Wagner  
This classic, describes the important parameters of an electrostatic speaker and indicates how each affects performance. £18.95

BK16  
"**THE ELECTROSTATIC LOUSPEAKER DESIGN COOKBOOK**" Roger P. Sanders  
This new title takes you right through from the theory of electrostatic loudspeakers to hands-on guidance on practical construction, also covering polarising supplies and amplifier suitability. A full chapter also covers transmission line waffle enclosures  
ISBN: 1-882580-00-1. £24.95

"**BULLDOCK ON BOXES**" R.M. Bullcock III with Robert White  
Easy to read guide for anyone interested in loudspeaker enclosures, theoretical calculations and practical building and is now considered as one of the classics on the subject.  
BKA48. £11.40

"**LOUSPEAKERS; THE WHY AND HOW OF GOOD REPRODUCTION**" G.A. Briggs  
The 1949 Classic on the whole subject of High Fidelity reproduction.  
0-9624-1913-3. £9.95

### VALVE & EARLY CLASSIC BOOKS

**THE VTL BOOK** David Manley  
Comprehensive modern book on the use of valves.  
BKV11 £17.95

"**VALVE AMPLIFIERS**". Morgan Jones  
An easy to read modern book on the subject of valve amplifiers which goes through the art with very little theory and a great deal of practical information. If you Mecca is where valve amplifiers are then this is your Koran! £24.50  
RRP £25. Our Price

"**MULLARD TUBE CIRCUITS FOR AUDIO AMPLIFIERS**" Mullard Ltd  
A DRY classic, with sheet metal diagrams, parts lists and performance data  
BKA427. £13.95

"**THE WILLIAMSON AMPLIFIER**." D. T. N. Williamson  
From April 1947, a cult classic power amplifier design reprinted from Wireless World  
0-9624-1919-4 £6.95

"**AN APPROACH TO AUDIO FREQUENCY AMPLIFIER DESIGN**." GEC  
No less than seventeen valve amplifier circuits from 5 to 1100 Watts. Full of genuine information from the valve era with valve specifications and base connection diagrams  
1-882580-05-2 £18.95

"**AUDIO ANTHOLOGIES**," collected articles from Audio Engineering magazine. Six volumes covering the days when audio was young and valves were king! All edited by C.H. McPread. All are £13.95.

**VOL 1**  
The first of the new audio amplifiers, preamps, tuners and speakers after the war. 38 of the best articles from 1947 - 1949 BKA43/1

**VOL 2**  
1950 - 1952 BKA43/2

**VOL 3**  
43 articles 1952-1955, 7 power amplifiers, 18 preamps and 12 loudspeakers. Another novel proposal for an output transformerless 25 Watt valve amplifier. BKA43/3

**VOL 4**  
4 articles from 1955 - 1957. Designs for 12 amps and preamps and 6 loudspeakers. BKA43/4

**VOL 5**  
48 articles from 1958 & 9 BKA43/5

**VOL 6**  
38 articles from 1960 and 1961 BKA43/6  
"**AUDIO ANTHOLOGIES**" Special Offer  
All six for only £79.00

"**PRINCIPLES OF ELECTRON TUBES**" Herbert J. Reich PH.D.  
Reprint of a 1941 textbook on the workings of valves. The use of valves in class A, AB, B, and C operation is covered with sample circuits, topologies and distortion.  
BKA434 £27.95

**SPECIAL OFFER.** With all book orders over £15 we will supply FREE, on request, a John Linsley Hood monograph entitled "Digital v. Analogue, Black Discs or Silver?"

Postage on books is £2 (£3.50 for heavy books with \*) maximum in UK £4.50 for any number, any size! No waiting! All listed books are normally in stock!

Ordering your HART kit is easy, simply post, telephone or fax your order anytime. Let us know what you require, with your name, address, cheque or credit card number and expiry date. Your daytime phone number is useful in case we need to get back to you. If you need further information on our kits just ask our FREE lists. Overseas order are welcome and we can send anywhere in the World. Post on UK orders up to £20 is £1.50, over £20 - £3.50. Express Courier £10.

QUALITY  
AUDIO KITS

24hrs SALES LINE  
01691 652894

ALL PRICES  
INCLUDE  
UK/EU VAT

# HART

**"If you haven't heard a properly cleaned CD, you are in for a revelation"**

Peter Turner-Reviewer  
(Full review available)



- Reduces distortion and harshness
- Improves detail and information
- Improves 3-dimensionality
- Improves bass depth and solidity



**Cleans CDs to Perfection**

**Russ  
Andrews**

**Russ Andrews Turntable Accessories Limited**  
Edge Bank House, Skelsmergh, Kendal, Westmorland. LA8 9AS England

**Tel: 01539 823247 Fax: 01539 823317**  
**Freephone/Fax: 0800 373 467 (UK only)**