

LIVING with LIGHT ● What effect does it have on us?

# ELECTRONICS in ACTION

## Relax with the Relaxometer

### Police & Thieves

Electronic tagging for vehicles

### Mains Manager

A master switch for your PC setup

### MicroMix

Possibly the worlds  
smallest mixer -  
Part 2

### ELECTRONIC ACUPUNCTURE MACHINE

Discover an ancient  
Chinese art with  
the help of 20th  
Century technology



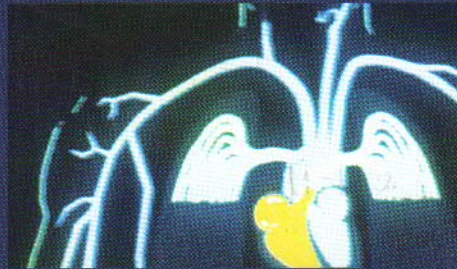
July 1994  
£2.25





# *talking science+*

***A new service offering access to the best speakers on science and technology.***



A free service providing information on experts in every field of science, engineering, technology and social sciences.



All the experts are experienced speakers willing to communicate their knowledge and enthusiasm to the public either by giving public talks or by getting involved in community activities.



The service can be used by any organisation or representative of a community group who needs a science speaker for anything from a small informal chat for a local group to an international conference.

.....

**For more information contact Jane Mole on 071 287 0980 or write to Talking Science+, British Association, Fortress House, 23 Savile Row, London W1X 1AB**



## ISSUE 10 VOLUME 1

### EDITOR

*Paul Freeman-Sear*

### NEWS EDITOR

*Geoff Martin*

### DESIGN and TECHNICAL ILLUSTRATION

*Iain Houston*

### CONTRIBUTORS

*Dr. Pei An*

*David Arlan*

*Douglas Clarkson*

*Victor P. Jipson*

*G. Lu*

*Mike Meechan*

*Brian Padgett*

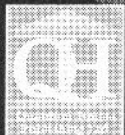
*Mark Price*

*Dominic Shales*

### ADVERTISING SALES

*Gilly Martin*

☎ 0442 842069



PO BOX 600, BERKHAMSTED  
HERTS. HP4 1NL  
TELEPHONE 0442 842069  
FAX 0442 842279

## **4 Here is the news...**

What's going on in the technology world.  
A news view from all points of the compass.

## **8 Research World**

Technical advances from around the globe.

## **9 Subscriptions**

Cut out the middle man get your copy direct from us.

## **10 Signal to Noise**

Air your views on the EIA platform

## **14 The Relaxometer**

Banish stress electronically. An audio illusion from David Arlan

## **23 Back Numbers**

Missed a few issues? Want to get them? Look no further...

## **25 The Mains Manager**

Mark Price builds a simple system that enables you to turn off connected equipment with just one switch.

## **28 Police, Thieves...**

...and the electronic informer. Dominic Shales takes a look at Tracker, the latest in vehicle protection and tracking.

## **32 Living with Light**

How does light affect us? Douglas Clarkson opens our eyes.

## **40 Needles and Pins**

Dr. P. An and G. Lu introduce us to the ancient Chinese art of acupuncture - with the help of some modern technology.

## **46 I/O Silver Lining Part 2**

This month Dr. P. An talks about control circuits and applications

## **52 The MicroMix Part 2**

Mike Meechan describes the input stages of this compact project.

## **58 Ideas Forum**

Where innovative ideas turn into inventions.

## **59 At Your Service**

The one stop PCB shop.

## **60 Technoshop**

More offers and exchanges in our monthly team-up with The Technology Exchange.

## **64 Future View**

Victor P. Jipson, Optical Products Manager at IBM Arizona, USA, looks at the latest and future developments in optical data storage.

# Light, Electricity and Man

**T**he connection between man and electricity is closer than we think. For if we look at the central nervous system of our bodies we will find an electrical system of communication. Tiny electrical impulses cause limbs to move and it is also thought electricity could be responsible for our thought processes when braincells communicate with each other.

This issue of the magazine contains a number of items which look at the health of our bodies.

Acupuncture has long been used in China to help relieve many ailments and it is now finding far greater use within western medicine. The acupuncture needle is said to stimulate communication lines within the body to readjust the flow of energy. A balanced body is a healthy body according to Chinese philosophy. Our article suggests a modern alternative to needles, that of alternating electricity.

This idea to relieve pain electronically happens to be used for a specific purpose by some pregnant women just before giving birth and is suggested as a convenient alternative to drugs.

## Light of our lives

It is SAD (Seasonal Adjusted Disorder) that can affect many of us in winter time. This disorder very often causes depression to set in and scientists think they are nearer to the cause - a lack of sunlight. As Douglas Clarkson shows in his article, light can affect our lives in many ways.

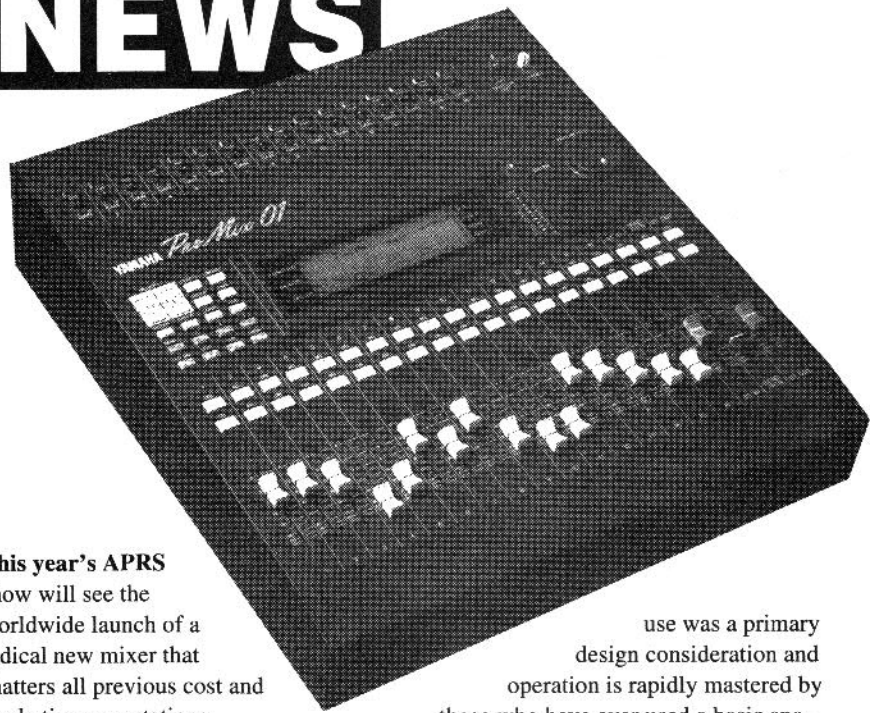
Paul Freeman-Sear

Every care is taken when compiling the magazine. However, the publishers cannot be held legally responsible for errors in the magazine or from loss arising from those errors. Any errors discovered will be published in the next available edition of the magazine.

Electronics in Action is published on the third Thursday of the month preceding the cover date. The magazine contents remain the copyright of Quantum House Publications Ltd. Any reproduction requires written consent of Quantum House Publications Ltd. All prices contained in the magazine are correct at time of going to press. The publishers or the advertisers cannot be held responsible for any variations in price or availability after the magazine has gone to press.

Published by Quantum House Publications Ltd., PO Box 600, Berkhamsted, Herts. HP4 1NL. Newstrade distribution by Seymour, Windsor House, 1270 London Rd., Norbury, London SW16 4DH Tel: 081 679 1899. Reproduction by Island Graphics, Chesham, Bucks. Tel: 0494 773082. Printed by Wiltshire (Bristol) Ltd., Philip St., Bedminster, Bristol BS3 4DS. Tel: 0272 760076

# NEWS



## This year's APRS

show will see the worldwide launch of a radical new mixer that shatters all previous cost and marketing expectations.

ProMix 01 is a digital programmable mixer aimed squarely at the mass market and employing technology that most of the professional audio industry still regards as ground breaking.

ProMix 01 features 18 inputs with 20-bit AD conversion (16 balanced line/mic, eight with phantom power and a dedicated stereo input) and stereo digital and analogue (20-bit DACs) outputs. Internal processing is at least 24-bit, with three band parametric equalization, on all 18 input channels, employing 36-bit processing.

Yamaha has employed the experience of three generations of digital console design, to devise a compact mixer that incorporates the power and flexibility of an assignable device within an ergonomic design that ensures ease of accessibility of all functions from the surface controls.

A familiar console layout, with motorised faders for every channel, is combined with a large LCD - graphically displaying everything from EQ curves to effects parameter settings - along with a large data entry wheel and dedicated parameter access keys. Ease of

use was a primary design consideration and operation is rapidly mastered by those who have ever used a basic analogue console and an effects unit.

Total instant recall and full dynamic automation capability are at the head of the operational power of the ProMix 01. 50 programmable Memories allow all

## First Mass Market Digital Mixer

digital mixing parameters to be recalled instantly - faders mutes, pans, equalization, aux send levels, internal digital effects, built-in compressors and gates stereo/mono channel configurations and more. In addition to the total instant recall, all digital mixing parameters can be automated using any MIDI sequencing software.

Applications where ProMix offers major advantages over existing console technology are as wide ranging as the mixer is unique. From the more obvious automated mixing and submixing tasks to live sound applications where mix, equalization, dynamics and effects settings can be preset and changed at the touch of a button, to the compact power and high spec digital audio that it offers as a location recording and broadcast production console.

And last and very far from least - the price: £1599 ex-VAT.

## World's Smallest Tantalum Capacitors

These ultra-miniature surface mount chip capacitors, believed to be the world's smallest moulded tantalums,

have been added to the Flint range.

The new tantalums offer a range of values from 0.47 to 2.2 micro-Farads in a tiny, 0805-size, 2mm x 1.25mm x 1.2mm package. The devices are likely

# New Liquid Crystal Display Project

**Eden Group Limited** has joined seven other international research bodies to investigate ferroelectric liquid crystal applications in a project called 'Profelicita'.

This Esprit-funded project aims to develop components like the new flat panel display for the commercial market.

The project will provide three components, a customised integrated circuit, a touch input system and a Ferroelectric Liquid Crystal Display (FLCD).

The amalgamation of these will provide a display sub-system for use in a variety of IT products.

The advantages of Ferroelectric technology is that it requires very low power and can be produced at low cost. The FLCD modules will make them ideal for future portable IT product developments.

One major benefit is ferroelectric technology's ability to retain an image with no power - reducing consumption and prolonging battery life.

Unlike other alphanumeric liquid crystal displays, another advantage is that the drive voltages required for the FLCDs are much lower. This enables a

reduction in the size and cost of integrated circuits used in drive electronics.

FLCD technology also provides a high contrast ratio over a wider viewing angle. As such, FLCDs give a much clearer image than the other liquid crystal displays and give FLCDs a further distinct advantage from the user's perspective.

As part of the Profelicita project, it is intended that early commercial applications of FLCDs will be exploited in market-led products and by the production of FLCDs for OEMs. This display module will be used in a number of portable IT products at a later date.

The project will also explore the potential of FLCDs to provide analogue grey levels at an acceptable cost. If achieved, this will allow commercial applications of FLCDs in video products.

Other international participants in the project, which is led by the GEC Hirst Research Centre in the UK, are Crystaloid Europe, Consorio Eagle, SELECO, Univ. Politecnica de Madrid, University of Rome "La Sapienza" and the University of Stuttgart.

# HP licences Infrared technology

**Hewlett Packard** has taken an important step forward in the race to set a standard for Infrared connections by selling licences for the technology.

The aim is to make the HP SIR (serial infrared) system a standard for Infrared, not just for computer to peripheral links, but for all engineering and electronic applications which would benefit from data transfer without the need for bulky cables.

With three products already successfully established in the marketplace - the OmniBook sub-notebook PC, the 100 LX palmtop and the HP Vectra XM PC series - HP is already a market leader in infrared connections. Both these machines use infrared for cordless serial connections for printing or data transfer.

Licences have already been sold to several companies in the UK who expect to launch products within the next few months.

It is expected this technology will provide the connection between portable equipment and peripherals without the need for cables.

# World's largest conductivity rate

**Japan's** Superconductivity Research Laboratory has developed a superconductor with the world's largest conductivity rate. The superconductor has a current density of 15,000 A/cm<sup>2</sup> at 77 Kelvin and 3 Tesla.

The previous highest conductivity rate was at 5,000 A/cm<sup>2</sup> in superconductors made from Yttrium, which was also developed by the laboratory.

There are two types of the new superconductor, one made from a blend of Neodymium, Copper oxide and Barium, and the other from Samarium, Copper oxide and Barium.

The laboratory is affiliated with the Ministry of International Trade and Industry.

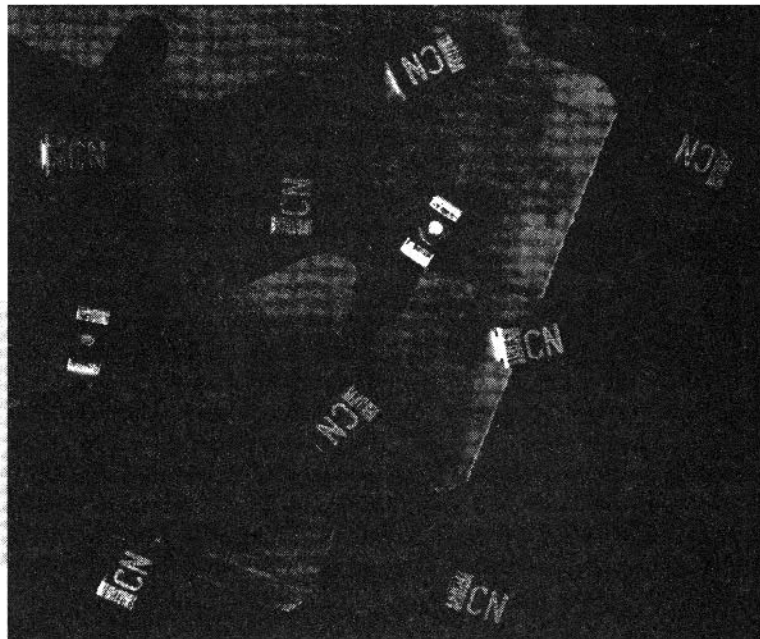
The researchers found a new method of increasing the rate by controlling the oxygen around the substances when they are melted down for processing.

This method, dubbed the oxygen controlled melt growth process, gives birth to numerous pinning centres. Pin-

ning centres have the effect of stabilizing magnetic flux, and the more that exist, the larger the current density.

The new superconductor can be applied for such uses as superconducting magnets that lift linear motor cars, and also for energy storage.

to be of particular interest to designers of portable stereos, VCR cameras and hearing aids, and are suitable for use over a temperature range of -55 °C to +125 °C. Despite their small size, SVS series capacitors can be used at up to 16V, have a leakage current of 0.5 micro-Amp.



# Smartcards Information Pack

An information pack on Smartcards by the IEE Technical Information Unit has recently been published.

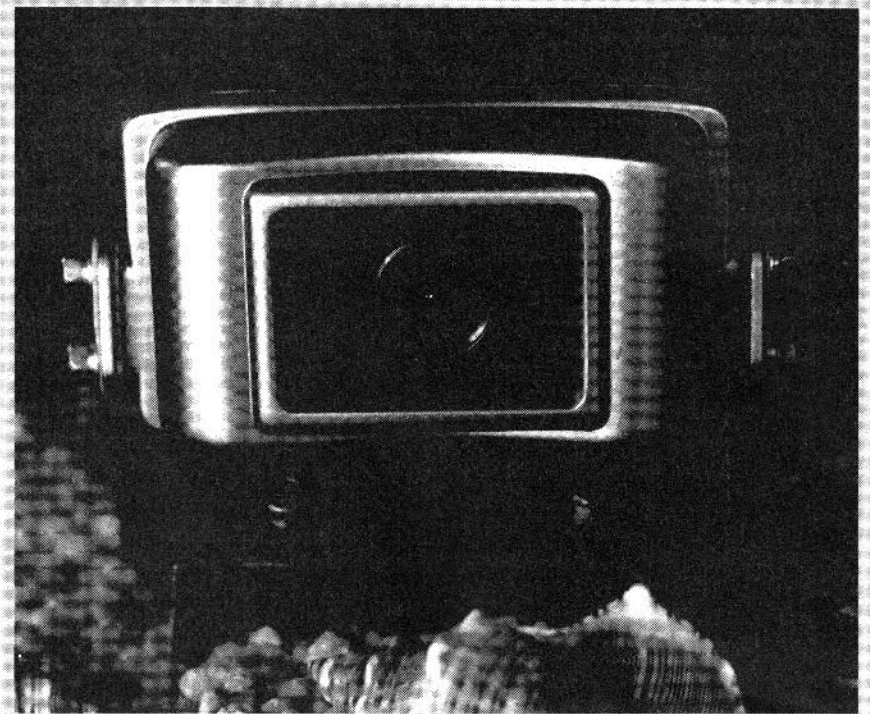
The pack contains summaries of technical papers selected from the IEE's INSPEC database. It includes the technology, cryptography, case studies of smart cards in financial transactions, security/access control, medicine, token payment systems, and other areas. There are also chapters listing books, reports and conference proceedings held in the IEE Library; International, European, and British standards; smart card suppliers in Europe; market data; and European conferences on smartcards.

Today we find our wallets and purses filled with numerous bank and credit cards. Soon these may all be replaced by smartcards - similar in appearance, but embedded with a microprocessor capable of handling much more information than the current magnetic strip cards. With this capacity comes a corresponding increase in functionality - we could find these cards replacing not only the notes and coins in our pockets, but also that large bunch of keys, our driving licences and passports. Perhaps we might even look forward to having just a single multifunction card to carry.

Already the smartcard technology is being used for payment in public telephones, access to services such as home banking and subscription television and for payment for public transport and parking. Smartcards are also finding applications in the business, government, financial, medical and health services. Trials and real applications are burgeoning around the world. Since its first use in France in the late 1980s, smart card technology has developed into a product that is expected to ship over 600 million units by 1996.

## Phone numbers to change again

The National Code Change (NCC), known as Phoneday, is the introduction of a new national telephone numbering system. The impact of Phoneday will be as far reaching as the introduction of the



## Low Light Camera for Mobile CCTV

Mitsubishi has announced an addition to the CV-550 Series of mobile CCTV systems featuring a brand new, compact camera capable of providing high quality displays in poor lighting conditions down to 1Lux.

The new system is being introduced in response to customer requests for a low light use in adverse lighting conditions. Mitsubishi C-Vision systems are now widely used by the quarrying and mining industry as well as municipal authorities throughout the UK.

These mobile CCTV systems eliminate the many problems caused by blind spots at the front, rear or side of an extremely wide range of vehicles, enabling drivers to manoeuvre safely.

Mitsubishi's C-Vision systems are the first of their kind to achieve approval

to BS415 the electrical safety standard. The systems can withstand knocks and vibrations up to 2000 rpm.

As well as waste disposal vehicles and road sweepers, C-Vision systems can also be used on coaches, PSVs, trains, forklift trucks and marine applications, including fishing trawlers. C-Vision systems are available in the UK from Vision Techniques of Blackburn, Lancashire. Telephone: 0254-679 717, who can also

fit, as optional equipment, multi-camera switching, a washing system to clean the camera lens and a bullet-proof, polycarbonate cover which is said to be ideal for quarrying and mining applications. The C-Vision cameras can also be supplied with a motorised, protective shutter which is activated at switch-on.

very first STD codes in 1958 and it is important to prepare early for the changes.

Phoneday has been specified by OfTel as the best way to increase capacity, address the acute shortage of new numbers in some areas and make way for new business and consumer telephone services well into the 21st century.

There are a number of key dates associated with Phoneday they are:

**16 June 1994:** Mercury and BT open up access to the new codes across their networks. There exists the possibility that some calls dialled on the new numbering systems will get through from this date.

**1 August 1994:** marks the start of parallel running, when all of the new codes will be available across the UK. Between this date and Phoneday itself, users will be able to use both the old and new numbering systems.

**16 April 1995:** This date is Phoneday, the day when all area telephone codes in the UK will change. From this day onwards, users can use only the new codes.

## What will the change involve?

After an extensive consultation process, OfTel has identified a clear and simple to

understand scheme involving the minimum of disruption for those concerned. On Phoneday, a one will be inserted after the first zero of all national dialling codes. For example, Exeter 0392 xxxxxx will become 01392 xxxxxx, London 071 xxx xxxx will become 0171 xxx xxxx, and so on.

In addition, completely new area codes will be introduced in Leeds, Sheffield, Nottingham, Leicester and Bristol, as these cities have a particularly acute shortage of numbers. The changes will be as follows:

**Leeds: 0532xxxxxx - 01132xxxxxx**  
**Sheffield: 0742xxxxxx - 01142xxxxxx**  
**Nottingham: 0602xxxxxx - 01159xxxxxx**  
**Leicester: 0533xxxxxx - 01162xxxxxx**  
**Bristol: 0272xxxxxx - 01179xxxxxx**

The majority of non geographical codes, such as 999, 112, 100, mobile phone numbers, free 0500 and 0800 services and premium rate services, will remain the same. However, the Mercury Direct Dialling Paging number - 0523 523 523 - will change to 01523 523 523.

To bring the UK in line with the rest of Europe, the international access code will be changed from 010 to 00.

## What does this mean for businesses?

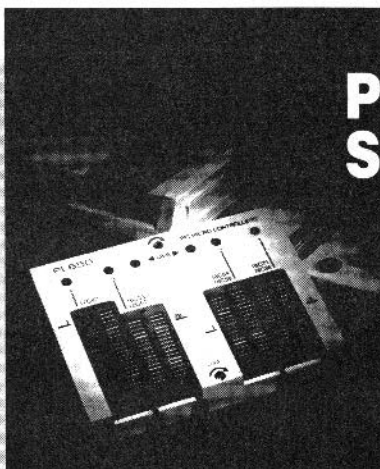
Whilst April 1995 may seem a long way off, the new numbers will be fully operational from 1 August 1994 and will run alongside the old codes for eight months. Some new codes will be in operation from 16 June 1994, when BT and Mercury begin opening up access to the new codes across their networks.

## What will businesses need to do?

Approximately half of the changes which businesses need to make will be telecommunications related, and half will relate to office administration issues. Businesses will need to modify their telephone systems to recognise the new codes. Publicity material and stationery needs to be changed.

Equipment needing modification includes internal telephone exchanges or PBXs, key systems, least-cost routing equipment, fax machines, alarm systems with automatic dialling, modems, payphones and programmable memory phones.

Anyone wishing to enquire about Phoneday can Free Call 0500 04 1995 free of charge, 24 hours a day, 365 days a year.



## Programmer Now Supports PICS

Great care has been taken to optimise programming times. Most devices can be programmed in about three seconds. Devices which are typically programmed in serial mode on development programmers are programmed in parallel mode to increase speed.

The L9000 programmer has a unique double operation mode. In production mode, all operations are simplified and two verifies are performed to ensure devices operate at both high and low Vcc.

The L9000 mainframe has positions for two modules. If a PIC module is fitted in one position, another module can be fitted in the other position for other microcontrollers or EPROMs. The facility to cater for two or more different families makes the L9000 a cost effective and versatile programmer.

The L9000 programmer from Lloyd Research Ltd. now supports Arizona Microchip's range of PIC processors such as 16C5X, 16C71/84 and 17C42 with the PL650 socket module.

The L9000 is ideal for production programming because it can either operate in stand-alone mode or be operated from a PC or from a batch file on a PC.

The PL650 was developed using the latest algorithms from Microchip.

## The most powerful notebook computer in the world

UNIX workstation users looking to take their systems on the road can now enjoy the performance of PowerPC technology in the world's most powerful notebook computer.

The IBM RISC System/6000\* N40 is the industry's first PowerPC-based notebook workstation. It combines the power of the PowerPC 601\* microprocessor and AIX, IBM's standards-compliant version of the UNIX operating system, in a lightweight colour notebook computer.

Running at 50MHz, the N40 is more powerful than not only any notebook computer but also many desktop workstations.

"While mobile computing has exploded in the PC space, we are just now entering the phase when breakthrough technologies like the PowerPC are enabling the development of robust portable computers for UNIX," said Robert Youngjohns, AIX Business Manager for IBM UK. "By focusing on our customers' demands for a combination of power, portability and compatibility, we've taken an important first step toward redefining this emerging category."

The 3.1kg N40 features a 9.4-inch TFT (thin film transistor) active matrix colour screen that provides wide-angle viewing in 256 colours. The N40's video memory supports up to a 1280 x 1024 image, which can be viewed via a pan and zoom feature on the TFT display or

via an externally connected monitor. Also featured is IBM's TrackPoint II pointing device, which is located in the centre of the keyboard and eliminates the need for an external mouse.

The N40 operates from an internal battery and will be available with the RISC System/6000 N40 External Battery Pack that can extend battery life up to four hours.

With AIX for N40 Version 1.1, a version of AIX/6000 optimised for the portable environment, the N40 enables software developers or architectural engineers, for example, to make real-time changes at customer locations, rather than having to return to the office to make those changes.

Communications and networking features include external ports for Ethernet network support; SCSI-2 diskette drive support; and support for PCMCIA adapters that will provide Token Ring network connectivity and, in the future, support for ISDN and wireless adapters.

Other standard features include a removable disk drive with a 340 MB capacity; main memory support from 16MB to 64MB; an external display port supporting 1280 x 1024 resolution and up to 256 colours; ports for an external mouse, keyboard and Appletalk printers, and a built-in speaker and microphone.

# Research World

## Technical Advances from around the Globe

### Nanowire arrays

By forcing metallic liquids into porous insulating media, researchers at the US Naval Surface Warfare Centre have created "nanowire arrays" consisting of 200nm-diameter wires that are 50 microns long. The arrays could play a number of roles in advanced microelectronic designs as multiple interconnecting wires, or photosensors. The arrays can also be engineered to transmit photons as well as electrons.

The process uses a commercially available microfiltration composite called Anopore, which is built from aluminium oxide. The challenge was to find a means of forcing conductors in the liquid phase into the porous medium. Surface tension becomes a strong force at such small dimensions, preventing liquids from penetrating into the Anopore medium.

The solution was to pack the conducting material behind the Anopore in a hollow tube. The tube is then put under high pressure and the temperature raised to a point just above the melting point of the conducting material, at which point it is forced into the porous medium, solidifying into wires. Various metals and semiconductors have been successfully injected with the method.

The wire arrays, with a density of 500 million wires/cm<sup>2</sup>, may also turn out to be interesting electronic systems in their own right. The tightly packed array of conductors in an insulating medium form a "nanocomposite" material with properties different from the constituents of which it is formed. The researchers, working in conjunction with scientists at Polytechnic University and Digital Instruments Inc. have set up a special electron-microscope system for mapping the electrical field produced by charged nanowire arrays.

### Flywheel battery

Lawrence Livermore National Laboratory, Westinghouse Electric Corp. and a new company called Trinity Flywheel Batteries Inc. of San Francisco, have entered a two-year, \$5 million co-operative research and development agree-

ment (Crada) to develop a flywheel battery for power-line conditioning.

The use of a flywheel battery would help factories, laboratories and computer centres ride out brief power interruptions, which most consumer electronics endure routinely but which can disrupt integrated circuitry.

Livermore researcher Richard Post has spent the past 20 years developing flywheel batteries and has developed one with a carbon-fibre wheel four times stronger than steel, able to withstand up to 1 million pounds of tension per square inch and able to spin up to 9,000 rpm. The target is a peak discharge of 100kW, or about 150 hp.

Trinity will produce the batteries for Westinghouse's Power Generation business unit. It expects to deliver the first breadbox-sized units in early 1995.

### Examining EMI complications

As systems get smaller and external sources of electromagnetic and radio frequency interference grow, designers will have to examine their systems for potential EMI complications. To keep interference from becoming a major problem, researchers are exploring ways to make multichip modules immune to EMI.

Working at the request of the US Air Force Office of Scientific Research and Rome Laboratory System Technology, researchers at the Georgian Tech Research Institute have analysed the EMI susceptibility of several MCMs. These modules are becoming more popular, but most designers do not know much about their EMI immunity.

Although the project is funded by the military, the issue will not be limited to commercial markets. The impact of EMI on MCMs will be just as great as it is on system design in industrial and commercial environments.

RF and communications are big areas. In transmitter and receiver modules, both military and commercial, handhelds and larger units, it will become very important.

### Harnessing Static Electricity

Personnel at North Carolina State University are trying to harness the power of static electricity. They believe that the force will one day be used to control the shape of aircraft wings, satellite assemblies, and antennas.

"Most people think of static electricity as a nuisance, particularly around electronics, but it's actually a useful force that lets us change the shape of materials on demand," says Barry M. Silverberg, associate professor of mechanical and aerospace engineering at NCSU.

Static electricity occurs when electrons build up on the surface of a material. Silverberg and a team of students have proved that such charged materials attract and repel each other in a predictable and controllable manner. "Scientists have known about electrostatics for a long time, but until recently, didn't have the mathematical tools and design techniques to put it to use," says Silverberg. "Now we have the technology to create and control the distribution of charge on thin metallic surfaces."

Silverberg's team intends to put its knowledge to work by developing a flexible satellite antenna. "A satellite is essentially a drum with a few attachments like solar arrays and reflector dishes," he says. The reflectors are typically rigid and small to prevent warping from alternating hot and cold exposures in space. Reflector mounts also are rigid, so the entire satellite must turn to look in a different direction. Because of their inability to focus and scan, several satellites are often needed to get a complete picture.

The NCSU antenna avoids this problem because its reflector is a flexible membrane that's shaped by static electricity. Metal plates, charged by the satellite battery, sit behind the reflector. By controlling the voltage on each plate, the satellite's computer can manipulate the electrostatic forces that shape and direct the reflector assembly.



**SUBSCRIBE**

# Cut out the middle man...

## **ELECTRONICS in ACTION**

**Superb projects**  
**Excellent features**  
**Future developments**  
**Up to the minute news**  
**& much, much more**



...and get your copy of the UK's best Electronics and Technology magazine direct from us! A 12 month subscription to Electronics in Action means no more fighting your way to the shelves in your local newsagent only to find they've sold out. We will deliver your copy to you (post free) before they've had a chance to get theirs from the storeroom. Guarantee yourself a good read.

12 issues

**£27**

in the UK (post free)

**£42**

Overseas

## **ELECTRONICS in ACTION**

### **SUBSCRIPTIONS**

Please start my 12 month subscription to **Electronics in Action** from the ..... issue

Please print your name and address in **BLOCK CAPITALS**

Name .....

Address .....

..... Postcode .....

I enclose a cheque/postal order (payable to Electronics in Action) for £ .....

Please send this form to: **Electronics in Action, PO Box 600, Berkhamsted, Herts. HP4 1NL**

\*in the UK only

# Signal to NOISE

The postbag breaks and the letters spill out

## Not so Foolproof LEDs

In a letter in the June issue of EIA Paul Stenning described a foolproof way of identifying the cathode and anode leads on an LED. This method will not in fact work for many high intensity LEDs. Mr Stenning also described the semiconductor material used in LEDs as silicon. This was presumably a slip of the pen as I'm sure he is aware that LEDs are actually manufactured from a wide variety of more complex semiconductor materials such as GaAsP.

Andrew Chadwick  
Hull

## A Case for Engineering Design

My letter regarding the standard of the projects in EIA, published in the May issue, certainly seems to have stirred a reaction, particularly from Mr Coggins whose project was the subject of some of my criticism. I did not intend to imply that his circuit was a 'Heath Robinson' creation, simply that I felt there was room for improvement. Although Mr Coggins and Mr Stenning's letters in the June magazine raise many issues that deserve a reply, I will restrict myself to two points.

Mr Coggins may be happy with his personal philosophy of 'if it works it's OK' but he ought to be aware that the engineering world operates on different principles. Good design is characterised by achieving the required results with the minimum of resources. Unnecessarily exceeding specifications is as reprehensible as not meeting them. My objection to using a second 4066 IC was that it would give no significant increase

## A 10 bit Datalogger?

I am writing for some advice after reading your datalogger project in the April edition of EIA. Since reading the project I have set out to build a water quality datalogger, based on your own design.

The datalogger will be connected to eight probes which will store data from water samples collected from the waste disposal sites which we operate. The data collected will act as a guide to the level of pollution in and around these sites. For the record, below is a list of the eight probes which I am currently researching

Criteria	Units	Probe Type
1. Temperature.	Centigrade.	Thermistor.
2. pH.	no units.	Combination electrode.
3. Conductivity.	us/cm	Cell.
4. Ammonium.	mg/l or PPM.	Ion selective electrode
5. Chloride.	mg/l or PPM.	Ion selective electrode.
6. Potassium.	mg/l or PPM.	Ion selective electrode.
7. Nitrate.	mg/l or PPM.	Ion selective electrode.
8. Dissolved oxygen.	mg/l or PPM.	Ion selective electrode.

I have built your system as a guide and now wish to improve this to a 10 bit system to achieve a greater degree of accuracy. Can you recommend a 10 bit ADC which will easily act as an upgrade for the system? If you can, any advice on alterations to the circuit and the program will be much appreciated.

Gavin Lonsdale  
Lincwaste Ltd.  
Lincoln

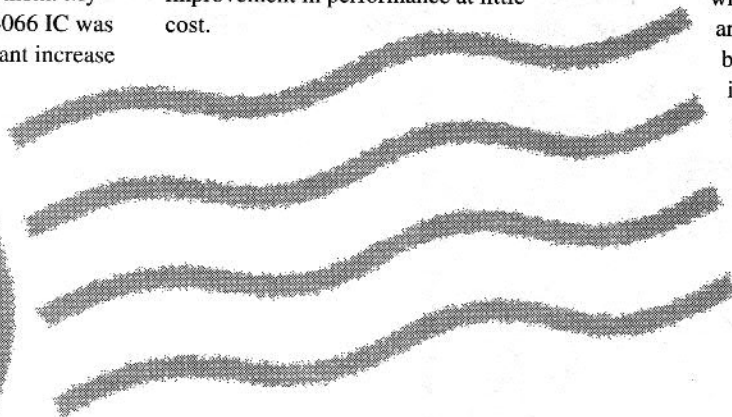
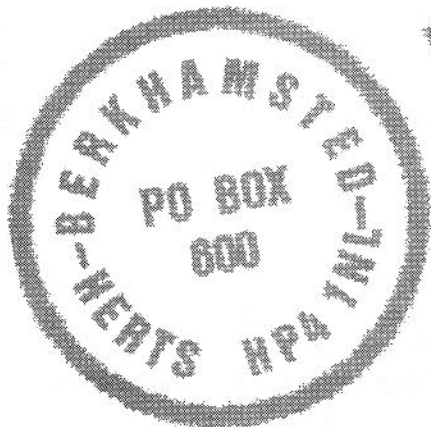
*It is great to see our projects are finding many real applications. No doubt Dr Pei An will reply. -Ed.*

in performance. Neither Mr Coggins nor Mr Stenning bothered to quantify the improvement, simply stating that it must be worth the cost of forty pence for the IC. However on this basis why not increase the value of the amplifier coupling capacitors by a factor of ten for instance? That would certainly increase the bandwidth which is surely another improvement in performance at little cost.

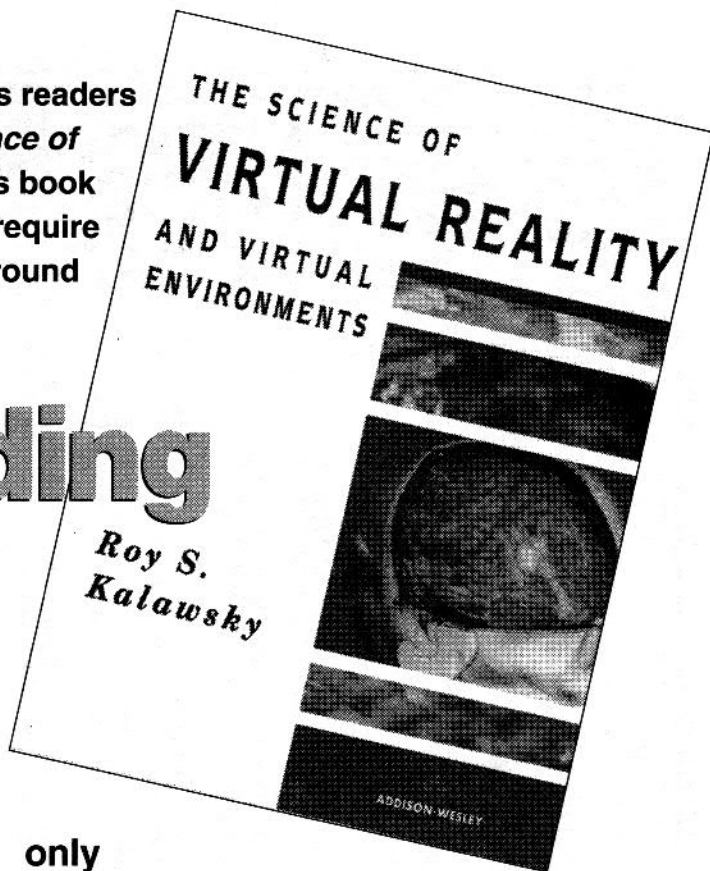
Mr Coggins also seems to have a problem with what he calls the 'classical' approach. If by this he means a theoretical and analytic approach to circuit design then I quite agree. Engineering design in any field is about solving real problems and consequently often relies heavily on sensible approximations and rules of thumb in situations

where the theoretical equations are insoluble. However this balance of theory and practice is not the same as blind experimentation which Mr Coggins seems to champion as a path to innovation. Innovation comes from people asking informed questions and not being satisfied with something that simply works.

Andrew Chadwick  
Hull



**Electronics in Action** is pleased to offer its readers Roy Kalawsky's fascinating book - *The Science of Virtual Reality and Virtual Environments*. This book provides a wealth of material for those who require a thorough scientific and engineering background in Virtual Reality whether they be scientist, engineer, student or layperson.



# Virtual Reading

Professor Roy Kalawsky is head of the British Aerospace Virtual Environment Laboratory

Print your name in **BLOCK CAPITALS**

Name .....

Address .....

..... Postcode .....

Please send me.....copy of *The Science of Virtual Reality and Virtual Environments* by Roy Kalawsky

(Each copy costs £24.95 plus £3.00 postage and packing)

I enclose a cheque/postal order for .....

Please send this form to:

**VR Book Offer, Electronics in Action**

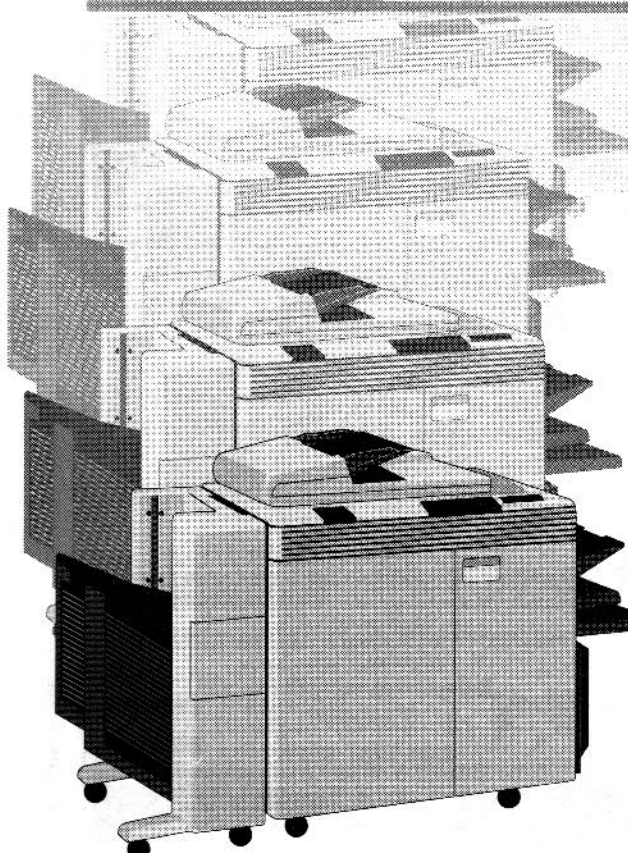
**PO Box 600, Berkhamsted, Herts. HP4 1NL**

only

# £24.95

(+ £3.00 Postage & Packing)

# PHOTOCOPY SERVICE



As our January issue was so popular and is now sold out, we have introduced a new service to enable you to obtain any articles that you may be missing. Each article copy costs £2.00 (including P&P).

## PHOTOCOPIES

Please Photocopy me the following articles:

Month	Title of article	
.....	.....	@ £2.00
.....	.....	@ £2.00
.....	.....	@ £2.00
.....	.....	@ £2.00

Please print your name and address in **BLOCK CAPITALS**

Name .....

Address .....

..... Postcode .....

I enclose a cheque/postal order (payable to Electronics in Action) for £ .....

Please send this form to: **Electronics in Action, PO Box 600, Berkhamsted, Herts. HP4 1NL**

JULY 1994

11

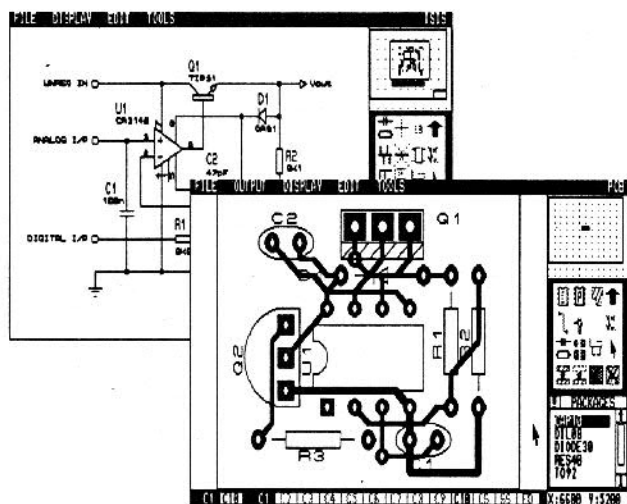
ELECTRONICS in ACTION





# POWERFUL SCHEMATIC CAPTURE, PCB DESIGN AND AUTOROUTING ALL FOR JUST £395...

**PROPAK AR** for DOS provides all the features you need to create complex PCB designs quickly and easily. Draw the circuit diagram using the powerful facilities of ISIS DESIGNER+ and then netlist into ARES AUTOROUTE for placement, autorouting and tidy up. Advanced real time design rule checks guarantee that the final PCB will correspond exactly with the schematic thus saving you from costly layout errors and time consuming debugging.



- Attractive, easy to use graphical interface.
- Object oriented schematic editor with automatic wire routing, dot placement and mouse driven place/edit/move/delete.
- Netlist generation for most popular CAD software.
- Bill of Materials and Electrical Rules Check reports.
- Two schemes for hierarchical design.
- Automatic component annotation and packaging.
- Comprehensive device libraries and package libraries including both through hole and SMT parts.
- User definable snap grids (imperial and metric) and Real Time Snap to deal with tricky SMT spacings.
- Manual route editing features include Auto Track Necking, Topological editing and Curved tracks.
- Autorouting for single, double and multi-layer boards.
- Non autorouting PROPAK is available for just £250 if you do not need or want the router.
- Full connectivity and design rule checking.
- Power plane generator with thermal relief necking.
- Graphics support to 800x600 Super VGA.
- Output to dot matrix and laser printers, HP and Houston plotters, Postscript devices, Gerber and Excellon NC machines plus DXF and other DTP file formats.

## CADPAK

**Two Programs for the Price of One**

### ISIS SUPERSKETCH

A superb schematic drawing program for DOS offering Wire Autorouting, Auto Dot Placement, full component libraries, export to DTP and much more.

**Only  
£79**

Exceptionally easy and quick to use. For example, you can place a wire with just two mouse clicks - the wire autorouter does the rest.

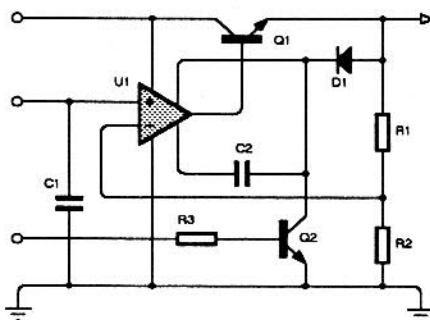
### PCB II

High performance yet easy to use manual PCB layout package. Many advanced features including curved tracks, auto track necking, DXF export, Gerber and NC file generation, Gerber viewing and more.

*Alan Chadwick writing in ETI (January 94) concluded...  
"At £79 I thought this was an excellent buy."*

## ISIS ILLUSTRATOR

**Schematic Drawing for Windows**



**From  
£99**

Running under Windows 3.1, ISIS ILLUSTRATOR lets you create presentation quality schematic drawings like you see in the magazines. Furthermore, when the drawing is done, transferring it to another document is just a matter of pasting it through the Clipboard.

Now used by a number of prominent technical authors to illustrate their latest books and magazine articles.

**labcenter**  
Electronics



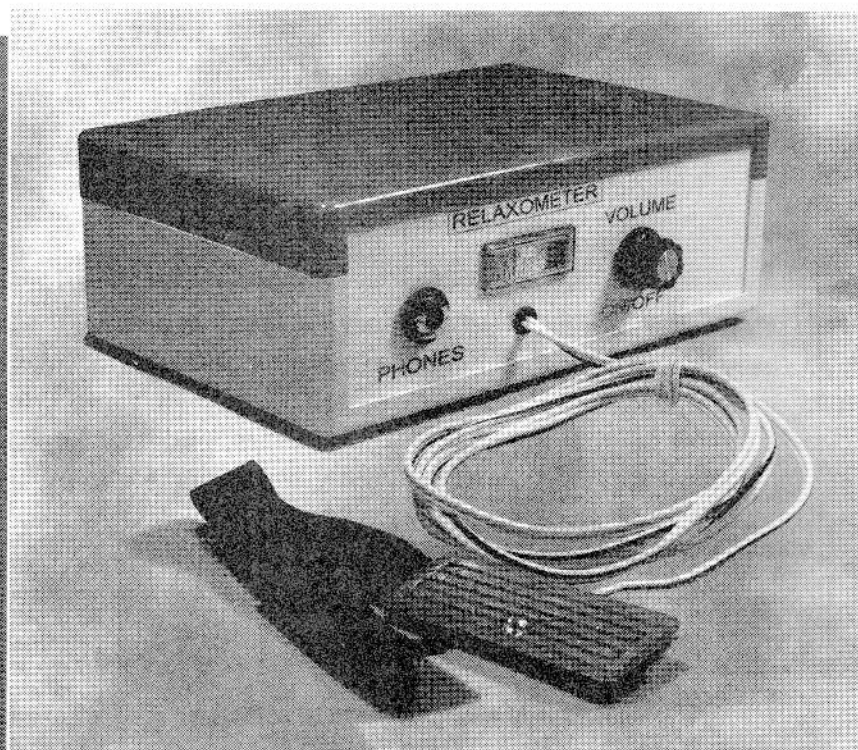
WE HAVE MOVED - NOTE NEW ADDRESS

Call us today on 0756 753440 or fax 0756 752857 for a demo pack - state DOS or Windows. Multi-copy and educational discounts available.

Prices exclude p&p (£5 for U.K.) and VAT. All manufacturers' trademarks acknowledged.

53-55 Main St, Grassington, North Yorks. BD23 5AA.

The kids are screaming, the car is broken, the garage is leaking and the fridge has decided to shut down! What do you do? Easy - plug yourself into...



# the Relaxometer

a handy Biofeedback device by David Arlan

The general idea of this project is that, by means of an audible tone (and visually, by means of a meter), the machine indicates how relaxed you are. The user then tries to bring his or her state of relaxation under conscious (rather than automatic) control, guided by the pitch of the tone and to a much lesser extent, by the reading on the meter. Using the machine regularly over a period of time, the user

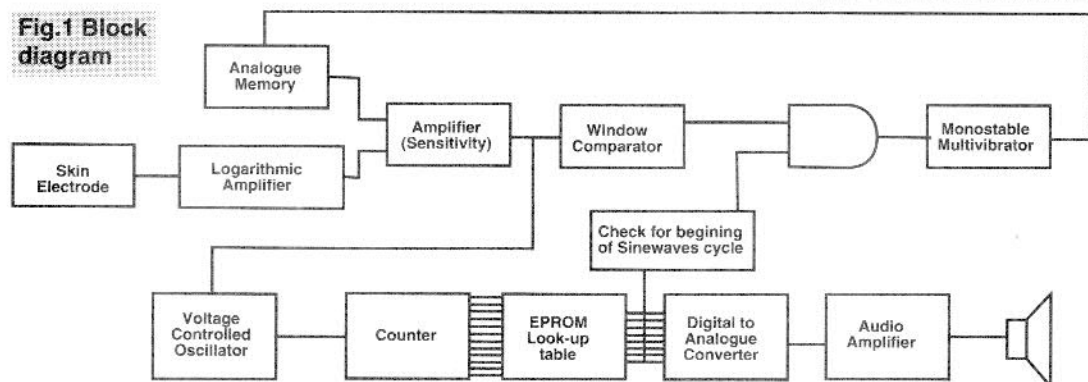
hand allows electric current to be conducted only with difficulty - it has a high electrical resistance, whilst under stress, moisture on the hand allows electric current to be conducted more easily - it has a lower electrical resistance. The Relaxometer measures the resistance of a hand by means of metal electrodes, which remain firmly connected to the hand using an elastic and Velcro attachment. A small, fixed volt-

age of 1 volt is applied to the electrodes and the resulting, small, electric current is then measured and controls the pitch of the tone and also the meter reading.

high sensitivity. The sensitivity is such that extremely small changes in stress or relaxation, of which the user may not be consciously aware, are accurately indicated by a change in pitch from the loudspeakers. In other words, the machine can indicate a move towards relaxation or, conversely, getting more stressed even though the user might not immediately be conscious of it.

The Relaxometer has a very wide, metered, skin-resistance range of 1K to 8M, though it is actually capable of measuring resistance from about 100 to tens of megohms (but at reduced accuracy). The measured resistance range of 1K to 8M, however, was thought to be perfectly adequate for normal use: anyone with a skin resistance of less than 1K probably needs to seek professional medical help

Fig.1 Block diagram



would hope to reduce their general level of tension and stress. One of the main features of the design is the use of an 'aural illusion' - the sound equivalent of an optical illusion.

Normally, if a person is in a relaxed state, the skin on the palms of the hands would be dry, whereas under stress, the skin would be damp or clammy. A dry

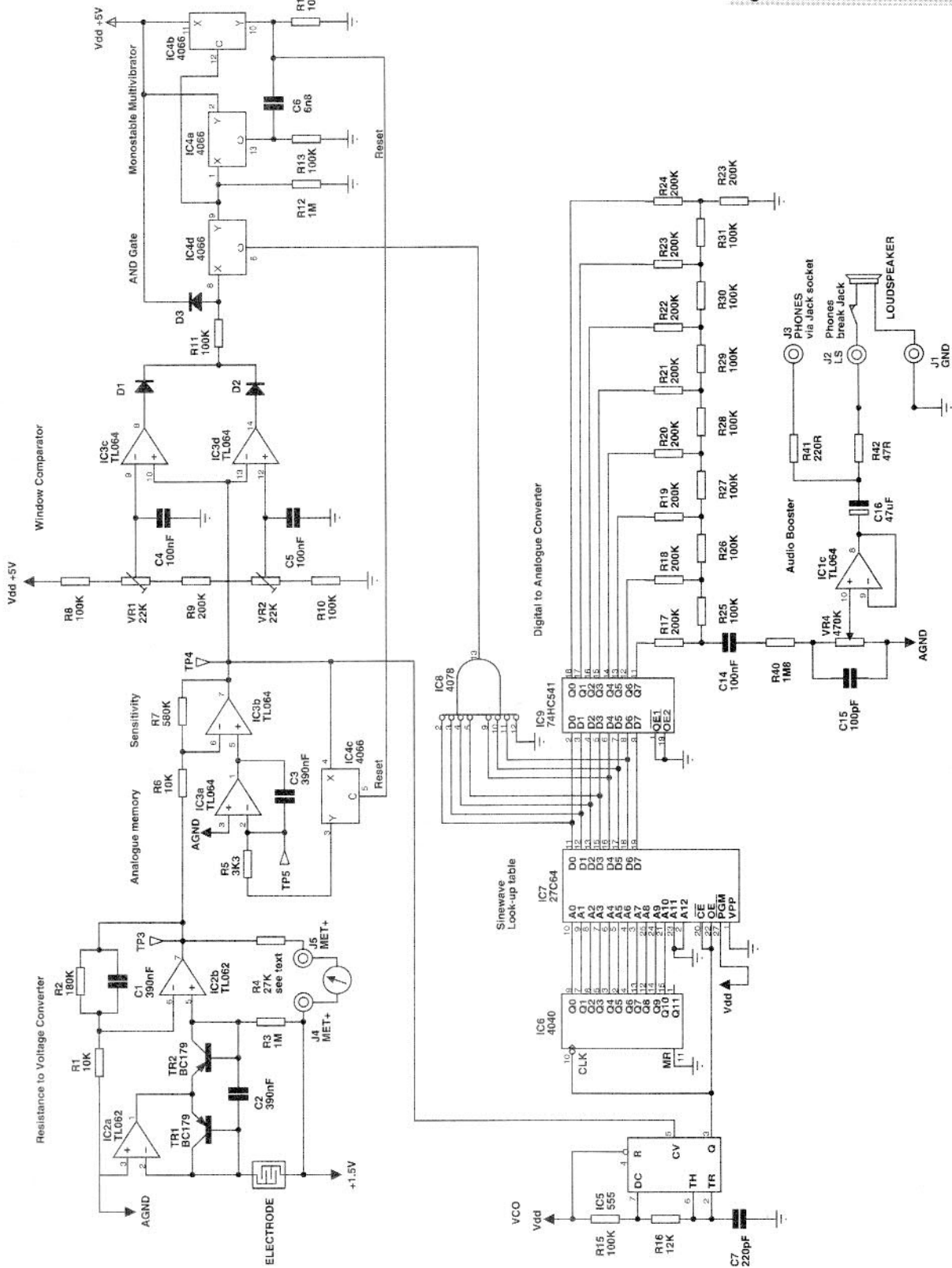
age of 1 volt is applied to the electrodes and the resulting, small, electric current is then measured and controls the pitch of the tone and also the meter reading.

The circuit described here is capable of measuring skin resistance over a very wide range (without any need for manual range switching) all at a very

and a skin resistance over 8M would indicate that the user was past all help, medical or otherwise!

The sensitivity of the Relaxometer has been set at about 1.5 octaves change in pitch of the tone (up or down), for each halving or doubling in skin resistance, (respectively) and the meter has been calibrated with a logarithmic scale

Fig.2 Relaxometer circuit



each graduation on the scale indicating a factor-of-two resistance change. For example, if a person's skin resistance changed from 100K to 200K, the sound coming from the loudspeaker would fall by 15 octaves in pitch, a frequency ratio of  $2^{15} : 1$  ( $\approx 32768 : 1$ ) and the meter pointer would move by one division downwards on the scale. Since the Relaxometer can measure resistance

over a range of 1K to 8M, (a ratio of  $2^{24} : 1$ ), to get this sensitivity over such a wide resistance range would require, with normal circuits, (i.e. without the aural illusion to be described) an audio oscillator capable of changing over a frequency ratio of  $2^{24} : 1 = 5 \times 10^{18} : 1$  and would very quickly be inaudible (ultrasonic) even if it were possible to build such an oscillator.

### Helical Pitch

The aural illusion is based on an idea by V. Helmholtz which he called 'helical pitch'.

The graphs below are Fourier analyses of an realised helical pitch generator, showing how the aural illusion works. The output from the generator consists of many pure sine waves, added together, and sounded simultaneously.

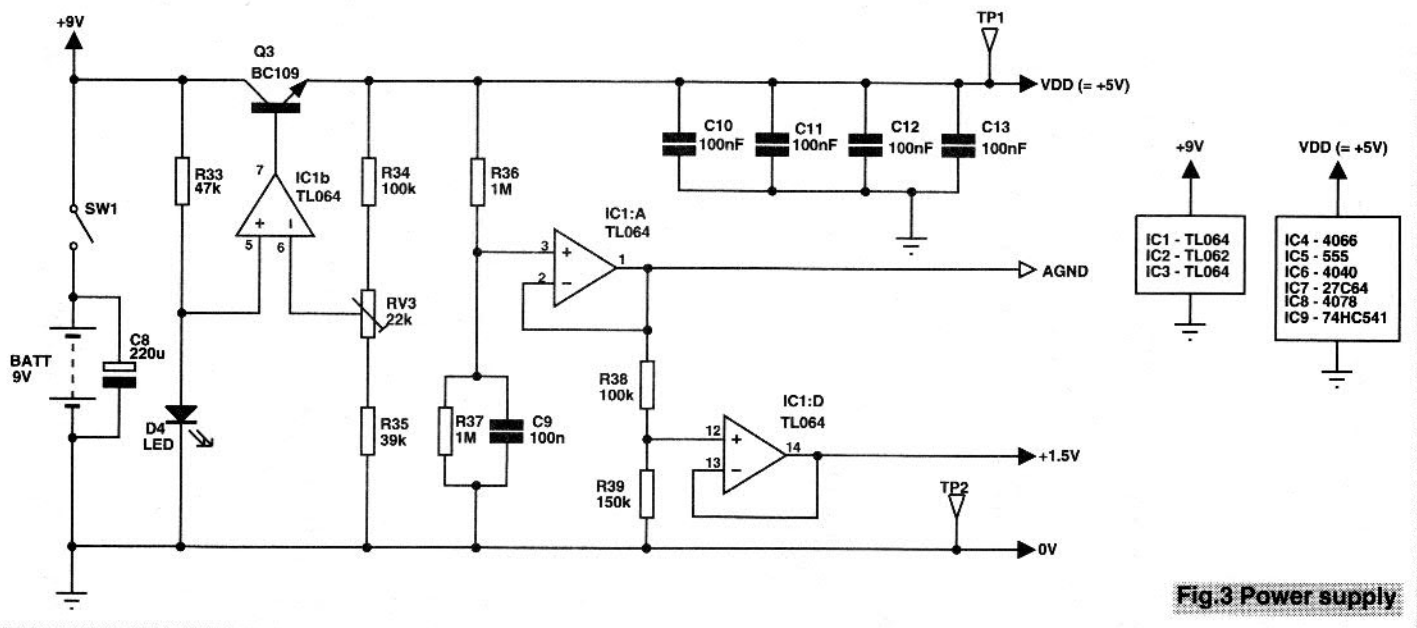


Fig.3 Power supply

Each of the sine waves has a frequency set exactly a factor of two (twice and half) the frequency of its neighbours on each side. The sine waves are 'locked on' to a continuously-variable master oscillator - as the frequency of the master oscillator is changed, all the sine waves change exactly in step. The graphs show the results of setting the master oscillator at three different special frequencies: the first - the reset frequency - at 65536Hz; the second - the lowest frequency used - exactly one octave lower, at 32768Hz; the third - the highest frequency used - exactly one octave higher, at 131072Hz. The frequency limits of hearing are usually taken to be within the range 20Hz to 20000Hz, and these limits are shown in each of the three graphs as dotted lines. All of the frequencies outside these

limits, therefore, are inaudible. It can be seen that, even though the master oscillator has been set at three different (special) frequencies, the sound actually audible (which has frequency components contained within the dotted lines) is the same in each case.

Here's an example of what would happen in practice. Starting at the reset frequency of 65536Hz, the continuously-variable voltage-controlled master oscillator might increase its frequency steadily. Eventually, it would reach the maximum frequency exactly one octave (twice the frequency) higher, at 131072 Hz. Immediately it had reached this frequency, it would automatically be switched to the reset frequency, exactly one octave lower, and would continue to rise as before. Since the sound is exactly the same at the 'reset' and at the maxi-

imum frequencies, there would be no audible break, and the pitch of the sound would appear to be rising continuously. A similar process would occur if the pitch of the sound were decreasing, except that the switching (trigger) point would occur at the lowest frequency, exactly one octave below the 'reset' frequency.

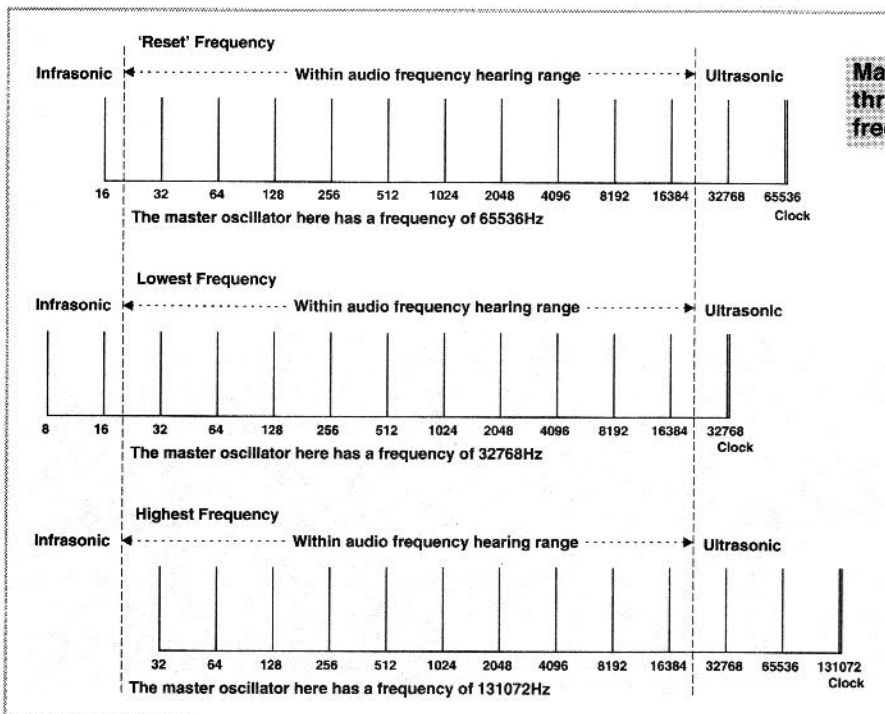
For the actual Relaxometer circuit, I used lowest, reset, and highest frequencies of 35 kHz, 70 kHz and 140 kHz, respectively and these gave good results. I used only 11 terms of sine waves in the prototype with frequency ratios of 1:2:4:8:16:32:64:128:256:512:1024. These were worked out on my computer, using a program written in MS-DOS QBASIC and the binary-weighted results were loaded into an EPROM, (Erasable Programmable Read Only Memory) using an EPROM program-

mer. The EPROM operates as a 'look-up' table. I used a 27C64 (8k X 8) EPROM but only 2048 bytes of memory are pro-

grammed for the Relaxometer. Since only 2048 bytes are used, the 'sine' waves at the higher frequencies are synthesized using only a few distinct voltage levels - for instance, the highest frequency has only two distinct states. However, even at the lowest clock frequency used, (35 kHz), all the harmonics of this are ultrasonic, so in practice this doesn't matter very much.

## The Works

The operation of the complete circuit can be broken down into several simple, fairly standardised building blocks.





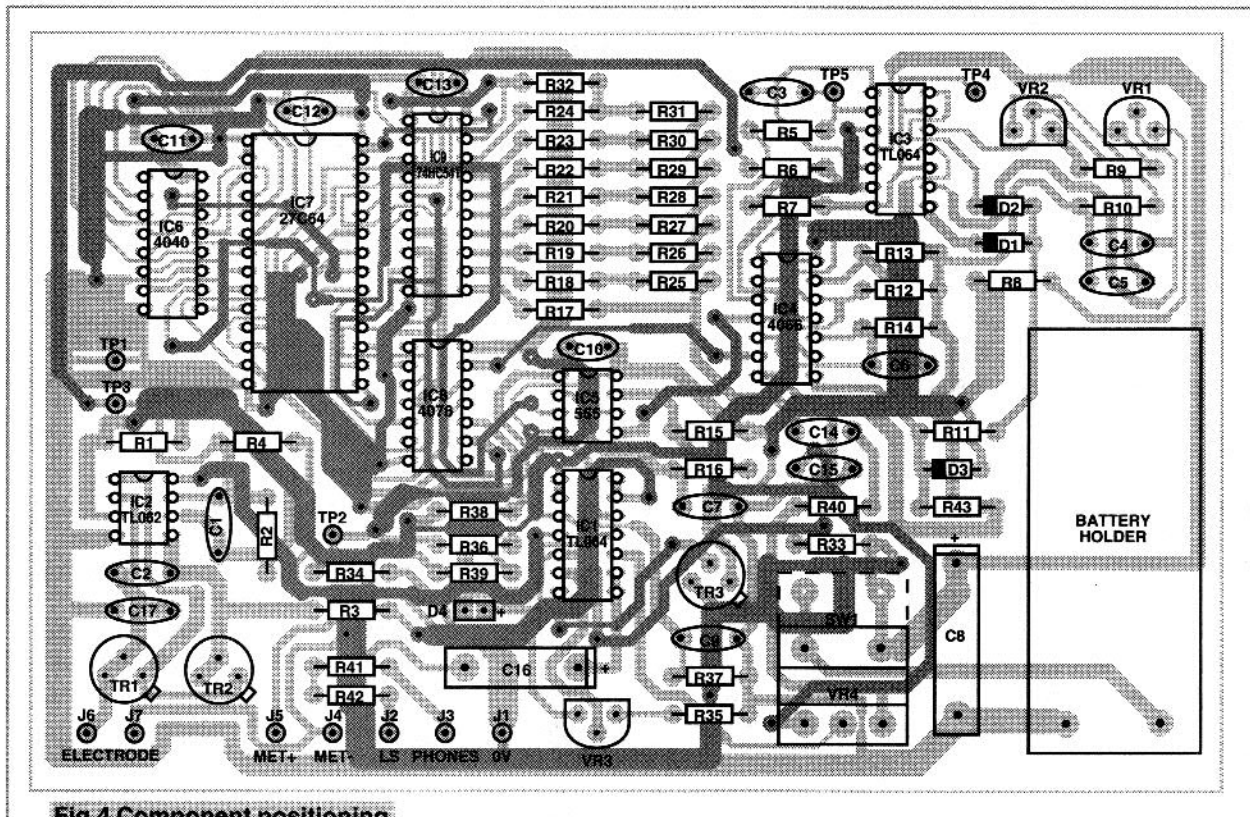


Fig.4 Component positioning

### Logarithmic Skin-resistance to voltage converter

For a skin resistance of 1M, the ELECTRODE and R3 are balanced, and, assuming that PNP transistors Tr1 and Tr2 are a matched pair, the voltage at the output of IC2b should be at AGND (Analogue Ground). I used matched BC179 transistors here but almost any small-signal, matched silicon transistors would do. For each halving or doubling of skin resistance, the voltage across Tr1 (base-emitter) rises or falls by about 18mV respectively, and the voltage at IC2a output rises or falls (relative to AGND) by the same amount. This increasing or decreasing voltage is passed on to the non-inverting input of IC2:B via Q2, which maintains an almost constant voltage drop across its own base-emitter junction. IC2:B is connected as a non-inverting amplifier with a gain of about 19, therefore a change in resistance by a factor of two results in a voltage change at IC2:B output of about 1/3 volt.

### Analogue Memory (Sample and Hold) Block

Assume that the 'reset' line is high, which closes the CMOS switch IC4:C. IC3:B output (pin 7) will reset to AGND (analogue ground). IC3:A output (pin 1) will copy the output of IC2:B. When the CMOS switch is opened by the reset line going 'low', low-leakage capacitor C3 will hold, (i.e. memorise) at

IC3:A output the voltage which was previously present at the output of IC2:B.

Now that the switch is open, any change at the output of IC2:B will be amplified (and inverted) by op-amp IC3:B, which, together with resistors R6 and R7, is connected to have a gain of 56 times.

### Window Comparator

If the output of IC3:B goes higher than 3.75 volts (= 3/4 VDD) or lower than 1.25 volts (= 1/4 VDD), then the output of window comparators IC3:C or IC3:D (respectively) will go 'high'.

### AND' gate, IC4d

CMOS switch IC4:D is connected as a logic AND gate, and its purpose will be explained later.

### Monostable Multivibrator using IC4a and IC4b

These CMOS switches are connected as a monostable multivibrator. A positive-going voltage applied to IC4:A (pin 1) results in a single positive-going voltage pulse of about 500  $\mu$ s duration at IC4:B pin 10. This resets the circuit. The circuit has a 'snap' action and would be quite useful for other circuits provided that the length of the pulse needn't be precise. The output pulse duration, in this circuit, is by no means critical, but it MUST be longer than the time taken for the 'reset' circuit to settle (i.e. more than about 100  $\mu$ S.)

### Voltage Controlled Oscillator

IC5, the 555 (CMOS) timer/oscillator is connected as a VCO. A positive-going input ramp voltage (at pin 5) changing from 1/4 VDD (1.25V) to 1/2 VDD (2.5V) to 3/4 VDD (3.75V) produces a negative-going frequency sweep at its output (pin 3) ranging from 140000Hz to 70000Hz to 35000Hz respectively.

### Counter IC6, 4040 and Look-up table EPROM

This provides 2048 incremental addresses for the EPROM.

The first 2048 address locations of the EPROM contain the binary-weighted results of adding together the sums of 11 terms of sine waves, each subsequent (ascending-value) term being a factor of two higher than each previous term. i.e. the sine waves have a frequency sequence of:-

1 : 2 : 4 : 8 : 16 : 32 : 64 : 128 : 256 : 512 : 1024

The EPROM is switched 'on' for only 2  $\mu$ s at a time by the V.C.O., and this saves battery power. The whole circuit uses about 5 mA and a PP3 9 volt battery makes a suitable power source. The prototype works down to a battery voltage of about 6.5 volts.

Digital to Analogue converter IC9 is a buffer and its purpose is to hold the values of the output of the EPROM when the latter is switched off (which is most of the time). Its correct operation relies on the fact that there is a (rela-

tively) large amount of capacitance associated with IC7 outputs/IC9 inputs which holds the output voltages of IC7 virtually at the positive (+5V) power rail when IC7 is in its 3-state 'off' mode.

The buffer is followed by a simple R-2R type digital to analogue converter which proved to be perfectly adequate in this particular application. This D/A converter has the advantage of using very little battery power compared with dedicated converters such as the ZN426 (a low-power IC D/A converter) uses as much current (5mA) as the whole of the Relaxometer circuit.

### NOR gate IC8

The purpose of this is to check the output of the EPROM for the digital code word '128' (decimal), which is the first digital value of the waveform. (It would also check for zero, but it has been 'fixed' that zero never occurs in the EPROM. The circuit therefore only resets when the window comparator limits are exceeded AND when the NOR gate detects the decimal number 128, and these occur only at the beginning, and exactly half way through the sum-of-sinewaves waveform cycle. Without this refinement, the circuit makes a clicking sound when it resets.

### Power supply

This is a standard stabilised power supply powered by a PP3 battery. The reference voltage is any red-coloured LED. The power supply has to be capa-

ble of supplying steady currents of about 5mA and short-duration (2 $\mu$ s) peak currents of about 20mA (for the EPROM), and virtually any low/medium power NPN transistor could be used for Q3.

### Audio amplifier

IC1c boosts the power from the digital-to-analogue converter to drive a small loudspeaker or headphones. C15 provides a top-cut tone control and could be omitted if desired.

### Construction

The circuit is built on a double-sided printed circuit board measuring 6-1/4" by 4" and fits neatly into a Vero type 215 case, measuring 7" X 4" X 2-1/2". If you decide to make your own PCB (ready made PCBs are available from our At Your Service page) then the (51) through-via links should be soldered in (on BOTH sides of the PCB) first. Next, solder all the resistors, followed by the non-electrolytic capacitors. The diodes should be soldered next. Make absolutely sure to connect these the right way round. In order to identify the anode (+ve) lead of the light emitting diode, this is often shortened, relative to the cathode (-ve) lead, by the manufacturers. The various connector-pins (J1 to J7) and test-point pins (TP1 to TP5) can be soldered next. I used integrated circuit holders in the prototype to hold the I.C.s and these should all be orientated so that pin 1 is nearest to the back of the PCB.

It would certainly be advisable to use an IC socket for the EPROM (IC7). If you solder the ICs directly to the PCB then be very careful to avoid damaging them by static electricity. In any case, it would be best to leave the EPROM (IC7) and the 74HC541 (IC9) unsoldered or disconnected until the VDD power line has been correctly adjusted to 5 volts by RV3. The electrolytic capacitors can now be soldered in, taking care to connect them the correct way round. The PP3 battery holder can now be soldered.

### Setting up

Before switching on the machine, turn preset RV3 (VDD adjuster) fully anti-clockwise to ensure that VDD is below 5 volts. Connect a test meter between TP1 (0 volts) and TP2 (VDD). Turn on the power and adjust RV3 clockwise until the test meter reads +5 volts. IC7 and IC9 can now be inserted/soldered.

Connect a suitable meter (about 100 $\mu$ A FSD) to solder pins J4 (meter negative) and J5 (meter positive). The connecting wires need to be about 4" long. Connect the loudspeaker to solder pins J1 and J2, using wires about 8" or 9" in length. All connector pins are located on the front of the PCB. Temporarily connect a 120K fixed resistor between J6 and J7 to simulate a remarkably-steady skin resistance.

Turn on the power/volume control and adjust the volume to a comfortable level.

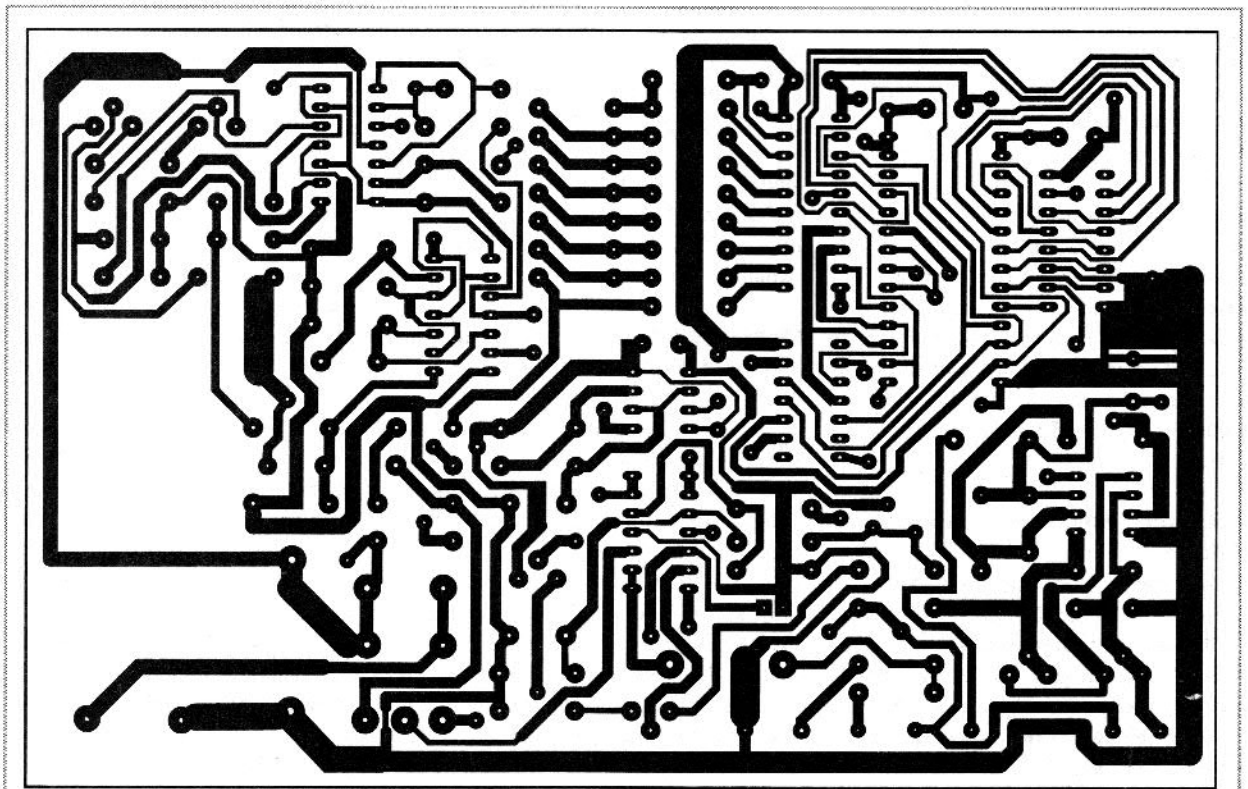
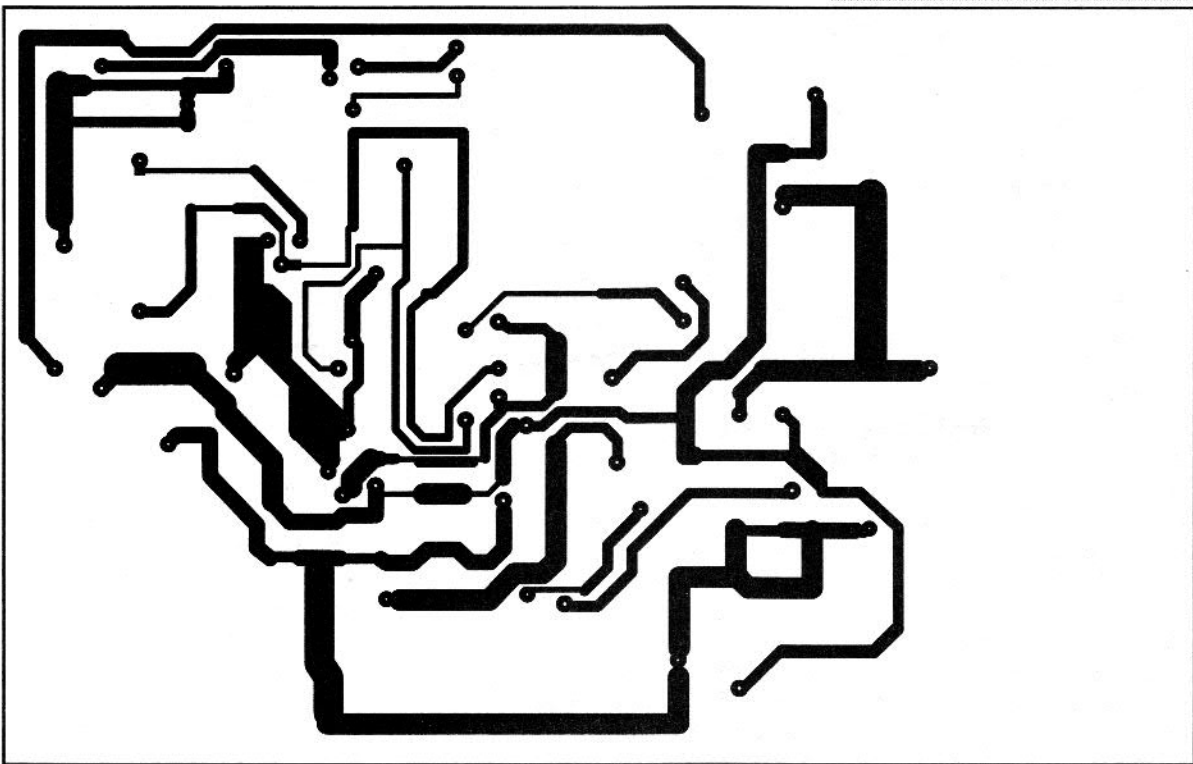


Fig.5 Foil pattern (copper side)

Fig.6 Foil pattern (component side)



The reading on the meter should be about 1/2 FSD, or marking '7' if you have calibrated the small panel meter between 1 and 14. It will probably be necessary to alter the value of R4 (56K) to achieve this reading. Effectively, R4, the meter series resistor, has to be adjusted so that the meter can read between 0 and 4 volts full scale.

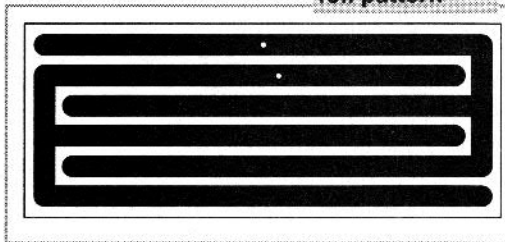
Connect the temporary 'set up' circuit (see diagram) to TP1 and TP2 and the slider of the 100K pot to TP5. This circuit sources or sinks current into or out of IC3a inverting input and simulates a steadily increasing or decreasing skin resistance (without affecting the meter reading).

The pitch of the sound from the loudspeaker should be either rising or falling, the rate of which depends on the position of the 'set up' potentiometer. Turn this pot (one way or the other) until the pitch of the sound is falling at a fairly slow rate (say, one octave every five seconds). You will probably hear a 'jump' in the sound as the circuit resets every octave. Adjust RV1 until the 'jump' in the sound disappears. In other words, the pitch of the sound should appear to fall indefinitely with no apparent gaps. Now, turn the 'set up' pot the other way until the pitch of the sound rises slowly. This time, adjust RV2 until the pitch of the sound appears to rise continuously. This completes the setting up.

### The Front Panel.

Drill the front panel holes to size as shown in the diagram. The main difficulty will be cutting out the rectangular hole for the meter. Probably the best way to do this is to drill several small holes near to the edge of the rectangular marking and then to file away the remaining metal to the required size. A paper overlay can then be fixed to the drilled panel.

Fig.7 Electrode foil pattern



### The Skin Electrode.

The skin electrode comprises a small single-sided PCB on which are etched two non-touching comb-like copper tracks. A flexible twin-wire cable connects to either track. The electrode is placed so that the copper side of the PCB is against the palm of one hand and is kept firmly in place by means of an elastic-and-Velcro arrangement.

### Making the Skin Electrode

In order to stop any oxidation of the copper electrode surface during use, it is best to tin it beforehand - simply melt and spread a small amount of solder onto the copper surface using a solder-

ing iron. The twin connecting cable needs to be about 4 ft or so in length. Remove about half an inch of insulation from the end of the cable and feed the copper ends through the back of the electrode PCB and solder each of the bared wires to the copper-electrode side, removing any excess wire. The cable should then be glued (at right angles) to the back of the electrode PCB. Cut off a length of about 9" by 3/4" elastic and stick this to the back of the electrode PCB, over the cable. Cut off a 2-1/2" length of Velcro and stick the smooth side of the Velcro on top of the elastic. Stick the smooth side of the 'other' half of the Velcro at the other end of (but on the opposite side of) the elastic. The non-electrode end of the twin cable needs to be fed through the hole in the front panel and its ends soldered to J6 and J7 on the main PCB.

### Fitting the loudspeaker

Carefully drill small holes in the lid of the Vero box (to let the sound out) and glue the loudspeaker directly under these holes. Use a length of twin connecting cable to connect the speaker to the corresponding speaker pins on the front of the PCB.

### Using the Relaxometer

For best results, wash and thoroughly dry your hands. Make sure that the metal surface of the electrode is clean and dry. Attach the hand-electrode to (either) hand in such a way that the metal sur-

face is face down against the palm of the hand, just below the bottom of your fingers as shown in the diagram. The flexible insulated cable can be placed between the two middle fingers. Taking the elastic (attached to the hand-electrode) around your hand, join the two pieces of Velcro. The hand-electrode needs to be 'comfortably tight' against the skin. It doesn't need to be very tight.

Turn on the machine and adjust the volume to a fairly low audible level. The sound can become irritating if it is adjusted to too high a level. It will take a few seconds for the sound to settle.

With the fingers of your free hand, press the hand-electrode against the palm of the other hand, slowly and gradually increasing the pressure. You should hear that the pitch of the tone rises quickly as you increase the pressure. The increase in pressure improves the electrical contact between the electrode and the hand, reducing the electrical resistance. This makes the pitch of the tone go up. Now, slowly and gradually release the pressure on the electrode. You should hear that the pitch of the tone goes down. It is important to remember, whilst using the Relaxometer, to keep the hand absolutely still, otherwise the machine will give confusing indications.

With the machine switched on and the hand-electrode attached, lie down on your back or sit in a comfortable chair. You may wish to note the meter reading at this point. Close your eyes. Just to prove to yourself that the machine really does work, think strongly of something stressful! You should hear that the pitch of the tone rises very rapidly. Now, think of something relaxing. You should hear

that the pitch of the tone falls as you do so. Unfortunately, it's much more difficult to become relaxed than to become stressed, so the pitch of the tone is likely to fall at a slower rate than when it rises. Do whatever-is-necessary to keep the pitch of the tone falling. You will probably find that the maximum length of time that the pitch of the sound falls is about ten minutes and after this time, the tone will start to rise and to keep on

From Master oscillator  
16742Hz to 267878Hz  
in Semitone steps

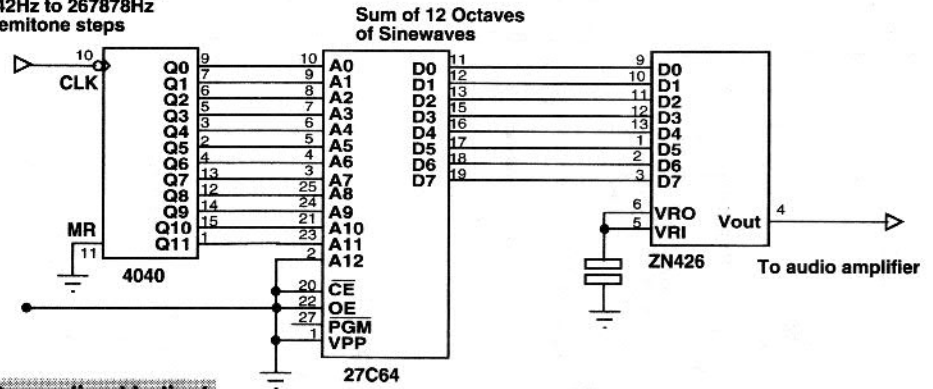


Fig.8 Generalised helical pitch generator

rising whatever you do.

The reason for this is (probably) that the electrode itself traps any moisture on the hand. Slip your hand out of the electrode assembly and wipe clean your hand and the electrode with a paper tissue or by other suitable means. Probably, using the Relaxometer for two, ten-minute relaxation 'sessions' each day would prove to be beneficial.

Other applications and experiments with 'Helical' pitch

A generalised helical pitch generator can be built and its circuit diagram is as shown. One application might be as a new sound for a music synthesizer. A master oscillator on the synthesizer might generate frequencies (at semitone intervals) between, say, 16742.4 Hz and 267878.4Hz, which divide down by powers-of-two to middle C' (= 261.6Hz). This would give a range of four octaves of helical pitch. Although the musician would play the synthesizer over a four-octave range, the sound would appear to be contained within a one-octave range. Playing a musical scale, for instance, over four octaves, the pitch of the sound would appear to be going round and round within one octave.

The EPROM might be programmed with the sum-of-sinewaves sequence  
1:1.5:2:3:4:6:8:12:16:24:32:48:64:96:128:192:256:384:512:768:1024

The ratio between the 1st and 2nd; 3rd and 4th; 5th and 6th terms etc. - which have frequency ratios of 1:1.5 (or 3/2) is called a perfect fifth, and that between the 2nd and 3rd; 4th and 5th; 6th and 7th terms etc. - have frequency ratios of 1.5:2 (or 4/3) and is called a

perfect fourth. Since the helical pitch generator produces all audible octaves of these frequencies, a peculiar effect is produced, because the brain cannot tell whether the musical interval sounded is a perfect fourth or a perfect fifth - the

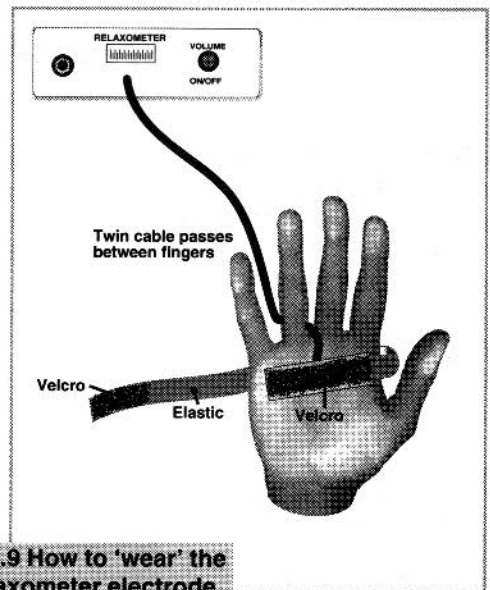


Fig.9 How to 'wear' the relaxometer electrode

sound appears to switch between the two intervals. A corresponding optical illusion effect is produced when a 3D object, such as a cube, is drawn in two dimensions on paper. The brain cannot decide whether the 'cube' has six faces, the apex being nearest to the viewer, or three faces, the apex being furthest away from the viewer. The optical illusion, in the case of a cube, occurs because the 'whole' (3D) has been reduced to a 'part of the whole' (2D), whilst the aural illusion in helical pitch occurs because only a part of the audible spectrum (20Hz to 20kHz) is apparent to human

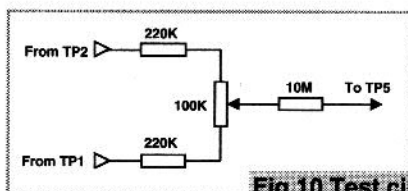
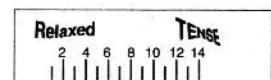


Fig.10 Test circuit

Fig.11 Meter face



hearing -the illusion might not work for dogs or bats or small children!

## Hard to get parts

The rectangular-faced panel meter is often sold as a VU meter and is often calibrated with a decibel (dB) scale. The size of the rectangular face is 1.35" X 0.55" and requires a front panel cutout of about 1.4" X 0.6". An overlay scale, calibrated from 1 to 14 can be glued over the VU scale and each calibration mark on the scale would represent a doubling or halving in skin resistance. For the Relaxometer project, the readings on the meter are only intended as a rough guide to average skin resistance, and using the machine over a long period of use, (weeks or months, say,) you might notice that the average reading on the meter had changed (hopefully downwards) by one or more divisions. The usefulness of the machine lies in the fact that even minute changes in skin resistance are indicated by the change in pitch of the tone from the loudspeaker and for the most part, the meter can be ignored or even omitted altogether, (in which case the project needs to be renamed a Relaxo!)

Combined potentiometer/switch with PCB pins for both the pot and the switch.

These are quite hard to come by, as the switch part of the combination normally has a mains-type switch (with lugs) rather than a low-voltage switch (with PCB pins). Room has been left on the PCB to accommodate either type, though the all-PCB-pin type is to be preferred.

A suitable, fully-programmed 27C64 EPROM can be obtained from the author, for £5.00 including post and packing, and has four different helical pitch sounds (each using 2048 bytes):

**1** A single-note sound as used in the prototype and using frequency ratios of: 1:2:4 ..... 512:1024.

and for experimental use:

**2** A chord sound using frequency ratios of: 1:1.25:1.5:2:2.5:3:4:5:6:8 .... etc.

**3** A 'perfect fifth/perfect fourth' sound using frequency ratios of: 1:1.5:2:3:4 .... etc.

**4** A major third/minor sixth sound with frequency ratios of: 1:1.25:2:2.5:4: etc  
The address to send your EPROM order to is: 16 Clewley Grove, Quinton, Birmingham B32 1QZ.

## Resistors

All 100K and 200K resistors and R16 MUST be 1% tolerance. The rest are 5% tolerance. 1% tolerance resistors could be used throughout.

R1,4	56k
R6,14	10k
R2,3,12,36,37	1M
R5	3k3
R7	560k
R8,10,11	} 100K
R13,15,25	
R26,27,28	
R29,30,31	
R34,38	} 200K
R9,17,18	
R19,20,21	
R22,23	
R24,32	
R16	12K
R33	47K
R35	39K
R39	150K
R40	1M8
R41	220
R42	47
R43	2M7
VR1,2,3	22K vertically mounted presets
VR4+SW1	470K log pot combined with an on/off switch. Ideally, both the pot and the switch should have PCB pins. There are 'extension' holes in the PCB if the switch is a mains power type with eyelets rather than pins.

## Capacitors

C1,2	} 0.33uF polyester layer 0.3" pitch
C3,17	
C4,5	} 0.1uF polyester layer 0.3" pitch
C9,14	
C10,11	} 0.1uF ceramic 0.2" pitch
C12,13	
C6	6.8nF polyester layer 0.3" pitch
C7	220pF polystyrene 5% or better
C8	220uF/10V electrolytic axial lead
C15	100pF polystyrene (optional - can be omitted - used for 'top cut' tone control)
C16	47uF/10V electrolytic axial lead

## Semiconductors

IC1,3	TL064
IC2	TL062
IC4	4066
IC5	555 (MUST be CMOS-type 555)
IC6	4040
IC7	27C64 or 28C64
IC8	4078
IC9	74HC541
TR1,2	BC179 (or any other general purpose silicon PNP transistor) these should be a matched pair for best results
TR3	BC109 (or any other general purpose low/medium power NPN transistor)
D1,2,3	1N4148 (or any general purpose silicon diode)
D4	LED (use any cheap red Light Emitting Diode)

## Additional components

Main PCB and 'Electrode' PCB

J1,2,3,4,5,6,7	PCB terminal pins
TP1,2,3,4,5	Test Points. Use PCB terminal pins as above
Battery Holder	PCB mounting PP3-type
Loudspeaker	Use any small loudspeaker (4U to 64U)
Headphone socket	1/4" stereo switched jack socket
Meter	small rectangular-face 50uA - 1mA meter movement size of meter face is 1.4" X 0.6" R4 needs to be adjusted to suit meter sensitivity
Case	verobox type 215
Cable	About 4 feet of twin-wire general-purpose cable to connect the electrode to the main circuit board
Knob	one knob required for ON-OFF switch / VOLUME control

# Parts

**PROGRAM 1**

```

REM ***** RELAXOMETER SUM-OF-SINES WAVEFORM *****
REM *****
REM This program works out the sum of the addition of sine waves of
REM the form  $y = \sin(x) + \sin(2x) + \sin(4x) + \sin(8x)$  etc..
REM and saves them in an ASCII format file onto a hard disk.

DATA 1,2,4,8,16,32,64,128,256,512,1024

bytes% = 2048
n$ = "RELAX.ASC"
PRINT "Please wait... Press `ESC` to exit!"

OPEN n$ FOR OUTPUT AS #1
pi# = 3.1415926536#
radianincrement# = 2 * pi# / bytes%
angle# = 0: REM all sinewaves start at zero phase angle
scale = 18.84738: REM scaling factor fits waveform into 255 levels

FOR address% = 0 TO (bytes% - 1)
  IF INKEY$ = CHR$(27) THEN END
  amp = 0
  FOR g = 1 TO 11
    READ term
    v = SIN(angle# * term)
    amp = amp + v
  NEXT g
  RESTORE
  y = amp * scale + 128
  IF y <> 128 AND y > 127 AND y < 129 THEN IF y > 128 THEN y = 129 ELSE y = 127
  y = CINT(y)
  a$ = CHR$(y)
  angle# = angle# + radianincrement#
  PRINT #1, a$;
NEXT address%

CLOSE
END

SUB hex80 :
END SUB

```

This is the basic program as used in the EPROM within the prototype of the Relaxometer

**PROGRAM 2**

```

REM ***** RELAXOMETER SUM-OF-SINES WAVEFORM *****
REM *****
REM This program works out the sum of the addition of sine waves of
REM the form  $y = \sin(x) + \sin(2x) + \sin(4x) + \sin(8x)$  etc..
REM and saves them in an ASCII format file on a hard disk.
REM The following DATA statement must be altered if you wish to
REM experiment with different 'helical pitch' sounds.

DATA 1,2,4,8,16,32,64,128,256,512,1024
CLS
scale = 120: REM temporarily sets the size of each separate sinewave

INPUT "How many bytes of memory do you wish to program": bytes%
INPUT "How many sinewave terms are there in your DATA statement": terms%
INPUT "Enter filename: use the extension .ASC (for ASCII) ": n$
PRINT "Please wait... Press `ESC` to exit!"

OPEN n$ FOR OUTPUT AS #1
LET max = 0
pi# = 3.1415926536#
radianincrement# = 2 * pi# / bytes%
angle# = 0: REM set starting angle of sum-of-sinewaves. All
REM: sinewaves start at zero phase.
REM: the next section works out the necessary scaling factor so that
REM: the sum-of-sines waveform can fit within 255 voltage levels

FOR address% = 0 TO (bytes% - 1)
  IF INKEY$ = CHR$(27) THEN END
  amp = 0: REM the instantaneous amplitude of the sum-of-sinewaves
  FOR g = 1 TO terms%
    READ term
    v = SIN(angle# * term)
    amp = amp + v
  NEXT g
  RESTORE
  amp = amp * scale
  IF amp > max THEN LET max = amp
  angle# = angle# + radianincrement#
NEXT address%
LET scale = scale * 127 / max: PRINT : PRINT
PRINT ; "SCALE WAS FINALLY ": scale; " Please wait..."
angle# = 0

FOR address% = 0 TO (bytes% - 1)
  IF INKEY$ = CHR$(27) THEN END
  amp = 0
  FOR g = 1 TO terms%
    READ term
    v = SIN(angle# * term)
    amp = amp + v
  NEXT g
  RESTORE
  y = amp * scale + 128
  IF y <> 128 AND y > 127 AND y < 129 THEN IF y > 128 THEN y = 129 ELSE y = 127
  y = CINT(y)
  a$ = CHR$(y)
  angle# = angle# + radianincrement#
  PRINT #1, a$;
NEXT address%
CLOSE
END

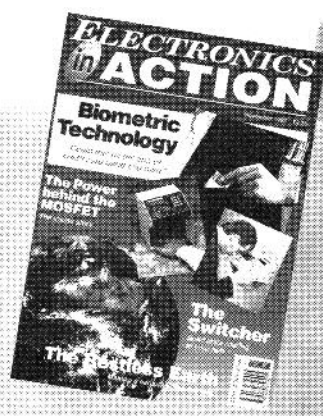
SUB hex80 :
END SUB

```

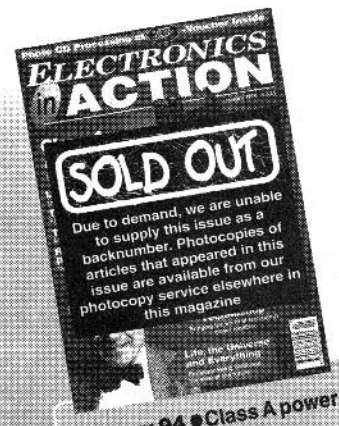
Those of you wishing to experiment with different sounds should use this program



**October 93** ● Fractal Imaging  
● The Telescope Pt1 ● Anti-Howler ● Audiophile Pre-amp ● LASER  
SMARTBook



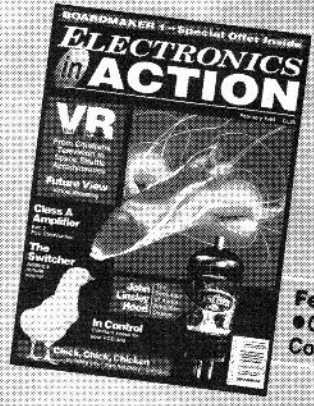
**November 93** ● Biometric Technology ● The Switcher Pt1 ● Seismometer Project ● The Telescope Pt2



**January 94** ● Class A power amp ● The Harmoniser ● Remote control extender ● The Switcher Pt3



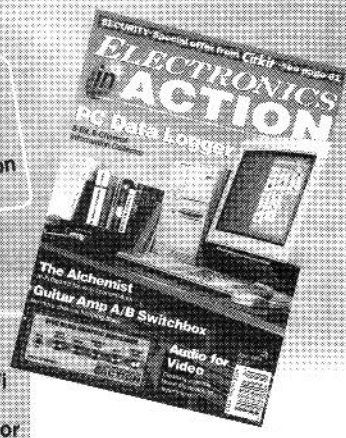
**March 94** ● Colour test pattern generator ● Cordless guitar project ● Plug-in mains wiring tester ● Intelligent Communication Networks ● The Switcher Pt5



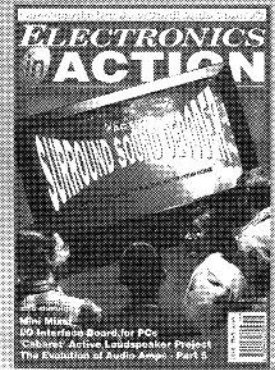
**December 93** ● Photo CD ● 4D Recording ● Video editing unit ● Stereo tremolo unit ● The Switcher Pt2

**May 94** ● Digital Sound Sampler for PCs ● Digital Echo Unit ● Active Loudspeakers ● Audio Compressor ● Stereo Infra Red Headphones ● The Alchemist - HiFi Preamp Pt2

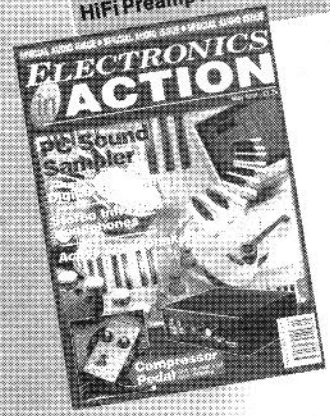
**February 94** ● Virtual Reality ● Class A amp Pt2 ● Hatchery Controller ● The Switcher Pt4



**April 94** ● 8 bit, 8 channel data logger for PC ● 5 band graphic equaliser ● The Alchemist - HiFi preamp ● A/B Switchbox for guitar amp ● Water level detector



**June 94** ● Surround Sound Decoder ● Mini Mixer ● Active Loudspeakers Pt2 ● I/O Interface for PC ● Smartcards



# HAVE YOU MISSED A FEW?

Fear not, our Back Numbers Dept. should be able to furnish you with almost any issue (our January issue was just too popular). Fill in the coupon (or a photocopy of it) and post it to us with a cheque or postal order for the correct amount.

## BACKNUMBERS

Print your name in **BLOCK CAPITALS**

Name .....

Address .....

..... Postcode .....

- Please send me .....issue(s) of the October '93 edition
- Please send me .....issue(s) of the November '93 edition
- Please send me .....issue(s) of the December '93 edition
- Please send me .....issue(s) of the February '94 edition
- Please send me .....issue(s) of the March '94 edition
- Please send me .....issue(s) of the April '94 edition
- Please send me .....issue(s) of the May '94 edition
- Please send me .....issue(s) of the June '94 edition

Each copy (including postage & packing) costs £2.50  
I enclose a cheque/postal order for .....

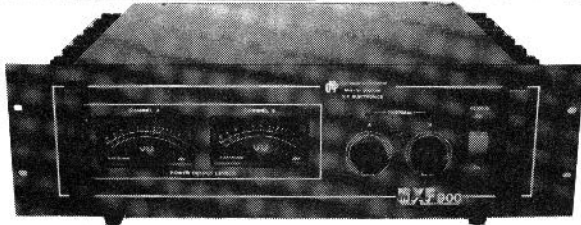
Please send to: **Electronics in Action, PO Box 600 Berkhamsted, Herts. HP4 1NL**

**POWER AMPLIFIER MODULES-TURNABLES-DIMMERS-LOUDSPEAKERS-19 INCH STEREO RACK AMPLIFIERS**

\* PRICES INCLUDE V.A.T. \* PROMPT DELIVERIES \* FRIENDLY SERVICE \* LARGE (A4) S.A.E., 60p STAMPED FOR CATALOGUE \*

**OMP MOS-FET POWER AMPLIFIERS**  
HIGH POWER, TWO CHANNEL 19 INCH RACK

**THOUSANDS PURCHASED BY PROFESSIONAL USERS**



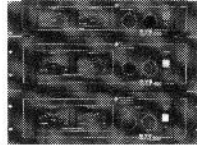
**THE RENOWNED MXF SERIES OF POWER AMPLIFIERS**  
FOUR MODELS:- MXF200 (100W + 100W) MXF400 (200W + 200W)  
MXF600 (300W + 300W) MXF900 (450W + 450W)  
ALL POWER RATINGS R.M.S. INTO 4 OHMS, BOTH CHANNELS DRIVEN

**FEATURES:** \* Independent power supplies with two toroidal transformers \* Twin L.E.D. Vu meters \* Level controls \* Illuminated on/off switch \* XLR connectors \* Standard 775mV inputs \* Open and short circuit proof \* Latest Mos-Fets for stress free power delivery into virtually any load \* High slew rate \* Very low distortion \* Aluminium cases \* MXF600 & MXF900 fan cooled with D.C. loudspeaker and thermal protection.

**USED THE WORLD OVER IN CLUBS, PUBS, CINEMAS, DISCOS ETC.**

**SIZES:-** MXF200 W19"xH3 1/4" (2U)xD11"  
MXF400 W19"xH5 1/4" (3U)xD12"  
MXF600 W19"xH5 1/4" (3U)xD13"  
MXF900 W19"xH5 1/4" (3U)xD14 3/4"

**PRICES:-** MXF200 £175.00 MXF400 £233.85  
MXF600 £329.00 MXF900 £449.15  
SPECIALIST CARRIER DEL. £12.50 EACH



**OMP X03 STEREO 3-WAY ACTIVE CROSS-OVER**



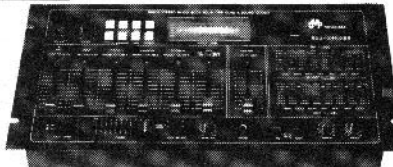
Advanced 3-Way Stereo Active Cross-Over, housed in a 19" x 1U case. Each channel has three level controls: bass, mid & top. The removable front fascia allows access to the programmable DIL switches to adjust the cross-over frequency: Bass-Mid 250/500/800Hz, Mid-Top 1.8/3/5KHz, all at 24dB per octave. Bass invert switches on each bass channel. Nominal 775mV input/output. Fully compatible with OMP rack amplifier and modules.

**Price £117.44 + £5.00 P&P**

**STEREO DISCO MIXER SDJ3400SE**

\* ECHO & SOUND EFFECTS \*

**STEREO DISCO MIXER** with 2 x 7 band L & R graphic equalisers with bar graph LED Vu meters. **MANY OUTSTANDING FEATURES:-** including Echo with repeat & speed control, DJ Mic with talk-over switch, 6 Channels with individual faders plus cross fade, Cue Headphone Monitor, 8 Sound Effects. Useful combination of the following inputs:- 3 turntables (mag), 3 mics, 5 Line for CD, Tape, Video etc.



**Price £144.99 + £5.00 P&P**

**SIZE: 482 x 240 x 120mm**

**PIEZO ELECTRIC TWEETERS - MOTOROLA**

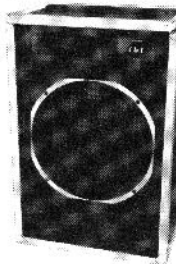
Join the Piezo revolution! The low dynamic mass (no voice coil) of a Piezo tweeter produces an improved transient response with a lower distortion level than ordinary dynamic tweeters. As a crossover is not required these units can be added to existing speaker systems of up to 100 watts (more if two are put in series. **FREE EXPLANATORY LEAFLETS ARE SUPPLIED WITH EACH TWEETER.**

**TYPE 'A' (KSN1036A)** 3" round with protective wire mesh. Ideal for bookshelf and medium sized Hi-Fi speakers. Price £4.90 + 50p P&P.  
**TYPE 'B' (KSN1005A)** 3 1/2" super horn for general purpose speakers, disco and P.A. systems etc. Price £5.99 + 50p P&P.  
**TYPE 'C' (KSN1016A)** 2" x 5" wide dispersion horn for quality Hi-Fi systems and quality discos etc. Price £6.99 + 50p P&P.  
**TYPE 'D' (KSN1025A)** 2" x 6" wide dispersion horn. Upper frequency response retained extending down to mid-range (2KHz). Suitable for high quality Hi-Fi systems and quality discos. Price £9.99 + 50p P&P.  
**TYPE 'E' (KSN1038A)** 3 3/4" horn tweeter with attractive silver finish trim. Suitable for Hi-Fi monitor systems etc. Price £5.99 + 50p P&P.  
**LEVEL CONTROL.** Combines, on a recessed mounting plate, level control and cabinet input jack socket. 85x85mm. Price £4.10 - 50p P&P.



**ibf FLIGHT CASED LOUDSPEAKERS**

A new range of quality loudspeakers, designed to take advantage of the latest speaker technology and enclosure designs. Both models utilize studio quality 12" cast aluminium loudspeakers with factory fitted grilles, wide dispersion constant directivity horns, extruded aluminium corner protection and steel ball corners, complimented with heavy duty black covering. The enclosures are fitted as standard with top hats for optional loudspeaker stands.



**POWER RATINGS QUOTED IN WATTS RMS FOR EACH CABINET**  
**FREQUENCY RESPONSE FULL RANGE 45Hz - 20KHz**

**ibf FC 12-100WATTS (100dB) PRICE £159.00 PER PAIR**  
**ibf FC 12-200WATTS (100dB) PRICE £175.00 PER PAIR**

SPECIALIST CARRIER DEL. £12.50 PER PAIR

**OPTIONAL STANDS PRICE PER PAIR £49.00**  
Delivery £6.00 per pair

**IN-CAR STEREO BOOSTER AMPS**



**PRICES:** 150W £49.99 250W £99.99  
400W £109.95 P&P £2.00 EACH

**THREE SUPERB HIGH POWER CAR STEREO BOOSTER AMPLIFIERS**  
150 WATTS (75 + 75) Stereo, 150W Bridged Mono  
250 WATTS (125 + 125) Stereo, 250W Bridged Mono  
400 WATTS (200 + 200) Stereo, 400W Bridged Mono  
**ALL POWERS INTO 4 OHMS**

**Features:**  
\* Stereo, bridgable mono \* Choice of high & low level inputs \* L & R level controls \* Remote on-off \* Speaker & thermal protection.

**OMP MOS-FET POWER AMPLIFIER MODULES**

SUPPLIED READY BUILT AND TESTED.

These modules now enjoy a world-wide reputation for quality, reliability and performance at a realistic price. Four models are available to suit the needs of the professional and hobby market i.e. Industry, Leisure, Instrumental and Hi-Fi etc. When comparing prices, NOTE that all models include toroidal power supply, integral heat sink, glass fibre P.C.B. and drive circuits to power a compatible Vu meter. All models are open and short circuit proof.

**THOUSANDS OF MODULES PURCHASED BY PROFESSIONAL USERS**



**OMP/MF 100 Mos-Fet** Output power 110 watts R.M.S. into 4 ohms, frequency response 1Hz - 100KHz -3dB, Damping Factor >300, Slew Rate 45V/uS, T.H.D. typical 0.002%, Input Sensitivity 500mV, S.N.R. -110 dB. Size 300 x 123 x 60mm.  
**PRICE £40.85 + £3.50 P&P**



**OMP/MF 200 Mos-Fet** Output power 200 watts R.M.S. into 4 ohms, frequency response 1Hz - 100KHz -3dB, Damping Factor >300, Slew Rate 50V/uS, T.H.D. typical 0.001%, Input Sensitivity 500mV, S.N.R. -110 dB. Size 300 x 155 x 100mm.  
**PRICE £64.35 + £4.00 P&P**



**OMP/MF 300 Mos-Fet** Output power 300 watts R.M.S. into 4 ohms, frequency response 1Hz - 100KHz -3dB, Damping Factor >300, Slew Rate 60V/uS, T.H.D. typical 0.001%, Input Sensitivity 500mV, S.N.R. -110 dB. Size 330 x 175 x 100mm.  
**PRICE £81.75 + £5.00 P&P**



**OMP/MF 450 Mos-Fet** Output power 450 watts R.M.S. into 4 ohms, frequency response 1Hz - 100KHz -3dB, Damping Factor >300, Slew Rate 75V/uS, T.H.D. typical 0.001%, Input Sensitivity 500mV, S.N.R. -110 dB, Fan Cooled, D.C. Loudspeaker Protection, 2 Second Anti-Thump Delay. Size 385 x 210 x 105mm.  
**PRICE £132.85 + £5.00 P&P**



**OMP/MF 1000 Mos-Fet** Output power 1000 watts R.M.S. into 2 ohms, 725 watts R.M.S. into 4 ohms, frequency response 1Hz - 100KHz -3dB, Damping Factor >300, Slew Rate 75V/uS, T.H.D. typical 0.002%, Input Sensitivity 500mV, S.N.R. -110 dB, Fan Cooled, D.C. Loudspeaker Protection, 2 Second Anti-Thump Delay. Size 422 x 300 x 125mm.  
**PRICE £259.00 + £12.00 P&P**

**NOTE: MOS-FET MODULES ARE AVAILABLE IN TWO VERSIONS: STANDARD - INPUT SENS 500mV, BAND WIDTH 100KHz. PEC (PROFESSIONAL EQUIPMENT COMPATIBLE) - INPUT SENS 775mV, BAND WIDTH 50KHz. ORDER STANDARD OR PEC.**

**LOUDSPEAKERS**

**LARGE SELECTION OF SPECIALIST LOUDSPEAKERS AVAILABLE, INCLUDING CABINET FITTINGS, SPEAKER GRILLES, CROSS-OVERS AND HIGH POWER, HIGH FREQUENCY BULLETS AND HORNS, LARGE (A4) S.A.E. (60p STAMPED) FOR COMPLETE LIST.**

McKenzie and Fane Loudspeakers are also available.

**EMINENCE- INSTRUMENTS, P.A., DISCO, ETC**

**ALL EMINENCE UNITS 8 OHMS IMPEDANCE**  
8" 100 WATT R.M.S. ME8-100 GEN. PURPOSE, LEAD GUITAR, EXCELLENT MID, DISCO. RES. FREQ. 72Hz, FREQ. RESP. TO 4KHz, SENS 97dB. **PRICE £32.71 + £2.00 P&P**  
10" 100 WATT R.M.S. ME10-100 GUITAR, VOCAL, KEYBOARD, DISCO, EXCELLENT MID. RES. FREQ. 71Hz, FREQ. RESP. TO 7KHz, SENS97dB. **PRICE £33.74 + £2.50 P&P**  
10" 200 WATT R.M.S. ME10-200 GUITAR, KEYB'D, DISCO, VOCAL, EXCELLENT HIGH POWER MID. RES. FREQ. 65Hz, FREQ. RESP. TO 3.5KHz, SENS 99dB. **PRICE £43.47 + £2.50 P&P**  
12" 100 WATT R.M.S. ME12-100LE GEN. PURPOSE, LEAD GUITAR, DISCO, STAGE MONITOR. RES. FREQ. 49Hz, FREQ. RESP. TO 6KHz, SENS 100dB. **PRICE £35.64 + £3.50 P&P**  
12" 100 WATT R.M.S. ME12-100LT (TWIN CONE) WIDE RESPONSE, P.A., VOCAL, STAGE MONITOR. RES. FREQ. 42Hz, FREQ. RESP. TO 10KHz, SENS 98dB. **PRICE £36.67 + £3.50 P&P**  
12" 200 WATT R.M.S. ME12-200 GEN. PURPOSE, GUITAR, DISCO, VOCAL, EXCELLENT MID. RES. FREQ. 58Hz, FREQ. RESP. TO 6KHz, SENS 98dB. **PRICE £46.71 + £3.50 P&P**  
12" 300 WATT R.M.S. ME12-300GP HIGH POWER BASS, LEAD GUITAR, KEYBOARD, DISCO ETC. RES. FREQ. 47Hz, FREQ. RESP. TO 5KHz, SENS 103dB. **PRICE £70.19 + £3.50 P&P**  
15" 200 WATT R.M.S. ME15-200 GEN. PURPOSE BASS, INCLUDING BASS GUITAR. RES. FREQ. 46Hz, FREQ. RESP. TO 5KHz, SENS 99dB. **PRICE £50.72 + £4.00 P&P**  
15" 300 WATT R.M.S. ME15-300 HIGH POWER BASS, INCLUDING BASS GUITAR. RES. FREQ. 39Hz, FREQ. RESP. TO 3KHz, SENS 103dB. **PRICE £73.34 + £4.00 P&P**

**EARBENDERS- HI-FI, STUDIO, IN-CAR, ETC**

**ALL EARBENDER UNITS 8 OHMS** (Except EB8-50 & EB10-50 which are dual impedance tapped @ 4 & 8 ohms)  
**BASS, SINGLE CONE, HIGH COMPLIANCE, ROLLED SURROUND**  
8" 50watt EB8-50 DUAL IMPEDANCE, TAPPED 4/8 OHM BASS, HI-FI, IN-CAR. RES. FREQ. 40Hz, FREQ. RESP. TO 7KHz SENS 97dB. **PRICE £8.90 + £2.00 P&P**  
10" 50watt EB10-50 DUAL IMPEDANCE, TAPPED 4/8 OHM BASS, HI-FI, IN-CAR. RES. FREQ. 40Hz, FREQ. RESP. TO 5KHz, SENS. 99dB. **PRICE £13.65 + £2.50 P&P**  
10" 100watt EB10-100 BASS, HI-FI, STUDIO. RES. FREQ. 35Hz, FREQ. RESP. TO 3KHz, SENS 96dB. **PRICE £30.39 + £3.50 P&P**  
12" 100watt EB12-100 BASS, STUDIO, HI-FI, EXCELLENT DISCO. RES. FREQ. 26Hz, FREQ. RESP. TO 3 KHz, SENS 93dB. **PRICE £42.12 + £3.50 P&P**  
**FULL RANGE TWIN CONE, HIGH COMPLIANCE, ROLLED SURROUND**  
5 1/2" 60WATT EB5-60TC (TWIN CONE) HI-FI, MULTI-ARRAY DISCO ETC. RES. FREQ. 63Hz, FREQ. RESP. TO 20KHz, SENS 92dB. **PRICE £9.99 + £1.50 P&P**  
6 1/2" 60WATT EB6-60TC (TWIN CONE) HI-FI, MULTI-ARRAY DISCO ETC. RES. FREQ. 38Hz, FREQ. RESP. TO 20KHz, SENS 94dB. **PRICE £10.99 + 1.50 P&P**  
8" 60WATT EB8-60TC (TWIN CONE) HI-FI, MULTI-ARRAY DISCO ETC. RES. FREQ. 40Hz, FREQ. RESP. TO 18KHz, SENS 89dB. **PRICE £12.99 + £1.50 P&P**  
10" 60WATT EB10-60TC (TWIN CONE) HI-FI, MULTI ARRAY DISCO ETC. RES. FREQ. 35Hz, FREQ. RESP. TO 12KHz, SENS 98dB. **PRICE £16.49 + £2.00 P&P**

**TRANSMITTER HOBBY KITS**

**PROVEN TRANSMITTER DESIGNS INCLUDING GLASS FIBRE PRINTED CIRCUIT BOARD AND HIGH QUALITY COMPONENTS COMPLETE WITH CIRCUIT AND INSTRUCTIONS**

**3W TRANSMITTER 80-108MHz, VARICAP CONTROLLED PROFESSIONAL PERFORMANCE, RANGE UP TO 3 MILES, SIZE 38 x 122mm, SUPPLY 12V @ 0.5AMP.** PRICE £14.85 + £1.00 P&P

**FM MICRO TRANSMITTER 100-108MHz, VARICAP TUNED, COMPLETE WITH VERY SENS FET MIC, RANGE 100-300m, SIZE 56 x 46mm, SUPPLY 9V BATTERY.** PRICE £8.80 + £1.00 P&P

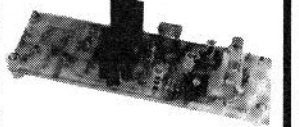


PHOTO: 3W FM TRANSMITTER

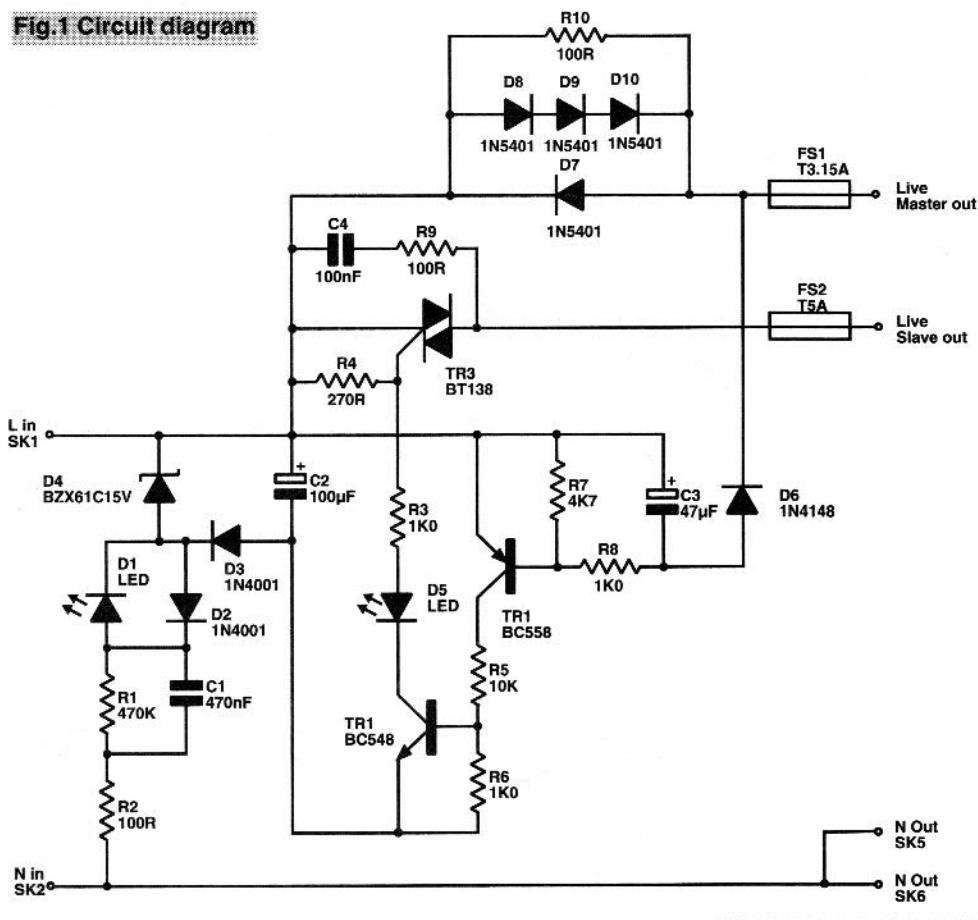
**B.K. ELECTRONICS**  
UNITS 1 & 5 COMET WAY, SOUTHEND-ON-SEA, ESSEX, S62 6TR.  
Tel.: 0702 - 527572 Fax.: 0702 - 420243

POSTAL CHARGES PER ORDER £1.00 MINIMUM. OFFICIAL ORDERS FROM SCHOOLS, COLLEGES, GOVT. BODIES, PLCs ETC. PRICES INCLUSIVE OF V.A.T. SALES COUNTER, VISA AND ACCESS AVAILABLE BY POST, PHONE OR FAX.





Fig.1 Circuit diagram



**The Works**

The full circuit is shown in Figure 1. The unit operates by sensing current from the master socket. D8, D9 and D10 act as the sensor and will drop about 1.8V when current is drawn. D7 carries the current on the opposite half cycles. The resulting 1.8V half cycle pulses charge C3 via D6. This capacitor will retain sufficient charge to hold TR2 on for about 200ms after the controlling load is switched off.

When TR2 is on, TR1 will also be switched on. This turns on triac TR3, which will then power the slave load. C4 and R9 form a snubber network to ensure the triac turns off cleanly with an inductive load. LED D5 indicates that the unit is operating.

C1 and D4 are effectively in series

across the mains. The resulting -15V pulses across D4 are rectified by D3 and smoothed by C2. R2 limits the switch-on surge current, and R1 rapidly discharges C1 when the unit is unplugged. D1 will light whenever the unit is plugged into the mains; the current on the opposite half cycles are carried by D2.

test equipment. At Christmas time, you could use your indoor flashing tree lights to flash the lights on the tree outside! The options are limited only by your imagination.

The item connected to the master socket must be switched on the primary side of any internal transformer. Some modern electronic equipment has the

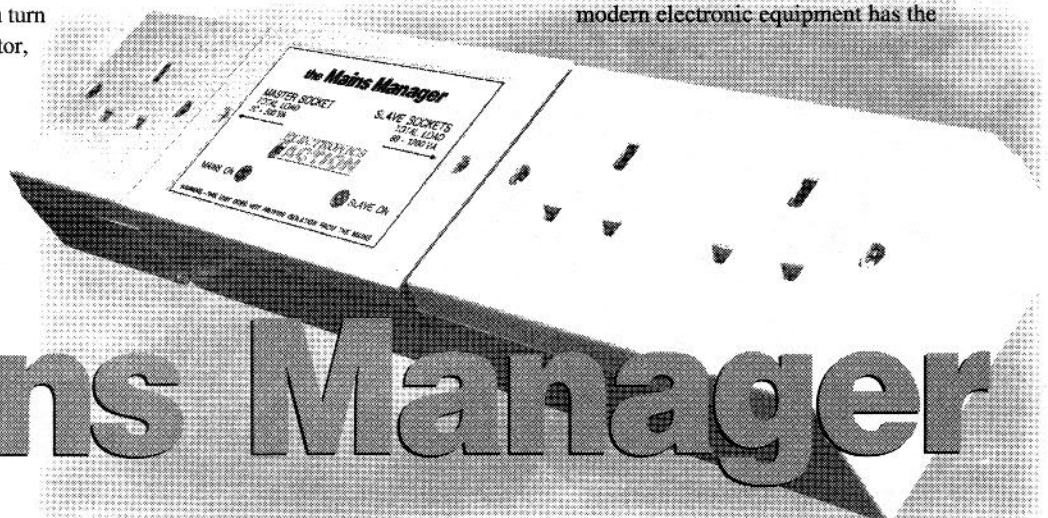
If you've got a computer system, do you forget to switch off the printer sometimes. The problem is the number of separate power switches to turn off each night - PC, monitor, printer, modem, table lamp, radio - the list goes on! Normally these are connected to one of those four way trailing sockets, which will be plugged into one wall socket. If that socket is accessible, the equipment could be switched off there. In my case the socket is in the corner, behind the desk.

So what's the solution? This Mains Switcher will allow you to turn all the equipment on or off, by operating the switch on just one item. When you turn off the switch on the PC, the monitor,

printer and other bits are powered down automatically. You can choose which item controls the system, by plugging it into the master socket - so you can use the table lamp to control everything if you want.

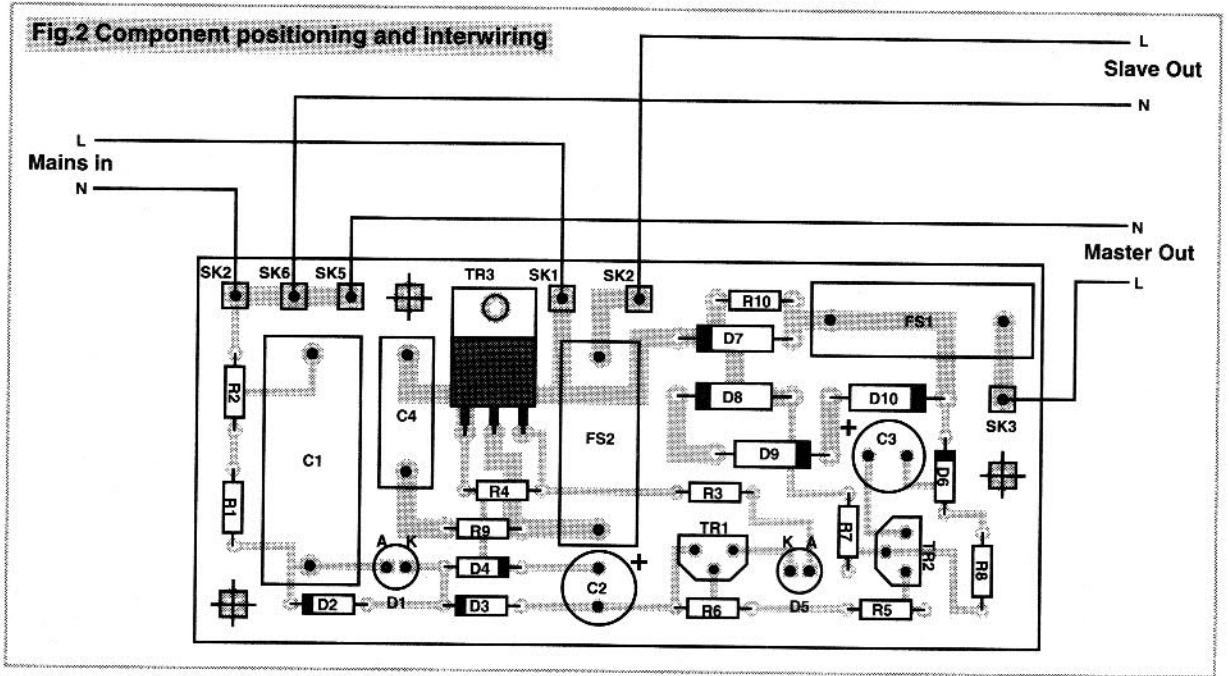
The unit works by sensing if current is being drawn from the master socket, if so it powers up the other (slave) sockets. The load on the master socket can be anything between 20 and 500VA, and the load on the slave sockets can be between 60 and 1200VA. None of the equipment used requires modification.

The unit may be useful for controlling hi-fi equipment, or your electronic



# the Mains Manager

by Mark Price



power switch on the secondary side. Since these will continue to draw a small current from the mains when supposedly switched off, they will not control this unit correctly.

One important safety point. Although this unit removes the power from the equipment being controlled, **IT DOES NOT PROVIDE ISOLATION FROM THE MAINS**. Before working inside any piece of equipment connected to this unit, it must be unplugged.

### Construction

The PCB component overlay and track layout are shown in Figure 2.

The circuit is constructed on a small single sided PCB,

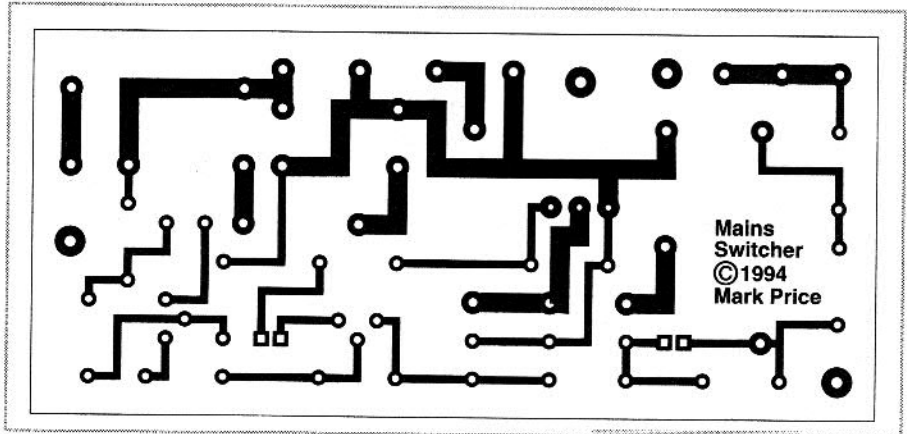


Fig.3 Foil Pattern

which is available from Electronics in Action. You may need to enlarge some of the holes in the PCB, to allow the component leads to fit. Check the holes for the 1N5401 diodes, fuseholders, triac, off-board connections and PCB mounting screws.

The whole circuit is connected to the mains, and a fault could result in an expensive mess. Therefore it is essential that you use good quality new components throughout. C1 and C4 must be Class X rated components, suitable for connection directly across the mains.

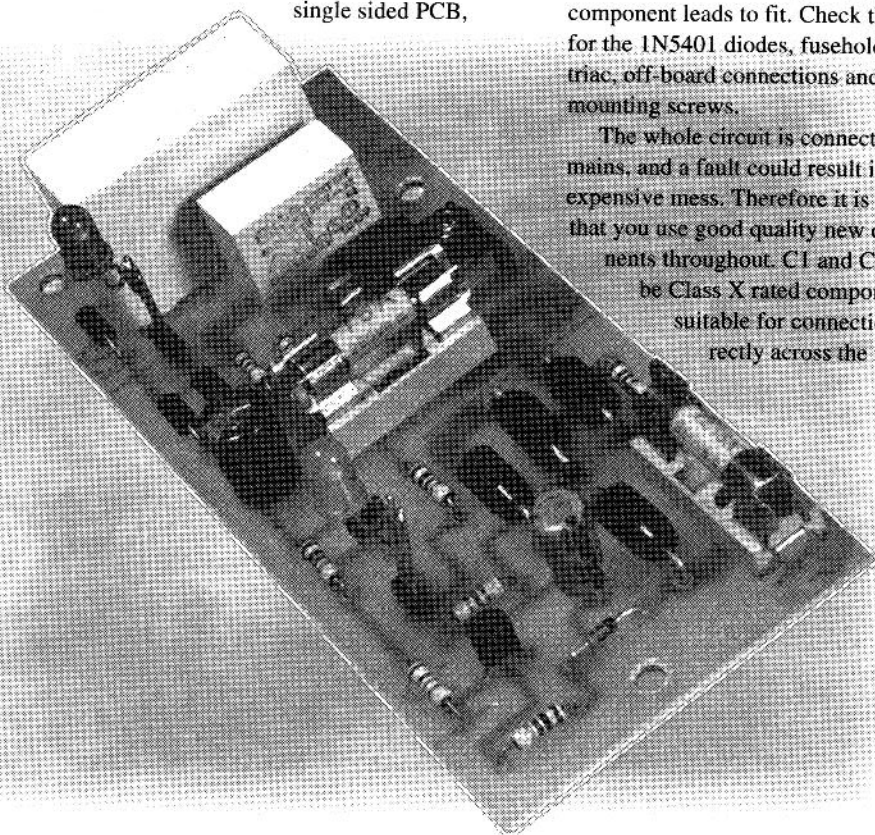
Take extra care when assembling the PCB, to ensure that all components are fitted correctly and all soldered joints are sound. All the wide PCB tracks carry significant current, and should be reinforced by adding solder along their whole length.

The LED positions should be fitted with terminal pins. Once the PCB is fitted behind the front panel, the LED leads can be soldered to the pins.

The PCB is designed to fit into a standard electrical double socket surface box. A double blanking plate is used as the front panel, and is drilled to suit the LEDs and PCB mounting screws. The PCB is mounted on 25mm long INSULATED spacers, with the components towards the panel.

A front panel overlay is given in Figure 3. This may be photocopied and fixed to the panel with clear self adhesive vinyl sheet. Note that if this overlay is used the LED holes will not be directly above the LED positions on the PCB. Bend the LED leads to suit.

Screw the mounting box to a suitable



piece of wood, with the master socket (single unswitched) to the left and the slave sockets to the right. Any number of slave sockets can be used to suit your requirements, bearing in mind the maximum total load rating of 1200VA. Before mounting the boxes, remove cable knockouts at the top of each end. Cable clips should be used to secure the incoming flex.

Three core mains cable rated at 5A or greater should be used, and the earth wire is connected directly to the socket terminals. The socket terminals are intended for much larger cable, so the wire ends should be folded over twice and tinned first, to ensure a reliable connection.

The completed unit must not be permanently connected to the household wiring. It may only be connected by a length of flex and a 13A plug. Make sure the fuse in the plug is rated no higher than the flex being used, 5A will generally be suitable.

### Testing

**THIS UNIT CONTAINS DANGEROUS MAINS VOLTAGES. DO NOT OPERATE UNLESS ALL COVERS ARE IN PLACE. MAINS ELECTRICITY CAN KILL. PLEASE BE VERY CAREFUL.**

If the unit has been carefully constructed there is no reason why it should not work first time.

Do not plug anything into the master or slave sockets initially. Plug the unit into the mains, via an RCD or earth leakage circuit breaker if possible. The Mains LED (D1) should light and the Slave LED (D5) should re-

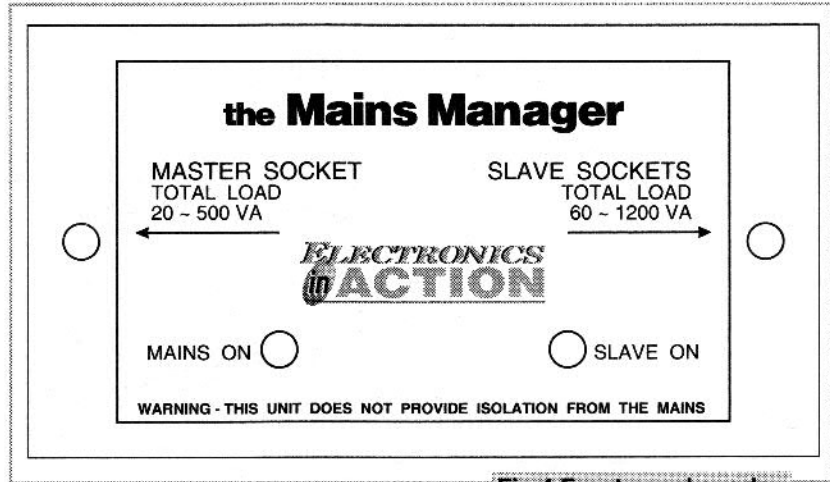


Fig.4 Front panel overlay

Connect a table lamp to the master socket and switch it on. The lamp should operate as usual, and the Slave LED should come on when the lamp is on. Now plug a second lamp into a slave socket. This second lamp should come on whenever the first lamp is switched

on. Both lamps should be at full brightness and should not be flickering. If the above check is successful, the unit is working correctly, and can be put into use.

**Resistors**  
(0.25W 5% or better)

R1 470K  
R2,9,10 100R  
R3,6,8 1K0  
R4 270R  
R5 10K  
R7 4K7

**Semiconductors**

TR1 BC548  
TR2 BC558  
TR3 BT138-600  
or other 10A 600V triac  
D1 Green LED  
D5 Yellow LED  
D2,3 1N4001  
D4 BZX61C15V  
(15V 1.3W zener)  
D6 1N4148  
D7,8 1N5401  
D9,10

**Capacitors**

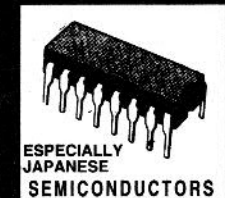
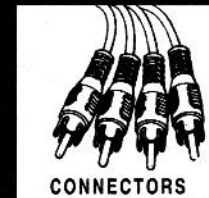
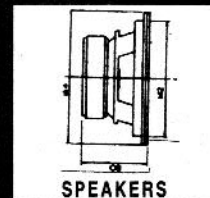
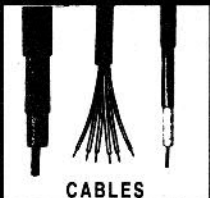
C1 0.47µF 250VAC Class X  
C2 100µF 25V  
C3 47µF 16V  
C4 0.1µF 250VAC Class X

**Additional Components**

FU1 T3.15A 20mm Fuse in PCB fuseholder  
FU2 T5A 20mm Fuse in PCB fuseholder  
PCB Double blanking plate and 30mm surface box.  
Single unswitched socket and 30mm surface box.  
Sockets and 30mm surface boxes as required for slave sockets.  
13A plug with 5A fuse.  
5A (or greater) 3 Core mains flex.  
Piece of wood for backing board.  
Wood screws.  
Cable tacks.  
M3 screws and 25mm insulated spacers.

## Parts

**Call us now! We have the widest range of components available - At competitive prices!**



**CRICKLEWOOD**

ELECTRONICS

Cricklewood Electronics Ltd. 40 Cricklewood Broadway, London NW2 3FT  
Telephone: 081 452 0161 Faxsimile: 081 208 1441

All Major Credit Cards Accepted



# Police, Thieves...

Once thought to be the reserve of 007, electronic tracking of cars is now available to everyone. Dominic Shales investigates.



Car theft techniques have moved on apace: thieves have learned to bypass or disable most alarms and immobilisers and all seems doom and gloom. Thieves' ever greater grasp of electronics coupled with new levels of audacity have again led to a further increase in car thefts over the past year and the car manufacturers and public are looking more to the electronics industry for help. Car security is one of the fastest moving fields in electronics, with manufacturers and security companies investing millions in research and development - yet it has never been long before the bad-guys catch-up.

However a unique new vehicle tracking system called Tracker, is now offering an ingenious electronic solution to the problem of car theft. Tracker, which is operated by all 51 Police forces in mainland Britain, uses a small transponder which is concealed in any one of 30 locations within a car. When the theft of the car is reported, Tracker is activated and the unit's signal is detected by Police cars fitted with Police Tracking Computers (PTC's) enabling rapid location and recovery of the vehicle. PTC's have also been installed in helicopters, and at fixed sites including airports, seaports and on motorways around the country.

Ralph Kanter, Chairman of Tracker Network, says: "Since we launched

TRACKER in September 1993, it has firmly established itself as the only real solution to car theft."

Are these claims true? Tracker Network has invested some £8 million in setting up the system in Britain, and the results are speaking for themselves - since its launch in September 1993, Police action initiated by Tracker signals has led to the recovery of approaching 200 vehicles worth some £2.75 million. Sales of TRACKER are increasing at



around 30% per month and as the number of cars equipped with the system increases, so will the level of recoveries and arrests.

Not surprising that the Police are so enthusiastic: "these results confirm our best hopes and demonstrate the great value of the Tracker system," says Assistant Chief Constable John Abbott, Chairman of the Association of Chief Police Officers' Vehicle Tracking Group. "This success will increasingly cause thieves to think twice about stealing other people's vehicles."

Motor manufacturers have taken an

interest in Tracker and Ford, BMW and Saab recently announced that they are now offering it as a dealer fitted option. Further announcements from major manufacturers can be expected later in the year. Mr. Kanter is right, TRACKER really is establishing itself fast as the only effective vehicle security system on the market.

The technical aspects of the TRACKER unit itself can not be divulged, as Ian Sandford, Technical Director, explains: "The essence of Tracker is that the thief does not know if a car is equipped with a transponder - even if he did know he would not be able to overcome it. For security reasons it isn't possible to give any detailed description of how the system functions or where it is located. Suffice to say it works, extremely well."

Despite Tracker's necessary reticence on the finer details, the background technology is interesting. The IT systems which are controlled from the company's offices in Uxbridge are impressive, more so considering that everything has been set up in only two years. A central PC system located at Uxbridge registers details of customers and their vehicles equipped with TRACKER Network Units (TNU's). The National Transcommunications Ltd. (NTL) network of four linked Regional Operation Centres (ROC's) is used to issue radio broadcast instructions to the TNU's using: a Regional Activation Computer (RAC), a NTL Monitoring Computer and Remote Transmission Computers (RTC's) connected via leased line modems to terminal servers.

“Essentially, Tracker Network runs an on-demand direct response radio station which tunes into an exclusive audience - individual TNU’s,” continues Sandford. “When the owner of the car reports the theft we activate a signal which is only detected by the transponder in question. A Police Tracking Computer in range of the activated transponder displays an identification number, from which Tracker can give the number plate and description of the stolen vehicle.”

The Central System comprises of:

- A Registration and Activation System (RAS)
- A Transmission System (TS)

The Central system runs on a SUN SPARCstation IPX, under the UNIX operating system. It is linked to a Wide Area Network (WAN) for connection to the NTL Transmission System, and to a Local Area Network (LAN) for access by the Tracker Network customer services staff using personal computers.

The Registration and Activation system is built using ORACLE database, menus, forms and tools.

It manages the main business functions of Tracker Network, including:

- The system activates the transmitter in the stolen vehicle, from valid information given by the customer and the police, and then passing instructions to be broadcast to the TNU in a stolen vehicle via the transmission system
- Deactivation of a stolen vehicle following its recovery
- Sales Order Processing
- Scheduling and controlling installation of TNUs in customers’ vehicles
- Maintenance of customer and vehicle information
- TNU stock intake, by recording the unique serial numbers of each TNU held in stock
- Management reporting (statistics, audit trails, sales data etc.)
- System management (database backups, system configuration, user authorisation, etc.)
- Transmission of test messages.

The Transmission System manages the interface with the NTL transmission network, scheduling and routing commands from the RAS to the RAC computers on the NTL WAN, using an application level communications protocol over DECnet. The Transmission system checks and logs the successful receipt of all commands, retries and failures, flagging any failure for attention by the Tracker Network systems manager.

The system is quick, easy to use and effective. In the first week of its operation, two Police Officers carrying out a training exercise in Preston came close to being arrested by fellow Lancashire Constabulary Officers who believed that the signal on their computer was leading them to a “smoking-gun” recovery. The police computer allows Police Officers to locate the stolen vehicle using direction and distance indicators. The accuracy is surprising. When a Peugeot 205 1.9 was reported stolen in Middlesex, Police followed the Tracker signal to a large industrial unit in Hayes, narrowing down the exact location of the vehicle within minutes, and eventually leading to the discovery of a major ‘ringing’ operation of some 100 stolen vehicles ranging from a JCB back-hoe loader to sports cars. More recently the first recovery of a Tracker equipped HGV led to five arrests and the finding of a further 30 stolen vehicles in Reigate, Surrey.

### Insurance Savings

Because of the savings for owners and insurers alike, the insurance industry has also been attracted by Tracker. Over 50 insurance companies including giants such as Norwich Union, Sun Alliance, Royal Insurance, General Accident and Cornhill are now offering discounts averaging 10% to the private motorist. Ralph Kanter hopes that as Tracker

continues to prove itself, the discounts will continue to grow, thus providing a real reward and incentive to those people saving their insurance company considerable sums of money.

Derek Plummer, Marketing Manager of Norwich Union says: “We anticipate that Tracker will make a significant contribution to reducing theft damage and claims, with subsequent premium savings.”



Premium discounts are also offered on Tracker equipped commercial vehicles by 13 insurance companies and as the number of commercial vehicles and fleets fitted with the system grows, it is hoped that the number and value of commercial discounts will rise.

Tracker is not a new development technologically, having operated in certain states in the USA for the last 8 years. Although the company can not yet claim any tangible impact on crime figures in this country, statistics from the US lead us to hope for a dramatic success story - in Boston, the car crime capital of the US and one of the Tracker states, car crime has dropped by 41% whilst the national average has risen in the same period by an astonishing 34%. From this it seems a formidable and electronically foolproof deterrent to the car thief.

EIA

...and the Electronic Informer

# THE DEFINITIVE 'OFF-AIR' FREQUENCY STANDARD



Still only  
**£195.+VAT**  
carriage extra

- \* Provides 10MHz, 5MHz & 1MHz
- \* Use it for calibrating equipment that relies on quartz crystals, TCXOs, VCXOs, oven crystals
- \* Phase locks to DROTWICH (rubidium controlled and traceable to NPL)
- \* For ADDED VALUE also phase locks to ALLOUIS (caesium controlled and traceable to OP - French equivalent to NPL)
- \* British designed and British manufacturer
- \* Options available include enhanced receiver, Sine wave outputs and 13MHz output for GSM. Prices on application.

Output frequencies:  
10MHz, 5MHz, 1MHz  
Short term stability: better than  $1 \times 10^{-8}$  (1sec)  
Typical:  $= 4 \times 10^{-8}$  (1sec)  
Long term: Tends to  $2 \times 10^{-8}$  (1000sec)

IDEAL BEGINNERS SCOPE, SCOPEX 456/AQUILASCOPE 6MHz SINGLE TRACE, INT/EXT TRIG, TRACE LOCATE, BRIGHT LINE AUTO, 10mv SENSITIVITY, 1µs-ms/cm, etc. £95

MUIRHEAD K321A TEMP CONT PRECISION STD CELL	£195	HP4951C PROTOCOL ANAL & 18179A RS232C/A/24	POA
MARCONI TF2212 X-Y DISPLAY	£59	TIME ELECTRONICS 2004 DC V STANDARD 0.005%	POA
LEVELL TM12 TRANSISTOR CHARACTERISTIC METER	£89	TIME ELECTRONICS 2003N DC V POT 0.02%	POA
B&K 4420 STATISTICAL DIST ANALYSER	£35	FLUKE 510A AC REFERENCE STANDARD	POA
BACHARACH MV2 MERCURY SNIFFERS	£39	FLUKE 731B DC REFERENCE STANDARD	POA
DAWE 1406(V/S) SOUND LEVEL METER	£95	HP6131C DIGITAL VOLTAGE SOURCE	POA
QUAD 303 STEREO POWER AMPS	£95	HP6140A DIGITAL CURRENT SOURCE	POA
DRAKE MN2700 MATCHING N/WORK & PS7 PSU	POA	LING DYW VIB GEN 406 & PA300 PWR OSC	POA
PHILIPS PM3065 100MHz DUAL TRACE T/B	£750	UDI2026 SONAR SCANNER, SURFACE UNIT	£975
PLESSEY TC110 SIG GEN/ANAL 50-300 BBS	£95	RADIO METER BK66 DIST. METER 20Hz-20KHz	POA
LEADER LBO-3C ALIGNMENT SCOPE	£195	CITOH CX6000 6PEN A4 PLOTTER, GEN7/RS232	£135
TELEQUIPMENT 081A 10MHz DUAL TRACE	from £99	INTRON IF422 FUNC GEN 0.1Hz-2MHz	£125
IWATSU SS5116 DUAL TRACE 10MHz	£175	GOULD 2400 4PEN CHART RECORDER	£149
TELEQUIPMENT D1011 10MHz DUAL TRACE	£165	X-Y RECORDERS A3 & A4	from £35 to £139
IWATSU SS-5802 DIGITAL STORAGE	£295	PHILIPS PM6456 FM STEREO GENERATOR	£175
TEKTRONIX 2215 60MHz DUAL TRACE DEL T/B	£450	MARCONI TP2300 FM/AM MODULATION METER	£195
TEKTRONIX 453A 50MHz DUAL TRACE DEL T/B	£249	MCKENZIE 7DAY TEMPHUMIDITY RECORDER	£95
H.P. 8405A VECTOR W/METER 1GHz	£395	FEEDBACK SSB603 1MHz SINE/SQUARE OSC	£125
TELEQUIPMENT 067A 25MHz 2T, DEL T/B	£215	FARNELL E350 PSUs 0-350v 100mA, 2x6.3v	£59 to £69
HITACHI VC 6015 10MHz DIGITAL STORAGE	£295	COMMUNICATIONS RECEIVERS, HF,LF,VHF	POA
HP1340A X-Y DISPLAYS	£149	LCR BRIDGE WAYNE KERR CT492	£79
OEPTLING V20 SINGLE PAN BAL 0.1mg/200g	£69	LCR Q BRIDGE AVO B151	£195
ANALYTICAL BALANCES WITH WEIGHTS 250g	£69	LCR BRIDGE MARCONI TF2700	£195
MARCONI TP2330 WAVE ANALYSER 20Hz-50KHz	£149	LCR BRIDGE MARCONI TF 2701	£125
LEVELL TM6B MICRO V-METER 450MHz	£95	LCR MARCONI TF1313 0.25%	£95
LEVELL TM3B MICRO V-METER 3MHz	£85	LCR COMPONENT COMPARATOR AVO C2457/S	£95

LIST AVAILABLE BUT 1000'S OF UNLISTED BARGAINS FOR CALLERS. ALL PRICES EXC. OF P & P AND VAT  
QUALITY ELECTRONIC EQUIPMENT ALWAYS WANTED

**HALCYON ELECTRONICS**  
423, KINGSTON ROAD, WIMBLEDON CHASE, LONDON SW20 8JR  
SHOP HOURS 9-5.30 MON-SAT. TEL 081-542 6383. FAX 081-542 0340

**WE HAVE THE WIDEST CHOICE OF USED OSCILLOSCOPES IN THE COUNTRY**

TEKTRONIX 7000 SERIES OSCILLOSCOPES  
Dual Trace plug-in with TB from £200  
Many plug-in options available. 4Traces;  
Differential etc. PLUG-INS SOLD SEPARATELY

TEKTRONIX 2235 Dual Trace 100MHz Delay Sweep.....£600  
PHILIPS 3065 2-1 channels 100MHz Dual TB Delay Sweep.....£700  
TEKTRONIX 475 Dual Trace 200MHz Delay Sweep.....£550  
HP 1715A Dual Trace 200MHz Delay Sweep.....£500  
HP 1740A Dual Trace 100MHz Delay Sweep.....£400  
TEKTRONIX 2215A Dual Trace 50MHz Delay Sweep.....£500  
PHILIPS PM3217 Dual Trace 50MHz Delay Sweep.....£400  
HITACHI V422 Dual Trace 40MHz.....£325  
TELEQUIPMENT D83 Dual Trace 50MHz Delay Sweep.....£200  
GOULD OS3000A Dual Trace 40MHz Delay Sweep.....£200  
KIKUSUI 5530 Dual Trace 35MHz.....£180  
GOULD OS1100 Dual Trace 30MHz.....£160  
HITACHI V223 Dual Trace 20MHz CRT Delay Sweep.....£300  
GOULD OS500 Dual Trace 20MHz.....£200  
GOULD OS2508 Dual Trace 15MHz.....£125  
TEKTRONIX 468 Dual Trace 100MHz Storage.....£450

THIS IS JUST A SAMPLE, MANY OTHERS AVAILABLE

PHILIPS PM 5139 Programmable synthesizer/Function Generator  
0.1MHz-50MHz IEEE-488 as new.....£150

MARCONI 2019 Synthesized AM/FM Sig/Gen 80KHz-1040MHz.....£2000  
MARCONI 2018 Synthesized AM/FM Sig/Gen 80KHz-520MHz.....£950  
EIP/DANA 3510 Microwave Frequency counter 20Hz-18GHz.....£350  
RACAL 9821 Frequency Counter 3GHz.....£300  
RACAL/DANA 9941 Databridge, Automatic LCR & Q.....£350  
WAYNE KERR B905 Automatic Precision bridge 0.05%.....£900  
WAYNE KERR B605 Automatic Component bridge 0.1%.....£350  
WAYNE KERR B424 Digital Component Meter LCR R.....£125  
FARNELL PSU TV570Mx2 70V 5A/30V/10A.....£300  
FARNELL PSU HB025 0-30V 0-25A Metered.....£400  
FARNELL PSU L30E 0-30V 0-5A Metered.....£80  
FARNELL B3020 0-30V 20A.....£250  
FARNELL B3010 0-30V 10A.....£200  
HP 6209B 0-30V DC 1A Metered.....£125  
MARCONI TP2720 Universal LCR Bridge Battery Input.....£180  
AVO Characteristic Meter VCM135.....£300  
FARNELL LAS20 RF Power Amp. 1.5-520MHz 300mW.....£175  
RACAL 9100 Absorption Wattmeter 1MHz-1GHz 3W.....£100

**FARNELL Isolating Transformers**  
GU500, 240V 500VA, unused.....£50

**NEW EQUIPMENT**

HAMEG OSCILLOSCOPE HM1005 Triple Trace 100MHz Delay timebase.....£847  
HAMEG OSCILLOSCOPE HM604 Dual Trace 60MHz Delay sweep.....£553  
HAMEG OSCILLOSCOPE HM203.7 Dual Trace 20MHz Component Tester.....£825  
HAMEG OSCILLOSCOPE HM205.3 Dual Trace 20MHz Digital Storage.....£653  
All other models available - all oscilloscopes supplied with two probes

**BLACK STAR EQUIPMENT (P&P all units £5)**

APOLLO 10 - 100MHz Counter timer Ratio/Period/Time interval etc.....£222  
APOLLO 100 - 100MHz (As above with more functions).....£325  
METER 100 FREQUENCY COUNTER 100MHz.....£119  
METER 800 FREQUENCY COUNTER 800MHz.....£145  
METER 1000 FREQUENCY COUNTER 1GHz.....£188  
JUPITOR 500 FUNCTION GEN 0.1Hz - 500KHz Sine/Square/Tri.....£119  
ORION COLOUR BAR GENERATOR Pal/TV/Video.....£229  
All other Black Star Equipment Available

OSCILLOSCOPE PROBES Switchable x1/x10 (P&P £3).....£12

**SPECTRUM ANALYSERS**

HP 141T with 855A & IF Plug-in 10MHz-18GHz.....£2000  
HP 141T with 854B & 8552B 500KHz-1250MHz.....£1300  
HP 140T with 8554L & 8552A 500KHz-1250MHz.....£1000  
HP 141T with 8556A & 8552B 20Hz-300KHz.....£1000  
HP 140T with 8553L & 8552A 1KHz-110MHz.....£1000  
MARCONI TP2370 30Hz-110MHz.....£1500  
HP 1820 with 8558B 100KHz-1500MHz.....£1500  
HP 3582A 0.02Hz-25.5KHz.....£2000

**Used Equipment - GUARANTEED. Manuals supplied if possible**  
This is a VERY SMALL SAMPLE OF STOCK. SAE or telephone for lists. Please check availability before ordering.  
CARRIAGE all units £16. VAT to be added to total of Goods and Carriage

**STEWART OF READING**  
110 WYKEHAM ROAD, READING, BERKS RG6 1PL  
TELEPHONE (0734)268041 Fax: (0734)351696  
Callers Welcome 9am-5.30pm Monday to Friday (until 8pm Thursday)

# SHAREWARE REFERENCE GUIDE

Find out what really is available in PD & shareware - games business, scientific, education etc. You'll find them all here.

Thousands of the best PD & shareware programs for DOS & Windows described in detail with hardware requirements for each. Find what you need and take the guesswork out of choosing PD & shareware programs.

The most complete and up-to-date shareware reference book available today. For your copy send £2.50 by cheque, PO, cash or pay by Acces/Visa to:

**PDSL, Winscombe House, Beacon Rd, Crowborough, East Sussex, TN6 1UL.**  
Tel 0892 663298 Fax 0892 667473

looking for.....

**ICs TRANSISTORS SEMIs ?**  
especially those hard to find ?  
Why not give us a buzz?  
**WE STOCK A MASSIVE RANGE**

We specialise in devices with the following prefix (to name but a few):  
**2N 2SA 2SB 2SC 2SD 2SJ 2SK AN BA BC BD BDT BF BFR BFY BFX BU BUK BUT BUY BUW BUZ CA DTA HA IRF LA LB LC LF LM M MC MJ MJE MM MPS MPSA MPSU NE RC SAA SAB SDA SI SL SN STA STK STR TA TBA TC TDA TIP TEA TL UAA ULN UPC XR ZN ZTX + daily arrival of new numbers.**

**ALSO RESISTORS\*CAPACITORS\*CHOKES\*CABLES LEADS\*CONNECTORS\*VIDEO HEADS\*DRIVE BELTS SWITCHES\*TTL\*CMOS\*OP AMPS\*VOLTAGE REGS SPECIAL FUNCTION\*TRANSFORMERS ETC ETC ETC**

**WE SPECIALISE IN PHONE & FAX MAIL ORDERS BY CREDIT CARD**  
Callers & Mail orders welcome

**CRICKLEWOOD ELECTRONICS**  
40 CRICKLEWOOD BROADWAY LONDON NW2 3ET  
TEL 081 452 0161 & 081 450 0995 FAX 081 208 1441  
CATALOGUE DUE OUT AUTUMN 1994

**SEALED LEAD ACID** Battery, 6v 80/100 AH made for BT, ex equipment but ok £45 each ref APR47. Ideal electric vehicle etc.

**ASTEC SWITCHED MODE PSU** Gives +5 @ 3.75A, +12 @ 1.5A, -12 @ 4A, 230/110, cased, BM41012. £9.99 ref APR10P3.

**TORRODIAL TX 30-0-30 480VA**, Perfect for Mosfet amplifiers etc. 120mm dia 55mm thick. £18.99 ref APR19.

**MOD WIRE** Perfect for repairing PCB's, wire wrap etc. Thin insulated wire on 500m reels. Our price just £9.99 ref APR10P8.

**12v MOVING LIGHT** Controller. Made by Hella, 6 channels rated at 90watts each. Speed control, cased. £34.99 ref APR35.

**ELECTRON FLASH TUBE** As used in police car flashing lights etc. full spec supplied. 60-100 flashes a min. £9.99 ref APR10P5.

**24v 96WATT** Cased power supply. New. £13.99 ref APR14.

**STETHOSCOPE** Fully functioning stethoscope, ideal for listening to hearts, pipes, motors etc. £6 ref MAR6P6.

**OUTDOOR SOLAR PATH LIGHT** Captures sunlight during the day and automatically switches on a built in lamp at dusk. Complete with sealed lead acid battery etc. £19.99 ref MAR20P1.

**ALARM VERSION** Of above unit comes with built in alarm and pir to deter intruders. £24.99 ref MAR25P4.

**CLOCKMAKER KIT** Hours of fun making your own clock, complete instructions and everything you need. £7.99 ref MAR8P2.

**CARETAKER VOLUMETRIC Alarm**, will cover the whole of the ground floor against forced entry. Includes mains power supply and integral battery backup. Powerful internal sander, will take external bell if req'd. Retail £150+, ours? £49.99 ref MAR50P1.

**TELEPHONE CABLE** White 6 core 100m reel complete with a pack of 100 clips. Ideal 'phone exns etc. £7.99 ref MAR8P3.

**VIEWDATA RETURNS** £6 made by Tandata, includes 1200.75 modem, kbd, RGB and comp o/p, printer port. No PSU. £6 MAG6P7

**IBM PC CASE AND PSU** Ideal base for building your own PC. Ex equipment but OK. £14.00 each REF: MAG14P2

**SOLAR POWER LAB SPECIAL** You get TWO 6"x6" 6v 130mA solar cells, 4 LED's, wire, buzzer, switch plus 1 relay or motor. Superb value kit just £5.99 REF: MAG6P8

**SOLID STATE RELAYS** will switch 25A mains. Input 3.5-26v DC 57x43x21mm with terminal screws £3.99 REF MAG4P10

**300DPI A4 DTP MONITOR** Brand new, TTL/ECL inputs, 15" landscape, 1200x1664 pixel complete with circuit diag to help you interface with your projects. JUST £24.99. REF MAG25P1

**ULTRAMINI BUG MIC** 6mmx3.5mm made by AKG, 5-12v electret condenser. Cost £12 ea, Our? £9.99 REF MAG10P2

**RGB/CGA/EGA/TTL COLOUR MONITORS** 12" in good condition. Back anodised metal case. £99 each REF MAG99P1

**GX4000 GAMES MACHINES** returns so ok for spares or repair £9 each (no games). REF MAG9P1

**C64 COMPUTERS** Returns, so ok for spares etc £9 ref MAG9P2

**FUSELAGE LIGHTS** 3 foot by 4" panel 1/8" thick with 3 panels that glow green when a voltage is applied. Good for night lights, front panels, signs, disco etc. 50-100v per strip. £25 ref MAG25P2

**ANSWER PHONES** Returns with 2 faults, we give you the bits for 1 fault, you have to find the other yourself. BT Response 200's £18 ea REF MAG18P1. PSU £5 ref MAG5P12

**SWITCHED MODE PSU** ex equip, 60w +5v @ 5A, -5v @ 5A, +12v @ 2A, -12v @ 5A 120/220v cased 245x88x55mm IEC input socket £6.99 REF MAG7P1

**PLUG IN PSU 9V 200mA** DC £2.99 each REF MAG3P9

**PLUG IN ACORN PSU 19v AC 14w**. £2.99 REF MAG3P10

**POWER SUPPLY** fully cased with mains and o/p leads 17v DC 900mA output. Bargain price £5.99 ref MAG6P9

**ACORN ARCHIMEDES PSU +5v @ 4.4A**, on/off sw uncased, selectable mains input, 145x100x45mm £7 REF MAG7P2

**GEIGER COUNTER KIT** Low cost professional twin tube, complete with PCB and components. £29 REF MAG29P1

**SINCLAIR C6 13" wheels** complete with tube, tyre and cycle style bearing £6 ea REF MAG5P10

**AA NICAD PACK** encapsulated pack of 8 AA nicad batteries (tagged) ex equip, 55x32x23mm. £3 a pack. REF MAG3P11

**13.8V 1.9A** psu cased with leads. Just £9.99 REF MAG10P3

**360K 5.25** brand new half height floppy drives IBM compatible industry standard. Just £6.99 REF MAG7P3

**PPC MODEM CARDS**. These are high spec plug in cards made for the Amstrad laptop computers. 2400 baud dial up unit complete with leads. Clearance price is £5 REF: MAG5P1

**INFRA RED REMOTE CONTROLLERS** Originally made for hi spec satellite equipment but perfect for all sorts of remote control projects. Our clearance price is just £2 REF: MAG2

**TOWERS INTERNATIONAL TRANSISTOR GUIDE**. A very useful book for finding equivalent transistors, leadouts, specs etc. £20 REF: MAG20P1

**SINCLAIR C6 MOTORS** We have a few left without gearboxes. These are 12v DC 3,300 rpm 6"x4", 14" OP shaft. £25 REF: MAG25

**UNIVERSAL SPEED CONTROLLER KIT** Designed by us for the above motor but ok for any 12v motor up to 30A. Complete with PCB etc. A heat sink may be required. £17.00 REF: MAG17

**VIDEO SENDER UNIT**. Transmits both audio and video signals from either a video camera, video recorder, TV or Computer etc to any standard TV set in a 100' range! (tune TV to a spare channel) 12v DC op. Price is £15 REF: MAG15 12v psu is £5 extra REF: MAG5P2

**\*FM CORDLESS MICROPHONE** Small hand held unit with a 500' range! 2 transmit power levels. Reqs PP3 9v battery. Tuneable to any FM receiver. Price is £15 REF: MAG15P1

**LOW COST WALKIE TALKIES** Pair of battery operated units with a range of about 200'. Ideal for garden use or as an educational toy. Price is £8 a pair REF: MAG 8P1 2 x PP3 req'd.

**\*MINIATURE RADIO TRANSCIEVERS** A pair of walkie talkies with a range of up to 2 kilometres in open country. Units measure 22x52x155mm. Complete with cases and earpieces. 2xPP3 req'd. £30.00 pair REF: MAG30.

**COMPOSITE VIDEO KIT**. Converts composite video into separate H sync, V sync, and video. 12v DC. £8.00 REF: MAG8P2.

**LQ3600 PRINTER ASSEMBLIES** Made by Amstrad they are entire mechanical printer assemblies including pinthead, stepper motors etc etc in fact everything bar the case and electronics, a good stripped £5 REF: MAG5P3 or 2 for £8 REF: MAG8P3

## NEW BULL ELECTRICAL STORE WOLVERHAMPTON BRANCH

NOW OPEN AT 55A WORCESTER  
ST TEL 0902 22039

**100MHZ OSCILLOSCOPES** now in stock, 12x10cm screen, delayed sweep, 1Mohm/25pfinputs, modes-ch1, ch2, add, chop, alt, dual. 460 x 305 x 200mm, 17kgs, £267+Vat includes insurance and carriage.

**INFRARED LASER NIGHT SCOPES**  
Second generation image intensifier complete with hand grip attachment with built in laser lamp for zero light conditions. Supplied with Pentax 42mm camera mount, 1.6kg, uses 1xPP3,3xAA's (all supplied)£245+Vat

**NEW HIGH POWER LASERS**  
15mW, Helium neon, 3 switchable wave lengths .63um, 1.15um, 3.39um (2 of them are infrared) 500:1 polarizer built in so good for holography. Supplied complete with mains power supply. 790x65mm. Use with EXTREME CAUTION AND UNDER QUALIFIED GUIDANCE. £349+Vat.

**'PC PAL' VGA TO TV CONVERTER**  
Just plug in and it converts your colour television into a basic VGA screen, perfect for laptops, saves lugging monitors about or just as a cheap upgrade. Intro price £49.99 +Vat.

**AMSTRAD 1512DD**  
1512 BASE UNIT AND KEYBOARD AND TWO 5.25" 360K DRIVES. ALL YOU NEED IS A MONITOR AND POWER SUPPLY WAS \$69.00  
NOW ONLY \$39.00  
REF: MAG39

**3FT X 1FT 10WATT SOLAR PANELS**  
14.5v/700mA  
NOW AVAILABLE BY MAIL ORDER  
£33.95

(PLUS £2.00 SPECIAL PACKAGING CHARGE)  
TOP QUALITY AMORPHOUS SILICON CELLS HAVE ALMOST A TIMELESS LIFESPAN WITH AN INFINITE NUMBER OF POSSIBLE APPLICATIONS, SOME OF WHICH MAY BE CAR BATTERY CHARGING, FOR USE ON BOATS OR CARAVANS, OR ANYWHERE A PORTABLE 12V SUPPLY IS REQUIRED. REF: MAG34

\*\*\*\*\*WE BUY SURPLUS STOCK\*\*\*\*\*  
TURN YOUR SURPLUS STOCK INTO CASH.  
IMMEDIATE SETTLEMENT. WE WILL ALSO QUOTE FOR COMPLETE FACTORY CLEARANCE.

**1994 CATALOGUE.**  
PLEASE SEND 45P. A4 SIZED SAE FOR YOUR FREE COPY.  
MINIMUM GOODS ORDER £5.00 TRADE ORDERS FROM GOVERNMENT, SCHOOLS, UNIVERSITIES, & LOCAL AUTHORITIES WELCOME. ALL GOODS SUPPLIED SUBJECT TO OUR CONDITIONS OF SALE AND UNLESS OTHERWISE STATED. GUARANTEED FOR 30 DAYS. RIGHTS RESERVED TO CHANGE PRICES & SPECIFICATIONS WITHOUT PRIOR NOTICE. ORDERS SUBJECT TO STOCK. QUOTATIONS WILLINGLY GIVEN FOR QUANTITIES HIGHER THAN THOSE STATED.

\*SOME OF OUR PRODUCTS MAY BE UNLICENSABLE IN THE UK

**BULL ELECTRICAL**  
250 PORTLAND ROAD HOVE SUSSEX  
BN3 5QT  
MAIL ORDER TERMS: CASH PO OR CHEQUE  
WITH ORDER PLUS £3.00 POST PLUS VAT.  
PLEASE ALLOW 7-10 DAYS FOR DELIVERY  
TELEPHONE ORDERS WELCOME  
TEL: 0273 203500  
FAX: 0273 323077

**SPEAKER WIRE** Brown 2 core 100 foot hank £2 REF: MAG2P1

**LED PACK** of 100 standard red 5m leds £5 REF MAG5P4

**UNIVERSAL PC POWER SUPPLY** complete with flyback transformer, switch, fan etc. Two types available 150w at £15 REF: MAG15P5 (23x23x23mm) and 200w at £20 REF: MAG20P3 (23x23x23mm)

**\*FM TRANSMITTER** housed in a standard working 13A adapter! the bug runs directly off the mains so lasts forever why pay £700? or price is £26 REF: MAG26 Transmits to any FM radio.

**\*FM BUG KIT** New design with PCB embedded coil for extra stability. Works on any FM radio, 9v battery req'd. £5 REF: MAG5P5

**\*FM BUG BUILT AND TESTED** superior design to kit. Supplied to detective agencies. 9v battery req'd. £14 REF: MAG14

**TALKING COINBOX STRIPPER** originally made to retail at £79 each, these units are designed to convert an ordinary phone into a payphone. The units have the locks missing and sometimes broken hinges. However they can be adapted for their original use or used for something else?? Price is just £3 REF: MAG3P1

**100 WATT MOSFET PAIR** Same spec as 25K343 and 25J413 (8A, 140v, 100w) 1 N channel, 1 P channel, £3 a pair REF: MAG3P2

**TOP QUALITY SPEAKERS** Made for Hi Fi televisions these are 10 watt 4R Jap made 4" round with large shielded magnets. Good quality. £2 each REF: MAG2P4 or 4 for £6 REF: MAG6P2

**TWEETERS** 2" diameter good quality tweeter 140R (ok with the above speaker) 2 for £2 REF: MAG2P5 or 4 for £3 REF: MAG3P4

**AT KEYBOARDS** Made by Apricot these quality keyboards need just a small mod to run on any AT, they work perfectly but you will have to put up with 1 or 2 foreign keycaps! Price £6 REF: MAG6P3

**PC CASES** Again mixed types so you take a chance next one off the pile £12 REF: MAG12 or two the same for £20 REF: MAG20P4

**COMMODORE MICRODRIVE SYSTEM** mini storage device for C64's 4 times faster than disc drives, 10 times faster than tapes. Complete unit just £12 REF: MAG12P1

**SCHOOL STRIPPERS** We have quite a few of the above units which are 'returns' as they are quite comprehensive units they could be used for other projects etc. Let us know how many you need at just 50p a unit (minimum 10).

**HEADPHONES** Ex Virgin Atlantic. 8 pairs for £2 REF: MAG2P8

**PROXIMITY SENSORS** These are small PCB's with what look like a source and sensor LED on one end and lots of components on the rest of the PCB. Complete with fly leads. Pack of 5 £3 REF: MAG: 3P5 or 20 for £8 REF: MAG8P4

**SNOOPERS EAR?** Original made to dip over the earpiece of telephone to amplify the sound-it also works quite well on the cable running along the wall! Price is £5 REF: MAG5P7

**DOS PACKS** Microsoft version 3.3 or higher complete with all manuals or price just £5 REF: MAG5P8 Worth it just for the very comprehensive manual! 5.25" only.

**DOS PACK** Microsoft version 5 Original software but no manuals include only £3 REF: MAG3P8 5.25" only.

**CTM644 COLOUR MONITOR** Made to work with the CPC464 home computer. Standard RGB input so will work with other machines. Refurbished £59.00 REF: MAG59

**PIR DETECTOR** Made by famous UK alarm manufacturer these are hi spec, long range internal units. 12v operation. Slight marks on case and unboxed (although brand new) £8 REF: MAG8P5

**WINDUP SOLAR POWERED RADIO** AM/FM radio complete with hand charger and solar panel £14 REF: MAG14P1

**COMMODORE 64 TAPE DRIVES** Customer returns at £4 REF: MAG4P9 Fully tested units are £12 REF: MAG12P5.

**MAINS CABLES** These are 2 core standard black 2 metre mains cables fitted with a 13A plug on one end, cable the other. Ideal for projects, low cost manufacturing etc. Pack of 10 for £3 REF: MAG3P8 Pack of 100 £20 REF: MAG20P5

**MICROWAVE TIMER** Electronic timer with relay output suitable to make enlarger timer etc £4 REF: MAG4P4

**MOBILE CAR PHONE** £5.99 Well almost complete in car phone excluding the box of electronics normally hidden under seat. Can be made to illuminate with 12v also has built in light sensor so display only illuminates when dark. Totally convincing! REF: MAG6P6

**ALARM BEACONS** Zenon strobe made to mount on an external bell box but could be used for caravans etc. 12v operation. Just connect up and it flashes regularly! £5 REF: MAG5P11

**FIRE ALARM CONTROL PANEL** High quality metal cased alarm panel 350x165x90mm. With key. Comes with electronics but no information. sale price 7.99 REF: MAG8P6

**REMOTE CONTROL PCB** These are receiver boards for garage door opening systems. Another use? £4 ea REF: MAG4P5

**6"x12" AMORPHOUS SOLAR PANEL** 12v 155x310mm 130mA. Bargain price just £5.99 ea REF: MAG6P12.

**FIBRE OPTIC CABLE BUMPER PACK** 10 metres for £4.99 ref MAG5P13 ideal for experimenters! 30 m for £12.99 ref MAG13P1

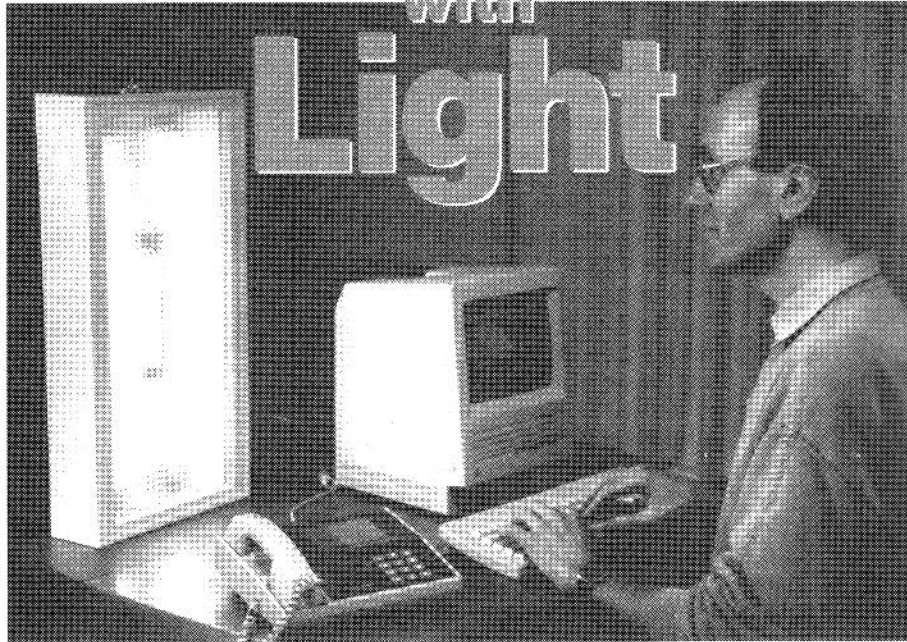
**LOPTX** Line output transformers believed to be for hi res colour monitors but useful for getting high voltages from low ones! £2 each REF: MAG2P12 bumper pack of 10 for £12 REF: MAG12P3.

**BOTH SHOPS OPEN 9-5.30  
SIX DAYS A WEEK**

**PORTABLE RADIATION DETECTOR**  
**£49.99**  
A Hand held personal Gamma and X Ray detector. This unit contains two Geiger Tubes, has a 4 digit LCD display with a Piezo speaker, giving an audio visual indication. The unit detects high energy electromagnetic quanta with an energy from 30K eV to over 1.2M eV and a measuring range of 5-9999 UR/h or 10-99990 Nr/h. Supplied complete with handbook.  
REF: MAG50

# Living with Light

A Report  
by Douglas Clarkson



**A**s more and more everyday technology makes use of optical processes and the ability to manipulate light increases there is a need to find out more about the effects of light on the human individual. Take for example the new technology of Virtual Reality. The psychological and physiological implications of this new tool have not really been considered.

There are many subtle ways in which the 'environment of light' has changed with the development of 'better' forms of interior lighting. Science has yet to catch up in detail with the possible effects of rapid replacement traditional methods of lighting with the introduction of the newer forms.

In many ways scientific interest in the effects of light on the individuals has been focused at determining damage thresholds for skin and in particular eyes. At a time also of the introduction of new and intense forms of light sources such as lasers, there has been a significant level of interest in assessing 'safe' levels of exposure.

Thus the emphasis has been directed to assessing the maximum amount of light which can be tolerated rather on determining the minimum amount of light that is necessary to maintain specific levels of base physiology. Taking one extreme of the standard for light exposure, therefore, we would be ultimately safest blindfold in a dark basement. While we would be at zero risk of light damage, some researchers indicate

that this would impair body metabolism.

Unfortunately, this emphasis on damage thresholds has led to a neglect of equally valid research into the general effect of light exposure on individuals. There is perhaps more interest now in the relationship between bodily (and mental) health and exposure to light. In reviewing the substantial literature of the subject, it is apparent that for more

**Table 1: Photon related information**

than 100 years this area has been investigated by numerous researchers. Just when it seemed that their findings were being taken seriously by the scientific and medical community the rapid emergence of the pharmaceutical industry in the mid 1950s eclipsed their discoveries. It is only now that light is being re-evaluated as a therapy in order to regulate the body's own ultra complex mechanisms.

### Facts about photons.

There are a lot of photons about. If we consider a simple tungsten electric bulb rated at 100 Watts which delivers say 10W within the visible spectrum of between 400nm to 700nm, then at a distance

of one metre the average Intensity of light is around 0.32mW/cm<sup>2</sup>. Each photon carries with it a bundle of energy which is proportional to the frequency of the radiation and inversely proportional to the wavelength according to the following standard physics equations:-

$$E = hf \text{ — (1)}$$

$$= hc/L \text{ — (2)}$$

**E** is the energy of the photon (Joules)

**h** is Planck's constant (6.626 x 10<sup>-34</sup> joule second)

**f** is the frequency of the radiation (Hz)

**L** is the wavelength (metres)

**c** is the speed of light (3 x 10<sup>8</sup> m/s)

Table 1 gives the energies of a range of typical colours within the visible spectrum and also details of numbers of photons incident in specific areas per second.

This table shows that even down to the level of a medium sized body cell there is still appreciable photon flux (photons per second) incident on the cell. Note also that for a fixed incident intensity (Watts/cm<sup>2</sup> or Watts/m<sup>2</sup>) the flux of photons increases with the wavelength. This is because there is less energy for every photon with increasing wavelength.

Wavelength (nm)	Colour	Energy J x 10 <sup>-19</sup>	Flux at 1mW/cm <sup>2</sup>	Flux per 3 micron diameter cell
400nm	blue	4.96	2.01 10 <sup>15</sup>	1.42 10 <sup>8</sup>
500nm	green	3.97	2.52 10 <sup>15</sup>	1.78 10 <sup>8</sup>
575nm	yellow	3.45	2.90 10 <sup>15</sup>	2.05 10 <sup>8</sup>
600nm	orange	3.30	3.03 10 <sup>15</sup>	2.14 10 <sup>8</sup>
650nm	red	3.05	3.28 10 <sup>15</sup>	2.31 10 <sup>8</sup>

Thus if someone lay on a sunny beach for an hour and exposed (a modest) square metre of skin to sunlight for an hour at an assumed average intensity of 10mW/cm<sup>2</sup>, the total body flux of photons would be in the region of 1.0 times 10 raised to power 24. Comparing this to someone who works in a dimly lit environment for an hour where there is minimal skin exposed (0.01m<sup>2</sup>) and the illumination level is 0.05mW/cm<sup>2</sup>, then photon flux would be about a factor of 20000 less. Thus there are large variations of exposure to light at the level of total number of incident photons. Variations will also occur in the spectral content of the light and this could also be significant



## Mechanisms of Interaction

Surprisingly little is known about the interaction of light with the human body though the volume and range of work in this area is growing within the 'orthodox' medical establishment. This interest is in some way driven by scientific curiosity but also by the hope that light therapy can be developed as a cheaper alternative to existing means of treating various conditions - e.g. with drugs. There is also increasing awareness of the importance of colour in influencing emotional and mental factors.

At the physical level there would, however, appear to be three main divisions of interest. One relates to reactions within the skin and associated tissues, one with the blood, and one relating to the stimulation effect of light on the retina. Some known light induced effects are described.

## Blue light Treatment

The medical condition of hyperbilirubinemia (neonatal jaundice) occurs when new born infants accumulate bilirubin in skin and body tissues and is related to delay in the infant liver being able to cope with its metabolic demands following birth. It has been shown that blue light around 450nm will break up this compound safely. Most Special Care Baby Units in hospitals will have several special incubator units which can deliver blue light from special fluorescent tubes. The babies eyes, however, are always protected during treatment.

## Blue Light Hazard

While blue light (on the skin) can be beneficial to the new born, the retina of the eye is more susceptible to blue light hazard. In the retina, of the three types of colour receptor cells, blue green and red, the blue receptors are more susceptible to damage. Figure 1 shows a relative weighting curve of the so called 'blue light' hazard proposed by the ACGIH (American Conference of Governmental Industrial Hygienists). There is maximum sensitivity at around 435 to 440nm. Most everyday light sources (excluding the sun) have relatively low levels of blue light contained in their spectra and so do not represent a problem for prolonged viewing. Damage, however, can quite easily be sustained from looking at the sun.

Thus while light at 450nm is useful when absorbed by tissue in the neonate, it could be damaging to the blue cones of the retina. Thus the question of good and bad in terms of light exposure

should always be related to considerations of where and how much.

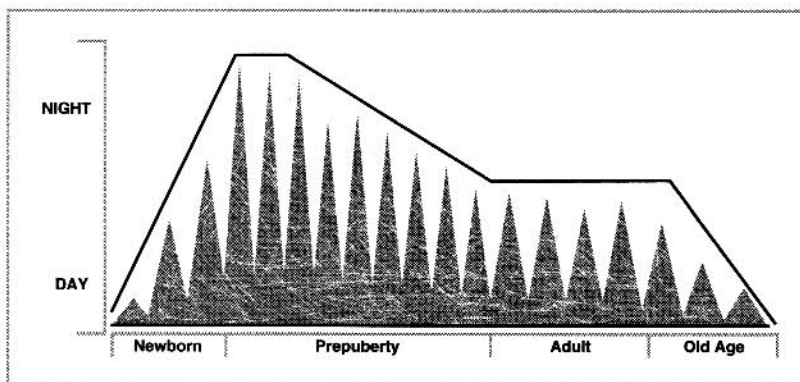
## Vitamin D

Vitamin D is an essential compound to enable the body to absorb calcium and phosphorous. When lacking in children the disease of rickets develops and in adults the condition of osteomalacia. Ultraviolet light, particularly the component around 280nm, acts as an agent to synthesise Vitamin D in the body. A daily intake of 400 International Units (IUs) per day is recommended and clinical symptoms are evident when daily intake fall below 70 International Units. Exposure to UVB radiation over a yearly cycle acts to top up the body's reserves of the vitamin. This is one instance where UVB radiation (in moderation) is good for you.

Individuals particularly at risk from vitamin D deficiency are for example the elderly confined at home or in a hospital/nursing home environment. It has been shown that the addition of a component of UVB to the normal lighting of such an environment results in an improvement in vitamin D status of such individuals.

The increased incidence of osteoporosis, however, is also taking place at a time when increasing numbers of the aging population are receiving less vitamin D stimulation via incident light - is there a link?

## Body Regulation: Melatonin Cycle



One of the key functions of the pineal gland is to manufacture the powerful hormone melatonin in response to stimulus from the hypothalamus which is geared to the body's biological clock. Figure 2 shows how melatonin levels are at a maximum during night and reduce during the day and also change with period of life. Melatonin is released in

response to darkness and levels become reduced from exposure to light levels in excess of about 1500 lux. Maximum levels are attained during childhood and tail off into old age. In recent Swiss studies with mice which were given added melatonin in their night time drinking water compared with a control group, it was found that the group with the added melatonin lived some 20% longer. In the human system, melatonin production tails off with old age.

## SAD : Seasonal Affective Disorder

The condition of Seasonal Affective Disorder (SAD) is a recognised medical condition characterised by drastic mood swings and depression that in its worst presentations can lead to suicide. It is associated with winter in the northern hemisphere and as many as 10% of inhabitants of the USA can feel the effects of the disorder with higher levels

of incidence with greater latitude. Perhaps the reason that the condition was only identified by a Dr. Norman E. Rosenthal in 1981 is that the symptoms are so common that they had been accepted as normal.

The condition of SAD is thought to arise from high levels of melatonin triggered by lack of exposure to natural

illumination. Thus it is important to get out in the fresh air and natural light as much as possible.

A widely used method of treating SAD is to expose the patient to approximately 2500 lux of light level from six 40W full spectrum fluorescent lights. Treatment times vary typically from half an hour to four hours. For such treatments to be effective they have to be undertaken daily for the period when normal light levels are insufficient.

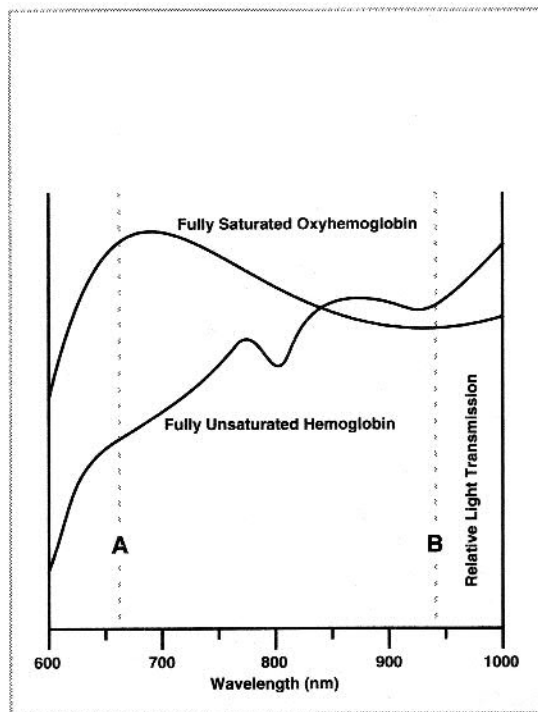
Work has also been undertaken in the treatment of alcoholism and drug addiction. The form of treatment with light acts therefore as a metabolic trigger for the body's own complex chemistry and is probably preferable to administration of anti-depressant drugs.

There appears to be a gradual falling off of melatonin production with age. While high levels of melatonin may be undesirable, a gradual switching off of melatonin production may also be undesirable. Is it the case that exposure to bright sunny days and dark nights will establish a stronger pattern of melatonin production than a situation where there is daily exposure to low levels of 'day time' light and possibly a semi-lit night?

It appears that the patterns of illumination, in relation to duration, brightness and spectral content has a direct effect on the melatonin cycle and hence on a range of key body parameters. There may also be other key hormones influenced by incident light which are not yet apparent .....

### The Work of Dr. J.N. Ott

Dr. J.N. Ott first became aware of the influence of light on living systems when undertaking time elapsed plant photography for Walt Disney during the 1950s and 1960s. By observing the responses of plants and germinating seeds to various types of light, it became very clear that spectral content was crucial to such processes of growth. The broad range of work that Dr. Ott undertook included studies which compared the performance/behaviour of school students under various forms of artificial lighting. There was conclusive proof that the use of full spectrum fluorescent lights had the ability to make students less aggressive, more attentive and generally perform well. Standard 'cool' fluorescent tubes with limited spectral



output had the opposite effect.

There was ample evidence that children were able to learn better under full spectrum lamps and that some forms of learning difficulty could be remedied by exposure to 'correct' spectral light. Today Ott Light Systems of Santa Barbara sell a broad range of 'Dr. Ott' approved light products. One main selling item is a special table top lamp designed to compensate VDU terminal users for the spectrum of light to which they are typically exposed.

Figure 3 shows a lamp unit supplied by the Ott Light Systems Inc. for correction of illumination for indoor working.

### Physiotherapy Lasers

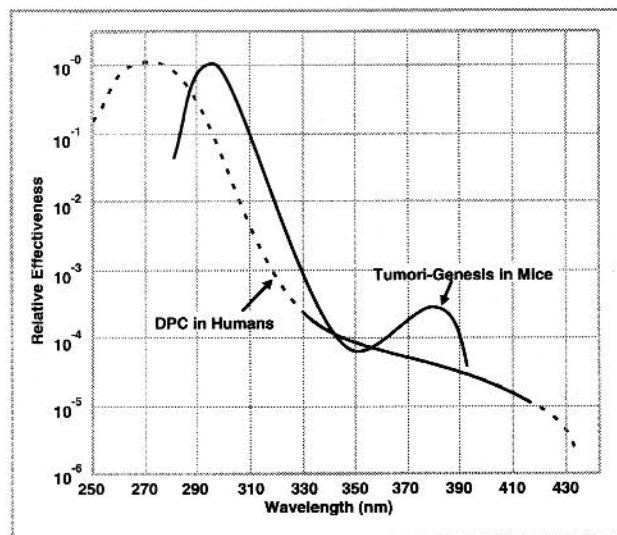
There is growing interest in the use of low power so called 'physiotherapy lasers' though the possible mechanisms involved are not clearly understood. Some of the more surprising results of medical research come when a simple experiment is undertaken to confirm that no 'effect' of a treatment should be

observed. This was the case when patients with chronic pain were treated in a cross over trial using low level He-Ne laser radiation. Patients were not aware of what treatment they were receiving and had given up hope of being treated by any method. One group had a first

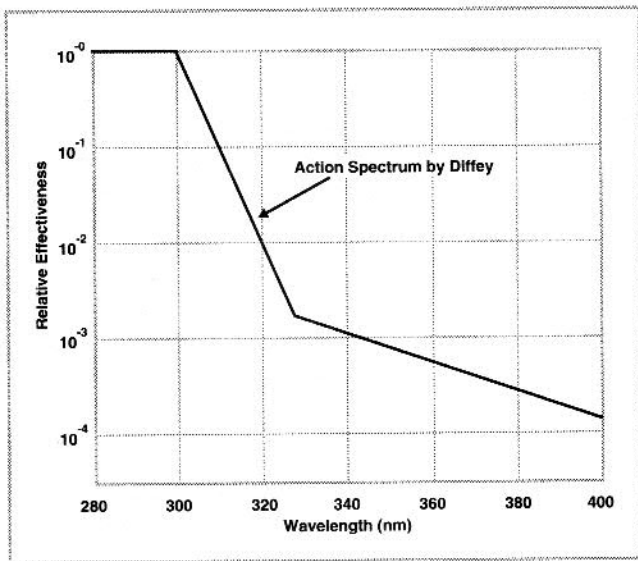
period with treatment and then a period without light treatment. Another group received initially no treatment and then subsequently did receive treatment. The results indicated that patients became more pain free after having had the low level light exposure and they could not be 'tricked' into feeling better when they did not receive the light treatment.

It is understood now that the stimulation of tissue using so called transcutaneous electronic stimulation units at voltages of around 15 V at pulse rates of around 10 Hz results in the central stimulation of endorphins in the Cerebral Spinal Fluid of the brain and thus raises pain thresholds - the body's own pain relief system is being switched on. It is possible that stimulation of sites in the body with suitable sources of light can achieve the same results in a process analogous to acupuncture? Such experimental results would suggest so.

This field of photo-biology has been extensively researched by Dr. Mary Dyson at the Department of Anatomy and Cell Biology at Guy's Hospital, London. While there are many clues as to possible modes of interaction of light at the cellular level, it is probable that light interaction influences the metabolism of Calcium ions across cell membranes and that the site of the interaction is within the cell itself. Large macrophage cells involved in tissue repair and healing are specifically responsive to light stimulation. It can be demonstrated that such effects vary as a function of wavelength and that while some wavelengths stimu-



late such effects - others can suppress them. Light which is pulsed appears to have more effect - indicating that cells like to be reminded of the stimulus acting on them. The light does not need to be coherent - expensive laser sources may not be necessary.



This approach to 'healing the body' is more one of stimulating the body's own defences to fight illness and disease - after all, the body has potentially all the apparatus to do this most effectively.

### Optical Characteristics of Blood

Cells in the blood are exposed to light at various body interfaces. It is estimated that the entire volume of blood circulates through the retina every two hours. Little is known of the effect of sunlight or light in general on blood cells. The optical properties of blood, however, change as a result of physiological conditions.

The transmission of light in blood is wavelength dependent and is a function of the amount of oxygen bonded to Haemoglobin. One of the most widely used items of medical monitoring equipment, a pulse oximeter, uses this principle of relative optical absorption at two wavelengths to measure oxygen saturation in the blood. All that is required is

to attach a probe containing a pair of transmitters LEDs and receiver diodes to a finger, toe or ear and the level of oxygen saturation of Haemoglobin can be measured. This gives a direct indication of the uptake of oxygen by the patient and will warn very rapidly if the patient has stopped breathing

or if the oxygen supply to the patient has been interrupted.

Figure 4 shows the typical absorption curve used in such estimations.

### UV Radiation: Friend or Foe

The consideration of 'good' and 'bad' in medical education tends to be redefined in the light of more broadly based research. From once being 'good' for the individual, UV is now regarded by many health education advisers as being 'bad'. This relative level of 'good' and 'bad' is referenced in connection with incidence of malignant melanoma and non malignant skin conditions. The incidence of these conditions in a specific ethnic group increases with exposure to ultra violet radiation. What has not been investigated, however, is the effect of lack of exposure to UV radiation on general bodily health. Ultraviolet radiation is conveniently broken down into convenient wavelength extents, being described as either UVA, UVB or UVC

in increasing order of photon energy. Table 2 outlines the wavelength bands corresponding to the regions of radiation.

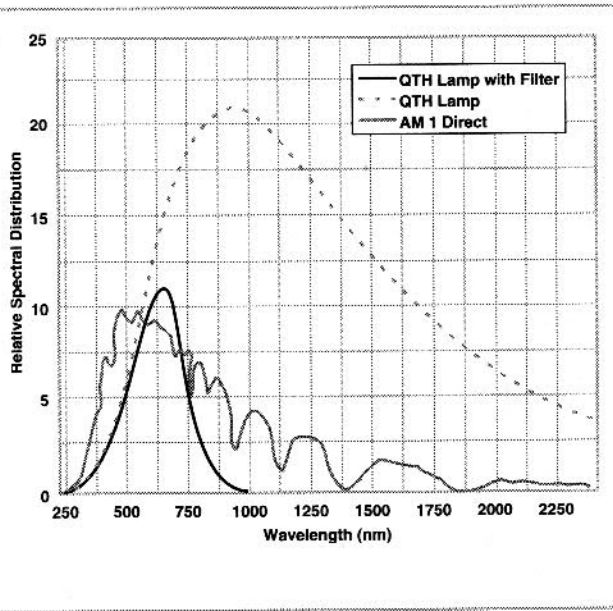
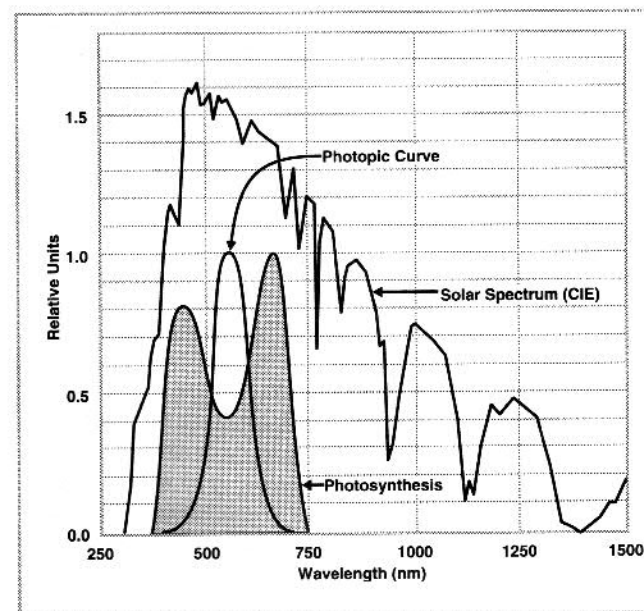
A typical way of expressing an effect in photobiology is by means of an action spectra. Figure 5 indicates an action

Region	Wavelength Limits
UVA	400 - 320nm
UVB	320 - 280nm
UVC	280 - 200nm

**Table 2: World Health Organisation Classification of Ultra violet regions.**

spectra of DNA damage (DNA to protein crosslinking) to in vivo human cells and tumour creation in mice as a function of wavelength. There is a strong ultra violet dependence in both curves indicating that UV radiation, especially shorter wavelengths can act to degrade DNA and possible trigger cancer once significant DNA damage has taken place. It is difficult, however, to relate these curves to threshold levels of exposure which would result in skin cancer in humans. The in vivo studies with human cells are also more vulnerable than normal cells shielded by epidermal layers of skin.

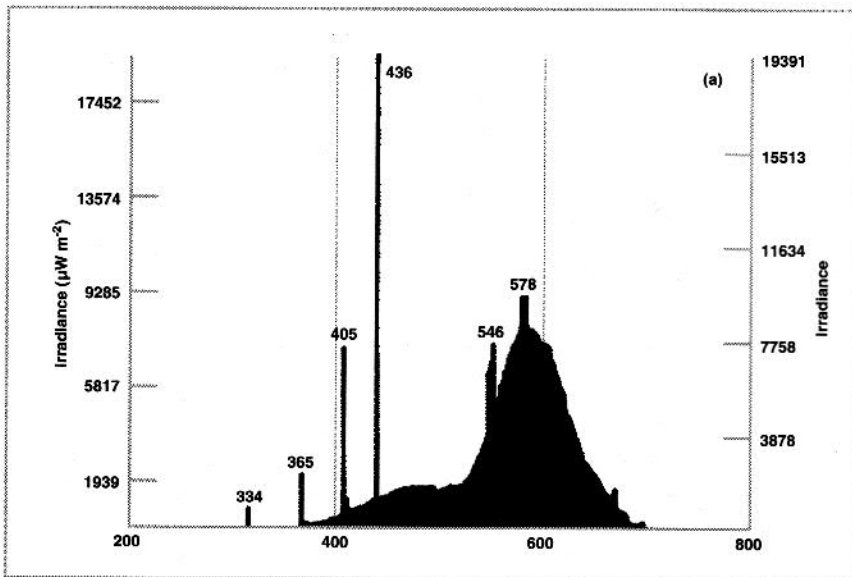
In terms of the sunburn effect, Figure 6 shows the so called Diffey' curve which indicates the amount of erythema (reddening) response associated with UV radiation. This indicates a plateau up to 298nm followed by a rapid fall off of skin sensitivity as the wavelength is increased. Thus UV radiation at 315nm is some 100 times less likely to cause sunburn than the same amount of energy at 298nm. With a constantly changing UV spectrum with time of day and cloud cover it becomes complex to 'measure' levels of daily exposure.



It is likely, however, that the role of UV radiation will come to be better understood as a combination of risk factors associated with various benefit factors - just now the benefit factors have been overlooked. In reference to vitamin D production, however, absence of UV would normally result in Calcium deficiency in humans.

## Fluorescent Lighting: Friend or Foe

Figure 7a indicates the solar spectrum, the photopic curve of the human retina



response and the photosynthesis response of plant metabolism. Figure 7b indicates for comparison the solar spectrum, a 3000 K tungsten lamp output and the lamp with a long wavelength filter.

The radiation from the sun is characterised as black body radiation with a temperature of between 5600 and 6000 K. Typical incandescent light sources such as tungsten filament lights will have a characteristic light 'temperature' of between 2700 K and 3000 K. The higher the 'temperature' of the light source the more radiation is emitted at shorter wavelengths as the curve is shifted down to lower wavelengths.

Figure 8 shows for comparison the output spectra of a white light fluorescent tube. The output spectra from such fluorescent sources is a complex interaction between the spectra within the mercury vapour tube, phosphors in inner layers of tube, glass of the tube and any filter/luminaire placed over the tube to scatter and diffuse the output light.

There is considerable interest, also, in investigating the effect on individuals of the spectrum of incident light. There have been various studies undertaken to evaluate effects of different forms of fluorescent lighting on individuals. Most

lighting regulations relate to the perceived brightness of light sources which is assumed to peak at around 550 nm and fall off at longer and shorter wavelengths. Provided the weighted value of the light meets relevant limits, there are no regulations relating to the relative wavelength content of the light spectra.

While there are physiological effects such as formation of vitamin D and breakdown of bilirubin in infants, there must also be a range of effects which have as yet not been identified. It remains, therefore, to piece together this

'physiological' jigsaw to obtain a more detailed picture of what is going on.

## Fluorescent Flicker: Comfort 41

The advantage of fluorescent lighting is that illumination can be achieved with better energy efficiency. The disadvantages are that the output spectra can be limited (not full colour) and a considerable proportion of the spectrum is flickering - i.e. it varies with each applied mains cycle. Natural sources of light like the sun and the tungsten filament lamp are essentially 'static' i.e. they do not vary with time. It is thought that this unnatural fluctuation in the stimulation of the retina can lead to migraine and at worst trigger epilepsy. In a recent survey of office workers it was determined that as many as 40% considered that office lighting produced headaches or affected their eyes.

In association with the Medical Research Council, Cambridge Optical has developed a glass for prescription lenses which reduces considerably the flicker component of fluorescent sources. Figure 9a shows the typical energy spectrum of a fluorescent light and figure 9b the relative spectrum when viewed through Comfort 41. Trials of

Comfort 41 by the Birmingham and Midland Eye Hospital indicated a four-fold reduction in migraine from 6.2 per month to only 1.6 per month. A blue placebo lens showed no reduction. In trials with office workers, a reduction of 38% in number of days when eye strain was experienced was reported.

Perhaps, however, if such lighting is a cause of such problems, effort should go to change the flicker rate so that the eye was not influenced, rather than give people smart spectacles to wear.

## Psychological and Emotional Effects of Colour

While it is possible to identify unique physiological effects of light on the human system, it is more difficult to evaluate possible psychological and emotional interactions. Colour, is, however, taken very seriously by many sectors of industry. Extreme care is taken to use the correct colours for advertising, packaging and general decoration. The basic premise used is that the colour significantly affects the activities and mood of individuals in a specific environment.

Colour consultants are, for example, commonly asked to co-ordinate colour into a wide range of locations. There is a general consensus in the use of colour. The main distinction is between 'warm' and 'cool' colours. Warm colours include reds, oranges, peach and pink while 'cool' colours include blue and green and combinations. Environments, however, tend to present with a functional preference. Thus a school gymnasium should be active and dynamic - which is emphasised by warm red and oranges. A waiting room in a doctor's surgery should be 'cold' - emphasised by greens and blues. Restaurants should generally be peach and pink - 'appetising' colours. Cool tones should generally not be used since this will tend to 'wind down' activity. Colours are not considered, therefore, on an 'anything will do' basis.

In selecting colour schemes, however, a range of factors can be important. Small rooms give the impression of being larger if they are decorated in a predominantly light colour. Conversely a large room can be made to seem smaller by selecting a darker shade. A long room can be made smaller by painting the further apart walls a darker colour. In manufacturing facilities with high ceilings and roofs, these can be painted a darker shade to reduce the impression of working in a large space.

Rooms which are south facing can be toned down by inclusion of some cool colours. North facing rooms which receive little sunlight can be toned up by the inclusion of warm colours. Hospital rooms can be generally decorated with cool colours but with option to include pictures or hangings which suggest warm colours.

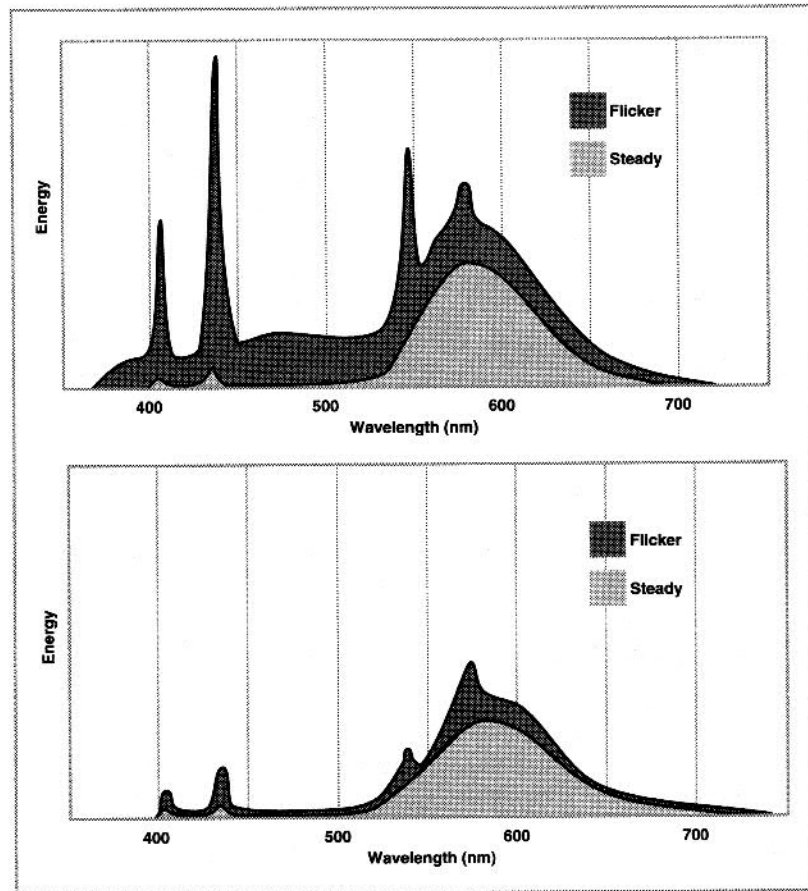
Colour consultants generally have to assess what 'mood' or 'tone' is required in specific environments and also take into account patterns of artificial and natural light and also existing carpets and soft furnishings.

There is increasing awareness, however, of the value of full spectrum fluorescent lighting. Certain types of fluorescent light with a limited spectral output are banned in public buildings in Germany. In moves also to encourage more efficient use of energy, the manufacture of certain inefficient fluorescent lights is being phased out in the USA. The preference will be for more inefficient, smaller diameter tubes with better colour rendering values. Of all the many directives with the EEC, there are apparently none which relate to the spectral output of fluorescent lamps.

In its booklet 'Color Dynamics for the Home' the Pittsburgh Plate Glass Company references the effect of colour environment on individuals. In estimations of muscular, mental and nervous activity, normal white light registered 23 units, with slightly higher levels for blue and green. Yellow was found to raise the activity level to thirty units. Individuals tend to respond after as little as five minutes exposure to a specific colour.

While colour may seem rather a superfluous factor in the 'real' world, the truth may be quite revealing. In one case history, however, the high rate of absenteeism in a London factory was considerably reduced when the blue colour lighting which made the female staff look sickly and ill was neutralised by painting the grey walls with a warm beige colour. This is an example of a striking improvement in financial losses due to sickness absence.

People feel cooler in areas painted with 'cool' colours. In one factory a cafeteria was initially painted with light blue walls. Staff complained about feeling cold and the temperature was increased though complaints persisted. The area was redecorated and the walls painted orange. Staff complained about feeling too hot although the temperature had not been increased. Everyone was happy when the initial temperature setting was restored.



## Pioneers of Colour Therapy

There have been many individuals over the years who have studied the use of colour in promoting health and curing disease. One of the early pioneers of light in medicine was Dr. Edwin Babbitt who in 1878 published 'the Principles of Light and Colour.'

He developed a range of treatments in which filtered natural and artificial light was focused on selected areas of the body. The more comprehensive so-called Spectro-Chrome system of colour healing was developed by Dr. D.P. Ghadiali around the turn of the century. Some typical conditions and associated treatments were as follows:-● Orthodox medicine in the USA tried to make life as difficult as possible for practising colour therapists.

## Perceived Colour as a Specific Therapy

While these forms of colour therapy had been related to specific exposure of parts

of the body, a certain Dr. H.R. Spittler began to research into the effects of colours as seen by the eyes around 1910. Spittler maintained that the portions of the brain controlling the autonomic nervous system and the endocrine system were also connected to the eyes by the shortest, most direct and most highly organised nerve pathways in the brain. In this theory, light could be used as a tool to stimulate and possibly regulate imbalances with both systems.

It is considered by practitioners of such 'central' stimulation that the main effect is triggered by the specific mode of electrical activity initiated primarily in the cone cells in the retina. With models of specific red, green and blue receptors within the retina, specific colours would tend to initiate specific patterns of electrical activity.

This form of colour therapy is used to link into emotional blockages of individuals. Colours are identified with which the patient feels 'uncomfortable'.

After exposure to the specific colours, such therapists claim to be able to unravel emotional blocks which had presented in psychological and mental difficulties. This is a rather novel way of using colour as a therapy.

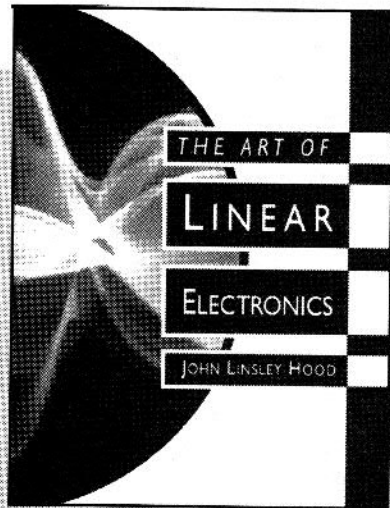
Condition	Colour Prescription
heart, circulation, reproduction	purple (overstimulation) scarlet (underactivity) magenta (balancing)
paralysis (physical)	green/yellow red/yellow
paralysis (senses)	red to above two
pain, bleeding abscess	indigo

## Reading Better With Colour

Helen Irlen, the Californian psychologist received considerable publicity during 1988 on the topic of tinted lenses as an aid to reading for dyslexic children. While there appeared no single 'magic' colour tint which would help children read better, careful selection from a range of around 140 separate lenses often resulted in improvement in reading skills. In some cases the improvement was dramatic. It is thought that the process of using tinted lenses suppresses colour related electrical stimulation of the brain which interferes with other cognitive skills such as reading.

## Colour Therapy as Alternative Medicine

Various forms of colour therapy which have never been taken seriously by orthodox medicine are now firmly established within Alternative Medicine. There is no doubt, however, that the neglect of investigation of such treatments by orthodox medicine has delayed achieving greater understanding of how the body and the person as a whole responds to light.



**D**rawing on the considerable expertise of the author, this practical handbook gives a complete working knowledge of the basics and technology of linear electronics.

- applications in audio, radio, instrumentation and television
- from thermionic valves to MOSFET transistors, quartz crystal oscillators to silver oxide button cells
- Information on material properties or conventions used

June 1993 400pp PAPERBACK  
0 7506 0868 4 £16.95

**A BEST SELLER FROM**

**B**UTTERWORTH  
**H**EINEMANN

## Conclusion

Research into the exposure of the human body to light has tended to be dominated by work to determine threshold levels which resulted in damage to skin and eyes. This has almost fostered a mentality that the safest light level is no light at all. Only now is it being appreciated that light can interact with the human organism in many beneficial ways and that the condition of malillumination may in fact develop when the body is not exposed to adequate levels of 'spectrally correct' light.

Conditions such as 'sick building syndrome' may have components of contribution from levels of malillumination. Considering, also, the huge sums lost through sickness absence generally, it is surprising more work is not undertaken to begin to shed light on the matter.

## Further Reading

**Light: Medicine of the Future** - Jacob Liberman: Bear and Company, 1991, (excellent read)

**Colour and Music in the New Age:** Corinne Heline

**Colour**, Rudolf Steiner, London, Rudolf Steiner Press, 1982

**Light Radiation and You**, Dr. J.N. Ott,

Greenwich CT, The Devin-Adair Co., 1982.

**Seasons of the Mind**, Dr. N. E. Rosenthal, New York, Bantam, 1982.

**The influence of ocular light perception on metabolism in man and in animal**, Fritz Hollwich, New York, Springer-Verlag, 1979

## Contact addresses

Society for Light Treatment and Biological Rhythms,  
PO Box 478,  
Wilsonville, OR 97070  
USA  
Tel: 0101 503 694 2404

OTT Light Systems, Inc.,  
622 W. Arrellaga Street,  
Suite D,  
Santa Barbara,  
CA 93101, USA  
Tel: 0101 805 564 3467

International Association for Colour Therapy  
78 Westlands,  
Rustington,  
W. Sussex, BN17 6RT.  
Tel: 0903 732073

QTY	Title	ISBN	Price
<input type="checkbox"/>	<b>The Art of Linear Electronics</b>	<b>0 7506 0868 4</b>	<b>£16.95</b>
Add £2.50 postage and packing			<b>£2.50</b>

Add VAT at local (see below)

TOTAL

### VAT RATES:

6% Belgium; 25% Denmark; 5.5% France; 7% Germany; 1.2% Italy; 6% Netherlands; 5% Portugal; 3% Spain; 0% UK and Eire

FOR COMPANIES REGISTERED FOR VAT, PLEASE SUPPLY YOUR REGISTRATION NUMBER BELOW (Customers outside the EEC should leave this blank).

VAT Number: .....

I enclose a cheque made payable to Reed Book Services Ltd for £ .....

Please debit my credit card - tick appropriate box:

Access/Mastercard  Visa  AMEX  Diners Club

Card Number:

Expiry Date:   /

If your credit card is registered at an address different from the one below please supply:

Name: .....

Address: .....

Signature ..... Date: .....

T401ELXAO1

You may order by returning the form to:

Sam Hill, Butterworth-Heinemann, Linacre House, Oxford OX2 8DP  
OR Tel: (0933) 410511 and quote ref: T401ELXAO1.

**At last, a fully functional upgradeable PCB CAD system to suit any budget. Substantial trade-in discounts are available against other "professional" PCB design packages ...**

**... call now for details.**

## Board Capture

### *Schematic Capture Design Tool*

- Direct netlist link to BoardMaker2
- Forward annotation with part values
- Full undo/redo facility (50 operations)
- Single-sheet, multi-paged and hierarchical designs
- Smooth scrolling
- Intelligent wires (automatic junctions)
- Dynamic connectivity information
- Automatic on-line annotation
- Integrated on-the-fly library editor
- Context sensitive editing
- Extensive component-based power control
- Back annotation from BoardMaker2

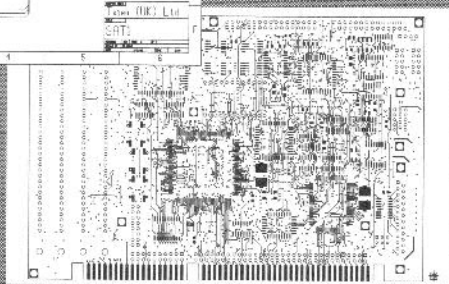
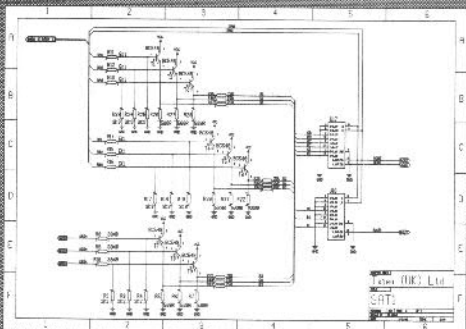
## BoardMaker

### *BoardMaker1 - Entry level*

- PCB and schematic drafting
- Easy and intuitive to use
- Surface mount and metric support
- 90, 45 and curved track corners
- Ground plane fill
- Copper highlight and clearance checking

### *BoardMaker2 - Advanced level*

- All the features of BoardMaker1 +
- Full netlist support - BoardCapture, OrCad, Schema, Tango, CadStar and others
- Full Design Rule Checking both mechanical and electrical
- Top down modification from the schematic
- Component renumber with back annotation
- Report generator - Database ASCII, BOM
- Thermal power plane support with full DRC



NEW

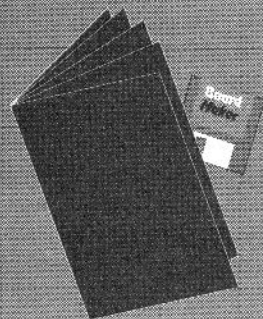
## Board Router

### *Gridless re-entrant autorouter*

- Simultaneous multi-layer routing
- SMD and analogue support
- Full interrupt, resume, pan and zoom while routing

### *Output drivers - Included as standard*

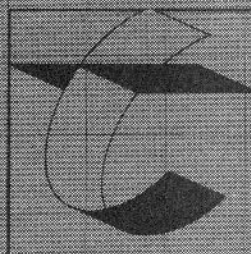
- Printers - 9 & 24 pin Dot matrix, HPLaserjet and PostScript
- Penplotters - HP, Graphtec & Houston
- Photoplotters - All Gerber 3X00 and 4X00
- Excellon NC Drill and Annotated drill drawings (BM2)



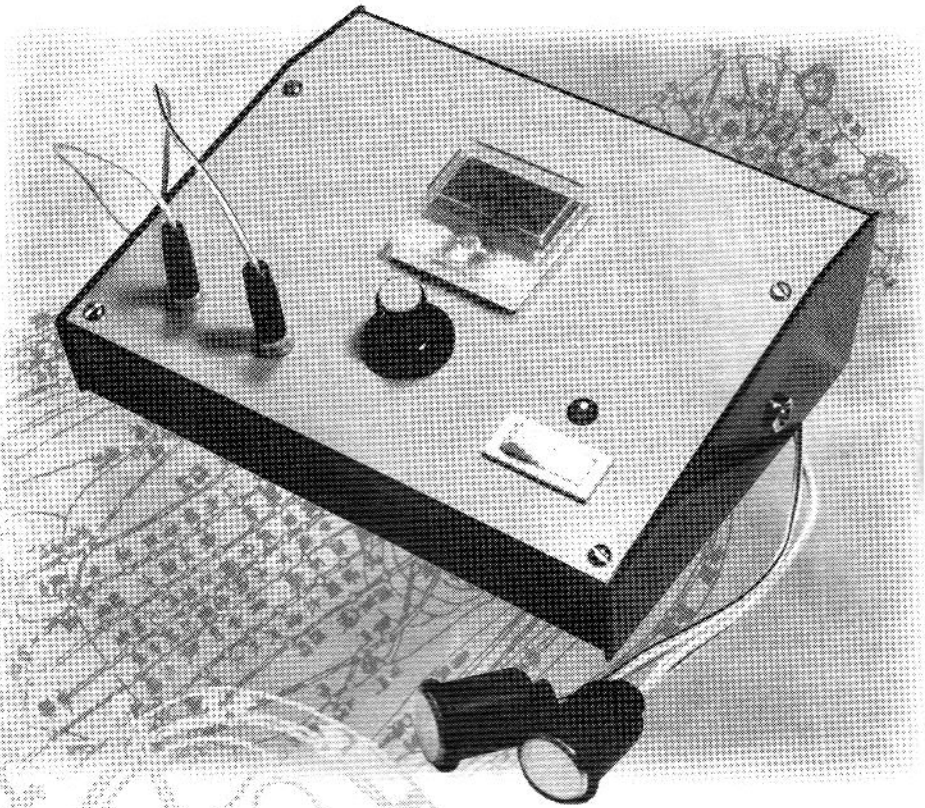
Call, write or fax for more information or a full evaluation kit

Tsien (UK) Limited  
Aylesby House  
Wenny Road, Chatteris  
Cambridge  
PE16 6UT

Tel (0354) 695959  
Fax (0354) 695957



**tsien**



# Needles and Pins

G. Lu and P. An help us discover the ancient Chinese art of acupuncture, with a little modern technology

It is well known that acupuncture is a traditional medical cure that originated in China about forty-six centuries ago. In this practice some metal needles were inserted into the patient's body at certain points (called acupuncture points), specifically selected according to a particular disease. It has been found to be very effective, especially for chronic diseases. However, a trained doctor is needed to perform such practice.

The Electronic Acupuncture Device presented here simulates acupuncture. Instead of using needles as with traditional acupuncture, the device uses electric signals to stimulate the acupunc-

ture points by means of two electrodes touching the skin. It can also be used as a massage machine by putting the electrodes in the areas of the body to be massaged. This device is simple and safe to use and can be operated by yourself without special training. It is also economical to construct.

## Principles of Acupuncture and Electric Message

Why can acupuncture cure diseases? There is not a satisfactory explanation yet, however it is well explained according to traditional Chinese medical theory. This theory is based on the philosophy of life energy (which is pronounced 'Chi' in Chinese) and the interrelationships between 'Yin' and 'Yang', the two most fundamental elements of the Universe. Yin is the element corresponding to negative, feminine, passive and cold etc. and Yang corresponding to positive, masculine, active and hot. They are opposite to each other in nature but together they form the whole world. Chi moves along pathways of the human body called 'Jing Lo', or meridians, completing a circle every 12 hours. There are 365 acupunc-

ture points on the human body connected by 14 longitudinal and latitudinal paths of *Jing Lo*. A chart showing the acupuncture points and meridians used by the ancients is in Figure 1.

According to this theory, balances between Yin and Yang are vitally important for the health of our body. Any imbalances between the two will cause bodily malfunctions and diseases. Acupuncture is the treatment of body malfunctions by inserting needles at acupuncture points of the body to simulate or regulate the flow of *Chi* or to correct any imbalance between *Chi* and other circulatory systems of the body.

The mechanism behind the massaging effect by putting electric currents through the body is also not clear yet. It is suggested that this treatment stimulates the release of body chemicals known as endorphines, which is a sort of naturally produced opiate. Another theory suggests that the relief of pain is due to blocking of the nerve impulses.

## The Electronic Acupuncture Device

This device was developed on the basis of similar devices which are popular in

**PLEASE NOTE**  
This device should not be used by the following people: People having suffered a heart attack, those with Heart Pacemakers, children and pregnant women. If you are in any doubt, you must consult your doctor.



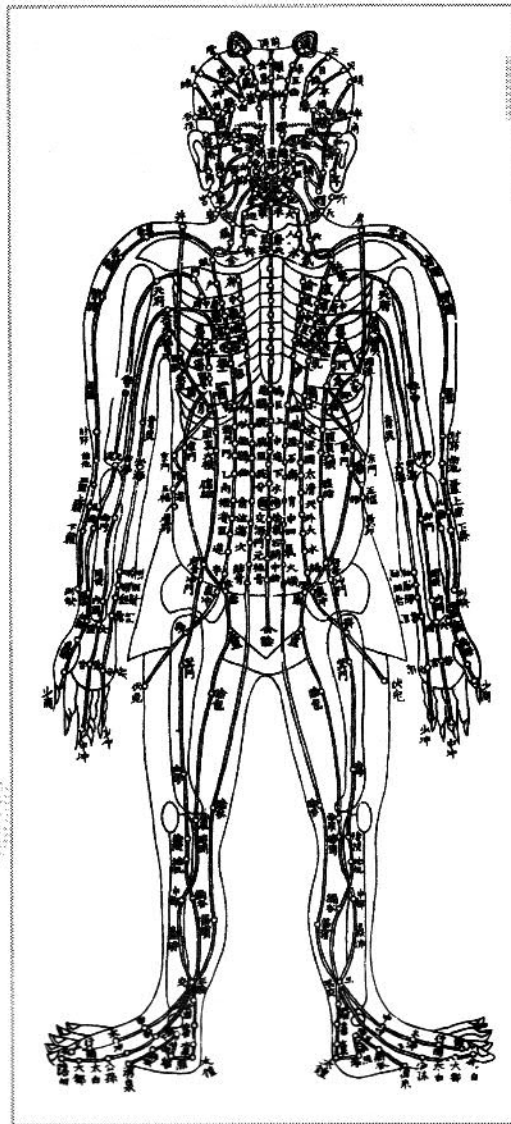
China, Japan and other southeast Asian countries. The device consists a control unit and a pair of electrodes. The control unit generates continuous pseudo-random noise signals and the frequency of the signal is between several hundred Hertz and several thousand Hertz. The amplitude of the signal is controlled by the signal volume control and is monitored by a voltmeter. This signal is fed into the two electrodes which touch the skin. As a result, a small oscillating electric current passes through the part of the body between the electrodes and creates massaging effects. Moreover the two electrodes are magnetized and the magnetic field is also believed to have a curing effect.

This device can be used in two ways: The first one is to use it as an acupuncture device to treat certain illnesses. In this mode, the electrodes are put on the acupuncture points which are selected for a particular illness to be treated. The other is to use it as a device to massage muscles or any uncomfortable parts of the body. In this operation the electrodes are placed anywhere in the area of the body to be massaged.

### Circuit Detail

Figure 2 gives the block diagram of the device. It can be seen that it consists of 6 units, the signal generator unit, amplification unit, voltage step-up unit, voltmeter unit, output unit and power supply unit. The signal generator unit generates a low power audio signal which is subsequently amplified by the amplification unit. The amplified signal is fed into the voltage step-up unit to elevate the signal to high voltages. The signal is finally output to the electrodes. The voltmeter unit monitors the voltage of the output signal. The power supply unit supplies a constant voltage to all other units.

The circuit diagram is shown in Figure 4. The signal generator unit incorporates a music IC M66T-205 (IC2, available from Maplin Electronics) which produces continuous audio signals. This signal is meaningful to our ears, but is a somewhat random signal when injected into our body. In the developing stage of this device, it has been found that different music



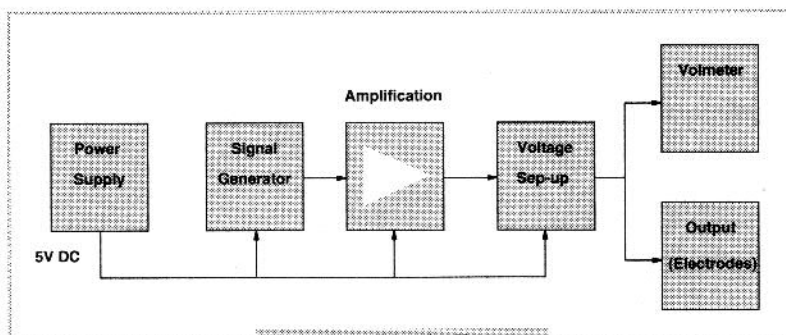
**Fig.1 Acupuncture points used by the ancients**

2 on IC3 in the inverting input and there is a 6K resistor between the input and output of the IC. Pin 5. This allows the voltage gain to be adjusted by an external resistor R4 and the voltage gain is approximately equal to the value of the internal resistor divided by resistor R4. In the present circuit the voltage gain is set to about 8. C3 and C9 provide DC blocking. C5 decouples the supply to the pre-amplifying stage of IC3. C6, C7 and R6 helps to prevent high frequency instability. R5 and C6 are bootstrapping components which give the circuit good power efficiency. The amplified signal is fed into a step-up transformer T (it is an ordinary low-power mains transformer) which has a primary to secondary ratio of 1/40. Thus, the signal obtained from the secondary coil of the transformer is elevated to much higher voltages. This signal is fed to the electrodes and is monitored by the voltmeter which consists of an analogue ammeter, R7, R8, D1 and C10.

The power source uses six Alkaline AA batteries (on-board) or an external DC power supply (6-12V). The power to the circuit is regulated by IC1, LM2930, which is a 5V regulator. This IC features a very small dropout voltage of 0.4V typical and can work for an input voltage as low as 6V. C1 and C2 are decoupling capacitors for the power supply lines.

tunes have different massaging effects. This particular chip was chosen because the music tunes gave seemingly better massaging effects.

The signal from IC2 is fed to R3



**Fig.2 The Block diagram**

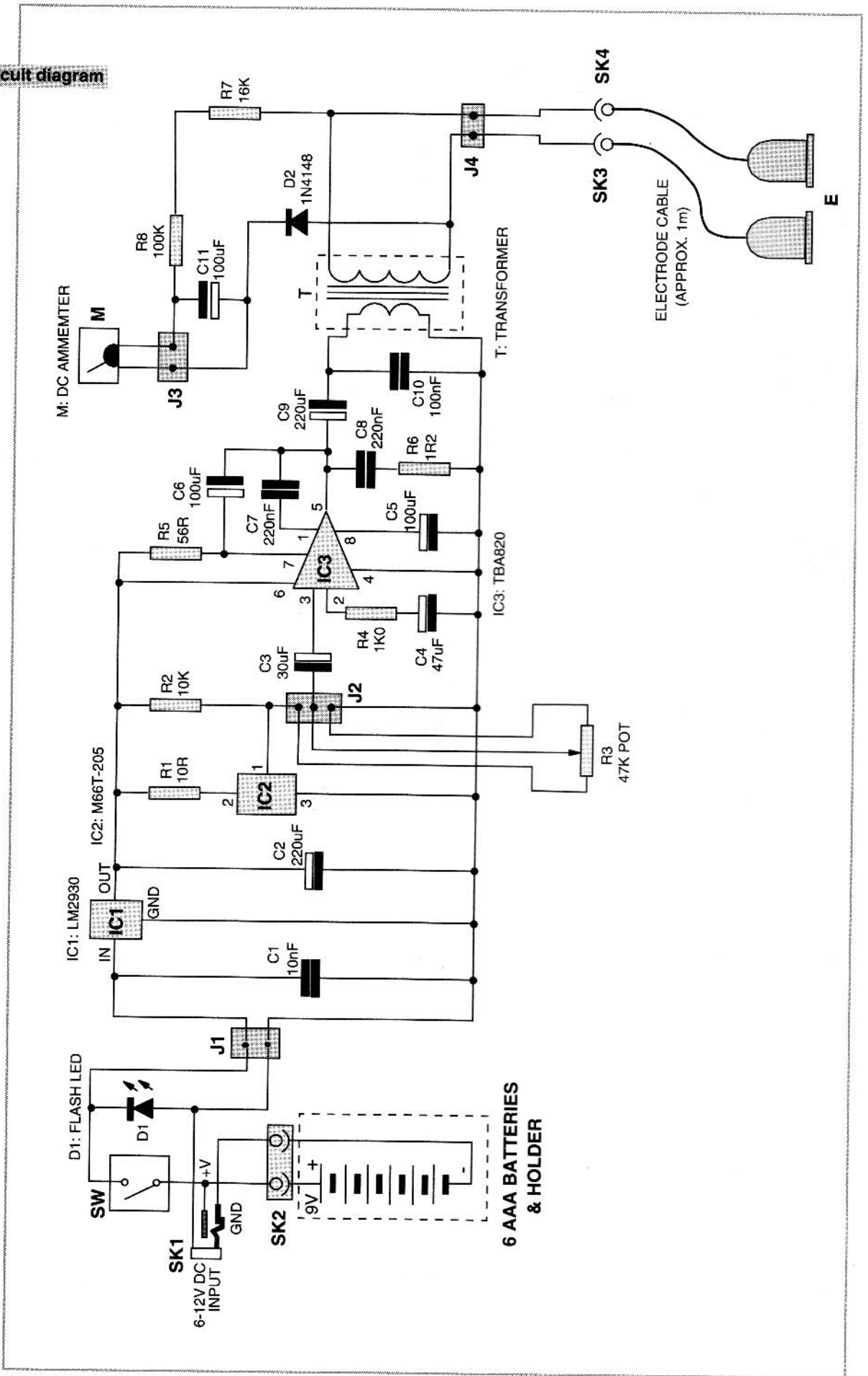
which is a potentiometer. The audio signal pick by the wiper of R3 is fed into the audio amplification unit which is built around the TBA820 IC, IC3. TBA820 is a popular audio power amplifier which requires a power supply from 3 volts to 12 volts and is able to offer an output power up to 2 watts. Pin

**SUPPLIES FROM MAINS ADAPTORS ARE STRICTLY FORBIDDEN TO BE USED AS THE EXTERNAL POWER SUPPLY. ONLY BATTERIES are allowed to be used.**

**Construction**  
Figure 5 and 6 are the copper foil pattern of

print circuit board and the component layout. The PCB board is available from the PCB service. The components should be soldered on the PCB board in the following order, the links, resistors, IC sockets, capacitors, PCB connectors and finally the step-up transformer. The PCB, together with the power supply pack, are housed inside a project box.

Fig.3 Circuit diagram

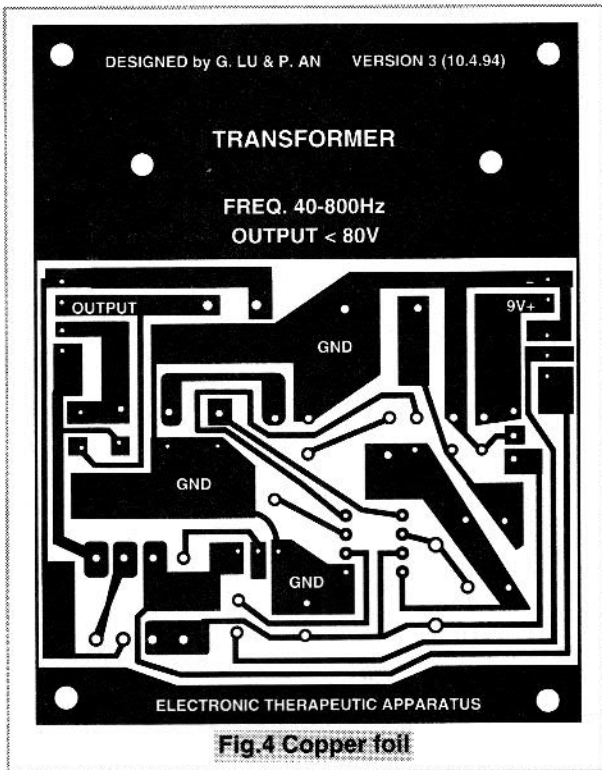


We chose a console-type box (Maplin Electronic, Stock no. LH66W). The control panel consists of a power switch, an indicator, a volume control knob, a

voltmeter and two plug-in sockets for electrodes. The overall view of the system we produced is shown in Figure 2. Readers can certainly design their

own boxes with the style they like.

The electrodes can be made by yourself. A suggested way of making it is illustrated in Figure 7 and is briefly



hood. This other end of the electrode cable is connected to a plug which can fit the sockets on the control unit

### Testing

After soldering, a careful inspection must be carried out to check all the joints and connectors and to make sure there are no shorts. After this, power can be connected to the device. It is noted that high voltage (about 80 volts) may be present at the output of the secondary coil. Hence to prevent unwanted electric shock, care should be taken not to touch the exposed parts from the secondary coil of the transformer. This high voltage, however, is

the step-up transformer should be about 2.4V and 80V, respectively.

If the circuit works OK, a test on the body can be carried out.

### Operations

To use the device on your body, these procedures should be followed:

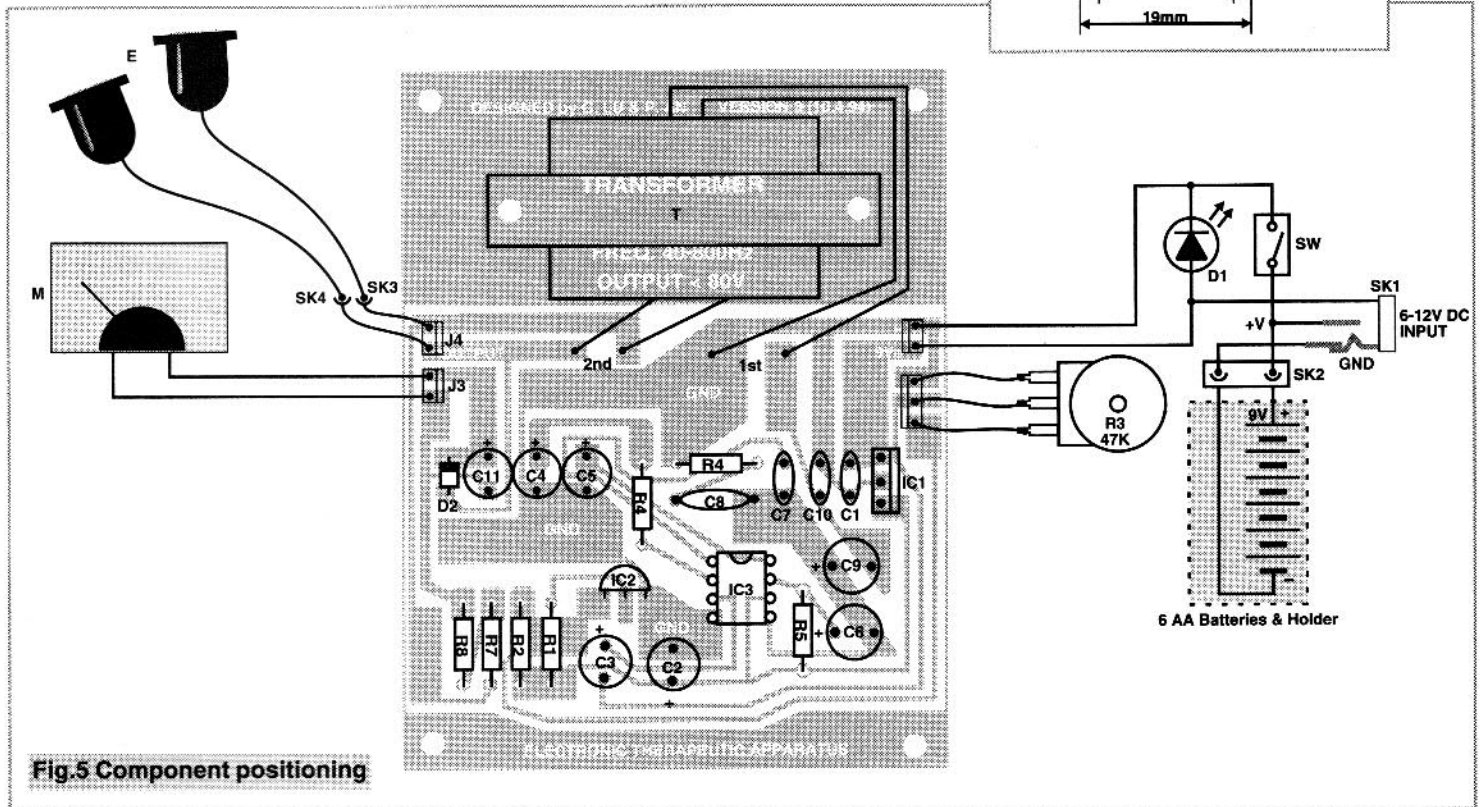
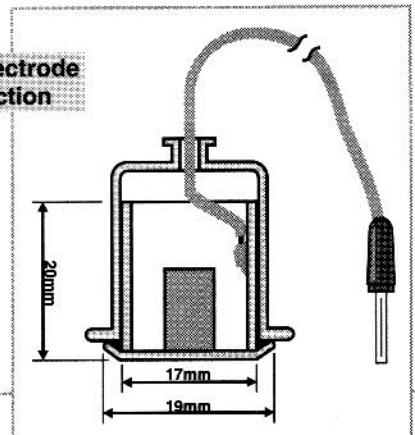
- 1** Firstly check that the device is switched off and the volume control is in the minimum position.
- 2** Wrap the two electrodes in small pieces of soft cloth soaked with water.
- 3** Switch on the device and turn the volume control to make the meter read about 1/3 of the full deflection.
- 4** Place the two electrodes in contact with the skin in the area to be treated.
- 5** Each electrode should be moved around slowly in a small area. Meanwhile the output voltage may be increased gradually, until a sensational and comfortable feeling is obtained.
- 6** A normal treatment lasts no more than several minutes.

described below. The electrode plate (which contacts the skin) is made from a piece of 0.5mm tin-plated steel sheet. The edge of the plate should be filed to have a smooth finish. A 20mm long and 15mm diameter copper tube is soldered to the electrode plate. A small piece of magnet is glued to the electrode plate inside the tube. The lead of the electrode is made of a well-insulated cable and one end is soldered on the side wall of the tube. The tube and the electrode plate is then covered by a suitable insulation

intrinsically safe.

The following checks can be done. The voltage at the output of regulator (IC1) should be 5V. Now connect a small speaker to the output of IC1, a low level sound should be audible. Connect an AC voltmeter to the Pin 3 of IC3 (see Figure 4) and turn the VOLUME control from minimum to maximum, the voltage should change between 0V to 0.3V. Set the VOLUME control to maximum, the voltage across the primary and the secondary coils of

Fig.6 Electrode construction



**7** After the treatment, the control should be turned down to minimum and the device should be switched off.

## Applications

As we already know that there are two applications of the electronic acupuncture device: massage and acupuncture.

To use it as a massager, please follow the operation procedures as described. One electrode is put in the central area of the body to be massaged and the other is moved around the first one in circles. The voltage level of the signal should be increased in step as long as you feel comfortable.

To use it as an acupuncture device, special acupuncture points (see table below) have to be selected according to the disease to be treated. Firstly, follow the procedure detailed in the section 'Operations'. A few examples of common diseases are . The second column in the table shows the pairs acupuncture points to be used in the treatment. During treatment, one electrode is placed at the first point and the other placed on the other. If the two points have the same name, it means that one electrode is placed on the left hand side one and the other on the right hand side one. If any reader is interested in getting more information about treating other diseases please contact us.

### Resistors

(Metal film, 0.25W and 1%)

- R1 10R
- R2 10K
- R3 37K
- R4 1K
- R5 56R
- R6 1R2
- R7 16K
- R8 100K

### Capacitors

- C1 10nF
- C2 220µF
- C3 30µF
- C4 47µF
- C5 100µF
- C6 100µF
- C7 220nF
- C8 220nF
- C9 220µF
- C10 100nF
- C11 100µF

### Semiconductors

- IC1 LM2930
- IC2 M66T-205
- IC3 TBA820
- D1 Flash LED
- D2 1N4148

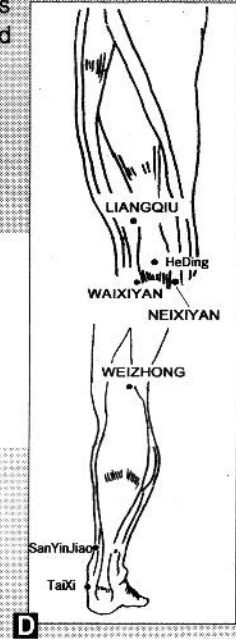
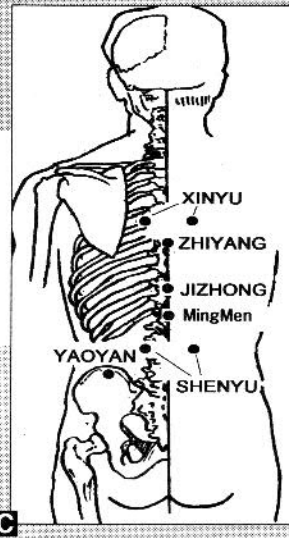
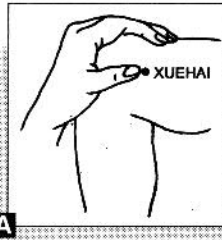
### Additional Components

#### Electrodes

- Cable, 2m Hook-up Wire
- Insulating Boots x 2
- Magnet
- Thin iron plate - 2 pieces (15mm diameter)
- Copper tube x 2 (15 x 25 x 2mm)
- J1,J3,J4 2-Way PCB Connector
- J2 3-Way PCB Connector
- T Transformer (1:40)
- SW1 Toggle Switch
- M DC Ammeter
- SK1 2.5mm Power Socket
- SK2 Battery Holder Socket and Plug
- SK3,4 4mm Sockets and Plugs
- B1-6 6x1.5V AA cells
- Spacers x 4, Hex Threaded

If anybody wants to get a complete electronic acupuncture device instead of making it themselves, please write to G Lu, 23 Allerton Walk, Brunswick, Manchester M13 9TG. The cost of a complete device is £40.

## Parts



Disease to be treated	Acupuncture points	Signal level	Period
Knee injury (cartilage)	WeiZhong (D) - pain point	Medium	1 minute per day
Ankle injury (cartilage)	XuanZhong (B)-SanYinJiao (D) KunLun (B) - TaiXi (D)	Medium	1 minute per day
Rheumatritis on the back	ShenYu - ShenYu (C)  XinYu - XinYu (C) ZhiYang(C) - JiZhong (C) WeiZhong - WeiZhong (D)	Medium	5 minutes  1 minute per day
Rheumatritis in the waist	ShenYu - ShenYu (C)  XinYu - XinYu (C) MingMen (C) - YaoYan (C) KunLun (B) - KunLun (B)	Medium	5 minutes  1 minute per day
Rheumatritis in the waist	ShenYu - ShenYu (C)  XinYu - XinYu (C) Nei/Wai XiYan (D) XueHai (A) - LiangQiu (D) WeiZhong (D) - HeDing (D) YangLingQuan (B)-ZhuSanLi(B)	Medium	5 minutes  1 minute per day

# EXPRESS COMPONENTS

**MAINS IONIZER KIT.** Very useful kit that increases the flow of negative ions, helps clear cigarette smoke, dust, pollen etc. Helps reduce stress and respiratory problems. £15. kit, £20 built.

**COMBINATION LOCK.** Electronic 9 key combination lock suitable for alarms, cars, houses etc, easily programmable. Includes mains 2A relay o/p. 9v operation. £10 kit, £14 built.

**VARIABLE POWER SUPPLY.** Stabilized, short circuit protected. Gives 3-30v DC at 2.5A, ideal for workshop or laboratory. £14 kit, £18 built. 24VAC required.

**LEAD ACID CHARGER.** Two automatic charging rates (fast and slow), visual indication of battery state. Ideal for alarm systems, emergency lighting, battery projects etc. £12 kit, £16 built.

**PHONE LINE RECORDER.** Device that connects to the 'phone line and activates a cassette recorder when the handset is lifted. Ideal for recording 'phone conversations etc!. £8 kit, £12 built.

**ROBOT VOICE.** Turns your voice into a robot voice! answer the phone with a different voice! £9 kit, £13 built.

**PHONE BUG DETECTOR.** This device will warn you if somebody is eavesdropping on your 'phone line. £6 kit £9 built.

**PHONE BUG.** Small bug powered by the telephone line. Only transmits when the phone is used. Popular surveillance product. £8 kit, £12 built.

**STROBE LIGHT.** Bright strobe light with an adjustable frequency of 1-60hz. (a lot faster than conventional strobes!) £16 kit, £20 built.

**4W FM TRANSMITTER.** 3 RF stages, audio preamp. 12-18vDC. Medium powered bug £20 kit, £28 built.

**3 CHANNEL LIGHT CHASER.** 3x 800w output, speed and direction controls, can be used with 12 led's (supplied) or TRIACS for mains lights (also supplied). 9-15v DC. £17 kit, £23 built.

**25W FM TRANSMITTER.** 4 stage, a preamp will be required. (Our preamp below is suitable) £79 built. (no kits).

**SOUND EFFECTS GENERATOR.** Produces any thing from bird chips to sirens! add sounds to all sorts of things £9 kit £13 built.

**FM/AM SCANNER.** Well not quite, you have to turn the knob yourself but you will hear things on this radio (even TV) that you would not hear on an ordinary radio! A receiver that covers 50-160MHZ both AM and FM. Built in 5w amplifier. £15 kit, £20 built.

**CAR ALARM SYSTEM.** Works on vibration and/or voltage drop from door etc being opened. Entry and exit delays plus adjustable alarm duration. Low cost protection! £12 kit, £16 built.

**15W FM TRANSMITTER.** 4 stage, high power bug. You will need a preamp for this (see our preamp below which is ok) £69 built. (no kits).

**1W FM TRANSMITTER.** 2 stage including preamp and mic. Good general purpose bug. 8-30VDC. £12 kit, £16 built.

**50 I/C's for £1.50**  
Nice mix of chips at a bargain price!

**CERAMIC CAPACITOR PACK**  
Good mixed pack of 100 capacitors for just £1.00

**ELECTROLYTIC PACK 1**  
100 small mixed electrolytic capacitors just £1.00

**ELECTROLYTIC PACK 2**  
50 larger electrolytic mixed capacitors

**RESISTOR PACK NO 1**  
250 low wattage resistors, ideal for most projects etc. Just £1.00

**RESISTOR PACK NO 2**  
Hi wattage pack, good selection of mixed wattages and values 50 in all, bargain price just £1.00

**PRESET PACK**  
Nice selection of 25 mixed preset pots for just another £1!

**RELAY PACK NO 1**  
6 mixed relays for £1, thats just 17p each.

**CONNECTOR PACK**  
10 different connectors, again for £1

**FUSE PACK NO 1**  
40 mixed 20mm fuses, ideal for repairs etc, or just to stock up the spares box! Just £1.00

**FUSE PACK NO 2**  
30 mixed 1.25" fuses again ideal for spares etc. Just £1.00

**WIRE PACK**  
25 Metres of insulated wire for just £1.00, good for projects etc.

**SLEEVING PACK**  
100 assorted pieces of sleeving for connectors etc. Yours for just £1.00

**DIODE PACK**  
100 assorted diodes for just £1.00

**LED PACK**  
20 light emitting diodes for £1.00

**TRANSISTOR PACK**  
50 mixed transistors, another bargain at £1.00

**BUZZER PACK**  
10 things that make a noise for just £1.00!

**POT PACK**  
10 pots for £1, (5 different types) a snip at £1.00

**DISPLAYS**  
10 seven segment displays for £1.00

**ORDER 10 PACKS OR MORE AND CHOOSE ONE FREE PACK!!**

**FREE COMPONENT CATALOGUE WITH EVERY ORDER!!**

99p  
Post

## BULK PACKS

**PREAMP MIXER.** 3 channel input, independent level and tone controls. Ideal for use with the hi power FM transmitters. £15 kit, £19 built.

**TREMBLER ALARM.** Designed for bikes etc, adjustable sensitivity, preset alarm time, auto reset. Could be adapted for all sorts of "borrowable" things £12 kit, £16 built.

**ULTRASONIC RADAR.** A project that can be used as a movement detector in an enclosed space. Range about 10 metres, 12vDC. Good basis for car, shed, caravan alarm etc. £14 kit, £19 built.

**PHONE CALL RELAY.** Very useful kit that incorporates a relay that operates when the phone rings. Can be used to operate more bells, signalling lights etc. Good for noisy environments or if you have your headphones on! £10 kit, £14 built.

**PORTABLE ALARM SYSTEM.** Small 9v alarm system based on a mercury switch. The alarm continues to sound until disabled by the owner. Buzzer included. £11 kit £15 built.

**800W MUSIC TO LIGHT EFFECT.** Add rhythm to your music with this simple sound to light kit. £8 kit, £12 built.

**MOSQUITO REPELLER.** Modern way to keep the midges away! Runs for

about a month on one 1.5v battery. Frequency is set to drive away mosquitos etc. £7 kit, £11 built.

**3 CHANNEL SOUND TO LIGHT.** Can be used anywhere as no connection is made to hi fi. Separate sensitivity controls for each channel, 1,200W power handling. Microphone included. £14 kit, £19 built.

**MINI METAL DETECTOR.** Detects pipes, wires etc up to 20cm deep. Useful before you drill those holes! £8 kit, £12 built.

**0-5 MINUTE TIMER.** Simple time switch adjustable from 0-5 mins, will switch 2A mains load. 12v op. Ideal for laboratory, photographic projects etc. £7 kit, £11 built.

**7 WATT HI FI AMPLIFIER.** Useful, powerful amplifier 20hz-15hz, 12-18vdc. Good for intercoms, audio systems, car etc. £7 kit £11 built.

**INCAR SOUND TO LIGHT.** Put some atmosphere in your car with this kit. Each channel has 6 led's that create a beautiful lighting effect! £10 kit, £14 built.

**VOX SWITCH.** This is a sound activated switch, ideal for use on transmitters, CB's, tape recorders etc. Adjustable sensitivity, built in delay. Mic input. £7 kit, £11 built.

## KITS 'N MODULES

**LIQUID LEVEL DETECTOR.** Useful item, can be used to detect fluid levels in watertanks, baths, ponds fishtanks etc. Could also be used as rain alarm with an easily constructed sensor. £5 kit, £9 built.

**FM TRANSMITTER.** Mini FM transmitter 2 transistor, comes with FET miniature mic and is tuneable from 63 to 130MHZ. £7 kit, £11 built.

**FUNCTION GENERATOR.** Generates sinusoidal, saw tooth and square waveforms from 20hz up to 20khz. Separate level controls for each waveform. 24vac. £15 kit, £20 built.

**5 WATT SIREN.** Powerful siren kit with an impressive 5 watts output. Ideal for alarms etc. £6 kit £10 built.

**TELEPHONE AMPLIFIER.** Very sensitive amplifier which using a 'phone pickup coil (supplied) will let you fol-

low a telephone conversation without holding the handset to your ear! £11 kit £15 built.

**SWITCH PACK**  
10 switches for just £1.00

**12v FLOURESCENT.** A useful kit that will enable you to light large flourescent tubes from your car battery etc. 9v mains transformer required. £8 kit, £12 built.

**KNOB PACK**  
10 knobs for just £1.00

**REMEMBER! YOUR FREE COPY OF OUR CUT PRICE COMPONENTS CATALOGUE SENT WITH EVERY ORDER!!!**

How to place your order.....

By phone.....0273 771156

By FAX.....0273 206875

By Post...PO box 517 Hove Sussex BN3 5QZ

Payment by ACCESS, VISA, CHEQUE OR POSTAL ORDER.

Cheques and postal orders should be payable to Express Components.

**ALL PRICES ARE SUBJECT TO 99p POST AND VAT.** Some of our products may be unlicensable for use in the UK (particularly the FM transmitters.)

The I/O card control program is written in Turbo Pascal 6 and is based on the LPT1 printer port. The program consists of two operations: writing and reading data from the card. The flow charts of the two operations were shown in Figures 4(a) and 4(b) last month. The sample program is too long to be listed here so readers can obtain a copy of the software on floppy disks at a price of £6 including P&P (The cheque should be payable to X. Qiu and sent to the EIA office).

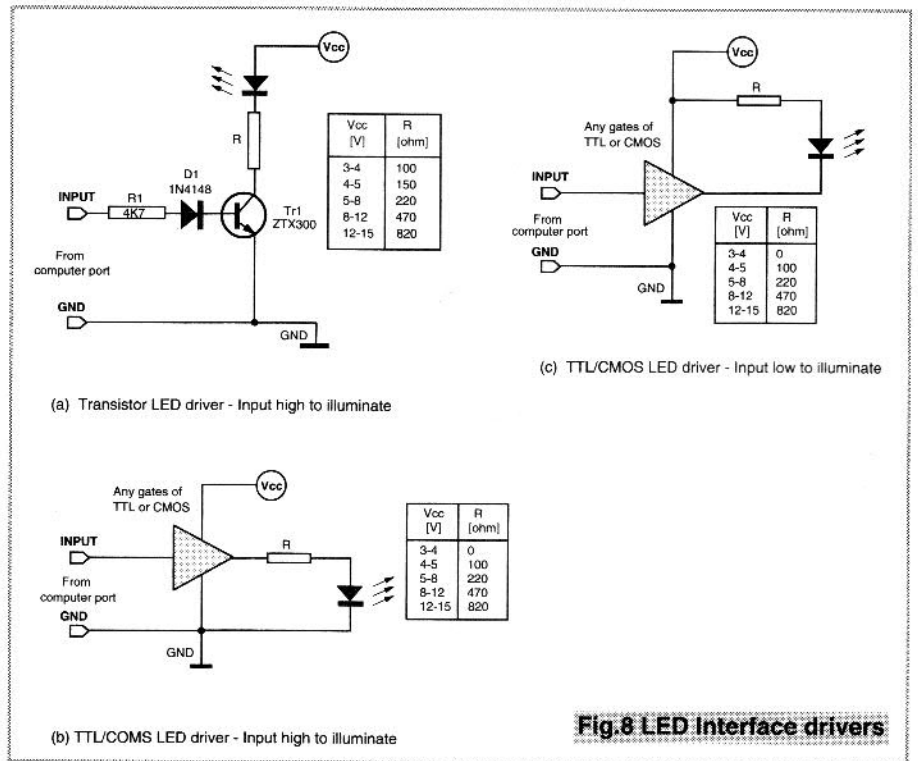
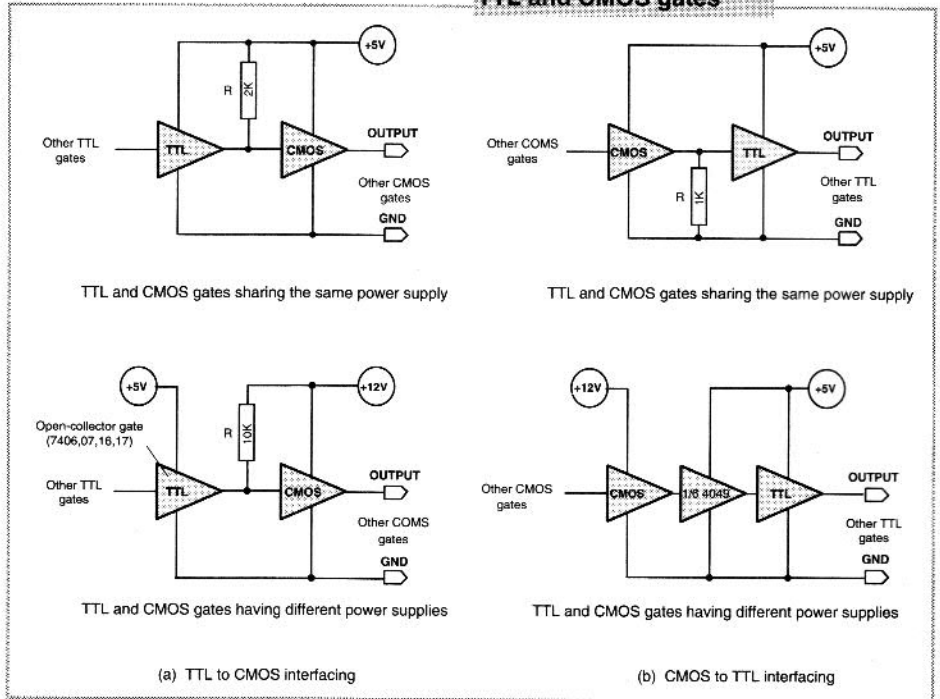
To use the card, the 8255 PPI should be initialized by writing a suitable control word to the control register. After this, data can be written to or read from peripheral registers according to the port configuration. The procedures of writing and reading are discussed in detail below.

When writing data to an 8255 register, the required data is firstly written to the Data port (Port[888] for LPT1), then the address is written to the Control port (Port[890]) to specify a particular register with the other two lines of the Control port set high. Next a '0' pulse is sent to the 8255 via -WR line of the Control port. This will write the data into the register (see Figure 4(a)). We can only write data to the control register and peripheral registers with their corresponding ports configured as output ports. Because the data lines of the Centronic port are not connected in the same order to that of the 8255 PPI (Figure 2), the actual data sent to the 8255 PPI must be converted before output from the Centronic port. The method of conversion is in a procedure named 'Function convert()' within the program.

To read data from the card, the following procedure is required (see Figure 4(b)). Firstly, an address is written to the Control port with the other two lines of the Control port set high, then a high-to-low pulse is supplied to -RD line. This causes the 8255 PPI to output data to its data bus. Next the first LSB of the Data port is set low (DSL line is low) and the Status port of the

LPT1 (Port[889]) reads the first reading. The first LSB of the Data port is then set high (DSL line goes high) and the Status port reads the second reading. Finally the two readings are rearranged and combined into 8-bits of data. The procedure is then completed.

**Fig.7 Interfacing between TTL and CMOS gates**



**Fig.8 LED Interface drivers**

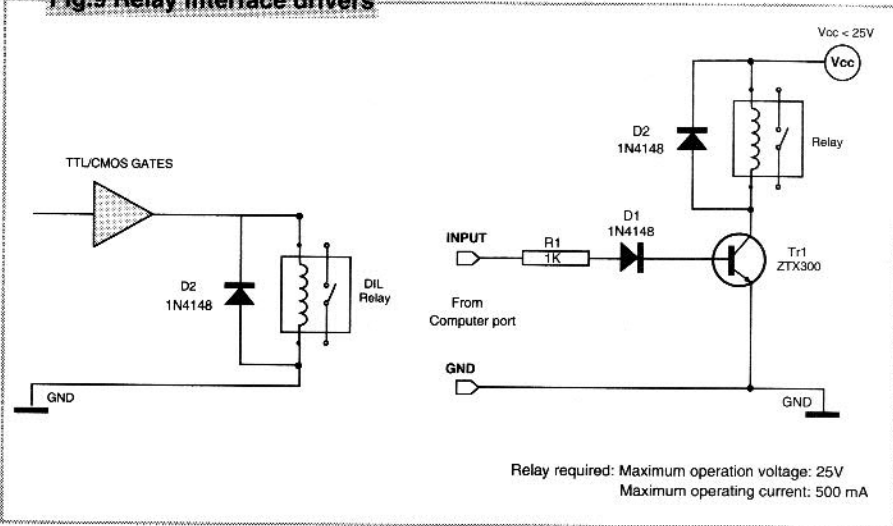
## Applications

Building this I/O card is only half of the story of computer interfacing. The other half is to do the actual interfacing with external devices. There are mainly two interfacing schemes. The first one is to use the I/O card to control external

**A Versatile Centronic  
24-line I/O Port  
by Dr. Pei An**

**I/O Silver**

**Fig.9 Relay interface drivers**



the LED. For CMOS gates, R should be chosen according to the voltage of the power supply.

**Relay drivers**

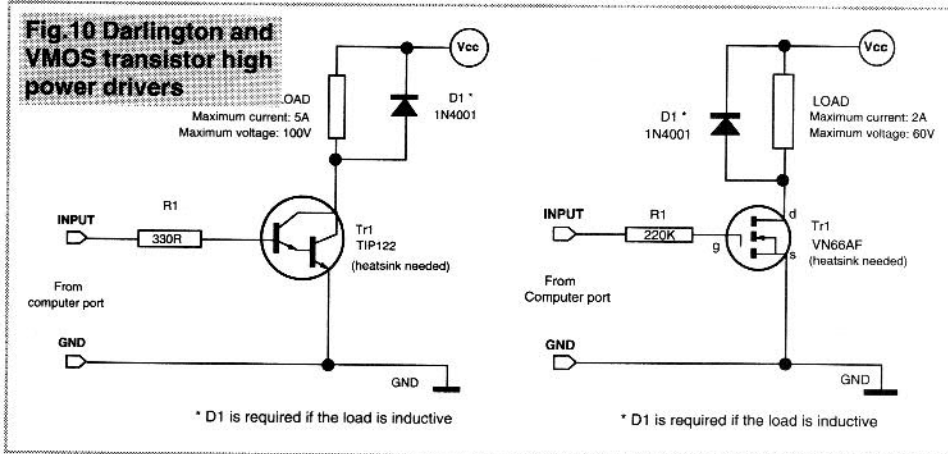
Low power reed relays, some of which are housed in tall DIL plastic packages, will operate with a coil voltage of about 3.7 volts and a current of 7.4mA. These can be driven directly from TTL gates. A diode is used to protect the TTL output against the reverse voltage generated as the relay switches off. The contact rating of this type of relay is low and the maximum voltage is usually below 100V and maximum power is in the range from 3 to 10

watts. This only enables loads such as low voltage filament bulbs and small electric motors to be controlled, but is far too inadequate for the majority of applications.

Medium and high power relays require relay drivers. Figure 9 shows a relay driver using a ZTX300 transistor. The driver will operate on a maximum supply voltage of 25V and maximum current of 0.5A. This is adequate for most relay applications. The actual voltage of the power supply should be chosen according to the specification of the relay applied. In all cases, the suppressor diode must be used. Other medium power transistors such as BC108C and BC548 can also be used for these applications.

**Drivers for high-current loads**  
Figure 10 shows two driver circuits. The first one uses a Darlington power transistor, TIP122, and can be used with a maximum supply of

**Fig.10 Darlington and VMOS transistor high power drivers**



devices such as lights and relays. The other is to use it as an input device to obtain information from the external world. In this section, various ways in which external devices can be interfaced to the I/O card are discussed.

Before this, a brief description is given to show the relationship between logic and voltage levels from TTL outputs and inputs. At logic 0 state, the output will be any voltage between 0V and 0.8V. At logic 1, it will be between 2V and 5V. TTL inputs interpret any voltage between 0V and 0.8V as 'Logic 0' and any voltage between 2V and 5V as 'logic 1'.

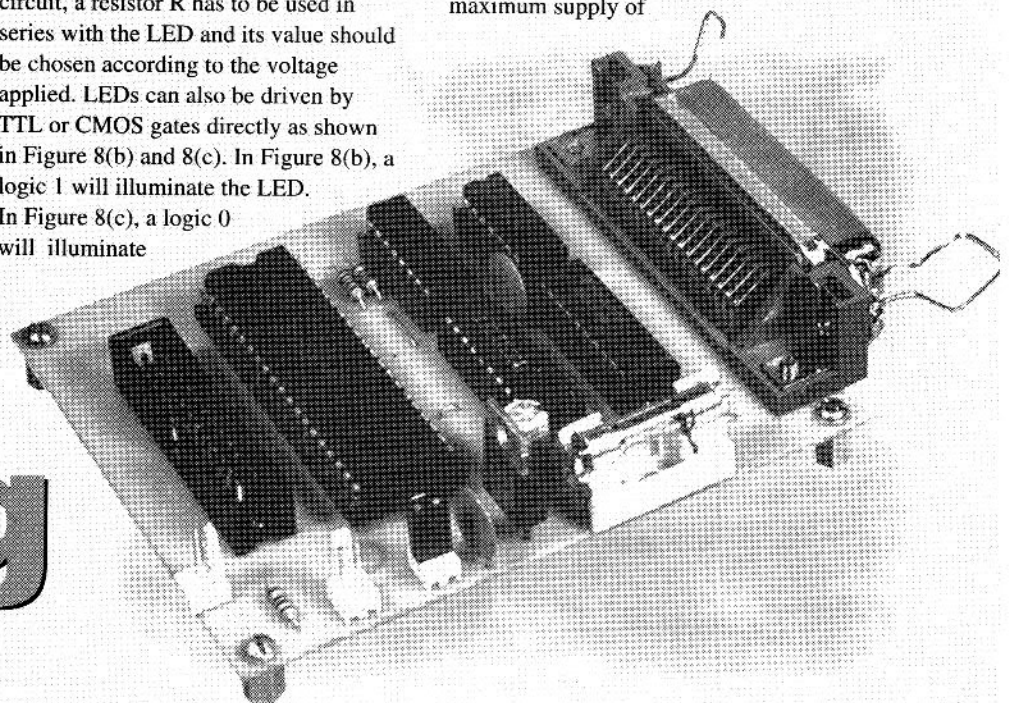
**Interfacing between TTL and CMOS**

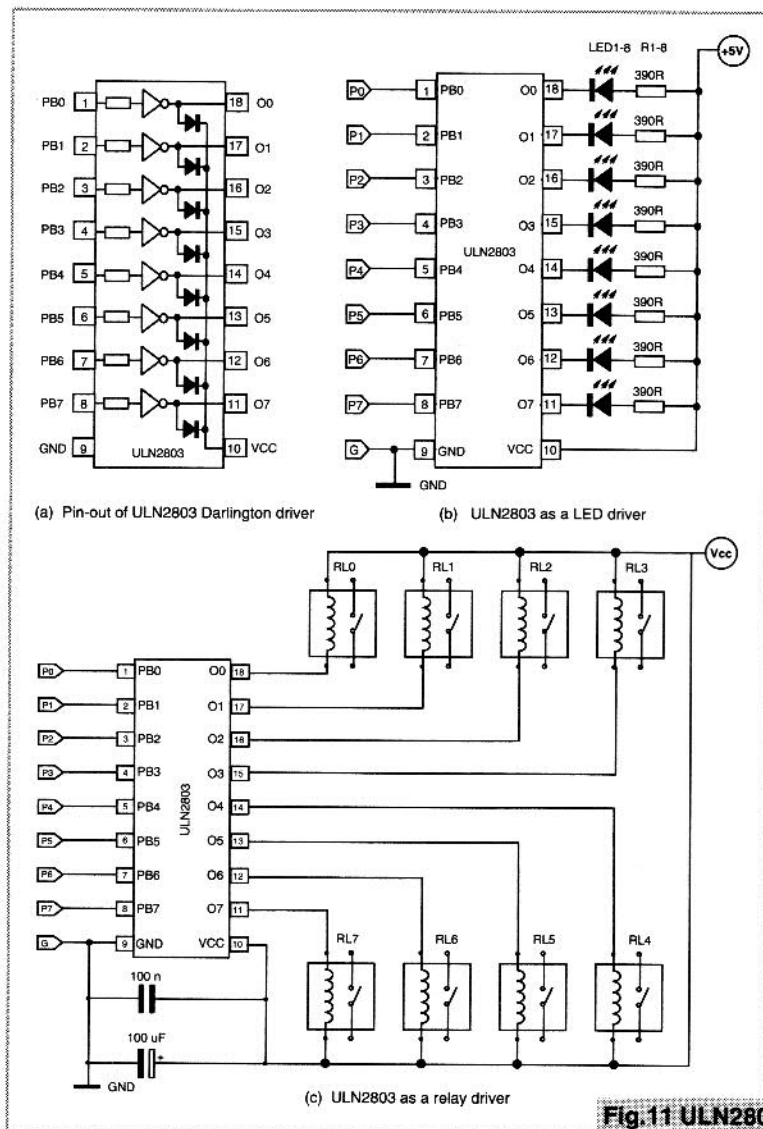
Sometimes TTL and CMOS gates have to be connected together. Figures 7(a) show how this is done. The upper figure shows two gates sharing the same power supply and the lower has two gates with

different power supplies. Figure 7(b) shows how CMOS and TTL gates are connected.

**LED drivers**

Using computers to control LEDs is very common in interfacing projects. Several LED drivers are shown in Figure 8. Figure 8(a) shows an LED driver using a transistor, ZTX300. In this circuit, a resistor R has to be used in series with the LED and its value should be chosen according to the voltage applied. LEDs can also be driven by TTL or CMOS gates directly as shown in Figure 8(b) and 8(c). In Figure 8(b), a logic 1 will illuminate the LED. In Figure 8(c), a logic 0 will illuminate





**Fig.11 ULN2803 Darlington driver IC and its applications (a) Pin out, (b) LED driver and (c) relay driver**

100V and a maximum current of 5A. Darlington transistors start to conduct with a base voltage of 1.2V and have a typical current gain of 5000, therefore a base voltage slightly higher than 1.2V will cause the transistor to saturate in conduction. It can therefore be interfaced directly to TTL gates. The second one uses a VMOS transistor, (VN66AF) which can handle a maximum voltage of 60V and a current of 2A. A VMOS transistor requires an input voltage between 0.8 to 2V to conduct, thus it is possible to directly drive a VMOS tran-

sistor from TTL outputs. In both cases, the suppressor diode must be used for highly inductive load such as relays or electric motors and is not necessary if the load is non-inductive such as bulbs or electronic circuits.

#### Integrated driver ICs

In cases where a number of LEDs, relays or loads are needed, an integrated driver IC such as ULN2803 (or ULN2003) is recommended. This IC has 8 Darlington pair transistor drivers (ULN2003 has 7 pairs) and the pin-out is shown in Figure 11(a). In use Pin 9 is connects to the GND and Pin 10 is connected to the positive

power supply. The maximum voltage is 50V and each driver can handle up to 0.5mA current. For currents above 0.1A, heatsinks should be used. Figures 11(b) and 11(c) give the circuit diagrams in which 8 LEDs and 8 relays are controlled by the IC. The former can be used as a logic level indicator for checking the operation of the present I/O card.

#### Opto-isolator

Opto-isolators are used to electrically isolate the computer from the external devices. This ensures that any fault or mistake in the device side will not lead to damage to the computer. A typical Opto-isolator consists of an infra-red LED and a photo-transistor (Figure 12). In use, the LED is driven from a TTL gate in the normal way. For the photo-transistor, there are two configurations, inverting and non-inverting. In the first case, a logic 1 at the input will result in the output to go low (Figure 12(a)). In the second one, a logic 1 at the input will make the output high (Figure 12(b)).

#### Opto zero-crossing Triac isolator

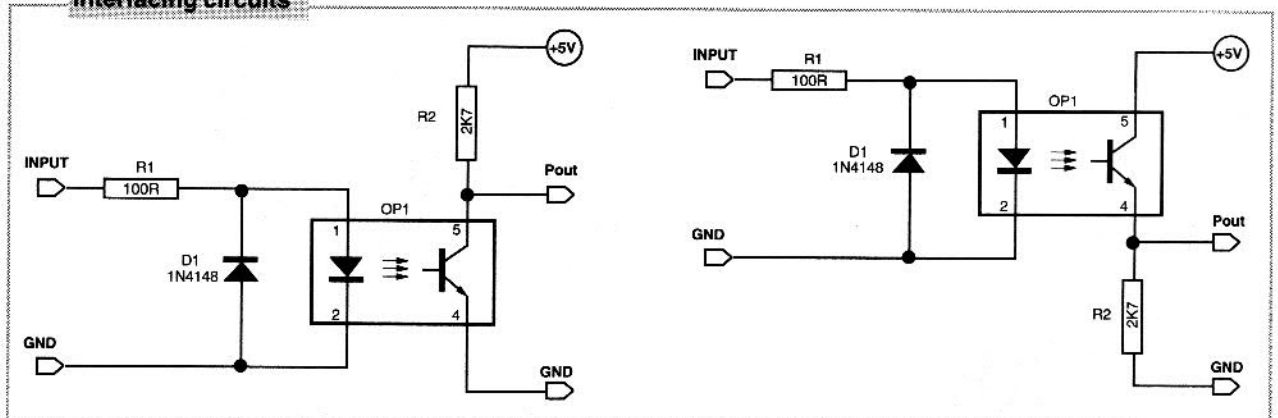
The device, such as MOC3041, is used for controlling the mains (Figure 13(a)). It incorporates an infra-red LED, a zero-crossing unit and a Triac. The Triac has a 400V rating and can handle a maximum current of 100mA. Sometimes this is far too inadequate and more powerful Triacs

are used. In the circuit shown in Figure 13(b), a power Triac BTA08-600B is used together with the opto triac. This circuit is able to handle a maximum voltage of 600V and current of 8A. **When dealing with the mains supply, extreme care must be taken.**

#### Input conditioning interface for TTL gates

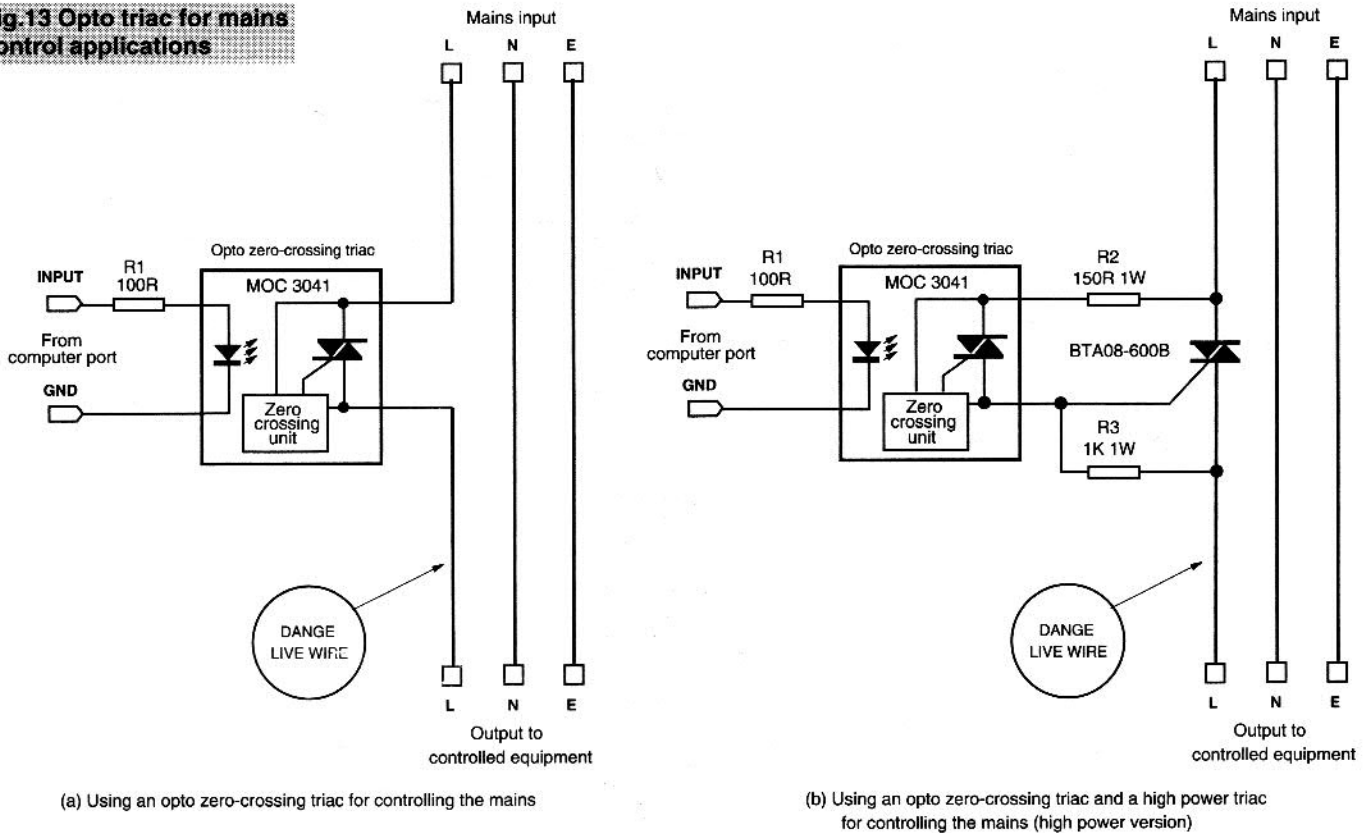
In some applications, the signals from certain sensors working with a TTL input are not TTL compatible. So addi-

**Fig.12 Opto Isolator Interfacing circuits**





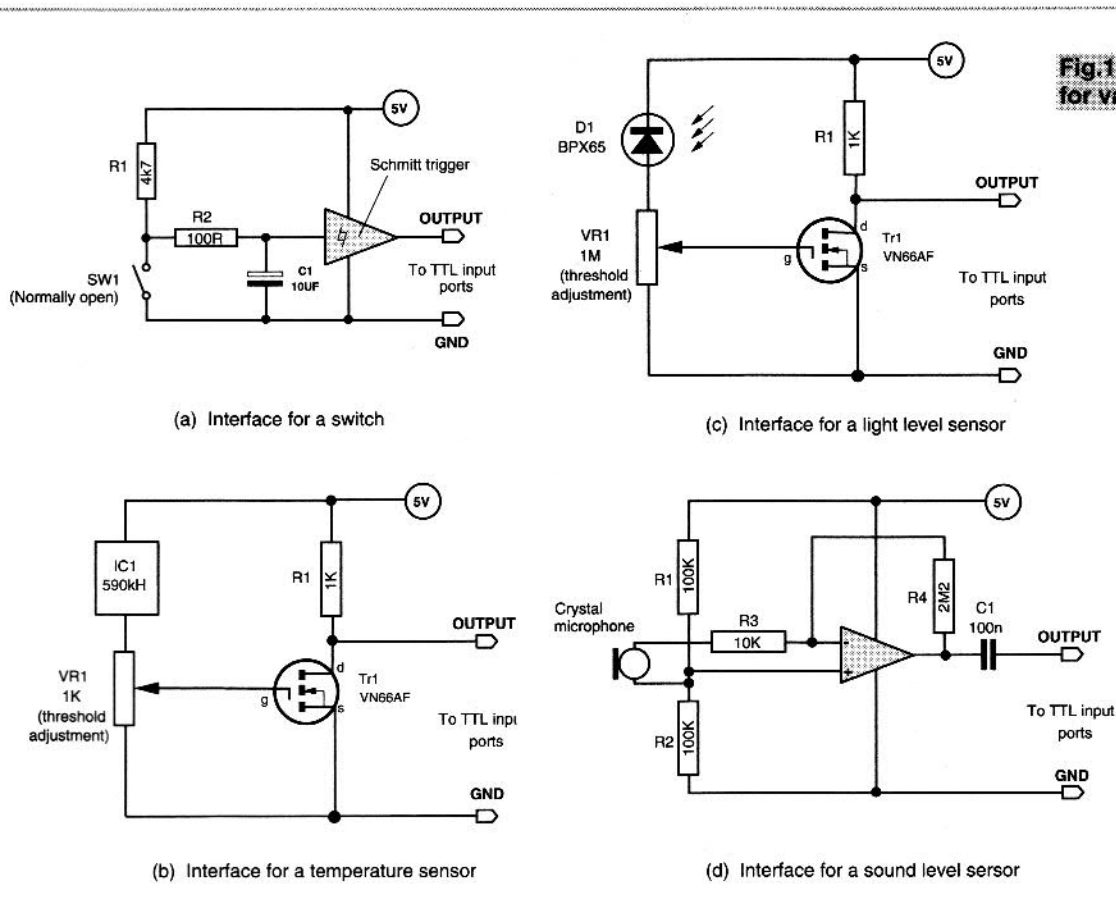
**Fig.13 Opto triac for mains control applications**



tional interfacing circuitry between the sensor and the input port is required. Figure 14(a) shows how a switch is interfaced to the TTL input. Figure 14(b) shows how temperature can be sensed using a temperature sensor. The arrangement generates a logic 0 input whenever the temperature level exceeds the threshold setting and vice versa.

Figures 14(c) shows how light level is sensed using a photodiode sensor. This circuit generates a logic 0 input whenever the light level exceeds the threshold setting and vice versa. Figure 14(d) shows how sound can be sensed using a crystal microphone. In the absence of sound the output from the amplifier is about 2.5V. When sound is detected, the

output oscillates above and below this level and the low going voltage change can be detected. Various interfacing circuits have just been introduced. There are, in fact, a lot more circuits to be interfaced to the I/O card, for example a stepper motor driver, a speech synthesizer driver, etc. Some of these circuits will be introduced in the future.

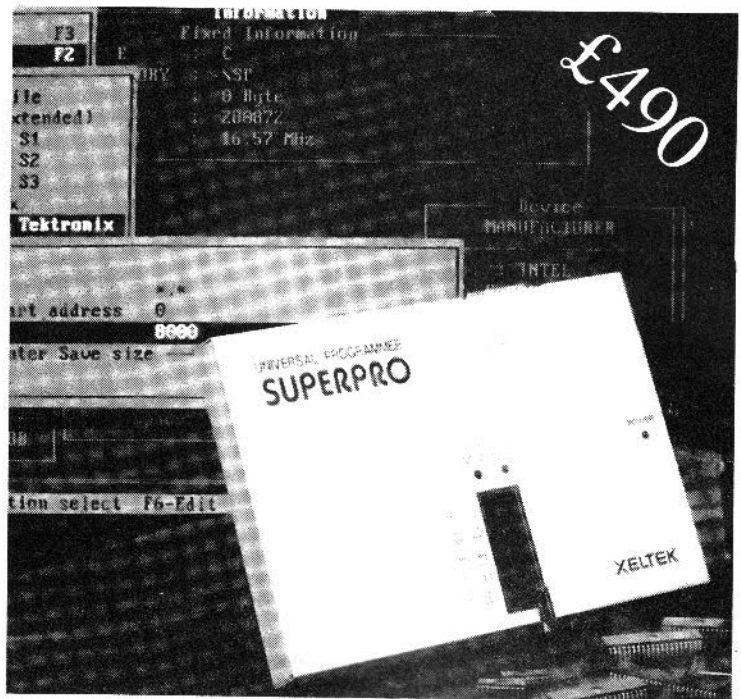


**Fig.14 Interface circuits for various sensors**

## YOUR PERSONAL UNIVERSAL PROGRAMMER

Superpro is a low cost programmer which can easily be attached to your PC for use in R & D. It comes with its own half card for high speed communication so you can still use your parallel port.

Superpro comes from California so you can be sure the latest devices will be supported. In fact the software is updated on an almost monthly basis. The extensive device list covers most popular logic and memory families such as Amd's Mach series as well as the popular Altera range EP310 to EP1810. Support is also included for popular gals such as 16V8 and 20V8 from a variety of manufacturers. Standard 24, 28, 32 and 40 pin e (e) proms are also catered for in the 40 pin universal ZIF socket. An added bonus is the ability to program a range of microcontrollers. PLCC devices can be programmed with special adaptors.



So before spending thousands of pounds on a new stand alone programmer why not have a look at Superpro for a ten day trial period?

## LLOYD RESEARCH LTD

7 & 7A BROOK LANE, WARSASH  
SOUTHAMPTON SO3 9FH  
Telephone: 0489 574040

## HERE TO STAY

Those  
Engineers Ltd

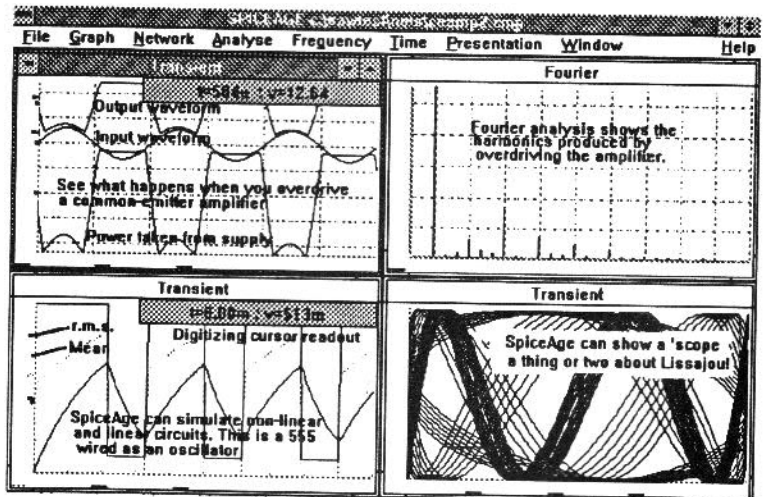


### SpiceAge for Windows, Level 1, £100 + VAT

We are offering a special version of SpiceAge for Windows to students and serious hobbyists. The version will analyse medium sizes of circuits and may be upgraded to the professional version for the price difference.

SpiceAge is the program used by professional circuit designers that lets you "breadboard" even before you plug in your soldering iron. It gives you quiescent DC voltages, frequency response curves and 'scope-like traces of your circuit ideas. Imagine how easy it is

to test new components and values without the risk of smoke! SpiceAge has a friendly editor that lets you tell it what components to put in your circuit and how to connect them. SpiceAge has a "lab" full of "test equipment" to let you inject signals and "probe" for voltages, currents, dissipations, dB gains, phase angle, group delay and power consumption.



Requires Windows 3.1 or higher. S.A.E. please for information pack or £5 for demonstration kit. ACCESS/VISA or cheque with order. Please state disk size. Those Engineers Ltd, Dept EA4 31 Birkbeck Road, London NW7 4BP. Tel 081-906 0155, Fax 081-906 0969.



# Chelmer Valve Company for High Grade Audio Valves

Major Brands e.g Mullard, Brimar, Philips, GE (UK), GE(USA), etc.

A2900 GEC.....	£12.00	GZ34 Mullard.....	£10.00
E80F Philips.....	£10.00	GZ37 Mullard.....	£7.00
ECC81/CV4024 Mullard.....	£6.00	6CA7/EL34 GE.....	£10.50
ECC82/CV4003 Mullard.....	£6.00	6L6GA Sylvania.....	£7.00
ECC88 Mullard.....	£6.00	6SN7GT Brimar.....	£4.50
E88CC Mullard.....	£8.50	6V6GT Brimar.....	£4.00
EP86/CV4085 Mullard/GEC.....	£9.50	12AT7WC Sylvania.....	£6.00
EL84 Mullard.....	£6.00	6146B GE.....	£15.00
EL84 GE (USA).....	£5.00	6550A GE.....	£17.50
GZ32 Mullard.....	£8.00	7581 GE.....	£12.00
GZ33 Mullard.....	£8.00		

IF NOT SHOWN - ENQUIRE!

**CVC PREMIUM:** Our own BRAND from selected worldwide sources, processed in our special facility to provide low noise/hum/microphony Pre-Amp valves and Power Valves burnt-in for improved stability and reliability.

### PRE-AMP VALVES

ECC81/12A7.....	£5.00
ECC82/12A7.....	£4.00
ECC83/12AX7.....	£5.00
ECC85.....	£4.00
ECC88.....	£5.00
EF86.....	£4.00
E81CC (GOLD PIN).....	£6.00
E82CC (GOLD PIN).....	£6.00
E83CC (GOLD PIN).....	£6.00
E88CC (GOLD PIN).....	£7.00
E80F.....	£9.00
E83F.....	£5.50
6SL7GT.....	£4.00
6SN7GT.....	£4.20

### POWER VALVES

2A3 (OCTAL) or (4pin).....	£14.00
211.....	£22.00
300B.....	£50.50
811A.....	£9.50
845.....	£29.90
EL34/6CA7.....	£7.50
EL84/6BQ5.....	£4.00

Add £1.00 per valve for matching if required.

Plus Post & Packing £3.00 (UK) + VAT at 17.5% for UK/Europe.

Post/Fax order with cheque or credit card details to:

Chelmer Valve Co., 130 New London Rd, Chelmsford, Essex CM2 0RG

Tel: (0245) 265865 Fax: (0245) 490064

### POWER VALVES - contd.

E84L/7189A.....	£15.00
KT66.....	£9.20
KT88.....	£12.50
KT88 (GOLD Q).....	£18.50
6L6GC.....	£6.50
6L6WGC/5881.....	£8.00
6V6GT.....	£5.00
6146B.....	£10.20
6336A.....	£40.00
6550A.....	£11.00
6550A-50V.....	£13.50

### RECTIFIERS

GZ33.....	£4.50
GZ34/5AR4.....	£5.00
5U4G.....	£5.00
5Y3GT.....	£3.20
5Z4GT.....	£3.50

### SOCKETS

B9A (PCB).....	£1.60
B9A (CHASSIS).....	£1.60
OCTAL (CHASSIS).....	£1.75
4PIN (UX4).....	£3.00
4PIN (for 211 & 845).....	£11.00

# OMNI ELECTRONICS

174 Dalkeith Road, Edinburgh EH16 5DX - 031 667 2611

The supplier to use if you're looking for:

- A WIDE RANGE OF COMPONENTS AIMED AT THE HOBBYIST
- COMPETITIVE VAT INCLUSIVE PRICES
- MAIL ORDER - generally by RETURN OF POST
- FRIENDLY SERVICE



Open: Monday - Thursday 9.15 - 6.00  
Friday 9.15 - 5.00 Saturday 9.30 - 5.00



## AMAZING ELECTRONIC PLANS MERCURY ION LASER

Plans on how to build a simple Mercury ion LASER, using fairly basic tools and equipment. The LASER works at 567.7nm, producing a bright green beam. The output is unusually high for an ion LASER. Applications include holography, spectroscopy, display & projection, scanning, medical and many more. The cost of building this LASER is a tiny fraction of the cost of a commercially available device. The design is basic, but capable of further commercial development.

Plans include circuit diagrams and assembly instructions. Send cheque/money order for £7.50 to A. Starkie, Dept a, 14 Rollersby Close, Bury BL8 1EW. Mail order only.



8 CAVANS WAY,  
BINLEY INDUSTRIAL ESTATE,  
COVENTRY CV3 2SF  
Tel: 0203 650702  
Fax: 0203 650773  
Mobile: 0860 400683

(Premises situated close to Eastern-by-pass in Coventry with easy access to M1, M6, M40, M42, M45 and M69)

### OSCILLOSCOPES

Gould 400 - 20MHz D.S.O. 100 Ms/s.....	£1000
Gould 4072 - 100MHz D.S.O. 400 Ms/s.....	£2000
Gould OS4000, OS4200, OS4020, OS245.....	from £125
Hewlett Packard 1707A, 1707B - 75MHz dual ch.....	from £275
Hewlett Packard 1715A - 200MHz with DMM dual ch.....	£850
Hewlett Packard 1740A, 1741A, 1744A, 100MHz dual ch.....	from £350
Hewlett Packard 1745A - 100MHz dual ch. (DMM).....	£450
Hewlett Packard 182C - 100MHz 4 ch.....	£350
Tektronix 2201 - 20MHz D.S.O. dual ch.....	£675
Tektronix 2215 - 60MHz dual ch.....	£450
Tektronix 2235 - 100MHz dual ch. (portable).....	£800
Tektronix 2246 - 100MHz 4 channel (as new).....	£995
Tektronix 2335 - 100MHz dual ch. (portable).....	£750
Tektronix 465/468B - 100MHz dual ch.....	from £350
Tektronix 475 - 200MHz dual ch.....	£450
Tektronix 468 - 100MHz D.S.O. dual ch.....	£850
Tektronix 7313, 7603, 7613, 7623, 7633, 100MHz 4 ch.....	from £300
Tektronix 7704 - 250MHz 4 ch.....	from £650
Tektronix 7834/7844 - 400MHz 4 ch.....	from £750
Tektronix 7904 - 500MHz.....	from £850
Philips 3070 - 100MHz 2 + 1 channel + cursors, as new.....	£900
Philips 3206, 3211, 3212, 3217, 3226, 3240, 3243, 3244, 3261, 3262 (2ch + 4 ch).....	from £125 to £350
Solartron Schlumberger CD1740 - 20MHz 4 ch.....	£250

### Other scopes available too

SPECTRUM ANALYSERS	
Alltech 727 - 20GHz.....	£2200
Advantest TR4131 - 10KHz - 3.5GHz.....	£4500
Hewlett Packard 3580A - 5Hz - 50KHz.....	£1250
Hewlett Packard 3585A - 20Hz - 40MHz (GPIB).....	£4250
Hewlett Packard 8590A - 10MHz - 1.5GHz (as new).....	£4500
Hewlett Packard 182T with 8559A (10MHz - 21GHz).....	£3750

Hewlett Packard 141T with 8554B/8552B - (1250MHz).....	£1500
Marconi 2370 - 110MHz.....	£1250
Hewlett Packard 4963 Protocol analyser.....	£2500
Tezcan AL51A - 1GHz.....	£1300

### MISCELLANEOUS

Anritsu ML93B/ML92B Optical power meter with sensor.....	£2000
Anritsu ME536C Microwave system analyser (Rx + Tx).....	£3500
B&K 2511 + 1621 Vibration test set.....	£2000
B&K 2511 Vibration meter.....	£1500
B&K 2518 Vibration analyser.....	£4500
Deiron 1061A Autocal digital multimeter (6 1/2 digits).....	£950
Deiron 1071 Autocal digital multimeter (7 1/2 digits).....	£1150
Dymarc 1735 Transistor tester/sorter (with all jigs).....	£1500
Dranetz 305 Phase meter.....	£250
Dymar 1585 AF Power meter.....	£175
Dymar 2085 AF Power meter.....	£200
Farnell RB 1030-35 Electronic load 1Kw.....	£450

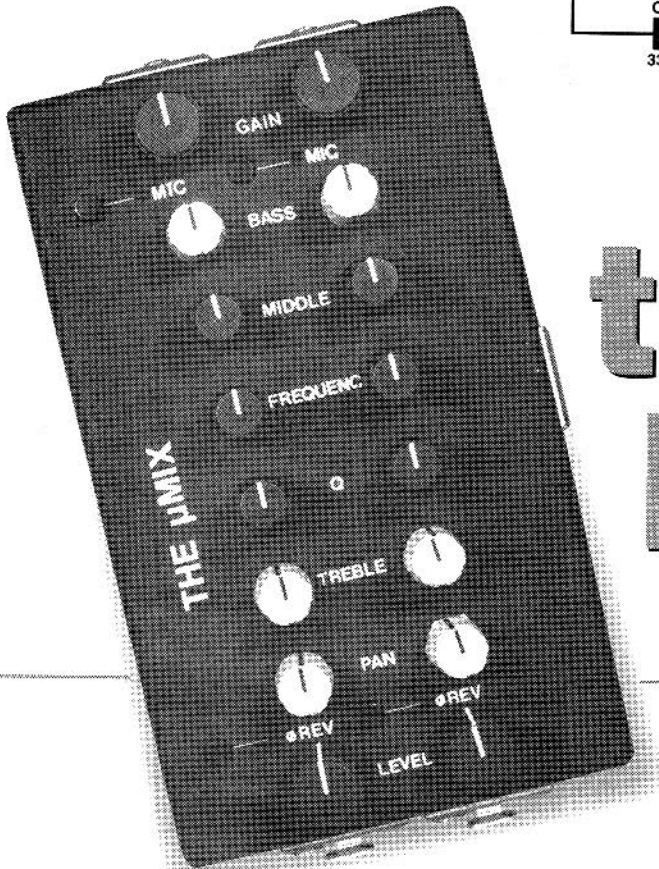
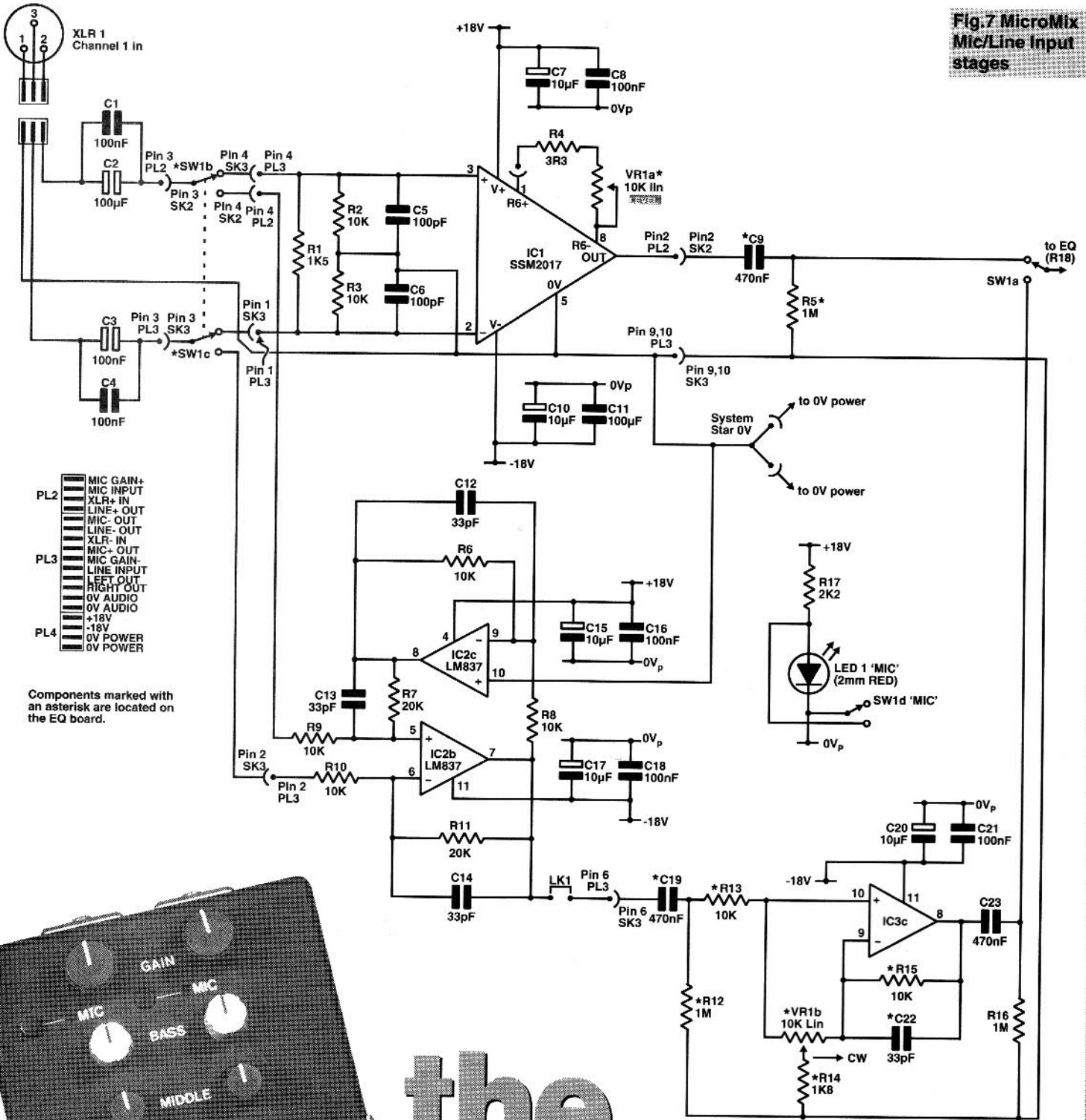
Farnell AMM/B Automatic modulation meter.....	£150
Farnell 2081 R/F Power meter.....	POA
Feedback TWG300 Test wave generator.....	£200
Fiachar Betascope 2040/2060 Coating thickness computer & non destructive coating measurement instrument & many jigs and extras.....	all for £2000
Fluke 8840A Multimeter (IEEE).....	£300
Fluke 515A Portable calibrator.....	£500
Fluke 5200A Programmable AC calibrator.....	POA
Fluke 8010A Digital multimeter.....	£125
Fluke 8922A True RMS voltmeter.....	POA
Fluke 95020 Current shunt.....	POA
Gay Milano FTMIC/FTM3C - FTM - Fast transient monitor.....	£250
General Rad 1658 LCR DigiBridge.....	£250
General Rad 1821 Precision capacitance measurement system.....	POA
Hewlett Packard 180TR Display unit with 8755B swept amp. an.....	£350
Hewlett Packard 3200B VHF oscillator, 10-500MHz.....	£175
Hewlett Packard 3325A Synthesizer/Function generator.....	£1450
Hewlett Packard 3400A RMS voltmeter.....	£150
Hewlett Packard 3406A Broadband sampling voltmeter.....	£175
Hewlett Packard 3437A System voltmeter.....	£350
Hewlett Packard 3476A Digital multimeter.....	£100
Hewlett Packard 3478A Digital voltmeter, 4 wire system, 1EEE.....	£650
Hewlett Packard 3490 Digital multimeter.....	POA
Hewlett Packard 3702B/3705A/3710A/3716A Microwave link analyser.....	£1500
Hewlett Packard 3730A Down converter (with 3738A or 3737A).....	£200
Hewlett Packard 3760/3761 Data gen + error detector.....	each £300
Hewlett Packard 3762/3763 Data gen + error detector.....	each £350
Hewlett Packard 3777A Channel selector.....	£250
Hewlett Packard 3779A Primary multiplex analyser.....	£800
Hewlett Packard 400E/F AC voltmeter.....	£150
Hewlett Packard 4193A Vector impedance meter.....	£3500
Hewlett Packard 4204A Oscillator 10Hz - 1MHz.....	£250
Hewlett Packard 435A Power meter (less sensor).....	£350
Hewlett Packard 456A AC current probe.....	POA
Hewlett Packard 415E SWR meter.....	£275
Hewlett Packard 5335A Universal counter with 1EEE.....	£1800
Hewlett Packard 5342A Microwave freq. count. 18GHz.....	£1400
Hewlett Packard 7402 Recorder with 17401A x 2 plug-ins.....	£300
Hewlett Packard 8005B Pulse generator.....	£250
Hewlett Packard 8011A Pulse gen. 0.1Hz - 20MHz.....	£500
Hewlett Packard 8012B Pulse generator.....	£750
Hewlett Packard 8013B Pulse gen. 1Hz - 50MHz.....	£750
Hewlett Packard 8406A Frequency comb generator.....	£500
Hewlett Packard 8443A Tracking gen/counter with 1EEE.....	£450
Hewlett Packard 8445B Automatic presetter.....	£700
Hewlett Packard 8601A 110MHz Gen/sweeper 110MHz.....	£350
Hewlett Packard 8620C Sweep oscillator mainframe.....	£250
Hewlett Packard 8750A Storage normaliser.....	£400
Hewlett Packard 93JA Freq. doubler.....	£250
Hewlett Packard 9640B with opt 001.....	£825
Keithley 197 20MHz with 1EEE.....	£400
Lyons PG73N/PG75/PG28/PG Pulse generator.....	from £225
Marconi 2019A 80KHz - 1040MHz sig. gen.....	£1800
Marconi 2306 Programmable interface.....	£500
Marconi 2337 Automatic dist. meter.....	POA
Marconi 2356 20MHz level oscillator.....	£200
Marconi 2432A 500MHz digital freq. meter.....	£300
Marconi 2610 True RMS voltmeter.....	£900
Marconi 2830 Multiplex tester.....	£1250
Marconi 2831 Channel access switch.....	£500
Marconi 5390 1GHz signal gen.....	£1250
Marconi 6920 Power sensor.....	£400
Marconi 2022E (10KHz-1 GHz) sig. gen.....	£1850

Marconi 2019A (10KHz-1.04GHz) sig. gen.....	£1850
Philips PM 2525 Multimeter WF 1EEE.....	£850
Philips PM 5167 10MHz functiongen.....	£400
Philips PM 5190 LF synthesizer with GPIB.....	£800
Philips PM 5519 Colour TV pattern gen.....	£400
Philips PM 5716 Pulse generator high freq. mos.....	£800
Philips PM 5770 Pulse gen. - 1MHz - 100MHz.....	£150
Philips PM 6672 1GHz timer/counter WF 1EEE.....	£500
Philips PM 8272 XYT chart recorder.....	£350
Photodyne 800 Fibre optic attenuator.....	£800
Projectina CH9345 Microscope.....	£250
Racal Dana 202 Logic analyser + 68000 disassembler.....	£250
Racal Dana 3100 40-130MHz synthesiser.....	£750
Racal Dana 5002 Wideband level meter.....	£650
Racal Dana 5003 Digital m/r meter.....	£150
Racal Dana 9000 Microprocessing timer/count. 52MHz.....	£250
Racal Dan 9009 Modulation meter.....	£225
Racal Dana 9081 Synth. sig. gen. 520MHz.....	£550
Racal Dana 9084 Synth. sig. gen. 104MHz.....	£300
Racal Dana 9242D Programmable PSU 25V-2A.....	£400
Racal Dana 9246S Programmable PSU 25V-10A.....	£400
Racal Dana 9303 True RMS/RF level meter.....	£650
Racal Dana 9347 LCR databridge.....	£250
Racal Dana 9500 Universal timer/counter 100MHz.....	£200
Racal Dana 9917 UHF frequency meter 560MHz.....	£175
Racal Dana 9919 UHF frequency meter 1GHz.....	£275
Rohde & Schwarz BN96711 Digital Q meter.....	£400
Solartron Schlumb 1170 Freq. response analyser.....	£500
Tektronix TM503, SG503, PG506, TG501 Scope calibrator.....	£2200
Tektronix 834 Data comms analyser.....	£500
W&G SPM12 Level meter 200Hz-6MHz.....	£500
W&G PS12 Level generator 200Hz-6MHz.....	£500
W&G SPM60 Level meter 6KHz-18.6MHz.....	£500
W&G PS60 Level generator 6KHz-18.6MHz.....	£500
W&G PS6 Level generator 6KHz-18.6MHz.....	£250
W&G SPM6 Level meter 6KHz-18.6MHz.....	£250
Watanabe WTR211 3 pen plotter.....	£250
Wavetek 157 Programmable waveform synthesiser.....	£300
Wayne Kerr B424N LCR Component meter set.....	£200
Wayne Kerr 4250 LCR meter (as new).....	£1000
Wayne Kerr 642 Autobalance universal bridge.....	£200
Wayne Kerr B905 Automatic precision bridge.....	£900
Weller D800/D801 Resoldering station.....	£175
Weller D900 Desoldering station.....	£150
Wiltron 352 Low freq. differential input phase meter.....	£350

SPECIAL OFFERS - Phoenix 5500A Telecoms analyser, ex. demo. as new with 12 months calibration + 12 months guarantee fitted with V24 interface. A variety of interface options available - Ring/Fax for details Navtel 9440 Protocol analyser, ex. demo. as new £8000 new - cost now £3500. Navtel 9410 PCB based protocol analyser ex. demo. as new £3000 new - cost now £1500.

MANY MORE ITEMS AVAILABLE - SEND LARGE S.A.E. FOR LIST OF EQUIPMENT ALL EQUIPMENT IS USED - WITH 30 DAYS GUARANTEE. PLEASE CHECK FOR AVAILABILITY BEFORE ORDERING - CARRIAGE & VAT TO BE ADDED TO ALL GOODS

**Fig.7 MicroMix  
Mic/Line Input  
stages**



# the MicroMix

## Part 2

Mike Meechan moves onto the input stages of his compact mixer project

## The Works

The circuit is in four sections, namely Input, EQ, Pan/Level and Output. We'll deal first with the Input stages.

### Microphone Input

The Mic. Amp uses the SSM 2017 IC from Analog Devices. This low noise audio preamplifier exhibits a typical voltage noise density of only 950pV/√Hz at 1KHz and 60dB of gain. Gain is provided entirely by the first pair of transistors.

The 2017 has true differential inputs, and while these provide excellent common mode rejection and easily interface to balanced microphone outputs, they can also be connected to single ended devices. The very low noise voltage performance is partially achieved by operating the input transistors at high collector current.

Total noise of the SSM 2017 amplifier system can be calculated as follows:

$$E_n = e_n^2 + (i_n R_s)^2 + e_s^2$$

where

$E_n$  = total input referred noise (EIN)

$e_n$  = amplifier voltage noise

$i_n$  = amplifier current noise

$R_s$  = source resistance

$e_s$  = source resistance thermal noise

In our mic. amp application, where a typical microphone impedance of 200R is likely, the total input referred noise is

$$e_n = 1nV/\sqrt{Hz} @ 1KHz, SSM 2017$$

$$i_n = 2pA/\sqrt{Hz} @ 1KHz, SSM 2017$$

$$R_s = 200R, \text{ mic source impedance}$$

$$e_s = 1.73nV/\sqrt{Hz} @ 1KHz$$

$$= 2.03nV/\sqrt{Hz}$$

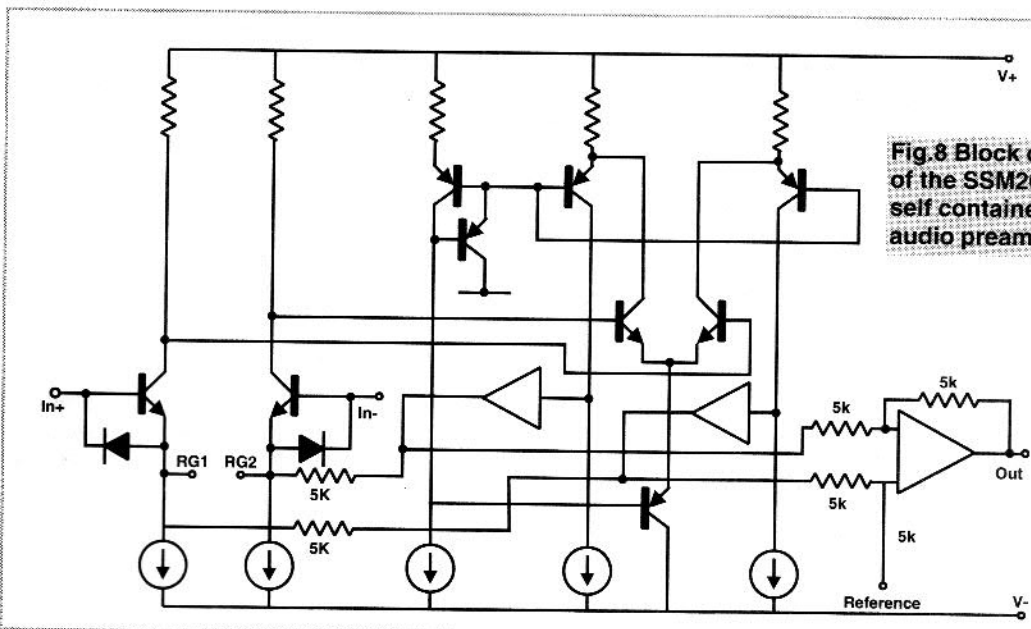
In a 20Hz-20KHz bandwidth, this is the equivalent to 287nV, (or -128.6dBu). With a best possible (noiseless amplifier) figure of -129.6dBu, when connected to a 200R source, the 2017 yields a noise figure of just 1dB. The mic amplifier is thus virtually transparent to the user.

Gains from 1 to 2000 can be selected via  $R_G$ , (In our case, VR1a and R), maximum gain being limited by the minimum resistance of VR1a. Additionally, wide bandwidth and low distortion are retained over the full gain range, with this excellent performance chip. Protection diodes across the base-emitter junctions of the input transistors prevents accidental avalanche breakdown. Feedback is returned directly to the emitters of the input transistors by VR1. Total gain accuracy of the SSM 2017 is determined by the tolerance of the external resistor  $R_G$ , together with the gain equation accuracy of the device.

As the devices inputs are fully floating, a DC bias connection for both inputs *must* be maintained where single-

ended or pseudo-differential transducers are used. The input therefore remains within a safe common-mode range. R5 and R6 provide DC bias, with their values kept low to retain common-mode performance. Their value is shunted by the impedance of the microphone and so becomes negligible. In this way, neither R5 or R6 compromise noise performance. The reference terminal, pin 5, used for offset correction and level shifting, is connected to a good stable ground since any resistance seen by this terminal will compromise CMR.

Input is via C1/C2 and C3/C4. The large value non-polarised electrolytics will reproduce the low frequencies, whilst the 100n bypass capacitors provide low impedance at HF too. R1 determines the input impedance at around 1K. This resistor can be omitted or altered to suit individual applications. The argument for the omission of R4 is that this kind of 'brute-force' method of determining input impedance has little to recommend it, since impedance, should be a function of the dynamic characteristics of the active stage. Maximum gain is limited only by R4 and the end resistance of the pot. This gain is around 70dB. Capacitors C5 and C6 attenuates unwanted RF and ultrasonic voltages at the input.



**Fig.8 Block diagram of the SSM2017 self contained audio preamp**

when the value of gain setting resistor between the two

transistors is lowest. Traditionally, for a good control law, we therefore

require an antilog (reverse audio taper) pot, as linear, or worse still, log law, would cramp all of the gain variation into a very small part of the control movement. This type of control is used as the gain controlling network of mic-amps in many

**W**ith such superlative performance *theoretically* attainable from the SS2017 chip in the Mic/Line input stage, we must ensure that such performance isn't degraded by careless choice of any components external to the IC. The most notable place where damage can be done is in the network which provides the 48V Phantom power for capacitor microphones,

with CMRR ruined by the fitting of low-tolerance, ill-matched resistances. Also, good quality resistors must be used in the gain setting network, since low quality types, notably carbon composition, can generate significant amounts of distortion and under some conditions, low frequency noise.

Differential amplifiers, unlike most others encountered, operate at high gain

mixer input stages, and provides good operational and variable control of gain. These pots yield an almost perfectly linear increase in gain as the pot is rotated clockwise, which is good from an operational point of view. However, I was unable to track down (no pun intended) any readily available supplies of good quality antilog ones, which, as we've said, are a mandatory

requirement if low noise and reliability are to be guaranteed. This pot law just isn't available through the normal commercial retail outlets, and manufacturers and/or distributors want commitment to the tune of a 500 piece minimum order. Furthermore, one control is used to alter gain of both Line and Mic input stages, so that a dual gang pot is called for. To compound the problem, the gain stage of the Line Input requires a linear law type - dual-gang pots split between antilog and linear most definitely aren't available off the shelf. Consequently, a more readily-obtainable dual-gang *linear* law pot has been used in place of the antilog type. The control law isn't quite so linear for equal gain changes but it is workable. The Mic Gain control is likely to be reset only infrequently, so the slight loss of 'user-friendliness' caused by using a linear pot is but a minor operational irritation. Constructors with a secret horde of dual-gang 10K antilog/linear types are of course free to use them if they so desire...

### Line Input

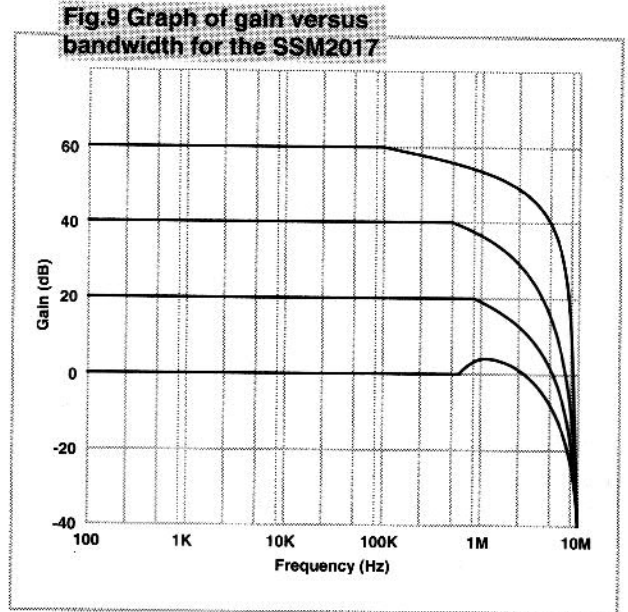
This uses the same XLR or jack socket as the Mic Input so that SW1, whilst determining which of the conditioned outputs is routed to the EQ, must also select which preamplifier stage the input socket feeds. The Superbal Line input circuit is a balanced differential virtual-earth amplifier which is referred to ground at only one op-amp non-inverting input, so providing a symmetrical output from any non-balanced input whilst having quite superb CMR characteristics.

The circuit diagram given in Figure 7 shows resistor values chosen to suit the impedances typically expected for line level inputs ie 20K bridging. A modified version of this, more suited as a DI input for guitars etc, is shown in Figure 16.

The unbalanced output of the Superbal is fed to the gain control stage. The manner adopted to provide this supplementary, second-stage gain control is worthy of note in that it uses no attenuators in series with the input signal path. Many commercial designs use a variable 30 or 40dB pad attenuator, coupled to a fixed gain amplifier. For 15 dB of gain, for example, the input would be attenuated to -30dBu and then amplified by 45dB, with all of the dire aural consequences which this brings. In the circuit offered here, input headroom, signal-to-noise and distortion are optimised for any given input signal magnitude within the range of the amplifier, and there is no unnecessary attenuation of signal. Whenever gain is made up, it is important that any noise is due, in the main, to the gain stage

Gain Av	dB	Rg
1	0	Not connected
3.2	10	4K7
10	20	1K1
31.6	30	330
100	40	100
316	50	33
1000	60	10
3160	70	3R3

Fig.10 Values for R<sub>g</sub> for various gain levels



(which, hopefully, has been optimised to reduce noise as much as possible). In this way, all subsequent noise contributions, which, in any case should be small, will thus be masked. At no place in the gain swing should it be necessary to attenuate unwanted gain. This is of particular importance where the gain control is at its minimum setting, since any attenuation, (and hence headroom lost) early in the signal path is effectively lost from that point onwards in the equaliser audio pathway, and can never be recreated. There is little point in having loads of headroom throughout the rest of the system if it's foolishly thrown away by a badly designed gain-controlling stage. It is in just this respect that the circuitry of the Channel Input Trim control scores highly.

The diagram in Figure 15a shows a typical swinging output gain control stage. Here, the gain controlling element is enclosed within the feedback leg of a

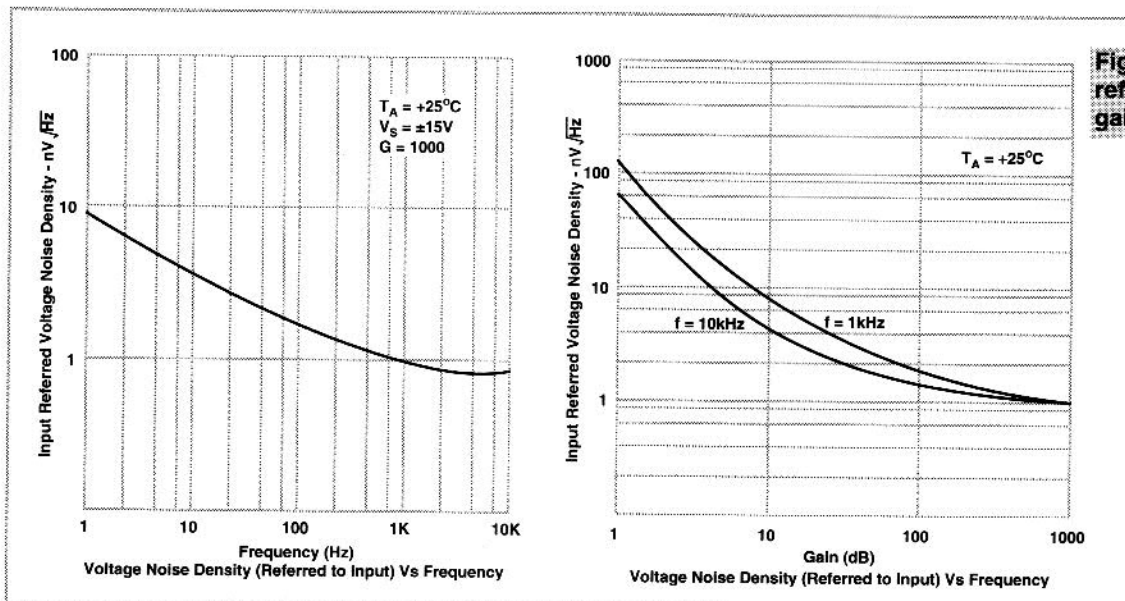
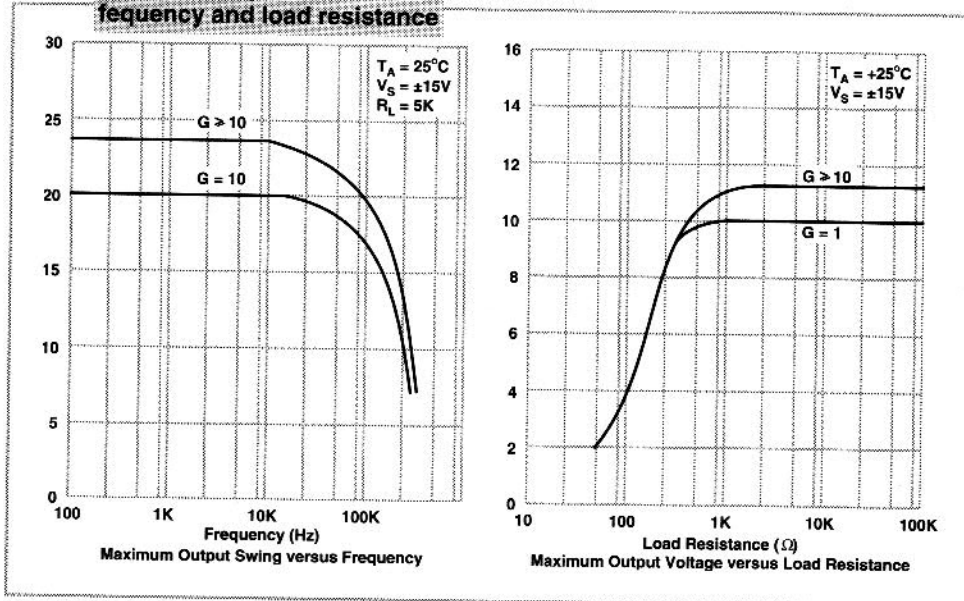


Fig.11 Graphs of input referred voltage versus gain and frequency

**Fig.12 Graphs of output voltage swing versus frequency and load resistance**



gain control law.

Unity gain results when attenuation in the output leg is equivalent to that in the feedback leg, since the feedback ratio exactly nulls the effect of the output attenuation. The maximum gain condition results when the feedback leg is shortened with respect to ground, and the output attenuator is lengthened. This means that loop gain of the amplifier is at a maximum, while an almost completely unattenuated signal is available at the network output terminal. At minimum, the feedback resistor is shortened, (reducing loop gain)

while the attenuator leg is

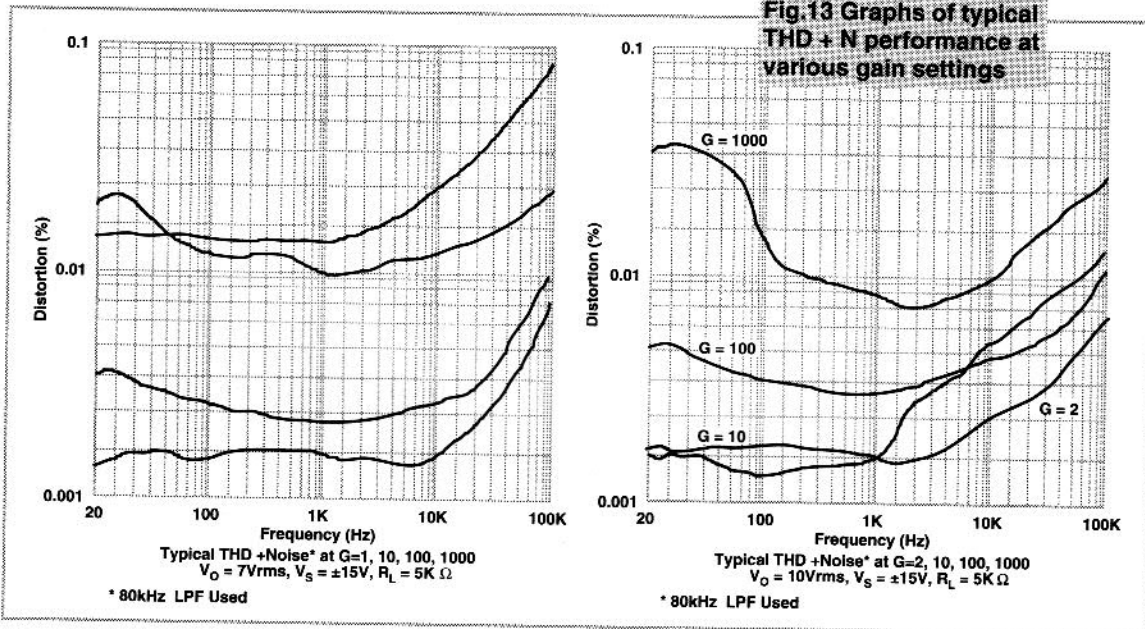
lengthened, reducing output signal amplitude. A small resistor connected between the pot wiper and ground controls the gain range. Using complex impedances such as capacitors and inductors achieves frequency-conscious boost and cut.

The practical upshot of this is that

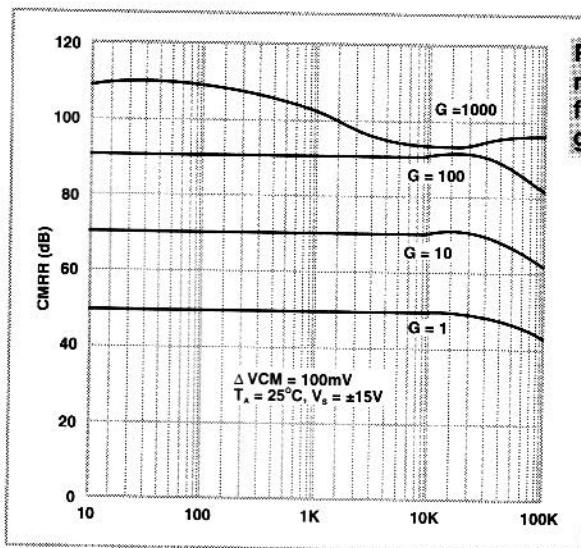
headroom is lost at the output, with figures around 3dB being typical. When we've striven so hard throughout the rest of the design to preserve and optimise system operating levels, it seems foolish to throw so much of this hard-won headroom away by using the swinging-output stage.

There is a way we can improve on it, namely by making it into a swinging input. With this configuration - shown also in Figure 15b - the output attenuation network is transferred to the input, while the feedback network remains as it was in the swinging output type. At the minimum gain setting, the input signal is subjected to maximum attenuation while the amplifier - with its short feedback leg - delivers only a small amount of gain. At maximum boost, these conditions are, of course reversed, with minimum input attenuation and a long feedback component providing high gain.

**Fig.13 Graphs of typical THD + N performance at various gain settings**



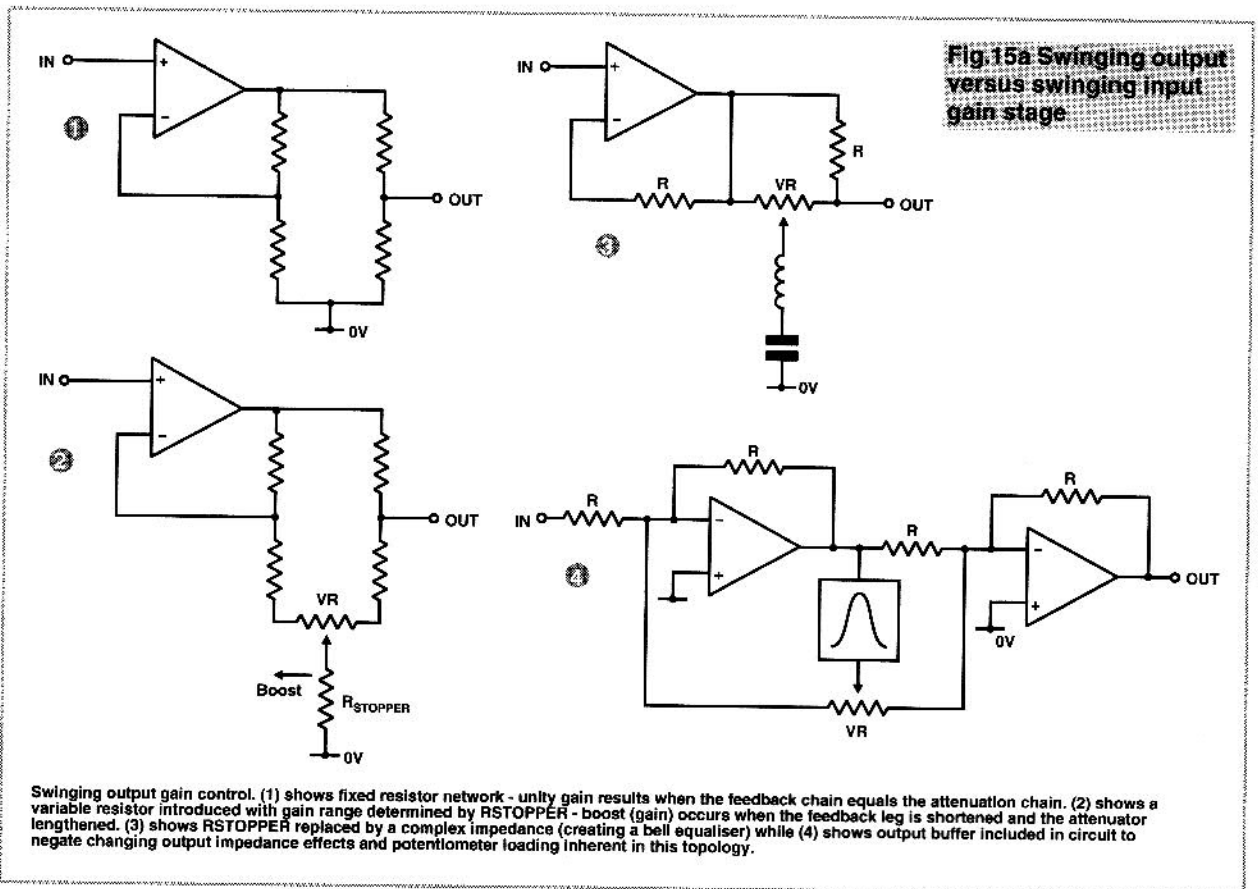
**Fig.14 Graph of common mode rejection versus frequency for various gain settings**



ated, unfortunately, the output impedance of this network varies with the setting of the gain control. Consequently, a high subsequent load impedance or output buffer amplifier is necessary if system output impedance is to remain constant. Serious drawbacks arise and can manifest them-

selves as problems with phase margin and consequent instability, loss of headroom, and departure from, and serious modification of, a workable and useable

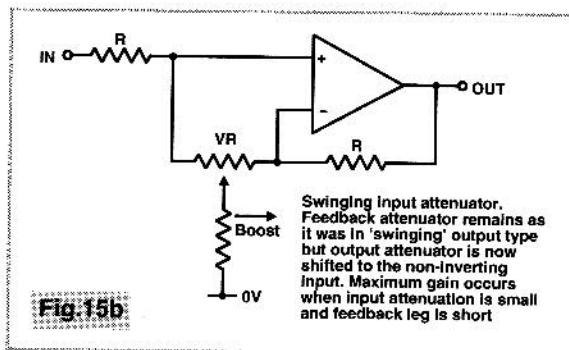
non-inverting amplifier. Although this configuration now means that a buffer amp or low impedance source - needed for an inverting configuration - is obvi-



Further improvements are apparent in the way that the circuit performs with respect to noise. At unity gain, when input attenuation and amplification are exactly nulled, the loop has around 20dB of gain. At first sight this may seem to be somewhat noisier than the corresponding Baxandall type.

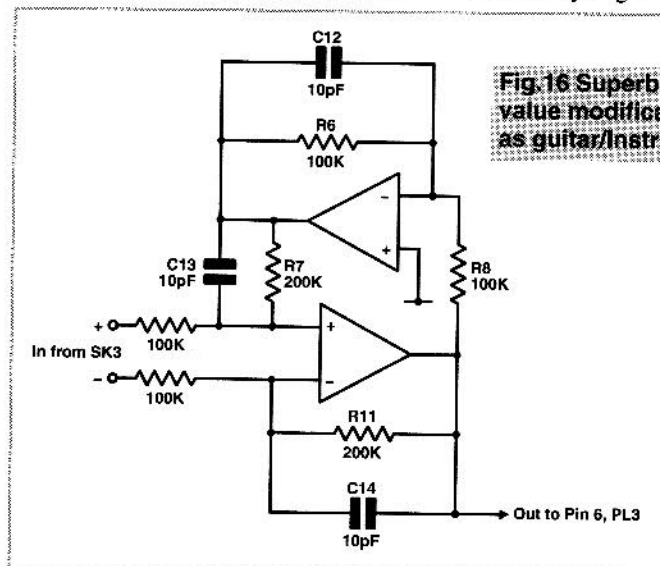
However, all of the network resistance values can be made lower by an order of magnitude, (about one tenth the typical 100K used with the Baxandall) and so Johnson or thermal noise is significantly reduced. Furthermore, any noise injected into the system (at unity gain) appears in equal quantities at both the inverting and non-inverting inputs ie common-mode noise at a differential input. Ideally, common mode signals should not appear at the output.

Around the centre of the control, where most adjustments will probably be made, the dB change in gain is almost linear with respect to control rotation and the dB change is more cramped at extreme settings of the control, but it is a more than acceptable compromise. It is this type which features here. The output of this is fed through a DC blocking capacitor, referenced to earth and used as an input for the Mic/Line source select switch. Although purists may



abhor the number of capacitors in series with the audio signal path, they help to provide click-free switching of sources and symmetrical signal swing about 0V. It has been shown (Ben Duncan or Steve Dove, I forget whom), that the effects of

AC-coupling can be devastating to the fidelity of an audio signal. The effects of something of the order of one hundred stages of AC-coupling were analysed. Components were typical 4 $\mu$ 7 electrolytic coupling capacitors/10K ground-referencing resistors, giving a break frequency ostensibly around 4Hz. However, when the cumulative effect of one hundred of these stages (a not-untypical number for an audio mixer) was then analysed, the input waveform bore very little resemblance to the output one. It pays dividends, therefore, to specify AC-coupling components much larger in capacitance than mere calculation might first suggest, particularly where many stages are to be cascaded.





# HART

## HART AUDIO KITS – YOUR VALUE FOR MONEY ROUTE TO ULTIMATE HI-FI

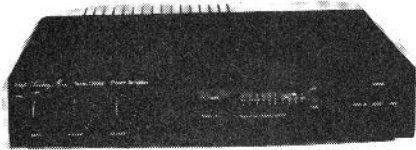
HART KITS give you the opportunity to build the very best engineered hi-fi equipment there is, designed by the leaders in their field, using the best components that are available.

Every HART KIT is not just a new equipment acquisition but a valuable investment in knowledge, giving you guided hands-on experience of modern electronic techniques.

In short HART is your 'friend in the trade' giving you, as a knowledgeable constructor, access to better equipment at lower prices than the man in the street.

You can buy the reprints and construction manual for any kit to see how easy it is to build your own equipment the HART way. The FULL cost can be credited against your subsequent kit purchase. Our list will give you fuller details of all our Audio Kits, components and special offers.

### AUDIO DESIGN 80 WATT POWER AMPLIFIER.



This fantastic John Linsley Hood designed amplifier is the flagship of our range, and the ideal powerhouse for your ultimate hi-fi system. This kit is your way to get £K performance for a few tenths of the cost! Featured on the front cover of 'Electronics Today International' this complete stereo power amplifier offers World Class performance allied to the famous HART quality and ease of construction. John Linsley Hood's comments on seeing a complete unit were enthusiastic:- "The external view is that of a thoroughly professional piece of audio gear, neat elegant and functional. This impression is greatly reinforced by the internal appearance, which is redolent of quality, both in components and in layout." Options include a stereo LED power meter and a versatile passive front end giving switched inputs using ALPS precision, low-noise volume and balance controls. A new relay switched front end option also gives a tape input and output facility so that for use with tuners, tape and CD players, or indeed any other 'flat' inputs the power amplifier may be used on its own, without the need for any external signal handling stages. 'Slave' and 'monobloc' versions without the passive input stage and power meter are also available. All versions fit within our standard 420 x 260 x 75mm case to match our 400 Series Tuner range. ALL six power supply rails are fully stabilised, and the complete power supply, using a toroidal transformer, is contained within a heavy gauge aluminium chassis/heatsink fitted with IEC mains input and output sockets. All the circuitry is on professional grade printed circuit boards with roller tinned finish and green solder resist on the component ident side, the power amplifiers feature an advanced double sided layout for maximum performance. All wiring in this kit is pre-terminated, ready for instant use!

RLH11 Reprints of latest articles.....£1.80  
K1100CM HART Construction Manual.....£5.50

### LINSLEY HOOD 1400 SERIES ULTRA HIGH-QUALITY PREAMP

Joining our magnificent 80 Watt power amplifier now is the most advanced preamplifier ever offered on the kit, or indeed made-up marketplace. Facilities include separate tape signal selection to enable you to listen to one programme while recording another, up to 7 inputs, cross recording facilities, class A headphone amplifier, cancellable 3-level tone controls and many other useful functions, all selected by high quality relays. For full details see our list.

Send or 'phone for your copy of our List (50p) of these and many other Kits & Components. Enquiries from Overseas customers are equally welcome, but PLEASE send 2 IRCs if you want a list sent surface post, or 5 for Airmail.

Ordering is easy. Just write or telephone your requirements to sample the friendly and efficient HART service. Payment by cheque, cash or credit card. A telephoned-order with your credit card number will get your order on its way to you THAT DAY.

Please add part cost of carriage and insurance as follows:-INLAND Orders up to £20 - £1.50,  
Orders over £20 - £3.50. Express Courier, next working day £10.

OVERSEAS - Please see the ordering information with our lists.

### LINSLEY HOOD 'SHUNT FEEDBACK' R.I.A.A. MOVING COIL & MOVING MAGNET PICKUP PREAMPLIFIERS



Modern, ultimate sound systems are evolving towards built-in preamplifiers within or near the turntable unit. This keeps noise pickup and treble loss to a minimum. We now offer two units, both having the sonically preferred shunt feedback configuration to give an accurate and musical sound, and both having the ability to use both moving magnet and moving coil cartridges.

Kit K1500 uses modern integrated circuits to achieve outstanding sound quality at minimal cost. The very low power requirements enable this unit to be operated from dry batteries and the kit comes with very detailed instructions making it ideal for the beginner. K1500 Complete kit with all components, printed circuit board, full instructions and fully finished case.....£67.99  
Instructions only.....£2.80  
Kit K1450 is a fully discrete component implementation of the shunt feedback concept and used with the right cartridge offers the discerning user the ultimate in sound quality from vinyl disks. Can be fitted inside our 1400 Preamp, used externally or as a standalone unit. It has a higher power requirement and needs to be powered from our 1400 Series preamplifier or its own dedicated power supply. K1450 Complete Discrete Component RIAA Phono Preamp.....£109.58  
Factory Assembled and Tested.....£159.58  
K1565 Matching Audio Grade Power Supply with potted toroidal transformer and limited shift earthing system.....£79.42  
Factory Assembled and Tested.....£118.42  
U1115 Power Interconnect Cable.....£7.29

### SPECIAL OFFER PRECISION Triple Purpose

#### TEST CASSETTE TC1DD.

Are you sure your tape recorder is set up to give its best? Our latest triple purpose test cassette checks the three most important tape parameters without test equipment. Ideal when fitting new heads.  
A professional quality, digitally mastered test tape at a price anyone can afford.

Test Cassette TC1DD.....Our price only £10.99.

### DISK-COUNT Classical CDs.

Top Quality, Full Digital (DDD) Compact Disks of the great classical favourites.

Like everyone else we didn't like the idea of paying silly prices for CDs. After a long search we have now located a source of top quality classical recordings at prices that make you suspect the quality - until you try them! Send for our list of titles.

### CD ROMs

Like music CDs these have overpriced for some time but with low prices of CD ROM drives the multimedia revolution is with us now. Send for our list of titles. Most popular up to now have been "Too Many Typefonts" with 514 TrueType fonts along with 393 ATM and lots of others.  
"Shareware Overload" with over 6100 programs extending to 550MB and "Kodak Photo CD Access". The first two are only £12.95, the Kodak only £24.

### TECHNICAL BOOKSHELF

Modern Books. Selected to represent the state of the art today.

#### "THE ART OF LINEAR ELECTRONICS."

J.L. Linsley Hood.

Just Out! Hot off the Press, the definitive electronics and audio book by the renowned John Linsley Hood. This 300+ page book will give you an unparalleled insight into the workings of all the types of audio circuits. Learn how to read circuit diagrams and understand amplifiers and how they are designed to give the best sound. The virtues and vices of passive and active components are examined and there are separate sections covering power supplies and the sources of noise and hum. As one would expect from this writer the history and derivation of audio amplifier circuitry have an entire chapter, as does test and measurement equipment.

Copiously illustrated this book is incredible value for the amount of information it contains on the much neglected field of linear, as opposed to digital, electronics. Indeed it must be destined to become the standard reference for all who work, or are interested in this field.

#### SPECIAL OFFER.

With each book purchased you may request a FREE extended index, written by the author, exclusively from HART. 0-7806-0868-4.....£16.95  
Don't forget most of our kits have reprints of articles by John Linsley Hood that you can purchase separately.

#### "THE ART OF SOLDERING"

R Brewster.

Absolutely essential reading for anyone who ever picks up a soldering iron. Written from knowledge gained in a lifetime in the field, this is the first book ever solely devoted to this essential and neglected skill for all electronic enthusiasts. Covers everything from the correct choice of soldering iron and solder to the correct procedures to follow with many illustrations and practical exercises.

0-85835-324-3.....£3.95

#### "AUDIO" F.A. Wilson.

320 pages. 178 x 111. Publ. 1985

BP111 "AUDIO" by F.A. Wilson.....£3.95

#### "AN INTRODUCTION TO LOUSPEAKERS & ENCLOSURE DESIGN" V Capel.

160 pages. 178 x 111. Publ. 1988

BP256.....£2.95

#### "LOUDSPEAKERS FOR MUSICIANS" V Capel.

176 pages. 178 x 111. Publ. 1991.

BP297.....£3.95

#### "HOW TO USE OSCILLOSCOPES & OTHER TEST EQUIPMENT" R. A. Penfold.

112 pages. 178 x 111. Publ. 1989

BP267.....£3.50

#### Classics from the "Golden Age"

#### "THE WILLIAMSON AMPLIFIER."

D.T.N. Williamson.

In April 1947, Williamson's power amplifier, using excellent quality push-pull output valves, a special output transformer, and a highly filtered power supply, became an overnight success. The author takes the reader deep into his design considerations, offering practical advice on how to build the units plus concise instructions on setting up the new amp. A cult classic.

1947, Reprinted 1990. 40 pages.

0-9624-1918-4.....£4.95

#### LOUDSPEAKERS; THE WHY AND HOW OF GOOD REPRODUCTION.

G.A. Briggs

This easy-to-read classic, last revised in 1949, introduces the reader to concepts such as impedance, phons and decibels, frequency response, response curves, volume and watts, resonance and vibration, cabinets and baffles, horns, room acoustics, transients, crossovers, negative feedback, Doppler and phase effects, and much more. A provocative survey of the right questions about sound reproduction.

1949 reprinted 1990. 88 Pages. 215 x 140

0-9624-1913-3.....£6.95

#### COMPUTER TITLES.

#### "A CONCISE ADVANCED USERS GUIDE TO MS DOS"

N. Kantaris.

144 pages. 198 x 130. Publ. 1992

BP264.....£3.95

#### "A CONCISE USERS GUIDE TO MS DOS 5"

N. Kantaris.

144 pages. 198 x 130. Publ. 1992.

BP318.....£4.95

#### "MAKING MS DOS WORK FOR YOU"

N. Kantaris & P.R.M. Oliver

160 pages. 198 x 130. Publ. 1993.

BP325.....£4.95

#### "A CONCISE USERS GUIDE TO WINDOWS 3.1"

N. Kantaris.

160 pages. 198 x 130. Publ. 1992.

BP325.....£4.95



QUALITY  
AUDIO KITS

24 hr. SALES LINE  
(0691) 652894

ALL PRICES  
INCLUDE  
UK/EC VAT

# HART

HART ELECTRONIC KITS LTD  
3 PENYLAN MILL  
OSWESTRY, SHROPSHIRE  
SY10 9AF

## July

### Bird Scarer

Just when you've put seed down for a new lawn or your peas are growing nicely on the vegetable patch, the birds decide to make a large dinner out of them. What do you do? How about an inexpensive bird scarer. It must have random or varied sounds so the birds do not become accustomed to the noise. As it monitors a small area, it could work by a proximity sensing arrangement.

### Aids for the elderly

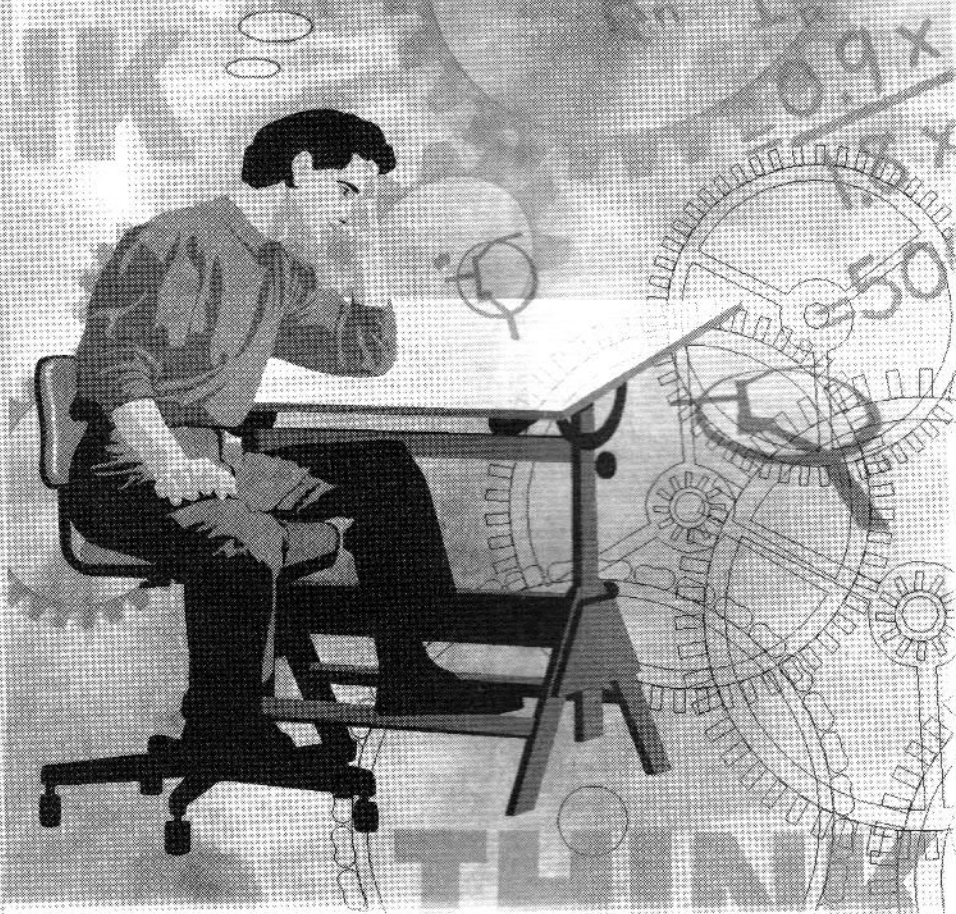
When old people live alone, it is not always possible for them to get help quickly if necessary. In many cases they are not always beside a telephone. What is required is an electronic audio version of the HELP, CALL POLICE, AMBULANCE poster. It could operate via a panic button and would always be carried around with them. It would trigger an audio message played through a loudspeaker onto the street to alert passers by.

The circuit could be a simple digital store for a message to be recorded at low bandwidth. The panic button could be a low power transmitter to trigger the prerecorded message.

### Hole depth problem

How do you calculate the depth of a deep cylindrical hole in the ground? An old trick is to drop a stone down and time it until a thud is heard and then use the equation  $d = \frac{1}{2}gt^2$ . What about using sound resonance techniques and treat it like an organ pipe finding its fundamental frequency. Then find the depth from the wavelength calculation arising from the frequency and velocity.

# Ideas Forum



## Make the most of your brainpower and come up with some brilliant ideas

**I**deas never come easy do they? Some say that talking to a like minded person will bring out the best in you. The more you talk, the greater the chance that an idea will come out in conversation. Also to some it depends on what the weather is like or how much sleep you have had the previous night.

All great inventions start as little notions that get scribbled down and expanded upon, and that's what the Electronics in Action Ideas Forum is all about. Now you are the inventors.

Even though great inventions come to mind, the tragedy is you may dismiss the

idea as worthless. So if you think of a good idea discuss it with a friend to see if they agree with you that what you have to tell the world is brilliant. Then ask yourself, do lots of other people want to hear about it and would you like them to benefit from your idea? Is there a market for it? If there is, who will mass manufacture it? These are some of the questions that have to be thought about. Use the suggestions on this page.

If you have any suggestions or have developed any of the ideas that have been appearing in this column we would love to hear from you, feel free to drop us a line. It could be the first step along the road to fame.

**Electronics in Action, PO Box 600, Berkhamsted Herts. HP4 1NL**

# At Your Service

**S**o you don't fancy messing up your best measuring jug with Ferric Chloride, but you still want to make some of our projects properly - with a PCB? This is where we step in. At Electronics in Action we can offer, at very reasonable prices, PCBs for all of our featured projects.

Just select which PCBs you require, fill in the coupon and post it to us with a cheque or postal order (for the full amount) made payable to **Electronics in Action**.

The coupon lists all the projects featured in the last four issues and anything older is listed below. We have left some blank spaces on the coupon should you wish to order an older PCB.

## March Issue

QH0394-1  
Testcard Gen ..... £7.00  
QH0394-2  
Guitar Transmitter(double sided) ... £8.00  
QH0394-3  
Mains Checker ..... £5.00

## February Issue

QH0294-2  
12V Drill speed controller ..... £5.00  
QH0294-3  
The Switcher IR transmitter ..... £5.50  
QH0294-4  
The Switcher IR receiver ..... £3.50  
QH0294-5  
The Switcher VCA board ..... £7.50

## January Issue

QH0194-1  
The Harmoniser (2 boards) ..... £10.00  
QH0194-2  
Power Amplifier (double sided) ..... £7.00  
QH0194-3  
Remote Control Extender ..... £5.00

## December issue

QH1293-1  
Guitar Tremolo ..... £5.00  
QH1293-2  
Switcher main board ..... £10.00  
QH1293-3  
Switcher Front panel ..... £6.00  
QH1293-4  
Video Editing Unit ..... £8.00

## November Issue

QH1193-1  
Power Supply (double sided) ..... £6.00  
QH1193-2  
Telescope Input board ..... £5.50  
QH1193-3  
Drainpipe Seismometer ..... £5.50

## October Issue

QH1093-1  
Telescope Main Board ..... £12.00  
QH1093-2  
Hi-fi Preamp ..... £4.50  
QH1093-3  
Laser Zone ..... £5.00  
QH1093-4  
Anti-howler (double sided) ..... £5.50  
QH1093-5  
Sig Gen board ..... £4.50  
QH1093-6  
Crossover unit ..... £3.00

Please print your name and address in **BLOCK CAPITALS**

Name .....

Address .....

Postcode .....

Send the completed coupon (include 80p for postage and packing) to:  
**At Your Service, Electronics in Action**  
PO Box 600, Berkhamsted, Herts. HP4 1NL

Please enter amount required in appropriate box

- QH0794-1 Relaxometer (double sided) ..... £10.00  
 QH0794-2 Acupuncture Machine ..... £5.00

## June Issue

- QH0694-1 Surround sound decoder ..... £7.00  
 QH0694-2 I/O Interface card for PC ..... £6.00

## May Issue

- QH0594-1 PC Sound sampler ..... £6.00  
 QH0594-2 Audio Compressor for guitar ..... £3.50  
 QH0594-3 The Alchemist Hi-Fi Preamp ..... £4.50  
 QH0594-4 Digital Echo unit ..... £6.50

## April Issue

- QH0494-1 5-Band Graphic Equaliser ..... £5.00  
 QH0494-2 8-channel PC Data logger ..... £7.50  
 QH0494-3 Guitar A/B switchbox ..... £5.00  
 QH0494-4 Deionised water level detector ..... £5.00  
 QH0494-5 Simple Intercom ..... £5.00

<input type="checkbox"/>			
<input type="checkbox"/>			
<input type="checkbox"/>			

Total remittance including P&P £

Allow 28 days for delivery

BK Electronics	24	JPG Electronics	IBC
Baylin Publications	IBC	Labcenter Electronics	13
Bonex Ltd	IBC	Lloyd Research	50
Butterworth-Heinemann	38	MQP Electronics Ltd.	IBC
J & N Bull	31	Niche Software	30
Chelmer Valve Company	51	Omni Electronics	51
Cirkit Distribution Ltd.	OBC	Public Domain & Shareware Library	30
Cricklewood Electronics Ltd.	27	Starkie	51
ESR Electronic Components	12	Stewart of Reading	30
Express Components	45	Telnet	51
Halcyon Electronics	30	Those Engineers	50
Hart Electronics	57	Tsien (UK) Ltd	39

## ADVERTISERS' INDEX

# Technoshop

Bringing the world closer together

**E**lectronics in Action in co-operation with The Technology Exchange Ltd., the international technology matchmaking service based in the UK, brings you each month a selection of technology partnership opportunities to which you are invited to respond.

The Technology Exchange, which was formed in 1985 as a not-for-profit technology sourcing service to industry, holds a biannual 'Technoshop' Technology Transfer Fair at Heathrow Airport and several 'Techmart' Fairs overseas for the United Nations (UNIDO).

For this issue of Electronics in Action, we are presenting a series of offers of licence, joint venture and patents rights for sale from organisations in 34 countries.

If you would like to have an introduction to any of the sources of the offers describes in these profiles, please write to The Technology Exchange quoting the reference number at the head of the entry and giving full contact details for the contact person in your own organisation and your requirements for a new product or process development.

The only cost associated with this process is a simple £10 plus VAT introduction fee for each entry to which you respond. For this we will send you full contact details for the source of the offer and invite them to send you more detailed information about their offer.

The code letters at the head of each offer indicate the stage of development, type of offer and the type of organisation making the offer as indicated in the table

Each entry is preceded by a reference number and letters indicating STATUS, OFFER and SOURCE.

Please respond directly to:

**The Technology Exchange Ltd.**  
**Wrest Park**  
**Silsoe**  
**Bedford**  
**MK45 4HS**  
**or Fax: 0525 860664**  
**Phone: 0525 860333**

The payment of £10 plus VAT (£11.75) per item should be sent with your requests.

**KEY**

Example		
S	O	S
Status	Offer	Source
Status indicates the stage of development.		
P Patent or design only	M Laboratory model	W Working prototype
U Pre-production units available	F In current production	C Commercialised
Offer indicates the type of agreement sought.		
L Manufacture under licence	S Design and/or patent for sale	J Joint venture offer
Source indicates the type of organisation making the offer.		
L Limited Company	E Educational institution	R Independent Research Organisation
G Government Research	P Private individual	

**106384**  
**ELECTRONICALLY CONTROLLED SELF-ALIGNING DEVICE**

To govern a stepping motor capable of up to 60 speeds.

**106385**  
**FULLY AUTOMISED SYSTEM FOR TINNING OF INTEGRATED CIRCUITS**

**106386**  
**SYSTEM FOR TINNING OF AXIAL AND RADIAL COMPONENTS**

In microelectronics.

**106391**  
**HIGHLY FLEXIBLE PRODUCTION BOOTHS**

For the complete assembly of printed circuit boards in surfaces; SMD and DSM (or combination of both).

**106396**  
**ELECTRONIC DRILL HOLE COORDINATE DETECTION SYSTEM**

From hand drawn layout to drill hole coordinates for CNC circuit board drilling machines.

**506686**  
**MACHINE FOR AUTOMIZED SETTING AND PACKAGING**

of various sheet metal parts into plate packets, especially rotor and stator plates for small electric motors. Micro-processor control ensures technical parameters of the packs and enable incorporation of the process into automated production lines.

**6397**  
**CIRCUIT BOARD PROTOTYPE DETECTION SYSTEM**

From hand drawn layout to mechanically manufactured circuit board prototype.

**106499**  
**CONTROLLED ASSEMBLY LINE FOR MANUAL ASSEMBLY OF PRINTED CIRCUIT BOARDS**

and small mechanical devices, intermediate stations as soldering machine, post assembly stations, solder frame retrieval and full equipment of single stations.

**506588**  
**SYSTEMS FOR THE PRETREATMENT OF PRINTED CIRCUITS**

with the aid of an electrolytic system. New electrolytes.

**106684**  
**MACHINE FOR AUTOMIZED BANDAGING OF WINDINGS**

For stators of small electric appliances, featuring new procedures for tying and knotting to achieve a compact coil winding head.

**106699**  
**HANGING ILLUMINATION DEVICE**

with adjustable height for installation, maintenance and repair of illuminations systems. Saving on maintenance systems, scaffolding, personnel and storage space Considerable saving of energy by regular maintenance.

**706685**  
**BANDAGING MACHINE FOR ALL COIL WINDINGS**

in medium-to-large-sized electrical appliances. Automatic operation, adaptable to all types of coils without problems.

**706697**  
**LOW-VOLTAGE HALOGEN TABLE**  
and standard lamp with patented lateral and height adjustment capability.

**706764**  
**INDUCTIVE PROXIMITY SENSOR AND PROXIMITY SWITCH**

measurement of inductance and field loss resistance with 4-conductor measurement and evaluation of reactive and active power in the sensor coil; any frequency, infinitely low temperature sensitivity, extended range. long feed cables

**6779**  
**THIN FILM BATTERY**  
based on vitreous solid electrolytes

**706782**  
**PRODUCTION OF THIN-FILM HYBRID MODULES**  
intelligent sensors with integrated signal processing and micro-systems-technology products. Also: circuit design, module design, testing and production

**206783**  
**THIN-FILM TECHNIQUES FOR PRODUCTION OF SENSORS**  
resistors and conductor strips with structural width over 20m. Sputter plants can produce the following films: Cu, Au, Pt, Al, CrNi, CrSiWN, SiO<sub>2</sub>, CrSiO<sub>2</sub>, Ta<sub>2</sub>O<sub>5</sub>, Si<sub>3</sub>N<sub>4</sub>. (Other films on request)

**6790**  
**CORONA ELECTRODES**  
made of non-metallic electrically conductive materials. Main uses: paper and film production, printing and copying technologies

**706791**  
**CERAMIC HIGH TEMPERATURE SUPERCONDUCTORS**  
method for manufacturing and characterising ceramic high-temperature superconductors

**206792**  
**ELECTRODE AND CONTACT SURFACE COATING (MATERIAL)**  
developed and tested which comprises a mechanically resistant material exhibiting good electrical conductivity. For use

in the fields of thin-film and measurement technology

**406794**  
**SEMICONDUCTOR COMPONENTS**  
and basic circuits especially for analog integrated circuits

**906795**  
**TIMER FOR LIGHT BULBS**  
energy saving since bulbs are prevented from burning unnecessarily. Application areas: household and industrial use

**906700**  
**12V-DC LUMINESCENT LAMPS**  
for solar technology, emergency light, interior light for vehicles, boats; consumption 5 to 13W for light output of 75W with 80% efficiency; very low heat dissipation; GS and VDE tested.

**606701**  
**EXTREMELY ECONOMICAL LIGHT**  
as bright as a 75W bulb. 13W power consumption from car battery (12V). Can be used in mobile homes, boats, households, etc., perfected electronics.

**706728**  
**ELECTRONIC COUNTER**  
mains-independent, low-cost with digital display. Operation on optoelectronic or electromechanical basis. For counting persons or items in production or packaging

**806784**  
**PRODUCTION OF PRINTED CIRCUIT BOARD SMD and COB**  
(bare chips on board); also: circuit design, module design, testing and production

**406785**  
**SAFETY SWITCH**  
comprising two components (separable), operating selectively; activated by proximity

**506787**  
**SAFETY SWITCH**  
capable of actuating any type of switching process without touching the actual switch

**606789**  
**FRANKING MACHINE**  
using the TEMEX Post Office service, mechanically perfected design; completely new machine intended for the market segment sending up to 30 letters per day

**406796**

**GATE AND BARRIER CONTROL SYSTEM**  
on microcomputer basis; suitable for rugged environments, can be configured through hardware and software to meet customer requirements, also suitable for high-security lock systems, codable access authorisation, interface for superposed monitoring possible

**106799**  
**WIND DYNAMOS**  
for low power applications (10 100 watts) for low consumption systems in yachts, electric fence, beach cabins etc.

**906802**  
**STRIPPING TOOL**  
for high frequency coaxial cable; for assembling plugs and jacks

**805020 P L U**  
**SUBMERSIBLE TELEVISION EXPLORATORY VEHICLE**  
This invention describes a remotely controlled device for exploring and mapping submerged geological cavities. It provides a means for exploring flooded underground cavities where the floor is silty or the passages is too narrow to use manual exploration. The device is sufficiently small and inexpensive.

**505037 F S/L C**  
**MULTIPLEXING SIGNAL CONDITIONERS**  
For instrumentation, automatic test equipment and process control applications. Novel output multiplexing capability allows many transducers to be measured by few A to D converters. Very small size, plastic moulded DIN rail mounted with finger proof terminals. 1000V isolated and low cost, non-isolated ranges cover temperature, pressure, voltage, current.

**805138 W L G**  
**MAGNETIC VALVE-TYPE REACTOR**  
is a high power inductive reactance, smoothly regulated in its value by magnetic biasing of magnetic circuit with direct current. The reactor magnetic circuit is of a special transformer type design which cores operate in high saturation conditions. The cores incorporate mains, control and the converter transformer windings in one.

**505158 W J G**  
**MINIATURE FIBRE OPTIC GYROSCOPE**  
includes a multiturn coil of the single mode, small diameter fibre with maintained polarisation; phase modulator; two fused tapered couplers; fibre crystal polariser; super luminescent diode;

photo diode and electronic circuit card. All optic elements are formed in series on a continuous strand of fibre. Fibre crystal polariser is fabricated under unique technology.

**105277 F J G**  
**UNIVERSAL POSITIVE-NEGATIVE**  
**PHOTORESIST. PRODUCTION FORMS**  
**PHSN3 AND PHSN-3PV**

A new photosensitive composition which includes polymer components (phenol formaldehyde and/or epoxy resins), a light sensitive component and a mixture of organic solvents. Production forms make it possible to prepare photoresist layers of 0.3-3.0mm thickness. This adds new possible applications of the photoresist, in particular, in the lift off lithography.

**105436 C L/J C**  
**NOVEL PRIME MOVER**

converts DC electrical energy into mechanical work by electrochemically compressing and decompressing hydrogen and oxygen or air. It has several advantages compared with conventional DC motors. Applications include: pumps, actuators, robot sensors, control devices, energy conversion.

**305077 G**  
**ELECTROMAGNETIC RADIATION**  
**TRANSDUCER**

Transducers transform invisible electromagnetic radiation into the visible one. They can be used in opto and microelectronics for the laser system and electron microscope tuning, for visual evaluation of light spot uniformity and as gamma - radiation dose meters. Luminescent composition, operating in clearance and reflection mode is the base of visualisers.

**105469 P L**  
**PRINTED CIRCUIT MANUFACTURING**  
**PROCESS INVOLVING RAISED CON-**  
**TACTS**

enables electrodeposition of contacts at any desired location, and provides simple protective coating operations. It can be applied to any rack, including card carrying baskets. Advantages include reduced cost and higher reliability.

**105136 F J G**  
**SWITCHING GERMANIUM TUNNEL**  
**DIODES**

Switching tunnel diodes are extremely fast, p-type germanium diodes with peak current of 50mA. These devices fabricated with KVARZ's new sandwich pellet and are housed in a sub-miniature

epoxy package. Designed for use in ps switching circuits for voltage sharp change shaping with an edge of picosecond duration. They are key elements in wideband pulse-oscilloscopic radiomeasuring equipment.

**405179 P L G**  
**ELECTROINSULATING COMPOSITION**

The composition is put on the surface of the protected insulated construction via a pulveriser and in 1520 minutes it becomes dry, forming a stable film, which closely covers the insulators body, preventing it from contact with moisture, acid and other aggressive media. Surface electric strength - 14 kw/cm. The composition is chemically strong, heat resistant.

**105470 P L**  
**SYSTEM FOR THE ATTACHMENT OF**  
**PLUGS ON A RECTANGULAR, MULTI**  
**CONTACT ELECTRICAL CONNECTOR**

prevents the occurrence of connecting errors and key system rejection. Many codes are possible. This process is especially relevant to the data processing and aeronautical industries.

**605243 W G**  
**MAGNETOHYDRODYNAMIC RELAYS**  
**FOR AC**

High strength hermetically sealed case filled up with electrically conducting liquid, inert gas. Relays are supplemented with magnetic system. Liquid switches the output circuits being the only moving element which is controlled by magnetic field. The value of the movement is the function of the input signal.

**405251 W L/J G**  
**ELECTRONIC DEVICES BASED ON**  
**MONOCRYSTALLINE THIN FILMS OF**  
**INDIUM ANTIMONIDE ON SAPPHIRE**

All kinds of devices were formed by way of mesastructure formation by application of chemical or plasma etching. The main types of devices developed:

- 1) single photoconductive elements with sensitive area from 500 x 500m to 30 x 30m.
- 2) multielement linear array with a number of pixels 1 x 32, which have detectivity D in x degree =5.10 in 10 degree cm.

**505265 P L G**  
**AUTOMATIC SYSTEM OF HEAT MOIS-**  
**TURE TREATMENT CONTROL FOR**  
**CONCRETE PRODUCTS**

A multichannel temperature controller RTM-3 is a digital regulator on

microschemes of H 561 series with programmes generation. RTM3 is aimed for the control of reinforced concrete products heat treatment in various technological units; steam curing chambers, thermoforms, printed circuit boards etc.

**5267P L G**  
**ELECTRONIC STRESSES MEASUR-**  
**ING INSTRUMENT EIN-3 AND EIN-4M**

These instruments are based on frequency method, have us original multistep system of the tone variation treatment satisfying high precision requirements. It is a small jamming stable adaptive periods indicator with molten crystals indication.

**205437 C L/S C**  
**STARODYNE: SYNCHRONOUS ELEC-**  
**TRIC MOTOR**

includes an oscillating core, which does not rotate but causes a high speed spindle to rotate. Advantages: very low response time, compactness, robustness, easy to service, adaptable, no power limit. Applications: mechanisms, automation, handling, electrical systems.

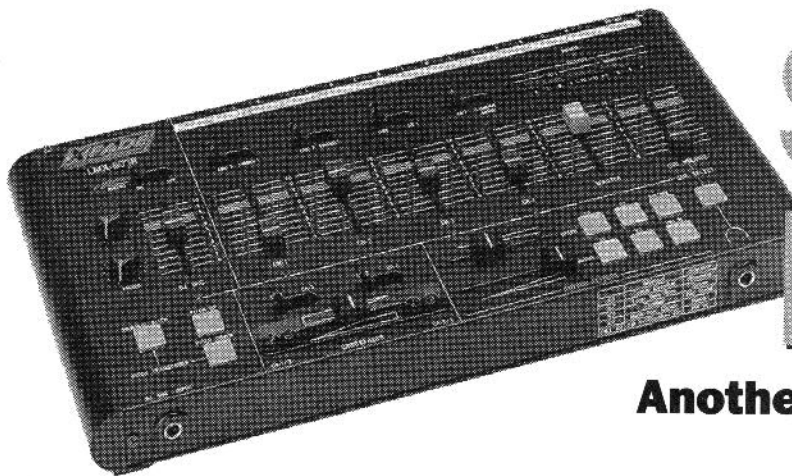
**905922 M J C**  
**ELECTRICAL POWERLINE SIGNAL-**  
**LING SYSTEMS**

A patented system allows for data transmission over considerable distances via electrical power distribution lines. The principle of the new system has been proved to work and investment is now required in order to develop and build a series of prototype systems. The technology will allow remote reading and tariff programming of domestic/business electricity meters through existing cables.

**905994 W L G**  
**GROUND BASED RADIO EQUIPMENT**

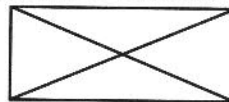
The basic modification intended for landing in ICAO's category I weather conditions comprises the following subsystems: azimuth fixing aids for guidance in a horizontal plane; elevation fixing aids for guidance in a vertical plane; range finding aids; air traffic control tower equipment for remote control, additional data input and signaling. The expanded modification intended for landing ensuring in ICAO's category III weather conditions includes the addition of back azimuth fixing aids for guidance in a horizontal plane during go around procedure and take off.

**MORE**  
**TECHNOSHOP**  
**NEXT MONTH**



# Stereo Mixers

Another Exclusive Reader Offer from



## LMX907 STEREO MIXER

A five channel stereo mixer allowing maximum flexibility in audio signal processing. Features include: 5-band graphic equaliser, analog echo, DJ mix channel with pitch changer and auto talkover, assignable/removable cross fader, six built-in sound effects and LED bargraph monitoring of output. The cross fader circuit controls levels of various sources for smooth mixing between channels. A special 'auto-talk' circuit lowers all music signals by 12dB for better microphone clarity during announcements. The flexible monitoring system allows any channel to be heard individually through stereo headphones, so channels can be cued-up while others are playing through the main output. Repeat and delay circuits can produce effects ranging from rapid 'slapbacks' to reverberation and discrete echoes. The echo function can be switched in or out at any time.

### specifications:

#### Input sensitivity/overload, input impedance:

DJ mic: 1.5mV/10mV, 10kΩ  
 Mic: 1.5mV/50mV, 10kΩ  
 Phono (at 1kHz): 3mV/120mV, 47kΩ  
 Line (CD/tape/aux): 150mV/7.2V, 27kΩ

#### Output:

Typical: 1V (0dB)

#### Frequency response:

Mic: 20 to 20kHz (±3dB)  
 Phono inputs: 30 to 20kHz (±3dB)

#### THD:

DJ mic: 1.6%  
 Mic: 0.5%  
 Phono: 0.2%  
 Line inputs: 0.05%

#### Stereo crosstalk:

Phono: >60dB  
 Line: >66dB

#### Signal-to-noise ratio:

DJ Mic: 60dB  
 Mic: 53dB  
 Phono: 62dB  
 Line: 69dB

#### Headphone output Impedance:

5mW/4Ω  
 10mW/8Ω  
 16mW/16Ω  
 24mW/32Ω

#### Echo/delay:

100ms (max)

#### Equaliser:

60, 250, 1k, 4k, 12kHz (±12dB)

#### Power (AC adaptor inc):

12 Vac

#### Dimensions (WxDxH):

482 x 190 x 37mm

#### Weight:

1.6kg

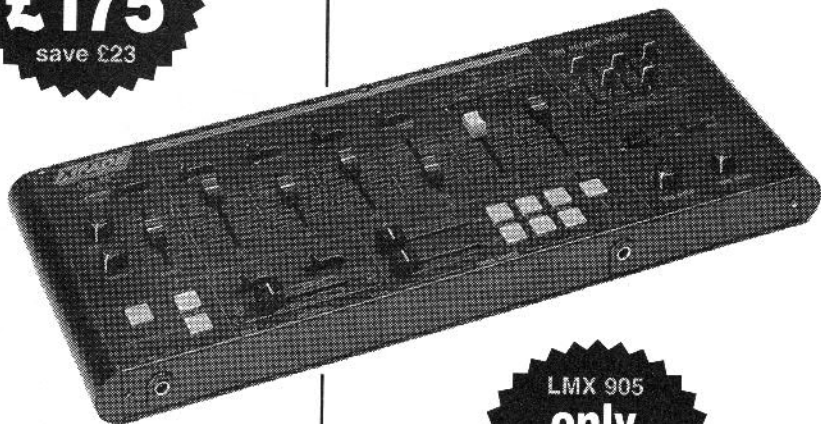
LMX 907  
**only**  
**£175**  
 save £23

## LMX905 STEREO MIXER

A five channel stereo mixer similar to the LMX907 but without the 5-band graphic equaliser and the analog echo circuit. Features include: DJ mix channel with pitch change and auto talkover, assignable/removable cross fader, six built-in sound effects and led bargraph monitoring of the output. Crossfader, special 'auto-talk' and monitor systems are the same as the LMX907 mixer.

### specifications: as LMX907 except:

Mic 'Auto-talk' reduction: 12dB  
 Dimensions (WxDxH): 383 x 190 x 37mm  
 Weight: 1.4kg



LMX 905  
**only**  
**£119**  
 save £25

Please print your name in **BLOCK CAPITALS**

### Please send:

..... LMX907 at **£175.00**

..... LMX905 at **£119.00**

plus **£1.40** towards postage and packing.

### Method of payment

Cheque     Postal Order

Access or BarclayCard

□□□□ □□□□ □□□□ □□□□

Authorised Signature .....

Expiry Date: □□ □□

Name .....

Address .....

.....

.....

.....

.....

Post Code .....

Telephone No .....

Please send to:

**Circuit Distribution Ltd.**

**Park Lane, Broxbourne Herts. EN10 7NQ**

**Tel. (0992)448899 Fax. (0992)471314**

# Future View

**Victor B. Jipson, Optical Products Manager from IBM-Storage Systems Division in Arizona takes a look new directions for optical storage.**

**T**he consumer success of 'read-only' audio compact disk players has greatly reduced the cost and increased the availability of components and technologies central to optical data storage systems. As a result, optical data storage has proven in recent years to be an attractive alternative to magnetic technologies in automated libraries and as multifunction removable-media disk drives for workstation applications. But with the cost of magnetic disk storage decreasing by more than 30% a year, optical technologies must match or exceed this rate of improvement to remain a viable alternative. This requires doubling a disk's capacity every two years while maintaining fixed hardware and media cost, or combining more modest capacity gains with cost reductions.

In current 'write-once' and 'erasable' optical storage systems, bits are written when high-intensity infrared light from a pulsed laser beam is focused to a 1 micrometer diameter spot on a coated, spinning disk in a way that alters the medium's optical properties. The information can be read by noting the change in either intensity or polarization of the reflections of a lower intensity laser beam, one not powerful enough to write over the bit being read.

Once a master disk is prepared, high density 'read-only' optical disks can also be reproduced very inexpensively by simple plastic-stamping technology. This capability is leading to the very wide dissemination of vast amounts of



**Kurt Rubin of IBM's Almaden Research Center (San Jose, California) holds billions of bytes in his hands as each disk has two or more layers**

information, especially encyclopedias, periodicals, manuals, catalogues and other reference works via CD-ROM disks.

Optical data storage today has several distinct advantages over magnetic storage. Foremost of these is 'removability'. Removing an optical disk from the drive unit is just as easy as taking an audio compact disk from a home player. This can be a significant advantage if, for reasons of security or convenience, one wants to keep the large amounts of information on an optical disk separate from the computer or use the information on a series of units. Removability

is possible because the optical head is about a millimetre away from the actual optical disk surface. By comparison, it is virtually impossible for a user to remove and reinstall the stack of magnetic disks from a disk drive and is very inconvenient to remove the entire hard-disk drive unit itself. Removability also permits the same optical drive unit to be used for all three types of optical disks - read-only, write-once and erasable (or rewritable).

## Optical Advantages

There is a real density advantage in optical storage compared to magnetic technology because a sophisticated servo system can position the laser beam very accurately, permitting very narrow data tracks to be set atop ridges between very closely spaced (1-2 micrometers apart) grooves.

The future success of optical storage will depend on the pace of improvement in the technology that reduces the cost per byte of information stored and improves device performance while maintaining removability and other functional advantages.

For business applications requiring access to very large amounts of data, automated optical libraries (also known as jukeboxes because the stacks of disks and robot-like pickers resemble those record-playing machines) are more convenient than magnetic tape and microfilm due to their faster access capability. But to be successful, optical systems must be more than 10 times



cheaper than online magnetic storage alternatives, such as disk drives, which can be accessed much more quickly. If one can tolerate the rather long serial access time, magnetic tape often provides a lower cost solution. Due to its very high areal density and low cost, optical tape (coated with optically sensitive material) may also become popular in some applications.

In the workstation arena, a single multifunction optical disk drive can initially replace three types of peripherals: 'backup' tape drives, low-performance hard disk drives and high-capacity floppy disk drives. Furthermore, future optical disk drives that are compatible with the low-power requirements of portable computers should become very popular due to their multifunction capability.

Capacity per disk is an important factor in the increased use of optical storage in both libraries and workstations.

### Using Blue Light

Reducing laser wavelength is a high-leverage item for improving capacity. Current units use infrared light because compact, reliable and inexpensive semiconductor lasers emit light of that colour. Shorter-wavelength light can be focused into smaller spots, which, in turn, results in higher storage density. Within a few years, red lasers will begin to replace current infrared lasers, resulting in a 50 percent capacity improvement. A compact, efficient blue-light source that we developed has given a factor of five improvement in data density in tests at our Almaden Research

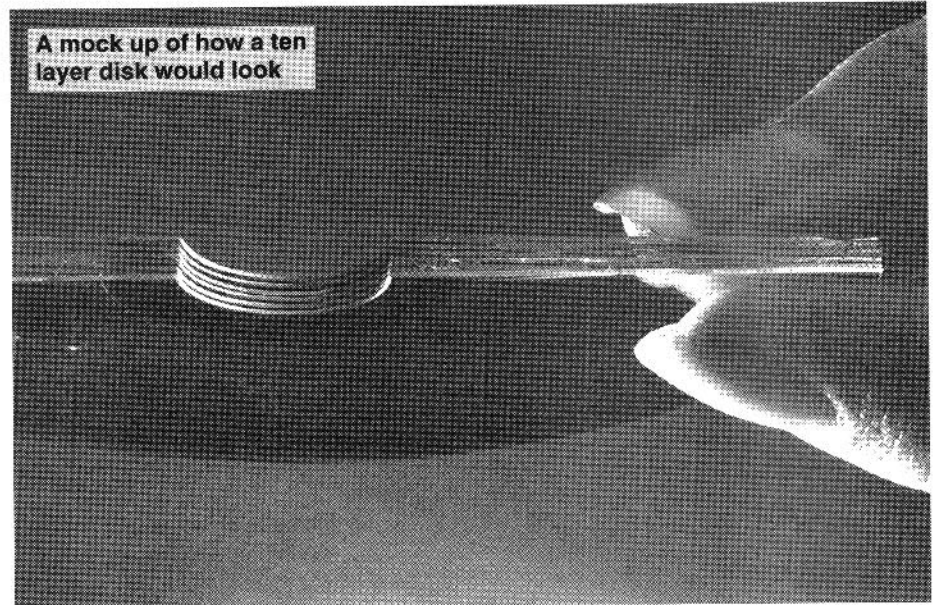
bulky and expensive to find wide use in personal computers or workstations. Low-power blue/green sources based on non-linear waveguide and semiconductor technologies are likely to show up first in some consumer high-density read-only applications.

An increase in the focusing power, or

laser beams would electronically suppress any interference from adjacent data tracks.

### Multilayer Disks

In a development announced this May, scientists at our Almaden lab have demonstrated that new multilevel optical



numerical aperture," of the final focusing lens in the optical disk drive could permit smaller spot sizes and, ultimately, a nearly two-fold increase in capacity. However, this would require stringent optical tolerances and servo control that may prove expensive.

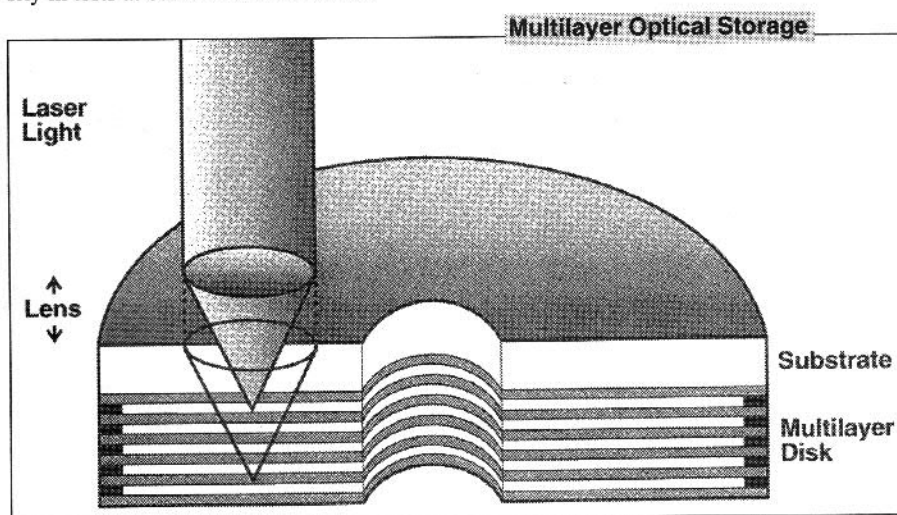
More sophisticated recording 'channel' electronics will soon increase capacity by up to two times, but will also

disks are capable of huge gains in disk capacities. The new disks are made by gluing individual layers together into a stack with spacers to provide a gap between the disks. Data is contained on any disk surface within the stack. Moving the optical disk drive's focusing lens up and down selects the surface on which data is read or written.

Our scientists have shown that data can be both read on 2, 4 and 6-layer read-only disks and also written and read on 2 and 4-layer write-once disks with essentially product-level signal-to-noise quality. There seem to be no technical barriers to 10 or 20-layer CDs or writable disks with up to eight layers.

Unlike today's single-layer disks, these multilevel disks must be partially transparent to permit the optical drive's laser beam to penetrate to all of the layers. At the same time, each surface must also have sufficient reflectivity to direct enough light back to the disk-drive's detectors so the data can be read accurately.

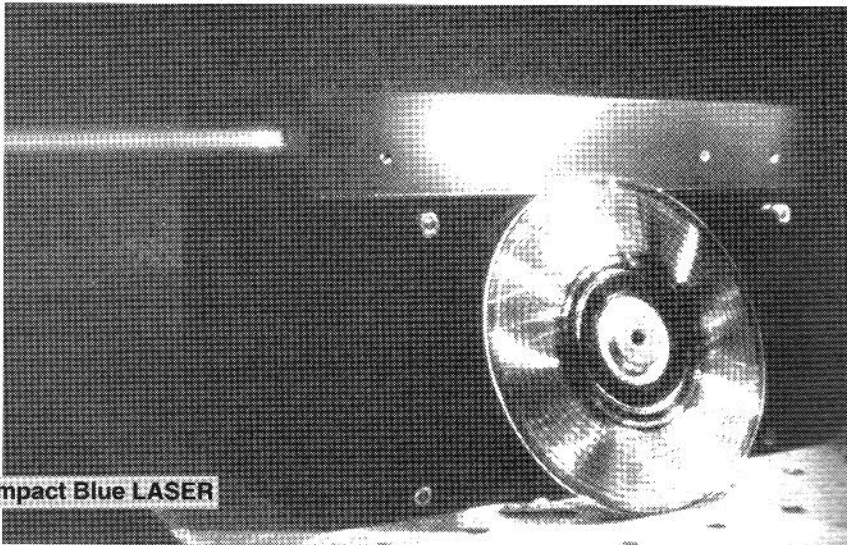
Ultimately, the maximum number of surfaces in a disk stack is limited by the power of the laser, the transparency of the layers and the cost of making multilevel disks compared with their single-surface competitors. For a given laser power, the maximum number of layers in a writable disk would typically



Center in San Jose, California. The first use of such blue lasers will likely be in optical libraries, where such a large density increase would reduce dramatically the cost of storing data. But today's designs are probably still too

require better control of the recording media and recording process.

Finally, using three or more parallel light beams can permit another doubling of a disk's capacity by packing data tracks much closer together. The outer



be less than in a CD-ROM because the writing process also requires that the disk materials absorb some of the laser light, thus reducing the transparency of each layer.

At today's optical data storage densities, a 10-layer disk would store some 6.5 billion bytes (or gigabytes) of information — equivalent to more than a million pages of printed text. This would permit feature-length movies to be stored as high-resolution digital video on a single compact disk. Since the multilevel design does not interfere with other data-density increases, optical disks are likely to have even greater capacities in time.

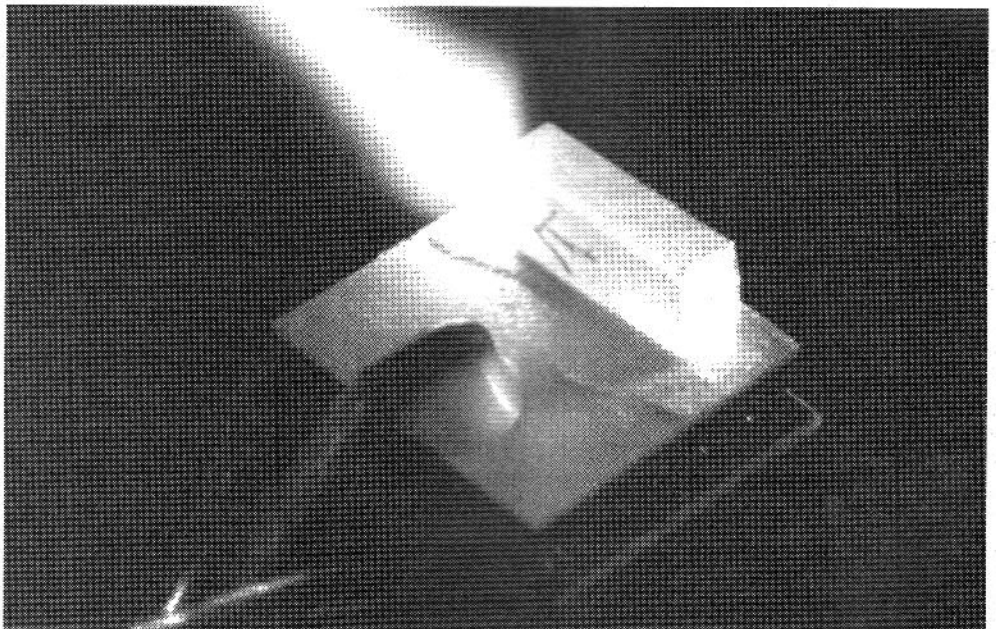
### What about the access time?

Should all these advancements be achieved, optical disks would have about 100 times the data storage capacity of today's products. But sheer capacity is not the only area ripe for improvement. The speed with which the stored information is accessed and processed is also very important. It is also the area in which magnetic storage devices now hold a substantial advantage.

As in magnetic recording, the key performance parameters in optical disk drives are the access time and data rate. Access time is defined as the sum of the time required for a drive's read/write head to move between tracks ('seek time') and the time for the desired disk sector to rotate to a position beneath the head ('latency'). Seek time is typically improved by making the moveable parts of the head lighter and finding ways to move the head faster while maintaining

the ability to position it accurately over the desired data track. Latency, which averages one-half the time of a disk revolution, is reduced by spinning the disk faster. Data rate is the speed with which information is stored and retrieved.

Modelling results of typical personal computer environments clearly indicate that reduced latency is the key to improved optical disk drive performance.



These improvements will require better media mechanical properties, larger servo bandwidths and higher write-laser power. Today's optical drives typically have average seek times that are two to five times longer than magnetic hard drives, but recent results indicate that this difference will narrow as split optical head designs, lower-mass fine actuators, improved coarse actuators, and optimized seek algorithms are introduced.

In the area of data rate, magneto-

optic rewritable devices suffer from the need to erase on one disk revolution before writing. Many devices also include a third 'read-verify' revolution, which can result in a total 'write-latency' that is five times greater than that of magnetic disk drives. The keys to improving this performance are the use of Direct Read After Write (DRAW) and Direct OverWrite (DOW). DRAW optical heads use multiple laser beams to verify the data immediately after it is written. DOW typically employs improved media or magnetic field modulation techniques capable of single-pass overwrite. Combining DRAW and DOW can reduce the write latency five-fold in the workstation arena and increase the write data rate by a factor of three in backup applications.

### In Conclusion

Finally, for applications that require very high data rates, parallel recording can lead to significant read and write data rate improvements. The application of parallelism in both reading and writing exploits an intrinsic advantage of optical recording and can greatly improve both the capacity and performance

of an optical data storage system.

Many of the technologies to support the improvements I've described have already been individually demonstrated. As these advances are incorporated into products, the performance of optical disk drives will continue to improve, making them evermore appealing alternatives where their multifunction capability provides a more cost-effective overall way for businesses and individuals to store computer data.

<b>Inverter toroidal transformers</b> 225VA 10.5-0-10.5 primary 0.260-285 secondary .... £ 29.95	Hour counter used 7 digit 240v ac 50 Hz ..... £1.45
<b>LEDs</b> 3mm or 5mm red or green ..... 6p each yellow ..... 11p each	<b>QWERTY</b> keyboard 58 key good quality switches new ..... £5.00
High intensity red, green or yellow 5mm ..... 30p each cable ties 1p each £5.95 per 1000 £49.50 per 10,000	Airpac A82803-C large stepping motor 14v 7.5' step 27ohm 68mm dia body 6.3mm shaft ..... £8.95 of ..... £200.00 for a box of 30
<b>High quality photo resist</b> copper clad epoxy glass boards Dimensions single sided double sided	<b>Polymer capacitors</b> box type 22.5mm lead pitch 0.9uF 250vdc 18p each 14p 100+ 5p 1000+ 1uF 250vdc 20p each, 15p 100+ 10p 1000+ 2.2uF 250vdc (27.5mm pitch) 30p each, 20p 100+ 15p 1000+ 3.3uF 100vdc 30p each, 20p 100+ 15p 1000+ 1uF 50v bipolar electrolytic axial leads ..... 15p each 7.5p 1000+
3x4 inches £1.09 £1.23	0.22uF 250v polyester axial leads 15p each, 7.5p 100+
4x8 inches £2.75 £2.99	Polypropylene 1uF 400vdc (Wima MKP10) 27.5mm pitch 32x29x17mm case ..... 75p each 60p 100+
6x12 inches £6.20	<b>Philips 123 series</b> solid aluminium axial leads 33uF 10v & 2.2uF 40v 40p each, 25p 100+
12x12 inches £12.25	<b>Philips 108 series</b> 22uF 63v axial 30p each 15p 1000+ Multilayer AVX ceramic capacitors all 5mm pitch 100v 100pF, 150pF, 220pF, 10,000pF (10n) 10p each, 5p 100+ 3.5p 1000+ 500pF compression trimmer 60p 40 uF 370vac motor start capacitor (dielectric type containing no pcbs) £5.95 or £49.50 for 10
<b>Rechargeable Batteries</b>	<b>Welwyn W23 9W</b> 120ohm 35p each 20p 100+ 680 ohm 2W metal film resistor 4p 100+ 2p 1000+ Solid carbon resistors very low inductance ideal for RF circuits 270ohm 2W 68ohm 2W 25p each 15p each 100+ we have a range of 0.25w 0.5w 1w and 2w solid carbon resistors please send SAE for list
AA (HP7) 500mAh ..... £0.99	<b>P.C. 400W PSU</b> (Intel part 201935-001) with standard motherboard and 5 disk drive connectors, fan and mains inlet/outlet connectors on back and switch on the side (top for tower case) dims 212x149x149mm excluding switch ..... £26.00 each £138.00 for 6
AA 500mAh with solder tags ..... £1.55	<b>MX180 Digital multimeter</b> 17 ranges 1000vdc 750vac 2Mohm 200mA transistor Hfe 9v and 1.5v battery test ..... £12.95
AA 700mAh ..... £1.75	AMD 27256-3 Eproms ..... £2.00 each, 1.25 100+ DIP switch 3PCO 12 pin (ERG SDC-3-023) 60p each ..... 40p 100+
C (HP11) 1.8AH ..... £2.20	Disk drive boxes for 5.25 disk drive with room for a power supply light grey plastic 67x268x247mm £7.95 or ..... £49.50 for 10
C 2AH with solder tags ..... £3.60	Hand held ultrasonic remote control ..... £3.95
D (HP2) 1.2AH ..... £2.60	CV2486 gas relay 30 x 10mm dia with 3 wire terminals will also work as a neon light ..... 20p each or ..... £7.50 per 100
D 4AH with solder tags ..... £4.95	A23 12v battery for car alarms or lighters ... 75p each ..... £50.00 per 100
PP3 8.4V 110mAh ..... £4.95	<b>All products advertised are new and unused unless otherwise stated. Wide range of CMOS TTL 74HC 74F Linear Transistors kits. Rechargeable batteries capacitors tools etc always in stock.</b>
1/2AA with solder tags ..... £1.55	Please add £1.95 towards P&P VAT included in all prices
Sub C with solder tags ..... £2.50	
AAA (HP16) 180mAh ..... £1.75	Callers welcome
1/3 AA with tags (philipsCTV) ..... £1.95	
<b>Standard charger</b> charges 4 AA cells in 5 hours or 4Cs or Ds in 12-14 hours+1xPP3(1,2,3or4 cells may be charged at a time) ..... £5.95	
<b>High power charger</b> as above but charges the Cs and Ds in 5 hours AAAs Cs and Ds must be charged in 2s or 4s ..... £10.95	
<b>Nickel Metal Hydride</b> AA cells high capacity with no memory 1000mAh ..... £3.85	
1200mAh ..... £4.40	
<b>Special offers please check for availability</b>	
F cells 42x 16mm dia 1.2v ..... £1.45	
Stick of 4 171mmx16mm dia with red & black leads 4.8v ..... £5.95	
<b>Computer grade capacitors</b> with screw terminals 38000uf 20v ..... £2.50 87000uf 10v ..... £1.95 68000uf 15v ..... £2.95 10000uf 16v ..... £1.50 58000uf 60v ..... £4.95	
<b>7segment</b> common anode led display 12mm ... £0.45	
LM2931AT5.0 low drop out 5v regulator ..... £0.85	
TO220 package ..... £0.85	
7812 and 7912 12v 1A regulators .... £26.00 per 100	
LM337K TO3 case variable regulator ..... £1.95	
..... £1.44 100+	
GaAs FET low leakage current S8873 , £12.95 each £9.95 10+ 7.95 100+	
BS250 P channel mosfet ..... £0.45	
BC559 transistor ..... £3.95 per 100	
74LS05 hex inverter ..... £10.00 per 100	
used 8748 Microcontroller ..... £3.50	
SL952 UHF Limiting amplifier LC 16 surface mounting package with data sheet ..... £1.95	
AM27S02 ..... 1.25 each 90p 100+	
CD4007UB ..... 10p 100+ 6p 1000+	
Sinclair light gun terminated with a jack plug and PP3 clip gives a signal when pointed at 50hz flickering light with output wave form chart ..... £ 3.95	
<b>DC-DC converter</b> Reliability model V12P5 12v in 5v 200MmA out 300v input to output isolation with data £4.95 each or pack of 10 £39.50	



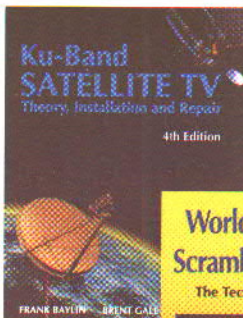
Out Now!

84 pages with over 500 photographic illustrations

To obtain your copy, please send a cheque or your credit card details to:  
**BONEX Ltd. 12 ELDER WAY, LANGLEY BUSINESS PARK  
SLOUGH, BERKSHIRE SL3 6EP  
Tel: 0753 549502 Fax: 0753 543812**

## Baylin Publications

**ALL ITEMS EX-STOCK.**  
**Ku-Band Satellite TV, Theory, Installation & Repair**  
4th Edition.  
Footprints, dish theory, cables, site survey, polar mount adjustment.  
**£25.**



24 River Gardens,  
Purley, Reading.  
RG8 8BX, England.  
Tel/Fax 0734-414468  
Mobile 0836-582785  
Pay by: UK£ cheque,  
Access, Mastercard,  
Visa,  
C.O.D.

**World Satellite TV and Scrambling Methods**  
The Technicians' Handbook



**European Scrambling Systems, Circuits, Tactics & Techniques.** By John McCormac, digital sound, smart cards, pirate decoders, for hackers.  
**£32.**



**World Satellite TV & Scrambling Methods.** 2nd Edition, by Baylin, Madox & McCormac for the service engineer.  
**£29.**



**Home Satellite TV Installation Videotape.** Forty minutes VHS Pal. See how 3 metre dishes are installed.  
**£27.**



**Satellite Installation Guide.** 3rd Edition. By John Breeds.  
**£13.**



**The Satellite Book.** 2nd Edition. A complete guide to satellite TV. Theory and practice by John Breeds.  
**£31.**



**World Satellite Almanac.** 3rd Edition by Mark Long. 300 Footprints, Frequencies, Transponder Loading, Orbital Assignments.  
**£69.**



**World Satellite Annual.** Update by Mark Long.  
**£39.**



**TVRO System Analysis and Aiming Software.** 5.25 or 3.5 disk, (DOS 3.2). Calculates dish size and lists coordinates of all satellites in view.  
**£39.**



**Satellite Toolbox Software,** for IBM Comp. Hard Disk-5.25 or 3.5.  
**£59.**



**Wireless, Cable & SMATV,** Microwave broadcasting & cable TV.  
**£35.**



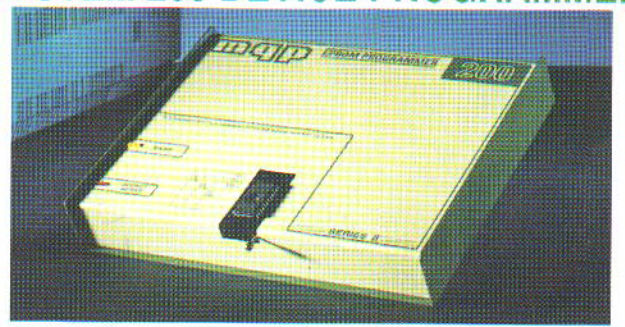
**World Satellite Yearly** by Dr. Baylin, Loading and 200 Footprints.  
**£38.**



**PRICES INCLUDE P. & P. UK. Airmail Europe add 10%. Outside Europe +20%.**



## SYSTEM 200 DEVICE PROGRAMMER



**SYSTEM:** Programs 24,28,32 pin EPROMs, EEPROMs, FLASH Memories and EPROM Emulators as standard, quickly, reliably and at low cost  
Expandable to cover virtually any programmable part including serial EEPROMs, PALs, GALs, EPLDs and microcontrollers, in many different packages.

**DESIGN:** Not a plug-in card but connecting to the PC serial or parallel port; it comes complete with powerful yet easy to use software, cable and manual.

**SUPPORT:** UK design, manufacture and support. Same day dispatch, 12 month warranty, 10 day money back guarantee.



**MQP ELECTRONICS Ltd**  
Park Road Centre  
Malmesbury, Wiltshire SN16 0BX, UK  
Tel: 0666 825146 Fax: 0666 825141

**ASK FOR FREE INFORMATION PACK**

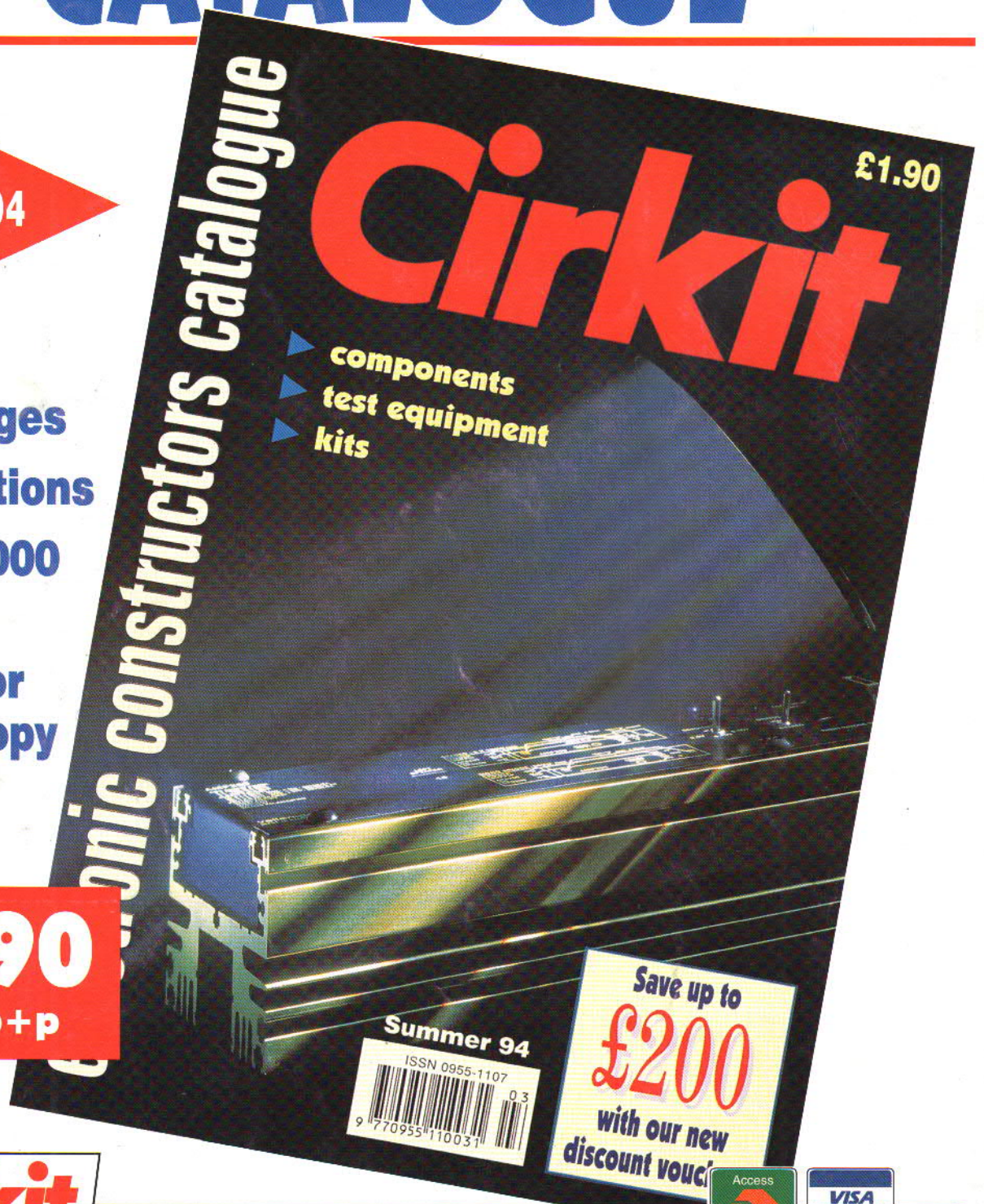
GERMANY 089/4602071  
NORWAY 0702-17890  
SWEDEN 8 590 754 04  
ITALY 02 92 10 35 54  
FRANCE 1 69 30 13 79  
Also from VEROSPEED UK

# CIRKIT ELECTRONIC CONSTRUCTORS CATALOGUE

**NEW  
SUMMER '94  
EDITION**

- ▶ **256 Pages**
- ▶ **26 Sections**
- ▶ **Over 4000 lines**
- ▶ **Send for your copy today!**

**£1.90**  
+ 30p p+p



**Cirkit**

**Cirkit Distribution Ltd**

Park Lane • Broxbourne • Hertfordshire • EN10 7NQ • Tel: Sales (0992) 448899 • Fax (0992) 471314

