

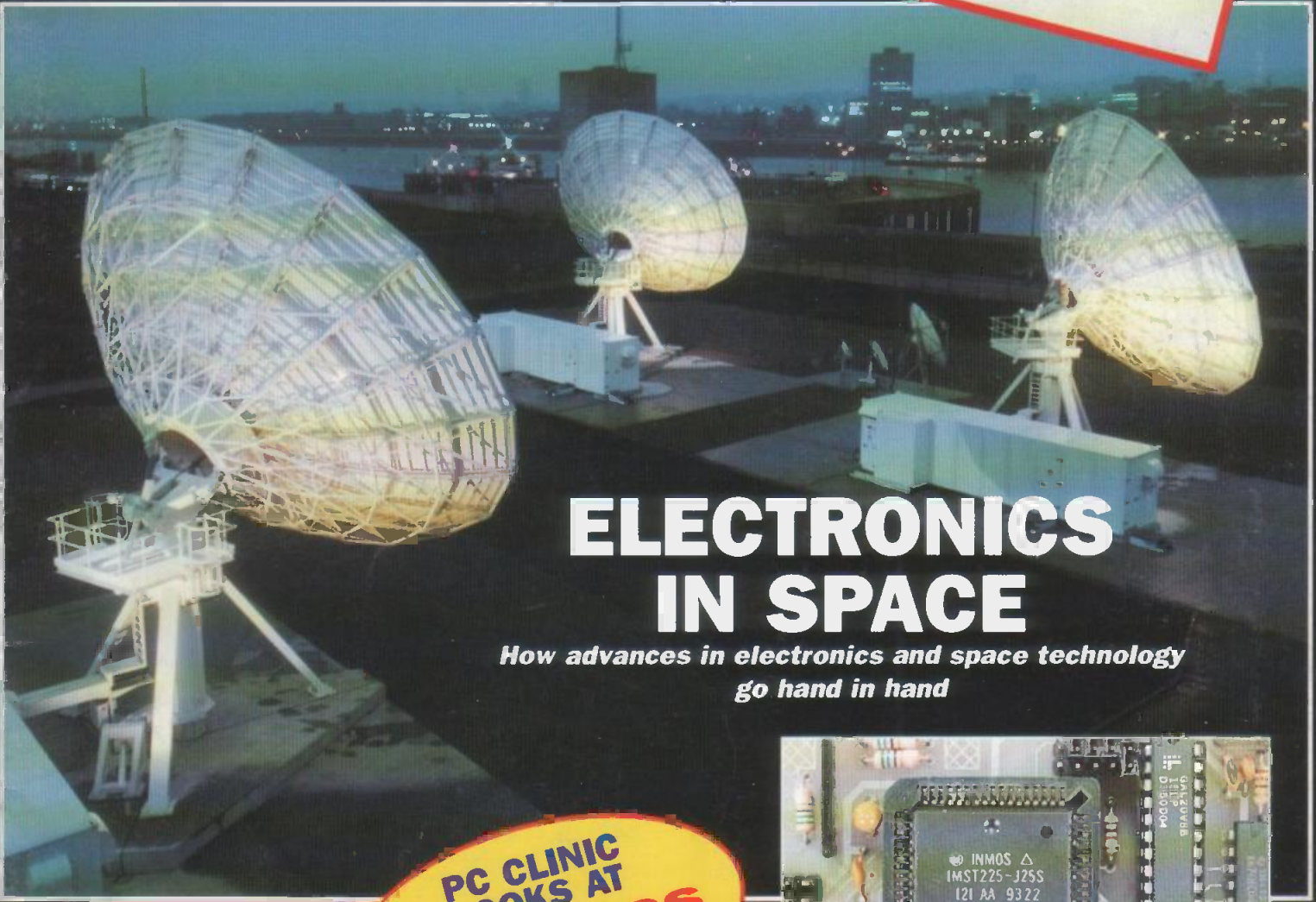
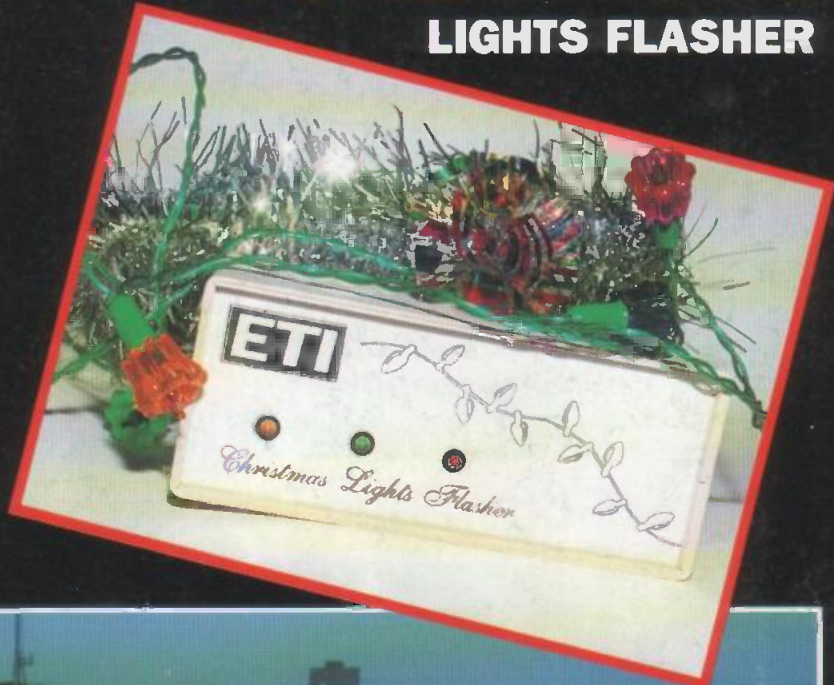


**ELECTRONICS
TODAY INTERNATIONAL**

TOMORROW'S TECHNOLOGY TODAY

● **MAKE** A PHOTOGRAPHIC
ENLARGER TIMER

● **BUILD** A CHRISTMAS
LIGHTS FLASHER



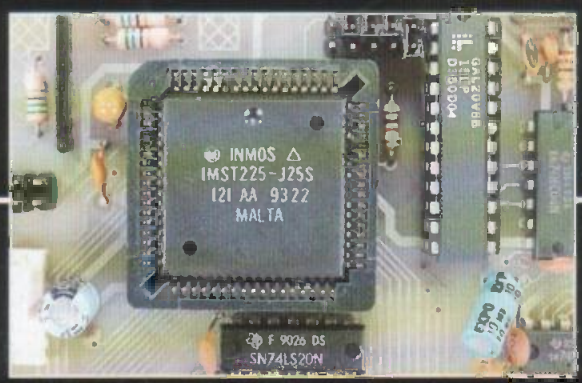
ELECTRONICS IN SPACE

*How advances in electronics and space technology
go hand in hand*

● **USING EPROMS
TO REPLACE LOGIC**

● **BUILD AN
EPROM EMULATOR**

**PC CLINIC
LOOKS AT
GRAPHICS
DISPLAYS**



● **BUILD AN RS-232
TO PARALLEL INTERFACE**

December 1994 £2.15



● **CONSTRUCT
AN AUDIO
PARAMETRIC
EQUALISER**

9 770142 722078 12 >

Take the

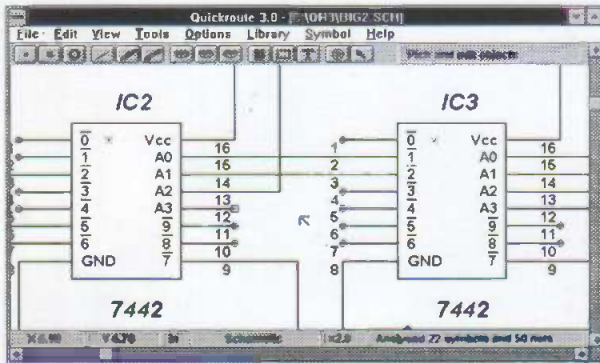
Quickroute

from
£99.00

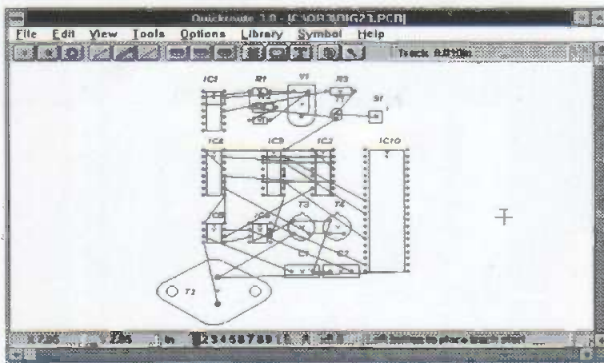
to successful PCB &
Schematic Design



Design PCB's and Schematics quickly



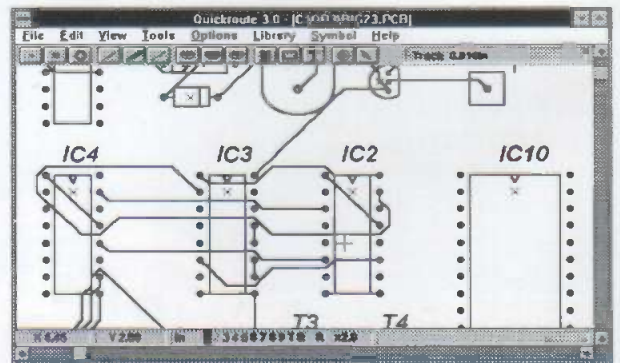
After schematic capture, components can be re-arranged prior to manual or automatic routing.



	Auto Router Max Layers	Schematic Capture	Gerber & NC-Drill	Design Size K nodes
DESIGNER	2 <i>Standard</i>	None	None	10
DESIGNER+	2 <i>Medium</i>	None	Export	20
PRO	8 <i>Fast</i>	Standard	Export	30
PRO+	8 <i>Fast</i>	Advanced	Export/ Import*	40

*PRO+ can import Gerber files

All versions include an auto-router.



Telephone or FAX **POWERware on 061 449 7101**

POWERware, 14 Ley Lane,
Marple Bridge, Stockport,
SK6 5DD, UK.

Quickroute 3.0 for Windows 3.1

DESIGNER £99.00 DESIGNER+ £149.00
PRO £199.00 PRO+ £299.00

All prices exclude post & packing, and V.A.T.

**DEMO
DISK
Available**

Contents



Volume 25 No.12

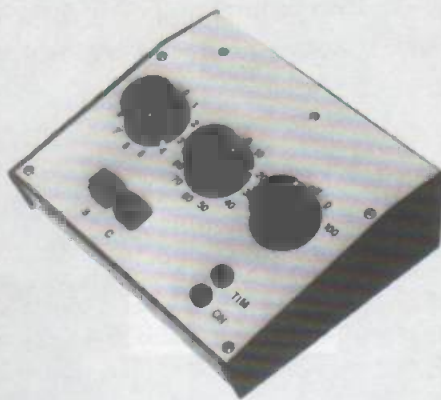
& Features & Projects

Electronics in Space 10

Space, the final frontier, a frontier that would be unconquerable without the help of sophisticated electronics, Nick Hampshire investigates and discovers that in the field of microsattellites there is a UK company that is leading the world in space technology.



Enlarger Timer 19



A very useful battery power project for any photographer's darkroom, designed by Terry Balbirnie.

A General Purpose RS232 Card 24

This project provides the user with 24 lines of input/output from a standard RS232 port. Designed by Dr Pei An, part one of this project looks at the problems involved in using serial data transmissions to control parallel I/O operations.

The ETI Transputer 32

This month we conclude the construction of what is probably the world's first practical project to build a single board computer system based around the famous Inmos Transputer chip. In this issue we take a further look at programming the board designed by Mark Robinson and Andy Papageorgiou.

PC Clinic 37

Part 7 of the series which shows readers how to repair, maintain, upgrade and build circuits for, personal computers. In this issue we look at using, choosing and upgrading video adaptor boards.

Proms vs Logic 42

In the first part of a two-part tutorial Graham Reith shows that EPROMs can be used for a lot more than simply storing computer programs and data; they can

also be used to perform a wide range of useful functions that would otherwise require complex dedicated logic.

Christmas Lights Flasher 52

A simple seasonal design by Paul Stenning which should make your Christmas tree stand out from all the others.

ETI EPROM Emulator 56

A project designed by Paul Stenning which complements the EPROM programmer introduced in last month's ETI. The emulator looks like a standard EPROM to any circuit into which it is plugged, but it allows data to be easily downloaded from a PC and is therefore much easier to use than repeatedly programming and erasing EPROMs.

The Parabender 64

A project by Barry Porter which will interest all audiophiles, a modular, high-quality stereo parametric equaliser that gives one real control over audio frequency response.

Regulars

News and event diary	6
Practically Speaking – a regular series in which Terry Balbirnie divulges some practical hints and tips for the electronics enthusiast	62
PCB foils	70
Open Forum	74

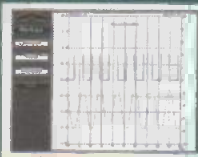
Subscribe & Save
Phone the hotline and take advantage of our special offer detailed on page 49 & 50

SUBSCRIPTION & BACK ISSUES HOTLINE
0737 768611

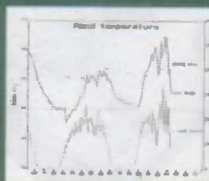
Data Acquisition for your PC

Easy to use, low cost data acquisition products that allow your PC to be used as a range of useful test and measurement instruments, or as an advanced data logger. Easy installation via a parallel port except the ADC-16 which connects to the serial port. They require no power supply. Take up no expansion slots. Each comes with a comprehensive manual. Software drivers are included for users who wish to write their own software. Software supplied on 3.5" disk.

PicoScope 'Virtual instrument' software. PicoLog



Storage scope with trigger, timebase, rulers and offset. Real time spectrum analysis with min/max frequency and signal averaging. Multiple meters on screen (digital and bargraph). Printer and file handling support.



Advanced data logging software package. Collect, store, display and print data from one sample per millisecond to one per day. Record average, min/max or scaled values (linear, equation, table look-up). Report types; monitor (with min/max alarms), y-t graphs, x-y graphs, tabulation.

PICO TECHNOLOGY

NEW SLA-16 Logic Analyser

Pocket sized 16 channel Logic Analyser



SLA-16 with power supply and cables £219

- Connects to PC serial port, ideal for desktops or notebooks.
- Supplied with easy to use software, power supply and cables.
- High Speed - up to 50MHz sampling.
- Internal and external clock modes.
- 8K Trace Buffer.

NEW ADC-100 Virtual Instrument

Dual Channel 12 bit resolution



- Digital Storage Scope
- Spectrum Analyser
- Frequency Meter
- Chart Recorder
- Data Logger
- Voltmeter

The ADC-100 offers both a high sampling rate (100kHz) and a high resolution. It is ideal as a general purpose test instrument either in the lab or in the field. Flexible input ranges ($\pm 200\text{mV}$ to $\pm 20\text{V}$) allows the unit to connect directly to a wide variety of signals.

ADC-100 with PicoScope £199
with PicoScope & PicoLog £209

ADC-10

1 Channel 8 bit

- Lowest cost
- Up to 22kHz sampling
- 0-5V input range

The ADC-10 gives your computer a single channel of analog input. Simply plug into the parallel port and your ready to go.

ADC-10 with PicoScope £49

PicoScope & PicoLog £59

Carriage UK free, Overseas £6

Oscilloscope Probes (x1, x10) £10

Existing ADC 10/11/12/100 users can add PicoLog for £25

ADC-11

11 Channel 10 bit

- Digital output
- Up to 18kHz sampling
- 0-2.5V input range

The ADC-11 provides 11 channels of analog input in a case slightly larger than a matchbox. It is ideal for portable data logging using a "notebook" computer.

ADC-11 with PicoScope £85

PicoScope & PicoLog £95

ADC-12

1 Channel 12 bit

- High resolution
- Up to 17kHz sampling
- 0-5V input range

The ADC-12 is similar to the ADC-10 but offers an improved 12 bit (1 part in 4096) resolution compared to the ADC-10's 8 bit (1 part in 256).

ADC-12 with PicoScope £85

PicoScope & PicoLog £95



ADC-10 Simply plug into the parallel port and your ready to go.

ADC-16

8 Channel 16 bit+sign

- Highest resolution
- 2Hz sampling - 16bit
- $\pm 2.5\text{V}$ input range

The ADC-16 has the highest resolution of the range, it is capable of detecting signal changes as small as $40\ \mu\text{V}$. Pairs of input channels can be used differentially to reject noise. Connects to serial port.

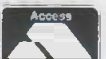
ADC-16 with PicoLog £115



Pico Technology Ltd. Broadway House, 149-151 St Neots Rd, Hardwick, Cambridge. CB3 7QJ

Tel: 01954 - 211716

Fax: 01954 - 211880



Phone or FAX for sales, ordering information, data sheets, technical support. All prices exclusive of VAT

Surplus always wanted for cash!

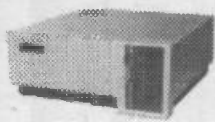
THE ORIGINAL SURPLUS WONDERLAND!

THIS MONTH'S SELECTION FROM OUR VAST EVER CHANGING STOCKS

Surplus always wanted for cash!

LOW COST PC's - ALL EXPANDABLE - ALL PC COMPATIBLE

THE OFFER OF 1994!



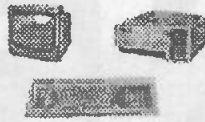
SPECIAL BUY
AT 286
40Mb HD + 3Mb Ram

LIMITED QUANTITY only of these 12MHz HI GRADE 286 systems Made In the USA to an industrial specification, the system was designed for reliability. The compact case houses the motherboard, PSU and EGA video card with single 5 1/4" 1.2 Mb floppy disk drive & integral 40Mb hard disk drive to the front. Real time clock with battery backup is provided as standard. Supplied in good used condition complete with enhanced keyboard, 640k + 2Mb RAM, DOS 4.01 and 90 DAY Full Guarantee. Ready to Run!
Order as HIGRADE 286

ONLY £149.00 (E)

Optional Fitted extras: VGA graphics card	£29.00
1.4Mb 3 1/2" floppy disk drive (instead of 1.2 Mb)	£32.95
NE2000 Ethernet (thick, thin or twisted) network card	£49.00

PC SCOOP
COMPLETE
COLOUR SYSTEM
ONLY £99.00



A massive bulk purchase enables us to bring you a COMPLETE ready to run colour PC system at an unheard of price! The Display Electronics PC99 system comprises of fully compatible and expandable XT PC with 256k of RAM, 5 1/4" 360k floppy disk drive, 12" CGA colour monitor, standard 84 key keyboard, MS DOS and all connecting cables - just plug in and go!! Ideal students, schools or anybody wishing to learn the world of PC's on an ultra low budget. Don't miss this opportunity. Fully guaranteed for 90 Days.

Order as PC99COL **£99.00 (E)**

Optional Fitted extras: 640k RAM	£29.00
2nd floppy drive, specify 5 1/4" 360k or 3 1/2" 720k	£29.95
Above prices for PC99 offer ONLY.	



Computer Controlled
Laser Video
Disk Player

One of the most amazing surplus deals that we ever been able to offer you! The Philips VP410 LaserVision player, in as new condition, unit features full computer control, Plays standard 12" LaserVision disks with startling visual and audio quality in two channel stereo or mono. When controlled by a computer, it may also be used as a versatile high quality storage / retrieval medium. It will play back either LaserVision CAV (active play) or CLV (Long Play) discs (which covers most types of commercially available video discs). Some of the many features of this incredible machine are:
RS-232 INTERFACE RGB / COMPOSITE VIDEO OUTPUT
BNC+SCART INTERFACE PAL / VIDEO DECODER
IR+WIRED REMOTE CONTROL FAST RANDOM ACCESS

SPECIAL PURCHASE Only **£399.00 (F)**

FLOPPY DISK DRIVES 3.5" - 8"

VIDEO MONITOR SPECIALS

5.25" from £22.95 - 3.5" from £24.95

Massive purchases of standard 5.25" and 3.5" drives enables us to present prime product at industry beating low prices! All units (unless stated) are BRAND NEW or removed from often brand new equipment and are fully tested, aligned and shipped to you with a 90 day guarantee and operate from standard voltages and are of standard size. All are IBM-PC compatible (if 3.5" supported on your PC).

3.5" Panasonic JU363/4 720K or equivalent	£24.95(B)
3.5" Mitsubishi MF355C-L 1.4 Meg Laptops only *	£36.95(B)
3.5" Mitsubishi MF355C-D 1.4 Meg. Non laptop	£29.95(B)
5.25" Teac FD-55GFR 1.2 Meg	£29.95(B)
5.25" BRAND NEW Mitsubishi MF501B 360K	£22.95(B)
* Data cable included in price.	
Shugart 800/801 8" SS refurbished & tested	£195.00(E)
Shugart 851 8" double sided refurbished & tested	£250.00(E)
Mitsubishi M2894-63 8" sided switchable NEW	£250.00(E)
Mitsubishi M2896-63-02U 8" DS slimline NEW	£285.00(E)
Dual 8" drives with 2 mbyte capacity housed in a smart case with built in power supply. Ideal as exterior drives!	£499.00(F)

Superb quality 14" PORE-FRONT MTS-9600 SVGA Multisync - Multimode monitor 0.28" dot pitch with resolution of 1024 x 768. The multi mode input allows direct connection to a host of computers including IBM PC's in CGA, EGA, VGA & SVGA modes, BBC, COMMODORE (including Amiga 1200), ARCHIMEDES etc. The H version will also function with the ATARI in all modes inc HI RES monochrome. Complete with text switching for WP use (possible minor screen burns) Syncs down to 15 kHz. Supplied in EXCELLENT little used condition with full 90 day guarantee.

Order as MTS-9600/H for ATARI!
All modes as above Order as MTS-9600/S
ELECTROHOME ECM-12115BU 12" VGA multisync monitor with resolution 640 x 480. Multi input selection; 9pin CGA/EGA; 15 pin VGA or 5 BNC connectors. 0.31 pitch. Compatible with PCs, Amiga, Atari and others. In good used condition (possible minor screen burns). 90 day guarantee.

KME 10" high definition colour monitors. Nice tight 0.28" dot pitch for superb clarity and modern styling. Operates from any 15.625 khz sync RGB video source, with RGB analog and composite sync such as Atari, Commodore Amiga, Acorn Archimedes & BBC. Measures only 13.5" x 12" x 11". Only £125 (E) Good used condition, 90 day guarantee.

KME 10" as above for PC EGA standard £145.00 (E)
NEC CGA 12" colour IBM-PC compatible. High quality ex-equipment fully tested with a 90 day guarantee. In an attractive two tone ribbed grey plastic case measuring 15" x 13" x 12". The front cosmetic bezel has been removed for contractual reasons.

Only **£49.00 (E)**
20" 22" and 26" AV SPECIALS
Superbly made UK manufacture. PIL all solid state colour monitors, complete with composite video & optional sound inputs. Attractive teak style case. Perfect for Schools, Shops, Disco, Clubs, etc. In EXCELLENT little used condition with full 90 day guarantee.

20"....£135 22"....£155 26"....£185 (F)
9" Mono cased, Black & White for CCTV Used / Tested £49.00 (C)

HARD DISK DRIVES

End of line purchase scoop! Brand new NEC D2246 8" 85 Mbyte of hard disk storage! Full Industry standard SMD Interface. Ultra hi speed data transfer and access time, replaces Fujitsu equivalent model. complete with manual. Only

3.5" FUJI FK-309-26 20mb MFM I/F RFE	£59.95(C)
3.5" CONNER CP3024 20 mb IDE I/F (or equiv.)RFE	£69.95(C)
3.5" CONNER CP3044 40mb IDE I/F (or equiv.)RFE	£99.00(C)
3.5" RODIME R03057S 45mb SCSI I/F (Mac & Acorn)	£99.00(C)
5.25" MINISCRIBE 3425 20mb MFM I/F (or equiv.) RFE	£49.95(C)
5.25" SEAGATE ST-238R 30 mb RLL I/F Refurb	£69.95(C)
5.25" CDC 94205-51 40mb HM MFM I/F RFE tested	£89.95(C)
8" FUJITSU M2322K 160Mb SMD I/F RFE tested	£195.00(E)
Hard disc controllers for MFM, IDE, SCSI, RLL etc. from £16.95	

THE AMAZING TELEBOX

Converts your colour monitor into a QUALITY COLOUR TV!!



TV SOUND & VIDEO TUNER!

The TELEBOX consists of an attractive fully cased mains powered unit, containing all electronics ready to plug into a host of video monitors made by manufacturers such as MICROVITEC, ATARI, SANYO, SONY, COMMODORE, PHILIPS, TATUNG, AMSTRAD and many more. The composite video output will also plug directly into most video recorders, allowing reception of TV channels not normally receivable on most television receivers (TELEBOX MB). Push button controls on the front panel allow reception of 8 fully tunable 'off air' UHF colour television channels. TELEBOX MB covers virtually all television frequencies VHF and UHF including the HYPERBAND as used by most cable TV operators. A composite video output is located on the rear panel for direct connection to most makes of monitor. For complete compatibility - even for monitors without sound - an integral 4 watt audio amplifier and low level Hi Fi audio output are provided as standard.

TELEBOX ST for composite video input type monitors	£32.95
TELEBOX STL as ST but with integral speaker	£36.50
TELEBOX MB Multiband VHF-UHF-Cable- Hyperband tuner	£69.95
For overseas PAL versions state 5.5 or 6mhz sound specification.	
*For cable / hyperband reception Telebox MB should be connected to cable type socket. Shipping code on all Teleboxes is (B)	

FANS & BLOWERS

MITSUBUSHI MMF-D6D12DL 60 x 25 mm 12v DC	£4.95 10 / £42
MITSUBUSHI MMF-09B12DH 92 x 25 mm 12v DC	£5.95 10 / £53
PANCAKE 12-3.5 92 x 18 mm 12v DC	£7.95 10 / £69
EX-EQUIP 120 x 38mm AC fans - tested specity 110 or 240 v	£6.95
EX-EQUIP 80 x 38mm AC fans - tested specity 110 or 240 v	£5.95
VERO rack mount 1U x 19" fan tray specity 110 or 240v	£45.95
IMHOF B26 1900 rack mt 3U x 19" Blower 110/240v NEW	£79.95
Shipping on all fans (A). Blowers (B). 50,000 Fans Ex Stock CALL	

IC's TRANSISTORS DIODES

OBSOLETE - SHORT SUPPLY - BULK

5,000,000 items EX STOCK

For MAJOR SAVINGS - SAE or CALL FOR LATEST LIST

Issue 12 of Display News now available - send large SAE - PACKED with bargains!

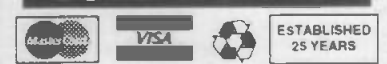


LONDON SHOP
Open Mon-Sat 9:00-5:30
215 Whitehorse Lane
South Norwood
LONDON SE25

DISTEL © The Original
FREE On line Database
Info on 1000's of Items
V21, V22, V22 BIS
081 679 1888

ALL MAIL & OFFICES
Open Mon-Fri 9:00-5:30
Dept ET1. 32 Biggin Way
Upper Norwood
LONDON SE19 3XF

ALL ENQUIRIES
081 679 4414
FAX 081 679 1927



All prices for UK Mainland. UK customers add 17.5% VAT to TOTAL order amount. Minimum order £10. Bona Fide account orders accepted from Government, Schools, Universities and Local Authorities - minimum account order £50. Carriage charges (A)=£3, (A1)=£4.00, (B)=£5.50, (C)=£8.50, (D)=£12.00, (E)=£15.00, (F)=£18.00, (G)=CALL. Allow approx 6 days for shipping - faster CALL. Scotland surcharge CALL. All goods supplied to our Standard Conditions of Sale and unless stated guaranteed for 90 days. All guarantees on a return to base basis. All rights reserved to change prices / specifications without prior notice. Orders subject to stock. Discounts for volume. Top CASH prices paid for surplus goods. All trademarks etc acknowledged. © Display Electronics 1994. E & O E.

New Virtual Instruments

Cambridgeshire-based virtual instrument specialists Pico Technology have added three new products to their range of PC-based instruments. All the products in this range offer desktop instrument performance, coupled with the enormous benefits of PC connection.

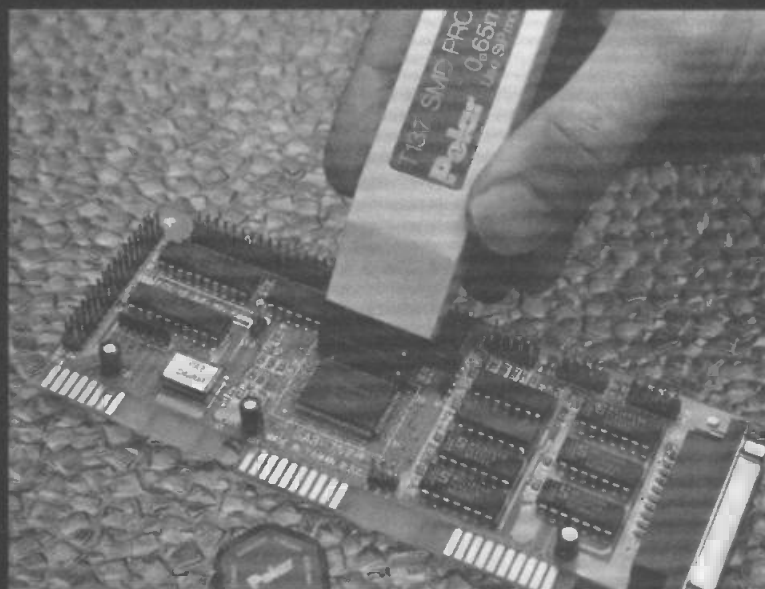
Slightly smaller than a cigarette packet, the SLA-16 (£219) is probably the smallest and most economical PC-based logic analyser on the market today. It offers 16 channel operation with an 8K trace buffer. Flexible internal and external clocking modes are supported (up to 50MHz). The supplied software provides state listings and waveform displays, while two cursors can be used for time and frequency measurement. The SLA-16 is supplied with all necessary software, cables and probes; all it needs is a standard PC AT with a spare serial port.

Another new product is the ADC-100 (£199). With this plugged into a PC and the supplied PicoScope software, a PC can be used as a dual channel digital storage scope, spectrum analyser, frequency meter and voltmeter. For long-term data logging and chart recorder emulation PicoLog software is an optional extra. The ADC-100 offers 100kHz sampling and 12-bit resolution. Each channel can be set to any of seven input voltage ranges (+-20V to +-0.2V). The ADC-100 is powered from the PC's parallel port.

The last of the trio of new products is the ADC-22 (£199) which is a 22 channel data logging unit. Its input specifications are the same as Pico's best-selling ADC-11 data logger and it too plugs into the parallel port of a PC. All three of these new virtual instrumentation products are available directly from Pico Technology, 149-151 St Neots Road, Hardwick, Cambs. CB3 7QJ. Tel: 0954 211716.



High density SMD probes



Polar Instruments has developed two new high density probes for state-of-the-art, surface-mount electronics components, providing an efficient test interface for ICs with fine geometry 0.65mm metric or 25thou Imperial lead pitches. Providing a row or 32 pins, the hand-held probes - known as T Series - interface with troubleshooting instruments equipped with the analogue signature analysis fault location technique. The probes provide a convenient and cost-effective interface for many of the latest VLSI peripherals and processor IC packages, and greatly accelerate the diagnostic tests needed for circuit investigation and repair.

For more information about these probes contact Polar Instruments Ltd of Guernsey on: 0481 53081.

Filter Designing Made Easy

The filter circuit is one of the basic building blocks in analog circuit design. Indeed almost every piece of electronic equipment, of whatever sort, contains at least one filter circuit and their use is becoming more common as EMC legislation progressively comes into force.

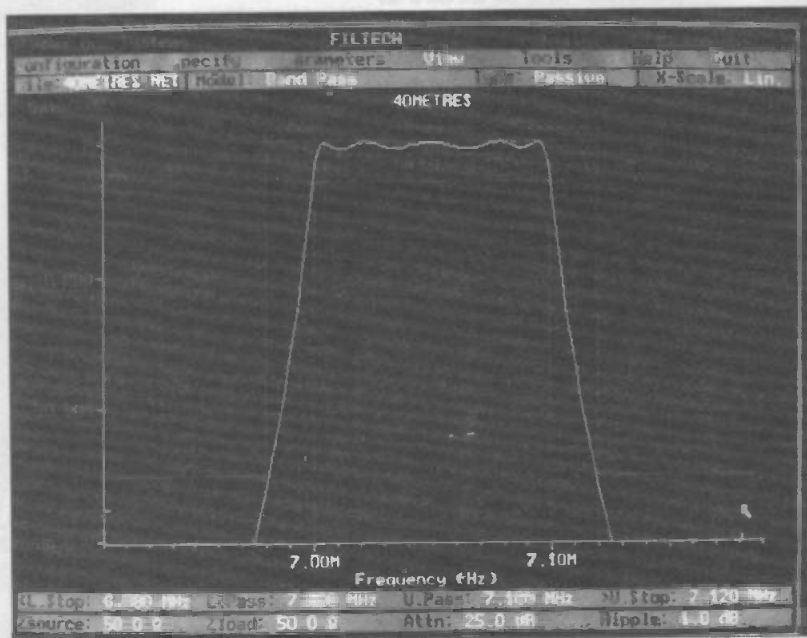
For many electronics engineers, particularly those trained in digital electronics, the design of active and passive filters is a tedious and error-prone process, which invariably involves many repetitive and tedious calculations or the looking up of dozens of normalised co-efficients in tables.

Thankfully, such days are now past. A new design program, FILTECH, from circuit simulation software specialists Number One Systems, will do all these calculations automatically, thus making filter design a relatively simple process.

The software will also simulate the behaviour of the filter circuit and display a graphic plot of the calculated frequency response superimposed on the specified filter limits, thereby giving the user immediate confirmation of the accuracy of the design.

Both active and passive filters up to sixth order with frequency ranges extending from fractions of a Hertz to GigaHertz can be designed and simulated using FILTECH. There is a no-nonsense approach to filter specification, Passband and Stopband frequency limits, Ripple and Attenuation levels and terminating impedances are all the parameters that the design program needs to complete a design. The user has full override capability on both design and simulation.

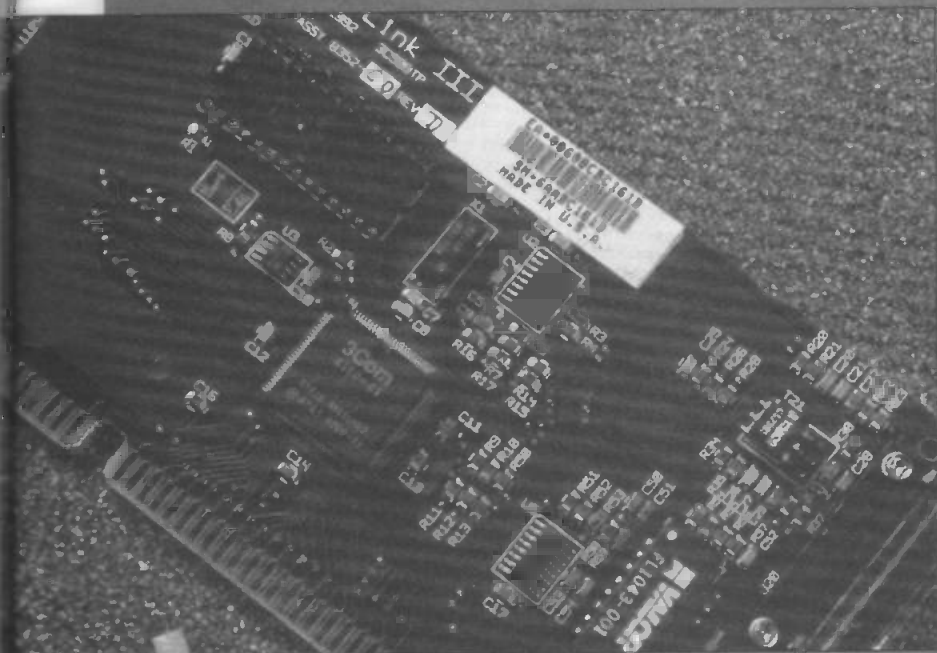
The FILTECH program costs £145, and is available from Number One Systems Ltd and includes all documentation plus example designs and a full discussion of filter circuits and characteristics. They can be contacted at: Harding Way, Somersham Road, St Ives, Huntingdon, Cambs. PE17 4WR. Tel: 0480 461778



New range of circuit protectors

Raychem have just launched a new version of their re-settable surface-mount Polyswitch circuit protection devices for electronics applications including computer interface ports (e.g. SCSI, Ethernet, keyboard and mouse ports) and computer peripherals (e.g. disk drives). This new range offer higher current carrying capability and lower resistance than earlier versions.

The Polyswitch SMD products have hold-current ratings that range from .30A to 2.5A, maximum voltage ratings range from 15V to 60V and resistance ratings as low as 100ohms. These units can be used as replacements for fuses but, unlike fuses, they do not need to be replaced after they have blown, they will re-set once the fault current is removed. They are made from solid-state conductive material which is fabricated to form a positive temperature coefficient resistor that has extremely low resistance under normal current flow conditions. If an overcurrent occurs, then it switches to a very high resistance state thereby interrupting current flow and preventing damage to the circuitry. For more information on these devices contact Raychem of Swindon on: 0793 528171.



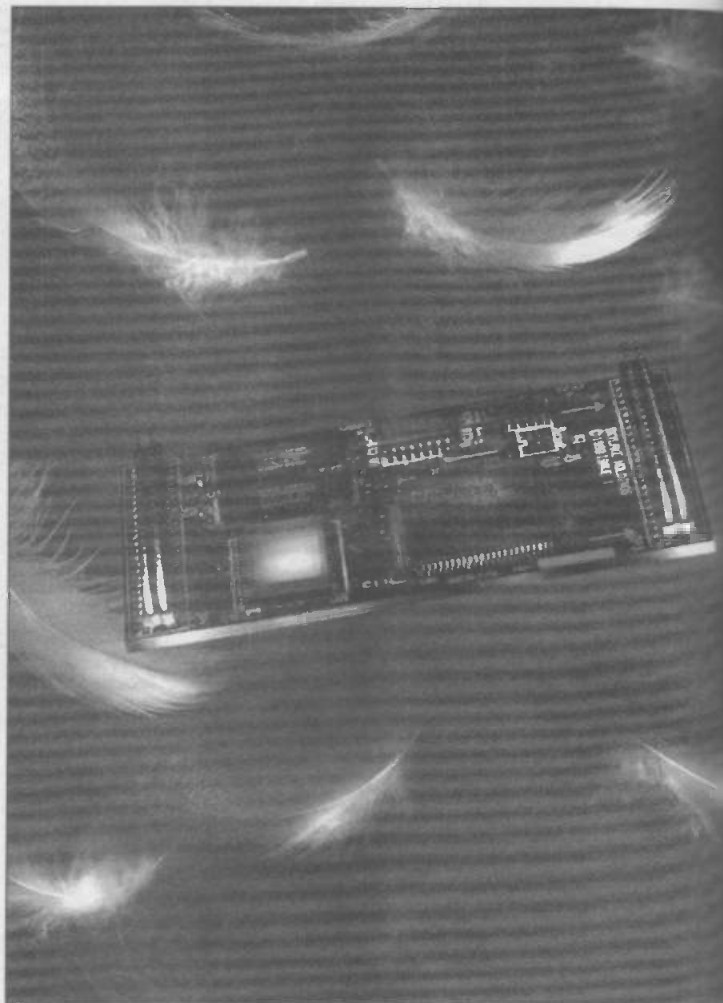
Very small embedded PC module

Skylake Talix of Southampton have developed what is almost certainly one of the smallest and least expensive PC-compatible computers for embedded applications that is on the market today. Known as Talix uV25, the computer board measures just 52 x 80mm, similar to a credit card, and weighs a mere 30g. Priced at £75, it sets a new price/performance standard for embedded control and data acquisition applications.

Developed to meet the ever-growing requirement for compact and economic PC-compatible processing power, Talix uV25 contains a V25 processor running at 8 or 10MHz, plus up to 1MByte of memory in dual half megabyte RAM and ROM/Flash-EEPROM arrays. Also onboard are three parallel I/O ports offering up to 32 I/O lines - two serial channels, a real-time clock, interrupt controller, and interface/expansion connectors with terminals for back-up battery. Power consumption is 50mW typical at 5V.

The talix uV25 may be operated as a PC-compatible running DOS applications software. In an agreement between Skylake Talix and Great Western Instruments, General Software's powerful multi-tasking embedded DOS has been ported onto the module. Software development for PC-compatible target systems is simplified by a suite of utilities provided, including a debugger and a silicon disk utility for booting PC operation system and applications software from non-volatile memory. Alternatively, the processor can be used in its native 8086-compatible mode, and the module can optionally be supplied with Paradigm's TDREM monitor for the V25 CPU.

For further details contact Skylake Talix on: 0703 666403.



Intelligent protocol controllers

Mitsubishi Electric have introduced the M3888x Group of intelligent protocol controllers for multiprocessor systems with an internal control bus. The new devices join the company's wide existing range of 8bit microcontrollers.

The first device in this Group is the M38881 which features 240 bytes of RAM and 8Kbytes of ROM, plus 3UARTS including independent baud rate generators and CRC, an independent bus structure and dual port RAM.

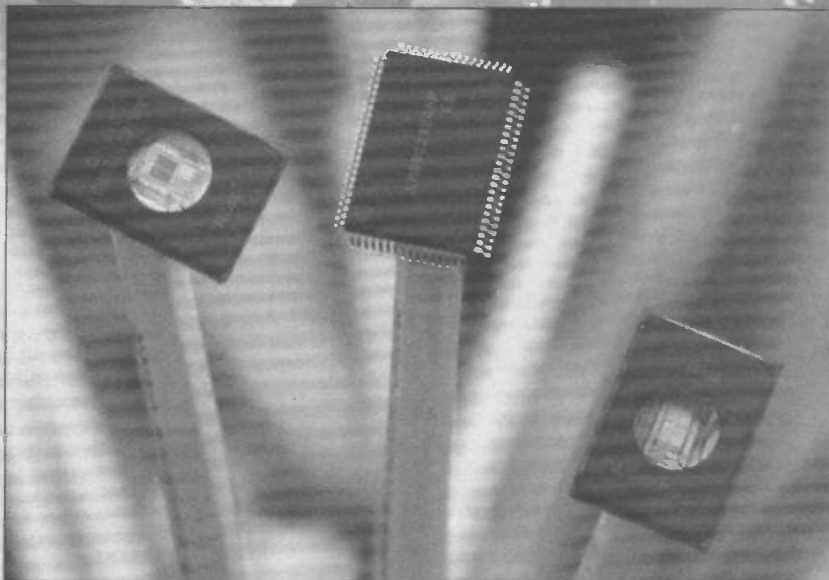
The new Mitsubishi microcontroller operates as a slave controller to provide high speed system communications.

Featuring program memory ROM, work RAM and dual port RAM, the slave can be customised to any communications protocol. The master CPU accesses the dual port RAM via an industry standard system bus and the slave accesses the dual port RAM via a local bus to control data transmission.

The 3888x microcontrollers feature full semaphore handling and provide all system control for the dual port memory. They cater for all possible data collisions. If a second device, for example, sends data to the same address, the M3888x's automatic arbitration resolves any conflict between local and system buses.

The intelligent protocol controller is capable of handling different system events and uses semaphores to flag each event as it occurs.

For further details on this range of devices contact Mitsubishi in Hatfield on 0707 276100.



24-bit colour in a low-cost package

A new 24-bit RAMDAC from AT&T Microelectronics allows designers of personal computer systems to provide high resolution graphics facilities at a price comparable to standard VGA. Featuring a 16-bit pixel port and maximum video rate of 135MHz, the ATT20C498 displays 24-bit colour at resolutions of 800x600, and up to 64K colours at resolutions of 1280x1024.

Packaged in a low cost 44-pin PLCC, the ATT20C498 is backward compatible with the 8-bit VGA standard. An internal multiplexer allows the 16-bit pixel port to load two 8-bit pixels simultaneously; this means that designers can use slower, less expensive frame buffer memory, and run clock signals at half the video rate, reducing EMI. An on-chip clock doubler simplifies design even further. Switching between the ten graphics modes of the chip can be implemented "on the fly" or on a pixel by pixel basis, allowing the device to display several windowed applications supporting different graphics capabilities. Each application can be run at its highest resolution, using the correct colours, regardless of the primary system display mode.

For further information contact AT&T Microelectronics, on: 0732 742999



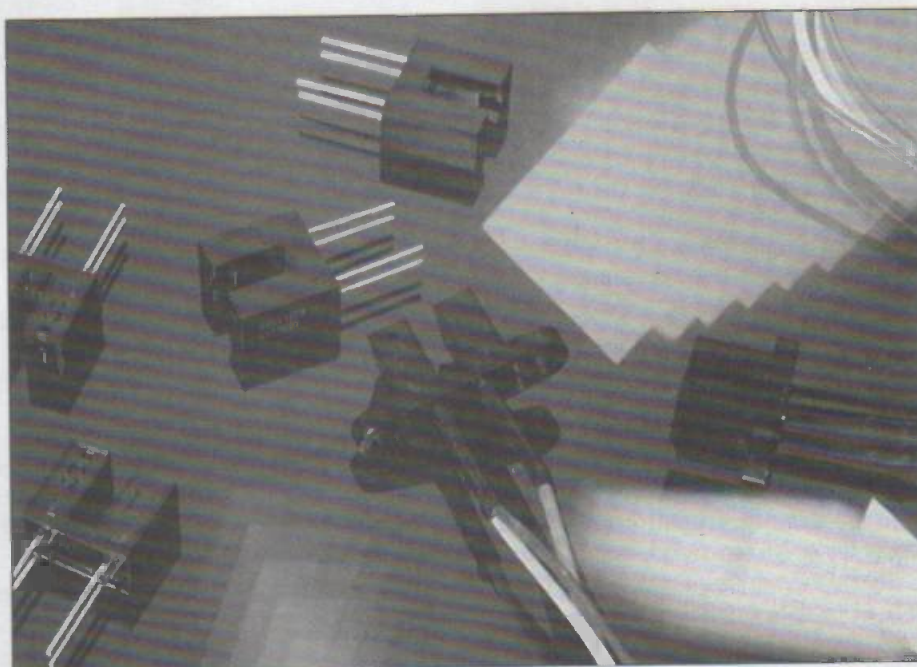
High resolution slotted optical switches

Quality Technologies' new range of fully enclosed, slotted optical switches has a unique housing design which incorporates ambient light protection and has a smooth external surface to prevent any build up of dust or dirt in the optical path.

Designated the QVA and QVB series, the switches comprise an infra-red emitting LED, facing an NPN phototransistor, across a 3.18mm gap. The phototransistor detects the presence of infra-red light from the LED, until it is blocked by a mechanical object.

Moulded internal apertures of 1.27mm or 0.25mm in the optical path make these switches ideal for high resolution applications, such as encoders and precise position sensing.

For further details contact Quality Technologies of Aylesbury, on: 0296



Event diary

- | | |
|--------------|-------------------------------------------------------------------------------------------------------------------------------------------------------------------------------------------------------------------|
| 1-3 November | Windows Exhibition, Olympia, London. Tel: 01256 381 456 |
| 5-6 November | Eighth North Wales Radio and Electronics Show, Aberconway Conference Centre & The New Theatre, Llandudno, Tel: 01745 591704 |
| 13 Nov | Midland Amateur Radio Society rally at Stockland Green Leisure Centre, Slade Road, Erdington, Birmingham. Doors open at 10AM, admission £1, For further details ring 021 422 9787 or 021 443 1189(evenings only). |
| 14 November | Operation Raleigh by John Leyton G4AAL, Stratford upon Avon and District Radio Society. Tel: 01789 740073 |
| 28 November | Microphones by Jack Cluley G4YIG, Stratford upon Avon and District Radio Society. Tel: 01789 740073 |
| 1-4 December | Christmas Computer Shopper Show, Grand Hall Olympia, London. Tel 0181 742 2828 |
| 6 December | Open Forum - Questions and answers on anything connected with amateur radio, Sudbury and District Radio Amateurs. Tel: 0787 313212 |
| 6-8 December | CD-ROM 94, Olympia 2, London. Tel: 01865730275 |
| 12 December | Open house. Stratford upon Avon and District Radio Society. Tel: 01789 740073 |

If you are organising an event which you would like to have included in this section please send full details to: ETI, Argus House, Boundary Way, Hemel Hempstead, Herts HP27ST. Clearly mark your envelope Event Diary.

Electronics in space

Space, the final frontier, a frontier that would be unconquerable without the help of sophisticated electronics. Nick Hampshire investigates

It is probably true to say that without electronics, and in particular computers, mankind's conquest of space would never have happened. The history of the conquest of space began during the latter part of World War II, with the development of the German V2 rocket. This was a revolutionary weapon that could be launched deep in continental Europe on a trajectory that took it into near space, and that on its return to Earth brought so much terror, death and devastation to large parts of the city of London.

The V2 was a liquid fuelled rocket designed by Wernher von Braun, the brilliant engineer who later went on to design some of the most famous US rockets, including the giant Saturn V which launched all the Apollo moon missions. Indeed the V2 was the basic design on which all subsequent liquid fuelled rocket designs were based.

Although a very sophisticated system at the time, the V2 was, by today's standards, very simple. It was designed to follow a preset trajectory; once set on that trajectory the rest was automatic - gravity and the Laws of Physics would do the job. This meant that all it needed was a simple electromechanical inertial guidance system that would ensure that the rocket stayed on the desired trajectory during the flight.

Electromechanical systems were used because they were better able to stand up to the vibration and acceleration force experienced during a rocket launch. At that time the only electronics available were valve based, and valves are not the most physically robust devices.

The development of the much more robust transistor in the early 1950s, allowed designers to replace the earlier electromechanical systems with purely electronic systems. Rocket guidance and control systems consequently became much more sophisticated, and included telemetry links. Telemetry was very important because, up to the early 1960s, a great many of the missile guidance computers in use were ground based. This was because they were too large and required too much power to be fitted into the actual rocket.

The greater sophistication of flight control systems, whether ground or rocket based, allowed the flight trajectory to be controlled more accurately, something which was of increasing importance given the much longer range of the bigger rockets that were being produced.

At the height of the Cold War, the accuracy of long range

ballistic missiles was of paramount importance, as the military wanted to be able to deliver a nuclear weapon to a precise target on the other side of the world. Control systems therefore needed to be even more complex, and more reliable.

The engineers given this task quickly realised that the electronic components and construction techniques available at the time were not well suited to the requirements of extreme reliability, or of packing large amounts of circuitry into small spaces. The result was the Tinkertoy project which sought to produce ultra-miniaturised, highly robust circuit modules which could then be assembled into the control system.

It was the developments generated by the Tinkertoy project in the late 1950s which effectively led to the creation of the first integrated circuit in the early 1960s.

By this time, ballistic missiles had developed to a stage where things could be put into orbit around the Earth; the days of Sputnik, Yuri Gagarin, and Gemini. Satellites and spacecraft called for even more sophisticated and miniaturised electronics that could fit into the very small spaces that were available. The first satellite launched in 1957, the Russian Sputnik 1, only weighed 75Kg. And, for the first time, electronics which could stand up to the very harsh environmental conditions found in space, and electronics which could run on the very minimal amount of power in these early spacecraft, were available. All these factors helped to further accelerate the development of the integrated circuit.

President Kennedy's acceleration of the 'space race' by declaring that the first man on the moon would be an American, put the full power of the US government budget behind the development of all the systems necessary to achieve this goal - development which was being funded to the tune of over 4% of US GDP. It is thanks to this enormous expenditure that we have most of the technologies that we take for granted today.

The space program gave an enormous boost to the US computer industry thanks to NASA's requirement that subcontractors were fully computerised. It also boosted the development and use of numerically controlled machine tools and a host of new production techniques.

But electronics was the area which saw some of the biggest advances. When Kennedy made his famous declaration, integrated circuits were confined to a few simple gate circuits but, by the end of the Apollo program, there were the first pocket calculators, electronic watches, memory chips and, just a couple of years later, microprocessors. All products where the development process had been directly, or indirectly, accelerated by the US space program.

Today the impact of space technology on electronics is less pronounced, but still enormously important. No longer is the acceleration provided by geopolitical factors. Instead it is

provided by hard commercial factors. Satellite communications systems have become commonplace. We now take it for granted that an overseas phone call could be relayed via a satellite.

Millions of us watch TV programmes broadcast from a satellite. We watch news programs sent live via satellite from remote corners of the world, or watch the weather forecast with its satellite-generated images of terrestrial weather-systems. We use information systems which rely on global networks of computers often linked via satellite.

Then, of course, we depend on satellites to give us information about other planets in our universe. We also use them to monitor the health and state of our planet, to track down pollution, to monitor crop yields, to locate new sources of natural resources. And, as we saw in ETI a few months back, we can use satellite systems to accurately determine the position of a plane, a boat, or even a lorry-load of goods travelling across Europe.

Without the myriad satellites which now circle the Earth, much of what we do today would be impossible. Satellites would in turn be impossible without sophisticated and highly reliable electronics - electronic systems which can work 24 hours a day, 365 days a year for ten years or more without a single fault despite operating in one of the harshest environments known and being subjected to enormous mechanical stress

In the rest of this article we look at some of the problems facing electronic systems that are designed for use in space.

Types of spacecraft

However, before taking a closer look at the actual electronics, we need to look at the different types of space mission; each has different needs and different design criteria. We can divide space missions into three broad categories. Firstly, there are the manned missions, such as the regular Shuttle flights and the Mir space station. Secondly, there are the unmanned orbital satellites; these have a wide range of different functions; from weather and communications satellites, through the Hubble Space Telescope, to navigation satellites and military reconnaissance satellites. Lastly, there are the unmanned interplanetary probes. These include some of the most sophisticated and complex spacecraft, with future missions scheduled to carry robot explorers.

For manned missions safety of the crew is of paramount importance. Consequently, all the critical electronics are designed to be completely fail-safe. However, the presence of a human crew means that non-critical areas can, in the event of failure, probably be repaired and replaced by the crew or overridden by direct human control. In addition, flights are of short

duration, and much of the electronics will be within the pressurised crew compartment and thus will not be exposed to the very harsh environment of space. The Shuttle has five general purpose computers, four of which can be configured as a triple-redundancy fail-safe system for highly mission-critical operations such as flight control during re-entry.

In unmanned systems, the main criteria is reliability over a very long period, ten years or more is not unusual, with full exposure to the environment of space. This means that they have to be capable of being remotely configured, maintained, and repaired. Despite the use of the Shuttle to repair the Hubble Space Telescope, there is, in general, little possibility of having

someone physically repair a faulty satellite, and absolutely no chance of intercepting and repairing an interplanetary probe.

This need for very long term reliability in a very hostile environment means that such systems have to incorporate a great deal of redundant circuitry. They have to be testable and reconfigurable from the ground, so that a faulty part of the circuitry can be switched out and replaced with a functioning circuit. For interplanetary probes, some of this testing and reconfiguration must be done automatically by the spacecraft itself, since signals between the spacecraft and Earth can take too long.

The rating of spacecraft electronics

I have already said that space is an extremely hostile environment. We all know that space consists of a near vacuum and this fact by itself is of little concern to the designers of spacecraft electronics. Indeed,

it can be beneficial since having no atmosphere means that there is no oxygen and therefore no problems with oxidation.

However, operating electronic circuitry in a vacuum brings other sorts of problems, the biggest of which concerns the dissipation of heat. In operation, all electronic circuitry generates heat. Normally this is dissipated by a combination of convection with the aid of air currents, and conduction through the housing PCB etc plus a certain amount of heat radiation.

Convection is the primary means of cooling electronic circuitry, hence the inclusion of a fan in many pieces of equipment. But in the absence of any air, it is impossible to cool any circuitry in this manner. Conduction only moves unwanted heat from one place to another (specialist high efficiency conduction devices known as heat pipes are frequently used in spacecraft for this purpose). This leaves just one method of getting rid of unwanted heat; radiating it out into space.

Reducing the heat generated by circuitry is therefore a very important component in the design of space-based electronic systems. This is a requirement which also coincides with the



need for circuitry which uses very little power (power is usually provided by an array of solar cells feeding a battery, battery power being used when the satellite is in the Earth's shadow).

The movement of a satellite in and out of the Earth's shadow is the cause of yet more heat-related problems. The lack of any atmosphere in space means that a spacecraft is exposed to the full radiation from the sun. Much of this solar radiation can be reflected away from the electronics, but it still means that temperatures can rise to +55C when the spacecraft is in the sun and then plummet to -30C or lower when it is in the Earth's shadow. The electronic systems on a spacecraft must therefore be capable of operating successfully over this very wide temperature range.

This repeated oscillation between being very hot and very cold can lead to enormous thermal stresses within components due to differential expansion and contraction rates. These stresses can easily lead to failures of joints, and thus failure of the circuit. Overcoming these problems requires very special construction techniques which reduce the expansion differentials to a minimum.

Thermal stress is just one source of mechanical failure in spacecraft electronics. There are also the enormous stresses caused during launch. Components need to be designed to withstand forces up to 30 gravities. In addition, there are high levels of vibration associated with the launch, all of which can easily lead to component or joint failure.

Solar radiation is not the only source of radiation encountered in space; there are other forms of radiation which are potentially far more damaging to electronic circuitry. There are high levels of electromagnetic disturbance present in space, capable of causing induced currents that will destroy ordinary circuitry. In addition, electromagnetic disturbances can, if the system is not very carefully designed with electromagnetic shielding, arise from other satellite systems due to the fact that all the circuitry is in very close proximity.

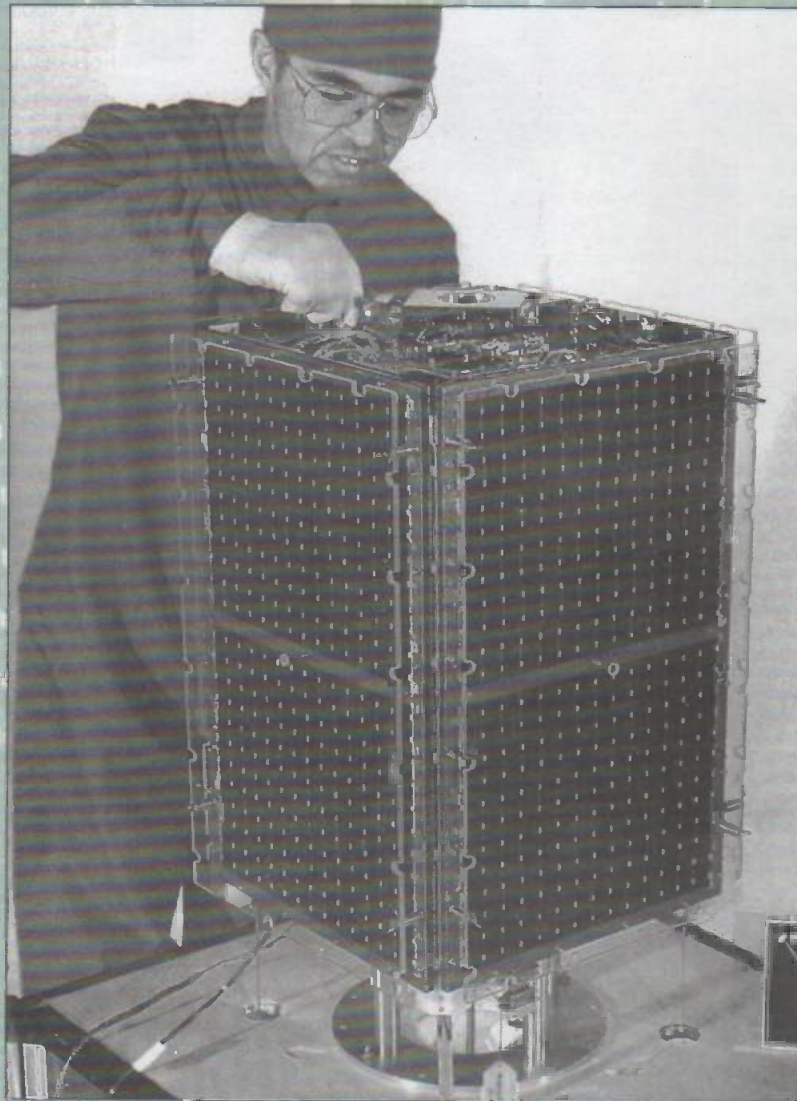
In space there are also large numbers of high energy particles (cosmic rays) which can, at best, cause a serious glitch in circuit operation and, at worst, literally blast holes in integrated circuits. To a degree, semiconductors will, if switched off, heal themselves of much of the damage caused by a high energy particle strike. But this is often impossible in mission critical applications.

One way of limiting the potential damage is to shield the circuitry using aluminium plates. However, this approach often has limited success since one high energy particle hitting a plate can, if its energy is high enough, produce more than one high energy particle coming out the other side of the plate. This is therefore a potential cause of problems since the effects of radiation damage are cumulative; the more high energy particles which hit an IC the sooner it will fail.

The standard unit of radiation is the rad, and a standard commercial IC will, in general, fail after it has been exposed to several thousand rads of total radiation. However, susceptibility to damage depends upon the fabrication technique employed in

making the IC. Thus, amongst commercial chips, old-fashioned TTL fabrication is probably the least prone to damage. Somewhat more prone to damage are PMOS, and CMOS fabricated circuits, whilst NMOS is probably the most susceptible.

For applications where radiation damage is a problem, circuits can be produced in versions which are designed to be radiation hardened. Making such chips involves special fabrication techniques, usually based upon CMOS, and rigorous testing procedures, and in consequence are enormously expensive. But whereas a commercial chip will fail after cumulative exposure to a few thousand rads, special radiation hardened chips will stand up to a cumulative exposure of several million rads, thereby ensuring a long life in a high radiation environment such



as space.

The combined effects of the harsh space environment mean that one cannot build a satellite with the same types of components and construction techniques which one would employ to build, say, a personal computer. If the system is to work reliably for a reasonable period then special care has to be taken in selection of components and the way that they are assembled.

Types of spacecraft electronics.

Broadly speaking, spacecraft and satellite electronics can be broken down into four broad categories. These are the power supply system, radio transmitter/receiver equipment, the main control system and the main payload, which could range from specialist scientific experiments to highly sensitive cameras, plus all the associated data input equipment.

The power supply systems usually consist of a large array of solar cells, organised either as wings that can be tilted towards the sun or actually wrapped around the outer body of the spacecraft. On manned missions such as the space shuttle, power is usually provided by fuel cells which produce electricity as a result of the catalytic oxidation of hydrogen or alcohol. The continuous power generated by a spacecraft is rarely more than a few kilowatts, and there are battery storage systems to allow for fluctuations in power generated, such as when the satellite moves into Earth shadow, and fluctuations in power requirements.

Without a power source, a satellite will cease to function as soon as its batteries are drained. This happened just a few weeks ago to the US weather satellite NOAA13, which functioned for just 13 days after launch. Analysis of the system showed that it failed because primary power was not supplied thanks to a 30mm screw shorting out the circuit - \$77million worth of satellite is now dead thanks to a very simple design failure.

All spacecraft, with the possible exception of some spy satellites, have radio communications capability with Earth based control and communications systems. In the case of communications satellites which are used to transmit TV programs to dish equipped viewers, or relay phone conversations and computer data between ground stations in different parts of the globe, the communications equipment is the primary payload. In other applications, such as weather satellites, the communications system is simply a means of controlling the operation of the satellite and transferring data back to Earth.

The communications hardware is a crucially important component of any spacecraft since without communications back to Earth the satellite is effectively dead, an event which has happened recently with several interplanetary probes including an important mission to Mars.

Computer systems

The rest of the electronics on a satellite consist primarily of computers and various data acquisition devices such as cameras. Computers and their associated data systems are now a crucial component of any spacecraft design, although it is surprising to discover that the first spacecraft to actually

incorporate an on-board general purpose computer was the Orbiting Astronomical Observatory launched in 1972.

Today, all spacecraft have on-board computers, and it is thanks to them that satellites have the reliability, flexibility, and autonomy of function which is required for today's applications.

We can divide the functions of the software that runs on a spacecraft's computer (today it is more likely to be an array of computers) into six broad sections. These are: attitude determination, command storage, executive, housekeeping, telemetry format control, and Instrument sequencing and control.

The attitude determination function is very important since it is used to ensure that the spacecraft always maintains the same

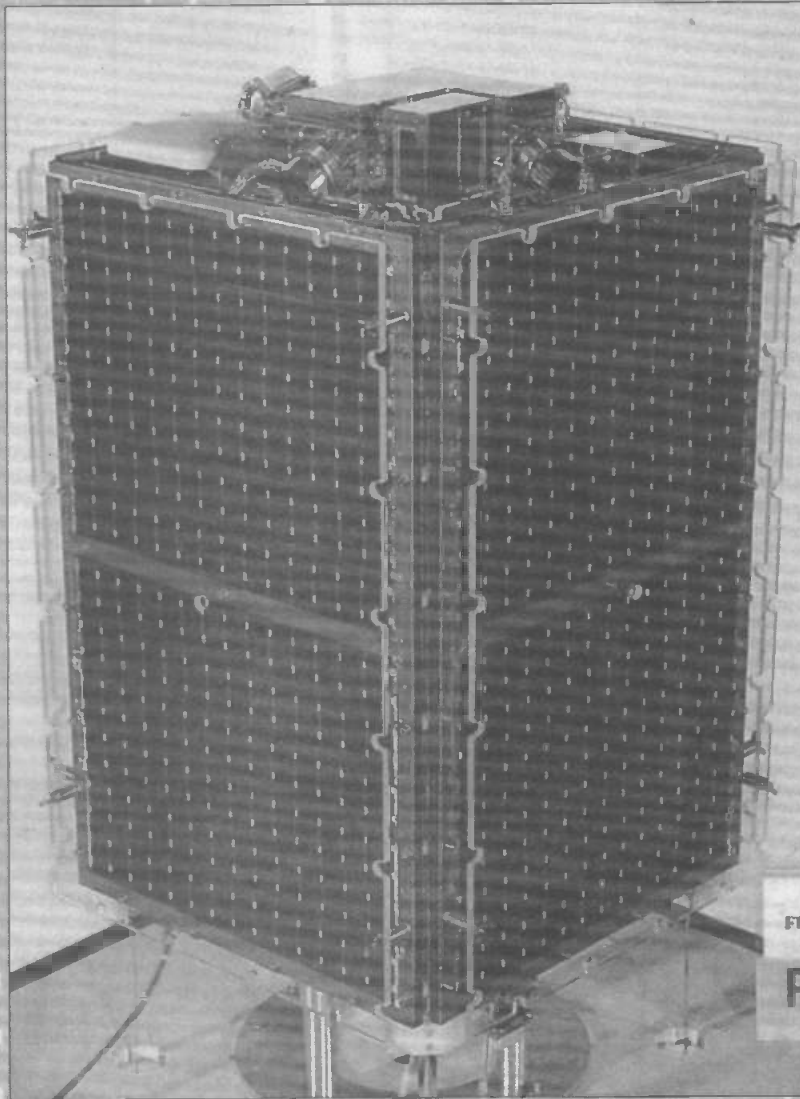
attitude in space so that communications antennae, cameras and solar arrays will always be pointing in the right direction. It is, after all, no good having a weather satellite where the camera might sometimes be pointing at the Earth and sometimes at the Moon.

The data required to ensure that the correct attitude is maintained is derived from a number of specialist sensors. These include star and sun trackers, earth sensors and gyroscopes and of course, for orbital satellites GPS (see ETI August issue), all of which provide data for the attitude determination program. This program uses the data from all these various sources to compute the actual attitude of the spacecraft with respect to some predetermined datum. The calculated attitude is then compared with the expected attitude and corrections are

made if necessary with the aid of small thrusters or reaction wheels.

The command storage function is used to store sequences of commands uploaded from Earth based control. These types of commands are time-tagged for execution at specific times and are often necessary because the spacecraft may be out of direct communication for short periods as it orbits over parts of the Earth which do not have communications links. It should be noted that only semiconductor memory can be used on a spacecraft. Disk drives will operate in space but have the unfortunate side-effect that disk rotation will impart a momentum to the spacecraft that will, over time, alter its attitude.

The executive function is simply a means of co-ordinating spacecraft functions using a real-time clock. The executive actually comprises a real-time, multi-tasking, interrupt-driven software system that is capable of sequencing all tasks as well



as handling all necessary inputs and outputs.

One of the regular tasks initiated by the executive is the housekeeping function. This is probably one of the most important functions since with the aid of an array of specialist sensors it monitors the state of the spacecraft. It will look at the power in the batteries, the temperature at key positions, run diagnostic tests on the circuitry and the software. In general, it will check that all the spacecraft's systems are behaving in the proper manner. If they are not, then the fault data will be relayed to ground control and special software routines will be called into play which will allow the system to be reconfigured to overcome the fault.

The key to this procedure is the telemetry format control which performs the actual sampling and format of the spacecraft's telemetry points. These are the measurements which are constantly being relayed to ground control. This code will then perform any necessary reconfiguration in response to both failure and system degradation (note that spacecraft are designed to degrade gradually rather than fail catastrophically).

All the software functions mentioned so far have dealt with the operation of the actual spacecraft. It is only in the sixth and last of the program section that we come upon the functions which control the actual operation of the spacecraft, its instrumentation, communications equipment etc. This is the instrument sequencing and control function and it is used to either monitor and control the instruments directly or to communicate with the instrument's own computer systems. This function is also designed to handle data coming from the instrumentation, perhaps pre-processing it to remove noise, and distortion, perhaps compressing it to remove unnecessary data and also storing it so that it can be downloaded during the periods when there is a direct link with an Earth station

As can be seen from the above, a spacecraft's computer systems can be called upon to perform an enormous amount of computation. The programmes themselves are written in a wide variety of different languages and run on an equally wide range of different processors. As far as languages are concerned Pascal and Ada are common favourites, and, as for processors, they range from the 80286 to the T8000 Transputer. NASA have standardised their computer systems and use the NASSC

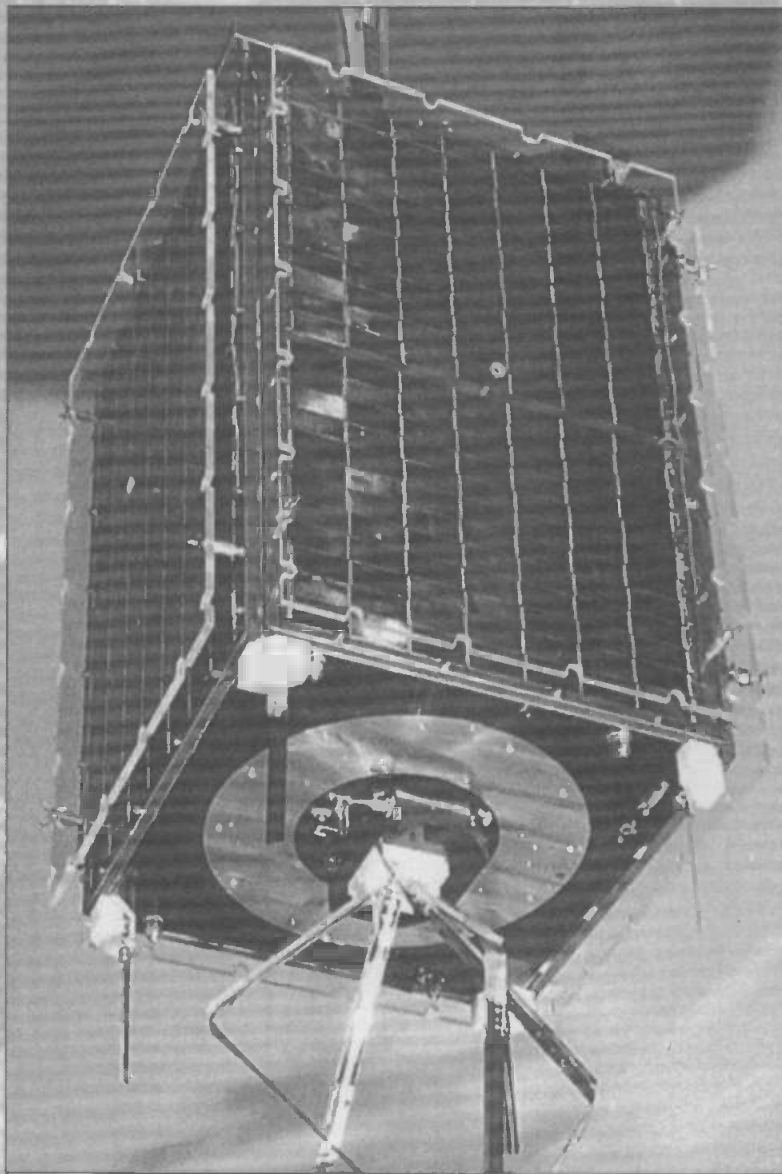
or NASA Standard Spacecraft Computer. They have also standardised both electronics and software modules for various spacecraft control functions (see Box 1 for an insight into an actual computer system).

The spacecraft's computer software is designed in such a way that it can easily be changed, debugged and reconfigured by a ground based operator using the communications links. Using a ground based support computer, a programmer can reconfigure the software and then reload the spacecraft's memory using the comms links. In this way, it is possible to not only maintain a system but actually improve it.

Into the future

The electronics payload is becoming an ever more important component of the average spacecraft. Most now contain several computer systems networked together and, because each microprocessor based computer is smaller, faster and uses less power than its predecessors of even five years ago, it is enabling designers to build much smaller and cheaper satellites.

A lot of effort is now being spent on using some of this increased amount of on-board computing power to make the system more intelligent. By adding intelligence into the software it is hoped that satellites will become more autonomous and able to repair and maintain themselves automatically. This has the obvious advantage that it does away with the some of the very expensive need for human monitoring of



satellite telemetry data.

Indeed spacecraft, in particular interplanetary probes, are becoming more 'robotic'. NASA is already planning a new wave of planetary exploration with the aid of small autonomous robots that can be landed on the surface of planets, the moons of planets, comets and asteroids. Preliminary experiments with this type of spacecraft robotic explorer are being carried out right now with the NASA-funded Dante project. Dante is a walking robot that has been designed to explore one of the most hostile environments on Earth, an active volcano in Antarctica.

The Dante robot has gone through several generations, with engineers gradually overcoming problems associated with its

operation. But within the next few years they will be solved and, by the end of the decade, we should see the first true autonomous robots exploring parts of our solar system. Yet another stage in the application of advanced electronics systems in space and a pioneering use of artificial intelligence and robotics.

Satellites also hold the key to future developments in communications technology. There are now several commercial proposals for using large numbers of small communications satellites in low Earth orbit (LEO) to provide world-wide communications using hand-held terminals. The ultimate in portable phone technology. These proposed networks include the Motorola inspired IRIDIUM project and the more recent Teledesic project proposed by Bill Gates (founder of Microsoft) and Craig McCaw (founder of McCaw Communications).

The IRIDIUM project calls for the use of some 66 satellites in LEO, but this is dwarfed by the \$9billion Teledesic project to create an orbiting packet switched data network of 840 LEO satellites, 40 in each of 21 polar orbits that will take them some 700km above Earth. Using a 30GHz carrier uplink it will be possible for users of specially equipped computers and hand-held terminals to communicate with the satellites.

These communications will then be automatically routed

around the satellite network and sent via a downlink to the receiver computer or terminal. The Teledesic system is being designed to handle voice, 16kbit/sec data, and because of the increasing use of multimedia systems 2GBits/sec video.

The infinite frontier

The satellite and space technology are now a vital part of our technology and information infrastructure. In the future they will become even more important. What started as a weapon of mass destruction has now become a force that is bringing the people of the world together.

The development of modern space technology and the development of advanced electronics has gone hand in hand. Each has propelled the growth of the other. In the near future, concepts like IRIDIUM and Teledesic will provide the driving force for new generations of consumer electronics products, new applications and new industries, whilst the work on robotic explorers will inevitably lead to the development of advanced mobile, intelligent, robotic systems for use on Earth.

Such developments are only the beginning. Space is the final frontier, but it is also an infinite frontier full of infinite possibilities for technology, and electronics in particular.

Microsatellites in Guildford.

Just outside Guildford in Surrey, a small pioneering British company is building and launching satellites. Since 1981 they have launched eleven, the twelfth is just being built. Not the great big highly expensive satellites that we are all familiar with, but small (50Kg), relatively cheap (\$1-2million), very high technology satellites, the so-called microsatellites.

The company is Surrey Satellite Technology (SSTL) and they are an unknown British success story in an area of high technology which most people think is dominated by the Americans and Russians. Indeed, so successful have they been in designing a revolutionary class of small satellites that NASA have just ordered two slightly larger satellites to be designed and built by SSTL at a cost of \$110million each.

This NASA order is an acknowledgement of the fact that this small company just 34 people, is way ahead of NASA, or anyone else, in this particular area of technology. The company was founded by its technical director Professor Martin Sweeting in 1979 as part of the University of Surrey and has now become an University owned company, the income from which is used to support an academic Centre for Satellite Engineering Research at Surrey.

Besides building satellites SSTL also provides ground stations and telemetry support for the satellites owners. It also provides training and technology transfer for its customers as well as supporting an extensive R&D program. Total R&D expenditure now stands at over \$1million per annum and climbing.

The researchers at SSTL are currently working on development of a hybrid rocket motor for in-orbit propulsion, a special three-axis attitude control system, adaptive modulation/coding schemes for low earth (LEO) communications, VHF/UHF/SHF communications systems, and autonomous on-board attitude determination and orbit navigation systems. In addition many of the satellites contain technology which is being proved and tested for other companies, in particular electronics companies.

Two of their recent launches are the HEALTHSAT II, and PoSAT. The HEALTHSAT has been designed to be part of the HealthNet global communications system that is run by a non-profit making US-based organisation called Satelife and is designed to provide desperately needed low-cost communications links between medical institutions and health programmes in the developing world. Indeed, HEALTHSAT has played a vital part in helping the medical program in Rowanda. PoSAT is primarily an Earth resources satellite that has been developed by SSTL in conjunction with a consortium of Portuguese academia and industry.

HEALTHSAT II.

The HEALTHSAT II satellite is a 'state-of-the-art' design that is based upon SSTL's considerable 9 year experience in flying 'store and forward' communications satellites. It was launched as part of a 'piggyback' load on an European Space Agency Ariane (as a result of special deals the Ariane will put a microsatellite into orbit for about \$1/2million, in space launch terms a phenomenal bargain) in September 1993.

The project was completed from concept to launch in just one year. SSTL being responsible for the complete design, construction, test and in-orbit commissioning, as well as organising the launching and insuring the satellite during launch. All this within a contract price of just £1million.

This satellite has been designed to support cost-effective store and forward communications using low-cost portable groundstations, basically a transceiver and a portable PC. It has the following characteristics:

Communications link:

- * 3 uplink receivers at VHF
- * 2 redundant downlink transmitters at UHF
- * Omin-direction satellite antennas
- * Switchable AFSK/FSK modulation
- * 1200/9600 bps uplink, 9600/38,400 bps downlink

- * Output transmitter power adaptive from 1W to 10W under computer control
- * AX.25 packet communications protocol Payload:
- * Dual redundant 80C186 on board computers at 8MHz
- * Highly integrated 80C188 back-up on-board computer at 10MHz
- * 48MBytes SRAM on-board memory
- * EDAC memory protection against radiation induced Single Event Upsets (SEUs)
- * Advanced high efficiency(17.5%) GaAs solar cell array of 1344sq.cm, producing 30W

The large amount of memory on the satellite is needed to store messages coming in on the uplink so that they can be retransmitted on the downlink when the satellite is in range of a groundstation. The memory is organised as a RAM disk, and the controlling software is all written in C. The RAMdisk is protected from SEUs by special software coding and 'wash routines' plus the extensive use of error correction in the transmission protocols

PoSAT - 1

The PoSAT - 1 was launched on an Ariane rocket in September '93. It is primarily a research satellite designed to test a range of satellite systems, but its primary function is as an Earth imaging satellite. In its design, SSTL have drawn upon three previous research and two commercial missions that used similar technology, in particular KITSAT - 1 that was built and launched for the South Koreans in 1992.

The Earth Imaging System (EIS) on board the satellite consists of two charge coupled device (CCD) imagers, two lenses and a Transputer based on-board image processing and data compression system. There are two imaging/lens systems in order to provide a wide field of view with a 2Km resolution and a narrow field with 200m ground resolution.

The imagers are EEV(UK) 576x576 pixel area CCDs digitised to 256 levels of grey. The digitised data derived from these CCDs is stored in a special 2Mbyte SOS (silicon on sapphire) RAM. This RAM can be accessed by two T-800 transputers to allow the image data to be processed to enhanced quality and also to compress the data and thereby reduce storage and transmission requirements.

The EIS data, once it has been compressed and processed, is transferred via the satellite's local area network to an 8MHz 80C186 based on-board computer which then stores the images as files on its 16MByte RAMdisk for subsequent transmission to a ground base. There is sufficient space on the RAMdisk to store 60 images.

To use the EIS system, a ground base sends a command to the satellite's computer to initiate imaging over a particular area of the Earth's surface. In order to ensure that the proper area is imaged, the ground control team use a model of the satellite's orbit to determine at exactly what time the satellite will be over the desired location. Usually a sequence of such image time commands will be sent.

On-board the satellite, the computer runs a real-time, multi-tasking, operating system that is responsible for the automatic operation of the satellite's mission. One of these tasks is to periodically check a 'diary' of timed events, some of which might be the uploaded times at which images must be taken.

It should be noted that the SSTL EIS is different from that

commonly used in Earth imaging satellites. It is different because it uses a CCD array rather than a mechanically scanned linear CCD, an arrangement which is usually chosen because it gives a higher resolution image. However, the SSTL approach has a number of major advantages, the biggest of which is the fact that it has no moving parts and is thus far more reliable. In addition, the absence of a motor means that it uses a lot less power and can be much more compact, both important factors in spacecraft design. The CCD array approach also has the advantage that exposure times can be very short, just a few milliseconds, a factor which means that spacecraft stability is less of a problem.

Besides the EIS, PoSAT payloads include a star sensor which is based upon the same technology as the EIS but is optimised for imaging the faint light from stars for use as part of the spacecraft's attitude determination system. The star-field image is analysed by the same transputer based system that is used by the EIS and the measurement data returned to the on-board 80C186 computer.

To make satellite position location more accurate the PoSAT carries a Global Positioning by Satellite (GPS) receiver based upon the Trimble TRANS-II receiver. The received data is decoded and filtered by the Transputer system to produce a highly accurate three-dimensional co-ordinate for the satellite together with information about its velocity and maintenance of the on-board time reference. With the aid of the GPS receiver, the satellite can generate its own orbital element set, providing scheduling and synchronisation to other computers, and allow groundstations equipped with a GPS receiver to experiment with applications for real-time differential GPS.

This GPS capability is potentially of enormous commercial importance since it would allow the construction of an 'asset monitoring' satellite, a satellite which could track from space vehicles, ships or planes that are equipped with simple transmitters. This satellite could tell the owners of such assets exactly where they are, thus improving efficiency and also enabling the police to track down, for example, a stolen lorry. Current GPS systems will only tell the vehicle driver where he is, they will not track the vehicle from a central control.

Since SSTL, its customers and its partners are keen to be involved in projects like IRIDIUM and Teledesic, it is not surprising that another experimental payload on PoSAT is a digital signal processing experiment. This consists of two Texas Instruments processors, a TMS320 C25 and a TMS320 C30 with associated ROM, RAM and I/O interfaces. These chips can be used as a programmable communications modem to modulate downlink data from, or demodulate uplink data to, the on-board computer, thereby enabling experiments in modulation techniques for LEO satellite mobile communications.

These experiments are aimed at trying to overcome some of the problems; for example: the varying communications path and link characteristics, the high Doppler shifts, and the problems associated with handing over from one satellite to another in the constellation of microsatellites. The DSP system on the PoSAT should enable engineers to look at ways of overcoming these problems.

As can be seen the SSTL microsatellites such as PoSAT are very sophisticated and complex systems and they provide a significant pointer to some of the applications for satellites over the coming years. It is good to see that despite the almost complete lack of any viable UK space program, at least one UK company is leading the world in space technology.

**OMP MOS-FET POWER AMPLIFIERS
HIGH POWER, TWO CHANNEL 19 INCH RACK**

**THOUSANDS PURCHASED
BY PROFESSIONAL USERS**



**THE RENOWNED MXF SERIES OF POWER AMPLIFIERS
FOUR MODELS:- MXF200 (100W + 100W) MXF400 (200W + 200W)
MXF600 (300W + 300W) MXF900 (450W + 450W)
ALL POWER RATINGS R.M.S. INTO 4 OHMS, BOTH CHANNELS DRIVEN**

FEATURES: ★ Independent power supplies with two toroidal transformers ★ Twin L.E.D. Vu meters ★ Level controls ★ Illuminated on/off switch ★ XLR connectors ★ Standard 775mV inputs ★ Open and short circuit proof ★ Latest Mos-Fets for stress free power delivery into virtually any load ★ High slew rate ★ Very low distortion ★ Aluminium cases ★ MXF600 & MXF900 fan cooled with D.C. loudspeaker and thermal protection.

USED THE WORLD OVER IN CLUBS, PUBS, CINEMAS, DISCOS ETC.

SIZES:- MXF200 W19"xH3 1/2" (2U)x D11"
MXF400 W19"xH5 1/4" (3U)x D12"
MXF600 W19"xH5 1/4" (3U)x D13"
MXF900 W19"xH5 1/4" (3U)x D14 1/2"

PRICES:- MXF200 £175.00 MXF400 £233.85
MXF600 £329.00 MXF900 £449.15
SPECIALIST CARRIER DEL. £12.50 EACH

OMP X03 STEREO 3-WAY ACTIVE CROSS-OVER



Advanced 3-Way Stereo Active Cross-Over, housed in a 19" x 1U case. Each channel has three level controls: bass, mid & top. The removable front fascia allows access to the programmable D.L. switches to adjust the cross-over frequency: Bass-Mid 250/500/800Hz, Mid-Top 1.8/3/5KHz, all at 24dB per octave. Bass invert switches on each bass channel. Nominal 775mV input/output. Fully compatible with OMP rack amplifier and modules.

Price £117.44 + £5.00 P&P

STEREO DISCO MIXER SDJ3400SE ★ ECHO & SOUND EFFECTS ★

STEREO DISCO MIXER with 2 x 7 band L & R graphic equalisers with bar graph LED Vu meters. **MANY OUTSTANDING FEATURES:-** including Echo with repeat & speed control, DJ Mic with talk-over switch, 6 Channels with individual faders plus cross fade, Cue Headphone Monitor, 8 Sound Effects. Useful combination of the following inputs:- 3 turntables (mag), 3 mics, 3 Line for CD, Tape, Video etc.

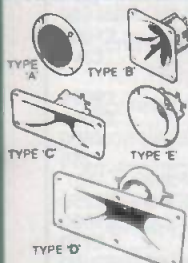


Price £144.99 + £5.00 P&P

SIZE: 482 x 240 x 120mm

PIEZO ELECTRIC TWEETERS - MOTOROLA

Join the Piezo revolution! The low dynamic mass (no voice coil) of a Piezo tweeter produces an improved transient response with a lower distortion level than ordinary dynamic tweeters. As a crossover is not required these units can be added to existing speaker systems of up to 100 watts (more if two are put in series). **FREE EXPLANATORY LEAFLETS ARE SUPPLIED WITH EACH TWEETER.**



TYPE 'A' (KSN1036A) 3" round with protective wire mesh. Ideal for bookshelf and medium sized Hi-Fi speakers. Price £4.90 + 50p P&P.
TYPE 'B' (KSN1005A) 3 1/2" super horn for general purpose speakers, disco and P.A. systems etc. Price £5.99 + 50p P&P.
TYPE 'C' (KSN1016A) 2"x5" wide dispersion horn for quality Hi-Fi systems and quality discos etc. Price £6.99 + 50p P&P.
TYPE 'D' (KSN1025A) 2"x6" wide dispersion horn. Upper frequency response retained extending down to mid-range (2KHz). Suitable for high quality Hi-Fi systems and quality discos. Price £9.99 + 50p P&P.
TYPE 'E' (KSN1038A) 3 1/2" horn tweeter with attractive silver finish trim. Suitable for Hi-Fi monitor systems etc. Price £5.99 + 50p P&P.
LEVEL CONTROL Combines, on a recessed mounting plate, level control and cabinet input jack socket. 85x85mm. Price £4.10 + 50p P&P.

dbi FLIGHT CASED LOUDSPEAKERS

A new range of quality loudspeakers, designed to take advantage of the latest speaker technology and enclosure designs. Both models utilize studio quality 12" cast aluminium loudspeakers with factory fitted grilles, wide dispersion constant directivity horns, extruded aluminium corner protection and steel ball corners, complimented with heavy duty black covering. The enclosures are fitted as standard with top hats for optional loudspeaker stands.

**POWER RATINGS QUOTED IN WATTS RMS FOR EACH CABINET
FREQUENCY RESPONSE FULL RANGE 45Hz - 20KHz**

dbi FC 12-100WATTS (100dB) PRICE £159.00 PER PAIR
dbi FC 12-200WATTS (100dB) PRICE £175.00 PER PAIR
SPECIALIST CARRIER DEL. £12.50 PER PAIR

OPTIONAL STANDS PRICE PER PAIR £49.00
Delivery £6.00 per pair



IN-CAR STEREO BOOSTER AMPS



PRICES: 150W £49.99 250W £99.99
400W £109.95 P&P £2.00 EACH

**THREE SUPERB HIGH-POWER
CAR STEREO BOOSTER AMPLIFIERS**

150 WATTS (75 + 75) Stereo, 150W Bridged Mono
250 WATTS (125 + 125) Stereo, 250W Bridged Mono
400 WATTS (200 + 200) Stereo, 400W Bridged Mono
ALL POWERS INTO 4 OHMS
Features:
★ Stereo, bridgable mono ★ Choice of high & low level inputs ★ L & R level controls ★ Remote on-off ★ Speaker & thermal protection.

OMP MOS-FET POWER AMPLIFIER MODULES SUPPLIED READY BUILT AND TESTED.

These modules now enjoy a world-wide reputation for quality, reliability and performance at a realistic price. Four models are available to suit the needs of the professional and hobby market i.e. Industry, Leisure, Instrumental and Hi-Fi etc. When comparing prices, NOTE that all models include toroidal power supply, integral heat sink, glass fibre P.C.B. and drive circuits to power a compatible Vu meter. All models are open and short circuit proof.

THOUSANDS OF MODULES PURCHASED BY PROFESSIONAL USERS



OMP/MF 100 Mos-Fet Output power 110 watts
R.M.S. into 4 ohms, frequency response 1Hz - 100KHz
-3dB, Damping Factor >300, Slew Rate 45V/uS,
T.H.D. typical 0.002%, Input Sensitivity 500mV, S.N.R.
-110 dB. Size 300 x 123 x 60mm.
PRICE £40.85 + £3.50 P&P



OMP/MF 200 Mos-Fet Output power 200 watts
R.M.S. into 4 ohms, frequency response 1Hz - 100KHz
-3dB, Damping Factor >300, Slew Rate 50V/uS,
T.H.D. typical 0.001%, Input Sensitivity 500mV, S.N.R.
-110 dB. Size 300 x 155 x 100mm.
PRICE £64.35 + £4.00 P&P



OMP/MF 300 Mos-Fet Output power 300 watts
R.M.S. into 4 ohms, frequency response 1Hz - 100KHz
-3dB, Damping Factor >300, Slew Rate 60V/uS,
T.H.D. typical 0.001%, Input Sensitivity 500mV, S.N.R.
-110 dB. Size 330 x 175 x 100mm.
PRICE £81.75 + £5.00 P&P



OMP/MF 450 Mos-Fet Output power 450 watts
R.M.S. into 4 ohms, frequency response 1Hz - 100KHz
-3dB, Damping Factor >300, Slew Rate 75V/uS,
T.H.D. typical 0.001%, Input Sensitivity 500mV, S.N.R.
-110 dB, Fan Cooled, D.C. Loudspeaker Protection, 2
Second Anti-Thump Delay. Size 385 x 210 x 105mm.
PRICE £132.85 + £5.00 P&P



OMP/MF 1000 Mos-Fet Output power 1000 watts
R.M.S. into 2 ohms, 725 watts R.M.S. into 4 ohms,
frequency response 1Hz - 100KHz -3dB, Damping
Factor >300, Slew Rate 75V/uS, T.H.D. typical
0.002%, Input Sensitivity 500mV, S.N.R. -110 dB, Fan
Cooled, D.C. Loudspeaker Protection, 2 Second
Anti-Thump Delay. Size 422 x 300 x 125mm.
PRICE £259.00 + £12.00 P&P

**NOTE: MOS-FET MODULES ARE AVAILABLE IN TWO VERSIONS:-
STANDARD - INPUT SENS 500mV, BAND WIDTH 100KHz.
PEC (PROFESSIONAL EQUIPMENT COMPATIBLE) - INPUT SENS
775mV, BAND WIDTH 50KHz. ORDER STANDARD OR PEC.**

LOUDSPEAKERS



**LARGE SELECTION OF SPECIALIST LOUDSPEAKERS
AVAILABLE, INCLUDING CABINET FITTINGS, SPEAKER
GRILLES, CROSS-OVERS AND HIGH POWER, HIGH
FREQUENCY BULLETS AND HORNS, LARGE (A4) S.A.E.
(60p STAMPED) FOR COMPLETE LIST.**

McKenzie and Fane Loudspeakers are also available.

EMINENCE:- INSTRUMENTS, P.A., DISCO, ETC

ALL EMINENCE UNITS 8 OHMS IMPEDANCE
8" 100 WATT R.M.S. ME8-100 GEN. PURPOSE, LEAD GUITAR, EXCELLENT MID, DISCO. PRICE £32.71 + £2.00 P&P
RES. FREQ. 72Hz, FREQ. RESP. TO 4KHz, SENS 97dB.
10" 100 WATT R.M.S. ME10-100 GUITAR, VOCAL, KEYBOARD, DISCO, EXCELLENT MID. PRICE £33.74 + £2.50 P&P
RES. FREQ. 71Hz, FREQ. RESP. TO 7KHz, SENS 97dB.
10" 200 WATT R.M.S. ME10-200 GUITAR, KEYB'D, DISCO, VOCAL, EXCELLENT HIGH POWER MID. PRICE £43.47 + £2.50 P&P
RES. FREQ. 65Hz, FREQ. RESP. TO 3.5KHz, SENS 99dB.
12" 100 WATT R.M.S. ME12-100LE GEN. PURPOSE, LEAD GUITAR, DISCO, STAGE MONITOR. PRICE £35.64 + £3.50 P&P
RES. FREQ. 49Hz, FREQ. RESP. TO 6KHz, SENS 100dB.
12" 100 WATT R.M.S. ME12-100LT (TWIN CONE) WIDE RESPONSE, P.A., VOCAL, STAGE MONITOR. RES. FREQ. 42Hz, FREQ. RESP. TO 10KHz, SENS 98dB. PRICE £36.87 + £3.50 P&P
12" 200 WATT R.M.S. ME12-200 GEN. PURPOSE, GUITAR, DISCO, VOCAL, EXCELLENT MID. PRICE £48.71 + £3.50 P&P
RES. FREQ. 58Hz, FREQ. RESP. TO 6KHz, SENS 98dB.
12" 300 WATT R.M.S. ME12-300GP HIGH POWER BASS, LEAD GUITAR, KEYBOARD, DISCO ETC. PRICE £70.19 + £3.50 P&P
RES. FREQ. 47Hz, FREQ. RESP. TO 5KHz, SENS 103dB.
15" 200 WATT R.M.S. ME15-200 GEN. PURPOSE BASS, INCLUDING BASS GUITAR. PRICE £50.72 + £4.00 P&P
RES. FREQ. 46Hz, FREQ. RESP. TO 5KHz, SENS 99dB.
15" 300 WATT R.M.S. ME15-300 HIGH POWER BASS, INCLUDING BASS GUITAR. PRICE £73.34 + £4.00 P&P
RES. FREQ. 39Hz, FREQ. RESP. TO 3KHz, SENS 103dB.

EARBENDERS:- HI-FI, STUDIO, IN-CAR, ETC

ALL EARBENDER UNITS 8 OHMS (Except EB8-50 & EB10-50 which are dual impedance tapped @ 4 & 8 ohms)
BASS, SINGLE CONE, HIGH COMPLIANCE, ROLLED SURROUND
8" 50WATT EB8-50 DUAL IMPEDANCE, TAPPED 4/8 OHM BASS, HI-FI, IN-CAR. PRICE £8.90 + £2.00 P&P
RES. FREQ. 4Hz, FREQ. RESP. TO 7KHz SENS 97dB.
10" 50WATT EB10-50 DUAL IMPEDANCE, TAPPED 4/8 OHM BASS, HI-FI, IN-CAR. PRICE £13.65 + £2.50 P&P
RES. FREQ. 40Hz, FREQ. RESP. TO 5KHz, SENS 99dB.
10" 100WATT EB10-100 BASS, HI-FI, STUDIO. PRICE £30.39 + £3.50 P&P
RES. FREQ. 35Hz, FREQ. RESP. TO 3KHz, SENS 96dB.
12" 100WATT EB12-100 BASS, STUDIO, HI-FI, EXCELLENT DISCO. PRICE £42.12 + £3.50 P&P
RES. FREQ. 26Hz, FREQ. RESP. TO 3 KHz, SENS 93dB.
FULL RANGE TWIN CONE, HIGH COMPLIANCE, ROLLED SURROUND
5 1/2" 60WATT EB5-60TC (TWIN CONE) HI-FI, MULTI-ARRAY DISCO ETC. PRICE £9.99 + £1.50 P&P
RES. FREQ. 63Hz, FREQ. RESP. TO 20KHz, SENS 92dB.
6 1/2" 60WATT EB6-60TC (TWIN CONE) HI-FI, MULTI-ARRAY DISCO ETC. PRICE £10.99 + 1.50 P&P
RES. FREQ. 38Hz, FREQ. RESP. TO 20KHz, SENS 94dB.
8" 60WATT EB8-60TC (TWIN CONE) HI-FI, MULTI-ARRAY DISCO ETC. PRICE £12.99 + £1.50 P&P
RES. FREQ. 40Hz, FREQ. RESP. TO 18KHz, SENS 89dB.
10" 60WATT EB10-60TC (TWIN CONE) HI-FI, MULTI ARRAY DISCO ETC. PRICE £16.49 + £2.00 P&P
RES. FREQ. 35Hz, FREQ. RESP. TO 12KHz, SENS 98dB.

TRANSMITTER HOBBY KITS

**PROVEN TRANSMITTER DESIGNS INCLUDING GLASS FIBRE
PRINTED CIRCUIT BOARD AND HIGH QUALITY COMPONENTS
COMPLETE WITH CIRCUIT AND INSTRUCTIONS**

**3W TRANSMITTER 80-108MHz, VARICAP CONTROLLED PROFESSIONAL
PERFORMANCE, RANGE UP TO 3 MILES, SIZE 38 x 123mm, SUPPLY 12V @ 0.5AMP.
PRICE £14.85 + £1.00 P&P**
**FM MICRO TRANSMITTER 100-108MHz, VARICAP TUNED, COMPLETE WITH
VERY SENS FET MIC, RANGE 100-300m, SIZE 55 x 46mm, SUPPLY 9V BATTERY.
PRICE £8.80 + £1.00 P&P**



PHOTO: 3W FM TRANSMITTER



**8 CAVANS WAY,
BINLEY INDUSTRIAL ESTATE,
COVENTRY CV3 2SF**
Tel: 0203 650702
Fax: 0203 650773
Mobile: 0860 400683

(Premises situated close to Eastern-by-pass in Coventry with easy access to M1, M6, M40, M42, M45 and M69)

OSCILLOSCOPES

Gould OS3000 - 30MHz Dual ch.....	£250
Gould 4035 - 20MHz Digital storage.....	£600
Gould 4050 - 35MHz Digital storage.....	£750
Gould 5110 - 100MHz Intelligent oscilloscope.....	£950
Gould OS4000, OS4200, OS4020, OS245.....	from £125
Hewlett Packard 1740A, 1741A, 17744A, 100MHz dual ch.....	from £350
Hewlett Packard 182C - 100MHz 4 ch.....	£350
Hewlett Packard 1707A, 1707B - 75MHz 2ch.....	from £275
Hewlett Packard 54201A - 300MHz Digitizing.....	£2550
Hitachi V.U22 - 40MHz Dual channel.....	£300
Hitachi V212 20MHz Dual Channel.....	£175
Nicolet 3091 - LF D.S.O.....	£1100
Philips PM 3315 - 60MHz - D.S.O.....	£900
Tektronix 2213 - 60MHz Dual Channel.....	£425
Tektronix 2246 100MHz-4 channel.....	(as new) £995
Tektronix 2215 60MHz dual trace.....	£450
Tektronix 2235 Dual trace 100MHz (portable).....	£800
Tektronix 2335 Dual trace 100MHz (portable).....	£750
Tektronix 2225 - 50MHz dual ch.....	£450
Tektronix 465/465B - 100MHz dual ch.....	from £350
Tektronix 7313, 7603, 7613, 7623, 7633, 100MHz 4 ch.....	from £300
Tektronix 7704 - 250MHz 4 ch.....	from £650
Tektronix 7834/7844 - 400MHz 4 ch.....	from £750
Tektronix 7904 - 500MHz.....	from £850
Tektronix 468 - 100MHz Digital Storage.....	£800
Philips 3206, 3211, 3212, 3217, 3226, 3240.....	
3243, 3244, 3261, 3262 (2ch + 4ch).....	from £125 to £350
Philips PM3070 100MHz 2 + 1 Channels + Cursors.....	as new £900

Other scopes available too

SPECTRUM ANALYSERS

Alltech 727 -20GHz.....	£1250
Hewlett Packard 3580A - 5Hz-50KHz.....	£995
Hewlett Packard 8590A - 10KHz - 1.5GHz - (as new).....	£4500
Hewlett Packard 182T with 8559A (10MHz - 21GHz).....	£3750
Hewlett Packard 4953 Protocol analyser.....	£2500
Hewlett Packard 8561A - 6.5GHz.....	P.O.A.
Hewlett Packard 8594E - 2.9GHz.....	P.O.A.
HP 3582A - 25KHz Analyser, dual channel.....	£2500
HP 8590B - 9KHz - 1.8GHz.....	£4750
HP8754A - Network analyser 4-1300MHz.....	£3500
Marconi 2370 - 110MHz.....	£995
Rohde & Schwarz - SWOB 5 Polyskop 0.1 - 1300MHz.....	£2750
Tektronix 7L18 with 7603 main frame 1.5 GHz - 18GHz.....	£3500
Texscan AL51A (4MHz - 1GHz).....	£995

MISCELLANEOUS

Anritsu ML93B/ML92B Optical power meter with sensor.....	£2000
Anritsu MG642A Pulse Pattern Generator.....	£1500
Avo VCM 163 Valve Characteristic Meter.....	£400
Ballantine 323 True RMS Voltmeter.....	£350
Datalab DL 1080 Programmable Transient Recorder.....	£350
Farnell RB 1030-35 Electronic load 1Kw.....	£450
Farnell 2081 R/F Power meter.....	POA
Farnell SSG 520 Sig. gen 10-520MHz.....	} All 3 £850
Farnell TTS 520 Transmitter test set.....	
Farnell SG1B Sig. gen interface.....	
Farnell TSV 70 MkII Power Supply (70V-5A or 35V-10A).....	£225
Ferroglyph RTS-2 Audio Test Set with ATU 1.....	£500
Fluke 8010A Digital multimeter.....	£125
Gay Milano FTMIC/FTM3C - FTM - Fast transient monitor.....	£250
General Rad 1658 LCR Digibridge.....	£250
Hewlett Packard 436A Power meter +8481A sensor.....	£950
Hewlett Packard 3437A System voltmeter.....	£350
Hewlett Packard 3456A Digital voltmeter.....	£850
Hewlett Packard 3478 Digital voltmeter, 4 wire system, 1EEE.....	£650
Hewlett Packard 3760/3761 Data gen + error detector.....	each £300
Hewlett Packard 3762/3763 Data gen + error detector.....	each £350
Hewlett Packard 3777A Channel selector.....	£250
Hewlett Packard 3779A Primary multiplex analyser.....	£600
Hewlett Packard 4193A Vector Impedance meter.....	£3250
Hewlett Packard 7402 Recorder with 17401A x 2 plug-ins.....	£300
Hewlett Packard 8005B Pulse generator.....	£250
Hewlett Packard 8011A Pulse gen. 0.1Hz-20MHz.....	£500
Hewlett Packard 8013B Pulse gen. 1Hz-50MHz.....	£750
Hewlett Packard 8406A Frequency comb. generator.....	£500
Hewlett Packard 8443A Tracking gen/counter with 1EEE.....	£300/400
Hewlett Packard 8444A Tracking Generator.....	£750
Hewlett Packard 8445B Automatic presselector.....	£700
Hewlett Packard 8620C Sweep oscillator mainframe.....	£400
Hewlett Packard 8750A Storage normaliser.....	£375

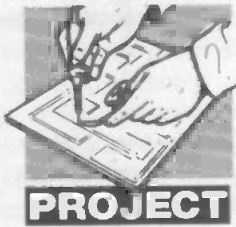
Hewlett Packard 8654B 10-520MHz sig. gen.....	£650
Hewlett Packard 3438A Digital multimeter.....	£200
Hewlett Packard 6181C D.C. current source.....	£150
Hewlett Packard 59501B HP.1B isolated D/A power supply programmer.....	£150
Hewlett Packard 3403C True RMS voltmeter.....	£250
Hewlett Packard 3711A/3712A/3791B/3793B Microwave Link Analyser.....	£3500

Hewlett Packard 8901B - Modulation analyser AM/FM (150KHz - 1300MHz).....	£3750
Hewlett Packard 8903B - Audio Analyser (20Hz - 100KHz).....	£2750
Hewlett Packard 5316A Universal Counter HP1B.....	£550
Hewlett Packard 5316B Universal Counter HP1B.....	£775
Hewlett Packard 5385A Frequency Counter - 1GHz - (HP1B) with OPTS 001/003/004/005.....	£995
Hewlett Packard 1630G Logic Analyser (65 channel).....	£850
Hewlett Packard 8657A.....	£4950
Hewlett Packard 3779C Primary Multiplex Analyser.....	£1000
Hewlett Packard 8920A R/F Communications Test Set.....	as new £8000
International Light - IL 1700 Research Radiometer with Erythermal Sensor Head.....	£1250
J. J. Instruments CR700 Recorder (in carrying case).....	£300
Lyons PG73N/PG75/PG28/PG Pulse generator.....	from £225
Marconi 2019A 80KHz-1040MHz sig. gen.....	£1850
Marconi 2432A 500MHz digital freq. meter.....	£200
Marconi 2337A Automatic dist. meter.....	£150
Marconi 2356 20MHz level oscillator.....	£300
Marconi 2306 Programmable interface.....	£450
Marconi 2830 Multiplex tester.....	£1000
Marconi 2831 Channel access switch.....	£400
Marconi 2440 - Microwave freq. counter 20GHz.....	£1500
Multicore "Vapourette" Bench Top Vapour Phase SMD Soldering Machine (New + Unused).....	£650
Philips 5390 1GHz R/F Synthesised signal gen.....	£1250
Philips PM 5167 10MHz function gen.....	£400
Philips PM 5519 Colour TV pattern gen.....	£400
Philips PM 6672 1GHz timer/counter WF 1EEE.....	£650
Philips PM 8272 XYT chart recorder.....	£500
Philips 5518 Colour TV Pattern Generator.....	£750
Racal Dana 202 Logic analyser + 68000 disassembler.....	£250
Racal Dana 9242D Programmable PSU 25V-2A.....	£300
Racal Dana 9246S Programmable PSU 25V-10A.....	£400
Racal Dana 3100 40-130MHz synthesiser.....	£750
Racal Dana 5002 Wideband eval meter.....	£650
Racal Dana 5003 Digital m/meter.....	£150
Racal Dana 9000 Microprocessing timer/count. 52MHz.....	£550
Racal Dana 9081 Synth. sig. gen. 520MHz.....	£550
Racal Dana 9084 Synth. sig. gen. 104MHz.....	£450
Racal Dana 9303 True RMS/R/Level meter.....	£650
Racal Dana 9341 LCR databridge.....	£250
Racal Dana 9500 Universal timer/counter 100MHz.....	£200
Racal Dana 9917 UHF frequency meter 560MHz.....	£175
Racal 9301A - True RMS R/F Millivoltmeter.....	£300
Racal 9921 - 3GHz Frequency Counter.....	£450
Rohde & Schwarz BN36711 Digital Q meter.....	£400
Rohde & Schwarz - ZPV Vector Analyser.....	£1500
Rohde & Schwarz - SMFP2 Mobile Tester.....	£4000
Rohde & Schwarz - Scud Radio Code Test Set.....	£1500
Rohde & Schwarz - LFM 2 Sweep Generator 0.02 - 60MHz.....	£1500
Rohde & Schwarz SUF 2 Noise Generator.....	£300
Schlumberger S.I. 4040 Stabilock - High accuracy 1GHz Radio Test Set.....	£9995
Schlumberger 4923 Radio Code Test Set.....	£2000
Schlumberger 2720 1250 MHz Frequency Counter.....	£600
Solartron Schlumb 1170 Freq. response analyser.....	£250
Systems Video 1258 Waveform Analyser + 1255 Vector Monitor + 1407 Differential Phase and Gain Module + 1270 Remote Control Panel.....	£2250
Systron Donner 1702 Synthesised Sig. Gen 1GHz.....	£1000
Tequipment CT71 Curve Tracer.....	£250
Tektronix TM503, SG503, PG506, TG501 Scope calibrator.....	£2000
Tektronix TM5003 + AFG5101 arbitrary function generator.....	£1750
Tektronix 1411 PAL/NTSC/PAL-M Signal Generator with SPG 12/TSG11/TSG13/TSG15/TSG16 and SP11 Plug-ins.....	£2000
Tektronix 1480 Waveform Monitor.....	POA
Tektronix 651 HR Monitor.....	POA
Time 9811 Programmable Resistance.....	£600
Time 9814 Voltage Calibrator.....	£750
W&G SPM12 Level meter 200Hz-6MHz.....	£500
W&G PS12 level generator 200Hz-6MHz.....	£500
W&G PCM 3 - Auto Measuring Set for Telephone Channels.....	£950
W&G MU3 Test Point Scanner.....	£500
Wayne Kerr B424/N LCR Component meter set.....	£200
Weller D801/D802 Desoldering station.....	£175
EIP 331 - Frequency counter 18GHz.....	£700

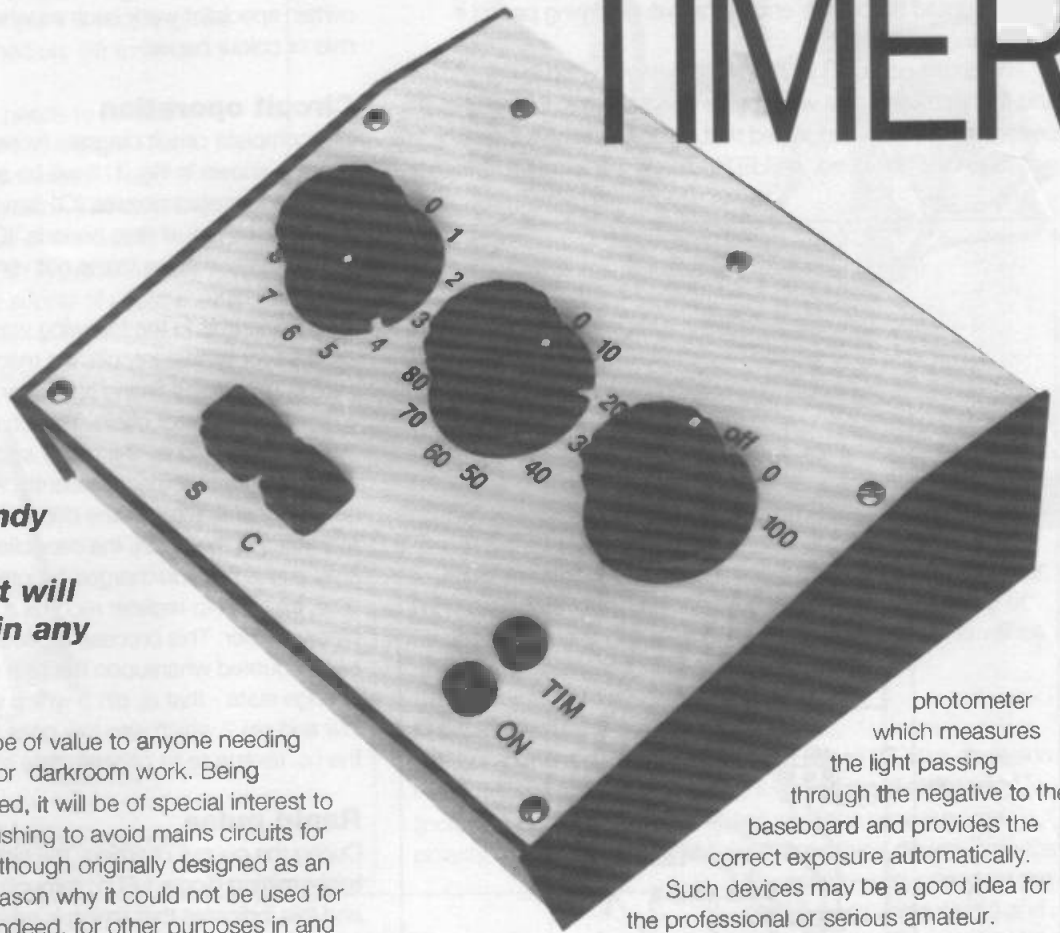
SPECIAL OFFERS - Phoenix 5500A Telecoms analyser, ex. demo. as new with 12 months calibration + 12 months guarantee fitted with V24 interface. A variety of interface options available - Ring/Fax for details. Navtel 9440 Protocol analyser, ex. demo. as new £8000 new - cost now £3500. Navtel 9410 PCB based protocol analyser ex. demo. as new £3000 new - cost now £1500.

MANY MORE ITEMS AVAILABLE - SEND LARGE S.A.E. FOR LIST OF EQUIPMENT ALL EQUIPMENT IS USED - WITH 30 DAYS GUARANTEE, PLEASE CHECK FOR AVAILABILITY BEFORE ORDERING - CARRIAGE & VAT TO BE ADDED TO ALL GOODS

MINI ENLARGER TIMER



This month, Terry Balbirnie puts on his photographer's hat, and shows how to make a handy battery-powered enlarger timer that will prove very useful in any darkroom



This project will be of value to anyone needing a basic timer for darkroom work. Being battery-operated, it will be of special interest to constructors wishing to avoid mains circuits for safety reasons. Although originally designed as an enlarger timer, there is no reason why it could not be used for general darkroom work or, indeed, for other purposes in and around the home - as a kitchen timer, for example.

Taking risks

Some amateur photographers make prints without using a timer. They rely on looking at the clock or simply counting seconds. At best this is risky and at worst will produce grossly inconsistent results. This will be particularly evident when several prints are being made from a single negative.

Commercial timers operate by switching on the enlarger for a time set by switches on the front panel. There will also be an override facility so that the lamp may be operated continuously to facilitate focusing. More sophisticated units have a built-in

photometer which measures the light passing through the negative to the baseboard and provides the correct exposure automatically. Such devices may be a good idea for the professional or serious amateur.

However, for occasional use, the outlay is probably not justified and a simpler unit will be adequate. It was with such users in mind that the Mini Enlarger Timer was designed.

As described, periods between 1 and 199 seconds in 1 second steps are provided. These timings could be easily increased as required and more will be said about this later.

Seeing the light

To avoid mains connections, this timer requires the user to switch the enlarger on and off manually. Three rotary switches on the front panel are set to the exposure time required. One acts as an on-off switch and also selects 0 or 100 seconds as

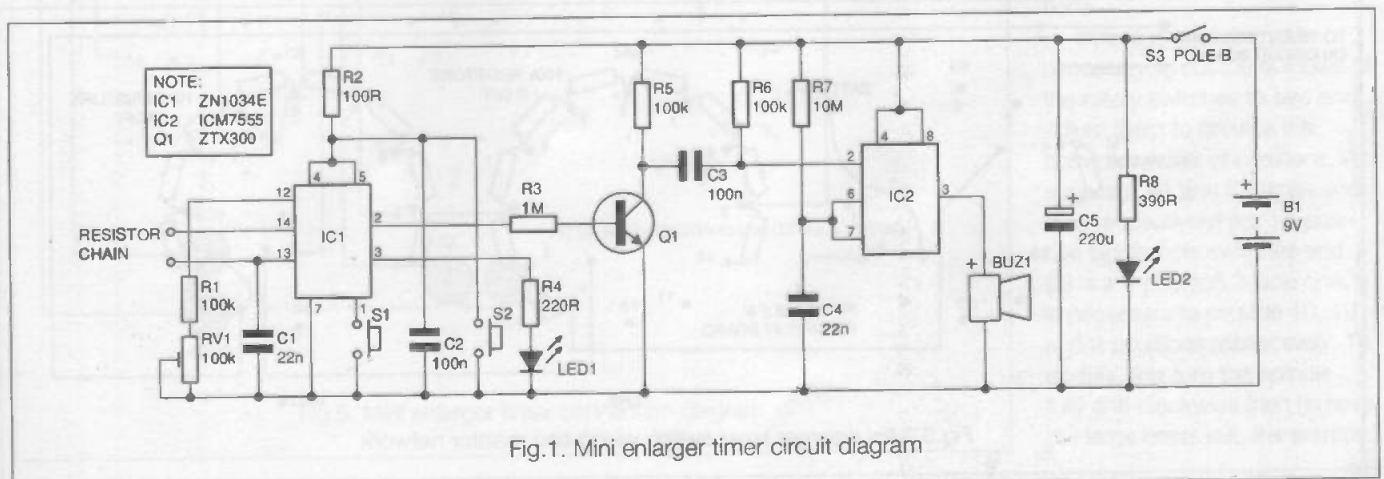


Fig.1. Mini enlarger timer circuit diagram

required. The other two switches provide the tens and units. When ready, the push button (START) switch is operated momentarily and the enlarger switched on at the same time. An LED illuminates while the circuit is in the process of timing and when it goes off, a bleep is emitted. At that point the enlarger is switched off. A push-button (CANCEL) switch allows timing to be interrupted before the end of the natural timing period if required.

The unit is powered using a PP3 battery which is convenient and for occasional use will provide good service. For longer periods of use, it is suggested that a pack of six AA cells in a suitable holder be used. An LED indicator serves as a reminder

that the unit is switched on so that the battery is not drained while not in use. It would greatly reduce the standby current requirement if this LED were omitted. However, doing so would be risky because of the ease with which the unit could be left on. Although red LEDs are generally "safe" with black-and-white papers, it may be necessary to cover them over for certain specialist work such as when using panchromatic materials or colour paper.

Circuit operation

The complete circuit diagram (schematic) for the Mini Enlarger Timer is shown in Fig. 1. It will be seen that the design centres on two integrated circuits. IC1 is a precision timer which provides the actual time periods. IC2 is responsible for the bleep time and since this is not very critical, it is a simple CMOS 555 type.

C1 operates in the following way. When S1 (START) is pressed for an instant, pin 1 is made low and the device triggered. This allows timing capacitor, C1, to charge from pin 14 through the resistor chain. This chain is a set of precision fixed resistors selected by the rotary switches and more will be said about this arrangement presently. As C1 charges, the voltage across it rises. After a time dependent on the value of the resistor(s) in the chain, the capacitor will reach a certain voltage level and is then discharged by internal circuitry. At the same time, an on-chip register records a count of one in a 12-stage binary divider. This process repeats until 4095 counts have been counted whereupon the twin outputs, pins 2 and 3, change state - that is, pin 3 which was high during timing goes low and pin 2 which was low goes high. With timing complete, the i.c. reverts to its original state ready for further operation.

Rapid pulse

During the course of timing, the high state of pin 3 operates the light-emitting diode, LED1, through current-limiting resistor, R4 and this indicates that timing is taking place. With timing over, pin 2 goes high and allows base current to enter transistor, TR1 via R3. The collector goes low and sends a momentary low pulse via capacitor, C3, to the trigger input, pin 2, of timer IC2. This part of the circuit is configured as a short period monostable - once triggered the output, pin 3, goes high then low again. The time during which the output remains high depends on the values of resistor R7 and capacitor, C4. With those specified this will be about 0.2 seconds. To lengthen the time, R7 could be increased in value and vice-versa. As pin 3 goes high, the solid-state buzzer, BUZ1, will emit a bleep. During the course of timing, IC1 may be reset by pressing switch S2 (CANCEL) connected directly between pins 4/5 and supply

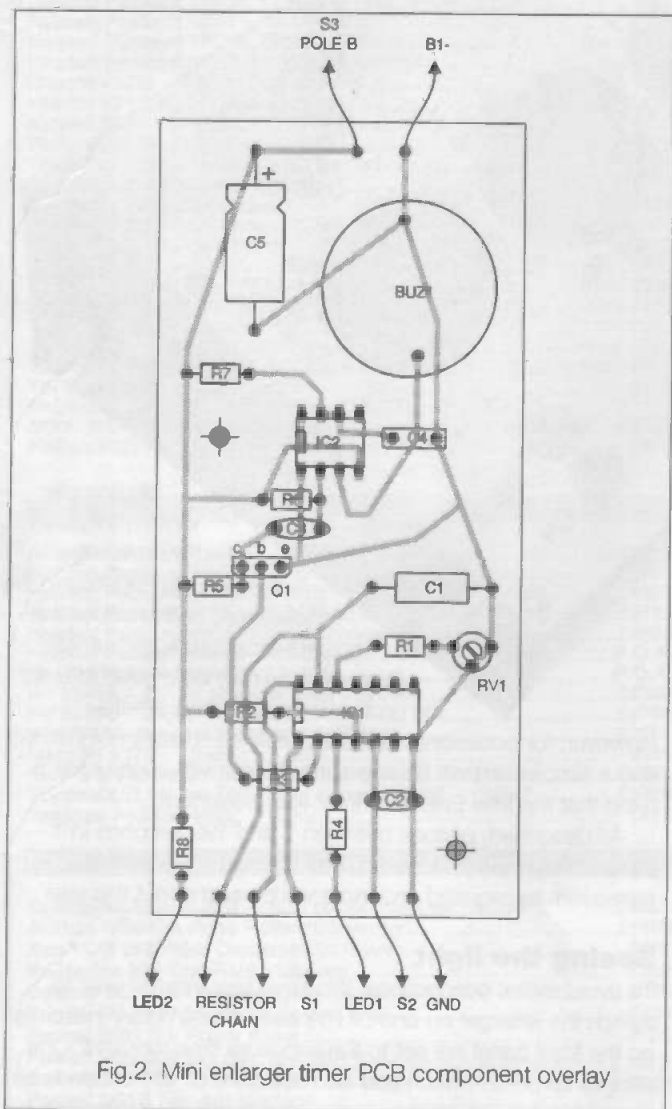


Fig. 2. Mini enlarger timer PCB component overlay

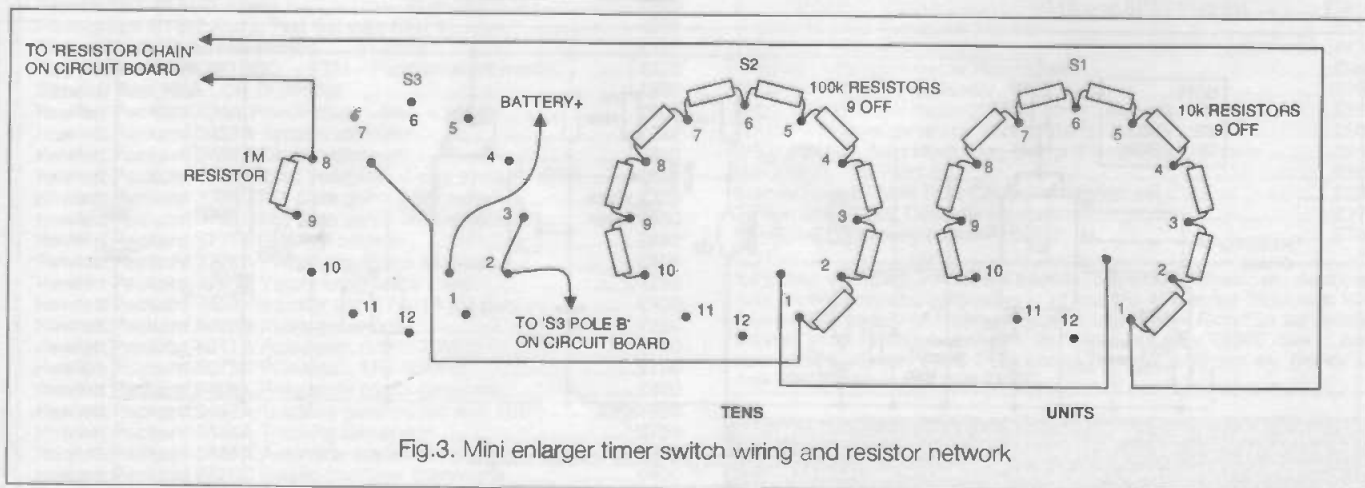


Fig. 3. Mini enlarger timer switch wiring and resistor network

negative. This interrupts the current entering the chip and resets the internal register.

The purpose of resistor R6 is to keep IC2 pin 2 normally high which prevents false triggering. Resistor R5 allows capacitor C3 to discharge between operations via R6. Light-emitting diode, LED2, which is connected across the supply glows whenever the circuit is switched on. R8 limits its operating current.

The power supply for IC1 needs to be stable despite wide variations in battery voltage. This ensures that the timings are accurate. This is provided by a 5V on-chip regulator. The difference between this voltage and that of the supply is "dropped" across resistor, R2. In practice, the circuit operates correctly down to a supply of about 6V.

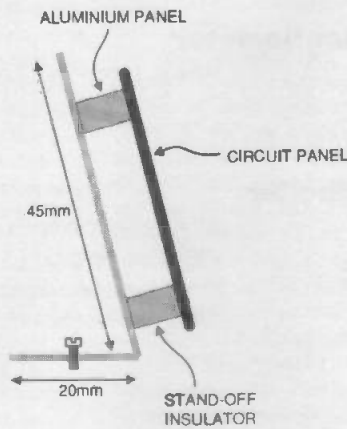
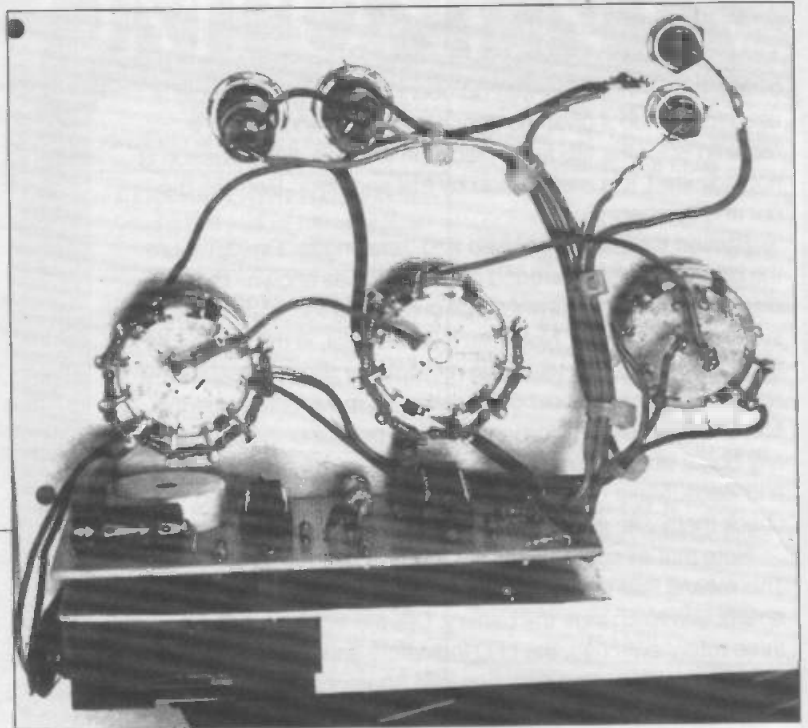


Fig.4. Mini enlarger timer mounting

Fixed resistor R1, in conjunction with preset potentiometer, RV1, provide a "trim" for the time period to take account of component tolerances. At the end of construction, this will be adjusted for best accuracy over the entire range.

Construction

The component overlay for the circuit board (PCB) is shown in Fig. 2. Mount the IC sockets first followed by all resistors (including preset RV1) and capacitors. Take care over the polarity of C5. Follow with the audible warning device (note that

the polarity is inscribed on the plastic body underneath) and the transistor. Do not insert the ICs yet. Solder 12cm pieces of light-duty stranded connecting wire to the 7 points along the left-hand side. Solder a similar length of wire to the pad labelled "S3 Pole B" on the right-hand side and the negative connection of the PP3-type battery snap (if the battery holder is of this type) - if not, use a piece of wire similar to that used for the other connections.

Before proceeding, it is necessary to cut the spindles of the rotary switches to size and adjust them to provide the correct number of positions. As supplied, S1 and S2 (units and tens respectively) are 12-position single-pole switches and S3 is a 6-position 2-pole one. It is necessary to provide 10, 10 and 3 positions respectively. To do this, first turn the spindle fully anti-clockwise then remove the large brass nut, the serrated

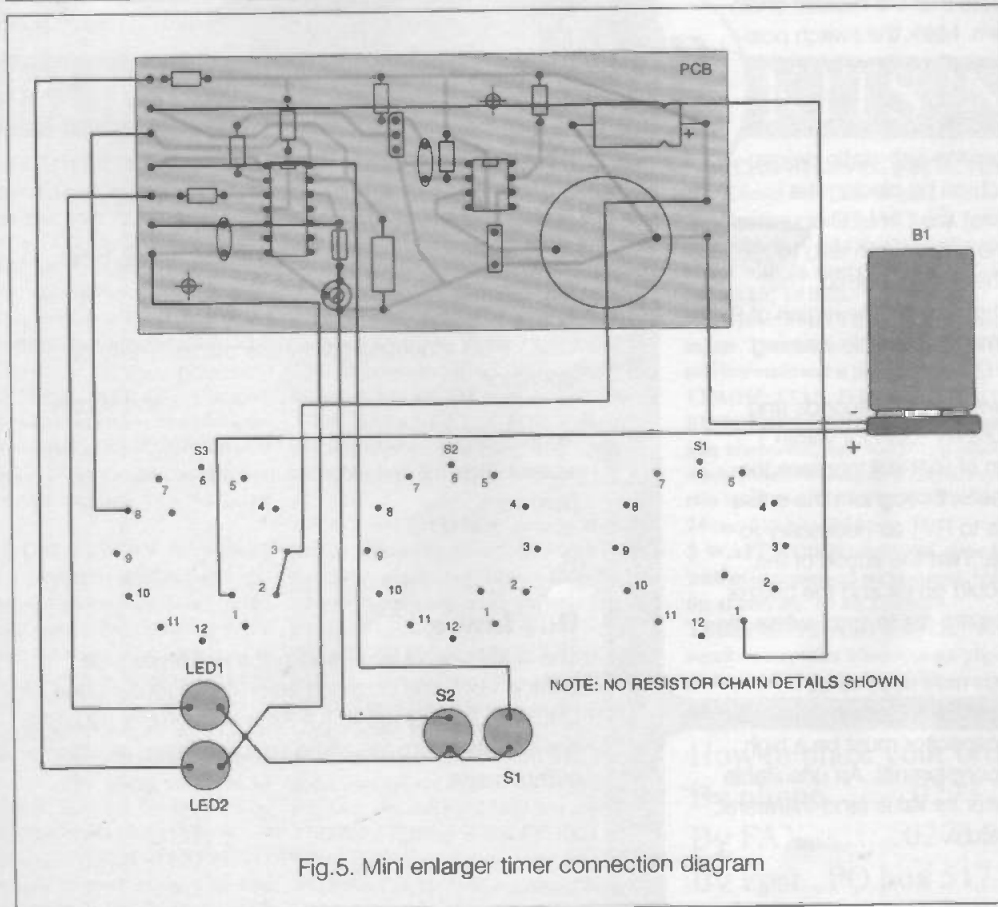


Fig.5. Mini enlarger timer connection diagram

washer and the tab washer beneath. This will reveal a circle of small holes into which the tab may be located. With luck, the plastic will be inscribed with numbers indicating which hole is used to provide a given number of positions and all that is required is for the tab to be placed in this one. If the position is not indicated, it is easily found by trial and error. Replace the nut and washer.

Spread the tags to be used and, referring to Fig. 3, mount the chain of resistors around the switches as shown. The diagram shows the conventional numbering found on most switches of this type. Note that it is essential, in the interest of accuracy, to use 1% tolerance resistors for the chain. Care should be taken to avoid overheating them with the soldering iron since this may disturb their values permanently. If there is any doubt about your ability to solder them quickly, leave longer end leads. Make certain all switch connections are sound - check them with a multimeter.

Note that all components are mounted on the lid of the box. This means that there will be no strain on any wires when the lid is removed to change the battery. Drill the front panel for the three rotary switches, the LED indicators and the START and CANCEL push-button switches (see photograph) then mount these components. Leave the attaching nuts on the rotary switches slightly loose for the moment and fit the knobs temporarily. Turn them fully anti-clockwise and adjust the position of the switches so that the white markers on the knobs point to the top. Remove the knobs and tighten the fixing nuts.

Make an aluminium panel 100mm long and bent to the form shown in Fig. 4. Mount the circuit board on this using small nuts and bolts with short plastic stand-off insulators on the shanks. The soldered connections should be kept at least 5mm clear of the metalwork. Using small nuts and bolts, attach the panel in position as shown in the photograph. The PP3 battery holder may also be mounted on the rear of this panel. Refer to Fig. 5 and complete the internal wiring. Note that the resistor chain details are not shown on this diagram. Mark the switch positions with rub-down lettering and re-fit the control knobs.

Testing

Insert the ICs into their sockets observing anti-static precautions. Connect the battery and switch on by placing the hundreds switch at 0 initially. Note that the ON LED operates and the buzzer gives a bleep. Set the tens switch also to zero and the units to 9 seconds. Press the START button. The TIMING LED should operate for somewhere in the region of 9 seconds then go off. At the same time, the audible warning device should emit a short bleep.

It is convenient to set the tens switch to 60 seconds and adjust RV1 to provide this time accurately - aim for within 1 second. Note that clockwise rotation of RV1 will increase the timing and vice-versa. This done, check throughout the entire range and make minute adjustments to RV1 as necessary to provide the best overall performance. Test the action of the RESET switch - the TIMING LED should go off and the buzzer emit a bleep. Note that if all switches are set to zero, when triggered the circuit remains on.

For certain applications the timings may need to be increased. This can be done by increasing the value of capacitor C1 in proportion. Note that this capacitor must be a high quality component (close tolerance polystyrene). An unsuitable one will drift in value with time and alter its value (and therefore the timings) with changes in temperature.

PARTS LIST

Components

Resistors

R1,5,6	100k
R2	100R
R3	1M
R4	220R
R7	10M
R8	390R

Additional for the resistor chain: 10k - 9 off, 100k - 9 off, 1M - 1 off.

All fixed resistors in chain 0.6W 1% carbon film - see text.

Others may be 0.25W 5% carbon film.

Potentiometer

RV1	100k sub-min vert. preset.
-----	----------------------------

Capacitor

C1	22nF close-tolerance polystyrene
C2,3	100n disc ceramic
C4	22n monolithic ceramic
C5	220m 16V electrolytic

Semiconductors

LED1, 2	5mm LED indicators
Q1	ZTX300
IC1	ZN1034E precision timer
IC2	ICM7555

Miscellaneous

S1,2, Single-pole 12-way rotary switches make-before-break action
 S3 2-pole 6-way rotary switch make-before-break action.
 B1 PP3 battery, holder and connector.
 BUZ1 PCB mounting solid-state buzzer 3-24V d.c. operation.

Printed circuit board, 14-pin d.i.l. socket; 8-pin d.i.l. socket. Box for unit. Aluminium for bracket, small hardware.

Buy Lines

The sloping-front box used in the prototype (see photograph) was obtained from Maplin (order code LH66W). The ZN1034E (UF32K) and buzzer (KU58N) are available from the same supplier as are all other components.

EXPRESS COMPONENTS

MAINS IONIZER KIT. Very useful kit that increases the flow of negative ions, helps clear cigarette smoke, dust, pollen etc. Helps reduce stress and respiratory problems. £15. kit, £20 built.

COMBINATION LOCK. Electronic 9 key combination lock suitable for alarms, cars, houses etc, easily programmable. Includes mains 2A relay o/p. 9v operation. £10 kit, £14 built.

VARIABLE POWER SUPPLY. Stabilized, short circuit protected. Gives 3-30v DC at 2.5A, ideal for workshop or laboratory. £14 kit, £18 built. 24VAC required.

LEAD ACID CHARGER. Two automatic charging rates (fast and slow), visual indication of battery state. Ideal for alarm systems, emergency lighting, battery projects etc. £12 kit, £16 built.

PHONE LINE RECORDER. Device that connects to the 'phone line and activates a cassette recorder when the handset is lifted. Ideal for recording 'phone conversations etc!. £8 kit, £12 built.

ROBOT VOICE. Turns your voice into a robot voice! answer the phone with a different voice!. £9 kit, £13 built.

PHONE BUG DETECTOR. This device will warn you if somebody is eavesdropping on your 'phone line. £6 kit £9 built.

PHONE BUG. Small bug powered by the telephone line. Only transmits when the phone is used. Popular surveillance product. £8 kit, £12 built.

STROBE LIGHT. Bright strobe light with an adjustable frequency of 1-60hz. (a lot faster than conventional strobes!) £16 kit, £20 built.

4W FM TRANSMITTER. 3RF stages, audio preamp. 12-18vDC. Medium powered bug £20 kit, £28 built.

3 CHANNEL LIGHT CHASER. 3x 800w output, speed and direction controls, can be used with 12 led's (supplied) or TRIACS for mains lights (also supplied). 9-15v DC. £17 kit, £23 built.

25W FM TRANSMITTER. 4 stage, a preamp will be required. (Our preamp below is suitable) £79 built. (no kits).

SOUND EFFECTS GENERATOR. Produces any thing from bird chips to sirens! add sounds to all sorts of things £9 kit £13 built.

FM/AM SCANNER. Well not quite, you have to turn the knob yourself but you will hear things on this radio (even TV) that you would not hear on an ordinary radio! A receiver that covers 50-160MHz both AM and FM. Built in 5w amplifier. £15 kit, £20 built.

CAR ALARM SYSTEM. Works on vibration and/or voltage drop from door etc being opened. Entry and exit delays plus adjustable alarm duration. Low cost protection! £12 kit, £16 built.

15W FM TRANSMITTER. 4 stage, high power bug. You will need a preamp for this (see our preamp below which is ok) £69 built. (no kits).

1W FM TRANSMITTER. 2 stage including preamp and mic. Good general purpose bug. 8-30VDC. £12 kit, £16 built.

50 I/C's for £1.50
Nice mix of chips at a bargain price!

CERAMIC CAPACITOR PACK
Good mixed pack of 100 capacitors for just £1.00

ELECTROLYTIC PACK 1
100 small mixed electrolytic capacitors just £1.00

ELECTROLYTIC PACK 2
50 larger electrolytic mixed capacitors

RESISTOR PACK NO 1
250 low wattage resistors, ideal for most projects etc. Just £1.00

RESISTOR PACK NO 2
Hi wattage pack, good selection of mixed wattages and values 50 in all, bargain price just £1.00

PRESET PACK
Nice selection of 25 mixed preset pots for just another £1!

RELAY PACK NO 1
6 mixed relays for £1, that's just 17p each.

CONNECTOR PACK
10 different connectors, again for £1

FUSE PACK NO 1
40 mixed 20mm fuses, ideal for repairs etc, or just to stock up the spares box! Just £1.00

FUSE PACK NO 2
30 mixed 1.25" fuses again ideal for spares etc. Just £1.00

WIRE PACK
25 Metres of insulated wire for just £1.00, good for projects etc.

SLEEVING PACK
100 assorted pieces of sleeving for connectors etc. Yours for just £1.00

DIODE PACK
100 assorted diodes for just £1.00

LED PACK
20 light emitting diodes for £1.00

TRANSISTOR PACK
50 mixed transistors, another bargain at £1.00

BUZZER PACK
10 things that make a noise for just £1.00!

POT PACK
10 pots for £1, (5 different types) a snip at £1.00

DISPLAYS
10 seven segment displays for £1.00

ORDER 10 PACKS OR MORE AND CHOOSE ONE FREE PACK!!
FREE COMPONENT CATALOGUE WITH EVERY ORDER!!

99p
Post

BULK PACKS KITS 'N MODULES

PREAMP MIXER. 3 channel input, independent level and tone controls. Ideal for use with the hi power FM transmitters. £15 kit, £19 built.

TREMBLER ALARM. Designed for bikes etc, adjustable sensitivity, preset alarm time, auto reset. Could be adapted for all sorts of "borrowable" things £12 kit, £16 built.

ULTRASONIC RADAR. A project that can be used as a movement detector in an enclosed space. Range about 10 metres, 12vDC. Good basis for car, shed, caravan alarm etc. £14 kit, £19 built.

PHONE CALL RELAY. Very useful kit that incorporates a relay that operates when the phone rings. Can be used to operate more bells, signalling lights etc. Good for noisy environments or if you have your headphones on! £10 kit, £14 built.

PORTABLE ALARM SYSTEM. Small 9v alarm system based on a mercury switch. The alarm continues to sound until disabled by the owner. Buzzer included. £11 kit £15 built.

800W MUSIC TO LIGHT EFFECT. Add rhythm to your music with this simple sound to light kit. £8 kit, £12 built.

MOSQUITO REPELLER. Modern way to keep the midges away! Runs for

about a month on one 1.5v battery. Frequency is set to drive away mosquitos etc. £7 kit, £11 built.

3 CHANNEL SOUND TO LIGHT. Can be used anywhere as no connection is made to hi fi. Separate sensitivity controls for each channel, 1,200W power handling. Microphone included. £14 kit, £19 built.

MINI METAL DETECTOR. Detects pipes, wires etc up to 20cm deep. Useful before you drill those holes! £8 kit, £12 built.

0-5 MINUTE TIMER. Simple time switch adjustable from 0-5 mins, will switch 2A mains load. 12v op. Ideal for laboratory, photographic projects etc. £7 kit, £11 built.

7 WATT HI FI AMPLIFIER. Useful, powerful amplifier 20hz-15hz, 12-18vdc. Good for intercoms, audio systems, car etc. £7 kit £11 built.

INCAR SOUND TO LIGHT. Put some atmosphere in your car with this kit. Each channel has 6 led's that create a beautiful lighting effect! £10 kit, £14 built.

VOX SWITCH. This is a sound activated switch, ideal for use on transmitters, CB's, tape recorders etc. Adjustable sensitivity, built in delay. Mic input. £7 kit, £11 built.

LIQUID LEVEL DETECTOR. Useful item, can be used to detect fluid levels in watertanks, baths, ponds fish tanks etc. Could also be used as rain alarm with an easily constructed sensor. £5 kit, £9 built.

FM TRANSMITTER. Mini FM transmitter 2 transistor, comes with FET miniature mic and is tuneable from 63 to 130MHZ. £7 kit, £11 built.

FUNCTION GENERATOR. Generates sinusoidal, saw tooth and square waveforms from 20hz up to 20khz. Separate level controls for each waveform. 24vac. £15 kit, £20 built.

5 WATT SIREN. Powerful siren kit with an impressive 5 watts output. Ideal for alarms etc. £6 kit £10 built.

TELEPHONE AMPLIFIER. Very sensitive amplifier which using a 'phone pickup coil (supplied) will let you fol-

low a telephone conversation without holding the handset to your ear! £11 kit £15 built.

SWITCH PACK
10 switches for just £1.00

12v FLOURESCENT. A useful kit that will enable you to light large flourescent tubes from your car battery etc. 9v mains transformer required. £8 kit, £12 built.

KNOB PACK
10 knobs for just £1.00

REMEMBER! YOUR FREE COPY OF OUR CUT PRICE COMPONENTS CATALOGUE SENT WITH EVERY ORDER!!!

How to place your order.....

By phone.....0273 771156

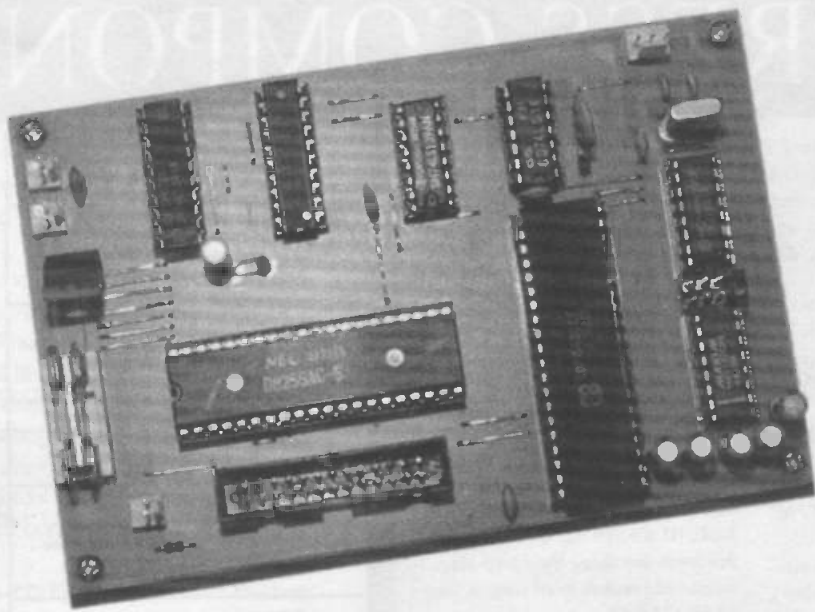
By FAX.....0273 206875

By Post...PO box 517 Hove Sussex BN3 5QZ

Payment by ACCESS, VISA, CHEQUE OR POSTAL ORDER.

Cheques and postal orders should be payable to Express Components.

ALL PRICES ARE SUBJECT TO 99p POST AND VAT. Some of our products may be unlicensable for use in the UK (particularly the FM transmitters.)



Versatile 24 line RS232 I/O Interface

Serial RS232 communications are an ideal way of linking a PC to a remote device. In this project Dr Pei An shows how to convert a serial input into a bidirectional I/O port

The RS-232C port is an industrial standard asynchronous serial data communication interface for the purpose of serial data communications between two devices and is available on almost all modern personal computers. It is frequently used for connecting printer, modems and mice to the computers. One advantage of the serial port is its simplicity in linking the computer to external devices. In total, there are nine lines. However, in most applications, lines are sufficient to perform a bi-directional communication. Another advantage is that the communication distance of the RS232 interface can be up to 100 feet. Unfortunately, unlike parallel ports which requires simple interface circuit, the RS232 port requires a slightly complicated interface circuit.

In this article, I am going to introduce a versatile, general purpose RS232 I/O card. This card is connected to the PC's RS232 port via three wires and it is able to provide 24 input/output lines. These lines are organized in four groups, namely, groups A, B, C1 and C2. Groups A and B have eight data lines and groups C1 and C2 have four lines. Each group can be configured as an input or output under the control of the RS232 port. Figure 1 shows the schematics of the card connected to a PC and the pin functions of the 26-way DIL socket from which external circuitry is connected.

FUNDAMENTALS OF SERIAL DATA TRANSMISSION

Serial data transmission

Unlike a parallel port, which normally has eight data lines and each time transmits an 8-bit byte in one go, a serial port only needs one data line to transmit the 8-bit byte. The byte is trans-

mitted successively, or in another word, serially. There are two serial data transfer schemes: the synchronous and asynchronous transmissions. In the synchronous data transfer scheme, additional lines are required to transmit handshake or timing signals along with the data line to indicate when the next bit is to be transmitted on the line. The advantage of this data transfer is that the receiver is able to respond to the clock rate of the transmitter automatically. For asynchronous data transfer, the transmitted data themselves contain the information of synchronization and neither handshake nor clock signals is needed. The transmitted serial data comprises a Start Bit, which indicates the beginning of a data transmission. It is followed by Serial Data Bits and then Stop Bits indicating the end of the transmission. An optional Parity Bit can be added between the Serial Data Bits and the Stop Bit for parity checking. The receiver device detects the start bit and receives the subsequent data bits. This data transfer requires that the transmitter and the receiver must have the same clock frequency. Asynchronous data transmission is used in most personal computers. In practice, the asynchronous communication is facilitated by a family of industrial standard computer peripheral ICs known as the UARTs (Universal Asynchronous Receivers & Transmitters). Most PCs use 8250/16450 UARTs and the present card employed a 6402 UART.

SERIAL DATA FORMAT

The format of the serial data transmission generated by UARTS consists of four parts: a start bit, data bits, one parity bit, and at least one stop bit (see Figure 2). The functions of these bits are discussed in detail: When no data is sent, the transmitting data line is at high state (2V-5V TTL level). The beginning of a data

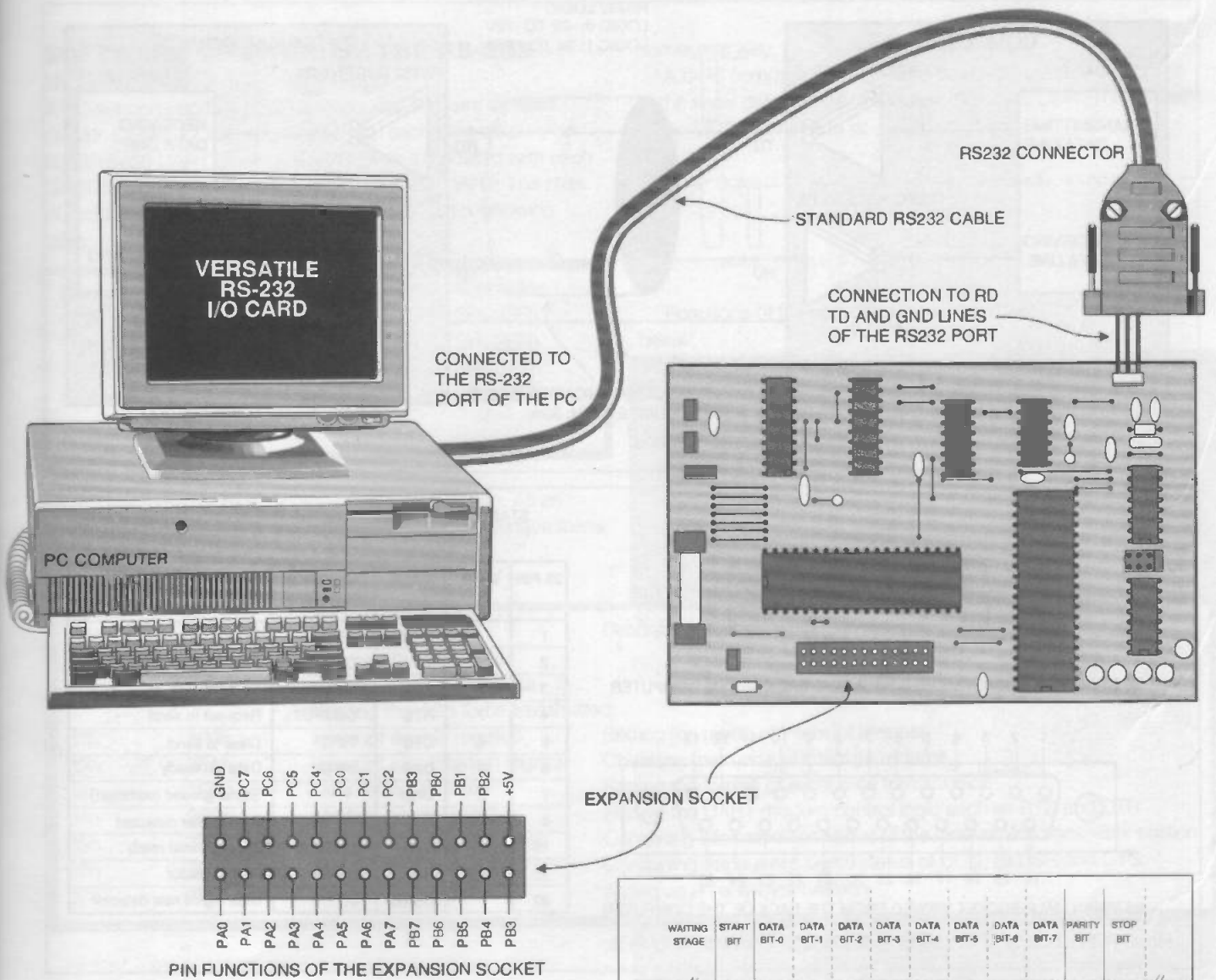
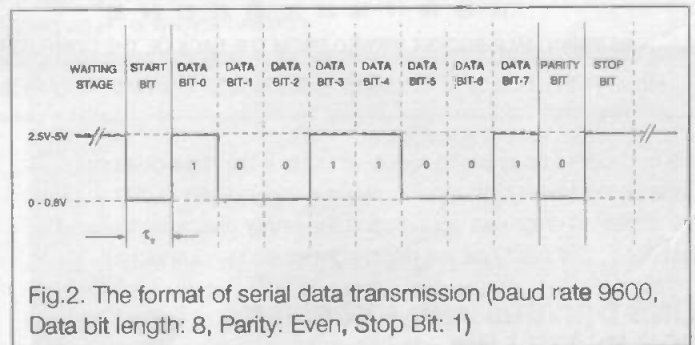


Fig.1 Versatile RS232 I/O card connected to a PC

transmission is indicated by the line going low (0-0.8V TTL level) for 1 bit time. This bit is the Start Bit. The Data Bits are then sent out one after another with the least significant bit sent first. The length of the data bit can be 6, 7 or 8. Following the data bits is the Parity Bit which is used to check for errors occurring in the data transmission. The last bits are the Stop Bits. The data line goes to high for at least 1 bit time to identify the end of the data transmission. The stop bit can be 1, 1.5 and 2 bit length.

The serial data transmission format is generated by the electronics inside the transmitting UARTs. The electronics in the receiver will detect the leading edge of the start bit. It then waits for one and a half bit times before reading the data bit. The reading should therefore come exactly in the middle of the first data bit. It waits for one bit time and reads the second bit. This time the reading comes exactly in the middle of the second data bit. After completing reading the data bits, the electronics detects the parity of the received data for error checking and resets itself during the stop bit to wait for the next data transmission.

The rate at which data bits are sent is measured by Baud Rate. It is defined as $1/(\text{the time between the shortest signal transition period } T_r)$, see Figure 2). The standard Baud Rates for RS232 serial port are 110, 150, 300, 600, 1200, 2400, 4800, 9600 and 19200. Knowing the Baud Rate, the number



of characters (or bytes) to be transmitted per second can be calculated. For example, if the serial data transmission has 8 data bits, one parity bit and 1 stop bit, the total length of serial data bits is 11. The transfer rate for characters is the Baud Rate divided by 11. For example, a Baud Rate of 9600 will transfer 870 characters per second.

Parity check can be ODD, EVEN or NONE. The odd and even parity checks indicate that the total number of ones ('1') in the transmitted serial data is an odd number or even one. This method is the simplest way for checking errors during data transmission. However, it is only reliable to detect single-bit errors. Errors with several bits cannot be detected this way. The parity bit is generated by the electronic circuit of the transmitting UART in such a way that the number of ones ('1') in the data bits plus the parity bit is odd or even as declared. For example, suppose we send a binary byte 01000011 (there are 3 '1's in the byte) from the computer to an external device and the parity has been declared as odd (the total number of '1' is odd). The parity bit will be set 0, since the number of '1' in these 9 data bits is already odd. At the receiver end, the receiving device must also be configured to have an odd parity check. The electronics in the receiver UART will count

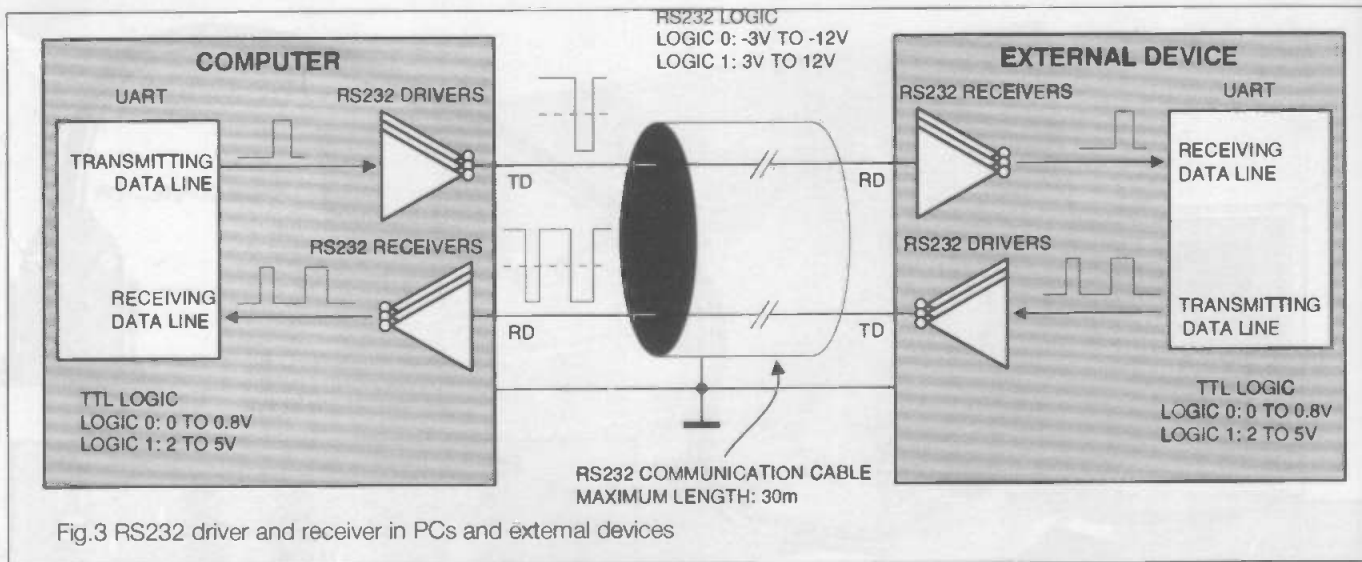


Fig.3 RS232 driver and receiver in PCs and external devices

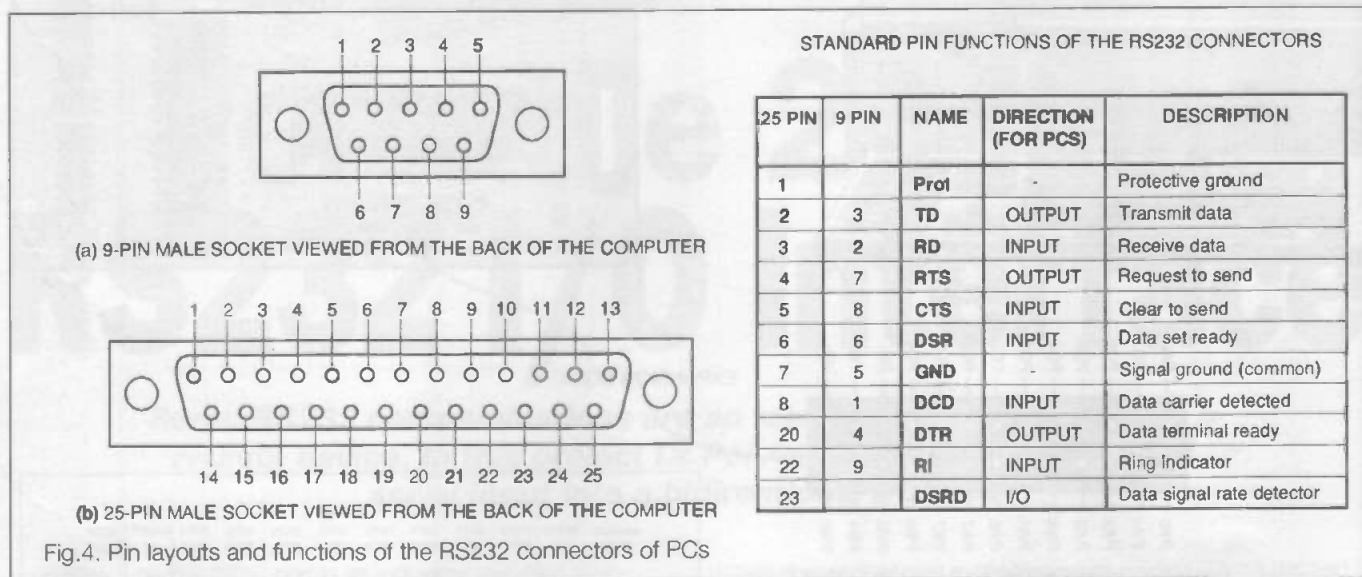


Fig.4. Pin layouts and functions of the RS232 connectors of PCs

the number of ones in the received data. If the data does not have an odd parity, an error signal is given indicating that a transmission error has occurred. If the parity check is declared as NONE, the parity bit will not be generated and checked.

LINE DRIVERS AND RECEIVERS FOR RS232 LINK

The signal from the UARTs have a TTL level. A logic high corresponds to a voltage ranging from 2V to 5V and a logic low corresponds to a voltage between 0V and 0.8V. Signals of this voltage level can not be transmitted reliably over a long distance. To solve the problem, RS-232 drivers are used to boost up the voltage of the transmit line from TTL level to the RS-232 level which is substantial higher than the former. Receivers are used in the receiving device to convert the RS232 voltage level to the TTL level (Figure 3). This arrangement enables the RS-232 interfaces to communicated over a maximum distance of 100 feet. The voltage conversion between TTL and RS232 is facilitated by industrial standard RS-232 driver and receiver ICs. In the present application, a MAX232CPD RS-232 driver/receiver IC is used. It is noted that the RS232 drivers and receivers have an inverting action. A TTL logic high is translated to -3V to -12V at the RS-232 side and a TTL logic low is translated to +3 to 12V.

RS-232 INTERFACE ON PCS PC RS-232 INTERFACE

A standard RS-232 interface is a 25-pin interface, which is housed in a 25-pin male D-type connector. A short version of the interface is also commonly used on PCs which is a 9-pin male D-type connector. The pin functions of the connectors are shown in Figure 4. The functions of mostly used pins are shown below:

Prot:	Protective ground line. It is connected to the metal screening in the cable and the metal chassis of the equipments
GND:	Ground line. It provides a common voltage reference for input and output signals.
TD:	Transmitting Data line on which serial data is transmitted.
RD:	Receiving Data line on which serial data from other RS232 devices is received.
RTS:	Handshake line. It indicates a RS232 device is Ready To Send data out.
CTS:	Handshake line. It indicates a device is ready to receive data transmitted to it.
DTR:	Handshake line. It's used to indicate that the RS232 transmitting device is ready
DSR:	Handshake line. It is used to indicate that the RS232 receiving device is ready.

SOFTWARE CONTROL OF THE RS-232 INTERFACE

A PC supports up to 4 RS232 interfaces. They are labelled COM1, COM2, COM3 and COM4 with each controlled by an 8250/16450 UART. There are 9 I/O ports associated with each UART for accessing 9 internal registers of the UART. The base I/O addresses of these registers are shown in the following table:

Interface	Base Address	Addresses
COM1	3F8h	3F8-3FFh
COM2	2F8h	2F8-2FFh
COM3	3E8h	3E8-3EFh
COM4	2E8h	2E8-2EFh

Each UART internal register has a particular function. As an example, the functions of the registers for COM1 interface (base address=3F8) are listed in the following table:

Offset	Address	Function of the port	Description
00h	3F8h	Receiver buffer register	
Transmitter hold register		Holding the received data	
		Holding the data to be transmitted	
01h	3F9h	Interrupt enable register	Setting the mode of interrupt request
02h	3FAh	Interrupt identification register	Checking the mode of interrupt request
03h	3FBh	Data format register	Setting the format of serial data transmission
04h	3FCh	Modem control register	Setting the UART modem control logic such as RTS and DTR
05h	3FDh	Serialization status register	Containing information on status of the receiver and transmitter section
06h	3FEh	Modem status register	Containing the current signal status of DCD, RI DSR and CTS
07h	3FFh	Scratch-pad register	Acting as an one-byte memory

The functions of these registers are not discussed in detail in this article. Readers who are interested in this can read the manufacturer's data sheet. In the present project, only two registers are relevant to us: the register accessed by Port 3F8h (offset 00) and the one accessed by Port 3FBh (offset 03). The former is the data receiving/transmitting register. If we write a data byte to the register, the byte will be transmitted through the TD (Transmitting data) line. If we read a byte from the register, the received serial data from the RD line is fetched. The other register defines the serial data transmission format, e.g. the Baud Rate, the number of data bits, parity check and the length of stop bits. We can write a byte to the register to define the serial data format. However, as we see below that we can use a DOS 'MODE' command to define the data format in a

convenient way.

A DOS command 'MODE' can be used to set up the format of the serial data transfer for COM1 through COM4. The syntax of the MODE command is:

```
MODE COMm: baud=b, parity=p, data=d, stop=s,
retry=r
or
MODE COMm: b, p, d, s, r
```

Functions of the specifiers in the command are shown below:

COMm specifies the number of the RS232 port, valid values for m are 1,2,3 or 4.

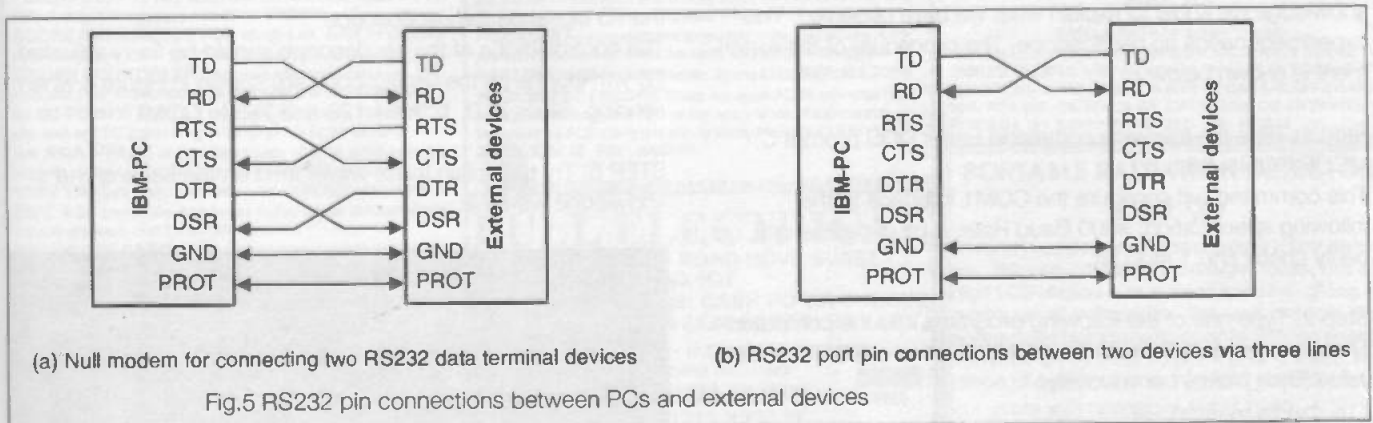
baud=b specifies the first two digits of the Baud Rate. For example, to set a Baud Rate of 9600, b should be 96.

parity=p specifies how the system uses the parity bit to check for transmission errors. The p value can be one of the following: n(none), e(even), o(odd), m(mark) or s(space)

data=d specifies the number of data bits in the serial data transmission. Valid values for d are 5, 6, 7 and 8.

stop=s specifies the number of stop bits. The valid values for s are 1, 1.5 or 2. If the Baud Rate is 110, the default value is 2.

retry=r specifies the retry action to take if a time-out error occurs.



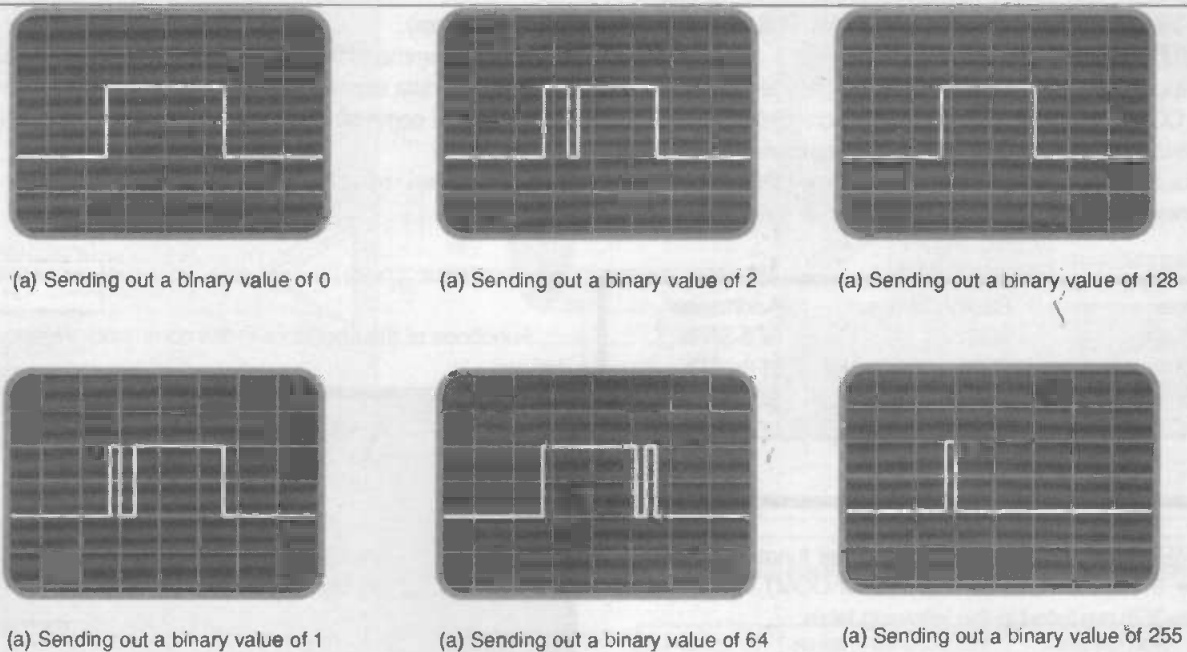


Fig.6 Waveform of TD signals shown on the oscilloscope when outputting a binary byte from the RS232 port.

To send data out of the COM1 interface, we need to write data to Port 3F8h. The following commands can be used:

```
OUT 3F8h, X           (in BASIC)
PORT[$3F8]:=X       (in Turbo Pascal)
```

In which X is the data to be sent (in decimal).

To fetch data from the COM1 interface, we read data from Port 3F8h and the following commands can be used:

```
Y=INP[3F8h]          (in BASIC)
Y:=PORT[$3F8]        (in Turbo Pascal)
```

In which Y is the input byte (in decimal).

CONNECTION BETWEEN RS232 INTERFACES

Two common RS232 links are shown in Figure 5. The arrows in the figure show the direction of the data flow. Figure 5a shows a connection known as a null modem. In this arrangement, some lines of the two RS232 interfaces are used as handshakes between the two devices. Figure 5b shows a connection which only consists of 3 lines.

AN EXPERIMENT WITH THE RS-232 INTERFACE

Finally, let us conduct a simple experiment which will help us to understand how the serial data is transmitted. Try to use the knowledge we know to explain what we have observed. This experiment needs an oscilloscope. The procedure of the experiment is shown below:

Step 1: Type the following command under DOS prompt C:\
MODE COM1: 96,n,8,1

This command will configure the COM1 interface to the following specification: 9600 Baud Rate, 8 bit of data length, no parity check and 1 stop bit.

Step 2: Type one of the following programs into the computer. These programs will cause the COM1 to send out the specified value (Byte_Value) continuously.

(In Turbo pascal 6)

```
Program RS_232_Experiment;
var   Byte_Value:byte;
Begin
Byte_Value:=0;{Input the byte to be sent by COM1
which is set to be 0,1,2,64,128 and 255}
repeat
port[$3F8]:=Byte_Value;{$3F8 is the address of the
COM1 transmit data register}
delay(1);{Delay 1 ms}
until keypressed;{Press any key to stop the
program}
end.

(In BASIC language)
5  Byte_Value=0 ;Input the byte value to be sent
from COM1, which is set to be 0,1,2,64, 128 and 255
10 Out 3F8h, Byte_Value
15 delay(1)
20 goto 10
```

STEP 3: Connect the oscilloscope probe to the COM1 serial port. The negative pole of the probe is connected to the GND line of COM1 (Pin 7 for 25-pin connectors and Pin 5 for 9-Pin connectors) and the positive connected to the TD line (Pin 2 for 25-pin connectors and Pin 3 for 9-pin connectors).

STEP 4: Run the above program and observe the waveform of the TD signal on the oscilloscope. The control knobs of the oscilloscope should be finely adjusted. TD waveforms on the oscilloscope are shown in Figure 6 when sending values of 0, 1, 2, 64, 128 and 255 to COM1.

STEP 5: Try to explain these waveforms on the basis of the knowledge we have.

Next month

Dr Pei An will show how to build an RS232 to parallel interface board which will allow one to connect a wide range of circuits and projects to the serial port of any personal computer.

PC PAL VGA TO CV CONVERTER Converts a colour TV into a basic VGA screen. Complete with built in psu, lead and sware. £49.95. Ideal for laptops or a cheap upgrade.

EMERGENCY LIGHTING UNIT Complete unit with 2 double bulb floodlights, built in charger and auto switch. Fully cased. 6v8AH lead acid req'd. (secondhand) £4 ref MAG4P11.

GUIDED MISSILE WIRE. 4,200 metre reel of ultra thin 4 core insulated cable, 28lbs breaking strain, less than 1mm thick! Ideal alarms, intercoms, fishing, dolls house's etc. £14.99 ref MAG15P5

SINCLAIR C6 13" WHEELS Complete with centre bearing (cylinder type), tyre and inner tube. £6 ea ref MAG 6P10. Ideal go kart

300v PANEL METER 70X80X50MM. AC, 90 degree scale. Good quality meter. £5.99 ref MAG 6P14. Ideal for monitoring mains etc.

ASTECH SWITCHED MODE PSU BM41012 Gives +5 @ 3.75A, +12 @ 1.5A, -12 @ .4A. 230/110, cased. BM41012 £5.99 ref AUG6P3.

TORRODAL TX 30-0-30 480VA. Perfect for Mosfet amplifiers etc. 120mm dia 55mm thick. £18.99 ref APR19.

AUTO SUNCHARGER 155x300mm solar panel with diode and 3 metre lead fitted with a cigar plug. 12v 2watt. £9.99 ea ref AUG10P3.

FLOPPY DISCS D5DD Top quality 5.25" discs, these have been written to once and are unused. Pack of 20 is £4 ref AUG4P1.

MOD WIRE Perfect for repairing PCB's, wire wrap etc. Thin insulated wire on 500m reels. Our price just £9.99 ref APR10P8.

12v MOVING LIGHT Controller. Made by Hella, 6 channels rated at 90watts each. Speed control, cased. £34.99 ref APR35.

ECLATRON FLASH TUBE AS used in police car flashing lights etc. Full spec supplied, 60-100 flashes a min. £9.99 ref APR10P5.

24v AC 96WATT Cased power supply. New. £13.99 ref APR14.

MILITARY SPEC GEIGER COUNTERS Unused and straight from Her Majesty's forces. £50 ref MAG 50P3.

STETHOSCOPE Fully functioning stethoscope, ideal for listening to hearts, pipes, motors etc. £6 ref MAR6P6.

OUTDOOR SOLAR PATH LIGHT Captures sunlight during the day and automatically switches on a built in lamp at dusk. Complete with sealed lead acid battery etc. £19.99 ref MAR20P1.

ALARM VERSION Of above unit comes with built in alarm and pir to detect intruders. Good value at just £22.99 ref MAR25P4.

CLOCKMAKER KIT Hours of fun making your own clock, complete instructions and everything you need. £7.99 ref MAR8P2.

CARETAKER VOLUMETRIC Alarm. Will cover the whole of the ground floor against forced entry. Includes mains power supply and integral battery backup. Powerful internal siren, will take external bell if req'd. Retail £150+, ours? £49.99 ref MAR50P1.

TELEPHONE CABLE White 6 core 100m reel complete with a pack of 100 clips. Ideal phone extns etc. £7.99 ref MAR8P3.

IBM PC CASE AND PSU Ideal base for building your own PC. Equipment but OK. £9.99 each REF: JUN10P2.

MICRODRIVE STRIPPER Small cased tape drives ideal for stripping. Lots of useful goodies including a smart case, and lots of components. £2 each ref JUN2P3.

SOLAR POWER LAB SPECIAL You get TWO 6"x6" 6v 130mA solar cells, 4 LED's, wire, buzzer, switch plus 1 relay/motor. Superb value kit just £5.99 REF: MAG6P8

SOLID STATE RELAYS Will switch 25A mains. Input 3.5-26v DC 57x43x21mm with terminal screws £3.99 REF MAG4P10

300DPI A4 DTP MONITOR Brand new but shop sold so hence bargain price!! TLECL Inputs. 15" landscape, 1200x1664 pixel complete with circuit diag to help you interface with your projects. JUST £14.99. REF JUN15P2.

MULTICORE CABLE 300 metre reel of grey 8 core cable ideal for phones, intercoms, computers, alarms etc. Comes in special dispensing container to avoid tangles. £15 ref AUG15.

BUGGING TAPE RECORDER Small voice activated recorder, uses micro cassette complete with head phones. £28.99 ref MAR29P1.

ULTRAMINI BUG MIC 6mmx3.5mm made by AKG. 5-12v electret condenser. Cost £12 ea. OTR four for £9.99 REF MAG10P2.

RGB/CGA/EGA/TL COLOUR MONITORS 12" In good condition. Back analysed metal case. £79 each REF JUN79

GX4000 GAMES MACHINES returns so ok for spares or repair £9 each (no games). REF MAG9P1

C64 COMPUTERS Returns, so ok for spares etc £9 ref MAG9P2

FUSELAGE LIGHTS 3 foot by 4" panel 1/8" thick with 3 panels that glow green when a voltage is applied. Good for night lights, front panels, signs, disco etc. 50-100v per strip. £25 ref MAG25P2

ANSWER PHONES Returns with 2 faults, we give you the bits for 1 fault, you have to find the other yourself, BT Response 200's £18 ea REF MAG18P1. PSU £5 ref MAG5P12.

SWITCHED MODE PSU eq equip. 60w +5v @ 5A, -5v @ 5A, +12v @ 2A, -12v @ 5A 120/220v cased 245x88x55mm IEC input socket. £8.99 REF MAG7P1

PLUG IN PSU 9V 200mA DC £2.99 each REF MAG3P9

PLUG IN ACORN PSU 19v AC 14w £2.99 REF MAG3P10

POWER SUPPLY fully cased with mains and o/p leads 17v DC 900mA output. Bargain price £5.99 ref MAG6P9

ACORN ARCHIMEDES PSU +5v @ 4.4A, on/off sw uncased, selectable mains input, 145x100x45mm £7 REF MAG7P2

GEIGER COUNTER KIT Low cost professional twin tube, complete with PCB and components. Now only £19 REF AUG19.

9v DC POWER SUPPLY Standard plug in type 150mA 9v DC with lead and DC power plug. price for two is £2.99 ref AUG3P4.

AA NICAID PACK encapsulated pack of 8 AA nicad batteries (tagged) eq equip. 55x32x32mm. £3 a pack. REF MAG3P11

13.8V 1.9A psu cased with leads. Just £9.99 REF MAG10P3

360K 5.26 brand new half height floppy drives IBM compatible industry standard. Just £6.99 REF MAG7P3

PPC MODEM CARDS. These are high spec plug in cards made for the Amstrad laptop computers. 2400 baud dual up unit complete with leads. Clearance price is £5 REF: MAG5P1

INFRA RED REMOTE CONTROLLERS Originally made for hi spec satellite equipment but perfect for all sorts of remote control projects. Our clearance price is just £2 REF: MAG2

TOWERS INTERNATIONAL TRANSISTOR GUIDE. A very useful book for finding equivalent transistors, leadouts, specs etc. £20 REF: MAG20P1

SINCLAIR C6 MOTORS We have a few left without gearboxes.

NEW BULL ELECTRONICS STORE IN WOLVERHAMPTON

55A WORCESTER ST TEL 0902 22039

Spec Is12v DC 3,300rpm £26 ref MAG25.

*****NEW PRODUCT*****

200 WATT INVERTER Converts 10-15v DC into either 110v or 240v AC. Fully cased 115x36x156mm, complete with heavy duty power lead, cigar plug, AC outlet socket. Auto overload shutdown, auto short circuit shutdown, auto input over voltage shutdown, auto input under voltage shut down (with audible alarm), auto temp control, unit shuts down if overheated and sounds audible alarm. Fused reversed polarity protected. output frequency within 2%, voltage within 10%. A extremely well built unit at a very advantageous price!!! Price is £64.99 ref AUG65.

UNIVERSAL SPEED CONTROLLER KIT Designed by us for the C5 motor but ok for any 12v motor up to 30A. Complete with PCB etc. A heat sink may be required. £17.00 REF: MAG17

MAINS CABLE Precut black 2 core 2 metre lengths ideal for repairs, projects etc. 50 metres for £1.99 ref AUG2P7.

COMPUTER COMMUNICATIONS PACK KIT contains 100m of 6 core cable, 100 cable clips, 2 line drivers with RS232 interfaces and all connectors etc. Ideal low cost method of communicating between PCs over along distance. Complete kit £15.99 Ref MAR16P2.

MINICYCLOPS PIR 52x62x40mm runs on PP3 battery complete with shrill sounder. Cheap protection at only £5.99 ref MAR6P4.

ELECTRIC MOTOR KIT Comprehensive educational kit includes all you need to build an electric motor. £9.99 ref MAR10P4.

VIDEO SENDER UNIT. Transmits both audio and video signals from either a video camera, video recorder, TV or Computer etc to any standard TV set in a 100' range! (tune TV to a spare channel) 12v DC op. Price is £15 REF: MAG15 12v psu is £5 extra REF: MAG5P2

***FM CORDLESS MICROPHONE** Small hand held unit with a 500' range! 2 transmit power levels. Reqs PP3 9v battery. Tuneable to any FM receiver. Price is £15 REF: MAG15P1

LOW COST WALKIE TALKIES Pair of battery operated units with a range of about 200'. Ideal for garden use or as an educational toy. Price is £8 a pair. REF: MAG 8P1 2 x PP3 req'd.

***MINIATURE RADIO TRANSCEIVERS** A pair of walkie talkies with a range of up to 2 kilometres in open country. Units measure 22x52x155mm. Complete with cases and earpieces. 2xPP3 req'd. £30.00 pair REF: MAG30.

COMPOSITE VIDEO KIT. Converts composite video into separate H sync, V sync, and video. 12v DC. £8.00 REF: MAG8P2.

LQ3600 PRINTER ASSEMBLIES Made by Amstrad they are entire mechanical printer assemblies including printhead, stepper motors etc in fact everything bar the case and electronics, a good stripper £5 REF: MAG5P3 or 2 for £8 REF: MAG8P3

SPEAKER WIRE Brown 2 core 100 foot hank £2 REF: MAG2P1

LED PACK of 100 standard red 5m leds £5 REF MAG5P4

UNIVERSAL PC POWER SUPPLY complete with flyleads, switch, fan etc. Two types available 150w at £15 REF MAG15P2 (23x23x23mm) and 200w at £20 REF: MAG20P3 (23x23x23mm)

***FM TRANSMITTER** housed in a standard working 13A adapter! the bug runs directly off the mains so lasts forever why pay £700? or price is £26 REF: MAG26 Transmits to any FM radio.

***FM BUG KIT** New design with PCB embedded coil for extra stability. Works to any FM radio. 9v battery req'd. £5 REF: MAG5P5

***FM BUG BUILT AND TESTED** superior design kit. Supplied to detective agencies. 9v battery req'd. £14 REF: MAG14

TALKING COINBOX STRIPPER originally made to retail at £79 each, these units are designed to convert an ordinary phone into a payphone. The units have the locks missing and sometimes broken hinges. However they can be adapted for their original use or used for something else?? Price is just £3 REF: MAG3P1

100 WATT MOSFET PAIR Same spec as 2SK343 and 2SJ443 (8A, 140v, 100w) 1 N channel, 1 P channel, £3 a pair REF: MAG3P2

TOP QUALITY SPEAKERS Made for Hi Fi televisions these are 10 watt 4R Jap made 4" round with large shielded magnets. Good quality. £2 each REF: MAG2P4 or 4 for £8 REF: MAG8P2

TWEETERS 2" diameter good quality tweeter 140R (ok with the above speaker) 2 for £2 REF: MAG2P5 or 4 for £3 REF: MAG3P4

AT KEYBOARDS Made by Apricot these quality keyboards need just a small mod to run on any AT, they work perfectly but you will have to put up with 1 or 2 foreign keycaps! Price £6 REF: MAG6P3

PC CASES Again mixed types so you take a chance next one off the pile £12 REF: MAG12 or two the same for £20 REF: MAG20P4

HEADPHONES Ex Virgin Atlantic. 8 pairs for £2. REF: MAG2P8

PROXIMITY SENSORS These are small PCB's with what look like a source and sensor LED on one end and lots of components on the rest of the PCB. Complete with flyleads. Pack of 5 £3 REF: MAG: 3P5 or 20 for £8 REF: MAG8P4

*******SOME OF OUR PRODUCTS MAY BE UNLICESABLE IN THE UK*******

BULL ELECTRICAL
250 PORTLAND ROAD HOVE SUSSEX
BN3 5QT

MAIL ORDER TERMS: CASH PO OR CHEQUE WITH ORDER PLUS £3.00 POST PLUS VAT.

PLEASE ALLOW 7 - 10 DAYS FOR DELIVERY
TELEPHONE ORDERS WELCOME
TEL: 0273 203500
FAX: 0273 323077

SNOOPERS EAR? Original made to clip over the earpiece of telephone to amplify the sound-it also works quite well on the cable running along the wall! Price is £5 REF: MAG5P7

DOS PACKS Microsoft version 3.3 or higher complete with all manuals or price just £5 REF: MAG5P8 Worth it just for the very comprehensive manual! 5.25" only.

DOS PACK Microsoft version 5 Original software but no manuals hence only £3 REF: MAG3P8 5.25" only.

PIR DETECTOR Made by famous UK alarm manufacturer these are hi spec, long range internal units. 12v operation. Slight marks on case and unboxed (although brand new) £8 REF: MAG8P5

WINDUP SOLAR POWERED RADIO AM/FM radio complete with hand charger and solar panel! £14 REF: MAG14P1

MOBILE CAR PHONE £6.99 Well almost complete in car phone excluding the box of electronics normally hidden under seat. Can be made to illuminate with 12v also has built in light sensor so display only illuminates when dark. Totally convincing! REF: MAG6P6

ALARM BEACONS Zenon strobe made to mount on an external bell box but could be used for caravans etc. 12v operation. Just connect up and it flashes regularly! £5 REF: MAG5P11

FIRE ALARM CONTROL PANEL High quality metal cased alarm panel 350x165x80mm With key. Comes with electronics but no information, sale price 7.99 REF: MAG8P6

REMOTE CONTROL PCB These are receiver boards for garage door opening systems. Another use? £4 ea REF: MAG4P5

6"x12" AMORPHOUS SOLAR PANEL 12v 155x310mm 130mA. Bargain price just £5.99 ea REF MAG6P12

FIBRE OPTIC CABLE BUMPER PACK 10 metres for £4.99 ref MAG5P13 Ideal for experimenters! 30 m for £12.99 ref MAG13P1

LOPTX Line output transformers believed to be for IBM hires colour monitors but useful for getting high voltages from low ones! £2 each REF: MAG2P12 bumper pack of 10 for £12 REF: MAG12P3.

HEATSINKS (finned) TO220. designed to mount vertically on pcb 50x40x25mm you can have a pack of 4 for £1 ref JUN1P11.

WATERPROOF JUNCTION BOX 65mm dia 33mm deep. Four cable entry exit points (adjustable for any size cable) snap fit lid. Ideal for TV, satellite use. £2 ea ref APR2 or 6 for £10 ref APR10P7.

BOTH SHOPS OPEN 9-5.30 SIX DAYS A WEEK

INFRARED LASER NIGHT SCOPES

Second generation image intensifier complete with hand grip attachment with built in adjustable laser lamp for zero light conditions. Supplied with

Pentax 42mm camera mount and normal eye piece. 1.6kg, uses 1xPP3, 3xAA's (all supplied) £245+Vat

NEW HIGH POWER LASERS

15mW, Helium neon, 3 switchable wave lengths. 63um, 1.15um, 3.39um

(2 of them are infrared) 500:1 polarizer built in so good for holography. Supplied complete with mains power supply. 790x65mm. Use with EX-TREME CAUTION AND UNDER QUALIFIED GUIDANCE. £349+Vat.

~~££££££££~~ **WE BUY SURPLUS STOCK** ~~££££££££~~

TURN YOUR SURPLUS STOCK INTO CASH
IMMEDIATE SETTLEMENT. WE WILL ALSO QUOTE FOR COMPLETE FACTORY CLEARANCE.

1994 CATALOGUE.

MINIMUM GOODS ORDER £500. TRADE ORDERS FROM GOVERNMENT, SCHOOLS, UNIVERSITIES, & LOCAL AUTHORITIES WELCOME. ALL GOODS SUPPLIED SUBJECT TO OUR CONDITIONS OF SALE AND UNLESS OTHERWISE STATED GUARANTEED FOR 30 DAYS. RIGHTS RESERVED TO CHANGE PRICES & SPECIFICATIONS WITHOUT PRIOR NOTICE. ORDERS SUBJECT TO STOCK. QUOTATIONS WILLINGLY GIVEN FOR QUANTITIES HIGHER THAN THOSE STATED.

3FT X 1FT 10WATT SOLAR PANELS
14.5v/700mA
£33.95

(PLUS £2.00 SPECIAL PACKAGING CHARGE)

TOP QUALITY AMORPHOUS SILICON CELLS HAVE ALMOST A TIMELESS LIFESPAN WITH AN INFINITE NUMBER OF POSSIBLE APPLICATIONS. SOME OF WHICH MAY BE CAR BATTERY CHARGING, FOR USE ON BOATS OR CARAVANS, OR ANYWHERE A PORTABLE 12V SUPPLY IS REQUIRED. REF: MAG34

PORTABLE RADIATION DETECTOR £49.99

A Hand held personal Gamma and X Ray detector. This unit contains two Geiger Tubes, has a 4 digit LCD display with a Piezo speaker, giving an audio visual indication. The unit detects high energy electromagnetic quanta with an energy from 30K eV to over 1.2M eV and a measuring range of 5-9999 UR/h or 10-99990 N/h. Supplied complete with handbook. Ref MAG50.

FANTASTIC SAVINGS ON METERS

AND MORE !!!



METEX 4 1/2 DIGIT DMM M4630 ■ 30 Range 4 1/2 Digit Display 17mm ■ 0.05% Accuracy.
Features: ■ 5 range capacitance test ■ 5 ohms ranges to 20M ■ Transistor and Diode Test ■ Continuity LED and buzzer ■ Data hold switch ■ 5 ranges AC/DC volts ■ AC/DC current to 20 Amps
With leads, battery, instructions and hard case
£49.95

TL34 ■ 33 Range ■ 3 1/2 digit 24mm Large Display
Features: ■ 5 Capacitance ranges ■ 6 - resistance ranges to 20M ohm ■ Diode and transistor test ■ 5 AC/DC volts ranges Basic 0.5% accuracy ■ 5 ranges AC/DC current to 20 Amps
With leads, battery and instructions
£27.95

MX190 ■ 19 Range 3 1/2 Digit
Features: ■ AC/DC Volts (0.7%) ■ 0-10 ADC current ■ 0.2V/2MEG ohmmittance ■ Diode test ■ Signal injector function
With leads, battery and instructions
£13.95

Full details send for Instruments info pack (SAE 36p UK) Ref: TG

ALL PRICES INCLUDE VAT

TEST METERS

- Satellite Finder ■ Easy to use kit **£29.95**
- Professional Satellite **£89.95**
- FIS meter ■ 3/Digit ■ 7 Cap ■ 6 Inducance ■ 7 resistance ranges **£67.95**
- Capacitance Meter ■ 3/Digit ■ 9 ranges ■ 15mm LCD display **£62.95**
- Digital Lux Meter ■ 3 ranges ■ 3 1/2 digit LCO ■ Data hold output terminal **£62.95**
- Sound Level Meter ■ 40 to 120 db ■ Two ranges **£46.95**
- Analogue Clamp Meter ■ 0/300 amps ■ AC 5 ranges ■ 0/750 VAC 0/7.5V DC ■ 0/200 K OHM **£32.95**
- Digital Clamp Meter ■ 3/Digit ■ 11 ranges Incl temperature ■ Data hold etc **£56.95**
- AC/DC Current Clamp ■ 0/2000 amps AC/DC two ranges for use with Dmm's **£51.95**
- Temperature Measurement ■ Dual input 3 1/2 Digit °C/°F with thermocouple (X) **£41.95**

BENCH INSTRUMENTS

- Digital LED Capacitance autorange bench meter 0.1% **£93.00**
- LCR bridge **£126.00**
- 7 Digit frequency counter 10Hz to 200MHz **£87.00**

POWER SUPPLIES

- Single meter *twin meter **£174.00**
- 0/24v dc 0/3amps **£188.00**
- 0/30v dc 0/3 amps **£140.00**
- Twin version **£260.00**
- 5-15v dc 0/4 amps **£52.95**
- 0/30v DC 0/2 1/2 Amps digital display **£99.95**

SIGNAL SOURCES

- 220/240v AC 6 Range RF Gen 100 KHz to 150 MHz (350MHz Harmonics) **£122.00**
- 5 - range Audio Gen 10Hz to 1 MHz Sine/square **£119.00**
- 0 5Hz to 500KHz Function Gen Sine/Sq/Triang **£124.00**

ALL PRICES INCLUDE VAT OPEN 6 DAYS A WEEK

HENRY'S
AUDIO ELECTRONICS
(Reg. Prop. Cubegate Ltd)

404 Edgware Rd, London W2 1ED
Tel: 071-724 3564/071-258 1831
Fax: 071-724 0322
Discounts for quantity and education

Inventor toroidal transformers 225VA 10.5-0-10.5 Primary 0.260-285 secondary £29.95
LEDA 3mm or 5mm red or green 6p each
yellow 11p each
High intensity red, green or yellow 5mm 30p each
Cable ties 1p each £5.95 per 1000
£49.50 per 10,000
High quality photo resist copper clad epoxy glass boards.
Dimensions single double
3x4 inches £1.09 £1.23
4x8 inches £2.75 £2.99
6x12 inches £6.20
12x12 inches £12.25

Recharge batteries
AA (HP7) 500MAH £0.99
AA 700MAH £1.75
C-2AH with solder tags £3.60
4AH with solder tags £4.95
1/2AA with solder tags £1.55
AAA (HP18) 160MAH £1.75
AA 500MAH with solder tags £1.55
C(HP11) 1.9AH £2.20
C(HP2) 1.2AH £2.80
PP3 4V 110MAH £4.95
Sub C with solder tags £2.50
1/3 AA with solder tags (philipsCTV) £1.95

Standard charger charges 4 AA cells in 5 hours or 4Cs or Ds in 12-14 hours - 1xPP3 (1,2,3 or 4 cells may be charged at a time) £5.95
High power charger as above but charges the Cs and Ds in 5 hours AA's Cs and Ds must be charged in 2s or 4s £10.95
Special offers please check for availability
42 x 15mm dia 1.2v £1.45
Stick of 4 171mm x 16mm ddia with red & black leads 4.6v £5.95

Computer grade capacitors with screw terminals
3800uf 20v £2.50
8700uf 10v £1.95, 6800uf 15v £2.95, 1000uf 16v £1.50, 5800uf 60v £4.95
7 segment common anode led display 12mm £0.45
LM2931AT.5 0 low drop out 5v regulator TO220 package £2.50
7812 and 7812 12v 1A regulators £20.00 per 100
LM337K TO3 case variable regulator £1.95
£1.44 100 -
GaAs FET low leakage current S8873 £12.95 each
£9.95 10x£7.95 100 -
BS250 P channel mosfet £0.45, BC559 transistor £0.95 per 100, used 8748 Microcontroller £3.50
SL952 UHF Limiting amplifier LC 16 surface mounting package with data sheet £1.95
AMD7302 £1.25 each 50p 100-, CD4007UB 10p 100-6p 1000-
Sinclair light gun terminated with a jack plug and PP3 clip gives a signal when pointed at 50Hz flickering light with output wave form chart £2.95
DC-DC converter Reliability model V12PS 12v 1v 5v 200ma out 300v input to output Isolation with data £4.95 each or pack of 10 £39.50
Hour counter used 7 digit 240v ac 50 Hz £1.45
QWERTY keyboard 58 key good quality switches new £9.95

Alpax A82903-C large stepping motor 14v 7.5' step 270hm 68mm dia body 6.3mm shaft £8.95 or £200.00 for a box of 30
Polyester capacitors box type 22.5mm lead pitch
0.1uf 250vdc 18p each 14p 100- 9p 1000-
1uf 250vdc 20p each, 15p 100-, 10p 1000-
2.2uf 250vdc (27.5mm pitch) 30p each, 20p 100- 15p 1000-
3.3uf 100vdc 30p each, 20p 100-, 15p 1000-
1uf 50v bipolar electrolytic axial leads 15p each, 7.5p 100-
D.22uf 250v polyester axial leads 15p each, 7.5p 100-
Polypropylene 1uf 400vdc (Wima MKP10) 27.5mm pitch
32x29x17mm case 75p each 60p 100-
Philips 123 series solid aluminium axial leads
33uf 10v & 2.2uf 40v 40p each, 25p 100-
Philips 108 series 22uf 63v axial 30p each, 15p 1000-
Multilayer AVX ceramic capacitors at 5mm pitch
100v
100pf, 150pf, 220pf, 10,000pf (10n) 10p each, 5p 100- 3.5p 1000-
500pf compression trimmer 60p
40uf 370vac motor start capacitor (dielectric type containing no pcb's) £5.95 or £49.50 for 10
Welwyn W23 9W 120ohm 35p each 20p 100-
680 ohm 2W metal film resistor 4p 100-, 2p 1000-
Solid carbon resistors very low inductance ideal for RF circuits
27ohm 2W, 68ohm 2W 25p each 15p each 100- we have a range of 0.25w 0.5w 1w and 2w solid carbon resistors please send SAE for list
P.C. 400V PSU (Intel part 201035-001) with standard motherboard and 5 disk drive connectors, fan and mains inlet/outlet connectors on back and switch on the side (top for tower case) dms 212 x 149 x 149mm excluding switch £26.00 each
£138.00 for 6
MX180 Digital multimeter 17 ranges 1000vdc 750vac 2Mohm 200mA transistor Hfe 5v and 1.5v battery test £12.95
AMD 27256-3 Eproms £2.00 each, 1 25 100-
OIP switch 3PCO 12 pin (ERG SDC-3-023) 60p each 40p 100-
Disk drive boxes for 5.25 disk drive with room for a power supply light grey plastic 67x268x247mm £7.95 or £48.50 for 10
Hand held ultrasonic remote control £3.95
CV2488 gas relay 30 x 10mm die with 3 wire terminals will also work as a neon light 20p each or £7.50 per 100
A23 12v battery for car alarms or lighters 75p each £50.00 per 100

All products advertised are new and unused unless otherwise stated
wide range of CMOS TTL 74HC 74F Linear Transistors kits rechargeable batteries capacitors tools etc always in stock
Please add £1.95 towards P&P vat included in all prices

JPG ELECTRONICS
276-278 Chatsworth Road
Chesterfield S40 2BH
Access Visa Orders (0246) 211202
Callers welcome

'OFF-AIR' FREQUENCY STANDARD



Still Only
£195. + VAT
carriage extra

- Provides 10MHz, 5MHz & 1MHz
- Use it for calibrating equipment that relies on quartz crystals, TCXOs, VXCOs, oven crystals
- Phase locks to DROITWICH (rubidium controlled and traceable to NPL)
- For ADDED VALUE also phase locks to ALLOUIS (cesium controlled and traceable to OP - French eq to NPL).
- British designed and British manufactured
- Options available include enhanced receiver, sine wave outputs and 13MHz output for GSM. Prices on application.

Output frequencies -
10MHz, 5MHz, 1MHz
Short term stability - better than 1x10⁻⁸ (1 sec)
Typical - 4 x 10⁻⁹ (1 sec)
Long term - tends to 2x10⁻¹² (1000 sec)

SUPERB DUAL TRACE SCOPES, TELEMULTIMETER D61A, 10mV SENSITIVITY, 10uS-500mS/DIV (& x5), X-Y INPUTS, Z-MOD, INT/EXT/TV TRIGS, ETC. FROM £99

T74 (VHF BC221) HET FREQ METER	£45	ZENITH V5H 2VARIACS, BRAND NEW	£68
AMPROBE LAV3X AC V METER RECORDERS	POA	MP 5701A/37028 TX GENERATOR & BB RX	POA
MARCONI TF212 X-Y DISPLAY	£59	XT & AT MOTHER BOARDS, INC RAM FROM	C25
19" x 20" x 31" DEEP INSTRUMENT RACKS	£99	VALVE TYPE PSU TRANSFORMERS/CHOKES	POA
P.E. GENERATOR 12V 17A BATT CHARGE	£95	19" x 6U VERO INSTRUMENT CASES BRAND NEW	£25
JANKE & KUNKEL HI-SPEED MINI MIXER	£20	AVO VALVE TESTERS MK2, 4 & CT160	FROM £48
COMMODORE PETS, PRINTERS, DDRIVES, ETC	£15 ea	"GIBSON GIRL" EMERGENCY RADIO SET 500 KCS	£65
CAMBRIDGE SCHEMING BRIDGE	£35	ELECTRONIC VISUALS EV4020A NTSC VSCOPE	£395
TIME 2004 DC VOLTAGE STANDARD 0.005%	£750	FERROGRAPH RTS2 TEST SET/JALX TEST UNIT	£255
FLUKE 760A MULTIMETER CALIBRATOR	£249	PHILIPS PM5134 FUNCTION GEN 1mhz-20MHz	£1495
BRADLEY 1718 MULTIMETER CALIBRATOR	£249	PHILIPS PM5326 RF SIG GEN 0.1-125MHz	£395
BRADLEY 151 DISTRIBUTION UNIT	£149	PHILIPS PM5716 PULSE GENERATOR 1Hz-50MHz	£595
HONEYWELL COLOUR GRAPHIC RECORDER	£295	BRADLEY 144 DC MULTIPLEX UNIT	£149
TEKTRONIX 545 PLUG-INS, VARIOUS	£10 to £25	XT* AT & COMPAG COMPUTERS	FROM £35
PLESSEY TC10 SIG GEN/ANAL 50-300 BDS	£95	LEVELL TM68 MICRO V-METER 3MHz	£85
PRECISION STD CELL MURHEAD K231A TEMP CONT	£195	HP4861C PROTOCOL ANAL & 16173A RS232C/V24	£395
MARCONI TF212 X-Y DISPLAY	£59	LMG DYN VIB GEN 406 & PA300 PWR OSC	£395
QUAD 303 STEREO POWER AMPS	£249	UD12026 SONAR SCANNER SURFACE UNIT	£975
ORAKE IM2700 MATCHING NWORK & PS7 PSU	£195 EA	CITOH CX6000 6-PEN A4 PLOTTER CENT/RS232	£135
SCOPEX 456 6MHz SINGLE TRACE	£95	GOULD 2400 4-PEN CHART RECORDER	£149
SCOPEX 4010BL S. 10MHz WITH EXTENDED LF TB	£149	PHILIPS PM6456 FM STEREO GENERATOR	£195
LEADER LBO-9C ALIGNMENT SCOPE	£195	MARCONI TF2300 FM/AM MODULATION METER	£149
WATSU S55116 DUAL TRACE 10MHz	£175	HEGENZIE 70AY TEMP/HUMIDITY RECORDER	£95
TELEQUIPMENT D011 10MHz LOCAL TRACE	£165	FERRONACK SS3063 1MHz SINE/SO OSC	£125
H.P. 8505A VECTOR VIMETER 1GHz	£395	LCR BRIDGE WAYNE KERR CT492	£79
TELEQUIPMENT D67A 25MHz, 2T, DEL TB	£215	LCR BRIDGE MARCONI TF2701	£125
HITACHI VC 6015 10MHz DIGITAL STORAGE	£195	LCR COMPONENT COMPARATOR AVO CZ457S	£95
HP1340A X-Y DISPLAYS	£39		
LEVELL TM68 MICRO V-METER 450MHz	£95		

LISTS AVAILABLE BUT 1000's OF UNLISTED BARGAINS FOR CALLERS. ALL PRICES EXC. OF P&P AND VAT QUALITY ELECTRONIC EQUIPMENT ALWAYS WANTED

HALCYON ELECTRONICS
423, KINGSTON ROAD, WIMBLEDON CHASE, LONDON SW20 8JR
SHOP HOURS 9-5.30 MON-SAT. TEL 081-542 6383. FAX 081-542 0340

A SAMPLING OSCILLOSCOPE AND LOGIC ANALYSER

IN AN AFFORDABLE PORTABLE PACKAGE

- 10 Mega samples per second single channel DSO
- 1MHz analogue bandwidth
- 0.2v-50v input range
- Various Triggering options
- 10 Mega samples per second 8 channel logic analyser
- 5v TTL/4.5-15v CMOS logic level inputs
- Crisp, clear LCD screen
- Zoom and Scroll facilities (selected ranges only)
- Battery or mains adapter powered
- 12 Months Warranty (Built version only)
- "Get you working" service (kits only)

The Miniscope



MINISCOPE KIT £139
MINISCOPE BUILT £179
MAINS PSU £3 P&P £3
PLEASE ADD VAT AT 17.5%

Write or phone for a free Information Pack to

AUDON AUDON ELECTRONICS
36 Attenborough Lane, Chilwell, Nottingham NG9 5JW 0602 259737

Reading on Satellite television

European Scrambling Systems, Circuits, Tactics and Techniques. By John McCormac. Digital sound, smart cards, pirate decoders, for hackers, £92. (4th Ed).

World Satellite TV and Scrambling Methods. By Baylin, Madox and McCormac, for the service engineer. £29. (3rd Ed).

Satellite Installation Guide. By John Breeds. £15. (5th Ed)

The Satellite Book. By John Breeds. A complete guide to Satellite TV, theory and practice. £32. (3rd Ed).

Ku Band Satellite TV, Theory, Installation and Repair.

Footprints, dish theory, cables, site survey, polar mount adjustment. £25. (4th Ed)

Home Satellite TV Installation. Videotape. 40 mins VHS Pal. See how 3 metre dishes are inst. £27.

Satellite Toolbox Software. For IBM Comp. hard disk - 5.25 or 3.5. £59.

Wireless, Cable and SMATV. Microwave broadcasting and Cable TV £35.

TVRO Systems Analysis and Aiming Software. 5.25 or 3.5 disk (DOS 3.2) calculates dish size and lists coordinates of all satellites in view. £39.

World Satellite Yearly. By Dr. Baylin. Loading and 330 Footprints. £59.

Prices Inc. P&P UK.
Airmail Europe, add 10%.
Outside Europe, add 30%.

baylin publications

24 River Gardens, Purley, Reading RG8 8BX. Tel, Fax: 0734 414468.
Mobile, 0836 582785. Pay by cheque, Access, Visa, Barclaycard, COD.

Vidi Digitisers

ROMBO are specialists in video capture systems. Vidi products form the link between Video Camera, Camcorder, VCR and your home computer. With Vidi you can capture and store images for DTP, graphics or database use.

Mono 1/50th sec. 16 grey scale frame grabbers

Vidi-ST
Vidi-AMIGA £49.00
Vidi-PC Incl. VAT and UK postage

4096 Colour (built in RGB splitter) frame grabbers

Vidi-ST 12
Vidi-AMIGA 12 £69.00
Vidi-Archimedes
Vidi-PC 12 Incl. VAT and UK postage

All are supplied with software, manual and if available, programming and toolkit utilities.

For further details, or to place an order ring **ROMBO** on 0506 414631, or write to:

Tech Sales Dept.
ROMBO Productions Ltd.
2b Young Square
Brucefield Ind. Park
Livingston
Scotland
EH54 9BX

rombo

Seetrax CAE / Ranger / PCB Design

Ranger 1 / £100

Schematic capture linked to PCB.

Parts and wiring list entry.

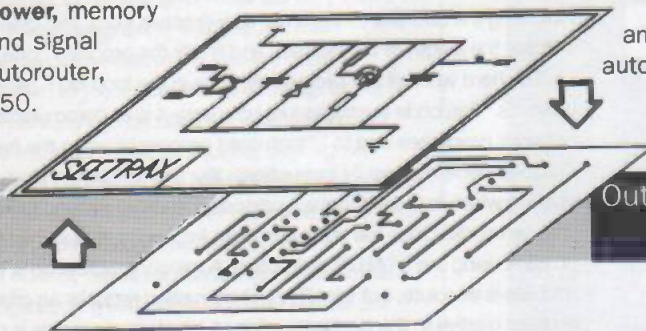
Outline (footprint) library editor.

Manual board layout.

Full design rule checker.

Black annotation (linked to schematic)

Power, memory and signal autorouter, £50.



Ranger 2 / £599

All the features of the Ranger 1, plus,
Gate and pin swapping (linked to the schematic).
Track highlighting.
Auto track necking.
Copper flood fill.
Power planes (heat relief and anti-pads).

Rip-up and retry autorouter.

Ranger 3 / £3500

All the features of the Ranger 2, plus,
UNIX or Dos versions.
1 Micron resolutions and angles to 1/10th degree.
Hierarchical or flat schematic.
Unlimited design size.
Any-shaped pad.
Split power planes.
Optional on line DCR.
100% rip-up and retry, push and shove autorouter.

Outputs to:

8/9 and 24 pin dot-matrix printers.
HP Desk/Laser Jet, Canon BJet, Postscript (R3 only)
HP-GL, Houston Instruments plotters.
Gerber photoplotters.
NC Drill Excellon, Sieb and Meyer.
AutoCAD DXF.

Seetrax CAE / Hinton Daubnay House / Broadway Lane / Lovedean / Hampshire / P08 0SG.
Call 0705 591037 or fax 0705 599036 for further information / demo packs.

All systems upward compatible. Trade deals available. All trademarks acknowledged.

TRANSPUTER BASED SINGLE BOARD COMPUTER

In the fourth and final part of this project to build a Transputer based single board computer, Andy Papageorgiou and Mark Robinson take a look at programming the board

This month we explain in detail how the I/O of the transputer card is organised and present some useful multitasking software to illustrate the transputer's features. A basic familiarity with transputer assembly language is assumed so now is the time to read the literature. A summary of the transputer integer instructions is provided as a text file on the examples disk as a reference.

The I/O mapping

The I/O occupies the upper 128 bytes of the memory map (addresses 7F80H to 7FFFH) whenever the ROM is paged out. This area also contains the ROM page register, which is accessed using a special mode of the transputer and so is invisible to normal read and write operations. The complicated structure of the I/O area is the main reason for using a GAL in this application: a memory map like this would be nearly impossible to implement in discrete logic.

Figure 1 summarises the organisation of the top 128 bytes of memory as seen by "normal" memory accesses, i.e. those performed using the STNL and LDNL ('STore Non Local' and 'LoaD Non Local') instructions. Since the upper 64 bytes are an exact mirror of the lower ones, we will restrict our discussion to the area from 7F80H to 7FBFH.

The I/O space is divided into four word blocks by IC8 and IC9. The lower six blocks are allocated to the I/O port ICs, the seventh block is unused and the eighth is assigned to the port data direction register. All the I/O devices are 8 bit devices occupying the low byte of the 16 bit word. The upper byte is always read from or written to the RAM.

Write operations are straightforward; a STNL to any of the four words in a block will write to the port or register associated with that block. Reads are slightly more complicated. A read operation from the data direction register has no effect. A read from a port either reads from the port directly or from the port input latch depending upon which address is read from. Data is put into the input latch on the rising edge of the port input strobe signal.

The following fragment of code illustrates the I/O operations; it sets ports 0-2 to output and ports 3-5 to input, then reads from port 3 directly (i.e. not the latch) and writes the value to port 2.

The ROM page register also occupies the top 128 bytes of the

```
LDC    $07    ; ports 0-2 o/p ports 3-5 i/p
LDC    $7FB8  ; address of the Data Direction
           Register
STNL   ; write to DDR
LDC    $7F80  ; Base of I/O area
LDNL   $0C    ; 4*Port_no direct (4*Port_no+1 latched)
           ; Read port 3 and leave result on the
           stack
LDC    $7F80  ; Base of I/O area
STNL   $08    4*Port_no, writes result of
           previous read to
           port 2
           ; Ports are numbered 0-5
```

memory map. The transputer has two instructions for accessing byte wide memory - SB (Store Byte) and LB (Load Byte). The sequence of signals on the control bus are different for a Store Byte to an odd address than for any other memory write operation. These signals are detected by the GAL and used to operate the ROM page register.

The ROM is paged out by executing an SB instruction to any odd address between 7F81H and 7FBFH, the top half of the memory will then be occupied by RAM and I/O. Executing an SB to an odd address, between 7FC1H and 7FFFH will page the ROM in, the top half of memory will then be occupied by ROM. The following code fragment illustrates paging the ROM out.

```
LDC 0
LDC $7F81
SB ; Page ROM out
```

The Boot Loader

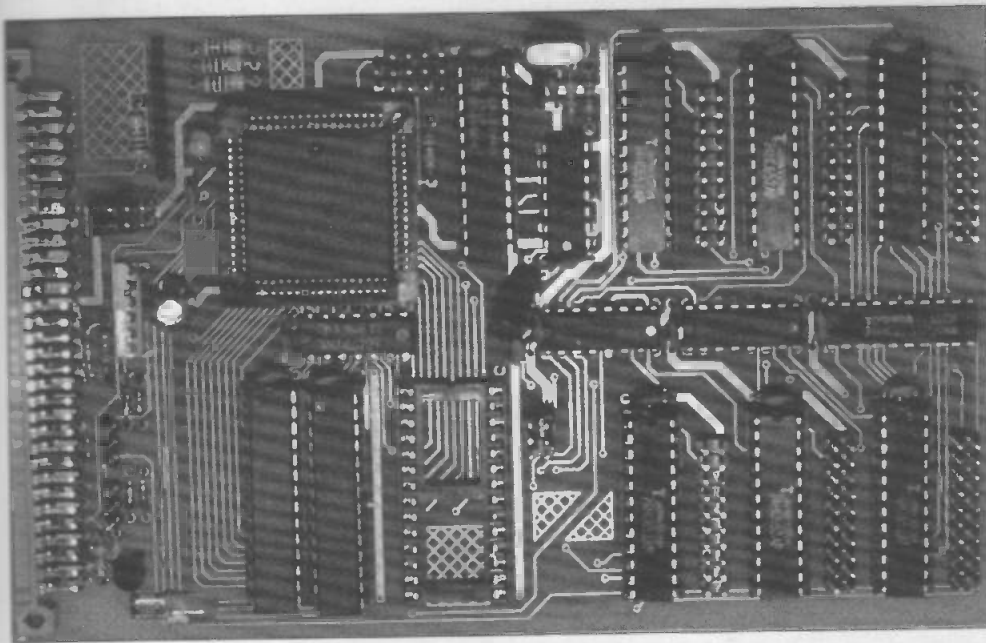
Last month, we tested the transputer card by using the boot-from-link ability. While booting from link allows programs to be developed and debugged quickly, it has a couple of snags. First, once one process is loaded and running no further processes can be loaded, and second, the program must be less than 256 bytes long and has to be loaded into a preset memory location.

To solve these problems, we will now describe a small boot loader which will monitor a link and launch processes of any length continuously. This program, together with a program to run on the host PC, forms a rudimentary operating system, will give us our first taste of concurrent programming, and allow easy development of parallel programs. The code can also be used with some modification to program the EEPROM or NVRAM.

Listing 1 is the transputer boot code which launches the processes, (process queues) the program monitors the status of link3. When data arrives on link 3, it is taken to be program code and spawned as a child process. The sequence expected by the program is two bytes indicating the address to store the new process from, two bytes to indicate the length of the process and finally the program code.

The hard work of this program is done in the loop from getwords onwards. This code illustrates just how easy it is to communicate between processes and to launch child processes using the transputer. The loop performs two IN instructions, the first to fetch the two word header, which is placed in the workspace, and the second to fetch the program code. Once the code has been fetched, it is launched as a process using the STARTP instruction. A minor complication is that the address is absolute, but the STARTP instruction requires an offset address relative to the next instruction. A bit of simple maths is used to sort this out.

It is interesting to note that this program will be descheduled at the IN instruction, and will not be rescheduled until data arrives. Hence,



apart from a hundred or so bytes of memory, the program uses no resources at all unless loading a process.

In listing 2, is a C program which is used to communicate with the loader. It is given as dump.c on the examples disk, and for those without a C compiler dump.exe is the executable. The program is basically identical to the boot loader tboot.c from last month, except that the program prompts for the address to load the process to, and sends the header words required by loader.asm.

The final link in this chain is listing 3. This is the error light flashing code from last month stripped down to its bare minimum. This code is called errlite.asm on the examples disk. Assemble the code, then send it to the loader using the command

```
dump errlite.asm
```

The program will ask you for an address to load the code to, type 8800 for now. Any address in RAM could be used except the lower 200 bytes or so where the reserved memory and the loader program are situated. Hopefully, you will be rewarded with the error light flashing.

Now for the real concurrent processing. Re-assemble errlite.asm with different on and off times and resend it to a different address (8900 for example) without resetting the transputer. Repeat this a few times and you should see the error light behaving very strangely as each process fights for control over it - the ETI chaotic LED flasher!

Using the Transputer Card.

The example programs given here are fairly trivial, and were mainly designed to illustrate the main features of the card. What to do with the card is obviously down to the requirements (or imagination) of the user. This card can be used anywhere where an embedded microcontroller is required, although in some applications it would be hard to justify using the transputer rather than an 8 bit micro. Where this board would find an advantage is real-time or semi-intelligent control; digital PID controllers for example.

The application where this card really stands out though is robotics. Autonomous robot vehicles need a reasonable amount of on board processing power to make sense of the world around them. Neural networks (usually simple single-layer perceptron types)

are becoming popular in autonomous robots, where they allow the robot to 'learn' how to solve problems in the environment. This is a fascinating area of robotics with plenty of scope for the amateur to make breakthroughs. Neural nets are a particularly good application for parallel computing.

Machine vision and image processing are other areas where this card could find applications. Video cameras provide a huge amount of information and processing all this (often confusing) information requires a huge amount of power. Most robots with vision capabilities are not autonomous, but are connected to a powerful workstation using an 'umbilical cord'. The transputer wins here as well; the use of links for communication means that the

umbilical cord can be just two wires rather than a thick ribbon cable. The lower cost and lower weight of this arrangement gives the robot more freedom from its host, while the bandwidth is sufficient to send digitised video or audio back to the host machine.

Another interesting possibility is to use the card as an I/O processor in a larger network of transputers. The 32 bit and floating point transputers are now becoming reasonably priced, and the T9000 promises phenomenal power. As for software, public domain operating systems (including a UNIX like environment) exist for the 32 bit transputers.

The prospects for this project are very exciting, and ETI will continue to support the card with add-ons and software articles in the future.

Acknowledgements

The authors would like to thank the Computer Science department at the University of Manchester, and especially Jim Garside, for invaluable assistance. Thanks are also due to the numerous Transputer users on comp.sys.transputer who answered my naive questions.

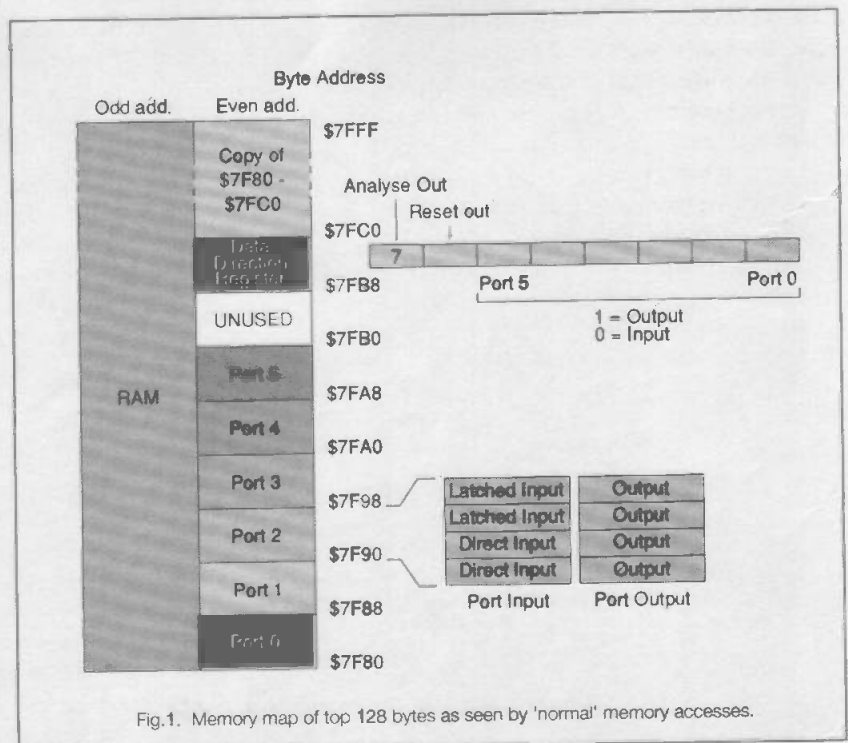


Fig.1. Memory map of top 128 bytes as seen by 'normal' memory accesses.

Listing 1 (LOADER1.ASM)

```

; Process Launcher (C) 1994 Mark Robinson.
; Waits for code to be sent down link 3 and
launches it
; as a process. Messages take the form:
; <address> <number of bytes> <data> <data>
<data>...
; <address> and <number of bytes> are both 16 bit
words.

buffer EQU 8
procoff EQU (here+$B024)
progstr: AJW $10 ; move workspace
up a bit
MINT ; Minimum integer
STLF ; Initialise
queue pointers so that
MINT ; multi-
processing may be used
STHF ;

CLRHALTERR ; Clear "Halt on
Error"
TESTERR ; Clear error
flag
LDC 0 ; Initialise loop
control
STL 0
LDC 11
STL 1
InitLp: MINT ; Null value
LDL 0 ; Index
MINT ; Base address of
transputer
WSUB ; Calculate
"channel" address
STNL 0 ; and store null
value in it
LDLP 0 ; Point at loop
control block
LDC InitLpEnd-InitLp; Offset to start
of loop
LEND ; Repeat

InitLpEnd: LDC 0 ; Initialise and
start the clocks
STTIMER ; which enables
timeslicing
LDC 0
LDC $7F81
SB ; Page out ROM
LDC $3F
LDC $7FB8
STNL 0 ; Set ports to
O/P keeps CMOS happy

getwords: LDC 0
STL buffer
LDLP buffer ; Pointer to
message buffer
LDC $800E ; Channel address
for link 3
LDC 4
IN ; Get 2 words to
buffer
LDL buffer ; Destination
address
LDC $800E ; Channel address
for link 3
LDL buffer+1 ; Number of bytes
to get

```

```

IN ; Get message
from link
LDL buffer
LDC procoff
SUB ; Compute offset
to new process
LDL buffer
LDL buffer+1
SUM
LDC $20 ; Put new process
workspace 20H
SUM ; bytes above the
last instruction
STARTP ; Spawn the new
process
here: J getwords ; Wait for next
link activity

```

Listing 2 (DUMP.C)

```

#include <stdio.h>
#include <dos.h>
#include <time.h>
#define BASEADD 0x300 /* Base address of the
8255 card */
#define PORTA (BASEADD + 0)
#define PORTB (BASEADD + 1)
#define PORTC (BASEADD + 2)
#define CONTROL (BASEADD + 3)
#define MAKEINPUT 152
#define MAKEOUTPUT 136
#define TIME_OUT 5 /* wait 5 seconds before
timing out */
#define CS 8
#define RW 4
#define OPINT 16

/* Wait for port C bit 4 to become active, indicates that
the link
is ready to accept a byte of data */
void wait_for_link()
{
time_t start;
start = time(NULL);
while (!(inportb(PORTC) & OPINT))
if ((time(NULL)-start) > TIME_OUT)
{
printf("Link timed out\n");
exit(-1);
}
}

/* Write the byte contained in val to the link adapter
register reg */
void write_register(reg, val)
int reg;
unsigned char val;
{
/* Put the required byte on port A */
outportb(PORTA, val);
/* Pulse the link adapter CS line low to write the byte */
outportb(PORTC, (unsigned char)(reg+CS));
outportb(PORTC, (unsigned char)(reg));
outportb(PORTC, (unsigned char)(reg+CS+RW));
}

```

```

unsigned char read_register(reg)
int reg;
{
    unsigned char temp;

    outportb(CONTROL, MAKEINPUT);
    outportb(PORTC, (unsigned char)(reg+RW+CS));
    outportb(PORTC, (unsigned char)(reg+RW));
    temp = inportb(PORTA);
    outportb(PORTC, (unsigned char)(reg+RW+CS));
    return(temp);
}

/* Initialise the link adapter status registers */
void setup_link_registers()
{
    write_register(2, (unsigned char)3);
    write_register(3, (unsigned char)3);
}

void main(argc, argv)
int argc;
char **argv;
{
    FILE *hexfile;
    int i, j, fbit;
    int num_bytes, num_rows, last_row, this_row;
    unsigned int val, from;

    setup_link_registers();
    /* Make port A an output, since all link transfers are
    writes */
    outportb(CONTROL, MAKEOUTPUT);

    if (argc!=2)
    {
        printf("Usage: %s <hex file>\n",argv[0]);
        exit(-1);
    }

    if (!(hexfile = fopen(argv[1],"rt")))
    {
        printf("Can't find file %s\n",argv[1]);
        exit(-1);
    }

    printf("Start Address ?\n");
    scanf("%X",&from);

    /* Count the number of strings in the file, including
    addresses */
    num_bytes = 0;
    do
    {
        fscanf(hexfile,"%X",&fbit);
        num_bytes++;
    } while (!feof(hexfile));

    /* Round odd bytes to the nearest word. If the hexfile
    contains an odd
    number of bytes, the last one will be sent twice */
    if ((num_bytes%2)!=1)
        num_bytes+= 1;

    /* Rewind the file and compute how many actual data bytes
    there are */
    rewind(hexfile);

```

```

num_rows = (int)(num_bytes/17);
last_row = num_bytes%17;
num_bytes = 16*num_rows;
if (last_row!=0) num_bytes+=last_row-1;

printf("writing %d bytes to %X\n",num_bytes,from);
wait_for_link();
write_register(1,(unsigned char){from*255});
wait_for_link();
write_register(1,(unsigned char){from/256});
wait_for_link();
write_register(1,(unsigned char){num_bytes*255});
wait_for_link();
write_register(1,(unsigned char){num_bytes/256});

/* Hex file consists of an address followed by 16 bytes on
each row.
A minor complication is that the last row may have less
than 16 bytes */
this_row = 16;
for (i=0; i<num_rows+1; i++)
{
    if (i==num_rows) this_row = last_row-1;
    if (this_row != 0) fscanf(hexfile,"%X",&fbit);
    for (j=0; j<this_row; j++)
    {
        fscanf(hexfile,"%X",&val);
        printf("%2X ",val); fflush(stdout);
        wait_for_link();
        write_register(1,(unsigned char)val);
    }
    printf("\n");
}

```

Listing 3. (ERRLITE.ASM)

```

; Example process to flash error light.
; (C) 1994 Mark Robinson.
; This is not boot code -- use the loader program

LDC 3000 ; Error light on time
STL 4
LDC 3000 ; Error light off time
STL 6

LLabel: SETERR light ; Turn on error

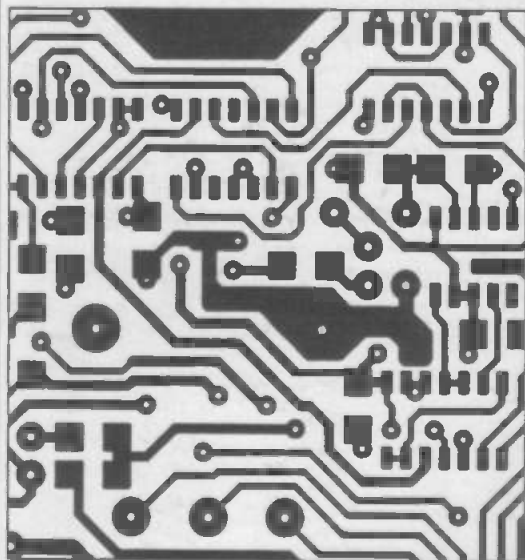
LDTIMER
LDL 4
SUM
TIN ; Wait
TESTERR light ; Turn off error

LDTIMER
LDL 6
SUM
TIN ; Wait some more
J LLabel ; Do it all again

```

EASY-PC, Schematic and PCB CAD

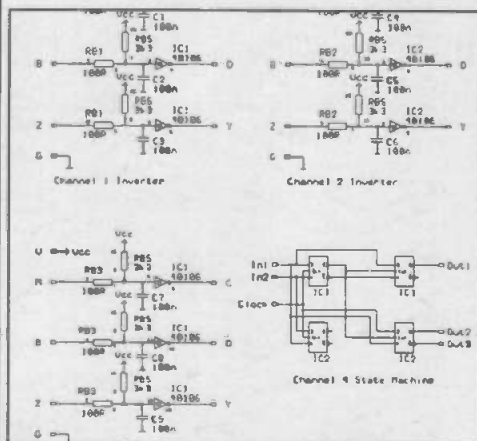
Over 18,000 Installations
in 80 Countries World-wide!



- Runs on:- PC/XT/AT/ 286/ 386/ 486 with Hercules, CGA, EGA or VGA display and many DOS emulations.
- Design:- Single sided, Double sided and Multi-layer (8) boards.
- Provides full Surface Mount support.
- Standard output includes Dot Matrix / Laser / Ink-jet Printer, Pen Plotter, Photo-plotter and N.C. Drill.
- Tech Support - free.
- Superbly easy to use.

**Still
Only
£98.00!**
Plus P&P+VAT

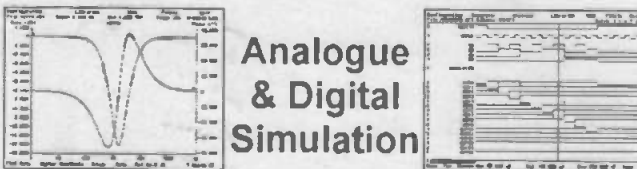
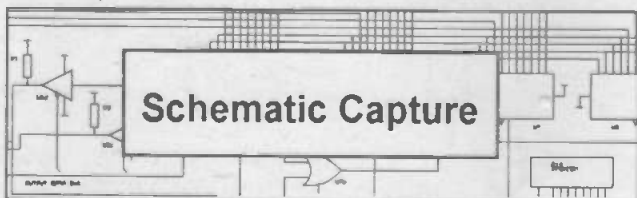
**BRITISH
DESIGN
AWARD
1989**



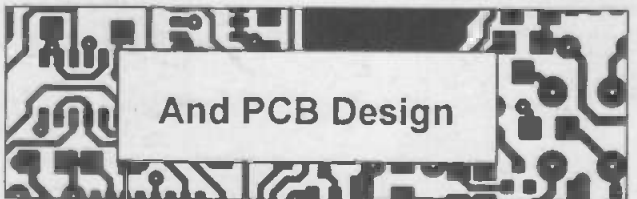
Options:-500 piece Surface Mount Symbol Library £48,
1000 piece Symbol Library £38, Gerber Import facility £98.

Electronic Designs Right First Time?

Integrated Electronics CAD



Analogue
& Digital
Simulation



And PCB Design

Prices from UK£195 / US\$375

Affordable Electronics CAD

EASY-PC: Entry level PCB and Schematic CAD.	\$195.00	£98.00
EASY-PC Professional: Schematic Capture and PCB CAD. Links directly to ANALYSER III and PULSAR.	\$376.00	£196.00
EASY-PC Pro' XM: Extended Memory Version - Greatly increased capacity	\$475.00	£246.00
PULSAR: Digital Circuit Simulator ~ 1500 gate capacity.	\$195.00	£98.00
PULSAR Professional: Digital Circuit Simulator ~ 50,000 gate capacity.	\$375.00	£196.00
ANALYSER III: Linear Analogue Circuit Simulator ~ 130 node capability	\$195.00	£98.00
ANALYSER III Professional: Linear Analogue Circuit Simulator ~ 750 node capability.	\$375.00	£196.00
Z-MATCH for Windows: NEW Windows based Smith-Chart program for RF Engineers .	\$475.00	£246.00
FILTECH: Active and Passive Filter Design program	\$275.00	£145.00
<i>We operate a no penalty upgrade policy. You can upgrade at any time to the professional version of a program just for the difference in price.</i>		<i>US\$ prices include Post and Packing.</i>
		<i>UK£ prices exclude P&P and VAT</i>

For full information, please write, phone or fax:-

Number One Systems

UK/EEC: Ref. ETI, HARDING WAY, ST.IVES, CAMBS., ENGLAND, PE17 4WR.

Telephone UK: 0480 461778 (7 lines) Fax: 0480 494042 International +44 480 461778

USA: Ref. ETI, 1795 Granger Avenue, Los Altos, CA 94024

Telephone/Fax: (415) 968 9306

- TECHNICAL SUPPORT FREE FOR LIFE
- PROGRAMS NOT COPY PROTECTED.
- SPECIAL PRICES FOR EDUCATION.

MASTERCARD, VISA Welcome.

ada4all

PC Clinic

This month in PC Clinic Nick Hampshire looks at the hardware and software which generates the display shown on the monitor, at the video adapter card, and at some of the other display technologies which are in use today

The very first computer that I owned, back in the late 1970s, was an Altair 8800b, a machine now widely regarded as the world's first commercial micro-processor based computer. The 8800b had no video terminal, no keyboard, no disk drives, no DOS operating system, no ROM based BIOS. In fact it had nothing but a processor, a couple of Kbytes of RAM, a serial interface to a Teletype, and a front panel full of switches and lights which allowed one to look at and alter the contents of any byte of memory.

When one switched the machine on one could not simply power it up and use it, one first of all had to laboriously enter a small bootstrap program into memory using the front panel switches. This program was no more than 20 or 30 bytes long. Using this bootstrap loader, one could then load in a small monitor program stored on punched paper tape via the Teletype's paper tape reader. Only then was it possible to use the Teletype keyboard and printer to communicate with the computer in a meaningful manner.

Within a year or two of the launch of the Altair 8800b, other manufacturers were producing microprocessor based systems with no front panel switches and display, with the bootstrap and monitor code stored in ROM, and programmes loaded from cassette tape - systems that were a lot easier to use and which no longer required the slow, cumbersome Teletype with its paper tape reader and punch.

The Teletype was very quickly replaced by what became known as the 'Glass Teletype', a simple stand-alone, text-only video display terminal that exactly emulated the old Teletype and so could be used as an interchangeable replacement. Thus the text scrolled up the page in the same way that it was printed on paper, and the serial communications used the same data transfer speeds and protocols.

The problem with this type of terminal was that the data transfer rate was quite slow on account of transmission, and terminal, hardware limitations. Thus, a typical video terminal of this period, the late 70's early 80's, displayed text only in 40 character lines and 25 lines per screen, data being transferred at rates of between 300baud, or 30 characters per second, and 9600baud, or 960 characters per second.

Although this type of data transmission speed is ample for user data input from a keyboard it is obviously totally inadequate for generating high quality text and graphics displays. Hence, this use of a separate terminal for input and output was abandoned quite early on in the development of personal computers. It was abandoned in favour of the currently used fully integrated system where computer, keyboard and monitor were all part of the same unit.

This means that the terminal and the computer have been merged together. The video display has been connected to special high speed circuitry that interfaces directly with the processor bus and thus allows for the rapid generation of high resolution colour displays, including both text and graphics. The

revolution that made the Apple II such an enormous success.

In video display terms, the first IBM PCs that were sold in 1981 were rather disappointing compared to the Apple, since they lacked both colour and graphics capability. It supported the monochrome MDA card with its 80x25 character text display. IBM saw the PC as being used in business, and thought that in consequence there was no need to support either colour or graphics displays. How wrong they were!

The first true graphics cards to be made available for the PC were not produced by IBM but by another independent company, thereby setting a trend for third part innovation which has helped power the PC to a dominant position in the world personal computer marketplace. This card was the Hercules and it rapidly became the standard for high resolution graphics with its 720x350 pixel image area. Although only a monochrome display, one can still find them in use.

The success of both the Apple and the Hercules prompted IBM to introduce their Color Graphics Adapter, or CGA card. This offered a resolution of 640x200 pixels with 2 colours or 320x200 with 4 colours. Although very primitive by today's standards, it is still being used in some current portables and notebooks. By the mid-1980's IBM upgraded the graphics on the PC to the Enhanced Graphics Adapter or EGA card. It offered the user 16 colours from a palette of 64 and had a much improved graphics resolution of 640x350 pixels. It is rarely found on any of today's current systems but is still widely used on older machines.

Today's most popular video display standard is the Video Graphics Adapter, or VGA card, which was first launched by IBM in 1987. This was quite a revolutionary design since it not only offered users a 640x480 pixel resolution with 256 colours, fast 60 or 70Hz refresh rates and far clearer square pixels with a 4:3 aspect ratio, but it was also the first design to dispense with the old RGB monitor interface and move to the modern analogue monitor interface.

VGA is probably the most widely used PC display technology in use today, but is now superseded by SVGA systems which can offer resolutions of 1024x768 pixels or more, and up to 16 million colours. These systems work at very high speeds, so high that they can no longer work within the bandwidth of the

PC bus. To allow them to work, special high speed local bus systems have been developed by the motherboard designers, systems such as VESA and PCI.

The availability of such high resolution, high speed, colour graphics displays means that we now live in a full colour computer graphics dominated world. There is almost universal use of graphical user interfaces such as Windows and the complex applications software which makes use of it. Now with multimedia we are going even further with the use of displays that are fast enough to display computer-generated full motion video. Indeed, in the future there will be very little to differentiate between computer display technologies and the new digital interactive TV technologies.

To interlace or not to interlace?

At higher resolutions some adapter cards and monitors run in what is known as interlaced mode. What this means is that the adapter makes two passes to display a complete image; in the first scan it builds up half the image using the odd numbered lines and in the second scan fills in the rest of the image using the even numbered scan lines.

This of course means that with on an interlaced display the image will take twice as long to display as it would on a non-interlaced, or sequential, display with the same frame rate. The advantage is that by taking longer to display an image the system bandwidth can be reduced, and with high resolution displays this can give rise to a considerable reduction in display hardware cost.

Although with an interlaced display the image takes twice as long to generate the actual refresh rate stays the same, the only difference being that only every other raster line is refreshed. For most people this avoids any of the problems of having a jerky looking screen, something which would certainly be noticed if the frame rate were reduced to say 25 or 30Hz

Having said this many people do experience visual problems when looking at interlaced displays. To such people the image appears on the screen in waves. An effect which can lead to eye strain, watering eyes, headaches, and in some exceptionally sensitive people an actual physical feeling of nausea somewhat akin to motion sickness.

For these reasons it is preferable to use a display which generates a noninterlaced image, at high resolutions this will cost more, but the additional expenditure is well worth entailing in order to avoid the unpleasant side effects for users.

Upgrading PC video.

One of the best ways to upgrade a system so that it can handle the needs of modern graphical interfaced software is to upgrade the display hardware. While an EGA display may be fine for use with DOS based software, one really needs a standard VGA as the minimum level of display quality for Windows, whilst if you want to run multimedia applications there is really no alternative to a very fast local bus SVGA display.

Considerable care should be taken when choosing a new adapter card. It is, for example, no good buying a high speed VESA card if your motherboard does not have a VESA slot. Unless you also want to buy a new monitor it should be compatible with your existing monitor. Go for a card which has the highest speed for the desired number of colours and graphics resolution. The speed of a video card can be tested with the aid of the graphics benchmark program that was included on last month's ETI front cover disk. But do not forget that it should be tested on a PC with similar specifications to your own.

Having chosen a new video adapter card, installing it in a system is quite straightforward. The first step is to check the amount of video RAM it has. If you want a lot of colours at high resolution you may want to add more memory at this is best done at this stage.

If you want to add more memory you will first of all need to check what type of video RAM is used; it is usually DRAMs or SIMs, memory speed, etc. This data can usually be obtained from the manual that comes with the board. Failing that, have a look at the RAM chips/modules which are already installed. One

must then acquire and insert the appropriate number of the appropriate chips or modules.

When inserting DRAM chips it is very important that they are correctly oriented in the sockets on the board. First check that the notch or dot at one end of the DRAM IC is at the same end as the notch indicated on the board legend. Then line up the pins on one side of the chip with the correct side of the socket and gently ease the chip in, rotating it slightly to bring the other line of pins into alignment with the socket. Then carefully verify that all the pins are aligned in the socket before firmly pushing home.

When inserting ICs, one should first make sure that any static electricity charge in your body is discharged and hold them by the ends rather than the pins. Also take particular care not to bend a pin under the body of the IC when pushing it into the socket.

If the video adapter uses SIMs, and these are almost universally used on modern systems, then first of all determine the correct orientation of the SIM to the socket. Having done this, insert the edge connector of the SIM into the socket and then push it back into the socket until both the tabs at the end of the

DC000-DCFFF	free	
D8000-DBFFF	free	
D4000-D7FFF	free	
D0000-D3FFF	free	
CC000-CFFFF	free	
C8000-CBFFF	8514/A	
C4000-C7FFF	8514/A	nonPS/2 VGA EGA
C0000-C3FFF	8514/A	nonPS/2 VGA EGA
BC000-BFFFF	EGA/VGA text & LoRes	Hercules Page 2 CGA
B8000-BBFFF	EGA/VGA text & LoRes	Hercules Page 2 CGA
B4000-B7FFF	MDA	Hercules Page 1
B0000-B3FFF	MDA	Hercules Page 1
AC000-AFFFF	EGA/VGA High resolution display	
A8000-ABFFF	EGA/VGA High resolution display	
A4000-A7FFF	EGA/VGA High resolution display	
A0000-A3FFF	EGA/VGA High resolution display	

socket snap into place and hold the SIM tight.

Having added the additional memory, if any is required, to the video adapter board, the next step is to configure the adapter and the motherboard. Installing extra video RAM may require the resetting of a jumper or DIP switch on the adapter board; for details about this, carefully consult the manual that comes with the board and set the jumpers or DIP switches accordingly.

The video adapter card should now be inserted into the appropriate bus slot, putting 8bit adapter cards into 8bit slots, 16bit adapter cards into 16bit slots and of course VESA/PCI bus cards into slots with the appropriate local bus connector. Secure the adapter card with a screw, and connect to the monitor using the appropriate cable.

Memory configuration and device drivers

Once the board is installed it should work perfectly under the DOS environment, but to get optimum use from it with applications such as Windows you may need to reconfigure memory usage and also install special drivers.

Some of the memory used by a video adapter lies in the processor's upper memory area, or UMA. This means that if the adapter has more memory than standard then unless steps are

VESA Video Modes Table

Mode # (Hex)	Text or Graphics	Resolution	Colours	Memory	Card types
0	text	40x25	2	1K	CGA/EGA/VGA
1	text	40x25	16	4K	CGA/EGA/VGA
2	text	80x25	2	2K	CGA/EGA/VG
3	text	80x25	16	8K	CGA/EGA/VGA
4	graphic	320x200	4	16K	CGA/EGA/VGA
5	graphic	320x200	2	8K	CGA/EGA/VGA
6	graphic	640x200	2	16K	CGA/EGA/VGA
7	text	80x25	2	2K	MDA
D	graphic	320x200	16	31K	EGA/VGA
E	graphic	640x200	16	63K	EGA/VGA
F	graphic	640x350	2	27K	EGA/VGA
10	graphic	640x350	16	109K	EGA/VGA
11	graphic	640x480	2	38K	MCGA/VGA
12	graphic	640x480	16	150K	VGA
13	graphic	320x200	256	63K	VGA
100	graphic	640x400	256	250K	VESA
101	graphic	640x480	256	300K	VESA
102	graphic	800x600	16	234K	VESA
103	graphic	800x600	256	469K	VESA
104	graphic	1024x768	16	384K	VESA
105	graphic	1024x768	256	768K	VESA
106	graphic	1280x1024	16	640K	VESA
107	graphic	1280x1024	256	1.28M	VESA
108	text	80x60	16	2K	VESA
109	text	132x25	16	2K	VESA
10A	text	132x43	16	3K	VESA
10B	text	132x50	16	3K	VESA
10C	text	132x60	16	4K	VESA

Table of some common PC display synchronisation frequencies

Display type	Frame rate(Hz)	Horizontal scan(KHz)
MDA (monochrome)	50	18.4
Hercules	49	18.1
CGA (RGB)	60	15.7
EGA colour	60	21.8
VGA 640x350	70.1	31.5
VGA 640x480	60	31.5
SVGA 800x600	58	36
SVGA 1024x768	40	32.1
SVGA (VESA)	72	48
8514/A	60	48
1280x1024	60	66

taken to prevent it, this memory could be used by other applications.

To prevent this situation, it is necessary to use the memory manager EMM386 or equivalent. This will entail editing CONFIG.SYS to make sure that the EMM386 command includes an X switch that will exclude the area of memory used by the video adapter. The resulting CONFIG.SYS command could look something like this:

```
DEVICE = C:\DOS\EMM386.EXE NOEMS X=A000-CBFF
The PC memory map with respect to most common video
```

adapters is as follows:

You will probably have to check in the video adapter manual to make sure which memory blocks it uses. Also, before you change CONFIG.SYS, do not forget to keep a copy of the original version just in case the change causes problems.

If you intend to use the video adapter exclusively for DOS applications then there should be no need for any special device drivers, but such drivers will probably be necessary if you will be running Windows or any other GUI. A selection of drivers will probably be provided on disk together with the video adapter board. To install the selected driver, follow the steps shown in the video adapter card manual, or install under Windows using SETUP from the DOS Windows directory.

Testing

The only way to really test a video card is to start up the PC and run a few applications. The following are a few common faults and some remedies:

Blank display - check that the monitor is turned on and connected properly to the power supply and to the video adapter. This type of fault is invariably caused by a bad connection.

Multiple images on the display under Windows - this is probably because the monitor and adapter are not using the same video modes. Read the manual for the monitor and the adapter; you may well be able to reset the modes using a switch on the monitor so that they both match. Alternatively, switch to a video mode that is supported by them both, thus some monitors do not support 800x600 mode with some adapters but will support 1024x768 with the same adapter. If problems with Windows persists then try running Setup with either the VGA or SVGA drivers.

Improving performance under Windows

Video speed is one of the most important factors in determining how well a system will run under Windows; it is even more important than screen resolution and number of colours. So if you intend to run Windows you will need to make sure that your video adapter card is running as fast as possible. The following are a few ways of enhancing the speed:

- * Unless you really need 256 or more colours, use 16 colour mode.
- * Unless you really need very high resolution then use a lower resolution and trade resolution for speed
- * Carefully check for any memory conflicts, this may be the cause of the system slowing down and producing occasional strange error messages. To test for this, try running Windows from DOS using the WIN/D:X switch which prevents Windows from using any memory in the UMA. If the problem goes away then there is probably a conflict and one should use EMM386 to exclude all video memory from use by Windows

RGB displays

The simplest colour monitor drive technique, found on CGA and EGA systems, is known as RGB. This refers to the red, green, and blue electron guns that are used in every colour CRT. By turning the three guns off and on in various different combinations it is possible to generate a range of eight colours. This can be seen in the following table:

Colour	R	G	B
black	0	0	0
blue	0	0	1
green	0	1	0
cyan	0	1	1
red	1	0	0
magenta	1	0	1
yellow	1	1	0
white	1	1	1

Note that to generate white all the guns are turned on, whilst they are all turned off to generate black.

By changing the intensity of the on/off signals from the video adapter to the monitor it is possible to increase the range of colours available. Thus on a CGA system a fourth wire is used to indicate whether the intensity is full or half normal (where full is about one volt on the electron gun and half is half a volt). Thus the fourth intensity line can be used to toggle between, say, red and a kind of pink, thereby increasing the number of colours that can be generated to sixteen.

On EGA systems the concept of having an additional line to control intensity has been expanded, and there are three intensity lines, a secondary red, green and blue. With this system it is possible to generate displays using 16 colours drawn from a palette of 64 different colours.

This is the practical limit to this technique for generating different intensities.

It should be noted that on both CGA and EGA systems the wires connecting the video adapter and the monitor are all at standard TTL voltage levels - +5V and GND.

Analogue displays

With the VGA adapter launched in 1987, IBM introduced a new way for the video adapter card to send image data to the monitor, the analogue interface. A way which allowed a lot more colours to be displayed on the screen.

The original RGB simply turned the electron guns of the colour monitor CRT on or off, all the different permutations of the three guns gave a range of eight colours. Then with CGA an intermediate gun intensity level was introduced thereby increasing the number of colours to 16, a range that was stretched to 64 in EGA displays.

However, there is no reason why each gun should not have an infinite number of different intensity levels thereby giving rise to an infinite number of displayed colours and thus allow the computer display to show images which have all the range of colour seen in everyday life. To do this the voltage of each one of the three lines to the electron guns needs to be varied with great precision. This is done using special digital to analogue converter circuits on the video adapter, hence the reason why such boards are referred to as analogue display boards.

On VGA displays the digital to analog converters can produce up to 64 different intensity levels on each of the three guns, thus enabling a VGA display to have 64^3 , or 262,144 different colours. Although to do this will require eighteen bits of

storage for each pixel, six bits for each gun, or just under 700Kbytes of video RAM for a standard 640x480 pixel display. The analogue technique has been expanded even further with SVGA where the guns can be driven at up to 256 different levels thus giving rise to a potential 16.7million colours, assuming memory is available at 24bits per pixel, or 2.4million bytes of video RAM. Most of the adaptors sold today have at least 1Mbytes of video RAM, this should be checked carefully when buying either a new system or adapter board, it is important to make sure that can add more video RAM to increase the capability of the display system.

Note: in most cases RGB monitors will not work with analogue video adapters and analogue monitors will not work with RGB adapters. However, some more expensive monitors come with sockets for cables from both types of video adapter.

Composite video

A handful of PCs, such as the Commodore range of machines, also have a composite video output as well as the conventional RGB output. This type of output combines the three colour signals and the synchronisation signals into a single signal that can be sent down a piece of coax wire with a phono plug. This signal is essentially the same as that which comes into the aerial socket of a conventional TV.

The reason for including the composite video output is simply that it allows the system to use a TV set as a monitor, a very useful capability in some applications. Primarily, however, its use was a hang over from the home games computers such as the Commodore 64, and it is now rarely encountered.

If you do need to use a TV set as a monitor then there are a number of special VGA to TV converter cards on the market. But it should always be born in mind that the current generation of computer monitors have displays which are far superior to that found on the average TV. So do not expect a TV based monitor to have the same quality of display. Having said that, a TV output does allow a PC to utilise equipment such as projection TV displays.

Light pen connectors.

A light pen is not normally considered as a PC pointing device, the mouse has almost exclusively taken over this role. But this has not always been so, and on many EGA cards there is a special light pen connector, and in the PC BIOS, routine Int 10h Function 04 will return the position of the light pen.

The light pen connector is invariably a 6 pin SIL socket on the board, often labeled the P-2 connector. The pin connections are as follows:

Pin	Function
1	+light pen input
2	not used usually acts as socket key
3	+light pen switch
4	ground
5	+5 volts
6	12 volts

The light pen is not implemented on any VGA or PS/2 systems.

NEXT MONTH

in PC clinic we will take an in depth look at modems and communications devices

PROMs VERSUS LOGIC

We tend to think of EPROMs as simply being a form of non-volatile memory for computers. Graham Reith shows that they can also be used to solve a great many circuit design problems

Many practical problems are best solved nowadays by using an electronic system of some sort. A choice of which system then has to be made, and in particular the precise components to be used.

One is looking for the best tool for the job, in terms of practicality, convenience and cost. One of the choices likely to face the problem-solver is whether to use a system of logic gates, or whether to go for something more sophisticated like an EPROM. This article is largely concerned with the considerations which may influence that choice. Some everyday, practical examples are offered to illustrate the factors involved.

Logic gates are easily understood and widely used in electronic circuits. Various types offer the user a variety of functions, and for certain purposes they can be the ideal tool for the job. But there are severe limits to what any one logic gate can do, as can be seen from the small truth table each one has. Logic gates usually need to be used in combination with each other in order to help solve even fairly modest tasks. Such combinations can become very complicated, and the circuit becomes bulkier, more expensive and more difficult to wire. For the more challenging tasks, therefore, an alternative is required.

EPROMs (standing for Erasable Programmable Read Only Memory - there are similar products known EEPROM, E2PROM, or PROM but in this article they will be called simply EPROMs) can be made to behave like the more complicated logic systems. For example the 2716 EPROM can replace a logic system which has any truth not greater than 8 bits wide or 2048 lines long. EPROMs are more expensive than logic chips, but one EPROM can replace many gates and so an EPROM is often the more economic choice. EPROMs also require less wiring than complex logic systems, although they have to be programmed. EPROMs (and EEPROMs) can be erased and re-programmed many times, and so their behaviour can be altered with little effort at no added cost - unlike logic systems which are hard-wired, i.e. their behaviour cannot be changed without changing wires.

Technically, a third option is available in the form of programmable logic, such as PEELs (Programmable Electrically Erasable Logic Arrays) or PLDs (Programmable Logic Devices). These call for their own particular programming techniques. It is not clear that they offer a better solution than EPROMs do. They and their programmers seem to be less commonly available than EPROMs and their programmers. Programmable logic components are not therefore considered further in this article.

In general, the theme adopted in this article is one of finding easily available, economical solutions to everyday practical problems. That, after all, is the essence of the contribution which the science of electronics has made, and continues to make, to human invention and development. This article goes on to take as examples three common or garden problems and to discuss how these can be solved using logic gates or EPROMs as appear most suitable.

The first problem chosen will be how to control the automatic heating and cooling of a greenhouse in differing conditions where it is either night and day and where ambient temperatures rise and fall. Of course one might choose to solve such a problem manually, using paraffin heaters or whatever, but a fully automatic system is available to those who want it by using electric heaters, electric window fans, and an electronic control system. The article describes how this might best be done, using a simple logic gate system.

The second example tackles a more complex problem where traffic management is needed at a busy T-junction. In this country the old method of manual direction by a traffic policeman has long been abandoned in favour of the cheaper and more efficient system of traffic lights. Various methods of phasing the sequence of traffic lights have developed over the years. This article suggests that a good method is the use of EPROMs.

The last example takes a more modern, more sophisticated, problem which is that of how to communicate information in alphanumeric displays. The use of displays and the way in which characters are presented on them have been evolving and one cannot exclude further development with the exercise of imagination. The design of characters in a display is normally manufactured within the display driver. However, there remains scope for individual experimentation. This article suggests a sample range of characters, and suggests that in this area of electronics there is no practical alternative to the use of EPROMs.

This article not only discusses the merits of logic gates and EPROMs in each case, but offers a detailed account of how circuits might be set up, and of the truth tables involved. A start is made with the common or garden greenhouse.

PRACTICAL: A TEMPERATURE CONTROLLED ENVIRONMENT

Thermostats are fairly simple devices, commonplace around the home. Most thermostats turn a heater on when it gets too cold and turn it off when it gets to the right temperature. However, some people may want a more sophisticated thermostatic system which can maintain a more complicated environment. A practical example would be to equip a greenhouse with the means to keep the indoor temperature between specified

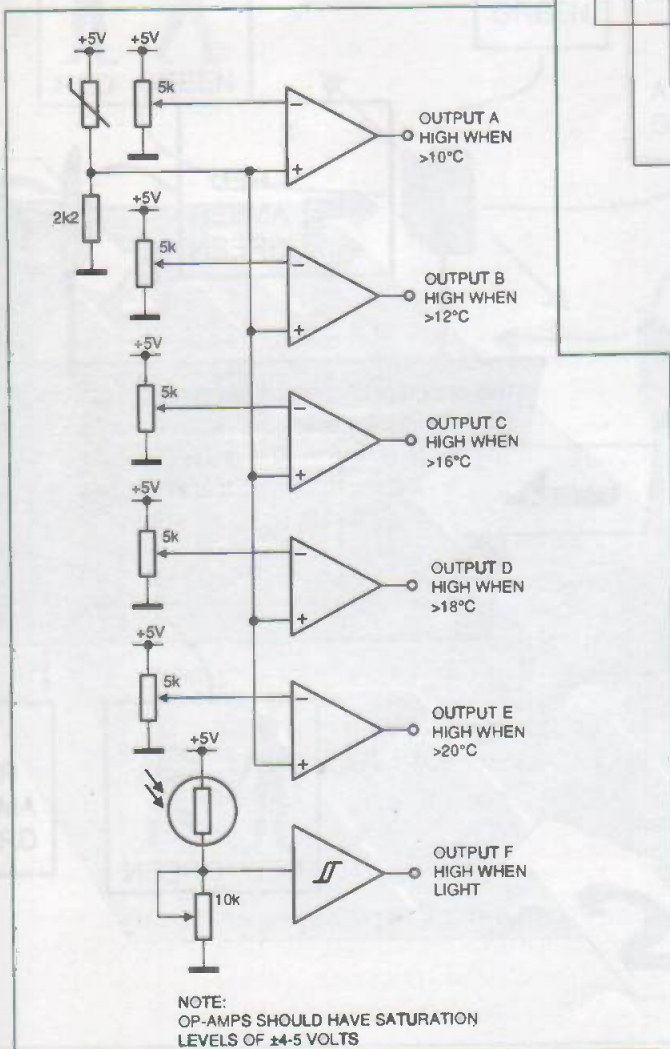
boundaries by heating and cooling the air when required during the daytime, and similarly by heating during the night (the need to cool during the night being unlikely). For example, there could be a thermostat which kept the temperature between 16°C and 20°C during the daytime, and greater than 10°C during the night.

There are various ways of building a system to meet these requirements. The system designed here is perhaps one of the simplest ways of doing it.

There has to be a system of temperature and light sensors to determine the conditions inside the greenhouse. Using only one of each type of sensor has the advantage that the system is more reliable in the sense that any two temperature sensors will not be identical and variations in their performance would cause undesirable complications. Their sensor system, as set by the owner using a thermometer, should indicate when the temperature is >10°C, >12°C, >16°C, >18°C, and whether it is light or dark. The idea is to have a heater switching on if it is dark and <10°C until the temperature becomes >12°C, and switching on if it is light and the temperature is <16°C until it becomes >18°C. A window fan to expel hot air switches on if it is light and >20°C until it is <18°C. The point of having it switching on at one temperature and off at another is to prevent the appliances from switching on and off very rapidly around one temperature threshold.

A possible sensor system is shown below. The outputs A - F will be inputs to a logic system. The potentiometers allow the temperatures at which each output changes to be adjusted.

The state of the outputs in relation to tempera-



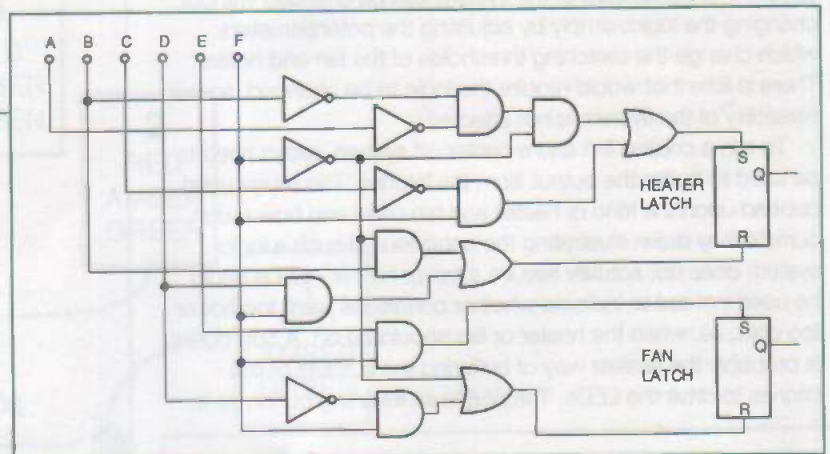
Note: Op-Amps should have saturation levels of ±4-5 volts.

ture and light is shown in the table below. The table also shows what the required output of the logic system is, i.e. when the heater and fan are to be turned on and off.

A suitable logic system to perform this would be:

	°C	A	B	C	D	E	F	Heater S R	Fan S R
Dark	<10	0	0	0	0	0	0	1 0	0 1
Dark	10-12	1	0	0	0	0	0	0 0	0 1
Dark	12-16	1	1	0	0	0	0	0 1	0 1
Dark	16-18	1	1	1	0	0	0	0 1	0 1
Dark	18-20	1	1	1	1	0	0	0 1	0 1
Dark	>20	1	1	1	1	1	0	0 1	0 1
Light	<10	0	0	0	0	0	1	1 0	0 1
Light	10-12	1	0	0	0	0	1	1 0	0 1
Light	12-16	1	1	0	0	0	1	1 0	0 1
Light	16-18	1	1	1	0	0	1	0 0	0 1
Light	18-20	1	1	1	1	0	1	0 1	0 0
Light	>20	1	1	1	1	1	1	0 1	1 0

5 NOT gates

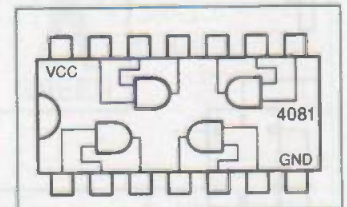


7 AND gates
3 OR gates

Wiring up Logic:

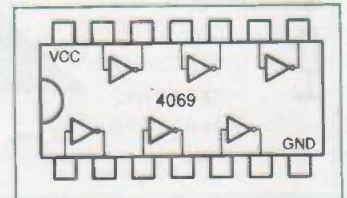
Logic gates tend all to be in the same format on chips. The drawing below shows how gates are arranged on a chip.

For example:
Quad AND gate:



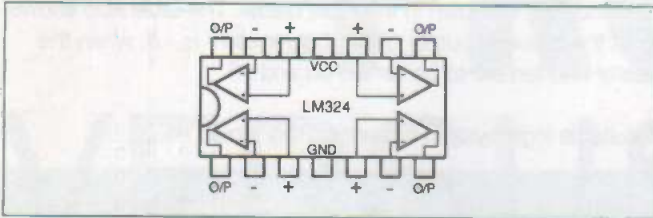
Wiring up Op-

Hex NOT gate:

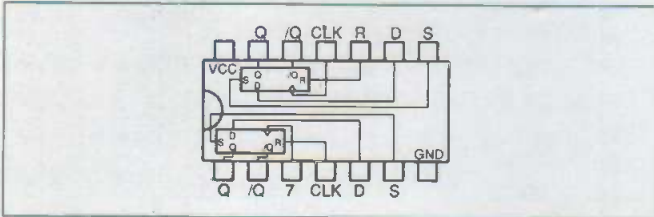


Amps:

This depends on the Op-Amps used. A suitable cheap quad Op-Amp chip is the LM324.

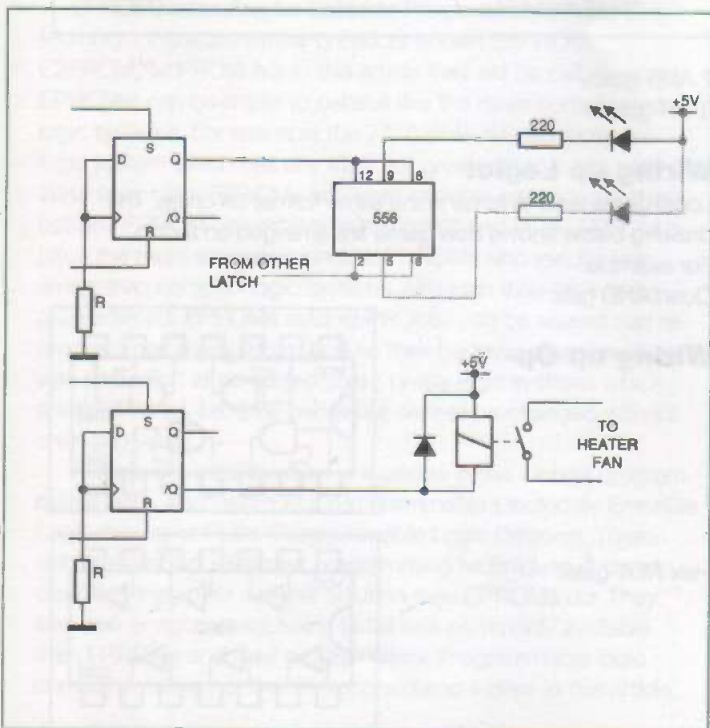


Wiring up set-reset latches, eg 4013:



This logic system consists of 15 logic gates which, when linked together, will consist of 4 chips: 1 hex NOT gate, 2 quad AND gates, and 1 quad OR gate. These chips cost less than 25p each and so the total cost of the logic system is around £1. The cost of an EPROM is substantially more and although the system could easily be made with an EPROM, requiring much less wiring, on balance the money saved makes logic the best option. The behaviours of the system can be changed without changing the logic, simply by adjusting the potentiometers which change the switching thresholds of the fan and heater. There is little that would require the logic to be changed, so the versatility of the system is not affected.

To run a cooling fan and a heater off system, relays need to be used to buffer the output from the latches. The relays used depend upon the kind of heater and fan used and how much current they draw. Illustrating the behaviour of such a logic system does not actually require a fan or heater - LEDs could be used instead to indicate whether conditions were too hot or too cold, i.e. when the heater or fan should be on. A 556 buffer is probably the easiest way of buffering the outputs of the latches to drive the LEDs. The 556 is an inverting buffer, so it



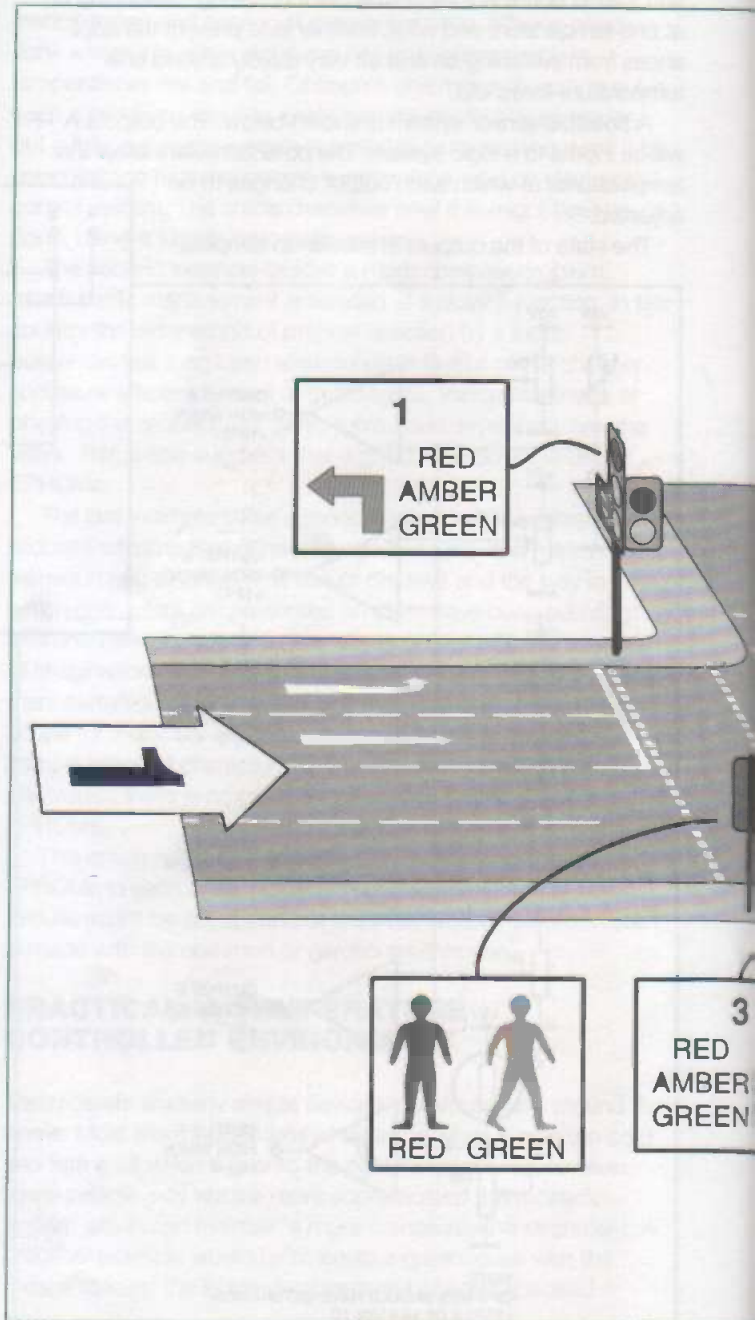
would be sinking the current.

That example deals with the comparatively simple requirements of heating or cooling a greenhouse, which can economically and efficiently be met by a cheap logic system. We can now move on to discuss a more complex set of everyday requirements, such as would be found at a street corner in any town. The management of traffic light controls possess a number of practical problems which are unlikely to be best solved by logic systems.

PRACTICAL

Automatic T-junction traffic lights with pedestrian crossing

The following diagram shows how the traffic lights would be found at most actual T-junctions. The numbers beside the lights indicate which road (marked 1, 2 or 3) the traffic light would be directed towards. Sets of lights beside the same number operate in unison. The letters R, A and G denote red, amber and green, and there are appropriate symbols for the red and green man.



The first thing that must be done is to work out the sequence of the traffic lights and how long each light should be on for. The sequence is shown below, together with possible timings. '1' indicates a traffic light is on, and '0' indicates it is off.

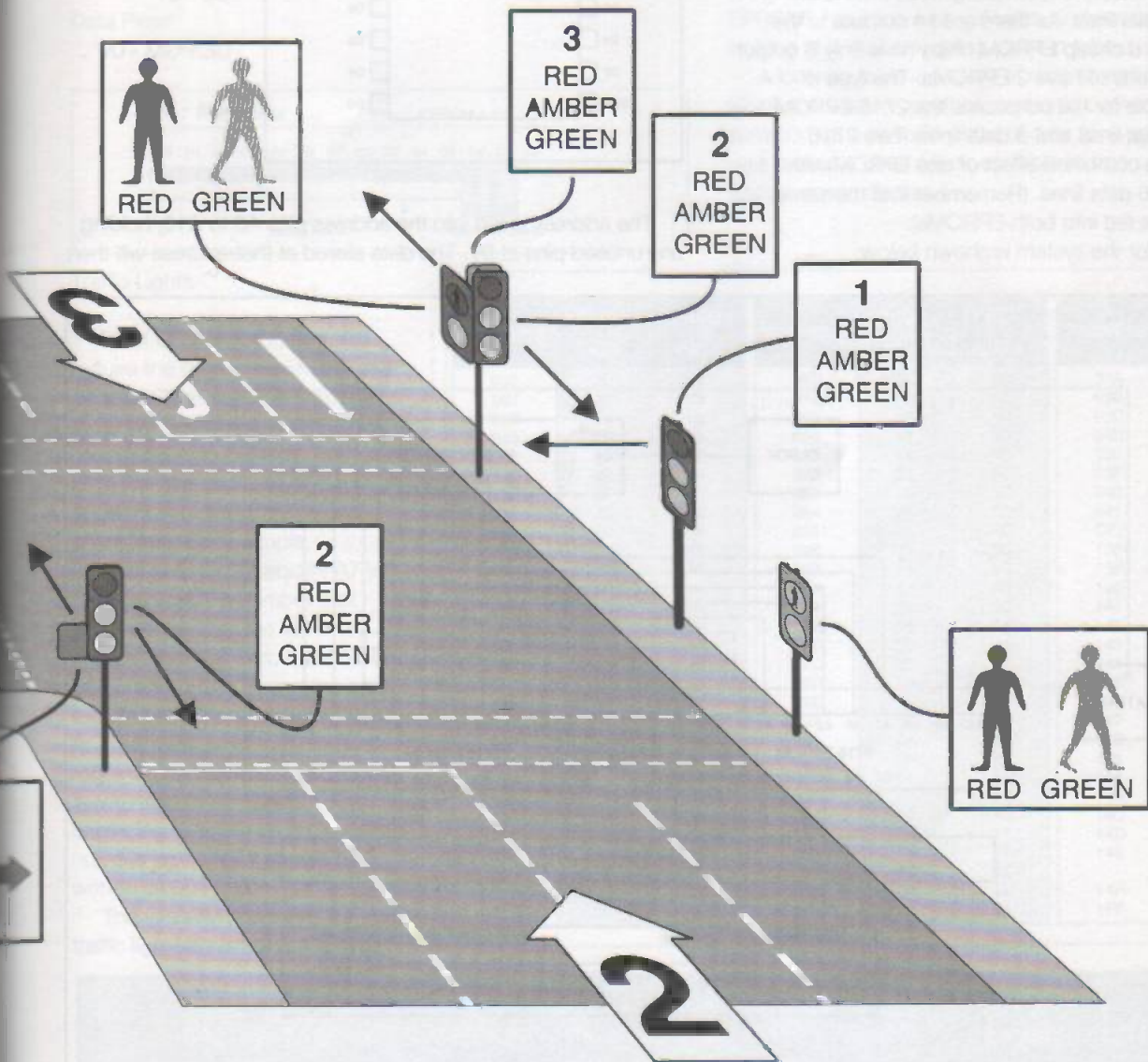
Notes: The square-bracketed lines apply only if a pedestrian button has been pushed.

The total time for the cycle is 78 seconds including pedestrian time.

This system could be made using logic gates. A counter could be made to count up to 78 (seconds), and logic could be used to turn the light on and off at the appropriate times. This, however,

1				2			3				Pedestrian		RESET	TIME
RED	AMBER	GREEN	←	RED	AMBER	GREEN	RED	AMBER	GREEN	→	RED	GREEN		
1	0	0	0	1	0	0	1	0	0	0	1	0	0	2 secs
1	0	0	0	1	1	0	1	1	0	0	1	0	0	2 secs
1	0	0	0	0	0	1	0	0	1	0	1	0	0	20 secs
1	0	0	0	0	1	0	0	0	1	0	1	0	0	2 secs
1	0	0	0	1	0	0	0	0	1	0	1	0	0	2 secs
1	0	0	1	1	0	0	0	0	1	1	1	0	0	14 secs
1	0	0	1	1	0	0	0	1	0	0	1	0	0	2 secs
1	0	0	1	1	0	0	1	0	0	0	1	0	0	2 secs
1	1	0	1	1	0	0	1	0	0	0	1	0	0	2 secs
0	0	1	0	1	0	0	1	0	0	0	1	0	0	14 secs
0	1	0	0	1	0	0	1	0	0	0	1	0	0	2 secs
1	0	0	0	1	0	0	1	0	0	0	1	0	0	2 secs
1	0	0	0	1	0	0	1	0	0	0	0	1	0	6 secs
1	0	0	0	1	0	0	1	0	0	0	0	0	0	1 sec
1	0	0	0	1	0	0	1	0	0	0	0	1	0	1 sec
1	0	0	0	1	0	0	1	0	0	0	0	0	0	1 sec
1	0	0	0	1	0	0	1	0	0	0	0	1	0	1 sec
1	0	0	0	1	0	0	1	0	0	0	0	0	0	1 sec
1	0	0	0	1	0	0	1	0	0	0	0	1	0	1 sec
1	0	0	0	1	0	0	1	0	0	0	0	1	0	1 sec
1	0	0	0	1	0	0	1	0	0	0	1	0	1	—

The shaded area only applies if a pedestrian button has been pushed. Total time for the cycle is 78 seconds, including pedestrian time.



would be very large, complicated, and expensive. Indeed, it would be very inconvenient to use logic because of the subsystem which is accessed whenever a pedestrian wishes to cross, requiring more logic gates to be added to the system. If the traffic lights needed to cope with a Monday to Friday rush hour, under a logic system a different circuit would need to be introduced during set times. If there were to be a change in longer-term traffic characteristics, such as a new supermarket built in the area, the entire circuit of a logic system would need to be redesigned. In short, a logic system is too cumbersome for a task like this requiring flexibility.

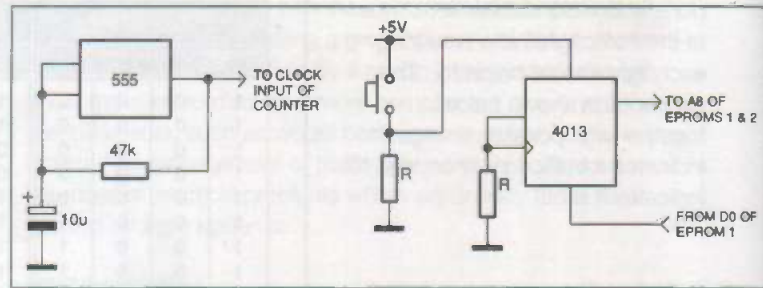
An alternative is to build the system out of EPROMs. This would be substantially cheaper than a logic circuit, and any changes required in the system such as pedestrian use and a rush hour could all be catered for in the same program, inside the same chip. If there were to be a long-term change in the traffic characteristics, the sequence and timing could be altered by changing the program inside the EPROMs. Such adjustments would take a fraction of the time and expense that constructing a different logic system would involve. EPROM chips are erasable and re-programmable, so the very same chip could even be used again.

Constructing the EPROM system:

The system needs at least 14 outputs, and needs enough address lines to allow 78 different stages as well as settings for pedestrians and potentially a rush hour, which means a minimum of 9 address lines. As there are 14 outputs to the system, and standard cheap EPROM chips have only 8 output lines, the system needs to have 2 EPROMs. The type of EPROM most suitable for the purpose is the 2716 EPROM which has 11 address lines and 8 data lines. Two 2716 EPROMs can give a combined effect of one EPROM with 11 address lines and 16 data lines. (Remember that the same address needs to be fed into both EPROMs).

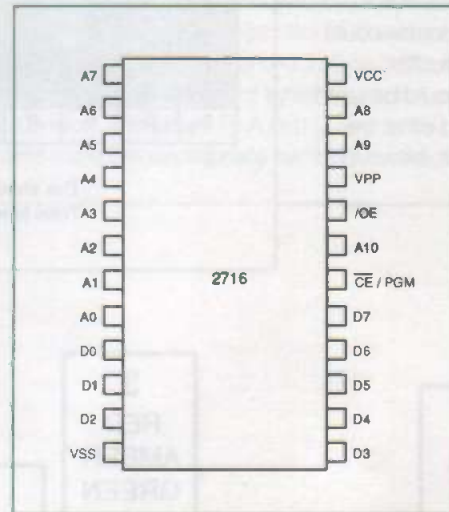
The block diagram for the system is shown below:

Wiring up the Clock and Latch:



Connecting up the 2716 EPROM:

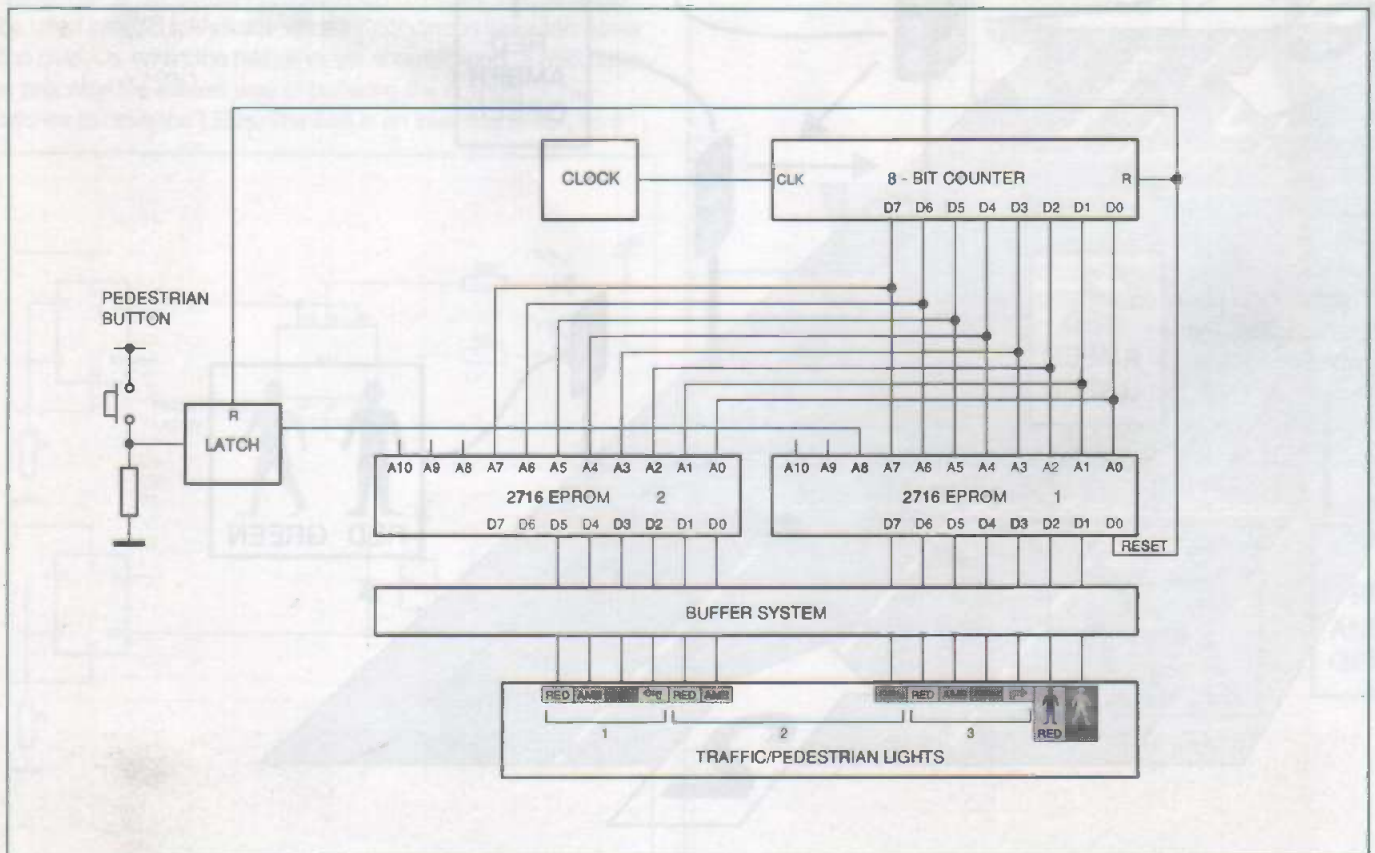
Pin out diagram:



For normal operation of a programmed chip:

- Vcc - +5V
- Vpp - 0V
- OE - 0V
- CE/PGM - 0V
- Vss - 0V

The address is fed into the address pins A0 to A10, holding any unused pins at 0V. The data stored at that address will then



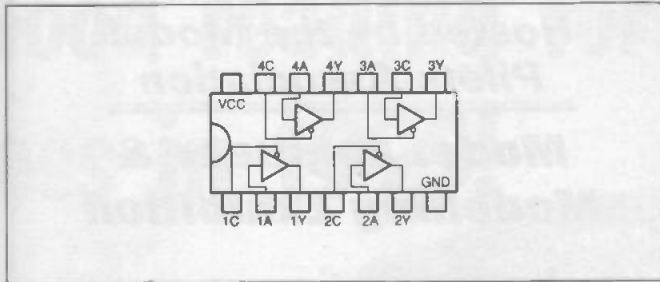
appear at the data outputs D0 - D7.

The pedestrian lights:

These can be made from coloured LEDs, with protective resistors of around 220 ohms. The filter lights could be made using a marker pen and a little artistry.

The buffer system:

The buffers do not have to be very complex as they are only driving LEDs. The 74LS125 contains four buffers, and four of

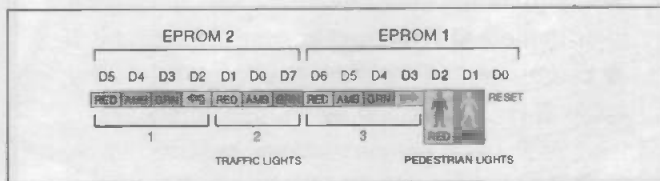


these chips will suit the purpose.

The EPROM Program:

Address Pins: A0 - A7 from counter
A8 from latch
A9 - A10 further expansion.

Data Pins:



Traffic Lights

Most EPROM programmers require the data to be fed in hexadecimal. Therefore the data needs to be converted from binary into hexadecimal to program the EPROM. The data D7 - D0 will appear in hexadecimal as two characters. For example, 10100111 in binary equals A7 in hexadecimal. Remember that when converting, the last four figures are taken first, in this case 0111, and put as 7, and the next four, in this case 1010, are put as A. Thus multiple of four digits is required, and where fewer appear, zeros need to be added at the beginning to make up the required number eg 111001 should be written as 00111001.

The EPROM programs for the traffic light sequence are shown

opposite:

The program works by following through the same basic sequence 000 - 040, at the end of which the counter is re-set back to 000. So, if uninterrupted, the traffic lights would be following the exact same sequence ad infinitum. However, if there is an interruption - a pedestrian wishing to cross the road - the system defers action until an appropriate point in the sequence has been reached, i.e. when all lights are red.

Only then does it put on the green man. In order to achieve this, a different program is used which incorporates the green man as part of its sequence. When the pedestrian pushes the button, a latch is set and the address changes 0- to 1-. The sequence 000- 03F is exactly the same as the sequence 100 - 13F, and so pushing the button will not cause any immediate change of sequence. However, it would normally reset back to 000 at address 040. Instead, at 140 the pedestrian signals run their sequence, and the counter (and latch) are reset to 000 at address 14E.

There is room for expansion of the program. A timer could be used to run a different program at rush hour. During rush hour a 1 could be put to Address pin A9 on both EPROMs and the different sequence could be stored in Addresses 200 - 2FF. Remember that the pedestrian sequence during rush hour would be stored between 300 and 3FF.

In taking traffic lights as a practical example in the use of EPROMs, the EPROMs have been used as a means of proceeding through sequences stored in them. However, EPROMs have more varied uses, and another example worth looking at is that of holding look-up tables.

A look-up table is a table of data stored in an EPROM from which the user, or another electronic component, can summon up a specific piece of data for a specific function. The next example uses a look-up table to operate an alphanumeric display.

ADDRESS	EPROM 2 DATA	EPROM 1 DATA	ADDRESS	EPROM 2 DATA	EPROM 1 DATA	ADDRESS	EPROM 2 DATA	EPROM 1 DATA
000	22	44	01D	26	1C	03A	0A	44
001	22	44	01E	26	1C	03B	0A	44
002	23	64	01F	26	1C	03C	0A	44
003	23	64	020	26	1C	03D	0A	44
004	20	94	021	26	1C	03E	12	44
005	20	94	022	26	1C	03F	12	44
006	20	94	023	26	1C	040	22	45
007	20	94	024	26	1C	041-	FF	FF
008	20	94	025	26	1C	100-	same as	
009	20	94	026	26	1C	13F	000	03F
00A	20	94	027	26	1C	140	22	44
00B	20	94	028	26	1C	141	22	44
00C	20	94	029	26	1C	142	22	42
00D	20	94	02A	26	24	143	22	42
00E	20	94	02B	26	24	144	22	42
00F	20	94	02C	26	44	145	22	42
010	20	94	02D	26	44	146	22	42
011	20	94	02E	36	44	147	22	42
012	20	94	02F	36	44	148	22	40
013	20	94	030	0A	44	149	22	42
014	20	94	031	0A	44	14A	22	40
015	20	94	032	0A	44	14B	22	42
016	20	94	033	0A	44	14C	22	40
017	20	94	034	0A	44	14D	22	42
018	21	14	035	0A	44	14E	22	45
019	21	14	036	0A	44	14F-		
01A	22	14	037	0A	44	1FF	FF	FF
01B	22	14	038	0A	44			
01C	26	1C	039	0A	44			

Next month

Graham Reith will continue his look at the creative use of EPROMs with the development of an alphanumeric display system.

WE HAVE THE WIDEST CHOICE OF USED OSCILLOSCOPES IN THE COUNTRY	
TEKTRONIX 7000 SERIES OSCILLOSCOPES AVAILABLE FROM £200 PLUG-INS SOLD SEPARATELY	
TEKTRONIX 2465 4 Channel 300MHz Delay Sweep Cursors	£1750
TEKTRONIX 2236 Dual Trace 100 MHz Delay Sweep/Cursor/Timer/DMB	£650
TEKTRONIX 485 Dual Trace 350MHz Delay Sweep	£750
TEKTRONIX 475 Dual Trace 200 MHz Delay Sweep	£500
TEKTRONIX 465D Dual Trace 100 MHz Delay Sweep	£300
TEKTRONIX 465 Dual Trace 100 MHz Delay Sweep	£400
TEKTRONIX SC504 Dual Trace 80MHz on TMS03B as new	£300
TRO CS2070 4 Channel 70MHz Delay Sweep	£450
WATSU SS5711G 4 Channel 120MHz Delay Sweep with DMB	£300
TEKTRONIX 2215 Dual Trace 60 MHz Delay Sweep	£450
KIKUSUI CS55601M3 3 Channel 60 MHz Delay Sweep	£400
TEKTRONIX 455 Dual Trace 50 MHz Delay Sweep	£300
HITACHI V650F Dual Trace 60 MHz Delay Sweep	£350
PHILIPS PM3217 Dual Trace 50 MHz Delay Sweep	£300
PHILIPS PM3215 Dual Trace 50 MHz Delay Sweep	£200
TELEQUIPMENT D83 Dual Trace 50 MHz Delay Sweep	£200
GOULD OST100 Dual Trace 30 MHz	£200
GOULD OS300 Dual Trace 30 MHz	£200
WATSU SS5702 Dual Trace 20 MHz	£200
TRO CS1566A Dual Trace 20 MHz	£200
TEKTRONIX T022 Dual Trace 15 MHz	£200
GOULD OS2500 Dual Trace 15MHz	£125
GOULD CS4000 Dual Trace 10MHz Digital Storage	£200
H.P. 1741A Dual Trace 100MHz Delay Sweep Analogue Storage	£350
THIS IS JUST A SAMPLE - MANY OTHERS AVAILABLE	
NEW! ITT PACKARD 1740A OSCILLOSCOPES DUAL TRACE DELAY SWEEP 100MHz For only £350	
MARCONI 2018 Synthesised AM/FM Sig Gen 80kHz-520MHz	£800
H.P. 8640B Signal Generator 500kHz-1204 MHz (opta 002003)	£1250
H.P. 8620G Signal Generator 500kHz-1204 MHz (opta 002003)	£1250
MARCONI 1702 Synthesised AM/FM Sig Gen 10kHz-1GHz	£1500
RACAL 9081 Synthesised Sig Gen 1.5 - 520MHz	£300
FARNELL CS2520 Synthesised AM/FM Sig Gen 10-520MHz	£300
MARCONI 1F2006 AM/FM Sig Gen 10kHz-510MHz Sweep Facility	£200
MARCONI 1F2015 AM/FM Sig Gen 10-520 MHz	£250
FARNELL CS2520 Synthesised AM/FM Sig Gen 10-520MHz	£300
PHILIPS PM3216 AM/FM Sig Gen 0.1-125 MHz (FM Limited)	£200
MARCONI 1F2022B AM/FM Sig Gen 10kHz-88MHz with Dig Synthesiser	£150
MARSAANDERS Signal Source 6070A 400-1200MHz	£200
MARSAANDERS Signal Source 6065 850-2150MHz	£200
WAYTEK 502 Pulse Generator 50 MHz	£200
RACAL/DIANA (Interstage) P25 Pulse Gen 1Hz-50MHz Dual Output	£200
LYONS PG73N Pulse Gen PRF 1Hz-20MHz 5 nanoseconds	£150
WAYNE KERR 8865 Automatic Precision Bridge 0.05%	£300
MARCONI 1F2020 Universal Bridge Binary Coded	£200
H.P. 8444 85443 Tracing Generators Available from	£300
H.P. 141T Main Frames only Good Tubes	£200
BRUEL & KJOER Vibration Exciter System (Large) P.O.A. - OTHER B&K EQUIPMENT AVAILABLE	
SPECTRUM ANALYSERS	
H.P. 8555A 0.01 - 25KHz	£5000
H.P. 853 with 8555A 0.01 - 21Ghz	£4500
H.P. 3580A LED 54Z - 50 KHz	£1000
ARRISU MS562B with Tracing Generator 10KHz - 8700 MHz	£1500
POLARAD 6411 100kHz - 150MHz 85245A 5.9 - 12.6GHz	£1500
H.P. 182 with 8556B 100kHz - 1500MHz	£1500
H.P. 141T with 8554B & 8552B 500kHz - 1250 MHz	£1200
H.P. 141T with 8553B & 8552A 10KHz - 110MHz	£800
H.P. 141T with 8553L & 8552A 10KHz-110MHz	£700
MARCONI 1F2370 20MHz-810MHz	£1000
H.P. 8444 85443 Tracing Generators Available from	£300
H.P. 141T Main Frames only Good Tubes	£200
NEW EQUIPMENT	
HAMEG OSCILLOSCOPE HM 1005 Triple Trace 100MHz Delay Timebase	£847
HAMEG OSCILLOSCOPE HM 604 Dual Trace 60MHz Delay Sweep	£693
HAMEG OSCILLOSCOPE HM203 7 Dual Trace 20MHz Component Tester	£362
HAMEG OSCILLOSCOPE HM205 3 Dual Trace 20MHz Digital Storage	£653
All other models available - all oscilloscopes supplied with 2 probes	
BLACK STAR EQUIPMENT (plug all units E3)	
APOLLO 10 - 100MHz Counter Timer Ratio/Time interval etc	£222
APOLLO 10 - 100MHz (AC above with more functions)	£325
METCOR 100 FREQUENCY COUNTER 100MHz	£119
METCOR 600 FREQUENCY COUNTER 600MHz	£145
METCOR 1000 FREQUENCY COUNTER 1GHz	£189
JUPITOR 500 FUNCTION GENERATOR 0.1Hz-500kHz Sine Sq/Tri	£119
ORION COLOUR BAR GENERATOR PH8TV Video	£229
All other Black Star Equipment available	
OSCILLOSCOPE PROBES Switchable 1:1-10:1 (P&P £3)	£12

Used Equipment Guaranteed - Manuals supplied if possible
This is a VERY SMALL SAMPLE OF STOCK. SAE or Telephone for lists. Please check availability before ordering CARRIAGE all units £16 VAT to be added to Total of Goods and Carriage

STEWART OF READING ACCESS
110 WYKEHAM ROAD, READING, BERKS RG6 1PL
Telephone: (0734) 268041 Fax (0734) 351696 Callers Welcome 9am-5.30pm Mon-Fri (until 8pm Thurs)

OMNI ELECTRONICS
174 Dalkeith Road, Edinburgh EH16 5DX · 031 667 2611

The supplier to use if you're looking for —
★ A WIDE RANGE OF COMPONENTS AIMED AT THE HOBBYIST ★
★ COMPETITIVE VAT INCLUSIVE PRICES ★
★ MAIL ORDER - generally by RETURN OF POST ★
★ FRIENDLY SERVICE ★

Open: Monday-Thursday 9.15-6.00
Friday 9.15-5.00 Saturday 9.30-5.00

EQT LTD STEVENAGE

Professional Sub-Contract Manufacturing & Suppliers to the Electronics Industry

Do you have a requirement for any of the following services:

- PCB Assembly (Conventional and Surface Mount)
- Wave & Hand Soldering
- Complete Equipment Manufacture
- Device Programming from hand written sheets or PC 3 1/2" disc
- Cable Harness Assembly /loom Manufacture
- Card Cage and Module Wiring
- Full Inspection
- Product Design/Consultation
- Full Procurement Service
- PCB Test & "Burn in" Facilities
- Enclosure Design & Manufacture
- PCB Artwork Manufacture
- Circuits Drawn Professionally
- Kit Procurement & Supply
- Component Sales
- Refurbishment a speciality
- Top Quality Work at Reasonable Rates

Phone Tracey on (0438) 360406 or Fax details of your requirements to us on (0438) 352742
EQT LTD, Cromer House, Caxton Way, STEVENAGE, HERTS, SG1 2DF

FESTIVAL OF INDOOR MODEL FLYING

Hosted by the Model Pilots Association

Model Engineer & Modelling Exhibition

Will feature non-stop model flying in the giant National Hall, right alongside the main exhibition hall in **Olympia**

The all-day, every day action will include:

- Bring-and-fly sessions for visitors to operate their models
- Team racing with KK Phantoms!
- Electric and I.C. control line flying round the pole
- R/C scale and pylon race competition
- Trade demonstrations include
- R/C helicopters and fixed wing designs
- DPR models and SAMs fun-fly events
- Various competitions to enter with prizes to be won!

Full commentary on all the action. The events, with the exception of the model trade demos, are open to all, so if you've got an indoor model (or even a small outdoor one!) *Bring it along and have fun with the rest of us!*

Please note: for control line flying the maximum line length available is 35' and engine size is limited to 1.5cc. R/C models are subject to a maximum of 0.020 cu.in. for non-throttle equipped engine or 0.55 cc. for throttle equipped

All models will be the subject of scrutineering before they are permitted to fly Sport or scale, free flight, rubber, electric, CO₂, R/C, chuckie, RTP and C/L - they're all welcome and the action promises to be non-stop



See you at Olympia!

SUBSCRIBE

And Save

Good reading for less in 1995!

Look, we'll save you money if you choose one of our 2 great **Subscribe and Save** offers.



It's your choice...

Offer 1

Subscribe to your favourite magazine for 1 year and have every issue delivered to your door (post free in the UK) and up to 2 extra issues free!

Offer 2

Subscribe to the magazine of your choice for 2 years and we'll send you up to 6 extra issues free and you'll freeze the 1994 cover price until '97!

Plus, It's a gift...

with both offers 1 and 2 we'll send you an extra present - explore a new hobby and choose a magazine, we'll send it to you FREE!

So how many issues do you get free?

	Offer 1	Offer 2
Magazine frequency	Your extra issues with a 1 year subscription.	Your extra issues with a 2 year subscription.
Fortnightly	24 issues plus 2 free	48 issues plus 6 free
Monthly	12 issues plus 2 free	24 issues plus 5 free
Alternate monthly	6 issues plus 1 free	12 issues plus 3 free
Quarterly	4 issues plus 1 free	8 issues plus 2 free

Offer must close 6/1/95
Now turn the page for details of how to claim your free copies and save money!

INTERNATIONAL

MODEL ENGINEER
and Modelling Exhibition

**Grand and National Halls Olympia,
Hammersmith Road, Kensington,
London W14 8UX.**

30th December 1994 – 7th January 1995

Advance Bookings

	Cost per Ticket	Qty	Total Cost
Adults	£5.50	£.....
Senior Citizens	£4	£.....
Children (5-16yrs inc.)	£2.50	£.....
Family Ticket	£13.50	£.....
(2 Adults & up to 4 children)			
2-Day Ticket-Adult	£10	£.....
Senior Citizen	£7	£.....
Season Ticket-Adult	£24	£.....
Senior Citizen	£18	£.....

Party Bookings (for groups of 10 or more)

Adults	£5.25	£.....
Senior Citizens	£3.75	£.....
Children (5-16yrs inc.)	£2.50	£.....

School Bookings (for groups of 10 or more, 1 teacher FREE per 10 pupils)

Teachers	£5	£.....
Pupils	£2.50	£.....
Teachers per 10 pupils	(FREE)	£.....
Total enclosed		£.....

ADVANCE BOOKING INFORMATION

I enclose cheque/P.O. for the total amount stated above, together with an S.A.E. for return tickets. Cheques made payable to **Argus Specialist Exhibitions** and sent to Argus Specialist Exhibition (A.T.) Argus House, Boundary Way, Hemel Hempstead, Herts HP2 7ST. Tel: 0442 66551.

Name

Address.....

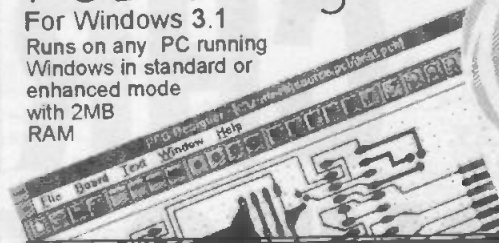
.....

.....Post Code.....

PCB Designer

For Windows 3.1
Runs on any PC running Windows in standard or enhanced mode with 2MB RAM

Only
£49
All
Inclusive



- ✓ Produce *Single* or *Double* sided PCBs.
- ✓ Print out to *any Windows supported* printer.
- ✓ *Toolbar* for rapid access to commonly used components.
- ✓ Helpful prompts on screen as you work.
- ✓ Pads sizes fully customisable.
- ✓ No charges for technical support.
- ✓ Snap-to grid sizes 0.1", 0.05" 0.025" and unrestricted.
- ✓ SMT pads and other pad shapes.
- ✓ Positive reviews by Robert Penfold and Paul Stenning, copies available on request.

Phone (0432) 355 414 (Access and Visa welcome)

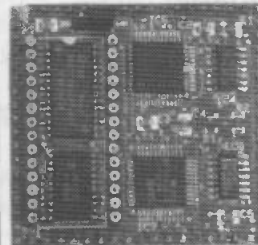
Niche Software

22 Tavistock Drive, Belmont, Hereford, HR2 7XN.

Please Note: Since PCB designer is so easy to use, and to keep costs down, PCB Designer has an On-Line manual, in Windows Help format. A FREE tutorial is also supplied.

The EM31 - 80C31/80C320 Module

Small, Practical & Sensibly Priced



EPROM to 64k. 32k RAM under EPROM

24 Digital I/O lines

72 pin Connector mounts module directly to Target PCB

Small (1.8" Sq.) Multilayer PCB with full Ground Plane.

CPU - an 80C31 running up to 16Mhz or the Dallas 80C320 up to 25Mhz.
(Equivalent to a 62Mhz 80C31!)

£49.95 falling with Quantity.

Our catalogue lists modules based on the 64180, 80C552, 80C188, 68000 processors, and a wide range of peripheral modules. A/D, D/A, Serial, Opto, Relay etc. with Power Supplies, Backplanes & Cases. Request your Copy today

Devantech Ltd
INDUSTRIAL ELECTRONIC SYSTEMS

TEL: 0379 644285
FAX: 0379 650482

EX EQUIPMENT

2716	£1.25	Z80A	£0.75	CT2636	£1.45
2732	£1.45	8080	£0.50	CT2650	£1.45
2764	£1.95	6502	£1.50	TMS5100	£1.95
27128	£2.25	6808	£2.00	10mm WEDGE BULB	
27256	£2.45	6809	£2.00	1.2W	£0.06
27512	£2.95	AY38900	£1.50	2.2W	£0.06
27010	£3.45	CT430	£0.95	HOLDER	£0.09

ALL EPROMS ARE ERASED AND BLANK CHECKED

NEW

ARCADE JOYSTICK WITH FIRE BUTTON £6.50
85WATT POWER SUPPLY

5V @ 8A 12V @ 4A 5V @ 2A 12V @ 1A £19.95

ELECTRO MECHANICAL COUNTER

6V DC 24V AC 48V AC £2.95 EACH

ECONOMY 4 WAY JOYSTICK £3.50

PLEASE ADD £1.50 P & P THEN 17.5% VAT CHEQUE P.O. TO
COINCECTION SALES, V4 AVEN INDUSTRIAL PARK, TICKHILL
ROAD, MALTBY, ROTHERHAM. S667QR TEL: 01709 817874



CHRISTMAS LIGHTS FLASHER



With Christmas looming on the horizon Paul Stenning makes his Christmas tree lights flash in unusual ways

Christmas just wouldn't be Christmas if your favourite electronics magazine didn't publish a hi-tech gadget for flashing your tree lights! This year we present a straight-forward fixed pattern flasher for three sets of lights. However this is not your usual 1 - 2 - 3 chasing pattern, this unit has six steps, 1 - 1+2 - 2 - 2+3 - 3 - 3+1, and then repeated. If the three sets of lights are mixed on the tree, it is not that easy to see the pattern! On the prototype, the speed was fixed to about three steps per second, but it would be a simple matter to put a control pot on the front panel to set the mood if required.

The triac outputs are driven from zero-crossing opto isolators, which virtually eliminate radio interference. The triacs are hard driven, making the outputs suitable for driving inductive loads such as the modern low voltage transformer driven Christmas lights. The outputs can drive loads of up to 3 Amps (or possibly even more if the PCB tracks are reinforced), making the unit suitable for driving higher powered outdoor lights.

Please Note: THIS PROJECT OPERATES FROM THE MAINS. MAINS VOLTAGE IS POTENTIALLY LETHAL. DO NOT CONSTRUCT IT UNLESS YOU ARE CERTAIN OF YOUR ABILITY TO DO SO SAFELY.

How it Works

The complete circuit diagram is shown in figure *. The low voltage section of the circuit is powered by a small mains transformer. Although this is slightly more expensive than a mains derived circuit using a dropper resistor or capacitor, it is more

reliable, cooler running than a resistor and easier to build.

IC1 (NE555) is the main oscillator. If a variable speed is required, R2 can be replaced with a 22K pot and a 1K0 resistor in series. The output drives the clock input of IC2 (4017), a decimal counter. Outputs Q1 to Q5 of IC2 go high in turn, on a clock pulse. When Q6 goes high, the device resets itself due to this line being linked to the Reset pin. The outputs are decoded into the desired pattern by the three OR gates in IC3.

The outputs of IC3 drive transistors TR1, TR3 and TR5, which in turn operate the LED's within the opto-isolators (IC4, IC5 and IC6) and the front panel LED's (D1, D2 and D3).

The MOC3041 opto-isolators contain full zero crossing circuitry, and a triac output stage. They are ideally suited to driving triacs in this manner, since they do all the hard work for you! The LED current for guaranteed operation is 15mA max. Other devices in this useful family include the MOC3040 which needs a 30mA input (it is slightly cheaper), and the MOC3020 which does not have the zero crossing circuit.

The triacs used in the prototype were BT137 types, however most TO220 packaged triacs should be suitable, including C206M, C225M, C226M, BT138, BT139, BTA08-600B etc. If you are likely to be driving inductive loads (or you are not sure) use 600V devices, otherwise a 400V devices are suitable.

The outputs are individually fused. The F-500mA fuses are suitable for normal indoor light sets, but a higher value may be needed for outdoor light sets. Do not use anti-surge fuses (T type, eg T-500mA) since these will not adequately protect the triacs.

Construction

The circuit is constructed on a single sided PCB which is available from the author - see Buylines for details. Construction is straightforward, and requires little comment from me. SK1 to

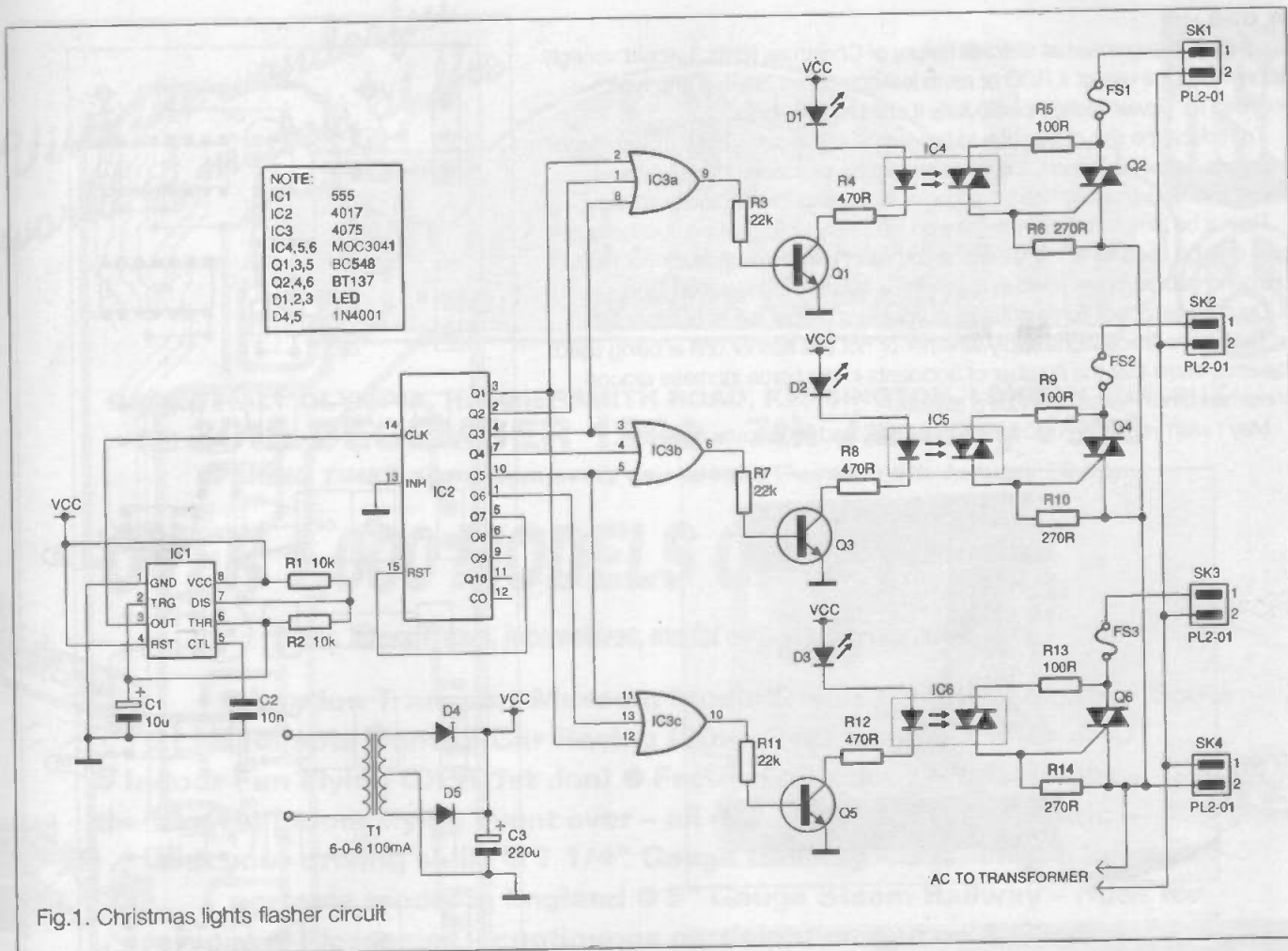


Fig.1. Christmas lights flasher circuit

SK4, and X1 position are fitted with PCB mounting terminal blocks. LED's D1 to D3 should be mounted about 20mm above the board and bent forward to line up with the holes in the front panel. Don't forget the three short links near IC3.

The prototype was constructed in a plastic case, 190mm * 165mm * 68mm, see parts list for details. A suitable overlay for the front panel is shown in figure *. Two photocopies may be taken (enlarge to 162mm * 64mm), one can then be used as a drilling template while the other may be fixed to the front panel with clear self-adhesive vinyl. Three 6.35mm (1/4") holes are needed for the LED clips.

For safety, the PCB should be mounted on self-adhesive standoffs. Do not use metal screws which will be accessible on the outside of the case. Take care to position the PCB so that the LEDs will fit through the LED clips in the front panel.

The transformer should be mounted where the leads will reach the appropriate PCB terminals. Nylon screws or some other insulated mounting should be used, otherwise any metal fastenings accessible on the outside of the case must be earthed.

On the prototype, the leads from the Christmas lights were simply bought in through holes (fitted with grommets) in the back panel, knotted to prevent them being pulled out, and connected directly to the terminals on the PCB. Since they only have to be connected and disconnected once each year, I can live with the slight inconvenience! If you prefer, you could mount suitable sockets on the rear of the case, and fit matching plugs to your tree lights.

The mains wires from the transformer and the mains input cable are connected to SK4. The secondary leads from the transformer connect to the X1 terminals, the centre tap wire (normally black) must go to the centre terminal. No earth connection was used on the prototype, since the case is insu-

lated and the lights do not need an earth.

If you choose to add a speed control pot on the front panel of the case, you will need to use an earth connection, and earth the metal case of the pot. The only exception to this would be if the pot had a plastic threaded mounting bush and a nylon shaft.

Testing

WARNING. POTENTIALLY LETHAL MAINS VOLTAGES ARE ACCESSIBLE WHEN THE COVER OF THE CASE IS REMOVED. DO NOT CONNECT THE UNIT TO THE MAINS UNLESS THE COVER IS PROPERLY FIXED IN PLACE. ENSURE ANY EXTERNAL WIRING IS CARRIED OUT SAFELY. IF IN DOUBT, CONSULT A SUITABLY QUALIFIED PERSON. PLEASE TAKE CARE WITH MAINS ELECTRICITY - WE DON'T WANT TO LOSE ANY OF YOU!

Do not connect any lights to the unit initially. With the cover in place, connect the unit to the mains, preferably via a RCD or earth leakage circuit breaker. The front panel LEDs should flash in the sequence described earlier. If you have added a speed control pot, this should vary the speed as expected.

If all is well so far, disconnect the unit from the mains and connect a set of Christmas lights (or a table lamp with 60W bulb) to each output. Refit the cover and test the unit again. The lights should operate in the same sequence as the LEDs.

If this is OK, leave the unit running for about 15 minutes. After this time, disconnect the mains, remove the cover and check that nothing is getting too warm. The transformer may be warm (not hot), but the components on the PCB should be cool.

Assuming all these tests were satisfactory, the unit may be put into use.

In use

Because of the somewhat delicate nature of Christmas lights, I would strongly recommend the use of a RCD or earth leakage circuit breaker (the type intended for power tools) - particularly if children are about.

To reduce the risk of fire (due to hot lamps coming into contact with decorations or wrapping paper), the lights should be switched off at night and when no-one is around. There's no point in wasting the electricity anyway!

Do not be tempted to compromise on the safety of your wiring, just because it will only be used for a few weeks. If you must use terminal block connectors to extend cables, cover them in a generous quantity of insulation tape.

Do not use indoor lights outside, purchase a proper set of outdoor lights.

The above precautions apply whether or not this flasher unit is being used. Statistics show that the number of accidents in the home increase around Christmas time. Please don't be a statistic.

May I wish you all an enjoyable Christmas, and a peaceful new year.

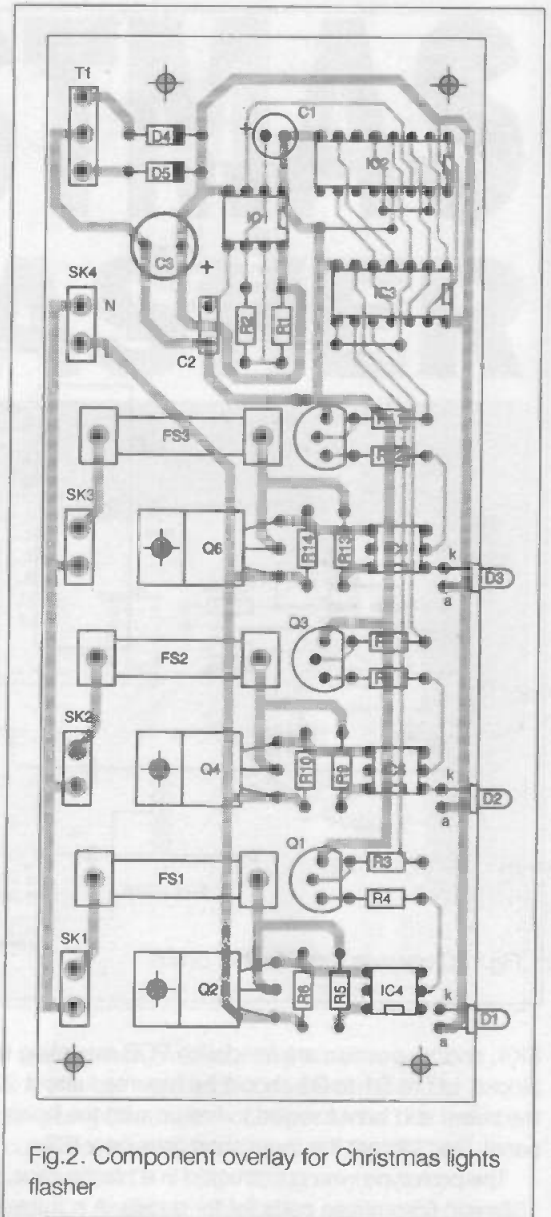
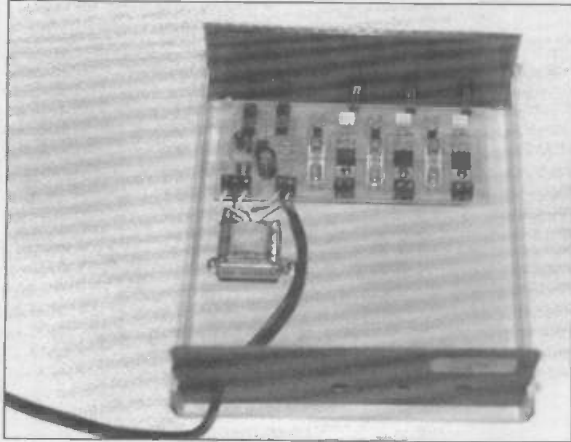


Fig.2. Component overlay for Christmas lights flasher

PARTS LIST

Resistors (all 0.25W, 5% or better)

R1,2	10K
R3,7,11	22K
R4,8,12	470R
R5,9,13	100R
R6,10,14	270R

Capacitors

C1	10uF 16V radial elect
C2	10nF Ceramic disk
C3	220uF 16V radial elect

Semiconductors

IC1	NE555
IC2	4017
IC3	4075
IC4,5,6	MOC3041
TR1,3,5	BC548
TR2,4,6	BT137 (see text)
D1	Yellow LED
D2	Green LED
D3	Red LED
D4,5	1N4001
SK1,2,3,4	2 way 0.2" PCB terminals
X1	3 way 0.2" PCB terminal
FU1,2,3	20mm PCB fuseholders with F-500mA fuses
X1	6-0-6V 100mA (wire ended)

The plastic case used for the prototype is made by Barbox, and is available from RS/Electromail, stock no 506-788.

BUYLINES

The PCB is available from the author at the following address:-

Paul Stenning, 1 Chisel Close, Hereford, HR4 9XF

The price is £8.50. Postage and packing (per order) is £1.50 in the UK, and £2.50 elsewhere. Please make cheques payable to "Paul Stenning". If ordering from abroad please note that payments must be in Pounds Sterling, and cheques must be drawn on a British bank.

The author will order the PCB's from his supplier in small batches when a sufficient number have been ordered.

Delivery may therefore be up to a month or possibly longer, depending on demand. Cheques will not be cashed until one week before dispatch.

Since this project is seasonal, the author will do his utmost to send you your boards in time. Please help him to help you, by ordering early. If your order is received by 19th November 1994, he will dispatch your board before 5th December 1994. Orders received after this date may not be completed until after Christmas.

This offer is valid until 31st March 1995. After this date, please write for details.

Visit the wonderful world of models at the

INTERNATIONAL
64th
MODEL ENGINEER
and Modelling Exhibition

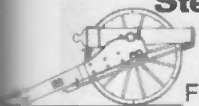
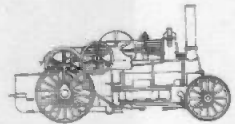
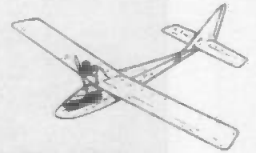


GRAND HALL OLYMPIA, HAMMERSMITH ROAD, KENSINGTON, LONDON W14 8UX
30th DECEMBER 1994 - 7th January 1995
OPENING TIMES: 10am-6pm every day except Thursday 5th January 10-8pm.

OVER 1,000 MODELS ON DISPLAY -

boats, aircraft, cars, locomotives, model engineering, science fiction.

- London Transport Museum Model Display ● Radio Control Boats
- Remote Control Car Racing (30th, 31st Dec, 2nd & 7th Jan)
- Indoor Fun Flying (DPR 1st Jan) ● Festival of Indoor Model Flight - the biggest indoor flying event ever - all day every day ● Scalextric - test your driving skills ● 7 1/4" Gauge Railway - ride on the longest portable model in England ● 5" Gauge Steam Railway - rides for everyone ● Wargames - continuous participating games ● Clayton Driver of the year competition (selected days) ● Traction Engine Steam Up (selected days) ● Associations, societies and club stands



Show Guide giving a diary of events available from 2nd December.

Further information, competition entry forms and details of RNLI special train from North Wales, obtainable from **Argus Specialist Exhibitions**, Argus House, Boundary Way, Hemel Hempstead, Herts HP2 7ST Tel: 0442 66551. *Olympia* is easily accessible by road ● rail ● underground and bus ● Mainline and underground stations adjacent. Some trains from Brighton, Manchester, Liverpool, Birmingham and Edinburgh stop at *Olympia* too!

Admission: Adults £6, Senior Citizens £4.50, Children £3, Family Ticket £15 (2 adults & up to 4 children) - 2 day and season tickets available in advance.

Argus Specialist Publications with Hilton hotels are offering special rates for the duration of the Exhibition.

Hilton National London Olympia	Located on Kensington High Street, home of the most fashionable and exciting stores in London	£31.05
London Kensington Hilton	Located among the elegant Georgian houses and tree lined streets of Holland Park	£34.50
London Regents Park Hilton	Overlooking Lords Cricket Ground, the Regents Park hotel is close to the West End	£31.05
The Langham Hilton	Situated in London's West End and close to Oxford Street	£80.50
London Hilton on Park Lane	In the heart of Mayfair and its elegant shopping district	£80.50



ASSOCIATE HOTELS		
Plaza on Hyde Park	Close to Victoria and Albert Museum & Kensington Palace	£29.90
Sherlock Holmes Hotel	Near Madame Tussaud's & London Zoo	£32.20
The Clive Hotel Hampstead	Small & welcoming, close to Hampstead and its Heath	£24.15

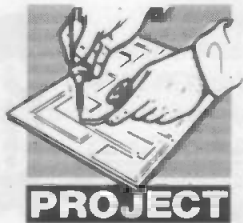
Prices are for each guest each night for Twin/Double Room (£14 single supplement) and include Continental breakfast, (except The Langham Hilton and London Hilton on Park Lane which include English breakfast), private bath/shower, tea/coffee making facilities and VAT (single supplement £30 at both hotels). There is a supplement of £5.50 for full English breakfast.

Booking Form - International Model Engineer & Modelling Exhibition

Make it a Model Stay

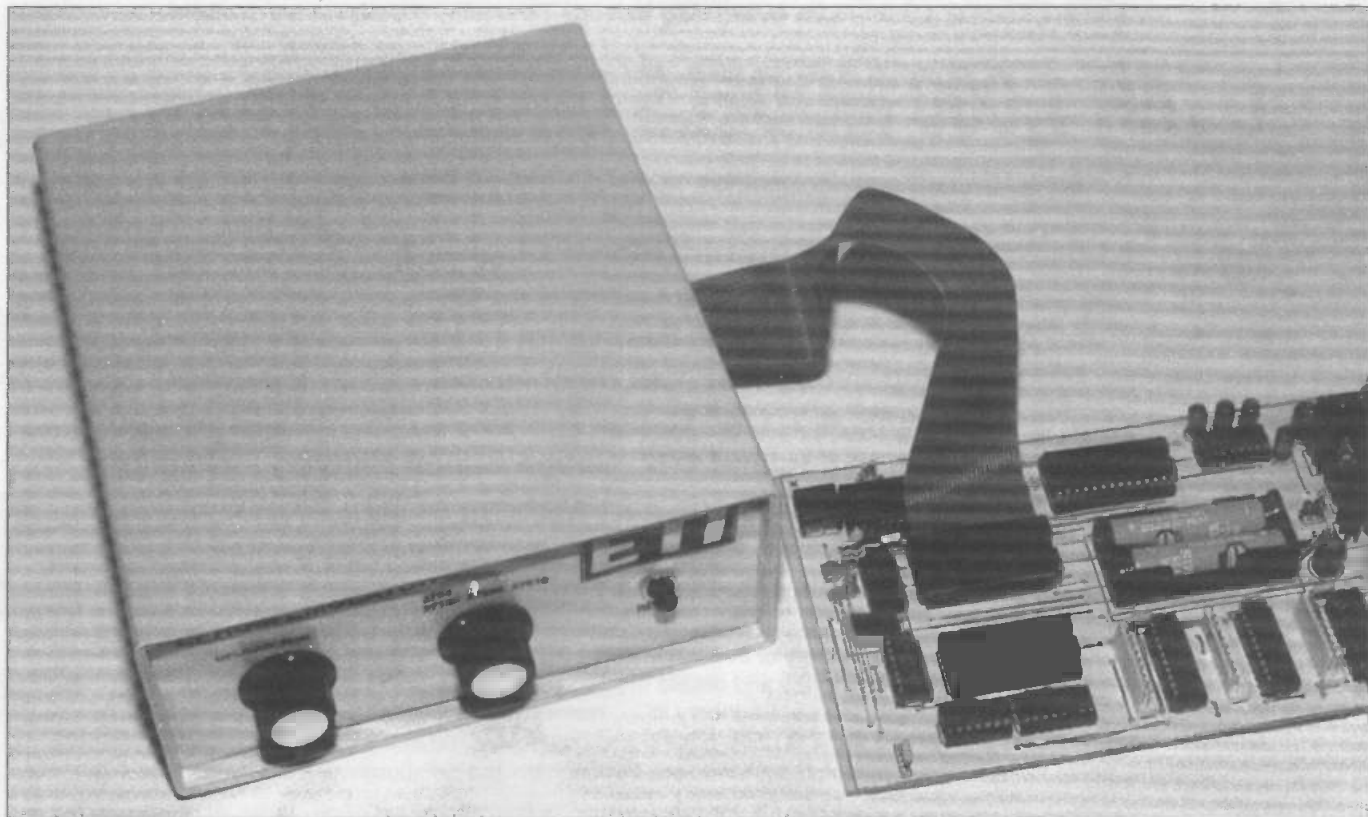
Name _____ Address _____ Postcode _____ Tel No _____
 Accommodation required: Double Twin Single No in party _____ No of nights _____
 Choice of hotel _____ Dates required _____
 Payment by: cheque Access Visa Diners AmEx My Credit Card No _____ Expiry _____

Return booking form to: Heidi Ross, HRW, Hilton International, PO Box 137, Watford, Herts WD1 1DN. Tel: (071) 734 6000



EPROM

EMULATOR



To accompany the EPROM Programmer featured in last month's ETI, Paul Stenning has designed a versatile EPROM emulator which will remove a lot of the effort from system development

This EPROM Emulator was designed to complement the EPROM Programmer published last month. An EPROM Emulator can save a vast amount of time when developing software, compared to programming and erasing EPROMs. This is because it is a RAM-based memory that just looks like an EPROM to the system into which it is plugged.

The unit presented here will emulate the standard 27 family of devices, from 2764 to 27512, and can be used with an IBM PC compatible computer. The smaller 24 pin devices in this family (2708, 2716 and 2732) are almost obsolete and are now more expensive than a 2764. I did not feel it necessary to accommodate these devices in this design since they would

significantly increase the complexity.

This design uses readily available components to reduce the likelihood of obsolescence. The unit is powered from either an external PSU or the circuit under development - the supply requirement being 5V @ 100mA. The power supply design published last month for use with the EPROM Programmer will also power this unit if an external supply is needed.

The emulator itself is dumb and is controlled by the host computer via the RS232 serial port (COM1 or COM2). Device selection and operation mode is set by front panel switches.

The accompanying software is available on disk from the author. The software will operate on any PC running MS-DOS or PC-DOS version 3.0 or later and having at least 512K of RAM and one RS232 serial port. A hard disk and a colour monitor are strongly recommended. The software is written in Microsoft QuickBASIC V4.5, and the full source code is supplied for those wishing to enhance or modify it. This source code is also compatible with QBASIC, as supplied with MS-DOS 5.0 and later. You do not need QuickBASIC or QBASIC to use this disk. The disk also contains the software for the EPROM Programmer published last month. A description of the software operation is

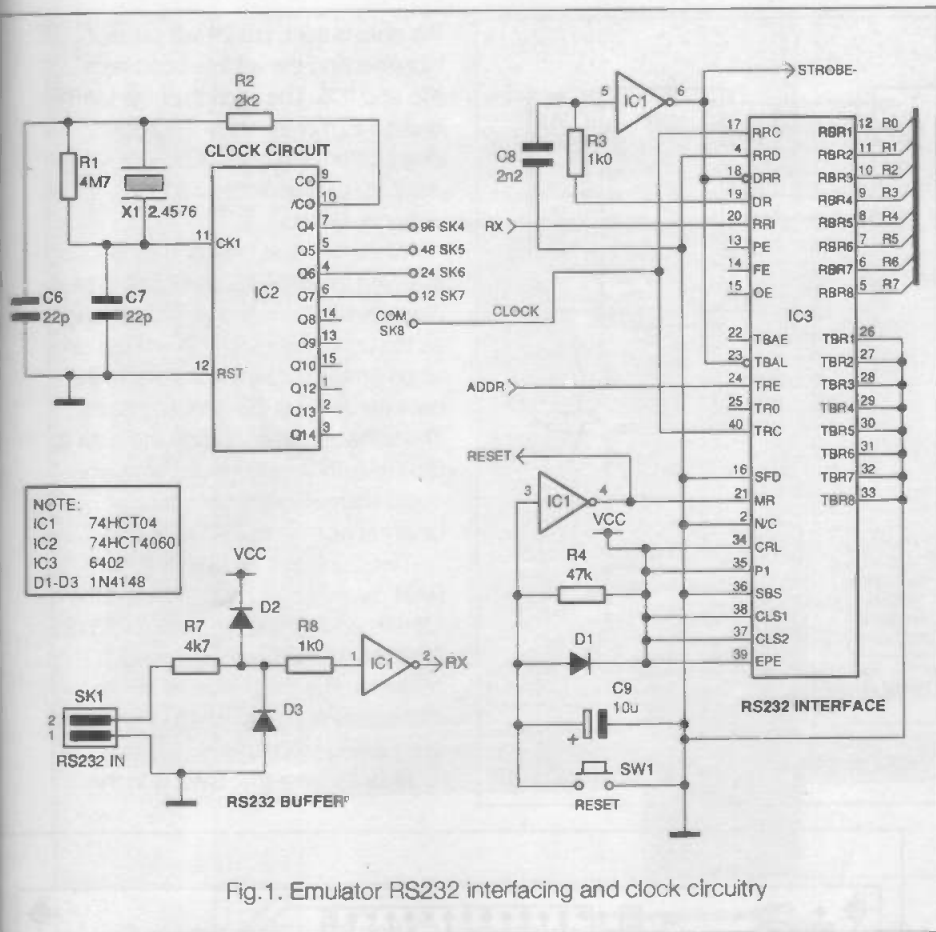


Fig.1. Emulator RS232 interfacing and clock circuitry

given later.

The unit may also be suitable for use with other types of home computer having an RS232 serial port, although this has not been tested and no software is available. It will definitely not work with Commodore Amiga computers, due to a peculiarity in the serial port handling.

How it Works

The circuit diagram is spread over a number of illustrations. Although it may initially look complex, it is in fact relatively straightforward. When a "-" follows a signal name (for example STROBE-), this shows that the line is active low. When a number is followed by an "h" this indicates that the number is hexadecimal.

The RS232 (serial) interface, buffering and clock are shown in figure *. IC3 (6402) is a UART (Universal Asynchronous Receiver/Transmitter) which basically converts serial data to parallel and vice-versa. The device supports most common serial data formats, in this application it is configured to give eight data bits, one stop bit and no parity checking. The data rate is set by the crystal-controlled clock circuit (IC2), which in most cases will be set to 9600 Baud. Since this unit is designed to

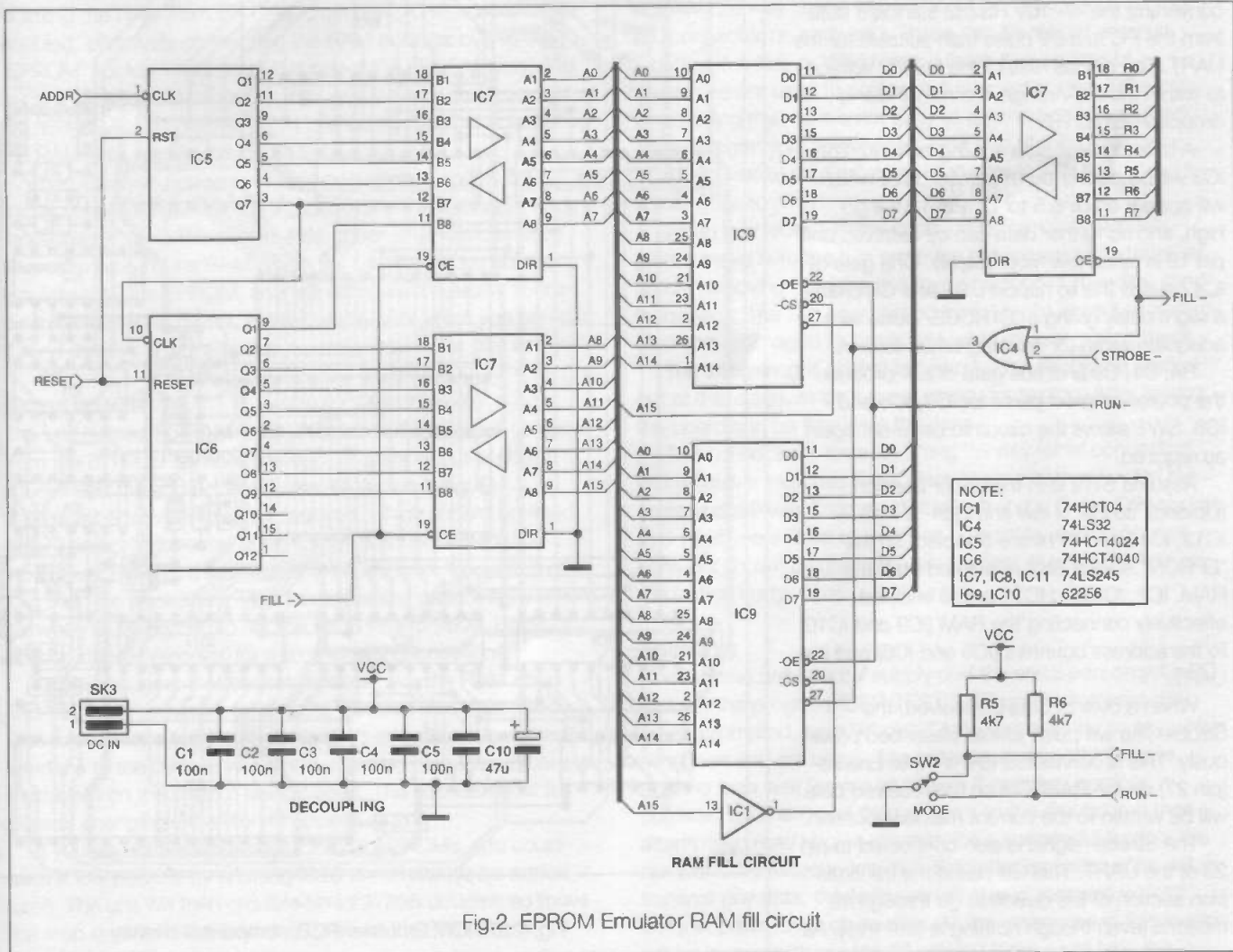
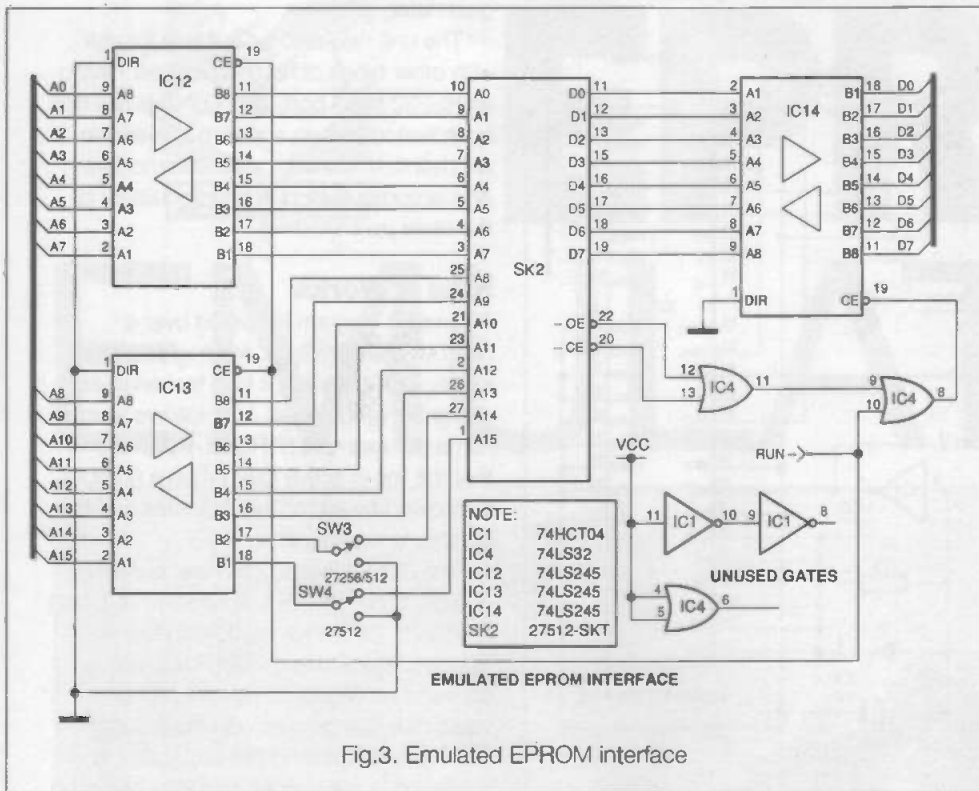


Fig.2. EPROM Emulator RAM fill circuit



the data is sent, pin 24 will pulse, incrementing the address counters IC5 and IC6. The section of the UART is used to merely apply a suitable delay before the address is incremented, to ensure the data is correctly stored.

When the next byte of data is received, it will be loaded into the next memory location, and so on. As long as the user presses the Reset button when prompted by the software, the data will arrive in the correct places. The software simply sends the data to the emulator one byte at a time; you could alternatively simply copy a binary image file to the COM port.

Two 256K x 1 Bit (32K x 8 Bit) RAM devices are used, to obtain the full 64K addressing range of a 27512 EPROM. The CS lines are used in conjunction with an inverter on the A15 line to select which device is used at a particular time.

Now assume that SW2 is in the

receive data only, the parallel input lines (pins 26 to 33) are held low and the serial data output line (pin 25) is not connected.

A gate in IC1 is used as the RS232 buffer, converting the +/- 10V RS232 standard data from the PC to a 5V pulse train suitable for the UART. The diodes restrict the RS232 voltage to within the 0-5V range, the remainder is dropped across R7.

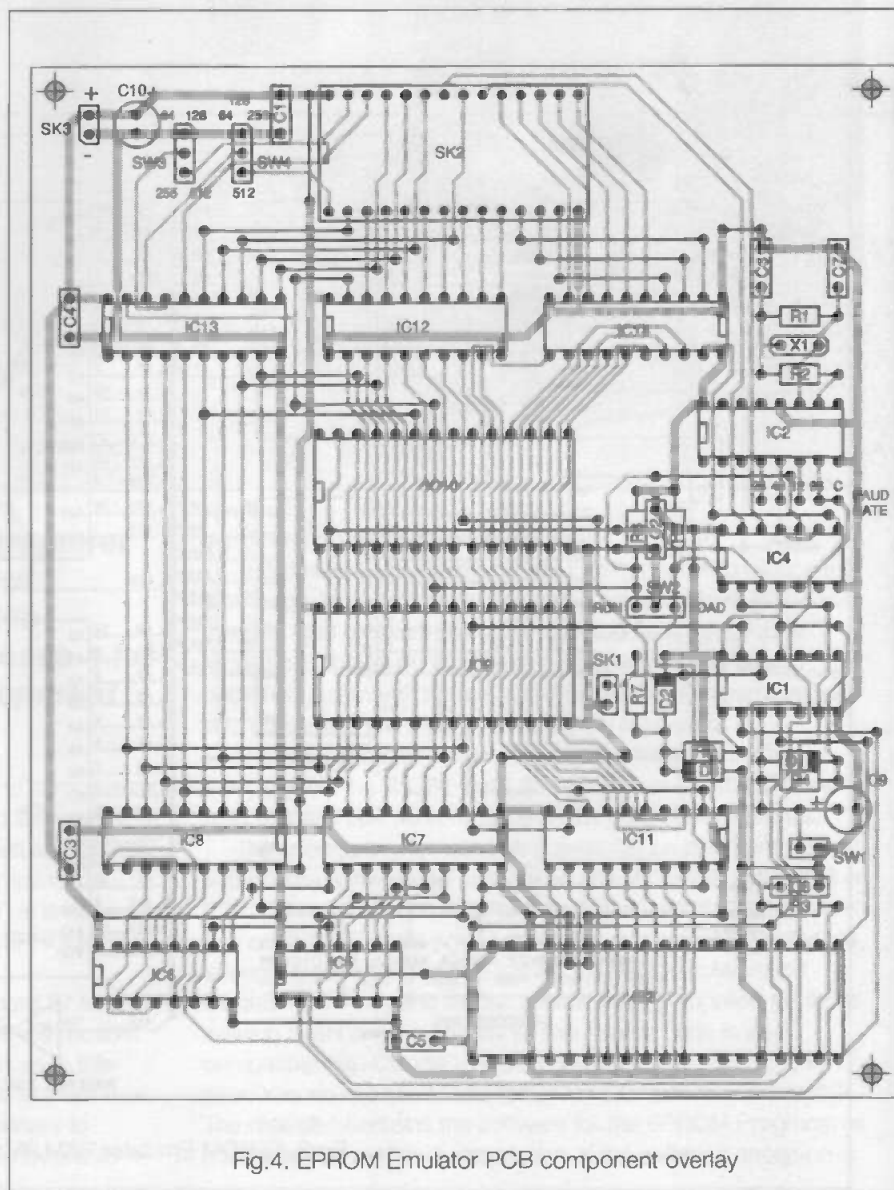
A byte of serial data arriving on pin 20 of IC3 will be converted to parallel data, which will appear on pins 5 to 12. Pin 19 will go high, and no further data can be received until pin 18 is taken low momentarily. One gate of IC4 causes this to happen, R3 and C8 create a slight delay giving a STROBE- pulse with adequate width for clocking other devices.

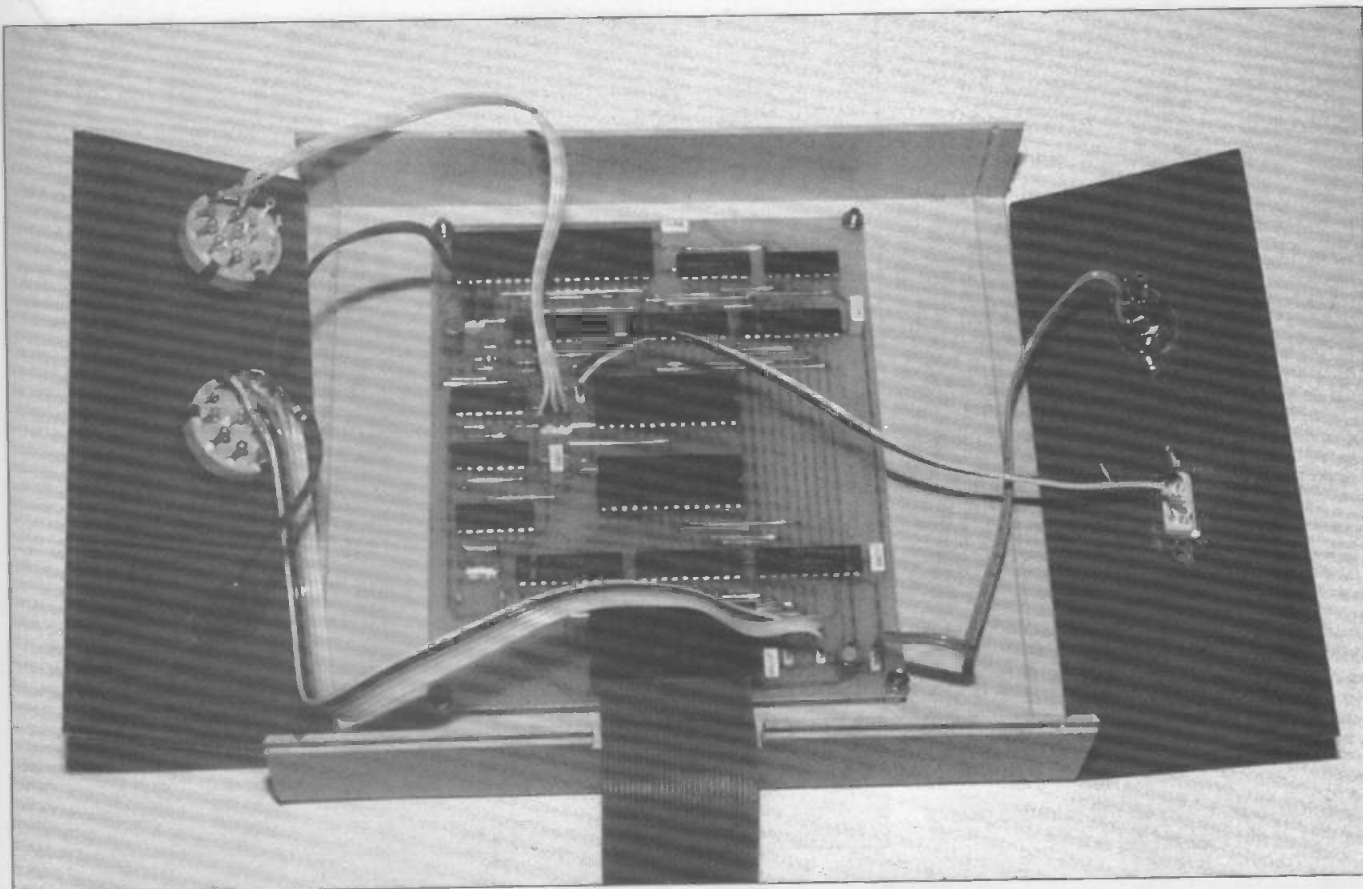
R4, D1, C9 and one gate of IC4 produce the power-on reset pulse for IC3, IC5 and IC6. SW1 allows the circuit to be re-set again as required.

Assume SW2 is in the upper position (Upload), so Fill- is low and Run- is high. IC12, IC13 and IC14 are disabled, so the 'EPROM' socket SK1 is isolated from the RAM. IC7, IC8 and IC11 are all enabled, effectively connecting the RAM (IC9 and IC10) to the address counters (IC5 and IC6) and the UART.

When a byte of data is received, the Strobe- line will pulse low as described previously. This is connected to the Write Enable- (pin 27) on the RAM IC's so the received data will be written to the current memory location.

The Strobe- signal is also connected to pin 23 of the UART. This will cause the transmission section of the device to go through its motions (even though nothing is listening). As





lower (Run) position. IC7, IC8 and IC11 are now disabled, isolating the RAM from the upload circuitry. IC12 and IC13 are enabled, effectively connecting the RAM address bus to the 'EPROM' socket. SW3 and SW4 select the EPROM type, and set any unused RAM address lines low. When pins 22 and 24 of the 'EPROM' are both low, IC14 is enabled (via IC4) connecting the RAM data lines to the 'EPROM'.

The prototype has not yet been tested on a speed-critical microprocessor system. The interface electronics should add no more than 20ns to the access time of the RAM devices used. Therefore with 100ns RAM chips, the unit should be able to emulate a 120ns EPROM, and will definitely emulate a 150ns device. If speed is critical, fit the fastest RAM chips you can get - 35ns devices are available if you are prepared to pay for them!

Construction

The unit is assembled on a single sided PCB, which is available from the ETI PCB service. The copper track layout is shown in figure * and the component overlay is shown in figure *.

A number of wire links are required, which should be fitted before any components, since some pass underneath ICs. I would suggest that the resistors are fitted next, followed by the ICs, then the capacitors, then the remaining parts. Fit a link wire between COM and 96 to set the Baud rate to 9600. Fit SIL header strip or Veropins for the off-board connections.

I would suggest that sockets are used for the RAM chips and the UART, in view of their cost. It would also be a good idea to use sockets for IC4, IC12, IC13 and IC14, since these interface to the outside world and could be damaged if there is a problem on the system being tested. The sockets allow for ease of changing if the worst happens.

If you do not plan to emulate 27512 EPROMs, you could save a few pounds by omitting IC10 (it can always be added later). The unit will then emulate up to 27256 devices, so move the stop on the Device switch to prevent the 27512 option being selected.

Fit a 28-way IC socket in SK2 position. A 300mm (or shorter) length of 28 way ribbon cable should be fitted with a 28 way DIL connector on each end. These can be readily pressed together in a vice or WorkMate, if three thicknesses of Veroboard are used to protect the connector pins. Take care when doing this, as it is not easy to get the connector apart again if something goes wrong. One end of this cable plugs onto SK2; make sure the edge of the cable with the different colour goes to pin 1.

When you receive these connectors from your supplier, please make sure the two parts are not pressed fully together before removing from the polythene packing. If they are, send them back. The two I purchased from Maplin were fully assembled and I managed to break one while disassembling them.

The interwiring is shown in figure *. This should be carried out at this stage, since it is necessary for testing. After testing, the board can be fitted into the case.

The connections for both 9 and 25 way serial connectors, use whatever matches the socket on your computer. On the prototype a 9 way D connector (serial) and a 6 way DIN socket (DC input) were fitted to the case. The rotary switch connections are shown by giving the pin number or letter marked on the switch body.

Testing

Connect the unit to a 5V supply and the serial port on your PC, and run the program "SER-TEST.EXE" on the software disk. When prompted, type "1" or "2" followed by Enter to say which serial port you are using. The program does nothing more exciting than wait for you to enter a 2-digit hex number (followed by Enter) and then sends it to the emulator. It then attempts to read back a number; if it's successful it prints the number otherwise it prints "***". Since the emulator does not transmit any data, the software will always respond with "***". To exit just press Enter on its own. All the responses in this section will be shown with quotes (") around them - just type the

number (followed by Enter); don't type the quotes.

Switch the emulator to 27512 and Upload, and press Reset. Type "00" on the computer, and the software should respond with "***". Using a logic probe, test meter or oscilloscope, check the logic levels on pins 9, 10, 11, 13, 14, 15, 16 and 17 of IC9. They should all be low. If you type "01", pin 9 should be high, and the others should remain low. Now enter "02", "04", "08", "10", "20", "40" and "80" in turn. After each entry, check the logic levels on the data pins; only one should be high in each case - 10, 11, 13, 14, 15, 16 and respectively.

Press Reset on the programmer. Press Enter on its own to quit the software then run "ADR-TEST.EXE", which is also on the disk. Since the address counters are incremented when a byte is sent, it would take a long time to get the count to 65535 manually! ADR-TEST does it automatically, and pauses at four points to allow you to check the logic levels. Follow the instructions on screen. The table below shows the expected logic levels on the address pins of the IC9 at the four pause points.

Addr Line	A15	A14	A13	A12	A11	A10	A9	A8	A7	A6	A5	A4	A3	A2	A1	A0
IC9 Pin	20	27	26	2	23	21	24	25	3	4	5	6	7	8	9	10
Count	Expected Logic Level															
0	0	0	0	0	0	0	0	0	0	0	0	0	0	0	0	0
21845	0	1	0	1	0	1	0	1	0	1	0	1	0	1	0	1
43690	1	0	1	0	1	0	1	0	1	0	1	0	1	0	1	0
65535	1	1	1	1	1	1	1	1	1	1	1	1	1	1	1	1

If these readings are OK, and the preceding tests were also successful you can be fairly confident that the unit is working correctly. It is not so easy to check emulation part of the unit, but providing the unit was carefully constructed the chances of problems are unlikely.

If you have a microprocessor system and a suitable hex file, you can try emulating a known good EPROM using the information given shortly.

The Case

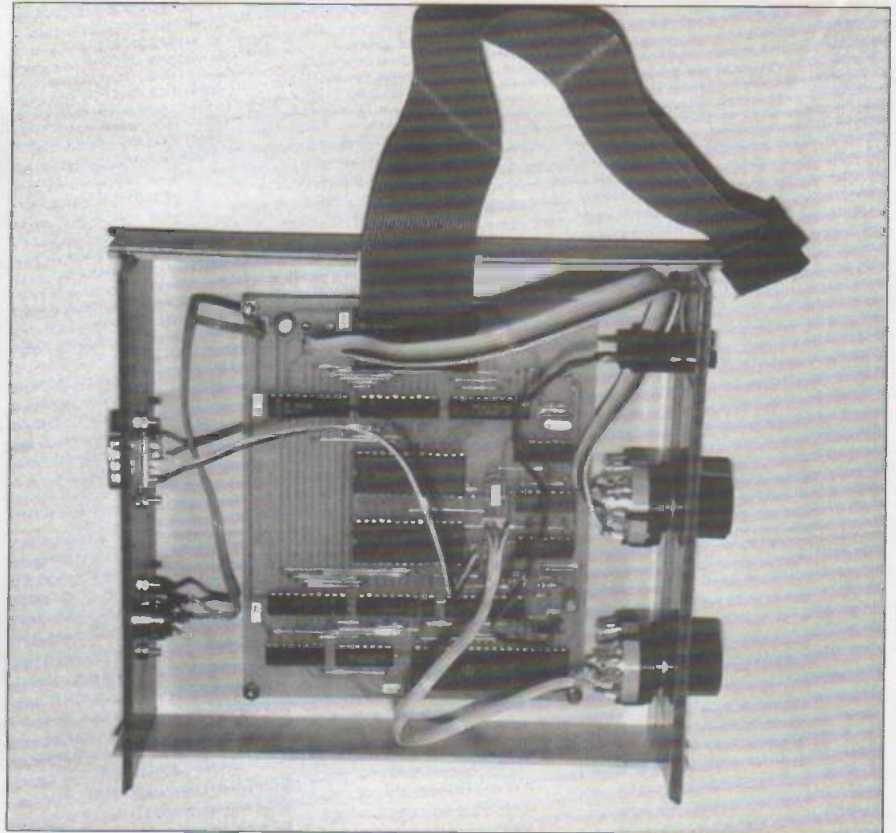
The prototype was constructed in a plastic case, 190mm * 165mm * 68mm, see parts list for details. A suitable overlay for the front panel is shown in figure *. Two photocopies may be taken (enlarge to 162mm * 64mm), one can then be used as a drilling template while the other may fixed to the front panel with clear self-adhesive vinyl.

A suitable notch should be cut in the right side of the case for the ribbon cable to pass through. The power and RS232 connectors mount on the rear panel.

Software

The software for this project is supplied on one 3.5" 720K disk. Please note that this disk also contains the software for the EPROM Programmer, published last month.

Since the various programs extend to over 2500 lines of BASIC source code, it would make boring reading to print it in



the magazine. A printed listing is not available since it would be more expensive than a disk to produce.

The software is supplied 'as-is', and neither Paul Stenning or Electronics Today International can accept any liability for any loss or damage however caused. The source code is supplied so that you may modify the software for your own use only. The software may not be redistributed in either its original or in a modified form. If you cannot accept these conditions please do not order the software

disk. That's the legal bit done!

A batch file is supplied on the disk to simplify installation. Insert the disk in the drive, type "A:" then "INSTALL", and the batch file will make a \EPROM directory on your drive C:, and copy the software to there. If you do not have a hard disk, make a working copy of the disk using DISKCOPY, then put the original away. Do not write-protect your working copy or the software will not work.

If you are using Windows, suitable icon, PIF and group files are supplied on the disk. Some parts of the software will operate much slower under Windows, particularly the initialisation when the serial port is opened. However it will run in the background (probably very slowly) if you are using 386 Enhanced Mode.

The main software of interest for this project is spread over two programs, "EMULATE.EXE" and "HEX-CONV.EXE". The first of these is the main control software for the emulator, while the second converts various industry standard hex file formats to and from the EPROM emulator format.

Additional programs on the disk are "PROGRAM.EXE" which controls last month's EPROM Programmer, and "SPLIT2.EXE" & "SPLIT4.EXE" which divide Intel hex files into 2 or 4 files for 16 and 32 bit systems respectively. Since the full BASIC source code is given for all of these programs, it would be possible to create one large program containing all the facilities - if someone had more time than me! I would be interested to see

Resistors

R1	4M7
R2	2K2
R3,8	1K0
R4	47K
R5,6,7	4K7

Capacitors

C1,2,3,4,5	100n
C6,7	22p
C8	2n2
C9	10u
C10	47u

Semiconductors

IC1	74HCT04
IC2	74HCT4060
IC3	6402
IC4	74LS32
IC5	74HCT4024
IC6	74HCT4040
IC7,8,11,12,13,14	74LS245
IC9,10	43256-10
D1,2,3	1N4148

Miscellaneous

XT1	2.4576MHz
SK1 connector	9 or 25 way D
SK3	DC INPUT
SW1	Push to Make
SW2 rotary	4 pole 3 way
SW3 and SW4 way rotary	one 4 pole 3
PCB, Case, knobs, wire, ribbon cable, two 28 way DIL ribbon connectors	

any enhanced versions.

When "EMULATE.EXE" is started, the Device Selection Menu will appear. From here you choose the type of device you will be using, either 2764, 27128, 27256 or 27512.

Once you have chosen the device required, the Main Menu will appear. Option 1 allows you to upload hex data to the emulator. The hex data is saved and loaded ASCII-Text format which is peculiar to this software. "HEX-CONV.EXE" will convert to and from this format.

When Option 1 is selected, you will be told where to set the switches on the emulator. You will then be asked for a filename; simply enter

8 the alpha-numeric characters - the extension is fixed to .HEX and does not need to be typed. Now sit back and wait; the progress will be shown on the screen.

Option 2 allows you to change the EPROM type as previously. Option 3 lets you run the Hex File Converter program, "HEX-CONV.EXE" and option 4 lets you access a DOS Shell; type "EXIT" to return to the emulator. To quit the emulator, press Escape.

The Hex File Converter was described in detail last month, so I won't bore you by repeating it here!

Emulating

The emulator may be powered by the microprocessor circuit being tested if there is sufficient capacity in the power supply. This will happen by default, via pins 14 and 28 of SK2.

If you need to power the emulator separately, you will need to isolate pin 28 of SK2 from the circuit under test, to prevent the two power supplies conflicting. This is easily achieved by removing pin 28 from a spare IC socket, and then fitting this onto the free end of the ribbon cable before plugging it into the test circuit.

The 300mm length of ribbon cable should not cause any problems unless the microprocessor system is very fast. In this case, try making another cable just long enough to reach.

The ICs interfacing this unit to the outside world are 74LS TTL devices, since these are somewhat more robust than 74HCT, and the inputs are not so static-sensitive. For speed-critical systems you may need to use a different logic family here.

When the unit is not in use, it's a good idea to plug the end of the ribbon cable into a piece of anti-static foam. This helps protect the electronics from static, and prevents the pins from being bent.

The plastic case used for the prototype is made by Babbox, and is available from RS/Electromail, stock no 506-788. The software for this EPROM Emulator and last month's EPROM Programmer are available on one disk from the author. Please send a blank PC formatted 720K 3.5" disk; the price for the software is £10. If you do not have a suitable disk, send £12 and one will be supplied. Please add an extra £1 if within Europe, or £2 elsewhere, to cover the additional postage.

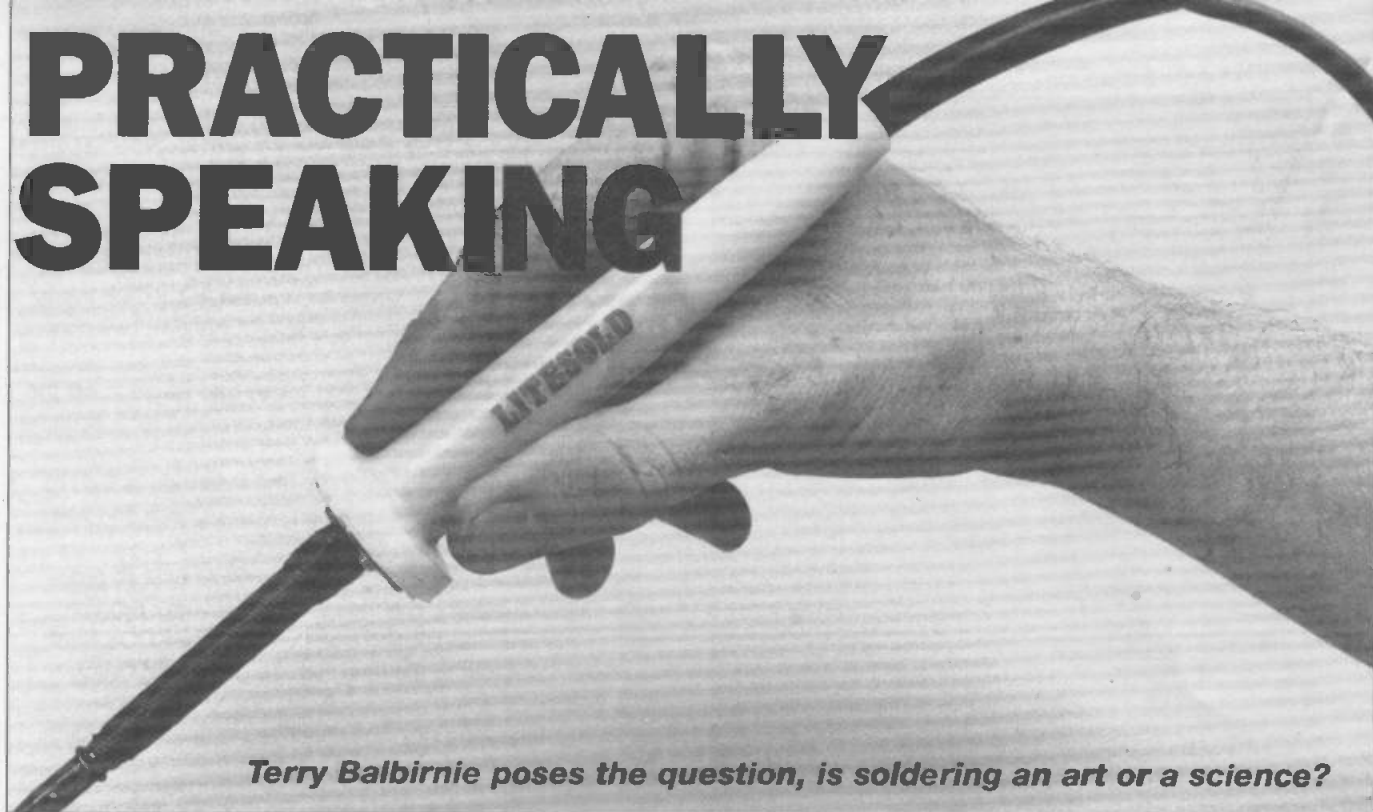
The author can also supply PCBs for the EPROM programmer, the PSU, and next month's project, the EPROM emulator. The EPROM PCB is priced at £12, the PSU PCB at £5, and the Emulator PCB at £15, or if you want to buy all three then they are available at £30. Do not forget to add P&P: £1.50 in the UK and £2.50 elsewhere. If you would like to purchase either the software or the PCBs then send a cheque or postal order for the appropriate amount made payable to "Paul Stenning", plus a return address label to the following address:

Paul Stenning, 1 Chisel Close, Hereford, HR4 9XF.

If ordering from outside the UK, please make sure your cheque is in Pounds Sterling and is drawn on a UK bank. The author will be making up PCBs in batches so please be patient, cheques will not be cashed until the boards are dispatched.

The above offers from the author are only valid until the end of March 1995. After that date, please contact him first before sending any cash.

PRACTICALLY SPEAKING



Terry Balbirnie poses the question, is soldering an art or a science?

After spending some months looking at the setting-up of workshops, it is now time to consider more constructional matters. This time we shall examine the soldering equipment which is available. Over the next few months, we shall continue with this topic then examine soldering technique and the tools needed to make a good job. Soldering is a skill which all electronics hobbyists must master in order to make a permanent circuit. A properly-made soldered joint will last indefinitely and provide a low electrical resistance combined with the mechanical strength to hold the connection together.

Solder itself - at least the type used in electronics - is an alloy (a mixture of metals) usually consisting of 60% tin and 40% lead. This has a melting point of 188°C - less than either of its constituents. Solder used for electronics work contains cores of flux which run up the centre. Flux prepares the surfaces to receive the solder and without this, it would be difficult to make a satisfactory joint.

Solder is supplied in lengths or in reels by weight - often 500g and 2kg. The thickness is usually 18 SWG (1.22mm) or 22 SWG (0.71mm) although 24 and 26 SWG are available. It is much cheaper to buy reels (500g will cost around £7). 500g of 22 SWG solder contains about 175m so it will last a long time!

Tools of the trade

As well as solder, you will need a small soldering iron. These are inexpensive so it is not worth using an old hand-me-down. The chief points to consider are the size of its bit (although this is often interchangeable) and the power rating (wattage). After that, choose by the feel of the handle, balance, weight and price. There are some "own brand" bargains for less than £10. Maplin supply their Beginners Soldering Iron for £3.95.

For building amateur circuits, a 12W to 18W type will be suitable such as the Litesold LA12 (12W) or LC18 (18W) or Antex 12W Type M, 15W Type C or 17W Type CS. Antex kits include the soldering iron itself, bench stand, solder and a booklet about soldering - useful for those wanting to get started. Note that users of the mains-free workshop described in previous parts of this series must buy a 12V soldering iron rather than a mains model. Both the Litesold and Antex CS models

mentioned above may be purchased in 12V versions or buy the Auto-Repair kit (no stand with this one). Many soldering irons can be bought with a silicone rubber lead at slightly greater cost. These are much less likely to suffer damage if they touch the hot tip. Replacement silicone rubber wire is also available from mail-order suppliers.

Established users should consider buying a thermostatically-controlled iron. These have a higher power element - usually 50W to 60W - so they heat up much more quickly. However, when the correct temperature is reached, the supply is controlled. Some models feature proportional control which supplies power to the element at the correct rate to maintain the temperature. Others have on-off thermostatic action like a domestic iron. These soldering irons do not tend to cool down when making many joints in quick succession as is the case with standard irons. Also, the bit stays in good condition for longer. Of the mains-voltage temperature-controlled irons available, some have a fixed operating temperature such as the Antex A718. The Litesold EC50 and Antex TCS240 have in-handle temperature control. An iron like this will cost between £40 and £50. No temperature-controlled irons appear to be available in a 12V option.

Station pick-up

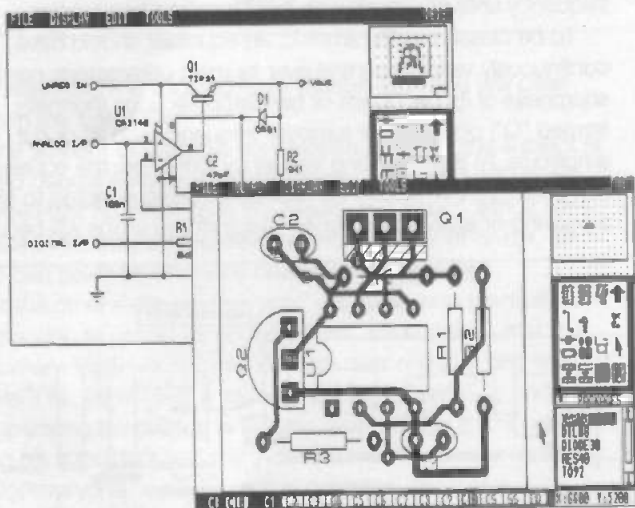
Some soldering irons are used as part of a soldering station. These have a 24V supply provided by a transformer in the base unit. Basic models use low voltage simply for safety - the base station will cost about £50. The user will then choose a 24V iron to go with it. More expensive stations have a temperature control on the base unit. These use the soldering iron supplied. This will have a temperature sensor in the tip and a connection to the electronic control system in the base unit. Some have a meter which shows the actual operating temperature. Soldering stations sometimes have a spring stand built-in and a small tray for the sponge used to clean the bit.

NEXT MONTH

Next month we shall pursue this topic by looking at self-contained soldering irons and soldering technique.

POWERFUL SCHEMATIC CAPTURE, PCB DESIGN AND AUTOROUTING ALL FOR JUST £395...

PROPAK AR for DOS provides all the features you need to create complex PCB designs quickly and easily. Draw the circuit diagram using the powerful facilities of ISIS DESIGNER+ and then netlist into ARES AUTOROUTE for placement, autorouting and tidy up. Advanced real time design rule checks guarantee that the final PCB will correspond exactly with the schematic thus saving you from costly layout errors and time consuming debugging.



- Attractive, easy to use graphical interface.
- Object oriented schematic editor with automatic wire routing, dot placement and mouse driven place/edit/move/delete.
- Netlist generation for most popular CAD software.
- Bill of Materials and Electrical Rules Check reports.
- Two schemes for hierarchical design.
- Automatic component annotation and packaging.
- Comprehensive device libraries and package libraries including both through hole and SMT parts.
- User definable snap grids (imperial and metric) and Real Time Snap to deal with tricky SMT spacings.
- Manual route editing features include Auto Track Necking, Topological editing and Curved tracks.
- Autorouting for single, double and multi-layer boards.
- Non autorouting PROPAK is available for just £250 if you do not need or want the router.
- Full connectivity and design rule checking.
- Power plane generator with thermal relief necking.
- Graphics support to 800x600 Super VGA.
- Output to dot matrix and laser printers, HP and Houston plotters, Postscript devices, Gerber and Excellon NC machines plus DXF and other DTP file formats.

CADPAK

Two Programs for the Price of One

ISIS SUPERSKETCH

A superb schematic drawing program for DOS offering Wire Autorouting, Auto Dot Placement, full component libraries, export to DTP and much more.

**Only
£79**

Exceptionally easy and quick to use. For example, you can place a wire with just two mouse clicks - the wire autorouter does the rest.

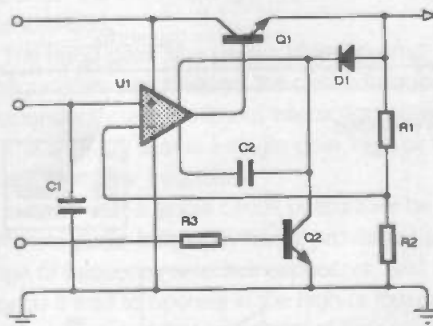
PCB II

High performance yet easy to use manual PCB layout package. Many advanced features including curved tracks, auto track necking, DXF export, Gerber and NC file generation, Gerber viewing and more.

Alan Chadwick writing in ETI (January 94) concluded...
"At £79 I thought this was an excellent buy."

ISIS ILLUSTRATOR

Schematic Drawing for Windows



**From
£99**

Running under Windows 3.1, ISIS ILLUSTRATOR lets you create presentation quality schematic drawings like you see in the magazines. Furthermore, when the drawing is done, transferring it to another document is just a matter of pasting it through the Clipboard.

Now used by a number of prominent technical authors to illustrate their latest books and magazine articles.

Labcenter
Electronics



WE HAVE MOVED - NOTE NEW ADDRESS

Call us today on 0756 753440 or fax 0756 752857 for a demo pack - state DOS or Windows. Multi-copy and educational discounts available.

Prices exclude p&p (£5 for U.K.) and VAT. All manufacturers' trademarks acknowledged.

53-55 Main St, Grassington, North Yorks. BD23 5AA.

PARABENDER

Barry Porter shows how to build a stereo parametric equaliser in modular form which may be configured to suit your precise requirements. Fully balanced inputs and outputs with professional facilities and performance mean that no audio system should be without one ...



n equaliser is a glorified tone control, and has one purpose in life - to modify frequency response. There are three main reasons for doing this - to correct for inaccuracies elsewhere in the system, to get rid of some unwanted part of the frequency

range, or to obtain a particular effect which requires an uneven response in order to get the required sound.

Recording and broadcast studio mixing consoles invariably have an equaliser as part of each input channel, but due to space or cost limitations, these are often quite basic and inflexible. It is quite common to find console equalisers with a fixed degree of sharpness for the peaking sections, or high and low frequency shelving zones with fixed turnover frequencies.

To be classed as Parametric, an equaliser should have continuously variable control over its main parameters; namely sharpness of its bandpass or bandstop sections (normally termed "Q") operating or turnover frequency and lift or cut amplitude. At the operating frequency extremes, the equalisation characteristic should be capable of being selected to either a peaking or shelving response shape (these terms will become

Fig.1. Parabender block diagram

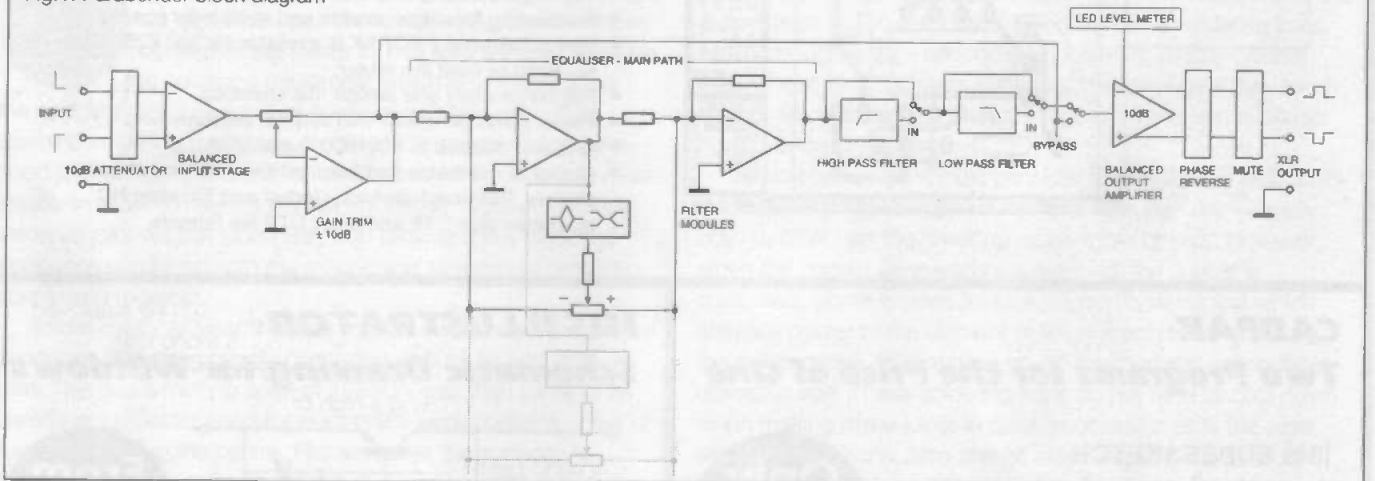


Fig.2. Parabender input stage

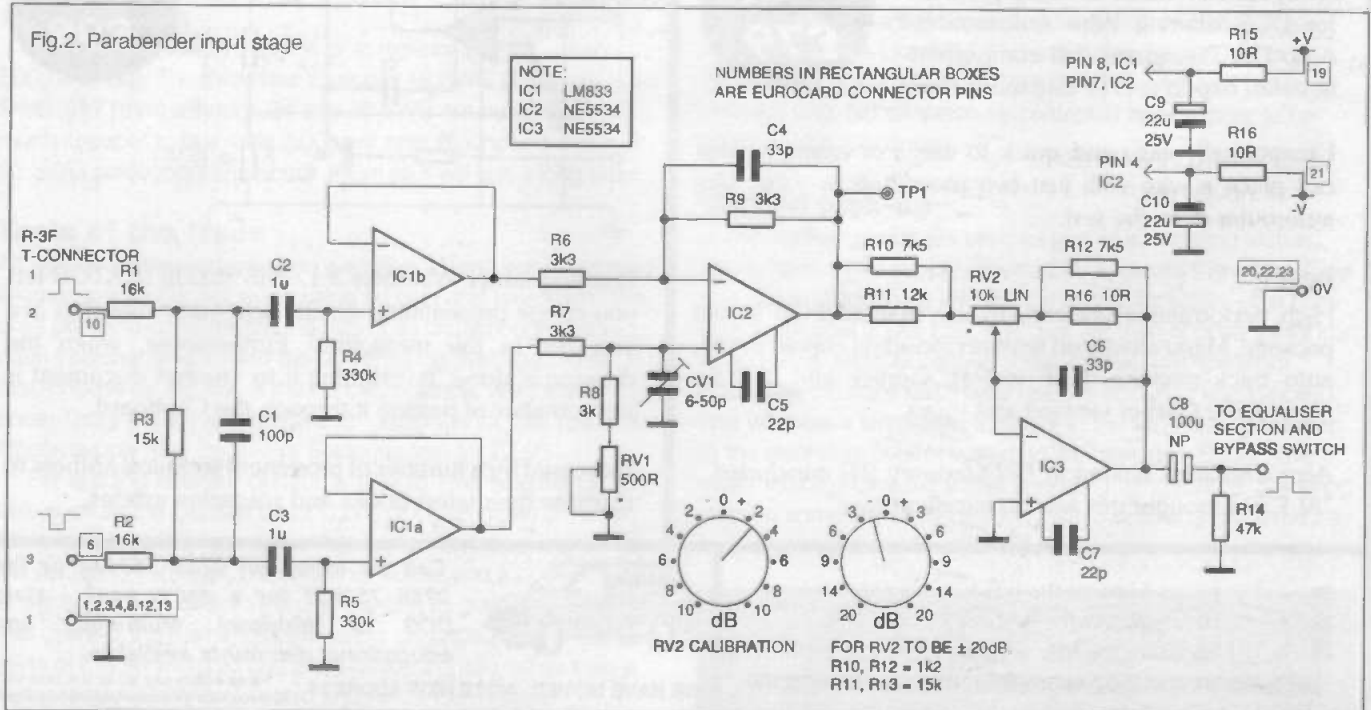
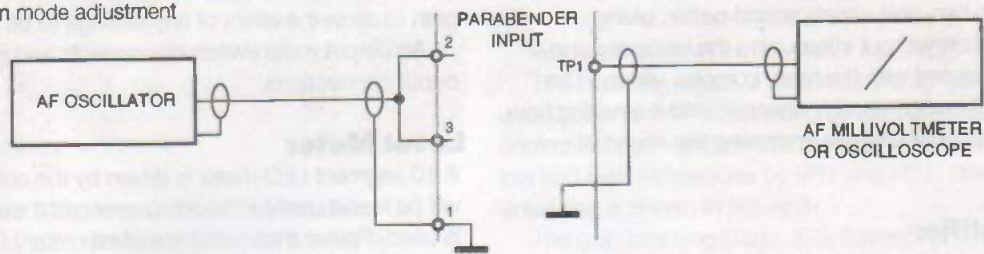


Fig.3. Input common mode adjustment



- STEP 1 ARRANGE EQUIPMENT AS ABOVE
- STEP 2 APPLY 100Hz SIGNAL AT APPROXIMATELY +10dBu (2.5v RMS)
- STEP 3 ADJUST RV1 FOR MINIMUM OUTPUT
- STEP 4 CHANGE FREQUENCY TO 10kHz
- STEP 5 ADJUST CV1 FOR MINIMUM OUTPUT
- STEP 6 REPEAT STEPS 2 TO 5 UNTIL OPTIMUM ADJUSTMENT IS ACHIEVED
- STEP 7 APPLY LOCKING COMPOUND (NAIL VARNISH ?) TO RV1 AND CV1 ADJUSTMENT SCREWS
- STEP 8 REPEAT WHOLE PROCESS IF ANY INPUT STAGE COMPONENTS ARE CHANGED

clear later) and it is usual to have variable high and low pass filters in the signal path.

The amount of available equalisation is overtly the subject of heated debate among audio engineers. The purist will usually maintain that he never uses equalisers, but if such things have to exist at all, they should have no more 6dB of lift or cut, as there can never be any sane reason for using more.

At the other extreme, the "pop" engineer, who normally uses equalisation to obtain particular effects, will complain that the customary 15dB variation is nowhere near enough, and when he has it explained that a wider range would seriously endanger the operating headroom, is likely to gaze blankly at the ceiling, shrug his shoulders and say that he doesn't see the problem.

Not everyone needs incredibly complex, expensive equalisers. For example, if a small amount of top lift is required to correct for loudspeakers with falling high frequency response, only a single band will be necessary, and to have more would not only be a waste of money, but could compromise both noise and reliability by introducing redundant circuitry into the signal path.

What is really needed is an equaliser that can be tailored to meet individual requirements, ideally by the use of plug-in units - say "Hello" to the ParaBender ... (Maybe it should be called the PlugInBender!)

Basic Principles

Input Stage:

A block diagram of the ParaBender is shown in Figure 1. The signal input is electronically balanced and is preceded by a 10dB attenuator in order to maintain an input overload margin of 30dB.

The following stage gives +/- 10dB of gain trim, so that the signal path through the equaliser section may be kept at approximately -10Bu for input levels between -10Bu and +10Bu. Details are given later if you feel that a wider control range is necessary.

Equaliser Section

The signal path through the equaliser section consists of two inverting amplifiers. The output from the first of these feeds the modular bandpass, or shelving filters and the filter outputs are directed to the input of either the first or second amplifier according to the position of the amplitude controls.

In the "Cut" position the filter adds frequency selective negative feedback around the first amplifier, thereby reducing the gain at frequencies corresponding to the filter output. In the

"Lift" position, the same frequencies by-pass the input resistor of the second stage, giving additional gain at the frequencies in question.

The advantage of this equalisation system is that in both the Lift and Cut positions of the amplitude control, the filter output is added to the main signal at a virtual earth summing point, so any number of filters can be used without interaction between separate bands. It also allows different types of filter to be used, which is necessary in order to obtain both peaking and shelving response characteristics. An additional benefit is that when the amplitude control is in its central, flat position, the filter output is shorted to ground by the potentiometer centre tap, and therefore can add no unnecessary noise to the main signal.

Equaliser Filters

The individual filters are contained in separate plug-in modules, so any number up to six can be used in a stereo ParaBender. The limit is purely mechanical, and up to 14 can be employed with a single input/output module to build a mono unit.

Each module contains two filters - one giving a bandpass response, the other having a high or low frequency shelving characteristic.

The band-pass filter uses a triple op-amp "State Variable" configuration, which allows the centre frequency and "Q" to be independently varied without interaction between the controls.

The shelving filter is a single-pole, high or low pass type with variable turnover frequency.

In order that a single circuit board may be used to cover the complete audio frequency band, provision has been made for a range of frequency selective capacitors, and the shelving filter may be linked to operate in the high or low pass mode.

It is suggested that two types of filter are built - one operating between 20Hz and 1kHz, the other from 1kHz to 20kHz. The recommended Q range is 0.7 to 5, with an amplitude control giving +/- 10dB of variation.

Signal Path Filters

Following the equaliser section are double-pole high and low pass filters, both with variable operating frequencies and In-Out switching.

The high pass is of the equal value type in order to keep the adjustment potentiometer tracks of the same resistance, and the response has a Butterworth, maximally flat characteristic. The suggested frequency range is 10Hz and 200Hz. The low pass filter also has a Butterworth 12dB per octave response, and is adjustable between 5.5kHz and 21kHz.

It would be possible to have steeper roll-off filter slopes,

such as 18 or even 24dB per octave, but it is generally accepted that the two-pole variety sound better, giving adequate attenuation without introducing the harshness and ringing often associated with the more complex variety. The control pots are also considerably cheaper, and it amazing how often this can contribute towards improving the sound of something!

Output Amplifier

The output of the ParaBender is electronically balanced, and must provide gain of 10dB to counteract the input stage attenuator. The differential phase action of the output stage automatically doubles the signal voltage, so an adjustable gain buffer gives an additional 4dB, adjustable over a further 4dB range to enable the overall unit gain to be accurately set.

The output will operate unbalanced, but should have the unused leg connected to ground, when the gain of the opposite side will increase to compensate.

The output is equipped with a phase reversal switch, which simply swaps the output connections

which removes the equaliser section and filters from the signal path to allow the effect of any settings to be judged.

An output mute switch disconnects and grounds the output connections.

Level Meter

A 10 segment LED meter is driven by the output amplifier, and will be found useful in avoiding overload if excessive equalisation is used. Rather than use a standard meter I.C. such as the LM3915, discrete circuitry has been employed, as this allows access to the voltage reference and divider chain so that the steps can be set to suit individual requirements.

Circuit Details

Returning to the input stage, this time in detail, Figure 2 shows the relevant circuit.

The input attenuator is formed by resistors R1, R2 and R3. Taking into account the slight effect of R4 and R5, the actual attenuation is given by:

$$20 \log \left(\frac{R_x}{R_1 + R_2 + R_3} \right) = 10.05 \text{sdB}$$

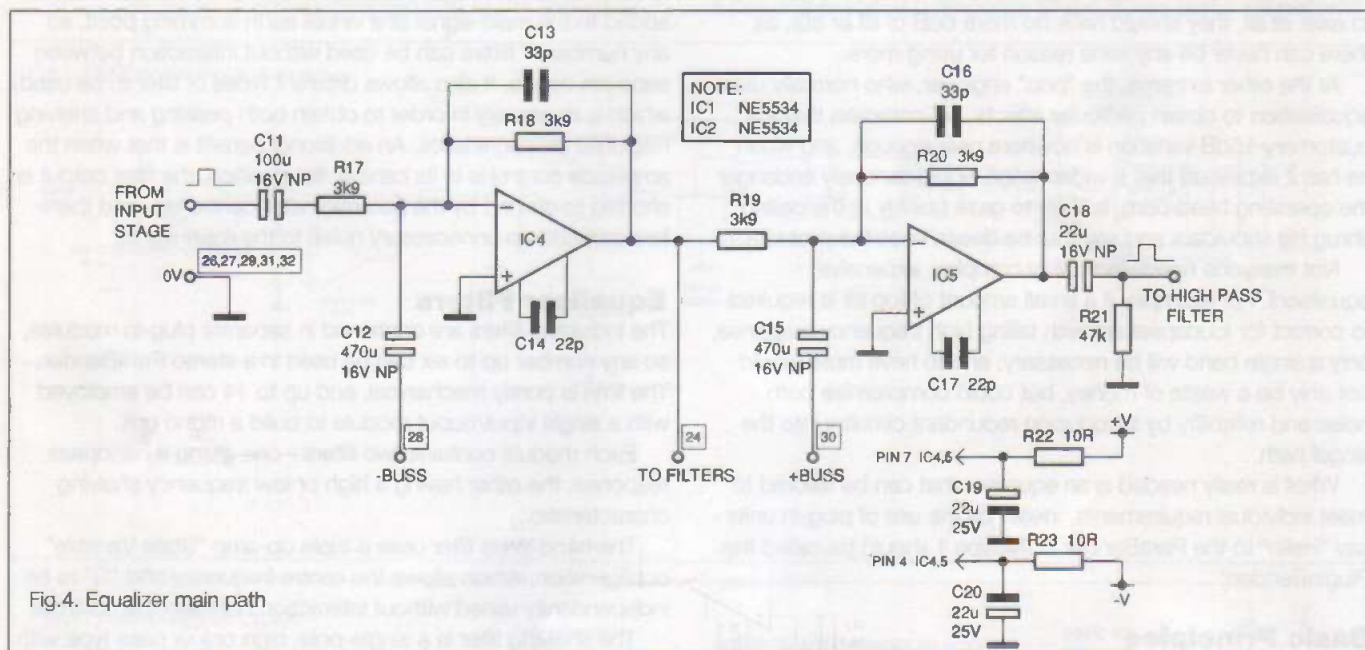


Fig.4. Equalizer main path

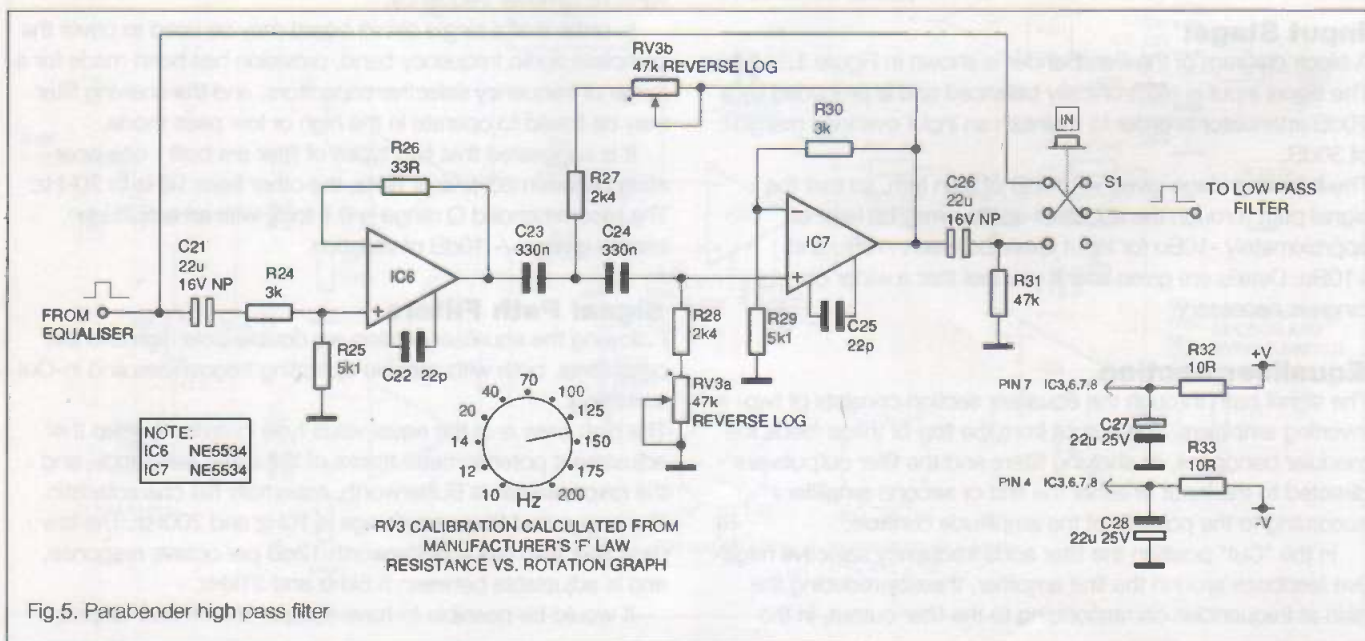


Fig.5. Parabender high pass filter

$$\frac{1}{(2_RCF)^2 + 1} = 0.0025dB$$

$$(R_x + R_1 + R_2)$$

$$R_3 * (R_4 + R_5)$$

Where $R_x = R_3 + R_4 + R_5$

Frequencies above 200kHz are rolled off by capacitor C1, and the low frequency turnover and phase shift are set by capacitors C2 and C3 with resistors R4 and R5, the -3dB point being:

$$(2_C2R4)^{-1} = 0.48Hz$$

This leads to a 20Hz response of:

$$20 \log (2_RCF)$$

With a phase shift of: $90 - \tan^{-1}(2_RCF) = +1.88^\circ$.

The incoming signal is buffered by unity gain stages IC1a and IC1b and then unbalanced by differential amplifier IC2. The common mode rejection of this stage may be adjusted at both low and high frequencies by VR1 and VC1. The method of doing this is shown in Figure 3.

The gain trimming stage, IC3, follows IC2. This has a range of +/- 10dB with the values shown. For other ranges, resistors R10, 11, 12 & 13 may be changed, the desired value being given by:

R Pot

A - 1

and the nearest resistance being obtained by selecting the

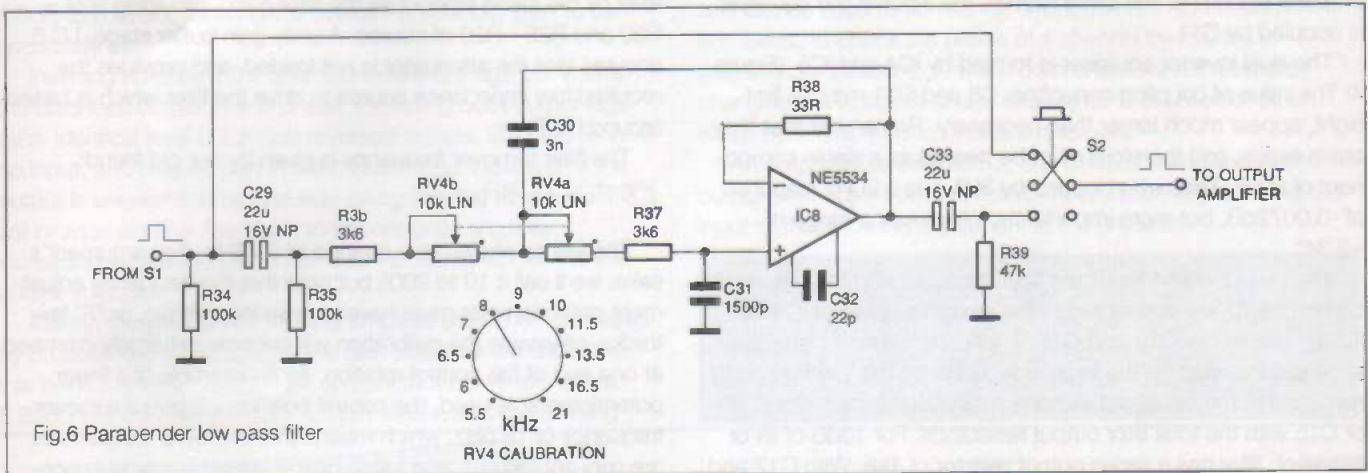


Fig.6 Parabender low pass filter

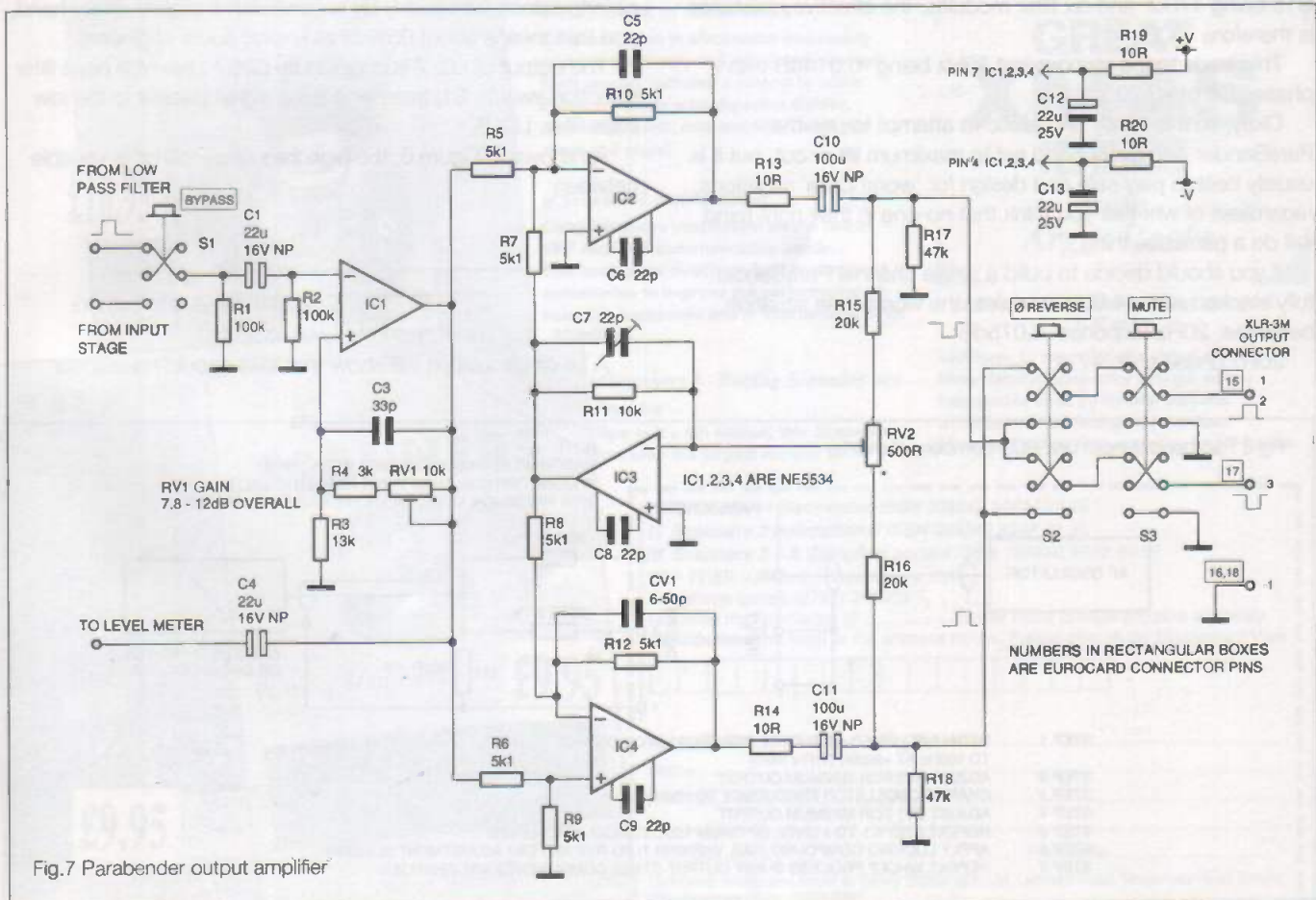


Fig.7 Parabender output amplifier

parallel combinations. For example, to obtain $\pm 20\text{dB}$ range, each parallel pair of resistors should be:

$$\frac{10\text{k}}{10 - 1} = 1.111\text{k}$$

By trial and error, it is found that 1.2×15

$$15 = 1.111$$

so if R10 and R12 are changed to 1k2 and R11 and R13 becomes 15k, the control will give $\pm 20\text{dB}$ of level adjustment.

Note that as the gain trim stage is inverting in operation, a phase reversal has to be introduced to counteract this, which is why the wiring between the circuitry and Input connector may appear to be wrongly shown.

The output of IC3 is A.C. coupled by capacitor C8 to enable the by-pass switch to be operated without introducing clicks onto the signal. For the same reason, the Input of the equaliser is coupled by C11.

The dual inverter equaliser is formed by IC4 and IC5. (Figure 4) The value of coupling capacitors C8 and C11 may, at first sight, appear much larger than necessary. Remember that they are in series, and therefore must be treated as a single component of 50uF. This, when loaded by 3k9, has a 20Hz response of -0.0072dB , but more importantly, introduces a range of $+2.34^\circ$.

The output of IC4 feeds the filter modules, and the amplitude control tracks are connected to the inverting inputs of IC4 and IC5 by capacitors C12 and C15. Again, the value of these may appear somewhat on the large side, because the low frequency response of the equalised signal is a function of capacitor C12 or C15 with the total filter output resistance. For 10dB of lift or cut, each filter has a series output resistor of 1k8. With C12 and C15 being 470uF and six filter modules, the effective resistance is therefore 300R.

This leads to the response at 20Hz being -0.014dB with a phase shift of $+3.23^\circ$.

Okay, so it is totally unrealistic to attempt to use the ParaBender with every band set to maximum lift or cut, but it is usually best to play safe and design for 'worst case' situations, regardless of whether you think that no-one in their right mind will do a particular thing.

If you should decide to build a single channel ParaBender, fully stacked with 14 filter modules, the worst case situation becomes: 20Hz response: 0.075dB

20Hz phase shift: $+7.5^\circ$

This performance is just about acceptable, so the size of C12 and C15 is justified, even though it is unlikely that anyone could hear the effect of reducing them to 100uF or thereabouts.

The output of the equaliser section is A.C. coupled to the high pass filter, again to prevent clicks as the filter is switched in and out.

Figure 5 shows the relevant circuit.

To keep the control potentiometer sections of equal value, the op-amp must provide some gain which is decided by the filter "Q". The amount of gain is given by:

$$\text{Gain} = 3 - (1/Q)$$

For a Butterworth response, the Q must be 0.7071, requiring a gain of 1.5858 (4.005dB).

The resistor values given will result in this characteristic, but a bit of experimenting may lead to some worthwhile results. (See how you like the sound of a filter with a Q of 1.5 or 2).

In order to maintain unity gain through the filter, an input attenuator comprising resistors R24 and R25 reduces the signal level by the same amount as the filter gain - providing R24 = R30 and R25 = R29 of course. A unity gain buffer stage, I.C. 6, ensures that the attenuator is not loaded, and provides the required low impedance source to drive the filter which is based around I.C.7.

The filter turnover frequency is given by our old friend:

$$F_{-3} = \frac{1}{2\pi RC} - 1$$

The values shown give a range of 9.76Hz. (For argument's sake, we'll call it 10 to 200!) but note that the frequency adjustment potentiometer must have reverse logarithmic, or "F" law tracks, otherwise the calibration will become extremely cramped at one end of the control rotation. As an example, if a linear potentiometer is used, the central position will give a turnover frequency of 18.6Hz, which means that the lower frequencies are very spread out, and those nearer 200Hz become impossible to select, particularly by anyone with a slightly shaky hand, and that means about 95% of all known audio engineers.

The output of I.C. 7 is coupled by C26 to the high pass filter selection switch, S1, from where the signal passes to the low pass filter, I.C. 8.

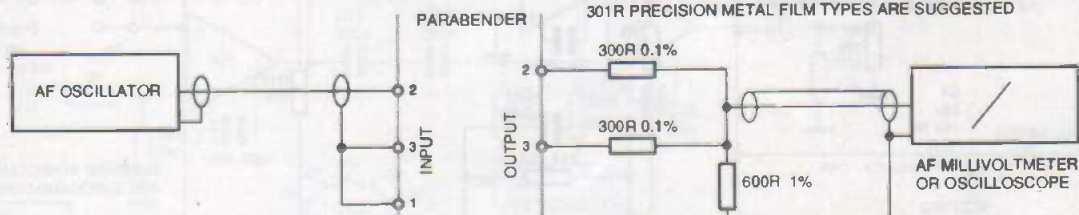
As shown in Figure 6, the high frequency roll-off is variable between:

$$2\pi RC = 5.517\text{kHz and } 20.840\text{kHz}$$

Where R = (R36 + VR4b) and C = C30

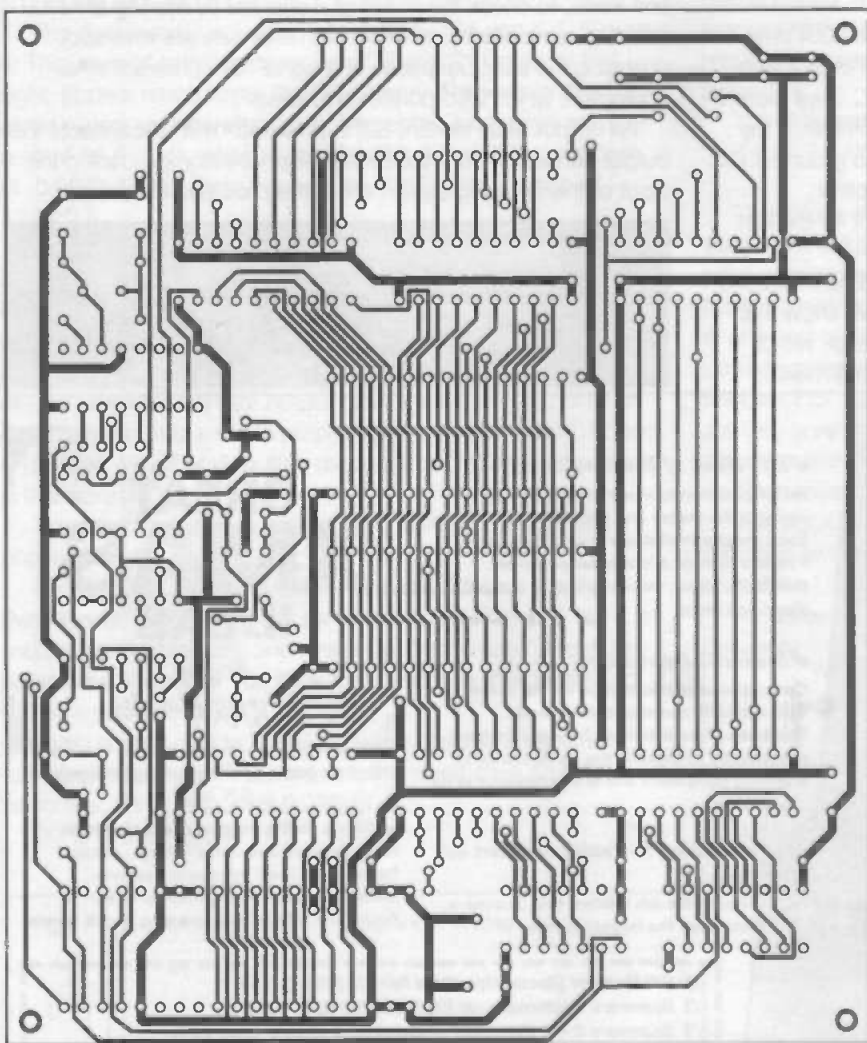
A bit of calculation will show that VR4 should have linear

Fig 8 ParaBender Input unit PCB component overlay

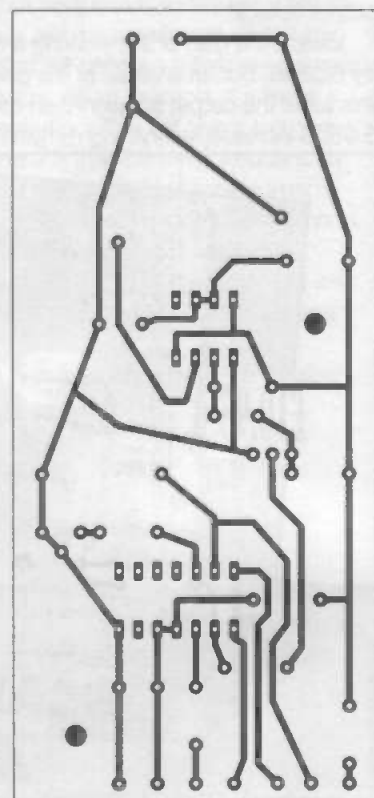


- NOTE: MATCHING BETWEEN THE 300R RESISTORS IS MORE CRITICAL THAN THEIR ABSOLUTE VALUE. 301R PRECISION METAL FILM TYPES ARE SUGGESTED
- STEP 1 WITH UNIT LINKED AS SHOWN. SET OSCILLATOR OUTPUT TO 100Hz AT $\pm 20\text{dBu}$ (7.75v RMS)
 - STEP 2 ADJUST RV2 FOR MINIMUM OUTPUT
 - STEP 3 CHANGE OSCILLATOR FREQUENCY TO 10kHz
 - STEP 4 ADJUST CV1 FOR MINIMUM OUTPUT
 - STEP 5 REPEAT STEPS 1 TO 4 UNTIL OPTIMUM ADJUSTMENT IS ACHIEVED
 - STEP 6 APPLY LOCKING COMPOUND (NAIL VARNISH ?) TO RV2 AND CV1 ADJUSTMENT SCREWS
 - STEP 7 REPEAT WHOLE PROCESS IF ANY OUTPUT STAGE COMPONENTS ARE CHANGED

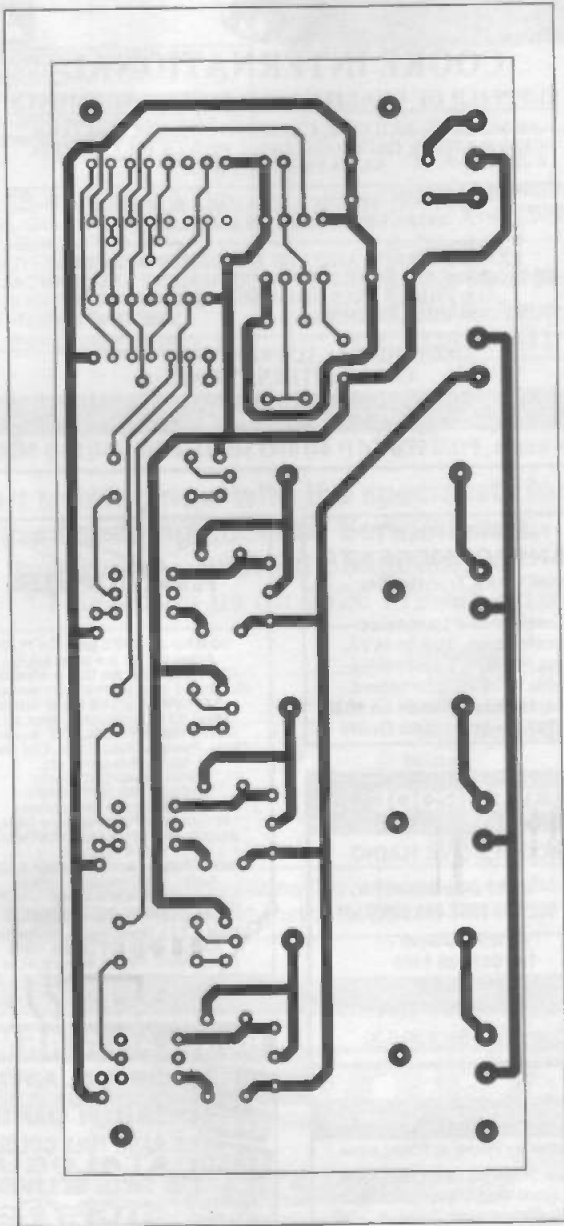
Foils for this issue



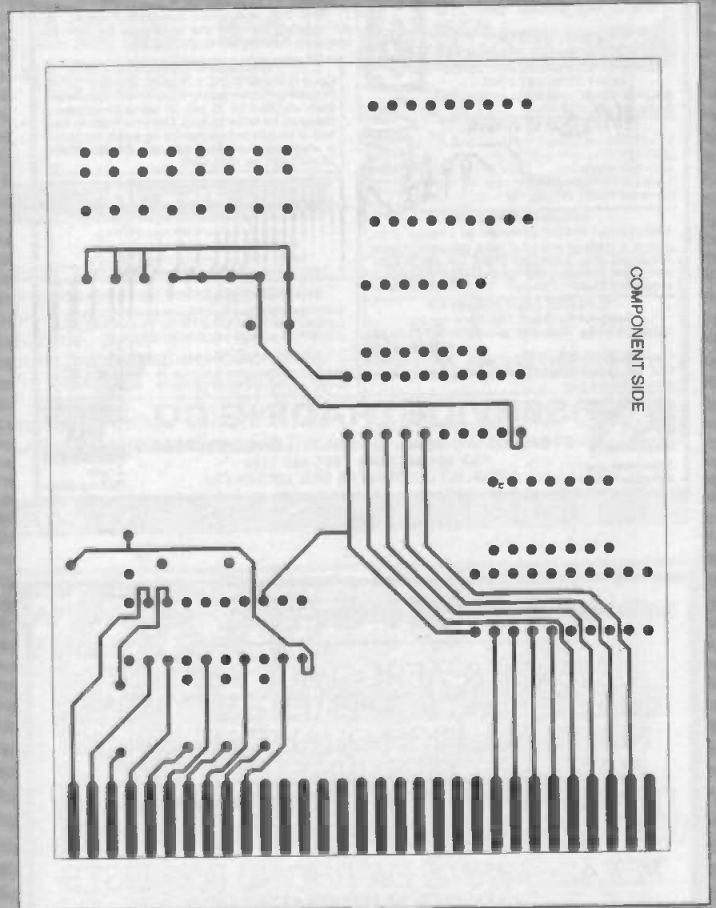
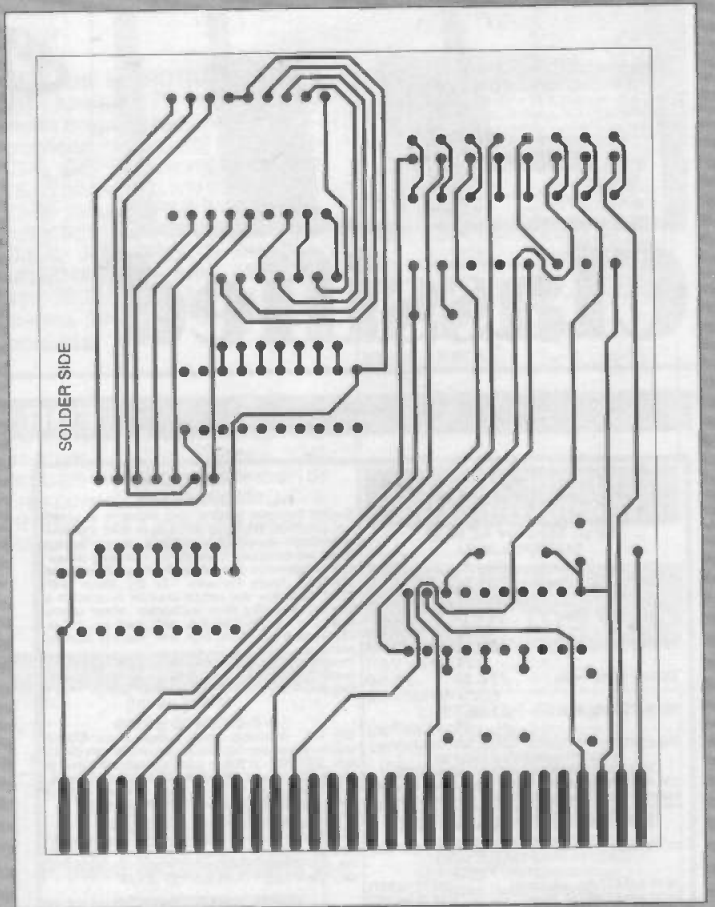
Eprom Emulator



Mini Enlarger Timer



Christmas Lights Flasher



Corrections To Foils For Last Month's Post Card Project



Classified



James Gale 0442 66551

Send your requirements to:
ETI Classified Department, ASP, Argus House,
Boundary Way, Hemel Hempstead, HP2 7ST
Lineage: 70p per word (+ VAT) (minimum 15 words)
Semi display: (minimum 2.5cms)
£9.50 + VAT per single column centimetre



Ring for information on series bookings/discounts.
All advertisements in this section must be prepaid.
Advertisements are accepted subject to the terms and conditions
printed on the advertisement rate card (available on request).

FOR SALE

VARIABLE VOLTAGE TRANSFORMERS

INPUT 220/240V AC 50/60

OUTPUT 0-260V

	Price	P&P
0.5KVA 2.5 amp max	£31.90	£6.00
	£44.53 inc VAT	
1KVA 5 amp max	£41.15	£7.00
	£58.58 inc VAT	
2KVA 10 amp max	£59.40	£8.50
	£79.78 inc VAT	
3KVA 15 amp max	£78.65	£8.50
	£102.40 inc VAT	
5KVA 25 amp max	£139.15	

(Plus Carriage)
Buy direct from the Importers. Keenest prices in the country.
COMPREHENSIVE RANGE OF TRANSFORMERS-LT-ISOLATION & AUTO (110-240V Auto transfer either cased with American socket and mains lead or open frame type. Available for immediate delivery.

WIDE RANGE OF XENON FLASH TUBES

Write/Phone your enquiries

ULTRA VIOLET BLACK LIGHT FLOURSCENT TUBES

4ft 40 watt	£12.00 (callers only)	(£14.10 inc VAT)
2ft 20 watt	£7.44 + £1.25 p&p	(£10.21 inc VAT)
12in 8 watt	£4.80 + 75p p&p	(£6.52 inc VAT)
9in 6 watt	£3.96 + 50p p&p	(£5.24 inc VAT)
6in 4 watt	£3.96 + 50p p&p	(£5.24 inc VAT)

230V AC BALLAST KIT

For either 6in, 9in or 12in tubes £6.05 + £1.40 p&p (£8.75 incl)

400 WATT UV LAMP

Only £34.00 + £2.50 p&p £42.89 inc VAT
180 WATT SELF BALLASTED BLACK LIGHT MERCURY BULB
Available with BC or ES fitting. price inc VAT & p&p and VAT £26.55

12V D.C. BILGE PUMPS

500 GPH 15in head 3 amp £19.96
1750 GPH 15in head 9 amp £34.55
Also now available 24V D.C. 1750 GPH 15in head 5 amp £35.55. All designed to be used submerged. PRICES INCLUDE P&P & VAT

EPROM ERASURE KIT

Build your own EPROM ERASURE for a fraction of the price of a made-up unit. kit of parts less case includes 12in 8 watt 2537 Angstrom Tube Ballast unit, pair of bi-pin leads, neon indicator, on/off switch, safety microswitch and circuit £18.00 - £2.00 p&p (£19.96 inc VAT)

SUPER HY-LIGHT STROBE KIT

Designed for Disco, Theatrical use etc.
Approx. 16 routes. Adjustable speed £60.00 + £3.00 p&p (£63.28 inc VAT)
Case and reflector £24.00 + £3.00 p&p (£31.73 inc VAT)
SAE for further details including Hy-Light and industrial Strobe Kits.

SERVICE TRADING CO

57 BRIDGMAN ROAD, CHISWICK, LONDON W4 5BB

FAX 081 995 0549 081-995 1560

ACCOUNT CUSTOMERS MIN. ORDER £10

Showroom open Monday/Friday



Ample Parking Space

"BOFFINS SPECIAL" - UNIQUE OFFER

Surplus Precision Medical Unit, internally in excellent condition. Designed primarily to eject a precise controllable amount of fluid from a medical syringe (latter not supplied). Contains the following removable components: Dual Micro Processor Boards and EPROMS Escap Precision 12V DC Motor with 300:1 Gear Box and optical encoder coupled to a precision threaded drive mechanism. Mains supply with 6 x 1.5V Ni-Cad A.A. cells back-up. L.C.D. Digital read-out 17mm high with legends Audible warning.

These are sold for the dismantling of the exceptional quality components. regret no Circuits available. Ridiculously low price: £20.00 + £4.00 p&p (£28.20 incl VAT)

12V D.C. GEARED MOTOR

12V D.C. Reversible precision-built Motor. Output speeds no load approx. 12V-26 rpm, 5V-20 rpm, 6V-12 rpm. Will work at lower voltages and still retain a reasonable torque. Ideal for robotics etc. Size: L. 40mm W. 29 mm. H. 39mm. Shaft: 3mm dia x 10mm long. Price: £8.00 + 50p p&p (£10.00 inc. VAT)

240V AC CENTRIFUGAL BLOWER

New Manul. Surplus Skeleton Blower suitable for mounting inside an enclosure to cool equipment. Overall size 130x110x85mm. Outlet: 80x35mm, Impeller 60mm dia x 60mm long. £14.10 incl. P&P & VAT

SEWING MACHINE MOTOR

Brand new 220/240V AC/DC SEW-TRIC 2 lead Brush Motor. Size L. 100mm x H. 70mm x W. 55mm. Spindle, 1/4in dia x 1in long. £14.10 incl. P&P & VAT

GEARED MOTORS

71 RPM 20lb inch torque reversible 115V AC input including capacitor and transformer for 240V AC operation. Price inc VAT & p&p £23.50.

SOLID STATE EHT UNIT

Input 230/240V AC. Output approx 15KV. Producing 10mm spark. Built-in 10 sec timer. Easily modified for 20 sec, 30 sec to continuous. Designed for boiler ignition. Dozens of uses in the field of physics and electronics, eg supplying neon or argon tubes etc. Price less case £8.80 + £2.40 p&p (£12.81 inc VAT) NMS

SAVE POUNDS!!!

Build your own forged bank note detector. Can detect counterfeiters amongst a quantity of notes. Complete kit of parts less case 240V a.c. including 5" uv black light tube, starter and holder, a pair of bi-pin tube holders. Total price including p&p & VAT only £13.99

WASHING MACHINE WATER PUMP

Brand new 240V AC fan cooled. Can be used for a variety of purposes. Inlet 1 1/2", outlet 1 in dia. Price includes p&p & VAT. £11.20 each or 2 for £20.50 inclusive.

MICROSWITCH

Five 15 amp changeover lever microswitch, type S171. Brand new price 5 for £7.05 inc VAT & p&p



COOKE INTERNATIONAL

SUPPLIER OF QUALITY USED TEST INSTRUMENTS

ANALYSERS, BRIDGES, CALIBRATORS, VOLTMETERS, GENERATORS, OSCILLOSCOPES, POWER METERS. ETC ALWAYS AVAILABLE

ORIGINAL SERVICE MANUALS FOR SALE
COPY SERVICE ALSO AVAILABLE

EXPORT, TRADE AND U.K. ENQUIRIES WELCOME
SEND LARGE S.A.E. FOR LISTS OF EQUIPMENT AND MANUALS
ALL PRICES EXCLUDE VAT AND CARRIAGE
DISCOUNT FOR BULK ORDERS SHIPPING ARRANGED

OPEN MONDAY TO FRIDAY 9AM - 5PM

COOKE INTERNATIONAL

ELECTRONIC TEST & MEASURING INSTRUMENTS

Unit Four, Fordingbridge Site, Main Road, Barnham, Bognor Regis, West Sussex, PO22 0EB Tel (+ 44) 0243 545111/2 Fax (+ 44) 0243 542457

NEWMARKET TRANSFORMERS LTD

Mail Order Transformer Specialists.

Toroidal and Laminated Transformers, 3VA to 1kVA. Fast delivery. Competitive prices. Quality guaranteed.

Phone: Michael Dornan on 0638 662989 for Immediate Quote

LIVERPOOL

PROGRESSIVE RADIO

87/93 Dale Street
Tel: 051 236 0982 051 236 0154

47 Whitechapel

Tel: 051 236 5489

Liverpool 2

'THE ELECTRONICS SPECIALISTS'

Open: Tues-Sat 9.30-5.30

PROJECTS FOR IBM PC & LAPTOP PCS

Controlled by Printer or RS232 ports
Versatile 24-line VO card, Data logging system sound sampler/playback, EPROM emulator, Stepper motor board (+A/D+VO ports), 8031 development system. Z80 and 80535 single board computers, etc.

INNOVATIVE INTERFACING

58 Lampport Court, Manchester M1 7EG
U.K. Phone/Answer/Fax: 061-272-8279

Large parcels of assorted electronic components, (all brand new) at least a few thousand items. £5.00 per parcel.

C & G Trading

65 Roseland Road, Waunarfwydd, Swansea SA5 4ST Tel: 0792 874246

FALCON DIY SPEAKERS

Send for our FREE price list PL22: All we ask for is a large S.A.E. 36p stamp or \$2 bill U.S. overseas. (Europe - 3 international reply coupons) SYSTEM DESIGNS (Total Kits): Focal, KEF Constructor, Seas, etc. DRIVE UNITS FOCAL, KEF, Audax, Coles, Peerless, Seas, Slare, Elac Metal Dome, Scanpeak, etc. Also Group/Disco Units CROSSOVER NETWORKS - Active & Passive Components, Accessories, Polypropylene Caps. AUDIO AMATEUR PUBLICATIONS BACK ISSUES: Speaker Builder, Audio Amateur & Glass Audio, L/S Cookbook + books Full details from

FALCON ELECTRONICS

(Dept. E.T.I.) Tabor House, Mulbarton, Norfolk NR14 8JT (0508) 78272 (Proprietors: Falcon Acoustics Ltd.)

BURGLAR ALARMS

FREE TECHNICAL ADVICE

FREE DESIGN GUIDE

FREE 16 PAGE FULL COLOUR CATALOGUE & FREE DELIVERY

TRADE ENQUIRIES WELCOME STOP SHOP

2A EALING ROAD, AINTREE, LIVERPOOL L9 0LR

TEL: 051-523 8440

FAX: 051-523 8121

★★ FOR SALE ★★

DEFENCE & AEROSPACE INDUSTRY ELECTRONIC EQUIPMENT & COMPONENTS ALL HIGH QUALITY SURPLUS MANY SPECIALS. WE STOCK 1000 + ITEMS & IF WE DON'T STOCK IT WE MAY BE ABLE TO GET IT FOR YOU

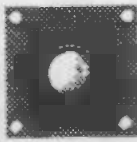
PLEASE WRITE OR PHONE FOR LISTS OR REQUIREMENTS

MAYFOWER ELECTRONICS

48 BRENDON ROAD, WATCHET, SOMERSET, TA23 0HT
TEL (0984) 631825 FAX (0984) 634245

FOR SALE

MINI C.C.D. CAMERA



Mini C.C.D. camera only 32x32mm complete with 3.8mm wide view lens and 9v power supply. Plugs directly into most types of video recorders using the video input. Min illumination 0.3 Lux. Standard mini board camera (uncased) only £195 including carriage.

ALSCO
Astley House,
Johnson St
Tyldesley,
Manchester
M29 8AB.
Tel. 0942 893573

★★ SURVEILLANCE KITS ★★

MRT1 MICRO TRANSMITTER, 26mm x 20mm including sensitive electret microphone, tuneable 80-115MHz, 500M range.

Kit £4.95, Assembled £8.95.

MTT1 TELEPHONE

TRANSMITTER,

35mm x 10mm, powered from line, transmits all conversations, 500M range 80-120MHz.

Kit £5.95, Assembled £10.95.

All prices include p&p. Send 2x2nd class stamps for Catalogue.

Cheques/P.O.s payable to:

EXCEL PRODUCTS

(Dept. ETI)

Unit 14, Sunningdale,
Bishop's Stortford,
Herts CM23 2PA

NEW VHF MICROTRANSMITTER KIT tuneable 70-115 Mhz, 500 metre range, sensitive electret microphone, high quality PCB, SPECIAL OFFER complete kit only £5.95 assembled and ready to use £9.95 inclusive P&P. 3 Watt/transmitter kit £15.95. Cheques/PO's to C.E.C. 515A BRISTOL RD, BIRMINGHAM, B29 6AU. TEL: 021 486 3092. Send 2 x 1st Class stamps for details of these and other kits.

POWERAMPS 60W Glass/PCB ex-equip £4!! Teak Stereo's 30W controls/SKTS.... 240 volt/£16! Free powersupply 9-25 volt D.C. + 12 project cat £1 p&p Kia Audio, 1 Regent Road, Ilkley LS29.

SOFTWARE

ENCYCLOPAEDIA of SHAREWARE

Find out what really is available in PD & Shareware - from radio graphics, business, scientific, electronics, maths, education, etc. You'll find them all here, everything you need in one book.

Thousands of the best PD & Shareware programs for DOS & Windows, described in detail with the hardware requirements for each.

This is probably the most complete up-to-date shareware reference book available today. For your copy, send £2.50 by cheque, PO, cash or pay by Access/Visa to:

PDSL, Wimscombe Hse. Beacon Rd, Crowborough, Sussex, TN6 1UL, Tel 0892 663298 Fax 0892 667473

NEW ENLARGED EDITION
Now extends to more than 250,000 words.

ASTRA Desk Top Accounting™
Overture - Invoicing, Sales, Purchases, Normal VAT, etc
Premier - plus Stock, Jobs, BPO, Barcodes, Serial No. etc
Professional - plus Multi-Currency, Taxes, Licenses, etc

S&S Systems Ltd, Breerton Court, Manor Road, Wales
Sheffield, S31 8PD, UK. (Software distributors and Apple dealers)
Tel: (01909) 773999 • Fax: (01909) 773645 • Int Code: (+44 1909)

RACKS EQUIPMENT

19" RACK-MOUNT EQUIPMENT?

Frames, cabinets and flight cases for rack - and non-rack - equipment. A wide range of accessories available. For further information and brochure contact:

GROVESTREAM ENGINEERING SERVICES, 29 Silverdale Road, Tadley, Hants RG26 6JL.
Tel/Fax: 0734 719309

COMPONENTS

EPROM, PLDs + Microcontrollers copied or programmed. we supply devices/convert discrete logic to PLDs. PO Box 1561 Bath 0225 444467.

TO ADVERTISE IN ETI CLASSIFIED
CALL 0442 66551

KITS

WANTED

WANTED SCRAP Printed Circuit Boards

We are by far the best buyers of PCB's CASH OR CHEQUE AVAILABLE

Computer Salvage Specialists est. 1985
TEL: 0635 552666
FAX: 0635 582990

OPERATORS OF THE UK'S NATIONAL PCB BANK

PLANS

ELECTRONIC PLANS, laser designs, solar and wind generators, high voltage teslas, surveillance devices, pyrotechnics and computer graphics tablet. 150 projects. For catalogue. SAE to Plancentre Publications, Unit 7, Old Wharf Industrial Estate, Dymock Road, Ledbury, Herefordshire, HR8 2HS.

COURSES

Start training now with the specialists for the following courses. Send for our brochure — without obligation or Telephone us on 0626 779398 ETI 12/94

Name _____

Telecomms Tech C&G 2710

Radio Amateur Licence C&G

Micro-processor

Introduction to Television

Radio & Telecommunications Correspondence School
12 Moor View Drive, Teignmouth, Devon TQ14 9UN

SERVICES

DELLFERN

PCB DESIGN AND MANUFACTURE

COMPLETE SERVICE OFFERED FROM SCHEMATIC DRAWING TO FINISHED PRODUCT. SMALL OR LARGE QUANTITIES AT COMPETITIVE RATES.

FULL TECHNICAL SUPPORT AVAILABLE

TEL: 0384 444570 FAX: 0384 444571

REVERSE ENGINEERING

WE CAN COPY ANY COMERCIALY AVAILABLE PROTECTED DEVICES EVEN IF SECURITY FUSED OR CODE LOCKED
EG. MPU's, CPU's, PAL's, GAL's, PIC's, ETC.

Open Forum



A few days ago news finally broke that the NEC Corporation of Japan had picked the UK - as opposed to California - for the site of its new £520million advanced technology semiconductor plant. This is a great boost for the self-confidence of the British electronics industry, for it proves once again that this country is held in very high esteem as a producer of high technology goods.

The plant, to be sited next to NEC's existing semiconductor factory in Livingstone, Scotland, is being built to produce the new generation of 64Mbit DRAM chips, and very advanced applications specific integrated circuits (ASICs). It will be able to handle eight-inch diameter silicon wafers and is destined to be one of the most advanced plants in the world. Indeed, it will be comparable with NECs No 8 Line facility in Kyushu, southern Japan, probably the most advanced plant built by any Japanese company.

The reason why this plant is so important to the self esteem of the British electronics industry lies in the rationale behind NECs choice of the UK as the preferred site for the plant. Britain was chosen because NEC Semiconductors (UK) have the highest productivity rate, flexibility, and degree of skill of any of the company's plants worldwide.

This is just the sort of affirmation of faith in British industry and, in particular, high technology industry, that is needed. Where a company with global interests like NEC leads, others will surely follow. In addition, when the plant is in full production it will provide a welcome reduction to the UK's balance of payments deficit.

It should be emphasised that this is not an off-shore assembly plant, this is a full

fabrication facility requiring highly skilled operatives. Companies like NEC do not see the UK as a source of cheap production labour, instead they see the UK as a source of a highly-skilled, enthusiastic and well trained people. You only have to look at the number of international companies setting up full-blown research centres in the UK to realise that.

All too many politicians and journalists laud the supposed business superiority of Germany or France over the UK. Granted, Germany does employ more people in manufacturing, but manufacturing what? Certainly not an awful lot of high technology. The UK comes third behind the US and Japan in the percentage of our exports which can be classified as high technology, just over 31% of exports, whereas Germany can only manage 21%.

Indeed, according to The Economist (October 1st 1994 issue) the UK is ranked equal with Japan, and just below the USA, but way above all our European partners, as being best placed to profit from the forthcoming boom in high technology industries.

In this country we have got to stop hiding our light under the proverbial bushel. We should be proud of how the country is being reborn as a centre of technology excellence. One only has to look at a company like Surrey Satellite Technology to realise the potential that there is in this country, potential of which we should be proud, even boastful.

Other countries would boast if they had but half of what we have! Let's stop being a country of pessimists, whingers and yearners after some supposed glorious past. Let's seize the future, let's create the future, for the future is where we will spend the rest of our lives.

Next Month...

In the January issue of ETI we will be starting a new premier project to build a powerful 12.5MHz 80188 single board computer, a descendent of the 8088 found in the early IBM PCs. This means that this project will be fully software compatible with a PC; if it runs on the PC it will run on the ETI 80188 SBC, a very powerful aid to software development and debugging - particularly given the wide range of PC development software available today.

We will continue with the second parts of three articles started in this month's issue. They are Graham Reith's article on how to use EPROMs, Dr Pei An's RS232 to parallel interface unit, and Barry Porter's parametric equaliser.

Amongst the less weighty projects is a rather neat little photographic darkroom safelight from Terry Balbirnie, and yet another seasonal project, a twinkling Christmas star by Tim Parker. For electronic music fans there is a Metal Effects Unit from Robert Penfold.

The January editorial feature will be an in-depth look at how the global computer network, Internet, can be of use to those of us interested in electronics and advanced technology. PC Clinic will be staying with the Internet theme by looking at modems and fax modems, how they work, and how to choose, install, and troubleshoot them.



EDITORIAL

Editor **Nick Hampshire**
Sub Editor **Eamonn Percival**

CREATIVE

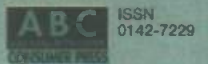
Designer **Nadia Ahdout**
Technical Illustration **John Puczynski**
Photography **Manny Cefai**

ADVERTISEMENT SALES

Display Sales
Eric Thompson
Advertisement Copy Control
Marie Quilter
Classified Sales
James Gale

MANAGEMENT

Managing Director
Terry Pattison
Circulation & Promotions Manager
Debra Stuppel
Production Manager
Tony Dowdeswell
Group Editor
Stuart Cooke
Group Advertisement Manager
Claire Jenkinson



ETI is normally published on the first Friday in the month preceding the cover date. The contents of this publication including all articles, plans, drawings and programs and all copyright and all other intellectual property rights therein belong to Argus Specialist Publications. All rights conferred by the Law of Copyright and other intellectual property rights and by virtue of international copyright conventions are specifically reserved to Argus Specialist Publications and reproduction requires the prior written consent of the company ©1990 Argus Specialist Publications. A reasonable care is taken in the preparation of the magazine contents, but the publishers cannot be held legally responsible for errors. Where mistakes do occur, a correction will normally be published as soon as possible afterwards. All prices and data contained in advertisements are accepted by us in good faith as correct at the time of going to press. Neither the advertisers nor the publishers can be held responsible, however, for any variations affecting price or availability which may occur after the publication has closed for press.

Subscription rates-UK £25.80 Europe £32.70 Sterling Overseas £33.90 US Dollars Overseas \$56.00

Published by Argus Specialist Publications, Argus House, Boundary Way, Hemel Hempstead HP2 7ST. Telephone (0442) 66551. UK newstrade distribution by S&M Distribution Ltd, 6 Leigham Court Road, London SW16 2PG. Telephone 061-667 8111. Overseas and non-newstrade sales by Magazine Sales Department, Argus House, Boundary Way, Hemel Hempstead, HP2 7ST. Telephone (0442) 66551. Subscriptions by Argus Subscription Services, ETI, Queensway House, 2 Queensway, Redhill, Surrey RH1 1QS. Telephone (01737) 766611.

US subscriptions by Wise Owl Worldwide Publications, 4314 West 238th Street, Torrance, CA90505 USA. For Visa/Mastercard orders in USA - Telephone (310) 378 6258 Fax (310) 378 0548. Pacific Time: 9am-5pm Weekdays. 10am-6pm Weekends. Typesetting and origination by Ebony, Liskeard, Cornwall. Printed by Wiltshire Ltd, Bristol.



Argus House, Boundary Way,
Hemel Hempstead HP2 7ST
Telephone (0442) 66551
Fax (01442) 66998

At last, a fully functional upgradeable PCB CAD system to suit any budget. Substantial trade-in discounts are available against other "professional" PCB design packages ...

... call now for details.

Board Capture

Schematic Capture Design Tool

£395

- Direct netlist link to BoardMaker2
- Forward annotation with part values
- Full undo/redo facility (50 operations)
- Single-sheet, multi-paged and hierarchical designs
- Smooth scrolling
- Intelligent wires (automatic junctions)
- Dynamic connectivity information
- Automatic on-line annotation
- Integrated on-the-fly library editor
- Context sensitive editing
- Extensive component-based power control
- Back-annotation from BoardMaker2

Board Maker

BoardMaker1 - Entry level

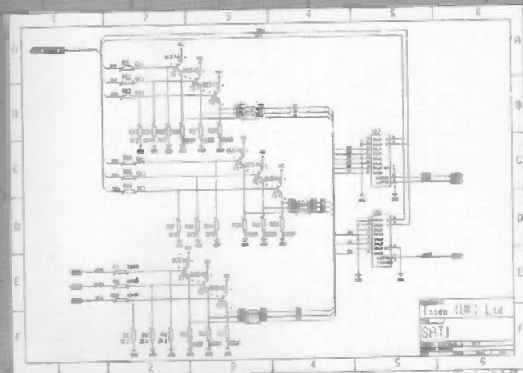
£95

- PCB and schematic drafting
- Easy and intuitive to use
- Surface mount and metric support
- 90, 45 and curved track corners
- Ground plane fill
- Copper highlight and clearance checking

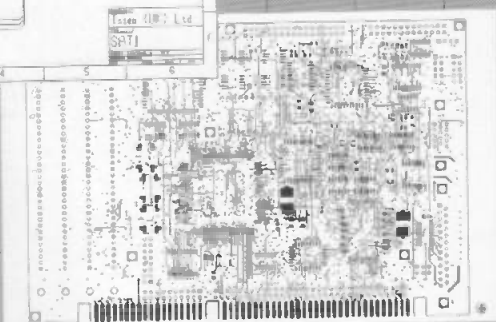
BoardMaker2 - Advanced level

£295

- All the features of BoardMaker1 +
- Full netlist support - BoardCapture, OrCad, Schema, Tango, CadStar and others
- Full Design Rule Checking both mechanical and electrical
- Top down modification from the schematic
- Component renumber with back-annotation
- Report generator - Database ASCII, BOM
- Thermal power plane support with full DRC



NEW



Board Router

Gridless re-entrant autorouter

£200

- Simultaneous multi-layer routing
- SMD and analogue support
- Full interrupt, resume, pan and zoom while routing

Output drivers - Included as standard

- Printers - 9 & 24 pin Dot matrix, HPLaserjet and PostScript
- Penplotters - HP, Graphtec & Houston
- Photoplotters - All Gerber 3X00 and 4X00
- Excellon NC Drill and Annotated drill drawings (BM2)

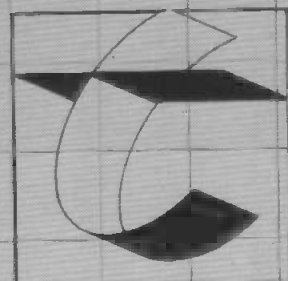


Call, write or fax for more information or a full evaluation kit

Tsien (UK) Limited
Aylesby House
Wenny Road, Chatteris

Cambridge
PE16 6UT

Tel (0354) 695959
Fax (0354) 695957



tsien

NEW

FULL COLOUR GUIDE TO ELECTRONIC PRODUCTS

Sept 1994–Aug 1995

Maplin



BS 5750
Part 2 1987

Level B:
Quality Assurance
RS12750

Order your copy of the New MAPLIN Catalogue on sale NOW!
Pick up a copy from any branch of WHSMITH, branches of John Menzies in Scotland ONLY, Eason & Son in N. Ireland ONLY, and Maplin stores nationwide for just £3.45 or post this coupon now to receive your copy for just £3.95 inc. p&p. If you live outside the U.K. send £7.30 or 18 IRCs for Airmail in Europe (including Republic of Ireland); £6.50 or 16 IRCs for surface mail outside Europe; or £12.30 or 30 IRCs for Airmail outside Europe.
I enclose £3.95/£7.30/£6.50/£12.30 (delete as applicable).

Name
Address
Post Code
Send to: Maplin Electronics,
P.O. Box 3, Rayleigh,
Essex, England
SS6 9LR
0795

Over 800 colour packed pages
with hundreds of Brand New
Products at Super Low Prices.

**OUT OF
THIS WORLD
ONLY
£3.45**

Available from all branches of WHSMITH, John Menzies in Scotland ONLY, Eason & Son in N. Ireland ONLY, and Maplin stores nationwide.
The Maplin Electronics 1995 Catalogue – **OUT OF THIS WORLD!**