



THE ELECTRONICS, SCIENCE & TECHNOLOGY MONTHLY

DECEMBER 1988 £1.50

SPEED TRAP **Doppler Speed** **Gun Project**

ELECTRONIC THERMOSTAT
Winter Warmer Project

EPROM TECHNOLOGY
A blow by blow
explanation

PLUS News, Reviews,
Theory and Practice

FREE



Your PCB to build the
BURGLAR BUSTER
alarm

AUDIO • COMPUTING • MUSIC • DOMESTIC



POWER AMPLIFIER MODULES-TURNABLES-DIMMERS-LOUDSPEAKERS-19 INCH STEREO RACK AMPLIFIERS

OMP POWER AMPLIFIER MODULES

Supplied ready built and tested.

OMP POWER AMPLIFIER MODULES Now enjoy a world-wide reputation for quality, reliability and performance at a realistic price. Four models available to suit the needs of the professional and hobby market, i.e. Industry, Leisure, Instrumental and Hi-Fi etc. When comparing prices, NOTE all models include Toroidal power supply, integral heat sink, Glass fibre P.C.B., and Drive circuits to power compatible Vu meter. Open and short circuit proof.

THOUSANDS OF MODULES PURCHASED BY PROFESSIONAL USERS



OMP100 Mk 11 Bi-Polar Output power 110 watts R.M.S. into 4 ohms, Frequency Response 15Hz - 30KHz - 3dB, T.H.D. 0.01%, S.N.R. - 118dB, Sens. for Max. output 500mV at 10K, Size 355 x 115 x 65mm. **PRICE £33.99 + £3.00 P&P.**



NEW SERIES II MOS-FET MODULES

OMP/MF 100 Mos-Fet Output power 110 watts R.M.S. into 4 ohms, Frequency Response 1Hz - 100KHz - 3dB, Damping Factor, >300, Slew Rate 45V/uS, T.H.D. Typical 0.002%, Input Sensitivity 500mV, S.N.R. - 125dB, Size 300 x 123 x 60mm. **PRICE £39.99 + £3.00 P&P.**



OMP/MF200 Mos-Fet Output power 200 watts R.M.S. into 4 ohms, Frequency Response 1Hz - 100KHz - 3dB, Damping Factor >300, Slew Rate 60V/uS, T.H.D. Typical 0.001%, Input Sensitivity 500mV, S.N.R. - 130dB, Size 300 x 155 x 100mm. **PRICE £62.99 + £3.50 P&P.**



OMP/MF300 Mos-Fet Output power 300 watts R.M.S. into 4 ohms, Frequency Response 1Hz - 100KHz - 3dB, Damping Factor >300, Slew Rate 60V/uS, T.H.D. Typical 0.0008%, Input Sensitivity 500mV, S.N.R. - 130dB, Size 330 x 175 x 100mm. **PRICE £79.99 + £4.50 P&P.**

NOTE:- MOS-FET MODULES ARE AVAILABLE IN TWO VERSIONS. STANDARD - INPUT SENS. 500mV BAND WIDTH 100KHz. PEC (PROFESSIONAL EQUIPMENT COMPATIBLE) - INPUT SENS. 775mV, BAND WIDTH 50KHz. ORDER STANDARD OR PEC



Vu METER Compatible with our four amplifiers detailed above. A very accurate visual display employing 11 L.E.D. diodes (7 green, 4 red) plus an additional on-off indicator. Sophisticated logic control circuits for very fast rise and decay times. Tough moulded plastic case, with tinted acrylic front. Size 84 x 27 x 45mm. **PRICE £8.50 + 50p P&P.**

LOUDSPEAKERS



LARGE SELECTION OF SPECIALIST LOUDSPEAKERS AVAILABLE, INCLUDING CABINET FITTINGS, SPEAKER GRILLES, CROSS-OVERS AND HIGH POWER, HIGH FREQUENCY BULLETS AND HORNS, LARGE S.A.E. (30p STAMPED) FOR COMPLETE LIST.

McKENZIE:- INSTRUMENTS, P.A., DISCO, ETC.

- ALL MCKENZIE UNITS 8 OHMS IMPEDANCE
- 8" 100 WATT C8100GPM GEN. PURPOSE, LEAD GUITAR, EXCELLENT MID, DISCO. RES, FREQ. 80Hz FREQ. RESP. TO 14KHz SENS. 99dB. **PRICE £28.59 + £2.00 P&P.**
- 10" 100 WATT C10100GP GUITAR, VOICE, ORGAN, KEYBOARD, DISCO, EXCELLENT MID. RES, FREQ. 70Hz FREQ. RESP. TO 6KHz SENS. 100dB. **PRICE £34.70 + £2.50 P&P.**
- 10" 200 WATT C10200GP GUITAR, KEYBOARD, DISCO, EXCELLENT HIGH POWER MID. RES, FREQ. 45Hz FREQ. RESP. TO 7KHz SENS. 103dB. **PRICE £47.48 + £2.50 P&P.**
- 12" 100 WATT C12100GP HIGH POWER GEN. PURPOSE, LEAD GUITAR, DISCO. RES, FREQ. 45Hz FREQ. RESP. TO 7KHz SENS. 98dB. **PRICE £36.66 + £3.50 P&P.**
- 12" 100 WATT C12100TC (TWIN CONE) HIGH POWER WIDE RESPONSE, P.A., VOICE, DISCO. RES, FREQ. 45Hz FREQ. RESP. TO 14KHz SENS. 100dB. **PRICE £37.63 + £3.50 P&P.**
- 12" 200 WATT C12200B HIGH POWER BASS, KEYBOARDS, DISCO, P.A. RES, FREQ. 40Hz FREQ. RESP. TO 7KHz SENS. 100dB. **PRICE £64.17 + £3.50 P&P.**
- 12" 300 WATT C12300GP HIGH POWER BASS LEAD GUITAR, KEYBOARDS, DISCO, ETC. RES, FREQ. 45Hz FREQ. RESP. TO 5KHz SENS. 100dB. **PRICE £85.79 + £3.50 P&P.**
- 15" 100 WATT C15100BS BASS GUITAR, LOW FREQUENCY, P.A., DISCO. RES, FREQ. 40Hz FREQ. RESP. TO 5KHz SENS. 98dB. **PRICE £53.70 + £4.00 P&P.**
- 15" 200 WATT C15200BS VERY HIGH POWER BASS. RES, FREQ. 40Hz FREQ. RESP. TO 4KHz SENS. 99dB. **PRICE £73.26 + £4.00 P&P.**
- 15" 250 WATT C15250BS VERY HIGH POWER BASS. RES, FREQ. 40Hz FREQ. RESP. TO 4KHz SENS. 99dB. **PRICE £80.53 + £4.50 P&P.**
- 15" 400 WATT C15400BS VERY HIGH POWER, LOW FREQUENCY BASS. RES, FREQ. 40Hz FREQ. RESP. TO 4KHz SENS. 102dB. **PRICE £94.12 + £4.50 P&P.**
- 18" 400 WATT C18400BS EXTREMELY HIGH POWER, LOW FREQUENCY BASS. RES, FREQ. 27Hz FREQ. RESP. TO 3KHz SENS. 99dB. **PRICE £167.85 + £5.00 P&P.**

EARBENDERS:- HI-FI, STUDIO, IN-CAR, ETC.

- ALL EARBENDER UNITS 8 OHMS EXCEPT EB8-50 AND EB10-50 DUAL 4 AND 8 OHM, BASS, SINGLE CONE, HIGH COMPLIANCE, ROLLED FOAM SURROUND
- 8" 50 WATT EB8-50 DUAL IMPEDANCE, TAPPED 4/8 OHM BASS, HI-FI, IN-CAR. RES, FREQ. 40Hz FREQ. RESP. TO 7KHz SENS. 97dB. **PRICE £8.90 + £2.00 P&P.**
- 10" 50 WATT EB10-50 DUAL IMPEDANCE, TAPPED 4/8 OHM BASS, HI-FI, IN-CAR. RES, FREQ. 40Hz FREQ. RESP. TO 5KHz SENS. 99dB. **PRICE £12.00 + £2.50 P&P.**
- 10" 100 WATT EB10-100 BASS, HI-FI, STUDIO. RES, FREQ. 35Hz FREQ. RESP. TO 3KHz SENS. 96dB. **PRICE £27.50 + £3.50 P&P.**
- 12" 50 WATT EB12-60 BASS, HI-FI, STUDIO. RES, FREQ. 28Hz FREQ. RESP. TO 3KHz SENS. 92dB. **PRICE £21.00 + £3.00 P&P.**
- 12" 100 WATT EB12-100 BASS, STUDIO, HI-FI, EXCELLENT DISCO. RES, FREQ. 26Hz FREQ. RESP. TO 3KHz SENS. 93dB. **PRICE £32.00 + £3.50 P&P.**
- FULL RANGE TWIN CONE, HIGH COMPLIANCE, ROLLED SURROUND**
- 5 1/4" 60 WATT EB5-60TC (TWIN CONE) HI-FI, MULTI-ARRAY DISCO ETC. RES, FREQ. 63Hz FREQ. RESP. TO 20KHz SENS. 92dB. **PRICE £9.99 + £1.50 P&P.**
- 6 1/4" 60 WATT EB6-60TC (TWIN CONE) HI-FI, MULTI-ARRAY DISCO ETC. RES, FREQ. 38Hz FREQ. RESP. TO 20KHz SENS. 94dB. **PRICE £10.99 + £1.50 P&P.**
- 8" 60 WATT EB8-60TC (TWIN CONE) HI-FI, MULTI-ARRAY DISCO ETC. RES, FREQ. 40Hz FREQ. RESP. TO 18KHz SENS. 89dB. **PRICE £12.99 + £1.50 P&P.**
- 10" 60 WATT EB10-60TC (TWIN CONE) HI-FI, MULTI-ARRAY DISCO ETC. RES, FREQ. 35Hz FREQ. RESP. TO 12KHz SENS. 86dB. **PRICE £16.49 + £2.00 P&P.**

TRANSMITTER HOBBY KITS

PROVEN TRANSMITTER DESIGNS INCLUDING GLASS FIBRE PRINTED CIRCUIT BOARD AND HIGH QUALITY COMPONENTS COMPLETE WITH CIRCUIT AND INSTRUCTIONS

3W FM TRANSMITTER 80-108MHz, VARICAP CONTROLLED PROFESSIONAL PERFORMANCE, RANGE UP TO 3 MILES, SIZE 38 x 123mm SUPPLY 12V @ 0.5AMP. **PRICE £14.49 + £1.00 P&P**

FM MICRO TRANSMITTER (BUG) 100-108MHz, VARICAP TUNED COMPLETE WITH VERY SENS FET MIC, RANGE 100-300m, SIZE 56 x 46mm SUPPLY 9V BATT. **PRICE £8.62 + £1.00 P&P**



3 watt FM Transmitter

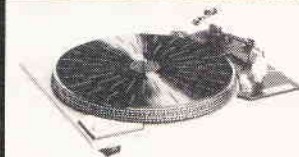


POSTAL CHARGES PER ORDER £1.00 MINIMUM. OFFICIAL ORDERS WELCOME FROM SCHOOLS, COLLEGES, GOVT. BODIES ETC. PRICES INCLUSIVE OF V.A.T. SALES COUNTER. VISA ACCESS ACCEPTED BY POST, PHONE OR FAX



* PRICES INCLUDE V.A.T. * PROMPT DELIVERIES * FRIENDLY SERVICE * LARGE S.A.E., 30p STAMPED FOR CURRENT LIST.

OMP VARISPEED TURNTABLE CHASSIS.



★ MANUAL ARM ★ STEEL CHASSIS ★ ELECTRONIC SPEED CONTROL 33 & 45 ★ VARI PITCH CONTROL ★ HIGH TORQUE SERVO DRIVEN DC MOTOR ★ TRANSISTOR SCREWS ★ 12 DIE CAST PLATTER ★ NEON STROBE ★ CALIBRATED BAL WEIGHT ★ REMOVABLE HEAD SHELL ★ 1/2 CARTRIDGE FIXINGS ★ CUE LEVER ★ POWER 220-240V 50/60Hz ★ 390x305mm ★ SUPPLIED WITH MOUNTING CUT-OUT TEMPLATE. **PRICE £59.99 + £3.50 P&P.**

OPTIONAL MAGNETIC CARTRIDGES

STANTON AL500
PRICE £16.99 + 50p P&P

GOLDRING G850
PRICE £6.99 + 50p P&P

OMP MOS-FET POWER AMPLIFIERS, HIGH POWER, TWO CHANNEL 19 INCH RACK

THOUSANDS PURCHASED BY PROFESSIONAL USERS



NEW MXF SERIES OF POWER AMPLIFIERS

THREE MODELS:- **MXF200** (100w + 100w) **MXF400** (200w + 200w) **MXF600** (300w + 300w)

All power ratings R.M.S. into 4 ohms

FEATURES: ★ Independent power supplies with two Toroidal Transformers ★ Twin L.E.D. Vu meters ★ Rotary indexed level controls ★ Illuminated on/off switch ★ XLR connectors ★ Standard 775mV inputs ★ Open and short circuit proof ★ Latest Mos-Fets for stress free power delivery into virtually any load ★ High slew rate ★ Very low distortion ★ Aluminium cases ★ MXF600 Fan Cooled with D.C. Loudspeaker and Thermal Protection.

USED THE WORLD OVER IN CLUBS, PUBS, CINEMAS, DISCOS ETC.

SIZES:- MXF 200 W19" x H3 1/2" (2U) x D11"
MXF 400 W19" x H5 1/4" (3U) x D12"
MXF 600 W19" x H5 1/4" (3U) x D13"

PRICES: **MXF200 £171.35**
MXF400 £228.85
MXF600 £322.00

SECURICOR DELIVERY £12.00 EACH



OMP LINNET LOUDSPEAKERS

THE VERY BEST IN QUALITY AND VALUE



MADE ESPECIALLY TO SUIT TODAY'S NEED FOR COMPACTNESS WITH HIGH OUTPUT SOUND LEVELS. FINISHED IN HARDWEARING BLACK VINYL WITH PROTECTIVE CORNERS, GRILLE AND CARRYING HANDLE INCORPORATES 12" DRIVER PLUS HIGH FREQ. HORN FOR FULL FREQ. RANGE. 45Hz-20KHz BOTH MODELS 8 OHM, SIZE H18" x W15" x D12".

CHOICE OF TWO MODELS

POWER RATINGS QUOTED IN WATTS RMS FOR EACH CABINET

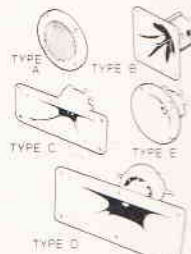
OMP 12-100 (100W 100dB) PRICE £159.99 PER PAIR
OMP 12-200 (200W 102dB) PRICE £209.99 PER PAIR

SECURICOR DEL. - £12.00 PER PAIR

PIEZO ELECTRIC TWEETERS-MOTOROLA

PIEZO ELECTRIC TWEETERS - MOTOROLA

Join the Piezo revolution. The low dynamic mass (no voice coil) of a Piezo tweeter produces an improved transient response with a lower distortion level than ordinary dynamic tweeters. As a crossover is not required these units can be added to existing speaker systems of up to 100 watts (more if 2 put in series). **FREE EXPLANATORY LEAFLETS SUPPLIED WITH EACH TWEETER.**



TYPE 'A' (KSN2036A) 3" round with protective wire mesh, ideal for bookshelf and medium sized Hi-Fi speakers. **Price £4.90 each + 50p P&P.**

TYPE 'B' (KSN1005a) 3 1/2" super horn. For general purpose speakers, disco and P.A. systems etc. **Price £5.00 each + 50p P&P.**

TYPE 'C' (KSN6016A) 2" x 5" wide dispersion horn. For quality Hi-Fi systems and quality discos etc. **Price £6.99 each + 50p P&P.**

TYPE 'D' (KSN1025A) 2" x 6" wide dispersion horn. Upper frequency response retained extending down to mid range (2KHz). Suitable for high quality Hi-Fi systems and quality discos. **Price £9.99 each + 50p P&P.**

TYPE 'E' (KSN1038A) 3 1/4" horn tweeter with attractive silver finish trim. Suitable for Hi-Fi monitor systems etc. **Price £5.99 each + 50p P&P.**

LEVEL CONTROL Combines on a recessed mounting plate, level control and cabinet input jack socket. 85 x 85mm. **Price £3.99 + 50p P&P.**

STEREO DISCO MIXER

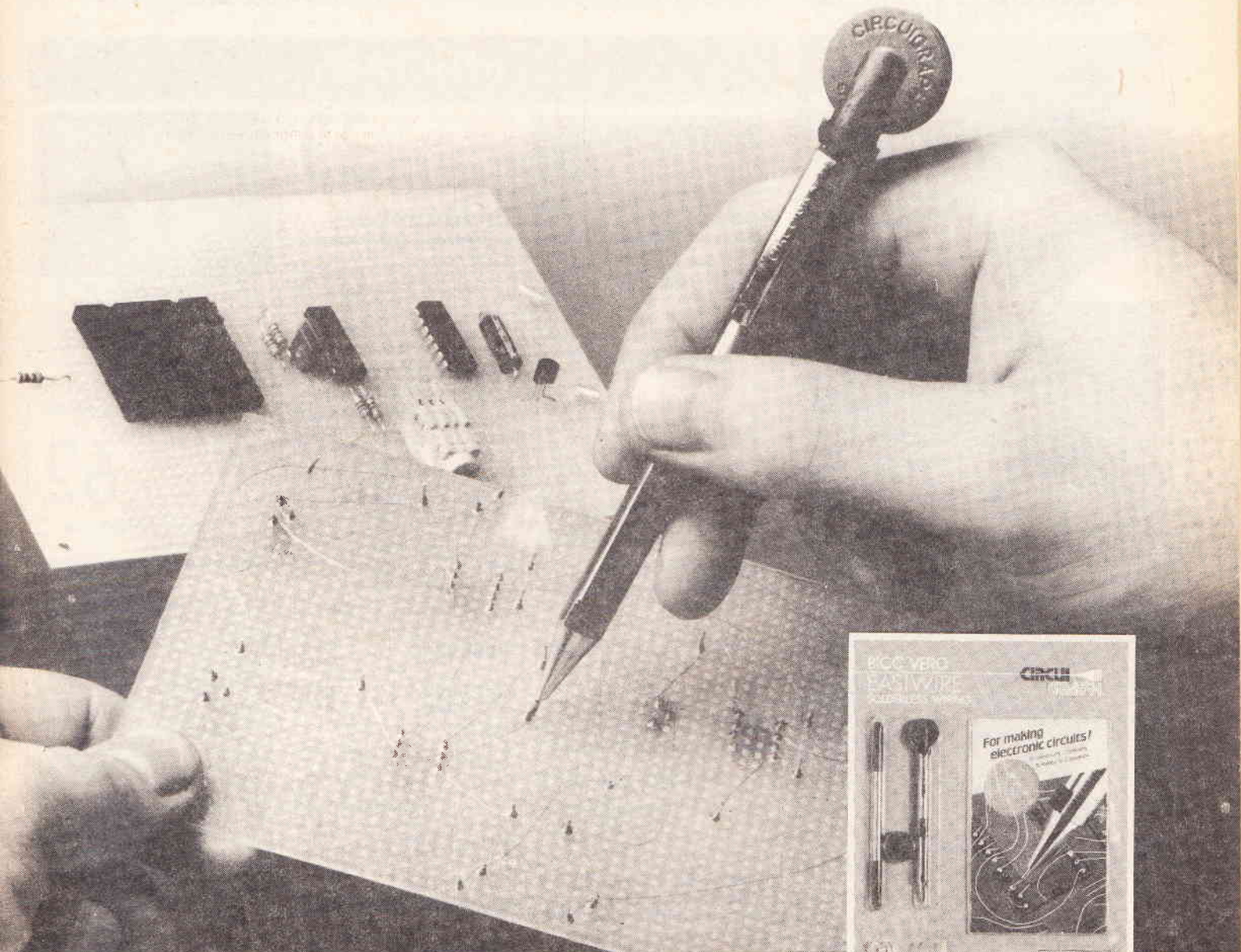
STEREO DISCO MIXER with 2 x 5 band L & R graphic equalisers and twin 10 segment L.E.D. Vu Meters. Many outstanding features 5 inputs with individual faders providing a useful combination of the following:-
3 Turntables (Mag), 3 Mics, 4 Line including CD plus Mic with talk over switch Headphone Monitor, Pan Pot L & R, Master Output controls Output 775mV. Size 360 x 280 x 90mm. Supply 220-240v. **Price £134.99 - £4.00 P&P**



B. K. ELECTRONICS Dept ETI
UNIT 5, COMET WAY, SOUTHEND-ON-SEA, ESSEX, SS2 6TR
TEL: 0702-527572 FAX: 0702-420243

SOLDERLESS WIRING

EASIWIRES



Construct your electronic circuits the new, quick and easy-to-learn way, **WITHOUT** solder: with Circuigraph Easiwire from BICC-VERO

With Easiwire all you do is wind the circuit wire tightly around the component pins. No soldering, no chemicals, no extras, simplicity itself. Circuits can be changed easily, and components re-used.

Easiwire comes in kit form. It contains all you need to construct circuits: a high-quality wiring pen with integral wire cutter, 2 reels of wire, a tool for component positioning and removal, a flexible injection moulded wiring board, double-sided adhesive sheets, spring-loaded terminals and jacks for power connections and an instruction book. Of course, all these components are available separately too.

To take advantage of the special introductory offer, complete the coupon on the right and send it to:

BICC-VERO ELECTRONICS LIMITED,
Flanders Road,
Hedge End,
Southampton, SO3 3LG



Please rush me.....Easiwire kits, retail price £18.-;
special introductory offer £15.- (includes p & p and VAT).

I enclose cheque/postal order for....., made payable to
BICC-VERO Electronics Limited

Please debit my credit card as follows:



Card Number

Expiry Date

Name

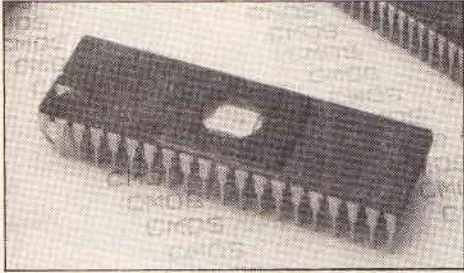
Address

Signature

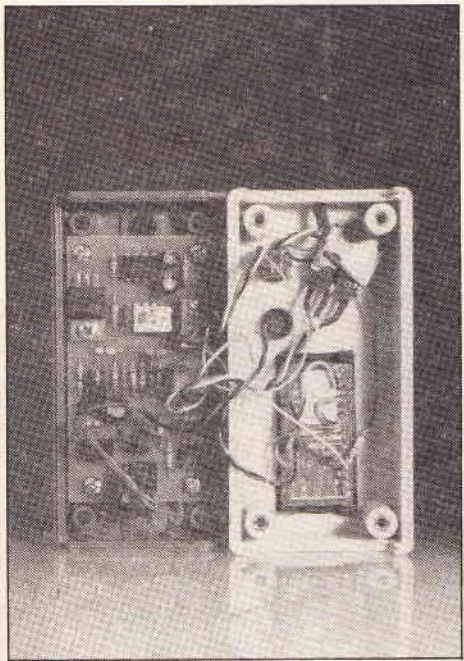
or phone 04892 88774 now with your credit card number
(24-hour answering service).

December
1988

VOLUME 17 No 12



Page 12



Page 28

ISSN
0142-7229

ABC

Member of the
Audit Bureau
of Circulation

ETI is normally published on the first Friday in the month preceding the cover date. The contents of this publication including all articles, designs, plans, drawings and programs and all copyright and other intellectual property rights therein belong to Argus Specialist Publications Limited. All rights conferred by the Law of Copyright and other intellectual property rights and by virtue of international copyright conventions are specifically reserved to Argus Specialist Publications Limited and any reproduction requires the prior written consent of the Company. © 1988 Argus Specialist Publications Ltd. All reasonable care is taken in the preparation of the magazine contents but the publishers cannot be held legally responsible for errors. Where mistakes do occur, a correction will normally be published as soon as possible afterwards. All prices and data contained in advertisements are accepted by us in good faith as correct at time of going to press. Neither the advertisers nor the publishers can be held responsible however, for any variations affecting price or availability which may occur after the publication has closed for press.

• Subscription rates — UK: £18.00, Europe: £22.20, Middle East: £22.40, Far East: £24.00, Rest: £22.70 or US\$39.00.

**ARGUS
PRESS
GROUP**

1, Golden Square
London W1R 3AB
Tel: 01-437 0626
Telex: 8811896

Geoff Bains: Editor

Jez Ford: Assistant Editor

Paul Chappell: Projects Editor

Jerry Fowler: Technical Illustrator

Heather Hopkinson: Design

Mark Warford: Photography



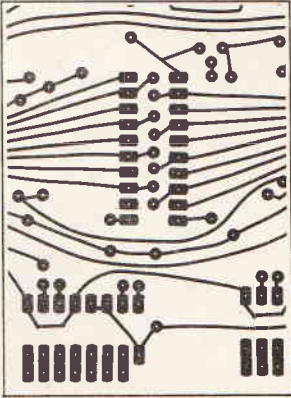
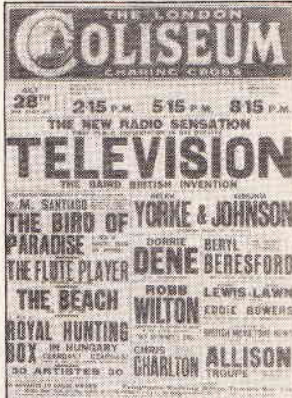
Selina Gayle: Ad Manager

Heather Wust: Classified Sales

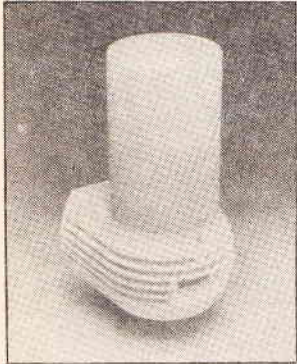
Andrew Selwood: Copy Control

Mark Webb: Group Editor

REGULARS

| | | | | |
|---|-----------|---|-----------|---|
| News | 6 | Backnumbers | 33 |  |
|  | 8 | PCB Service | 52 | 61 |
| Read/Write | 9 |  | 55 | Keynotes |
| Diary | 10 | PCB Foil Patterns | 56 | 62 |
| Fame & Fortune | 11 | Oops! | 57 |  |
| Next Month | 15 | Subscriptions | 33 | 63 |
| Subscriptions | 33 | Classified Ads | 61 | Book Look |
| Keep Regular | 33 | Open Channel | 66 | 64 |
| | | | | Blueprint |
| | | | | 66 |
| | | | | Ad Index |

FEATURES/PROJECTS



9

Competition

ETI and Maplin offer you sacks of prizes in a free competition to tickle your tonsils

12

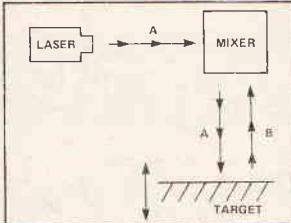
EPROM Technology

Mike Bedford never forgets with his finger on the pulse of EPROM advances

16

The Norton Difference

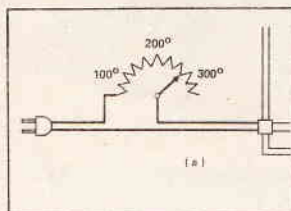
Ray Marston concludes his look at the versatility of the current-differencing op-amp



22

Making Sense

Mike Barwise concludes the *Chip In* look at the art of sensorship



25

Op-Amps

Paul Chappell's *Circuit Theory* considers the hazards of frequency response in the humble op-amp

PROJECT 28

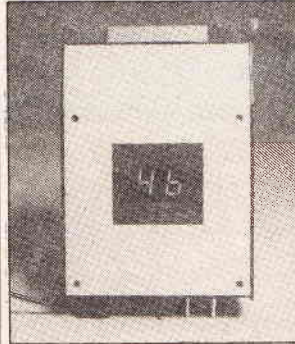
Electronic Thermostat

Andrew Armstrong replaces the clunk-click dial with a digitally programmable heat controller

PROJECT 34

ETI Index 1988

The complete list of the past twelve months according to ETI



PROJECT 38

PROJECT

Doppler Speed Gun

Tony Williams checks vehicle velocity and miscellaneous motion with his hand-held doppler project

PROJECT 44

The Small Fry Mini-amp

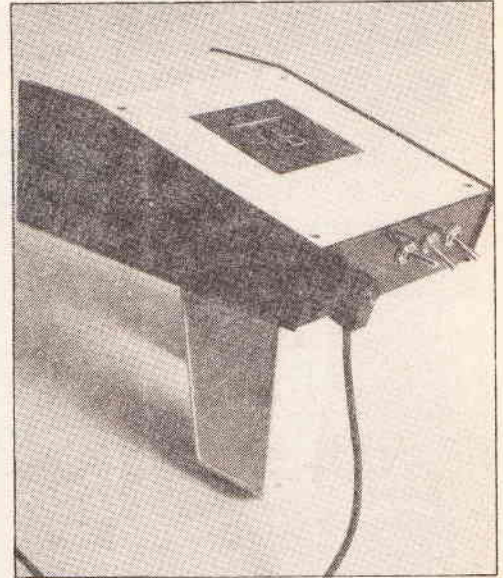
Keith Brindley's *1st Class* project pumps the power from your pennies with this cheap and cheerful amplifier circuit



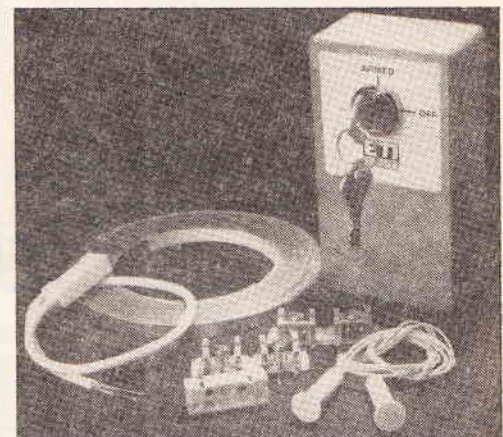
PROJECT 46

Burglar Buster

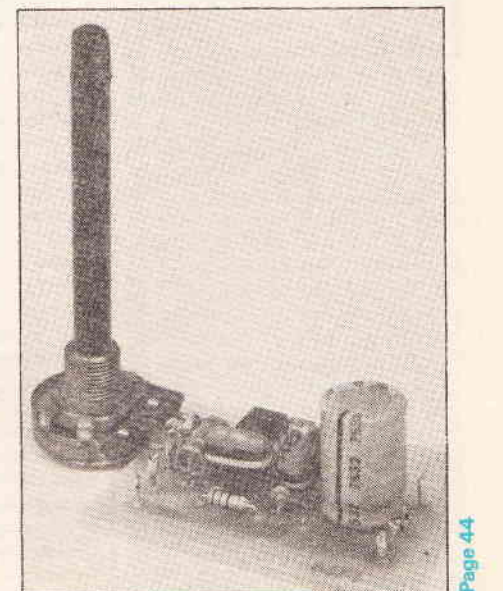
To catch a thief, just take your free PCB and follow Paul Chappell's guide to the world of crime prevention



Page 35



Page 46



Page 44

DIGITAL PROMS

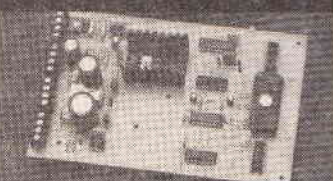
The BBC's first ever totally digital live broadcast was achieved on September 14th from the Promenade concerts at the Royal Albert Hall.

Since 1985 the last analogue link in the broadcast chain has been the continuity desk in Broadcasting House where the live broadcast is levelled and faded for mixing with the continuity announcer's microphone. Now a new digital bypass has been fitted in Broadcasting House to allow these operations to take place without decoding the signal.

The complete signal path is now as follows: Microphone signals from the Albert Hall are digitised and sent down fibre-optics to the OB van where they are mixed on a Neve DSP digital desk and returned to a smaller digital unit in the hall where the presenter's voice is added.

After conversion to BBC NICAM format, the signal is radioed to Broadcasting House and converted back to studio format. The described continuity work takes place in Radio 3's new 'Q' studio. The output, back in NICAM form again, is sent directly to the transmitters where it is decoded and broadcast in the usual fashion.

TALKBACK



A sampled playback board is available as a discrete unit from Hakuto of Waltham Cross.

The board reads from stored EPROM information (Hakuto provides a recording service) to produce speech or effects of from four to sixteen seconds in length, depending on the EPROM purchased.

The sampling rate is 8kHz (4kHz bandwidth) with 4-bit samples. It needs a power supply (a low power version will operate from battery).

The board itself costs £53.30 + VAT with EPROMs at £6 for 4s, £10 for 8s and £16 for 16s. Hakuto also produces a recording and editing unit for £396.

For full details contact Hakuto, 33-35 Eleanor Cross Road, Waltham Cross, Herts EN8 7LF. Tel: (0992) 769090.

SHANGHAI ENTERPRISE

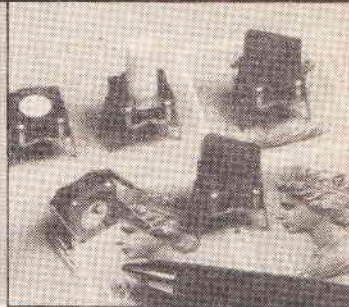
Four years of negotiations has led to a successful agreement for GEC Plessey Telecommunications to start production of private telephone exchanges in Shanghai. The talks were started by Plessey and should result in some 100000 lines a year produced by the partnership of GPT with a trio of companies in Shanghai and Singapore.

SLENDER SWITCHES

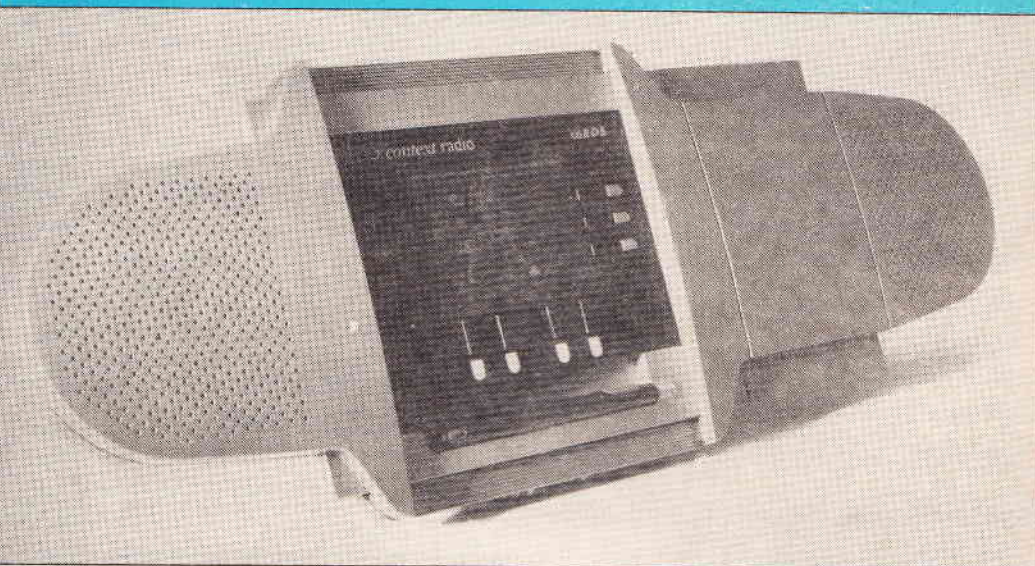
A set of versatile subminiature rotary switches are on the way from Invader of Swindon.

The RTE 10/16 series provide direct binary coding with either 10 or 16 positions available. They have an operating maximum of 30V DC and 100mA. The setting can be by shaft, button or screwdriver slot.

Contact Invader, Bridgewater Close, Hawksworth, Swindon SN2 1TZ. Tel: (0793) 613201.



RDS TAKES TO THE AIR



The Radio Data System (RDS) finally got its big launch from the BBC at a plush royal-graced presentation to preview its public unveiling at the BBC Radio Show in October.

Apart from the glitz and glam of presenters Simon Bates and Debbie Thrower, a batch of prospective RDS manufacturers were neatly arranged in an adjacent room to display their wares.

RDS adds data to FM radio broadcasts as a phase-modulated subcarrier at 57kHz — a frequency easily derived from the existing 19kHz pilot tone of FM stereo. An RDS receiver can decode this information to provide automatic tuning, programme identification and a clock signal taken straight from the Rugby MSF transmissions.

For mobile listeners, an RDS receiver can also overlay traffic reports from local radio on to the driver's chosen channel.

The system is capable of handling a great deal more information than this. Other services planned for the future include programme typing where a receiver will hunt for the type of broadcast you desire (rock, sport, news and so on) and radiotext where up to 64 characters can be transmitted by the programme producer to assist the listener (addresses or telephone numbers for instance).

The most powerful and versatile suggested service would use RDS as a full transparent data channel to download computer software, teaching notes and information sheets.

Unfortunately the BBC has created a chicken and egg problem by promising these additional services only when the hardware is on the market to receive them. Not surprisingly there is as yet no manufacturer prepared to market equipment that receives this untransmitted information.

Of the machines that are being produced the best design appears to be from Sharp. Its forthcoming RDS cassette radio is the only machine to have a double front-end for the tuner which enables active searching for traffic flashes. Single-ended receivers rely on redirection messages broadcast on the main networks to overlay say a Radio Kent traffic flash on to Radio 2. Naturally, the BBC national networks will only redirect to local BBC stations. Sharp's receiver will spot both BBC and independent radio travel reports.

BBC Enterprises is also planning to introduce a BBC-badged RDS radio under a similar scheme to its involvement with the BBC computer. A prototype for a domestic receiver has been made to the BBC's specifications by Kinneir Dufort, a Bristol-based industrial design group.

While the in-car manufacturers have all incorporated the RDS features into a more or less conventional design, the Kinneir Dufort 'Context' radio (see photo) is curious to say the least.

Finished in matt turquoise, the unit has a large square high resolution LCD screen surrounded by pink and yellow selection keys plus a light pen (to read those bar codes that still haven't yet appeared in the Radio and TV Times).

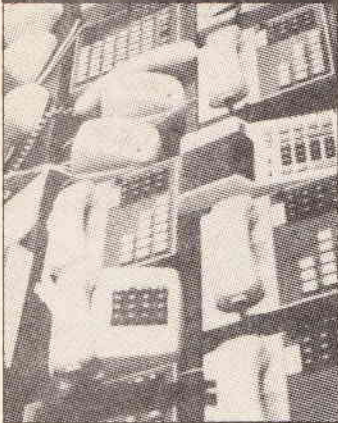
The radio also caters for several of the as yet untransmitted RDS services — there is a built-in printer and connections added for downloading to peripheral computers.

All these extras are in modular units to expand the basic radio. There is also a cassette module. Oh — and the whole thing hangs on the wall.

Despite Kinneir Dufort's enthusiasm and 'negotiations with a major manufacturer' BBC Enterprises is likely to choose a less flamboyant design for its initial domestic radio. It is instead displaying the *Context* radio in a glass case at the BBC Radio Show as 'the shape of things to come'.

Prices of most RDS radios and radio cassettes are not finalised but look to be around £400 for a high spec model. Most manufacturers reckon the RDS features add about £100 to normal retail prices.

RING AROUND THE WORLD



There are now over 700 million telephones on the earth, according to the 1988 *International Telephone Statistics* report from Siemens.

Sweden emerges as the most telephone-rich nation in the world with 64 main stations per 100 inhabitants, with Switzerland in second place with 52. Europe as a whole averages only 22 main stations per 100 heads compared with North America's average of 50.

As the world bank recently acknowledged, expansion of communications networks is a prerequisite for economic progress and telecommunications saturation is a useful indication of third world development. Africa averages just one station per 100 heads.

The report is at present available only from Germany. Contact Siemens AG, Zentralstelle für Information, Postfach 103, D-8000 München 1, Germany. Tel: (089) 2340.

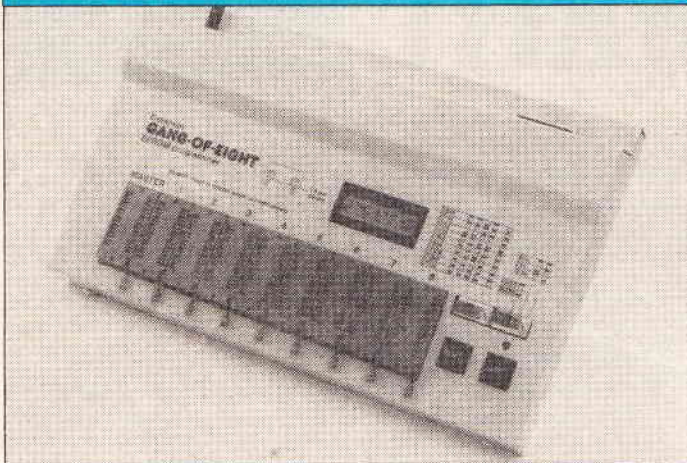
HITACHI DOESN'T SEE THE LIGHT

Hitachi is attacking the age-old irritation of reflected light on TV screens.

In Japan it has already introduced a 'silky-faced' tube on its 27-inch and 29-inch colour televisions. Hitachi claims reflected light is cut by 40% without affecting the picture brightness or resolution.

As a single feature, the matt TV has a limited promotional power but coupled with the present buoyancy of the large-screen TV market and the resulting stiff competition in this area, Hitachi is hoping its aesthetic prominence will give Hitachi TVs an edge over the opposition.

MEET THE GANG



A new version of the original 'Gang-of-Eight' production EPROM programmer has been produced by Dataman of Dorchester together with a 28-day money back guarantee.

The G8 programmer holds eight slave devices to be programmed either from a master EPROM or from an RS232 link with an IBM AT/XT or compatible PC.

It can handle EPROMs of the 27 family from 2716 to 27512 as well as 2516, 2532 and 2564 devices. Five binary switches are used to set the device type, with two more to select voltage (25V, 21V or 12V5).

An eighth switch selects between fast programming for those devices

which use it and 50ms pulses for those which don't. The unit indicates each stage of programming on an 8-digit LCD.

The G8 is solidly built — Securicor drove a van over an earlier model without incident — although the Post Office (master of its art) did once succeed in snapping a PCB inside a packaged unit!

The 2-way PC link operates at 9600 baud and supports various serial formats including binary and ASCII.

The G8 retails at £395 and comes with a 28-day money refund guarantee.

Contact Dataman, Lombard House, Cornwall Road, Dorchester DT1 1RX. Tel: (0305) 68066.

LIGHT METER



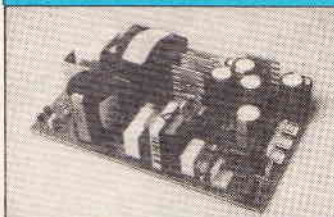
Outdoor types may be interested in a new solar charged multimeter available through Universal.

The Hioki 3242 operates from an internal NiCd cell but constantly recharges from a 50 x 40mm array of solar cells on the front of the meter.

Functions are limited to AC and DC volts, resistance and an audible continuity test. Display is by 3½-digit LCD and the rear of the case flips open to provide storage space for the test leads.

The Hioki 3242 costs £52.25 + VAT and may be obtained from Universal Instruments, Unit 62, GEC Site, Leicester LE8 3LH. Tel: (0533) 750123.

NO LOAD POWER



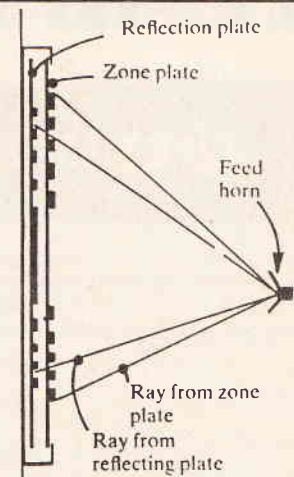
A 50W switched mode power supply that continues normal operation even at zero loading is available from Computer Products of Bedford.

The XL50-7601 power supply takes any input voltage from 85-264V AC (no adjustment needs to be made) and holds onto the secondary output regulation regardless of load. Many such supplies will produce massive voltages on secondary outputs if the primary output is unloaded. Others use a dummy load to obviate this risk but in doing so lose efficiency and produce heat. This unit does neither.

Three outputs are provided: 5V at 7A, 12V5 at 2A5 and -12V at 0A7. The price is £50 + VAT.

Contact Computer Products Power Conversion, PO Box 336, Tavistock House, Bedford MK40 2XP. Tel: (0234) 273838.

DISH OR PLATE?



In addition to the Murdoch and BSB satellite receiving systems under design and production, there is considerable scope for experimentation in the zone plate form of antenna that can be used in place of standard receiving dishes.

A zone plate is a flat thin sheet of any material carrying a set of concentric circular zones opaque to the radiation. These Fresnel zones (get your Physics book out) focus received signals at a point along the axis.

Such a sheet can be mounted on a window with the circles displaced to form ellipses which focus signals from objects above the perpendicular axis of the window.

The problems with this simple and cheap system are the losses that soon creep into the calculations. Only half the signal power across the plate is transmitted so that plate antennae must be 50% larger than a dish equivalent. Secondly the theory demands an exact half-wavelength path difference at corresponding points of adjacent rings. In practise this isn't the case and a further size increase of 60% is necessary to compensate. This gives a practical plate size around double that of a dish.

Both these losses can be reduced. The blocking loss can be almost removed completely by having the initial plate on the external side of a window with a second plate inside, positioned so that reflective zones cover the transmission areas. No signal will get inside the building at all and careful positioning brings a single focus some inches outside the window to be fed inside from an external horn (see diagram).

Mawzones manufactures 5-zone elliptical sheets and claims good results for medium and low speed data reception from existing Eutelsat transmissions. It is also developing compensated and uncompensated sheets suitable for TV reception from Astra and other satellites.

For more information contact Mawzones, 6 Hodwell, Ashwell, Baldock, Herts SG7 5QG. Tel: (046274) 2854.

READ/WRITE

UNCERTAIN FACTS

SPEAKING OUT

LIFETIME GUARANTEE

I think that Mr Wood (Read/Write ETI October) has missed one important point about home-constructed designs versus Korean and Taiwanese imports, namely what happens when they go wrong.

If you buy an amp from Tottenham Court Road and it breaks down, you're not even allowed to replace an internal fuse without jeopardising your guarantee. Yet if you take it back to the shop they send it away for two months then give it back — often with the fault almost totally untouched.

If you've built your own amp, not only can you take it apart but you have a far better working knowledge of its

internal organs, having wired the things together yourself.

If needs be you can even rip out an entire section and build a new bit, anytime something wears out you know where to track the components down.

True, the finish may not be as good, yes the components cost me more than they do Mr Morita in Japan but at least I don't burst into tears when smoke comes out of the back (which happily it doesn't do too often).

Home construction means a lifetime guarantee!

Raymond Street
Newport, Gwent

In the September ETI particle physics article, Stephen Malone made the mistake of crediting Heisenberg with the discovery that electrons (or any matter) can behave as a particle or wave at the same time.

It was in fact old Louis de Broglie who came up with this in his PhD thesis in the 1920s. He startled the physics-speaking world by stating that $\lambda = h/p$ or simply that the wavelength of matter is inversely proportional to its momentum (a particle property). Hence the wave-particle duality was born.

Heisenberg's contribution was really one of explaining the built-in uncertainties of all of nature — an equally important feat. Besides this correction Stephen Malone's article was as good as they come — probably one of the clearest you'll find anywhere. Great stuff.

K A Malik
Blackburn, Lancs

Your Quarter Wave Loading loudspeaker cabinets in the August issue looked so good (and suitably sized for my meagre dwelling) that I rushed out and bought four drive units from Tandy and loads of chipboard from the local DIY megamart.

I got it all home, locked myself in the garage and started hacking the wood into small pieces according to your diagrams. When I got to the baffle board I noticed there were several dimensions missing from the diagram in the mag (page 26).

The size of the tweeter's port is also unmarked, although I have calculated this from the other measurements (assuming the top of the cabinet is a right angle).

Please help so I can build the speakers and get my car back into the garage!

Oliver Page
Maldstone, Kent

Yup, several dimensions did indeed fall off the diagram artwork at the last minute. The extra bits are in the 'Oops!' section at the back of the mag.

You were also quite lucky to get those bass units from Tandy as there was a hiccup in their supply just around the time our design was published — this should be cured by the date of publication of this issue.

SQUASHING OR CRAMMING

In your Careers and Education special (October ETI) I was surprised to read of the electronics degree courses where the third year students suddenly find themselves with less than half the lectures they had to attend in previous years, enabling them to stay in bed or go and play squash.

As far as I recall our courses continued to within two or three weeks

of the final exams — a pity really because my squash game needed at least as much work as my degree! I should have read my prospectus more thoroughly.

My thanks for a continually interesting mag.

Glen Matthews
Manchester

We didn't actually mean to imply that students were supposed to stay in bed or play squash — merely that it is not entirely unknown for this to occur! The extra hours provided in many degree third year timetables usually exist for work on a 2-term project that counts significantly in the final percentages (naturally the structure of courses varies from place to place).

BRING BACK MY BONNIE

Can I just say that despite urgent (nay, ardent) searching, no mention of Bonnie Langford has appeared in the last three issues of ETI, even though her name scarcely missed an issue in the preceding six months. Where is Doctor Who when we need him most? Mind you, those awfully nice BBC people are repeating The Good Life — does that mean ETI will return to the halcyon days of a Felicity Kendal on every other page?

Mark Wigley
Bromborough, Merseyside

Since your letter arrived in the ETI offices you will have realised that the good Doctor has returned to grace our midweek screens — but without trace of dear departed Bonnie Langford. Oh what a terrible shame.

And no, we will not be resuming our series of Felicity Kendal pics — good grief, we thought that particular episode was safely buried in the past...

STAR TURN

In an arcade in Central London is a man who produces astrological data from a multiscreened machine with a profusion of flashing lights and whirly wheels. Such a machine might make a fascinating subject for an ETI project. Have you any idea how it might work?

Pete Swan
Clapham, London

Well at the risk of enraging any astrological readers, we would suggest that it probably doesn't. However, any superstitious souls who would enjoy such a device could put together a few old ETI light sequencing projects with a home computer to randomise a horoscope in their own living room. We have no plans at present to produce such a project — it would be largely software anyway — but who can tell? Perhaps it is written in the stars...





COMPETITION

No Scrooges we! Generous to the point of benevolence, ETI and Maplin have once again teamed up to offer readers the chance to test their wits in a free-to-enter contest of intellect.

The lucky winners will receive one of Maplin's new Nite Sentry infra-red detectors (reviewed last month), a heat-triggered light to give a warm welcome as you approach your door. No more fumbling for the key in the dark of a winter snowstorm! The Nite Sentry also acts as a deterrent to surprise unwelcome visitors. It might even scare off any early carol singers!

To enter, simply complete the famous house addresses (none of which have a Nite Sentry at present although it is only a matter of time). A selection of numbers to use together with cryptic clues is on the left. Then write the complete addresses on the back of a postcard or envelope (not on the front or the postman will get terribly confused) along with your own name and address and send your entry to:

ETI Nite Sentry Competition
1 Golden Square
London W1R 3AB

The first two winners to be drawn from the Editor's Lithuanian trilby on the closing date — 9th December — will win a Maplin Nite Sentry to light up their life (and their porch).

- 221b The cocaine fiddler
- 50 Barrett's home
- 1 Illustrious publishing house
- 32 One bear
- 100 One bear, one owl, one donkey
- 33 Tony's Half-hour house
- 11 Moneybags
- 84 Tome home
- 10 Christie's bloodbath
- 77 LA Drama

- Charing Cross Road
- Windsor Gardens
- Rillington Place
- Railway Cuttings
- Wimpole Street
- Golden Square
- Sunset Strip
- Baker Street
- Acre Wood
- Downing Street

100 EXTRA PRIZES

But that's not all. We also have 100 copies of Maplin's brand new 550-page catalogue to give away to the first 100 entries received here at ETI HQ. And to be fair to our international readership, 10 catalogues are reserved for entrants from distant lands.



DIARY



ITEX 88 — November 1st-3rd

Barbican Centre, London. IT exchange backed by DTI. Contact Cahmers Exhibitions on 01-388 9871.

Electronic Information Delivery — November 8th-9th

Tara Hotel, London. Contact Blenheim Online on 01-868 4466

Cellular And Mobile Comms — November 10th-11th

Tara Hotel, London. Contact Blenheim Online on 01-868 4466

Satellite Communications — November 10th-11th

Tara Hotel, London. Contact Blenheim Online on 01-868 4466

Electron And BBC Micro Show — November 11th-13th

New Horticultural Hall, London. Contact Database Exhibitions on (0625) 878888

Computers In The City — November 14th-17th

Barbican Centre, London. Conference with exhibition 15th-17th. Contact Blenheim Online on 01-868 4466

Image Processing — November 15th-17th

Kensington Exhibition Centre, London. Contact Network Events on (0280) 815226

Interactive 1988 (Interactive Video) — November 15th-17th

Kensington Exhibition Centre, London. Contact Network Events on (0280) 815226

Computers In The City — November 15th-17th

The Barbican Centre, London. Contact Blenheim Online on 01-868 4466

Compec — November 15th-18th

Olympia Exhibition Centre, London. Contact Cahners Exhibitions on 01-891 5051

Military Avionics — November 16th-17th

London Tara Hotel, London. Contact ERA Seminars and Exhibitions on (0372) 374151

Commodore Computer Show — November 18th-20th

Novotel, London. Contact Database Exhibitions on (0625) 878888

Electrical Safety In Hazardous Areas — November 22nd-23rd

IEE, London. Conference sponsored by IEE. Contact IEE on 01-240 1871

International System Security Conference — November 22nd-24th

Tara Hotel, London. Contact Blenheim Online on 01-868 4466

Cellular And Mobile Comms Conference — November 29th-30th

BAFTA, London. Contact Blenheim Online on 01-868 4466

Opportunities For Commercial Exploitation Of Advanced Electronic Materials — November 29th-30th

Cumberland Hotel, London. Contact IBC on 01-236 4080

Drives, Motors, Controls and Programmable Controllers Exhibition — November 29th-31st

NEC, Birmingham. Contact Evan Steadman Communications on (0799) 26699

European Satellite Communications — December 1st-2nd

BAFTA, London. Conference. Contact Blenheim Online on 01-868 4466

Interactive '88 (Interactive System) — December 6th-8th

Metropole Exhibition Centre, Brighton. Contact PLF Communications on (0733) 60535

Electronic Messaging Systems — December 6th-8th

Tara Hotel, London. Conference. Contact Blenheim Online on 01-868 4466

Sound 89 — February 21st-22nd

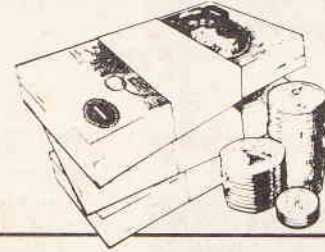
Heathrow Penta Hotel, London. Contact Sound and Communications Industries Federation on (06286) 67633

FAME



&

FORTUNE



That's what an incredibly small number of people have achieved by contributing articles to ETI. The rest of us have had to make do with total obscurity and enough money for a couple of pints. Nevertheless it's all worthwhile and we need your contributions now!

FEATURES

If you know what you're talking about and it hasn't all been said before, we want you to add to our wide ranging and informative features. If you have a great idea for a feature or two, send in a brief resumé. If you don't have the ideas but you think you have a commanding knowledge of a suitable subject area we want to hear from you too.

PROJECTS

ETI has built its reputation on novel, worthwhile projects well designed and accurately presented. If you have recently designed and built a world-beater we want to hear from you. In the first instance send us a brief description of your masterpiece along with a circuit diagram.

Whatever you can contribute to ETI, take the plunge now. We can offer a modicum of fame and a very reasonable fortune.

Write in to:
The Editor
ETI
1 Golden Square
London W1R 3AB

HENRY'S

ELECTRONICS FOR TRADE, INDUSTRY, EXPORT, EDUCATION AND RETAIL

*INSTRUMENTS

- SCOPES ■ COUNTERS
- DMMS ■ PSU'S
- GENERATORS ETC.

*PUBLIC ADDRESS

- SPEAKERS ■ AMPLIFIERS
- MIXERS ■ MICS ETC.

COMPONENTS

- HUGE STOCKS ALSO
- TOOLS ■ CABLES ETC.

*ACCESSORIES

- TV-VIDEO AMPLIFIERS
- AUDIO ■ TV/VIDEO
- SECURITY ■ CB RADIO
- ACCESSORIES

COMMUNICATIONS

- INTERCOMS ■ CB RADIO

*SECURITY

- PANELS ■ PIRS ■ SIRENS
- DOORPHONES ■ STROBES

FREE!
ILLUSTRATED
CATALOGUES WITH
RETAIL DISCOUNT
VOUCHERS

- Instruments/Security Computer
- General Catalogue

Please state Trade/Education or Retail/mail order Send 9" x 4" SAE £1.00 each or £1.50 for both

HENRY'S

404 Edgware Road, London W2 1ED
Tel: 01-724 0323



*ALSO AT Audio Electronics 301 Edgware Road W2 01-724 3564
SALES OFFICE 01-258 1831 Telex 298102 Fax 01-724 0322

PROFESSIONAL SURVEILLANCE EQUIPMENT KITS

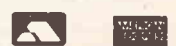
- **MTX** Micro-miniature VHF transmitter. The smallest kit on the market measuring an incredible 17mm x 17mm including on-board mic. Super sensitive Fully tuneable over FM band. 9V operation with range up to 1000m. **£10.95**
- **VT500** High power version of the MTX with on-board PA stage providing 250mW of RF. Measures just 20mm x 40mm, power requirements 9-15V. Excellent sensitivity and stability Fully tuneable over FM band. Ranges over 3000m can be expected. **£12.95**
- **VOX75** Voice-activated transmitter. Variable sensitivity trigger level switches transmitter on when sounds are detected. Stays on for time delay variable between 1-20 sec. Fully tuneable output covers all FM band. Very sensitive and low standby current through CMOS circuitry. 9V operation, range up to 1000m. Measures 30mm x 40mm. **£15.95**
- **CTX900** Sub-carrier scrambled transmitter. Audio is double modulated providing very secure transmissions. Any unauthorised listener will not be able to demodulate signal without DSX900 Decoder unit. Variable modulation on-board. Fully tuneable output covering FM band. 9V operation, range up to 1000m. Measures 30mm x 40mm. **£18.95**
- **DSX900** Decoder unit for CTX900. Connects to earphone output of receiver to descramble signal from CTX900. Monitor using small speaker or headphones. Variable decode frequency on-board for best resolution. 9-12V operation. Measures 35mm x 50mm. **£17.95**
- **TLX700** Micro size telephone transmitter. Connects onto line at any point and requires no batteries. Clearly transmits both sides of conversations on both incoming and outgoing calls. Undetectable by phone users. Fully tuneable output covering FM band. Range up to 1500m. Measures just 20mm x 20mm. **£5.95**
- **ATR2** Micro size telephone recording unit. Connects onto line at any point and connects into ANY normal cassette recorder, standard or micro having MIC and REM sockets. Requires no batteries. Switches recorder on silently when phone is used for incoming or outgoing calls, switches off when phone replaced. Clearly records both sides of conversations. Undetectable by phone users. Measures 10mm x 35mm. **£10.95**
- **XML900** RF Bug Detector/Locator. Wide band input circuitry detects presence of RF field and triggers flashing LED and piezo bleeper. Variable sensitivity enables source of transmission to be pinpointed to within 6 inches. Max sensitivity will detect MTX or similar transmitter at around 15-20 feet. 9V operation. Measures 55mm x 55mm. **£1.95**

All kits come fully documented with concise assembly and setting-up instructions. High quality fibreglass PCB and all components necessary to complete the module. All prices are inclusive but please add £1.50 to cover P&P. Orders over £50.00 post free. Please state requirements clearly and enclose cheque or PO to cover.

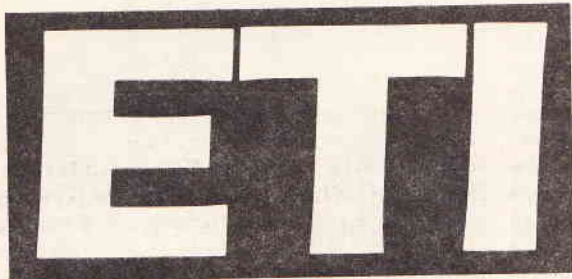
Phone orders on ACCESS or AMEX accepted. Tel: 0827 714476

NOTE: It is illegal to operate a transmitter in the UK without a licence. Send 9x4 SAE for full catalogue of these and other surveillance kits

SUMA DESIGNS (Dept ETI), THE WORKSHOPS, 95 MAIN ROAD
BAXTERLEY, NR ATHERSTONE, WARKS CV9 2LE. TEL: 0827 714476



Next Month
in



ELECTRONICS
TODAY INTERNATIONAL

Hard and fast they come, fighting the vicious arctic gales that slam into their weary bones as they crash forward into icy sleet that cuts the face and numbs the mind.

The powerful stallions on which they ride crack with frost as they advance, the riders clutching the frozen manes to hold the struggling beast full into the wind, the most direct course and the only path that can guide them to their goal before the hour of the first Friday when the next new moon rises into the storm-torn sky.

Beside the straps of the worn leather saddles the riders carry their precious lading, wrapped in the finest oilskin, protecting against the ice and rime.

In a momentary parting of the waves of sleet, the shadows of helmed marauders rise up against the skyline. The riders grit their teeth and unbuckle their swords. Nothing must stop them now. No foe must stand in their path. The January issues of ETI must get through.



The January issue of ETI is packed with our unique melange of prestigious projects and artful articles to bring a ray of sun to the dullest of December days.

Following on from this month's look at EPROMs we present the ETI Stand-alone EPROM Programmer. Developed from the Universal EPROM Programmer (Marks I and II), it is a versatile unit that talks to virtually anything with an RS232 interface.

For would-be motorbike owners there's a realistic and noisy engine simulator to fix to your bicycle and a hearing booster to make sure Granny gets the full benefit.

For features we turn to the world of broadcasting with a look at the BBC's new Radio Data System.

Together with all the regulars, the January ETI should not be missed. Stick one in your stocking and give Santa a read of the best electronics magazine money can buy.

JANUARY ETI — ON SALE DECEMBER 2nd

The articles mentioned here are under preparation but circumstances (or helmed marauders) may prevent their publication.

SPECIAL OFFER — ALTAI DIGITAL MULTIMETER

- ★ Full 3½ digit multimeter — 0.25% basic accuracy, 10A ac/dc
- ★ Temperature measurement
- ★ Capacitance measurement — up to 20µF
- ★ Transistor gain measurement
- ★ Full ac/dc capability
- ★ 10 functions
- ★ Complete with leads

£49.95
INC VAT
& POSTAGE

| DC VOLTAGE | RESOLUTION | ACCURACY |
|------------|------------|-----------------------------|
| 200mV | 100µV | ±0.25% of reading + 1 digit |
| 2V | 1mV | |
| 25V | 10mV | |
| 200V | 100mV | |
| 1000V | 1V | |

Input impedance: 10M on all ranges. Overload Protection: 1000V dc or peak on all ranges.

| DC CURRENT | RESOLUTION | MAX FS ACCURACY | VOLTAGE DROP |
|------------|------------|-----------------|--------------|
| 200µA | 100nA | ±0.5% rdg + 1d | 0.25V |
| 2mA | 1µA | ±0.5% rdg + 1d | 0.25V |
| 20mA | 10µA | ±0.5% rdg + 1d | 0.25V |
| 200mA | 100µA | ±0.75% rdg + 1d | 0.25V |
| 2000mA | 1mA | ±2% rdg + 5d | 0.75V |
| 10A | 10mA | ±2% rdg + 5d | 0.30V |

Overload Protection: mA Input: 2A/250V fuse. 10A Input: Unfused up to 15A for 15 seconds

| AC CURRENT | RESOLUTION | ACCURACY | FREQ RANGE |
|------------|------------|------------------|--------------------------|
| 200mV | 100µV | ±(0.5% rdg + 5d) | 45Hz-500Hz on all ranges |
| 2V | 1mV | | |
| 20V | 10mV | | |
| 200V | 100mV | | |
| 750V | 1V | | |

Conversion: Calibrated for rms of sine wave. Input impedance: 10M shunted by 100pF on all ranges except 200mV range. Overload Protection: 1000V dc or 750 rms ac continuous, except 15 sec max above 300V on 200M range.

| AC CURRENT | RESOLUTION | MAX FS ACCURACY | VOLTAGE DROP |
|------------|------------|-----------------|--------------|
| 200µA | 100nA | ±0.75% rdg + 5d | 0.25V rms |
| 2mA | 1µA | ±0.75% rdg + 5d | 0.25V rms |
| 20mA | 10µA | ±0.75% rdg + 5d | 0.25V rms |
| 200mA | 100µA | ±0.75% rdg + 5d | 0.25V rms |
| 2000mA | 1mA | ±2% rdg + 5d | 0.75V rms |
| 10A | 10mA | ±2% rdg + 5d | 0.30V rms |

Overload Protection: mA Input: 2A/250V fuse. 10A Input: Unfused up to 15A for 15 seconds

| RESISTANCE | RESOLUTION | MAX OPEN ACCURACY | CIRCUIT V |
|------------|------------|-------------------|-----------|
| 200Ω | 100mΩ | ±0.5% rdg + 3d | 2.5V |
| 2kΩ | 1Ω | ±0.3% rdg + 1d | 2.5V |
| 20kΩ | 10Ω | ±0.3% rdg + 1d | 500mV |
| 200kΩ | 100Ω | ±0.3% rdg + 3d | 500mV |
| 2MΩ | 1kΩ | ±0.75% rdg + 5d | 500mV |
| 20MΩ | 10kΩ | ±1% rdg + 5d | 500mV |

Max allowable input: 500V dc or rms

CONTINUITY TEST
Resistance range. Buzzer sounds at approximately less than 200Ω.

DIODE TEST
Test voltage: 2.8 Volts. Maximum test current: 3mA.

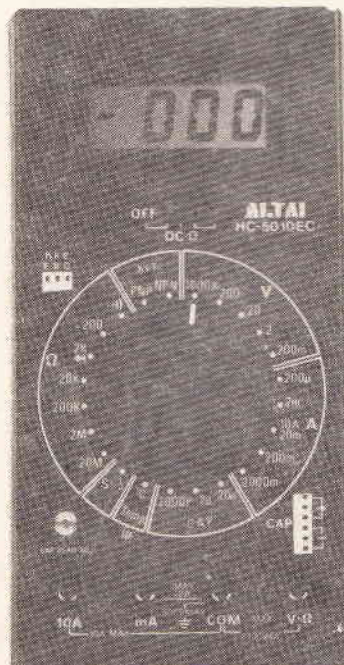
| TEMPERATURE | RESOLUTION | ACCURACY |
|-----------------|------------|---|
| -20°C to 1370°C | 1°C | ±(3% + 1d) up to 150°C ±3% of rdg over 150°C |

Sensor: Type K (NiCr-NiAl)

| CONDUCTANCE | RESOLUTION | ACCURACY |
|-------------|------------|-----------------|
| 200nS | 0.1nS | ±1.5% rdg + 10d |

| CAPACITANCE | RESOLUTION | ACCURACY |
|-------------|------------|---------------|
| 2000pF | 1pF | ±1.5% FS + 5d |
| 2µF | 0.001µF | ±2% FS + 5d |
| 20µF | 0.01µF | ±2% FS + 5d |

hFE TEST Test condition: 10µA 2.5V hFE gain 0-1000(npn, pnp)



The Altai HC-5010EC digital multimeter features a 0.5 inch 3½ digit lcd display with polarity, low battery and overrange indication. The meter gives 200 hours typical battery life with a 9V alkaline battery. The meter has a tilt stand built in, measures just 170x87x42mm and weighs 383gms. It is provided with an operator's manual, test leads, with extra screw-on insulated crock clip connectors, and a plug-in thermocouple for temperature measurement.

Post to: Meter Offer, BK Electronics,
Unit 5, Comet Way, Southend-on-Sea,
Essex SS2 6TR. Tel: 0702 527572

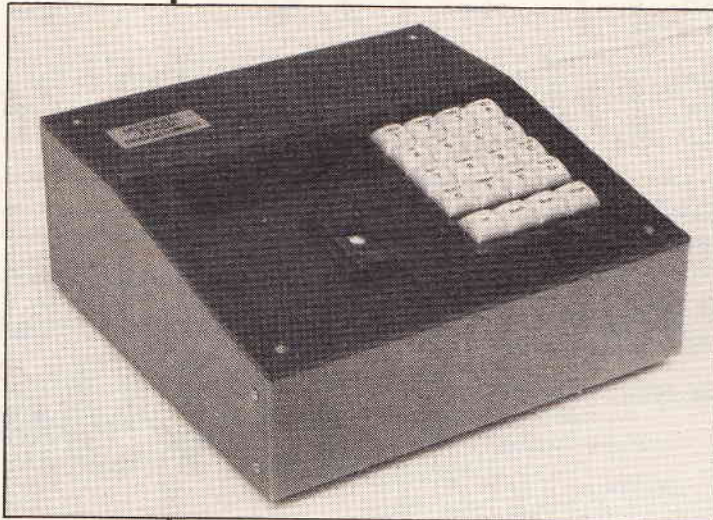
| Please supply | | |
|---|--|-------|
| Quantity | Item | Value |
| | Altai Digital Multimeters at £49.95 each (including VAT and postage) | £ |
| Total | | £ |
| Please complete the coupon in BLOCK CAPITALS | | |
| Visal/Access or Cheque No | | |
| Signature | | |
| Name | | |
| Address | | |
| WE CAN ACCEPT VISA AND ACCESS ORDERS BY TELEPHONE | | |

EPROM TECHNOLOGY

Mike Bedford comes to blows with the advancing world of EPROM technology

Over the years in ETI we have programmed them, emulated them, watched them grow and made the most of them as powerful components in numerous projects. Programming methods have improved by leaps and bounds and the number of variants of this versatile component has snowballed over the last year or so.

We're talking, of course, about the EPROM. Starting next month (weather permitting) we will be presenting the ETI Stand-alone EPROM Programmer but first let's take a look at the internal workings of EPROMs. How does UV light erase data? How do the interactive programming algorithms operate? And what is happening in the wide world of EPROM development?



With the appearance of the 512Kbit EPROM two architectures evolved: the 27512 which is 64K × 8 bits and the 27513 which is the first of a family of paged EPROMs organised as 4 × 16K × 8 bits. This device has a register which can be written to by the processor to select one of the 4 available pages. Such a device is of clear advantage in an 8-bit system where the address map is limited to 64K bytes.

Mega Memory

After this bit of historical background, let's take a look at the 1Mbit EPROMs, the architectural variants of which have really mushroomed. The situation is further complicated by the fact that the same device can often have different part numbers from different manufacturers.

Following on from the other byte wide EPROMs the 27010 (Intel), 27C1001 (Fujitsu), 571000 (Toshiba) or 27C101 (Hitachi) offer 128Kbytes and can therefore only be used with 16 or 32-bit processors (8-bit processors can't address more than 64K linearly without paging). Toshiba also offer the 571001 which has the same architecture as those above but the pinout is compatible with the 1Mbit masked ROM rather than JEDEC standard. All these devices break through the 28-pin barrier with their need for an extra address pin and are the first EPROMs to be housed in a 32-pin DIL package. Leadless chip carrier versions are also available for surface mounting.

Following in the footsteps of the 27513 is the Intel 27011 paged EPROM which is configured as 8 × 16K × 8. Because the linear address space occupied is still only 16K bytes, the number of address bits is still 14 (the same as on the 27513) so the device is still housed in a 28-pin package. In fact Intel, the originator of the paged philosophy, has advertised its plans to continue up to 32Mbits (256 × 16K × 8) all in the same 28-pin package. This implies that hardware designed for any EPROM in this family will accept any other member, only software changes being necessary.

In order to use byte wide devices with 16-bit processors, two memory chips can effectively simulate a single 16-bit wide memory. The first EPROM designed specifically for 16-bit systems is the 27210 (Intel) or 271024 (AMD, Fujitsu, Hitachi), arranged as 64K × 16. Compared to the 27512 which has the same number of words as the byte width, a further 8 data pins are required and accordingly the package size jumps to 40 pins. To reduce the pin count the 271028 (Fujitsu) multiplexes address and data bits hence keeping the EPROM within a 28-pin package. Since many 16-bit processors also multiplex address and data busses, interfacing is not a problem.

Time After Time

Original EPROMs required a 50ms pulse to program each byte. Whereas this only meant a 100 second programming time for a 2716, the corresponding time for a 27010 would be well over an hour — even for a 2764 the time would be more than 6 minutes. For

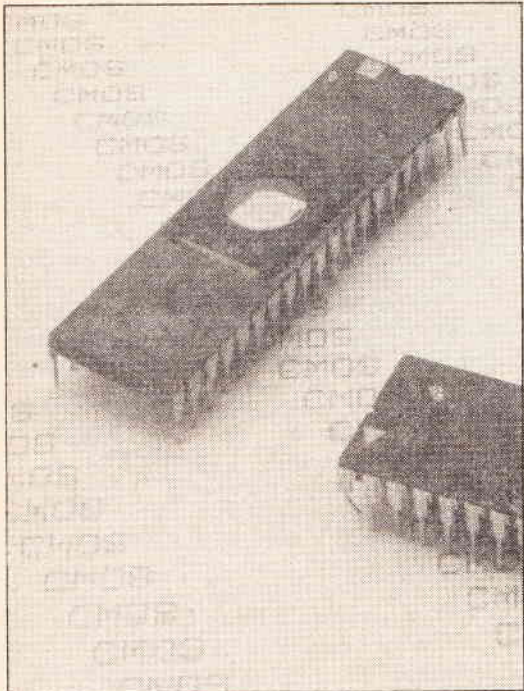
**E
P
R
O
M
S**

Bigger Faster Stronger

My first ETI EPROM Programmer was back in 1983 when the largest device available was the 27256 with a capacity of 256Kbits. By 1985 when ETI published the MKII, the 512K 27512 and 27513 EPROMs were available. Now the 1Mbit device has been around for about a year. However this is not a single device, there are many different architectures available.

For smaller EPROMs the variants were limited and most manufacturers adopted a common numbering scheme. With the exception of Texas devices (which had a different pin out in their 25-series) and a couple of Motorola EPROMs in the 68-series virtually all manufacturers adopted the 27-series which followed a JEDEC approved pin-out and had numbers of the form 27n. The value of n could take values of 58, 16, 32, 64, 128, 256 and 512 and (with the exception of 58 which really meant 08) indicated the capacity in Kbits, the memory being organised as byte wide — ideal for 8-bit processors. The only variant to these part numbers was the addition of a suffix A to indicate that the programming voltage was lower. (For example the 2732A has a 21V programming voltage compared to 25V for the 2732).

EEPROMS



has occurred the 27916 can be read in the normal way and looks just like a 27128.

In the multi-user system application one KEYPROM will be in the host computer and its twin in the remote terminal, whereas for firmware protection both will reside in the same piece of equipment — in each case the principal of operation is the same. Pairs of KEYPROMs are user programmed with a secret key and both devices have to be present for the data to be read. Even if a copy of KEYPROM resident firmware is made it will then only run on the computer for which it was licensed as only this machine will have a matching device as part of its system firmware.

Although the working of the 27916 is a complicated data encryption problem, the statistical security level makes interesting reading. During the authentication process the key is combined with a random number before transmission to the other device so that the secret key remains secure. The user can select 1 from 18 quintillion (18×10^{18}) possible keys. A computer program designed to pick the lock, trying one key every 8 hundredths of a second, would take 45 billion years to check every combination.

NVRAMs

Since they can only be erased by irradiation using ultra violet light, EPROMs can only be used as a true Read Only Memory and not as system non-volatile memory. The EEPROM or Electrically Erasable Programmable Read Only Memory, on the other hand, is designed with programming and erasing *within* the system in mind.

Early EEPROMs allowed the complete device to be erased electrically whereas more recent designs allow individual locations to be selectively erased. To further ease in-board programming, some EEPROMs have internal V_{pp} generation and programming pulse shaping and hence only require a +5V supply. Since a programming pulse measured in ms is required, recent designs also latch the address and data busses and time the pulse internally, freeing the processor once the programming operation has been initiated. Nevertheless once programming has started nothing further can be done with the EEPROM until it is completed so the software has to handle the chip in a way unlike standard memory.

this reason, EPROM manufacturers introduced an interactive programming algorithm for use with the 2764 and above. This works by applying 1ms pulses until the part verifies at which point a longer over-programming pulse is applied. This divided the programming time by six but required V_{cc} to be raised above its normal level to 6V.

Coming to the 27010, we find that even with the standard interactive algorithm the part takes about 15 minutes to program. Most 1Mbit EPROM manufacturers now recommend a much improved interactive algorithm (such as Intel Quick-pulse) in which the length of the pulses is 0.1ms and the need for an over-programming pulse is obviated. The V_{cc} level is increased once again to 6.25V and V_{pp} is also increased beyond its specified level by 0.25V. Typically the programming time for a 27010 is 15 seconds — a vast improvement.

Some manufacturers' devices which do not offer as efficient an algorithm give a different approach to programming time reduction. In these devices, internal latches allow up to 32 bits to be stored prior to starting a programming operation hence programming more than one location in parallel. Compared to byte wide devices without this facility a 4-fold speed increase is achieved.

Data Security

For many software houses and builders of micro-processor based products, it is just too easy for punters to make illegal copies of EPROMs, the contents of which could well represent many years of programming effort. Most commercial organisations have more integrity than to copy third party firmware but stealing software within the arena of home computing has almost become socially acceptable.

In its 27916 'KEYPROM' (providing "System Security in Silicon"), Intel has provided the first non-volatile memory with in-built security. Another potentially more important application is to prevent unauthorised access to multi-user computer systems — traditional security methods having been proved ineffective by the ardent hackers so often in the news. KEYPROMs are used in pairs which carry out an authentication handshaking process at initialisation prior to unlocking the contents. Once this unlocking

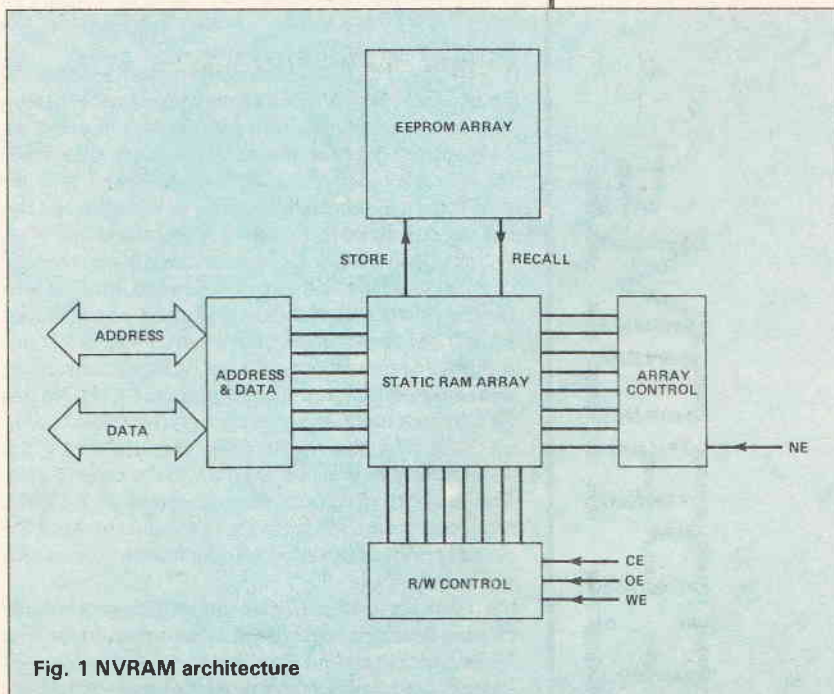


Fig. 1 NVRAM architecture

The NVRAM combines the advantages of both RAM and EEPROM having an internal organisation as shown in Figure 1. It will be noticed that the NVRAM contains a static RAM array and it is this memory which is accessed by the processor in the normal way for both read and write operations. What makes the NVRAM different, however, is that once a failing V_{cc} line is detected (at power down) the chip internally uses the data in the static RAM to program the EEPROM array before power is totally lost. Similarly, on power up, the reverse operation is carried out.

A control pin is also available to enable store and recall operations to be carried out under processor control. NVRAMs currently available from Intel are in the 200x series, a typical example being the 2004 with a capacity of 512×8 bits.

So much for recent developments. If space permitted we could look at the increasing trend of offering CMOS variants of all the common EPROMs, the 87-series EPROMs with inbuilt address bus latching or even serial output EPROMs. Instead let's turn to considering what makes EPROMs tick.

Inside The Eprom

Figure 2 is a diagrammatic representation of a single cell or memory bit of an EPROM. Programming is carried out by applying a high programming voltage (V_{pp}) to both the drain and the control gate with the

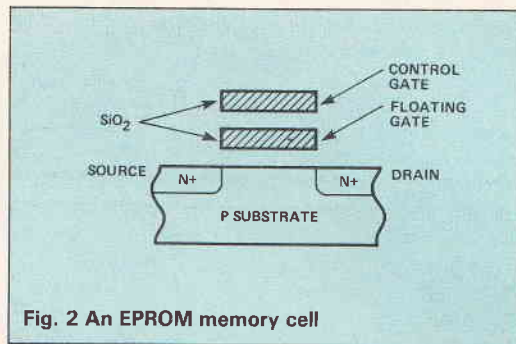


Fig. 2 An EPROM memory cell

substrate and source at ground potential. The result of this is a potential incline between source and drain producing a high electric field intensity near the drain. Some electrons are accelerated sufficiently to become 'hot electrons' which have enough energy to be attracted through the SiO_2 barrier layer towards the positively charged control gate.

Many of these electrons only make it as far as the floating gate at which point they remain stable having lost their extra energy. As the electron concentration on the floating gate increases, the negative charge has the effect of deflecting further electrons and an equilibrium is eventually achieved. At this point the cell is considered to be fully programmed.

Figure 3 is a graph of drain current against control gate voltage for both a programmed and an un-programmed cell. Reading is carried out with V_{cc} (+5V) present on the control gate. If the cell is un-programmed a potential of even 1V is sufficient to turn on the transistor so an un-programmed EPROM has all locations high. The presence of a negative charge on the floating gate has the effect of counteracting the application of a positive potential to the control gate. This being the case a voltage of about 7-10V is required to cause the transistor to conduct so the +5V actually present during a read operation gives a zero value.

Turning to erasure, this can only be achieved by causing the electrons trapped in the energy well of the floating gate to escape. Irradiation with ultra violet light of the correct wavelength causes the trapped electrons

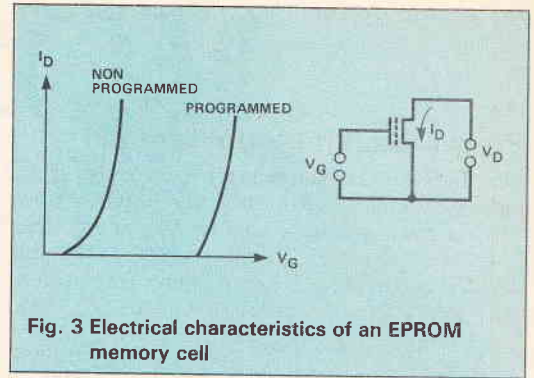


Fig. 3 Electrical characteristics of an EPROM memory cell

to turn back to hot-electrons and thereby traverse the SiO_2 energy barrier. Since the energy of electromagnetic radiation is proportional to its frequency, a maximum wavelength (corresponding to a minimum frequency) is required in order to give enough energy to the electrons. A wavelength of less than 3000 angstroms is required to cause erasure.

Since the concentration of electrons residing in the floating gate rises exponentially with time and since there is a natural variation in the characteristics of individual cells, some will reach saturation in a fraction of the time taken to program others. This being the case, the original programming method of giving all locations a 50ms pulse must be considered a 'play it safe' approach. The first type of interactive programming algorithm (such as Intel's Intelligent algorithm) recognises the difference between individual memory cells by applying short 1ms pulses until verification is achieved. Since this will cause each cell to be only just programmed an extra over programming pulse is used to make sure!

As a further safety measure, V_{cc} (the voltage on the control gate during verify and read) is raised to +6V compared to the +5V used for normal reading. This changes the threshold between un-programmed and programmed cells such that a border-line cell appears unprogrammed and is therefore given further pulses.

The technique, in the newer high speed interactive algorithms (such as Intel's Quick-Pulse) is very similar except that the devices are designed to withstand a slightly higher V_{pp} hence reducing drastically the likely time taken to program and 0.1ms pulses are therefore used. Over-programming (which accounts for a significant proportion of the programming time for the original interactive algorithms) is done away with but in order to compensate, V_{cc} is further increased giving a greater margin for error.

Memory Loss

Border line verification is eliminated to provide an acceptable lifetime for the programmed data. EPROMs are normally designed to provide data retention in the 5-10 year range but certain factors can reduce this. The thing which would cause an EPROM to 'forget' is electrons leaving the floating gate and it is obviously important to ensure that ultra violet does not enter the chip accidentally. Since even sunlight and fluorescent tube lighting contain some UV, programmed EPROMs should have an opaque label placed over the window.

The other major factor affecting data retention is temperature. Since the electrons on the floating gate are not in equilibrium, dissipation of thermally activated electrons occurs. This would be eliminated if the device was stored at absolute zero but clearly this is a rather inconvenient solution! The data retention

characteristics quoted by EPROM manufacturers assume room temperature — a significant decrease would result from storing EPROMs at say 200°C!

Programming Equipment

Most EPROM programmers for home constructors have been cards which interface directly onto the bus of some popular home computer. The forthcoming ETI Stand-Alone Programmer breaks from this tradition in adopting the more common industrial practice of having a separate unit interfacing to the host computer via an RS232-C link. The clear advantages are that it may be connected to virtually any computer and also that local intelligence allows straight copying to be carried out without any host intervention.

In industry, time is money — the longer it takes to programme an EPROM, the more it costs to make the piece of equipment into which it will be fitted. All interactive programming algorithms require the programmer to carry out general control functions — initiating programming pulses, carrying out verification, counting the pulses and comparing to the maximum number allowed and so on.

When the pulses are 1ms long, the extra time taken for the programmer to carry out these duties adds an insignificant amount onto the total programming time. As the pulse length is reduced to 100ms, however, the time taken by an 8-bit processor to carry out these house-keeping functions is more significant. To the home user, an increase from say 10 seconds to 20 seconds doesn't matter but in a manufacturing environment it is important to get round this problem. For this reason, many newer EPROM programmers have much higher speed

16/32-bit processors driving them.

Whereas base level programmers usually have just a single socket (or maybe one master and one programming socket), a further significant time saving measure is to use so called 'gang programmers' with a number of sockets (typically 8 or 16), all of which can take EPROMs for programming at the same time.

Ironically, the advantage of gang programmers decreases as the efficiency of the programming algorithm increases. For example, assume that we wish to program eight 2764s. With a single socket programmer, for each device it takes say 1s to insert the EPROM, 50s to program it and a further 1s to remove it from the programmer, a total of $8 \times (1 + 50 + 1) = 416$ seconds. With a gang programmer it takes 8 seconds to load up the programmer (the same 1 second per device), 50s for programming and 8s again for unloading, a total of 66 seconds. The efficiency has therefore been increased by a factor of 6.3.

With the 100µs pulse algorithm when the programming time is 1s, the time using a single socket programmer is $8 \times (1 + 1 + 1) = 24$ s and the time for a gang programmer is $8 + 1 + 8 = 17$ s. The efficiency is not even doubled.

This shows that the handling time is very significant and that this becomes a dominant factor in programming time as the actual programming itself becomes more efficient. In an attempt to reduce the cost of this activity, organisations requiring EPROM programming in very large numbers are turning to the use of automated handling equipment for loading and un-loading the programmers.

So now you know. Coming next month, the ETI Stand Alone Universal EPROM Programmer.



EPROMS

FOR ALL THE DETAILS OF THIS AND MANY OTHER ELECTRONICS PROJECTS, GET

ELECTRONICS TODAY INTERNATIONAL

Send this form with your remittance to:
**INFONET, 5 River Park Estate,
 Berkhamsted, Herts. HP4 1HL.**

Please begin my subscription(s) to ELECTRONICS TODAY INTERNATIONAL with the

I enclose my cheque/postal order for £..... from my Access/Barclaycard No. made payable to Argus Specialist Publications Ltd.

or debit £..... valid from to

NAME (Mr/Mrs/Miss)

ADDRESS

Postcode

Signature

Date

Please use **BLOCK CAPITALS** and include post codes

SUBSCRIPTION RATES

| | |
|-----------------------|---------|
| 12 issues UK | £18.00 |
| 12 issues Europe | £22.20 |
| 12 issues Middle East | £24.00 |
| 12 issues Far East | £22.70 |
| USA | \$39.00 |

Air Mail Rates on Request

VISA

MasterCard

THE NORTON DIFFERENCE

Ray Marston presents the second half of his guide to Norton current-differencing amplifiers

Having explained the basic operation of the LM3900 quad Norton amplifier in a variety of linear amplifier circuits, we can now examine other applications of this device.

Comparators And Schmitt Circuits

The LM3900 is easily configured as a voltage comparator by simply wiring equal value resistors in series with each input to limit the current, as shown in Fig. 1. One input is a voltage reference, the other is the sample input. As shown the circuit gives a non-inverting action (the output switches high when V_{in} rises above V_{ref}) and the inverting action is achieved by simply swapping the two voltage inputs.

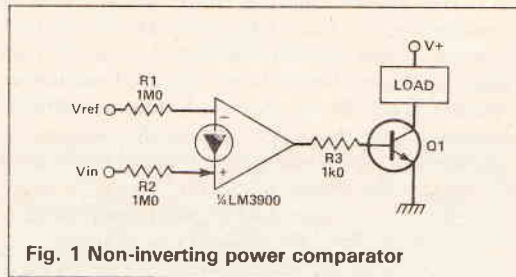


Fig. 1 Non-inverting power comparator

The Norton amp itself can supply only a few mA of output current. This can be boosted using the power stage of R3 and Q1.

Hysteresis can be added so that they act as Schmitt triggers (Fig. 2) with a high value resistor between the output and non-inverting version has the inputs swapped. The R2/R3 ratio determines the hysteresis level.

Beyond Compare

The next few circuits show some useful comparator applications. Figure 3 is an over-temperature switch. The reference is half supply voltage (set by R1 and R2) and the output of the LM3900 will go high when the temperature of negative temperature coefficient thermistor TH1 exceeds a value preset by RV1.

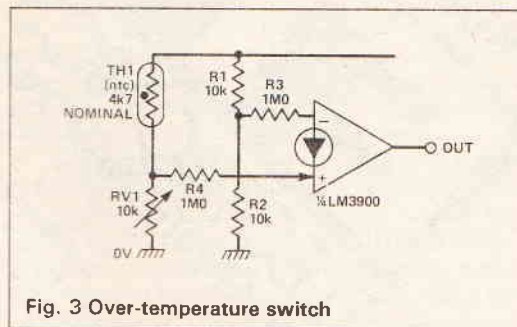


Fig. 3 Over-temperature switch

Note that this circuit will operate as an under-temperature switch by transposing TH1 and RV1. Also note that since RV1, TH1, R1 and R2 are in a Wheatstone bridge configuration, the trip point is independent of supply rail variations.

Figure 4 shows an under-temperature switch with the reference (inverting) current derived from the supply rail via R1 and the variable (non-inverting) current again derived from the RV1-TH1 junction. Since R1 is roughly double the value of R2 and

generates a current proportional to the supply rail voltage, the trip point of this circuit is also independent of variations in supply rail voltage.

A variant of the above is shown in Figure 5, which gives a high output when the supply voltage falls below a value determined by ZD1. If ZD1 has a value of 5V6, the op-amp output switches high when the supply rail voltage falls below roughly 11V — the precise trip point can be varied by replacing R3 with a series-connected 820k resistor and a 470k pot.

In Fig. 6 a reference current is fed to the inverting pin via R4 and a greater current can be fed to the non-inverting pin via any of the R1 to R3 resistors, thus making the output switch high if any of the inputs go high. The circuit thus acts as a 3-input OR gate and could accept any desired number of OR inputs simply by using a suitable number of input resistors. The circuit becomes a NOR gate by simply transposing the input connections of the op-amp.

Raising the three resistor values to 2M7 means that the reference current will be exceeded only if all three inputs are taken high. The circuit therefore operates as a 3-input AND gate — or NAND gate if the Norton amplifier inputs are reversed.

Voltage Regulation

Figure 7 is a simple but useful variable voltage reference. The non-inverting terminal is disabled and the circuit uses the V_{be} potential of the inverting terminal as a reference with a voltage gain determined by the RV1-R1 ratio. When RV1 is set to zero, the circuit gives unity gain and an output of 0.55V, when RV1 is set to the maximum value the circuit has a gain of $\times 50$ and an output of 25V. The circuit has good regulation and can supply an output of several mA. Note, however, that the output voltage is not temperature compensated.

Figure 8 shows a fixed voltage reference circuit that generates a well regulated output slightly greater than the ZD1 voltage. R1 sets the zener current at about 1mA. The circuit without Q1 can safely supply output currents of only a few mA but this is raised to tens or hundreds of mA with the current boosting transistor in the output feedback loop of the circuit.

In Fig. 9a the op-amp is wired as a $\times 2$ non-inverting DC amplifier (with gain determined by the R3-R4 ratio), and the input voltage is variable from 0-15V via RV1. The output voltage is thus variable over the approximate range 0.5-30V via RV1. Figure 9b shows how the available current can again be boosted to tens or hundreds of mA with the aid of an external transistor.

Current Regulation

Figure 10a acts as a fixed 1 mA current source which feeds a fixed current into a load connected between Q1 collector and ground almost irrespective of the load impedance (in the range zero to 14k). The circuit is powered from a regulated 15V supply.

Potential divider R1,R2 applies a 14V reference to R3 and the op-amp output automatically adjusts to give an identical voltage at the R4,R5 junction. This produces 1V across R5, resulting in an R5 current of 1mA.

Since this current is derived from Q1 emitter (and the emitter and collector currents of a transistor are

NORTON

almost identical) the circuit acts as a fixed 1 mA current source. The source current can be doubled, if desired, by halving the R5 value, and so on.

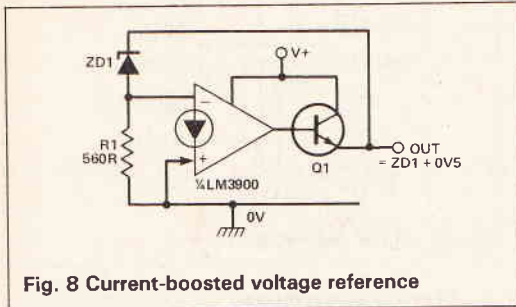


Fig. 8 Current-boosted voltage reference

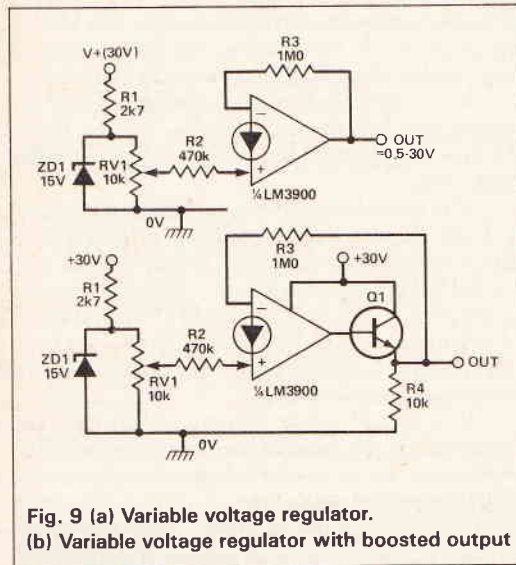


Fig. 9 (a) Variable voltage regulator.
(b) Variable voltage regulator with boosted output

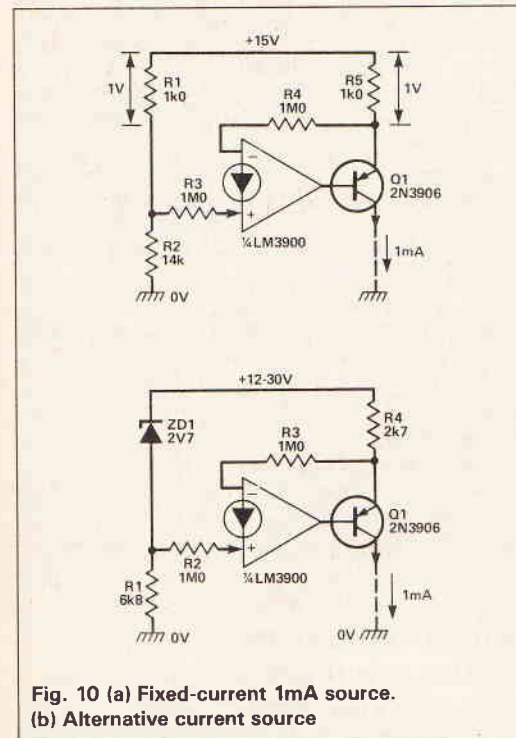


Fig. 10 (a) Fixed-current 1mA source.
(b) Alternative current source

Figure 10b is a simple variation with the source current independent of variations in supply rail voltage. The input is set to 2V7 below the supply rail value by ZD1, so 2V7 is automatically set across R4 which has a value of 2k7 and thus produces a fixed 1 mA source current from Q1.

A simple 1 mA current sink is shown in Fig. 11, in which a fixed current flows in any load connected between the positive supply rail and Q1 collector, almost irrespective of the load impedance. Here, the

non-inverting terminal of the op-amp is disabled and total negative feedback is used between the output of the circuit (Q1 emitter) and the inverting terminal. The voltage across R1 thus equals the V_{be} of the inverting terminal and, since this is roughly 0.55V, a fixed current of about 1 mA flows through Q1 emitter and R1 and thus into Q1 collector from any load that is connected. Note that the sink current of this circuit is not temperature compensated.

Finally, Figure 12 shows an alternative type of current sink with the op-amp fully enabled and a fixed reference of 2V7 applied to its non-inverting terminal via R2. The circuit automatically adjusts to generate 2V7 across R4 which, since it has a value of 2k7, generates a current of 1 mA in the emitter and collector of Q1. This current can be varied, if required, either by changing the value of R4 or by altering the input voltage feed to R2.

Waveform Generation

The last set of circuits for the LM3900 show some useful ways of making simple waveform generators. Figure 13a shows a 1kHz square wave generator in which C1 alternately charges and discharges via R1. When the output is high, R3 and R4 are effectively connected in parallel. C1 charges via R1 until the current flow into R2 equals that flowing into the non-inverting terminal of the op-amp; this occurs when the voltage across C1 rises to roughly $\frac{2}{3}V$. At this point the circuit switches regeneratively, the output jumps low and C1 starts to discharge via R1 until the R2 current falls slightly below that of R3 (R4 is effectively disabled). This occurs when the C1 voltage falls to about $\frac{1}{3}V$. At this point the circuit again switches regeneratively, and the output goes high again.

The square waves are useful only up to a few kHz — the LM3900 only has a slew rate of $0.5V/\mu s$ and the output waveform has fairly poor rise and fall times.

The circuit of Fig. 13b modifies the symmetrical square wave to give a variable mark-space (m/s) ratio output. In this case C1 alternately charges via R1, D1 and the upper half of RV1 and discharges via R1, D2 and the lower half of RV1. The m/s ratio can be varied over the approximate range 1:10 to 10:1 via RV1.

Figure 13c is a free-running pulse generator. In this case C1 alternately charges via R1 and D1 and discharges via R2, producing a m/s ratio of about 1:60.

Figure 13d shows how the basic Fig. 13a circuit can be modified to act as a gated 1 kHz astable or square wave generator by taking R3 to ground via R5, rather than directly to the positive supply rail. The circuit becomes active only when the gate terminal is pulled high (to the positive supply rail).

To complete our look at the LM3900, Figure 14 shows how the circuits of Figs 3 and 13d can be combined to make an audible-output over-temperature alarm, which generates a 1 kHz tone in a PB-2720 (or similar) acoustic transducer when the TH1 temperature exceeds a value pre-set via RV1.

The LM359

The LM359 is a high performance IC that houses two identical Norton op-amps plus a common 'biasing' network in a 14-pin DIL package (see Fig. 15) and can operate from a single-ended 5-22V power supply. Each of its op-amps offers a 30MHz unity-gain bandwidth, a $60V/\mu s$ slew rate, a 72dB open-loop gain and has many of its parameters fully programmable via one or two external resistors.

The LM359's op-amps differ considerably from those used in the LM3900. Fig. 16 shows the basic LM359 op-amp circuit in slightly simplified form. This consists, in essence, of a mirror-driven (via Q1 and Q2) wide-band cascode amplifier (Q3 and Q4), which

NORTON

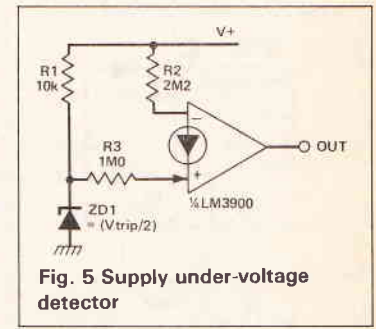


Fig. 5 Supply under-voltage detector

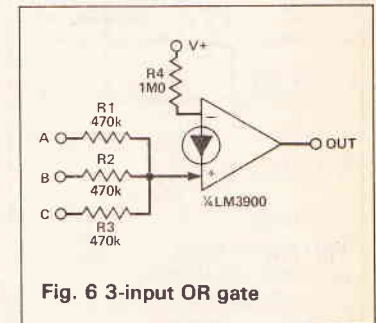


Fig. 6 3-input OR gate

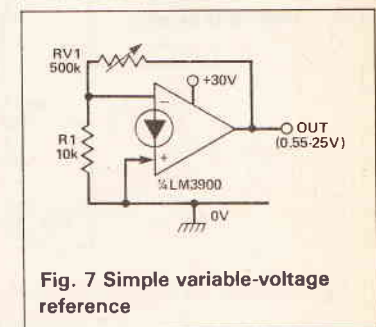


Fig. 7 Simple variable-voltage reference

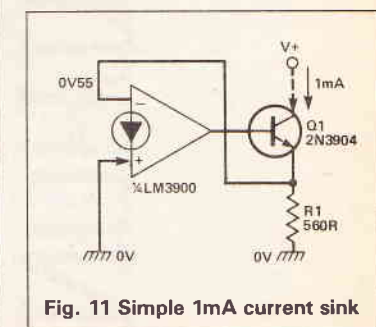


Fig. 11 Simple 1mA current sink

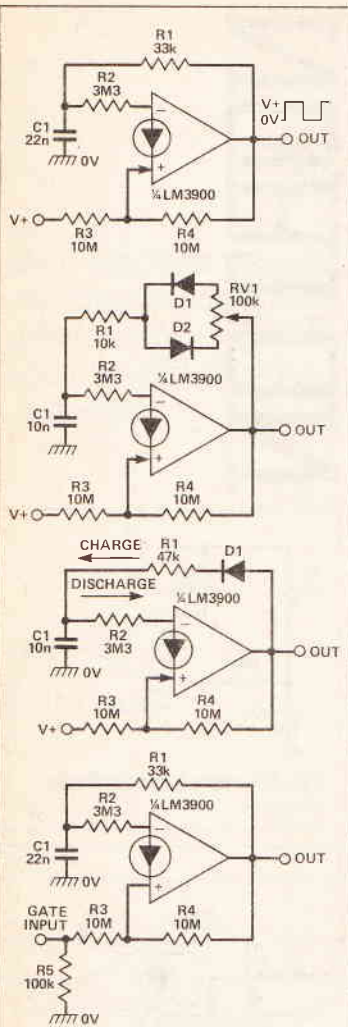


Fig. 13 (a) 1kHz square wave generator. (b) Variable M/S-ratio generator. (c) Pulse generator. (d) Gated 1kHz astable

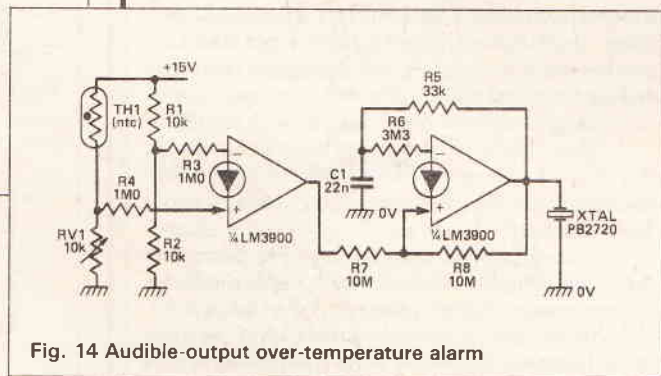


Fig. 14 Audible-output over-temperature alarm

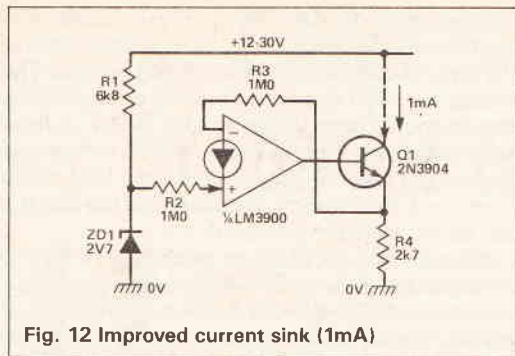


Fig. 12 Improved current sink (1mA)

does not suffer from output-to-input Miller or parasitic feedback effects (thus giving an excellent high-speed performance), plus a Darlington emitter follower output stage (Q5 and Q6).

Note that a 12pF capacitor is internally wired between Q4 collector (accessible at the COMP terminal) and ground, and that the Q3, Q4 operating current can be 'programmed' via the $I_{SET(IN)}$ current of the IC's internal biasing network, thus enabling the circuit's input biasing current, slew rate, bandwidth, and supply current to be pre-set. Similarly, the operating currents of the Darlington output stage can be programmed via the $I_{SET(OUT)}$ currents of the internal biasing network, enabling the output sink current and supply current to be preset.

Figure 17 shows the basic circuit of the IC's internal biasing network which controls both op-amps. Thus the $I_{SET(IN)}$ current can be set via a suitable resistor wired between pin 8 and the positive supply, and the $I_{SET(OUT)}$ current can be set via a suitable resistor wired between pin 1 and ground B. Alternatively, if $I_{SET(IN)}$ and $I_{SET(OUT)}$ are to have equal values, the current can be set via a single resistor wired between pins 1 and 8.

Using The LM359

The LM359 is usually used in linear amplifier applications and in such cases the design procedure involves two simple stages — first, the design of the input biasing network and second, the selection of the programming resistor value(s).

The LM359 is biased in exactly the same way as the LM3900, using either voltage-reference biasing, supply-line biasing, or $N \times V_{be}$ biasing (as shown last month in Fig. 5).

The circuit in Fig. 18 gives inverting AC amplifier action, uses supply-line biasing, and has individual $R_{SET(IN)}$ and $R_{SET(OUT)}$ programming resistors.

The Fig. 19 circuit also acts as an inverting AC amplifier but uses $N \times V_{be}$ biasing and a single resistor for I_{IN} and I_{OUT} programming.

The circuit in Fig. 20 acts as a non-inverting AC amplifier and uses supply-line biasing and a single programming resistor.

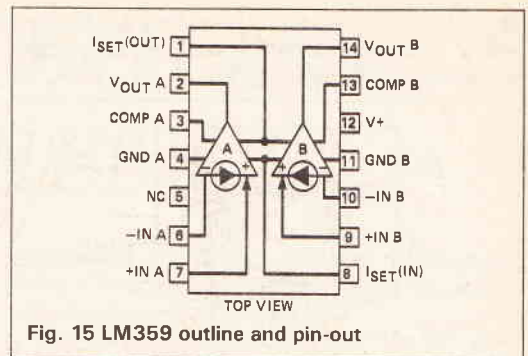


Fig. 15 LM359 outline and pin-out

I_{SET} Programming

The major operating parameters of the two LM359 op-amps can be programmed via the pin 1 and 8 I_{SET} currents of the IC. The gain-bandwidth product, the slew rate and the inverting input bias current can be programmed via the pin 8 $I_{SET(IN)}$ current. Figure 21 show the effects of this current on the individual parameters.

The gain-bandwidth product graph is based on a $\times 100$ inverting amplifier fed with a 10MHz input signal but is valid for all types of amplifier. Thus, with a 10MHz input, it gives a gain of $\times 60$ and a g-b value of 600MHz at an $I_{SET(IN)}$ current of 1mA, and a gain of $\times 1.1$ and a g-b of 11MHz at 0.01mA. The gain-bandwidth of the circuit is thus directly proportional to the $I_{SET(IN)}$ current value.

It is also inversely proportional to that 12pF capacitor (Fig. 16) which is fixed internally but can be increased by wiring an external capacitor between the COMP terminal and ground. Thus, the gain-bandwidth values can be halved by doubling the effective C_{COMP} value via an external 12pF capacitor.

The slew rate of the op-amp is also directly proportional to $I_{SET(IN)}$ but inversely proportional to C_{COMP} and can thus be varied in the same way. The inverting input bias current values on the other hand, are independent of C_{COMP} and depend solely on the $I_{SET(IN)}$ values.

The output sink current (Fig. 22) is variable via the pin 1 $I_{SET(OUT)}$ current and is roughly ten times that value.

Individual resistors are used, each value is determined by:

$$R_{SET} = 500R, \text{ where } V = V_+ - 0.6V$$

and in this case the total current consumption of the IC (of the two op-amps) is roughly equal to:

$$I_{supply} = (27 \times I_{SET(OUT)}) + (11 \times I_{SET(IN)})$$

If only a single programming resistor is used, its value is determined by:

$$R_{SET} = (V/I_{SET}) - 1k\Omega, \text{ where } V = V_+ - 1.2V$$

and in this case the total current consumption of the IC roughly equals $27 \times I_{SET}$. Figure 23 shows the typical consumption graph when using a 12V supply.

Wideband Amplifiers

The most important application of the LM359 is as a video or wideband amplifier.

The circuit in Fig. 24 is designed to be powered from a 12V supply and acts as a $\times 10$ inverting amplifier that gives a bandwidth of at least 20MHz when driven via a terminated 75R line. This last requirement sets the R1 value at 75R. The input is then AC-coupled via C1, which is shunted by C2 to minimise its high-frequency impedance. R2 and R3 set the circuit's voltage gain — R2 must be small, but must not significantly shunt the R1 value — this gives R2 a sensible compromise value of 750R. To give a voltage gain of $\times 10$, R4 must be ten times greater.

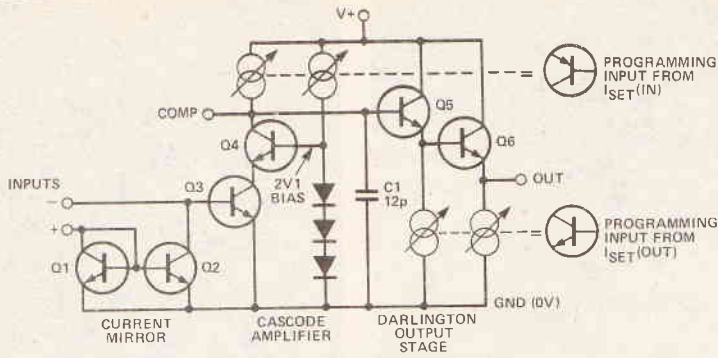


Fig. 16 Basic circuit of each LM359 op-amp

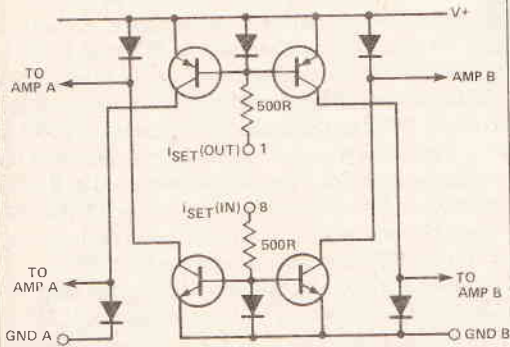


Fig. 17 LM359 internal biasing circuit

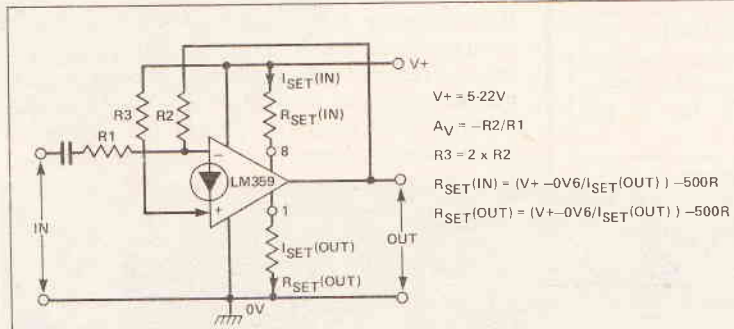


Fig. 18 Inverting AC amplifier with supply line biasing

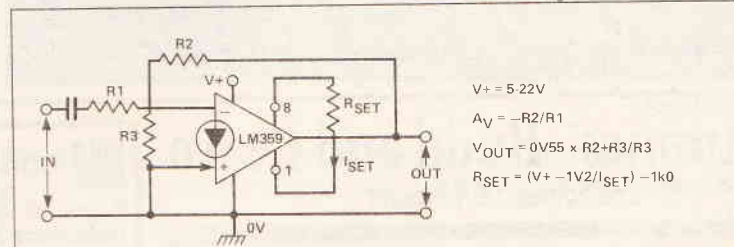


Fig. 19 Inverting AC amplifier with $N \times V_{be}$ biasing

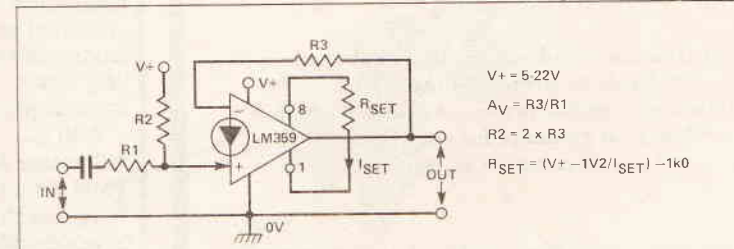


Fig. 20 Non-inverting AC amplifier with supply line biasing

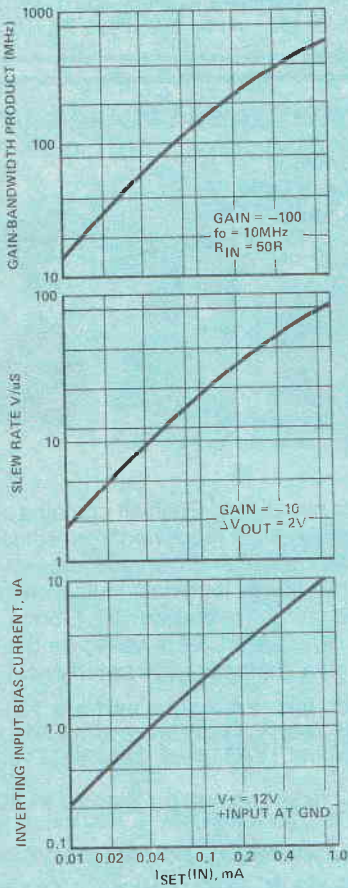


Fig. 21 (a) Gain-bandwidth product.
(b) Slew rate.
(c) Inverting input bias current

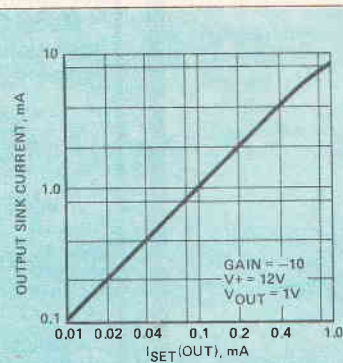


Fig. 22 Input sink current

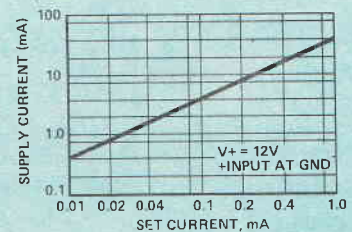


Fig. 23 Total supply current
($I_{SET(IN)} = I_{SET(OUT)}$)

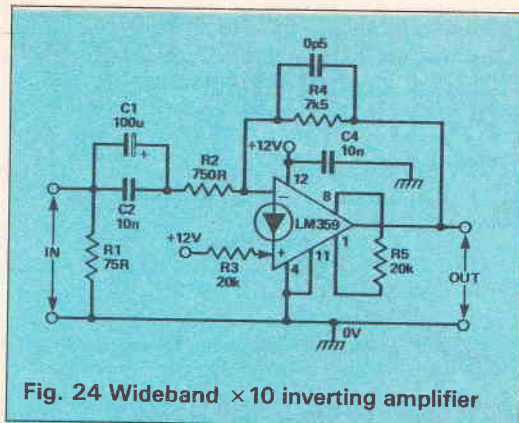


Fig. 24 Wideband $\times 10$ inverting amplifier

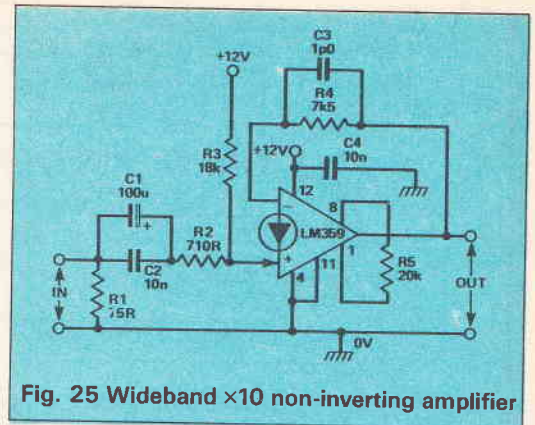


Fig. 25 Wideband $\times 10$ non-inverting amplifier

To give maximal output signal swing the op-amp output must be DC biased to a quiescent value slightly below half-supply volts. This is achieved by making R3 a bit more than twice the R4 value; a good compromise is 20k, which sets the output at 5.1V. To give the required gain and bandwidth, the op-amp needs a minimum g-b product of 200MHz; an I_{BIAS} value of 0.5mA gives a g-b of 400MHz, which gives a good margin of safety and this can be programmed

by giving R5 a value of 20k.

To ensure a good high-frequency performance, the pin 12 supply pin is RF decoupled to ground via C3 (two twists of insulated wire) is adjusted on test. In practice this circuit gives a 3dB bandwidth that extends from 2.5Hz to about 30MHz and is absolutely flat up to 20MHz.

Figure 25 shows a non-inverting version of the wideband amplifier. The gain is determined by the R2: R4 ratio, and the DC biasing value by the R3: R4 ratio. The 3dB bandwidth of the circuit again extends from 2.4Hz to 30MHz and is almost flat to 20MHz.

Finally, to complete this look at Norton amplifier ICs, Fig. 26 shows how both op-amps of an LM359 IC can be cascaded to make a general-purpose wideband amplifier with a nominal gain of $\times 1000$ and a 3dB bandwidth that extends from 10Hz to 8MHz. In this case the op-amps are each wired in the inverting amplifier mode, with $\times 33$ gain set by the R3/R1 or R6/R4 ratio. They use $N \times V_{be}$ biasing, with the 'N' ratio set by R3/R2 or R6/R5.

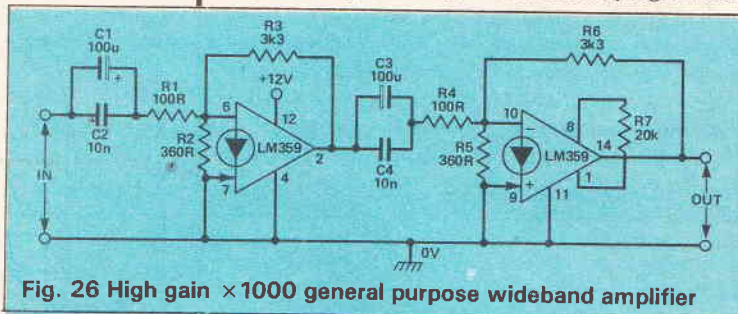


Fig. 26 High gain $\times 1000$ general purpose wideband amplifier

Both the LM359 and LM3900 can be obtained from Cricklewood Electronics, 40 Cricklewood Broadway, London NW2 3ET. Tel: 01-450 0995.

Electronics - Build and Learn

2nd Edition · RA Penfold

June 1988 · 120 pages · 216 \times 138 mm
72 line dwgs · 18 photos
ISBN: 1 870775 15 5 · £5.95

- * For enthusiasts/students starting in electronics *
- * Explains principles involved *
- * Tests and experiments to aid understanding *
- * Practical guidance for construction *
- * Lists all components required *

Electronics is a practical subject, but a certain amount of theoretical knowledge is necessary if you are to become proficient in it. This book combines theory and practice so that you can 'learn by doing'.

Gives full constructional details of a circuit demonstrator unit used to introduce common electronic components — resistors, capacitors, transformers, diodes, transistors, thyristors, fets and op amps — and describes how these components are built up into useful circuits — oscillators, multivibrators, bistables and logic circuits.

An essential book for the beginner in electronics!

Contents: Circuit demonstrator unit; Passive components; Semiconductor devices; Operational amplifiers; Oscillator and radio circuits; Pulse and logic circuits; Index.

Send cheque or postal order for £6.45 (£5.95 + 50p P&P), made payable to PC Publishing, to: PC Publishing, 139-141 High Street, Edenbridge, Kent TN8 5AX (tel 0732 866896).

KEF CONSTRUCTOR SERIES SPEAKER KITS

Based on the famous Kef Reference Series, these three DIY designs give the home constructor the opportunity to own an upmarket pair of loudspeakers at a very down-to-earth price!

With a **Wilmslow Audio Total Kit** it's easy — no electronic

or woodworking skill is necessary. Each kit contains all the cabinet components (accurately machined from smooth MDF for easy assembly), speaker drive units, crossover networks, wadding, grille fabric, terminals, nuts, bolts etc.

Model CS1 is based on the Reference 101, CS3 is equivalent to the Ref. 103.2 and CS9 is based on the Reference 105.2 (but in a conventionally styled encl.).

CS1 £117 pair inc. VAT plus carr/ins £6
CS3 £143 pair inc. VAT plus carr/ins £12
CS9 £393 pair inc. VAT plus carr/ins £18

We also offer a kit (less cabinet) for **Elector PL301**

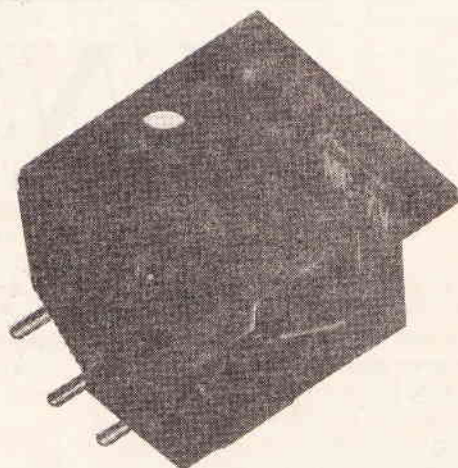
Lightning service on telephoned credit card orders!

WILMSLOW AUDIO LTD.
35/39 Church Street, Wilmslow, Cheshire
SK9 1AS Tel: 0625 529599
Call and see us for a great deal on HiFi.
(Closed all day Mondays)

DIY Speaker catalogue £1.50 post free (export \$6)

MC-7V MK.111

THE ONLY HIGH-PERFORMANCE MOVING COIL CARTRIDGE
WORTH THE PRICE



Measured and extended listening tests confirmed the MC-7V-111 sounded absolutely splendid. I still regularly play LPs and this new cartridge brought renewed pleasure from old favourites.

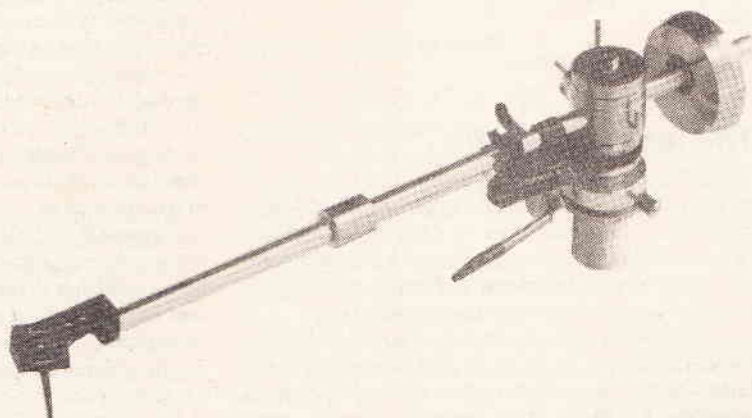
Reg Williamson, May '88
Staffs

I find the reproduction outstanding, very true to life, natural music, a broad sound spectrum with no sense of strain — the ear doesn't get tired even after several hours' listening.

Professor Brian Vickers
Switzerland

Fabulous, seems I waited years for this sonic delight, hope you enlighten many more and help them save a fortune from the frustrations of 'Hi End' madness.

John Knibbs
Bristol



I am delighted with the Formula V arm. The performance which to my ears is just perfect.

A. W. Simmonds, IoW

My company is involved in the modification of older Thorens & AR turntables, recently a customer gave me one of your Formula V tonearms to mount, I was very impressed with the way it sounded, also ease of installation and the superb finish.

Charisma Acoustics,
New Zealand

Send SAE for Price List, Review and Testimonials

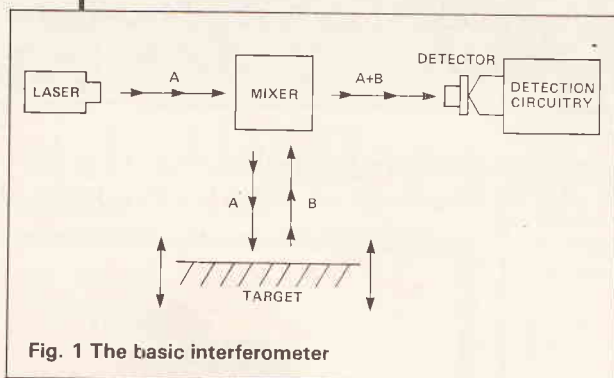
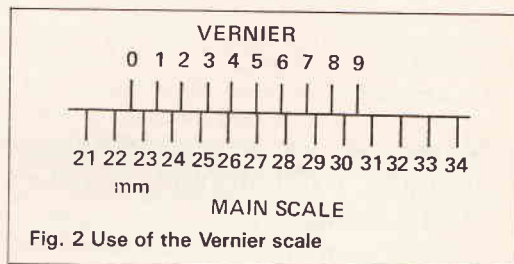
MAYWARE LTD, PO Box 58, Edgware, Middlesex HA8 7NJ. Tel: 01-951 3178

MAKING SENSE

Mike Barwise takes a close look at the world of motion and movement

Continuing our look at the broad spectrum of electronic sensing techniques we turn now to methods of detecting motion and displacement. Those examined last month (including doppler shift, echo sounding, inductive and capacitive proximity sensing) are all, however, rather crude — they are useless as feedback to real world precision devices such as machining stations and all but the simplest of handling robots. I would now like to introduce some methods of accomplishing measurement and detection of micron ($1/1000\text{mm}$ or 1×10^{-6} metres) and sub-micron distances and displacements.

rons) we can detect displacements of less than one half micron, even with this quite crude setup. Using light of shorter wavelengths will yield correspondingly increased resolution.



It should be noted here that the result is not an absolute position measurement — the cycle count only tells us how far the object has moved since we zeroed the count. There has to be a starting point reference for most useful measurement.

The Diffraction Grating

Neat though the interferometer is (and it is widely used) it is rather bulky, due to the need for free-space optical paths. A very compact alternative has been developed as a result of advances in photo-etching capability in microchip manufacture. This is the diffraction grating vernier.

What is a vernier? It is a method of measuring very small increments without the need to mark your ruler as finely as all that. It is most commonly used on engineers' callipers and such like. The principle is that if you want to measure something with a calliper to a resolution of, say, 0.1mm , it is quite impractical to engrave the whole 125mm scale of the calliper to this resolution (accuracy would suffer) and it would be very difficult to read a scale that fine anyway. So, you have a calliper engraved very accurately to a resolution of 1mm and instead of a single datum line on the slider, you have *ten*. These ten lines occupy the same space as *nine* lines on the main scale (9mm), so the distance between adjacent lines is 10% less than on the main scale.

At any setting of the calliper, there will be only one datum co-incident with a line on the main scale, and the numerical position of this datum gives you the extra resolution. The measurement to whole mm is performed at the first datum, where only whole mm are counted, and then the 'bit left over' is determined by counting along the datum scale until a datum coincides with a division on the main scale. The count you get to is the 'bit left over'. In the example of Fig. 2 the measurement is 22.5mm .

Having grasped the principle of the vernier, let us now look at *diffraction*. If you lay two sheets of perforated metal or wire mesh together and look

The Interferometer

The basis of the interferometer is the principle of constructive and destructive interference which I mentioned when we were looking at lasers. Two beams of coherent (monochromatic) light mix to form an output beam, the intensity of which is the vector sum of their relative phase (wave definition).

So where the two beams are 180° out of phase there is no output (extinction) and where they are in phase (0°) the output is the sum of the input intensities. It matters not whether the two beams come from different sources or the same source (the latter is normally the case as it is virtually impossible to hold two sources in a constant phase relationship).

The basic interferometer therefore (Fig. 1) consists of a beam of coherent light directed at the item whose displacement is to be measured, with a means of combining the light reflected back with some of the light going out and lastly a method of detecting the intensity of the combined beam.

As the object moves along the beam axis, there will be a sinusoidal variation in the mixed beam intensity with a full cycle for each *half* wavelength displacement. As the very longest optical wavelength (long infra-red) is in the region of 900nm (0.9 mic-

CHIP IN

through the sandwich at a light source, you will see a regular pattern of bright spots which varies as the two sheets are moved with respect to each other. This is due to the distribution of co-incidence of holes in the two sheets — a very crude analogy of the diffraction grating.

For measurement systems, the grating is normally a set of parallel lines rather than a two-axis grid, and is photo-etched onto a glass plate. It is quite easy these days to produce 1 micron resolution gratings and if we use a 1 micron and a 0.9 micron grating together, the resolution of the resultant vernier is 0.1 micron (100nm) — very fine indeed.

This system requires one grating to be attached to the fixed element and the other to the moving element of the motion system. An array of detectors is required, one for each element of the vernier grating, so that the relevant co-incident line can be observed. It is very compact and precise but like the interferometer suffers from a major practical drawback — there is no method of detecting *direction* of motion. Fortunately, the solution to this problem is remarkably simple.

Quadrature Phase Detection

This is a method of determining both the quantity and direction of displacement. It works by using two identical interferometer or diffraction detectors which are physically aligned so that their output signals are 90° out of phase. The result is that in one direction of motion a reference point on the wave form (such as a rising edge) of one channel leads (and in the other direction lags) the same point of the waveform of the other channel, as in Fig. 3. The result is a measure-

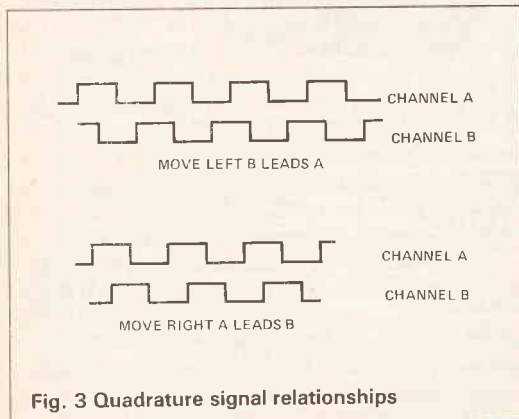


Fig. 3 Quadrature signal relationships

ment system which provides displacement information on either channel and direction information on a combination of both. A simple D type flip-flop can be used to resolve the direction signal from the logic-conditioned channel outputs (Fig. 4).

Several integrated solutions exist for keeping track of the outputs of these sensors, notably the Texas 74LS2000 Direction Discriminator, which contains an internal 16-bit counter that follows the bi-directional motion of a quadrature system. The number in the counter can thus be considered the absolute position of the motion system from nominal zero at all times.

The Cheap Alternatives

Having examined the super precise and priced, let us now turn our attention to the affordable. The same quadrature system is used in devices frequently known as *digital potentiometers*, though this is, like much jargon, a very misleading name. These devices consist of a disk of metal accurately perforated around its edge with a ring of slots. Two slotted opto-couplers (interrupters) are positioned so that they provide

quadrature related outputs as the disk rotates. This is simply the rotational version of the linear diffraction grating on a crude scale. These units are widely used in computer graphics controls and so on. A miniature version is the active element in each axis of a micro mouse.

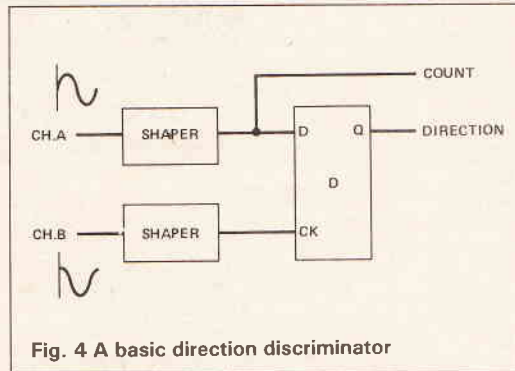


Fig. 4 A basic direction discriminator

Low Cost Linear Systems

The final set of devices worth a mention are linear potentiometers and LVDTs.

The linear potentiometer is just what its name suggests: a precision resistive track (frequently conductive plastic) and a wiper coupled to the motion system. These are remarkably convenient and accurate for short travel systems but suffer from the slight failing that they exhibit friction and therefore cannot be used in low energy systems.

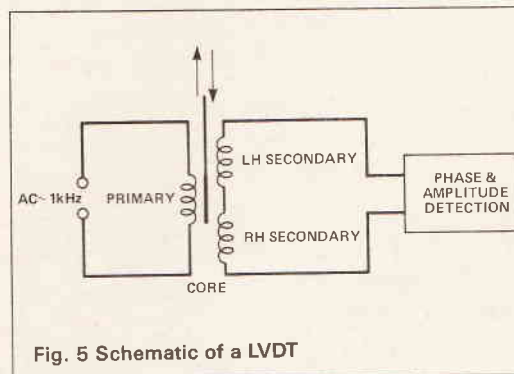


Fig. 5 Schematic of a LVDT

The solution to this is the LVDT: the Linear Variable Differential Transformer. This very cunning device consists of a transformer with a single primary winding and a pair of series-connected secondaries wound in anti-phase. The transformer core is movable.

The layout of the LVDT is shown in Fig. 5. As the core moves (attached to the motion system), the AC driven primary is differentially coupled to the two secondaries, the output being an amplitude and phase variable vector sum of the two anti-phase secondary outputs, in proportion to their coupling ratios to the primary. The output signal is quite difficult to resolve into a meaningful indication of displacement but fortunately ready-made hybrid interfaces are available. The LVDT has one very big advantage: it is a genuine non-contact sensor, as the core can be loose in the winding bobbin.

That's about it for my resumé of sensors. It has not, of course, been totally exhaustive, but has included the basics of the majority of devices you are likely to come across in all but the most sophisticated of equipment.

With the exception of the interferometer and diffraction grating systems, all the devices discussed are available in one form or another from *Electromail*, telephone (0536) 204555.

RACKS
CABINETS
& FANS

SURPLUS
BOUGHT &
SOLD

ELECTRONIC
COMPONENTS &
OBSOLETE IC'S

MONITORS
VDU'S
& PLOTTERS

1000'S OF
ITEMS
IN STOCK

COMPUTER
SYSTEMS &
PERIPHERALS

RELAYS
MOTORS &
STEPPERS

POWER
SUPPLIES &
INVERTORS

ALL TYPES
OF TEST
EQUIPMENT

PRINTERS
DISK DRIVES &
KEYBOARDS

VIDEO
EQUIPMENT
& CAMERAS

THE 'ALADDINS' CAVE OF ELECTRONIC & COMPUTER EQUIPMENT

COLOUR MONITORS

16" Decca, 80 series budget range, colour monitors, features include: PIL tube, attractive task style casing, guaranteed 80 column resolution, only seen on monitors costing 3 times our price, ready to connect to a host of computer or video outputs. Manufacturers fully tested surplus, sold in little or hardly used condition with 90 day full RTB guarantee. 1000's Sold to date.
DECCA 80 RGB TTL + SYNC input for BBC type interface etc.
DECCA 80 COMP 75 (1) composite video input with integral audio amp & speaker. Ideal for use with video recorder or TELEBOX ST or any other audio visual use.
Only £99.00 (E)

HIGH DEFINITION COLOUR

BRAND NEW CENTRONIC 14" monitors in attractive style moulded case featuring hi res. Mitsubishi 0.42 dot pitch tube with 689 x 507 pixels, 288Hz bandwidth. Full 90 day guarantee.
Order as follows:
1003-N1 for IBM PC etc fully CGA equiv £159.00 (E)
1005-N2 RGB interface for QL 85 columns £189.00 (E)
1005-N2 RGB interface for QL 85 columns £169.00 (E)

20" & 22" AV Specials

Superbly made, UK manufacture, PIL tube, all solid state colour monitors, complete with composite video and sound inputs, attractive task style case. Ideal for a host of applications including Schools, Shops, Disco's, Clubs etc. Supplied in EXCELLENT little used condition with 90 day guarantee.
20" Monitor £165.00 (F) 22" Monitor £185.00 (F)

MONOCHROME

MOTOROLA M1000-100 5" CRT black & white compact chassis monitor measuring only 11.6h, 12w, 22d. Ideal for CCTV or computer applications. Accepts standard Composite video or individual H & V syncs. Operates from 12v DC at approx 0.8a. Some units may have minor screen marks, but still in very usable condition. Fully tested with 90 day guarantee & full data.
Fully cased as above, with attractive moulded, desk standing swivel and tilt case. Dim cm 12h, 14.5w, 25d.
JVC type 751-7 5" ultra compact black & white chassis monitor for 12v 0.7a DC operation. Dim cm 11h, 14w, 18d. Simple DIY circuit data included to convert data and separate sync input to composite video input. Ideal portable equipment etc. Supplied with full data.
Brand New £65.00 (B)
KGM 324 9" Green Screen. Little used fully cased, mains powered high res monitors with standard composite video input. Fully tested and in excellent condition.
20" Black & White monitors by AZTEK, COTRON & NATIONAL. All solid state, fully cased monitors, ideal for all types of AV or CCTV applications. Units have standard composite video inputs with integral audio amp and speaker. Sold in good, used condition, fully tested with 90 day guarantee.
Only £85.00 (F)

FLOPPY DRIVE SCOOP Drives from Only £39.95

A MASSIVE purchase of standard 5.25" disk drives enables us to offer you prime product at all time super low prices. All units unless stated are removed from often BRAND NEW equipment, fully tested and shipped to you with a full 120 day guarantee. All units offered operate from +5 and +12 volts DC, are of standard size and accept the common standard 34 way interface connector.
TANDON TM100-2A IBM compatible 40 track FH double sided £39.95 (B)
TANDON TM101-4 FH 80 track double sided £49.95 (B)
JAPANESE Half Height double sided drives by Canon, Tec, Toshiba etc. Specify 40 or 80 track £39.00 (E)
TEAC FD55-F 40-80 track double sided Half Height £275.00 (B)
Brand New £115.00 (B)

DISK DRIVE ACCESSORIES

34 Way interface cable and connector single £5.50, Dual £8.50 (A)
5.25" DC power cable £1.75. Fully cased PSU for 2 x 5.25" Drives £19.50 (A). Chassis PSU for 2 'd' drives £39.95 (B)
8" DISK DRIVES
SUGART 800/801 single sided refurbished £175.00 (E)
SUGART 851 double sided refurbished £260.00 (E)
MITSUBISHI M2894-63 Double sided switchable Hard or Soft sector. BRAND NEW £275.00 (E)
SPECIAL OFFER Dual 8" drives with 2mb capacity in smart case with integral PSU. ONLY £499.00 (F)

COMPUTER SYSTEMS

TATUNG PC2000. Big brother of the famous EINSTEIN, the PC2000 professional 3 piece system comprises: Quality high res GREEN 12" monitor. Sculptured 92 key keyboard and plinth unit containing 280A CPU and all control electronics PLUS 2 integral TEAC 5.25" 80 track double sided disk drives. Many other features include Dual 8" IBM format disk drive support, Serial and parallel outputs, full expansion port, 64k ram and ready to run software. Supplied complete with CPM, WORDSTAR, BASIC and accounts package. BRAND NEW Full 90 day guarantee. Original price OVER £1400. Only £299(E)
EQUINOX (IMS) S100 system capable of running either TURBO or standard CPM. Unit features heavy duty box containing a powerful PSU, 12 slot S100 backplane, & dual 8" double sided disk drives. Two individual Z800 cpu boards with 192k of RAM allow the use of multi user software with upto 4 RS232 serial interfaces. Many other features include battery backed real time clock, all IC's socketed etc. Units in good condition and tested prior to dispatch, no documentation at present. Hence price of only £245.00 (F)
S100 PCB's IMS A465 64k dynamic RAM £55.00 (B) IMS A930 FDC controller £85.00 (B). IMS A862 CPU & I/O £65.00 (B)
SAE for full list of other S100 boards and accessories.

PRINTERS

Think you have brought you incredible savings on a range of printers to suit all applications. Many other 'one off bargains' can be seen at our South London Shop.
HAZELTINE ESPRINT Small desktop 100 cps print speed with both RS232 and CENTRONICS interfaces. Full pin addressable graphics and 8 user selectable type fonts. Up to 9.5" single sheet and tractor paper handling. BRAND NEW ONLY £199.00 (E)
CENTRONICS 150 series. A real workhorse for continuous use with tractor feed paper, either in the office, home or factory, desk standing. 150 cps 4 type fonts and choice of interfaces. Supplied BRAND NEW. Order as:
150-SN up to 9.5" paper handling £185.00 (E)
150-SW up to 14.5" paper handling £225.00 (E)
150-GR up to 14.5" paper plus full graphics £245.00 (E)
When ordering please specify RS232 or CENTRONICS interface.

Ultra Fast 240 cps NEWBURY DATA NDR 8840 High Speed Printers Only £449 !!

A special purchase from a now defunct Government Dept enables us to offer you this amazing British Made, quality printer at clearance prices. SAVING YOU OVER £1900 !! The NDR8840 features high speed 240 cps print speed with integral, fully addressable paper tractor, giving exceptional fast paper handling for multi part forms etc. The unit features 10 selectable type fonts giving up to 225 printable characters on a single line. Many other features include internal electronic vertical and horizontal tabs, Self test, 9 needle head. Up to 15.5" paper, 15 million character ribbon cartridge life and standard RS232 serial interface. Sold in SUPERB tested condition with 90 day guarantee. Only £449.00 (F)
EPSON model 612 40 column 3.5" wide paper roll feed, high speed matrix (3 lines per second) printer mechanism for incorporation in point of sale terminals, ticket printers, data loggers etc. Unit features bi directional printhead and integral roll paper feed mech with tear bar. Requires DC volts and simple parallel external drive logic. Complete with data. RFE and tested. Only £499.95 (C)
EPSON model 542 Same spec as above model, but designed to be used as a slip or flatbed printer. Ideal as label, card or ticket printer. Supplied fully cased in attractive, small, desk top metal housing. Complete with data. RFE and tested.
PHILIPS P2000 Heavy duty 25 cps bi directional daisy wheel printer. Only £55.00 (D)
PHILIPS model 542 Same spec as above model, but designed to be used as a slip or flatbed printer. Ideal as label, card or ticket printer. Supplied fully cased in attractive, small, desk top metal housing. Complete with data. RFE and tested.
PHILIPS P2000 Heavy duty 25 cps bi directional daisy wheel printer. Only £55.00 (D)
PHILIPS model 542 Same spec as above model, but designed to be used as a slip or flatbed printer. Ideal as label, card or ticket printer. Supplied fully cased in attractive, small, desk top metal housing. Complete with user manual & 90 day guarantee plus FREE dust cover & daisy wheel. BRAND NEW ONLY £225.00 (E)

POWER SUPPLIES

All power supplies operate from 220-240 v AC. Many other types from 3v to 100v in stock. Contact sales office for more details.
PLESSEY PL12.2 Fully enclosed 12v DC 2 amp PSU. Regulated and protected. Dim cm 13.5 x 11 x 11. New £16.95 (B)
AC-DC Linear PSU outputs of: -5v 5.5a, -5v 0.6a, +24v 5a. Fully regulated and short proof. Dim cm 28 x 12.5 x 7. New £59.95 (C)
POWER ONE PHC 24V DC 2 amps Linear PSU fully regulated. New £19.95 (B)
BOSHART 13088 Switch mode supply ideal disk drives or complete system. +5v 6a, +12 2.5a, 12 0 5a, -5v 0.5a. Dim cm 6 x 21 x 16.8. New £29.95 (B)
BOSHART 13090 same as above spec but outputs of +5v 6a, +24v 1.5a, +12 0 5a, 12 0 5a. New £39.95 (B)
GREENDALE 13A06 60 Watt switch mode outputs +5v 6a, +12v 1a, -12v 1a, -15v 1a, D, 24v 1a and -5v fully floating at 50ma. RFE Tested £24.95 (B)
CONVER AC130-3001 High grade VDE spec compact 130 watt switch mode PSU. Outputs give +5v 15a, +5v 1a, +12v 6a, Dim 6.5 x 27 x 12.5. Current list price £190. Our price New £59.95 (C)
FARNELL G640A Compact 5v 40 amp switch mode fully enclosed. New £140.00 (C)
FARNELL G24 5S Compact 24v 5 amp switch mode fully enclosed. New £95.00 (C)

Special Offer EXPERIMENTORS PSU ONLY £16.95 (C)

Made to the highest spec for BT this unit gives several fully protected DC outputs most suited to the Electronics Hobbyist. +5v 2a, +12v 1a, -12v 1a and -5v fully floating at 50ma. Ideal for school labs etc. Quantity discount available. Fully tested with data. RFE - Removed From Equipment

The AMAZING TELEBOX Converts your monitor into a QUALITY COLOUR TELEVISION

Brand new high quality, fully cased, 7 channel UHF PAL TV tuner system. Unit simply connects to your TV aerial socket and video monitor. Turning same into a fabulous colour TV. Don't worry if your monitor doesn't have sound, the TELEBOX even has an integral audio amp for driving a speaker plus an auxiliary output for headphones or Hi-Fi system etc. Many other features: LED Status indicator, Smart moulded case, Mains powered, Built to BS safety specs. Many other uses for TV Carriage code (B)



TV SOUND & VIDEO TUNER ONLY £29.95

TELEBOX ST for monitors with composite video input £29.95
TELEBOX STL as ST, but fitted with integral speaker £34.95
TELEBOX RGB for use with analogue RGB monitors £59.95

Colour when used with colour CRT. RGB version suitable for IBM-COM type colour monitors. DIAL Adjust on request. PAL or SECAM versions CALL.

South London Shop

Located at 215 Whitehorse Lane, London SE25. The shop is on the main 68 bus route and only a few miles from the main A23 and South Circular roads. Open Monday to Saturday from 9 to 5.30. parking is unlimited and browsers are most welcome. Shop callers also save the cost of carriage.

MODEMS

Modems to suit all applications and budgets. Please contact our technical sales staff if you require more information or assistance.

SPECIAL PURCHASE V22 1200 baud MODEMS ONLY £149 !!

MASTER SYSTEMS type 2/12 microprocessor controlled V22 full duplex 1200 baud. This fully BT approved modem employs all the latest features for error free data comms at the staggering speed of 120 characters per second, saving you 75% of your BT phone bills and give away price and you have a superb buy !! Ultra slim unit measures only 45 mm high with many integral features such as Auto answer, Full LED status indication, RS232 interface, Remote error diagnostics, SYNC or ASYNC use, SPEECH or DATA switching, integral mains PSU, 2 wire connection to BT line etc. Supplied fully tested, EXCELLENT slightly used condition with data and full 120 day guarantee.

LIMITED QUANTITY Only £149 (D)

CONCORD V22 1200 baud as new £330.00 (E)
CONCORD V22 1200-2400 BIS £399.00 (E)
RIXON Ex BT Modem 27 V22 1200 £225.00 (E)
DATEL 4800 / RACAL MPS 4800 EX BT modem for 4800 baud sync use. £295.00 (E)
DATEL 2412 2780/3780 4 wire modem unit. EX BT fully tested. £199.00 (E)
MODEM 20-1 75-1200 BAUD for use with PRESTEL etc EX BT fully tested. £49.00 (E)
TRANSDATA 307A 300 baud acoustic coupler with RS232 I/O. BRAND NEW £49.00 (E)
RS232 DATA CABLES 16 ft long 25w D plug for 25 way D socket. Brand New. Only £5.95 (A)
As above but 2 metres long £4.99 (A)
BT plug & cable for new type socket £2.95 (A)

RECHARGEABLE BATTERIES

Maintenance free, sealed long life LEAD ACID
A300 12v 3 Ah £13.95 (A)
A300 6v 3 Ah £9.95 (A)
A300 6-0-6 v 1.8 Ah RFE £59.99 (A)

NICKEL CADMIUM

Quality 12 v 4 Ah cell pack. Originally made for the TECHNICOLOUR video company, this unit contains 10 high quality GE nicad, D type cells, configured in a smart robust moulded case with DC output connector. Dim cm 19.5 x 4.5 x 12.5. Ideal portable equipment etc. BRAND NEW £24.95 (B)
12v 17 Ah Ultra rugged, all weather, virtually indestructible refillable NICAD stack by ALCAD. Unit features 10 x individual type XL1.5 cells in wooden crate. Supplied to the MOD and made to deliver exceptionally high output currents & withstand long periods of storage in discharged state. Dim cm 61 x 114 x 22. Cost over £259. Supplied unused & tested complete with instructions. £95.00 (E)
EX EQUIPMENT NICAD cells by GE. Removed from equipment and believed to be good, but used condition, 'F' size 7Ah 6 for £8 (B). Also 'D' size 4Ah 4 for £5 (B)

BRAND NEW 85 Mb Disk Drives ONLY £399

End of line purchase enables this brand new unit to be offered at an all time super low price. The NEC D2246 8" 80 Mb disk drive features full CPU control and industry standard SMD interface. Ultra high speed data transfer and access times leave the good old ST100 interface standing. Supplied BRAND NEW with full manual. Only £399.00 (E)
Dual drive, plug in 135 Mb sub-system for IBM AT unit in case with PSU etc. £1499.00 (E)
Interface cards for upto 4 drives on IBM AT etc available. Brand new at £395.00

Cooling Fans

Keep your hot parts COOL and RELIABLE with our range of BRAND NEW cooling fans.
AC FANS Speedy 240 or 110 v
3" Fan dim 80 x 80 x 38 £8.50 (B)
3.5" ETRI slimline 92 x 92 x 25 £9.95 (B)
4" Fan Dim 120 x 120 x 38 £9.95 (B)
As above, TESTED RFE. Only £4.95 (C)
10" Round x 3.5" Rotom 10V £10.95 (B)
Papsit Miniature DC fans 62x62x25 mm
Order 812 6-12v or 814 24v £15.95 (A)
4" 12v DC 12w 120 x 120 x 38 £12.50 (B)
4" 24v DC 8w 120 x 120 x 25 £14.50 (B)
BUHLER 12v DC 62 mm £12.95 (A)
1000's of other fans and blowers in stock CALL us SAE for more details.

SPECIAL INTEREST

Please call for availability or further info.
RACAL-REDAC real time, colour drafting PCB layout system £3950
DEC VAX11/750 inc 2 Mb Ram DZ, and full doc etc. BRAND NEW £8500
HP7580A 8 pen digital A1 drum plotter with IEEE interface. As New £4750
GHETAH Telex machine £995
1.5 kw 115v 60 Hz power source £950
500 watt INVERTER 24v DC to 240v AC sine wave 50 Hz output £275
SOLDER SYSTEMS tin lead roller tinning machine for PCB manufacture £350
CALLAN DATA SYSTEMS multi user INTEL based UNIX system complete with software and 40 Mb winchester disk drive. £2750
WAYNE KERR RA200 Audio, real time frequency response analyzer £3000
TEKTRONIX 1411/R PAL TV test signal standard £6900
TEKTRONIX R140 NTSC TV test signal standard £875
HP 3271A Correlator system £350
PLESSEY portable Microwave speech data link, 12v DC, 70 mile range the pair £275.00
19" Rack cabinets 100's in stock from £15.00

DISPLAY ELECTRONICS

All prices for UK Mainland. UK Customers must ADD 15% VAT to total order value. Minimum order, cash £5. Credit Card £10. Official account orders from £6.50. (D) £r 50. (E) £10.00. (F) £15. (G) Call. All goods are supplied subject to our standard conditions of sale. All guarantees given on a return to base basis. We reserve the right to change prices & specifications without prior notice. Bulk trade & export enquiries most welcome.

MAIL ORDER & OFFICES
Open Mon-Fri 9.30-5.30
32 Biggin Way,
Upper Norwood,
London SE19 3XF

LONDON SHOP
1000's of Bargains for callers
Open Mon-Sat 9-5.30
215 Whitehorse Lane,
South Norwood, London SE25

DISTEL © THE ORIGINAL
FREE of charge dial up data base
1000's of items + info ONLINE NOW!!
300 baud 01 679 1868, 1200/75 01 679
6183, 1200 FDX 01 679 8789

ALL ENQUIRIES
01 679 4414
FAX 01 679 1927
TELEX 894502



OP-AMPS

So far in this series we have carefully avoided any mention of the way an op-amp's behaviour varies with frequency. Unfortunately the topic can't be avoided for ever! The trouble is that there's no knowing where it might end as soon as you admit to yourself that an op-amp isn't simply a box which amplifies a voltage by 10^5 or so — once you allow that it does, in fact, introduce phase shifts, amplify different frequencies by varying amounts, have a limited slew rate and so on.

You have to start wondering about stability, compensation, transient response, oscillation, and all kinds of other unpleasant things. Instead of being satisfied with a simple algebraic formula to describe a circuit's behaviour, you have to get involved with complex algebra, poles and zeros, Laplace transforms, Nyquist diagrams and all the other paraphernalia of frequency response. What have you let yourself in for?

Frequency Response

Let's kick off by looking at plots of amplitude and phase against frequency for that old favourite, the 741. It's a bit of a dinosaur these days but still widely used, and the plots are typical of most general purpose, low cost op-amps so why not? The plots, from the National Semiconductors' data book, are shown in Fig. 1.

From the amplitude plot you can see immediately that if you rely on the IC having a gain anything like the claimed 2×10^5 over, say, the audio band, you'll be one sorely disappointed circuit designer. Although it doesn't run out of steam entirely until about 1MHz, by 20kHz the 741's gain is only a miserable 50! (It may look a little more but remember that the horizontal and vertical axes are both scaled logarithmically).

If you are building an amplifier circuit and want to keep the amplitude response to within 1dB over the audio band, bearing in mind that the gain set by the feedback resistors must then be not much more than a tenth of the available gain from the op-amp, the maximum gain the circuit should be asked to give is about 5 or 6. That's one good reason audio designers don't rave about the 741!

Turning to the phase response, it's evident that something drastic is happening — at anything over about 200Hz, the phase at the output lags the + input by almost smack on 90° — but it's not quite so easy to see what effect this might have on a circuit built with the op-amp. In describing the operation of the circuit of Fig. 2, for instance, I assumed that the IC's action was instantaneous and that at any point in time the input signal was being compared with a magnified version of itself, potted down by the two resistors. If the input is being compared with a version of itself which is, in effect, being delayed by $1/4$ cycle, surely this messes up the whole theory?

Even more puzzling is the fact that if you were to take a scope to the circuit of Fig. 2, the operation would appear to be the way I originally described it in the sense that the output of the op-amp and the + and - input terminals would all have voltages in phase with each other. So where is the 90° phase shift? It's not enough to say that the negative feedback puts an end to it — the op-amp doesn't peek out of its little plastic box and say, 'Aha! There's negative feedback out there boys, hold back on the phase shift!' If there was one to start with, it will still be there when the feedback is applied. But where is it?

Before investigating the situation in more detail, I should make it quite clear that it is not some physical

law of op-amp construction we're dealing with. The roll-off in gain and the shift in phase are both caused by a component deliberately introduced by the IC designer.

In the 741 (Fig. 3), the component responsible for these complications is C1. So now we have another question — why would a designer intentionally spoil the amplitude and phase response of the IC? After all, if it was necessary to curtail the frequency response for some reason, instead of adding one cap to make the IC a first order filter, why couldn't a few more be added to give it a nice, sharp roll-off beginning at (say) 100kHz and reaching unity gain at 1MHz? The circuit designer would then have the benefit of the full 2×10^5 voltage gain over a wide frequency range. Intuition and common sense don't come up with any convincing answers, so we'll have to take a closer look.

Control Systems

The easy answer to the presence of the capacitor in the 741 is this: it's there to allow you to apply as much negative feedback as you like without causing instability. Without C1, if you tried connecting the IC

CIRCUIT THEORY

Paul Chappell continues his guide to the humble building block and digresses to design an oven

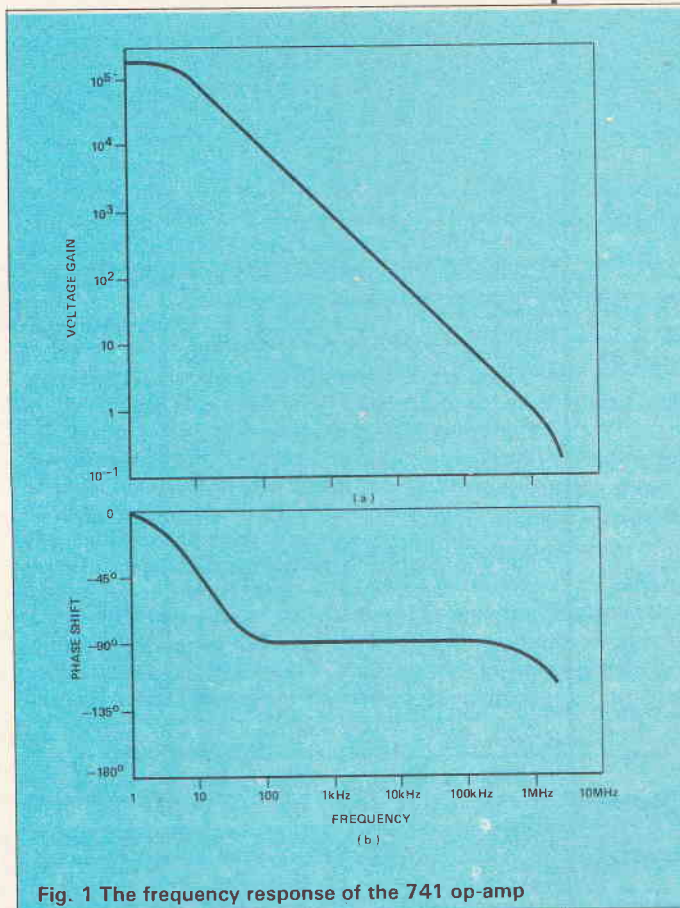


Fig. 1 The frequency response of the 741 op-amp

as say a voltage follower then you'd actually end up with an oscillator. If you have the slightest doubt about this, try it with an uncompensated op-amp like the 709, or one which is not unity-gain stable like the NE5534.

That's what it does. How it does it is not such an easy question. It's all tied up with the effects that negative feedback has on a circuit. On a simple analysis, negative feedback appears to be no end of a good thing: it reduces distortion, corrects all kinds of drifts and errors and generally keeps the circuit tightly under control. Moreover the more you have of it, the better the effects seem to be.

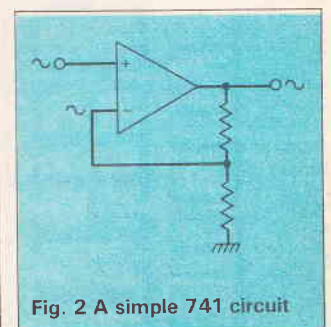


Fig. 2 A simple 741 circuit

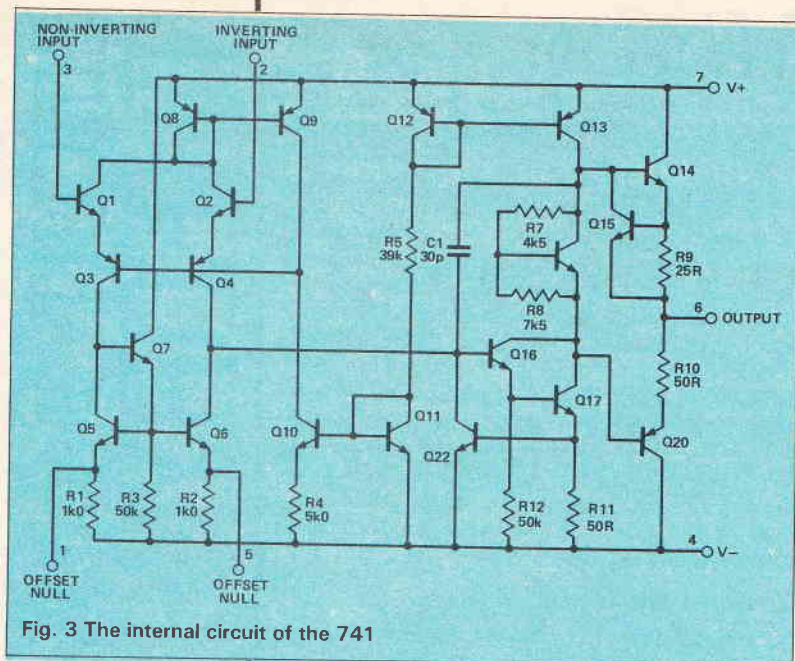


Fig. 3 The internal circuit of the 741

As is the general rule with electronics, things are never quite as simple as they first appear. Pile on more and more negative feedback without due care and the bad effects can quickly outweigh the good. But I'm telling you whodunnit before letting you in on the plot.

Instead of looking at negative feedback as it relates specifically to op-amps, I'm going to widen the scope of these articles to take in control systems — two particular examples since I don't want to stray too far into abstract theory. They may help you to see more clearly what's going on when I return to op-amps. They may not of course but since everything to do with electronics is fascinating through and through, you'll enjoy it all anyway.

Temperature Control

Suppose that you're going to make an oven of some kind — it can be the type that cooks your lunch, or if you'd like something more exotic it can be a kiln for firing pottery or even a diffusion oven for your own IC manufacturing plant! Obviously you'll want to control the temperature. How will you go about it?

One thing you could do is to experimentally make a graph of oven temperature against heater current. It might show that a current of 1A gives a temperature of 100°C, that 3A gives 200°C, that 10A gives 300°C, and so on. Your temperature control might then consist of a huge variable resistor which supplies the heater with the proper current for each temperature setting (Fig.4a).

Even if the impracticality of the huge variable resistor is overcome (with triacs and wotnot), the control would be very poor indeed. The first thing you'd find would be that the oven would take ages to stabilise at the set temperature — several hours, perhaps. The heat would have to permeate the layer of insulation you've put on for the sake of economy (and to stop the outside from being as hot as the inside!). Thermal equilibrium would only be reached when the outside has risen to a temperature such that it's losing exactly as much heat as the heater is putting in.

The inside temperature would vary considerably with the positioning of the oven — standing it in a draught would mean a very different internal temperature than you'd have if it was sheltered. As for opening the door and putting something cold inside — don't do it! The temperature would take an age to stabilise again.

What we really need is a more sophisticated

controller which can keep an eye on the oven temperature and correct it if it wanders away from the set point. OK, so we add a temperature sensing element but how are we going to make use of the information it provides?

Hot Bricks

Let's gather together another set of building bricks so we know what we're dealing with. First of all we have a set-point box which puts in our request to the control system for the oven to be at a certain temperature. This gives 0-20V out according to the setting of the knob, so it might be nothing more than a DC power supply and a pot. When we've sussed out how the knob position relates to the temperature of the oven, we'll just stick on a label calibrated in °C.

Supplying current to the heater, we now have a voltage to current converter. It doesn't matter what's inside the box. For each 1V in, it supplies 1A to the heater up to a maximum of 20A.

The final building block is a temperature sensor which is, heaven be praised, perfectly linear and gives 1V per 100°C oven temperature. Now all we've got to do is to connect all the bits together to make a control system (Fig.4b).

To restore the same system as in Fig.4a, all we do is to connect the set-point box directly to the heater power box. The label on the knob would show 100°C when the set-point box is giving 1V, 200°C for 3V and 300°C for 10V, which corresponds to the heater currents we measured earlier.

OK, so now we get a plan of campaign for using the temperature sensor. To begin at the beginning — when the oven is first turned on, the temperature will be way below the set point. To get it up to temperature quickly, it would be nice if the controller could sense that it was a long way from its goal and apply loads of power. As it gets close to the set temperature, the extra power could be eased off until the heater is left with just enough current to sustain the proper temperature. This seems to suggest that we need to sense the difference between the set temperature and the oven temperature — we'll call the result of doing this the *error* signal, since it will be zero when the temperature is spot-on and will increase in magnitude as the error (the distance between the set temperature and the actual temperature) increases.

If the error signal provides extra current when the oven temperature is below set-point, this should also cope with the situation where the oven temperature drops as a result of the door being opened, or of something cold being placed inside. OK, so what if we've heated the oven to 300°C and then turn the control back to 200°C? Once again, the error signal could help to stabilise the temperature quickly by sensing the difference between the oven temperature and the set temperature, this time decreasing the heater current below the 3A that the controller of Fig.4a would give, then easing it back up to the 3A as the temperature approaches 200°C.

What about the situation where the oven is standing in a draught? Let's suppose that the set temperature is 200°C and the draught, with the control system of Fig.4a, would have reduced the temperature to 180°C. As the temperature falls, the error signal will boost the heater current, so one thing we can say for sure is that the temperature won't fall as low as 180°C. On the other hand, at 200°C there won't be any boost to the current at all, so the temperature won't be exactly right. All we can say for sure at the moment is that it will be closer to the proper temperature than before.

The idea seems fairly encouraging so far, so let's build up the new control system (Fig.4c). The set point box is a little more complicated since it is now

supplying the 1.3,10V to give the heater its steady current and the 1,2,3V that can be directly compared with the temperature sensor's output to give the error signal.

The first triangular box simply subtracts the temperature sensor output from the set-point to give the error signal; the second triangle adds this to the steady current value to give the increases and decreases which will, hopefully, improve the controller's performance.

Let's switch on and see what happens. Suppose the set-point control is at 200°C. The oven will be at room temperature so the output from the temperature sensor will be about 200mV. Subtracting this from the 2V output of the set-point box gives an error signal of 1.8V. The set-point box provides 3V to the heater power box, to which is added an extra 1.8V from the error signal, giving the heater an initial current of 4.8A. This will certainly heat it up quicker than the 3A, but wouldn't it be better if it had the full 20A?

As the temperature approaches 200°C, the error signal will decrease until at exactly 200°C the 2V output from the temperature sensor will precisely match the 2V from the set-point box, the error signal will be zero and the heater will just get its 3A to maintain the temperature.

If the oven became too hot, the output from the temperature sensor would be greater than the output from the set-point box, the error signal would be negative and the heater current would be reduced so it seems that this side of things works too. On the other hand, to reduce the heater current by 1A the temperature would have to be 100°C above set-point.

The controller works after a fashion but the error signal is not making itself felt as much as it could. Can it be amplified? If so, where should the amplifier go

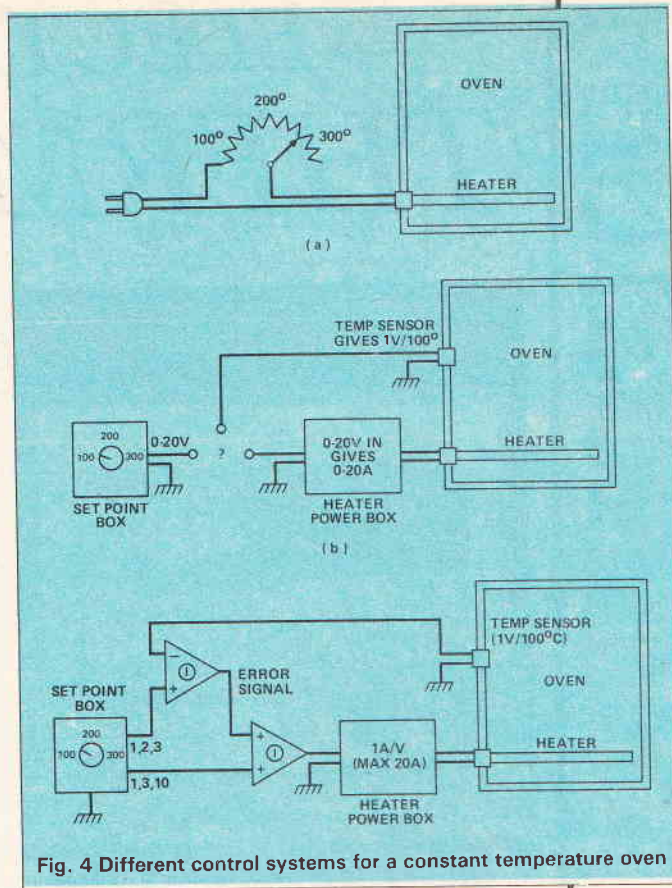


Fig. 4 Different control systems for a constant temperature oven

to make sure that the error signal is still zero when the oven is at the right temperature? All will be revealed next month.



NEW BOOKS ON ELECTRONIC DESIGN

KEY TECHNIQUES FOR CIRCUIT DESIGN G C LOVEDAY

Deals with designing electronic circuits from scratch covering concepts such as target specifications, component selection (passives, discretes and ICs), the design cycle, derating etc. Numerous design examples are given and several reader exercises all with fully worked solutions. The approach is essentially non-mathematical.

ISBN 1 871047 00 5 Pbk 128pp Price £6.95 + 60p p&p

DESIGNING DC POWER SUPPLIES G C LOVEDAY

Covers all aspects of the design of regulated power units, using discretes, IC regulators and switched units. It also covers protection circuits and reference supplies. Many design examples and exercises all with fully worked solutions are given.

ISBN 1 871047 01 3 Pbk 136pp Price £6.95 + 60p p&p

Order direct from:

THE BENCHMARK BOOK COMPANY
59 Waylands, Swanley, Kent BR8 8TN

19" RACK MOUNTING EQUIPMENT CASES

This range of 19" rack equipment cases have been designed with economy and versatility as their objective. These cases are supplied as a flat pack kit with assembly instructions. The ★ NEW IMPROVED DESIGN ★ now features a black powder coat 16SWG (1.5mm) steel front panel with the rear box constructed from .9mm PVC coated steel.

All units are 10" (254mm) deep and are available in the following popular sizes:-

| TYPE | HEIGHT | PRICE |
|------|-------------------|-------|
| U1 | 1" (44mm) | 21.85 |
| U2 | 3" (89mm) | 23.00 |
| U3 | 5" (133mm) | 25.30 |
| U4 | 7" (178mm) | 27.60 |
| M6U | Sloped mixer case | 28.75 |

DELIVERY INCLUDED

All prices INCLUDE VAT

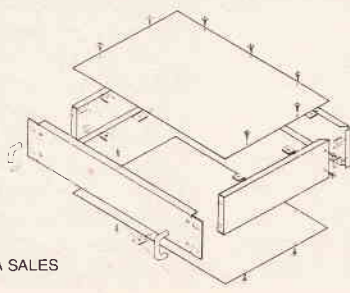
Blanking Panels, Racking Consoles and Rack Cabinets are also available.

Please send S.A.E. for details.

★ TRADE ENQUIRIES WELCOME ★

TEL: 0275 823983 FOR ACCESS/VISA SALES
OR CHEQUE WITH ORDER TO:-

RACKZ PRODUCTS PO BOX NO. 1402, MANGOTSFIELD, BRISTOL
ENGLAND. BS17 3RY



OMNI ELECTRONICS

174 Dalkeith Road, Edinburgh EH16 5DX • 031 667 2611

The supplier to use if you're looking for

★ A WIDE RANGE of components aimed at the hobbyist ★

★ competitive VAT inclusive prices ★

★ mail order - generally by return of post ★

★ fast, friendly service ★

- by mail order, telephone order or personal call

1988 CATALOGUE NOW READY - SEND 2x18p STAMPS

we do try to keep the goods we list in stock.

Whether you phone, write or call in

we'll do our best to help you.

Open: Monday-Friday 9.00-6.00

Saturday 9.00-5.00



BINDERS

FOR YOUR VALUABLE COLLECTION
OF ELECTRONICS TODAY

INTERNATIONAL MAGAZINES

• SMART • EASY TO USE • TOP QUALITY

To ASP Readers Services, PO Box 35,

Wolsey House, Wolsey Road, Hemel

Hempstead, Herts HP2 4SS (0442-41221)

£5.95
inc.
P&P

Please supply ... Electronics Today International
Binders £5.95 inc. P&P

Total £ (Please make cheques payable to ASP Ltd.)

Years Required — 198.....198.....198.....198.....

Name

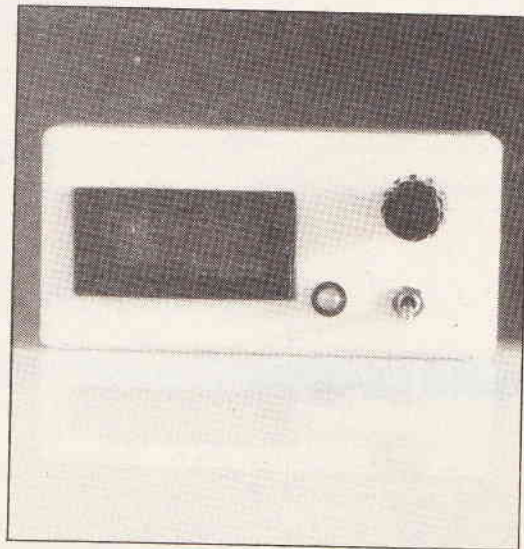
Address

Please allow 21 days for delivery



ELECTRONIC THERMOSTAT

Andrew Armstrong keeps snug and warm thanks to this electronic replacement for a central heating thermostat



This is a project to replace that grotty old mechanical central heating thermostat with a shiny new digital controller. The design enables this unit to be used as a direct replacement in the majority of central heating systems which use a 24V AC control system.

Figure 1 shows a typical wiring diagram for a central heating control using a conventional mechanical thermostat. From this it is clear that power to run an electronic thermostat connected directly in

place of the mechanical one is not always available. When the time switch is off, the 24V supply is disconnected and when the thermostat is on (demanding more heat) there is no voltage across it.

This electronic thermostat can be used as a direct replacement for the mechanical thermostat shown in Fig. 1. This means that if the electronic thermostat should ever fail, the mechanical one can be replaced while the electronic one is repaired. The electronic thermostat runs on rechargeable batteries while it has no externally supplied power and the batteries are recharged while power is available.

The unit provides a digital readout of temperature or of thermostat set-point (selectable by a switch) all the time. It can only achieve this by using very low power consumption components, so that the rechargeable battery does not run down quickly when power is unavailable.

Component Choice

Some components may be difficult to obtain. In the case of the ICs, there are no alternative types but they

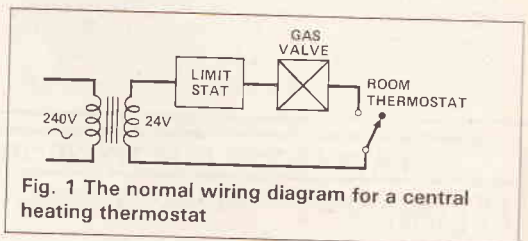


Fig. 1 The normal wiring diagram for a central heating thermostat

HOW IT WORKS

The unit controls 24V AC not as some might imagine by a triac but by using a power MOSFET and a bridge rectifier. There are two reasons for this. First of all, DC is needed to power the unit and charge its batteries and secondly no current is required to hold a power MOSFET on. A fairly substantial power MOSFET is used to handle the heavy current that may flow while relays, solenoid valves, and the like are pulling in. When the power FET Q1 is switched on, some of the current is diverted via LED 1 to show when the heating is on.

The only purpose of R3 is to cause a voltage drop so that there is some voltage to light the LED. A variety of different power MOSFETs would be suitable for Q1 — the main requirement is for the on resistance to be sufficiently low so that the power dissipation is not too high.

When Q1 is off and the supply is on, the NiCd battery charges via D1 and R1. The value of R1 is chosen to replace the charge used up during the periods when the timeswitch cuts off the supply. The average charging current is not as obvious as you might expect. Fig. 3 shows the charging current waveform. A close approximation to the average current, ignoring the short periods of time when the charging current is not flowing, is:

$$I_{AV} = \frac{2V_{peak}}{R_1 \pi}$$

Substituting real figures: peak voltage = 34V, battery voltage = 6V, so the charging current is approximately 6.5mA. The circuit draws between 2mA and 3mA, so the current actually charging the battery is approximately 4mA. Taking account of the fact that the battery discharges when the thermostat output is on, the resistor value chosen should replace the charge used if the timeswitch is on for almost 50% of the time. The battery will neither run flat nor seriously

overcharge under these conditions. If the timeswitch is to be on for a much greater or lesser percentage of the time, then the resistor value should be changed appropriately.

It is still not impossible that the battery may run low at some stage, perhaps when the timeswitch settings have been altered, or when the battery has been in use for five years and has lost some of its capacity. The control circuit does not act rationally when it has too little supply voltage and could switch Q1 half on if the supply fell to say 3.5V. This would cause high dissipation in Q1 and incinerate it smartly!

To avoid this possibility, IC1 is included. This compares the battery voltage with an internal reference voltage and switches off the load via Q2 if the battery voltage falls below 5.5V and switches it back on when the voltage exceeds 6.3V. This hysteresis (added by R5) prevents the extra voltage developed across the battery when it starts to charge from switching the circuit back on immediately before a useful amount of charge has been built up.

Tolerance of the reference voltage on the ICL7665 may alter the voltages given above enough, in a few cases, to necessitate changing the values of R4 or R6 to compensate. Only testing can show whether this is necessary or not.

Power to the rest of the unit is switched by Q2. Strictly speaking, one of the control outputs of IC1 could supply the load current of the circuit but the use of a separate MOSFET gives lower voltage drop. The current consumption of IC1 itself is very low, so it will not run the battery down significantly faster by its presence.

The temperature control part of the circuit uses an LM10 op-amp/voltage reference. The output of the voltage reference is set to 3.2V to provide a suitable voltage range to compare with the output

PROJECT

PROJECT

Assembly of the PCB is straightforward. Refer to the component overlay (Fig. 4). The power MOSFET is slightly vulnerable to static and should be fitted second to last. You should touch an earthed metal object before handling the MOSFET and solder it with an earthed soldering iron. It is also best to bolt the MOSFET down before soldering its pins. This avoids the risk of straining the soldered joint when the bolt is tightened.

The last item to be fitted should be the small power MOSFET. This is much more vulnerable to static because its gate capacitance is much lower than the TO220 mosfet. The pin connections of the Ferranti E-line MOSFETs are shown in Fig. 5.

When the PCB is built, parts of it can be tested. An adjustable bench power supply and a DVM are required for the testing. Connect the variable power supply to the battery connections of the PCB and adjust to check the voltages at which IC1 switches the power to the rest of the circuit on and off. A convenient point to check the voltage to the main part of the circuit is probably on IC3 pin 8 (relative to the 'battery' negative terminal). If the switching voltages are not approximately 5.5V and 6.3V for switch off and switch on respectively, then reduce R4 to lower the voltages or increase it to raise them.

Check also that the voltage converter is producing a negative supply. The voltage on IC3 pin 5 should be within 0.5V of the positive supply voltage but opposite in sign. If it is not, then check that C3 and C4 are the correct way round. This is all that can be done to test the PCB at present.

Front Panel

Holes must be drilled in the front part of the case to mount the panel mounting potentiometer, the switch, the LED, and the DPM (digital panel meter). This last is the most tedious job and will almost certainly involve a lot of filing. A hole must also be drilled in one end of the case to allow the temperature sensor to protrude.

Before the DPM is fitted to the front panel, the pins shown linked on the circuit diagram should be linked on the back of the meter, using thin tinned copper wire. R19 and R20 should also be mounted on the back of the meter. Link 2 on the back of the DPM (near the input pins) should also be cut to allow for the proper differential measurement mode.

Finally, connecting wires should be attached. Light gauge wire should be used to avoid straining the pins of the module, which are delicate.

The temperature sensor and the items on the front panel should now be wired up, as neatly as possible. The NiCd cells should be wired together to form a 6V battery. The cells should first be wired together with thin insulated wire and then be taped together so that they are safely insulated and formed into a flat battery pack which will wedge between the PCB and the components on the front panel.

Great care should be taken to ensure that the edges of the cells do not touch. The battery should be tested for fit, charged at 10mA for at least two hours and then connected to the PCB, with attention to correct polarity.

The complete unit is now ready for test and calibration. Connect a test circuit as shown in Fig. 6. The use of this circuit should minimise damage if anything is wrong. First observe that the digital display operates, even if the readings are not accurate. Then switch on the power and check that the LED switches on and off as the temperature setting pot is adjusted either side of the measured temperature. If all is well then proceed to calibration.

Calibration

An accurate thermometer and a DVM are required for calibration. The power supply should be left switched on and the set pot should be at minimum temperature, so that the battery will be charged and will not run down while calibration is in progress.

First of all set RV3 to provide 2.73V on its slider, measured relative to 0V. Then set SW1 to read set-point and turn the pot to maximum temperature. Measure the voltage on the common pin of SW1 relative to the slider of RV3 and set the preset meter scale adjustment (a tiny preset accessible through a hole in the PCB of the module) to read the same number as the number of millivolts on SW1. For example, if the voltage on SW1 is 200mV, then the DPM should display 20.0. A very fine screwdriver should be used for this adjustment. Now return RV2 to the minimum temperature setting.

IC4 should be placed out of a draught and the thermometer should be put next to it. After a settling period of at least two minutes, the thermometer should be read and RV1 adjusted to produce the same reading on the DPM. The unit is now calibrated. It should be connected in place of the mechanical thermostat and used to control the central heating.

If the unit is connected to the 24V AC supply without the battery connected, the voltage on the circuit may exceed that which would be required to damage the ICs. A 10V zener diode should be added on the back of the board in parallel with the battery connections, with its cathode to the battery positive and its anode to the battery negative. This will protect the circuit if a battery connection breaks or the battery goes open circuit after ten years faultless operation.

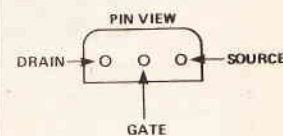


Fig. 5 The pin out of the Ferranti E-line MOSFETS

ETI

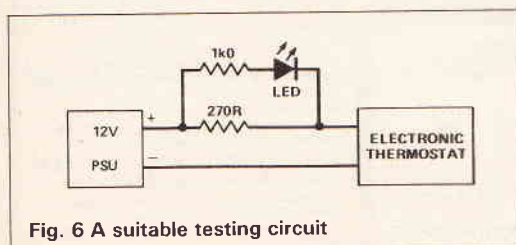
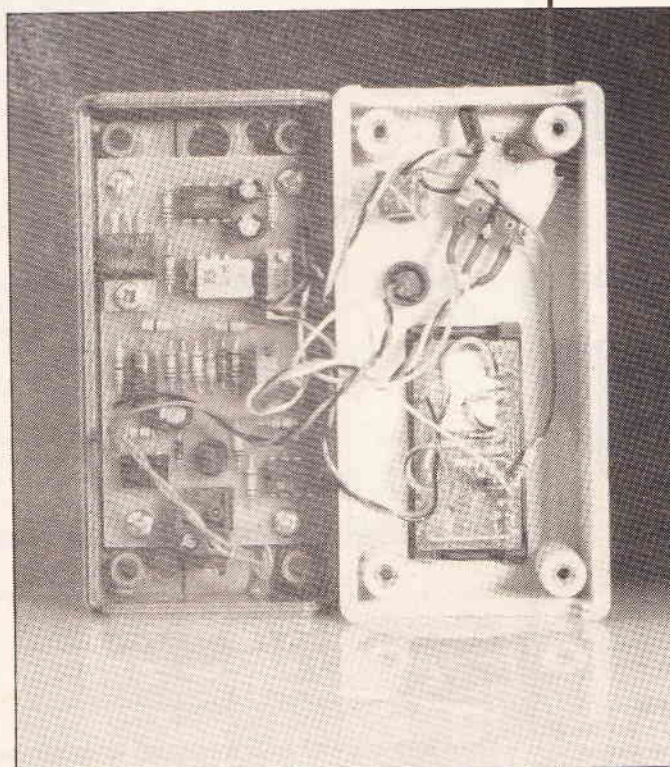


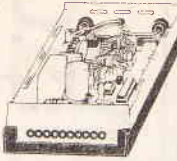
Fig. 6 A suitable testing circuit



POWER CONDITIONER

FEATURED IN ETI
JANUARY 1988

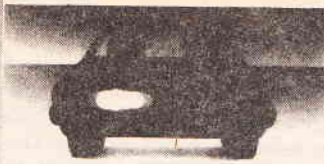
The ultimate mains purifier. Interacts mainly for lowering the noise floor and improving the analytical qualities of top-flight audio equipment.



The massive filter section contains thirteen capacitors and two current balanced inductors, together with a bank of six VDRs, to remove every last trace of impulsive and RF interference. A ten LED logarithmic display gives a second by second indication of the amount of interference removed. Our approved parts set consists of case, PCB, all components including high permeability toroidal cores, ICs, transistors, chokes X and Y suppression capacitors, VDRs, etc. and full instructions.

PARTS SET **£28.50 + VAT**

Some parts are available separately. Please send SAE for lists, or SAE + £1 for lists, circuit construction details and further information (free with parts set).



KNIGHT RAIDER

FEATURED IN ETI JULY 1987

The ultimate in lighting effects for your Lamborghini, Maserati, BMW for any other car, for that matter! Picture this: eight powerful lights in line along the front and eight along the rear. You flick a switch on the dashboard control box and a point of light moves lazily from left to right leaving a comet's tail behind it. Flip the switch again and the point of light becomes a bar, bouncing backwards and forwards along the row. Press again and by one of the other six patterns. An LED display on the control box lets you see what the main lights are doing.

The Knight Raider can be fitted to any car (it makes an excellent top light) or with low powered bulbs it can turn any child's pedal car or bicycle into a spectacular TV-age toy!

The parts set consists of box, PCB and components for control, PCB and components for sequence board, and full instructions. Lamps not included.

PARTS SET **£19.90 + VAT**

RAINY DAY PROJECTS



All can be built in an afternoon!

JUMPIN' JACK FLASH (ETI March 1988)

Spectacular rock, stage and disco lighting effect! **£6.90 + VAT**

CREDIT CARD CASINO (ETI March 1987)

The wicked pocket gambling machine. **£5.90 + VAT**

MAINS CONTROLLER (ETI January 1987)

Isolates logic to mains. Interlocks. **£6.20 + VAT**

MATCHBOX AMPLIFIERS (ETI April 1986)

Listen, SWR or Hi-Fi power from an amp small enough to fit in a matchbox! **£6.50 + VAT**

Matchbox Bridge Amplifier **£8.90 + VAT**

Matchbox Power Amplifier IC with data and circuits **£3.90 + VAT**

TACHO/DWELL METER (ETI January 1987)

Turn your Metro into a Porsche! **£16.40 + VAT**

HI-FI POWER METER (ETI May 1987)

Measures Hi-Fi output power up to 100W - includes PCB, components, meters. **£3.90 + VAT**

Mono power meter **£7.20 + VAT**

Stereo power meter **£7.20 + VAT**



FEATURED IN ETI
AUGUST 1988

There's nothing quite so encouraging as having a quantifiable result to show for your training efforts. If you are not particularly fit, your resting heart rate will be around 90 beats per minute. As your jogging, aerobics or sport strengthens your heart, the rate will drop dramatically - possibly to 60bpm or less. With the S101 you can watch your progress day or day.

Breathing is important too. How efficiently do you take up oxygen? How quickly do you recover from oxygen debt after strenuous activity? The S101 will let you know.

The approved parts set consists of case, 3 printed circuit boards, all components including 17 ICs, quartz crystal, 75 transistors, resistors, diodes and capacitors, LCD, switches, plugs, sockets, electrodes and full instructions for construction and use.

PARTS SET **£33.80 + VAT**

Some parts are available separately. Please send SAE for lists, or SAE + £2 for lists, circuit construction details and training plan (free with parts set).

THE DREAM MACHINE

FEATURED IN ETI
DECEMBER 1987



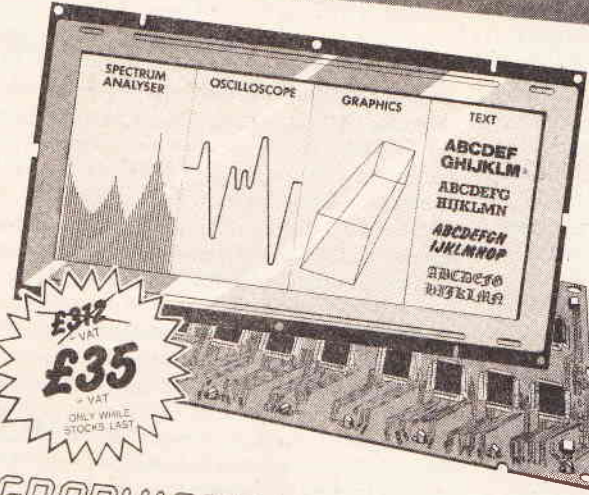
Adjust the controls to suit your mood and let the gentle, relaxing sound drift over you. At first you might hear soft rain, sea surf, or the wind through distant trees. Almost hypnotic, the sound draws you irresistibly into a peaceful, refreshing sleep.

For many, the thought of waking refreshed and alert from perhaps the best truly restful sleep in years is exciting enough in itself. For more adventurous souls there are strange and mysterious dream experiences waiting. Take lucid dreams, for instance. Imagine being in control of your dreams and able to change them at will to act out your wishes and fantasies. With the Dream Machine it's easy!

The approved parts set consists of PCB, all components, controls, loudspeaker, knobs, lamp, fuseholders, fuse, mains power supply, prestige case and full instructions.

PARTS SET **£16.50 + VAT**

AVAILABLE WITHOUT CASE FOR ONLY **£11.90 + VAT**



£312 + VAT
£35 + VAT
ONLY WHILE STOCKS LAST

GRAPHICS DISPLAY OFFER

These beautiful dot matrix LCDs were originally ordered from Hitachi by a top flight instrumentation manufacturer. Unfortunately their new product - a portable scope - was ditched before they even had a chance to open the cartons!

But it's an ill wind that blows nobody any good. Because of their bad management, you now have the chance to own a high grade graphics display module at a tiny fraction of the normal price. Hitachi distributors will charge £312 each for these displays. From us, while stocks last, the price is £35!

The LM236 display module has a 9 1/2" x 4" display area, made up of 640 x 200 pixels. Since each pixel can be accessed individually, the display is equally at home as a scope screen, a spectrum analyser display, a graphics monitor or a text screen.

To help organise the display, mounted on the back is a control board with 20 LSI ICs. This keeps track of all the individual dots and allows the screen to be filled via a simple eight-bit, at-a-time interface.

To use the display, you will need to be fairly self-sufficient in logic design - you must know how to organise a frequency divider and serial data transfer. Apart from these basics, the data supplied with the module will tell all you need to know to get it up and running.

ARMSTRONG 75W AMPLIFIER

FEATURED IN PE
JULY 1988



A.J. Armstrong's exciting new audio amplifier module is here at last!

Delivering a cool 75W (conservatively rated - you'll get nearer 100W), this MOSFET design embodies the finest minimalist design techniques, resulting in a clean, uncluttered circuit in which every component makes a precisely defined contribution to the overall sound. You can read all about it in the July issue of PE, but why bother with words when your ears will tell you so much more?

Parts set includes top grade PCB and all components.

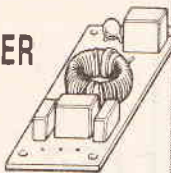
SPECIAL INTRODUCTORY PRICE FOR FULLY UPGRADED MODULES.

SINGLE PARTS SET **£14.90 + VAT**
STEREO PAIR **£25.90 + VAT**

Please send SAE + £1 for data and circuits (free with parts set), including diagrams for matching pre-amp and power supply. This amplifier will not be available from your usual audio supplier - we produce the only designer approved parts set.

MAINS CONDITIONER

FEATURED IN ETI
SEPTEMBER 1986



Cleans up mains pollution easily and effectively. You'll hardly believe the difference in your Hi-Fi, TV, Video, and all other sensitive equipment.



PARTS SET **£4.90 + VAT**

RUGGED PLASTIC CASE **£1.65 + VAT**

POWERFUL AIR IONISERS



Ions, the miraculous vitamins of the air, have been credited with almost magical powers.

They are said to improve concentration, reduce blood pressure, help you sleep better, and even to raise you IQ! Although some of the claims may be exaggerated, there's no doubt that ionised air is cleaner, purer and more invigorating than dead air. Anyone who has owned an ioniser would never again want to be without one!

The Direct Ion cause is a sensation when it appeared as a project in ETI. Two years later, in October 1986, the Mistral was unveiled. Which will you go for - the compact, powerful 'value for money' Direct Ion or the sophisticated, no-compromise 'Mistral'? The choice is yours!

MISTRAL IONISER PARTS SET **£24.80 + VAT**

DIRECT-ION PARTS SET (BLACK CASE) **£11.50 + VAT**

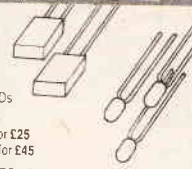
DIRECT-ION PARTS SET (WHITE CASE) **£11.80 + VAT**

LM2917 EXPERIMENTER SET

Consists of LM2917 IC, special printed circuit board and detailed instructions with data and circuits for eight different projects to build. Can be used to experiment with the circuits in the 'Next Great Little IC' feature (ETI, December 1985).

LM2917 EXPERIMENTER SET **£5.80 + VAT**

LEDs



Green rectangular LEDs for bar-graph displays

50 for **£3.50** 500 for **£25**

100 for **£6** 1000 for **£45**

DIGITAL AND AUDIO EQUIPMENT LEDs

Assorted 3mm LEDs: red, green, yellow and orange

25 of each (100 LEDs) for **£6.80**

Prices shown are exclusive of VAT, so please add 15% to the order total. UK postage is 70p on any order. Carriage and insurance for overseas orders £4.50. Please allow up to 14 days for delivery.

Specialist SEMICONDUCTORS LIMITED

SALES DEPT., ROOM 107, FOUNDERS HOUSE, REDBROOK, MONMOUTH, GWENT.

BRAINWAVE MONITOR



FEATURED IN ETI
AUGUST 1987

The most astonishing project ever to have appeared in an electronics magazine. Similar in principle to a medical EEG machine, this project allows you to hear the characteristic rhythms of your own mind! The alpha, beta and theta forms can be selected for study and the three articles give masses of information on their interpretation and powers.

In conjunction with Dr. Lewis & Alpha Plan, the monitor can be used to overcome stress, to help you feel confident in stressful situations, and to train yourself to excel at things you're not good at.

Our approved parts set contains case, two PCBs, screening can for bio-amplifier, all components including three PMI precision amplifiers, leads, brass electrodes and full instructions.

PARTS SET **£36.90 + VAT** ALPHA PLAN BOOK **£2.50**

SILVER SOLUTION (for easy electrodes) **£3.50 + VAT**

Parts set available separately. We also have a range of accessories, professional electrodes, books, etc. Please send SAE for lists, or SAE + £2 for lists, construction details and further information (free with parts set).

| | |
|--|--|
| <p>OSCILLOSCOPES</p> <p>TELEQUIPMENT D83 Dual Trace 50 MHz Delay Sweep. Large Tube with manual £350</p> <p>COSSOR OSCILLOSCOPE CDU150. Dual Trace 35MHz Delay Sweep. Dual State. Portable 8x10cm Display. With Manual NOW ONLY £180 each</p> <p>Optional Front Protection Cover. Containing 2 Probes & Viewing Hood £10</p> <p>S.E. LABS SM111 Dual Trace 16MHz Solid State. Portable AC or external DC operation 8x10cm display with Manual £150</p> <p>GOULD/ADVANCE OS255 Dual Trace 15MHz with Manual £225</p> <p>TELEQUIPMENT D43 Dual Trace 15MHz. With Manual £100</p> <p>ADVANCE OS250TV. Dual Trace 10MHz. With Manual £150</p> <p>SCOPEX 4010A Dual Trace 10MHz. With Manual £150</p> <p>TELEQUIPMENT S54A Single Trace 10MHz. Solid State with Manual £90</p> | <p>SPECIAL OFFER at ONLY £300 each</p> <p>TELEQUIPMENT D755 (NATO approved version of D75). Dual Trace. Delay Sweep. 50MHz.</p> <p>TRIO RF SIGNAL GENERATOR type SG402 100KHz-30MHz. Unused (p&p £7) only £75</p> <p>COLOUR PAR GENERATOR type PAL MC-101. 8 patterns. Pocket Size. Rechargeable batteries. Complete with Battery Charger/Mains Adaptor. Unused (p&p £4) only £90</p> <p>COLOUR PAR GENERATOR type PAL MC321. 8 patterns. Video/Sound Output. Unused (p&p £7) only £175</p> <p>AVO TRANSISTOR ANALYSER MK2 (CT446) Suit-case style. Complete with batteries & operating instructions only £25 each (p&p £7)</p> <p>AVO VALVE TESTER CT160 Suit-case style. 22 Bases only £25 each (p&p £7)</p> <p>ISOLATING TRANSFORMERS 240V Input</p> <p>240V Out 500VA £15 (p&p £5) 100VA £6 (p&p £3)</p> <p>240V Out 200VA £4 (p&p £4)</p> <p>DISK DRIVE PSU 240V IN 5V 1.6V & 12V 1.5A out Size W125mm, H75mm, D180mm. Cased Unused only £10 (p&p £3)</p> <p>QWERTY KEYBOARD (as in LYNX MICRO) dust to make Cased £5 each (p&p £3)</p> <p>FARNELL SWITCHED MODE PSU 5V 40A +/-12V 5A £30 each (p&p £4)</p> <p>OTHER SWITCHED MODE PSU available. Please enquire.</p> <p>DISK DRIVES 5 1/4" Double Sided. Double Density. 80 track From £50</p> |
| <p>MULTIMETERS</p> <p>AVO 8 Complete with Batteries & Leads from £50</p> <p>AVO 8 Mk.V Complete with Batteries & Leads £90</p> <p>AVO TEST SET No 1 (Military version of AVO 8. Complete with Batteries & Leads £220</p> <p>TEST LEADS suitable for AVOMETERS. Red & Black with two croc clips & prods (p&p £3) £5</p> <p>BLACK 'EVER READY' CASES for AVOS. Unused (p&p £4) £20</p> <p>MARCONI AF Power Meter TF893A 20Hz-35KHz. 20uW-10W. With Manual (p&p £7) only £35</p> <p>MARCONI RF Power Meter TF1152A/- DC-500MHz. 0.5 to 25 watts 50ohm. With Manual (p&p £7) only £45</p> <p>MARCONI ATTENUATOR TF2162. DC-1MHz 600ohm. 0.1-11dB on 0.1dB Steps (p&p £7) £35</p> <p>HATFIELD ATTENUATOR DC-250MHz. 50ohm 0-100dB (p&p £4) £60</p> <p>ADVANCE SG62B AM 150KHz-220MHz £45</p> <p>LABGEAR Colour Bar Generator KG1. 8 Test Patterns (p&p £4) only £40 each</p> | <p>NEW EQUIPMENT</p> <p>HAMEG OSCILLOSCOPE 604. Dual Trace 60MHz. Delay Sweep. Component Tester + 2 Probes £575</p> <p>HAMEG OSCILLOSCOPE 203.6. Dual Trace 20MHz. Component Tester & 2 Probes £314</p> <p>All Other Models Available</p> <p>BLACK STAR FREQUENCY COUNTERS P&P £4</p> <p>Meteor 100-100MHz £99</p> <p>Meteor 600-600MHz £126</p> <p>Meteor 1000-1GHz £175</p> <p>BLACK STAR JUPITOR 500 FUNCTION GENERATOR Sine/Square/Triangle 0.1Hz-500KHz p&p £4 £110</p> <p>BLACK STAR ORION. PAL TV/VIDEO COLOUR PATTERN GENERATOR £199</p> <p>HUNG CHANG DMM 7030. 3 1/2 digit. Hand held 28 ranges including 10 Amp AC/DC 0.1%. Complete with batteries & leads. p&p £4 £39.50</p> <p>As above DMM 6010. 0.25% £33.50</p> <p>Carrying Case for above £3</p> <p>OSCILLOSCOPES PROBES. Switched x1: x10 p&p £3£11</p> |
| <p>STEPPING MOTORS</p> <p>Type 1 200 Steps per rev. 4 Phase (5 wire) 12 24V Torque 25oz inch will run on 5V with reduced torque £15.00</p> <p>Type 2 6/12 Steps per rev. 3 Phase. 12/24V (will work on 5V) £2 each 5 off £7.50</p> <p>Type 3 NORTH AMERICAN PHILIPS 24 Steps per rev. 4 wire 5V 3.3Amps 0.250rpm 0.200 PPs £6 each</p> <p>Type 4 200 Steps per rev. 120V (3 wire) Torque 25oz inch £4 each</p> <p>Type 7 WARNER 24 Steps per rev. 3 Phase (6 wire) 28V. Holding torque 45oz. inch £5 each</p> | |

Used equipment — with 30 days guarantee. Manuals supplied if possible.
This is a VERY SMALL SAMPLE OF STOCK. SAE or Telephone or Lists. Please check availability before ordering. CARRIAGE all units £16. VAT to be added to Total of Goods & Carriage.

STEWART OF READING
110 WYKEHAM ROAD, READING, BERKS RG6 1PL
Tel: 0734 68041. Fax: 0734 351696. Callers welcome 9 am-5.30 pm. Mon-Fri (until 8 pm Thurs)

BACK NUMBERS

- Missed part one of your favourite project?
- Lost that all-important article on circuit design?
- Desperately need that Tech Tip to get your latest masterpiece going?
- Pining for that one issue to complete your valuable collection?



ETI Backnumbers Department to the rescue!

Please note that backnumbers are only held for 12 months. Articles published previous to this must be obtained through our photocopy service.

KEEP REGULAR

Don't miss out on your favourite electronics mag. Why search high and low for a copy? Let your newsagent take the strain and reserve you a copy each month.

Fill in your name and address on the form below and hand it to your local newsagent. It will keep you as regular as All-bran. Alternatively, you can eat the coupon. They you'll need the All-bran.

| | |
|--|---|
|  <p>Dear Mr Newsagent Please order me a copy of ETI and reserve/deliver me a copy every month.</p> |  |
| <p>Note this magazine is available to your wholesaler through: SM Distribution, 6 Leigham Court Road, Streatham, London SW16 2PG. Tel: 01-677 8111.</p> | |
| <p>Name _____</p> <p>Address _____</p> | |

Please supply the following backnumbers of ETI. Note: Backnumbers are held for 12 months only (complete in block capitals)

Month Year Month Year

Month Year Month Year

Month Year Month Year

Month Year Month Year

I enclose a cheque/postal order made out to ASP Ltd. to the value of £1.90 per issue ordered.

Total remittance £ Date


Name

Address

..... Postcode

Send the completed form and your remittance to:

ETI Backnumbers Department
Infonet Ltd.
5 River Park Estate
Berkhamsted
Herts HP4 1HL



| Article | Month | Page |
|--|--------------------|------|
| FEATURES | | |
| ADCs (Chip in) | Part I May | 16 |
| | Part II June | 20 |
| Analogue Computers | June | 10 |
| Analogue To Digital Converters (Chip In) | Part I May | 16 |
| | Part II June | 20 |
| Artful Arithmetic (Chip In) | January | 28 |
| Bar Codes (Behind Bars) | November | 21 |
| Batteries | May | 10 |
| Brought To Light (Chip In) | Part I July | 18 |
| | Part II August | 16 |
| | Part III September | 21 |
| Capacity For Thought (Capacitors) | Part I April | 12 |
| | Part II May | 14 |
| Careers | October | 18 |
| Cell, Cell, Cell (batteries) | May | 10 |
| Class Of 88 (GCSE Electronics) | October | 12 |
| Complex Numbers (Circuit Theory) | Part I January | 32 |
| | Part II February | 17 |
| | Part III March | 16 |
| | Part IV April | 24 |
| Computer Printers | June | 22 |
| Control Strategies | November | 12 |
| Count On It (Chip In) | April | 12 |
| Counters (Chip In) | April | 20 |
| Courses In Electronics | October | 14 |
| Direct Approach, The (Circuit Theory) | February | 20 |
| Direct Memory Address (Chip In) | February | 20 |
| Dish Of The Day (STV) | February | 12 |
| Domain Points Again (Circuit Theory) | March | 16 |
| Education (Class of 88) | October | 12 |
| EPROM Technology | December | 12 |
| Forgotten Computer, The | June | 10 |
| Going It Alone (Sage Audio) | October | 23 |
| Hardware Arithmetic (Chip In) | January | 20 |
| Imaginary Numbers (Circuit Theory) | Part I January | 32 |
| | Part II February | 17 |
| | Part III March | 16 |
| | Part IV April | 24 |
| Imaginary Times (Circuit Theory) | Part I January | 32 |
| | Part II February | 17 |
| It's A Small World (Particle Physics) | September | 12 |
| Just The Ticket (Tube Automation) | August | 12 |
| LM3524, The | March | 18 |
| Making Sense (sensors) | Part I November | 23 |
| | Part II December | 22 |
| Micro Mediations (processor choice) | January | 34 |
| Microprocessor Choice | January | 34 |
| Norton Op-Amps | Part I November | 18 |
| | Part II December | 16 |
| Next Step, The (Courses) | October | 14 |
| Op-Amps (Circuit Theory) | Part I June | 16 |
| | Part II July | 20 |
| | Part II August | 19 |
| | Part IV September | 16 |
| | Part V October | 28 |
| | Part VI November | 26 |
| Op-Amps, Norton | Part I November | 18 |
| | Part II December | 16 |
| Opto-devices (Chip In) | Part I July | 26 |

| Article | Month | Page |
|---|--------------------|------------|
| | Part II August | 16 |
| | Part III September | 21 |
| Particle Physics | September | 12 |
| Print And Be Damned | June | 22 |
| Putting It All Together (Circuit Theory) | April | 24 |
| Receptive Theory (STV Antenna theory) | March | 7 |
| Recruitment In The Real World | October | 18 |
| Sage Audio | October | 23 |
| Satellite TV Antenna Theory | March | 7 |
| Satellite TV Basics | January | 13 |
| Satellite TV Systems | February | 12 |
| Sensing Techniques | Part I November | 23 |
| | Part II December | 22 |
| TTL -- The Next Generation | July | 12 |
| The Sky's The Limit (STV) | January | 13 |
| Ticket Collection Automation | August | 12 |
| Transient Capture (Chip In) | Part I May | 16 |
| | Part II June | 20 |
| Underground Ticket Automation | August | 12 |
| CIRCUIT THEORY | | |
| Imaginary Times (Complex Numbers) | January | 32 |
| | February | 17 |
| Domain Points Again (Complex Numbers) | March | 16 |
| Putting It All Together (Complex Numbers) | April | 24 |
| Op-Amps (Basics) | Part I June | 16 |
| (Configurations) | Part II July | 20 |
| (Bias) | Part III August | 19 |
| (Offset Voltage) | Part V September | 17 |
| (Differential Amplifier) | Part VI October | 28 |
| (Frequency and control) | Part VII December | 25 |
| CHIP IN | | |
| Artful Arithmetic (Arithmetic Hardware) | January | 28 |
| Direct Approach, The (Direct Memory Access) | February | 20 |
| Count On It (Counters) | April | 20 |
| Transient Capture (ADCs) | Part I May | 16 |
| | Part II June | 20 |
| Brought To Light (Opto-Devices) | Part I July | 18 |
| | Part II August | 16 |
| | Part III September | 21 |
| Making Sense (sensing techniques) | Part I November | 23 |
| | Part II December | 22 |
| PROJECTS | | |
| Aerial Amp For Travellers (1st Class) | September | 28 |
| Alarm, Burglar Buster | Part I November | 38 |
| | Part II December | 46 |
| Alarm, Gas | March | 21 |
| Alarm, Passive Infra-Red | January | 47 |
| | errata | October 56 |
| Amplifier, Power (Virtuoso) | Part I April | 26 |
| | Part II May | 36 |
| | Part III June | 49 |

| Article | Month | Page |
|-------------------------------------|------------------|------------|
| Amplifier, Small Fry (1st Class) | December | 44 |
| Analogue Computer | Part I July | 38 |
| | Part II August | 28 |
| BBC Micro Oscilloscope | March | 26 |
| | errata | August 56 |
| Bar Code Lock | July | 22 |
| Battery Charger | November | 35 |
| Beeb-Scope | March | 26 |
| | errata | August 56 |
| Bell Boy | July | 48 |
| Bicycle Battery | June | 38 |
| Dynamo Standby | May | 20 |
| Bicycle Speedometer | October | 32 |
| Bikebell (1st Class) | Part I November | 38 |
| Burglar Buster Alarm | Part II December | 46 |
| Clean Up Campaign | January | 52 |
| | errata | October 56 |
| Chronoscope | November | 43 |
| Clockwise (1st Class) | April | 32 |
| Co-Processor For The Spectrum | Part I February | 24 |
| | Part II March | 39 |
| | Part III April | 43 |
| | Part IV May | 40 |
| | errata | October 56 |
| Combo-Lock | April | 36 |
| Conditioner For Mains | January | 52 |
| | errata | October 56 |
| Digital Transistor Tester | November | 29 |
| Display Of Random Numbers | August | 36 |
| Doorbell Counter | July | 48 |
| Doppler Speed Gun | December | 38 |
| Drum Flash | March | 34 |
| Dynamic Noise Reduction (1st Class) | May | 32 |
| | errata | October 56 |
| Dynamo Standby | June | 38 |
| EPROM Emulator Using The Spectrum | September | 41 |
| Electric Fencer | February | 40 |
| Electron RGB Buffer | October | 40 |
| Electronic Thermostat | December | 28 |
| Electronic Violet | January | 63 |
| Every Breath You Take | Part I June | 42 |
| | Part II July | 36 |
| | Part III August | 40 |
| FM Decoder Improvements (Update) | July | 32 |
| Frequency Meter | September | 34 |
| Gas Alert | March | 21 |
| Gerrada Marweh Bikebell (1st Class) | October | 32 |
| Going For Gold (1st Class) | June | 46 |
| Gun Chronoscope | November | 43 |
| Heart/Respiration Rate Meter | Part I June | 42 |
| | Part II July | 36 |
| | Part III August | 40 |
| Infra-Red Alarm, Passive | January | 47 |
| Intercom For Telephones | February | 36 |
| Ioniser (Variat-Ion) | October | 44 |
| Jumping Jack Flash | March | 34 |
| Lighting Effect (RGB Dissolve) | January | 58 |
| | errata | October 56 |
| Lighting Flasher | March | 34 |
| Lock, Bar Code | July | 22 |
| Lock, Combination | April | 36 |
| Logic Probe (1st Class) | July | 44 |
| Logically Speaking (1st Class) | July | 44 |
| Loudspeaker, QWL | August | 24 |
| | errata | October 56 |
| Lucid Dream Simulator | Part I May | 28 |
| | Part II June | 42 |
| | Part III July | 36 |
| | Part IV August | 40 |
| | Part V September | 31 |
| Mains Conditioner | January | 52 |
| | errata | October 56 |
| Metal Detector (1st Class) | June | 46 |

| Article | Month | Page |
|---|---|----------------------------|
| Meter, Peak Programme | October | 34 |
| Meter, Respiration/Heart Rate | Part I June Part II July Part III August | 42 36 40 |
| Meter, Universal Digital Panel Noise Reduction, Dynamic (1st Class) | June May errata October | 26 32 56 |
| Number Display, Random Oscilloscope For BBC Micro | August March errata August | 36 26 56 |
| Panel Meter, Universal Digital Passive Infra-Red Alarm | June January errata October | 26 47 56 |
| Peak Programme Meter Phone Fun (1st Class) | October August | 34 34 |
| Power Amplifier (Virtuoso) | Part I April Part II May Part III June | 26 36 49 |
| Power Conditioner | January errata October | 52 56 |
| QWL Loudspeaker | August errata October | 24 56 |
| Respiration/Heart Rate Meter | Part I June Part II July Part III August | 42 36 40 |
| RGB Auto-dissolve | January errata October | 58 56 |
| RGB Buffer For The Electron | October | 40 |
| RGB Conversion Of TV | October | 40 |
| Random Number Display | August | 36 |
| Recurring Dream | September | 31 |
| Small Fry Mini-amp (1st class) | December | 44 |
| Smart Talker | January | 39 |
| Smooth Operator | February | 36 |
| Spectrum Co-processor | Part I February Part II March Part III April Part IV May errata October | 24 39 43 40 56 |
| Spectrum EPROM Emulator | September | 41 |
| Speed Gun, Doppler | December | 38 |
| Speech Synthesiser (RS232) | January | 39 |
| Speedometer For Bicycles | May | 20 |
| Still Life | June | 38 |
| TV To RGB Conversion | October | 40 |
| Telephone Intercom | February | 36 |
| Telephone Recorder (1st Class) | August February | 34 31 |
| Thar' She Blows | errata October December | 56 28 |
| Thermostat, Electronic Timer | April | 32 |
| Top Notch Improvements (Update) | July | 32 |
| Transatlantic Time Zone Corrector | April | 40 |
| Transistor Tester | February errata October | 31 56 |
| Transistor Tester, Digital Traveller's Aerial Amp (1st Class) | November September | 29 28 |
| Universal Digital Panel Meter | June | 26 |
| Variat-Ion Ioniser | October | 44 |
| Violet, Electronic Virtuoso | January | 63 |
| Power Amplifier | Part I April Part II May Part III June | 26 36 49 |

1st CLASS

| | | |
|---------------------------------|-----------------------|----------|
| Clockwise (Timer) | April | 32 |
| Dynamic Noise Reduction | May errata October | 32 56 |
| Going For Gold (Metal Detector) | June | 46 |

| Article | Month | Page |
|----------------------------------|-----------|------|
| Logically Speaking (Logic Probe) | July | 44 |
| NiCd Charger | November | 35 |
| Phone Fun (Telephone Recorder) | August | 34 |
| Traveller's Aerial Amp | September | 28 |
| Gerrada Marweh Bikebell (Siren) | October | 32 |
| NiCd Battery Charger | November | 35 |
| Small Fry Mini-amp | December | 44 |

REVIEWS

| | | |
|---|-----------|----|
| Casio DH-100 Digital Horn | December | 61 |
| Casio FX-5000 Calculator | August | 62 |
| Chipkits Educational Modules | October | 63 |
| DCP Interface Modules | January | 36 |
| Diagram II (Pineapple) | March | 12 |
| Loudspeaker Kit (Maplin) | September | 26 |
| Nite Sentry (Maplin infra-red detector) | November | 64 |
| PCB Drafting Utility (CADSoft) | March | 12 |
| PCB Auto-Route (Pineapple) | July | 16 |
| Red Alert Radiation Meter | August | 19 |
| Seno PCB Workstation | June | 26 |
| Temperature Modules | June | 58 |
| Thermometers | July | 56 |
| VCRs — Ferguson F14T and Philips VR6870 | December | 62 |

BOOKS

| | | |
|--|-----------|----|
| 1988 World Satellite Almanac | January | 72 |
| CMOS Circuit Manual | May | 50 |
| Harwin Chronology Of Inventions, Innovations and Discoveries | April | 48 |
| Hidden Signals On Satellite TV | September | 64 |
| Introduction To Satellite Television | September | 64 |
| Ku-Band Satellite TV | January | 72 |
| Made In Japan | April | 48 |
| Optoelectronics Circuit Manual | May | 50 |
| Practical MIDI Handbook | August | 64 |
| Practical Microprocessor Interfacing | February | 53 |
| Programmable Logic Handbook | July | 57 |
| Satellite And Cable TV Scrambling And Descrambling | September | 64 |
| Sermons, Soap and Television | December | 63 |
| Video Techniques (2nd Edition) | October | 60 |

TECH TIPS

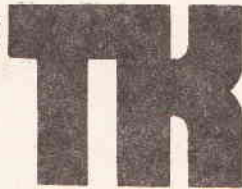
| | | |
|--|----------|----|
| Acoustic Radar | January | 70 |
| Additive Synthesis Using Walsh Functions | January | 23 |
| Anti-Thump Circuit | August | 50 |
| Battery Regulator | March | 46 |
| CB Homebase Power Supply | January | 68 |
| CB Television Interference | January | 68 |
| Camera Remote Control | February | 44 |
| Cheap Touch Switch | November | 50 |
| Constant Power Pan Pot | January | 27 |
| Current Tracer | July | 52 |
| Dimmer, Soft Turn-on | March | 47 |
| Door Chimes | March | 46 |
| Electronic Blockbusters | May | 46 |

| Article | Month | Page |
|--|-----------------------|----------|
| Electronic Percussion Synth Envelope Generator | January November | 24 51 |
| FM Bug | August | 50 |
| Feed-Forward AGC | January | 26 |
| Fibre Optic Link | February | 46 |
| Frequency Doubler, Improved | January | 24 |
| Gates From Envelopes | January | 20 |
| Guitar Pickup Switching | January | 69 |
| Guitar Preshaper | November | 49 |
| Hexaphonic Guitar Pickup | January | 21 |
| High Frequency Current Controlled Oscillator | January | 21 |
| High Sensitivity Flash Slave | February | 47 |
| Infra-Red Fault Finder | August | 50 |
| Low Current Siren | November | 50 |
| Motorcycle Regulator | March | 46 |
| Ovening The LM13700OTA | January | 22 |
| Passive IR Sensor | February | 44 |
| Points Controller | September | 51 |
| Printer Switch | March | 47 |
| Pseudo Co-processing | May | 47 |
| Pulse Generator | July | 52 |
| QL Output Port | May errata October | 47 56 |
| RIAA Computer Program | May | 46 |
| Self Modulation | January | 27 |
| Signal Generator, AF | July | 51 |
| Spectral Spectrum 128 | November | 51 |
| Stereo Selector, 8-Way | November | 49 |
| Super Woofer Circuit | November | 51 |
| Three-Colour Signal | September | 50 |
| Three-Colour Signal, Cycling | September | 50 |
| Touch Controlled Pre-Amp | November | 50 |
| Train Controller, Digital | September | 48 |
| Transistor Checker | July | 55 |
| Two-Colour Signal | September | 48 |
| Two-Tone Horn | September | 49 |
| VDU Sync Sorter | January | 70 |
| Voltage Controlled Overdrive | January | 20 |
| Voltage Controlled Stereo | January | 22 |
| Cross-Pan | January | 22 |
| Voltage Probe | July | 53 |
| Voltage Probe, Deluxe | July | 54 |



For KITS & COMPONENTS
Choose the easy way - with

Send **50p* & SAE**
for **CATALOGUE**
(AUTUMN 1987)
*refundable with first order



ORDERS: RING (01) 567 8910 - 24 HRS.

ELECTRONIC GUARD DOG KIT



One of the best deterrents to a burglar is a guard dog and this new kit provides the barking without the bite! The kit when assembled can be connected to a doorbell, pressure mat or any other intruder detector and will produce a random series of threatening barks making the would be intruder think again and try his luck elsewhere. The kit is supplied complete with high quality PCB, transformer, all components and instructions. All you need is a mains supply, intruder detector and a little time. The kit even includes a horn speaker which is essential to produce the loud sound required. The "dog" can be adjusted to produce barks ranging from a Terrier to an Alsatian and contains circuitry to produce a random series of barks giving a more realistic effect.

XK125 Complete kit of parts £24.00

DISCO LIGHTING KITS

DL1000K This value-for-money 4-way chaser features bi-directional sequence and dimming. 1kW per channel **£19.25**
DL21000K - A low cost uni-directional version of the above. Zero switching to reduce interference **£10.80**
DLA/1 (for DL & DL21000K) Optional opto input allowing audio 'beat'/light response **77p**
DL3000K - 3-channel sound to light kit features zero voltage switching, automatic level control and built-in microphone. 1kW per channel **£15.60**

The **DL8000K** is an 8-way sequencer kit with built in opto-isolated sound to light input which comes complete with a pre-programmed EPROM containing EIGHTY - YES 80! different sequences including standard flashing and chase routines. The KIT includes full instructions and all components (even the PCB connectors) and requires only a box and a control knob to complete. Other features include manual sequence speed adjustment, zero voltage switching, LED mimic lamps and sound to light LED and a 300 W output per channel.

And the best thing about it is the price.

ONLY £31.50



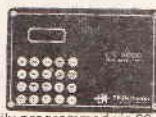
TEN EXCITING PROJECTS FOR BEGINNERS

This Kit has been specially designed for the beginner and contains a **SOLDERLESS BREADBOARD, COMPONENTS, and a BOOKLET** with instructions to enable the absolute novice to build TEN fascinating projects including a light operated switch, intercom, burglar alarm, and electronic lock. Each project includes a circuit diagram, description of operation and an easy to follow layout diagram. A section on component identification and function is included, enabling the beginner to build the circuits with confidence.

ORDER NO **XK118** **£15.00**

MICROPROCESSOR TIMER KIT

Designed to control 4 outputs independently switching on and off at present times over a 7-day cycle. LED display of time and day, easily programmed via 20 way keyboard. Ideal for central heating control including different switing time for weekends. Battery back-up circuit. Includes box 18 time settings.



CT6000K **£47.20**
XK114 Relay kit for CT6000, includes PCB, connectors and one relay. Will accept up to 4 relays. 3A/240V c/o contacts **£4.30**
701 115 Additional relays **£1.80**

THREE SIMPLE CONSTRUCTION KITS

Especially aimed for the beginner. Have fun with your project even after you have built it and also learn a little from building it. These kits include high quality solder resist printed circuit boards, all electronic components (including speaker where used) and full construction instructions with circuit description.

- SK1 DOOR CHIME** - plays a tune when activated by a pushbutton. **£3.90**
- SK2 WHISTLE SWITCH** - switches a relay on and off in response to whistle command. **£3.90**
- SK3 SOUND GENERATOR** - produces FOUR different sounds, including police/ambulance/fire-engine siren and machine gun. **£3.90**

SPECIAL OFFERS FOR SCHOOLS AND TRAINING CENTRES - contact Sales Office for discounts and samples

VERSATILE REMOTE CONTROL KIT

This kit includes all components (+ transformer) to make a sensitive IR receiver with 16 logic outputs (0-15V) which with suitable interface circuitry (relays, triacs, etc - details supplied) can be used to switch up to 16 items of equipment on or off remotely. The outputs may be latched (to the last received code) or momentary (on during transmission) by specifying the decoder IC and a 15V stabilised supply is available to power external circuits.

Supply: 240V AC or 15-24V DC at 10mA. Size (excluding transformer) 9 x 4 x 2 cms. The companion transmitter is the **MK18** which operates from a 9V PP3 battery and gives a range of up to 60ft. Two keyboards are available - **MK9** (4-way) and **MK10** (16-way), depending on the number of outputs to be used.

- MK12 IR Receiver** (incl. transformer) **£16.30**
- MK18 Transmitter** **£7.50**
- MK9 4-Way Keyboard** **£2.20**
- MK10 16-Way Keyboard** **£6.55**
- 601 133 Box for Transmitter** **£2.60**

HOME LIGHTING KITS

These kits contain all necessary components and full instructions and are designed to replace a standard wall switch and control up to 300W of lighting.

- TD300K** Touchdimmer **£9.30**
- TS300K** Touchswitch **£9.30**
- TDE/K** Extension kit for 2-way switching for TD300K **£2.95**
- LD 300K** Light Dimmer **£4.75**

POWER STROBE KIT

Designed to produce a high intensity light pulse at a variable frequency of 1 to 15Hz this kit also includes circuitry to trigger the light from an external voltage source (eg. a loudspeaker) via an opto isolator. Instructions are also supplied on modifying the unit for manual triggering, as a slave flash in photographic applications or as a warning beacon in security applications. The kit includes a high quality pcb, components, connectors, 5Ws strobe tube and full assembly instructions. Supply: 240V ac. Size: 90 x 50 x 45.

XK124 STROBOSCOPE KIT **£13.75**

XK113 MW RADIO KIT

Based on ZN414 IC, kit includes PCB, wound aerial and crystal earpiece and all components to make a sensitive miniature radio. Size: 5.5 x 2.7 x 2cms. Requires PP3 9V battery. **IDEAL FOR BEGINNERS** **£6.60**

PROPORTIONAL TEMPERATURE CONTROLLER KIT

Uses "burst fire" technique to maintain temperature to within 0.5°C. Ideal for photography, incubators, wine-making, etc. Max. load 3kw (240V ac) Temp. range up to 90°C. Size: 7x4x2.5cms. **MK4** **£7.80**



BARGAIN COMPONENT PACKS

Refill those empty component drawers at a fraction of the normal price and don't be caught without that odd resistor or capacitor to complete your project. All components supplied are to full spec, and are not seconds or surplus stock.

- Pack A:** 650 x .25 watt resistor 47R-10M **£4.25**
- Pack B:** 60 x Radial electrolytes 10µf-1000µf **£3.25**
- Pack C:** 30 x Polyester capacitors a or 001 uf-1uf **£4.50**
- Pack D:** 35 x horizontal presets 1k-1M **£3.00**
- Pack E:** 30 x IC sockets 8, 14, 16 pin **£2.00**
- Pack F:** 25 x Red 5mm LEDs **£1.75**
- Pack G:** 25 x Green LEDs **£2.00**
- Pack H:** 30 x 5mm LEDs 10 Red, 10 Green, 10 Yellow **£2.50**
- Pack J:** 50 x 1N4148 silicon diodes **£1.00**
- Pack K:** 40 x npn/pnp transistors BC/182/212 General Purpose **£2.25**



FREE Solderless Breadboard (verobloc type). When you buy all ten packs. Prices exclude VAT (15%).

GIANT SOLAR CELLS

NOW IN STOCK these giant size solar panels 12 x 12ins will deliver over 12 volts 200mA in bright sunlight and 11.5 volts 60mA on a typical British summer day (full and overcast). In bright sun shine we measured 17 volts (open circuit) and a short circuit current of over 480mA. **HUNDREDS OF USES IN THE CAR OR CARAVAN, E.G.** Charging Hi-Calls, powering low voltage circuits where mains or battery supplies are inconvenient or coupled to a lead acid battery and a simple inverter you could build yourself a self contained mains supply for low power appliances. **£14.50** Stock No. 303 145 (+ £1.75 for p&p on total order)

MK 14 AC POWER CONTROLLER KIT

This kit uses phase control techniques to vary the power in a mains load by means of a d.c. control voltage. The control voltage (which may be derived from a potentiometer, thermistor, light dependent resistor or a digital to analogue converter) needs to be varied from 2 to 8 volts to vary the load power from zero to maximum and an amplifier is included for smaller voltages. The circuit is mains powered and can control up to 1 kW if the triac is fitted with a heatsink. A d.c. supply is also available for powering external circuits. Applications include lighting controllers for stage and theatre, aquariums and awnings, motor speed controls and fan responses, temperature controllers. The kit includes a printed circuit board, and components together with a circuit diagram, instructions and applications circuits. **£5.70**

SOLID STATE RELAY BARGAIN

- ZERO VOLTAGE SWITCHING:** No radio interference problems.
- 25 KV INPUT TO OUTPUT ISOLATION:** No risk of damage to your computer or driver circuit.
- 4 KV TERMINALS TO HEATSINK ISOLATION:** Simply bolt onto a heatsink.
- 3V to 32V INPUT VOLTAGE:** easily interfaced to TTL or CMOS LOGIC.
- 24V to 240V rms LOAD VOLTAGE:** Enabling switching of inductive loads.
- BUILT IN SNUBBER NETWORK:** Enabling switching of inductive loads.
- 10A MAXIMUM CURRENT:** 4A with no heatsink fitted at 45°C. **£2.25** CD240/10

TOOLS ★ TOOLS ★ TOOLS



- Good quality tools selected to offer outstanding value for money.
- 650 004** 6in mini. Snap Nose Pliers Serrated jaws and return spring **£2.10**
 - 650 005** 6in lap jointed side cutters. Insulated handles and return spring **£2.10**
 - 650 006** Light duty cutters. Cuttings capacity 0.22-1.2mm cooper wire **£1.80**
 - TOOL KIT** Contains side cutters, snap nose pliers, wire snippers, flat blade screwdriver, Phillips screwdriver in black textured, reinforced and padded case which when opened out measures 240 x 205mm. **£6.80**
 - 650 007** Self-adjustable automatic wire stripper with built-in cable cutter **£3.95**
 - 650 012** Wahlchamers Screwdriver Set. 1 0/1 4/2 0/2 4/3 0/3 5mm. **£1.75**
 - 650 012** Set of 4 Stainless Steel Tweezers. Straight nosed, straight nosed-reverse action, bent nosed, flat nosed. 110mm long. **£3.65**
 - 650 502** Reliant 9.12V dc Drill. **£6.80**
 - 650 500** Titan 12V dc Drill. **£10.25**
 - 650 570** Saturn Mains Drill. **£16.50**
- WE ALSO STOCK ANTEX IRONS AND ACCESSORIES

AUTORANGING DIGITAL MULTIMETER



High quality meter with features normally found in meters costing much more e.g. **DISPLAY HOLD, MEMORY, CONTINUITY BUZZER and 10A AC/DC current ranges.** High accuracy and automatic operation - a must for the professional or serious hobbyist. Size: 127 x 69 x 25mm.

AC Volts: 0-2-20-200-500V
DC Volts: 0-200m-2-20-200-1000v
AC Current: 0-20m-200mA (1.2%) 0-10A (2%)
DC Current: 0-20m-200mA (1.2%) 0-10A (1.5%)
Resistance: 0-200-2K-20K-200K-2M (1%)
Continuity Buzzer operates @ 20 ohm .. **£33.00**

NEW SUPER-SENSITIVE FM MICROBUG



Highly sensitive FM transmitter measuring only 45 x 25 x 15mm, including the built-in microphone. Frequency 88-100MHz enabling reception on a standard domestic FM radio. Range approximately 300m depending on terrain. Powered by 9V PP3 (7mA). Its small size and highly sensitive electret microphone makes it ideal for surveillance, baby alarm, etc. **£5.50**

RECHARGEABLE SOLDERING IRON

Powerful cordless iron complete with table-top/wall-mounting charging bracket. Reaches soldering temperature in 10 seconds. Includes lamp which lights when soldering. Comes with mains charging unit and 12V car battery adaptor. **Special Offer £19.95**

ELECTRONIC WEIGHING SCALES

This kit contains a Single Chip Microprocessor, PCB, displays and all electronics to produce a digital readout of weight in Kgs or Sts and Lbs. In normal use a toothed wheel (pattern provided) is made to rotate when a weight is placed onto the scales, interrupting two infra-red beams. The processor counts the number of teeth passing the sensor (up or down, depending on which beam is broken, first) and shows the reading on the LED display in Sts & Lbs., Lbs. or Kgs. A PCB link selects the scale for bathroom or two types of Kitchen Scales. A linear version of the toothed wheel could also be used. Other uses include up/down counters. A low cost digital ruler could be made by using a wheel with the correct tooth to diameter ratio. **ES1** **£6.50**



ELECTRONICS
13 BOSTON RD
LONDON W7 3SJ
Tel: 01-567 8910

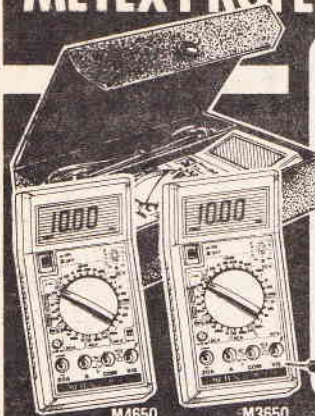
SEND 9"x6" S.A.E. & 50p FOR CATALOGUE OR CALL AT SHOP MON-FRI 9-5pm SATURDAY 10-4pm

ORDERING INFORMATION: ALL PRICES EXCLUDE VAT

FREE P&P on orders over £20 (UK only), otherwise add 75p + VAT. Overseas P&P: Europe £2.75. Elsewhere £6.50. Send cheque/PO/Barclaycard/Access No. with order. Giro No. 529314002.

LOCAL AUTHORITY AND EXPORT ORDERS WELCOME GOODS BY RETURN SUBJECT TO AVAILABILITY

METEX PROFESSIONAL DMM'S



EDUCATION AND QUANTITY PRICES ON REQUEST

3½ and 4½ 12mm LCD Digital multi-meters: 5 ranges AC and DC volts: 6 Resistance Ranges to 20M ohm: AC/DC to 20 Amps: Hfe Transistor test: Diode Test: Continuity: Auto polarity and zero: Plus extra features as below. Size 176 x 90 x 36 mm (3800 172 x 88 x 36): All with Test Leads: Fused: Hard carry case and instructions.

ALL MODELS WITH FREE HARD CARRY CASE

| MODEL | DIGITS | RANGES | EXTRA FEATURES | BASIC | PRICE |
|-------|--------|--------|---|-------|--------|
| 3800 | 3½ | 32 | Low AC/DC 0/20 micro amp ranges | 0.5% | £35.00 |
| 3610 | 3½ | 30 | LED continuity indicator | 0.3% | £39.09 |
| 3630 | 3½ | 30 | 5-Range Capacitance Test | 0.3% | £45.17 |
| 3650 | 3½ | 30 | 2-Range frequency counter 5-Capacitance | 0.3% | £52.13 |
| 4630 | 4½ | 30 | Data Hold 5-Range Capacitance | 0.05% | £60.83 |
| 4650 | 4½ | 30 | Data Hold, 2-Range Freq. 5-Capacitance | 0.05% | £69.52 |

Add 15% VAT UK only - UK POST/INS etc. FREE (EXPORT EXTRA)

OPEN 6 DAYS A WEEK - CALLERS WELCOME

AUDIO ELECTRONICS

TELEPHONE 01-724 3564
301 EDGWARE ROAD, LONDON W2 1BN
ORDER BY POST OR TELEPHONE

INSTRUMENT CATALOGUE
Ref TG
UK Send
SAE A4
£1.00

ZENITH KITS - FOR THE ELECTRONICS ENTHUSIAST



The following is a selection from our catalogue:

- Black Ice Alarm (for Winter Motorists)..... Kit £17.53
- Negative Ion Machine, complete with case..... Kit £24.11
- Miniature F.M. 'BUG' transmitter 60-145MHz..... Kit £6.95
- 3-Watt F.M. transmitter 80-108MHz 12-Volt..... Kit £13.99
- Running light sequencer 10-channel, varispeed..... Kit £15.89
- Audio Power Meter 10-LED indication..... Kit £12.94
- VU-Meter 10-LED indication P.P.M. display..... Kit £13.63
- Electronic Door chime 3-note - variable freq..... Kit £9.85
- Infrared transmitter/receiver system..... Kit £33.09
- Light Activated Relay, 9-12Volt opp..... Kit £8.91
- Metal and Voltage Detector..... R/Built £11.00
- Tone Generator - Pulse or Warble tones..... Kit £5.50
- Loudspeaker Protector 5-100Watts..... Kit £11.40

■ All Kits are available READY BUILT please see latest Catalogue.

■ All Kits contain full instructions PCBs and components ■ All prices include VAT and postage and packing ■ Overseas orders add 10% to above prices ■ Please send Cheque or Postal Order with Order.

ZENITH ELECTRONICS Dept. 1
Cortlandt Business Centre
Hailsham, East Sussex, UK BN27 1AE
Telephone (0323) 847973
Telex 878334 Fax 647204

Access & Barclaycard Orders
Telephone (0323) 847973

S.A.E (A4 + 26p) for FREE Catalogue

MINIATURE PASSIVE INFRARED SENSOR RP33

Detects intrusion up to 12 Metres Away

ONLY **£23.95** + VAT

Quantity discounts start @ 3 units

Size: only 80x60x40mm. Wide 85° coverage. Switchable detection indicator.

This advanced intrusion detector operates by detecting the body heat of an intruder moving within the detection field whilst ignoring ambient changes. Easily installed in a room or hallway, the unit provides reliable detection of any intrusion. Operating from a 12V supply and requiring only 15mA, it is ideal for use with the CA 1382 or any equivalent high quality control unit. Supplied with full instructions its performance compares with detectors costing more than twice the price.

INFRARED SYSTEM IR 1470

Consists of a separate transmitter & receiver, the system provides an invisible modulated beam which when broken operates the built-in relay. For use with security systems, but also ideal for photographic purposes and industrial applications.

Size: 80x50x35mm.
Only **£25.61** + VAT

DIGITAL ULTRASONIC DETECTOR US 5063

This advanced module uses crystal control transmitter and digital signal processing to detect movement at distances of up to 20ft or more. With built-in timing and 12V operation, it is ideal for a wide range of security applications.

Only **£13.95** + VAT.
Suitable steel enclosure complete with necessary mounting pillars and fixings.
Only **£2.95** + VAT

LIGHTING CONTROLLER DP 3570

This versatile module provides timed switching of loads up to 3A for pre-set times between 10 secs and 5 mins, the timed period being triggered by the opening or closing of an external loop or switch. The built-in 12V 250mA power supply is available for operating external sensors. Suitable plastic enclosure £2.85 + VAT

Only **£13.95** + VAT

SECURITY

SYSTEMS, MODULES, COMPONENTS
SAVE ££££
BY INSTALLING YOURSELF

CPU 9000 SELF-CONTAINED ALARM SYSTEM

Immediate Security Without Installation
For Homes, Storerooms, Clubhouses, Caravans, etc.

- Detects intruders up to 30ft. ■ Penetrating 103db Siren with auto reset ■ Compact size only 203x180x78mm ■ Easily extended for coverage of additional rooms or large areas.

This exciting new System which contains a Passive Infra-Red Sensor, Control Unit and Power Supply, together with a high output Siren all housed in the one compact steel case, provides immediate protection of a chosen area without the need for costly wiring and expensive installation costs. Operating from a standard 240V supply, provision has been made to incorporate a re-chargable 12V battery which is capable of operating the System for up to 10 days before re-charging becomes necessary, and which is carried out by the built-in charger. Where protection of more than one room is required, additional sensors may be wired to the main unit. An external siren unit may also be fitted to warn neighbours. Supplied with 2 keys and full operating instructions, the unit is fully guaranteed for 12 months. Immediate protection for only:

Priced £67.72 + VAT



CA 1382 ADVANCED CONTROL UNIT that's simple to install and operate.



- Fully automatic siren re-set.
- Audible entry/exit warning
- Alarm sounded memory.
- 2 separate loop inputs + 24hr circuits
- Built-in electronic siren driver.
- Easily installed, full instructions supplied.

The latest control panel provides effective and reliable control for all types of security installations. Its advanced circuitry checks the loop circuits every time it is switched on, preventing incorrect

operation. Using a simple 'on/off' key switch, it is easily operated by all members of the family. In addition it provides 24hr personal attack protection. Housed in a steel case, it is supplied with full operating instructions.

Available in kit form with fully-built electronics, £39.95 + VAT.

CA 1250 LOW COST ALARM CONTROL MODULE

This tried and tested control unit represents the finest value for money in control systems, providing the following features:

- Built-in electronic siren drives 2 loudspeakers
- Provides exit and entrance delays together with fixed alarm time
- Battery back-up with trickle charge facility
- Operates with magnetic switches, pressure pads, ultrasonic or I.R. units
- Anti-tamper and panic facility
- Stabilised output voltage
- 2 operating modes full alarm anti-tamper and panic facility
- Screw connections for ease of installation
- Separate relay contacts for external loads
- Test loop facility.

Price **£19.95** + VAT

HW 1250 - ATTRACTIVE HOUSING plus HARDWARE FOR CA 1250

An attractive steel case designed to house the Control Unit CA 1250 together with the appropriate LED indicators and key switch (available separately). Supplied with the necessary pillars, fixings, and punched front panel, the unit is given a professional appearance by the adhesive silk screened label. Size 200 x 180 x 700mm.

Only **£9.50** + VAT

POWER SUPPLY & MAINS SWITCHING UNIT PS 1265



In addition to providing 12V stabilised output of 700mA, this module may be used to provide a switched 240V output for operating security lighting etc., when used in conjunction with the CA 1382, CA 1250, CPU 9000 etc. Suitable plastic enclosure £2.85 + VAT

Priced at **£12.95** + VAT.

RISCOMP LIMITED

Dept. ETI.12, 51 Poppy Road
Princes Risborough, Bucks
HP17 9DB

The Security Specialist

ORDER BY MAIL OR TELEPHONE



P&P U.K. Orders
75p per order
Export add 10%
Tel: (084 44) 6326
Fax: 08444 7102

RADAR SPEED GUN

Tony Williams dabbles with Doppler to produce his traffic-tracking speed gun.

This fascinating project allows the user to tell the speed of a moving target up to fifteen metres away by measuring the Doppler effect which occurs when an object moves either towards or away from a sensor.

Designed to be hand held and fully portable, the project resembles a gun with the speed of the target shown on a 2-digit display on top. It will read to 30 or 40mph, even 60mph for a good sized target. Since it is the Doppler effect that is being detected, the target has to be moving either towards or away from the gun in order for a reading to register, not perpendicular to it (Fig. 1). The unit holds in memory the highest speed registered, since a fast moving target will quickly pass through the 15 metre range of the gun.

At this point it might be prudent to advise constructors against jumping in front of a fast moving vehicle and pointing a gunlike object at the driver. This could be very nasty. The unit works just as well on a receding vehicle, and would only give slightly inaccurate results used at a suitably oblique angle to approaching objects.

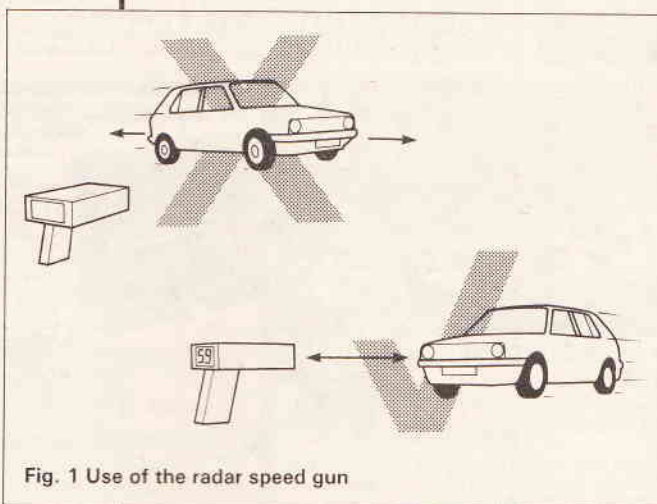
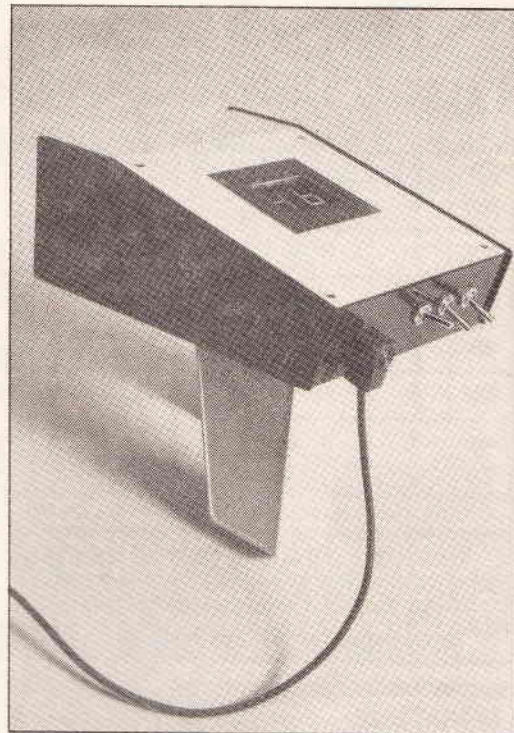


Fig. 1 Use of the radar speed gun

to colour change — approaching objects are slightly blue and receding objects are slightly red. This effect was used on an astronomical scale to confirm that all other galaxies are receding from our own — they all exhibit a red shift proportional to their velocity (relative to ours of course).

But enough of the deep theory, otherwise we'll be dangerously close to tripping over that delightful treatise, the theory of relativity — and we really don't want to get into that here.

Circuit Operation

The circuit operates by emitting a low power microwave beam (around 10.7GHz at 10mW) which is reflected by the target back to the gun.

If the object is stationary then the reflected signal will be exactly in phase with the emitted signal and will cancel it out — giving no output.

However, if the target is moving then the slight change in frequency of the reflected signal (due to the Doppler effect) will not quite cancel out the original signal and — through the addition of waves — will give us an output frequency directly proportional to the speed of the target. This signal is fed to an amplifier, squared up and sent to the rest of the circuit.

The idea is that since we have a known frequency for a known speed of target, we could arrange a time interval during which 1mph would give one pulse, 10mph would give ten pulses and so on.

It is possible to calculate that a target doing 1mph will result in an output frequency of about 33Hz. The circuit divides this by eight (giving 1mph=4Hz) and counts the number of pulses that arrive within a quarter of a second. With this arrangement, one pulse is equal to 1mph, as desired.

PROJECT

The Doppler Effect

The Doppler effect was first noticed by a Mr Doppler (quite a coincidence) in Austria, who published his theories in 1842. Basically he noted the change in wavelength which is observed as a signal source moves towards or away from its observer. A good example is the sound of an approaching car. As the car passes there is a sudden drop in frequency — a Doppler shift.

In physical terms, the wavelengths from the sound are being compressed as the car comes towards you, and stretched as the car goes away. Since wavelength is inversely proportional to frequency, the frequency will rise as the car approaches and drop as it recedes.

The Doppler effect is only audible because of the relatively low frequencies and long wavelengths we are considering. When the speeds approach that of light, the Doppler effect is less apparent but still present. Shifts in wavelength of light are equivalent

HOW IT WORKS

The main circuit diagram is shown in Fig. 2. The Doppler unit is connected into circuit through socket SK1.

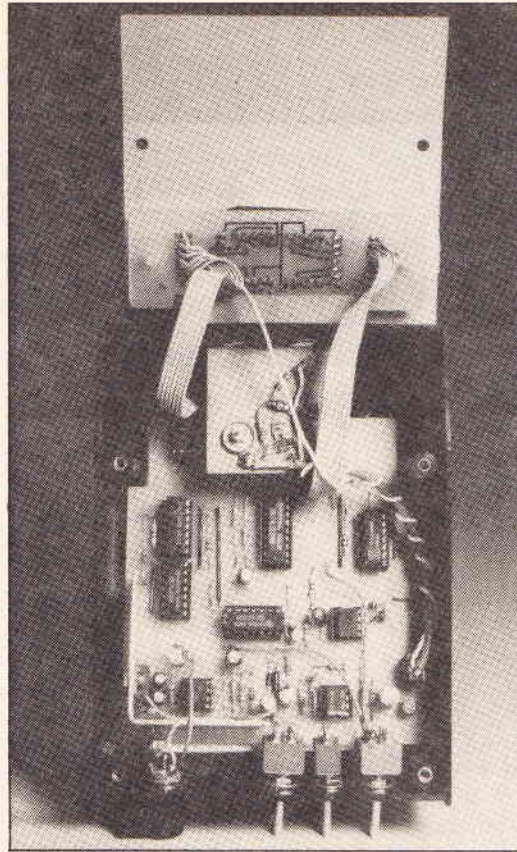
IC1 amplifies the small current fluctuations through the diode sensor in the Doppler unit into a 9V square wave. This is buffered by Q3 and turned into a TTL compatible signal suitable for feeding into IC4 — a 4-bit binary counter configured as a divide by eight.

This (the 4Hz/mph signal) is fed into the clock input of another 4-bit binary counter (IC10a) which is configured as a BCD counter using an AND gate. Each time the count reaches 10, the AND gate resets the counter (via D5) and increments the next counter (IC6a) to give a two digit BCD counter (only the least significant digit is actually BCD).

As the counter increases, its output is compared with the value on the other pair of counters (IC10b and IC6b) by IC11. These counters hold the highest speed measured since the last system reset. If any new count reaches this value then the A>B output of IC11 (inverted by Q4) allows subsequent clock pulses to clock both sets of counters to the new maximum value.

Finally, counters IC10a and IC6a are both reset by a pulse from IC3, the CMOS 555 (this chip is CMOS because its push-pull output stage is ideally suited to driving the diode OR gate made up by D4 and D5.)

The two display decoder/drivers (ICs 7 and 8) show the value stored in the second counter and are of the type which go blank when a number greater than 9 is at the input. Consequently, if the second counter contains a 'tens' digit greater than 9, then the tens display will blank (remember that the upper display digit is not configured as a BCD counter). Therefore the display has a range of 00 to 99mph. Anything over 99mph will display with a blank 'tens' digit.



PROJECT

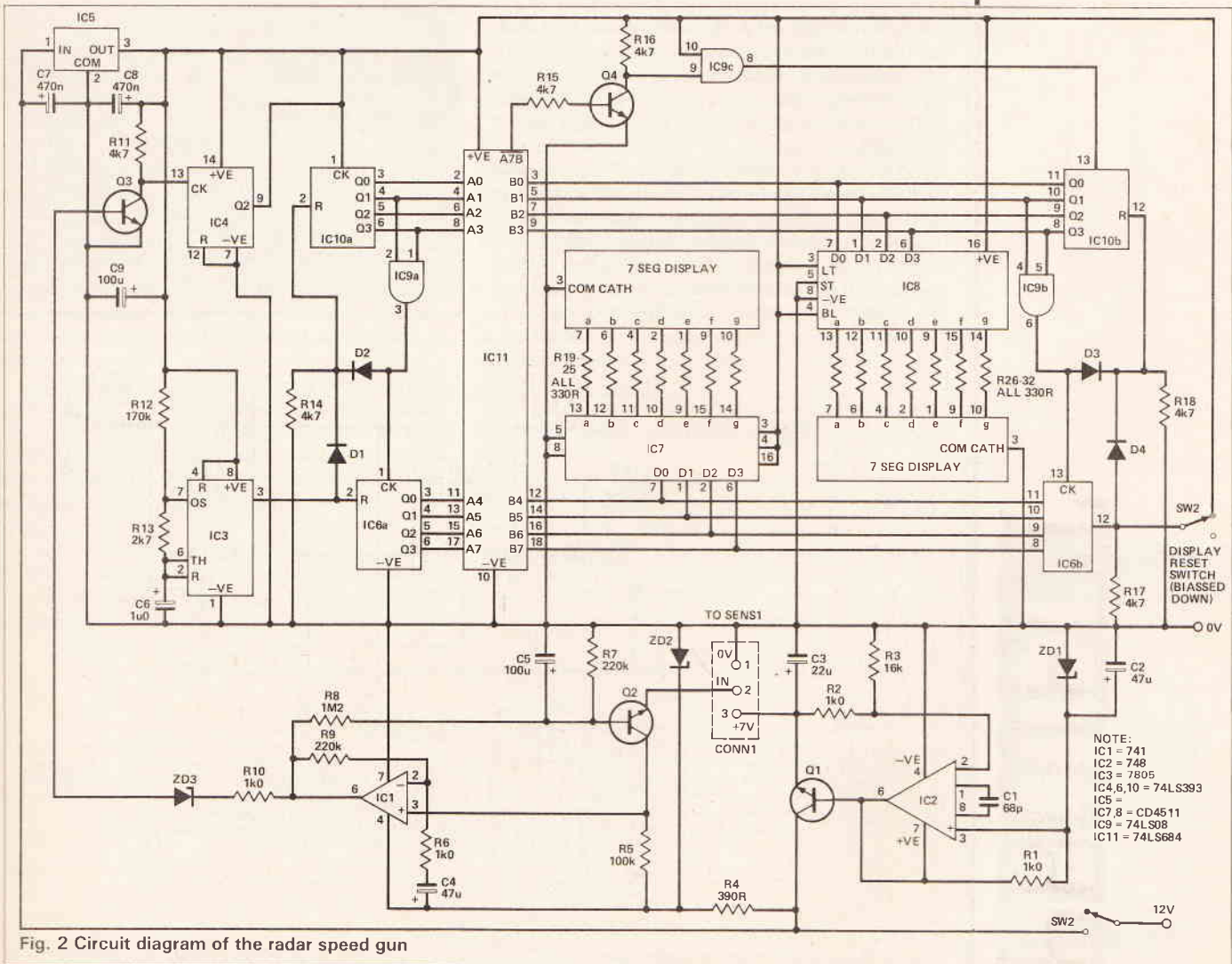
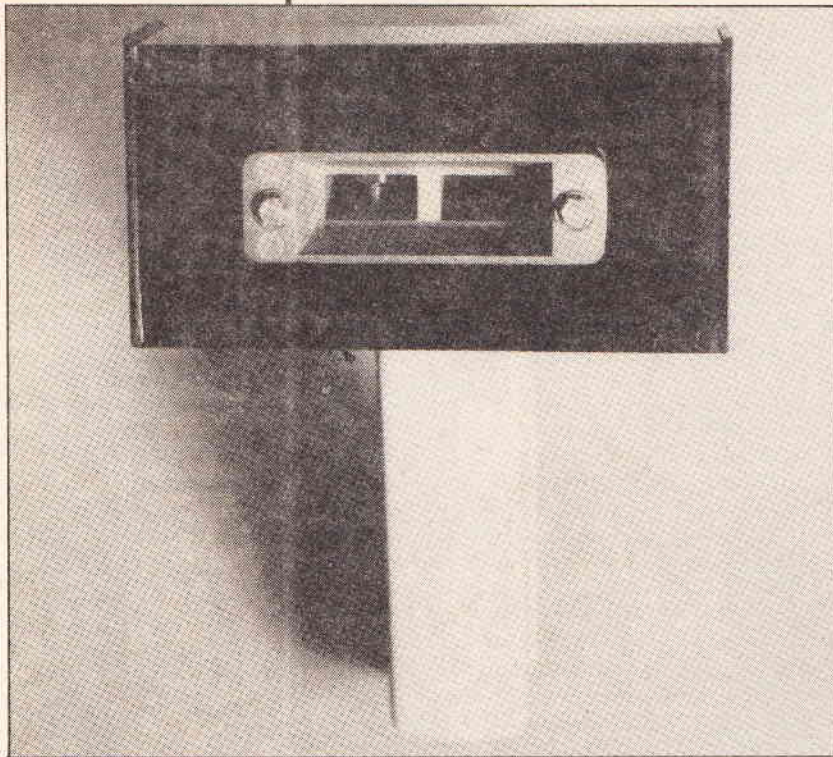


Fig. 2 Circuit diagram of the radar speed gun



PARTS LIST

RESISTORS (all 1/4W 5%)

| | |
|-----------|------|
| R1,2,6,10 | 1k0 |
| R3 | 10k |
| R4 | 390R |
| R5 | 100k |
| R7,9 | 220k |
| R8 | 1M2 |
| R11,14-18 | 4k7 |
| R12 | 170k |
| R13 | 2k7 |
| R19-32 | 330R |
| R33,34 | 1M0 |

CAPACITORS

| | |
|-------|------------------------------------|
| C1 | 68p disc ceramic |
| C2, 9 | 47 μ radial mini electrolytic |
| C3 | 22 μ radial mini electrolytic |
| C5 | 100 μ radial mini electrolytic |
| C6 | 1 μ 0 radial mini electrolytic |
| C7, 8 | 470n radial mini electrolytic |

SEMICONDUCTORS

| | |
|------------|-----------------|
| IC1 | 741 |
| IC2 | 748 |
| IC3 | 555 CMOS |
| IC4, 6, 10 | 74LS393 |
| IC5 | 7805 |
| IC7, 8 | CD4511 |
| IC9 | 74LS08 |
| IC11 | 74LS684 |
| Q1 | BD135 |
| Q2, 3, 4 | BC109C |
| ZD1 | 6V8 zener diode |
| ZD2 | 8V2 zener diode |
| ZD3 | 5V6 zener diode |
| D1,2,3,4 | 1N4148 |

MISCELLANEOUS

| | |
|---|--------------------------------------|
| CONN1 | 3-way PCB connector |
| DISP1, 2 | common cathode 7-segment LED display |
| SENS1 | 8960 Doppler unit |
| SW1 | SPST biased toggle switch |
| SW2 | SPST toggle switch |
| PCB, Cases, 3-way MNTG speedblock socket, Heatsink, Red filter, TO126 isolation kit, Cable, Nuts and bolts. | |

If you look at the block diagram of the Radar Gun (Fig. 3), you can see that this signal (4Hz = 1mph) is fed to the input of a counter which is continually reset every 1/4s. At the end of each interval, the value at the counter's output is equal to the speed of the target in miles per hour. However, it is not there for long since the counter is then reset and begins to count again.

The value of this counter is compared with a second counter and if the value of the first is greater then the second counter is fed clock pulses via the AND gate.

This way, the reading is transferred to the second counter — and to the displays. This process continues indefinitely such that the unit always displays the highest value the first counter has ever reached. This memory can be cleared by resetting the second counter and allowing the highest subsequent reading to be loaded back into it by the first counter.

PROJECT

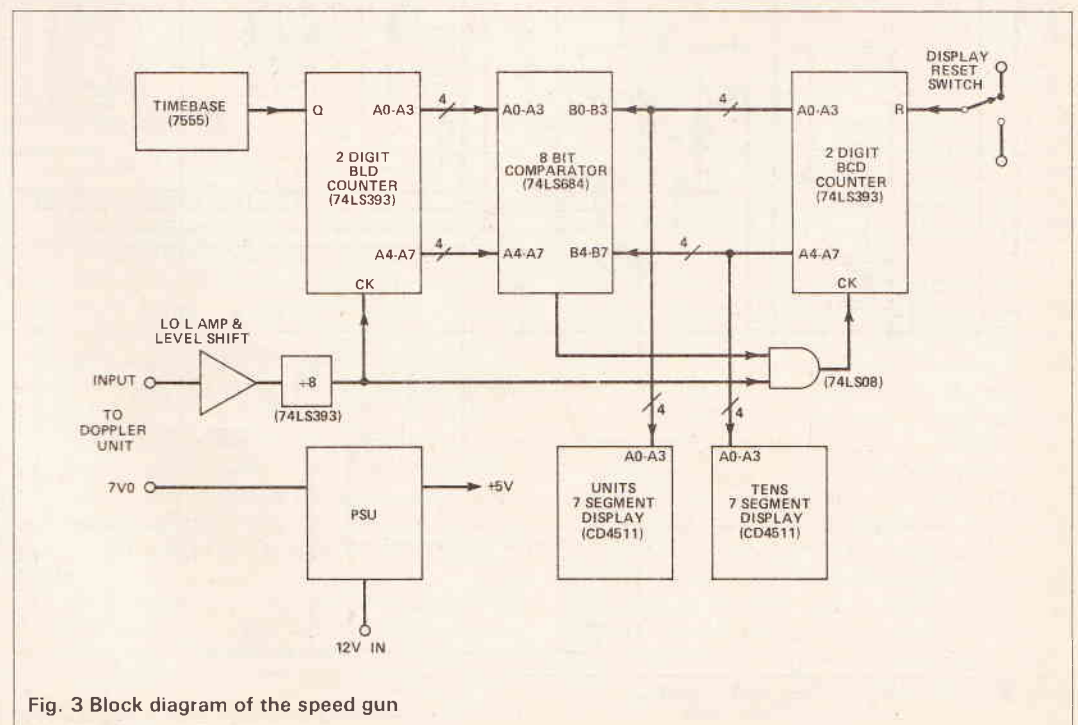


Fig. 3 Block diagram of the speed gun

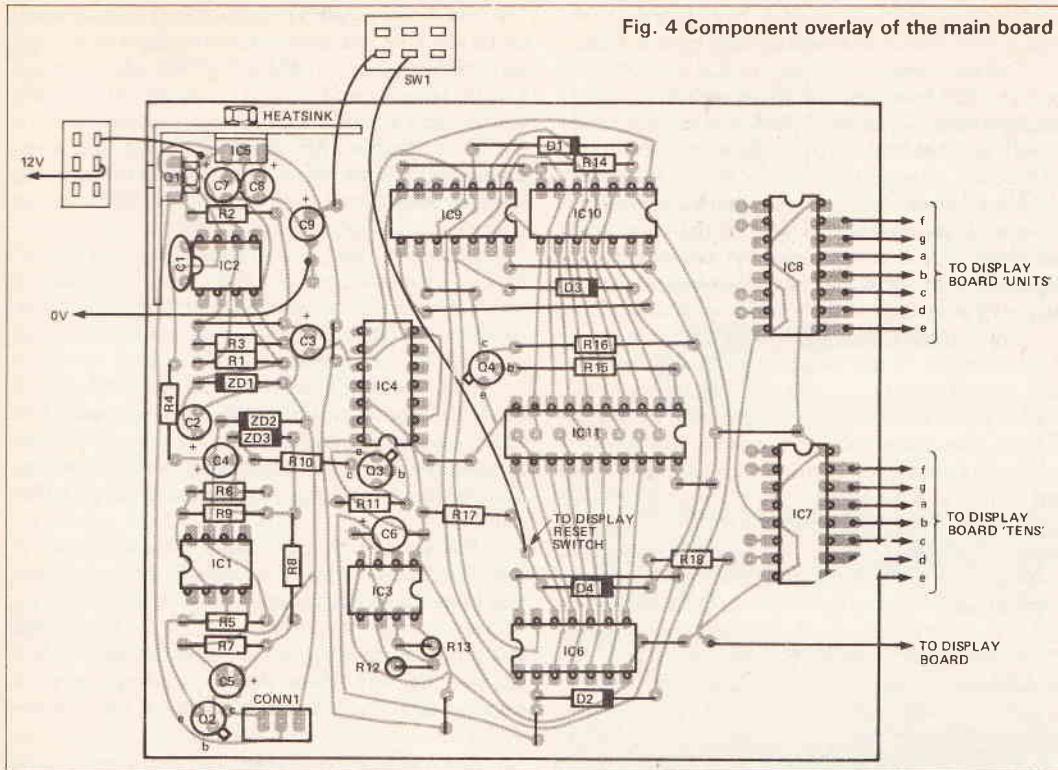


Fig. 4 Component overlay of the main board

Construction

The whole circuit could be built on stripboard (one of the prototypes was) but the PCBs do away with many problems that arise when trying to build a complex circuit on stripboard.

Before anything else, ensure that the Doppler unit is not going to be affected by static electricity! You could keep it in a box filled with conductive foam while constructing the rest of the project, or do what I did and solder two 1M0 resistors between ground and the +7V and output terminals on the Doppler unit. Having done this put it on a high shelf somewhere out of the way. At £40 per unit, I would hate to wake up one morning and find the dog chewing away at the wires.

Now we can get to grips with the actual construction of the project. The component overlay of the main board is shown in Fig. 4. Start with the power supply and amplifier, working down the board.

The base legs of Q2 and Q3 have to be bent over to the opposite side before they can be put into the holes on the PCB. Don't mount Q1 or IC5 on their heatsink just yet since it makes holding the circuit board awkward. Put in the IC sockets, resistors, diodes and capacitors in roughly that order and don't forget the 13 wire links.

With all the components on (not the ICs yet), you can begin to assemble the display board (Fig. 5). It is quite easy to put the displays in the wrong way around so check with the diagram before soldering them in.

Now we come to the laborious job of soldering the fifteen wires, about six inches long, between the two boards. If you can stand the monotony, use ribbon cable — it will look less like a bird's nest!

It's a good idea to bolt the heatsink to IC5 and Q1 now, using a little heatsink compound between the two surfaces. The heatsink must be isolated from Q1 using a thin mica washer and a plastic grommet.

The power supply and amplifier sections should be tested very carefully — if these circuits aren't working properly, they could destroy the Doppler unit! Insert only IC1 and IC2 (not the Doppler unit yet!) and apply 12V to the circuit. Use a multimeter to measure the voltage between the middle and right pins of CONN1 (as shown in Fig. 4). You should get 7V. If you get more than 7.2V or less than 6.8V then the components around IC2 should be checked for orientation and so on. If you get close to 7V then it is probably due to a poor tolerance zener diode used for ZD1. Try another.

Check that IC5 is producing a stable 5V on pin 3, and that this is reaching the power pins of the other ICs.

Then it is time to check the amplifier. To do this use a multimeter — preferably digital — set to measure up to 200µA across the two outside connectors of SK1. You should read about 60µA initially, but it should start to drop and eventually stop at around 35µA (±5µA). If this isn't the case, check the components around IC1 — particularly the legs

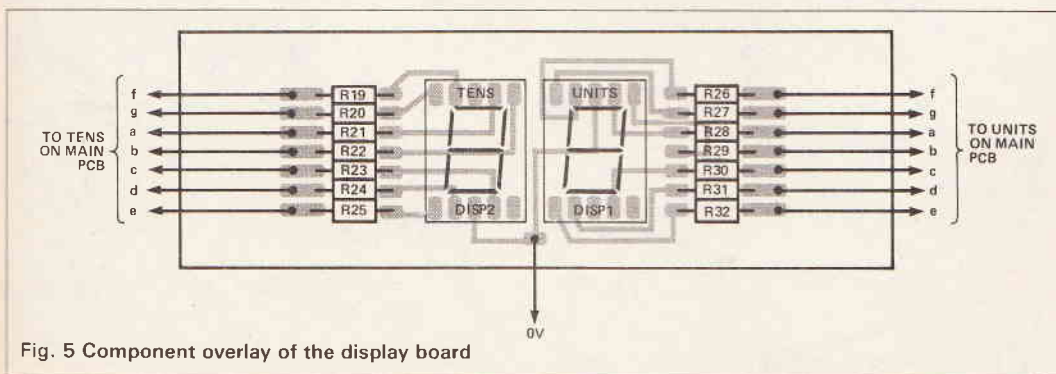
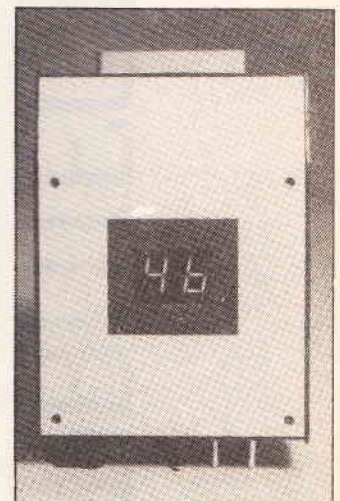


Fig. 5 Component overlay of the display board

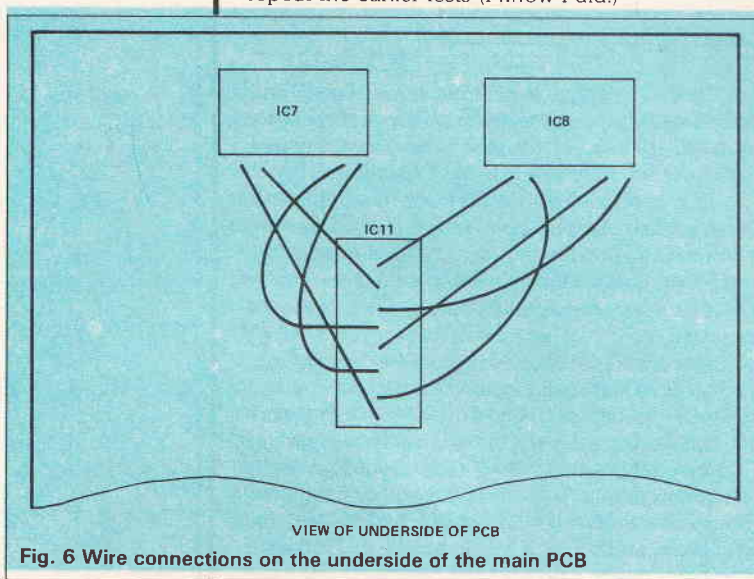


of Q2 and the orientation of C5. Note that a current greater than 10mA will destroy the Doppler unit.

If all the checks above seem OK, check the time base. Put IC3 into its socket and check that you get roughly 4Hz signal on pin 3. To do this use an oscilloscope if you have one or an LED and resistor if you don't.

Next connect the eight wires that go underneath the board following Fig. 6. These are the wires which take the digital numbers from the counters to the display drivers — so if at a later stage you find that the display lights up incorrectly, you'll know where to look!

Now we come to that gut-wrenching moment — the connection of the Doppler unit (large tension-filled organ chord...). Ensure that the only ICs present are IC1,2 and 5. Connect a short length (six inches) of screened cable to the output and ground terminals of the Doppler unit and a piece of solid core wire to the 7V terminal. The core of the screened wire goes into the speedblock socket to connect with the pin of CONN1 nearest Q2 (left on Fig. 3), the solid core wire goes to the centre hole and the screen goes into the hole for the pin furthest from Q2 (right on Fig. 3). For goodness sake, get it right first time since you only have one chance! Before connecting the speedblock connector to CONN1, you may wish to repeat the earlier tests (I know I did!)



Then with CONN1 connected to the Doppler unit and with 12V connected to the circuit, use either an oscilloscope or an LED with 330R resistor across pin 14 (anode) and pin 13 (cathode) of IC4. By waving your hand forwards and backwards in front of the device, the LED should flash at a rate proportional to the speed of your hand (it takes about thirty seconds for the bias current to fall to 35μA during which time the light will not flash!).

If it doesn't flash or just stays lit then don't burst into tears just yet. It could be that the zener diode ZD3 is in backwards or there is some other fault on the circuit board. Power down and check! If there is still no result then repeat the above checks.

If they are OK then try connecting the anode of the LED to pin 6 of IC1 and the cathode (via 330R resistor) to ground and power up the circuit. Wait for 30 seconds. The LED should flash this time and if so then the problem is something to do with Q3, D3, R10 and R11.

Power down the circuit and put in all the rest of the ICs and the display reset switch. Make sure that you follow the component overlay for the positioning of the ICs since they don't all point the same way! Power up the circuit and the display should show a random number. Clear this by pressing the reset button and wait 30 seconds while the bias current drops.

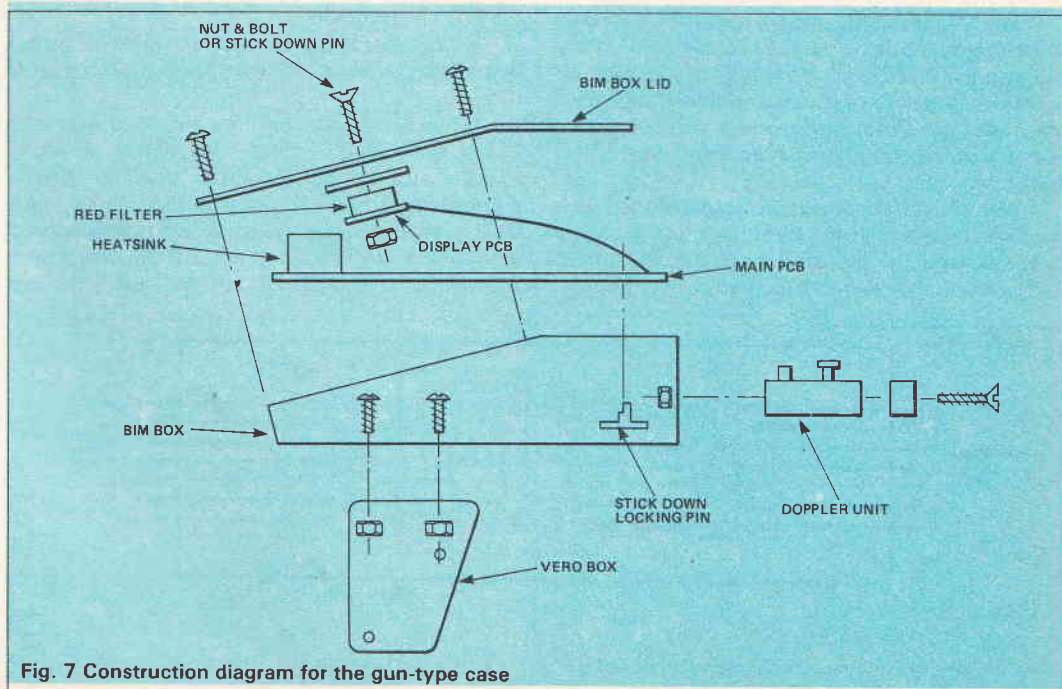
Waving your hand in front of the sensor should cause the display to go to 1 or 2, perhaps even 5 or 6. Taking a run at the sensor should result in even higher numbers but take care in confined workshops!

If you find that the display keeps flicking to high values when everything around you is apparently still, this is caused by instability in the amplifier and can be filtered out by putting a 270pF capacitor in parallel with R9 — soldered across the back of it. This only happens when the gun is used in confined spaces and shouldn't happen at all if the gun is used outside.

Case Construction

Now we come to the part I always enjoy the most — choosing a case. As was described earlier, the prototype was built to look like a gun. The circuit needs 12V at about 300mA. Whatever way you decide to power the gun, the likelihood is that it will be quite big! I chose to use 10 × 1.2V NiCd (AA) batteries and put them in their own little box, linked to the gun via a lead with

PROJECT



a jack-plug. If you use non-rechargeable AA batteries you will only require eight since they are 1.5V each. However, they will only run the gun for about 30 minutes maximum.

With regards to the case, I used two boxes bolted together rather reminiscent of the early Star Trek phasers (Fig. 7). The top box is a sloping box with the larger wall at the front holding the Doppler unit and its antenna. Since I used an external battery box, on the smaller (rear) wall of the gun, I put a battery connector (3.5mm jack-socket), the on/off switch SW2 and the display reset switch SW1. Mounted to the top of the box is the 2-digit display and inside the box is the main printed circuit board (which requires cutting before it will fit — see Fig. 8).

The handle was made from a triangular shaped box although since it contains nothing, a neatly shaped piece of wood or plastic (an old joystick perhaps) could be used. A slightly larger handle could be used to hold the batteries.

Whatever you use, it should be bolted or screwed firmly to the bottom of the top box (we don't want the top to come crashing to the floor. Doppler unit and all, do we?)

Next drill the holes for the deployment of the two switches and power socket into the back wall of the top box, and holes to correspond with however you are fixing the handle. Make sure that the holes for the switches are on the opposite side to the heatsink otherwise they may touch and cause havoc!

As the base of the top box is rather thin, I recommend using a small plate of steel to act as a stiffener, with insulation tape over the plate to prevent it shorting out the main PCB. Cut away the corners of the PCB so that it will fit into the top box, with the heatsink at the rear of the box next to the switches. If you decide to fix the circuit board down with a stick-down pillar, then drill that hole now. The dimensions for the Doppler unit's hole are shown in Fig. 8. The reason for the jagged top is that the various components on top of the unit have to fit through. The unit must be pushed through from the front and the antenna added before it is bolted in with two countersunk 1in bolts with washers.

Before you push the Doppler unit through make sure that the PCB is in place and the ribbons from it to the display PCB are free. Once assembled, the only way to remove the main PCB is to remove the Doppler unit!

The final stage in construction is to cut a hole in the metal lid of the box for the displays, roughly in the middle of the lid and just big enough for the display to fit through. I used clear red perspex as a display filter. Next cut two 4mm holes in the display board about 7mm in from each end and roughly in the middle. Push through each of them a stick down pillar and attach the display to the lid of the box.

With regards to the gun, that's just about it! If you have used an external battery box like I did then it only remains to say *don't get the polarity wrong!!*

Calibration And Use

In practice, the gun shouldn't need calibrating since the values of R12 and R13 have been calculated to give a display reading in miles per hour. However, if you should feel the need to alter this (to metres say) the resistor R12 is the component to alter.

The frequency at pin 1 of IC10 is equal to $8.9 \times V$, where V is in m/s. Consequently R12 should be chosen so that the output of IC3 goes high for 1/8.9s.

To calculate R12 from this we use the standard 555 timer equation:

$$0.7 \times (R12 + R13) \times C6$$

with R13 as 2k7 and C6 as 1M0, we can calculate R12 as 158k for a display showing m/s.

Using the gun is really quite simple. Stand by a roadside (not in the road please), switch it on and wait for the thirty seconds while the Doppler unit bias current settles down. Reset the display and point it at any oncoming cars. Try not to look too menacing, and on no account dress up as a policeman. As the car passes, the display should then show the speed of the car in miles per hour! You could even use it to see how fast you can run, by running close to parallel wall and pointing the gun forwards so that as any irregularities in the wall go past you, the gun will detect their speed.

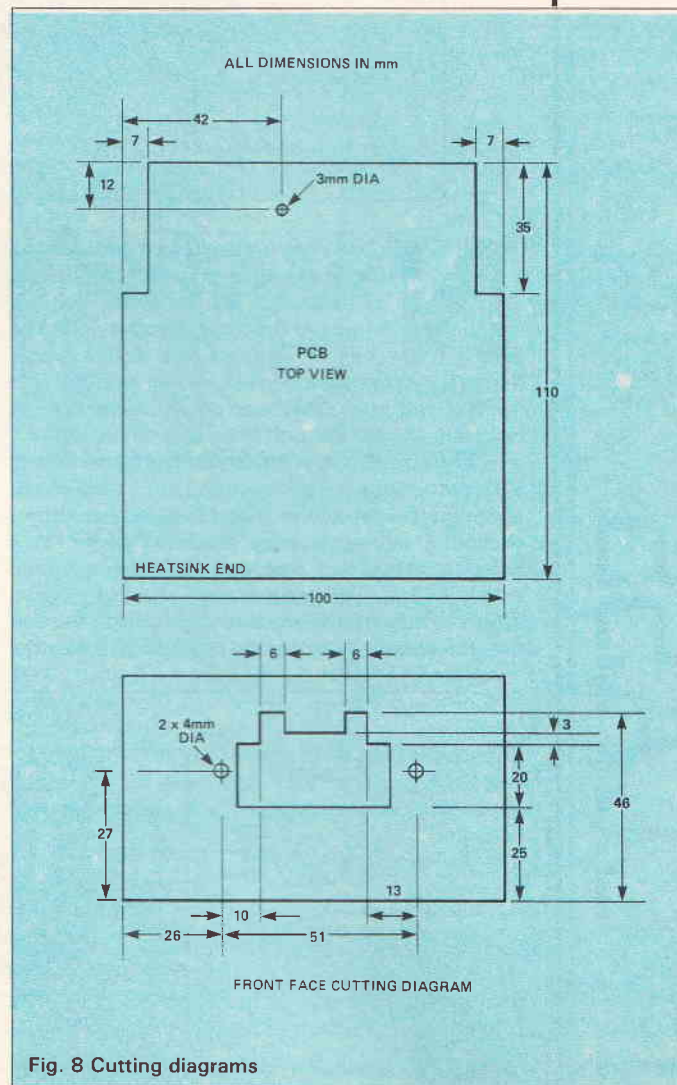


BUYLINES

The Doppler 8960 module is available from Electromail, PO Box 33, Corby, Northants NN17 9EL. Tel: (0536) 204555.

Other components should be readily available from most sources. The PCB is available from the ETI PCB service — see the back of this issue for details.

The cases used in the prototype 'gun' construction were a Bimbox6005 and a small triangular Verobox.



THE SMALL FRY MINI-AMP

Not too hi and not too fi — but small, hot and not a lot of money. Keith Brindley presents the cheap and cheerful Small Fry

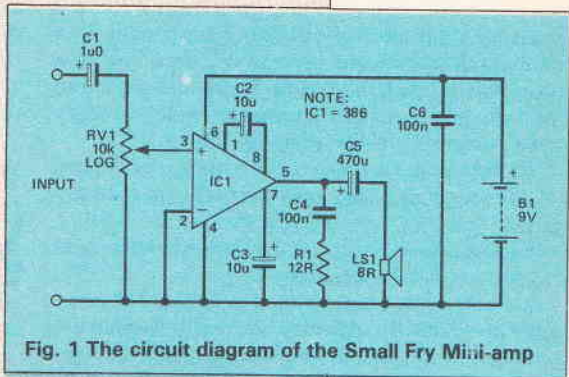
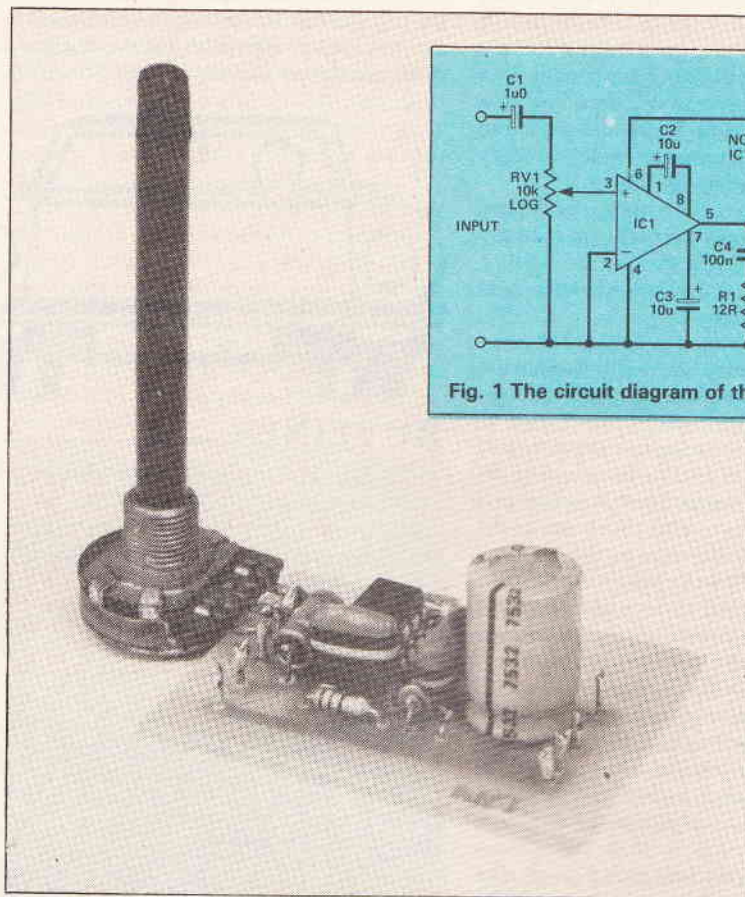


Fig. 1 The circuit diagram of the Small Fry Mini-amp

No, we certainly can't call this project the ultimate in super-powered, high-fidelity amplifiers but we can assure you it is simple-to-build and it really couldn't be cheaper. A single chip design means that as few as eight components give an amplifier with 46dB of gain, from a PP3-sized power source. A single pot controls gain through from zero to maximum.

The output power into an 8R loudspeaker with a 9V power supply is up to around half a watt which, although it won't fill the Albert Hall with eardrum-shattering volume, is more than enough for say a simple guitar practice amplifier, or a personal stereo extension amp. Power op-amps are useful as servo drivers or simple intercoms too. You think of a use and the chances are that this little beauty'll do it for you!

Construction

The circuit of the Mini-amp is given in Fig. 1. As with all our *1st Class* projects you can choose between PCB and stripboard construction. Neither method involves any hazards, the usual precautions and procedures will let you build it safely. The PCB layout, component overlay and wiring diagrams are combined in Fig. 2, while those for stripboard are shown in Fig. 3.

If PCB construction is your choice, the only point to note is to leave insertion of the integrated circuit until last. This way there is less likelihood of damage from a slap-happy soldering iron. Preferably use an IC socket (although this isn't essential) and check the chip is in the right way around. PCB pins for all input, output and power supply connections make life easy

1st CLASS

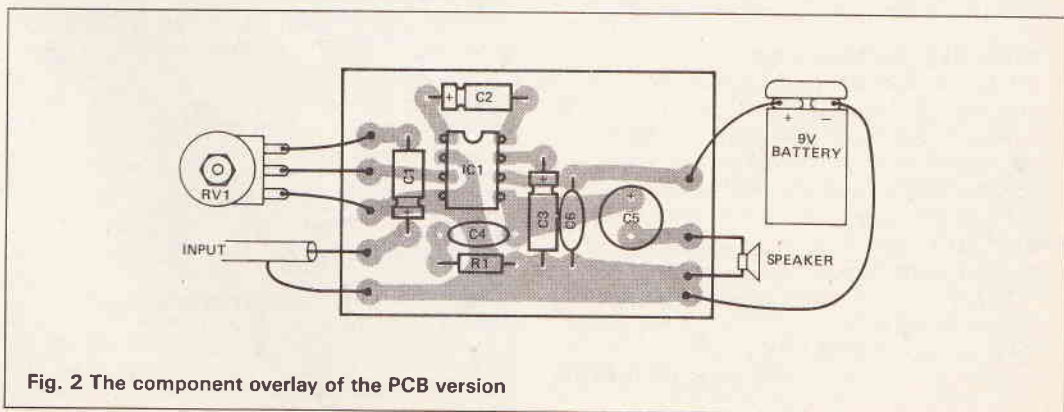


Fig. 2 The component overlay of the PCB version

but again aren't essential. Watch for electrolytic capacitor polarisation — make sure you get them facing the right way.

Stripboard construction is just as easy. Before components are inserted make all track breaks, shown in the underside view of the stripboard in Fig. 3. Then follow the same rules as for PCB construction.

Screened cable *must* be used for the input connection otherwise the amplifier's high gain will ensure heaps of hum and interference — great if you like Radio One, bad if you're trying to play guitar! Mount the potentiometer as close to the board as possible, or use screened cable for these connections too. You'll see the potentiometer in the prototype amplifier is mounted directly to the PCB pins on the PCB. This is a good idea, as it keeps interference to a minimum and allows a method of fixing the board to the front panel of your choice.

Talking of housing, the vast numbers of possible uses makes suggesting a case fairly pointless. The board (PCB or stripboard) is small enough to allow housing inside the smallest of cases. If you intend

HOW IT WORKS

The circuit for the Small Fry Miniamp (Fig. 1) tells most of the story. Integrated circuit IC1 is a 386 power amplifier which functions effectively as a power operational amplifier with ground referenced input. Pinout details are provided in Fig. 4. The IC can operate from as low a voltage as 4V through to 12V. Its quiescent current drain with a power supply of 9V is only around 4mA. Internal circuit of the chip is shown in Fig. 5.

In the Small Fry the IC is connected in a fairly simple non-inverting amplifier configuration. Gain of the IC is set by the connection between pins 1 and 8. No connection between them sets the gain internally to 26dB (20 times). As shown, with a 10 μ capacitor bypassing the internal 1.35k resistor, the gain is set to its maximum of 46dB (200 times). A variable resistor in series with the capacitor allows gains in between these limits to be selected.

Pin 7 of the integrated circuit allows a supply bypass connection to be made internally, a fact which can greatly improve the circuit's power supply rejection ratio at lower frequencies. Capacitor C4 and resistor R1 form a Zobel network, which prevents instability at high frequencies due to reactance in certain types of load.

1st CLASS

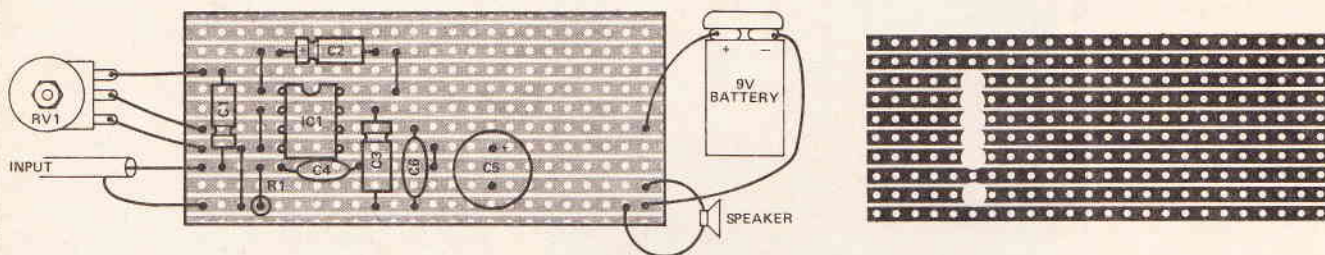


Fig. 3 The component overlay for the stripboard layout and the track cuts required

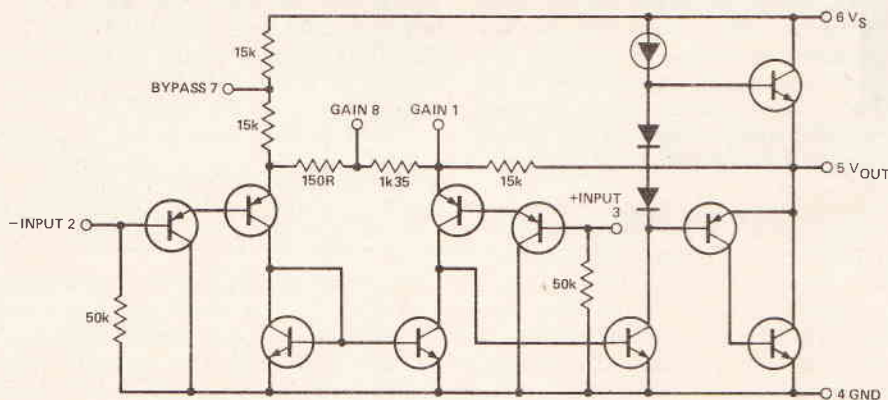


Fig. 5 The internal circuit of the 386

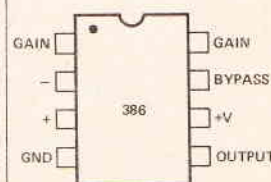


Fig. 4 Pinout details of the 386

PARTS LIST

RESISTORS (1/4W 5%)

| | |
|-----|-----------------------|
| R1 | 12R |
| RV1 | 10k log potentiometer |

CAPACITORS

| | |
|------|----------------------------|
| C1 | 1 μ 10V electrolytic |
| C2,3 | 10 μ 10V electrolytic |
| C4,6 | 100n |
| C5 | 470 μ 10V electrolytic |

SEMICONDUCTORS

| | |
|-----|-----|
| IC1 | 386 |
|-----|-----|

MISCELLANEOUS

| | |
|--|---------------------|
| LS1 | 8R loudspeaker |
| B1 | 9V battery and clip |
| PCB or stripboard, PCB pins, 8-pin DIL socket. | |

fitting a loudspeaker into the same case, it'll be this that decides case size rather than the board.

Moving onto the loudspeaker, take care in your choice. Tiny and tinny tranny radio speakers will make your project sound similar to a tiny and tinny tranny radio and won't do your valuable time, confidence and pennies much justice either. So use as good a loudspeaker as you feel the need (and expense) for. There is an argument for not using an internal loudspeaker at all and instead using, say, one of your hi-fi system's loudspeakers.

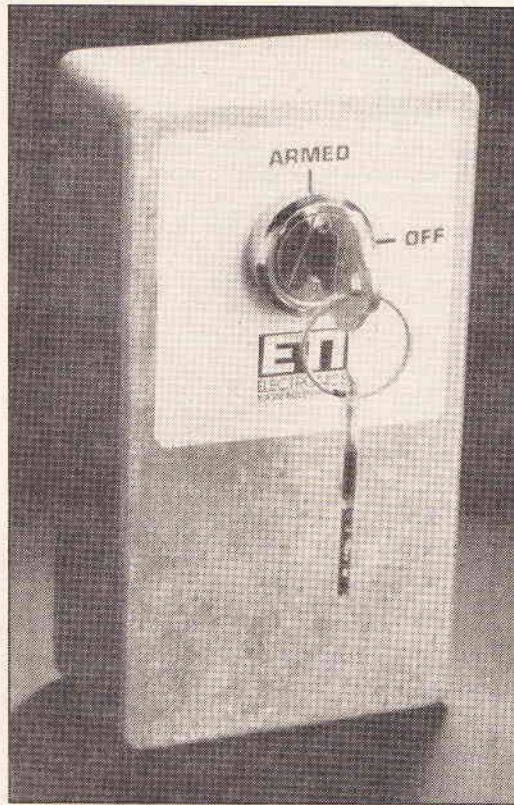


BUYLINES

None of the parts will be difficult to obtain. Apart from the integrated circuit used, the 386, there are no critical values either and any substitute around the stated value will suffice. Most mail order companies stock the 386 as a standard item (for example Maplin part VJ375).

BURGLAR BUSTER

Paul Chappell adds his free components to his free PCB to keep his home burglar-free



Having described the burglar alarm circuit you can build with your free components (see *Buylines* if you missed them), now it's time to get soldering into your free PCB. Figure 1 shows the component overlay for the project and Fig. 2a repeats the circuit from last month. So — what are you waiting for?

Figure 3 shows how to build the completed circuit

into a suitable box — a die-cast aluminium box is a good choice — and how to connect up the power supply and relay. The PCB can be held in place with double-sided adhesive pads (most stationery shops will have them) or you can drill a hole in the board and use a nut, bolt and spacer. A single fixing bolt will be quite enough — there's nothing heavy on the board. The relay can lie on its back, glued in place, with the contacts facing upwards. The smoothing capacitor C7 can be fixed with a double-sided adhesive pad or with a capacitor clip.

The transformer shown has a split primary, which is very common, and two secondary windings, also very common. For the rectifiers D4-D7 you can either use individual 1N4000-series devices or an encapsulated bridge rectifier — whatever you've got in your spares box.

The very first switch in the anti-tamper loop is a micro-switch to protect the control box itself. If anybody removes the lid, the switch will open and sound the alarm. This is one of the many ways the alarm protects itself. The anti-tamper loop prevents any interference with the wiring. Cutting the alarm wires will sound the bell, removing the plug or cutting the power cord will activate the alarm — and it still finds time to protect all the doors and windows in your house, to check up on pressure mats and infra-red sensors, and to do all the other things a burglar alarm should. Isn't it a clever old sausage?

Entry And Exit Delay

With so many features, it's hard to imagine what could be added to the basic alarm to fill up the rest of the PCB! But there is one feature you'll find on almost all commercial alarm controllers that the circuit so far doesn't have: entry and exit delay.

With the basic alarm system, the key operated switch to turn the circuit on and off must be outside the house. When you leave, you turn on the alarm from outside. When you return, you turn it back off

PROJECT

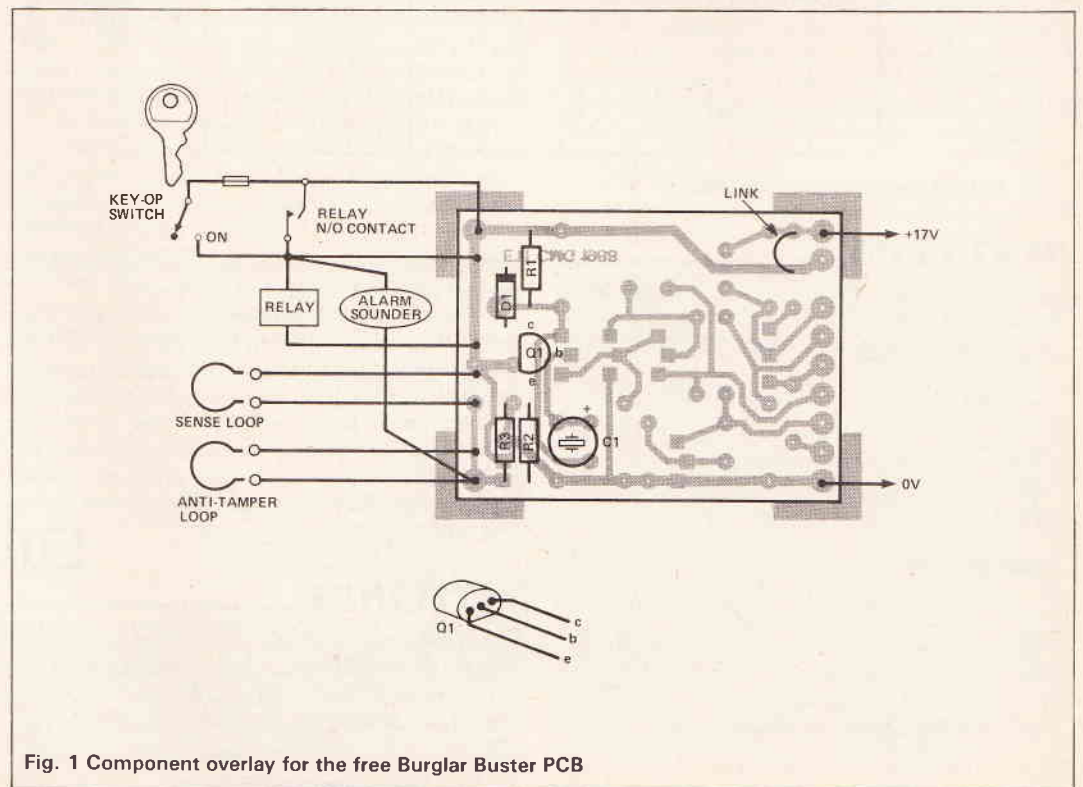


Fig. 1 Component overlay for the free Burglar Buster PCB

again before entering the house. The key-op switch, being outside the protection of the alarm system, is a point where the circuit can be attacked.

With entry and exit delay, the idea is to wire the front door in a separate loop to all the other doors and windows. When you turn on the alarm, the main loop is activated at once but the front door contact remains inactive for, say, thirty seconds. This gives you time to get out of the house and, as long as the door is closed within the delay period, the alarm won't ring. This time there's nothing outside the house to be interfered with so the alarm system is much safer.

When you return home, there's another delay to give you time to get back in but now it's not enough just to shut the front door — a burglar could manage that easily enough! The only thing that will stop the alarm from being activated is if it's turned off with the key within the thirty seconds.

The circuit that does all this for you in the ETI alarm is shown in Fig.4a. When you turn on the alarm power is applied to the board and C4, which will have no voltage across it initially, begins to charge via R6, Q5 and Q4. Transistor Q4 is held on by the charging current and in turn holds on Q3.

If the front door is closed it will prevent C2 from charging. If the front door is open C2 will charge via R1 and Q2 and after about thirty seconds the current in the main loop will no longer hold Q1 in conduction so that the alarm will sound. Closing the front door during this period will discharge C2 via D2 and the loop will derive its current from Q3 and Q4.

In the meantime C4 is still charging. After about forty seconds the current falls below the value needed to maintain Q4's b-e voltage across R5 and at the same time provide current for Q4. At this point the charging continues via R5 but Q4 now relies on Q3 for its base current. Transistor Q3 is quite happy to provide the base current as long as nobody opens the front door! As soon as this happens, Q3 and Q4 both drop out and since Q5 is no longer supplying them with any priming current they won't switch on again even if the door is closed. Now the only way to stop the alarm from ringing after C2's charge period is to use the key. Otherwise the circuit ticks on as remorselessly as a time bomb and there's not a damn thing a burglar can do about it.

The power supply and relay circuit for this version of the alarm is shown in Fig.4b. Diode D1 is now mounted on the PSU board to reduce the number of interconnections between the two PCBs. The timing circuits are reset when the key-op switch removes

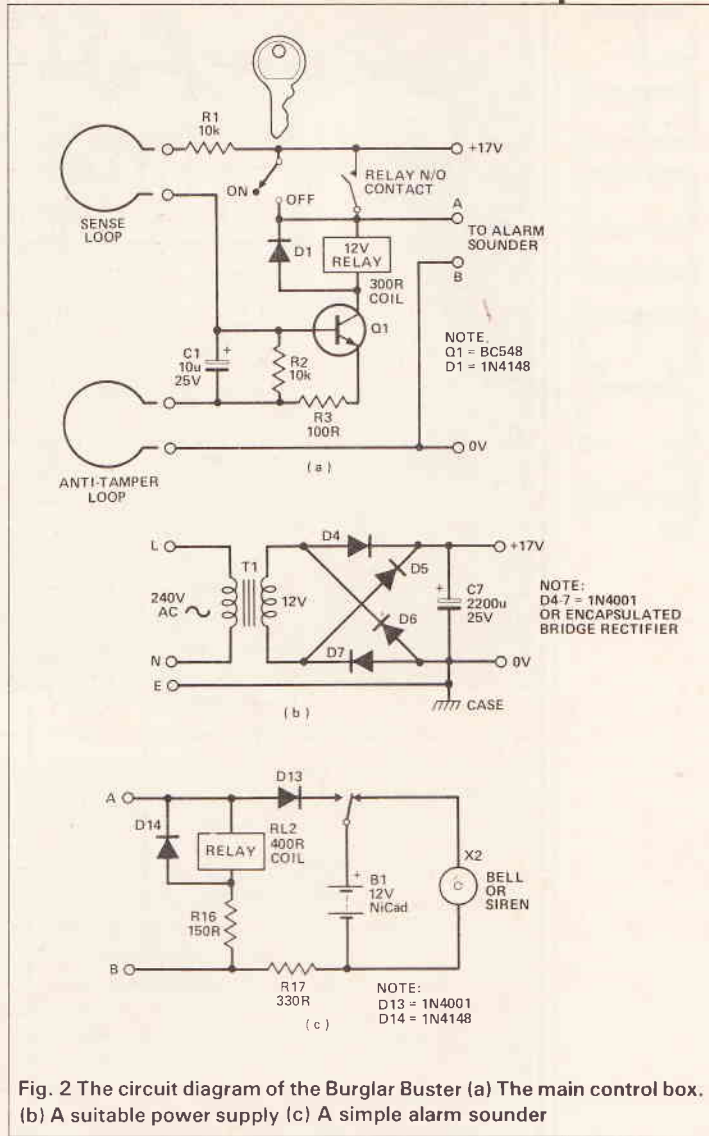


Fig. 2 The circuit diagram of the Burglar Buster (a) The main control box. (b) A suitable power supply (c) A simple alarm siren

power from the control board. Capacitor C3 discharges through R6 and D3 (in much less than forty seconds since Q5 is no longer in action to multiply up the timing period) and C2 discharges via D2 on the control board and D9 on the PSU board. Components R7 and D10 allow Q1 to work independently of the rest of the circuit — you can change the 'off' position on the switch to a 'standby' function by leaving

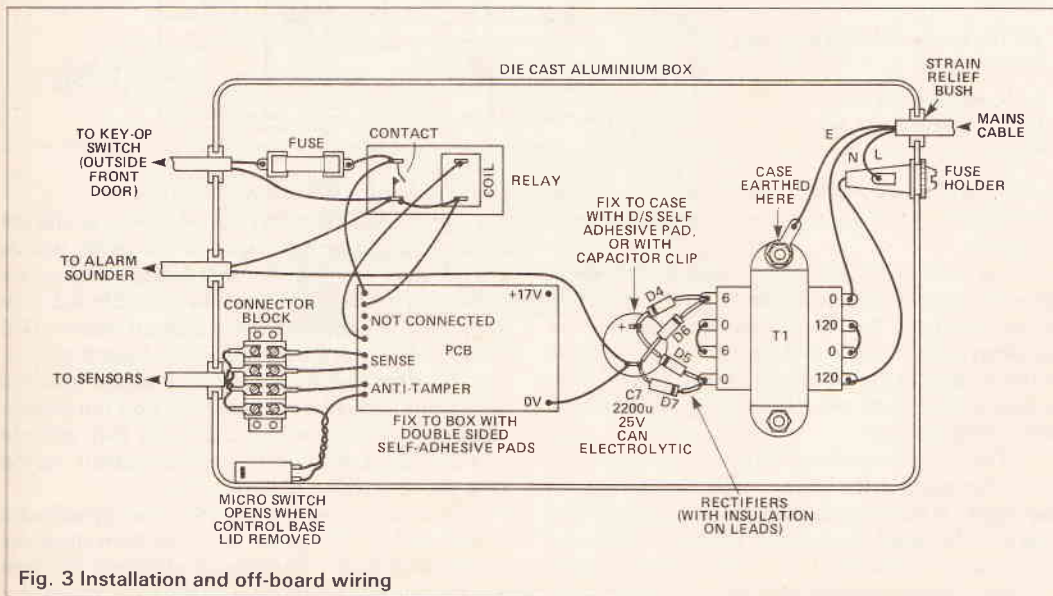


Fig. 3 Installation and off-board wiring



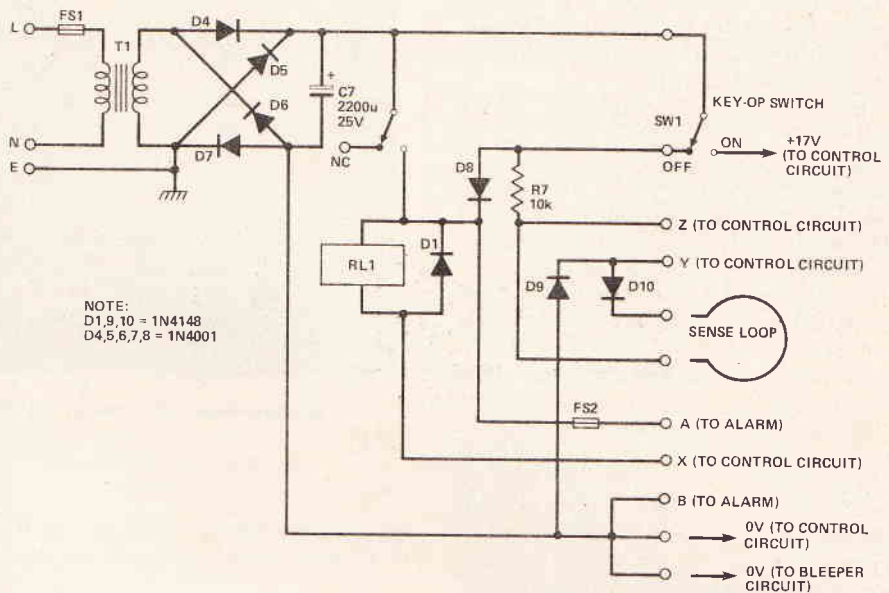
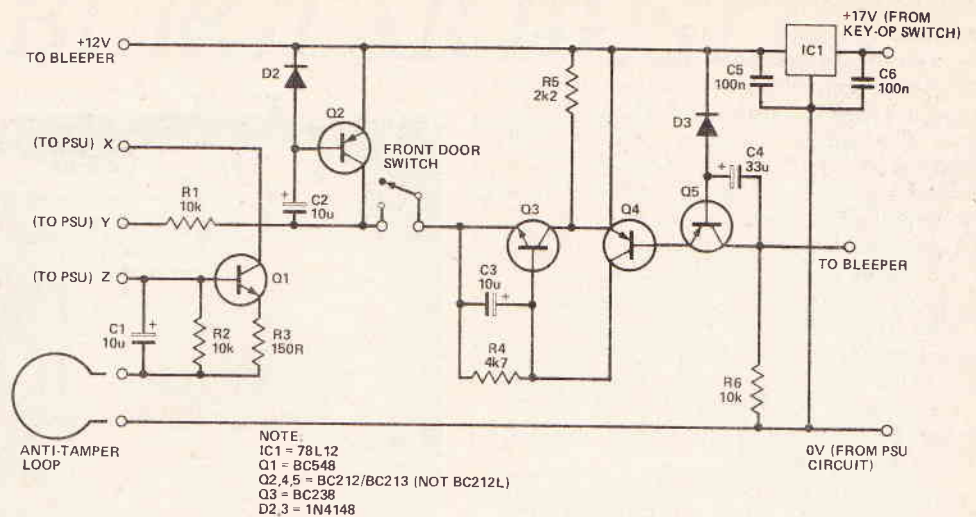
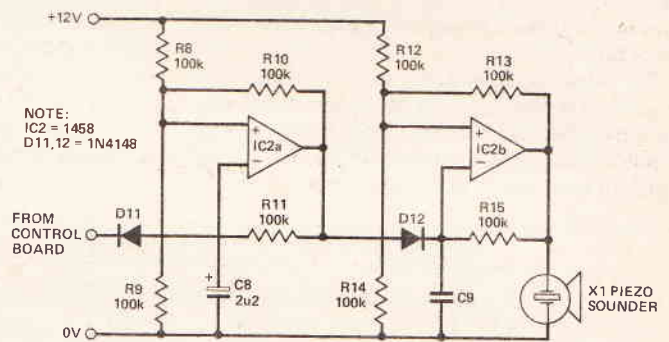


Fig. 4 (a) The expanded control circuit.

(b) The expanded PSU and relay circuit.

(c) A warning circuit for timed entry and exit



out D8 so that any interference with the anti-tamper loop will still trigger the alarm when the main loop is disabled.

Figure 4c shows a useful addition to the alarm. It's quite unnerving to turn the circuit on and know that at any moment the alarm might sound, without knowing quite when. The bleeper of Fig. 4c begins to sound as soon as the alarm is turned on. When it stops sounding, you've got about ten seconds left before the alarm deafens you!

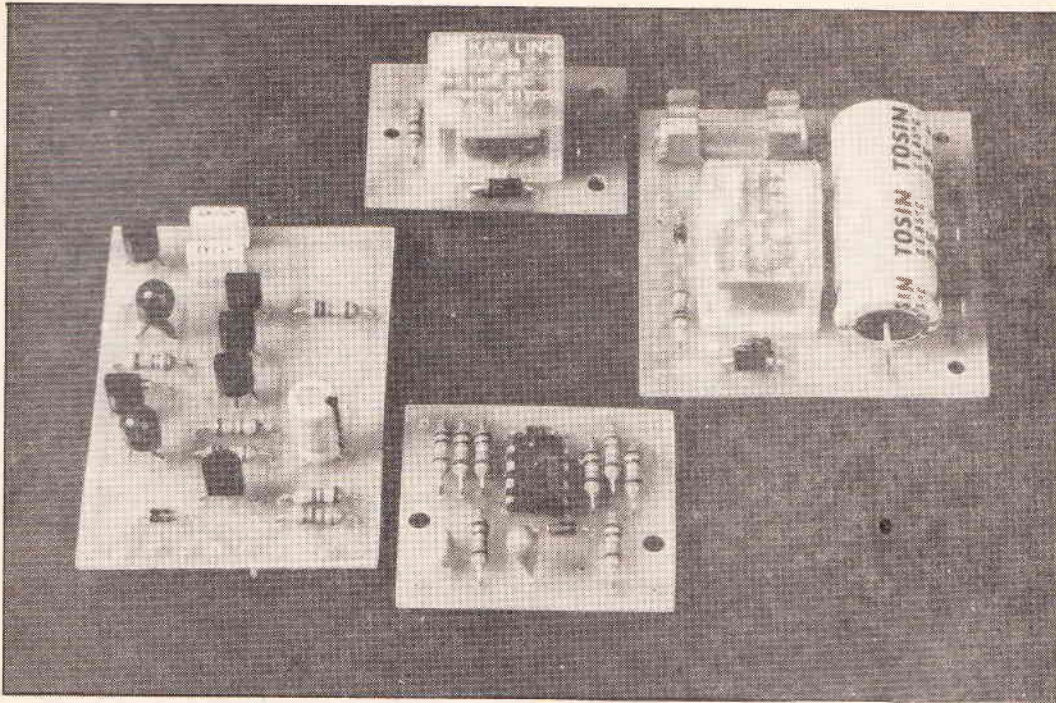
The alarm sounder itself is shown in Fig. 2c. This circuit (for use with the basic or expanded versions of the alarm) is built into its own box and mounted so that it can be heard from outside the house. If you put the circuit itself outside, remember to use a weather-proof box! Spraying the circuit with a protective water-

proofing compound wouldn't hurt, either.

Component overlays for all these circuits are shown in Figs 5 and 6. None of the circuit boards should give you the slightest trouble. If you are 'expanding' the basic version of the control board, note that R1 is soldered in a different position and that R16 is now 150R to suit the specified relay. Apart from that, try to bend the component leads carefully and not too close to the body (the component's body, not yours!), remember to melt the solder over the joint and not over the iron, don't cook the transistors and IC for too long and everything should be fine.

Once you've assembled all the boards you'll want to connect them all together and build them into some sort of box. Figure 7 shows the way to do it. The best place for the bleeper board is on the back of the piezo

PROJECT



BUYLINES

None of the components for this project should present you with any problems. The relays we used were type KS1P from Specialist Semiconductors but many other types can be used (YX96E from Maplin or 60-Q310 from Rapid). Key operated switches are also available from most of the large component suppliers.

If NiCd batteries are too expensive for you, there's no reason not to use ordinary batteries — check them every six months or so to make sure there are no leaks and replace them if the alarm should ever sound for an extended period. D13 and R17 should be omitted from the alarm board if primary cells are used.

When you select a siren for the project, choose one that gives plenty of output for not too much current — there's a huge variation between different types. A good choice is a high powered piezo siren. Motor drive types tend to be thirsty for current, although the sound is less likely to be mistaken for a car alarm. You could just go for a good, old fashioned bell!

A parts set for the project consisting of all components for the control PCB, the three extra PCBs with all parts to go on them and the piezo sounder X1, is available for £13.90 (inclusive of VAT and UK postage) or £15.90 (Ire and overseas orders) from Specialist Semiconductors, Founders House, Redbrook, Monmouth, Gwent. Parts are available separately from the same source as are sirens, window foils, sensors and anything else you might need. Send a stamped, self-addressed envelope for a list.

If you were unlucky enough to miss last month's issue, a copy of the magazine complete with free components can be had from our backnumbers department, while stocks last. See the ad and order form on page 33 for details. If you just want the components, send 30p in stamps (19p for postage and 11p for the jiffy bag) to ETI Components, Craigo Farm Ind. Est., Trelleck Road, Tintern, Gwent. Ire and overseas, please send three international reply coupons.

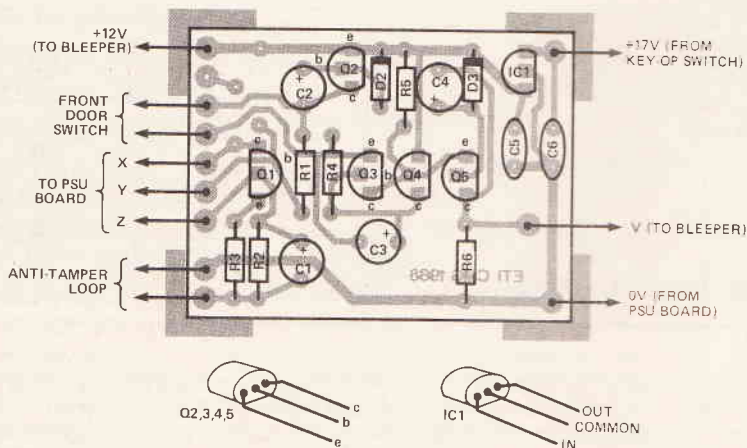


Fig. 5 Component overlay for the expanded alarm controller

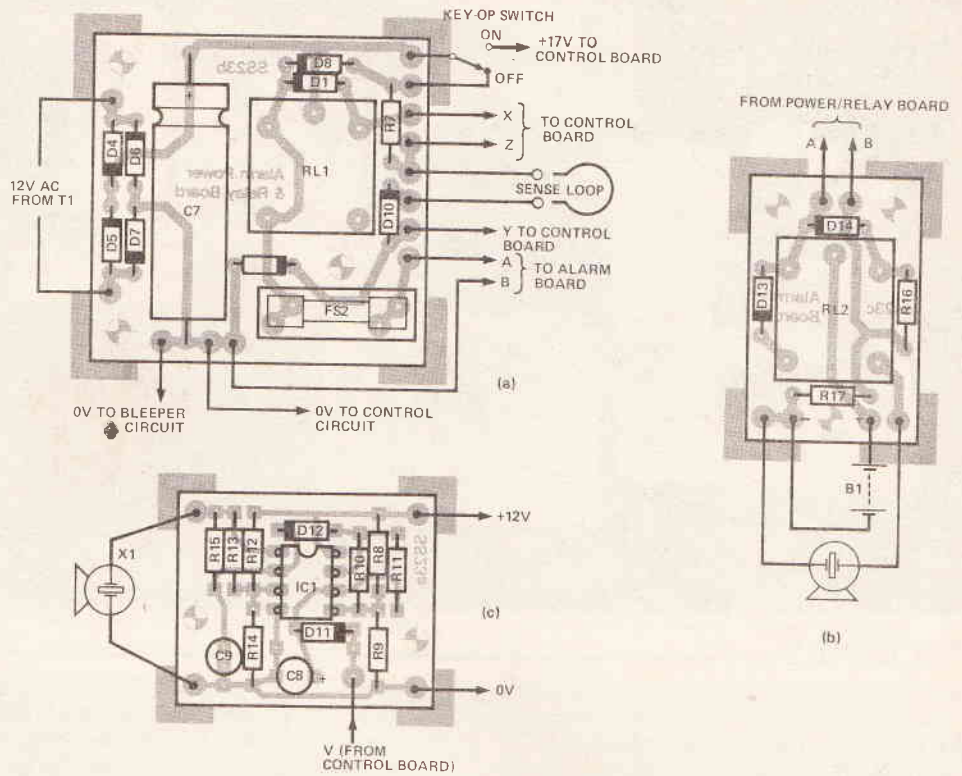


Fig. 6 Component overlays for the expanded Burglar Buster. (a) The power and relay board. (b) The bleeper board. (c) The alarm board

PARTS LIST

RESISTORS (all. 1/4W 5%)

| | |
|---------------|------------|
| R1*, 2*, 6, 7 | 10k |
| R3* | 100R (150) |
| R4 | 4k7 |
| R5 | 2k2 |
| R8-15 | 100k |
| R16 | 150R |
| R17 | 330R |

CAPACITORS

| | |
|-----------|---------------------------|
| C1*, 2, 3 | 10 μ elect |
| C4 | 33 μ elect |
| C5, 6 | 100n |
| C7 | 2200 μ elect |
| C8 | 2 μ 2 elect (or tant) |
| C9 | 4n7 |

SEMICONDUCTORS

| | |
|----------|-----------------------------|
| IC1 | 78L12 |
| IC2 | 1458 |
| Q1* | BC548 |
| Q2, 4, 5 | BC212 (not BC212L) or BC132 |

| | |
|----------------|--------|
| Q3 | BC238 |
| D1-3, 9-12, 14 | 1N4148 |
| D4-8, 13 | 1N4001 |

* = components supplied free with November ETI.

MISCELLANEOUS

| | |
|-------|--|
| RL1,2 | Relays with spc/o contacts, 12V 300-40CR coil |
| X1 | Piezo sounder |
| X2 | 12V siren or bell |
| T1 | Mains transformer, 6VA, 12V (or 0-6, 0-6) secondary |
| FS1 | 250mA anti-surge fuse |
| FS2 | 250mA quick blow fuse |
| SW1 | key operated switch with spc/o contacts |
| B1 | 12V or 2x6V NiCd battery |

Case for control unit. Case for sounder unit. Panel fuse holder. Fuse clips. Connector block. Micro switch. Strain relief bushes. Hardware for mounting transformer and PCBs. Mains cable. Connecting wire. Door switches. Window foils and other accessories to suit your installation.

sounder — use the good old self adhesive pads to hold it in place. The alarm board and the power and relay board both have relays on — adhesive pads might not be quite firm enough to hold them, so both have screw holes. Apart from that Fig.7 more or less explains itself.

Once the alarm has been assembled, the sense and anti-tamper loops are connected as described last month. Just about any commercial alarm equipment

can be used with the project — window tapes, door switches, pressure mats, body heat sensors, infra-red beams and so on. For a low cost alarm system, wiring up the doors and windows will give most of the protection you could ever need, with perhaps a few pressure mats to give a surprise to anyone who might be clever enough to penetrate the external defences. The high-tech stuff can wait until ETI next publishes a project for it!

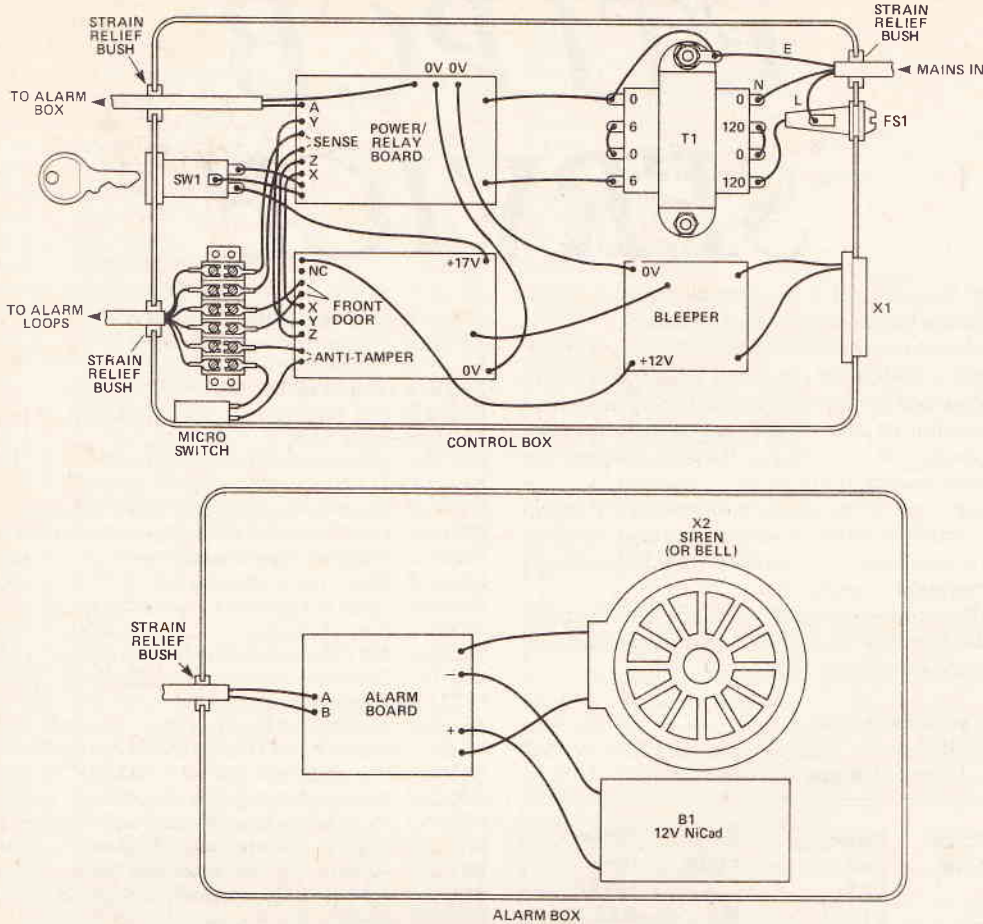


Fig. 7 Installation and off-board wiring of (a) the alarm control box and (b) the alarm siren box



OUT NOW!

CRICKLEWOOD ELECTRONICS

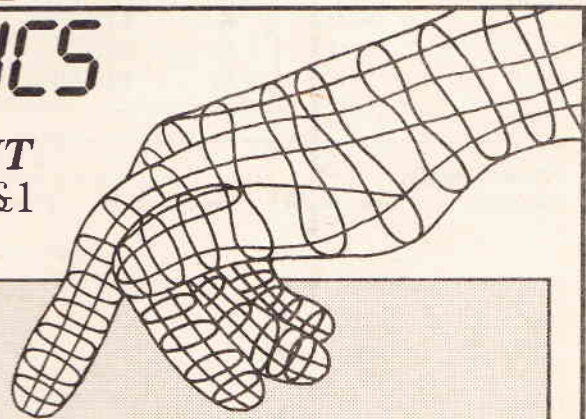
1989 100 PAGE COMPONENT CATALOGUE PRICE £1

SEND OFF FOR YOUR COPY TODAY...

- WE STOCK AN UNRIVALLED RANGE
- ALL OUR COMPONENTS ARE FIRST CLASS BRANDED ITEMS
- WE OFFER A SAME DAY SERVICE ON ALL STOCK ITEMS
- NO MINIMUM ORDER—IF YOU NEED ONE COMPONENT WE CAN SUPPLY ONE COMPONENT
- WE HAVE ADOPTED A NEW LOWER PRICING POLICY + QUANTITY DISCOUNTS
- FREE VOUCHERS WITH YOUR CATALOGUE—ORDER ONE NOW!...

JUST FILL IN THE COUPON OPPOSITE AND POST IT WITH YOUR £1 PAYMENT TO THE ADDRESS BELOW. YOU WILL RECEIVE NOT ONLY OUR SUPERB 100 PAGE CATALOGUE, BUT ALSO FREE VOUCHERS WHICH YOU CAN USE ON YOUR NEXT COMPONENTS ORDER.

CRICKLEWOOD ELECTRONICS LTD 40 CRICKLEWOOD BROADWAY LONDON NW2 3ET TEL: 01-450 0895/452 0161 FAX: 01-208 1441 TELEX: 914977



FREE VOUCHERS!

SEND OFF FOR YOUR CATALOGUE AND VOUCHERS TODAY.

I WOULD LIKE TO RECEIVE.....
COPY(COPIES) OF THE 1989
CRICKLEWOOD ELECTRONICS
COMPONENT CATALOGUE. I
ENCLOSE £.....
PLEASE ENCLOSE MY FREE
VOUCHERS.

Tape your £1 coin
here, or send a
cheque or postal
order for £1.00 for
every catalogue you
require.

NAME.....

ADDRESS.....



ETI PCB SERVICE

Miss out the mess
with ready-made
pre-drilled PCBs for
ETI projects

Use the form (or a photocopy) for your order. Please fill out all parts of the form.

Make sure you use the board reference number. This not only identifies the board concerned but also tells you when the project was published. The first two numbers are the year of publication and the next two the month. The number after the dash indicates the particular project in that issue.

Terms are strictly payment with order. We cannot accept official orders but we can supply a pro forma invoice if required. Such orders will not be processed until payment is received.

Please make cheques out to ASP Ltd. Payment can also be made through Access and Visa cards by telephone on (0442) 41221.

Send your order to:

ETI PCB Service, ASP Readers Services, 9 Hall Road, Hemel Hempstead HP2 7BH

| Price code | Price (inc. VAT) | Price code | Price (inc. VAT) |
|------------|------------------|------------|------------------|
| C | £1.80 | N | £13.10 |
| D | £2.50 | O | £15.80 |
| E | £3.25 | P | £17.90 |
| F | £4.00 | Q | £21.80 |
| G | £4.75 | R | £23.90 |
| H | £5.50 | S | £25.90 |
| J | £6.62 | T | £29.00 |
| K | £7.20 | U | £32.20 |
| L | £8.80 | V | £35.80 |
| M | £10.60 | W | £37.90 |
| | | X | £40.70 |

| | | |
|----------|--|---|
| E8107-1 | System A Disc Input board MC-MM | F |
| E8107-2 | System A pre-amplifier Main | K |
| E8108-1 | System A Power Amp | L |
| E8109-2 | System A PSU | F |
| E8201-2 | Infant Guard | C |
| E8202-5 | MM Stage Disc Pre-amp (Tilsbrook) | G |
| E8206-5 | Logic Lock | F |
| E8208-1 | Playmate Practice Amp (3bds) | K |
| E8212-1 | ELCB | F |
| E8301-2 | Analogue to digital conv ZX81/Spectrum | E |
| E8305-3 | Dual Audio Power Supply, Linsley Hood | G |
| E8305-3 | Balanced Input Preamplifier | F |
| E8307-2 | Flash Trigger-sound or FR | F |
| E8308-1 | Graphic Equaliser 1/3 Oct | M |
| E8308-2 | Servo Fail-safe | C |
| E8309-1 | NICAD Charger/Regenerator | F |
| E8310-3 | Typewriter Interface — EX42 | F |
| E8311-1 | Mini Drum Synth | F |
| E8311-8 | Moving Coil Pre-Pre-amp | F |
| E8312-3 | Light Chaser EPROM Controlled (2 Bds) | K |
| E8402-1 | Speech Board | M |
| E8402-2 | Modular Pre-amp Disc Input Mono | F |
| E8402-3 | Modular Pre-amp Stereo Output | F |
| E8402-4 | Modular Pre-amp Relay, PSU | F |
| E8402-5 | Modular Pre-amp Tone Main Mono | F |
| E8402-6 | Modular Pre-amp Tone Filter, Stereo | F |
| E8402-7 | Modular Pre-amp Balanced Output | F |
| E8402-8 | Modular Pre-amp Headphone Amp | F |
| E8404-2 | Mains Remote control Receiver | F |
| E8405-1 | Auto Light Switch | F |
| E8405-2 | ZX81 EPROM Programmer | N |
| E8405-3 | Mains Remote Control Transmitter | H |
| E8405-4 | Centronics Interface | F |
| E8405-6 | Drum Synth | F |
| E8406-1 | Oric EPROM Board | O |
| E8406-2 | Spectrum Joystick | E |
| E8406-3 | Audio Design RIAA Stage | G |
| E8406-4 | AD Buffer/Filter/Tone | H |
| E8406-5 | AD Headphone Amp | F |
| E8406-6 | AD Preamp PSU | K |
| E8406-7 | AD Power Amp | H |
| E8406-8 | AD Power Amp PSU | J |
| E8406-9 | AD Stereo Power Meter | F |
| E8406-10 | AD Input Clamp | C |
| E8407-1 | Warlock Alarm | M |
| E8408-2 | EPROM Emulator | N |
| E8408-3 | Infra-red Alarm Transmitter | E |
| E8408-4 | Infra-red Alarm Receiver | F |
| E8409-1 | EX42 Keyboard Interface | F |
| E8409-2 | Banshee Siren Unit | F |
| E8410-1 | Echo Unit | F |
| E8410-2 | Digital Cassette Deck | N |
| E8410-3 | Disco Party Strobe | H |
| E8411-5 | Video Vandal (3 boards) | N |
| E8411-6 | Temperature Controller | D |
| E8411-7 | Mains Failure Alarm | D |
| E8411-8 | Knite Light | D |
| E8411-9 | Stage Lighting Interface | F |
| E8411-10 | Perpetual Pendulum | E |
| E8412-1 | Spectrum Centronics Interface | F |
| E8412-4 | Active-8 Protection Unit | F |
| E8412-5 | Active-8 Crossover | F |
| E8412-6 | Active-8 LF EQ | F |
| E8412-7 | Active-8 Equaliser | F |
| E8501-3 | Digital Delay (2 bds) | T |
| E8502-1 | Digital Delay Expander | N |
| E8502-2 | Data Logger | J |
| E8503-1 | Combo Preamplifier | F |
| E8503-2 | THD Meter mV & oscillator boards (2 bds) | K |
| E8503-3 | THD Meter Mains PSU | F |
| E8504-1 | Framestore Memory | M |

Please supply:

| Quantity | Ref. no. | Price Code | Price | Total Price |
|--|----------|------------|-------|-------------|
| Post and packing | | | | £0.75 |
| Total enclosed | | | | £ |
| Please send my PCBs to: (BLOCK CAPITALS PLEASE) | | | | |
| Name | | | | |
| Address | | | | |
| | | | | |
| | | | | |
| Postcode | | | | |
| ACCESS and VISA credit card orders can be taken on (0442) 41221 during office hours. | | | | |

| | | | | | |
|---------|--|---|---------|---------------------------------------|---|
| E8504-3 | Framestore Control | N | E8705-5 | Budget Power Meter | E |
| E8504-4 | Buzby Meter | E | E8706-1 | Hi-fi Power Meter | N |
| E8504-5 | CCD Delay | F | E8706-2 | MIDI Keyboard CPU | U |
| E8505-5 | Stereo Simulator | F | E8706-3 | MIDI Keyboard Front Panel | O |
| E8506-1 | Audio Mixer Main | J | E8706-4 | Flame Simulator | G |
| E8506-2 | Audio Mixer PSU | F | E8707-1 | MIDI Keyboard PSU | H |
| E8506-3 | Audio Mixer RIAA | D | E8707-2 | Telephone Alarm | J |
| E8506-4 | Audio Mixer Tone Control | D | E8707-3 | Nuclear Strategy Simulator | J |
| E8506-5 | EPROM Prog MKII | O | E8708-1 | Remindalite | F |
| E8507-1 | Noise Gate | H | E8708-2 | Rear Wiper Alarm | G |
| E8508-1 | RCL Bridge | N | E8708-3 | Rev Counter | F |
| E8508-2 | EX42/BBC Interface | E | E8708-4 | Car Alarm | F |
| E8508-3 | EPROM Emulator | L | E8708-5 | Knight Raider | J |
| E8509-1 | Spectrum EPROM card | F | E8709-1 | Boiler Controller | G |
| E8509-2 | Direct Injection Box | E | E8709-2 | Amstrad Sampler (2 bds) | P |
| E8510-9 | Sunrise Light Brightener | K | E8709-3 | Portable PA | G |
| E8511-1 | MTE Waveform Generator | H | E8709-4 | EEG Monitor (2 bds) | L |
| E8511-2 | Millifaradometer | H | E8710-1 | Concept CPU board | N |
| E8511-3 | Cymbal Synth | J | E8710-2 | Concept Power board | K |
| E8511-5 | Chorus Effect | H | E8710-3 | Concept display board | G |
| E8511-7 | Enlarger Exposure Meter | F | E8710-4 | Hyper-Fuzz | F |
| E8511-8 | Switching Regulator | E | E8710-5 | Big Digits digit board | N |
| E8511-9 | Second Line of Defence | M | E8710-6 | Big Digits minute board | F |
| E8512-1 | Specdrum Connector | F | E8710-7 | Big Digits battery board | G |
| E8512-2 | MTE Pulse Generator | H | E8711-1 | Quiz Controller | E |
| E8512-3 | Specdrum | L | E8711-2 | 256K Printer Buffer | N |
| E8601-2 | Walkmate | L | E8712-1 | Heating Management System | O |
| E8601-3 | MTE Counter-timer | M | E8712-2 | SWR Meter | H |
| E8602-1 | Digibaro | O | E8712-3 | Dream Machine (free PCB) | D |
| E8603-2 | Programmable Logic Evaluation Board | H | E8801-2 | Passive IR Alarm | H |
| E8603-3 | Sound Sampler Analogue Board | R | E8801-3 | Deluxe Mains Conditioner | G |
| E8604-1 | JLLH PA PSU | H | E8801-4 | RGB Dissolve | L |
| E8604-2 | Matchbox Amplifier | C | E8802-1 | Electric Fencer | E |
| E8604-3 | Matchbox Amp Bridging Version | C | E8802-2 | Telephone Intercom | L |
| E8604-4 | MTE Analogue/Digital Probe | M | E8802-3 | Transistor Tester (2 bds) | L |
| E8605-1 | Microlight Intercom | E | E8802-4 | Spectrum Co-processor CPU | N |
| E8605-2 | Baud Rate Converter | M | E8803-1 | Co-processor RAM board | N |
| E8605-3 | Baud Rate Converter PSU Board | C | E8803-2 | Beeb-Scope (3 bds) | O |
| E8605-4 | Portable PA | H | E8803-3 | Jumping Jack Flash | E |
| E8606-1 | MIDI-CV Converter Board | H | E8804-1 | Spectrum Co-processor Interface Board | N |
| E8606-2 | MIDI-CV Converter PSU | D | E8804-2 | Combo-lock | E |
| E8606-3 | Troglograph | F | E8804-3 | Kitchen Timer | E |
| E8606-4 | 80m Receiver | H | E8805-1 | Virtuoso 2U PSU | M |
| E8606-5 | Sound Sampler | R | E8805-2 | Virtuoso 3U PSU | N |
| E8607-1 | Direction | E | E8805-3 | Bicycle Speedometer | F |
| E8607-2 | Upgradeable Amp, MC stage (Stereo) | G | E8805-4 | Dynamic Noise Reduction | E |
| E8607-3 | BBC Motor Controller | F | E8806-1 | Universal digital panel meter | L |
| E8608-1 | Digital Panel Meter | G | E8806-2 | Universal bar graph panel meter | K |
| E8608-2 | Upgradeable Amp, MM stage (mono) | H | E8806-3 | Virtuoso power amp board | N |
| E8609-1 | Mains Conditioner | E | E8806-4 | Virtuoso AOT board | G |
| E8609-2 | Experimental pre-amp | F | E8806-5 | Metal detector | E |
| E8609-3 | Upgradeable amp, Tone board (mono) | H | E8806-6 | Bicycle dynamo backup | D |
| E8609-4 | Upgradeable amp, Output board (mono) | F | E8807-1 | Bar Code Lock (2 bds) | N |
| E8610-1 | Audio Analyser Filter Board | L | E8807-2 | Analogue Computer Power Board | L |
| E8610-2 | Audio Analyser Display Driver | K | E8807-3 | Bell Boy | F |
| E8610-3 | Audio Analyser Display | H | E8807-4 | Logic Probe | C |
| E8610-4 | Audio Analyser Power Supply | F | E8807-5 | Updated FM stereo decoder | J |
| E8611-1 | Audio Switcher (2 bds) | H | E8807-6 | Breath Rate display board | F |
| E8611-2 | PLL Frequency meter (4 bds) | Q | E8808-1 | Breath rate main board | H |
| E8611-3 | Upgradeable Amp PSU | J | E8808-2 | Breath rate switch board | C |
| E8611-4 | Call meter, main board | O | E8808-3 | Telephone recorder | D |
| E8611-5 | Call meter, interface board | N | E8808-4 | Analogue computer main board (2 bds) | M |
| E8612-1 | Bongo Box | J | E8809-1 | Spectrum EPROM Emulator | M |
| E8612-2 | Biofeedback monitor (Free PCB) | E | E8809-2 | Frequency meter (2 bds) | P |
| E8701-1 | RGB Converter | F | E8809-3 | Travellers' Aerial Amp | E |
| E8701-2 | Mains Controller | D | E8810-1 | Gerrada Marweh Bikebell | E |
| E8701-3 | Flanger | H | E8810-2 | Peak Programme Meter (2bds) | N |
| E8701-4 | Audio Selector main board | M | E8810-3 | Variat-Ion ioniser | K |
| E8701-5 | Audio Selector PSU | H | E8810-4 | TV-to-RGB converter | E |
| E8701-6 | Tacho-Dwell | F | E8810-5 | Electron RGB buffer | C |
| E8702-1 | Ratometer main board | K | E8811-1 | NiCd Charger | E |
| E8702-2 | Ratometer ranging board | F | E8811-2 | Chronoscope (3 bds) | P |
| E8702-3 | Photo Process Controller (3 bds) | O | E8811-3 | Digital Transistor Tester | G |
| E8702-4 | LEDline display board (2 off) | K | E8812-1 | Doppler Speed Gun (2 bds) | K |
| E8702-5 | LEDline PSU and controller (2 bds) | G | E8812-2 | Small Fry Mini Amp | D |
| E8703-1 | Capacitometer | F | E8812-3 | Thermostat | E |
| E8703-2 | Geiger Counter | L | E8812-4 | Burglar Buster free PCB | D |
| E8703-3 | Credit Card Casino | E | E8812-5 | Burglar Buster power/relay board | E |
| E8704-1 | BBC micro MIDI interface | L | E8812-6 | Burglar Buster alarm board | C |
| E8704-2 | ETIFaker patch box | H | E8812-7 | Burglar Buster bleeper board | C |
| E8704-3 | 24Hr Sundial | E | | | |
| E8705-3 | MIDI Keyboard keyswitch boards (3 bds) | W | | | |
| E8705-4 | Batlite | C | | | |

PCBs

TOP QUALITY
AUDIOPHILE
COMPONENTS

NEW FROM SAGE AUDIO

HIGHEST POSSIBLE
TECHNICAL
PERFORMANCE

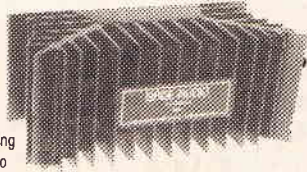
SUPERMOS 2 (100W to 500W =50V to =75V)

THE MOST ADVANCED HI-FI AMP IN THE WORLD

Following the success of the original SUPERMOS we now launch a higher powered version with many new exclusive sound improvements not available on any other amplifier, kit, board, module, or ready made.

FEATURES:-

- Highly efficient distortionless PURE CLASS A throughout (low heat generation)
- Top audiophile components inc. best SMD's.
- Exclusively made matched custom semiconductors.
- Minimal capacitor design (without DC servos).
- PSU sound colouration eliminated.
- Advanced PSU feedforward ripple elimination including internally separately regulated voltage AND current to ALL stages using SAGE Super-Supply circuitry.
- Total reactance (difficult speaker) drive capable.



SIZE 240 x 100 x 100mm

THD 0.0001%, Slewrate 685v/us, f-3dB 0.5Hz-350kHz, O/P Current 80amps, Damping factor 940, transient power (2ohms) up to 1800W max.

PLUS By innovative technical design we have eliminated 5 individual sound colouration components found in all other conventional amplifiers.

ELIMINATED - 1) Emitter resistors 2) Zobel networks 3) HF pole compensation 4) Fixed bias Vbe multiplier and temp gen distortions 5) Capacitor sound.

AND THERES MORE . . . Sage exclusive CLEAN CLIPPING (not to be confused with soft clipping) eliminates PSU ripple from reaching the output even when severely clipped, this together with individual regulated supplies to all stages (Super-supplies) TOTALLY eliminates PSU component sound colourations, (A World first!)

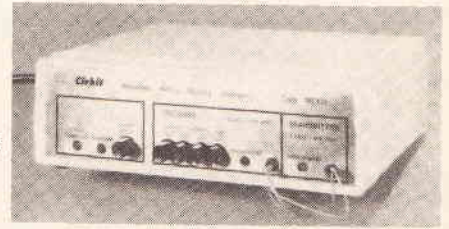
COMING SOON The SAGE 'ACTIVE PI MODE' CLASS A preamp, THE definitive match to the SUPERMOS power amplifiers.

AND THERE'S MORE . . . We can't possibly describe this amp fully in this ad, to receive a full size 8-page glossy brochure giving full details including active class A information send £1 cheque, PO or coin plus a 26p Large SAE (Overseas send 6IRC's). SUPERMOS 2 modules £140 (p&p £2). THE ORIGINAL SUPERMOS MODULES 50-150W £65 plus (£1.50 p&p)

Send to:-
SAGE AUDIO
Wendy (Sales Dept.), Construction House, Whitley Street, Bingley, W. Yorks, BD16 4JH England.
Tel: (0274) 568647, Tlx: 517783, Fax: (0274) 551065

A BETTER WAY TO CHARGE YOUR NICADS

Automatic NiCad Cycler/Charger from Britain's No. 1 Designer and Producer of Electronic Kits



FEATURES

- Independent Discharge/Charge circuits for 4 cell (4-8V), 8 cell (9.6V NiCad Packs used in TX/RX Applications)
- RX Battery Selector 225, 500, 600 & 1200 mA Packs.
- Discharge/Charge Cycle typical 6 hrs.
- Audible warning of reverse polarity connection to unit.
- LED Status Indicators for Discharge, Charge & Cycle complete operations.
- Correct Discharge/Charge can add 20% better life to your NiCad Packs.

| | | |
|------------------|----------------|--------------------|
| Built Unit | £49.95 inc VAT | Stock No. 41-03422 |
| PCB Assembly Kit | £27.10 inc VAT | 41-03420 |
| Hardware Kit | £12.50 inc VAT | 41-03421 |

TRADE ENQUIRIES WELCOME



Cirkuit Distribution Ltd.

Park Lane, Broxbourne, Herts EN10 7NQ.
Telephone (0992) 444111.

(E) EPROM PROGRAMMER



AT LAST! Over 50 Generic Device Types. . . .

| | | | |
|---------------|--------------|-------------|-------------|
| 1-2508/10ms | 15-2764 | 29-8749 | 43-8744 |
| 2-2508/50ms | 16-2764A | 30-8750 | 44-8051* |
| 3-2516/10ms | 17-27126 | 31-8748H | 45-8052* |
| 4-2516/50ms | 18-27128A | 32-8749H | 46-8044* |
| 5-2532/10ms | 19-27256 | 33-8750H | 47-87C51 |
| 6-2532/50ms | 20-27256/21V | 34-8741 | 48-63701V |
| 7-2564/10ms | 21-27512 | 35-8742 | 49-63701X |
| 8-2564/50ms | 22-27513 | 36-8041* | 50-63703V |
| 9-2758 | 23-87C64 | 37-8042* | 51-637052 |
| 10-2716 | 24-87C256 | 38-8048* | 52-63701Y |
| 11-2732 | 25-8755 | 39-8049* | 53-2816A |
| 12-2732A/10ms | 26-8755A | 40-8050* | 54-2817A |
| 13-2732A/50ms | 27-8355* | 41-8751* | 55-2864A |
| 14-2764-50ms | 28-8748 | 42-8752/21V | 56-EMULATOR |

. . . . at a price to suit any budget!

THE MODEL 18 PROM PROGRAMMER

- * Types include 27C . . . parts: EEPROMs now programmed!
- * Supports our new EPROM Emulator.
- * Automatic Data Rate setting 300-192000 Baud
- * Two independent Communications Protocols built in. Use with:
 - any host computer with RS232 port and Terminal Emulator
 - our PROMDRIVER Advanced Features User Interface Package available for all MS-DOS, PC-DOS and CP/M-80 computers.
- * Fast interactive algorithms automatically selected as appropriate.
- * Upgradable for future types.
- * Designed, manufactured and supported in the UK.
- * Comprehensive User Manual.
- * n.b. Devices other than 24/28 pin require low cost socket adapter.

Still only
£189.95
+VAT

NEW PRODUCTS!!!!
8048/41 Cross assembler for MS-DOS Introductory Offer Price £99.50 + VAT
EPROM EMULATOR 2716 to 27512 £149.80 + VAT EPROM ERASER £93.50 + VAT

Write or telephone for further details:

MQP ELECTRONICS, UNIT 2, PARK ROAD CENTRE, MALMESBURY, WILTS SN16 0BX. Tel: 0666 825146

THAT WAS THEN BUT THIS IS

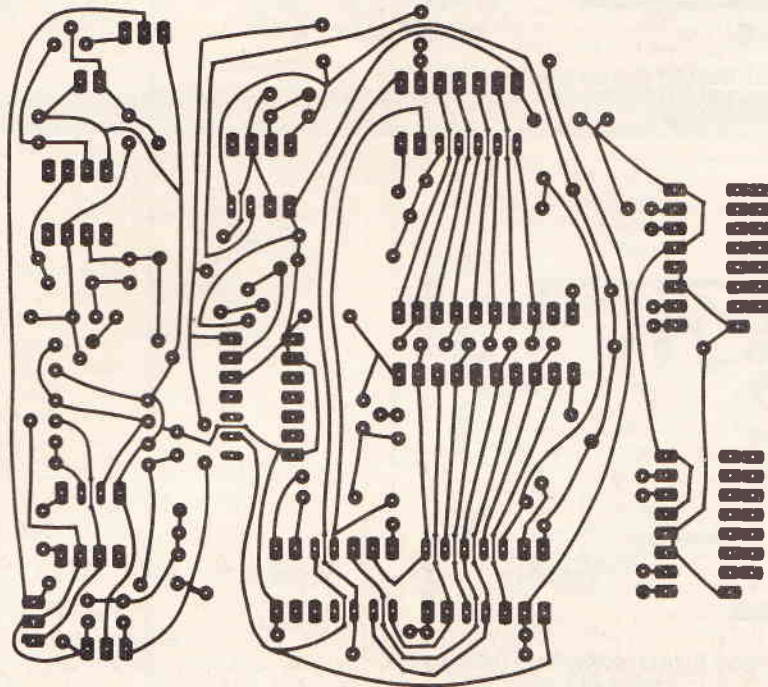


NOW

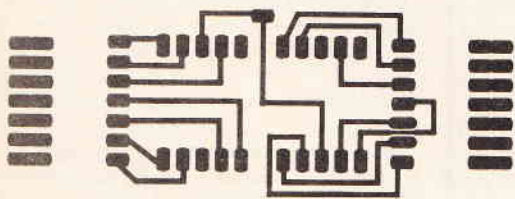
GIVE AS TOM GAVE

The Royal Air Forces Assoc Appeals Dept.
(D S) Portland Rd, Malvern, WR14 2TA

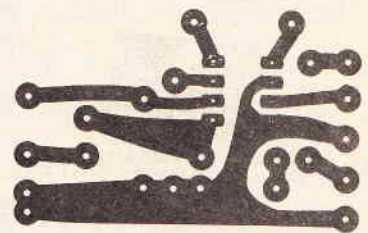
PCB FOIL PATTERNS



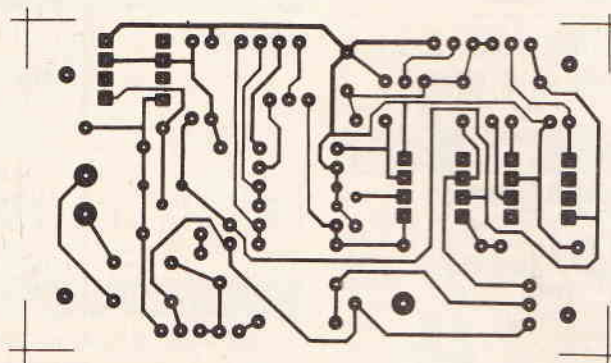
The Doppler Speed Gun foil



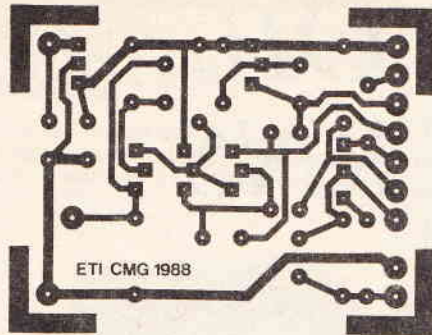
The Doppler Speed Gun display foil



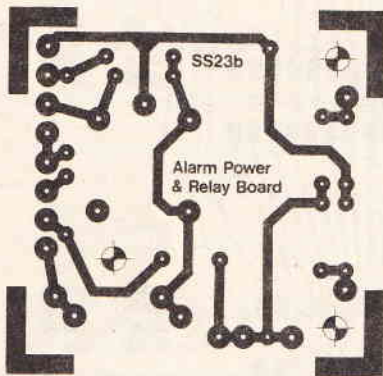
The Small Fry Mini Amp foil



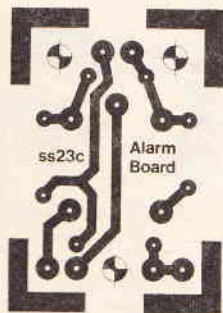
The Electronic Thermostat foil



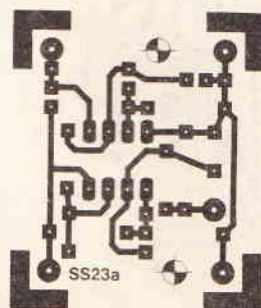
The Burglar Buster free PCB foil



The Burglar Buster power and relay board



The Burglar Buster alarm board



The Burglar Buster bleeper board



Heating Management System

(December 1987)

A 4116 is not a suitable alternative to the 6116 specified. A 4016 RAM chip will suffice. In Fig. 1 the junction of R1/D5 should connect to D1-4/C1 and not cross. The zener diodes above the temperature sensor ICs (IC16-19) should be deleted. C4 should be 220n and not 220 μ . C7-10 should be 10 μ . Q2-7 should be 2N3904 and not BC3904.

RGB Auto-Dissolve (January 1988)

In Fig. 5 there are marked two D6s. The right hand one should be D5 (they are both 1N148's anyway). In the text the reference to zener diode D5 should read ZD1.

Power Conditioner (January 1988)

There is confusion between the values of R7 and R8 in the Parts List and Fig. 1. These should be: R7-27k, R8-10k and not as given in the Parts List. In addition, ZD1 is incorrectly orientated in Fig. 3. The positive terminal should be at the southern end.

Passive Infra-Red Alarm

(January 1988)

Fig. 2(a) shows the base of Q1 connected to ground and to R14. It should be connected only to R14.

Transistor Tester (February 1988)

The foil pattern for the main board was printed reversed left-right on the foil pages. R14 is incorrectly given in Fig 1 as 330k. It should be 330R as in the Parts List.

Spectrum Co-processor (March 1988)

Mogul Electronics, given in the Buylines as suppliers of the RAM chips, have moved to: Unit 11, Vestry Estate, Sevenoaks TN14 5EU. Tel: (0732) 741841.

Dynamic Noise Reduction (May 1988)

The LM1894 is no longer available from the sources listed but it can be obtained from the author. Please address orders to Manu Mehra, 88 Gleneagle Road, Streatham, London SW16 6AF.

QL Output Port (Tech Tips May 1988)

Several problems with the diagram for this one. A5 should read AS — that is, address strobe. Pins 22 and 24 should be connected to +5V and the junction of the (only) resistor and diode connected to VPA on the QL.

QWL Loudspeakers (August 1988)

Some dimensions were missing from Fig. 7. The bass driver port centre should be 3 $\frac{3}{4}$ in above the base of the baffle panel. The notches in the side of the tweeter cut-out are 1/2in wide. The top plate is missing from the cutout diagram (Fig. 6). This is 7 x 4 $\frac{3}{8}$ in.

EEG Monitor (September 1987)

The wiring for the switch SW1 in Fig. 5 shows all the wires for selecting Alpha and Beta waves swapped. A₁ should read B₁, A₂ should read B₂ and so on. The easiest remedy is to swap the front panel labelling shown in Fig. 6 so that the switch labelling reads Theta, Beta, Alpha.



CLASSIFIED

Heather Wust
01-437 0699 Ext 292

Send your requirements to:
Heather Wust, ETI Classified Department, ASP Ltd.,
1 Golden Square, London W1.

Lineage: 54p per word VAT inclusive (minimum 15 words)
Semi Display: (minimum 2 cms)
£12.80 per single column centimetre + VAT

Ring for information on series bookings/discounts

All advertisements in this section must be prepaid.
Advertisements are accepted subject to the terms and conditions printed on the advertisement rate card (available on request)



COMPONENTS AND EQUIPMENT

12 Elder Way,
Langley Business Park,
Slough,
Berkshire
SL3 6EP
Telephone: 0753 49502
Fax: 0753 43812
Telex: 848132



DISTRIBUTORS OF ELECTRONIC COMPONENTS

**BONEX IS PLEASED TO ANNOUNCE THAT THEIR
1989 COMPONENTS CATALOGUE
IS NOW AVAILABLE**

**THE FOLLOWING PRODUCTS ARE AVAILABLE
FROM BONEX**

- * I.F. Transformers
- * Fixed Inductors
- * Axial Inductors
- * Chip Inductors
- * High-Power Inductors
- * Moulded Coils
- * Variable Coils
- * Quadrature Coils
- * Ceramic Filters
- * Crystal Filters
- * Helical Filters
- * Linear Filters
- * Pilot Tone Filters
- * U.H.F. Filters
- * Toroidal Rings
- * Ferrite Cores/Beads
- * Quartz Crystals
- * Signal Diodes
- * Varicap Diodes
- * Zener Diodes
- * Double Balanced Mixers
- * Ni-Cads, Cables
- * Silver/Enamelled Wires
- * Full Range of Capacitors
- * Variable R.F. Trimmers
- * Full Range of Connectors
- * BNC/PL259/TNC/F/Adapters
- * Hardware, Boxes, Heatsinks
- * CMOS, TTL, Linear I.C.'s
- * Voltage Regulators
- * Small Signal Transistors
- * Audio/Power Transistors
- * R.F. L. Power Transistors
- * R.F. H. Power Transistors
- * Field Effect Transistors
- * Gas F.E.T.'s
- * VMCS, MOSFETS, Darlingtons
- * Switches, Test Equipment
- * Expo Drills, Antex Irons
- * Tools, Cutters, Reamers
- * Drake Transformers
- * Vero Board, Bread Boards

Please send £1.50 to cover price of catalogue and p&p.

REFRIGERATION

REFRIGERATION

Fridges, Fridge-freezers
and Washing Machines
Stocks available, manufacturer
guarantees returns (well-known
manufacturers).

Please contact Steve on
Rhyl (0745) 343277/343816
Fax: 0745 343038 or write to

C.E.S.

14 Edward Henry Street
Rhyl, Clywdd, N. Wales

SWITCHES

**VOICE/SOUND ACTIVATED
SWITCHES** easy to follow dia-
grams and uses only £1.00. Com-
ponents and P.C.B.'s available:
Herrington, 63 Home Farm Rd,
Hanwell, London W7 1NL.

01-437 0626

SOCKETS

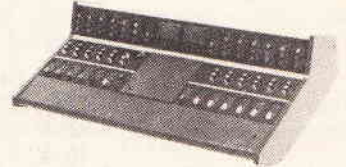
D.I.L. SOCKETS, 16-pin and 20-
pin, low profile; 25 for £1, 100 for £3,
p&p pkg 30p. Durrant Electronics, 85
Wyle Cop, Shrewsbury, Shropshire.

**WOULD YOU BUY A CAR
WITHOUT A TEST DRIVE?
THEN WHY BUY A MIXER
WITHOUT A TEST DRIVE?**

Thinking about a new project — from a small
Mixer to a large studio complex — come and talk
over ideas with the people who offer manufactur-
ing and user experience at our new premises:

**Unit D, 318 High Road,
Benfleet, Essex SS7 5HB**
TO TAKE THAT TEST DRIVE —
PHONE 0268-793381

(Weekend Committee visits
welcome by prior arrangement)



**PARTRIDGE
ELECTRONICS**

Head Office, 56 Fleet Road, Benfleet, Essex SS7 5JN
Telephone 0268-793256

- Series X Mixer Kits
- up to 1,000 inputs
- on-board mic input
- 6 auxiliaries
- versions for recording
PA, radio, disco
- From £9.92



Send 19p for catalogue to:

**K. Tek, P.O. Box 172A, Surbiton,
Surrey KT6 6HN. Tel: 01-399 3990**

PROMS - EPROMS - PALs
Any programmable IC supplied or blown

Typical prices (excluding VAT) (Date Entry P&P extra)
2716 £4.20 2732 £3.85 2764 £2.85 27128 £4.40

BIPOLAR PROMs from £1.35 ep 82S123 185030 74S288

PALs, PLDs etc. from £3.26 ep 82S153 16L6 EP310

Full design and prototyping service. Any quantity
programmed - SAE or phone for details

**P.L.S., The Central Road, Worcester Park,
Surrey, KT4 8HZ. Phone: 01-330 6540**

WANTED

Turn your surplus
transistors, IC's etc., into
cash. Immediate settlement.

We also welcome the
opportunity to quote for
complete factory clearance.
Contact:

COLES HARDING & CO.
103 South Brink
Wisbech, Cambs.
ESTABLISHED OVER 10 YEARS
Tel: 0945 584188
Fax Number: 0945 588844

**1 GOLDEN SQUARE
LONDON W1R 3AB**

KITS

VHF MICROTRANSMITTER KIT.
Tuneable 88-115 MHz, 500 metre
range, sensitive electret micro-
phone, size 25mm x 20mm.
Special offer: complete kit only
£3.95 post free. Access orders tele-
phone 021-411 1821 (24 hours),
Cheques/POs to Quantek Elec-
tronics Ltd (Dept ETI), 45a Station
Road, Northfield, Birmingham
B31 3TE.

T-SYSTEMS LTD

COMPUTER SYSTEMS AND COMPONENTS

1N 4148 diodes 3p

1N 4001 diodes 5p

1N 4005 diodes 7p

Min. toggle switch, on/off 60p

Min. toggle switch, single pole, changeover 69p

Min. toggle switch, double pole, changeover 82p

LED's, 3 or 5mm, red, green or amber/yellow 10p

Resistors, 0.25 watt, 5% E12 series 2p

DIN plug or socket, 5, 6 or 7 pin 25p

25 way D plug, socket or shell 85p

* Prices include VAT, add 25p P&P if under

£2. Cheques payable to T-systems Ltd. *

Exclusively for ETI readers, 15% off all prices

shown above for the August issue only.

61 High Street, Orpington,

Kent BR6 0JF

* ACCESS Card sales accepted on

Tel: 0689 22196 *

BOOKS

FULL WORKSHOP SERVICE MANUALS

Any Video Recorder — £1000 + LSAE.
Any Colour/Mono TV, Any Audio, Music
System — £500 + LSAE Amateur Radio,
Test, Vintage, Military etc.

State Make/Model/Type with order.
FREE Catalogue Unique Repair and Data
Guides with all orders.

**MAURITRON TECHNICAL SERVICES
(ETI), 8 Cherry Tree Road, Chinnor,
Oxfordshire, OX9 4QY.**

TERMS & CONDITIONS

CLASSIFIED ADVERTISING TERMS & CONDITIONS

Our terms for new advertisers (semi-display
and lineage) are strictly pro-forma payments
until satisfactory reference can be taken up
(excluding recognised advertising agencies
Cheques and P.O.'s should be crossed and
made payable to ARGUS SPECIALIST
PUBLICATIONS LTD and sent together with the
advertisements to:

The Classified Dept.,
No. 1 Golden Square,
London W1R 3AB.

There are no reimbursements for cancellations.
Advertisements arriving too late for a particular
issue will be inserted in the following issue
unless accompanied by instructions to the
contrary. It is the responsibility of the advertiser
to ensure that the first insertion of every series
is published correctly, and corrections must be
notified in time for the second insertion,
otherwise the publishers will not accept liability
or offer any reduction in charge.

All advertising sales are subject to Government
Regulations concerning VAT. Advertisers are
responsible for complying with the various legal
requirements in force e.g. The Trade Description
Act, sex discrimination act & the business
advertisements (disclosure) order 1977.
Full Terms & Conditions of Advertising
available on request.

FOR SALE

SALE OF SURPLUS COMPONENTS

Top grade Electrolytic Capacitors. 22,000 mFd 80 V 22 A ripple with mounting clip £9.95 ea

Bridge Rectifiers
10A 400V £1.50 ea
25A 200V £2.50 ea

Plastic Mos-FET Power Transistors
Hitachi 160V 7A 100W with full data
P-Channel 2SJ 83 £5.00 ea
N-Channel 2SK 227 £5.00 ea
"or £9.50 a pair"

DIL PCB relays 4K ohm coil 48V
2 C/O contacts rated 2A 99p. ea
P.C. mtg Power Relays 48V coil S.P.C.O. 16A contact £2.49 ea
P.C. mtg Encapsulated reed relay 6V coil 1 N/O contact £1.99 ea

A FEW STILL REMAINING

Heat Sink mounting bar with 6, 2SK 227 and 6, 2SJ 83 Power Mos-Sets, incorporating 4 PCBs with a wealth of assorted components
£39.95 ea 2 for £69.95
Heat sink to fit above assembly, suitable for fan cooling £5.95 ea

TWO CHRISTMAS BARGAINS

Yuasa Rechargeable Lead Acid Batteries 6V 1.2Ah £5.49 ea
D.C. Voltage Droppers 24V-12V 10A continuous in Black Anodised Case 5in x 4in x 1 1/2in Usual price £47 ea. **SLASHED TO £25.00 ea**

Ask for list of brand new but surplus semiconductors
S.A.E. with all enquiries please

Part carriage £1.00 for goods over £5.00, £2.00 for goods over £10.00. Otherwise Post Free

OMICRON (B. J. McNaughton)

33 Axford Road,
Handsworth Wood
Birmingham B20 1ED

Eproms ex equip all blank and tested:
2764, £1 each, £9 for 10; 2756, £2 each, £18 for 10; 200 stepper motors, 24/12 volts, £3 each. Add £1 p&p

EXTECH, THE COMPUTER CENTRE,
53 Queens Street, Morley LS27 8DB
Tel: (0532) 537219

S.H. COMPONENTS presents 18 pages of very competitively priced semi-conductors, switches, optoelectronics, etc. plus sample, send 85p to: 17 Beeley Road, Grimsby, S. Humberside.

**THIS SPACE
COULD BE YOURS**

COPY DEADLINE FOR FEBRUARY IS 22ND NOVEMBER

**PCB
Manufacturers
Which to
Choose
See Page 15**

QUALITY PRINTED CIRCUITS

- ★ Established 15 years ★
- ★ Single or double sided boards ★
- ★ Plated through hole boards ★
- ★ Personal service ★

PAYNE ELECTROPRINT LTD
Marcus Road, Dunkeswell
Nr Honiton, Devon EX14 0RA
Tel: Sales 040 489 646/664

PRINTED CIRCUIT BOARDS At very competitive rates: 4 pence per square centimetre (less for orders of 10 plus) 1 off; 100 offs. Enquiries: Watling Wires, 52 Watling Street, Nuneaton, Warwickshire, CV11 6JL. Telephone (0203) 382296.

HAVE your electronic ideas become a reality. Let Highland Itec develop and manufacture your circuits at a low cost for prototype and small production runs with comprehensive documentation which includes: Silk screen layouts, photo-artworks, pad-masters, solder-masks, bill of parts. Manufacture includes: Sizes up to 300 x 200mm single or double-sided. Finish: Roller-tinned and drilled. For more details Tel: (0463) 226505 or Fax (0463) 226506.

COURSES

Start training now for the following courses. Send for our brochure — without obligation or Telephone us on

REF: ETI/6/88

06267 79398

NAME _____

- Telecomms Tech C&G 271
- Radio Amateur Licence C&G
- Micro-processor Introduction to Television

**Radio & Telecommunications Correspondence School,
12, Moor View Drive, Teignmouth, Devon. TQ14 9UN.**

MAKE YOUR INTERESTS PAY!

More than 8 million students throughout the world have found it worth their while! An ICS home-study course can help you get a better job, make more money and have more fun out of life! ICS has over 90 years experience in home-study courses and is the largest correspondence school in the world. You learn at your own pace, when and where you want under the guidance of expert 'personal' tutors. Find out how we can help YOU. Post or phone today for your **FREE INFORMATION PACK** on the course of your choice. (Tick one box only!)

| | |
|--|---|
| Electronics <input type="checkbox"/> | Radio, Audio and TV Servicing <input type="checkbox"/> |
| Basic Electronic Engineering (City & Guilds) <input type="checkbox"/> | Radio Amateur Licence Exam (City & Guilds) <input type="checkbox"/> |
| Electrical Engineering <input type="checkbox"/> | Car Mechanics <input type="checkbox"/> |
| Electrical Contracting/Installation <input type="checkbox"/> | Computer Programming <input type="checkbox"/> |
| GCE over 40 'O' and 'A' level subjects <input type="checkbox"/> | |

ICS

Name _____

Address _____

P. Code _____

International Correspondence Schools, 31/2/314 High St., Sutton, Surrey SM1 1PR.
Tel: 01-643 9568 or 041-221 2926 (24 hrs.) Dep: EB538

GOVERNMENT SURPLUS EQUIPMENT

ANCHOR SURPLUS LTD.

The Cattlemarket, Nottingham NG2 3GY Tel 0602 864902
The UK's Largest Genuine Government Surplus Dealer

Always a large stock of Radio, Test, Service and General Equipment in stock. Pye, Racal, Marconi, Tek Redifon, Plessey, Mullard.



Special: Eddystone 730/4 1-30MHz RX
£75 - £110. Pye PF2 LB FM from £25.
Phone Rob (G4ROB) For Details.

Mail Order, Access/Visa Welcome

SURVEILLANCE

**SELL YOUR
SURVEILLANCE
EQUIPMENT
HERE**

ESKAN ELECTRONICS

LEADING MANUFACTURERS
AND SUPPLIERS OF
SURVEILLANCE AND
SECURITY EQUIPMENT.

MINIATURE TRANSMITTERS,
TELEPHONE MONITORING
EQUIPMENT, AND MANY
OTHERS.

Send stamped addressed
envelope for your free
catalogue to:

172 Caledonian Road,
London N1 0SG.

Telephone  01-278-1768

Trade Enquiries Welcome

Omicron 2
The practical surveillance solution

- Ideal eavesdropper or baby monitor
- Less than 1/2 matchbox size
- Absolutely shockproof housing
- Built-in sensitive microphone
- Battery life 72 hrs (Alkaline)
- Full 12 months warranty

Simply clip Omicron 2 to battery and hide — no adjustments, no fiddling, no fuss. Hear every sound perfectly on an ordinary FM radio up to 1/2 mile away. This must be the easiest to use, best value surveillance device available.

No quibble 14 day money back guarantee.

TRADE ENQUIRES WELCOME MILLEA ELECTRONICS 470-472 LEYMOOR ROAD, HUDDERSFIELD HD7 4QF. Tel: (0484) 46083

**ETI CLASSIFIED
NOW ACCEPTS**

ACCESS 

AND

VISA 

SERVICES

ADS REPAIR AMPLIFIERS!!!
1 Regent Road, Ilkley LS29. 200
watt chassis amps, 240V £35, ±50V
reg, psu conds, skts (100 watt £23).
Callers after 6pm too!

- Kits
- Courses
- Surveillance
- Switches
- Plans
- Designs

**Market your
Expertise in
ETI by calling
01-437 0699**

SPECIAL OFFERS

J.P.G. ELECTRONICS

Resistors 1/4 w 5% carbon E12 1P 1% metal fm E243P
Resistor Pack 85 different E12 values plus ohm link, total
content of resistor 1,000 £8.95
LED's Red/Green 3/5mm 6p each; Yellow 11p each
Cable Ties 75mm 1p ea. £5.95/1,000; £49.50/10,000
Power Transistors T1T 35C, TIP36C, 100V, 25A TOP3,
Plastic case £1.56 each
1000s Piezo Buzzer £1.50, Standard Buzzer £1.80p
Solar Cells 0.45v 100mA £1.48; 700mA £3.50
Stepping motor 4 phase 12v 7.5 step 50ohms £8.95
SAA 1027 Stepping motor drive chip £3.95
Miniature FM Transistor kits 100-108MHz high quality
sound ideal for cordless microphones or guitars etc £7.48
Metal Latching XLR line plug £1.35
Line Socket £1.48
Ferric Chloride pack for mixing with 1/2 litre water £1.40
Flux cord solder 500g reel £4.95
Automatic Squeeze action wire stripper £3.45

SPECIAL OFFERS
Computer grade capacitors with screw terminals 58,000
uf 50v £4; 4,700 uf 63v £1.50; 36,000 uf 20v £1.95;
87,000 uf 10v £1.50
Stereo LW/MW/FM tuner, pre-amp complete with
volume/tone control and tuning scale. Brand new in
makers box £5.95; Faulty £1.95
Circuit diagram, description and setting up procedure for
tuner assembly described above 50p
LCD display 16 digit 7 x 5 dots matrix £2.50
Qwerty keyboard 58 key uncessed good quality switches £5
CMOS TTL 74 HC 74F linear transistor kits, capacitors,
resistors, tools etc, always in stock.

Please add 7.5p + p per order VAT inc.
J.P.G. ELECTRONICS, 276 Chatsworth Road,
Chatterfield S40 2BH. Callers welcome.
Access orders (0246) 211202

PLANS AND DESIGNS

ELECTRONIC PLANS, laser
designs, solar and wind
generators, high voltage teslas,
surveillance devices,
pyrotechnics and computer
graphics tablet. 150 projects.
For catalogue. SAE to
Plancentre Publications, Unit 7,
Old Wharf Industrial Estate,
Dymock Road, Ledbury,
Herefordshire, HR8 2HS.



Design and build your own electronic
dashboard.
Plans, instructions, circuits, parts lists
£4.95 inc p&p

BURLINGTON MOTOR CO. LTD.
(G9) ARCH 39M, BATH PLACE,
LEAMINGTON SPA, CV3 3AQ.

**THIS SPACE
COULD BE
YOURS IN
1989 — CALL
HEATHER WUST
FOR DETAILS**

ADVERTISERS

Telephone
Heather Wust
on 01-437 0626
or write to
her at
**1 GOLDEN
SQUARE,
LONDON W1R 3AB**

TERMS & CONDITIONS

CLASSIFIED ADVERTISING TERMS & CONDITIONS

Our terms for new advertisers (semi-display
and lineage) are strictly pro-forma payments
until satisfactory reference can be taken up
(excluding recognised advertising agencies
Cheques and PO's should be crossed and
made payable to ARGUS SPECIALIST
PUBLICATIONS LTD and sent together with the
advertisements to:

The Classified Dept.,
No. 1 Golden Square,
London W1R 3AB.

There are no reimbursements for cancellations.
Advertisements arriving too late for a particular
issue will be inserted in the following issue
unless accompanied by instructions to the
contrary. It is the responsibility of the advertiser
to ensure that the first insertion of every series
is published correctly, and corrections must be
notified in time for the second insertion,
otherwise the publishers will not accept liability
or offer any reduction in charges.

All advertising sales are subject to Government
Regulations concerning VAT. Advertisers are
responsible for complying with the various legal
requirements in force eg. The Trade Description
Act, sex discrimination act & the business
advertisements (disclosure) order 1977.
Full Terms & Conditions of Advertising
available on request.

RETAIL OUTLETS

BIRMINGHAM

"SUPERTRONICS"

Speakers, components and test equipment
(new and used) at very competitive prices
Come and see us at
BIRMINGHAM
65 HURST STREET,
BIRMINGHAM B5
TEL: 021-666 6504
9-6pm

LONDON

CRICKLEWOOD

FOR COMPONENTS
LOTS OF NEW DEVICES
LOTS OF LOWER PRICES
Phone for our catalogue:
01 452 0161/450 0995 Telex: 914 977
40 Cricklewood Broadway,
London NW2 3ET.

EDINBURGH

OMNI ELECTRONICS

stock a wide range of electronic components at:

174 Dalkeith Road,
Edinburgh EH16 5DX
Tel: 031 667 2611

Open Mon-Fri 9am-6pm, Sat 9am-5pm
Send 2x18p stamps for latest catalogue

SURREY

PLS

16 Central Road,
Worcester Park,
Surrey KT4 8HZ,
Tel: 01-330 6540.

Programmable device specialists.
(PAL's, PROM's, PLD's etc). Many
other components in stock.

LIVERPOOL

PROGRESSIVE RADIO

87/93 Dale Street Tel: 051 236 0154

47 Whitechapel. Tel: 051 236 5489

Liverpool 2

'THE ELECTRONICS SPECIALISTS'

Open: Tues-Sat 9.30-5.30

WOLVERHAMPTON

WALTONS OF WOLVERHAMPTON

Established since 1947

Offering a complete range — ICs, transformers,
switches, pots, capacitors, resistors, kits, speakers,
test equipment, books and lots, lots more!

Come and see us at

55A Worcester Street, Wolverhampton
Mon-Sat: 9-6 pm Tel: 0902 22039

E
L
E
C
T
R
O
M
A
R
T

E
L
E
C
T
R
O
M
A
R
T

OPEN CHANNEL



Just to give you an idea of magazine lead times, I'm writing this month's column in the midst of the national postal strike. This situation provides a good introduction to my subject — that is, fax.

Facsimile provides a means whereby representations of documents, drawings, pictures, in fact just about anything on paper can be transmitted over a telephone connection.

You could be forgiven for thinking that fax is a recent invention — after all it's only over the last couple of years that fax machines have started popping up in offices and office service bureaux.

However (here comes the history lesson) fax was invented and patented in 1843 by Alexander Bain. Naturally it wasn't until much later, around 1910, that fax was being used in commercial applications.

The reason that fax seems to have recently leaped to prominence is that few standards for communications of visual information over the line have been followed. Further, until the last few years techniques have been analogue-based, making the fax scanner and receiver pretty complicated and hence expensive. Latest generations of digital-based units are much simpler in construction and for most purposes are more than adequate. This is reflected in prices falling from the wrong side of exorbitant to less than £1000.

The postal strike has turned many people's attention to fax and the resulting sales should push prices even lower — certainly within the range of medium and large-sized organisations.

Transmission prices are cheap — the price of a phone line for just the time taken to transmit the page. Time depends on which category or group the fax machine belongs to. There are four main groups, categorised by which method is used to code and transmit the information. The group also defines the quality of the transmitted information and the resultant reproduction.

Groups 1 and 2, for example, are high quality groups giving grey tones and (especially with Group 1) very good results. However transmission times are pretty lengthy — some six minutes per A4 page for Group 1 and half that for Group 2.

Groups 3 and 4 are digitally based and don't give grey tones but can transmit an A4 page in 15 seconds. All the modern cheap machines are of these types.

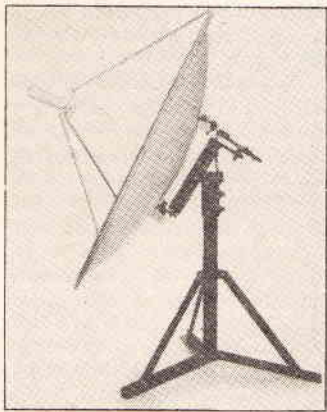
Of course you don't have to buy a fax machine. You can take your document to an office bureau and pay for it to be transmitted to your destination. And that brings me to the point of this blurb I'm writing here — this month's column

has been brought to you via fax. As soon as I've finished penning I'll be on my bike to my local bureau to 'post' it to the ETI offices where the ASP fax machine will receive it.

Paying The Price

All this is costing me £1.50 (at agency prices) rather than the 19p stamp I would otherwise use. However it doesn't take too long to calculate that if I post 1316 letters a year then buying a fax will pay for itself in four years. Although a meagre freelance journalist doesn't post anywhere near this number, many organisations do.

The extra convenience that an on-site fax machine gives in speed (documents are delivered within seconds), convenience (you don't have to run to catch the post) and cheapness in running costs means that a large number of organisations own have the purchase of a fax machine as a priority course of action.



Paying The Earth!

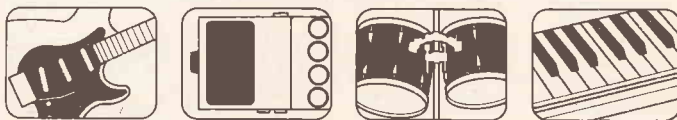
Recent reports about salaries to be earned by TV presenters when satellite television systems turn on have prompted me to regret my decision many years ago when I turned down the chance to become junior assistant to the assistant office dogsbody's teaboy in a well known brand of TV company.

Let me explain. I understand that Anne Diamond (of TV-am fame) has been offered a quarter of a million pounds to move to the British Satellite Broadcasting DBS channels when they start transmission next year.

Can this really be justified? It's the users, you and me, who have to pay these salaries in the end whether by licence fee, subscription or higher priced goods in the shops after advertising costs are absorbed into retail prices. (If perchance that job is still going, could somebody let me know...)

Keith Brindley

KEYNOTES



The DH-100 Digital Horn is the latest MIDI implementation from the innovative laboratory of Mr and Mrs Casio in Japan.

It was originally conceived, I am told, as a children's toy to rival or perhaps update the wooden school recorder but is now being given a major launch in Britain to appeal as a novelty item to professional musicians. It was one of the big stars of this year's BMF and not surprisingly — at £100 for a MIDI controller that sends velocity and aftertouch it almost enters the realm of an impulse purchase.

The horn itself resembles a stunted tenor sax and is finished in a matt silver plastic that shines like a prop from *The Day The Earth Stood Still*. The keys look like chrome but aren't: plastic plastic everywhere. However, I tried it in a bar and in a cinema — people stared at me on both occasions so it must have something.

If you can remember recorder fingering from school (unfortunately I can remember little else) then it is simple to bring back to life all those classroom classics.

The octave key on the back works right across the scale and Casio have added two extra teardrop keys — one as a simple method of obtaining sharps without the difficult fingering, the other as a portamento switch (also transmitted by MIDI). There's no way of varying the portamento and it is rather severe, best saved for special occasions.

The on-board (on-horn?) sounds are fairly standard budget Casio fare — good clarinet, pleasing oboe, dodgy trumpet — but the control of breath sensitivity gives them a certain expressive boost.

The voice change and transpose pads are on the righthand side of the instrument which I found the perfect place for resting the inside of my hand and hitting them by mistake. This is probably a matter of practice (or competence) but considering the market for a plastic horn, I'm surprised the pads aren't a little more safely positioned.

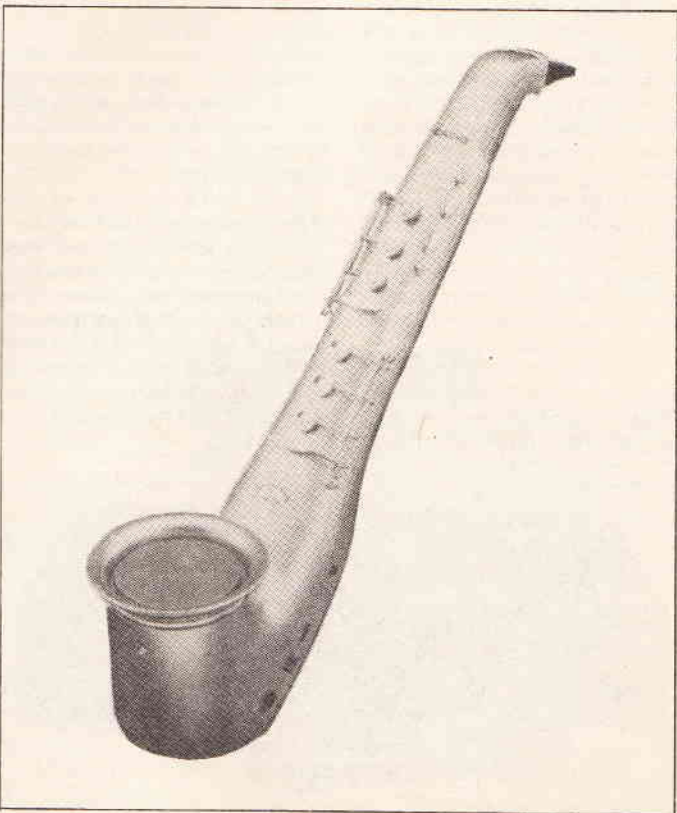
The internal speaker is in the bell of the horn and produces plenty of noise for wandering around your bedroom. The audio output is a mini-jack (why?) which is between line and headphone level and rather noisy as a result.

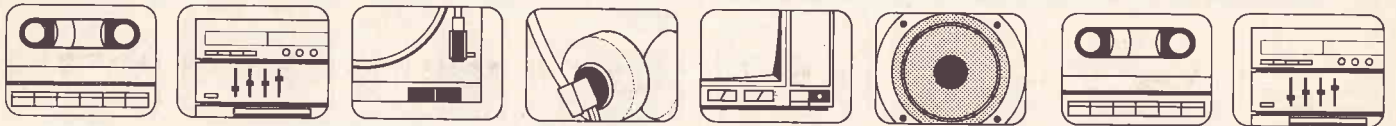
With both line-out and MIDI cables trailing from the side of the unit, the mobility of the digital horn player is considerably hampered particularly if you're used to a wireless wind or brass instrument.

But I'm forgetting that it only costs £99. At that price you have to forgive problems like there being no display to let you know if you've accidentally transposed yourself or to tell which sound has been selected.

It's a novelty but it's a useful novelty. Visit your Casio dealer and have a blow.

Colin Cat





There are many different video recorders on the market, ranging from basic models costing under £200 to professional models costing well over £1000. Top of the range domestic machines generally cost between £400 and £800.

Here we compare two such machines — the Ferguson FV14T, around £750, and the Philips VR6870, around £450. Both are top of their respective ranges but seem to be aiming for slightly different markets. The contrast between their features and performance illustrates many criteria which dictate the choice between one machine or another.

Similarities

Though the two machines offer different features, they have several points in common. Both are HQ machines which means that the video quality is improved compared with the previous generation. To be classified as HQ, a machine must offer increased white clip level on recording plus one or more of: detail enhancement, chroma processor, luminance improvement. The manual for the Ferguson machine states that it uses white clip improvement and detail enhancement. The Philips manual does not state which improvements are provided but it probably uses the same ones. This combination of enhancements is the most usual choice.

Both machines will record sound in hi-fi stereo (modulated on an FM subcarrier) as well as the standard linear mono sound used by most video recorders. They will also play commercially-recorded cassettes recorded in stereo hi-fi to their best effect — particularly effective with music videos. Of course it is only relevant if you connect the audio output of the recorder to your stereo system. Listening to the sound through an ordinary television, the improvement in sound quality on switching to hi-fi is not very significant.

Both machines have synthesised tuning with channel number display available. They both offer autosearch facilities for tuning in, which is a good

idea for people who have little practice in tuning radios and televisions.

Both machines' timers can be set to record at the same time each day or week, as well as at just one preset time. Each machine will accept eight entries, which may be single recordings or daily or weekly repeats. The Philips machine sports a 31-day timer, the Ferguson only has a 14-day.

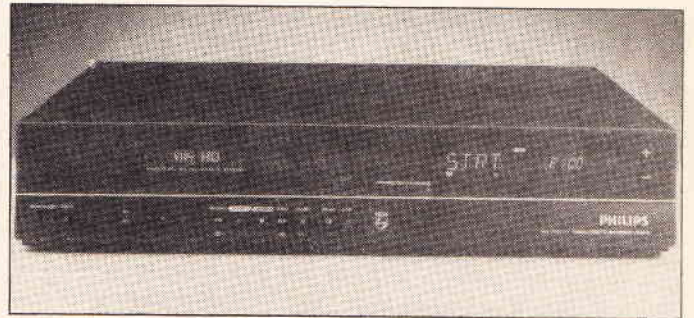
Apart from the standard manually controlled recordings in which the user switches the machine to record and it records until stopped or the tape ends, they both have an instant timer controlled record mode, in which recordings may be manually started and set to continue for any multiple of half an hour up to the tape length remaining.

In common with every video machine I have looked at, both machines add their contribution of video noise to the signal when the tuner in the video machine is used to select the programme. Both machines add rather less coloured snow than some cheaper machines and both machines add very little if fed with a very good signal.

Differences

As one might expect, for its higher price, the Ferguson machine offers a number of features which the Philips machine does not. The most obvious of these is the ability to record at half speed, stretching a four hour tape to eight hours. The video quality in this mode is slightly lower and the quality on stills or at fast search speed is much inferior. It is more than good enough for most time shift requirements and could be a boon if you wanted to capture a long event.

The SP/LP switching can be chosen separately for each timed recording so, for example, you may record all the soaps on LP to save tape and then record a feature film on SP to get better quality. Both machines can record at half-speed for sound only and in this mode they both provide up to eight hours of high-quality stereo recording on one video cassette. One hell of a party.



The Ferguson machine has a very useful function on the counter display. As well as displaying the usual arbitrary numerical count, it can be switched to display the time remaining before the end of the tape. This is accurate on both speeds and is invaluable in saving time scrolling back and forth through family tapes looking for a 'used up' slot.

I deduce that it works by measuring first of all the relative rotational speed of the two reels and secondly the rate of change of speed as the tape is transferred from one to the other. In this way, it takes account of different tape lengths.

The timer programming on each machine can be carried out from the remote controller but on the Ferguson model this function is taken to the nth degree. You can enter up to four timer settings into memory on the remote controller while sitting in your easy chair and looking at the Radio Times. As you enter the settings, your entry is displayed on a liquid crystal readout in the controller itself. Though one would not necessarily think so just to read about it, this feature makes programming the machine much easier.

When the required number of settings has been entered, they may be transferred from controller to VCR at the touch of a button. When programming the timer remotely on the Philips, the setting is shown on the VCR's own display. This display is larger than the Ferguson's to make this process easier but still becomes indiscernible within the length of many average living-rooms.

The styling of the two machines is different with the Philips machine looking more like a video recorder and the Ferguson looking minimalist and mysterious. The Philips machine has all the standard controls in view — play, fast wind, one touch record and so on. The tuning, timer, and other controls are behind a hinged panel. The only inconvenient control is the picture sharpness adjustment which is on the back panel.

The Ferguson machine had only the play, instant record and stop controls on view. It is clearly intended to be used from the remote controller most of the time so that the other

operating controls are behind one hinged panel with the setting controls behind another.

To conceal the space age Fergie from the passing burglar, a 'display off' switch is provided. This switches off the clock, counter, and recording level meters and leaves just -- showing on the display.

NICAM

Both the IBA and BBC are planning, officially or unofficially, to start transmitting television programmes in stereo on a national basis in the next few years. The BBC is already doing experimental stereo transmissions from Crystal Palace. The Ferguson VCR includes a NICAM decoder which could be very valuable if these plans are carried out.

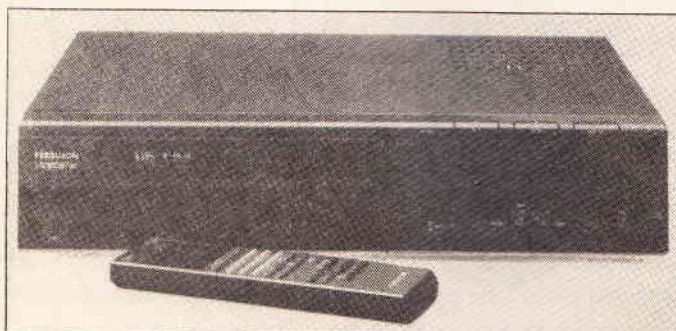
It is not impossible, however, that developments such as the proposed satellite television with different stereo standards may scupper NICAM in the long term. If this does happen then an expensive feature is wasted. You pay your money and you take your choice.

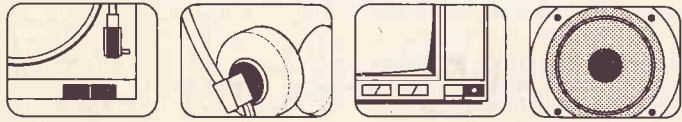
For the present, however, stereo 'television' is achieved by transmitting the stereo sound on an FM radio channel. Both machines have the facility to record a stereo signal from a radio tuner, while recording the television picture. This would allow the recording of events like last summer's Nelson Mandela Birthday Concert in glorious stereo.

Though the Ferguson machine includes a stereo decoder and is clearly intended to satisfy the enthusiast, an automatic record level facility is provided as well. The Philips machine, which appears to be aimed more for the average user, requires manual record level setting at all times. I am surprised at this omission because there are many people who seem to miss the point of record level setting and get into a muddle.

Performance

Both machines performed well. The sound quality was very good, probably better than most if not all audio cassette machines. The FM stereo sound used in this generation of machines is streets





ahead of the conventional linear stereo used by earlier machines.

It seems to be a general problem with VCRs that the quality of picture is worse when viewing the signal straight from the video cassette machine's tuner (not the recorded signal but the off-air signal), unless the signal from the aerial is extremely good. Neither of these machines is an exception to the rule. I have had a chance to test both of them in an area of medium signal and an area of good signal; they both suffered from the problem in the former and not in the latter. In the medium signal area, it was sometimes worthwhile to switch to the direct television channel to get a better picture, even while taking the sound from the video cassette machine to the hi-fi system. There was little difference in this respect between the two machines.

On normal program material, both machines give a subjectively similar performance. The adjustable sharpness controls have a slightly different response and it is possible that the Philips machine gives slightly more detail but this is hard to distinguish with moving pictures.

On normal program material, the performance of the Philips machine is much better than that of the Ferguson. The machine has three video heads, in order to provide what Philips call 'perfect stills' and they are indeed as near perfect as any I have seen. Nine times out of ten the still that you get upon hitting the pause button of the Philips machine is as perfect as the original recording (on the tenth it may be necessary to adjust the tracking control to remove a slight vertical jitter).

On the Ferguson machine to obtain a good still picture it is first necessary to run the machine in slow motion, while adjusting the digital tracking buttons. When the slow motion tracking is adjusted (a separate digital memory from the normal speed tracking), one must go back to the required frame and stop it there. Usually this will achieve a clean still picture. Even then the picture looks slightly more plastic and has slightly less detail than the Philips, no matter how you adjust the picture sharpness controls.

Conclusion

These two machines, both for people who want a fairly advanced video recorder, represent some of the choices to be faced. The Ferguson would be a definite option if you are looking forward to stereo television reception and expect, or are at least prepared to gamble, that it will be fully introduced. There are less expensive VCRs fitted with NICAM but if you want stereo plus good picture

performance (freeze frame and so forth) then you are usually looking at serious money.

If on the other hand the ability to decode NICAM stereo is not so important, or if you do not think that stereo for ordinary television programmes is a particular priority, then the Ferguson becomes decidedly less attractive. The Philips is a considerably cheaper machine with good freeze frame and slow speed facilities, ideal (for example) for examining musical or sporting technique closely from a video.

The NICAM decoder could justify the extra cost if you would otherwise buy a new machine to take advantage of stereo when it becomes widely available. Clearly it is more attractive to have stereo decoding in the video recorder than the television to make it easier to use with a normal stereo hi-fi. Stereo televisions as such do not seem a very worthwhile prospect though no doubt they will be produced if stereo transmissions get underway.

Apart from the Philips remarkable freeze frame performance, the Ferguson machine offers considerably more for its higher price. The LP facility should be taken into consideration if your household is prone to arguments about who records what during a two week holiday. On the other hand, one could buy three basic machines for the same money and record three different programs at the same time, a sure enough way to avoid conflict. Certainly this facility is not necessary if you time shift only the odd evening or weekend viewing. And do you really want to watch eight hours of video on return from a two week holiday?

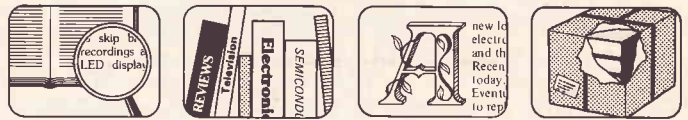
The display of tape time remaining provided by the Ferguson machine is a particularly useful feature and cannot cost much to incorporate in a machine already using a microprocessor. I am surprised that more manufacturers don't use it. Anyone who had lost the last two minutes of a programme may be tempted.

I found from experience that when looking for a new video (and I have yet to make up my mind) you can obtain any one feature to a reasonable quality at a reasonable price but once you start looking for several top-class features, the bill rises sharply. Also, you cannot rely on every feature of an advanced machine being equally satisfactory or the best in its class (as our two machines here have demonstrated) so a live test is essential before you part with money.

The key is to decide what you will be using your VCR for and how much each feature is worth to you. Then find a machine to match the mould.

Andrew Armstrong

BOOK LOOK



In a slight deviation from normal *Book Look* subjects, this month we review the newly published memoirs of John Logie Baird, inventor and demonstrator of the first television transmission system.

Sermons, Soap and Television by John Logie Baird. 174pp. Published by the Royal Television Society. £4.95.

Did Baird invent television? Did anyone invent television? The various arguments and claimants have existed for some sixty years and it seems unlikely ever to be properly clarified. Certainly the dictated memoirs of the man himself are not the place to search for a balanced account of developments.

"I write perhaps bitterly and egotistically" warns Baird and at times one has to agree with him.

However there is far more in this set of memoirs, dictated in 1941, than just the boffin's path to success. Indeed it becomes obvious that much of Baird's inventiveness is not so much technical aptitude as entrepreneurial stubbornness.

In his youth in Glasgow he quickly established that a company life was not for him. His perpetual illness was a major handicap to keeping employment — although such activities as placing an iron-cased carbon rod straight across the busbars of the power station where he worked (in an attempt to make diamonds) can't have helped either!

Out on his own he found success with the Baird Medicated Under-sock, set up a mango chutney business in the East Indies, then returned home to create Baird's Speedy Cleaner Soap which, together with his father's ministerial post, completes the book's title.

None of this would seem to pave the way for a world-shattering invention. It took a return to his electrical

experiments of youth to lead him to the first working television systems. These systems used rotating discs of 3-ply wood up to eight feet in diameter, spinning at 150 rpm! Rather hazardous, as Baird writes:

"On more than one occasion lenses broke loose, striking the walls or roof like bombshells. The apparatus would then get out of balance and jump from one side of the lab to the other until it was stopped or the disc tore itself to pieces. I had some exciting moments."

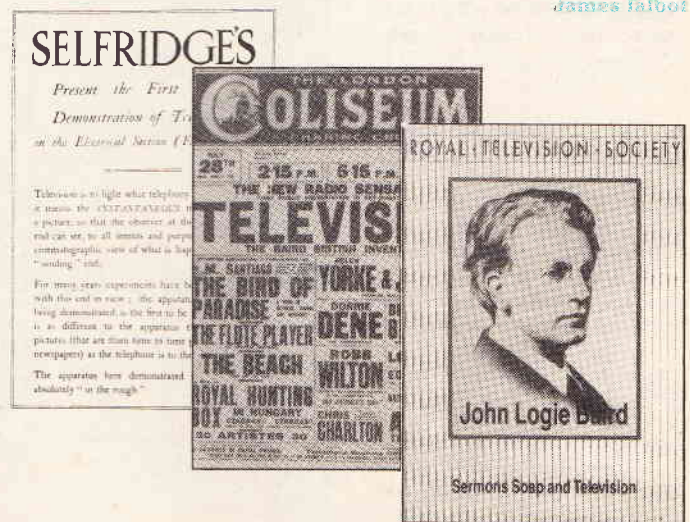
His private life holds as much fascination as these early experiments. Baird attended seances and spiritual meetings — more out of scientific curiosity than occult leanings. He intended to use his Noctovision (infrared TV developed only months after the original) to investigate what took place in the darkened rooms.

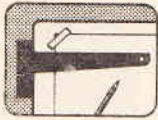
The final chapters of the book concern the problems of Baird's Television Ltd and the Marconi dominance of the small screen. In the end Baird came out with very little, despite his invention and continual innovation: first colour TV in 1928, first transatlantic broadcast in 1928, first outside broadcast (from the Derby) in 1931.

These memoirs have now been released by the Royal Television Society through the support of BBC Television — which is pretty ironic considering that the BBC of the day (and Lord Reith in particular) is one of the main villains of the piece. Perhaps it is trying to make amends.

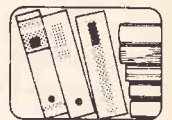
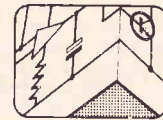
Sermons, Soap and Television is excellent reading, a fascinating document of both the invention of television and of life at the beginning of the century. It is available only from the Royal Television Society, Tavistock House East, Tavistock Square, London WC1 9HR for £4.95 including postage and packing. Tel: 01-387 1332.

James Talbot





This column is a service to readers to provide electronic designs to order. Many a project never gets further than the drawing board because of difficulties with one small part. If you are stuck for a circuit or a technique, let the ETI expert help you out. Send your requirements, with as much detail as possible, to ETI Blueprint, 1 Golden Square, W1R 3AB.



This month's *Blueprint* has been requested by two readers. They both want a power supply to provide the programming voltage for an EPROM programmer.

Marc Crosbie of Dublin wants to provide voltages of 5V, 12.5V, 21V, and 25V using 'the minimum number of expensive transformers and voltage regulators.'

Anthony Uk of Switzerland wants to control the programming voltage from a binary control signal according to the following truth table:

| Inputs | Output |
|--------|--------|
| 0 0 | ground |
| 0 1 | +21V |
| 1 0 | +26V |
| 1 1 | +12V5 |

He says in addition that the unit is to be powered from his computer, which has only a +5V supply, but that he wants $\pm 5V$ and +12V supplies constantly available in order to power triple rail EPROMS such as the 2708. Erk! I gave my last triple rail EPROM a decent burial years ago. Still, here is a circuit which will do what you want.

The main part of the circuit is shown in Fig. 1. It consists of a simple self oscillating flyback converter to increase the 5V input to approximately 28V, followed by a programmable voltage regulator switched to provide the various programming voltages used by different EPROMS. The logic control circuit is shown in Fig. 2.

A tertiary winding on the flyback transformer generates a negative voltage in approximate proportion to the +30V, approximately 8V. In practice this voltage is not very accurate because not all the magnetic flux linking this winding links the other windings and vice versa. Thus the voltage depends on the relative loading on the two rails.

The 30V supply is generated as a fixed voltage and then regulated down precisely because the need to generate a constant 5V negative supply. If no constant voltage were needed, the output of the flyback converter could be regulated to the exact programming voltage required (though extra filtering might be needed).

A switched voltage flyback converter is shown in Fig. 3. Different component values may be selected by experimentation. This still runs from +5V because a +5V supply is always needed to run EPROMS, even if triple rail ones are not to be programmed. A 5V supply can be supplied from a simple circuit using a 7805 regulator,

Leakage Reactance

Several points need attention in the construction of the flyback converter. First of all heavy peak currents flow so

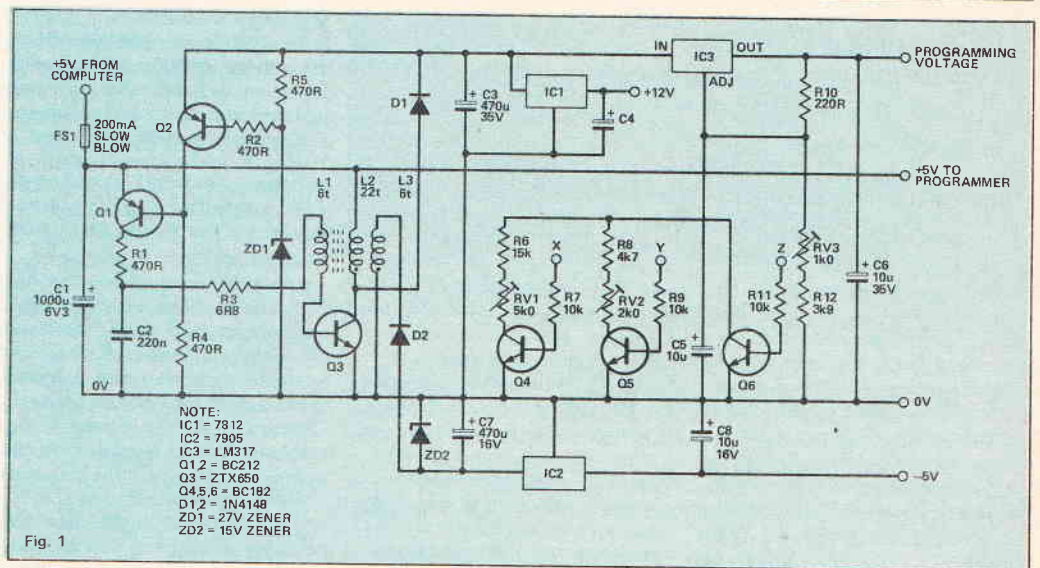


Fig. 1

the decoupling capacitor C1 must be connected to L2 and Q3 with short tracks. So spiky is the current flow that a filter inductor may need to be added between computer and power supply to prevent interference getting back to the computer's power supply and crashing it.

To minimise the effects of leakage reactance, the inductors should be wound in the closest possible contact. A good way to achieve this is to wind 11 turns of L2, followed by all of L1 and L3, followed by the remaining 11 turns of L2. When winding the transformer, take note of the dot convention where the dot denotes the clockwise (or anticlockwise) end of each winding. If the phase of one of the windings is reversed it will not work.

Whole numbers of turns are shown in the circuit diagram but it may be convenient to connect windings to diametrically opposite pins of the former, so that the finished coil is

symmetrical and may be installed either way round. In this case, 1/2 turn may be added to all windings without problem.

The ZTX650 transistor shown for Q3 is almost the only type suitable for the job. Its important characteristic is very low saturation voltage at over 1A with moderate base drive. If the ZTX650 is not available, a BD131 on a small heatsink may be used. The efficiency of the ZTX650 is so high that, though it is an E line transistor, it does not get hot or need a heatsink.

D2 and D3 are 1N4148 diodes for

high speed. 1N4001s, for example, would prevent efficient operation because they switch so slowly.

Switched Voltage

To regulate the 28V down to the levels required for PROM programming, an LM317 variable regulator is used. This type of voltage regulator acts to maintain a constant voltage of 1.25V between the adjust and output terminals. This feeds a constant current through R10 and hence generates a voltage drop proportional to resistance between adjust and ground. The resistance which is always in circuit, RV3 in series with R12, is adjusted to give the required 25V output and extra parallel resistances are switched in to reduce this to 21V or 12.5V as required. Q6 is included to reduce the output to 1.25V which should be close enough to 0V for most purposes. If it is not close enough, then a relay should be connected so to switch the programming voltage output to ground instead of to the output voltage.

The logic control circuit shown in Fig. 2 is suitable to drive Q4, Q5, and Q6 to provide the control required by Anthony Uk, but if computer control of voltage is not required then the transistors may be replaced with a selector switch, and the circuit of Fig. 2 omitted.

To set the pots for the correct voltages, start by selecting the 25V position and setting RV3 to give an output of 25V. The other two pots may then be adjusted to give their respective output voltages, but RV3 (which will affect all output voltages) should not be readjusted.

As with all *Blueprints*, component values are not gospel and you should experiment for the best results.

Andrew Armstrong

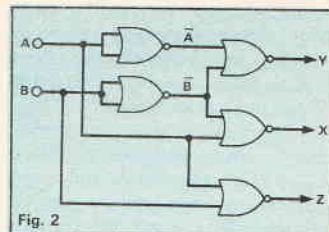


Fig. 2

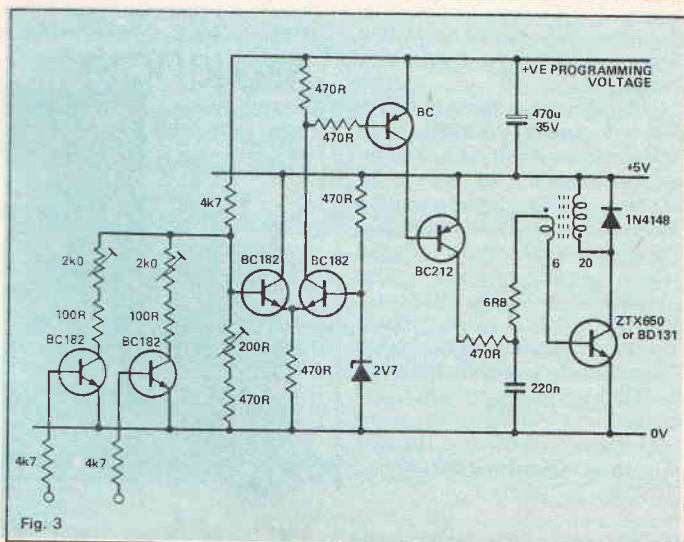


Fig. 3

PCB Manufacturers — Which to choose?

With scores of PCB manufacturers falling over themselves to make your conventional boards, it can be very difficult to choose the right one.

You could however, choose a PCB manufacturer with more to offer. Such as, assembly, panel printing, final build and design.

Slee Electro Products can provide you with these services and will still offer you competitive prices on your PCB's.

"We're hot on quality and delivery too. And being a member of the Printed Circuit Association, means we have to try harder."

Slee Electro Products, Tel: 0226 200717, Fax: 0226 731817, Unit 4, Grange Lane Industrial Estate, Carrwood Road, Barnsley, South Yorkshire S71 5AS, England.

Labcenter

electronics

PC-B £69.95 inc
The original budget priced PCB design aid.

PC-B PRO £229.95 inc
An incredibly powerful, yet truly intuitive layout editor. Just look at this selection of features. Totally configurable object sizes, blazing speed, superb quality output, back netlist generation, connectivity highlight, supports EGA and VGA, keyboard or mouse operation.

PC-B AR + PC-B PRO £399.95 inc
Auto-Routing, on a PC, at a sensible price. This is a Lee based double sided 25 or 50 thou grid autorouter.

DEMO disk refundable on purchase £5.00 inc

14 Marriner's Drive, Bradford BD9 4JT
Tel 0274 542868

HART

HART ELECTRONICS are specialist producers of kits for designs by JOHN LINSLEY-HOOD. All kits are APPROVED by the designer.

LINSLEY-HOOD CASSETTE RECORDER CIRCUITS



Complete record and replay circuits for very high quality low noise stereo cassette recorder. Circuits are optimised for our R 316 Super Quality Sendust Alloy Head. Switched bias and equalisation to cater for chrome and ferric tapes. Very easy to assemble on plug-in PCBs. Complete with full instructions.

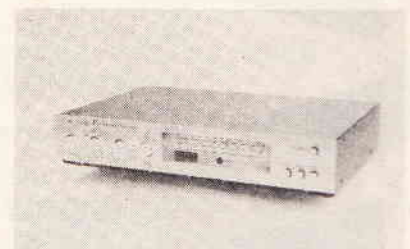
Complete Stereo Record-Play Kit £33.70
VU Meters to suit £2.30 each
Reprints of original Articles 75p no VAT
860X Stereo Mic Amplifier £8.70

LINSLEY HOOD 300 SERIES AMPLIFIER KITS

Superb integrated amplifier kits derived from John Linsley-Hood's articles in 'Hi-Fi News'. Ultra easy assembly and set-up with sound quality to please the most discerning listener. Ideal basis for any domestic sound system if quality matters to you. Buy the kit complete and save pounds off the individual component price.

K300-35 35 Watt. Discount price for Complete Kit £98.79
K300-45 45 Watt. Discount price for Complete Kit £102.36
RLH4&5 Reprints of Original Articles from 'Hi-Fi News' £1.05 no VAT

LINSLEY-HOOD SUPER HIGH QUALITY AM/FM TUNER SYSTEM.



Our very latest kit for the discerning enthusiast of quality sound and an exotic feast for lovers of designs by John Linsley-Hood. A combination of his ultra high quality FM tuner and stereo decoder described in 'ELECTRONICS TODAY INTERNATIONAL' and the Synchrondyne AM receiver described in 'Wireless World'. The complete unit is cased to match our 300 Series Amplifiers. Novel circuit features in the FM section to include ready built pre-aligned front-end phase locked loop demodulator with a response down to DC and advanced sample and hold stereo decoder together make a tuner which sounds better than the best of the high-priced exotica but thanks to HART engineering, remains easy to build. The Synchrondyne section with its selectable bandwidth provides the best possible results from Long and Medium wave channels, so necessary in these days of split programming. If you want the very best in real Hi-Fi listening then this is the tuner for you. Since all components are selected by the designer to give the very best sound this tuner is not cheap, but in terms of its sound it is incredible value for money. To cater for all needs four versions are available with variations up to the top of the range full AM/FM model, with any unit being upgradeable at any time. Send for our fully illustrated details.

STUART TAPE RECORDER CIRCUITS

Complete stereo record, replay, and bias system for reel-to-reel recorders. These circuits will give studio quality with a good tape deck. Separate sections for record and replay give optimum performance and allow a third head monitoring system to be used where the deck has this fitted. Standard 250mV input and output levels. These circuits are ideal for bringing that old valve tape recorder back to life.
K900W Stereo Kit with Wound Coils and Twin Meter Drive £65.67
RJS1 Reprints of Original Articles £1.30 no VAT

HIGH QUALITY REPLACEMENT CASSETTE HEADS



Do your tapes lack treble? A worn head could be the problem. Fitting one of our replacement heads could restore performance to better than new! Standard mountings make fitting easy and our TC1 Test Cassette helps you set the azimuth spot-on. We are the actual importers which means you get the benefit of lower prices for prime parts. Compare us with other suppliers and see! The following is a list of our most popular heads, all are suitable for use on Dolby machines and are in stock.

HC20 Permalloy Stereo Head. This is the standard head fitted as original equipment on most decks £7.66
HS16 Sendust Alloy Super Head. The best head we can find. Longer life than Permalloy, higher output than Ferrite, fantastic frequency response £14.86
HQ551 4-Track Head for auto-reverse or quadrophonic use. Full specification record and playback head £14.60
HX100 Stereo Permalloy R/P head. Special Offer £2.49
MA481 2/2 Language Lab R/P head £13.35
SM166 2/2 Erase Head. Standard mounting AC type £8.85
SM150 2/2 Erase Head. DC Type £3.60
HQ751E 4/4 Erase Head for Portastudio etc £46.80
Full specifications of these and other special purpose heads in our lists.

HART TRIPLE-PURPOSE TEST CASSETTE TC1

One inexpensive test cassette enables you to set up VU level, head azimuth and tape speed. Invaluable when fitting new heads. Only £4.66 plus VAT and 50p postage.

Tape Head De-magnetiser. Handy size mains operated unit prevents build up of residual head magnetisation causing noise on playback £4.54
Curved Pole Type for inaccessible heads £4.85

Send for your free copy of our LISTS. Overseas please send 2 IRCs to cover surface Post or 5 IRCs for Airmail.

Please add part cost of post, packing and insurance as follows:

INLAND
Orders up to £10 - 50p
Orders £10 to £49 - £1
Orders over £50 - £1.50

OVERSEAS
Please send sufficient to cover Surface or Air Post as required.



Personal callers are always very welcome but please note that we are closed all day Saturday

24hr SALES LINE
(0691) 652894

ALL PRICES EXCLUDE VAT UNLESS STATED

HART
HART ELECTRONIC KITS LTD
4 PENYLAN MILL
OSWESTRY, SHROPSHIRE
SY10 9AF

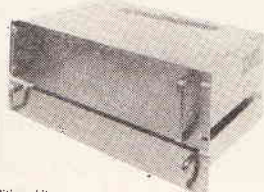
ADVERTISERS INDEX

| | |
|----------------------------|---------|
| BENCHMARK BOOKS | 27 |
| BICC VERO | 3 |
| BK ELECTRONICS | IFC, 11 |
| CIRKIT DISTRIBUTION | 54 |
| CRICKLEWOOD ELECTRONICS | 51 |
| DISPLAY ELECTRONICS | 24 |
| ELECTRONICS SUCCESS | 66 |
| FIELD ELECTRONICS | 60 |
| GRATTONS | IBC |
| GREENBANK ELECTRONICS | 66 |
| HART ELECTRONICS | 65 |
| HENRY'S AUDIO ELECTRONICS | 10, 37 |
| LAB CENTRE | 65 |
| MAPLIN ELECTRONICS | OBC |
| MAYWARE LTD | 21 |
| MOP ELECTRONICS | 54 |
| NATIONAL COMPONENT CLUB | 60 |
| OMNI ELECTRONICS | 27 |
| PC PUBLISHING | 20 |
| RACKZ PRODUCTS | 27 |
| RISCOMP | 37 |
| SAGE AUDIO | 54 |
| SLEE ELECTRO PRODUCTS | 65 |
| SPECIALIST SEMICON DEVICES | 32 |
| STEWARTS OF READING | 33 |
| SUMA DESIGNS | 10 |
| TJA DEVELOPMENT | 66 |
| TK ELECTRONICS | 36 |
| WILMSLOW AUDIO ELECTRONICS | 20 |
| ZENITH ELECTRONICS | 37 |

19" RACK CASES

★ Suitable for instruments, high quality amplifiers and many other applications that demand strength and professional finish ★ New improved construction and finish ★ Black anodised aluminium front panels ★ Separate front mounting plate, no fixing screws visible on the front and the side of the enclosure ★ Heavy gauge front panel is of brushed aluminium finish enhanced with two professional handles ★ With ventilation slots and plastic feet ★ Rear box manufactured from 1.1mm steel finished in black. Rack mounting or free standing. Comes in quick assembly flat package spare front panels available.

| Order Code | Panel Size W H (inch) | Rear Box W H D | Weight | Price £ |
|------------|--------------------------|-------------------|--------|------------|
| 1U-10 | 19 x 1.75 | 17 x 1.5 x 10 | 2.4kg | 23.50 |
| 2U-10 | 19 x 3.5 | 17 x 3.0 x 10 | 2.9kg | 24.50 |
| 3U-10 | 19 x 5.25 | 17 x 5.0 x 10 | 3.5kg | 26.50 |



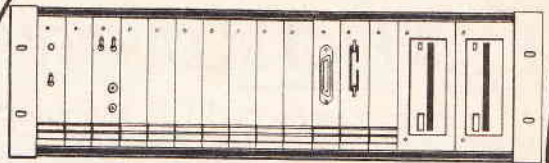
| | | | | |
|-------|---------|-----------|-------|--------|
| 1U-12 | 19x1.75 | 17x1.5x12 | 2.8kg | £24.50 |
| 2U-12 | 19x3.5 | 17x3.0x12 | 3.3kg | £25.50 |
| 3U-12 | 19x5.25 | 17x5.0x12 | 4.0kg | £27.50 |
| 4U-12 | 19x7.0 | 17x6.5x12 | 4.6kg | £29.95 |

Please add £3.00 P&P for the first item and £1.50 for each additional item. No VAT to be added to the price. A range of low cost, high quality test equipments available, s.a.e. for details. To order send cheque/postal order. Quantity discount available. Customers who require further information please send S.A.E. Trade and overseas orders welcome. Mail order only.

T.J.A. DEVELOPMENTS
Dept. ET1, 19 Welbeck Road,
Harrow, Middlesex HA2 0RN.

Interak 1

BUILD YOUR OWN COMPUTER



INTERAK can be commenced with the minimum of outlay. Bare boards from £10.95; beg borrow or steal the components, or buy from us - all parts available separately. No special or custom chips (ie PALS, ULAs, ASICs etc) used - no secrets.

Go as fast or as slowly as your funds and enthusiasm permit.

Made for those who must know what goes inside. Full circuit diagrams and descriptions are provided. And honestly, can you really use a computer effectively if you don't know what's inside and nobody will tell you?

Solid engineering construction - something to be proud of. 19" 3U rack mounting, plus in circuit boards and modular construction keeps obsolescence at bay.

Flourishing Independent Users Group, and newsletter. Hundreds of programmes on disk at little or no cost from the Users Group. Program in machine code (Assembler), Basic, "C", Forth, etc. Database, Word Processing, Scientific applications.

Cassette tape operation or disk (up to 4 drives, 1 Megabyte 3.5" available from us, but you can add 3", 5.25", 8" if you want). Disk operating system CP/M Plus.

64K RAM, Z80 based at present with potential for expansion to a 16 Megabytes address space and Zilog's latest Z80280 in the future. Needs no specialised knowledge to construct, and we will happily get you out of a jam if you get into one.

Availability of personal and individual after sales service, impossible to obtain from large companies, who are only after your money. Security of supply - from Greenbank Electronics, established in 1970.

Greenbank

For more details write or phone us:
Greenbank Electronics, Dept. (T12E), 460 New Chester Road, Rock Ferry, Birkenhead, Merseyside L42 2AE. Tel: 051-645 3391.

GET INTO ELECTRONICS *



PASS THOSE EXAMS (GCSE) *



MAKE THAT PROJECT *



GO FURTHER, DO BETTER *



DESIGN & BUILD WITH PRIDE*



***SAFE, NO SOLDERING, BATTERY POWERED.**
(Battery replacing power supply - price £10.00 p&p £1.00) - regulated - 5 volts, 300mA -

THE ELEMENTARY LEARNING PACKAGE

2 Books
2 WALL CHARTS
125+ NEW COMPONENTS (5 CHIPS)
1 RESISTOR COLOUR CODE CALCULATOR

OVER 200 PARTS
PRICE £25.00
+p&p £5.00

THE BEGINNER CONSTRUCTOR PACKAGE

5 BOOKS
350+ NEW COMPONENTS (10 CHIPS)
1 TEST METER
1 RESISTOR COLOUR CODE CALCULATOR

OVER 400 PARTS
PRICE £55.00
+p&p £5.00

THE SCHOOLS AND PROJECT CONSTRUCTORS PACKAGE

10 BOOKS
1000+ NEW COMPONENTS (25 CHIPS)
1 HIGH QUALITY TEST METER
1 RESISTOR COLOUR CODE CALCULATOR

OVER 1300 PARTS
PRICE £95.00
+p&p £10.00

THE ADVANCED CONSTRUCTORS PACKAGE

12 BOOKS
2000+ NEW COMPONENTS (50 I.C.'s)
1 V. HIGH QUALITY TEST METER
1 REGULATED POWER SUPPLY

OVER 2100 PARTS
PRICE £160.00
+p&p £15.00

THE COMPLETE CONSTRUCTORS PACKAGE

15 BOOKS
3000+ NEW COMPONENTS (100 I.C.'s)
2 PROFESSIONAL TEST INSTRUMENTS
20+ HIGH QUALITY TOOLS (+ SOLDERING IRON)
1 REGULATED POWER SUPPLY

OVER 3300 PARTS
PRICE £260.00
+p&p £20.00

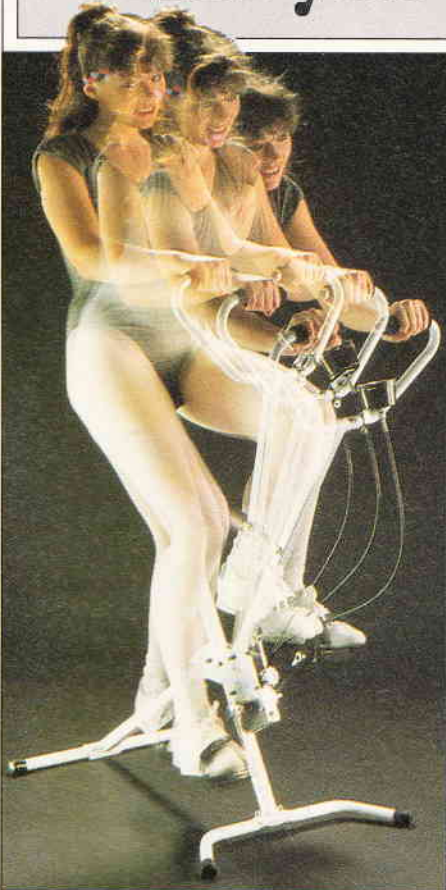
| | |
|---|----------------------------|
| CONSTRUCTORS SOLDERING PACKAGE - TEMPERATURE CONTROLLED IRON, SOLDER, 6 SOLDERING TOOLS | - Price £65.00 p&p £10.00 |
| PROFESSIONAL SOLDERING PACKAGE - PROFESSIONAL TEMPERATURE CONTROLLED IRON, ANTI STATIC MAT, 1/2kg SOLDER, 10 PROFESSIONAL SOLDERING TOOLS | PRICE £160.00 p&p £15.00 |
| CONSTRUCTORS TOOLS PACKAGE - OVER 50 HIGH QUALITY ELECTRONICS TOOLS | PRICE £55.00 p&p £10.00 |
| PROFESSIONAL TOOLS PACKAGE - OVER 100 PROFESSIONAL ELECTRONICS TOOLS | - PRICE £160.00 p&p £15.00 |



ELECTRONICS SUCCESS

PO BOX 10
ST ANNES ON SEA
LANCS
FY8 1SA

Two great offers, specially selected for you by Argus and Grattan



As the reader of an Argus Specialist Publications we think you'll appreciate really great value. So we've got together with Grattan to bring you these superb offers.

Exercise Cycle/Rower £34.99

Now you can fight the flab and keep in great shape in the comfort of your own home with this versatile exercise cycle/rower.

It takes just a few minutes a day to stay fit because this highly efficient firming, toning and fitness machine combines two essential forms of exercise.

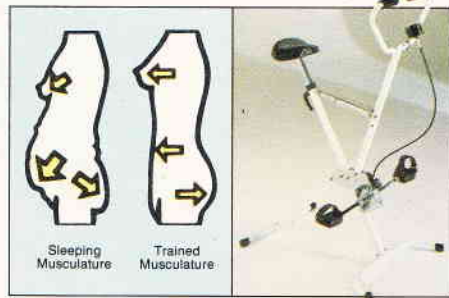
The pump action handlebars provide aerobic action for the chest, heart and

lungs whilst the cycle will soon tone up your stomach, thighs and buttocks.

This machine includes special features normally only found on more expensive models, including a combined speed and distance meter to monitor progress and adjustable tension for more strenuous exercise the fitter you become.

And when you've finished exercising the machine folds quickly away for easy storage.

So shape up and send for your cycle/rower today.



Turbo Power Wash £18.99

Forget about trips to the car wash or slopping water about in buckets, here's the fast, effective, modern way to wash your car.

The Turbo Power Wash is durable and lightweight and turns any standard British hosepipe into a high power spray which blasts away dirt and gets to those hard to reach spots on your car or caravan.

But its versatility doesn't end there.

You can use the Turbo Power Wash clean patios, paths or even dustbins.

The specially developed action uses mains water pressure only to produce a self-contained power wash system with

three different spray pattern tips, an 8oz soap reservoir, fingertip controls and a soap/washer ratio control.

For an amazing £18.99 the Turbo Power Wash comes complete with a free 32 fl.ozs of cold water suds concentrate.



Send to:- Grattan Response, ("Argus Offer"), Admail 79, Leeds LS1 1XE.

Exclusive Offer HOW TO ORDER

| EXERCISE CYCLE ROWER | | | |
|--|--------|-----|----------------------|
| CODE | PRICE | QTY | TOTAL VALUE OF ORDER |
| 91K352HB3 | £34.99 | | |
| TURBO POWER WASH | | | |
| CODE | PRICE | QTY | TOTAL VALUE OF ORDER |
| 72K662HB3 | £18.99 | | |
| | | | p&p £1.50 |
| I enclose cheque/postal order payable to GRATTAN RESPONSE ("Argus Offer") or please debit my Credit Card | | | GRAND TOTAL |

ACCESS VISA U0027

Card No:

Expiry Date: Month Year

Signature Date

Name

Address

Postcode

Grattan plc, Anchor House, Ingleby Road, Bradford BD99 2XG. Reg No. 249001 England. Delivery subject to availability.



Telephone orders direct on 0274 521126

Credit card holders please phone your order quoting ref: U0027

THE NEW MAPLIN CATALOGUE IT'S OUT OF THIS WORLD SEND FOR YOUR COPY TODAY

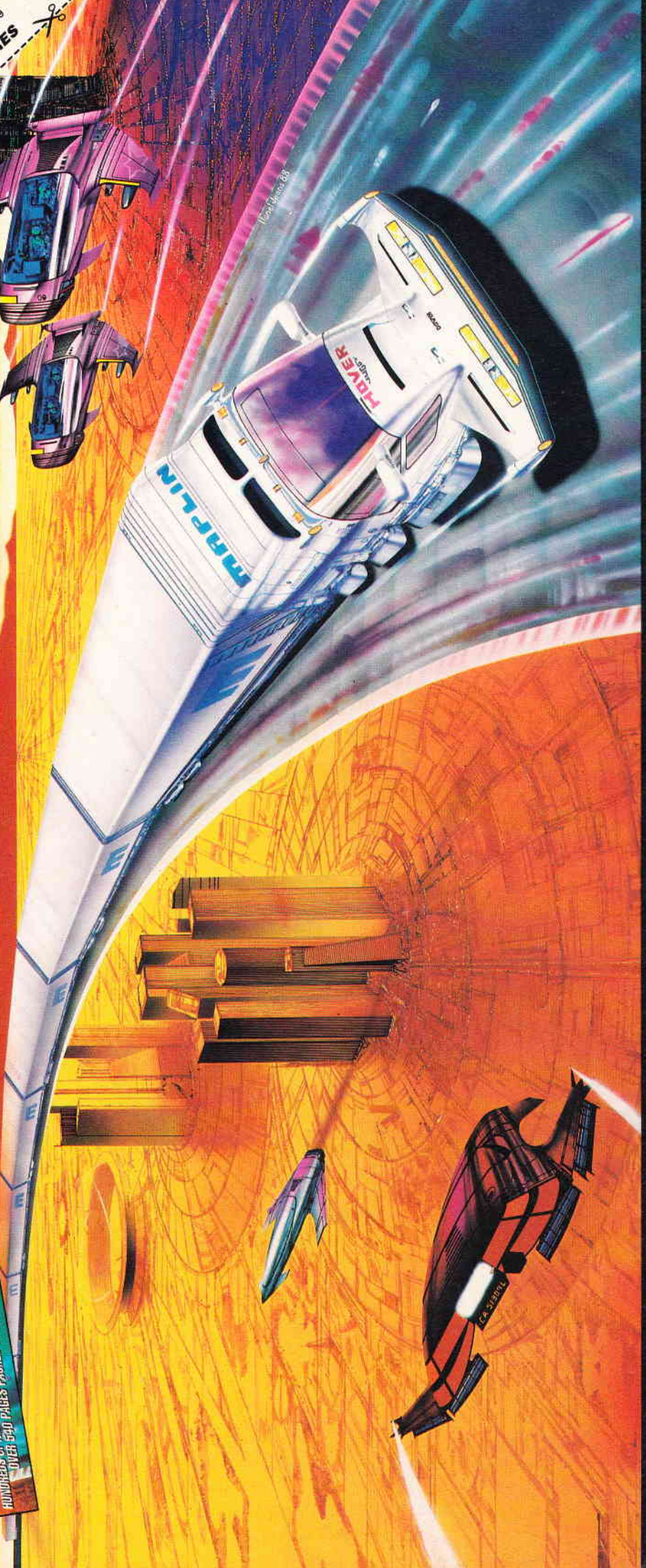
ORDER OF YOUR COPY OF THE NEW MAPLIN CATALOGUE ON SALE SOON

Pick up a copy from any W.H. Smith for just £1.95 or post this coupon now to receive your copy by post for just £1.95 + 50p p & p. If you live outside the U.K. send £3.40 or 15 International Reply Coupons. I enclose £2.45.

Name _____
Address _____
Post Code _____

Send to Maplin Electronics, P.O. Box 3, Rayleigh, Essex SS6 8LR.
AVAILABLE FROM 11th NOVEMBER 1988 IN ALL W.H. SMITH STORES

ETI 89



Evening on the planet Oldana, as the Maplin Juggernaut thunders along the highway, captured on canvas by galaxy famous artist Lionel Jeans and featured on the cover of the new Maplin Catalogue.