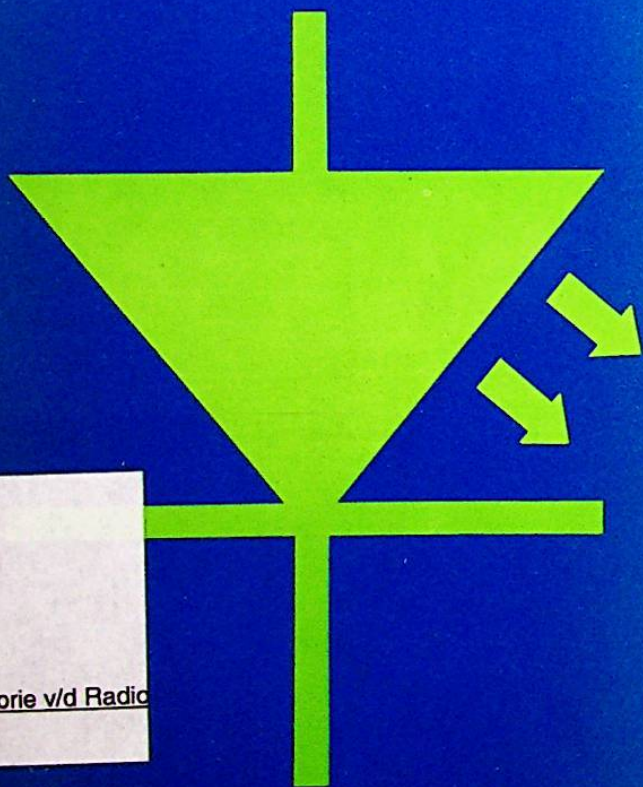


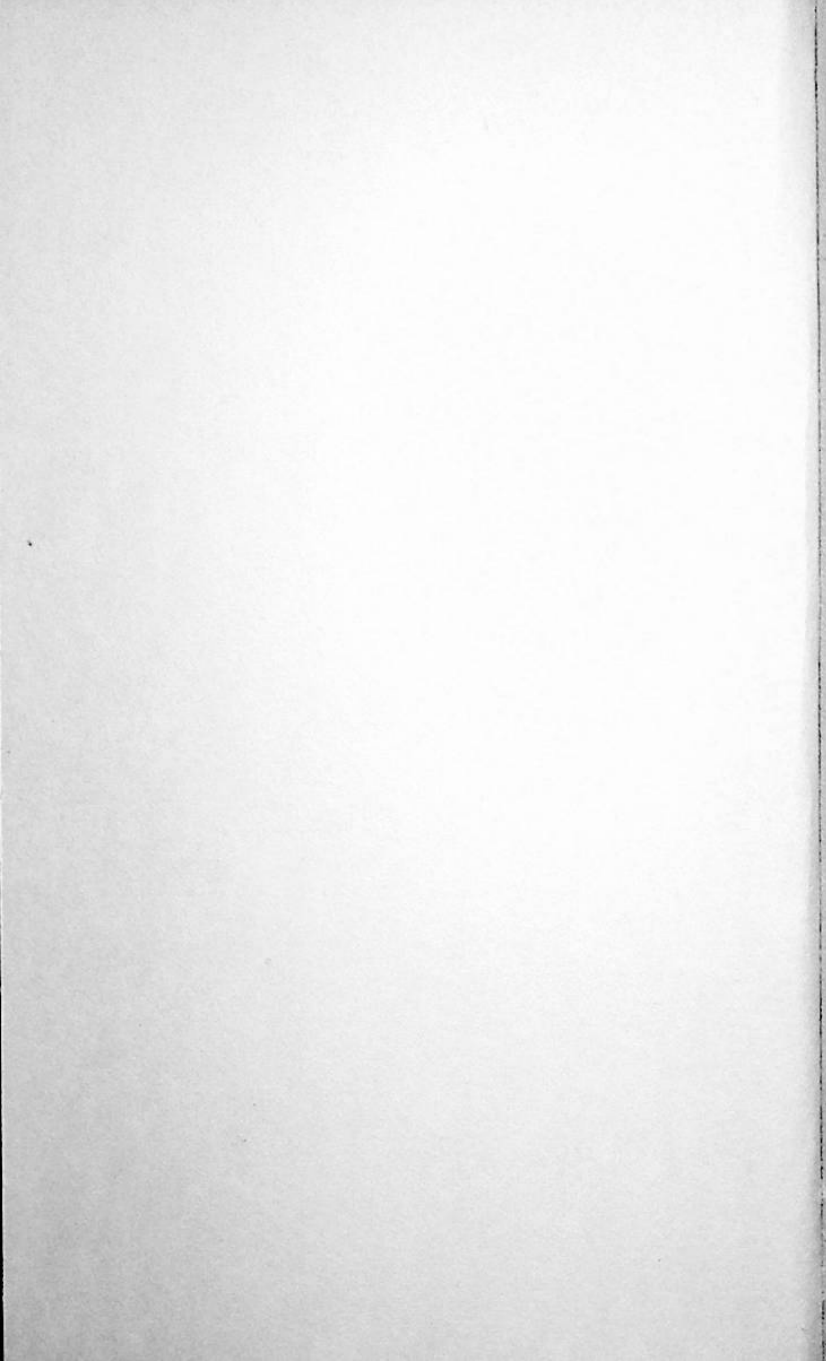
50 Simple L.E.D. Circuits

R.N. SOAR



IR
2

r de Historie v/d Radio



BIBLIOTHEEK
N.V.H.R.

**50 SIMPLE
L.E.D. CIRCUITS**

by

R. N. SOAR

BABANI PRESS
The Publishing Division of
Babani Trading and Finance Co. Ltd.
The Grampians
Shepherds Bush Road
London W6 7NF
England

Although every care is taken with the preparation of this book, the publishers or author will not be responsible in any way for any errors that might occur.

© 1977 BABANI PRESS

I.S.B.N. 0 85934 043 4

First Published December 1977

Printed and Manufactured in Great Britain by
C. Nicholls & Co. Ltd.

Circuit No.		Page
1	LED Pilot Light	7
2	LED Stereo Beacon	8
3	Stereo Decoder Mono/Stereo Indicator	9
4	Subminiature LED Torch	10
5	Low Voltage Low Current Supply	11
6	Microlight Indicator	12
7	Ultra Low Current LED Switching Indicator.	13
8	LED Stroboscope	14
9	12 Volt Car Circuit Tester.	15
10	Two Colour LED.	16
11	12 Volt Car "Fuse Blown" Indicator.	17
12	LED Continuity Tester.	17
13	LED Current Overload Indicator	18
14	LED Current Range Indicator	20
15	1.5 Volt LED "Zener"	22
16	Extending Zener Voltage	22
17	Four Voltage Regulated Supply	23
18	PsychaLEDic Display	24
19	Dual Colour Display.	25
20	Dual Signal Device.	26
21	LED Triple Signalling.	27
22	Sub-Miniature Light Source for Model Railways	28
23	Portable Television Protection Circuit	29
24	Improved Portable TV Protection Circuit.	30
25	LED Battery Tester	31
26	Simple LED Timer.	32
27	LED Logic Probe.	33
28	Flashing LED Display	34
29	Experimental Unijunction LED Flasher.	35
30	Audio Frequency Zero Beat Indicator.	37
31	Simple Transistor Tester.	37
32	Simple NPN/PNP Transistor Tester.	38
33	Very Low Current LED on/off Indicator	39
34	Binary Demonstrator	40

35	LED Nightlight	42
36	IC LED Flasher	43
37	Automatic Mains/Battery Switch	44
38	Voltage Comparator	45
39	LED/Zener Voltage Measuring	46
40	LED/Zener Voltage Range Measuring Circuit	47
41	Constant Current Charger	48
42	Multizener	49
43	Dual Voltage Regulator	51
44	Low Voltage Tester	53
45	Optically Isolated Variable Resistance	54
46	Three LED Preset Station Indicator	55
	The 707 Common Anode Display	57
47	Random Number Display	57
48	Legend Display	59
49	"Roman" 1, 2, 3 Display	60
50	Numerical Display	61

Light emitting diodes or LEDs are semiconductor devices made from materials such as gallium arsenide or gallium arsenide phosphide. The light is produced by electron/hole recombination when the diode is **UNDER FORWARD BIAS**, i.e. for light production the diode anode is positive with respect to the cathode. A current limiting resistor must always be included in series with the LED to control the current and prevent the LED from being damaged due to overheating. The light output increases with current but the current should not be allowed to exceed 20mA for a normal diode.

LEDs are now available in several colours – red, green, orange and yellow. The red LED is the most efficient, green LEDs require a much higher operating current for a comparable light output. Most of the circuits featured in this book are for red LEDs, as these are the most efficient and also cheaper than the other varieties.

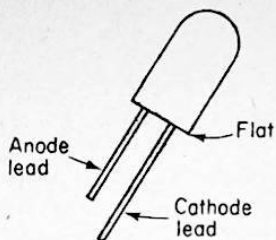
Some of the circuits use red LEDs for voltage measurements, this depends on the constant voltage drop across a diode, green LEDs should not be substituted as the characteristics are very different. The circuits at the end of the book are for red LED seven segment common anode displays.

Various encapsulations are used for LEDs but the most common one has a cathode lead which is slightly longer than the anode lead. A flat on the encapsulation also indicates cathode.

Red LEDs are available in several sizes – 2mm, 3mm and 5mm. 5mm red LEDs were used in most of the prototype circuits.



CIRCUIT SYMBOL



ENCAPSULATION

If the connection details of a LED are not known adopt the following procedure. Connect the LED WITH A $1K\Omega$ RESISTOR IN SERIES to a 9 volt battery, if the LED does not glow reverse connections. With the LED glowing the lead connected to the negative pole of the battery is the cathode.

CIRCUIT ONE

LED PILOT LIGHT

A LED makes a useful pilot light indicating that a piece of equipment is switched on. Most LEDs can be fitted with a plastic mounting bush, most retailers can supply these, so that the LED can be simply clipped into a hole drilled into the equipment front panel. Suitable values for the LED series resistor are shown in diagram (1). Green LEDs are much less efficient than red LEDs and so require a higher operating current and hence a lower value for the series resistor. The values shown give a reasonable brightness, if a very bright glow is required the values of resistance should be halved.

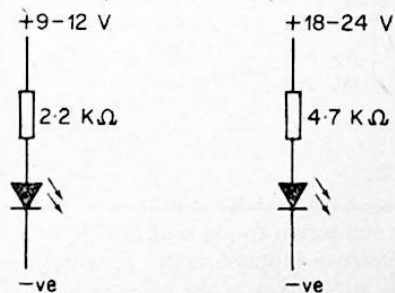


DIAGRAM 1.

CIRCUIT TWO

LED STEREO BEACON

A red LED makes an excellent stereo beacon for an I.C. stereo decoder such as the Motorola MC1310 or the Texas SN76115; the SN76115 is an exact replacement for the MC1310, the connection details are identical.

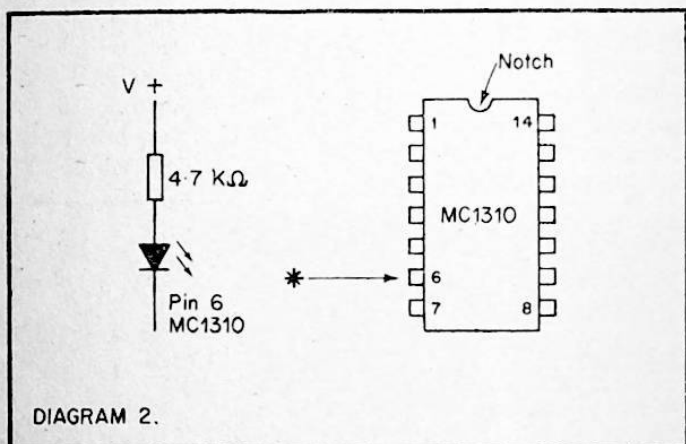


DIAGRAM 2.

The LED is connected to pin 6 of the MC1310 (or SN76115) and to the positive supply line (9–12 volts) via a 4.7KΩ ¼W resistor. The MC1310 switches from mono to stereo operation automatically and when operating in the stereo mode the LED will glow. The fact that the LED is glowing indicates that the phase lock loop circuit has 'locked on' to the 19KHz pilot tone it does NOT indicate stereo reception as such. Most stations continue to broadcast pilot tone during mono items especially on record shows. If the beacon is glowing but the sound is not stereo it is probably because the station is playing a mono record. If the beacon does not glow at all during a broadcast which is definitely stereo it is probably due to insufficient signal reaching the decoder. The MC1310 has a threshold level

for stereo operation, if the signal level is very low the circuit will not switch over to stereo, this is likely if the receiver has an inadequate aerial. If the LED flickers this means that the MC1310 is switching rapidly between stereo and mono operation, this occurs when the 19KHz pilot tone input in a stereo signal is near to the threshold level, this is most likely to occur when trying to receive a distant station. The cure is to switch the decoder to mono operation, this is done by connecting pin 8 of the MC1310 to the negative line via a SPST switch (stereo defeat switch) when tuning in to a local station remember to switch it back to the normal-stereo position. If the flickering effect occurs with local station reception, this means that a better aerial must be used to obtain stereo reception.

A LED can be used with almost any stereo decoder which has a stereo beacon facility. In older decoders the LED and 4.7K Ω resistor can be wired in place of the stereo indicator bulb. If the decoder is positive earth (likely if PNP transistors used) the LED should be wired with the cathode connected to the negative supply voltage.

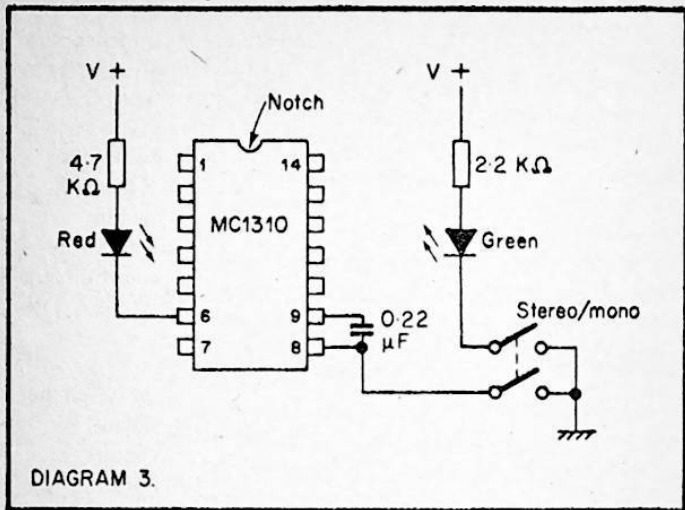
CIRCUIT THREE

STEREO DECODER MONO/STEREO INDICATOR

Circuit three is a further development of circuit two, here in addition to the stereo beacon a green LED is used to indicate mono operation, i.e. normal stereo operation has been defeated because the decoder is too noisy operating in the stereo mode, which may be the case when tuned to a distant stereo FM station.

When pin 8 of the MC1310 I.C. is earthed the stereo/mono switch is disabled and the decoder operates in mono only and the stereo beacon is switched off, but the green LED is now

connected to earth, completing the circuit, and glows to indicate MONO operation.



In the diagram the components in the rest of the decoder circuit are omitted for clarity. The stereo defeat switch is a DPST type. One of the miniature DPDT slide switches can be used, in this case the extra set of contacts are not connected.

CIRCUIT FOUR

SUBMINIATURE LED TORCH

This is a very simple circuit for a torch small enough to fit into a matchbox, if miniature $1\frac{1}{2}$ v cells are used to power the LED. The light given out by a red LED is not very bright but it is sufficient to enable one to locate a keyhole, check change, in the darkness. The torch can be equipped with a sub-miniature slide switch to enable it to be turned on and off. No resistor is required in series with the LED as the applied voltage is only 3 volts or less.

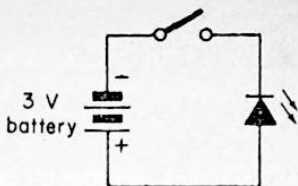


DIAGRAM 4.

CIRCUIT FIVE

LOW VOLTAGE LOW CURRENT SUPPLY

A LED can be used as a low voltage low current rectifier capable of supplying a few mA for a transistor circuit.

A LED as a rectifier has the advantage that it also functions as a power 'ON' indicator. The LED can be supplied from a low voltage winding such as a 6.3v heater transformer.

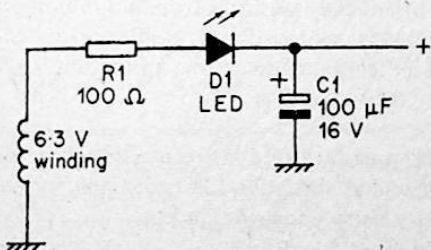


DIAGRAM 5.

CIRCUIT SIX

MICROLIGHT INDICATOR

A 2mm red LED can be used as a very low current indicator for transistorised equipment. A red LED will still produce a visible gleam from a 9 volt supply even when supplied via a 100K Ω resistor.

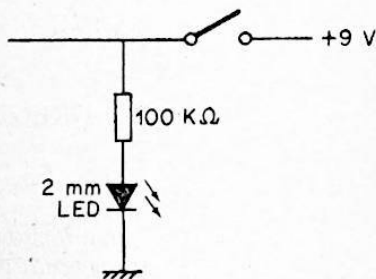


DIAGRAM 6.

Although the gleam from a LED at such a very low current is not very bright the transition from nonillumination to illumination when switched on is easily noticed and this is a very useful indication of switching a function e.g. to 'record' on a battery tape recorder.

A 2mm LED is easily fitted into a plastic cabinet by drilling a small hole and securing the LED with polystyrene cement, as used with plastic 'construction kits'.

CIRCUIT SEVEN

ULTRA LOW CURRENT LED SWITCHING INDICATOR

This circuit uses a red LED to indicate that a circuit has been switched to a particular function, the LED is only required to glow for a few seconds for reliable indication and can then be extinguished. The basis of the circuit is that a capacitor is charged up by the battery supply and the capacitor supplies the current for the LED, once the capacitor is discharged the LED ceases to glow. The switches shown in the diagram (7) are ganged to the function switch, which could be the PLAY/RECORD switch fitted to a battery tape recorder.

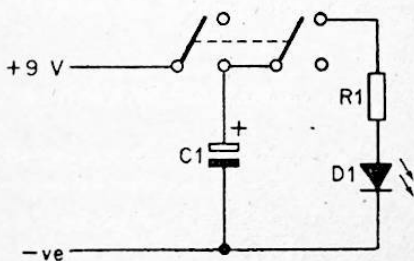


DIAGRAM 7.

The electrolytic capacitor charges up again when the circuit is switched back. The value of the resistor R1 controls the length the LED glow persists, a lower value can be used, this will give a brighter glow for a shorter time. If a higher value of R1 is used this produces a dimmer glow which persists longer.

Components List

C1 1000 μ F 16v electrolytic

R1 22K Ω $\frac{1}{4}$ W

D1 RED LED

SWITCH 2 pole 2 way (part of function switch)

CIRCUIT EIGHT

LED STROBOSCOPE

This is a simple circuit which uses a red LED as a stroboscopic flash generator. The LED is powered from a 6.3v AC heater winding. The LED glows only when forward biased so that the LED is on for only half the AC cycle and so flashes 50 times per second when powered from AC with a frequency of 50Hz.

One common use is in conjunction with a stroboscopic record speed disc.

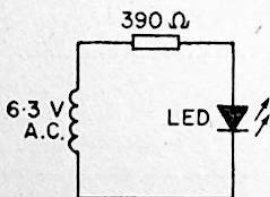
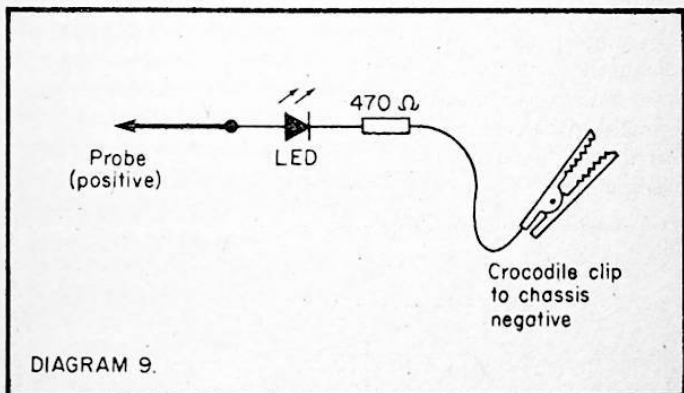


DIAGRAM 8.

CIRCUIT NINE

12 VOLT CAR CIRCUIT TESTER

This is a LED probe for testing 12 volt car wiring circuits. One lead of the tester is clipped to chassis, which forms the negative connection, the second lead is in the form of a probe. When the probe touches a connection at a potential of 12 volts with respect to chassis, the LED will glow brightly.



If the tester is required for use with a positive chassis car the LED should be wired the other way round so that the anode is connected to the chassis (positive).

If a 2mm red LED is used for the tester, this together with a 470Ω $\frac{1}{4}W$ resistor can be fitted inside an empty transparent ball-point pen tube, the negative lead can be a flying lead fitted with a crocodile clip. The probe can be a long screw or nail secured in the tube with polystyrene cement.

CIRCUIT TEN

TWO COLOUR LED

This is a circuit for the experimenter, the results vary between diodes. The circuit uses a green LED. A green LED is much less efficient at light production when operated at low current levels. A green LED glows bright green at a high current level but at a lower current level the glow degenerates to an orangey-red. If the series resistor used with a green LED is switched so as to alter the current flowing through the LED this is in effect a method of colour change. At a voltage of 9 volts a green LED glows green with a series resistor of $2.2\text{K}\Omega$ and orange/red with a resistor of $22\text{K}\Omega$. The effect varies with diodes and the actual resistor values may require some adjustment for an optimum colour change.

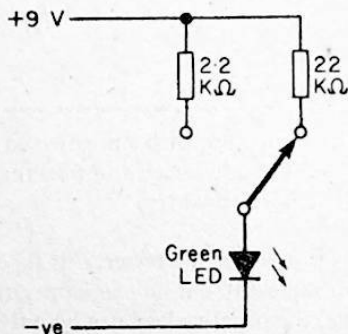


DIAGRAM 10.

CIRCUIT ELEVEN

12 VOLT CAR "FUSE BLOWN" INDICATOR

This is a simple indicator circuit for car use. The LED and its series resistor are wired across the car fuse. As long as the fuse is intact, the LED is shorted out and does not glow. If the fuse blows the current now passes through the LED and the LED glows to indicate "FUSE BLOWN". A small current flows into the car circuit via the LED but this is only a few mA.

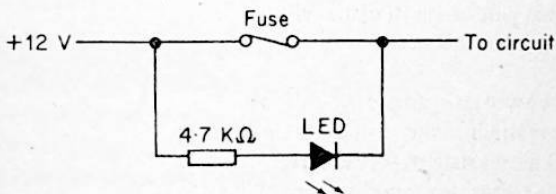


DIAGRAM 11.

CIRCUIT TWELVE

LED CONTINUITY TESTER

This is a simple continuity tester for testing wires for breaks, fuses, identifying wires when polarising loudspeakers, etc. The LED will glow very brightly for low resistance wiring but will still test quite high resistance circuits, although in this case the LED glow will be much dimmer.

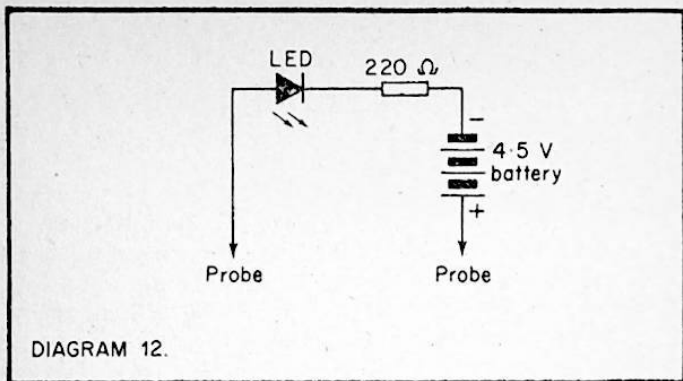


DIAGRAM 12.

One caution is that the users fingers should not be touching the probes if the skin is slightly moist firm contact with the probes will make the LED glow dimly due to a small current flowing via the skin.

It is very useful for testing the fuses which have ceramic tubes which make it impossible to see the fusewire, if the LED glows bright – fuse alright! The 2 wires can be fitted with probes or crocodile clips. When testing wires make sure that the wires are not connected to any source of current, only test equipment when it is off.

CIRCUIT THIRTEEN

LED CURRENT OVERLOAD INDICATOR

This is a very simple but useful circuit for indicating the current flowing in a circuit. It may be of interest to teachers as a simple demonstration of OHM's Law.

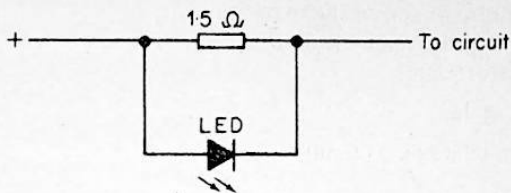


DIAGRAM 13.

The voltage drop across a red LED is about $1\frac{1}{2}$ volts, i.e. there must be a voltage of about $1\frac{1}{2}$ volts across a LED for it to glow. A red LED is connected in parallel with a 1.5Ω 3 watt wirewound resistor. The voltage drop across the resistor increases with increasing current, when the voltage drop exceeds 1.5 volts the LED will glow.

From OHM's Law

$$V = IR$$

If $V = 1.5$ volts

$$R = 1.5 \text{ ohms}$$

then $I = 1$ Amp

this means that if the current flowing through the resistor is greater than about 1 amp the LED glows.

If the circuit is used in conjunction with a power supply which can only normally supply up to 1 amp (e.g. model control supply unit) the LED functions as an overload (overLED!) indicator. The LED glows to indicate OVERLOAD, current in excess of 1 amp.

At heavy currents the resistor used is a very low resistance wirewound type of sufficient wattage rating to carry the circuit current.

The wattage rating is calculated from

$$W = I^2 R$$

where R is the resistance in ohms

I^2 is the square of the current flowing in amps

W is the wattage rating in watts

The circuit can easily be used for other current levels by altering the value of the resistor, lower current higher resistor value.

Example:

to indicate on a circuit current of 500mA, current $I = 0.5A$

$$V = 1.5 \text{ volts}$$

$$R = \frac{V}{I}$$

$$R = \frac{1.5}{0.5}$$

$$R = 3$$

nearest resistor value is 3.3

wattage rating is $I^2 R$

$$R = 3\Omega$$

$$I = 0.5$$

$$\therefore I^2 = 0.5 \times 0.5$$
$$= 0.25$$

$$W = 0.25 \times 3$$

$$W = 0.75$$

\therefore a resistor of at least 1 watt rating must be used.

A green LED can be used but as the voltage drop across a green LED is about 2.2 volts the resistor values must be calculated accordingly.

CIRCUIT FOURTEEN

LED CURRENT RANGE INDICATOR

This is a development from circuit (13). The voltage drop across a silicon rectifier under forward bias is about 0.75 volts, the voltage drop across three silicon rectifiers in series is about

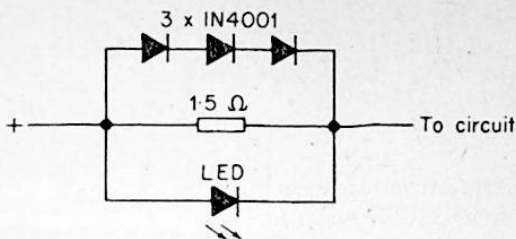


DIAGRAM 14.

2.2 volts. If 3 such rectifiers are connected across a LED, when the voltage exceeds 2.2 volts the rectifiers conduct and, due to their much smaller forward resistance, short out the LED and extinguish it. This means that when the current through the resistor produces a voltage drop in excess of 2.2 volts the LED is extinguished.

from OHM's Law

$$I = \frac{V}{R}$$

V is 2.2 volts

R is 1.5 ohms

$$I = \frac{2.2}{1.5}$$

I is about 1½ amps

so this means that the LED is extinguished when the current exceeds 1½ amps, the LED is extinguished when the current is below 1 amp. If the LED is glowing this indicates that the current flowing through the resistor is between 1 and 1½ amps.

The resistor in the diagram is a 1.5Ω 3 watt wirewound type, the rectifiers are type 1N4001 or similar (50v p.i.v. lamp rating). The current range indicated can be adjusted by altering the value of the resistor.

CIRCUIT FIFTEEN

1.5 VOLT LED "ZENER"

The forward voltage drop across a red LED is about $1\frac{1}{2}$ volts and so a red LED under forward bias can be used as a $1\frac{1}{2}$ volt reference source a $1\frac{1}{2}$ volt "zener" equivalent.

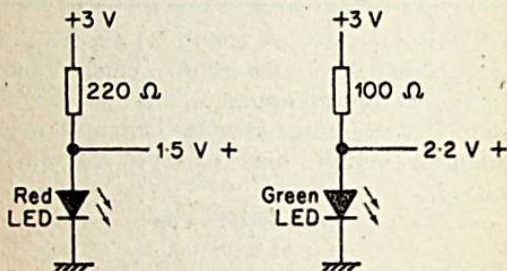


DIAGRAM 15.

This is very useful as zener diodes are not available in voltages below 2.7V. The current through the LED must, as with a zener diode, be limited by a resistor. If a 2.2 volt reference source is required a green LED can be utilised. The LEDs are under forward bias unlike a true zener diode which is reverse biased for voltage regulation i.e. with cathode positive.

CIRCUIT SIXTEEN

EXTENDING ZENER VOLTAGE

A LED can be connected in series with a zener diode to increase the reference voltage by $1\frac{1}{2}$ volts for a red LED and 2.2 volts for a green LED. For example a 7.5 volt zener diode in series with a red LED is equivalent to a 9 volt zener.

The LED has the advantage that it also functions as a pilot light.

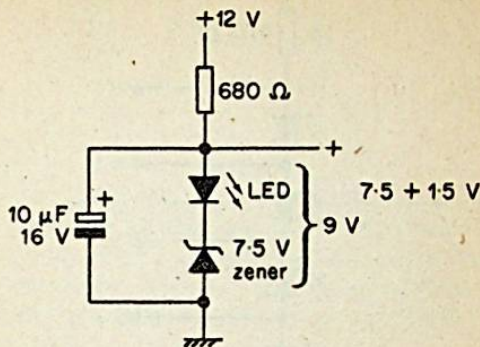


DIAGRAM 16.

CIRCUIT SEVENTEEN

FOUR VOLTAGE REGULATED SUPPLY

Four red LEDs in series can be utilised as a four voltage regulated supply 1½v, 3v, 4½v, 6 volt, equivalent to a battery supply with regard to the voltages available.

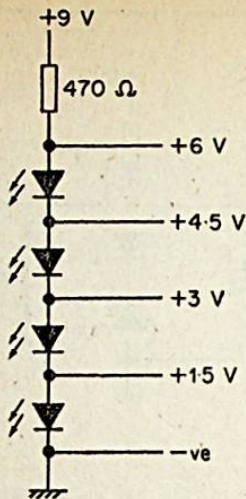


DIAGRAM 17.

CIRCUIT EIGHTEEN

PsychaLEDic Display

This is a very simple two red LED flashing light display which plugs into the earpiece socket of a small transistor radio. The LEDs are powered by the transistor radio audio output, and flash on and off in time to the music, the music itself can be heard on a second radio tuned to the same radio station. The two radios combine to give a sound and light display.

The volume control of the radio should be adjusted so that the LEDs glow dimly on quiet sounds as monitored on the second radio, the LEDs will then flash brightly on loud sounds.

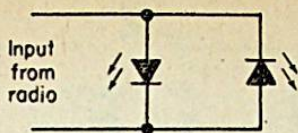


DIAGRAM 18.

For the best results the LEDs display should be viewed in a darkened room, the effect is of gently pulsating light. The 2 LEDs can be mounted in front of 2 sheets of aluminium fixed together at right angles, this arrangement gives multiple images of the LEDs.

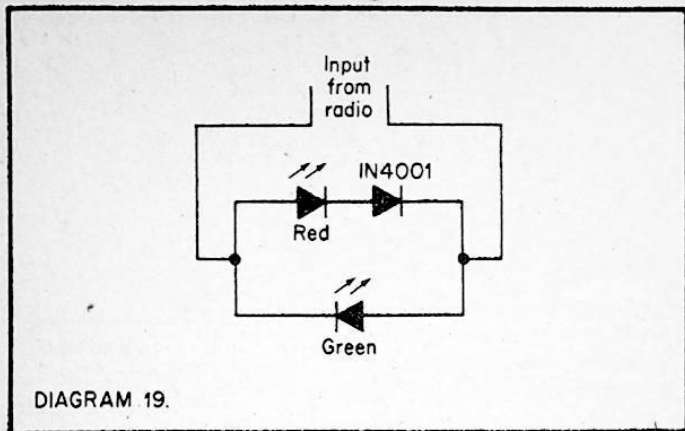
An alternative to the 2 sheets of aluminium is cooking foil glued to sheets of cardboard.

The LED display should only be used with the output from a small transistor radio, a large audio signal will overload the LEDs and damage them.

CIRCUIT NINETEEN

DUAL COLOUR DISPLAY

A further development of circuit (18) is to use a red and a green LED in the display. A green LED is much less sensitive than a red LED so a 1N4001 silicon rectifier is connected in series with the red LED in order to equalise the light outputs of the 2 LEDs. The dual colour display will require a higher audio operating current than circuit (18).



CIRCUIT TWENTY

DUAL SIGNAL DEVICE

This is a simple 2 LED device which enables 2 wires to control 2 separate LED indicators. If 2 LEDs are connected in inverse parallel, as a LED only glows when under forward bias, the polarity of the voltage applied to the pair of LEDs determines which LED will glow.

The circuit is battery powered and a DPDT control switch reverses the connections to the battery. At position (i) LED 1 glows, at position (ii) LED 2 glows. As the two red LEDs are powered by a 3 volt battery, no limiting resistor is required. If a 2 pole 3 way switch is used the switches third position can be LEDs off.

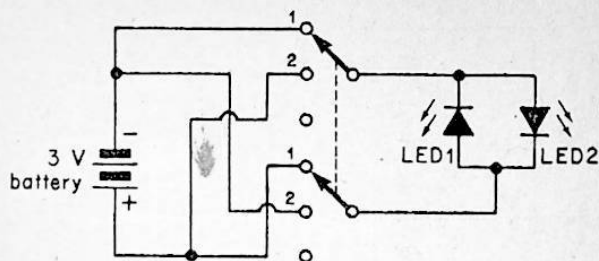


DIAGRAM 20.

CIRCUIT TWENTY-ONE

LED TRIPLE SIGNALLING

A further development of circuit (20) is possible if the circuit is powered by 2 volts AC derived from a low voltage mains transformer.

Two 1N4001 silicon rectifiers can be used to provide supplies of alternate polarity but a third position of switching, supplying the LEDs with AC means that both LEDs glow.

If a 1 pole 4 way switch is used the signal positions possible are

- (i) LED 1 on.
- (ii) LED 2 on.
- (iii) LED 1 and LED 2 on.
- (iv) LEDs off.

Thus a 2 wire circuit can carry 3 distinct signals.

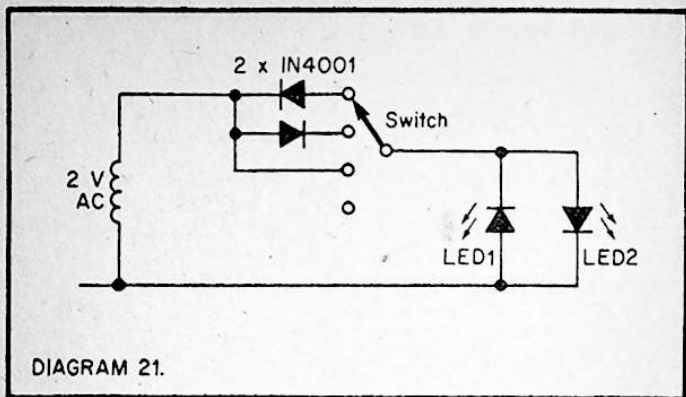


DIAGRAM 21.

CIRCUIT TWENTY-TWO

SUB-MINIATURE LIGHT SOURCE FOR MODEL RAILWAYS

A 2mm LED is a minute light source ideal for building into locomotives on model railways to simulate firebox glow etc. The one disadvantage is that a LED is polarity conscious, if the supply to a locomotive is reversed to cause the locomotive to run in the opposite direction, the LED will be extinguished.

The solution is to build a miniature bridge rectifier inside the locomotive shell, powered by the locomotive supply. Such a bridge rectifier provides a constant supply for one or several LEDs regardless of polarity input to the bridge. Each 2mm LED used should be fitted with a 470Ω or greater value resistor.

The bridge rectifier should be assembled from four 1N4001 silicon rectifiers, these are very small and should present no mounting problems. 2mm yellow LEDs would be suitable for mounting inside railway coaches to simulate coach lights.

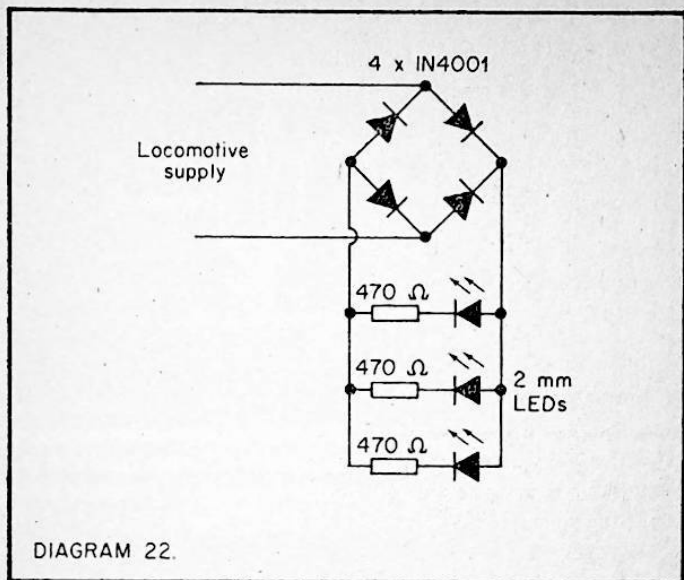


DIAGRAM 22.

CIRCUIT TWENTY-THREE

PORTABLE TELEVISION PROTECTION CIRCUIT

This is a LED circuit for use with a 12 volt battery portable television set. If a portable television is powered from a 12 volt car battery, the television can be damaged if the battery polarity is incorrect.

In the circuit the 1N5400 rectifier will only conduct and pass current to the circuit if the applied polarity is correct. If the battery polarity is correct the red LED is reverse biased and does not glow. If the battery polarity is incorrect the 1N5400 is reverse biased and will not conduct protecting the television circuit from damage, the red LED is now forward biased and will glow to indicate FAULT – battery reversed.

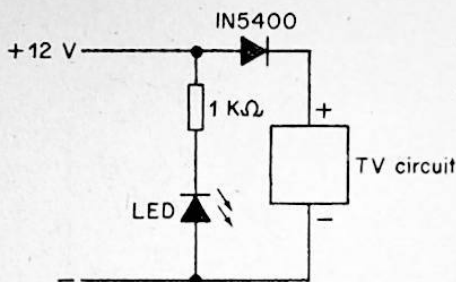


DIAGRAM 23.

The 1N5400 silicon rectifier specified is a 3 amp type and is suitable for any portable television. The red LED can be fitted into the portable TV case next to the 12 volt battery connector.

CIRCUIT TWENTY-FOUR

IMPROVED PORTABLE TV PROTECTION CIRCUIT

A development of circuit (23), this circuit uses two LEDs, one red, one green.

The red LED glows only if the 12 volt battery polarity is wrong to indicate **FAULT** – battery reversed.

The green LED glows if the battery polarity is correct and indicates normal operation.

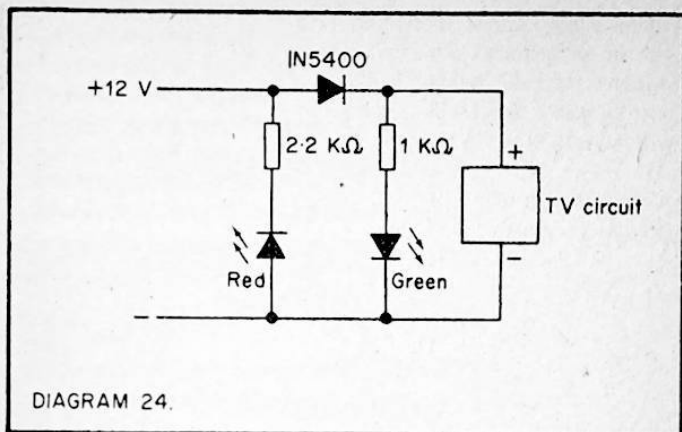


DIAGRAM 24.

CIRCUIT TWENTY-FIVE

LED BATTERY TESTER

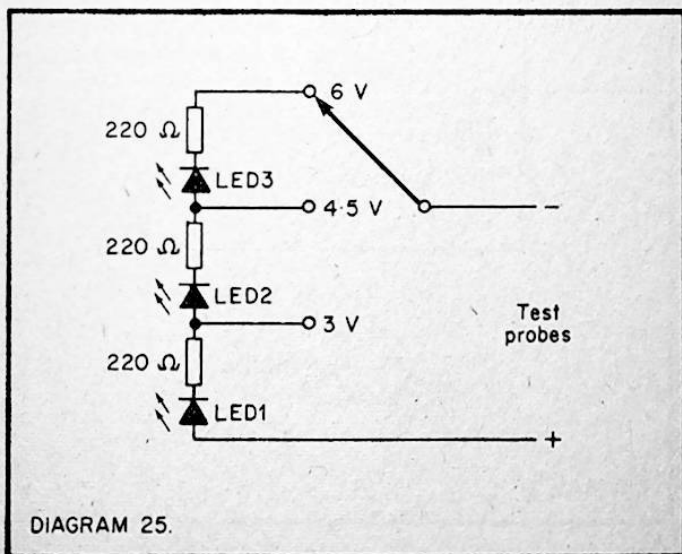


DIAGRAM 25.

This is a simple inexpensive GOOD/NO GOOD tester for 3v, 4½v or 6v batteries. The switch sets the tester to the various voltages. A 3 volt battery will make LED 1 glow, a 4½ volt battery will make LED 1 and LED 2 glow, a 6 volt battery will make LED1, LED 2 and LED 3 glow.

A substandard or failing battery will produce a dim or fading glow or no glow at all. The switch used is a 1 pole 3 way type.

CIRCUIT TWENTY-SIX

SIMPLE LED TIMER

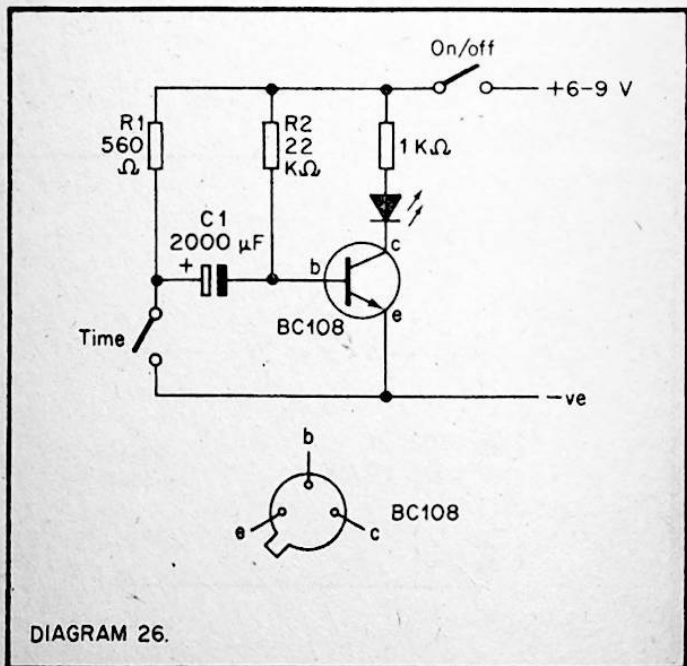


DIAGRAM 26.

This is a simple electronic timer, when the TIME button is pressed the red LED is extinguished, about 30 seconds later the LED glows again to indicate time elapsed. The time period depends on the value of C1, increasing the value of C1 extends the time period. The circuit can be powered by 6 to 9 volts.

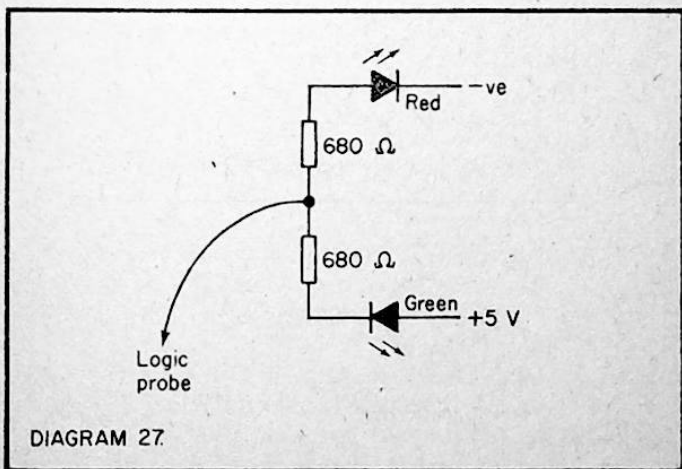
Components List

R1	560 Ω] $\frac{1}{4}$ W
R2	22K Ω	
R3	1K Ω	
C1	2000 μ F 16V electrolytic	
	Transistor silicon NPN BC108 or similar	
	Time switch SPST type	

CIRCUIT TWENTY-SEVEN

LED LOGIC PROBE

This is a two LED Logic Probe which is powered by the 5 volt circuit supply under test.

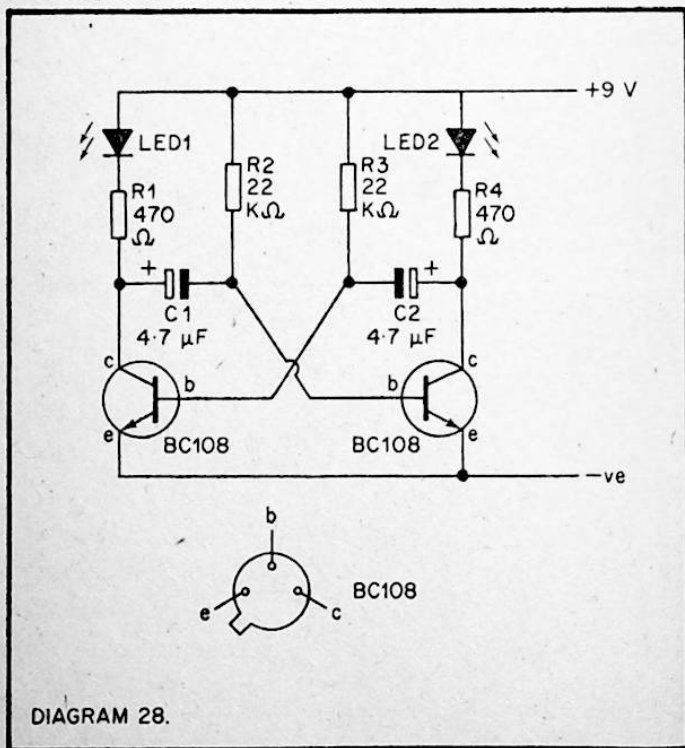


When the probe is connected to the 5 volt supply both red and green LEDs will glow. When the logic probe touches a circuit connection, if the GREEN LED glows brightly this indicates logic level 0, if the RED LED glows brightly this indicates logic level 1.

CIRCUIT TWENTY-EIGHT

FLASHING LED DISPLAY

This is a two red LED flashing display based on the use of a low frequency transistor multivibrator circuit.



The values indicated in the circuit diagram give a rapid on/off display, if the value of C1 and C2 is increased this will give a lower frequency and hence slower flashing rate.

Components List

R1	470 Ω	} $\frac{1}{4}$ W	C1	4.7 μ F 16V
R2	22K Ω		C2	4.7 μ F 16V
R3	22K Ω		LED1, LED2	red LEDs
R4	470 Ω			
Tr1, Tr2 BC108 or similar silicon NPN transistors				

CIRCUIT TWENTY-NINE

EXPERIMENTAL UNIUNCTION LED FLASHER

This is a LED circuit for the experimenter.

The circuit is based on a very low frequency unijunction oscillator. The pulses of current through R3 produce a voltage which causes the LED to flash.

The flashes occur at regular intervals, the time period depends on the value of C1, which must be a non-electrolytic type capacitor.

The flashes are not very bright, with some LEDs the flash may only be visible in a darkened room. The brilliance of the flash may be increased by using a supply of 18 volts.

The circuit depends on the low level current performance of the LED, if the LED is of poor efficiency which may be the case with low price "surplus" or "bargain" types, it will not work in this particular circuit. The interval between flashes

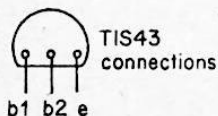
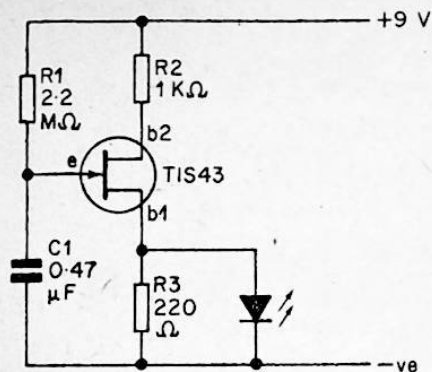


DIAGRAM 29.

can be decreased by reducing the value of $C1$ e.g. to $0.22\mu\text{F}$ or increased by using a higher value e.g. $1\mu\text{F}$ or $2.2\mu\text{F}$.

Components List

R1	$2.2\text{M}\Omega$] $\frac{1}{4}\text{W}$
R2	$1\text{K}\Omega$	
R3	220Ω	
C1	$0.47\mu\text{F}$	

Unijunction transistor type T1S43 or UT46

CIRCUIT THIRTY

AUDIO FREQUENCY ZERO BEAT INDICATOR

If two AF oscillators are connected together and are very near in frequency a low frequency or beat frequency corresponding to the difference between the two frequencies is produced. When the two oscillators are at the same frequency the beat frequency is zero. If the resultant AF voltage is fed to two red LEDs in inverse parallel, as the beat frequency falls below 50Hz the LEDs will flicker at a slower and slower rate until at near zero beat both LEDs will be extinguished indicating that the 2 oscillators are operating at the same frequency.

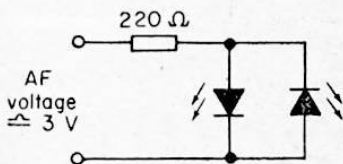


DIAGRAM 30.

CIRCUIT THIRTY-ONE

SIMPLE TRANSISTOR TESTER

This is a very simple GOOD/NO GOOD tester for small signal NPN transistors. If the transistor is good the LED will glow brightly.

The circuit only tests the ability of a transistor as a current amplifier.

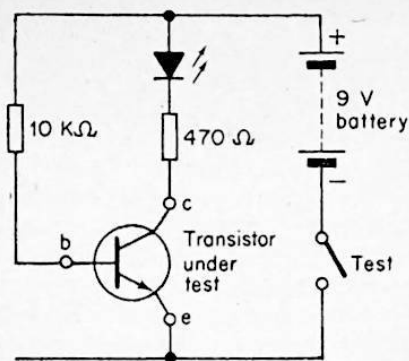
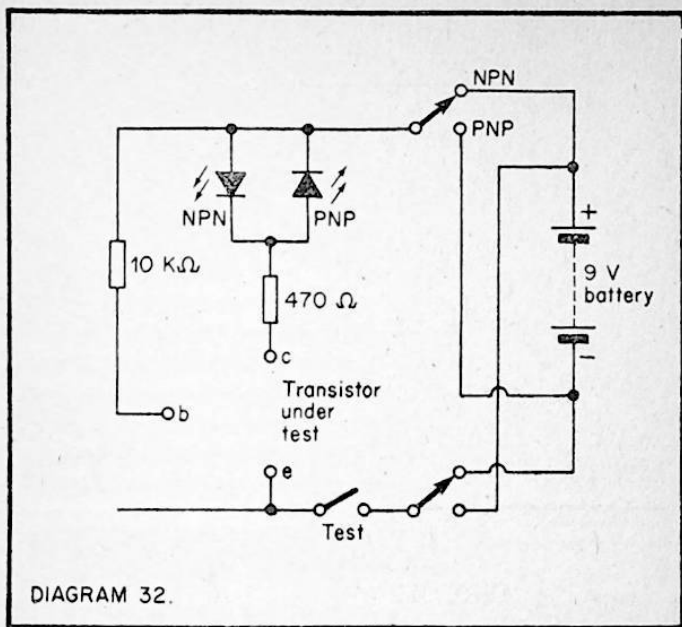


DIAGRAM 31.

CIRCUIT THIRTY-TWO

SIMPLE NPN/PNP TRANSISTOR TESTER

This is a development from circuit (31) by switching the battery connections to reverse the polarity and using two red LEDs of alternate polarity the tester now caters for both NPN and PNP transistors.



CIRCUIT THIRTY-THREE

VERY LOW CURRENT LED ON/OFF INDICATOR

This is an on/off indicator for battery powered equipment, the circuit only uses power for a few seconds after switching on.

At switch on C1 charges via R1 and LED 1, LED 1 glows to indicate ON, the glow rapidly fades away as C1 charges up, when C1 is fully charged the LED ceases to glow as no current is flowing. At switch OFF, C1 discharges via R1 and LED 2, and LED 2 glows to indicate OFF, discharging C1.

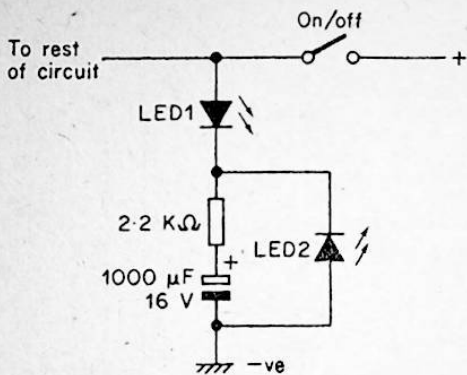


DIAGRAM 33.

CIRCUIT THIRTY-FOUR

BINARY DEMONSTRATOR

This is a circuit to demonstrate the fundamental idea of the binary system of numbers.

A 6 way switch turns on 3 red LEDs in turn to correspond with the denary (base 10) numbers 1–6.

LED 1 indicates 2^0 (= 1)

LED 2 indicates 2^1 (= 2)

LED 3 indicates 2^2 (= 4)

Counting is

DENARY	BINARY
1	1
2	1 0
3	1 1
4	1 0 0
5	1 0 1
6	1 1 0

1 indicated by a LED illuminated

0 indicated by a LED not illuminated

The switch used is a 2 pole 6 way type.

The circuit can be extended if a switch with more than 6 positions is available, with 4 LEDs in use the maximum count is 1111 which corresponds to 15, although as switches are not usually available for more than 12 way the maximum count possible will be 1100 (12).

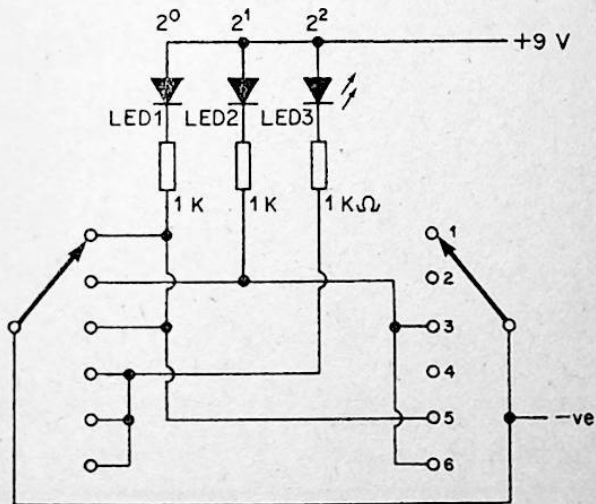
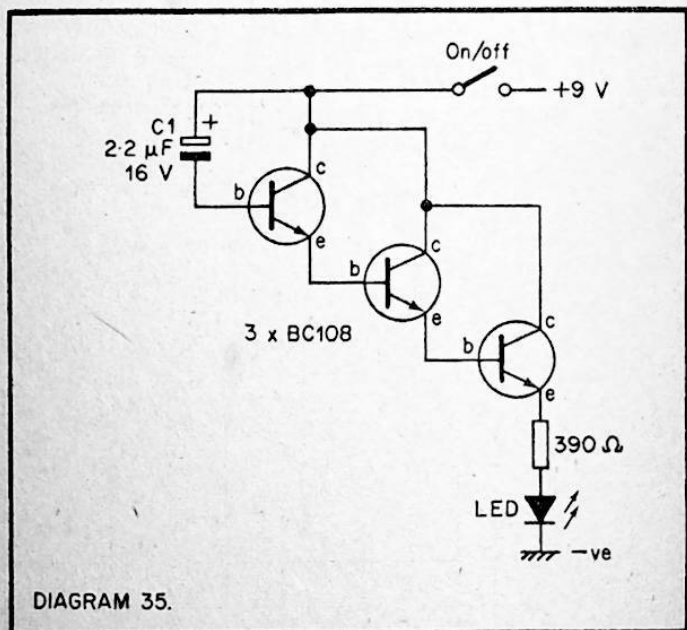


DIAGRAM 34.

CIRCUIT THIRTY-FIVE

LED NIGHTLIGHT

This is a LED circuit for a nightlight. When switched on the red LED glows brightly and then gradually dims over a period of about 30 minutes until the LED is extinguished. The time delay depends on the time taken for C1 to charge up, a higher value for C1 will give a longer time period. The transistors used are silicon NPN types such as the BC108.



CIRCUIT THIRTY-SIX

IC LED FLASHER

This circuit uses the logic gates of a 7400 type integrated circuit to form a low frequency multivibrator which drives two red LEDs causing them to flash alternately.

Each 7400 IC contains 4 gates sufficient to drive 4 red LEDs, the circuit diagram shows the circuit for one multivibrator,

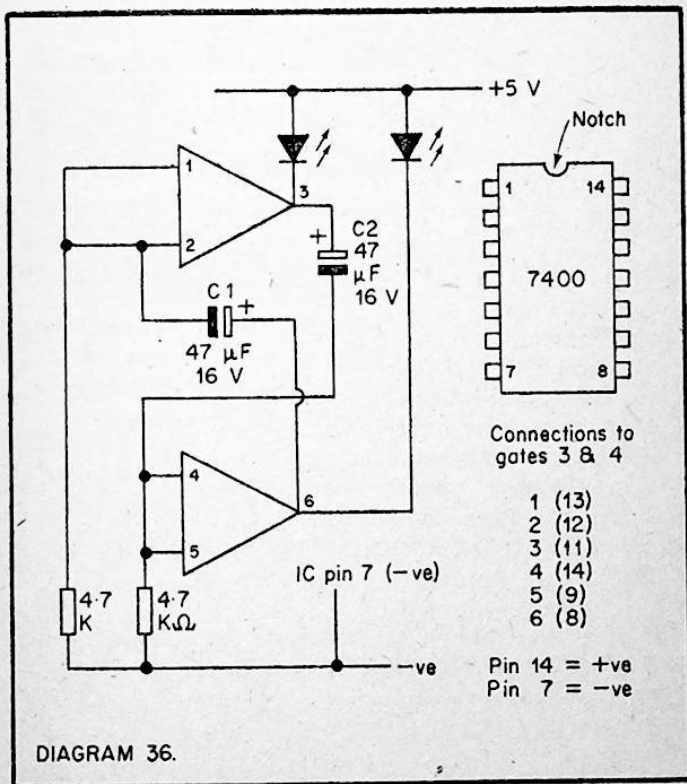


DIAGRAM 36.

the other 2 gates can also be connected together in similar fashion to form a second multivibrator. The pin numbers on the diagram are the connections to the 14 pin IC, the numbers given in brackets are the connections to the other 2 gates. The circuit should be powered from a 5 volt supply, although a 4½ volt battery can be used. The time interval between flashes depends on the volume of C1 and C2, for a longer time period (lower frequency) i.e. slower flashing rate a larger value of electrolytic capacitor e.g. 100 μ F or 220 μ F can be used.

If several 7400 ICs each driving 4 LEDs are assembled together, with different values of timing capacitors used to give a variation in flash rates, a scintillating display can be produced.

CIRCUIT THIRTY-SEVEN

AUTOMATIC MAINS/BATTERY SWITCH

This is an automatic electronic switch for use in transistorised equipment which is normally powered from the mains. If the mains derived 9 volt supply fails the red LED conducts and passes current to the circuit from the reserve battery, note that it is only suitable for a circuit requiring a low current. The LED conducts and glows to indicate MAINS FAILURE. With the circuit powered from the mains the LED is reverse biased and no current flows from the battery, once the mains power is restored the LED turns off again disconnecting the reserve battery.

The power supplied by the reserve battery is less than 9 volts due to the voltage drop across the red LED.

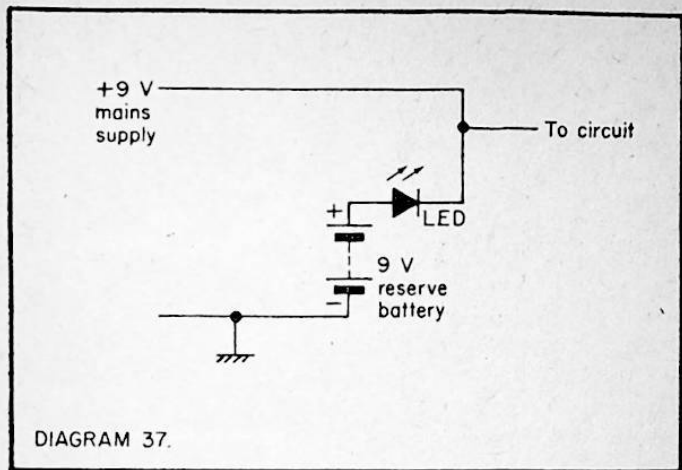


DIAGRAM 37.

CIRCUIT THIRTY-EIGHT

VOLTAGE COMPARATOR

This circuit uses a differential amplifier to compare 2 voltage inputs, if the 2 inputs are of equal voltage the 2 LEDs will be at equal brilliance. The light output varies between LEDs and so LED 1 and LED 2 should be matched for brilliance if possible.

The circuit can form the basis of an FM tuning indicator, one input can be an AFC reference voltage, the other input will be from the ratio discriminator output. The circuit is then adjusted so that at the optimum tuning point the two LEDs are of equal brilliance.

The two transistors used are silicon NPN types such as BC108. The two transistors used in the circuit should be a matched pair if possible.

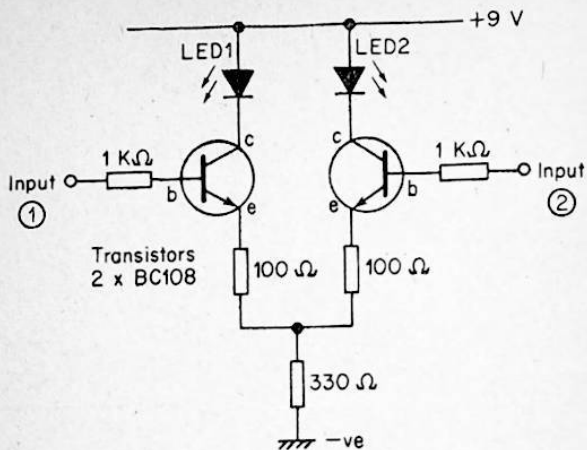


DIAGRAM 38.

CIRCUIT THIRTY-NINE

LED/ZENER VOLTAGE MEASURING

A LED and a zener diode connected in series can be used to measure a voltage.

For example if a red LED is connected in series with a 7.5 volt zener diode the combination will not conduct until the voltage exceeds $1.5\text{v} + 7.5\text{v} = 9$ volts, i.e. the LED will not glow at all until the voltage exceeds 9 volts.

The $1\text{K}\Omega$ resistor limits the current through the LED/zener combination.

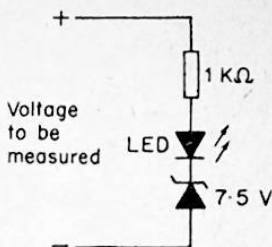


DIAGRAM 39.

CIRCUIT FORTY

LED/ZENER VOLTAGE RANGE MEASURING CIRCUIT

This circuit is a development of circuit (39). In circuit (39) when the red LED glows this is an indication that the voltage input exceeds the voltage drop across the LED/zener combination. If silicon rectifiers (type 1N4001) are added in parallel across the red LED, when the voltage across the LED exceeds 2.2 volts, the silicon rectifiers conduct and, due to the much lower forward resistance of a silicon rectifier compared to a LED, extinguishes the LED.

Circuit (40) uses a 10 volt zener and red LED combination so that the LED glows at 11.5 (10 + 1.5v) and is extinguished at 12.2v (10 + 2.2v), so that if the LED is glowing it indicates the voltage is between 11.5 and 12.2 volts.

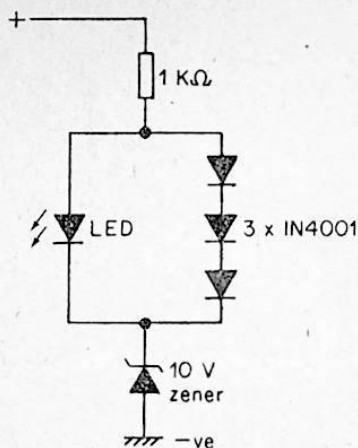


DIAGRAM 40.

CIRCUIT FORTY-ONE

CONSTANT CURRENT CHARGER

A LED has a constant voltage drop across it when under forward bias, this constant voltage can be used as a reference for a transistor in a current control circuit. In circuit (41) a small transistor supplies a constant current of 50mA which is sufficient to recharge small Nickel-Cadmium cells. The 2N697 transistor should be fitted with a TO5 type heat-sink as it will be passing current for several hours while recharging Ni-Cad cells. With a 9 volt input as indicated one, two or three Ni-Cad cells can be recharged.

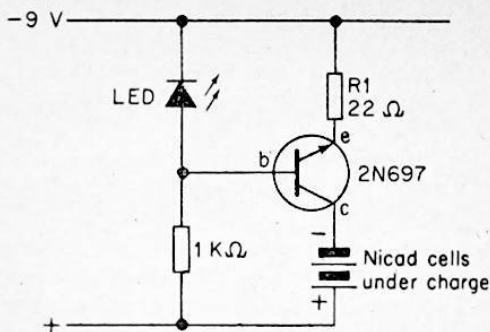


DIAGRAM 41.

The current flow is controlled by the transistor, the current is set by the value of R_1 , if R_1 is 22Ω , the current is fixed at 50mA. If a lower current is required the value of R_1 should be increased e.g. for 25mA R_1 should be 39Ω .

If a higher current is required a lower value for R_1 is required but in this case a higher power rating transistor should be used.

CIRCUIT FORTY-TWO

MULTIZENER

This circuit depends on connecting LEDs, rectifiers and zener diodes in combination to form voltage regulators. It is also a use of the binary system. The switches shown in the circuit diagram are SPST types, when the switch is in the OFF position the diodes controlled by that switch are in circuit, when the switch is in the ON position the diodes are bypassed.

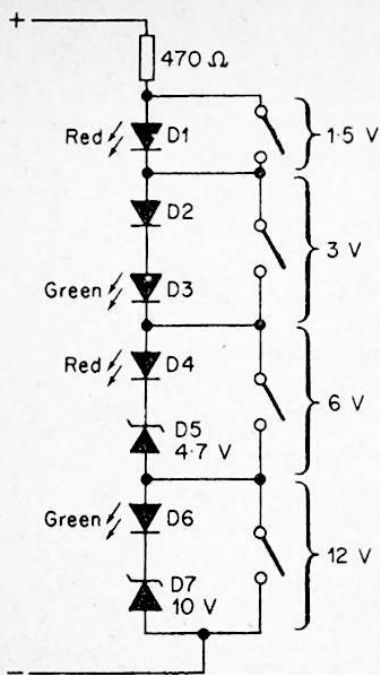


DIAGRAM 42.

For each position the voltage control value is double the previous section. The first "element" is a red LED which gives a voltage drop of $1\frac{1}{2}$ volts, the next element is a green LED and a silicon rectifier in series which gives a total voltage drop of nearly 3 volts (2.2 volts + 0.75 volts) as the forward voltage drops across a green LED is about 2.2 volts.

The next element is a red LED + a 4.7v zener diode. Total voltage $1.5v + 4.7v = 6.2$ volts.

The final element is a green LED + 10v zener diode, voltage

$10v + 2.2v = 12.2v$. The total set gives a close approximation to the binary series $1\frac{1}{2}v$, $3v$, $6v$, $12v$.

When in use each LED glows to indicate when in circuit; by use of the four switches any voltage from $1\frac{1}{2}v$ to $22\frac{1}{2}v$ ($1\frac{1}{2} + 3 + 6 + 12$) can be regulated.

The voltages available are $1\frac{1}{2}v$, $3v$, $4\frac{1}{2}v$, $6v$, $7\frac{1}{2}v$, $9v$, $10\frac{1}{2}v$, $12v$, $13\frac{1}{2}v$, $15v$, $16\frac{1}{2}v$, $18v$, $19\frac{1}{2}v$, $21v$ and $22\frac{1}{2}v$.

If required the binary series can be extended, the next element is 24 volts, this could be a green LED + a 22 volt zener diode. The zener diodes used in the circuit can be 400mW types.

The multizener is intended for low power reference voltage purposes only, if high power regulation is required the multizener should be used to provide the control voltage for a power transistor.

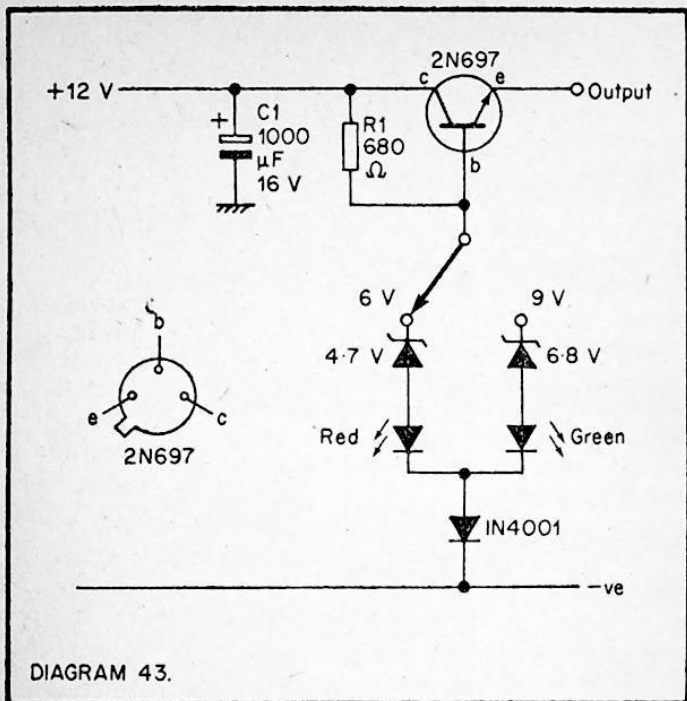
Components List

D1, D4	Red LED
D3, D6	Green LED
D2	1N4001 silicon rectifier
D5	4.7v } 400mW zener diode
D6	

CIRCUIT FORTY-THREE

DUAL VOLTAGE REGULATOR

This is a transistor voltage regulator designed for a 12 volt input. The reference voltage for the 2N697 transistor is provided by LED/zener combinations, the rectifier compensates for the voltage drop across the transistor. The current supplied by the regulator should be less than 100mA, if a higher current is required a larger transistor



such as a 2N3055 should be substituted. The voltages supplied are 6.2v (1.5v + 4.7v) and 9v (2.2v + 6.8v) the LEDs indicate which voltage the regulator is switched to, red 6.2 volts, green 9 volts. The switch used can be a SPDT slide type.

Components List

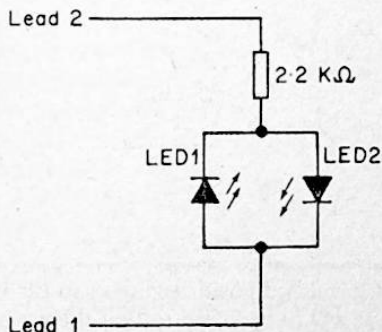
- R1 Resistor 680Ω ½W
- D1 4.7v 400mW zener
- D2 Red LED
- D3 1n4001 silicon rectifier
- D4 6.8v 400mW zener
- D5 Green LED
- Transistor 2N697
- C1 1000µF 16v electrolytic capacitor

CIRCUIT FORTY-FOUR

LOW VOLTAGE TESTER

This is a very simple two red LED circuit to test low voltages. The 2 LEDs and the resistor are fitted inside a small plastic box equipped with 2 flying test leads. LED 1 is fitted next to lead 1, LED 2 is fitted next to lead 2.

In use, the 2 leads are connected to the low voltage circuit under test, the red LED glow indicates positive. If LED 1 glows this indicates that lead 1 is connected to the positive line (lead 2 negative), if LED 2 glows this indicates that lead 2 is connected to the positive line (lead 1 negative). If both LEDs glow this indicates that the voltage under test is AC.



LED 1 glows LEAD 1 +ve
LED 2 glows LEAD 2 +ve
BOTH glow A.C.

DIAGRAM 44.

CIRCUIT FORTY-FIVE

OPTICALLY ISOLATED VARIABLE RESISTANCE

This is a circuit for the experimenter. The light from a red LED is allowed to fall onto an ORP12 or similar cadmium sulphide photoconductive cell. The cadmium sulphide cell has a resistance in the dark (i.e. no light on it) of several million ohms, under very bright conditions the resistance may fall to a few hundred ohms or less, so that a wide range of resistance is possible.

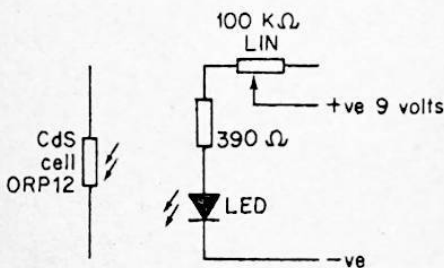


DIAGRAM 45.

In use the LED should be positioned next to the ORP12 cell, some adjustment will be required to find the most sensitive spot. While the adjustments are carried out the ORP12 cell should be connected to the low ohms range of a multimeter and the LED should be set at maximum brilliance, the positions can then be adjusted for minimum resistance of the ORP12. Once the optimum position has been found the two components should be shielded from ambient lighting. In the prototype circuit the LED was glued onto the ORP12 with

transparent polystyrene cement, both were then wrapped in black insulating tape. In use the variable resistor controls the brightness of the LED and the brightness of the LED controls the resistance of the ORP12.

If the circuit is required for a "noiseless" volume control the supply to the LED should be very well smoothed to avoid the LED light output being modulated by mains hum due to ripple on the power supply. The circuit has the great advantage that the ORP12 is completely isolated from the electrical circuit controlling the LED, there is no electrical connection.

CIRCUIT FORTY-SIX

THREE LED PRESET STATION INDICATOR

This is an indicator circuit for use with an FM tuner using preset tuning. The preset system requires a six push button switch for selection of six FM stations. Each push button controls 3 ganged ON/OFF switches so that each position must have 3 pole on/off or switching that can be used in this way, e.g. 3 pole 2 way. Most pushbutton assemblies have more switching capability than shown in the diagram, any surplus positions are left unconnected. For each position of switching one of the ON/OFF switches connects in the preset voltage for the FM varicap tuner system, the remaining two switches control the three LEDs. The indication is based on the binary system of counting, diagram 46(a) illustrates how the various LEDs glow to indicate each station.

Note that as a six position switch is used one combination is unused. LED 1, 2, and 3 illuminated this corresponds to a seventh station i.e. binary equivalent of seven.

Diagram 46(b) illustrates the connections to the switches the poles of the switches are numbered 1A, 1B, 1C, 2A etc. the C poles of the switches control the selection of preset voltages for tuning.

WHITE SPOT LED GLOWING, BLACK SPOT LED OFF.

LED 3	LED 2	LED 1	STATION
●	●	○	ONE
●	○	●	TWO
●	○	○	THREE
○	●	●	FOUR
○	●	○	FIVE
○	○	●	SIX

DIAGRAM 46 (a)

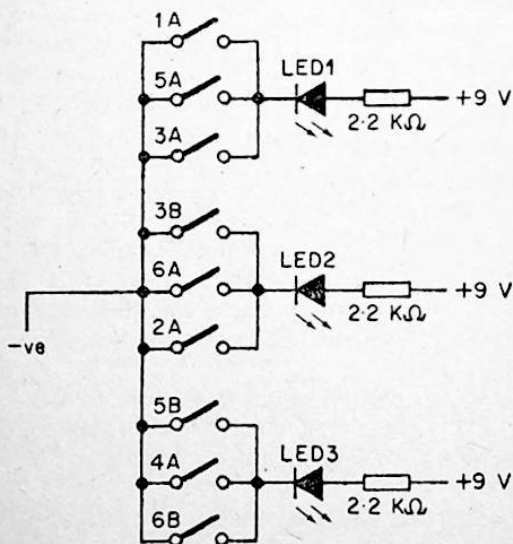


DIAGRAM 46 (b).

SWITCH 1 a, b, c is for station 1
SWITCH 2 a, b, c is for station 2 etc.

In the original prototype FM tuner a pleasing layout was obtained by using SIX LEDs, LEDs 1, 2, 3 on the left hand side of the front panel comprised the station indicator, LEDs 4, 5 and 6 were on the right hand side of the front panel. LEDs 4 and 6 were used in a 2 LED tuning indicator and LED 5 was used as the stereo beacon, this gave a pleasing symmetrical design.

THE 707 COMMON ANODE DISPLAY

The 707 display consists of 8 LEDs forming the seven segments, A, B, C, D, E, F, G and the decimal point by illumination of the various segments all the numbers 0, 1, 2, 3, 4, 5, 6, 7, 8, 9 can be displayed.

The 707 is housed in a 14 DIL package pins 4, 5 and 12 are missing.

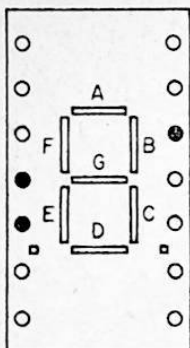
CIRCUIT FORTY-SEVEN

RANDOM NUMBER DISPLAY

This circuit uses a 707 common anode LED display, which consists of 8 LEDs with a common anode connection and 8 separate cathode connections, the eighth LED is for the decimal point.

If two 7400 IC multivibrators are constructed, the eight LEDs are required (see circuit 36) can be the eight LEDs of a seven segment display. The LEDs will flash on and off and

707 display



- PIN 1 cathode A
- PIN 2 cathode F
- PIN 3 common ANODE
- PIN 6 cathode D.P.
- PIN 7 cathode E
- PIN 8 cathode D
- PIN 10 cathode C
- PIN 11 cathode G
- PIN 13 cathode B

DL707 common anode display
 14 D.I.L. pins 3, 4, 5, 12 missing

DIAGRAM 47.

certain combinations form numbers. A more effective display is possible if two 707 displays and eight multivibrators using four 7400 ICs are connected together.

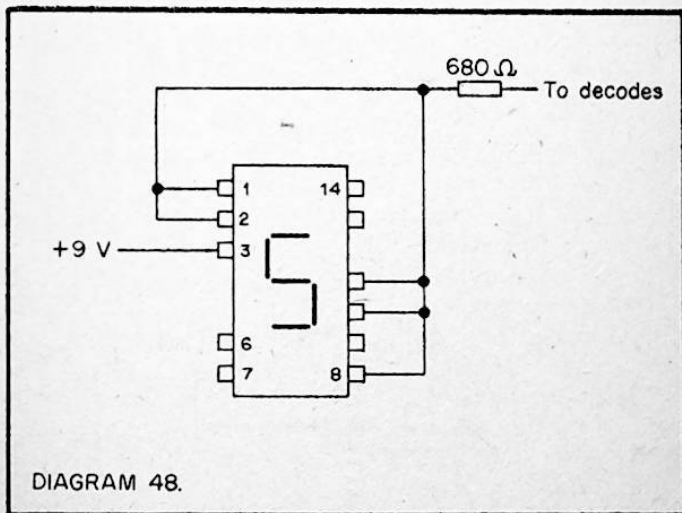
Each multivibrator has two outputs A and \bar{A} , i.e. if one output is ON the other is off. If each A output is connected to one 7 segment display and the \bar{A} outputs are connected to the other, the most effective display is produced. If all the LEDs on one 707 display are "on" the display reads .8, the other display is blank, if one display reads 1 the other reads 3. The displays will be constantly changing because even if all the multivibrators have identical capacitors, due to the variation in nominal capacitor values, each one will run at a slightly different rate.

CIRCUIT FORTY-EIGHT

LEGEND DISPLAY

The 707 display can be used as a legend display by connecting the various cathodes together. Circuit (48) depicts the display used as a stereo beacon for a stereo decoder, the cathodes are connected together to display 5 which looks like and S for STEREO.

An alternative display is to use segments A and D as the two LEDs in a 2 LED tuning indicator, and use segments F, G and C as the stereo beacon LEDs, when a station is on tune the two segments will be illuminated, if the station is transmitting in stereo, the 2 segments together with the 3 segments illuminated by the decoder form a 5 or S.



The 707 display by suitable interconnections can display.

1 or I	6 or G
2	7
3	8 or B
4 or H	9
5 or S	0 or O

also A, C, E, F, H, L, P, U and with the decimal point, .1, .2, .3, .4, .5, .6, .7, .8, .9, .0.

CIRCUIT FORTY-NINE

ROMAN 1, 2, 3 DISPLAY

This is a very simple circuit to enable the Roman figures I, II and III to be displayed for circuit indication. A 707 display is mounted sideways the switch turns on the segments D, G and A in turn.

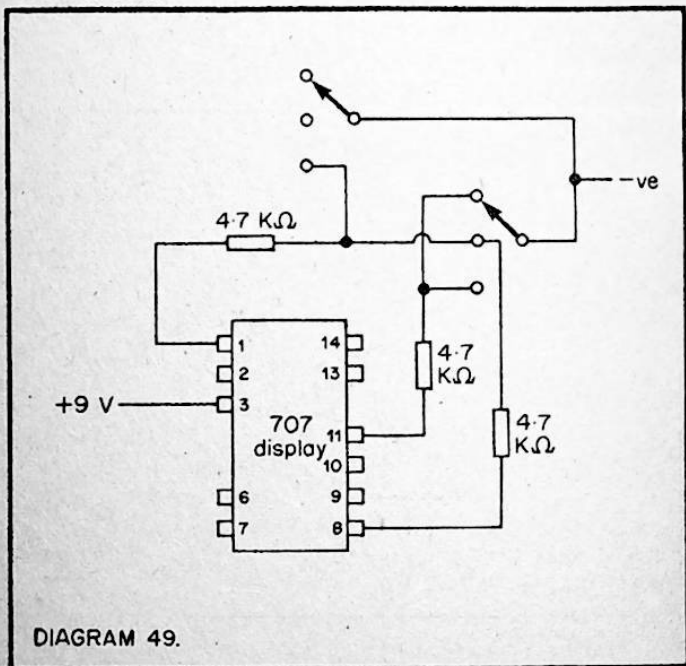


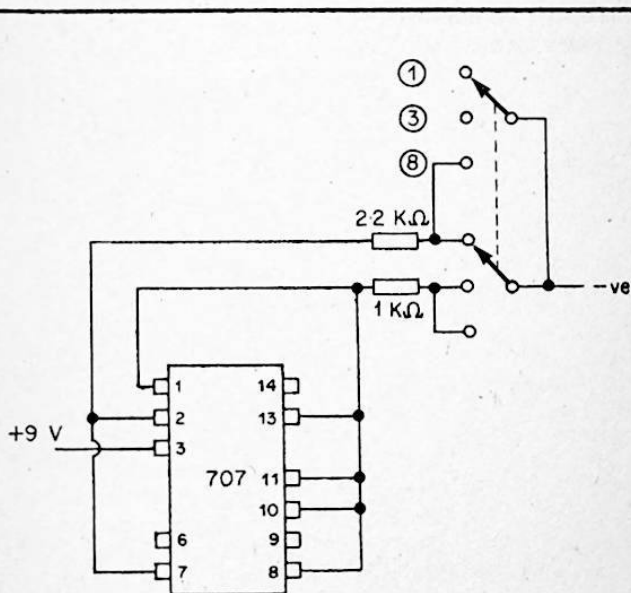
DIAGRAM 49.

- I is segment G on
- II is segments D and A on
- III is segments D, A and G on.

The segments are controlled by a 2 pole 3 way switch, spare poles of the switch can be used to control the circuits so numbered.

CIRCUIT FIFTY

NUMERICAL DISPLAY



SWITCH POSITION 1 displays 1
 SWITCH POSITION 2 displays 3
 SWITCH POSITION 3 displays 8
 2 pole 3 way switch

DIAGRAM 50.

The 707 display can with the use of switching display several numbers in turn. The switching is simplified if the numbers have common segments. For example a circuit to display 8 or 9 is very simple the difference is segment E, only this needs to be switched ON and OFF to change the number. If segments ABCDFG are continuously on and E off 9 is displayed, if E is on an 8 is displayed. Other examples are 5 and 6 this pair of numbers differ in one segment only.

The circuit shown in diagram fifty displays 1, 3 or 8; 1 and 3 have no common segments which simplifies switching, when both sets are displayed 1 and 3 form an 8. The switch is a 2 pole 3 way type.

OTHER BOOKS AVAILABLE BY THE SAME AUTHOR

BP36: 50 CIRCUITS USING GERMANIUM SILICON AND ZENER DIODES

ISBN: 0 89534 039 2

Price: 75p

Approx. Size: 180 x 105 mm

64 pages

Contains 50 interesting and useful circuits and applications, covering many different branches of electronics, using one of the most simple and inexpensive of components - the diode. Includes the use of germanium and silicon signal diodes, silicon rectifier diodes and zener diodes, etc. A valuable addition to the library of both the beginner and more advanced enthusiast alike.

Please note overleaf is a list of other titles that are available in our range of Radio and Electronic Books.

These should be available from most good Booksellers, Radio Component Dealers and Mail Order Companies.

However, should you experience difficulty in obtaining any title in your area, then please write directly to the publishers enclosing payment to cover the cost of the book plus adequate postage.

**BABANI PRESS & BERNARDS (PUBLISHERS) LTD
THE GRAMPIANS
SHEPHERDS BUSH ROAD
LONDON W6 7NF
ENGLAND**

BERNARDS & BABANI PRESS RADIO AND ELECTRONICS BOOKS

BP1	First Book of Transistor Equivalents and Substitutes	40p
BP2	Handbook of Radio, TV and Ind. & Transmitting Tube & Valve Equip.	60p
BP3	Handbook of Tested Transistor Circuits	40p
BP4	World's Short, Med. & LW FM & TV Broadcasting Stations Listing	60p
BP5	Handbook of Simple Transistor Circuits	35p
BP6	Engineers and Machinists Reference Tables	40p
BP7	Radio and Electronic Colour Codes and Data Chart	15p
BP10	Modern Crystal and Transistor Set Circuits for Beginners	35p
BP11	Practical Transistor Novelty Circuits	40p
BP12	Hi-Fi, P.A., Guitar & Discotheque Amplifier Handbook	75p
BP13	Electronic Novelties for the Motorist	50p
BP14	Second Book of Transistor Equivalents	95p
BP15	Constructors Manual of Electronic Circuits for the Home	50p
BP16	Handbook of Electronic Circuits for the Amateur Photographer	60p
BP17	Radio Receiver Construction Handbook using IC's and Transistors	60p
BP18	Boys and Beginners Book of Practical Radio and Electronics	60p
BP22	79 Electronic Novelty Circuits	75p
BP23	First Book of Practical Electronic Projects	75p
BP24	52 Projects using IC741 (or Equivalents)	75p
BP25	How to Build Your Own Electronic and Quartz Controlled Watches & Clocks	85p
BP26	Radio Antenna Handbook for Long Distance Reception & Transmission	85p
BP27	Giant Chart of Radio Electronic Semiconductor & Logic Symbols	60p
BP28	Resistor Selection Handbook (International Edition)	60p
BP29	Major Solid State Audio Hi-Fi Construction Projects	85p
BP30	Two Transistor Electronic Projects	85p
BP31	Practical Electrical Re-wiring & Repairs	85p
BP32	How to Build Your Own Metal and Treasure Locators	85p
BP33	Electronic Calculator Users Handbook	95p
BP34	Practical Repair & Renovation of Colour TV's	95p
BP35	Handbook of IC Audio Preamplifier & Power Amplifier Construction	95p
BP36	50 Circuits Using Germanium, Silicon and Zener Diodes	75p
BP37	50 Projects Using Relays, SCR's and TRIAC's	1.10p
BP38	Fun & Games with your Electronic Calculator	75p
BP39	50 (FET) Field Effect Transistor Projects	1.25p
BP40	Digital IC Equivalents and Pin Connections	2.50p
100	A Comprehensive Radio Valve Guide - Book 1	40p
121	A Comprehensive Radio Valve Guide - Book 2	40p
126	Boys Book of Crystal Sets	25p
138	How to Make Aerials for TV (Band 1-2-3)	25p
143	A Comprehensive Radio Valve Guide - Book 3	40p
157	A Comprehensive Radio Valve Guide - Book 4	40p
160	Coil Design and Construction Manual	75p
161	Radio TV and Electronics Data Book	75p
178	A Comprehensive Radio Valve Guide - Book 5	40p
183	How to Receive Foreign TV Programmes on your Set by Simple Mods.	35p
196	AF-RF Reactance - Frequency Chart for Constructors	15p
200	Handbook of Practical Electronic Musical Novelties	50p
201	Practical Transistorised Novelties for Hi-Fi Enthusiasts	35p
202	Handbook of Integrated Circuits (IC's) Equivalents and Substitutes	75p
203	IC's and Transistor Gadgets Construction Handbook	60p
204	Second Book of Hi-Fi Loudspeaker Enclosures	75p
205	First Book of Hi-Fi Loudspeaker Enclosures	75p
206	Practical Transistor Circuits for Modern Test Equipment	60p
207	Practical Electronic Science Projects	75p
208	Practical Stereo and Quadrophony Handbook	75p
209	Modern Tape Recording Handbook	75p
210	The Complete Car Radio Manual	75p
211	First Book of Diode Characteristics Equivalents and Substitutes	95p
213	Electronic Circuits for Model Railways	85p
214	Audio Enthusiasts Handbook	85p
215	Shortwave Circuits and Gear for Experimenters and Radio Hams	85p
216	Electronic Gadgets and Games	85p
217	Solid State Power Supply Handbook	85p
218	Build Your Own Electronic Experimenters Laboratory	85p
219	Solid State Novelty Projects	85p
220	Build Your Own Solid State Hi-Fi and Audio Accessories	85p
221	28 Tested Transistor Projects	95p
222	Solid State Short Wave Receivers for Beginners	95p
223	50 Projects using IC CA3130	95p
224	50 CMOS IC Projects	95p
225	A Practical Introduction to Digital IC's	95p
226	How to Build Advanced Short Wave Receivers	1.20p
227	Beginners Guide to Building Electronic Projects	1.25p
228	Essential Theory for the Electronics Hobbyist	1.25p
RCC	Resistor Colour Code Disc Calculator	10p

The Gramplains, Shepherds Bush Road, London W6 7NF, England

Telephone: 01-603 2581/7296

BIBLIOTHEEK

N.V.H.R.

BABANI PRESS BP42

50 Simple L.E.D. Circuits

- The author of this book, Mr. R. N. Soar, has compiled 50 interesting and useful circuits and applications, covering many different branches of electronics, using one of the most inexpensive and freely available components — the Light Emitting Diode (L.E.D.).
- Also includes circuits for the 707 Common Anode Display.
- A useful book for the library of both beginner and more advanced enthusiast alike.
- Companion volume to book No.BP36-50 CIRCUIITS USING GERMANIUM, SILICON & ZENER DIODES by the same author.



BABANI PRESS
The Grampians
Shepherds Bush Road
London W6 7NF
England

ISBN: Bibliotheek Ned. Ver.

75p