

SAMS PHOTOFACT[®]

AUTO RADIO SERIES



AR-78
78
JUNE 1970



CONTENTS

REMOVAL INFORMATION PAGE 4

CADILLAC

(70) 05CMW1,
05CMWK1

CHEVROLET

(70) Corvette
01VFM1/M2
01VMPA1 (A/C)
01VMPH1

JOHN DEERE

(70) JD Tractor
OBTJD

MERCURY

(69) 9FBM
(C9MA-19A241)

OLDSMOBILE

(70) Olds & F-85
03BT411
(70) Toronado
03ET411

OPEL

(70) Opel
04LPB1
(70) Opel G/T
04PPB1

UNIVERSAL

Midland
65-230
Ranger
RR-22-R

\$3.25

\$4.10 IN CANADA

Cat. No. AR-78



SAMS PHOTOFACT[®] AUTO RADIO SERIES



VOLUME

78



by the



ENGINEERING STAFF



HOWARD W. SAMS & CO., INC.

INDIANAPOLIS, INDIANA

**FIRST EDITION
FIRST PRINTING — JUNE 1970**

**PHOTOFACT®
AUTO RADIO SERIES
VOLUME 78**

Copyright © 1970 by Howard W. Sams & Co., Inc.
Indianapolis, Indiana 46206. Printed in the United States of America

All rights reserved. Reproduction or use, without express permission, of editorial or pictorial content, in any manner, is prohibited. No patent liability is assumed with respect to the use of the information contained herein.

The listing of any available replacement part herein does not constitute in any case a recommendation, warranty or guaranty by Howard W. Sams & Co., Inc., as to the quality and suitability of such replacement part. The numbers of these parts have been compiled from information furnished to Howard W. Sams & Co., Inc., by the manufacturers of the particular type of replacement part listed.

Library of Congress Catalog Card Number: 49-11493



TABLE OF CONTENTS

| TRADE NAME AND MODEL | PAGE |
|--------------------------------------------|-------------|
| Cadillac Model 05CMW1/MWK1 | 5 |
| Chevrolet Models 01VFM1/M2 | 25 |
| Chevrolet Models 01VMPA1/MPH1 | 39 |
| John Deere Model OBTJD | 49 |
| Mercury Model 9FBM (C9MA-19A241) | 57 |
| Midland Model 65-230 | 79 |
| Oldsmobile Models 03BT411/ET411 | 97 |
| Opel Models 04LPB1/PPB1 | 109 |
| Ranger Model RR-22-R | 117 |

| | |
|----------------------------------------------------|------------|
| Cumulative Index to Prior Volumes | 120 |
|----------------------------------------------------|------------|

REMOVAL INSTRUCTIONS

GENERAL REMOVAL INFORMATION

Most radios and speakers can be removed for service by following the steps shown in this block of information. Check the Make, Model, and Year of car listed below. If more specific instructions are required, they are shown.

- Step 1. Disconnect power, speaker and antenna leads.
- Step 2. Remove knobs.
- Step 3. Remove nuts from control bushings and cabinet braces.
- Step 4. Remove radio from under dash.
- Step 5. Remove nuts holding speaker and remove speaker from under dash.

CADILLAC - 1970 CADILLAC

- Step 1. Remove screws from steering column cover. Remove panel.
- Step 2. Remove knobs and nuts from control bushings.
- Step 3. Disconnect antenna lead and speaker connector.
- Step 4. Remove screws from bottom brace.
- Step 5. Lower radio and remove.

SPEAKER REMOVAL

- Step 1. Remove screws from garnish moldings and remove.
- Step 2. Remove screws from lower instrument panel cover and screws from upper glove box.
- Step 3. Lift instrument panel cover.
- Step 4. Remove screws from speaker mounting and remove speaker.

CHEVROLET - 1970 CORVETTE

- Step 1. Remove console side covers.
- Step 2. Remove knobs and nuts from control bushings.
- Step 3. Remove screws from radio trim plate and remove plate.
- Step 4. Remove screws from lower padded dash cover and remove cover.
- Step 5. Disconnect speaker and antenna connectors.
- Step 6. Remove screw from side brace.
- Step 7. Tilt instrument panel cover forward and remove radio.

SPEAKER REMOVAL

- Step 1. Remove screws from kick panels and remove panels.
- Step 2. Remove screws from speaker mountings and remove speaker.
- Step 3. Remove radio from under dash.
- Step 4. Remove nuts holding speaker and remove speaker from under dash.

MERCURY - 1970 MERCURY

See General Removal Information.

OLDSMOBILE - 1970 F-85, OLDS

- Step 1. Remove screws from air-conditioning duct and lower duct.
- Step 2. See General Removal Information.

OLDSMOBILE 0 1970 TORONADO

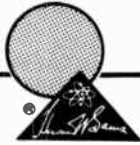
Oldsmobile Dealer should remove radio because of Critical torques involved in steering-column replacement.

OPEL - 1970 OPEL

See General Removal Information.

OPEL - 1970 OPEL G/T

Opel dealer should remove radio because of critical torques involved in steering-column replacement.

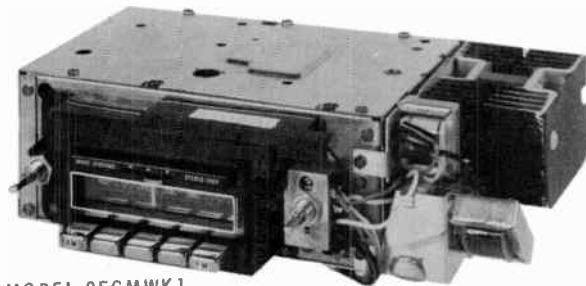


PHOTOFACT[®] with

CIRCUITRACE[®]

For Supplier Address See PHOTOFACT Index

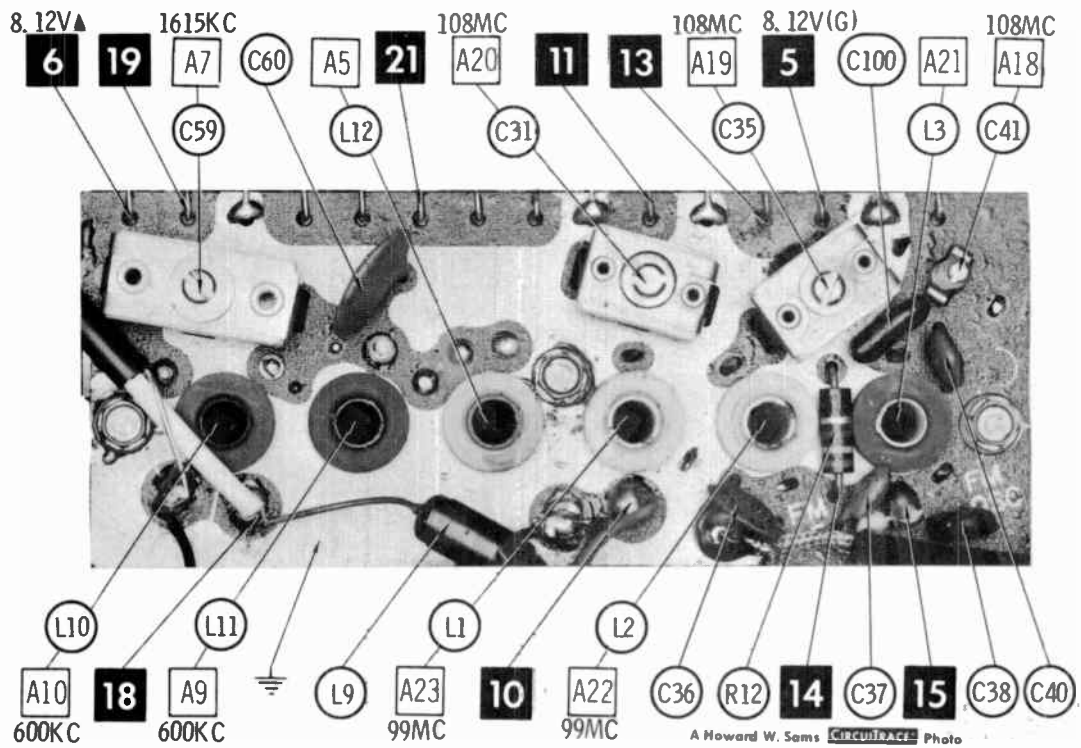
NOTE: Manufacturer Part Numbers Shown Are UNITED DELCO



CADILLAC MODELS 05CMW1
05CMWK1
(70 Cadillac)

MODEL 05CMWK1

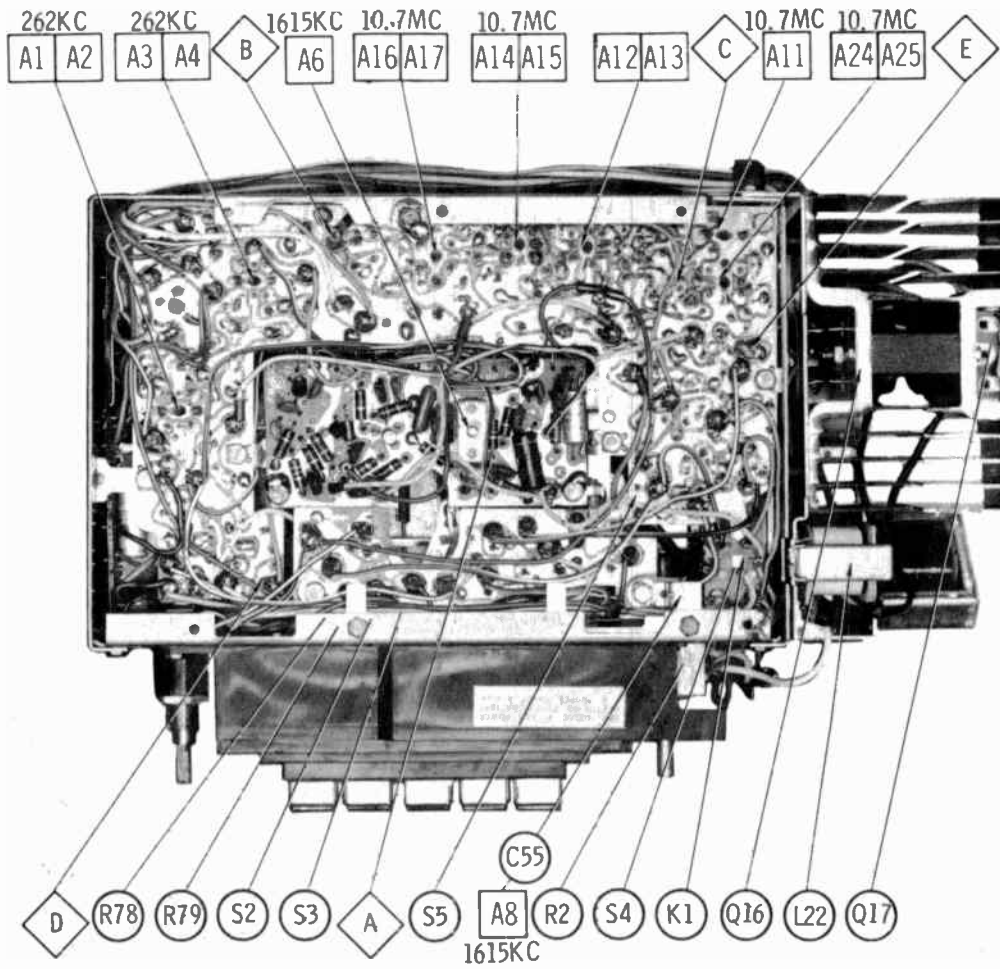
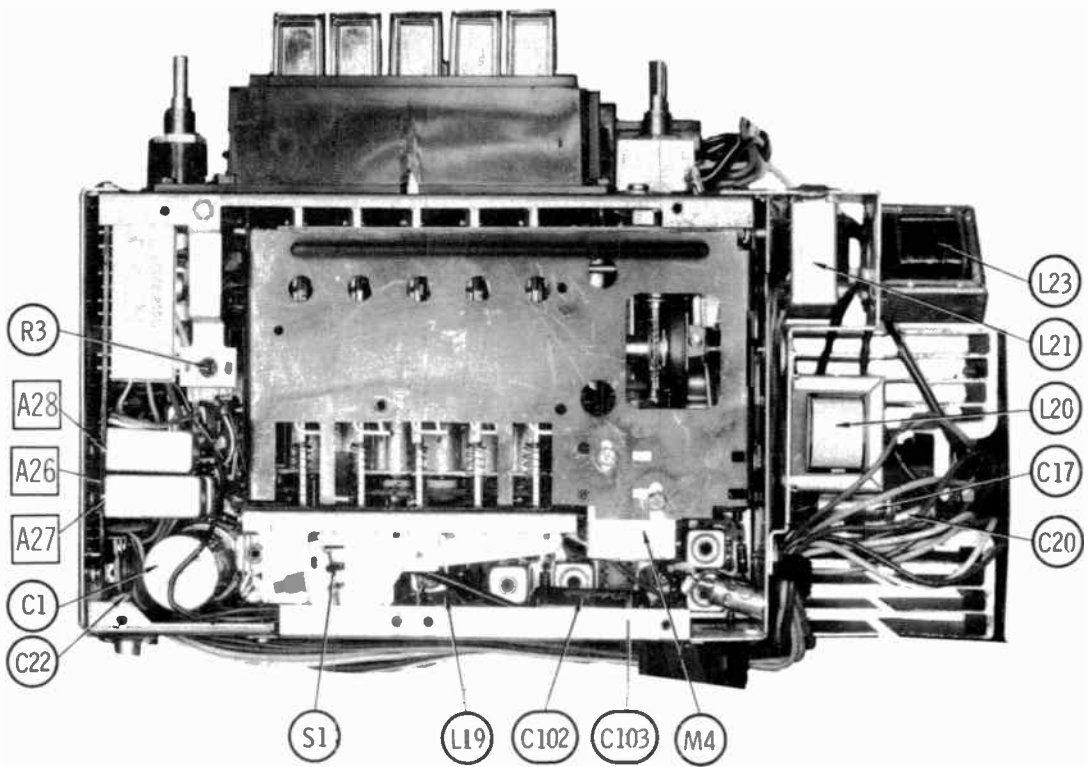
CADILLAC MODELS 05CMW1 / MWK1



HOWARD W. SAMS & CO., INC. Indianapolis, Indiana 46206

© 1970 Howard W. Sams & Co., Inc. Printed in U.S. of America

TD805



ALIGNMENT INSTRUCTIONS

| | |
|---------------------------------------------------------------------------------------------------------------------------------------------------------------------------------------------------------------------------------------------------------------------------------------------------------------------|-------------------------------------------------------------------------------------------------------------------------------------------------------------------|
| Check for specified source voltage. Use only enough generator output to provide a usable indication. Suggested Alignment Tools: GENERAL CEMENT # WALSCO # A1 thru A4, A11 thru A17 A24, A25, A26 9300,9296,9297....2520,2546,2547 A6, A7, A8, A19, A20, A21.. 8290,8868,9087....2525,2528,2587 | PUSH-BUTTON ADJUSTMENT 1. Pull button out. 2. Tune manually to desired station. 3. Press button in firmly 4. Repeat for remaining buttons. |
|---------------------------------------------------------------------------------------------------------------------------------------------------------------------------------------------------------------------------------------------------------------------------------------------------------------------|-------------------------------------------------------------------------------------------------------------------------------------------------------------------|

| GENERATOR COUPLING | GENERATOR FREQUENCY | RADIO DIAL SETTING | INDICATOR | ADJUST | REMARKS |
|-------------------------------------------------------------------|-------------------------------|----------------------|---------------------------------|-----------------|---------------------|
| 1. High side thru .1mfd to point \diamond , low side to ground. | 262KC 400 cycle modulation | High freq. end stop. | Output meter across voice coil. | A1,A2, A3,A4 | Adjust for maximum. |

Check setting of oscillator coil core (A5). Rear of core should be 1 3/8" from mounting end of coil form.

| | | | | | |
|--------------------------------------------------------------|--------|----------------------|---------------------------------|--------------|------------------------------------|
| 2. High side thru 82pf to antenna input, low side to ground. | 1615KC | High freq. end stop. | Output meter across voice coil. | A6,A7, A8 | Adjust for maximum. |
| 3. " " | 600KC | 600KC signal | " | A9,A10 | Adjust for maximum. Repeat Step 2. |

With radio installed in car and antenna extended 31", tune in a weak station near 1400KC and adjust A8 for maximum output. Antenna adjustment (A8) is located behind Balance and Tuning Knob.

BALANCE ADJUSTMENT

| | | | | | |
|---------------------------------------------------------------------------|-----------|-----|----------------------------------------------------------|-----------------|---------------------|
| 4. High side of audio generator to point \diamond , low side to ground. | 400 cycle | any | AC Volt-meter from collector of Q16 to collector of Q17. | R3 (Balance) | Adjust for minimum. |
|---------------------------------------------------------------------------|-----------|-----|----------------------------------------------------------|-----------------|---------------------|

FM IF ALIGNMENT USING AM SIGNAL GENERATOR—SELECTOR IN FM POSITION

High side of generator thru .001mfd to point \diamond , low side to ground.

| | | | | | |
|-----------------------------|---------------------------|----------------------------------------------------------|--------------|---------------------------------------------|--|
| 5. 10.7MC Unmodulated | Point of non-interference | Output Meter across voice coil. | All | Adjust for MINIMUM between two noise peaks. | |
| 6. 10.7MC (400 cycles Mod.) | " | DC probe of VTVM to point \diamond , Common to ground. | A12 thru A17 | Adjust for maximum. | |
| 7. 10.7MC Unmodulated | " | DC probe of VTVM to point \diamond , common to ground. | A24 A25 | Adjust for maximum. | |

FM RF ALIGNMENT—SELECTOR IN FM POSITION

Connect generator across antenna terminals with 120-ohm carbon resistor in series with each lead. Osc. Coil Core (A21) should be 1 3/8" from mtg. end with Dial Point set @ 108MC.

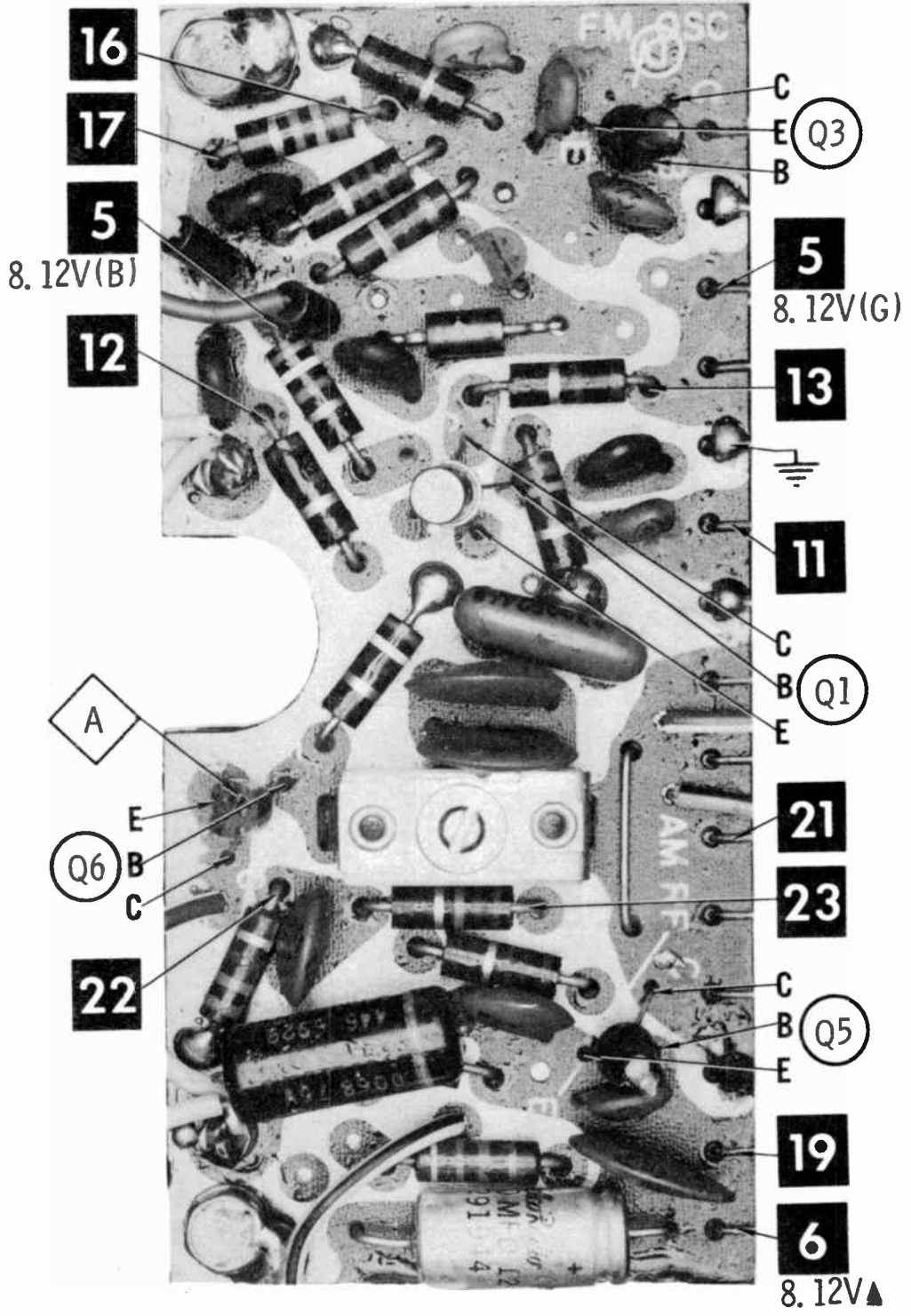
| | | | | | |
|---------------------|-----------------|----------------------------------------------------------|----------------|----------------------------------------------------------------------------------------------------|--|
| 8. 108MC | High freq. end | DC probe of VTVM to point \diamond , common to ground. | A18,A19 A20 | Adjust for maximum. | |
| 9. 99MC Unmodulated | Tune to signal. | " | A22 A23 | Rock tuning and adjust for maximum. Repeat steps 6 and 7 until no further improvement can be made. | |

FM STEREO MULTIPLEX ALIGNMENT USING FM STEREO SIGNAL GENERATOR (\pm .0001% ACCURACY)

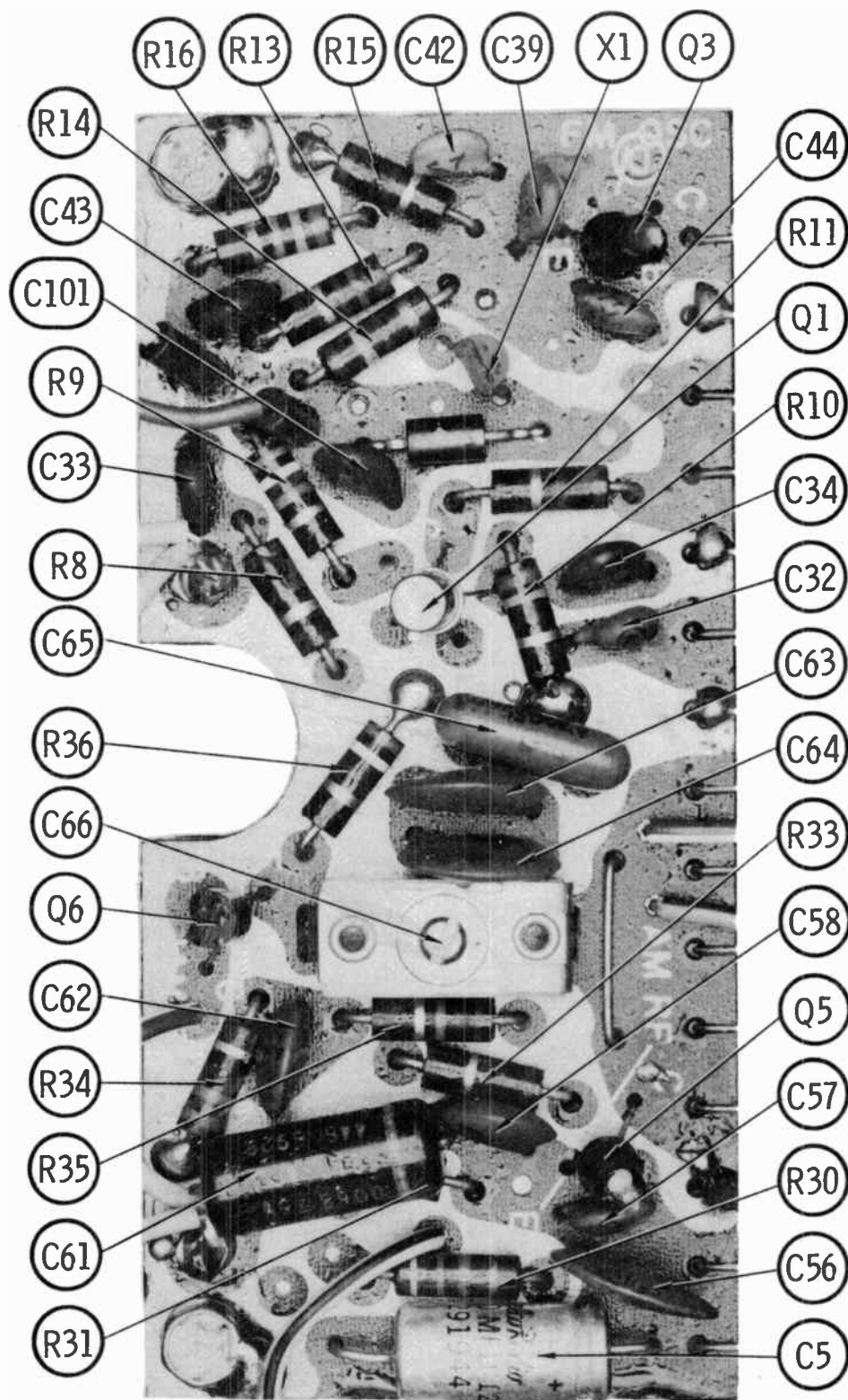
Connect generator across antenna terminals with 120-ohm carbon resistor in series with each lead. Set Separation Control (R4) at mid range.

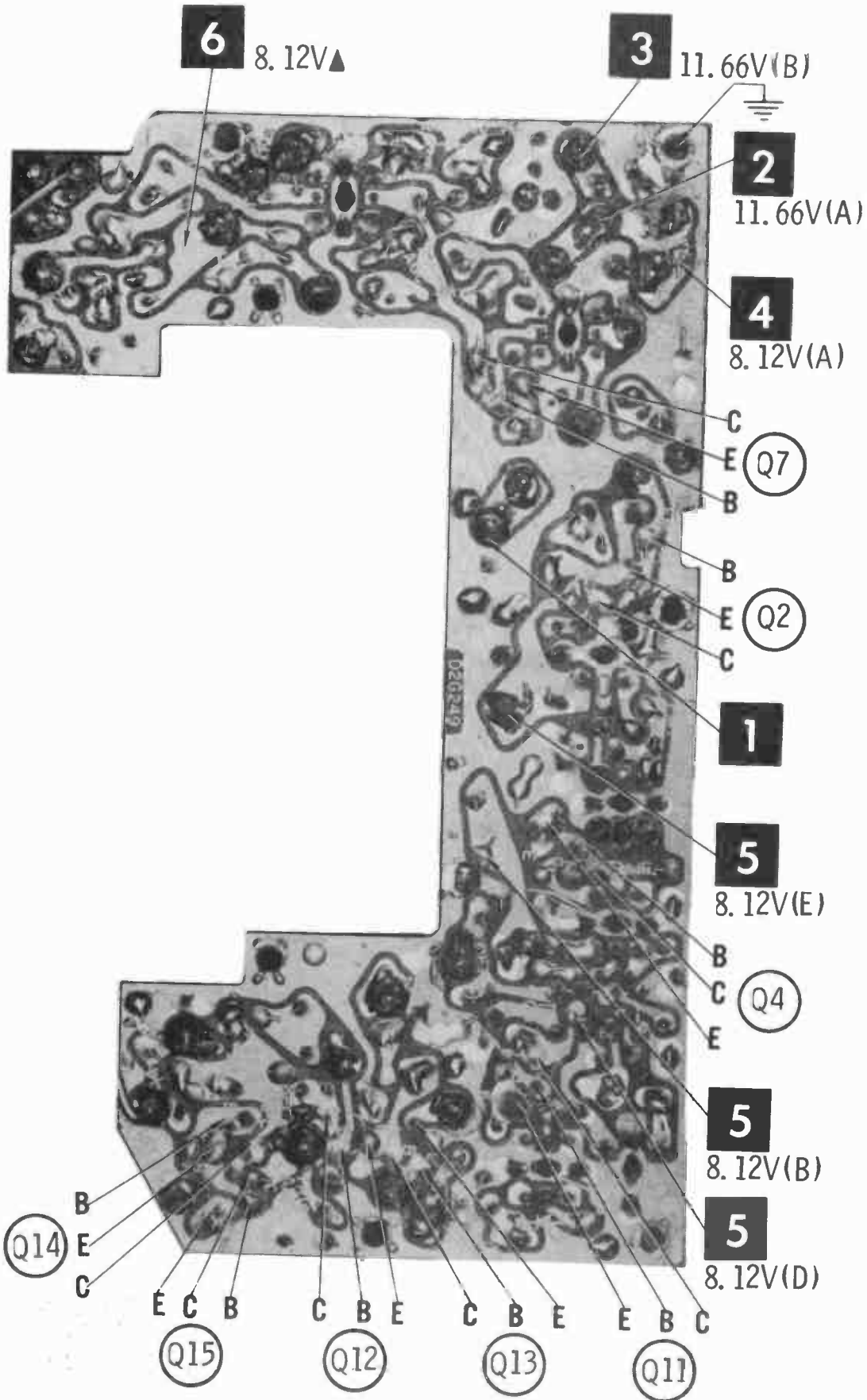
| GENERATOR FREQUENCY | RADIO DIAL SETTING | INDICATOR | ADJUST | REMARKS |
|----------------------------------|--------------------|--------------------------------------------------|--------------------|---------------------|
| 10. 100MC Modulated Left Channel | 100MC | Output meter across voice coil of right speaker. | A26,A27 A28 | Adjust for MINIMUM |
| 11. " " | " | " | R4 (Separation) | Adjust for MINIMUM. |

CADILLAC MODELS 05CMW1/NW1K1

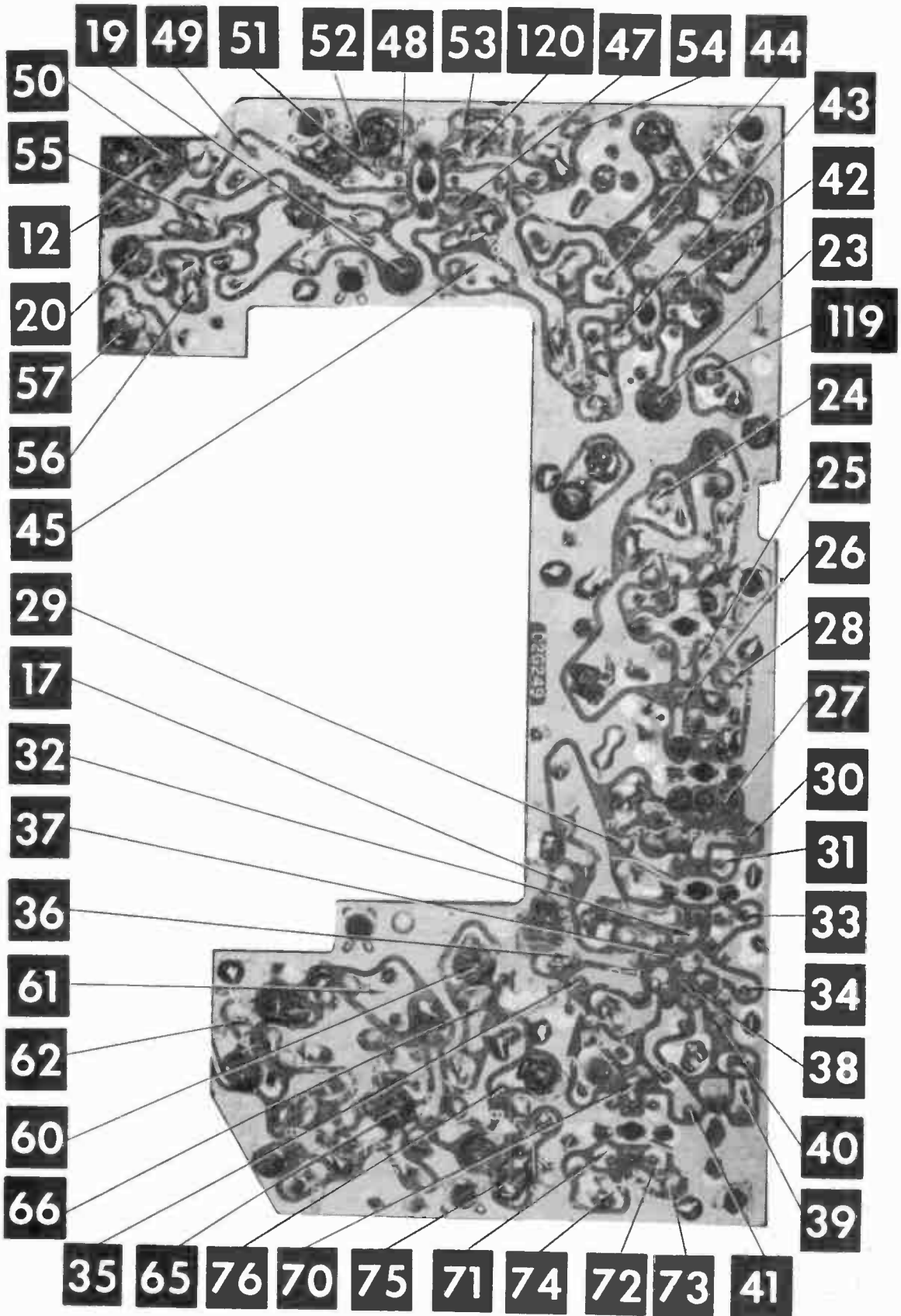


A Howard W. Sams **CIRCUITRACE** Photo

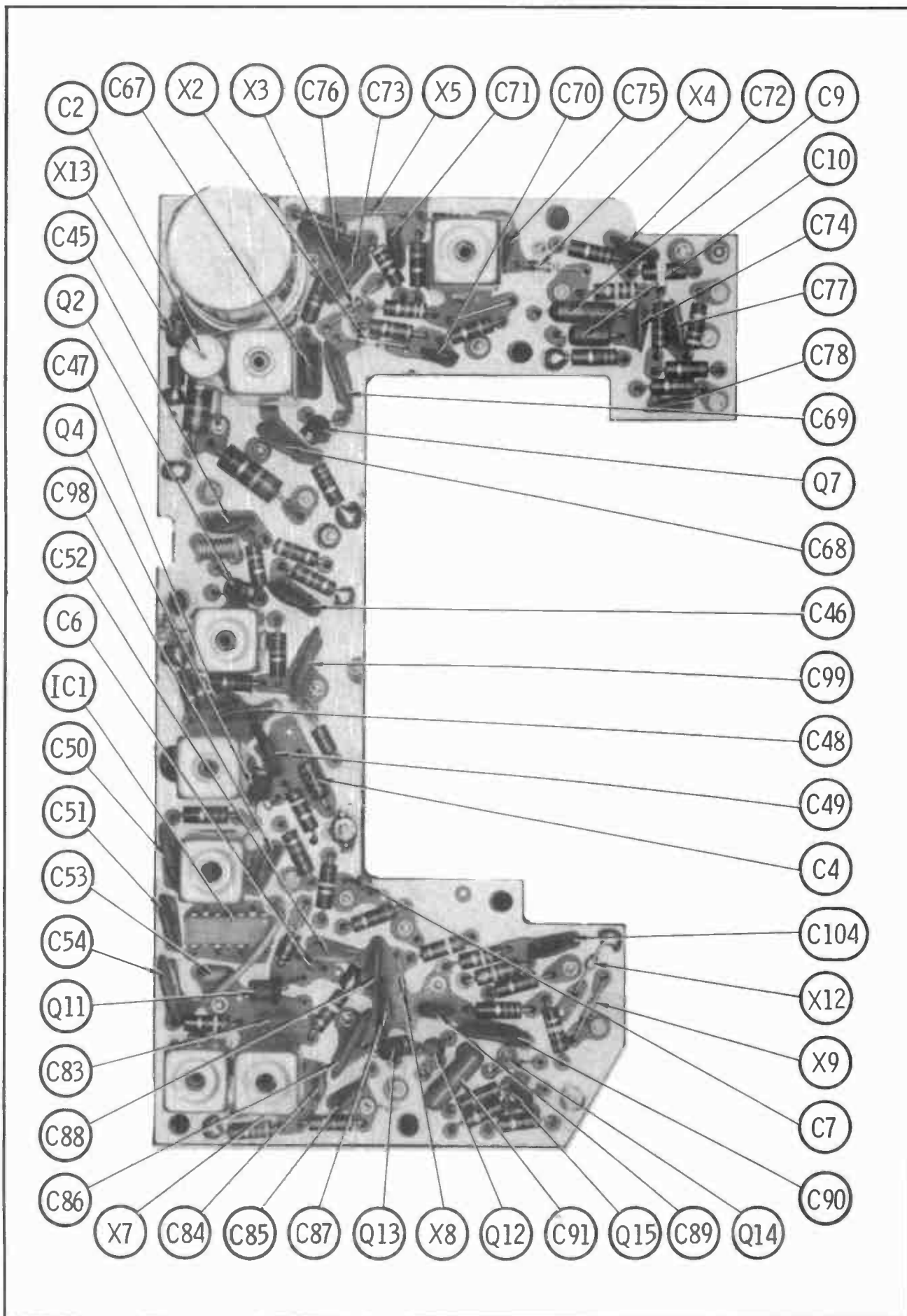


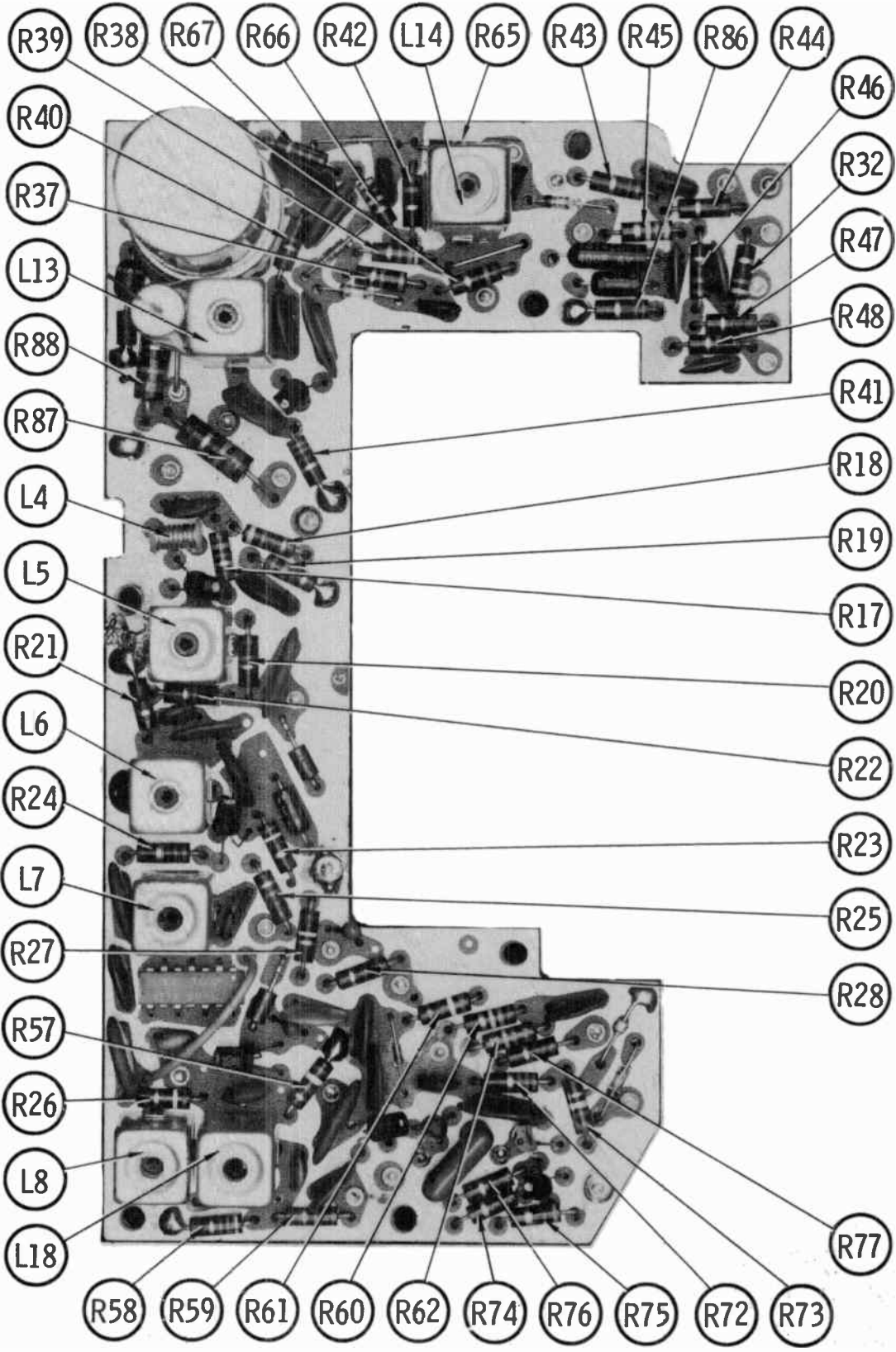


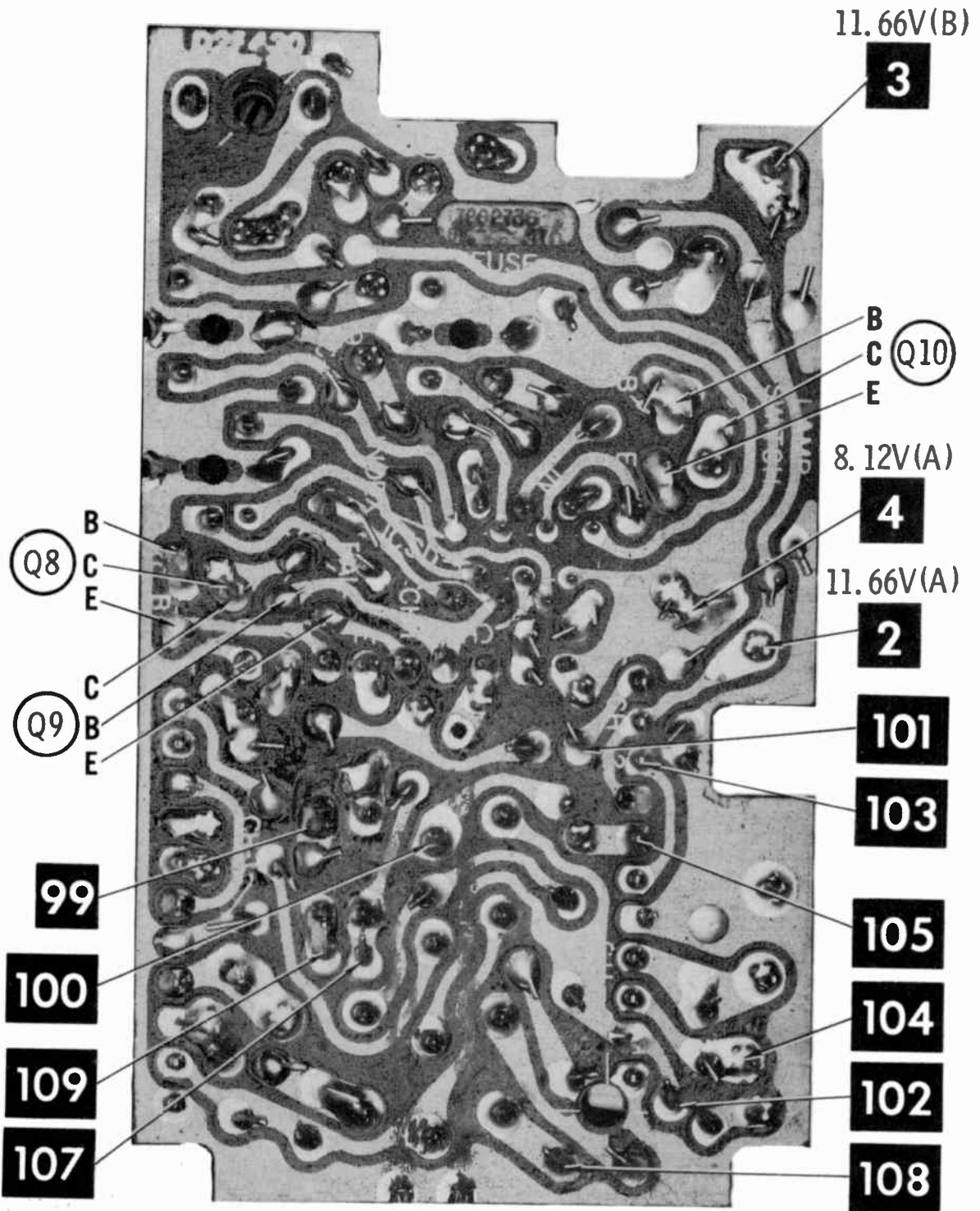
A Howard W. Sams **CIRCUITRACE** Photo



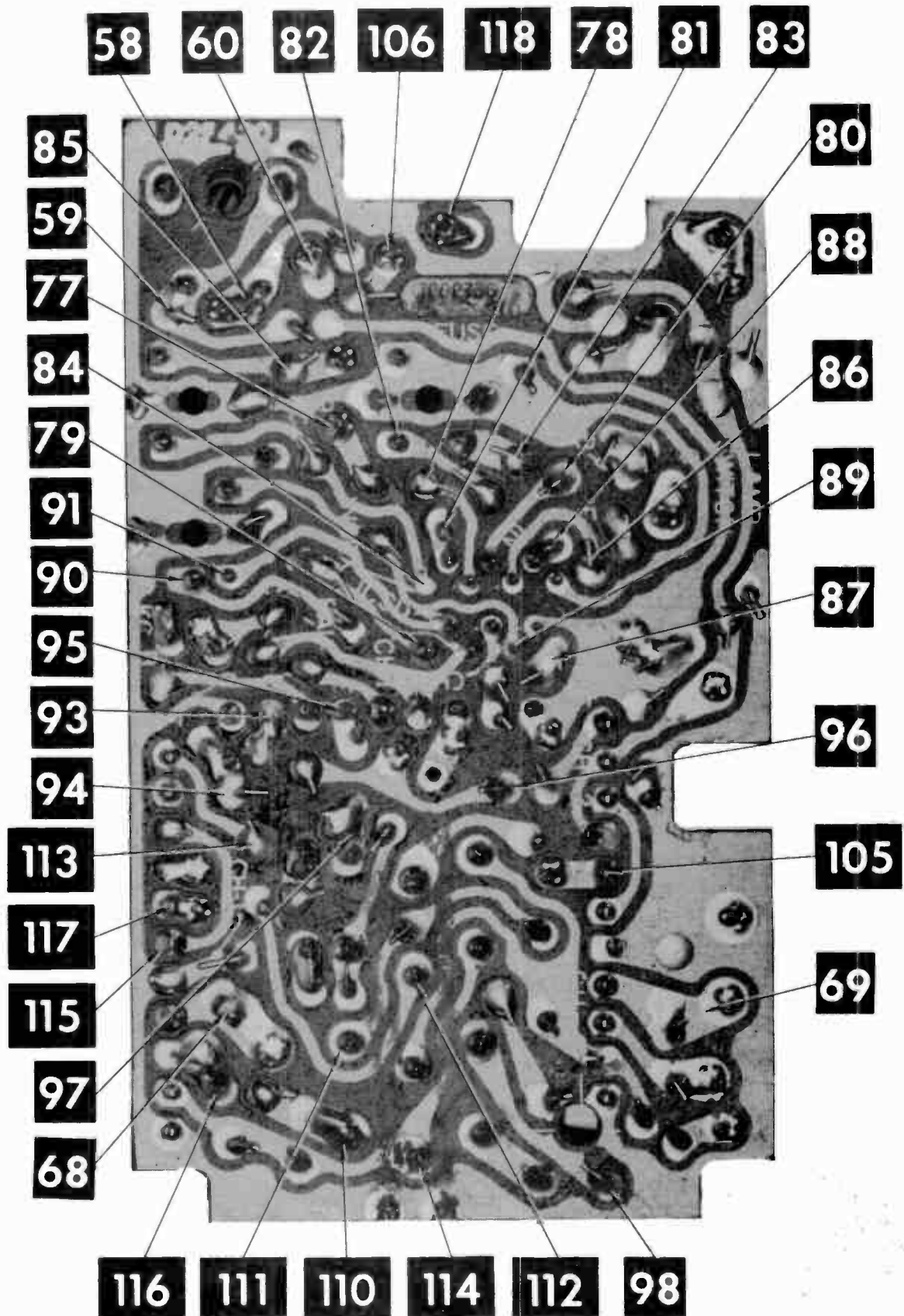
A Howard W. Sams **CIRCUITRACE** Photo





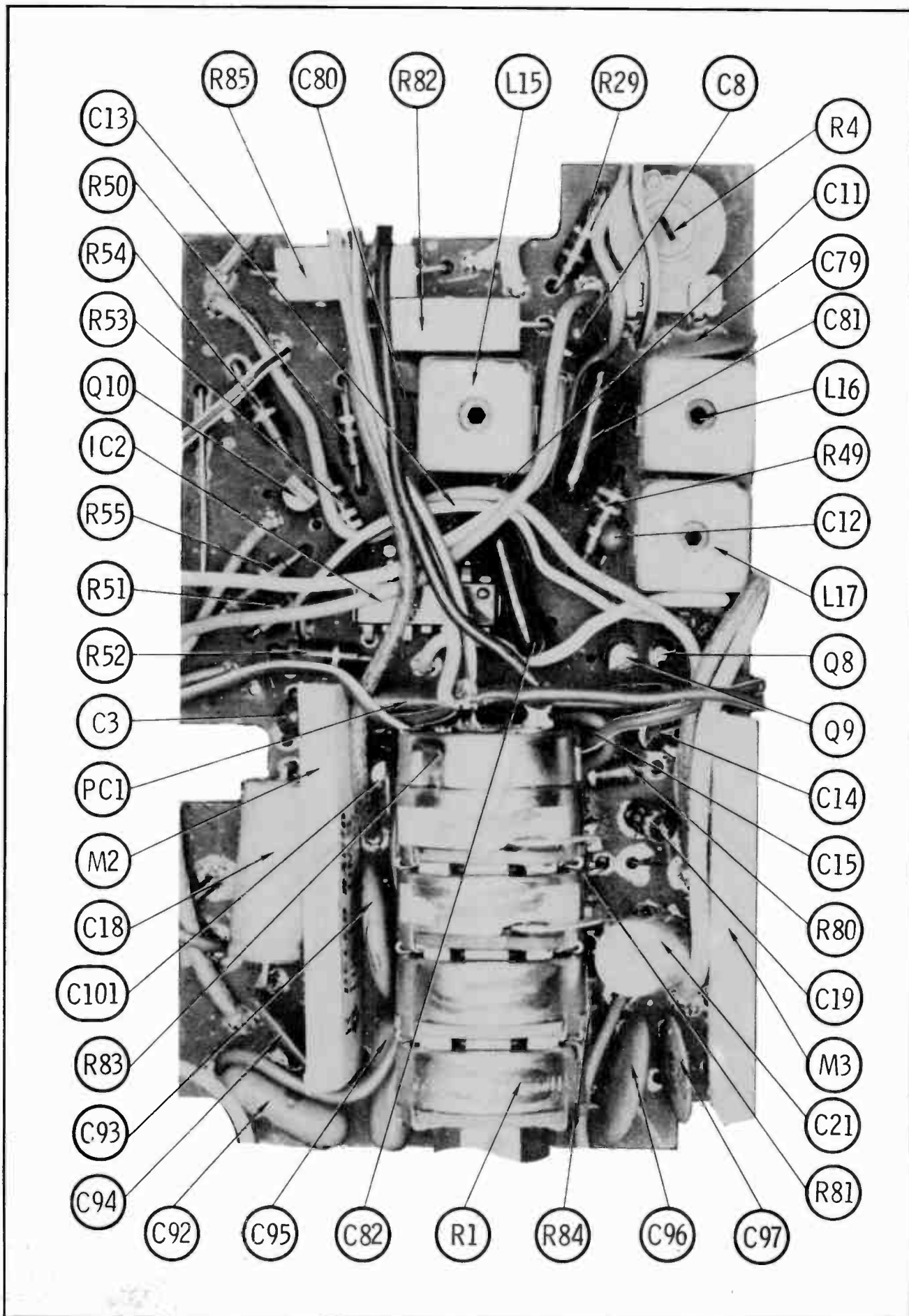


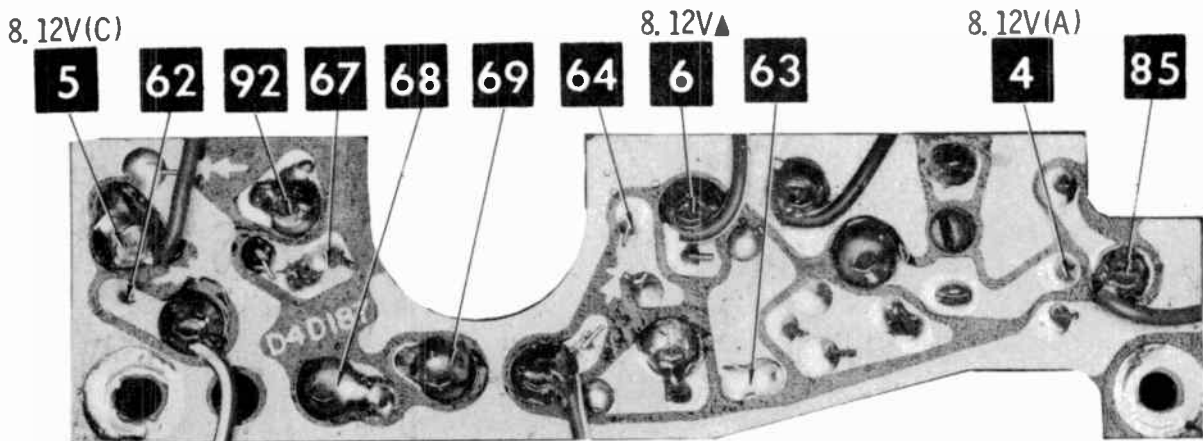
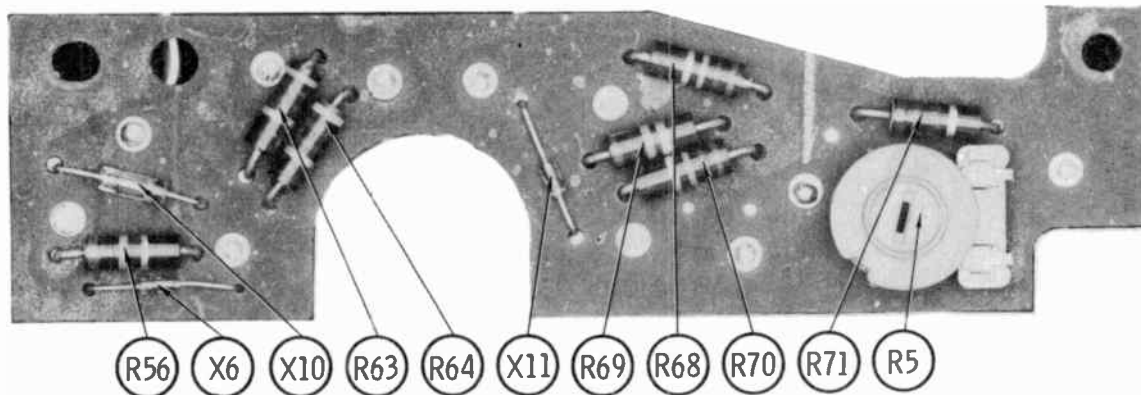
A Howard W. Sams **CIRCUITRACE** Photo



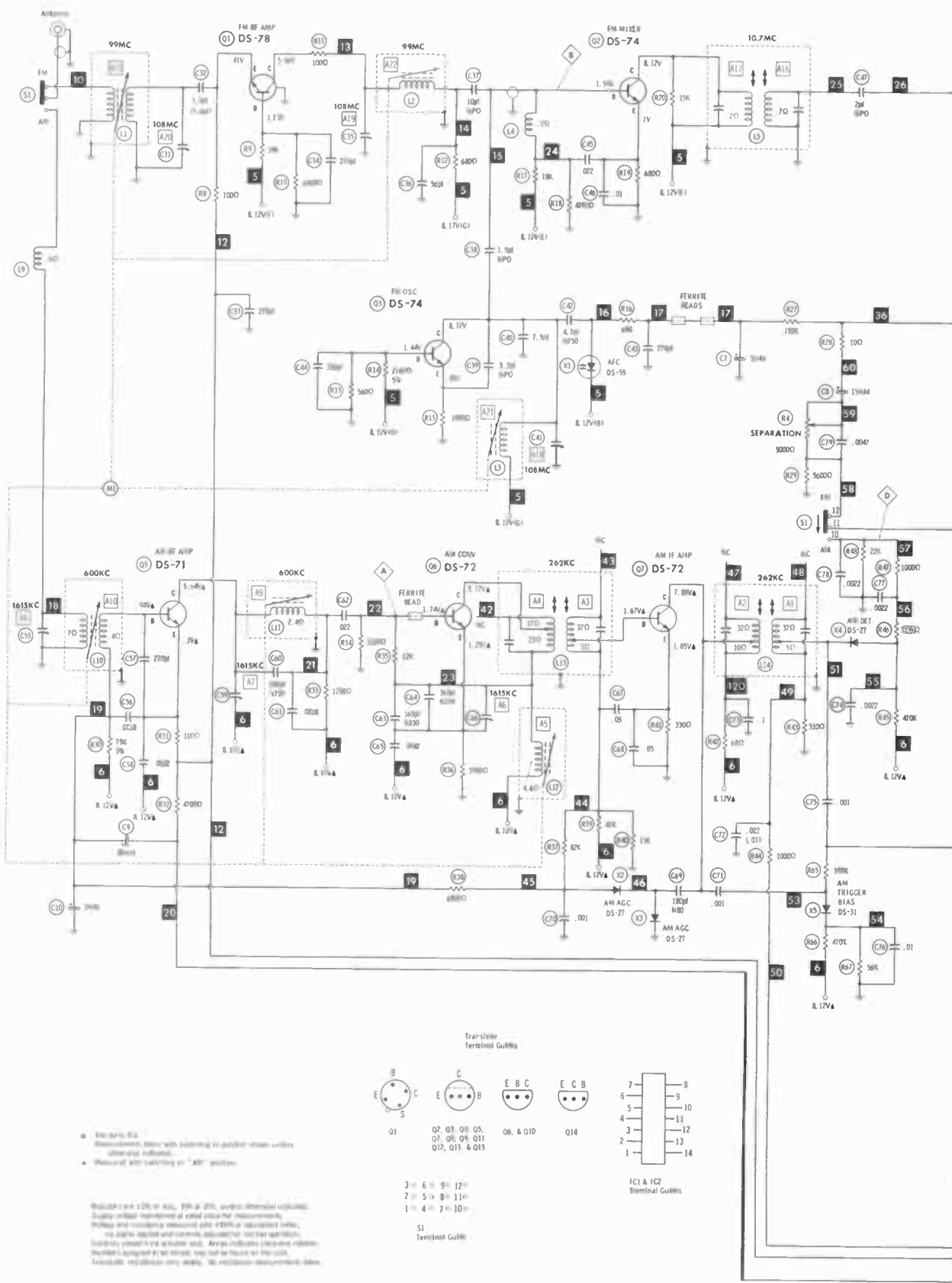
CADILLAC MODELS 05CMW1/MWK1

A Howard W. Sams CIRCUITRACE™ Photo

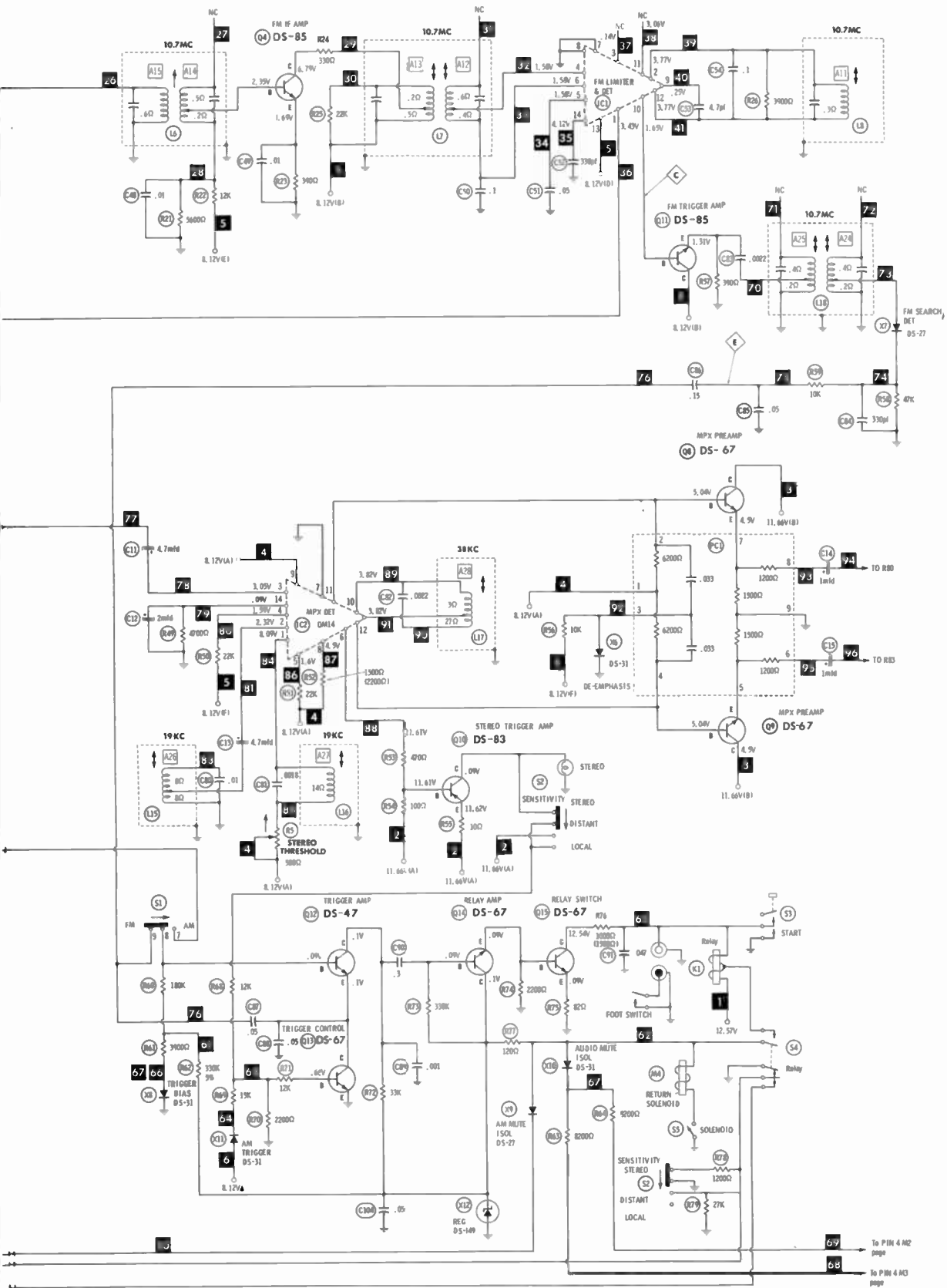




A Howard W. Sams **CIRCUITRACE** Photo

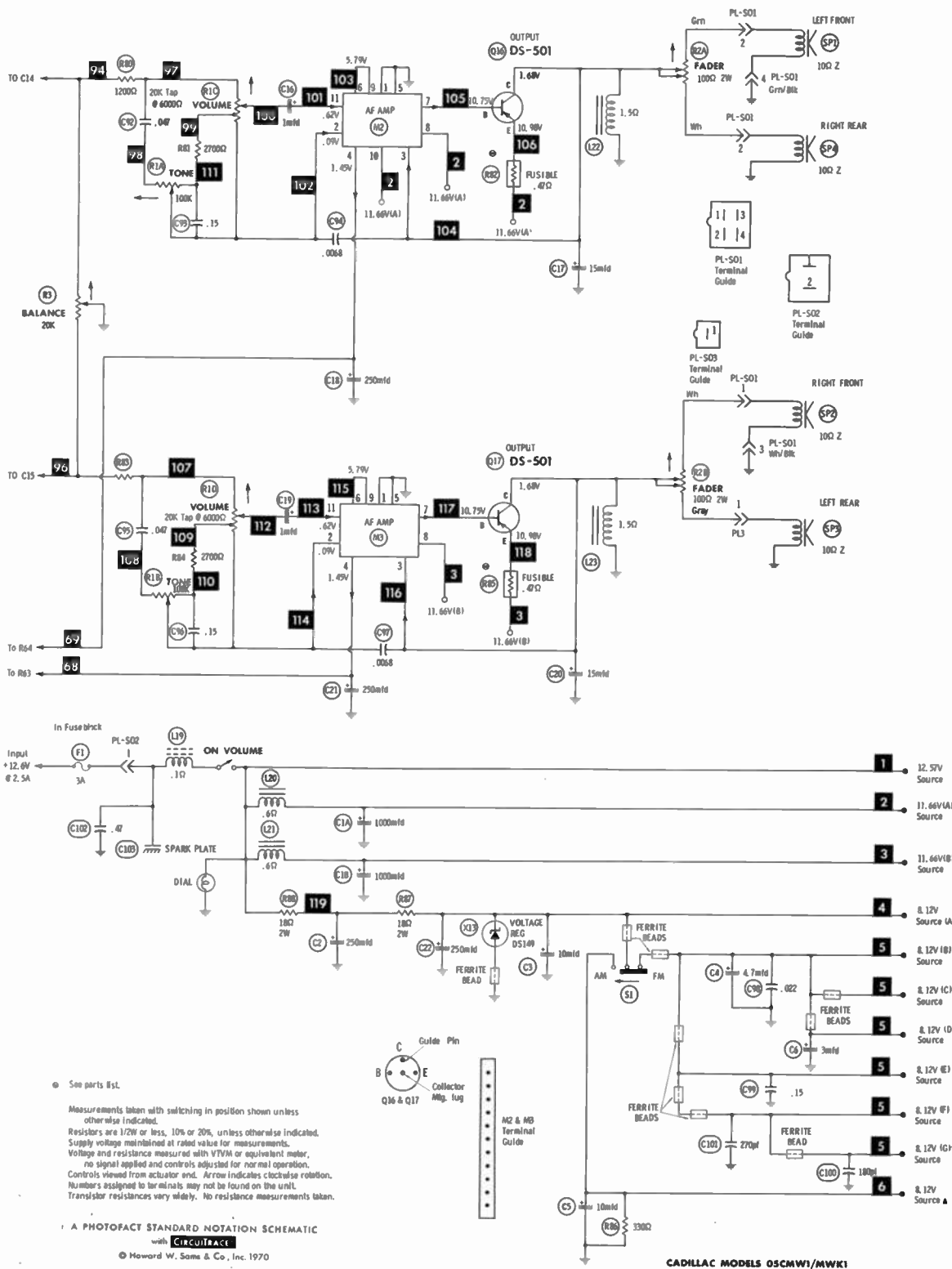


A PHOTOFACT STANDARD NOTATION SCHEMATIC
 CIRCULACE™
 © Howard W. Sams & Co., Inc. 1970



CADILLAC MODELS 05CMW1/MWK1

SEE PAGE 20 FOR OUTPUT & POWER SUPPLY



See parts list.

Measurements taken with switching in position shown unless otherwise indicated.
 Resistors are 1/2W or less, 10% or 20%, unless otherwise indicated.
 Supply voltage maintained at rated value for measurements.
 Voltage and resistance measured with VTM or equivalent meter, no signal applied and controls adjusted for normal operation.
 Controls viewed from actuator end. Arrow indicates clockwise rotation.
 Numbers assigned to terminals may not be found on the unit.
 Transistor resistances vary widely. No resistance measurements taken.

A PHOTOCOPY STANDARD NOTATION SCHEMATIC with CIRCUITRACE

© Howard W. Sams & Co., Inc. 1970

CADILLAC MODELS 05C8W1/MW1

SEE PAGES 18 & 19 FOR AM-FM

PARTS LIST AND DESCRIPTION

(When ordering parts, state Model, Part Number, and Description.)

Replacement parts shown may be superseded by the availability of newly introduced replacements.

Have your local distributor check Sams COUNTER FACTSSM for the most up-to-date replacement.

TRANSISTORS

| ITEM No. | TYPE No. | FUNCTION | REPLACEMENT DATA | | | | | |
|----------|----------|--------------------|------------------|---------------------------|----------------------------------|-------------------|--------------|-------------------|
| | | | MFGR. PART No. | GENERAL ELECTRIC PART No. | INTERNATIONAL RECTIFIER PART No. | MOTOROLA PART No. | RCA PART No. | SYLVANIA PART No. |
| Q1 | DS-78 | FM RF Amp | DS-81 | GE-17 | TR-22 | HEP50 | SK3018 | ECG 108 |
| Q2 | DS-74 | FM Mixer | DS-74 | GE-17 | TR-22 | HEP56 | SK3018 | ECG 108 |
| Q3 | DS-74 | FM Oscillator | DS-74 | GE-17 | TR-22 | HEP56 | SK3018 | ECG 108 |
| Q4 | DS-85 | FM IF Amp | DS-74 | GE-17 | TR-22 | HEP53 | SK3018 | ECG 108 |
| Q5 | DS-71 | AM RF Amp | DS-71 | GE-20 | TR-21 | HEP53 | SK3018 | ECG 108 |
| Q6 | DS-72 | AM Converter | DS-72 | GE-20 | TR-21 | HEP53 | SK3018 | ECG 108 |
| Q7 | DS-72 | AM IF Amp | DS-72 | GE-20 | TR-21 | HEP53 | SK3018 | ECG 108 |
| Q8 | DS-67 | Preamp | DS-66 | GE-10 | TR-21 | HEP54 | SK3020 | ECG 123 |
| Q9 | DS-67 | Preamp | DS-66 | GE-10 | TR-21 | HEP54 | SK3020 | ECG 123 |
| Q10 | DS-83 | Lamp Switch | DS-83 | GE-22 | TR-19 | HEP51 | SK3025 | ECG 129 |
| Q11 | DS-85 | FM Trigger Amp | DS-74 | GE-17 | TR-22 | HEP56 | SK3018 | ECG 108 |
| Q12 | DS-47 | Trigger Amp | DS-47 | GE-10 | TR-21 | HEP54 | SK3020 | ECG 123 |
| Q13 | DS-67 | Stereo Trigger Amp | DS-66 | GE-10 | TR-21 | HEP54 | SK3020 | ECG 123 |
| Q14 | DS-67 | Relay Amp | DS-66 | GE-10 | TR-21 | HEP54 | SK3020 | ECG 123 |
| Q15 | DS-67 | Relay Control | DS-66 | GE-10 | TR-21 | HEP54 | SK3020 | ECG 123 |
| Q16 | DS-501 | Output (1) | DS-501 | GE-4 | TR-03 | HEP233 | SK3012 | ECG 105 |
| Q17 | DS-501 | Output (1) | DS-501 | GE-4 | TR-03 | HEP233 | SK3012 | ECG 105 |

(1) When replacing, apply silicone grease to both sides of insulator. Tighten mounting screws securely.

INTEGRATED CIRCUITS

| ITEM No. | FUNCTION | MFGR. PART No. | REMARKS |
|----------|------------------------------------|----------------|---------|
| IC1 | FM Limiter and Quadrature Detector | DM-11 | |
| IC2 | MPX Detector | DM-14 | |

POWER RECTIFIERS & SIGNAL DIODES

| ITEM No. | MFGR. PART OR TYPE No. | REPLACEMENT RECTIFIERS & DIODES | | | REPLACEMENT RECTIFIERS | NOTES |
|----------|------------------------|---------------------------------|----------------------------------|-------------------|------------------------|----------|
| | | GENERAL ELECTRIC PART No. | INTERNATIONAL RECTIFIER PART No. | SYLVANIA PART No. | | |
| X1 | DS-55 | | | | | Varactor |
| X2 | DS-27 | 1N34AS | 1N34A | ECG 109 | | |
| X3 | DS-27 | 1N34AS | 1N34A | ECG 109 | | |
| X4 | DS-27 | 1N34AS | 1N34A | ECG 109 | | |
| X5 | DS-31 | 1N34AS | 1N34A | ECG 109 | | |
| X6 | DS-31 | 1N34AS | 1N34A | ECG 109 | | |
| X7 | DS-27 | 1N34AS | 1N34A | ECG 109 | | |
| X8 | DS-31 | 1N34AS | 1N34A | ECG 109 | | |
| X9 | DS-27 | 1N34AS | 1N34A | ECG 109 | | |
| X10 | DS-31 | 1N34AS | 1N34A | ECG 109 | | |
| X11 | DS-31 | 1N34AS | 1N34A | ECG 109 | | |
| X12 | DS-149 | GE-X11 | 12M-8.2 | ECG 109 | | Zener |
| X13 | DS-149 | GE-X11 | 12M-8.2 | ECG 109 | | Zener |

ELECTROLYTIC CAPACITORS

| ITEM No. | RATING | REPLACEMENT DATA | | | | | | |
|----------|------------|------------------|------------------|--------------------|---------------------------|---------------------------|------------------|------------------|
| | | PART No. | AEROVOX PART No. | CENTRALAB PART No. | CORNELL-DUBILIER PART No. | GENERAL ELECTRIC PART No. | MALLORY PART No. | SPRAGUE PART No. |
| C1A | 1000 16V | 7313084 | | | | | | |
| 8 | 1000 16V | | | | | | | |
| C2 | 250 16V | 7307357 | PRS1210 | EA15-250 | W8R250-50 | QT1-28 | MTA250F15 | TE-1165 |
| C3 | 10 10V | 7312285 | 8CD25010 | EP15-10 | PC10-50 | MT1-5 | MTV10C850 | TE-1128 |
| C4 | 4.7 10V | 7310782 | CRE604A | EA15-5 | W8R5-150 | MT1-3 | MTA5D50 | TE-1127 |
| C5 | 10 12V | 7292738 | PTT114 | EA15-10 | AL10-15 | MT1-5 | MTA10D35 | TL-1128 |
| C6 | 3 10V | 7296348 | PTT127 | EA15-2 | AL3-150 | MT1-3 | MTA3D50 | TE-1122 |
| C7 | 3 10V | 7296348 | PTT127 | EA15-2 | AL3-150 | MT1-3 | MTA3D50 | TE-1122 |
| C8 | 15 6V | 7314501 | 8CD25015 | EP6-25 | PC20-50 | MT1-5 | MTV15CD50 | TE-1089 |
| C9 | 40 10V | 7298555 | CRE315A | EA6-50 | AL50-15 | MT1-15 | TAC396K006POA | TE-1095 |
| C10 | 3 10V | 7296348 | PTT127 | EA15-2 | AL3-150 | MT1-3 | MTA3D50 | TE-1122 |
| C11 | 4.7 10V | 7310782 | CRE604A | EA15-5 | W8R5-150 | MT1-3 | MTA5D50 | TE-1127 |
| C12 | 2 10V | 7313127 | 8CD50002 | EP15-2 | PC2-100 | MT1-1 | MTV2C850 | TE-1121 |
| C13 | 4.7 10V | 7310782 | CRE604A | EA15-5 | W8R5-150 | MT1-3 | MTA5D50 | TE-1127 |
| C14 | 1 10V | 7312297 | 8CD50001 | | PC1-100 | MT1-1 | MTV1C850 | TE-1120 |
| C15 | 1 10V | 7312297 | 8CD50001 | | PC1-100 | MT1-1 | MTV1C850 | TE-1120 |
| C16 | 1 10V | 7312297 | 8CD50001 | | PC1-100 | MT1-1 | MTV1C850 | TE-1120 |
| C17 | 15 11.5Rms | 7313951 | CRE609A | EA15-15 | AL15-50 | MT1-10 | MTA15D35 | TE-1156 |
| C18 | 250 3V | 7312283 | CRE233A | EA6-250 | W8R300-35 | MT1-25 | MTA250F15 | TE-1065 |
| C19 | 1 10V | 7312297 | 8CD50001 | | PC1-100 | MT1-1 | MTV1C850 | TE-1120 |
| C20 | 15 11.5Rms | 7313951 | CRE609A | EA15-15 | AL15-50 | MT1-10 | MTA15D35 | TE-1156 |
| C21 | 250 3V | 7312283 | CRE233A | EA6-250 | W8R300-35 | MT1-25 | MTA250F15 | TE-1065 |
| C22 | 250 16V | 7307357 | PRS1210 | EA15-250 | W8R250-50 | QT1-28 | MTA250F15 | TE-1165 |

CADILLAC MODELS 05CWM1/MW1K1

PARTS LIST AND DESCRIPTION (CONTINUED)

(When ordering parts, state Model, Part Number, and Description.)

Replacement parts shown may be superseded by the availability of newly introduced replacements.
Have your local distributor check Sams COUNTER FACTS[®] for the most up-to-date replacement.

CAPACITORS

| ITEM No. | RATING | REMARKS | REPLACEMENT DATA | | | | | | |
|----------|-----------|----------|------------------|--------------------|---------------------------|------------------|------------------|------------------|---------------|
| | | | AEROVOX PART No. | CENTRALAB PART No. | CORNELL-DUBILIER PART No. | ELMENCO PART No. | MALLORY PART No. | SPRAGUE PART No. | |
| C31 | | #7293221 | | | | | | | |
| C32 | 3.3 NPD | | NPO-DI 3.3 | DTZ-3R3 | NP03P3 | | | CN0533 | 10TCC-V33 |
| C33 | 270 | | GPD X5F271K | DD-271 | GP270 | | CCD-271 | GP327 | 5GA-T27 |
| C34 | 270 | | GPD X5F271K | DD-271 | GP270 | | CCD-271 | GP327 | 5GA-T27 |
| C35 | | #7291003 | | | | | | | |
| C36 | 56 NPD | | | TCZ-56 | | | CCTO-560 | CN0456 | 10TCC-Q56 |
| C37 | 10 NPO | | NPO-DI 10 | DTZ-10 | NP010 | | CCTO-100 | CN0410 | 10TCC-Q10 |
| C38 | 1.5 NPO | | NPO-DI 1.5 | DTZ-1R5 | NP01P5 | | | CN0515 | 10TCC-V15 |
| C39 | 3.3 NPO | | NPO-DI 3.3 | DTZ-3R3 | NP03P3 | | | CN0533 | 10TCC-V33 |
| C40 | 7.5 NPO | | NPO-DI 6.8 | DTZ-6R8 | NP06P8 | | | CN0568 | 10TCC-V68 |
| C41 | | #7292611 | | | | | | | |
| C42 | 4.7 N750 | | | DTN-5 | N5 | | CCTN-050 | CN747 | 10TCU-V47 |
| C43 | 270 | | GPD X5F271K | DD-271 | GP270 | | CCD-271 | GP327 | 5GA-T27 |
| C44 | 330 | | GPD X5F331K | DD-331 | GP330 | | CCD-331 | GP333 | 10TS-T33 |
| C45 | .022 | | TTP-02 | CK-203 | MGP02 | | CCD-203 | TA120 | TG-S20 |
| C46 | .01 | | TTP-01 | CK-103 | MGP01 | | CCD-103 | TA110 | TG-S10 |
| C47 | 2 NPO | | NPO-DI 2.2 | DTZ-2R2 | NP02P2 | | | CN0522 | 10TCC-V22 |
| C48 | .01 | | TTP-01 | CK-103 | MGP01 | | CCD-103 | TA110 | TG-S10 |
| C49 | .01 | | TTP-01 | CK-103 | MGP01 | | CCD-103 | TA110 | TG-S10 |
| C50 | .1 | | TTP-1 | CK-104 | MGP01 | | | TA010 | TG-P10 |
| C51 | .05 | | TTP-05 | CK-503 | MGP05 | | CCD-503 | TA150 | TGL-S50 |
| C52 | 330 N2200 | | | | | | * | * | 10TCV-T33 |
| C53 | 4.7 NPO | | NPO-OI 4.7 | DTZ-4R7 | NP04P7 | | | CN0547 | 10TCC-V47 |
| C54 | .1 | | TTP-1 | CK-104 | | | | TA010 | TG-P10 |
| C55 | | #7212373 | | | | | | | |
| C56 | .0068 | | GPD X5R682K | DD-682 | GP6800 | | CCD-682 | GP268 | 5GA-D68 |
| C57 | 270 | | GPD X5F271K | DD-271 | GP270 | | CCD-271 | GP327 | 5GA-T27 |
| C58 | .0022 | | GPD X5F222K | DD-222 | GP2200 | | CCD-222 | GP222 | 10TS-D22 |
| C59 | | #7312933 | | | | | | | |
| C60 | 200 N750 | | N750-DI 200 | DTN-200 | N220 | | CCTN-201 | CN7201 | 10TCU-T20 |
| C61 | .0068 | 75V | DBE6D68 | CPR-6800J | WMF1D68 | | 1DP-1-682 | PVC4268 | 6PS-D68 |
| C62 | .022 | | TTP-02 | CK-203 | MGP02 | | CCD-203 | TA120 | TG-S20 |
| C63 | 165 N330 | | | | | | * | * | |
| C64 | 165 N##0 | | | | | | * | * | |
| C65 | .0047 | 75V | DBE6D5 | CPR-5000J | DPMS6D5 | | 1DP-1-502 | PVC625 | 6PS-D50 |
| C66 | | #7295192 | | | | | | | |
| C67 | .05 | | TTP-05 | CK-503 | MGP05 | | CCD-503 | TA150 | TGL-S50 |
| C68 | .05 | | TTP-05 | CK-503 | MGP05 | | CCD-503 | TA150 | TGL-S50 |
| C69 | 180 N80 | | | | | | * | * | 10TCN-T18 |
| C70 | .001 | | GPD X5F102K | DM-102 | GP1000 | | CCD-102 | SM210 | 2SS-D10 |
| C71 | .001 | | GPD X5F102K | DM-102 | GP1000 | | CCD-102 | SM210 | 2SS-D10 |
| C72 | .022 | | TTP-02 | CK-203 | MGP02 | | CCD-203 | TA120 | TG-S20 |
| C73 | .1 | | TTP-1 | CK-104 | | | | TA010 | TG-P10 |
| C74 | .0022 | | GPD X5F222K | DD-222 | GP2200 | | CCD-222 | GP222 | 10TS-D22 |
| C75 | .001 | | GPD X5F102K | DM-102 | GP1000 | | CCD-102 | SM210 | 2SS-D10 |
| C76 | .01 | | TTP-01 | CK-103 | MGP01 | | CCD-103 | TA110 | TG-S10 |
| C77 | .0022 | | GPD X5F222K | DD-222 | GP2200 | | CCD-222 | GP222 | 10TS-D22 |
| C78 | .0022 | | GPD X5F222K | DD-222 | GP2200 | | CCD-222 | GP222 | 10TS-D22 |
| C79 | .0047 | | TTP-005 | CK-502 | MGP005 | | CCD-502 | TA250 | TG-D50 |
| C80 | .01 | 75V | V1612S1 | CPR-10000J | DPMS6S1 | | 1DP-1-103 | PVC211 | 225P47391WD3 |
| C81 | .0018 | | ADM-19-182 | CPR-1800J | CD19F182J500 | | DM-19-182 | SX218 | MS-218 |
| C82 | .0022 | | ADM-20-222 | CPR-2200J | CD19F222J500 | | DM-19-222 | SX222 | MS-222 |
| C83 | .0022 | | GPD X5F222K | DD-222 | GP2200 | | CCD-222 | GP222 | 10TS-D22 |
| C84 | 330 | | GPD X5F331K | DD-331 | GP330 | | CCD-331 | GP333 | 10TS-T33 |
| C85 | .05 | | TTP-05 | CK-503 | MGP05 | | CCD-503 | TA150 | TGL-S50 |
| C86 | .15 | | TTP-1 | CK-104 | | | | TA010 | TG-P10 |
| C87 | .05 | | TTP-05 | CK-503 | MGP05 | | CCD-503 | TA150 | TGL-S50 |
| C88 | .05 | | TTP-05 | CK-503 | MGP05 | | CCD-503 | TA150 | TGL-S50 |
| C89 | .001 | | GPD X5F102K | DM-102 | GP1000 | | CCD-102 | SM210 | TGL-S50 |
| C90 | .3 | | | UK16-304 | | | | SM210 | 2SS-D10 |
| C91 | .047 | 75V | V1612S47 | | DPMS6S47 | | 1DP-2-473 | PVC1147 | HY-327 |
| C92 | .047 | 75V | V1612S47 | | DPMS6S47 | | 1DP-2-473 | PVC1147 | 225P47391WD3 |
| C93 | .15 | | TTP-1 | CK-104 | | | | TA010 | TG-P10 |
| C94 | .0068 | | GPD X5F682K | DD-682 | GP6800 | | CCD-682 | GP268 | 5GA-D68 |
| C95 | .047 | 75V | V1612S47 | | DPMS6S47 | | 1DP-2-473 | PVC1147 | 225P10391WD33 |
| C96 | .15 | | TTP-1 | CK-104 | | | | TA010 | TG-P10 |
| C97 | .0068 | | GPD X5F682K | DD-682 | GP6800 | | CCD-682 | GP268 | 5GA-D68 |
| C98 | .022 | | TTP-02 | CK-203 | MGP02 | | CCD-203 | TA120 | TG-S20 |
| C99 | .15 | | TTP-1 | CK-104 | | | | TA010 | TG-P10 |
| C100 | 180 | | ADM-10-181 | CPR-180J | CD15F181K500 | | DM-10-181 | SX318 | MS-318 |
| C101 | 270 | | GPD X5F271K | DD-271 | GP270 | | CCD-271 | GP327 | 5GA-T27 |
| C102 | .47 | 75V | DBE2P47 | | OPMS2P47 | | 1DP-4-504 | PVC105 | 2PS-P50 |
| C103 | | #7271564 | | | | | | | |
| C104 | .05 | | TTP-05 | CK-503 | MGP05 | | CCD-503 | TA150 | TGL-S50 |

DELCO Part Number.

* Not normally in distributor's stock. Available thru distributor on order to manufacturer.

PARTS LIST AND DESCRIPTION (CONTINUED)

(When ordering parts, state Model, Part Number, and Description.)

Replacement parts shown may be superseded by the availability of newly introduced replacements.

Have your local distributor check Sams COUNTER FACTS[®] for the most up-to-date replacement.

CONTROLS (All wattages 1/2 watt, or less, unless listed)

| ITEM No. | FUNCTION | RESISTANCE | REPLACEMENT DATA | | | | |
|----------|------------------------|----------------|------------------|----------------------------|--------------------|------------------|------------------|
| | | | MFR. PART No. | CENTRALAB PART No. | CLAROSTAT PART No. | CTS-IRC PART No. | MALLORY PART No. |
| R1A | Tone (Left) | 100K | 7310070 | | | | |
| B | Tone (Right) | 100K | | | | | |
| C | Volume (Left) | 20K Tap @ 6000 | | | | | |
| D | Volume/ (Right) Switch | 20K Tap @ 6000 | 7313444 | | | | |
| R2A | Fader (Left) | 100 2W | | | | | |
| B | Fader (Right) | 200 2W | 7930069 | TSV-25K (1) | | U201R2538 | MTC24L4 |
| R3 | Balance | 20K | | | | | |
| R4 | Separation | 5000 | 7310442 | TSV-5K (1) or [T-5000 (1)] | | U201R5028 | MTC53L4 |
| R5 | Lamp Mute | 500 | 7931417 | TSV-500 (1) or [T-500 (1)] | | U201R5018 | MTC52L4 |

(1) For horizontal mount, bend the two outside terminals to fit "PC" board. Use jumper to connect center terminal to "PC" board.

RESISTORS (Power and Special)

| ITEM No. | RATING | REPLACEMENT DATA | |
|----------|---------------|------------------|---------------|
| | | WORKMAN PART No. | MFR. PART No. |
| R82 | .47 (Fusible) | | 7281890 |

| ITEM No. | RATING | REPLACEMENT DATA | |
|----------|---------------|------------------|---------------|
| | | WORKMAN PART No. | MFR. PART No. |
| R85 | .47 (Fusible) | | 7281890 |

COILS (RF-IF)

| ITEM No. | USE | REPLACEMENT DATA | | | |
|----------|----------------------|------------------|-------------------|-----------------|------------------|
| | | PART No. | MEISSNER PART No. | MILLER PART No. | WORKMAN PART No. |
| L1 | FM Antenna Tuning | (1) | 19-1000 | 4602 | T855 |
| L2 | FM RF Tuning | (1) | | | |
| L3 | FM Oscillator Tuning | (1) | | | |
| L4 | 10.7MC Trap (1uh) | 7296856 | | | |
| L5 | FM Input IF | 7930289 | | | |
| L6 | FM Interstage IF | 7305473 | | | |
| L7 | FM Interstage IF | 7305474 | | | |
| L8 | Quadrature | 7311554 | | | |
| L9 | RF Choke (8uh) | 7255738 | | | |
| L10 | AM Antenna Tuning | (1) | | | |
| L11 | AM RF Tuning | (1) | | | |
| L12 | AM Oscillator Tuning | (1) | | | |
| L13 | AM Input IF | 7295169 | | | |
| L14 | AM Output IF | 7295170 | | | |
| L15 | 19KC | 7312849 | | | |
| L16 | 19KC | 7312289 | | | |
| L17 | 38KC | 7312288 | | | |
| L18 | FM Trigger IF | 7312954 | | | |

Part of M1.

FILTER CHOKE

| ITEM No. | RATINGS | | | REPLACEMENT DATA | | | | | NOTES |
|----------|--------------------|---------|------------------------------|------------------|----------------|------------------|---------------------|----------------|-------|
| | CURRENT (Measured) | DC RES. | INDUCTANCE (0 CURRENT 1000~) | PART No. | MERIT PART No. | STANCOR PART No. | THORDARSON PART No. | TRIAD PART No. | |
| L19 | 2.5 Amp | .1 | 300uh | 7302543 | | | | | |
| L20 | 1.2 Amp | .6 | 8mh | 1221623 | C-4095 | TC-2 | TR-154 | TY17XT | |
| L21 | 1.2 Amp | .6 | 8mh | 1221623 | C-4095 | TC-2 | TR-154 | TY17XT | |

CADILLAC MODELS 05CWM1/MWK1

PARTS LIST AND DESCRIPTION (CONTINUED)

(When ordering parts, state Model, Part Number, and Description.)

Replacement parts shown may be superseded by the availability of newly introduced replacements.
Have your local distributor check Sams COUNTER FACTS for the most up-to-date replacement.

CHOKE (Audio Output)

| ITEM No. | INDUCTANCE | REPLACEMENT DATA | | | | | NOTES |
|----------|------------|------------------|----------------|------------------|---------------------|----------------|-------|
| | | PART No. | MERIT PART No. | STANCOR PART No. | THORDARSON PART No. | TRIAD PART No. | |
| L22 | 30mh | 1222297 | | | | | |
| L23 | 30mh | 1222297 | | | | | |

SPEAKER

| ITEM No. | TYPE | REPLACEMENT DATA | | NOTES |
|----------|--------------------|------------------|---------------|-------------|
| | | MFR. PART No. | QUAM PART No. | |
| SP1 | 3 1/2" PM 10 ohms | 1222943 | 3A05Z10 | Left Front |
| SP2 | 3 1/2" PM 10 ohms | 1222943 | 3A05Z10 | Right Front |
| SP3 | 6" X 9" PM 10 ohms | 7301803 | 69A1Z10 | Left Rear |
| SP4 | 6" X 9" PM 10 ohms | 7301803 | 69A1Z10 | Right Rear |

FUSE DEVICES

| ITEM No. | DESCRIPTION | REPLACEMENT DATA | | | | | | |
|----------|-------------|------------------|--------------|---------------|--------|---------------------|--------|------------------|
| | | PART No. | | BUSS PART No. | | LITTELFUSE PART No. | | WORKMAN PART No. |
| | | DEVICE | HOLDER | DEVICE | HOLDER | DEVICE | HOLDER | DEVICE |
| F1 | AGC 3 Amp | | Infuse Block | AGC 7 1/2 | | 31107.5 | | |

MISCELLANEOUS

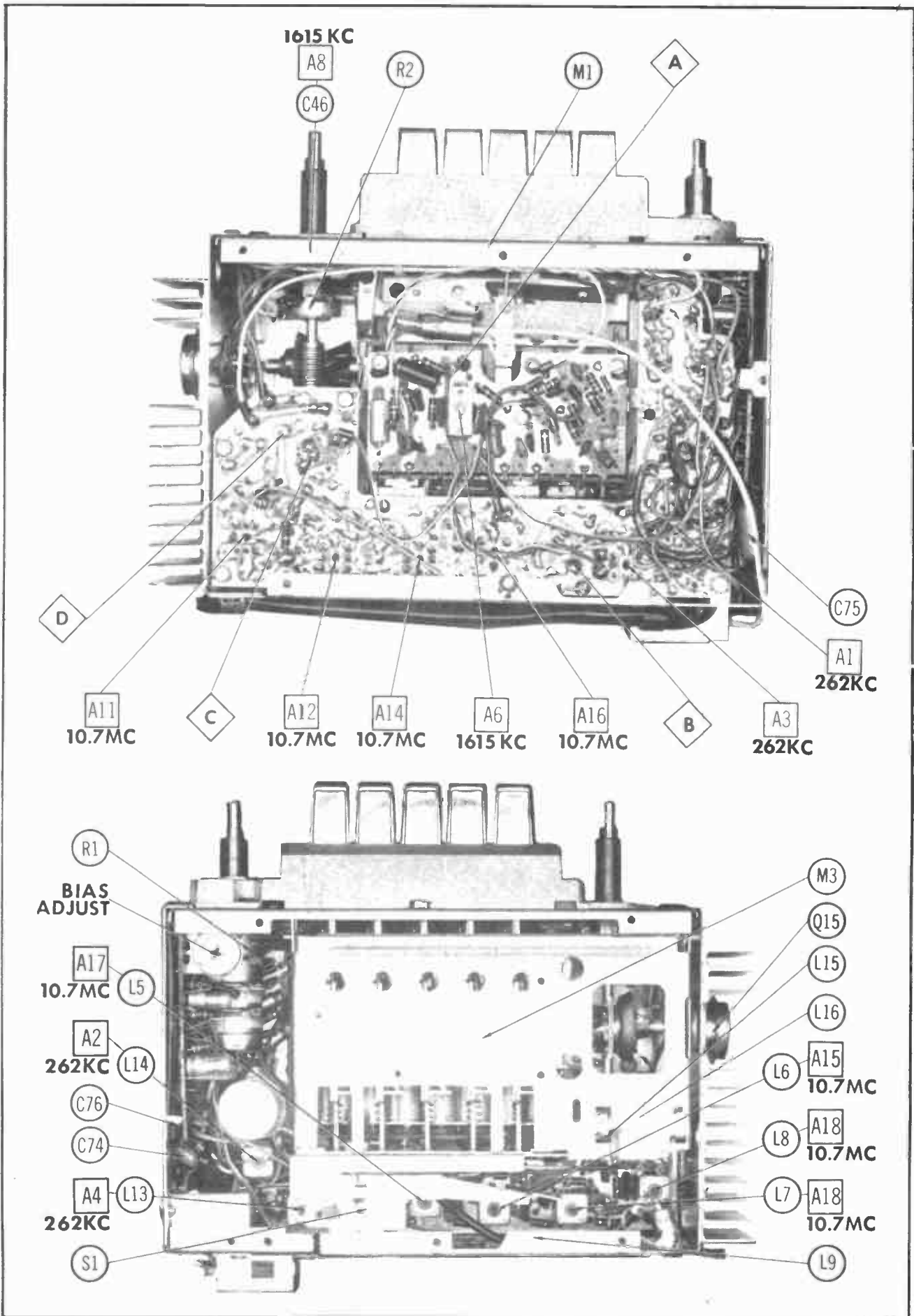
| ITEM No. | PART NAME | PART No. | NOTES |
|----------|----------------------|----------|------------|
| K1 | Search Relay | 7295713 | |
| M1 | Tuning Coil Assembly | 1222504 | |
| M2 | AF Amp Module | DM-8 | |
| M3 | AF Amp Module | DM-8 | |
| M4 | Solenoid | 1221409 | |
| PC1 | Preamp Network | 7930180 | |
| S1 | Switch, Selector | 7300444 | |
| S2 | Switch, Sensitivity | 7313755 | |
| S3 | Switch, Start | 1223053 | |
| S4 | Switch, Relay | | Part of K1 |
| S5 | Switch, Solenoid | 7313451 | |

CABINETS & CABINET PARTS (When ordering specify model, chassis & color)

| ITEM | PART No. | ITEM | PART No. |
|-----------------|----------|------------------------|----------|
| Dial Frum | 7309999 | Pushbutton "FM" | 7314069 |
| Escutcheon | 7313666 | Pushbutton | 7313261 |
| Dial Glass | 7307796 | Knob, Volume or Tuning | 1495175 |
| Dial Pointer | 7309435 | Knob, Tone or Fader | 1495171 |
| Pushbutton "AM" | 7314068 | | |

WIRING DATA

| | |
|-------------------------------------------|----------------------------------------------------------------------------------------------|
| General-use Unshielded Hook-up Wire | Use BELDEN No. 8530 (Solid) Available in 12 Colors 8524 (Stranded) Available in 12 Colors |
| Shielded Hook-up Wire | Use BELDEN No. 8885 |
| Rear Seat Speaker Extension Cable | Use BELDEN No. 8782 (Stranded) Coded Parallel Leads |
| Bonding Strap | Use BELDEN No. 8661 (3/8 In.) or 8670 (3/4 In.) |



ALIGNMENT INSTRUCTIONS

Check for specified source voltage.
Use only enough generator output
to provide a usable indication.
Suggested Alignment Tools:

GENERAL CEMENT WALSCO

A1 thru A4, A11 thru A18...#9296,9297,9300...#2510,2546,2547
A6,A7,A8,A20,A21,A22#8290,8868,9087...#2525,2528,2587

PUSH-BUTTON ADJUSTMENT

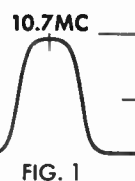
1. Pull button out.
2. Tune manually to desired station.
3. Press button in firmly.
4. Repeat for remaining buttons.

| GENERATOR COUPLING | GENERATOR FREQUENCY | RADIO DIAL SETTING | INDICATOR | ADJUST | REMARKS |
|----------------------------------------------------------------------------------------------------------------------------------------------------------------------------------------------|-------------------------------|----------------------|---------------------------------|-----------------|------------------------------------|
| 1. High side thru .1mfd to point \diamond A ,low side to ground. | 262KC 400 cycle modulation | High freq. end stop. | Output meter across voice coil. | A1,A2, A3,A4 | Adjust for maximum. |
| Check setting of oscillator coil core (A5). Rear of core should be 1 3/8" from mounting end of coil form. | | | | | |
| 2. High side thru 82pf to antenna input, low side to ground. | 1615KC | High freq. end stop. | Output meter across voice coil. | A6,A7, A8 | Adjust for maximum. |
| 3. " " | 600KC | 600KC signal | " " | A9,A10 | Adjust for maximum. Repeat Step 2. |
| With radio installed in car and antenna extended to 31", tune in a weak station near 1400KC and adjust A8 for maximum output. Antenna adjustment (A8) is located behind Tuning & Dummy Knob. | | | | | |

FM IF ALIGNMENT USING AM SIGNAL GENERATOR—SELECTOR IN FM POSITION

High side of generator thru .001mfd to point \diamond B ,low side to ground.

| GENERATOR FREQUENCY | RADIO DIAL SETTING | INDICATOR | ADJUST | REMARKS |
|-----------------------|---------------------------|-----------------------------------------------------------|--------------|-----------------------------------------------------------------------------------------------------------------|
| 4. 10.7MC Unmodulated | Point of non-interference | DC probe of VTVM to point \diamond C ,common to ground. | All thru A17 | Adjust for maximum. |
| 5. " " | " " | DC probe of VTVM to point \diamond D ,common to ground. | A18 | Adjust for zero reading. A positive or negative reading will be obtained on either side of the correct setting. |



FM IF ALIGNMENT USING FM SIGNAL GENERATOR—SELECTOR IN FM POSITION

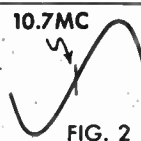
High side of generator thru .001mfd to point \diamond B ,low side to ground. Use only enough marker signal for indication. Use 60 cycle frequency modulated signal with 450KC sweep. Use 60 cycle sawtooth voltage in scope for horizontal deflection.

| GENERATOR FREQUENCY | RADIO DIAL SETTING | INDICATOR | ADJUST | REMARKS |
|-----------------------|---------------------------|---------------------------------------------------------------|--------------|--------------------------------------------------------------------------------------------------------------------------------------------------------|
| 4. 10.7MC 450KC Sweep | Point of non-interference | Vert. amp of scope to point \diamond C ,low side to ground. | All thru A17 | Disconnect stabilizing capacitor C4 . Adjust for maximum gain and symmetry of response similar to Fig.1 with marker as shown. Reconnect C4 . |
| 5. " " | " " | Vert. amp of scope to point \diamond D ,low side to ground. | A18 | Adjust A 18 (secondary) to place marker at center of "S" curve similar to Fig. 2. Readjust A (primary) for maximum amplitude and straightness of line. |

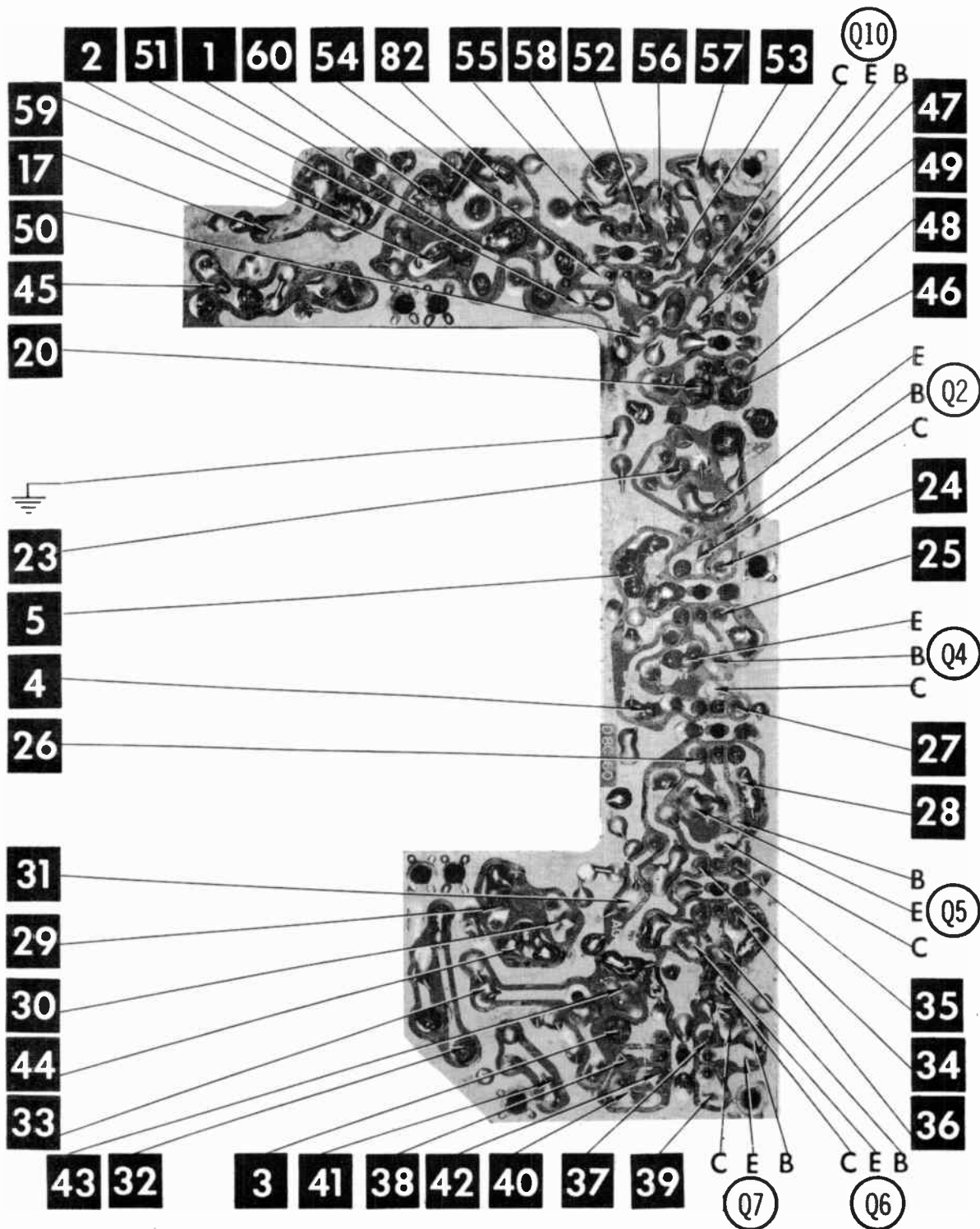
FM RF ALIGNMENT—SELECTOR IN FM POSITION

Connect generator across antenna terminals with 120-ohm carbon resistor in series with each lead. NOTE:Rear of Osc.Core(A22) should be 1 3/8" from mounting end of Coil form.

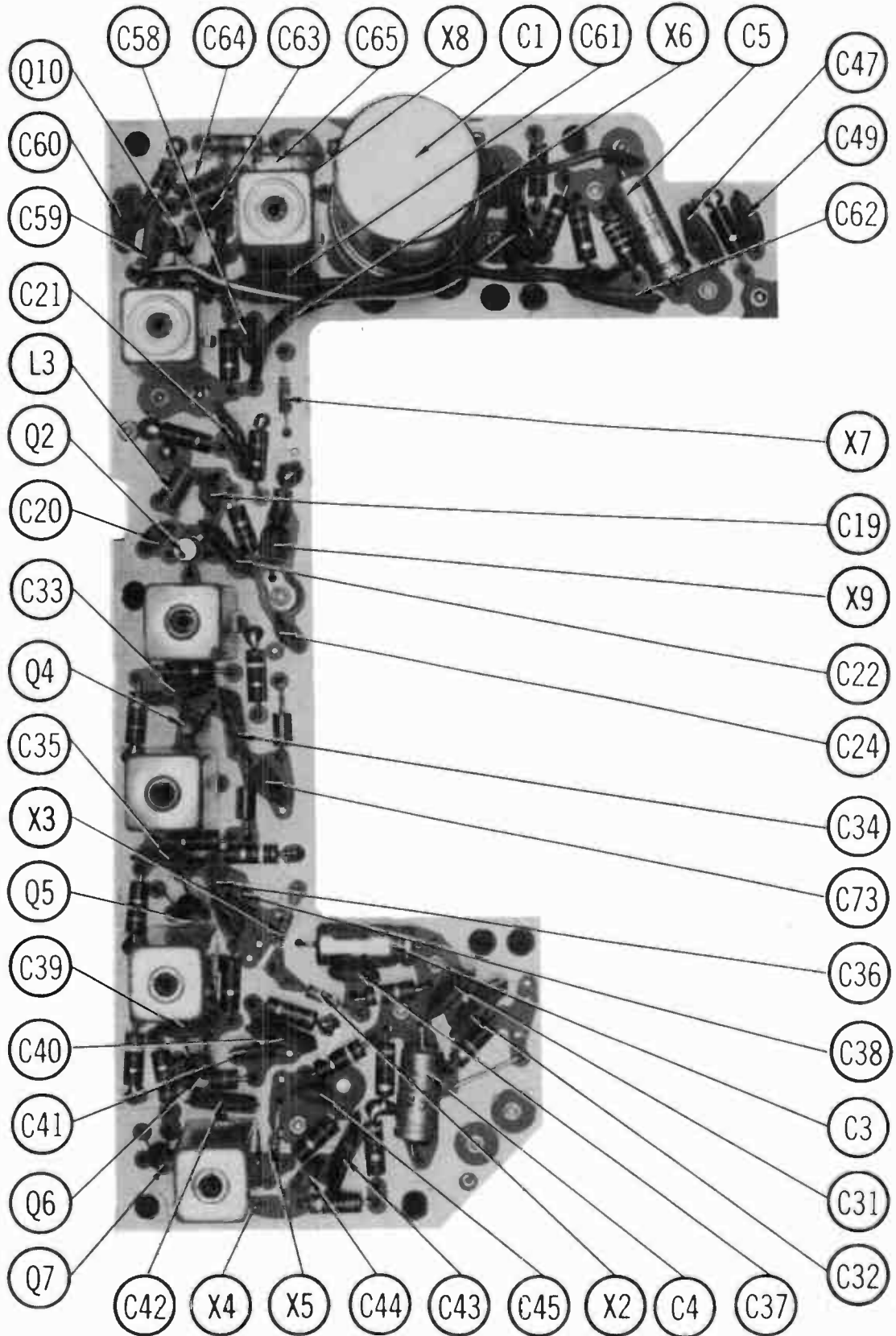
| GENERATOR FREQUENCY | RADIO DIAL SETTING | INDICATOR | ADJUST | REMARKS |
|---------------------|--------------------|-----------------------------------------------------------|-----------------|----------------------------------------------------------------------------------------------------|
| 6. 108MC | High freq. end | DC probe of VTVM to point \diamond C ,common to ground. | A19,A20, A21 | Adjust for maximum. |
| 7. 90MC Unmodulated | Tune to signal. | " " | A23,A24 | Rock tuning and adjust for maximum. Repeat steps 6 and 7 until no further improvement can be made. |

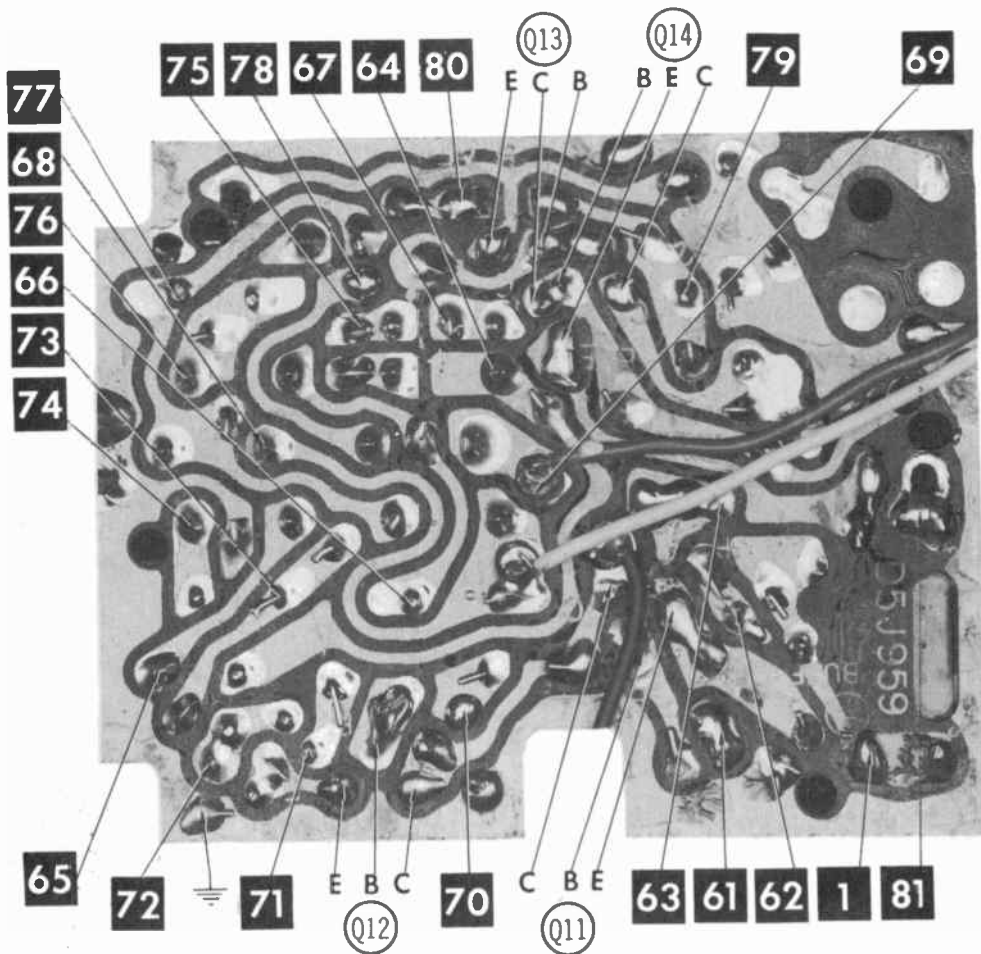
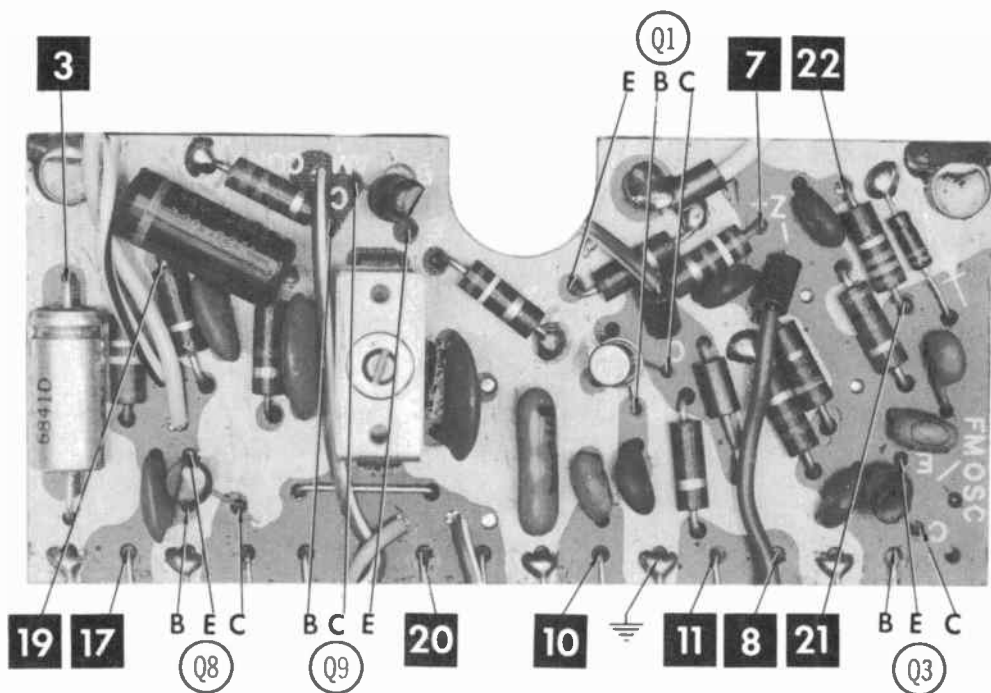


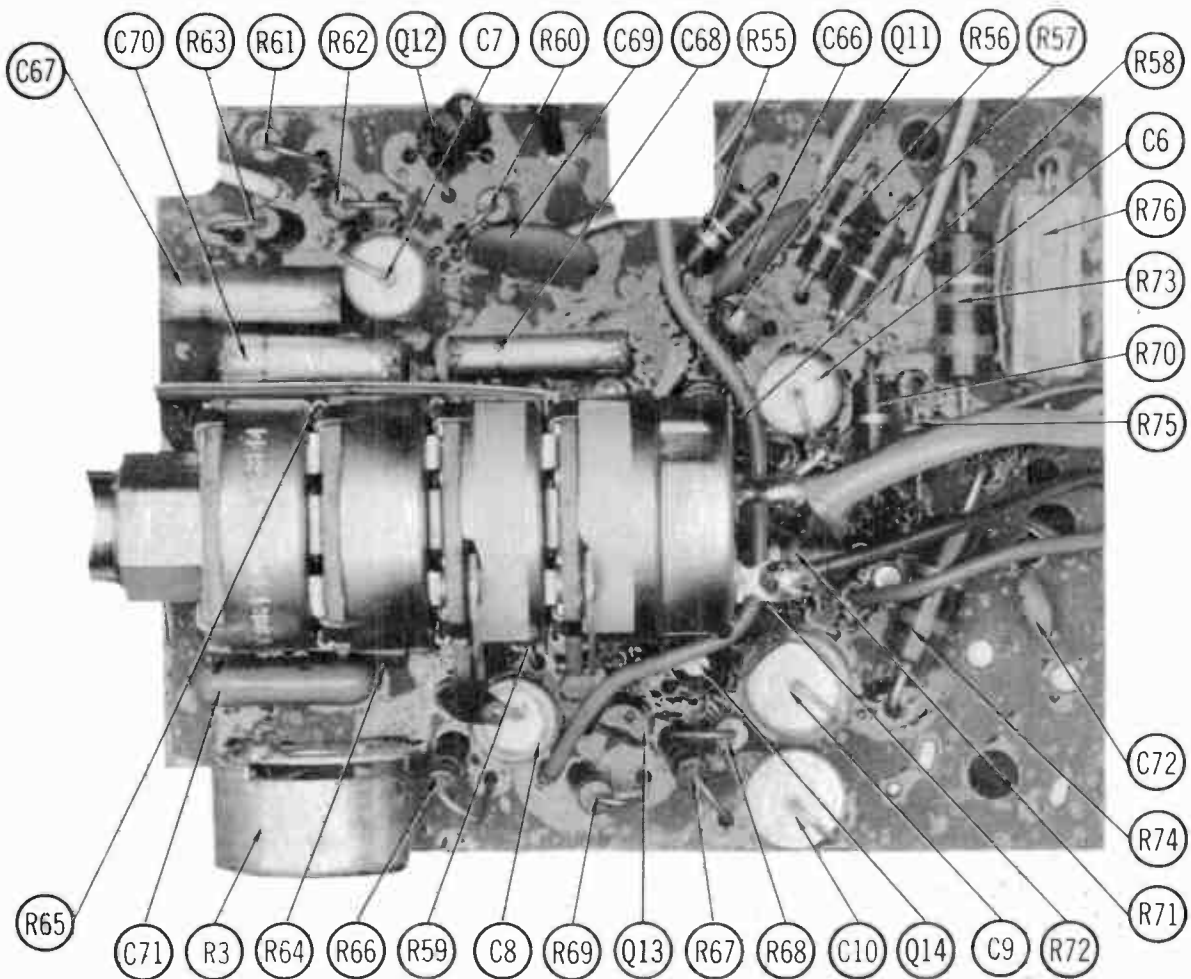
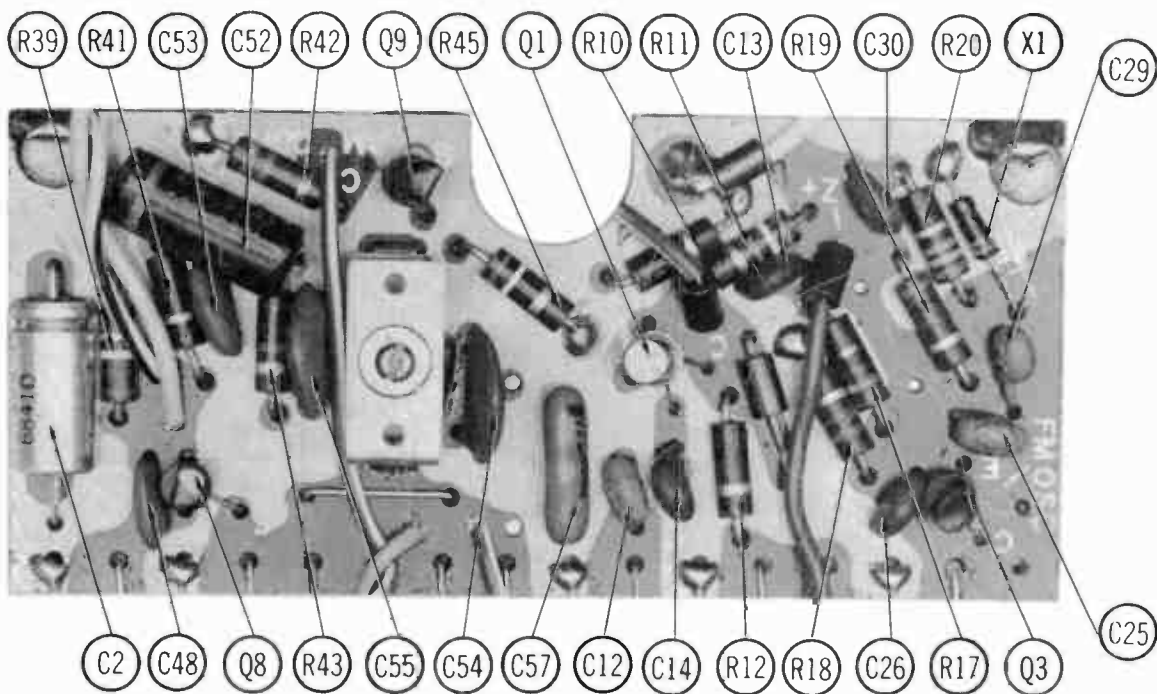
CHEVROLET MODELS 01VFM1/M2

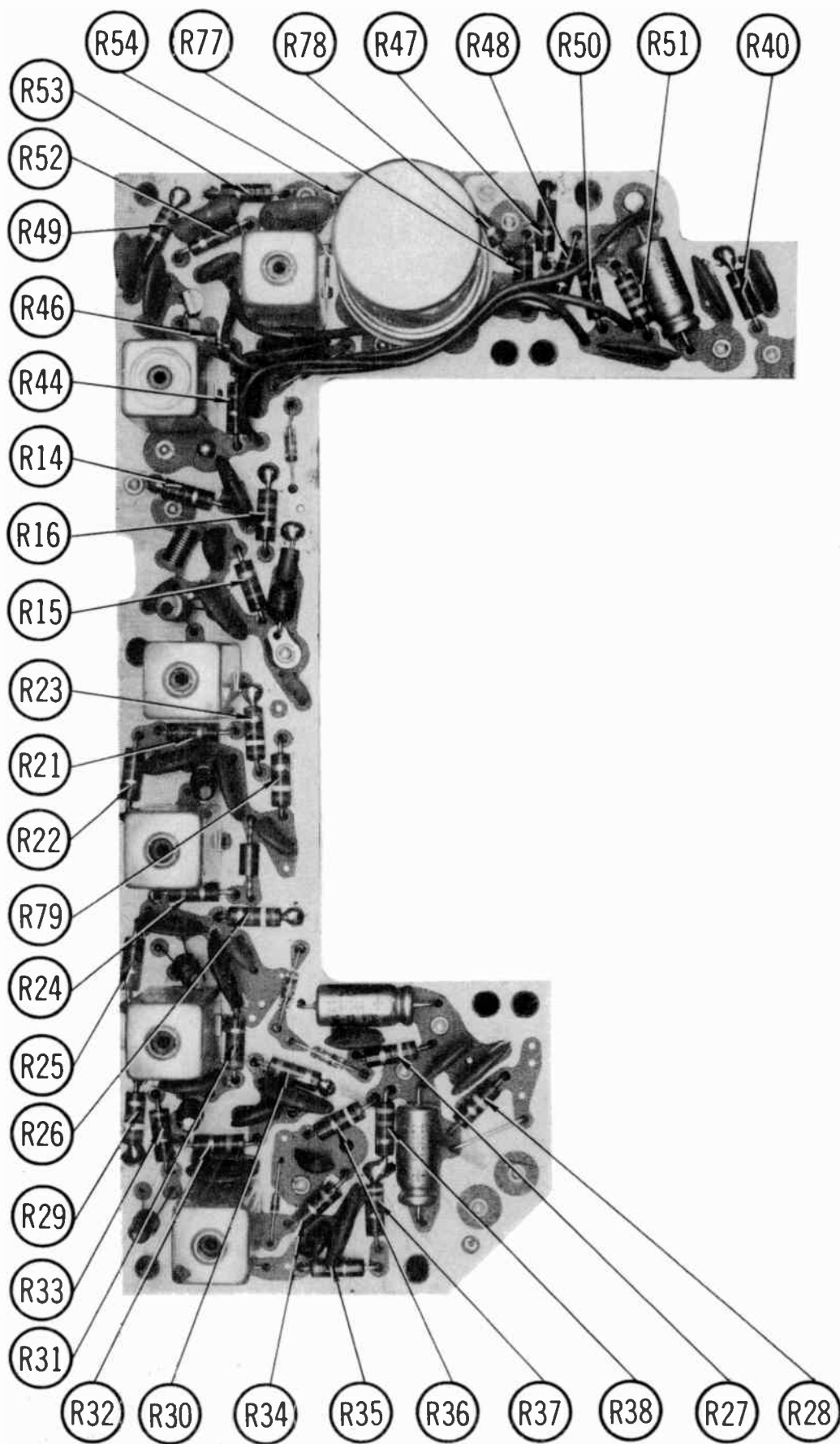


A Howard W. Sams **CIRCUITRACE** Photo









PARTS LIST AND DESCRIPTION

(When ordering parts, state Model, Part Number, and Description.)

Replacement parts shown may be superseded by the availability of newly introduced replacements.
Have your local distributor check Sams COUNTER FACTS[®] for the most up-to-date replacement.

WIRING DATA

| | |
|-------------------------------------------|-----------------------------------------------------|
| General-use Unshielded Hook-up Wire | Use BELDEN No. 8530 (Solid) Available in 12 Colors |
| | 8524 (Stranded) Available in 12 Colors |
| Shielded Hook-up Wire | Use BELDEN No. 8885 |
| Rear Seat Speaker Extension Cable | Use BELDEN No. 8782 (Stranded) Coded Parallel Leads |
| Bonding Strap | Use BELDEN No. 8661 (3/8 In.) or 8670 (3/4 In.) |

TRANSISTORS

| ITEM No. | TYPE No. | FUNCTION | REPLACEMENT DATA | | | | | |
|----------|----------|---------------|------------------|---------------------------|----------------------------------|-------------------|--------------|-------------------|
| | | | MFGR. PART No. | GENERAL ELECTRIC PART No. | INTERNATIONAL RECTIFIER PART No. | MOTOROLA PART No. | RCA PART No. | SYLVANIA PART No. |
| Q1 | DS-78 | FM RF Amp | DS-81 | GE-17 | TR-22 | HEP50 | SK3018 | ECG 108 |
| Q2 | DS-78 | FM Mixer | DS-81 | GE-17 | TR-22 | HEP50 | SK3018 | ECG 108 |
| Q3 | DS-74 | FM Oscillator | DS-74 | GE-11 | TR-21 | HEP56 | SK3018 | ECG 108 |
| Q4 | DS-85 | 1st FM IF Amp | DS-74 | GE-17 | TR-21 | HEP53 | SK3018 | ECG 108 |
| Q5 | DS-85 | 2nd FM IF Amp | DS-74 | GE-17 | TR-21 | HEP53 | SK3018 | ECG 108 |
| Q6 | DS-73 | 3rd FM IF Amp | DS-74 | GE-17 | TR-21 | HEP53 | SD3018 | ECG 108 |
| Q7 | DS-85 | Limiter | DS-74 | GE-17 | TR-21 | HEP53 | SK3018 | ECG 108 |
| Q8 | DS-71 | AM RF Amp | DS-71 | GE-20 | TR-21 | HEP53 | SK3018 | ECG 108 |
| Q9 | DS-72 | AM Converter | DS-72 | GE-20 | TR-21 | HEP53 | SK3018 | ECG 108 |
| Q10 | DS-72 | AM IF Amp | DS-72 | GE-20 | TR-21 | HEP53 | SK3018 | ECG 108 |
| Q11 | DS-76 | Preamp | DS-66 | GE-10 | TR-21 | HEP53 | SK3020 | ECG 123 |
| Q12 | DS-76 | Preamp | DS-66 | GE-10 | TR-21 | HEP53 | SK3020 | ECG 123 |
| Q13 | DS-67 | AF Amp | DS-66 | GE-10 | TR-21 | HEP54 | SK3020 | ECG 123 |
| Q14 | DS-67 | AF Amp | DS-66 | GE-10 | TR-21 | HEP54 | SK3020 | ECG 123 |
| Q15 | DS-501 | Outout (1) | DS-501 | GE-4 | TR-03 | HEP233 | SK3012 | ECG 105 |

(1) When replacing, apply silicone grease to both sides of insulator. Tighten mounting screws securely.

POWER RECTIFIERS & SIGNAL DIODES

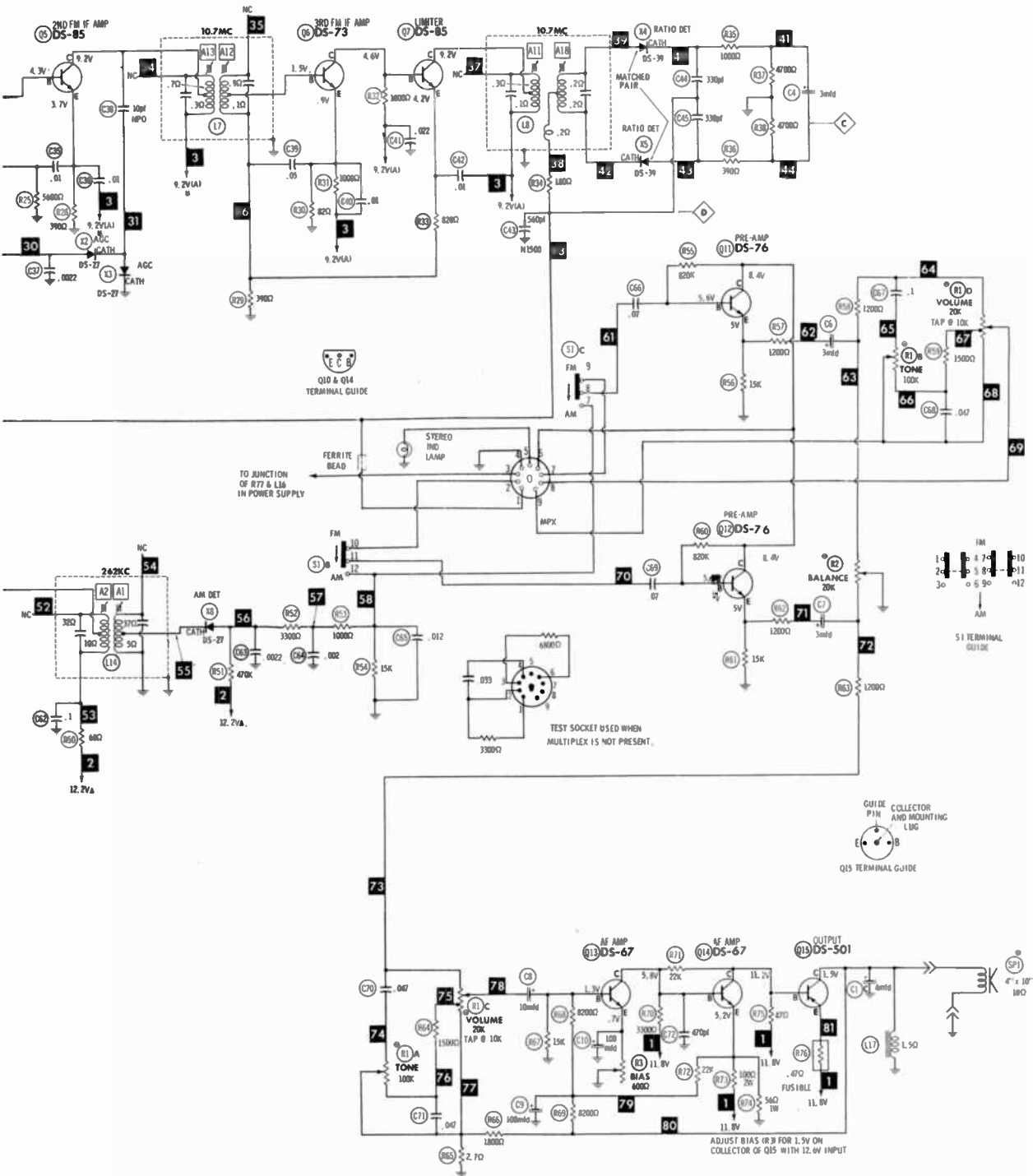
| ITEM No. | MFGR. PART OR TYPE No. | REPLACEMENT RECTIFIERS & DIODES | | | REPLACEMENT RECTIFIERS | NOTES |
|----------|------------------------|---------------------------------|----------------------------------|-------------------|------------------------|-----------------|
| | | GENERAL ELECTRIC PART No. | INTERNATIONAL RECTIFIER PART No. | SYLVANIA PART No. | RCA PART No. | |
| X1 | DS-55 | | | | | Varactor |
| X2 | DS-27 | 1N34AS | 1N34A | ECG 109 | | |
| X3 | DS-27 | 1N34AS | 1N34A | ECG 109 | | |
| X4 | DS-39 | 1N60 | | | | |
| | * | | 1N542* | ECG 110* | | * Matched Pair. |
| X5 | DS-39 | 1N60 | | | | |
| X6 | DS-27 | 1N34AS | 1N34A | ECG 109 | | |
| X7 | DS-27 | 1N34AS | 1N34A | ECG 109 | | |
| X8 | DS-27 | 1N34AS | 1N34A | ECG 109 | | |
| X9 | DS-149 | GE-X11 | 1ZM 8.2 | | | Zener |

ELECTROLYTIC CAPACITORS

| ITEM No. | RATING | REPLACEMENT DATA | | | | | | |
|----------|------------|------------------|------------------|---------------------|---------------------------|---------------------------|------------------|------------------|
| | | PART No. | AEROVOX PART No. | CENTRALLAB PART No. | CORNELL-DUBILIER PART No. | GENERAL ELECTRIC PART No. | MALLORY PART No. | SPRAGUE PART No. |
| C1a | 1000 16V | 7283675 | AFH3-54-41 | | CC0006 | | | PCL-3021.8 |
| b | 500 16V | | | | | | | |
| c | 4 11.5Vrms | | | | | | | |
| C2 | 10 12V | 7292738 | PTT114 | EA15-10 | AL10-25 | MT1-5 | MTA10D35 | TL-1128 |
| C3 | 10 12V | 7292738 | PTT114 | EA15-10 | AL10-25 | MT1-5 | MTA10D25 | TL-1128 |
| C4 | 3 10V | 7296348 | PTT127 | EA15-2 | AL3-150 | MT1-3 | MTA3D50 | TE-1122 |
| C5 | 30 6V | 7296313 | CRE413A | EA6-25 | AL30-6 | MT1-13 | MTA30D15 | TL-1093 |
| C6 | 3 10V | 7296348 | PTT127 | EA15-2 | AL3-150 | MT1-3 | MTA3D50 | TE-1122 |
| C7 | 3 10V | 7296348 | PTT127 | EA15-2 | AL3-150 | MT1-3 | MTA3D50 | TE-1122 |
| C8 | 10 12 | 7292738 | PTT114 | EA15-10 | AL10-25 | MT1-5 | MTA10D35 | TL-1128 |
| C9 | 100 4V | 7291810 | PTT30 | EA6-100 | AL100-16 | MT1-21 | MTA100E10 | TE-1102 |
| C10 | 100 4V | 7291810 | PTT30 | EA6-100 | AL100-16 | MT1-21 | MTA100E10 | TE-1102 |

(CONTINUED ON PAGE 36)

CHEVROLET MODELS 01VFM1/M2



CHEVROLET MODELS 01VFM1/M2

PARTS LIST AND DESCRIPTION (CONTINUED)

(When ordering parts, state Model, Part Number, and Description.)

Replacement parts shown may be superseded by the availability of newly introduced replacements.

Have your local distributor check Sams COUNTER FACTS for the most up-to-date replacement.

CAPACITORS (cont)

| ITEM No. | RATING | REMARKS | REPLACEMENT DATA | | | | | | |
|----------|-----------|----------|------------------|--------------------|---------------------------|------------------|------------------|------------------|--|
| | | | AEROVOX PART No. | CENTRALAB PART No. | CORNELL-DUBILIER PART No. | ELMENCO PART No. | MALLORY PART No. | SPRAGUE PART No. | |
| C11 | | #7293221 | | | | | | | |
| C12 | 2.2 NPO | | NPO-DI 2.2 | DTZ-2R2 | NP02P2 | | CN0522 | 10TCC-V22 | |
| C13 | 270 | | GPD X5F271K | DD-271 | RR05CW271K | CCD-271 | GP327 | 5GA-T27 | |
| C14 | 270 | | GPD X5F271K | DD-271 | RR05CW271C | CCD-271 | GP327 | 5GA-T27 | |
| C15 | | #7291003 | | | | | | | |
| C16 | 56 NPO | | | TCZ-56 | | CCT0-560 | CN0456 | 10TCC-Q56 | |
| C17 | 180 | | ADM-10-181 | CPR-180J | CD15FD181J03 | DM-10-181 | SX318 | MS-318 | |
| C18 | 10 NPO | | NPO-DI 10 | DTZ-10 | NP010 | CCT0-100 | CN0410 | 10TCC-Q10 | |
| C19 | 270 | | GPD X5F271K | DD-271 | RR05CW271K | CCD-271 | GP327 | 5GA-T27 | |
| C20 | 270 | | GPD X5F271K | DD-271 | RR05CW271K | CCD-271 | GP327 | 5GA-T27 | |
| C21 | .01 | | TTP-01 | CK-103 | MGP01 | CCD-103 | TA110 | TG-S10 | |
| C22 | .01 | | TTP-01 | CK-103 | MGP01 | CCD-103 | TA110 | TG-S10 | |
| C23 | 1.5 NPO | | NPO-DI 1.5 | DTZ-1R5 | NP01P5 | | CN0515 | 10TCC-V15 | |
| C24 | 470 | | GPD X5F471K | DD-471 | GP470 | CCD-471 | GP347 | 10TS-T47 | |
| C25 | 3.3 N750 | | | TCN-3R3 | | | CN7533 | 10TCU-V33 | |
| C26 | 270 | | GPD X5F271K | DD-271 | RR05CW271K | CCD-271 | GP327 | 5GA-T27 | |
| C27 | | #7292611 | | | | | | | |
| C28 | 7.5 NPO | #7300236 | | | | | | | |
| C29 | 4.7 N470 | | | | | | | | |
| b30 | 270 | | GPD X5F271K | DD-271 | RR05CW271K | CCD-271 | GP327 | 10TCT-V47 | |
| C31 | .05 | | TTP-05 | CK-503 | MGP05 | CCD-503 | TA150 | TGL-S50 | |
| C32 | 1mfd | | | UK-105 | HXC3ROXR105P | | MAG31 | HY-135 | |
| C33 | .01 | | TTP-01 | CK-103 | MGP01 | CCD-103 | TA110 | TG-S10 | |
| C34 | .01 | | TTP-01 | CK-103 | MGP01 | CCD-103 | TA110 | TG-S10 | |
| C35 | .01 | | TTP-01 | CK-103 | MGP01 | CCD-103 | TA110 | TG-S10 | |
| C36 | .01 | | TTP-01 | CK-103 | MGP01 | CCD-103 | TA110 | TG-S10 | |
| C37 | .0022 | | GPD X5F222K | DD-222 | GP2200 | CCD-222 | GP222 | 10TS-D22 | |
| C38 | 10 NPO | | NPO-DI 10 | DTZ-10 | NP010 | CCT0-100 | CN0410 | 10TCC-Q10 | |
| C39 | .05 | | TTP-05 | CK-503 | MGP05 | CCD-503 | TA150 | TGL-S50 | |
| C40 | .01 | | TTP-01 | CK-103 | MGP01 | CCD-103 | TA110 | TG-S10 | |
| C41 | .022 | | TTP-02 | CK-203 | MGP02 | CCD-203 | TA120 | TG-S20 | |
| C42 | .01 | | TTP-01 | CK-103 | MGP01 | CCD-103 | TA110 | TG-S10 | |
| C43 | 560 N1500 | | | | | | | 10TCW-T56 | |
| C44 | 330 | | GPD X5F331K | DD-331 | GP330 | CCD-331 | GP333 | 10TS-T33 | |
| C45 | 330 | | GPD X5F331K | DD-331 | GP330 | CCD-331 | GP333 | 10TS-T33 | |
| C46 | | #7283618 | | | | | | | |
| C47 | .15 | | TTP-1 | CK-104 | | | TA010 | TG-P10 | |
| C48 | 91 N750 | | | TCN-91 | | | | | |
| C49 | .05 | | TTP-05 | CK-503 | MGP05 | CCD-503 | TA150 | TGL-S50 | |
| C50 | | #7312933 | | | | | | | |
| C51 | 200 N750 | | N750-D1 200 | DTN-200 | | CCTN-201 | CN7320 | 10TCU-T20 | |
| C52 | .0068 75V | | DBE6D68 | CPR-6800J | WMF1D68 | 1DP-1-682 | PVC4268 | 6PS-D68 | |
| C53 | .022 | | TTP-02 | CK-203 | MGP02 | CCD-203 | TA120 | TG-S20 | |
| C54 | 165 N330 | | | | | * | * | | |
| C55 | 165 N330 | | | | | * | * | | |
| C56 | | #7295192 | | | | | | | |
| C57 | .0047 75V | | DBE6D5 | CPR-5000J | DPMS6D5 | 1DP-1-502 | PVC625 | 6PS-D50 | |
| C58 | .001 | | GPD X5F102K | DM-102 | GP1000 | CCD-102 | SM210 | 2SS-D10 | |
| C59 | .05 | | TTP-05 | CK-503 | MGP05 | CCD-503 | TA150 | TGL-S50 | |
| C60 | .05 | | TTP-05 | CK-503 | MGP05 | CCD-503 | TA150 | TGL-S50 | |
| C61 | 180 N80 | | | | | * | * | 10TCN-T18 | |
| C62 | .1 | | TTP-1 | CK-104 | | | TA010 | TG-P10 | |
| C63 | .001 | | GPD X5F102K | DM-102 | GP1000 | CCD-102 | SM210 | 2SS-D10 | |
| C64 | .012 75V | | V1612S1 | CPR-10000J | DPMS6S1 | 1DP-1-103 | PVC211 | 225P10391WD3 | |
| C65 | .012 75V | | V1612S1 | CPR-10000J | DPMS6S1 | 1DP-1-103 | PVC211 | 225P10391WD3 | |
| C66 | .07 | | TTP-05 | CK-503 | MGP05 | CCD-503 | TA150 | TGL-S50 | |
| C67 | .047 75V | | V1612S47 | | DPMS6S47 | 1DP-2-473 | PVC1147 | 225P47391WD3 | |
| C68 | .15 75V | | DBE6P15 | | DPMS4P15 | 4DP-4-154 | PVC6015 | 4PS-P15 | |
| C69 | .07 | | TTP-05 | CK-503 | MGP05 | CCD-503 | TA150 | TGL-S50 | |
| C70 | .047 75V | | V1612S47 | | DPMS6S47 | 1DP-2-473 | PVC1147 | 225P47391WD3 | |
| C71 | .15 75V | | DBE6P15 | | DPMS4P15 | 4DP-4-154 | PVC6015 | 4PS-P15 | |
| C72 | 470 | | GPD X5F471K | DD-471 | GP470 | CCD-471 | GP347 | 10TS-T47 | |
| C73 | .022 | | TTP-02 | CK-203 | MGP02 | CCD-203 | TA120 | TG-S20 | |
| C74 | .15 75V | | DBE6P15 | | DPMS4P15 | 4DP-4-154 | PVC6015 | 4PS-P15 | |
| C75 | .15 75V | | DBE6P15 | | DPMS4P15 | 4DP-4-154 | PVC6015 | 4PS-P15 | |
| C76 | | #7271564 | | | | | | | |

DELCO Part Number.

* Not normally in distributor's stock. Available thru distributor on order to manufacturer.

CONTROLS (All wattages 1/2 watt, or less, unless listed)

| ITEM No. | FUNCTION | RESIST-ANCE | REPLACEMENT DATA | | | | |
|----------|---------------------|----------------|------------------|--------------------|--------------------|------------------|------------------|
| | | | MFRG. PART No. | CENTRALAB PART No. | CLAROSTAT PART No. | CTS-IRC PART No. | MALLORY PART No. |
| R1A | Tone (Left) | 100K | 7304275 | | | | |
| B | Tone (Right) | 100K | | | | | |
| C | Volume (Left) | 20K Tap @ 7500 | | | | | |
| D | Volume/Right Switch | 20K Tap @ 7500 | | | | | |
| R2 | Balance | 25K | 7304274 | | | | |
| R3 | Bias Adjust | 600 2W | 7294878 | WT-850 or V-600 | U39-600 | 110-600 | MR850T |

PARTS LIST AND DESCRIPTION (CONTINUED)

(When ordering parts, state Model, Part Number, and Description.)

Replacement parts shown may be superseded by the availability of newly introduced replacements.
Have your local distributor check Sams COUNTER FACTS for the most up-to-date replacement.

RESISTORS (Power and Special)

| ITEM No. | RATING | REPLACEMENT DATA | |
|----------|---------------|------------------|----------------|
| | | WORKMAN PART No. | MFGR. PART No. |
| R76 | .47 (Fusible) | | 7281890 |

| ITEM No. | RATING | REPLACEMENT DATA | |
|----------|--------|------------------|----------------|
| | | WORKMAN PART No. | MFGR. PART No. |
| | | | |

COILS (RF-IF)

| ITEM No. | USE | REPLACEMENT DATA | | | |
|----------|-------------------|------------------|-------------------|-----------------|------------------|
| | | PART No. | MEISSNER PART No. | MILLER PART No. | WORKMAN PART No. |
| L1 | FM Antenna | (1) | | | |
| L2 | FM RF | (1) | | | |
| L3 | 10.7MC Trap (1hh) | 7296856 | 19-1000 | 4602 | T855 |
| L4 | FM Oscillator | | | | |
| L5 | FM Input IF | 7296100 | | | |
| L6 | FM Interstage IF | 7296101 | | | |
| L7 | FM Interstage IF | 7296102 | | | |
| L8 | Ratio Detector | 7299984 | | | |
| L9 | RF Choke (8uh) | 7255738 | 19-1009 | 4611 | T822 |
| L10 | AM Antenna | (1) | | | |
| L11 | AM RF | (1) | | | |
| L12 | AM Oscillator | (1) | | | |
| L13 | AM Input IF | 7295169 | | | |
| L14 | AM Output IF | 7295170 | | 8006 | |

(1) Part of M1.

CHEVROLET MODELS 01VFM1/M2

FILTER CHOKE

| ITEM No. | RATINGS | | | REPLACEMENT DATA | | | | | NOTES |
|----------|--------------------|---------|------------------------------|------------------|----------------|------------------|---------------------|----------------|-------|
| | CURRENT (Measured) | DC RES. | INDUCTANCE (0 CURRENT 1000~) | PART No. | MERIT PART No. | STANCOR PART No. | THORDARSON PART No. | TRIAD PART No. | |
| L15 | 2.5 Amp | .1 | 300 | 7302543 | | | | | |
| L16 | 2 Amp | .6 | | 1221623 | C-4095 | TC-2 | TR-154 | TY17XT | |

PARTS LIST AND DESCRIPTION (CONTINUED)

(When ordering parts, state Model, Part Number, and Description.)

Replacement parts shown may be superseded by the availability of newly introduced replacements.
Have your local distributor check Sams COUNTER FACTS for the most up-to-date replacement.

CHOKE (Audio Output)

| ITEM No. | INDUCTANCE | REPLACEMENT DATA | | | | | NOTES |
|----------|------------|------------------|----------------|------------------|---------------------|----------------|-------|
| | | PART No. | MERIT PART No. | STANCOR PART No. | THORDARSON PART No. | TRIAD PART No. | |
| L17 | 30mh | 1222297 | | | | | |

SPEAKER

| ITEM No. | TYPE | REPLACEMENT DATA | | NOTES |
|----------|--------------------|------------------|---------------|-------|
| | | MFGR. PART No. | QUAM PART No. | |
| SP1 | 4" x 6" PM 10 ohms | 7312421 | 46A1Z10 | |

MISCELLANEOUS

| ITEM No. | PART NAME | PART No. | NOTES |
|----------|----------------------------------------------------------------------------|-------------------------------|-------|
| M1 S1 | Tuner Coil Assembly Switch, Selector Lamp, Dial Indicator, Stereo | 1222504 7285141 7296866 | #216 |

CABINETS & CABINET PARTS (When ordering specify model, chassis & color)

| ITEM | PART No. | ITEM | PART No. |
|-----------------------------------------------------------------|--------------------|---------------------------|--------------------|
| Dial Drum Escutcheon (Obtain Knobs from Chevrolet Dealer) | 7303823 7304774 | Dial Glass Push Button | 7303279 7303280 |

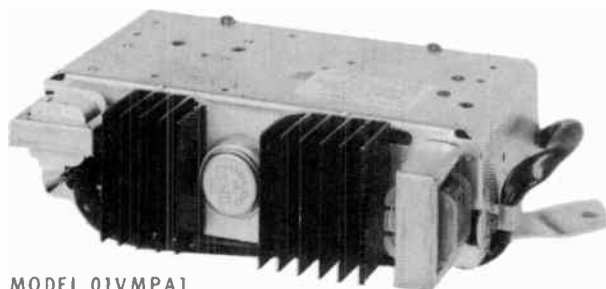


PHOTOFACT[®] with

CIRCUITRACE[®]

For Supplier Address See PHOTOFACT Index

NOTE: Manufacturer Part Numbers Shown Are UNITED DELCO



MODEL 01VMPA1

CHEVROLET MODELS 01VMPA1 (A/C)
01VMPH1 (HTR)
(70 Corvette)

CHEVROLET MODELS 01VMPA1/MPH1

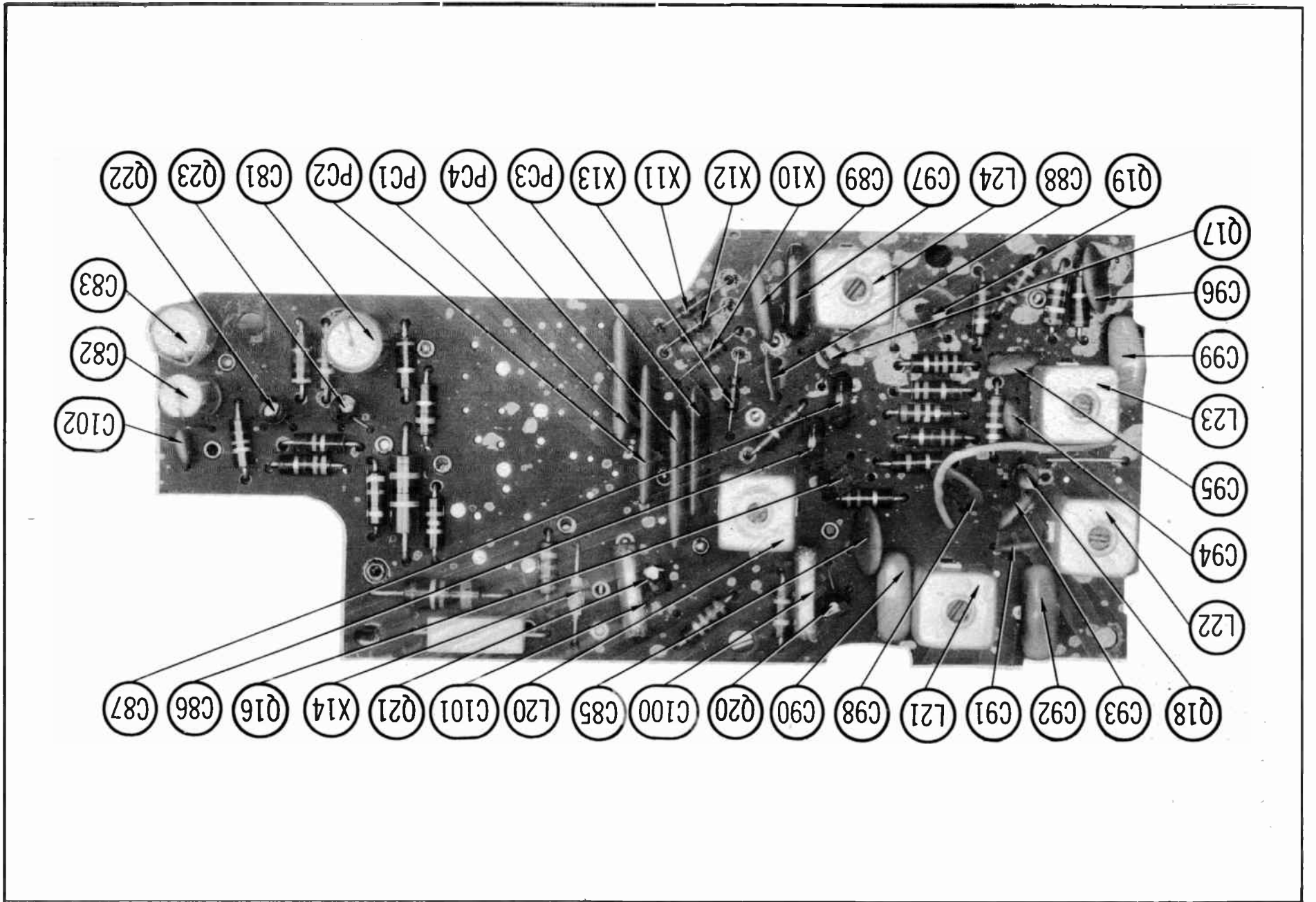
FM STEREO MULTIPLEX ALIGNMENT USING FM STEREO SIGNAL GENERATOR ($\pm .0001\%$ ACCURACY)

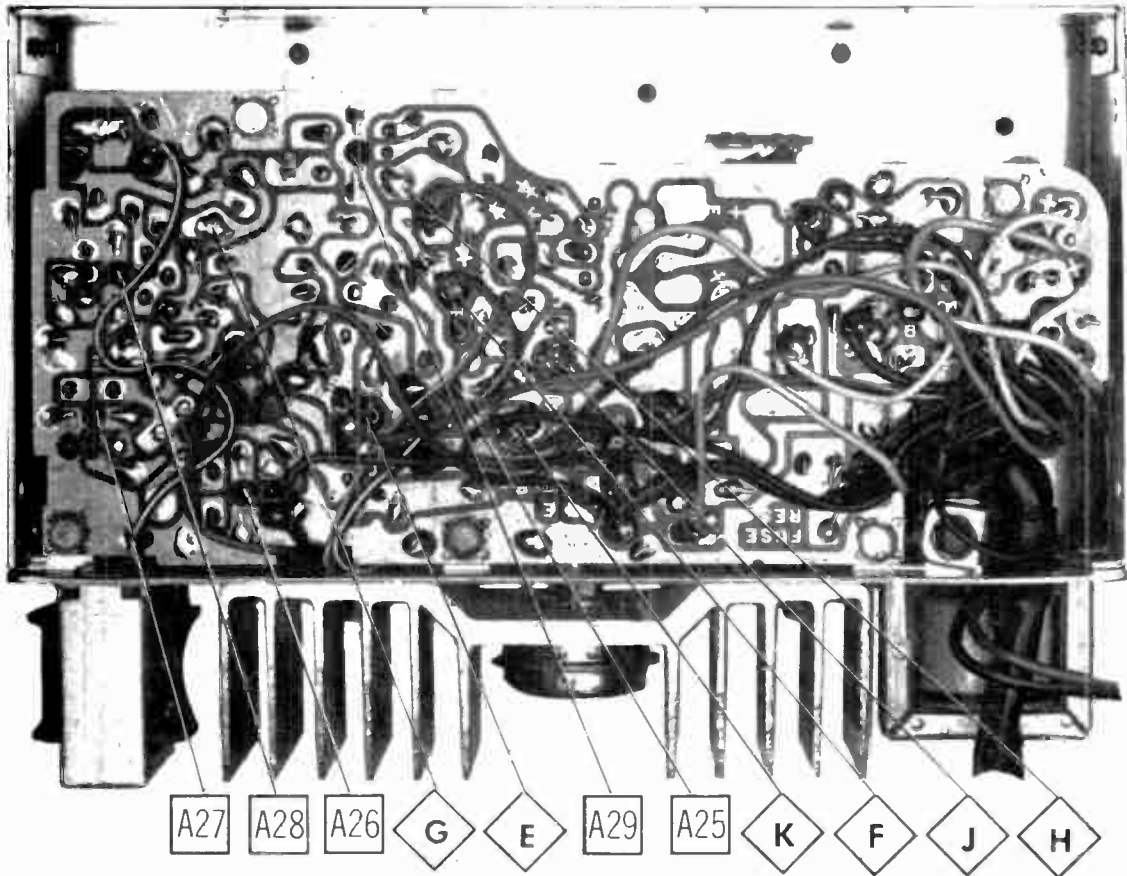
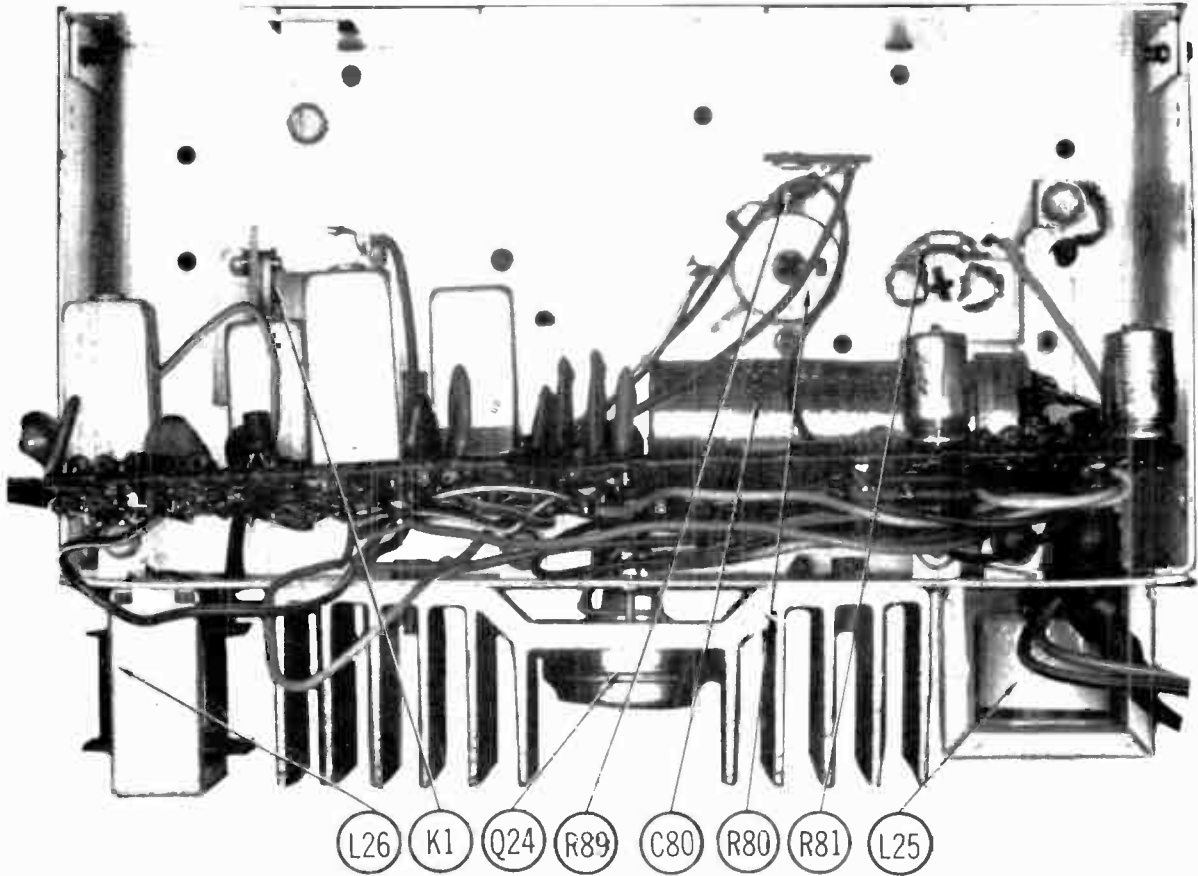
| High side of generator thru 47K to point $\diamond E$, low side to ground. | | | |
|-----------------------------------------------------------------------------|-------------------------------------------------------------------------|---------------------------|-----------------------------------------------------------------------------------------|
| GENERATOR FREQUENCY | INDICATOR | ADJUST | REMARKS |
| 8. 67KC | Vert. amp of scope thru 47K to point $\diamond F$, low side to ground. | A25 | Adjust for MINIMUM |
| 9. 19KC | Vert. amp of scope thru 47K to point $\diamond G$, low side to ground. | A26, A27, A28 | Adjust for maximum. |
| 10. " | Vert. amp of scope thru 47K to point $\diamond H$, low side to ground. | A29 | Adjust for maximum 38KC response. |
| 11. Modulated Left Channel | Vert. amp of scope to point $\diamond J$, low side to ground. | A26, A27, A28, A29, & R80 | Adjust for MINIMUM. This step should require only slight adjustment. |
| 12. Modulated Right Channel | Vert. amp of scope to point $\diamond K$, low side to ground | | Check for MINIMUM. If necessary, make compromise adjustment of A26, A27, A28, A29 & R80 |

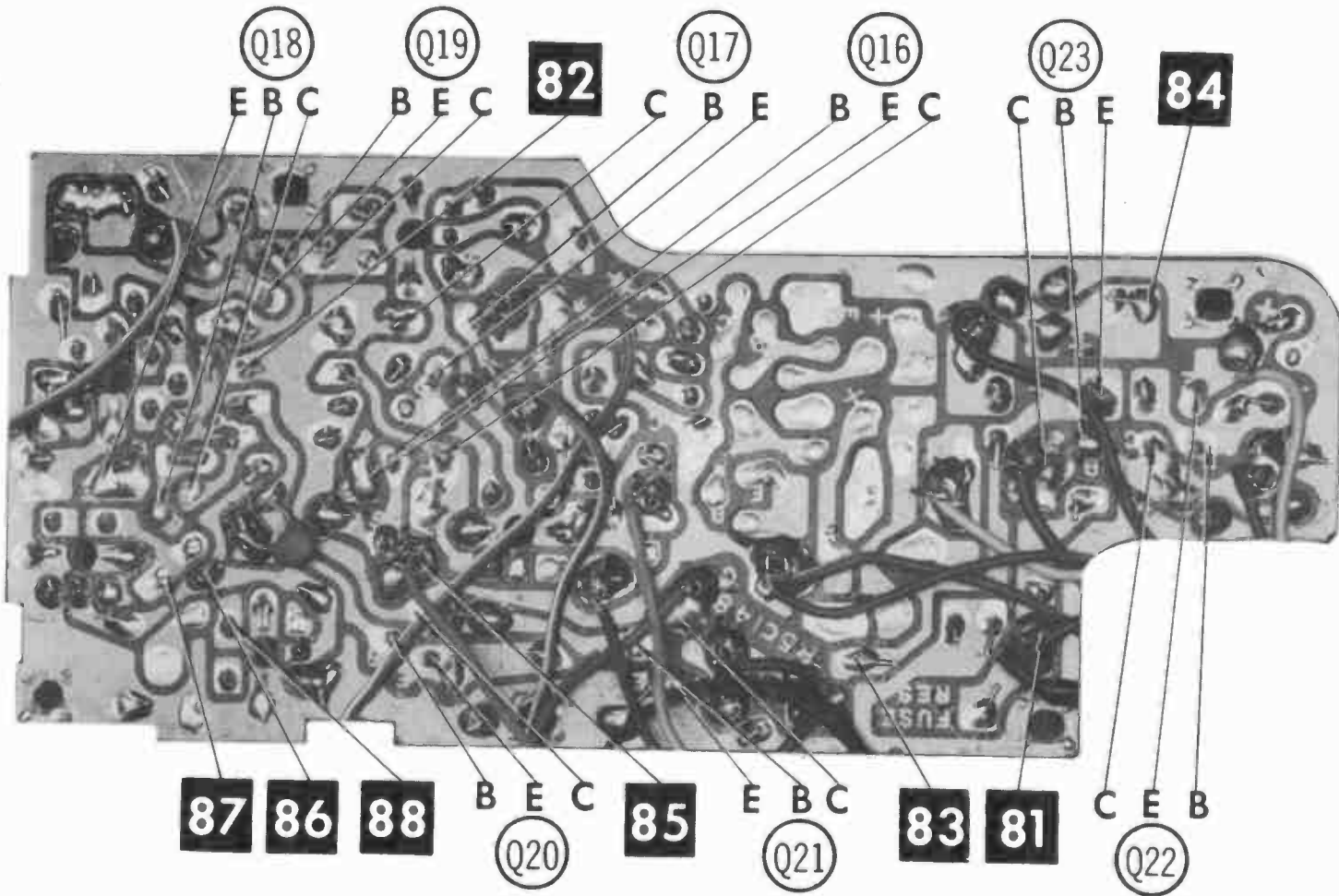
HOWARD W. SAMS & CO., INC. Indianapolis, Indiana 46206

© 1970 Howard W. Sams & Co., Inc. Printed in U. S. of America

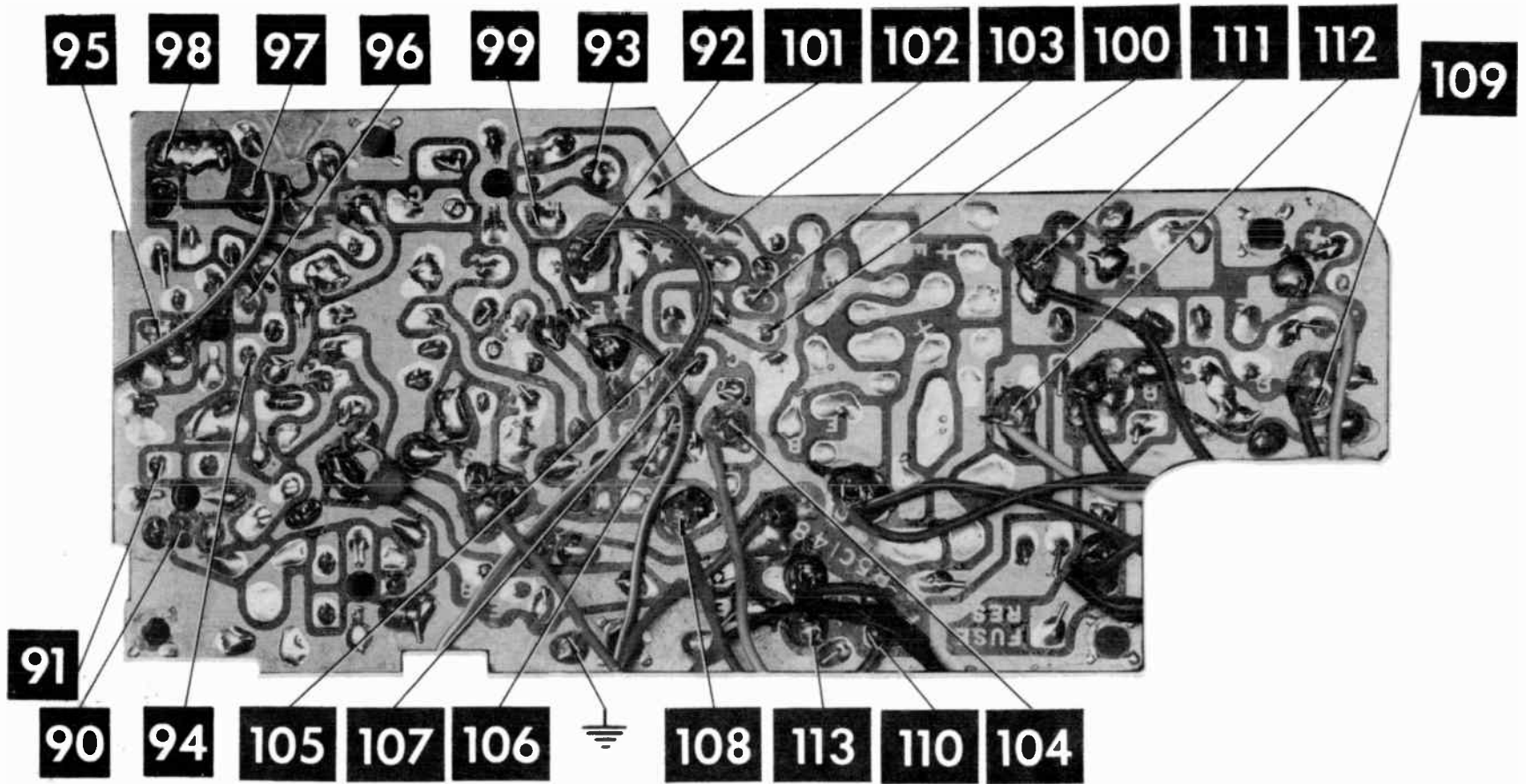
TE819





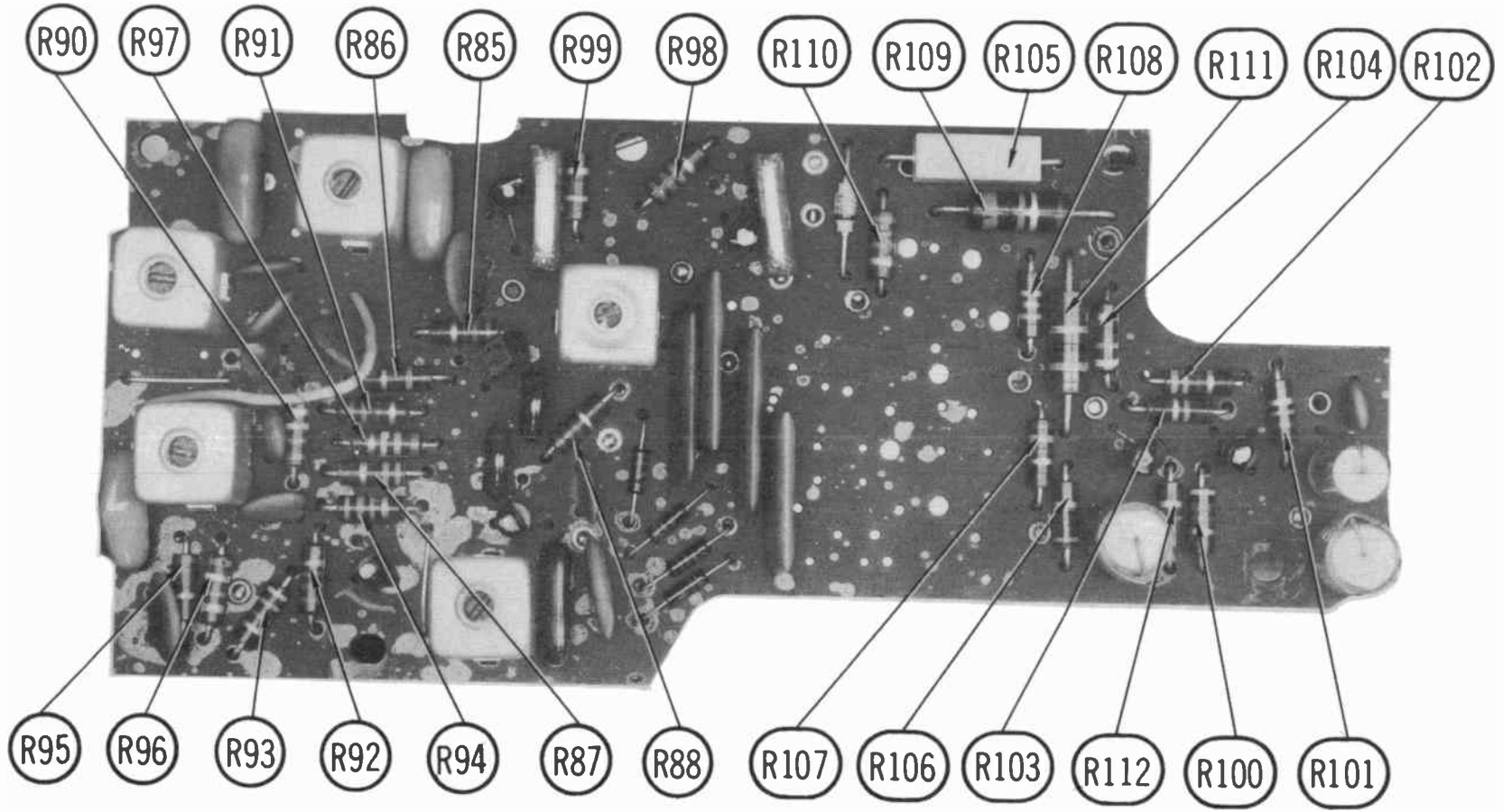


A Howard W. Sams **CIRCUITRACE** Photo



CHEVROLET MODELS 01VMPA1/MPH1

A Howard W. Sams **CIRCUITRACE** Photo



PARTS LIST AND DESCRIPTION

(When ordering parts, state Model, Part Number, and Description.)

Replacement parts shown may be superseded by the availability of newly introduced replacements.
Have your local distributor check Sams COUNTER FACTS® for the most up-to-date replacement.

TRANSISTORS

| ITEM No. | TYPE No. | FUNCTION | REPLACEMENT DATA | | | | | |
|----------|----------|--------------------|------------------|---------------------------|----------------------------------|-------------------|--------------|-------------------|
| | | | MFGR. PART No. | GENERAL ELECTRIC PART No. | INTERNATIONAL RECTIFIER PART No. | MOTOROLA PART No. | RCA PART No. | SYLVANIA PART No. |
| Q16 | DS-76 | MPX Input Amp | DS76 | GE-18 | TR-25 | HEP243 | SK3024 | ECG 128 |
| Q17 | D-66 | Buffer | DS66 | GE-18 | TR-25 | HEP243 | SK3024 | ECG 128 |
| Q18 | DS-66 | 19KC Amp | DS66 | GE-18 | TR-25 | HEP243 | SK3024 | ECG 128 |
| Q19 | DS-66 | 19KC Osc | DS66 | GE-18 | TR-25 | HEP243 | SK3024 | ECG 128 |
| Q20 | DS-47 | Lamp Amp | DS47 | GE-18 | TR-25 | HEP243 | SK3024 | ECG 128 |
| Q21 | DS-66 | Lamp Relay Control | DS66 | GE-18 | TR-25 | HEP243 | SK3024 | ECG 128 |
| Q22 | DS-66 | AF Amp | DS66 | GE-18 | TR-25 | HEP243 | SK3024 | ECG 128 |
| Q23 | DS-66 | AF Amp | DS66 | GE-18 | TR-25 | HEP243 | SK3024 | ECG 128 |
| Q24 | DS-501 | Output * | DS501 | GE-4 | TR-03 | HEP231 | SK3012 | ECG 105 |

* When replacing, apply silicone grease to both sides of insulator. Tighten mounting screws securely. Check bias adjustment.

POWER RECTIFIERS & SIGNAL DIODES

| ITEM No. | MFGR. PART OR TYPE No. | REPLACEMENT RECTIFIERS & DIODES | | | REPLACEMENT RECTIFIERS | NOTES |
|----------|------------------------|---------------------------------|----------------------------------|-------------------|------------------------|-------|
| | | GENERAL ELECTRIC PART No. | INTERNATIONAL RECTIFIER PART No. | SYLVANIA PART No. | RCA PART No. | |
| X10 | DS-31 | 1N34AS | 1N34A | ECG 109 | | |
| X11 | DS-31 | 1N34AS | 1N34A | ECG 109 | | |
| X12 | DS-31 | 1N34AS | 1N34A | ECG 109 | | |
| X13 | DS-31 | 1N34AS | 1N34A | ECG 109 | | |
| X14 | DS-49 | | | | | |

ELECTROLYTIC CAPACITORS

| ITEM No. | RATING | REPLACEMENT DATA | | | | | | |
|----------|-----------|------------------|------------------|--------------------|---------------------------|---------------------------|------------------|------------------|
| | | PART No. | AEROVOX PART No. | CENTRALAB PART No. | CORNELL-DUBILIER PART No. | GENERAL ELECTRIC PART No. | MALLORY PART No. | SPRAGUE PART No. |
| C80A | 1000 16V | 7292083 | AFH3-54-41 | | CC0006 | | FPS300.91 | PCL-3021.8 |
| B | 500 16V | | | | | | | |
| C | 4 11.5rms | | | | | | | |
| C81 | 100 4V | 7291810 | PTT30 | EA6-100 | NLW125-6 | MT1-21 | TT6X100 | TE-1102 |
| C82 | 10 12V | 7292738 | PTT53 | EA15-10 | NLW10-15 | MT1-5 | TT12X10 | TL-1128 |
| C83 | 100 4V | 7291810 | PTT30 | EA6-100 | NLW125-6 | MT1-21 | TT6X100 | TE-1102 |
| C84 | 3 12V | 7291860 | PTT50 | EA15-2 | NLW3-15 | MT1-3 | TT12X3 | TE-1122 |

CAPACITORS

| ITEM No. | RATING | REMARKS | REPLACEMENT DATA | | | | | |
|----------|----------|----------|------------------|--------------------|---------------------------|------------------|------------------|------------------|
| | | | AEROVOX PART No. | CENTRALAB PART No. | CORNELL-DUBILIER PART No. | ELMENCO PART No. | MALLORY PART No. | SPRAGUE PART No. |
| C85 | .07 | #7288631 | DI-120 | DD-121 | J8Z601Y121K | CCD-121 | GP312 | 5GA-T12 |
| C86 | 120 | | NPO-DI 100 | DTZ-100 | CV601CG101K | CCTO-101 | CN0310 | 10TCC-T10 |
| C87 | 110 | | GPD X5F222K | DD-222 | GP2200 | CCD-222 | GP222 | 10TS-D22 |
| C88 | .0022 | | | UK-105 | HXC3R0X105R | | MAG31 | HY-135 |
| C89 | 1mfd | | | CPR-10000J | DPMS6S1 | | PVC211 | 225P10391WD3 |
| C90 | .01 75V | | V1612S1 | DD-152 | | 1DP-1-103 | GP215 | 10TS-D15 |
| C91 | .0015 | | GPD X5F152K | CPR-10000J | DPMS6S1 | CCD-152 | GP215 | 225P10391WD3 |
| C92 | .01 75V | | V1612S1 | CK-203 | MGPO2 | 1DP-1-103 | PVC211 | TG-S20 |
| C93 | .02 | | TTP-02 | CK-203 | MGPO2 | CCD-203 | TA120 | TG-S20 |
| C94 | .02 | | TTP-02 | CK-203 | MGPO2 | CCD-203 | TA120 | TG-S20 |
| C95 | .02 | | TTP-02 | CK-203 | MGPO2 | CCD-203 | TA120 | TG-S20 |
| C96 | .07 | #7288631 | | | | | | |
| C97 | .0015 | | GPD X5F152K | DD-152 | | CCD-152 | GP215 | 10TS-D15 |
| C98 | 56 NPO | | | TCZ-56 | | CCTO-560 | CN0456 | 10TCC-Q56 |
| C99 | .01 75V | | | CPR-10000J | DPMS6S1 | 1DP-1-103 | PVC211 | 225P10391WD3 |
| C100 | .047 75V | | V1612S1 | | DPMS6S47 | 1DP-2-473 | PVC1147 | 225P47391WD3 |
| C101 | .047 75V | | V1612S47 | | DPMS6S47 | 1DP-2-473 | PVC1147 | 225P47391WD3 |
| C102 | 470 | | GPD X5F471K | DD-471 | GP470 | CCD-471 | GP347 | 10TS-T47 |

Delco Part Number.

(CONTINUED ON PAGE 48)

CHEVROLET MODELS 01VMPA1/MPH1

PARTS LIST AND DESCRIPTION (CONTINUED)

(When ordering parts, state Model, Part Number, and Description.)

Replacement parts shown may be superseded by the availability of newly introduced replacements.
Have your local distributor check Sams COUNTER FACTS[®] for the most up-to-date replacement.

CONTROLS (All wattages 1/2 watt, or less, unless listed)

| ITEM No. | FUNCTION | RESIST-ANCE | REPLACEMENT DATA | | | | |
|----------|-----------------|------------------|--------------------|------------------------------|--------------------|---------------------|--------------------|
| | | | MFR. PART No. | CENTRALAB PART No. | CLAROSTAT PART No. | CTS-IRC PART No. | MALLORY PART No. |
| R1 R2 | Separation Bias | 10K 2W 600 2W | 7298087 7286601 | WF-10K WP-600 or V-600 | U39-600 | 117R103A 110-600 | MR10000F MR600P |

RESISTORS (Power and Special)

| ITEM No. | RATING | REPLACEMENT DATA | | |
|----------|------------------|------------------|---------------|--|
| | | WORKMAN PART No. | MFR. PART No. | |
| R105 | .47 (Fusible) | | 7281890 | |

| ITEM No. | RATING | REPLACEMENT DATA | | |
|----------|--------|------------------|---------------|--|
| | | WORKMAN PART No. | MFR. PART No. | |
| | | | | |

COILS (RF-IF)

| ITEM No. | USE | REPLACEMENT DATA | | | |
|----------|-----------------|------------------|-------------------|-----------------|------------------|
| | | PART No. | MEISSNER PART No. | MILLER PART No. | WORKMAN PART No. |
| L20 | 67KC Trap | 7291023 | | | |
| L21 | 19KC Input | 7291019 | | | |
| L22 | 19KC Input | 7291019 | | | |
| L23 | 19KC Oscillator | 7291019 | | | |
| L24 | 38KC | 7291020 | | | |

FILTER CHOKE

| ITEM No. | RATINGS | | | REPLACEMENT DATA | | | | | NOTES |
|----------|--------------------|---------|------------------------------|------------------|----------------|------------------|---------------------|----------------|-------|
| | CURRENT (Measured) | DC RES. | INDUCTANCE (0 CURRENT 1000~) | PART No. | MERIT PART No. | STANCOR PART No. | THORDARSON PART No. | TRIAD PART No. | |
| L25 | 1.2 Amp | .6 | 8mh | 1221623 | C-4095 | TC-2 | TR-154 | TY17XT | |

CHOKE (Audio Output)

| ITEM No. | INDUCTANCE | REPLACEMENT DATA | | | | | NOTES |
|----------|------------|------------------|----------------|------------------|---------------------|----------------|-------|
| | | PART No. | MERIT PART No. | STANCOR PART No. | THORDARSON PART No. | TRIAD PART No. | |
| L26 | 30mh | 1222297 | | | | | |

SPEAKER

| ITEM No. | TYPE | REPLACEMENT DATA | | NOTES |
|----------|--------------------|------------------|---------------|-------|
| | | PART No. | QUAM PART No. | |
| SP2 | 4" X 6" PM 10 ohms | 7312421 | 46A1Z10 | |

MISCELLANEOUS

| ITEM No. | PART NAME | PART No. | NOTES |
|----------|-------------------|----------|-------------------------------|
| K1 | Lamp Relay | 7275850 | |
| PC1 | Stereo Detector | 7291090 | |
| PC2 | 38KC Notch Filter | 7291089 | CENTRALAB Replacement #PC-410 |
| PC3 | Stereo Detector | 7291090 | |
| PC4 | 38KC Notch Filter | 7291089 | CENTRALAB Replacement #PC-410 |

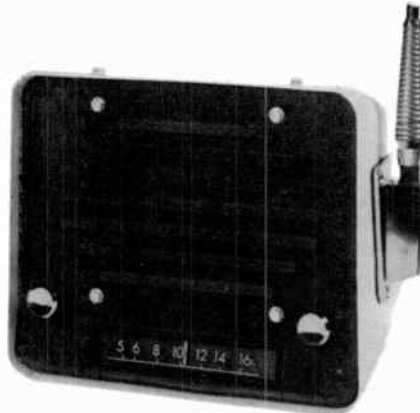


PHOTOFACT[®] with

CIRCUITRACE[®]

For Supplier Address See PHOTOFACT Index

NOTE: Manufacturer Part Numbers Shown Are BENDIX



JOHN DEERE MODEL OBTJD
(70 JD Tractor)

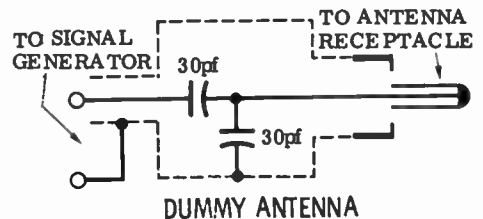
ALIGNMENT INSTRUCTIONS

Check for specified source voltage.
Use only enough generator output
to provide a usable indication.

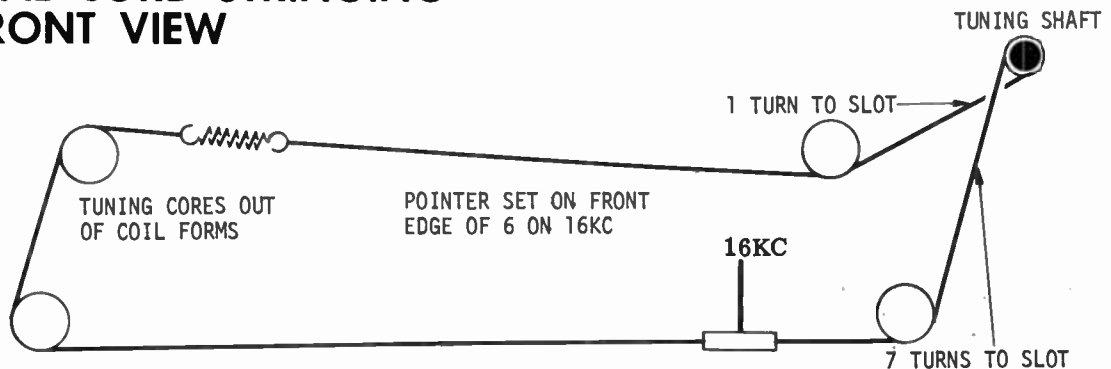
Suggested Alignment Tools: GENERAL CEMENT # WALSCO #
A1 thru A4 9296, 9297, 9300..... 2510, 2546, 2547
A5, A6, A7 8290, 8868, 9007..... 2525, 2528, 2587

| | GENERATOR COUPLING | GENERATOR FREQUENCY | RADIO DIAL SETTING | INDICATOR | ADJUST | REMARKS |
|----|--------------------------------------------------------------|-------------------------------|----------------------|---------------------------------|-----------------|---------------------|
| 1. | High side thru .1mfd to point A , low side to ground. | 262KC 400 cycle modulation | High freq. end stop. | Output meter across voice coil. | A1,A2, A3,A4 | Adjust for maximum. |
| 2. | Thru dummy antenna to antenna input. | 1615KC | " | " | A5,A6, A7 | " |

With radio installed in car and antenna extended to desired height, tune in a weak station near 1400KC and adjust A7 for maximum output.



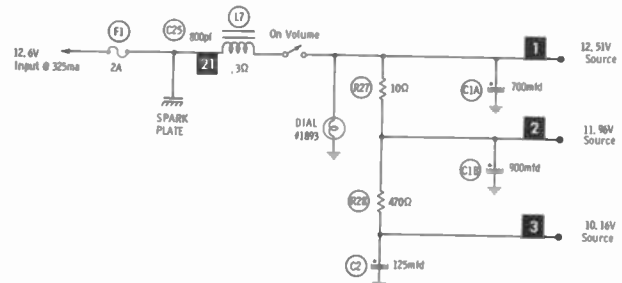
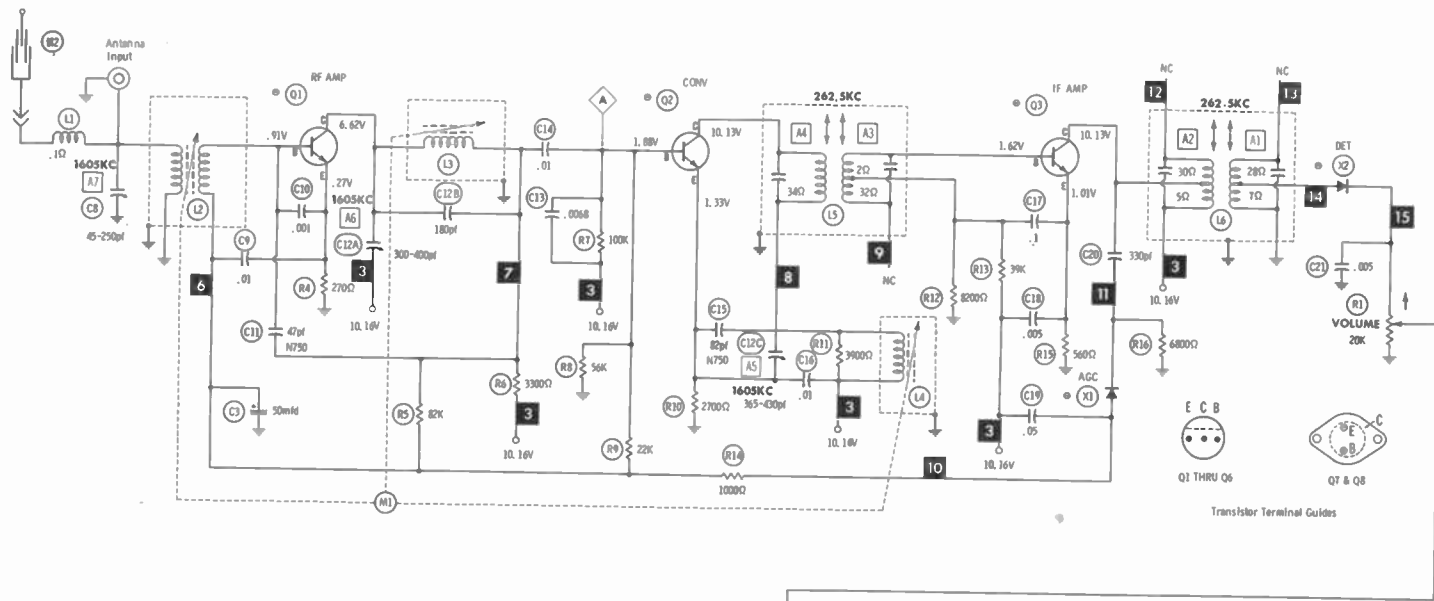
DIAL CORD STRINGING FRONT VIEW



HOWARD W. SAMS & CO., INC. Indianapolis, Indiana 46208

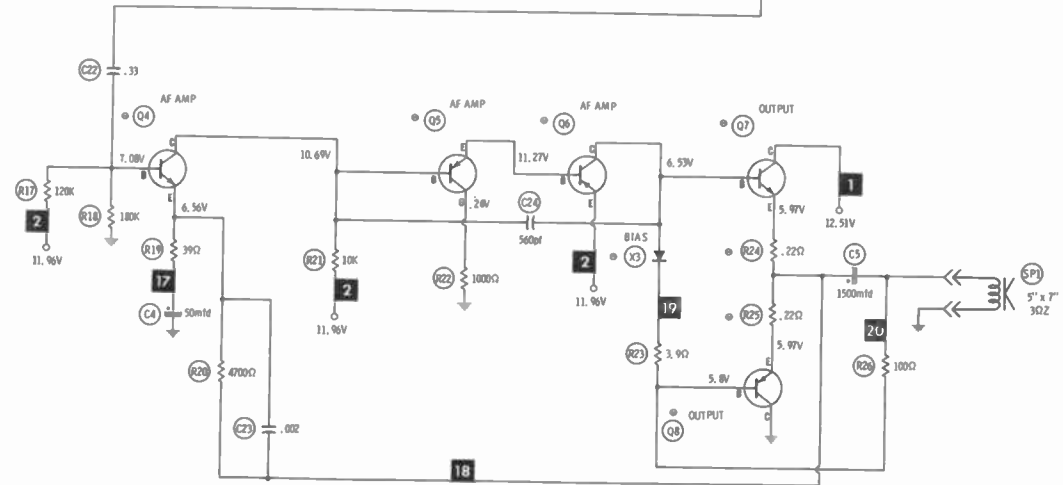
© 1970 Howard W. Sams & Co., Inc. Printed in U. S. of America TD767R

JOHN DEERE MODEL OBTJD

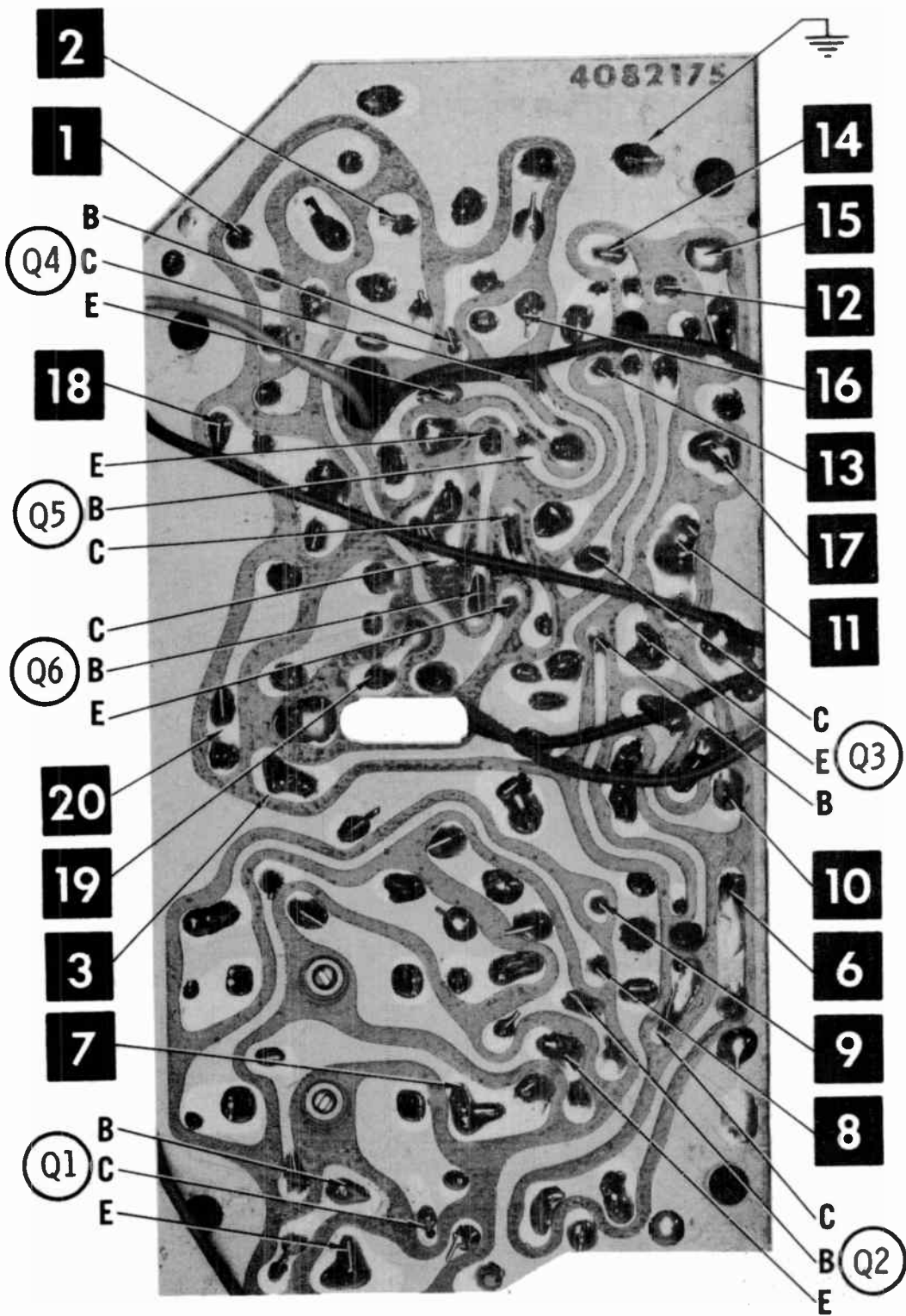


• See parts list.
 Resistors are 1/2W or less, 10% or 20%, unless otherwise indicated.
 Supply voltage maintained at rated value for measurements.
 Voltage and resistance measured with VTM or equivalent meter,
 no signal applied and controls adjusted for normal operation.
 Controls viewed from actual end. Arrow indicates clockwise rotation.
 Numbers assigned to terminals may not be found on the unit.
 Transistor resistances vary widely. No resistance measurements taken.

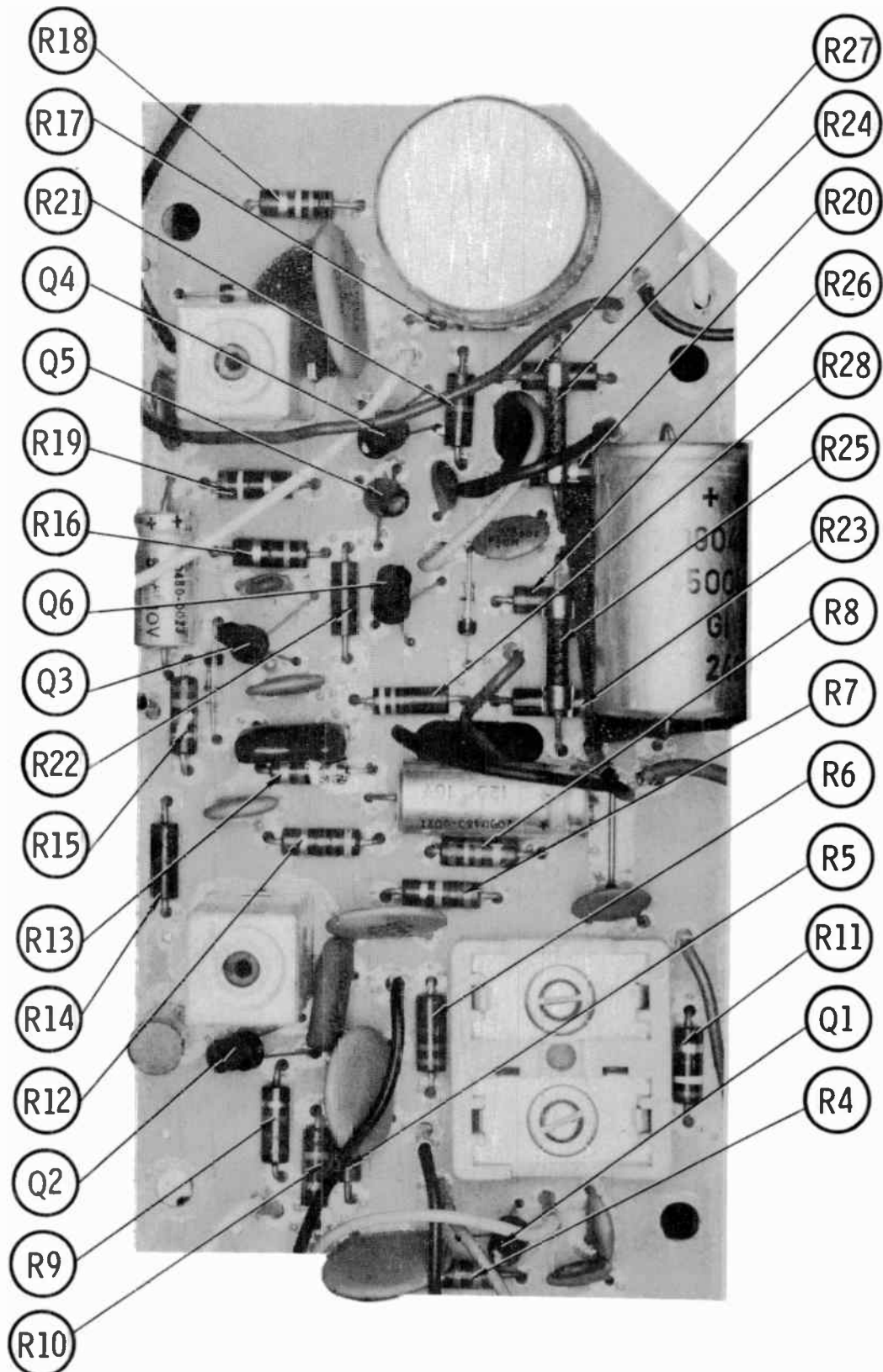
A PHOTOFACIT STANDARD NOTATION SCHEMATIC
 with **CircuitTrace**
 © Howard W. Sams & Co., Inc. 1970

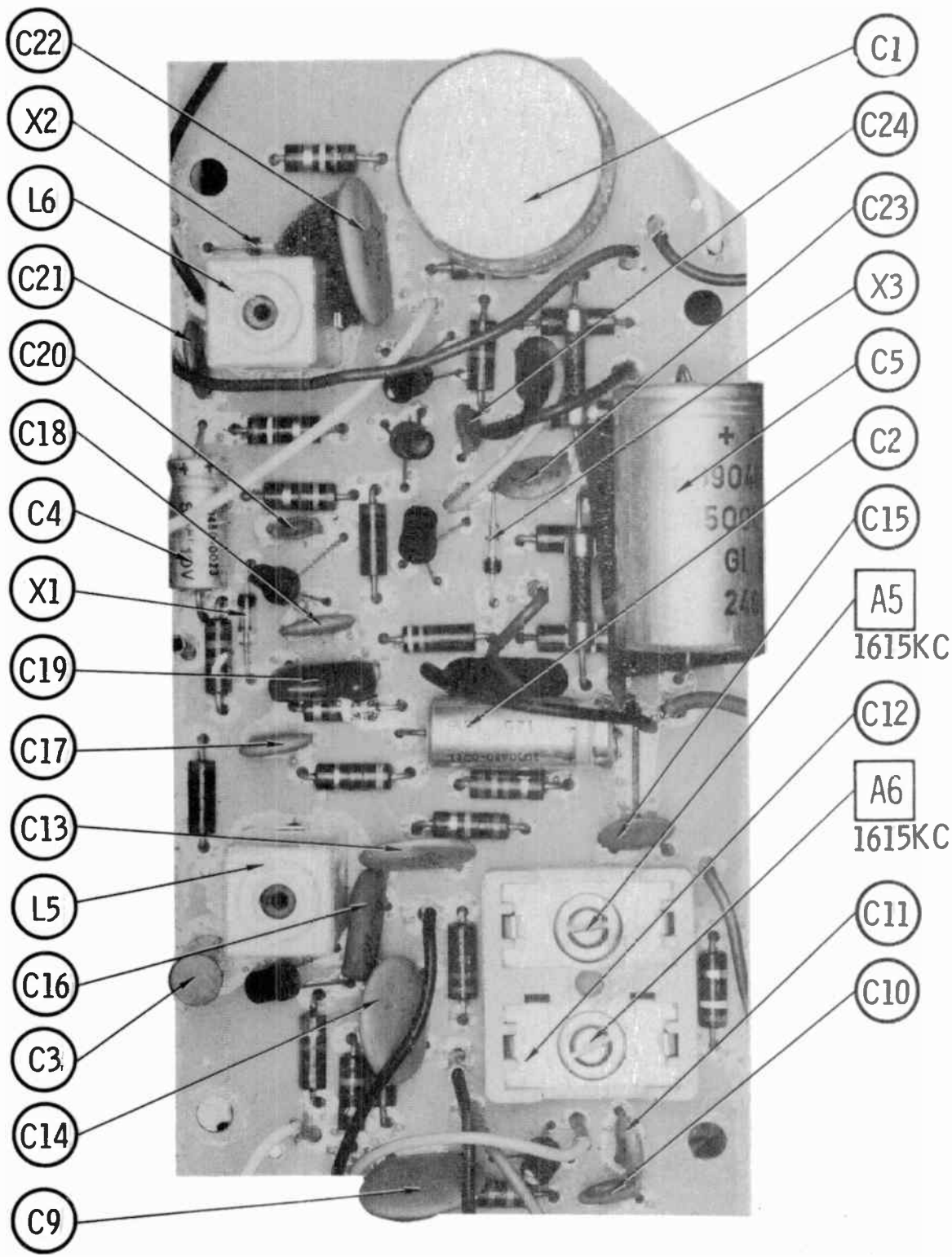


JOHN DEERE MODEL 087JD



A Howard W. Sams CIRCUITRACE Photo





PARTS LIST AND DESCRIPTION

(When ordering parts, state Model, Part Number, and Description.)

Replacement parts shown may be superseded by the availability of newly introduced replacements.

Have your local distributor check Sams COUNTER FACTS* for the most up-to-date replacement.

TRANSISTORS

| ITEM No. | TYPE No. | FUNCTION | REPLACEMENT DATA | | | | | |
|----------|----------|------------|------------------|---------------------------|----------------------------------|-------------------|--------------|-------------------|
| | | | MFGR. PART No. | GENERAL ELECTRIC PART No. | INTERNATIONAL RECTIFIER PART No. | MOTOROLA PART No. | RCA PART No. | SYLVANIA PART No. |
| Q1 | | RF Amp | 2093308-0704 | GE-20 | TR-21 | HEP54 | SK3018 | ECG 107 |
| Q2 | | Converter | 2093308-0705 | GE-20 | TR-21 | HEP54 | SK3018 | ECG 107 |
| Q3 | | IF Amp | 2093308-0706 | GE-20 | TR-21 | HEP54 | SK3018 | ECG 107 |
| Q4 | | AF Amp | 2092609-0718 | GE-10 | TR-21 | HEP54 | SK3020 | ECG 123 |
| Q5 | | AF Amp | 2057013-0702 | GE-21 | TR-19 | HEP51 | SK3025 | ECG 129 |
| Q6 | | AF Amp | 2057013-0702 | GE-21 | TR-19 | HEP51 | SK3025 | ECG 129 |
| Q7 | | Output (1) | 4080838-0002 | GE-21 | TR-23 | HEP703 | SK3026 | ECG 124 |
| Q8 | | Output (1) | 2091859-0025 | GE-3 | TR-01 | HEP232 | SK3009 | ECG 104 |

(1) When replacing, apply silicone grease to both sides of insulator. Tighten mounting screws securely.

POWER RECTIFIERS & SIGNAL DIODES

| ITEM No. | MFGR. PART OR TYPE No. | REPLACEMENT RECTIFIERS & DIODES | | | REPLACEMENT RECTIFIERS | NOTES |
|----------|------------------------|---------------------------------|----------------------------------|-------------------|------------------------|-------|
| | | GENERAL ELECTRIC PART No. | INTERNATIONAL RECTIFIER PART No. | SYLVANIA PART No. | RCA PART No. | |
| X1 | 2092055-0001 | 1N34AS | 1N34A | ECG 109 | | |
| X2 | 2092055-0001 | 1N34AS | 1N34A | ECG 109 | | |
| X3 | 2092055-0001 | 1N34AS | 1N34A | ECG 109 | | |

ELECTROLYTIC CAPACITORS

| ITEM No. | RATING | REPLACEMENT DATA | | | | | | |
|----------|----------|------------------|------------------|--------------------|---------------------------|---------------------------|------------------|------------------|
| | | PART No. | AEROVOX PART No. | CENTRALAB PART No. | CORNELL-DUBILIER PART No. | GENERAL ELECTRIC PART No. | MALLORY PART No. | SPRAGUE PART No. |
| C1A | 700 16V | 2092983-0014 | PMH2-02-65 | | BB0040A | | | PCL-2185.1 |
| B | 900 16V | | | | | | | |
| C2 | 125 16V | 2090480-0021 | CRE478A | EA15-150 | WBR150-35 | MT1-21.5 | MTA125E6 | TL-1163 |
| C3 | 50 3V | 2090480-0022 | BCD6050 | EP6-50 | PC50-16 | MT1-15 | MTV50CB15 | TE-1058 |
| C4 | 50 10V | 2090480-0023 | CRE467A | EA15-50 | AL50-16 | MT1-19 | MTA50E15 | TL-1133 |
| C5 | 1500 10V | 2090480-0024 | PRS1147 | EA15-2000 | WBR2000-16 | QT1-33 | TC1215 | TL-1167 |

CAPACITORS

| ITEM No. | RATING | REMARKS | REPLACEMENT DATA | | | | | |
|----------|---------|---------------|------------------|--------------------|---------------------------|------------------|------------------|------------------|
| | | | AEROVOX PART No. | CENTRALAB PART No. | CORNELL-DUBILIER PART No. | ELMENCO PART No. | MALLORY PART No. | SPRAGUE PART No. |
| C8 | 45-250 | #2091504-0707 | | | | | | |
| C9 | .01 | | TTP-01 | CK-103 | MGP01 | CCD-103 | TA110 | TG-S10 |
| C10 | .001 | | GPD X5F102K | DM-102 | GP1000 | CCD-102 | SM210 | 2SS-D10 |
| C11 | 47 N750 | | N750-DI 47 | DTZ-47 | N47 | CCTN-470 | CN7447 | 10TCU-Q47 |
| C12A | 300-400 | #219092-0031 | | | | | | |
| B | 180 | | | | | | | |
| C | 365-430 | | | | | | | |
| C13 | .0068 | | GPD X5R682K | DO-682 | GP6800 | CCD-682 | GP268 | 5GA-D68 |
| C14 | .01 | | TTP-01 | CK-103 | MGP01 | CCD-103 | TA110 | TG-S10 |
| C15 | 82 N750 | | | DTZ-82 | N82 | CCTN-820 | CN7482 | 10TCU-Q82 |
| C16 | .01 25V | | V1612S1 | CPR-10000.1 | DPMS6S1 | 1DP-1-103 | PVC211 | 225P10391WD3 |
| C17 | .1 | | TTP-1 | CK-104 | | | TA010 | TG-P10 |
| C18 | .005 | | TTP-005 | CK-502 | MGP005 | CCD-502 | TA250 | TG-D50 |
| C19 | .05 50V | | DBE6S5 | | DPMS6S5 | 6DP-3-503 | PVC615 | 6PS-S50 |
| C20 | 330 | | GPD X5F331K | DD-331 | GP330 | CCD-331 | GP333 | 10TS-T33 |
| C21 | .005 | | TTP-005 | CK-502 | MGP005 | CCO-502 | TA250 | TG-D50 |
| C22 | .33 | | | UK16-304 | | | | HY-327 |
| C23 | .002 | | GPD X5F202K | DM-202 | GP2000 | CCO-202 | GP220 | 2SS-D20 |
| C24 | 560 | | GPD X5F561K | DD-561 | GP560 | CCD-561 | GP356 | 10TS-T56 |
| C25 | 800 | #2093050-0707 | | | | | | |

#Bendix Part Number

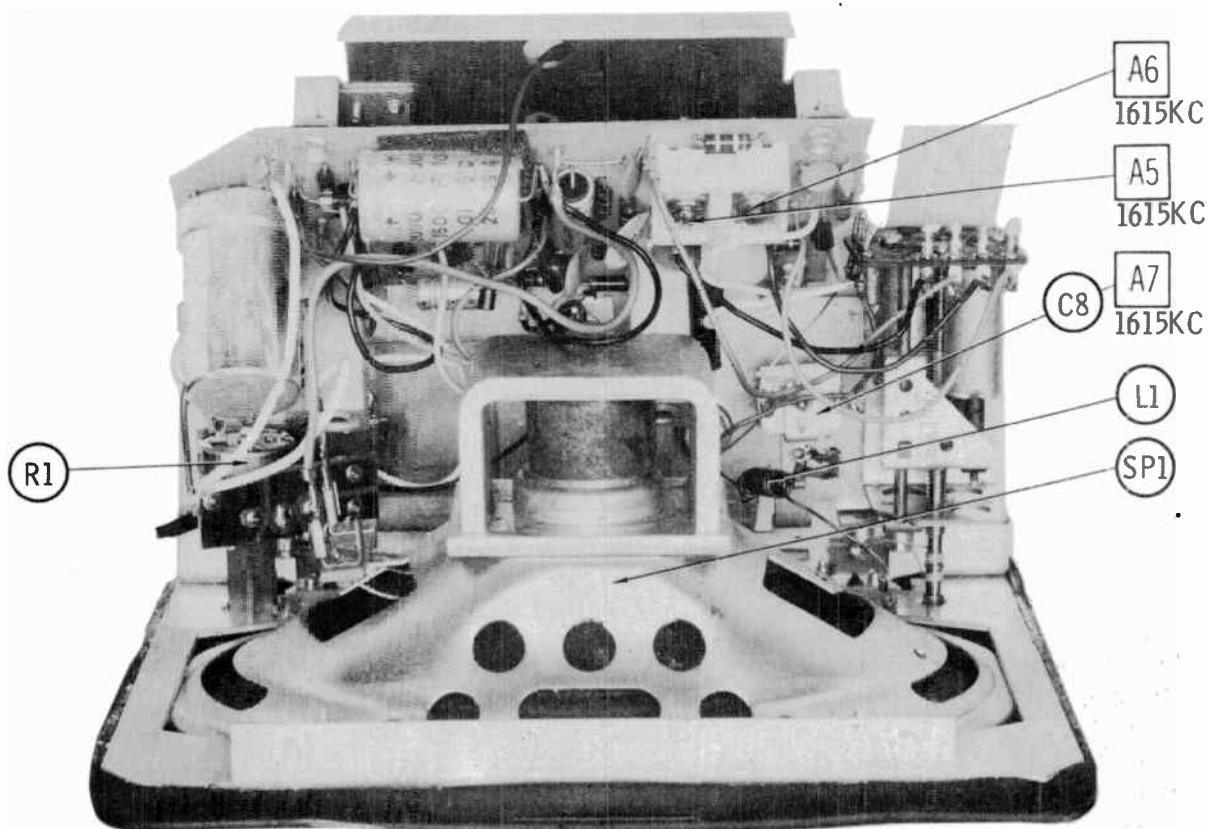
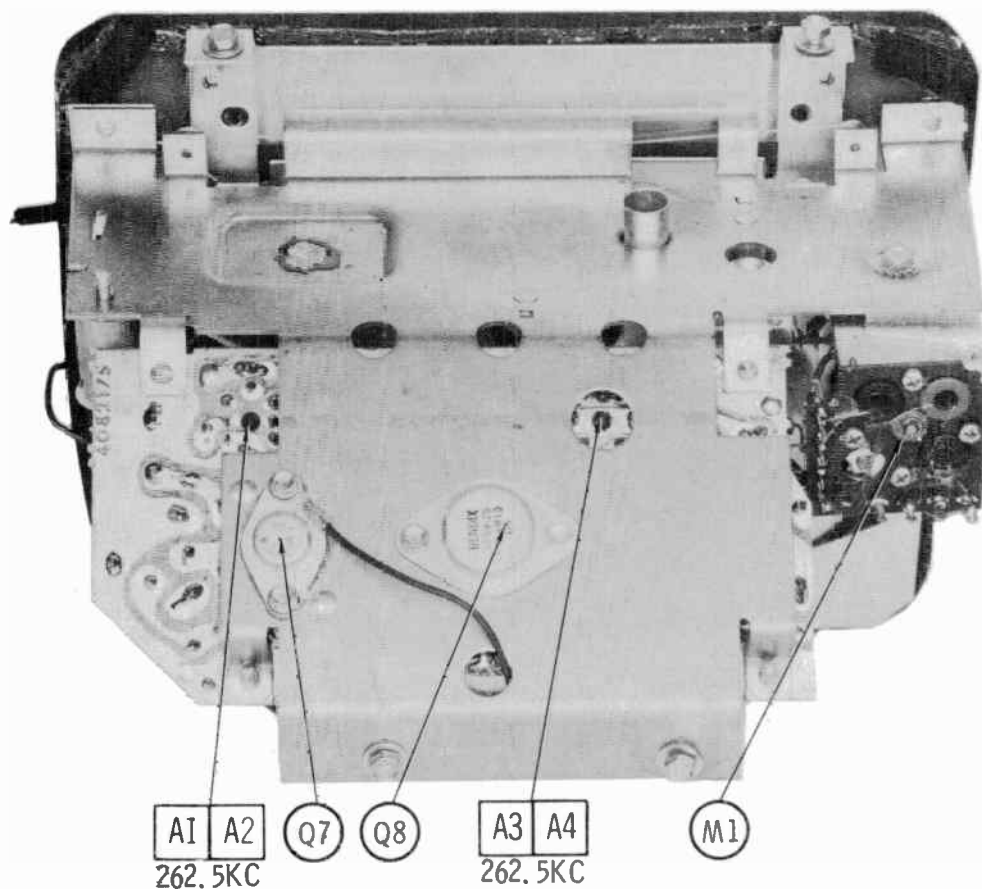
CONTROLS (All wattages 1/2 watt, or less, unless listed)

| ITEM No. | FUNCTION | RESISTANCE | REPLACEMENT DATA | | | | | |
|----------|---------------|------------|------------------|--------------------|--------------------|------------------|-------------------------------------------------------------------|--|
| | | | MFGR. PART No. | CENTRALAB PART No. | CLAROSTAT PART No. | CTS-IRC PART No. | MALLORY PART No. | |
| R1 | Volume/Switch | 20K | 4082187-0001 | | | | QCB4 (1), B13-120, TM8, QCN, 76-1 or [8U14, CF90, SS4, QCN, GC] * | |

(1) Use QCB4 Bushing instead of "TM" in TM8 Kit.

* "SNAPTROL".

(CONTINUED ON PAGE 56)



PARTS LIST AND DESCRIPTION (CONTINUED)

(When ordering parts, state Model, Part Number, and Description.)

Replacement parts shown may be superseded by the availability of newly introduced replacements.
Have your local distributor check Sams COUNTER FACTS* for the most up-to-date replacement.

RESISTORS (Power and Special)

| ITEM No. | RATING | REPLACEMENT DATA | |
|----------|-------------|------------------|---------------|
| | | WORKMAN PART No. | MFG. PART No. |
| R24 | .22 ohm PTC | | 2090948-0007 |

| ITEM No. | RATING | REPLACEMENT DATA | |
|----------|-------------|------------------|---------------|
| | | WORKMAN PART No. | MFG. PART No. |
| R25 | .22 ohm PTC | | 2090948-0007 |

COILS (RF-IF)

| ITEM No. | USE | REPLACEMENT DATA | | | |
|----------|----------------|------------------|-------------------|-----------------|------------------|
| | | PART No. | MEISSNER PART No. | MILLER PART No. | WORKMAN PART No. |
| L1 | RF Choke (1uh) | 4082503-0501 | 19-1000 | 4602 | T855 |
| L2 | Antenna | (1) | | | |
| L3 | RF | (1) | | | |
| L4 | Oscillator | (1) | | | |
| L5 | Input IF | 2094080-0711 | | 8006 (2) | |
| L6 | Output IF | 2094080-0712 | | 8006 | |

(1) Part of M1.

(2) Cut off Pin #5.

FILTER CHOKE

| ITEM No. | RATINGS | | | REPLACEMENT DATA | | | | | NOTES |
|----------|--------------------|---------|------------------------------|------------------|----------------|------------------|---------------------|----------------|-------|
| | CURRENT (Measured) | DC RES. | INDUCTANCE (0 CURRENT 1000~) | PART No. | MERIT PART No. | STANCOR PART No. | THORDARSON PART No. | TRIAD PART No. | |
| L7 | 325ma | .2 | 1.5mh | 4082190-0501 | | | | | |

SPEAKER

| ITEM No. | TYPE | REPLACEMENT DATA | | NOTES |
|----------|-------------------|------------------|---------------|-------|
| | | PART No. | QUAM PART No. | |
| SP1 | 5" X 7" PM 3 ohms | 4082188-0001 | 57A21 | |

FUSE DEVICES

| ITEM No. | DESCRIPTION | REPLACEMENT DATA | | | | | | | |
|----------|-------------|------------------|--------------|---------------|--------|---------------------|--------|------------------|--|
| | | PART No. | | BUSS PART No. | | LITTELFUSE PART No. | | WORKMAN PART No. | |
| | | DEVICE | HOLDER | DEVICE | HOLDER | DEVICE | HOLDER | DEVICE | |
| F1 | 2 Amp | 2091811-007 | 2094348-0520 | AGA5 | HAF | 301002 | 150145 | | |

MISCELLANEOUS

| ITEM No. | PART NAME | PART No. | NOTES |
|----------|--------------|--------------|-------|
| M1 | Tuner | 4082186-0001 | |
| M2 | Antenna Base | 4082189-0001 | |
| | Antenna Mast | | |
| | Telescopic | 2057882-0002 | |

CABINETS & CABINET PARTS (When ordering specify model, chassis & color)

| ITEM | PART No. | ITEM | PART No. |
|--------------|--------------|------------------------|--------------|
| Case (Black) | 4082180-0001 | Dial Scale | 4082184-0001 |
| Door-Printer | 4082185-0001 | Knob, Tuning or Volume | 2091420-0502 |

WIRING DATA

| | |
|-------------------------------------------|-----------------------------------------------------|
| General-use Unshielded Hook-up Wire | Use BELOEN No. 8530 (Solid) Available in 12 Colors |
| | 8524 (Stranded) Available in 12 Colors |
| Shielded Hook-up Wire | Use BELOEN No. 8885 |
| Rear Seat Speaker Extension Cable | Use BELDEN No. 8782 (Stranded) Coded Parallel Leads |
| Bonding Strap | Use BELDEN No. 8661 (3/8 In.) or 8670 (3/4 In.) |

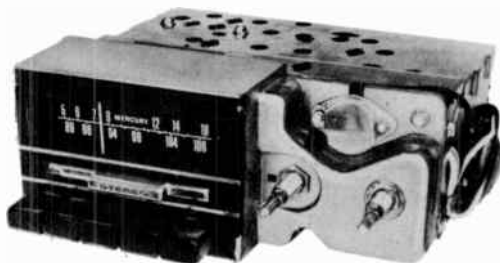


PHOTOFACT[®] with

CIRCUITRACE[®]

For Supplier Address See PHOTOFACT Index

NOTE: Manufacturer Part Numbers Shown Are BENDIX



MERCURY MODEL 9FBM
(69 Mercury)

ALIGNMENT INSTRUCTIONS

Check for specified source voltage.

Use only enough generator output to provide a usable indication.

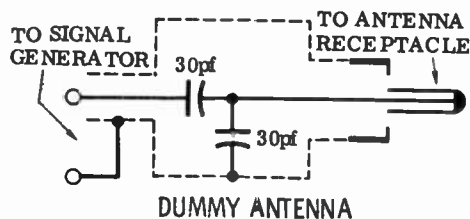
Suggested Alignment Tools: GENERAL CEMENT # WALSCO #
A1 thru A4, A11 thru A22 .. 9300,9296,9297.. 2510,2546,2547
A5, A6, A7, A23, A24, A25 .. 8290,8868,9087.. 2525,2528,2587

PUSH-BUTTON ADJUSTMENT

1. Pull button out.
2. Tune manually to desired station.
3. Press button in firmly.
4. Repeat for remaining buttons.

| | GENERATOR COUPLING | GENERATOR FREQUENCY | RADIO DIAL SETTING | INDICATOR | ADJUST | REMARKS |
|----------------------------------------------------------------------------------------------------------------------------------------------------------------------------------|----------------------------------------------------------------|---------------------------------|----------------------|---------------------------------|-----------------|--------------------------------------------------------------------------------|
| 1. | High side thru .1mfd to point \diamond , low side to ground. | 262.5KC 400 cycle modulation | High freq. end stop. | Output meter across voice coil. | A1,A2, A3,A4 | Adjust for maximum. |
| 2. | Thru dummy antenna to antenna input. | 1605KC | " | " | A5,A6, A7 | " |
| Step 3 is not necessary unless tuner or associated components have been disturbed. If necessary, back tuning cores (A8,A9,A10) out of coils but not out of forms. Repeat Step 2. | | | | | | |
| 3. | Thru dummy antenna to antenna input. | 1000KC | Tune to signal | Output meter across voice coil | A8,A9, A10 | Adjust for maximum. Repeat Steps 2 and 3 until no further improvement is noted |

With radio installed in car and antenna extended 33", tune in a weak station near 1400KC and adjust A7 for maximum output. Antenna adjustment (A7) is located lower Front Right Corner.



HOWARD W. SAMS & CO., INC. Indianapolis, Indiana 46206

© 1970 Howard W. Sams & Co., Inc. Printed in U. S. of America

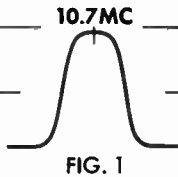
TD766

MERCURY MODEL 9FBM

ALIGNMENT INSTRUCTIONS (Continued)

FM IF ALIGNMENT USING AM SIGNAL GENERATOR—SELECTOR IN FM POSITION

| High side of generator thru .001mfd to point $\diamond B$, low side to ground. | | | | | |
|---------------------------------------------------------------------------------|-----------------------|---------------------------|------------------------------------------------------------|--------------------|-----------------------------------------------------------------------------------------------------------------|
| GENERATOR FREQUENCY | RADIO DIAL SETTING | INDICATOR | ADJUST | REMARKS | |
| 4. | 10.7MC Unmodulated | Point of non-interference | DC probe of VTVM to point $\diamond C$, common to ground. | A11 Thru A20 | Adjust for maximum. |
| 5. | " | " | DC probe of VTVM to point $\diamond D$, common to ground. | A21 | Adjust for zero reading. A positive or negative reading will be obtained on either side of the correct setting. |

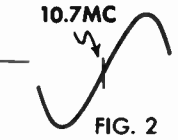


FM IF ALIGNMENT USING FM SIGNAL GENERATOR—SELECTOR IN FM POSITION

| High side of generator thru .001mfd to point $\diamond B$, low side to ground. Use only enough marker signal for indication. Use 60 cycle frequency modulated signal with 450KC sweep. Use 60 cycle sawtooth voltage in scope for horizontal deflection. | | | | | |
|-----------------------------------------------------------------------------------------------------------------------------------------------------------------------------------------------------------------------------------------------------------|-----------------------|---------------------------|----------------------------------------------------------------|--------------------|---------------------------------------------------------------------------------------------------------------------------------------------------------|
| GENERATOR FREQUENCY | RADIO DIAL SETTING | INDICATOR | ADJUST | REMARKS | |
| 4. | 10.7MC 450KC Sweep | Point of non-interference | Vert. amp of scope to point $\diamond C$, low side to ground. | A11 Thru A20 | Adjust for maximum gain and symmetry of response similar to Fig. 1 with marker as shown. |
| 5. | " | " | Vert. amp of scope to point $\diamond D$, low side to ground. | A21 | Adjust A21 (secondary) to place marker at center of "S" curve similar to Fig. 2. Readjust A11 (primary) for maximum amplitude and straightness of line. |

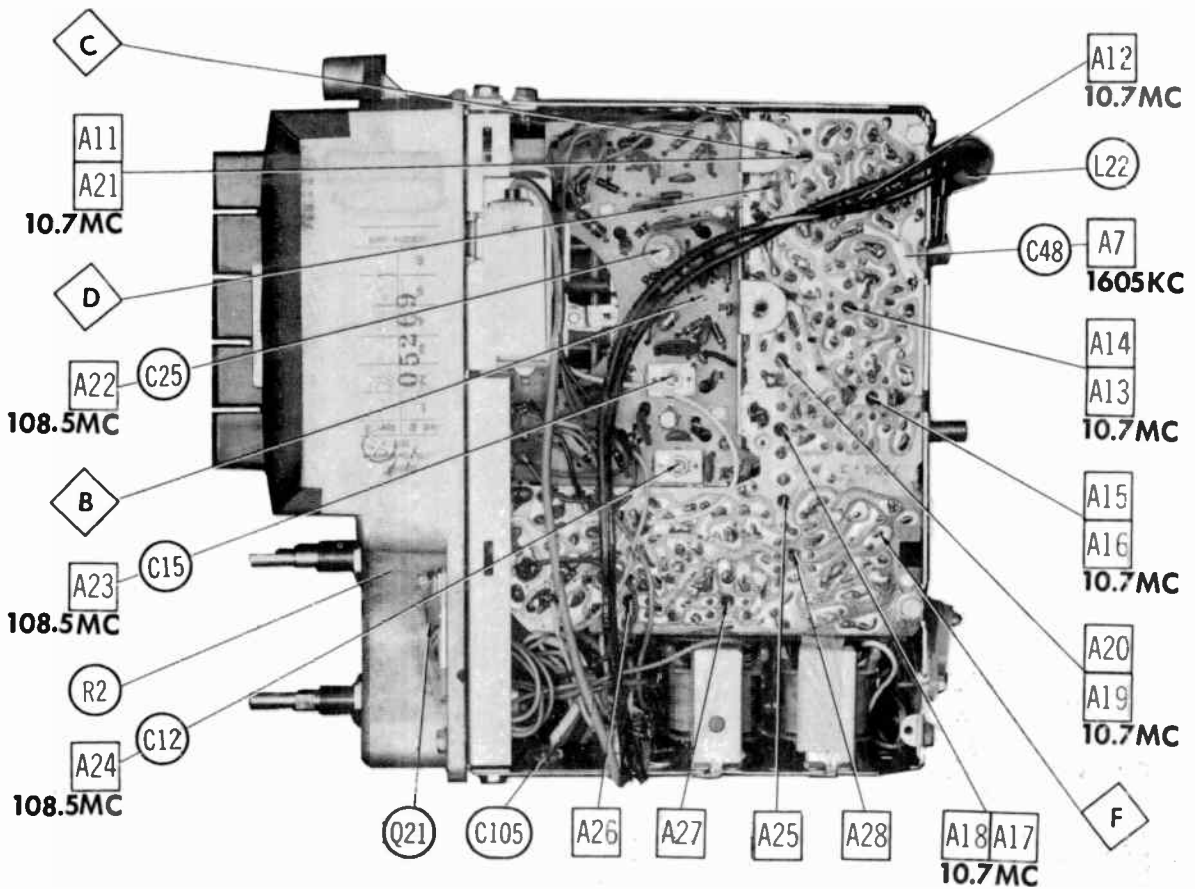
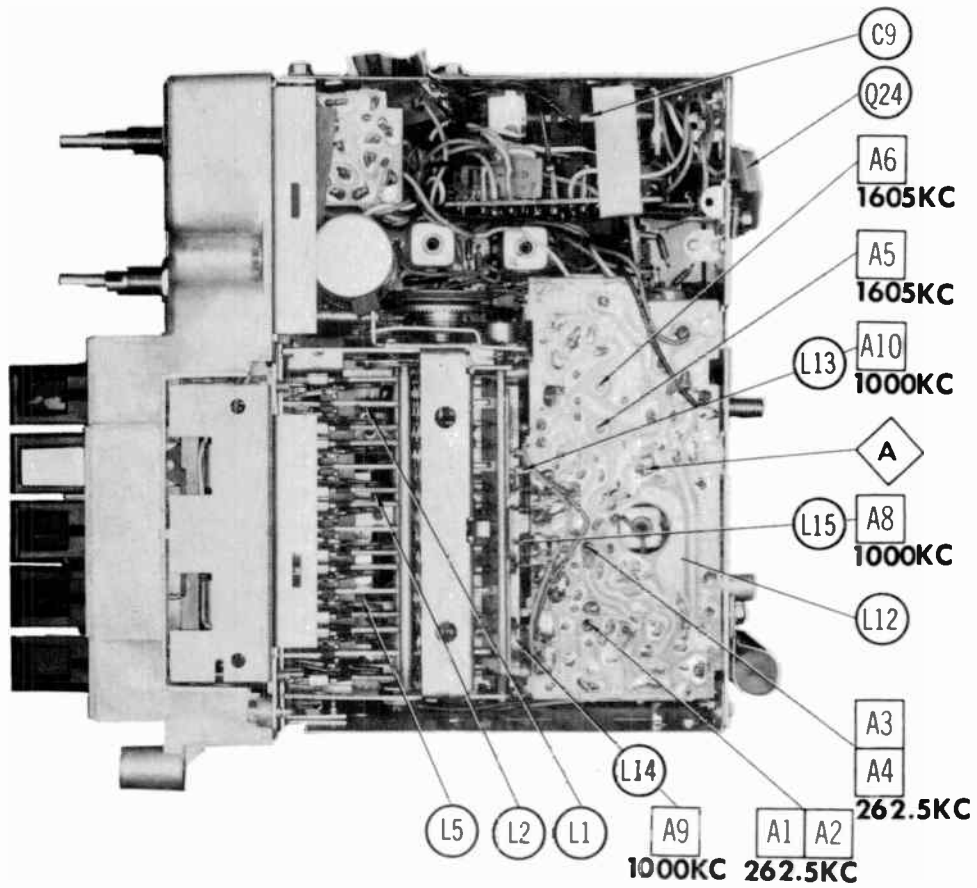
FM RF ALIGNMENT—SELECTOR IN FM POSITION

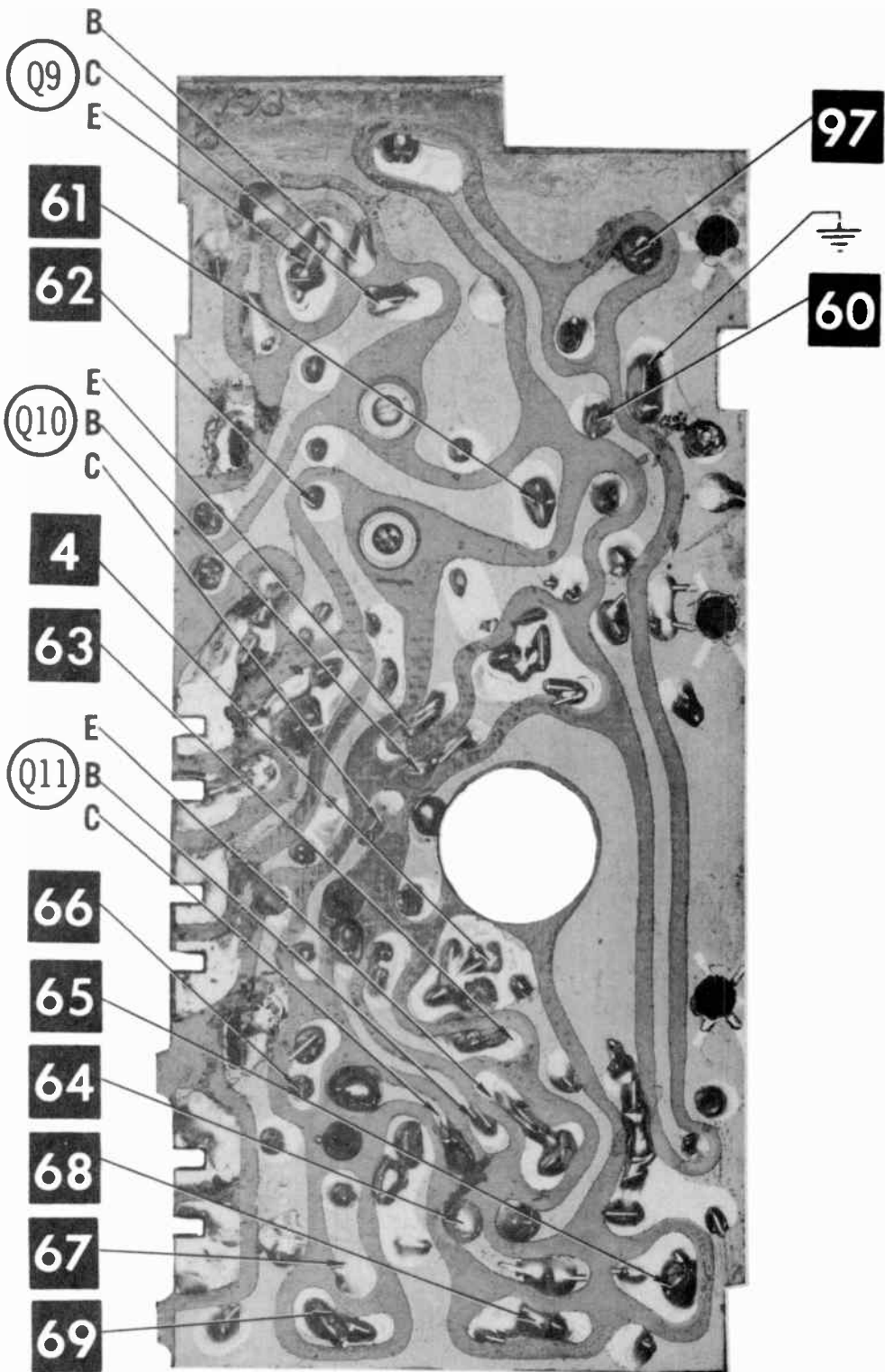
| Connect generator across antenna terminals with 120-ohm carbon resistor in series with each lead. | | | | | |
|---------------------------------------------------------------------------------------------------|--------------------|----------------|------------------------------------------------------------|-------------------|---------------------|
| GENERATOR FREQUENCY | RADIO DIAL SETTING | INDICATOR | ADJUST | REMARKS | |
| 6. | 108.5MC | High freq. end | DC probe of VTVM to point $\diamond C$, common to ground. | A22 A23 A24 | Adjust for maximum. |



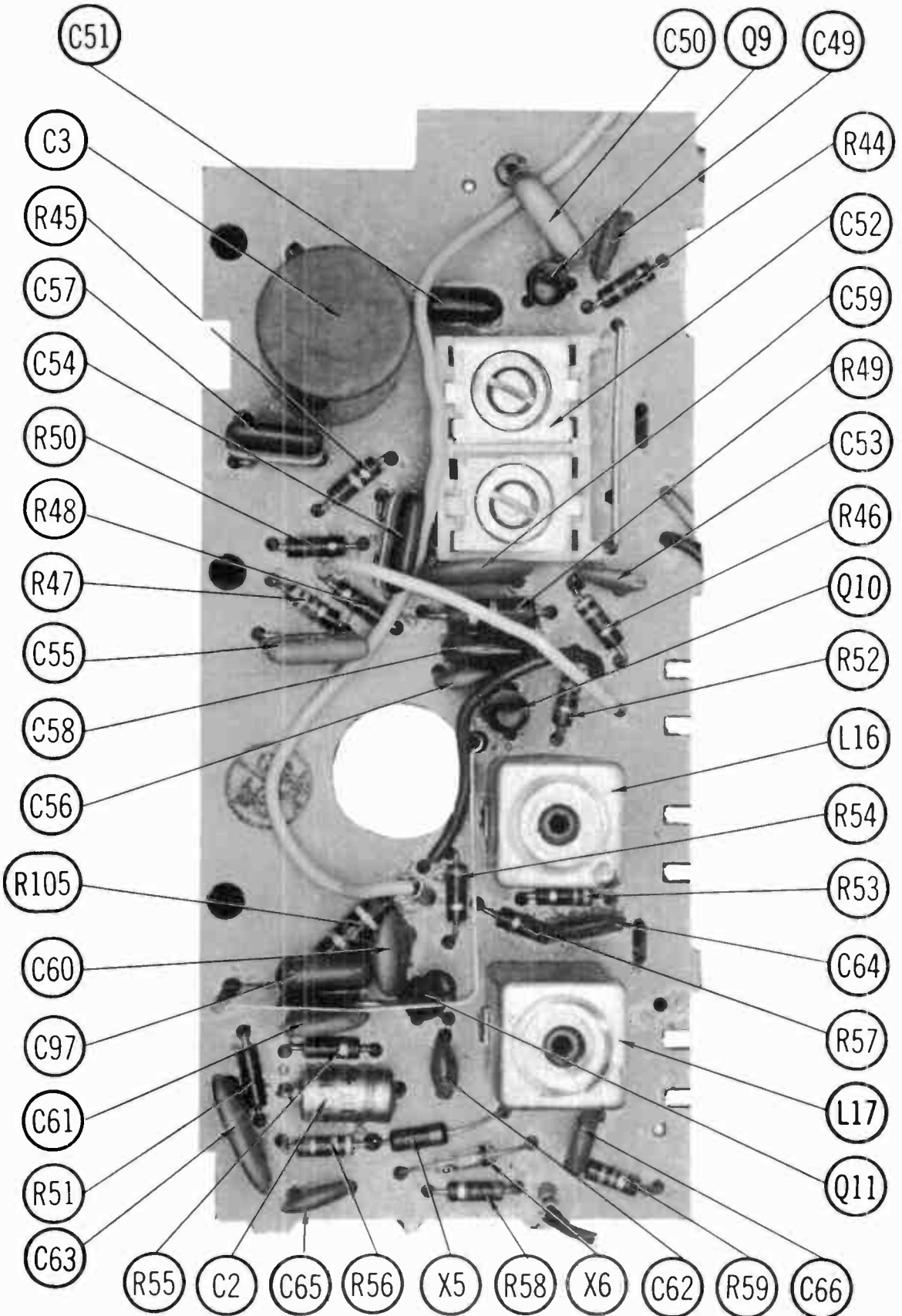
FM STEREO MULTIPLEX ALIGNMENT USING FM STEREO SIGNAL GENERATOR ($\pm .0001\%$ ACCURACY)

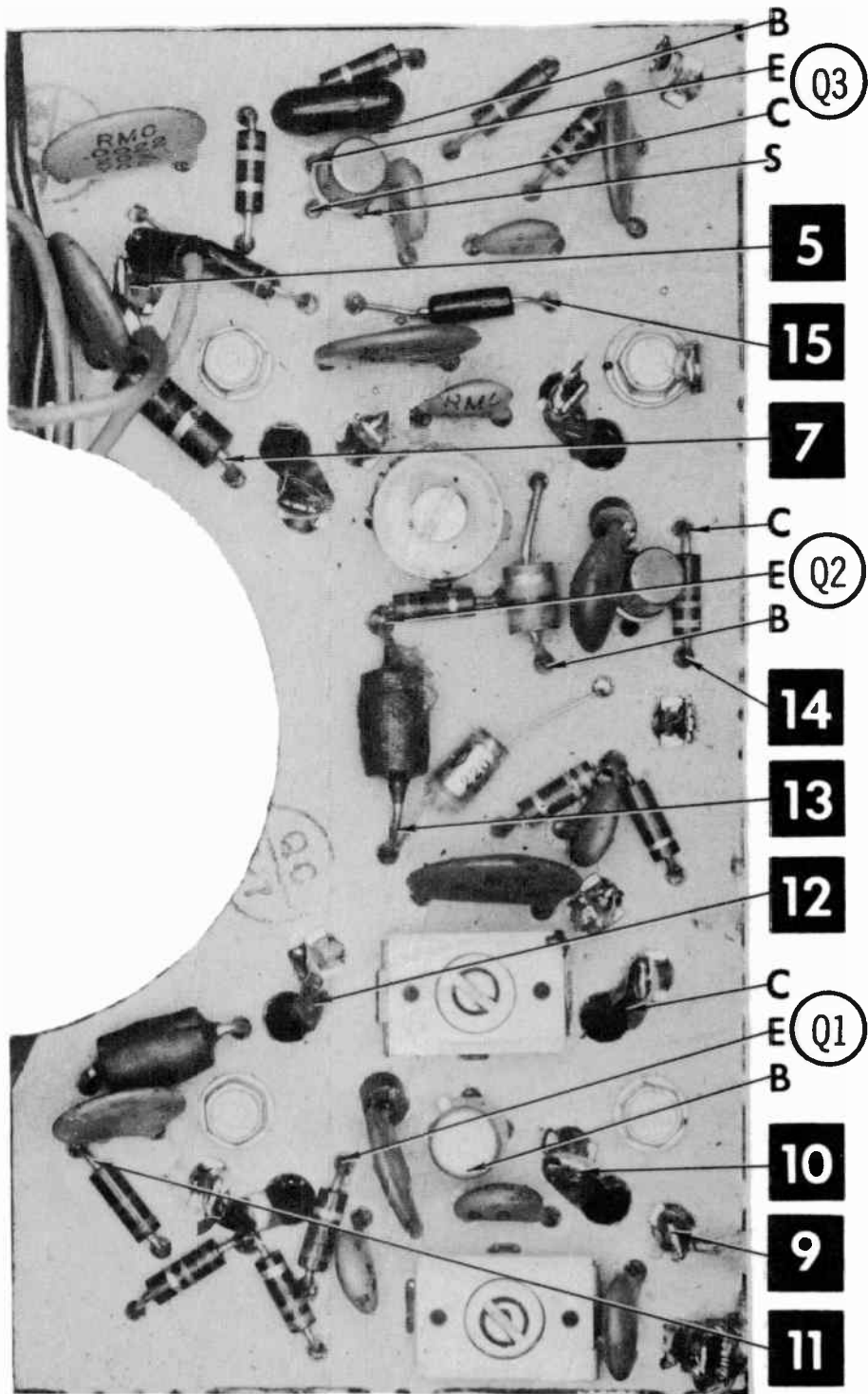
| High side of generator thru 47K to point $\diamond E$, low side to ground. | | | | |
|-----------------------------------------------------------------------------|----------------------------|-------------------------------------------------------------------------|-------------------|-------------------------------------------------------------------------------|
| GENERATOR FREQUENCY | INDICATOR | ADJUST | REMARKS | |
| 7. | 72KC | Vert. amp of scope thru 47K to point $\diamond F$, low side to ground. | A25 | Adjust for MINIMUM |
| 8. | 19KC | Vert. amp of scope thru 47K to point $\diamond G$, low side to ground. | A26, A27,A28 | Adjust for maximum. |
| 9. | Modulated Left Channel | Vert. amp of scope to point $\diamond H$, low side to ground. | A26,A27 A28,R3 | Adjust for MINIMUM. This step should require only slight adjustment. |
| 10. | Modulated Right Channel | Vert. amp of scope to point $\diamond J$, low side to ground | | Check for MINIMUM. If necessary make compromise adjustment of A26,A27,A28,R3. |



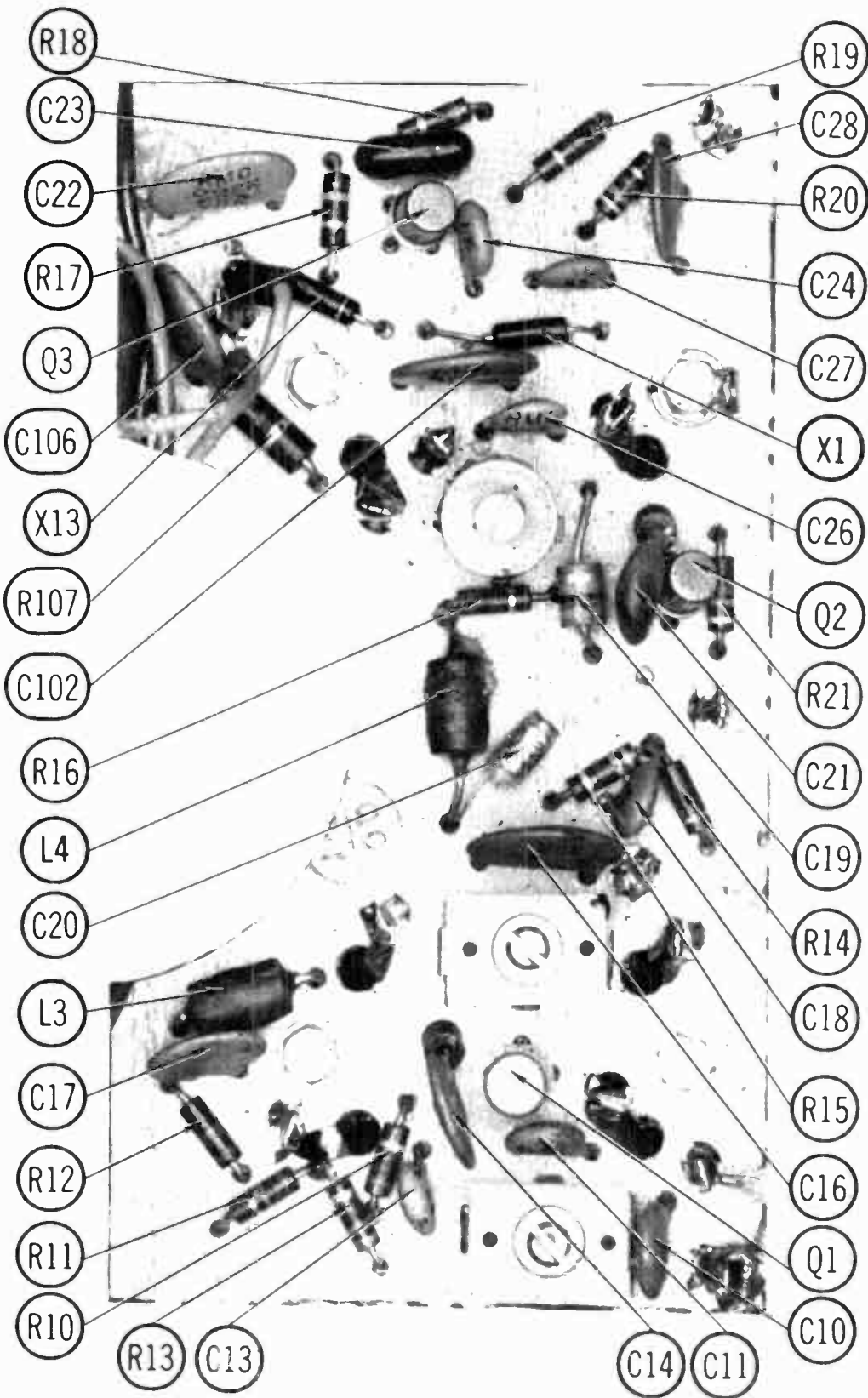


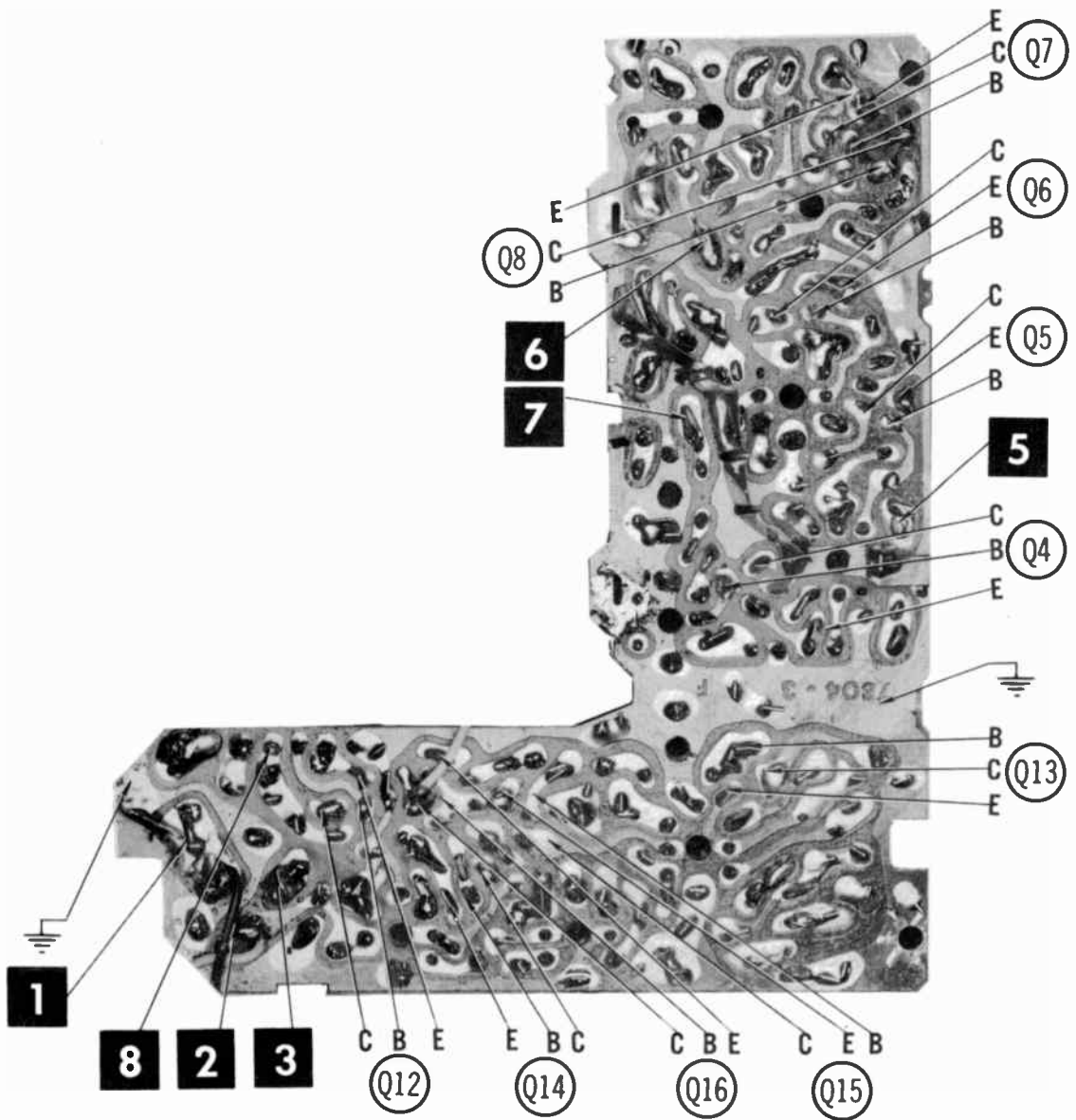
A Howard W. Sams **CIRCUITRACE** Photo



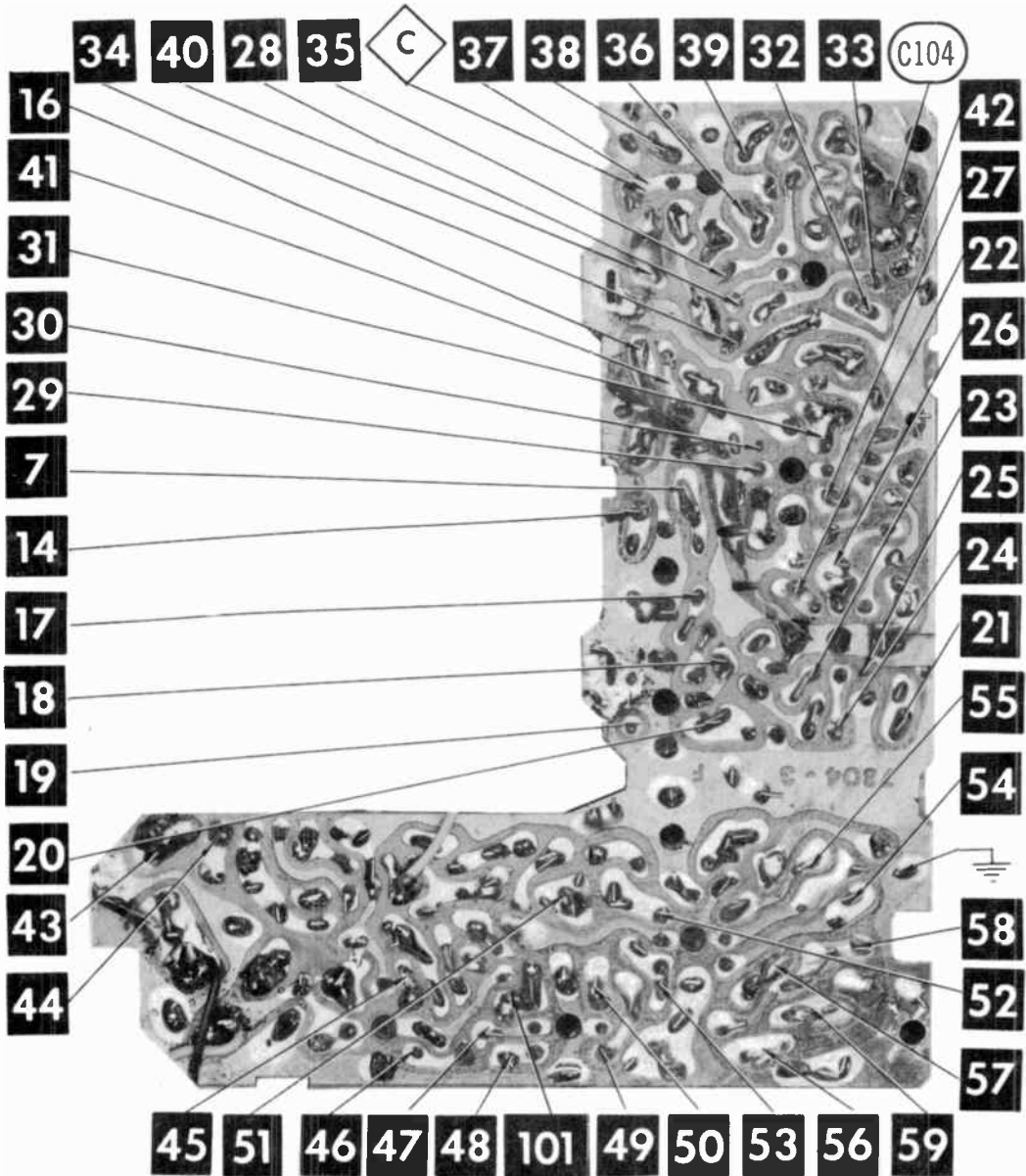


A Howard W. Sams **CIRCUITRACE** Photo

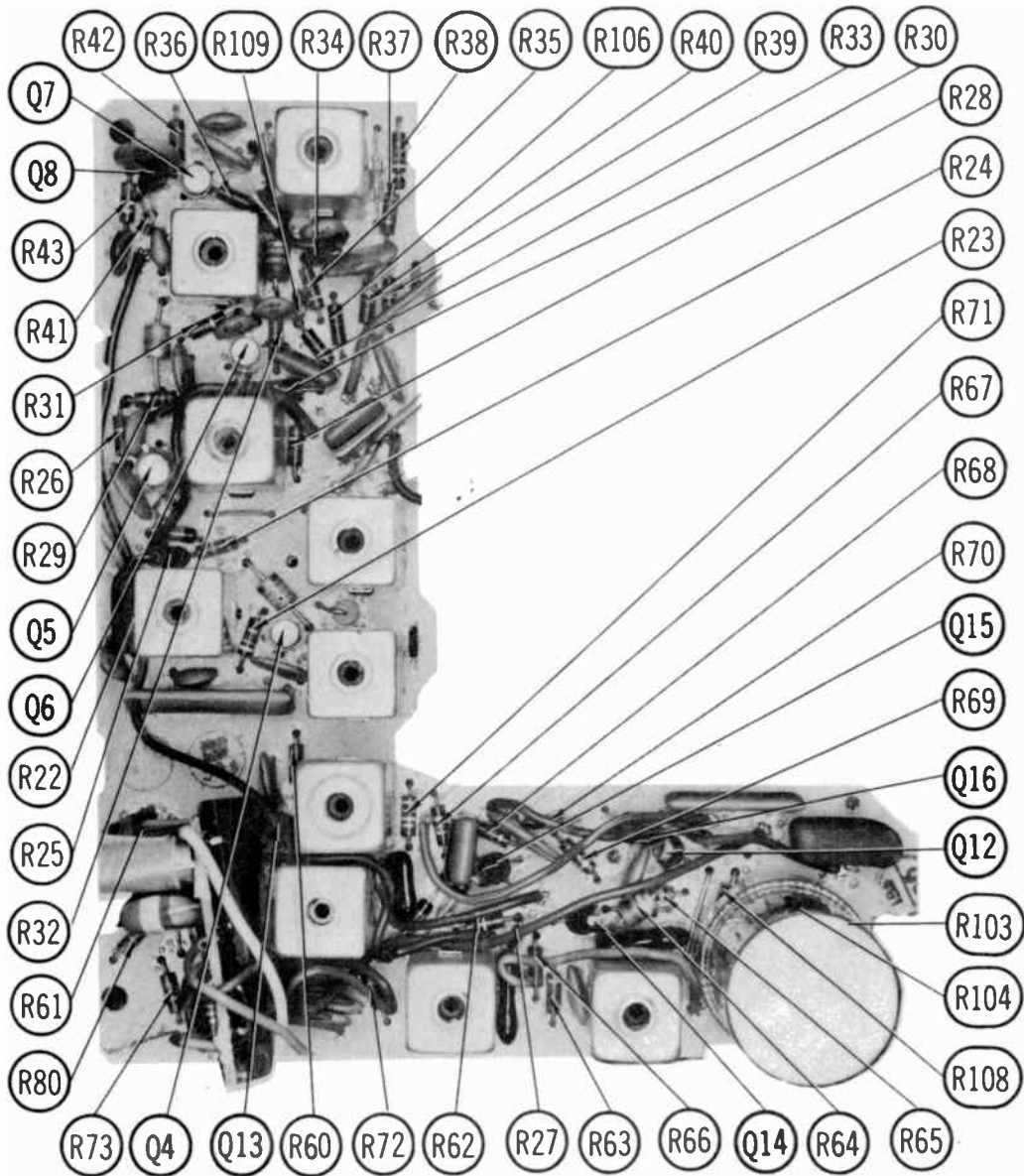


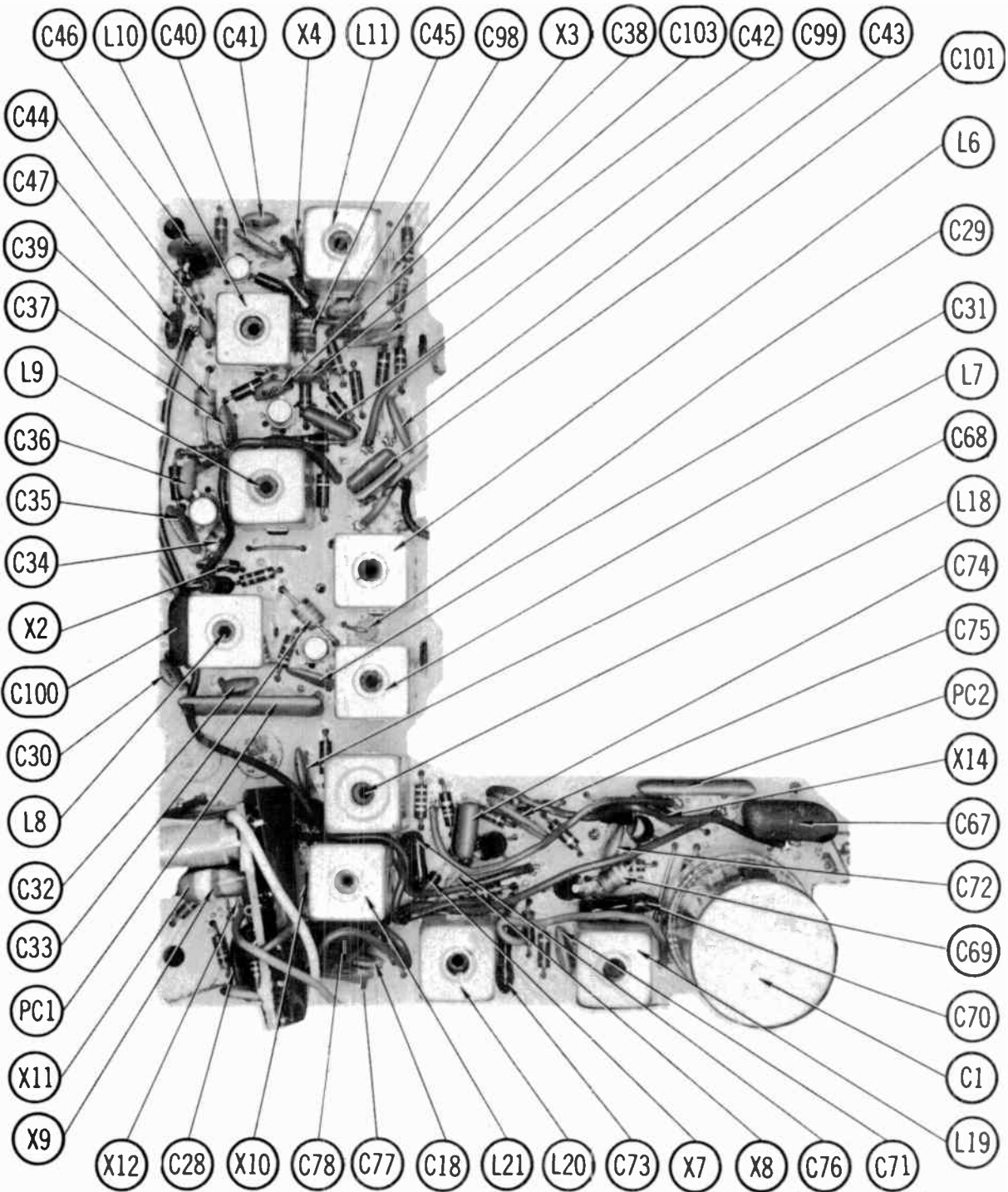


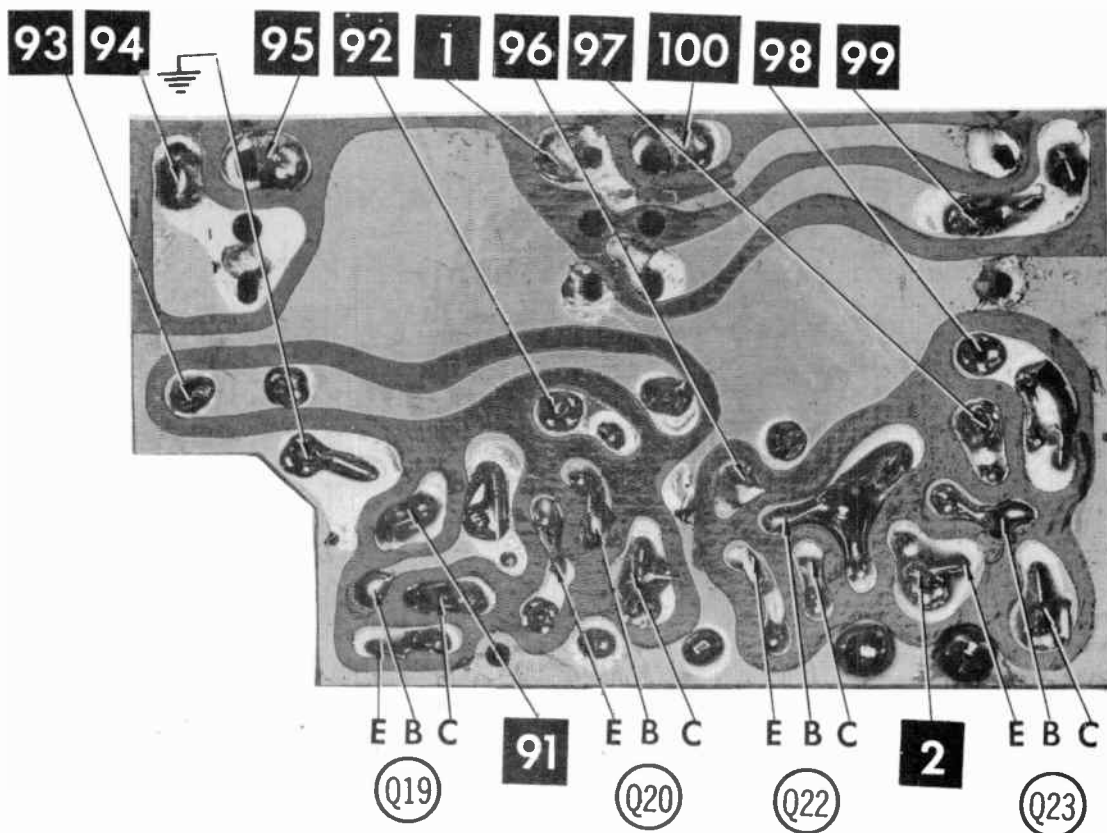
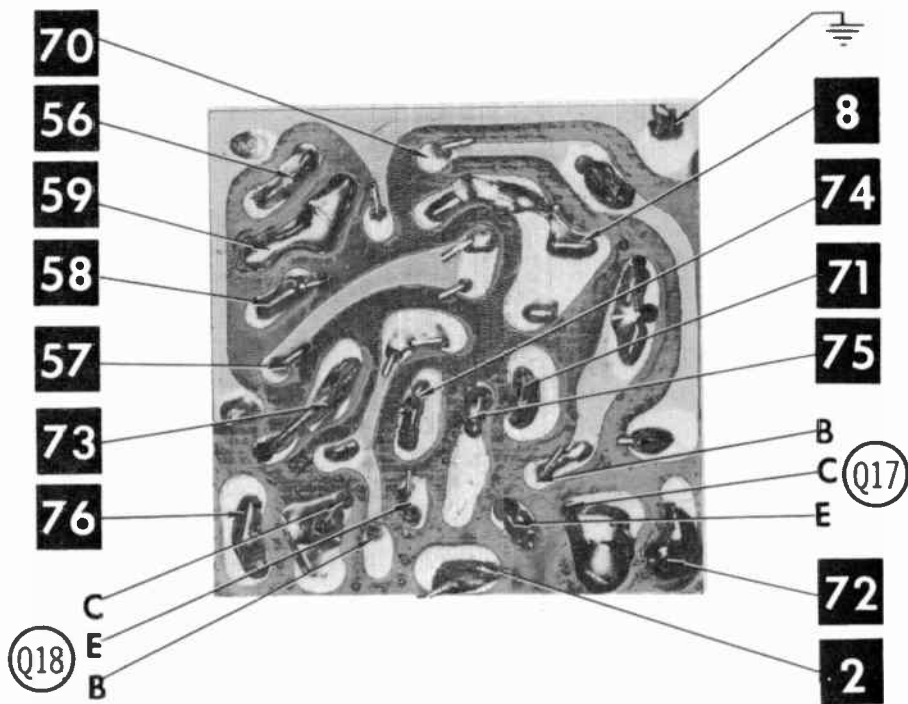
A Howard W. Sams **CIRCUITRACE** Photo



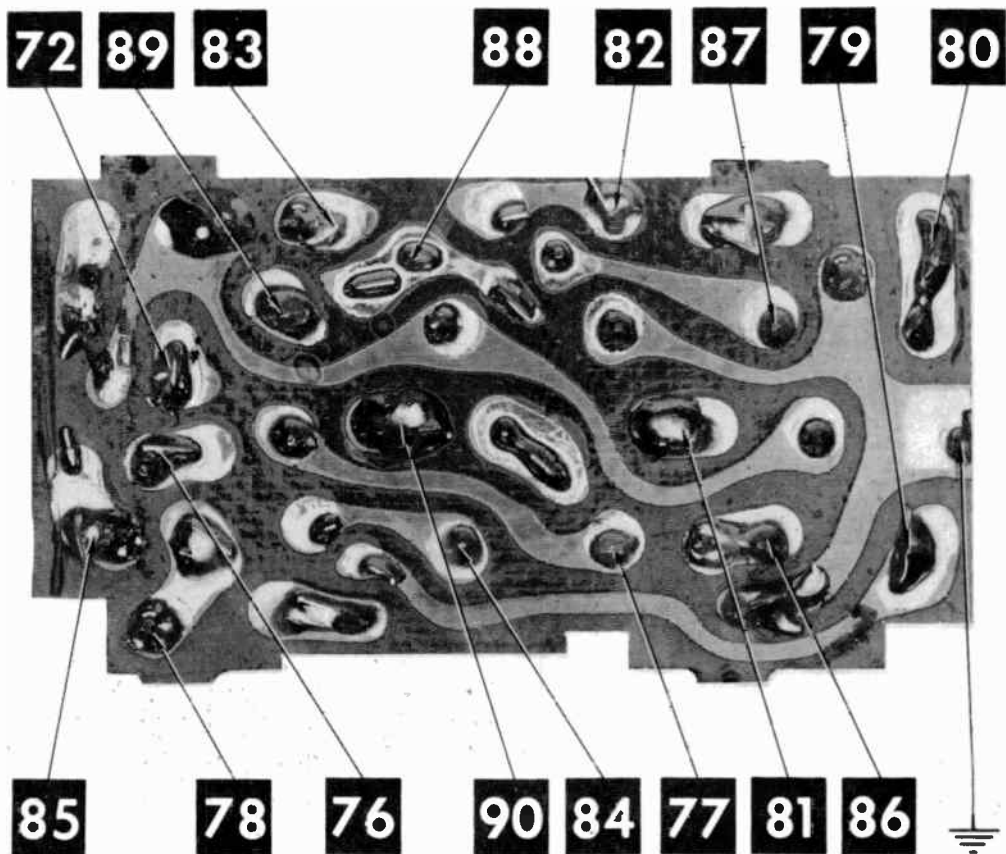
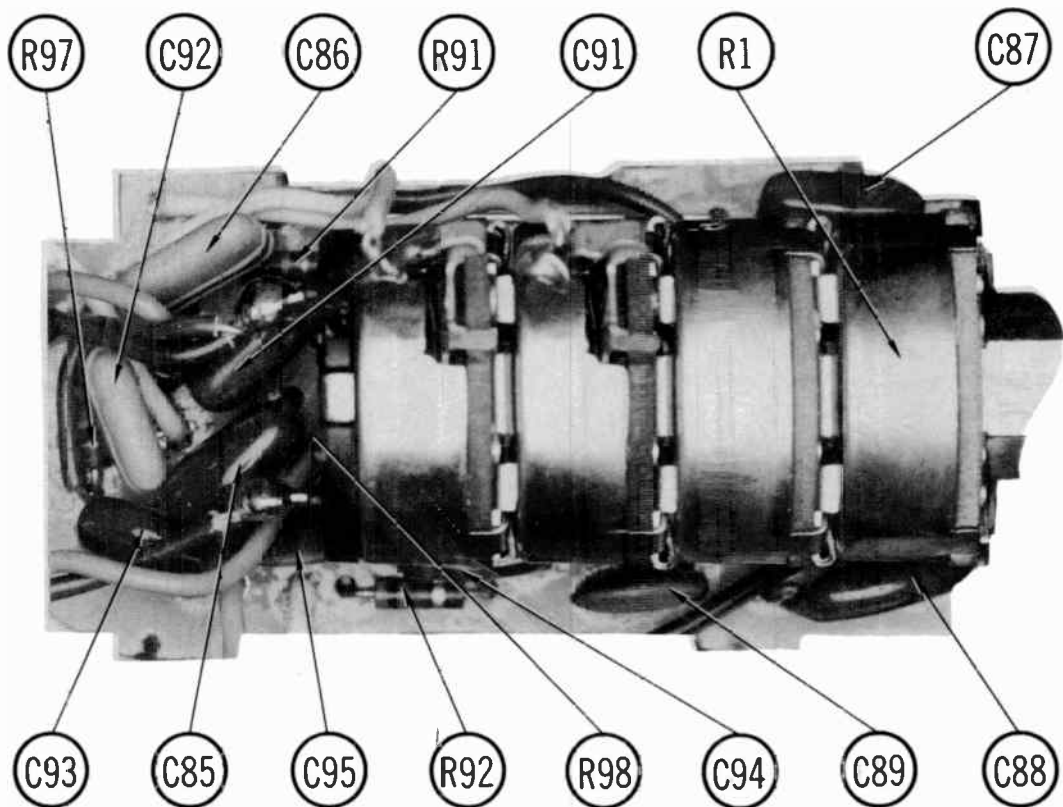
A Howard W. Sams CIRCUITRACE Photo







A Howard W. Sams **CIRCUITRACE** Photo



A Howard W. Sams **CIRCUITRACE** Photo

PARTS LIST AND DESCRIPTION

(When ordering parts, state Model, Part Number, and Description.)

Replacement parts shown may be superseded by the availability of newly introduced replacements.
Have your local distributor check Sams COUNTER FACTS® for the most up-to-date replacement.

WIRING DATA

| | |
|-------------------------------------------|----------------------------------------------------------------------------------------------|
| General-use Unshielded Hook-up Wire | Use BELDEN No. 8530 (Solid) Available in 12 Colors 8524 (Stranded) Available in 12 Colors |
| Shielded Hook-up Wire | Use BELDEN No. 8885 |
| Rear Seat Speaker Extension Cable | Use BELDEN No. 8782 (Stranded) Coded Parallel Leads |
| Bonding Strap | Use BELDEN No. 8661 (3/8 In.) or 8670 (3/4 In.) |

TRANSISTORS

| ITEM No. | TYPE No. | FUNCTION | REPLACEMENT DATA | | | | | |
|----------|----------|-------------------------|------------------|---------------------------|----------------------------------|-------------------|--------------|-------------------|
| | | | MFGR. PART No. | GENERAL ELECTRIC PART No. | INTERNATIONAL RECTIFIER PART No. | MOTOROLA PART No. | RCA PART No. | SYLVANIA PART No. |
| Q1 | | FM RF Amp | 2092417-0711 | GE-17 | TR-22 | HEP55 | SK3018 | ECG 108 |
| Q2 | | FM Mixer | 2092417-0712 | GE-17 | TR-22 | HEP55 | SK3018 | ECG 108 |
| Q3 | | FM Oscillator | 2092417-0713 | GE-17 | TR-22 | HEP55 | SK3018 | ECG 108 |
| Q4 | | 1st FM IF Amp | 2092418-0717 | GC-17 | TR-22 | HEP55 | SK3018 | ECG 108 |
| Q5 | | 2nd FM IF Amp | 2092418-0716 | GE-17 | TR-22 | HEP55 | SK3018 | ECG 108 |
| Q6 | | 3rd FM IF Amp | 2092418-0717 | GE-17 | TR-22 | HEP55 | SK3018 | ECG 108 |
| Q7 | | Limiter | 2092418-0716 | GE-17 | TR-22 | HEP55 | SK3018 | ECG 108 |
| Q8 | | MPX Switch | 2092418-0718 | GE-20 | TR-22 | HEP55 | SK3018 | ECG 108 |
| Q9 | | AM RF Amp | 2093308-0704 | GE-20 | TR-22 | HEP54 | SK3018 | ECG 107 |
| Q10 | | AM Converter | 2093308-0725 | GE-20 | TR-22 | HEP54 | SK3018 | ECG 107 |
| Q11 | | AM IF Amp | 2093308-0706 | GE-20 | TR-22 | HEP54 | SK3018 | ECG 107 |
| Q12 | | MPX Input Amp | 2092609-0705 | GE-10 | TR-21 | HEP54 | SK3020 | ECG 123 |
| Q13 | | Bandpass Amp | 2092609-0707 | GE-10 | TR-21 | HEP54 | SK3020 | ECG 123 |
| Q14 | | 19KC Amp | 2092609-0707 | GE-10 | TR-21 | HEP54 | SK3020 | ECG 123 |
| Q15 | | 38KC Amp | 2057013-0004 | GE-21 | TR-19 | HEP51 | SK3025 | ECG 106 |
| Q16 | | Stereo Indicator Switch | 2057013-0701 | GE-21 | TR-19 | HEP51 | SK3025 | ECG 106 |
| Q17 | | Preamp | 2092609-0707 | GE-10 | TR-21 | HEP54 | SK3020 | ECG 123 |
| Q18 | | Preamp | 2092609-0707 | GE-10 | TR-21 | HEP54 | SK3020 | ECG 123 |
| Q19 | | AF Amp | 2092609-0705 | GE-10 | TR-21 | HEP54 | SK3020 | ECG 123 |
| Q20 | | AF Amp | 2057013-0004 | GE-21 | TR-19 | HEP51 | SK3025 | ECG 106 |
| Q21 | | Output | 4080879-0001 | GE-28 | | HEP700 | SK3041 | ECG 152 |
| Q22 | | AF Amp | 2092609-0705 | GE-10 | TR-21 | HEP54 | SK3020 | ECG 123 |
| Q23 | | AF Amp | 2057013-0004 | GE-21 | TR-19 | HEP51 | SK3025 | ECG 106 |
| Q24 | | Output | 4080879-0001 | GE-28 | | HEP700 | SK3041 | ECG 152 |

MERCURY MODEL 9FBM

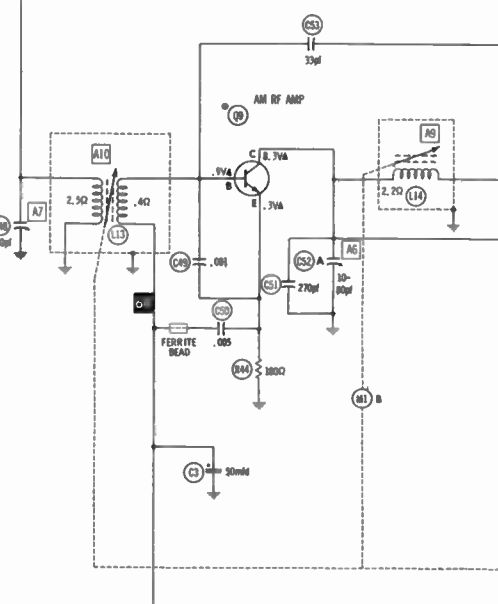
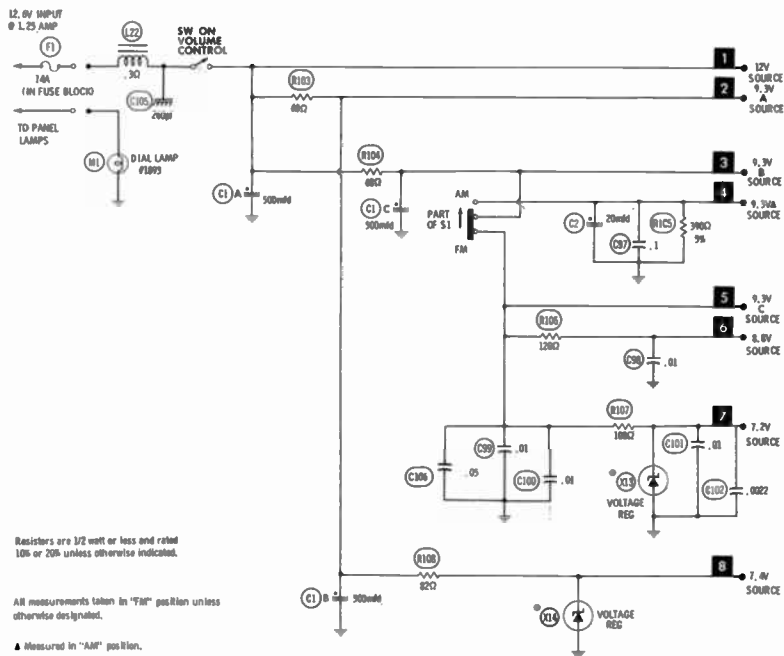
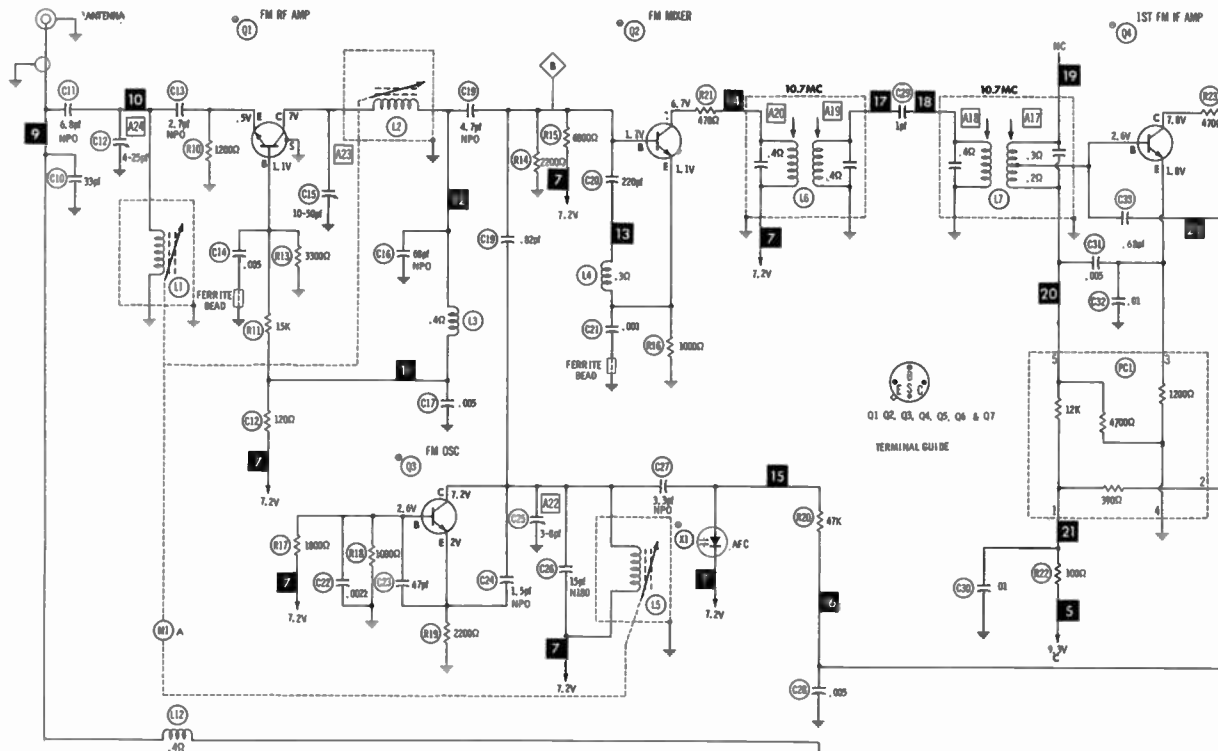
POWER RECTIFIERS & SIGNAL DIODES

| ITEM No. | MFGR. PART OR TYPE No. | REPLACEMENT RECTIFIERS & DIODES | | | REPLACEMENT RECTIFIERS | NOTES |
|----------|------------------------|---------------------------------|----------------------------------|-------------------|------------------------|----------|
| | | GENERAL ELECTRIC PART No. | INTERNATIONAL RECTIFIER PART No. | SYLVANIA PART No. | | |
| X1 | 2092055-0003 | | | | | Varactor |
| X2 | 2092055-0001 | 1N34AS | 1N34A | ECG 109 | | |
| X3 | 2092055-0007 | 1N34AS | 1N34A | ECG 109 | | |
| X4 | 2092055-0007 | 1N34AS | 1N34A | ECG 109 | | |
| X5 | 2092055-0708 | 1N82A | 1N82A | ECG 112 | | |
| X6 | 2092055-0001 | 1N34AS | 1N34A | ECG 109 | | |
| X7 | 2092055-0001 | 1N34AS | 1N34A | ECG 109 | | |
| X8 | 2092055-0001 | 1N34AS | 1N34A | ECG 109 | | |
| X9 | 2092055-0001 | 1N34AS | 1N34A | ECG 109 | | |
| X10 | 2092055-0001 | 1N34AS | 1N34A | ECG 109 | | |
| X11 | 2092055-0001 | 1N34AS | 1N34A | ECG 109 | | |
| X12 | 2092055-0001 | 1N34AS | 1N34A | ECG 109 | | |
| X13 | 2092055-0710 | | 1ZM7.5 | ECG 138 | Zener Zener | |
| X14 | 2092055-0710 | | 1ZM7.5 | ECG 138 | | |

ELECTROLYTIC CAPACITORS

| ITEM No. | RATING | REPLACEMENT DATA | | | | | | |
|----------|---------|------------------|------------------|---------------------|---------------------------|---------------------------|------------------|------------------|
| | | PART No. | AEROVOX PART No. | CENTRALLAB PART No. | CORNELL-DUBILIER PART No. | GENERAL ELECTRIC PART No. | MALLORY PART No. | SPRAGUE PART No. |
| C1A | 500 16V | 2092983-0709 | PWH300-95.1 | | CC0018A | | | |
| B | 500 16V | | | | | | | |
| C | 500 16V | | | | | | | |
| C2 | 20 16V | 2090480-0718 | CRE461A | EA15-25 | AL25-16 | MT1-10 | MTA25D20 | TE-1157 |
| C3A | 50 8V | 2092246-0710 | | | | | | |
| B | 1000 6V | | | | | | | |
| C4 | 2 16V | 2093667-0713 | CRE751A | EA15-2 | AL2-50 | MT1-1 | MTA2D50 | TE-1149 |
| C5 | 2 16V | 2093667-0713 | CRE551A | EA15-2 | AL2-50 | MT1-1 | MTA2D50 | TE-1149 |
| C6 | 1000 6V | 2090480-0719 | PR51230 | | WBRT000-16 | | TC601A | TI-1111 |

(CONTINUED ON PAGE 76)



Resistors are 1/2 watt or less and rated 10% or 20% unless otherwise indicated.

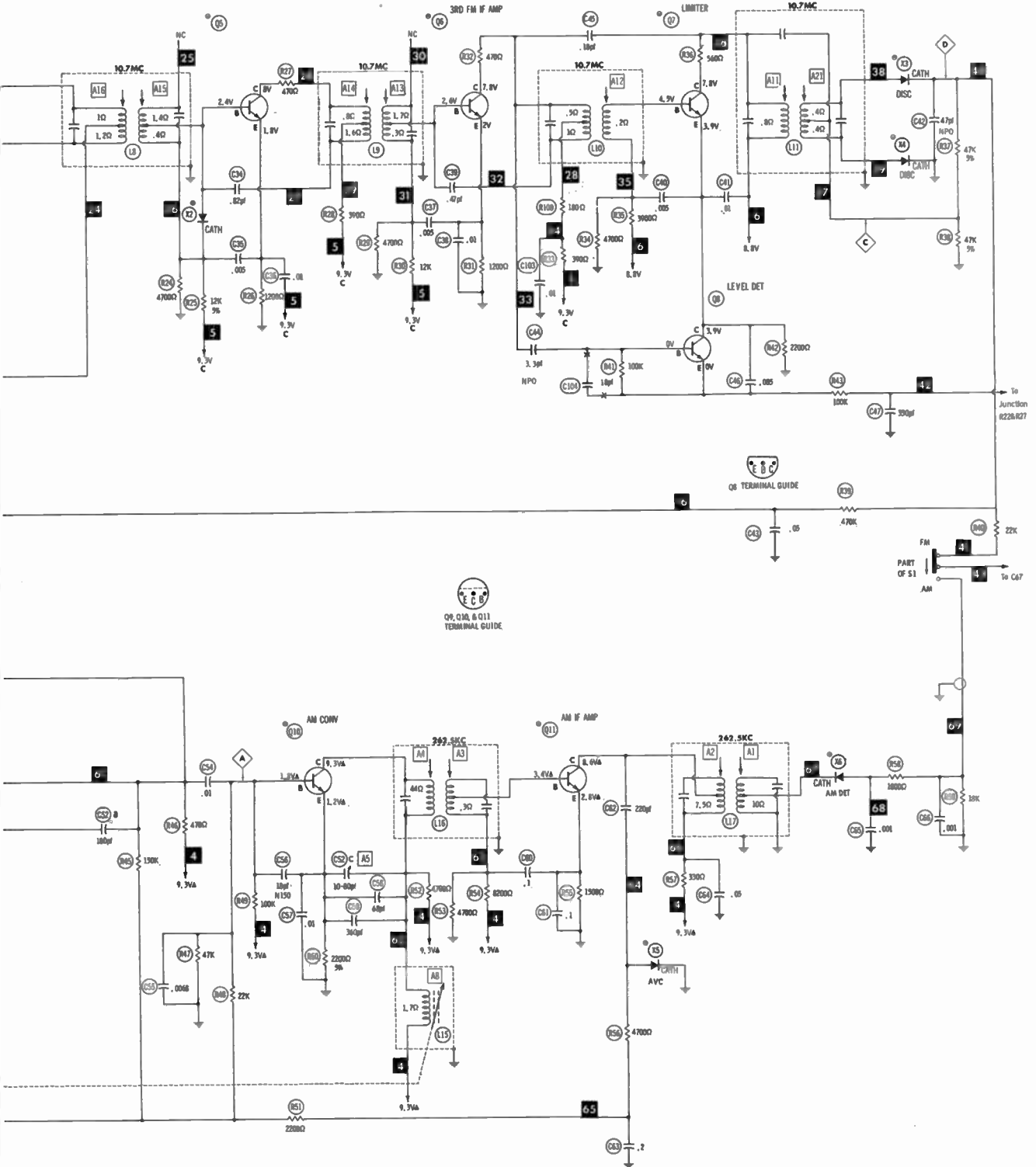
All measurements taken in "FM" position unless otherwise designated.

▲ Measured in "AM" position.

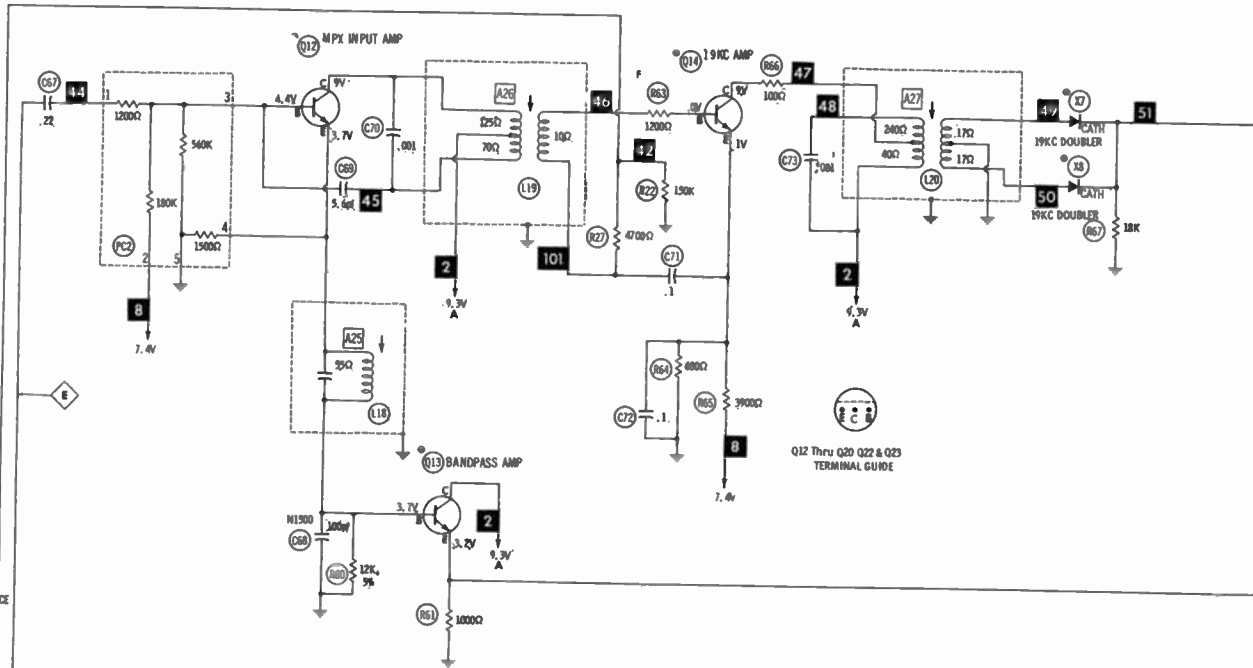
NC No Connection

- See parts list.
- 1. Voltage measurements taken with vacuum tube voltmeter.
- 2. All controls set for normal operation, no signal applied.
- 3. Measured values are from socket pin or terminal to common ground.
- 4. All terminals viewed from bottom unless otherwise designated.
- 5. Numbers assigned to terminals may not be found on the unit.
- 6. Supply voltage maintained at rated value for voltage readings.
- 7. Resistance measurements not given because of the wide variation in internal resistance of transistor.

A PHOTOFAC STANDARD NOTATION SCHEMATIC
 with **CIRCUITRACE**
 © Howard W. Sams & Co., Inc. 1970



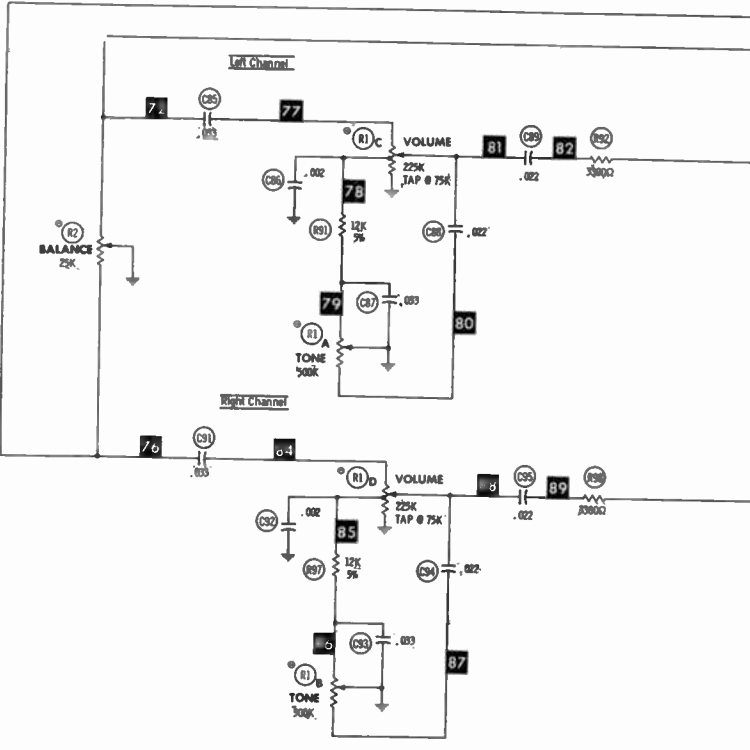
SEE PAGES 74 & 75 FOR MPX



Q12 Thru Q20 Q22 & Q23
TERMINAL GUIDE

TO CIRCUITRACE
#62 ON
PAGE 75

TO CIRCUITRACE
#43

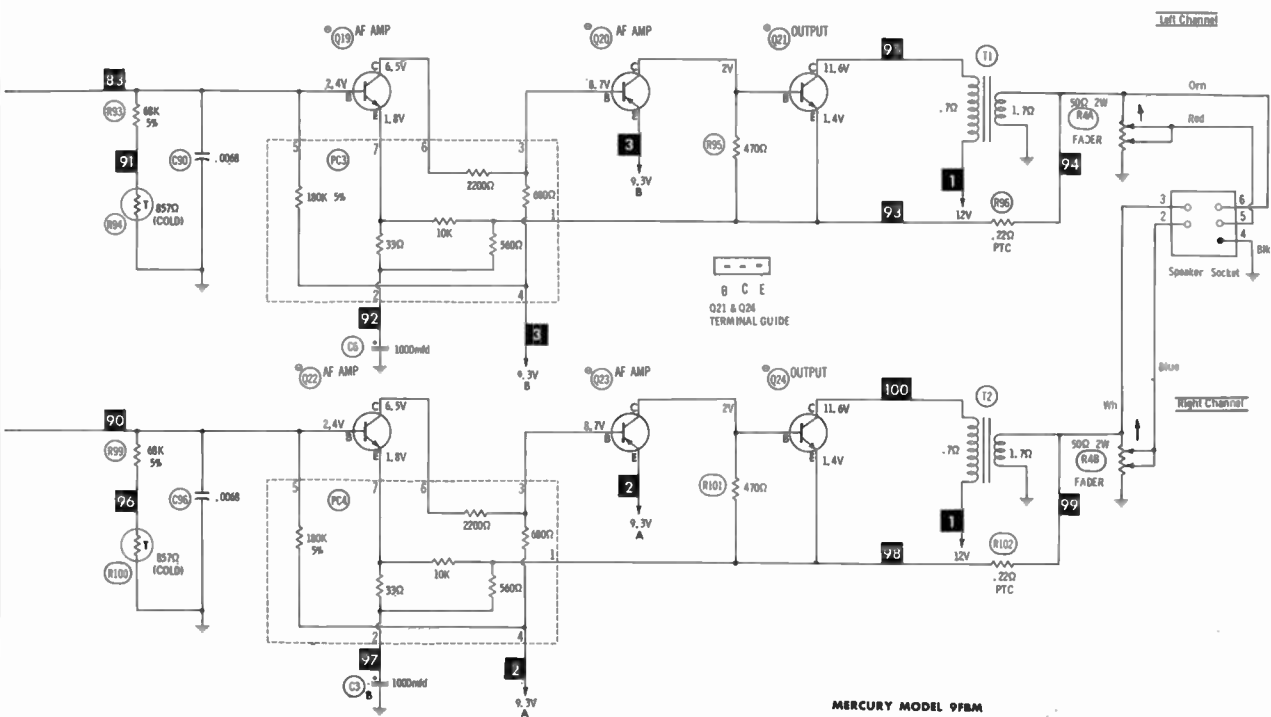
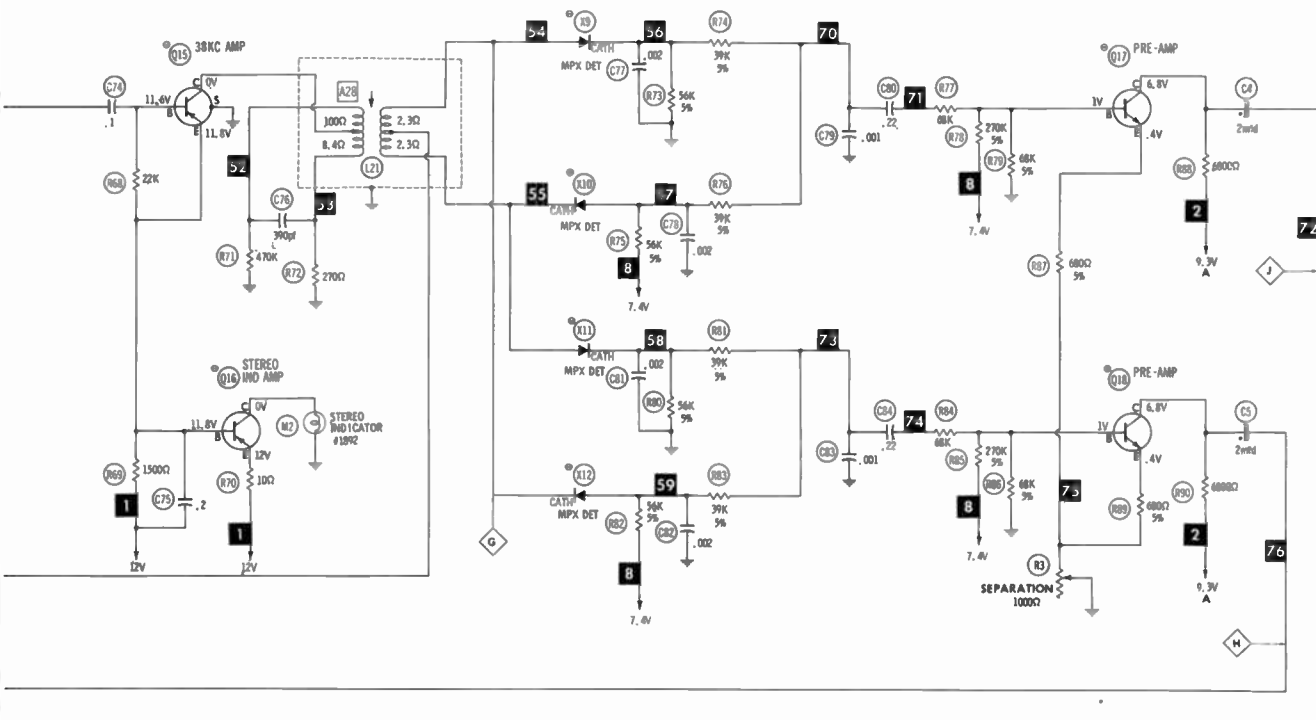


Resistors are 1/2 watt or less and rated
10% or 20% unless otherwise indicated.

- See parts list
- 1. Voltage measurements taken with vacuum tube voltmeter.
- 2. All controls set for normal operation, no signal applied.
- 3. Measured values are from socket pin or terminal to common ground.
- 4. All terminals viewed from bottom unless otherwise designated.
- 5. Numbers assigned to terminals may not be found on the unit.
- 6. Supply voltage maintained at rated value for voltage readings.
- 7. Resistance measurements not given because of the wide variation in internal resistance of transistor.

A PHOTOFACIT STANDARD NOTATION SCHEMATIC
with CIRCUITRACE
© Howard W. Sams & Co., Inc. 1970

SEE PAGES 72 & 73 FOR AM-FM



MERCURY MODEL 9FBM

PARTS LIST AND DESCRIPTION (CONTINUED)

(When ordering parts, state Model, Part Number, and Description.)

Replacement parts shown may be superseded by the availability of newly introduced replacements.
Have your local distributor check Sams COUNTER FACTS for the most up-to-date replacement.

CAPACITORS

| ITEM No. | RATING | | REMARKS | REPLACEMENT DATA | | | | | | |
|----------|--------|-------|---------------|------------------|--------------------|---------------------------|------------------|------------------|------------------|-----------|
| | | | | AEROVOX PART No. | CENTRALAB PART No. | CORNELL-DUBILIER PART No. | ELMENCO PART No. | MALLORY PART No. | SPRAGUE PART No. | |
| C10 | 33 | | | NPO-DI 33 | DTZ-33 | NP033 | CCTO-330 | CN0433 | 10TCC-Q33 | |
| C11 | 6.8 | NPO | #2093115-0707 | NPO-DI 6.8 | DTZ-6R8 | NP06P8 | | CN0568 | 10TCC-V68 | |
| C12 | 4-25 | | | | | | | | | |
| C13 | 2.7 | NPO | | NPO-DI 3.0 | | | | | 10TCC-V30 | |
| C14 | .005 | | #2093115-0706 | TTP-005 | CK-502 | MGP005 | CCD-502 | TA250 | TG-D50 | |
| C15 | 10-50 | | | | | | | | | |
| C16 | 68 | NPO | | NPO-DI 68 | DTZ-68 | NP068 | CCTO-680 | CN0468 | 10TCC-Q68 | |
| C17 | .005 | | | TTP-005 | CK-502 | MGP005 | CCD-502 | TA250 | TG-D50 | |
| C18 | 4.7 | NPO | | NPO-DI 4.7 | DTZ-4R7 | NP04P7 | | CN0547 | 10TCC-V47 | |
| C19 | .82pf | | | | TCZ-1 | | | CN0510 | 10TCC-V10 | |
| C20 | 220 | | | | CPR-220J | CD15F221J500 | DM-15-221 | SX322 | MS-322 | |
| C21 | .001 | | | GPD X5F102K | DM-102 | GP1000 | CCD-102 | SM210 | 2SS-D10 | |
| C22 | .0022 | | | GPD X5F222K | DD-222 | GP2200 | CCD-222 | GP222 | 10TS-D22 | |
| C23 | 47 | | | ADM-15-470 | CPR-47J | CD15E470J500 | DM-15-470 | SX447 | MS-447 | |
| C24 | 1.5 | NPO | | NPO-DI 1.5 | DTZ-1R5 | NP01P5 | | CN0515 | 10TCC-V15 | |
| C25 | 3-8 | | #2094703-0701 | | | | | | | |
| C26 | 15 | N750 | | | N750-DI 15 | DTN-15 | N15 | CCTN-150 | CN7415 | 10TCU-Q15 |
| C27 | 3.3 | NPO | | NPO-DI 3.3 | DTZ-3R3 | NP03P3 | | CN0533 | 10TCC-V33 | |
| C28 | .005 | | | TTP-005 | CK-502 | MGP005 | CCD-502 | TA250 | TG-D50 | |
| C29 | 1 | | | NPO-DI 1.0 | TCZ-1 | | | CN0510 | 10TCC-V10 | |
| C30 | .01 | | | TTP-01 | CK-103 | MGP01 | CCD-103 | TA110 | TG-S10 | |
| C31 | .005 | | | TTP-005 | CK-502 | MGP005 | CCD-502 | TA250 | TG-D50 | |
| C32 | .01 | | | TTP-01 | CK-103 | MGP01 | CCD-103 | TA110 | TG-S10 | |
| C33 | .68pf | | #6093231-1688 | | | | | | | |
| C34 | .82pf | | | | | | | | | |
| C35 | .005 | | | TTP-005 | TCZ-1 | | | CN0510 | 10TCC-V10 | |
| C36 | .01 | | | TTP-01 | CK-502 | MGP005 | CCD-502 | TA250 | TG-D50 | |
| C37 | .005 | | | TTP-005 | CK-103 | MGP01 | CCD-103 | TA110 | TG-S10 | |
| C38 | .01 | | | TTP-005 | CK-502 | MGP005 | CCD-502 | TA250 | TG-D50 | |
| C39 | .47pf | | #2093231-2478 | TTP-01 | CK-103 | MGP01 | CCD-103 | TA110 | TG-S10 | |
| C40 | .005 | | | | | | | | | |
| C41 | .01 | | | TTP-005 | CK-502 | MGP005 | CCD-502 | TA250 | TG-D50 | |
| C42 | 47 | NPO | | TTP-01 | CK-103 | MGP01 | CCD-103 | TA110 | TG-S10 | |
| C43 | .05 | | | NPO-DI 47 | DTZ-47 | NP047 | CCTO-470 | CN0447 | 10TCC-Q47 | |
| C44 | 3.3 | NPO | | TTP-05 | CK-503 | MGP05 | CCD-503 | TA150 | TGL-S50 | |
| C45 | .18pf | | #2093231-2188 | NPO-DI 3.3 | DTZ-3R3 | NP03P3 | | CN0533 | 10TCC-V33 | |
| C46 | .005 | | | | | | | | | |
| C47 | 330 | | | TTP-005 | CK-502 | MGP005 | CCD-502 | TA250 | TG-D50 | |
| C48 | 10-120 | | #2093466-0709 | GPD X5F331K | DD-331 | GP330 | CCD-331 | GP333 | 10TS-T33 | |
| C49 | .001 | | | | | | | | | |
| C50 | .005 | | | GPO X5F102K | DM-102 | GP1000 | CCD-102 | SM210 | 2SS-D10 | |
| C51 | 270 | | | TTP-005 | CK-502 | MGP005 | CCD-502 | TA250 | TG-D50 | |
| C52A | 10-80 | | #2092422-0717 | | CPR-270J | CD15F271J500 | DM-15-271 | SX327 | MS-327 | |
| B | 180 | | | | | | | | | |
| C | 10-80 | | | | | | | | | |
| C53 | 33 | | | NPO-DI 33 | DTZ-33 | NP033 | CCTO-330 | CN0433 | 10TCC-Q33 | |
| C54 | .01 | | | TTP-01 | CK-103 | MGP01 | CCD-103 | TA110 | TG-S10 | |
| C55 | .0068 | 75V | | V1612D68 | CPR-6800J | DPMS6D68 | IDP-1-682 | PVC6268 | 6PS-D68 | |
| C56 | 18 | N150 | | | | | * | * | 10TCP-Q18 | |
| C57 | .01 | 100V | | V1612S1 | CPR-10000J | DPMS6S1 | IDP-1-103 | PVC211 | 225P10391WD3 | |
| C58 | 68 | N470 | | | | | * | * | 10TCT-Q68 | |
| C59 | 330 | | | | CPR-330J | CD15F331J500 | DM-15-331 | SX333 | MS-333 | |
| C60 | .1 | | | TTP-1 | CK-104 | | | TA010 | TG-P10 | |
| C61 | .1 | | | TTP-1 | CK-104 | | | TA010 | TG-P10 | |
| C62 | 220 | | | GPD X5F221K | DD-221 | GP220 | CCD-221 | GP322 | 10TS-T22 | |
| C63 | .2 | | | | UK10-204 | | | MAG12022 | HV-370 | |
| C64 | .05 | | | TTP-05 | CK-503 | MGP05 | CCD-503 | TA150 | TGL-S50 | |
| C65 | .001 | | | GPD X5F102K | DM-102 | GP1000 | CCD-102 | SM210 | 2SS-D10 | |
| C66 | .001 | | | GPD X5F102K | DM-102 | GP1000 | CCD-102 | SM210 | 2SS-D10 | |
| C67 | .22 | 75V | | OBE6P22 | | DPMS4P22 | 4DP-5-224 | PVC4022 | 4PS-P22 | |
| C68 | 100 | N1500 | | | TCL-100 | HV3-100 | * | CN15310 | 10TCW-T10 | |
| C69 | 5.6 | | | | | | | | 10TCC-V56 | |
| C70 | .001 | | | ADM-30-102 | CPR-1000J | CD19F102J500 | DM-19-102 | SX210 | MS-21 | |
| C71 | .1 | | | TTP-1 | CK-104 | | | TA010 | TG-P10 | |
| C72 | .1 | | | TTP-1 | CK-104 | | | TA010 | TG-P10 | |
| C73 | .001 | | | ADM-20-120 | CPR-1000J | CD19F102J500 | DM-19-102 | SX210 | MS-21 | |
| C74 | .1 | 75V | | DBE2P1 | | DPMS2P1 | IDP-2-104 | PVC101 | 225P10491WD3 | |
| C75 | .2 | | | | UK10-204 | | | MAG12022 | HV-370 | |
| C76 | 390 | | | ADM-15-391 | CPR-390J | CD15J391J500 | DM-15-391 | SX339 | MS-339 | |
| C77 | .002 | | | GPD X5F202K | DM-202 | GP2000 | CCD-202 | GP220 | 2SS-D20 | |
| C78 | .002 | | | GPD X5F202K | DM-202 | GP2000 | CCD-202 | GP220 | 2SS-D20 | |
| C79 | .001 | | | GPD X5F102K | DM-102 | GP1000 | CCD-102 | SM210 | 2SS-D10 | |
| C80 | .22 | 75V | | DBE6P22 | | DPMS4P22 | 4DP-5-224 | PVC4022 | 4PS-P22 | |
| C81 | .002 | | | GPD X5F202K | DM-202 | GP2000 | CCD-202 | GP220 | 2SS-D20 | |
| C82 | .002 | | | GPD X5F202K | DM-202 | GP2000 | CCD-202 | GP220 | 2SS-D20 | |
| C83 | .001 | | | GPD X5F102K | DM-102 | GP1000 | CCD-102 | SM210 | 2SS-D10 | |
| C84 | .22 | 75V | | DBE6P22 | | DPMS4P22 | 4DP-5-224 | PVC4022 | 4PS-P22 | |
| C85 | .033 | 75V | | DBE6S33 | | DPMS6S33 | 4DP-2-333 | PVC6133 | 4PS-S33 | |
| C86 | .002 | | | GPD X5F202K | DM-202 | GP2000 | CCD-202 | GP220 | 2SS-D20 | |
| C87 | .033 | 75V | | DBE6S33 | | DPMS6S33 | 4DP-2-333 | PVC6133 | 4PS-S33 | |
| C88 | .022 | 75V | | V1612S22 | | DPMS6S22 | IDP-1-223 | PVC1122 | 225P22391WD3 | |
| C89 | .1 | | | TTP-1 | CK-104 | | | TA010 | TG-P10 | |
| C90 | .0068 | | | GPD X5R682K | DD-682 | | | JF268 | 10TS-D68 | |
| C91 | .033 | 75V | | DBE6S33 | | DPMS6S33 | 4DP-2-333 | PVC6133 | 4PS-S33 | |
| C92 | .002 | | | GPD X5F202K | DM-202 | GP2000 | CCD-202 | GP220 | 2SS-D20 | |
| C93 | .033 | 75V | | DBE6S33 | | DPMS6S33 | 4DP-2-333 | PVC6133 | 4PS-S33 | |

PARTS LIST AND DESCRIPTION (CONTINUED)

(When ordering parts, state Model, Part Number, and Description.)

Replacement parts shown may be superseded by the availability of newly introduced replacements.

Have your local distributor check Sams COUNTER FACTS for the most up-to-date replacement.

CAPACITORS(cont)

| ITEM No. | RATING | REMARKS | REPLACEMENT DATA | | | | | |
|----------|----------|---------------|------------------|--------------------|---------------------------|------------------|------------------|------------------|
| | | | AEROVOX PART No. | CENTRALAB PART No. | CORNELL-DUBILIER PART No. | ELMENCO PART No. | MALLORY PART No. | SPRAGUE PART No. |
| C94 | .022 75V | | V1612S22 | | DPMS6S22 | 1DP-1-223 | PVC1122 | 225P22391WD3 |
| C95 | .1 | | TTP-1 | CK-104 | | | TA010 | TG-P10 |
| C96 | .0068 | | GPD X5R682K | DD-682 | | | JF268 | 10TS-D68 |
| C97 | .1 75V | | DBE2P1 | | DPMS2P1 | 1DP-2-104 | PVC101 | 225P10491WD3 |
| C98 | .01 | | TTP-01 | CK-103 | MGP01 | CCD-103 | TA110 | TG-S10 |
| C99 | .01 75V | | V1612S1 | CPR-10000J | DPMS6S1 | 1DP-1-103 | PVC211 | 225P10391WD3 |
| C100 | .01 100V | | V1612S1 | CPR-10000J | DPMS6S1 | 1DP-1-103 | PVC211 | 225P10391WD3 |
| C101 | .01 75V | | V1612S1 | CPR-10000J | DPMS6S1 | 1DP-1-103 | PVC211 | 225P10391WD3 |
| C102 | .0022 | | GPD X5F222K | DD-222 | GP2200 | CCD-222 | GP222 | 10TS-D22 |
| C103 | .01 | | TTP-01 | CK-103 | MGP01 | CCD-103 | TA110 | TG-S10 |
| C104 | 18 N150 | #209305D-0710 | | | | * | * | 10TCP-Q18 |
| C105 | 260 | | | | | | | |
| C106 | .05 | | TTP-05 | CK-503 | MGP05 | CCD-503 | TA150 | TGL-S50 |

* Not normally in distributor's stock. Available thru distributor on order to manufacturer.

Bendix Part Number

CONTROLS (All wattages 1/2 watt, or less, unless listed)

| ITEM No. | FUNCTION | RESIST-ANCE | REPLACEMENT DATA | | | | |
|----------|-----------------------|-------------|---------------------------|--------------------|--------------------|------------------------|---------------------------|
| | | | MFRG. PART No. | CENTRALAB PART No. | CLAROSTAT PART No. | CTS-IRC PART No. | MALLORY PART No. |
| RIA | Tone (Left) | 500K | 2057638-0708 | | | | |
| B | Tone (Right) | 500K | | | | | |
| C | Volume (Left) | 225K | | | | | |
| | | Tap @ 75K | | | | | |
| D | Volume Switch (Right) | 225K | | | | | |
| | | Tap @ 75K | | | | | |
| R2 | Balance | 25K | 2057639-0704 | | | | P253L, SH31, 3078, 0X1187 |
| R3 | Separation | 1000 2 Watt | 219555-0015 (0C219555-15) | WF-1K or (V-1000) | U39-1000 | 112-1000 or (117R102A) | MR1000F |

RESISTORS (Power and Special)

| ITEM No. | RATING | REPLACEMENT DATA | |
|----------|------------|------------------|----------------|
| | | WORKMAN PART No. | MFRG. PART No. |
| R94 | 857 (Cold) | | 220629-0021 |
| R96 | .22 (PTC) | | 2090948-0020 |

| ITEM No. | RATING | REPLACEMENT DATA | |
|----------|------------|------------------|----------------|
| | | WORKMAN PART No. | MFRG. PART No. |
| R100 | 857 (Cold) | | 220629-0021 |
| R101 | .22 (PTC) | | 2090948-0020 |

COILS (RF-IF)

| ITEM No. | USE | REPLACEMENT DATA | | | |
|----------|-------------------|------------------|-------------------|-----------------|------------------|
| | | PART No. | MEISSNER PART No. | MILLER PART No. | WORKMAN PART No. |
| L1 | FM Antenna | (1) | | | |
| L2 | FM RF | (1) | | | |
| L3 | RF Choke (2uh) | 2092210-0007 | 19-1002 | 74F226AP | TA812 |
| L4 | 10.7MC Trap (1uh) | 2092210-0005 | 19-1000 | 4602 | T855 |
| L5 | FM Oscillator | (1) | | | |
| L6 | FM Input IF | 2057713-0701 | | | |
| L7 | FM Interstage IF | 2057713-0702 | | | |
| L8 | FM Interstage IF | 2057713-0703 | | | |
| L9 | FM Interstage IF | 2057713-0704 | | | |
| L10 | FM Interstage IF | 2057713-0705 | | | |
| L11 | Discriminator | 2057714-0701 | | | |
| L12 | RF Choke (2uh) | 2092210-0007 | 19-1002 | 74F226AP | TA812 |
| L13 | AM Antenna | (1) | | | |
| L14 | AM RF | (1) | | | |
| L15 | AM Oscillator | (1) | | | |
| L16 | AM Input IF | 2057715-0701 | | | |
| L17 | AM Output IF | 2057715-0702 | | | |
| L18 | 75KC Trap | 2057742-0701 | | | |
| L19 | 19KC | 2057742-0702 | | | |
| L20 | 19KC | 2057742-0703 | | | |
| L21 | 38KC | 2057742-0704 | | | |

(1) Part of M1.

MERCURY MODEL 9FBM

PARTS LIST AND DESCRIPTION (CONTINUED)

(When ordering parts, state Model, Part Number, and Description.)

Replacement parts shown may be superseded by the availability of newly introduced replacements.
Have your local distributor check Sams COUNTER FACTS for the most up-to-date replacement.

FILTER CHOKE

| ITEM No. | RATINGS | | | REPLACEMENT DATA | | | | | NOTES |
|----------|--------------------|---------|------------------------------|------------------|----------------|------------------|---------------------|----------------|-------|
| | CURRENT (Measured) | DC RES. | INDUCTANCE (0 CURRENT 1000~) | PART No. | MERIT PART No. | STANCOR PART No. | THORDARSON PART No. | TRIAD PART No. | |
| L22 | 1.25 Amp | .3 | 1.5mh | 4080072-0505 | | | | | |

TRANSFORMER (Audio Output)

| ITEM No. | IMPEDANCE | | REPLACEMENT DATA | | | | | NOTES |
|----------|-----------|------|------------------|----------------|------------------|---------------------|----------------|-------|
| | PRI. | SEC. | MFR. PART No. | MERIT PART No. | STANCOR PART No. | THORDARSON PART No. | TRIAD PART No. | |
| T1 | 17 | 8 | 2092823-0704 | | | | | |
| T2 | 17 | 8 | 2092823-0704 | | | | | |

SPEAKER

| ITEM No. | TYPE | REPLACEMENT DATA | | NOTES |
|----------|------|------------------|---------------|-------------------------|
| | | PART No. | QUAM PART No. | |
| | | | | Obtain from Ford Dealer |

FUSE DEVICES

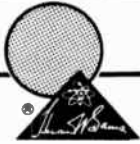
| ITEM No. | DESCRIPTION | REPLACEMENT DATA | | | | | | | |
|----------|-------------|------------------|---------------|---------------|--------|---------------------|--------|------------------|--|
| | | PART No. | | BUSS PART No. | | LITTELFUSE PART No. | | WORKMAN PART No. | |
| | | DEVICE | HOLDER | DEVICE | HOLDER | DEVICE | HOLDER | DEVICE | |
| F1 | SFE 14 | | In Fuse Block | SFE14 | | 307014 | | | |

MISCELLANEOUS

| ITEM No. | PART NAME | PART No. | NOTES |
|----------|-------------------|--------------|-------|
| M1 | Tuner | 2094851-0523 | (GIC) |
| | Coil Assembly | 2090131-0101 | |
| PC1 | FM IF Network | 2057721-0702 | |
| PC2 | MPX Input Network | 2057719-0701 | |
| PC3 | AF Amp Network | 2057720-0701 | |
| PC4 | AF Amp Network | 2057720-0701 | |
| S1 | Switch, Selector | 2092719-0710 | |

CABINETS & CABINET PARTS (When ordering specify model, chassis & color)

| ITEM | PART No. | ITEM | PART No. |
|-----------------------|--------------|------------------------|--------------|
| Escutcheon | 4080200-0507 | Pushbutton #5 | 2057447-0005 |
| Stereo Indicator Lens | 2093760-0005 | Dial Pointer | 2090129-0109 |
| Pushbutton #1 | 2057447-0006 | Knob, Tuning or Volume | 4080916-0001 |
| Pushbutton #2, #3, #4 | 2057447-0004 | Knob, Tone or Balance | 4080917-0001 |



PHOTOFACT[®] with

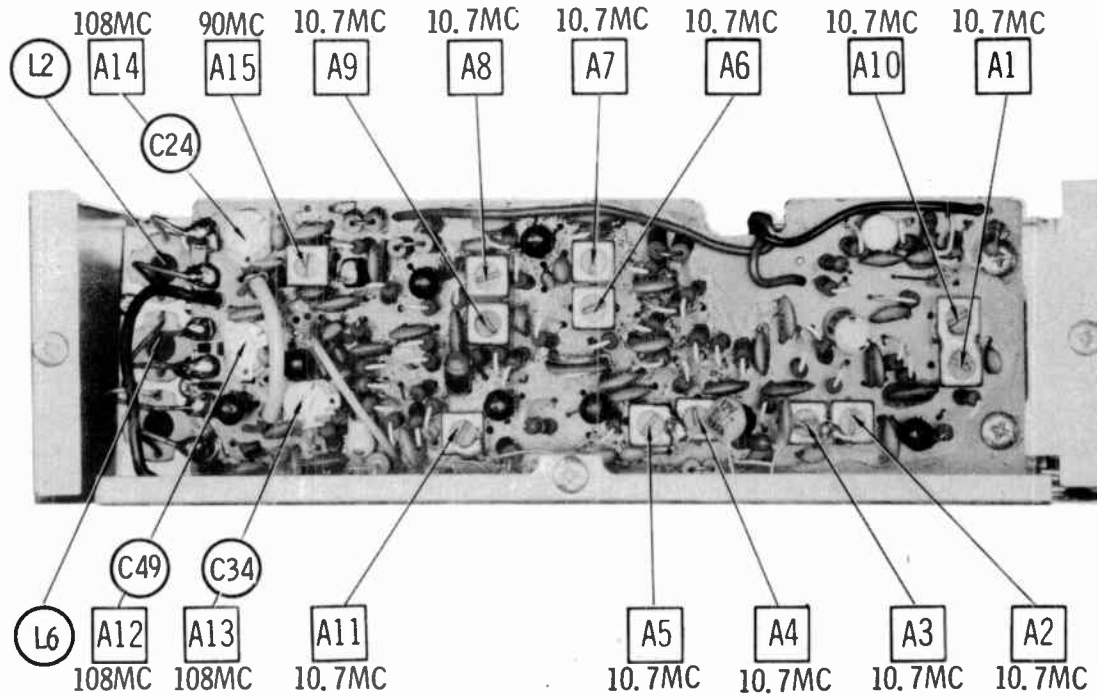
CIRCUITRACE[®]

For Supplier Address See PHOTOFACT Index



MIDLAND MODEL 65-230

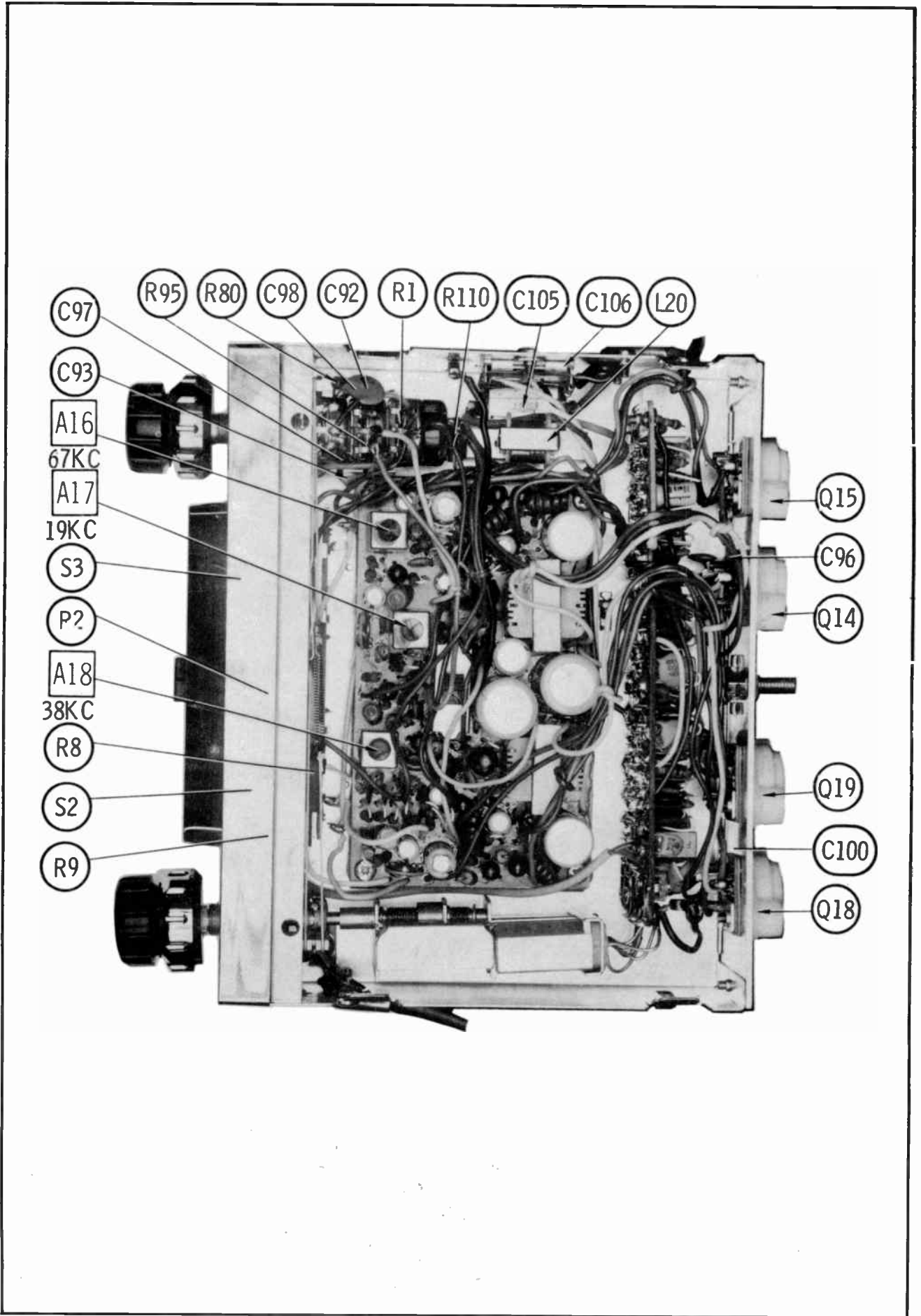
MIDLAND MODEL 65-230



HOWARD W. SAMS & CO., INC. Indianapolis, Indiana 46206

© 1970 Howard W. Sams & Co., Inc. Printed in U. S. of America

TD773R



C97

R95

R80

C98

C92

R1

R110

C105

C106

L20

C93

A16

67KC

A17

19KC

S3

P2

A18

38KC

R8

S2

R9

Q15

C96

Q14

Q19

C100

Q18

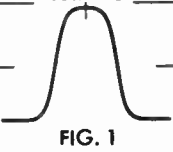
ALIGNMENT INSTRUCTIONS

Check for specified source voltage.
Use only enough generator output to provide a usable indication.
Suggested Alignment Tools:

A1 Thru A18 GENERAL CEMENT #9440
WALSCO.....#2501

FM IF ALIGNMENT USING AM SIGNAL GENERATOR—SELECTOR IN FM POSITION

High side of generator thru .001mfd to point **B**, low side to ground.

| GENERATOR FREQUENCY | RADIO DIAL SETTING | INDICATOR | ADJUST | REMARKS |
|-----------------------|---------------------------|--------------------------------------------------------|------------|-----------------------------------------------------------------------------------------------------------------|
| 1. 10.7MC Unmodulated | Point of non-interference | DC probe of VTVM to point C , common to ground. | A1 Thru A9 | Adjust for maximum.  |
| 2. " | " | DC probe of VTVM to point D , common to ground. | A10 | Adjust for zero reading. A positive or negative reading will be obtained on either side of the correct setting. |
| 3. " | " | DC probe of VTVM to point E , common to ground. | A11 | Adjust for MINIMUM. |

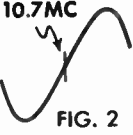
FM IF ALIGNMENT USING FM SIGNAL GENERATOR—SELECTOR IN FM POSITION

High side of generator thru .001mfd to point **B**, low side to ground. Use only enough marker signal for indication. Use 60 cycle frequency modulated signal with 450KC sweep. Use 60 cycle sawtooth voltage in scope for horizontal deflection.

| GENERATOR FREQUENCY | RADIO DIAL SETTING | INDICATOR | ADJUST | REMARKS |
|-----------------------|---------------------------|------------------------------------------------------------|------------|--------------------------------------------------------------------------------------------------------------------------------------------------------|
| 1. 10.7MC 450KC Sweep | Point of non-interference | Vert. amp of scope to point C , low side to ground. | A1 Thru A9 | Disconnect stabilizing capacitor C5. Adjust for maximum gain and symmetry of response similar to Fig. 1 with marker as shown. Reconnect C5. |
| 2. " | " | Vert. amp of scope to point D , low side to ground. | A10 | Adjust A10 (secondary) to place marker at center of "S" curve similar to Fig. 2. Readjust A1 (primary) for maximum amplitude and straightness of line. |

FM RF ALIGNMENT—SELECTOR IN FM POSITION

Connect generator across antenna terminals with 120-ohm carbon resistor in series with each lead.

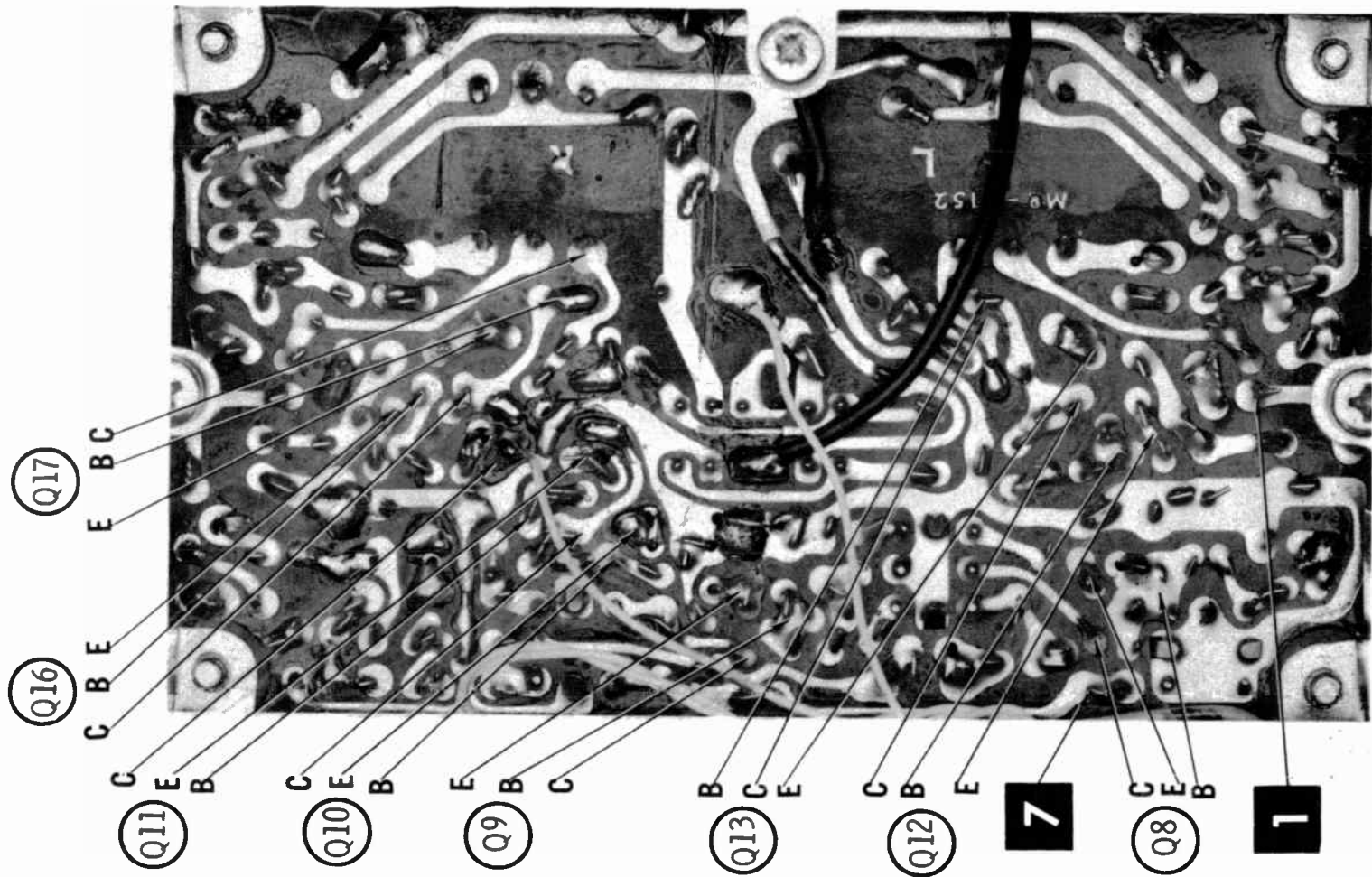
| GENERATOR FREQUENCY | RADIO DIAL SETTING | INDICATOR | ADJUST | REMARKS |
|---------------------|--------------------|--------------------------------------------------------|-------------------|-----------------------------------------------------------------------------------------------------------|
| 4. 108MC | High freq. end | DC probe of VTVM to point C , common to ground. | A12 A13 A14 | Adjust for maximum.  |
| 5. 90MC Unmodulated | Tune to signal. | " | A15 | Rock tuning and adjust for maximum. Repeat steps 6 and 7 until no further improvement can be made. |

FM STEREO MULTIPLEX ALIGNMENT USING FM STEREO SIGNAL GENERATOR (± .0001% ACCURACY)

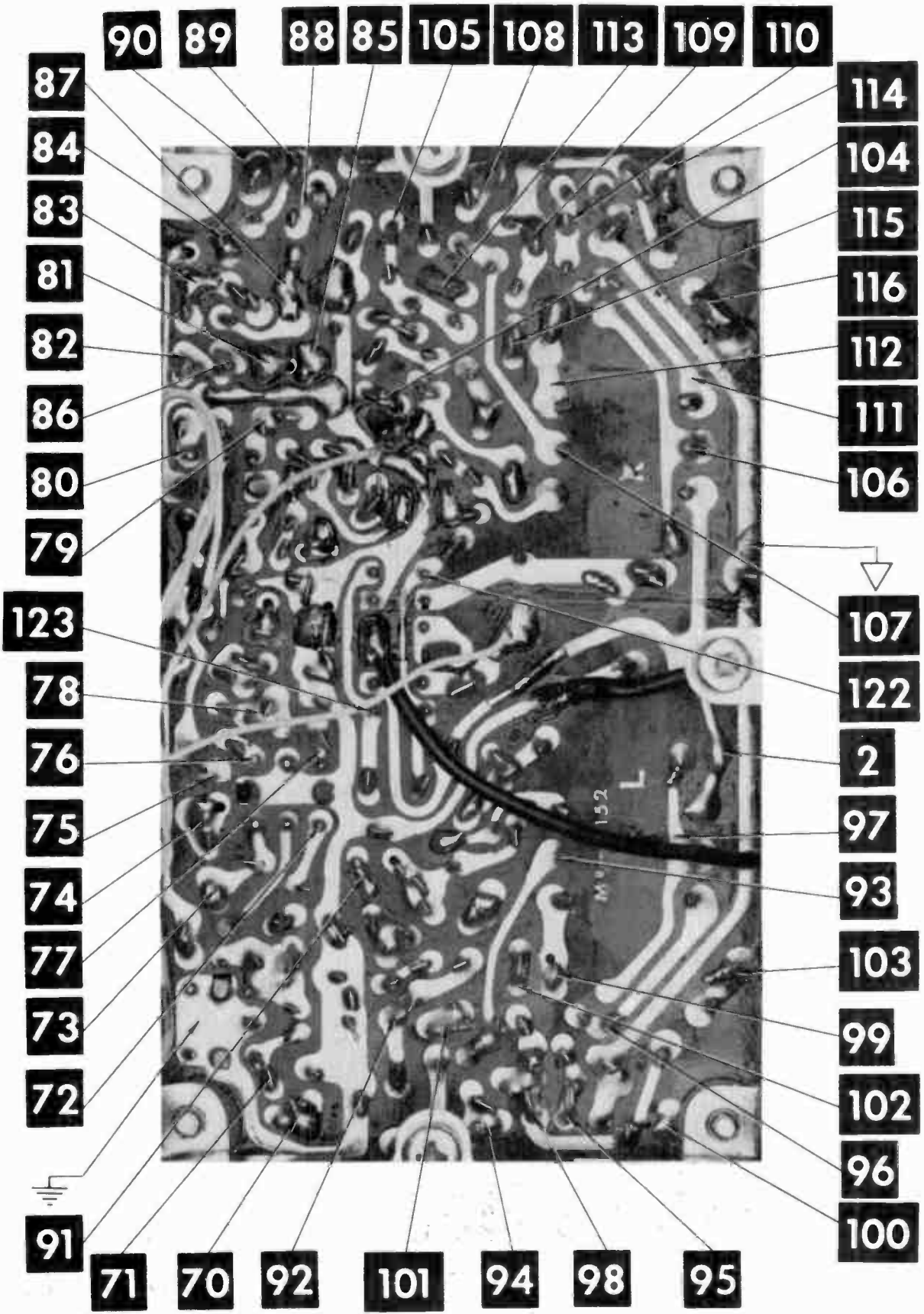
High side of generator thru 47K to point **E**, low side to ground.

| GENERATOR FREQUENCY | INDICATOR | ADJUST | REMARKS |
|----------------------------|---------------------------------------------------------------------|------------------|----------------------------------------------------------------------------|
| 6. 67KC | Vert. amp of scope thru 47K to point F , low side to ground. | A16 | Adjust for MINIMUM |
| 7. 19KC | Vert. amp of scope thru 47K to point G , low side to ground. | A17 A18 | Adjust for maximum. |
| 8. Modulated Left Channel | Vert. amp of scope to point H , low side to ground. | A17 A18 R4 | Adjust for MINIMUM. This step should require only slight adjustment. |
| 9. Modulated Right Channel | Vert. amp of scope to point J , low side to ground | | Check for MINIMUM. If necessary make compromise adjustment of A17, A18, R4 |

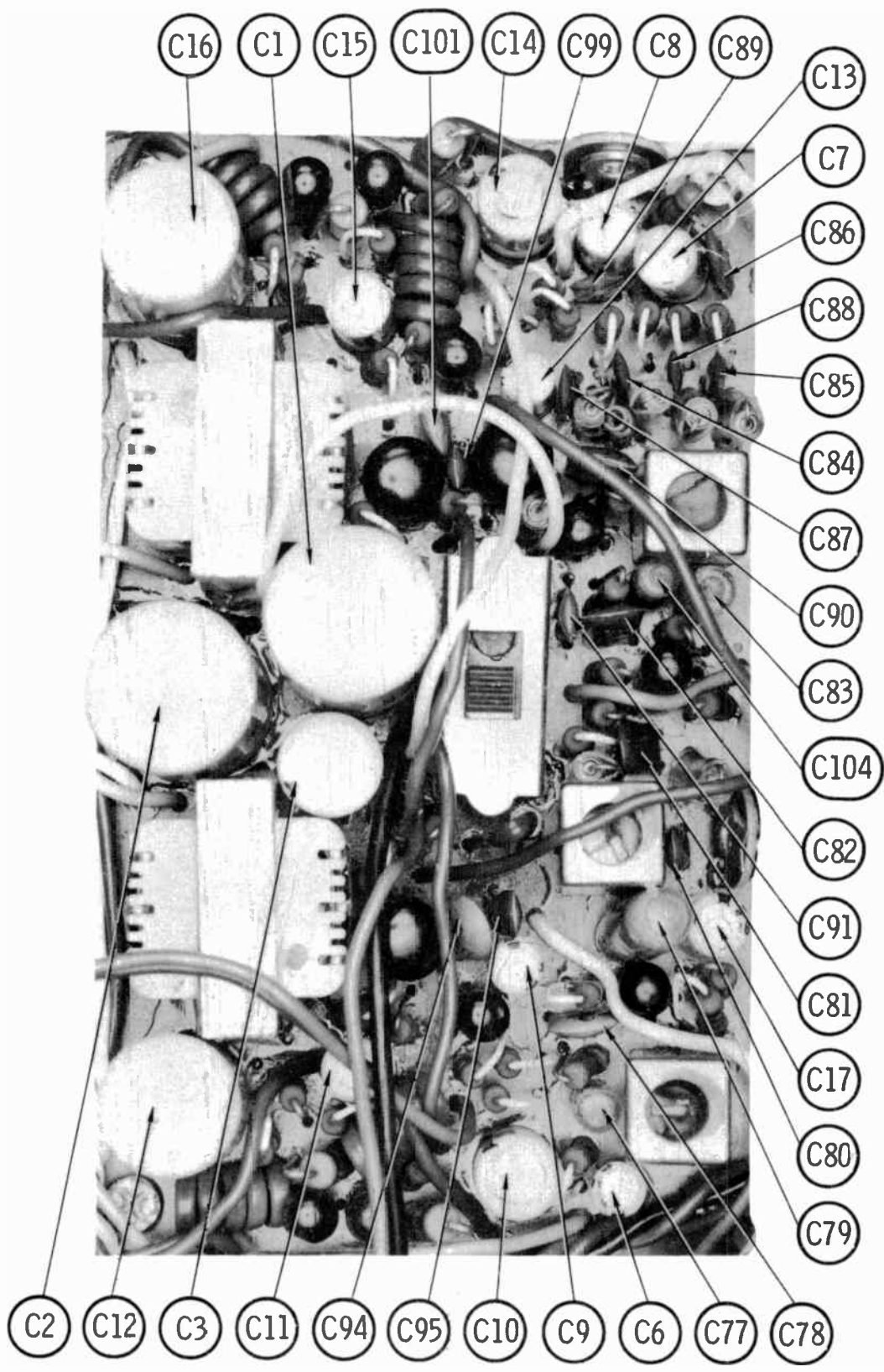
MIDLAND MODEL 65-230

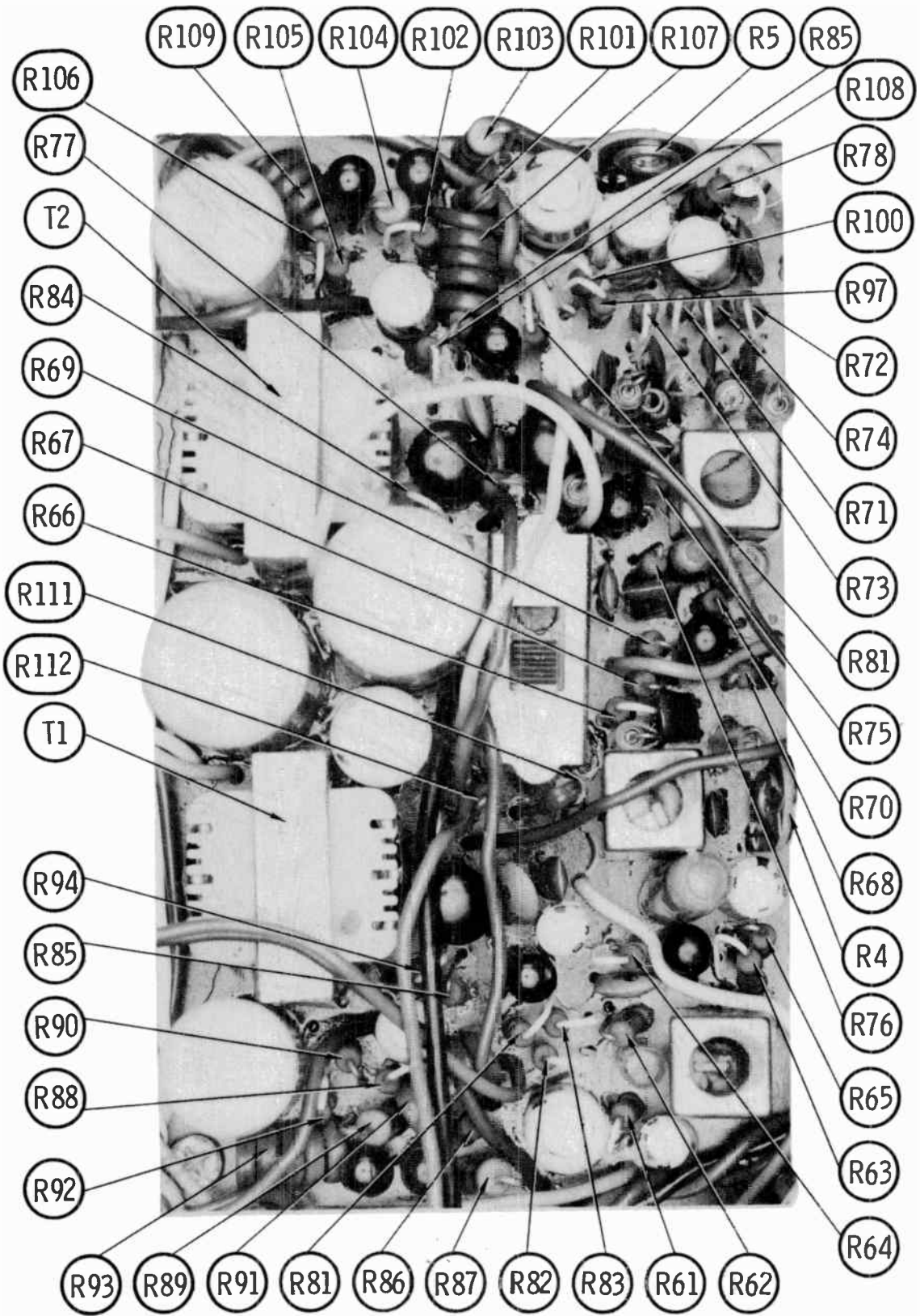


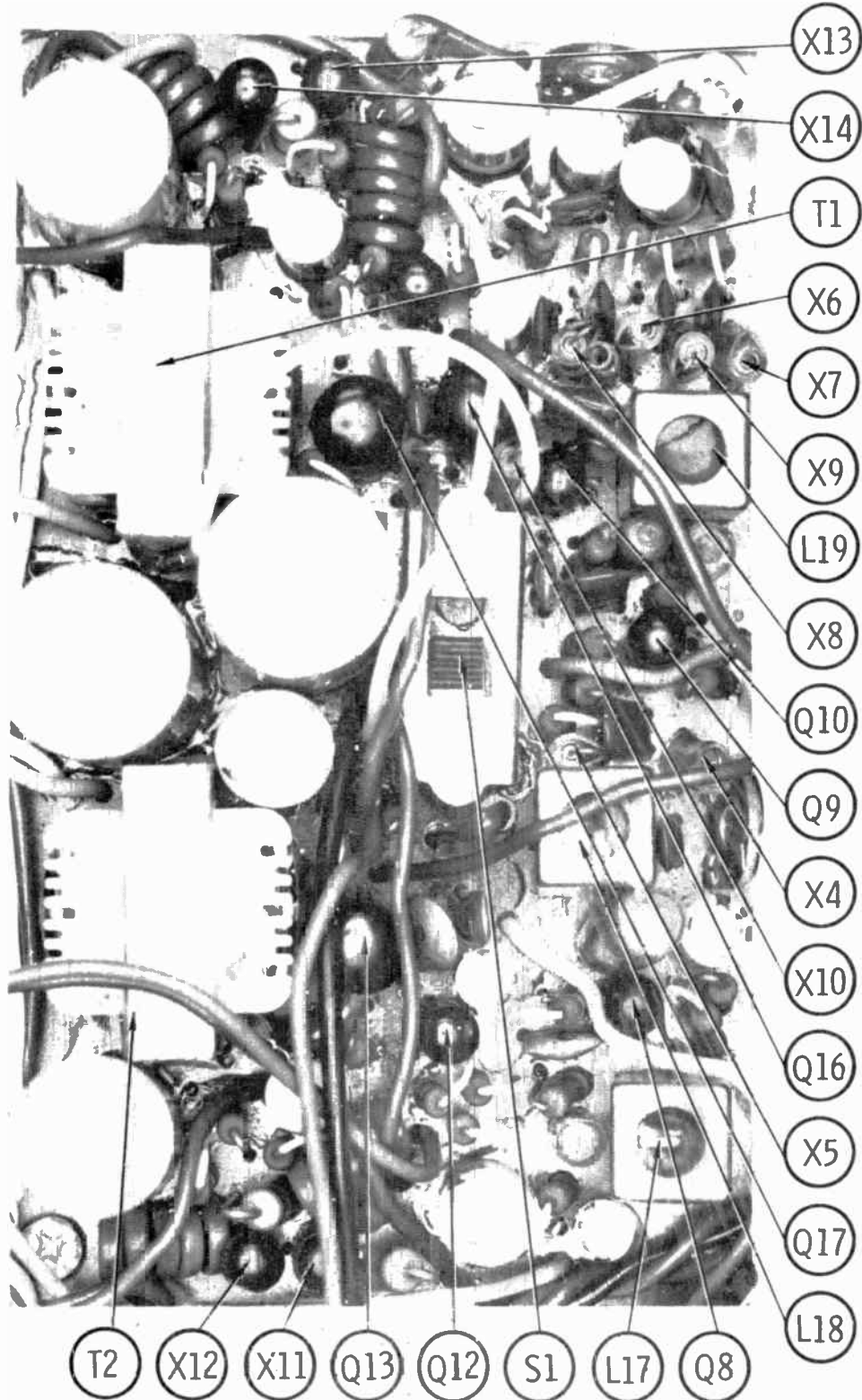
A Howard W. Sams CIRCUITRACE Photo

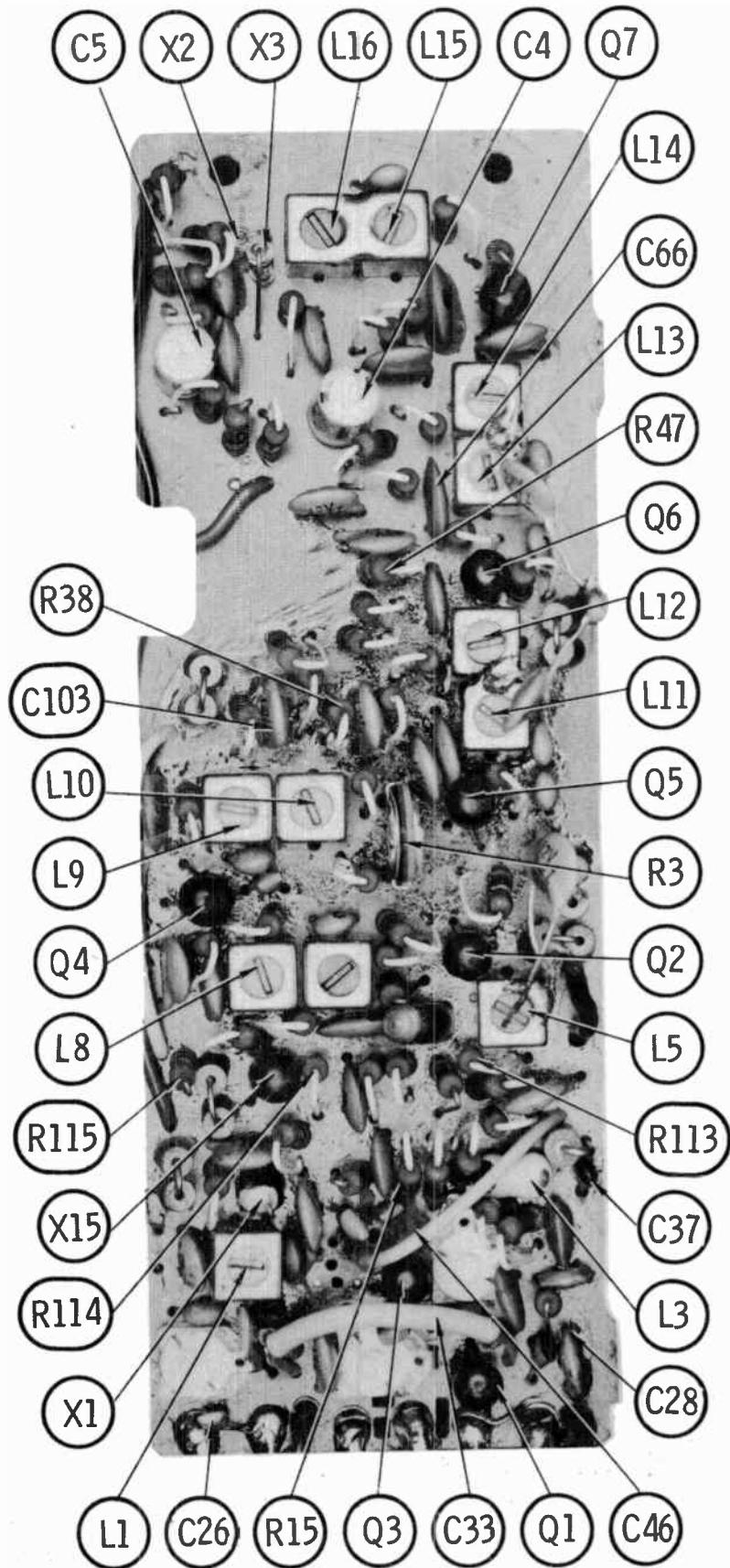


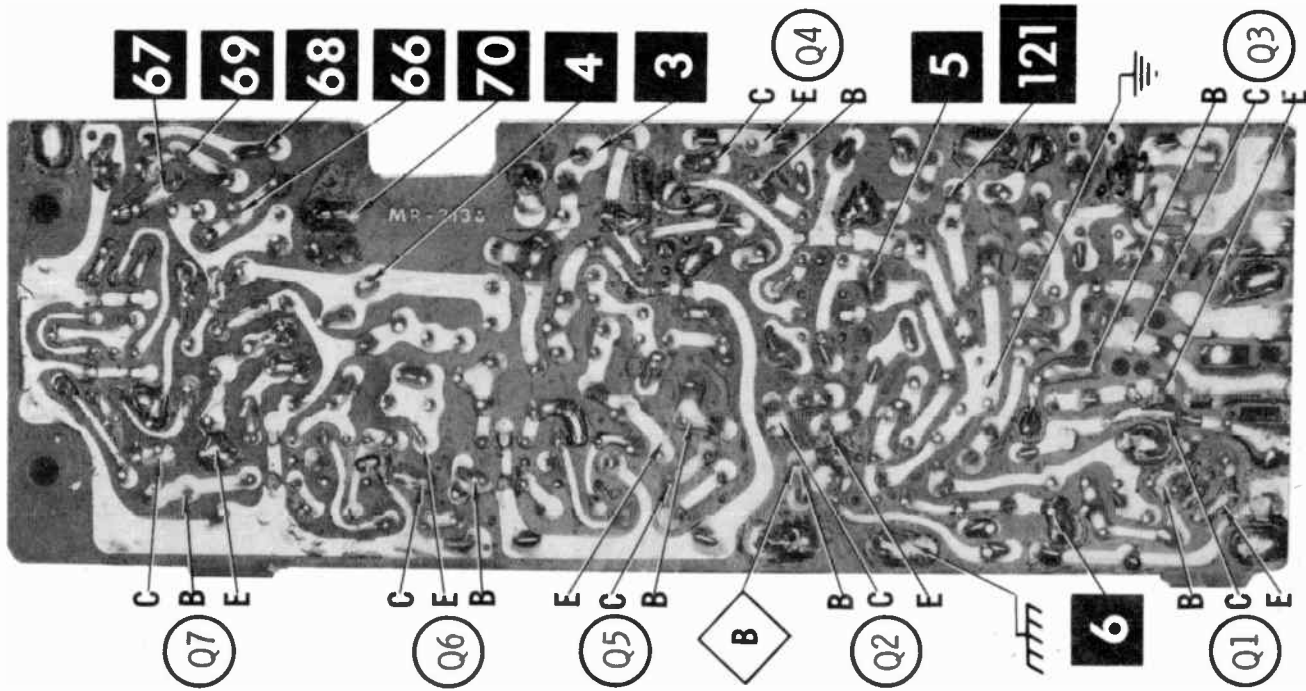
A Howard W. Sams CIRCUITRACE® Photo

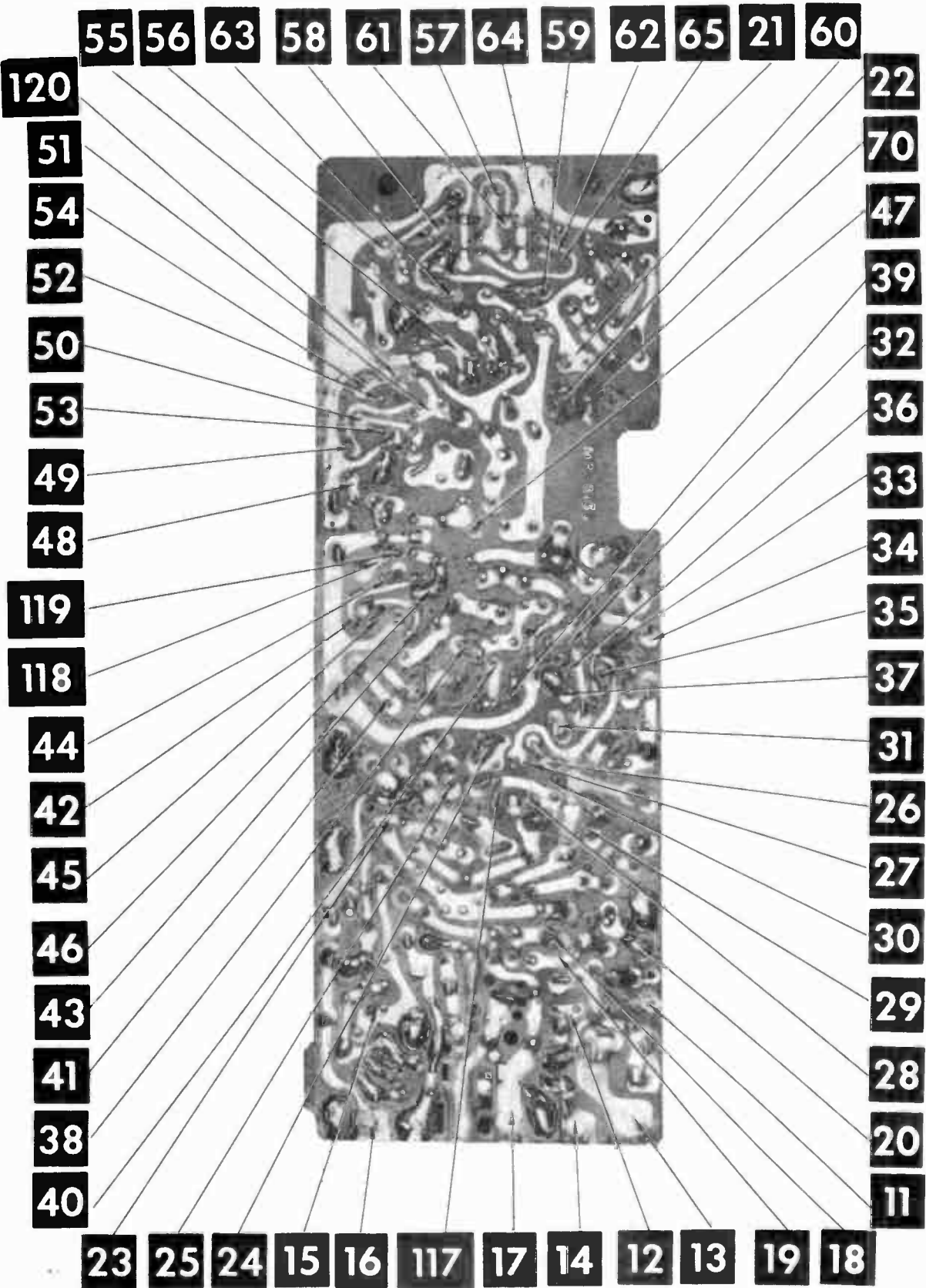






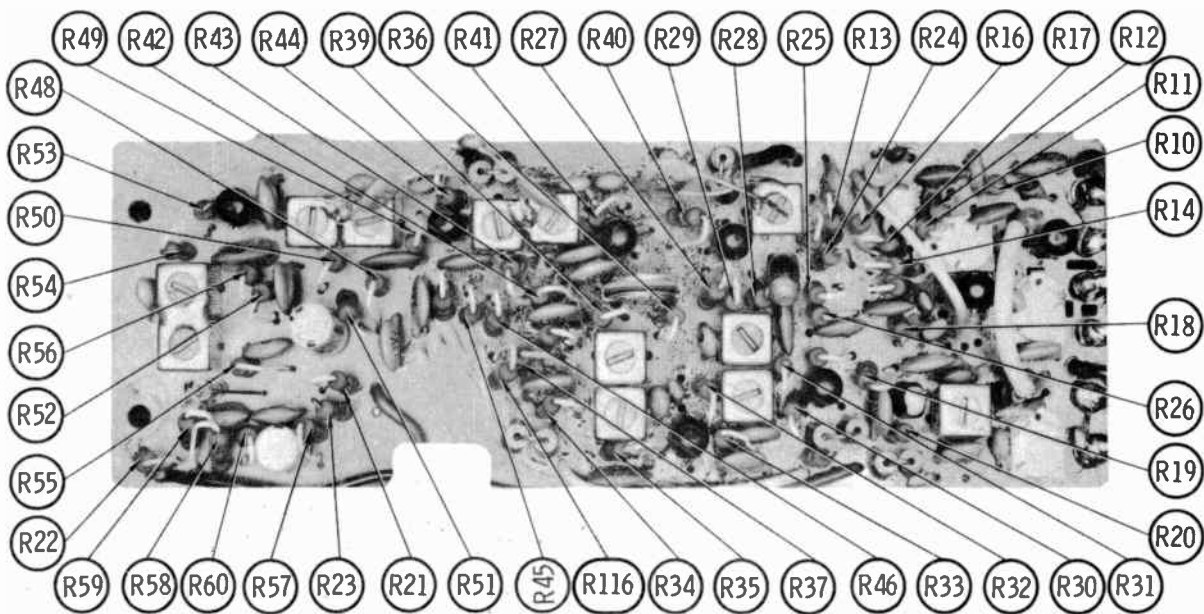
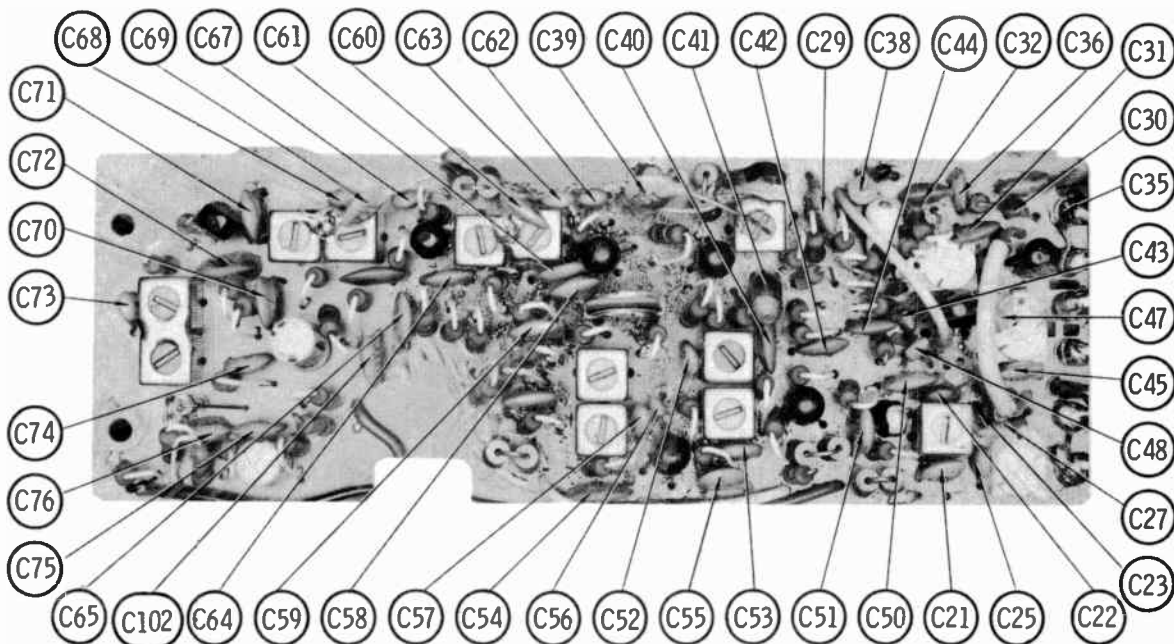






MIDLAND MODEL 65-230

A Howard W. Sams **CIRCUITRACE** Photo



PARTS LIST AND DESCRIPTION

(When ordering parts, state Model, Part Number, and Description.)

Replacement parts shown may be superseded by the availability of newly introduced replacements.

Have your local distributor check Sams COUNTER FACTS for the most up-to-date replacement.

TRANSISTORS

| ITEM No. | TYPE No. | FUNCTION | REPLACEMENT DATA | | | | | |
|----------|----------|------------------|------------------|---------------------------|----------------------------------|-------------------|--------------|-------------------|
| | | | MFRG. PART No. | GENERAL ELECTRIC PART No. | INTERNATIONAL RECTIFIER PART No. | MOTOROLA PART No. | RCA PART No. | SYLVANIA PART No. |
| Q1 | CS-9016 | RF Amp. | | GE-17 | TR-22 | HEP54 | SK3018 | ECG 108 |
| Q2 | CS-9016 | Mixer | | GE-17 | TR-22 | HEP54 | SK3018 | ECG 108 |
| Q3 | CS-9016 | Oscillator | | GE-17 | TR-22 | HEP54 | SK3018 | ECG 108 |
| Q4 | CS-1330 | 1st IF Amp. | | GE-17 | TR-21 | HEP53 | SK3018 | ECG 107 |
| Q5 | CS-1330 | 2nd IF Amp. | | GE-17 | TR-21 | HEP53 | SK3018 | ECG 107 |
| Q6 | CS-1330 | 3rd IF Amp. | | GE-17 | TR-21 | HEP53 | SK3018 | ECG 107 |
| Q7 | CS-1330 | 4th IF Amp. | | GE-17 | TR-21 | HEP53 | SK3018 | ECG 107 |
| Q8 | CS-9014 | 19KC Amp. | | GE-20 | TR-21 | HEP721 | SK3020 | ECG 123 |
| Q9 | CS-9014 | 38KC Amp. | | GE-20 | TR-21 | HEP721 | SK3020 | ECG 123 |
| Q10 | CS-9014 | Indicator Amp. | | GE-20 | TR-21 | HEP721 | SK3020 | ECG 123 |
| Q11 | CS-9013 | Indicator Switch | | GE-20 | TR-21 | HEP721 | SK3020 | ECG 123 |
| Q12 | CS-9014 | AF Amp. | | GE-20 | TR-21 | HEP721 | SK3020 | ECG 123 |
| Q13 | CS-9013 | Driver | | GE-20 | TR-21 | HEP721 | SK3020 | ECG 123 |
| Q14 | 2SD141 | Output (1) | | GE-24MP* | TR-23 | HEP243 | SK3028* | ECG 152 |
| Q15 | 2SD141 | Output (1) | | GE-24MP* | TR-23 | HEP243 | SK3028* | ECG 152 |
| Q16 | CS-9014 | AF Amp. | | GE-20 | TR-21 | HEP721 | SK3020 | ECG 123 |
| Q17 | CS-9013 | Driver | | GE-20 | TR-21 | HEP721 | SK3020 | ECG 123 |
| Q18 | 2SD141 | Output (1) | | GE-24MP* | TR-23 | HEP243 | SK3028* | ECG 152 |
| Q19 | 2SD141 | Output (1) | | GE-24MP* | TR-23 | HEP243 | SK3028* | ECG 152 |

(1) When replacing, apply silicone grease to both sides of insulator. Tighten mounting screws securely.
* Matched Pair

POWER RECTIFIERS & SIGNAL DIODES

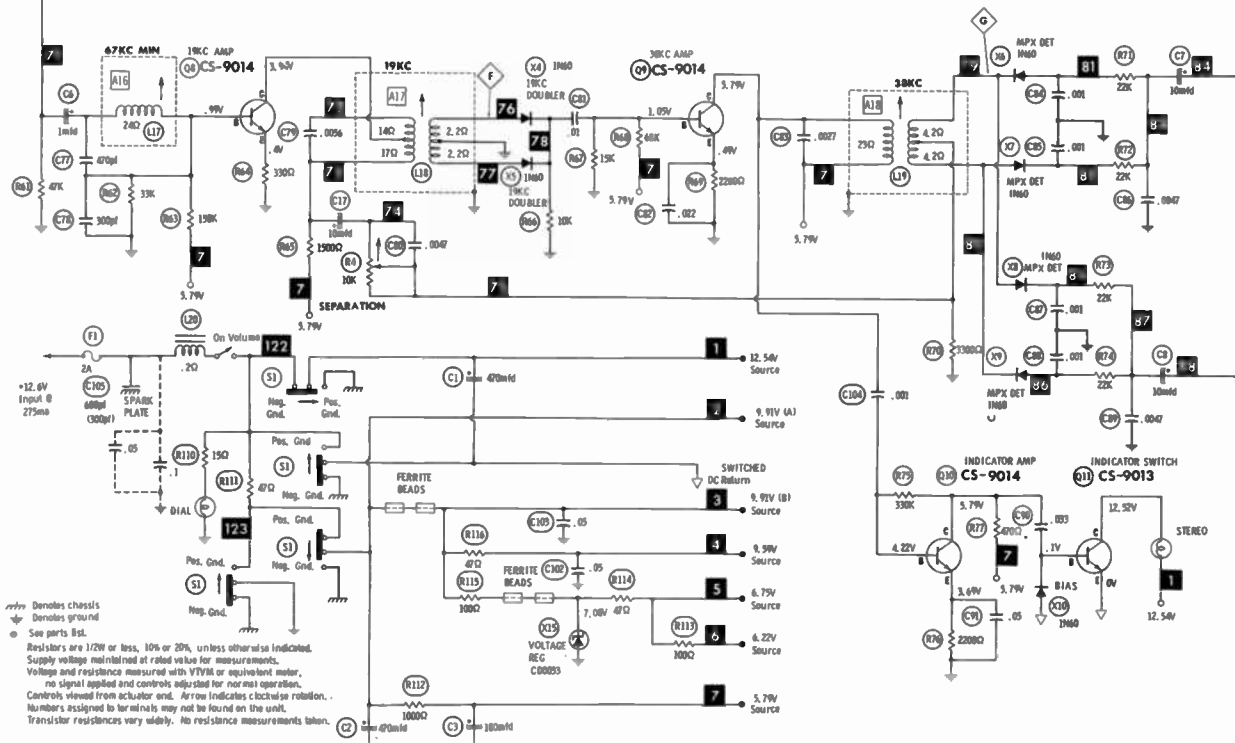
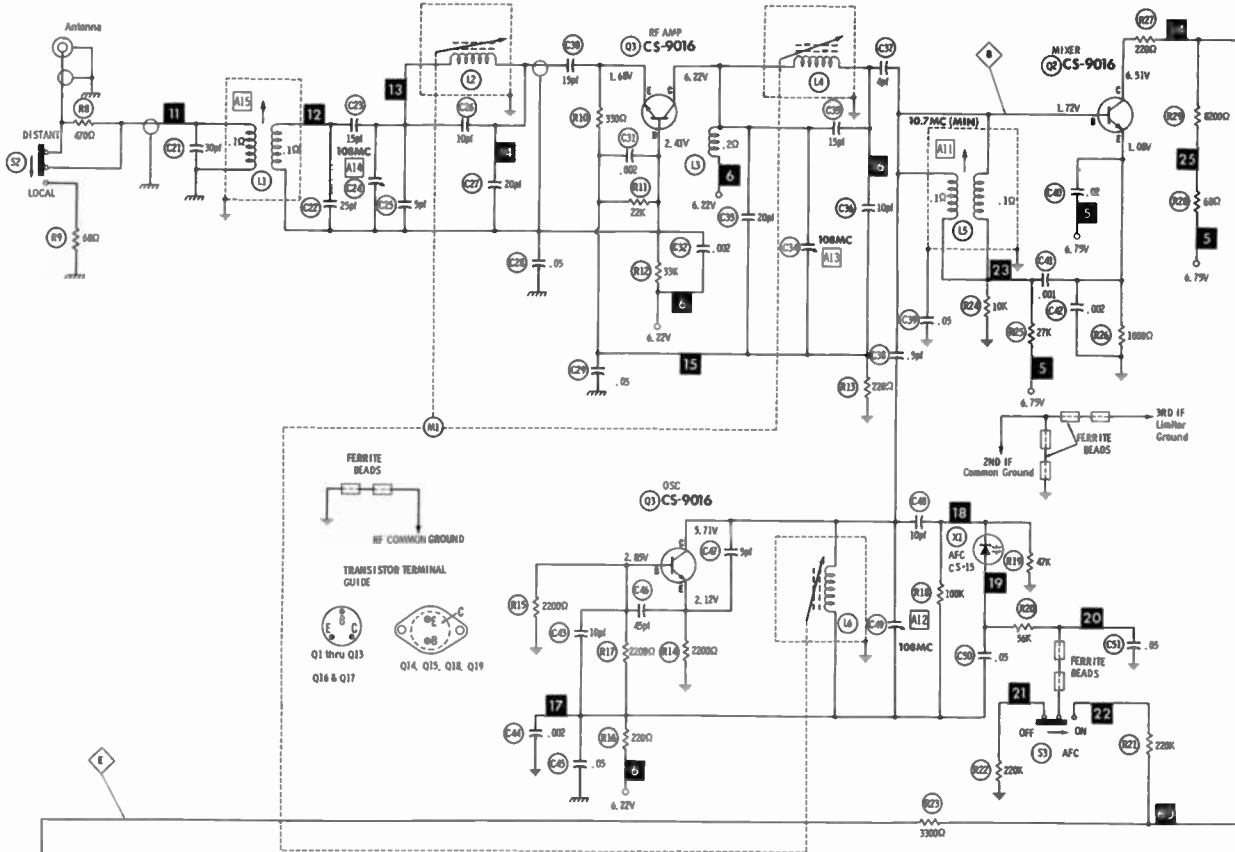
| ITEM No. | MFRG. PART OR TYPE No. | REPLACEMENT RECTIFIERS & DIODES | | | REPLACEMENT RECTIFIERS RCA PART No. | NOTES |
|----------|------------------------|---------------------------------|----------------------------------|-------------------|----------------------------------------|------------------|
| | | GENERAL ELECTRIC PART No. | INTERNATIONAL RECTIFIER PART No. | SYLVANIA PART No. | | |
| X1 | CS-15 | | | | | |
| X2 | 1N60 | 1N60 | 1N542 (1) | ECG110 (1) | | Varactor |
| X3 | 1N60 (1) | 1N60 | 1N542 (1) | ECG110 (1) | | |
| X4 | 1N60 | 1N60 | 1N542 (1) | ECG110 (1) | | (1) Matched Pair |
| X5 | 1N60 (1) | 1N60 | 1N542 (1) | ECG110 (1) | | |
| X6 | 1N60 | 1N60 | 1N542 (1) | ECG110 (1) | | |
| X7 | 1N60 (1) | 1N60 | 1N542 (1) | ECG110 (1) | | |
| X8 | 1N60 | 1N60 | 1N542 (1) | ECG110 (1) | | |
| X9 | 1N60 (1) | 1N60 | 1N60 | ECG109 | | |
| X10 | 1N60 | 1N60 | 1N60 | ECG109 | | |
| X11 | CDO014 | | | | | |
| X12 | CDO014 | | | | | |
| X13 | CDO014 | | | | | |
| X14 | CDO014 | | | | | |
| X15 | CDO033 | GE ZD-6.2 | Z-1008 | ECG137 | | Zener |

ELECTROLYTIC CAPACITORS

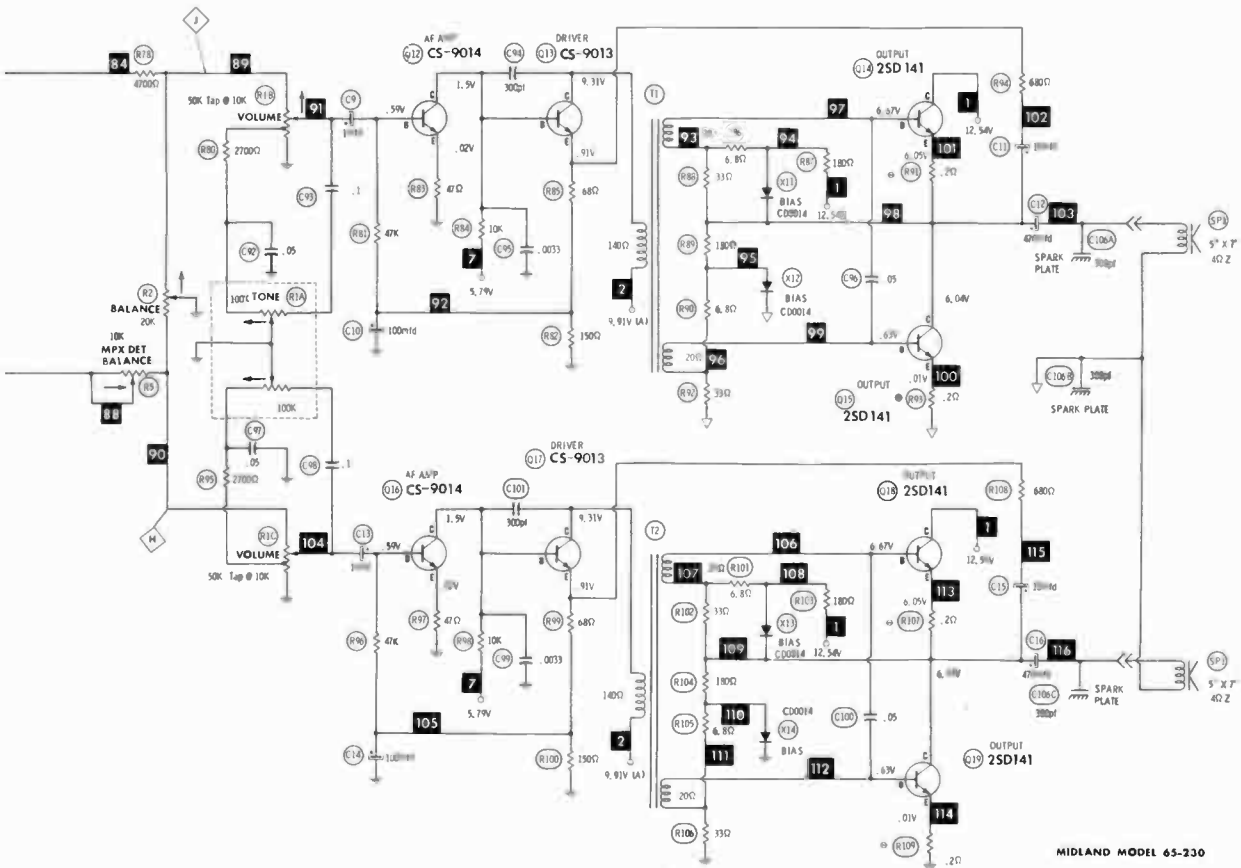
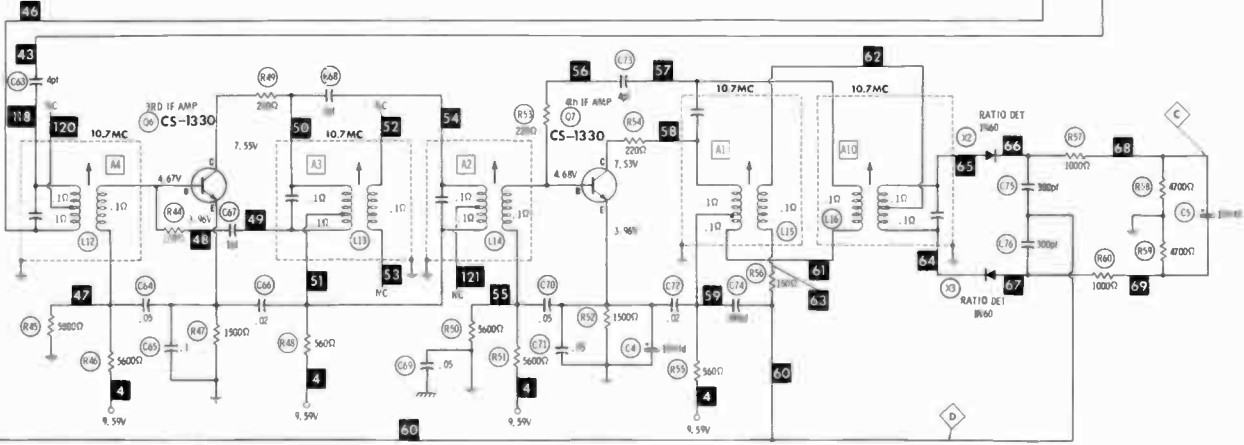
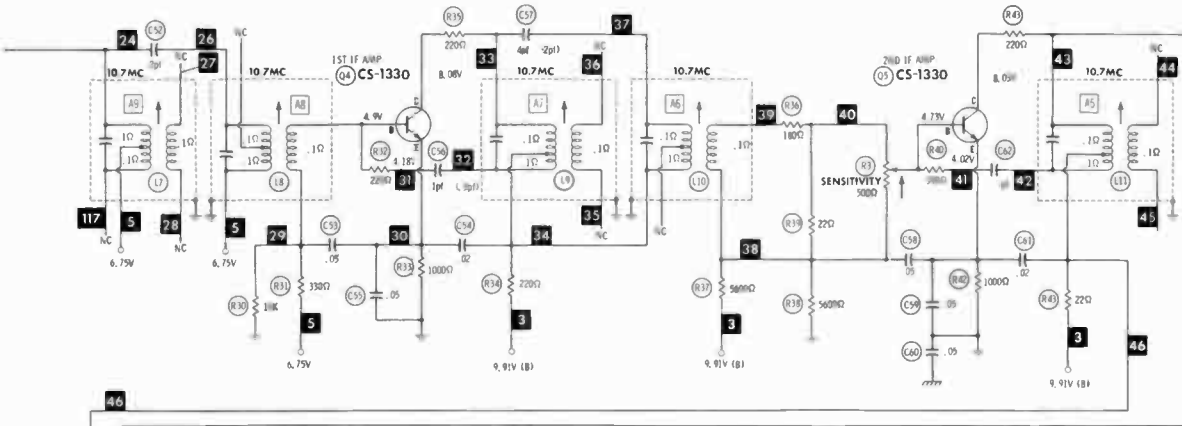
| ITEM No. | RATING | REPLACEMENT DATA | | | | | | |
|----------|---------|------------------|------------------|--------------------|---------------------------|---------------------------|------------------|------------------|
| | | PART No. | AEROVOX PART No. | CENTRALAB PART No. | CORNELL-DUBILIER PART No. | GENERAL ELECTRIC PART No. | MALLORY PART No. | SPRAGUE PART No. |
| C1 | 470 16V | 77-337477 | | | PC500-16 | | | |
| C2 | 470 16V | 77-337477 | | | PC500-16 | | | |
| C3 | 100 10V | 77-336107 | BCD10100 | EP15-100 | PC100-16 | MT1-19 | MTV100CD10 | TE-1135 |
| C4 | 10 6.3V | 77-333106 | BCD25010 | EP6-10 | PC10-50 | MT1-5 | MTV10CB50 | TE-1087 |
| C5 | 10 6.3V | 77-333106 | BCD25010 | EP6-10 | PC10-50 | MT1-5 | MTV10CB50 | TE-1087 |
| C6 | 1 16V | 77-337105 | BCD50001 | | PC1-100 | MT1-1 | MTV1CB50 | TE-1148 |
| C7 | 10 6.3V | 77-333106 | BCD25010 | EP6-10 | PC10-50 | MT1-5 | MTV10CB50 | TE-1087 |
| C8 | 10 6.3V | 77-333106 | BCD25010 | EP6-10 | PC10-50 | MT1-5 | MTV10CB50 | TE-1087 |
| C9 | 1 16V | 77-337105 | BCD50001 | | PC1-100 | MT1-1 | MTV1CB50 | TE-1148 |
| C10 | 100 6V | 77-335107 | BCD10100 | EP6-100 | PC100-16 | MT1-21 | MTV100CB6 | TE-1102 |
| C11 | 10 16V | 77-337106 | BCD25010 | EP15-10 | PC10-50 | MT1-5 | MTV10CB50 | TE-1155 |
| C12 | 470 10V | 77-336477 | | | PC500-16 | | TC1205 | |
| C13 | 1 16V | 77-337105 | BCD50001 | | PC1-100 | MT1-1 | MTV1CB50 | TE-1148 |
| C14 | 100 6V | 77-335107 | BCD10100 | EP6-100 | PC100-16 | MT1-21 | MTV100CB6 | TE-1102 |
| C15 | 10 16V | 77-337106 | BCD25010 | EP15-10 | PC10-50 | MT1-5 | MTV10CB50 | TE-1155 |
| C16 | 470 10V | 77-336477 | | | PC500-16 | | TC1205 | |
| C17 | 10 6.3V | 77-333106 | BCD25010 | EP6-10 | PC10-50 | MT1-5 | MTV10CB50 | TE-1087 |

(CONTINUED ON PAGE 94)

MIDLAND MODEL 65-230



A PHOTOFAC STANDARD NOTATION SCHEMATIC
with **CIRCUITRACE**
© Howard W. Sams & Co., Inc. 1970



MIDLAND MODEL 65-230

PARTS LIST AND DESCRIPTION (CONTINUED)

(When ordering parts, state Model, Port Number, and Description.)

Replacement parts shown may be superseded by the availability of newly introduced replacements.

Have your local distributor check Sams COUNTER FACTS[®] for the most up-to-date replacement.

CAPACITORS

| ITEM No. | RATING | REMARKS | REPLACEMENT DATA | | | | | | |
|----------|--------|-------------|------------------|--------------------|---------------------------|------------------|------------------|------------------|---------------|
| | | | AEROVOX PART No. | CENTRALAB PART No. | CORNELL-DUBILIER PART No. | ELMENCO PART No. | MALLORY PART No. | SPRAGUE PART No. | |
| C21 | 30 | #65-123002 | | TCZ-30 | | CCTO-300 | | 10TCC-Q30 | |
| C22 | 25 | | NPO-DI 25 | DTZ-25 | | | | CN0425 | 10TCC-Q25 |
| C23 | 15 | | NPO-DI 15 | DTZ-15 | NP015 | | CCTO-150 | CN0415 | 10TCC-Q15 |
| C24 | | | | | | | | | |
| C25 | 5 | | NPO-DI 5.0 | | NP05 | | | | 10TCC-V50 |
| C26 | 10 | | NPO-DI 10 | DTZ-10 | NP010 | | CCTO-100 | CN0410 | 10TCC-Q10 |
| C27 | 20 | | NPO-DI 20 | DTZ-20 | NP020 | | CCTO-200 | CN0420 | 10TCC-Q20 |
| C28 | .05 | | TTP-05 | CK-503 | MGPO5 | | CCD-503 | TA150 | TGL-S50 |
| C29 | .05 | | TTP-05 | CK-503 | MGPO5 | | CCD-503 | TA150 | TGL-S50 |
| C30 | 15 | | NPO-DI 15 | DTZ-15 | NP015 | | CCTO-150 | CN0415 | 10TCC-Q15 |
| C31 | .002 | GPD X5F202K | DM-202 | GP2000 | | CCD-202 | GP220 | 2SS-D20 | |
| C32 | .002 | GPD X5F202K | DM-202 | GP2000 | | CCD-202 | GP220 | 2SS-D20 | |
| C33 | 20 | NPO-DI 20 | DTZ-20 | NP020 | | CCTO-200 | CN0420 | 10TCC-Q20 | |
| C34 | | #65-123002 | | | | | | | |
| C35 | 15 | | NPO-DI 15 | DTZ-15 | NP015 | | CCTO-150 | CN0415 | 10TCC-Q15 |
| C36 | 10 | | NPO-DI 10 | DTZ-10 | NP010 | | CCTO-100 | CN0410 | 10TCC-Q10 |
| C37 | 4 | | | | NP03P9 | | | | 10TCC-V39 |
| C38 | .5pf | | | | | | | | |
| C39 | .05 | | TTP-05 | CK-503 | MGPO5 | | CCD-503 | TA150 | TGL-S50 |
| C40 | .02 | | TTP-02 | CK-203 | MGPO2 | | CCD-203 | TA120 | TG-S20 |
| C41 | .001 | | | CPR-1000J | CD19F102J500 | | DM-19-102J | SX210 | 424ME1001J501 |
| C42 | .002 | | GPD X5F202K | DM-202 | GP2000 | | CCD-202 | GP220 | 2SS-D20 |
| C43 | 10 | | NPO-DI 10 | DTZ-10 | NP010 | | CCTO-100 | CN0410 | 10TCC-Q10 |
| C44 | .002 | GPD X5F202K | DM-202 | GP2000 | | CCD-202 | GP220 | 2SS-D20 | |
| C45 | .05 | TTP-05 | CK-503 | MGPO5 | | CCD-503 | TA150 | TGL-S50 | |
| C46 | 45 | NPO-DI47 | DTZ-47 | NP047 | | CCTO-470 | CN0447 | 10TCC-Q47 | |
| C47 | 5 | NPO-DI 5.0 | | NP05 | | | | 10TCC-V50 | |
| C48 | 10 | NPO-DI 10 | DTZ-10 | NP010 | | CCTO-100 | CN0410 | 10TCC-Q10 | |
| C49 | | #65-123002 | | | | | | | |
| C50 | .05 | | TTP-05 | CK-503 | MGPO5 | | CCD-503 | TA150 | TGL-S50 |
| C51 | .05 | | TTP-05 | CK-503 | MGPO5 | | CCD-503 | TA150 | TGL-S50 |
| C52 | 2 | | NPO-DI 2.2 | DTZ-2R2 | NP02P2 | | | CN0522 | 10TCC-V22 |
| C53 | .05 | | TTP-05 | CK-503 | MGPO5 | | CCD-503 | TA150 | TGL-S50 |
| C54 | .02 | | TTP-02 | CK-203 | MGPO2 | | CCD-203 | TA120 | TG-S20 |
| C55 | .05 | | TTP-05 | CK-503 | MGPO5 | | CCD-503 | TA150 | TGL-S50 |
| C56 | 1 | | NPO-DI 1.0 | TCZ-1 | | | | CN0510 | 10TCC-V10 |
| C57 | 4 | | | | NP03P9 | | | | 10TCC-V39 |
| C58 | .05 | | TTP-05 | CK-503 | MGPO5 | | CCD-503 | TA150 | TGL-S50 |
| C59 | .05 | TTP-05 | CK-503 | MGPO5 | | CCD-503 | TA150 | TGL-S50 | |
| C60 | .05 | TTP-05 | CK-503 | MGPO5 | | CCD-503 | TA150 | TGL-S50 | |
| C61 | .02 | TTP-02 | CK-203 | MGPO2 | | CCD-203 | TA120 | TG-S20 | |
| C62 | 1 | NPO-DI 1.0 | TCZ-1 | | | | CN0510 | 10TCC-V10 | |
| C63 | 4 | | | NP03P9 | | | | 10TCC-V39 | |
| C64 | .05 | TTP-05 | CK-503 | MGPO5 | | CCD-503 | TA150 | TGL-S50 | |
| C65 | .1 | TTP-1 | CK-104 | | | | TA010 | TG-P10 | |
| C66 | .02 | TTP-02 | CK-203 | MGPO2 | | CCD-203 | TA120 | TG-S20 | |
| C67 | 1 | NPO-DI 1.0 | TCZ-1 | | | | CN0510 | 10TCC-V10 | |
| C68 | 4 | | | NP03P9 | | | | 10TCC-V39 | |
| C69 | .05 | TTP-05 | CK-503 | MGPO5 | | CCD-503 | TA150 | TGL-S50 | |
| C70 | .05 | TTP-05 | CK-503 | MGPO5 | | CCD-503 | TA150 | TGL-S50 | |
| C71 | .05 | TTP-05 | CK-503 | MGPO5 | | CCD-503 | TA150 | TGL-S50 | |
| C72 | .02 | TTP-02 | CK-203 | MGPO2 | | CCD-203 | TA120 | TG-S20 | |
| C73 | 4 | | | NP03P9 | | | | 10TCC-V39 | |
| C74 | 300 | GPD X5F301K | DM-301 | GP300 | | CCD-301 | GP330 | 10TS-T30 | |
| C75 | 300 | GPD X5F301K | DM-301 | GP300 | | CCD-301 | GP330 | 10TS-T30 | |
| C76 | 300 | GPD X5F301K | DM-301 | GP300 | | CCD-301 | GP330 | 10TS-T30 | |
| C77 | 470 | GPD X5F471K | DD-471 | GP470 | | CCD-471 | GP347 | 10TS-T47 | |
| C78 | 300 | GPD X5F301K | DM-301 | GP300 | | CCD-301 | GP330 | 10TS-T30 | |
| C79 | .0056 | | CPR-5600J | | | DM-20-562 | SX256 | MS-256 | |
| C80 | .0047 | TTP-005 | CK-502 | MGPO05 | | CCD-502 | TA250 | TG-D50 | |
| C81 | .01 | TTP-01 | CK-103 | MGPO1 | | CCD-103 | TA110 | TG-S10 | |
| C82 | .022 | GPD X5S103K | DD-103 | GP10000 | | CCD-103 | JF110 | 10TS-S10 | |
| C83 | .0027 | | CPR-2700J | CD19F272J500 | | DM-19-272 | SX227 | MS-227 | |
| C84 | .001 | GPD X5F102K | DM-102 | GP1000 | | CCD-102 | SM210 | 2SS-D10 | |
| C85 | .001 | GPD X5F102K | DM-102 | GP1000 | | CCD-102 | SM210 | 2SS-D10 | |
| C86 | .0047 | TTP-005 | CK-502 | MGPO05 | | CCD-502 | TA250 | TG-D50 | |
| C87 | .001 | GPD X5F102K | DM-102 | GP1000 | | CCD-102 | SM210 | 2SS-D10 | |
| C88 | .001 | GPD X5F102K | DM-102 | GP1000 | | CCD-102 | SM210 | 2SS-D10 | |
| C89 | .0047 | TTP-005 | CK-502 | MGPO05 | | CCD-502 | TA250 | TG-D50 | |
| C90 | .033 | TTP-03 | CK-303 | | | CCD-303 | GP130 | TG-S30 | |
| C91 | .05 | TTP-05 | CK-503 | MGPO5 | | CCD-503 | TA150 | TGL-S50 | |
| C92 | .05 | TTP-05 | CK-503 | MGPO5 | | CCD-503 | TA150 | TGL-S50 | |
| C93 | .1 | TTP-1 | CK-104 | | | | TA010 | TG-P10 | |
| C94 | 300 | GPD X5F301K | DM-301 | GP300 | | CCD-301 | GP330 | 10TS-T30 | |
| C95 | .0033 | GPD X5R332K | DD-332 | GP3300 | | CCD-332 | JF233 | 2SS-D33 | |
| C96 | .05 | TTP-05 | CK-503 | MGPO5 | | CCD-503 | TA150 | TGL-S50 | |
| C97 | .05 | TTP-05 | CK-503 | MGPO5 | | CCD-503 | TA150 | TGL-S50 | |
| C98 | .1 | TTP-1 | CK-104 | | | | TA010 | TG-P10 | |
| C99 | .0033 | GPD X5R332K | DD-332 | GP3300 | | CCD-332 | JF233 | 2SS-D33 | |
| C100 | .05 | TTP-05 | CK-503 | MGPO5 | | CCD-503 | TA150 | TGL-S50 | |
| C101 | 300 | GPD X5F301K | DM-301 | GP300 | | CCD-301 | GP330 | 10TS-T30 | |
| C102 | .05 | TTP-05 | CK-503 | MGPO5 | | CCD-503 | TA150 | TGL-S50 | |
| C103 | .05 | TTP-05 | CK-503 | MGPO5 | | CCD-503 | TA150 | TGL-S50 | |
| C104 | .001 | | CPR-1000J | CD19F102J500 | | DM-19-102J | SX210 | 424ME1001J501 | |
| C105 | 600 | #65-177002 | | | | | | | |
| C106A | 300 | | #65-177001 | | | | | | |
| C106B | 300 | | | | | | | | |
| C106C | 300 | | | | | | | | |

PARTS LIST AND DESCRIPTION (CONTINUED)

(When ordering parts, state Model, Part Number, and Description.)

Replacement parts shown may be superseded by the availability of newly introduced replacements.
Have your local distributor check Sams COUNTER FACTS[®] for the most up-to-date replacement.

CONTROLS (All wattages 1/2 watt, or less, unless listed)

| ITEM No. | FUNCTION | RESIST- ANCE | REPLACEMENT DATA | | | | |
|----------|------------------------|---------------|------------------|--------------------------|--------------------|------------------|------------------|
| | | | MFGR. PART No. | CENTRALAB PART No. | CLAROSTAT PART No. | CTS-IRC PART No. | MALLORY PART No. |
| R1A | Tone | 100K | 65-160001 | | | | |
| B | Volume (Left) | 50K Tap @ 10K | | | | | |
| C | Volume/ (Right) Switch | 50K Tap @ 10K | | | | | |
| R2 | Balance | 20K | 65-160002 | | | | |
| R3 | Sensitivity | 500 | 65-164003 | TSV-500 or T-500 | | X201R501B | MTC52L1 |
| R4 | Separation | 10K | 65-164004 | TSV-10K (1) or T-10K (1) | | X201R103B (1) | MTC14L1 (1) |
| R5 | MPX Det. Balance | 10K | 65-164004 | TSV-10K (1) or T-10K (1) | | X201R103B (1) | MTC14L1 (1) |

(1) Cut off one of the end terminals and bend to fit "PC" Board.

RESISTORS (Power and Special)

| ITEM No. | RATING | REPLACEMENT DATA | |
|----------|--------|------------------|----------------|
| | | WORKMAN PART No. | MFGR. PART No. |
| R91 | .2 WW | | 77-302290 |
| R93 | .2 WW | | 77-302290 |

| ITEM No. | RATING | REPLACEMENT DATA | |
|----------|--------|------------------|----------------|
| | | WORKMAN PART No. | MFGR. PART No. |
| R107 | .2 WW | | 77-302290 |
| R109 | .2 WW | | 77-302290 |

COILS (RF-IF)

| ITEM No. | USE | REPLACEMENT DATA | | | |
|----------|----------------------|------------------|-------------------|-----------------|------------------|
| | | PART No. | MEISSNER PART No. | MILLER PART No. | WORKMAN PART No. |
| L1 | Antenna | 65-176004 | | | |
| L2 | Antenna Tuning | (1) | | | |
| L3 | RF Choke (.18uh) | 65-178002 | | | |
| L4 | RF | (1) | | | |
| L5 | 10.7MC Trap | 65-176003 | | | |
| L6 | Oscillator | (1) | | | |
| L7 | Input IF | 65-090006 | | | |
| L8 | Interstage IF | 65-090006 | | | |
| L9 | Interstage IF | 65-090006 | | | |
| L10 | Interstage IF | 65-090006 | | | |
| L11 | Interstage IF | 65-090006 | | | |
| L12 | Interstage IF | 65-090006 | | | |
| L13 | Interstage IF | 65-090006 | | | |
| L14 | Interstage IF | 65-090006 | | | |
| L15 | Ratio Detector (Pri) | 65-090007 | | | |
| L16 | Ratio Detector (Sec) | 65-090008 | | | |
| L17 | 67KC Trap | 65-094005 | | | |
| L18 | 19KC | 65-094003 | | | |
| L19 | 38KC | | | | |

(1) Part of M1

FILTER CHOKE

| ITEM No. | RATINGS | | | REPLACEMENT DATA | | | | NOTES |
|----------|--------------------|---------|------------------------------|------------------|----------------|------------------|---------------------|-------|
| | CURRENT (Measured) | DC RES. | INDUCTANCE (0 CURRENT 1000~) | PART No. | MERIT PART No. | STANCOR PART No. | THORDARSON PART No. | |
| L20 | 275ma | .2 | 1.5mh | 65-178003 | | | | |

MIDLAND MODEL 65-230

PARTS LIST AND DESCRIPTION (CONTINUED)

(When ordering parts, state Model, Part Number, and Description.)

Replacement parts shown may be superseded by the availability of newly introduced replacements.

Have your local distributor check Sams COUNTER FACTS® for the most up-to-date replacement.

TRANSFORMER (Driver)

| ITEM No. | TURNS RATIO | | | REPLACEMENT DATA | | | | | NOTES |
|----------|-------------|--------|--------|------------------|----------------|------------------|---------------------|----------------|-------|
| | PRI. | SEC. 1 | SEC. 2 | PART No. | MERIT PART No. | STANCOR PART No. | THORDARSON PART No. | TRIAD Part No. | |
| | | | | | | | | | |
| T1 | 3: | 1 | 1 | | | | | | |
| T2 | 3: | 1 | 1 | | | | | | |

SPEAKER

| ITEM No. | TYPE | REPLACEMENT DATA | | NOTES |
|----------|-------------------|------------------|---------------|-------|
| | | PART No. | QUAM PART No. | |
| SP1 | 5" X 7" PM 4 ohms | 65-068001 | 57A1 | |
| SP2 | 5" X 7" PM 4 ohms | 65-068001 | 57A1 | |

FUSE DEVICES

| ITEM No. | DESCRIPTION | REPLACEMENT DATA | | | | | | |
|----------|-------------|------------------|-----------|---------------|--------|---------------------|--------|------------------|
| | | PART No. | | BUSS PART No. | | LITTELFUSE PART No. | | WORKMAN PART No. |
| | | DEVICE | HOLDER | DEVICE | HOLDER | DEVICE | HOLDER | DEVICE |
| F1 | 2 Amp. | 65-204002 | 65-159006 | AGC2 | HDJ | 312002 | 150145 | |

MISCELLANEOUS

| ITEM No. | PART NAME | PART No. | NOTES |
|----------|---------------------|-----------|--------|
| M1 | Tuner Coil Assembly | 65-078001 | MT-047 |
| S1 | Switch, Polarity | 65-183003 | |
| S2 | Switch, L-D | 65-183002 | |
| S3 | Switch, AFC | 65-183002 | |
| | Dial Lamp | 65-201003 | |
| | Stereo Indicator | 65-201004 | |

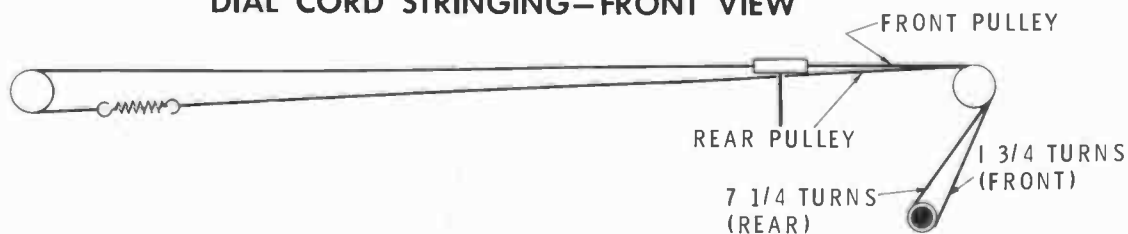
CABINETS & CABINET PARTS (When ordering specify model, chassis & color)

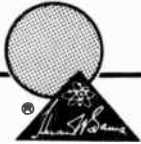
| ITEM | PART No. | ITEM | PART No. |
|------------------------|-----------|--------------|-----------|
| Escutcheon | 65-010003 | Stereo Lens | 65-020012 |
| Knob, Volume or Tuning | 65-110002 | Dial Glass | 65-020009 |
| Knob, Tone or Dummy | 65-110003 | Dial Pointer | 65-150010 |
| Knob, Balance | 65-115002 | | |

WIRING DATA

| | |
|-------------------------------------------|----------------------------------------------------------------------------------------------|
| General-use Unshielded Hook-up Wire | Use BELDEN No. 8530 (Solid) Available in 12 Colors 8524 (Stranded) Available in 12 Colors |
| Shielded Hook-up Wire | Use BELDEN No. 8885 |
| Rear Seat Speaker Extension Cable | Use BELDEN No. 8782 (Stranded) Coded Parallel Leads |
| Bonding Strap | Use BELDEN No. 8661 (3/8 In.) or 8670 (3/4 In.) |

DIAL CORD STRINGING—FRONT VIEW





PHOTOFACT[®] with

CIRCUITRACE[®]

For Supplier Address See PHOTOFACT Index

NOTE: Manufacturer Part Numbers Shown Are UNITED DELCO



MODEL 03BT411

OLDSMOBILE MODELS 03BT411
(70 Olds)
03ET411
(70 F-85)
(8-Track Stereo Player)

OPERATING INSTRUCTIONS

Insert cartridge until it locks and turns unit on.

Set operating controls as desired.

Press program selector to play desired tracks, or allow unit to select tracks automatically.

Remove cartridge to turn unit off.

CLEANING

Clean all tape contact surfaces with a soft, lint-free material and head cleaner or alcohol. Use alcohol to remove oil and grease from all driving surfaces.

LUBRICATING

Lubricate bearings and bushings lightly with #20 machine oil. Use a light film of non-hardening grease on cam surfaces.

HEAD DEMAGNETIZING

Demagnetize head when unit is serviced. Avoid using magnetic materials near head.

HOWARD W. SAMS & CO., INC. Indianapolis, Indiana 46206

© 1970 Howard W. Sams & Co., Inc. Printed in U. S. of America TQ791R

OLDSMOBILE MODELS 03BT411/ET411

TROUBLE CHART

| SYMPTOM | REMARKS |
|------------------------------------|------------------------------------------------------------------------------------------------------------------------------------------------------------------------------------------------------------------------------------------------------------|
| Capstan does not rotate. | Belt (1) dirty, worn, or broken. Assembly (10) binding. Motor defective or not supplied with power. |
| Track-shift mechanism inoperative. | Switch (S2) dirty Cam (3) binding or worn. Pawl (4) worn. Arm (6) binding. Solenoid (M3) defective or not supplied with power. Cartridge defective. Lower cam bearing installed too deeply in casting. Assembly (14) binding or worn. |
| Wow or Flutter. | Belt (1) dirty or worn. Capstan dirty or binding. Cartridge defective. Motor defective. Speed regulator circuit defective. |
| Sound weak or distorted. | Head dirty, misaligned, or defective. Cartridge defective. Amplifiers defective. |
| Tape is pulled from cartridge. | Cartridge defective. Capstan dirty or scored. |

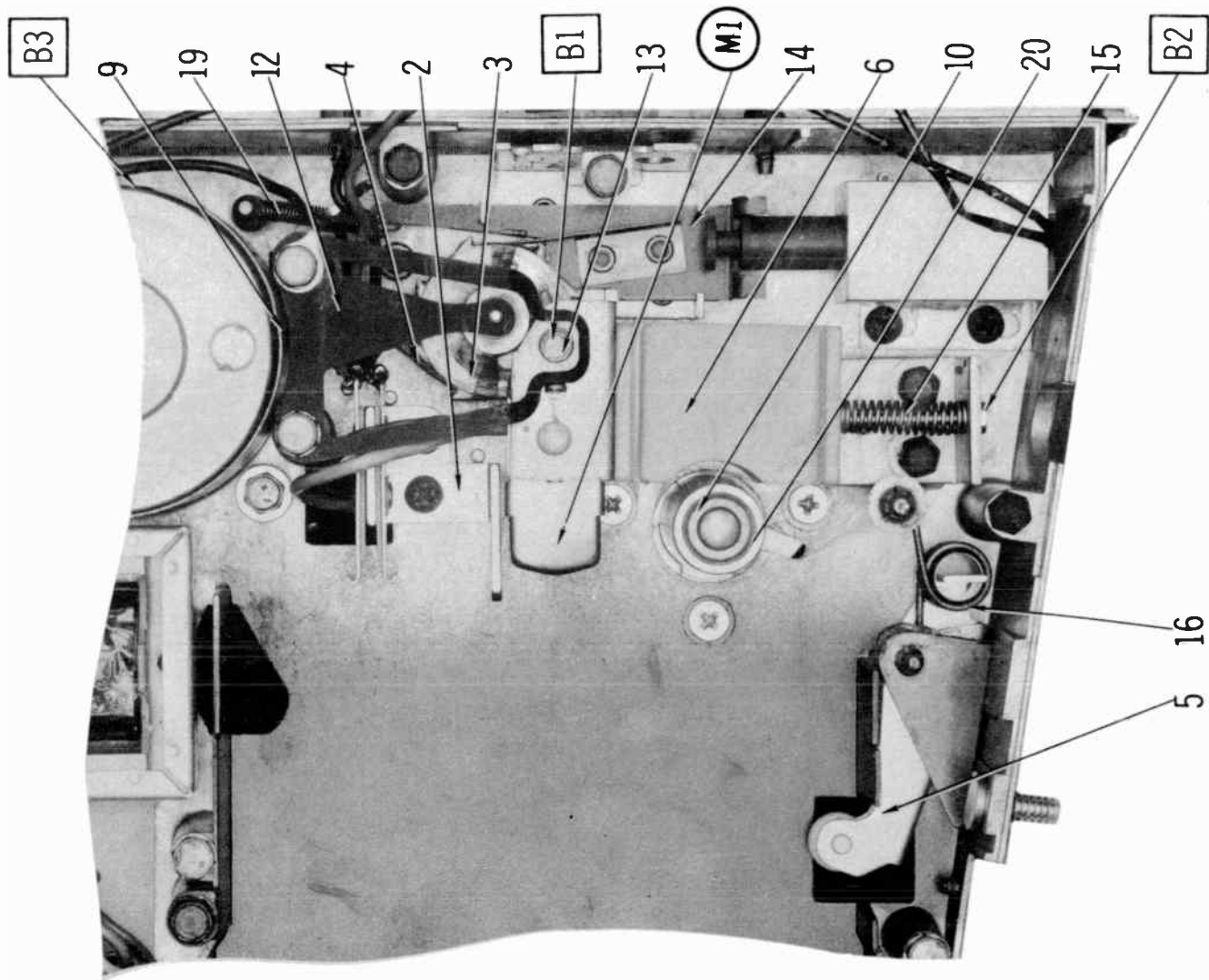
ADJUSTMENTS

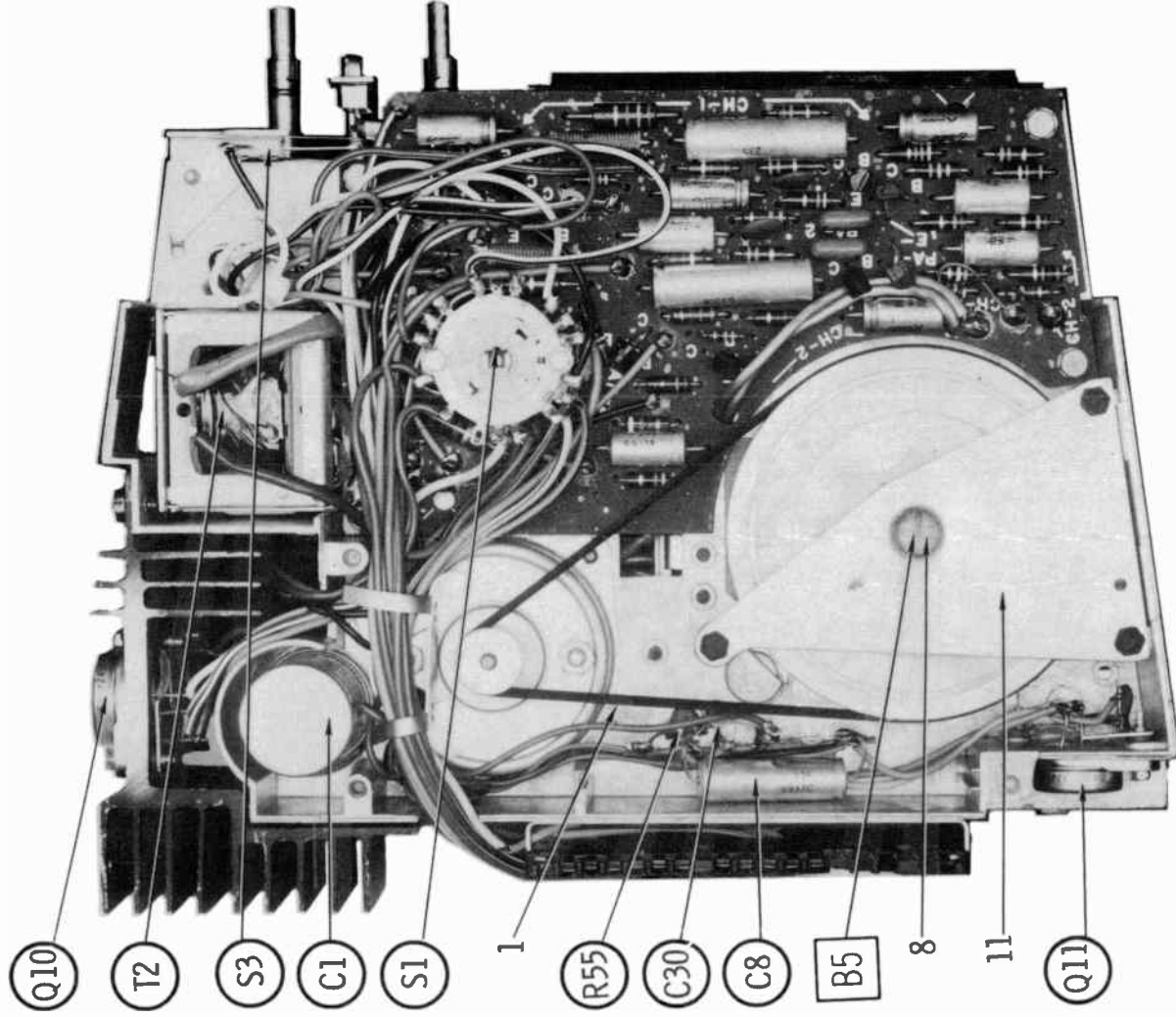
| ADJUST | REMARKS |
|-------------------|---------------------------------------------------------------------------------------------------------------------------------------------------------------------------------------------------|
| Head Height | Play a test cartridge, follow instructions with cartridge, and adjust B1 for proper response. |
| Head Azimuth | Connect an AC VTVM across right output. Play a test cartridge and adjust B2 for maximum. |
| Motor Speed | Play a test cartridge with a timed-interval track, follow instructions with cartridge, and adjust B3 for correct interval between tones. (Make only a slight adjustment before rechecking speed.) |
| Flywheel Play | Adjust B5 for a slight vertical play of flywheel. |
| Hum Reduction | Rotate motor for MINIMUM hum and position Shield (9) for MINIMUM hum. |
| Solenoid Position | Loosen the solenoid mounting screws and position the solenoid until the finger on Slide (14) clears the tooth on Cam (3) by 1/32 inch when the solenoid plunger is fully retracted. |

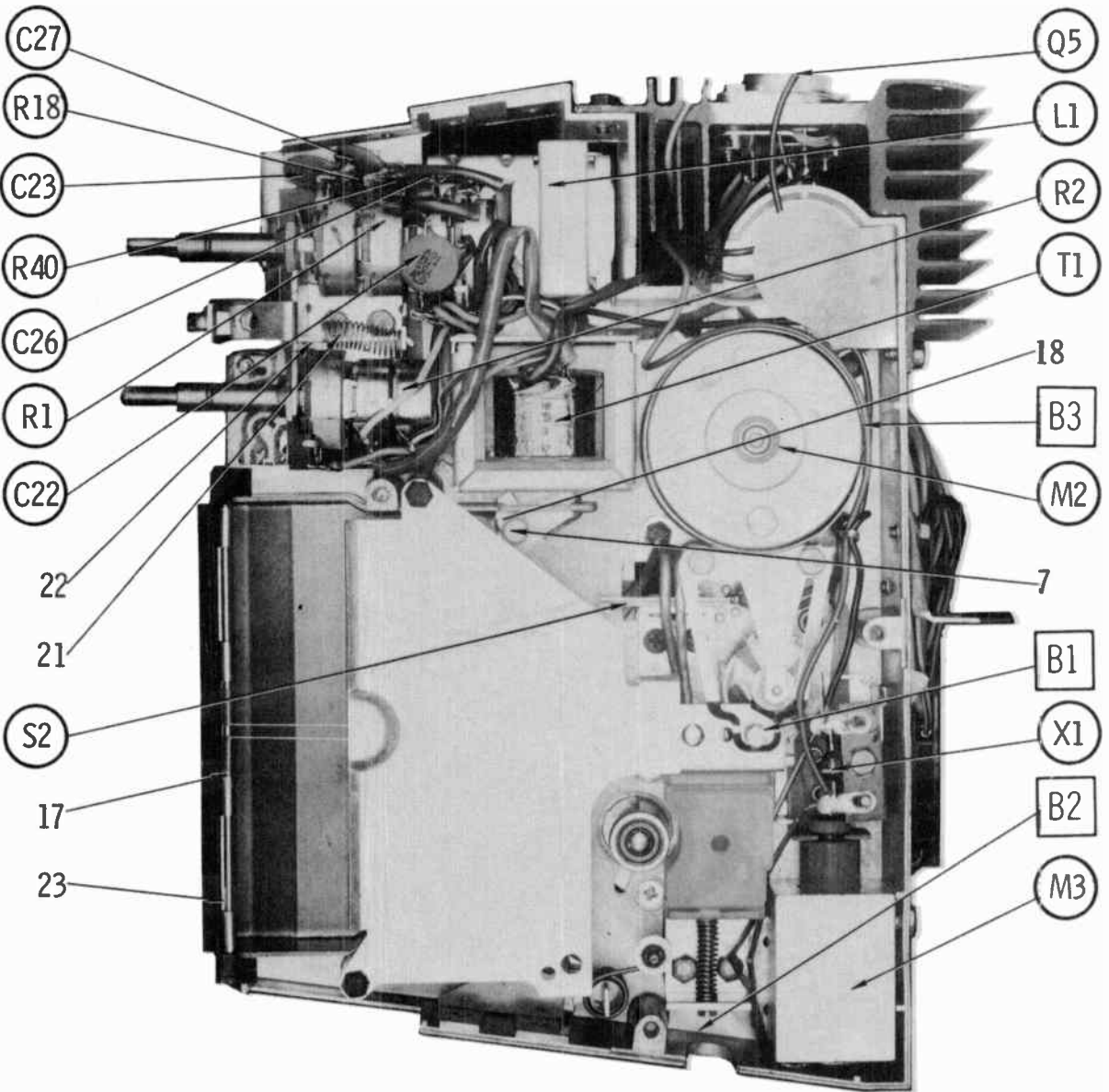
MECHANICAL PARTS LIST

| REF. NO. | PART NO. | DESCRIPTION | REF. NO. | PART NO. | DESCRIPTION |
|----------|----------|-----------------------------------------|----------|----------|--------------------------------|
| 1* | 7304589* | Belt* (2 used) | 11 | 7304224 | Thrust Bearing Plate |
| 2 | 7313343 | Tape Guide Assembly | 12 | 7304249 | Retainer Assembly |
| 3 | 7310096 | Cam Assembly | 13 | 1222949 | Head Height Adjustment Screw |
| 4 | 7304226 | Pawl | 14 | 7313405 | Slide Assembly |
| 5 | 7305877 | Cartridge Lock Arm Assembly | 15 | 7304444 | Azimuth Adjust Tension Spring |
| 6 | 7305875 | Head and Parallelogram Arm Assembly | 16 | 7304222 | Cartridge Arm Lock Spring |
| 7 | 1222969 | Switch Arm Assembly | 17 | 7307337 | Cartridge Door Spring |
| 8 | 7304225 | Nylon Capstan Thrust Bearing | 18 | 7304234 | Switch Return Spring |
| 9 | 7306985 | Motor Shield | 19 | 7307309 | Slide Return Spring |
| 10 | 7304935 | Capstan, Flywheel, and Bearing Assembly | 20 | 7304796 | Tape Stripper |
| | | | 21 | 7305424 | Program Selector Return Spring |
| | | | 22 | 7306509 | Program Pushbar Assembly |
| | | | 23 | 7306016 | Door Hinge Pin |

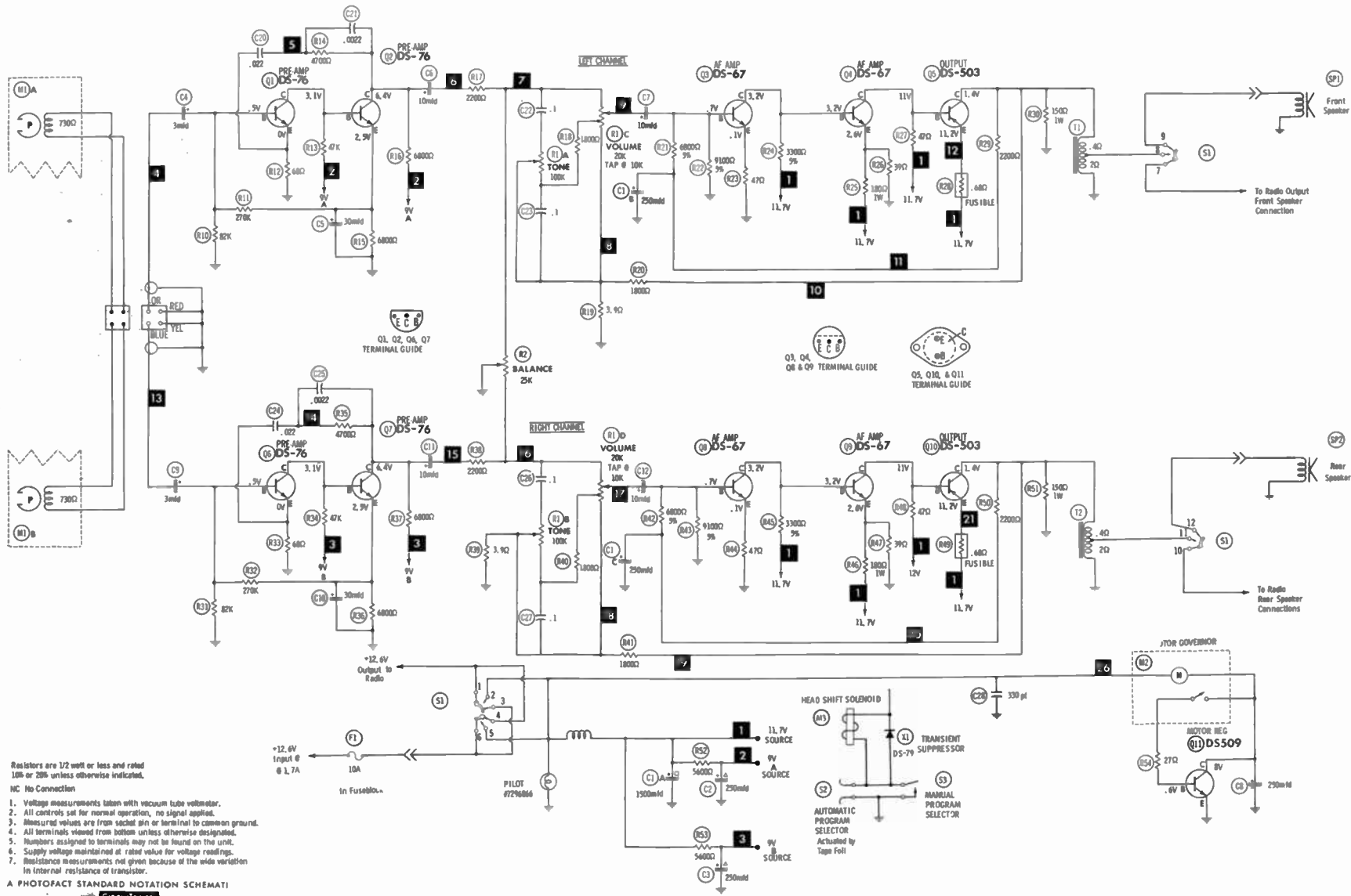
* Belt - WALSCO Part No. 1499-33 (Replace both belts)







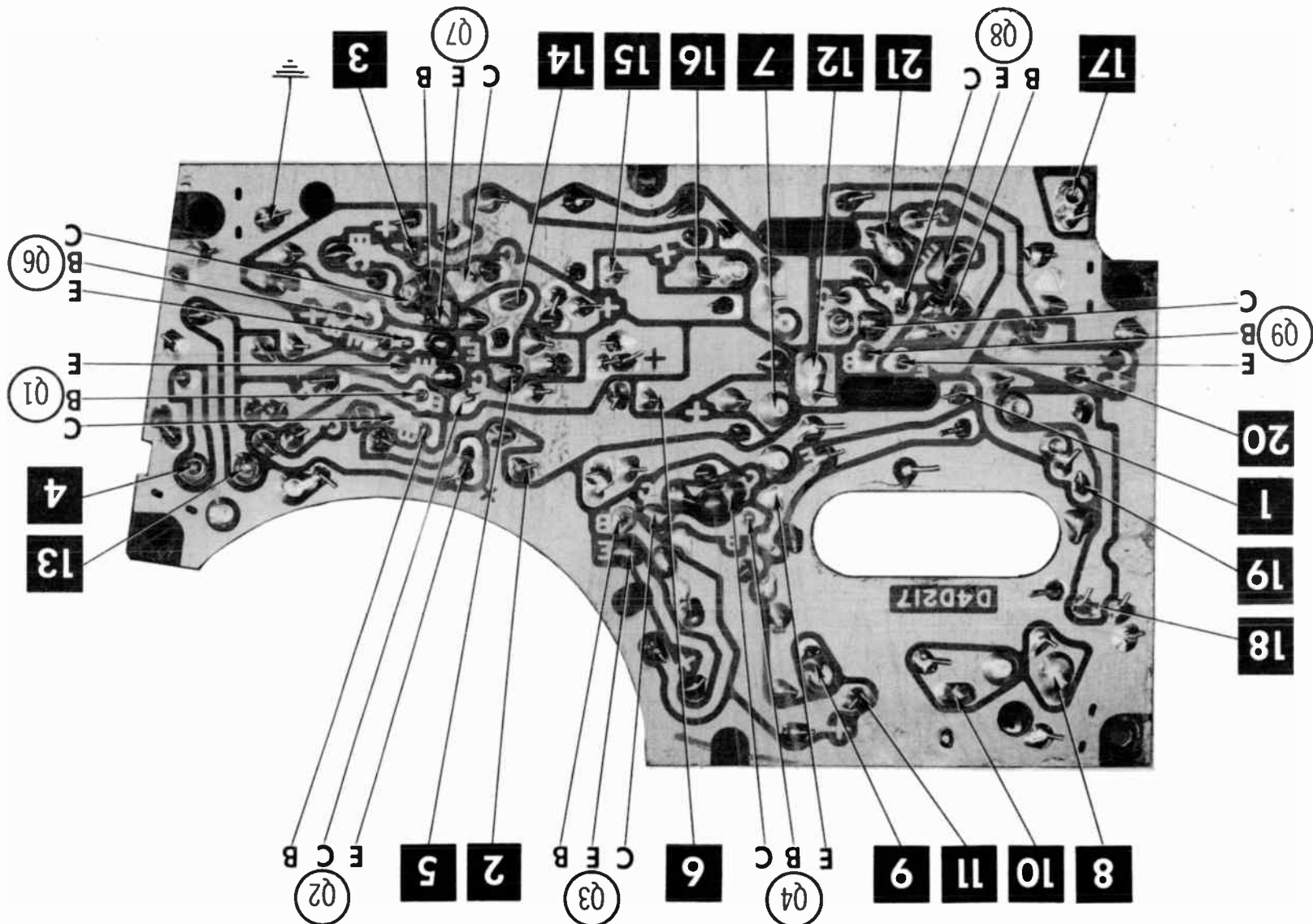
NOTE: DEMAGNETIZE HEADS AFTER SERVICING

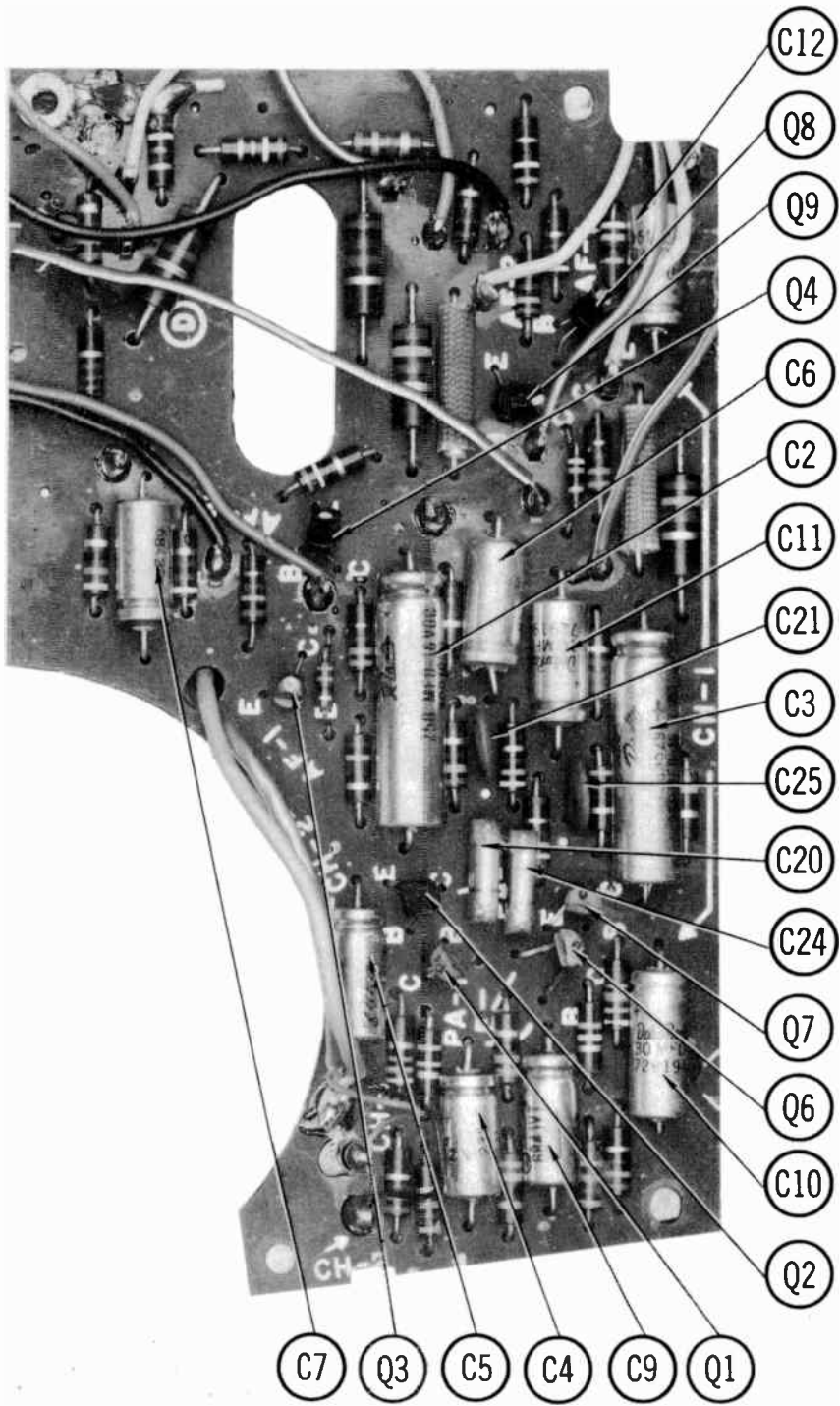


- Resistors are 1/2 watt or less and rated 10% or 20% unless otherwise indicated.
 NC No Connection
1. Voltage measurements taken with vacuum tube voltmeter.
 2. All controls set for normal operation, no signal applied.
 3. Measured values are from socket pin or terminal to common ground.
 4. All terminals viewed from bottom unless otherwise designated.
 5. Numbers assigned to terminals may not be found on the unit.
 6. Supply voltage maintained at rated value for voltage readings.
 7. Resistance measurements not given because of the wide variation in internal resistance of transistor.

A PHOTOFAC STANDARD NOTATION SCHEMATIC with **CIRCUITRACE**
 © Howard W. Sams & Co., Inc 1970

OLDSMOBILE MODELS 03BT411/ET411





C12

Q8

Q9

Q4

C6

C2

C11

C21

C3

C25

C20

C24

Q7

Q6

C10

Q2

C7

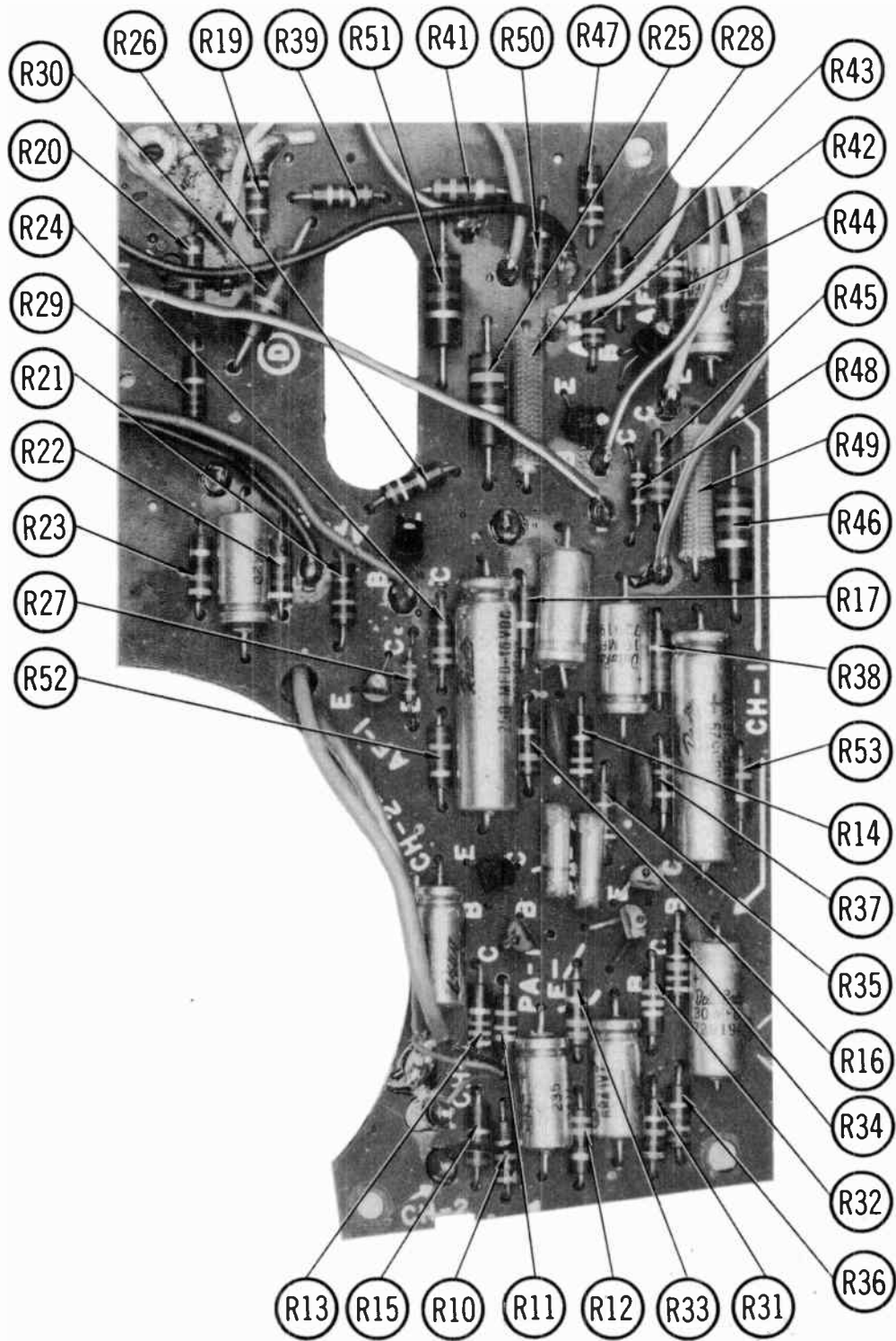
Q3

C5

C4

C9

Q1



PARTS LIST AND DESCRIPTION

(When ordering parts, state Model, Part Number, and Description.)

Replacement parts shown may be superseded by the availability of newly introduced replacements.
Have your local distributor check Sams COUNTER FACTS¹ for the most up-to-date replacement.

WIRING DATA

| | |
|-------------------------------------------|----------------------------------------------------------------------------------------------|
| General-use Unshielded Hook-up Wire | Use BELDEN No. 8530 (Solid) Available in 12 Colors 8524 (Stranded) Available in 12 Colors |
| Shielded Hook-up Wire | Use BELDEN No. 8885 |
| Rear Seat Speaker Extension Cable | Use BELDEN No. 8782 (Stranded) Coded Parallel Leads |
| Bonding Strap | Use BELDEN No. 8661 (3/8 In.) or 8670 (3/4 In.) |

TRANSISTORS

| ITEM No. | TYPE No. | FUNCTION | REPLACEMENT DATA | | | | | |
|----------|----------|---------------------|------------------|---------------------------|----------------------------------|-------------------|--------------|-------------------|
| | | | MFR. PART No. | GENERAL ELECTRIC PART No. | INTERNATIONAL RECTIFIER PART No. | MOTOROLA PART No. | RCA PART No. | SYLVANIA PART No. |
| Q1 | DS-76 | Preamp | DS-76 | GE-10 | TR-21 | HEP53 | SK3020 | ECG 123 |
| Q2 | DS-76 | Preamp | DS-76 | GE-10 | TR-21 | HEP53 | SK3020 | ECG 123 |
| Q3 | DS-67 | AF Amp | DS-66 | GE-10 | TR-21 | HEP54 | SK3020 | ECG 123 |
| Q4 | DS-67 | AF Amp | DS-66 | GE-10 | TR-21 | HEP54 | SK3020 | ECG 123 |
| Q5 | DS-503 | Output (1) | DS-503 | GE-3 | TR-01 | HEP232 | SK3009 | ECG 104 |
| Q6 | DS-76 | Preamp | DS-76 | GE-10 | TR-21 | HEP53 | SK3020 | ECG 123 |
| Q7 | DS-76 | Preamp | DS-76 | GE-10 | TR-21 | HEP53 | SK3020 | ECG 123 |
| Q8 | DS-67 | AF Amp | DS-66 | GE-10 | TR-21 | HEP54 | SK3020 | ECG 123 |
| Q9 | DS-67 | AF Amp | DS-66 | GE-10 | TR-21 | HEP54 | SK3020 | ECG 123 |
| Q10 | DS-503 | Output (1) | DS-503 | GE-3 | TR-01 | HEP232 | SK3009 | ECG 104 |
| Q11 | DS-509 | Motor Regulator (1) | DS-509 | GE-14 | TR-26 | HEP704 | SK3036 | ECG 130 |

(1) When replacing, apply silicone grease to both sides of insulator. Tighten mounting screws securely.

POWER RECTIFIERS & SIGNAL DIODES

| ITEM No. | MFR. PART OR TYPE No. | REPLACEMENT RECTIFIERS & DIODES | | | REPLACEMENT RECTIFIERS | NOTES |
|----------|-----------------------|---------------------------------|----------------------------------|-------------------|------------------------|-------|
| | | GENERAL ELECTRIC PART No. | INTERNATIONAL RECTIFIER PART No. | SYLVANIA PART No. | RCA PART No. | |
| X1 | DS-79 | | | | | |

ELECTROLYTIC CAPACITORS

| ITEM No. | RATING | REPLACEMENT DATA | | | | | | |
|----------|----------|------------------|------------------|--------------------|---------------------------|---------------------------|------------------|------------------|
| | | PART No. | AEROVOX PART No. | CENTRALAB PART No. | CORNELL-DUBILIER PART No. | GENERAL ELECTRIC PART No. | MALLORY PART No. | SPRAGUE PART No. |
| C1A | 1500 16V | 7310473 | | | | | | |
| B | 250 16V | | | | | | | |
| C | 250 16V | | | | | | | |
| C2 | 250 16V | 7307357 | PRS1210 | EA15-250 | WBR250-50 | QT1-28 | MTA250F15 | TE-1165 |
| C3 | 250 16V | 7307357 | PRS1210 | EA15-250 | WBR250-50 | QT1-28 | MTA250F15 | TE-1165 |
| C4 | 3 12V | 7291860 | PTT127 | EA15-5 | AL3-150 | MT1-3 | MTA3D50 | TE-1122 |
| C5 | 30 6V | 7296313 | CRE413A | EA6-25 | AL30-6 | MT1-13 | MTA30D15 | TL-1093 |
| C6 | 10 12V | 7292738 | PTT114 | EA15-10 | AL10-15 | MT1-5 | MTA10D35 | TL-1128 |
| C7 | 10 12V | 7292738 | PTT114 | EA15-10 | AL10-15 | MT1-5 | MTA10D35 | TL-1128 |
| C8 | 250 16V | 7307357 | PRS1210 | EA15-250 | WBR250-50 | QT1-28 | MTA250F15 | TE-1165 |
| C9 | 3 12V | 7291860 | PTT-127 | EA15-5 | AL3-150 | MT1-3 | MTA3D50 | TE-1122 |
| C10 | 30 6V | 7296313 | CRE413A | EA6-25 | AL30-6 | MT1-13 | MTA30D15 | TL-1093 |
| C11 | 10 12V | 7292738 | PTT114 | EA15-10 | AL10-15 | MT1-5 | MTA10D35 | TL-1128 |
| C12 | 10 12V | 7292738 | PTT114 | EA15-10 | AL10-15 | MT1-5 | MTA10D35 | TL-1128 |

PARTS LIST AND DESCRIPTION (CONTINUED)

(When ordering parts, state Model, Port Number, and Description.)

Replacement parts shown may be superseded by the availability of newly introduced replacements.
Have your local distributor check Sams COUNTER FACTS[®] for the most up-to-date replacement.

CAPACITORS

| ITEM No. | RATING | REMARKS | REPLACEMENT DATA | | | | | |
|----------|----------|---------|------------------|--------------------|---------------------------|------------------|------------------|------------------|
| | | | AEROVOX PART No. | CENTRALAB PART No. | CORNELL-DUBILIER PART No. | ELMENCO PART No. | MALLORY PART No. | SPRAGUE PART No. |
| C20 | .022 75V | | V1612S22 | | DPMS6S22 | 1DP-1-223 | PVC1122 | 225P22391WD3 |
| C21 | .0022 | | GPD X5F222K | DD-222 | GP2200 | CCD-222 | GP222 | 10TS-D22 |
| C22 | .1 | | TTP-1 | CK-104 | | | TA010 | TG-P10 |
| C23 | .1 | | TTP-1 | CK-104 | | | TA010 | TG-P10 |
| C24 | .022 75V | | V1612S22 | | DPMS6S22 | 1DP-1-223 | PVC1122 | 225P22391WD3 |
| C25 | .0022 | | GPD X5F222K | DD-222 | GP2200 | CCD-222 | GP222 | 10TS-D22 |
| C26 | .1 | | TTP-1 | CK-104 | | | TA010 | TG-P10 |
| C27 | .1 | | TTP-1 | CK-104 | | | TA010 | TG-P10 |
| C28 | 330 | | GPD X5F331K | DD-331 | GP330 | CCD-331 | GP333 | 10TS-T33 |

CONTROLS (All wattages 1/2 watt, or less, unless listed)

| ITEM No. | FUNCTION | RESISTANCE | REPLACEMENT DATA | | | | |
|----------|----------------|----------------|------------------|--------------------|--------------------|------------------|------------------|
| | | | MFGR. PART No. | CENTRALAB PART No. | CLAROSTAT PART No. | CTS-IRC PART No. | MALLORY PART No. |
| RIA | Tone (Left) | 100K | 7305432 | | | | |
| B | Tone (Right) | 100K | | | | | |
| C | Volume (Left) | 20K Tap @ 6500 | | | | | |
| D | Volume (Right) | 20K Tap @ 6500 | | | | | |
| R2 | Balance | 20K | 7305433 | | | | |

RESISTORS (Power and Special)

| ITEM No. | RATING | REPLACEMENT DATA | |
|----------|--------------------|------------------|----------------|
| | | WORKMAN PART No. | MFGR. PART No. |
| R28 | .68 Ohms (Fusible) | | 7287480 |

| ITEM No. | RATING | REPLACEMENT DATA | |
|----------|--------------------|------------------|----------------|
| | | WORKMAN PART No. | MFGR. PART No. |
| R49 | .68 ohms (Fusible) | | 7287480 |

FILTER CHOKE

| ITEM No. | RATINGS | | | REPLACEMENT DATA | | | | NOTES |
|----------|--------------------|---------|------------------------------|------------------|----------------|------------------|---------------------|--------|
| | CURRENT (Measured) | DC RES. | INDUCTANCE (0 CURRENT 1000~) | PART No. | MERIT PART No. | STANCOR PART No. | THORDARSON PART No. | |
| L1 | 1.7 Amp | .6 ohms | 8mh | 1221623 | C4095 | TC-2 | TR-154 | TY17XT |

TRANSFORMER (Audio Output)

| ITEM No. | IMPEDANCE | | REPLACEMENT DATA | | | | | NOTES |
|----------|-----------|-----------|------------------|----------|----------|------------|----------|-------|
| | PRI. | SEC. | MFGR. | MERIT | STANCOR | THORDARSON | TRIAD | |
| | | | PART No. | PART No. | PART No. | PART No. | PART No. | |
| T1 | 12 ohms | @ 10 ohms | 7304511 | | | | | |
| T2 | 12 ohms | @ 10 ohms | 7304511 | | | | | |

OLDSMOBILE MODELS 03BT411/ET411

PARTS LIST AND DESCRIPTION (CONTINUED)

(When ordering parts, state Model, Part Number, and Description.)

Replacement parts shown may be superseded by the availability of newly introduced replacements. Have your local distributor check Sams COUNTER FACTS® for the most up-to-date replacement.

SPEAKER

| ITEM No. | TYPE | REPLACEMENT DATA | | NOTES |
|----------|---------------------|------------------|---------------|--------------------------------------------------------------------------------------------------|
| | | MFGR. PART No. | QUAM PART No. | |
| SP1 | 4" x 10" PM 10 ohms | 7311413 | | Front, Olds., F-85 Front, Toronado Rear, Olds., F-85, Toronado Rear, F-85 Station Wagon |
| | 4" x 10" PM 10 ohms | 7289969 | 410A2Z10 | |
| SP2 | 6" x 9" PM 10 ohms | 7301803 | 69A1Z10 | |
| | 4" x 10" PM 10 ohms | 7303361 | 410A2Z10 | |

FUSE DEVICES

| ITEM No. | DESCRIPTION | REPLACEMENT DATA | | | | | | |
|----------|-------------|------------------|---------------|---------------|--------|---------------------|--------|------------------|
| | | PART No. | | BUSS PART No. | | LITTELFUSE PART No. | | WORKMAN PART No. |
| | | DEVICE | HOLDER | DEVICE | HOLDER | DEVICE | HOLDER | DEVICE |
| F1 | 3AG 10 Amp | | In Fuse Block | AG10 | | 311010 | | |

TAPE HEADS

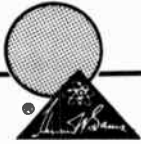
| ITEM No. | MEASURED | | | PART No. | NORTRONICS PART No. | DESCRIPTION |
|----------|------------|------------------------|------------|----------|---------------------|---------------------------------------------------|
| | INDUCTANCE | BIAS/ERASE VOLTS (RMS) | BIAS FREQ. | | | |
| M1 | 380mh | | | 7305875 | 5800 (1) | 8-Track Stereo Play (1) Use original mounting. |

MISCELLANEOUS

| ITEM No. | PART NAME | PART No. | NOTES |
|----------|---------------------------------------|----------|-------|
| M2 | Motor | 7306712 | |
| M3 | Solenoid | 1222985 | |
| S1 | Switch, Power | 7309849 | |
| S2 | Switch, Automatic Program Selector | 7313343 | |
| S3 | Switch, Manual Program Selector | 1222972 | |

CABINETS & CABINET PARTS (When ordering specify model, chassis & color)

| ITEM | PART No. | ITEM | PART No. |
|--------------|----------|---------------|----------|
| Tape Door | 1222827 | Knob, Tone | 400538 |
| Escutcheon | 7306038 | Knob, Balance | 400539 |
| Knob, Volume | 400537 | | |



PHOTOFACT[®] with

CIRCUITRACE[®]

For Supplier Address See PHOTOFACT Index

NOTE: Manufacturer Part Numbers Shown Are UNITED DELCO



OPEL MODEL 04LPB1
(70 Opel)
04PPB1
(70 Opel GT)

OPEL MODELS 04LPB1/PPB1

ALIGNMENT INSTRUCTIONS

Check for specified source voltage.
Use only enough generator output
to provide a usable indication.
Suggested Alignment Tools:

A1 thru A4...GENERAL CEMENT #5009,8728A,8987
WALSCO #2531X, 2536
A5 thru A8...GENERAL CEMENT #8290,8868,9087
WALSCO #2525,2528,2587

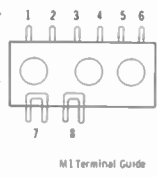
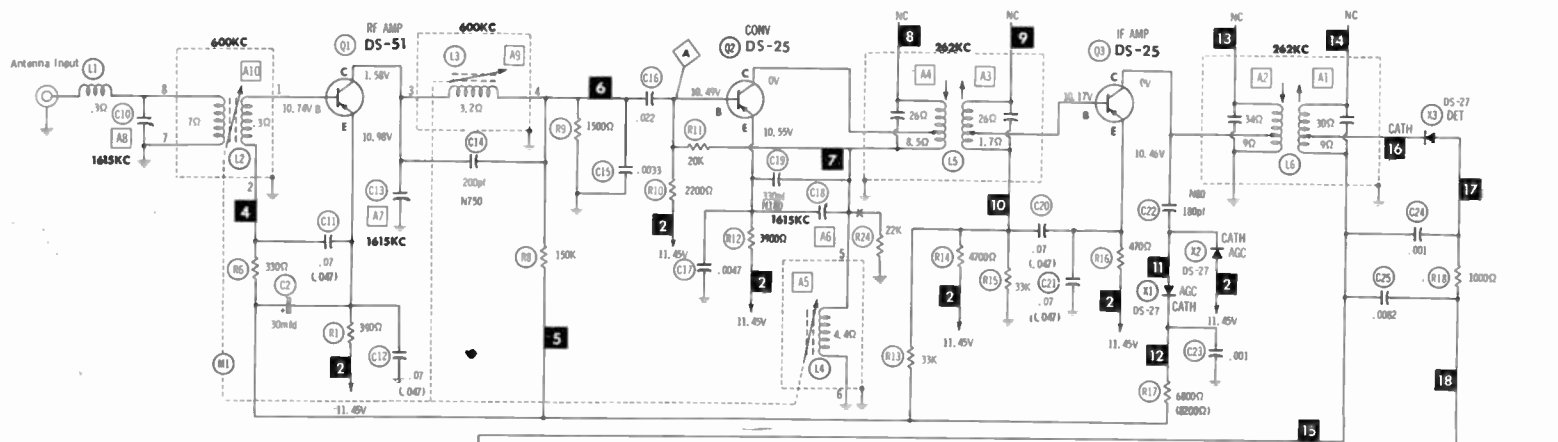
PUSH-BUTTON ADJUSTMENT

1. Pull button out.
2. Tune manually to desired station.
3. Press button in firmly.
4. Repeat for remaining buttons.

| | GENERATOR COUPLING | GENERATOR FREQUENCY | RADIO DIAL SETTING | INDICATOR | ADJUST | REMARKS |
|------------------------------------------------------------------------------------------------------------------------------------------------------------------------------------------------------------|-----------------------------------------------------------------|-------------------------------|----------------------|---------------------------------|-----------------|------------------------------------|
| 1. | High side thru .1mfd to point \diamond A, low side to ground. | 262KC 400 cycle modulation | High freq. end stop. | Output meter across voice coil. | A1,A2, A3,A4 | Adjust for maximum. |
| Check setting of oscillator coil core (A5). Rear of core should be 1 3/8" from mounting end of coil form. | | | | | | |
| 2. | High side thru 82pf to antenna input, low side to ground. | 1615KC | High freq. end stop. | Output meter across voice coil. | A6,A7, A8 | Adjust for maximum. |
| 3. | " | 600KC | 600KC signal | " | A9,A10 | Adjust for maximum. Repeat Step 2. |
| With radio installed in car and antenna extended to desired height, tune in a weak station near 1400KC and adjust A8 for maximum output. Antenna adjustment (A8) is located behind tuning and dummy knobs. | | | | | | |

HOWARD W. SAMS & CO., INC. Indianapolis, Indiana 46206

© 1970 Howard W. Sams & Co., Inc. Printed in U. S. of America TD790R

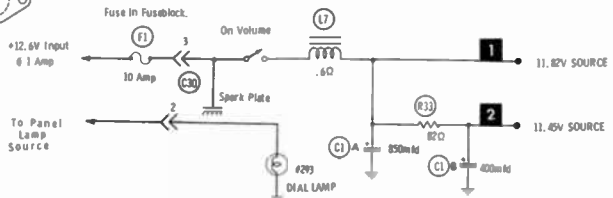
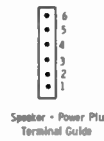
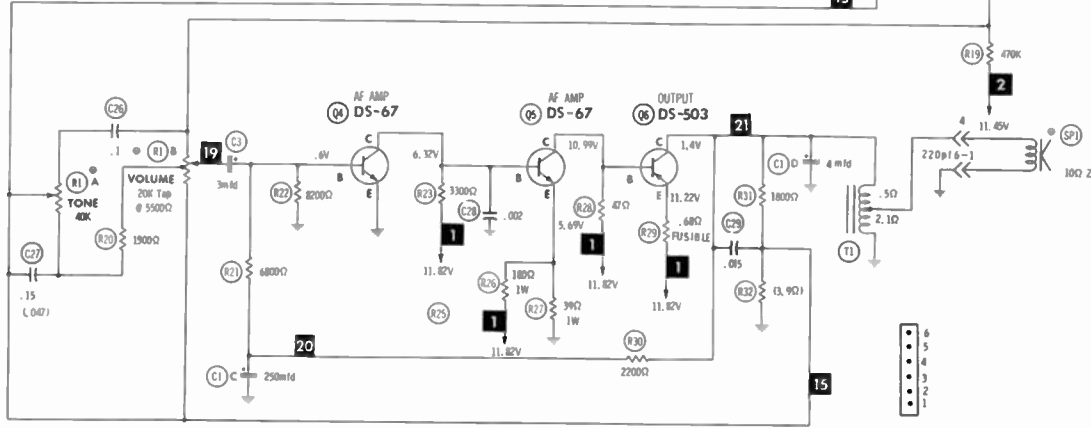


Resistors are 1/2 watt or less and rated 10% or 20% unless otherwise indicated.

Transistor Terminal Guide

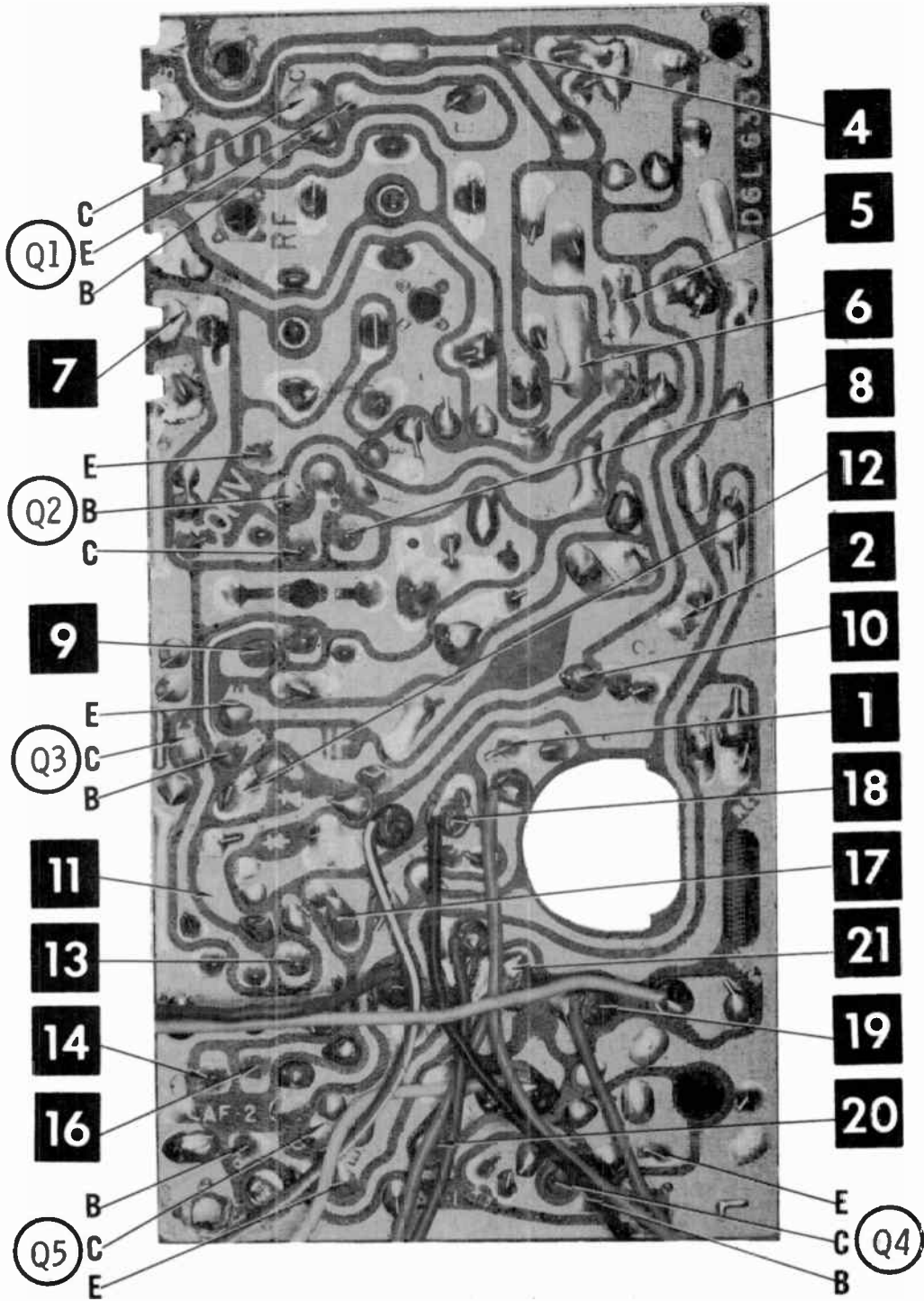


- 1. See parts list for alternate value or application.
- 2. Voltage measurements taken with vacuum tube voltmeter.
- 3. All controls set for normal operation, no signal applied.
- 4. Measured values are from socket pins or terminal to common ground.
- 5. All terminals viewed from bottom unless otherwise designated.
- 6. Numbers assigned to terminals may not be found on the unit.
- 7. Supply voltage maintained at rated value for voltage readings.
- 8. Resistance measurements not given because of the wide variation in internal resistance of transistor.
- 9. Waveforms taken with controls set to produce 50% peak-to-peak signal at picture tube.

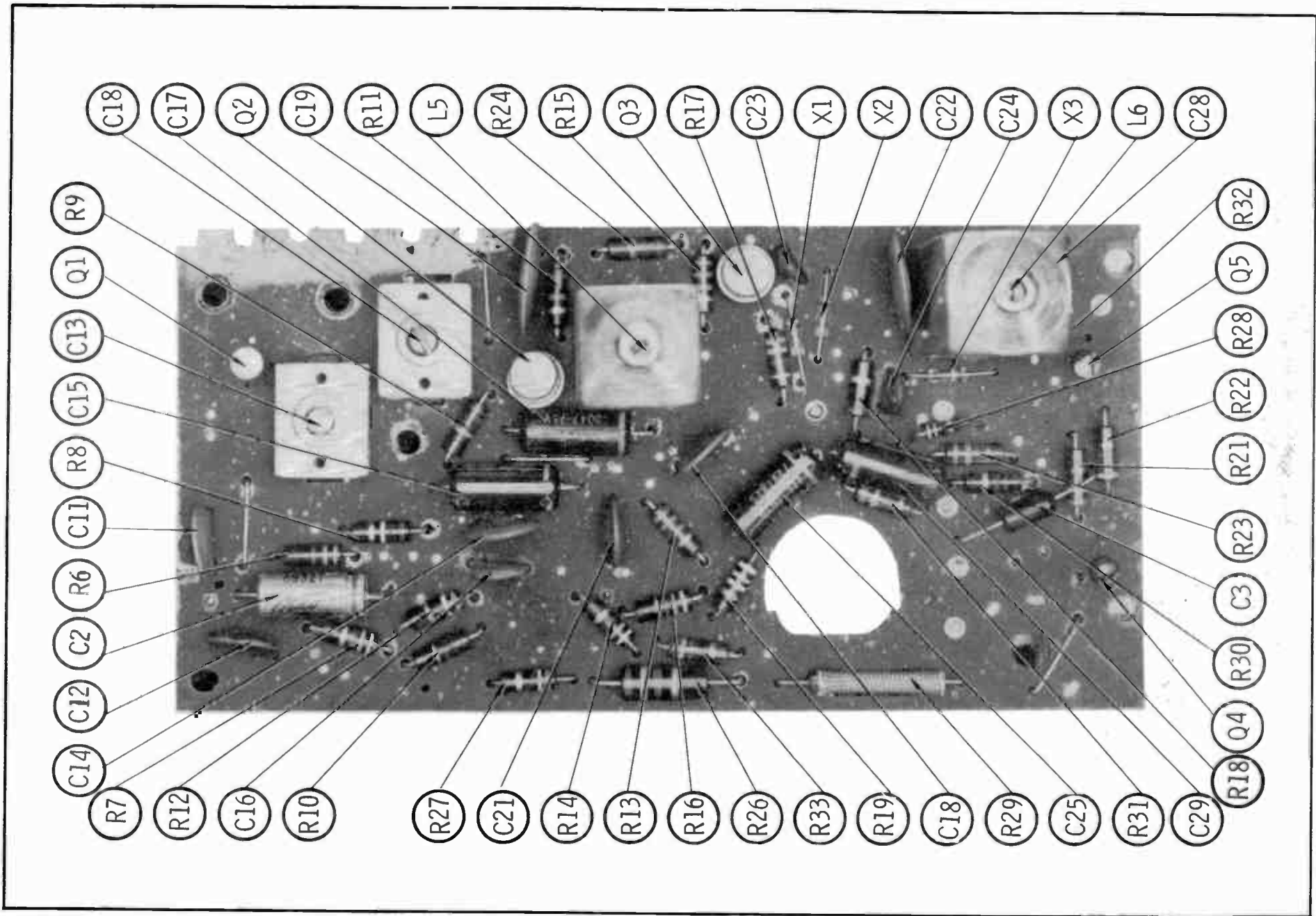


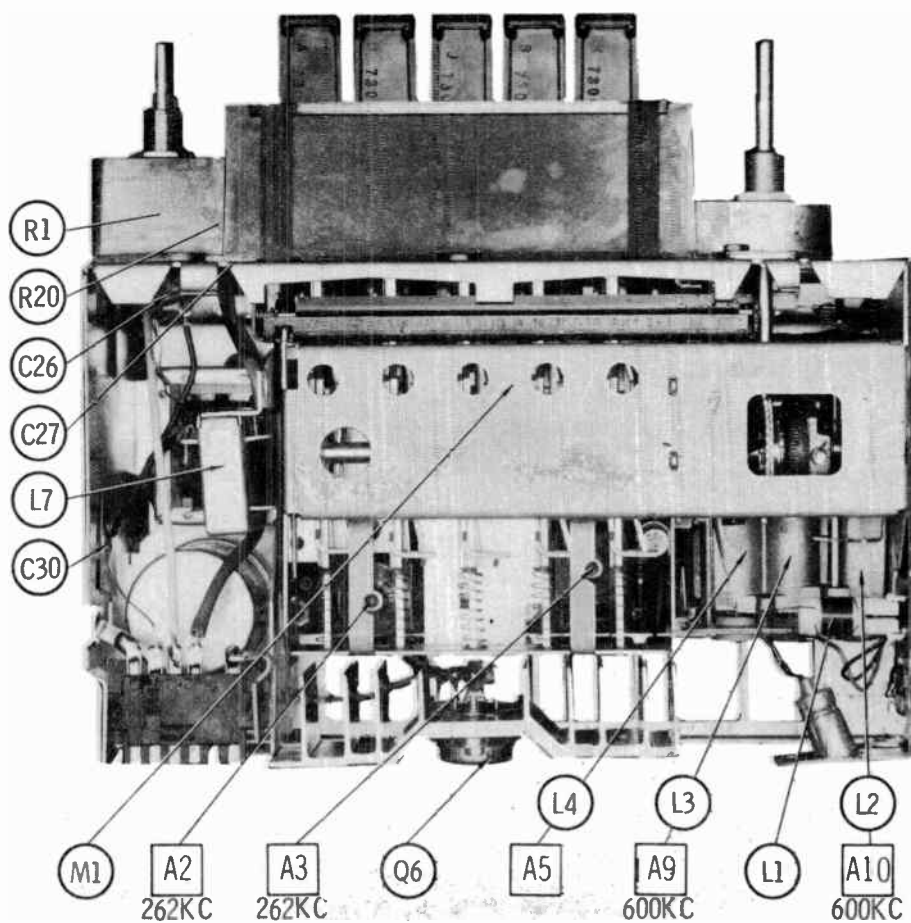
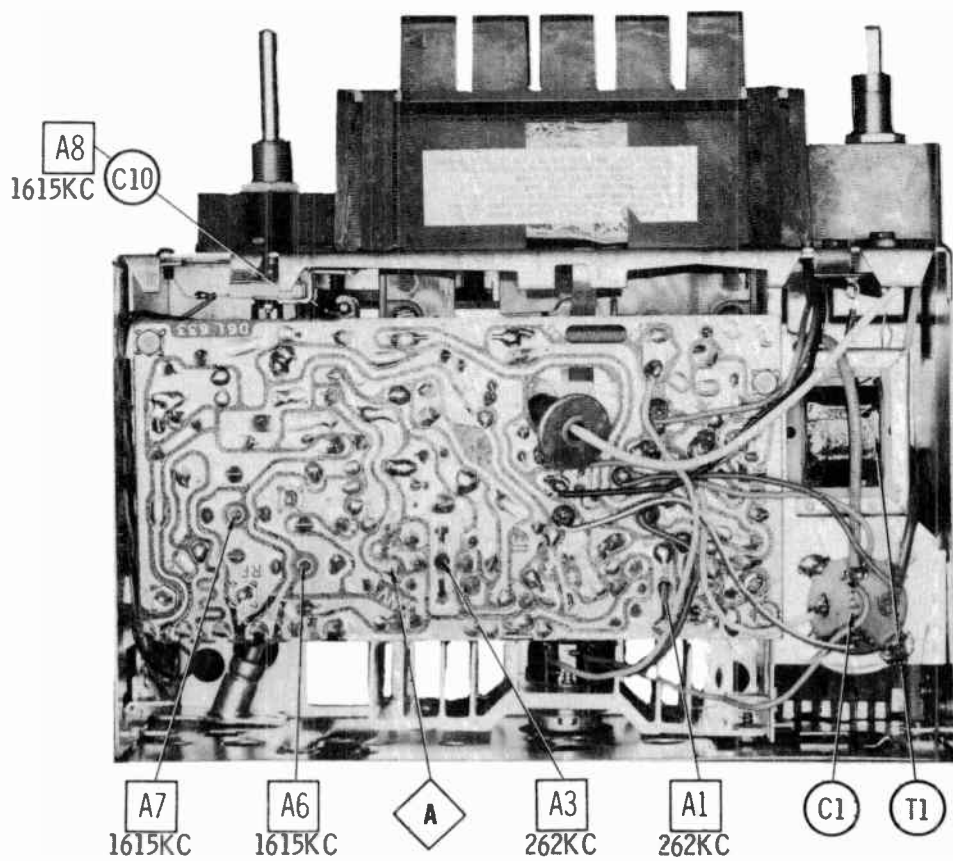
A PHOTOFACT STANDARD NOTATION SCHEMATIC
with **Circuit**
© Howard W. Sams & Co., Inc. 1970

OPEL MODELS 04LPB1/PPB1



A Howard W. Sams **CIRCUITRACE** Photo





PARTS LIST AND DESCRIPTION

(When ordering parts, state Model, Part Number, and Description.)

Replacement parts shown may be superseded by the availability of newly introduced replacements.
Have your local distributor check Sams COUNTER FACTS® for the most up-to-date replacement.

TRANSISTORS

| ITEM No. | TYPE No. | FUNCTION | REPLACEMENT DATA | | | | | |
|----------|----------|------------|------------------|---------------------------|----------------------------------|-------------------|--------------|-------------------|
| | | | MFGR. PART No. | GENERAL ELECTRIC PART No. | INTERNATIONAL RECTIFIER PART No. | MOTOROLA PART No. | RCA PART No. | SYLVANIA PART No. |
| Q1 | DS-51 | RF Amp | DS-25 | GE-9 | TR-06 | HEP639 | SK3008 | ECG 126 |
| Q2 | DS-25 | Converter | DS-25 | GE-9 | TR-06 | HEP639 | SK3008 | ECG 126 |
| Q3 | DS-25 | IF Amp | DS-25 | GE-9 | TR-06 | HEP639 | SK3008 | ECG 126 |
| Q4 | DS-67 | AF Amp | DS-66 | GE-10 | TR-21 | HEP54 | SK3020 | ECG 123 |
| Q5 | DS-67 | AF Amp | DS-66 | GE-10 | TR-21 | HEP54 | SK3020 | ECG 123 |
| Q6 | DS-503 | Output (1) | DS-503 | GE-3 | TR-01 | HEP232 | SK3009 | ECG 104 |

(1) When replacing, apply silicone grease to both sides of insulator. Tighten mounting screws securely.

POWER RECTIFIERS & SIGNAL DIODES

| ITEM No. | MFGR. PART OR TYPE No. | REPLACEMENT RECTIFIERS & DIODES | | | REPLACEMENT RECTIFIERS | NOTES |
|----------|------------------------|---------------------------------|----------------------------------|-------------------|------------------------|-------|
| | | GENERAL ELECTRIC PART No. | INTERNATIONAL RECTIFIER PART No. | SYLVANIA PART No. | RCA PART No. | |
| X1 | DS-27 | 1N34AS | 1N34A | ECG 109 | | |
| X2 | DS-27 | 1N34AS | 1N34A | ECG 109 | | |
| X3 | DS-27 | 1N34AS | 1N34A | ECG 109 | | |

ELECTROLYTIC CAPACITORS

| ITEM No. | RATING | REPLACEMENT DATA | | | | | | |
|----------|------------|------------------|------------------|--------------------|---------------------------|---------------------------|------------------|------------------|
| | | PART No. | AEROVOX PART No. | CENTRALAB PART No. | CORNELL-DUBILIER PART No. | GENERAL ELECTRIC PART No. | MALLORY PART No. | SPRAGUE PART No. |
| C1A | 850 16V | 7310185 | | | DD0009A | | | |
| C1B | 400 16V | | | | | | | |
| C1C | 250 2V | | | | | | | |
| C1D | 4 11.5 rms | | | | | | | |
| C2 | 30 6V | 7296313 | CRE413A | EA6-25 | AL30-6 | MT1-13 | MTA30D15 | TL-1093 |
| C3 | 3 12V | 7296348 | PTT127 | EA15-2 | AL3-150 | MT1-3 | MTA3D50 | TE-1122 |

CAPACITORS

| ITEM No. | RATING | REMARKS | REPLACEMENT DATA | | | | | |
|----------|-----------|----------|------------------|--------------------|---------------------------|------------------|------------------|------------------|
| | | | AEROVOX PART No. | CENTRALAB PART No. | CORNELL-DUBILIER PART No. | ELMENCO PART No. | MALLORY PART No. | SPRAGUE PART No. |
| C10 | | #7294355 | TTP-05 | CK-503 | MGPO5 | CCD-503 | TA150 | TGL-S50 |
| C11 | .07 | | TTP-05 | CK-503 | MGPO5 | CCD-503 | TA150 | TGL-S50 |
| C12 | .07 | | | | | | | |
| C13 | | #7287935 | | | | | | |
| C14 | 200 N750 | | N750-D1 200 | DTN-200 | CV601UJ201K | CCTN-201 | CN7301 | 10TCU-T20 |
| C15 | .0033 75V | | DBE6D33 | CPR-3300J | WMF1D33 | 6DP-1-332 | PVC6233 | 6PS-D33 |
| C16 | .022 | | TTP-02 | CK-203 | MGPO2 | CCD-203 | TA120 | TG-S20 |
| C17 | .0047 75V | | DBE6D5 | CPR-5000J | DPMS6D5 | 1DP-1-502 | PVC625 | 6PS-D50 |
| C18 | | #7282165 | | | | | | |
| C19 | 330 N180 | | | | | * | * | |
| C20 | .07 | | TTP-05 | CK-503 | MGPO5 | CCD-503 | TA150 | TGL-S50 |
| C21 | .07 | | TTP-05 | CK-503 | MGPO5 | CCD-503 | TA150 | TGL-S50 |
| C22 | 180 N80 | | | | | * | * | 10TCN-T18 |
| C23 | .001 | | GPD X5F102K | DM-102 | GP1000 | CCD-102 | SM210 | 2SS-D10 |
| C24 | .001 | | GPD X5F102K | DM-102 | GP1000 | CCD-102 | SM210 | 2SS-D10 |
| C25 | .0082 75V | | DBE6D82 | CPR-8200J | WMF1S82 | 6DP-2-822 | PVC6282 | 6PS-D82 |
| C26 | .1 | | TTP-1 | CK-104 | | | TA010 | TG-P10 |
| C27 | .15 75V | | DBE6P15 | | DPMS4P15 | 4DP-4-154 | PVC6015 | 4PS-P15 |
| C28 | .002 | | GPD X5F202K | DM-202 | GP2000 | CCD-202 | GP220 | 2SS-D20 |
| C29 | .015 75V | | V1612S15 | DD-153 | DPMS6S15 | 1DP-1-153 | PVC2115 | 225P15391WD3 |
| C30 | | #7271564 | | | | | | |

* Not normally in distributor's stock. Available thru distributor on order to manufacturer.

Delco Part Number.

PARTS LIST AND DESCRIPTION (CONTINUED)

(When ordering parts, state Model, Part Number, and Description.)

Replacement parts shown may be superseded by the availability of newly introduced replacements.

Have your local distributor check Sams COUNTER FACTS* for the most up-to-date replacement.

CONTROLS (All wattages 1/2 watt, or less, unless listed)

| ITEM No. | FUNCTION | RESIST-ANCE | REPLACEMENT DATA | | | | |
|----------|---------------|-------------|------------------|-----------------------------------------------------------|--------------------|------------------|--------------------------------------------------|
| | | | MFGR. PART No. | CENTRALAB PART No. | CLAROSTAT PART No. | CTS-IRC PART No. | MALLORY PART No. |
| R1A | Tone | 100K | 7307446 (2) | F2-100K, R2-25K, BB008,FFS010, RFS104,KR-4 | | * QJ-2545A | P15A,4012, RU24A,OX625 IS1375,US41 |
| B | Volume/Switch | 20K | | | | | |
| A | Tone | 100K | 7302594 (3) | F2-100K, R2-25K,SB004, BB012,FFS102, RFS113,KR-4 | | ** QJ-2660A | P15A,4078,SH41, RU24A,OX1000A, IS1625,US41 |
| B | Volume/Switch | 20K | | | | | |

* "Concentrikit" Equivalent: K-8 Kit with base elements & shafts; B13-128, P14-019 (Panel)
B13-120, R16-106 (Rear)
S47 (Bushing)
76-1 (Switch)

"Snaptrol" Equivalent: BU8 (1), CF52, CR60, SF68, SR39, GC.

** "Concentrikit" Equivalent: K-8 Kit with base elements & shafts; B13-128, P22-103 (Panel)
B13-120, R16-118 (Rear)
S6 (Bushing)
N4 (Nut)
76-1 (Switch)

"Snaptrol" Equivalent BU8 (1), CF52, CR60, SF6, SR8, N4, GC

- (1) Alter bushing and adjust spacer nut (N4) to meet requirements.
- (2) Used in Model 04LPB1 (1970 Opel).
- (3) Used in Model 04PPBL (1970 Opel GT)

RESISTORS (Power and Special)

| ITEM No. | RATING | REPLACEMENT DATA | |
|----------|---------------|------------------|----------------|
| | | WORKMAN PART No. | MFGR. PART No. |
| R29 | .68 (Fusible) | | 7287480 |

| ITEM No. | RATING | REPLACEMENT DATA | |
|----------|--------|------------------|----------------|
| | | WORKMAN PART No. | MFGR. PART No. |
| | | | |

COILS (RF-IF)

| ITEM No. | USE | REPLACEMENT DATA | | | |
|----------|------------------|------------------|-------------------|-----------------|------------------|
| | | PART No. | MEISSNER PART No. | MILLER PART No. | WORKMAN PART No. |
| L1 | RF Choke (6.2uh) | 7281946 | 19-1004 | 4610 | T859 |
| L2 | Antenna | (1) | | | |
| L3 | RF | (1) | | | |
| L4 | Osc | (1) | | | |
| L5 | Input IF | 1221856 | 16-6704 | 6542 | TA653 |
| L6 | Output IF | 1221857 | 16-6705 | 6543 | TA653 |

(1) Part of M1.

FILTER CHOKE

| ITEM No. | RATINGS | | | REPLACEMENT DATA | | | | | NOTES |
|----------|--------------------|---------|------------------------------|------------------|----------------|------------------|---------------------|----------------|-------|
| | CURRENT (Measured) | DC RES. | INDUCTANCE (0 CURRENT 1000~) | PART No. | MERIT PART No. | STANCOR PART No. | THORDARSON PART No. | TRIAD PART No. | |
| L7 | 1 Amp | .6 | 8mh | 1221623 | C-4095 | TC-2 | | | |

TRANSFORMER (Audio Output)

| ITEM No. | IMPEDANCE | | REPLACEMENT DATA | | | | | NOTES |
|----------|-----------|--------|------------------|----------------|------------------|---------------------|----------------|-------|
| | PRI. | SEC. | MFGR. PART No. | MERIT PART No. | STANCOR PART No. | THORDARSON PART No. | TRIAD PART No. | |
| | T1 | 12 Tap | @ 10 | 7304511 | | | | |

OPEL MODELS 04LPB1/PPB1

PARTS LIST AND DESCRIPTION (CONTINUED)

(When ordering parts, state Model, Part Number, and Description.)

Replacement parts shown may be superseded by the availability of newly introduced replacements.
Have your local distributor check Sams COUNTER FACTS[®] for the most up-to-date replacement.

SPEAKER

| ITEM No. | TYPE | REPLACEMENT DATA | | NOTES |
|----------|---------------------|------------------|---------------|------------------------------|
| | | PART No. | QUAM PART No. | |
| SP1 | 4" X 10" PM 10 ohms | 7311648 | 410A2Z10 | Model 04LPB1 Model 04PPB1 |
| | 5" X 7" PM 10 ohms | 7312194 | 57A1Z8 | |

FUSE DEVICES

| ITEM No. | DESCRIPTION | REPLACEMENT DATA | | | | | | |
|----------|-------------|------------------|---------------|---------------|--------|---------------------|--------|------------------|
| | | PART No. | | BUSS PART No. | | LITTELFUSE PART No. | | WORKMAN PART No. |
| | | DEVICE | HOLDER | DEVICE | HOLDER | DEVICE | HOLDER | DEVICE |
| F1 | 3AG 10 Amp | | In Fuse Block | AGC10 | | 311010 | | |

MISCELLANEOUS

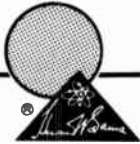
| ITEM No. | PART NAME | PART No. | NOTES |
|----------|---------------------|----------|-------|
| M1 | Tuner Coil Assembly | 7287957 | |

CABINETS & CABINET PARTS (When ordering specify model, chassis & color)

| ITEM | PART No. | ITEM | PART No. |
|--------------|----------|------------------------|----------|
| Escutcheon | 1223033 | Pushbutton | 7298250 |
| Dial Glass | 7307378 | Knob, Tuning or Volume | 9786797 |
| Dial Pointer | 7307409 | Knob, Tone | 7302635 |
| | | Knob, Dummy | 7274892 |

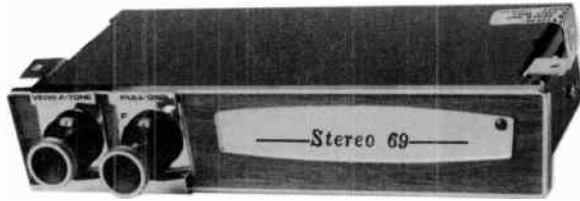
WIRING DATA

| | |
|-------------------------------------------|----------------------------------------------------------------------------------------------|
| General-use Unshielded Hook-up Wire | Use BELDEN No. 8530 (Solid) Available in 12 Colors 8524 (Stranded) Available in 12 Colors |
| Shielded Hook-up Wire | Use BELDEN No. 8885 |
| Rear Seat Speaker Extension Cable | Use BELDEN No. 8782 (Stranded) Coded Parallel Leads |
| Bonding Strap | Use BELDEN No. 8661 (3/8 In.) or 8670 (3/4 In.) |

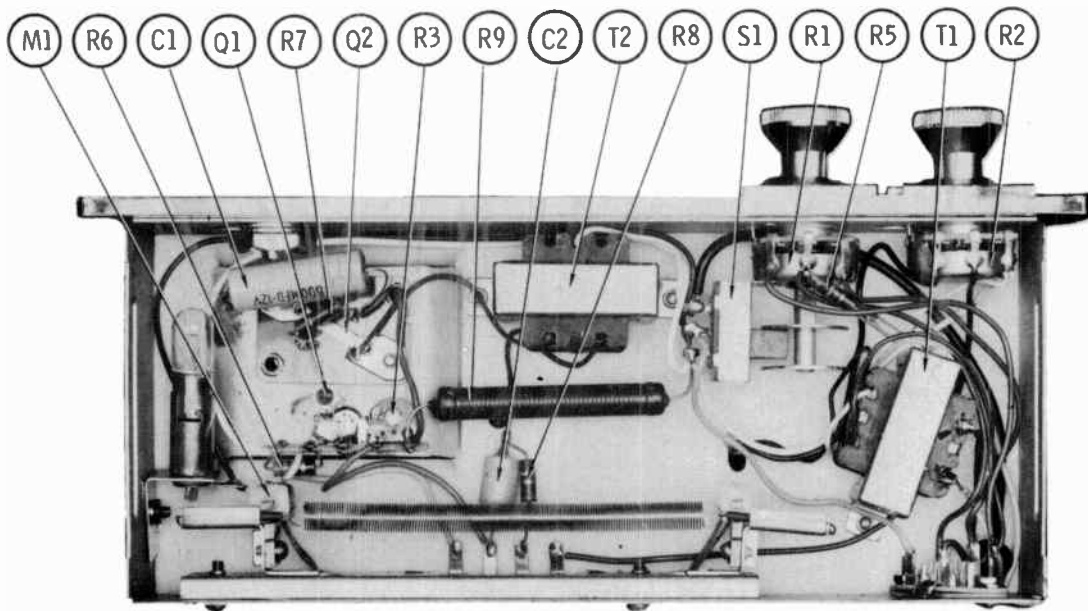


PHOTOFACT®

For Supplier Address See PHOTOFACT Index



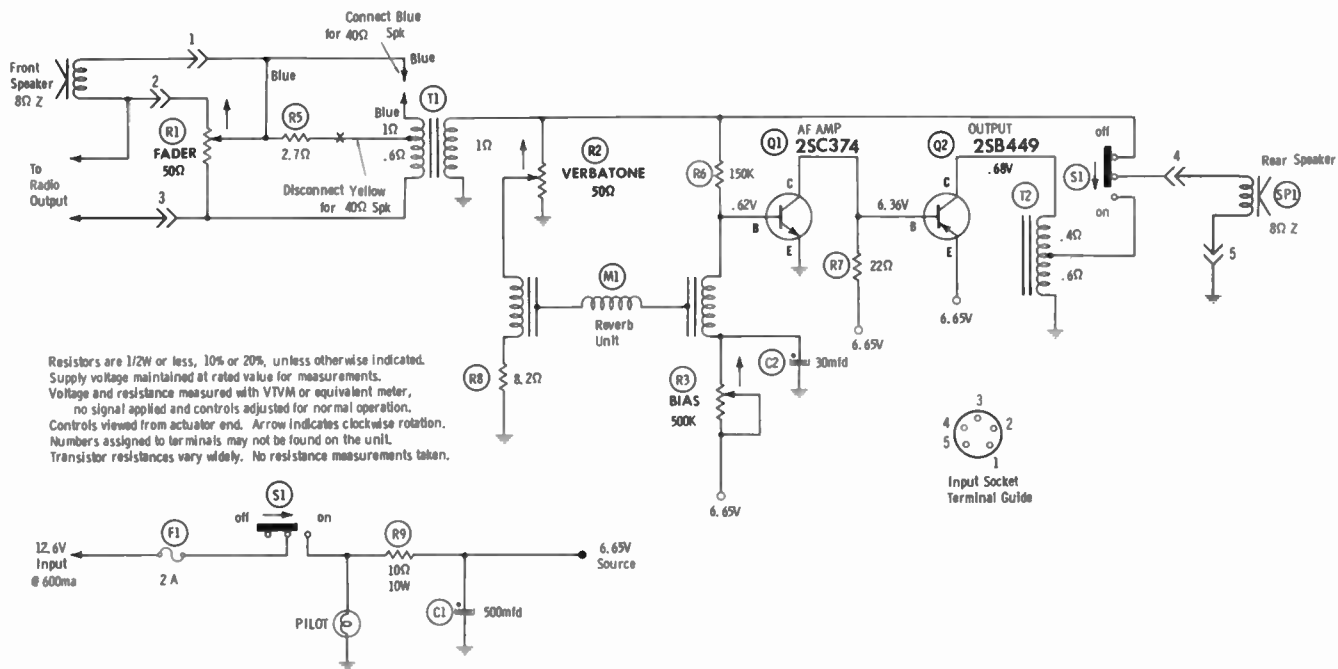
RANGER MODEL RR-22-R



RANGER MODEL RR-22-R

HOWARD W. SAMS & CO., INC. Indianapolis, Indiana 46206

© 1970 Howard W. Sams & Co., Inc. Printed in U. S. of America T2800



A PHOTOFAC STANDARD NOTATION SCHEMATIC
© Howard W. Sams & Co., Inc. 1970

RANGER MODEL RR-22-R

PARTS LIST AND DESCRIPTION

(When ordering parts, state Model, Part Number, and Description.)

Replacement parts shown may be superseded by the availability of newly introduced replacements. Have your local distributor check Sams COUNTER FACTS[®] for the most up-to-date replacement.

TRANSISTORS

| ITEM No. | TYPE No. | FUNCTION | REPLACEMENT DATA | | | | | |
|----------|----------|----------|------------------|---------------------------|----------------------------------|-------------------|--------------|-------------------|
| | | | MFGR. PART No. | GENERAL ELECTRIC PART No. | INTERNATIONAL RECTIFIER PART No. | MOTOROLA PART No. | RCA PART No. | SYLVANIA PART No. |
| Q1 | 25C374 | AF Amp | 175027-021 | GE-10 | TR-21 | HEP55 | SK3020 | ECG 108 |
| Q2 | 25B449 | Output | 175027-022 | GE-3 | TR-01 | HEP230 | SK3009 | ECG 104 |

ELECTROLYTIC CAPACITORS

| ITEM No. | RATING | PART No. | REPLACEMENT DATA | | | | | |
|----------|---------|------------|------------------|--------------------|---------------------------|---------------------------|------------------|------------------|
| | | | AEROVOX PART No. | CENTRALAB PART No. | CORNELL-DUBILIER PART No. | GENERAL ELECTRIC PART No. | MALLORY PART No. | SPRAGUE PART No. |
| C1 | 500 15V | 175027-002 | PRS1220 CRE467A | EA15-500 EP15-50 | WBR500-35 AL50-16 | QT1-30A MT1-19 | TC1505A MTA50E15 | TL-1166 TE-1160 |
| C2 | 50 15V | 175027-001 | | | | | | |

CONTROLS (All wattages 1/2 watt, or less, unless listed)

| ITEM No. | FUNCTION | RESIST-ANCE | REPLACEMENT DATA | | | | |
|----------|--------------|-------------|------------------|----------------------------|--------------------|------------------|---------------------------|
| | | | MFGR. PART No. | CENTRALAB PART No. | CLAROSTAT PART No. | CTS-IRC PART No. | MALLORY PART No. |
| R1 | Verb-A-Tone | 50 | 175027-005 | | | | |
| R2 | Fader/Switch | 50 | 175027-010 | | | | |
| R2 | Bias Adjust | 500K | 175027-008 | TSV-500K (1) or T-500K (1) | | | X201R504B (1) MTC55L1 (1) |

(1) Cut off one of the end terminals.

PARTS LIST AND DESCRIPTION (CONTINUED)

(When ordering parts, state Model, Part Number, and Description.)

Replacement parts shown may be superseded by the availability of newly introduced replacements.
Have your local distributor check Sams COUNTER FACTS[®] for the most up-to-date replacement.

RESISTORS (Power and Special)

| ITEM No. | RATING | REPLACEMENT DATA | |
|----------|---------------|------------------|---------------|
| | | WORKMAN PART No. | MFR. PART No. |
| R1 | 10 10 Watt | 10-10W-50 | 175027-009 |

| ITEM No. | RATING | REPLACEMENT DATA | |
|----------|--------|------------------|---------------|
| | | WORKMAN PART No. | MFR. PART No. |
| | | | |

TRANSFORMER

| ITEM No. | TURNS RATIO | | | REPLACEMENT DATA | | | | | NOTES |
|----------|-------------|--------|--------|------------------|----------------|------------------|---------------------|----------------|-------|
| | PRI. | SEC. 1 | SEC. 2 | MFR. PART No. | MERIT PART No. | STANCOR PART No. | THORDARSON PART No. | TRIAD PART No. | |
| T1 | 1 | 1 | | 175027-016 | | | | | |

TRANSFORMER (Audio Output)

| ITEM No. | IMPEDANCE | | REPLACEMENT DATA | | | | | NOTES |
|----------|-----------|------|------------------|----------------|------------------|---------------------|----------------|-------|
| | PRI. | SEC. | MFR. PART No. | MERIT PART No. | STANCOR PART No. | THORDARSON PART No. | TRIAD PART No. | |
| T2 | 16 Tap @ | 8 | 175027-015 | | | | | |

SPEAKER

| ITEM No. | TYPE | | | REPLACEMENT DATA | | NOTES |
|----------|---------------|----------|------------------|--------------------------|---------------|-------|
| | | | | MFR. PART No. | QUAM PART No. | |
| SP1 | 6" x 9" 6" | PM PM | 8 ohms 8 ohms | 175027-032 175027-033 | 69A2Z8 | |

FUSE DEVICES

| ITEM No. | DESCRIPTION | REPLACEMENT DATA | | | | | | |
|----------|-------------|------------------|------------|---------------|--------|---------------------|--------|------------------|
| | | PART No. | | BUSS PART No. | | LITTELFUSE PART No. | | WORKMAN PART No. |
| | | DEVICE | HOLDER | DEVICE | HOLDER | DEVICE | HOLDER | DEVICE |
| F1 | 2 Amp | 175027-026 | 175027-027 | AGC2 | HDJ | 312002 | 150145 | |

MISCELLANEOUS

| ITEM No. | PART NAME | PART No. | NOTES |
|----------|----------------------|--------------------------|-------|
| M1 S1 | Reverb Unit Power | 175027-017 175027-034 | |

WIRING DATA

| | |
|-------------------------------------------|----------------------------------------------------------------------------------------------|
| General-use Unshielded Hook-up Wire | Use BELDEN No. 8530 (Solid) Available in 12 Colors 8524 (Stranded) Available in 12 Colors |
| Shielded Hook-up Wire | Use BELDEN No. 8885 |
| Rear Seat Speaker Extension Cable | Use BELDEN No. 8782 (Stranded) Coded Parallel Leads |
| Bonding Strap | Use BELDEN No. 8661 (3/8 In.) or 8670 (3/4 In.) |

RANGER MODEL RR-22-R

INDEX

This index lists all radios appearing in
"Auto Radio Manuals" and "PHOTOFACT Auto Radio Series"

| KEY | (EP) Early Productions | (LP) Late Productions | (REV) Revised |
|-------------------------------------|----------------------------|----------------------------|-----------------------------|
| AIRCATTLE | ALLIED | AMERICAN MOTORS | AUDIO/STEREO |
| 610.A67 4 | 19B4191 60 | (CONT.) | A-12 53 |
| 610.FE-153 52-53 | 19B4192 62 | P8MA 68 Ambassador, | A-30 52 |
| Ford 4 | | Rebel 62 | A-40 57 |
| 610.W-100 5 | | RV4R 64 Rambler 24 | A-45 64 |
| | ALLIS CHALMERS | 65MR 66 Ambassador, | A-50 60 |
| AIR CHIEF (See Firestone) | 7BT 249523 44 | Classic,Marlin 35 | A-90 50 |
| | 7BTX 50 | 7SMR 67 Ambassador, | A-100 50 |
| | | Marlin,Rebel 50 | |
| AIRLINE (Also See Riverside) | ALLSTATE | 85MG (8992251) | AUSTIN HEALEY |
| FJB-6590A 55 Ford 6 | 5018 22 | 68 Javelin 68 | HAC700 4TMB 30 |
| 35BR-6796A 5 | 5028 Ch.528.50280/ | 85MR 68 Ambassador, | |
| 61-6787 52 Ford 5 | 50281 7 | Marlin,Rebel 50 | AUTOMATIC |
| 61-6788 52-53 Ford ... 5 | 5033 Ch.528.50330/ | 22BA R22BA 62 Rambler | AC-4558 64 Comet 27 |
| 61-6789 51-52 Chev. ... 5 | 50331 7 | American 18 | ACP-3044 63 Comet 23 |
| 61-6792 53 Dodge 4 | 5050 30 | 22BAM R22BAM 62 | ACP-4559 64 Comet 27 |
| 61-6793 53 Chev. 5 | 5066 26 | Rambler American 18 | ACS-6000 73 |
| 61-6794 53 Plym. 5 | 5098 Ch.833.50980 9 | 8990377 6MR 56 | ATC-60 59-60 Chev. 15 |
| 61-6795 53 Merc. 5 | 5099 Ch.833.50990 9 | Rambler 6 | BAP-9 59 Buick 13 |
| 61-12601 Tractor 5 | 6225 Ch.528.55040/ | 8990378 6MA 56 Hudson | BAP-20 60 Buick 14 |
| | 55041 11 | & Nash 6 | BAP-4530 64 Buick 28 |
| AIWA | 6231 Ch.528.62310 9 | 8990378 76MA 57 | BAR-8209 68 Barracuda, |
| TP-718 48 | 6232 Ch.528.62320 9 | Hudson & Nash 6 | Plymouth 60 |
| | 6240 Ch.528.62400 5 | 8990455 7MR 57 | BP-340 60 Buick 14 |
| | 6256 Ch.528.55040/ | Rambler 6 | BP-668 57-58 Buick 12 |
| ALL AMERICAN | 55041 11 | 8990494 84MA 58 | BP-679 59 Buick 13 |
| CEP-764T 64 | 6263 Ch.528.6263 5 | Hudson,Nash & | BP-3081 63 Buick 23 |
| Chevelle 31 | 6263-2 Ch.528.6263-2.. 5 | Rambler 8 | BP-4030 64 Buick 28 |
| CHP-164T 64 Chev. 31 | 6264 Ch.528.6264 5 | 8990543 83MR 58 | BP-7160 66-67 Buick . 62 |
| CHP-165T 65 Chev. 33 | 6264-1 Ch.528.6264-1.. 5 | 8990576 94MA 59 | C-12 11 |
| CHP-564T 64 | 6266 Ch.528.6266 5 | Rambler 9 | C-300 2 |
| Chevy II 31 | 6268 Ch.62680/81 7 | 8990582 93MA 59 | Chev. 6 |
| CTP-264T 64 Comet 31 | 6269 Ch.62690/91 7 | Rambler 10 | C-349 59 Chev. 11 |
| CYP-465T 64 Chrysler. 33 | 6284 Ch.528.6284 4 | 8990706 04MA 60 | C-382AT 19 |
| DAP-864T 64 Dart 31 | 6286-4 Ch.528.6286-4.. 4 | Rambler 11 | C-382AT 62 Chev L.P. 24 |
| DAP-865T 64 Dart 33 | 6287-4 Ch.528.6287-4.. 4 | 8990811 03AR 60 | C-338-C 58 Chev. 12 |
| DOP-864T 64 Dodge 31 | 6295-6 Ch.528.6295-6.. 4 | Rambler 12 | C-3001 63 Chev. 23 |
| DOP-865T 65 Dodge 33 | 6330 Ch.528.63300 5 | 8990831 13MAM 60 | C-4049 64 Chev. 28 |
| FAP-264T 64 Falcon 31 | 750.62380/81/90/91, | Rambler 14 | C-4049N 64 Chev. 37 |
| FLP-264T 64 Fairlane. 31 | 750.62890 25 | 8990832 13MA 60 | C-5003 65 Chev. 29 |
| FOP-264T 64 Ford 31 | 833.5049 30 | Rambler 14 | C-5003N 65 Chev. 39 |
| FOP-265T 65 Ford 33 | 833.50181 27 | 8990833 14MR 61 | C-6051 66 Chev. 37 |
| MEP-264T 63-64 Merc ... 33 | 833.50202 27 | Rambler 15 | CA-109 59 Chev. 11 |
| MEP-265T 65 Merc. 33 | 833.50490 30 | 8990981 21MR 62 | CA-3041 63 Chev. 23 |
| MLP-464T 64 Plym. 31 | 833.50930 28 | Rambler 29 | CA-4549 64 Chev. 28 |
| PLP-465T 65 Plym. 33 | 833.50931 64 VW 28 | ANGLIA | CA-4549N 64 Chev. 37 |
| PLPF-465T 65 Fury 33 | 833.62741 28 | 6BEF 66 39 | CA-5503N 65 Chev. 37 |
| RAAP-1065T 65 | 833.62743 32 | | CAE-3064 63 Olds. 23 |
| Rambler American 33 | 833.62800 30 | | CAP-49 59 Chev. 14 |
| RAP-364T 64 Rambler ... 26 | 833.63070 28 | A.R.C. | CAP-60 59-60 Chev. 14 |
| RAP-365T 65 Rambler ... 33 | 833.500510 65 Chev. ... 32 | 2500 33 | CAP-3042 63 Chev. 23 |
| SM-130RPE 26 | 833.501220 30 | | CAP-4550 64 Chev. 28 |
| UP-220RPT 26 | 833.501230 65 Dart ... 30 | ARVIN | CAP-4550N 64 Chev. 37 |
| VAP-464T 64 Valiant ... 31 | 833.501920 65 Comet ... 30 | 60Y53-19 Ch.1.45701 .. 67 | CAP-5504N 65 Chev. 37 |
| VAP-465T 65 Valiant ... 33 | 833.503050 65 Fury 30 | | CAP-6552 66 Chev. 39 |
| VMP-19T 58-64 VW 26 | 833.503060 65 | ATR KARADIO | CAV-4548 64 Chevelle.. 28 |
| VMP-19T 65 Prod VW ... 34 | Belvedere 30 | | CEF-119 English Ford |
| | 833.623690 30 | | Consults 15 |
| | 833.624211 64 VW 28 | | CET-6750 58 |
| | 833.624630 30 | | CFE-6745 59 |
| ALLCAR | 833.625510 65 Chev. ... 30 | BKS410 61-62 Buick | CFM-3090 22 |
| R-1 65 Plym. 34 | 833.627420 28 | Special 27 | CFM-6255 66 Chev. 66 |
| R-2 65 Fury 34 | 833.628000 30 | CT412 61-62 Chev. 27 | CM-333 53 Chev. 4 |
| R-3 65 Valiant 34 | 834.50480 32 | CR414 60-62 Corvair ... 27 | CMR-7217 67 Cougar ... 60 |
| R-4 65 Coronet 34 | 835.62460 29 | COT416 60-62 Comet ... 27 | CMR-7151 67 Camaro ... 60 |
| R-5 65 Dart 34 | 856.62450 27 | DED418 62 Dart 27 | CMR-8252 67-68 Camaro 60 |
| R-6 65 Polara 34 | 856.62470 52 | FAL420 60-62 Falcon ... 27 | CP-478-C 58 Chev. 12 |
| R-7A 65 Newport 34 | | FD422 60-62 Ford 27 | CP-489-F 59 Chev. 14 |
| R-7B 65 Chrysler 300.. 34 | AMERICAN MOTORS | LR424 62 Lancer 27 | CP-500 59-60 Chev. 14 |
| R-7C 65 New Yorker ... 34 | (See Hudson,Nash & | MY426 62 Merc. 27 | CP-511AT 61 Chev. 16 |
| R-9 65 Chev. 34 | Rambler) | OE428 61-62 F-85 27 | CP-522AT 19 |
| R-10 65 Chevelle 34 | | PH430 62 Plym. 27 | CP-522AT 62 Chev L.P. 24 |
| R-11 65 Chevy II 34 | A8MG (8992290) | TR720N 29 | CP-3002 63 Chev. 23 |
| R-16 65 Corvair 34 | 68 Javelin 65 | TR1279-6V 11 | CP-4050 64 Chev. 28 |
| R-18 65 Pontiac 34 | AF6TMR page 120 66 | TR1279-12V 11 | CP-4050N 64 Chev. 37 |
| R-19 65 Olds. 34 | Ambassador,Classic, | TT-727 Tractor Radio.. 29 | CP-5004 65 Chev. 29 |
| R-20 65 Tempest 34 | Marlin 28 | VT434 62 Valiant 27 | CP-5004N 65 Chev. 37 |
| R-21 65 Olds. F-85 34 | AF7SMR 67 Ambassador, | 401 27 | CP-6052 66 Chev. 39 |
| R-22 65 Buick 34 | Marlin,Rebel 44 | 606 19 | CP-8254T 68 Chev. 60 |
| R-23 65 Galaxie 34 | F8SMG (8992252) | 612 19 | CPA-3047 63 Corvair ... 23 |
| R-24 65 Fairlane 34 | 68 Javelin 68 | 707 22 | CPA-4533 64 Corvair ... 28 |
| R-25 65 Mustang 34 | F8SMR 68 Ambassador, | 1279-6V 11 | CPV-4048 64 Chevelle.. 28 |
| R-26 65 Falcon 34 | Rebel 63 | 1279-12V 11 | CPV-5007 65 Chevelle.. 29 |
| R-28 65 Comet 34 | P7MA 67 Ambassador, | | CPV-7154 67-68 |
| R-29 65 Merc. 34 | Marlin,Rebel 47 | | Chevelle 71 |
| R-32 65 Buick Spl. 34 | | | |

| BORG-WARNER | VOL. | BUICK (CONT.) | VOL. | CHEVROLET (CONT.) | VOL. | CHEVROLET (CONT.) | VOL. | CHEVROLET (CONT.) | VOL. |
|-------------------------|------|----------------------|------|------------------------|------|------------------------|------|---------------------------|------|
| P6MW | 53 | 7293634 66 Buick | 37 | 01BFP1/2 70 Acadian, | | 985921 64 Corvette | 24 | 7300941 67 Chev., | |
| 3800 (P7MWD) | 61 | 7293644 66 Buick | 38 | Chevelle,Chevrolet, | | 985957 64 Chevy II | 24 | Camaro,Chevelle, | |
| 4000 - Mark II(P7MW) | 62 | 7293654 66 Riviera | 36 | Chevy II, Monte Carlo | 74 | 985958 64 Chevy II | 23 | Corvaire | 42 |
| 4000 - Mark II(P7MW2) | | 7293674 66 Riviera | 37 | 01BPB1/2 (7313091) 70. | 70 | 986096 65 Chev. | 29 | 7301001 67 Camaro | 44 |
| (LP) | 63 | 7293684 66 Riviera | 38 | 01BPT1/2 70 Acadian, | | 986099 65 Chev. | 29 | 7301001 68 Camaro | 48 |
| BRITISH MOTORS CORP. | | 7293914 66 Special | 37 | Chevelle,Chevrolet, | | 986101 65 Chev. | 29 | 7302451 68 Chevy II | 49 |
| 6SMB 66 Austin Healey | | 7297944 66 Buick | 36 | Chevy II, Monte Carlo | 74 | 986113 65 Corvaire | 29 | 7302721 68 Corvette | 52 |
| 3000, Mark III, Sprite, | | 7298904 67 Special | 44 | 01BT411 70 Acadian, | | 986113 66 Corvaire | 38 | (68 Models) | 52 |
| MGB, MG Midget and | | 7298914 67 Special | 43 | Camaro,Chevelle, | | 986116 65 Corvaire | 31 | 7302721 69 Corvette | 73 |
| MG-1100 | 53 | 7298924 67 Buick | 44 | Chevrolet,Chevy II, | | 986116 66 Corvaire | 36 | (69 Models) | 73 |
| 7SMB 67 Austin Healey | | 7298934 67 Buick | 43 | Monte Carlo | 76 | 986118 65 Corvaire | 29 | 7303121 68 Chevelle | 48 |
| 3000, Mark III, Sprite, | | 7298944 67 Buick | 45 | 01FBT1 70 1/2 | | 986118 66 Corvaire | 38 | 7303131 68 Chevelle | 49 |
| MGB, MG Midget and | | 7298954 67 Riviera | 44 | Camaro (Similar to | | 986201 65 Chevelle | 29 | 7303201 68 Corvette | 53 |
| MG-1100 | 53 | 7298964 67 Riviera | 43 | page 57) | 74 | 986202 65 Chevelle | 31 | 7303211 68 Corvaire | 53 |
| BUICK | | 7298974 67 Riviera | 45 | 01FFM1 70 1/2 Camaro | 77 | 986203 65 Chevelle | 29 | 7303231 68 Chev. | 48 |
| 04AFP1 70 Special | 75 | 7302504 68 Special | 54 | 01FFMT1 70 1/2 | | 986248 65 Chevy II | 29 | 7303241 68 Camaro | 48 |
| 04BFP1 70 Buick | 75 | 7302514 68 Special | 50 | Camaro (Similar to | | 986250 65 Chevy II | 31 | 7303311 68 Chev. | 48 |
| 04BPB1 70 Buick | 77 | 7302524 981314 68 | | page 19) | 75 | 986252 65 Chevy II | 29 | 7304161 68 Camaro | 48 |
| 04BPB2 70 Buick | 73 | Buick,Riviera | 51 | 01FPB1 70 1/2 | | 986281 65 Corvette | 31 | 7304611 68 Chev. | 49 |
| 04BPB4 70 Buick | 77 | 7302524-B 68 Buick | 58 | Camaro | 76 | 986330 65 Chev.Truck | 29 | 7304621 68 Chevelle | 58 |
| 04EFP1 70 Riviera | 75 | 7302534 68 Buick & | | 01TPB1, 01TPB2 | | 986338 65 Chev.Truck | 29 | 7305201 68 Camaro | 49 |
| 04EPB1 70 Riviera | 77 | Riviera | 50 | 70 Chev. Truck | 76 | 986339 65 Chev.Truck | 29 | 7305211 68 Camaro | 49 |
| 04EPB2 70 Riviera | 73 | 7302544 68 Buick, | | 01VFM1/M2 | | 986374 65 Chev. | 29 | 7305221 68 Camaro | 49 |
| 04EPB4 70 Riviera | 77 | Riviera | 51 | 70 Corvette | 78 | 986376 65 Chevelle, | | 7305301/A 68 Chevelle, | |
| 94AFP1 (7306914) | | 7303994 | 48 | 01VFP1/2 70 Corvette | 74 | Chevy II, Corvaire | 29 | Chevy II | 49 |
| 69 Special | 70 | 7304884, A 68 Buick, | | 01VMPA1 | | 986521 66 Chevy II | 38 | 7305311 68 Chevelle | 55 |
| 94APB1 67 Special | 61 | Riviera, Special | 51 | 70 Corvette (A/C) | 78 | 986522 66 Chevy II | 36 | 7305311A 68 Chevelle | 55 |
| 94BFM1/EFM1 69 Buick, | 67 | CADILLAC | | 01VMPH1 | | 986527 66 Chevelle | 38 | 7305441 67 Chev. | 48 |
| 94BFM2/EFM269 Buick, | 67 | 05CFP1 70 | 76 | 70 Corvette (HTR) | 78 | 986528 66 Chevelle | 36 | 7305451 68 Chev. | 49 |
| 94BFP1 (7306934) | | 05CMM1/MMK1 | | 81AT412 68 Chevelle, | | 986529 66 Chevelle | 38 | 7306121 68 Chev. | 58 |
| 69 Buick | 70 | 70 Cadillac | 78 | Chevy II | 49 | 986544 66 Chev. | 38 | 7306361 68 Chevelle | 55 |
| 94BPB1 69 Buick | 62 | 95CFM2 69 | 63 | 81AT422 68 Chevelle | 55 | 986545 66 Chev. | 35 | 7307121 68 Chev.Truck | 51 |
| 94BPB2 69 Buick | 62 | 95CFM3 69 | 63 | 91AMP1 69 Chevelle | 61 | 986546 66 Chev. | 37 | 7307801 (Similar to | |
| 94BT411 69 Riviera, | 62 | 95CFM3 69 | 63 | 91APB1 69 Chevelle, | | 986668 53 | 4 | page 51) | 44 |
| Special | 68 | 95CFM3 69 | 63 | Camaro, Chevy II, | | 986669 53 | 4 | 7307811 (Similar to | |
| 94BT412 69 1/2 | | 95CFM3 69 | 63 | Acadian | 59 | 986769 66 Chev.Truck | 36 | page 41) | 48 |
| Riviera, Special | 68 | 95CFM3 69 | 63 | 91BFP1 69 Camaro, | | 986771 54 Truck | 55 | 7307821 (Similar to | |
| 94EFP1 (7306964) | | 95CFM3 69 | 63 | Chevelle,Chev.Chevy | 61 | 986771 66 Chev.Truck | 36 | page 41) | 48 |
| 69 Riviera | 70 | 95CFM3 69 | 63 | Acadian | 61 | 986823 67 Camaro | 41 | 7307831 (Similar to | |
| 94EPB1 69 Riviera | 62 | 95CFM3 69 | 63 | 91BFP1 69 Camaro, | | 986824 67 Camaro | 42 | page 22) | 49 |
| 94EPB2 69 Riviera | 62 | 95CFM3 69 | 63 | Chevelle,Chev.Chevy | | 986835 67 Camaro | 41 | 7307841 (Similar to | |
| 94EPB4 70 Riviera | 77 | 95CFM3 69 | 63 | Il, Acadian | 60 | 986845 67 Chev. | 41 | page 22) | 49 |
| 94EPB4 70 Riviera | 77 | 95CFM3 69 | 63 | 91BMP11 69 Chev. | 61 | 986846 67 Chev. | 42 | 7307851 (Similar to | |
| 94EPB4 70 Riviera | 77 | 95CFM3 69 | 63 | 91BMP21 69 Camaro, | | 986847/A 67 Chev. | 42 | page 41) | 48 |
| 94EPB4 70 Riviera | 77 | 95CFM3 69 | 63 | Chevelle,Chev.,Chevy | | 986852 67 Chevelle | 41 | 7307861 (Similar to | |
| 94EPB4 70 Riviera | 77 | 95CFM3 69 | 63 | Il, Acadian | 60 | 986853 67 Chevelle | 41 | page 22) | 49 |
| 94EPB4 70 Riviera | 77 | 95CFM3 69 | 63 | 91BFP1 (7308211) | | 986854 67 Chevelle | 43 | CHRYSLER (Also See Mopar) | |
| 94EPB4 70 Riviera | 77 | 95CFM3 69 | 63 | 69 Chev. | 68 | 986863 67 Corvaire | 41 | 382 68 Chrysler | 55 |
| 94EPB4 70 Riviera | 77 | 95CFM3 69 | 63 | 91BT411/12/21/22 | | 986864 67 Corvaire | 41 | 723 68 Chrysler | 55 |
| 94EPB4 70 Riviera | 77 | 95CFM3 69 | 63 | 69 Acadian, Camaro, | | 986865 67 Corvaire | 43 | 724 68 Chrysler, | |
| 94EPB4 70 Riviera | 77 | 95CFM3 69 | 63 | Chevelle,Chev., | | 986866 67 Chevy II | 41 | 68 Imperial | 55 |
| 94EPB4 70 Riviera | 77 | 95CFM3 69 | 63 | Chevy II | 67 | 986869 67 Chevy II | 41 | 746 68 Imperial | 55 |
| 94EPB4 70 Riviera | 77 | 95CFM3 69 | 63 | 91FMP11 69 Camaro, | | 987086 55 | 5 | 786 68 Imperial | |
| 94EPB4 70 Riviera | 77 | 95CFM3 69 | 63 | Chevelle,Chev., | | 987087 55 | 5 | Similar to page 75 | 47 |
| 94EPB4 70 Riviera | 77 | 95CFM3 69 | 63 | Chevy II, Acadian | 61 | 987088 55 | 5 | 2580786 68 Imperial | |
| 94EPB4 70 Riviera | 77 | 95CFM3 69 | 63 | 91TPB1 69 GM & GMC | 59 | 987187 55 Truck | 6 | (Similar to page 75) | 47 |
| 94EPB4 70 Riviera | 77 | 95CFM3 69 | 63 | 91VFM2 (7303211) | | 987366 56 See Model | | 2820275 (419) | |
| 94EPB4 70 Riviera | 77 | 95CFM3 69 | 63 | 69 Corvette | 70 | 987088 | 5 | 67 Imperial | 43 |
| 94EPB4 70 Riviera | 77 | 95CFM3 69 | 63 | 91VFP1 (7302721) | | 987366 56 | 6 | 2820635 (376) | |
| 94EPB4 70 Riviera | 77 | 95CFM3 69 | 63 | 69 Corvaire | 73 | 987573 57 | 7 | 68 Chrysler | 51 |
| 94EPB4 70 Riviera | 77 | 95CFM3 69 | 63 | 91VMP11 (7303201) | | 987575 57 | 7 | 2864724 68 | |
| 94EPB4 70 Riviera | 77 | 95CFM3 69 | 63 | 69 Corvette | 70 | 987577 57 | 7 | Imperial | 55 |
| 94EPB4 70 Riviera | 77 | 95CFM3 69 | 63 | 91ZPB1 69 Corvaire | 59 | 987693 57 | 7 | 2864746 (382) | |
| 94EPB4 70 Riviera | 77 | 95CFM3 69 | 63 | 985036 61 Truck | 19 | 987724 58 | 8 | 2864924 (393) | |
| 94EPB4 70 Riviera | 77 | 95CFM3 69 | 63 | 985158 62 Corvaire | 17 | 987727 58 | 8 | 68 Chrysler | 53 |
| 94EPB4 70 Riviera | 77 | 95CFM3 69 | 63 | 985159 62 Corvaire | 18 | 987730 58 | 9 | 2864966 (391) | |
| 94EPB4 70 Riviera | 77 | 95CFM3 69 | 63 | 985203 62 Corvaire | | 987888 59 | 10 | 68 Imperial | 50 |
| 94EPB4 70 Riviera | 77 | 95CFM3 69 | 63 | Trucks | 17 | 987891 59 | 10 | 2884286 (328) | |
| 94EPB4 70 Riviera | 77 | 95CFM3 69 | 63 | 985227 62 Truck | 18 | 987893 59 | 10 | 69 Chrysler | 64 |
| 94EPB4 70 Riviera | 77 | 95CFM3 69 | 63 | 985264 62 | 17 | 987893 59 | 10 | 2884288 (403) | |
| 94EPB4 70 Riviera | 77 | 95CFM3 69 | 63 | 985315 62 Corvaire | 18 | 988062 60 Corvaire | 12 | 69 Imperial | 73 |
| 94EPB4 70 Riviera | 77 | 95CFM3 69 | 63 | 985332 62 | 18 | 988080 60 Truck | 13 | 2884287 (402) | |
| 94EPB4 70 Riviera | 77 | 95CFM3 69 | 63 | 985383 62 Corvette | 17 | 988275 60 | 12 | 69 Chrysler | 77 |
| 94EPB4 70 Riviera | 77 | 95CFM3 69 | 63 | 985396 63 Corvette | 20 | 988276 60 | 12 | Imperial (1CH2901) | |
| 94EPB4 70 Riviera | 77 | 95CFM3 69 | 63 | 985431 63 | 19 | 988336 61 Truck Series | | 69 Chrysler | 68 |
| 94EPB4 70 Riviera | 77 | 95CFM3 69 | 63 | 985432 63 | 19 | 95 | 15 | 2884288 (403) | |
| 94EPB4 70 Riviera | 77 | 95CFM3 69 | 63 | 985443 63 Corvaire | 19 | 988413 61 | 15 | 69 Imperial | 69 |
| 94EPB4 70 Riviera | 77 | 95CFM3 69 | 63 | Truck | 19 | 988414 61 | 14 | 2884289 (404) | |
| 94EPB4 70 Riviera | 77 | 95CFM3 69 | 63 | 985447 63 Corvaire | 19 | 988460 61 Corvaire | 15 | 69 Imperial | 73 |
| 94EPB4 70 Riviera | 77 | 95CFM3 69 | 63 | 985449 63 Corvaire | 19 | 988468 61 Corvaire | 14 | 2884633 (B9MC) | |
| 94EPB4 70 Riviera | 77 | 95CFM3 69 | 63 | 985453 63 Chevy II | 19 | 3711897 55 Corvette | 6 | 69 Coronet,Charger, | |
| 94EPB4 70 Riviera | 77 | 95CFM3 69 | 63 | 985455 63 Chevy II | 19 | 3725156 56-57 | | Belvedere,Satellite | 65 |
| 94EPB4 70 Riviera | 77 | 95CFM3 69 | 63 | 985471 63 Truck | 20 | Corvette | 7 | 2884847 69 1/2 | |
| 94EPB4 70 Riviera | 77 | 95CFM3 69 | 63 | 985672 64 Chev. | 24 | 3748611 58 Corvette | 9 | 2884 874 70 | |
| 94EPB4 70 Riviera | 77 | 95CFM3 69 | 63 | Truck | 24 | 7296341 986731 66 | | Chrysler | 77 |
| 94EPB4 70 Riviera | 77 | 95CFM3 69 | 63 | 985686 63 | 21 | Caprice | 37 | 2884 876 70 | |
| 94EPB4 70 Riviera | 77 | 95CFM3 69 | 63 | 985694 63 | 20 | 7296351 986644 FM | | Imperial | 77 |
| 94EPB4 70 Riviera | 77 | 95CFM3 69 | 63 | 985773 64 Chevelle | 24 | Stereo | 37 | 2820560 (1CH2901) | |
| 94EPB4 70 Riviera | 77 | 95CFM3 69 | 63 | 985776 64 Chevelle | 23 | 7297901 68 Camaro | 49 | 69 Chrysler | 68 |
| 94EPB4 70 Riviera | 77 | 95CFM3 69 | 63 | 985815 64 Corvaire | 24 | 7298501 67 Chev. | | CLETRON | |
| 94EPB4 70 Riviera | 77 | 95CFM3 69 | 63 | Truck | 24 | 7299111 68 Corvaire | 49 | RU-101 | 27 |
| 94EPB4 70 Riviera | 77 | 95CFM3 69 | 63 | 985831 64 Corvaire | 24 | 7299561 66 Caprice | 37 | RU-104 | 27 |
| 94EPB4 70 Riviera | 77 | 95CFM3 69 | 63 | 985832 64 Corvaire | 23 | 7300471 67 Chev. | 43 | | |
| 94EPB4 70 Riviera | 77 | 95CFM3 69 | 63 | 985875 64 Chev. | 24 | 7300481 67 Chev., | | | |
| 94EPB4 70 Riviera | 77 | 95CFM3 69 | 63 | 985876 64 | 23 | Chevelle,Corvaire | 44 | | |
| 94EPB4 70 Riviera | 77 | 95CFM3 69 | 63 | 985877 64 Chev. | 24 | 7300491 67 Chev. | 43 | | |
| 94EPB4 70 Riviera | 77 | 95CFM3 69 | 63 | 985916 64 Chev. Van | 24 | | | | |

| COMET (See Mercury). | VOL. | FIRESTONE (CONT.) | VOL. | FORD (CONT.) | VOL. | GIBBS (CONT.) | VOL. | INLAND (CONT.) | VOL. |
|----------------------------------------|------|------------------------------------------------|------|-----------------------------------|------|-----------------------------------------|------|-------------------------------------|------|
| CONTINENTAL (See Lincoln) | | 3-D-15 | 27 | 4TMS F 64 T-Bird | 23 | 442 | 27 | X100 | 27 |
| CORONADO | | 4-B-69 Tractor | 5 | 5BF 55 | 5 | 445 | 28 | X101 | 41 |
| 35RA2-43-5101A | 5 | 4-B-71 53 Plym. | 4 | SMF 55 | 5 | 446 | 28 | X102 | 41 |
| CORTINA | | 4-B-72 53 Chev. | 4 | SMFS, SMFS8 55 T-Bird.. | 5 | 550 | 37 | X-103 | 48 |
| 6BEF 66 | 39 | 4-B-74 54 Ford | 5 | SMF8 55 | 5 | 551 | 37 | X302 | 41 |
| 7BEFX 67 Cortina | 50 | 4-B-76 55 Ford | 6 | STBF 65 Galaxie | 28 | 551-6 | 37 | XFM-400 | 41 |
| CORVAIR (See Chevrolet) | | 4-B-77 55 Chev. | 5 | STBO 65 Fairlane | 28 | | | INTERNATIONAL | |
| CORVETTE (See Chevrolet) | | 4-B-78 55 Plym. | 6 | STBT 65 Truck | 33 | | | OBTHI 70 Tractor | 76 |
| CRAIG | | PO-MO-CO (See Ford, Lincoln, Mercury) | | STBU 65 Econoline | 33 | GM (See GMC or Chevrolet) | | ILSTCA/-12 55 "R" | |
| 3104 | 54 | FORD (Also See Philco-Ford) | | STMF 65 Galaxie | 28 | GMC | | Line Truck | 6 |
| 3110/A | 55 | D8MF 68 Falcon, Fairlane | 53 | STMZ 65 Mustang | 28 | 01TPB1, 01TPB2 | | Line Truck | 7 |
| DART (See Mopar or Dodge) | | D9MF (C9AA-19A237-B) | | STMS, STMSF 65 T-Bird.. | 28 | 70 GM Truck | 76 | P6MH 1000A, 1500A, CO- | |
| DELRAY | | 69 Galaxie, LTD | 65 | STPD 65 Falcon | 28 | 06TTC1 70 Tilt Cab .. | 74 | 4000, Fleetstar, Load- | |
| SM-711 | 22 | F3TBF 63 Galaxie | 20 | STPO 65 Fairlane | 28 | 86TT431 (7308166) | | Star, Metro, R&V Line | |
| SM-751 | 22 | F4TBF 64 Galaxie | 24 | STPZ 65 Mustang | 28 | 68 Truck | 73 | Scout | 47 |
| TRM-701 | 22 | F4TBS 64 T-Bird | 24 | 6BF 56 | 6 | 91TPB1 69 Truck | 59 | 04MI 61 Scout & "C" | |
| UA-702 | 22 | F5TBF 65 Galaxie | 32 | 6BFT 56 Truck | 6 | 96TT411 (7308166) | | Line Truck | 16 |
| UM-701 | 22 | F6TBD 66 Fairlane | 39 | 6TBB 66 Bronco | 36 | 69 Truck | 73 | 04MI-RV 61 "R" & "V" | |
| VNA-702 | 22 | F6TBF 66 Galaxie | 39 | 6TBB 66 L.P., 67 | 41 | 96TT412 (7308166) | | Line Truck | 16 |
| VNM-701 | 22 | F6TBD 66 Fairlane | 39 | 6TBB 67 1/2 & 69 | 41 | 69 1/2 GM Truck | 73 | SSMI 65 Truck | 34 |
| DESOTO (See MoPar) | | F6TBF 66 Galaxie | 39 | 6TBB 67 1/2 & 69 | 41 | 96TTC1 (7305516) | | SSMI-RV 65 Truck | 34 |
| DODGE (Also See Mopar) | | F6TBF 66 Mustang | 39 | Truck L & H Series | 59 | 69 Truck | 69 | SSMI-T 65 Truck | 34 |
| 248 (8BDA) (9BDA) | | F6TBF 67 Galaxie | 46 | 6TBU 66 Econoline | 36 | 2233980 60 GMC | 9 | 7BT Tractor | 42 |
| 68/69 Dart | 57 | F7TBS 67 T-Bird | 46 | 6TBU 66 L.P., 67 | 41 | 2233944 61 GMC | 13 | 7BTX Tractor | 51 |
| 252 (8BCO) (9BBCC) | | F7TBS 67 T-Bird | 46 | Econoline | 41 | 2233984 62 GMC | 16 | 86MI 58 "A" Line | |
| 68/69 Coronet | 57 | F7TBS 67 T-Bird | 46 | 6TBU 66 L.P., 67 "W" | 41 | 2234003 63 Truck | 20 | Truck | 8 |
| 256 (8BDC) (9BBCC) | | F8TBF 68 Galaxie | 54 | Series | 41 | 2234040 64 Truck | 24 | 94MI 59 "R" & "V" | |
| 68/69 Charger | 57 | F8TBF 68 Mustang | 54 | 6TBM 67 1/2 & 69 | 41 | 2234086 64 Truck | 24 | Line Truck | 11 |
| 388 (8FBCO) 68 Coronet, | | F9BZ 69 Mustang | 64 | W Series | 59 | 7291556 65 Truck | 29 | 94MIM 59 "A" Line | |
| Charger | 58 | M7TB 67 Galaxie, Mustang | 46 | 6TMF 66 Galaxie | 36 | 7291576 65 Truck | 29 | Truck | 10 |
| 397 (8FBDA) 68 Dart .. | 58 | M7TBS 67 T-Bird | 46 | 6TPD 66 Falcon | 36 | 7293806 66 GMC Truck.. | 36 | JACOBSEN | |
| 706A 68 Dodge Truck .. | 60 | RV2F | 19 | 6TPF 66 Galaxie | 36 | 7293806 67 Truck | 44 | 7BT | 45 |
| 8FBDD 68 Dodge | 58 | RV4D 65 Ford | 30 | 6TPO 66 Fairlane | 36 | 7293816 66 Truck | 36 | 7BTX | 52 |
| 2864766 (394) 68 | | RV4D-NS 65 Ford | 30 | 6TPZ 66 Mustang | 36 | 729526 66 Truck | 36 | JEEP | |
| Monaco, Polara | 54 | RV4F 64 Ford | 24 | 7TBT 67 Truck | 42 | 729526 67 GM Truck .. | 44 | U7MK (978238) 68 | 65 |
| 2864796 (392) 68 | | RV6F 75 65/66 Ford .. | 30 | 7TBT 67 Galaxie | 43 | 7298501 67 GM Truck .. | 44 | 3TBW 63 Jeep | 22 |
| Charger, Coronet | 54 | T0B5TBS 65 T-Bird | 32 | 7TDF 67 Falcon | 41 | 7305516 69 Truck | 69 | 68KJ 66 Jeep | 39 |
| 2884064 (389) 68 | | T0B6TBS 66 T-Bird | 39 | 7TDF 67 Ford | 41 | 7305841 68 GM Truck .. | 51 | 5BW 65 | 44 |
| Charger | 51 | T6SMF 66 Galaxie | 35 | 7TPO 67 Fairlane | 41 | 7306686 68 GMC Truck.. | 51 | 7BKJX 67 Wagoneer, | |
| 2884067 (253) 68 | | T6SMS 66 T-Bird | 35 | 7TPO 67 T-Bird | 41 | 7306696 68 GMC Truck.. | 51 | Jeepster | 56 |
| Monaco, Polara | 52 | T6SMZ 66 Mustang | 35 | 7TTPS 67 T-Bird | 41 | 7308166 68, 69, 1/2 | | 8BKJ 68 | 69 |
| 2884068 (395) 68 | | T6SMZ 66 Mustang | 35 | 7TTPZ 67 Mustang | 41 | GM Truck | 73 | 12BW | 16 |
| Monaco, Polara | 51 | T7SMF 67 Galaxie | 45 | 8TBT 68 Truck | 56 | CONSET | | 815395 | 9 |
| 2884128 (255) | | T7SMH/A 67 Fairlane, Falcon | 45 | 8TBTU 68 Econoline .. | 56 | 3239 | 9 | JOHN DEERE | |
| 69 Monaco, Polara | 68 | T7SMH/F 67 Mustang .. | 45 | 8TBM 68 Galaxie | 52 | ARC-60 | 15 | OBTJD 70 JD Tractor .. | 78 |
| 2884285 (327) 69 | | T7SMH/N 67 Fairlane, Falcon | 45 | 9FBF 69 Galaxie | 73 | HEATH | | SSMJD | 53 |
| Monaco, Polara | 63 | Falcon | 45 | 9FBO 69 Fairlane, Falcon | 64 | GR-41 | 22 | 7BT Tractor | 43 |
| 3420559 (1DP2902) | | T7SMS 67 T-Bird | 45 | 9FBS (C9SA-19A241) | | GRW-41 | 22 | 7BTX Tractor | 49 |
| 69 Polara | 67 | T7SMZ 67 Mustang | 45 | 70 Thunderbird | 76 | HITACHI | | KARADIO | |
| DUO-VOX | | T8MF 68 Galaxie | 51 | 9FBZ 69 Mustang | 64 | TM-816U | 37 | M80B | 4 |
| AM-8 | 37 | T8MS 68 | 53 | 12BD 61 Falcon | 14 | KM1001 | 38 | KARMANN GHIA (See Volkswagen) | |
| AM10 | 33 | T8MZ 68 Mustang | 51 | 12BF 61 | 14 | HOFFMAN | | KENWORTH | |
| AMF-16B | 28 | T9MS (69 Thunderbird) (C9SA-19A242-B) | 62 | 12BT 61 Truck | 14 | 769 | 28 | SSMKW Truck | 39 |
| EDSEL | | T9MZ 69 Mustang | 66 | 12BU 61 Econoline .. | 14 | 769 Revised | 31 | 6SMKW Trucks | 48 |
| 04BE COKF-18805, COKF-18806 | 12 | T9MZ 69 Mustang | 66 | 14BF 61 Ford | 30 | HUDSON (Also See American Motors) | | KINEMATIX | |
| 85SE 58 | 8 | (C9ZA-19A242-B) | 66 | 14BM 61 Merc. | 30 | 236476 SH759 53 | 4 | Verba-Matix | 27 |
| 87SE 58 | 8 | (C9Z2-18805-B) | 66 | 22BD 62 Falcon | 18 | 236486, 238060 SH758 .. | 4 | Verba-Mite VX-700 .. | 42 |
| 94BE B9KF-18805-D/ 18806-C 59 | 10 | (C9Z2-18805-B) | 66 | 22BO 62 Fairlane | 18 | 4389027 HW5AC-8 55 ... | 6 | LAFAYETTE | |
| ERIC | | OBTM/TP/TPL 70 Truck .. | 77 | 24MF 62 | 17 | HUSKEE | | SP-172 FM-100 | 14 |
| FM-100 | 18 | OBTU 70 Econoline | 77 | 66MF 56 | 6 | TM104M (60-299) | 77 | 99-8519 | 68 |
| F-85 (See Oldsmobile) | | OFBD (DODA-19A241) | | 66MFP 56 | 6 | IMPERIAL (See Chrysler or MoPar) | | LANCER (See Mopar) | |
| FALCON (See Ford) | | 70 Maverick | 75 | 69MF 56 | 6 | INLAND | | LARK (See Studebaker) | |
| FIRESTONE | | OFBF (EP) 70 Galaxie | | 69MS 56 | 6 | AFM-602 | 41 | LEAR JET | |
| 3-D-5 Code 120-MU- | | See Page 59 | 73 | 74BF 57 | 8 | AFM-603 | 52 | A-219 (Similar to page 77) | 58 |
| 60B | 19 | 04BF 60 E.V. | 12 | 74BT 57 Truck | 9 | PA-700 | 49 | A-229 (Similar to page 73) | 55 |
| 3-D-6 Code 120-1-R61.. | 21 | 04BF L.P. 60 Ford | 30 | 74MF 57 | 8 | V102 | 41 | A-239 (Similar to page 38) | 56 |
| 3-D-6 Code 120-3-P69.. | 21 | 04BT 60 Truck | 12 | 75BF 57 | 7 | V302 | 41 | A-250 | 72 |
| 3-D-6A | 27 | 04MD 60 Falcon | 12 | 75MF 57 | 7 | VMX101 | 41 | A-260 | 77 |
| 3-D-7 Code 120-3-DUP- | | 04MF 60 | 12 | 76MF SR 57 | 8 | WV502 | 42 | A-269B | 65 |
| 42 | 21 | 04MFM 60 | 12 | 78MF 57 | 7 | WVX103 | 48 | AS-830-H | 54 |
| 3-D-8 | 23 | 1TMC 61 Continental .. | 15 | 79MS 57 T-Bird | 7 | WVX502 | 42 | | |
| | | 1TMS 61 T-Bird | 15 | 84BF 58 | 8 | | | | |
| | | 2TBO 62 Fairlane | 19 | 84BT 58 Truck | 9 | | | | |
| | | 2TMF 62 | 18 | 84MF 58 | 8 | | | | |
| | | 2TMX 62 | 18 | 84MS 58 T-Bird | 9 | | | | |
| | | 3MF 53 | 4 | 86MF 58 | 8 | | | | |
| | | 3MFT 53 Truck | 4 | 94BF 59 | 10 | | | | |
| | | 3SF755 53 | 4 | 94BT 59 Truck | 11 | | | | |
| | | 3TBD 63 Falcon | 19 | 94MF 59 | 10 | | | | |
| | | 3TBO 63 Fairlane | 19 | 94MFM 59 | 10 | | | | |
| | | 3TMF 63 Galaxie | 23 | 94MS 59 T-Bird | 11 | | | | |
| | | 4BF 54 See Model M4B .. | 4 | 95MF 59 | 10 | | | | |
| | | 4MF 54 | 4 | GIBBS | | | | | |
| | | 4SF765 54 | 5 | CR-332A/B/C | 71 | | | | |
| | | 4TBD 64 Falcon | 23 | CR-335B/337B | 71 | | | | |
| | | 4TBO 64 Fairlane | 23 | CR-627 | 70 | | | | |
| | | 4TBT 64 Truck | 26 | CR-630 | 70 | | | | |
| | | 4TBU 64 Econoline | 26 | 440 | 27 | | | | |
| | | 4TBZ 64/65 Mustang | 32 | 441 | 27 | | | | |
| | | 4TMC 64 Galaxie | 23 | | | | | | |
| | | 4TMS | 23 | | | | | | |

| LEAR JET (CONT.) | VOL. | MERCURY (CONT.) | VOL. | MOPAR (CONT.) | VOL. | MOPAR (CONT.) | VOL. | MOPAR (CONT.) | VOL. |
|------------------------|------|---------------------------|------|------------------------|------|-------------------------|------|------------------------|------|
| AS-831 | 58 | 2TMY 62 Meteor | 18 | 113 RV1 61 Valiant | 15 | 369 6FBP,6FBVE 66 | 36 | 852 58 Dodge LD-1/-2/ | |
| ASFM-830-H | 54 | 3SMY757 53 See Lincoln | | 114 RW1 61 Lancer | 15 | Plymouth Standard | 36 | -3 | 8 |
| ASFM-871 | 56 | Model 3SH756 | 4 | 202 62 Lancer SL1 | 18 | 369 7FBP 67 Plym. | 48 | 854 58 Plym. LP-1/-2 | 9 |
| ASR-830-H | 44 | 3TBM 63 | 21 | 203 62 Valiant SV1 | 18 | 370 7FBD 67 Dodge | 48 | 855 P-5901 59 Plym | 11 |
| ASR-851 | 55 | 3TME 63 Comet | 23 | 204 62 Plym. SP1/2 | 18 | 372 5FBVE See Page 86 | | 856 59 Dodge MD1/2/3 | 10 |
| | | 3TMY 63 Meteor | 23 | 205 62 Dart SD1/2 | 17 | 65 Plymouth | 30 | 857 59 Desoto MS1/2/3 | 10 |
| LINCOLN | | 4SM767 54 See Lincoln | | 206 4TBLL 64 Dart | 24 | 373 5FBL See Page 86 | | 858 94BC 59 Chrysler | 10 |
| D8ML 68 Lincoln | 56 | Model 45H764 | 4 | 214 3BVD 63 Valiant | | 65 Dart | 30 | 860 59 Plym. MP1/2 | 12 |
| F3TBC 63 | 21 | 4TBM 64 Merc. | 23 | TV1 | 19 | 374 7FBPD 67 Plym. | 48 | 861 59 Chrysler Export | 12 |
| F4TBC 64 | 25 | 4TME 64 Comet | 23 | 215 3BLE 63 Dart TLL | 19 | 375 7FBC 67 Chrysler | 48 | 900 55 Dodge D-55/-56 | 5 |
| F6TDC 66 Lincoln | 40 | 5BM 55 See Lincoln | | 216 63 Plym. | 22 | 376 7BC 67 Chrysler | 42 | 901 55 Desoto S-21/-22 | 5 |
| F8TBC (C8VY-18805B5)68 | 71 | Model 5BH | 5 | 217 63 Dodge | 22 | 377 7BDD 67 Dodge | | 902 55 Chrysler | 5 |
| F8TBC 68 Mark X | 61 | 5TBM 65 Merc. | 28 | 218 4TBVE 64 Valiant | 23 | DeLuxe | 42 | 903 55 Chrysler | 5 |
| F14TBC 64 | 25 | 5TPE 65 Comet | 28 | 219 64 Dodge VDI/2 | 24 | 378 7FBDD 67 Dodge | 48 | 910/HR 56 Dodge D-62/ | |
| TOB5TBC 65 | 33 | 6BM 56 | 6 | 220 64 Plym. VP1/2 | 23 | 379 6FBL 66 Dart | 36 | -63 | 6 |
| T6SMC 66 Continental | 36 | 6BMS 56 | 6 | 221 4TBLH 64 Dart | 24 | 381 67 Charger | 43 | 911 65 Desoto S-23/-24 | 6 |
| T7SMC 67 Lincoln | 45 | 6TMM 66 Merc. | 35 | 222 5BVE 65 Valiant | 28 | 385 7FBAV 67 Barracuda, | | 912/HR 56 Chrysler | 7 |
| T7SMK/C 67 Lincoln | 45 | 6TPG 66 Merc. | 37 | 223 65 Dodge Dart | 28 | Dart, Valiant | 48 | 916/HR 56 Plym. P-28/ | |
| T8ML 68 Lincoln | 52 | 7TBM | 42 | 224 5BP 65 Plym.Std | 28 | 402 04BC 60 Chrysler | 13 | -29 | 7 |
| T8MX 68 | 54 | 7TPG 67 Comet/Cougar | 41 | 225 5BPD 65 Plym. | | 403 04BI 60 Imperial | 13 | 917HR 57 Plymouth | 8 |
| T9ML 69 Lincoln | 64 | 8TBM 68 | 55 | Deluxe | 28 | 404 14BI 61 Imperial | 15 | 918 57 Dodge D-66/-67/ | |
| T9MX 69 Mark III | 52 | 9BM 69 | 68 | 226 65 Dodge Coronet | 28 | 407 14BC 61 Chrysler | 15 | -70/-71/-72 | 7 |
| (C9LA-19A242-B) | | 9FBM (C9MA-19A241) | | 228 68VE 66 Valiant | 37 | 409 24BI 62 Imperial | | 919/HR 57 Desoto S-25/ | |
| (C9LY-18805-B) | 66 | 69 Mercury | 78 | 229 6BL 66 Dart | 37 | SY1 | 18 | -26/-27 | 7 |
| OFBL(DOVA-19A241) | | 9FBO 69 Montego | 64 | 230 6BP 66 Plym. | 37 | 410 24BC 62 Chrysler | | 920HR 57 Chrysler | 8 |
| 70 Lincoln | 75 | 9FBZ 69 Cougar | 64 | 230 7BP 67 Plym. | 42 | SCI1/2/3 | 18 | 921HR 57 Imperial | 8 |
| 05BH 60 | 12 | 22BM 62 | 18 | 231 6BPD 66 Fury | 37 | 411 34BCS 63 | | 922 85BC 58 Chrysler | 9 |
| 3SH756 53 | 4 | MERCURY RECORDS | | 232 66 Coronet BW1/2 | 35 | Chrysler | 20 | 923 58 Desoto L-51/ | |
| 4SH764 54 | 4 | AP-8300 | 57 | 233 66 Charger BW29 | 35 | 413 34BI 63 Imperial | | -52/-53 | 9 |
| 4SH766 54 | 4 | METEOR (Also See Mercury) | | 234 6BVS 66 Valiant | 37 | TY1 | 20 | 924HR | 9 |
| 4TMC F 64Continental | 23 | 24ME 62 Comet See | | 235S 66 Polara,Custom | | 414 44BI 64 Imperial | 24 | 925 58 Plym. LP-1/-2 | 9 |
| 5BH 55 | 5 | Ford 24ME | 17 | 880, Monaco BD2 | 35 | 415 44BCS 64 | | 927 59 Desoto MS-1/-2/ | |
| 5TMC F 65 Continental | 28 | Ford 24MY 62 Meteor See | | 236 7BVE 67 Valiant | 42 | Chrysler | 24 | -3 | 11 |
| 6BC 56 | 6 | Ford 24ME | 17 | 237 67 Dart | 43 | 416 65 Chrysler | 31 | 928 R95BC-S 59 | |
| 6BM 56 | 6 | 77BM 57 | 7 | 240 67 Fury | 43 | 416B 66 Chrysler | 39 | Chrysler | 10 |
| 6TDC 66 Lincoln | 37 | 78BM 57 | 7 | 241 7BD 67 Dodge | 42 | 417 65 Imperial | 31 | 929 C-5909 59 Imperial | |
| 8TBC 68 | 60 | 84BM 58 | 8 | 301 PP1/2 60 Plym. | 14 | 417B 66 Imperial | 39 | MY-1 | 11 |
| 8TPX 68 Mark III | 59 | 85BM 58 | 9 | 302 PD1/2/3/4 60 Dodge | 13 | 418 67 Imperial | 47 | | |
| 9BL 69 | 60 | 94PM 59 | 12 | 303 03BC 60 Chrysler | 13 | 419 67 Imperial | 43 | | |
| 9FBL (C9VA-19A241) 69 | 71 | 95PM 59 | 11 | 304 03BS 60 Desoto | 13 | 420 66 Imperial | 40 | | |
| 9FBLU (C9VA-19A246) 69 | 71 | METRAVOX | | 305 03BD 60 Dodge | 13 | 421 67 Chrysler | 43 | | |
| 9MABL (C9VA-19A099) | | Sutton RA144 | 20 | 306 13BD 61 Dodge | 16 | 608 53 Plym. P24 | 4 | | |
| 68-69 | 71 | Sutton RA155 | 21 | 309 RP1/2 61 Plym. | 16 | 609 53 Dodge Model | | | |
| 78BL 57 | 7 | MC | | 310 Export Version of | | D-44/-46/-47/-48 | 4 | | |
| 85BH 58 | 9 | HAC700 4TMB | 30 | Model 301 | 14 | 610T 53 Dodge Truck, | | | |
| 85BHP Above Serial | | MIDLAND | | 311 Export Versions | | Series B-3/-4 | 4 | | |
| #5000 58 | 9 | 65-200 | 40 | of Model 309 | 16 | 611T 54 Dodge Truck, | | | |
| 88BH 58 | 8 | 65-210 12 Transistor | | 312 13BS 1961 Desoto | 16 | Series C See Model | | | |
| 95BH 59 | 9 | Version | 40 | 313 60 Valiant | 14 | 612 54 Dodge D-40/-51/ | | | |
| MACK | | 65-210 | 34 | 314L Export Version of | | 52/-53 See Model 609 | 4 | | |
| U3MHT Truck | 32 | 65-230 | 78 | Model 114 | 16 | 613 55 Plym. P-26/-2 | 5 | | |
| U5MHT 204SX28 | 47 | 65-400 | 57 | 314V Export Version of | | 614 55 Dodge D-55/-56 | 5 | | |
| MASTERWORK | | 65-404 | 59 | Model 113 | 16 | 620 56 Plym. P-28/-29 | 7 | | |
| M8200 | 72 | 65-408 | 63 | 317 13BC 61 Chrysler | 15 | 621 56 Dodge D-62/-63 | 7 | | |
| MERCURY | | MOBILPAGE | | 322 SP1/2 62 Plym. | 17 | 624 57 Dodge D-66/-67/ | | | |
| (Also See Philco-Ford) | | 6SMTR/MW | 48 | 323 SD1/2 62 Dart | 17 | -70/-71/-72 | 8 | | |
| D8MF 68 Comet | 53 | MONITORADIO | | 324 Export SP1/2 62 | | 700 58 Dodge Truck | 8 | | |
| 5TBM 65 Merc. | 28 | M-40 | 12 | Plym. | 17 | 700 Rev. 60 Dodge | | | |
| E6TMM 66 Merc. | 35 | M-160 | 12 | 327 SCI/2/3 62 | | Chrysler | 14 | | |
| EF5TBM 65 Merc. | 34 | MC-40 | 12 | 327 SCI/2/3 62 | | 701 59 Simca | 12 | | |
| EF6TBM 66 Merc. | 38 | MC-160 | 12 | 330 63 Plym. | 21 | 703 R12BDT 61 Dodge | | | |
| F3TBM 63 | 21 | MONTGOMERY WARD | | 331 63 Dodge | 21 | Truck | 16 | | |
| F4TBE 64 Comet | 24 | (See Riverside) | | 332 63 Dodge 880 | 21 | 706 64 Dodge Truck | 26 | | |
| F4TBM 64 Merc. | 24 | MOPAR | | 333 63 Chrysler | 21 | 706 5TBDT Similar to | | | |
| F5TBE 65 Comet | 34 | RV4C | 24 | 334 4TBQ 64 Dodge880 | 24 | page 64 65 Dodge Truck | 26 | | |
| F5TBM 65 Merc. | 34 | RV4CL | 24 | 335 64 Plym. | 25 | 706 7BDT 67 Dodge | | | |
| F6TBM 66 Comet | 38 | RV5C 65 | 30 | 336 64 Dodge | 25 | 819 53 Plymouth | 44 | | |
| F6TBM 66 Merc. | 38 | RV5CL 65 | 30 | 337 63 Valiant | 22 | 820 53 Dodge | 4 | | |
| F7TBM 67 Comet | 47 | 101 PP1/2 60 Plym. | 13 | 339 63 Dodge Dart | 22 | 821 Desoto S-16/-18 | 4 | | |
| F7TBM 67 Merc. | 47 | 102 PDI/2/3/4 60 | | 343 R3BC 63 Chrysler | | 824 53 Chrysler | 4 | | |
| F8TBM 68 Merc. | 56 | Dodge | 13 | TC1/2/3 | 19 | 828 54 Dodge D-50/-51/ | | | |
| F8TBO 68 Comet | 56 | 104 60 Valiant | 13 | 344 63 Dodge | 22 | -52/-53 | 4 | | |
| F8TBZ 68 Cougar | 56 | 106 60 Dodge | 14 | 345 63 Plym. | 22 | 829 Desoto S-19/-20 | 4 | | |
| F9BZ 69 Cougar | 64 | 107 12B 61 Dodge | | 347 R23BDQ 62 Dodge | | 830 54 Chrysler C-62/ | | | |
| M7TB 67 Comet,Cougar, | | Dart | 15 | 880,SD3 | 19 | -63/-64 | 4 | | |
| Merc. | 47 | 110 Export Version of | | 348 4TBC 64 Chrysler | 24 | 831 See Model 830 | 4 | | |
| M-5841 58 | 9 | Model 101 | 13 | 350 R3BD 63 Dodge880 | 19 | 832 55 Plymouth | 5 | | |
| T6SMH 66 Merc. | 35 | 111 RP1/2 61 Plym. | 15 | 351 64 Chrysler | 25 | 833 55 Dodge D-55/-56 | 5 | | |
| T7SMH/A 67 Comet | 45 | 112 60 Desoto | 14 | 352 64 Imperial | 25 | 834 55 Desoto S-21/ | | | |
| T7SMH/F 67 Cougar, | | | | 353 64 Dodge 880 | 25 | -22 | 5 | | |
| Merc. | 45 | | | 354 64 Dodge | 24 | 835 55 Chrysler | 5 | | |
| T7SMH/N 67 Comet | 45 | | | 360 5FBP 65 Plym. | 30 | 836 55 Plym. P-25/-27 | 5 | | |
| T7SMH 67 Merc. | 45 | | | 361 5FBPD 65 Plym. | 30 | 840 56 Plymouth | 6 | | |
| T7SMH 67 Cougar | 45 | | | 361 6FBPD 66 Plymouth | | 841 56 Plym. P-28/-29 | 6 | | |
| T8MM 68 Merc. | 54 | | | Deluxe | 36 | 842,842HR 56 Dodge | | | |
| T8MZ 68 Cougar | 54 | | | 362 5FBD 65 Dodge | 30 | D-62/-63 | 6 | | |
| OBM(DOMA-18806) | | | | 363 65 Dodge 880 | 28 | 843 56 Desoto S-23/-24 | 6 | | |
| 70 Mercury | 77 | | | 363S 66 Polara, Custom | | 844/HR 56 Chrysler | 6 | | |
| 04BM-1 60 | 13 | | | 880, Monaco BD2 | 35 | 845 57 Dodge D-66/-67/ | | | |
| 04BM-2 60 | 13 | | | 364 5FBDD 65 Dodge | 30 | -70/-71/-72 | 8 | | |
| ZTBM R2TBM 62 | 20 | | | 364 6FBDD 66 Dodge | | 846 57 Desoto S-25/-26/ | | | |
| | | | | Deluxe | 36 | -27 | 8 | | |
| | | | | 365 65 Chrysler | 28 | 847 57 Chrysler | 8 | | |
| | | | | 365S 66 Chrysler BCI/ | | 848 57 Plymouth | 8 | | |
| | | | | 2/3 | 109 | 849 57 Plym. P-30/-31 | 8 | | |
| | | | | 366 5FBC 65 Chrysler | 30 | 851 84BC 58 Chrysler | 8 | | |
| | | | | 366 6FBC 66 Chrysler | 36 | | | | |
| | | | | 367 5FB1 65 Imperial | 30 | | | | |

| MOTOROLA (CONT.) | VOL. | MOTOROLA (CONT.) | VOL. | MOTOROLA (CONT.) | VOL. | MUNTZ/STEREO (CONT.) | VOL. | OLDSMOBILE (CONT.) | VOL. |
|---------------------------|------|---------------------------|------|----------------------------|---------------|-------------------------|------|--------------------|------|
| CT4FMC 64 Chev. | 34 | PCA60X 60 Pontiac | 15 | 7MX 7 | M-40 57 | 7294743 982688 66 Olds | 37 | | |
| CT52M6 51-52 Chev. ... | 5 | PCA61X 61 Pontiac | 17 | 8M 8 | M-45 64 | 7294753 982689 66 Olds | 36 | | |
| CT65A 65 Chevrolet ... | 32 | PCA62 62 Pontiac | 20 | 8MX 9 | M-50 60 | 7297564 66 Olds | | | |
| CT65M 65 Chevrolet ... | 32 | PCA63 63 Pontiac | 22 | 9AX 10 | | Reverb. Unit | 36 | | |
| CT66A 66 Chevrolet ... | 38 | PCA64 64 Pontiac | 24 | 10AX 15 | | 7298413 67 Oldsmobile | 45 | | |
| CT66M 66 Chevrolet ... | 39 | PCA65 49-52 Pontiac ... | 5 | 10M 13 | | 7299563 67 F-85 | 43 | | |
| CT67A 67 Chevrolet ... | 44 | PCA66 64 Pontiac | 26 | 10MX 12 | | 7299573 67 Toronado .. | 45 | | |
| CT68A 68 Chevrolet ... | 56 | PC4FMC 64 Pontiac | 34 | 11MX 16 | | 7299583 67 Toronado .. | 42 | | |
| CT69A 69 Chevrolet ... | 69 | PC65A 65 Pontiac | 32 | 12AT-1/-2/-3 21 | | 7300083 67 Toronado .. | 44 | | |
| CT70A 70 Chevrolet ... | 77 | PC66A 66 Pontiac | 40 | 13MA/MAM 60 Rambler | | 7300093 67 Oldsmobile | 44 | | |
| CTA3 53 Chevrolet | 4 | PC67A 67 Pontiac | 45 | American see page 13 .. | 14 | 7300103 67 Oldsmobile | 42 | | |
| CTA4 54 Chevrolet | 6 | PC69A 69 Bonneville, | | 14AT 25 | | 7300113 67 F-85 | 46 | | |
| CTA5 55 Chevrolet | 6 | Catalina,Executive | 69 | 14MR 61 Rambler See | | 7300753 67 Toronado .. | 44 | | |
| CTA6T 55-56 Chevrolet .. | 6 | PC70A 70 Tempest 77 | | page 13 15 | | 7301703 67 Oldsmobile | 46 | | |
| CTA6X 55-56 Chevrolet .. | 7 | PD5A6 51-53 Packard ... | 5 | 24ME,24MF,24MY See | | 7302013 68 F-85 | 52 | | |
| CTA7X 57 Chevrolet | 7 | PD69A 69 Firebird | 69 | Ford Model 24ME 17 | | 7302023 68 Olds,F-85 .. | 50 | | |
| CTA8X 58 Chevrolet | 9 | PT67A 67 Tempest | 44 | 76MA 57 Hudson & Nash | | 7302503 67 Toronado .. | 46 | | |
| CTA9X 59 Chevrolet | 10 | PT68A 68 Pontiac | 56 | See page 9 6 | | 7303143 68 Oldsmobile | 51 | | |
| CTA61 61 Chevrolet | 15 | PT69A 69 Tempest 69 | | 93MR 59 Rambler See | | 7303153 68 Oldsmobile | 49 | | |
| CTA62 62 Chevrolet | 18 | PT70A 70 Pontiac | 77 | page 9 10 | | 7303203 68 Toronado .. | 49 | | |
| CTA63 63 Chevrolet | 22 | R200 19 | | 94MF See page 71 10 | | 7303223 68 Toronado .. | 49 | | |
| CTA64 64 Chevrolet | 24 | SR2A6 50-52 Studebaker | 5 | 94MFM See page 71 10 | | 7303253 68 Toronado .. | 51 | | |
| CTM3 53 Chevrolet | 5 | SR3A6 52 Studebaker .. | 5 | 94MI 59 "R" & "V" Intl. | | 7305203 68 Oldsmobile, | | | |
| CTM4/A 54 Chevrolet | 6 | SR52A6 50-52 | | Truck See page 61 11 | | Toronado 50 | | | |
| CTM6 55-56 Chevrolet .. | 6 | Studebaker 5 | | 94MIM 59 International | | 7305933 68 Olds, F-85 | 50 | | |
| CTM7X 57 Chevrolet | 7 | SR52M6 50-52 | | See page 91 10 | | 7307313 69, 69 1/2 | | | |
| CTM8X 58 Chevrolet | 9 | Studebaker 5 | | 94MS 59 T-Bird See | | Oldsmobile | 74 | | |
| CTM9X 59 Chevrolet | 10 | TM5A 33 | | page 55 11 | | 7307813 69 69 1/2 | | | |
| CTM57X 57 Chevrolet ... | 9 | TM5M 32 | | 95MF See page 77 10 | | Toronado 74 | | | |
| CTM61X/A 61 Chevrolet .. | 16 | TM6M 39 | | 101 See MoPar 101 | 13 | | | | |
| CTM62 61-62 Chevrolet .. | 19 | TM6A 38 | | 102 See MoPar 102 | 13 | | | | |
| CTM63 63 Chevrolet | 22 | TM7A 44 | | 104 See MoPar 104 | 13 | | | | |
| CTM64 64 Chevrolet | 25 | TM8A 71 | | 110 See MoPar 110 | 13 | | | | |
| CY65A 62-65 Chevy II ... | 32 | TM15A 32 | | 250X 20 | | | | | |
| CY65M 62-65 Chevy II ... | 33 | TM16A 45 | | 290T 22 | | | | | |
| CY66A 66 Chevy II | 38 | TM17A 45 | | 294 25 | | | | | |
| CY67A 67 Chevy II | 44 | TM18A 73 | | 300X 11 | | | | | |
| CY68A 68 Chevy II | 56 | TM105M 75 | | 301X 11 | | | | | |
| CY69A 69 Chevy II | 69 | TM295M 35 | | 302 See MoPar 302 | 13 | | | | |
| CY70A 70 Chevy II | 77 | TM296M 40 | | 310X Negative Ground .. | 13 | | | | |
| CYA62 62 Chevy II | 20 | TM297M 48 | | 311X Positive Ground .. | 13 | | | | |
| CYA63 61-63 Chevy II ... | 22 | TM299M 31 | | 320T 22 | | | | | |
| CYA64 62-64 Chevy II ... | 25 | TM315M 73 | | 323T 22 | | | | | |
| CYM62 62 Chevy II | 19 | TM316M 40 | | 324 25 | | | | | |
| CYM63 62-63 Chevy II ... | 22 | TM318M 54 | | 395, 395-12 5 | | | | | |
| CYM64 62-64 Chevy II ... | 25 | TM326M 40 | | 396, 396-12 6 | | | | | |
| FM65M 35 | | TM327M 46 | | 397 7 | | | | | |
| FM67M 45 | | TM329M 77 | | 397X 7 | | | | | |
| FM68M 59 | | TM336M 40 | | 398X 9 | | | | | |
| FM106M 40 | | TM415M 32 | | 403 4 | | | | | |
| FM108M 55 | | TM416M 41 | | 404 5 | | | | | |
| FM200A 34 | | TM525A 33 | | 406 11 | | | | | |
| FM210A 72 | | TM526A 41 | | 412 4 | | | | | |
| FM-900 14 | | TM527A 46 | | 414 25 | | | | | |
| FM990X 47 | | TM529A 75 | | 424 25 | | | | | |
| FM991X 60 | | TM626A 41 | | 500X 13 | | | | | |
| FMA-100 26 | | TM706S 47 | | 503 4 | | | | | |
| FMC62 19 | | TM707S/-1,708S/-1, | | 504 5 | | | | | |
| GMT3A6 48-53 Chev/GMC | | TM709S 65 | | 506, 506-12 7 | | | | | |
| Truck 5 | | TM711S 68 | | 520T 21 | | | | | |
| GMT53A6 48-53 Chev/GMC | | TM713S 72 | | 524 26 | | | | | |
| Truck 5 | | U3MW Autocar,Diamond | | 553 4 | | | | | |
| GV-701 11 | | T, Reo,White Trucks | | 555, 555-12 6 | | | | | |
| GV-800 9 | | 891600 24 | | 556 6 | | | | | |
| HF3A6 51-53 Henry J ... | 5 | VNA7 53-57 VW 7 | | 595, 595-12 6 | | | | | |
| HN2A6 51-52 Hudson ... | 5 | VNA8 58 VW 12 | | 596, 596-12 6 | | | | | |
| HN3A6 51-53 Hudson | | VNA60 VW 13 | | 597X 7 | | | | | |
| except Hudson Jet ... | 5 | VNA63 63 VW 22 | | 601X 13 | | | | | |
| HN4A6 54 Hudson 5 | | VNA64 58-64 VW 25 | | 611T See MoPar 610T .. | 4 | | | | |
| HN4M6 54 Hudson 5 | | VNM60 60 VW 22 | | 612 See MoPar 609 .. | 4 | | | | |
| HN53M6 51-53 Hudson ... | 5 | VNM63 58-63 VW 22 | | 624 See MoPar 624 .. | 8 | | | | |
| HT3A6 53 Hudson Jet ... | 5 | VNM64 58-64 VW 25 | | 701 See MoPar 701 | 12 | | | | |
| IL5TCA,-12 55 Intl. ... | 6 | OSAR See American | | 829 See MoPar 829 .. | 4 | | | | |
| KM201R 41 | | Motors Model 8990811 .. | 12 | 845 See MoPar 845 .. | 8 | | | | |
| KM202R 41 | | 04MA 60 Rambler See | | 846 See MoPar 846 .. | 8 | | | | |
| KM203R 66 | | page 19 11 | | 849 See MoPar 849 .. | 8 | | | | |
| KM204R 64 | | 04MD/MF/MFM See page | | 852 See MoPar 852 .. | 8 | | | | |
| KR3A6 51-53 Kaiser ... | 5 | 77 12 | | 853 See MoPar 853 .. | 8 | | | | |
| NH3C 53 Nash Rambler .. | 4 | 2AT-1 21 | | 854 See MoPar 854 .. | 9 | | | | |
| NH4AC 54 Nash See Nash | | 2MT 20 | | 856 See MoPar 856 .. | 10 | | | | |
| Model AC-154 5 | | 2TMF See page 71 18 | | 857 See MoPar 857 .. | 10 | | | | |
| NH5AC 55 Nash See Nash | | 2TMX See page 71 18 | | 860 See MoPar 860 | 12 | | | | |
| Model AC-154 5 | | 2TMXD See page 131 ... | 17 | 861 See MoPar 861 | 12 | | | | |
| OE47X 57 Oldsmobile ... | 7 | 2TMY See page 71 18 | | 923 See MoPar 923 .. | 9 | | | | |
| OE49X 59 Oldsmobile ... | 12 | 3AT 22 | | 927 See MoPar 927 .. | 11 | | | | |
| OE460X 60 Oldsmobile .. | 14 | 3MT 22 | | 980886 64 Opel Kadette | 26 | | | | |
| OE461X 61 Oldsmobile .. | 17 | 4AT 25 | | | | | | | |
| OE463 63 Oldsmobile ... | 22 | 4MT 25 | | | | | | | |
| OE464 64 Oldsmobile ... | 24 | SM, SM-12 5 | | | | | | | |
| OE2A6 51-52 Oldsmobile | | 6M 6 | | | | | | | |
| "Super 88" & "98" ... | 5 | 6M-12 6 | | | | | | | |
| OE4FM 64 Oldsmobile ... | 26 | 6MA 59 Hudson & Nash | | | | | | | |
| OE4FMC 64 Oldsmobile .. | 34 | See page 9 6 | | | | | | | |
| OE65A 65 Oldsmobile ... | 32 | 6MR 56 Rambler See | | | | | | | |
| OE66A 65/66 Oldsmobile | | page 5 6 | | | | | | | |
| OE67A 67 Oldsmobile ... | 45 | 6TAS8 6 | | | | | | | |
| PCA7X 57 Pontiac 7 | | 7M See Model 6M 6 | | | | | | | |
| PCA9X 59 Pontiac 10 | | 7MR 57 Rambler See | | | | | | | |
| | | page 5 6 | | | | | | | |

| PENNEYS (CONT.) | VOL. | PLYMOUTH (CONT.) | VOL. | PONTIAC (CONT.) | VOL. | RANGER (CONT.) | VOL. | RIVERSIDE (CONT.) | VOL. |
|-----------------------|------|------------------------|------|-----------------------|------|---------------------|------|------------------------|------|
| 3169 64 Falcon | 30 | 398 (8FBBA) 68 | | 7294332 66 Pontiac | 37 | TC-100-M | 32 | FJB-6686A 59 Plym | 12 |
| 3170 64 Falcon | 30 | Barracuda | 58 | 7294342 66 Pontiac | 38 | TC-100-MD | 32 | FJB-6687 59 Ford | 11 |
| 3171 985-8515 64 F-85 | 29 | 399 (8FBVA) 68 Valiant | 58 | 7298802 67 Tempest | 41 | TC-200PB | 23 | FJB-6688 59 Chev | 11 |
| 3172 64 Fairlane | 30 | 2864963 (390) 68 | | 7298812 67 Tempest | 42 | TC-200-PB | 32 | FJB-6689A 59 Plym | 12 |
| 3173 64 Mercury | 30 | Belvedere, Fury | 55 | 7298822 67 Pontiac | 43 | TC-300M 64 VW | 23 | FJB-6690A 59 Buick | 13 |
| 3174 64 Oldsmobile | 29 | 2884044 (400) 68 | | 7298822 68 Pontiac | 49 | TC-300M,MD 65 Prod. | | FJB-6691B Renault | |
| 3176 63-64 Pontiac | 29 | Belvedere, Fury | 55 | 7298832 67 Pontiac | 42 | Similar to page 144 | 23 | Dauphine | 12 |
| 3179 64 Tempest | 29 | 2884065 (250) 68 Fury | 51 | 7298832-A 67 1/2 | | TC-300M 5-041 | 36 | FJB-6693B Renault | |
| 3180 64 Chevrolet | 29 | 2884103 (254) 69 Fury | 67 | Pontiac | 73 | TC-400PB 64 VW | 23 | Dauphine | 12 |
| 3181 60-64 Corvair | 29 | 3420558 (1PF2903) | | 7298842 68 Prod. 68 | | TC-400PB 65 Prod. | | FJB-16509C | 33 |
| 3182 63-64 Chevy II | 29 | 69 Fury | 65 | Pontiac | 49 | Similar to page 144 | 23 | FJB-16512A 64 VW | 28 |
| | | | | 7298842 67 Pontiac | 45 | TP-803 | 24 | FJB-16513A 64 VW | 28 |
| | | | | 7300682 67 Pontiac | 45 | TRM-64M | 23 | FJB-16520A 63 | |
| | | | | 7302322 67 1/2 | | TRT | 52 | Chrysler | 23 |
| | | | | Firebird | 47 | VW-64PB 64 VW | 23 | FJB-16521A 63 Chev | 23 |
| | | | | 7302332 67 1/2 | | | | FJB-16522A 63 Dodge | 23 |
| | | | | Firebird | 47 | | | FJB-16523A 63 Ford | 23 |
| | | | | 7302762 68 Tempest | 49 | | | FJB-16524A 63 Merc | 23 |
| | | | | 7303302 68 Pontiac | 49 | | | FJB-16525A 63 Olds | 23 |
| | | | | 7303302-A 68 Pontiac | 73 | | | FJB-16526A 63 Plym | 23 |
| | | | | 7302752 68 Tempest | 50 | | | FJB-16527A 63 | |
| | | | | 7303262 68 Tempest | 50 | | | Pontiac | 23 |
| | | | | 7303362 68 Pontiac | 50 | | | FJB-16563A | 32 |
| | | | | 7304342 (984888) | | | | FJB-16566A | 20 |
| | | | | 68 Pontiac | 57 | | | FJB-16567A | 21 |
| | | | | 7305572 68 Firebird | 50 | | | FJB-16569A | 28 |
| | | | | 7305582 68 Firebird | 49 | | | FJB-16574A 63 Buick | 23 |
| | | | | 7305592 68 Firebird | 59 | | | FJB-16576A 63 | |
| | | | | 7305602 68 Firebird | 49 | | | Corvair | 23 |
| | | | | 7307312 69 Pontiac | 72 | | | FJB-16577A 63 Dart | 22 |
| | | | | 7307332 69 Grand Prix | 72 | | | FJB-16578A 63 Ford | 23 |
| | | | | 7307402 69 Beaumont, | | | | FJB-16579A 63 Falcon | 23 |
| | | | | Tempest | 69 | | | FJB-16580A 63 F-85 | 23 |
| | | | | 7307412 69 Pontiac | 73 | | | FJB-16581A 63 Merc | 23 |
| | | | | 7307422 69 Firebird | 69 | | | FJB-16582A 62-63 | |
| | | | | 7307432 69 Grand Prix | 69 | | | Plymouth | 23 |
| | | | | | | | | FJB-16583A 63Tempest | 23 |
| | | | | | | | | FJB-16584A 63Rambler | 26 |
| | | | | | | | | FJB-16585A 63 Chev | 23 |
| | | | | | | | | FJB-16586A 63Corvair | 23 |
| | | | | | | | | FJB-16587A 63 Falcon | 23 |
| | | | | | | | | FJB-16588A 63 Ford | 23 |
| | | | | | | | | FJB-16589A | 23 |
| | | | | | | | | FJB-16607A | 32 |
| | | | | | | | | FLH-16518A 64-65 Chev | 34 |
| | | | | | | | | & GMC Truck | 35 |
| | | | | | | | | FLH-16519A 60-64 Dodge | 34 |
| | | | | | | | | 880 | 34 |
| | | | | | | | | FLH-16528A 63-64Chev | 34 |
| | | | | | | | | FLH-16529A 65 Chev | 35 |
| | | | | | | | | FLH-16530A 60-64 | |
| | | | | | | | | Corvair | 35 |
| | | | | | | | | FLH-16531A 65Corvair | 35 |
| | | | | | | | | FLH-16533A 62-65 | |
| | | | | | | | | Chevy II | 35 |
| | | | | | | | | FLH-16534A 64 | |
| | | | | | | | | Chevelle | 34 |
| | | | | | | | | FLH-16535A 65 | |
| | | | | | | | | Chevelle | 35 |
| | | | | | | | | FLH-16536A 63-64 | |
| | | | | | | | | Galaxie | 35 |
| | | | | | | | | FLH-16537A 65Galaxie | 34 |
| | | | | | | | | FLH-16538A 64 | |
| | | | | | | | | Fairlane | 34 |
| | | | | | | | | FLH-16539A 65 | |
| | | | | | | | | Fairlane 500 | 35 |
| | | | | | | | | FLH-16541A 64/65 | |
| | | | | | | | | Falcon, 64 Comet | 35 |
| | | | | | | | | FLH-16543A 65 Comet | 35 |
| | | | | | | | | FLH-16544A 63/64Merc | 34 |
| | | | | | | | | FLH-16545A 65 Merc | 35 |
| | | | | | | | | FLH-16546A 63/64 | |
| | | | | | | | | Ambassador,Classic | 34 |
| | | | | | | | | FLH-16547A 65 | |
| | | | | | | | | Ambassador,Classic | 34 |
| | | | | | | | | FLH-16549A 64 Plym | 34 |
| | | | | | | | | FLH-16550A 65 | |
| | | | | | | | | Belvedere | 39 |
| | | | | | | | | FLH-16551A 65 Fury | 39 |
| | | | | | | | | FLH-16552A 64Valiant | 34 |
| | | | | | | | | FLH-16553A 65Valiant | 39 |
| | | | | | | | | FLH-16554A 64 Polara | 34 |
| | | | | | | | | FLH-16555A 65Coronet | 39 |
| | | | | | | | | FLH-16556A 64 Dart | 34 |
| | | | | | | | | FLH-16557A 65 Dart | 39 |
| | | | | | | | | FLH-16558A 64 Dart | 34 |
| | | | | | | | | FLH-1659A | 31 |
| | | | | | | | | FLH-16650A 65 Dodge | |
| | | | | | | | | Deluxe,Polara,Monaco, | |
| | | | | | | | | 880 | 35 |
| | | | | | | | | FLH-16651A 63/65 | |
| | | | | | | | | Econoline | 35 |
| | | | | | | | | FLH-16652A 64 Buick | |
| | | | | | | | | Special | 34 |
| | | | | | | | | FLH-16653A 65 Olds | 35 |
| | | | | | | | | FLH-16654A 64 F-85 | 34 |
| | | | | | | | | FLH-16658A 64/65 | 35 |
| | | | | | | | | Tempest | 35 |

| RIVERSIDE (CONT.) | VOL. | SOUNDEX (CONT.) | VOL. | STUDEBAKER (CONT.) | VOL. | TENNA (CONT.) | VOL. | TENNA (CONT.) | VOL. |
|------------------------|------|-----------------------|------|-------------------------|------|-------------------------|------|-------------------------|------|
| FLH-16662A 65 | 34 | UN-120RPT | 39 | AC-3500 64 Avanti | 24 | CO-64PB 60/64Corvair | 23 | RA-65PB 65 Rambler | 32 |
| FLH-16663A 60/63 Chev | | UP-220RPT | 27 | AC-3506 64 Avanti | 24 | CO-65PB 65 Corvair | 34 | RA-66PB 66 Rambler | |
| & GMC Trucks | 34 | VAP-464T 64 Valiant | 26 | AC-3556 66Studebaker | 36 | CO-66PB 66 Corvair | 37 | Ambassador | 37 |
| FLH-16665A 64/65 Dodge | | VAP-465T 65 Valiant | 32 | SUNBEAM | | CO-67PB 66/67Corvair | 46 | RA-67PB 67 Rambler | 46 |
| Truck | 35 | VAP-466T 66 Valiant | 39 | 7BSU 67 Sunbeam | 46 | CR-63PB 63 Chrysler | 26 | RU-101T | 24 |
| 61-16509C | 33 | VMP-19T | 27 | 7BSUX 67 Sunbeam | 58 | CR-64PB 63/64 | | RU-111TC 5-004 | 40 |
| 61-16584A 63 Rambler | 26 | VMP-19T 65 Prod. | 33 | 8BSU 68 | 65 | Chrysler | 23 | RU-112TC 5-014 | 40 |
| SAAB | | VMP-19T 66 Prod. | 41 | TEMPEST (See Pontiac) | | CR-66PB 66 Chrysler | 36 | RU-113TC 5-016 | 40 |
| 4BH 64 | 30 | 4TBTR V-350 64 | | TEN | | CR-67PB 67 Chrysler | 46 | RU-114TC 5-008 | 39 |
| 5BH 65 Saab | 34 | Triumph | 26 | AT-96-1 AR-96EX | 49 | DA-63PB 63 Dart | 26 | RU-115TC 5-010 | 39 |
| 6BSA 66 | 38 | SPECIAL (See Buick) | | AT-96-2 AR-96EX-S | 49 | DA-64PB 64 Dart | 23 | RU-116TC 5-012 | 39 |
| 7BSAX | 60 | STERLING | | AT-96-3 AR-96VM | 49 | DA-65PB 65 Dart | 34 | SA-65M 65 Simca | 39 |
| 7FBSAX | 52 | FM-200 | 60 | AT-96-4 AR-96VM-S | 49 | DA-66PB 66 Dart | 36 | SA-65PB 65 Simca | 39 |
| 8BSA 68 | 70 | SM-704 | 50 | AT-2010 AT-2110 | 52 | DA-67PB 67 Dart | 46 | SP-63PB 63 Buick Spl. | 26 |
| SAMPSON | | SM-751 | 42 | FA-205/EX, FT-250-2, | | DAX-67PB 67 Dart 270 | 46 | SP-65PB 65 Buick Spl. | 37 |
| 55A | 18 | UA-702 | 41 | 13,12 | 57 | DD-65PB 65 Dodge | 34 | SP-67PB 66/67 Buick | |
| SEARS | | UDR-100 | 46 | 618VM/6 Volt | 49 | DD-66PB 66 Polara | 36 | Special | 46 |
| 833.6303 66-65 | | UDR-102 | 46 | 618/12 Volt | 49 | Monaco | 36 | TC-FMC-8 | 69 |
| Galaxie | 57 | VWM751 | 48 | TENATRONICS | | DO-67PB 67 Monaco | 36 | TC-MXC-1 | 63 |
| 833.50000 | 57 | 12-1319 | 61 | SA-712 | 40 | DO-67PB 66/67 Dodge | 46 | TC-MXC-8-0 | 69 |
| 833.62421 | 53 | STROMBERG-CARLSON | | SA-822 | 36 | DS-67M 67 Sportsman | | TC-48-T | 50 |
| 833.62820 | 36 | C.A.R.7 | 11 | SM-711 | 22 | DO-64PB 64 Dodge | 23 | TC-48-T-FM | 63 |
| 833.62830 | 37 | C.A.R.9 59Ford&Edsel | 11 | SM-711 Revised | 40 | DO-65PB 65 Dodge | 34 | TC-100M | 23 |
| 833.63050 55 Chev | 57 | CH-60-M 60 Chev. | 14 | SM-751 | 22 | DO-66PB 66 Dodge | 36 | TC-110M | 32 |
| 833.63070 | 58 | CH-61-M 61 Chev. | 17 | SM-751 Revised | 40 | DO-66PB 66 Dodge | 36 | TC-110MD | 32 |
| 833.622810 66Galaxie | 58 | CH-61-PB 61 Chev. | 17 | SM-821 | 36 | DO-67PB 67 Dodge | 46 | TC-200PB | 23 |
| 833.624220 | 33 | DA-60-PB 60 Dart | 14 | TRM-701 | 22 | DS-67M 67 Dodge | 46 | TC-210PB | 32 |
| 836.62126 | 49 | DE-60-PB 60 DeSoto | 14 | UA-702 | 22 | DS-67M 67 Dodge | 46 | TC-300M 64 VW | 36 |
| 836.63060 58-65 | 52 | DO-60-PB 60 Dodge | 14 | UM-701 | 22 | A-100 | 46 | TC-300M 5-041 65Prod. | 36 |
| 837.62220 | 38 | DO-61-PB 61 Dodge & | | UA-702 L.P. | 37 | DT-65M 65 DodgeTruck | 34 | TC-300MD 5-072 | 36 |
| 849.63160 | 56 | Dodge Dart | 17 | UM-701 L.P. | 37 | EC-65M 65 Econoline | 46 | TC-310M/MD | 35 |
| SIMCA | | FA-60-M 60 Falcon | 14 | VMA-701 | 22 | Truck | 35 | TC-400PB 64 VW | 23 |
| 4TBJ 1000 64 | 27 | FA-60-PB 60 Falcon | 14 | VMA-702 | 22 | EC-66M 66 Econoline | 35 | TC-400PB 5-045 65 | |
| 5BJ 1000 65 | 35 | FO-60-M 60 Ford | 14 | VWV-701 | 22 | Truck | 36 | Prod. | 36 |
| 6BSI 66 Simca 1000 | 39 | FO-60-PB 60 Ford | 14 | TENNA | | FA-63M/PB 60/63 | 46 | TC-410PB Similar to | |
| 7BSI Similar to page | | FO-61-M 61 Ford & | | AF-66PB | 59 | Falcon | 26 | page 144 | 23 |
| 89 | 45 | Mercury | 17 | AM-63M/PB 60-63 | | FA-64M/PB 64 Falcon | 23 | TE-63PB 63 Tempest | 26 |
| 7BSIX 1969 Simca | 59 | FO-61-PB 61 Ford & | | American | 26 | FA-65PB 65 Falcon | 35 | TE-64PB 64 Tempest | 23 |
| 8BSI 69 | 66 | Mercury | 17 | AM-64PB 63/64 | | FA-66PB 66 Falcon | 36 | TE-65PB 65 Tempest | 31 |
| SOUNDEX | | IM-60-M | 15 | AM-66PB 66 American | 36 | FA-67PB 67 Falcon | 46 | TE-66PB 66 Pontiac | 37 |
| CEP-764T 64 Chevelle | 26 | IM-60-MX | 15 | AM-67PB 67 Rambler | | FL-63M/PB 62/63 | 26 | Tempest | 46 |
| CHP-164T 64 Chev. | 26 | IM-61-PB | 17 | American | 44 | Fairlane | 26 | TRM-64M | 23 |
| CHP-165T 65 Chev. | 32 | LA-61-PB 61 Lark | 17 | BU-63PB 63 Buick | 26 | FL-64PB 64 Fairlane | 23 | VA-63PB 61/63Valiant | 26 |
| CHP-166T 66 Chev. | 40 | LR-61-PB 61 Lancer | 18 | BU-64PB 63/64 Buick | 23 | FL-65PB 65 Fairlane | 35 | VA-64PB 64 Valiant | 23 |
| CHP-654T 64 ChevyII | 26 | OF-61-PB 61 F-85 | 17 | BU-66PB 66 Buick | 37 | FL-66PB 66 Fairlane | 36 | VA-65PB 65 Valiant | 34 |
| COM-60 60 Corvair | 16 | OL-61-PB 61 Olds. | 17 | BU-67PB 66/67 Buick | 46 | FL-67PB 67 Fairlane | 46 | VA-66PB 66 Valiant | 36 |
| COP-60 60 Corvair | 16 | PL-60-M 60 Plym. | 14 | CII-63M/PB 62/63 | | FO-63M/PB 63 Ford | 26 | VA-67PB 67 Valiant | 46 |
| COP-006T 66 Corvair | 40 | PL-61-M 61 Plym. | 17 | Chevy II | 26 | FO-64M See page 136 | | VW-64PB 64 VW | 23 |
| CTP-264T 64 Comet | 26 | PO-61-PB 61 Pontiac | 18 | CII-64PB 62/64 | | 63/64 Ford | 23 | VW-65PB/PB15 65 VW | 35 |
| CTP-266T 66 Comet | 39 | RA-61-PB 61 Rambler | 17 | Chevy II | 23 | FO-64PB 64 Ford | 23 | VW-66PB 58-66 VW | 36 |
| CTR-166T 66 | | VA-60-M 60 Valiant | 14 | CII-65M 65 Chevy II | 35 | FO-65PB 65 Ford | 35 | VW-67PB 67 VW | 44 |
| Chevrolet Truck | 40 | VA-61-PB 61 Valiant | 18 | CII-66PB 66 ChevyII | 37 | FO-65PB/RS 65 Ford | 35 | 170-64PB See page 136 | |
| CYP-465T 65 Chrysler | 32 | STUDEBAKER | | CII-67PB 66/67 | | FO-66PB 66 Ford | 36 | 64 Dart | 23 |
| CYP-466T 66 Chrysler | 39 | AC-2300 S-5327 53 | 4 | Chevy II | 46 | FO-66PB/RS 66 Ford | 36 | 880-63PB 62/63 Dodge | |
| CYP-565T 65 Chrysler | 39 | AC-2301 S-5323 53 | 4 | CA-67PB 67 Camaro | 46 | 880 | 26 | 880-64PB 63/64 Dodge | |
| DAP-864T 64 Dart | 26 | AC-2686 S-5528 55 See | | CG-67PB 67 Cougar | 46 | 880-64PB 63/64 Dodge | 26 | 880 | 23 |
| DAP-865T 65 Dart | 32 | Model AC-2300 | 4 | CH-63M/PB 63 Chev. | 26 | TITAN | | ETB-1600 | 40 |
| DAP-866T 66 Dart | 39 | AC-2687 S-5524 55 See | | CH-64M See page 136 | | FMC-4 | 27 | FMC-4 | 27 |
| DOP-864T 64 Dodge | 26 | Model AC-2301 | 4 | 63/64 Chevrolet | 23 | RV-66 | 40 | RV-66 | 40 |
| DOP-865T 65 Dodge | 32 | AC-2745 56 | 6 | CH-64PB/RS 63/64Chev. | 23 | RV-66A | 41 | RV-66A | 41 |
| DOPP-465T 65 Polara | 39 | AC-2746 56 | 6 | CH-65M 65 Chev. | 34 | RV-67A | 41 | RV-67A | 41 |
| DOPP-466T 65 Polara | 39 | AC-2747 56 | 6 | CH-65PB 65 Chev. | 34 | SP-22 | 28 | SP-22 | 28 |
| DPO-866T 66 Dodge | 39 | AC-2748 56 | 6 | CH-66M/PB 66 Chev. | 37 | TMA-39 | 28 | TMA-39 | 28 |
| FAP-264T 64 Falcon | 26 | AC-2905 58 | 9 | CHT-67PB 67 Chev. | 46 | TMA-40 | 28 | TMA-40 | 28 |
| FAP-266T 66 Falcon | 39 | AC-2906 58 | 8 | CHT-63M 63 ChevTruck | 26 | TMA-1500 | 40 | TMA-1500 | 40 |
| FLP-264T 64 Fairlane | 26 | AC-2907 58 | 8 | CHT-64M See page 136 | | TPB-60 | 28 | TPB-60 | 28 |
| FOP-264T 64 Ford | 26 | AC-2977 60 | 12 | 64 Chev. Truck | 23 | TOKAI | | CR-105 | 33 |
| FOP-265T 65 Ford | 32 | AC-2978 60 | 13 | CHT-65M 65 ChevTruck | 35 | MR-65 | 34 | MR-65 | 34 |
| FOP-266T 66 Ford | 39 | AC-3084 61 | 17 | CHT-65PB 65 Chevrolet | 35 | TOYOTA | | Corona 08600-20010 | 41 |
| MEP-264T 63/64 Merc. | 26 | AC-3085 61 | 15 | Truck | 35 | Crown 08600-30010 | 41 | Crown 08600-30010 | 41 |
| MEP-265T 65 Merc. | 32 | AC-3086 61 | 17 | CHT-66M/PB 66 Chevrolet | 37 | Landcruiser 08600-60010 | 41 | Landcruiser 08600-60010 | 41 |
| MEP-266T 66 Merc. | 39 | AC-3087 61 | 15 | Truck | 37 | SS-90 Series Ten | 41 | SS-90 Series Ten | 41 |
| MJP-266T 66 Mustang | 39 | AC-3216 62 | 18 | CHT-67M/PB 67 Chev. | 46 | Stout 08600-35010 | 41 | Stout 08600-35010 | 41 |
| PLP-464T 64 Plym. | 26 | AC-3217 62 | 18 | Truck | 46 | 08690-00010 | | 08690-00010 | |
| PLP-465T 65 Plym. | 32 | AC-3246 62 | 18 | CL-64PB 64 Chevelle | 23 | (CSLI102/TM2) | 57 | (CSLI102/TM2) | 57 |
| PLP-466T 66 Plym. | 39 | AC-3247 62 | 17 | CL-65PB 65 Chevelle | 35 | TRIUMPH | | R2BT4 0-01000 62 | 19 |
| PLPF-465T 65 Fury | 32 | AC-3248 62 | 18 | CL-66PB 66 Chevelle | 37 | R2BT4 0-01000 62 | 19 | 4TBTR V-350 | 26 |
| PLPF-466T 66 Fury | 39 | AC-3256 62 | 17 | CL-67PB 66/67 | | 4TBTR V-350 65Triumph | 33 | 58TR V-350 65Triumph | 33 |
| POP-666T 66 Pontiac | 40 | AC-3351 63 | 21 | Chevelle | 46 | 58TRP V-350DDP 65 | | Triumph | 33 |
| RAAP-1065T 65 | | AC-3352 63 | 21 | CM-63PB 63 Comet | 26 | | | | |
| Rambler American | 32 | AC-3353 63 | 19 | CM-64PB 64 Comet | 23 | | | | |
| RAP-364T | 27 | AC-3354 63 | 21 | CM-65PB 65 Comet | 31 | | | | |
| RAP-365T 65 Rambler | 32 | AC-3377 63 | 21 | CM-66PB 66 Comet | 36 | | | | |
| RAP-366T | 39 | AC-3423 SR2T | 22 | CM-67PB 67 Comet, 202, | 46 | | | | |
| SM-130RPE | 27 | AC-3473 64Studebaker | 24 | Capri | 46 | | | | |
| STM-059 59 Lark | 16 | AC-3474 64 Hawk | 24 | CO-63M/PB 60/63 | | | | | |
| STP-059 59 Lark | 16 | AC-3498 64Studebaker | 24 | Corvair | 26 | | | | |
| | | AC-3499 64 Hawk | 24 | | | | | | |

HOWARD W. SAMS

PHOTOFACT[®] SPECIALIZED SERIES

TAPE RECORDER SERIES



Complete PHOTOFACT[®] coverage of all important late-model Tape Recorders now in easy-to-use volumes. Regular price, \$4.95 per volume—only \$4.65 when purchased on a Standing Order Subscription! Sign up and save 30¢ per volume!

HOME TAPE PLAYER SERIES



Complete PHOTOFACT[®] coverage of all important, late-model Home Tape Players now in easy-to-use volumes. Regular price, \$3.95 per volume—only \$3.65 when purchased on a Standing Order Subscription! Sign up and save 30¢ per volume!

CB RADIO SERIES



Five to six volumes issued yearly for complete PHOTOFACT[®] coverage of all popular CB Radio models. Regular price, \$3.25 per volume—only \$2.95 when purchased on a Standing Order Subscription! Sign up and save 30¢ per volume!

TRANSISTOR RADIO SERIES



Twelve to fifteen volumes issued each year provide complete PHOTOFACT[®] coverage of Transistor Radios. Each volume covers 30 to 40 popular late models. Regular price per volume, \$3.25—only \$2.95 when purchased on a Standing Order Subscription! Sign up and save 30¢ per volume!

MODULAR HI-FI SERIES



Ten to twelve volumes per year brings you complete and up-to-date PHOTOFACT[®] coverage of Modular Hi-Fi and compact stereo equipment. Each volume covers 10 to 15 popular late models. Regular price, \$3.95 per volume—only \$3.65 when purchased on a Standing Order Subscription! Sign up and save 30¢ per volume!

\$3.25
\$4.10 IN CANADA
AR-78
08279



HOWARD W. SAMS & CO., INC.
PHOTOFACT[®] SPECIALIZED SERIES
are available from your local parts distributor