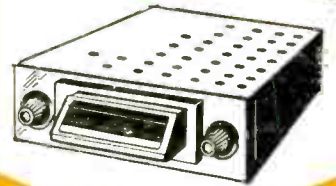


# SAMS PHOTOFACT<sup>®</sup>



## AUTO RADIO SERIES

AR-35  
**35**  
MARCH 1966



### AMERICAN MOTORS

Ambassador, Classic, Martin (1966)

### BUICK

Special (1966)

### CHEVROLET

Chevrolet (1966)  
Chevrolet (1965) Riverside  
Chevrolet Truck (1965) Tenna  
Chevrolet Truck (1965) Riverside  
Chevelle (1965) Tenna  
Chevelle (1965) Riverside  
Chevy II (1965) Tenna  
Chevy II (1965) Riverside  
Corvaire (1965) Riverside

### CHRYSLER

Chrysler (1966) MoPar  
Chrysler (1965) Automatic

### DODGE

Charger (1966) MoPar  
Coronet (1966) MoPar  
Coronet (1965) Automatic  
Dodge 880 (1966) MoPar  
Dodge 880 (1965) Automatic  
Dodge (1965) Riverside  
Dodge Truck (1964-65) Riverside  
Dart 270 (1965) Automatic  
Monaco (1966) MoPar  
Monaco (1965) Automatic  
Polara (1966) MoPar  
Polara (1965) Automatic

## CONTENTS

REMOVAL INFORMATION PAGE 4

### FORD

Ford (1965) Tenna  
Thunderbird (1966)  
Mustang (1966)  
Galaxie (1966)  
Galaxie (1965) Riverside  
Fairlane 500 (1965) Riverside  
Fairlane 500 (1965) Tenna  
Falcon (1965) Tenna  
Falcon (1964-65) Riverside  
Econoline (1965) Riverside  
Econoline (1965) Tenna

### G.M.C.

GMC Truck (1964-65) Riverside

### MERCURY

Mercury (1966)  
Mercury (1965) Tenna  
Mercury (1965) Riverside  
Comet (1964) Riverside  
Comet (1965) Riverside

### OLDSMOBILE

F-85 (1966)  
Oldsmobile (1965) Tenna  
Oldsmobile (1965) Riverside

### PLYMOUTH

Belvedere (1965) Automatic  
Fury (1965) Automatic

### PONTIAC

Pontiac (1966)  
Pontiac (1965) Tenna  
Tempest (1964-65) Riverside

### RAMBLER

Rambler American (1966)

### SIMCA

Simca (1965)

### UNIVERSAL

Channel Master  
Motorola  
Ranger  
Tenna  
Truetone

### VOLKSWAGEN

Volkswagen (1965)

\$2.95

\$3.75 IN CANADA

Cat. No. AR-35



# SAMS PHOTOFACT<sup>®</sup>

# AUTO RADIO SERIES



VOLUME

**35**



by the *Howard W. Sams* ENGINEERING STAFF



**HOWARD W. SAMS & CO., INC.**  
INDIANAPOLIS INDIANA

**FIRST EDITION**

**FIRST PRINTING—MARCH, 1966**  
**SECOND PRINTING—DECEMBER, 1966**  
**THIRD PRINTING—FEBRUARY, 1968**  
**FOURTH PRINTING—NOVEMBER, 1968**

**PHOTOFACT®**  
**AUTO RADIO SERIES**  
**VOLUME 35**

Copyright © 1966 by Howard W. Sams & Co., Inc.  
Indianapolis, Indiana 46206. Printed in the United States of America

All rights reserved. Reproduction or use, without express permission, of editorial or pictorial content, in any manner, is prohibited. No patent liability is assumed with respect to the use of the information contained herein.

The listing of any available replacement part herein does not constitute in any case a recommendation, warranty or guaranty by Howard W. Sams & Co., Inc., as to the quality and suitability of such replacement part. The numbers of these parts have been compiled from information furnished to Howard W. Sams & Co., Inc., by the manufacturers of the particular type of replacement part listed.

Library of Congress Catalog Card Number: 49-11493



# TABLE OF CONTENTS

Model Number	Page
American Motors Model 6SMR.....	5
Automatic Models DD-5125N, DP-5127N, DX-5121N, NY-5101N, PFX-5109N, PP-5105N.....	10
Buick Model 7293604 (981059).....	15
Channel Master Model 6541.....	21
Channel Master Model 6542.....	27
Chevrolet Model 986545.....	33
Ford, Mercury Models T6SMF (C6AA- 19A049-C), T6SMM (C6AA-19A049-D)....	39
Ford Models T6SMS (C6SA-18806-C), T6SMZ (C6ZA-18806-E).....	47
Mercury Models 6TMM (C6MA-18806-A2), E6TMM (C6MA-18806-B2).....	57
Mopar Models 232, 233, 235S.....	62
Mopar Models 363S, 365S.....	68
Motorola Model FM65M.....	74
Oldsmobile Model 7289373 (982687).....	80
Pontiac Model 7293512 (984596).....	86
Rambler Models 6SMA, 6SMAM.....	92
Ranger & Tenna Models RR-3M, TC-310M/MD.....	97
Riverside Models FLH-16518A, FLH-16533A, FLH-16535A, FLH-16658A.....	102
Riverside Models FLH-16529A, FLH-16531A, FLH-16653A.....	108
Riverside Models FLH-16537A, FLH-16539A, FLH-16541A, FLH-16543A, FLH-16545A, FLH-16651A.....	114
Riverside Models FLH-16650A, FLH-16665A.....	120
Simca Model 5BJ (1000).....	125
Tenna Models CII-65M/PB, CHT-65M/PB, CL-65PB, OF-65PB, PO-65PB/A.....	130
Tenna Models EC-65M, FA-65PB, FL-65PB, FO-65PB/RS, ME-65PB.....	136
Tenna Models VW-65PB, VW-65PB/15.....	142
Truetone Model DC4203C.....	147

**Cumulative Index to Prior Volumes . . . . . 152**

# REMOVAL INSTRUCTIONS

## GENERAL REMOVAL INFORMATION

Most radios and speakers can be removed for service by following the steps shown in this block of information. Check the Make, Model and Year of car listed below. If more specific instructions are required, they are shown.

- Step 1 Disconnect power, speaker and antenna leads.
- Step 2 Remove knobs.
- Step 3 Remove nuts from control bushings and cabinet braces.

### BUICK SPECIAL - 1966

See General Removal Information.

### CHEVROLET - 1965/66

See General Removal Information.

### CHEVROLET TRUCK - 1964/65

See General Removal Information.

### CHEVELLE - 1965

See General Removal Information.

### CHEVY 11 - 1965

See General Removal Information.

### CORVAIR - 1965

See General Removal Information.

### CHRYSLER - 1965/66

See General Removal Information.

### COMET - 1964/65

See General Removal Information.

### DODGE 880 - 1965/66

See General Removal Information.

### CHARGER - 1966

See General Removal Information.

### CORONET - 1965/66

See General Removal Information.

### DART 270 - 1965/66

See General Removal Information.

### MONACO - 1965/66

See General Removal Information.

### POLARA - 1965/66

- Step 1 Follow steps 1 thru 4 of General Removal Information.

#### SPEAKER REMOVAL:

- Step 1 Use phillips screw driver and remove speaker grille.
- Step 2 Remove speaker thru top of dash.

### FORD - 1965

See General Removal Information.

### FAIRLANE - 1965

See General Removal Information.

### FALCON - 1965

See General Removal Information.

### ECONOLINE - 1965

See General Removal Information.

### GALAXIE - 1965/66

- Step 1 Pull off knobs.
- Step 2 Disconnect "A" Speaker and Antenna leads.
- Step 3 Use 7/16" wrench to remove nut from rear brace, and 2 bolts holding radio to rear of instrument panel.
- Step 4 Remove radio from under instrument panel.

#### SPEAKER REMOVAL:

- Step 1 Use phillips screw driver and remove glove box.
- Step 2 Use 5/16" wrench and remove 4 screws from speaker mounting.
- Step 3 Remove speaker thru glove box opening.

### MUSTANG - 1966

- Step 1 Follow steps 1 thru 4 of General Removal Information.
- Step 2 Use phillips screw driver and remove

- Step 4 Remove radio from under dash.
- Step 5 Remove nuts holding speaker and remove speaker from under dash.

### MUSTANG - 1966 (CONT'D)

speaker grille.

- Step 3 Remove speaker thru top of dash.

Models With Console:

- Step 1 Use phillips screw driver and remove glove box.
- Step 2 Remove radio thru glove box opening.

### THUNDERBIRD - 1966

- Step 1 Pry off the right side console molding. Remove the right console molding retainers.
- Step 2 Remove 2 phillips screws from right side instrument panel chrome molding.
- Step 3 Remove 4 phillips screws and 2-7/16" bolts from instrument panel. Remove 3 phillips screws from upper finish panel and remove panel.
- Step 4 Pull off knobs.
- Step 5 Use 9/16" wrench and remove nuts from control bushings.
- Step 6 Remove trim plate.
- Step 7 Repeat step 5.
- Step 8 Use 7/16" wrench and remove bolts from rear braces.
- Step 9 Disconnect "A" Antenna and Speaker leads.
- Step 10 Remove radio thru right side.

#### SPEAKER REMOVAL:

- Step 1 Remove the 4 knobs and 4 phillips screws from clock housing, and position the clock housing down out of the way.
- Step 2 Remove the 4 wing nuts from speaker mount.
- Step 3 Remove speaker thru clock opening.

### GMC TRUCK - 1964/65

See General Removal Information.

### MERCURY - 1965/66

See General Removal Information.

### OLDSMOBILE - 1965/66

See General Removal Information.

### F-85 - 1966

See General Removal Information.

### PLYMOUTH - 1965

See General Removal Information.

### PONTIAC - 1965/66

See General Removal Information.

### PONTIAC TEMPEST - 1964/65

See General Removal Information.

### RAMBLER AMERICAN - 1966

- Step 1 Remove ash tray.
- Step 2 Follow steps 1 thru 5 of General Removal Information.

### SIMCA - 1965

See General Removal Information.

### VOLKSWAGEN SEDAN

#### KARMANN GHIA - 1965

- Step 1 Disconnect power, speaker and antenna leads.
- Step 2 Remove knobs.
- Step 3 Remove nuts from control bushings. From inside of luggage compartment, remove nut from rear brace.
- Step 4 Remove radio thru luggage compartment opening.
- Step 5 Remove nuts holding speaker and remove speaker thru luggage compartment opening.



PHOTOFACT<sup>®</sup> with

CIRCUITRACE<sup>®</sup>

TRADE NAME : American Motors Model 6SMR  
 (1966 Ambassador, Classic, Marlin)  
 SUPPLIER : For Current Address, See Annual Index.  
 TYPE SET : 6 Transistor AM Receiver  
 POWER SUPPLY : 12 Volt Storage Battery  
 RATING : .950 Amp. @ 12.6 Volts DC  
 TUNING RANGE : BROADCAST 540-1615KC



## ALIGNMENT INSTRUCTIONS

Check for specified source voltage.  
 Use only enough generator output to provide a usable indication.

Suggested Alignment Tools:

A1 thru A4.

GENERAL CEMENT: 9300, 9296, 9297

WALSCO: 2510, 2546, 2547

A5, A6, A7.

GENERAL CEMENT: 8290, 8868, 9087

WALSCO: 2525, 2528, 2587

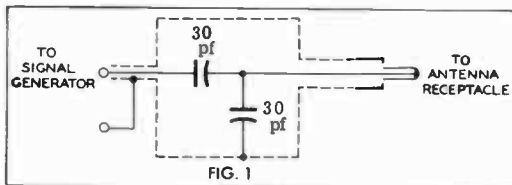
	SIGNAL GENERATOR COUPLING	SIGNAL GENERATOR FREQUENCY	RADIO DIAL SETTING	INDICATOR	ADJUST	REMARKS
1.	High side thru .1mf to point $\Delta$ , low side to ground.	262KC (400v Mod.)	High Freq. End Stop.	Output Meter across voice coil.	A1, A2, A3, A4	Adjust for maximum.
2.	Thru dummy (Fig. 1) to antenna receptacle.	1615KC	"	"	A5, A6, A7	"
Step 3 is not necessary unless tuner has been tampered with or associated components have been replaced. IF necessary, back tuning cores (A8, A9, A10) out of coils but not out of forms. Repeat step 2.						
3.	Thru dummy (Fig. 1) to antenna receptacle.	1000KC	Tune to Signal.	Output Meter across voice coil.	A8, A9, A10	Adjust for maximum. Repeat steps 2 & 3 until no further improvement is noted.

With radio installed in car and antenna fully extended, tune in a weak station near 1400KC and adjust A7 for maximum output.

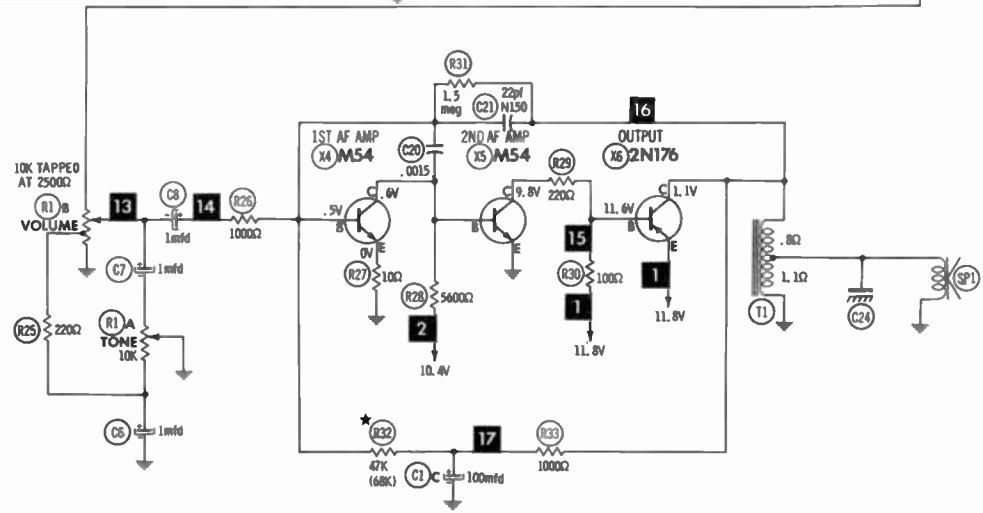
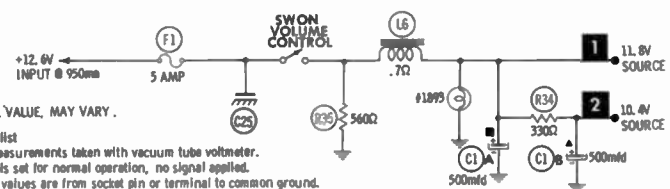
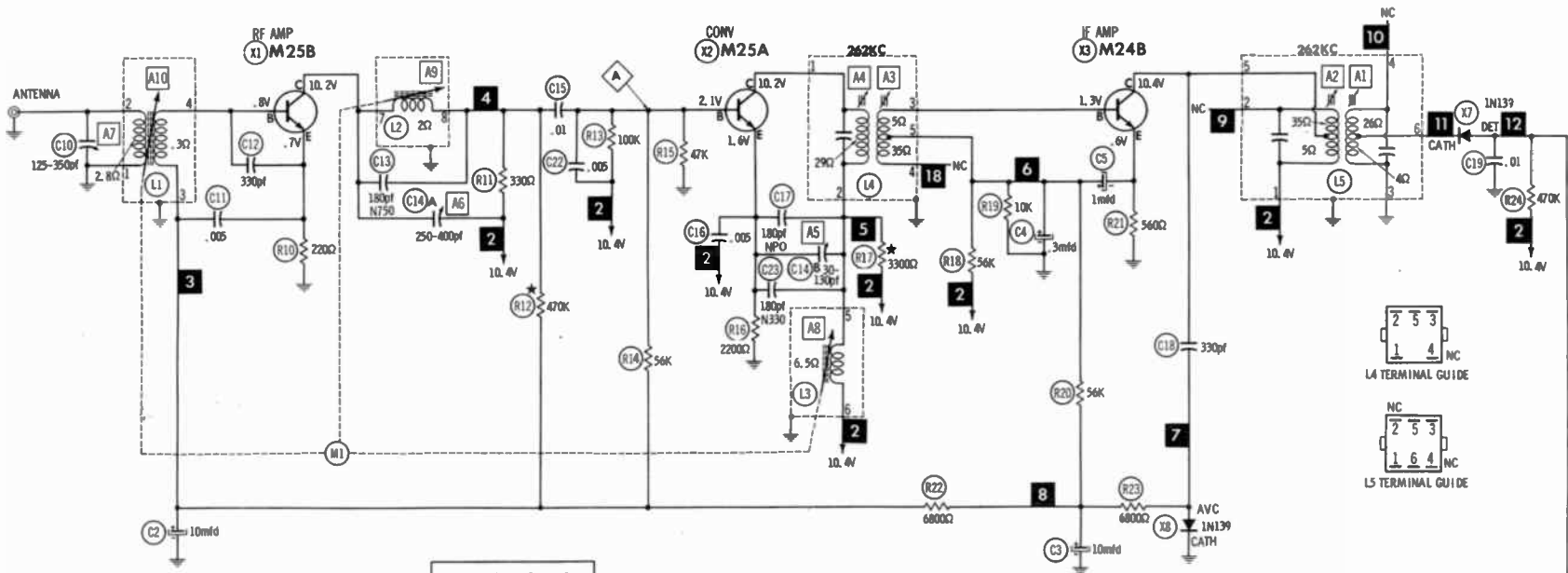
Antenna Adjustment (A7) located, right rear, below Antenna Receptacle.

### PUSH-BUTTON ADJUSTMENT

1. Push button up.
2. Tune manually to desired station.
3. Press button down firmly.
4. Repeat for remaining buttons.



AMERICAN MOTORS MODEL 6SMR



- ★ NOMINAL VALUE, MAY VARY.
- ⊙ See parts list
  - 1. Voltage measurements taken with vacuum tube voltmeter.
  - 2. All controls set for normal operation, no signal applied.
  - 3. Measured values are from socket pin or terminal to common ground.
  - 4. All terminals viewed from bottom unless otherwise designated.
  - 5. Numbers assigned to terminals may not be found on the unit.
  - 6. Supply voltage maintained at rated value for voltage readings.
  - 7. Resistance measurements not given because of the wide variation in internal resistance of transistor.

Resistors are 1/2 watt or less and rated 5% unless otherwise indicated.

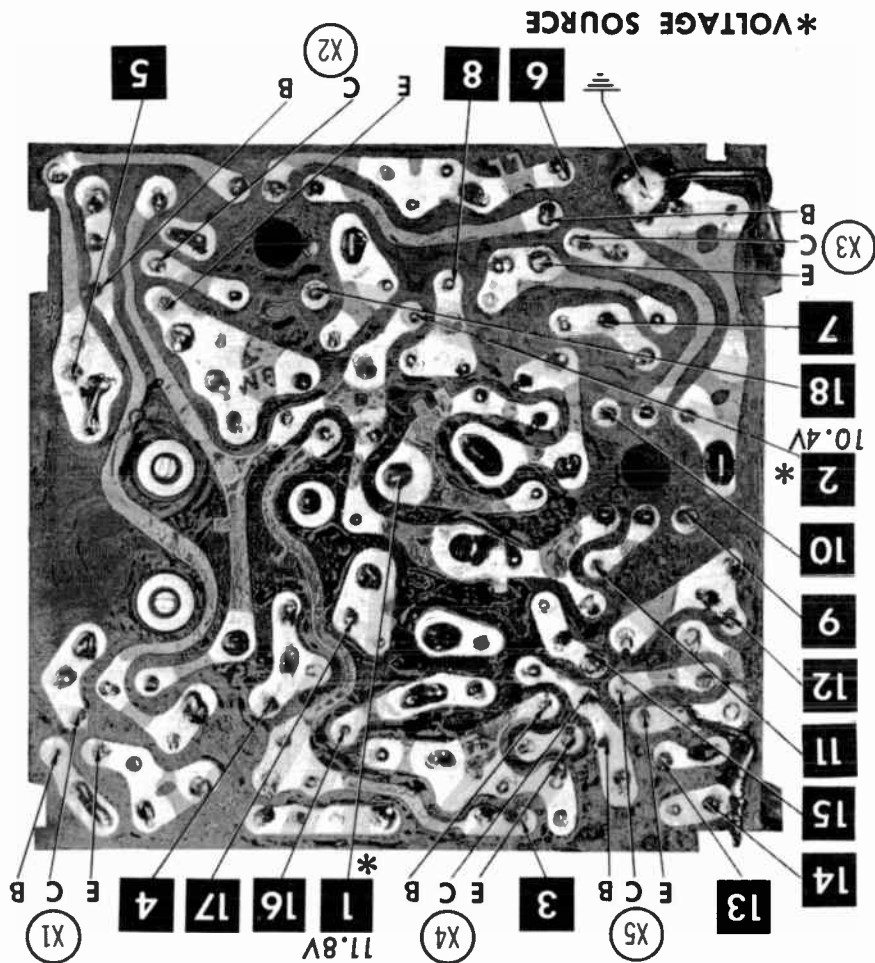
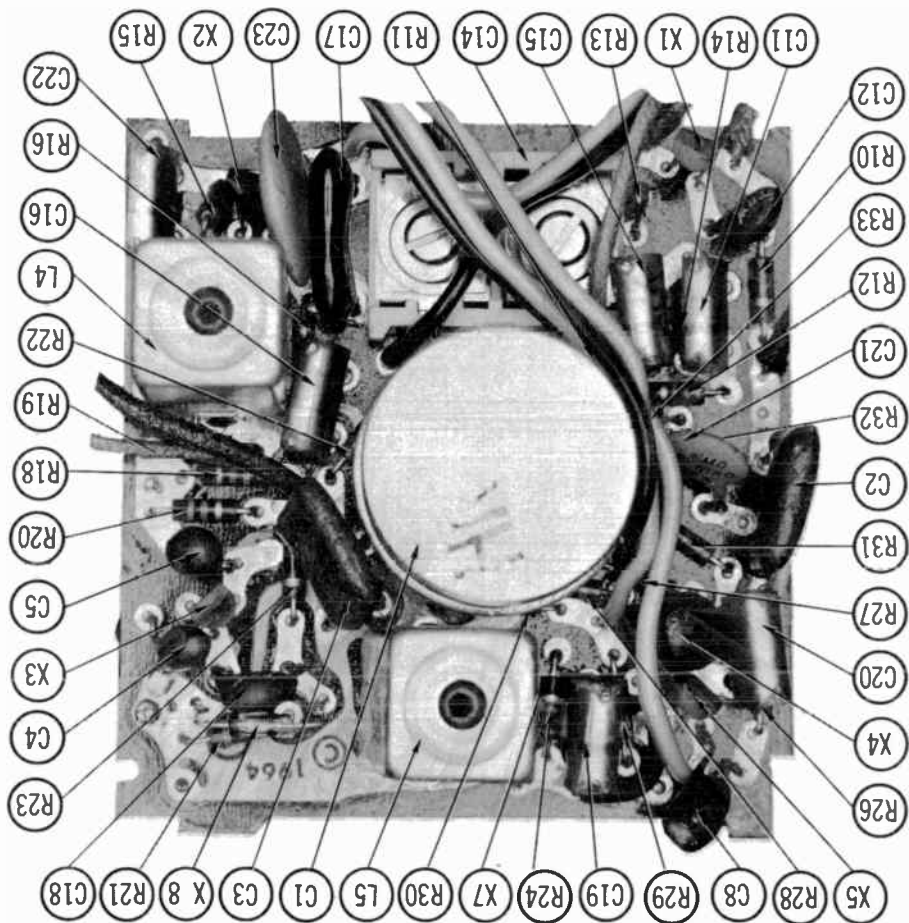


A PHOTOFAC STANDARD NOTATION SCHEMATIC with **CIRCUITRACE**  
© Howard W. Sams & Co., Inc. 1966

**AMERICAN MOTORS MODEL 65MR**

AMERICAN MOTORS MODEL 6SMR

A Howard W. Sams CIRCUITRACE Photo





# PARTS LIST AND DESCRIPTION

(When ordering parts, state Model, Part Number, and Description.)

Replacement parts shown may be superseded by the availability of newly introduced replacements. Have your local distributor check Sams COUNTER FACTS<sup>®</sup> for the most up-to-date replacement.

## TRANSISTORS

ITEM No.	ORIG. TYPE	USE	REPLACEMENT DATA			NOTES
			DELCO PART No.	GENERAL ELECTRIC PART No.	RCA PART No.	
X1	M25B	RF Amp.	D8-46	GE-10	SK-3018	NPN
X2	M25A	Conv.	D8-46	GE-10	SK-3018	NPN
X3	M24A	IF Amp.	D8-46	GE-10	SK-3018	NPN
X4	M54	AF Amp.	D8-46	GE-10	SK-3020	NPN
X5	M54	AF Amp.	D8-46	GE-10	SK-3020	NPN
X6	2N176	Output	D8-520	GE-3	SK-3009	PNP *

\* When replacing, apply silicone grease to both sides of insulator. Tighten mounting screws securely.

## POWER RECTIFIERS & SIGNAL DIODES

ITEM No.	MEASURED CURRENT	ORIGINAL Part or Type No.	RECTIFIERS				DIODES
			GENERAL ELECTRIC PART No.	MALLORY PART No.	RCA PART No.	SARKES TARZIAN PART No.	GENERAL ELECTRIC PART No.
X7		1N139					1N34A8
X8		1N139					1N34A8

## ELECTROLYTIC CAPACITORS

ITEM No.	RATING		REPLACEMENT DATA					
	CAP.	VOLT.	MOTOROLA PART No.	AEROVOX PART No.	CORNELL-DUBILIER PART No.	GENERAL ELECTRIC PART No.	MALLORY PART No.	SPRAGUE PART No.
C1A	500	16	23C40302A04	PWH3-00-95			PPF300.18	PCLS-3026.11*
B	500	16						
C	100	16						
C2	10	6	23C43280A03	CRES07A	NLW10-6	MT1-5	TT6X10	TE-1087
C3	10	6	23C43280A03	CRES07A	NLW10-6	MT1-5	TT6X10	TE-1087
C4	.3	10	23C43280A07	BCD12001	NLW1-50	MT1-1	TT12X1	TE-1120
C5	1	10	23C43280A06	BCD12001	NLW1-50	MT1-1	TT12X1	TE-1120
C6	1	15	23C43280A01	BCD15001	NLW1-50	MT1-1	TT15X1	VL-1160
C7	1	15	23C43280A01	BCD15001	NLW1-50	MT1-1	TT15X1	VL-1160
C8	1	10	23C43280A06	BCD12001	NLW1-50	MT1-1	TT12X1	TE-1120

\* Not normally in distributor's stock. Available thru distributor on order to manufacturer.

## CAPACITORS

ITEM No.	RATING	REMARKS	REPLACEMENT DATA					
			AEROVOX PART No.	CENTRALAB PART No.	CORNELL-DUBILIER PART No.	ELMENCO PART No.	MALLORY PART No.	SPRAGUE PART No.
C10	125-350	#80K565330						
C11	.005	100V	DBE8D5	CPR-5000J	DPMS8D5	1DP-1-502	PVC625	6PS-D50
C12	330		DI-330	DD-331	JBZ601YP331K	CCD-331	JF333	10T8-T33
C13	180	N750		TCN-180			CN7318	10TCU-T18
C14A	250-400	#20C40254A13						
B	30-130							
C15	.01	100V	DBE4S1	CPR-10000J	WMF1S1	1DP-1-103	PVC211	4PS-S10
C16	.005	100V	DBE6D5	CPR-5000J	DPMS8D5	1DP-1-502	PVC625	6PS-D50
C17	180	NPO		DTZ-180				
C18	330		DI-330	DD-331	JBZ601YP331K	CCD-331	JF333	10T8-T33
C19	.01	100V	DBE4S1	CPR-10000J	WMF1S1	1DP-1-103	PVC211	4PS-S10
C20	.0015	100V	BPD-0015	DD-152		CCD-152	B215	5HK-D15
C21	22	N150				*	*	10TCP-Q22
C22	.005	100V	DBE6D5	CPR-5000J	DPMS8D5	1DP-1-502	PVC625	6PS-D50
C23	180	N330				*	*	10TCS-T18
C24		#64K561876						
C25		#64A41668A02						

\* Not normally in distributor's stock. Available thru distributor on order to manufacturer.  
# Motorola Part Number.      a Nominal Value.

## CONTROLS

All wattages 1/2 watt, or less, unless otherwise listed.

ITEM No.	USE	RESISTANCE	REPLACEMENT DATA					
			MOTOROLA PART No.	CENTRALAB PART No.	CLAROSTAT PART No.	CTS-IRC PART No.	MALLORY PART No.	
RIA	Tone	10K	18D4282A01					
B	Volume/Switch	10K Tap 2500Ω						FA14L ①, RU14T53, OB1250A, IS3062 ②, US41

① Use Original Spring Mounting Clips.

② Cut to desired length.

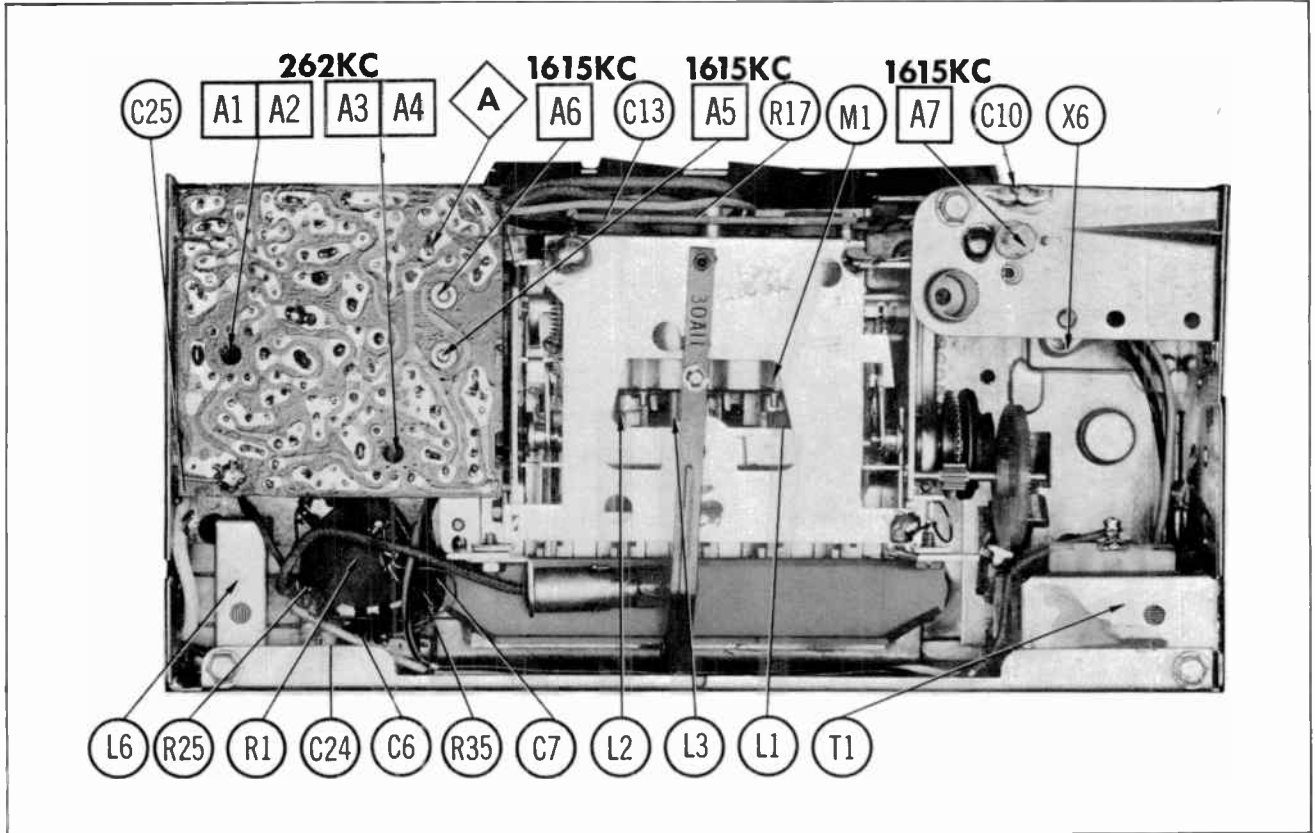
## COILS (RF-IF)

ITEM No.	USE	REPLACEMENT DATA					
		MOTOROLA PART No.	MEISSNER PART No.	MERIT PART No.	MILLER PART No.	STANCOR PART No.	WORKMAN PART No.
L1	Antenna	①					
L2	RF	①					
L3	Oscillator	①					
L4	Input IF	24D42517A23					
L5	Output IF	24D42517A24					

① Part of M1 or (Tuning Coil Assembly Part #1V43700A47).

## FILTER CHOKE

ITEM No.	RATINGS			REPLACEMENT DATA					NOTES
	CURRENT (Measured)	DC RES.	INDUCTANCE (D CURRENT 1000~)	MOTOROLA PART No.	MERIT PART No.	STANCOR PART No.	THORDARSON PART No.	TRIAD PART No.	
L6	.950	.7Ω	11MH	25D43221A09 25D43221A11 ①	C-4095	TC-2	TR-154	TY17XT	① Use this Part Number when ordering from Motorola.



## PARTS LIST AND DESCRIPTION (CONTINUED)

(When ordering parts, state Model, Part Number, and Description.)

Replacement parts shown may be superseded by the availability of newly introduced replacements. Have your local distributor check Sams COUNTER FACTS™ for the most up-to-date replacement.

### TRANSFORMER (AUDIO OUTPUT)

ITEM No.	IMPEDANCE		REPLACEMENT DATA					NOTES
			MOTOROLA PART No.	MERIT PART No.	STANCOR PART No.	THORDARSON PART No.	TRIAD PART No.	
	PRI.	SEC.						
T1	12Ω Tap	@ 86Ω	25D43220A09					

### SPEAKER

ITEM No.	TYPE	REPLACEMENT DATA	NOTES
SP1	6" x 9" PM 8Ω	50C42114A03 69A1Z8	

### FUSE DEVICES

ITEM No.	TYPE	RATING	REPLACEMENT DATA					
			PART No.		LITTELFUSE PART No.		BUSS PART No.	
			FUSE	HOLDER	FUSE	HOLDER	FUSE	HOLDER
F1	AGA	5A	65R122345	9C41095A04	301005	155004A	AGA 5	HAF

### MISCELLANEOUS

ITEM No.	PART NAME	MOTOROLA PART No.	NOTES
M1	Tuner (Tuning Coil Assembly)	77D42694A03 1V43700A47	AT-544 (Complete)

### CABINETS & CABINET PARTS

(When Ordering Specify Model, Chassis & Color)

ITEM	PART No.	ITEM	PART No.
Escutcheon	1V42700A04	Knob-Tone	36C42233A01
Dial Scale	34B42679A01	Knob-Dummy	36C42231A01
Knob-Tuning or Volume	36C42264A01	Pushbutton	1V42700A15
		Dial Pointer	1A41638A05

### WIRING DATA

General-use Unshielded Hook-up Wire .....	Use BELDEN No. 8530 (Solid) Available in 12 Colors 8524 (Stranded) Available in 12 Colors
Shielded Hook-up Wire .....	Use BELDEN No. 8885
Rear Seat Speaker Extension Cable .....	Use BELDEN No. 8783 (Stranded) Coded Parallel Leads
Bonding Strap .....	Use BELDEN No. 8661 (3/8 in.) or 8670 (3/4 in.)



# PHOTOFACT®



**TRADE NAME :** Automatic Models:  
 DD-5125N (1965 Dart 270)  
 DP-5127N (1965 Dodge 88Q Polara, Monaco)  
 DX-5121N (1965 Coronet)  
 NY-5101N (1965 Chrysler)  
 PFX-5109N (1965 Fury)  
 PP-5105N (1965 Belvedere)  
 For Current Address, See Annual Index.

**SUPPLIER :**

**TYPE SET :** 6 Transistor AM Receiver

**POWER SUPPLY :** 12 Volt Storage Battery

**RATING :** .725 Amp. @ 12.6 Volts DC

**TUNING RANGE :** BROADCAST 540-1615KC

AUTOMATIC-CHRYSLER CORP. CUSTOM SERIES

## ALIGNMENT INSTRUCTIONS

Check for specified source voltage.  
 Use only enough generator output to provide a usable indication.  
 Suggested Alignment Tools:

A1 thru A7.                      GENERAL CEMENT: 9440  
 WALSCO: 2501

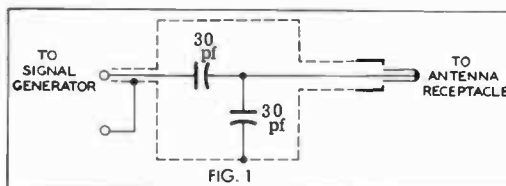
	SIGNAL GENERATOR COUPLING	SIGNAL GENERATOR FREQUENCY	RADIO DIAL SETTING	INDICATOR	ADJUST	REMARKS
1.	High side thru .1mfd to point $\Delta$ , low side to ground.	262KC (400 $\nu$ Mod.)	High Freq. End Stop.	Output Meter across voice coil.	A1, A2, A3, A4	Adjust for maximum.
2.	Thru dummy (Fig. 1) to antenna receptacle.	1615KC	"	"	A5, A6, A7	"

With radio installed in car and antenna fully extended, tune in a weak station near 1400KC and adjust A7 for maximum output.

Antenna Adjustment (A7) located, right side.

### PUSH-BUTTON ADJUSTMENT

1. Pull button out.
2. Tune manually to desired station.
3. Press button in firmly.
4. Repeat for remaining buttons.



**HOWARD W. SAMS & CO., INC.** Indianapolis, Indiana 46206

© 1966 Howard W. Sams & Co., Inc. Printed in U. S. of America History RD504

# PARTS LIST AND DESCRIPTION

(When ordering parts, state Model, Part Number, and Description.)

Replacement parts shown may be superseded by the availability of newly introduced replacements.  
Have your local distributor check Sams COUNTER FACTS® for the most up-to-date replacement.

## TRANSISTORS

ITEM No.	ORIG. TYPE	USE	REPLACEMENT DATA			NOTES
			DELCO PART No.	GENERAL ELECTRIC PART No.	RCA PART No.	
X1	6-60 (2N1637)	RF Amp.	DS-25	GE-9	SK-3005	PNP
X2	6-61 (2N1639)	Conv.	DS-25	GE-9	SK-3008	PNP
X3	6-62 (2N1638)	IF Amp.	DS-25	GE-9	SK-3005	PNP
X4	6-04	1st. AF Amp. 2nd. AF Amp. Output	DS-46	GE-10	SK-3020	NPN
X5	6-05		DS-46	GE-10	SK-3020	NPN
X6	8P404 (2N176)		DS-520	GE-3	SK-3009	PNP

\* When replacing, apply silicone grease to both sides of insulator. Tighten mounting screws securely.

## POWER RECTIFIERS & SIGNAL DIODES

ITEM No.	MEASURED CURRENT	ORIGINAL Part or Type No.	RECTIFIERS & DIODES		RECTIFIERS		
			GENERAL ELECTRIC PART No.	INTERNATIONAL RECTIFIER PART No.	MALLORY PART No.	RCA PART No.	SARKES TARZIAN PART No.
X7		1GD2 (1N295)	1N34AS	1N34A			
X8		1GD2 (1N295)	1N34AS	1N34A			

## ELECTROLYTIC CAPACITORS

ITEM No.	RATING		Automatic PART No.	REPLACEMENT DATA				
	CAP.	VOLT.		AEROVOX PART No.	CORNELL-DUBILIER PART No.	GENERAL ELECTRIC PART No.	MALLORY PART No.	SPRAGUE PART No.
C1A	500	16	20-2653	AFH3-00-94.5		XC3-48.1	FP300.83	TVLS-3026.14*
B	300	16						
C	100	16						
C2	25	15	20-256	PTT69	NLW25-15	MTI-10	TT15X25	TE-1157.1
C3	5	15	20-505	CRE454A	NLW5-15	MTI-3	TT25X5	TE-1152

\* Not normally in distributor's stock. Available thru distributor on order to manufacturer.

## CAPACITORS

ITEM No.	RATING	REMARKS	REPLACEMENT DATA						
			AEROVOX PART No.	CENTRALAB PART No.	CORNELL-DUBILIER PART No.	ELMENCO PART No.	MALLORY PART No.	SPRAGUE PART No.	
C10		#28-800-2L							
C11A		#29A1332							
C12	270	N750	DI-270	DD-271	RR05CW271K	CCD-271	GP327	5GA-T27	
C13	100		N750-D1 100	DTN-100	CX601UJ101K	CCTN-101	CN7310	10TCU-T10	
C14	.01		BPD-01	DD-103	BYV102ZU103M	CCD-103	B110	5HK-S10	
C15	.22			UK20-204			MAG25022	HY-325	
C16	.47			UK10-404			MAG12047	HY-330	
C17	.05			TTD-05	CK-503	HOV101ZV503Z	TA150	TG-S50	
C18	.02			BPD-02	DD-203	BYT601ZU203Z	B120	5HK-S20	
C19	.05			TTD-05	CK-503	HOV101ZV503Z	TA150	TG-S50	
C20			#43-215						

# Automatic Part Number.

## CONTROLS

All wattages 1/2 watt, or less, unless otherwise listed.

ITEM No.	USE	RESIST-ANCE	REPLACEMENT DATA					
			Automatic PART No.	CENTRALAB PART No.	CLAROSTAT PART No.	CTS-IRC PART No.	MALLORY PART No.	
R1A	Tone	10K	80A3494	F1-10K, R16-10K,			† QJ-188A	
B	Volume/Switch	7500Ω Tap @ 5100Ω		FFS104, RFS112, BC102, KR-4				
R2	Fader	40Ω 2W	80A3538				†† QJ-2168A	

† "CONCENTRIKIT" Equivalent: KB Kit, with Base Elements and Shafts: B11-116, P17-106 (Panel)  
B21-115X, R16-118 (Rear)

"SNAPTROL" Equivalent: BU10, CF9, CR48T, SF8, SR44, GC.

†† "SNAPTROL" Equivalent: BU10, WF18, None, SF8, None.

S43 (Bushing)

T6-1 (Switch)

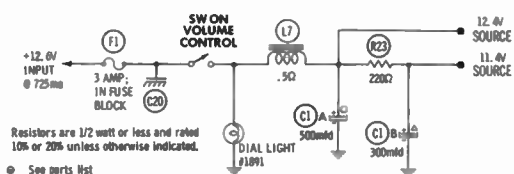
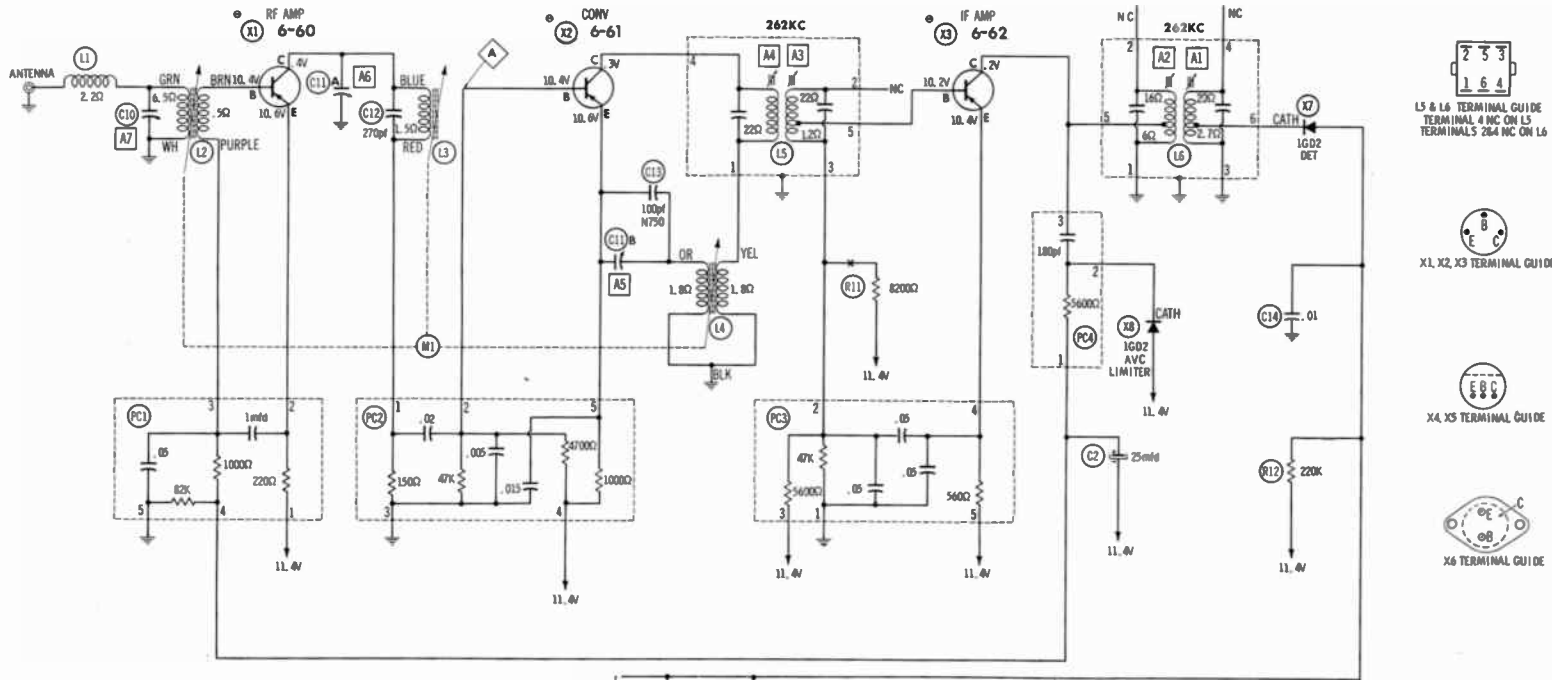
## COILS (RF-IF)

ITEM No.	USE	REPLACEMENT DATA					
		Automatic PART No.	MEISSNER PART No.	MERIT PART No.	MILLER PART No.	STANCOR PART No.	WORKMAN PART No.
L1	RF Choke (6.2uh)	14-6.2					
L2	Antenna	①	19-1004	BC-565	4610	RTC-8520	T859
L3	RF	①					
L4	Oscillator	①					
L5	Input IF	14-3233A 14-2654 ②	16-6718	BC-690	6570	RTC-9391	
K6	Output IF	14-3234A	16-6718	BC-690	6570	RTC-9391	
		14-3234A	16-6719	BC-691	6571	RTC-9392	TF806
		14-2655 ②	16-6719	BC-691	6571	RTC-9392	TF806

① Part of M1.

② Alternate Part Number, used in some versions.

CONTINUED PAGE 14

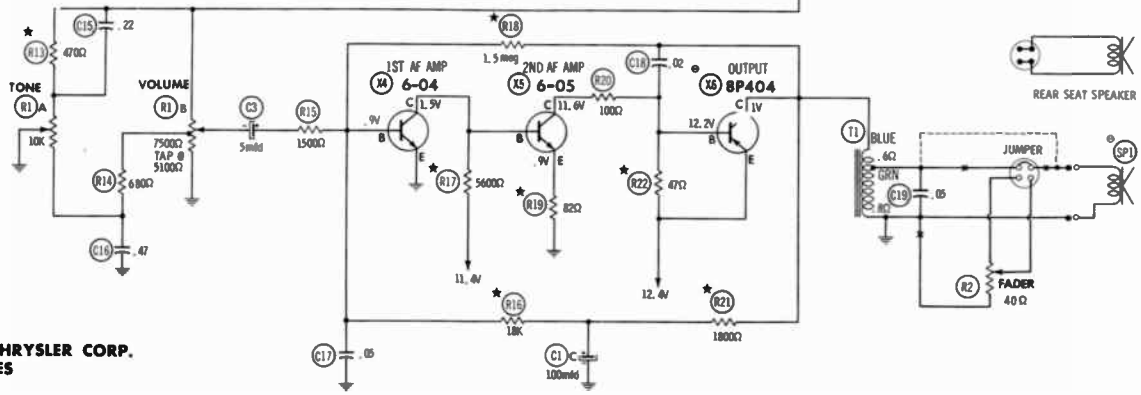


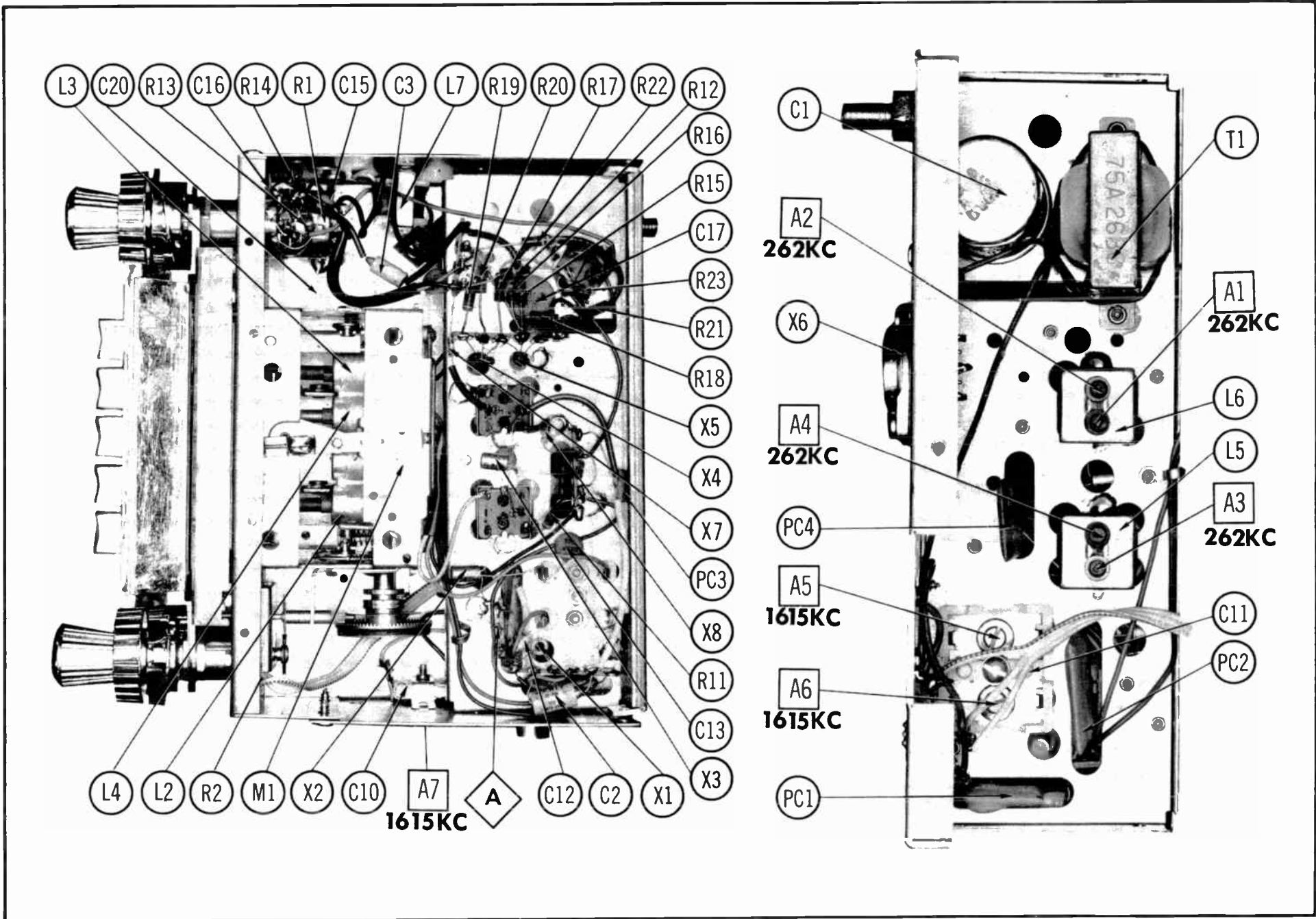
- Resistors are 1/2 watt or less and rated 10% or 20% unless otherwise indicated.
- See parts list
  - 1. Voltage measurements taken with vacuum tube voltmeter.
  - 2. All controls set for normal operation, no signal applied.
  - 3. Measured values are from socket pin or terminal to common ground.
  - 4. All terminals viewed from bottom unless otherwise designated.
  - 5. Numbers assigned to terminals may not be found on the unit.
  - 6. Supply voltage maintained at rated value for voltage readings.
  - 7. Resistance measurements not given because of the wide variation in internal resistance of transistor.

\* NOMINAL VALUE, MAY VARY.  
 A. PHOTOFAC STANDARD NOTATION SCHEMATIC

**AUTOMATIC-CHRYSLER CORP.  
 CUSTOM SERIES**

© Howard W. Sams & Co., Inc. 1966





AUTOMATIC-CHRYSLER CORP. CUSTOM SERIES

## PARTS LIST AND DESCRIPTION (CONTINUED)

(When ordering parts, state Model, Part Number, and Description.)

Replacement parts shown may be superseded by the availability of newly introduced replacements.  
Have your local distributor check Sams COUNTER FACTS™ for the most up-to-date replacement.

### FILTER CHOKE

ITEM No.	RATINGS			REPLACEMENT DATA					NOTES
	CURRENT (Measured)	DC RES.	INDUCTANCE (0 CURRENT 1000~)	Automatic PART No.	MERIT PART No.	STANCOR PART No.	THORDARSON PART No.	TRIAD PART No.	
L7	.725A	.5Ω	10MH	75A1269	C-4095	TC-2	TR-155	TY17KT	

### TRANSFORMER (AUDIO OUTPUT)

ITEM No.	IMPEDANCE		REPLACEMENT DATA					NOTES
			Automatic PART No.	MERIT PART No.	STANCOR PART No.	THORDARSON PART No.	TRIAD PART No.	
	PR.	SEC.						
T1	24Ω Tap	@ 8Ω	75A2836				TR-169	

### SPEAKER

ITEM No.	TYPE		REPLACEMENT DATA		NOTES
			Automatic PART No.	QUAM PART No.	
SP1	8" x 9"	PM 8Ω	73B2671	69A3Z8	Models: DD-5125N, NY-5101N. Models: DP-5127N, PFX-5109N. Models: DX-5121N, PP-5105N.
	4" x 10"	PM 8Ω	73B2737	410A2Z8	
	7"	PM 8Ω	73B3338	7A21Z8	

### FUSE DEVICES

ITEM No.	TYPE	RATING	REPLACEMENT DATA						
			PART No.		LITTELFUSE PART No.		BUSS PART No.		
			FUSE	HOLDER	FUSE	HOLDER	FUSE	HOLDER	
F1	AGC	3A	108-303	In Fuse Block	312003			AGC 3	

### COMPONENT COMBINATIONS

ITEM No.	USE	DESCRIPTION	Automatic PART NO.	REPLACEMENT DATA
PC1	RF Network	220Ω, 1000Ω, 82K, .05mfd, 1mfd	89A2582C	
PC2	Conv. Network	150Ω, 1000Ω, 4700Ω, 47K, .005mfd, .015mfd, .02mfd	89A2583B	
PC3	IF Network	560Ω, 5600Ω, 47K, .05mfd, .05mfd	89A2584B	
PC4	AVC Network	5600Ω, 180pf	89A2701	

### MISCELLANEOUS

ITEM No.	PART NAME	Automatic PART No.	NOTES
M1	Tuner	78B3700/78B3800	

### CABINETS & CABINET PARTS

(When Ordering Specify Model, Chassis & Color)

ITEM	MODEL	PART No.	ITEM	MODEL	PART No.
Dial Glass	DD-5125N, DX-5121N, NY-5101N, PFX-5109N, PP-5105N	39-163	Knob, Tone	DD-5125N, DP-5127N, DX-5121N	48A3934
Dial Glass	DP-5127N	39-175	Knob, Tone	PFX-5109N, PP-5105N	48A3933
Knob, Tuning or Volume	DD-5125N, DP-5127N, DX-5121N, NY-5101N	48A3935	Knob, Dummy	DD-5125N, DP-5127N, DX-5121N	48A3934-1
Knob, Tuning or Volume	PFX-5109N, PP-5105N	48A3932	Knob, Dummy	PFX-5109N, PP-5105N	48A3933-1
			Knob, Tone or Fader	NY-5101N	48A2760A
			Pushbutton		55A3896
			Dial Pointer		84A3847

### WIRING DATA

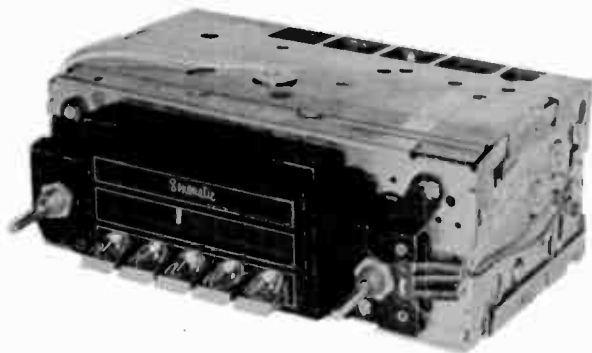
General-use Unshielded Hook-up Wire .....	Use BELDEN No. 8530 (Solid) Available in 12 Colors
Shielded Hook-up Wire .....	8524 (Stranded) Available in 12 Colors
Rear Seat Speaker Extension Cable .....	Use BELDEN No. 8885
Bonding Strap .....	Use BELDEN No. 8782 (Stranded) Coded Parallel Leads
	Use BELDEN No. 8661 (3/8 in.) or 8670 (3/4 in.)



**PHOTOFACT<sup>®</sup> with**

**CIRCUITRACE<sup>®</sup>**

TRADE NAME : Buick Model 7293604 (981059)  
 (1966 Buick Special)  
 SUPPLIER : For Current Address, See Annual Index.  
 TYPE SET : 6 Transistor AM Receiver  
 POWER SUPPLY : 12 Volt Storage Battery  
 RATING : .620 Amp. @ 12.6 Volts (Less Lamp)  
 TUNING RANGE: BROADCAST 540-1615KC



BUICK MODEL 7293604 (981059)

## ALIGNMENT INSTRUCTIONS

Check for specified source voltage.

Use only enough generator output to provide a usable indication.

Suggested Alignment Tools:

A1 thru A5, A9, A10.

GENERAL CEMENT: 5009, 8728A, 8987

WALSCO: 2531-X, 2536

A6, A7, A8.

GENERAL CEMENT :8290, 8868, 9087

WALSCO: 2525, 2528, 2587

	SIGNAL GENERATOR COUPLING	SIGNAL GENERATOR FREQUENCY	RADIO DIAL SETTING	INDICATOR	ADJUST	REMARKS
1.	High side thru .1mf to point $\diamond$ A, low side to ground.	262KC (400v Mod.)	High Freq. End Stop.	Output Meter across voice coil.	A1, A2, A3, A4	Adjust for maximum.
Check setting of oscillator coil core (A5). Rear of core should be 1 3/8" from mounting end of coil form.						
2.	High side thru 82mmf to antenna receptacle, low side to ground.	1615KC	High Freq. End Stop.	Output Meter across voice coil.	A6, A7, A8	Adjust for maximum.
3.	"	600KC	600KC Signal	"	A9, A10	Adjust for maximum. Repeat step 2.

With radio installed in car and antenna fully extended, tune in a weak station near 1000KC and adjust A8 for maximum output.

NOTE: Remove tuning and dummy knobs for access to Antenna Trimmer (A8).

### PUSH-BUTTON ADJUSTMENT

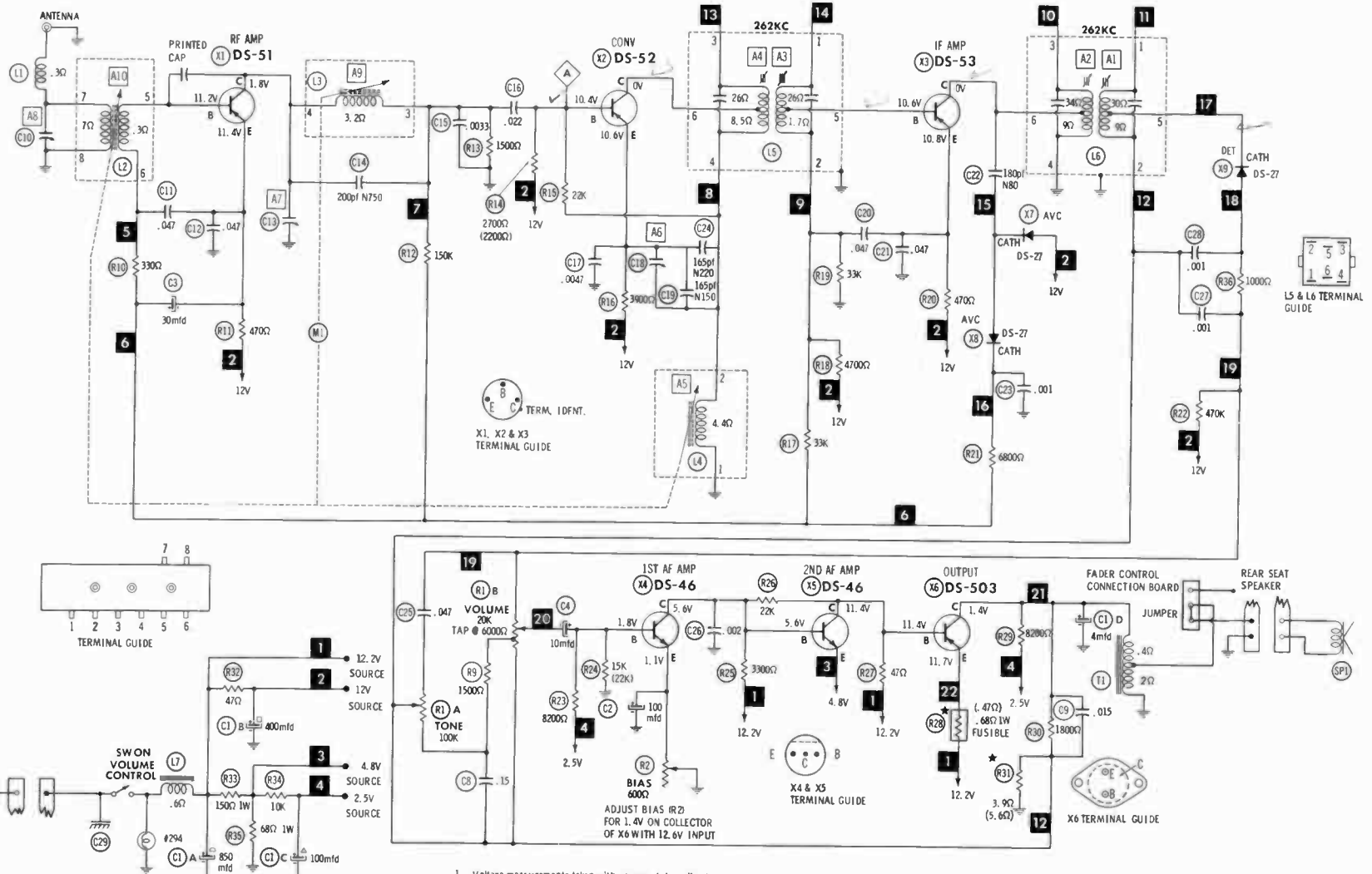
1. Pull button out.
2. Tune manually to desired station.
3. Press button in firmly.
4. Repeat for remaining buttons.

**HOWARD W. SAMS & CO., INC.** Indianapolis, Indiana 46206

© 1966 Howard W. Sams & Co., Inc. Printed in U. S. of America

RD501





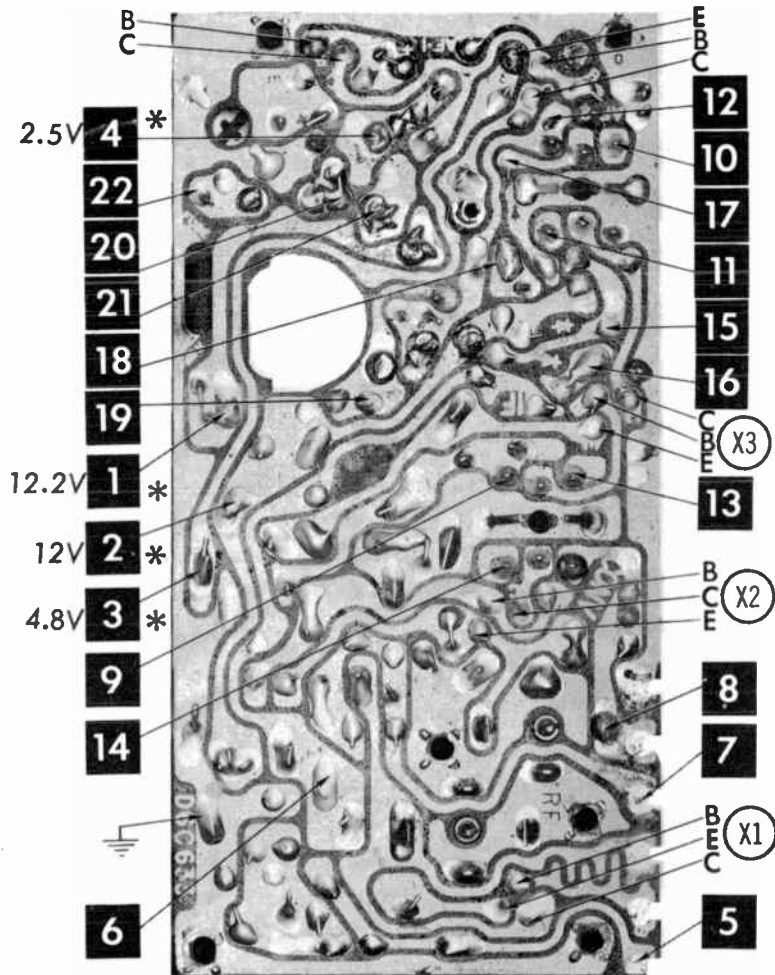
\* NOMINAL VALUE, MAY VARY.  
Resistors are 1/2 watt or less and rated 10% or 20% unless otherwise indicated.

A PHOTOFACIT STANDARD NOTATION SCHEMATIC  
with **CIRCUITRACE**

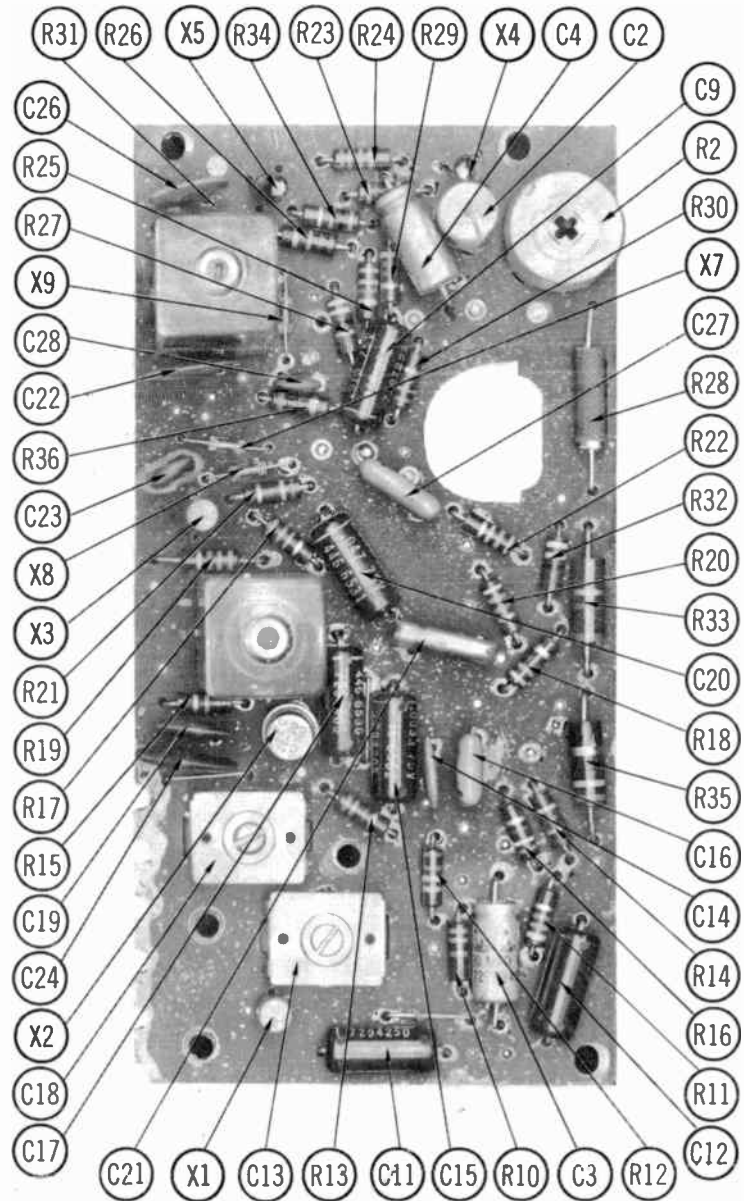
© Haward W Sams & Co., Inc 1966

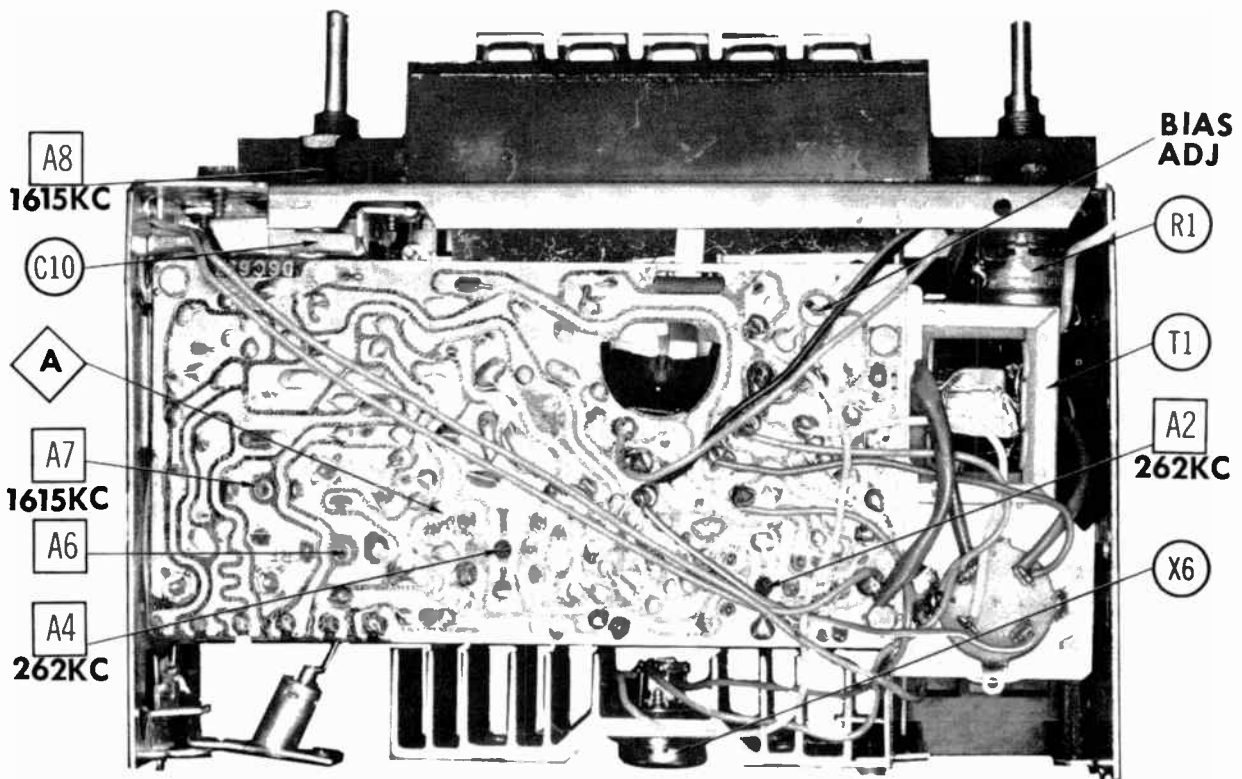
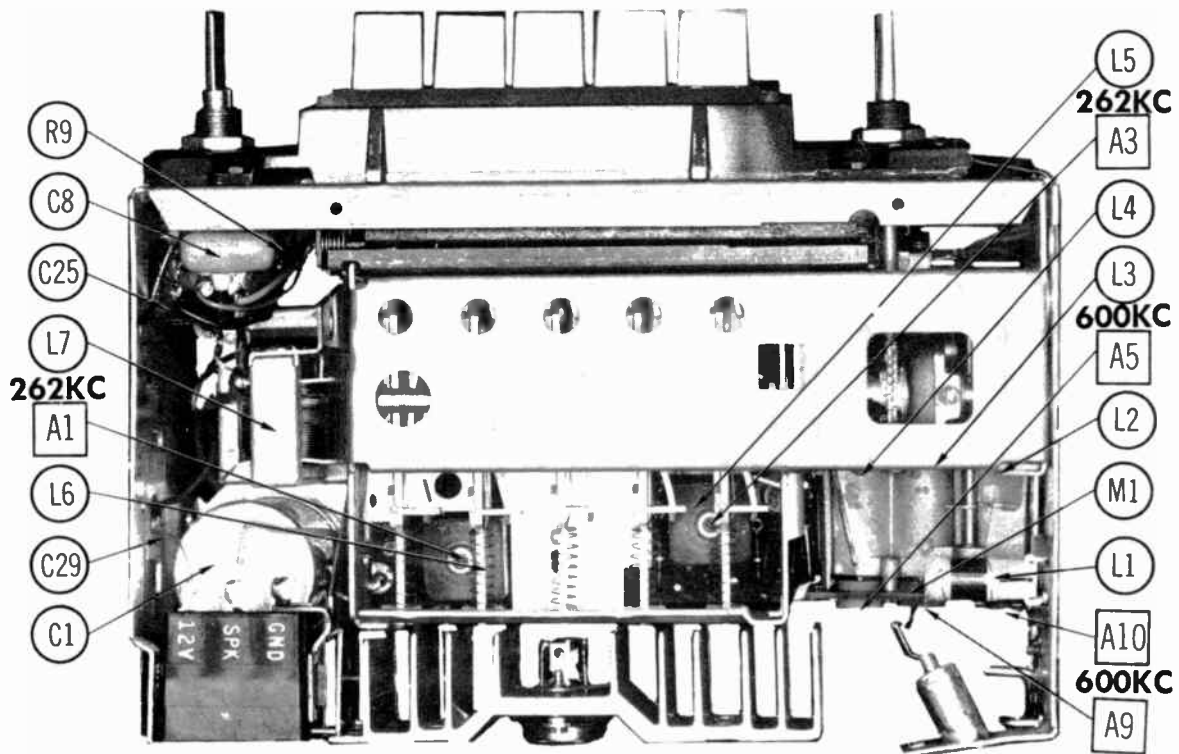
1. Voltage measurements taken with vacuum tube voltmeter.
2. All controls set for normal operation, no signal applied.
3. Measured values are from socket pin or terminal to common ground.
4. All terminals viewed from bottom unless otherwise designated.
5. Numbers assigned to terminals may not be found on the unit.
6. Supply voltage maintained at rated value for voltage readings.
7. Resistance measurements not given because of the wide variation in internal resistance of transistor.

**BUICK MODEL 7293604 (981059)**



\*VOLTAGE SOURCE





# PARTS LIST AND DESCRIPTION

(When ordering parts, state Model, Part Number, and Description.)

Replacement parts shown may be superseded by the availability of newly introduced replacements.  
Have your local distributor check Sams COUNTER FACTS\* for the most up-to-date replacement.

## TRANSISTORS

ITEM No.	ORIG. TYPE	USE	REPLACEMENT DATA			NOTES
			DELCO PART No.	GENERAL ELECTRIC PART No.	RCA PART No.	
X1	DS-51	RF Amp.	DS-25	GE-1	SK-3008	PNP
X2	DS-52	Conv.	DS-25	GE-1	SK-3008	PNP
X3	DS-53	IF Amp.	DS-25	GE-1	SK-3008	PNP
X4	DS-46	1st. AF Amp.	DS-46	GE-10	SK-3020	NPN
X5	(DS-66)† DS-46	2nd. AF Amp.	DS-46	GE-10	SK-3020	NPN
X6	(DS-66)† DS-503	Output	DS-503	GE-3	SK-3009	PNP *

\* When replacing, apply silicone grease to both sides of insulator. Tighten mounting screws securely. Check bias adjustment.

## POWER RECTIFIERS & SIGNAL DIODES

ITEM No.	MEASURED CURRENT	ORIGINAL Part or Type No.	RECTIFIERS & DIODES		RECTIFIERS		
			GENERAL ELECTRIC PART No.	INTERNATIONAL RECTIFIER PART No.	MALLORY PART No.	RCA PART No.	SARKES TARZIAN PART No.
X7		DS-27	1N34AS	1N34A			
X8		DS-27	1N34AS	1N34A			
X9		DS-27	1N34AS	1N34A			

## ELECTROLYTIC CAPACITORS

ITEM No.	RATING		REPLACEMENT DATA					
	CAP.	VOLT.	DELCO PART No.	AEROVOX PART No.	CORNELL-DUBILIER PART No.	GENERAL ELECTRIC PART No.	MALLORY PART No.	SPRAGUE PART No.
C1A	850	16	7292515	APH4-96-10	DD0005		FP401.85	TVL-4206.1
B	400	.16						
C	100	.16						
D	4	11.8RMS						
C2	100	4	7291810	PTT30	NLW125-6	MT1-21	TT6X100	TE-1102
C3	30	6	7278996	PTT27	NLW30-15	MT1-13	TT6X30	TE-1092
C4	10	12	7292738	PTT53	NLW10-15	MT1-5	TT12X10	TL-1128

## CAPACITORS

ITEM No.	RATING	REMARKS	REPLACEMENT DATA					
			AEROVOX PART No.	CENTRALAB PART No.	CORNELL-DUBILIER PART No.	ELMENCO PART No.	MALLORY PART No.	SPRAGUE PART No.
C8	.15 75V		DBE2P15		WMF1P15	1DP-1-154	PVC1015	2PS-P15
C9	.015 75V		DBE4S15		DPMS4S15	1DP-1-153	PVC2115	4PS-815
C10		#7294507						
C11	.047 75V		DBE2S47		WMF2S47	1DP-2-473	PVC1147	2PS-847
C12	.047 75V		DBE2S47		WMF2S47	1DP-2-473	PVC1147	2PS-847
C13		#7287935						
C14	200 N750		N750-DI 200	DTN-200	CV601UJ201K	CCTN-201	CN7320	10TCU-T20
C15	.0033 75V		DBE6D33	CPR-3300J	WMF1D33	6DP-1-332	PVC4233	6PS-D33
C16	.022 75V		DBE2S22		WMF1S22	1DP-1-223	PVC1122	2PS-822
C17	.0047 75V		DBE6D47	CPR-4700J	WMF1S47	6DP-1-472	PVC6247	6PS-D47
C18		#7282165						
C19	165 N150							10TCR-T175
C20	.047 75V		DBE2S47		WMF2S47	1DP-2-473	PVC1147	2PS-847
C21	.047 75V		DBE2S47		WMF2S47	1DP-2-473	PVC1147	2PS-847
C22	180 N80							10TCN-T80
C23	.001		BPD-001	DD-102	HVX162XP102M	CCD-102	B210	5HK-D10
C24	165 N220							10TCR-T175
C25	.047 75V		DBE2S47		WMF2S47	1DP-2-473	PVC1147	2PS-847
C26	.002		BPD-002	DD-202	BYY601ZU202P	CCD-202	B220	5HK-D20
C27	.0082 75V		DBE6D82	CPR-8200J	WMF1S82	6DP-2-822	PVC628	6PS-D82
C28	.001		BPD-001	DD-102	HVX162XP102M	CCD-102	B210	5HK-D10
C29		#7271564						

\* Not normally in distributor's stock. Available thru distributor on order to manufacturer.  
# Delco Part Number.

## CONTROLS

All wattages 1/2 watt, or less, unless otherwise listed.

ITEM No.	USE	RESISTANCE	REPLACEMENT DATA					
			DELCO PART No.	CENTRALAB PART No.	CLAROSTAT PART No.	CTS-IRC PART No.	MALLORY PART No.	
R1A	Tone	100K	7294493	F1-100K, R14-25K				
B	Volume/Switch	20K Tap @ 6000Ω		FFS102, RFS114, BB014, SB008, KR-4			TQJ-2170A	
R2	Bias	600Ω	7286601	V-600	U39-600	110-600		MR600P

† "CONCENTRIKIT" Equivalent: K8 Kit, with Base Elements and Shafts: B11-128, P22-100 (Panel)  
B19-119X, R26-121 (Rear)  
86 (Bushing)  
N4 (Spacer Nut)  
76-1 (Switch)

"SNAPTROL" Equivalent: BU8, CF13, CR50T, SF6, SR9, N4, GC.

## PARTS LIST AND DESCRIPTION (CONTINUED)

(When ordering parts, state Model, Part Number, and Description.)

Replacement parts shown may be superseded by the availability of newly introduced replacements.  
Have your local distributor check Sams COUNTER FACTS™ for the most up-to-date replacement.

### RESISTORS (Power and Special)

ITEM No.	RATING	REPLACEMENT DATA			ITEM No.	RATING	REPLACEMENT DATA		
		IRC PART No.	WORKMAN PART No.	DELCO PART No.			IRC PART No.	WORKMAN PART No.	DELCO PART No.
R28	.68Ω Fusible			7287480					

### COILS (RF-IF)

ITEM No.	USE	REPLACEMENT DATA					
		DELCO PART No.	MEISSNER PART No.	MERIT PART No.	MILLER PART No.	STANCOR PART No.	WORKMAN PART No.
L1	RF Choke (6.2uh)	7281946	19-1004	BC-565	4610	RTC-8520	T859
L2	Antenna	①					
L3	RF	①					
L4	Oscillator	①					
L5	Input IF	1221856	16-8704		6542	RTC-9399	TA653
L6	Output	1221857	16-8705		6543	RTC-9400	TA653

① Coils Assembly #7287957.

### FILTER CHOKE

ITEM No.	RATINGS			REPLACEMENT DATA					NOTES
	CURRENT (Measured)	DC RES.	INDUCTANCE (0 CURRENT 1000~)	DELCO PART No.	MERIT PART No.	STANCOR PART No.	THORDARSON PART No.	TRIAD PART No.	
L7	620ma	.6Ω	8MH	1221623	C-4095	TC-2	TR-154	TY17XT	

### TRANSFORMER (AUDIO OUTPUT)

ITEM No.	IMPEDANCE		REPLACEMENT DATA					NOTES
	PRI.	SEC.	DELCO PART No.	MERIT PART No.	STANCOR PART No.	THORDARSON PART No.	TRIAD PART No.	
	T1	24Ω Tap	@ 10Ω	7282057				

### SPEAKER

ITEM No.	TYPE	REPLACEMENT DATA		NOTES
		DELCO PART No.	QUAM PART No.	
SP1	4" x 10' PM	8Ω	7294834 410A2Z10	

### FUSE DEVICES

ITEM No.	TYPE	RATING	REPLACEMENT DATA								
			PART No.		LITTELFUSE PART No.		BUSS PART No.				
			FUSE	HOLDER	FUSE	HOLDER	FUSE	HOLDER			
F1	AGC	7 1/2		In Fuse Block		31107.5				AGC 7 1/2	

### CABINETS & CABINET PARTS

(When Ordering Specify Model, Chassis & Color)

ITEM	PART No.	ITEM	PART No.
Escutcheon	1222355	Knob, Tuning or Volume	1376892
Dial Pointer	7294503	Knob, Tone or Dummy	1376900
Pushbutton	7294510		

### WIRING DATA

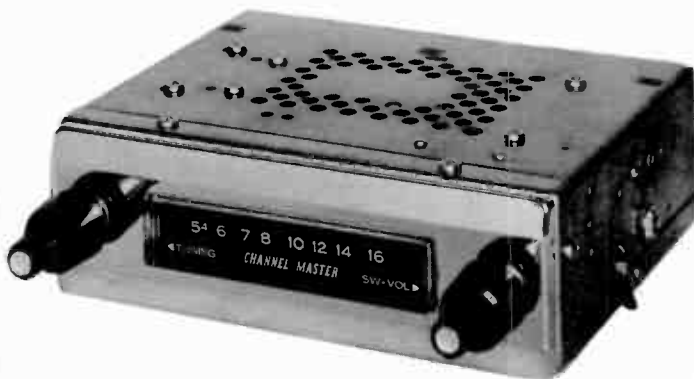
General-use Unshielded Hook-up Wire .....	Use BELDEN No. 8530 (Solid) Available in 12 Colors 8524 (Stranded) Available in 12 Colors
Shielded Hook-up Wire .....	Use BELDEN No. 6885
Rear Seat Speaker Extension Cable .....	Use BELDEN No. 8782 (Stranded) Coded Parallel Leads
Bonding Strap .....	Use BELDEN No. 8661 (3/8 In.) or 8670 (3/4 In.)



PHOTOFACT<sup>®</sup> with

CIRCUITRACE<sup>®</sup>

TRADE NAME: Channel Master Model 6541  
 SUPPLIER: For Current Address, See Annual Index.  
 TYPE SET: 6 Transistor AM Receiver  
 POWER SUPPLY: 12 Volt Storage Battery  
 RATING: .360 Amp. @ 12.6 Volts DC  
 TUNING RANGE: BROADCAST 535-1605KC



## ALIGNMENT INSTRUCTIONS

Check for specified source voltage.  
 Use only enough generator output to provide a usable indication.  
 Suggested Alignment Tools:

A1 thru A8.

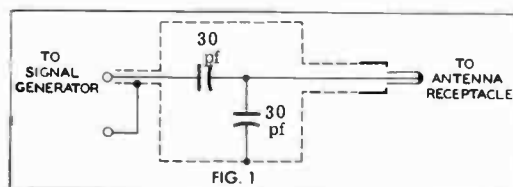
GENERAL CEMENT: 9440

WALSCO: 2501

	SIGNAL GENERATOR COUPLING	SIGNAL GENERATOR FREQUENCY	RADIO DIAL SETTING	INDICATOR	ADJUST	REMARKS
1.	High side thru .1mf to point $\Delta$ , low side to ground.	455KC (400v Mod.)	High Freq. End Stop.	Output Meter across voice coil.	A1, A2, A3, A4	Adjust for maximum.
2.	Thru dummy (Fig. 1) to antenna receptacle.	600KC	Tune to Signal.	"	A5	"

3.	Thru dummy (Fig. 1) to antenna receptacle.	1605KC	High Freq. End Stop.	Output Meter across voice coil.	A6, A7, A8	Adjust for maximum. Repeat steps 2 & 3 until no further improvement is noted.
----	--	--------	----------------------	---------------------------------	------------	---

With radio installed in car and antenna fully extended, tune in a weak station near 1400KC and adjust A8 for maximum output.

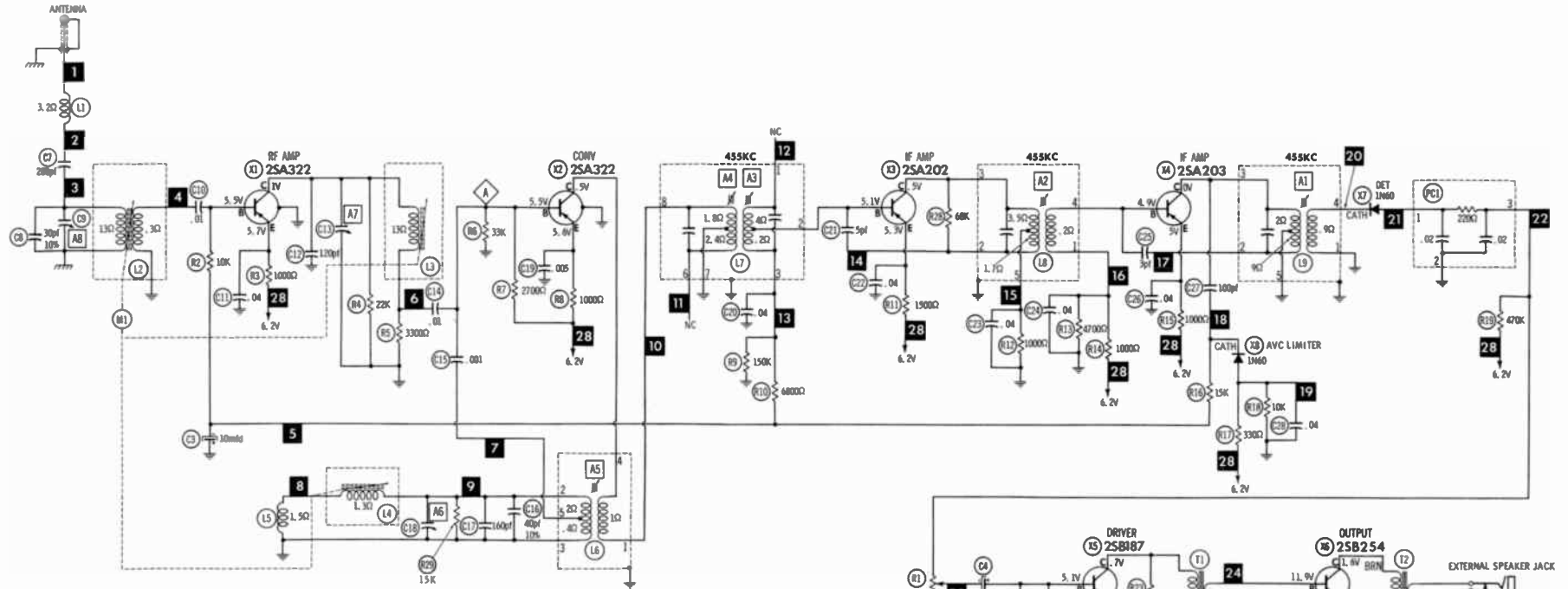


CHANNEL MASTER MODEL 6541

HOWARD W. SAMS & CO., INC. Indianapolis, Indiana 46206

© 1966 Howard W. Sams & Co., Inc. Printed in U. S. of America. RD305

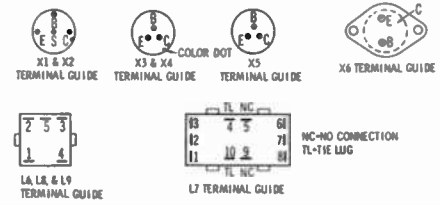
World Radio History



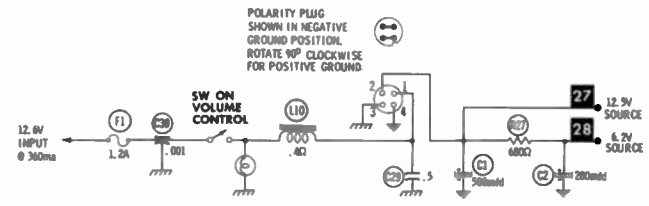
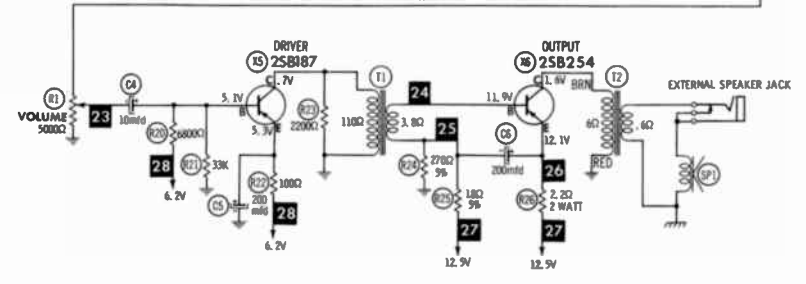
▼ DENOTES GROUND  
 r/m DENOTES CHASSIS

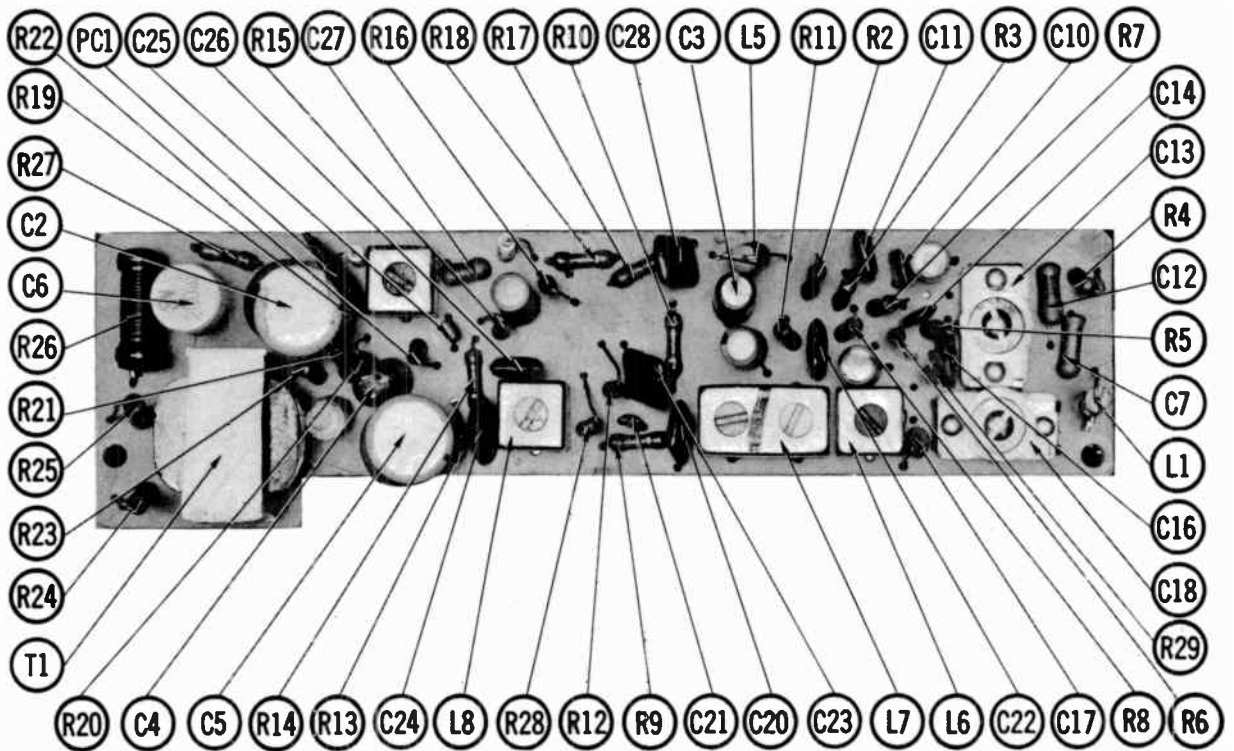
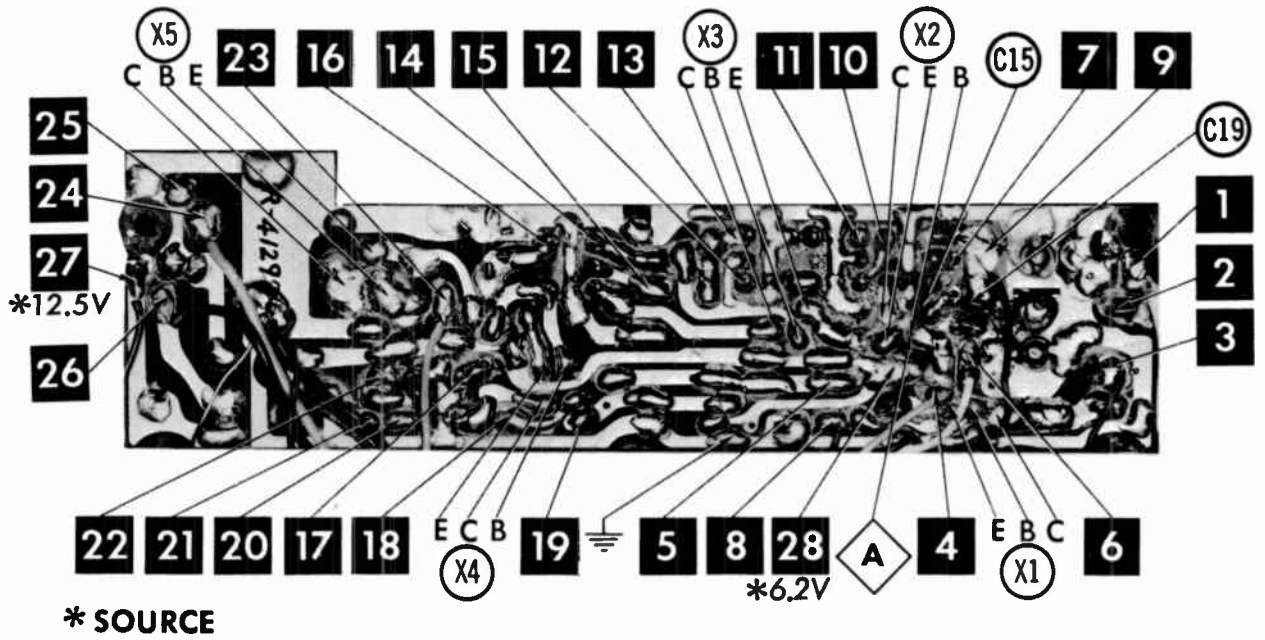
- Resistors are 1/2 watt or less and rated 10% or 20% unless otherwise indicated.
1. Voltage measurements taken with vacuum tube voltmeter. Polarity plug in negative ground position.
  2. All controls set for normal operation, no signal applied.
  3. Measured values are from socket pin or terminal to common ground.
  4. All terminals viewed from bottom unless otherwise designated.
  5. Numbers assigned to terminals may not be found on the unit.
  6. Supply voltage maintained at rated value for voltage readings.
  7. Resistance measurements not given because of the wide variation in internal resistance of transistor.

A PHOTOCOPY STANDARD NOTATION SCHEMATIC  
 with **CIRCUITRACE**  
 © Howard W. Sams & Co., Inc. 1966



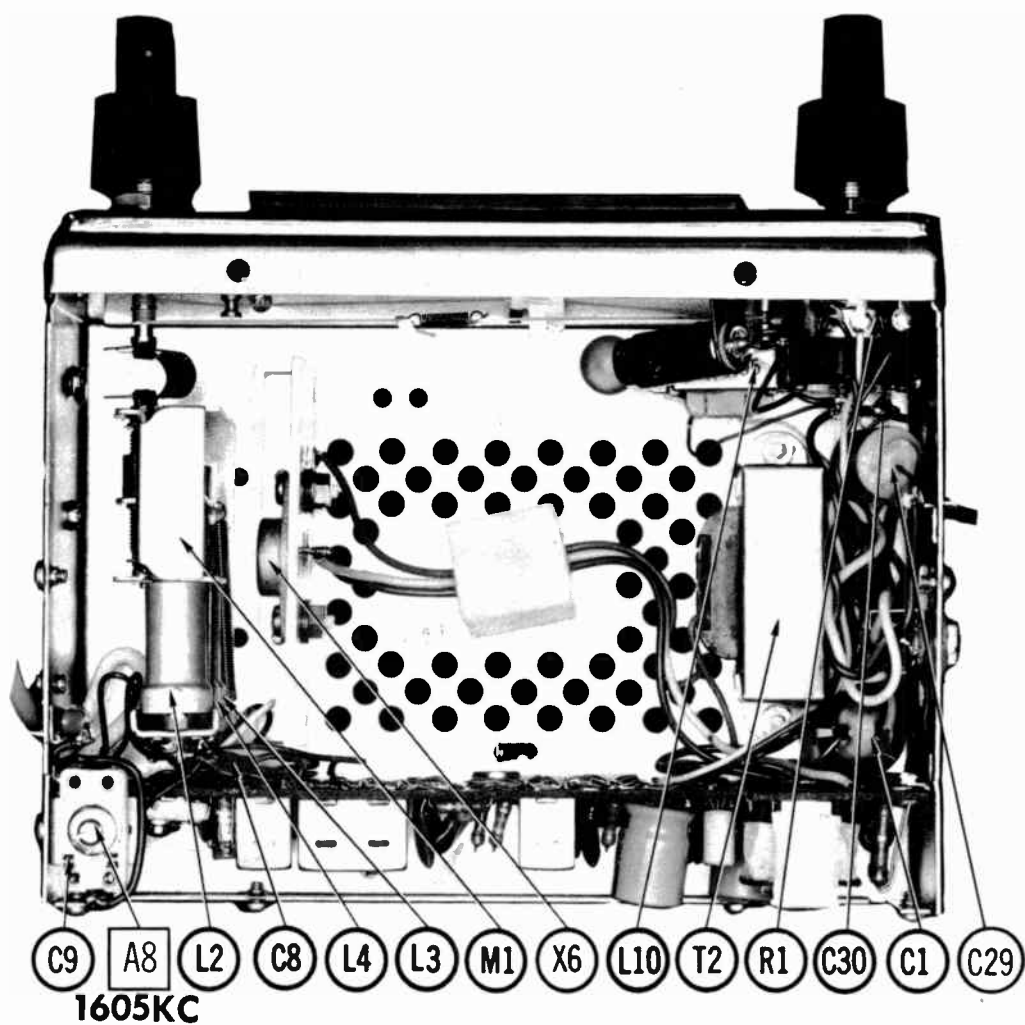
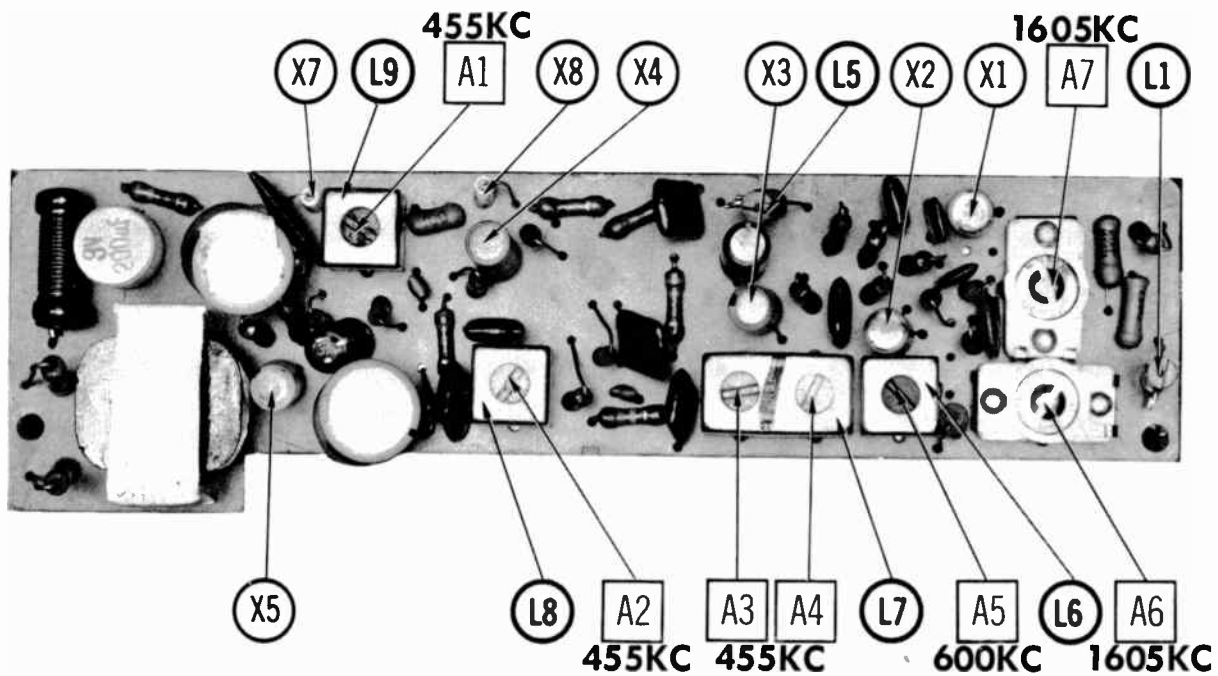
**CHANNEL MASTER MODEL 6541**





CHANNEL MASTER MODEL 6541





# PARTS LIST AND DESCRIPTION

(When ordering parts, state Model, Part Number, and Description.)

Replacement parts shown may be superseded by the availability of newly introduced replacements.  
Have your local distributor check Sams COUNTER FACTS for the most up-to-date replacement.

## TRANSISTORS

ITEM No.	ORIG. TYPE	USE	REPLACEMENT DATA			NOTES
			DELCO PART No.	GENERAL ELECTRIC PART No.	RCA PART No.	
X1	28A322	RF Amp.	D8-25	GE-9	SK-3008	PNP
X2	28A220	Conv.	D8-25	GE-9	SK-3008	PNP
	Alternate					
X3	28A323	1st. IF Amp.	D8-25	GE-9	SK-3005	PNP
	Alternate					
X4	28A202	2nd. IF Amp.	D8-25	GE-9	SK-3005	PNP
X5	28B187	Driver	D8-28	GE-2	SK-3004	PNP
X8	28B254	Output	D8-520	GE-3	SK-3009	PNP *

\* When replacing, apply silicon grease to both sides of insulator. Tighten mounting screws securely.

## POWER RECTIFIERS & SIGNAL DIODES

ITEM No.	MEASURED CURRENT	ORIGINAL Part or Type No.	RECTIFIERS				DIODES
			GENERAL ELECTRIC PART No.	MALLORY PART No.	RCA PART No.	SARKES TARZIAN PART No.	GENERAL ELECTRIC PART No.
X7		1N60					1N34AS
X8		1N60					1N34AS

## ELECTROLYTIC CAPACITORS

ITEM No.	RATING		Channel Master PART No.	REPLACEMENT DATA				
	CAP.	VOLT.		AEROVOX PART No.	CORNELL-DUBILIER PART No.	GENERAL ELECTRIC PART No.	MALLORY PART No.	SPRAGUE PART No.
C1	500	15	A188	BCD12250	NLW200-12		TT10X200	TE-1119, 8
C2	200	10		BCD10010	ECSP10-15	MT1-5	PET1340	VL-1127
C3	10	10		BCD10010	ECSP10-15	MT1-5	PET1340	VL-1127
C4	10	10		BCD12250	NLW200-12		TT10X200	TE-1119, 6
C5	200	10		BCD12250	NLW200-12		TT10X200	TE-1119, 8
C8	200	3		BCD12250	NLW200-12		TT10X200	TE-1119, 8

## CAPACITORS

ITEM No.	RATING		REMARKS	REPLACEMENT DATA					
	CAP.	VOLT.		AEROVOX PART No.	CENTRALAB PART No.	CORNELL-DUBILIER PART No.	ELMenco PART No.	MALLORY PART No.	SPRAGUE PART No.
C7	200pf	500V	A180 ①	N750-DI200	DTN-200	CD15F201K500	CCTN-201	CN7320	10TCU-T20
C8	30pf ±10%	250V		DI-30	DD-300		CCD-300	GP430	10T8-Q30
C9				BPD-01	DD-103	BYV102ZU103M	CCD-103	B110	5HK-810
C10	.01	50V	A182 ①	TTD-05		HOV101ZV503Z		TA150	TH-850
C11	.04	50V		NPO-DI120	DTZ-120	JBZ801YP121K	CCTO-121	CN0312	10TCC-T12
C12	120pf	150V		BPD-01	DD-103	BYV102ZU103M	CCD-103	B110	5HK-810
C13			A190 ①	BPD-001	DD-102	HVX182XP102M	CCD-102	B210	5HK-D10
C14	.01	50V		NPO-DI39	TCZ-39	CD10E390K500	CCTO-390	CN0439	10TCC-Q39
C15	.001	50V		DI-150	TCZ-160	CD7F181K500	CCTN-151	EX482	10TCU-T15
C16	40pf ±10%	250V							
C17	160 pf	250V							
C18			A190 ①	BPD-005	DD-502	BYX801ZU502P	CCD-502	B250	5HK-D50
C19	.005	50V		TTD-05		HOV101ZV503Z		TA150	TH-850
C20	.04	50V		NPO-DI5.0	DTZ-4R7	CZ801CH5R0D	CCTO-050	CN0547	10TCC-V50
C21	5pf	25							
C22	.04	50V	A190 ①	TTD-05		HOV101ZV503Z		TA150	TH-850
C23	.04	50V		TTD-05		HOV101ZV503Z		TA150	TH-850
C24	.04	50V		TTD-05		HOV101ZV503Z		TA150	TH-850
C25	3pf			DTZ-3R3		CCTO-3R3	CN0533	10TCC-V30	
C26	.04	50V		TTD-05		HOV101ZV503Z		TA150	TH-850
C27	100pf	150V		DI-100	DD-101	CV801CG101K	CCD-101	GP310	5GA-T10
C28	.04	50V		TTD-05		HOV101ZV503Z		TA150	TH-850
C29	.5	150V		BE2P5		DPMS2P47	1DP-4-474	PVC1047	2P8-P47
C30	.001			EF-001	MFT-1000		CCF-102	CT280A	

① Channel Master Part Number

## CONTROLS

All wattages 1/2 watt, or less, unless otherwise listed.

ITEM No.	USE	RESISTANCE	REPLACEMENT DATA				
			Channel Master PART No.	CENTRALAB PART No.	CLAROSTAT PART No.	CTS-IRC PART No.	MALLORY PART No.
R1	Volume	5000Ω		F2-5000 ①, BSK200, BA014, CA005, KR-4		QCB4 ① ②, B13-114, TM5, 76-1 or (BU14, CF60, SB1, GC)*	RU53A ①, SL41, SL3500, US41

\* "SNAPTROL"

① Enlarge Mounting Hole.

② Use QCB4 instead of Tab Mount Plate in TM5.

## RESISTORS (Power and Special)

ITEM No.	RATING	REPLACEMENT DATA		
		IRC PART No.	WORKMAN PART No.	REMARKS
R28	2, 2Ω ZW (Wirewound)	BWH 2.2	WS-2.2	

# PARTS LIST AND DESCRIPTION (CONTINUED)

(When ordering parts, state Model, Part Number, and Description.)

Replacement parts shown may be superseded by the availability of newly introduced replacements. Have your local distributor check Sams COUNTER FACTS<sup>®</sup> for the most up-to-date replacement.

## COILS (RF-IF)

ITEM No.	USE	REPLACEMENT DATA					
		Channel Master PART No.	MEISSNER PART No.	MERIT PART No.	MILLER PART No.	STANCOR PART No.	WORKMAN PART No.
L1	RF Choke (10 uh)	① ① ①	19-1005	BC-586	4612	RTC-8522	T860
L2	Antenna						
L3	RF						
L4	Oscillator Tuning	I157	19-1004	BC-585	4610	RTC-8520	T859
L5	RF Choke (9uh)						
L6	Oscillator						
L7	1st. IF	C107	16-9028	8901	2068	RTC-9286	
L8	2nd. IF	C108					
L9	3rd. IF	C109					

① Part of M1.

## FILTER CHOKE

ITEM No.	RATINGS			REPLACEMENT DATA				NOTES
	CURRENT (Measured)	DC RES.	INDUCTANCE (0 CURRENT 1000~)	Channel Master PART No.	MERIT PART No.	STANCOR PART No.	THORDARSON PART No.	
L10	.380A	.4Ω	3mh		C-4095	TC-1	TR-159	TY16XT

## TRANSFORMER (DRIVER)

ITEM No.	TURNS RATIO		REPLACEMENT DATA					NOTES
	PRI.	SEC.	Channel Master PART No.	MERIT PART No.	STANCOR PART No.	THORDARSON PART No.	TRIAD PART No.	
T1	5	1	C110					

## TRANSFORMER (AUDIO OUTPUT)

ITEM No.	IMPEDANCE		REPLACEMENT DATA					NOTES
	PRI.	SEC.	Channel Master PART No.	MERIT PART No.	STANCOR PART No.	THORDARSON PART No.	TRIAD PART No.	
T2	36Ω	3-4Ω	C111					

## COMPONENT COMBINATIONS

ITEM No.	USE	DESCRIPTION	Channel Master PART NO.	REPLACEMENT DATA
PC1	RF Bypass	220Ω, .02mfd., .02mfd.	A284	

## FUSE DEVICES

ITEM No.	TYPE	RATING	REPLACEMENT DATA					
			Channel Master PART No.		LITTELFUSE PART No.		BUSS PART No.	
			FUSE	HOLDER	FUSE	HOLDER	FUSE	HOLDER
F1		1.2A			31201.5	155020	AGC 1 1/4	HDJ

## SPEAKER

ITEM No.	TYPE	RATING	REPLACEMENT DATA		NOTES
			Channel Master PART No.	QUAM PART No.	
SP1	4" PM	3-4Ω		4A05	

## MISCELLANEOUS

ITEM No.	PART NAME	Channel Master PART No.	NOTES
M1	Tuner	A281	Includes L2, L3, & L4

## CABINETS & CABINET PARTS (When Ordering Specify Model, Chassis & Color)

ITEM	PART No.	ITEM	PART No.
Knob, Tuning	I145	Polarity Plug	E080
Knob, Volume	I145	Polarity Socket	E080
Dial Indicator Plate	I142	Metal Chassis	G168
Dial Pointer	I141	Panel, Chassis Front	G169
Heat Sink	I148	Cover	G170
Antenna Receptacle	F373	Tuning Shaft	I147
		Plate Spring For Tuning Joint	I151

## WIRING DATA

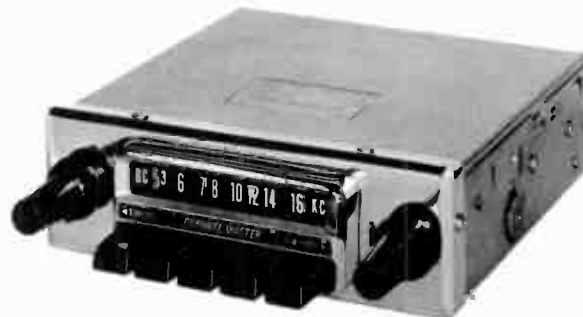
General-use Unshielded Hook-up Wire .....	Use BELDEN No. 8530 (Solid) Available in 12 Colors 8524 (Stranded) Available in 12 Colors
Shielded Hook-up Wire .....	Use BELDEN No. 8885
Rear Seat Speaker Extension Cable .....	Use BELDEN No. 8782 (Stranded) Coded Parallel Leads
Boarding Strap .....	Use BELDEN No. 8661 (3/8 in.) or 8670 (3/4 in.)



PHOTOFACT<sup>®</sup> with

CIRCUITRACE<sup>®</sup>

- TRADE NAME : Channel Master Model 6542  
 SUPPLIER : For Current Address, See Annual Index.  
 TYPE SET : 6 Transistor AM Receiver  
 POWER SUPPLY : 12 Volt Storage Battery  
 RATING : .120 Amp. @ 12.6 Volts DC  
 TUNING RANGE: BROADCAST 535-1620KC



CHANNEL MASTER MODEL 6542

## ALIGNMENT INSTRUCTIONS

Check for specified source voltage.  
 Use only enough generator output to provide a usable indication.  
 Suggested Alignment Tools:

A1 thru A8.

GENERAL CEMENT: 9440

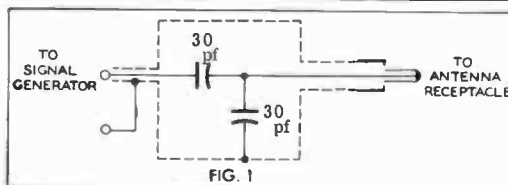
WALSCO: 2501

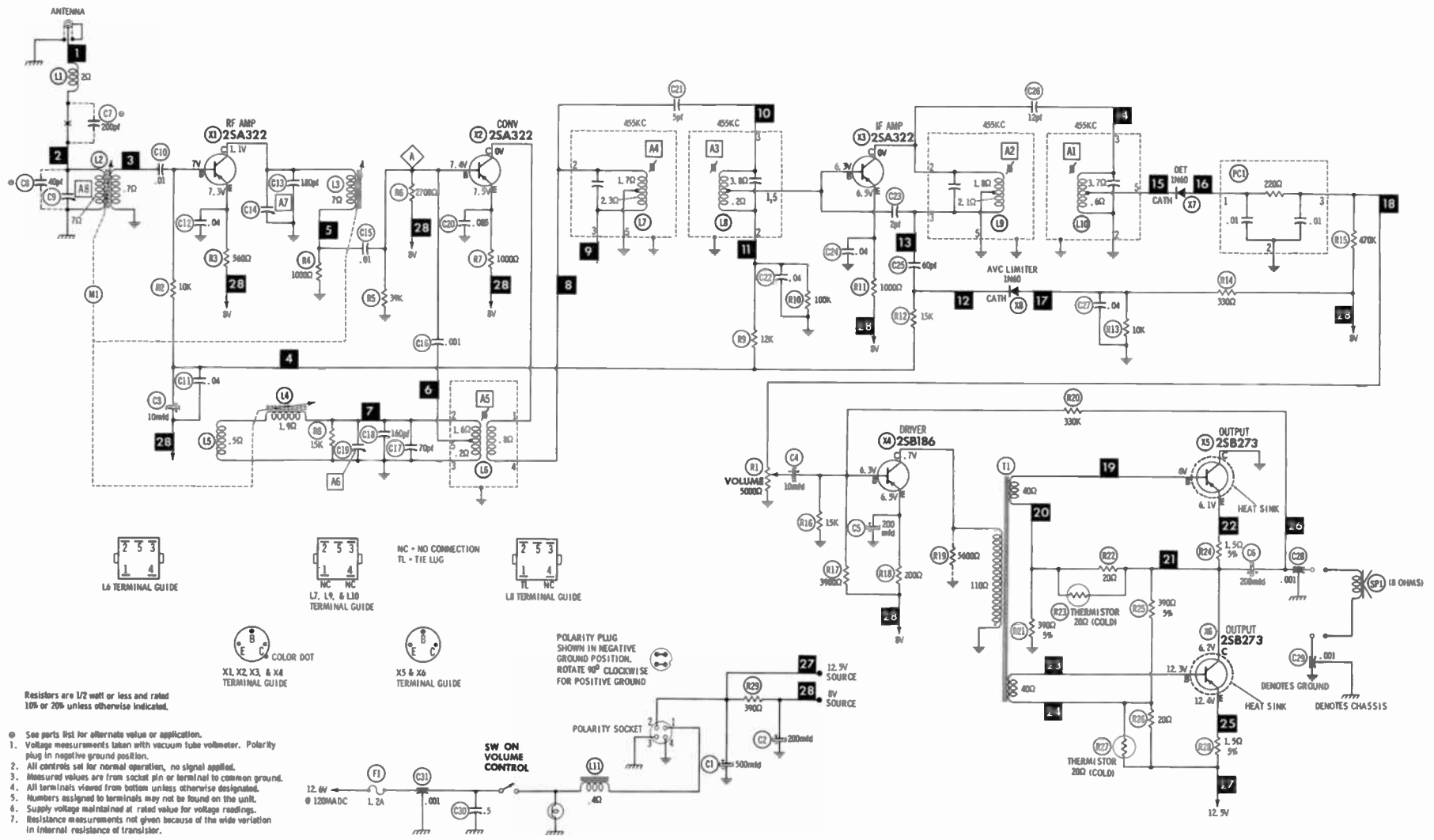
	SIGNAL GENERATOR COUPLING	SIGNAL GENERATOR FREQUENCY	RADIO DIAL SETTING	INDICATOR	ADJUST	REMARKS
1.	High side thru .1mfd to point $\Delta$ , low side to ground.	455KC (400% Mod.)	High Freq. End Stop.	Output Meter across voice coil.	A1, A2, A3, A4	Adjust for maximum.
2.	Thru dummy (Fig. 1) to antenna receptacle.	600KC	Tune to Signal.	"	A5	"
3.	Thru dummy (Fig. 1) to antenna receptacle.	1620KC	High Freq. End Stop.	Output Meter across voice coil.	A6, A7, A8.	Adjust for maximum. Repeat steps 2 & 3 until no further improvement is noted.

With radio installed in car and antenna fully extended, tune in a weak station near 1400KC and adjust A8 for maximum output.

### PUSH-BUTTON ADJUSTMENT

1. Pull button out.
2. Tune manually to desired station.
3. Press button in firmly.
4. Repeat for remaining buttons.



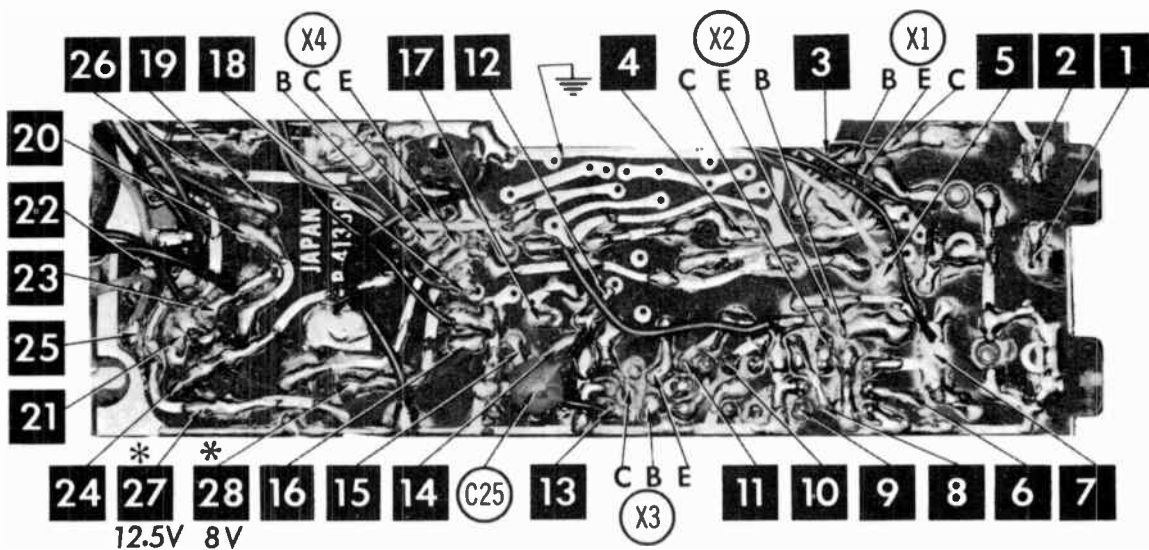


Resistors are 1/2 watt or less and rated 10% or 20% unless otherwise indicated.

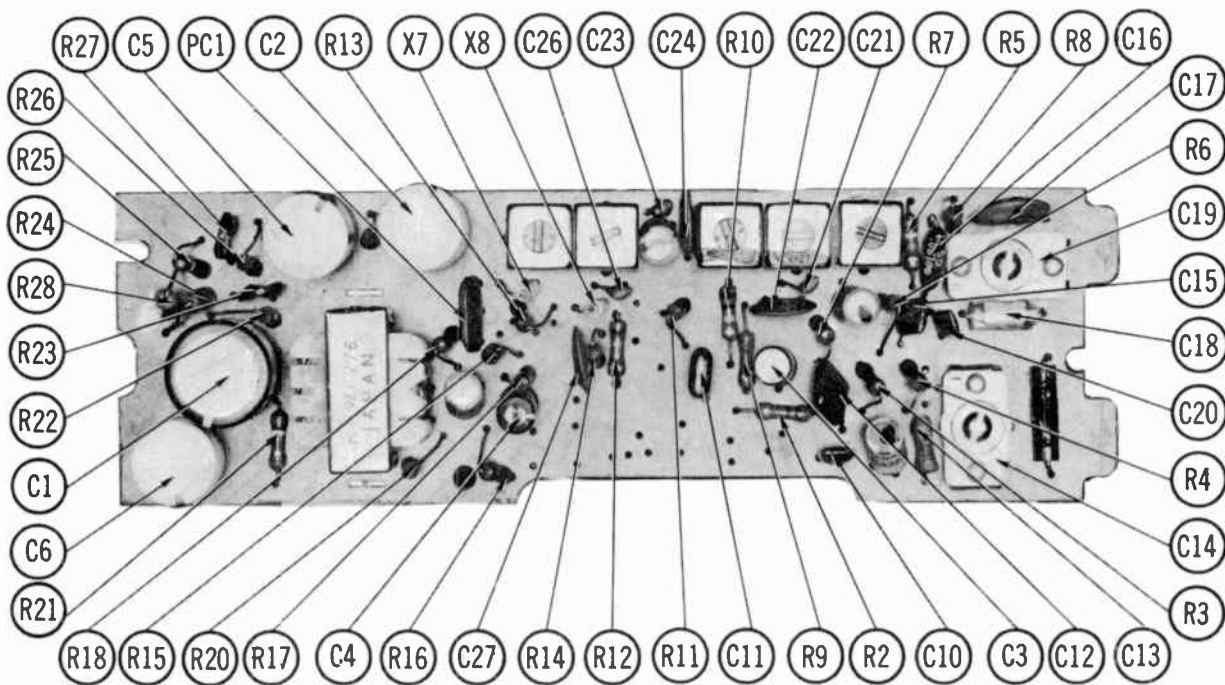
- ⊙ See parts list for alternate value or application.
- 1. Voltage measurements taken with vacuum tube voltmeter. Polarity plug in negative ground position.
- 2. All controls set for normal operation, no signal applied.
- 3. Measured values are from socket pin or terminal to common ground.
- 4. All terminals viewed from bottom unless otherwise designated.
- 5. Numbers assigned to terminals may not be found on the unit.
- 6. Supply voltage maintained at rated value for voltage readings.
- 7. Resistance measurements not given because of the wide variation in internal resistance of transistor.

A PHOTOPACT STANDARD NOTATION SCHEMATIC with **CIRCUITRACE**  
 © Howard W. Sams & Co., Inc. 1966

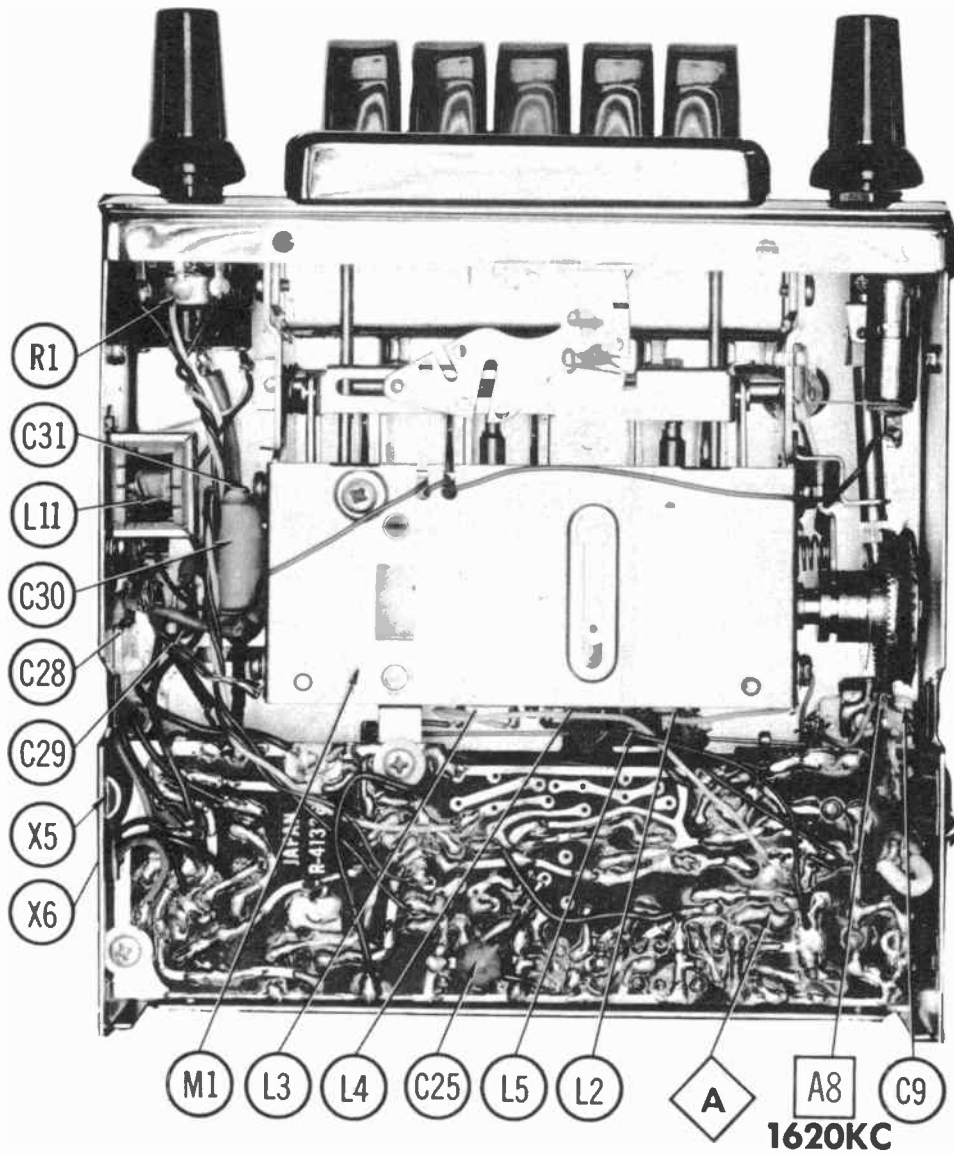
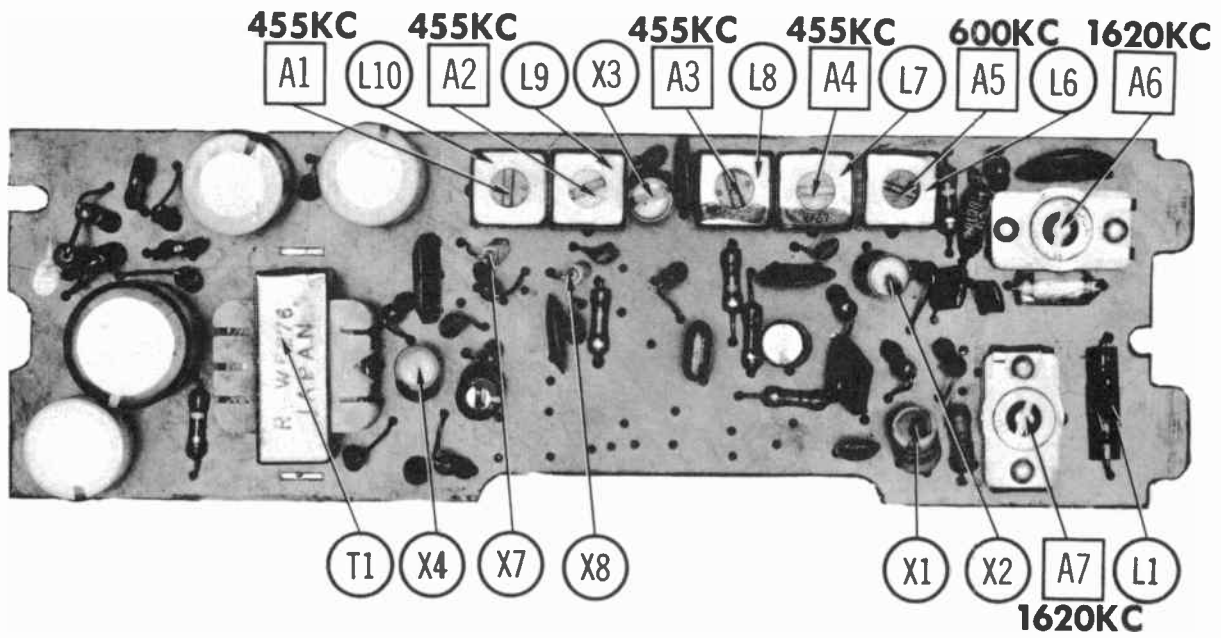
**CHANNEL MASTER MODEL 6542**



\*SOURCE



CHANNEL MASTER MODEL 6542



# PARTS LIST AND DESCRIPTION

(When ordering parts, state Model, Part Number, and Description.)

Replacement parts shown may be superseded by the availability of newly introduced replacements. Have your local distributor check Sams COUNTER FACTS\* for the most up-to-date replacement.

## TRANSISTORS

ITEM No.	ORIG. TYPE	USE	REPLACEMENT DATA			NOTES
			DELCO PART No.	GENERAL ELECTRIC PART No.	RCA PART No.	
X1	2SA322	RF Amplifier	D8-25	GE-9	SK-3008	PNP
X2	2SA322	Converter	D8-25	GE-9	SK-3008	PNP
X3	2SA322	IF Amplifier	D8-25	GE-9	SK-3008	PNP
X4	2SB168	Driver	D8-26	GE-2	SK-3004	PNP
X5	2SB273	Output	D8-28	GE-2		PNP ①
X6	2SB273	Output	D8-28	GE-2		PNP ①

① When replacing, apply silicon grease to heat sink plates and transistor case. Tighten mounting screws securely.

## SIGNAL DIODES

ITEM No.	MEASURED CURRENT	ORIGINAL Part or Type No.	RECTIFIERS				DIODES
			GENERAL ELECTRIC PART No.	MALLORY PART No.	RCA PART No.	SARKES TARZIAN PART No.	
X7		1N80					1N34AS
X8		1N60					1N34AS

## ELECTROLYTIC CAPACITORS

ITEM No.	RATING		Channel Master PART No.	REPLACEMENT DATA				SPRAGUE PART No.
	CAP.	VOLT.		AEROVOX PART No.	CORNELL-DUBILIER PART No.	GENERAL ELECTRIC PART No.	MALLORY PART No.	
C1	500	15	A168					TE-1119.6
C2	200	10		BCD10190	NLW200-12		TT10X200	PET1340
C3	10	10		BCD10010	ECSP10-15	MT1-5	PET1340	VL-1127
C4	10	10		BCD10010	ECSP10-15	MT1-5	PET1340	VL-1127
C5	200	10		BCD10190	NLW200-12		TT10X200	TE-1119.6
C6	200	10		BCD10190	NLW200-12		TT40X200	TE-1119.6

## CAPACITORS

ITEM No.	RATING		REMARKS	REPLACEMENT DATA					
				AEROVOX PART No.	CENTRALAB PART No.	CORNELL-DUBILIER PART No.	ELMenco PART No.	MALLORY PART No.	SPRAGUE PART No.
C7	200pf	250V		N750-DI200	DTN-200	CD15F201K500	CCTN-201	CN7320	10TCU-T20
C8	40pf			NPO-DI39	TCZ-39	CD10E390K500	CCTO-390	CN0439	10TCC-Q39
C9									
C10	.01mfd.	50V		BPD-01	DD-103	BYV102ZU103M	CCD-103	B110	5HK-810
C11	.04mfd.	50V		TTD-05		HOV101ZV503Z		TA150	TH-850
C12	.04mfd.	50V		TTD-05		HOV101ZV503Z		TA150	TH-850
C13	180pf			DI-180	DD-181	JBZ601YP181K	CCD-181	GP318	5GA-T18
C14									
C15	.01mfd.	50V		BPD-01	DD-103	BYV102ZU103M	CCD-103	B110	5HK-810
C16	.001mfd.	50V		BPD-001	DD-102	HVX182XP102M	CCD-102	B210	5HK-D10
C17	70pf ±10%	250V		N750-DI 68	DTN-68	JBZ601YP680K	CCTN-680	CN7468	10TCU-Q68
C18	180pf	250V		DI-150	TCZ-160	CD7F161K500	CCTN-151	SK462	10TCU-T15
C19									
C20	.005mfd.	50V		BPD-005	DD-502	BYX601ZU502P	CCD-502	B250	5HK-D60
C21	5pf	25V		NPO-DI 5.0	DTZ-4R7	CZ601CH5R0D	CCTO-050	CN0547	10TCC-V50
C22	.04mfd.	50V		TTD-05		HOV101ZV503Z		TA150	TH-850
C23	2pf	25V		NPO-DI 2.2	DTZ-2R2	CZ601CJ2R2D	CCTO-2R2	CN0522	10TCC-V22
C24	.04mfd.	50V		TTD-05		HOV101ZV503Z		TA150	TH-850
C25	60pf ±10%	50V		DI-58	TCZ-62	CD6C620K500	CCTN-620	SK318	10TCU-Q58
C26	12pf				TCZ-12	CZ601CG120J	CCTO-120	CN0412	10TCC-Q12
C27	.04mfd.	50V		TTD-05		HOV101ZV503Z		TA150	TH-850
C28	.001mfd.			EF-001	MFT-1000		CCF-102	CT280A	
C29	.001mfd.			EF-001	MFT-1000		CCF-102	CT280A	
C30	.5mfd.	150V		BE2P5		DPMS2P47	1DP-4-474	PVC1047	2PB-P47
C31	.001mfd.			EF-001	MFT-1000		CCF-102	CT280A	

## CONTROLS

All wattages 1/2 watt, or less, unless otherwise listed.

ITEM No.	USE	RESISTANCE	REPLACEMENT DATA				
			Channel Master PART No.	CENTRALAB PART No.	CLAROSTAT PART No.	CTS-IRC PART No.	MALLORY PART No.
R1	Volume	5000Ω		F2-5000 ①, BSK200, BA014, CA005, KR-4		QCB4 ① ②, B13-114, TM5, 76-1 or (BU14, CF60, 881, GC)*	RUSSA ①, SL41, SL3500, UB41

\* "SNAPTROL"

① Enlarge Mounting Hole.

② Use QCB4 instead of Tab Mount Plate in TM5.

## RESISTORS (Power and Special)

ITEM No.	RATING	REPLACEMENT DATA			ITEM No.	RATING	REPLACEMENT DATA		
		IRC PART No.	WORKMAN PART No.	REMARKS			IRC PART No.	WORKMAN PART No.	REMARKS
R23	10Ω (Cold)				R27	10Ω (Cold)			

CHANNEL MASTER MODEL 6542



# PARTS LIST AND DESCRIPTION (CONTINUED)

(When ordering parts, state Model, Part Number, and Description.)

Replacement parts shown may be superseded by the availability of newly introduced replacements. Have your local distributor check Sams COUNTER FACTS® for the most up-to-date replacement.

## COILS (RF-IF)

ITEM No.	USE	REPLACEMENT DATA					
		Channel Master PART No.	MEISSNER PART No.	MERIT PART No.	MILLER PART No.	STANCOR PART No.	WORKMAN PART No.
L1	RF Choke (8uh)		19-1004	BC-585	4610	RTC-8520	T859
L2	Antenna	①					
L3	RF	①					
L4	Osc. Tuning (200uh)	①					
L5	RF Choke	I172					
L6	Oscillator	I173					
L7	1st. IF (Pri.)	C197					
L8	1st. IF (Sec.)	C198					
L9	2nd. IF (Pri.)	C199					
L10	2nd. IF (Sec.)	C200					

① Part of M1.

## FILTER CHOKE

ITEM No.	RATINGS			REPLACEMENT DATA					NOTES
	CURRENT (Measured)	DC RES.	INDUCTANCE (0 CURRENT 1000~)	Channel Master PART No.	MERIT PART No.	STANCOR PART No.	THORDARSON PART No.	TRIAD PART No.	
L11	120ma DC	.4Ω	3MH		C-4095	TC-1	TR-159	TY16XT	

## TRANSFORMER (DRIVER)

ITEM No.	TURNS RATIO			REPLACEMENT DATA					NOTES
	PRI.	SEC. 1	SEC. 2	Channel Master PART No.	MERIT PART No.	STANCOR PART No.	THORDARSON PART No.	TRIAD PART No.	
T1	2	1	1	C201					

## SPEAKER

ITEM No.	TYPE	REPLACEMENT DATA		NOTES
		Channel Master PART No.	QUAM PART No.	
SP1	PM 8Ω			

## COMPONENT COMBINATIONS

ITEM No.	USE	DESCRIPTION	Channel Master PART No.	REPLACEMENT DATA
PC1	Det. Comp.	220Ω, .01mfd, .01mfd.	A047	

## FUSE DEVICES

ITEM No.	TYPE	RATING	REPLACEMENT DATA					
			Channel Master PART No.		LITTELFUSE PART No.		BUSS PART No.	
			FUSE	HOLDER	FUSE	HOLDER	FUSE	HOLDER
F1		1.2 Amp.			\$1201.5	155020	AGC 1 1/4	HDJ

## MISCELLANEOUS

ITEM No.	PART NAME	Channel Master PART No.	NOTES
M1	Tuner	A288	

## CABINETS & CABINET PARTS

(When Ordering Specify Model, Chassis & Color)

ITEM	PART No.	ITEM	PART No.
Knob, Tuning	I167	Escutcheon, Panel	I161
Knob, Volume	I167	Antenna Receptacle	F373
Dial Scale	I162	Chassis - Metal Case	G171
Dial Pointer	I168	Panel - Front Panel for Chassis	G172
Polarity Plug	E080	Top Cover - Metal Cover	G173
Polarity Socket	E080	Bottom Cover - Metal Cover	G174
Heat Sink	I170	Mounting Strap	I155
Escutcheon, Dial	I160		

## WIRING DATA

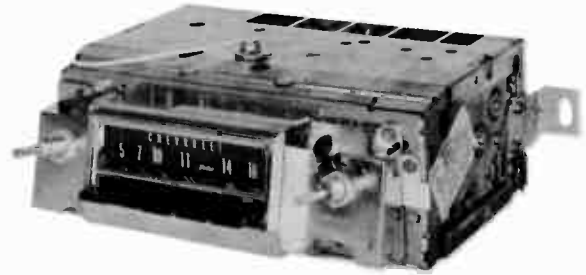
General-use Unshielded Hook-up Wire .....	Use BELDEN No. 8530 (Solid) Available in 12 Colors 8524 (Stranded) Available in 12 Colors
Shielded Hook-up Wire .....	Use BELDEN No. 8885
Rear Seat Speaker Extension Cable .....	Use BELDEN No. 8782 (Stranded) Coded Parallel Leads
Bonding Strap .....	Use BELDEN No. 8661 (3/8 In.) or 8670 (3/4 In.)



**PHOTOFACT<sup>®</sup> with**

**CIRCUITRACE<sup>®</sup>**

TRADE NAME : Chevrolet Model 986545 (1966)  
 SUPPLIER : For Current Address, See Annual Index.  
 TYPE SET : 6 Transistor AM Receiver  
 POWER SUPPLY : 12 Volt Storage Battery  
 RATING : 1.2 Amp. @ 12.6 Volts DC  
 TUNING RANGE: BROADCAST 540-1615KC



## ALIGNMENT INSTRUCTIONS

Check for specified source voltage.

Use only enough generator output to provide a usable indication.

Suggested Alignment Tools:

A1 thru A5, A9, A10.

A6, A7, A8.

GENERAL CEMENT: 5009, 8782A, 8987

WALSCO: 2531-X, 2536

GENERAL CEMENT: 8290, 8868, 9087

WALSCO: 2525, 2528, 2587

	SIGNAL GENERATOR COUPLING	SIGNAL GENERATOR FREQUENCY	RADIO DIAL SETTING	INDICATOR	ADJUST	REMARKS
1.	High side thru .1mfd to point $\Delta$ , low side to ground.	262KC (400% Mod.)	High Freq. End Stop.	Output Meter across voice coil.	A1, A2, A3, A4	Adjust for maximum.
Check setting of oscillator coil core (A5). Rear of core should be 1 3/8" from mounting end of coil form.						
2.	High side thru 82mmf to antenna receptacle, low side to ground.	1615KC	High Freq. End Stop.	Output Meter across voice coil.	A6, A7, A8	Adjust for maximum.
3.	"	600KC	600KC Signal	"	A9, A10	Adjust for maximum. Repeat step 2.
With radio installed in car and antenna fully extended, tune in a weak station near 1400KC and adjust A8 for maximum output.						

NOTE: Remove tuning and dummy knobs for access to Antenna Trimmer (A8).

### PUSH-BUTTON ADJUSTMENT

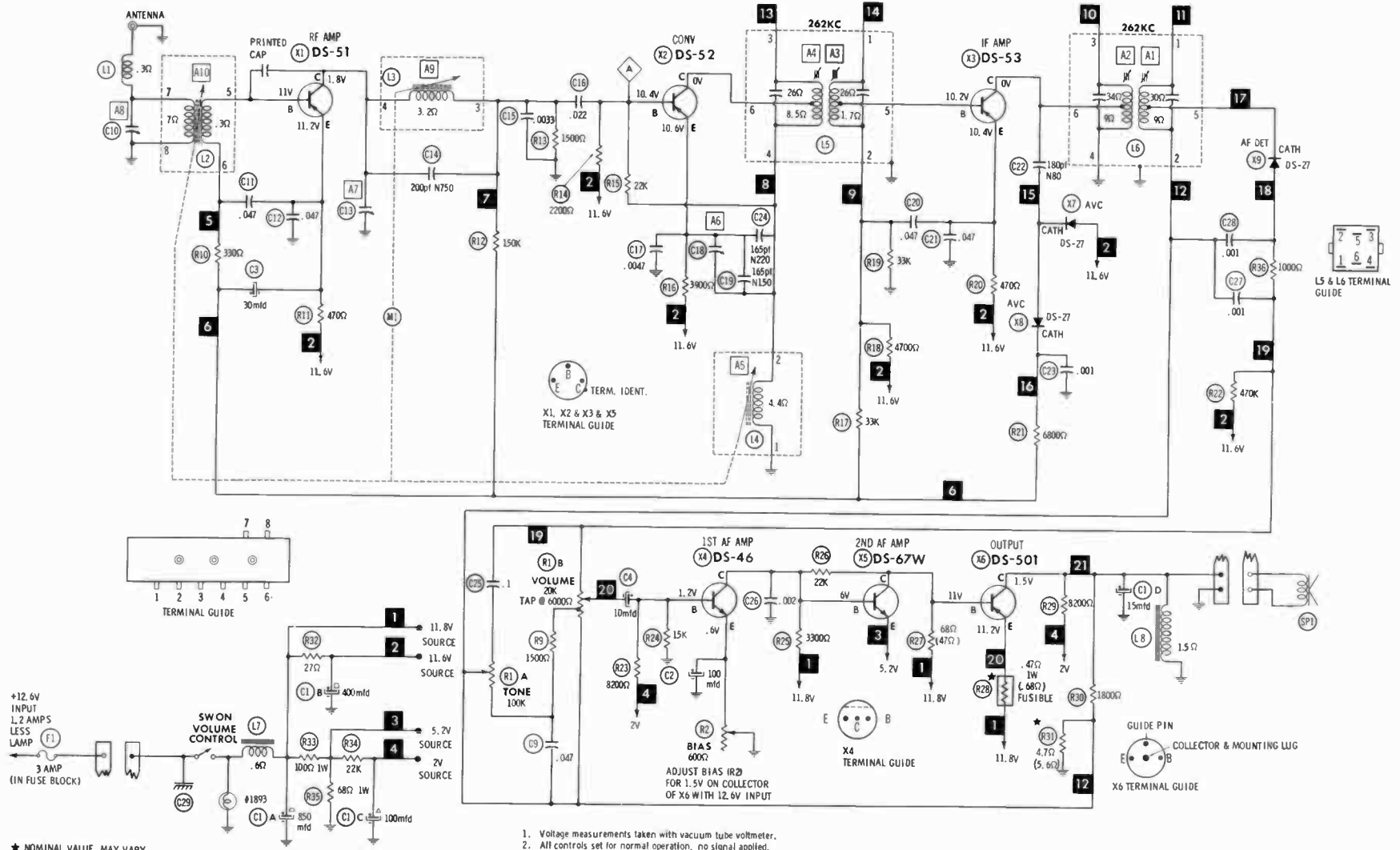
1. Pull button out.
2. Tune manually to desired station.
3. Press button in firmly.
4. Repeat for remaining buttons.

CHEVROLET MODEL 986545

**HOWARD W. SAMS & CO., INC.** Indianapolis, Indiana 46206

© 1966 Howard W. Sams & Co., Inc. Printed in U. S. of America

RD502



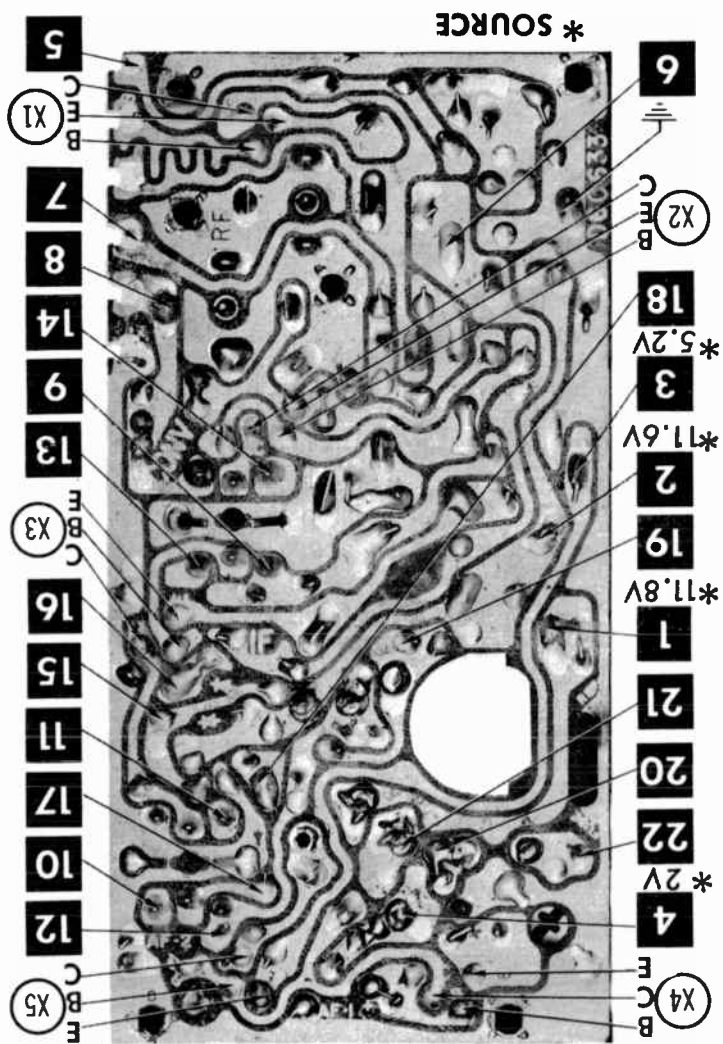
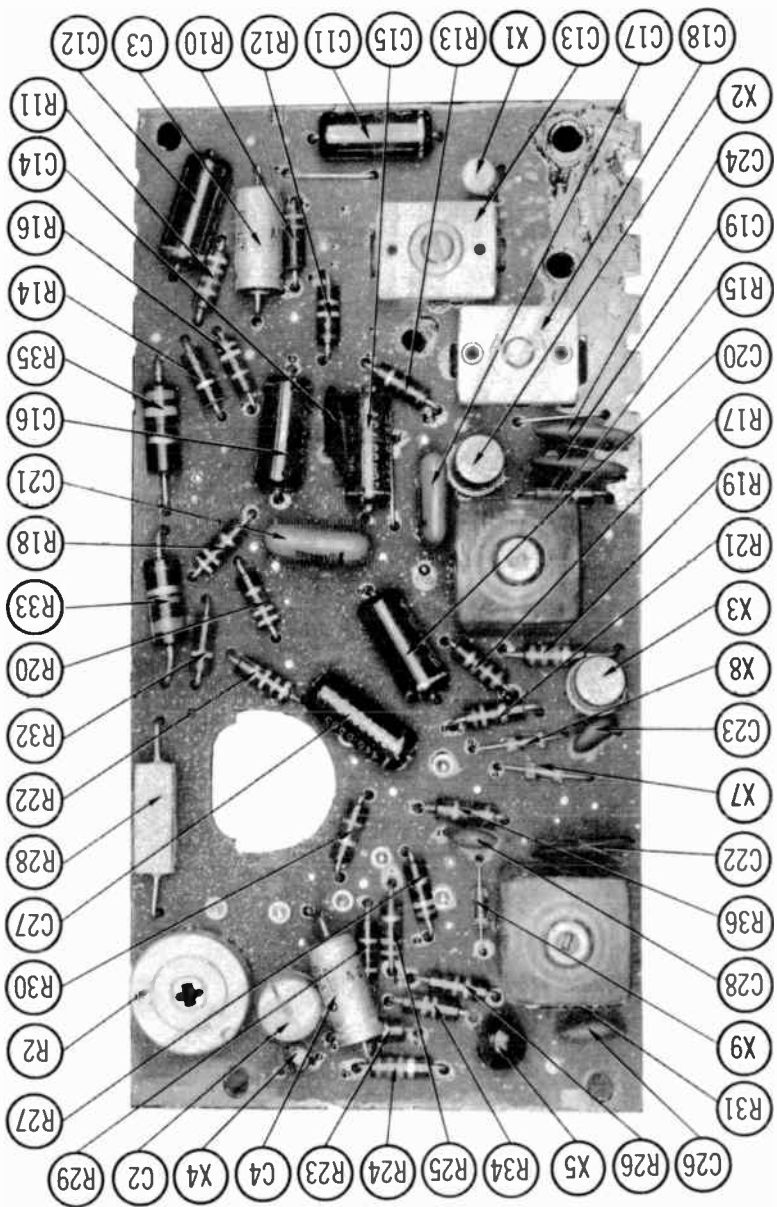
\* NOMINAL VALUE, MAY VARY.  
Resistors are 1/2 watt or less and rated 10% or 20% unless otherwise indicated.

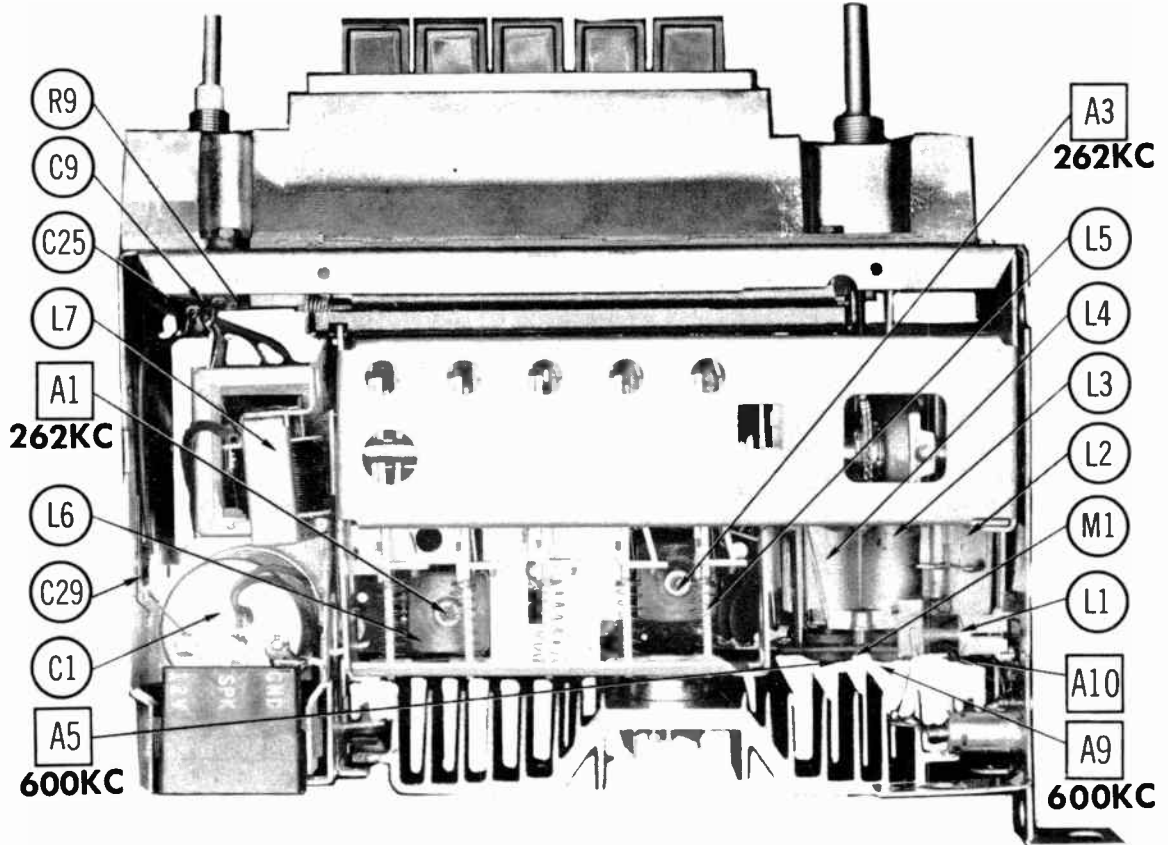
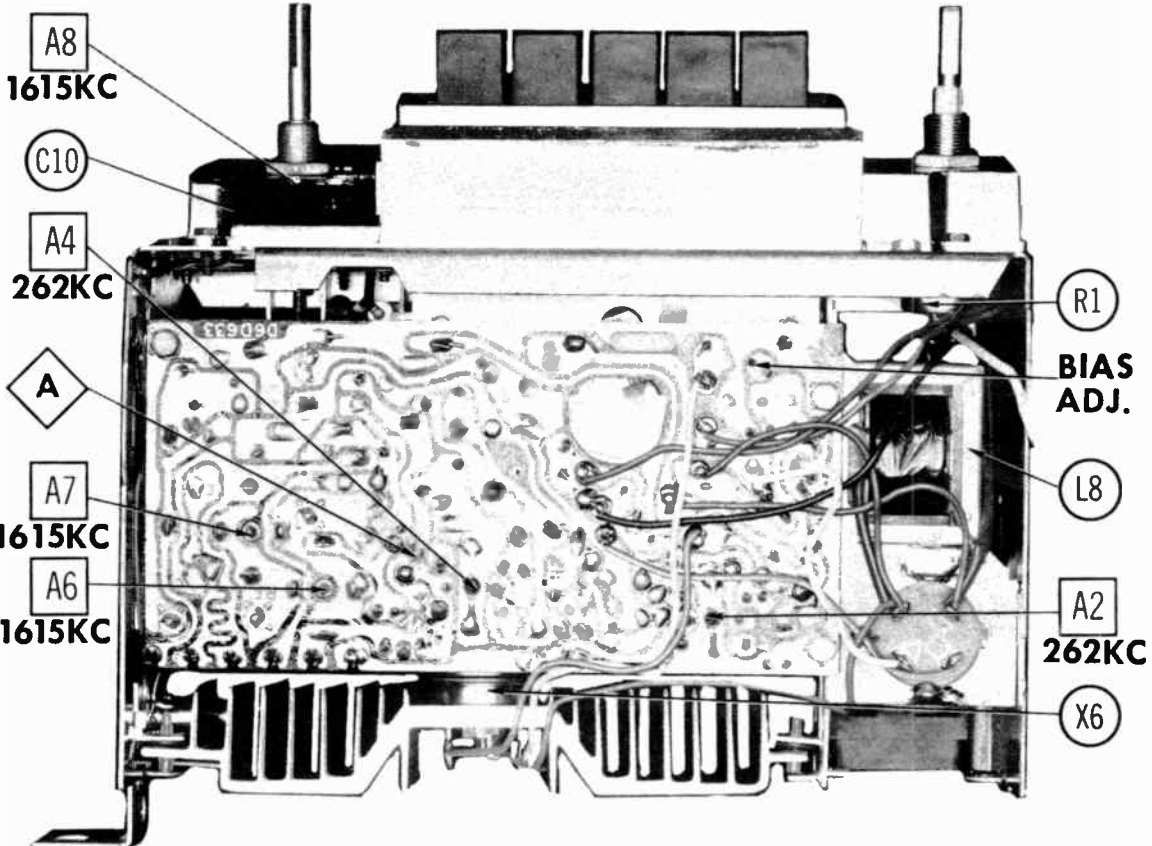
A PHOTOFAC STANDARD NOTATION SCHEMATIC  
with **CIRCUITRACE**

© Howard W. Sams & Co., Inc 1966

1. Voltage measurements taken with vacuum tube voltmeter.
2. All controls set for normal operation, no signal applied.
3. Measured values are from socket pin or terminal to common ground.
4. All terminals viewed from bottom unless otherwise designated.
5. Numbers assigned to terminals may not be found on the unit.
6. Supply voltage maintained at rated value for voltage readings.
7. Resistance measurements not given because of the wide variation in internal resistance of transistor.

**CHEVROLET MODEL 986545**





# PARTS LIST AND DESCRIPTION

(When ordering parts, state Model, Part Number, and Description.)

Replacement parts shown may be superseded by the availability of newly introduced replacements.  
Have your local distributor check Sams COUNTER FACTS for the most up-to-date replacement.

## TRANSISTORS

ITEM No.	ORIG. TYPE	USE	REPLACEMENT DATA			NOTES
			DELCO PART No.	GENERAL ELECTRIC PART No.	RCA PART No.	
X1	D8-51	RF Amp.	D8-25	GE-1	SK-3006	PNP
X2	D8-52	Conv.	D8-25	GE-1	SK-3006	PNP
X3	D8-53	IF Amp.	D8-25	GE-1	SK-3006	PNP
X4	D8-46	1st. AF Amp.	D8-46	GE-10	SK-3020	NPN
X5	D8-66)† D8-67W D8-66)†	2nd. AF Amp.	D8-66	GE-10	SK-3020	NPN
X6	D8-501	Output	D8-501	GE-4	SK-3012	PNP *

\* When replacing, apply silicone grease to both sides of insulator. Tighten mounting screws securely.  
† Alternate Type.  
Check bias adjustment.

## POWER RECTIFIERS & SIGNAL DIODES

ITEM No.	MEASURED CURRENT	ORIGINAL Part or Type No.	RECTIFIERS & DIODES		RECTIFIERS		
			GENERAL ELECTRIC PART No.	INTERNATIONAL RECTIFIER PART No.	MALLORY PART No.	RCA PART No.	SARKES TARZIAN PART No.
X7		D8-27	1N34AS	1N34A			
X8		D8-27	1N34AS	1N34A			
X9		D8-27	1N34AS	1N34A			

## ELECTROLYTIC CAPACITORS

ITEM No.	RATING		REPLACEMENT DATA					
	CAP.	VOLT.	DELCO PART No.	AEROVOX PART No.	CORNELL-DUBILIER PART No.	GENERAL ELECTRIC PART No.	MALLORY PART No.	SPRAGUE PART No.
C1A	850	16	7291786	AFH4-96-10			FP401.9	TVLS-4206*
B	400	16						
C	100	16						
D	15	11.5RMS						
C2	100	4	7291810	PTT30	NLW125-6	MT1-21	TT6X100	TE-1102
C3	30	6	7279896	PTT27	NLW30-15	MT1-13	TT6X30	TE-1092
C4	10	12	7292738	PTT53	NLW10-15	MT1-5	TT12X10	TL-1128

\* Not normally in distributor's stock. Available thru distributor on order to manufacturer.

## CAPACITORS

ITEM No.	RATING		REMARKS	REPLACEMENT DATA					
				AEROVOX PART No.	CENTRALAB PART No.	CORNELL-DUBILIER PART No.	ELMENCO PART No.	MALLORY PART No.	SPRAGUE PART No.
C9	.047	75V		DBE2847		WMF2847	1DP-2-473	PVC1147	2P8-847
C10			#7294291	DBE2847		WMF2847	1DP-2-473	PVC1147	2P8-847
C11	.047	75V		DBE2847		WMF2847	1DP-2-473	PVC1147	2P8-847
C12	.047	75V		DBE2847		WMF2847	1DP-2-473	PVC1147	2P8-847
C13			#7287935						
C14	200	N750		N750-DI200	DTN-200	CV601UJ201K	CCTN-201	CN7320	10TCU-T20
C15	.0033	75V		DBE6D33	CPR-3300J	WMF1D33	6DP-1-332	PVC4233	6P8-D33
C16	.022	75V		DBE2822		WMF1822	1DP-1-225	PVC1122	2P8-522
C17	.0047	75V		DBE6D47	CPR-4700J	WMF1847	6DP-1-472	PVC6247	6P8-D47
C18			#7282165						
C19	165	N150					*	*	10TCP-T175
C20	.047	75V		DBE2847		WMF2847	1DP-2-473	PVC1147	2P8-847
C21	.047	75V		DBE2847		WMF2847	1DP-2-473	PVC1147	2P8-847
C22	180	N80					*	*	10TCN-T80
C23	.001			BPD-001	DD-102	HVX162XP102M	CCD-102	B210	5HK-D10
C24	165	N220					*	*	10TCR-T175
C25	.1			TTD-1	CK-104	HOV101ZV104Z		TA010	TG-P10
C26	.002			BPD-002	DD-202	BYT601ZU202P	CCD-202	B220	5HK-D20
C27	.0082	75V		DBE6D82	CPR-8200J	WMF1882	6DP-2-822	PVC628	6P8-D82
C28	.001			BPD-001	DD-102	HVX162XP102M	CCD-102	B210	5HK-D10
C29			#7271564						

\* Not normally in distributor's stock. Available thru distributor on order to manufacturer.

# Delco Part Number.

## CONTROLS

All wattages 1/2 watt, or less, unless otherwise listed.

ITEM No.	USE	RESISTANCE	REPLACEMENT DATA					
			DELCO PART No.	CENTRALAB PART No.	CLAROSTAT PART No.	CTS-IRC PART No.	MALLORY PART No.	
R1A	Tone	100K	7294294	F1-100K,R14-35K			† QJ-2171A	
B	Volume/Switch	20K Tap @ 6000Ω		FFS103,RFS114, BB012, SB004, KR-4				
R2	Bias	600Ω	7286601	V-600	U39-600		110-600	MR600P

† "CONCENTRKIT" Equivalent: K8 Kit with Base Elements and Shafts: B11-128, P22-103 (Panel)  
B19-119X, R26-126 (Rear)  
S6 (Bushing)  
N4 (Spacer Nut)  
76-1 (Switch)

"SNAPTROL" Equivalent: BU8, CF13, CR50T, SF7, SR9, N4, GC.

CHEVROLET MODEL 986545

# PARTS LIST AND DESCRIPTION (CONTINUED)

(When ordering parts, state Model, Part Number, and Description.)

Replacement parts shown may be superseded by the availability of newly introduced replacements. Have your local distributor check Sams COUNTER FACTS™ for the most up-to-date replacement.

## RESISTORS (Power and Special)

ITEM No.	RATING	REPLACEMENT DATA			ITEM No.	RATING	REPLACEMENT DATA		
		IRC PART No.	WORKMAN PART No.	DELCO PART No.			IRC PART No.	WORKMAN PART No.	DELCO PART No.
R28	.47Ω (Fusible)			7281890					

## COILS (RF-IF)

ITEM No.	USE	REPLACEMENT DATA					
		DELCO PART No.	MEISSNER PART No.	MERIT PART No.	MILLER PART No.	STANCOR PART No.	WORKMAN PART No.
L1	RF Choke (6.2uh)	7281946	19-1004	BC-565	4010	RTC-8520	T859
L2	Antenna	①					
L3	RF	①					
L4	Oscillator	①					
L5	Input IF	1221856	16-6704		6542	RTC-9399	TA653
L6	Output IF	1221857	16-6705		6543	RTC-9400	TA653

① Coils Assembly #7287957.

## FILTER CHOKE

ITEM No.	RATINGS			REPLACEMENT DATA						NOTES
	CURRENT (Measured)	DC RES.	INDUCTANCE (0 CURRENT 1000~)	DELCO PART No.	MERIT PART No.	STANCOR PART No.	THORDARSON PART No.	TRIAD PART No.		
L7	1.2 Amp.	.6Ω	8MH	1221623	C-4095	TC-2	TR-154	TY17XT		

## SPEAKER

ITEM No.	TYPE	REPLACEMENT DATA		NOTES
		DELCO PART No.	QUAM PART No.	
SP1	4" x 10" PM 10Ω	7291711		

## FUSE DEVICES

ITEM No.	TYPE	RATING	REPLACEMENT DATA							
			PART No.		LITTELFUSE PART No.		BUSS PART No.			
			FUSE	HOLDER	FUSE	HOLDER	FUSE	HOLDER		
F1	3AG	3 Amp.		In Fuse Block		312003			AGC3	

## MISCELLANEOUS

ITEM No.	PART NAME	DELCO PART No.	NOTES
M1	Tuner		

## CABINETS & CABINET PARTS

(When Ordering Specify Model, Chassis & Color)

ITEM	PART No.	ITEM	PART No.
Escutcheon	1222351	Knob, Tuning or Volume	3860189
Dial Pointer	7294408	Knob, Tone or Dummy	3860187
Pushbutton	7295249		

## WIRING DATA

General-use Unshielded Hook-up Wire .....	Use BELDEN No. 8530 (Solid) Available in 12 Colors
	8524 (Stranded) Available in 12 Colors
Shielded Hook-up Wire .....	Use BELDEN No. 8885
Rear Seat Speaker Extension Cable .....	Use BELDEN No. 6762 (Stranded) Coded Parallel Leads
Bonding Strap .....	Use BELDEN No. 8661 (3/8 In.) or 6670 (3/4 In.)



# PHOTOFACT<sup>®</sup> with

# CIRCUTRACE<sup>®</sup>

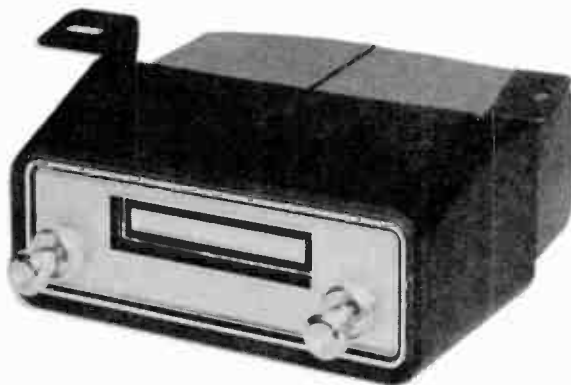
TRADE NAME: Ford Model T6SMF (C6AA-19A049-C)  
(1966 Galaxie)  
Mercury Model T6SMM (C6AA-19A049-D)  
(1966 Mercury)

SUPPLIER: For Current Address, See Annual Index.

TYPE SET: 14 Transistor Single-Speed, 8-Track  
Stereo Mobile Tape Player

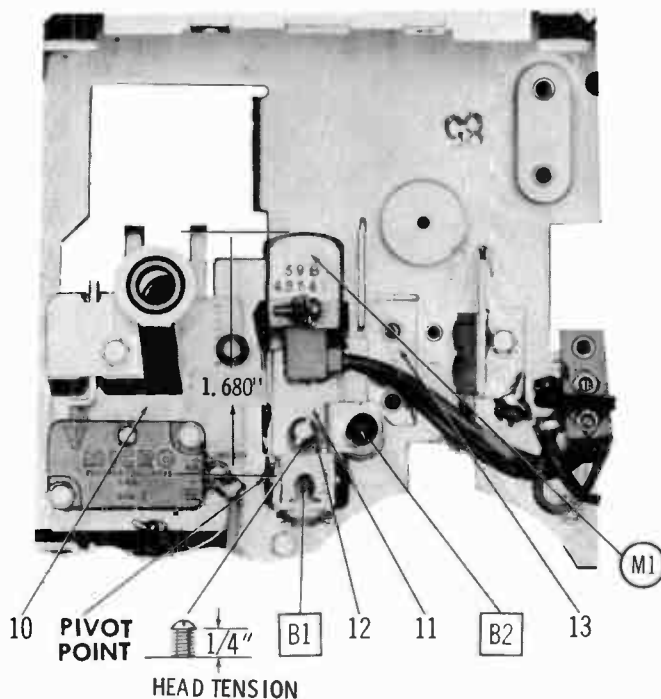
POWER SUPPLY: 12 Volt Storage Battery (Less Lamp)

RATING: 1.8 Amp. @ 12.6 Volts DC



## OPERATING INSTRUCTIONS

1. Turn the unit on by rotating the volume control clockwise.
2. Insert the tape cartridge, label side up, through the tape slot until it is seated firmly.
3. The tape will begin to play as soon as cartridge is seated. Adjust the volume, tone and balance as desired.
4. Select the desired track with the track selector if desired or it is accomplished automatically as tape is played.



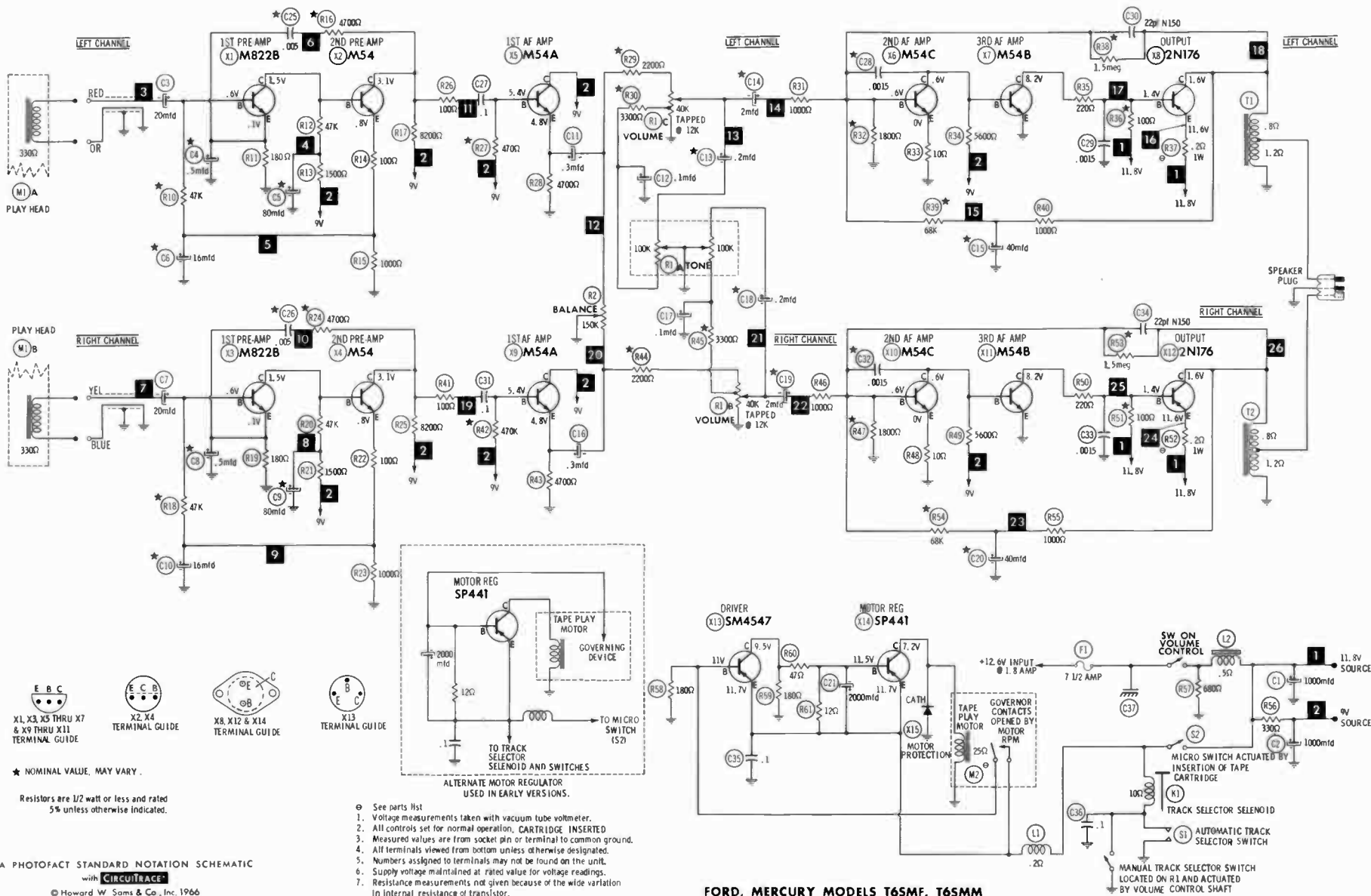
FORD, MERCURY MODELS T6SMF, T6SMM

**HOWARD W. SAMS & CO., INC.** Indianapolis, Indiana 46206

© 1966 Howard W. Sams & Co., Inc. Printed in U. S. of America RQ440

World Radio History





★ NOMINAL VALUE, MAY VARY.

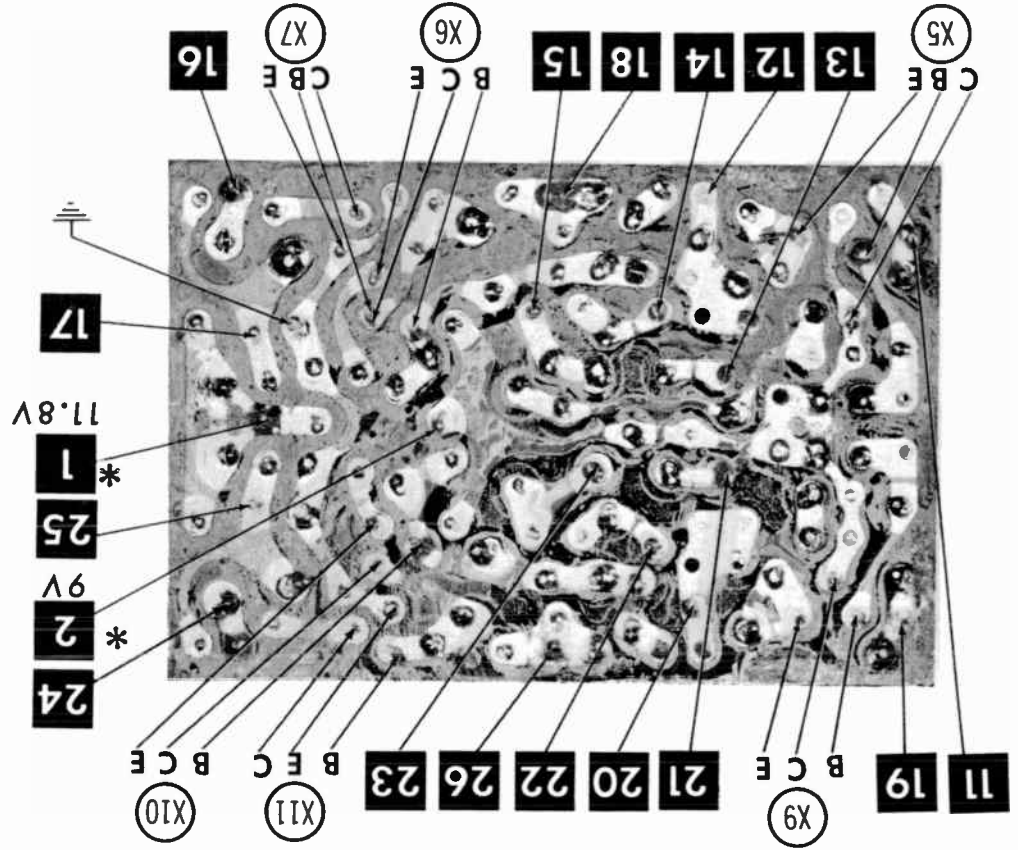
Resistors are 1/2 watt or less and rated 5% unless otherwise indicated.

A PHOTOFAC STANDARD NOTATION SCHEMATIC with CIRCUITRACE © Howard W. Sams & Co., Inc. 1966

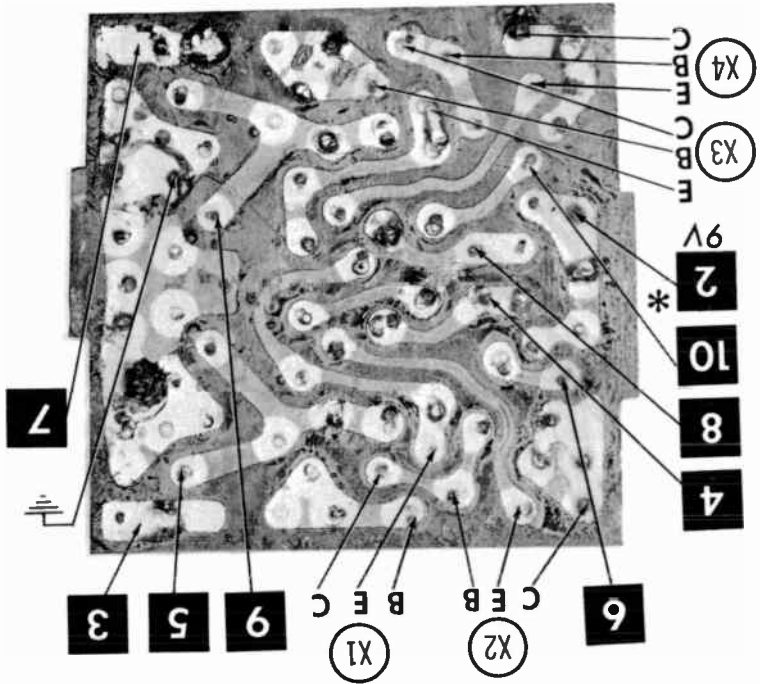
- ① See parts list
- 1. Voltage measurements taken with vacuum tube voltmeter.
- 2. All controls set for normal operation, CARTRIDGE INSERTED
- 3. Measured values are from socket pin or terminal to common ground.
- 4. All terminals viewed from bottom unless otherwise designated.
- 5. Numbers assigned to terminals may not be found on the unit.
- 6. Supply voltage maintained at rated value for voltage readings.
- 7. Resistance measurements not given because of the wide variation in internal resistance of transistor.

FORD, MERCURY MODELS T65MF, T65MM

\*VOLTAGE SOURCE



\*VOLTAGE SOURCE



## TROUBLE CHART

SYMPTOM	REMARKS
Capstan does not rotate.	<ol style="list-style-type: none"> <li>1. Drive Belt (1) broken or worn.</li> <li>2. Motor Pulley loose on shaft.</li> <li>3. Defective Motor.</li> </ol>
Wow or Flutter.	<ol style="list-style-type: none"> <li>1. Capstan dirty.</li> <li>2. Drive Belt (1) dirty or worn.</li> <li>3. Defective Tape Cartridge.</li> </ol>
Sound is weak or distorted.	<ol style="list-style-type: none"> <li>1. Play Head (M1) misadjusted, defective or dirty.</li> <li>2. Defective Tape Cartridge.</li> </ol>

## ADJUSTMENTS

ADJUST	REMARKS
Play Head Height	Play a 2 - Frequency height test tape and monitor the appropriate output. Adjust B1 for equal output voltage. (Use 1/16" allen wrench)
Play Head Azimuth	Play an azimuth test tape and monitor the appropriate output. Adjust B2 for maximum output voltage. (Use 1/16" allen wrench) NOTE: Head Height and Azimuth Adjustment should be repeated until no improvement is noted.
Play Head Position	Check head position, head should be 1.680 inch from pivot point to head face. To reposition head, loosen head mounting screw.
Play Head Tension	Adjust Head Tension screw for 1/4" between head mounting bracket (11), bottom of screw head.

## CLEANING

All head faces should be cleaned with head cleaner to remove dust and accumulated oxide. (An applicator may be fashioned from absorbent cotton.) Do not use a screwdriver or any metallic object near the head faces.

**CAUTION:** Avoid getting head cleaner on any plastic surface.

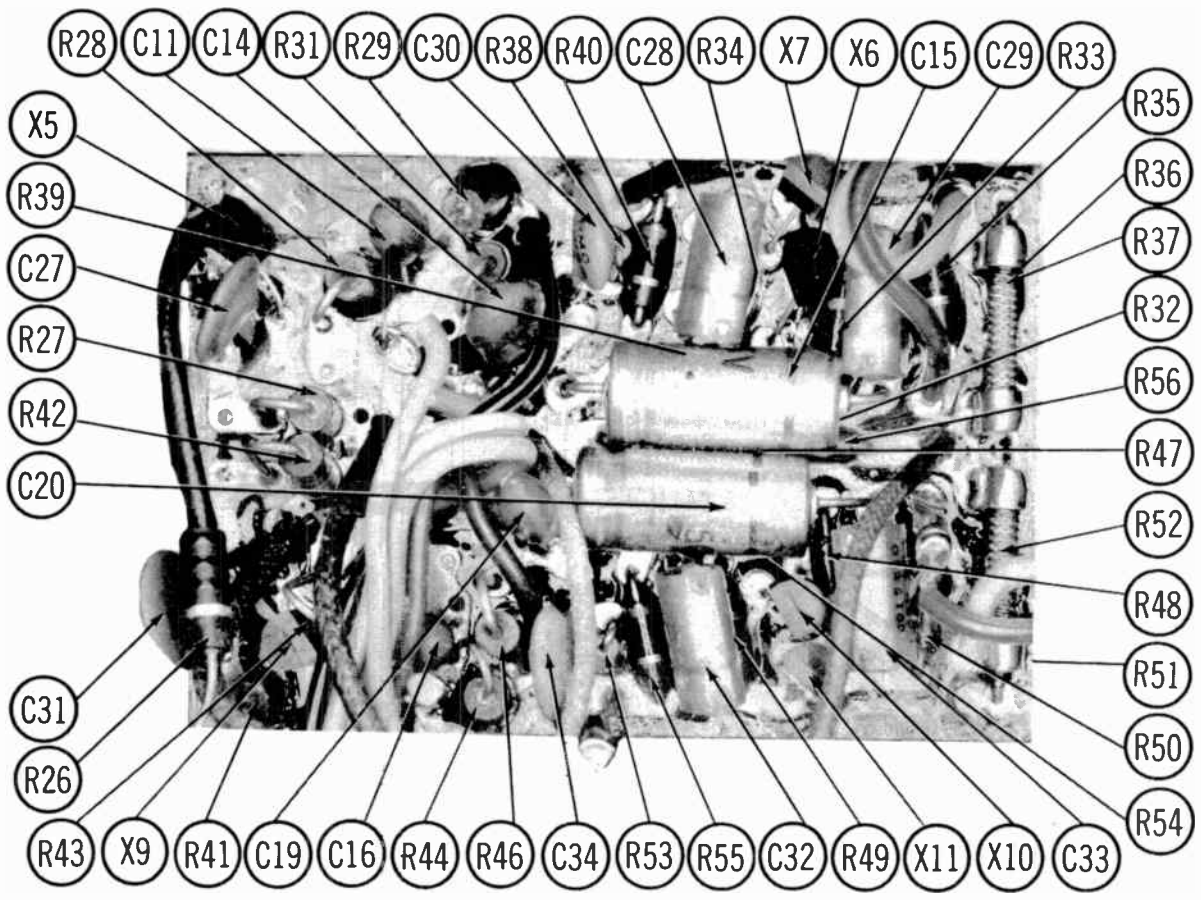
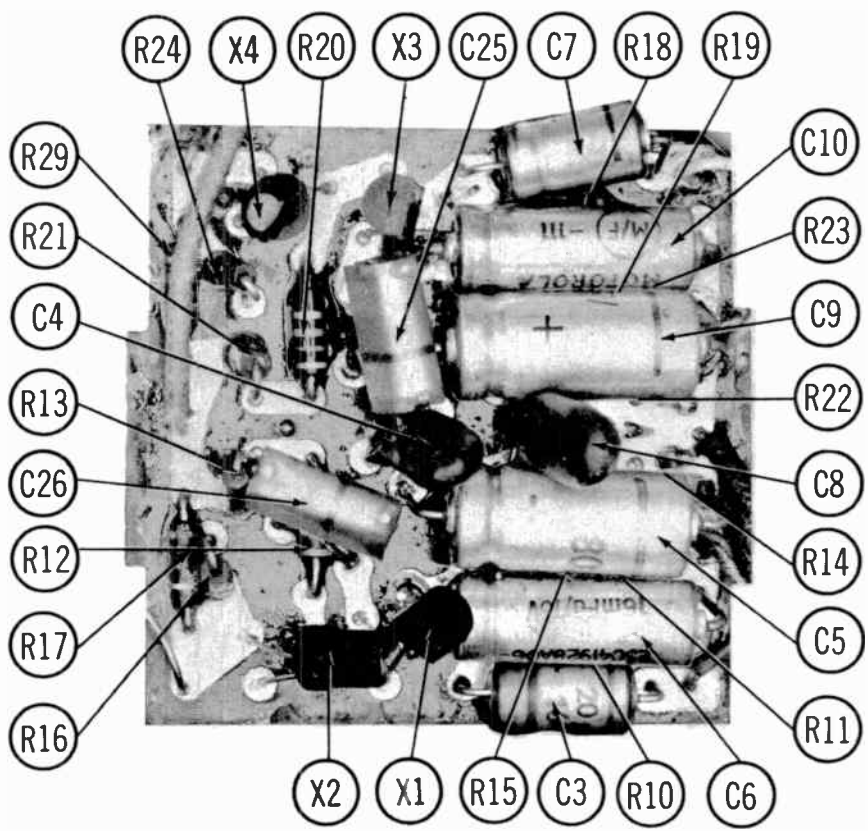
## HEAD DEMAGNETIZING

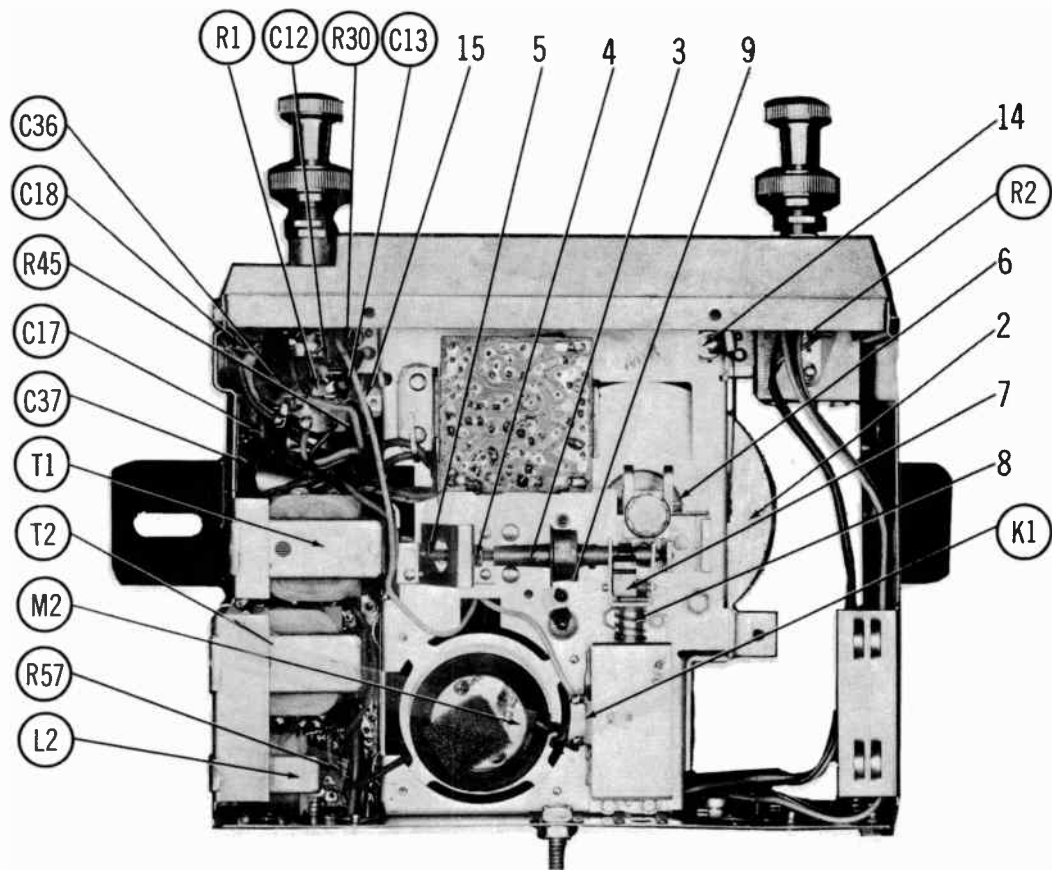
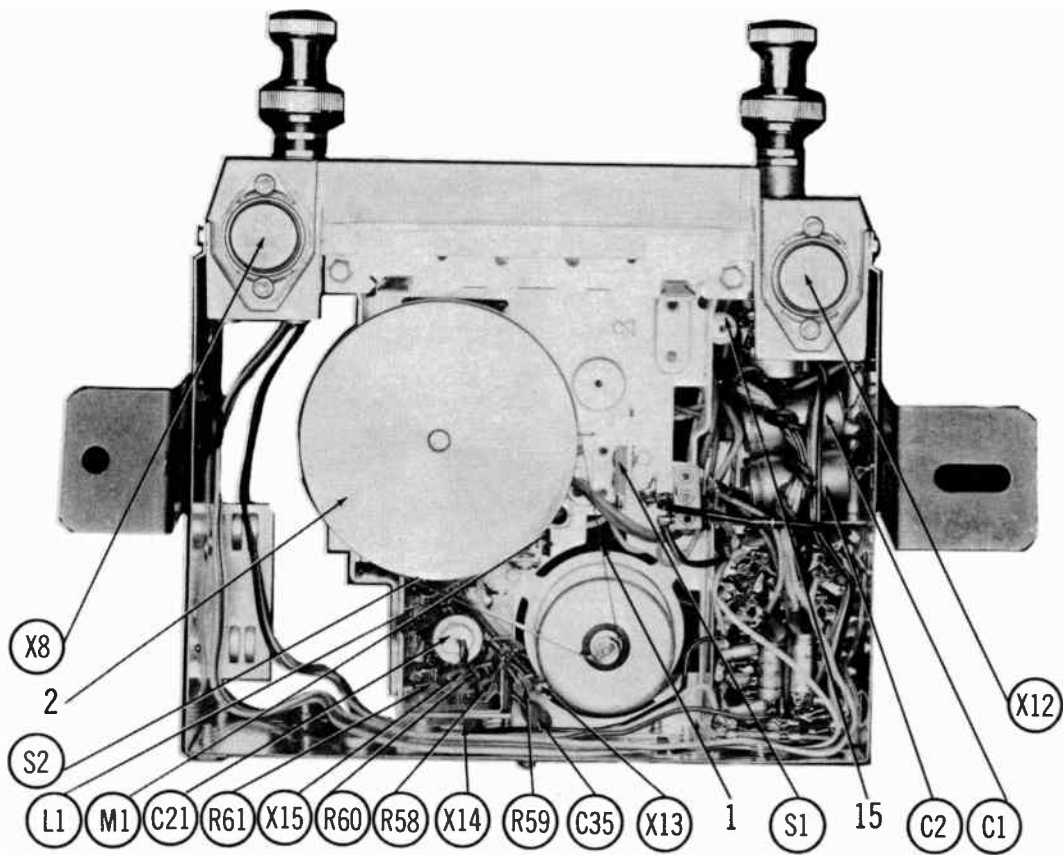
Record-Play heads require demagnetizing at regular intervals to maintain high - frequency response, dynamic range, and low distortion. (Follow instructions included with the demagnetizing unit.) After demagnetizing the heads, keep all screwdrivers and other metallic objects away from the headfaces. Tape guides may also require occasional demagnetizing.

**IMPORTANT:** Be sure to demagnetize the heads after making resistance measurements in the head circuits.

## MECHANICAL PARTS LIST

Ref. No.	Part No.	Description	Ref. No.	Part No.	Description
1	42B43871A01	Drive Belt	9A	22A43573A02	Tape Head Transfer Pin (Used with Die Cast Cam)
2	49B43791A01	Flywheel	B	22A43573A01	Tape Head Transfer Pin (Used with Plastic Cam)
3	45P40059A27	Cam and Ratchet Assembly	10	15P40059A28	Capstan Housing Assembly
4		Pivot Screw Locknut	11		Head Mounting Bracket
5	3B42746A01	Pivot Screw	12	41B43778A01	Conical Spring
6	22C43038A02	Flywheel Retaining Pin	13	7B43531A01	Tape Guide Bracket
7	47P40059A24	Solenoid Plunger & Actuator Arm Assembly	14	1B43788A01	Spring and Roller Assembly
8	41A43742A01	Solenoid Plunger Return Spring	15	49A43659A01	Roller





# PARTS LIST AND DESCRIPTION

(When ordering parts, state Model, Part Number, and Description.)

Replacement parts shown may be superseded by the availability of newly introduced replacements.  
Have your local distributor check Sams COUNTER FACTS<sup>®</sup> for the most up-to-date replacement.

## TRANSISTORS

ITEM No.	ORIG. TYPE	USE	REPLACEMENT DATA			NOTES
			DELCO PART No.	GENERAL ELECTRIC PART No.	RCA PART No.	
X1	M822B	1st. Pre-Amp.	D6-46	GE-10	SK-3020	NPN
X2	M54	2nd. Pre-Amp.	D6-46	GE-10	SK-3020	NPN
X3	M822B	1st. Pre-Amp.	D6-46	GE-10	SK-3020	NPN
X4	M54	2nd. Pre-Amp.	D6-46	GE-10	SK-3020	NPN
X5	M54A	1st. AF Amp.	D6-46	GE-10	SK-3020	NPN
X6	M54C	2nd. AF Amp.	D6-46	GE-10	SK-3020	NPN
X7	M54B	3rd. AF Amp.	D6-46	GE-10	SK-3020	NPN
X8	2N176	Output	D6-520	GE-3	SK-3009	PNP *
X9	M54A	1st. AF Amp.	D6-46	GE-10	SK-3020	NPN
X10	M54C	2nd. AF Amp.	D6-46	GE-10	SK-3020	NPN
X11	M54B	3rd. AF Amp.	D6-46	GE-10	SK-3020	NPN
X12	2N176	Output	D6-520	GE-3	SK-3009	PNP *
X13	5M4547	Driver				PNP
X14	5P441	Motor Regulator	D6-520	GE-3	SK-3009	PNP *

\* When replacing, apply silicone grease to both sides of insulator. Tighten mounting screws securely.

## POWER RECTIFIERS & SIGNAL DIODES

ITEM No.	MEASURED CURRENT	ORIGINAL Part or Type No.	RECTIFIERS & DIODES		RECTIFIERS		
			GENERAL ELECTRIC PART No.	INTERNATIONAL RECTIFIER PART No.	MALLORY PART No.	RCA PART No.	SARKES TARZIAN PART No.
X15		48A41508A01 (Motor Protection)	1N82A	10D2			

## ELECTROLYTIC CAPACITORS

ITEM No.	RATING		REPLACEMENT DATA					
	CAP.	VOLT.	MOTOROLA PART No.	AEROVOX PART No.	CORNELL-DUBILIER PART No.	GENERAL ELECTRIC PART No.	MALLORY PART No.	SPRAGUE PART No.
C1	1000	16	23C41928A29	FRS1130	BR1000-6	QT1-32	TC610	TVA-1104
C2	1000	16	23C41928A29①	FRS1130	BR1000-6	QT1-32	TC610	TVA-1104
C3	20	16	23C41928A24	CRE611A	NLW20-25	MT1-10	T225X20	TL-1157
C4	.5	15	23C43280A21	CRE450A	NLW1-50	MT1-1	TT15K1	TE-1148
C5	80	16	23C41928A23	CRE470A	NLW75-15	MT1-19	MTA80E15	TE-1161
C6	16	16	23C41928A06	CRE609A	NLW15-25	MT1-11	T225X15	TL-1156
C7	20	16	23C41928A24	CRE611A	NLW20-5	MT1-10	T225X20	TL-1157
C8	.5	15	23C43280A21	CRE450A	NLW1-50	MT1-1	TT15K1	TE-1148
C9	80	16	23C41928A23	CRE470A	NLW75-15	MT1-19	MTA80E15	TE-1161
C10	16	16	23C41928A06	CRE609A	NLW15-25	MT1-11	T225X15	TL-1156
C11	.3	10	23C43280A07	CRE450A	NLW1-50	MT1-1	TT15K1	TE-1148
C12	.1	15	23C43280A14	CRE450A	NLW1-50	MT1-1	TT15K1	TE-1148
C13	.2	12	21C41680A15	CRE450A	NLW1-50	MT1-1	TT15K1	TE-1148
C14	2	10	23C43280A02	BCD12002	NLW2-50	MT1-1	PET1930	VL-1121
C15	40	16	23C41928A20	CRE615A	NLW40-25	MT1-17	T225X50	TE-1209
C16	.3	10	23C43280A07	CRE450A	NLW1-50	MT1-1	TT15K1	TE-1148
C17	.1	15	23C43280A14	CRE450A	NLW1-50	MT1-1	TT15K1	TE-1148
C18	.2	12	21C41680A15	CRE450A	NLW1-50	MT1-1	TT15K1	TE-1148
C19	2	10	23C43280A02	BCD12002	NLW2-50	MT1-1	PET1930	VL-1121
C20	40	16	23C41928A20	CRE615A	NLW40-25	MT1-17	T225X50	TE-1209
C21	2000	4	23C41928A30	FRS1050	BR2000-6	QT1-33		TVA-1106

① 500mfd @ 16V Part Number 23C41928A19 used in some versions.

## CAPACITORS

ITEM No.	RATING	REMARKS	REPLACEMENT DATA					
			AEROVOX PART No.	CENTRALAB PART No.	CORNELL-DUBILIER PART No.	ELMENCO PART No.	MALLORY PART No.	SPRAGUE PART No.
C25	.005 100V	†	DBE6D5	CPR-5000J	DPMS6D5	1DP-1-502	PVC625	6PS-D50
C26	.005 100V	†	DBE6D5	CPR-5000J	DPMS6D5	1DP-1-502	PVC625	6PS-D50
C27	.1		P288N-1	DF-104	PM2P1	2DP-3-104	PVC201	2TM-P10
C28	.0015 100V	†	BPD-0015	DD-152		CCD-152	B215	5HK-D15
C29	.0015 100V		BPD-0015	DD-152		CCD-152	B215	5HK-D15
C30	22 N150					*	*	10TCP-Q22
C31	.1		P288N-1	DF-104	PM2P1	2DP-3-104	PVC201	2TM-P10
C32	.0015 100V	†	BPD-0015	DD-152		CCD-152	B215	5HK-D15
C33	.0015 100V		BPD-0015	DD-152		CCD-152	B215	5HK-D15
C34	22 N150					*	*	10TCP-Q22
C35	.1 100V	†	P288N-1	DF-104	PM2P1	2DP-3-104	PVC201	2TM-P10
C36	.1 100V		P288N-1	DF-104	PM2P1	2DP-3-104	PVC201	2TM-P10
C37		4A43620A01						

\* Not normally in distributor's stock. Available thru distributor on order to manufacturer.

† Nominal Value.

## CONTROLS

All wattages 1/2 watt, or less, unless otherwise listed.

ITEM No.	USE	RESISTANCE	REPLACEMENT DATA				
			MOTOROLA PART No.	CENTRALAB PART No.	CLAROSTAT PART No.	CTS-IRC PART No.	MALLORY PART No.
RIA	Tone (Right Channel) Tone (Left Channel) Track Selector Sw.	100K 100K	18C43548A02				
B	Volume (Right Channel)	40K Tap @ 12K					
C	Volume (Left Channel) On-Off Switch	40K Tap @ 12K					
R2	Balance	50K	18B43663A01				

FORD, MERCURY MODELS T6SMF, T6SMM

## PARTS LIST AND DESCRIPTION (CONTINUED)

(When ordering parts, state Model, Part Number, and Description.)

Replacement parts shown may be superseded by the availability of newly introduced replacements.  
Have your local distributor check Sams COUNTER FACTS® for the most up-to-date replacement.

### RESISTORS (Power and Special)

ITEM No.	RATING	REPLACEMENT DATA			ITEM No.	RATING	REPLACEMENT DATA		
		IRC PART No.	WORKMAN PART No.	MOTOROLA PART No.			IRC PART No.	WORKMAN PART No.	MOTOROLA PART No.
R37	.2Ω 1W (PTC)			17B40756A04	R52	.2Ω 1W (PTC)			17B40756A04

### COILS (RF-IF)

ITEM No.	USE	REPLACEMENT DATA					
		MOTOROLA PART No.	MEISSNER PART No.	MERIT PART No.	MILLER PART No.	STANCOR PART No.	WORKMAN PART No.
L1	RF Choke (1.5uh)	24D40788A04	19-1001	BC-582	4804	RTC-8516	T856

### FILTER CHOKE

ITEM No.	RATINGS			REPLACEMENT DATA					NOTES
	CURRENT (Measured)	DC RES.	INDUCTANCE (O CURRENT 1000~)	MOTOROLA PART No.	MERIT PART No.	STANCOR PART No.	THORDARSON PART No.	TRIAD PART No.	
L2	1.8 Amp.	.5Ω	8MH	25D43221A12	C-4095	TC-2	TR-155	TY17XT	

### TRANSFORMER (AUDIO OUTPUT)

ITEM No.	IMPEDANCE		REPLACEMENT DATA					NOTES	
			MOTOROLA PART No.	MERIT PART No.	STANCOR PART No.	THORDARSON PART No.	TRIAD PART No.		
	PR1.	SEC.							
T1	12Ω Tap @ 8Ω		25D43220A13						
T2	12Ω Tap @ 8Ω		25D43220A13						

### FUSE DEVICES

ITEM No.	TYPE	RATING	REPLACEMENT DATA					
			PART No.		LITTELFUSE PART No.		BUSS PART No.	
			FUSE	HOLDER	FUSE	HOLDER	FUSE	HOLDER
F1	SFE	7 1/2	65K122346	9C41095A23	30707.5	15507.5A	SFE 7 1/2	HDH

### TAPE HEADS

ITEM NO.	MEASURED			MOTOROLA PART No.	NORTRONICS PART No.	DESCRIPTION
	INDUCTANCE	BIAS/ERASE VOLTS (RMS)	BIAS FREQ.			
M1	320MH			59P40059A25	5800	8-Track Stereo-Play.

### MISCELLANEOUS

ITEM No.	PART NAME	MOTOROLA PART No.	NOTES
M2	Motor	59C40103B01	
K1	Track Selector	80B43685A01	
S1	Automatic Track Selector Switch	40B43642A01	
S2	Micro Switch	40B43643A01	
	Printed Circuit Board	84D43708A01	(Audio)
	Printed Circuit Board	84D43709A01	(Pre-Amp)

### CABINETS & CABINET PARTS

(When Ordering Specify Model, Chassis & Color)

ITEM	PART No.	ITEM	PART No.
Knob, Volume or Balance Front	36B43809A01	Door, Cartridge	15C43408A01
Knob, Tone or Balance Back	36C42952A01		



# PHOTOFACT<sup>®</sup> with

# CIRCUITRACE<sup>®</sup>

TRADE NAME : Ford Models:  
 T6SMS (C6SA-18806-C)(1966 Thunderbird)  
 T6SMZ (C6ZA-18806-E)(1966 Mustang)  
 SUPPLIER: For Current Address, See Annual Index.  
 TYPE SET: 17 Transistor AM Receiver W/Tape  
 Player  
 POWER SUPPLY: 12 Volt Storage Battery  
 RATING: 1.6 Amp. @ 12.6 Volts DC (Receiver)  
 1.8 Amp. @ 12.6 Volts DC (Tape Player)  
 TUNING RANGE: BROADCAST 540-1615KC



## OPERATING INSTRUCTIONS

1. Turn the unit on by rotating the volume control clockwise.
2. Insert the tape cartridge, label side up, through the tape slot until it is seated firmly.
3. The tape will begin to play as soon as cartridge is seated. Adjust the volume, tone and balance as desired.
4. Select the desired track with the track selector if desired or it is accomplished automatically as tape is played.

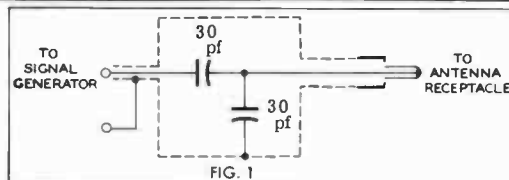
## ALIGNMENT INSTRUCTIONS

Check for specified source voltage.  
 Use only enough generator output to provide a usable indication.  
 Suggested Alignment Tools:

A1 thru A4.	GENERAL CEMENT: 9296, 9297, 9300 WALSCO: 2510, 2546, 2547
A5, A6, A7.	GENERAL CEMENT: 8290, 8868, 9087 WALSCO: 2525, 2528, 2587

	SIGNAL GENERATOR COUPLING	SIGNAL GENERATOR FREQUENCY	RADIO DIAL SETTING	INDICATOR	ADJUST	REMARKS
1.	High side thru .1mf to Ant. Input, low side to ground.	262KC (400v Mod.)	High Freq. End Stop.	Output Meter across voice coil.	A1, A2, A3, A4	Adjust for maximum.
2.	Thru dummy (Fig. 1) to antenna receptacle.	1615KC	"	"	A5, A6, A7	"
Step 3 is not necessary unless tuner has been tampered with or associated components have been replaced. IF necessary, back tuning cores (A8, A9, A10) out of coils but not out of forms. Repeat step 2.						
3.	Thru dummy (Fig. 1) to antenna receptacle.	1000KC	Tune to Signal.	Output Meter across voice coil.	A8, A9, A10	Adjust for maximum. Repeat steps 2 & 3 until no further improvement is noted.

With radio installed in car and antenna fully extended, tune in a weak station near 1000KC and adjust A7 for maximum output.



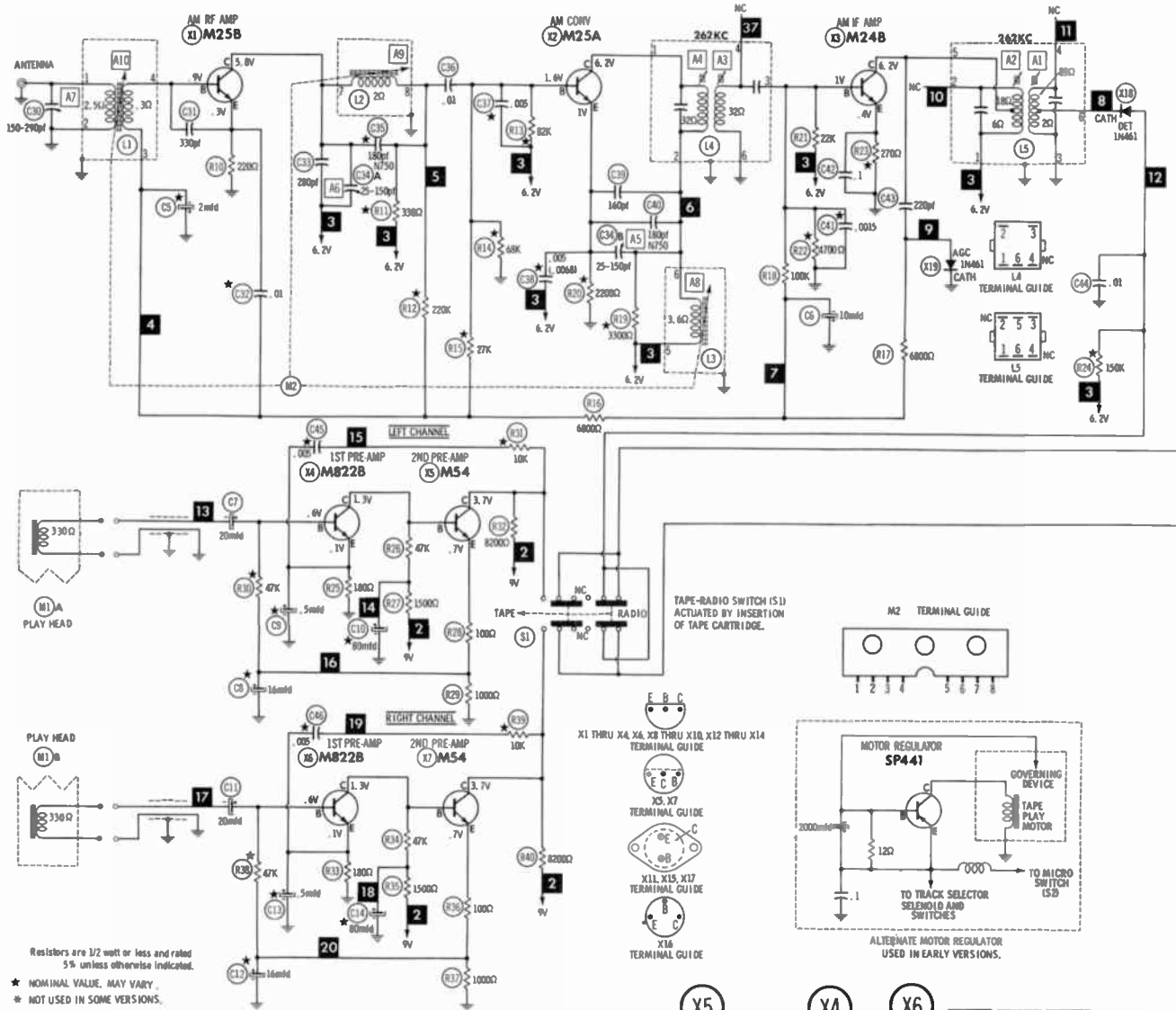
**HOWARD W. SAMS & CO., INC.** Indianapolis, Indiana 46206

© 1966 Howard W. Sams & Co., Inc. Printed in U. S. of America RD441

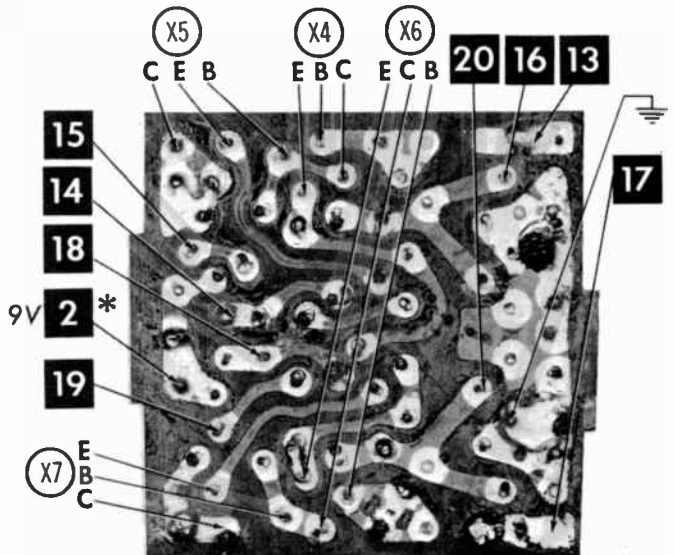
World Radio History

FORD MODELS T6SMS (C6SA-18806-C), T6SMZ (C6ZA-18806-E)



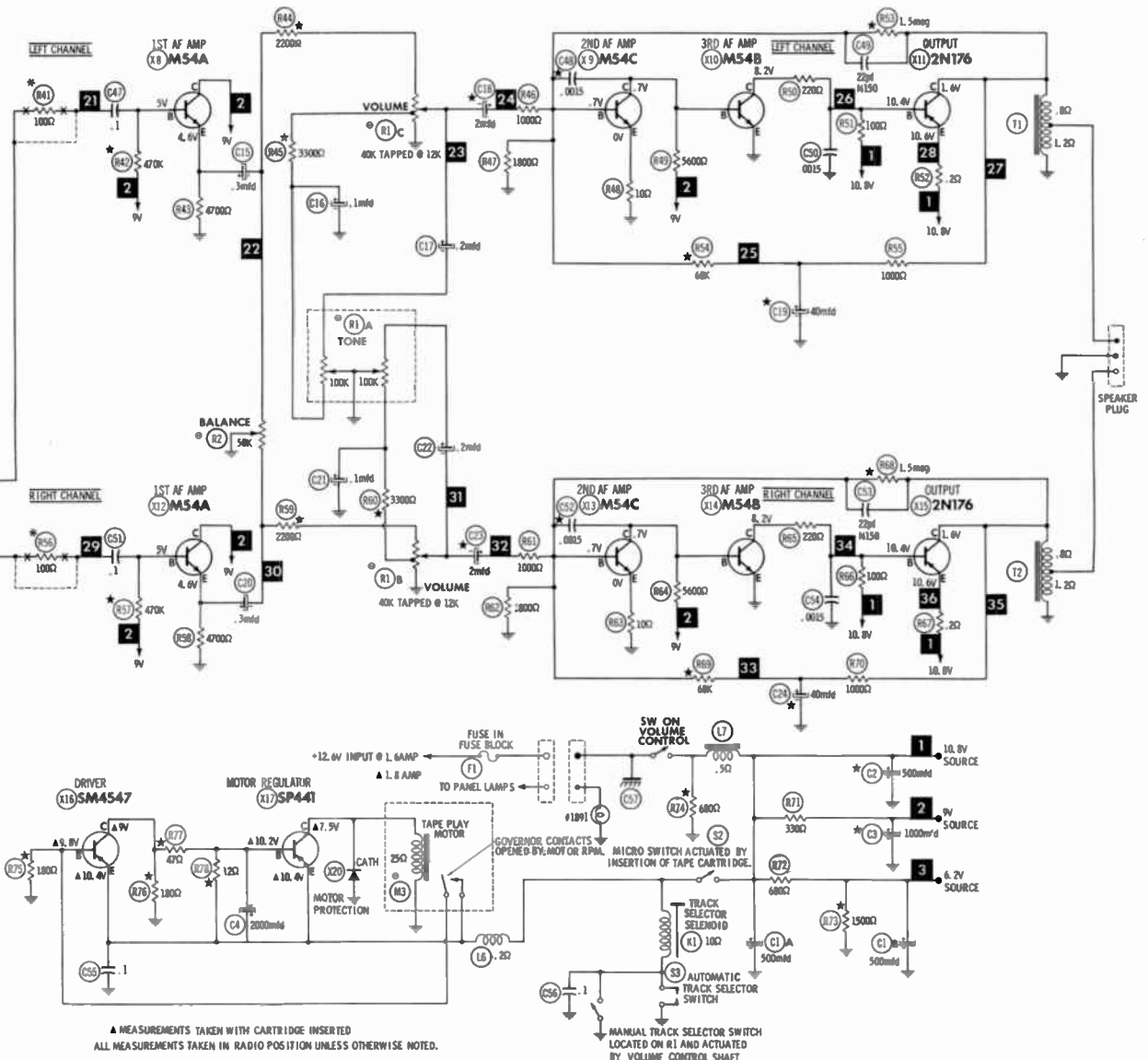


- © See parts
- 1. Voltage measurements taken with vacuum tube voltmeter.
- 2. All controls set for normal operation, no signal applied.
- 3. Measured values are from socket pin or terminal to common ground.
- 4. All terminals viewed from bottom unless otherwise designated.
- 5. Numbers assigned to terminals may not be found on the unit.
- 6. Supply voltage maintained at rated value for voltage readings.
- 7. Resistance measurements not given because of the wide variation in internal resistance of transistor.



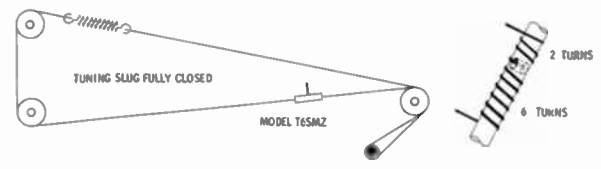
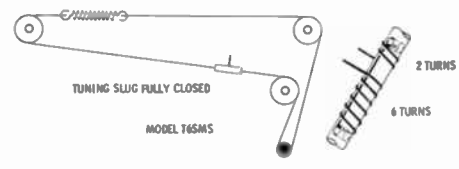
A Howard W. Sams **CIRCUITRACE** Photo

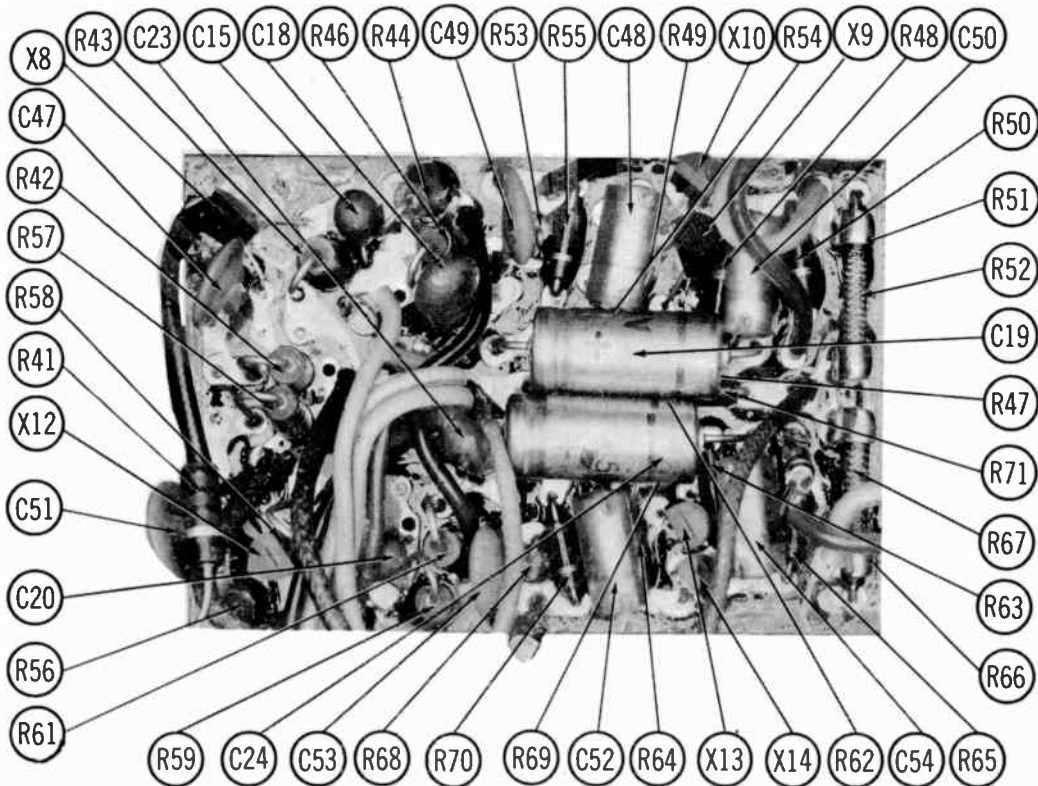
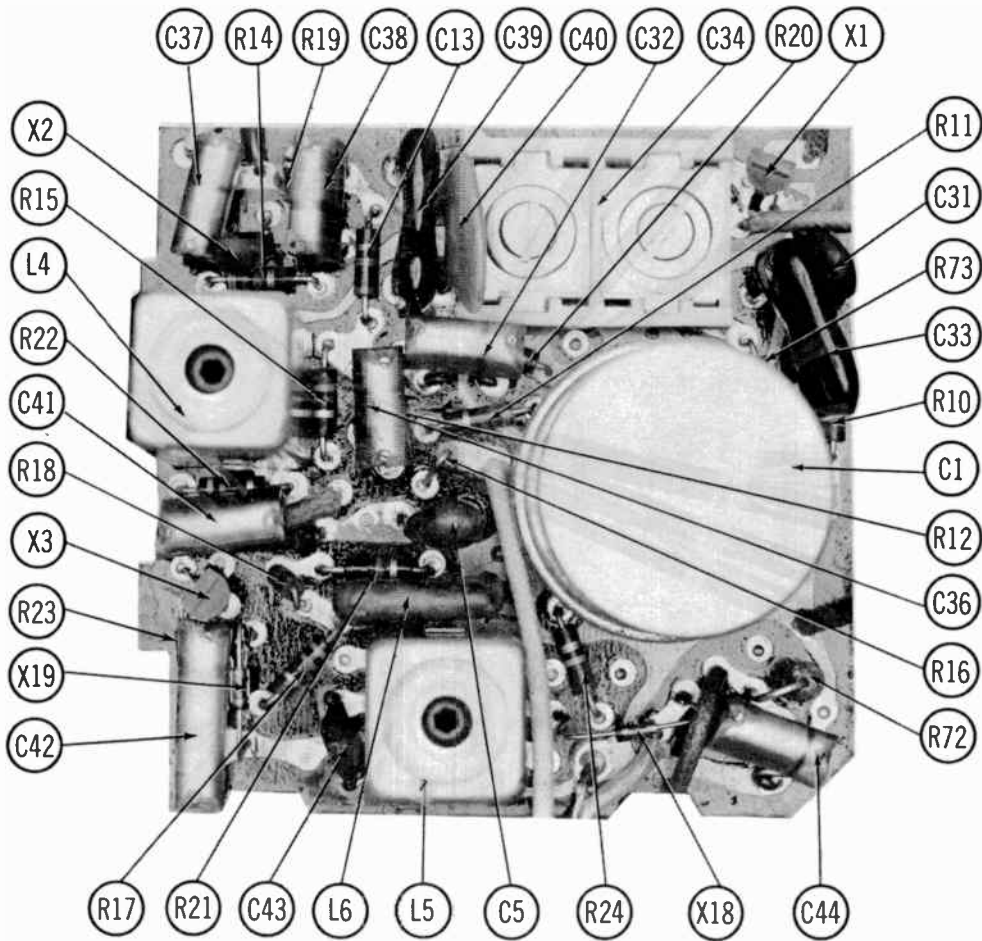
\*VOLTAGE SOURCE

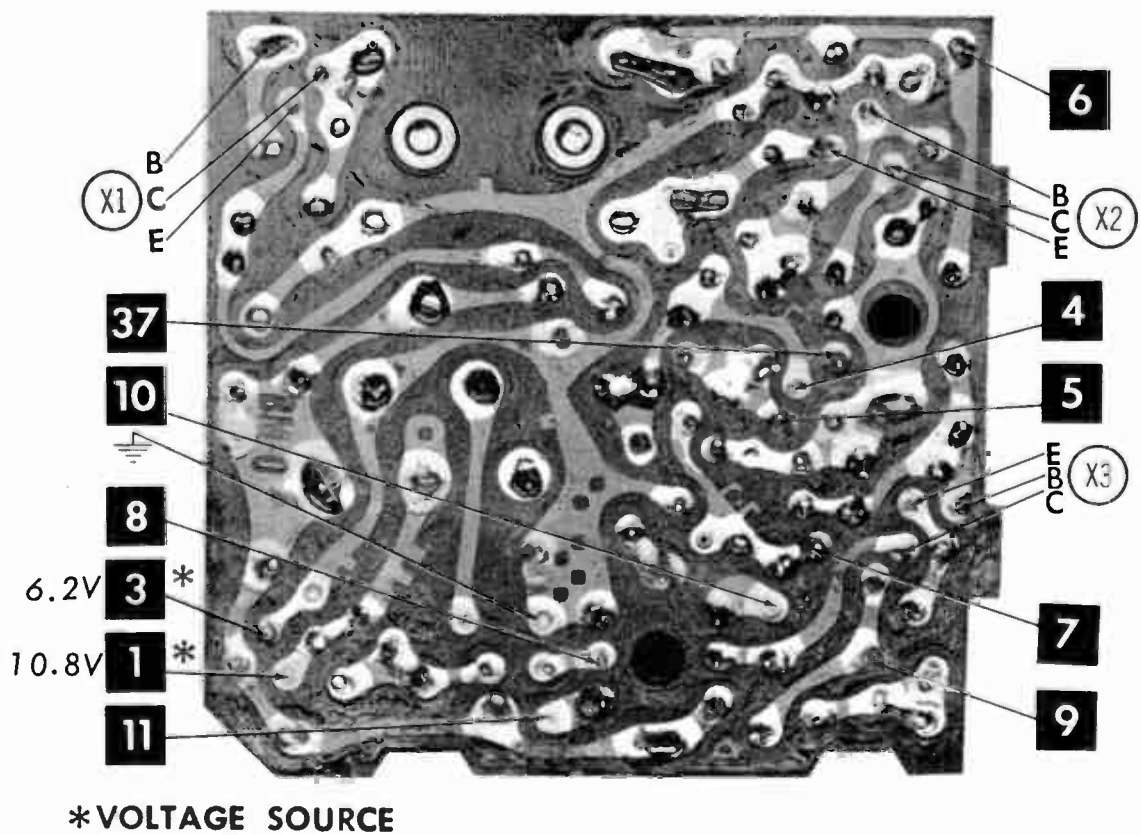
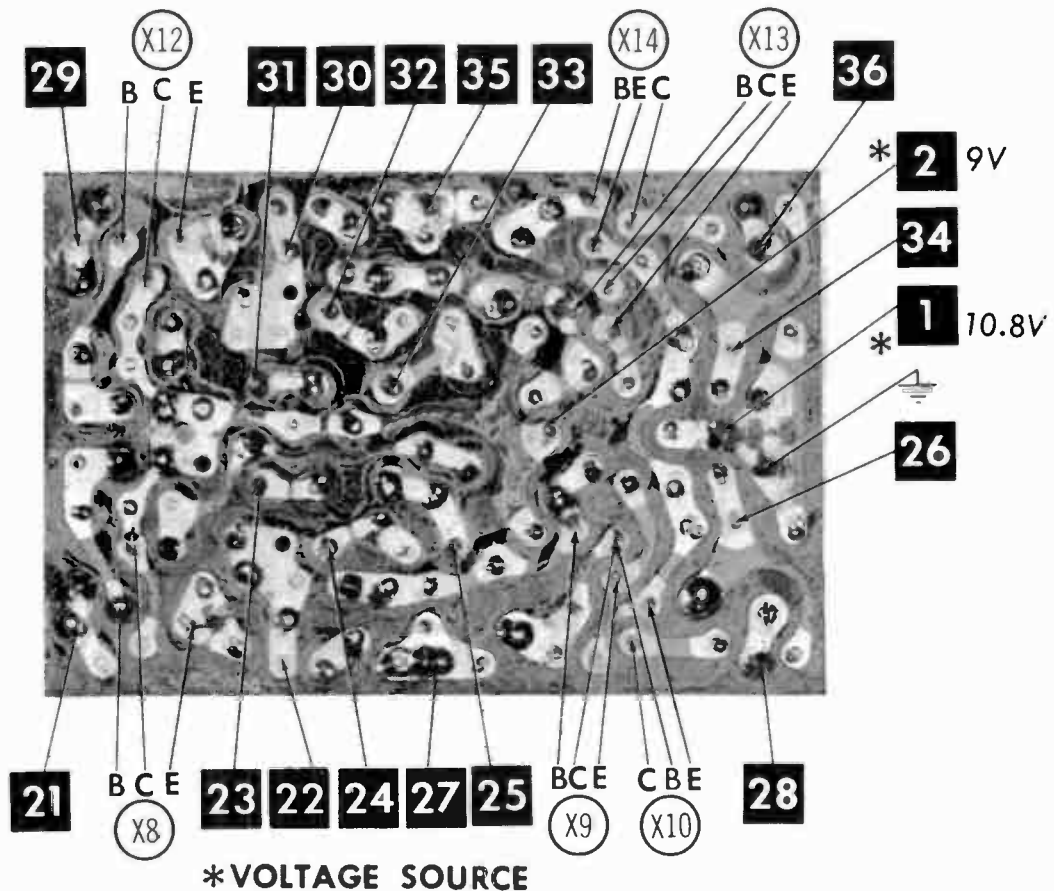


▲ MEASUREMENTS TAKEN WITH CARTRIDGE INSERTED  
ALL MEASUREMENTS TAKEN IN RADIO POSITION UNLESS OTHERWISE NOTED.

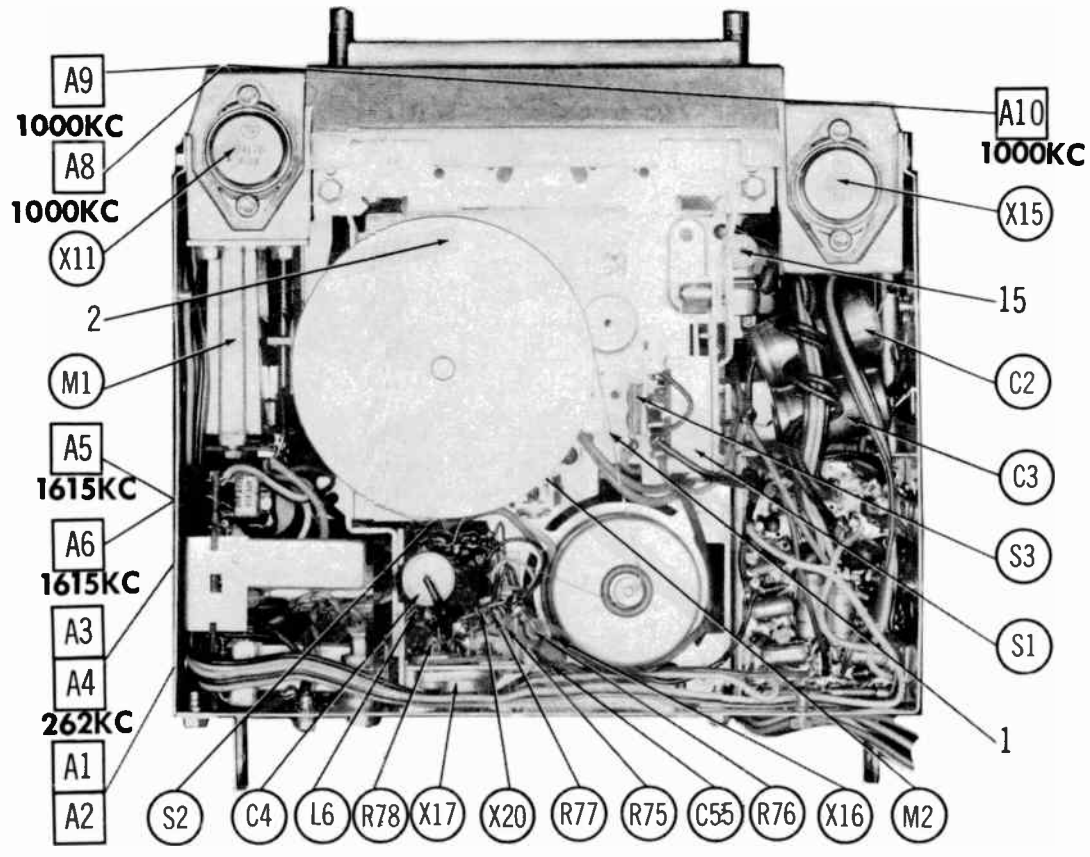
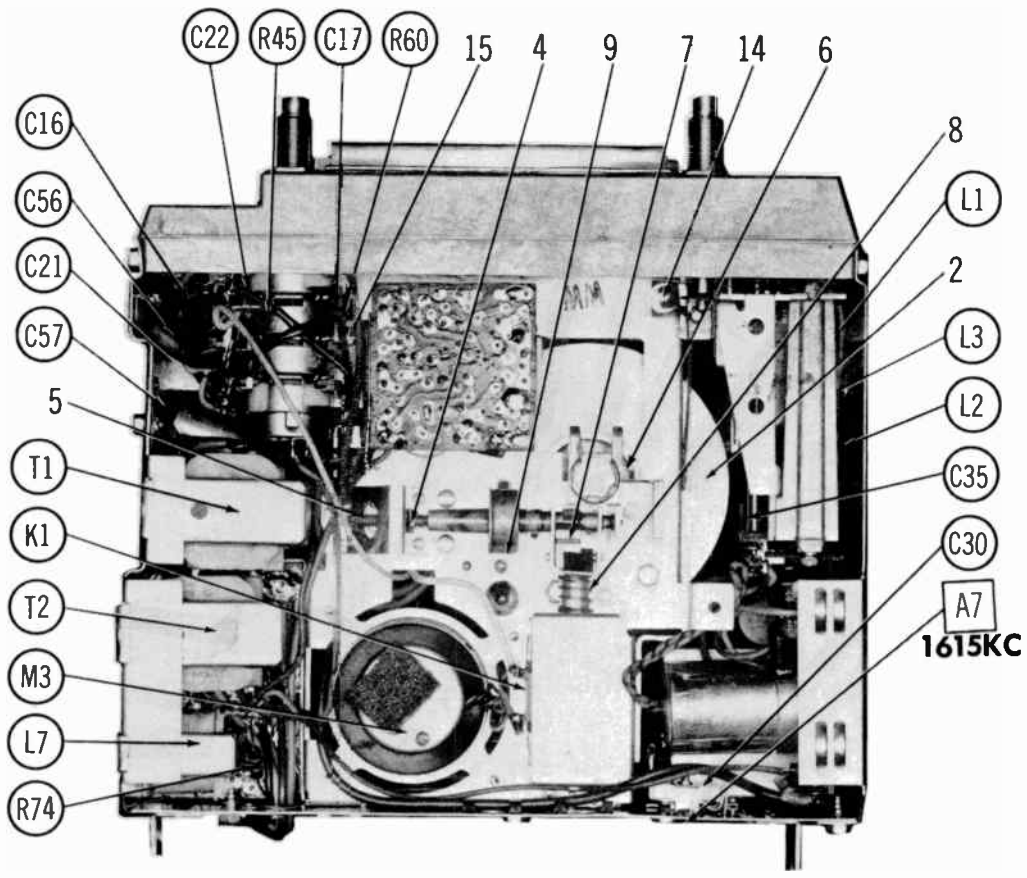
**FORD MODELS T6SMS (C6SA-18806-C), T6SMZ (C6ZA-18806-E)**







A Howard W. Sams CIRCUITRACI Photo



## TROUBLE CHART

SYMPTOM	REMARKS
Capstan does not rotate.	<ol style="list-style-type: none"> <li>1. Drive Belt (1) broken or worn.</li> <li>2. Motor Pulley loose on shaft.</li> <li>3. Defective Motor.</li> </ol>
Wow or Flutter.	<ol style="list-style-type: none"> <li>1. Capstan dirty.</li> <li>2. Drive Belt (1) dirty or worn.</li> <li>3. Defective Tape Cartridge.</li> </ol>
Sound is weak or distorted.	<ol style="list-style-type: none"> <li>1. Play Head (M1) misadjusted, defective or dirty.</li> <li>2. Defective Tape Cartridge.</li> </ol>

## ADJUSTMENTS

ADJUST	REMARKS
Play Head Height	Play a 2 - Frequency height test tape and monitor the appropriate output. Adjust B1 for equal output voltage. (Use 1/16" allen wrench)
Play Head Azimuth	Play an azimuth test tape and monitor the appropriate output. Adjust B2 for maximum output voltage. (Use 1/16" allen wrench) <b>NOTE:</b> Head Height and Azimuth Adjustment should be repeated until no improvement is noted.
Play Head Position	Check head position, head should be 1.680 inch from pivot point to head face. To reposition head, loosen head mounting screw.
Play Head Tension	Adjust Head Tension screw for 1/4" between head mounting bracket (11), bottom of screw head.

## CLEANING

All head faces should be cleaned with head cleaner to remove dust and accumulated oxide. (An applicator may be fashioned from absorbent cotton.) Do not use a screwdriver or any metallic object near the head faces.

**CAUTION:** Avoid getting head cleaner on any plastic surface.

## HEAD DEMAGNETIZING

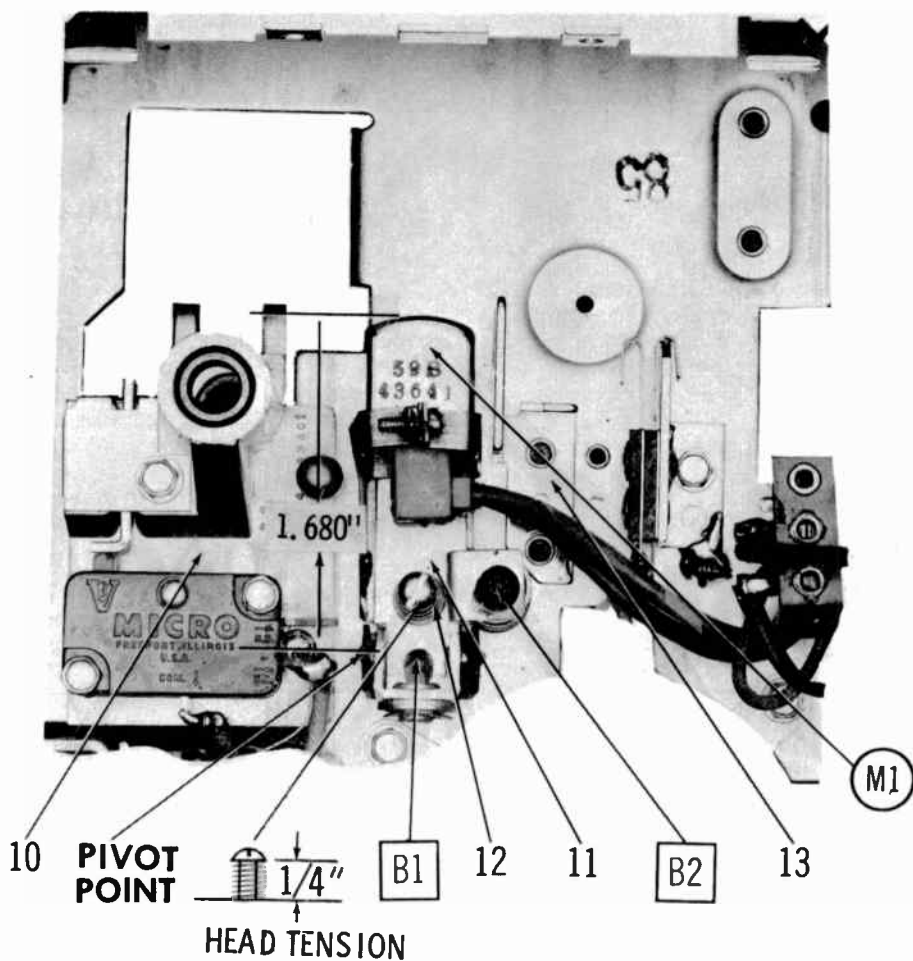
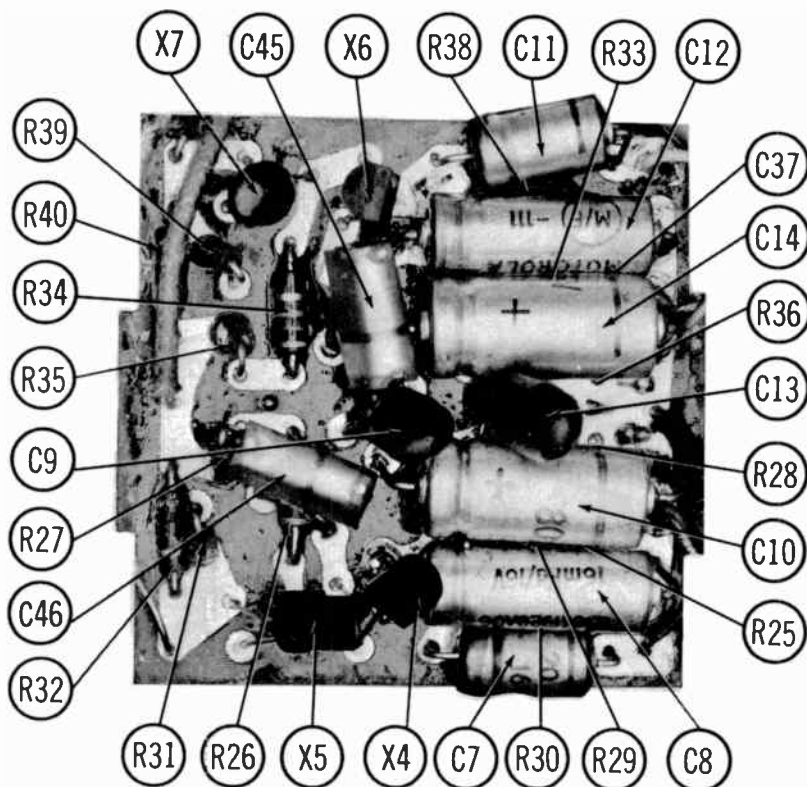
Record-Play heads require demagnetizing at regular intervals to maintain high - frequency response, dynamic range, and low distortion. (Follow instructions included with the demagnetizing unit.) After demagnetizing the heads, keep all screwdrivers and other metallic objects away from the head faces. Tape guides may also require occasional demagnetizing.

**IMPORTANT:** Be sure to demagnetize the heads after making resistance measurements in the head circuits.

## MECHANICAL PARTS LIST

Ref. No.	Part No.	Description	Ref. No.	Part No.	Description
1	42B43871A01	Drive Belt	9A	22A43573A02	Tape Head Transfer Pin (Used with Die Cast Cam)
2	49B43791A01	Flywheel	B	22A43573A01	Tape Head Transfer Pin (Used with Plastic Cam)
3	45P40059A27	Cam and Ratchet Assembly	10	15P40059A28	Capstan Housing Assembly
4		Pivot Screw Locknut	11		Head Mounting Bracket
5	3B42746A01	Pivot Screw	12	41B43778A01	Conical Spring
6	22C43038A02	Flywheel Retaining Pin	13	7B43531A01	Tape Guide Bracket
7	47P40059A24	Solenoid Plunger & Actuator Arm Assembly	14	1B43788A01	Spring and Roller Assembly
8	41A43742A01	Solenoid Plunger Return Spring	15	49A43659A01	Roller

FORD MODELS T6SMS, (C65A-18806-C), T6SMZ (C6ZA-18806-E)



# PARTS LIST AND DESCRIPTION

(When ordering parts, state Model, Part Number, and Description.)

Replacement parts shown may be superseded by the availability of newly introduced replacements. Have your local distributor check Sams COUNTER FACTS<sup>®</sup> for the most up-to-date replacement.

## TRANSISTORS

ITEM No.	ORIG. TYPE	USE	REPLACEMENT DATA			NOTES
			DELCO PART No.	GENERAL ELECTRIC PART No.	RCA PART No.	
X1	M25B	RF Amp.	D8-46	GE-10	SK-3016	NPN
X2	M25A	Conv.	D8-46	BE-10	SK-3016	NPN
X3	M24B	IF Amp.	D8-46	GE-10	SK-3016	NPN
X4	M822B	1st. Pre-Amp. (Left Channel)	D8-46	GE-10	SK-3020	NPN
X5	M54	2nd. Pre-Amp. (Left Channel)	D8-46	GE-10	SK-3020	NPN
X6	M822B	1st. Pre-Amp. (Right Channel)	D8-46	GE-10	SK-3020	NPN
X7	M54	2nd. Pre-Amp. (Right Channel)	D8-46	GE-10	SK-3020	NPN
X8	M54A	1st. AF Amp. (Left Channel)	D8-46	GE-10	SK-3020	NPN
X9	M54C	2nd. AF Amp. (Left Channel)	D8-46	GE-10	SK-3020	NPN
X10	M54B	3rd. AF Amp. (Left Channel)	D8-46	GE-10	SK-3020	NPN
X11	2N176	Output (Left Channel)	D8-520	GE-3	SK-3009	PNP *
X12	M54A	1st. AF Amp. (Right Channel)	D8-46	GE-10	SK-3020	NPN
X13	M54C	2nd. AF Amp. (Right Channel)	D8-46	GE-10	SK-3020	NPN
X14	M54B	3rd. AF Amp. (Right Channel)	D8-46	GE-10	SK-3020	NPN
X15	2N176	Output (Right Channel)	D8-520	GE-3	SK-3009	PNP *
X16	8M4547	Driver				PNP *
X17	8P441	Motor Regulator	D8-520	GE-3	SK-3009	PNP *

\* When replacing, apply silicone grease to both sides of insulator. Tighten mounting screws securely.

## POWER RECTIFIERS & SIGNAL DIODES

ITEM No.	MEASURED CURRENT	ORIGINAL Part or Type No.	RECTIFIERS & DIODES		RECTIFIERS		
			GENERAL ELECTRIC PART No.	INTERNATIONAL RECTIFIER PART No.	MALLOY PART No.	RCA PART No.	SARKES TARZIAN PART No.
X18		1N461	1N82A	1N82A			
X19		1N461	1N82A	1N82A			
X20		#48A41508A01	1N82A	10D2			

## ELECTROLYTIC CAPACITORS

ITEM No.	RATING		REPLACEMENT DATA					
	CAP.	VOLT.	MOTOROLA PART No.	AEROVOX PART No.	CORNELL-DUBILIER PART No.	GENERAL ELECTRIC PART No.	MALLOY PART No.	SPRAGUE PART No.
C1A	500	16	23C40302A07	PWH2-02-40			FPF200.65	PCL8-2177 *
B	500	16	(23C40302A04)①					
C2	500	16	23C41928A19	PRS1290	BR500-25	QT1-32	TC2505	TVA-1200
C3	1000	16	23C41928A20②	PRS1130	BR1000-6	QT1-32	TC610	TVA-1104
C4	2000	4	23C41928A30	PRS1050	BR2000-6	QT1-33		TVA-1106
C5	2	10	23C43280A02	BCD12002	NLW2-50	MT1-1	PET1930	VL-1121
C6	10	6	23C43280A03	CRE307A	NLW10-6	MT1-5	TT6X10	TE-1087
C7	20	16	23C41928A24	CRE611A	NLW20-25	MT1-10	TT25X20	TL-1157
C8	16	16	23C41928A06	CRE609A	NLW15-25	MT1-11	TT25X15	TL-1156
C9	.5	15	23C43280A21	CRE450A	NLW1-50	MT1-1	TT15X1	TE-1148
C10	80	16	23C41928A23	CRE470A	NLW75-15	MT1-19	MTA80E15	TE-1161
C11	20	16	23C41928A24	CRE611A	NLW20-25	MT1-10	TT25X20	TL-1157
C12	16	16	23C41928A06	CRE609A	NLW15-25	MT1-11	TT25X15	TL-1156
C13	.5	15	23C43280A21	CRE450A	NLW1-50	MT1-1	TT15X1	TE-1148
C14	60	16	23C41928A23	CRE620A	NLW75-15	MT1-19	MTA60E15	TE-1161
C15	.3	10	23C43280A07	BCD12001	NLW1-50	MT1-1	TT15X1	TE-1148
C16	.1	15	23C43280A14	CRE450A	NLW1-50	MT1-1	TT15X1	TE-1148
C17	.2	12	21C41680A15	CRE400A	NLW1-50	MT1-1	TT15X1	TE-1148
C18	2	10	23C43280A02	BCD12002	NLW2-50	MT1-1	PET1930	VL-1121
C19	40	16	23C41928A20	CRE615A	NLW40-25	MT1-17	TT25X50	TE-1209
C20	.3	10	23C43280A07	BCD12001	NLW1-50	MT1-1	TT15X1	TE-1148
C21	.1	15	23C43280A14	CRE450A	NLW1-50	MT1-1	TT15X1	TE-1148
C22	.2	12	21C41680A15	CRE400A	NLW1-50	MT1-1	TT15X1	TE-1148
C23	2	10	23C43280A02	BCD12002	NLW2-50	MT1-1	PET1930	VL-1121
C24	40	16	23C41928A20	CRE615A	NLW40-25	MT1-17	TT25X50	TE-1209

\* Not normally in distributor's stock. Available thru distributor on order to manufacturer.

① Use this Part Number when ordering from Motorola.

② 500mfd @ 16V DC, Part Number 23C41928A19 used in early versions.

## CAPACITORS

ITEM No.	RATING	REMARKS	REPLACEMENT DATA					
			AEROVOX PART No.	CENTRALAB PART No.	CORNELL-DUBILIER PART No.	ELMENDO PART No.	MALLOY PART No.	SPRAGUE PART No.
C30	150-290	#20C40746A06						
C31	330		DI-330	DD-331	JB2601YP331K	CCD-331	JF333	10TS-T33
C32	.01 100V	†	DBE4S1	CPR-10000J	WMF1S1	1DP-1-103	PVC211	4PS-S10
C33	280		DI-270	DD-271	CD7F271K300	CCD-271	GP327	5GA-T27
C34A	25-150	#20C40254A14						
B	25-150							
C35	180 N750	†		TCN-160			CN7318	10TCU-T18
C36	.01 100V		DBE4S1	CPR-10000J	WMF1S1	1DP-1-103	PVC211	4PS-S10
C37	.005 100V	†	DBE6D5	CPR-5000J	DPMS6D5	1DP-1-502	PVC625	6PS-D50
C38	.005 100V	† (.0068)	DBE6D5	CPR-5000J	DPMS6D5	1DP-1-502	PVC625	6PS-D50
C39	160		DI-150	DD-151	CD7F161K500	CCD-151	GP315	5GA-T15
C40	180 N750			TCN-180			CN7318	10TCU-T18
C41	.0015 100V	†	BPD-0015	DD-152		CCD-152	B215	5HK-D15
C42	.1 100V		P288N-1	DF-104	PM2P1	2DP-3-104	PVC201	2TM-P10
C43	220	†	DI-220	DD-221	JB601YP221K	CCD-221	JF220	10TS-T22
C44	.01 100V		DBE4S1	CPR-10000J	WMF1S1	1DP-1-103	PVC211	4PS-S10
C45	.005 100V	†	DBE6D5	CPR-5000J	DPMS6D5	1DP-1-502	PVC625	6PS-D50
C46	.005 100V	†	DBE6D5	CPR-5000J	DPMS6D5	1DP-1-502	PVC625	6PS-D50
C47	.1		TTD-1	CK-104	HOV101ZV104Z		TA010	TG-P10
C48	.0015 100V	†	BPD-0015	DD-152		CCD-152	B215	5HK-D15
C49	22 N150					*	*	10TCP-Q22
C50	.0015 100V		BPD-0015	DD-152		CCD-152	B215	5HK-D15
C51	.1		TTD-1	CK-104	HOV101ZV104Z		TA010	TG-P10
C52	.0015 100V	†	BPD-0015	DD-152		CCD-152	B215	5HK-D15
C53	22 N150					*	*	10TCP-Q22
C54	.0015 100V		BPD-0015	DD-152		CCD-152	B215	5HK-D15
C55	.1 100V	†	P288N-1	DF-104	PM2P1	2DP-3-104	PVC201	2TM-P10
C56	.1 100V		P288N-1	DF-104	PM2P1	2DP-3-104	PVC201	2TM-P10
C57		#64A43620A01						

\* Not normally in distributor's stock. Available thru distributor on order to manufacturer.

# Motorola Part Number.

† Nominal Value.



# PARTS LIST AND DESCRIPTION (CONTINUED)

(When ordering parts, state Model, Part Number, and Description.)

Replacement parts shown may be superseded by the availability of newly introduced replacements.  
Have your local distributor check Sams COUNTER FACTS<sup>®</sup> for the most up-to-date replacement.

## CONTROLS

All wattages 1/2 watt, or less, unless otherwise listed.

ITEM No.	USE	RESIST-ANCE	REPLACEMENT DATA				
			MOTOROLA PART No.	CENTRALAB PART No.	CLAROSTAT PART No.	CTS-IRC PART No.	MALLORY PART No.
R1A	Tone (Right Channel)	100K	18C43545A02①				
	Tone (Left Channel)	100K					
B	Track Selector Switch						
	Volume (Right Channel)	40K Tap @ 12K					
C	Volume (Left Channel)	40K Tap @ 12K					
	On-Off Switch						
R2	Balance	50K	18B43514A03②				† QJ-2162A

① Part Number 18C43545A01 used in Model T68MZ. ② Part Number 18B43514A01 used in Model T68MZ.  
† "CONCENTRIKIT" Equivalent: K8 Kit, with Base Elements and Shafts: B11-123, P17-102 (Panel)  
None (Rear)  
QCB5 (Bushing)

## COILS (RF-IF)

ITEM No.	USE	REPLACEMENT DATA					
		MOTOROLA PART No.	MEISSNER PART No.	MERIT PART No.	MILLER PART No.	STANCOR PART No.	WORKMAN PART No.
L1	Antenna	①					
L2	RF	①					
L3	Oscillator	①					
L4	Input IF	25D42517A27					
L5	Output IF	24D42517A28					
L6	RF Choke (1.5uh)	24D40788A04	19-1001	BC-562	4604	RTC-8516	T856

① Part of M2 or (Tuning Coil Assembly Part #1V43800A54).

## FILTER CHOKE

ITEM No.	RATINGS			REPLACEMENT DATA					NOTES
	CURRENT (Measured)	DC RES.	INDUCTANCE (0 CURRENT 1000~)	MOTOROLA PART No.	MERIT PART No.	STANCOR PART No.	THORDARSON PART No.	TRIAD PART No.	
L7	1.8A	.5Ω	8MH	25D43221A12	C-4095	TC-2	TR-155	TY17XT	

## TRANSFORMER (AUDIO OUTPUT)

ITEM No.	IMPEDANCE		REPLACEMENT DATA					NOTES
	PRI.	SEC.	MOTOROLA PART No.	MERIT PART No.	STANCOR PART No.	THORDARSON PART No.	TRIAD PART No.	
T1	12Ω Tap @ 8Ω		25D43220A13					
T2	12Ω Tap @ 8Ω		25D43220A13					

## FUSE DEVICES

ITEM No.	TYPE	RATING	REPLACEMENT DATA					
			PART No.		LITTELFUSE PART No.		BUSS PART No.	
			FUSE	HOLDER	FUSE	HOLDER	FUSE	HOLDER
F1	SFE	7 1/2	in Fuse Block		30707, 5		SFE 7 1/2	

## TAPE HEADS

ITEM NO.	MEASURED			MOTOROLA PART No.	NORTRONICS PART No.	DESCRIPTION
	INDUCTANCE	BIAS/ERASE VOLTS (RMS)	BIAS FREQ.			
M1	320MH			59P40059A25	5800	8 Track Stereo Play.

## MISCELLANEOUS

ITEM No.	PART NAME	MOTOROLA PART No.	NOTES
K1	Track Selector Solenoid	80B43685A01	
M2	Tuner	1U43500A04 1U43500A05 1V43800A54	MFT-559 (Model: T68MS), MFT-555 (Model: T68MZ).
M3	Coil Assembly	59C40103B01	59C43543A01 used in early version.
S1	Motor	40D43656A01	
S2	Tape-Radio Selector Switch	40B43643A01	
S3	Micro Switch (Tape Play)	40B43642A01	
	Automatic Track Selector Switch	84D43707A01	RF.
	Printed Circuit Board	84D43709A01	Pre-Amp.
	Printed Circuit Board	84D43708A01	Audio.

## CABINETS & CABINET PARTS

(When Ordering Specify Model, Chassis & Color)

ITEM	MODEL	PART No.	ITEM	MODEL	PART No.
Dial Scale	T68MS	34B43433A01	Cartridge Door		15C43408A01
Dial Scale	T68MZ	34C43457A01	Dial Glass	T68MS	61B43438A01
Dial Pointer	T68MS	1V43700A15	Knob, Tone or Balance	T68MZ	36C4355A01
Dial Pointer	T68MZ	52B43472A01			

## WIRING DATA

General-use Unshielded Hook-up Wire .....	Use BELDEN No. 8530 (Solid) Available in 12 Colors 8524 (Stranded) Available in 12 Colors
Shielded Hook-up Wire .....	Use BELDEN No. 8885
Rear Seat Speaker Extension Cable .....	Use BELDEN No. 8782 (Stranded) Coded Parallel Leads
Bonding Strap .....	Use BELDEN No. 8661 (3/6 In.) or 8670 (3/4 In.)



PHOTOFACT<sup>®</sup> with

CIRCUITRACE<sup>®</sup>

TRADE NAME : Mercury Models:  
 6TMM (C6MA-18806-A2) 1966 Mercury  
 E6TMM (C6MA-18806-B2) 1966 Mercury

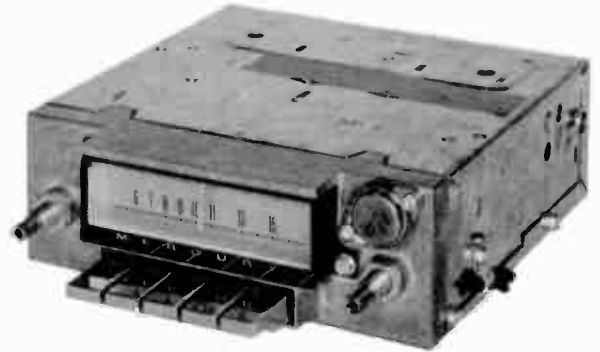
SUPPLIER : For Current Address, See Annual Index.

TYPE SET : 5 Transistor AM Receiver

POWER SUPPLY : 12 Volt Storage Battery

RATING : .580 Amp. @ 12.6 Volts DC

TUNING RANGE : BROADCAST 540-1615KC



## ALIGNMENT INSTRUCTIONS

Check for specified source voltage.  
 Use only enough generator output to provide a usable indication.  
 Suggested Alignment Tools:

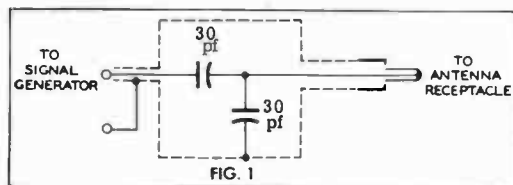
A1 thru A4. GENERAL CEMENT: 8606, 8606L, 8869  
 WALSCO: 2543, 2544, 2588

A5, A6, A7. GENERAL CEMENT: 8290, 8868, 9087  
 WALSCO: 2525, 2528, 2587

	SIGNAL GENERATOR COUPLING	SIGNAL GENERATOR FREQUENCY	RADIO DIAL SETTING	INDICATOR	ADJUST	REMARKS
1.	High side thru .1mf to point $\Delta$ , low side to ground.	262KC (400v Mod.)	High Freq. End Stop.	Output Meter across voice coil.	A1, A2, A3, A4	Adjust for maximum.
2.	Thru dummy (Fig. 1) to antenna receptacle.	1615KC	"	"	A5, A6, A7	"
Step 3 is not necessary unless tuner has been tampered with or associated components have been replaced. IF necessary, back tuning cores (A8, A9, A10) out of coils but not out of forms. Repeat step 2.						
3.	Thru dummy (Fig. 1) to antenna receptacle.	1000KC	Tune to Signal.	Output Meter across voice coil.	A8, A9, A10	Adjust for maximum. Repeat steps 2 & 3 until no further improvement is noted.

With radio installed in car and antenna fully extended, tune in a weak station near 1400KC and adjust A7 for maximum output.

Antenna Adjustment (A7) located on right side of radio.



### PUSH-BUTTON ADJUSTMENT

1. Pull button out.
2. Tune manually to desired station.
3. Press button in firmly.
4. Repeat for remaining buttons.

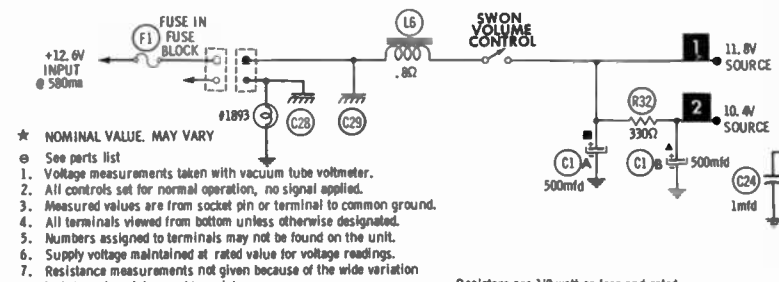
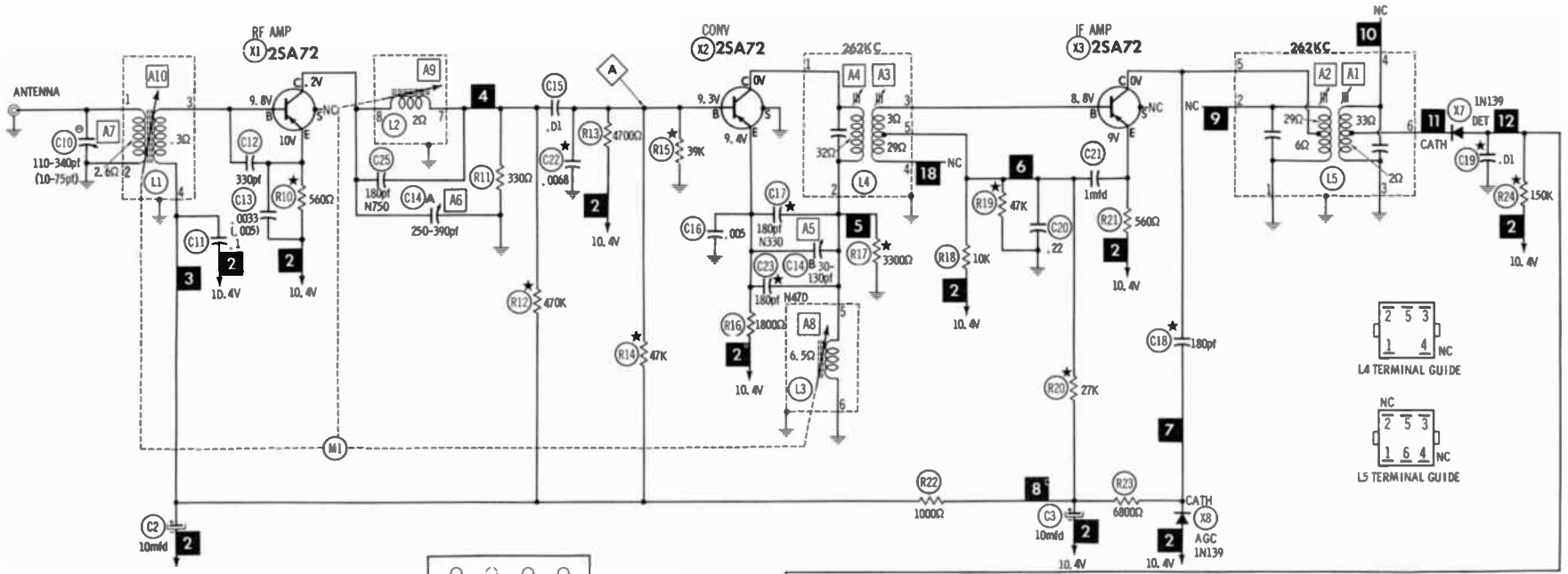
MERCURY MODELS 6TMM (C6MA-18806-A2), E6TMM (C6MA-18806-B2)

HOWARD W. SAMS & CO., INC. Indianapolis, Indiana 46206

© 1966 Howard W. Sams & Co., Inc. Printed in U. S. of America

RD442

World Radio History

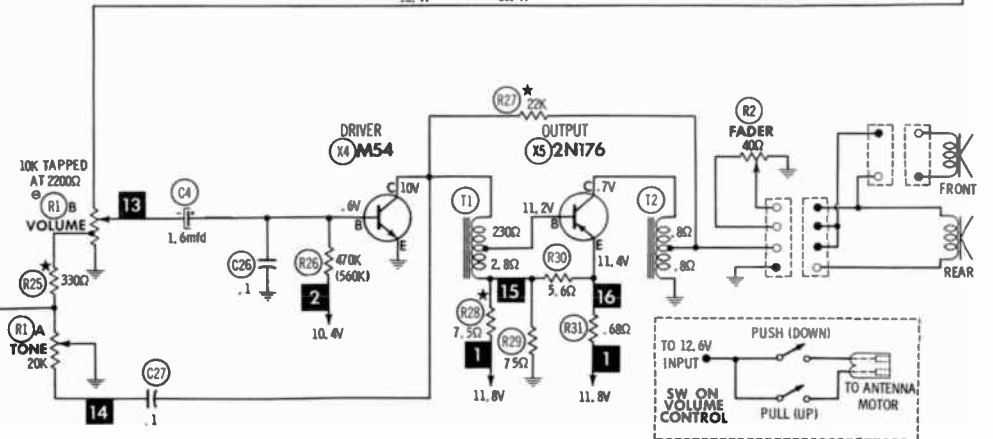


- ★ NOMINAL VALUE. MAY VARY  
 e See parts list  
 1. Voltage measurements taken with vacuum tube voltmeter.  
 2. All controls set for normal operation, no signal applied.  
 3. Measured values are from socket pin or terminal to common ground.  
 4. All terminals viewed from bottom unless otherwise designated.  
 5. Numbers assigned to terminals may not be found on the unit.  
 6. Supply voltage maintained at rated value for voltage readings.  
 7. Resistance measurements not given because of the wide variation in internal resistance of transistor

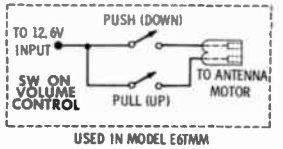
Resistors are 1/2 watt or less and rated 5% unless otherwise indicated.

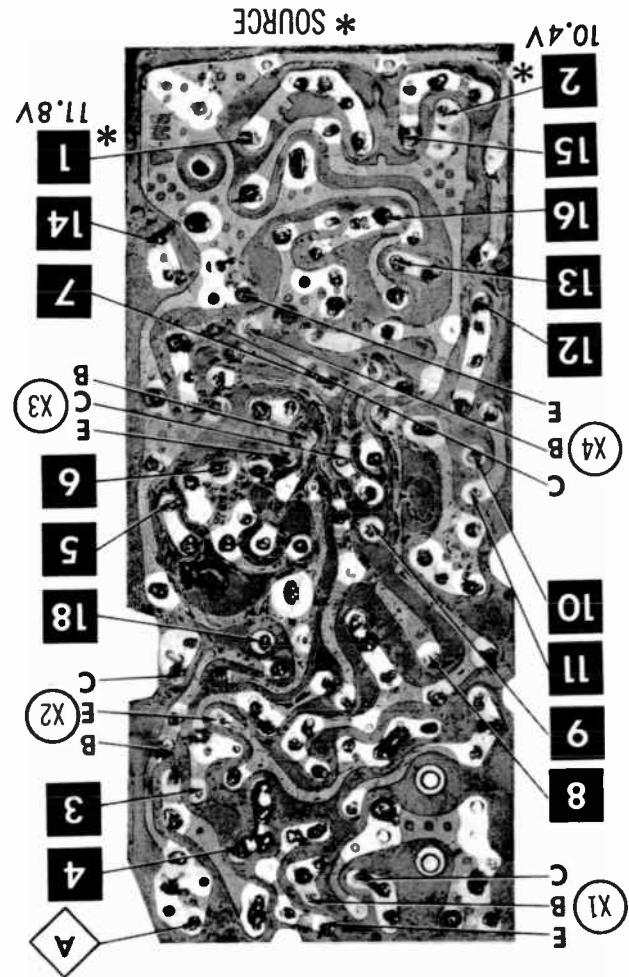
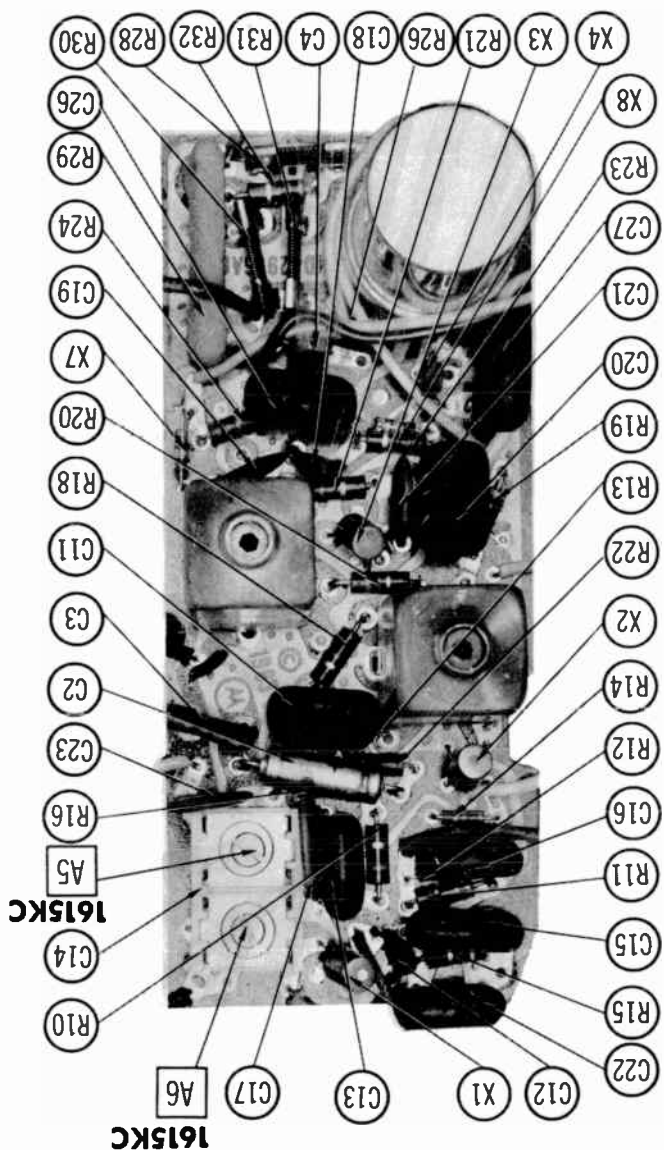
A PHOTOFACT STANDARD NOTATION SCHEMATIC with CIRCUITRACE

© Howard W. Sams & Co., Inc. 1966



MERCURY MODELS 6TMM (C6MA-18806-A2), E6TMM (C6MA-18806-B2)





# PARTS LIST AND DESCRIPTION

(When ordering parts, state Model, Part Number, and Description.)

Replacement parts shown may be superseded by the availability of newly introduced replacements. Have your local distributor check Sams COUNTER FACTS\* for the most up-to-date replacement.

## TRANSISTORS

ITEM No.	ORIG. TYPE	USE	REPLACEMENT DATA			NOTES
			DELCO PART No.	GENERAL ELECTRIC PART No.	RCA PART No.	
X1	28A72	RF Amp.	DS-25	GE-9	SK-3008	PNP
X2	28A72	Conv.	DS-25	GE-9	SK-3008	PNP
X3	28A72	IF Amp.	DS-25	GE-9	SK-3008	PNP
X4	M54	Driver	DS-46	GE-10	SK-3020	NPN
X5	2N176	Output	DS-520	GE-3	SK-3009	PNP*

\* When replacing, apply silicone grease to both sides of insulator. Tighten mounting screws securely.

## POWER RECTIFIERS & SIGNAL DIODES

ITEM No.	MEASURED CURRENT	ORIGINAL Part or Type No.	RECTIFIERS				DIODES
			GENERAL ELECTRIC PART No.	MALLORY PART No.	RCA PART No.	SARKES TARZIAN PART No.	GENERAL ELECTRIC PART No.
X6		1N139					1N34A8
X7		1N139					1N34A8

## ELECTROLYTIC CAPACITORS

ITEM No.	RATING		REPLACEMENT DATA					
	CAP.	VOLT.	MOTOROLA PART No.	AEROVOX PART No.	CORNELL-DUBILIER PART No.	GENERAL ELECTRIC PART No.	MALLORY PART No.	SPRAGUE PART No.
C1A	500	16	23C41979A01	PWR2-02-40	CC0012		PFP200.65	PCL8-2177*
B	500	16						
C2	10	25	23C41928A17①	CRE607A	NLW10-25	MT1-25	TT25X10	TE-1204
C3	10	64	23C42957A01①	CRE907A	NLW10-100	MT1-7	TT100X10	TE-1407
C4	1.6	25	23C41928A09②	CRE601A	NLW2-50	MT1-1	TT50X2	TL-1201

\* Not normally in distributor's stock. Available thru distributor on order to manufacturer.

① Use this Part Number when ordering from Motorola, 23D65282A21.

② Use this Part Number when ordering from Motorola, 23C41928A05.

## CAPACITORS

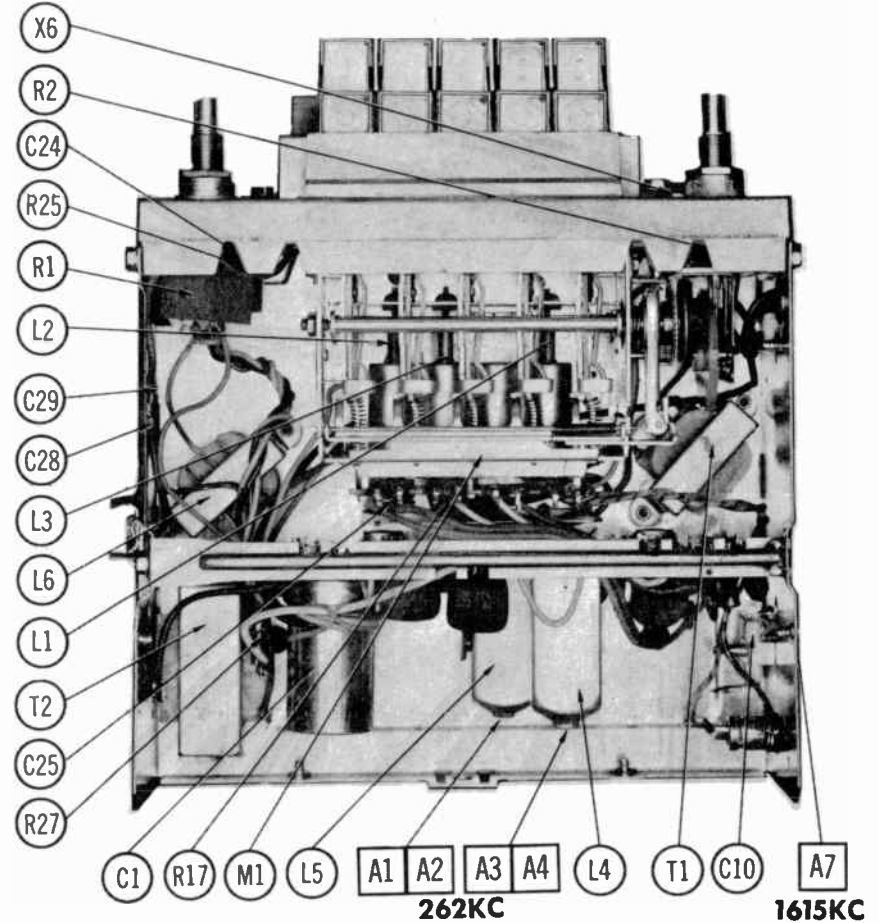
ITEM No.	RATING	REMARKS	REPLACEMENT DATA					
			AEROVOX PART No.	CENTRALAB PART No.	CORNELL-DUBILIER PART No.	ELMENCO PART No.	MALLORY PART No.	SPRAGUE PART No.
C10	110-340 10-75	#20C40748A08 #20C40748A10 ①						
C11	.1 100V		P288N-1	DF-104	PM2P1	2DP-3-104	PVC201	2TM-P10
C12	330		DI-330	DD-331	JBZ601YP331K	CCD-331	JF333	10T8-T33
C13	.0033 100V	(.005) a	P288N-0033	CPR-3300J	WMF1D33	6DP-1-332	PVC4233	6P8-D83
C14A	250-390	#20C40254A10						
B	30-130							
C15	.01 100V		DBE481	CPR-10000J	WMF181	1DP-1-103	PVC211	4P8-810
C16	.005 100V		DBE6D5	CPR-5000J	DPMS6D5	1DP-1-502	PVC625	6P8-D60
C17	180 N330	.				*		10TCS-T18
C18	180	.	DI-180	DD-181	JBZ601YP181K	CCD-181	GP318	5GA-T18
C19	.01	.	BPD-01	DD-103	BYV102ZU103M	CCD-103	B110	5HK-810
C20	.22 100V	.	DBE2P22		DPMS2P22	1DP-3-224	PVC1022	2P8-P22
C21	1mfd	.		UK-105	HGX3ROXR105P		MAG31	HY-135
C22	.0068 100V	.	DBE6D68	CPR-6800J	WMF4D68	1DP-1-682	PVC4268	6P8-D68
C23	180 N470	.				*		10TCT-T18
C24	1mfd	.		UK-105	HGX3ROXR105P		MAG31	HY-135
C25	180 N750	.		TCN-180			CN7318	10TCU-T18
C26	.1 100V	.	P288N-1	DF-104	PM3P1	2DP-3-104	PVC201	2TM-P10
C27	.1 100V	.	P288N-1	DF-104	PM2P1	2DP-3-104	PVC201	2TM-P10
C28		#64A41668A02						
C29		#64A41668A02						

\* Not normally in distributor's stock. Available thru distributor on order to manufacturer.

① Used in Model E6TMM.

# Motorola Part Number.

a Nominal Value.



# PARTS LIST AND DESCRIPTION (CONTINUED)

(When ordering parts, state Model, Part Number, and Description.)

Replacement parts shown may be superseded by the availability of newly introduced replacements. Have your local distributor check Sams COUNTER FACTS\* for the most up-to-date replacement.

## CONTROLS

All wattages 1/2 watt, or less, unless otherwise listed.

ITEM No.	USE	RESISTANCE	REPLACEMENT DATA				
			MOTOROLA PART No.	CENTRALAB PART No.	CLAROSTAT PART No.	CTS-IRC PART No.	MALLORY PART No.
R1A	Tone Volume/Switch	20K 10K Tap @ 2200Ω	18C43466A01 ①				
	Tone Volume/On-Off Switch/AnL. Up Sw./AnL. Down Sw. Fader	20K 10K Tap @ 2200Ω	18C43475A01 ②				
R2		40Ω 2W	18B42804A02				

① Used in Model 6TMM.

② Used in Model E6TMM.

## RESISTORS (Power and Special)

ITEM No.	RATING	REPLACEMENT DATA			ITEM No.	RATING	REPLACEMENT DATA		
		IRC PART No.	WORKMAN PART No.	MOTOROLA PART No.			IRC PART No.	WORKMAN PART No.	MOTOROLA PART No.
R29	75Ω (PTC)			17C40259A01	R31	.68Ω (PTC)			17B40756A01

## COILS (RF-IF)

ITEM No.	USE	REPLACEMENT DATA					
		MOTOROLA PART No.	MEISSNER PART No.	MERIT PART No.	MILLER PART No.	STANCOR PART No.	WORKMAN PART No.
L1	Antenna	①					
L2	RF	①					
L3	Oscillator	①					
L4	Input IF	24D40074A16 24D40074A15②	16-8714	BC-638	6555	RTC-9406	
L5	Output IF	24D40075A15					

① Part of M1 or (Tuning Coil Assembly, Part #1V42700A77). ② Used in some versions.

## FILTER CHOKE

ITEM No.	RATINGS			REPLACEMENT DATA						NOTES
	CURRENT (Measured)	DC RES.	INDUCTANCE (0 CURRENT 1000~)	MOTOROLA PART No.	MERIT PART No.	STANCOR PART No.	THORDARSON PART No.	TRIAD PART No.		
L6	580ma	.8Ω	11MH	25D42032A14	C-4085	TC-2	TR-154	TY17XT		

## TRANSFORMER (DRIVER)

ITEM No.	TURNS RATIO		REPLACEMENT DATA					NOTES
	PRI.	SEC.	MOTOROLA PART No.	MERIT PART No.	STANCOR PART No.	THORDARSON PART No.	TRIAD PART No.	
	T1	16	1	25D42045A09				

## TRANSFORMER (AUDIO OUTPUT)

ITEM No.	IMPEDANCE		REPLACEMENT DATA					NOTES
	PRI.	SEC.	MOTOROLA PART No.	MERIT PART No.	STANCOR PART No.	THORDARSON PART No.	TRIAD PART No.	
	T2	40Ω Tap	8Ω	25C41878A01				

## SPEAKER

ITEM No.	TYPE	REPLACEMENT DATA		NOTES
		MOTOROLA PART No.	QUAM PART No.	
SP1	4" x 10" PM	8Ω	50D43683A01 410A2Z8	

## FUSE DEVICES

ITEM No.	TYPE	RATING	REPLACEMENT DATA						
			PART No.		LITTELFUSE PART No.		BUSS PART No.		
			FUSE	HOLDER	FUSE	HOLDER	FUSE	HOLDER	
F1				In Fuse Block					

## MISCELLANEOUS

ITEM No.	PART NAME	MOTOROLA PART No.	NOTES
M1	Tuner (Tuning Coil Assembly)	77D43090A02 1V42700A77	AT-551 (Complete)

## CABINETS & CABINET PARTS

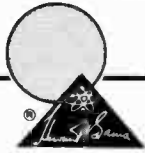
(When Ordering Specify Model, Chassis & Color)

ITEM	MODEL	PART No.	ITEM	MODEL	PART No.
Dial Glass		61C43072A02	Knob, Tone or Fader	E6TMM	36C43669A01
Knob, Tuning or Volume	6TMM	36A43755A01	Pushbutton		36C42856A01
Knob, Tuning or Volume	E6TMM	36A43755A01	Pointer Assembly		52C42062A18
Knob, Tone or Dummy	6TMM	36C43689A01			

## WIRING DATA

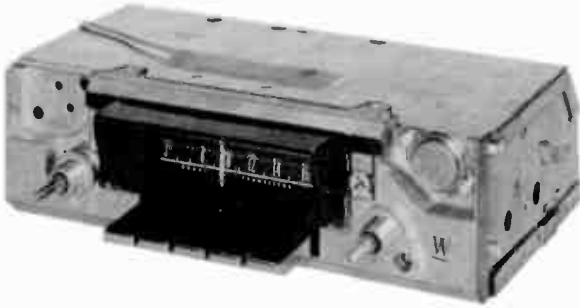
General-use Unshielded Hook-up Wire	Use BELDEN No. 8530 (Solid) Available in 12 Colors
	8524 (Stranded) Available in 12 Colors
Shielded Hook-up Wire	Use BELDEN No. 8885
Rear Seat Speaker Extension Cable	Use BELDEN No. 8782 (Stranded) Coded Parallel Leads
Bonding Strap	Use BELDEN No. 8661 (3/8 In.) or 8670 (3/4 In.)

MERCURY MODELS 6TMM (C6MA-18806-A2), E6TMM (C6MA-18806-B2)



# PHOTOFACT<sup>®</sup> with

# CIRCUITRACE<sup>®</sup>



**TRADE NAME:** Mopar Models:  
 232 (1966 Dodge Coronet BW1, BW2)  
 233 (1966 Dodge Charger BW29)  
 235S (1966 Dodge Polara, Custom 880,  
 Monaco BD2)

**SUPPLIER:** For Current Address, See Annual Index.

**TYPE SET:** 5 Transistor AM Receiver

**POWER SUPPLY:** 12 Volt Storage Battery

**RATING:** .840 Amp. @ 12.6 Volts DC

**TUNING RANGE:** BROADCAST 540-1615KC

MOPAR MODELS 232, 233, 235S

## ALIGNMENT INSTRUCTIONS

Check for specified source voltage.  
 Use only enough generator output to provide a usable indication.  
 Suggested Alignment Tools:

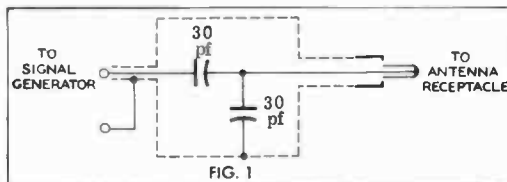
A1 thru A4. GENERAL CEMENT: 9296, 9297, 9300  
 WALSCO: 2510, 2546, 2547  
 A5, A6, A7. GENERAL CEMENT: 9290, 8868, 9087  
 WALSCO: 2525, 2528, 2587

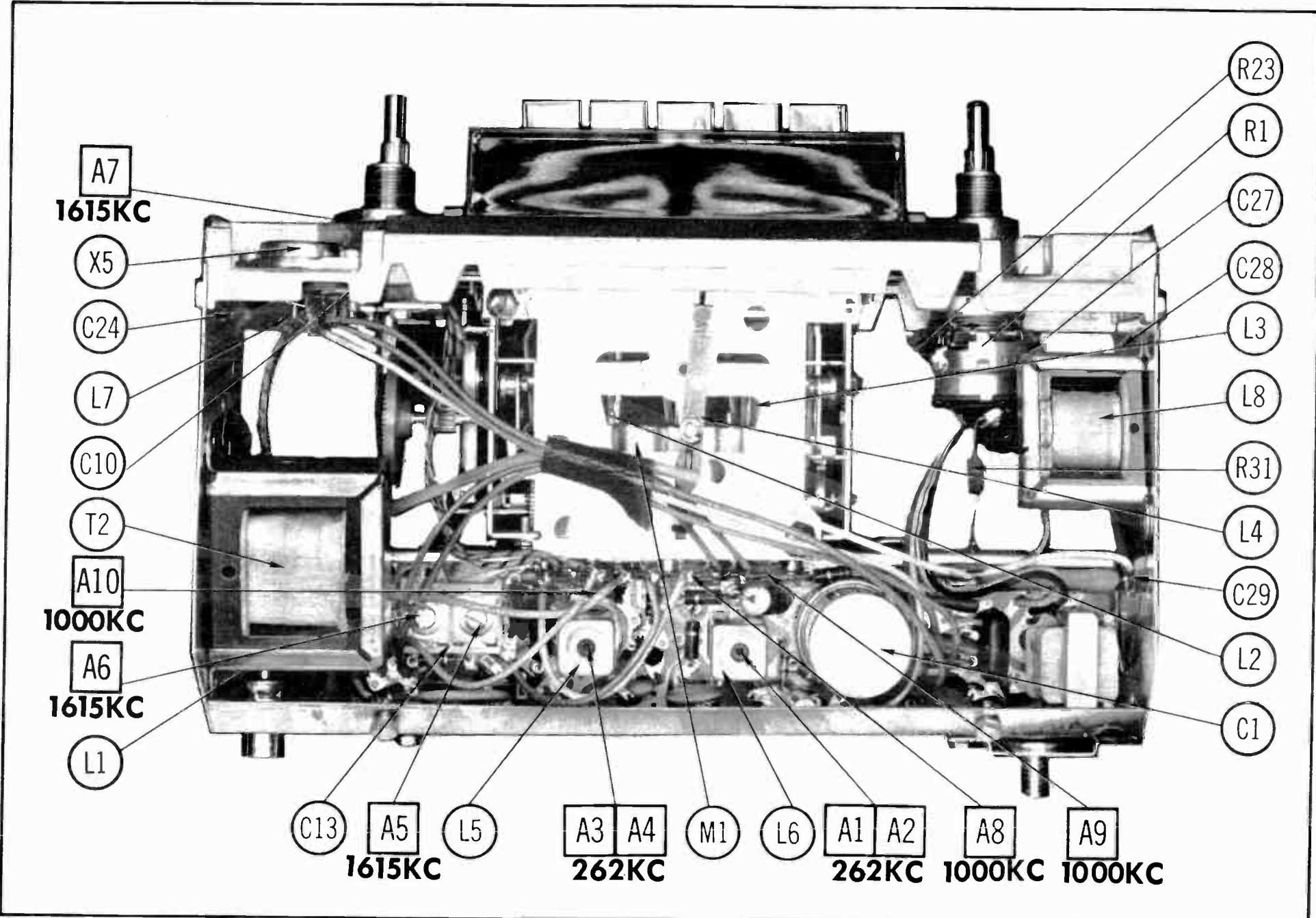
	SIGNAL GENERATOR COUPLING	SIGNAL GENERATOR FREQUENCY	RADIO DIAL SETTING	INDICATOR	ADJUST	REMARKS
1.	High side thru .1mfd to point $\Delta$ , low side to ground.	262KC (400v Mod.)	High Freq. End Stop.	Output Meter across voice coil.	A1, A2, A3, A4	Adjust for maximum.
2.	Thru dummy (Fig. 1) to antenna receptacle.	1615KC	"	"	A5, A6, A7	"
Step 3 is not necessary unless tuner has been tampered with or associated components have been replaced. IF necessary, back tuning cores (A8, A9, A10) out of coils but not out of forms. Repeat step 2.						
3.	Thru dummy (Fig. 1) to antenna receptacle.	1000KC	Tune to Signal.	Output Meter across voice coil.	A8, A9, A10	Adjust for maximum. Repeat steps 2 & 3 until no further improvement is noted.
With radio installed in car and antenna fully extended, tune in a weak station near 1400KC and adjust A7 for maximum output.						

NOTE: Remove tuning and dummy knobs for access to Antenna Trimmer (A7).

### PUSH-BUTTON ADJUSTMENT

1. Pull button out.
2. Tune manually to desired station.
3. Press button in firmly.
4. Repeat for remaining buttons.



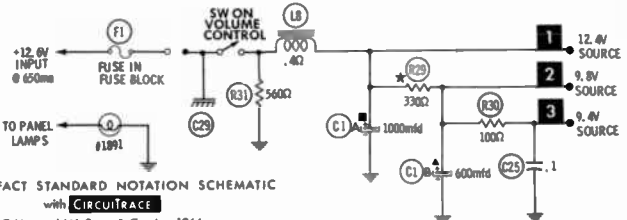
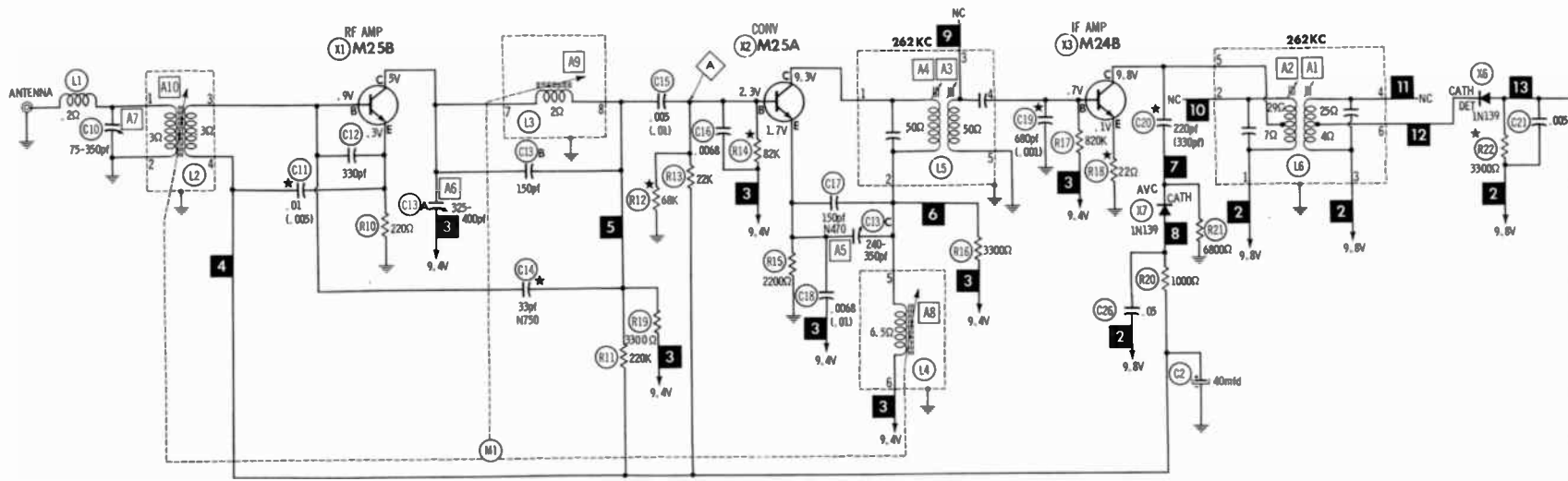


**A7**  
**1615KC**  
 X5  
 C24  
 L7  
 C10  
 T2  
**A10**  
**1000KC**  
**A6**  
**1615KC**  
 L1

R23  
 R1  
 C27  
 C28  
 L3  
 L8  
 R31  
 L4  
 C29  
 L2  
 C1

C13    **A5**    L5    **A3** **A4**    M1    L6    **A1** **A2**    **A8**    **A9**  
**1615KC**    **262KC**    **262KC**    **1000KC**    **1000KC**

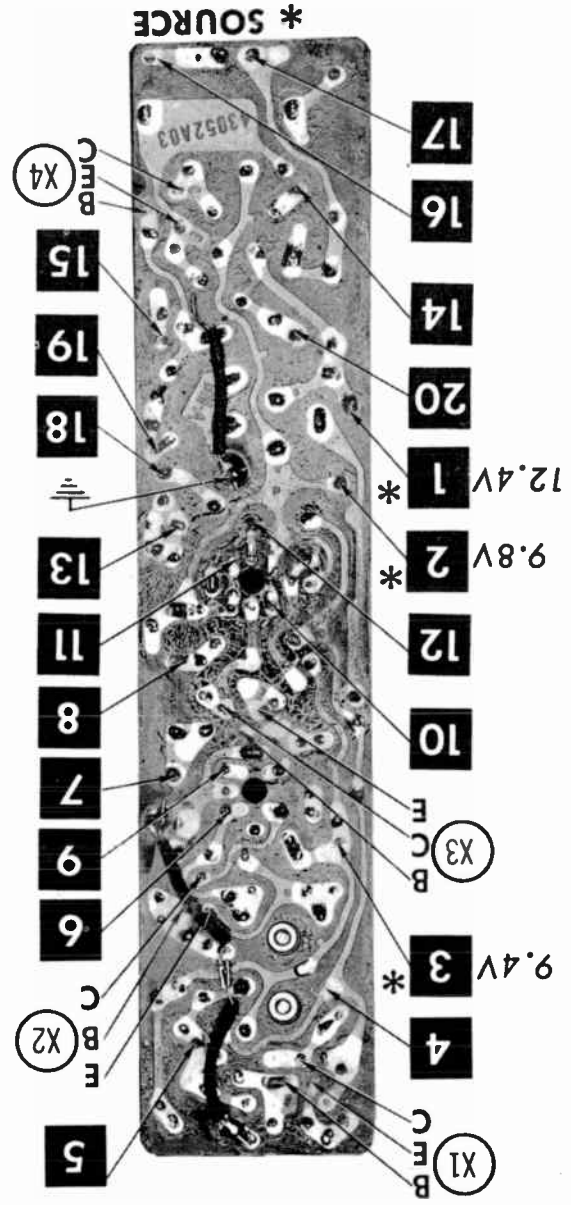
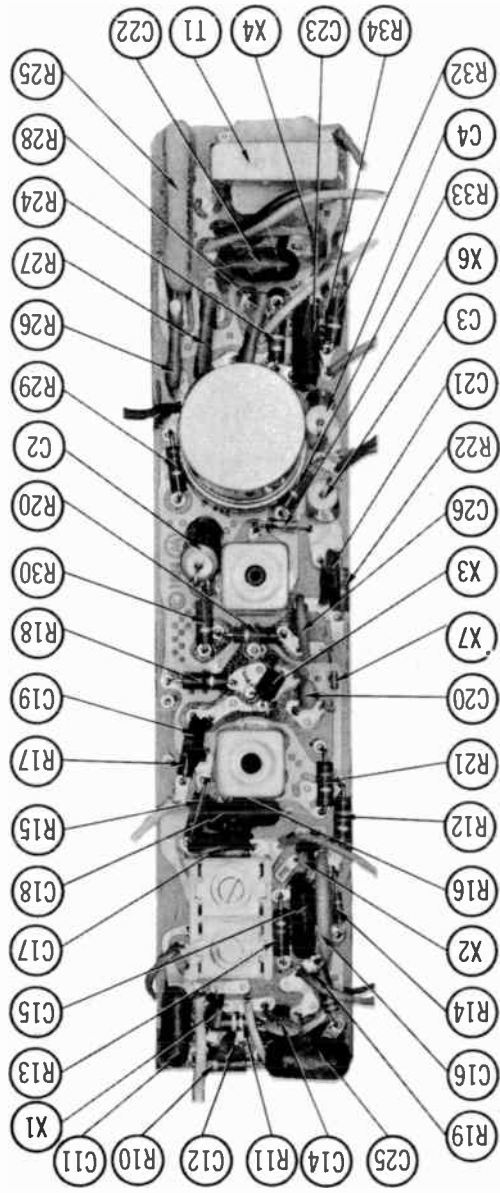




- See parts list
1. Voltage measurements taken with vacuum tube voltmeter.
  2. All controls set for normal operation, no signal applied.
  3. Measured values are from socket pin or terminal to common ground.
  4. All terminals viewed from bottom unless otherwise designated.
  5. Numbers assigned to terminals may not be found on the unit.
  6. Supply voltage maintained at rated value for voltage readings.
  7. Resistance measurements not given because of the wide variation in internal resistance of transistor.
- Resistors are 1/2 watt or less and rated 5% unless otherwise indicated.

MOPAR MODELS 232, 233, 235S

A PHOTOFACIT STANDARD NOTATION SCHEMATIC with CIRCUITRACE  
© Howard W. Sams & Co., Inc. 1966



# PARTS LIST AND DESCRIPTION

(When ordering parts, state Model, Part Number, and Description.)

Replacement parts shown may be superseded by the availability of newly introduced replacements.  
Have your local distributor check Sams COUNTER FACTS<sup>®</sup> for the most up-to-date replacement.

## WIRING DATA

General-use Unshielded Hook-up Wire .....	Use BELDEN No. 8530 (Solid) Available in 12 Colors 8524 (Stranded) Available in 12 Colors
Shielded Hook-up Wire .....	Use BELDEN No. 8885
Bonding Strap .....	Use BELDEN No. 8661 (3/8 in.) or 8670 (3/4 in.)

## TRANSISTORS

ITEM No.	ORIG. TYPE	USE	REPLACEMENT DATA			NOTES
			DELCO PART No.	GENERAL ELECTRIC PART No.	RCA PART No.	
X1	M25B	RF Amp.	D8-46	GE-10		NPN
X2	M25A	Conv.	D8-46	GE-10		NPN
X3	M24B	IF Amp.	D8-46	GE-10		NPN
X4	M54	Driver	D8-46	GE-10		NPN
X5	2N176	Output	D8-520	GE-3	8K-3009	PNP *

\* When replacing, apply silicone grease to both sides of insulator. Tighten mounting screws securely.

## POWER RECTIFIERS & SIGNAL DIODES

ITEM No.	MEASURED CURRENT	ORIGINAL Part or Type No.	RECTIFIERS				DIODES
			GENERAL ELECTRIC PART No.	MALLORY PART No.	RCA PART No.	SARKES TARZIAN PART No.	
X6		1N139					1N34AS
X7		1N139					1N34AS

## ELECTROLYTIC CAPACITORS

ITEM No.	RATING		MOTOROLA PART No.	REPLACEMENT DATA				SPRAGUE PART No.
	CAP.	VOLT.		AEROVOX PART No.	CORNELL-DUBILIER PART No.	GENERAL ELECTRIC PART No.	MALLORY PART No.	
C1A	1000	16	23C40516A03					PCL2185.1
B	800	16						
C2	40	16	23C41928A20	CRE615A	NLW40-25	MT1-17	TT25X50	TE-1209
C3	6.4	40	23C41928A07	CRE755A	NLW6-50	MT1-5	TT100X6	TE-1303.1
C4	6.4	40	23C41928A07	CRE755A	NLW6-50	MT1-5	TT100X6	TE-1303.1

## CAPACITORS

ITEM No.	RATING	REMARKS	REPLACEMENT DATA					
			AEROVOX PART No.	CENTRALAB PART No.	CORNELL-DUBILIER PART No.	ELMENCO PART No.	MALLORY PART No.	SPRAGUE PART No.
C10	75-350	#0B42152A03						
C11	.01 100V	(.005) †	DBE451	CPR-10000J	WMF151	1DP-1-103	PVC311	4PS-810
C12	330		DI-330	DD-331	JBZ601YP331K	CCD-331	JF333	10TS-T33
C13A	325-400	#0C40481A09						
B	150							
C	240-350							
C14	33 N750	†	N750-DI33	DTN-33	CZ601UJ330K	CCTN-330	CN7433	10TCU-Q33
C15	.005 100V	(.01) †	DBE6D5	CPR-5000J	DPMS6D5	1DP-1-502	PVC625	6PS-D60
C16	.0068		DI-6800	CPR-6800J	BYX601ZU682P	CCD-682	EX268	30GA-D68
C17	150 N470					*	*	10TCT-T15
C18	.0068 100V	(.01) †	DBE6D68	CPR-6800J	WMF1D68	6DP-1-682	PVC4268	6PS-D68
C19	680	(.001) †	DI-680	DD-681	JBV601YP681K	CCD-681	GP368	10TE-T68
C20	220	(330) †	DI-220	DD-221	JB601YP221K	CCD-221	JF220	10TE-T22
C21	.005		BPD-005	DD-502	BYX601ZU502P	CCD-502	B250	5HK-D50
C22	.068 100V		DBE4S68		WMF1S68	1DP-2-683	PVC1168	4PS-868
C23	.05 100V		DBE6S5		DPMS285	1DP-2-503	PVC215	2PS-850
C24	.05 100V		DBE6S5		DPMS285	1DP-2-503	PVC215	2PS-850
C25	.1 100V		DBE2P1		WMF1P1	1DP-2-104	PVC101	2PS-P10
C26	.05		TTD-05	CK-503	HOV101ZV503Z		TA150	TG-850
C27	.47			UK10-404			MAG13047	HY-330
C28		#64A41668A03						
C29		#64K561877						

\* Not normally in distributor's stock. Available thru distributor on order to manufacturer.  
† Motorola Part Number. † Nominal Value.

## CONTROLS

All wattages 1/2 watt, or less, unless otherwise listed.

ITEM No.	USE	RESISTANCE	REPLACEMENT DATA					
			MOTOROLA PART No.	CENTRALAB PART No.	CLAROSTAT PART No.	CTS-IRC PART No.	MALLORY PART No.	
R1A	Tone Volume/Switch	25K 25K Tap @ 6000Ω	18C41524A07	F1-25K① R14-25K, FFS100 RFS114, KR-4			1QJ-2159A	FA253L① RU253T53, BS1375, OS1875A, US-41

† "CONCENTRDKIT" Equivalent: K8 Kit, with Base Elements and Shafts: B11-120, P23-112 (Panel)  
B19-119X, R16-127 (Rear)  
76-1 (Switch)

① Use original spring mounting clips.

# PARTS LIST AND DESCRIPTION (CONTINUED)

(When ordering parts, state Model, Part Number, and Description.)

Replacement parts shown may be superseded by the availability of newly introduced replacements.  
Have your local distributor check Sams COUNTER FACTS™ for the most up-to-date replacement.

## RESISTORS (Power and Special)

ITEM No.	RATING	REPLACEMENT DATA			ITEM No.	RATING	REPLACEMENT DATA		
		IRC PART No.	WORKMAN PART No.	MOTOROLA PART No.			IRC PART No.	WORKMAN PART No.	MOTOROLA PART No.
R25	82Ω (PTC)			17C40259A03	R28	.68Ω (PTC)			17B40756A05

## COILS (RF-IF)

ITEM No.	USE	REPLACEMENT DATA					
		MOTOROLA PART No.	MEISSNER PART No.	MERIT PART No.	MILLER PART No.	STANCOR PART No.	WORKMAN PART No.
L1	RF Choke (1.5uh)	24C40788A04	19-1001	BC-562	4604	RTC-8516	T656
L2	Antenna	①					
L3	RF	①					
L4	Oscillator	①					
L5	Input IF	24D42517A09					
L6	Output IF	24D42517A10					
L7	10KC Trap (5MH)	24K565244	19-1051	BC-552	6304	RTC-9253	T881

① Part of M1 or (Coil Mounting Plate Assembly Part #1V43000A18).

## FILTER CHOKE

ITEM No.	RATINGS			REPLACEMENT DATA					NOTES
	CURRENT (Measured)	DC RES.	INDUCTANCE (to CURRENT 1000~)	MOTOROLA PART No.	MERIT PART No.	STANCOR PART No.	THORDARSON PART No.	TRIAD PART No.	
L8	.840A	.4Ω	5MH	25D42032A11	C-4095	TC-2	TR-156	TY17XT	

## TRANSFORMER (DRIVER)

ITEM No.	TURNS RATIO		REPLACEMENT DATA					NOTES
	PRI.	SEC.	MOTOROLA PART No.	MERIT PART No.	STANCOR PART No.	THORDARSON PART No.	TRIAD PART No.	
T1	18	1	25D42917A10					

## TRANSFORMER (AUDIO OUTPUT)

ITEM No.	IMPEDANCE		REPLACEMENT DATA					NOTES
	PRI.	SEC.	MOTOROLA PART No.	MERIT PART No.	STANCOR PART No.	THORDARSON PART No.	TRIAD PART No.	
T2	40Ω Tap	@ 8Ω	25C41878A03 25C41878A02①					① Use this Part Number, when ordering from Motorola.

## SPEAKER

ITEM No.	TYPE	REPLACEMENT DATA		NOTES
		MOTOROLA PART No.	QUAM PART No.	
SP1	4" x 10" PM 8Ω 4" x 10" PM 8Ω	50D42859A02 50D42859A01	410A2Z8 410A2Z8	Models: 232, 233. Model: 2358.

## FUSE DEVICES

ITEM No.	TYPE	RATING	REPLACEMENT DATA						
			PART No.		LITTELFUSE PART No.		BUSS PART No.		
			FUSE	HOLDER	FUSE	HOLDER	FUSE	HOLDER	
F1	AGC	5A	658134265	In Fuse Block	311005			AGC 5	

## MISCELLANEOUS

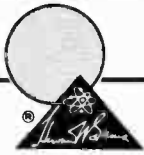
ITEM No.	PART NAME	MOTOROLA PART No.	NOTES
M1	Tuner Tuner Tuner Coil and Mounting Plate Assembly.	77D42595A04 77D42595A11 77D42595A07 1V43000A18	AT-504 (Model: 232) AT-523 (Model: 233) AT-524 (Model: 2358) (Includes L2, L3 & L4)

## CABINETS & CABINET PARTS

(When Ordering Specify Model, Chassis & Color)

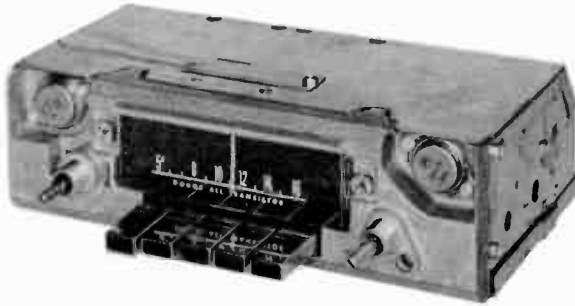
ITEM	MODEL	PART No.	ITEM	MODEL	PART No.
Dial Scale	232	34C43463A01	Knob, Tone or Dummy	232	36C43715A01
Dial Scale	233	34B43044A01	Knob, Tone or Dummy	233	36C43818A01
Dial Scale	2358	34C42776A02	Knob, Tone or Dummy	2358	36B42829A01
Knob, Tuning or Volume	232	36C43714A01	Pushbutton	232, 233	36C42961A01
Knob, Tuning or Volume	233	36C43817A01	Pushbutton	2358	36C42583A02
Knob, Tuning or Volume	2358	36C42824A01	Dial Pointer	232, 2358	52C42062A14
			Dial Pointer	235	52B43469A01

MOPAR MODELS 232, 233, 2355



# PHOTOFACT<sup>®</sup> with

# CIRCUITRACE<sup>®</sup>



Mopar Models:  
 363S (1966 Dodge Polara, Custom 880,  
 Monaco BD2)  
 365S (1966 Chrysler BC1, BC2, BC3)  
 For Current Address, See Annual Index.

TRADE NAME :

SUPPLIER :

TYPE SET : 6 Transistor AM Receiver

POWER SUPPLY : 12 Volt Storage Battery

RATING : .650 Amp. @ 12.6 Volts DC

TUNING RANGE : BROADCAST 540-1615KC

MOPAR MODELS 363S, 365S

## ALIGNMENT INSTRUCTIONS

Check for specified source voltage.  
 Use only enough generator output to provide a usable indication.  
 Suggested Alignment Tools:

A1 thru A4. GENERAL CEMENT: 9296, 9297, 9300  
 WALSCO: 2510, 2546, 2547

A5, A6, A7. GENERAL CEMENT: 8290, 8868, 9087  
 WALSCO: 2525, 2528, 2587

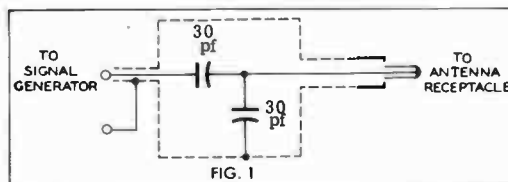
	SIGNAL GENERATOR COUPLING	SIGNAL GENERATOR FREQUENCY	RADIO DIAL SETTING	INDICATOR	ADJUST	REMARKS
1.	High side thru .1mfd to point $\Delta$ , low side to ground.	262KC (400v Mod.)	High Freq. End Stop.	Output Meter across voice coil.	A1, A2, A3, A4	Adjust for maximum.
2.	Thru dummy (Fig. 1) to antenna receptacle.	1615KC	"	"	A5, A6, A7	"
Step 3 is not necessary unless tuner has been tampered with or associated components have been replaced. IF necessary, back tuning cores (A8, A9, A10) out of coils but not out of forms. Repeat step 2.						
3.	Thru dummy (Fig. 1) to antenna receptacle.	1000KC	Tune to Signal.	Output Meter across voice coil.	A8, A9, A10	Adjust for maximum. Repeat steps 2 & 3 until no further improvement is noted.

With radio installed in car and antenna fully extended, tune in a weak station near 1400KC and adjust A7 for maximum output.

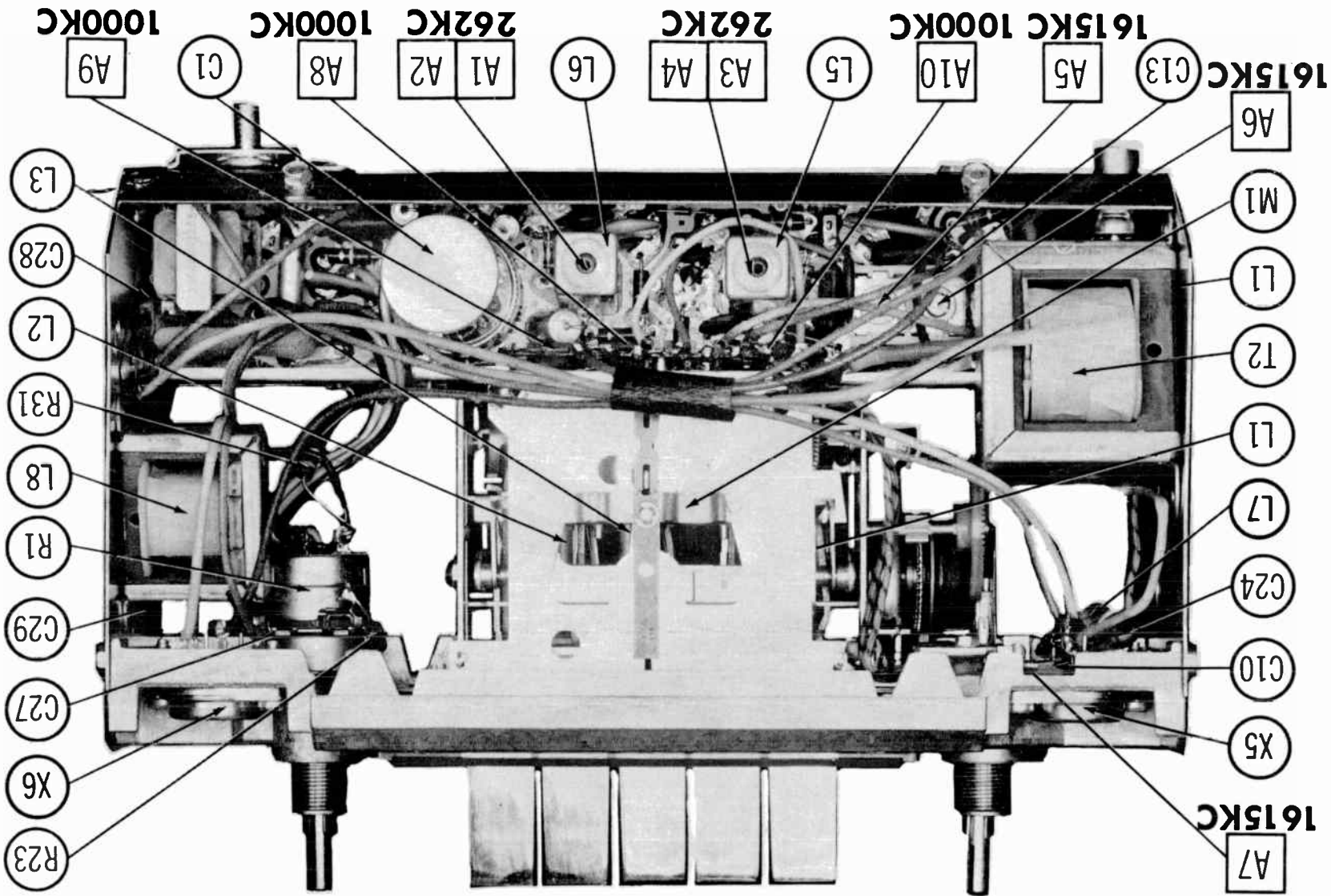
NOTE: Remove tuning and dummy knobs for access to Antenna Trimmer (A7)

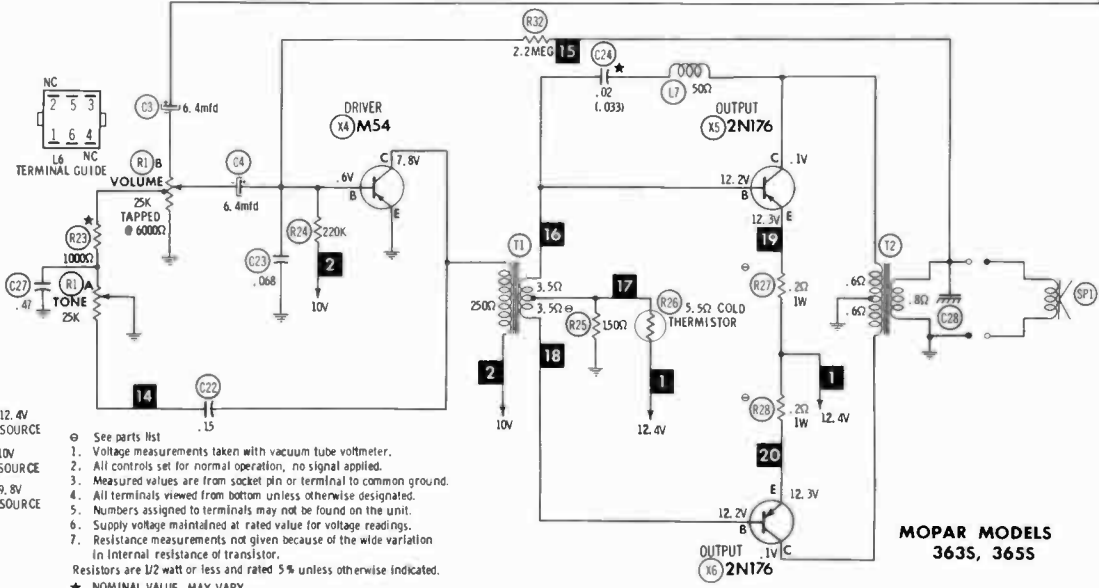
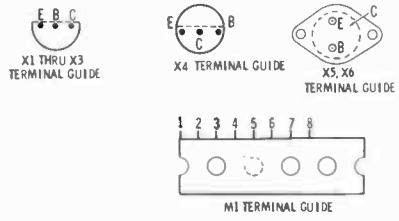
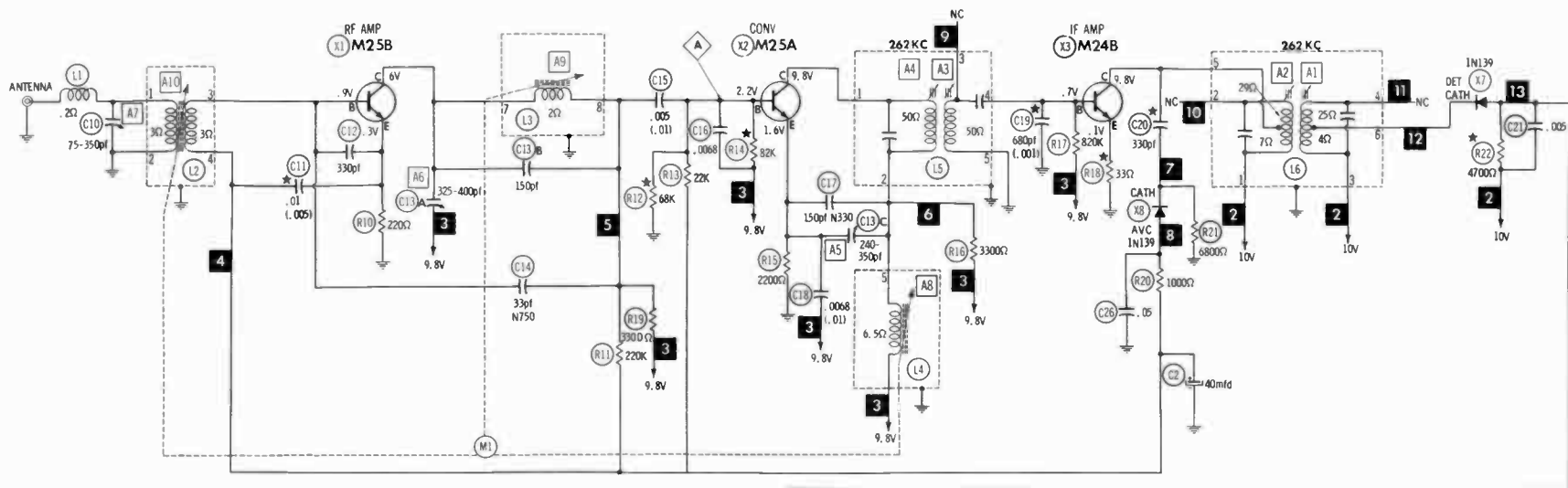
### PUSH-BUTTON ADJUSTMENT

1. Pull button out.
2. Tune manually to desired station.
3. Press button in firmly.
4. Repeat for remaining buttons.



**HOWARD W. SAMS & CO., INC.** Indianapolis, Indiana 46206

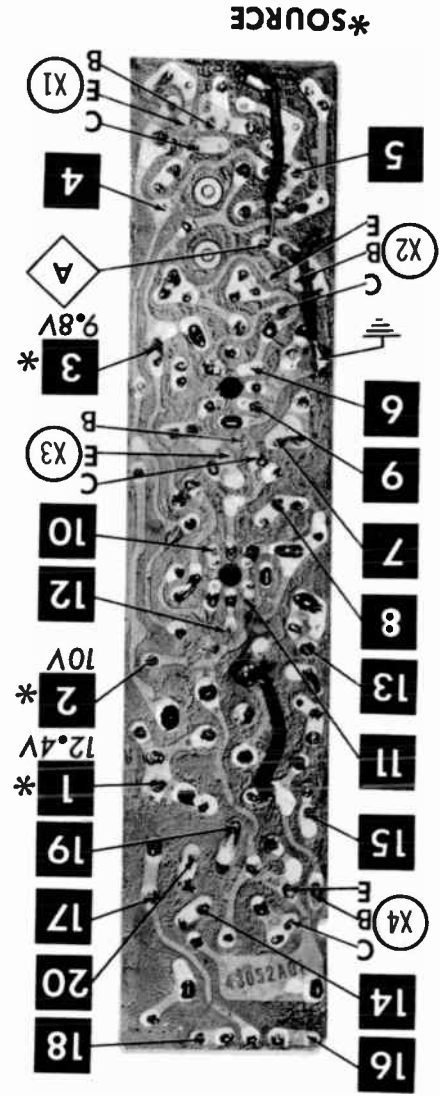
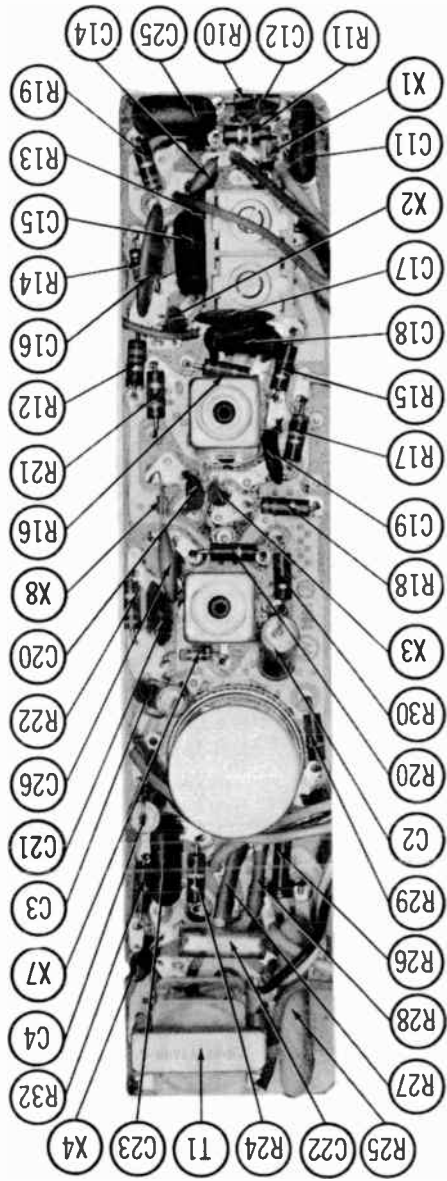




**MOPAR MODELS  
363S, 365S**

A PHOTOFAC STANDARD NOTATION SCHEMATIC  
with **CIRCUITRACE**  
© Howard W. Sams & Co., Inc. 1966

- ① See parts list
  - 1. Voltage measurements taken with vacuum tube voltmeter.
  - 2. All controls set for normal operation, no signal applied.
  - 3. Measured values are from socket pin or terminal to common ground.
  - 4. All terminals viewed from bottom unless otherwise designated.
  - 5. Numbers assigned to terminals may not be found on the unit.
  - 6. Supply voltage maintained at rated value for voltage readings.
  - 7. Resistance measurements not given because of the wide variation in internal resistance of transistor.
- Resistors are 1/2 watt or less and rated 5% unless otherwise indicated.  
★ NOMINAL VALUE, MAY VARY.





# PARTS LIST AND DESCRIPTION

(When ordering parts, state Model, Part Number, and Description.)

Replacement parts shown may be superseded by the availability of newly introduced replacements.  
Have your local distributor check Sams COUNTER FACTS<sup>®</sup> for the most up-to-date replacement.

## WIRING DATA

General-use Unshielded Hook-up Wire .....	Use BELDEN No. 6530 (Solid) Available in 12 Colors 8524 (Stranded) Available in 12 Colors
Shielded Hook-up Wire .....	Use BELDEN No. 6885
Rear Seat Speaker Extension Cable .....	Use BELDEN No. 6782 (Stranded) Coded Parallel Leads
Bonding Strap .....	Use BELDEN No. 6661 (3/8 In.) or 6670 (3/4 In.)

## TRANSISTORS

ITEM No.	ORIG. TYPE	USE	REPLACEMENT DATA			NOTES
			DELCO PART No.	GENERAL ELECTRIC PART No.	RCA PART No.	
X1	M25B	RF Amp.	DE-46	GE-10	SK-3016	NPN
X2	M25A	Conv.	DE-46	GE-10	SK-3016	NPN
X3	M24B	IF Amp.	DE-46	GE-10	SK-3016	NPN
X4	M54	Driver	DE-46	GE-10	SK-3020	NPN
X5	2N176	Output	DE-520	GE-3	SK-3009	PNP *
X6	2N176	Output	DE-520	GE-3	SK-3009	PNP *

\* When replacing, apply silicone grease to both sides of insulator. Tighten mounting screws securely.

## POWER RECTIFIERS & SIGNAL DIODES

ITEM No.	MEASURED CURRENT	ORIGINAL Part or Type No.	RECTIFIERS & DIODES		RECTIFIERS		
			GENERAL ELECTRIC PART No.	INTERNATIONAL RECTIFIER PART No.	MALLORY PART No.	RCA PART No.	SARKES TARZIAN PART No.
X7		1N139	1N295	1N295			
X8		1N139	1N295	1N295			

## ELECTROLYTIC CAPACITORS

ITEM No.	RATING		MOTOROLA PART No.	REPLACEMENT DATA				
	CAP.	VOLT.		AEROVOX PART No.	CORNELL-DUBILIER PART No.	GENERAL ELECTRIC PART No.	MALLORY PART No.	SPRAGUE PART No.
C1A	1000	16	23C40516A03					PCL2165.1
B	600	16						
C2	40	16	23C41928A20	CRE615A	NLW40-25	MT1-17	TT25X50	TE-1209
C3	6.4	40	23C41928A07	CRE755A	NLW6-50	MT1-5	TT100X6	TE-1303.1
C4	6.4	40	23C41928A07	CRE755A	NLW6-50	MT1-5	TT100X6	TE-1303.1

## CAPACITORS

ITEM No.	RATING	REMARKS	REPLACEMENT DATA					
			AEROVOX PART No.	CENTRALAB PART No.	CORNELL-DUBILIER PART No.	ELMENCO PART No.	MALLORY PART No.	SPRAGUE PART No.
C10	75-350	†20B42152A03						
C11	.01 100V	(.005) †	DBE481	CPR-10000J	WMF1S1	1DP-1-103	FVC211	4PS-810
C12	330		DI-330	DD-331	JBZ601YP331K	CCD-331	JF333	10TB-T33
C13A	325-400	†OC40461A09						
B	150							
C	240-350							
C14	33 N750	†	N750-DI33	DTN-33	CZ601UJ330K	CCTN-330	CN7453	10TCU-Q33
C15	.005 100V	(.01) †	DBE6D5	CPR-5000J	DPMS6D5	1DP-1-502	PVC625	6PS-D50
C16	.0068		DI-6800	CPR-6800J	BYX601ZU682P	CCD-682	SX268	30GA-D68
C17	150 N330					*	*	10TCS-T15
C18	.0068 100V	(.01) †	DBE6D5	CPR-6800J	WMF1D68	6DP-1-682	PVC4268	6PS-D68
C19	680	(.001) †	DI-680	DD-681	JBY601YP681K	CCD-681	JF368	10TB-T68
C20	330	†	DI-330	DD-331	JBZ601YP331K	CCD-331	JF333	10TB-T33
C21	.005		BPD-005	DD-502	BYX601ZU502P	CCD-502	B250	5HK-D50
C22	.15 100V		DBE2P15		WMF1P15	1DP-3-154	PVC1015	2PS-P15
C23	.068 100V		DBE4868		WMF1868	1DP-2-683	PVC1166	4PS-688
C24	.02 100V	(.033) †	DBE682		WMF1822	1DP-1-203	PVC212	2PS-620
C25	.1 100V		P266N-1	DF-104	FM2P1	2DP-3-104	PVC201	2TM-P10
C26	.06		TTD-05		HOV101ZV503Z		TA150	TH-S50
C27	.47			UK10-404			MAG12047	HY-330
C28		†64A41868A03						
C29		†64K561677						

\* Not normally in distributor's stock. Available thru distributor on order to manufacturer.

† Motorola Part Number.

† Nominal Value.

## CONTROLS

All wattages 1/2 watt, or less, unless otherwise listed.

ITEM No.	USE	RESISTANCE	REPLACEMENT DATA				
			MOTOROLA PART No.	CENTRALAB PART No.	CLAROSTAT PART No.	CTS-IRC PART No.	MALLORY PART No.
RIA	Tone	25K	18C41524A07	F1-25K①, R14-25K, FFS106		† QJ-2159A	FA253L①, RU253T53, IB1375, OB1875A, U841
B	Volume/Switch	25K Tap @ 8000Ω		RFS114, KR-4			

① Use Original Spring Mounting Clips.

† "CONCENTREKIT" Equivalent: K6①, Kit, with Base Elements and Shafts: B11-120, P23-112 (Panel)  
B19-119K, R16-127 (Rear)  
76-1 (Switch)

# PARTS LIST AND DESCRIPTION (CONTINUED)

(When ordering parts, state Model, Part Number, and Description.)

Replacement parts shown may be superseded by the availability of newly introduced replacements. Have your local distributor check Sams COUNTER FACTS for the most up-to-date replacement.

## RESISTORS (Power and Special)

ITEM No.	RATING	REPLACEMENT DATA			ITEM No.	RATING	REPLACEMENT DATA		
		IRC PART No.	WORKMAN PART No.	MOTOROLA PART No.			IRC PART No.	WORKMAN PART No.	MOTOROLA PART No.
R25	175Ω (PTC)			17C40259A04	R27	.2Ω 1W			17B40756A06
R26	5.5Ω (Cold) Thermistor			6K565324	R28	.2Ω 1W (PTC)			17B40756A06

## COILS (RF-IF)

ITEM No.	USE	REPLACEMENT DATA					
		MOTOROLA PART No.	MEISSNER PART No.	MERIT PART No.	MILLER PART No.	STANCOR PART No.	WORKMAN PART No.
L1	RF Choke (1.5uh)	24C40788A04	19-1001	BC-562	4604	RTC-8516	T856
L2	Antenna	①					
L3	RF	①					
L4	Oscillator	①					
L5	Input IF	24D42517A09					
L6	Output IF	24D42517A10					
L7	10KC Trap (50MH)	24K565337	19-1051	BC-552	6304	RTC-9253	T881

① Part of M1 or (Tuning Coil Assembly, Part Number 1V43000A18).

## FILTER CHOKE

ITEM No.	RATINGS		REPLACEMENT DATA						NOTES
	CURRENT (Measured)	DC RES.	INDUCTANCE (D CURRENT 1000~)	MOTOROLA PART No.	MERIT PART No.	STANCOR PART No.	THORDARSON PART No.	TRIAD PART No.	
L8	.650A	.4Ω	5MH	25D42032A11	C-4095	TC-2	TR-156	TY17XT	

## TRANSFORMER (DRIVER)

ITEM No.	TURNS RATIO		REPLACEMENT DATA					NOTES
			MOTOROLA PART No.	MERIT PART No.	STANCOR PART No.	THORDARSON PART No.	TRIAD PART No.	
	PRI.	SEC.						
T1	8	1	25D42917A03					

## TRANSFORMER (AUDIO OUTPUT)

ITEM No.	IMPEDANCE		REPLACEMENT DATA					NOTES
			MOTOROLA PART No.	MERIT PART No.	STANCOR PART No.	THORDARSON PART No.	TRIAD PART No.	
	PRI.	SEC.						
T2	16Ω CT	8Ω	25D42101A07					

## SPEAKER

ITEM No.	TYPE			REPLACEMENT DATA		NOTES
				MOTOROLA PART No.	QUAM PART No.	
SP1	4" x 10"	PM	8Ω	50D42859A01	410A2Z8	Model: 363S Model: 365S
	8" x 9"	PM	8Ω	50D42304A02	69A3Z8	

## FUSE DEVICES

ITEM No.	TYPE	RATING	REPLACEMENT DATA						
			PART No.		LITTELFUSE PART No.		BUSS PART No.		
			FUSE	HOLDER	FUSE	HOLDER	FUSE	HOLDER	
F1	AGC	5A	658134265	In Fuse Block	311005			AGC 5	

## MISCELLANEOUS

ITEM No.	PART NAME	MOTOROLA PART No.	NOTES
M1	Tuner Tuner Coil Assembly	77D42595A05 77D42595A07 1V43000A18	AT-518 (Model: 365S). AT-524 (Model: 363S).

## CABINETS & CABINET PARTS

(When Ordering Specify Model, Chassis & Color)

ITEM	MODEL	PART No.	ITEM	MODEL	PART No.
Dial Scale	363S	34C42776A01	Knob, Tone or Dummy	365S	36B42852A01
Dial Scale	365S	34B42463A01	Pushbutton	363S	38A42583A02
Knob, Tuning or Volume	363S	36C42824A01	Pushbutton	365S	38A42553A01
Knob, Tuning or Volume	365S	36B42827A01	Dial Pointer	363S	52C42062A14
Knob, Tone or Dummy	363S	36B42829A01	Dial Pointer	365S	52C42062A12

MOPAR MODELS 363S, 365S



PHOTOFACT<sup>®</sup> with

CIRCUITRACE<sup>®</sup>



TRADE NAME : Motorola Model FM65M  
 SUPPLIER : For Current Address, See Annual Index.  
 TYPE SET : 8 Transistor FM Converter  
 POWER SUPPLY : 12 Volt Storage Battery  
 RATING : .150 Amp. @ 12.6 Volts DC  
 TUNING RANGE: FREQ. MOD: 88-108MC

MOTOROLA MODEL FM65M

## ALIGNMENT INSTRUCTIONS

Check for specified source voltage.  
 Use only enough generator output to provide a usable indication.  
 Suggested Alignment Tools: A1 thru A7, A10, A14. GENERAL CEMENT: 8606, 8606L, 8869  
 A8, A9. GENERAL CEMENT: 9296, 9297, 9300  
 A11, A12, A13. GENERAL CEMENT: 8290, 8868, 9087  
 WALSCO: 2543, 2544, 2588  
 WALSCO: 2510, 2546, 2547  
 WALSCO: 2525, 2528, 2587

### FM ALIGNMENT USING AM SIGNAL GENERATOR — SELECTOR IN FM POSITION

High side thru .1mfd to antenna receptacle, low side to ground.

GENERATOR FREQUENCY	DIAL SETTING	INDICATOR	ADJUST	REMARKS
1. 10.7MC (Unmod.)	Point of non-interference.	DC probe of VTVM to point $\diamond A$ ; common to ground.	A1 thru A9.	Adjust for maximum.
2. "	"	DC probe to point $\diamond B$ ; common to ground.	A10.	Adjust for zero reading. A positive or negative reading will be obtained on either side of the correct setting.

### FM IF ALIGNMENT USING FM SIGNAL GENERATOR — SELECTOR IN FM POSITION

High side to .1mfd antenna input, low side to ground. Use only enough marker signal to obtain indication, Use 60% frequency modulated signal with 450KC sweep. Use 120% sawtooth voltage in scope for horizontal deflection.

GENERATOR FREQUENCY	DIAL SETTING	INDICATOR	ADJUST	REMARKS
1. 10.7MC (450KC Swp.)	Point of non-interference	Vert. amp. of Scope to point $\diamond A$ ; low side to ground.	A1 thru A9.	Disconnect stabilizing capacitor C3. Adjust for maximum gain and symmetry of response similar to Fig. 1 with marker as shown. Reconnect C3.
2. "	"	Vert. amp. to point $\diamond B$ ; low side to ground.	A10	Adjust A10 (Secondary) to place marker at center of crossover lines similar to Fig. 2. Adjust A1 (Primary) for maximum amplitude and straightness of crossover lines.

### FM RF ALIGNMENT

Connect generator thru .1mfd to antenna input, low side to ground.

GENERATOR FREQUENCY	DIAL SETTING	INDICATOR	ADJUST	REMARKS
3. 98MC	98MC	DC probe of VTVM to point $\diamond A$ ; common to ground.	A11, A12, A13.	Adjust for maximum.
4.		Install Conv. into Auto. Adjust antenna height to approximately 30', Tune radio to 1400KC ( $\pm 30$ KC). Adjust A14 for maximum.		

FIG. 1

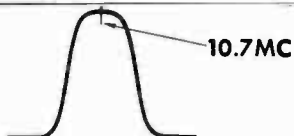
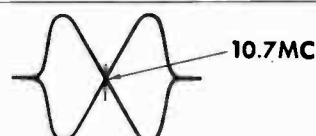
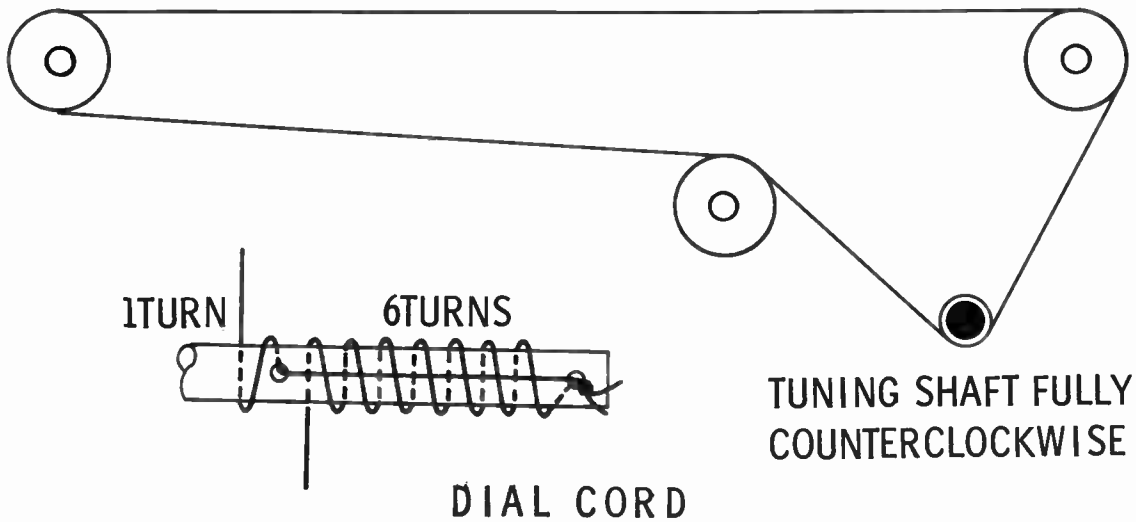
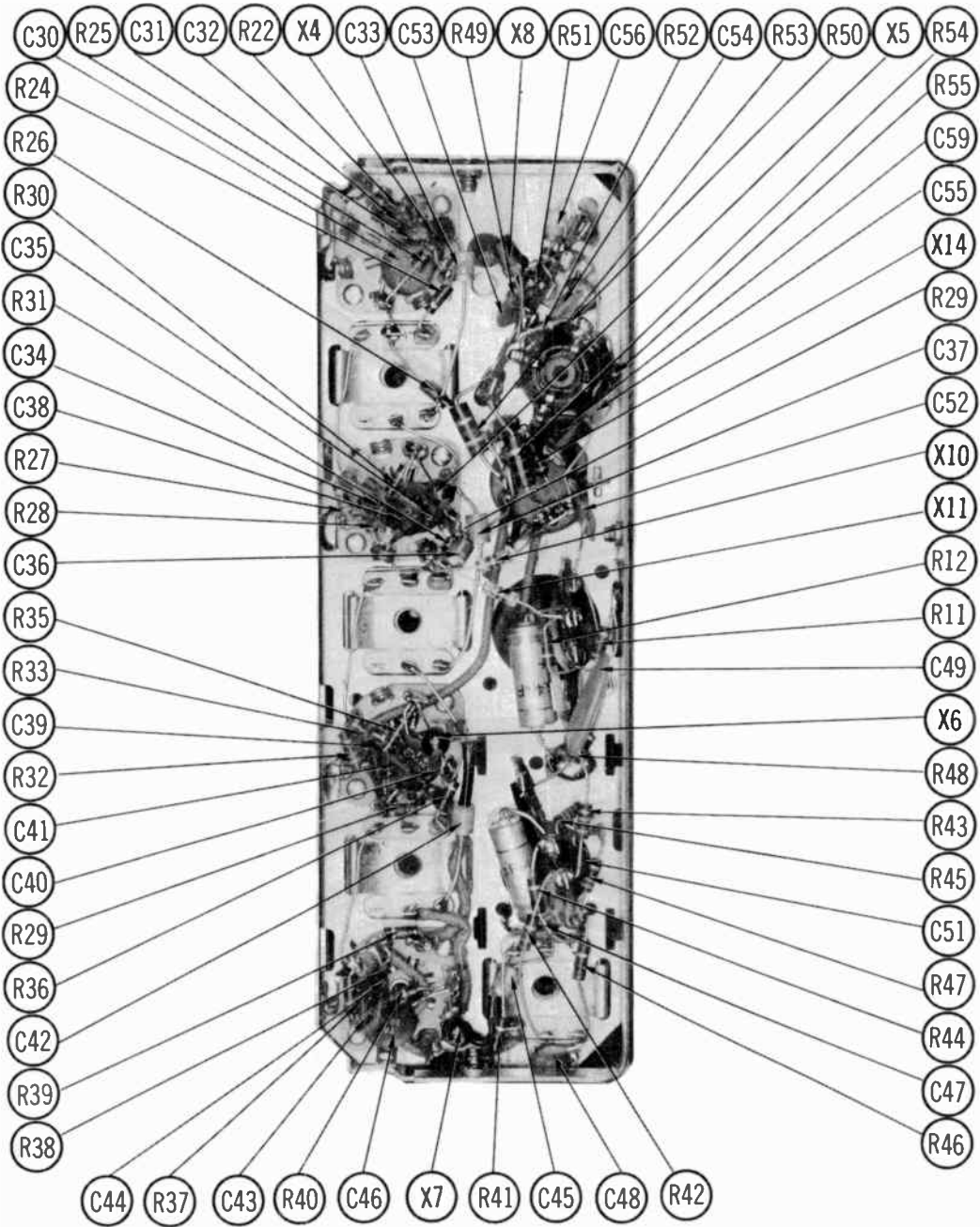
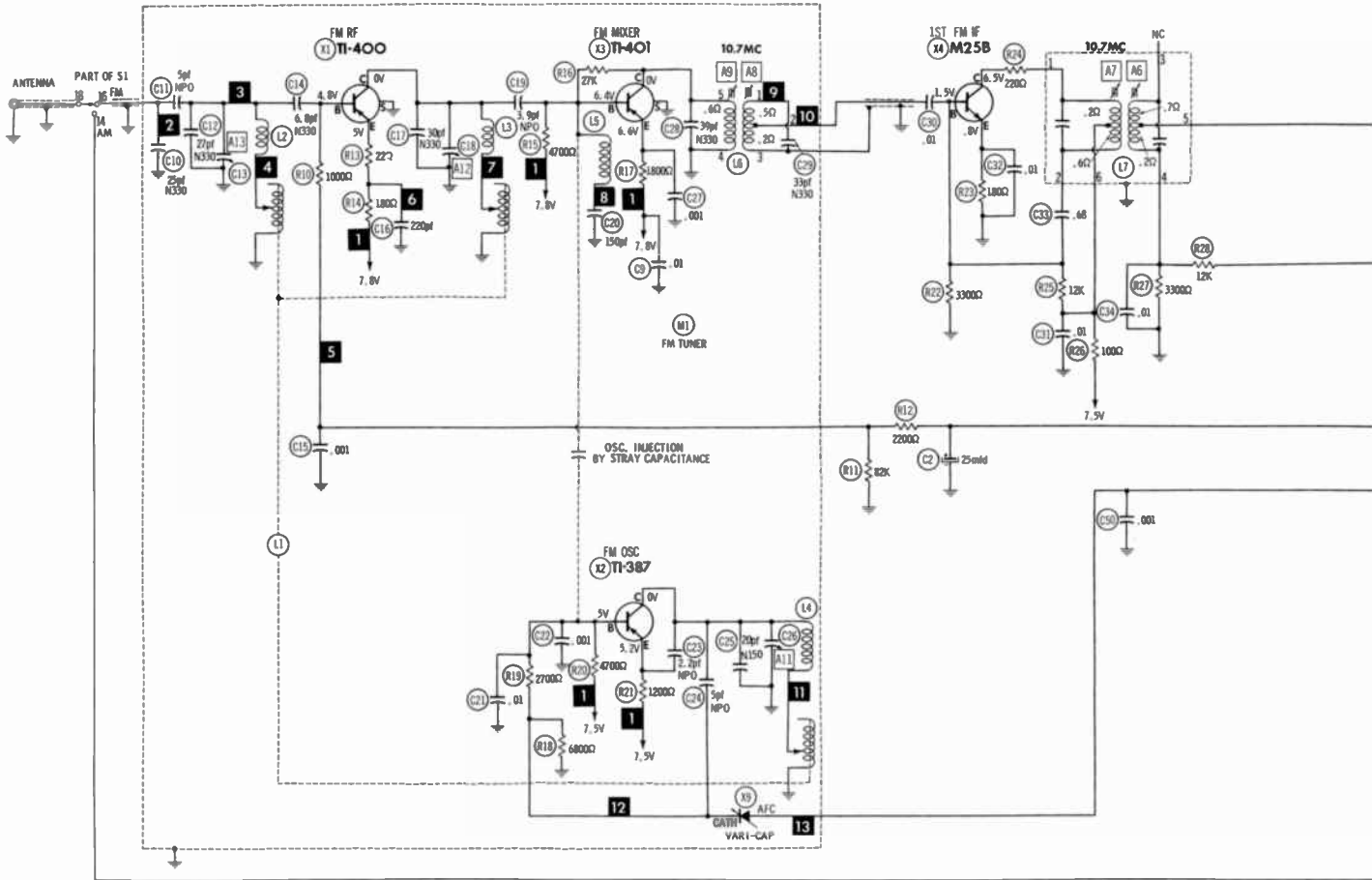


FIG. 2



HOWARD W. SAMS & CO., INC. Indianapolis, Indiana 46206



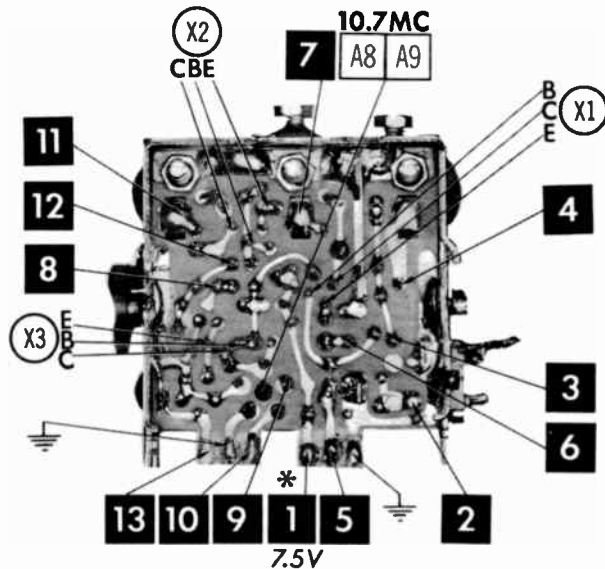


- See parts list
- 1. Voltage measurements taken with vacuum tube voltmeter.
- 2. All controls set for normal operation, no signal applied.
- 3. Measured values are from socket pin or terminal to common ground.
- 4. All terminals viewed from bottom unless otherwise designated.
- 5. Numbers assigned to terminals may not be found on the unit.
- 6. Supply voltage maintained at rated value for voltage readings.
- 7. Resistance measurements not given because of the wide variation in internal resistance of transistor.

Resistors are 1/2 watt or less and rated 5% unless otherwise indicated.

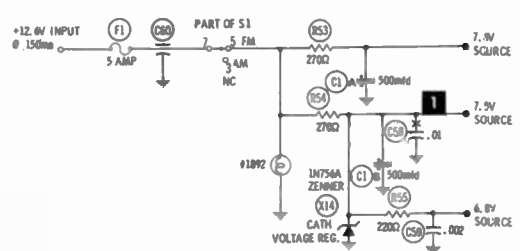
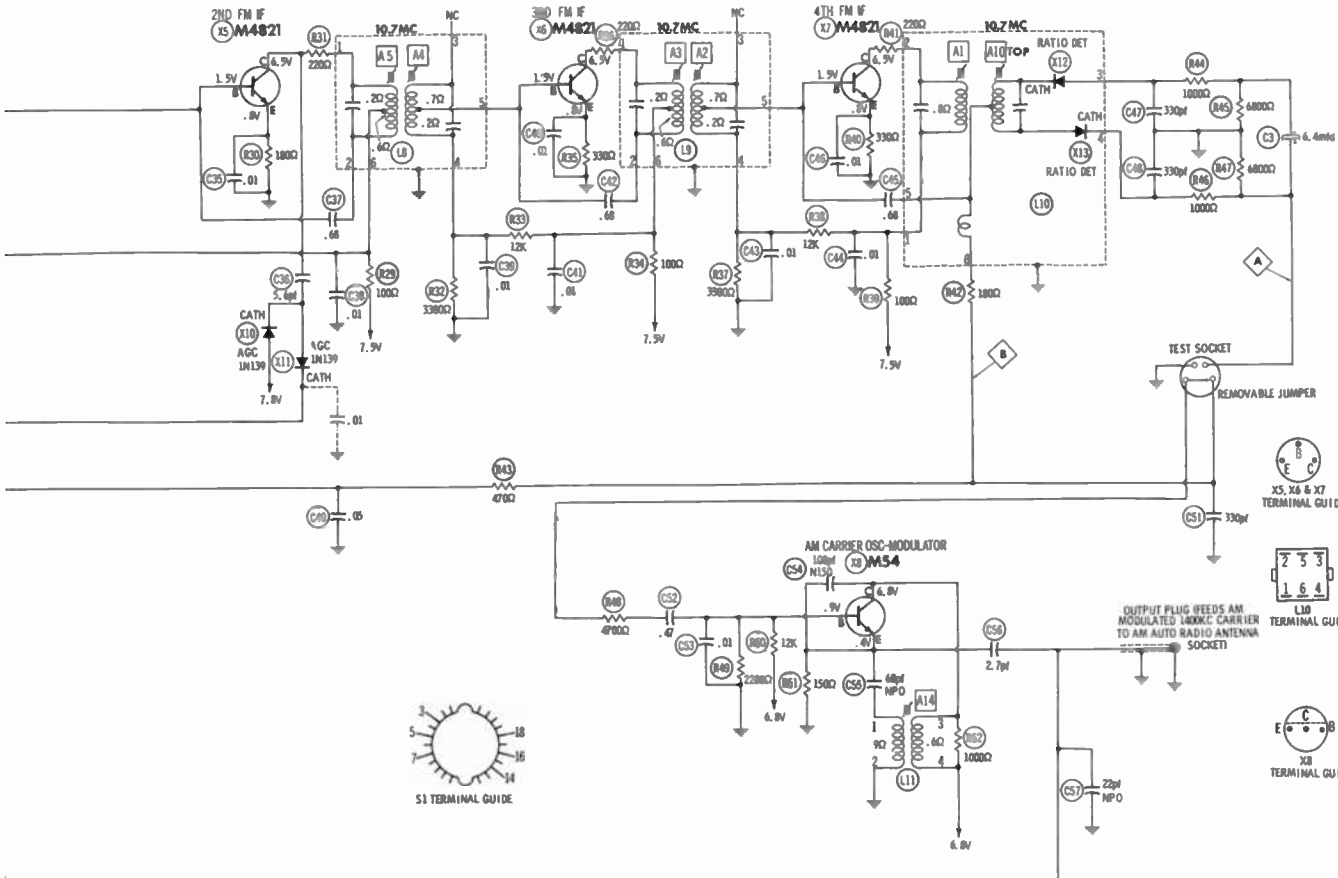


A PHOTOFAC STANDARD NOTATION SCHEMATIC  
with **CIRCUITRACE**  
© Howard W. Sams & Co., Inc. 1966

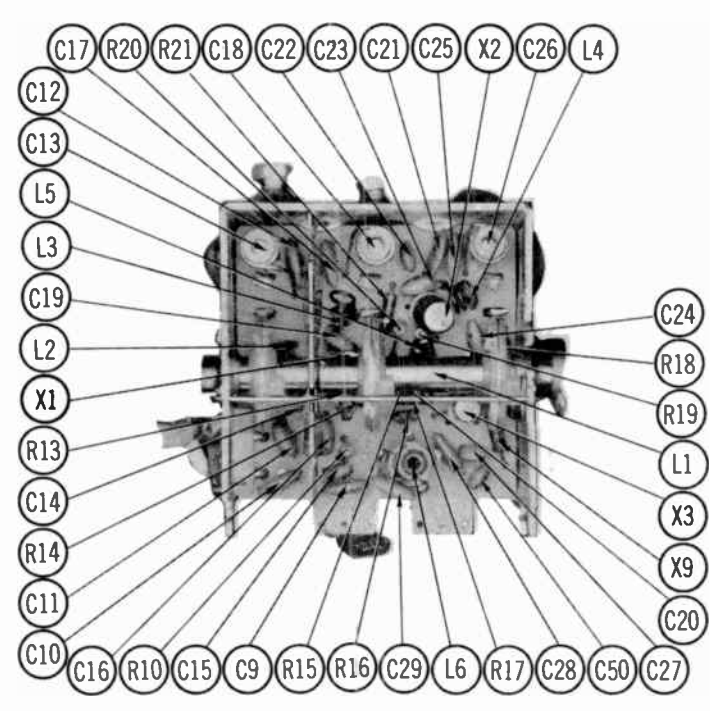


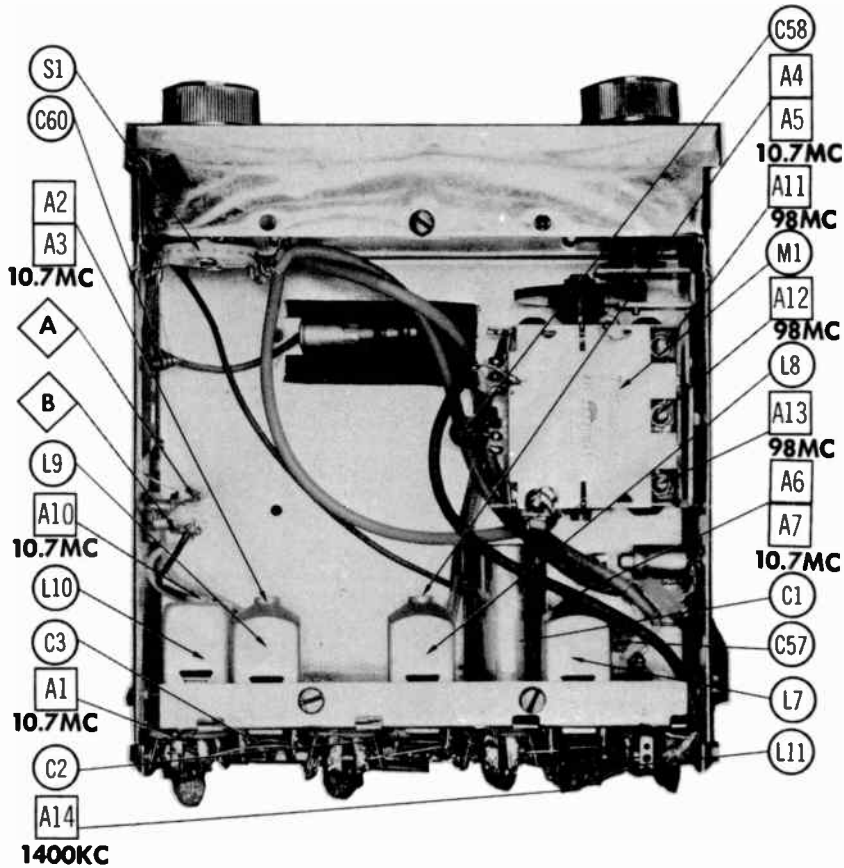
\* VOLTAGE SOURCE

A Howard W. Sams **CIRCUITRACE** Photo



MOTOROLA MODEL FM65M





## PARTS LIST AND DESCRIPTION

(When ordering parts, state Model, Part Number, and Description.)

Replacement parts shown may be superseded by the availability of newly introduced replacements. Have your local distributor check Sams COUNTER FACTS® for the most up-to-date replacement.

### WIRING DATA

General-use Unshielded Hook-up Wire .....	Use BELDEN No. 8530 (Solid) Available in 12 Colors 8524 (Stranded) Available in 12 Colors
Shielded Hook-up Wire .....	Use BELDEN No. 8885
Rear Seat Speaker Extension Cable .....	Use BELDEN No. 8782 (Stranded) Coded Parallel Leads
Bonding Strap .....	Use BELDEN No. 8661 (3/8 in.) or 8670 (3/4 in.)

### TRANSISTORS

ITEM No.	ORIG. TYPE	USE	REPLACEMENT DATA			NOTES
			DELCO PART No.	GENERAL ELECTRIC PART No.	RCA PART No.	
X1	TI-400	RF Amp.	DS-41		SK-3006	PNP
X2	TI-387	Oscillator	DS-41		SK-3006	PNP
X3	TI-401	Mixer	DS-41		SK-3006	PNP
X4	M25B	1st. IF	DS-48	GE-10	SK-3018	NPN
X5	M4821	2nd. IF	DS-48	GE-10	SK-3018	NPN
X6	M4821	3rd. IF	DS-48	GE-10	SK-3018	NPN
X7	M4821	4th. IF	DS-48	GE-10	SK-3018	NPN
X8	M54	Modulator	DS-48	GE-10	SK-3020	NPN

### POWER RECTIFIERS & SIGNAL DIODES

ITEM No.	MEASURED CURRENT	ORIGINAL Part or Type No.	RECTIFIERS & DIODES		RECTIFIERS		
			GENERAL ELECTRIC PART No.	INTERNATIONAL RECTIFIER PART No.	MALLORY PART No.	RCA PART No.	SARKIS TARZIAN PART No.
X9							
X10		1N139	1N295	1N295			
X11		1N139	1N295	1N295			
X12			1N295	1N295			
X13			1N295	1N295			
X14		1N756A					

### ELECTROLYTIC CAPACITORS

ITEM No.	RATING		MOTOROLA PART No.	REPLACEMENT DATA				
	CAP.	VOLT.		AEROVOX PART No.	CORNELL-DUBILIER PART No.	GENERAL ELECTRIC PART No.	MALLORY PART No.	SPRAGUE PART No.
C1A	500	16	23S184A02 ①	PWH3-00-94.7	CC0013	XC3-48	WP300.85	TVL-3026.16
B	500	16						
C	25	18						
C2	6.4	40	23K544807 ②	CRE755A	NLW6-50	MT1-5	TT50X8	TE-1303.1
C3	8.4	40	23K544807 ②	CRE755A	NLW6-50	MT1-5	TT50X8	TE-1303.1

① Part Number 23S184A03 (500-500/16) Used in some versions.  
② Use Part Number 23C41928A07, when ordering from Motorola.

# PARTS LIST AND DESCRIPTION (CONTINUED)

(When ordering parts, state Model, Part Number, and Description.)

Replacement parts shown may be superseded by the availability of newly introduced replacements.  
Have your local distributor check Sams COUNTER FACTS<sup>®</sup> for the most up-to-date replacement.

## CAPACITORS

ITEM No.	RATING	REMARKS	REPLACEMENT DATA					
			AEROVOX PART No.	CENTRALAB PART No.	CORNELL-DUBIER PART No.	ELMENCO PART No.	MALLORY PART No.	SPRAGUE PART No.
C9	.01		BPD-01	DD-103	BYV102ZU103M	CCD-103	B110	5HK-810
C10	25 N330					*	*	10TCC-Q25
C11	5 NPO		NPO-DI 5.0	DTZ-4R7	CZ601CH5R0D	CCTO-050	CN0547	10TCC-V50
C12	27 N330					*	*	10TCC-Q27
C13								
C14	6.8 N330					*	*	10TCC-V68
C15	.001		BPD-001	DD-102	HVX162XP102M	CCD-102	B210	5HK-D10
C16	220		DI-220	DD-221	JB601YP221K	CCD-221	JF220	10TS-T22
C17	30 N330					*	*	10TCC-Q30
C18								
C19	3.9 NPO							10TCC-V39
C20	150		NPO-DI 150	DTZ-150		CCTO-151	CN0315	10TCC-T15
C21	.01		BPD-01	DD-103	BYV102ZU103M	CCD-103	B110	5HK-810
C22	.001		BPD-001	DD-102	HVX162XP102M	CCD-102	B210	5HK-D10
C23	2.2 NPO		NPO-DI 2.2	DTZ-2R2	CZ601CJR2D	CCTO-2R2	CN0522	10TCC-V22
C24	5 NPO		NPO-DI 5.0	DTZ-4R7	CZ601CH5R0D	CCTO-050	CN0547	10TCC-V50
C25	20 N150					*	*	10TCP-Q20
C26								
C27	.001		BPD-001	DD-102	HVX162XP102M	CCD-102	B210	5HK-D10
C28	39 N330					*	*	10TCC-Q39
C29	33 N330			TCA-33		*	*	10TCC-Q33
C30	.01		BPD-01	DD-103	BYV102ZU103M	CCD-103	B110	5HK-810
C31	.01		BPD-01	DD-103	BYV102ZU103M	CCD-103	B110	5HK-810
C32	.01		BPD-01	DD-103	BYV102ZU103M	CCD-103	B110	5HK-810
C33	.68			TCZ-R68				
C34	.01		BPD-01	DD-103	BYV102ZU103M	CCD-103	B110	5HK-810
C35	.01		BPD-01	DD-103	BYV102ZU103M	CCD-103	B110	5HK-810
C36	5.6							10TCC-V56
C37	.68			TCZ-R68				
C38	.01		BPD-01	DD-103	BYV102ZU103M	CCD-103	B110	5HK-810
C39	.01		BPD-01	DD-103	BYV102ZU103M	CCD-103	B110	5HK-810
C40	.01		BPD-01	DD-103	BYV102ZU103M	CCD-103	B110	5HK-810
C41	.01		BPD-01	DD-103	BYV102ZU103M	CCD-103	B110	5HK-810
C42	.68			TCZ-R68				
C43	.01		BPD-01	DD-103	BYV102ZU103M	CCD-103	B110	5HK-810
C44	.01		BPD-01	DD-103	BYV102ZU103M	CCD-103	B110	5HK-810
C45	.68			TCZ-R68				
C46	.01		BPD-01	DD-103	BYV102ZU103M	CCD-103	B110	5HK-810
C47	330		DI-330	DD-331	JBZ601YP331K	CCD-331	JF333	10TS-T33
C48	330		DI-330	DD-331	JBZ601YP331K	CCD-331	JF333	10TS-T33
C49	.05		TTD-05	CK-503	HOV101ZV503Z		TA150	TC-550
C50	.001		BPD-001	DD-102	HVX162XP102M	CCD-102	B210	5HK-D10
C51	330		DI-330	DD-331	JBZ601YP331K	CCD-331	JF333	10TS-T33
C52	.47			UK10-404			MAG12047	HY-330
C53	.01		BPD-01	DD-103	BYV102ZU103M	CCD-103	B110	5HK-810
C54	100 N150					*	*	10TCP-T10
C55	68 NPO		NPO-DI 68	DTN-68	CX601CG680K	CCTO-680	CN0468	10TCC-Q68
C56	2.7		NPO-DI 2.0	DTZ-3R3		CCTO-3R3	CN0533	10TCC-V30
C57	22 NPO		NPO-DI 22	DTN-22	CY601CG220K	CCTO-220	CN0422	10TCC-Q22
C58	.01		BPD-01	DD-103	BYV102ZU103M	CCD-103	B110	5HK-810
C59	.002	①	BPD-002	DD-202	BYV601ZU202P	CCD-202	B220	5HK-D20
C60		‡21A560232						

\* Not normally in distributor's stock. Available thru distributor on order to manufacturer.  
‡ Motorola Part Number. ① Not used in some versions.

## COILS (RF-IF)

ITEM No.	USE	REPLACEMENT DATA					
		MOTOROLA PART No.	MEISSNER PART No.	MERIT PART No.	MILLER PART No.	STANCOR PART No.	WORKMAN PART No.
L1A	Antenna Tuning						
B	RF Tuning						
C	Oscillator Tuning						
L2	Antenna						
L3	RF						
L4	Oscillator						
L5	10.7MC Trap (1.5uh)						
L6	1st. IF						
L7	2nd. IF	24C64216A01					
L8	3rd. IF	24C64216A01					
L9	4th. IF	24C64216A01					
L10	Ratio Detector	24D64391A01					
L11	Modulation Oscillator	24B64774A02					

## FUSE DEVICES

ITEM No.	TYPE	RATING	REPLACEMENT DATA					
			PART No.		LITTELFUSE PART No.		BUSS PART No.	
			FUSE	HOLDER	FUSE	HOLDER	FUSE	HOLDER
F1	AGA	5 Amp.	658122345	9K543179	301005	186004A	AGA 5	HAF

## MISCELLANEOUS

ITEM No.	PART NAME	MOTOROLA PART No.	NOTES
S1	Selector Switch	40B64745A01	
M1	FM Tuner	77C64224A01	

## CABINETS & CABINET PARTS

(When Ordering Specify Model, Chassis & Color)

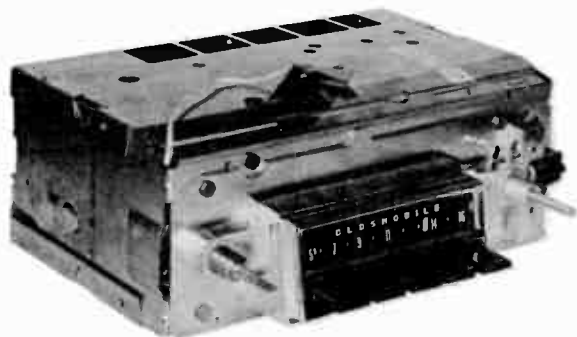
ITEM	PART No.	ITEM	PART No.
Escutcheon	13D64741A01	Dial Pointer	52A64744A01
Knob, On-Off or Tuning	36B543847	Dial Glass	34B64198A01





# PHOTOFACT<sup>®</sup> with

# CIRCUITRACE<sup>®</sup>



**TRADE NAME:** Oldsmobile Model 7289373 (982687)  
 (1966 F-85)  
**SUPPLIER:** For Current Address, See Annual Index.  
**TYPE SET:** 6 Transistor AM Receiver  
**POWER SUPPLY:** 12 Volt Storage Battery  
**RATING:** .620 Amp. @ 12.6 Volts DC (Less Lamp)  
**TUNING RANGE:** BROADCAST 540-1615KC

## ALIGNMENT INSTRUCTIONS

Check for specified source voltage.  
 Use only enough generator output to provide a usable indication.  
 Suggested Alignment Tools:

A1 thru A5, A9, A10.

GENERAL CEMENT: 5009, 8728A, 8987

WALSCO: 2531X, 2536

A6, A7, A8.

GENERAL CEMENT: 8290, 8868, 9087

WALSCO: 2525, 2528, 2587

	SIGNAL GENERATOR COUPLING	SIGNAL GENERATOR FREQUENCY	RADIO DIAL SETTING	INDICATOR	ADJUST	REMARKS
1.	High side thru .1mf to point $\Delta$ , low side to ground.	262KC (400v Mod.)	High Freq. End Stop.	Output Meter across voice coil.	A1, A2, A3, A4	Adjust for maximum.
Check setting of oscillator coil core (A5). Rear of core should be 1 3/8" from mounting end of coil form.						
2.	High side thru 82mmf to antenna receptacle, low side to ground.	1615KC	High Freq. End Stop.	Output Meter across voice coil.	A6, A7, A8	Adjust for maximum.
3.	"	600KC	600KC Signal	"	A9, A10	Adjust for maximum. Repeat step 2.

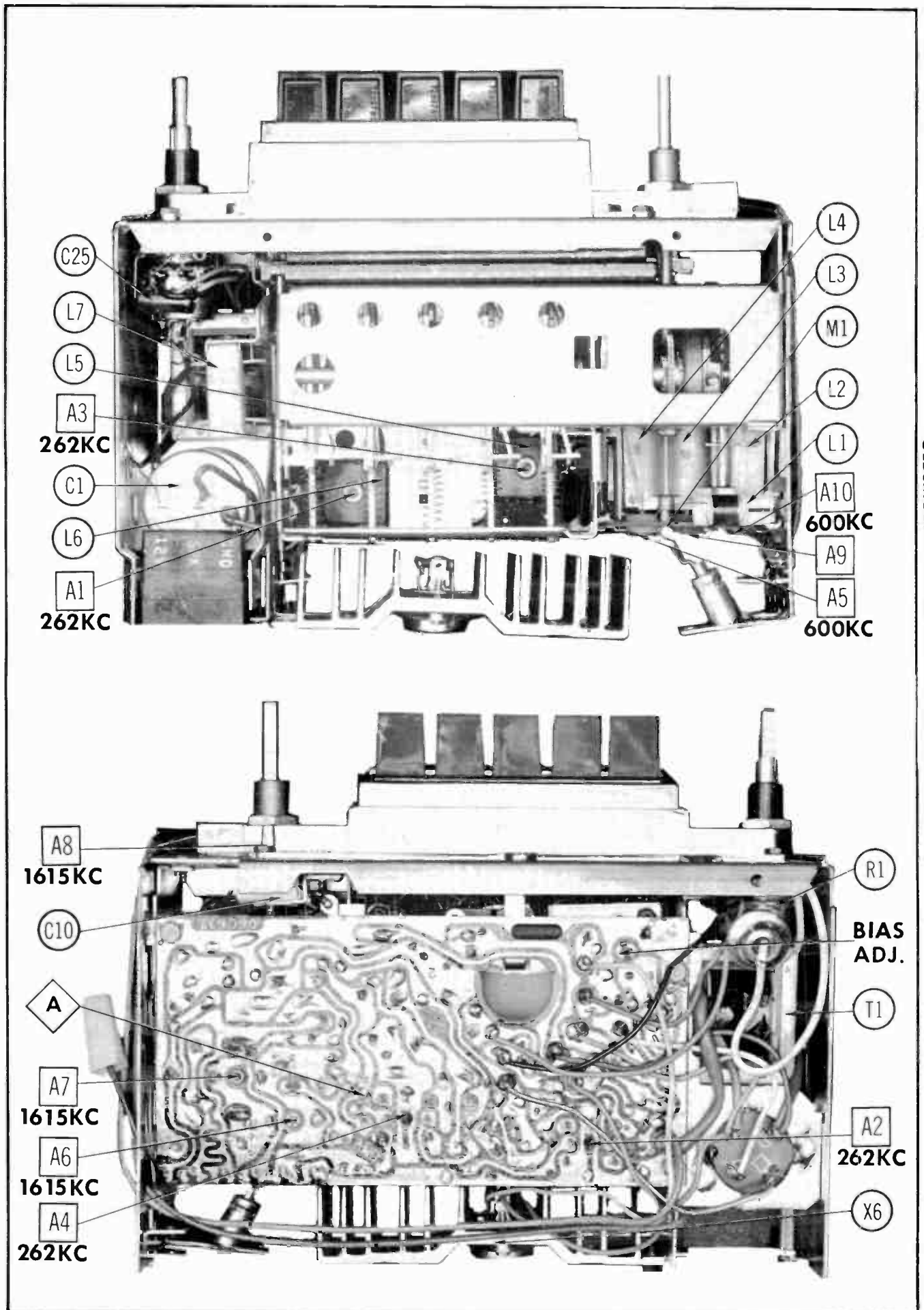
With radio installed in car and antenna fully extended, tune in a weak station near 1400KC and adjust A8 for maximum output.

**NOTE:** Remove tuning and dummy knobs for access to Antenna Trimmer (A8).

### PUSH-BUTTON ADJUSTMENT

1. Pull button out.
2. Tune manually to desired station.
3. Press button in firmly.
4. Repeat for remaining buttons.

OLDSMOBILE MODEL 7289373 (982687)



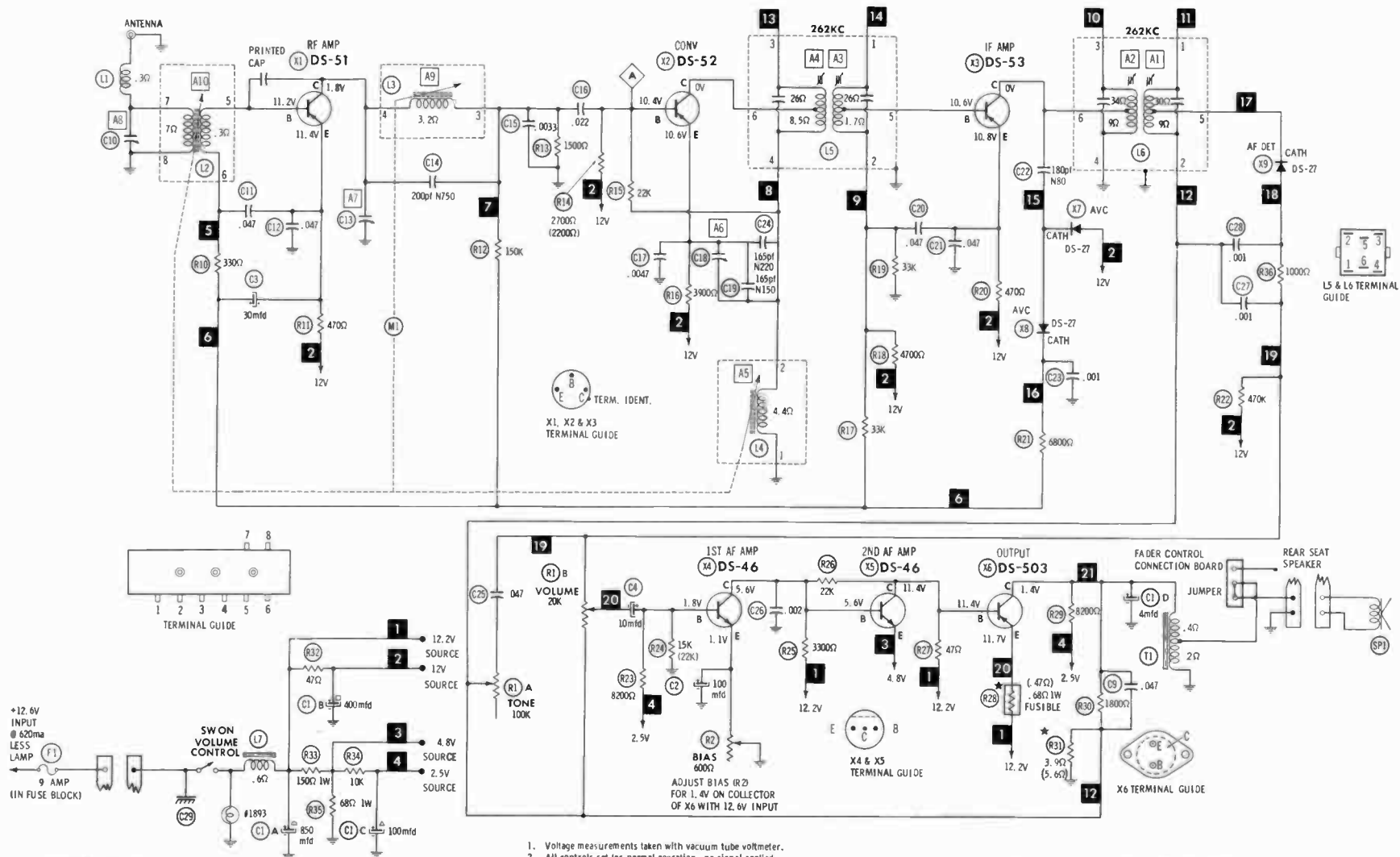
C25  
 L7  
 L5  
 A3  
**262KC**  
 C1  
 L6  
 A1  
**262KC**

L4  
 L3  
 M1  
 L2  
 L1  
 A10  
**600KC**  
 A9  
 A5  
**600KC**

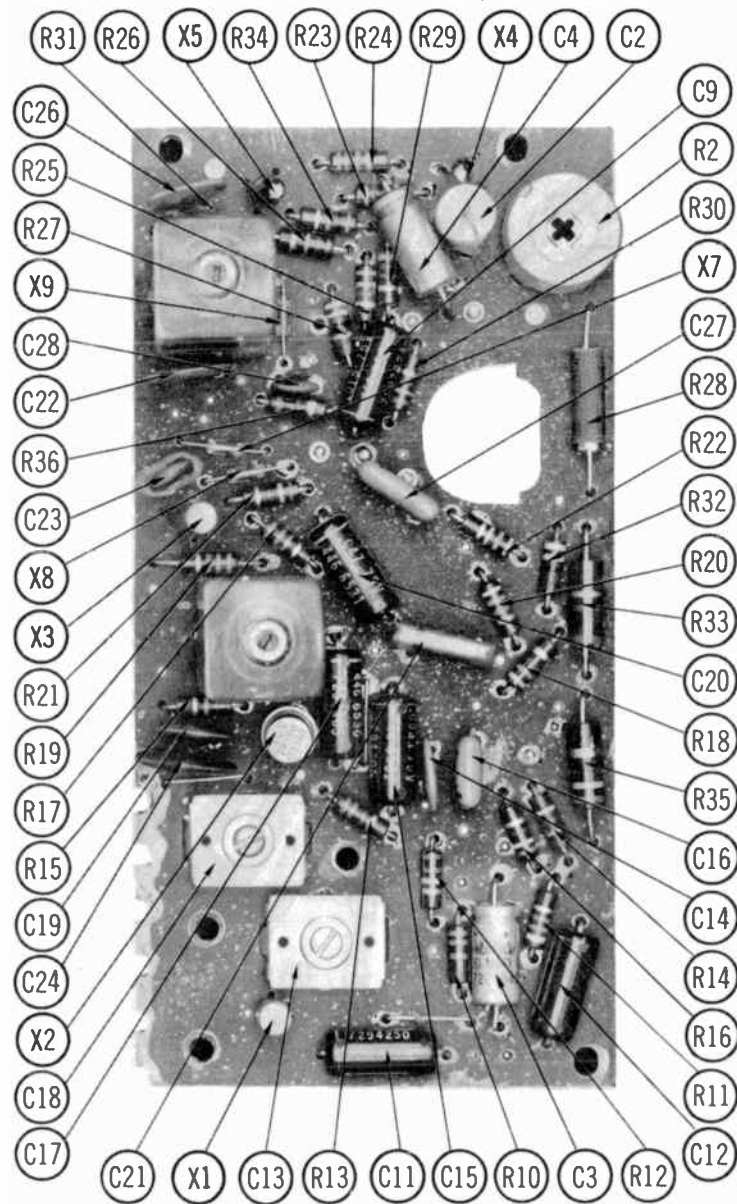
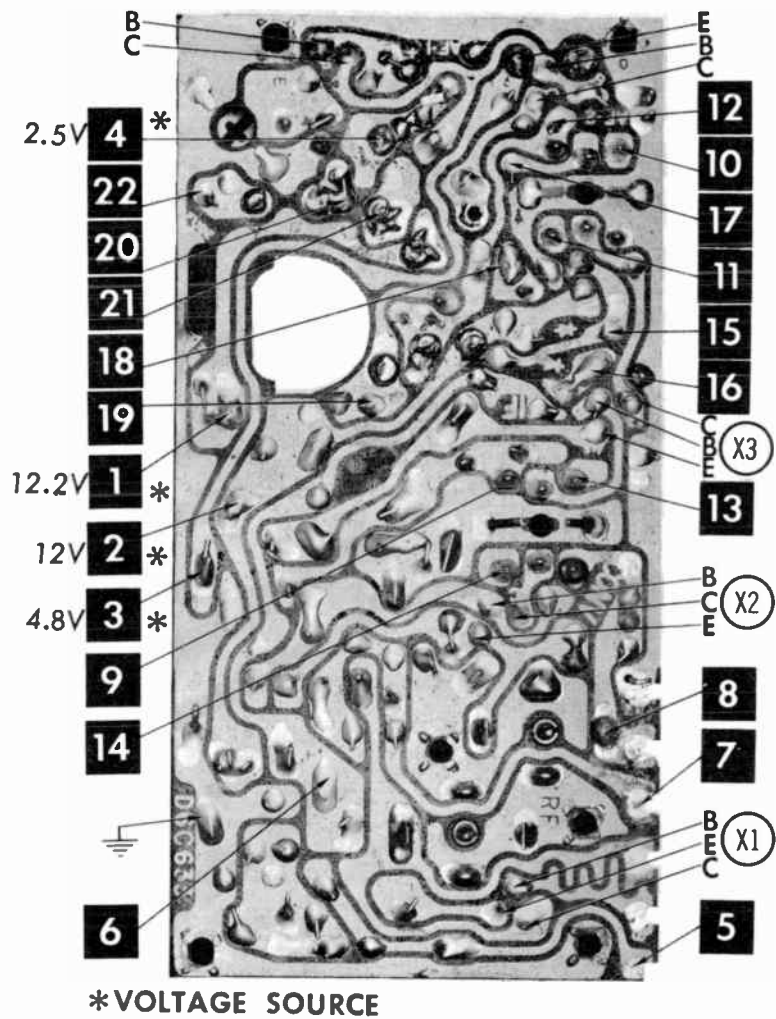
A8  
**1615KC**  
 C10  
 A  
 A7  
**1615KC**  
 A6  
**1615KC**  
 A4  
**262KC**

R1  
**BIAS ADJ.**  
 T1  
 A2  
**262KC**  
 X6

OLDSMOBILE MODEL 7289373 (982687)



OLDSMOBILE MODEL 7289373 (982687)



# PARTS LIST AND DESCRIPTION

(When ordering parts, state Model, Part Number, and Description.)

Replacement parts shown may be superseded by the availability of newly introduced replacements. Have your local distributor check Sams COUNTER FACTS<sup>®</sup> for the most up-to-date replacement.

## WIRING DATA

General-use Unshielded Hook-up Wire .....	Use BELDEN No. 6530 (Solid) Available in 12 Colors 8524 (Stranded) Available in 12 Colors
Shielded Hook-up Wire .....	Use BELDEN No. 6885
Rear Seat Speaker Extension Cable .....	Use BELDEN No. 6762 (Stranded) Coded Parallel Leads
Bonding Strap .....	Use BELDEN No. 6661 (3/8 In.) or 6670 (3/4 In.)

## TRANSISTORS

ITEM No.	ORIG. TYPE	USE	REPLACEMENT DATA			NOTES
			DELCO PART No.	GENERAL ELECTRIC PART No.	RCA PART No.	
X1	DS-51	RF Amp.	DS-25	GE-1	SK-3006	PNP
X2	DS-52	Conv.	DS-25	GE-1	SK-3006	PNP
X3	DS-53	IF Amp.	DS-25	GE-1	SK-3006	PNP
X4	DS-46	1st. AF Amp.	DS-46	GE-10	SK-3020	NPN
X5	DS-66)† DS-46 DS-66)†	2nd. AF Amp.	DS-46	GE-10	SK-3020	NPN
X6	DS-503	Output	DS-503	GE-3	SK-3009	PNP *

\* When replacing, apply silicone grease to both sides of insulator. Tighten mounting screws securely. Check bias adjustment.  
† Alternate Type.

## POWER RECTIFIERS & SIGNAL DIODES

ITEM No.	MEASURED CURRENT	ORIGINAL Part or Type No.	RECTIFIERS & DIODES		RECTIFIERS		
			GENERAL ELECTRIC PART No.	INTERNATIONAL RECTIFIER PART No.	MALLORY PART No.	RCA PART No.	SARKES TARZIAN PART No.
X7		DS-27	1N34AS	1N34A			
X8		DS-27	1N34AS	1N34A			
X9		DS-27	1N34AS	1N34A			

## ELECTROLYTIC CAPACITORS

ITEM No.	RATING		DELCO PART No.	REPLACEMENT DATA				
	CAP.	VOLT.		AEROVOX PART No.	CORNELL-DUBILIER PART No.	GENERAL ELECTRIC PART No.	MALLORY PART No.	SPRAGUE PART No.
C1A	650	16	7292515	AFH4-96-10	DD0005		FP401.65	TVL-4206, 1
B	400	16						
C	100	16						
D	4	11.5RMS						
C2	100	4	7291610	PTT30	NLW125-6	MT1-21	TT6X100	TE-1102
C3	30	6	7279696	PTT27	NLW30-15	MT1-13	TT6X30	TE-1092
C4	10	12	7292736	PTT53	NLW10-15	MT1-5	TT12X10	TL-1128

## CAPACITORS

ITEM No.	RATING	REMARKS	REPLACEMENT DATA					
			AEROVOX PART No.	CENTRALA6 PART No.	CORNELL-DUBILIER PART No.	ELMENCO PART No.	MALLORY PART No.	SPRAGUE PART No.
C9	.047 75V		DBE2847		WMF2847	1DP-2-473	PVC1147	2PS-847
C10		#7261971	DBE2847		WMF2847	1DP-2-473	PVC1147	2PS-847
C11	.047 75V		DBE2847		WMF2847	1DP-2-473	PVC1147	2PS-847
C12	.047 75V							
C13		#7267935						
C14	200 N750		N750-D1200	DTN-200	CV601UJ201K	CCTN-201	CN7320	10TCU-T20
C15	.0033 75V		DBE6D33	CPR-3300J	WMF1D33	6DP-1-332	FVC4233	6PS-D33
C16	.022 75V		DBE2822		WMF1822	1DP-1-223	FVC1122	2PS-S22
C17	.0047 75V		DBE6D47	CPR-4700J	WMF1847	6DP-1-472	FVC6247	6PS-D47
C18		#7262165						
C19	165 N150					*	*	10TCR-T175
C20	.047 75V		DBE2847		WMF2847	1DP-2-473	PVC1147	2PS-847
C21	.047 75V		DBE2847		WMF2847	1DP-2-473	PVC1147	2PS-847
C22	160 N60					*	*	10TCN-T60
C23	.001		BPD-001	DD-102	HVX162XP102M	CCD-102	B210	5HK-D10
C24	165 N220					*	*	10TCR-T175
C25	.047		DBE2847		WMF2847	1DP-2-473	PVC1147	2PS-847
C26	.002		BPD-002	DD-202	BYY601ZU202P	CCD-202	B220	5HK-D20
C27	.0082 75V		DBE6D82	CPR-8200J	WMF1862	6DP-2-622	FVC626	6PS-D62
C28	.001		BPD-001	DD-102	HVX162XP102M	CCD-102	B210	5HK-D10
C29		#7271564						

\* Not normally in distributor's stock. Available thru distributor on order to manufacturer.  
# Delco Part Number.

# PARTS LIST AND DESCRIPTION (CONTINUED)

(When ordering parts, state Model, Part Number, and Description.)

Replacement parts shown may be superseded by the availability of newly introduced replacements. Have your local distributor check Sams COUNTER FACTS for the most up-to-date replacement.

## CONTROLS

All wattages 1/2 watt, or less, unless otherwise listed.

ITEM No.	USE	RESISTANCE	REPLACEMENT DATA					
			DELCO PART No.	CENTRALAB PART No.	CLAROSTAT PART No.	CTS-IRC PART No.	MALLORY PART No.	
R1A B	Tone Volume/Switch	100K 20K	7289358	F1-100K, R2-25K, FFS107, RFS202, BB102, SB004, KR-4			† QJ-2173A	
R2	Bias	600Ω	7286601	V-600	U39-600		110-600	MR600P

† "CONCENTRIKIT" Equivalent: KB Kit, with Base Elements and Shafts: B11-128, P23-112 (Panel)  
B19-119X, R1-200 (Rear)  
S7 (Bushing)  
N4 (Spacer Nut)  
76-1 (Switch)

"SNAPTROL" Equivalent: BU8 ①, CF13, CR50T ②, SF10, SR13, N4, GC.  
① Alter Bushing to meet requirements. ② Do Not Use Tap.

## RESISTORS (Power and Special)

ITEM No.	RATING	REPLACEMENT DATA			ITEM No.	RATING	REPLACEMENT DATA		
		IRC PART No.	WORKMAN PART No.	DELCO PART No.			IRC PART No.	WORKMAN PART No.	DELCO PART No.
R28	.68Ω (Fusible)			7287480					

## COILS (RF-IF)

ITEM No.	USE	REPLACEMENT DATA					
		DELCO PART No.	MEISSNER PART No.	MERIT PART No.	MILLER PART No.	STANCOR PART No.	WORKMAN PART No.
L1	RF Choke (6.2uh)	7281946	19-1004	BC-565	4610	RTC-8520	T859
L2	Antenna	①					
L3	RF	①					
L4	Oscillator	①					
L5	Input IF	1221856	16-6704		6542	RTC-9399	TA653
L6	Output IF	1221857	16-6705		6543	RTC-9400	TA653

① Coils Assembly #7287957.

## FILTER CHOKE

ITEM No.	RATINGS			REPLACEMENT DATA					NOTES
	CURRENT (Measured)	DC RES.	INDUCTANCE TO CURRENT (1000~)	DELCO PART No.	MERIT PART No.	STANCOR PART No.	THORDARSON PART No.	TRIAD PART No.	
L7	620ma	.6Ω	8MH	1221623	C-4095	TC-2	TR-154	TY1TXT	

## TRANSFORMER (AUDIO OUTPUT)

ITEM No.	IMPEDANCE		REPLACEMENT DATA					NOTES
	PRI.	SEC.	DELCO PART No.	MERIT PART No.	STANCOR PART No.	THORDARSON PART No.	TRIAD PART No.	
	T1	12Ω Tap	@ 10Ω	7282057				

## SPEAKER

ITEM No.	TYPE	REPLACEMENT DATA		NOTES
		DELCO PART No.	QUAM PART No.	
SP1	4" x 10" PM 10Ω	7289653	410A2210	

## FUSE DEVICES

ITEM No.	TYPE	RATING	REPLACEMENT DATA						
			PART No.		LITTELFUSE PART No.		BUSS PART No.		
			FUSE	HOLDER	FUSE	HOLDER	FUSE	HOLDER	
F1	SFE	9 Amp.		In Fuse Block	307009			SFE 9	

## CABINETS & CABINET PARTS

(When Ordering Specify Model, Chassis & Color)

ITEM	PART No.	ITEM	PART No.
Escutcheon	7289349	Knob, Tuning or Volume	589822
Dial Pointer	7289341	Knob, Tone	386243
Pushbutton	7289750	Knob, Dummy	386242



# PHOTOFACT<sup>®</sup> with

# CIRCUITRACE<sup>®</sup>



TRADE NAME : Pontiac Model 7293512 (984596)  
 (1966 Pontiac)  
 SUPPLIER : For Current Address, See Annual Index.  
 TYPE SET : 6 Transistor AM Receiver  
 POWER SUPPLY : 12 Volt Storage Battery  
 RATING : 1.2 Amp. @ 12.6 Volts DC  
 TUNING RANGE : BROADCAST 540-1615KC

## ALIGNMENT INSTRUCTIONS

Check for specified source voltage.

Use only enough generator output to provide a usable indication.

Suggested Alignment Tools:

A1 thru A5, A9, A10.

GENERAL CEMENT: 5009, 8728A, 8987

WALSCO: 2531-X, 2536

A6, A7, A8.

GENERAL CEMENT: 8290, 8868, 9087

WALSCO: 2525, 2528, 2587

	SIGNAL GENERATOR COUPLING	SIGNAL GENERATOR FREQUENCY	RADIO DIAL SETTING	INDICATOR	ADJUST	REMARKS
1.	High side thru .1mfid to point $\Delta$ , low side to ground.	262KC (400v Mod.)	High Freq. End Stop.	Output Meter across voice coil.	A1, A2, A3, A4	Adjust for maximum.
Check setting of oscillator coil core (A5). Rear of core should be 1 3/8" from mounting end of coil form.						
2.	High side thru 82mmf to antenna receptacle, low side to ground.	1615KC	High Freq. End Stop.	Output Meter across voice coil.	A6, A7, A8	Adjust for maximum.
3.	"	600KC	600KC Signal	"	A9, A10	Adjust for maximum. Repeat step 2.

With radio installed in car and antenna fully extended, tune in a weak station near 1400KC and adjust A8 for maximum output.

NOTE: Remove tuning and dummy knobs for access to Antenna Trimmer (A8).

### PUSH-BUTTON ADJUSTMENT

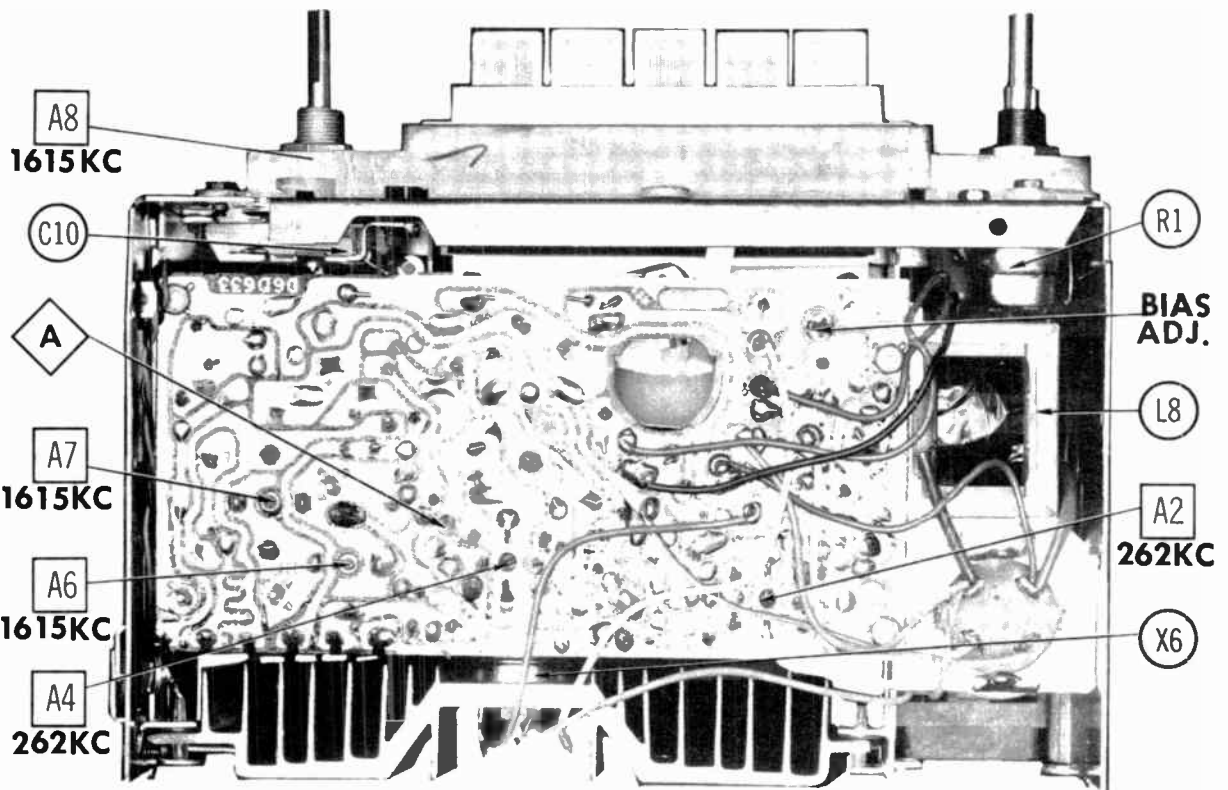
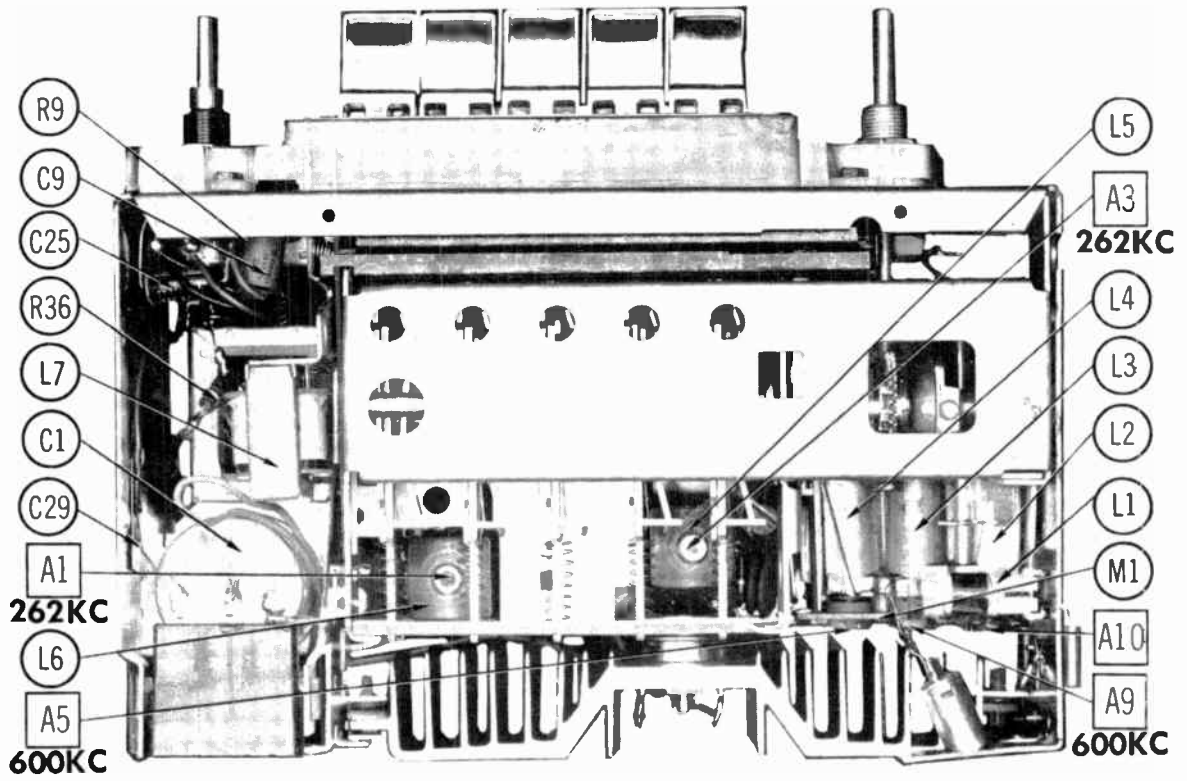
1. Pull button out.
2. Tune manually to desired station.
3. Press button in firmly.
4. Repeat for remaining buttons.

**HOWARD W. SAMS & CO., INC.** Indianapolis, Indiana 46206

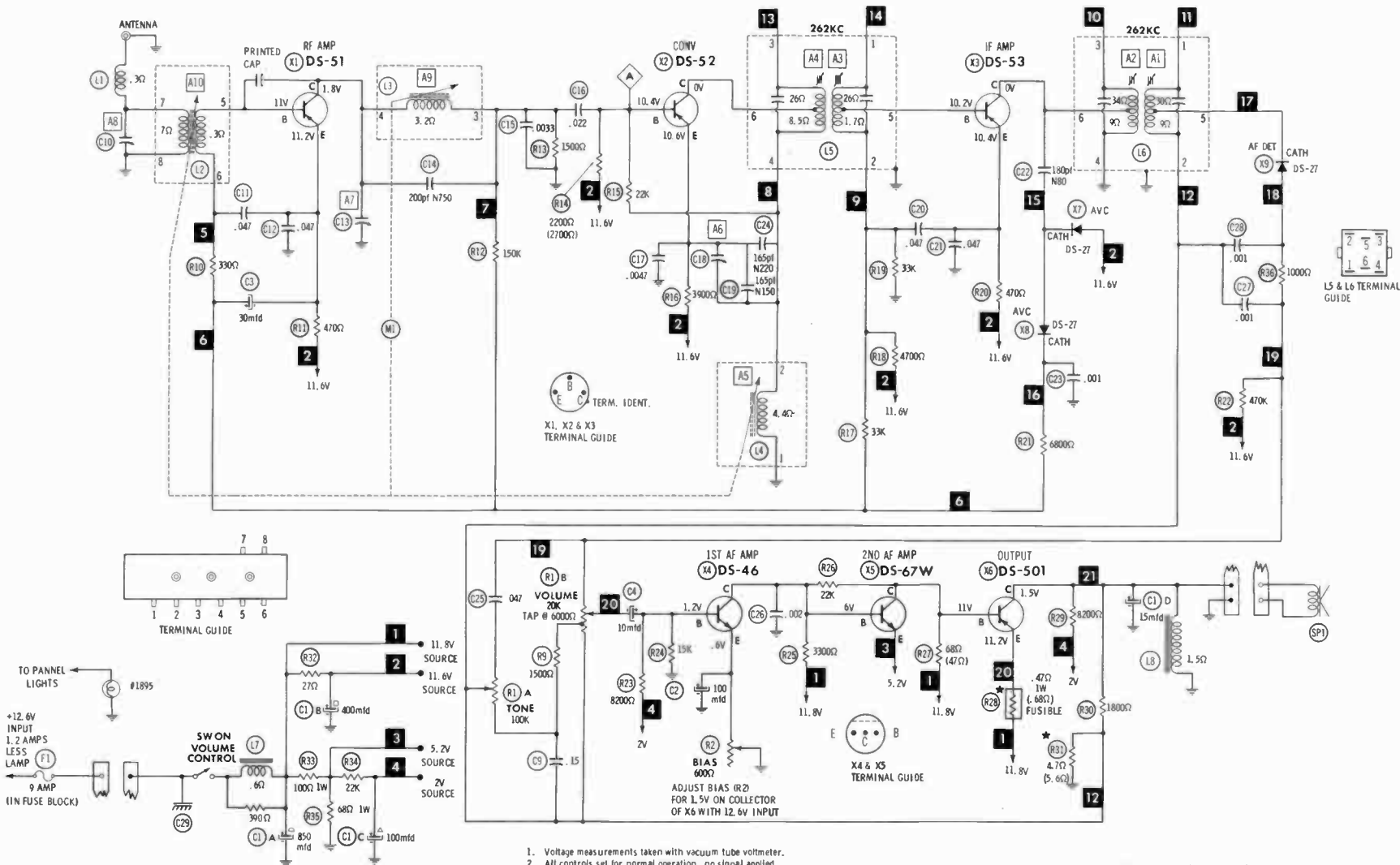
© 1966 Howard W. Sams & Co., Inc. Printed in U. S. of America RD503

World Radio History

PONTIAC MODEL 7293512 (984596)







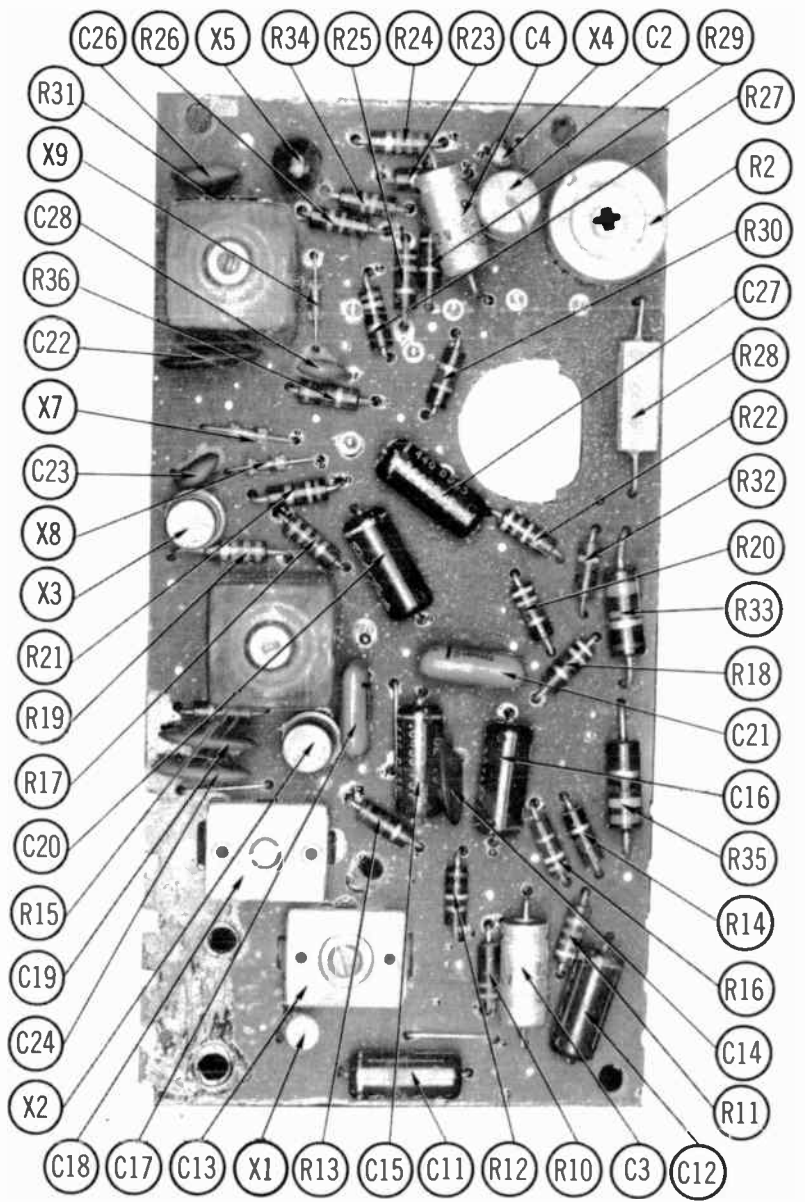
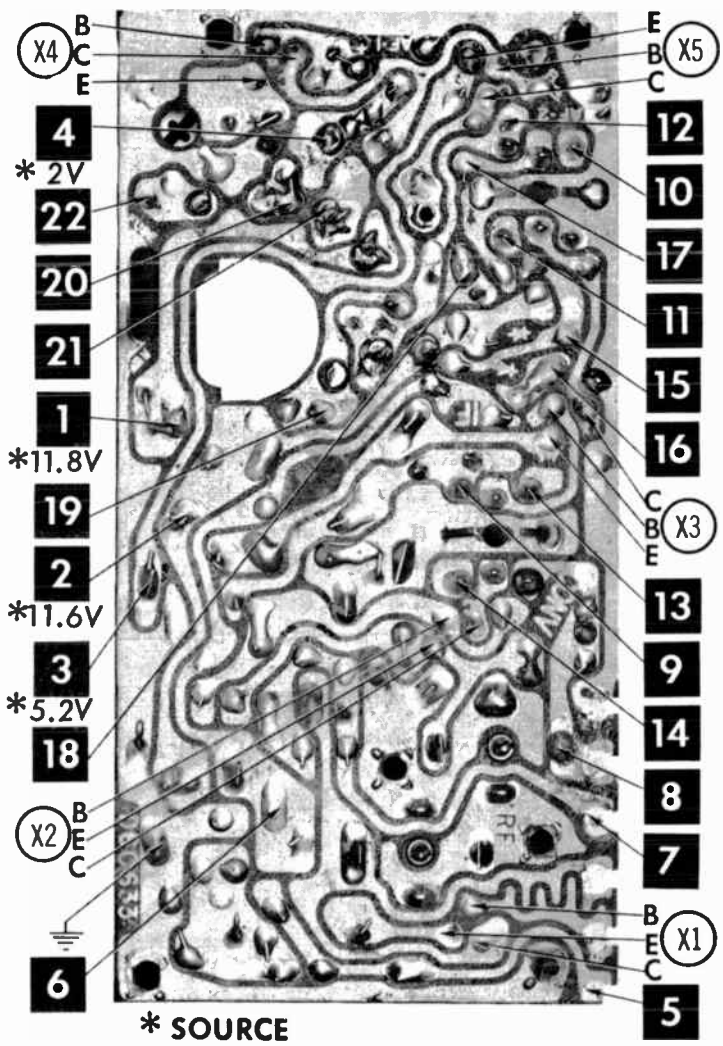
★ NOMINAL VALUE, MAY VARY.  
Resistors are 1/2 watt or less and rated 10% or 20% unless otherwise indicated.

A PHOTOFACIT STANDARD NOTATION SCHEMATIC with CIRCUITRACE

© Howard W. Sams & Co., Inc 1966

1. Voltage measurements taken with vacuum tube voltmeter.
2. All controls set for normal operation, no signal applied.
3. Measured values are from socket pin or terminal to common ground.
4. All terminals viewed from bottom unless otherwise designated.
5. Numbers assigned to terminals may not be found on the unit.
6. Supply voltage maintained at rated value for voltage readings.
7. Resistance measurements not given because of the wide variation in internal resistance of transistor.

PONTIAC MODEL 7293512 (984596)



# PARTS LIST AND DESCRIPTION

(When ordering parts, state Model, Part Number, and Description.)

Replacement parts shown may be superseded by the availability of newly introduced replacements.  
Have your local distributor check Sams COUNTER FACTS® for the most up-to-date replacement.

## TRANSISTORS

ITEM No.	ORIG. TYPE	USE	REPLACEMENT DATA			NOTES
			DELCO PART No.	GENERAL ELECTRIC PART No.	RCA PART No.	
X1	D6-51	RF Amp.	D6-25	GE-1	SK-3008	PNP
X2	D6-52	Conv.	D6-25	GE-1	SK-3008	PNP
X3	D6-53	IF Amp.	D6-25	GE-1	SK-3008	PNP
X4	D6-46	1st. AF Amp.	D6-46	GE-10	SK-3020	NPN
X5	(D6-66)† D6-67W (D6-66)†	2nd. AF Amp.	D6-66	GE-10	SK-3020	NPN
X6	D6-501	Output	D6-501	GE-4	SK-3012	PNP ♦

♦ When replacing, apply silicone grease to both sides of insulator. Tighten mounting screws securely. Check bias adjustment.

† Alternate

## POWER RECTIFIERS & SIGNAL DIODES

ITEM No.	MEASURED CURRENT	ORIGINAL Part or Type No.	RECTIFIERS & DIODES		RECTIFIERS		
			GENERAL ELECTRIC PART No.	INTERNATIONAL RECTIFIER PART No.	MALLORY PART No.	RCA PART No.	SARKES TARZIAN PART No.
X7		D6-27	1N34AS	1N34A			
X8		D6-27	1N34AS	1N34A			
X9		D6-27	1N34AS	1N34A			

## ELECTROLYTIC CAPACITORS

ITEM No.	RATING		DELCO PART No.	REPLACEMENT DATA				
	CAP.	VOLT.		AEROVOX PART No.	CORNELL-DUBILIER PART No.	GENERAL ELECTRIC PART No.	MALLORY PART No.	SPRAGUE PART No.
C1A	650	16	7291766	AFH4-96-10			FP401.9	TVLS-4206*
B	400	16						
C	100	16						
D	15	115RMS						
C2	100	4	7291610	PTT30	NLW125-6	MT1-21	TT6X100	TE-1102
C3	30	6	7279896	PTT27	NLW30-15	MT1-13	TT6X30	TE-1092
C4	10	12	7292736	PTT53	NLW10-15	MT1-5	TT12X10	TL-1126

\* Not normally in distributor's stock. Available thru distributor on order to manufacturer.

## CAPACITORS

ITEM No.	RATING		REMARKS	REPLACEMENT DATA					
				AEROVOX PART No.	CENTRALAB PART No.	CORNELL-DUBILIER PART No.	ELMENCO PART No.	MALLORY PART No.	SPRAGUE PART No.
C9	.15	75V		DBE2P15		WMF1P15	IDP-1-154	PVC1015	2PS-P15
C10			#7261971	DBE2S47		WMF2S47	IDP-2-473	PVC1147	2PS-847
C11	.047	75V		DBE2S47		WMF2S47	IDP-2-473	PVC1147	2PS-847
C12	.047	75V		DBE2S47		WMF2S47	IDP-2-473	PVC1147	2PS-847
C13			#7267935	DBE2S47		WMF2S47	IDP-2-473	PVC1147	2PS-847
C14	200	N750		N750-DI 200	DTN-200	CV601UJ201K	CCTN-201	CNT320	10TCU-T20
C15	.0033	75V		DBE6D33	CPR-3300J	WMF1D33	6DP-1-332	PVC4233	6PS-D33
C16	.022	75V		DBE2S22		WMF1S22	IDP-1-223	PVC1122	2PS-S22
C17	.0047	75V		DBE6D47	CPR-4700J	WMF1S47	6DP-1-472	PVC6247	6PS-D47
C18			#7282165	DBE6D47	CPR-4700J	WMF1S47	6DP-1-472	PVC6247	6PS-D47
C19	165	N150		DBE2S47		WMF2S47	IDP-2-473	PVC1147	10TCP-T175
C20	.047	75V		DBE2S47		WMF2S47	IDP-2-473	PVC1147	2PS-847
C21	.047	75V		DBE2S47		WMF2S47	IDP-2-473	PVC1147	2PS-847
C22	160	N60							10TCN-T60
C23	.001			BPD-001	DD-102	HVX162XP102M	CCD-102	B210	5HK-D10
C24	165	N220		BPD-001	DD-102	HVX162XP102M	CCD-102	B210	10TCR-T175
C25	.047			DBE2S47		WMF2S47	IDP-2-473	PVC1147	2PS-847
C26	.002			BPD-002	DD-202	BYE601ZU202P	CCD-202	B220	5HK-D20
C27	.0082	75V		DBE6D82	CPR-6200J	WMF1S82	6DP-2-622	PVC628	6PS-D82
C28	.001			BPD-001	DD-102	HVX162XP102M	CCD-102	B210	5HK-D10
C29			#7271564	BPD-001	DD-102	HVX162XP102M	CCD-102	B210	5HK-D10

\* Not normally in distributor's stock. Available thru distributor on order to manufacturer.  
# Delco Part Number.

## CONTROLS

All wattages 1/2 watt, or less, unless otherwise listed.

ITEM No.	USE	RESISTANCE	REPLACEMENT DATA					
			DELCO PART No.	CENTRALAB PART No.	CLAROSTAT PART No.	CTS-IRC PART No.	MALLORY PART No.	
R1A	Tone	100K	7289667	F1-100K, R14-25K			† QJ-1672A	FO15L, RU253T53,
B	Volume	20K Tap @ 6000Ω		FFS100, RFS110, BB012, SB004, KR-4				OS937, IS1562, US41
R2	Bias	600Ω	7266601	V-600	U39-600		110-600	MR600P

† "CONCENTRIKIT" Equivalent: K8 Kit, with Base Elements and Shafts: B11-126, P22-027 (Panel)  
B19-119X, R9-115 (Rear)  
S46 (Bushing)  
N4 (Spacer Nut)  
76-1 (Switch)

"SNAPTROL" Equivalent: BU6, CF13, CR50T, SF5, SR7, N4, GC.

## PARTS LIST AND DESCRIPTION (CONTINUED)

*(When ordering parts, state Model, Part Number, and Description.)*

Replacement parts shown may be superseded by the availability of newly introduced replacements.  
Have your local distributor check Sams COUNTER FACTS® for the most up-to-date replacement.

### RESISTORS (Power and Special)

ITEM No.	RATING	REPLACEMENT DATA			ITEM No.	RATING	REPLACEMENT DATA		
		IRC PART No.	WORKMAN PART No.	DELCO PART No.			IRC PART No.	WORKMAN PART No.	DELCO PART No.
R28	.47Ω (Fusible)			7281890					

### COILS (RF-IF)

ITEM No.	USE	REPLACEMENT DATA					
		DELCO PART No.	MEISSNER PART No.	MERIT PART No.	MILLER PART No.	STANCOR PART No.	WORKMAN PART No.
L1	RF Choke (6.2uh)	7281946	19-1004	BC-565	4610	RTC-8520	T859
L2	Antenna	①					
L3	RF	①					
L4	Oscillator	①					
L5	Input IF	1221858	16-8704		8542	RTC-9399	TA853
L6	Output IF	1221857	16-8705		8543	RTC-9400	TA853

① Coils Assembly #7287957.

### FILTER CHOKE

ITEM No.	RATINGS			REPLACEMENT DATA					NOTES
	CURRENT (Measured)	DC RES.	INDUCTANCE (0 CURRENT 1000~)	DELCO PART No.	MERIT PART No.	STANCOR PART No.	THORDARSON PART No.	TRIAD PART No.	
L7	1.2 Amp.	.6Ω	8MH	1221823	C-4095	TC-2	TR-154	TY17XT	

### CHOKE (AUDIO OUTPUT)

ITEM No.	INDUCTANCE	REPLACEMENT DATA					NOTES
		DELCO PART No.	MERIT PART No.	STANCOR PART No.	THORDARSON PART No.	TRIAD PART No.	
L8	30MH	1222297					

### SPEAKER

ITEM No.	TYPE	REPLACEMENT DATA			NOTES
		DELCO PART No.	QUAM PART No.		
SP1	4" x 10" PM 10Ω	7291442	410AZ10		

### FUSE DEVICES

ITEM No.	TYPE	RATING	REPLACEMENT DATA						
			PART No.		LITTELFUSE PART No.		BUSS PART No.		
			FUSE	HOLDER	FUSE	HOLDER	FUSE	HOLDER	
F1	SFE	9 Amp.		In Fuse Block	307009			SFE 9	

### CABINETS & CABINET PARTS

*(When Ordering Specify Model, Chassis & Color)*

ITEM	PART No.	ITEM	PART No.
Escutcheon	7289719	Knob, Tuning or Volume	9783850
Dial Pointer	7290180	Knob, Tone	9782421
Pushbutton	7290577	Knob, Dummy	9782420

### WIRING DATA

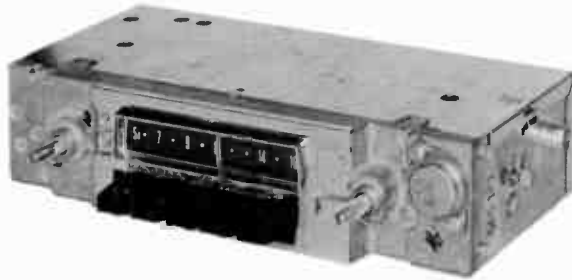
General-use Unshielded Hook-up Wire .....	Use BELDEN No. 8530 (Solid) Available in 12 Colors 8524 (Stranded) Available in 12 Colors
Shielded Hook-up Wire .....	Use BELDEN No. 8885
Rear Seat Speaker Extension Cable .....	Use BELDEN No. 8782 (Stranded) Coded Parallel Leads
Bonding Strap .....	Use BELDEN No. 8661 (3/8 In.) or 8670 (3/4 In.)

PONTIAC MODEL 7293512 (984596)



PHOTOFACT<sup>®</sup> with

CIRCUITRACE<sup>®</sup>



TRADE NAME : Rambler Models 6SMA, 6SMAM (8991716)  
 (1966 Rambler American)  
 SUPPLIER : For Current Address, See Annual Index.  
 TYPE SET : 6 Transistor AM Receiver  
 POWER SUPPLY : 12 Volt Storage Battery  
 RATING : .620 Amp. @ 12.6 Volts DC  
 TUNING RANGE : BROADCAST 540-1615KC

RAMBLER MODELS 6SMA, 6SMAM

## ALIGNMENT INSTRUCTIONS

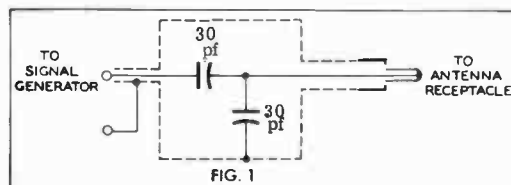
Check for specified source voltage.  
 Use only enough generator output to provide a usable indication.

Suggested Alignment Tools:

A1 thru A4.	GENERAL CEMENT: 9296, 9297, 9300
	WALSCO: 2510, 2546, 2547
A5, A6, A7.	GENERAL CEMENT: 8290, 8868, 9087
	WALSCO: 2525, 2528, 2587

	SIGNAL GENERATOR COUPLING	SIGNAL GENERATOR FREQUENCY	RADIO DIAL SETTING	INDICATOR	ADJUST	REMARKS
1.	High side thru .1mfid to Ant. Input, low side to ground.	262KC (400% Mod.)	High Freq. End Stop.	Output Meter across voice coil.	A1, A2, A3, A4	Adjust for maximum.
2.	Thru dummy (Fig. 1) to antenna receptacle.	1615KC	"	"	A5, A6, A7	"
Step 3 is not necessary unless tuner has been tampered with or associated components have been replaced. IF necessary, back tuning cores (A8, A9, A10) out of coils but not out of forms. Repeat step 2.						
3.	Thru dummy (Fig. 1) to antenna receptacle.	1000KC	Tune to Signal.	Output Meter across voice coil.	A8, A9, A10	Adjust for maximum. Repeat steps 2 & 3 until no further improvement is noted.

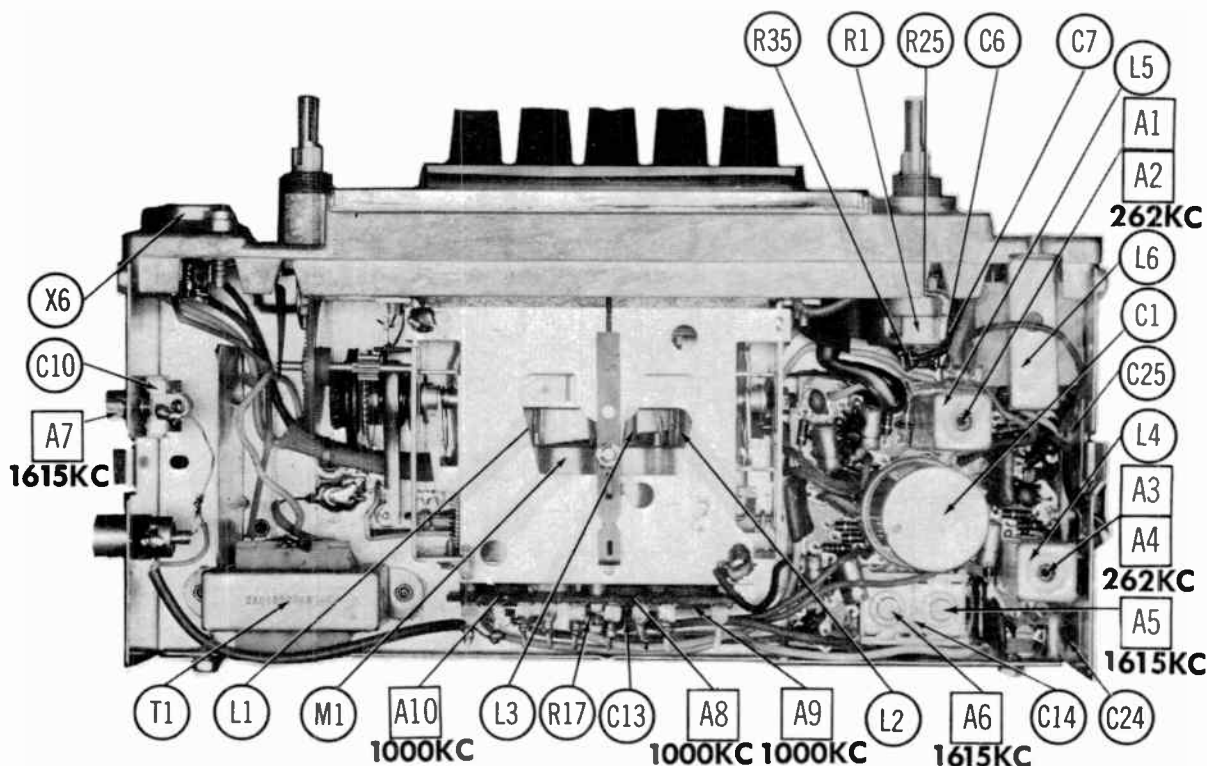
With radio installed in car and antenna fully extended, tune in a weak station near 1000KC and adjust A7 for maximum output.



### PUSH-BUTTON ADJUSTMENT

1. Pull button out.
2. Tune manually to desired station.
3. Press button in firmly.
4. Repeat for remaining buttons.

**HOWARD W. SAMS & CO., INC.** Indianapolis, Indiana 46206



## PARTS LIST AND DESCRIPTION

*(When ordering parts, state Model, Part Number, and Description.)*

Replacement parts shown may be superseded by the availability of newly introduced replacements.  
Have your local distributor check Sams COUNTER FACTS<sup>®</sup> for the most up-to-date replacement.

### WIRING DATA

General-use Unshielded Hook-up Wire .....	Use BELDEN No. 8530 (Solid) Available in 12 Colors 8524 (Stranded) Available in 12 Colors
Shielded Hook-up Wire .....	Use BELDEN No. 8885
Rear Seat Speaker Extension Cable .....	Use BELDEN No. 8782 (Stranded) Coded Parallel Leads
Bonding Strap .....	Use BELDEN No. 8661 (3/8 In.) or 8670 (3/4 In.)

### TRANSISTORS

ITEM No.	ORIG. TYPE	USE	REPLACEMENT DATA			NOTES
			DELCO PART No.	GENERAL ELECTRIC PART No.	RCA PART No.	
X1	M25B	RF Amp.	DS-46	GE-10	SK-3018	NPN
X2	M25A	Conv.	DS-46	GE-10	SK-3018	NPN
X3	M24B	IF Amp.	DS-46	GE-10	SK-3018	NPN
X4	M54	1st. AF Amp.	DS-46	GE-10	SK-3020	NPN
X5	M54	2nd. AF Amp.	DS-46	GE-10	SK-3020	NPN
X6	2N176	Output	DS-520	GE-10	SK-3009	PNP *

\* When replacing, apply silicone grease to both sides of insulator. Tighten mounting screws securely.

### POWER RECTIFIERS & SIGNAL DIODES

ITEM No.	MEASURED CURRENT	ORIGINAL Part or Type No.	RECTIFIERS & DIODES		RECTIFIERS		
			GENERAL ELECTRIC PART No.	INTERNATIONAL RECTIFIER PART No.	MALLORY PART No.	RCA PART No.	SARKES TARZIAN PART No.
X7		1N139	1N295	1N295			
X8		1N139	1N295	1N295			

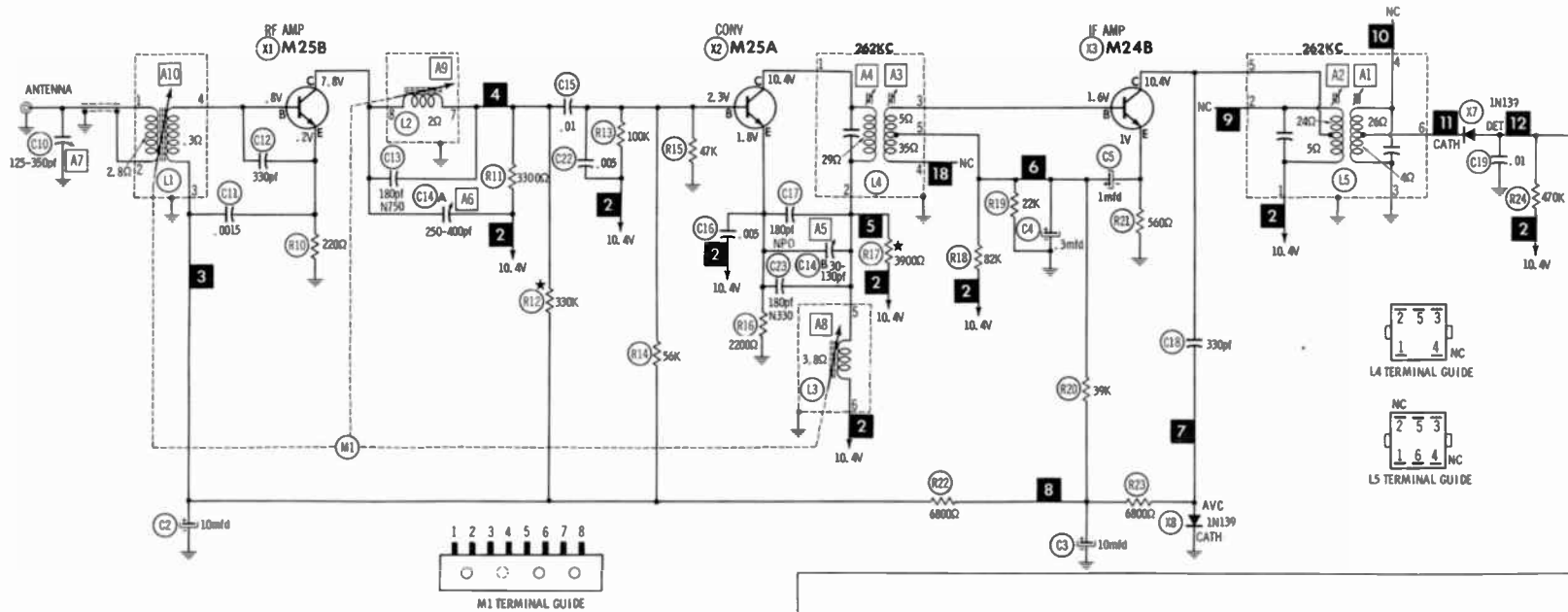
### ELECTROLYTIC CAPACITORS

ITEM No.	RATING		MOTOROLA PART No.	REPLACEMENT DATA				
	CAP.	VOLT.		AEROVOX PART No.	CORNELL-DUBILIER PART No.	GENERAL ELECTRIC PART No.	MALLORY PART No.	SPRAGUE PART No.
C1A	500	16	23C40302A04	PWH3-00-95			PFP300.18	PCL8-3026.11 *
B	500	16						
	100	16						
C2	10	6	23C43280A03	CRE307A	NLW10-6	MT1-5	TT6X10	TE-1087
C3	10	6	23C43280A03	CRE307A	NLW10-6	MT1-5	TT6X10	TE-1087
C4	.3	10	23C43280A07	BCD12001	NLW1-50	MT1-1	TT12X1	TE-1120
C5	1	10	23C43280A06	BCD12001	NLW1-50	MT1-1	TT12X1	TE-1120
C6	1	15	23C43280A01	BCD15001	NLW1-50	MT1-1	TT15X1	VL-1160
C7	.3	10	23C43280A08	BCD12001	NLW1-50	MT1-1	TT12X1	TE-1120
C8	2	10	23C43280A02	BCD12002	NLW2-50	MT1-1	PET1930	VL-1121

\* Not normally in distributor's stock. Available thru distributor on order to manufacturer.

① Use Part Number 23C43280A07 when ordering from Motorola.

CONTINUED PAGE 96



★ NOMINAL VALUE, MAY VARY.

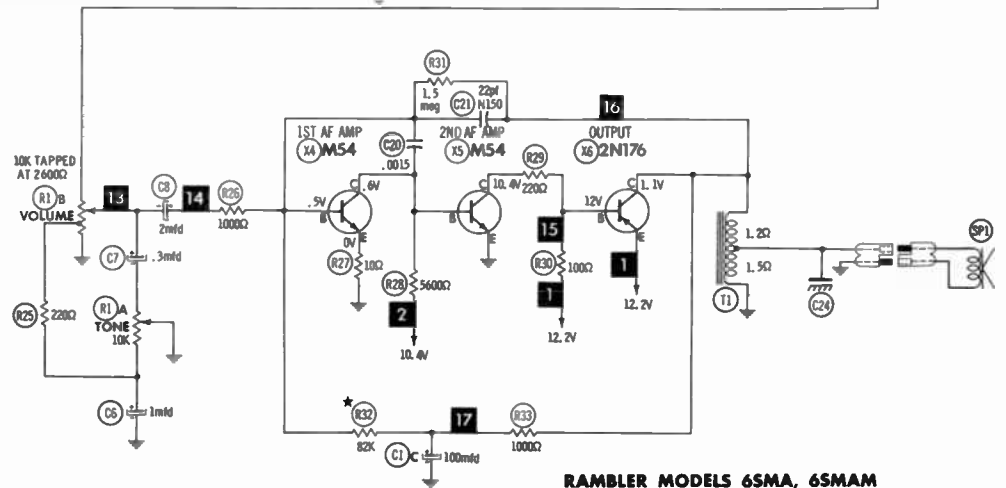
- See parts list
- 1. Voltage measurements taken with vacuum tube voltmeter.
- 2. All controls set for normal operation, no signal applied.
- 3. Measured values are from socket pin or terminal to common ground.
- 4. All terminals viewed from bottom unless otherwise designated.
- 5. Numbers assigned to terminals may not be found on the unit.
- 6. Supply voltage maintained at rated value for voltage readings.
- 7. Resistance measurements not given because of the wide variation in internal resistance of transistor.

Resistors are 1/2 watt or less and rated 5% unless otherwise indicated.

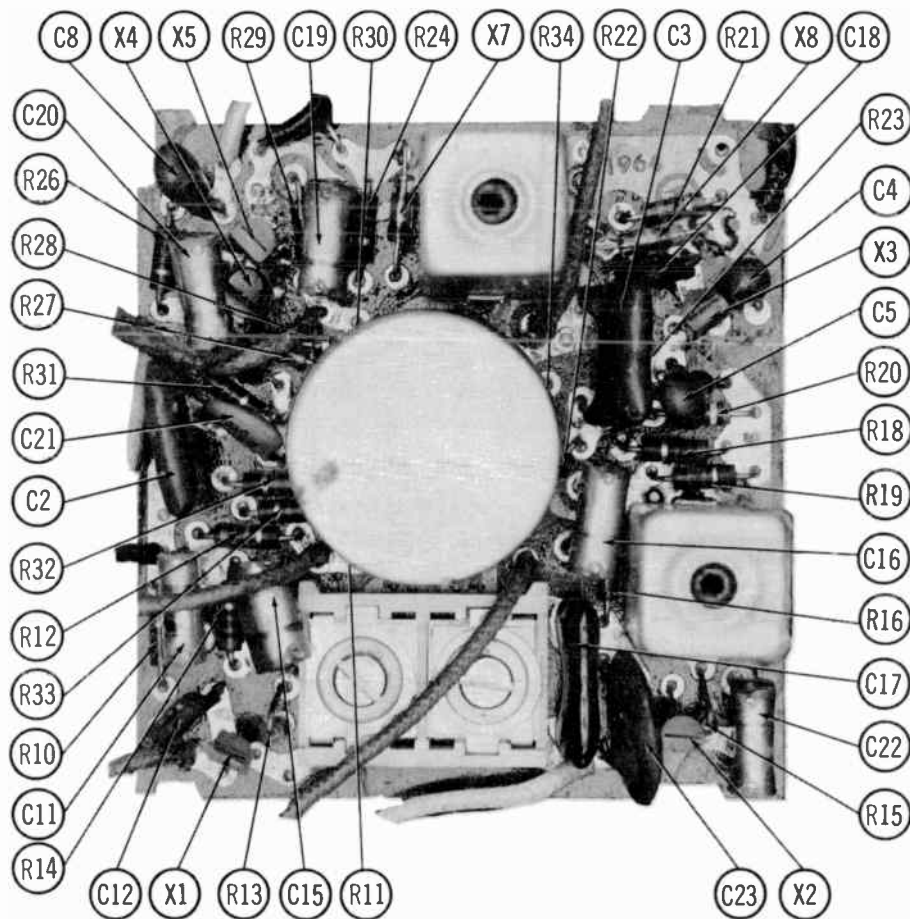
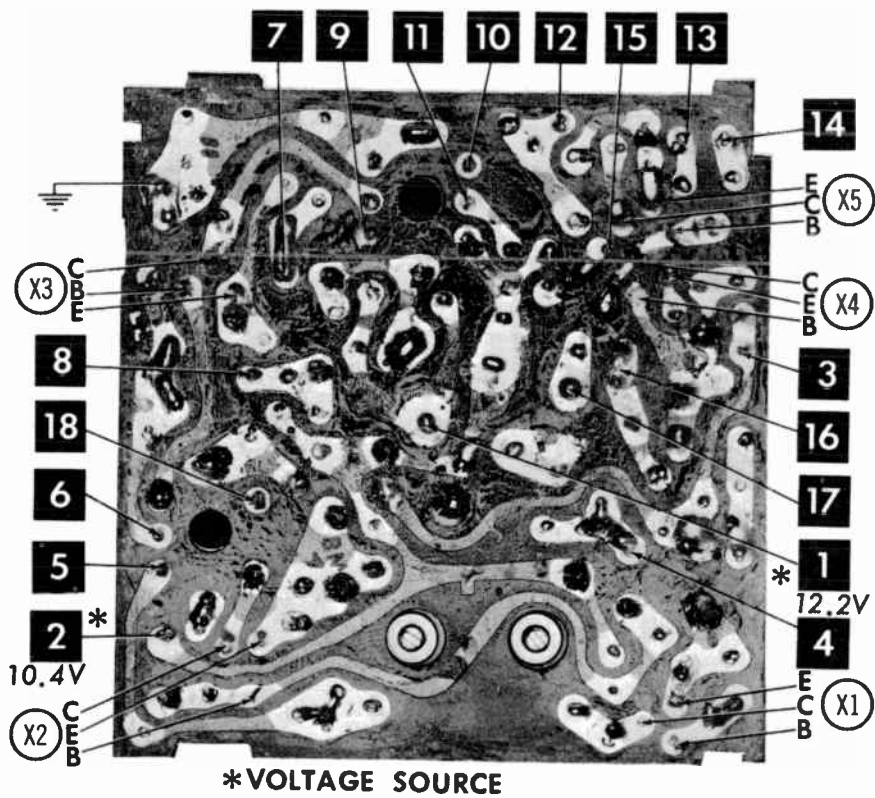


A PHOTOFAC STANDARD NOTATION SCHEMATIC with CIRCUITRACE

© Howard W. Sams & Co., Inc. 1966



RAMBLER MODELS 65MA, 65MAM





# PARTS LIST AND DESCRIPTION (CONTINUED)

(When ordering parts, state Model, Part Number, and Description.)

Replacement parts shown may be superseded by the availability of newly introduced replacements.  
Have your local distributor check Sams COUNTER FACTS® for the most up-to-date replacement.

## CAPACITORS

ITEM No.	RATING	REMARKS	REPLACEMENT DATA						
			AEROVOX PART No.	CENTRALAB PART No.	CORNELL-DUBILIER PART No.	ELMENCO PART No.	MALLORY PART No.	SPRAGUE PART No.	
C10	125-350	#20K565330							
C11	.0015 100V	†	BPD-0015	DD-152					
C12	330		DI-330	DD-331	JBZ601YP331K	CCD-152	B215	5HK-D15	
C13	180 N750			TCN-180		CCD-331	JF333	10TS-T33	
C14A	250-400	#OC40254A13					CN7318	10TCU-T18	
C14B	30-130								
C15	.01 100V		DBE4S1	CPR-10000J	WMF1S1	1DP-1-103	PVC211	4PS-810	
C16	.005 100V		DBE6D5	CPR-5000J	DPMS6D5	1DP-1-502	PVC625	6PS-D50	
C17	180 NPO			DTZ-180			CN0318	10TCC-T18	
C18	330		DI-330	DD-331	JBZ601YP331K	CCD-331	JF333	10TS-T33	
C19	.01 100V		DBE4S1	CPR-10000J	WMF1S1	1DP-1-103	PVC211	4PS-810	
C20	.0015 100V		BPD-0015	DD-152		CCD-152	B215	5HK-D15	
C21	22 N150					*	*	10TCP-Q22	
C22	.005 100V		DBE6D5	CPR-5000J	DPMS6D5	1DP-1-502	PVC625	6PS-D50	
C23	180 N470					*	*	10TCT-T18	
C24		#64K561877							
C25		#64K561877							

\* Not normally in distributor's stock. Available thru distributor on order to manufacturer.

# Motorola Part Number.

† Nominal Value.

## CONTROLS

All wattages 1/2 watt, or less, unless otherwise listed.

ITEM No.	USE	RESISTANCE	REPLACEMENT DATA					
			MOTOROLA PART No.	CENTRALAB PART No.	CLAROSTAT PART No.	CTS-IRC PART No.	MALLORY PART No.	
R1A	Tone	10K	18D42832A04	F1-10K①			† QJ-2166A	FA14L①, RU14T53, O8750A, IS1250, UB41
B	Volume/Switch	10K Tap @ 2600Ω		R18-10K, FFS012, RFS104, KR-4				

① Use Original Spring Mounting Clip.

† "CONCENTRIKIT" Equivalent: K8①, Kit, with Base Elements and Shafts: B11-116, P17-024 (Panel)  
B19-116X, R18-106 (Rear)  
76-1 (Switch)

## COILS (RF-IF)

ITEM No.	USE	REPLACEMENT DATA					
		MOTOROLA PART No.	MEISSNER PART No.	MERIT PART No.	MILLER PART No.	STANCOR PART No.	WORKMAN PART No.
L1	Antenna	①					
L2	RF	①					
L3	Oscillator	①					
L4	Input IF	24D42517A19					
L5	Output IF	24D42517A20					

① Part of M1 or (Tuning Coil Assembly, Part Number 1V43200A09).

## FILTER CHOKE

ITEM No.	RATINGS			REPLACEMENT DATA					NOTES
	CURRENT (Measured)	DC RES.	INDUCTANCE (0 CURRENT 1000~)	MOTOROLA PART No.	MERIT PART No.	STANCOR PART No.	THORDARSON PART No.	TRIAD PART No.	
L6	.620A	.8Ω	11MH	25D43221A05 25D43221A11 ①	C-4095	TC-2	TR-154	TY17XT	① Use this Part Number when ordering from Motorola.

## TRANSFORMER (AUDIO OUTPUT)

ITEM No.	IMPEDANCE		REPLACEMENT DATA					NOTES
	PRI.	SEC.	MOTOROLA PART No.	MERIT PART No.	STANCOR PART No.	THORDARSON PART No.	TRIAD PART No.	
	T1	12Ω Tap @ 8Ω		25D43220A07				

## SPEAKER

ITEM No.	TYPE	RATING	REPLACEMENT DATA		NOTES
			MOTOROLA PART No.	QUAM PART No.	
SP1	4" x 10" PM	8Ω	50D43465A01		

## FUSE DEVICES

ITEM No.	TYPE	RATING	REPLACEMENT DATA					
			PART No.		LITTELFUSE PART No.		BUSS PART No.	
			FUSE	HOLDER	FUSE	HOLDER	FUSE	HOLDER
F1	AGA	5A	65R122345	9C41095A21	301005	155004A	AGA 5	HAF

## MISCELLANEOUS

ITEM No.	PART NAME	MOTOROLA PART No.	NOTES
M1	Tuner Coil Assembly Printed Circuit Board	1U43500A01 1V43200A09 84D43494A01	AT-534

## CABINETS & CABINET PARTS

(When Ordering Specify Model, Chassis & Color)

ITEM	PART No.	ITEM	PART No.
Dial Scale	34B43159A01	Knob, Tone or Dummy	36C43562A01
Escutcheon (Model 68MA)	1V43200A63	Pushbutton	38A42343A03
Escutcheon (Model 68MAM)	1V43200A68	Dial Pointer	52C42062A22
Knob, Tuning or Volume	36C43560A01		



**PHOTOFACT<sup>®</sup>** with

**CIRCUITRACE<sup>®</sup>**

TRADE NAME : Ranger Model RR-3M  
 Tenna Models TC-310M/MD  
 SUPPLIER : For Current Address, See Annual Index.  
 TYPE SET : 6 Transistor AM Receiver  
 POWER SUPPLY : 6 Volts or 12 Volt Storage Battery  
 RATING : 1 Amp. @ 6.3 Volts DC  
 1 Amp. @ 12.6 Volts DC  
 TUNING RANGE : BROADCAST 540-1615KC



## ALIGNMENT INSTRUCTIONS

Check for specified source voltage.  
 Use only enough generator output to provide a usable indication.

Suggested Alignment Tools:

A1 thru A4.

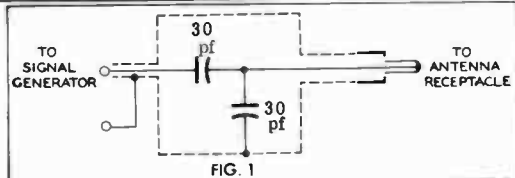
GENERAL CEMENT: 8606, 8606L, 8869

WALSCO: 2543, 2544, 2588

A5, A6, A7.

GENERAL CEMENT: 8290, 8868, 9087

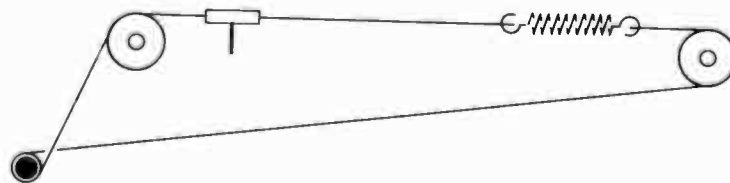
WALSCO: 2525, 2528, 2587



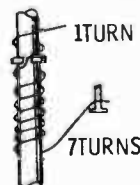
	SIGNAL GENERATOR COUPLING	SIGNAL GENERATOR FREQUENCY	RADIO DIAL SETTING	INDICATOR	ADJUST	REMARKS
1.	High side thru .1mfid to point <b>A</b> , low side to ground.	262KC (400v Mod.)	High Freq. End Stop.	Output Meter across voice coil.	A1, A2, A3, A4	Adjust for maximum.
2.	Thru dummy (Fig. 1) to antenna receptacle.	1615KC	"	"	A5, A6, A7	"

With radio installed in car and antenna fully extended, tune in a weak station near 1400KC and adjust A7 for maximum output.

## DIAL CORD STRINGING



TUNING SLUGS FULLY OUT

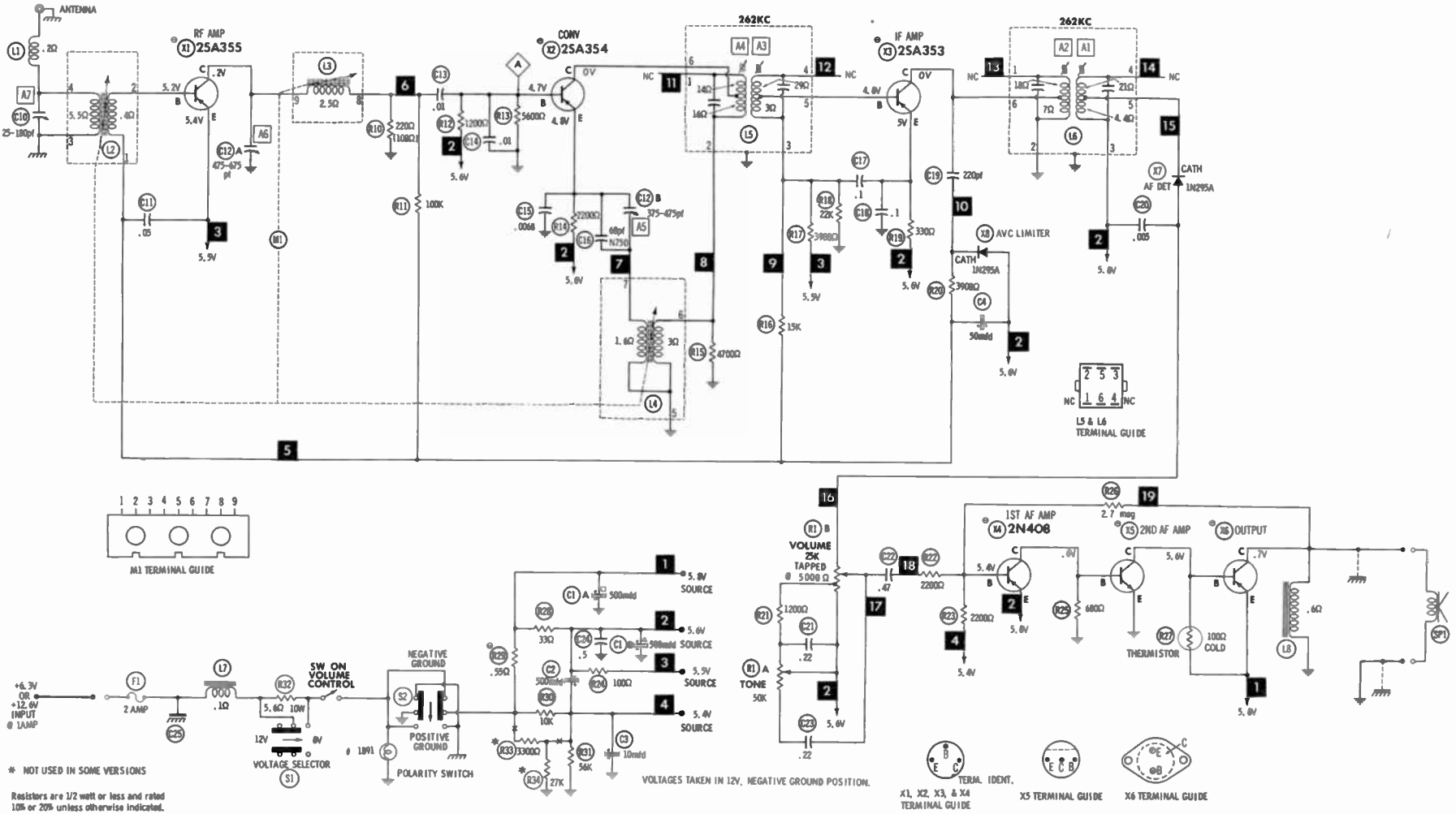


RANGER & TENNA UNIVERSAL SERIES

**HOWARD W. SAMS & CO., INC.** Indianapolis, Indiana 46206

© 1966 Howard W. Sams & Co., Inc. Printed in U. S. of America

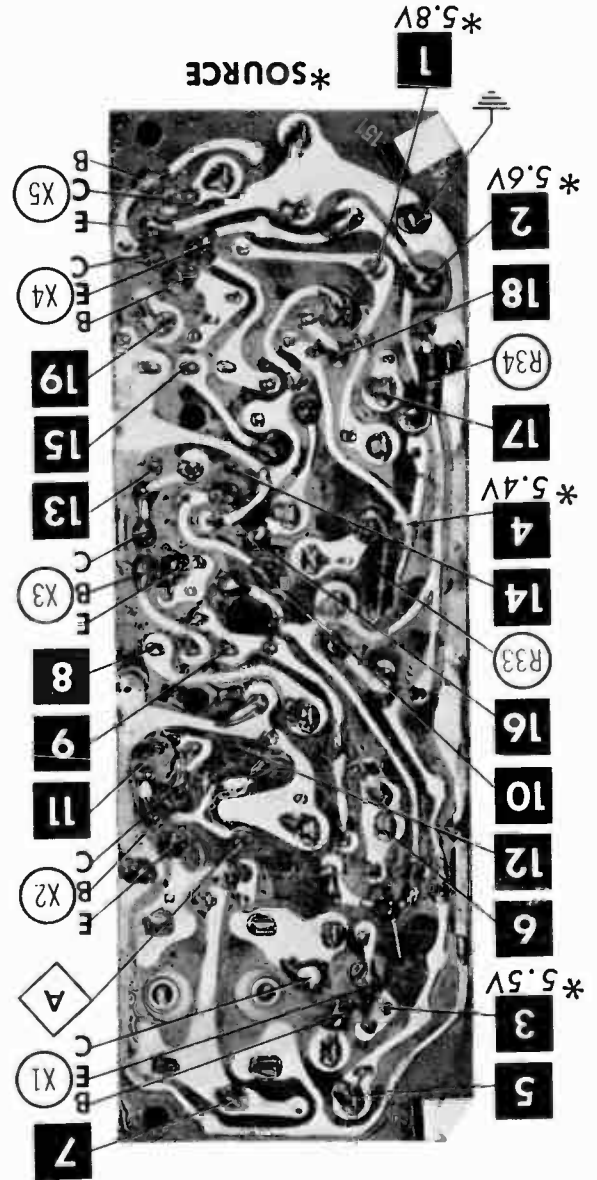
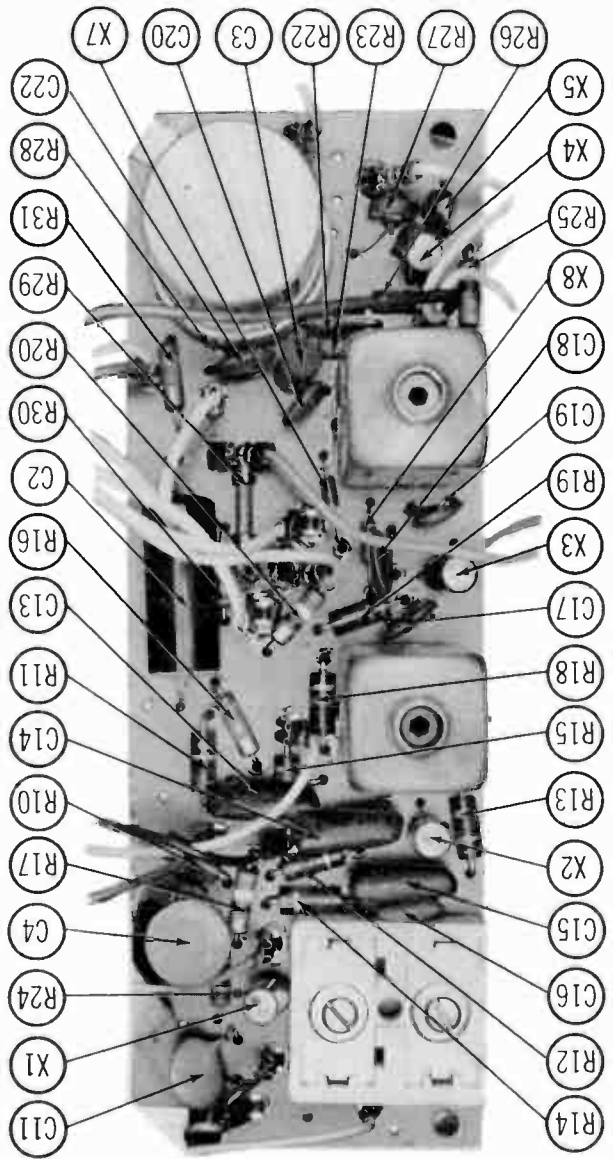
RD448

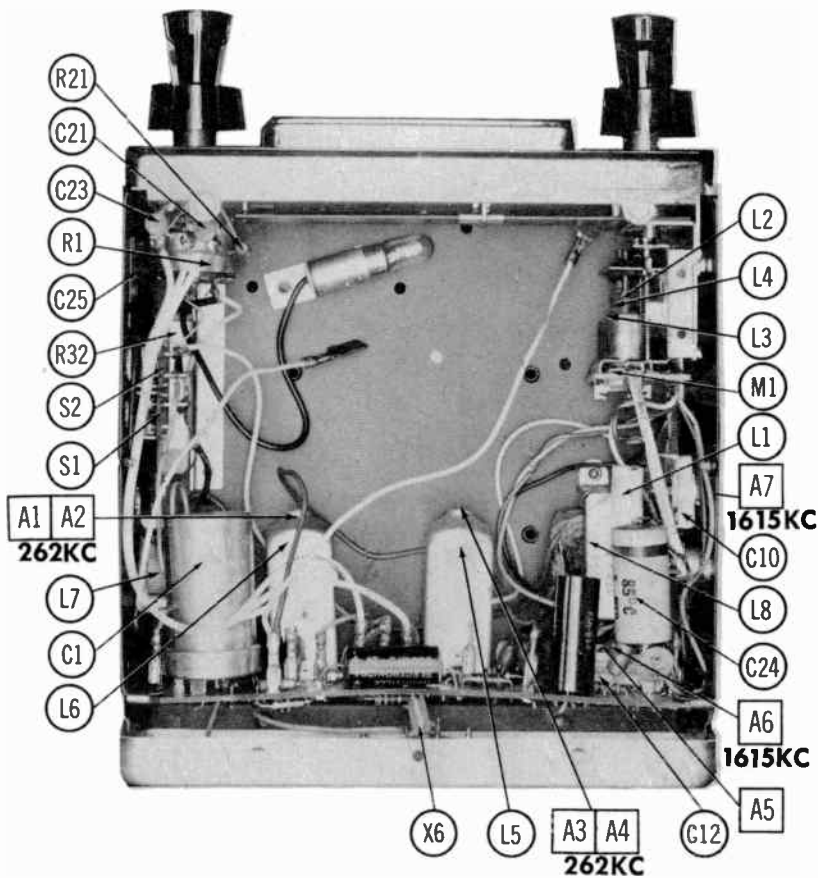


- \* NOT USED IN SOME VERSIONS
- Resistors are 1/2 watt or less and rated 10% or 20% unless otherwise indicated.
1. Voltage measurements taken with vacuum tube voltmeter.
  2. All controls set for normal operation, no signal applied.
  3. Measured values are from socket pin or terminal to common ground.
  4. All terminals viewed from bottom unless otherwise designated.
  5. Numbers assigned to terminals may not be found on the unit.
  6. Supply voltage maintained at rated value for voltage readings.
  7. Resistance measurements not given because of the wide variation in internal resistance of transistor.

**RANGER & TENNA UNIVERSAL SERIES**

A PHOTOFAC STANDARD NOTATION SCHEMATIC  
with **CIRCUITRACT**  
© Howard W. Sams & Co., Inc. 1966





## PARTS LIST AND DESCRIPTION

(When ordering parts, state Model, Part Number, and Description.)

Replacement parts shown may be superseded by the availability of newly introduced replacements. Have your local distributor check Sams COUNTER FACTS for the most up-to-date replacement.

### WIRING DATA

General-use Unshielded Hook-up Wire .....	Use BELDEN No. 853D (Solid) Available in 12 Colors 8524 (Stranded) Available in 12 Colors
Shielded Hook-up Wire .....	Use BELDEN No. 8885
Rear Seat Speaker Extension Cable .....	Use BELDEN No. 8782 (Stranded) Coded Parallel Leads
Bonding Strap .....	Use BELDEN No. 8661 (3/8 In.) or 8670 (3/4 In.)

### TRANSISTORS

ITEM No.	ORIG. TYPE	USE	REPLACEMENT DATA			NOTES
			DELCO PART No.	GENERAL ELECTRIC PART No.	RCA PART No.	
X1	28A355	RF Amp.	D8-25	GE-9	SK-3006	PNP
X2	28A354	Conv.	D8-25	GE-9	SK-3006	PNP
X3	28A353	IF Amp.	D8-25	GE-9	SK-3006	PNP
X4	3N408	1st. AF Amp.	D8-26	GE-2	SK-3003	PNP
X5	2N2712	2nd. AF Amp.	D8-46	GE-10	SK-3020	PNP
X6	2N257	Output	D8-520	GE-3	SK-3009	PNP

• When replacing, apply silicone grease to both sides of insulator. Tighten mounting screws securely.

### POWER RECTIFIERS & SIGNAL DIODES

ITEM No.	MEASURED CURRENT	ORIGINAL Part or Type No.	RECTIFIERS & DIODES		
			GENERAL ELECTRIC PART No.	INTERNATIONAL RECTIFIER PART No.	RECTIFIERS
			MALLORY PART No.	RCA PART No.	SARKIS TARZIAN PART No.
X7		1N295A	1N295	1N295	
X8		1N295A	1N295	1N295	

### ELECTROLYTIC CAPACITORS

ITEM No.	RATING		REPLACEMENT DATA					
	CAP.	VOLT.	TENNA PART No.	AEROVOX PART No.	CORNELL-DUBILIER PART No.	GENERAL ELECTRIC PART No.	MALLORY PART No.	SPRAGUE PART No.
C1A	500	16	111001-512	PWH2-02-40	BPC#10	XC2-45	PPF200.64	PCL5-2177 *
B	500	16						
C2	500	3	111001-501	CRE243A	BR500-6	MT1-26	TC305	TE-1068
C3	10	15	111002-103	BCD15010	NLW10-15	MT1-15	PET1760	VL-1107
C4	50	3	111002-104	BCD8050	NLW50-3	MT1-15	PET1575	VL-1045

\* Not normally in distributor's stock. Available thru distributor on order to manufacturer.

# PARTS LIST AND DESCRIPTION (CONTINUED)

(When ordering parts, state Model, Part Number, and Description.)

Replacement parts shown may be superseded by the availability of newly introduced replacements.  
Have your local distributor check Sams COUNTER FACTS® for the most up-to-date replacement.

## CAPACITORS

ITEM No.	RATING	REMARKS	REPLACEMENT DATA					
			AEROVOX PART No.	CENTRALAB PART No.	CORNELL-DUBILIER PART No.	ELMENCO PART No.	MALLORY PART No.	SPRAGUE PART No.
C10	25-180	#110000-088	TTD-05		HOV101ZV503Z		TA150	TH-850
C11	.05							
C12A	475-875	#110000-080						
B	375-475							
C13	.01 200V							
C14	.01 200V							
C15	.0068 200V							
C16	68 N750							
C17	.1							
C18	.1							
C19	220							
C20	.005							
C21	.22							
C22	.47							
C23	.22							
C24	.5							
C25		#111002-103						

# Tenna Part Number.

## CONTROLS

All wattages 1/2 watt, or less, unless otherwise listed.

ITEM No.	USE	RESISTANCE	REPLACEMENT DATA					
			TENNA PART No.	CENTRALAB PART No.	CLAROSTAT PART No.	CTS-IRC PART No.	MALLORY PART No.	
RIA	Tone	50K	145004-023	#2-50K, R14-25K, RFS104, RFS111, BA012, CA005, KR-4			† QJ-2167A	
B	Volume/Switch	25K Tap @ 15K						

† "CONCENTRIKIT" Equivalent: K7 Kit, with Base Elements and Shafts: B13-123, P21-029 (Panel)  
B19-119X, R9-110 (Rear)  
76-1 (Switch)

"SNAPTROL" Equivalent: BU6, CF63, CR50T, SF5, SR40, GC.

## RESISTORS (Power and Special)

ITEM No.	RATING	REPLACEMENT DATA			ITEM No.	RATING	REPLACEMENT DATA		
		IRC PART No.	WORKMAN PART No.	TENNA PART No.			IRC PART No.	WORKMAN PART No.	TENNA PART No.
R27	100Ω (Cold)			149000-046	R32	56Ω 10W			149000-059
R29	.55Ω (PTC)			149000-040					

## COILS (RF-IF)

ITEM No.	USE	REPLACEMENT DATA					
		TENNA PART No.	MEISSNER PART No.	MERIT PART No.	MILLER PART No.	STANCOR PART No.	WORKMAN PART No.
L1	RF Choke (5.6uh)	114000-282	19-1008	8W-631	4609	RTC-8519	T959
L2	Antenna						
L3	RF Oscillator						
L4	Input IF	114000-283	16-8711		6520	RTC-9396	
L5	Input IF						
L6	Output IF	114000-284	16-8711		6521	RTC-9396	

## FILTER CHOKE

ITEM No.	RATINGS			REPLACEMENT DATA					NOTES
	CURRENT (Measured)	DC RES.	INDUCTANCE (0 CURRENT 1000~)	TENNA PART No.	MERIT PART No.	STANCOR PART No.	THORDARSON PART No.	TRIAD PART No.	
L7	1 Amp.	.1Ω	3MH	161000-141	C-4095	TC-1	TR-159	TY16XT	

## CHOKE (AUDIO OUTPUT)

ITEM No.	INDUCTANCE	REPLACEMENT DATA					NOTES
		TENNA PART No.	MERIT PART No.	STANCOR PART No.	THORDARSON PART No.	TRIAD PART No.	
L8	6MH	161000-142	C-4095	TC-2	TR-155	TY17XT	

## SPEAKER

ITEM No.	TYPE	REPLACEMENT DATA		NOTES
		TENNA PART No.	QUAM PART No.	
SP1	5" PM 8Ω	155009-159	5A1Z8	

## FUSE DEVICES

ITEM No.	TYPE	RATING	REPLACEMENT DATA					
			PART No.		LITTELFUSE PART No.		BUSS PART No.	
			FUSE	HOLDER	FUSE	HOLDER	FUSE	HOLDER
F1	AGA	2A	128000-013	120000-134	301002	155004A	AGA 2	HAF

## MISCELLANEOUS

ITEM No.	PART NAME	TENNA PART No.	NOTES
M1	Tuner	164000-090	
S1	Voltage Selector Sw.	158000-506	
S2	Polarity Switch	158000-500	

## CABINETS & CABINET PARTS

(When Ordering Specify Model, Chassis & Color)

ITEM	PART No.	ITEM	PART No.
Dial Glass (Model: TC-310M)	122000-141	Knob, Tone	134000-124
Dial Glass (Model: TC-310MD)	122005-026	Knob Dummy	134000-125
Knob, Volume or Tuning	134004-022		

RANGER & TENNA UNIVERSAL SERIES



# PHOTOFACT<sup>®</sup> with

# CIRCUITRACE<sup>®</sup>



**TRADE NAME :** Riverside Models:  
 FLH-16518A (1964/65 Chevrolet & GMC Trucks)  
 FLH-16533A (1962-65 Chevy II)  
 FLH-16535A (1965 Chevelle)  
 FLH-16658A (1964/65 Tempest)

**SUPPLIER :** For Current Address, See Annual Index.

**TYPE SET :** 5 Transistor AM Receiver

**POWER SUPPLY :** 12 Volt Storage Battery

**RATING :** .720 Amp. @ 12.6 Volts DC

**TUNING RANGE :** BROADCAST 540-1615KC

## ALIGNMENT INSTRUCTIONS

Check for specified source voltage.  
 Use only enough generator output to provide a usable indication.

Suggested Alignment Tools:

A1 thru A4.

GENERAL CEMENT: 8606, 8606L, 8869

WALSCO: 2543, 2544, 2588

A5, A6, A7.

GENERAL CEMENT: 8290, 8868, 9087

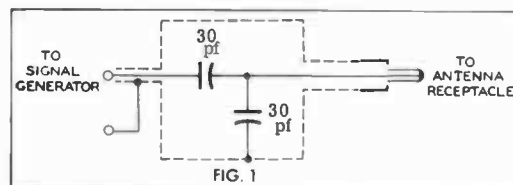
WALSCO: 2525, 2528, 2587

	SIGNAL GENERATOR COUPLING	SIGNAL GENERATOR FREQUENCY	RADIO DIAL SETTING	INDICATOR	ADJUST	REMARKS
1.	High side thru .1mf to point $\Delta$ , low side to ground.	262KC (400v Mod.)	High Freq. End Stop.	Output Meter across voice coil.	A1, A2, A3, A4	Adjust for maximum.
2.	Thru dummy (Fig. 1) to antenna receptacle.	1615KC	"	"	A5, A6, A7	"

Antenna Adjustment (A7) located on right side of radio.

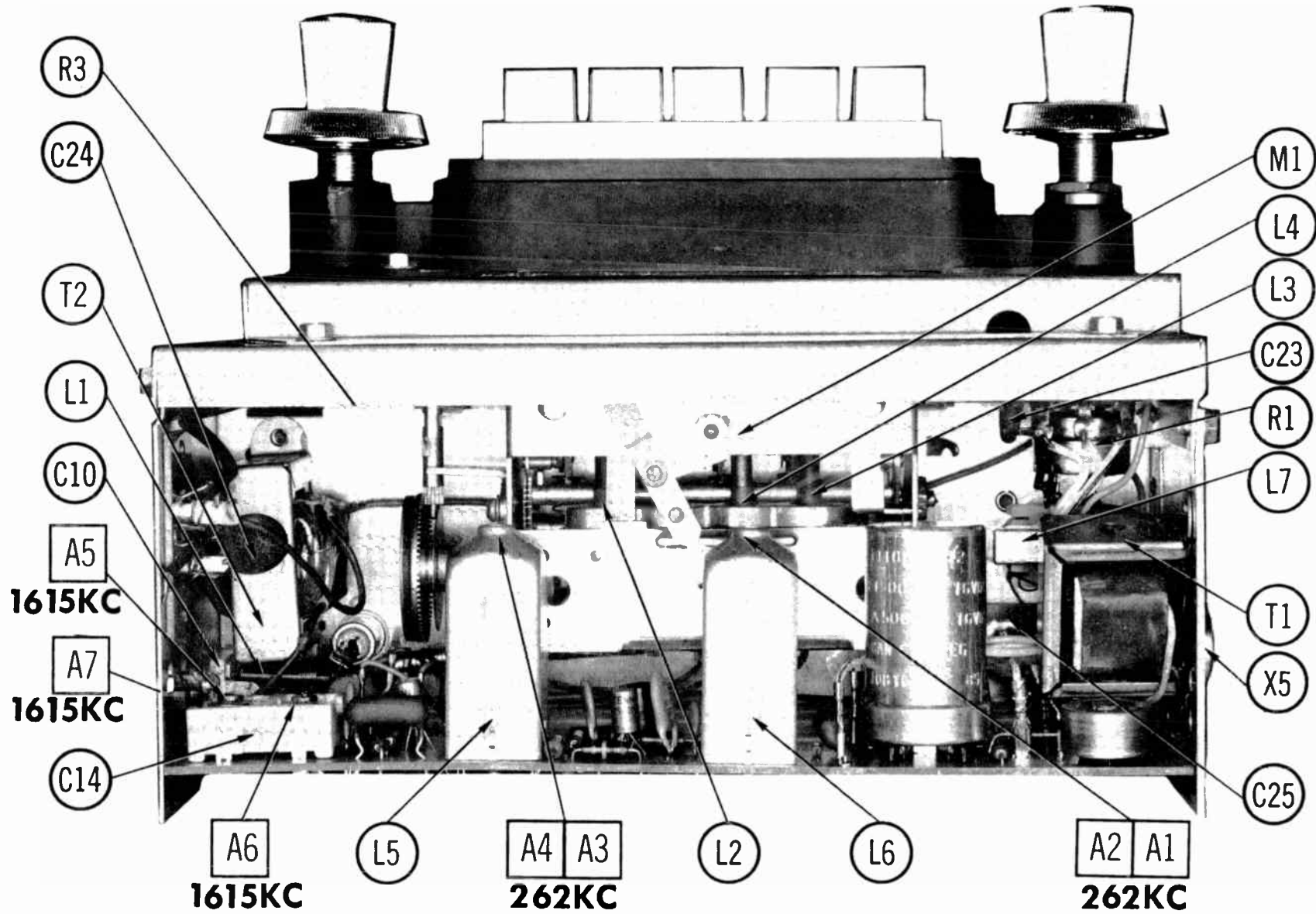
### PUSH-BUTTON ADJUSTMENT

1. Pull button out.
2. Tune manually to desired station.
3. Press button in firmly.
4. Repeat for remaining buttons.

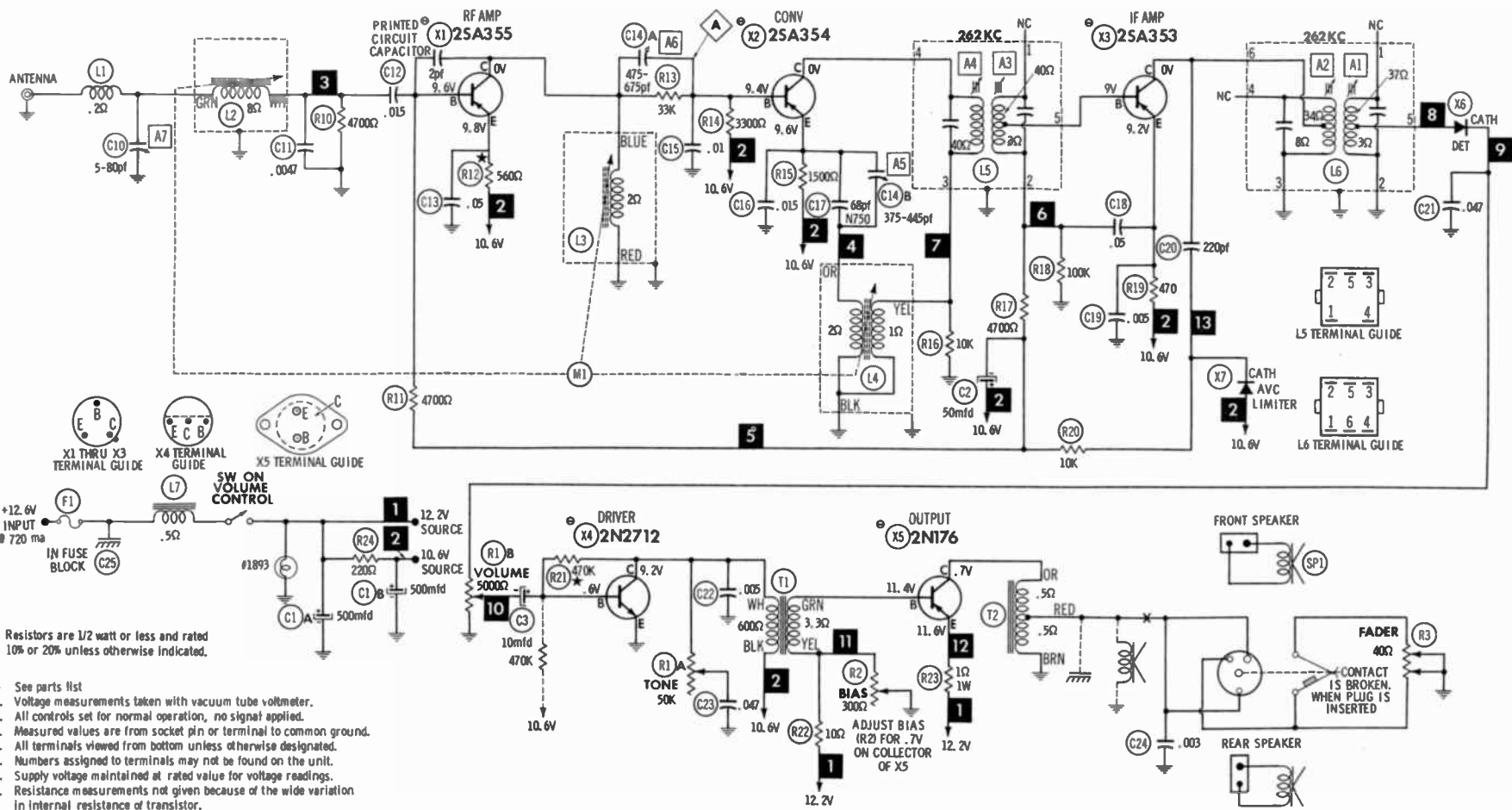


RIVERSIDE MODELS FLH-16518A/33A/35A, FLH-16658A

**HOWARD W. SAMS & CO., INC.** Indianapolis, Indiana 46206





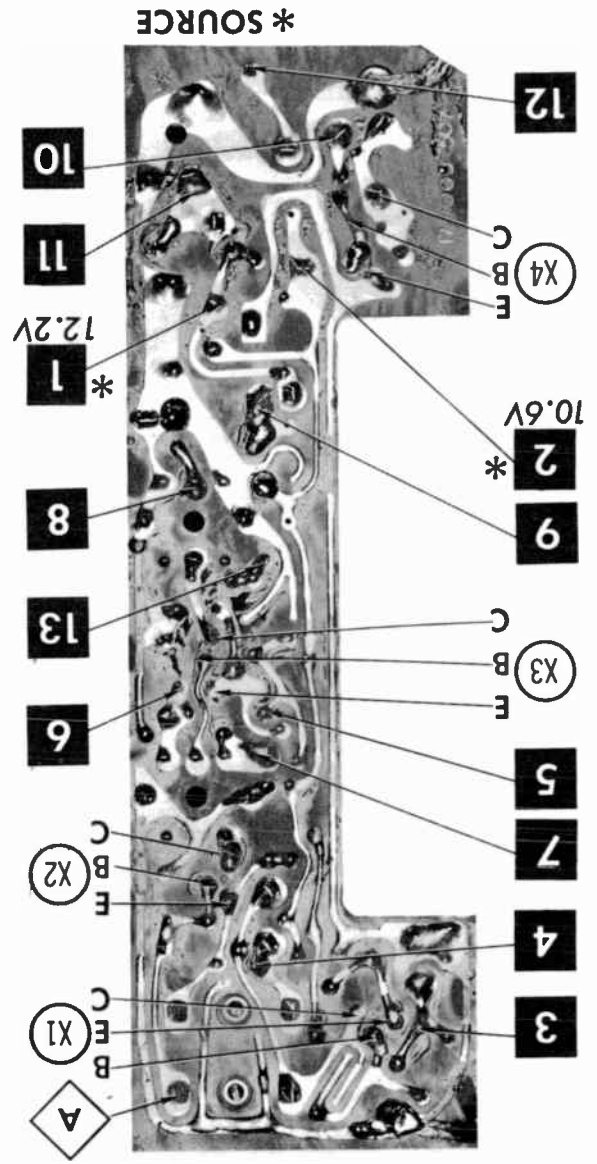
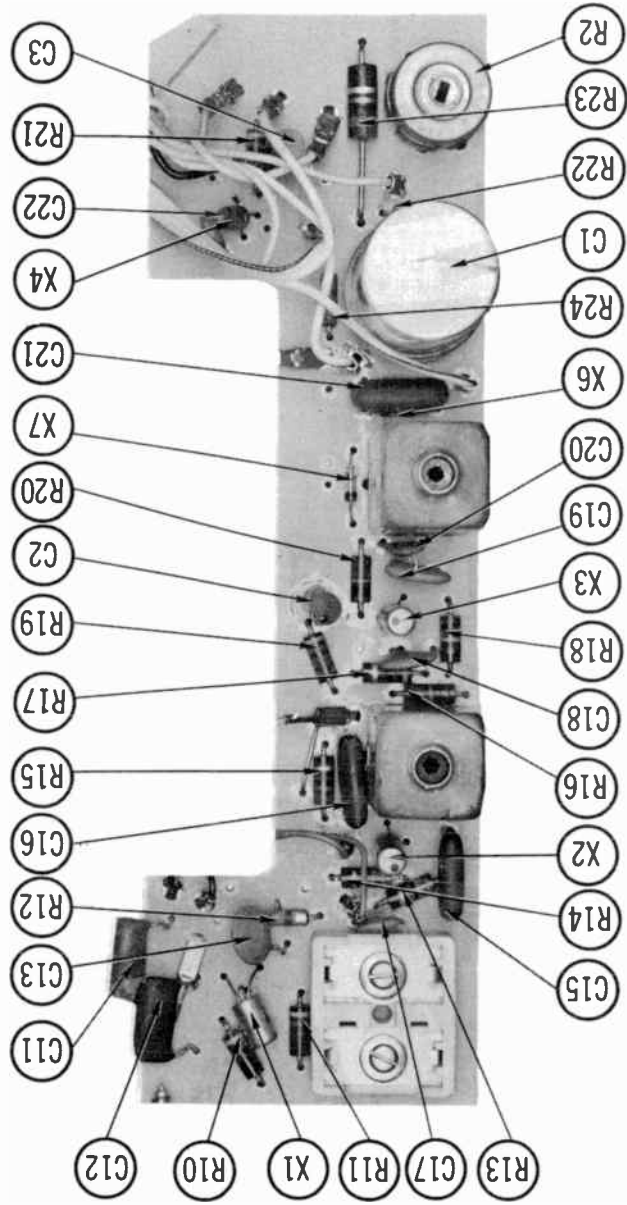


Resistors are 1/2 watt or less and rated 10% or 20% unless otherwise indicated.

- Ⓢ See parts list
- 1. Voltage measurements taken with vacuum tube voltmeter.
- 2. All controls set for normal operation, no signal applied.
- 3. Measured values are from socket pin or terminal to common ground.
- 4. All terminals viewed from bottom unless otherwise designated.
- 5. Numbers assigned to terminals may not be found on the unit.
- 6. Supply voltage maintained at rated value for voltage readings.
- 7. Resistance measurements not given because of the wide variation in internal resistance of transistor.

A PHOTOFACT STANDARD NOTATION SCHEMATIC with CIRCUITRACE  
 © Howard W. Sams & Co., Inc. 1966

**RIVERSIDE MODELS FLH-16518A/33A/35A, FLH-16658A**



# PARTS LIST AND DESCRIPTION

(When ordering parts, state Model, Part Number, and Description.)

Replacement parts shown may be superseded by the availability of newly introduced replacements.  
Have your local distributor check Sams COUNTER FACTS<sup>®</sup> for the most up-to-date replacement.

## WIRING DATA

General-use Unshielded Hook-up Wire .....	Use BELDEN No. 8530 (Solid) Available in 12 Colors 8524 (Stranded) Available in 12 Colors
Shielded Hook-up Wire .....	Use BELDEN No. 8885
Rear Seat Speaker Extension Cable .....	Use BELDEN No. 8782 (Stranded) Coded Parallel Leads
Bonding Strap .....	Use BELDEN No. 8661 (3/8 In.) or 8670 (3/4 In.)

## TRANSISTORS

ITEM No.	ORIG. TYPE	USE	REPLACEMENT DATA			NOTES
			DELCO PART No.	GENERAL ELECTRIC PART No.	RCA PART No.	
X1	2SA355	RF Amp.	DS-25	GE-9	SK-3008	PNP
X2	2N1837†	Conv.	DS-25	GE-9	SK-3008	PNP
	2SA354					
X3	2N1839†	IF Amp.	DS-25	GE-9	SK-3008	PNP
X4	2SA353	Driver Output	DS-48	GE-10	SK-3009	NPN
X5	2N178					

♦ When replacing, apply silicone grease to both sides of insulator. Tighten mounting screws securely.  
Check bias adjustment. † Alternate.

## POWER RECTIFIERS & SIGNAL DIODES

ITEM No.	MEASURED CURRENT	ORIGINAL Part or Type No.	RECTIFIERS				DIODES
			GENERAL ELECTRIC PART No.	MALLORY PART No.	RCA PART No.	SARKS TARZIAN PART No.	GENERAL ELECTRIC PART No.
X6		1N295A					1N295
X7		1N295A					1N295

## ELECTROLYTIC CAPACITORS

ITEM No.	RATING		RIVERSIDE PART No.	REPLACEMENT DATA				
	CAP.	VOLT.		AEROVOX PART No.	CORNELL-DUBILIER PART No.	GENERAL ELECTRIC PART No.	MALLORY PART No.	SPRAGUE PART No.
C1A	500	18	111001-512	PWH2-02-40	BPC010	KC2-45	PPF200.64	PCL8-2177*
B	500	18						
C2	50	3	111002-104	BCD3050	EC8P50-3	MT1-15	PET1575	VL-1045
C3	10	15	111002-103	BCD15010	EC8P10-15	MT1-5	PET1760	VL-1187

\* Not normally in distributor's stock. Available thru distributor on order to manufacturer.

## CAPACITORS

ITEM No.	RATING	REMARKS	REPLACEMENT DATA					
			AEROVOX PART No.	CENTRALAB PART No.	CORNELL-DUBILIER PART No.	ELMenco PART No.	MALLORY PART No.	SPRAGUE PART No.
C10	5-80	#110000-087						
C11	.0047	200V	BPD-0047	DD-472	BYX601ZU472P	CCD-472	B247	5HK-D47
C12	.015	200V	DBE4815		DPMS4815	1DP-1-153	PVC2115	4P8-815
C13	.05		TTD-05		HOV101ZV503Z		TA150	TH-850
C14A	475-875	#110000-080						
B	375-445							
C15	.01	200V	DBE491	CPR-10000J	WMF181	1DP-1-103	PVC211	4P8-810
C18	.015	200V	DBE4815		DPMS4815	1DP-1-153	PVC2115	4P8-815
C17	68	N750	N750-DI 68	DTN-68	CS801UJ680K	CCTN-680	CN7468	10TCU-Q68
C18	.05		TTD-05		HOV101ZV503Z		TA150	TH-850
C19	.005		BPD-005	DD-502	BYX601ZU502P	CCD-502	B250	5HK-D50
C20	220		DI-220	DD-221	JB601YP221K	CCD-221	JF220	10T8-T22
C21	.047	200V	P288N-05	DF-503	PM285	4DP-3-503	PVC215	2TM-850
C22	.005		BPD-005	DD-502	BYX601ZU502P	CCD-502	B250	5HK-D50
C23	.047	200V	P288N-047	DF-503	PM285	4DP-3-503	PVC215	2TM-850
C24	.003		BPD-0033	DD-332	BY8601ZU332P	CCD-332	B233	5HK-D33
C25		#110000-021						

# Riverside Part Number.

## CONTROLS

All wattages 1/2 watt, or less, unless otherwise listed.

ITEM No.	USE	RESISTANCE	REPLACEMENT DATA					
			RIVERSIDE PART No.	CENTRALAB PART No.	CLAROSTAT PART No.	CTS-IRC PART No.	MALLORY PART No.	
R1A	Tone Volume/Switch	50K	145000-191①	F1-50K, R2-5000, FFS111, RFS203, BB102, KR-4			QJ-1846A†	
B	Tone Volume/Switch	5000Ω	145005-030②	F1-50K, R2-5000, FFS114, RFS204, BB110, KR-4			QJ-2150A††	
R2	Bias Fader	300Ω 2W	145000-207	V-300	US9-300		110-300	
R3	Fader	40Ω 2W	145000-163①					
	Fader	40Ω 2W	145005-010②					

† "CONCENTRIKIT" Equivalent: K8 Kit, with Base Elements and Shafts: B11-123, P22-121 (Panel)  
B13-114, R8-202 (Rear)

†† "CONCENTRIKIT" Equivalent: K8 Kit, with Base Elements and Shafts: B11-123, P17-129 (Panel)  
B13-114, R26-206 (Rear)  
88, 78-1 (Bushing & Switch)

① Used in Model FLH-16518A

② Used in Model FLH-16533A

# PARTS LIST AND DESCRIPTION (CONTINUED)

(When ordering parts, state Model, Part Number, and Description.)

Replacement parts shown may be superseded by the availability of newly introduced replacements.  
Have your local distributor check Sams COUNTER FACTS for the most up-to-date replacement.

## COILS (RF-IF)

ITEM No.	USE	REPLACEMENT DATA					
		RIVERSIDE PART No.	MEISSNER PART No.	MERIT PART No.	MILLER PART No.	STANCOR PART No.	WORKMAN PART No.
L1	RF Choke (5. 0uh)	114000-282	19-1008	SW-831	4609	RTC-8519	T959
L2	Antenna	①					
L3	RF	①					
L4	Oscillator	①					
L5	Input IF	114000-217	16-8712		8522	RTC-9397	
L6	Output IF	114000-218	16-8719				

① Part of M1.

## FILTER CHOKE

ITEM No.	RATINGS			REPLACEMENT DATA					NOTES
	CURRENT (Measured)	DC RES.	INDUCTANCE (DC CURRENT 1000~)	RIVERSIDE PART No.	MERIT PART No.	STANCOR PART No.	THORDARSON PART No.	TRIAD PART No.	
L7	.720 Amp	.5Ω	3MH	181000-146	C-4124	TC-1	TR-159	TY16XT	

## TRANSFORMER (DRIVER)

ITEM No.	TURNS RATIO		REPLACEMENT DATA					NOTES
	PRI.	SEC.	RIVERSIDE PART No.	MERIT PART No.	STANCOR PART No.	THORDARSON PART No.	TRIAD PART No.	
T1	5.5	1	181000-171					

## TRANSFORMER (AUDIO OUTPUT)

ITEM No.	IMPEDANCE		REPLACEMENT DATA					NOTES
	PRI.	SEC.	RIVERSIDE PART No.	MERIT PART No.	STANCOR PART No.	THORDARSON PART No.	TRIAD PART No.	
T2	30Ω Tap	8Ω	161000-185					

## SPEAKER

ITEM No.	TYPE			REPLACEMENT DATA		NOTES
				RIVERSIDE PART No.	QUAM PART No.	
SP1	4" x 10"	PM	8Ω	155009-148	410A2Z8	Models: FLH-16533A FLH-16658A Models: FLH-18518A Model: FLH-16535A
	8" x 9"	PM	8Ω	155009-151	69A1Z8	
	4" x 9"	PM	8Ω	155009-154	410A2Z8	

## FUSE DEVICES

ITEM No.	TYPE	RATING	REPLACEMENT DATA						
			PART No.		LITTELFUSE PART No.		BUSS PART No.		
			FUSE	HOLDER	FUSE	HOLDER	FUSE	HOLDER	
F1	AGW	2 1/2 A		In Fuse Block	30302.5			AGW 2 1/2	

## MISCELLANEOUS

ITEM No.	PART NAME	RIVERSIDE PART No.	NOTES
M1	Tuner	164004-001	Models FLH-16533A FLH-16518A FLH-16535A / FLH-16658A Model FLH-16518A
	Tuner	164004-002	

## CABINETS & CABINET PARTS

(When Ordering Specify Model, Chassis & Color)

ITEM	PART No.	ITEM	PART No.
Model : FLH-16533A		Model: FLH-16535A	
Dial Glass	122004-016	Knob-Tone or Dummy	134004-032
Knob-Tuning or Volume	134005-026	Pushbutton	107000-087
Knob-Tone or Dummy	134000-084	Pushbutton	107000-088
Pushbutton	107000-079	Pushbutton	107000-089
Pushbutton	107000-080	Pushbutton	107000-090
Pushbutton	107000-081	Pushbutton	107000-091
Pushbutton	107000-082	Model: FLH-16658A	
Pushbutton	107000-083	Dial Glass	122000-140
Model: FLH-16518A		Knob-Tuning or Volume	134004-027
Dial Glass	122000-135	Knob-Tone or Dummy	134004-030
Knob-Tuning or Volume	134004-029	Pushbutton	107000-106
Knob-Tone or Dummy	134000-084		
Pushbutton	107000-087		
Pushbutton	107000-088		
Pushbutton	107000-089		
Pushbutton	107000-090		
Pushbutton	107000-091		
Model: FLH-18535A			
Dial Glass	122000-135		
Knob-Tuning or Volume	134005-026		

RIVERSIDE MODELS FLH-16518A/33A/35A, FLH-16658A



# PHOTOFACT<sup>®</sup> with

# CIRCUITRACE<sup>®</sup>



**TRADE NAME:** Riverside Models:  
 FLH-16529A 1965 Chevrolet  
 FLH-16531A 1965 Corvaal  
 FLH-16653A 1965 Oldsmobile  
 For Current Address, See Master Index.

**SUPPLIER:**

**TYPE SET:** 5 Transistor AM Receiver

**POWER SUPPLY:** 12 Volt Storage Battery

**RATING:** .720 Amp. @ 12.6 Volts DC

**TUNING RANGE:** BROADCAST 540-1615KC

## ALIGNMENT INSTRUCTIONS

Check for specified source voltage.  
 Use only enough generator output to provide a usable indication.

Suggested Alignment Tools:

A1 thru A4. GENERAL CEMENT: 8606, 8606L, 8869  
 WALSCO: 2543, 2544, 2588  
 A5, A6, A7. GENERAL CEMENT: 8290, 8868, 9087  
 WALSCO: 2525, 2528, 2587

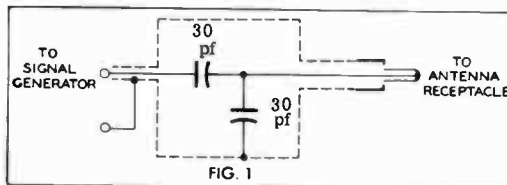
	SIGNAL GENERATOR COUPLING	SIGNAL GENERATOR FREQUENCY	RADIO DIAL SETTING	INDICATOR	ADJUST	REMARKS
1.	High side thru .1mfd to point $\Delta$ , low side to ground.	262KC (400% Mod.)	High Freq. End Stop.	Output Meter across voice coil.	A1, A2, A3, A4	Adjust for maximum.
2.	Thru dummy (Fig. 1) to antenna receptacle.	1615KC	"	"	A5, A6, A7	"

With radio installed in car and antenna fully extended, tune in a weak station near 1400KC and adjust A7 for maximum output.

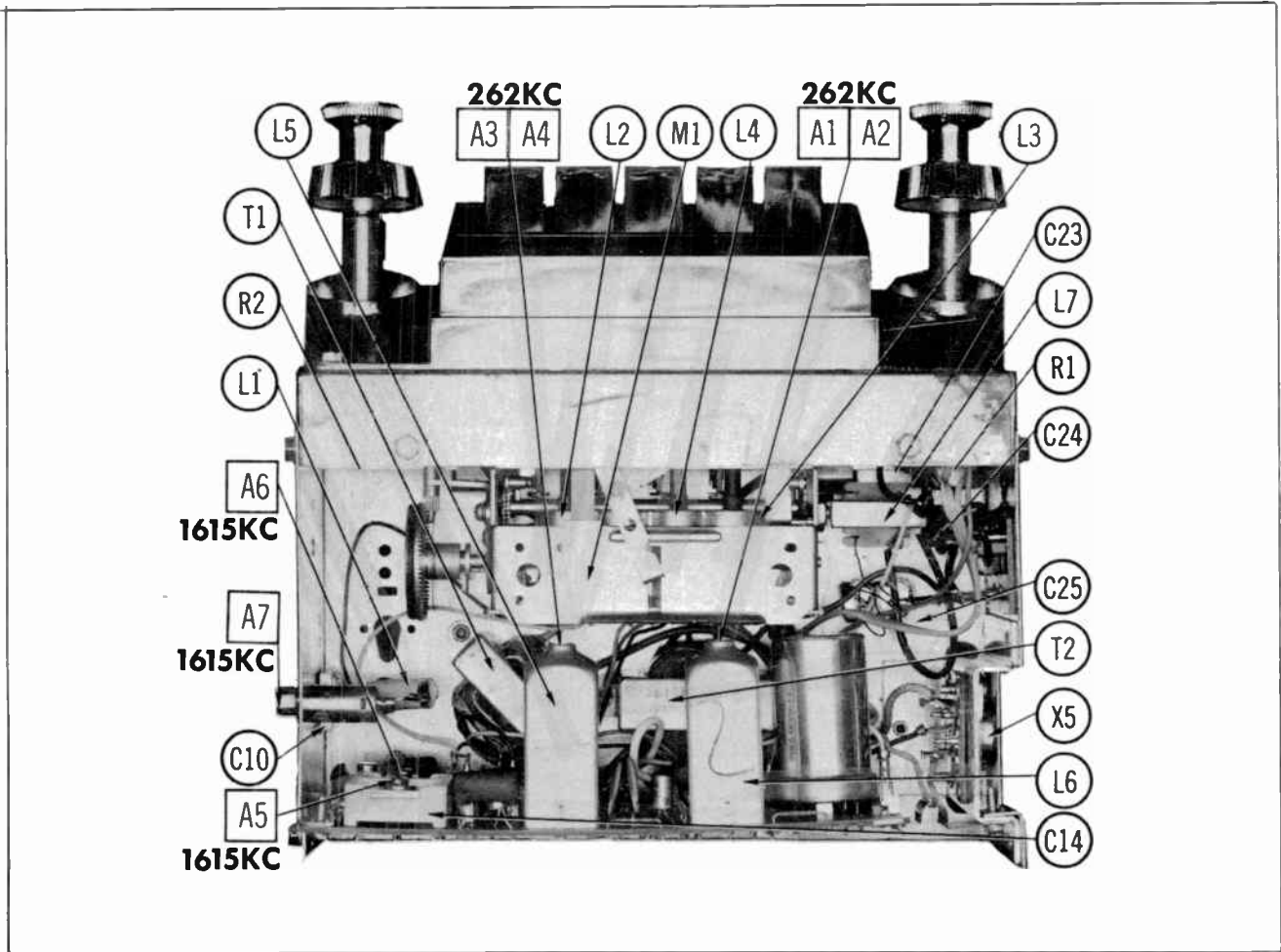
Antenna Adjustment (A7) located on right side of Radio next to Antenna Input.

### PUSH-BUTTON ADJUSTMENT

1. Pull button out.
2. Tune manually to desired station.
3. Press button in firmly.
4. Repeat for remaining buttons.



**HOWARD W. SAMS & CO., INC.** Indianapolis, Indiana 46206



## PARTS LIST AND DESCRIPTION

(When ordering parts, state Model, Part Number, and Description.)

Replacement parts shown may be superseded by the availability of newly introduced replacements. Have your local distributor check Sams COUNTER FACTS<sup>®</sup> for the most up-to-date replacement.

### TRANSISTORS

ITEM No.	ORIG. TYPE	USE	REPLACEMENT DATA			NOTES
			DELCO PART No.	GENERAL ELECTRIC PART No.	RCA PART No.	
X1	2SA355	RF Amp.	D8-25	GE-9	8K-3006	PNP
X2	2N1637†	Conv.	D8-25	GE-9	8K-3006	PNP
	2SA354					
X3	2N1639†	IF Amp.	D8-25	GE-9	8K-3006	PNP
	2SA353					
X4	2N1636†	Driver	D8-46	GE-10	8K-3009	NPN
	2N2712					
X5	2N178	Output	D8-520	GE-3	8K-3009	PNP ♦

♦ When replacing, apply silicone grease to both sides of insulator. Tighten mounting screws securely. Check bias adjustment.  
† Alternate.

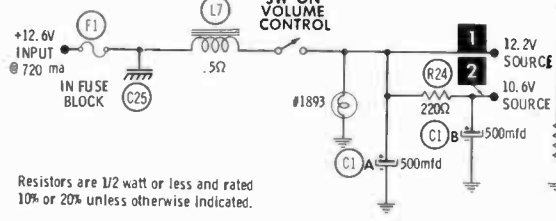
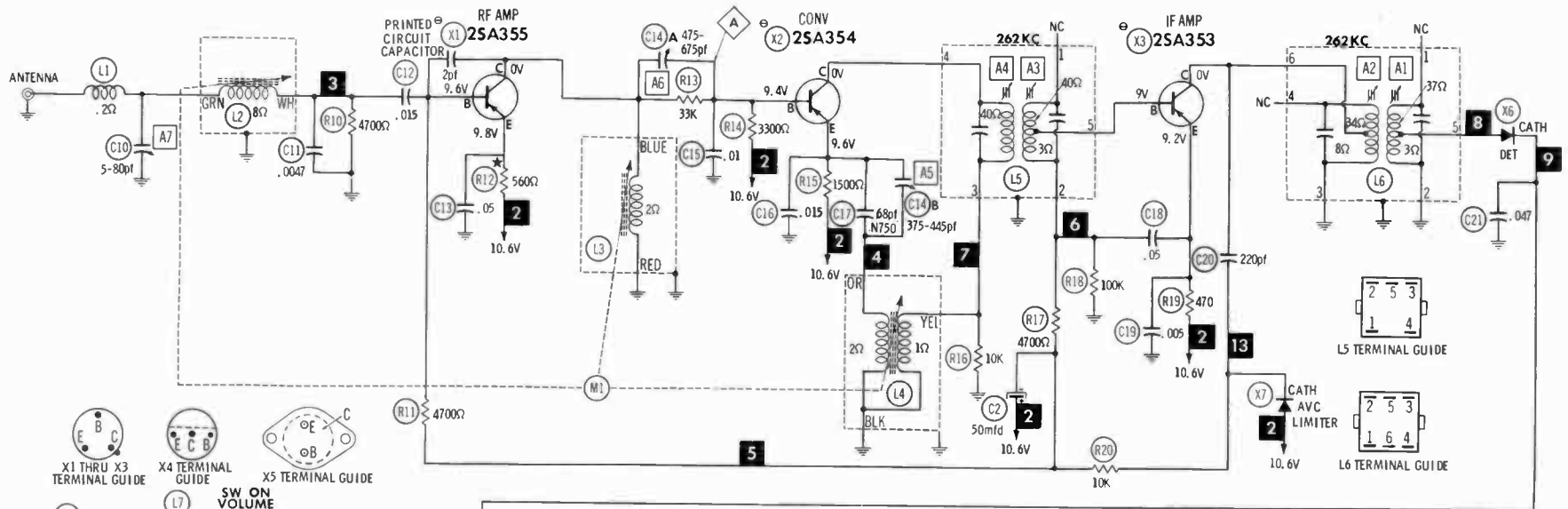
### POWER RECTIFIERS & SIGNAL DIODES

ITEM No.	MEASURED CURRENT	ORIGINAL Part or Type No.	RECTIFIERS				DIODES
			GENERAL ELECTRIC PART No.	MALLORY PART No.	RCA PART No.	SARKES TARZIAN PART No.	GENERAL ELECTRIC PART No.
X6		1N295A					1N295
X7		1N295A					1N295

### ELECTROLYTIC CAPACITORS

ITEM No.	RATING		REPLACEMENT DATA					
	CAP.	VOLT.	Riverside PART No.	AEROVOX PART No.	CORNELL-DUBILIER PART No.	GENERAL ELECTRIC PART No.	MALLORY PART No.	SPRAGUE PART No.
C1A	500	16	111001-612	PWH2-02-40	BPC010	XC2-45	PPF200.64	PCLB-2177 *
B	500	16						
C2	50	3	111002-104	BCD3050	ECSP60-3	MT1-15	PET1575	VL-1045
C3	10	15	111002-103	BCD15010	ECSP10-15	MT1-5	PET1760	VL-1187

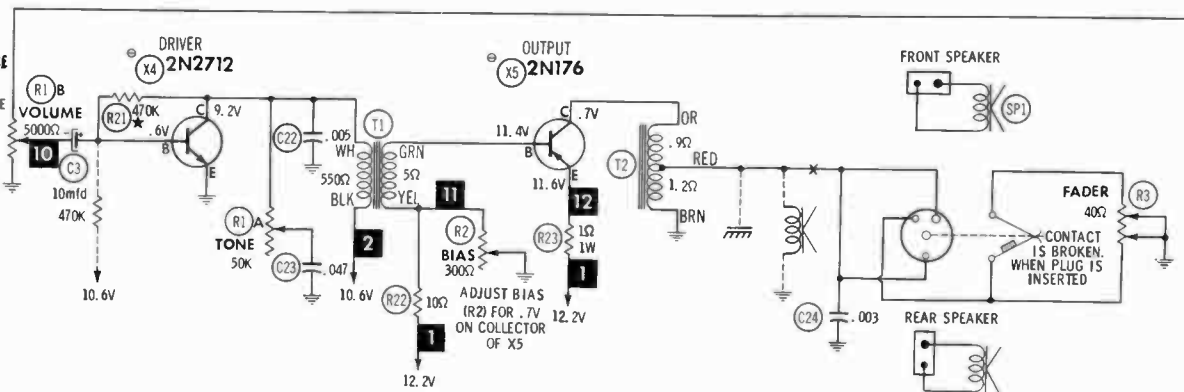
\* Not normally in distributor's stock. Available thru distributor on order to manufacturer.



Resistors are 1/2 watt or less and rated 10% or 20% unless otherwise indicated.

- ⊙ See parts list
- 1. Voltage measurements taken with vacuum tube voltmeter.
- 2. All controls set for normal operation, no signal applied.
- 3. Measured values are from socket pin or terminal to common ground.
- 4. All terminals viewed from bottom unless otherwise designated.
- 5. Numbers assigned to terminals may not be found on the unit.
- 6. Supply voltage maintained at rated value for voltage readings.
- 7. Resistance measurements not given because of the wide variation in internal resistance of transistor.

A PHOTOFAC STANDARD NOTATION SCHEMATIC  
with **CIRCUITRACE**  
© Howard W. Soms & Co., Inc. 1966

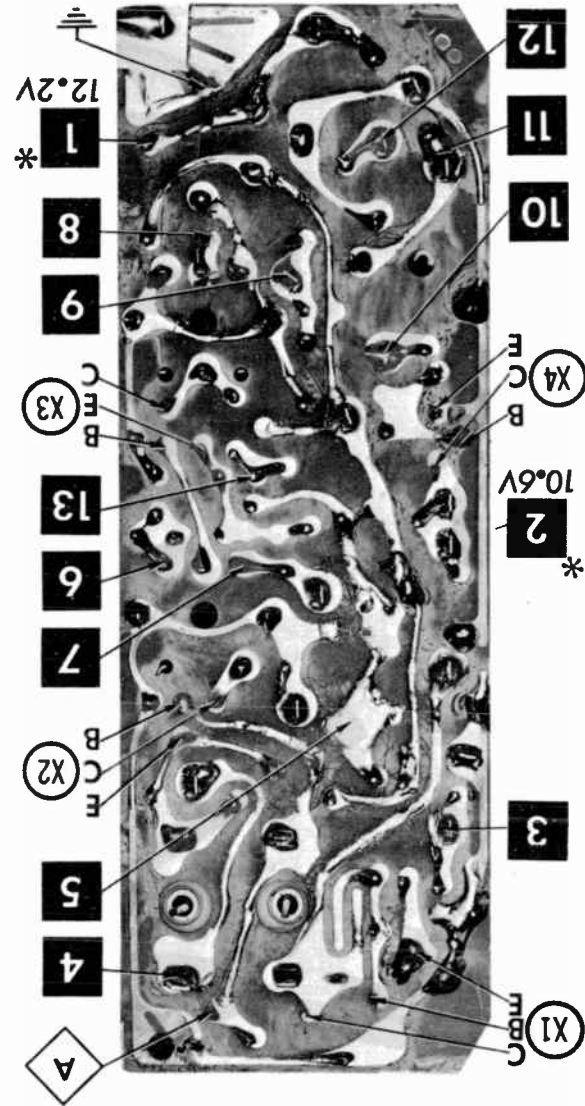
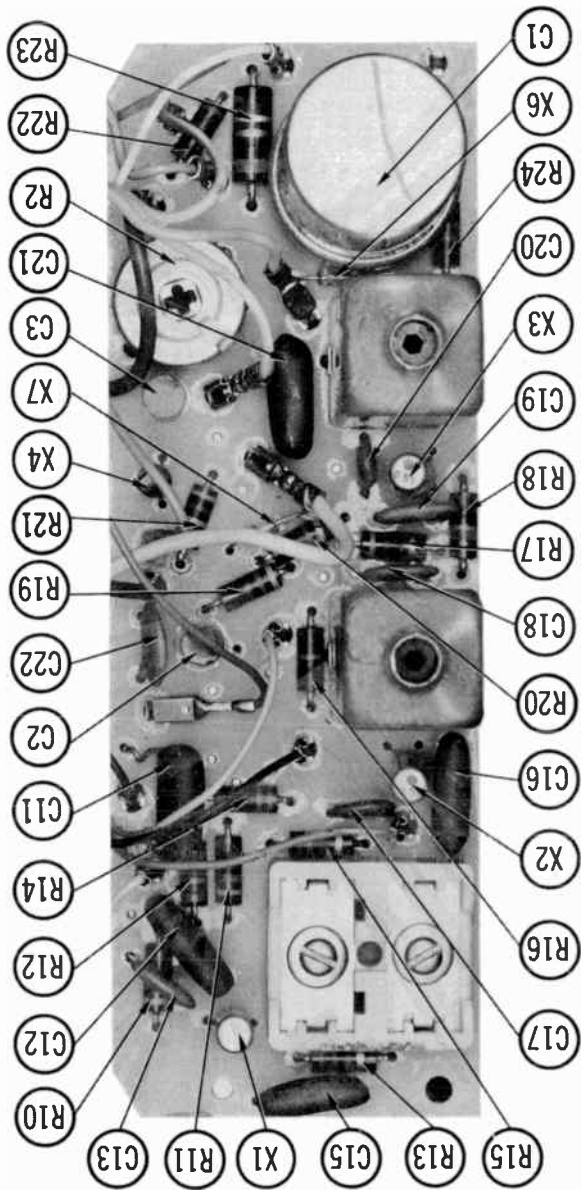


RIVERSIDE MODELS FLH-16529A/31A, FLH-16653A

★ NOMINAL VALUE, MAY VARY

RIVERSIDE MODELS FLH-16529A/31A, FLH-16653A

Howard W. Sams CIRCUITRACE Photo





# PARTS LIST AND DESCRIPTION (CONTINUED)

(When ordering parts, state Model, Part Number, and Description.)

Replacement parts shown may be superseded by the availability of newly introduced replacements. Have your local distributor check Sams COUNTER FACTS® for the most up-to-date replacement.

## CAPACITORS

ITEM No.	RATING	REMARKS	REPLACEMENT DATA					
			AEROVOX PART No.	CENTRALAB PART No.	CORNELL-DUBLIER PART No.	ELMENCO PART No.	MALLORY PART No.	SPRAGUE PART No.
C10	5-80	#110000-087						
C11	.0047 200V		BPD-0047	DD-472	BYX601ZU472P	CCD-472	B247	5HK-D47
C12	.015 200V		DBE4815		DPMS4815	1DP-1-153	PVC2115	4PS-815
C13	.05	#110000-080	TTD-05		HOV101ZV503Z		TA150	TH-850
C14A	475-875							
C14B	375-445							
C15	.01 200V		DBE481	CPR-10000J	WMF181	1DP-1-103	PVC211	4PS-810
C16	.015 200V		DBE4815		DPMS4815	1DP-1-153	PVC2115	4PS-815
C17	.08 N750		N750-DI 68	DTN-68	C8601UJ880K	CCTN-680	CN7468	10TCU-Q68
C18	.05		TTD-05		HOV101ZV503Z		TA150	TH-850
C19	.005		BPD-005	DD-502	BYX801ZU502P	CCD-502	B250	5HK-D50
C20	220		DI-220	DD-221	JB601YP221K	CCD-221	JF220	10TS-T22
C21	.047 200V		P288N-05	DF-503	PM285	4DP-3-503	PVC215	2TM-850
C22	.005	BPD-005	DD-502	BYX801ZU502P	CCD-502	B250	5HK-D50	
C23	.047 200V	P288N-05	DF-503	PM285	4DP-3-503	PVC215	2TM-850	
C24	.003	BPD-0033	DD-332	BY8601ZU332P	CCD-332	B233	5HK-D33	
C25		#110000-021						

# Riverside Part Number.

## CONTROLS

All wattages 1/2 watt, or less, unless otherwise listed.

ITEM No.	USE	RESISTANCE	REPLACEMENT DATA					
			Riverside PART No.	CENTRALAB PART No.	CLAROSTAT PART No.	CTS-IRC PART No.	MALLORY PART No.	
R1A B	Tone Volume, Switch	50K 5000Ω	145005-026①	F1-50K, R2-5000, FFS204, RFS211, BB114, KR-4			† QJ-1845A	
	Tone Volume, Switch	50K 5000Ω	145005-025②	F1-50K, R2-5000, FFS110, RFS202, BB104, KR-4			* QJ-1864A	
	Tone Volume, Switch	50K 5000Ω	145005-028③	F1-50K, R2-5000, FFS201, RFS209, BB114, KR-4			‡ QJ-1847A	
R2	Bias	300Ω 2W	145000-207	V-300	U39-300	110-300		
R3	Fader	40Ω 2W	145005-008①					
	Fader	40Ω 2W	145005-007②					

① Used in Model FLH-16529A ② Used in Model FLH-16653A ③ Used in Model FLH-16531A  
 † "CONCENTRIKIT" Equivalent: K8 Kit, with Base Elements and Shafts: B11-123, P17-208 (Panel) B13-114, R1-218 (Rear) S9, 76-1 (Bushing and Switch)  
 \* "CONCENTRIKIT" Equivalent: K8 Kit, with Base Elements and Shafts: B11-123, P22-121 (Panel) B13-114, R9-202 (Rear) 851, 76-1 (Bushing and Switch)  
 ‡ "CONCENTRIKIT" Equivalent: K8 Kit, with Base Elements and Shafts: B11-123, P22-203 (Panel) B13-114, R26-215 (Rear) S9, 76-1 (Bushing and Switch)

## COILS (RF-IF)

ITEM No.	USE	REPLACEMENT DATA					
		Riverside PART No.	MEISSNER PART No.	MERIT PART No.	MILLER PART No.	STANCOR PART No.	WORKMAN PART No.
L1	RF Choke (5.6uh)	114000-262	19-1008	SW-631	4609	RTC-8519	T959
L2	Antenna	①					
L3	RF	①					
L4	Oscillator	①					
L5	Input IF	114000-217	16-8712		8522	RTC-9397	
L6	Output IF	114000-218	16-8719				

① Part of M1.

## FILTER CHOKE

ITEM No.	RATINGS			REPLACEMENT DATA					NOTES
	CURRENT (Measured)	DC RES.	INDUCTANCE (0 CURRENT 1000~)	Riverside PART No.	MERIT PART No.	STANCOR PART No.	THORDARSON PART No.	TRIAD PART No.	
L7	.72 Amp.	.5Ω	3MH	161000-146	C-4124	TC-1°	TR-159	TY16XT	

## TRANSFORMER (DRIVER)

ITEM No.	TURNS RATIO		REPLACEMENT DATA					NOTES
	PRI.	SEC.	Riverside PART No.	MERIT PART No.	STANCOR PART No.	THORDARSON PART No.	TRIAD PART No.	
T1	10	1	161005-003					

# PARTS LIST AND DESCRIPTION (CONTINUED)

(When ordering parts, state Model, Part Number, and Description.)

Replacement parts shown may be superseded by the availability of newly introduced replacements. Have your local distributor check Sams COUNTER FACTS<sup>®</sup> for the most up-to-date replacement.

## TRANSFORMER (AUDIO OUTPUT)

ITEM No.	IMPEDANCE		REPLACEMENT DATA					NOTES
			Riverside	MERIT	STANCOR	THORDARSON	TRIAD	
	PRI.	SEC.	PART No.	PART No.	PART No.	PART No.	PART No.	
T2	25Ω Tap @ 8Ω		181005-001			TR-169		

## SPEAKER

ITEM No.	TYPE		REPLACEMENT DATA		NOTES
			Riverside	QUAM	
			PART No.	PART No.	
SP1	4" x 10" PM	8Ω	155009-186	410A228	Model: FLH-16529A
	6" x 9" PM	8Ω	155009-180	89A128	Model: FLH-16531A
	4" x 10" PM	8Ω	155009-148	410A228	Model: FLH-16653A

## FUSE DEVICES

ITEM No.	TYPE	RATING	REPLACEMENT DATA					
			PART No.		LITTELFUSE PART No.		BUSS PART No.	
			FUSE	HOLDER	FUSE	HOLDER	FUSE	HOLDER
F1	AGC	2A	①	In Fuse Block	312002		AGC 2	
	AGW	2 1/2A	②	In Fuse Block	30302.5		AGW 2 1/2	

① Used in Models FLH-16529A FLH-16531A

② Used in Model FLH-16653A

## MISCELLANEOUS

ITEM No.	PART NAME	Riverside PART No.	NOTES
M1	Tuner	164004-001	

## CABINETS & CABINET PARTS

(When Ordering Specify Model, Chassis & Color)

ITEM	MODELS	PART No.	ITEM	MODELS	PART No.
Escutcheon	FLH-16529A	125005-008	Knob, Tuning or Volume	FLH-16653A	134005-036
Escutcheon	FLH-16653A	125005-016	Knob, Tone or Dummy	FLH-16529A	134005-028
Dial Glass	FLH-16529A	122005-010	Knob, Tone or Dummy	FLH-16531A	134005-030
Dial Glass	FLH-16531A	122005-022	Knob, Tone or Dummy	FLH-16653A	134005-038
Dial Glass	FLH-16653A	122005-012	Pushbuttons	FLH-16529A	107005-010
Knob, Tuning or Volume	FLH-16529A	134005-026	Pushbuttons	FLH-16531A	107005-018
	FLH-16531A		Pushbuttons	FLH-16653A	107005-014

## WIRING DATA

General-use Unshielded Hook-up Wire .....	Use BELDEN No. 8530 (Solid) Available in 12 Colors 8524 (Stranded) Available in 12 Colors
Shielded Hook-up Wire .....	Use BELDEN No. 8885
Rear Seat Speaker Extension Cable .....	Use BELDEN No. 8782 (Stranded) Coded Parallel Leads
Bonding Strap .....	Use BELDEN No. 8661 (3/8 In.) or 8670 (3/4 In.)

RIVERSIDE MODELS FLH-16529A/31A, FLH-16653A



# PHOTOFACT<sup>®</sup> with

# CIRCUITRACE<sup>®</sup>



**TRADE NAME:** Riverside Models:  
 FLH-16537A (1965 Galaxie)  
 FLH-16539A (1965 Fairlane 500)  
 FLH-16541A (1964/65 Falcon, 1964 Comet)  
 FLH-16543A (1965 Comet)  
 FLH-16545A (1965 Mercury)  
 FLH-16651A (1963-65 Econoline Truck)

**SUPPLIER:** For Current Address, See Annual Index.

**TYPE SET:** 5 Transistor AM Receiver

**POWER SUPPLY:** 12 Volt Storage Battery

**RATING:** .720 Amp. @ 12.6 Volts DC

**TUNING RANGE:** BROADCAST 540-1615KC

RIVERSIDE MODELS FLH-16537A/39A/41A/43A/45A, FLH-16651A

## ALIGNMENT INSTRUCTIONS

Check for specified source voltage.  
 Use only enough generator output to provide a usable indication.  
 Suggested Alignment Tools:

A1 thru A4.	GENERAL CEMENT: 8606, 8606L, 8869 WALSCO: 2543, 2544, 2588
A5, A6, A7.	GENERAL CEMENT: 8290, 8868, 9087 WALSCO: 2525, 2528, 2587

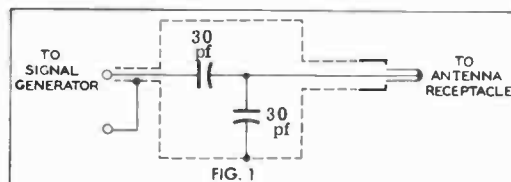
	SIGNAL GENERATOR COUPLING	SIGNAL GENERATOR FREQUENCY	RADIO DIAL SETTING	INDICATOR	ADJUST	REMARKS
1.	High side thru .1mf to point A, low side to ground.	262KC (400 $\nu$ Mod.)	High Freq. End Stop.	Output Meter across voice coil.	A1, A2, A3, A4	Adjust for maximum.
2.	Thru dummy (Fig. 1) to antenna receptacle.	1615KC	"	"	A5, A6, A7	"

With radio installed in car and antenna fully extended, tune in a weak station near 1400KC and adjust A7 for maximum output.

### PUSH-BUTTON ADJUSTMENT

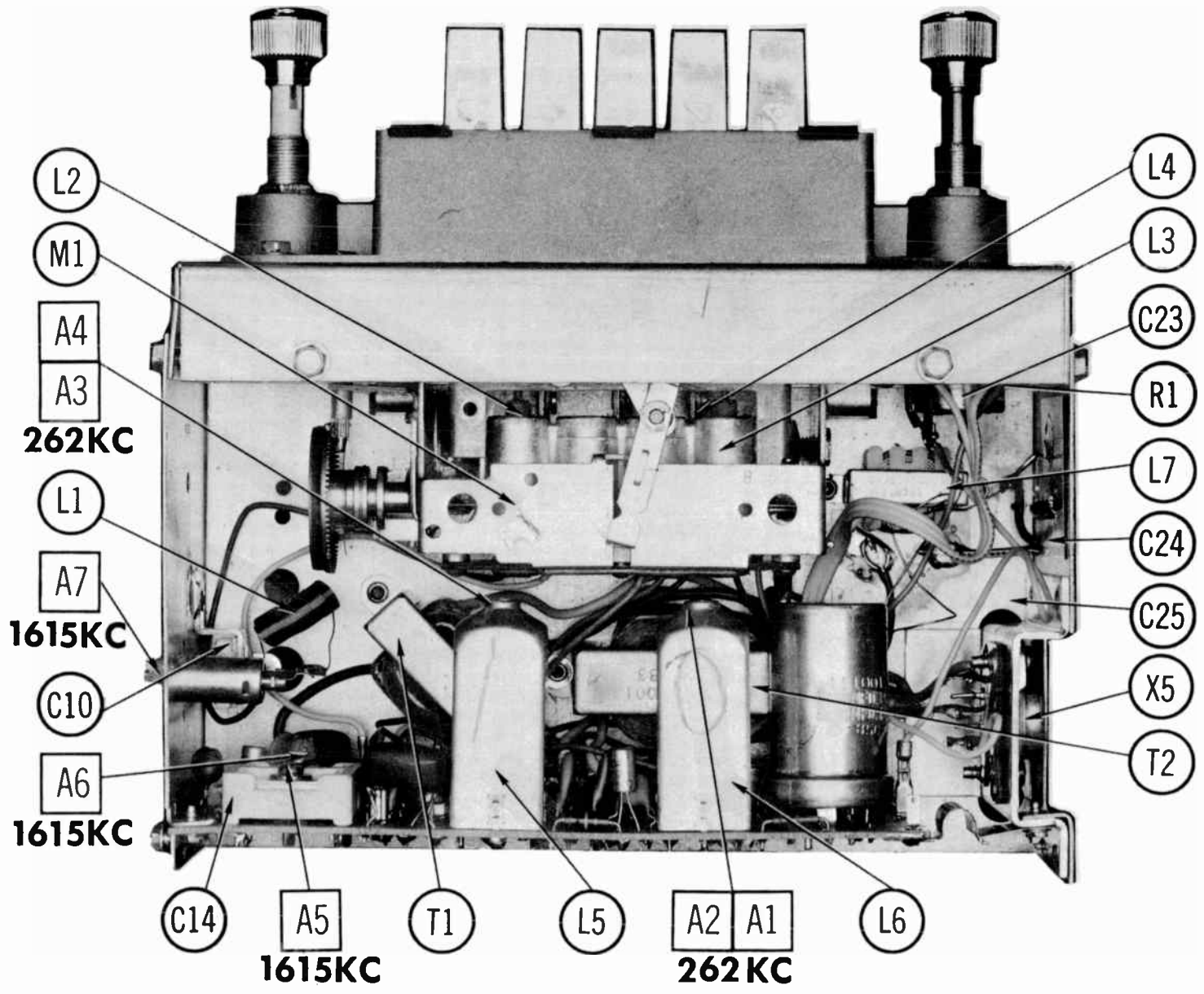
1. Pull button out.
2. Tune manually to desired station.
3. Press button in firmly.
4. Repeat for remaining buttons.

Antenna Adjustment (A7)  
 located on right side of radio.

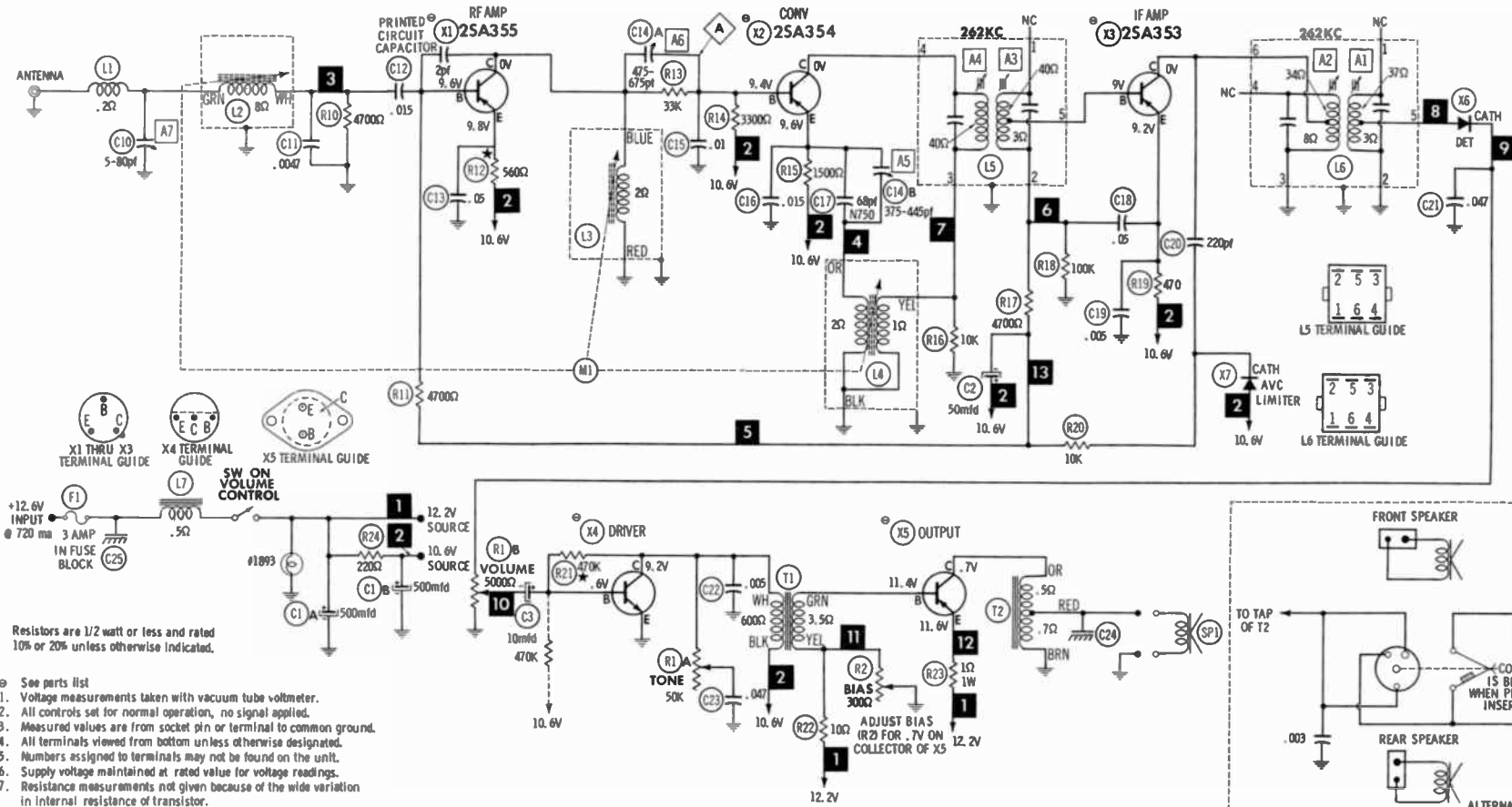


**HOWARD W. SAMS & CO., INC.** Indianapolis, Indiana 46206

© 1966 Howard W. Sams & Co., Inc. Printed in U. S. of America. PD430R



RIVERSIDE MODELS FLH-16537A/39A/41A/43A/45A, FLH-16651A

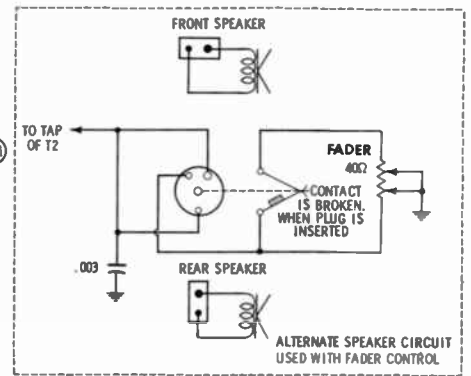


Resistors are 1/2 watt or less and rated 10% or 20% unless otherwise indicated.

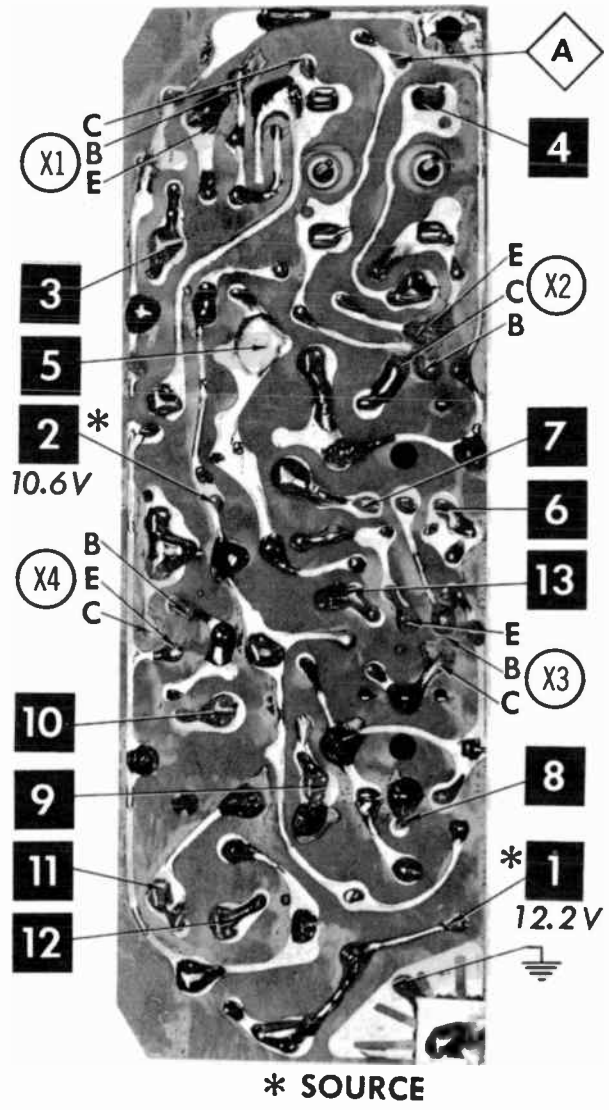
- ⊙ See parts list
- 1. Voltage measurements taken with vacuum tube voltmeter.
- 2. All controls set for normal operation, no signal applied.
- 3. Measured values are from socket pin or terminal to common ground.
- 4. All terminals viewed from bottom unless otherwise designated.
- 5. Numbers assigned to terminals may not be found on the unit.
- 6. Supply voltage maintained at rated value for voltage readings.
- 7. Resistance measurements not given because of the wide variation in internal resistance of transistor.

A PHOTOFAC STANDARD NOTATION SCHEMATIC  
with **CIRCUITRACE**  
© Howard W. Sams & Co., Inc. 1966

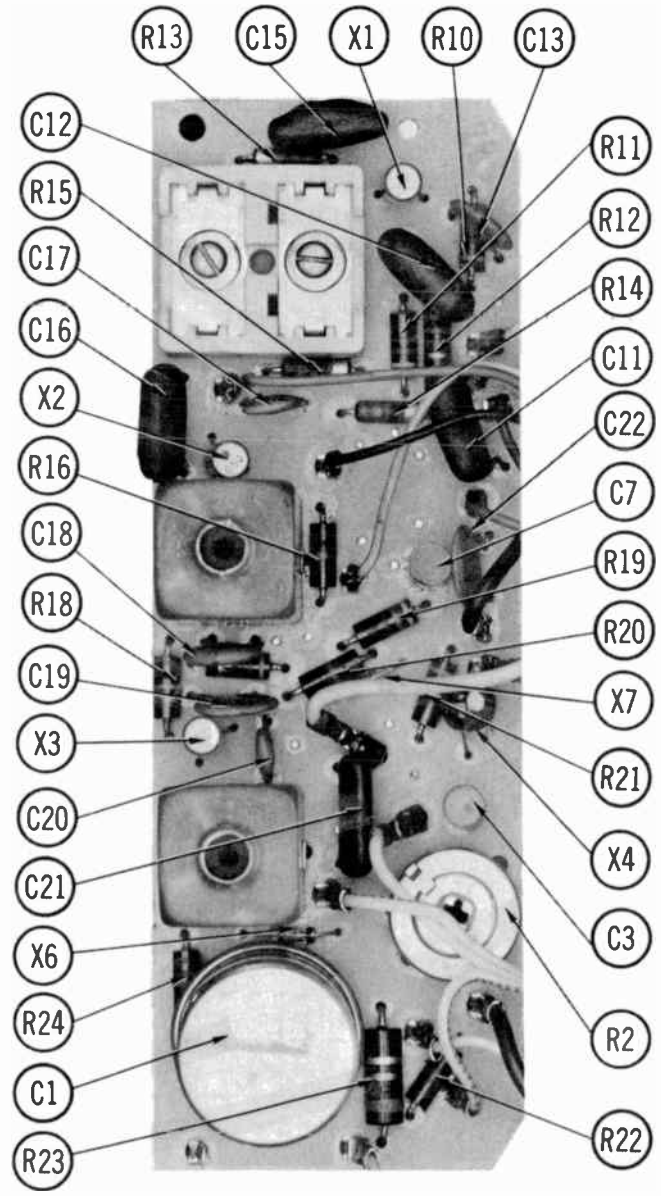
**RIVERSIDE MODELS FLH-16537A/39A/41A/  
43A/45A, FLH-16651A**



\* NOMINAL VALUE, MAY VARY.



\* SOURCE



# PARTS LIST AND DESCRIPTION

(When ordering parts, state Model, Part Number, and Description.)

Replacement parts shown may be superseded by the availability of newly introduced replacements. Have your local distributor check Sams COUNTER FACTS\* for the most up-to-date replacement.

## TRANSISTORS

ITEM No.	ORIG. TYPE	USE	REPLACEMENT DATA			NOTES
			DELCO PART No.	GENERAL ELECTRIC PART No.	RCA PART No.	
X1	28A355 2N1637†	RF Amp.	DS-25	GE-9	SK-3006	PNP
X2	28A354 2N1639†	Conv.	DS-25	GE-9	SK-3006	PNP
X3	28A353 2N1638†	IF Amp.	DS-25	GE-9	SK-3006	PNP
X4	2N2712	Driver	DS-46	GE-10		NPN
X5	2N176	Output	DS-520	GE-3	SK-3009	PNP *

\* When replacing, apply silicone grease to both sides of insulator. Tighten mounting screws securely. Check bias adjustment. † Alternate.

## POWER RECTIFIERS & SIGNAL DIODES

ITEM No.	MEASURED CURRENT	ORIGINAL Part or Type No.	RECTIFIERS				DIODES
			GENERAL ELECTRIC PART No.	MALLORY PART No.	RCA PART No.	SARKES TARZIAN PART No.	GENERAL ELECTRIC PART No.
X6		1N295A					1N295
X7		1N295A					1N295

## ELECTROLYTIC CAPACITORS

ITEM No.	RATING		REPLACEMENT DATA					
	CAP.	VOLT.	Riverside PART No.	AEROVOX PART No.	CORNELL-DUBILIER PART No.	GENERAL ELECTRIC PART No.	MALLORY PART No.	SPRAGUE PART No.
C1A	500	16	111001-512	PWH2-02-40	BPC010	KC2-45	PFP200.64	PCL8-2177*
B	500	16						
C2	50	3	111002-104	BCD8050	ECSP50-3	MT1-15	PET1575	VL-1045
C3	10	15	111002-103	BCD15010	ECSP10-15	MT1-5	PET1760	VL-1167

\* Not normally in distributor's stock. Available thru distributor on order to manufacturer.

## CAPACITORS

ITEM No.	RATING	REMARKS	REPLACEMENT DATA					
			AEROVOX PART No.	CENTRALAB PART No.	CORNELL-DUBILIER PART No.	ELMENCO PART No.	MALLORY PART No.	SPRAGUE PART No.
C10	5-80	#110000-087						
C11	.0047 200V		BPD-0047	DD-472	BYX601ZU472P	CCD-472	B247	5HK-D47
C12	.015 200V		DBE4S15		DPMS4S15	1DP-1-153	PVC2115	4PS-815
C13	.05		TTD-05		HOV101ZV503Z		TA150	TH-850
C14A	475-875	#110000-080						
B	375-445							
C15	.01 200V		DBE4S1	CPR-10000J	WMF181	1DP-1-103	PVC211	4PS-810
C16	.015 200V		DBE4S15		DPMS4S15	1DP-1-153	PVC2115	4PS-815
C17	.68 N750		N750-DI 68	DTN-68	CS601UJ680K	CCTN-680	CN7468	10TCU-Q68
C18	.05		TTD-05		HOV101ZV503Z		TA150	TH-850
C19	.005		BPD-005	DD-502	BYX601ZU502P	CCD-502	B250	5HK-D50
C20	220		DI-220	DD-221	JB601YP221K	CCD-221	JF220	10T9-T22
C21	.047 200V		P288N-05	DF-503	PM2S5	4DP-3-503	PVC215	2TM-850
C22	.005		BPD-005	DD-502	BYX601ZU502P	CCD-502	B250	5HK-D50
C23	.047 200V		P288N-05	DF-503	PM2S5	4DP-3-503	PVC215	2TM-850
C24	.003		BPD-0033	DD-332	BYS601ZU332P	CCD-332	B233	5HK-D33
C25		#110000-021						

# Riverside Part Number.

## CONTROLS

All wattages 1/2 watt, or less, unless otherwise listed.

ITEM No.	USE	RESIST-ANCE	REPLACEMENT DATA					
			Riverside PART No.	CENTRALAB PART No.	CLAROSTAT PART No.	CTS-IRC PART No.	MALLORY PART No.	
R1A	Tone	50K	145005-02①	F1-50K,R2-5000, FFS115, RFS207, BA104, CA005, KR-4			QJ-2151A †	
B	Volume/Switch	5000Ω						
	Tone	50K	145005-001②	F1-50K,R2-5000, FFS110, RFS201, BA012, CA005, KR-4			QJ-2152A ††	
	Volume/Switch	5000Ω						
	Tone	50K	145004-001③	F1-50K,R2-5000, FFS115, RFS207, BA108, CA005, KR-4				
	Volume/Switch	5000Ω						
	Tone	50K	145005-022④	F1-50K,R2-5000, FFS113, RFS205, BA100, CA005, KR-4			QJ-2153A *	
	Volume/Switch	5000Ω						
	Tone	50K	145005-023⑤	F1-50K,R2-5000, FFS207, RFS214, BA108, CA005, KR-4				
	Volume/Switch	5000Ω						
R2	Bias	300Ω 2W	145000-207	V-300	U39-300		110-300	

† "CONCENTRIKIT" Equivalent: K8 Kit, with Base Elements and Shafts: B11-123, P22-121 (Panel) B13-114, R1-200 (Rear) QCB5, 76-1 (Bushing & Switch)

†† "CONCENTRIKIT" Equivalent: K8 Kit, with Base Elements and Shafts: B11-123, P22-109 (Panel) B13-114, R26-121 (Rear) S45, 76-1 (Bushing & Switch)

\* "CONCENTRIKIT" Equivalent: K8 Kit, with Base Elements and Shafts: B11-123, P22-115 (Panel) B13-114, R1-130 (Rear) QCB5, 76-1 (Bushing & Switch)

① Used in Model FLH-16545A

② Used in Model FLH-16651A

③ Used in Model FA-85PB.

④ Used in Model FLH-16537A

⑤ Used in Model FLH-16539A

⑥ Alter bushing to meet requirements.

# PARTS LIST AND DESCRIPTION (CONTINUED)

(When ordering parts, state Model, Part Number, and Description.)

Replacement parts shown may be superseded by the availability of newly introduced replacements. Have your local distributor check Sams COUNTER FACTS for the most up-to-date replacement.

## COILS (RF-IF)

ITEM No.	USE	REPLACEMENT DATA					
		Riverside PART No.	MEISSNER PART No.	MERIT PART No.	MILLER PART No.	STANCOR PART No.	WORKMAN PART No.
L1	RF Choke (5.6uh)	114000-282	19-1008	SW-631	4809		
L2	Antenna	⓪					T959
L3	RF	⓪					
L4	Oscillator	⓪					
L5	Input IF	114000-217	16-6712		6522		
L6	Output IF	114000-218	16-6719			RTC-9397	

⓪ Part of M1.

## FILTER CHOKE

ITEM No.	RATINGS			REPLACEMENT DATA					NOTES
	CURRENT (Measured)	DC RES.	INDUCTANCE (10 CURRENT 1000~)	Riverside PART No.	MERIT PART No.	STANCOR PART No.	THORDARSON PART No.	TRIAD PART No.	
L7	720ma	.5Ω	3MH	161000-146	C-4124	TC-1	TR-159	TY16XT	

## TRANSFORMER (DRIVER)

ITEM No.	TURNS RATIO		REPLACEMENT DATA					NOTES
	PRI.	SEC.	Riverside PART No.	MERIT PART No.	STANCOR PART No.	THORDARSON PART No.	TRIAD PART No.	

## TRANSFORMER (AUDIO OUTPUT)

ITEM No.	IMPEDANCE		REPLACEMENT DATA					NOTES
	PRI.	SEC.	Riverside PART No.	MERIT PART No.	STANCOR PART No.	THORDARSON PART No.	TRIAD PART No.	

## SPEAKER

ITEM No.	TYPE				REPLACEMENT DATA		NOTES
					Riverside PART No.	QUAM PART No.	
SP1	5" x 7"	PM	8Ω	155009-121	57A1Z8	Model: FLH-16651A	
	5" x 8"	PM	8Ω	155009-155	58A1S2Z8	Model: FLH-16541A	
	5" x 8"	PM	8Ω	155009-149	58A1S2Z8	Model: FLH-16539A	
	4" x 10"	PM	8Ω	155009-187	410A2Z8	Model: FLH-16537A	
	4" x 10"	PM	8Ω	155009-158	410A2Z8	Model: FLH-16545A	

## FUSE DEVICES

ITEM No.	TYPE	RATING	REPLACEMENT DATA					
			PART No.		LITTELFUSE PART No.		BUSS PART No.	
			FUSE	HOLDER	FUSE	HOLDER	FUSE	HOLDER
F1	AGA	2 Amp.			301002	155004A	AGA 2	HAF

## MISCELLANEOUS

ITEM No.	PART NAME	Riverside PART No.	NOTES
M1	Tuner	164004-001	Models: FLH-16541A, FLH-16545A
	Tuner	164005-006	Model: FLH-16539A
	Tuner	164005-003	Model: FLH-16537A

## CABINETS & CABINET PARTS

(When Ordering Specify Model, Chassis & Color)

ITEM	MODEL	PART No.	ITEM	MODEL	PART No.
Dial Glass	FLH-16651A	122005-018	Knob-Tone or Dummy	FLH-16541A	134005-012
Dial Glass	FLH-16541A	122004-012	Knob-Tone or Dummy	FLH-16539A	134004-021
Dial Glass	FLH-16545A	122005-004	Knob-Tone or Dummy	FLH-16537A	134005-006
Knob-Tuning	FLH-16651A	134005-010	Knob-Tone or Dummy	FLH-16545A	134005-020
Knob-Tuning or Volume	FLH-16541A	134005-008	Knob-Tone	FLH-16651A	134005-007
Knob-Tuning or Volume	FLH-16539A	134004-020	Pushbutton	FLH-16541A	107005-003
Knob-Tuning or Volume	FLH-16537A	134005-004	Pushbutton	FLH-16539A	107905-006
Knob-Tuning or Volume	FLH-16545A	134005-018	Pushbutton	FLH-16537A	107005-020
Knob-Volume	FLH-16651A	134005-001	Pushbutton	FLH-16545A	107005-008

## WIRING DATA

General-use Unshielded Hook-up Wire	Use BELDEN No. 8530 (Solid) Available in 12 Colors 8524 (Stranded) Available in 12 Colors
Shielded Hook-up Wire	Use BELDEN No. 8885
Rear Seat Speaker Extension Cable	Use BELDEN No. 8782 (Stranded) Coded Parallel Leads
Bonding Strap	Use BELDEN No. 8661 (3/8 In.) or 8670 (3/4 In.)

RIVERSIDE MODELS FLH-16537A/39A/41A/43A/45A, FLH-16651A





# PHOTOFACT<sup>®</sup> with

# CIRCUITRACE<sup>®</sup>



**TRADE NAME :** Riverside Models:  
 FLH-16650A 1965 Dodge Deluxe,  
 Polara, Monaco, 880  
**SUPPLIER :** FLH-16665A 1964, 1965 Dodge Truck  
**TYPE SET :** 5 Transistor AM Receiver  
**POWER SUPPLY :** 12 Volt Storage Battery  
**RATING :** . 720 Amp. @ 12.6 Volts DC  
**TUNING RANGE :** BROADCAST 540-1615KC

RIVERSIDE MODELS FLH-16650A/65A

## ALIGNMENT INSTRUCTIONS

Check for specified source voltage.  
 Use only enough generator output to provide a usable indication.  
 Suggested Alignment Tools:

A1 thru A4.                    **GENERAL CEMENT:** 8606, 8606L, 8869  
    **WALSCO:** 2543, 2544, 2588  
 A5, A6, A7.                    **GENERAL CEMENT :** 8290, 8868, 9087  
    **WALSCO:** 2525, 2528, 2587

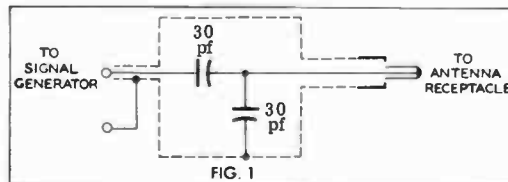
	SIGNAL GENERATOR COUPLING	SIGNAL GENERATOR FREQUENCY	RADIO DIAL SETTING	INDICATOR	ADJUST	REMARKS
1.	High side thru .1mfid to point $\Delta$ , low side to ground.	262KC (400v Mod.)	High Freq. End Stop.	Output Meter across voice coil.	A1, A2, A3, A4	Adjust for maximum.
2.	Thru dummy (Fig. 1) to antenna receptacle.	1615KC	"	"	A5, A6, A7	"

With radio installed in car and antenna fully extended, tune in a weak station near 1400KC and adjust A7 for maximum output.

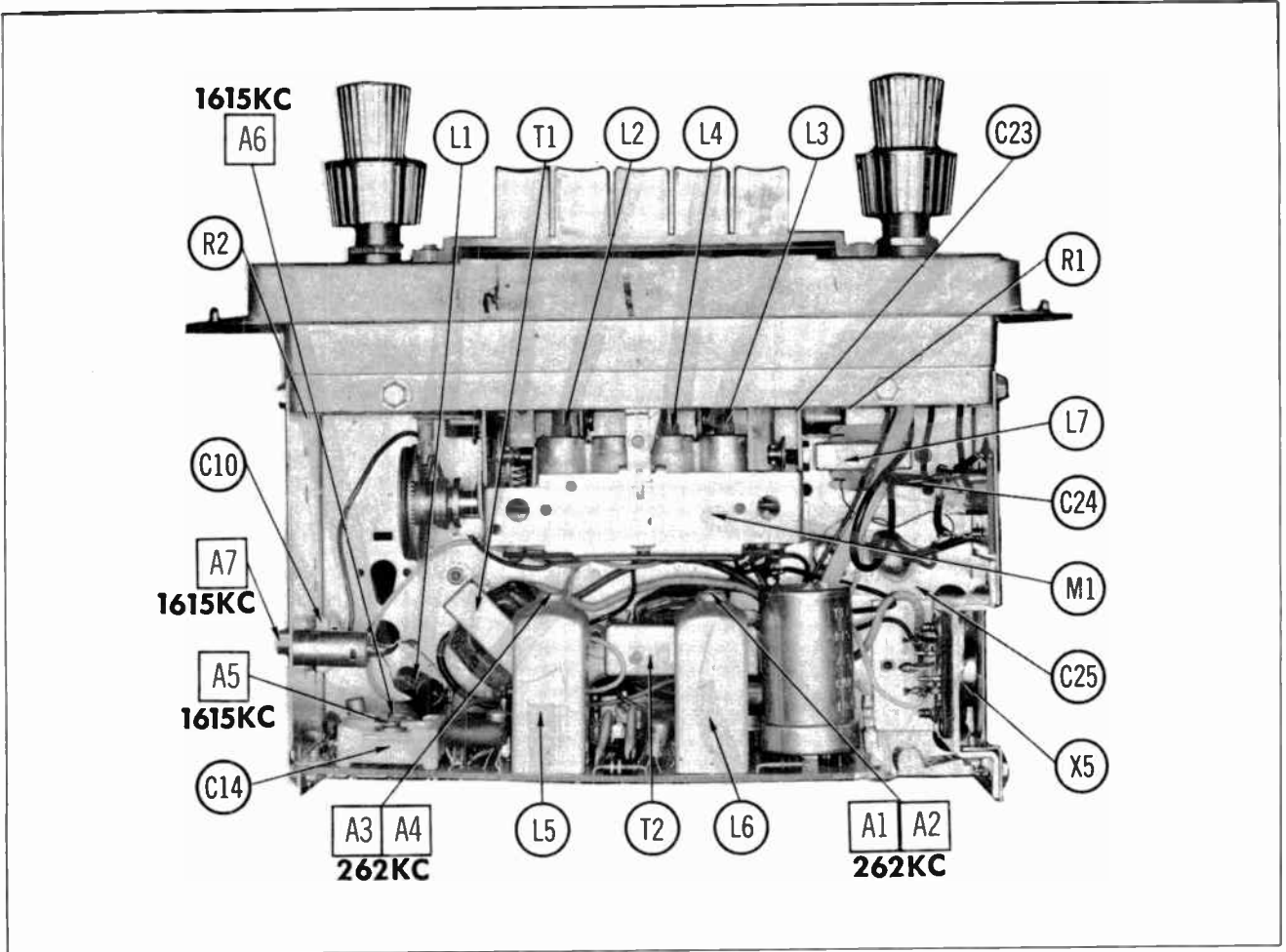
Antenna Adjustment (A7) located on right side of Radio next to Antenna Input.

### PUSH-BUTTON ADJUSTMENT

1. Pull button out.
2. Tune manually to desired station.
3. Press button in firmly.
4. Repeat for remaining buttons.



**HOWARD W. SAMS & CO., INC.** Indianapolis, Indiana 46206



## PARTS LIST AND DESCRIPTION

*(When ordering parts, state Model, Part Number, and Description.)*

Replacement parts shown may be superseded by the availability of newly introduced replacements.  
Have your local distributor check Sams COUNTER FACTS\* for the most up-to-date replacement.

### WIRING DATA

General-use Unshielded Hook-up Wire .....	Use BELDEN No. 8530 (Solid) Available in 12 Colors 8524 (Stranded) Available in 12 Colors
Shielded Hook-up Wire .....	Use BELDEN No. 8885
Rear Seat Speaker Extension Cable .....	Use BELDEN No. 8782 (Stranded) Coded Parallel Leads
Bonding Strap .....	Use BELDEN No. 8661 (3/8 In.) or 8670 (3/4 In.)

### TRANSISTORS

ITEM No.	ORIG. TYPE	USE	REPLACEMENT DATA			NOTES
			DELCO PART No.	GENERAL ELECTRIC PART No.	RCA PART No.	
X1	2SA355	RF Amp	D8-25	GE-9	SK-3006	PNP
X2	2N1637†	Conv.	D8-25	GE-9	SK-3006	PNP
X3	2SA354	IF Amp.	D8-25	GE-9	SK-3006	PNP
X4	2N1639†					
X5	2N1638†	Driver	D8-46	GE-10	SK-3020	NPN
X5	2N2712	Output	D8-520	GE-3	SK-3009	PNP *
X5	2N176					

\* When replacing, apply silicone grease to both sides of insulator. Tighten mounting screws securely. Check bias adjustment.  
† Alternate.

### POWER RECTIFIERS & SIGNAL DIODES

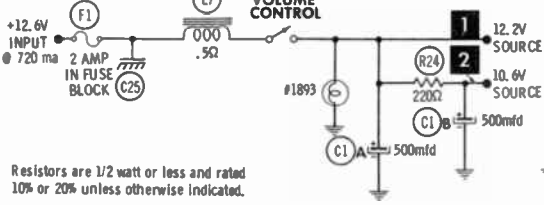
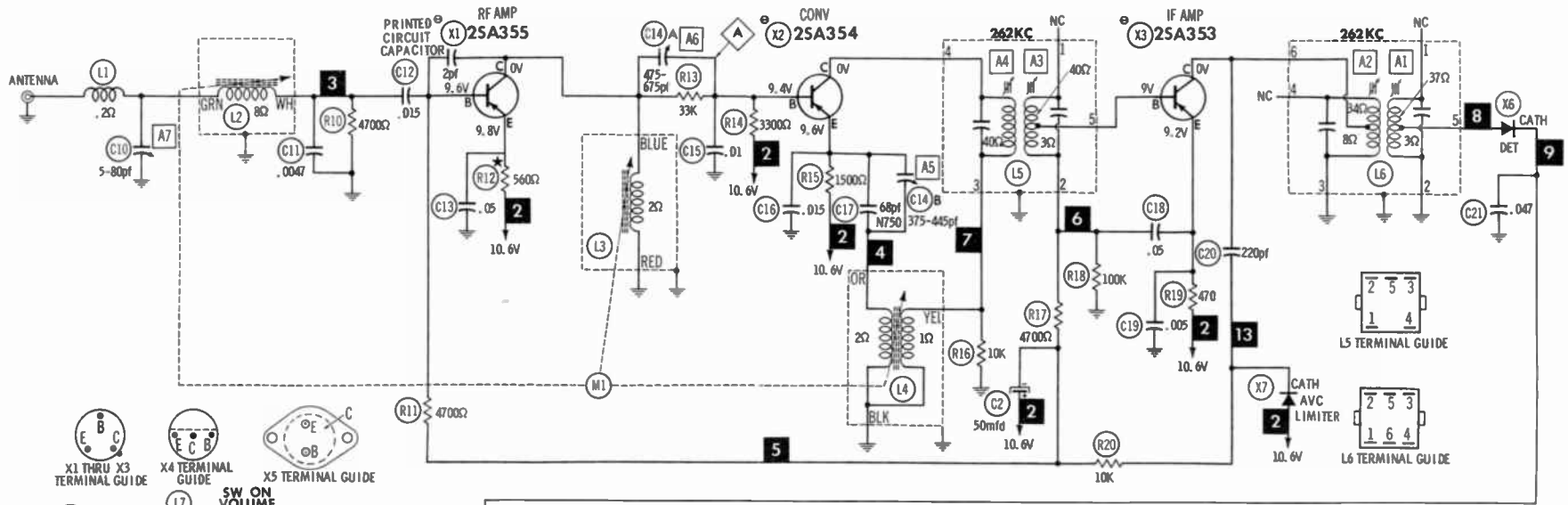
ITEM No.	MEASURED CURRENT	ORIGINAL Part or Type No.	RECTIFIERS			DIODES
			GENERAL ELECTRIC PART No.	MALLORY PART No.	RCA PART No.	SARKES TARZIAN PART No.
X6		1N295A				1N295
X7		1N295A				1N295

### ELECTROLYTIC CAPACITORS

ITEM No.	RATING		Riverside PART No.	REPLACEMENT DATA				
	CAP.	VOLT.		AEROVOX PART No.	CORNELL-DUBILIER PART No.	GENERAL ELECTRIC PART No.	MALLORY PART No.	SPRAGUE PART No.
C1A	500	16	111001-512	PWH2-02-40	BPC010	KC2-45	PPP200.64	PCL8-2177 *
B	500	16						
C2	50	3	111002-104	BCD8050	ECSP50-3	MT1-15	PET1575	VL-1045
C3	10	15	111002-103	BCD15010	ECSP10-15	MT1-5	PET1760	VL-1167

\* Not normally in distributor's stock. Available thru distributor on order to manufacturer.

PARTS LIST CONTINUED ON PAGE 124

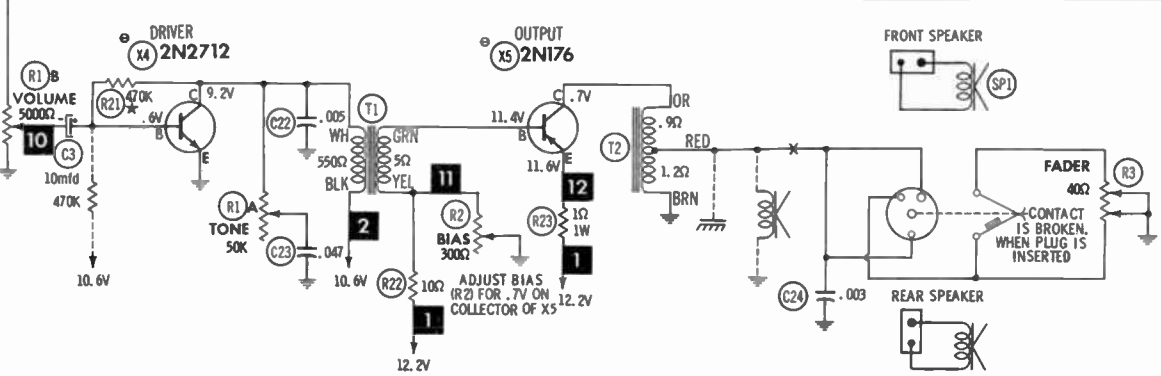


Resistors are 1/2 watt or less and rated 10% or 20% unless otherwise indicated.

- ⊙ See parts list
- 1. Voltage measurements taken with vacuum tube voltmeter.
- 2. All controls set for normal operation, no signal applied.
- 3. Measured values are from socket pin or terminal to common ground.
- 4. All terminals viewed from bottom unless otherwise designated.
- 5. Numbers assigned to terminals may not be found on the unit.
- 6. Supply voltage maintained at rated value for voltage readings.
- 7. Resistance measurements not given because of the wide variation in internal resistance of transistor.

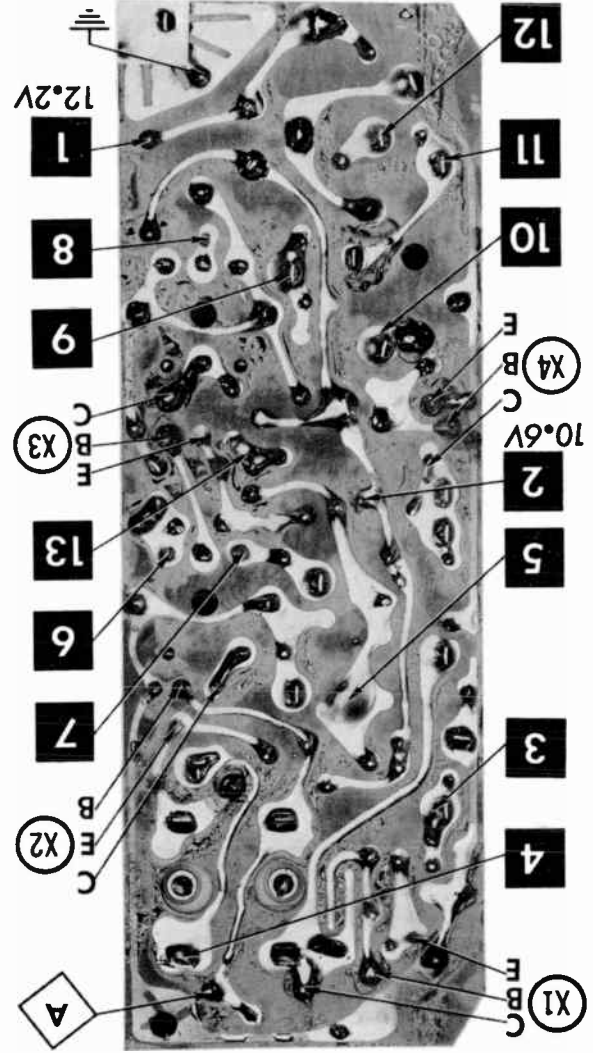
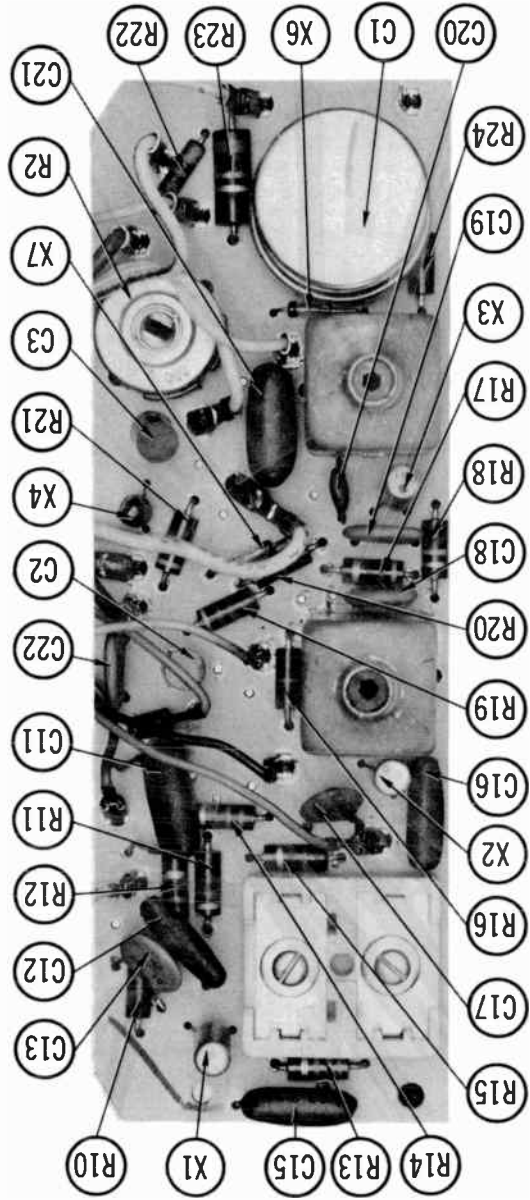
A PHOTOFAC STANDARD NOTATION SCHEMATIC with **CIRCUITRACE**

⊙ Howard W. Soms & Co., Inc. 1966



RIVERSIDE MODELS FLH-16650A/65A

★ NOMINAL VALUE, MAY VARY



# PARTS LIST AND DESCRIPTION (CONTINUED)

(When ordering parts, state Model, Part Number, and Description.)

## CAPACITORS

ITEM No.	RATING	REMARKS	REPLACEMENT DATA						
			AEROVOX PART No.	CENTRALAB PART No.	CORNELL-DUBILIER PART No.	ELMENCO PART No.	MALLORY PART No.	SPRAGUE PART No.	
C10	5-80	#110000-087	BPD-0047	DD-472	BYX601ZU472P	CCD-472	B247	5HK-D47	
C11	.0047 200V		DBE4S15		DPMS4S15	1DP-1-153	PVC2115	4PS-S15	
C12	.015 200V		TTD-05		HOV101ZV503Z		TA150	TH-850	
C13	.05		#110000-060						
C14A	475-875								
C14B	375-445								
C15	.01 200V			DBE4S1	CPR-10000J	WMF1S1	1DP-1-103	PVC211	4PS-810
C16	.015 200V			DBE4S15		DPMS4S15	1DP-1-153	PVC2115	4PS-S15
C17	68 N750			N750-DI 68	DTN-68	C8601UJ680K	CCTN-680	CN7468	10TCU-Q68
C18	.05			TTD-05		HOV101ZV503Z		TA150	TH-S50
C19	.005	BPD-005		DD-502	BYX601ZU502P	CCD-502	B250	5HK-D50	
C20	220	DI-220		DD-221	JB601YP221K	CCD-221	JF220	10TS-T22	
C21	.047 200V	P266N-05		DF-503	PM2S5	4DP-3-503	PVC215	2TM-S50	
C22	.005	BPD-005	DD-502	BYX601ZU502P	CCD-502	B250	5HK-D50		
C23	.047 200V	P266N-05	DF-503	PM2S5	4DP-3-503	PVC215	2TM-S50		
C24	.003	BPD-0033	DD-332	BYS601ZU332P	CCD-332	B253	5HK-D53		
C25		#110000-021							

# Riverside Part Number

## CONTROLS

All wattages 1/2 watt, or less, unless otherwise listed.

ITEM No.	USE	RESIST-ANCE	REPLACEMENT DATA				
			Riverside PART No.	CENTRALAB PART No.	CLAROSTAT PART No.	CTS-IRC PART No.	MALLORY PART No.
R1A	Tone	50K	145000-192	F1-50K, R2-5000,		† QJ-1849A	
R1B	Volume, Switch	5000Ω		FFS101, RFS109,			
R2	Bias	300Ω ZW	145000-207	BC100, KR-4	U39-300	110-300	
R3	Fader	40Ω ZW	145000-092	V-300			

† "CONCENTRIKIT" Equivalent: K3 Kit with Base Elements and Shafts: B11-123, P23-103 (Panel) B13-114, R9-115 (Rear) S12, 76-1 (Bushing and Switch)

## COILS (RF-IF)

ITEM No.	USE	REPLACEMENT DATA					
		Riverside PART No.	MEISSNER PART No.	MERIT PART No.	MILLER PART No.	STANCOR PART No.	WORKMAN PART No.
L1	RF Choke (5.6uh)	114000-262	19-1008	SW-631	4809	RTC-6519	T959
L2	Antenna	①					
L3	RF	①					
L4	Oscillator	①					
L5	Input IF	114000-217	16-6712		6522	RTC-9397	
L6	Output IF	114000-216	16-6719				

① Part of M1.

## FILTER CHOKE

ITEM No.	RATINGS			REPLACEMENT DATA					NOTES
	CURRENT (Measured)	DC RES.	INDUCTANCE (0 CURRENT 1000~)	Riverside PART No.	MERIT PART No.	STANCOR PART No.	THORDARSON PART No.	TRIAD PART No.	
L7	.720A	.5Ω	3MH	161000-146	C-4124	TC-1	TR-159	TY16XT	

## TRANSFORMER (DRIVER)

ITEM No.	TURNS RATIO		REPLACEMENT DATA					NOTES
	PRI.	SEC.	Riverside PART No.	MERIT PART No.	STANCOR PART No.	THORDARSON PART No.	TRIAD PART No.	
	T1	10	1	161005-003				

## TRANSFORMER (AUDIO OUTPUT)

ITEM No.	IMPEDANCE		REPLACEMENT DATA					NOTES
	PRI.	SEC.	Riverside PART No.	MERIT PART No.	STANCOR PART No.	THORDARSON PART No.	TRIAD PART No.	
	T2	25Ω Tap @ 8Ω		161006-001			TR-169	

## SPEAKER

ITEM No.	TYPE		REPLACEMENT DATA		NOTES
			Riverside PART No.	QUAM PART No.	
SP1	4" x 10" PM	8Ω	155009-146	410A2Z6	MODEL FLH-16650A
	4" x 10" PM	6Ω	155009-145	410A2Z6	MODEL FLH-16665A

## FUSE DEVICES

ITEM No.	TYPE	RATING	REPLACEMENT DATA						
			PART No.		LITTELFUSE PART No.		BUSS PART No.		
			FUSE	HOLDER	FUSE	HOLDER	FUSE	HOLDER	
F1	AGC	2A		In fuse block.	312002			AGC 2	

## MISCELLANEOUS

ITEM No.	PART NAME	Riverside PART No.	NOTES
M1	Tuner	164005-003	FLH-16650A
	Tuner	164005-001	Model FLH-16665A

## CABINETS & CABINET PARTS

(When Ordering Specify Model, Chassis & Color)

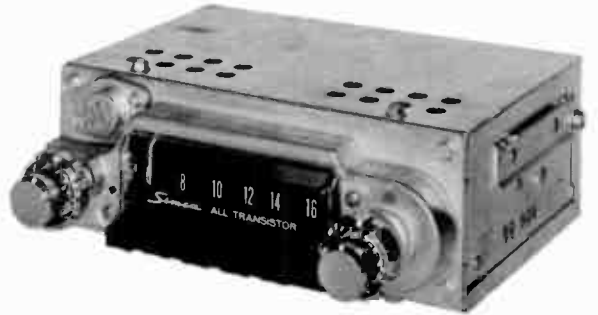
ITEM	MODEL	PART No.	ITEM	MODEL	PART No.
Dial Glass	FLH-16650A	122005-024	Knob, Volume	FLH-16665A	134005-002
Dial Glass	FLH-16665A	122005-016	Knob, Tone or Dummy	FLH-16650A	134005-040
Knob, Tuning or Volume	FLH-16650A	134005-032	Knob, Tone	FLH-16665A	134005-007
Knob, Tuning	FLH-16665A	134005-010	Pushbutton	FLH-16665A	107008-012



# PHOTOFACT<sup>®</sup> with

# CIRCUITRACE<sup>®</sup>

**TRADE NAME :** Simca Model 5BJ (1000) 1965  
**SUPPLIER :** For Current Address, See Master Index.  
**TYPE SET :** 6 Transistor AM Receiver  
**POWER SUPPLY :** 12 Volt Storage Battery  
**RATING :** .8 Amp. @ 12.6 Volts DC  
**TUNING RANGE :** BROADCAST 540-1605KC



## ALIGNMENT INSTRUCTIONS

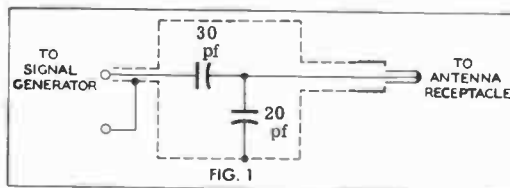
Check for specified source voltage.  
Use only enough generator output to provide a usable indication.  
Suggested Alignment Tools:

A1 thru A4.	GENERAL CEMENT: 8606, 8606L, 8869 WALSCO: 2543, 2544, 2588
A5, A6, A7.	GENERAL CEMENT: 8290, 8868, 9087 WALSCO: 2525, 2528, 2587

	SIGNAL GENERATOR COUPLING	SIGNAL GENERATOR FREQUENCY	RADIO DIAL SETTING	INDICATOR	ADJUST	REMARKS
1.	High side thru .1mfid to point $\Delta$ , low side to ground.	262.5KC (400% Mod.)	High Freq. End Stop.	Output Meter across voice coil.	A1, A2, A3, A4	Adjust for maximum.
2.	Thru dummy (Fig. 1) to antenna receptacle.	1605KC	"	"	A5, A6, A7	"
Step 3 is not necessary unless tuner has been tampered with or associated components have been replaced. IF necessary, back tuning cores (A8, A9, A10) out of coils but not out of forms. Repeat step 2.						
3.	Thru dummy (Fig. 1) to antenna receptacle.	1000KC	Tune to Signal.	Output Meter across voice coil.	A8, A9, A10	Adjust for maximum. Repeat steps 2 & 3 until no further improvement is noted.

With radio installed in car and antenna fully extended, tune in a weak station near 1000KC and adjust A7 for maximum output.

Antenna Adjustment: (A7) Right Rear below Antenna Receptacle.



### PUSH-BUTTON ADJUSTMENT

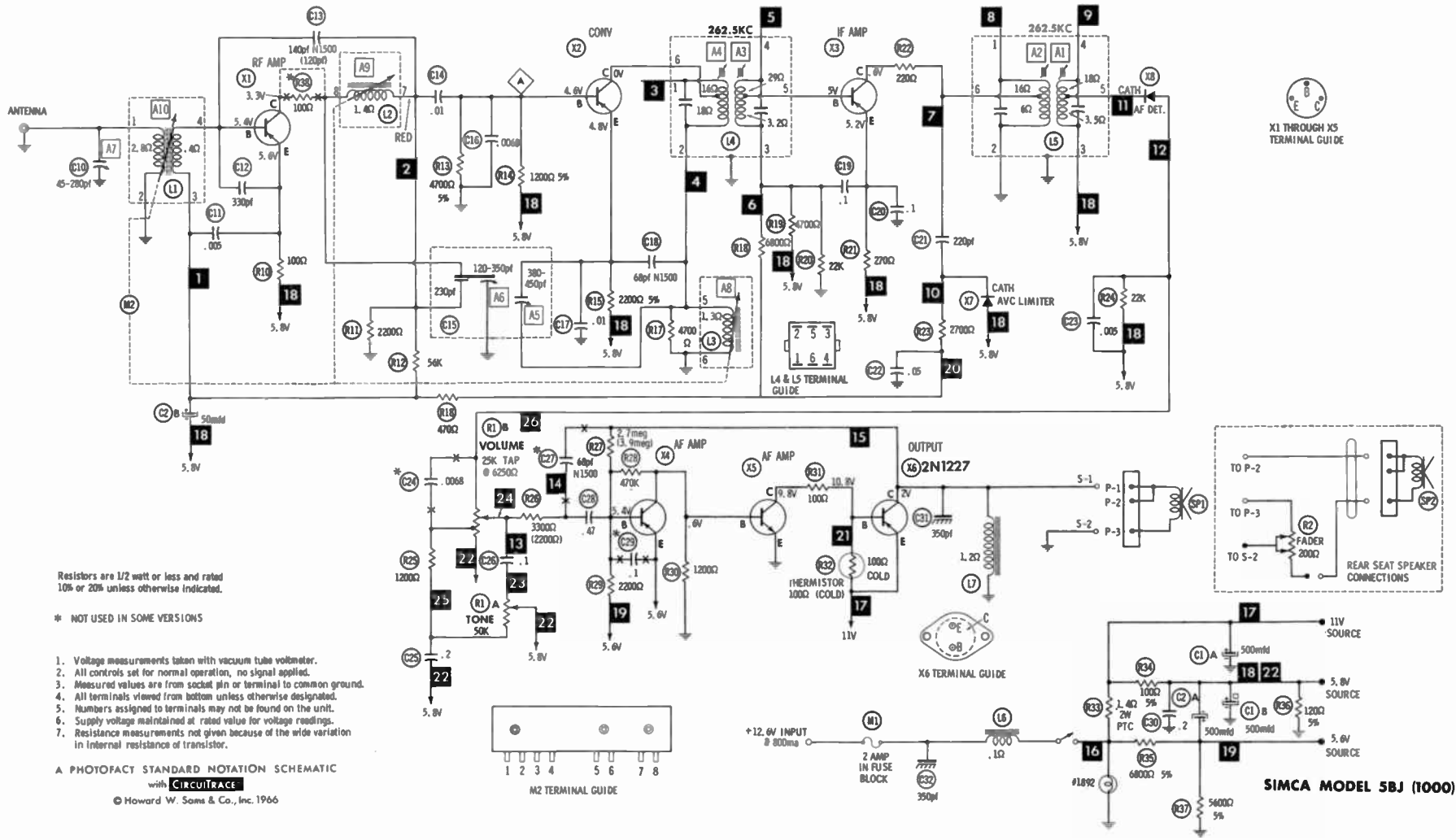
1. Pull button out.
2. Tune manually to desired station.
3. Press button in firmly.
4. Repeat for remaining buttons.

**HOWARD W. SAMS & CO., INC.** Indianapolis, Indiana 46206

© 1966 Howard W. Sams & Co., Inc. Printed in U. S. of America RD272R

World Radio History

SIMCA MODEL 5BJ (1000)



Resistors are 1/2 watt or less and rated 10% or 20% unless otherwise indicated.

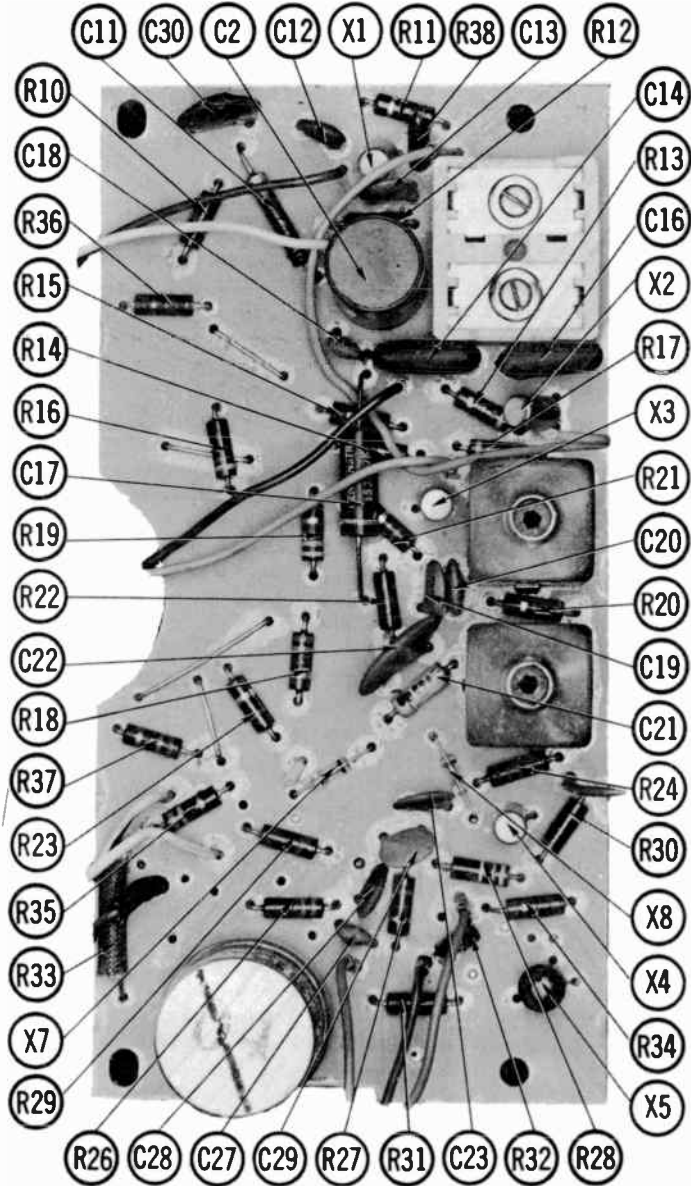
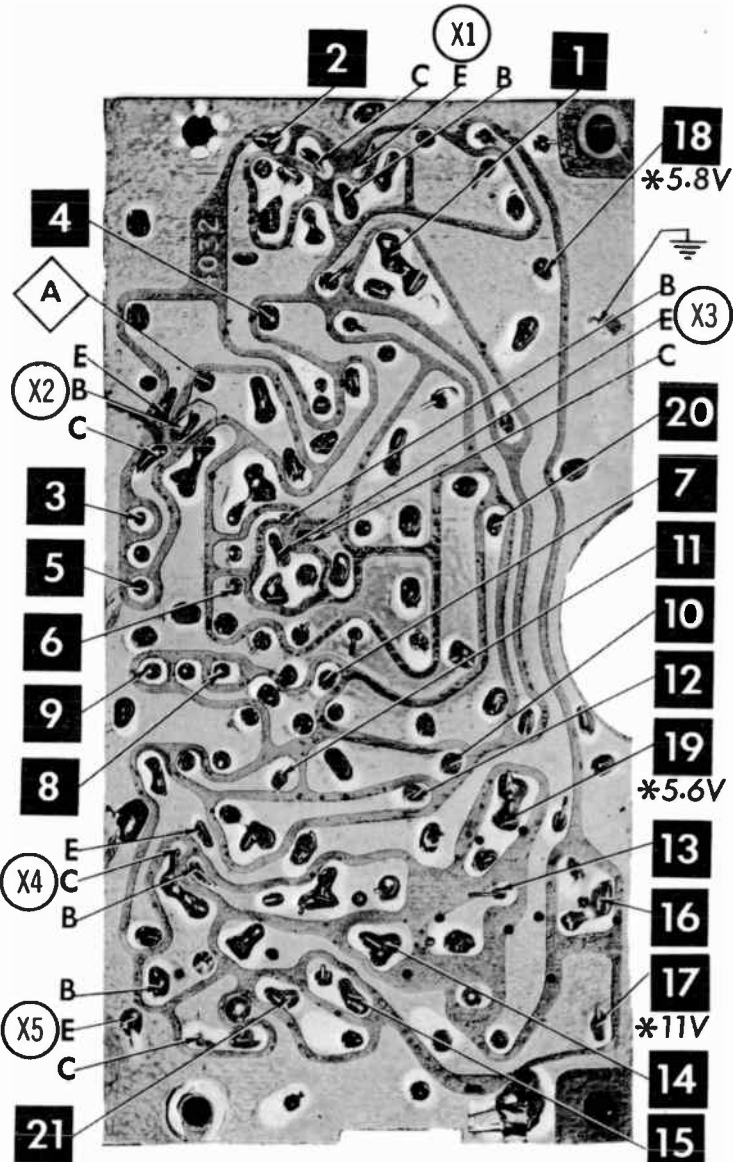
\* NOT USED IN SOME VERSIONS

1. Voltage measurements taken with vacuum tube voltmeter.
2. All controls set for normal operation, no signal applied.
3. Measured values are from socket pin or terminal to common ground.
4. All terminals viewed from bottom unless otherwise designated.
5. Numbers assigned to terminals may not be found on the unit.
6. Supply voltage maintained at rated value for voltage readings.
7. Resistance measurements not given because of the wide variation in internal resistance of transistor.

A PHOTOFACY STANDARD NOTATION SCHEMATIC with CIRCUITRACE

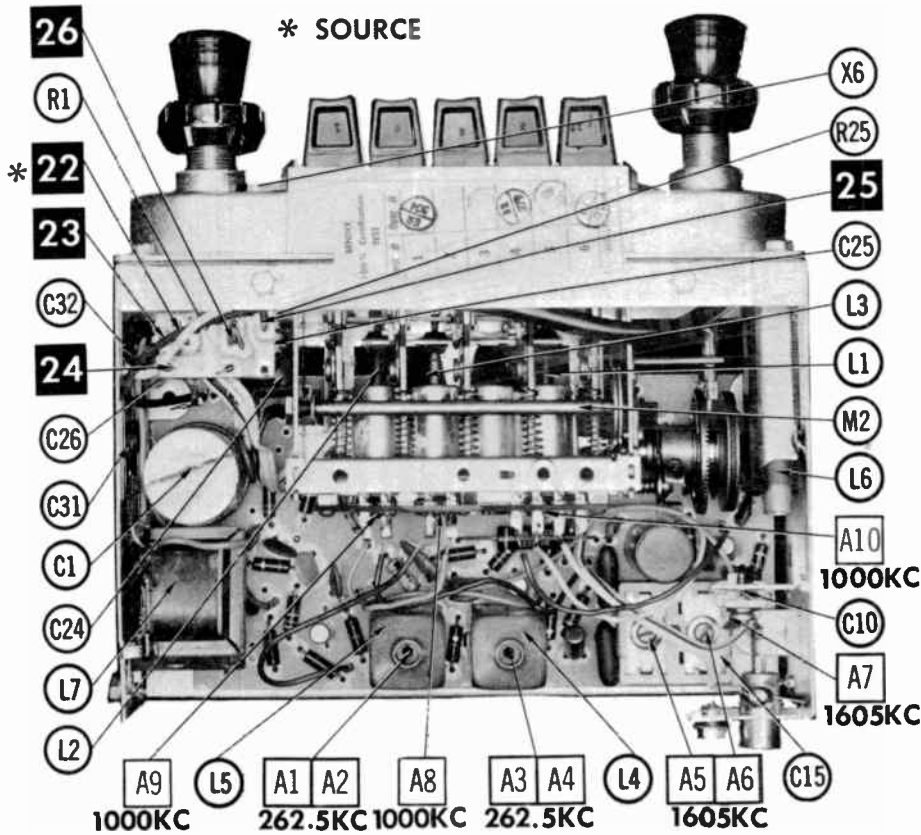
© Howard W. Sams & Co., Inc. 1966

SIMCA MODEL 5BJ (1000)



\*VOLTAGE SOURCE





## PARTS LIST AND DESCRIPTION

(When ordering parts, state Model, Part Number, and Description.)

Replacement parts shown may be superseded by the availability of newly introduced replacements. Have your local distributor check Sams COUNTER FACTS<sup>®</sup> for the most up-to-date replacement.

### WIRING DATA

General-use Unshielded Hook-up Wire .....	Use BELDEN No. 8530 (Solid) Available in 12 Colors 8524 (Stranded) Available in 12 Colors
Shielded Hook-up Wire .....	Use BELDEN No. 8985
Rear Seat Speaker Extension Cable .....	Use BELDEN No. 8782 (Stranded) Coded Parallel Leads
Bonding Strap .....	Use BELDEN No. 8661 (3/8 In.) or 8670 (3/4 In.)

### TRANSISTORS

ITEM No.	ORIG. TYPE	USE	REPLACEMENT DATA			NOTES	BENDIX PART No.
			DELCO PART No.	GENERAL ELECTRIC PART No.	RCA PART No.		
X1		RF Amp.	DS-25	GE-1	SK-3005	PNP	2091241-0015
X2		Conv.	DS-25	GE-1	SK-3005	PNP	2091241-0013
X3		IF Amp.	DS-25	GE-1	SK-3005	PNP	2091241-0014
X4		1st. AF Amp.	DS-26	GE-2	SK-3004	PNP	2090924-0008
X5		2nd. AF Amp.	DS-46	GE-10		NPN	2092609-0706
X6	2N1227	Output	DS-520	GE-3	SK-3009	PNP *	2091859-0713

\* When replacing, apply silicone grease to both sides of insulator. Tighten mounting screws securely.

### POWER RECTIFIERS & SIGNAL DIODES

ITEM No.	MEASURED CURRENT	ORIGINAL Part or Type No.	RECTIFIERS				DIODES
			GENERAL ELECTRIC PART No.	MALLORY PART No.	RCA PART No.	SARKES TARZIAN PART No.	
X7		2092055-0001					1N34AS
X8		2092055-0001					1N34AS

### ELECTROLYTIC CAPACITORS

ITEM No.	RATING		BENDIX PART No.	REPLACEMENT DATA				
	CAP.	VOLT.		AEROVOX PART No.	CORNELL-DUBILIER PART No.	GENERAL ELECTRIC PART No.	MALLORY PART No.	SPRAGUE PART No.
C1A	500	16	220353-30	PWH2-02-40			PFP200, 65	PCLS-2177*
B	500	8						
C2A	500	3	2092246-0703	BCD8X50050			PET290	VLS-2116*
B	50	3						
	1000	1.5	2092246-0702 ①	BCD1.5-3X100050			PET295	
	50	3						

\* Not normally in distributor's stock. Available thru distributor on order to manufacturer.

① Used in some versions.

# PARTS LIST AND DESCRIPTION (CONTINUED)

(When ordering parts, state Model, Part Number, and Description.)

## CAPACITORS

ITEM No.	RATING	REMARKS	REPLACEMENT DATA					
			AEROVOX PART No.	CENTRALAB PART No.	CORNELL-DUBILIER PART No.	ELMENCO PART No.	MALLORY PART No.	SPRAGUE PART No.
C10	45-260	2091221-0008						
C11	.005		BPD-005	DD-502	BYX601ZU502P	CCD-502	B250	5HK-D50
C12	330		DI-330	DD-331	JBZ601YP331K	CCD-331	JF333	10T8-T33
C13	140	N1500 (120pf) †				*	*	*
C14	.01	100V	DBE481	CPR-10000J	WMF181	1DP-1-103	PVC211	4PS-810
C15A	120-350	209092-23						
B	230							
C	360-450							
C16	.0068	100V	DBE6D68	CPR-6800J	WMF1D68	6DP-1-682	PVC4268	6PS-D68
C17	.01	100V	DBE481	CPR-10000J	WMF181	1DP-1-103	PVC211	4PS-810
C16	68	N1500		TCL-68		*	*	*
C19	.1		TTD-1	CK-104	HOV101ZV104Z		TA010	TG-P10
C20	.1		TTD-1	CK-104	HOV101ZV104Z		TA010	TG-P10
C21	220		DI-220	DD-221	JB601YP221K	CCD-221	JF220	10T8-T22
C22	.05		TTD-05		HOV101ZV503Z		TA150	TH-850
C23	.005		BPD-005	DD-502	BYX601ZU502P	CCD-502	B250	5HK-D50
C24	.0068		DI-6800	CPR-6800J	BYX601ZU682P	CCD-682	5X266	30GA-D68
C25	.2			UK20-204			MAG25022	HY-325
C26	.1		TTD-1	CK-104	HOV101ZV104Z		TA010	TG-P10
C27	66	N1500		TCL-68		*	*	*
C28	.47			UK10-404			MAG12047	HY-330
C29	.1		TTD-1	CK-104	HOV101ZV104Z		TA010	TG-P10
C30	.2			UK20-204			MAG25022	HY-325
C31	350	2093050-0001						
C32	350	2093050-0001						

\* Not normally in distributor's stock. Available thru distributor on order to manufacturer.

† Bendix Part Number.

‡ Alternate Value.

## CONTROLS

All wattages 1/2 watt, or less, unless otherwise listed.

ITEM No.	USE	RESISTANCE	REPLACEMENT DATA					
			BENDIX PART No.	CENTRALAB PART No.	CLAROSTAT PART No.	CTS-IRC PART No.	MALLORY PART No.	
R1A	Tone	50K	2091258-0004	F1-50K, R14-25K,			† QJ-1752A	FA54L(1),
B	Volume/Switch	25K Tap @ 6250Ω		FFS115, RFS207, AK36, KR-4				RU253T53, OS1687, IS2187, US41
R2	Fader	200Ω 2W	2094135-0701					

† "CONCENTRIKIT" Equivalent: K6, Kit with Base Elements and Shafts: B11-123, P17-123 (Panel)

B19-119K, R9-202 (Rear)

78-1 (Switch) R5

"SNAPTROL" Equivalent: BU7, CF12, CR50T, SF13, SR49, GC.

① Use original mounting bracket.

## RESISTORS (Power and Special)

ITEM No.	RATING	REPLACEMENT DATA			ITEM No.	RATING	REPLACEMENT DATA		
		IRC PART No.	WORKMAN PART No.	REMARKS			IRC PART No.	WORKMAN PART No.	REMARKS
R32	100Ω (Cold)			# 220629-12	R33	1.4Ω 2W (PTC)			2090948-0031

# Bendix Part Number.

## COILS (RF-IF)

ITEM No.	USE	REPLACEMENT DATA					
		BENDIX PART No.	MEISSNER PART No.	MERIT PART No.	MILLER PART No.	STANCOR PART No.	WORKMAN PART No.
L1	Antenna	①					
L2	RF	①					
L3	Oscillator	①					
L4	Input IF	2093001-0701	16-8710		6520	RTC-9395	TE634
L5	Output IF	2093002-0701	16-8711		6521	RTC-9396	TE634

① Part of M2.

## FILTER CHOKE

ITEM No.	RATINGS			REPLACEMENT DATA					NOTES
	CURRENT (Measured)	DC RES.	INDUCTANCE (0 CURRENT 1000~)	BENDIX PART No.	MERIT PART No.	STANCOR PART No.	THORDARSON PART No.	TRIAD PART No.	
L6	600ma	.1Ω	240uh	2092050-0014					

## CHOKE (AUDIO OUTPUT)

ITEM No.	INDUCTANCE	REPLACEMENT DATA					NOTES
		BENDIX PART No.	MERIT PART No.	STANCOR PART No.	THORDARSON PART No.	TRIAD PART No.	
L7	50MH	2092245-0005					

## FUSE DEVICES

ITEM No.	TYPE	RATING	REPLACEMENT DATA						
			PART No.		LITTELFUSE PART No.		BUSS PART No.		
			FUSE	HOLDER	FUSE	HOLDER	FUSE	HOLDER	
M1	AGA	2 Amp.	2091611-0007	In Fuse Block	301002			AGA 2	

## SPEAKER

ITEM No.	TYPE	REPLACEMENT DATA			NOTES
		BENDIX PART No.	QUAM PART No.		
SP1	5" x 7" PM 20Ω	2092481-0704	57A1220		Front
SP2	5" x 7" PM 20Ω	2092482-0701	57A1220		Rear

## MISCELLANEOUS

ITEM No.	PART NAME	BENDIX PART No.
M2	Tuner Coil Assembly	2094066-0504 2090131-0063

## CABINETS & CABINET PARTS

(When Ordering Specify Model, Chassis & Color)

ITEM	PART No.	ITEM	PART No.
Escutcheon	2093974-0001	Knob-Tone or Dummy	2092235-0001
Dial Glass	2092474-0006	Pushbutton	2092224-0005
Knob-Tuning or Volume	2091244-0504	Pointer Assembly	2090129-0033

SIMCA MODEL 5BJ (1000)



# PHOTOFACT<sup>®</sup> with

# CIRCUITRACE<sup>®</sup>



TRADE NAME: Tenna Models:  
 CII-65M (1965 Chevy II)  
 CII-65PB (1965 Chevy II)  
 CHT-65M (1965 Chevrolet Truck)  
 CHT-65PB (1965 Chevrolet Truck)  
 CL-65PB (1965 Chevelle)  
 OF-65PB (1965 Oldsmobile F-85)  
 PO-65PB (1965 Pontiac)  
 PO-65PB/A (1965 Pontiac W/Air Cond.)  
 For Current Address, See Annual Index.

SUPPLIER:

TYPE SET: 5 Transistor AM Receiver

POWER SUPPLY: 12 Volt Storage Battery

RATING: .720 Amp. @ 12.6 Volts DC

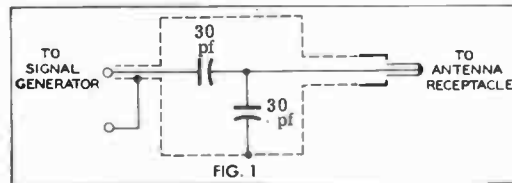
TUNING RANGE: BROADCAST 540-1615KC

## ALIGNMENT INSTRUCTIONS

Check for specified source voltage.  
 Use only enough generator output to provide a usable indication.  
 Suggested Alignment Tools:  
 A1 thru A4. GENERAL CEMENT: 8606, 8606L, 8869  
 WALSCO: 2543, 2544, 2588  
 A5, A6, A7. GENERAL CEMENT: 8290, 8868, 9087  
 WALSCO: 2525, 2528, 2587

	SIGNAL GENERATOR COUPLING	SIGNAL GENERATOR FREQUENCY	RADIO DIAL SETTING	INDICATOR	ADJUST	REMARKS
1.	High side thru .1mfd to point $\Delta$ , low side to ground.	262KC (400v Mod.)	High Freq. End Stop.	Output Meter across voice coil.	A1, A2, A3, A4	Adjust for maximum.
2.	Thru dummy (Fig. 1) to antenna receptacle.	1615KC	"	"	A5, A6, A7	"

With radio installed in car and antenna fully extended, tune in a weak station near 1400KC and adjust A7 for maximum output.

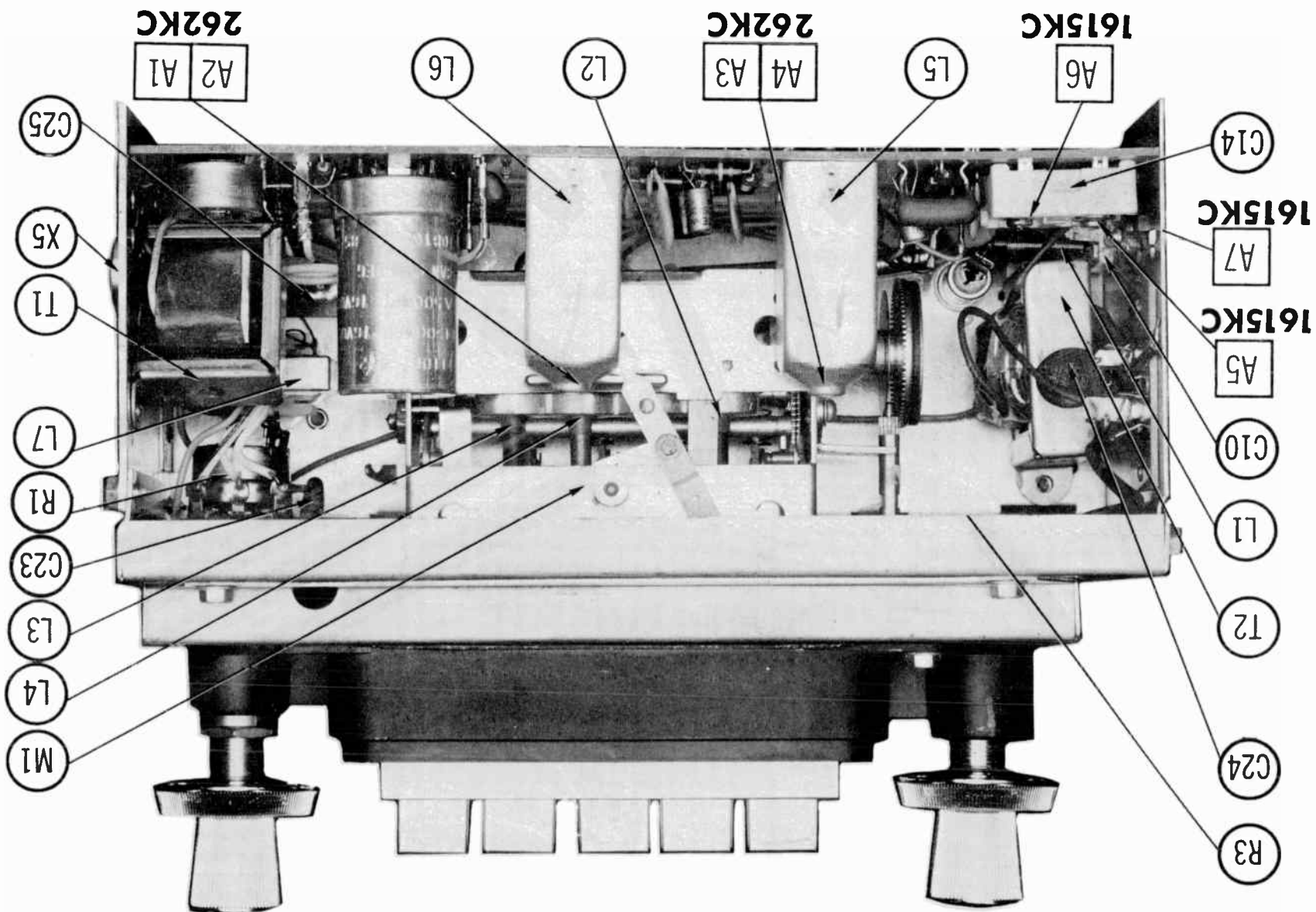


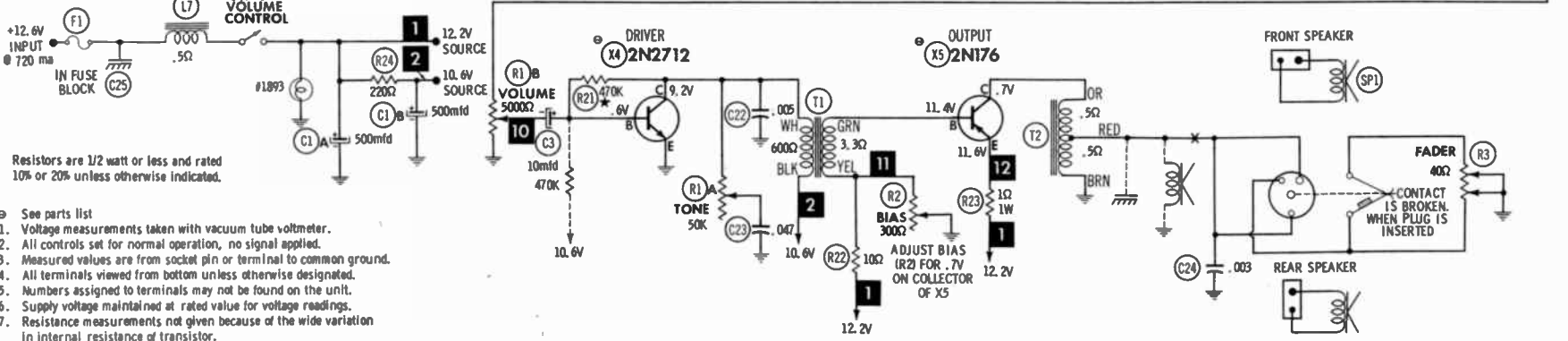
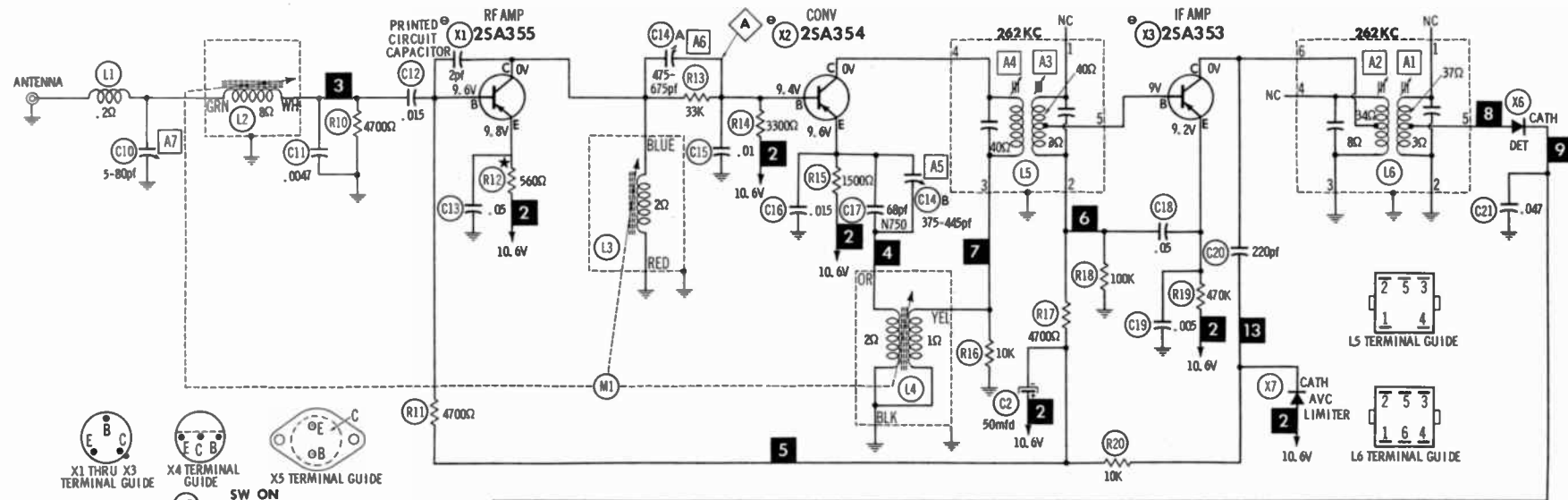
Antenna Adjustment (A7)  
 located on right side of radio.

### PUSH-BUTTON ADJUSTMENT

1. Pull button out.
2. Tune manually to desired station.
3. Press button in firmly.
4. Repeat for remaining buttons.

TENNA MODELS CII-65M/PB, CHT-65M/PB, CL-65PB, PO-65PB/A





Resistors are 1/2 watt or less and rated 10% or 20% unless otherwise indicated.

⊙ See parts list

1. Voltage measurements taken with vacuum tube voltmeter.
2. All controls set for normal operation, no signal applied.
3. Measured values are from socket pin or terminal to common ground.
4. All terminals viewed from bottom unless otherwise designated.
5. Numbers assigned to terminals may not be found on the unit.
6. Supply voltage maintained at rated value for voltage readings.
7. Resistance measurements not given because of the wide variation in internal resistance of transistor.

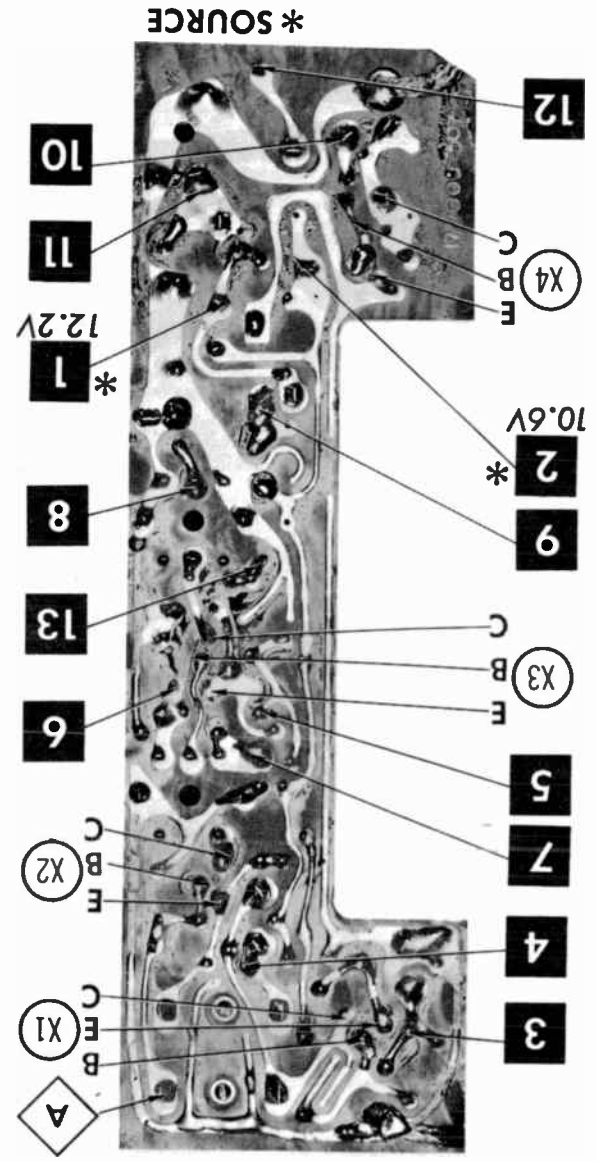
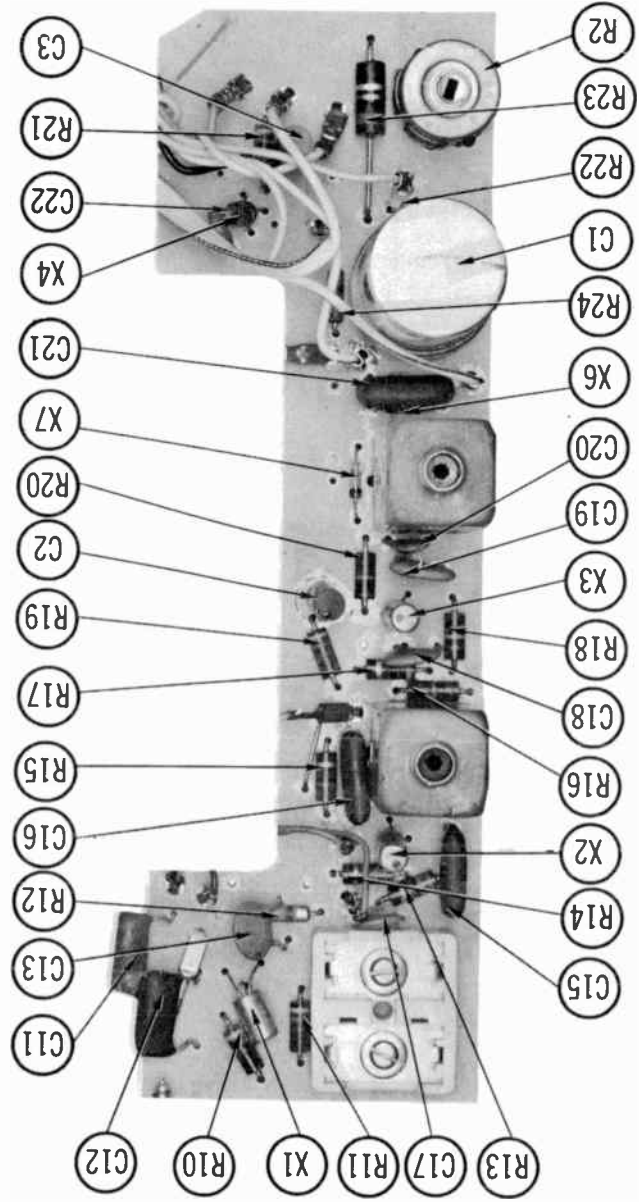
A PHOTOFAC STANDARD NOTATION SCHEMATIC

with CIRCUITRACE

© Howard W. Sams & Co., Inc. 1966

TENNA MODELS CII-65M/PB, CHT-65M/PB, CL-65PB, OF-65PB, PO-65PB/A

\* NOMINAL VALUE, MAY VARY



# PARTS LIST AND DESCRIPTION

(When ordering parts, state Model, Part Number, and Description.)

Replacement parts shown may be superseded by the availability of newly introduced replacements.  
Have your local distributor check Sams COUNTER FACTS\* for the most up-to-date replacement.

## WIRING DATA

General-use Unshielded Hook-up Wire .....	Use BELDEN No. 8530 (Solid) Available in 12 Colors 8524 (Stranded) Available in 12 Colors
Shielded Hook-up Wire .....	Use BELDEN No. 8885
Rear Seat Speaker Extension Cable .....	Use BELDEN No. 8782 (Stranded) Coded Parallel Leads
Bonding Strap .....	Use BELDEN No. 8661 (3/8 In.) or 8670 (3/4 In.)

## TRANSISTORS

ITEM No.	ORIG. TYPE	USE	REPLACEMENT DATA			NOTES
			DELCO PART No.	GENERAL ELECTRIC PART No.	RCA PART No.	
X1	2SA355	RF Amp.	D6-25	GE-9	8K-3006	PNP
X2	2N1637† 2SA354	Conv.	D6-25	GE-9	8K-3006	PNP
X3	2N1639† 2SA353	IF Amp.	D6-25	GE-9	8K-3006	PNP
X4	2N1638†	Driver	D6-46	GE-10		NPN
X5	2N2712 2N176	Output	D6-520	GE-3	8K-3006	PNP

\* When replacing, apply silicone grease to both sides of insulator. Tighten mounting screws securely.  
Check bias adjustment. † Alternate.

## POWER RECTIFIERS & SIGNAL DIODES

ITEM No.	MEASURED CURRENT	ORIGINAL Part or Type No.	RECTIFIERS				DIODES
			GENERAL ELECTRIC PART No.	MALLORY PART No.	RCA PART No.	SARKES TARZIAN PART No.	GENERAL ELECTRIC PART No.
X6		1N295A					1N295
X7		1N295A					1N295

## ELECTROLYTIC CAPACITORS

ITEM No.	RATING		TENNA PART No.	REPLACEMENT DATA				
	CAP.	VOLT.		AEROVOX PART No.	CORNELL-DUBILIER PART No.	GENERAL ELECTRIC PART No.	MALLORY PART No.	SPRAGUE PART No.
C1A	500	16	111001-512	PWH2-02-40	BPC010	XC2-45	PPF200.04	PCL8-2177*
B	500	16						
C2	50	3	111002-104	BCD3050	ECBP50-3	MT1-15	PET1575	VL-1045
C3	10	15	111002-103	BCD15010	ECBP10-15	MT1-5	PET1760	VL-1187

\* Not normally in distributor's stock. Available thru distributor on order to manufacturer.

## CAPACITORS

ITEM No.	RATING	REMARKS	REPLACEMENT DATA					
			AEROVOX PART No.	CENTRALAB PART No.	CORNELL-DUBILIER PART No.	ELMENCO PART No.	MALLORY PART No.	SPRAGUE PART No.
C10	5-80	#110000-087						
C11	.0047	200V	BPD-0047	DD-472	BYX601ZU472P	CCD-472	B247	5HK-D47
C12	.015	200V	DBE4815		DPMS4815	1DP-1-153	PVC2115	4PS-815
C13	.05		TTD-05		HOV101ZV503Z		TA150	TH-850
C14A	475-875	#110000-080						
B	375-445							
C15	.01	200V	DBE481	CPR-10000J	WMF181	1DP-1-103	PVC211	4PS-810
C16	.015	200V	DBE4815		DPMS4815	1DP-1-153	PVC2115	4PS-815
C17	.68	N750	N750-DI68	DTN-68	C8601UJ680K	CCTN-680	CN7468	10TCU-Q68
C18	.05		TTD-05		HOV101ZV503Z		TA150	TH-850
C19	.005		BPD-005	DD-502	BYX601ZU502P	CCD-502	B250	5HK-D50
C20	.220		DI-220	DD-221	JB601YP221K	CCD-221	JF220	10TB-T22
C21	.047	200V	P268N-05	DF-503	PM285	4DP-3-503	PVC215	2TM-850
C22	.005		BPD-005	DD-502	BYX601ZU502P	CCD-502	B250	5HK-D50
C23	.047	200V	P288N-047	DF-503	PM285	4DP-3-503	PVC215	2TM-850
C24	.005		BPD-0033	DD-332	BY8601ZU332P	CCD-332	B233	5HK-D33
C25		#110000-021						

# Tenna Part Number.

## CONTROLS

All wattages 1/2 watt, or less, unless otherwise listed.

ITEM No.	USE	RESISTANCE	REPLACEMENT DATA					
			TENNA PART No.	CENTRALAB PART No.	CLAROSTAT PART No.	CTS-IRC PART No.	MALLORY PART No.	
R1A	Tone	50K	145000-191①	F1-50K, R2-5000,				
B	Volume/Switch	5000Ω		FFS111, RFS203, BB102, KR-4			QJ-1846A†	
	Tone		145005-030②	F1-50K, R2-5000,				
	Volume/Switch			FFS114, RFS204, BB110, KR-4			QJ-2150A††	
R2	Bias	300Ω 2W	145000-207	V-300	US9-300		110-300	
R3	Fader	40Ω 2W	145000-183①					
	Fader	40Ω 2W	145005-010②					

† "CONCENTRIKIT" Equivalent: K8 Kit, with Base Elements and Shafts: B11-123, P22-121 (Panel)  
B13-114, R9-202 (Rear)

†† "CONCENTRIKIT" Equivalent: K8 Kit, with Base Elements and Shafts: B11-123, P17-129 (Panel)  
B13-114, R26-206 (Rear)  
S8, 76-1 (Bushings & Switch)

NOTE:  
Tone, Vol./Switch  
may use Part  
#145000-194 in  
some versions.

① Used in Model OF-65PB.

② Used in Model PO-65PB/A.

# PARTS LIST AND DESCRIPTION (CONTINUED)

(When ordering parts, state Model, Part Number, and Description.)

Replacement parts shown may be superseded by the availability of newly introduced replacements. Have your local distributor check Sams COUNTER FACTS for the most up-to-date replacement.

## COILS (RF-IF)

ITEM No.	USE	REPLACEMENT DATA					
		TENNA PART No.	MEISSNER PART No.	MERIT PART No.	MILLER PART No.	STANCOR PART No.	WORKMAN PART No.
L1	RF Choke (5.6uh)	114000-282	19-1008	SW-631	4609	RTC-6519	T959
L2	Antenna	①					
L3	RF	①					
L4	Oscillator	①					
L5	Input IF	114000-217	16-6712		6522	RTC-9397	
L6	Output IF	114000-216	16-6719				

① Part of M1.

## FILTER CHOKE

ITEM No.	RATINGS			REPLACEMENT DATA					NOTES
	CURRENT (Measured)	DC RES.	INDUCTANCE (0 CURRENT 1000~)	TENNA PART No.	MERIT PART No.	STANCOR PART No.	THORDARSON PART No.	TRIAD PART No.	
L7	.720 Amp.	.5Ω	3MH	161000-146	C-4124	TC-1	TR-159	TY16XT	

## TRANSFORMER (DRIVER)

ITEM No.	TURNS RATIO	REPLACEMENT DATA						NOTES	
		PRI.	SEC.	TENNA PART No.	MERIT PART No.	STANCOR PART No.	THORDARSON PART No.		TRIAD PART No.

## TRANSFORMER (AUDIO OUTPUT)

ITEM No.	IMPEDANCE		REPLACEMENT DATA					NOTES
	PRI.	SEC.	TENNA PART No.	MERIT PART No.	STANCOR PART No.	THORDARSON PART No.	TRIAD PART No.	

## SPEAKER

ITEM No.	TYPE	REPLACEMENT DATA				NOTES
		TENNA PART No.	QUAM PART No.			
SP1	4" x 10" PM	8Ω	155009-146	410A2Z6	Models: CII-65M, CII-65PB.	
	6" x 9" PM	8Ω	155009-151	69A1Z6	Models: CHT-65M, CHT-65PB.	
	4" x 9" PM	8Ω	155009-154	410A2Z6	Model: CL-65PB.	
	4" x 10" PM	8Ω	155009-167	410A2Z6	Models: PO-65PB/A, OF-65PB.	

## FUSE DEVICES

ITEM No.	TYPE	RATING	REPLACEMENT DATA						
			PART No.		LITTELFUSE PART No.		BUSS PART No.		
			FUSE	HOLDER	FUSE	HOLDER	FUSE	HOLDER	
F1	AGW	2 1/2 A		In Fuse Block	30302.5			AGW 2 1/2	

## MISCELLANEOUS

ITEM No.	PART NAME	TENNA PART No.	NOTES
M1	Tuner	164004-001	Models, CII-65PB, CHT-65PB, CL-65PB, OF-65PB, PO-65PB/A, Model, CHT-65M.
	Tuner	164004-002	

## CABINETS & CABINET PARTS

(When Ordering Specify Model, Chassis & Color)

ITEM	PART No.	ITEM	PART No.
Models: CII-65M, CII-65PB		Model: CL-65PB	
Dial Glass	122004-016	Knob-Tone or Dummy	134004-032
Knob-Tuning or Volume	134005-026	Pushbutton	107000-087
Knob-Tone or Dummy	134000-064	Pushbutton	107000-086
Pushbutton	107000-079	Pushbutton	107000-089
Pushbutton	107000-080	Pushbutton	107000-090
Pushbutton	107000-081	Pushbutton	107000-091
Pushbutton	107000-082	Model: OF-65PB	
Pushbutton	107000-083	Dial Glass	122000-140
Models: CHT-65M, CHT-65PB		Knob-Tuning or Volume	134004-003
Dial Glass	122000-135	Knob-Tone or Dummy	134004-001
Knob-Tuning or Volume	134004-029	Pushbutton	107000-106
Knob-Tone or Dummy	134000-084	Models: PO-65PB, PO-65PB/A	
Pushbutton	107000-087	Dial Glass	122000-140
Pushbutton	107000-086	Knob-Tuning or Volume	134004-027
Pushbutton	107000-089	Knob-Tone or Dummy	134004-030
Pushbutton	107000-090	Pushbutton	107000-110
Pushbutton	107000-091	Pushbutton	107000-111
Model: CL-65PB		Pushbutton	107000-112
Dial Glass	122000-135	Pushbutton	107000-113
Knob-Tuning or Volume	134005-026	Pushbutton	107000-114

TENNA MODELS CII-65M/PB, CHT-65M/PB, CL-65PB, PO-65PB/A





# PHOTOFACT<sup>®</sup> with

# CIRCUITRACE<sup>®</sup>



TRADE NAME : Tenna Models:  
 EC-65M (1965 Econoline Truck)  
 FA-65PB (1965 Falcon)  
 FL-65PB (1965 Fairlane 500)  
 FO-65PB (1965 Ford)  
 FO-65PB/RS (1965 Ford)  
 ME-65PB (1965 Mercury)  
 For Current Address, See Annual Index.

SUPPLIER :

TYPE SET : 5 Transistor AM Receiver

POWER SUPPLY : 12 Volt Storage Battery

RATING : .720 Amp. @ 12.6 Volts DC

TUNING RANGE : BROADCAST 540-1615KC

## ALIGNMENT INSTRUCTIONS

Check for specified source voltage.  
 Use only enough generator output to provide a usable indication.

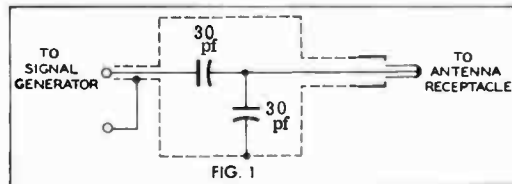
Suggested Alignment Tools:

A1 thru A4. GENERAL CEMENT: 8606, 8606L, 8869  
 WALSCO: 2543, 2544, 2588  
 A5, A6, A7. GENERAL CEMENT: 8290, 8868, 9087  
 WALSCO: 2525, 2528, 2587

	SIGNAL GENERATOR COUPLING	SIGNAL GENERATOR FREQUENCY	RADIO DIAL SETTING	INDICATOR	ADJUST	REMARKS
1.	High side thru .1mf to point $\Delta$ , low side to ground.	262KC (400% Mod.)	High Freq. End Stop.	Output Meter across voice coil.	A1, A2, A3, A4	Adjust for maximum.
2.	Thru dummy (Fig. 1) to antenna receptacle.	1615KC	"	"	A5, A6, A7	"

With radio installed in car and antenna fully extended, tune in a weak station near 1400KC and adjust A7 for maximum output.

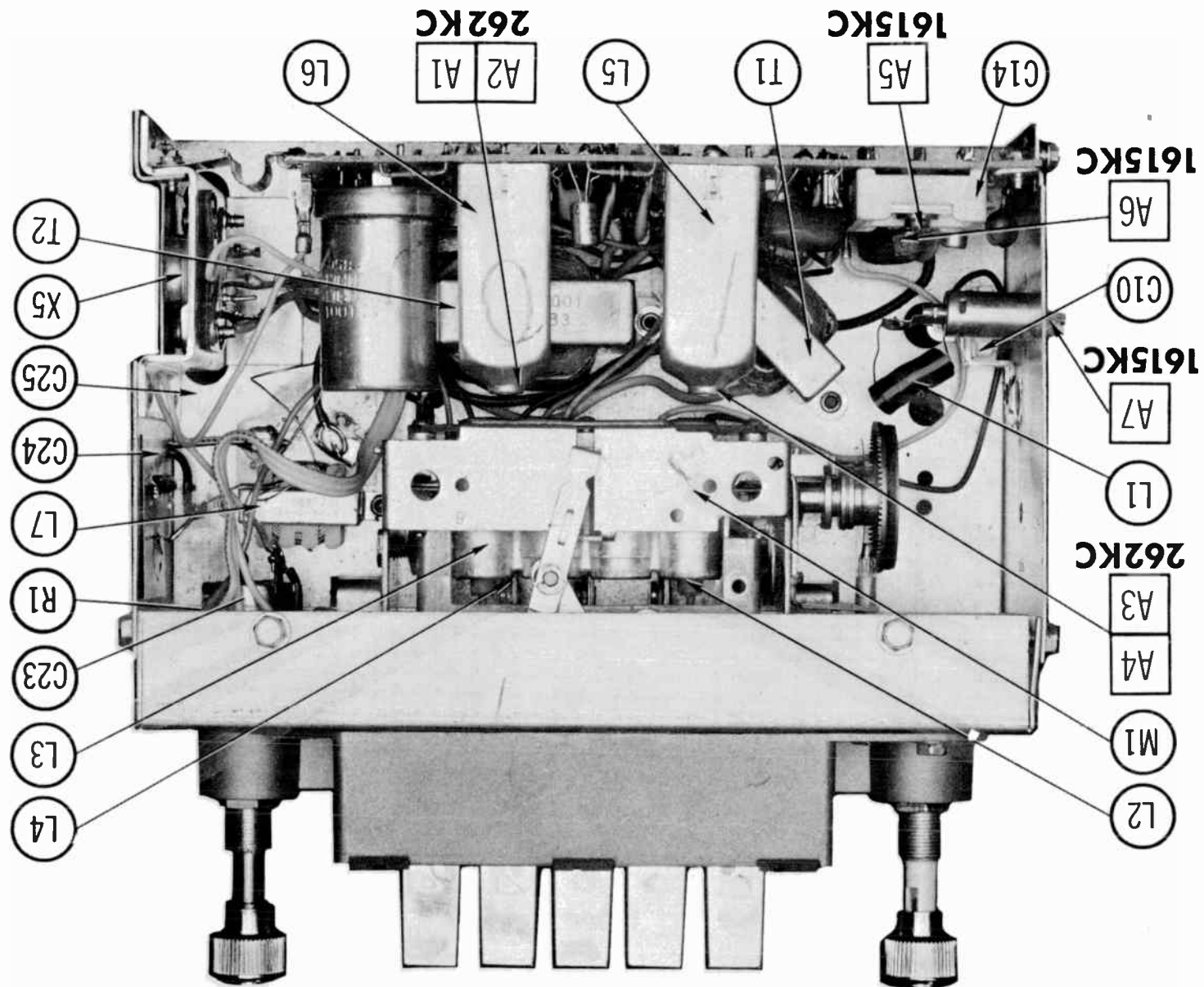
Antenna Adjustment (A7)  
 located on right side of radio.

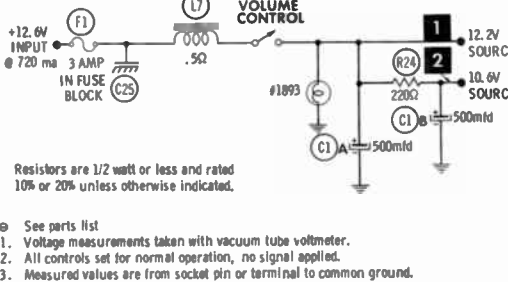
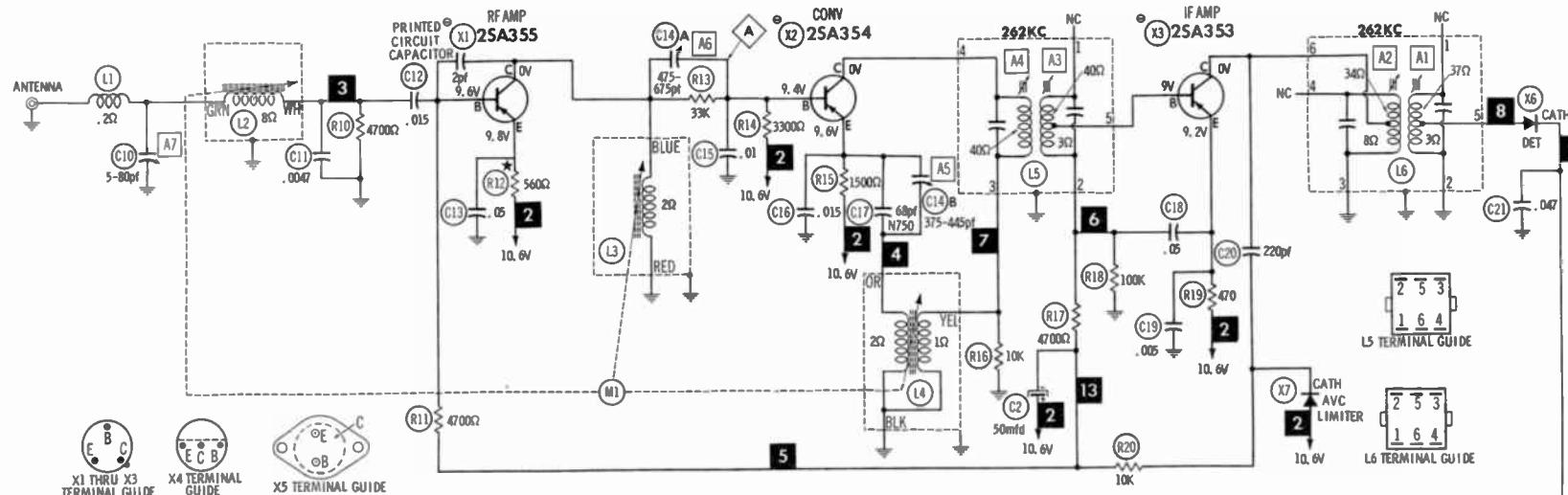


### PUSH-BUTTON ADJUSTMENT

1. Pull button out.
2. Tune manually to desired station.
3. Press button in firmly.
4. Repeat for remaining buttons.

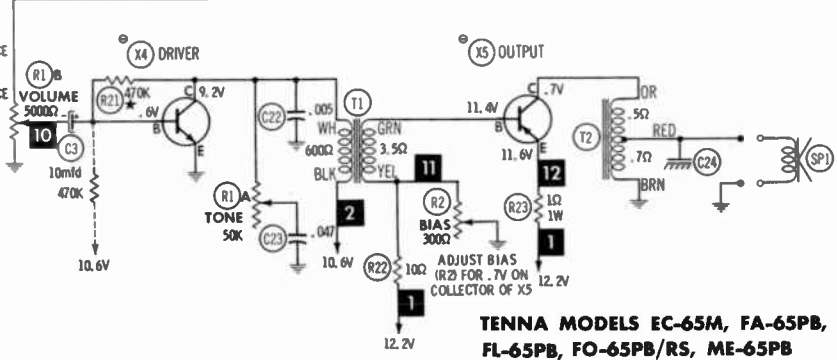
TENNA MODELS EC-65M, FA-65PB, FL-65PB, FO-65PB/RS, ME-65PB



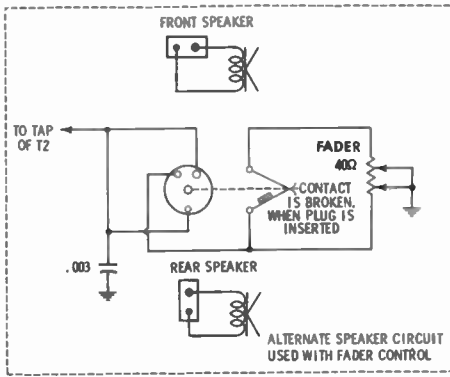


- Resistors are 1/2 watt or less and rated 10% or 20% unless otherwise indicated.
- ⊙ See parts list
  - 1. Voltage measurements taken with vacuum tube voltmeter.
  - 2. All controls set for normal operation, no signal applied.
  - 3. Measured values are from socket pin or terminal to common ground.
  - 4. All terminals viewed from bottom unless otherwise designated.
  - 5. Numbers assigned to terminals may not be found on the unit.
  - 6. Supply voltage maintained at rated value for voltage readings.
  - 7. Resistance measurements not given because of the wide variation in internal resistance of transistor.

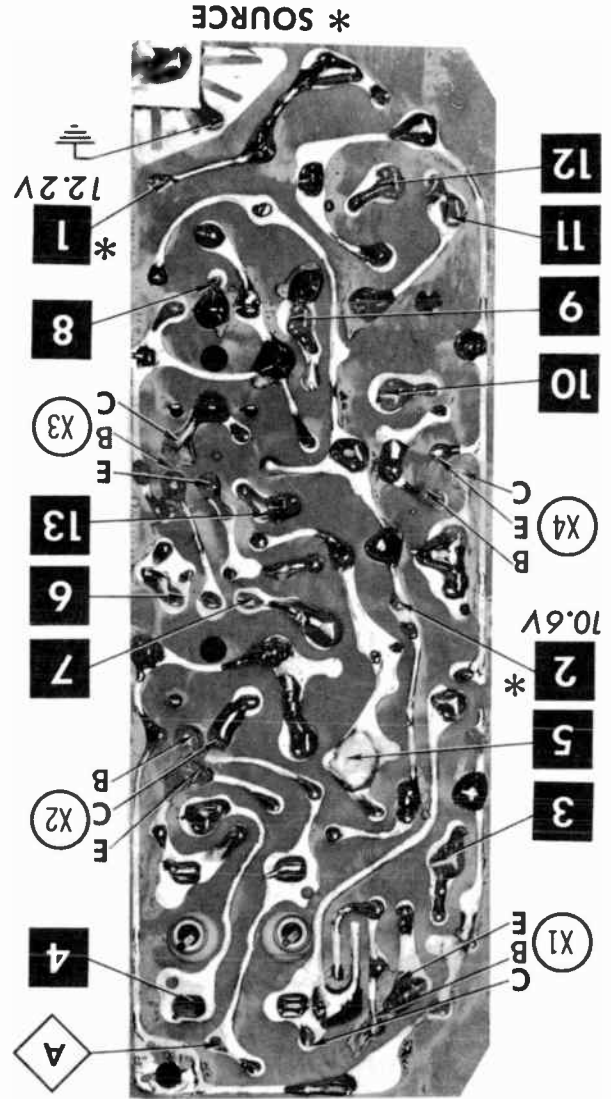
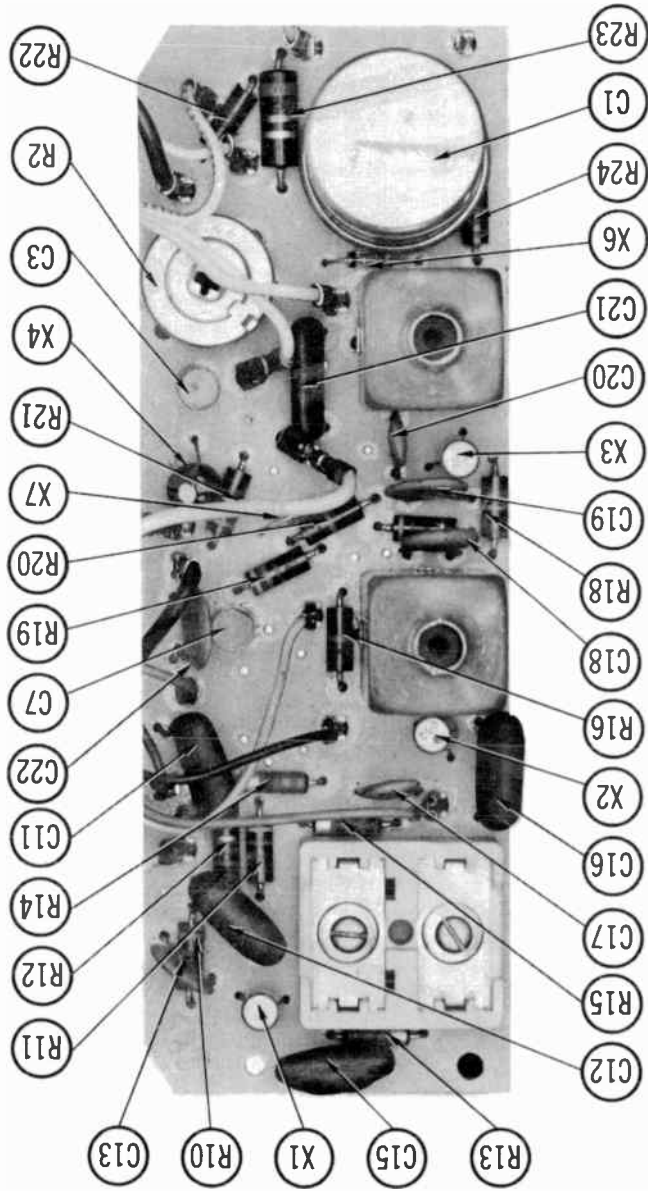
A PHOTOFAC STANDARD NOTATION SCHEMATIC  
with **CIRCUITRACE**  
© Howard W. Sams & Co., Inc. 1966



**TENNA MODELS EC-65M, FA-65PB, FL-65PB, FO-65PB/RS, ME-65PB**



\* NOMINAL VALUE, MAY VARY



\* SOURCE

12.2V

10.6V

# PARTS LIST AND DESCRIPTION

(When ordering parts, state Model, Part Number, and Description.)

Replacement parts shown may be superseded by the availability of newly introduced replacements. Have your local distributor check Sams COUNTER FACTS<sup>®</sup> for the most up-to-date replacement.

## TRANSISTORS

ITEM No.	ORIG. TYPE	USE	REPLACEMENT DATA			NOTES
			DELCO PART No.	GENERAL ELECTRIC PART No.	RCA PART No.	
X1	2SA355 2N1637†	RF Amp.	D8-25	GE-9	SK-3006	PNP
X2	2SA354 2N1639†	Conv.	D8-25	GE-9	SK-3006	PNP
X3	2SA353 2N1636†	IF Amp.	D8-25	GE-9	SK-3006	PNP
X4	2N2712	Driver	D8-46	GE-10		NPN
X5	2N176	Output	D8-520	GE-3	SK-3009	PNP *

\* When replacing, apply silicone grease to both sides of insulator. Tighten mounting screws securely. Check bias adjustment.  
† Alternate.

## POWER RECTIFIERS & SIGNAL DIODES

ITEM No.	MEASURED CURRENT	ORIGINAL Part or Type No.	RECTIFIERS				DIODES
			GENERAL ELECTRIC PART No.	MALLORY PART No.	RCA PART No.	SARKES TARZIAN PART No.	GENERAL ELECTRIC PART No.
X6		1N295A					1N295
X7		1N295A					1N295

## ELECTROLYTIC CAPACITORS

ITEM No.	RATING		REPLACEMENT DATA					
	CAP.	VOLT.	TENNA PART No.	AEROVOX PART No.	CORNELL-DUBILIER PART No.	GENERAL ELECTRIC PART No.	MALLORY PART No.	SPRAGUE PART No.
C1A	500	16	111001-512	PWH2-02-40	BPC010	XC2-45	FPF200, 64	PCL5-2177*
B	500	16						
C2	50	3	111002-104	BCD3050	ECSP50-3	MT1-15	PET1575	VL-1045
C3	10	15	111002-103	BCD15010	ECSP10-15	MT1-5	PET1760	VL-1167

\* Not normally in distributor's stock. Available thru distributor on order to manufacturer.

## CAPACITORS

ITEM No.	RATING	REMARKS	REPLACEMENT DATA					
			AEROVOX PART No.	CENTRALAB PART No.	CORNELL-DUBILIER PART No.	ELMENCO PART No.	MALLORY PART No.	SPRAGUE PART No.
C10	5-80	#110000-087						
C11	.0047 200V		BPD-0047	DD-472	BYX601ZU472P	CCD-472	B247	5HK-D47
C12	.015 200V		DBE4815		DPMS4815	1DP-1-153	PVC2115	4PS-815
C13	.05		TTD-05		HOV101ZV503Z		TA150	TH-850
C14A	475-675	#110000-080						
B	375-445							
C15	.01 200V		DBE481	CPR-10000J	WMF181	1DP-1-103	PVC211	4PS-810
C16	.015 200V		DBE4815		DPMS4815	1DP-1-153	PVC2115	4PS-815
C17	.66 N750		N750-DI 66	DTN-68	CS801UJ680K	CCTN-680	CN7468	10TCU-Q68
C18	.05		TTD-05		HOV101ZV503Z		TA150	TH-850
C19	.005		BPD-005	DD-502	BYX601ZU502P	CCD-502	B250	5HK-D50
C20	.220		DI-220	DD-221	JB601YP221K	CCD-221	JF220	10TS-T22
C21	.047 200V		P266N-05	DF-503	PM285	4DP-3-503	PVC215	2TM-850
C22	.005		BPD-005	DD-502	BYX601ZU502P	CCD-502	B250	5HK-D50
C23	.047 200V		P266N-05	DF-503	PM285	4DP-3-503	PVC215	2TM-850
C24	.003		BPD-0033	DD-332	BYX601ZU332P	CCD-332	B233	5HK-D33
C25		#110000-021						

# Tenna Part Number.

## CONTROLS

All wattages 1/2 watt, or less, unless otherwise listed.

ITEM No.	USE	RESIST-ANCE	REPLACEMENT DATA					
			TENNA PART No.	CENTRALAB PART No.	CLAROSTAT PART No.	CTS-IRC PART No.	MALLORY PART No.	
R1A	Tone Volume/Switch	50K 5000Ω	145005-024①	F1-50K, R2-5000, FFS115, RFS207, BA104, CA005, KR-4			QJ-2151A †	
B	Tone Volume/Switch	50K 5000Ω	145005-001②	F1-50K, R2-5000, FFS110, RFS201, BA012, CA005, KR-4			QJ-2152A ††	
	Tone Volume/Switch	50K 5000Ω	145004-001③	F1-50K, R2-5000, FFS115, RFS207, BA106, CA005, KR-4				
	Tone Volume/Switch	50K 5000Ω	145005-022④	F1-50K, R2-5000, FFS113, RFS205, BA100, CA005, KR-4			QJ-2153A *	
	Tone Volume/Switch	50K 5000Ω	145005-023⑤	F1-50K, R2-5000, FFS207, RFS214, BA108, CA005, KR-4				
R2	Bias	300Ω ZW	145000-207	V-300	U39-300		110-300	

† "CONCENTRIKIT" Equivalent: K8 Kit, with Base Elements and Shafts: B11-123, P22-121 (Panel)  
B13-114, R1-200 (Rear)  
QCB5, 76-1 (Bushing & Switch)

†† "CONCENTRIKIT" Equivalent: K8 Kit, with Base Elements and Shafts: B11-123, P22-109 (Panel)  
B13-114, R26-121 (Rear)  
845, 76-1 (Bushing & Switch)

\* "CONCENTRIKIT" Equivalent: K8 Kit, with Base Elements and Shafts: B11-123, P22-115 (Panel)  
B13-114, R1-130 (Rear)  
QCB5, 76-1 (Bushing & Switch)

① Used in Model ME-65PB.

② Used in Model EC-65M.

③ Used in Model FA-65PB.

④ Used in Model FO-65PB.

⑤ Used in Model FL-65PB.

⑥ Alter bushing to meet requirements.

# PARTS LIST AND DESCRIPTION (CONTINUED)

(When ordering parts, state Model, Part Number, and Description.)

Replacement parts shown may be superseded by the availability of newly introduced replacements.  
Have your local distributor check Sams COUNTER FACTS™ for the most up-to-date replacement.

## COILS (RF-IF)

ITEM No.	USE	REPLACEMENT DATA					
		TENNA PART No.	MEISSNER PART No.	MERIT PART No.	MILLER PART No.	STANCOR PART No.	WORKMAN PART No.
L1	RF Choke (5.6uh)	114000-262	19-1008	SW-631	4609	RTC-8519	T959
L2	Antenna	①					
L3	RF Oscillator	①					
L4	Input IF	114000-217	16-8712		6522	RTC-9397	
L6	Output IF	114000-218	16-8719				

① Part of M1.

## FILTER CHOKE

ITEM No.	RATINGS			REPLACEMENT DATA					NOTES
	CURRENT (Measured)	DC RES.	INDUCTANCE @ CURRENT (1000~)	TENNA PART No.	MERIT PART No.	STANCOR PART No.	THORDARSON PART No.	TRIAD PART No.	
L7	720ma	.5Ω	3MH	161000-146	C-4124	TC-1	TR-159	TY16XT	

## TRANSFORMER (DRIVER)

ITEM No.	TURNS RATIO		REPLACEMENT DATA					NOTES
	PRI.	SEC.	TENNA PART No.	MERIT PART No.	STANCOR PART No.	THORDARSON PART No.	TRIAD PART No.	
T1	10	1	161005-003					

## TRANSFORMER (AUDIO OUTPUT)

ITEM No.	IMPEDANCE		REPLACEMENT DATA					NOTES
	PRI.	SEC.	TENNA PART No.	MERIT PART No.	STANCOR PART No.	THORDARSON PART No.	TRIAD PART No.	
T2	250 Taps @ 8Ω		161005-001			TR-169		

## SPEAKER

ITEM No.	TYPE			REPLACEMENT DATA		NOTES
				TENNA PART No.	QUAM PART No.	
SP1	5" x 7"	PM	8Ω	155009-121	57A126	Model: EC-65M
	5" x 8"	PM	8Ω	155009-155	58A1526	Model: FA-65PB
	5" x 8"	PM	8Ω	155009-149	58A1526	Model: FL-65PB
	4" x 10"	PM	8Ω	155009-187	410A228	Model: FO-65PB
	4" x 10"	PM	8Ω	155009-156	410A226	Model: ME-65PB

## FUSE DEVICES

ITEM No.	TYPE	RATING	REPLACEMENT DATA					
			PART No.		LITTELFUSE PART No.		BUSS PART No.	
			FUSE	HOLDER	FUSE	HOLDER	FUSE	HOLDER
F1	AGA	2 Amp.			301002	155004A	AGA 2	HAF

## MISCELLANEOUS

ITEM No.	PART NAME	TENNA PART No.	NOTES
M1	Tuner Tuner Tuner	164004-001 164005-006 164005-003	Models: FA-65PB, ME-65PB. Model: FL-65PB. Model: FO-65PB.

## CABINETS & CABINET PARTS

(When Ordering Specify Model, Chassis & Color)

ITEM	MODEL	PART No.	ITEM	MODEL	PART No.
Dial Glass	EC-65M	122005-016	Knob-Tone or Dummy	FA-65PB	134005-012
Dial Glass	FA-65PB	122004-012	Knob-Tone or Dummy	FL-65PB	134004-021
Dial Glass	ME-65PB	122005-004	Knob-Tone or Dummy	FO-65PB	134005-006
Knob-Tuning	EC-65M	134005-010	Knob-Tone or Dummy	ME-65PB	134005-020
Knob-Tuning or Volume	FA-65PB	134005-006	Knob-Tone	EC-65M	134005-007
Knob-Tuning or Volume	FL-65PB	134004-020	Pushbutton	FA-65PB	107005-003
Knob-Tuning or Volume	FO-65PB	134005-004	Pushbutton	FL-65PB	107005-006
Knob-Tuning or Volume	ME-65PB	134005-016	Pushbutton	FO-65PB	107005-020
Knob-Volume	EC-65M	134005-001	Pushbutton	ME-65PB	107005-006

## WIRING DATA

General-use Unshielded Hook-up Wire .....	Use BELDEN No. 8530 (Solid) Available in 12 Colors 8524 (Stranded) Available in 12 Colors
Shielded Hook-up Wire .....	Use BELDEN No. 6885
Rear Seat Speaker Extension Cable .....	Use BELDEN No. 6762 (Stranded) Coded Parallel Leads
Boarding Strap .....	Use BELDEN No. 8661 (3/8 In.) or 8670 (3/4 In.)

TENNA MODELS EC-65M, FA-65PB, FL-65PB, FO-65PB/RS, ME-65PB



PHOTOFACT<sup>®</sup> with

CIRCUITRACE<sup>®</sup>



TRADE NAME : Tenna Models VW-65-PB, VW-65-PB/15  
(1965 Volkswagen)  
SUPPLIER : For Current Address, See Annual Index.  
TYPE SET : 6 Transistor AM Receiver  
POWER SUPPLY : 6 Volt Storage Battery  
RATING : .920 Amp. @ 6.3Volts DC  
TUNING RANGE : BROADCAST 540-1615KC

## ALIGNMENT INSTRUCTIONS

Check for specified source voltage.  
Use only enough generator output to provide a usable indication.

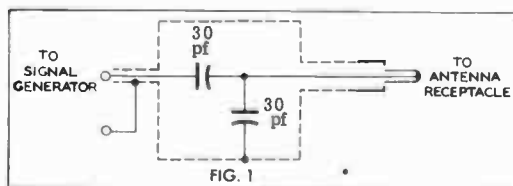
Suggested Alignment Tools:

A1 thru A4. GENERAL CEMENT: 8606, 8606L, 8869  
WALSCO: 2543, 2544, 2588  
A5, A6, A7. GENERAL CEMENT: 8290, 8868, 9087  
WALSCO: 2525, 2528, 2587

	SIGNAL GENERATOR COUPLING	SIGNAL GENERATOR FREQUENCY	RADIO DIAL SETTING	INDICATOR	ADJUST	REMARKS
1.	High side thru .1mf2 to point $\Delta$ , low side to ground.	262KC (400% Mod.)	High Freq. End Stop.	Output Meter across voice coil.	A1, A2, A3, A4	Adjust for maximum.
2.	Thru dummy (Fig. 1) to antenna receptacle.	1615KC	"	"	A5, A6, A7	"

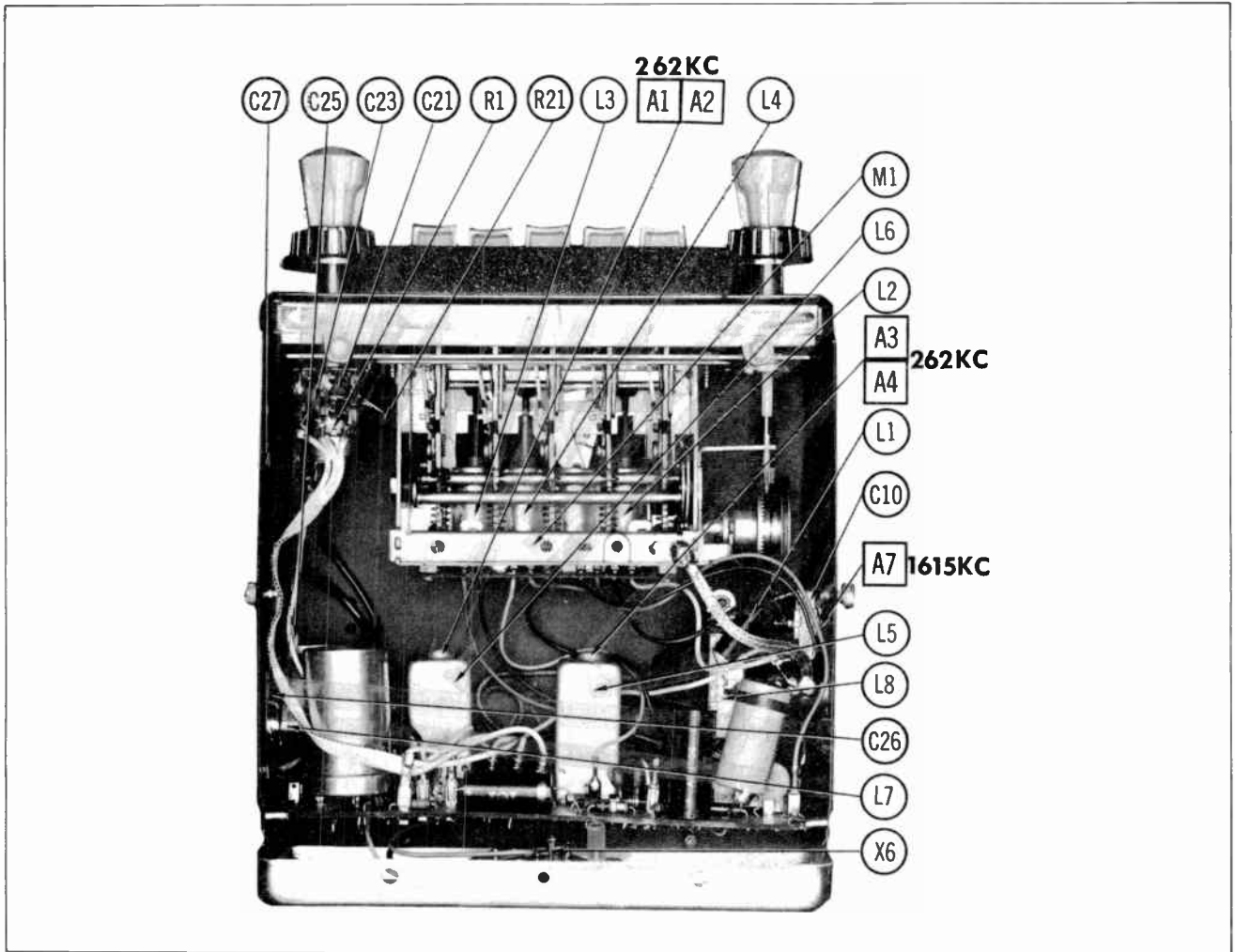
With radio installed in car and antenna fully extended, tune in a weak station near 1400KC and adjust A7 for maximum output.

Antenna Adjustment (A7)  
located on right side of radio.



### PUSH-BUTTON ADJUSTMENT

1. Pull button out.
2. Tune manually to desired station.
3. Press button in firmly.
4. Repeat for remaining buttons.



## PARTS LIST AND DESCRIPTION

(When ordering parts, state Model, Part Number, and Description.)

Replacement parts shown may be superseded by the availability of newly introduced replacements. Have your local distributor check Sams COUNTER FACTS<sup>®</sup> for the most up-to-date replacement.

### TRANSISTORS

ITEM No.	ORIG. TYPE	USE	REPLACEMENT DATA			NOTES
			DELCO PART No.	GENERAL ELECTRIC PART No.	RCA PART No.	
X1	2SA355	RF Amp.	D8-25	GE-9	8K-3006	PNP
X2	2SA354	Conv.	D8-25	GE-9	8K-3006	PNP
X3	2SA353	IF Amp.	D8-25	GE-9	8K-3006	PNP
X4	2N408	1st. AF Amp.	D8-26	GE-2	8K-3003	PNP
X5	2N2712	2nd. AF Amp.	D8-46	GE-10		NPN
X6	2N257	Output	D8-520	GE-3	8K-3009	PNP *

\* When replacing, apply silicone grease to both sides of insulator. Tighten mounting screws securely.

### POWER RECTIFIERS & SIGNAL DIODES

ITEM No.	MEASURED CURRENT	ORIGINAL Part or Type No.	RECTIFIERS				DIODES
			GENERAL ELECTRIC PART No.	MALLORY PART No.	RCA PART No.	SARKES TARZIAN PART No.	GENERAL ELECTRIC PART No.
X7		1N295A					1N295
X8		1N295A					1N295

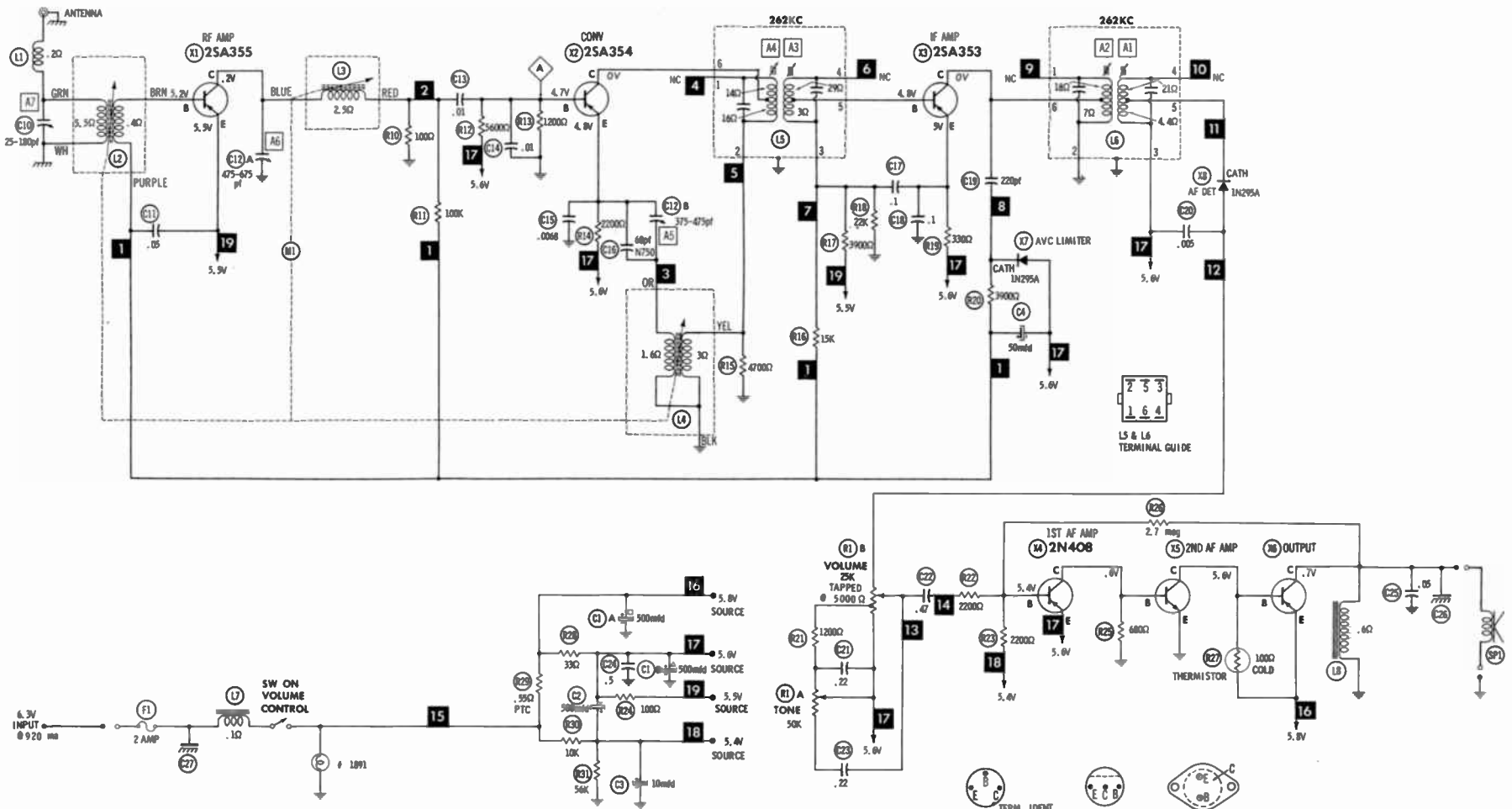
### ELECTROLYTIC CAPACITORS

ITEM No.	RATING		TENNA PART No.	REPLACEMENT DATA				
	CAP.	VOLT.		AEROVOX PART No.	CORNELL-DUBILIER PART No.	GENERAL ELECTRIC PART No.	MALLORY PART No.	SPRAGUE PART No.
C1A	500	16	111001-512	PWH2-02-40	BPC010	XC2-45	PPF200.64	PCLS-2177*
C2	500	3	111001-501	CRE243A	BR500-3	MT1-3	TC305	TE-1088
C3	10	15	111002-001	BCD15010	ECSP10-15	MT1-5	PET1780	VL-1167
C4	50	3	111002-102	BCD3050	ECSP50-3	MT1-15	PET1375	VL-1045

\* Not normally in distributor's stock. Available thru distributor on order to manufacturer.

CONTINUED PAGE 146



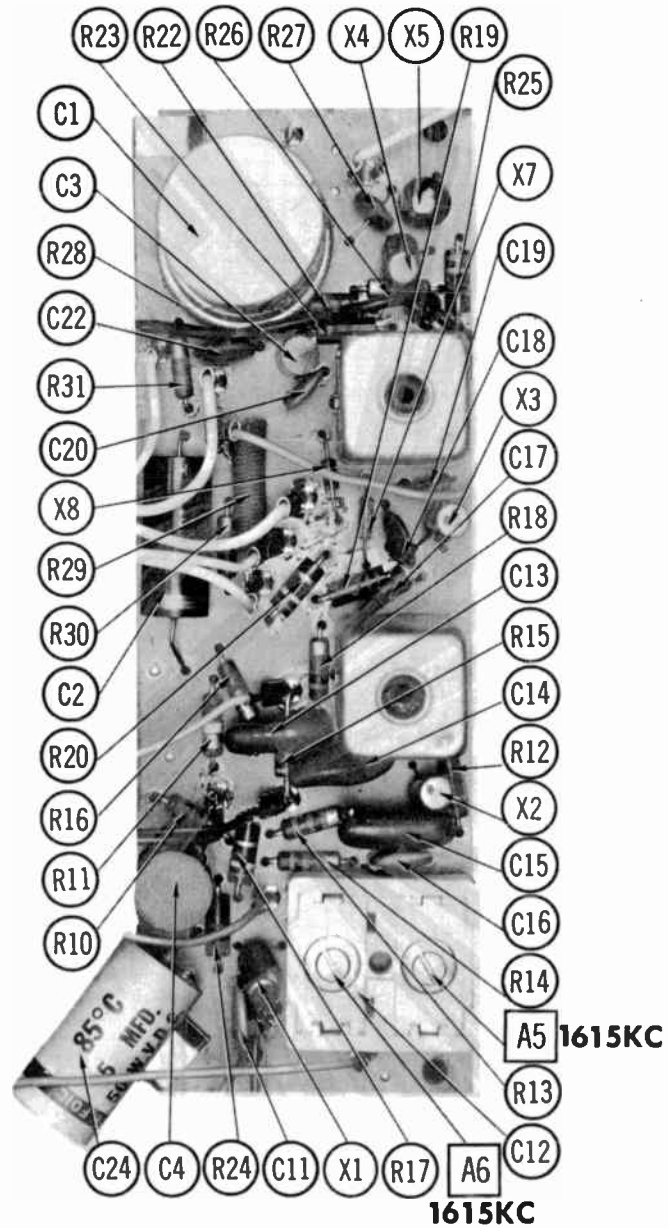
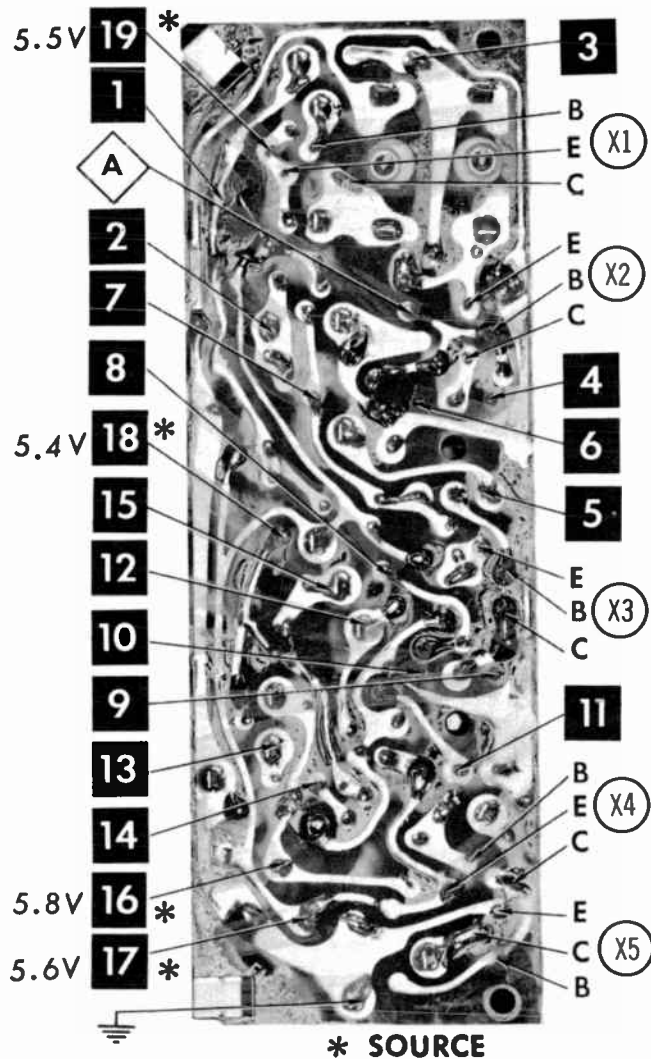


- Resistors are 1/2 watt or less and rated 10% or 20% unless otherwise indicated.
1. Voltage measurements taken with vacuum tube voltmeter.
  2. All controls set for normal operation, no signal applied.
  3. Measured values are from socket pin or terminal to common ground.
  4. All terminals viewed from bottom unless otherwise designated.
  5. Numbers assigned to terminals may not be found on the unit.
  6. Supply voltage maintained at rated value for voltage readings.
  7. Resistance measurements not given because of the wide variation in internal resistance of transistor.

A PHOTOFAC STANDARD NOTATION SCHEMATIC with **CIRCUITRACK**

© Howard W. Sams & Co., Inc. 1966





A Howard W. Sams **CIRCUITRACE** Photo

# PARTS LIST AND DESCRIPTION (CONTINUED)

(When ordering parts, state Model, Part Number, and Description.)

Replacement parts shown may be superseded by the availability of newly introduced replacements. Have your local distributor check Sams COUNTER FACTS for the most up-to-date replacement.

## CAPACITORS

ITEM No.	RATING	REMARKS	REPLACEMENT DATA						
			AEROVOX PART No.	CENTRALAB PART No.	CORNELL-DUBILIER PART No.	ELMENCO PART No.	MALLORY PART No.	SPRAGUE PART No.	
C10	25-60	#110000-088							
C11	.05		TTD-05		HOV101ZV503Z			TA150	TH-850
C12A	475-875	#110000-080							
C12B	375-475								
C13	.01 200V		DBE4S1	CPR-10000J	WMF181	1DP-1-103	PVC211	4PS-810	
C14	.01 200V		DBE4S1	CPR-10000J	WMF181	1DP-1-103	PVC211	4PS-810	
C15	.0068 200V		DBE6D68	CPR-6800J	WMF1D68	1DP-1-682	PVC4268	6PS-D68	
C16	.68 N750		N750-DI 68	DTN-68	CS601UJ680K	CCTN-680	CN7498	10TCU-Q68	
C17	.1		TTD-1	CK-104	HOV101ZV104Z		TA010	TG-P10	
C18	.1		TTD-1	CK-104	HOV101ZV104Z		TA010	TG-P10	
C19	.22		DI-220	DD-221	JB601YP221K		JF220	10TB-T22	
C20	.005		BPE-005	DD-502	BYK601ZU502P	CCD-221			
C21	.22			UK20-204		CCD-502	B250	5HK-D50	
C22	.47			UK10-404			MAG25022	HY-325	
C23	.22			UK20-204			MAG12047	HY-330	
C24	.5 100V		BE2P5		DPM52P5	1DP-4-504	PVC105	HY-325	
C25	.05		TTD-05		HOV101ZV503Z		TA150	2PS-P50	TH-850
C26		#110000-037							
C27		#110000-020							

# Tenna Part Number.

## CONTROLS

All wattages 1/2 watt, or less, unless otherwise listed.

ITEM No.	USE	RESISTANCE	REPLACEMENT DATA					
			TENNA PART No.	CENTRALAB PART No.	CLAROSTAT PART No.	CTS-IRC PART No.	MALLORY PART No.	
R1A	Tone	50K	145004-021	F1-50K, R14-25K, FFS113, RFS205, BA106, CA005, KR-4		† QJ-2154A		
B	Volume/Switch	25K Tap @ 5K						

† "SNAPTROL" Equivalent: BU15A Ⓞ, CF12, CR50T, SF12, SR47, GC.  
Ⓞ Alter bushing to meet requirements.

## RESISTORS (Power and Special)

ITEM No.	RATING	REPLACEMENT DATA			ITEM No.	RATING	REPLACEMENT DATA		
		IRC PART No.	WORKMAN PART No.	TENNA PART No.			IRC PART No.	WORKMAN PART No.	TENNA PART No.
R27	100Ω (Cold)			149000-046	R29	.55Ω (PTC)			149000-040

## COILS (RF-IF)

ITEM No.	USE	REPLACEMENT DATA					
		TENNA PART No.	MEISSNER PART No.	MERIT PART No.	MILLER PART No.	STANCOR PART No.	WORKMAN PART No.
L1	RF Choke (5.6uh)	114000-282	19-1006	SW-631	4609	RTC-8519	T959
L2	Antenna	Ⓞ					
L3	RF	Ⓞ					
L4	Oscillator	Ⓞ					
L5	Input IF	114000-283	16-6711		6520	RTC-9396	
L6	Output IF	114000-264					

Ⓞ Part of M1.

## FILTER CHOKE

ITEM No.	RATINGS			REPLACEMENT DATA					NOTES
	CURRENT (Measured)	DC RES.	INDUCTANCE (0 CURRENT 1000~)	TENNA PART No.	MERIT PART No.	STANCOR PART No.	THORDARSON PART No.	TRIAD PART No.	
L7	.920ma	.1Ω	3MH	161000-141	C-4095	TC-1	TR-159	TY16XT	

## CHOKE (AUDIO OUTPUT)

ITEM No.	INDUCTANCE	REPLACEMENT DATA					NOTES
		TENNA PART No.	MERIT PART No.	STANCOR PART No.	THORDARSON PART No.	TRIAD PART No.	
L8	6MH	161000-142	C-4095	TC-2	TR-155	TY17XT	

## SPEAKER

ITEM No.	TYPE	REPLACEMENT DATA		NOTES
		TENNA PART No.	QUAM PART No.	
SP1	5" PM 8Ω	155009-156	5A1Z8	

## FUSE DEVICES

ITEM No.	TYPE	RATING	REPLACEMENT DATA					
			PART No.		LITTELFUSE PART No.		BUSS PART No.	
			FUSE	HOLDER	FUSE	HOLDER	FUSE	HOLDER
F1	AGA	2			301002	155004	AGA 2	HAF

## MISCELLANEOUS

ITEM No.	PART NAME	TENNA PART No.	NOTES
M1	Tuner	164000-088	

## CABINETS & CABINET PARTS

(When Ordering Specify Model, Chassis & Color)

ITEM	PART No.	ITEM	PART No.
Dial Glass	122000-128	Knob, Dummy	134000-228
Knob, Tuning or Volume	134005-023	Pushbutton	107005-004
Knob, Tone	134004-017		

## WIRING DATA

General-use Unshielded Hook-up Wire .....	Use BELDEN No. 6530 (Solid) Available in 12 Colors
	8524 (Stranded) Available in 12 Colors
Shielded Hook-up Wire .....	Use BELDEN No. 8885
Rear Seat Speaker Extension Cable .....	Use BELDEN No. 8782 (Stranded) Coded Parallel Leads
Bonding Strap .....	Use BELDEN No. 8661 (3/8 in.) or 6670 (3/4 in.)



PHOTOFACT<sup>®</sup> with

CIRCUITRACE<sup>®</sup>

TRADE NAME : Truetone Model DC4203C  
 SUPPLIER : For Current Address, See Annual Index.  
 TYPE SET : 6 Transistor AM Receiver  
 POWER SUPPLY : 12 Volt Storage Battery  
 RATING : .850 Amp. @ 12.6 Volts DC  
 TUNING RANGE : BROADCAST 540-1615KC



## ALIGNMENT INSTRUCTIONS

Check for specified source voltage.  
 Use only enough generator output to provide a usable indication.  
 Suggested Alignment Tools:

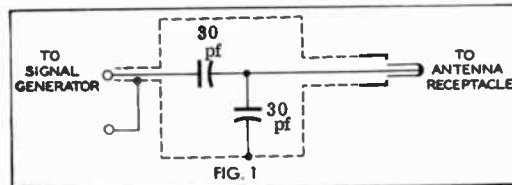
A1 thru A7.

GENERAL CEMENT: 8290, 8868, 9087

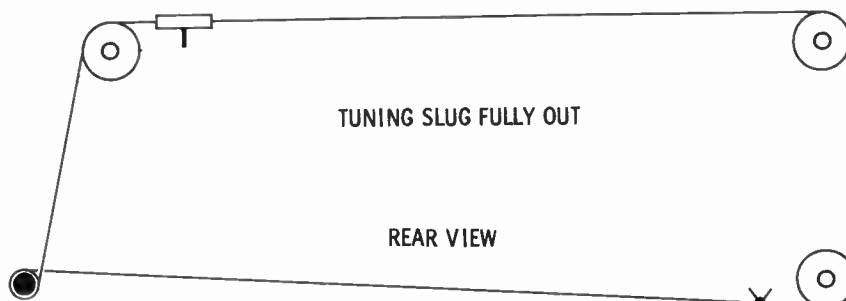
WALSCO: 2525, 2528, 2587

	SIGNAL GENERATOR COUPLING	SIGNAL GENERATOR FREQUENCY	RADIO DIAL SETTING	INDICATOR	ADJUST	REMARKS
1.	High side thru .1mfd to point $\Delta$ , low side to ground.	262KC (400% Mod.)	High Freq. End Stop.	Output Meter across voice coil.	A1, A2, A3, A4	Adjust for maximum.
2.	Thru dummy (Fig. 1) to antenna receptacle.	1615KC	"	"	A5, A6, A7	"

With radio installed in car and antenna fully extended, tune in a weak station near 1400KC and adjust A7 for maximum output.



Antenna Adjustment (A7) located on right side of radio.



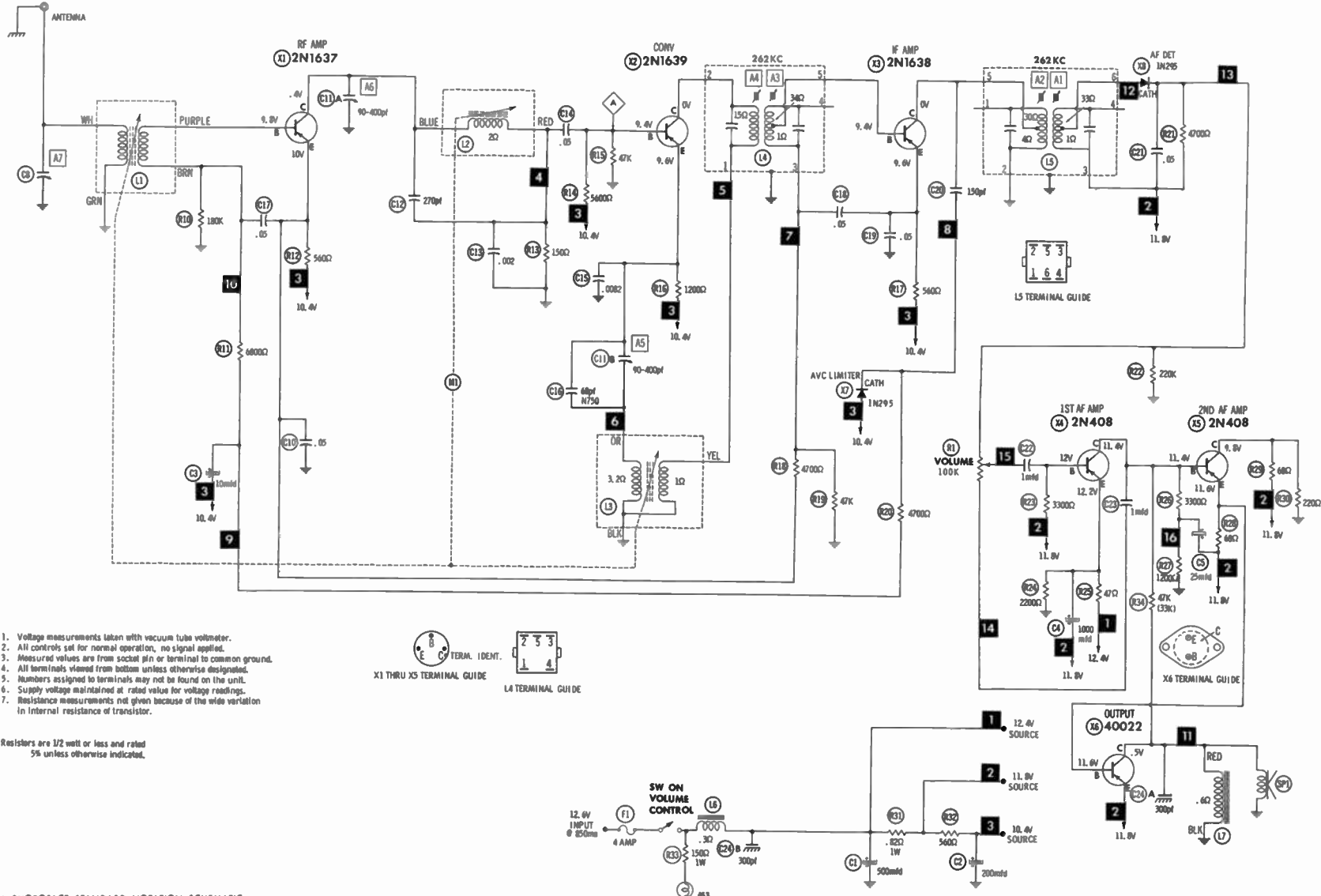
## DRIVE CORD STRINGING

HOWARD W. SAMS & CO., INC. Indianapolis, Indiana 46206

© 1966 Howard W. Sams & Co., Inc. Printed in U. S. of America RD451

World Radio History

TRUETONE MODEL DC4203C



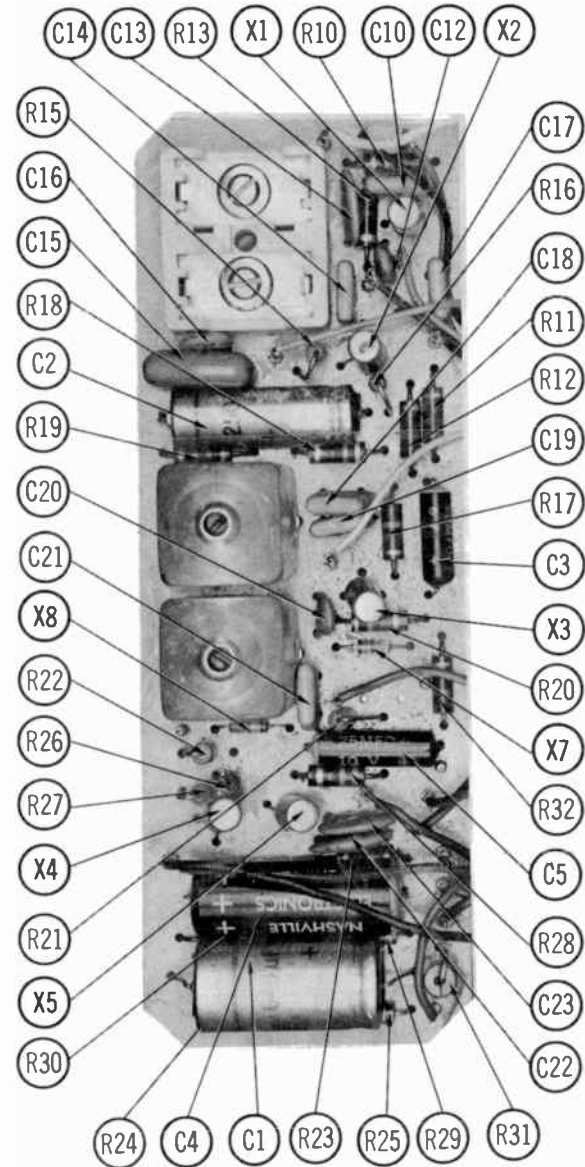
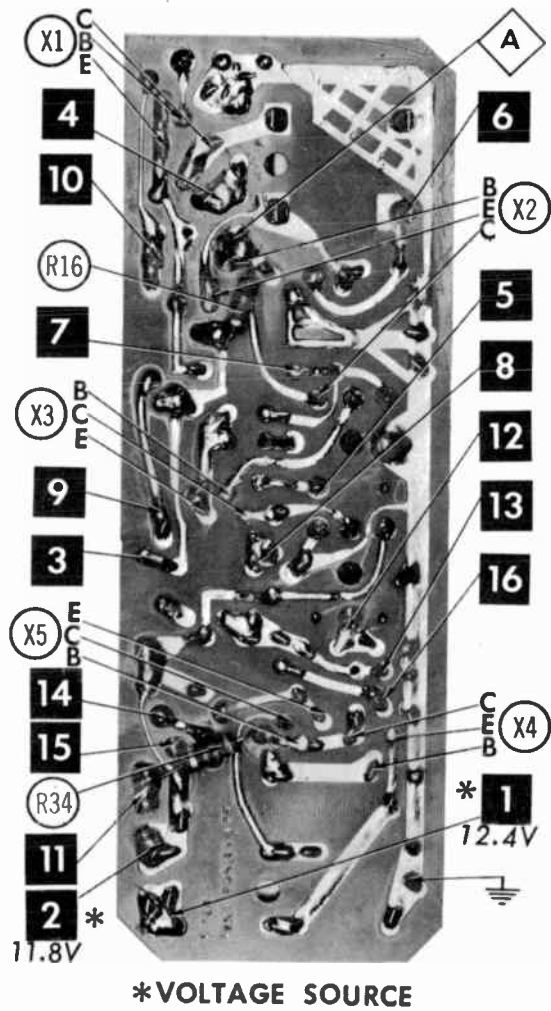
1. Voltage measurements taken with vacuum tube voltmeter.
2. All controls set for normal operation, no signal applied.
3. Measured values are from socket pin or terminal to common ground.
4. All terminals viewed from bottom unless otherwise designated.
5. Numbers assigned to terminals may not be found on the unit.
6. Supply voltage maintained at rated value for voltage readings.
7. Resistance measurements not given because of the wide variation in internal resistance of transistor.



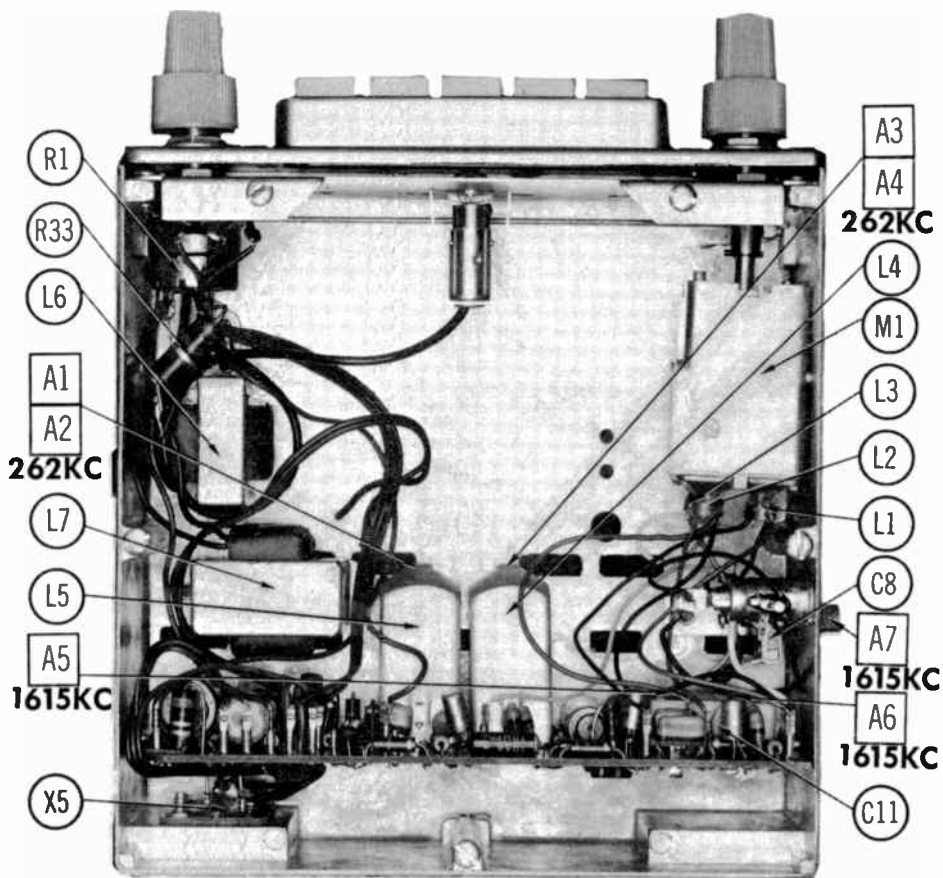
Resistors are 1/2 watt or less and rated 5% unless otherwise indicated.

A PHOTOFAC STANDARD NOTATION SCHEMATIC with CIRCUITRACE  
 © Howard W. Sams & Co., Inc. 1966

TRUETONE MODEL DC4203C



TRUETONE MODEL DC4203C



## PARTS LIST AND DESCRIPTION

(When ordering parts, state Model, Part Number, and Description.)

Replacement parts shown may be superseded by the availability of newly introduced replacements. Have your local distributor check Sams COUNTERFACTS® for the most up-to-date replacement.

### WIRING DATA

General-use Unshielded Hook-up Wire .....	Use BELDEN No. 8530 (Solid) Available in 12 Colors 8524 (Stranded) Available in 12 Colors
Shielded Hook-up Wire .....	Use BELDEN No. 8885
Rear Seat Speaker Extension Cable .....	Use BELDEN No. 8782 (Stranded) Coded Parallel Leads
Bonding Strap .....	Use BELDEN No. 8661 (3/8 In.) or 8670 (3/4 In.)

### TRANSISTORS

ITEM No.	ORIG. TYPE	USE	REPLACEMENT DATA			NOTES
			DELCO PART No.	GENERAL ELECTRIC PART No.	RCA PART No.	
X1	2N1637	RF Amp.	DS-25	GE-9	8K-3008	PNP
X2	2N1639	Conv.	DS-25	GE-9	8K-3008	PNP
X3	2N1638	EF Amp.	DS-25	GE-9	8K-3008	PNP
X4	2N408	1st. AF Amp.	DS-26	GE-2	8K-3003	PNP
X5	2N408	2nd. AF Amp.	DS-26	GE-2	8K-3003	PNP
X6	40022	Output	DS-520	GE-3	8K-3009	PNP

\* When replacing, apply silicone grease to both sides of insulator. Tighten mounting screws securely.

### POWER RECTIFIERS & SIGNAL DIODES

ITEM No.	MEASURED CURRENT	ORIGINAL Part or Type No.	RECTIFIERS & DIODES		RECTIFIERS		
			GENERAL ELECTRIC PART No.	INTERNATIONAL RECTIFIER PART No.	MALLORY PART No.	RCA PART No.	SARKIS TARZIAN PART No.
X7		1N295	1N295	1N295			
X8		1N295	1N295	1N295			

### ELECTROLYTIC CAPACITORS

ITEM No.	RATING		REPLACEMENT DATA					
	CAP.	VOLT.	TRUETONE PART No.	AEROVOX PART No.	CORNELL-DUBILIER PART No.	GENERAL ELECTRIC PART No.	MALLORY PART No.	SPRAGUE PART No.
C1	500	15	03-11-104	PR81220	BR500-15	QT1-30	TC1505	TVA-1162
C2	200	15	03-11-103	CRE481A	NLW200-15	MT1-25	TT15X300	TE-1164
C3	10	6	03-11-101	CRE307A	NLW10-6	MT1-5	TT6X10	TE-1087
C4	1000	3	03-11-105	PR81130	BR1000-6	QT1-32	TC310	TVA-1104
C5	25	10	03-11-102	CRE612A	NLW25-25	MT1-14	TT25X35	TE-1207

# PARTS LIST AND DESCRIPTION (CONTINUED)

(When ordering parts, state Model, Part Number, and Description.)

Replacement parts shown may be superseded by the availability of newly introduced replacements.  
Have your local distributor check Sams COUNTER FACTS for the most up-to-date replacement.

## CAPACITORS

ITEM No.	RATING	REMARKS	REPLACEMENT DATA					
			AEROVOX PART No.	CENTRALAB PART No.	CORNELL-DUBILIER PART No.	ELMENCO PART No.	MALLORY PART No.	SPRAGUE PART No.
C9	5-80	#03-11-001	TTD-05		HOV101ZV503Z		TA150	TH-550
C10	.05	#03-11-003						
C11A	90-400							
C11B	90-400							
C12	270							
C13	.002							
C14	.05							
C15	.0082							
C16	68							
C17	.05							
C18	.05							
C19	.05							
C20	150							
C21	.05							
C22	1mfd							
C23	1mfd							
C24A	300							
C24B	300							

# Truetone Part Number.

## CONTROLS

All wattages 1/2 watt, or less, unless otherwise listed.

ITEM No.	USE	RESISTANCE	REPLACEMENT DATA				
			TRUETONE PART No.	CENTRALAB PART No.	CLAROSTAT PART No.	CTS-IRC PART No.	MALLORY PART No.
R1	Volume/Switch	100K	03-44-601	F3-100K, SFS212, BA012, CA005, KR-4		QC B4, B17-128, TM8, 76-1	UA15R, SD3500, EB247, U841 or (U40, D837, EB247, U826)

## COILS (RF-IF)

ITEM No.	USE	REPLACEMENT DATA					
		TRUETONE PART No.	MEISSNER PART No.	MERIT PART No.	MILLER PART No.	STANCOR PART No.	WORKMAN PART No.
L1	Antenna	① ① 03-56-001 03-56-002	16-6714	BC-638	6555	RTC-9406	
L2	RF						
L3	Oscillator						
L4	Input IF						
L5	Output IF						

① Part of M1.

## FILTER CHOKE

ITEM No.	RATINGS			REPLACEMENT DATA					NOTES
	CURRENT (Measured)	DC RES.	INDUCTANCE (0 CURRENT 1000~)	TRUETONE PART No.	MERIT PART No.	STANCOR PART No.	THORDARSON PART No.	TRIAD PART No.	
L6	.850 Amp.	.3Ω	3MH	03-16-401	C-4124	TC-1	TR-158	TY16XT	

## CHOKE (AUDIO OUTPUT)

ITEM No.	INDUCTANCE	REPLACEMENT DATA					NOTES
		TRUETONE PART No.	MERIT PART No.	STANCOR PART No.	THORDARSON PART No.	TRIAD PART No.	
L7	20MH	03-16-402					

## SPEAKER

ITEM No.	TYPE	RATING	REPLACEMENT DATA		NOTES
			TRUETONE PART No.	QUAM PART No.	
SP1	5" PM	16Ω	03-48-017	5A07Z16	

## FUSE DEVICES

ITEM No.	TYPE	RATING	REPLACEMENT DATA					
			PART No.		LITTELFUSE PART No.		BUSS PART No.	
			FUSE	HOLDER	FUSE	HOLDER	FUSE	HOLDER
F1	SFE	4 Amp.	03-25-001	03-01-005	307004	155004A	SFE 4	HAF

## MISCELLANEOUS

ITEM No.	PART NAME	TRUETONE PART No.	NOTES
M1	Tuner	03-60-100	

## CABINETS & CABINET PARTS

(When Ordering Specify Model, Chassis & Color)

ITEM	PART No.	ITEM	PART No.
Knob, Tuning or Volume	03-29-007	Knob, Dummy	03-29-009

TRUETONE MODEL DC4203C



# INDEX

This index lists all radios appearing in "Auto Radio Manuals" and "PHOTOFACT Auto Radio Series"

AIRCASTLE	Vol.	ALLSTATE	Vol.	ATR KARADIO	Vol.
610. A87	AR-4	5018	AR-22	BKS410 (1961-62 Buick Special)	AR-27
610. FE-153 (1952-53 Ford)	AR-4	5028 (Ch. 528. 50280, 528. 50281)	AR-7	CT412 (1961-62 Chevrolet)	AR-27
610. W-100	AR-5	5033 (Ch. 528. 50330, 528. 50331)	AR-7	CR414 (1960-62 Corvair)	AR-27
		5050	AR-30	COT416 (1960-62 Comet)	AR-27
		5066	AR-26	DED418 (1962 Dodge Dart)	AR-27
		5098 (Ch. 833. 50980)(Tractor)	AR-9	FAL420 (1960-62 Falcon)	AR-27
		5099 (Ch. 833. 50990)(Tractor)	AR-9	FD422 (1960-62 Ford)	AR-27
		6225 (Ch. 528. 55040, 528. 55041)	AR-11	LR424 (1962 Lancer)	AR-27
		6231 (Ch. 528. 62310)	AR-9	MY426 (1962 Mercury)	AR-27
		6232 (Ch. 528. 62320)	AR-9	OE428 (1961-62 Oldsmobile F-85)	AR-27
		6240 (Ch. 528. 62400)	AR-5	PH430 (1962 Plymouth)	AR-27
		6256 (Ch. 528. 55040, 528. 55041)	AR-11	PCT432 (1961-62 Pontiac Tempest)	AR-27
		6263 (Ch. 528. 6263)	AR-5	TR720N	AR-29
		6263-2 (Ch. 528. 6263-2)	AR-5	TR1279-6V	AR-11
		6264 (Ch. 528. 6264)	AR-5	TR1279-12V	AR-11
		6264-1 (Ch. 528. 6264-1)	AR-5	TT-727 (Tractor Radio)	AR-29
		6266 (Ch. 528. 6266)	AR-5	VT434 (1962 Valiant)	AR-27
		6268 (Ch. 528. 62680, 528. 62681)	AR-7	401	AR-27
		6269 (Ch. 528. 62690, 528. 62691)	AR-7	606	AR-19
		6284 (Ch. 528. 6284)	AR-4	612	AR-19
		6286-4 (Ch. 528. 6286-4)	AR-4	707	AR-22
		6287-4 (Ch. 528. 6287-4)	AR-4	1279-6V	AR-11
		6295-6 (Ch. 528. 6295-8)	AR-4	1279-12V	AR-11
		6330 (Ch. 528. 63300)	AR-5		
		750. 62380, 750. 62381, 750. 62390, 750. 62391, 750. 62890	AR-25		
		833. 5049	AR-30		
		833. 50180B	AR-31		
		833. 50181	AR-27		
		833. 50202	AR-27		
		833. 50490	AR-30		
		833. 50930	AR-28		
		833. 50931 (1964 Volkswagen)	AR-28		
		833. 62741	AR-28		
		833. 62743	AR-32		
		833. 62800	AR-30		
		833. 63070	AR-28		
		833. 500510 (1965 Chevrolet)	AR-32		
		833. 501220	AR-30		
		833. 501230 (1965 Dodge Dart)	AR-30		
		833. 501920 (1965 Comet)	AR-30		
		833. 503050 (1965 Plymouth Fury)	AR-30		
		833. 503060 (1965 Plymouth Belvedere)	AR-30		
		833. 623690	AR-30		
		833. 624211 (1964 Volkswagen)	AR-28		
		833. 624630	AR-30		
		833. 625510 (1965 Chevrolet)	AR-30		
		833. 627420	AR-28		
		833. 628000	AR-30		
		834. 50480	AR-32		
		835. 62460	AR-29		
		856. 62450	AR-27		
ALL AMERICAN				AUSTIN HEALEY	
CEP-764T (1964 Chevelle)	AR-31			HAC700 (4TMB)	AR-30
CHP-164T (1964 Chevrolet)	AR-31				
CHP-165T (1965 Chevrolet)	AR-33				
CHP-564T (1964 Chevy II)	AR-31				
CTP-264T (1964 Comet)	AR-31				
CYP-465T (1965 Chrysler)	AR-33				
DAP-864T (1964 Dodge Dart)	AR-31				
DAP-865T (1965 Dodge Dart)	AR-33				
DOP-864T (1964 Dodge)	AR-31				
DOP-865T (1965 Dodge)	AR-33				
FAP-264T (1964 Falcon)	AR-31				
FLP-264T (1964 Fairlane)	AR-31				
FOP-264T (1964 Ford)	AR-31				
FOP-265T (1965 Ford)	AR-33				
MEP-264T (1963-64 Mercury)	AR-31				
MEP-265T (1965 Mercury)	AR-33				
PLP-464T (1964 Plymouth)	AR-31				
PLP-465T (1965 Plymouth)	AR-33				
PLPF-465T (1965 Plymouth Fury)	AR-33				
RAAP-1065T (1965 Rambler American)	AR-33				
RAP-364T (1964 Rambler)	AR-26				
RAP-365T (1965 Rambler)	AR-33				
SM-13ORPE	AR-26				
UP-22ORPT	AR-26				
VAP-464T (1964 Valiant)	AR-31				
VAP-465T (1965 Valiant)	AR-33				
VWP-19T (1958-64 Volkswagen)	AR-26				
VWP-19T (1965 Prod. Volkswagen)	AR-34				
ALLCAR		AMERICAN MOTORS (See Hudson, Nash & Rambler)		AUTOMATIC	
R-1 (1965 Plymouth)	AR-34	AF6TMR (See page 120)(1966 American Motors, Ambassador, Classic, Marlin)	AR-28	AC-4558 (1964 Comet)	AR-27
R-2 (1965 Fury)	AR-34	RV4R (1964 Rambler)	AR-24	ACP-3044 (1963 Comet)	AR-23
R-3 (1965 Valiant)	AR-34	68MR (1966 Ambassador, Classic, Marlin)	AR-35	ACP-4559 (1964 Comet)	AR-27
R-4 (1965 Coronet)	AR-34	22BA (R22BA)(1962 Rambler American)	AR-18	ATC-80 (1959-60 Chevrolet)	AR-15
R-5 (1965 Dart)	AR-34	22BAM (R22BAM)(1962 Rambler American)	AR-16	BAP-9 (1959 Buick)	AR-13
R-6 (1965 Polara)	AR-34	22BAX (R22BAX)(1962 Rambler American)	AR-18	BAP-20 (1960 Buick)	AR-14
R-7A (1965 Newport)	AR-34	8990377 (6MR)(1958 Rambler)	AR-6	BAP-4530 (1964 Buick)	AR-28
R-7B (1965 Chrysler 300)	AR-34	8990378 (6MA)(1956 Hudson & Nash)	AR-6	BP-340 (1960 Buick)	AR-14
R-7C (1965 New Yorker)	AR-34	8990378 (76MA)(1957 Hudson & Nash)	AR-6	BP-668 (1957-58 Buick)	AR-12
R-9 (1965 Chevrolet)	AR-34	8990455 (7MR)(1957 Rambler)	AR-6	BP-879 (1959 Buick)	AR-13
R-10 (1965 Chevelle)	AR-34	8990494 (84MA)(1958 Hudson, Nash & Rambler)	AR-8	BP-3018 (1963 Buick)	AR-23
R-11 (1965 Chevy II)	AR-34	8990543 (83MR)(1958 Rambler)	AR-8	BP-4080 (1964 Buick)	AR-28
R-16 (1965 Corvair)	AR-34	8990576 (94MA)(1959 Rambler)	AR-9	C-12	AR-11
R-18 (1965 Pontiac)	AR-34	8990582 (93MA)(1959 Rambler)	AR-10	C-300 (Revised) (1940-50 Chevrolet)	AR-6
R-19 (1965 Oldsmobile)	AR-34	8990706 (04MA)(1960 Rambler)	AR-11	C-349 (1959 Chevrolet)	AR-11
R-20 (1965 Tempest)	AR-34	8990811 (03AR)(1960 Rambler)	AR-12	C-382AT	AR-19
R-21 (1965 Oldsmobile F-85)	AR-34	8990831 (13MAM)(1960 Rambler)	AR-14	C-382AT (1962 Chevrolet)(Late Production)	AR-24
R-22 (1965 Buick)	AR-34	8990832 (13MA)(1960 Rambler)	AR-14	C-388-C (1958 Chevrolet)	AR-12
R-23 (1965 Galaxie)	AR-34	8990833 (14MR)(1961 Rambler)	AR-15	C-3001 (1963 Chevrolet)	AR-23
R-24 (1965 Fairlane)	AR-34	8990981 (2TMR)(1962 Rambler)	AR-29	C-4049 (1964 Chevrolet)	AR-28
R-25 (1965 Mustang)	AR-34			C-5003 (1965 Chevrolet)	AR-29
R-26 (1965 Falcon)	AR-34			CA-109 (1959 Chevrolet)	AR-11
R-28 (1965 Comet)	AR-34			CA-3041 (1963 Chevrolet)	AR-23
R-29 (1965 Mercury)	AR-34			CA-4549 (1964 Chevrolet)	AR-28
R-32 (1965 Buick Special)	AR-34			CAE-3064 (1963 Oldsmobile)	AR-23
		A. R. C.		CAP-49 (1959 Chevrolet)	AR-14
		2500	AR-33	CAP-60 (1959-60 Chevrolet)	AR-14
				CAP-3042 (1963 Chevrolet)	AR-23
				CAP-4550 (1964 Chevrolet)	AR-28
				CAV-4546 (1964 Chevelle)	AR-28
				CEF-119 (English Ford Consuls)	AR-15
				CFM-3090	AR-22
				CM-333 (1963 Chevrolet)	AR-4
				CP-478-C (1958 Chevrolet)	AR-12
				CP-489-F (1959 Chevrolet)	AR-14
				CP-500 (1959-60 Chevrolet)	AR-14
				CP-511AT (1961 Chevrolet)	AR-16
				CP-522AT	AR-19
				CP-522AT (1962 Chevrolet)(Late Production)	AR-24
				CP-3002 (1963 Chevrolet)	AR-23
				CP-4050 (1964 Chevrolet)	AR-28
				CP-5004 (1965 Chevrolet)	AR-29
				CPA-3047 (1963 Corvair)	AR-23
				CPA-4533 (1964 Corvair)	AR-28
				CPV-4048 (1964 Chevelle)	AR-28
				CPV-5007 (1965 Chevelle)	AR-29
				CR-3006 (1963 Corvair)	AR-23
				CR-4034 (1964 Corvair)	AR-28
				CRA-3046 (1963 Corvair)	AR-23

CRA-4534 (1964 Corvair) ..... AR-28  
 CRP-442A/AT (1963 Corvair) ..... AR-23  
 CRP-3007 (1963 Corvair) ..... AR-23  
 CRP-4033 (1964 Corvair) ..... AR-28  
 CRP-5009 (1965 Corvair) ..... AR-29  
 CT-358 (1955-56 Chevrolet) ..... AR-13  
 CT-387 (1957 Chevrolet) ..... AR-12  
 CT-4056 (1964 Comet) ..... AR-27  
 CTP-792AT (1962 Comet) ..... AR-23  
 CTP-3004 (1963 Comet) ..... AR-23  
 CTP4059 (1964 Comet) ..... AR-27  
 CTP-5071 (1965 Comet) ..... AR-29  
 CTR-6A (1955-56 Chevrolet) ..... AR-12  
 CTR-6B (1955-56 Chevrolet) ..... AR-13  
 CTR-77A (1957 Chevrolet) ..... AR-9  
 CU-39 ..... AR-12  
 CY-3010 (1963 Chevy II) ..... AR-23  
 CY-4025 (1964 Chevy II) ..... AR-26  
 CY-5005 (1965 Chevy II) ..... AR-29  
 CYP-3009 (1963 Chevy II) ..... AR-23  
 CYP-4032 (1964 Chevy II) ..... AR-28  
 CYP-5006 (1965 Chevy II) ..... AR-29  
 D-2 (1959 Renault Dauphine) ..... AR-12  
 D-6 (1959 Renault Dauphine) ..... AR-12  
 DAP-39 (1959 Dodge) ..... AR-13  
 DD-5125 (1965 Dart) ..... AR-30  
 DD-5125N (1965 Dart 270) ..... AR-35  
 DE-300 (1960 DeSoto) ..... AR-14  
 DE-3077 (1963 Dodge-Dart) ..... AR-22  
 DE-3076 (1963 Dodge-Dart) ..... AR-22  
 DEP-4154 ..... AR-27  
 DEP-4654 ..... AR-27  
 DET-26 (1957-58 DeSoto) ..... AR-9  
 DFM-3095 ..... AR-26  
 DM-132 (1953 Dodge) ..... AR-5  
 DP-6 (1957-59 Renault Dauphine) ..... AR-12  
 DP-11 (1957-59 Renault Dauphine) ..... AR-12  
 DP-3082 (1964 Dodge 660) ..... AR-26  
 DP-4107 (1964 Dodge 660) ..... AR-26  
 DP-5127N (1965 Dodge 660, Polara, Monaco) ..... AR-35  
 DTX-67A (1957-58 Dodge) ..... AR-12  
 DTX-68 (1957-58 Dodge) ..... AR-12  
 DUP-42 ..... AR-20  
 DUP-4151 ..... AR-27  
 DUP-4651 ..... AR-27  
 DX-410 (1960 Dart, DeSoto, Dodge) ..... AR-14  
 DX-619 (1959 Dodge) ..... AR-13  
 DX-3013 (1963 Dodge) ..... AR-22  
 DX-5121 (1965 Coronet) ..... AR-30  
 DX-5121N (1965 Coronet) ..... AR-35  
 DXA-50 (1960 Dart, DeSoto, Dodge) ..... AR-14  
 DXA-3053 (1963 Dodge) ..... AR-22  
 EM-29 ..... AR-21  
 EP-108 (1956 Edsall) ..... AR-12  
 F-100 (Revised)(1949-50 Ford) ..... AR-6  
 F-126 (1958 Ford) ..... AR-12  
 F-128C (1958 Ford) ..... AR-12  
 F-139 (1959 Ford) ..... AR-6  
 F-151 (Revised)(1951 Ford) ..... AR-6  
 F-152 (1952 Ford) ..... AR-6  
 F-241 (1954 Ford) ..... AR-6  
 F-322A ..... AR-19  
 F-3016 (1963 Ford) ..... AR-23  
 F-4055 (1964 Ford) ..... AR-27  
 FA-219 (1959 Ford) ..... AR-11  
 FA-3056 (1963 Ford) ..... AR-23  
 FA-4555 (1964 Ford) ..... AR-27  
 FAL-4554 ..... AR-27  
 FAN-3058 (1963 Fairlane) ..... AR-23  
 FAN-4551 (1964 Falcon) ..... AR-27  
 FAP-70 (1960 Ford) ..... AR-14  
 FAP-4556 (1964 Ford) ..... AR-27  
 FAR-782AT (1962 Fairlane) ..... AR-24  
 FAR-3016 (1963 Fairlane) ..... AR-23  
 FAR-4054 (1964 Fairlane) ..... AR-27  
 FFM-3091A (1963 Ford) ..... AR-22  
 FM-61 ..... AR-14  
 FM-731 ..... AR-6  
 FM-3083 ..... AR-22  
 FM-3083A ..... AR-27  
 FM-5099 ..... AR-32  
 FN-4051 (1964 Falcon) ..... AR-27  
 FNP-430 (1960 Falcon) ..... AR-14  
 FNP-452AT (1962 Falcon) ..... AR-23  
 FNP-3015 (1963 Falcon) ..... AR-23  
 FNP-3015A (1963 Falcon) ..... AR-23  
 FNP-4052 (1964 Falcon) ..... AR-27  
 FOP-4526 (1964 F-65) ..... AR-26  
 FP-238 (1958 Ford) ..... AR-12  
 FP-236C (1956 Ford) ..... AR-12  
 FP-260 (1960 Ford) ..... AR-14  
 FP-271AT (1960-61 Ford) ..... AR-16  
 FP-276TR (1959 Ford) ..... AR-11  
 FP-3017 (1963 Ford) ..... AR-23  
 FP-4056 (1964 Ford) ..... AR-27  
 FPA-220 (1960 Falcon) ..... AR-14  
 FPA-3055 (1963 Falcon) ..... AR-23  
 FPA-3057 (1963 Ford) ..... AR-23  
 FPA-4552 (1964 Falcon) ..... AR-27

FPF-4557 (1964 Falcon) ..... AR-27  
 FPO-4028 (1964 F-65) ..... AR-26  
 FPO-5033 (1965 Olds F-65) ..... AR-29  
 FT-227 (1957 Ford) ..... AR-12  
 FTP-37A (1957 Ford) ..... AR-9  
 FUP-3080 (1963 Falcon Futura) ..... AR-23  
 FUP-4057 (1964 Falcon) ..... AR-27  
 H-4 (1958 Hillman) ..... AR-12  
 H-9 (1956 Hillman) ..... AR-12  
 H-400 (1949-50-51 Hudson) ..... AR-6  
 HP-10 (1956 Hillman) ..... AR-12  
 HP-15 (1958 Hillman) ..... AR-12  
 K-700 (1951 Henry J) ..... AR-6  
 L-390 (1959-60 Studebaker Lark) ..... AR-14  
 L-559 (Early)(1959 Studebaker Lark) ..... AR-11  
 L-559 (Late)(1959-60 Studebaker Lark) ..... AR-14  
 LA-449 (1959 Studebaker Lark) ..... AR-11  
 LAP-29 (1959 Studebaker Lark) ..... AR-11  
 LAP-40 (1959-60 Studebaker Lark) ..... AR-14  
 LP-929 (1959 Studebaker Lark) ..... AR-11  
 MAP-99 (Early)(1959 Mercury) ..... AR-11  
 MAP-99 (Late)(1959-60 Mercury) ..... AR-14  
 MAP-3063 (1963 Mercury) ..... AR-23  
 MAP-4561 (1964 Mercury) ..... AR-27  
 MB-72 ..... AR-30  
 MM-430 (1953 Mercury) ..... AR-4  
 MP-69 ..... AR-6  
 MP-126 ..... AR-6  
 MT-47C (1957 Mercury) ..... AR-12  
 MT-419 (Early)(1959 Mercury) ..... AR-11  
 MT-419 (Late)(1959-60 Mercury) ..... AR-14  
 MT-530 (1959-60 Mercury) ..... AR-14  
 MT-3023 (1963 Mercury) ..... AR-23  
 MT-4061 (1964 Mercury) ..... AR-27  
 MT-5073 (1965 Mercury) ..... AR-29  
 MTR-602AT (1962 Meteor) ..... AR-24  
 MU-34 ..... AR-6  
 MUS-4067 (1964 Mustang) ..... AR-27  
 MUS-5059 (1965 Mustang) ..... AR-29  
 N-636 (1958-59 Rambler American) ..... AR-13  
 N-639 (1958-59 Rambler American) ..... AR-13  
 N-3026 (1963 Rambler American) ..... AR-23  
 NA-749 (1958-59 Rambler American) ..... AR-13  
 NA-3068 (1963 Rambler American) ..... AR-23  
 NAP-3069 (1963 Rambler American) ..... AR-23  
 NAY-3052 (1963 Chrysler) ..... AR-23  
 NP-3029 (1963 Rambler American) ..... AR-23  
 NP-5153 (1965 Rambler American) ..... AR-29  
 NU-63-AT ..... AR-23  
 NU-3107 ..... AR-23  
 NU-3107A ..... AR-26  
 NY-400 (1960 Chrysler) ..... AR-14  
 NY-596A (1956 Chrysler) ..... AR-10  
 NY-3012 (1963 Chrysler) ..... AR-23  
 NY-3100 (1963 Chrysler New Yorker) ..... AR-26  
 NY-5101N (1965 Chrysler) ..... AR-35  
 OAE-10 (1960 Oldsmobile) ..... AR-14  
 OAE-4531 (1964 Oldsmobile) ..... AR-28  
 OE-160 (1960 Oldsmobile) ..... AR-14  
 OE-171AT (1961 Oldsmobile) ..... AR-16  
 OE-3024 (1963 Oldsmobile) ..... AR-23  
 OE-4031 (1964 Oldsmobile) ..... AR-26  
 OE-5031 (1965 Oldsmobile) ..... AR-26  
 P-69 ..... AR-29  
 P-651 (Revised)(1951 Plymouth) ..... AR-20  
 P-4152 ..... AR-6  
 P-4652 ..... AR-27  
 P-5040 (1965 Pontiac) ..... AR-29  
 PA-74R ..... AR-30  
 PA-85 ..... AR-23  
 PA-3065 (1963 Plymouth) ..... AR-26  
 PA-3265 ..... AR-23  
 PAC-90 (1960 Pontiac) ..... AR-14  
 PAC-3067 (1963 Pontiac) ..... AR-23  
 PAC-4529 (1964 Pontiac) ..... AR-23  
 PAF-4340 ..... AR-29  
 PAP-69 (1959 Plymouth) ..... AR-15  
 PAP-80 (1960 Plymouth) ..... AR-15  
 PAP-3066 (1963 Plymouth) ..... AR-15  
 PC-350 (1960 Oldsmobile) ..... AR-14  
 PC-361AT (1961 Pontiac) ..... AR-16  
 PC-3027 (1963 Pontiac) ..... AR-23  
 PC-4029 (1964 Pontiac) ..... AR-26  
 PC-5041 (1965 Pontiac) ..... AR-29  
 PFM-3092A (1963 Pontiac) ..... AR-22  
 PFM-3094 (1963 Plymouth) ..... AR-22  
 PFX-5109 (1965 Fury) ..... AR-30  
 PFX-5109N (1965 Fury) ..... AR-35  
 PM-236 (1953 Plymouth) ..... AR-5  
 PP-330 (1960 Plymouth) ..... AR-15  
 PP-341AT (1961 Plymouth) ..... AR-16  
 PP-819 (1959 Plymouth) ..... AR-15  
 PP-3026 (1963 Plymouth) ..... AR-22  
 PP-5105 (1965 Belvedere) ..... AR-30  
 PP-5105N (1965 Belvedere) ..... AR-35  
 PS-4153 ..... AR-27  
 PS-4653 ..... AR-27  
 PT-3025 (1963 Plymouth) ..... AR-26  
 PUT-3108 ..... AR-23

PUT-3108A ..... AR-28  
 R-54, B ..... AR-11  
 R-61 ..... AR-20  
 RAP-69 (1959 Rambler) ..... AR-13  
 RAP-100 (1960 Rambler) ..... AR-13  
 RAP-3070 (1963 Rambler) ..... AR-26  
 RC-59 ..... AR-14  
 RC-59C ..... AR-14  
 RP-470 (1960 Rambler) ..... AR-13  
 RP-481AT (1960-61 Rambler) ..... AR-16  
 RP-519 (1959 Rambler) ..... AR-13  
 RP-3030 (1963 Rambler) ..... AR-26  
 RP-3097 (1963 Rambler) ..... AR-23  
 RP-5151 (1965 Rambler) ..... AR-29  
 RT-7B ..... AR-13  
 RT-7D ..... AR-11  
 S-91 (1956-59 Simca Aronde) ..... AR-11  
 S-500 (1950-51 Studebaker) ..... AR-6  
 S-551 (Revised)(1950-51 Studebaker) ..... AR-6  
 SA-529 (1958-59 Simca Aronde) ..... AR-11  
 SAB-3071 (1963 Special) ..... AR-23  
 SB-3032 (1963 Special) ..... AR-23  
 SBP-3033 (1963 Special) ..... AR-23  
 SBP-4027 (1964 Buick Special) ..... AR-26  
 SP-1 (1958-59 Simca Aronde) ..... AR-11  
 SPA-209 (1958-59 Simca Aronde) ..... AR-11  
 SPA-3072 (1963 Special) ..... AR-23  
 SPA-4527 (1964 Buick Special) ..... AR-28  
 TA-3073 (1963 F-65, Tempest) ..... AR-23  
 TAC-3051 (1963 Chev. Truck) ..... AR-22  
 TAC-4541 (1964 Chevrolet Truck) ..... AR-26  
 TAP-3074 (1963 F-65, Tempest) ..... AR-23  
 TAP-4526 (1964 Tempest) ..... AR-28  
 TAX-4542 (1964 Chevrolet Truck) ..... AR-28  
 TC-3035 (1963 F-65, Tempest) ..... AR-23  
 TCM-3011 (1963 Chev. Truck) ..... AR-22  
 TCM-4041 (1964 Chevrolet Truck) ..... AR-26  
 TCM-5014 (1965 Chevrolet Truck) ..... AR-29  
 TCX-4042 (1964 Chevrolet Truck) ..... AR-28  
 TCX-5013 (1965 Chevrolet Truck) ..... AR-29  
 TPC-31 (1961 Buick Special, Oldsmobile F-65, Pontiac Tempest) ..... AR-16  
 TPC-31AT (1963 F-65, Tempest) ..... AR-23  
 TPC-42AT (1963 F-65, Tempest) ..... AR-23  
 TPC-3036 (1963 F-65, Tempest) ..... AR-23  
 TPC-4026 (1964 Tempest) ..... AR-28  
 TPP-67A (1957 Plymouth) ..... AR-13  
 TPP-66 (1957-58 Plymouth) ..... AR-13  
 TPP-68C (1957-58 Plymouth) ..... AR-13  
 TR-12 (Tractor) ..... AR-4  
 TR-13B ..... AR-25  
 TR-48AT ..... AR-25  
 TR-13B ..... AR-25  
 TUN-5 ..... AR-15  
 UE-4155A ..... AR-28  
 UE-4171A ..... AR-28  
 UE-4655A ..... AR-28  
 UE-4671A ..... AR-28  
 UFM-3089 ..... AR-22  
 UFP-3098 ..... AR-22  
 UN-40 ..... AR-12  
 VP-12 ..... AR-12  
 VPA-280 (1960 Valiant) ..... AR-15  
 VPA-3076 (1963 Valiant) ..... AR-20  
 VT-5108 (1965 Valiant) ..... AR-30  
 VTP-440 (1960 Valiant) ..... AR-27  
 VTP-3038 (1963 Valiant) ..... AR-15  
 VTP-5107 (1965 Valiant) ..... AR-30  
 W-76 (Thru 1957 Volkswagen) ..... AR-12  
 W-84 (1958-63 Volkswagen) ..... AR-23  
 W-89 (1958-59 Volkswagen) ..... AR-12  
 W-3040 (1958-63 Volkswagen) ..... AR-23  
 W-3040A (1964 Volkswagen) ..... AR-26  
 W-5204 (See Page 41)(1965 Volkswagen) ..... AR-28  
 WP-4 (1958-59 Volkswagen) ..... AR-12  
 WP-7 (Thru 1957 Volkswagen) ..... AR-12  
 WP-7G (Karmann-Ghia) ..... AR-12  
 WP-19 (1958-59 Volkswagen) ..... AR-12  
 WP-21 (1958-63 Volkswagen) ..... AR-23  
 WP-187 ..... AR-15  
 WP-3039 (1958-63 Volkswagen) ..... AR-23  
 WP-3093A (1964 Volkswagen) ..... AR-28  
 WP-5203 (See Page 41)(1965 Volkswagen) ..... AR-28  
 WPC-6 (Thru 1957 Volkswagen) ..... AR-12  
 YAM-3050 (1963 Chevy II) ..... AR-23  
 YAM-4525 (1964 Chevy II) ..... AR-28  
 YP-3049 (1963 Chevy II) ..... AR-23  
 YP-4532 (1964 Chevy II) ..... AR-28

**AUTOVOX**

OC-401 .....	AR-27
RA-107 .....	AR-17
RA-115 .....	AR-17
RA-164 .....	AR-27
RA-441 .....	AR-27
RA-443 .....	AR-27
TR-222 (Auto. & Portable Combination) ..	AR-16
TR-231 (Transmobile 3) .....	AR-19

**BECKER**

Europa MU .....	AR- 8
Europa MUK .....	AR- 8
Europa TG/MU .....	AR-20
Mexico TG .....	AR-17
Monte Carlo .....	AR-17
Monte Carlo M. ....	AR-18

**BENDIX**

R2BG (See Karmann Ghia 2 BG) .....	AR-18
R2BT (See Volkswagen 2BT) .....	AR-18
R2BV (See Volkswagen 2BV) .....	AR-18
R12BP (1961 Chevrolet) .....	AR-16
R12BPC (1961 Corvair) .....	AR-16
R22BA (See American Motors 22BA) .....	AR-18
R22BAM (See American Motors 22BAM) ..	AR-18
R22BAX (See American Motors 22BAX) ..	AR-18
X2BB (Shipmate III) .....	AR-19
2BC (R2BC) (1962 Chevrolet) .....	AR-19
2BCT (R2BCT) (1962 Corvair) .....	AR-19
3BCH (1963 Chevrolet) .....	AR-21
3BCH2 (1963 Chevy II) .....	AR-21
3BCT (1963 Corvair) .....	AR-21
4TBC2 (1964 Chevy II) .....	AR-32
4TBC (1964 Corvair) .....	AR-32
4TBCB (1964 Chevrolet) .....	AR-32
4TBL (1964 Chevrolet) .....	AR-32
4TBC2 (1964 Chevrolet Truck) .....	AR-32
5BCC (1965 Corvair) .....	AR-31
5BCH (1965 Chevrolet) .....	AR-31
5BCL (1965 Chevrolet) .....	AR-31
5TBC2 (1965 Chevrolet Truck) .....	AR-32
22B (See MoPar 805) .....	AR-17
23BC (See MoPar 327) .....	AR-17
23BDM23BP, 23BPK (See MoPar 322) ..	AR-17
24BC (See MoPar 410) .....	AR-18
24BI (See MoPar 409) .....	AR-18

**BLAUPUNKT**

Bremen (Above Serial #G14001) .....	AR- 9
Derby 94770 (Serial #V710001, Etc.) ..	AR-32
Exportsuper 33070 (From Serial #U170001)	AR-33
Exportsuper 33080 (From Serial #U50001) ..	AR-33
Exportsuper 34150 (Serial #V450001) .....	AR-26
Exportsuper 34750 (From Serial #V765001) ..	AR-34
Exportsuper 91220 (Above Serial #E160001) ..	AR-18
Frankfurt .....	AR- 8
Frankfurt US (From Serial #V510001) .....	AR-27
Frankfurt 3798 (Above Serial #Q553083) ..	AR-14
Frankfurt 9798 (Above Serial #890001) .....	AR-15
Hamburg .....	AR- 8
Koln .....	AR- 8
Koln 3898 (Above Serial #Q310001) .....	AR-16
KV810 .....	AR-17
Manhattan 34150 (Serial #V450001) .....	AR-26
Manhattan 90220 .....	AR-17
New Yorker 34750 (From Serial #V765001) ..	AR-34
Vienna .....	AR-26
Wolfsburg 9160 (Above Serial #G450001) ..	AR- 9
3598 .....	AR-13
9180 .....	AR-13

**BUICK**

980051 (1960) .....	AR-12
980052 (1960) .....	AR-13
980132 (1961 Special) .....	AR-15
980134 (1961) .....	AR-16
980135 (1961) .....	AR-14
980296 (1962) .....	AR-17
980297 (1962) .....	AR-18
980316 (1962 Special) .....	AR-19
980462 (1963) .....	AR-19
980463 (1963) .....	AR-21
980464 (Late 1963) .....	AR-20
980464A (Late 1963) .....	AR-20
980626 (1963) .....	AR-21
980635 (1963) .....	AR-21
980649 (1964 Buick Special) .....	AR-25
980655 (1963 Special) .....	AR-20
980657 (1964) .....	AR-25
980659 (1964) .....	AR-25
980869 (1965 Buick) .....	AR-29
981320 (1953, Series 40) .....	AR- 4
981321 (1953, Series 50 & 70) .....	AR- 4
981323 (1953, Series 50 & 70) .....	AR- 4
981550 (1954, Series 40, 50 & 70) .....	AR- 4
981551 (1954, Series 40, 50 & 70) .....	AR- 4
981651 (1955)(See Model 981550) .....	AR- 5
981652 (1955) .....	AR- 5
981707 (1956) .....	AR- 6
981708 (1956) .....	AR- 6
981813 (1957) .....	AR- 7
981814 (1957) .....	AR- 7
981902 (1958) .....	AR- 6
981903 (1958) .....	AR- 6
981968 (1959) .....	AR-10
981969 (1959) .....	AR-11
981970 (1959) .....	AR-10
7285424 (1965 Buick) .....	AR-30
7285444 (1965 Riviera) .....	AR-31
7288794 (1965 Riviera) .....	AR-31
7289714 (1965 Special) .....	AR-30
7289734 (1965 Riviera) .....	AR-30
7289754 (1965 Buick) .....	AR-31
7289774 (1965 Buick) .....	AR-31
7293604 (981059)(1966 Buick Special) ..	AR-35

**CADILLAC**

7264165, 7264185 (1954) .....	AR- 5
7265825, 7265845 (1955) .....	AR- 6
7266505, 7266535 (1956) .....	AR- 6
7268005 (1957) .....	AR- 7
7268035 (1957 Ambulance) .....	AR- 7
7268085 (1958 Brougham) .....	AR- 8
7270405 (1958) .....	AR- 8
7270555 (1958 Ambulance) .....	AR- 8
7272505 (1959) .....	AR-10
7274905 (1960) .....	AR-12
7274925 (1960, 75 Series) .....	AR-12
7276805 (1961) .....	AR-16
7279615 (1962) .....	AR-18
7281225 (1962) .....	AR-18
7282315 (1963) .....	AR-19
7283295 (1963) .....	AR-20
7286315 (Late Production 1963-64) .....	AR-25
7290255 (1965) .....	AR-31
7290545 (1965) .....	AR-31

**CHANNEL MASTER**

6540 .....	AR-21
6541 .....	AR-35
6542 .....	AR-35

**CHEVROLET**

985036 (1961 Truck) .....	AR-16
985158 (1962 Corvair) .....	AR-17
985159 (1962 Corvair) .....	AR-18
985203 (1962 Corvair Trucks) .....	AR-17
985227 (1962 Truck) .....	AR-18
985264 (1962) .....	AR-17
985315 (1962 Corvair) .....	AR-18
985332 (1962) .....	AR-18
985383 (1962 Corvette) .....	AR-17
985396 (1963 Corvette) .....	AR-20
985431 (1963) .....	AR-19
985432 (1963) .....	AR-19
985443 (1963 Corvair Truck) .....	AR-19
985447 (1963 Corvair) .....	AR-19

**VoL**

**CHEVROLET (Continued)**

**VoL**

985449 (1963 Corvair) .....	AR-19
985453 (1963 Chevy II) .....	AR-19
985455 (1963 Chevy II) .....	AR-19
985471 (1963 Truck) .....	AR-20
985672 (1964 Chev. Truck) .....	AR-24
985686 (1963) .....	AR-21
985694 (1963) .....	AR-20
985773 (1964 Chevelle) .....	AR-24
985776 (1964 Chevelle) .....	AR-23
985815 (1964 Corvair Truck) .....	AR-24
985831 (1964 Corvair) .....	AR-24
985832 (1964 Corvair) .....	AR-23
985875 (1964 Chevrolet) .....	AR-24
985676 (1964) .....	AR-23
985877 (1964 Chevrolet) .....	AR-24
985916 (1964 Chev. Van) .....	AR-24
985921 (1964 Corvette) .....	AR-24
985957 (1964 Chevy II) .....	AR-24
985958 (1964 Chevy II) .....	AR-23
986096 (1965 Chevrolet) .....	AR-29
986099 (1965 Chevrolet) .....	AR-29
986101 (1965 Chevrolet) .....	AR-29
986113 (1965 Corvair) .....	AR-29
986116 (1965 Corvair) .....	AR-31
986118 (1965 Corvair) .....	AR-29
986201 (1965 Chevelle) .....	AR-29
986202 (1965 Chevelle) .....	AR-31
986203 (1965 Chevelle) .....	AR-29
986248 (1965 Chevy II) .....	AR-29
986250 (1965 Chevy II) .....	AR-31
986252 (1965 Chevy II) .....	AR-29
986261 (1965 Corvette) .....	AR-31
986330 (1965 Chevrolet Truck) .....	AR-29
986338 (1965 Chevrolet Truck) .....	AR-29
986339 (1965 Chevrolet Truck) .....	AR-29
986374 (1965 Chevrolet) .....	AR-29
986376 (1965 Chevelle, Chevy II, Corvair) ..	AR-29
986545 (1966 Chevrolet) .....	AR-35
986668 (1953) .....	AR- 4
986669 (1953) .....	AR- 4
986771 (1954 Truck) .....	AR- 5
987086 (1955) .....	AR- 5
987087 (1955) .....	AR- 5
987088 (1955) .....	AR- 5
987187 (1955 Truck) .....	AR- 6
987366 (1956)(See Model 987088) .....	AR- 5
987368 (1956) .....	AR- 6
987573 (1957) .....	AR- 7
987575 (1957) .....	AR- 7
987577 (1957) .....	AR- 7
987693 (1957) .....	AR- 7
987724 (1958) .....	AR- 8
987727 (1958) .....	AR- 8
987730 (1958) .....	AR- 9
987886 (1959) .....	AR-10
987891 (1959) .....	AR-10
987893 (1959) .....	AR-10
988062 (1960 Corvair) .....	AR-12
988060 (1960 Truck) .....	AR-13
988275 (1960) .....	AR-12
988276 (1960) .....	AR-12
988336 (1961 Truck Series 95) .....	AR-15
988413 (1961) .....	AR-15
988414 (1961) .....	AR-14
988480 (1961 Corvair) .....	AR-15
988486 (1961 Corvair) .....	AR-14
3711897 (1955 Corvette) .....	AR- 6
3725156 (1956-57 Corvette) .....	AR- 7
3746611 (1958 Corvette) .....	AR- 9

**CHRYSLER (See MoPar)**

<b>CLETRON</b>	
RU-101 .....	AR-27
RU-104 .....	AR-27

**COMET (See Mercury)**

**CONTINENTAL**

F3TBC (1963) .....	AR-21
F4TBC (1964) .....	AR-25
F14TBC (1964) .....	AR-25
TOB5TBC (1965) .....	AR-33
4TMC (F)(C4VA-18806)(1964 Continental) ..	AR-23
5TMC (F)(C5VA-18806-A)(1965 Continental) ..	AR-28
6BC (4047424)(1965) .....	AR- 6

CORONADO	Vol.	FORD	Vol.	GIBBS	Vol.
35RA2-43-5101A .....	AR- 5	F3TBF (C3AA-18806)(1963 Galaxie).....	AR-20	440 .....	AR-27
		F3TBS (C3SA-18806)(1963 Thunderbird) ..	AR-20	441 .....	AR-27
		F4TBF (1964 Galaxie) .....	AR-24	442 .....	AR-27
		F4TBS (1964 Thunderbird) .....	AR-24	445 .....	AR-28
		F5TBF (1965 Galaxie) .....	AR-32	446 .....	AR-28
CORVAIR (See Chevrolet)		RV2F (C20Z-18875-C) .....	AR-19		
		RV4D (1965 Ford) .....	AR-30		
		RV4D-NS (1965 Ford) .....	AR-30		
		RV4F (1964 Ford) .....	AR-24		
		RV6F (See page 75)(Reverb unit for 1965/66 Ford) .....	AR-30		
DELRAY		T6SMF (C6AA-19A049-C)(1966 Galaxie) ..	AR-35		
		T6SMS (C6SA-18806-C)(1966 Thunderbird)	AR-35		
		T6SMZ (C6ZA-18806-E)(1966 Mustang) ..	AR-35		
		TOBSTBS (1965 Thunderbird) .....	AR-32		
SM-711 .....	AR-22	04BF (COAZ-18805, COAF-18806)			
SM-751 .....	AR-22	(1960)(Early version only.) .....	AR-12	2233396 (12V Truck).....	AR- 9
TRM-701 .....	AR-22	04BT (Late Prod.)(1960 Ford) .....	AR-30	2233850 (1960 GMC).....	AR-13
UA-702 .....	AR-22	04BT (COTF-18805-F)(1960 Truck) .....	AR-12	2233944 (1961 GMC).....	AR-16
UM-701 .....	AR-22	04MD (CODF-18805-D)(1960 Falcon) .....	AR-12	2233984 (1962 GMC).....	AR-18
VWA-702 .....	AR-22	04MF (COAF-18805-U)(1960) .....	AR-12	2234003 (1963 Truck).....	AR-20
VWM-701 .....	AR-22	04MFM (COAF-18805-T)(1960) .....	AR-12	2234040 (1964 Truck).....	AR-24
		1TMC (C1VV-18810-C)(1961 Continental) ..	AR-15	2234086 (1964 Truck).....	AR-24
		1TMS (C1SF-18810-B)(1961 Thunderbird) ..	AR-15	7291556 (1965 Truck).....	AR-29
		2TBO (C2OZ-18805-B)(1962 Fairlane) .....	AR-19	7291576 (1965 Truck).....	AR-29
		2TMF (C2AA-18806-M)(1962) .....	AR-18		
		2TMX (C2AA-18806-N)(1962) .....	AR-16		
		3MF (FAD-18805-C)(1953) .....	AR- 4		
		3MFT (FAE-18805-A)(1953 Truck) .....	AR- 4		
		3EF755 (FAD-18805-D)(1953) .....	AR- 4		
		3TBD (C3DZ-18805)(1963 Falcon) .....	AR-19		
		3TBO (C3OZ-18805)(1963 Fairlane) .....	AR-19		
		3TMF (C3AA-18806)(1963 Galaxie) .....	AR-23		
		4BF (FDA-18805-C)(1954)(See Model M4B)	AR- 4		
		4MF (FDA-18805-B-2)(1954) .....	AR- 4		
		4SF765 (FDA-18805-A)(1954) .....	AR- 5		
		4TBD (C4DA-18805)(1964 Falcon) .....	AR-23		
		4TBO (C4OA-18805)(1964 Fairlane) .....	AR-23		
		4TBT (1964 Ford Truck) .....	AR-26		
		4TBU (1964 Ford Econoline) .....	AR-26		
		4TBZ (1964/65 Mustang) .....	AR-32		
		4TMF (C4GA-18806)(1964 Galaxie) .....	AR-23		
		4TMS (C4SA-18806-J) .....	AR-23		
		4TMS(F)(C4SA-18806-H)(1964 Thunderbird)	AR-23		
		5BF (FDH-18805-B1)(1955) .....	AR- 5		
		5MF (FDH-18805-B2)(1955) .....	AR- 5		
		5MFS, 5MFS8 (FDH-18805-B)			
		(1955 Thunderbird) .....	AR- 5		
		5MP8 (FDH-18805-A2)(1955) .....	AR- 5		
		5TBF (1965 Galaxie) .....	AR-28		
		5TBO (1965 Fairlane) .....	AR-28		
		5TBT (1965 Ford Truck) .....	AR-33		
		5TBU (1965 Ford Econoline) .....	AR-33		
		5TMF (C5AA-18806-G1)(1965 Galaxie) .....	AR-28		
		5TMZ (C5Z1-18806-B)(1965 Mustang) .....	AR-28		
		5TMS (C5SA-18806-B), 5TMSF (C5SA-18806- A)(1965 Thunderbird) .....	AR-28		
		5TPD (1965 Falcon) .....	AR-28		
		5TPO (1965 Fairlane) .....	AR-28		
		5TPZ (1965 Mustang) .....	AR-28		
		6BF (FDR-18805-B)(1956) .....	AR- 6		
		6BFT (FDV-18805-A)(1956 Truck) .....	AR- 6		
		6TBF (1966 Galaxie) .....	AR-34		
		12BD (CODF-18805-E2, CODF-18806-D)			
		(1961 Falcon) .....	AR-14		
		12BF (C1AF-18805-C2, C1AF-18806)(1961)	AR-14		
		12BT (C1TF-18805)(1961 Truck) .....	AR-14		
		12BU (C1UF-18805)(1961 Econoline Truck)	AR-14		
		14BF (1961 Ford) .....	AR-30		
		14BM (1961 Mercury) .....	AR-30		
		22BD (C2DZ-18805-A)(1962 Falcon) .....	AR-18		
		22BO (C2OZ-18805-A)(1962 Fairlane) .....	AR-18		
		24MF (C2AZ-18805-A)(1962) .....	AR-17		
		66MF (FDR-18805-B1)(1956) .....	AR- 6		
		66MFP (FDR-18805-B1)(1956) .....	AR- 6		
		69MF (FDR-18806-F)(1956) .....	AR- 6		
		69MS (FEF-18805-B)(1956) .....	AR- 6		
		74BF (FEG-18805)(1957) .....	AR- 6		
		74BT (FEM-18805-A)(1957 Truck) .....	AR- 9		
		74MF (B7A-18805-A1)(1957) .....	AR- 8		
		75BF (FEG-18805-B)(1957) .....	AR- 7		
		75MF (FEG-18805-H)(1957) .....	AR- 7		
		76MF (SR)(B7A-18805-B1)(1957) .....	AR- 8		
		76MF (FEG-18805-G)(1957) .....	AR- 7		
		79MS (FEJ-18806-C)(1957 Thunderbird) ..	AR- 7		
		64BF (B8A-18805-B)(1958) .....	AR- 8	IL5TCA, IL5TCA-12(88065-R96)	AR- 6
		84BT (FEM-18805-B)(1958 Truck) .....	AR- 9	(1955 "R" Line Truck) .....	AR- 6
		84MF (B8A-18805-B)(1958) .....	AR- 6	IL7TC, IL7TC-12(1957 "R" Line Truck) ..	AR- 7
		84MS (FEV-18805-F)(1958 Thunderbird) ..	AR- 9	04MI (1961 Scout and "C" Line Truck) ..	AR-16
		86MF (B8A-18805-A)(1956) .....	AR- 8	04MI-RV (1961 "R" & "DC" Line Truck) ..	AR-16
		94BF (B9A-18805-A, B9A-18806-D)(1959) ..	AR-10	3TMI (244224-R91) .....	AR-24
		94BT (B9C-18805-A1)(1959 Truck) .....	AR-11	58MI (244-261-R92)(1965 Truck) .....	AR-34
		94MF (B9FA-18806-C)(1959) .....	AR-10	58MI-RV (244-262-R92)(1965 Truck) .....	AR-34
		94MFM (B9FA-18805-E)(1959) .....	AR-10	58MI/T (244-224-R91)(1965 Truck) .....	AR-34
		94MS (B9SF-18805-B)(1959 Thunderbird) ..	AR-11	86MI (1958 "A" Line Truck) .....	AR- 8
		95MF (B9FA-18806-B)(1959) .....	AR-10	94MI (1959 "R" & "V" Line Truck) .....	AR-11
				94MIM (1959 "A" Line Truck) .....	AR-10

KARADIO	Vol.	METEOR (Also See Mercury)	Vol.	MOPAR (Continued)	Vol.
M80B.....	AR- 4	77BM (FEK-18805-C)(1957) .....	AR- 7	308 (RP1, RP2, 1961 Plymouth).....	AR-16
		78BM (FEK-18805-D)(1957) .....	AR- 7	310 (Export Version of Model 301) .....	AR-14
		84BM (FEW-18805-U)(1958) .....	AR- 8	311 (Export Versions of Model 309) .....	AR-16
		85BM (FEW-18805-T)(1958) .....	AR- 9	312 (13BS 1961 Desoto) .....	AR-16
KARMANN GHIA (See Volkswagen)		94PM (B9MF-18805-B)(1959) .....	AR-12	313 (1960 Valiant) .....	AR-14
		95PM (B9FM-18805-A)(1959) .....	AR-11	314L (Export Version of Model 114) .....	AR-16
				314V (Export Version of Model 113) .....	AR-16
				317 (13BC 1961 Chrysler) .....	AR-15
KINEMATIX				322 (SP1, SP2, 1962 Plymouth) .....	AR-17
		METRAVOX		323 (SD1, SD2 1962 Dodge Dart) .....	AR-17
Verba-Matix.....	AR-27	SUTTON RA144 .....	AR-20	324 (Export SP1, SP2, 1962 Plymouth) .....	AR-17
		SUTTON RA155 .....	AR-21	327 (SC1, SC2, SC3 1962 Chrysler) .....	AR-17
				330 (1963 Plymouth) .....	AR-21
LAFAYETTE				331 (1963 Dodge) .....	AR-21
		MG		332 (1963 Dodge 880) .....	AR-21
SP-172 (FM-100).....	AR-14			333 (1963 Chrysler) .....	AR-21
		HAC700 (4TMB).....	AR-30	334 (4TBQ)(1964 Dodge 880).....	AR-24
				335 (1964 Plymouth).....	AR-25
LANCER (See MoPar)				336 (1964 Dodge).....	AR-25
				337 (1963 Valiant).....	AR-22
LARK (See Studebaker)				339 (1963 Dodge Dart) .....	AR-22
				343 (R3BC)(1963 Chrysler TC1, TC2, TC3) .....	AR-19
				344 (1963 Dodge) .....	AR-22
				345 (1963 Plymouth) .....	AR-22
				347 (R23BDQ)(1962 Dodge 880, SDS) .....	AR-19
				348 (4TBC)(1964 Chrysler) .....	AR-24
				350 (R3BD)(1963 Dodge 880) .....	AR-19
				351 (1964 Chrysler) .....	AR-25
				352 (1964 Chrysler Imperial) .....	AR-25
				353 (1964 Dodge 880) .....	AR-25
				354 (1964 Dodge) .....	AR-24
				360 (5FBP)(1965 Plymouth).....	AR-30
				361 (5FBPD)(1965 Plymouth) .....	AR-30
				362 (5FBD)(1965 Dodge).....	AR-30
				363 (1965 Dodge 880).....	AR-28
				363S (1966 Polara, Custom 860, Monaco BD2) .....	AR-35
				364 (5FBDD)(1965 Dodge) .....	AR-30
				365 (1965 Chrysler) .....	AR-28
				365S (1966 Chrysler BC1, BC2, BC3).....	AR-35
				366 (5FBC)(1965 Chrysler) .....	AR-30
				367 (5FBH)(1965 Imperial) .....	AR-30
				372 (5FBVE)(See page 86)(1965 Plymouth) .....	AR-30
				373 (5FBL)(See page 86)(1965 Dodge Dart) .....	AR-30
				402 (04BC)(1960 Chrysler) .....	AR-13
				403 (04BI)(1960 Imperial) .....	AR-13
				404 (14BI)(1961 Imperial) .....	AR-15
				407 (14BC)(1961 Chrysler) .....	AR-15
				409 (24BI)(1962 Imperial SY1) .....	AR-18
				410 (24BC)(1962 Chrysler SC1, SC2, SC3) .....	AR-18
				411 (34BCS)(1963 Chrysler) .....	AR-20
				413 (34BI)(1963 Imperial TY1) .....	AR-20
				414 (44BI)(1964 Imperial) .....	AR-24
				415 (44BCS)(1964 Chrysler) .....	AR-24
				416 (1965 Chrysler) .....	AR-31
				417 (1965 Imperial) .....	AR-31
				608 (1953 Plymouth P24) .....	AR- 4
				609 (1953 Dodge Model D-44, D-46, D-47, and D-48) .....	AR- 4
				610T (1953 Dodge Truck, Series B-3, B-4) .....	AR- 4
				611T (1954 Dodge Truck, Series C)(See Model 610T) .....	AR- 4
				612 (1954 Dodge Models D-40, D-51, D-52, and D-53)(See Model 609) .....	AR- 4
				613 (1955 Plymouth Models P-26, P-27) .....	AR- 5
				614 (1955 Dodge Models D-55, D-56) .....	AR- 5
				620 (1956 Plymouth Models P-26, P-29) .....	AR- 7
				621 (1956 Dodge Models D-62, D-63) .....	AR- 7
				624 (1957 Dodge Models D-66, D-67, D-70, D-71, D-72) .....	AR- 6
				700 (1958 Dodge Truck) .....	AR- 8
				700 (Revised)(1960 Dodge Truck) .....	AR-14
				701 (1959 Simca) .....	AR-12
				703 (R12BDT)(1961 Dodge Truck) .....	AR-16
				706 (1964 Dodge Truck) .....	AR-26
				708 (5TBDT)(Similar to page 64)(1965 Dodge Truck) .....	AR-26
				819 (1953 Plymouth) .....	AR- 4
				820 (1953 Dodge) .....	AR- 4
				821 (Desoto Models 8-16, 8-18) .....	AR- 4
				824 (1953 Chrysler)(See Model 619) .....	AR- 4
				828 (1954 Dodge Models D-50, D-51, D-52, D-53)(See Model 820) .....	AR- 4
				829 (Desoto Models 8-19 and 8-20) .....	AR- 4
				830 (1954 Chrysler Models C-63, C-63C, C-64) .....	AR- 4
				831 (See Model 830) .....	AR- 4
				832 (1955 Plymouth) .....	AR- 5
				833 (1955 Dodge Models D-55, D-56) .....	AR- 5
				834 (1955 Desoto Models 8-21, 8-22) .....	AR- 5
				835 (1955 Chrysler) .....	AR- 5
				836 (1955 Plymouth Models P-25, P-27) .....	AR- 5
				840 (1956 Plymouth) .....	AR- 6
				841 (1956 Plymouth Models P-28, P-29) .....	AR- 6
				842, 842HR (1956 Dodge Models D-62, D-63) .....	AR- 6
				843 (1956 Desoto Models 8-23, 8-24) .....	AR- 6
				844, 844HR (1956 Chrysler) .....	AR- 6
				845 (1957 Dodge Models D-66, D-67, D-70, D-71, D-72) .....	AR- 8



MOTOROLA (Continued)	Vol.	PENNY	Vol.	PONTIAC (Continued)	Vol.
881 (See MoPar Model 861).....	AR-12	3104 (984-8227).....	AR-29	984981 (1955).....	AR-5
923 (See MoPar Model 923).....	AR-9	3108 (984-8219)(1958-63 Volkswagen).....	AR-29	988568 (1956)(See Model 984981).....	AR-5
927 (See MoPar Model 927).....	AR-11	3114 (984-1991)(1963 Ford).....	AR-29	988599 (1956).....	AR-6
980888 (1984 Opel Kadett).....	AR-26	3118 (982-0063).....	AR-30	988671 (1957).....	AR-7
<b>Chassis</b>		3120 (982-1992)(1958-63 Volkswagen).....	AR-29	988672 (1957).....	AR-7
R15A8.....	AR-5	3121 (981-4021).....	AR-30	988822 (1958).....	AR-8
R16M6.....	AR-5	3122 (981-4031).....	AR-30	988823 (1958).....	AR-8
R17A6.....	AR-5	3129 (985-6616).....	AR-30	988837 (1958).....	AR-8
<b>NASH (Also see American Motors)</b>		3138 (984-8243).....	AR-29	988976 (1959).....	AR-10
AC-154 (1954-55).....	AR-5	3143 (985-8358).....	AR-29	988977 (1959).....	AR-11
NH3C (1953 Nash Rambler).....	AR-4	3144 (985-8374).....	AR-30	988978 (1959).....	AR-11
NH5AC (1955)(See Model AC-154).....	AR-5	3146 (985-8390).....	AR-30	989814 (1960).....	AR-12
<b>NORDIC</b>		3151 (985-8341).....	AR-30	989815 (1960).....	AR-13
501F55 (1955 Ford).....	AR-5	3160 (985-8406)(1964 Chevelle).....	AR-29	989892 (1961).....	AR-14
<b>NORDMENDE</b>		3161 (985-8416)(1963-64 Chevrolet).....	AR-29	989893 (1961).....	AR-15
Transita-Royal K-C (4/608K-C).....	AR-34	3162 (985-8424)(1963-64 Chevy II).....	AR-29	989792 (1961 Tempest).....	AR-15
<b>OLDSMOBILE</b>		3163 (1964 Comet).....	AR-30	989831 (1961 Tempest).....	AR-15
7284893.....	AR-22	3168 (1964 Ford).....	AR-30	7284742.....	AR-22
7289313 (1965 Oldsmobile).....	AR-30	3169 (1964 Falcon).....	AR-30	7289752 (1965 Pontiac).....	AR-29
7289333 (1965).....	AR-31	3170 (1964 Falcon).....	AR-30	7289772 (1965 Pontiac).....	AR-29
7289353 (1965).....	AR-31	3171 (985-8515)(1964 F-85).....	AR-29	7291562 (1965 Tempest).....	AR-30
7289373 (982097)(1966 Oldsmobile F-85).....	AR-35	3172 (1964 Fairlane).....	AR-30	7291582 (1965 Tempest).....	AR-29
7291063 (1965 F-85).....	AR-30	3173 (1964 Mercury).....	AR-30	7292112 (1965 Tempest).....	AR-29
982029 (1962).....	AR-17	3174 (985-8549)(1964 Oldsmobile).....	AR-29	7293512 (984596)(1966 Pontiac).....	AR-35
982030 (1962).....	AR-18	3176 (985-8564)(1963-64 Pontiac).....	AR-29	7294322 (1965 Pontiac).....	AR-33
982138 (1963).....	AR-19	3179 (985-8275)(1964 Tempest).....	AR-29		
982137 (1963).....	AR-20	3180 (985-8291)(1964 Chevrolet).....	AR-29	<b>RAMBLER (Also see American Motors)</b>	
982149 (1963 F-85).....	AR-20	3181 (985-8309)(1960-64 Corvair).....	AR-29	AF4TMR (1964 Rambler).....	AR-26
982212 (1963).....	AR-21	3182 (985-8317)(1963-64 Chevy II).....	AR-29	AF5TMR (1965 Rambler).....	AR-28
982249 (1964).....	AR-25			D4TMR (1964 Rambler).....	AR-24
982250 (1964).....	AR-25	<b>PHILCO</b>		RV5R (1965).....	AR-31
982251 (1964).....	AR-25	C-5209 (See MoPar Model 824).....	AR-4	RV5RY (1965).....	AR-31
982252 (1964 F-85).....	AR-25	C-5409 (See MoPar Model 830).....	AR-4	3TBA (1963 Rambler American).....	AR-19
982990 (1953).....	AR-4	C-5509 (See MoPar Model 835).....	AR-5	3TBAM (1963 Rambler American).....	AR-19
983004 (1953).....	AR-4	C-5595 (See MoPar Model 902).....	AR-5	3TBAX (1963 Rambler American).....	AR-19
983090 (1954).....	AR-5	C-5596 (See MoPar Model 903).....	AR-5	3TMR (8991142)(1963).....	AR-25
983091 (1954).....	AR-5	C-5609 (See MoPar Model 844).....	AR-6	4TBA (8991321)(1964).....	AR-25
983204 (1955).....	AR-5	C-5609HR (See MoPar Model 844HR).....	AR-6	4TBAM (8991320)(1964).....	AR-25
983205 (1955).....	AR-5	C-5705 (See MoPar Model 847).....	AR-8	4TMR (1964 Rambler).....	AR-24
983334 (1956).....	AR-6	C-5707 (See MoPar Model 920HR).....	AR-8	5BA (8991562)(1965 Rambler American).....	AR-29
983336 (1956).....	AR-6	C-5709 (See MoPar Model 924HR).....	AR-8	5BAM (8991561)(1965 Rambler American).....	AR-29
989001 (1957).....	AR-7	C-5809 (See MoPar Model 924HR).....	AR-9	5TMR (1965 Rambler).....	AR-29
989002 (1957).....	AR-7	D-5207 (See MoPar Model 819).....	AR-4	6SMA (1966 Rambler American).....	AR-35
989127 (1958).....	AR-8	D-5407 (See MoPar Model 820).....	AR-4	6SMAM (1966 Rambler American).....	AR-35
989129 (1958).....	AR-8	P-5206 (See MoPar Model 819).....	AR-4		
989131 (1958).....	AR-8	P-5506 (See MoPar Model 832).....	AR-5	<b>RANGER</b>	
989170 (1959).....	AR-10	P-5606 (See MoPar Model 840).....	AR-6	R-500.....	AR-31
989171 (1959).....	AR-11	P-5701 (See MoPar Model 846).....	AR-8	RR-3M.....	AR-35
989172 (1959).....	AR-11	P-5703 (See MoPar Model 917HR).....	AR-8	RU-101-T.....	AR-24
989276 (1960).....	AR-13	P-5801 (See MoPar Model 848).....	AR-8	TC-100M.....	AR-32
989277 (1960).....	AR-12	P-5803 (See MoPar Model 925).....	AR-11	TC-100-M.....	AR-32
989387 (1961 F-85).....	AR-15	P-5901 (See MoPar Model 855).....	AR-10	TC-100-MD.....	AR-32
989392 (1961).....	AR-15	P-6234.....	AR-20	TC-200PB.....	AR-23
989393.....	AR-14	S-5323 (See Studebaker Model AC-2301).....	AR-4	TC-200-PB.....	AR-32
<b>OPEL-REKORD</b>		S-5327 (See Studebaker Model AC-2300).....	AR-4	TC-300M (1964 Volkswagen).....	AR-23
980886 (1964 Kadett).....	AR-26	S-5524 (See Studebaker Model AC-2301).....	AR-4	TC-300M, MD (1965 Prod.)(Similar to Page 144).....	AR-23
981946 (1958).....	AR-14	S-5528 (See Studebaker Model AC-2300).....	AR-4	TC-400PB (1964 Volkswagen).....	AR-23
981981 (1959-60).....	AR-14	S-5529 (See Studebaker Model AC-2300).....	AR-4	TC-400PB (1965 Prod.)(Similar to page 144).....	AR-23
<b>PACKARD</b>		TAR-58 (See MoPar Model 700).....	AR-8	TRM-64M.....	AR-23
AC-2906 (1958).....	AR-8	94PM (See Mercury Model 94PM).....	AR-12	VW-64PB (1964 Volkswagen).....	AR-23
AC-2907 (1958).....	AR-8	929 (See MoPar Model 929).....	AR-11		
439338, 439339 (1953 Series 26).....	AR-4	<b>PHILLIPS</b>		<b>REALISTIC</b>	
439663 (1954)(See Model 439338).....	AR-4	PTC-400-MR.....	AR-32	90LX697.....	AR-16
439666 (1954)(See Model 439338).....	AR-4	<b>PLYMOUTH (See MoPar)</b>		<b>REGAL</b>	
472046 (1955).....	AR-5	PONTIAC		CR-871.....	AR-4
472047, 472048 (1955).....	AR-5	983578 (1962).....	AR-17	<b>RENAULT</b>	
480487 (1956 Packard Clipper).....	AR-6	983579 (1962).....	AR-18	55555 (2TMXD).....	AR-17
484649 (1957).....	AR-7	983687 (1962).....	AR-20	55556 (3TMXD)(1963).....	AR-21
484652 (1957)(See Model 7287427).....	AR-6	983873 (1963).....	AR-20		
7267427 (480487)(1956 Packard Clipper).....	AR-6	983873A (Similar to page 105)(1963 Pontiac).....	AR-24		
		983874 (1963 Tempest).....	AR-19		
		983875 (1963).....	AR-21		
		983945 (1963).....	AR-21		
		984075 (1964 Tempest).....	AR-24		
		984076 (1964).....	AR-23		
		984077 (1964 Pontiac).....	AR-24		
		984078 (1964 Pontiac).....	AR-24		
		984817 (1953-54).....	AR-4		

## RIVERSIDE (Also see Airline)

FGJ16511A .....	AR-27
FJB-6471A (1962 Chevy II) .....	AR-19
FJB-6472A (1962 Chevy II) .....	AR-19
FJB-6537A (1958-59 Volkswagen) .....	AR-14
FJB-6538A (1958-59 Volkswagen) .....	AR-14
FJB-6540A .....	AR-19
FJB-6540C .....	AR-27
FJB-6550A .....	AR-24
FJB-6551A .....	AR-22
FJB-6551B .....	AR-27
FJB-6551C .....	AR-34
FJB-6580A (1962 Mercury) .....	AR-19
FJB-6561A (1962 Fairlane) .....	AR-19
FJB-6562A (1961-62 Chevrolet) .....	AR-19
FJB-6567M (1959 Plymouth) .....	AR-13
FJB-6571 (1960-61 Dart) .....	AR-19
FJB-6572A (1961-62 F-85, Special, Tempest) .....	AR-19
FJB-6577A .....	AR-32
FJB-6577A .....	AR-32
FJB-6579A (1961-62 F-85, Special, Tempest) .....	AR-19
FJB-6580A (1961-62 F-85, Special, Tempest) .....	AR-19
FJB-6581 (1960-62 Corvair) .....	AR-19
FJB-6583A (1960-62 Ford) .....	AR-19
FJB-6584A (1960-61 Valiant) .....	AR-18
FJB-6587 .....	AR-20
FJB-6591 .....	AR-16
FJB-6592 .....	AR-16
FJB-6593 .....	AR-16
FJB-6604B (1960-62 Corvair) .....	AR-19
FJB-6608A (1961 Lancer) .....	AR-18
FJB-6609 .....	AR-19
FJB-6609A .....	AR-19
FJB-6611 (1960-61 Rambler) .....	AR-22
FJB-6612 (61-6612)(1962 Chevrolet) .....	AR-18
FJB-6612A (1961-62 Chevrolet) .....	AR-19
FJB-6613, FJB-6613A (1960-61 Falcon or Comet) .....	AR-18
FJB-6615A .....	AR-27
FJB-6618A (61-6618A)(1961 Rambler) .....	AR-17
FJB-6619/A .....	AR-21
FJB-6643A (1960-62 Comet, Falcon) .....	AR-19
FJB-6649A (Tractor) .....	AR-20
FJB-6658 .....	AR-21
FJB-6679A .....	AR-10
FJB-6681A (1958 Plymouth) .....	AR-10
FJB-6682A, B .....	AR-10
FJB-6684 (1959 Ford) .....	AR-11
FJB-6686A (1959 Plymouth) .....	AR-12
FJB-6687 (1959 Ford) .....	AR-11
FJB-6688 (1959 Chevrolet) .....	AR-11
FJB-6689A (1959 Plymouth) .....	AR-12
FJB-6690A (1959 Buick) .....	AR-13
FJB-6691B (Renault Dauphine) .....	AR-12
FJB-6693B (Renault Dauphine) .....	AR-12
FJB-16509C .....	AR-33
FJB-16512A (1964 Volkswagen) .....	AR-28
FJB-16513A (1964 Volkswagen) .....	AR-28
FJB-16520A (1963 Chrysler) .....	AR-23
FJB-16521A (1963 Chevrolet) .....	AR-23
FJB-16522A (1963 Dodge) .....	AR-23
FJB-16523A (1963 Ford) .....	AR-23
FJB-16524A (1963 Mercury) .....	AR-23
FJB-16525A (1963 Oldsmobile) .....	AR-23
FJB-16526A (1963 Plymouth) .....	AR-23
FJB-16527A (1963 Pontiac) .....	AR-23
FJB-16565A .....	AR-32
FJB-16566A .....	AR-20
FJB-16567A .....	AR-21
FJB-16569A .....	AR-28
FJB-16574A (1963 Buick) .....	AR-23
FJB-16576A (1963 Corvair) .....	AR-23
FJB-16577A (1963 Dodge Dart) .....	AR-22
FJB-16578A (1963 Ford) .....	AR-23
FJB-16579A (1963 Falcon) .....	AR-23
FJB-16590A (1963 F-85) .....	AR-23
FJB-16581A (1963 Mercury) .....	AR-23
FJB-16582A (1962-63 Plymouth) .....	AR-23
FJB-16583A (1963 Tempest) .....	AR-23
FJB-16584A (1963 Rambler) .....	AR-26
FJB-16585A (1963 Chevrolet) .....	AR-23
FJB-16586A (1963 Corvair) .....	AR-23
FJB-16587A (1963 Falcon) .....	AR-23
FJB-16588A (1963 Ford) .....	AR-23
FJB-16589A .....	AR-23
FJB-16607A .....	AR-32
FLH-16518A (1964-65 Chevrolet & GMC Truck) .....	AR-35
FLH-16519A (1960 thru 1964 Dodge, 880) .....	AR-34
FLH-16528A (1963-64 Chevrolet) .....	AR-34
FLH-16529A (1965 Chevrolet) .....	AR-35
FLH-16530A (1960-64 Corvair) .....	AR-34
FLH-16531A (1965 Corvair) .....	AR-35
FLH-16533A (1962-65 Chevy II) .....	AR-35
FLH-16534A (1964 Chevelle) .....	AR-34
FLH-16535A (1965 Chevelle) .....	AR-35
FLH-16536A (1963-64 Galaxie) .....	AR-34
FLH-16537A (1965 Galaxie) .....	AR-35

## Vol. RIVERSIDE (Continued)

FLH-16538A (1964 Fairlane) .....	AR-34
FLH-16539A (1965 Fairlane 500) .....	AR-35
FLH-16541A (1964/65 Falcon, 1964 Comet) .....	AR-35
FLH-16543A (1965 Comet) .....	AR-35
FLH-16544A (1963-64 Mercury) .....	AR-34
FLH-16545A (1965 Mercury) .....	AR-35
FLH-16546A (1963-64 Ambassador, Classic) .....	AR-34
FLH-16547A (1965 Ambassador, Classic) .....	AR-34
FLH-16549A (1964 Plymouth) .....	AR-34
FLH-16552A (1964 Valiant) .....	AR-34
FLH-16554A (1964 Polara, 330, 440) .....	AR-34
FLH-16556A (1964 Dart 270, GT) .....	AR-34
FLH-16558A (1964 Dart 170) .....	AR-34
FLH-16559A .....	AR-31
FLH-16560A (1965 Dodge Deluxe, Polara, Monaco, 880) .....	AR-35
FLH-16561A (1963-65 Econoline Truck) .....	AR-35
FLH-16562A (1964 Buick Special) .....	AR-34
FLH-16563A (1965 Oldsmobile) .....	AR-35
FLH-16564A (1964 Oldsmobile F-85) .....	AR-34
FLH-16565A (1964-65 Tempest) .....	AR-35
FLH-16662A (1965) .....	AR-34
FLH-16663A (1960-63 Chevrolet & GMC Trucks) .....	AR-34
FLH-16665A (1964-65 Dodge Truck) .....	AR-35
61-16509C .....	AR-33
61-16584A (1963 Rambler) .....	AR-26
SAAB	
4BH (1964) .....	AR-30
5BH (1965 Saab) .....	AR-34
SAMPSON	
55A .....	AR-18
SIMCA	
4TBJ (1000)(1964) .....	AR-27
5BJ (1000)(1965) .....	AR-35
SOUNDEX	
CEP-764T (1964 Chevelle) .....	AR-26
CHP-164T (1964 Chevrolet) .....	AR-26
CHP-165T (1965 Chevrolet) .....	AR-32
CHP-654T (1964 Chevy II) .....	AR-26
COM-60 (1960 Corvair) .....	AR-16
COP-60 (1960 Corvair) .....	AR-16
CTP-264T (1964 Comet) .....	AR-26
CYP-465T (1965 Chrysler) .....	AR-32
DAP-864T (1964 Dodge Dart) .....	AR-26
DAP-865T (1965 Dodge Dart) .....	AR-32
DOP-864T (1964 Dodge) .....	AR-26
DOP-865T (1965 Dodge) .....	AR-32
FAP-264T (1964 Falcon) .....	AR-26
FLP-264T (1964 Fairlane) .....	AR-26
FOP-264T (1964 Ford) .....	AR-26
FOP-265T (1965 Ford) .....	AR-32
MEP-264T (1963-64 Mercury) .....	AR-26
MEP-265T (1965 Mercury) .....	AR-32
PLP-464T (1964 Plymouth) .....	AR-26
PLP-465T (1965 Plymouth) .....	AR-32
PLPP-465T (1965 Plymouth Fury) .....	AR-32
RAAP-1065T(1965 Rambler American) .....	AR-32
RAP-364T .....	AR-27
RAP-365T (1965 Rambler) .....	AR-32
SM-13ORPE .....	AR-27
STM-059 (1959 Studebaker Lark) .....	AR-16
STP-059 (1959 Studebaker Lark) .....	AR-16
UP-22ORPT .....	AR-27
VAP-464T (1964 Valiant) .....	AR-26
VAP-465T (1965 Valiant) .....	AR-32
VWP-19T .....	AR-27
VWP-19T (1965 Prod) .....	AR-33
4TBTR (V-350)(1964 Triumph) .....	AR-26

## Vol. STROMBERG-CARLSON

C. A. R. 7 .....	AR-11
C. A. R. 9 (1959 Ford & Edsel) .....	AR-11
CH-60-M (1960 Chevrolet) .....	AR-14
CH-60-PB (1960 Chevrolet) .....	AR-14
CH-61-M (1961 Chevrolet) .....	AR-17
CH-61-PB (1961 Chevrolet) .....	AR-17
DA-60-PB (1960 Dodge Dart) .....	AR-14
DE-60-PB (1960 DeSoto) .....	AR-14
DO-60-PB (1960 Dodge) .....	AR-14
DO-61-PB (1961 Dodge & Dodge Dart) .....	AR-17
FA-60-M (1960 Falcon) .....	AR-14
FA-60-PB (1960 Falcon) .....	AR-14
FO-60-M (1960 Ford) .....	AR-14
FO-60-PB (1960 Ford) .....	AR-14
FO-61-M (1961 Ford & Mercury) .....	AR-17
FO-61-PB (1961 Ford & Mercury) .....	AR-17
IM-60-M .....	AR-15
IM-60-MX .....	AR-17
IM-61-PB .....	AR-17
LA-61-PB (1961 Studebaker Lark) .....	AR-17
LR-61-PB (1961 Lancer) .....	AR-18
OF-61-PB (1961 Oldsmobile F-85) .....	AR-17
OL-61-PB (1961 Oldsmobile) .....	AR-17
PL-60-M (1960 Plymouth) .....	AR-14
PL-61-M (1961 Plymouth) .....	AR-18
PO-61-PB (1961 Pontiac) .....	AR-17
RA-61-PB (1961 Rambler) .....	AR-17
VA-60-M (1960 Valiant) .....	AR-14
VA-61-PB (1961 Valiant) .....	AR-18

## SPECIAL (See Buick)

## STUDEBAKER

AC-2300 (8-5327)(1953) .....	AR-4
AC-2301 (8-5323)(1953) .....	AR-4
AC-2686 (8-5528)(1955)(See Model AC-2300) .....	AR-4
AC-2687 (8-5524)(1955)(See Model AC-2301) .....	AR-4
AC-2721 (8-5529)(1955)(See Model AC-2300) .....	AR-4
AC-2745 (1956) .....	AR-6
AC-2746 (1956) .....	AR-6
AC-2747 (1956) .....	AR-6
AC-2748 (1956) .....	AR-6
AC-2905 (1958) .....	AR-9
AC-2906 (1958) .....	AR-8
AC-2907 (1958) .....	AR-8
AC-2977 (1960) .....	AR-12
AC-2978 (1960) .....	AR-13
AC-3084 (1961) .....	AR-17
AC-3085 (1961) .....	AR-15
AC-3086 (1961) .....	AR-17
AC-3087 (1961) .....	AR-15
AC-3216 (1962) .....	AR-17
AC-3217 (1962) .....	AR-18
AC-3246 (1962) .....	AR-18
AC-3247 (1962) .....	AR-17
AC-3255 (1962) .....	AR-18
AC-3256 (1962) .....	AR-17
AC-3351 (1963) .....	AR-19
AC-3352 (1963) .....	AR-21
AC-3353 (1963) .....	AR-19
AC-3354 (1963) .....	AR-21
AC-3377 (1963) .....	AR-21
AC-3423 (SR2T) .....	AR-23
AC-3473 (1964 Studebaker) .....	AR-24
AC-3474 (1964 Hawk) .....	AR-24
AC-3498 (1964 Studebaker) .....	AR-24
AC-3499 (1964 Hawk) .....	AR-24
AC-3500 (1964 Avanti) .....	AR-24
AC-3506 (1964 Avanti) .....	AR-24

## TEMPEST (See Pontiac)

## TENATRONICS

SM-711 .....	AR-22
SM-751 .....	AR-22
TRM-701 .....	AR-22
UA-702 .....	AR-22
UM-701 .....	AR-22
VWA-702 .....	AR-22
VWM-701 .....	AR-22



TENNA	Vol.
AM-63M/PB (1960-63 Rambler) .....	AR-26
AM-64PB (1964 American).....	AR-23
BU-63PB (1963 Buick).....	AR-26
BU-64PB (1963-64 Buick).....	AR-23
CH-63M/PB (1963 Chevrolet).....	AR-26
CH-64M (See page 136)(1963-64 Chevrolet)	AR-23
CH-64PB/RS (1963-64 Chevrolet).....	AR-23
CH-65M (1965 Chevrolet).....	AR-34
CH-65PB (1965 Chevrolet).....	AR-34
CHT-63M (1963 Chevrolet Truck).....	AR-26
CHT-64M (See page 136)(1964 Chevrolet Truck)	AR-23
CHT-65M (1965 Chevrolet Truck).....	AR-35
CHT-65PB (1965 Chevrolet Truck).....	AR-35
CL-64PB (1964 Chevelle).....	AR-23
CL-65PB (1965 Chevelle).....	AR-35
CM-63PB (1963 Comet).....	AR-26
CM-64PB (1964 Comet).....	AR-23
CM-65-PB (1965 Comet).....	AR-31
CO-63M/PB (1960-63 Corvair).....	AR-26
CO-64PB (1960-64 Corvair).....	AR-23
CO-65PB (1965 Corvair).....	AR-34
CR-63PB (1963 Chrysler).....	AR-26
CR-64PB (1963-64 Chrysler).....	AR-23
CR-65PB (1965 Chrysler).....	AR-34
CII-63M/PB (1962-63 Chevy II).....	AR-26
CII-64PB (1962-64 Chevy II).....	AR-23
CII-65M (1965 Chevy II).....	AR-35
CII-65PB (1965 Chevy II).....	AR-35
DA-63PB (1963 Dodge Dart).....	AR-26
DA-64PB (1964 Dodge Dart).....	AR-23
DA-65PB (1965 Dart).....	AR-34
DD-65PB (1965 Dodge).....	AR-34
DO-63PB (1963 Dodge).....	AR-26
DO-64PB (1964 Dodge).....	AR-23
DO-65PB (1965 Dodge).....	AR-34
DT-65M (1965 Dodge Truck).....	AR-34
EC-65M (1965 Econoline Truck).....	AR-35
FA-63M/PB (1960-63 Falcon).....	AR-26
FA-64M/PB (1964 Falcon).....	AR-23
FA-65PB (1965 Falcon).....	AR-35
FL-63M/PB (1962-63 Fairlane).....	AR-26
FL-64PB (1964 Fairlane).....	AR-23
FL-65PB (1965 Fairlane 500).....	AR-35
FO-63M/PB (1963 Ford).....	AR-26
FO-64M (See page 136)(1963-64 Ford).....	AR-23
FO-64PB (1964 Ford).....	AR-23
FO-65PB (1965 Ford).....	AR-35
FO-65PB/RS (1965 Ford).....	AR-35
IM-65-M.....	AR-32
IM-65-PB.....	AR-32
ME-63PB (1963 Mercury).....	AR-26
ME-64PB (1963-64 Mercury).....	AR-23
ME-65PB (1965 Mercury).....	AR-35
MR-63PB (1962-63 Meteor).....	AR-26
OF-64PB (1964 F-85).....	AR-23
OF-63PB (1961-63 F-85).....	AR-26
OF-65PB (1965 Oldsmobile).....	AR-35
OL-63PB (1963 Oldsmobile).....	AR-26
OL-64PB (1963-64 Oldsmobile).....	AR-23
OL-65PB (1965 Oldsmobile).....	AR-34
PD-65PB (1965 Fury).....	AR-34
PL-63PB (1962-63 Plymouth).....	AR-26
PL-64PB (1964 Plymouth).....	AR-23
PL-65PB (1965 Plymouth).....	AR-34
PO-63PB (1963 Pontiac).....	AR-26
PO-64PB (1963-64 Pontiac).....	AR-23
PO-65PB (1965 Pontiac).....	AR-35
PO-65PB/A (1965 Pontiac W/Air Conditioning).....	AR-35
RA-63PB (1963 Rambler).....	AR-26
RA-64PB (1964 Rambler).....	AR-23
RA-65-PB (1965 Rambler).....	AR-32
RU-101-T.....	AR-24
SP-63PB (1963 Buick Special).....	AR-26
TC-100M.....	AR-23
TC-110-M.....	AR-32
TC-110-MD.....	AR-32
TC-200PB.....	AR-23
TC-210-PB.....	AR-32
TC-300M (1964 Volkswagen).....	AR-23
TC-310M/MD.....	AR-35
TC-400PB (1964 Volkswagen).....	AR-23
TC-410PB (Similar to page 144).....	AR-23
TE-63PB (1963 Pontiac Tempest).....	AR-26
TE-64PB (1964 Tempest).....	AR-23
TE-65-PB (1965 Pontiac Tempest).....	AR-31
TRM-64M.....	AR-23
VA-63PB (1963 Valiant).....	AR-26
VA-64PB (1964 Valiant).....	AR-23
VA-65PB (1965 Valiant).....	AR-34
VW-64PB (1964 Volkswagen).....	AR-23
VW-65PB (1965 Volkswagen).....	AR-35
VW-65PB/15 (1965 Volkswagen).....	AR-35
170-64PB(See page 136)(1964 Dart).....	AR-23
660-63PB (1962-63 Dodge 880).....	AR-26
880-64PB (1963-64 Dodge 880).....	AR-23

TITAN	Vol.
FMC-4.....	AR-27
SP-22.....	AR-28
TMA-39.....	AR-28
TMA-40.....	AR-28
TPB-60.....	AR-28
<b>TOKAI</b>	
CR-105.....	AR-33
MR-65.....	AR-34
<b>TRIUMPH</b>	
R2BT4 (0-01000)(1962).....	AR-19
4TBTR (V-350).....	AR-26
5BTR (V-350)(1965 Triumph).....	AR-33
5BTRP (V-350DP)(1965 Triumph).....	AR-33
58MTR (V-350)(1965 Triumph).....	AR-34
<b>TRUETONE</b>	
D4118, B.....	AR- 4
C4320.....	AR- 4
D4320B.....	AR- 4
D4321, A.....	AR- 4
D4425B.....	AR- 5
D4426A.....	AR- 5
D4623A.....	AR- 7
D4624A.....	AR- 7
D4625A.....	AR- 7
D4626A.....	AR- 7
D4626A.....	AR- 7
DC4200.....	AR-18
DC4203.....	AR-26
DC4203B.....	AR-31
DC4203C.....	AR-35
DC4205B.....	AR-18
DC4206B.....	AR-16
DC4208.....	AR-23
<b>VALIANT (See MoPar)</b>	
<b>VAUXHALL</b>	
968946 (1958).....	AR-10
<b>VOLKSWAGEN</b>	
R2BT (1962 Transporter).....	AR-16
R2BV (1962 Sedan).....	AR-16
0BG.....	AR-13
0BT (1960 Transporter).....	AR-13
0BV (1960 Sedan).....	AR-13
1BG (1961).....	AR-16
1BT (1961 Transporter).....	AR-16
1BV (1961 Sedan).....	AR-16
2BG (R2BG).....	AR-16
2BT (1962 Transporter).....	AR-18

VOLKSWAGEN (Continued)	Vol.
2BV (1962 Sedan).....	AR-18
2FMBG (1962 Karmann Ghia).....	AR-22
2FMBT (1962 Transporter).....	AR-22
2FMBV (1962 Sedan).....	AR-22
3TBV (1963 Sedan).....	AR-20
3TBVG.....	AR-20
3TBVT (1963 Transporter).....	AR-20
4FMBG (1964 Karmann Ghia).....	AR-27
4FMBT (1964 Transporter).....	AR-27
4FMBV (1964 Sedan).....	AR-27
4TBV (1964 Sedan).....	AR-27
4TBVG (1964 Karmann Ghia).....	AR-27
4TBVT (1964 Transporter).....	AR-27
4TMVG (1964 Karmann Ghia).....	AR-28
4TMVG (1964 Karmann Ghia)(Serial #50,001 and Higher).....	AR-29
4TMVT (1964 Transporter).....	AR-26
4TMVT (1964 Transporter)(Serial #50,001 and Higher).....	AR-29
4TMVW (1964 Sedan).....	AR-26
4TMVW (1964 Sedan)(Serial #50,001 and Higher).....	AR-29
5FMBG (1965 Karmann Ghia).....	AR-30
5FMBT (1965 Volkswagen Transporter).....	AR-30
5FMBV (1965 Volkswagen Sedan).....	AR-30
<b>VOLVO</b>	
3BN (1963).....	AR-20
4TBN (279958/859/860/861)(1964 Volvo)....	AR-23
<b>VOXMOBILE</b>	
TR-241.....	AR-27
<b>VOXSON</b>	
Vanguard 736.....	AR-15
<b>WHITE</b>	
W-8234 (Truck).....	AR-20
<b>WILLYS</b>	
3TBW (1963 Jeep).....	AR-22
12BW.....	AR-16
815395.....	AR- 9



HOWARD W. SAMS

# PHOTOFACT® SPECIALIZED SERIES

## TAPE RECORDER SERIES



Complete PHOTOFACT® coverage of all important, late-model Tape Recorders now in easy-to-use volumes. Regular price, \$4.95 per volume—only \$4.65 when purchased on a Standing Order Subscription! Sign up and save 30¢ per volume!

## CB RADIO SERIES



Two to three volumes issued yearly for complete PHOTOFACT® coverage of all popular CB Radio models. Regular price, \$2.95 per volume—only \$2.65 when purchased on a Standing Order Subscription! Sign up and save 30¢ per volume!

## TRANSISTOR RADIO SERIES



Twelve to fifteen volumes issued each year provide complete PHOTOFACT® coverage of Transistor Radios. Each volume covers 40 to 50 popular late models. Regular price per volume, \$2.95—only \$2.65 when purchased on a Standing Order Subscription! Sign up and save 30¢ per volume!



**HOWARD W. SAMS & CO., INC.**  
PHOTOFACT® SPECIALIZED SERIES  
are available from your local parts distributor

\$2.95  
\$3.75 IN CANADA  
AR-39