

**VOL.
18**

AUTO RADIO MANUAL

**service data on 44
models produced in 1962**



**AR-
18**

A *Devin* *W. Bawa* PHOTOFACT PUBLICATION

\$2.95
Cat. No. AR-18

AUTO RADIO MANUAL

VOLUME 18

**service data on 44
models produced in 1962**

by

The Howard W. Sams Engineering Staff



HOWARD W. SAMS & CO., INC.
THE BOBBS-MERRILL COMPANY, INC.

Indianapolis • New York

FIRST EDITION

FIRST PRINTING — FEBRUARY, 1963

SECOND PRINTING — OCTOBER, 1964

AUTO RADIO MANUAL, VOL. 18

Copyright © 1963 by Howard W. Sams & Co., Inc., Indianapolis 6, Indiana. Printed in the United States of America.

Reproduction or use, without express permission, of editorial or pictorial content, in any manner, is prohibited. No patent liability is assumed with respect to the use of the information contained herein.

Library of Congress Catalog Card Number: 54-5377



TABLE OF CONTENTS

| Trade Name and Model No. | Page No. |
|--|-------------|
| American Motors 22BA, 22BAX, 22BAM | 15 |
| Becker "Monte Carlo" M. | 19 |
| Blaupunkt "Export Super" 91220 | 25 |
| Buick 980297. | 31 |
| Cadillac 7279615, 7281225 | 39 |
| Chevrolet 985159, 985315. | 47 |
| Chevrolet 985227 | 53 |
| Chevrolet 985332 | 57 |
| Eric FM-100. | 63 |
| Ford 2TMF, 2TMX | 71 |
| Ford 22BD, 22BO. | 77 |
| GMC 2233984. | 53 |
| Karmann Ghia 2BG. | 83 |
| Mercury 2TMY | 71 |
| Mercury 22BM | 77 |
| Mopar 202, 203, 204 | 89 |
| Mopar 409, 410 | 93 |
| Motorola CTA62 | 99 |
| Oldsmobile 982030 | 105 |
| Pontiac 983579 | 113 |
| Riverside FJB-6584A, FJB-6608A | 119 |
| Riverside FJB-6612 (61-6612) | 125 |
| Riverside FJB-6613, FJB-6613A | 129 |
| Sampson 55A. | 135 |
| Stromberg-Carlson LR-61-PB, PL-61-PB, VA-61-PB | 141 |
| Studebaker AC-3217, AC-3246, AC-3255 | 145 |
| Truetone DC4200 | 151 |
| Truetone DC4205B, DC4206B | 157 |
| Volkswagen 2BT, 2BV. | 83 |

INDEX

Lists auto radios appearing in Volumes 4 through 18 of the Auto Radio Manual.

| Trade Name and Model No. | Vol. No. | Trade Name and Model No. | Vol. No. |
|---|-------------|--|-------------|
| AIRCASTLE | | AMERICAN MOTORS (Cont'd) | |
| 610.A67 | AR-4 | 8990494 (84MA) (1958 Hudson, Nash and Rambler) | AR-8 |
| 610.FE-153 (1952-53 Ford) | AR-4 | 8990543 (83MR) (1958 Rambler) | AR-8 |
| 610.W-100 (Universal). | AR-5 | 8990576 (94MA) (1959 Rambler) | AR-9 |
| AIRLINE | | 8990582 (93MR) (1959 Rambler) | AR-10 |
| FJB-6590A (1955 Ford). | AR-4 | 8990706 (04MA) (1960 Rambler) | AR-11 |
| 35BR-6796A (Universal) | AR-5 | 8990811 (03AR) (1960 Rambler) | AR-12 |
| 61-6787 (1952 Ford) | AR-5 | 8990831 (13MAM) (1960 Rambler) | AR-14 |
| 61-6788 (1952-53 Ford). | AR-5 | 8990832 (13MA) (1960 Rambler) | AR-14 |
| 61-6789 (1951-52 Chevrolet). | AR-5 | 8990833 (14MR) (1961 Rambler) | AR-15 |
| 61-6792 (1953 Dodge) | AR-4 | 8990981 (2TMR) (1962 Rambler) | AR-16 |
| 61-6793 (1953 Chevrolet). | AR-5 | For other custom equipment for use in American Motors product cars, see Motorola, Riverside, and Stromberg-Carlson listings. | |
| 61-6794 (1953 Plymouth) | AR-5 | ATR (American Television and Radio) | |
| 61-6795 (1953 Mercury). | AR-5 | TR1279-6V (Universal). | AR-11 |
| 61-12601 (Tractor Installations) | AR-5 | TR1279-12V (Universal) | AR-11 |
| ALLSTATE | | 1279-6V (Universal) | AR-11 |
| 5028 (Ch. 528.50280, 528.50281) (Universal) | AR-7 | 1279-12V (Universal) | AR-11 |
| 5033 (Ch. 528.50330, 528.50331) (Universal) | AR-7 | AUTOMATIC | |
| 5098 (Ch. 833.50980) (Tractor Installations) | AR-9 | ATC-60 (1959-1960 Chevrolet) | AR-15 |
| 5099 (Ch. 833.50990) (Tractor Installations) | AR-9 | BAP-9 (1959 Buick) | AR-13 |
| 6225 (Ch. 528.55040, 528.55041) (Universal) | AR-11 | BAP-20 (1960 Buick). | AR-14 |
| 6231 (Ch. 528.62310) (Universal). | AR-9 | BP-340 (1960 Buick) | AR-14 |
| 6232 (Ch. 528.62320) (Universal). | AR-9 | BP-668 (1957-1958 Buick) | AR-12 |
| 6240 (Ch. 528.62400) (Universal). | AR-5 | BP-679 (1959 Buick) | AR-13 |
| 6256 (Ch. 528.55040, 528.55041) (Universal) | AR-11 | C-12 (Universal) | AR-11 |
| 6263 (Ch. 528.6263) (Universal). | AR-5 | C-300 (Revised) (1949-50 Chevrolet) | AR-6 |
| 6263-2 (Ch. 528.6263-2) (Universal) (See Model 6263) | AR-5 | C-388-C (1958 Chevrolet) | AR-12 |
| 6264 (Ch. 528.6264) (Universal). | AR-5 | C-349 (1959 Chevrolet) | AR-11 |
| 6264-1 (Ch. 528.6264-1) (Universal) (See Model 6264) | AR-5 | CA-109 (1959 Chevrolet) | AR-11 |
| 6266 (Ch. 528.6266) (Universal). | AR-5 | CAP-49 (1959 Chevrolet) | AR-14 |
| 6268 (Ch. 528.62680, 528.62681) (Universal) | AR-7 | CAP-60 (1959-1960 Chevrolet) | AR-14 |
| 6269 (Ch. 528.62690, 528.62691) (Universal) | AR-7 | CEF-119 (English Ford Consuls). | AR-15 |
| 6284 (Ch. 528.6284) (Universal). | AR-4 | CM-333 (1953 Chevrolet). | AR-4 |
| 6286-4 (Ch. 528.6286-4) (Universal). | AR-4 | CP-478-C (1958 Chevrolet) | AR-12 |
| 6287-4 (Ch. 528.6287-4) (Universal). | AR-4 | CP-489F (1959 Chevrolet) | AR-14 |
| 6295-6 (Ch. 528.6295-6) (Universal). | AR-4 | CP-500 (1959-1960 Chevrolet) | AR-14 |
| 6330 (Ch. 528.63300) (Universal). | AR-5 | CP-511AT (1961 Chevrolet) | AR-16 |
| AMERICAN MOTORS (Also See Hudson and Nash) | | CT-356 (1955-56 Chevrolet) | AR-13 |
| 22BA (R22BA) (1962 Rambler American) | AR-18● | CT-387 (1957 Chevrolet) | AR-12 |
| 22BAM (R22BAM) (1962 Rambler American). | AR-18● | CTR-6A (1955-1956 Chevrolet). | AR-12 |
| 22BAX (R22BAX) (1962 Rambler American) | AR-18● | CTR-6B (1955,56 Chevrolet). | AR-13 |
| 8990377 (6MR) (1956 Rambler) | AR-6 | CTR-77A (1957 Chevrolet) | AR-9 |
| 8990378 (6MA) (1956 Hudson and Nash). | AR-6 | CU-39 (Universal) | AR-12 |
| 8990378 (76MA) (1957 Hudson and Nash). | AR-6 | D-2 (1959 Renault Dauphine). | AR-12 |
| 8990455 (7MR) (1957 Rambler) | AR-6 | D-8 (1959 Renault Dauphine). | AR-12 |
| | | DAP-39 (1959 Dodge) | AR-13 |
| | | DE-300 (1960 DeSoto) | AR-14 |
| | | DET-28 (1957-58 DeSoto). | AR-9 |
| | | DM-132 (1953 Dodge) | AR-5 |
| | | DP-6 (1957-1959 Renault Dauphine). | AR-12 |
| | | DP-11 (1957-1959 Renault Dauphine) | AR-12 |

● Signifies coverage in this volume.

| Trade Name and Model No. | Vol. No. |
|--|-------------|
| AUTOMATIC (Cont'd) | |
| DTX-67A (1957-1958 Dodge) | AR-12 |
| DTX-68 (1957-1958 Dodge) | AR-12 |
| DX-410 (1960 Dart, DeSoto, Dodge) | AR-14 |
| DX-619 (1959 Dodge) | AR-13 |
| DXA-50 (Dart, DeSoto, Dodge) | AR-14 |
| EP-108 (1958 Edsel) | AR-12 |
| F-100 (Revised) (1949-50 Ford) | AR-6 |
| F-128 (1958 Ford) | AR-12 |
| F-128C (1958 Ford) | AR-12 |
| F-139 (1959 Ford) | AR-11 |
| F-151 (Revised) (1951 Ford) | AR-6 |
| F-152 (1952 Ford) | AR-6 |
| F-241 (1954 Ford) | AR-6 |
| FA-219 (1959 Ford) | AR-11 |
| FAP-70 (1960 Ford) | AR-14 |
| FM-61 (Universal FM Converter) | AR-14 |
| FM-731 | AR-6 |
| FNP-430 (1960 Falcon) | AR-14 |
| FP-238 (1958 Ford) | AR-12 |
| FP-238C (1958 Ford) | AR-12 |
| FP-260 (1960 Ford) | AR-14 |
| FP-271AT (1960-1961 Ford) | AR-16 |
| FP-276TR (1959 Ford) | AR-11 |
| FPA-220 (1960 Falcon) | AR-14 |
| FT-227 (1957 Ford) | AR-12 |
| FTP-37A (1957 Ford) | AR-9 |
| H-4 (1958 Hillman) | AR-12 |
| H-9 (1958 Hillman) | AR-12 |
| H-400 (1949-50-51 Hudson) | AR-6 |
| HP-10 (1958 Hillman) | AR-12 |
| HP-15 (1958 Hillman) | AR-12 |
| K-700 (1951 Henry J) | AR-6 |
| L-390 (1959-1960 Studebaker Lark) | AR-14 |
| L-559 (Early) (1959 Studebaker Lark) | AR-11 |
| L-559 (Late) (1959-1960 Studebaker Lark) | AR-14 |
| LA-449 (1959 Studebaker Lark) | AR-11 |
| LAP-29 (1959 Studebaker Lark) | AR-11 |
| LAP-40 (1959-1960 Studebaker Lark) | AR-14 |
| LP-929 (1959 Studebaker Lark) | AR-11 |
| MAP-99 (Early) (1959 Mercury) | AR-11 |
| MAP-99 (Late) (1959-1960 Mercury) | AR-14 |
| MM-430 (1953 Mercury) | AR-4 |
| MP-69 (Universal) | AR-6 |
| MP-126 (Universal) | AR-6 |
| MT-47C (1957 Mercury) | AR-12 |
| MT-419 (Early) (1959 Mercury) | AR-11 |
| MT-419 (Late) (1959-1960 Mercury) | AR-14 |
| MT-530 (1959-1960 Mercury) | AR-14 |
| MU-34 (Universal) | AR-6 |
| N-638 (1958, 1959 Rambler American) | AR-13 |
| N-639 (1958, 1959 Rambler American) | AR-13 |
| NA-749 (1958, 1959 Rambler American) | AR-13 |
| NY-400 (1960 Chrysler) | AR-14 |
| NY-598A (1958 Chrysler) | AR-10 |
| OAE-10 (1960 Oldsmobile) | AR-14 |
| OE-160 (1960 Oldsmobile) | AR-14 |
| OE-171AT (1961 Oldsmobile) | AR-16 |
| P-651 (Revised) (1951 Plymouth) | AR-6 |
| PAC-90 (1960 Pontiac) | AR-14 |
| PAP-69 (1959 Plymouth) | AR-15 |
| PAP-80 (1960 Plymouth) | AR-15 |
| PC-350 (1960 Oldsmobile) | AR-14 |

| Trade Name and Model No. | Vol. No. |
|--|-------------|
| AUTOMATIC (Cont'd) | |
| PC-361AT (1961 Pontiac) | AR-16 |
| PM-236 (1953 Plymouth) | AR-5 |
| PP-330 (1960 Plymouth) | AR-15 |
| PP-341AT (1961 Plymouth) | AR-16 |
| PP-819 (1959 Plymouth) | AR-15 |
| R-54, B (Universal) | AR-11 |
| RAP-89 (1959 Rambler) | AR-13 |
| RAP-100 (1960 Rambler) | AR-13 |
| RG-59 (Universal) | AR-14 |
| RG-59C (Universal) | AR-14 |
| RP-470 (1960 Rambler) | AR-13 |
| RP-481AT (1960-1961 Rambler) | AR-16 |
| RP-519 (1959 Rambler) | AR-13 |
| RT-7B | AR-13 |
| RT-7D | AR-11 |
| S-91 (1958-59 Simca Aronde) | AR-11 |
| S-500 (1950-51 Studebaker) | AR-6 |
| S-551 (Revised) (1950-51 Studebaker) | AR-6 |
| SA-529 (1958-59 Simca Aronde) | AR-11 |
| SP-1 (1958-59 Simca Aronde) | AR-11 |
| SPA-209 (1958-59 Simca Aronde) | AR-11 |
| TCP-31 (1961 Buick Special, Oldsmobile F-85, Pontiac Tempest) | AR-16 |
| TPP-87A (1957 Plymouth) | AR-13 |
| TPP-88 (1957-1958 Plymouth) | AR-13 |
| TPP-88C (1957-1958 Plymouth) | AR-13 |
| TR-12 (Tractor Installations) | AR-4 |
| TUN-5 (Universal) | AR-15 |
| UN-40 (Universal) | AR-12 |
| VP-12 (Universal) | AR-12 |
| VPA-280 (1960 Valiant) | AR-15 |
| VTP-440 (1960 Valiant) | AR-15 |
| W-76 (Thru 1957 Volkswagen) | AR-12 |
| W-89 (1958-1959 Volkswagen) | AR-12 |
| WP-4 (1958, 1959 Volkswagen) | AR-12 |
| WP-7 (Thru 1957 Volkswagen) | AR-12 |
| WP-7G (Karmann-Ghia) | AR-12 |
| WP-19 (1958-1959 Volkswagen) | AR-12 |
| WP-167 (Universal) | AR-15 |
| WPC-8 (Thru 1957 Volkswagen) | AR-12 |

AUTOVOX

| | |
|--|-------|
| RA-107 (Universal) | AR-17 |
| RA-115 (Universal) | AR-17 |
| TR-222 (Portable BC-SW Receiver) | AR-16 |

BECKER

| | |
|---------------------------------------|--------|
| "Europa" MU (Universal) | AR-8 |
| "Europa" MUK (Universal) | AR-8 |
| "Mexico TG" (Universal) | AR-17 |
| "Monte Carlo" (Universal) | AR-17 |
| "Monte Carlo" M (Universal) | AR-18● |

BENDIX

| | |
|---------------------------------------|--------|
| R2BG (See Karmann Ghia 2BG) | AR-18● |
| R2BT (See Volkswagen 2BT) | AR-18● |
| R2BV (See Volkswagen 2BV) | AR-18● |
| R12BP (1961 Chevrolet) | AR-16 |
| R12BPC (1961 Corvair) | AR-16 |

● Signifies coverage in this volume.

| Trade Name and Model No. | Vol. No. |
|--|-------------|
| BENDIX (Cont'd) | |
| R22BA (See American Motors 22BA) | AR-18● |
| R22BAM (See American Motors 22BAM). | AR-18● |
| R22BAX (See American Motors 22BAX) | AR-18● |
| 22B (See Mopar 805) | AR-17 |
| 23BC (See Mopar 327) | AR-17 |
| 23BD, 23BP, 23BPX (See Mopar 322) | AR-17 |
| 24BC (See Mopar 410) | AR-18● |
| 24BI (See Mopar 409) | AR-18● |

BLAUPUNKT

| | |
|---|--------|
| "Bremen" (Above Serial #G14001) (Universal) | AR-9 |
| "Export Super" 91220 (Above Serial #E160001) (Universal) | AR-18● |
| "Frankfort" (Universal) | AR-8 |
| "Frankfurt" 3798 (Serial Q553083 and above) (Universal) | AR-14 |
| "Frankfurt" 9798 (From Serial #890001). | AR-15 |
| "Hamburg" (Universal) | AR-8 |
| "Koln" (Universal) | AR-8 |
| "Koln" 3898 (Serial #Q310001 and above) (FM-BC-SW) | AR-16 |
| KV810 (Universal) | AR-17 |
| "Manhattan" 90220 | AR-17 |
| "Wolfsburg" 9160 (Serial #G450001 and above) (Universal) | AR-9 |
| 3598 (Universal) | AR-13 |
| 9180 (Universal) | AR-13 |

BUICK

| | |
|--|--------|
| 980051 (1960) | AR-12 |
| 980052 (1960) | AR-13 |
| 980132 (1961 Special) | AR-15 |
| 980134 (1961) | AR-16 |
| 980135 (1961) | AR-14 |
| 980296 (1962) | AR-17 |
| 980297 (1962) | AR-18● |
| 981320 (1953, Series 40) | AR-4 |
| 981321 (1953, Series 50 and 70) | AR-4 |
| 981323 (1953, Series 50 and 70) | AR-4 |
| 981550 (1954, Series 40, 50, and 70) | AR-4 |
| 981551 (1954, Series 40, 50, and 70) | AR-5 |
| 981651 (1955) (See Model 981550) | AR-4 |
| 981652 (1955) | AR-5 |
| 981707 (1956) | AR-6 |
| 981708 (1956) | AR-6 |
| 981813 (1957) | AR-7 |
| 981814 (1957) | AR-7 |
| 981902 (1958) | AR-8 |
| 981903 (1958) | AR-8 |
| 981968 (1959) | AR-10 |
| 981959 (1959) | AR-11 |
| 981970 (1959) | AR-10 |

For other custom equipment for use in Buick cars, see Motorola and Automatic listings.

CADILLAC

| | |
|-----------------------------------|------|
| 7264165, 7264185 (1954) | AR-5 |
| 7265825, 7265845 (1955) | AR-6 |

| Trade Name and Model No. | Vol. No. |
|------------------------------------|-------------|
| CADILLAC (Cont'd) | |
| 7266505, 7266535 (1956) | AR-6 |
| 7268005, (1957) | AR-7 |
| 7268035 (1957 Ambulance) | AR-7 |
| 7268085 (1958 Brougham) | AR-8 |
| 7270405 (1958) | AR-8 |
| 7270555 (1958 Ambulance) | AR-8 |
| 7272505 (1959) | AR-10 |
| 7274905 (1960) | AR-12 |
| 7274925 (1960 75 Series) | AR-12 |
| 7276605 (1961) | AR-16 |
| 7279615 (1962) | AR-18● |
| 7281225 (1962) | AR-18● |

CHEVROLET

| | |
|--|--------|
| 985036 (1961 Truck) | AR-16 |
| 985158 (1962 Corvair) | AR-17 |
| 985159 (1962 Corvair) | AR-18● |
| 985203 (1962 Corvair Trucks) | AR-17 |
| 985227 (1962 Truck) | AR-18● |
| 985264 (1962) | AR-17 |
| 985315 (1962 Corvair) | AR-18● |
| 985332 (1962) | AR-18● |
| 985383 (1962 Corvette) | AR-17 |
| 986668 (1953) | AR-4 |
| 986669 (1953) | AR-4 |
| 986771 (1954 Truck) | AR-5 |
| 987086 (1955) | AR-5 |
| 987087 (1955) | AR-5 |
| 987088 (1955) | AR-5 |
| 987187 (1955 Truck) | AR-6 |
| 987366 (1956) (See Model 987088) | AR-5 |
| 987368 (1956) | AR-6 |
| 987573 (1957) | AR-7 |
| 987575 (1957) | AR-7 |
| 987577 (1957) | AR-7 |
| 987693 (1957) | AR-7 |
| 987724 (1958) | AR-8 |
| 987727 (1958) | AR-8 |
| 987730 (1958) | AR-9 |
| 987888 (1959) | AR-10 |
| 987891 (1959) | AR-10 |
| 987893 (1959) | AR-10 |
| 988062 (1960 Corvair) | AR-12 |
| 988080 (1960 Truck) | AR-13 |
| 988275 (1960) | AR-12 |
| 988276 (1960) | AR-12 |
| 988336 (1961 Truck Series 95) | AR-15 |
| 988413 (1961) | AR-15 |
| 988414 (1961) | AR-14 |
| 988460 (1961 Corvair) | AR-15 |
| 988468 (1961 Corvair) | AR-14 |
| 3711897 (1955 Corvette) | AR-6 |
| 3725156 (1956-57 Corvette) | AR-7 |
| 3748611 (1958 Corvette) | AR-9 |

For other custom equipment for use in Chevrolet cars, see Aircastle, Airline, Automatic, Bendix, Firestone, Motorola, Soundex, and Stromberg-Carlson listings.

CHRYSLER (See Mopar)

COMET (See Mercury)

● Signifies coverage in this volume.

| Trade Name and Model No. | Vol. No. |
|---|-------------|
| CONTINENTAL | |
| 6BC (4047424) (1956) | AR-6 |
| CORONADO | |
| 35RA2-43-5101A (Universal) | AR-5 |
| CORVAIR (See Chevrolet) | |
| DESOTO (See Mopar) | |
| DODGE (See Mopar) | |
| EDSEL | |
| 04BE (COKF-18805, COKF-18806) | AR-12 |
| 85SE (1958) | AR-8 |
| 87SE (1958) | AR-8 |
| 94BE (B9KF-18805-D, B9KF-18806-C) (1959) | AR-10 |
| For other custom equipment for use in Edsel cars, see Automatic listing. | |
| ERIC | |
| FM-100 (Universal FM Tuner) | AR-18● |
| F85 (See Oldsmobile) | |
| FALCON (See Ford) | |
| FIRESTONE | |
| 4-B-69 (Tractor Installations) | AR-5 |
| 4-B-71 (1953 Plymouth) | AR-4 |
| 4-B-72 (1953 Chevrolet) | AR-4 |
| 4-B-74 (1954 Ford) | AR-5 |
| 4-B-75 (Universal) | AR-5 |
| 4-B-76 (1955 Ford) | AR-6 |
| 4-B-77 (1955 Chevrolet) | AR-5 |
| 4-B-78 (1955 Plymouth) | AR-6 |
| FORD | |
| 04BF (COAZ-18805, COAF-18806) (1960) (Early version only) | AR-12 |
| 04BT (COTF-18805-F) (1960 Truck) | AR-12 |
| 04MD (CODF-18805-D) (1960 Falcon) | AR-12 |
| 04MF (COAF-18805-U) (1960) | AR-12 |
| 04MFM (COAF-18805-T) (1960) | AR-12 |
| 1TMC (C1VV-18810-C) (1961 Continental) | AR-15 |
| 1TMS (C1SF-18810-B) (1961 Thunderbird) | AR-15 |
| 2TMF (C2AA-18806-M) (1962) | AR-18● |
| 2TMX (C2AA-18806-N) (1962) | AR-18● |
| 3MF (FAD-18805-C) (1953) | AR-4 |
| 3MFT (FAE-18805-A) (1953 Truck) | AR-4 |
| 3SF755 (FAD-18805-D) (1953) | AR-4 |
| 4BF (FDA-18805-C) (1954) (See Model M4B) | AR-4 |
| 4MF (FDA-18805-B-2) (1954) | AR-4 |
| 4SF765 (FDA-18805-A) (1954) | AR-5 |
| 5BF (FDH-18805-B1) (1955) | AR-5 |
| 5MF (FDH-18805-B2) (1955) | AR-5 |

| Trade Name and Model No. | Vol. No. |
|--|-------------|
| FORD (Cont'd) | |
| 5MFS, 5MFS8 (FDH-18805-B) (1955 Thunderbird) | AR-5 |
| 5MF8 (FDH-18805-A2) (1955) | AR-5 |
| 6BF (FDR-18805-B) (1956) | AR-6 |
| 6BFT (FDV-18805-A) (1956 Truck) | AR-6 |
| 12BD (CODF-18805E2, CODF-18806D) (1961 Falcon) | AR-14 |
| 12BF (C1AF-18805C2, C1AF-18806K) (1961) | AR-14 |
| 12BT (C1TF-18805) (1961 Truck) | AR-14 |
| 12BU (C1UF-18805) (1961 Econoline Truck) | AR-14 |
| 24MF (C2AZ-18805-A) (1962) | AR-17 |
| 66MF (FDR-18805-B1) (1956) | AR-6 |
| 66MFP (FDR-18805-B1) (1956) | AR-6 |
| 69MF (FDR-18806-F) (1956) | AR-6 |
| 69MS (FEF-18805-B) (1956) | AR-6 |
| 74BF (FEG-18805) (1957) | AR-8 |
| 74BT (FEM-18805-A) (1957 Truck) | AR-9 |
| 74MF (B7A-18805-A1) (1957) | AR-8 |
| 75BF (FEG-18805-B) (1957) | AR-7 |
| 75MF (FEG-18806-H) (1957) | AR-7 |
| 76MF (SR) (B7A-18805-B1) (1957) | AR-8 |
| 78MF (FEG-18805-G) (1957) | AR-7 |
| 79MS (FEJ-18806-C) (1957 Thunderbird) | AR-7 |
| 84BF (B8A-18805-B) (1958) | AR-8 |
| 84BT (FEM-18805-B) (1958 Truck) | AR-9 |
| 84MF (B8A-18805-B) (1958) | AR-8 |
| 84MS (FEV-18805-F) (1958 Thunderbird) | AR-9 |
| 86MF (B8A-18805-A) (1958) | AR-8 |
| 94BF (B9A-18805-A, B9A-18806-D) (1959) | AR-10 |
| 94BT (B9C-18805-A1) (1959 Truck) | AR-11 |
| 94MF (B9FA-18806-C) (1959) | AR-10 |
| 94MFM (B9FA-18805-E) (1959) | AR-10 |
| 95MF (B9FA-18806-B) (1959) | AR-10 |
| 94MS (B9SF-18805-B) (1959 Thunderbird) | AR-11 |
| For other custom equipment for use in Ford cars, see Aircastle, Airline, Automatic, Firestone, Nordic, and Stromberg-Carlson listings. | |
| GMC | |
| 2233944 (1961 Truck) | AR-16 |
| 2233398 (12V Truck) | AR-9 |
| 2233850 (1960 GMC Trucks) | AR-13 |
| 2233984 (1962 GMC Trucks) | AR-18● |
| GONSET | |
| 3239 (Universal) | AR-9 |
| GRANCO | |
| ARC-60 | AR-15 |
| HUDSON (Also See American Motors) | |
| 236476 (SH759) (1953) | AR-4 |
| 236486, 238060 (SH758) | AR-4 |
| 4389027 (HN5AC-8) (1955) | AR-6 |
| For other custom equipment for use in Hudson cars, see Aircastle, Automatic, and Motorola listings. | |

● Signifies coverage in this volume.

| Trade Name and Model No. | Vol. No. |
|---|-------------|
| INTERNATIONAL | |
| 04MI (1961 Scout and "C" Line Truck) | AR-16 |
| 04MI-RV (1961 "R" and "V" Line Truck) | AR-16 |
| IL5TCA, IL5TCA-12 (88065-R96) (1955 "R" Line Truck). | AR-6 |
| IL7TC, IL7TC-12 (1957 "R" Line Truck) | AR-7 |
| 86M1 (1958 "A" Line Truck). | AR-8 |
| 94MI (1959 "R" and "V" Line Truck) | AR-11 |
| 94MIM (1959 "A" Line Truck). | AR-10 |

KARADIO

| | |
|---------------|------|
| M80B. | AR-4 |
|---------------|------|

KARMANN GHIA

| | |
|----------------------|--------|
| 0BG | AR-13 |
| 1BG (1961) | AR-16 |
| 2BG (R2BG) | AR-18● |

LAFAYETTE

| | |
|---------------------------|-------|
| SP-172 (FM-100) | AR-14 |
|---------------------------|-------|

LANCER (See Mopar)

LARK (See Studebaker)

LINCOLN

| | |
|---|-------|
| 05BH (COLF-18810, COLY-18805) (1960) | AR-12 |
| 3SH756 (FAG-18805-A) (1953). | AR-4 |
| 4SH764 (FDD-18805-B) (1954). | AR-4 |
| 4SH766 (FDD-18805-A) (1954). | AR-4 |
| 5BH (FDL-18805-C, -D) (1955). | AR-5 |
| 6BH (FDU-18805-C) (1956). | AR-6 |
| 78BL (HHD-18805-A) (1957). | AR-7 |
| 85BH (FFC-18805-C, -D) (1958) | AR-9 |
| 85BHP (FFC-18805-C, -D) (Above Serial #5000) (1958). | AR-9 |
| 88BH (FFC-15491-B) (1958). | AR-8 |
| 95BH (B9FL-15801-A, -B, FFC-19061-B) (1959). | AR-9 |

MERCURY

| | |
|---|--------|
| 04BM-1 (COMF-18805) (1960) | AR-13 |
| 04BM-2 (COMF-18806) (1960) | AR-13 |
| M-5841 (1958) | AR-9 |
| 2TMY (C2YA-18806-E) (1962 Meteor) | AR-18● |
| 3SM757 (FAF-18805-A) (1953) (See Lincoln Model 3SH756) | AR-4 |
| 4SM767 (FDC-18805-A) (1954) (See Lincoln Model 4SH764) | AR-4 |
| 5BM (1955) (See Lincoln Model 5BH) | AR-5 |
| 6BM (FDT-18805-C) (1956) | AR-6 |
| 6BMS (FDT-18805-D) (1956) | AR-6 |
| 22BM (C2MY-18805-A) (1962) | AR-18● |
| 24ME (C2GY-18805-A) (1962 Comet) (See Ford 24ME). | AR-17 |
| 24MY (C2YY-18805-A2) (1962 Meteor) (See Ford 24ME). | AR-17 |

METEOR (See Mercury)

| | |
|-------------------------------------|-------|
| 77BM (FEK-18805-C) (1957). | AR-7 |
| 78BM (FEK-18805-D) (1957). | AR-7 |
| 84BM (FEW-18805-U) (1958) | AR-8 |
| 85BM (FEW-18805-T) (1958) | AR-9 |
| 94PM (B9MF-18805-B) (1959). | AR-12 |
| 95PM (B9FM-18805-A) (1959). | AR-11 |

For other custom equipment for use in Mercury cars, see Airline, Automatic, and Stromberg-Carlson listings.

MONTITORADIO

| | |
|------------------|-------|
| M-40 | AR-12 |
| M-160 | AR-12 |
| MC-40 | AR-12 |
| MC-160 | AR-12 |

MOPAR

| | |
|--|--------|
| 101 (PP1, PP2, 1960 Plymouth). | AR-13 |
| 102 (PD1, PD2, PD3, PD4, 1960 Dodge) | AR-13 |
| 104 (1960 Valiant). | AR-13 |
| 106 (1960 Dodge) | AR-14 |
| 107 (12B) (1961 Dodge Dart). | AR-15 |
| 109 (RP1, RP2, 1961 Plymouth). | AR-15 |
| 110 (export version of Model 101) | AR-13 |
| 111 (RP1, RP2, 1961 Plymouth). | AR-15 |
| 112 (1960 DeSoto). | AR-14 |
| 113 (RV1 1961 Valiant) | AR-15 |
| 114 (RW1 1961 Lancer) | AR-15 |
| 202 (1962 Lancer SL1). | AR-18● |
| 203 (1962 Valiant SV1). | AR-18● |
| 204 (1962 Plymouth SP1, SP2) | AR-18● |
| 205 (1962 Dodge Dart SD1, SD2) | AR-17 |
| 301 (PP1, PP2, 1960 Plymouth) | AR-14 |
| 302 (PD1, PD2, PD3, PD4, 1960 Dodge) | AR-13 |
| 303 (03BC) (1960 Chrysler) | AR-13 |
| 304 (03BS) (1960 DeSoto) | AR-13 |
| 305 (03BD) (1960 Dodge) | AR-13 |
| 306 (13BD) (1961 Dodge) | AR-16 |
| 309 (RP1, RP2, 1961 Plymouth). | AR-16 |
| 310 (export version of Model 301) | AR-14 |
| 311 (export version of Model 309) | AR-16 |
| 312 (13BS) (1961 DeSoto) | AR-16 |
| 313 (1960 Valiant). | AR-14 |
| 314L (export version of Model 114) | AR-16 |
| 314V (export version of Model 113) | AR-16 |
| 317 (13BC) (1961 Chrysler) | AR-15 |
| 322 (SP1, SP2 1962 Plymouth) | AR-17 |
| 323 (SD1, SD2 1962 Dodge Dart). | AR-17 |
| 324 (Export SP1 SP2, 1962 Plymouth) | AR-17 |
| 327 (SC1, SC2, SC3 1962 Chrysler) | AR-17 |
| 402 (04BC) (1960 Chrysler) | AR-13 |
| 403 (04BI) (1960 Imperial) | AR-13 |
| 404 (14BI) (1961 Imperial) | AR-15 |
| 407 (14BC) (1961 Chrysler) | AR-15 |
| 409 (24BI) (1962 Imperial SY1) | AR-18● |
| 410 (24BC) (1962 Chrysler SC1, SC2, SC3) | AR-18● |
| 608 (1953 Plymouth P24) | AR-4 |
| 609 (1953 Dodge Model D-44, D-46, D-47, and D-48) | AR-4 |

● Signifies coverage in this volume.

| Trade Name and Model No. | Vol. No. |
|--|-------------|
| MOPAR (Cont'd) | |
| 610T (1953 Dodge Truck, Series B-3, and B-4) | AR-4 |
| 611T (1954 Dodge Truck, Series C) (See Model 610T) | AR-4 |
| 612 (1954 Dodge Model D-40, D-51, D-52, and D-53) (See Model 609) | AR-4 |
| 613 (1955 Plymouth Models P-26 and P-27) | AR-5 |
| 614 (1955 Dodge Models D-55 and D-56) | AR-5 |
| 620 (1956 Plymouth Models P-28 and P-29) | AR-7 |
| 621 (1956 Dodge Models D-62 and D-63) | AR-7 |
| 624 (1957 Dodge Models D-66, D-67, D-70, D-71, and D-72) | AR-8 |
| 700 (1958 Dodge Truck) | AR-8 |
| 700 (revised) (1960 Dodge Truck) | AR-14 |
| 701 (1959 Simca) | AR-12 |
| 703 (R12BDT) (1961 Dodge Truck) | AR-16 |
| 819 (1953 Plymouth) | AR-4 |
| 820 (1953 Dodge) | AR-4 |
| 821 (DeSoto Models S-16 and S-18) | AR-4 |
| 824 (1953 Chrysler) (See Model 819) | AR-4 |
| 828 (1954 Dodge Models D-50, D-51, D-52, and D-53) (See Model 820) | AR-4 |
| 829 (DeSoto Models S-19 and S-20) | AR-4 |
| 830 (1954 Chrysler Models C-62, C-63, and C-64) | AR-4 |
| 831 (See Model 830) | AR-4 |
| 832 (1955 Plymouth) | AR-5 |
| 833 (1955 Dodge Models D-55 and D-56) | AR-5 |
| 834 (1955 DeSoto Models S-21 and S-22) | AR-5 |
| 835 (1955 Chrysler) | AR-5 |
| 836 (1955 Plymouth Models P-26 and P-27) | AR-5 |
| 840 (1956 Plymouth) | AR-6 |
| 841 (1956 Plymouth Models P-28 and P-29) | AR-6 |
| 842, 842HR (1956 Dodge Models D-62 and D-63) | AR-6 |
| 843 (1956 DeSoto Models S-23 and S-24) | AR-6 |
| 844, 844HR (1956 Chrysler) | AR-6 |
| 845 (1957 Dodge Models D-66, D-67, D-70, D-71, and D-72) | AR-8 |
| 846 (1957 DeSoto Models S-25, S-26, and S-27) | AR-8 |
| 847 (1957 Chrysler) | AR-8 |
| 848 (1957 Plymouth) | AR-8 |
| 848 (1958 Plymouth Models LP-1 and LP-2) | AR-8 |
| 849 (1957 Plymouth Models P-30 and P-31) | AR-8 |
| 851 (84BC) (1958 Chrysler) | AR-8 |
| 852 (1958 Dodge Models LD-1, LD-2, and LD-3) | AR-8 |
| 854 (1958 Plymouth Models LP-1 and LP-2) | AR-9 |
| 855 (P-5901) (1959 Plymouth) | AR-11 |
| 856 (1959 Dodge Models MD1, MD2, and MD3) | AR-10 |
| 857 (1959 DeSoto Models MS1, MS2, and MS3) | AR-10 |
| 858 (94BC) (1959 Chrysler) | AR-10 |
| 860 (1959 MP1 and MP2 Plymouth) | AR-12 |
| 861 (1959 Chrysler Export) | AR-12 |
| 900 (1955 Dodge Models D-55 and D-56) | AR-5 |
| 901 (1955 DeSoto Models S-21 and S-22) | AR-5 |
| 902, 903 (1955 Chrysler) | AR-5 |
| 910, 910HR (1956 Dodge Models D-62 and D-63) | AR-6 |

| Trade Name and Model No. | Vol. No. |
|--|-------------|
| MOPAR (Cont'd) | |
| 911 (1956 DeSoto Models S-23 and S-24) | AR-6 |
| 912, 912HR (1956 Chrysler) | AR-7 |
| 916, 916HR (1956 Plymouth Models P-28 and P-29) | AR-7 |
| 917HR (1957 Plymouth) | AR-8 |
| 918 (1957 Dodge Models D-66, D-67, D-70, D-71, and D-72) | AR-7 |
| 919, 919HR (1957 DeSoto Models S-25, S-26, and S-27) | AR-7 |
| 920HR (1957 Chrysler) | AR-8 |
| 921HR (1957 Imperial) | AR-8 |
| 922 (85BC) (1958 Chrysler) | AR-9 |
| 923 (1958 DeSoto Models L-51, L-52, L-53) | AR-9 |
| 924HR | AR-9 |
| 925 (1958 Plymouth Models LP-1 and LP-2) | AR-9 |
| 927 (1959 DeSoto Models MS1, MS2, and MS3) | AR-11 |
| 928 (R95BC-S) (1959 Chrysler) | AR-10 |
| 929 (C-5909) (1959 Imperial Model MY1) | AR-11 |

For other custom equipment for use in Chrysler product cars, see Aircastle, Airline, Automatic, Firestone, Motorola, Riverside, and Stromberg-Carlson listings.

MOTOROLA

| | |
|---|--------|
| BK3A6 (1949 thru 1953 Buick Special, 1942, 1946 thru 1952 Buick Super & Roadmaster) | AR-5 |
| BK53A6 (1949 thru 1953 Buick Special & 1942, 1946 thru 1952 Buick Super & Roadmaster) | AR-5 |
| BKA6T (1956 Buick) | AR-7 |
| BKA6X (1956 Buick) | AR-7 |
| BKA7X (1957 Buick) | AR-7 |
| BKA9X (1959 Buick) | AR-10 |
| BKA60X (1960 Buick) | AR-15 |
| BKA61 (1961 Buick) | AR-15 |
| CA61X (1961 Buick Special, Oldsmobile F-85, Pontiac Tempest) | AR-16 |
| CRA60X (1960 Corvair) | AR-15 |
| CRM60X (1960 Corvair) | AR-14 |
| CT2A6 (1951-52 Chevrolet) | AR-5 |
| CT52M6 (1951-52 Chevrolet) | AR-5 |
| CTA3 (1953 Chevrolet) | AR-4 |
| CTA4 (1954 Chevrolet) | AR-6 |
| CTA5 (1955 Chevrolet) | AR-6 |
| CTA6T (1955-56 Chevrolet) | AR-6 |
| CTA6X (1955-56 Chevrolet) | AR-7 |
| CTA7X (1957 Chevrolet) | AR-7 |
| CTA8X (1958 Chevrolet) | AR-9 |
| CTA9X (1959 Chevrolet) | AR-10 |
| CTA61 (1961 Chevrolet) | AR-15 |
| CTA62 (1962 Chevrolet) | AR-18● |
| CTM3 (1953 Chevrolet) | AR-5 |
| CTM4, CTM4A (1954 Chevrolet) | AR-6 |
| CTM6 (1955-56 Chevrolet) | AR-6 |
| CTM7X (1957 Chevrolet) | AR-7 |
| CTM8X (1958 Chevrolet) | AR-9 |
| CTM9X (1959 Chevrolet) | AR-10 |
| CTM57X (1957 Chevrolet) | AR-9 |
| CTM61X, CTM61XA (1961 Chevrolet) | AR-16 |
| FM-900 (Universal) | AR-14 |

● Signifies coverage in this volume.

| Trade Name and Model No. | Vol. No. |
|---|-------------|
| MOTOROLA (Cont'd) | |
| GMT3A6 (1948 thru 1953 GMC and Chevrolet Truck) | AR-5 |
| GV-701 (Universal) | AR-11 |
| GV-800 (Universal) | AR-9 |
| HF3A6 (1951 thru 1953 Henry J) | AR-5 |
| HN2A6 (1951-52 Hudson) | AR-5 |
| HN3A6 (1951 thru 1953 Hudson except Hudson Jet) | AR-5 |
| HN4A6 (1954 Hudson) | AR-5 |
| HN4M6 (1954 Hudson) | AR-5 |
| HN53M6 (1951 thru 1953 Hudson) | AR-5 |
| HT3A6 (1953 Hudson Jet) | AR-5 |
| IL5TCA, -12 (1955 International) (See International IL5TCA) | AR-6 |
| KR3A6 (1951 thru 1953 Kaiser) | AR-5 |
| NH3C (1953 Nash Rambler) (See Nash Model NH3C) | AR-4 |
| NH4AC (1954 Nash) (See Nash Model AC-154) | AR-5 |
| NH5AC (1955 Nash) (See Nash Model AC-154) | AR-5 |
| OE2A6 (1951-52 Oldsmobile "Super 88" and "98") | AR-5 |
| OEA7X (1957 Oldsmobile) | AR-7 |
| OEA9X (1959 Oldsmobile) | AR-12 |
| OEA60X (1960 Oldsmobile) | AR-14 |
| OEA61X (1961 Oldsmobile) | AR-17 |
| PC2A6 (1949 thru 1952 Pontiac) | AR-5 |
| PCA7X (1957 Pontiac) | AR-7 |
| PCA9X (1959 Pontiac) | AR-10 |
| PCA60X (1960 Pontiac) | AR-15 |
| PCA61X (1961 Pontiac) | AR-17 |
| PD3A6 (1951 thru 1953 Packard) | AR-5 |
| SR2A6 (1950 thru 1952 Studebaker) | AR-5 |
| SR3A6 (1952 Studebaker) | AR-5 |
| SR52A6 (1950 thru 1952 Studebaker) | AR-5 |
| SR52M6 (1950 thru 1952 Studebaker) | AR-5 |
| VWA7 (1953-54-55-56-57 Volkswagen) | AR-7 |
| VWA8 (1958 Volkswagen) | AR-12 |
| VWA60 (1960 Volkswagen) | AR-13 |
| VWM60 (1960 Volkswagen) | AR-13 |
| 03AR (See American Motors Model 8990811) . | AR-12 |
| 04MA (1960 Rambler) (See American Motors Model 8990706) | AR-11 |
| 04MD, 04MF, 04MFM (See Ford Model 04MD) | AR-12 |
| 2TMF (See Ford Model 2TMF) | AR-18● |
| 2TMX (See Ford Model 2TMX) | AR-18● |
| 2TMXD (See Renault Model 55555) | AR-17 |
| 2TMY (See Mercury Model 2TMY) | AR-18● |
| 5M, 5M-12 (Universal) | AR-5 |
| 6M (Universal) | AR-6 |
| 6M-12 (Universal) | AR-6 |
| 6MA (1956 Hudson & Nash) (See American Motors Model 8990378) | AR-6 |
| 6MR (1956 Rambler) (See American Motors Model 8990377) | AR-6 |
| 6TAS8 (Universal) | AR-6 |
| 7M (Universal) (See Model 6M) | AR-6 |
| 7MR (1957 Rambler) (See American Motors Model 8990455) | AR-6 |
| 7MX (Universal) | AR-7 |
| 8M (Universal) | AR-8 |
| 8MX (Universal) | AR-9 |
| 9AX (Universal) | AR-10 |

| Trade Name and Model No. | Vol. No. |
|--|-------------|
| MOTOROLA (Cont'd) | |
| 10AX (Universal) | AR-15 |
| 10M (Universal) | AR-13 |
| 10MX (Universal) | AR-12 |
| 11MX (Universal) | AR-16 |
| 13MA (1960 Rambler American) (See American Motors Model 8990832) | AR-14 |
| 13MAM (1960 Rambler American) (See American Motors Model 8990831) | AR-14 |
| 14MR (1961 Rambler) (See American Motors Model 8990833) | AR-15 |
| 24ME, 24MF, 24MY (See Ford Model 24ME) . | AR-17 |
| 76MA (1957 Hudson & Nash) (See American Motors Model 8990378) | AR-6 |
| 93MR (1959 Rambler) (See American Motors Model 8990582) | AR-10 |
| 94MIM (1959 International) (See International Model 94MIM) | AR-10 |
| 94MF (See Ford Model 94MF) | AR-10 |
| 94MFM (See Ford Model 94MFM) | AR-10 |
| 94MI (1959 "R" and "V" Line International Truck) (See International Model 94MI) | AR-11 |
| 95MF (See Ford Model 95MF) | AR-10 |
| 94MS (1959 Thunderbird) (See Ford Model 94MS) | AR-11 |
| 101 (See Mopar Model 101) | AR-13 |
| 102 (See Mopar Model 102) | AR-13 |
| 104 (See Mopar Model 104) | AR-13 |
| 110 (See Mopar Model 110) | AR-13 |
| 300X (Universal) | AR-11 |
| 301X (Universal) | AR-11 |
| 302 (See Mopar Model 302) | AR-13 |
| 310X (Negative ground) | AR-13 |
| 311X (Positive ground) | AR-13 |
| 395, 395-12 (Universal) | AR-5 |
| 396, 396-12 (Universal) | AR-6 |
| 397 (Universal) | AR-7 |
| 397X (Universal) | AR-7 |
| 398X (Universal) | AR-9 |
| 403 (Universal) | AR-4 |
| 404 (Universal) | AR-5 |
| 406 (Universal) | AR-11 |
| 412 (Universal) | AR-4 |
| 500X (Universal) | AR-13 |
| 503 (Universal) | AR-4 |
| 504 (Universal) | AR-5 |
| 506, 506-12 (Universal) | AR-7 |
| 553 (Universal) | AR-4 |
| 555, 555-12 (Universal) | AR-6 |
| 556 (Universal) | AR-6 |
| 595, 595-12 (Universal) | AR-6 |
| 596, 596-12 (Universal) | AR-6 |
| 597X (Universal) | AR-7 |
| 601X (Universal) | AR-13 |
| 611T (See Mopar Model 610T) | AR-4 |
| 612 (See Mopar Model 609) | AR-4 |
| 624 (See Mopar Model 624) | AR-8 |
| 701 (See Mopar Model 701) | AR-12 |
| 829 (See Mopar Model 829) | AR-4 |
| 845 (See Mopar Model 845) | AR-8 |
| 846 (See Mopar Model 846) | AR-8 |
| 849 (See Mopar Model 849) | AR-8 |
| 852 (See Mopar Model 852) | AR-8 |
| 853 (See Mopar Model 853) | AR-8 |

● Signifies coverage in this volume.

Trade Name and Model No. Vol. No.

MOTOROLA (Cont'd)

854 (See Mopar Model 854). AR-9
 856 (See Mopar Model 856). AR-10
 857 (See Mopar Model 857). AR-10
 860 (See Mopar Model 860). AR-12
 861 (See Mopar Model 861). AR-12
 923 (See Mopar Model 923). AR-9
 927 (See Mopar Model 927). AR-11

Chassis

R15A6 AR-5
 R16M6 AR-5
 R17A6 AR-5

NASH (Also See American Motors)

AC-154 (1954, 1955) AR-5
 NH3C (1953 Nash Rambler) AR-4
 NH5AC (1955) (See Model AC-154). AR-5

For other custom equipment for use in Nash cars, see Motorola listings.

NORDIC

501F55 (1955 Ford) AR-5

OLDSMOBILE

982029 (1962). AR-17
 982030 (1962). AR-18●
 982990 (1953). AR-4
 983004 (1953). AR-4
 983090 (1954). AR-5
 983091 (1954). AR-5
 983204 (1955). AR-5
 983205 (1955). AR-5
 983334 (1956). AR-6
 983336 (1956). AR-6
 989001 (1957). AR-7
 989002 (1957). AR-7
 989127 (1958). AR-8
 989129 (1958). AR-8
 989131 (1958). AR-8
 989170 (1959). AR-10
 989171 (1959). AR-11
 989172 (1959). AR-11
 989276 (1960). AR-13
 989277 (1960). AR-12
 989387 (1961 F85). AR-15
 989392 (1961). AR-15
 989393 AR-14

For other custom equipment for use in Oldsmobile cars, see Automatic, Motorola, and Stromberg-Carlson listings.

OPEL-REKORD

981946 (1958). AR-14
 981981 (1959, 1960). AR-14

Trade Name and Model No. Vol. No.

PACKARD

AC-2906 (1958) AR-8
 AC-2907 (1958) AR-8
 439338, 439339 (1953 Series 26) AR-4
 439663 (1954) (See Model 439338) AR-4
 439666 (1954) (See Model 439338) AR-4
 472046 (1955) AR-5
 472047, 472048 (1955) AR-5
 480487 (1956 Packard Clipper) AR-6
 484649 (1957). AR-7
 484652 (1957) (See Model 7267427). AR-6
 7267427 (480487) (1956 Packard Clipper) AR-6

PHILCO

C-5209 (See Mopar Model 824) AR-4
 C-5409 (See Mopar Model 830) AR-4
 C-5509 (See Mopar Model 835) AR-5
 C-5595 (See Mopar Model 902) AR-5
 C-5596 (See Mopar Model 903) AR-5
 C-5609 (See Mopar Model 844) AR-6
 C-5609HR (See Mopar Model 844HR) AR-6
 C-5705 (See Mopar Model 847) AR-8
 C-5707 (See Mopar Model 920HR) AR-8
 C-5709 (See Mopar Model 921HR) AR-8
 C-5809 (See Mopar Model 924HR) AR-9
 D-5207 (See Mopar Model 819) AR-4
 D-5407 (See Mopar Model 820) AR-4
 P-5206 (See Mopar Model 819) AR-4
 P-5506 (See Mopar Model 832) AR-5
 P-5606 (See Mopar Model 840) AR-6
 P-5701 (See Mopar Model 848) AR-8
 P-5703 (See Mopar Model 917HR) AR-8
 P-5801 (See Mopar Model 848) AR-8
 P-5803 (See Mopar Model 925) AR-9
 P-5901 (See Mopar Model 855) AR-11
 S-5323 (See Studebaker Model AC-2301) AR-4
 S-5327 (See Studebaker Model AC-2300) AR-4
 S-5524 (See Studebaker Model AC-2301) AR-4
 S-5528 (See Studebaker Model AC-2300) AR-4
 S-5529 (See Studebaker Model AC-2300) AR-4
 TAR-58 (See Mopar Model 700). AR-8
 94PM (See Mercury Model 94PM) AR-12
 929 (See Mopar Model 929). AR-11

PLYMOUTH (See Mopar)

PONTIAC

983578 (1962). AR-17
 983579 (1962). AR-18●
 984817 (1953-54) AR-4
 984961 (1955). AR-5
 988568 (1956) (See Model 984961) AR-5
 988569 (1956). AR-6
 988671 (1957). AR-7
 988672 (1957). AR-7
 988822 (1958). AR-8
 988823 (1958). AR-8
 988837 (1958). AR-8
 988976 (1959). AR-10
 988977 (1959). AR-11
 988978 (1959). AR-11
 989614 (1960). AR-12

● Signifies coverage in this volume.

Trade Name and Model No. Vol. No.

PONTIAC (Cont'd)

989615 (1960) AR-13
 989692 (1961) AR-14
 989693 (1961) AR-15
 989792 (1961 Tempest) AR-15
 989831 (1961 Tempest) AR-15

For other custom equipment for use in Pontiac cars, see Automatic, Motorola, and Stromberg-Carlson listings.

RAMBLER (See American Motors)

REALISTIC

90LX697 (FM Converter) AR-16

REGAL

CR-871 (Universal) AR-4

RENAULT

55555 (2TMXD) AR-17

RIVERSIDE

FJB-6537A (1958-59 Volkswagen) AR-14
 FJB-6538A (1958-59 Volkswagen) AR-14
 FJB-6567, M (1959 Plymouth) AR-13
 FJB-6584A (1960-61 Valiant) AR-18●
 FJB-6591 (Universal) AR-16
 FJB-6592 (Universal) AR-16
 FJB-6593 (Universal) AR-16
 FJB-6608A (1961 Lancer) AR-18●
 FJB-6612 (61-6612) (1962 Chevrolet) AR-18●
 FJB-6613, FJB-6613A (1960-61 Falcon or Comet) AR-18●
 FJB-6618A (61-6618A) (1961 Rambler) AR-17
 FJB-6679A AR-10
 FJB-6681A (1958 Plymouth) AR-10
 FJB-6682A, B (Universal) AR-10
 FJB-6684 (1959 Ford) AR-11
 FJB-6686-A (1959 Plymouth) AR-12
 FJB-6687 (1959 Ford) AR-11
 FJB-6688 (1959 Chevrolet) AR-11
 FJB-6689A (1959 Plymouth) AR-12
 FJB-6690A (1959 Buick) AR-13
 FJB-6691B (Renault Dauphine) AR-12
 FJB-6693B (Renault Dauphine) AR-12

SAMPSON

55A (Universal) AR-18●

SOUNDEX

COM-60, COP-60 (1960 Corvair) AR-16
 STM-059, STP-059 (1959 Studebaker Lark) AR-16

SPECIAL (See Buick)

Trade Name and Model No. Vol. No.

STROMBERG-CARLSON

C.A.R. 7 (Universal) AR-11
 C.A.R. 9 (1959 Ford and Edsel) AR-11
 CH-60-M (1960 Chevrolet) AR-14
 CH-60-PB (1960 Chevrolet) AR-14
 CH-61-M, CH-61-PB (1961 Chevrolet) AR-17
 DA-60-PB (1960 Dodge Dart) AR-14
 DE-60-PB (1960 DeSoto) AR-14
 DO-60-PB (1960 Dodge) AR-14
 DO-61-PB (1961 Dodge & Dodge Dart) AR-17
 FA-60-M (1960 Falcon) AR-14
 FA-60-PB (1960 Falcon) AR-14
 FO-60-M (1960 Ford) AR-14
 FO-60-PB (1960 Ford) AR-14
 FO-61-M, FO-61-PB (1961 Ford & Mercury) AR-17
 IM-60-M (Universal) AR-15
 IM-60-MX, IM-61-PB (Universal) AR-17
 LA-61-PB (1961 Studebaker Lark) AR-17
 LR-61-PB (1961 Lancer) AR-18●
 OF-61-PB (1961 Oldsmobile F85) AR-17
 OL-61-PB (1961 Oldsmobile) AR-17
 PL-60-M (1960 Plymouth) AR-14
 PL-61-M (1961 Plymouth) AR-18●
 PO-61-PB (1961 Pontiac) AR-17
 RA-61-PB (1961 Rambler) AR-17
 VA-60-M (1960 Valiant) AR-14
 VA-61-PB (1961 Valiant) AR-18●

STUDEBAKER

AC-2300 (S-5327) (1953) AR-4
 AC-2301 (S-5323) (1953) AR-4
 AC-2686 (S-5528) (1955) (See Model AC-2300) AR-4
 AC-2687 (S-5524) (1955) (See Model AC-2301) AR-4
 AC-2721 (S-5529) (1955) (See Model AC-2300) AR-4
 AC-2745 (1956) AR-6
 AC-2746 (1956) AR-6
 AC-2747 (1956) AR-6
 AC-2748 (1956) AR-6
 AC-2905 (1958) AR-9
 AC-2906 (1958) AR-8
 AC-2907 (1958) AR-8
 AC-2977 (1960) AR-12
 AC-2978 (1960) AR-13
 AC-3084 (1961) AR-17
 AC-3085 (1961) AR-15
 AC-3086 (1961) AR-17
 AC-3087 (1961) AR-15
 AC-3216 (1962) AR-17
 AC-3217 (1962) AR-18●
 AC-3246 (1962) AR-18●
 AC-3247 (1962) AR-17
 AC-3255 (1962) AR-18●
 AC-3256 (1962) AR-17

For other custom equipment for use in Studebaker cars, see Automatic, Firestone, Motorola, Soundex, and Stromberg-Carlson listings.

TEMPEST (See Pontiac)

● Signifies coverage in this volume.



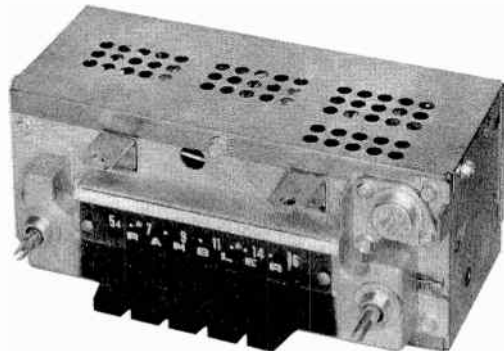
NOTE: To replace tubes, remove four 1/4" hex nuts holding cover and remove cover.

RADIO REMOVAL

1. Pull off knobs.
2. Separate speaker leads at connector, "A" lead at fuse and remove antenna plug.
3. Remove two 1/2" hex nuts from control bushings and remove bezel.
4. Remove 1/4" mounting screw holding receiver to bottom mounting bracket.
5. Remove receiver from rear of instrument panel.

SPEAKER REMOVAL

1. Remove two 5/16" nuts and two Phillips screws holding speaker mounting plate under top of instrument panel.
2. Remove speaker and mounting plate from under instrument panel.



MODEL 22BA

| | | | |
|--------------------------|--|--------|-------------------------|
| TRADE NAME | American Motors Models 22BA (R22BA), 22BAM (R22BAM), 22BAX (R22BAX) For 1962 Rambler Amer. | | |
| MANUFACTURER | Bendix Radio Div., The Bendix Corp., Baltimore 4, Maryland. | | |
| TYPE SET | Battery Operated 2 Tube-2 Transistor Custom Built AM Automobile Receiver | | |
| POWER SUPPLY | 12 Volt Storage Battery | RATING | 1.4 Amp. @12.6 Volts DC |
| TUNING RANGE - BROADCAST | 530 - 1610KC | | |

ALIGNMENT INSTRUCTIONS

Use only enough generator output to provide a usable indication.

Suggested Alignment Tools:

- A1, A2, A3, A4..... GENERAL CEMENT #8282, 8606, 8606-L, 9295, 9440
WALSCO #2526, 2543, 2544, 2545
- A5, A6, A7..... GENERAL CEMENT #5004, 5009, 8195, 8274, 8275, 8607, 8728, 8987, 8988, 8989, 9291
WALSCO #2515, 2520, 2522, 2523, 2531, 2532, 2534, 2537, 2538
- A8, A9, A10..... GENERAL CEMENT #8282, 8606, 8606-L, 9091
WALSCO #2526, 2541, 2542, 2543, 2544

| | SIGNAL GENERATOR COUPLING | SIGNAL GENERATOR FREQUENCY | RADIO DIAL SETTING | INDICATOR | ADJUST | REMARKS |
|---|---|----------------------------|--|--------------------------------|----------------|---|
| 1. | High side thru .1mfd to pin 7 (grid) of converter, low side to chassis. | 262.5KC (Unmod.) | Tuning gang fully open. | DC VTVM across volume control. | A1, A2, A3, A4 | Adjust for maximum deflection. |
| 2. | Thru dummy (Fig. 1) to antenna receptacle. | 1605KC | 1605KC | " | A5, A6, A7 | Adjust for maximum deflection. |
| Step 3 is not necessary unless tuner has been tampered with or associated components have been replaced. If necessary, back tuning cores A8, A9 and A10 out of coils but not out of forms. Repeat step 2. | | | | | | |
| 3. | Thru dummy (Fig. 1) to antenna receptacle. | 1000KC | Tuner carriage .399" from high freq. end stop. | " | A8, A9, A10 | Adjust for maximum deflection. Repeat step 2. |
| With radio installed in car and antenna fully extended, tune in a weak station near 1600KC and adjust A7 for maximum output. | | | | | | |

PUSH-BUTTON ADJUSTMENT

1. Pull button out.
2. Tune manually to desired station.
3. Press button in firmly.
4. Repeat for remaining buttons.

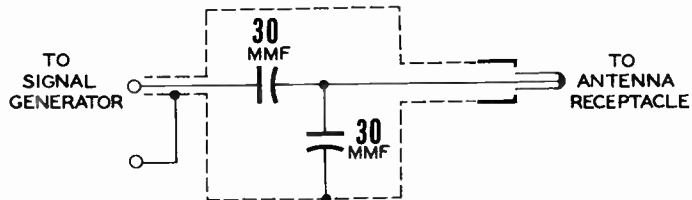


FIG. 1

HOWARD W. SAMS & CO., INC. Indianapolis 6, Indiana

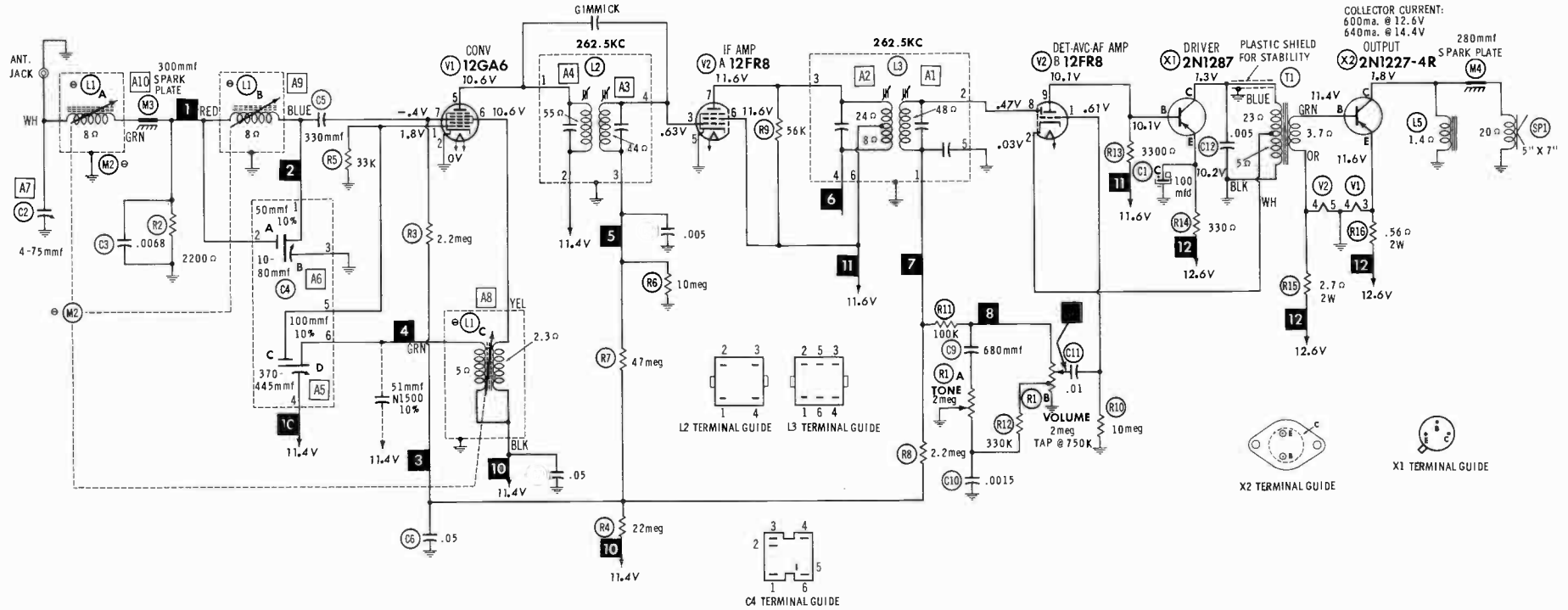


The listing of any available replacement part herein does not constitute in any case a recommendation, warranty or guaranty by Howard W. Sams & Co., Inc., as to the quality and suitability of such replacement part. The numbers of these parts have been compiled from information furnished to Howard W. Sams & Co., Inc., by the manufacturers of the particular type of replacement LD791

part listed. Reproduction or use, without express permission, of editorial or pictorial content, in any manner, is prohibited. No patent liability is assumed with respect to the use of the information contained herein. ©1963 Howard W. Sams & Co., Inc., Indianapolis 6, Indiana.

Printed in U.S. of America

AMERICAN MOTORS
MODELS 22BA, 22BAX, 22BAM



SEE PARTS LIST FOR ALTERNATE VALUE OR APPLICATION

NUMBERS ASSIGNED TO COILS, SWITCHES, PLUGS, SOCKETS, AND TRANSFORMERS ARE TO FACILITATE CIRCUIT TRACING OR COMPONENT REPLACEMENT AND MAY NOT NECESSARILY BE FOUND ON THE UNIT.

RESISTANCE MEASUREMENTS FOR X1 AND X2 NOT GIVEN BECAUSE OF THE WIDE VARIATION IN INTERNAL TRANSISTOR RESISTANCE.

- DC voltage measurements taken with vacuum tube voltmeter.
- Socket connections shown as bottom views.
- Measured values are from socket pin to common ground.
- Battery voltage maintained at 12.6 volts for voltage readings.
- Nominal tolerance on component values makes possible a variation of $\pm 15\%$ in voltage and resistance readings.

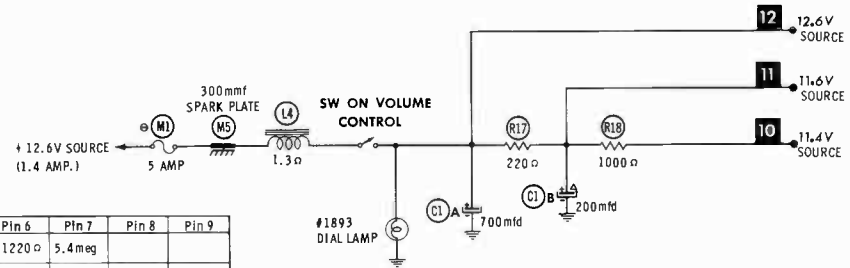
A PHOTOFACIT STANDARD NOTATION SCHEMATIC with CIRCUITRACE

©Howard W. Sams & Co., Inc. 1963

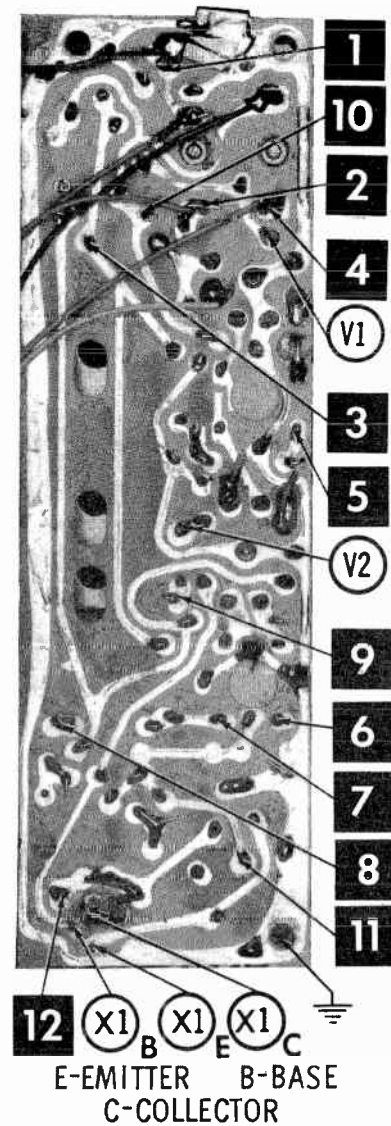
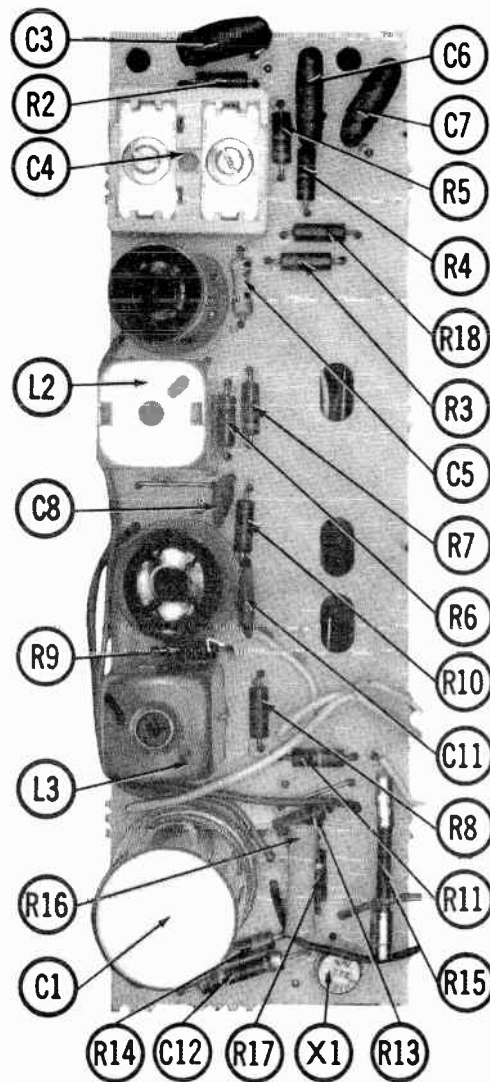
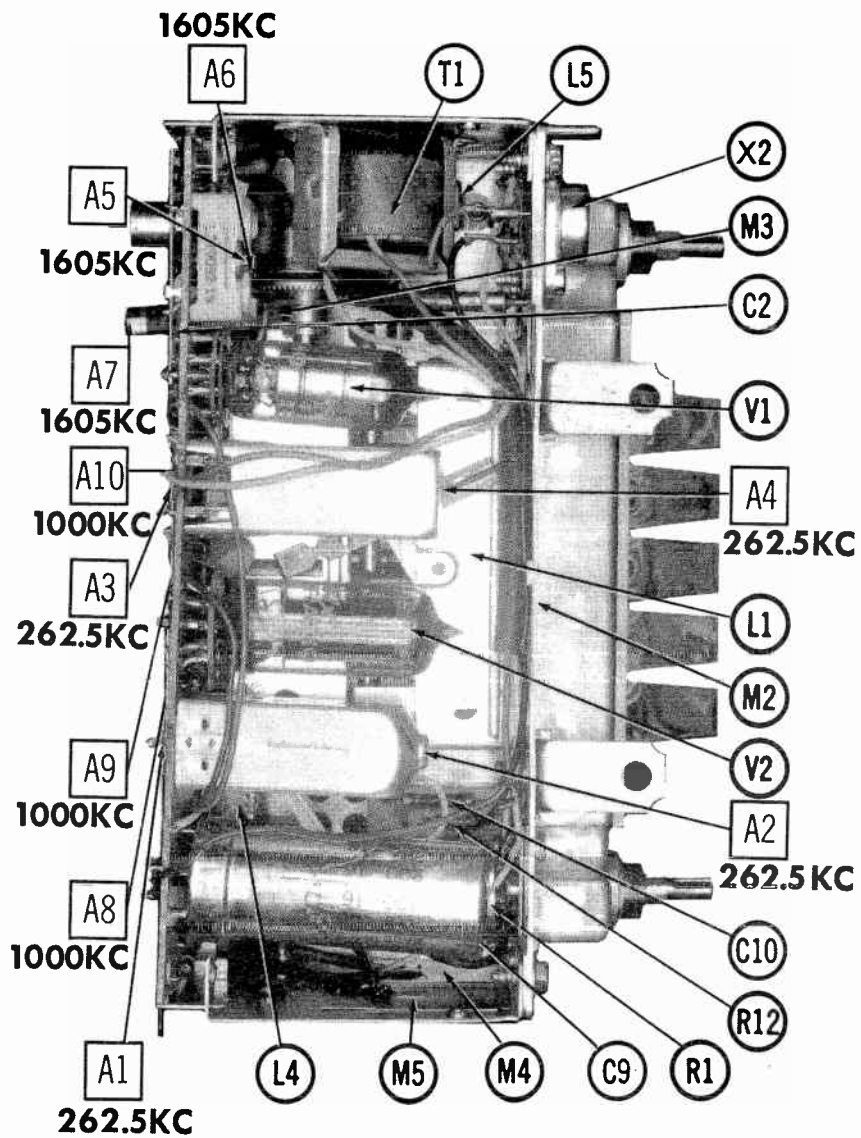
RESISTANCE READINGS

| ITEM | TUBE | Pin 1 | Pin 2 | Pin 3 | Pin 4 | Pin 5 | Pin 6 | Pin 7 | Pin 8 | Pin 9 |
|------|-------|-------|-------|--------|-------|--------|--------|--------|--------|--------|
| V1 | 12GA6 | 33K | 0Ω | FIL | FIL | †1220Ω | †1220Ω | 5.4meg | | |
| V2 | 12FR8 | 10meg | 4.9Ω | 8.3meg | FIL | FIL | †220Ω | †220Ω | 1.8meg | †3550Ω |

† MEASURED FROM VOLTAGE SOURCE INPUT.



AMERICAN MOTORS
MODELS 22BA, 22BAX, 22BAM



CHASSIS PHOTOS

A Howard W. Sams CIRCUITRACE® Photo

PARTS LIST AND DESCRIPTION

Replacement parts shown may be superseded by the availability of newly introduced replacements.
Have your local distributor check Sams COUNTER FACTS for the most up-to-date replacement.

WIRING DATA

| | |
|---|--|
| General-use Unshielded Hook-up Wire | Use BELDEN No. 8530 (Solid) Available in 12 Colors 8524 (Stranded) Available in 12 Colors |
| Shielded Hook-up Wire | Use BELDEN No. 8885 |
| Rear Seat Speaker Extension Cable | Use BELDEN No. 8782 (Stranded) Coded Parallel Leads |
| Bonding Strap | Use BELDEN No. 8661 (3/8 In.) or 8870 (3/4 In.) |

TUBES

| AMPEREX | | GENERAL ELECTRIC | | RCA | | RAYTHEON | | SYLVANIA | |
|----------|-----------|------------------|--|----------|--------------------------------|----------|--|----------|--|
| ITEM No. | USE | TYPE | | ITEM No. | USE | TYPE | | | |
| V1 | Converter | 12GA8 | | V2 | IF Amp. -Det. -AVC- AF Amp. | 12FR8 | | | |

TRANSISTORS

| ITEM No. | ORIG. TYPE | USE | REPLACEMENT DATA | | | NOTES |
|----------|---------------------|---------------|------------------|---------------------------|----------------|---------------------|
| | | | DELCO PART No. | GENERAL ELECTRIC PART No. | RCA PART No. | |
| X1 X2 | 2N1287 2N1227-4R | Driver Output | DS28 DS503 | GE-2 GE-3 | 2N591 2N301 | PNP PNP (Note 1) |

Note 1. When replacing, apply silicone grease to both sides of insulator. Tighten mounting screws securely.

ELECTROLYTIC CAPACITORS

| ITEM No. | RATING | | BENDIX PART No. | REPLACEMENT DATA | | | | | SPRAGUE PART No. | NOTES |
|---------------|-------------------|----------------|-----------------|------------------|---------------------------|---------------------------|------------------|------------------|------------------|-------|
| | CAP. | VOLT. | | AEROVOX PART No. | CORNELL-DUBILIER PART No. | GENERAL ELECTRIC PART No. | MALLORY PART No. | PYRAMID PART No. | | |
| C1A C C | 700 200 100 | 16 16 16 | 220353-21 | PWH3-00-95,8 | XC3-47.1 † | Wp300, 87 | | | PCLS-3027.4* | |
| B | 200 | 16 | | | | | | | | |
| C | 100 | 16 | | | | | | | | |

* Not normally in distributor's stock. Available thru distributor on order to manufacturer.
† Use PMA 1 Adapter Kit.

FIXED CAPACITORS

| ITEM No. | RATING | REMARKS | REPLACEMENT DATA | | | | | SPRAGUE PART No. |
|---|--|-----------------------------|---|--|---|--|--|--|
| | | | AEROVOX PART No. | CENTRALAB PART No. | CORNELL-DUBILIER PART No. | ELMenco PART No. | MALLORY PART No. | |
| C2 C3 C4A B C D | 4-75 .0068 100V 50 10-80 100 10% 370-445 | #219083-1 #219092-19 | P288N-0068 | D6-682 | CUB6D68 | 6CP-2-682 | GEM-6268 | 6TM-D68 |
| C5 C6 C7 C8 C9 C10 C11 C12 | 330 .05 100V .05 100V .005 680 .0015 .01 .005 | | SI 330 P288N-05 P288N-05 BPD-005 SI 680 SI 1500 BPD-01 SI 5000 | D6-331 DD-503 DD-503 DD-502 D6-681 D6-152 DD-103 D6-502 | LI0T33 CUB285 CUB285 BYA10D5 LI0T68 LI0D15 BYA10S1 LI0D5 | CCD-331 2CP-3-503 2CP-3-503 CCD-502 CCD-681 CCD-152 CCD-103 CCD-502 | B-333 GEM-415 GEM-415 B-250 B-368 B-215 B-110 B-250 | 10TS-T33 2TM-S50 2TM-S50 5HK-D50 10TS-T68 5HK-D15 5HK-S10 5HK-D50 |

Bendix Part Number.

CONTROLS

All wattages 1/2 watt, or less, unless otherwise listed.

| ITEM No. | USE | RESISTANCE | REPLACEMENT DATA | | | | |
|----------|-----------------------|--------------------------|------------------|--|---|------------------|--|
| | | | BENDIX PART No. | CENTRALAB PART No. | CLAROSTAT PART No. | CTS-IRC PART No. | MALLORY PART No. |
| RIA B | Tone Volume, & Switch | 2meg 2meg 750K Tap | 2091339-11 | F1-2meg, FFS108, R14-2meg, RFS113, KR-4 | P-2meg-S, CP-108, RF-2meg, FR114, SWE-13 | † QJ-1565A | FB26L, OS1375, RU26T65, IS1812, US41 |

† "CONCENTRIKIT" Equivalent: K-6 Kit with Base Elements and Shafts:
B11-139, P17-112 (Panel)
B18-139X, R26-124, 76-1 (Rear)
"SNAPTROL" Equivalent: BU5, CF19, SF10, CR37T, SR45, GC

RESISTORS

All wattages 1/2 watt, or less, unless otherwise listed.

| ITEM No. | RATING | REPLACEMENT DATA | | | ITEM No. | RATING | REPLACEMENT DATA | | |
|---|---|------------------|------------------|---------|--|--|------------------|------------------|----------------------------|
| | | IRC PART No. | WORKMAN PART No. | REMARKS | | | IRC PART No. | WORKMAN PART No. | REMARKS |
| R2 R3 R4 R5 R6 R7 R8 R9 R10 | 2200Ω 2.2meg 22meg 33K 10meg 47meg 2.2meg 56K 10meg | | | | R11 R12 R13 R14 R15 R16 R17 R18 | 100K 330K 3300Ω 330Ω 2.7Ω 2W .56Ω 2W 220Ω 1000Ω | | | #2090948-22 #2090948-15 |

COILS (RF-IF)

Bendix Part Number.

| ITEM No. | USE | REPLACEMENT DATA | | | | | NOTES |
|---------------------------|---|------------------|----------------|-----------------|------------------|------------------|-------|
| | | BENDIX PART No. | Merit PART No. | Miller PART No. | Stancor PART No. | Workman PART No. | |
| L1A B C L2 L3 | Ant. RF Osc. Input IF Output IF | 2090131-32 ① | BC-344 | 13-PH1 6515 | RTC-8644 | T655 | |
| | 2090907-12 2090908-10 | | | | | | |

① Part #2090131-33 used in Model 22BAM.

CHOKE

| ITEM No. | RATINGS | | REPLACEMENT DATA | | | | | NOTES | |
|----------|--------------------|--------------|------------------------------|------------------------|----------------|------------------|---------------------|-------|----------------|
| | CURRENT (Measured) | DC RES. | INDUCTANCE (0 CURRENT 1000~) | BENDIX PART No. | MERIT PART No. | STANCOR PART No. | THORDARSON PART No. | | TRIAD PART No. |
| L4 L5 | 1.4A | 1.3Ω 1.4Ω | 1140MH .02HY | 2092050-5 2091234-4 | | | | | Filter Output |

TRANSFORMER (DRIVER)

| ITEM No. | TURNS RATIO | | REPLACEMENT DATA | | | | | NOTES |
|----------|-------------|------|------------------|----------------|------------------|---------------------|----------------|-------|
| | PRI. | SEC. | BENDIX PART No. | MERIT PART No. | STANCOR PART No. | THORDARSON PART No. | TRIAD PART No. | |
| T1 | 4.5 | 1 | 2090815-8 | | | TR-178 | | |

FUSES

| ITEM No. | TYPE | RATING | REPLACEMENT DATA | | | | | |
|----------|------|--------|------------------|------------|---------------------|--------|---------------|--------|
| | | | BENDIX PART No. | | LITTELFUSE PART No. | | BUSS PART No. | |
| | | | FUSE | HOLDER | FUSE | HOLDER | FUSE | HOLDER |
| M1 | IAG | 5A | AGA-5 | 221633-21* | 301005 (IAG 5A) | 155004 | AGA-5 | HAF |

* Part #221633-23 used in Model 22BAX.

MISCELLANEOUS

| ITEM No. | PART NAME | BENDIX PART No. | NOTES |
|----------|----------------|------------------------|--|
| M2 | Tuner Assembly | 2091970-3 | With Push-buttons. Models 22BA, 22BAX. Model 22BAM 300mmf 280mmf 300mmf IF Assembly, Less Tubes Tone Circuit |
| M3 | Tuner Assembly | 2091969-2 | |
| M4 | Spark Plate | 220267-12 | |
| M5 | Spark Plate | 220267-16 | |
| M5 | Printed Board | 220267-12 | |
| | Printed Board | 2091979-1 2091980-2 | |

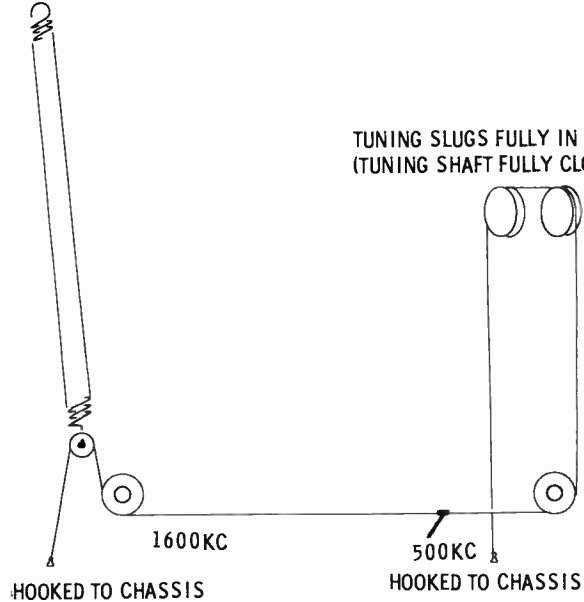
CABINETS & CABINET PARTS (When Ordering Specify Model, Chassis & Color)

| ITEM No. | TYPE | | | REPLACEMENT DATA | | NAME | PART NO. | DESCRIPTION |
|----------|--------|-------|------------|------------------|---------------|--|---|--|
| | SIZE | FIELD | V. C. IMP. | BENDIX PART No. | QUAM PART No. | | | |
| SP1 | 5"x 7" | PM | 20Ω | 2091992 1 | 5TA1 | Dial Glass Dial Pointer Dial Pointer Knob Knob | 2091985-1 2080129-24 2080129-25 2091987-1 2091984-1 | Models 22BA, 22BAX Model 22BAM Volume & Tuning Tone |



HOOKED ON TRANSFORMER

TUNING SLUGS FULLY IN
(TUNING SHAFT FULLY CLOCKWISE)



| | | | |
|------------------------|--|--------|--|
| TRADE NAME | Becker Model Monte Carlo M | | |
| SUPPLIER | Becker AutoRadio U.S. A. Inc., 613-19 S. 24th Street, Philadelphia 46, Pa. | | |
| TYPE SET | Battery Operated 4 Tube Automobile AM Receiver | | |
| POWER SUPPLY | 6 (or) 12 Volt Storage Battery | RATING | 4.4 Amp. @6.3 Volts DC (or) 2.5 Amp. @12.6 Volts DC |
| TUNING RANGE—BROADCAST | 520 - 1720KC | | |

ALIGNMENT INSTRUCTIONS

ALIGNMENT INSTRUCTIONS—READ CAREFULLY BEFORE ATTEMPTING ALIGNMENT

Use only enough generator output to provide a usable indication.

Suggested Alignment Tools: A6, A10... GENERAL CEMENT #5004, 5009, 8195, 8274, 8275, 8607, 8728, 8987, 8988, 8989, 9291
WALSCO #2515, 2520, 2522, 2523, 2531, 2532, 2534, 2537, 2538

| | SIGNAL GENERATOR COUPLING | SIGNAL GENERATOR FREQUENCY | RADIO DIAL SETTING | INDICATOR Connect VTVM | ADJUST | REMARKS |
|----|---|----------------------------|--------------------|---|----------------|--------------------------------|
| 1. | High side thru .1mf to pin 2 (grid) of Converter, low side to chassis. | 460KC (Unmod.) | High Freq. Stop | DC probe to point Δ , common to chassis. | A1, A2, A3, A4 | Adjust for maximum deflection. |
| 2. | Thru dummy (Fig. 1) to antenna receptacle. | 460KC | " | " | A5 | Adjust for MINIMUM deflection. |
| 3. | " | 1720KC | " | " | A6 | Adjust for maximum deflection. |
| 4. | " | 520KC | 520KC | " | A7, A8 | " |
| 5. | " | 560KC | 560KC | " | A9 | " |
| 6. | " | 1400KC | 1400KC | " | A10 | " |
| 7. | With radio installed in car and antenna fully extended, tune in a weak station near 1400KC and adjust A10 for maximum output. | | | | | |

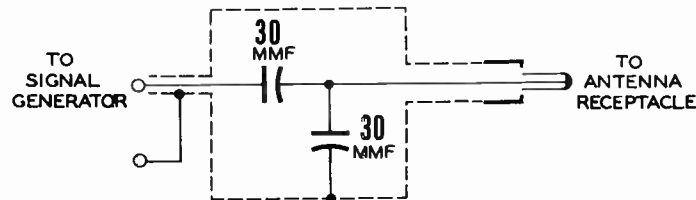


FIG. 1

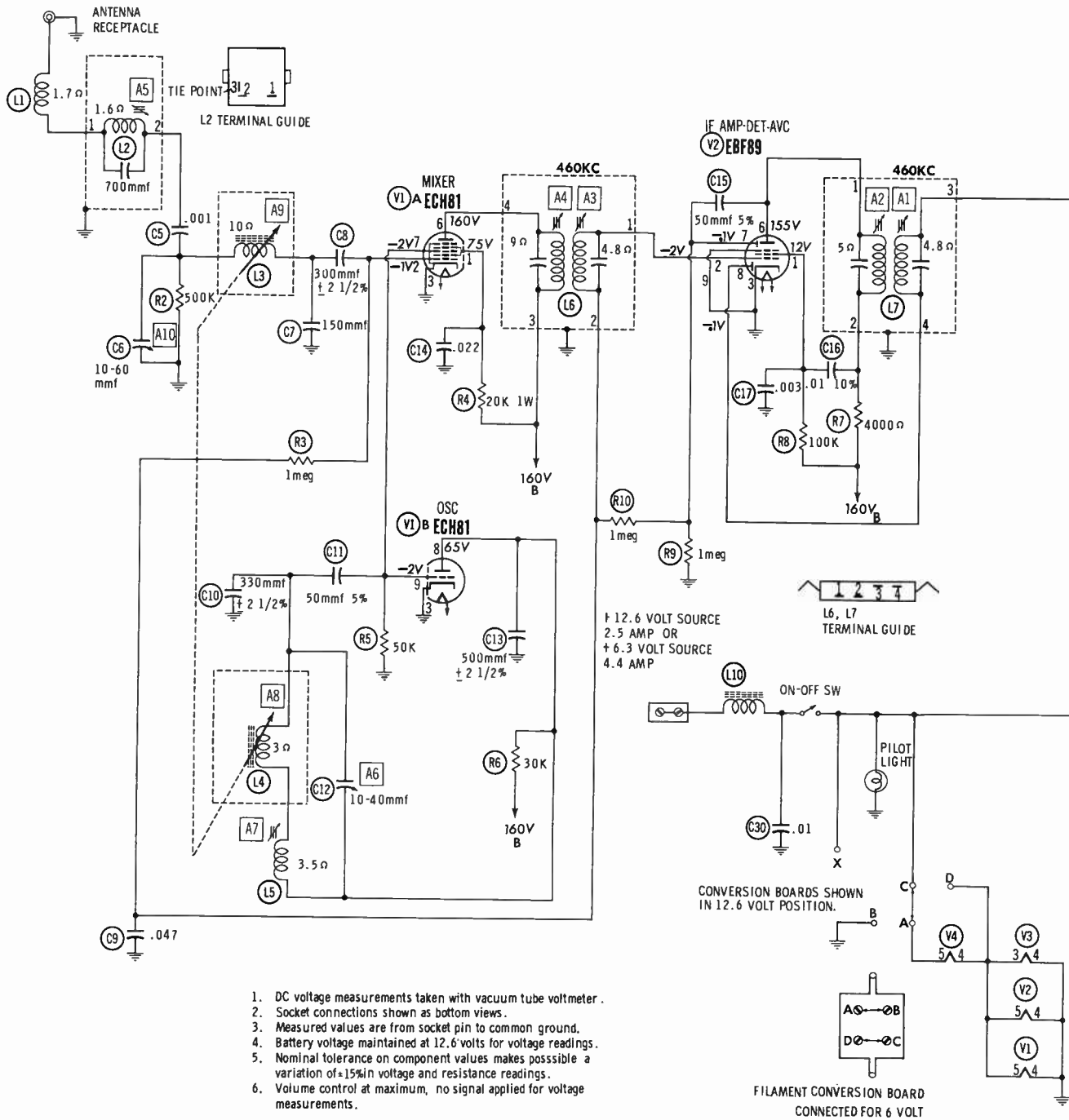
HOWARD W. SAMS & CO., INC. Indianapolis 6, Indiana



The listing of any available replacement part herein does not constitute in any case a recommendation, warranty or guaranty by Howard W. Sams & Co., Inc., as to the quality and suitability of such replacement part. The numbers of these parts have been compiled from information furnished to Howard W. Sams & Co., Inc., by the manufacturers of LD549

the particular type of replacement part listed. Reproduction or use, without express permission, of editorial or pictorial content, in any manner, is prohibited. No patent liability is assumed with respect to the use of the information contained herein. © 1962 Howard W. Sams & Co., Inc., Indianapolis 6, Indiana. Printed in U.S. of America

**BECKER MODEL
Monte Carlo M**



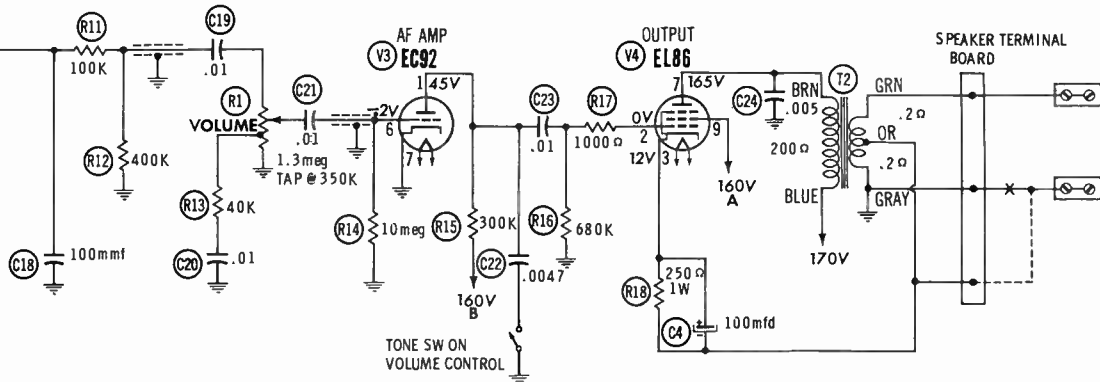
1. DC voltage measurements taken with vacuum tube voltmeter .
2. Socket connections shown as bottom views.
3. Measured values are from socket pin to common ground.
4. Battery voltage maintained at 12.6 volts for voltage readings.
5. Nominal tolerance on component values makes possible a variation of ±15% in voltage and resistance readings.
6. Volume control at maximum, no signal applied for voltage measurements.

RESISTANCE READINGS

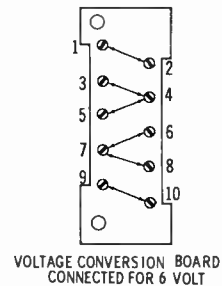
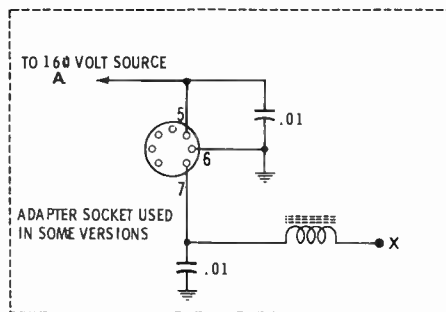
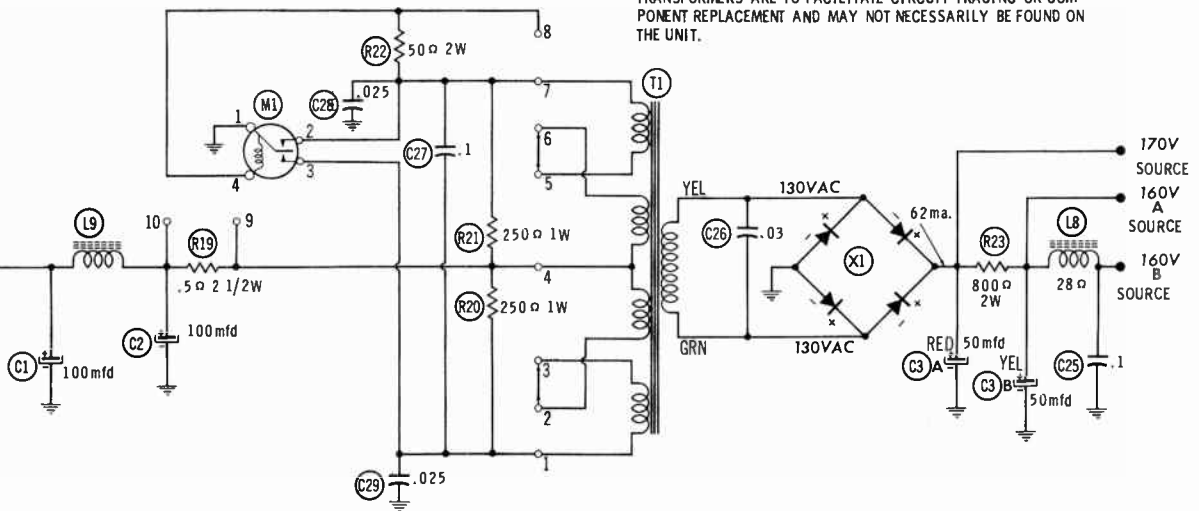
| ITEM | TUBE | Pin 1 | Pin 2 | Pin 3 | Pin 4 | Pin 5 | Pin 6 | Pin 7 | Pin 8 | Pin 9 |
|------|-------|-------|-------|-------|-------|-------|--------|-------|-------|-------|
| V1 | ECH81 | †21K | 3meg | 0Ω | FIL | FIL | †800Ω | 50K | †31K | 50K |
| V2 | EBF89 | †101K | 2meg | 0Ω | FIL | FIL | †5000Ω | 1meg | 500K | 0Ω |
| V3 | EC92 | †302K | NC | FIL | FIL | NC | 10meg | 0Ω | | |
| V4 | EL86 | NC | 680K | 250Ω | FIL | FIL | NC | †200Ω | NC | †800Ω |

† MEASURED FROM THE OUTPUT OF X1.

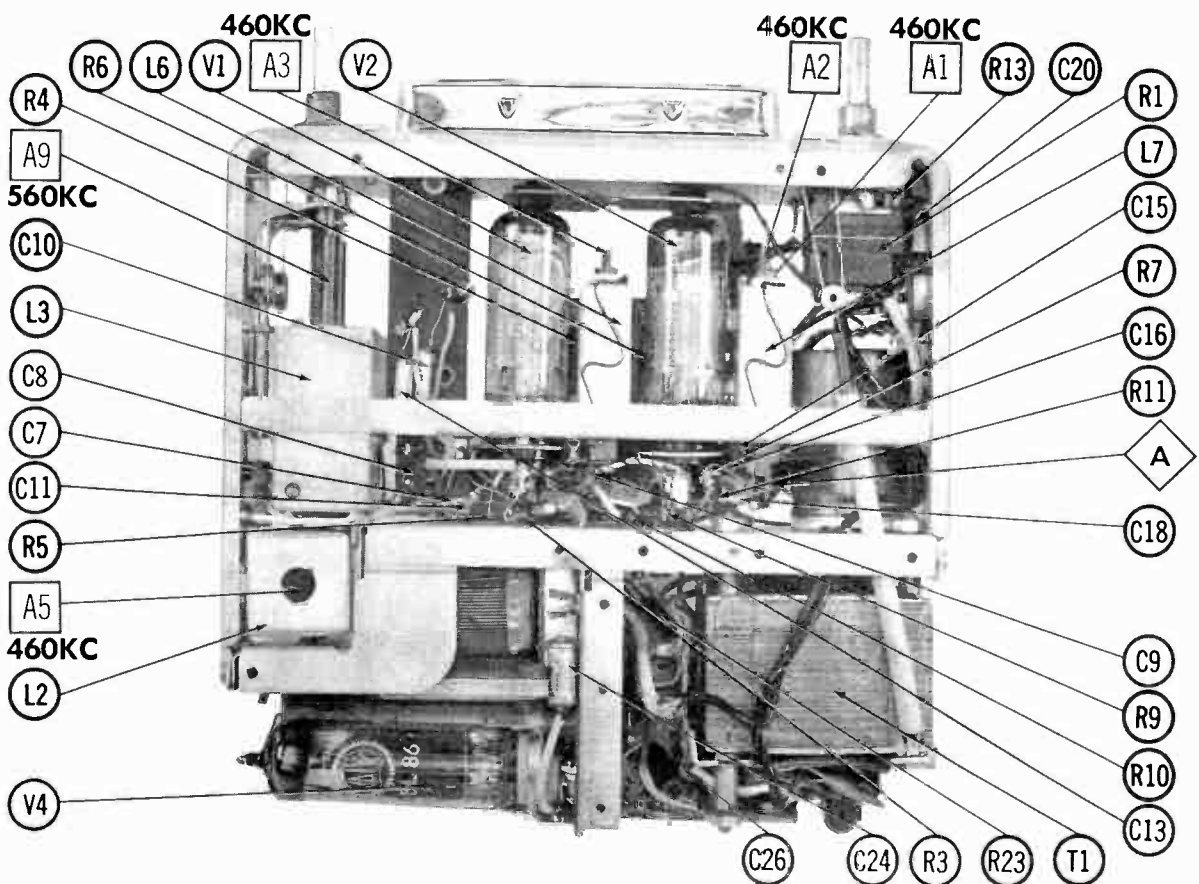
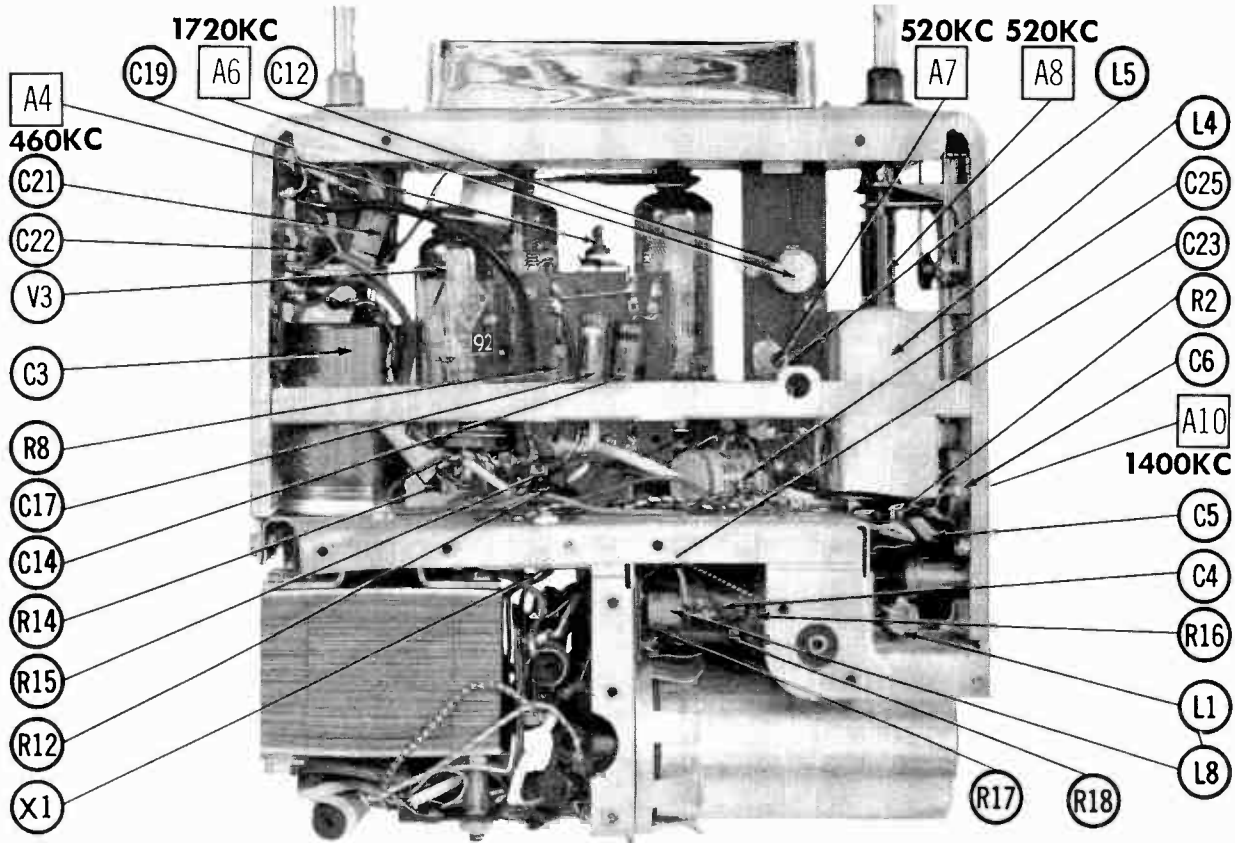
NC NO CONNECTION



NUMBERS ASSIGNED TO COILS, SWITCHES, PLUGS, SOCKETS, AND TRANSFORMERS ARE TO FACILITATE CIRCUIT TRACING OR COMPONENT REPLACEMENT AND MAY NOT NECESSARILY BE FOUND ON THE UNIT.



**BECKER MODEL
MONTE CARLO M**



CHASSIS PHOTOS

PARTS LIST AND DESCRIPTIONS WIRING DATA

| | |
|---|--|
| General-use Unshielded Hook-up Wire | Use BELDEN No. 8530 (Solid) Available in 12 Colors 8524 (Stranded) Available in 12 Colors |
| Shielded Hook-up Wire | Use BELDEN No. 8885 |
| Rear Seat Speaker Extension Cable | Use BELDEN No. 8782 (Stranded) Coded Parallel Leads |
| Bonding Strap | Use BELDEN No. 8661 (3/8 In.) or 8670 (3/4 In.) |

TUBES

| AMPEREX | | | GENERAL ELECTRIC | | | RAYTHEON | | | SYLVANIA | | |
|----------|----------------------|-------|------------------|--------------|------|----------|--------|------|----------|-----|------|
| ITEM No. | USE | TYPE | ITEM No. | USE | TYPE | ITEM No. | USE | TYPE | ITEM No. | USE | TYPE |
| V1 | Mixer - Osc. | ECH81 | V3 | AF Amplifier | 6X4 | V4 | Output | 6X4 | | | |
| V2 | IF Amp. - Det. - AVC | EBF89 | | | | | | | | | |

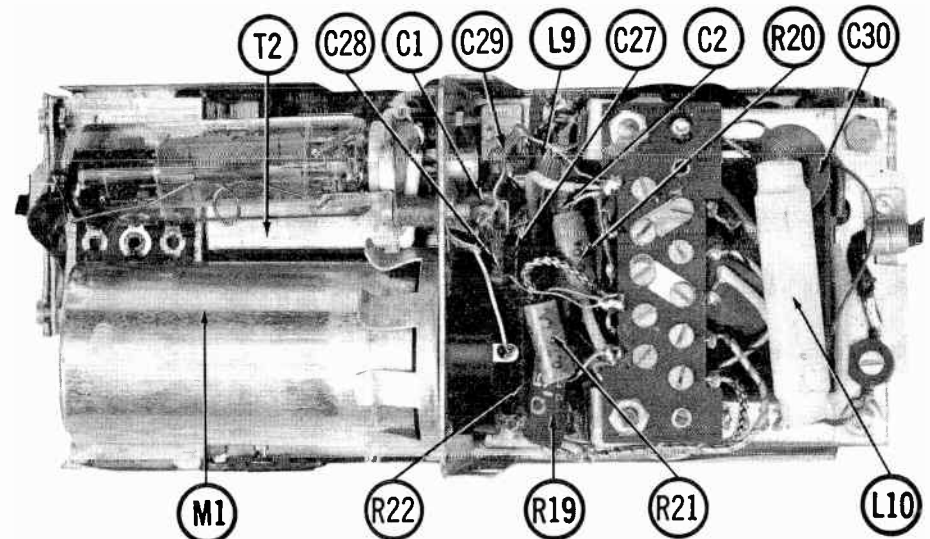
POWER RECTIFIERS & SIGNAL DIODES

| ITEM No. | CURRENT RATING (Measured) | ORIGINAL Part or Type No. | RECTIFIERS | | DIODES | NOTES |
|----------|---------------------------|---------------------------|--------------|-------------------------|-------------------|---|
| | | | RCA PART No. | SARKES TARZIAN PART No. | RAYTHEON PART No. | |
| X1 | .082A | B250C100 † | 1N2882 * | F4 * | | † Selenium Bridge * Selenium, 4 Required |

ELECTROLYTIC CAPACITORS

| ITEM No. | RATING | | REPLACEMENT DATA | | | | | | |
|----------|--------|---------|------------------|------------------|---------------------------|---------------------------|------------------|------------------|------------------|
| | CAP. | VOLT. | BECKER PART No. | AEROVOX PART No. | CORNELL-DUBILIER PART No. | GENERAL ELECTRIC PART No. | MALLORY PART No. | PYRAMID PART No. | SPRAGUE PART No. |
| C1 | 100 | 20/25 | | PTT86 | NLW100-25 | MT1-20 | TT25X100 | TD-100-25 | TE-1211 |
| C2 | 100 | 20/25 | | PTT86 | NLW100-25 | MT1-20 | TT25X100 | TD-100-25 | TE-1211 |
| C3A | 50 | 250/300 | | | | | | | |
| B | 50 | 250/300 | | | | | | | |
| C4 | 100 | 20/25 | | PTT86 | NLW100-25 | MT1-20 | TT25X100 | TD-100-25 | TE-1211 |

POWER CHASSIS



PARTS LIST AND DESCRIPTIONS (Continued)

FIXED CAPACITORS

| ITEM No. | RATING | REMARKS | REPLACEMENT DATA | | | | | |
|----------|---------------|---------|------------------|--------------------|---------------------------|------------------|------------------|------------------|
| | | | AEROVOX PART No. | CENTRALAB PART No. | CORNELL-DUBILIER PART No. | ELMENCO PART No. | MALLORY PART No. | SPRAGUE PART No. |
| C5 | .001 | | BPD-001 | DD-103 | BYA10D1 | CCD-102 | B-210 | 5HK-D10 |
| C6 | 10-60 | | | 823-BN | | * | | |
| C7 | 150 | | BPD-00015 | DD-151 | L10T15 | CCD-151 | B-315 | 10TS-T15 |
| C8 | 300 + 2% | | DI-300 | DD-301 | L10T3 | CCD-301 | GP330 | 10TS-T30 |
| C9 | .047 250V | | P488N-047 | DD-503 | CUB4S47 | 4DP-3-473 | GEM-4147 | 4TM-S47 |
| C10 | 330 + 2% | | DI-330 | DD-331 | L10T33 | CCD-331 | GP333 | 10TS-T33 |
| C11 | 50 5% | | DI-50 | DD-500 | L10Q5 | CCD-500 | GP450 | 10TS-Q50 |
| C12 | 10-40 | | | 833-BN | | * | | |
| C13 | 500 500V + 2% | | DI-500 | DD-501 | L10T5 | CCD-501 | GP350 | 10TS-T50 |
| C14 | .022 400V | | P488N-022 | DD-303 | CUB4S22 | 4DP-2-223 | GEM-4122 | 4TM-S22 |
| C15 | 50 350V 5% | | DI-50 | DD-500 | L10Q5 | CCD-500 | GP450 | 10TS-Q50 |
| C16 | .01 400V 10% | | V84C4S1-10% | DD-103 | DPMS4S1 | 4DP-1-103 | GEM-411 | 4TM-S10 |
| C17 | .003 | | DI-3000 | DD-302 | BYA10D3 | CCD-302 | GP230 | 10TS-D30 |
| C18 | 100 | | BPD-0001 | DD-101 | L10T1 | CCD-101 | GP310 | 10TS-T10 |
| C19 | .01 250V | | P488N-01 | DD-103 | CUB4S1 | 4DP-1-103 | GEM-411 | 4TM-S10 |
| C20 | .01 250V | | P488N-01 | DD-103 | CUB4S1 | 4DP-1-103 | GEM-411 | 4TM-S10 |
| C21 | .01 250V | | P488N-01 | DD-103 | CUB4S1 | 4DP-1-103 | GEM-411 | 4TM-S10 |
| C22 | .0047 500V | | P888N-0047 | DD-472 | CUB6D47 | 6DP-1-472 | GEM-6247 | 6TM-D47 |
| C23 | .01 400V | | P488N-01 | DD-103 | CUB4S1 | 4DP-1-103 | GEM-411 | 4TM-S10 |
| C24 | .005 300V | | P488N-005 | DD-502 | CUB6D5 | 6DP-1-502 | GEM-425 | 6TM-D50 |
| C25 | .1 100V | | P288N-1 | | CUB4P1 | IDP-2-104 | GEM-201 | 2TM-P10 |
| C26 | .03 | | P488N-03 | DD-303 | CUB6S3 | 4DP-2-303 | GEM-413 | 4TM-S30 |
| C27 | .1 125V | | P288N-1 | | CUB2P1 | 2DP-3-104 | GEM-201 | 2TM-P10 |
| C28 | .025 | | | | | * | | |
| C29 | .025 | | | | | * | | |
| C30 | .01 | | BPD-01 | DD-103 | BYA10S1 | CCD-103 | B-110 | 5HK-S10 |

* Not normally in distributor's stock. Available thru distributor on order to manufacturer.

COILS (RF-IF)

| ITEM No. | USE | REPLACEMENT DATA | | | | | NOTES |
|----------|------------------|------------------|----------------|-----------------|------------------|------------------|-------|
| | | BECKER PART No. | Merit PART No. | Miller PART No. | Stancor PART No. | Workman PART No. | |
| L1 | RF Choke (4.5uh) | BV. 651, 951 | | | | | |
| L2 | 480KC Trap | BV. 651, 956 | | | | | |
| L3 | Ant. | BV. 651, 957 | | | | | |
| L4 | Osc. | BV. 651, 958 | | | | | |
| L5 | Series Osc. | BV. 651, 953 | | | | | |
| L6 | Input IF | AP1001/52 | | | | | |
| L7 | Output IF | WE12073 | | | | | |
| L8 | RF Choke | | | | | | |
| L9 | RF Choke | | | | | | |
| L10 | Hash Choke | | | | | | |

TRANSFORMER (POWER)

| ITEM No. | RATING | | | REPLACEMENT DATA | | | | | NOTES |
|----------|-------------------------------|-------------------------------|--------|------------------|----------------|------------------|---------------------|----------------|-------|
| | PRI. | SEC. 1 | SEC. 2 | BECKER PART No. | MERIT PART No. | STANCOR PART No. | THORDARSON PART No. | TRIAD PART No. | |
| T1 | 12.6V @ 2.5A (or 6.3V @ 4.4A) | 130V @ .062A (or 70V @ .062A) | | 651S321 | | | | | |

CONTROLS

All wattages 1/2 watt, or less, unless otherwise listed.

| ITEM No. | USE | RESISTANCE | REPLACEMENT DATA | | | | |
|----------|-----------------|-----------------|------------------|--------------------|--------------------|------------------|------------------|
| | | | BECKER PART No. | CENTRALAB PART No. | CLAROSTAT PART No. | CTS-IRC PART No. | MALLORY PART No. |
| R1 | Volume & Switch | 1.3meg 350K Tap | | | | | |

TRANSFORMER (AUDIO OUTPUT)

| ITEM No. | IMPEDANCE | | REPLACEMENT DATA | | | | | NOTES |
|----------|-----------|-------|------------------|----------------|------------------|---------------------|----------------|-------|
| | PRI. | SEC. | BECKER PART No. | Merit PART No. | Stancor PART No. | Thordarson PART No. | Triad PART No. | |
| T2 | 4500Ω | 5Ω CT | 651S330 | | | | | |

RESISTORS

All wattages 1/2 watt, or less, unless otherwise listed.

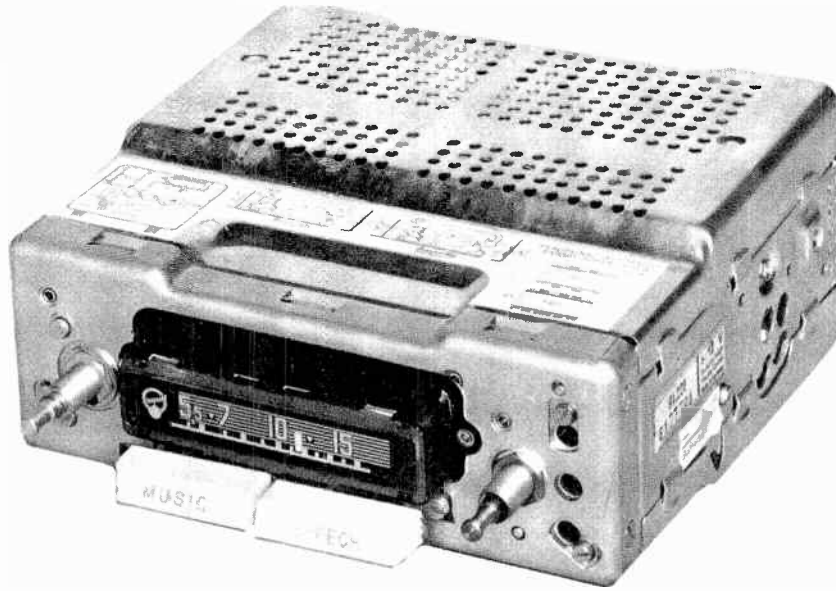
| ITEM No. | RATING | REPLACEMENT DATA | | | ITEM No. | RATING | REPLACEMENT DATA | | |
|----------|--------|------------------|------------------|---------|----------|------------|------------------|------------------|---------|
| | | IRC PART No. | WORKMAN PART No. | REMARKS | | | IRC PART No. | WORKMAN PART No. | REMARKS |
| R2 | 500K | | | | R13 | 40K | | | |
| R3 | 1meg | | | | R14 | 10meg | | | |
| R4 | 20K 1W | | | | R15 | 300K | | | |
| R5 | 50K | | | | R16 | 680K | | | |
| R6 | 30K 1W | | | | R17 | 1000Ω | | | |
| R7 | 4000Ω | | | | R18 | 250Ω 1W | | | |
| R8 | 100K | | | | R19 | .5Ω 2 1/2W | | T50 | |
| R9 | 1meg | | | | R20 | 250Ω 1W | | | |
| R10 | 1meg | | | | R21 | 250Ω 1W | | | |
| R11 | 100K | | | | R22 | 50Ω 2W | | | |
| R12 | 400K | | | | R23 | 8000Ω 2W | | | |

VIBRATOR

| ITEM No. | TYPE | INPUT VOLTS | FREQUENCY | REPLACEMENT DATA | | | | NOTES |
|----------|-------------|-------------|-----------|------------------|---------------------------|------------------|------------------|-------|
| | | | | BECKER PART No. | CORNELL-DUBILIER PART No. | MALLORY PART No. | RADIART PART No. | |
| M1 | Interruptor | 6 (or 12) | 115% | | | | | |

MISCELLANEOUS

| ITEM No. | PART NAME | BECKER PART No. | NOTES |
|----------|------------|-----------------|-------|
| | Dial Glass | 653E002-01 | |



TRADE NAME Blaupunkt Model Export Super 91220 (Serial #E160001 and up)
 IMPORTER Robert Bosch Corp., 40-25 Crescent Street, Long Island City 1, N. Y.
 TYPE SET Battery Operated 5 Tube AM Automobile Receiver
 POWER SUPPLY 6 (or) 12 Volt Storage Battery RATING 4.6 Amp. @6.3 Volts DC (or)
 TUNING RANGE - BROADCAST 550 - 1630KC 2.3 Amp. @12.6 Volts DC

ALIGNMENT INSTRUCTIONS

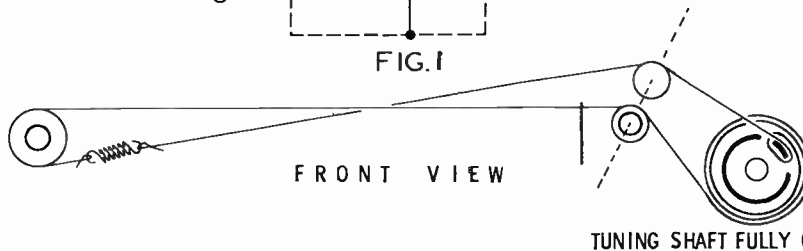
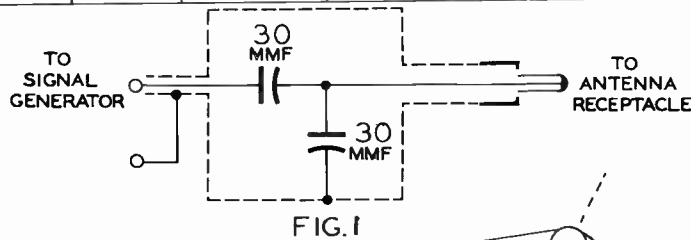
ALIGNMENT INSTRUCTIONS—READ CAREFULLY BEFORE ATTEMPTING ALIGNMENT

Use only enough generator output to provide a usable indication.

Suggested Alignment Tools:

A1 thru A5, A9. GENERAL CEMENT #5004, 5009, 8195, 8274, 8275, 8607, 8728, 8987, 8988, 8989, 9291
 WALSCO #2515, 2520, 2522, 2523, 2531, 2532, 2534, 2537, 2538

| | SIGNAL GENERATOR COUPLING | SIGNAL GENERATOR FREQUENCY | RADIO DIAL SETTING | OUTPUT METER | ADJUST | REMARKS |
|----|---|----------------------------|-------------------------|---|----------------|--------------------------------|
| 1. | High side thru .1mfd to grid (Pin 2) of Converter. Low side to chassis. | 460KC (Unmod.) | Tuning gang fully open. | DC probe to point \diamond . Common to chassis. | A1, A2, A3, A4 | Adjust for maximum deflection. |
| 2. | Thru dummy (Fig. 1) to antenna receptacle. | " | " | " | A5 | Adjust for MINIMUM deflection. |
| 3. | " | 1100KC | 1100KC | " | A6, A7 | Adjust for maximum deflection. |
| 4. | " | 550KC | 550KC | " | A8, A9 | " |



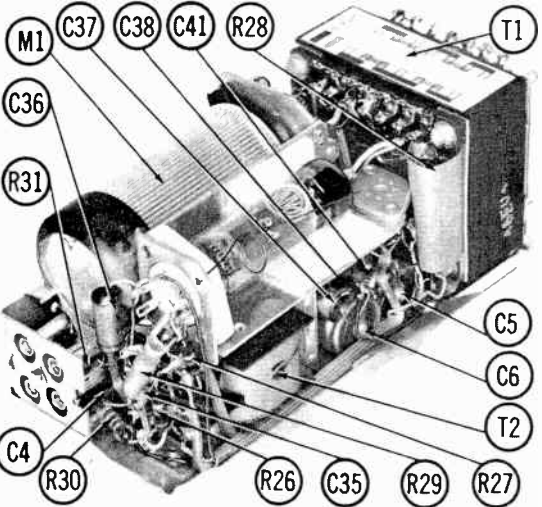
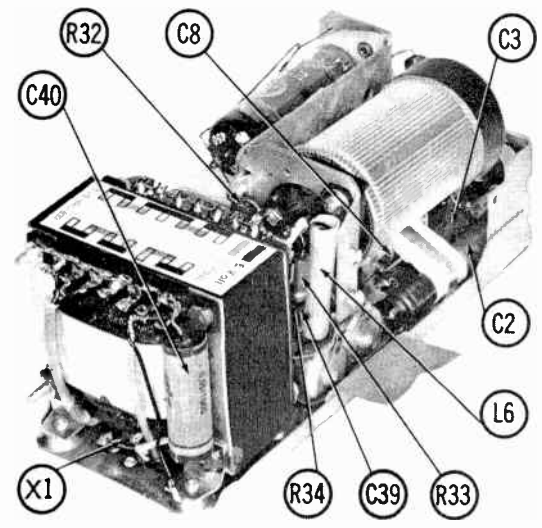
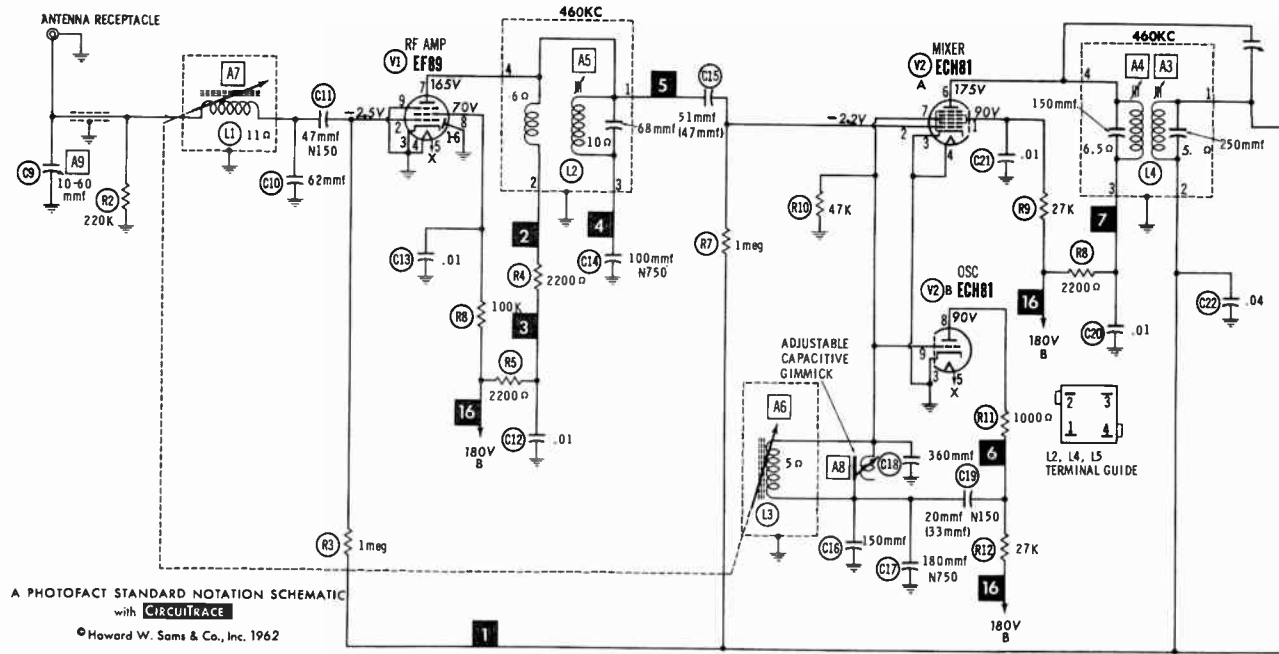
HOWARD W. SAMS & CO., INC. Indianapolis 6, Indiana

The listing of any available replacement part herein does not constitute in any case a recommendation, warranty or guaranty by Howard W. Sams & Co., Inc., as to the quality and suitability of such replacement part. The numbers of these parts have been compiled from information furnished to Howard W. Sams & Co., Inc., by the manufacturers of LD356

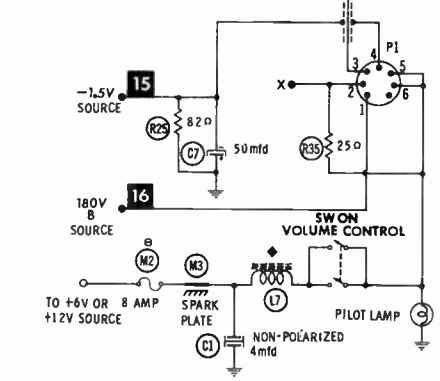
the particular type of replacement part listed. Reproduction or use, without express permission, of editorial or pictorial content, in any manner, is prohibited. No patent liability is assumed with respect to the use of the information contained herein. © 1962 Howard W. Sams & Co., Inc., Indianapolis 6, Indiana. Printed in U.S. of America



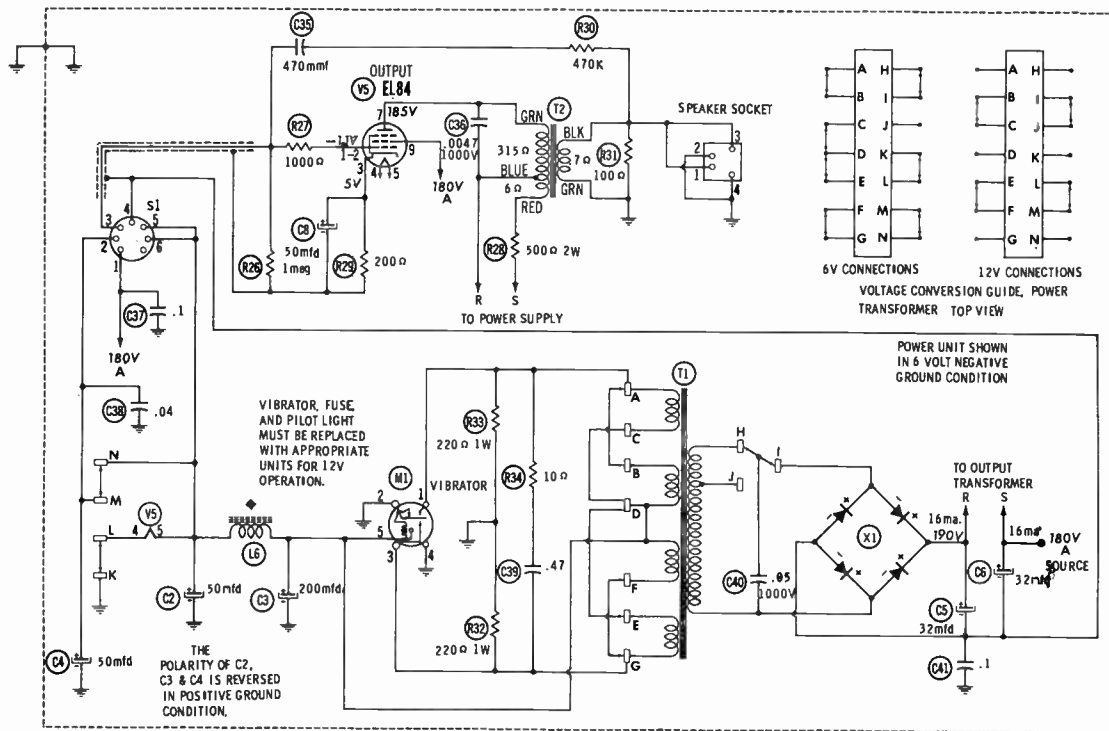
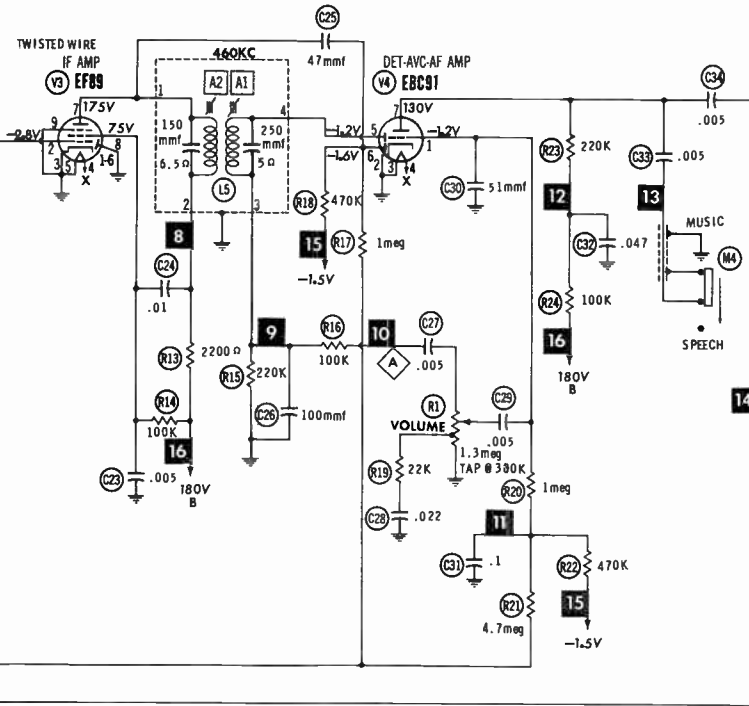
**BLAUPUNKT
MODEL 91220**



POWER CHASSIS



1. DC voltage measurements taken with vacuum tube voltmeter.
2. Socket connections shown as bottom views.
3. Measured values are from socket pin to common ground.
4. Battery voltage maintained at 12.6 volts for voltage readings.
5. Nominal tolerance on component values makes possible a variation of ±15% in voltage and resistance readings.
6. Volume control at maximum, no signal applied for voltage measurements.



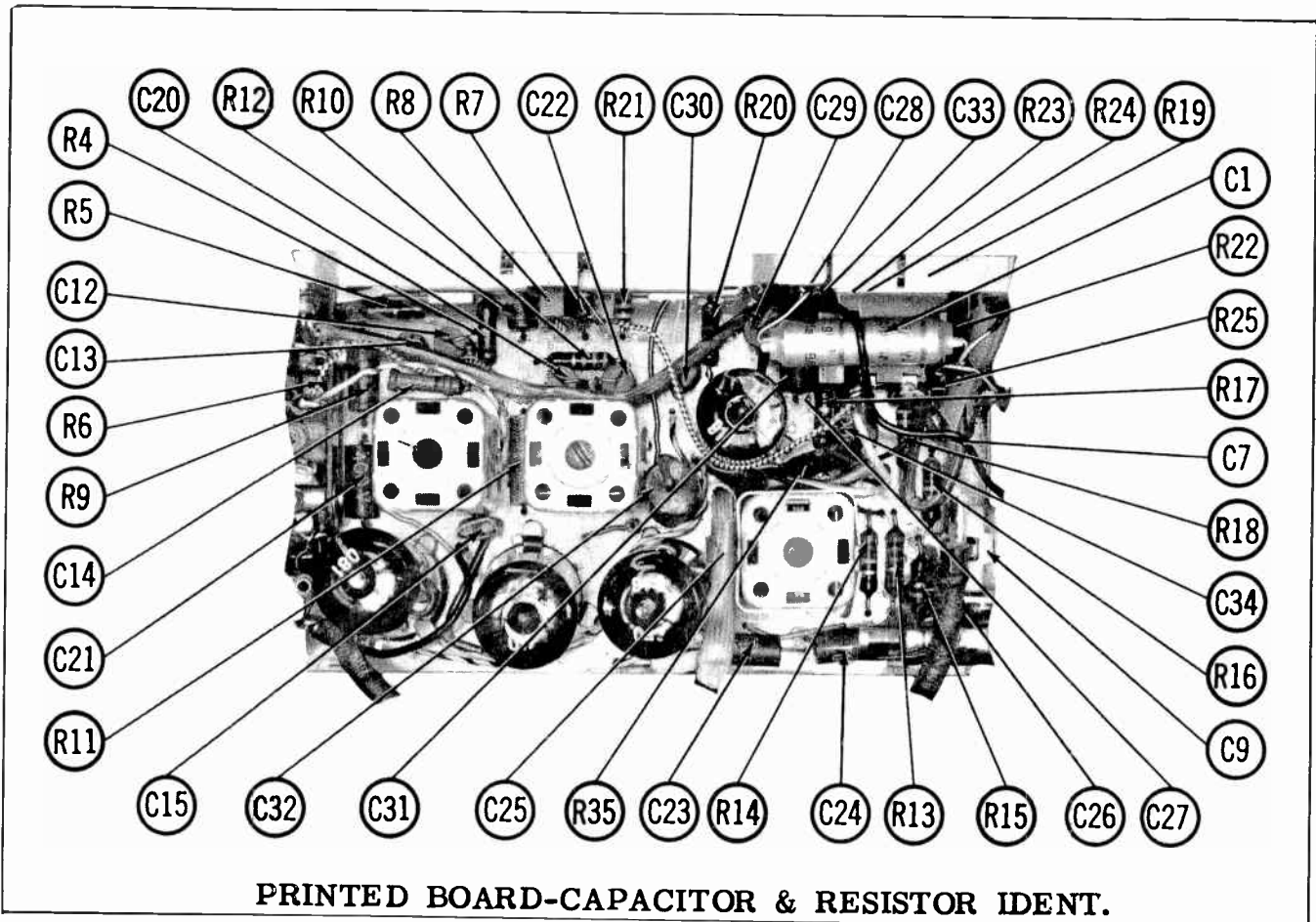
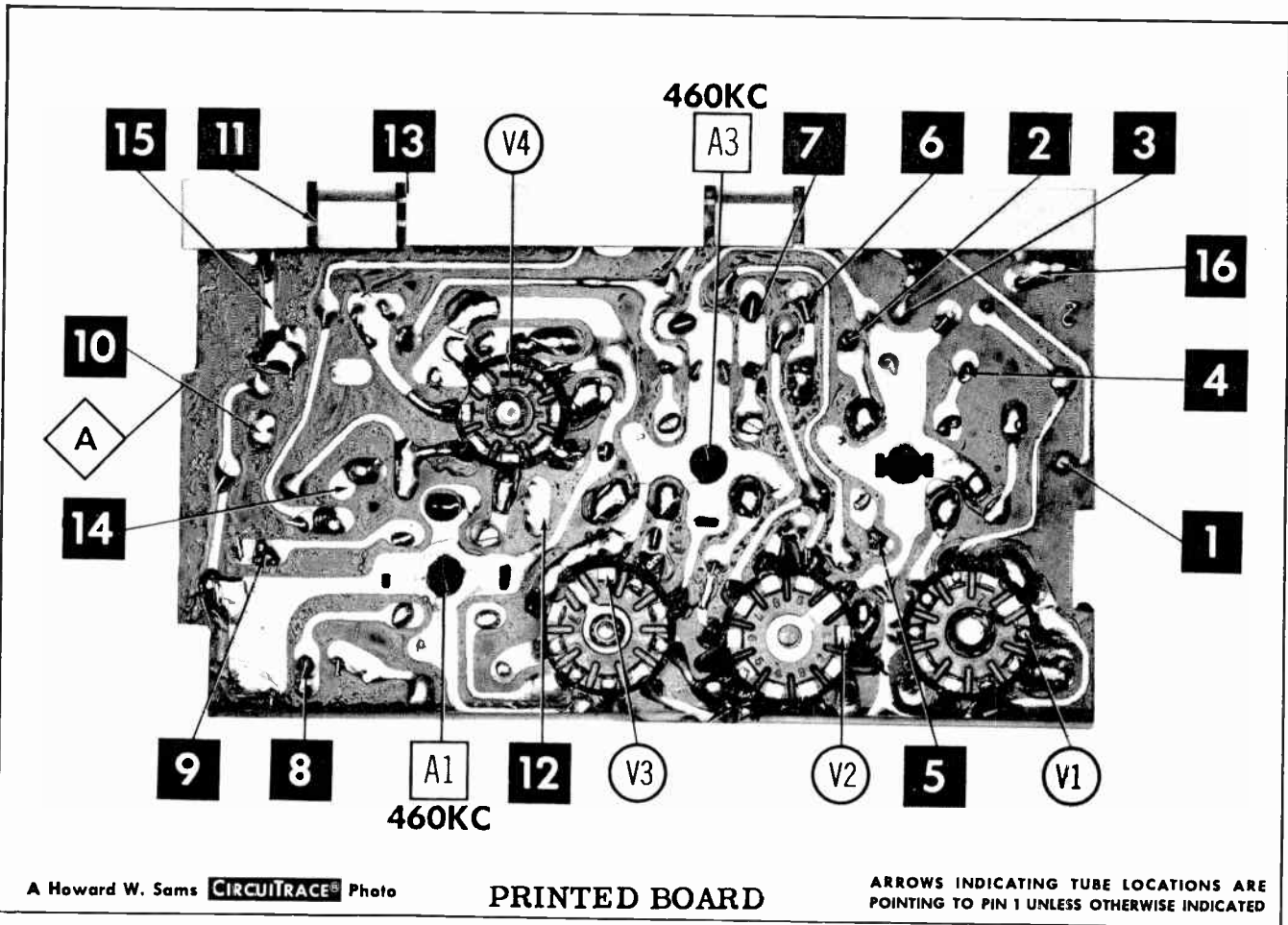
RESISTANCE READINGS

| ITEM | TUBE | Pin 1 | Pin 2 | Pin 3 | Pin 4 | Pin 5 | Pin 6 | Pin 7 | Pin 8 | Pin 9 |
|------|--------|---------|---------|-------|-------|-------|--------|--------|-------|-------|
| V1 | EF89 | 0Ω | 2.3 meg | 0Ω | 0Ω | FIL | 0Ω | 14.4K | †100K | 0Ω |
| V2 | EC:H81 | †27K | 2.3 meg | 0Ω | 0Ω | FIL | †2200Ω | 47K | †28K | 47K |
| V3 | EF89 | 0Ω | 1.3 meg | 0Ω | FIL | 0Ω | 0Ω | †2200Ω | †100K | 0Ω |
| V4 | EBC91 | 1.6 meg | 0Ω | 0Ω | FIL | 220K | 440K | †320K | FIL | FIL |
| V5 | EL84 | NC | 1.1 meg | 200Ω | FIL | FIL | NC | †850Ω | NC | †0Ω |

† MEASURED FROM OUTPUT OF X1.
 NC NO CONNECTION

NUMBERS ASSIGNED TO COILS, SWITCHES, PLUGS, SOCKETS, AND TRANSFORMERS ARE TO FACILITATE CIRCUIT TRACING OR COMPONENT REPLACEMENT AND MAY NOT NECESSARILY BE FOUND ON THE UNIT.
 ◆ DC COIL RESISTANCE VALUES UNDER ONE OHM NOT SHOWN ON SCHEMATIC DIAGRAM

**BLAUPUNKT
 MODEL 91220**



PARTS LIST AND DESCRIPTIONS

TUBES

| AMPEREX | | | GENERAL ELECTRIC | | | RAYTHEON | | | SYLVANIA | | |
|----------|--------------|-------|------------------|-------------------|-------|----------|-----|------|----------|-----|------|
| ITEM No. | USE | TYPE | ITEM No. | USE | TYPE | ITEM No. | USE | TYPE | ITEM No. | USE | TYPE |
| V1 | RF Amplifier | EF89 | V4 | Det. -AVC-AF Amp. | EBC91 | | | | | | |
| V2 | Mixer-Osc. | ECH81 | V5 | Output | EL84 | | | | | | |
| V3 | IF Amplifier | EF89 | | | | | | | | | |

POWER RECTIFIERS & SIGNAL DIODES

| ITEM No. | CURRENT RATING (Measured) | ORIGINAL Part or Type No. | RECTIFIERS | | DIODES | NOTES |
|----------|---------------------------|---------------------------|--------------|-------------------------|-------------------|---|
| | | | RCA PART No. | SARKES TARZIAN PART No. | RAYTHEON PART No. | |
| X1 | .016A | G1801 * | 1N3184 † | F8 † | | * Bridge, Selenium † 4 Required, Silicon |

ELECTROLYTIC CAPACITORS

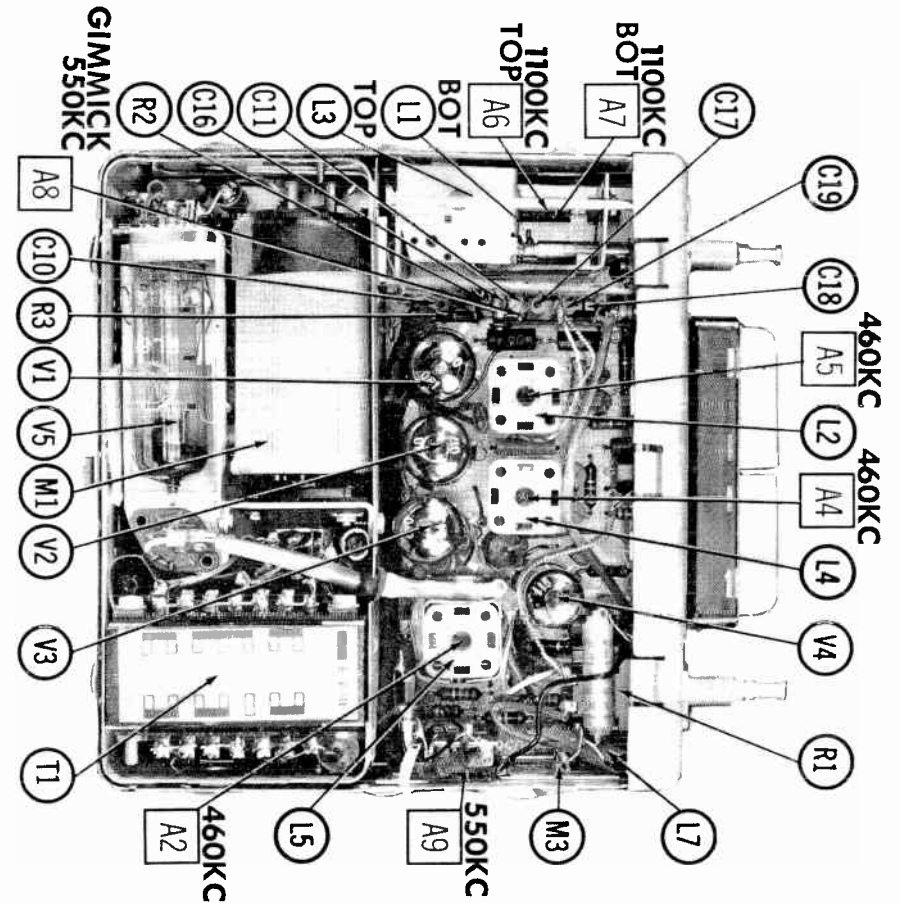
| ITEM No. | RATING | | BLAUPUNKT PART No. | REPLACEMENT DATA | | | | | |
|----------|--------|-------|--------------------|------------------|---------------------------|---------------------------|------------------|------------------|------------------|
| | CAP. | VOLT. | | AEROVOX PART No. | CORNELL-DUBILIER PART No. | GENERAL ELECTRIC PART No. | MALLORY PART No. | PYRAMID PART No. | SPRAGUE PART No. |
| C1 | 4 | 18NP | | NP-PRS7405 | BBR4-150 | NPQT-1 | TCN504 | | *TVANS-1202.2 |
| C2 | 50 | 18 | | PTT85 | NLW50-25 | MT1-16 | TT15X50 | MLV50-25 | TE-1209 |
| C3 | 200 | 18 | | CRE481 | NLW200-15 | MT1-23 | TT15X200 | | TE-1184 |
| C4 | 50 | 18 | | PTT85 | NLW50-25 | MT1-16 | TT15X50 | MLV50-25 | TE-1209 |
| C5 | 32 | 450 | | PRSI740 | | | | | |
| C6 | 32 | 450 | | | | | | | |
| C7 | 50 | 8 | | PTT45 | NLW50-10 | MT1-16 | TT10X50 | MLV50-10 | TE-1119 |
| C8 | 50 | 15 | | PTT72 | NLW50-15 | MT1-16 | TT15X50 | MLV50-15 | TE-1180 |

* Not normally in distributor's stock. Available thru distributor on order to manufacturer.

FIXED CAPACITORS

| ITEM No. | RATING | REMARKS | REPLACEMENT DATA | | | | | | |
|----------|----------|---------|------------------|---------------------|---------------------------|------------------|------------------|------------------|-----------|
| | | | AEROVOX PART No. | CENTRALLAB PART No. | CORNELL-DUBILIER PART No. | ELMENCO PART No. | MALLORY PART No. | SPRAGUE PART No. | |
| C9 | 10-60 | | | | | | 404 | | |
| C10 | 62 | | | | | | | | |
| C11 | 47 N150 | | | | | | * | | 10TCP-Q47 |
| C12 | .01 400V | | P488N-01 | DD-103 | CUB4S1 | | 4DP-1-103 | GEM-411 | 4TM-S10 |
| C13 | .01 400V | | P488N-01 | DD-103 | CUB4S1 | | 4DP-1-103 | GEM-411 | 4TM-S10 |

CHASSIS—TOP VIEW



PARTS LIST AND DESCRIPTIONS (Continued)

FIXED CAPACITORS (cont)

| ITEM No. | RATING | REMARKS | REPLACEMENT DATA | | | | | | |
|----------|-------------|---------|------------------|--------------------|---------------------------|------------------|------------------|------------------|----------|
| | | | AEROVOX PART No. | CENTRALAB PART No. | CORNELL-DUBILIER PART No. | ELMENDO PART No. | MALLORY PART No. | SPRAGUE PART No. | |
| C14 | 100 N750 | (47) † | N750-C1-100 | DTN-100 | C10T1U | CCTN-101 | CN7-310 | 10TCU-T10 | |
| C15 | 51 | | D1-50 | DD-510 | L10Q61 | CCD-500 | GP450 | 10TS-Q50 | |
| C16 | 150 | | C1-150 | D8-151 | L10T15 | CCD-151 | GP315 | 10TS-T15 | |
| C17 | 180 N750 | (33) † | N750-C1-180 | TCN-180 | C10T18U | | CN7-318 | 10TCU-T18 | |
| C18 | 360 | | C1-360 | DD-361 | L10T36 | | GP336 | 10TS-T36 | |
| C19 | 20 N150 | | | | | * | | | |
| C20 | .01 400V | | | P488N-01 | DD-103 | CUB4S1 | 4DP-1-103 | GEM-411 | 4TM-S10 |
| C21 | .01 400V | | | P488N-01 | DD-103 | CUB4S1 | 4DP-1-103 | GEM-411 | 4TM-S10 |
| C22 | .04 180V | | | P288N-04 | DD-403 | CUB8S4 | 4DP-3-403 | GEM-414 | 4TM-S40 |
| C23 | .005 400V | | | P488N-005 | DD-502 | CUB6D5 | 6DP-1-502 | GEM-425 | 6TM-D50 |
| C24 | .01 400V | | | P488N-01 | DD-103 | CUB4S1 | 4DP-1-103 | GEM-411 | 4TM-S10 |
| C25 | 47 | | | C1-47 | D6-470 | L10Q47 | CCD-470 | GP447 | 10TS-Q47 |
| C26 | 100 | | | SI 100 | TCZ-100 | L10T1 | CCD-101 | GP310 | 10TS-T10 |
| C27 | .005 400V | | | P488N-005 | DD-502 | CUB6D5 | 6DP-1-502 | GEM-425 | 6TM-D50 |
| C28 | .022 125V | | | P288N-022 | DD-203 | CUB4S22 | 4DP-2-223 | GEM-4122 | 2TM-S22 |
| C29 | .005 400V | | | P488N-005 | DD-502 | CUB4D5 | 6DP-1-502 | GEM-425 | 6TM-D50 |
| C30 | 51 | | | D1-50 | DD-510 | L10Q51 | CCD-500 | GP450 | 10TS-Q50 |
| C31 | .1 180V | | | P288N-1 | DD-503 | CUB2P1 | 2DP-3-104 | GEM-201 | 2TM-P10 |
| C32 | .047 250V | | P488N-047 | DD-503 | CUB4S47 | 4DP-3-473 | GEM-4147 | 4TM-S47 | |
| C33 | .005 400V | | P488N-005 | DD-502 | CUB4S5 | 6DP-1-502 | GEM-425 | 6TM-D50 | |
| C34 | .005 400V | | P488N-005 | DD-502 | CUB4S5 | 6DP-1-502 | GEM-425 | 6TM-D50 | |
| C35 | 470 | | D1-470 | DD-471 | L10T47 | CCD-471 | GP347 | 10TS-T47 | |
| C36 | .0047 1000V | | P1088N-0047 | DD-472 | CUB10D47 | 16DP-2-472 | GEM-10247 | 10TM-D47 | |
| C37 | .1 500V | | P688N-1 | DD-403 | CUB6P1 | 6DP-4-104 | GEM-601 | 6TM-P10 | |
| C38 | .04 180V | | P288N-04 | | CUB8S4 | 4DP-3-403 | GEM-414 | 4TM-S40 | |
| C39 | .47 180V | | P288N-47 | | CUB2P47 | 2DP-5-474 | GEM-2047 | 2TM-P47 | |
| C40 | .05 1000V | | P1088N-05 | | CUB10S5 | 16DP-5-503 | GEM-1015 | 10TM-S50 | |
| C41 | .1 180V | | P288N-1 | | CUB2P1 | 2DP-3-104 | GEM-201 | 2TM-P10 | |

* Not normally in distributor's stock. Available thru distributor on order to manufacturer.
 † Alternate Value.

CONTROLS

All wattages 1/2 watt, or less, unless otherwise listed.

| ITEM No. | USE | RESISTANCE | REPLACEMENT DATA | | | |
|----------|-----------------|--------------------|--------------------|--------------------|--------------------|------------------|
| | | | BLAUPUNKT PART No. | CENTRALAB PART No. | CLAROSTAT PART No. | CTS-IRC PART No. |
| R1 | Volume & Switch | 1.3meg 300K Tap | | | | |

RESISTORS

All wattages 1/2 watt, or less, unless otherwise listed.

| ITEM No. | RATING | REPLACEMENT DATA | | | ITEM No. | RATING | REPLACEMENT DATA | | |
|----------|--------|------------------|------------------|---------|----------|---------|------------------|------------------|---------|
| | | IRC PART No. | WORKMAN PART No. | REMARKS | | | IRC PART No. | WORKMAN PART No. | REMARKS |
| R2 | 220K | | | | R19 | 22K | | | |
| R3 | 1meg | | | | R20 | 1meg | | | |
| R4 | 2200Ω | | | | R21 | 4.7meg | | | |
| R5 | 2200Ω | | | | R22 | 470K | | | |
| R6 | 100K | | | | R23 | 220K | | | |
| R7 | 1meg | | | | R24 | 100K | | | |
| R8 | 2200Ω | | | | R25 | 82Ω | | | |
| R9 | 27K | | | | R26 | 1meg | | | |
| R10 | 47K | | | | R27 | 1000Ω | | | |
| R11 | 1000Ω | | | | R28 | 5000 2W | | | |
| R12 | 27K | | | | R29 | 200Ω | | | |
| R13 | 2200Ω | | | | R30 | 470K | | | |
| R14 | 100K | | | | R31 | 100Ω | | | |
| R15 | 220K | | | | R32 | 220Ω 1W | | | |
| R16 | 100K | | | | R33 | 220Ω 1W | | | |
| R17 | 1meg | | | | R34 | 10Ω | | | |
| R18 | 470K | | | | R35 | 25Ω | | | |

COILS (RF-IF)

| ITEM No. | USE | REPLACEMENT DATA | | | | | NOTES |
|----------|-------------------|--------------------|----------------|-----------------|------------------|------------------|-------|
| | | BLAUPUNKT PART No. | Merit PART No. | Miller PART No. | Stancor PART No. | Workman PART No. | |
| L1 | Ant. | | | | | | |
| L2A | 480KC Trap | | | | | | |
| B | RF Choke | | | | | | |
| L3 | Osc. | | | | | | |
| L4 | Input IF | | | | | | |
| L5 | Output IF | | | | | | |
| L6 | Haah Choke (12uh) | BC-537 | | 5220 | | RTC-9182 | |
| L7 | Haah Choke (12uh) | BC-537 | | 5220 | | RTC-9182 | |

TRANSFORMER (POWER)

| ITEM No. | RATING | REPLACEMENT DATA | | | | | NOTES |
|----------|--|----------------------------------|----------------|------------------|---------------------|----------------|-------|
| | | BLAUPUNKT PART No. | Merit PART No. | Stancor PART No. | Thordarson PART No. | Triad PART No. | |
| T1 | 6.3VCT ② 4.6A or 12.6V ② 2.3A | 280V ② .015A Tap ② 240V | | | | | |

TRANSFORMER (AUDIO OUTPUT)

| ITEM No. | IMPEDANCE | REPLACEMENT DATA | | | | | NOTES |
|----------|-------------------|--------------------|----------------|------------------|---------------------|----------------|-------|
| | | BLAUPUNKT PART No. | Merit PART No. | Stancor PART No. | Thordarson PART No. | Triad PART No. | |
| T2 | 4200Ω Tap @ 2% | | | | | | |

VIBRATOR

| ITEM No. | TYPE | INPUT VOLTS | FRE-QUENCY | REPLACEMENT DATA | | | NOTES |
|----------|------|-------------|------------|--------------------|---------------------------|------------------|-------------------------------------|
| | | | | BLAUPUNKT PART No. | CORNELL-DUBILIER PART No. | MALLORY PART No. | |
| M1 | | 6V | | SM0702/01Z 6V | | | 6 Volt Versions 12 Volt Versions |

FUSES

| ITEM No. | TYPE | RATING | REPLACEMENT DATA | | | | | | |
|----------|------|--------|--------------------|--------|---------------------|---------------------|---------------|--------|-----|
| | | | BLAUPUNKT PART No. | | LITTELFUSE PART No. | | BUSS PART No. | | |
| | | | FUSE | HOLDER | FUSE | HOLDER | FUSE | HOLDER | |
| M2 | | 8A | ① | | | 307008. (8A SFE) | 155008 | SFE8 | HRH |
| | | 4A | ② | | | 307004. (4A SFE) | 155004 | SFE 4 | HRF |

① 6 Volt Input. ② 12 Volt Input.

MISCELLANEOUS

| ITEM No. | PART NAME | BLAUPUNKT PART No. | NOTES |
|----------|-------------|--------------------|--------------|
| M3 | Spark Plate | | |
| M4 | Switch | | Speech-Music |

WIRING DATA

General-use Unshielded Hook-up Wire Use BELDEN No. 8530 (Solid) Available in 12 Colors
 8524 (Stranded) Available in 12 Colors
 Power Cord Use BELDEN No. 17106 (Plastic) or 17128 (Rubber) - 6 Ft.
 17109 (Plastic) or 17129 (Rubber) - 9 Ft.
 Power Cord (Interlock Type) Use BELDEN No. 8874 (Rubber) or 8895 (Plastic)



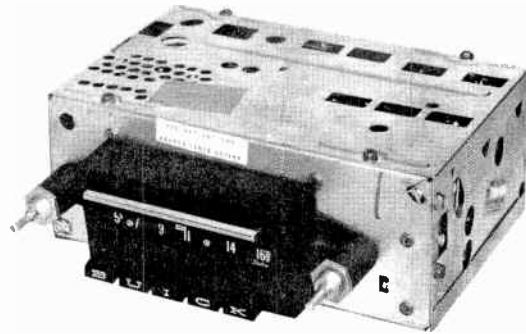
NOTE: To replace tubes, remove four 1/4" hex screws holding cover and remove cover.

RADIO REMOVAL — ALL 1962 BUICKS, EXCEPT SPECIALS

1. Pull off knobs and felt washer.
2. Separate speaker leads at connector, remove "A" lead clip and antenna plug.
3. Remove two 1/2" hex nuts from control bushings and remove bezel.
4. Remove two 1/4" hex mounting screws from bottom of receiver and push it up and out of instrument panel opening.

SPEAKER REMOVAL

1. Remove four Phillips screws holding front dash panel and remove panel.
2. Remove four 3/8" hex nuts holding speaker to underneath side of top instrument panel (above glove box) and remove speaker through dash opening.



TRADE NAME Buick Model 980297 (For 1962 Buicks)
 MANUFACTURER Delco Radio Div., General Motors Corp., Kokomo, Indiana
 TYPE SET Battery Operated 5 Tube - 1 Transistor Custom Built Automobile AM Receiver
 POWER SUPPLY 12 Volt Storage Battery RATING 2.5 Amp. @12.6 Volts DC (3 Amp. While Seeking)
 TUNING RANGE—BROADCAST 520 — 1640KC

ALIGNMENT INSTRUCTIONS

ALIGNMENT INSTRUCTIONS—READ CAREFULLY BEFORE ATTEMPTING ALIGNMENT

Use only enough generator output to provide a usable indication.

Suggested Alignment Tools:

- A1 Thru A4..... GENERAL CEMENT #8282, 8606, 8606-L, 9091
 WALSCO #2526, 2541, 2542, 2543, 2544
 A6 Thru A8..... GENERAL CEMENT #5004, 5009, 8195, 8274, 8275, 8607, 8728, 8987, 8988, 8989, 9291
 WALSCO #2515, 2520, 2522, 2523, 2531, 2532, 2534, 2537, 2538

| | SIGNAL GENERATOR COUPLING | SIGNAL GENERATOR FREQUENCY | RADIO DIAL SETTING | INDICATOR | ADJUST | REMARKS |
|---|--|----------------------------|--------------------|--|------------|--------------------------------|
| 1. | High side thru .1mf to pin 7 (grid) of Converter. Low side to ground. | 262KC (Unmod.) | High Freq. Stop. | DC VTVM to point ⬠, common to chassis. | A1, A2, A3 | Adjust for maximum deflection. |
| 2. | " | " | " | " | A4 | Adjust for MINIMUM deflection. |
| Check setting of oscillator coil core A5. Rear of core should be 1 5/8" from mounting end of core form. | | | | | | |
| 3. | Thru dummy (Fig. 1) to antenna receptacle. | 1620KC | High Freq. Stop. | DC VTVM to point ⬠, common to chassis, | A6, A7, A8 | Adjust for maximum deflection. |
| 4. | " | 600KC | 600KC | " | A9, A10 | " |
| 5. | " | 1620KC | 1620KC | " | A7, A8 | " |
| 6. | With radio installed in car and antenna fully extended, tune in a weak station near 1400KC and adjust A8 for maximum output. | | | | | |

PUSH-BUTTON ADJUSTMENT

1. Tune manually to desired station.
2. Pull push button out, then press in firmly.
3. Repeat for remaining push buttons.

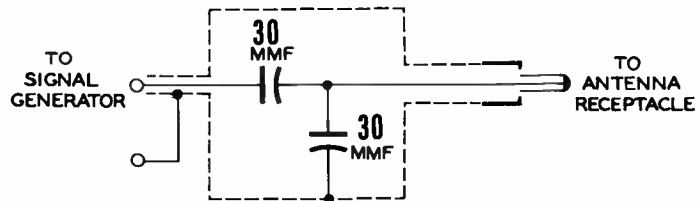


FIG. 1

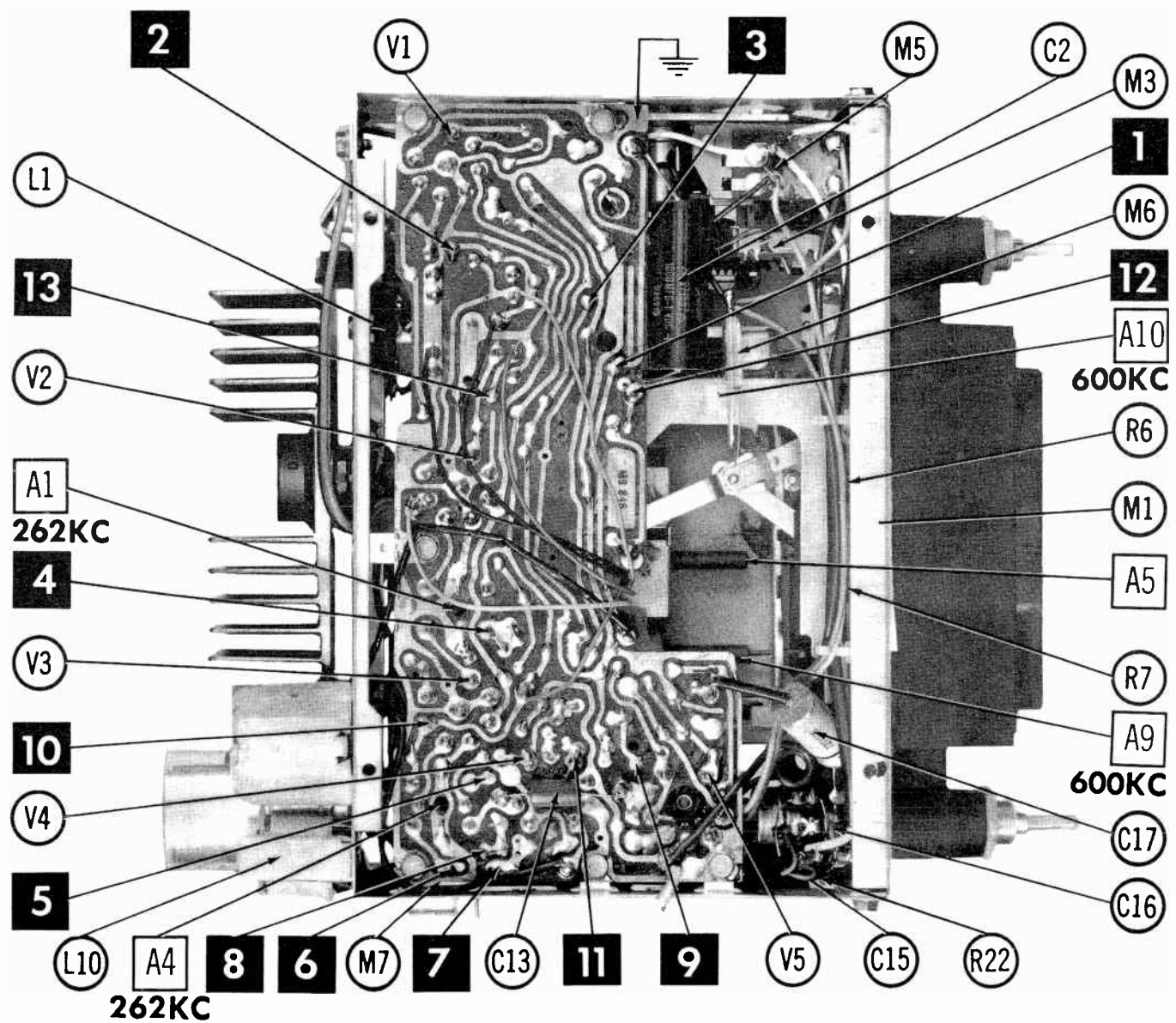
HOWARD W. SAMS & CO., INC. Indianapolis 6, Indiana

The listing of any available replacement part herein does not constitute in any case a recommendation, warranty or guaranty by Howard W. Sams & Co., Inc., as to the quality and suitability of such replacement part. The numbers of these parts have been compiled from information furnished to Howard W. Sams & Co., Inc., by the manufacturers of LD725

the particular type of replacement part listed. Reproduction or use, without express permission, of editorial or pictorial content, in any manner, is prohibited. No patent liability is assumed with respect to the use of the information contained herein. ©1962 Howard W. Sams & Co., Inc., Indianapolis 6, Indiana. Printed in U.S. of America

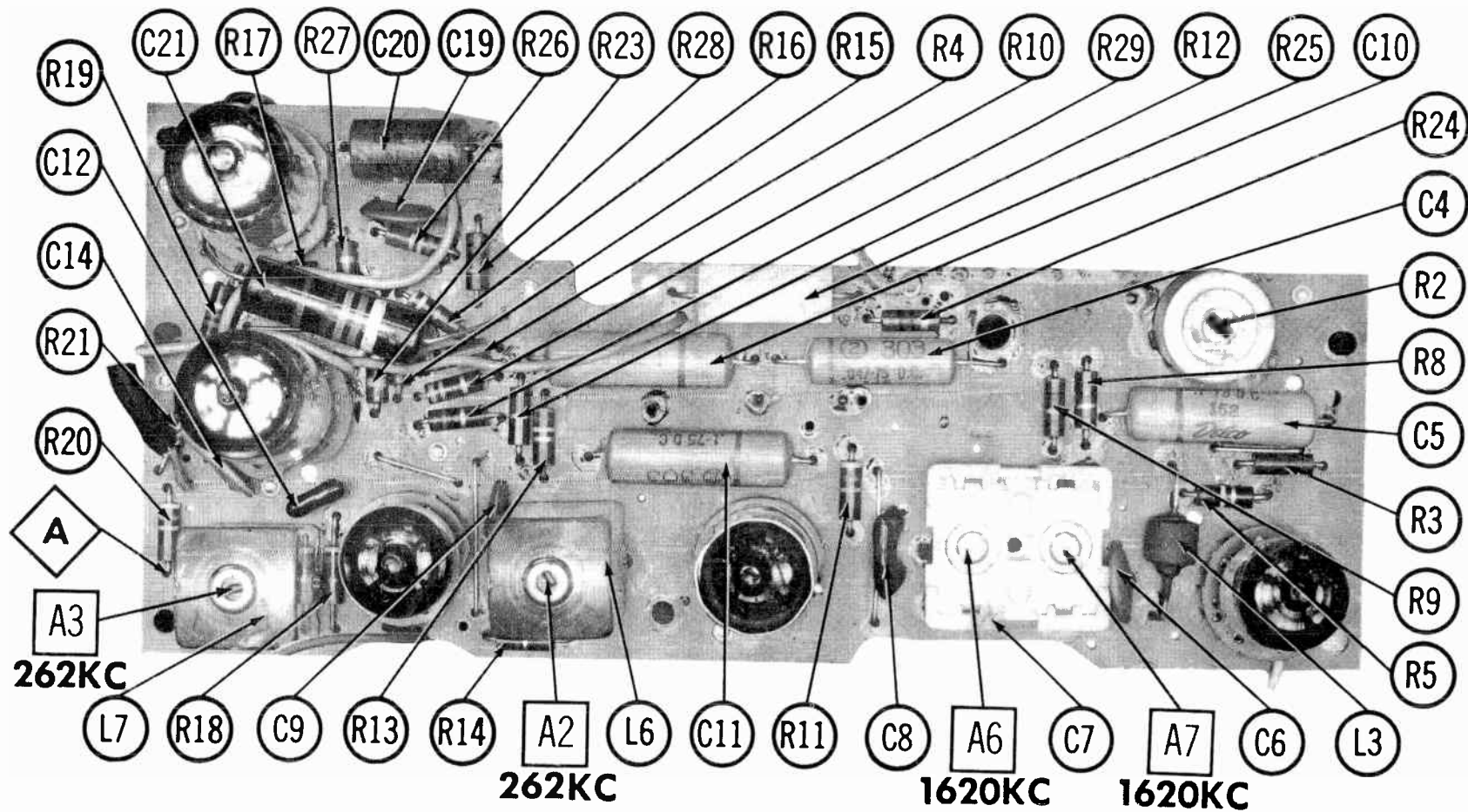


BUICK
MODEL 980297

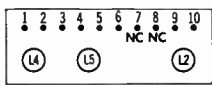
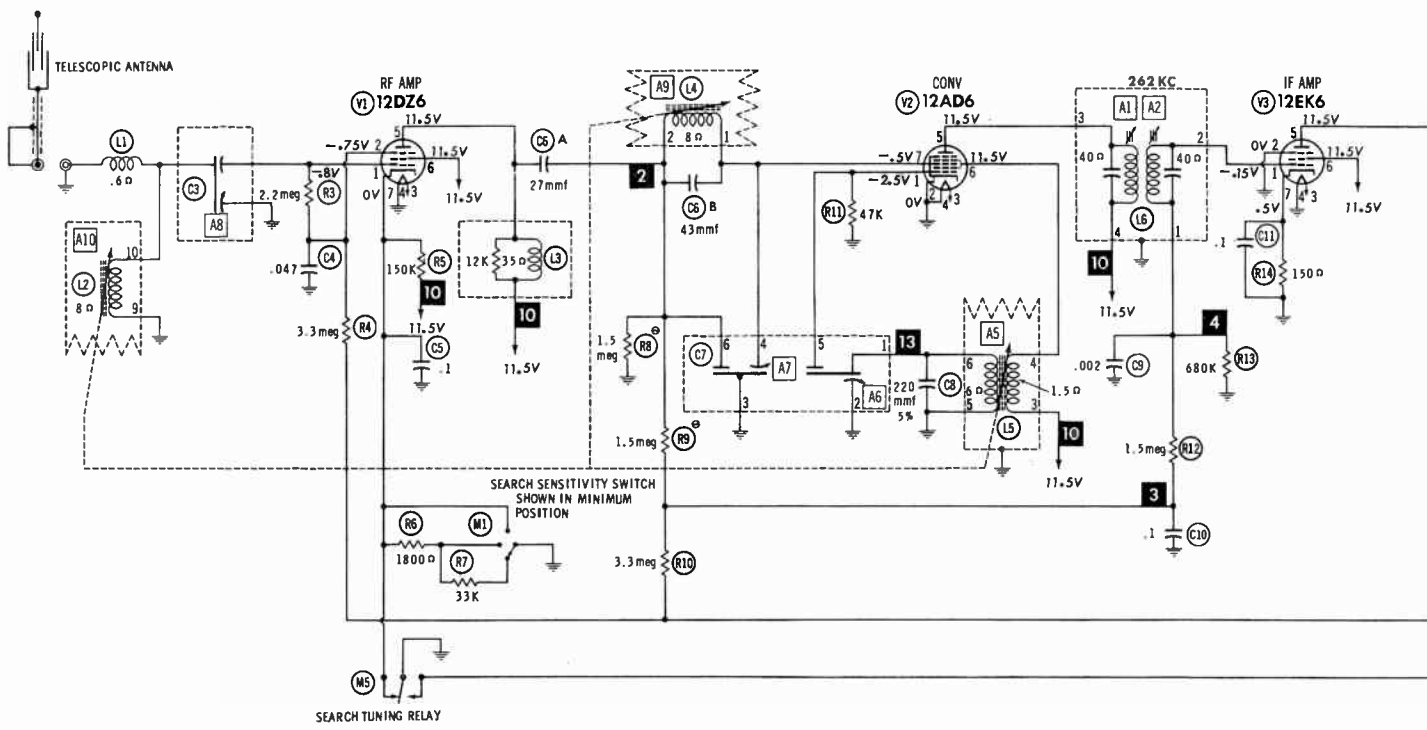


A Howard W. Sams **CIRCUITRACE** Photo

CHASSIS – BOTTOM VIEW



PRINTED BOARD - TOP VIEW



L2, L4, L5 TERMINAL GUIDE
(REAR VIEW)



C7 TERMINAL GUIDE



L6 TERMINAL GUIDE



L7 TERMINAL GUIDE

RESISTANCE READINGS

| ITEM | TUBE | Pin 1 | Pin 2 | Pin 3 | Pin 4 | Pin 5 | Pin 6 | Pin 7 | Pin 8 | Pin 9 |
|------|-------|--------|--------|-------|-------|-------|-------|--------|--------|-------|
| V1 | 12DZ6 | 11meg | 9meg | FIL | FIL | †90Ω | †56Ω | 0Ω | | |
| V2 | 12AD6 | 47K | 0Ω | FIL | FIL | †100Ω | †58Ω | 1.5meg | | |
| V3 | 12EK6 | 680K | 0Ω | FIL | FIL | †85Ω | †56Ω | 150Ω | | |
| V4 | 12DV8 | 3.2meg | 18Ω | .6Ω | FIL | FIL | †250Ω | 800K | 580Ω | 720K |
| V5 | 12AL8 | INF | 2.2meg | INF | FIL | FIL | †200Ω | 27Ω | 3.9meg | 27Ω |

† MEASURED FROM JUNCTION OF L9 AND L10.

RESISTANCE MEASUREMENTS FOR X1 NOT GIVEN BECAUSE OF THE WIDE VARIATION IN INTERNAL TRANSISTOR RESISTANCE.

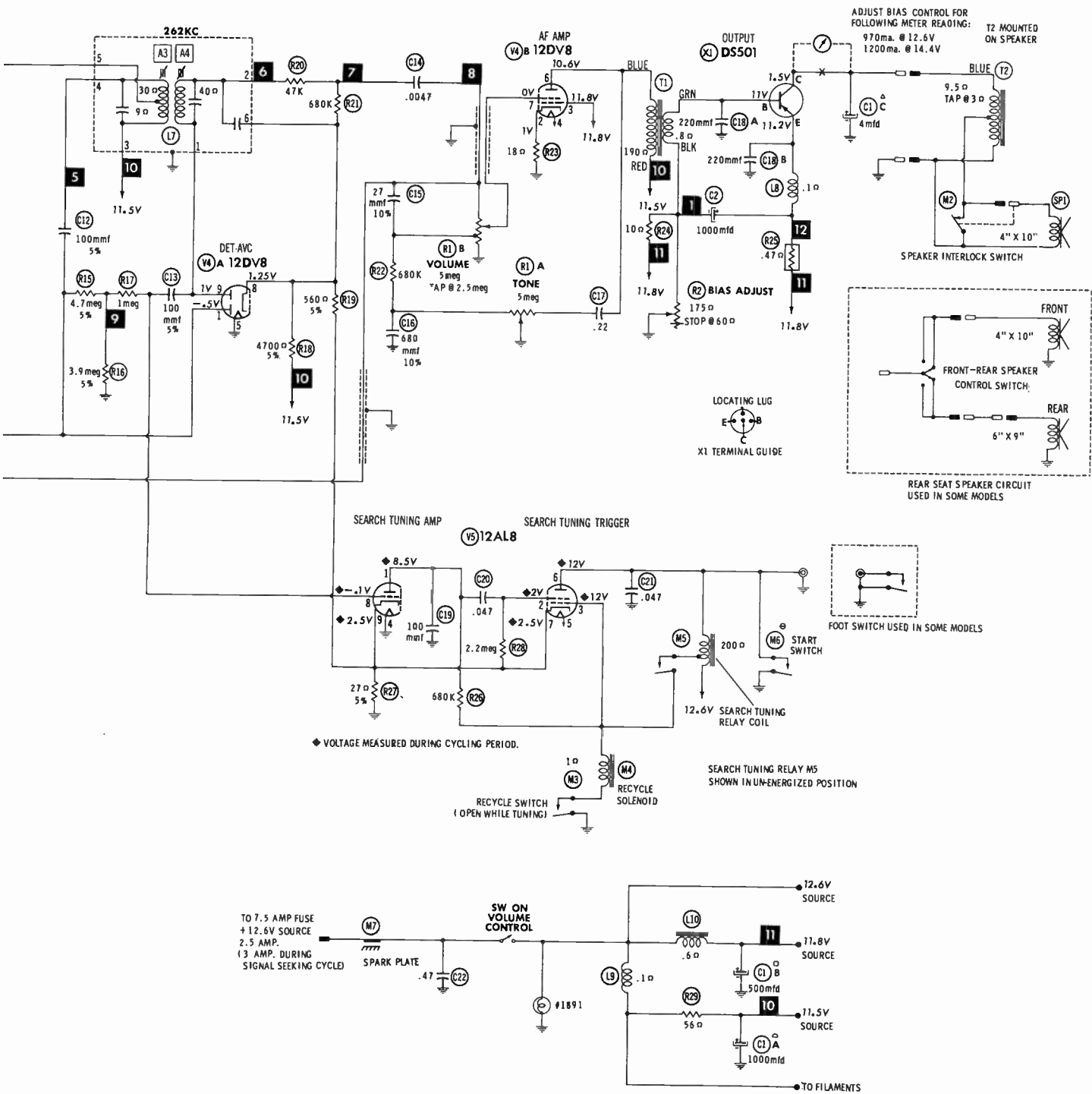
NUMBERS ASSIGNED TO COILS, SWITCHES, PLUGS, SOCKETS, AND TRANSFORMERS ARE TO FACILITATE CIRCUIT TRACING OR COMPONENT REPLACEMENT AND MAY NOT NECESSARILY BE FOUND ON THE UNIT.

⊕ SEE PARTS LIST FOR ALTERNATE VALUE OR APPLICATION

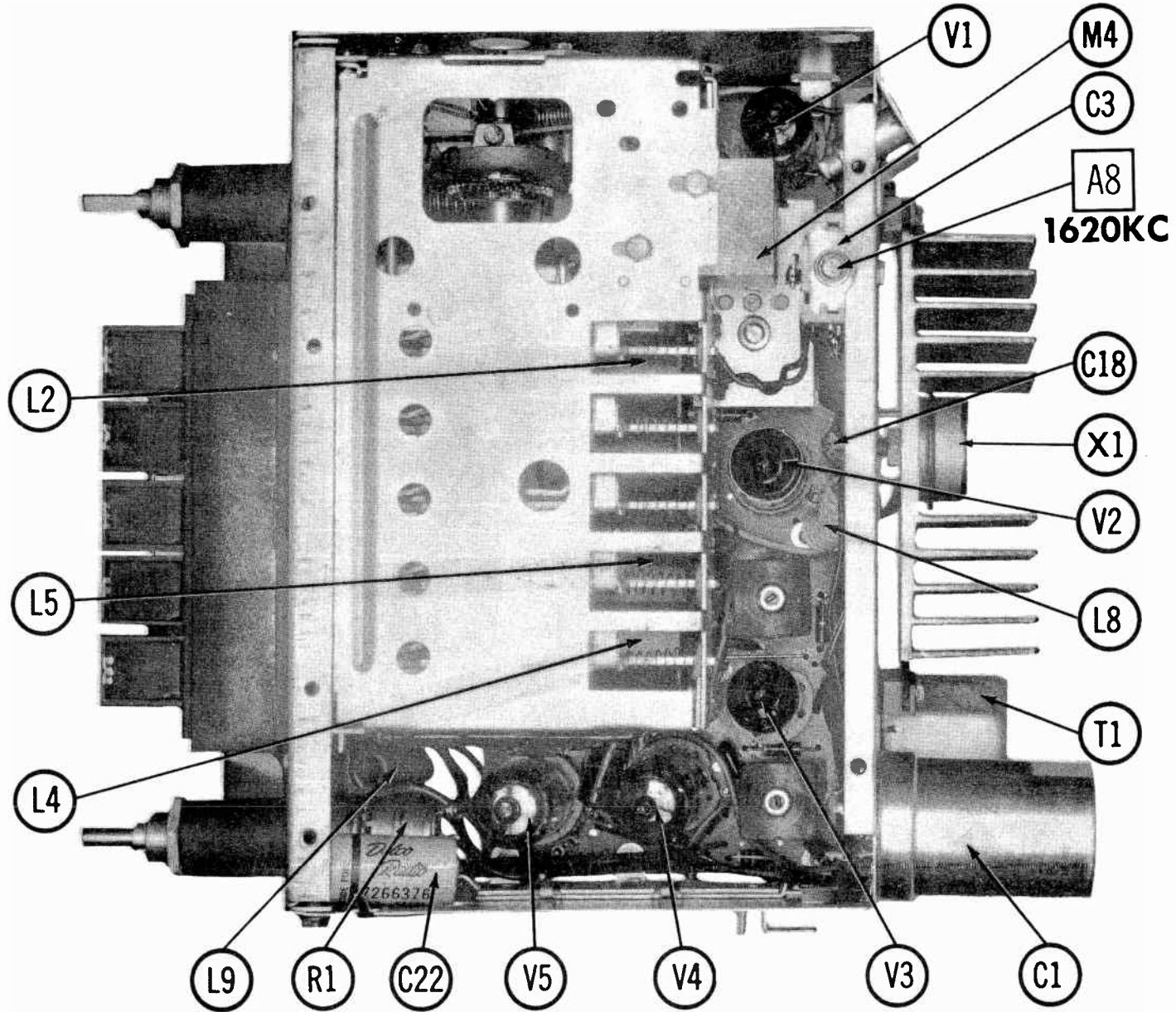
- DC voltage measurements taken with vacuum tube voltmeter.
- Socket connections shown as bottom views.
- Measured values are from socket pin to common ground.
- Battery voltage maintained at 12.6 volts for voltage readings.
- Nominal tolerance on component values makes possible a variation of ±15% in voltage and resistance readings.
- Volume control at maximum, no signal applied for voltage measurements.

A PHOTOFACIT STANDARD NOTATION SCHEMATIC
with CIRCUITRACE

©Howard W. Sams & Co., Inc. 1962



**BUICK
MODEL 980297**



CHASSIS - TOP VIEW

PARTS LIST AND DESCRIPTIONS

TUBES

| AMPEREX | | GENERAL ELECTRIC | | RCA | | RAYTHEON | | SYLVANIA | |
|----------|--------------|------------------|--|----------|-----------------------|----------|--|----------|--|
| ITEM No. | USE | TYPE | | ITEM No. | USE | TYPE | | | |
| V1 | RF Amplifier | 12DZ6 | | V4 | Det. -AVC-AF Amp. | 12DV8 | | | |
| V2 | Converter | 12AD6 | | V5 | Search Tuning Amp. - | 12AL8 | | | |
| V3 | IF Amp. | 12EX6 | | | Search Tuning Trigger | | | | |

TRANSISTORS

| ITEM No. | ORIG. TYPE | USE | REPLACEMENT DATA | | | NOTES |
|----------|------------|--------|---------------------------|--------------|-------------------|------------|
| | | | GENERAL ELECTRIC PART No. | RCA PART No. | RAYTHEON PART No. | |
| X1 | DS-501 | Output | GE-4 | | | PNP Note 1 |

Note 1. When replacing, check bias adjustment.

ELECTROLYTIC CAPACITORS

| ITEM No. | RATING | | REPLACEMENT DATA | | | | | | |
|----------|--------|-------|------------------|------------------|---------------------------|---------------------------|------------------|------------------|------------------|
| | CAP. | VOLT. | DELCO PART No. | AEROVOX PART No. | CORNELL-DUBILIER PART No. | GENERAL ELECTRIC PART No. | MALLORY PART No. | PYRAMID PART No. | SPRAGUE PART No. |
| C1A | 1000 | 16 | 7273775 | AFH3-00-97 | | XC4-4.1 | WP300.89 | | TVL-3021.5 |
| B | 500 | 16 | | | | | | | |
| C | 4 | 16 | | | | | | | |
| C2 | 1000 | 1 | 7271557 | PRSL130 | BR1000-6 | QT1-32 | TC310 | TD-1000-6 | TVA-1104 |

FIXED CAPACITORS

| ITEM No. | RATING | REMARKS | REPLACEMENT DATA | | | | | |
|----------|-----------|----------|------------------|--------------------|---------------------------|------------------|------------------|------------------|
| | | | AEROVOX PART No. | CENTRALAB PART No. | CORNELL-DUBILIER PART No. | ELMENCO PART No. | MALLORY PART No. | SPRAGUE PART No. |
| C3A | | #7276220 | P288N-047 | DD-503 | CUB2S47 | IDP-2-473 | GEM-4147 | 2TM-S47 |
| B | | | | | | | | |
| C4 | .047 75V | | | | | | | |
| C5 | .1 75V | #7279808 | 1469-100 | DTZ-100 | 22R5T1 | CM-20B-101-J | MCE235 | MS-31 |
| C6A | 27 | | | | | | | |
| B | 43 | | | | | | | |
| C7A | | #7273693 | 1469-100 | DTZ-100 | 22R5T1 | CM-20B-101-J | MCE235 | MS-31 |
| B | | | | | | | | |
| C | | | | | | | | |
| C8 | 220 5% | | 1469-220 | DTZ-221 | 22R5T22 | CM-20B-221-J | B-220 | MS-322 |
| C9 | .002 | | BPD-002 | DD-202 | BYA10D2 | CCD-202 | B-220 | 5HK-D20 |
| C10 | .1 75V | | P288N-1 | DF-104 | CUB2P1 | IDP-2-104 | GEM-201 | 2TM-P10 |
| C11 | .1 75V | | P288N-1 | DF-104 | CUB2P1 | IDP-2-104 | GEM-201 | 2TM-P10 |
| C12 | 100 5% | | 1469-100 | DTZ-100 | 22R5T1 | CM-20B-101-J | MCE235 | MS-31 |
| C13 | 100 5% | | 1469-100 | DTZ-100 | 22R5T1 | CM-20B-101-J | MCE235 | MS-31 |
| C14 | .0047 | | BPD-0047 | DD-472 | BYA10D47M | CCD-472 | B-247 | 5HK-D47 |
| C15 | 27 10% | | DI-27 | DD-270 | L10Q27 | CCD-270 | GP427 | 10TS-Q27 |
| C16 | 680 10% | | DI-680 | DD-681 | L10T68 | CCD-681 | GP368 | 10TS-T68 |
| C17 | 22 100V | | P288N-22 | DD-221 | CUB2P22 | IDP-3-224 | GEM-2022 | 2TM-P22 |
| C18A | 220 | | DI-220 | DD-221 | L10T22 | CCD-221 | GP322 | 10TS-T22 |
| B | 220 | | DI-220 | DD-221 | L10T22 | CCD-221 | GP322 | 10TS-T22 |
| C19 | 100 | | DI-100 | DD-101 | L10T1 | CCD-101 | GP310 | 10TS-T10 |
| C20 | .047 100V | | P288N-047 | DD-503 | CUB2S47 | IDP-2-473 | GEM-4147 | 2TM-S47 |
| C21 | .047 200V | | P288N-047 | DD-503 | CUB2S47 | 4DP-3-473 | GEM-4147 | 2TM-S47 |
| C22 | .47 100V | | P288N-47 | DD-503 | CUB2P47 | IDP-4-474 | GEM-2047 | 2TM-P47 |

Delco Part Number

CONTROLS

All wattages 1/2 watt, or less, unless otherwise listed.

| ITEM No. | USE | RESISTANCE | REPLACEMENT DATA | | | | |
|----------|-----------------|--------------------------------|------------------|--------------------|--------------------|------------------|------------------|
| | | | DELCO PART No. | CENTRALAB PART No. | CLAROSTAT PART No. | CTS-IRC PART No. | MALLORY PART No. |
| R1A | Tone | 5meg | 7279597 | | | † QJ-1458A | |
| B | Volume & Switch | | | | | | |
| R2 | Bias Adjust | 2.5meg Tap 175Ω 60Ω Stop | 1221422 | | | | |

† "CONCENTRICK" Equivalent: K-8 Kit with Base Elements and Shafts:
B17-141, P17-123 (Panel)
R1-207, S16 (Rear)
76-1 (Switch)

RESISTORS

All wattages 1/2 watt, or less, unless otherwise listed.

| ITEM No. | RATING | REPLACEMENT DATA | | | ITEM No. | RATING | REPLACEMENT DATA | | |
|----------|-----------|------------------|------------------|------------|----------|----------|------------------|------------------|---------|
| | | IRC PART No. | WORKMAN PART No. | REMARKS | | | IRC PART No. | WORKMAN PART No. | REMARKS |
| R3 | 2.2meg | | | | R17 | 1meg | | | |
| R4 | 3.3meg | | | | R18 | 4700Ω 5% | | | |
| R5 | 150K | | | | R19 | 560Ω 5% | | | |
| R6 | 1800Ω | | | | R20 | 47K | | | |
| R7 | 33K | | | | R21 | 680K | | | |
| R8 | 1.5meg | | | (1.8meg) † | R22 | 680K | | | |
| R9 | 1.5meg | | | (1.8meg) † | R23 | 18Ω | | | |
| R10 | 3.3meg | | | | R24 | 10Ω | | | |
| R11 | 47K | | | | R25 | .47Ω | | | Note 1 |
| R12 | 1.5meg | | | | R26 | 680K | | | |
| R13 | 680K | | | | R27 | 27Ω 5% | | | |
| R14 | 150Ω | | | | R28 | 2.2meg | | | |
| R15 | 4.7meg 5% | | | | R29 | 56Ω | | | |
| R16 | 3.9meg 5% | | | | | | | | |

† Value used in some versions. Replace with 1.5meg.

Note 1. Fuse Type, temperature compensated. Part #7270608.

PARTS LIST AND DESCRIPTIONS (Continued)

COILS (RF-IF)

| ITEM No. | USE | REPLACEMENT DATA | | | | | NOTES |
|----------|------------------|------------------|----------------|-----------------|------------------|------------------|----------------|
| | | DELCO PART No. | Merit PART No. | Miller PART No. | Stancor PART No. | Workman PART No. | |
| L1 | RF Choke (6.5uh) | 7255738 | BC-565 | 4610 | RTC-8520 | T858 | ① Includes 12K |
| L2 | Ant. | 1221138 | | | | | |
| L3 | RF Choke | 7279416 | | | | | |
| L4 | RF | 1221138 | | | | | |
| L5 | Osc. | 1221151 | | | | | |
| L6 | Input IF | 1221257 | BC-344 | 13-PHI | RTC-8644 | T655 | |
| L7 | Output IF | 1221253 | BC-424 | 6540 | | | |
| L8 | RF Choke (1.4uh) | 1217846 | | | | | |
| L9 | RF Choke (1.4uh) | 7241708 | | | | | |

FILTER CHOKE

| ITEM No. | RATINGS | | | REPLACEMENT DATA | | | | | NOTES |
|----------|--------------------|---------|------------------------------|------------------|----------------|------------------|---------------------|----------------|-------|
| | CURRENT (Measured) | DC RES. | INDUCTANCE (0 CURRENT 1000~) | DELCO PART No. | MERIT PART No. | STANCOR PART No. | THORDARSON PART No. | TRIAD PART No. | |
| L10 | 1.2A | .6Ω | 8MH | 1221623 | | | TR-154 | | |

TRANSFORMER (DRIVER)

| ITEM No. | TURNS RATIO | | REPLACEMENT DATA | | | | | NOTES |
|----------|-------------|------|------------------|----------|----------|------------|----------|-------|
| | PRI. | SEC. | DELCO | MERIT | STANCOR | THORDARSON | TRIAD | |
| | | | PART No. | PART No. | PART No. | PART No. | PART No. | |
| T1 | 13 | 1 | 7272822 | | TA-51 | TR-186 | | |

TRANSFORMER (AUDIO OUTPUT)

| ITEM No. | IMPEDANCE | | REPLACEMENT DATA | | | | | NOTES |
|----------|-----------|-------|------------------|----------|----------|------------|-------------------------------|-------|
| | PRI. | | DELCO | Merit | Stancor | Thordarson | Triad | |
| | | | PART No. | PART No. | PART No. | PART No. | PART No. | |
| T2 | 9.5Ω Tap | @3-4Ω | 1221522 | | TA-50 | ① TR-160 | ① Use Original Mounting Frame | |

SPEAKER

| ITEM No. | TYPE | | | REPLACEMENT DATA | | NOTES |
|----------|---------|-------|------------|------------------|----------|-------------------|
| | SIZE | FIELD | V. C. IMP. | DELCO | QUAM | |
| | | | | PART No. | PART No. | |
| SP1 | 4"x 10" | PM | 3-4Ω | 7277408 | 410A2 | Rear Seat Speaker |
| | 6"x 9" | PM | 3-4Ω | 7274236 | | |

MISCELLANEOUS

| ITEM No. | PART NAME | DELCO PART No. | NOTES |
|----------|-------------|----------------|--|
| M1 | Switch | 7279695 | Search-Sensitivity (Includes Push Bars, R6 and R7) Speaker Interlock Re-Cycle (Used with Tuner F-4) Includes Plunger Assembly Start (Used with Tuner F-3) Start (Used with Tuner F-4) |
| M2 | Switch | 7271425 | |
| M3 | Switch | 7268030 | |
| M4 | Solenoid | 1221409 | |
| M5 | Relay | 7270545 | |
| M6 | Switch | 1221408 | |
| M6 | Switch | 7280670 | |
| M7 | Spark Plate | 1221503 | Foot Operated Front-Rear Speaker Control |
| | Switch | 7278024 | |
| | Switch | 1350488 | |

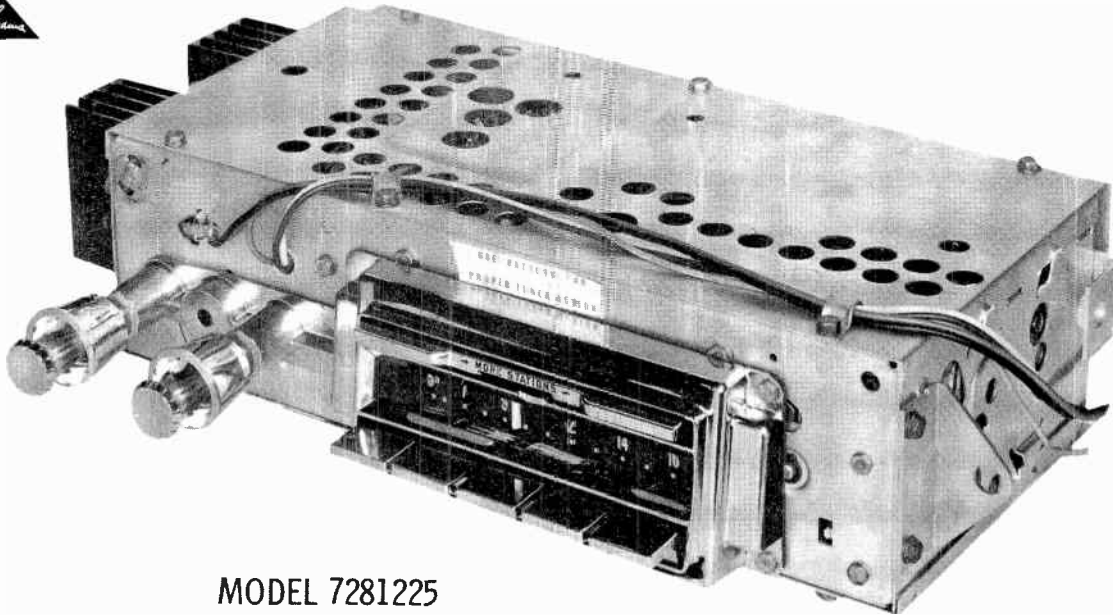
CABINETS & CABINET PARTS

(When Ordering Cabinets & Cabinet Parts, Specify Model, Chassis & Color)

| NAME | PART NO. | DESCRIPTION |
|-------------------|----------|--|
| Dial Glass | 7279777 | Calibrated |
| Escutcheon Ass'y. | 7279647 | Includes Dial Glass and Dial Backplate |
| Knob | 1350613 | Tuning, Off-On-Volume |
| Knob | 1350614 | Dummy |
| Knob | 1350297 | Rear Seat Speaker Control |

WIRING DATA

| | |
|---|--|
| General-use Unshielded Hook-up Wire | Use BELDEN No. 8530 (Solid) Available in 12 Colors 8524 (Stranded) Available in 12 Colors |
| Shielded Hook-up Wire | Use BELDEN No. 8885 |
| Rear Seat Speaker Extension Cable | Use BELDEN No. 8782 (Stranded) Coded Parallel Leads |
| Bonding Strap | Use BELDEN No. 8661 (3/8 In.) or 8670 (3/4 In.) |



MODEL 7281225

| | |
|------------------------|--|
| TRADE NAME | Cadillac Models 7279615, 7281225 (For 1962 Cadillac Automobiles) |
| MANUFACTURER | Deico Radio Div., General Motors Corp., Kokomo, Indiana |
| TYPE SET | Battery Operated 5 Tube - 1 Transistor Custom Built Automobile AM Receiver |
| POWER SUPPLY | 12 Volt Storage Battery RATING 2.6 Amp. @12.6 Volts DC (3.3A When Seeking) |
| TUNING RANGE—BROADCAST | 540 — 1620KC |

CADILLAC MODELS
7279615, 7281225

RADIO REMOVAL

1. Disconnect battery ground cable.
2. Remove six Phillips screws, retaining upper instrument panel and left panel high enough to disconnect map light and Guide-matic connector.
3. Pull cover to unhook upper cover hooks from cowl retainers and remove cover.
4. Remove 7/16" hex nut on left side of bezel, pull bezel out at top and remove Phillips screw from top of instrument panel.
5. Loosen set screws retaining control knobs and remove knobs, springs and rings.
6. Remove two 1/2" hex nuts from control bushings and remove bezel.
7. Remove 5/16" screw retaining radio to right mounting bracket. Access to this screw is at the die casting where clock is located.
8. Remove two 7/16" stud bolts holding instrument panel brace.
9. Disconnect "A" lead, Antenna lead-in, radio light connector and speaker leads.
10. Remove radio from instrument panel.

SPEAKER REMOVAL

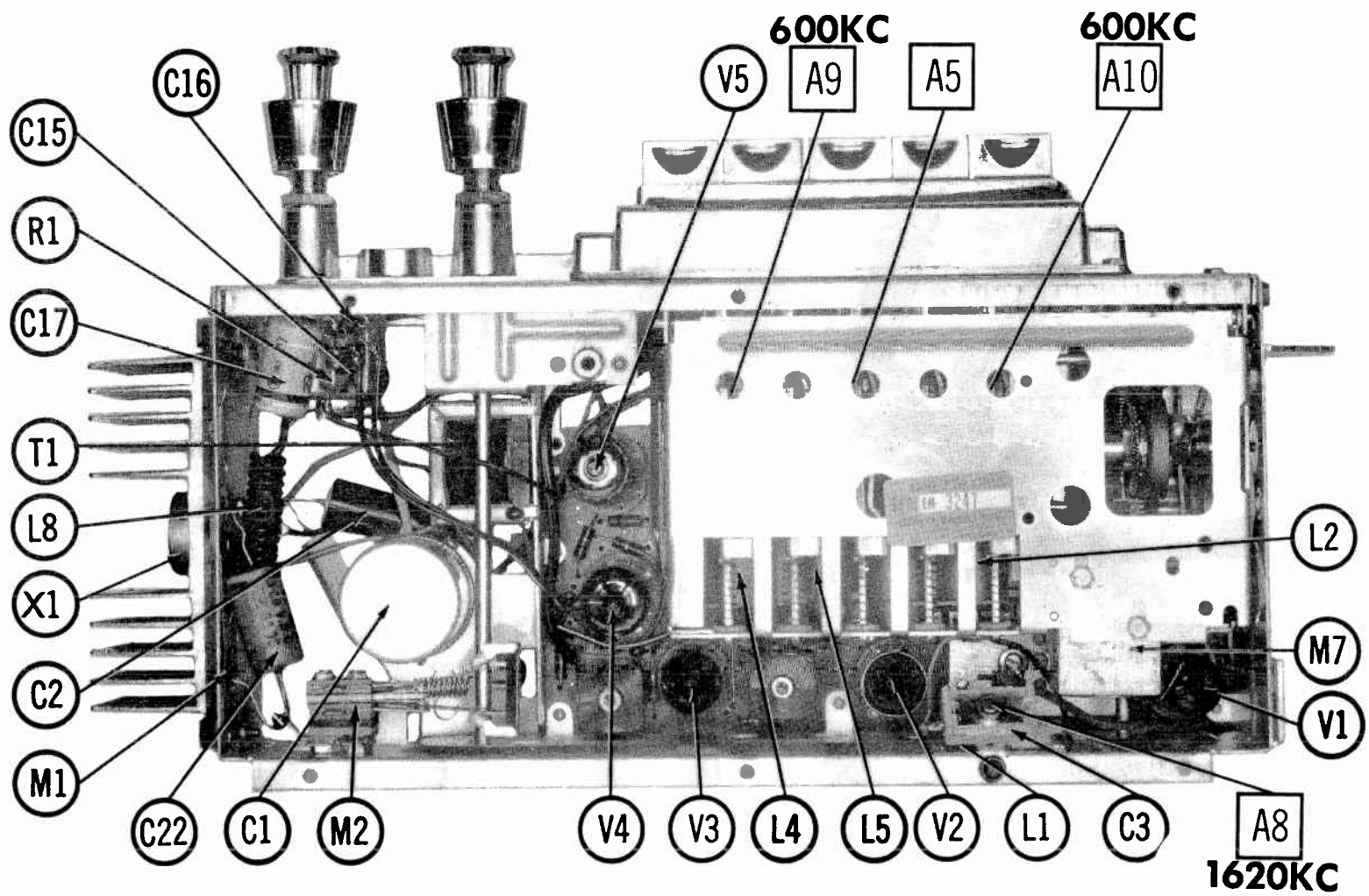
1. Access to front speaker is gained through top of instrument panel. Remove two lower hex nuts and upper screws securing speaker to front panel and remove speaker.

HOWARD W. SAMS & CO., INC. Indianapolis 6, Indiana

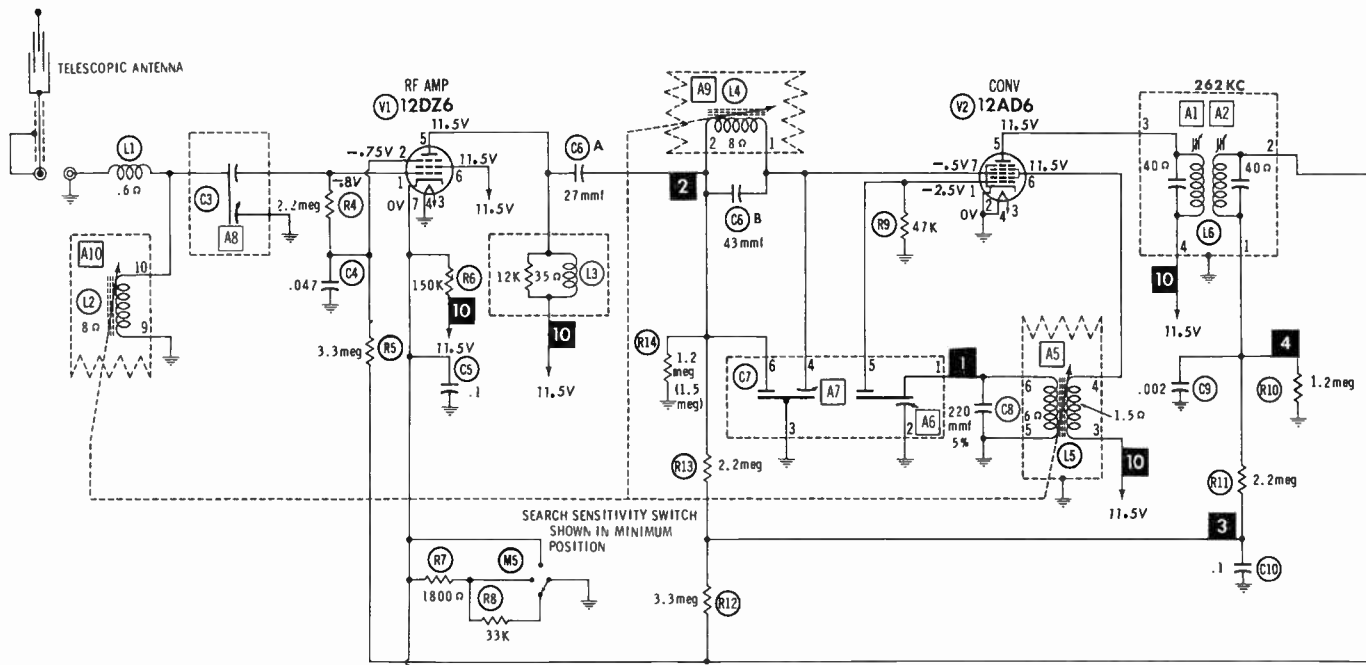


The listing of any available replacement part herein does not constitute in any case a recommendation, warranty or guaranty by Howard W. Sams & Co., Inc., as to the quality and suitability of such replacement part. The numbers of these parts have been compiled from information furnished to Howard W. Sams & Co., Inc., by the manufacturers of the particular type of replacement LD727

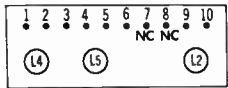
part listed. Reproduction or use, without express permission, of editorial or pictorial content, in any manner, is prohibited. No patent liability is assumed with respect to the use of the information contained herein. ©1963 Howard W. Sams & Co., Inc., Indianapolis 6, Indiana.



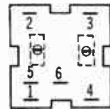
CHASSIS-TOP VIEW



SEARCH TUNING RELAY



L2, L4, L5 TERMINAL GUIDE (REAR VIEW)



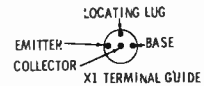
A7 TERMINAL GUIDE



A6 TERMINAL GUIDE



A5 TERMINAL GUIDE



X1 TERMINAL GUIDE

RESISTANCE READINGS

| ITEM | TUBE | Pin 1 | Pin 2 | Pin 3 | Pin 4 | Pin 5 | Pin 6 | Pin 7 | Pin 8 | Pin 9 |
|------|-------|---------|-------------|----------------|-------|---------------|---------------|--------------|--------------|-------------|
| V1 | 12DZ6 | 9.5 meg | 7.5 meg | FIL | FIL | 195 Ω | 158 Ω | 0 Ω | | |
| V2 | 12AD6 | 47K | 0 Ω | FIL | FIL | 1100 Ω | 160 Ω | 1 meg | | |
| V3 | 12EK6 | 1 meg | 0 Ω | FIL | FIL | 170 Ω | 158 Ω | 150 Ω | | |
| V4 | 12DV8 | 3.2 meg | 18 Ω | 116.5 Ω | FIL | FIL | 1241 Ω | 1 meg | 570 Ω | 750K |
| V5 | 12ALB | 690K | 2.4 meg | .7 Ω | FIL | FIL | 1200 Ω | 27 Ω | 3.9 meg | 27 Ω |

† MEASURED FROM JUNCTION OF L9, R30 & R31.

RESISTANCE MEASUREMENTS FOR X1 NOT GIVEN BECAUSE OF THE WIDE VARIATION IN INTERNAL TRANSISTOR RESISTANCE.

NUMBERS ASSIGNED TO COILS, SWITCHES, PLUGS, SOCKETS, AND TRANSFORMERS ARE TO FACILITATE CIRCUIT TRACING OR COMPONENT REPLACEMENT AND MAY NOT NECESSARILY BE FOUND ON THE UNIT.

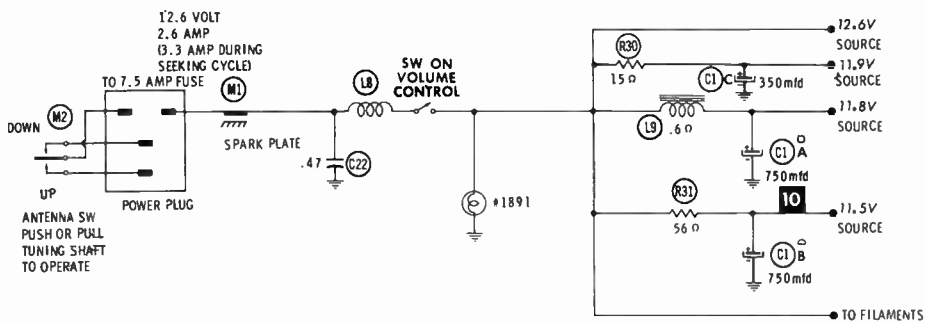
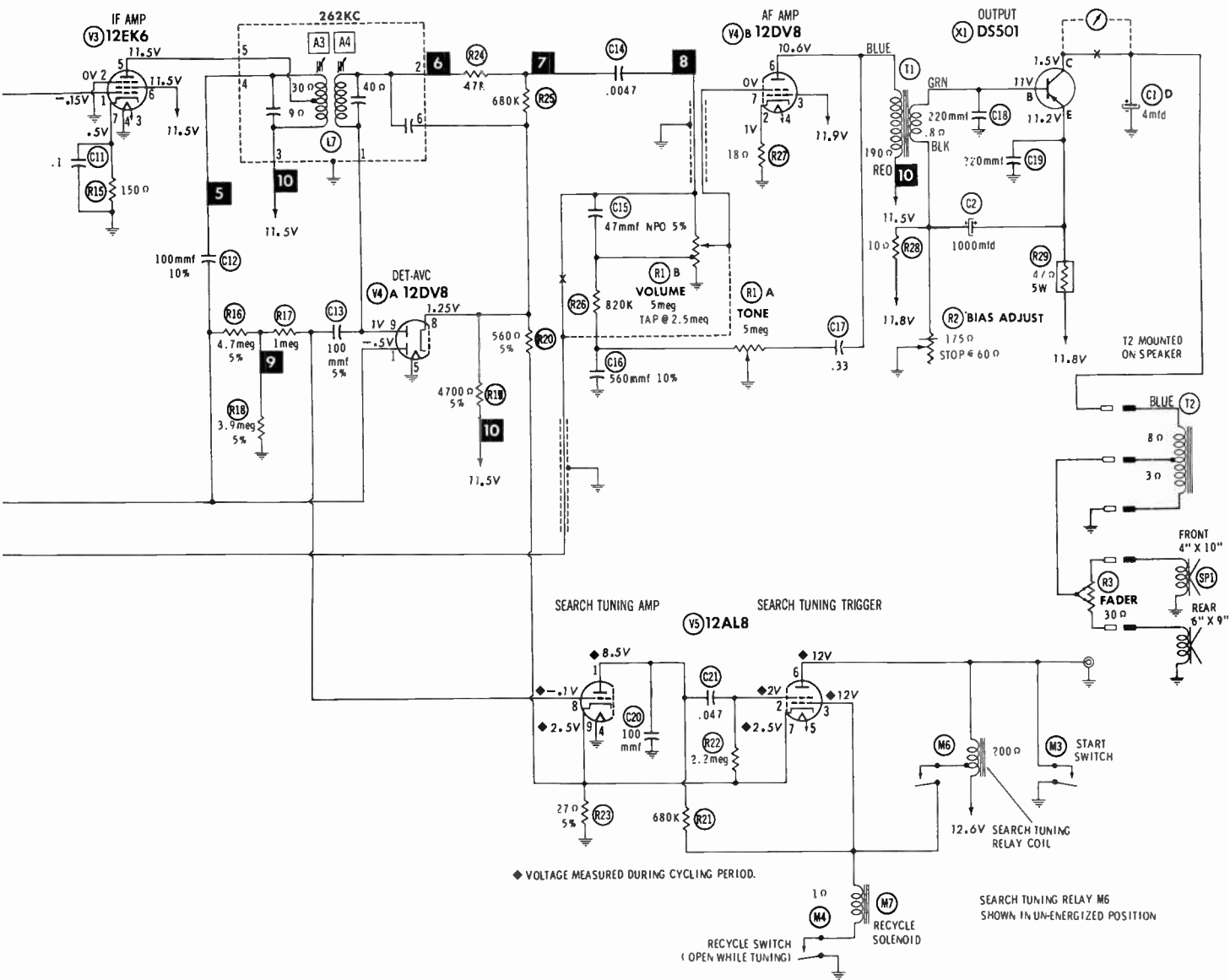
SEE PARTS LIST FOR ALTERNATE VALUE OR APPLICATION

- DC voltage measurements taken with vacuum tube voltmeter.
- Socket connections shown as bottom views.
- Measured values are from socket pin to common ground.
- Battery voltage maintained at 12.6 volts for voltage readings.
- Nominal tolerance on component values makes possible a variation of $\pm 15\%$ in voltage and resistance readings.
- Volume control at maximum, no signal applied for voltage measurements.

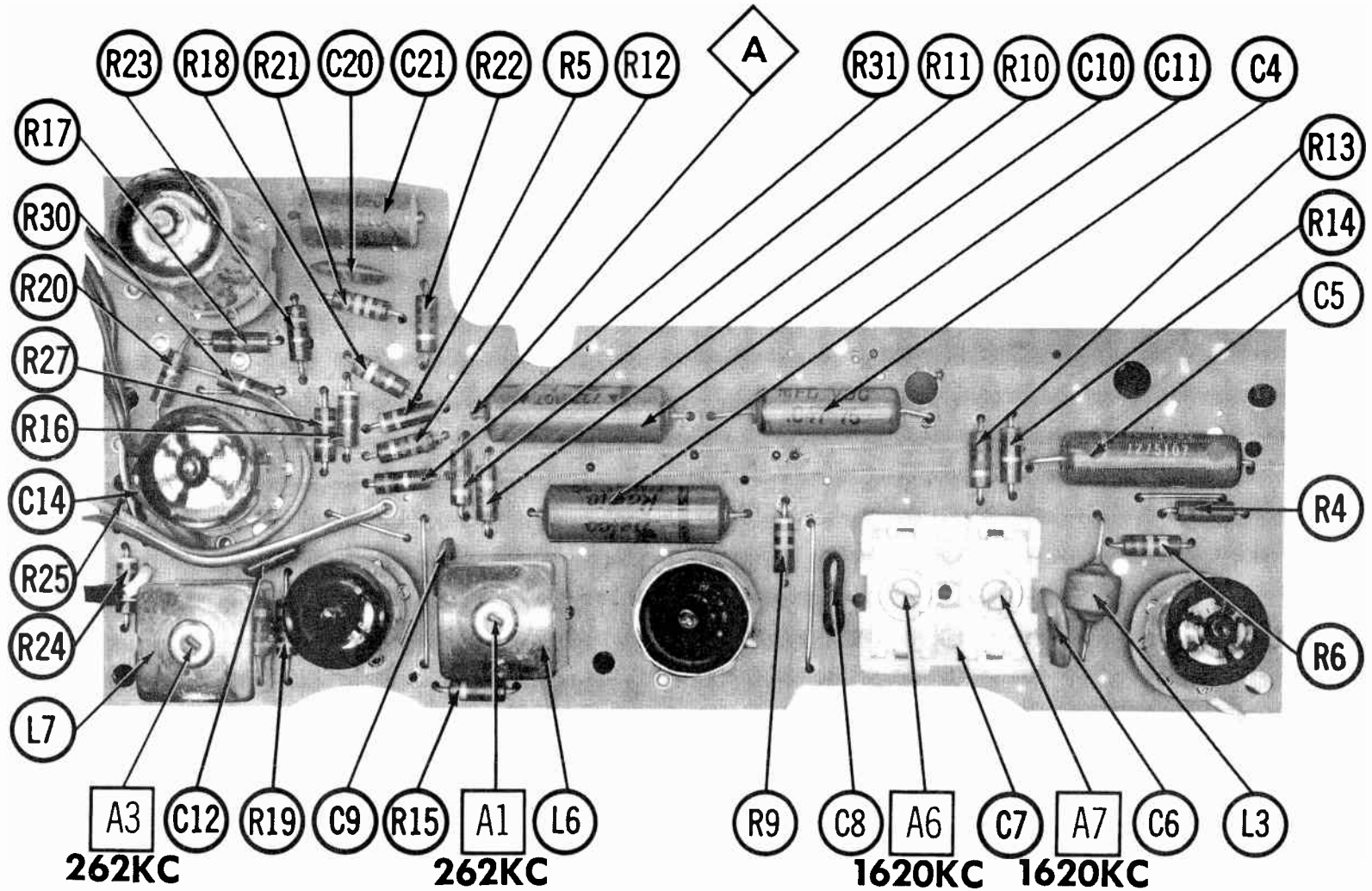
A PHOTOFACIT STANDARD NOTATION SCHEMATIC with **CIRCUITRACE**

©Howard W. Sams & Co., Inc. 1963

ADJUST BIAS CONTROL FOR FOLLOWING METER READING:
 880ma. @ 12.6V
 1 AMP @ 14.4V



CADILLAC MODELS
 7279615, 7281225



PRINTED BOARD- TOP VIEW

PARTS LIST AND DESCRIPTION

Replacement parts shown may be superseded by the availability of newly introduced replacements.
Have your local distributor check Sams COUNTER FACTS for the most up-to-date replacement.

TUBES

| ◆ AMPEREX ◆ | | | GENERAL ELECTRIC ◆ | | | RCA ◆ | | | RAYTHEON ◆ | | | SYLVANIA ◆ | | |
|-------------|--------------|-------|--------------------|-----------------------|-------|----------|-----|------|------------|-----|------|------------|-----|------|
| ITEM No. | USE | TYPE | ITEM No. | USE | TYPE | ITEM No. | USE | TYPE | ITEM No. | USE | TYPE | ITEM No. | USE | TYPE |
| V1 | RF Amplifier | 12DZ6 | V4 | Det. -AVC-AF Amp. | 12DV8 | | | | | | | | | |
| V2 | Converter | 12AD6 | V5 | Search Tuning Amp. - | 12AL8 | | | | | | | | | |
| V3 | IF Amplifier | 12EK6 | | Search Tuning Trigger | | | | | | | | | | |

TRANSISTORS

| ITEM No. | ORIG. TYPE | USE | REPLACEMENT DATA | | NOTES |
|----------|------------|--------|---------------------------|--------------|--|
| | | | GENERAL ELECTRIC PART No. | RCA PART No. | |
| X1 | DS-501 | Output | GE-4 | | PNP (When replacing, check bias adjustment.) |

ELECTROLYTIC CAPACITORS

| ITEM No. | RATING | | REPLACEMENT DATA | | | | | | |
|----------|--------|--------|------------------|------------------|---------------------------|---------------------------|------------------|------------------|------------------|
| | CAP. | VOLT. | DELCO PART No. | AEROVOX PART No. | CORNELL-DUBILIER PART No. | GENERAL ELECTRIC PART No. | MALLORY PART No. | PYRAMID PART No. | SPRAGUE PART No. |
| C1A | 750 | 16 | 7273847 | AFH4-20-77 | D0187 | XC4-4.1 | WP401.8 | | TVLS-4205* |
| B | 750 | 16 | | | | | | | |
| C | 350 | 16 | | | | | | | |
| D | 4 | 11.5AC | | | | | | | |
| C2 | 1000 | 1 | 7271557 | PRS1130 | BR1000-8 | QT1-32 | TC310 | TD-1000-8 | TVA-1104 |

* Not normally in distributor's stock. Available thru distributor on order to manufacturer.

FIXED CAPACITORS

| ITEM No. | RATING | REMARKS | REPLACEMENT DATA | | | | | |
|----------|-----------|----------|----------------------|--------------------|---------------------------|------------------------|---------------------|--------------------|
| | | | AEROVOX PART No. | CENTRALAB PART No. | CORNELL-DUBILIER PART No. | ELMENCO PART No. | MALLORY PART No. | SPRAGUE PART No. |
| C3 | .047 75V | #7275515 | P288N-047 P288N-1 | DD-503 | CUB2S47 CUB2P1 | 4CP-4-473 2CP-4-104 | GEM-4147 GEM-201 | 2TM-847 2TM-P10 |
| C4 | .1 75V | #7279808 | | | | | | |
| C5 | 27 N470 | | | | | | | |
| C6A | 43 | | | | | | | |
| C7A | | | | | | | | |
| C8 | 220 5% | | 1469-00022 | TCZ-220 | 22R5T22 | CM-20B-221J | CNO-322 | MS-322 |
| C9 | .002 | | BPD-002 | DD-202 | BYA10D2 | CCD-202 | B-220 | 5HK-D20 |
| C10 | .1 75V | | P288N-1 | DDA-104 | CUB2P1 | 2CP-4-104 | GEM-201 | 2TM-P10 |
| C11 | .1 75V | | P288N-1 | DDA-104 | CUB2P1 | 2CP-4-104 | GEM-201 | 2TM-P10 |
| C12 | 100 5% | | 1469-0001 | TCZ-100 | 22R5T1 | CM-20B-101J | MCE235 | MS-31 |
| C13 | 100 | | 1469-0001 | TCZ-100 | 22R5T1 | CM-20B-101J | MC235 | MS-31 |
| C14 | 4700 | | BPD-0047 | DD-472 | BYA10D47M | CCD-472 | B-247 | 5HK-D47 |
| C15 | 47 NPO 5% | | | DTZ-47 | C10Q47C | CCTO-470 | CNO-447 | 10TCC-Q47 |
| C16 | 560 10% | | DI-560 | DD-561 | 5R5T56 | CCD-561 | GP356 | 10TS-T56 |
| C17 | .33 100V | | P288N-33 | | DPM54P33 | 2CP-6-334 | GEM-2033 | 2PS-P33 |
| C18 | 220 | | DI-220 | DD-221 | L10T22 | CCD-221 | B-322 | 10TS-T22 |
| C19 | 220 | | DI-220 | DD-221 | L10T22 | CCD-221 | B-322 | 10TS-T22 |
| C20 | 100 10% | | DI-100 | DD-101 | L10T1 | CCD-101 | GP310 | 10TS-T10 |
| C21 | .047 75V | | P288N-047 | DD-503 | CUB2S47 | 4CP-4-473 | GEM-4147 | 2TM-847 |
| C22 | .47 100V | | P288N-47 | | CUB2P47 | 4CP-4-474 | GEM-4047 | 2TM-P47 |

Delco Part Number.

CONTROLS

All wattages 1/2 watt, or less, unless otherwise listed.

| ITEM No. | USE | RESISTANCE | REPLACEMENT DATA | | | | |
|----------|------------------|----------------------------|-------------------------------|--------------------|--------------------|------------------|------------------|
| | | | DELCO PART No. | CENTRALAB PART No. | CLAROSTAT PART No. | CTS-IRC PART No. | MALLORY PART No. |
| R1A | Tone | 5meg | 7278314 7278052 7276882 | | 39-100 * | 112-100 * | FL-100 * |
| B | Volume, & Switch | 5meg | | | | | |
| R2 | Bias Adjust | 175Ω 2W 80Ω Stop 30Ω | | | | | |
| R3 | Fader | | | | | | |

* Use 82Ω 2W Series Resistor.

RESISTORS

All wattages 1/2 watt, or less, unless otherwise listed.

| ITEM No. | RATING | REPLACEMENT DATA | | | ITEM No. | RATING | REPLACEMENT DATA | | |
|----------|--------|------------------|------------------|-----------|----------|--------|------------------|------------------|---------|
| | | IRC PART No. | WORKMAN PART No. | REMARKS | | | IRC PART No. | WORKMAN PART No. | REMARKS |
| R4 | 2.2meg | | | | R18 | 3.9meg | | | |
| R5 | 3.3meg | | | | R19 | 4700Ω | | | |
| R6 | 150K | | | | R20 | 560Ω | | | |
| R7 | 1800Ω | | | | R21 | 680K | | | |
| R8 | 33K | | | | R22 | 2.2meg | | | |
| R9 | 47K | | | | R23 | 27Ω | | | |
| R10 | 1.2meg | | | | R24 | 47K | | | |
| R11 | 2.2meg | | | | R25 | 680K | | | |
| R12 | 3.3meg | | | | R26 | 820K | | | |
| R13 | 2.2meg | | | | R27 | 18Ω | | | |
| R14 | 1.2meg | | | (1.5meg)* | R28 | 10Ω | | | |
| R15 | 150Ω | | | | R29 | 47Ω 5W | | T47 | Ⓛ |
| R16 | 4.7meg | | | | R30 | 15Ω | | | |
| R17 | 1meg | | | | R31 | 56Ω | | | |

* Alternate Value.

Ⓛ Temperature Compensated, Fuse Type. Part #7270608.

PARTS LIST AND DESCRIPTION (CONTINUED)

Replacement parts shown may be superseded by the availability of newly introduced replacements.
Have your local distributor check Sams COUNTER FACTS for the most up-to-date replacement.

COILS (RF-IF)

| ITEM No. | USE | REPLACEMENT DATA | | | | | NOTES |
|----------|--------------------|------------------|----------------|-----------------|------------------|------------------|----------------|
| | | DELCO PART No. | Merit PART No. | Miller PART No. | Stancor PART No. | Workman PART No. | |
| L1 | RF Choke (6.5uh) | 7255738 | BC-565 | 4610 | RTC-8520 | T859 | Ⓛ Wound on 12K |
| L2 | Ant. | 1221138 | | | | | |
| L3 | RF Choke | 7279416 Ⓛ | | | | | |
| L4 | RF | 1221138 | | | | | |
| L5 | Osc. | 1221131 | | | | | |
| L6 | Input IF | 1221257 | BC-344 | 13-PHI | RTC-8644 | T655 | |
| L7 | Output IF | 1221253 | | | | | |
| L8 | Hash Choke (1.4uh) | 1221623 | BC-424 | 6540 | | TF603 | |

FILTER CHOKE

| ITEM No. | RATINGS | | | REPLACEMENT DATA | | | | | NOTES |
|----------|--------------------|---------|------------------------------|------------------|----------------|------------------|---------------------|----------------|-------|
| | CURRENT (Measured) | DC RES. | INDUCTANCE (0 CURRENT 1000~) | DELCO PART No. | MERIT PART No. | STANCOR PART No. | THORDARSON PART No. | TRIAD PART No. | |
| L9 | 1.1A | .6Ω | 8MH | 1217846 | | | | TR-154 | |

TRANSFORMER (DRIVER)

| ITEM No. | TURNS RATIO | | REPLACEMENT DATA | | | | | NOTES |
|----------|-------------|------|------------------|----------------|------------------|---------------------|----------------|-------|
| | | | DELCO PART No. | MERIT PART No. | STANCOR PART No. | THORDARSON PART No. | TRIAD PART No. | |
| | PRI. | SEC. | | | | | | |
| T1 | 195Ω | .8Ω | 7277230 | | | TR-188 | | |

TRANSFORMER (AUDIO OUTPUT)

| ITEM No. | IMPEDANCE | REPLACEMENT DATA | | | | | NOTES |
|----------|---------------|------------------|----------------|------------------|---------------------|----------------|-------|
| | | DELCO PART No. | Merit PART No. | Stancor PART No. | Thordarson PART No. | Triad PART No. | |
| | PRI. | | | | | | |
| T2 | 8Ω Tap @ 3-4Ω | 7277396 | | TA-50 | TR-180 | | |

SPEAKER

| ITEM No. | TYPE | | | REPLACEMENT DATA | | NOTES |
|----------|---------|-------|------------|------------------|---------------|------------|
| | | | | DELCO PART No. | QUAM PART No. | |
| | SIZE | FIELD | V. C. IMP. | | | |
| SP1 | 4"x 10" | PM | 3-4Ω | 7277395 | 410A2 | Front Rear |
| | 6"x 9" | PM | 3-4Ω | 7262245 | | |

MISCELLANEOUS

| ITEM No. | PART NAME | DELCO PART No. | NOTES |
|----------|-------------|----------------|---|
| M1 | Spark Plate | 7276044 | Antenna Switch Start Switch (F4 Tuner for Model 7281225) Start Switch, Pushbar & Solenoid (F3 Tuner for Model 7279615) Solenoid Switch, Recycle (F4 Tuner for Model 7281225) Sensitivity Switch, Includes Pushbar Tuner Operating Relay Solenoid & Plunger Assembly |
| M2 | Switch | 7271223 | |
| M3 | Switch | 7280670 | |
| | Switch | 1221408 | |
| M4 | Switch | 7288030 | |
| M5 | Switch | 7279794 | |
| M6 | Relay | 7270545 | |
| M7 | Solenoid | 1221409 | |

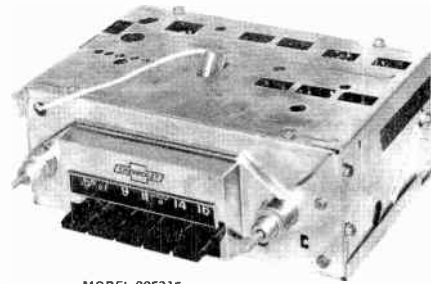
CABINETS & CABINET PARTS

(When Ordering Cabinets & Cabinet Parts, Specify Model, Chassis & Color)

| NAME | PART NO. | DESCRIPTION |
|------------|----------|---------------------------------|
| Dial Glass | 7276875 | Volume, Tuning Tone, Speaker |
| Knob | 1475852 | |
| Knob | 1477517 | |

WIRING DATA

| | |
|---|--|
| General-use Unshielded Hook-up Wire | Use BELDEN No. 8530 (Solid) Available in 12 Colors 8524 (Stranded) Available in 12 Colors |
| Shielded Hook-up Wire | Use BELDEN No. 8885 |
| Rear Seat Speaker Extension Cable | Use BELDEN No. 6782 (Stranded) Coded Parallel Leads |
| Bonding Strap | Use BELDEN No. 6661 (3/8 In.) or 6670 (3/4 In.) |



MODEL 985315

NOTE: To replace tubes, remove four 1/4" hex screws holding cover and remove cover.

1. Pull off knobs and spacers.
2. Disconnect speaker lead clip, "A" lead and antenna plug.
3. Remove two 1/2" hex nuts from control bushings and remove bezel.
4. Remove 1/4" hex nut holding receiver to rear mounting bracket.
5. Remove receiver from under instrument panel.

SPEAKER REMOVAL

1. Remove two 3/8" hex screws holding speaker and mounting bracket under instrument panel.
2. Remove speaker and mounting bracket from under instrument panel.

TRADE NAME Chevrolet Models 985159, 985315 (For 1962 Corvairs)
 MANUFACTURER Delco Radio Div., General Motors Corp., Kokomo, Indiana
 TYPE SET Battery Operated 4 Tube - 2 Transistor Custom-Built Automobile AM Receiver
 POWER SUPPLY 12 Volt Storage Battery RATING 1.5 Amp. @12.6 Volts DC
 TUNING RANGE - BROADCAST 520 - 1620KC

ALIGNMENT INSTRUCTIONS

ALIGNMENT INSTRUCTIONS—READ CAREFULLY BEFORE ATTEMPTING ALIGNMENT

Use only enough generator output to provide a usable indication.

Suggested Alignment Tools:

- A1 thru A4.....GENERAL CEMENT #8282, 8606, 8606-L, 9091
 WALSCO #2526, 2541, 2542, 2543, 2544
 A6, A7, A8.....GENERAL CEMENT #5004, 5009, 8195, 8274, 8275, 8607, 8728, 8987, 8988, 8989, 9291
 WALSCO #2515, 2520, 2522, 2523, 2531, 2532, 2534, 2537, 2538

| | SIGNAL GENERATOR COUPLING | SIGNAL GENERATOR FREQUENCY | RADIO DIAL SETTING | INDICATOR | ADJUST | REMARKS |
|---|--|----------------------------|--------------------|--------------------------------|----------------|--|
| 1. | High side thru .1mf to pin 7 (grid) of Converter. Low side to chassis. | 262KC | High Freq. Stop. | DC VTVM across Volume Control. | A1, A2, A3, A4 | Adjust for maximum deflection. |
| Check setting of oscillator coil core A5. Rear of core should be 1 5/8" from mounting end of core form. | | | | | | |
| 2. | Thru dummy (Fig. 1) to antenna receptacle. | 1620KC | " | " | A6, A7, A8 | " |
| 3. | " | 600KC | 600KC | " | A9, A10 | " |
| 4. | " | 1620KC | 1620KC | " | A7, A8 | " |
| 5. | " | 1100KC | 1100KC | " | | Adjust pointer adjustment until pointer coincides with 1100KC on dial. |
| 6. | With radio installed in car and antenna fully extended, tune in a weak station near 1400KC and adjust A8 for maximum output. | | | | | |

PUSH-BUTTON ADJUSTMENT

1. Tune manually to desired station.
2. Pull push button out, then press in firmly.
3. Repeat for remaining push buttons.

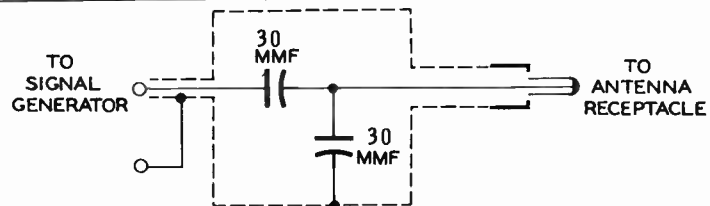


FIG. 1

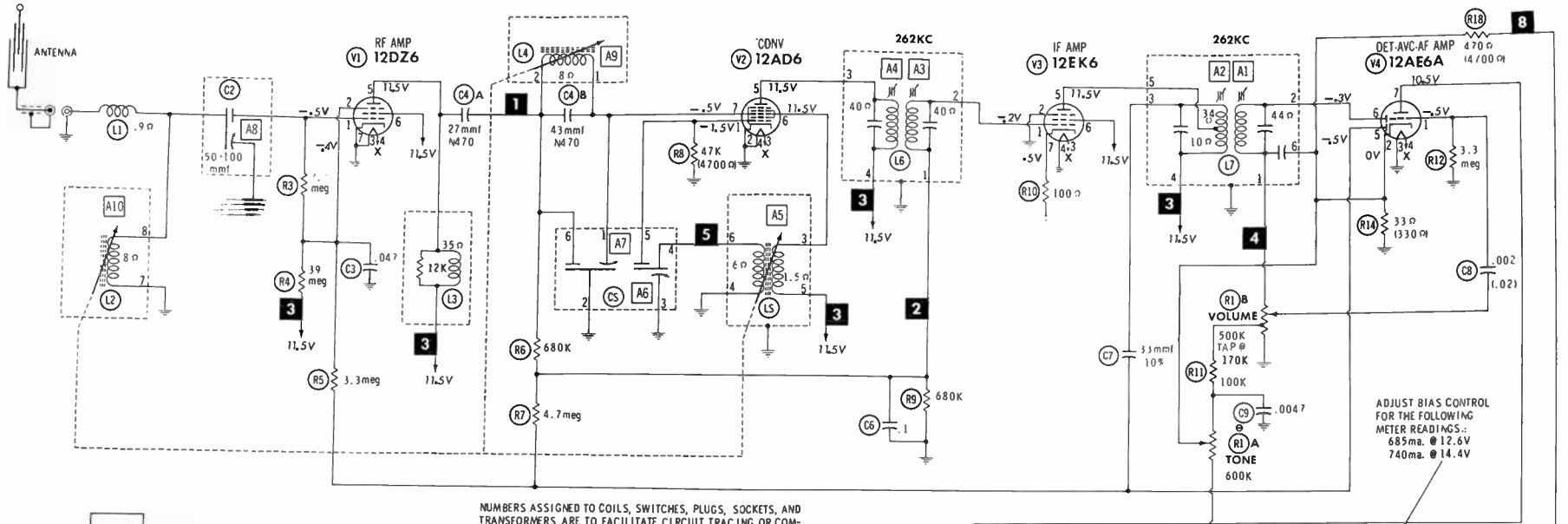
HOWARD W. SAMS & CO., INC. Indianapolis 6, Indiana

The listing of any available replacement part herein does not constitute in any case a recommendation, warranty or guaranty by Howard W. Sams & Co., Inc., as to the quality and suitability of such replacement part. The numbers of these parts have been compiled from information furnished to Howard W. Sams & Co., Inc., by the manufacturers of the particular type of replacement LD731

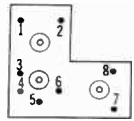
part listed. Reproduction or use, without express permission, of editorial or pictorial content, in any manner, is prohibited. No patent liability is assumed with respect to the use of the information contained herein. ©1963 Howard W. Sams & Co., Inc., Indianapolis 6, Indiana.

Printed in U.S. of America

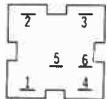




NUMBERS ASSIGNED TO COILS, SWITCHES, PLUGS, SOCKETS, AND TRANSFORMERS ARE TO FACILITATE CIRCUIT TRACING OR COMPONENT REPLACEMENT AND MAY NOT NECESSARILY BE FOUND ON THE UNIT.



TUNING ASSEMBLY (INCLUDES L2, L4, L5) REAR VIEW



BASING FOR C5 TRIMMER ASSEMBLY



L6 TERMINAL GUIDE



L7 TERMINAL GUIDE



X1 TERMINAL GUIDE



X2 TERMINAL GUIDE

| ITEM | TUBE | RESISTANCE READINGS | | | | | | |
|------|--------|---------------------|---------|-------|-------|---------|-------|---------|
| | | Pin 1 | Pin 2 | Pin 3 | Pin 4 | Pin 5 | Pin 6 | Pin 7 |
| V1 | 12DZ6 | 11 meg | 8.6 meg | FIL | FIL | †95 Ω | †56 Ω | 0 Ω |
| V2 | 12AD6 | 47K | 0 Ω | FIL | FIL | †100 Ω | †56 Ω | 1.4 meg |
| V3 | 12EK6 | 680K | 0 Ω | FIL | FIL | †65 Ω | †56 Ω | 100 Ω |
| V4 | 12AE6A | 3.3 meg | 33 Ω | FIL | FIL | 5.3 meg | 400K | * |

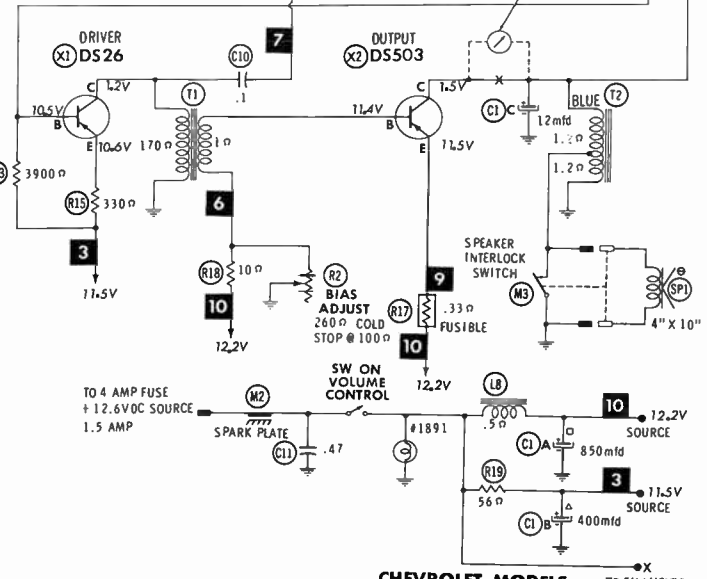
† MEASURED FROM L8 & R19
 * RESISTANCE MEASUREMENTS NOT GIVEN BECAUSE OF THE WIDE VARIATION IN INTERNAL TRANSISTOR RESISTANCE.
 RESISTANCE MEASUREMENTS FOR X1 AND X2 NOT GIVEN BECAUSE OF THE WIDE VARIATION IN INTERNAL TRANSISTOR RESISTANCE.

SEE PARTS LIST FOR ALTERNATE VALUE OR APPLICATION

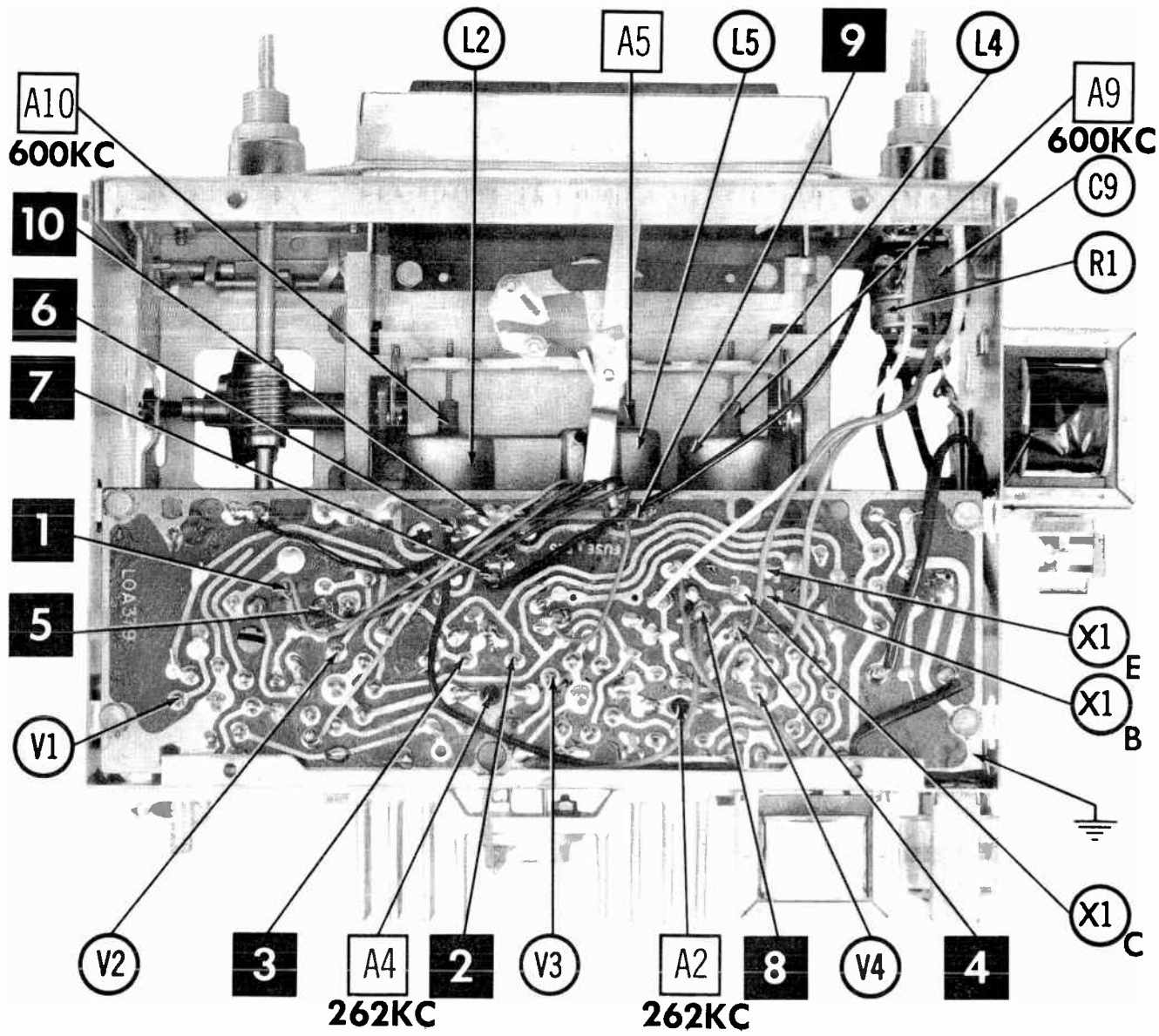
- DC voltage measurements taken with vacuum tube voltmeter.
- Socket connections shown as bottom views.
- Measured values are from socket pin to common ground.
- Battery voltage maintained at 12.6 volts for voltage readings.
- Nominal tolerance on component values makes possible a variation of ±1% in voltage and resistance readings.
- Volume control at maximum, no signal applied for voltage measurements.

A PHOTOFAC T STANDARD NOTATION SCHEMATIC with **CIRCUITRACE**

© Howard W. Sams & Co., Inc. 1962

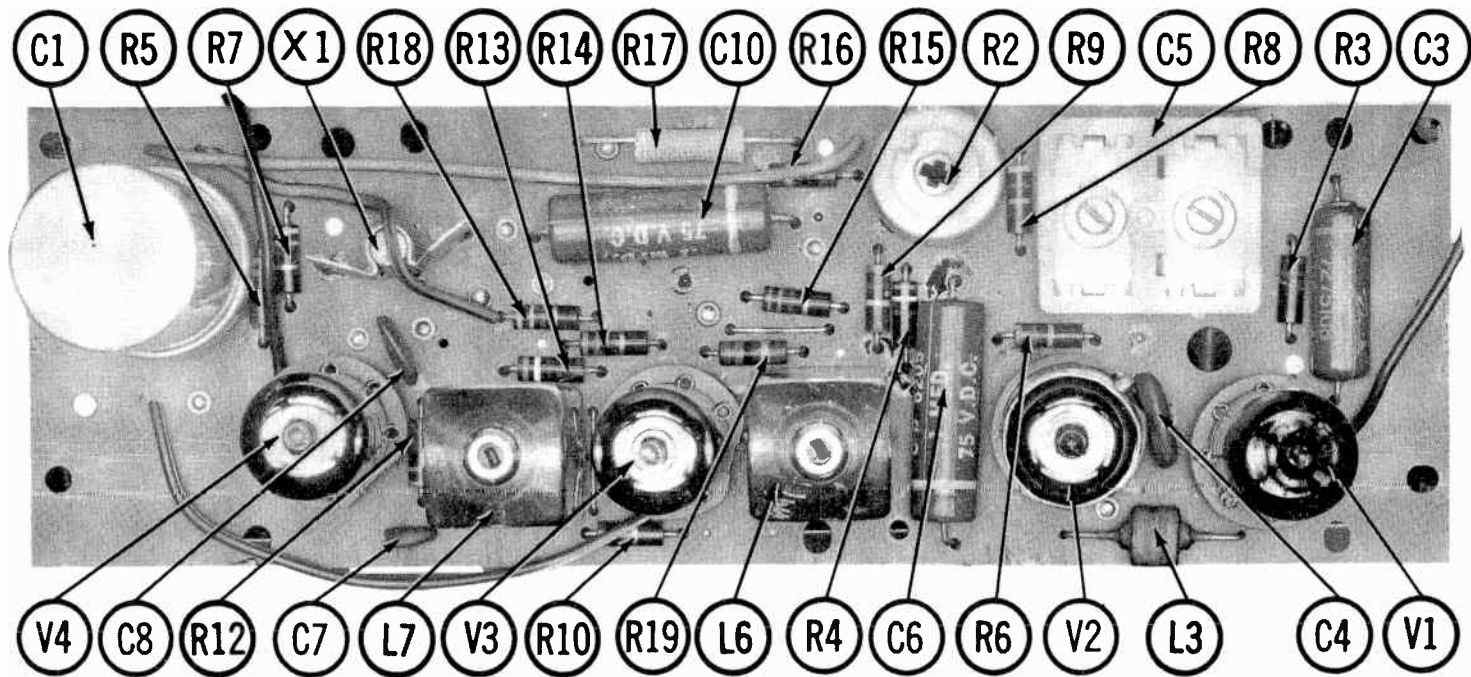


CHEVROLET MODELS 985159, 985315 TO FILAMENTS



CHASSIS-BOTTOM VIEW

ARROWS INDICATING TUBE LOCATIONS ARE POINTING TO PIN 1 UNLESS OTHERWISE INDICATED



PRINTED BOARD-TOP VIEW

PARTS LIST AND DESCRIPTION

Replacement parts shown may be superseded by the availability of newly introduced replacements.
Have your local distributor check Sams COUNTER FACTS for the most up-to-date replacement.

TUBES

| ♦ AMPEREX ♦ | | GENERAL ELECTRIC ♦ | | RCA ♦ | | RAYTHEON ♦ | | SYLVANIA ♦ | |
|-------------|--------------|--------------------|--|----------|-------------------|------------|--|------------|--|
| ITEM No. | USE | TYPE | | ITEM No. | USE | TYPE | | | |
| V1 | RF Amplifier | 12DZ6 | | V3 | IF Amplifier | 12EK6 | | | |
| V2 | Converter | 12AD6 | | V4 | Det. -AVC-AF Amp. | 12AE6A | | | |

TRANSISTORS

| ITEM No. | ORIG. TYPE | USE | REPLACEMENT DATA | | | NOTES |
|----------|------------|--------|---------------------------|--------------|-------------------|-------|
| | | | GENERAL ELECTRIC PART No. | RCA PART No. | RAYTHEON PART No. | |
| X1 | DS26 | Driver | GE-3 | 2N408 | 2N257B | PNP |
| X2 | DS503 | Output | | | | |

ELECTROLYTIC CAPACITORS

| ITEM No. | RATING | | REPLACEMENT DATA | | | | | | |
|----------|--------|--------|------------------|------------------|---------------------------|---------------------------|------------------|------------------|------------------|
| | CAP. | VOLT. | DELCO PART No. | AEROVOX PART No. | CORNELL-DUBILIER PART No. | GENERAL ELECTRIC PART No. | MALLORY PART No. | PYRAMID PART No. | SPRAGUE PART No. |
| CLA | 850 | 18 | 7280883 | AFH3-54-35 | | | FPS300.75 | | PCLS-3021.4* |
| B | 400 | 18 | | | | | | | |
| C | 12 | 11.5AC | | | | | | | |

* Not normally in distributor's stock. Available thru distributor on order to manufacturer.

FIXED CAPACITORS

| ITEM No. | RATING | REMARKS | REPLACEMENT DATA | | | | | | | | | | | | |
|----------|----------|----------|------------------|--------------------|---------------------------|------------------|------------------|------------------|---------|----------|---------|-----------|-----------|----------|---------|
| | | | AEROVOX PART No. | CENTRALAB PART No. | CORNELL-DUBILIER PART No. | ELMENCO PART No. | MALLORY PART No. | SPRAGUE PART No. | | | | | | | |
| C2 | 50-100 | #7276886 | P288N-047 | DD-503 | CUB2S47 | IDP-2-473 | GEM-4147 | 4TM-S47 | | | | | | | |
| C3 | .047 75V | | | | | | | | | | | | | | |
| C4A | 27 N470 | | | | | | | | | | | | | | |
| B | 43 N470 | #7279808 | | | | | | | | | | | | | |
| C5A | | | | | | | | | | | | | | | |
| B | | #7273697 | P288N-1 | DDA-104 | CUB2P1 | IDP-2-104 | GEM-201 | 2TM-P10 | | | | | | | |
| C6 | .1 75V | | | | | | | | | | | | | | |
| C7 | 33 10% | | | | | | | | | | | | | | |
| C8 | .002 | | | | | | | | | | | | | | |
| C9 | .0047 | | | | | | | | | | | | | | |
| C10 | .1 75V | | | | | | | | | | | | | | |
| C11 | .47 100V | | | | | | | | | | | | | | |
| | | | | | | | | | | DI-33 | LIQ33 | CCD-330 | GP433 | 10TS-Q33 | |
| | | | | | | | | | (.02) † | BPD-002 | DD-202 | BYA10D2 | CCD-202 | B-220 | 5HK-D20 |
| | | | | | | | | | | BPD-0047 | DD-472 | BYA10D47M | CCD-472 | B-247 | 5HK-D47 |
| | | | | | | | | | | P288N-1 | DDA-104 | CUB2P1 | IDP-2-104 | GEM-201 | 2TM-P10 |
| | | | P288N-47 | | CUB2P47 | IDP-4-474 | GEM-2047 | 2TM-P47 | | | | | | | |

Delco Part Number.

* Not normally in distributor's stock. Available thru distributor on order to manufacturer.

† Used to reduce hum at minimum volume.

CONTROLS

All wattages 1/2 watt, or less, unless otherwise listed.

| ITEM No. | USE | RESISTANCE | REPLACEMENT DATA | | | | |
|----------|------------------------------------|-----------------------------|------------------|--------------------|--------------------|------------------|------------------|
| | | | DELCO PART No. | CENTRALAB PART No. | CLAROSTAT PART No. | CTS-IRC PART No. | MALLORY PART No. |
| R1A | Tone Volume, Power Sw. Bias Adjust | 600K | 7281978 ① | | | | MALLORY UE4327-B |
| R2 | | 500K * 280Ω 100Ω Stop | | | | | |

① Alternate Part #7280876. * Tap at 150K

■ "STA-LOC" Equivalent: FE18A, RU55T184, OS1250A, IS1750, US41

RESISTORS

All wattages 1/2 watt, or less, unless otherwise listed.

| ITEM No. | RATING | REPLACEMENT DATA | | | ITEM No. | RATING | REPLACEMENT DATA | | | | | | | | |
|----------|--------------|------------------|------------------|---------|-----------|--------|------------------|------------------|---------|--|-----|-----|--|--|----------|
| | | IRC PART No. | WORKMAN PART No. | REMARKS | | | IRC PART No. | WORKMAN PART No. | REMARKS | | | | | | |
| R3 | 2.2meg | | | | R12 | 3.3meg | | | | | | | | | |
| R4 | 39meg | | | | | | | | | | | | | | |
| R5 | 3.3meg | | | | | | | | | | | | | | |
| R6 | 680K | | | | | | | | | | | | | | |
| R7 | 4.7meg | | | | | | | | | | | | | | |
| R8 | 47K | | | | | | | | | | | | | | |
| R9 | 680K | | | | | | | | | | | | | | |
| R10 | 100Ω | | | | | | | | | | | | | | |
| R11 | 100K | | | | | | | | | | | | | | |
| | | | | | (4700Ω) * | | | | | | | | | | |
| R13 | 3900Ω | | | | | | | | | | R14 | 33Ω | | | (330Ω) † |
| R15 | 330Ω | | | | | | | | | | | | | | |
| R16 | 10Ω | | | | | | | | | | | | | | |
| R17 | .33Ω Fusible | | | | | | | | | | | | | | |
| R18 | 470Ω | | | | | | | | | | | | | | |
| R19 | 58Ω | | | | | | | | | | | | | | |
| | | | | | | | | | | | | | | | |
| | | | | | | | | | | | | | | | |

Delco Part Number.

† Used in early production.

* Alternate Value.

COILS (RF-IF)

| ITEM No. | USE | REPLACEMENT DATA | | | | | NOTES |
|----------|------------------|------------------|----------------|-----------------|------------------|------------------|----------------|
| | | DELCO PART No. | Merit PART No. | Miller PART No. | Stancor PART No. | Workman PART No. | |
| L1 | RF Choke (6.5uh) | 7255738 | BC-565 | 4610 | RTC-8520 | T859 | ① Wound on 12K |
| L2 | Ant. | 1221138 | | | | | |
| L3 | RF Choke | 7279416 ① | | | | | |
| L4 | RF | 1221138 | | | | | |
| L5 | Osc. | 1221151 | | | | | |
| L6 | Input IF | 1221621 | BC-317 | 13-PH1 | RTC-8644 | T855 | |
| L7 | Output IF | 1221622 | | | | | |

PARTS LIST AND DESCRIPTION (CONTINUED)

Replacement parts shown may be superseded by the availability of newly introduced replacements.
Have your local distributor check Sams COUNTER FACTS for the most up-to-date replacement.

FILTER CHOKE

| ITEM No. | RATINGS | | | REPLACEMENT DATA | | | | NOTES |
|----------|--------------------|---------|------------------------------|------------------|----------------|------------------|---------------------|-------|
| | CURRENT (Measured) | DC RES. | INDUCTANCE (0 CURRENT 1000~) | DELCO PART No. | MERIT PART No. | STANCOR PART No. | THORDARSON PART No. | |
| L8 | .96A | .8Ω | 8MH | 1221823 | | | | |

TRANSFORMER (DRIVER)

| ITEM No. | TURNS RATIO | | REPLACEMENT DATA | | | | | NOTES |
|----------|-------------|------|------------------|----------------|------------------|---------------------|----------------|-------|
| | PRI. | SEC. | DELCO PART No. | MERIT PART No. | STANCOR PART No. | THORDARSON PART No. | TRIAD PART No. | |
| T1 | 20 | 1 | 7277230 | | | | | |

TRANSFORMER (AUDIO OUTPUT)

| ITEM No. | IMPEDANCE | | REPLACEMENT DATA | | | | | NOTES |
|----------|-----------|------|------------------|----------------|------------------|---------------------|----------------|-------|
| | PRI. | | DELCO PART No. | MERIT PART No. | STANCOR PART No. | THORDARSON PART No. | TRIAD PART No. | |
| T2 | 8Ω Tap@ | 3-4Ω | 1221535 | | | | | |

SPEAKER

| ITEM No. | TYPE | | | REPLACEMENT DATA | | NOTES |
|----------|---------|-------|------------|------------------|---------------|------------------------------|
| | SIZE | FIELD | V. C. IMP. | DELCO PART No. | QUAM PART No. | |
| SP1 | 4"x 10" | PM | 3-4Ω | 7280093 | 410A224 | Model 985315 Model 985159 |
| | 8"x 9" | PM | 3-4Ω | 7280092 | | |

FUSES

| ITEM No. | TYPE | RATING | REPLACEMENT DATA | | | | | | |
|----------|------|--------|------------------|--------|---------------------|--------|---------------|--------|--|
| | | | DELCO PART No. | | LITTELFUSE PART No. | | BUSS PART No. | | |
| | | | FUSE | HOLDER | FUSE | HOLDER | FUSE | HOLDER | |
| M1 | 3AG | 4A | | | 313004 | | | AGC 4 | |

MISCELLANEOUS

| ITEM No. | PART NAME | DELCO PART No. | NOTES |
|----------|-------------|----------------|-------------------|
| M2 | Spark Plate | 1221509 | |
| M3 | Switch | 1221152 | Speaker Interlock |

CABINETS & CABINET PARTS

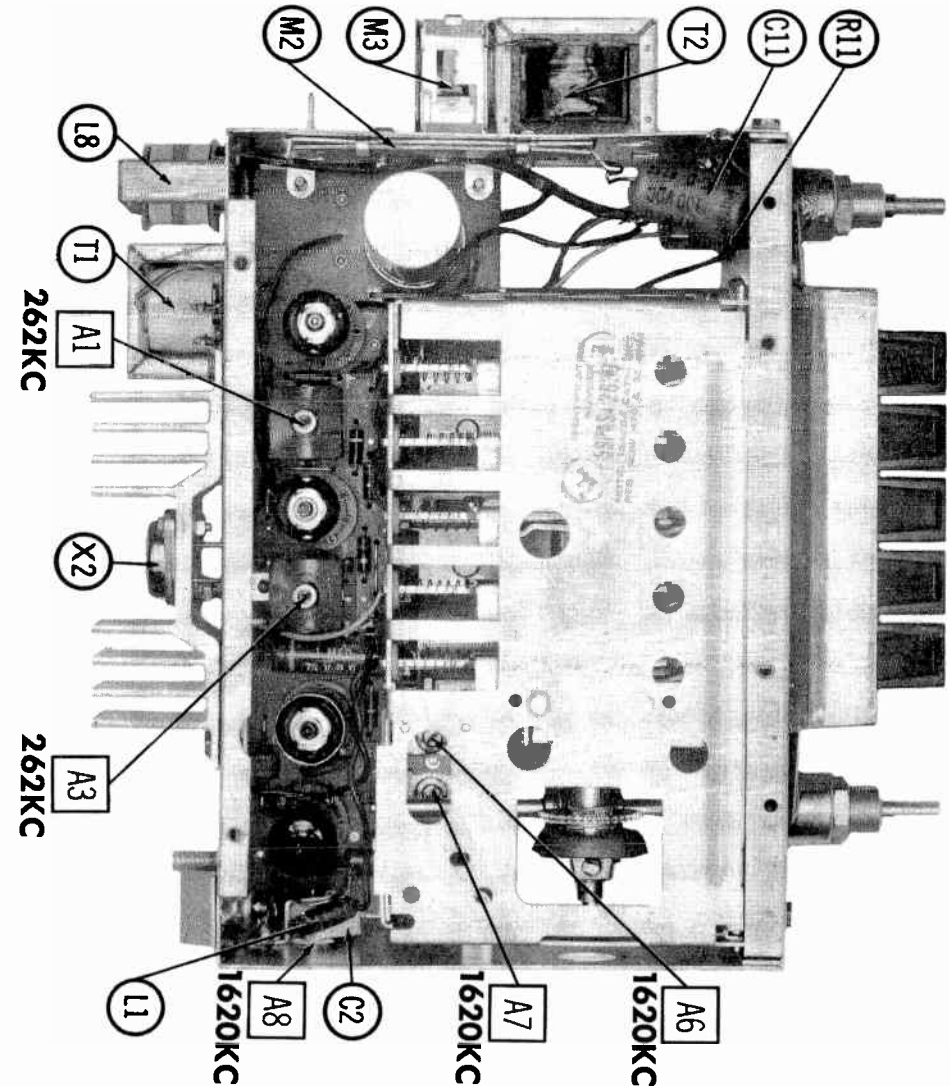
(When Ordering Cabinets & Cabinet Parts, Specify Model, Chassis & Color)

| NAME | PART No. | DESCRIPTION |
|------|----------|----------------|
| Knob | 7277055 | Tuning, Volume |
| Knob | 7274782 | Dummy |
| Knob | 7272970 | Tone |

WIRING DATA

| | |
|---|--|
| General-use Unshielded Hook-up Wire | Use BELDEN No. 8530 (Solid) Available in 12 Colors 8524 (Stranded) Available in 12 Colors |
| Shielded Hook-up Wire | Use BELDEN No. 8885 |
| Rear Seat Speaker Extension Cable | Use BELDEN No. 8782 (Stranded) Coded Parallel Leads |
| Bonding Strap | Use BELDEN No. 8861 (3/8 In.) or 8870 (3/4 In.) |

CHASSIS—TOP VIEW



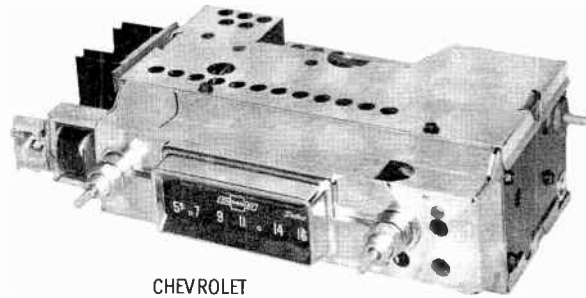


NOTE: To replace tubes, remove four 1/4-inch hex screws holding cover and remove cover.

1. Pull off knobs and washers.
2. Disconnect speaker leads, "A" lead, and antenna plug.
3. Remove two 1/2-inch hex nuts from control bushings.
4. Remove 1/4-inch hex nut holding radio to rear mount.
5. Remove radio from rear of instrument panel.

SPEAKER REMOVAL

1. Remove left hand defroster nozzle and hose if heater exists.
2. Remove two 3/8-inch hex nuts holding speaker bracket to fixed mounting bracket.
3. Remove speaker and bracket from under instrument panel.



CHEVROLET
MODEL 985227

TRADE NAME Chevrolet Model 985227 (For 1962 Chevrolet Trucks), GMC Model 2233984 (For 1962 GMC Trucks)
 MANUFACTURER Delco Radio Div., General Motors Corp., Kokomo, Indiana
 TYPE SET Battery Operated 4 Tube - 2 Transistor Custom Built Truck AM Receiver
 POWER SUPPLY 12 Volt Storage Battery RATING 1.8 Amp. @12.6 Volts DC
 TUNING RANGE—BROADCAST 540 — 1620KC

ALIGNMENT INSTRUCTIONS

ALIGNMENT INSTRUCTIONS—READ CAREFULLY BEFORE ATTEMPTING ALIGNMENT

Use only enough generator output to provide a usable indication.

Suggested Alignment Tools:

- A1 Thru A4.....GENERAL CEMENT #8282, 8606, 8606-L, 9091
 WALSCO #2526, 2541, 2542, 2543, 2544
 A6, A7, A8.....GENERAL CEMENT #5004, 5009, 8195, 8274, 8275, 8607, 8728, 8987, 8988, 8989, 9291
 WALSCO #2515, 2520, 2522, 2523, 2531, 2532, 2534, 2537, 2538

| | SIGNAL GENERATOR COUPLING | SIGNAL GENERATOR FREQUENCY | RADIO DIAL SETTING | INDICATOR | ADJUST | REMARKS |
|---|--|----------------------------|--------------------|--|----------------|--------------------------------|
| 1. | High side thru .1mf to pin 7 (grid) of Converter. Low side to chassis. | 262KC (Unmod.) | High Freq. Stop. | Connect DC VTVM across Volume Control. | A1, A2, A3, A4 | Adjust for maximum deflection. |
| Check setting of oscillator coil core A5. Rear of core should be 1 5/8" from mounting end of core form. | | | | | | |
| 2. | Thru dummy (Fig. 1) to antenna receptacle. | 1620KC | " | " | A6, A7, A8 | " |
| 3. | " | 600KC | 600KC | " | A9, A10 | " |
| 4. | " | 1620KC | 1620KC | " | A7, A8 | " |
| 5. | With radio installed in car and antenna fully extended, tune in a weak station near 1400KC and adjust A8 for maximum output. | | | | | |

CHEVROLET MODEL 985227
GMC MODEL 2233984

DIAL CORD STRINGING

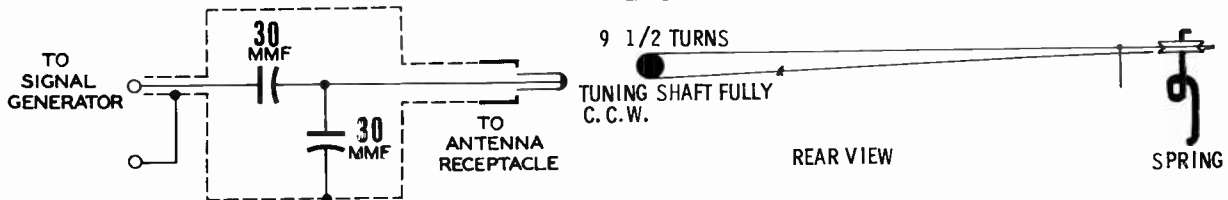


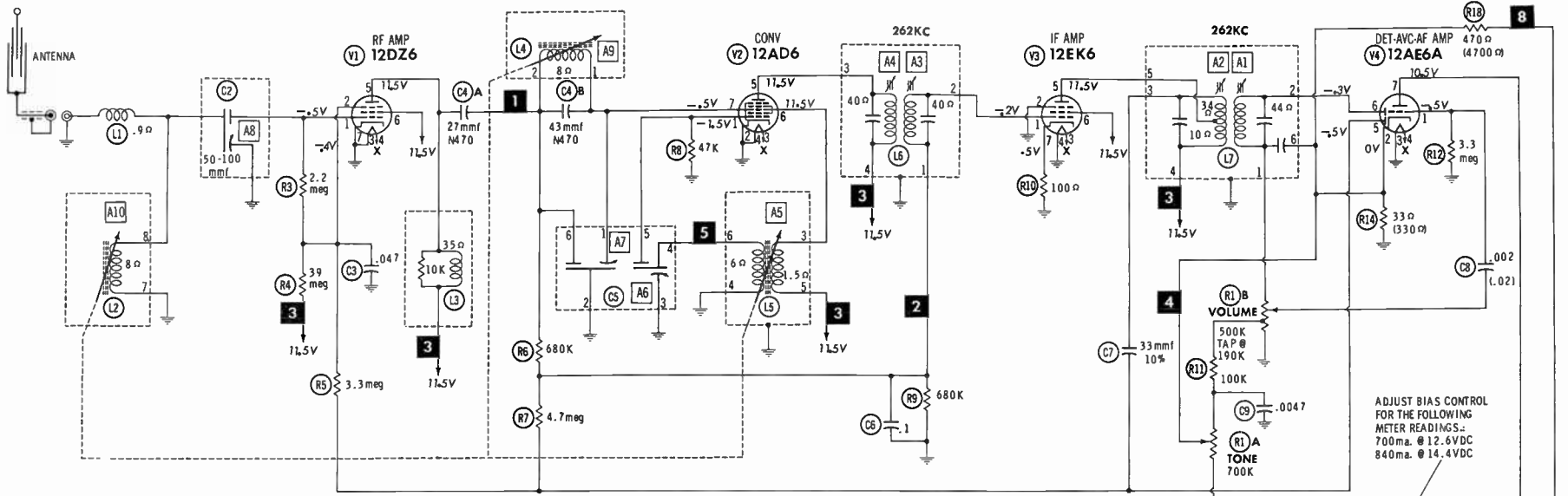
FIG. 1

HOWARD W. SAMS & CO., INC. Indianapolis 6, Indiana

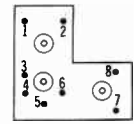
The listing of any available replacement part herein does not constitute in any case a recommendation, warranty or guaranty by Howard W. Sams & Co., Inc., as to the quality and suitability of such replacement part. The numbers of these parts have been compiled from information furnished to Howard W. Sams & Co., Inc., by the manufacturers of LD729

the particular type of replacement part listed. Reproduction or use, without express permission, of editorial or pictorial content, in any manner, is prohibited. No patent liability is assumed with respect to the use of the information contained herein. ©1962 Howard W. Sams & Co., Inc., Indianapolis 6, Indiana. Printed in U.S. of America

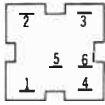




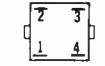
NUMBERS ASSIGNED TO COILS, SWITCHES, PLUGS, SOCKETS, AND TRANSFORMERS ARE TO FACILITATE CIRCUIT TRACING OR COMPONENT REPLACEMENT AND MAY NOT NECESSARILY BE FOUND ON THE UNIT.



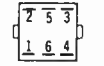
TUNING ASSEMBLY (INCLUDES L2, L4, L5) REAR VIEW



BASING FOR C5 TRIMMER ASSEMBLY



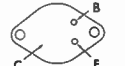
L6 TERMINAL GUIDE



L7 TERMINAL GUIDE



COLOR DOT X1 TERMINAL GUIDE



X2 TERMINAL GUIDE

RESISTANCE READINGS

| ITEM | TUBE | Pin 1 | Pin 2 | Pin 3 | Pin 4 | Pin 5 | Pin 6 | Pin 7 | Pin 8 | Pin 9 |
|------|--------|--------|--------|-------|-------|--------|-------|--------|-------|-------|
| V1 | 12DZ6 | 11meg | 8.6meg | FIL | FIL | †95Ω | †56Ω | 0Ω | | |
| V2 | 12AD6 | 47K | 0Ω | FIL | FIL | †100Ω | †56Ω | 1.4meg | | |
| V3 | 12EK6 | 680K | 0Ω | FIL | FIL | †65Ω | †56Ω | 100Ω | | |
| V4 | 12AE6A | 3.3meg | 33Ω | FIL | FIL | 5.3meg | 400K | * | | |

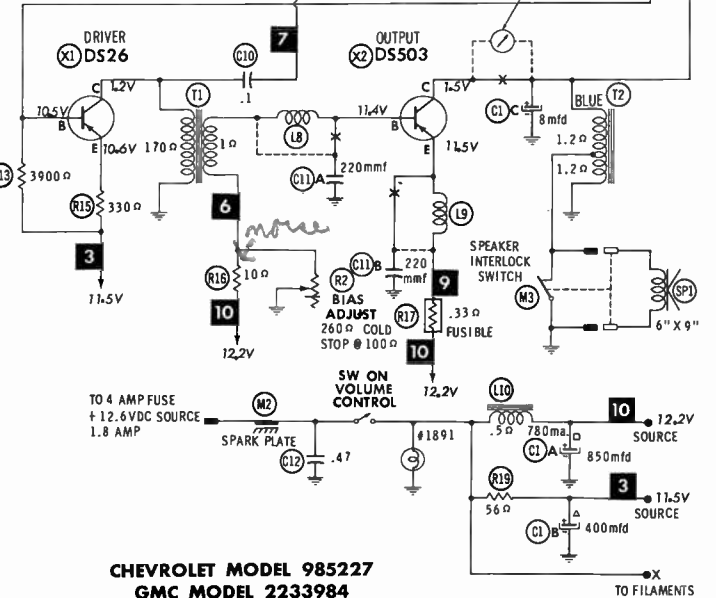
† MEASURED FROM L10 AND R19.

* RESISTANCE MEASUREMENTS NOT GIVEN BECAUSE OF THE WIDE VARIATION IN INTERNAL TRANSISTOR RESISTANCE. RESISTANCE MEASUREMENTS FOR X1 AND X2 NOT GIVEN BECAUSE OF THE WIDE VARIATION IN INTERNAL TRANSISTOR RESISTANCE.

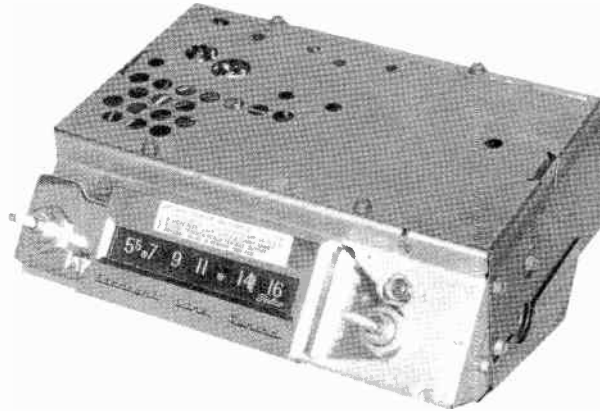
- DC voltage measurements taken with vacuum tube voltmeter.
- Socket connections shown as bottom views.
- Measured values are from socket pin to common ground.
- Battery voltage maintained at 12.6 volts for voltage readings.
- Nominal tolerance on component values makes possible a variation of ±15% in voltage and resistance readings.
- Volume control at maximum, no signal applied for voltage measurements.

A PHOTOFAC STANDARD NOTATION SCHEMATIC with **CIRCUITRACE**

© Howard W. Sams & Co., Inc. 1962



CHEVROLET MODEL 985227
GMC MODEL 2233984



NOTE: To replace tubes, remove four 1/4" hex screws holding cover and remove cover.

RADIO REMOVAL

1. Remove glove box.
2. Pull off knobs and washers.
3. Disconnect speaker leads at speaker, "A" lead at connector plug and remove antenna plug.
4. Remove two 1/2" hex nuts from control bushings and spacer from right bushing.
5. Remove 3/8" hex nut holding radio at left support arm.
6. Remove radio through glove box.

SPEAKER REMOVAL

1. Remove 1/4" hex screw from back side of speaker mounting plate.
2. Remove speaker mounting plate tab from slot and bring both speaker and mounting plate out through glove box opening.

| | | | |
|------------------------|--|--------|-------------------------|
| TRADE NAME | Chevrolet Model 985332 (For 1962 Chevrolets) | | |
| MANUFACTURER | Delco Radio Div. General Motors Corp., Kokomo, Indiana | | |
| TYPE SET | Battery Operated 4 Tube - 2 Transistor Custom-Built Automobile AM Receiver | | |
| POWER SUPPLY | 12 Volt Storage Battery | RATING | 1.5 Amp. @12.6 Volts DC |
| TUNING RANGE—BROADCAST | 540 — 1620KC | | |

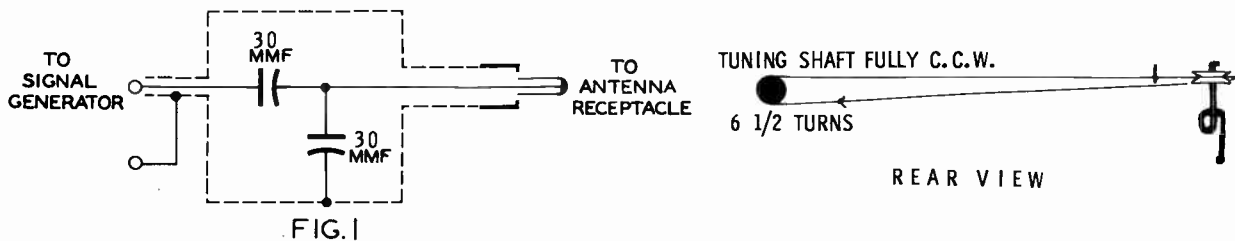
ALIGNMENT INSTRUCTIONS

ALIGNMENT INSTRUCTIONS—READ CAREFULLY BEFORE ATTEMPTING ALIGNMENT

Use only enough generator output to provide a usable indication.

Suggested Alignment Tools: A1 thru A4..... GENERAL CEMENT #8282, 8606, 8606-L, 9091
 WALSCO #2526, 2541, 2542, 2543, 2544
 A6, A7, A8..... GENERAL CEMENT #5004, 5009, 8195, 8274, 8275, 8607, 8728, 8987, 8988, 8989, 9291
 WALSCO #2515, 2520, 2522, 2523, 2531, 2532, 2534, 2537, 2538

| | SIGNAL GENERATOR COUPLING | SIGNAL GENERATOR FREQUENCY | RADIO DIAL SETTING | INDICATOR CONNECT VTVM | ADJUST | REMARKS |
|---|--|----------------------------|--------------------|------------------------|----------------|--------------------------------|
| 1. | High side thru .1mf to Pin 7 (grid) of Converter. Low side to chassis. | 262KC | High Freq. Stop. | Across Volume Control. | A1, A2, A3, A4 | Adjust for maximum deflection. |
| Check setting of oscillator coil core (A5). Rear of core should be 1 5/8" from mounting end of core form. | | | | | | |
| 2. | Thru dummy (Fig. 1) to antenna receptacle. | 1620KC | High Freq. Stop. | Across Volume Control. | A6, A7, A8 | " |
| 3. | " | 600KC | 600KC | " | A9, A10 | " |
| 4. | " | 1620KC | 1620KC | " | A7, A8 | " |
| 5. | With radio installed in car and antenna fully extended, tune in a weak station near 1400KC and adjust A8 for maximum output. | | | | | |



HOWARD W. SAMS & CO., INC. Indianapolis 6, Indiana

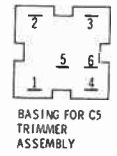
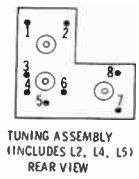
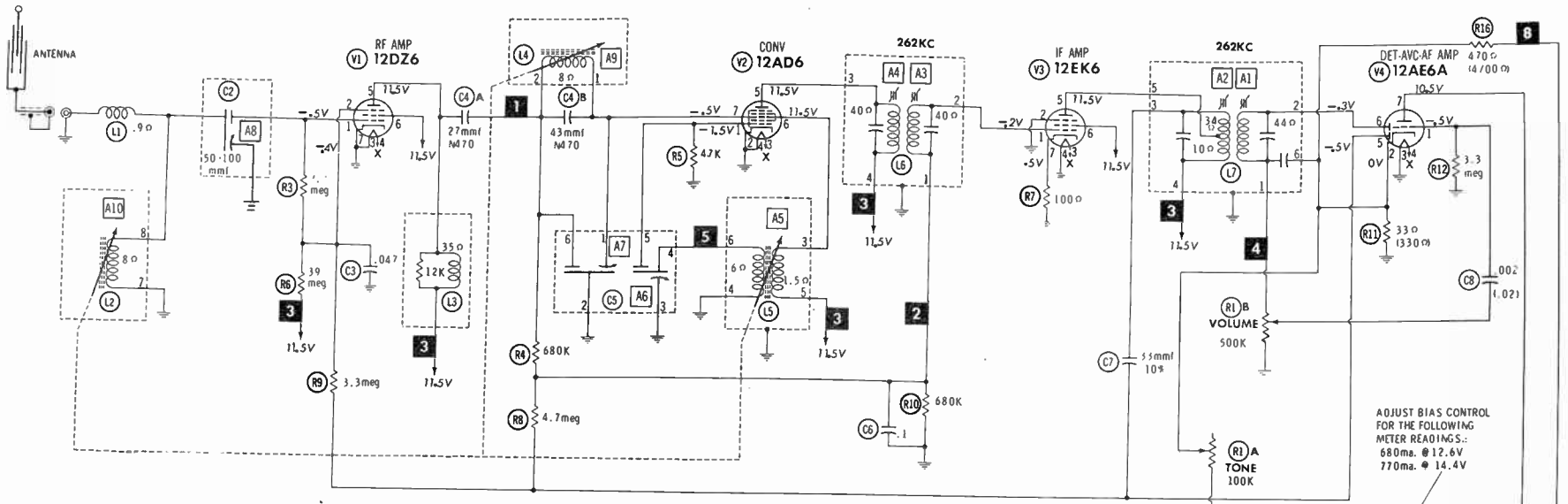


The listing of any available replacement part herein does not constitute in any case a recommendation, warranty or guaranty by Howard W. Sams & Co., Inc., as to the quality and suitability of such replacement part. The numbers of these parts have been compiled from information furnished to Howard W. Sams & Co., Inc., by the manufacturers of the particular type of replacement LD732

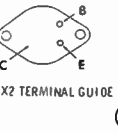
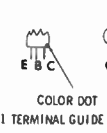
part listed. Reproduction or use, without express permission, of editorial or pictorial content, in any manner, is prohibited. No patent liability is assumed with respect to the use of the information contained herein. ©1963 Howard W. Sams & Co., Inc., Indianapolis 6, Indiana.

Printed in U.S. of America

CHEVROLET
MODEL 985332



NUMBERS ASSIGNED TO COILS, SWITCHES, PLUGS, SOCKETS, AND TRANSFORMERS ARE TO FACILITATE CIRCUIT TRACING OR COMPONENT REPLACEMENT AND MAY NOT NECESSARILY BE FOUND ON THE UNIT.



RESISTANCE READINGS

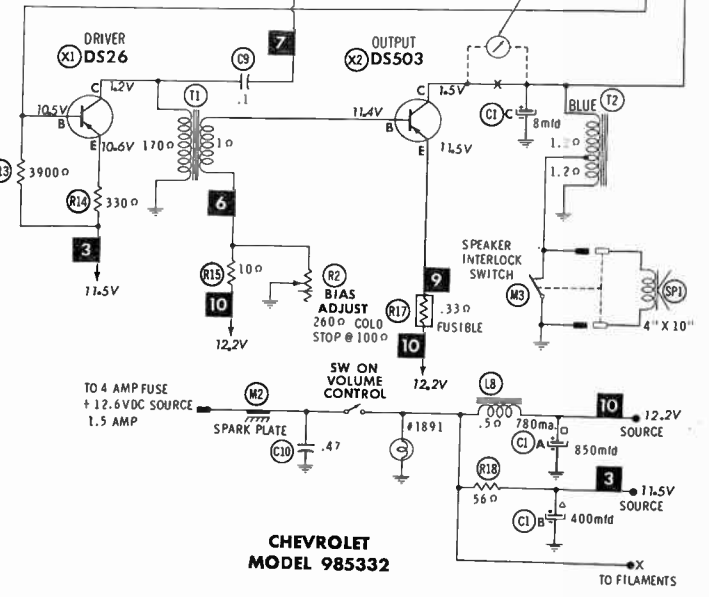
| ITEM | TUBE | Pin 1 | Pin 2 | Pin 3 | Pin 4 | Pin 5 | Pin 6 | Pin 7 |
|------|--------|---------|---------|-------|-------|---------|-------|---------|
| V1 | 120Z6 | 11 meg | 8.6 meg | FIL | FIL | †95 Ω | †56 Ω | 0 Ω |
| V2 | 12AD6 | 47K | 0 Ω | FIL | FIL | †100 Ω | †56 Ω | 1.4 meg |
| V3 | 12EK6 | 680K | 0 Ω | FIL | FIL | †65 Ω | †56 Ω | 100 Ω |
| V4 | 12AE6A | 3.3 meg | 33 Ω | FIL | FIL | 5.3 meg | 400K | * |

† MEASURED FROM LB # R18
 * RESISTANCE MEASUREMENTS NOT GIVEN BECAUSE OF THE WIDE VARIATION IN INTERNAL TRANSISTOR RESISTANCE.
 RESISTANCE MEASUREMENTS FOR X1 AND X2 NOT GIVEN BECAUSE OF THE WIDE VARIATION IN INTERNAL TRANSISTOR RESISTANCE.

- DC voltage measurements taken with vacuum tube voltmeter.
- Socket connections shown as bottom views.
- Measured values are from socket pin to common ground.
- Battery voltage maintained at 12.6 volts for voltage readings.
- Nominal tolerance on component values makes possible a variation of ±15% in voltage and resistance readings.
- Volume control at maximum, no signal applied for voltage measurements.

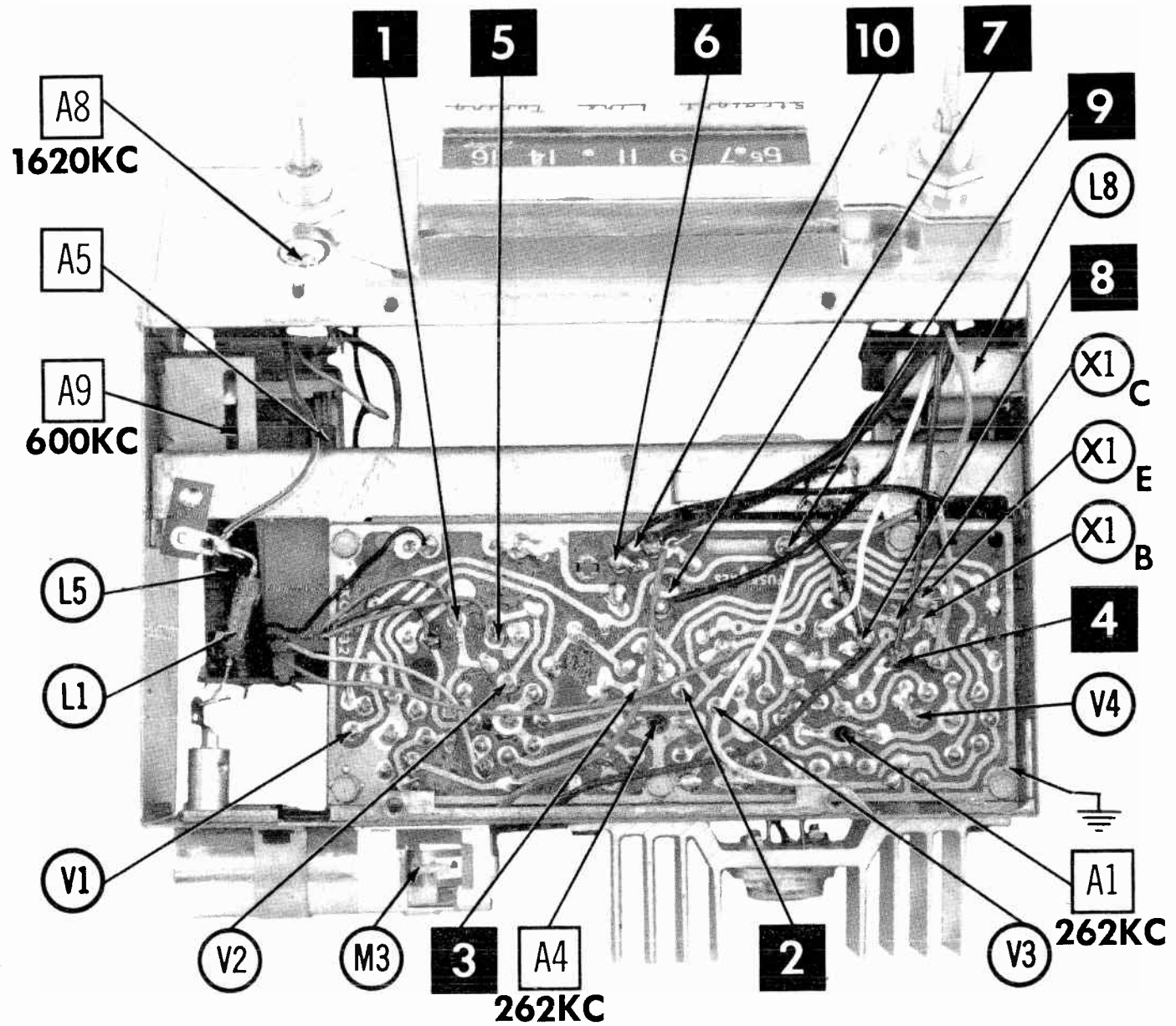
A PHOTOFACT STANDARD NOTATION SCHEMATIC with **CIRCUITRACE**

©Howard W. Sams & Co., Inc. 1963

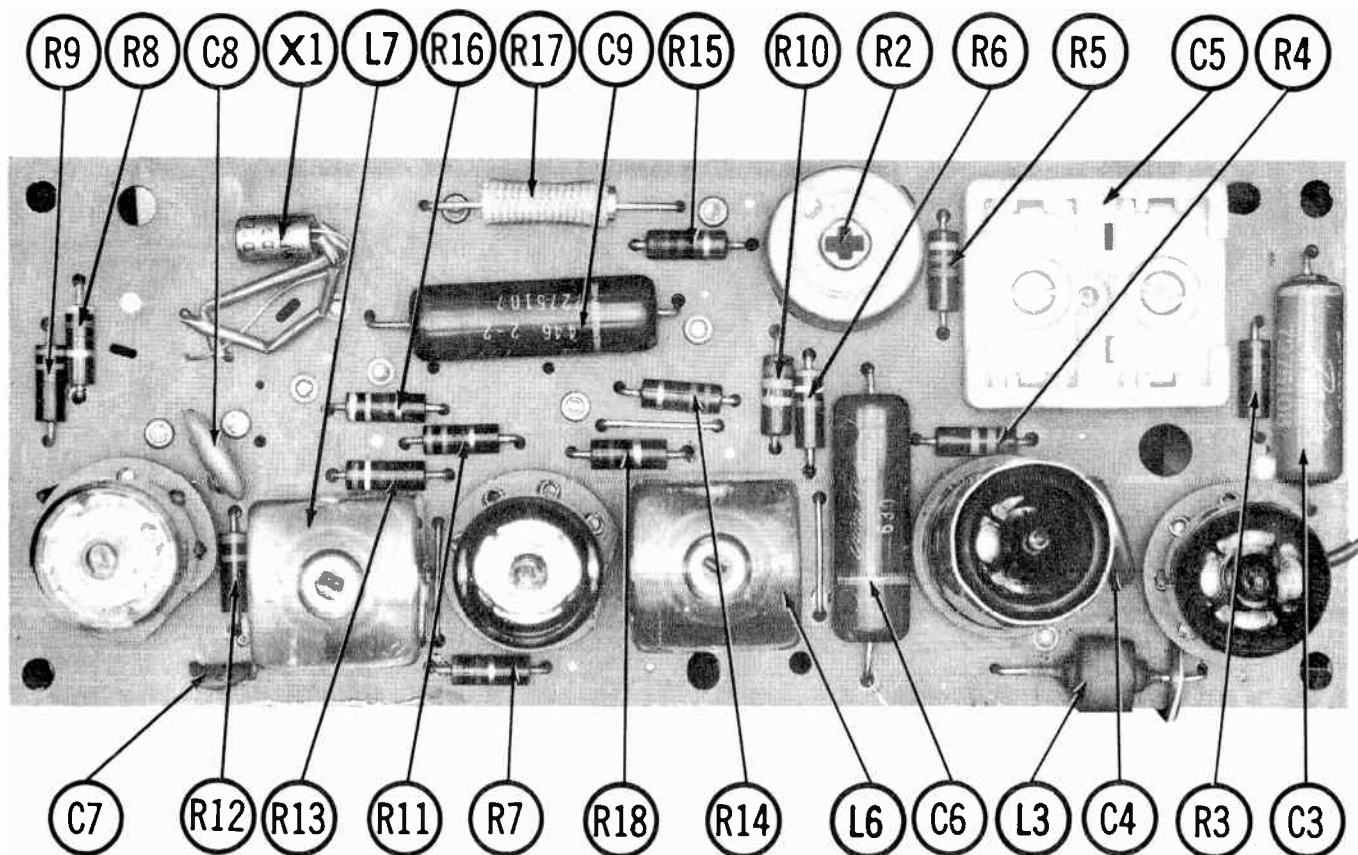


CHEVROLET
MODEL 985332

PRINTED BOARD
 E-emitter
 B-base
 C-collector



PRINTED BOARD-
TOP VIEW



PARTS LIST AND DESCRIPTION

Replacement parts shown may be superseded by the availability of newly introduced replacements. Have your local distributor check Sams COUNTER FACTS for the most up-to-date replacement.

TUBES

| ♦ AMPEREX ♦ | | | ♦ GENERAL ELECTRIC ♦ | | | ♦ RCA ♦ | | | ♦ RAYTHEON ♦ | | | ♦ SYLVANIA ♦ | | |
|-------------|--------------|-------|----------------------|--------------|-------|----------|--------------------------------|--------|--------------|-----|------|--------------|-----|------|
| ITEM No. | USE | TYPE | ITEM No. | USE | TYPE | ITEM No. | USE | TYPE | ITEM No. | USE | TYPE | ITEM No. | USE | TYPE |
| V1 | RF Amplifier | 12DZ6 | V3 | IF Amplifier | 12EK6 | V4 | IF Amplifier Det. -AVC-AF Amp. | 12AE6A | | | | | | |
| V2 | Converter | 12AD6 | | | | | | | | | | | | |

TRANSISTORS

| ITEM No. | ORIG. TYPE | USE | REPLACEMENT DATA | | | NOTES |
|----------|------------|--------|---------------------------|--------------|-------------------|-------|
| | | | GENERAL ELECTRIC PART No. | RCA PART No. | RAYTHEON PART No. | |
| X1 | D826 | Driver | GE-3 | 2N591 | | |
| X2 | D8503 | Output | | 2N301 | | |

ELECTROLYTIC CAPACITORS

| ITEM No. | RATING | | REPLACEMENT DATA | | | | | | |
|----------|--------|--------|------------------|------------------|---------------------------|---------------------------|-------------------|------------------|------------------|
| | CAP. | VOLT. | DELCO PART No. | AEROVOX PART No. | CORNELL-DUBILIER PART No. | GENERAL ELECTRIC PART No. | MALLORY PART No. | PYRAMID PART No. | SPRAGUE PART No. |
| C1A | 850 | 16 | 7280761 | AFH3-54-35 | | | WP300.8A & TCN505 | | TVLS-3021.3* |
| C1B | 400 | 16 | (7280385) | | | | | | |
| C1C | 8 | 11.5AC | | | | | | | |

* Not normally in distributor's stock. Available thru distributor on order to manufacturer.

FIXED CAPACITORS

| ITEM No. | RATING | REMARKS | REPLACEMENT DATA | | | | | |
|----------|----------|-----------|------------------|--------------------|---------------------------|------------------|------------------|------------------|
| | | | AEROVOX PART No. | CENTRALAB PART No. | CORNELL-DUBILIER PART No. | ELMENCO PART No. | MALLORY PART No. | SPRAGUE PART No. |
| C2 | .047 75V | #7277422 | P288N-047 | DD-503 | CUB2S47 | IDP-2-473 | GEM-4147 | 4TM-S47 |
| C3 | 27 N470 | #7279808 | | | | * | | |
| C4A | 43 N470 | #7273897 | | | | | | |
| C5A | | | | | | | | |
| C6 | .1 75V | } (.02) † | P288N-1 | DDA-104 | CUB2P1 | IDP-2-104 | GEM-201 | 2TM-P10 |
| C7 | 33 10% | | DI-33 | DD-330 | L10Q33 | CCD-330 | GP433 | 10TS-Q33 |
| C8 | .002 | | BPD-002 | DD-202 | BYA10D2 | CCD-202 | B-220 | 5HK-D20 |
| C9 | .1 75V | | P288N-1 | DDA-104 | CUB2P1 | IDP-2-104 | GEM-201 | 2TM-P10 |
| C10 | .47 100V | | P288N-47 | | CUB2P47 | IDP-4-474 | GEM-2047 | 2TM-P47 |

* Not normally in distributor's stock. Available thru distributor on order to manufacturer.

† Delco Part Number.

† Value used to reduce hum at minimum volume.

CONTROLS

All wattages 1/2 watt, or less, unless otherwise listed.

| ITEM No. | USE | RESISTANCE | REPLACEMENT DATA | | | | |
|----------|-------------------------------|---------------------------|------------------|--------------------|--------------------|------------------|------------------|
| | | | DELCO PART No. | CENTRALAB PART No. | CLAROSTAT PART No. | CTS-IRC PART No. | MALLORY PART No. |
| RIA | Tone | 100K | 7280287 | | | | |
| R2 | Volume, Power Sw. Bias Adjust | 500K 280Ω 100Ω Stop | 7275474 | | | | |

RESISTORS

All wattages 1/2 watt, or less, unless otherwise listed.

| ITEM No. | RATING | REPLACEMENT DATA | | | REMARKS | ITEM No. | RATING | REPLACEMENT DATA | | |
|----------|--------|------------------|------------------|--|---------|----------|--------------|------------------|------------------|-----------|
| | | IRC PART No. | WORKMAN PART No. | | | | | IRC PART No. | WORKMAN PART No. | REMARKS |
| R3 | 2.2meg | | | | | R11 | 33Ω | | | (330Ω) † |
| R4 | 680K | | | | | R12 | 3.3meg | | | |
| R5 | 47K | | | | | R13 | 3900Ω | | | |
| R6 | 39meg | | | | | R14 | 330Ω | | | |
| R7 | 100Ω | | | | | R15 | 10Ω | | | |
| R8 | 4.7meg | | | | | R16 | 470Ω | | | (4700Ω) † |
| R9 | 3.3meg | | | | | R17 | .33Ω Fustble | | | #7276499 |
| R10 | 680K | | | | | R18 | 56Ω | | | |

Delco Part Number.

† Used in early production.

COILS (RF-IF)

| ITEM No. | USE | REPLACEMENT DATA | | | | | NOTES |
|----------|------------------|------------------|----------------|-----------------|------------------|------------------|----------------|
| | | DELCO PART No. | Merit PART No. | Miller PART No. | Stancor PART No. | Workman PART No. | |
| L1 | RF Choke (6.5uh) | 7255738 | | | | | |
| L2 | Ant. | 1221138 | | | | | |
| L3 | RF Choke | 7279416 | BC-565 | 4810 | RTC-8520 | T859 | ⊕ Wound on 12K |
| L4 | RF | 1221138 | | | | | |
| L5 | Osc. | 1221263 | | | | | |
| L6 | Input IF | 1221621 | BC-317 | 13-PHI | RTC-8644 | T855 | |
| L7 | Output IF | 1221622 | | | | | |

FILTER CHOKE

| ITEM No. | RATINGS | | | REPLACEMENT DATA | | | | | NOTES |
|----------|--------------------|---------|------------------------------|------------------|----------------|------------------|---------------------|----------------|-------|
| | CURRENT (Measured) | DC RES. | INDUCTANCE (0 CURRENT 1000~) | DELCO PART No. | MERIT PART No. | STANCOR PART No. | THORDARSON PART No. | TRIAD PART No. | |
| L8 | .800A | .6Ω | 8MH | 1221623 | | | | | |

PARTS LIST AND DESCRIPTION (CONTINUED)

Replacement parts shown may be superseded by the availability of newly introduced replacements.
Have your local distributor check Sams COUNTER FACTS for the most up-to-date replacement.

TRANSFORMER (DRIVER)

| ITEM No. | TURNS RATIO | | REPLACEMENT DATA | | | | | NOTES |
|----------|-------------|------|------------------|----------------|------------------|---------------------|----------------|-------|
| | | | DELCO PART No. | MERIT PART No. | STANCOR PART No. | THORDARSON PART No. | TRIAD PART No. | |
| | PRI. | SEC. | | | | | | |
| T1 | 20 | 1 | 7277230 | | | | | |

TRANSFORMER (AUDIO OUTPUT)

| ITEM No. | IMPEDANCE | | REPLACEMENT DATA | | | | | NOTES |
|----------|---------------|--|------------------|----------------|------------------|---------------------|----------------|-------|
| | | | DELCO PART No. | Merit PART No. | Stancor PART No. | Thordarson PART No. | Triad PART No. | |
| | PRI. | | | | | | | |
| T2 | 8Ω Tap @ 3-4Ω | | 1221535 | | | | | |

SPEAKER

| ITEM No. | TYPE | | | REPLACEMENT DATA | | NOTES |
|----------|---------|-------|------------|------------------|---------------|-------|
| | | | | DELCO PART No. | QUAM PART No. | |
| | SIZE | FIELD | V. C. IMP. | | | |
| SP1 | 4"x 10" | PM | 3-4Ω | 7277075 | 410A2 | |

FUSES

| ITEM No. | TYPE | RATING | REPLACEMENT DATA | | | | | |
|----------|------|--------|------------------|--------|---------------------|--------|---------------|--------|
| | | | DELCO PART No. | | LITTELFUSE PART No. | | BUSS PART No. | |
| | | | FUSE | HOLDER | FUSE | HOLDER | FUSE | HOLDER |
| M1 | AGC | 4A | | | 312004 | | AGC 4 | |

MISCELLANEOUS

| ITEM No. | PART NAME | DELCO PART No. | NOTES |
|----------|-------------|----------------|-------------------|
| M2 | Spark Plate | 7271564 | |
| M3 | Switch | 1221152 | Speaker Interlock |

CABINETS & CABINET PARTS

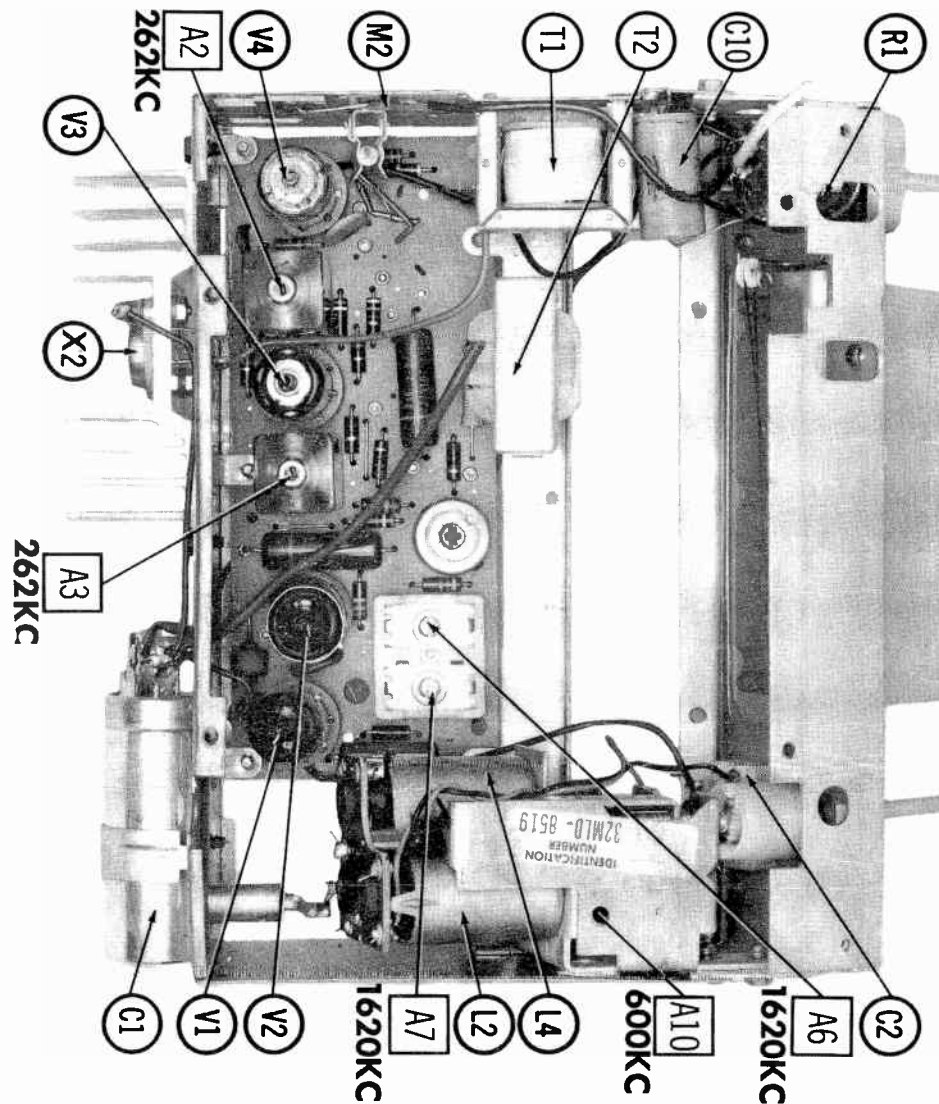
(When Ordering Cabinets & Cabinet Parts, Specify Model, Chassis & Color)

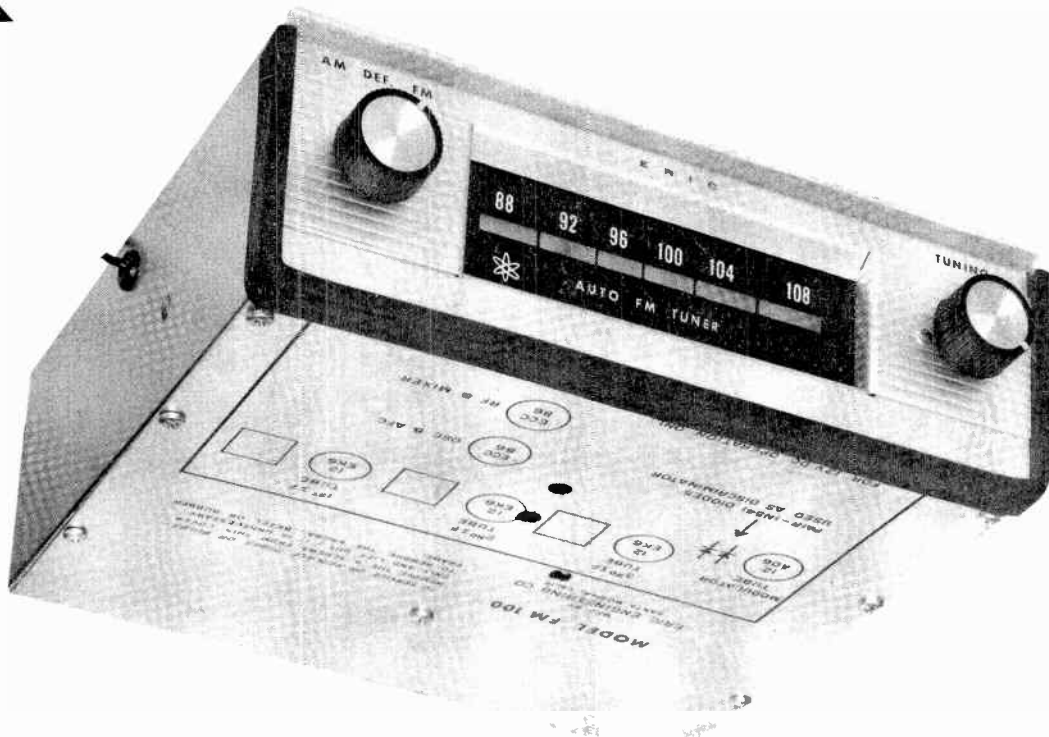
| NAME | PART NO. | DESCRIPTION |
|------|----------|----------------|
| Knob | 7277055 | Tuning, Volume |
| Knob | 3785716 | Tone |
| Knob | 3785717 | Dummy |

WIRING DATA

| | |
|-------------------------------------|--|
| General-use Unshielded Hook-up Wire | Use BELDEN No. 8530 (Solid) Available in 12 Colors 8524 (Stranded) Available in 12 Colors |
| Shielded Hook-up Wire | Use BELDEN No. 8885 |
| Bonding Strap | Use BELDEN No. 8661 (3/8 in.) or 8870 (3/4 in.) |

CHASSIS—TOP VIEW

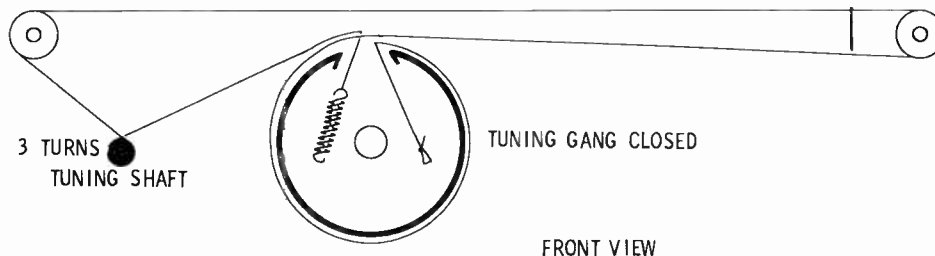




ERIC
MODEL FM-100

| | | | |
|---------------------------|--|--------|-------------------------|
| TRADE NAME | Eric Model FM-100 | | |
| MANUFACTURER | Eric Electronics Corp., 2115 Colorado Ave., Santa Monica, Calif. | | |
| TYPE SET | Battery Operated 6 Tube Universal Type Automobile FM Tuner | | |
| POWER SUPPLY | 12 Volt Storage Battery (Negative Ground) | RATING | 1.6 Amp. @12.6 Volts DC |
| TUNING RANGE - FREQ. MOD. | 88 - 108MC | | |

DIAL CORD STRINGING

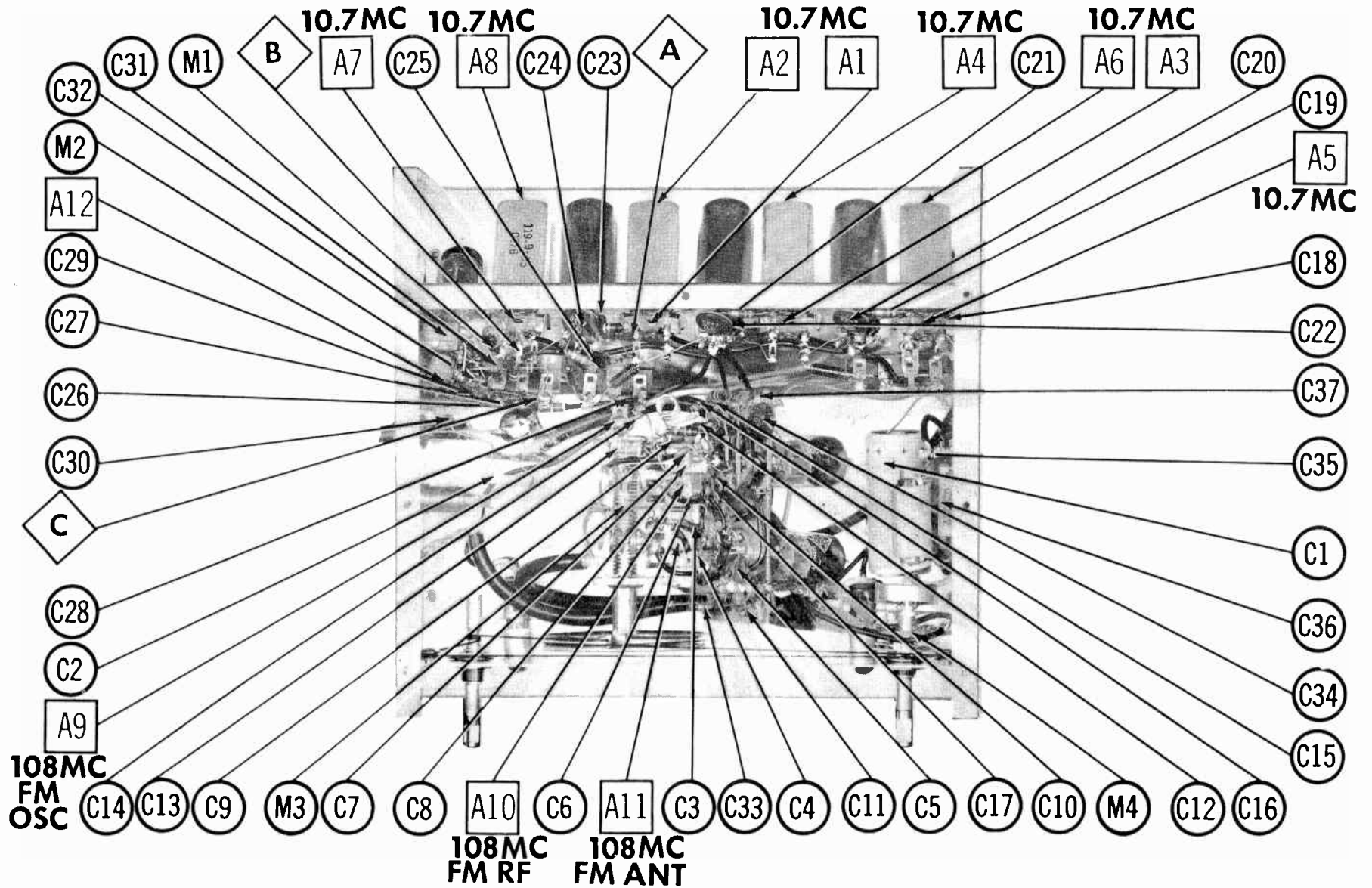


HOWARD W. SAMS & CO., INC. Indianapolis 6, Indiana

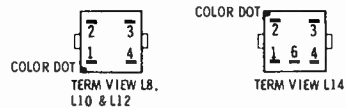
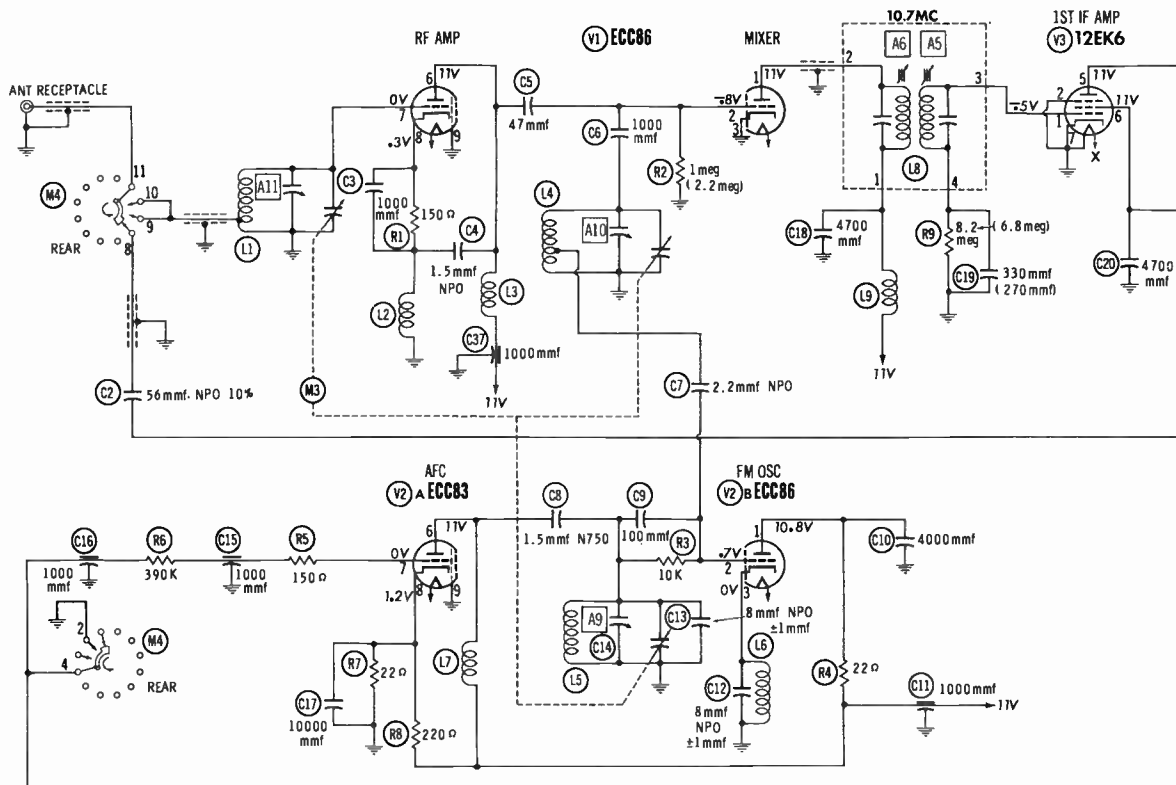


The listing of any available replacement part herein does not constitute in any case a recommendation, warranty or guaranty by Howard W. Sams & Co., Inc., as to the quality and suitability of such replacement part. The numbers of these parts have been compiled from information furnished to Howard W. Sams & Co., Inc., by the manufacturers of KD556R

the particular type of replacement part listed. Reproduction or use, without express permission, of editorial or pictorial content, in any manner, is prohibited. No patent liability is assumed with respect to the use of the information contained herein. © 1963 Howard W. Sams & Co., Inc., Indianapolis 6, Indiana. Printed in U.S. of America



CHASSIS TOP VIEW - ALIGNMENT, CAPACITOR & MISC. IDENT.



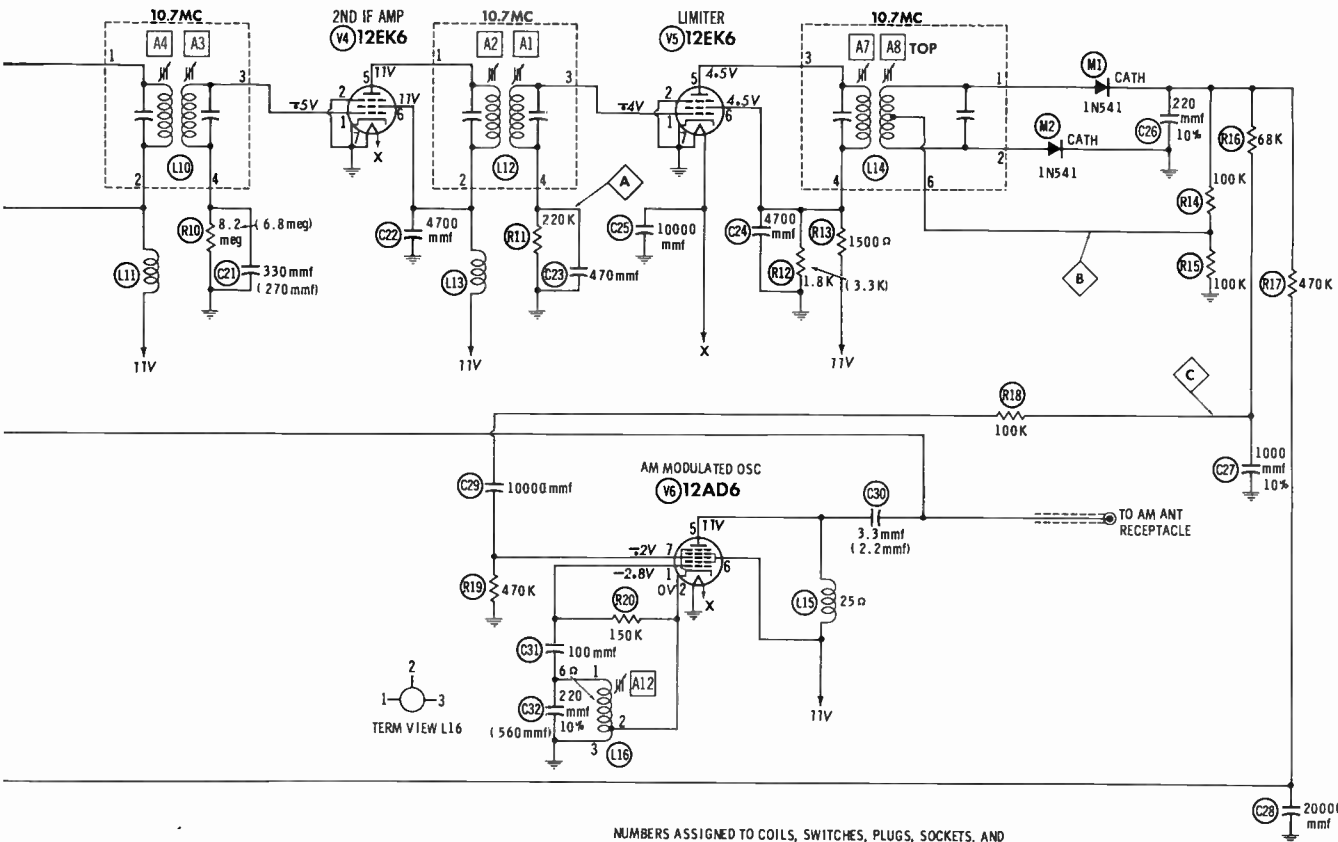
RESISTANCE READINGS

| ITEM | TUBE | Pin 1 | Pin 2 | Pin 3 | Pin 4 | Pin 5 | Pin 6 | Pin 7 | Pin 8 | Pin 9 |
|------|-------|---------|-------|-------|-------|-------|-------|-------|-------|-------|
| V1 | ECC86 | 22 Ω | 1 meg | 0 Ω | .1 Ω | .1 Ω | 22 Ω | 0 Ω | 150 Ω | 0 Ω |
| V2 | ECC86 | 44 Ω | 10K | 0 Ω | 0 Ω | .1 Ω | 22 Ω | 1 meg | 400K | 22 Ω |
| V3 | 12EK6 | 8.2 meg | 0 Ω | 0 Ω | .1 Ω | 22 Ω | 22 Ω | 0 Ω | | |
| V4 | 12EK6 | 8.2 meg | 0 Ω | 0 Ω | .1 Ω | 22 Ω | 22 Ω | 0 Ω | | |
| V5 | 12EK6 | 220K | 0 Ω | .1 Ω | 0 Ω | 900 Ω | 900 Ω | 0 Ω | | |
| V6 | 12AD6 | 150K | .1 Ω | .1 Ω | 0 Ω | 45 Ω | 22 Ω | 470K | | |

ALL MEASUREMENTS TAKEN IN "FM" POSITION UNLESS OTHERWISE INDICATED
 ▴ MEASURED IN "AFC DEFEAT" POSITION

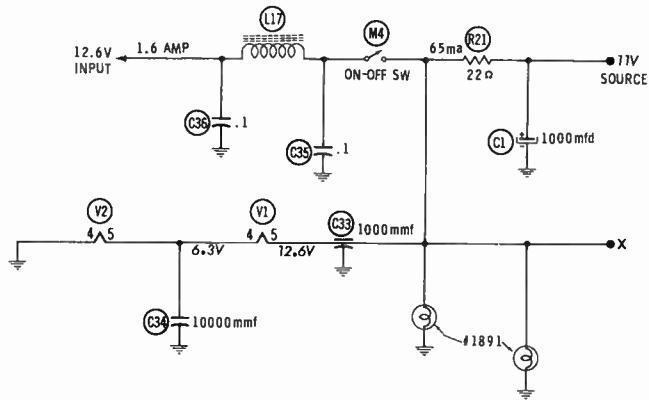
A PHOTOFAC STANDARD NOTATION SCHEMATIC

©Howard W. Sams & Co., Inc. 1963



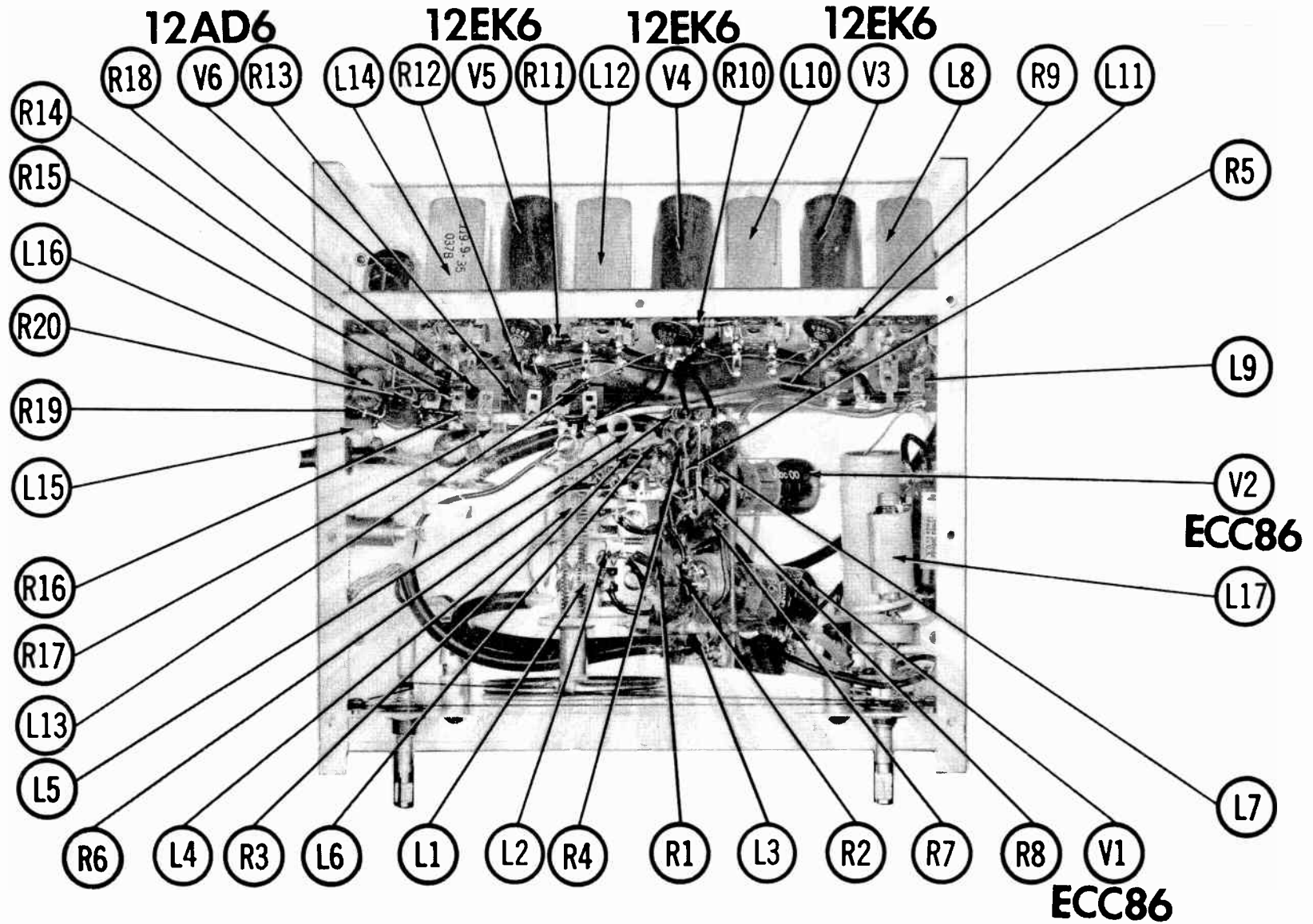
DC COIL RESISTANCE VALUES UNDER ONE OHM NOT SHOWN ON SCHEMATIC DIAGRAM

NUMBERS ASSIGNED TO COILS, SWITCHES, PLUGS, SOCKETS, AND TRANSFORMERS ARE TO FACILITATE CIRCUIT TRACING OR COMPONENT REPLACEMENT AND MAY NOT NECESSARILY BE FOUND ON THE UNIT.



1. DC voltage measurements taken with vacuum tube voltmeter.
2. Socket connections shown as bottom views.
3. Measured values are from socket pin to common ground.
4. Battery voltage maintained at 12.6 volts for voltage readings.
5. Nominal tolerance on component values makes possible a variation of ±15% in voltage and resistance readings.
6. Volume control at maximum, no signal applied for voltage measurements.

**ERIC
MODEL FM-100**



CHASSIS TOP VIEW - INDUCTOR, RESISTOR & TUBE IDENT.

PARTS LIST AND DESCRIPTIONS

WIRING DATA

| | |
|-------------------------------------|---|
| General-use Unshielded Hook-up Wire | Use BELDEN No. 8530 (Solid) Available in Ten Colors |
| Shielded Hook-up Wire | Use BELDEN No. 8885 |
| Bonding Strap | Use BELDEN No. 8661 |

TUBES

| * AMPEREX | | | * GENERAL ELECTRIC | | | * RCA | | | * RAYTHEON | | | * SYLVANIA | | |
|-----------|------------------|-------|--------------------|-------------------|-------|----------|-----|------|------------|-----|------|------------|-----|------|
| ITEM No. | USE | TYPE | ITEM No. | USE | TYPE | ITEM No. | USE | TYPE | ITEM No. | USE | TYPE | ITEM No. | USE | TYPE |
| V1 | RF Amp. -Mixer | ECC86 | V4 | 2nd IF Amplifier | 12EK6 | | | | | | | | | |
| V2 | Osc. -AFC | ECC86 | V5 | Limiter | 12EK6 | | | | | | | | | |
| V3 | 1st IF Amplifier | 12EK6 | V6 | AM Modulated Osc. | 12AD6 | | | | | | | | | |

ELECTROLYTIC CAPACITORS

| ITEM No. | RATING | | REPLACEMENT DATA | | | | | | NOTES |
|----------|--------|-------|------------------|------------------|---------------------------|------------------|------------------|------------------|-------|
| | CAP. | VOLT. | ERIC PART No. | AEROVOX PART No. | CORNELL-DUBILIER PART No. | MALLORY PART No. | PYRAMID PART No. | SPRAGUE PART No. | |
| C1 | 1000 | 15 | | PRS1230 | BRL0001 | TC1501 | TD-1000-15 | TVA-1163 | |

FIXED CAPACITORS

Capacity values given in the rating column are in mfd. for Paper Capacitors, and in mmfd. for Mica and Ceramic Capacitors.

| ITEM No. | RATING | REMARKS | REPLACEMENT DATA | | | | | |
|----------|--------------|---------|------------------|--------------------|---------------------------|------------------|------------------|------------------|
| | | | AEROVOX PART No. | CENTRALAB PART No. | CORNELL-DUBILIER PART No. | ELMENDO PART No. | MALLORY PART No. | SPRAGUE PART No. |
| C2 | 56 NPO 10% | | NPO-SI 56 | TCZ-56 | C10Q56C | CCTO-560 | CNO-456 | 10TCC-Q56 |
| C3 | 1000 | | BPD-001 | DD-102 | BYA10D1 | CCD-102 | B-210 | 5HK-D10 |
| C4 | 1.5 NPO | | NPO-SI 1.5 | TCZ-1R5 | C10V15C | CNO-515 | CNO-515 | 10TCC-V15 |
| C5 | 47 | | D1-47 | DD-470 | L10Q47 | CCD-470 | GP447 | 10TS-Q47 |
| C6 | 1000 | | BPD-001 | DD-102 | BYA10D1 | CCD-102 | B-210 | 5HK-D10 |
| C7 | 2.2 NPO | | NPO-D1 2.2 | DTZ-2R2 | C10V22C | CCTO-2R2 | CNO-522 | 10TCC-V22 |
| C8 | 1.5 N750 | | | | | | | |
| C9 | 100 | | SI 100 | D6-101 | L10T1 | CCD-101 | GP310 | 10TS-T10 |
| C10 | 4000 | | D1-4000 | DD-402 | BYA10D4 | CCD-392 | B-240 | 10TS-D40 |
| C11 | 1000 | | EF-001 | MFT-1000 | | CCF-102 | CT280A | |
| C12 | 8 NPO ± 1mmf | | NPO-SI 8.2 | | C10V8C | | | 10TCC-V82 |
| C13 | 8 NPO ± 1mmf | | NPO-SI 8.2 | | C10V8C | | | 10TCC-V82 |
| C14 | | | | | | | | |
| C15 | 1000 | | EF-001 | MFT-1000 | | CCF-102 | CT280A | |
| C16 | 1000 | | EF-001 | MFT-1000 | | CCF-102 | CT280A | |
| C17 | 10000 | | BPD-01 | DD-103 | BYA10S1 | CCD-103 | B-110 | 5HK-S10 |
| C18 | 4700 | | BPD-0047 | DD-472 | BYA10D47M | CCD-472 | B-247 | 5HK-D47 |
| C19 | 330 | | 1468-00033 | | 5R5T33 | CM-19B-331M | MC241 | 1FM-333 |
| C20 | 4700 | | BPD-0047 | DD-472 | BYA10D47M | CCD-472 | B-247 | 5HK-D47 |
| C21 | 330 | | 1468-00033 | | 5R5T33 | CM-19B-331M | MC241 | 1FM-333 |
| C22 | 4700 | | BPD-0047 | DD-472 | BYA10D47M | CCD-472 | B-247 | 5HK-D47 |
| C23 | 470 | | BPD-00047 | DD-471 | BYA10T47 | CCD-471 | B-347 | 10TS-T47 |
| C24 | 4700 | | BPD-0047 | DD-472 | BYA10D47M | CCD-472 | B-247 | 5HK-D47 |
| C25 | 10000 | | BPD-01 | DD-103 | BYA10S1 | CCD-103 | B-110 | 5HK-S10 |
| C26 | 220 10% | | NPO-SI 220 | D6-221 | L10T22 | CCD-221 | GP322 | 10TS-T22 |
| C27 | 1000 10% | | 1469-001 | | 5R5D1 | CM-19B-102K | GP210 | MS-21 |
| C28 | 20000 | | BPD-02 | DD-203 | BYB6S2 | CCD-203 | B-120 | 5HK-S20 |
| C29 | 10000 | | BPD-01 | DD-103 | BYA10S1 | CCD-103 | B-110 | 5HK-S10 |
| C30 | 3.3 | | NPO-SI 3.3 | TCZ-3R3 | C10V33C | CCTO-3R3 | CNO-533 | 10TCC-V33 |
| C31 | 100 | | D1-100 | D6-101 | L10T1 | CCD-101 | GP310 | 10TS-T10 |
| C32 | 220 10% | | 1469-00022 | DTZ-221 | 5R5T22 | CM-19B-221K | CNO-322 | MS-322 |
| C33 | 1000 | | EF-001 | MFT-1000 | | CCF-102 | CT280A | |
| C34 | 10000 | | BPD-01 | DD-103 | BYA10S1 | CCD-103 | B-110 | 5HK-S10 |
| C35 | .1 200V | | P288N-1 | DF-104 | CUB2P1 | 2DP-3-104 | GEM-201 | 2TM-P10 |
| C36 | .1 200V | | P288N-1 | DF-104 | CUB2P1 | 2DP-3-104 | GEM-201 | 2TM-P10 |
| C37 | 1000 | | EF-001 | MFT-1000 | | CCF-102 | CT280A | |

RESISTORS

All wattages 1/2 watt, or less, unless otherwise listed.

| ITEM No. | RATING | REPLACEMENT DATA | | | ITEM No. | RATING | REPLACEMENT DATA | | |
|----------|--------|------------------|---------------------|-----------|----------|--------|------------------|---------------------|---------|
| | | IRC PART No. | WORKMAN TV PART No. | REMARKS | | | IRC PART No. | WORKMAN TV PART No. | REMARKS |
| R1 | 150Ω | | | | R11 | 220K | | | |
| R2 | 1meg | | | (2.2meg)* | R12 | 1800Ω | | | |
| R3 | 10K | | | | R13 | 1500Ω | | | |
| R4 | 22Ω | | | | R14 | 100K | | | |
| R5 | 150Ω | | | | R15 | 100K | | | |
| R6 | 390K | | | | R16 | 68K | | | |
| R7 | 22Ω | | | | R17 | 470K | | | |
| R8 | 220Ω | | | | R18 | 100K | | | |
| R9 | 8.2meg | | | (6.8meg)* | R19 | 470K | | | |
| R10 | 8.2meg | | | (6.8meg)* | R20 | 150K | | | |
| | | | | | R21 | 22Ω | | | |

* Alternate Value.

COILS (RF-IF)

| ITEM No. | USE | REPLACEMENT DATA | | | | | NOTES |
|----------|--------------------|------------------|----------------|-----------------|------------------|---------------------|-------|
| | | ERIC PART No. | Merit PART No. | Miller PART No. | Stoncor PART No. | Workman TV PART No. | |
| L1 | Ant. | | | | | | |
| L2 | RF Choke | | | | | | |
| L3 | RF Choke (4.7uh) | | SW-631 | 4609 | RTC-8519 | T819 | |
| L4 | RF | | | | | | |
| L5 | Osc. | | | | | | |
| L6 | RF Choke (1uh) | BC-561 | 4602 | | RTC-8515 | T855 | |
| L7 | RF Choke (1uh) | BC-561 | 4602 | | RTC-8515 | T855 | |
| L8 | 1st IF | FM-254 | 1463 | | RTC-8599 | T633 | |
| L9 | RF Choke (1uh) | BC-561 | 4602 | | RTC-8515 | T855 | |
| L10 | 2nd IF | FM-254 | 1463 | | RTC-8599 | T633 | |
| L11 | RF Choke (1uh) | BC-561 | 4602 | | RTC-8515 | T855 | |
| L12 | 3rd IF | FM-254 | 1463 | | RTC-8599 | T633 | |
| L13 | RF Choke (1uh) | BC-561 | 4602 | | RTC-8515 | T855 | |
| L14 | Discriminator | FM-253 | 1464 | | RTC-8665 | T634 | |
| L15 | RF Choke (1MH) | TV-208 | 4652 | | RTC-8532 | T873 | |
| L16 | Osc. | | | | | | |
| L17 | Hash Choke (8.5MH) | | | | | | |

SIGNAL DIODES

| ITEM No. | ORIG. TYPE | REPLACEMENT DATA | | | | NOTES |
|----------|------------|------------------|---------------------------|-------------------|-------------------|--------------------|
| | | ERIC PART No. | GENERAL ELECTRIC PART No. | RAYTHEON PART No. | SYLVANIA PART No. | |
| M1 | 1N541 | | | 1N295 | 1N295 | Detector (Pigtail) |
| M2 | 1N541 | | | 1N295 | 1N295 | Detector (Pigtail) |

MISCELLANEOUS

| ITEM No. | PART NAME | ERIC PART No. | NOTES |
|----------|-------------|---------------|--|
| M3 | Tuning Cap. | | FM, 2 Gang |
| M4 | Switch | | Function Selector (Includes Off-On, Rotary Type) |



NOTE: All transistorized unit. To replace transistors, remove radio.

1. Pull off knobs.
2. Disconnect speaker leads, "A" lead at fuse panel, antenna plug, and pilot-light lead at wiring harness.
3. Remove two 1/2" hex nuts holding bezel (Mercury only). Remove two 1/2" hex nuts from Control bushings.
4. Remove hex nut holding radio to rear mount.
5. Remove radio from rear of instrument panel.

NOTE: Ford radios can be removed through speaker opening — required if air-conditioned.

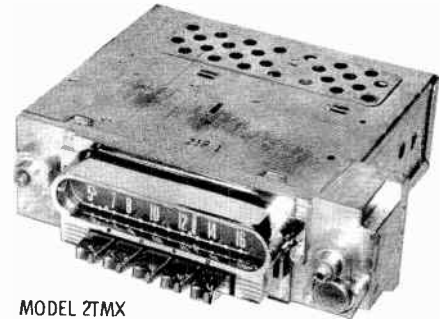
SPEAKER REMOVAL

FORD

1. Reach thru opening in upper left corner of glove box and remove two wing nuts holding speaker grille.
2. Raise right side of grille to clear studs and slide to right to disconnect clips holding left side.
3. Remove two 1/4" hex screws holding speaker.

MERCURY

1. Remove two Phillips screws holding speaker grille.
2. Lift up front of grille and slide forward to disconnect clips.
3. Remove two 1/4" hex screws holding speaker.



MODEL 2TMX

| | |
|--------------|---|
| TRADE NAME | Ford Models 2TMF (C2AA-18806-M) For 1962 Ford Galaxie 2TMX (C2AA-18806-N) For 1962 Ford Deluxe Galaxie |
| MANUFACTURER | Mercury Model 2TMY (C2YA-18806-E) For 1962 Mercury Meteor |
| TYPE SET | Motorola, Inc., 4545 W. Augusta Blvd., Chicago 51, Illinois |
| POWER SUPPLY | Battery Operated 5 Transistor Custom Built Automobile AM Receiver |
| TUNING RANGE | 12 Volt Storage Battery RATING .54 Amp. @12.6 Volts DC 540 - 1610KC |

ALIGNMENT INSTRUCTIONS

ALIGNMENT INSTRUCTIONS—READ CAREFULLY BEFORE ATTEMPTING ALIGNMENT

Use only enough generator output to provide a usable indication.

Suggested Alignment Tools:

- A1 thru A4.... GENERAL CEMENT #8282, 8606, 8606-L, 9295, 9440
WALSCO #2526, 2543, 2544, 2545
A5, A6, A7..... GENERAL CEMENT #5000, 5003, 5066, 8271, 8272, 8276, 8277, 8290, 8609, 8722, 9150, 9298
WALSCO #2515, 2516, 2518, 2519, 2525, 2541

| | SIGNAL GENERATOR COUPLING | SIGNAL GENERATOR FREQUENCY | RADIO DIAL SETTING | INDICATOR | ADJUST | REMARKS |
|--|--|----------------------------|---|--------------------------------|----------------|--|
| 1. | High side thru .1mf to antenna terminal, low side to chassis. | 262.5KC (Unmod.) | High Freq. End Stop. | DC VTVM across volume control. | A1, A2, A3, A4 | Adjust for maximum deflection. |
| 2. | Thru dummy (Fig. 1) to antenna receptacle. | 1610KC | " | " | A5, A6, A7 | " |
| Step 3 is not necessary unless tuner has been tampered with or associated components have been replaced. If necessary, back tuning cores (A8, A9, A10) out of coils but not out of forms. Repeat Step 2. | | | | | | |
| 3. | Thru dummy (Fig. 1) to antenna receptacle. | 1020KC (Unmod.) | Tuner Carriage 9/16" from High Freq. End Stop | DC VTVM across volume control. | A8, A9, A10 | Adjust for maximum deflection. Repeat Step 2 |
| 4. | With radio installed in car and antenna fully extended, tune in a weak station near 1600KC and adjust A7 for maximum output. | | | | | |

PUSH-BUTTON ADJUSTMENT

1. Pull button out.
2. Tune manually to desired station.
3. Press button in firmly.
4. Repeat for remaining buttons.

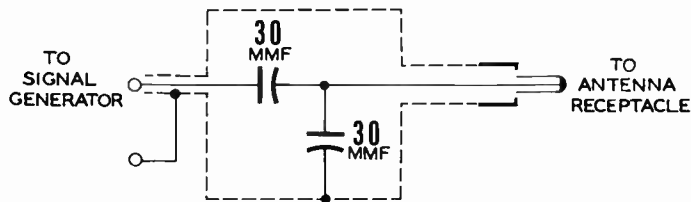


FIG.1

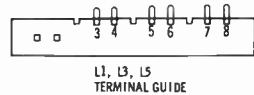
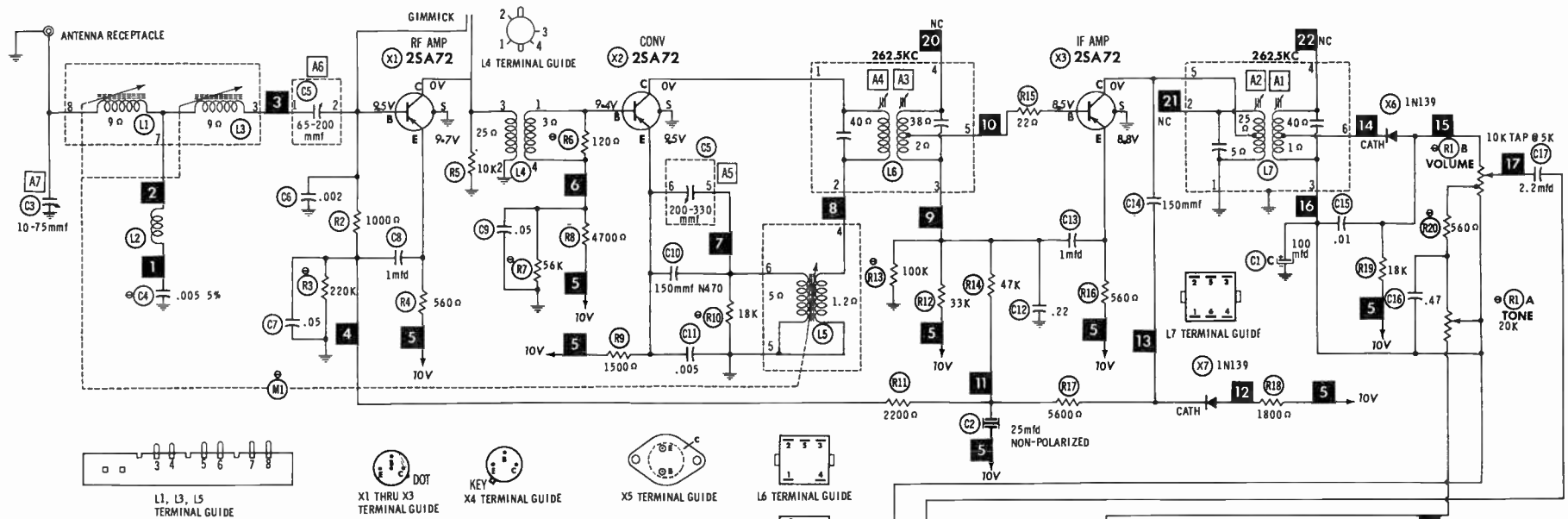
HOWARD W. SAMS & CO., INC. Indianapolis 6, Indiana



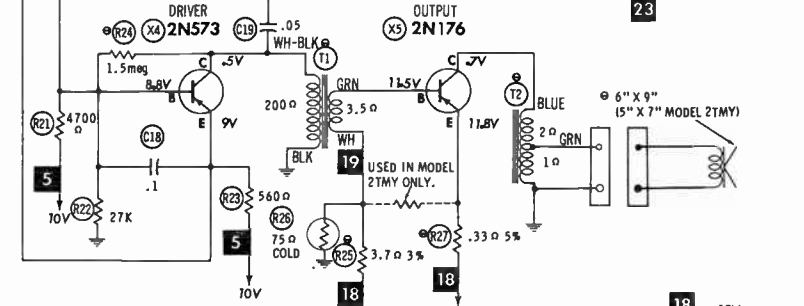
The listing of any available replacement part herein does not constitute in any case a recommendation, warranty or guaranty by Howard W. Sams & Co., Inc., as to the quality and suitability of such replacement part. The numbers of these parts have been compiled from information furnished to Howard W. Sams & Co., Inc., by the manufacturers of the particular type of replacement LD772

part listed. Reproduction or use, without express permission, of editorial or pictorial content, in any manner, is prohibited. No patent liability is assumed with respect to the use of the information contained herein. ©1963 Howard W. Sams & Co., Inc., Indianapolis 6, Indiana.

FORD MODELS 2TMF, 2TMX
MERCURY MODEL 2TMY



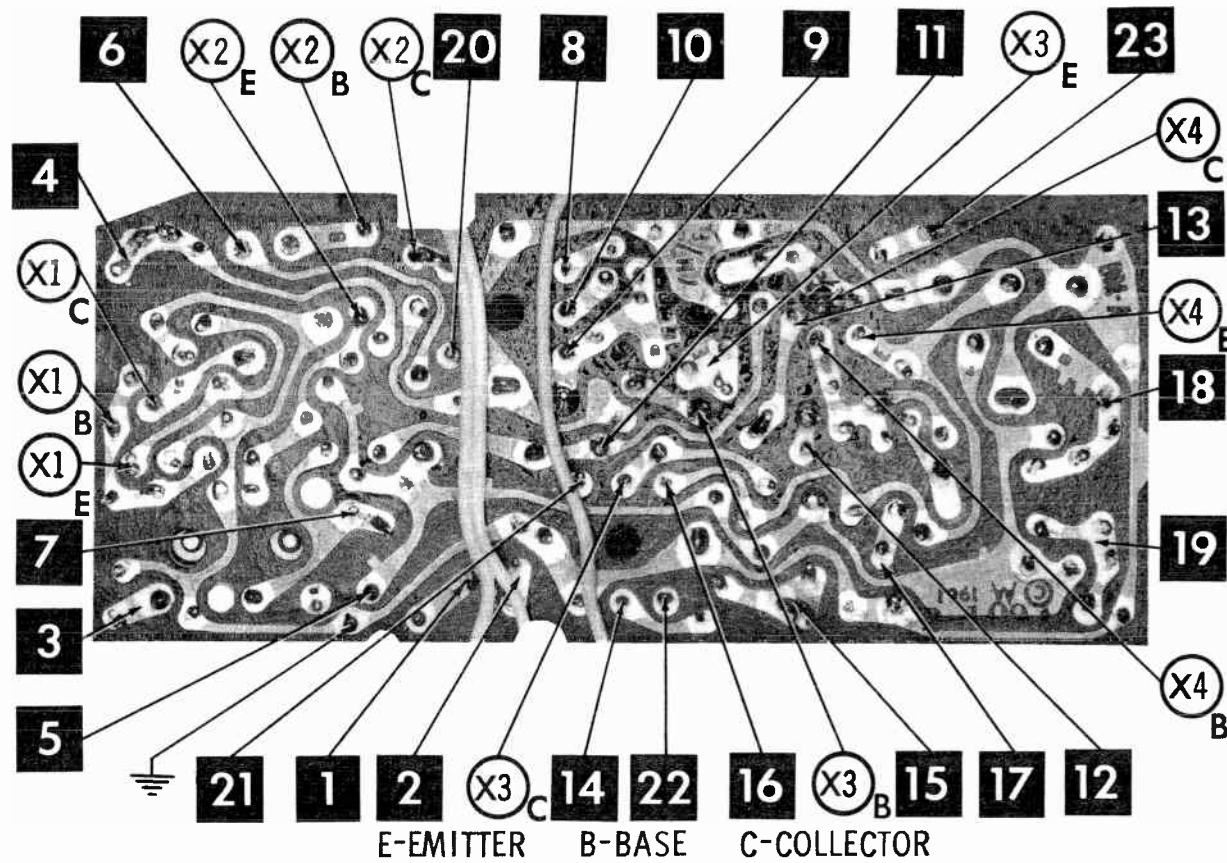
NUMBERS ASSIGNED TO COILS, SWITCHES, PLUGS, SOCKETS, AND TRANSFORMERS ARE TO FACILITATE CIRCUIT TRACING OR COMPONENT REPLACEMENT AND MAY NOT NECESSARILY BE FOUND ON THE UNIT.



- SEE PARTS LIST FOR ALTERNATE VALUE OR APPLICATION
- RESISTANCE MEASUREMENTS NOT GIVEN BECAUSE OF THE WIDE VARIATION IN INTERNAL TRANSISTOR RESISTANCE.
- DC voltage measurements taken with vacuum tube voltmeter.
- Socket connections or transistor terminals are shown as bottom views.
- Measured values are from socket pin or terminal to common ground.
- Nominal tolerance on component values makes possible a variation of $\pm 15\%$ in voltage and resistance readings.
- Volume control at maximum, no signal applied for voltage measurements.

A PHOTOFACIT STANDARD NOTATION SCHEMATIC with CIRCUITRACE
©Howard W. Sams & Co., Inc. 1963

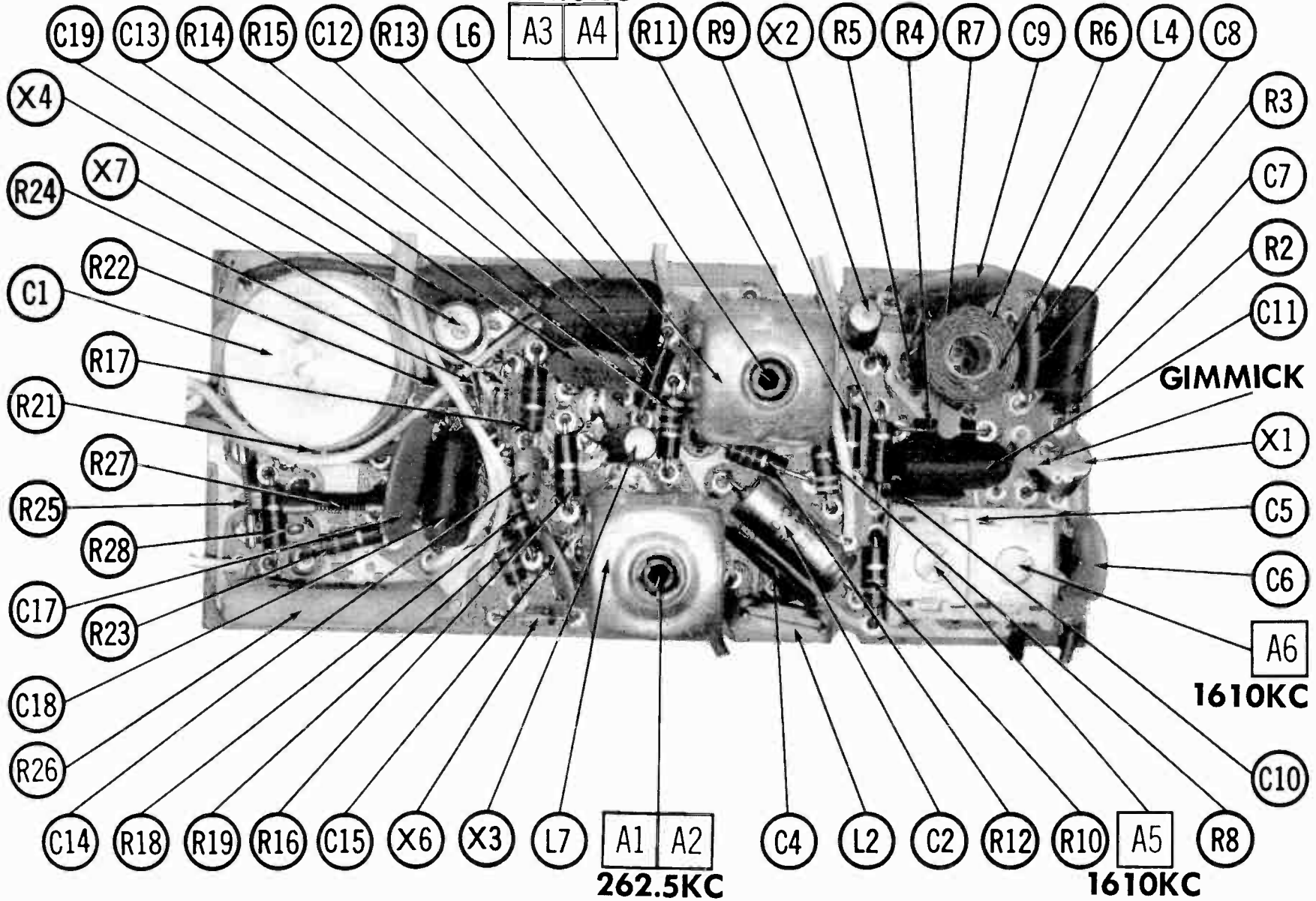
FORD MODELS 2TMF, 2TMX
MERCURY MODEL 2TMY



A Howard W. Sams **CIRCUITRACE** Photo

PRINTED BOARD

262.5KC



PRINTED BOARD - TOP VIEW

PARTS LIST AND DESCRIPTION

Replacement parts shown may be superseded by the availability of newly introduced replacements.
Have your local distributor check Sams COUNTER FACTS for the most up-to-date replacement.

TRANSISTORS

| ITEM No. | ORIG. TYPE | USE | REPLACEMENT DATA | | | NOTES |
|----------|------------|--------------|------------------|---------------------------|--------------|--|
| | | | DELCO PART No. | GENERAL ELECTRIC PART No. | RCA PART No. | |
| X1 | 2SA72 | RF Amplifier | DS25 | GE-1 | | PNP PNP PNP PNP PNP Note 1 |
| X2 | 2SA72 | Converter | DS25 | GE-1 | | |
| X3 | 2SA72 | IF Amplifier | DS25 | GE-1 | | |
| X4 | 2N573 | Driver | DS26 | GE-2 | 2N591 | |
| X5 | 2N176 | Output | DS503 | GE-3 | 2N301 | |

Note 1. When replacing, apply silicone grease (Part #11M490487, or equivalent) to both sides of insulator. Tighten mounting screws securely.

POWER RECTIFIERS & SIGNAL DIODES

| ITEM No. | CURRENT RATING (Measured) | ORIGINAL Part or Type No. | RECTIFIERS | | DIODES | NOTES |
|----------|---------------------------|---------------------------|--------------|-------------------------|--------|---------------------------------|
| | | | RCA PART No. | SARKES TARZIAN PART No. | | |
| X6 | | 48K134498 | | | | Detector (1N139) AVC (1N139) |
| X7 | | 48K134498 | | | | |

ELECTROLYTIC CAPACITORS

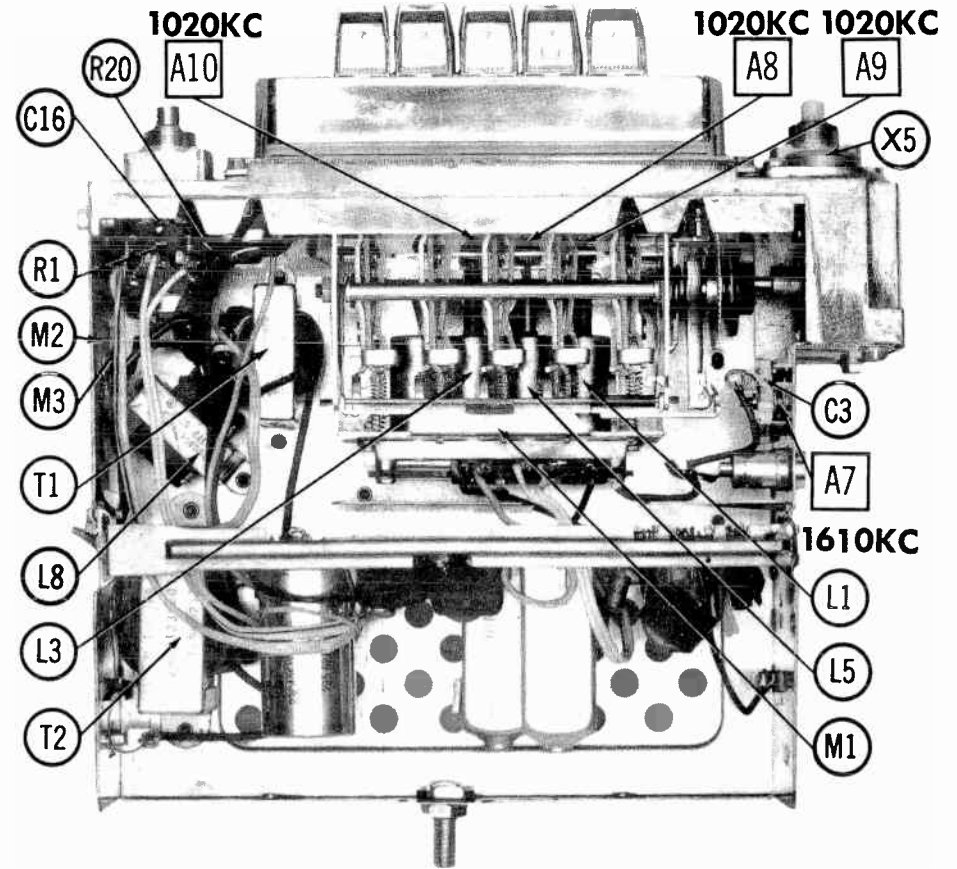
| ITEM No. | RATING | | REPLACEMENT DATA | | | | | | |
|----------|--------|-------|---|------------------|---------------------------|---------------------------|------------------|------------------|------------------|
| | CAP. | VOLT. | MOTOROLA PART No. | AEROVOX PART No. | CORNELL-DUBILIER PART No. | GENERAL ELECTRIC PART No. | MALLORY PART No. | PYRAMID PART No. | SPRAGUE PART No. |
| C1A | 500 | 16 | 23C40516A02 (23C40516A01) 23C40071A01 | AFH3-00-95 | BR25-150 | XC3-48 | WP300, 85 | | TVLS-3026, 8* |
| B | 500 | 16 | | | | | | | |
| C | 100 | 16 | | | | | | | |
| C2 | 25 | 6VNP | | PRS7200 | | NPQT-5 | TCN1025 | | |

* Not normally in distributor's stock. Available thru distributor on order to manufacturer.

FIXED CAPACITORS

| ITEM No. | RATING | REMARKS | REPLACEMENT DATA | | | | | |
|----------|---------|---|------------------|--------------------|---------------------------|------------------|------------------|------------------|
| | | | AEROVOX PART No. | CENTRALAB PART No. | CORNELL-DUBILIER PART No. | ELMENCO PART No. | MALLORY PART No. | SPRAGUE PART No. |
| C3 | 10-75 | #20B40746A02 (.01) † #20C40254A05 | | | | PC-462 | | |
| C4 | .005 5% | | | | | | | |
| C5A | 65-200 | | | | | | | |
| B | 200-230 | | | | | | | |
| C6 | .002 | | | | | | | |
| C7 | .05 | | TTD-05 | DM-202 DDA-05 | H-05S5 | CCD-202 | GP220 GP150 | TG-S50 |

CHASSIS—TOP VIEW



PARTS LIST AND DESCRIPTION (CONTINUED)

Replacement parts shown may be superseded by the availability of newly introduced replacements.

FIXED CAPACITORS (cont)

Have your local distributor check Sams COUNTER FACTS for the most up-to-date replacement.

FILTER CHOKE

| ITEM No. | RATING | REMARKS | REPLACEMENT DATA | | | | | | | | | | | |
|----------|----------|--------------|------------------|--------------------|---------------------------|------------------|------------------|------------------|-----------|--------|---------|---------|---------|-------|
| | | | AEROVOX PART No. | CENTRALAB PART No. | CORNELL-DUBILIER PART No. | ELMENCO PART No. | MALLORY PART No. | SPRAGUE PART No. | | | | | | |
| C8 | 1mfd | #21D40536A27 | TTD-05 | UK-105 | H-05S5 | CCD-502 | GP150 | TG-S50 | | | | | | |
| C9 | .05 | | DDA-503 | DM-502 | H-05D5 | | | GP250 | 10TCS-T15 | | | | | |
| C10 | 150 N470 | | TTD-005 | | | | | | UK-105 | LI0T15 | CCD-151 | 5GA-T15 | | |
| C11 | .005 | | TTD-01 | | | | | | | | | DD-151 | CCD-103 | GP315 |
| C12 | .22 | | | | | | | | | | | DM-103 | | GP110 |
| C13 | 1mfd | #21K564764 | DI-150 | | | UK-474 | H-05P1 | | GP150 | TH-P10 | | | | |
| C14 | 150 | | | TTD-01 | UK-225 | | | TG-S50 | | | | | | |
| C15 | .01 | | | TTD-05 | DA-104 | | | | | | | | | |
| C16 | .47 | | | | DA-503 | | | | | | | | | |
| C17 | 2.2mfd | | | | | | | | | | | | | |
| C18 | .1 | #21C564718 | | | | | | | | | | | | |
| C19 | .05 | | | | | | | | | | | | | |

† Value varies. Replace with original value.
Motorola Part Number.

CONTROLS

All wattages 1/2 watt, or less, unless otherwise listed.

| ITEM No. | USE | RESISTANCE | REPLACEMENT DATA | | | | |
|----------|-----------------|---------------|-------------------|--------------------|--------------------|------------------|------------------|
| | | | MOTOROLA PART No. | CENTRALAB PART No. | CLAROSTAT PART No. | CTS-IRC PART No. | MALLORY PART No. |
| RIA | Tone | 20K | 18C41277A01 | | | | |
| B | Volume & Switch | 10K 5K Tap | | | | | |

Ⓛ Model 2TMX. Part #18C41341A01 used in Model 2TMF. Part #18C41449A01 used in Model 2TMY.

RESISTORS

All wattages 1/2 watt, or less, unless otherwise listed.

| ITEM No. | RATING | REPLACEMENT DATA | | | ITEM No. | RATING | REPLACEMENT DATA | | |
|----------|--------|------------------|------------------|---------|----------|----------|------------------|------------------|--------------|
| | | IRC PART No. | WORKMAN PART No. | REMARKS | | | IRC PART No. | WORKMAN PART No. | REMARKS |
| R2 | 1000Ω | | | | R16 | 560Ω | | | |
| R3 | 220K | | | Note 1 | R17 | 5600Ω | | | |
| R4 | 560Ω | | | | R18 | 1800Ω | | | |
| R5 | 10K | | | | R19 | 18K | | | |
| R6 | 120Ω | | | Note 1 | R20 | 560Ω | | | Note 1 |
| R7 | 56K | | | Note 1 | R21 | 4700Ω | | | |
| R8 | 4700Ω | | | | R22 | 27K | | | |
| R9 | 1500Ω | | | | R23 | 560Ω | | | |
| R10 | 18K | | | Note 1 | R24 | 1.5meg | | | Note 1 |
| R11 | 2200Ω | | | | R25 | 3.7Ω 3% | | | Note 2 |
| R12 | 33K | | | | R26 | 75Ω Cold | | | #17C40259A01 |
| R13 | 100K | | | Note 1 | R27 | .33Ω 5% | | | Note 3 |
| R14 | 47K | | | | R28 | 270Ω | | | Note 1 |
| R15 | 22Ω | | | | | | | | |

Note 1. Nominal Value. Replace with original value.
Note 2. Nominal Value used in Models 2TMF and 2TMX.
9.5mmf nominal value used in Model 2TMY.

Note 3. Temperature Compensated (#17B40756A02) used in Models 2TMF and 2TMX.
.68mmf Temperature Compensated (#17B40756A01) used in Model 2TMY.

Motorola Part Number.

COILS (RF-IF)

| ITEM No. | USE | REPLACEMENT DATA | | | | | NOTES |
|----------|------------|-------------------|----------------|-----------------|------------------|------------------|-------|
| | | MOTOROLA PART No. | Merit PART No. | Miller PART No. | Stancor PART No. | Workman PART No. | |
| L1 | Ant. | 24B41391A02 | | | | | |
| L2 | Image Trap | 24K565153 | | | | | |
| L3 | Ant. | 24B41391A01 | | | | | |
| L4 | RF | 1V41150A03 | | | | | |
| L5 | Oscillator | 24B41420A04 | | | | | |
| L6 | Input IF | 24D40074A09 (G) | BC-638 | | | | |
| L7 | Output IF | 24D40075A01 (H) | BC-639 | | | | |

Ⓛ Part of Tuner M1 or coil and mounting plate assembly Part #1V41000A96.

| ITEM No. | RATINGS | | | REPLACEMENT DATA | | | | | NOTES |
|----------|--------------------|---------|------------------------------|-------------------|----------------|------------------|---------------------|----------------|-------|
| | CURRENT (Measured) | DC RES. | INDUCTANCE (0 CURRENT 1000~) | MOTOROLA PART No. | MERIT PART No. | STANCOR PART No. | THORDARSON PART No. | TRIAD PART No. | |
| L8 | .540A | .6Ω | 13.6MH | 25C40474A02 | | | | | |

TRANSFORMER (DRIVER)

| ITEM No. | TURNS RATIO | REPLACEMENT DATA | | | | | | NOTES | |
|----------|-------------|------------------|------|---|----------------|------------------|---------------------|-------|----------------|
| | | PRI. | SEC. | MOTOROLA PART No. | MERIT PART No. | STANCOR PART No. | THORDARSON PART No. | | TRIAD PART No. |
| T1 | 2 | 1 | | 25C40473A02 25C40473A04 (25C40473A03) | | | | | |

TRANSFORMER (AUDIO OUTPUT)

| ITEM No. | IMPEDANCE | | REPLACEMENT DATA | | | | | NOTES |
|----------|-----------|------|--------------------------------|----------------|------------------|---------------------|----------------|-------|
| | PRI. | SEC. | MOTOROLA PART No. | Merit PART No. | Stancor PART No. | Thordarson PART No. | Triad PART No. | |
| T2 | 50Ω | 6-6Ω | 25C41238A01 (25C41238A01-B) | | | | | |

SPEAKER

| ITEM No. | TYPE | | | REPLACEMENT DATA | | NOTES |
|----------|------------------|----------|--------------|-------------------------|---------------|--|
| | SIZE | FIELD | V. C. IMP. | MOTOROLA PART No. | QUAM PART No. | |
| | 6"x 8" 5"x 7" | PM PM | 6-8Ω 6-8Ω | 1D563032 50D40952A01 | 69A2Z8 | Model 2TMF. Use Part #1D563920 Model 2TMY |

MISCELLANEOUS

| ITEM No. | PART NAME | MOTOROLA PART No. | NOTES |
|----------|-----------------|-------------------|---------------------|
| M1 | Tuner, Complete | 77D40710A04 | (AT-398) Model 2TMF |
| | Tuner, Complete | 77D40710A03 | (AT-397) Model 2TMX |
| | Tuner, Complete | 77D40795A02 | (AT-400) Model 2TMY |
| M2 | Spark Plate | 64A530176 | DC Input |
| M3 | Spark Plate | 64A530176 | Pilot Light |
| | Printed Board | 84D41358A01 | Less All Components |

CABINETS & CABINET PARTS

(When Ordering Cabinets & Cabinet Parts, Specify Model, Chassis & Color)

| NAME | PART NO. | DESCRIPTION |
|--------------|-------------|---------------------------------------|
| Dial Pointer | 1B40939A01 | With Stud Assembly, Models 2TMX, 2TMF |
| Dial Pointer | 1B40023A06 | With Stud Assembly, Model 2TMY |
| Dial Scale | 34C40708A02 | Models 2TMF, 2TMX |
| Dial Scale | 34C40709A03 | Model 2TMY |
| Push Button | 38B40827A01 | Model 2TMF |
| Push Button | 38B40743A01 | Models 2TMX, 2TMY |
| Knob | 36B562974 | Tone & Dummy, Model 2TMF |
| Knob | 36C40950A01 | Tone & Dummy, Model 2TMY |
| Knob | 36B562701 | Volume & Tuning, 2TMF |
| Knob | 1B40948A01 | Volume & Tuning, 2TMY |
| Knob | | Model 2TMX. Obtain from Ford dealer. |

WIRING DATA

| | |
|-------------------------------------|--|
| General-use Unshielded Hook-up Wire | Use BELDEN No. 8530 (Solid) Available in 12 Colors 8524 (Stranded) Available in 12 Colors |
| Shielded Hook-up Wire | Use BELDEN No. 8885 |
| Rear Seat Speaker Extension Cable | Use BELDEN No. 8782 (Stranded) Coded Parallel Leads |
| Bonding Strap | Use BELDEN No. 8661 (3/8 In.) or 8670 (3/4 In.) |



NOTE: To replace tubes, remove four 1/4" hex nuts holding cover and remove cover.

1. Pull off knobs.
2. Disconnect speaker leads, "A" lead at fuse panel, antenna plug, and pilot-light lead at wiring harness.
3. Remove two 1/2" hex nuts holding bezel (Mercury only). Remove two 1/2" hex nuts from Control bushings.
4. Remove hex nut holding radio to rear mount.
5. Remove radio from rear of instrument panel.

NOTE: Ford radios can be removed through speaker opening -- required if air-conditioned.

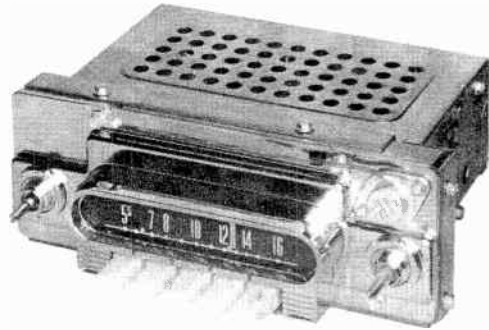
SPEAKER REMOVAL

FORD

1. Reach thru opening in upper left corner of glove box and remove two wing nuts holding speaker to grille.
2. Raise right side of grille to clear studs and slide to right to disconnect clips holding left side.
3. Remove two 1/4" hex screws holding speaker.

MERCURY

1. Remove two Phillips screws holding speaker grille.
2. Lift up front of grille and slide forward to disconnect clips.
3. Remove two 1/4" hex screws holding speaker.



MODEL 22BD

TRADE NAME Ford Models 22BD (R22BFF, C2DZ-18805A) Serial #508721 and up. For 1962 Ford Falcon 22BO (R22BF, C20Z-18805A) Serial #440360 and up. For 1962 Ford Fairlane
Mercury Model 22BM (R22BM, C2MY -18805A) Serial #031890 and up. For 1962 Mercury

MANUFACTURER Bendix Radio Div., The Bendix Corp., Baltimore 4, Maryland

TYPE SET Battery Operated 2 Tube - 2 Transistor Custom Built AM Automobile Receiver

POWER SUPPLY 12 Volt Storage Battery **RATING** 1.3 Amp. @12.6 Volts DC

TUNING RANGE -- BROADCAST 530 - 1610KC

ALIGNMENT INSTRUCTIONS

ALIGNMENT INSTRUCTIONS—READ CAREFULLY BEFORE ATTEMPTING ALIGNMENT

Use only enough generator output to provide a usable indication.

Suggested Alignment Tools:

- A1 thru A4.....GENERAL CEMENT #8282, 8606, 8606-L, 9295, 9440
WALSCO #2526, 2543, 2544, 2545
- A5, A6, A7.....GENERAL CEMENT #5004, 5009, 8195, 8274, 8275, 8607, 8728, 8987, 8988, 8989, 9291
WALSCO #2515, 2520, 2522, 2523, 2531, 2532, 2534, 2537, 2538
- A8, A9, A10.....GENERAL CEMENT #8282, 8606, 8606-L, 9091
WALSCO #2526, 2541, 2542, 2543, 2544

| | SIGNAL GENERATOR COUPLING | SIGNAL GENERATOR FREQUENCY | RADIO DIAL SETTING | INDICATOR | ADJUST | REMARKS |
|---|---|----------------------------|--------------------|--------------------------------|----------------|--|
| 1. | High side thru .1mfd to pin 9 of V1. Low side to chassis. | 262.5KC (Unmod.) | High end stop. | DC VTVM across volume control. | A1, A2, A3, A4 | Adjust for maximum deflection. |
| 2. | " | 1605KC | 1605KC | " | A5, A6, A7 | " |
| Step 3 is not necessary unless tuner has been tampered with or associated components have been replaced. If necessary, back tuning cores (A8, A9, A10) out of coils but not out of form. Repeat step 2. | | | | | | |
| 3. | Thru dummy (Fig. 1) to antenna receptacle. | 1000KC | 1000KC | " | A8, A9, A10 | Adjust for maximum deflection. Repeat step #2. |
| With radio installed in car and antenna fully extended, tune in a weak station near 1630KC and adjust A7 for maximum output. | | | | | | |

PUSH-BUTTON ADJUSTMENT

1. Pull button out.
2. Tune manually to desired station.
3. Press button in firmly.
4. Repeat for remaining buttons.

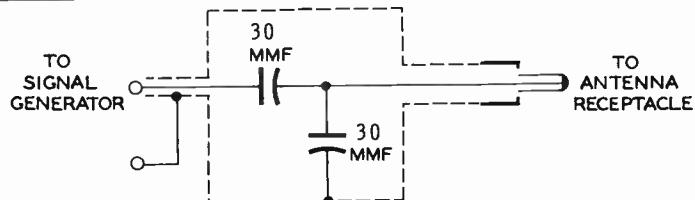


FIG. 1

HOWARD W. SAMS & CO., INC. Indianapolis 6, Indiana

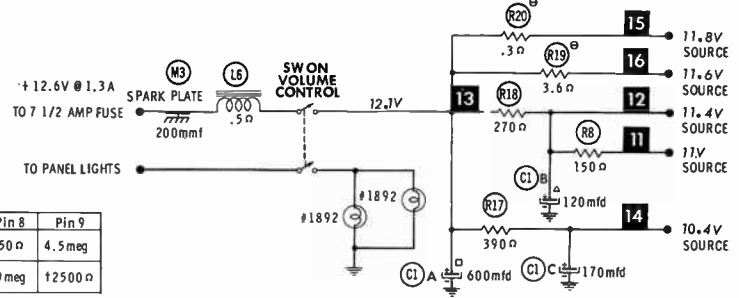
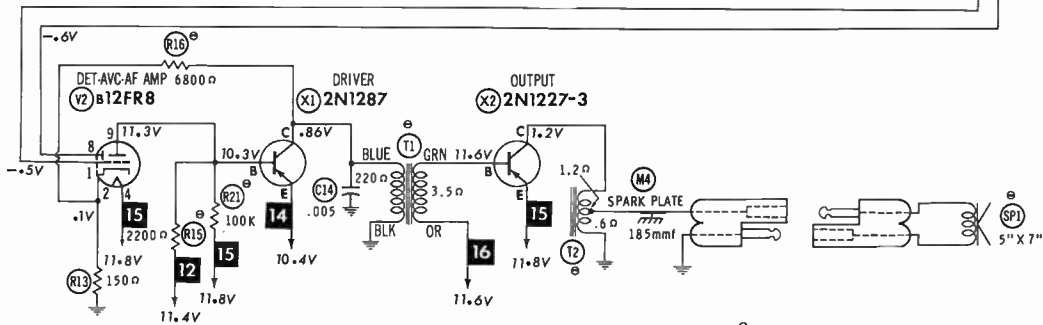
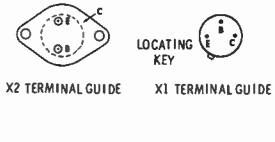
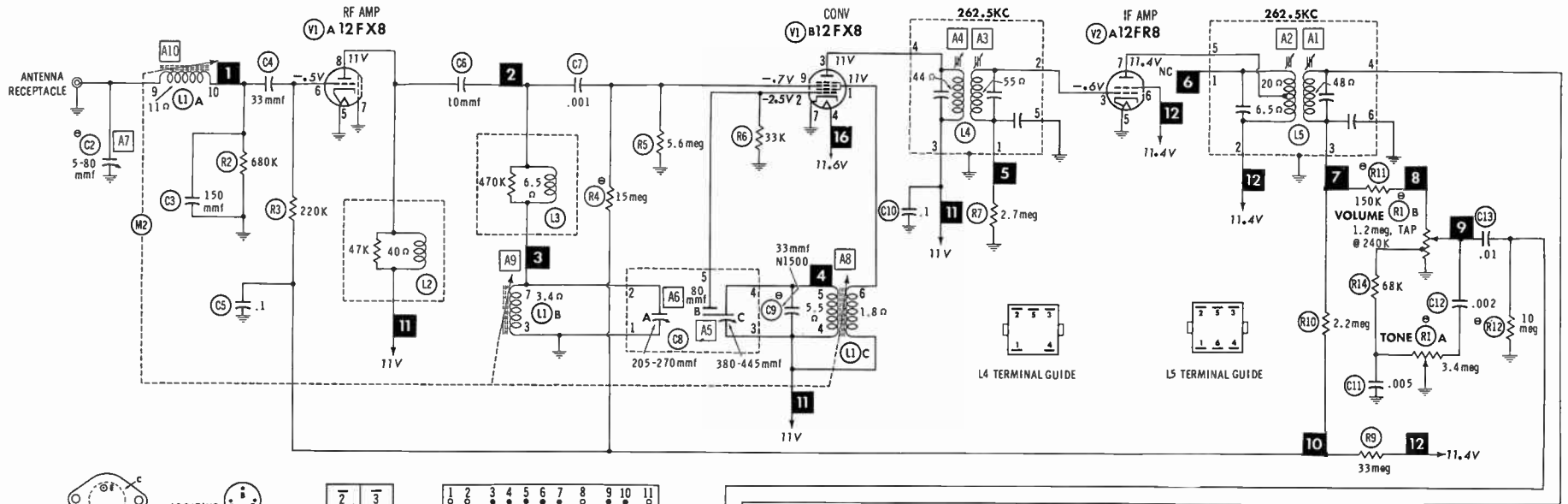
The listing of any available replacement part herein does not constitute in any case a recommendation, warranty or guaranty by Howard W. Sams & Co., Inc. as to the quality and suitability of such replacement part. The numbers of these parts have been compiled from information furnished to Howard W. Sams & Co., Inc. by the manufacturers of the particular type of replacement LD792

part listed. Reproduction or use, without express permission, of editorial or pictorial content, in any manner, is prohibited. No patent liability is assumed with respect to the use of the information contained herein. ©1963 Howard W. Sams & Co., Inc., Indianapolis 6, Indiana.

Printed in U.S. of America

FORD MODELS 22BD, 22BO
MERCURY MODELS 22BM





RESISTANCE MEASUREMENTS NOT GIVEN FOR X1, X2 BECAUSE OF THE WIDE VARIATION IN INTERNAL TRANSISTOR RESISTANCE.

SEE PARTS LIST FOR ALTERNATE VALUE OR APPLICATION

NUMBERS ASSIGNED TO COILS, SWITCHES, PLUGS, SOCKETS, AND TRANSFORMERS ARE TO FACILITATE CIRCUIT TRACING OR COMPONENT REPLACEMENT AND MAY NOT NECESSARILY BE FOUND ON THE UNIT.

1. DC voltage measurements taken with vacuum tube voltmeter.
2. Socket connections shown as bottom views.
3. Measured values are from socket pin to common ground.
4. Battery voltage maintained at 12.6 volts for voltage readings.
5. Nominal tolerance on component values makes possible a variation of ±15% in voltage and resistance readings.
6. Volume control at maximum, no signal applied for voltage measurements.

RESISTANCE READINGS

| ITEM | TUBE | Pin 1 | Pin 2 | Pin 3 | Pin 4 | Pin 5 | Pin 6 | Pin 7 | Pin 8 | Pin 9 |
|------|-------|--------|-------|---------|-------|-------|---------|--------|---------|---------|
| V1 | 12FX8 | 1420 Ω | 33K | 1465 Ω | 2 Ω | 0 Ω | 3.5 meg | 0 Ω | 1450 Ω | 4.5 meg |
| V2 | 12FR8 | 10 meg | 150 Ω | 2.7 meg | 3.5 Ω | 0 Ω | 1270 Ω | 1270 Ω | 1.9 meg | 12500 Ω |

† MEASURED FROM OFF-ON SWITCH. TRANSISTOR CIRCUIT RESISTANCE FOR X1 AND X2 NOT GIVEN BECAUSE OF THE WIDE VARIATION IN INTERNAL TRANSISTOR RESISTANCE.

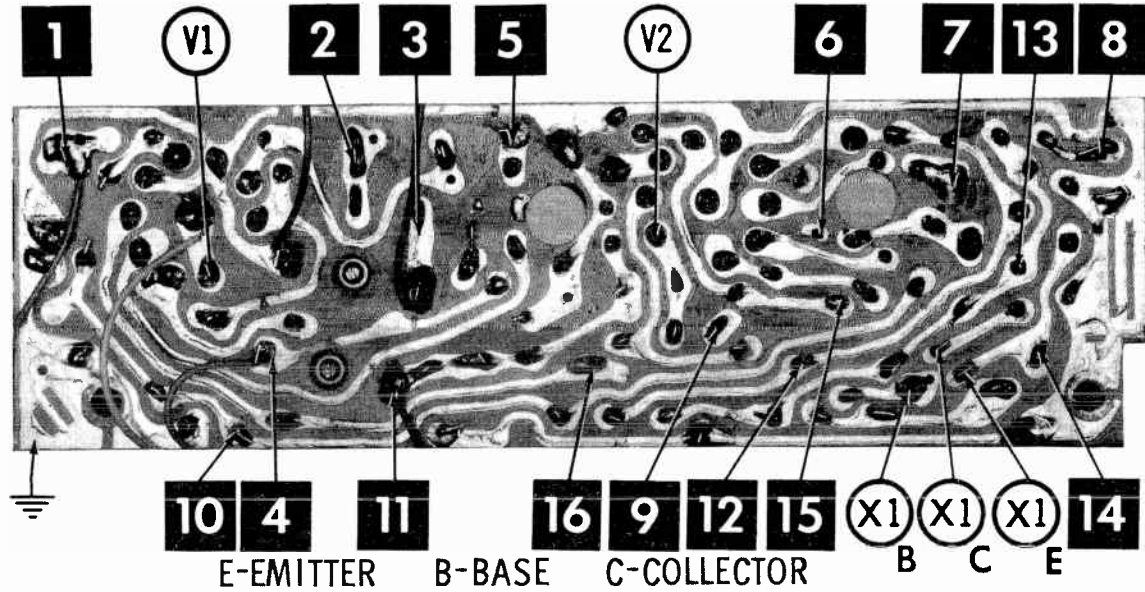
A PHOTOFAC STANDARD NOTATION SCHEMATIC with **CIRCUITTRACE**
©Howard W. Sams & Co., Inc. 1963

**FORD MODELS 22BD, 22BO
MERCURY MODELS 22BM**

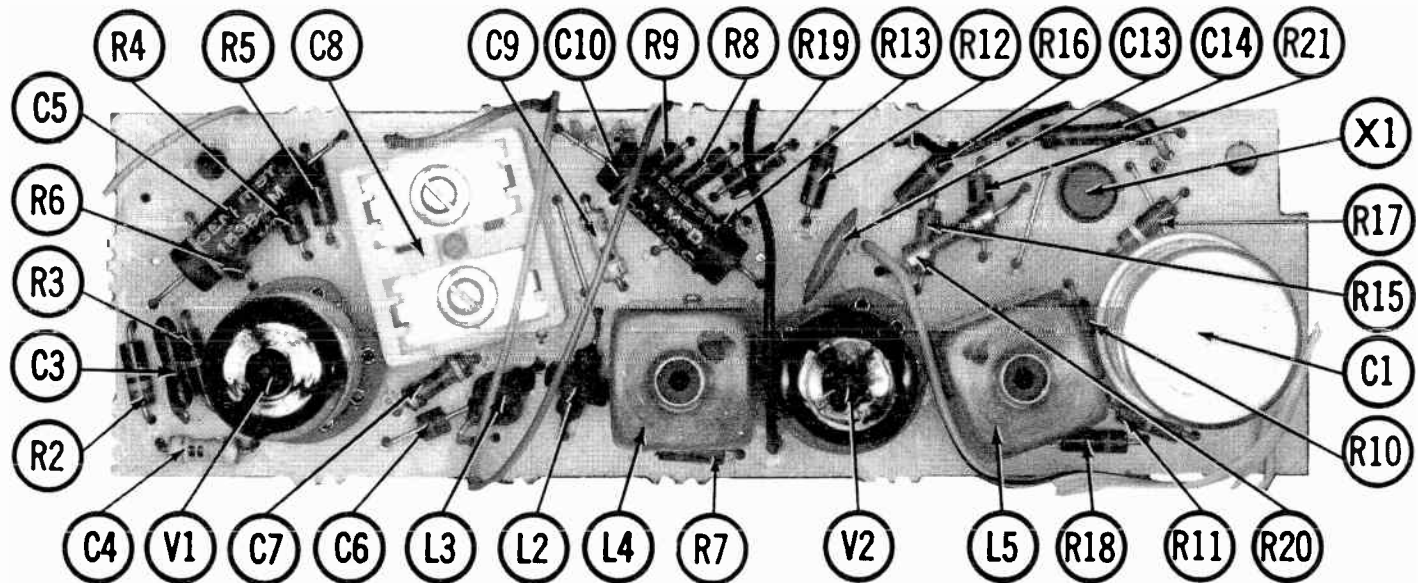
PRINTED BOARD

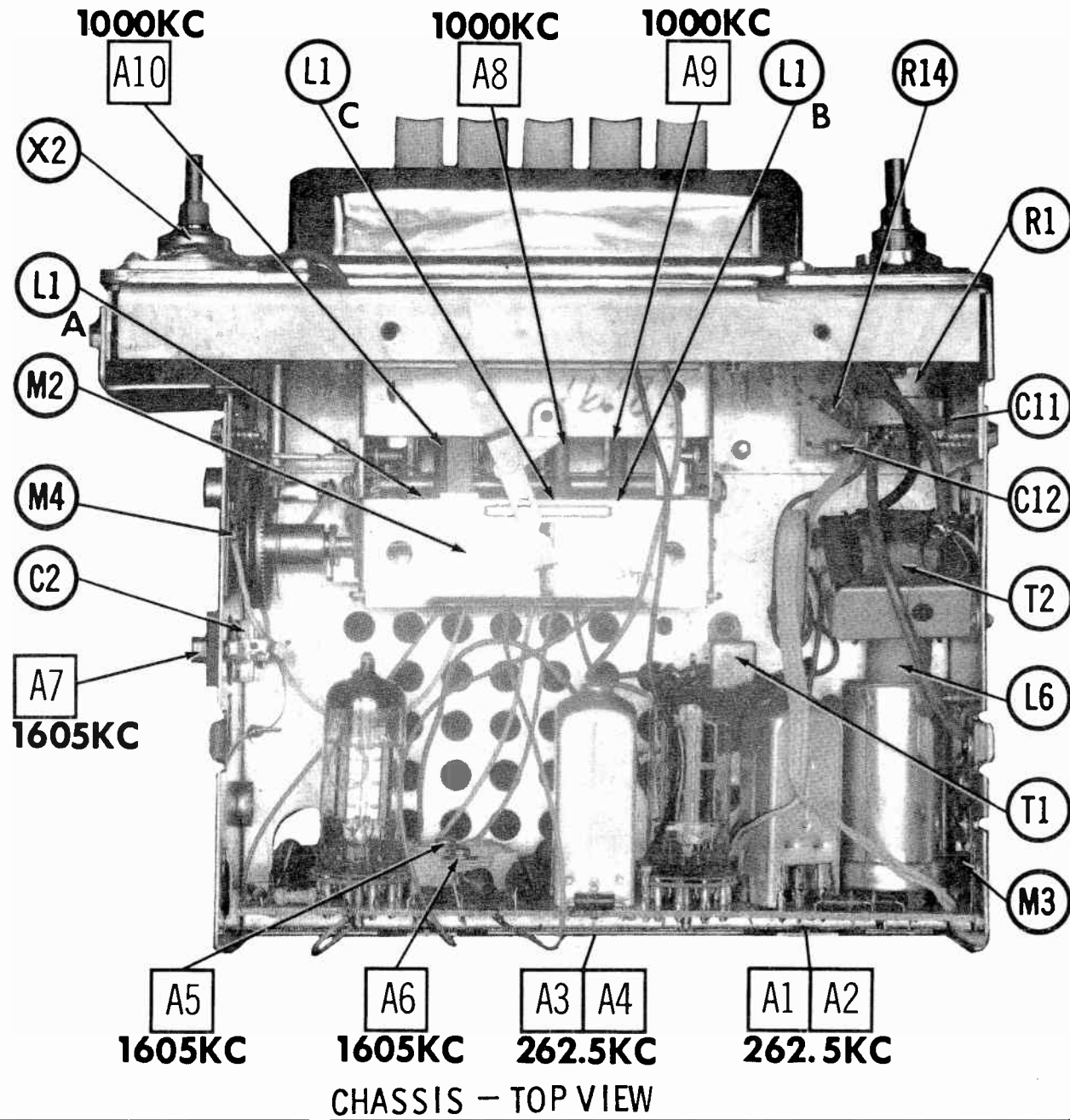
A Howard W. Sams **CIRCUITRACE** Photo

ARROWS INDICATING TUBE LOCATIONS ARE POINTING TO PIN 1 UNLESS OTHERWISE INDICATED



PRINTED BOARD COMPONENT IDENT.





PARTS LIST AND DESCRIPTION

Replacement parts shown may be superseded by the availability of newly introduced replacements.

Have your local distributor check Sams COUNTER FACTS for the most up-to-date replacement.

TUBES

| ♦ AMPEREX ♦ | | GENERAL ELECTRIC ♦ | | RCA ♦ | | RAYTHEON ♦ | | SYLVANIA ♦ | |
|-------------|----------------|--------------------|--|----------|-----------------------|------------|--|------------|--|
| ITEM No. | USE | TYPE | | ITEM No. | USE | TYPE | | | |
| V1 | RF Amp. -Conv. | 12FX8 | | V2 | IF Amp. -Det.-AF Amp. | 12FR8 | | | |

TRANSISTORS

| ITEM No. | ORIG. TYPE | USE | REPLACEMENT DATA | | | NOTES |
|----------|------------|--------------|------------------|---------------------------|--------------|--------------|
| | | | DELCO PART No. | GENERAL ELECTRIC PART No. | RCA PART No. | |
| X1 | 2N1287 | Driver | DS26 | GE-2 | 2N591 | PNP (Note 1) |
| X2 | 2N1227-3 | Power Output | DS503 | GE-3 | 2N301 | |

Note 1. When replacing, apply silicone grease to both sides of insulator. Tighten mounting screws securely.

ELECTROLYTIC CAPACITORS

| ITEM No. | RATING | | REPLACEMENT DATA | | | | | | |
|----------|--------|-------|------------------|------------------|---------------------------|---------------------------|------------------|------------------|------------------|
| | CAP. | VOLT. | BENDIX PART No. | AEROVOX PART No. | CORNELL-DUBILIER PART No. | GENERAL ELECTRIC PART No. | MALLORY PART No. | PYRAMID PART No. | SPRAGUE PART No. |
| C1A | 800 | 16 | 2091508-4 | | | | | | |
| B | 120 | 16 | | | | | | | PCLS-3026, 4* |
| C | 170 | 16 | | | | | | | |

* Not normally in distributor's stock. Available thru distributor on order to manufacturer.

FIXED CAPACITORS

| ITEM No. | RATING | REMARKS | REPLACEMENT DATA | | | | | | |
|----------|----------|-------------|------------------|--------------------|---------------------------|------------------|------------------|------------------|---------|
| | | | AEROVOX PART No. | CENTRALAB PART No. | CORNELL-DUBILIER PART No. | ELMENCO PART No. | MALLORY PART No. | SPRAGUE PART No. | |
| C2 | 5-80 | #219083-4 ① | 1464-00015 | CPR-150J | 22R5T15 | CM-20B-151K | MC236 | MS-315 | |
| C3 | 150 | | SI 33 | D6-330 | L10Q33 | CCD-330 | GP433 | 10TS-Q33 | |
| C4 | 33 | | P288N-1 | DF-104 | CUB2P1 | 2CP-4-104 | GEM-201 | 2TM-P10 | |
| C5 | .1 100V | | SI 10 | D6-100 | L10Q1 | CCD-100 | GP410 | 10TS-Q10 | |
| C6 | 10 | | SI 1000 | D6-102 | BYA10D1 | CCD-102 | B-210 | 5HK-D10 | |
| C7 | .001 | | #219092-21 ② | | | | | | |
| C8A | 205-270 | | | | | | | | |
| B | 80 | | | | | | | | |
| C | 380-445 | | | | | | | | |
| C9 | 33 N1500 | | | | | | | | |
| C10 | .1 100V | | | | P288N-1 | DF-104 | CUB2P1 | 2CP-4-104 | GEM-201 |
| C11 | .005 | | | SI 5000 | D6-502 | BYA10D5 | CCD-502 | B-250 | 5HK-D50 |
| C12 | .002 | | SI 2000 | D6-202 | BYA10D2 | CCD-202 | B-220 | 5HK-D20 | |

FIXED CAPACITORS (cont)

| ITEM No. | RATING | REMARKS | REPLACEMENT DATA | | | | | |
|----------|--------|---------|------------------|--------------------|---------------------------|------------------|------------------|------------------|
| | | | AEROVOX PART No. | CENTRALAB PART No. | CORNELL-DUBILIER PART No. | ELMENCO PART No. | MALLORY PART No. | SPRAGUE PART No. |
| C13 | .01 | | BPD-01 | DD-103 | BYA10S1 | CCD-103 | B-110 | 5HK-S10 |
| C14 | .005 | | SI 5000 | D6-502 | BYA10D5 | CCD-502 | B-250 | 5HK-D50 |

① Model 22BO (Fairlane) & 22BM (Mercury) use Part #2091504-2 in this application.
② Value varies with production. Replace with original value.

CONTROLS

All wattages 1/2 watt, or less, unless otherwise listed.

| ITEM No. | USE | RESISTANCE | REPLACEMENT DATA | | | | |
|----------|----------------------|--------------------------|------------------|--------------------|--------------------|------------------|------------------|
| | | | BENDIX PART No. | CENTRALAB PART No. | CLAROSTAT PART No. | CTS-IRC PART No. | MALLORY PART No. |
| RIA B | Tone Volume & Switch | 3.4meg, 1.2meg, 240K Tap | 2091389-1 ① | | | | |
| RIA B | Tone Volume & Switch | 3.4meg, 1.2meg, 240K Tap | 2092097-1 ② | | | | |
| RIA B | Tone Volume & Switch | 3.4meg, 1.2meg, 240K Tap | 2091819-1 ③ | | | | |

① Used in Model 22BM (Mercury) ② Used in Model 22BF (Fairlane) ③ Used in Model 22BD (Falcon)

RESISTORS

All wattages 1/2 watt, or less, unless otherwise listed.

| ITEM No. | RATING | REPLACEMENT DATA | | | ITEM No. | RATING | REPLACEMENT DATA | | |
|----------|--------|------------------|------------------|---------|----------|--------|------------------|------------------|---------|
| | | IRC PART No. | WORKMAN PART No. | REMARKS | | | IRC PART No. | WORKMAN PART No. | REMARKS |
| R2 | 680K | | | | R12 | 10meg | | | Note 1 |
| R3 | 220K | | | | R13 | 150Ω | | | Note 1 |
| R4 | 15meg | | | Note 1 | R14 | 68K | | | Note 1 |
| R5 | 5.6meg | | | | R15 | 2200Ω | | | Note 1 |
| R6 | 33K | | | | R16 | 6800Ω | | | Note 1 |
| R7 | 2.7meg | | | | R17 | 390Ω | | | Note 1 |
| R8 | 150Ω | | | | R18 | 270Ω | | | Note 1 |
| R9 | 33meg | | | | R19 | 3.6Ω | | | Note 1 |
| R10 | 2.2meg | | | | R20 | .3Ω | | | Note 1 |
| R11 | 150K | | | Note 1 | R21 | 100K | | | Note 1 |

Note 1. Value varies with production. Replace with original value.

PARTS LIST AND DESCRIPTION (CONTINUED)

Replacement parts shown may be superseded by the availability of newly introduced replacements.
Have your local distributor check Sams COUNTER FACTS for the most up-to-date replacement.

COILS (RF-IF)

| ITEM No. | USE | REPLACEMENT DATA | | | | | NOTES | |
|---------------|---|------------------|----------------|-----------------|------------------|------------------|---|--|
| | | BENDIX PART No. | Merit PART No. | Miller PART No. | Stancor PART No. | Workmon PART No. | | |
| L1A B C | Ant. RF Osc. RF Choke RF Choke Input IF Output IF | 2090131-34 ① | | | | | ① Part of coil assembly #2090131-38 (RCC) or #2090131-34 (GIC) ② Wound on 47K ③ Wound on 470K | |
| L2 | | 2092210-2 ② | | | | | | |
| L3 | | 2092210-1 ③ | | 6509 | | | | |
| L4 | | 2090907-20 | | 6513 | | | | |
| L5 | | 2090908-12 | | | | | | |

FILTER CHOKE

| ITEM No. | RATINGS | | REPLACEMENT DATA | | | | | NOTES |
|----------|--------------------|---------|------------------------------|-----------------|----------------|------------------|---------------------|-------|
| | CURRENT (Measured) | DC RES. | INDUCTANCE (0 CURRENT 1000~) | BENDIX PART No. | MERIT PART No. | STANCOR PART No. | THORDARSON PART No. | |
| L6 | 1.3A | .5Ω | 1150mHy. | 2092050-1 | | | | |

TRANSFORMER (DRIVER)

| ITEM No. | TURNS RATIO | | REPLACEMENT DATA | | | | | NOTES |
|----------|-------------|------|------------------|----------------|------------------|---------------------|----------------|-----------------------------|
| | PRI. | SEC. | BENDIX PART No. | MERIT PART No. | STANCOR PART No. | THORDARSON PART No. | TRIAD PART No. | |
| | | | | | | | | |
| T1 | | | 2090815-11 ① | | | TR-178 | | ① Alternate Part #2090815-8 |

TRANSFORMER (AUDIO OUTPUT)

| ITEM No. | IMPEDANCE | | REPLACEMENT DATA | | | | | NOTES |
|----------|-----------|------|------------------|----------------|------------------|---------------------|----------------|-----------------------------|
| | PRL | | BENDIX PART No. | Merit PART No. | Stancor PART No. | Thordarson PART No. | Triad PART No. | |
| | | | | | | | | |
| T2 | 12Ω Tap | 6-8Ω | 2092138-2 ① | | | TR-164 | | ① Alternate Part #2091874-1 |

SPEAKER

| ITEM No. | TYPE | | | REPLACEMENT DATA | | NOTES |
|----------|--------|-------|------------|------------------|---------------|----------------------------|
| | SIZE | FIELD | V. C. IMP. | BENDIX PART No. | QUAM PART No. | |
| | | | | | | |
| SP1 | 5"x 7" | PM | 6-8Ω | 2091542-1 | 57A1 | Model 22BD (Falcon) |
| | 5"x 7" | PM | 6-8Ω | 2092051-1 | | Model 22BO (Ford Fairlane) |
| | 6"x 9" | PM | 6-8Ω | 2091269-7 | 69A2 | Model 22BM (Mercury) |

FUSES

| ITEM No. | TYPE | RATING | REPLACEMENT DATA | | | | | |
|----------|------|-----------|------------------|--------|-----------------------|--------|---------------|--------|
| | | | BENDIX PART No. | | LITTELFUSE PART No. | | BUSS PART No. | |
| | | | FUSE | HOLDER | FUSE | HOLDER | FUSE | HOLDER |
| M1 | SFE | 7 1/2 Amp | SFE 7 1/2 | | 307007.5 (SFE 7 1/2A) | 155075 | SFE 7 1/2 | HDH |

MISCELLANEOUS

| ITEM No. | PART NAME | BENDIX PART No. | NOTES |
|----------|-----------------|-----------------|--|
| M2 | Tuning Assembly | 2091948-10 | (RCC) Model 22BD, Complete with Push-buttons |
| | Tuning Assembly | 2091948-5 | (GIC) Model 22BD, Complete with Push-buttons |
| | Tuning Assembly | 2091948-8 | (RCC) Model 22BO, Complete with Push-buttons |
| | Tuning Assembly | 2091948-3 | (GIC) Model 22BO, Complete with Push-buttons |
| | Tuning Assembly | 2091948-9 | (RCC) Model 22BM, Complete with Push-buttons |
| | Tuning Assembly | 2091948-4 | (GIC) Model 22BM, Complete with Push-buttons |
| M3 | Spark Plate | 220287-25 | (185mmf) |
| M4 | Spark Plate | 220287-9 | (200mmf) |
| | Printed Board | 2092212-4 | IF Board Less Tubes |
| | Printed Board | 2092146-4 | Tone Comp. |

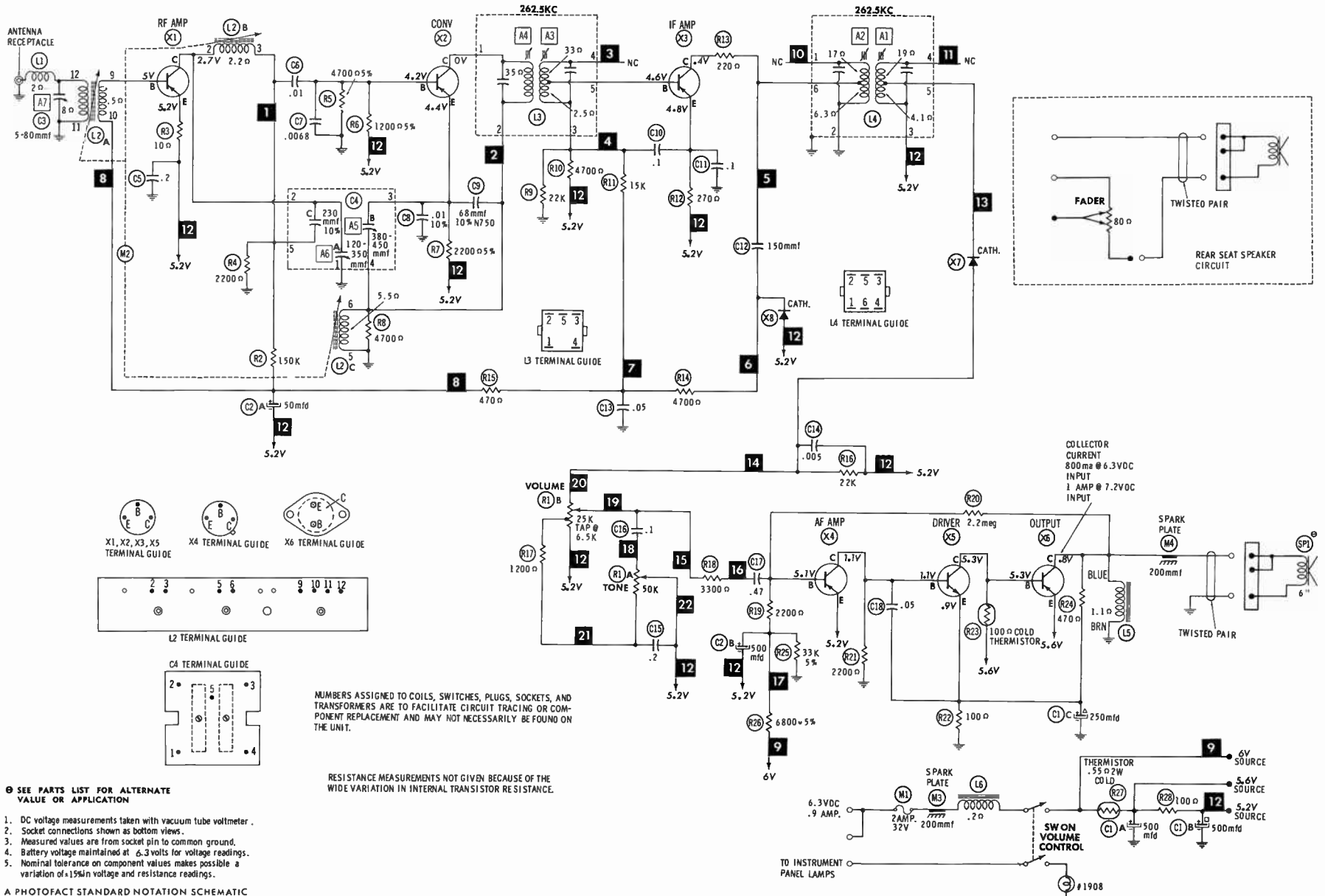
CABINETS & CABINET PARTS

(When Ordering Cabinets & Cabinet Parts, Specify Model, Chassis & Color)

| NAME | PART NO. | DESCRIPTION |
|------------|-----------|-----------------------------|
| Dial Glass | 2092009-1 | Model 22BM |
| Dial Glass | 2092002-1 | Model 22BO |
| Dial Glass | 2092008-2 | Model 22BD |
| Sub Dial | 2092007-2 | Dark Grey, Model 22BM |
| Sub Dial | 2092024-1 | Grey, Model 22BO |
| Sub Dial | 2092007-3 | Black, Model 22BD |
| Knob | 2092041-1 | Tuning & Volume, Model 22BM |
| Knob | 2092034-1 | Tuning & Volume, Model 22BO |
| Knob | 2090413-3 | Tuning & Volume, Model 22BD |
| Knob | 2092039-1 | Disc & Tone, Model 22BM |
| Knob | 2092036-1 | Disc & Tone, Model 22BO |
| Knob | 2090411-1 | Disc & Tone, Model 22BD |

WIRING DATA

| | |
|---|--|
| General-use Unshielded Hook-up Wire | Use BELDEN No. 8530 (Solid) Available in 12 Colors 8524 (Stranded) Available in 12 Colors |
| Shielded Hook-up Wire | Use BELDEN No. 8885 |
| Rear Seat Speaker Extension Cable | Use BELDEN No. 8782 (Stranded) Coded Parallel Leads |
| Bonding Strap | Use BELDEN No. 8661 (3/8 in.) or 8670 (3/4 in.) |



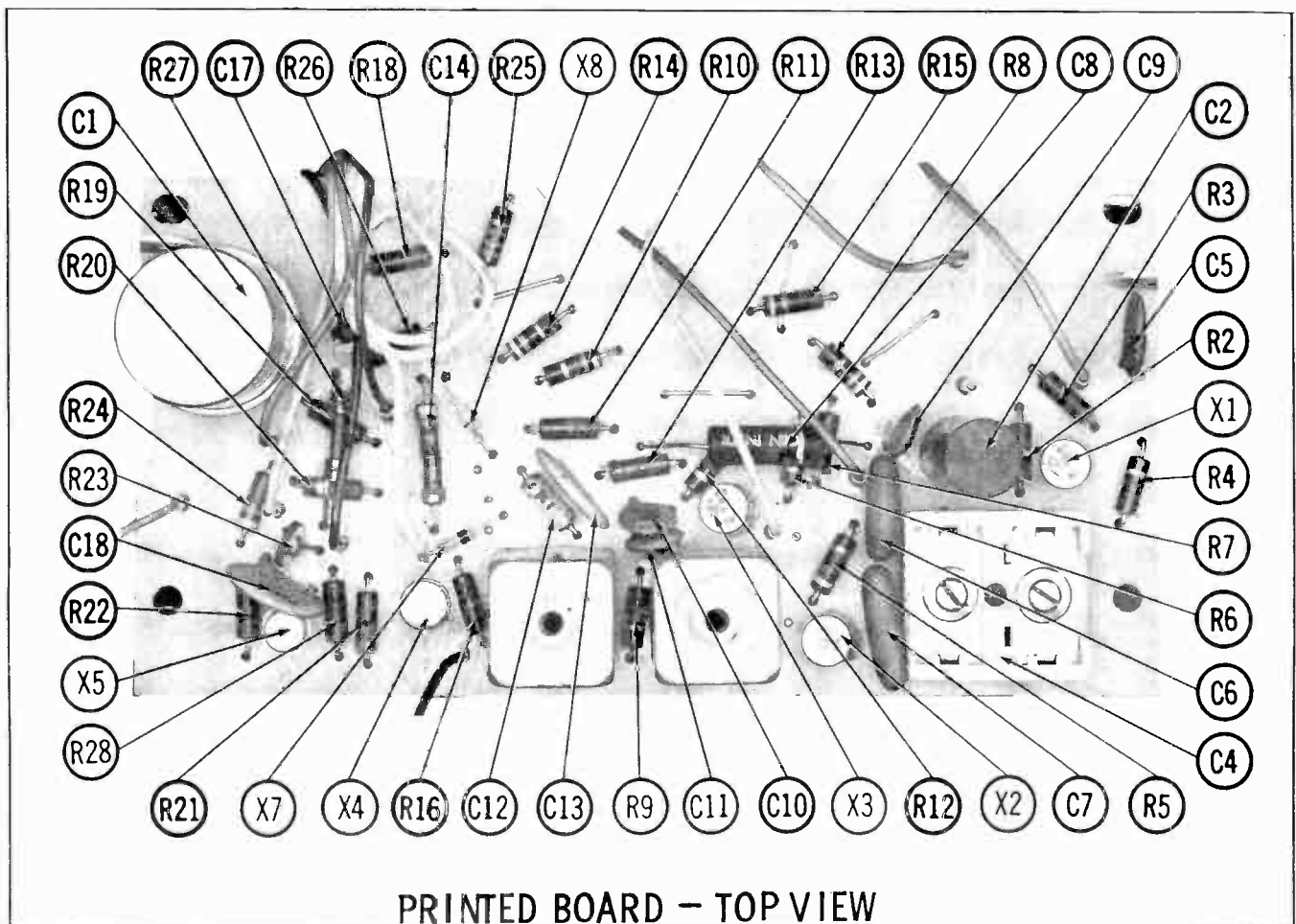
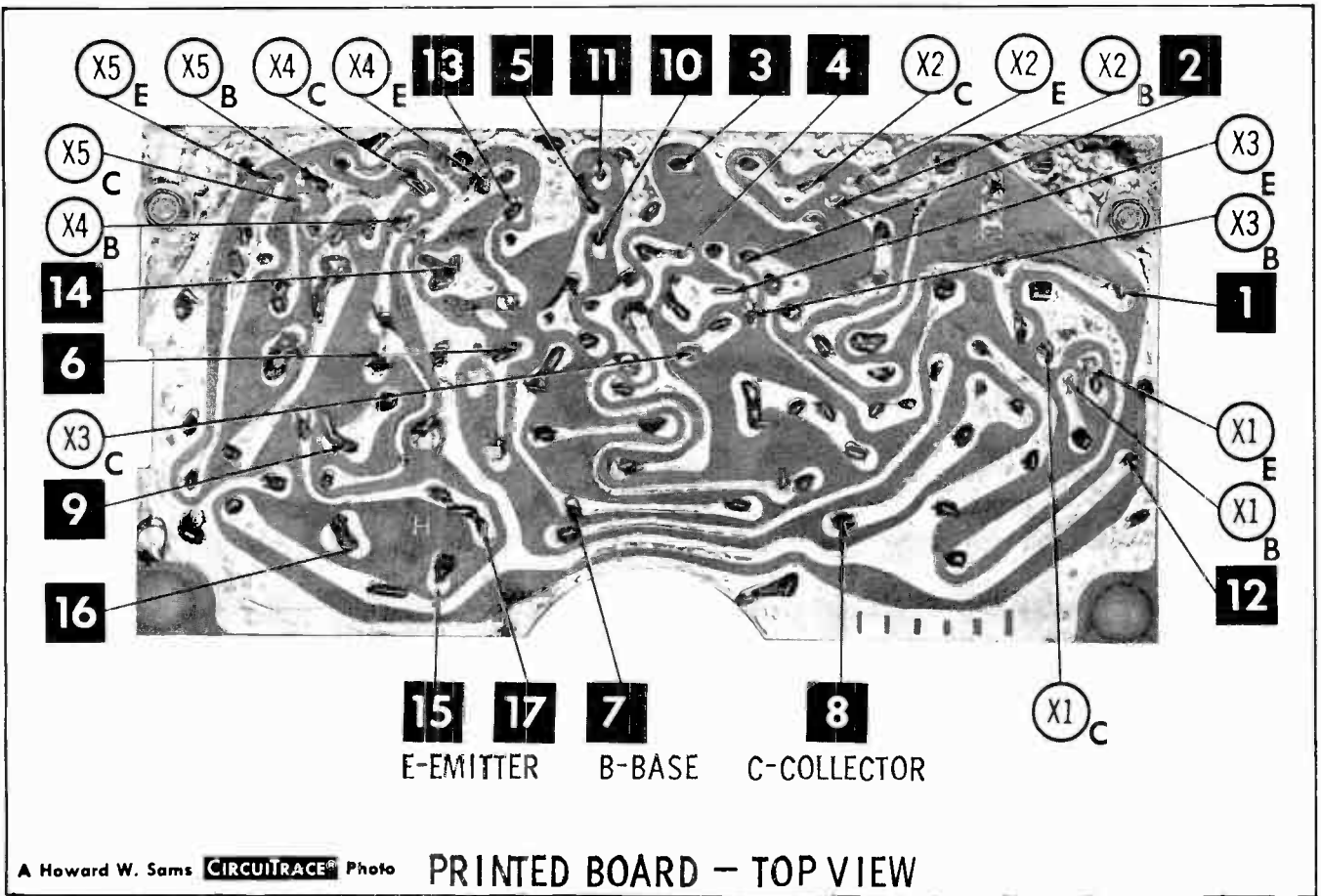
SEE PARTS LIST FOR ALTERNATE VALUE OR APPLICATION

- DC voltage measurements taken with vacuum tube voltmeter.
- Socket connections shown as bottom views.
- Measured values are from socket pin to common ground.
- Battery voltage maintained at 6.3 volts for voltage readings.
- Nominal tolerance on component values makes possible a variation of ±15% in voltage and resistance readings.

RESISTANCE MEASUREMENTS NOT GIVEN BECAUSE OF THE WIDE VARIATION IN INTERNAL TRANSISTOR RESISTANCE.

A PHOTOFACIT STANDARD NOTATION SCHEMATIC with CIRCUITRACE
©Howard W. Sams & Co., Inc. 1963

**KARMAN GHIA MODEL 2BG
VOLKSWAGEN MODELS 2BT, 2BV**



PARTS LIST AND DESCRIPTION

Replacement parts shown may be superseded by the availability of newly introduced replacements.
Have your local distributor check Sams COUNTER FACTS for the most up-to-date replacement.

TRANSISTORS

| ITEM No. | MFGR. PART No. | USE | REPLACEMENT DATA | | | NOTES |
|----------|----------------|--------------|------------------|---------------------------|--------------|------------|
| | | | DELCO PART No. | GENERAL ELECTRIC PART No. | RCA PART No. | |
| X1 | 2091241-1 | RF Amplifier | DS-25 | GE-1 | 2N1237 | PNP |
| X2 | 2091241-2 | Converter | DS-25 | GE-1 | 2N1239 | PNP |
| X3 | 2091241-3 | IF Amplifier | DS-25 | GE-1 | 2N1238 | PNP |
| X4 | 2090824-8 | AF Amplifier | DS-26 | GE-2 | 2N591 | PNP |
| X5 | 2091260-2 | Driver | | GE-8 | | NPN |
| | 2091260-3* | Driver | | GE-8 | | NPN |
| X6 | 2091859-4 | Output | DS-503 | GE-3 | 2N301 | PNP Note 1 |

* Alternate

Note 1. When replacing, apply Silicone grease to both sides of insulator. Tighten mounting screws securely.

POWER RECTIFIERS & SIGNAL DIODES

| ITEM No. | MEASURED CURRENT | ORIGINAL Part or Type No. | RECTIFIERS | | | NOTES |
|----------|------------------|---------------------------|------------------|--------------|-------------------------|-----------------|
| | | | MALLORY PART No. | RCA PART No. | SARKES TARZIAN PART No. | |
| X7 | | 2092055-1 | | | | Detector AVC |
| X8 | | 2092055-1 | | | | |

ELECTROLYTIC CAPACITORS

| ITEM No. | RATING | | BENDIX PART No. | REPLACEMENT DATA | | | | | |
|----------|--------|-------|-----------------|------------------|---------------------------|---------------------------|------------------|------------------|------------------|
| | CAP. | VOLT. | | AEROVOX PART No. | CORNELL-DUBILIER PART No. | GENERAL ELECTRIC PART No. | MALLORY PART No. | PYRAMID PART No. | SPRAGUE PART No. |
| C1A | 500 | 8 | 220353-24 | | | | | | |
| B | 500 | 8 | | | | | | | |
| C | 250 | 8 | | | | | | | |
| C2A | 50 | 3 | 2092246-1 | BCD3050 | ECPB15 | MT1-15 | PET1575 | MLV50-3 | VL-1045 |
| B | 500 | 3 | | | | | | | |

* Not normally in distributor's stock. Available thru distributor on order to manufacturer.

FIXED CAPACITORS

| ITEM No. | RATING | REMARKS | REPLACEMENT DATA | | | | | |
|----------|-------------|------------|------------------|--------------------|---------------------------|------------------|------------------|------------------|
| | | | AEROVOX PART No. | CENTRALAB PART No. | CORNELL-DUBILIER PART No. | ELMENCO PART No. | MALLORY PART No. | SPRAGUE PART No. |
| C3 | 5-80 | #2091221-6 | | | | S-462 | | |
| C4A | 120-350 | #219092-23 | | | | | | |
| B | 380-450 | | | | | | | |
| C | 230 10% | | | | | | | PCLS-3018* |
| C5 | .2 | #2090150-6 | | | | | | |
| C6 | .01 | | P288N-01 | UK10-204 | H05S1 | CCD-103 | TA-110 | TH-S10 |
| C7 | .0068 | (.01) † | P288N-0068 | CK-103 | BYA10D68 | CCD-682 | GP-268 | 10TS-D68 |
| C8 | .01 10% | | BE2S1 | DD-682 | PM4S1 | CCD-103 | | 10TS-S10 |
| C9 | 68 N750 10% | | N750-DI 68 | CPR-10000J | | | | 10TCU-Q68 |
| C10 | .1 | | TTD-1 | DTN-68 | C10Q68U | CCTN-680 | CN7-468 | TH-P10 |
| C11 | .1 | | TTD-1 | CK-104 | H05P1 | 2CP-4-104 | GEM-201 | TH-P10 |
| C12 | 150 | | TTD-1 | CK-104 | H05P1 | 2CP-4-104 | GEM-201 | TH-P10 |
| C13 | .05 | | CI-150 | DD-151 | L10T15 | CCD-151 | GP-315 | 10TS-T15 |
| C14 | .005 | | TTD-05 | CK-503 | H05S5 | 2CP-3-503 | GP-150 | TH-S50 |
| C15 | .2 | #2090150-6 | CI-5000 | DD-502 | H05D5 | CCD-502 | TA-250 | TH-D50 |
| C16 | .1 | | | UK10-204 | | | | |
| C17 | .47 | #2090150-5 | | CK-104 | H05P1 | | | TH-P10 |
| C18 | .05 | (.01) † | TTD-05 | UK-474 | | | | |
| | | | | CK-503 | H05S5 | 2CP-3-503 | GP-150 | TH-S50 |

† Early Production Value.

Bendix Part Number.

CONTROLS

All wattages 1/2 watt, or less, unless otherwise listed.

| ITEM No. | USE | RESISTANCE | REPLACEMENT DATA | | | | |
|----------|-----------------|-----------------|------------------|--------------------|--------------------|------------------|------------------|
| | | | BENDIX PART No. | CENTRALAB PART No. | CLAROSTAT PART No. | CTS-IRC PART No. | MALLORY PART No. |
| R1A | Tone | 50K | | | | | |
| B | Volume & Switch | 25K 6.5K Tap | 2091258-2 | | | | |

RESISTORS (Power and Special)

| ITEM No. | RATING | REPLACEMENT DATA | | | ITEM No. | RATING | REPLACEMENT DATA | | |
|----------|-----------|------------------|------------------|--------------------|----------|--------------|------------------|------------------|-------------|
| | | IRC PART No. | WORKMAN PART No. | REMARKS | | | IRC PART No. | WORKMAN PART No. | REMARKS |
| R23 | 100Ω Cold | | | | R27 | .55Ω 2W Cold | | | #2090948-24 |
| R25 | 33K 5% | | | #220629-12 (27K) † | | | | | |

Bendix Part Number.

† Early Version Value.

PARTS LIST AND DESCRIPTION (CONTINUED)

Replacement parts shown may be superseded by the availability of newly introduced replacements.
Have your local distributor check Sams COUNTER FACTS for the most up-to-date replacement.

COILS (RF-IF)

| ITEM No. | USE | REPLACEMENT DATA | | | | | NOTES |
|---------------------------------|---|--|----------------|-----------------|------------------|------------------|---|
| | | BENDIX PART No. | MERIT PART No. | MILLER PART No. | STANCOR PART No. | WORKMAN PART No. | |
| L1 L2A B C L3 L4 | RF Choke Ant. RF Osc. Input IF Output IF | 2092210-3 ① 2091217-2 2091218-4 | SW831 | 70F476A1 | RTC-8519 | T959 | ① Part of tuner M2 or Coil Assembly #2090131-41 |

FILTER CHOKE

| ITEM No. | RATINGS | | | REPLACEMENT DATA | | | | | NOTES |
|----------|--------------------|---------|------------------------------|------------------|----------------|------------------|---------------------|----------------|-------|
| | CURRENT (Measured) | DC RES. | INDUCTANCE (0 CURRENT 1000~) | BENDIX PART No. | MERIT PART No. | STANCOR PART No. | THORDARSON PART No. | TRIAD PART No. | |
| L6 | .9A | .2Ω | 240uh | 2092050-7 | | | | | |

CHOKE (AUDIO OUTPUT)

| ITEM No. | INDUCTANCE | REPLACEMENT DATA | | | | | NOTES |
|----------|------------|------------------|----------------|------------------|---------------------|----------------|-------|
| | | BENDIX PART No. | Merit PART No. | Stancor PART No. | Thordarson PART No. | Triad PART No. | |
| L5 | 19MH | 2092245-1 | | | | | |

SPEAKER

| ITEM No. | TYPE | | | REPLACEMENT DATA | | NOTES |
|----------|----------|----------|--------------|------------------------|---------------|---|
| | SIZE | FIELD | V. C. IMP. | BENDIX PART No. | QUAM PART No. | |
| SP1 | 6" 5" | PM PM | 6-8Ω 6-8Ω | 2092255-1 2092256-1 | 6A15RZ6 | Volkswagen, Transporter Karmann Ghia |

FUSES

| ITEM No. | TYPE | RATING | REPLACEMENT DATA | | | | | |
|----------|------|-----------|------------------|-----------|-------------------------|--------|---------------|--------|
| | | | BENDIX PART No. | | LITTELFUSE PART No. | | BUSS PART No. | |
| | | | FUSE | HOLDER | FUSE | HOLDER | FUSE | HOLDER |
| M1 | LAG | 2A 32V | AGA-2 | 2091689-1 | 301002. (LAG 2A 32V) | 155004 | AGA 2 | HAF |

MISCELLANEOUS

| ITEM No. | PART NAME | BENDIX PART No. | NOTES |
|----------|---------------|-----------------|---|
| M2 | Tuner | 2092223-3 | Complete with Push-buttons & Pointer 200mmf 200mmf Includes Transistors small |
| M3 | Spark Plate | 220267-1 | |
| M4 | Spark Plate | 220287-1 | |
| | Printed Board | 2092250-1 | |
| | Printed Board | 2092247-2 | |

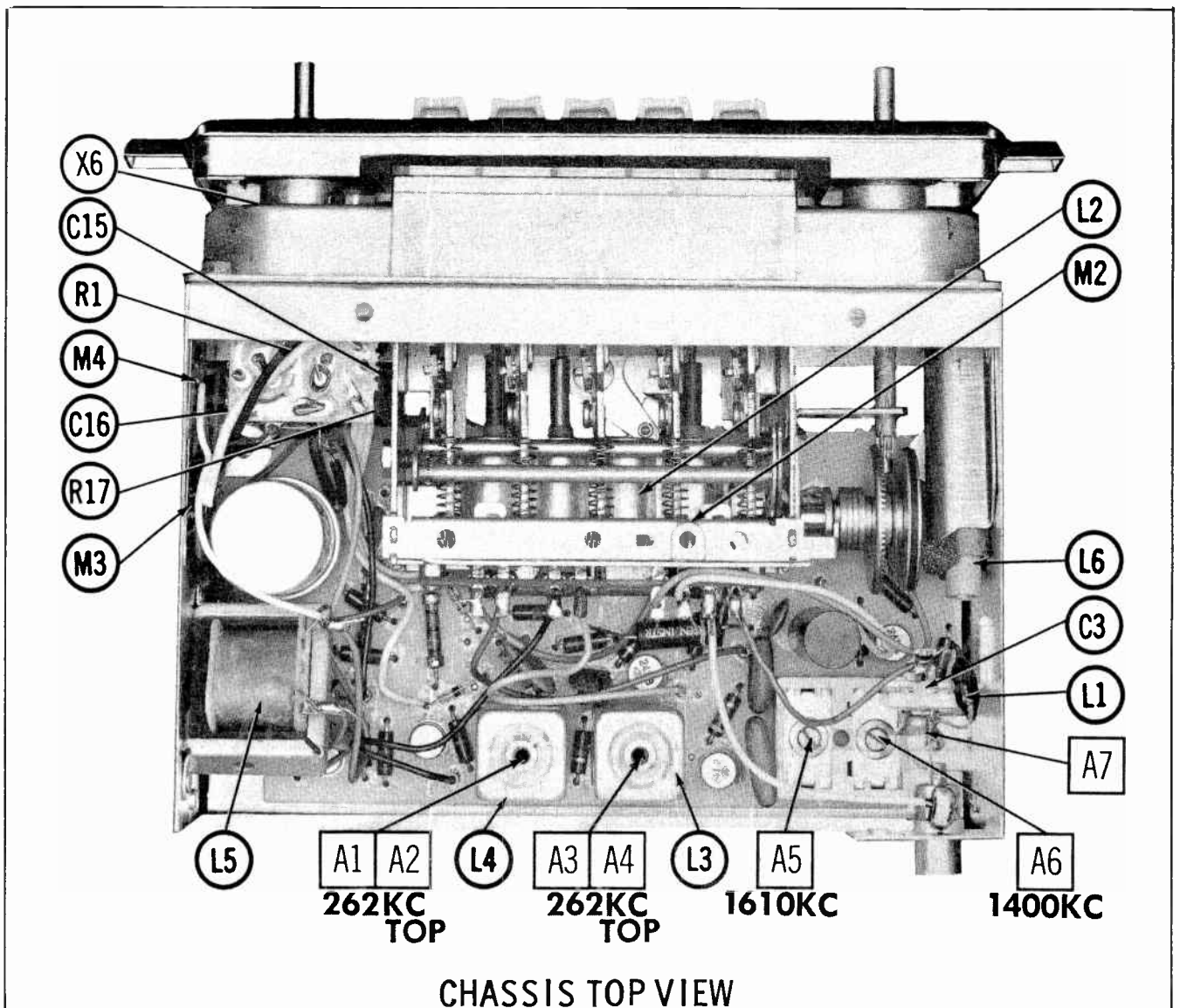
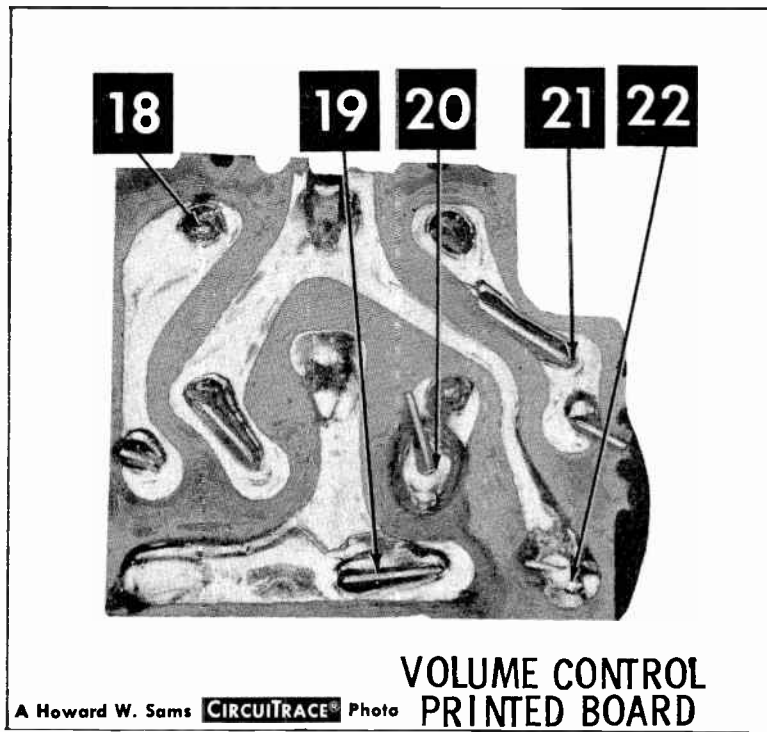
CABINETS & CABINET PARTS

(When Ordering Cabinets & Cabinet Parts, Specify Model, Chassis & Color)

| NAME | PART NO. | DESCRIPTION |
|-------------|-----------|------------------------|
| Knob | 2091244-1 | Volume, Tuning Tone |
| Knob | 2092235-1 | |
| Push-button | 2092224-1 | |

WIRING DATA

| | |
|---|--|
| General-use Unshielded Hook-up Wire | Use BELDEN No. 8530 (Solid) Available in 12 Colors 8524 (Stranded) Available in 12 Colors |
| Shielded Hook-up Wire | Use BELDEN No. 8885 |
| Rear Seat Speaker Extension Cable | Use BELDEN No. 8782 (Stranded) Coded Parallel Leads |
| Bonding Strap | Use BELDEN No. 8661 (3/8 In.) or 8670 (3/4 In.) |





NOTE: Tubes are located on top side of radio chassis. To replace tubes, remove radio.

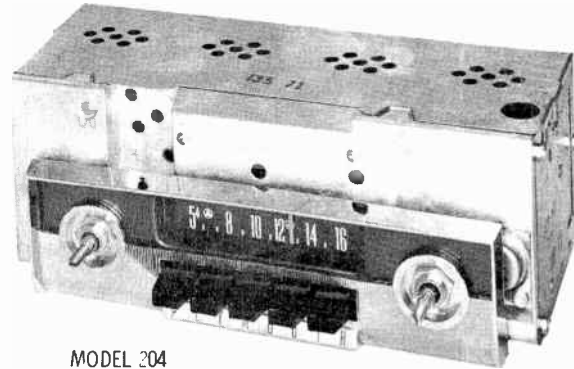
RADIO REMOVAL

1. Pull off knobs.
2. Disconnect speaker leads at speaker, "A" lead at connector plug and remove antenna plug.
3. Remove two 1/2" hex nuts from control bushings and remove bezel.
4. Remove 5/8" hex screw and washer assembly holding radio to rear mounting bracket.
5. Remove radio from rear of instrument panel.

NOTE: Plymouth radio can be removed through speaker opening — required if air-conditioned.

SPEAKER REMOVAL

1. Raise left corner of speaker grille and remove by sliding grille out.
2. Remove four Phillips screws holding speaker.



MODEL 204

| | |
|------------------------|--|
| TRADE NAME | Mopar Models 202 (For 1962 Lancer SL1), 203 (For 1962 Valiant SV1), 204 (For 1962 Plymouth SP1, SP2) |
| MANUFACTURER | Motorola Inc., 4545 W. Augusta Blvd., Chicago 51, Illinois |
| TYPE SET | Battery Operated 4- Tube 2-Transistor Custom Built Automobile AM Receiver |
| POWER SUPPLY | 12 Volt Storage Battery RATING 1.1 Amp. @12.6 Volts DC |
| TUNING RANGE—BROADCAST | 540 — 1610KC |

ALIGNMENT INSTRUCTIONS

ALIGNMENT INSTRUCTIONS—READ CAREFULLY BEFORE ATTEMPTING ALIGNMENT

Use only enough generator output to provide a usable indication.

Suggested Alignment Tools:

- A1 thru A4.....GENERAL CEMENT #8282, 8606, 8606-L, 9295, 9440
 WALSCO #2526, 2543, 2544, 2545
 A5, A6, A7.....GENERAL CEMENT #8282, 8606, 8606-L, 9091
 WALSCO #2526, 2541, 2542, 2543, 2544

| | SIGNAL GENERATOR COUPLING | SIGNAL GENERATOR FREQUENCY | RADIO DIAL SETTING | INDICATOR | ADJUST | REMARKS |
|--|--|----------------------------|--|--|----------------|---|
| 1. | High side thru .1mfd to pin 7 (grid) of Converter. Low side to chassis. | 262.5KC (Unmod.) | High Freq. Stop. | Connect DC VTVM across Volume Control. | A1, A2, A3, A4 | Adjust for maximum deflection. |
| 2. | Thru dummy (Fig. 1) to antenna receptacle. | 1610KC | " | " | A5, A6, A7 | " |
| Step 3 is not necessary unless tuner has been tampered with or associated components have been replaced. If necessary, back tuning cores A8, A9 and A10 out of coils. Repeat step 2. | | | | | | |
| 3. | Thru dummy (Fig. 1) to antenna receptacle. | 1000KC | Tuner carriage 9/16" from high Freq. Stop. | " | A8, A9, A10 | Adjust for maximum deflection. Repeat step 2. |
| 4. | With radio installed in car and antenna fully extended, tune in a weak station near 1400KC and adjust A7 for maximum output. | | | | | |

PUSH-BUTTON ADJUSTMENT

1. Tune manually to desired station.
2. Pull push button out, then press in firmly.
3. Repeat for remaining push buttons.

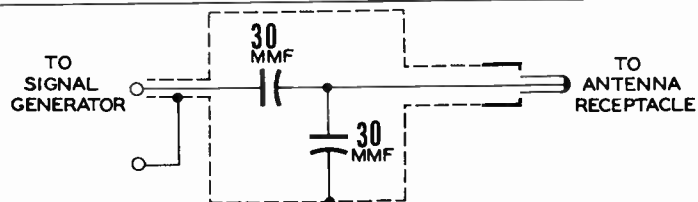


FIG. 1

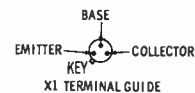
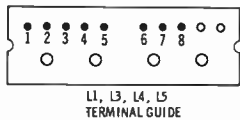
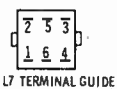
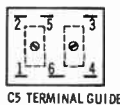
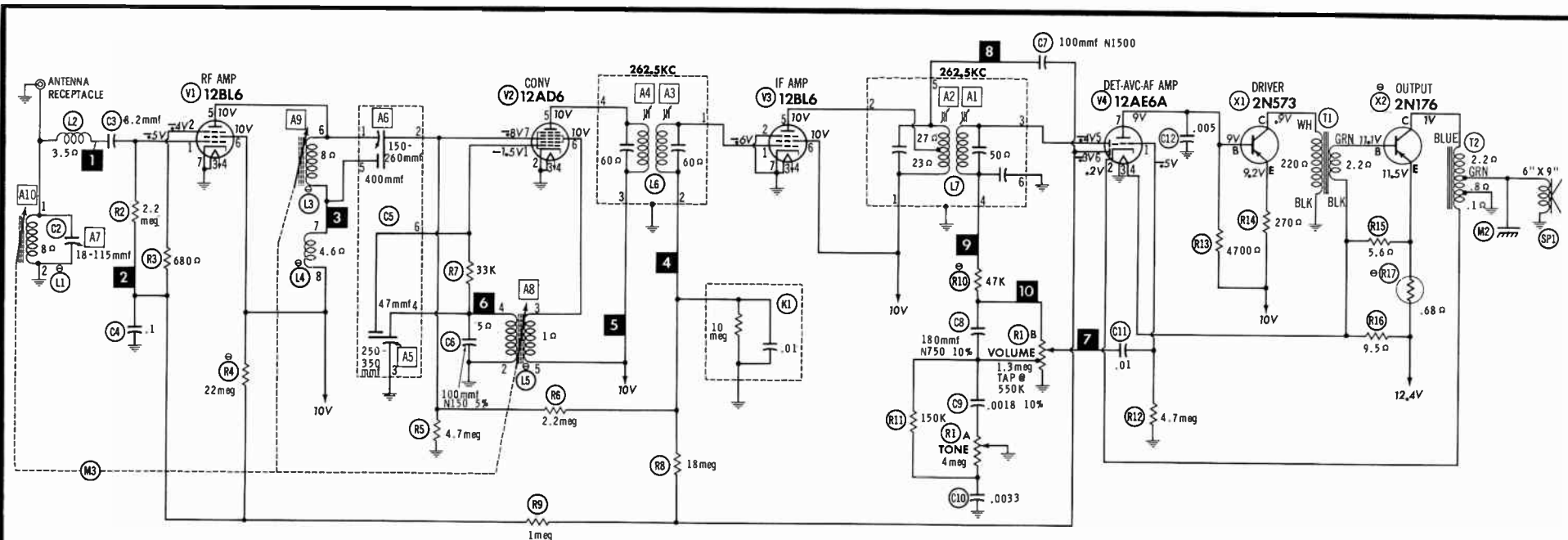
HOWARD W. SAMS & CO., INC. Indianapolis 6, Indiana

The listing of any available replacement part herein does not constitute in any case a recommendation, warranty or guaranty by Howard W. Sams & Co., Inc., as to the quality and suitability of such replacement part. The numbers of these parts have been compiled from information furnished to Howard W. Sams & Co., Inc., by the manufacturers of LD597

the particular type of replacement part listed. Reproduction or use, without express permission, of editorial or pictorial content, in any manner, is prohibited. No patent liability is assumed with respect to the use of the information contained herein. ©1962 Howard W. Sams & Co., Inc., Indianapolis 6, Indiana. Printed in U.S. of America



MOPAR MODELS
202, 203, 204



NUMBERS ASSIGNED TO COILS, SWITCHES, PLUGS, SOCKETS, AND TRANSFORMERS ARE TO FACILITATE CIRCUIT TRACING OR COMPONENT REPLACEMENT AND MAY NOT NECESSARILY BE FOUND ON THE UNIT.

SEE PARTS LIST FOR ALTERNATE VALUE OR APPLICATION

- DC voltage measurements taken with vacuum tube voltmeter.
- Socket connections shown as bottom views.
- Measured values are from socket pin to common ground.
- Battery voltage maintained at 12.6 volts for voltage readings.
- Nominal tolerance on component values makes possible a variation of ±15% in voltage and resistance readings.
- Volume control at maximum, no signal applied for voltage measurements.

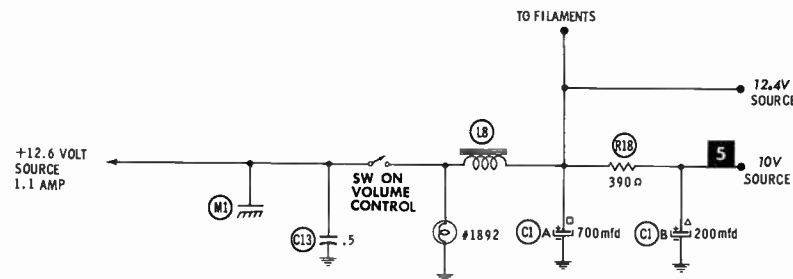
A PHOTOFACIT STANDARD NOTATION SCHEMATIC with **CIRCUITRACE**

©Howard W. Sams & Co., Inc. 1962

RESISTANCE READINGS

| ITEM | TUBE | Pin 1 | Pin 2 | Pin 3 | Pin 4 | Pin 5 | Pin 6 | Pin 7 |
|------|--------|---------|--------|-------|-------|---------|--------|-------|
| V1 | 12BL6 | 20 meg | 16 meg | FIL | FIL | †400 Ω | †390 Ω | 0 Ω |
| V2 | 12AD6 | 33K | 0 Ω | FIL | FIL | †420 Ω | †390 Ω | 4 meg |
| V3 | 12BL6 | 6 meg | 0 Ω | FIL | FIL | †420 Ω | †390 Ω | 0 Ω |
| V4 | 12AE6A | 4.7 meg | .1 Ω | FIL | FIL | 1.4 meg | 14 meg | * |

† MEASURED FROM VOLTAGE INPUT POINT (EMITTER OF X1 DISCONNECTED).
* TRANSISTOR CIRCUIT RESISTANCE NOT GIVEN BECAUSE OF THE WIDE VARIATION IN INTERNAL TRANSISTOR RESISTANCE.

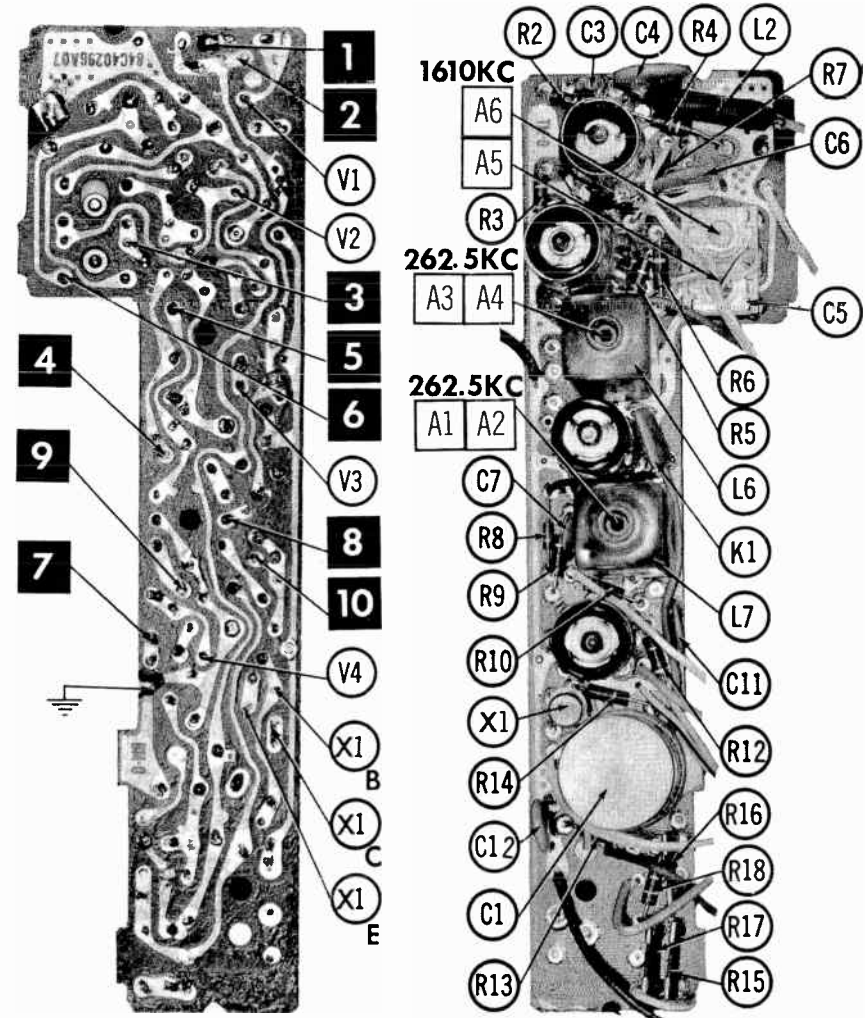
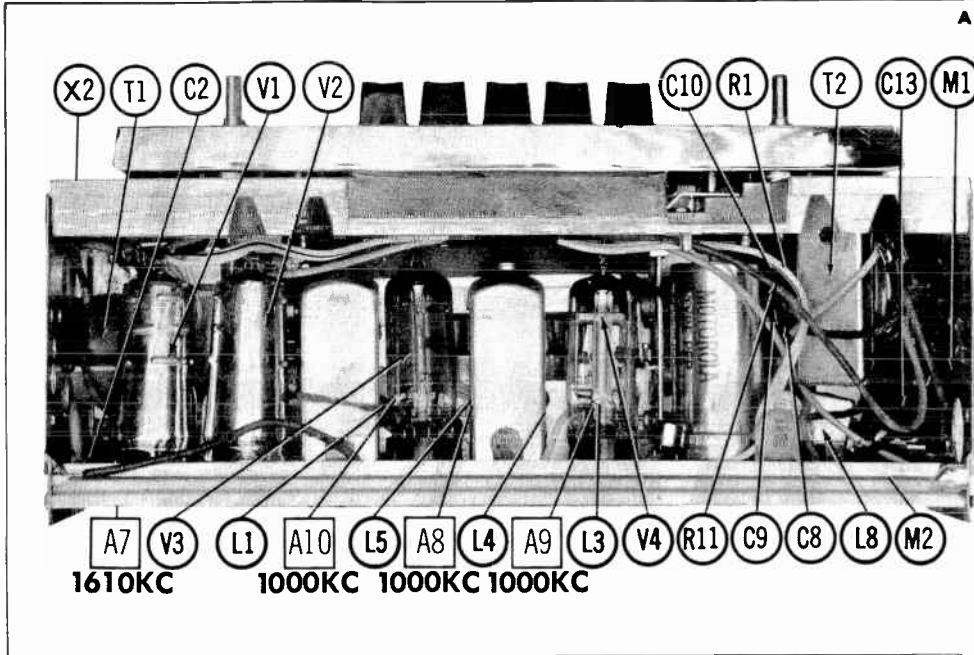


MOPAR
MODELS 202, 203, 204

CHASSIS— PHOTOS

A Howard W. Sams **CIRCUITRACE** Photo

ARROWS INDICATING TUBE LOCATIONS ARE POINTING TO PIN 1 UNLESS OTHERWISE INDICATED



PARTS LIST AND DESCRIPTIONS

TUBES

| ITEM No. | USE | TYPE | ITEM No. | USE | TYPE |
|----------|--------------|-------|----------|-------------------|--------|
| V1 | RF Amplifier | 12BL6 | V3 | IF Amplifier | 12BL6 |
| V2 | Converter | 12AD6 | V4 | Det. -AVC-AF Amp. | 12AE6A |

TRANSISTORS

| ITEM No. | ORIG. TYPE | USE | REPLACEMENT DATA | | | NOTES |
|----------|-----------------|--------|---------------------------|--------------|-------------------|------------|
| | | | GENERAL ELECTRIC PART No. | RCA PART No. | RAYTHEON PART No. | |
| X1 | 2N573 | Driver | GE-2 | 2N591 | 2N155 | PNP Note 1 |
| X2 | 2N176 MN-29* | Output | GE-3 | 2N176 | | |

* Alternate.
Note 1. When replacing, apply silicone grease (Part #1M490487 or equivalent) to both sides of insulator. Tighten mounting screws securely.

ELECTROLYTIC CAPACITORS

| ITEM No. | RATING | | REPLACEMENT DATA | | | | | | |
|----------|--------|-------|-------------------|------------------|---------------------------|---------------------------|------------------|------------------|------------------|
| | CAP. | VOLT. | MOTOROLA PART No. | AEROVOX PART No. | CORNELL-DUBILIER PART No. | GENERAL ELECTRIC PART No. | MALLORY PART No. | PYRAMID PART No. | SPRAGUE PART No. |
| C1A | 700 | 16 | 23C40970A01 | PWH2-02-51 | | | | | PCLS-2178* |
| B | 200 | 16 | | | | | | | |

* Not normally in distributor's stock. Available thru distributor on order to manufacturer.

PARTS LIST AND DESCRIPTIONS (Continued)

FIXED CAPACITORS

| ITEM No. | RATING | REMARKS | REPLACEMENT DATA | | | | | |
|----------|----------------|--------------|------------------|--------------------|---------------------------|------------------|------------------|------------------|
| | | | AEROVOX PART No. | CENTRALAB PART No. | CORNELL-DUBILIER PART No. | ELMENCO PART No. | MALLORY PART No. | SPRAGUE PART No. |
| C2 | 18-115 | #20B40903A01 | | | | 424 | | |
| C3 | 8.2 | #21R120159 | | | | * | | |
| C4 | .1 50V | | | DDA-104 | | | | TA-010 |
| C5A | 150-260 | #20C40481A04 | | | | | | |
| B | 400 | | | | | | | |
| C | 47 | | | | | | | |
| D | 250-350 | | | | | | | |
| C6 | 100 N150 5% | #21D40536A16 | | | | * | | 10TP-T10 |
| C7 | 100 N1500 | #21D40536A02 | | | | * | | |
| C8 | 180 N750 10% | | BPD-002 | TCN-180 | C10T18C | | CN7-318 | 10TCU-T18 |
| C9 | .0018 100V 10% | | BPD-0033 | DD-182 | L10D18 | CCD-202 | GP218 | 10TS-D18 |
| C10 | .0033 100V | | BPD-01 | DD-332 | BYA10D33 | CCD-332 | B-233 | 5HK-D33 |
| C11 | .01 100V | | BPD-005 | DD-103 | BYA10S1 | CCD-103 | BT-110 | 5HK-S10 |
| C12 | .005 | | BPD-005 | DD-502 | BYA10D5 | CCD-502 | B-250 | 5HK-D50 |
| C13 | .5 100V | | P288N-5 | | CUB2P5 | DDP-4-504 | GEM-205 | 2TM-P50 |

* Not normally in distributor's stock. Available thru distributor on order to manufacturer.
Motorola Part Number.

CONTROLS

All wattages 1/2 watt, or less, unless otherwise listed.

| ITEM No. | USE | RESISTANCE | REPLACEMENT DATA | | | | |
|----------|-----------------|--------------------|-------------------|--------------------|--------------------|------------------|------------------|
| | | | MOTOROLA PART No. | CENTRALAB PART No. | CLAROSTAT PART No. | CTS-IRC PART No. | MALLORY PART No. |
| RIA | Tone | 4meg | 18C40962A01 | | | | |
| B | Volume & Switch | 1.3meg 550K Tap | | | | | |

RESISTORS

All wattages 1/2 watt, or less, unless otherwise listed.

| ITEM No. | RATING | REPLACEMENT DATA | | | ITEM No. | RATING | REPLACEMENT DATA | | |
|----------|--------|------------------|------------------|---------|----------|--------|------------------|------------------|--------------|
| | | IRC PART No. | WORKMAN PART No. | REMARKS | | | IRC PART No. | WORKMAN PART No. | REMARKS |
| R2 | 2.2meg | | | | R11 | 150K | | | |
| R3 | 680Ω | | | | R12 | 4.7meg | | | |
| R4 | 22meg | | | Note 1 | R13 | 4700Ω | | | |
| R5 | 4.7meg | | | | R14 | 270Ω | | | |
| R6 | 2.2meg | | | | R15 | 5.6Ω | | | #17K739323 |
| R7 | 33K | | | | R16 | 9.5Ω | | | #17B40754A02 |
| R8 | 18meg | | | | R17 | .68Ω | | | Note 2 |
| R9 | 1meg | | | | R18 | 390Ω | | | |
| R10 | 47K | | | Note 1 | | | | | |

Note 1. Nominal Value, may vary.
Note 2. Positive temperature compensation, Part #17B40756A01.
Motorola Part Number.

COMPONENT COMBINATIONS

| ITEM No. | USE | DESCRIPTION | MOTOROLA PART No. | REPLACEMENT DATA |
|----------|--------------------|---------------|-------------------|------------------|
| K1 | AVC Filter Network | .01mfd, 10meg | 51C40989A01 | |

COILS (RF-IF)

| ITEM No. | USE | REPLACEMENT DATA | | | | | NOTES |
|----------|------------|-------------------|----------------|-----------------|------------------|------------------|-------|
| | | MOTOROLA PART No. | Merit PART No. | Miller PART No. | Stancor PART No. | Workman PART No. | |
| L1 | Ant. | 24B40712A01 | | | | | |
| L2 | RF Choke | 24K565113 | | | | | |
| L3 | RF | 24B40712A02 | | | | | |
| L4 | Image Trap | 24K565104 | | | | | |
| L5 | Osc. | 24K564644 | | | | | |
| L6 | Input IF | 24K563462 | BC-344 | 13-PH1 | RTC-8644 | T655 | |
| L7 | Output IF | 24D40276A07 | | | | | |

⊙ Part of coil and mounting plate assembly Part #1V40900A20 or tuner M3.

FILTER CHOKE

| ITEM No. | RATINGS | | | REPLACEMENT DATA | | | | | NOTES |
|----------|--------------------|---------|------------------------------|-------------------|----------------|------------------|---------------------|----------------|---------------------------|
| | CURRENT (Measured) | DC RES. | INDUCTANCE (0 CURRENT 1000~) | MOTOROLA PART No. | MERIT PART No. | STANCOR PART No. | THORDARSON PART No. | TRIAD PART No. | |
| L8 | 1.1A | .3Ω | .005HY | 25C563445 | | | TR-156 | | ⊙ Drill new mtg. hole(s). |

TRANSFORMER (DRIVER)

| ITEM No. | TURNS RATIO | REPLACEMENT DATA | | | | | NOTES |
|----------|-------------|-------------------|----------------|------------------|---------------------|----------------|-------|
| | | MOTOROLA PART No. | MERIT PART No. | STANCOR PART No. | THORDARSON PART No. | TRIAD PART No. | |
| T1 | 10 | 1 | 25C40933A01 | | | TR-185 | |

TRANSFORMER (AUDIO OUTPUT)

| ITEM No. | IMPEDANCE | REPLACEMENT DATA | | | | | NOTES |
|----------|---------------|-------------------|----------------|------------------|---------------------|----------------|-------|
| | | MOTOROLA PART No. | Merit PART No. | Stancor PART No. | Thordorson PART No. | Triad PART No. | |
| T2 | 6Ω Tap @ 3-4Ω | | 25C40940A01 | | | | |

SPEAKER

| ITEM No. | TYPE | | | REPLACEMENT DATA | | NOTES |
|----------|--------|-------|------------|-------------------|---------------|----------------------------------|
| | SIZE | FIELD | V. C. IMP. | MOTOROLA PART No. | QUAM PART No. | |
| SP1 | 8"x 9" | PM | 3-4Ω | 50D40959A01 | 69A2 | Model 204 (Use #50K562405) |
| | 8"x 9" | PM | 3-4Ω | 50D40959A02 | | Models 202, 203 (Use #50D562404) |

MISCELLANEOUS

| ITEM No. | PART NAME | MOTOROLA PART No. | NOTES |
|----------|-------------|-------------------|--------------------------|
| M1 | Spark Plate | 64K530177 | |
| M2 | Spark Plate | 64K530177 | |
| M3 | Tuner | 77D40507A05 | (AT-386) Models 202, 204 |
| | Tuner | 77D40507A08 | (AT-387) Model 203 |

CABINETS & CABINET PARTS

(When Ordering Cabinets & Cabinet Parts, Specify Model, Chassis & Color)

| NAME | PART NO. | DESCRIPTION |
|-------------|-------------|---------------------------|
| Dial Glass | 61A563192 | Models 202, 203 |
| Dial Glass | 61B40448A01 | Model 204 |
| Dial Scale | 34C40451A13 | Model 202 |
| Dial Scale | 34C40451A12 | Model 203 |
| Dial Scale | 34C40451A11 | Model 204 |
| Knob | 38C40272A02 | Tuning, Volume, Model 202 |
| Knob | 38C40272A03 | Tuning, Volume, Model 203 |
| Knob | 38B562625 | Tuning, Volume, Model 204 |
| Knob | 36C564098 | Tone, Dummy, Model 202 |
| Knob | 36K565013 | Tone, Dummy, Model 203 |
| Knob | 36D40462A01 | Tone, Dummy, Model 204 |
| Push Button | 38B40469A01 | Models 202, 204 |
| Push Button | 38B40469A02 | Model 203 |

WIRING DATA

| | |
|---|---|
| General-use Unshielded Hook-up Wire | Use BELDEN No. 8530 (Solid) Available in 12 Colors |
| | 8524 (Stranded) Available in 12 Colors |
| Shielded Hook-up Wire | Use BELDEN No. 8885 |
| Rear Seat Speaker Extension Cable | Use BELDEN No. 8782 (Stranded) Coded Parallel Leads |
| Bonding Strap | Use BELDEN No. 8661 (3/8 In.) or 8670 (3/4 In.) |



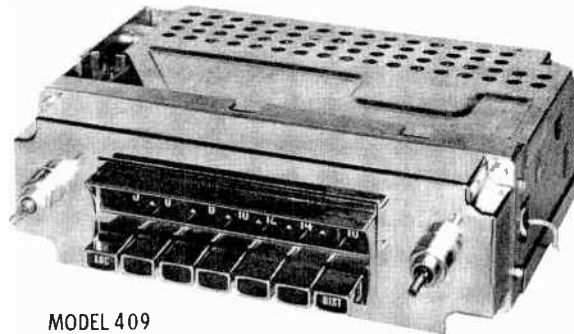
RADIO REMOVAL

NOTE: To replace tubes, remove two 1/4" hex screws holding cover and remove cover.

1. Pull off knobs.
2. Disconnect speaker leads, "A" lead at connector, antenna plug and pilot-light lead at wiring harness.
3. Remove two 1/2" hex nuts from control bushings.
4. Remove 3/8" hex nut washer assembly from rear mount.
5. Remove receiver from rear of instrument panel.

SPEAKER REMOVAL

1. Remove four Phillips screws holding speaker to adapter mounted under top of instrument panel and remove speaker.



MODEL 409

| | |
|------------------------|---|
| TRADE NAME | Mopar Models 409 (24BI) For 1962 Imperials SYL; 410 (24BC) For 1962 Chryslers SC1, SC2, SC3 |
| MANUFACTURER | The Bendix Corp., Bendix Radio Div., Baltimore 4, Maryland |
| TYPE SET | Battery Operated 4 Tube - 3 Transistor Custom Built Automobile AM Receiver |
| POWER SUPPLY | 12 Volt Storage Battery |
| TUNING RANGE—BROADCAST | 530 - 1600KC |
| RATING | 1.3 Amp. @12.6 Volts DC (1.4 Amp. When Seeking) |

ALIGNMENT INSTRUCTIONS

ALIGNMENT INSTRUCTIONS—READ CAREFULLY BEFORE ATTEMPTING ALIGNMENT

Use only enough generator output to provide a usable indication.

Suggested Alignment Tools:

- | | |
|-----------------|--|
| A1 thru A4..... | GENERAL CEMENT #8282, 8606, 8606-L, 9295, 9440 |
| | WALSCO #2526, 2543, 2544, 2545 |
| A5 thru A7..... | GENERAL CEMENT #5004, 5009, 8195, 8274, 8275, 8607, 8728, 8987, 8988, 8989, 9291 |
| | WALSCO #2515, 2520, 2522, 2523, 2531, 2532, 2534, 2537, 2538 |

| | SIGNAL GENERATOR COUPLING | SIGNAL GENERATOR FREQUENCY | RADIO DIAL SETTING | INDICATOR | ADJUST | REMARKS |
|---|--|----------------------------|---|---|----------------|---|
| 1. | High side thru .1mfd to pin 9 (grid) of AM Converter. Low side to chassis. | 262.5KC (Unmod.) | High Freq. Stop. | DC probe of VTVM to point \diamond , common to chassis. | A1, A2, A3, A4 | Adjust for maximum deflection. |
| 2. | Thru dummy (Fig. 1) to antenna receptacle. | 1600KC | " | " | A5, A6, A7 | " |
| Step 3 is not necessary unless tuner has been tampered with or associated components have been replaced. If necessary, back tuning core A8, A9 and A10 out of coils. Repeat step 2. | | | | | | |
| 3. | Thru dummy (Fig. 1) to antenna receptacle. | 1000KC | Tuning Carriage $\frac{1}{2}$ " from high end stop. | " | A8, A9, A10 | Adjust for maximum deflection. Repeat step 2. |
| 4. | With radio installed in car and antenna fully extended, tune in a weak station near 1400KC and adjust A7 for maximum output. | | | | | |

PUSH-BUTTON ADJUSTMENT

1. Tune manually to desired station.
2. Pull push button out, then press in firmly.
3. Repeat for remaining push buttons.

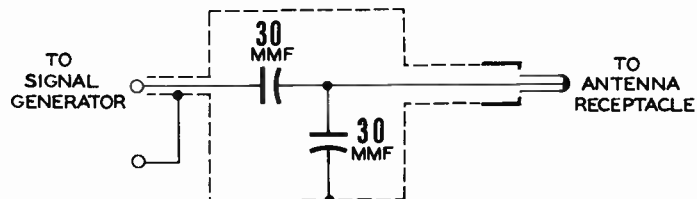


FIG. 1

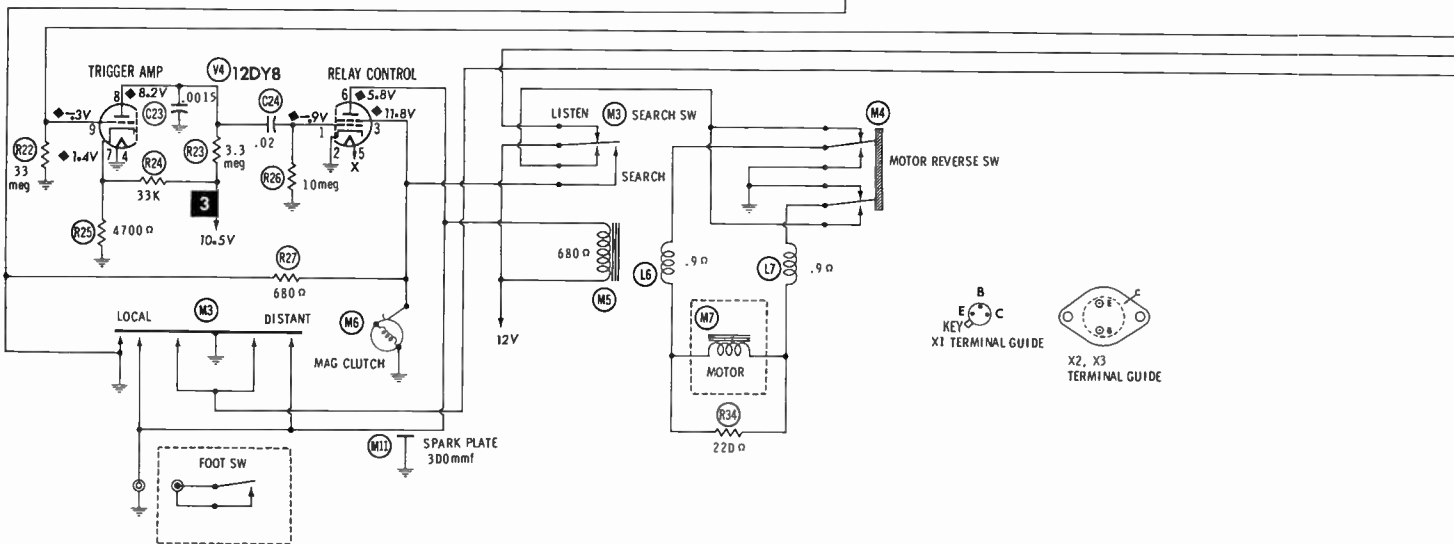
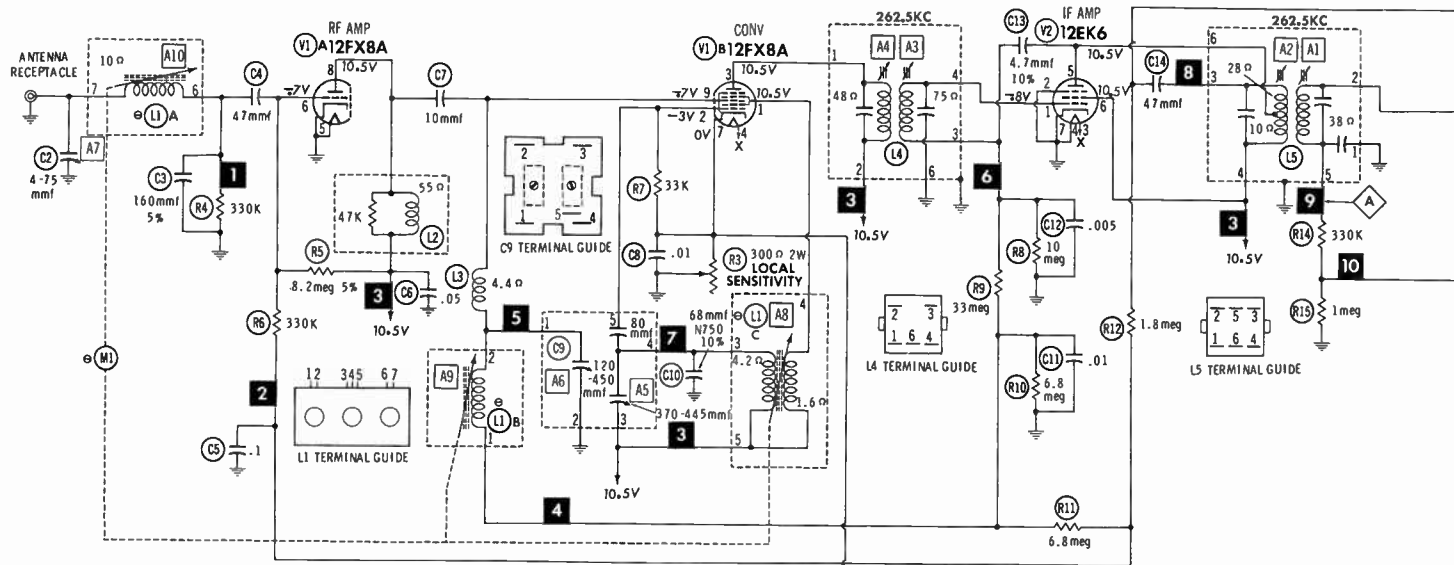
HOWARD W. SAMS & CO., INC. Indianapolis 6, Indiana



The listing of any available replacement part herein does not constitute in any case a recommendation, warranty or guaranty by Howard W. Sams & Co., Inc., as to the quality and suitability of such replacement part. The numbers of these parts have been compiled from information furnished to Howard W. Sams & Co., Inc., by the manufacturers of LD618

the particular type of replacement part listed. Reproduction or use, without express permission, of editorial or pictorial content, in any manner, is prohibited. No patent liability is assumed with respect to the use of the information contained herein. © 1962 Howard W. Sams & Co., Inc., Indianapolis 6, Indiana. Printed in U.S. of America

MOPAR MODELS
409, 410



RESISTANCE READINGS

| ITEM | TUBE | Pin 1 | Pin 2 | Pin 3 | Pin 4 | Pin 5 | Pin 6 | Pin 7 | Pin 8 | Pin 9 |
|------|--------|--------|-------|--------|-------|--------|--------|--------|---------|---------|
| V1 | 12FX8A | 1220 Ω | 33K | 1275 Ω | FIL | FIL | 5meg | 140 Ω | 1280 Ω | 4.5meg |
| V2 | 12EK6 | 6.8meg | 0 Ω | FIL | FIL | 1230 Ω | 1220 Ω | 0 Ω | | |
| V3 | 12FK6 | 10meg | 20 Ω | FIL | FIL | 6.5meg | 1.4meg | * | | |
| V4 | 12DK8 | 10meg | 0 Ω | 650 Ω | FIL | FIL | 1680 Ω | 4700 Ω | 13.3meg | 15.5meg |

* MEASURED FROM JUNCTION OF R3 J AND C1A.
 * RESISTANCE MEASUREMENTS NOT GIVEN BECAUSE OF THE WIDE VARIATION IN INTERNAL TRANSISTOR RESISTANCE.

◆ MEASURED WITH SEARCH TUNER IN OPERATION
 RESISTANCE MEASUREMENTS FOR X1, X2 AND X3 NOT GIVEN BECAUSE OF THE WIDE VARIATION IN INTERNAL TRANSISTOR RESISTANCE.

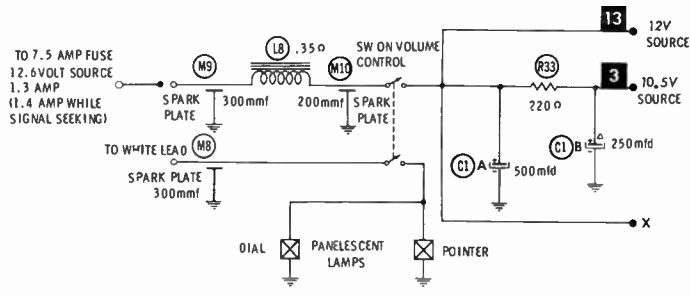
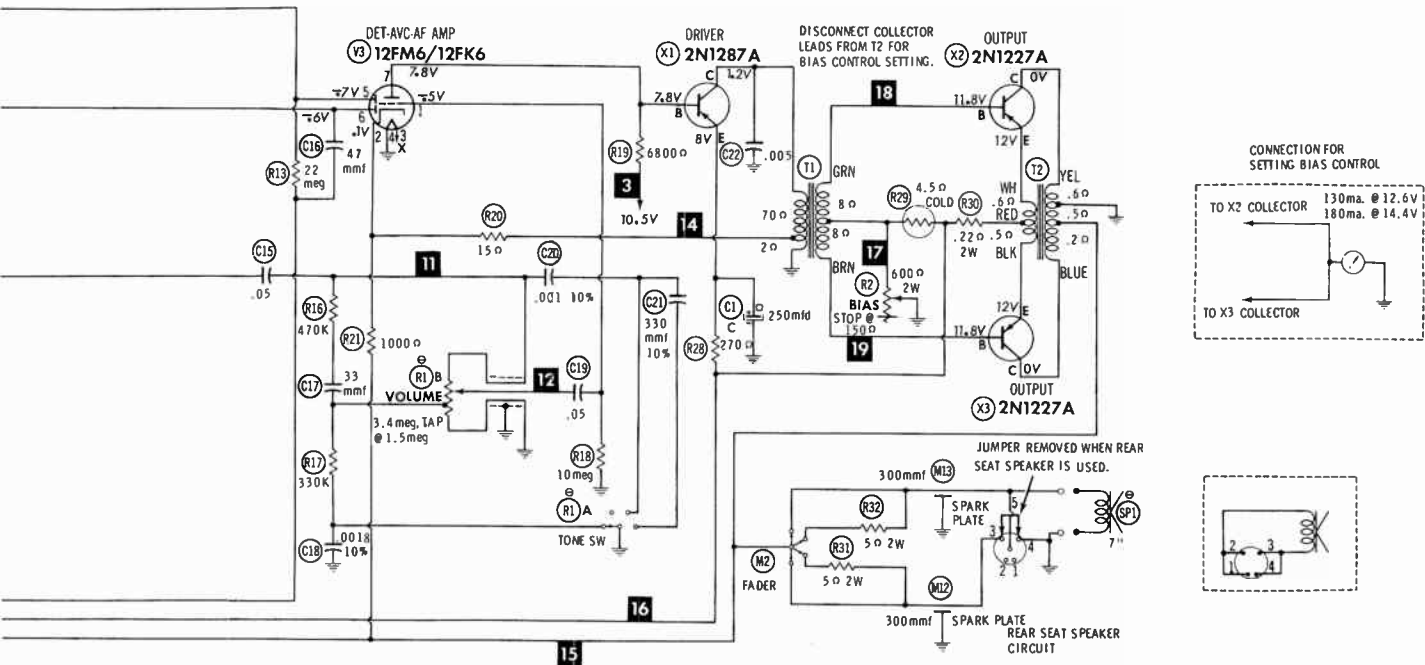
NUMBERS ASSIGNED TO COILS, SWITCHES, PLUGS, SOCKETS, AND TRANSFORMERS ARE TO FACILITATE CIRCUIT TRACING OR COMPONENT REPLACEMENT AND MAY NOT NECESSARILY BE FOUND ON THE UNIT.

⊖ SEE PARTS LIST FOR ALTERNATE VALUE OR APPLICATION

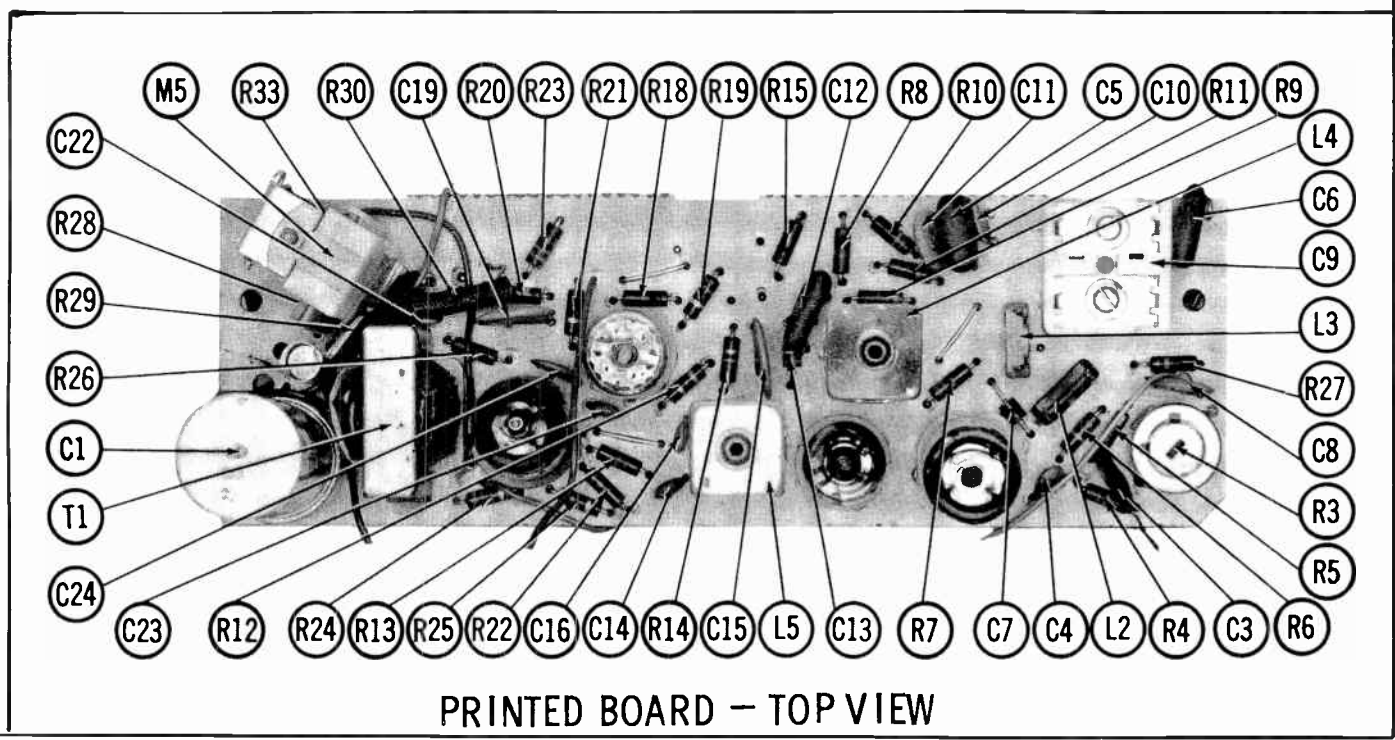
- DC voltage measurements taken with vacuum tube voltmeter
- Socket connections shown as bottom views.
- Measured values are from socket pin to common ground.
- Battery voltage maintained at 12.6 volts for voltage readings.
- Nominal tolerance on component values makes possible a variation of ±15% in voltage and resistance readings.
- Volume control at maximum, no signal applied for voltage measurements.

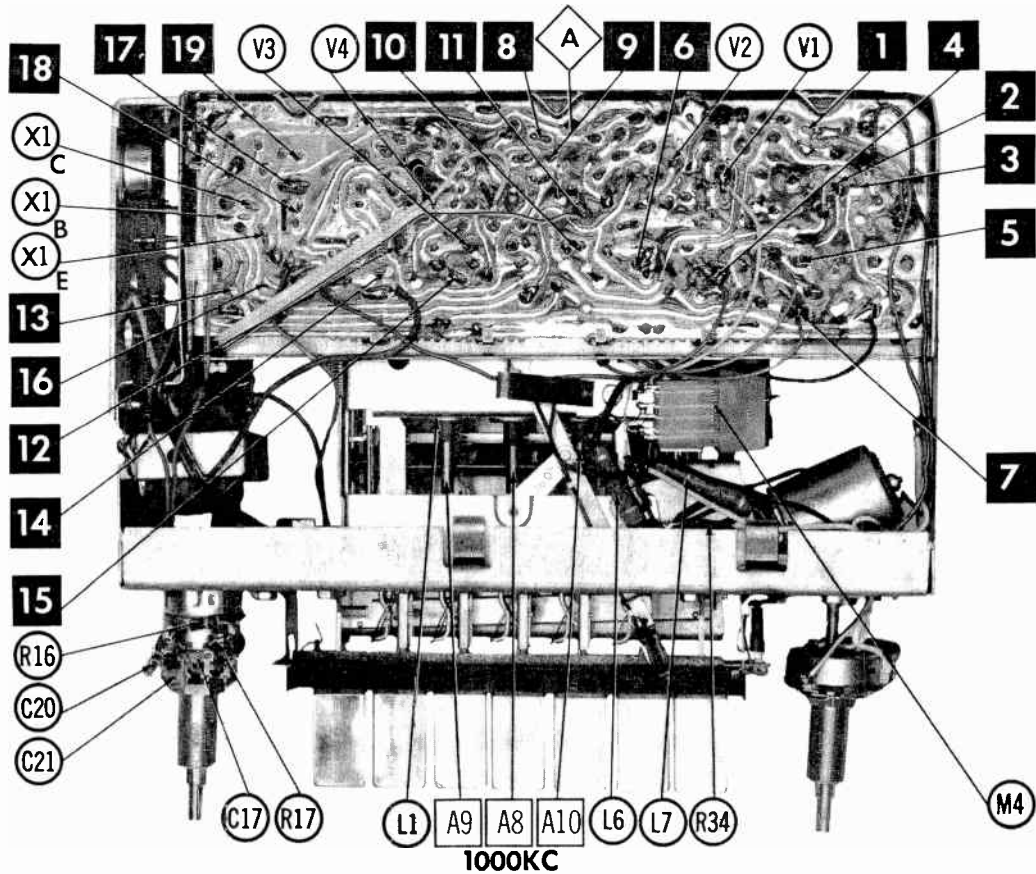
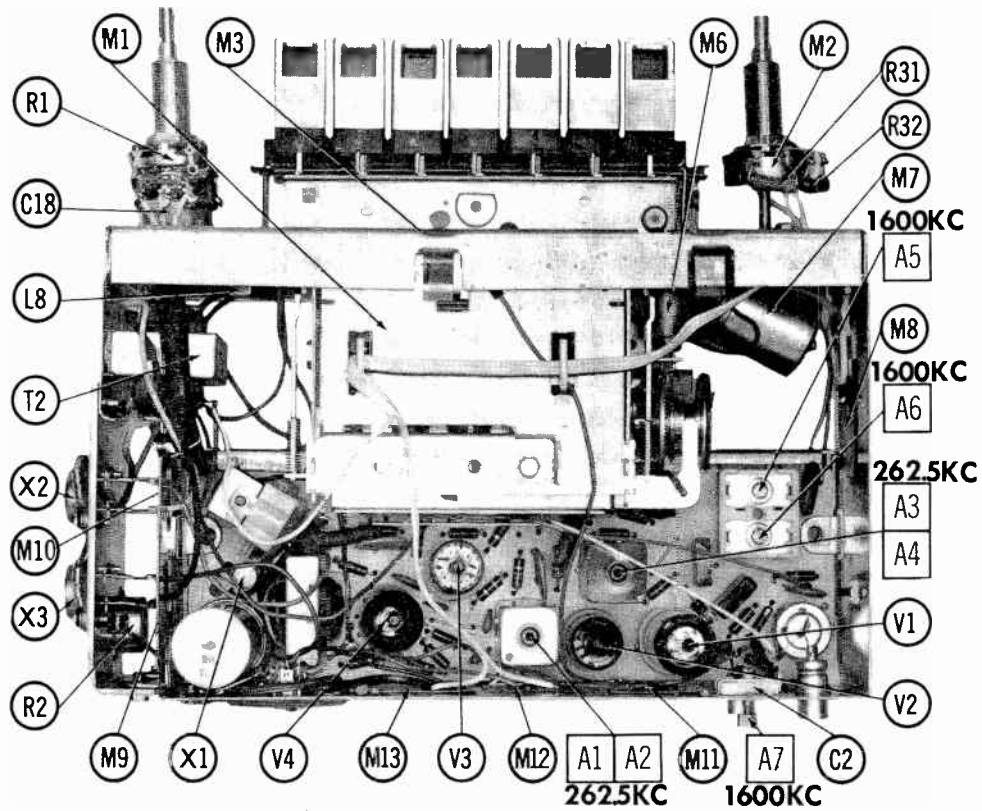
A PHOTOFACIT STANDARD NOTATION SCHEMATIC
 with CIRCUITRACE

© Howard W. Sams & Co., Inc. 1962



MOPAR MODELS
409, 410





ARROWS INDICATING TUBE LOCATIONS ARE POINTING TO PIN 1 UNLESS OTHERWISE INDICATED

A Howard W. Sams **CIRCUITRACE** Photo

CHASSIS — TOP AND BOTTOM VIEWS

PARTS LIST AND DESCRIPTIONS

WIRING DATA

| | |
|---|--|
| General-use Unshielded Hook-up Wire | Use BELDEN No. 8530 (Solid) Available in 12 Colors 8524 (Stranded) Available in 12 Colors |
| Shielded Hook-up Wire | Use BELDEN No. 8885 |
| Rear Seat Speaker Extension Cable | Use BELDEN No. 8782 (Stranded) Coded Parallel Leads |
| Bonding Strap | Use BELDEN No. 8661 (3/8 In.) or 8670 (3/4 In.) |

TUBES

| * AMPEREX * | | GENERAL ELECTRIC | | RCA | | RAYTHEON | | SYLVANIA * | |
|-------------|-------------------|------------------|--|----------|---------------------|----------|--|------------|--|
| ITEM No. | USE | TYPE | | ITEM No. | USE | TYPE | | | |
| V1 | RF Amp. -Conv. | 12FK8A | | V4 | Trigger Amplifier - | 12DY8 | | | |
| V2 | IF Amplifier | 12EK6 | | | Relay Control | | | | |
| V3 | Det. -AVC-AF Amp. | 12FM6/12FK6 | | | | | | | |

TRANSISTORS

| ITEM No. | ORIG. TYPE | USE | REPLACEMENT DATA | | NOTES |
|----------|------------|--------|---------------------------|--------------|------------|
| | | | GENERAL ELECTRIC PART No. | RCA PART No. | |
| X1 | 2N1287A | Driver | GE-2 | 2N591 | PNP |
| X2 | 2N1227A | Output | GE-3 | | PNP Note 1 |
| X3 | 2N1227A | Output | GE-3 | | PNP Note 1 |

Note 1. When replacing, apply silicone grease to both sides of insulator. Tighten mounting screws securely. Check bias adjustment.

ELECTROLYTIC CAPACITORS

| ITEM No. | RATING | | REPLACEMENT DATA | | | | | | |
|----------|--------|-------|------------------|------------------|---------------------------|---------------------------|------------------|------------------|------------------|
| | CAP. | VOLT. | BENDIX PART No. | AEROVOX PART No. | CORNELL-DUBILIER PART No. | GENERAL ELECTRIC PART No. | MALLORY PART No. | PYRAMID PART No. | SPRAGUE PART No. |
| C1A | 500 | 16 | 220S53-13 | FWE3-00-94 | | XCS-48.1 | PWP300.4 | | PCL-3026.6 |
| B | 250 | 18 | | | | | | | |
| C | 250 | 16 | | | | | | | |

FIXED CAPACITORS

| ITEM No. | RATING | REMARKS | REPLACEMENT DATA | | | | | |
|----------|-------------|------------|------------------|--------------------|---------------------------|------------------|------------------|------------------|
| | | | AEROVOX PART No. | CENTRALAB PART No. | CORNELL-DUBILIER PART No. | ELMENCO PART No. | MALLORY PART No. | SPRAGUE PART No. |
| C2 | 4-75 | #2091853-1 | 1469-00016 | TCZ-160 | 22R5T16 | CM-19B-181J | | MS-316 |
| C3 | 160 5% | | DI-47 | DD-470 | L10Q47 | CCD-470 | GP447 | 10TS-Q47 |
| C4 | 47 | | P288N-1 | DF-104 | CUB2P1 | IDP-2-104 | GEM-201 | 2TM-P10 |
| C5 | .1 100V | | P288N-05 | DD-503 | CUB2S5 | IDP-2-503 | GEM-415 | 2TM-S50 |
| C6 | .05 100V | | SI 10 | D6-100 | L10Q1 | CCD-100 | GP410 | 10TS-Q10 |
| C7 | 10 | | BPD-01 | DD-103 | BYA10SI | CCD-103 | B-110 | 5HK-S10 |
| C8 | .01 | | | | | | | |
| C9A | 120-450 | | # 219092-16 | | | | | |
| B | 80 | | | | | | | |
| C | 370-445 | | | | | | | |
| C10 | 68 N750 10% | N750-DI 68 | | DTN-68 | C10Q68U | CCTN-680 | CN7-468 | 10TCU-Q68 |
| C11 | .01 | BPD-01 | | DD-103 | BYA10SI | CCD-103 | B-110 | 5HK-S10 |
| C12 | .005 100V | P288N-005 | D6-502 | CUB6D5 | IDP-2-473 | GEM-625 | 6TM-D50 | |
| C13 | 4.7 10% | NPO-SI 4.7 | TCZ-4R7 | C10V47C | CCTO-4R7 | CNO-547 | 10TCC-V47 | |
| C14 | 47 | DI-47 | DD-470 | L10Q47 | CCD-470 | GP447 | 10TS-Q47 | |
| C15 | .05 | BPD-05 | DD-503 | CUB8S5 | 6DP-3-503 | GP150 | 5HK-S50 | |
| C16 | 47 | DI-47 | DD-470 | L10Q47 | CCD-470 | GP447 | 10TS-Q47 | |
| C17 | 33 | DI-33 | DD-330 | L10Q33 | CCS-330 | GP433 | 10TS-Q33 | |
| C18 | .0018 10% | DI-1800 | DD-182 | DPMS6D2 | CCS-182 | GP218 | 10TS-D18 | |
| C19 | .05 | BPD-05 | DD-503 | CUB8S5 | 6DP-3-503 | GP150 | 5HK-S50 | |
| C20 | .001 10% | DI-1000 | DD-102 | DPMS6D1 | CCD-102 | GP210 | 10TS-D10 | |
| C21 | 330 10% | DI-330 | DD-331 | L10Q33 | CCD-331 | GP333 | 10TS-T33 | |
| C22 | .005 | BPD-005 | DD-502 | BYA10D5 | CCD-502 | B-250 | 5HK-D50 | |
| C23 | .0015 | BPD-0015 | DD-152 | BYA10D15 | CCD-152 | B-215 | 5HK-D15 | |
| C24 | .02 | BPD-02 | DD-203 | BYB6S2 | CCD-203 | B-120 | 5HK-S20 | |

Bendix Part Number.

CONTROLS

All wattages 1/2 watt, or less, unless otherwise listed.

| ITEM No. | USE | RESISTANCE | REPLACEMENT DATA | | | | |
|----------|-------------------|--|------------------|--------------------|--------------------|------------------|------------------|
| | | | BENDIX PART No. | CENTRALAB PART No. | CLAROSTAT PART No. | CTS-IRC PART No. | MALLORY PART No. |
| RIA | Tone Switch | 3.4meg, 1.5meg Tap 600Ω 2W 150Ω Stop 300Ω 2W | 2091110-4① | | | | |
| B | Volume, Power Sw. | | | | | | |
| R2 | Bias Adjust | | 219555-14 | 39-700-200 | 112-500 * | FL-6008 | |
| R3 | Local Sensitivity | 2090181-4 | | 110-300 | | | |

① Part #2091110-3 used in Model 410 * Use 150Ω 2W Series Resistor.

PARTS LIST AND DESCRIPTIONS (Continued)

RESISTORS

All wattages 1/2 watt, or less, unless otherwise listed.

| ITEM No. | RATING | REPLACEMENT DATA | | | ITEM No. | RATING | REPLACEMENT DATA | | |
|----------|-----------|------------------|------------------|---------|----------|-----------|------------------|------------------|---------------------------|
| | | IRC PART No. | WORKMAN PART No. | REMARKS | | | IRC PART No. | WORKMAN PART No. | REMARKS |
| R4 | 330K | | | | R20 | 15Ω | | | |
| R5 | 8.2meg 5% | | | | R21 | 1000Ω | | | |
| R6 | 330K | | | | R22 | 33meg | | | |
| R7 | 33K | | | | R23 | 3.3meg | | | |
| R8 | 10meg | | | | R24 | 33K | | | |
| R9 | 33meg | | | | R25 | 4700Ω | | | |
| R10 | 6.8meg | | | | R26 | 10meg | | | |
| R11 | 6.8meg | | | | R27 | 680Ω | | | |
| R12 | 1.8meg | | | | R28 | 270Ω | | | |
| R13 | 22meg | | | | R29 | 4.5Ω Cold | | | |
| R14 | 330K | | | | R30 | .22Ω 2W | | | |
| R15 | 1meg | | | | R31 | 5Ω 2W | | | |
| R16 | 470K | | | | R32 | 5Ω 2W | | | |
| R17 | 330K | | | | R33 | 220Ω | | | |
| R18 | 10meg | | | | R34 | 220Ω | | | |
| R19 | 6800Ω | | | | | | | | #220629-11 #2090948-20 |

Bendix Part Number.

TRANSFORMER (AUDIO OUTPUT)

| ITEM No. | IMPEDANCE | | REPLACEMENT DATA | | | | | NOTES |
|----------|-----------|------|------------------|----------------|------------------|---------------------|----------------|-------|
| | | | BENDIX PART No. | Merit PART No. | Stancor PART No. | Thordarson PART No. | Triad PART No. | |
| | PRI. | SEC. | | | | | | |
| T2 | 25Ω | 3-4Ω | 2091880-1 | | | | TR-170 | |

SPEAKER

| ITEM No. | TYPE | | | REPLACEMENT DATA | | NOTES |
|----------|---------|-------|------------|------------------|---------------|-----------|
| | SIZE | FIELD | V. C. IMP. | BENDIX PART No. | QUAM PART No. | |
| SP1 | 7" | PM | 3-4Ω | N2091269-3 | 7A31 | Model 409 |
| | 8" x 9" | PM | 3-4Ω | 2091269-2 | | Model 410 |

COILS (RF-IF)

| ITEM No. | USE | REPLACEMENT DATA | | | | | | NOTES |
|----------|------------------|------------------|----------------|-----------------|------------------|------------------|--|--|
| | | BENDIX PART No. | Merit PART No. | Miller PART No. | Stancor PART No. | Workman PART No. | | |
| L1A | Ant. RF C | | | | | | | ① Part of Tuner M1 or coil assembly Part #2090131-24 |
| L2 | RF Choke (3MH) | 2090088-17 ② | BC-552* | 4537* | RTC-9166* | T828* | | ② Includes 47K |
| L3 | RF Choke (62uh) | 2090088-16 | BC-667 | 6110 | RTC-8573 | T338 | | ③ IRC Type CL-1 |
| L4 | Input IF | 2090876-7 | | | | | | |
| L5 | Output IF | 2090877-8 | | | | | | * Shunt with 47K |
| L6 | RF Choke (2.4uh) | 2090671-3 ③ | BC-563 | 4606 | RTC-8517 | T857 | | |
| L7 | RF Choke (2.4uh) | 2090671-3 ③ | BC-563 | 4606 | RTC-8517 | T857 | | |

MISCELLANEOUS

| ITEM No. | PART NAME | BENDIX PART No. | NOTES |
|----------|----------------------|-----------------|---|
| M1 | Tuner | 2091312-3 | Model 409, Complete with Push Buttons, less Pointer |
| | Tuner | 2091312-4 | Model 410, Complete with Push Buttons, less Pointer |
| M2 | Switch | 2090886-5 | Speaker (Fader) Control |
| M3 | Switch | 2091315-2 | Local-Distance Search. Complete Assembly |
| M4 | Switch | 2091661-1 | Motor Reverse |
| M5 | Relay | 2091297-2 | |
| M6 | Clutch Assembly | 2090853-2 | Magnetic |
| M7 | Motor | 2091522-1 | |
| M8 | Spark Plate | 220267-12 | 300mmf |
| M9 | Spark Plate | 220267-12 | 300mmf |
| M10 | Spark Plate | 220267-17 | 200mmf |
| M11 | Spark Plate | 220267-16 | 300mmf |
| M12 | Spark Plate | 220267-16 | 300mmf |
| M13 | Spark Plate | 220267-16 | 300mmf |
| | Dial Lamp | 2090984-1 | Model 409, 200VAC, 250 Cycles |
| | Dial Lamp | 2090967-1 | Model 410, 200VAC, 250 Cycles |
| | Pointer & Lamp | 2090966-1 | 200VAC, 250 Cycles |
| | Printed Board Ass'y. | 2091317-2 | Less Tubes |

FILTER CHOKE

| ITEM No. | RATINGS | | REPLACEMENT DATA | | | | | NOTES |
|----------|--------------------|---------|------------------------------|-----------------|----------------|------------------|---------------------|-------|
| | CURRENT (Measured) | DC RES. | INDUCTANCE (0 CURRENT 1000~) | BENDIX PART No. | MERIT PART No. | STANCOR PART No. | THORDARSON PART No. | |
| L8 | 1.3A | .35Ω | 1.9MH | 2090520-8 | | | TR-157 | |

TRANSFORMER (DRIVER)

| ITEM No. | TURNS RATIO | | REPLACEMENT DATA | | | | | NOTES |
|----------|-------------|------|------------------|----------------|------------------|---------------------|----------------|-------|
| | | | BENDIX PART No. | MERIT PART No. | STANCOR PART No. | THORDARSON PART No. | TRIAD PART No. | |
| | PRI. | SEC. | | | | | | |
| T1 | 2.5 | 1 | 2090433-8 | | | | | |

CABINETS & CABINET PARTS

(When Ordering Cabinets & Cabinet Parts, Specify Model, Chassis & Color)

| NAME | PART No. | DESCRIPTION |
|-------------|-----------|---------------------------|
| Dial Glass | 2090999-1 | |
| Knob | 2091122-1 | Tuning, Volume, Model 409 |
| Knob | 2091142-2 | Tuning, Volume, Model 410 |
| Knob | 2091121-1 | Tone, Fader, Model 409 |
| Knob | 2091143-1 | Tone, Fader, Model 410 |
| Push Button | 2091683-1 | Station, Model 409 |
| Push Button | 2092069-1 | Station, Model 410 |
| Push Button | 2091683-2 | Local, Model 409 |
| Push Button | 2092069-2 | Local, Model 410 |
| Push Button | 2091683-3 | Distant, Model 409 |
| Push Button | 2092069-3 | Distant, Model 410 |



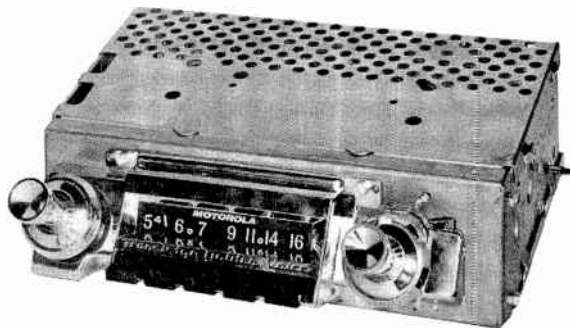
NOTE: All transistorized unit. To replace transistors, remove radio.

RADIO REMOVAL

- ① Remove glove box.
- ② Pull off knobs and washers.
- ③ Disconnect speaker leads at speaker, "A" lead at connector plug and remove antenna plug.
- ④ Remove two 1/2" hex nuts from control bushings and spacer from right bushing.
- ⑤ Remove 3/8" hex nut holding radio at left support arm.
- ⑥ Remove radio through glove box.

SPEAKER REMOVAL

- ① Remove 1/4" hex screw from back side of speaker mounting plate.
- ② Remove speaker mounting plate tab from slot and bring both speaker and mounting plate out through glove box opening.



| | |
|--------------------------|---|
| TRADE NAME | Motorola Model CTA62 (For 1962 Chevrolets) |
| MANUFACTURER | Motorola, Inc., 4545 W. Augusta Blvd., Chicago 51, Illinois |
| TYPE SET | Battery Operated 6 Transistor Custom Built Automobile AM Receiver |
| POWER SUPPLY | 12 Volt Storage Battery |
| TUNING RANGE — BROADCAST | 540 — 1610KC |
| | RATING .43 Amp. @12.6 Volts DC |

ALIGNMENT INSTRUCTIONS

| ALIGNMENT INSTRUCTIONS—READ CAREFULLY BEFORE ATTEMPTING ALIGNMENT | | | | | |
|--|--|--|------------------------|-------------------|---|
| Use only enough generator to provide a usable indication. | | | | | |
| Suggested Alignment Tools: | | | | | |
| A1, A2, A3, A4..... | | GENERAL CEMENT #8282, 8606, 8606-L, 9295, 9440 WALSCO #2526, 2543, 2544, 2545 | | | |
| A5, A6, A7, A8..... | | GENERAL CEMENT #5000, 5003, 5066, 8276, 8290, 9087, 9089 WALSCO #2512, 2525, 2528 | | | |
| A9, A10, A11, A12..... | | GENERAL CEMENT #9050-L, 9150 WALSCO #2521, 2524 | | | |
| SIGNAL GENERATOR COUPLING | SIGNAL GENERATOR FREQUENCY | RADIO DIAL SETTING | OUTPUT METER | ADJUST | REMARKS |
| 1. High side thru .1mfd to collector of RF Amp. | 262.5KC (Unmod.) | High Freq End Stop. | Across Volume Control. | A1, A2, A3, A4 | Adjust for maximum output. |
| 2. Thru dummy (Fig. 1) to antenna receptacle. | 1610KC | " | " | A5, A6, A7, A8 | " |
| Step 3 is not necessary unless tuner has been tampered with or associated components have been replaced. If necessary, back tuning cores (A9, A10, A11, A12) out of coils but not out of forms. Repeat Step 2. | | | | | |
| 3. Thru dummy (Fig. 1) to antenna receptacle. | 1200KC | Tuner Carriage 9/32" from high freq. end stop. | Across Volume Control. | A9, A10, A11, A12 | Adjust for maximum output. Repeat Step 2. |
| 4. | With radio installed in car and antenna fully extended, tune in a weak station near 1400KC and adjust A8 for maximum output. | | | | |

PUSH-BUTTON ADJUSTMENT

1. Tune manually to desired station.
2. Pull push button out, then press in firmly.
3. Repeat for remaining push buttons.

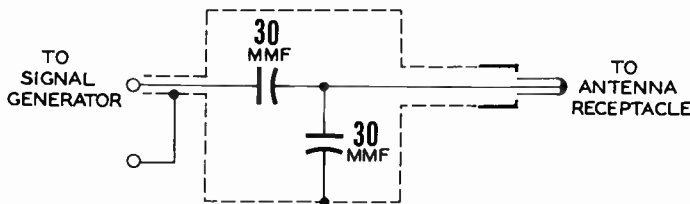


FIG. 1

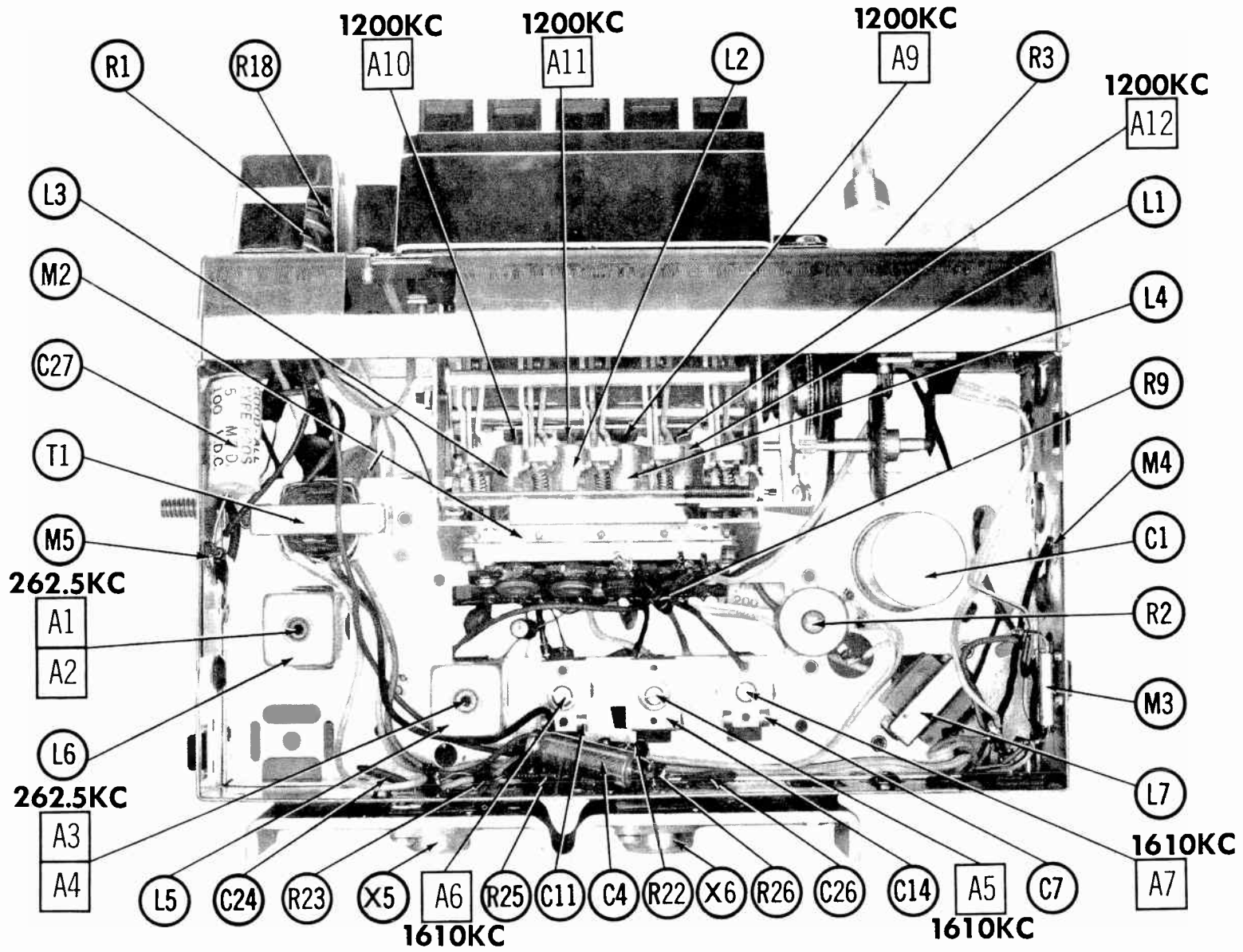
HOWARD W. SAMS & CO., INC. Indianapolis 6, Indiana

The listing of any available replacement part herein does not constitute in any case a recommendation, warranty or guaranty by Howard W. Sams & Co., Inc., as to the quality and suitability of such replacement part. The numbers of these parts have been compiled from information furnished to Howard W. Sams & Co., Inc., by the manufacturers of LD596

the particular type of replacement part listed. Reproduction or use, without express permission, of editorial or pictorial content, in any manner, is prohibited. No patent liability is assumed with respect to the use of the information contained herein. ©1962 Howard W. Sams & Co., Inc., Indianapolis 6, Indiana. Printed in U.S. of America



MOTOROLA
MODEL CTA62



CHASSIS - TOP VIEW

PARTS LIST AND DESCRIPTIONS

WIRING DATA

| | |
|---|--|
| General-use Unshielded Hook-up Wire | Use BELDEN No. 8530 (Solid) Available in 12 Colors 8524 (Stranded) Available in 12 Colors |
| Shielded Hook-up Wire | Use BELDEN No. 8885 |
| Rear Seat Speaker Extension Cable | Use BELDEN No. 8782 (Stranded) Coded Parallel Leads |
| Bonding Strap | Use BELDEN No. 8661 (3/8 in.) or 8670 (3/4 in.) |

TRANSISTORS

| ITEM No. | ORIG. TYPE | USE | REPLACEMENT DATA | | | NOTES |
|----------|------------------|--------------|---------------------------|--------------|-------------------|-------|
| | | | GENERAL ELECTRIC PART No. | RCA PART No. | RAYTHEON PART No. | |
| X1 | 2SA72 | RF Amplifier | GE-1 | | 2N416 | PNP |
| X2 | 2SA72 | Converter | GE-1 | | 2N486 | PNP |
| X3 | 2SA72 | IF Amplifier | GE-1 | | 2N483 | PNP |
| X4 | MN53 4450* | Driver | GE-2 | 2N591 | 2N362 | PNP |
| X5 | SP486W SP486* | Output | GE-3 | 2N301 | | PNP |
| X6 | SP486W SP486* | Output | GE-3 | 2N301 | | PNP |

* Alternate

POWER RECTIFIERS & SIGNAL DIODES

| ITEM No. | CURRENT RATING (Measured) | ORIGINAL Part or Type No. | RECTIFIERS | | DIODES | NOTES |
|----------|---------------------------|---------------------------|--------------|-------------------------|-------------------|-----------------|
| | | | RCA PART No. | SARKES TARZIAN PART No. | RAYTHEON PART No. | |
| X7 | | 48K544539* | | | 1N60 | AVC (1N60) |
| X8 | | 48K544539* | | | 1N60 | Detector (1N60) |

* Use Part #48K640675.

ELECTROLYTIC CAPACITORS

| ITEM No. | RATING | | REPLACEMENT DATA | | | | | | |
|----------|--------|-------|-------------------|------------------|---------------------------|---------------------------|------------------|------------------|------------------|
| | CAP. | VOLT. | MOTOROLA PART No. | AEROVOX PART No. | CORNELL-DUBILIER PART No. | GENERAL ELECTRIC PART No. | MALLORY PART No. | PYRAMID PART No. | SPRAGUE PART No. |
| CLA | 4500 | 18 | 23B543279 | AFH3-00-95 | | XC3-46 | WP300.85 | | TVLS-3026,8* |
| B | 4500 | 18 | | | | | | | |
| C | 100 | 18 | | | | | | | |
| C2 | 25 | 3 | 23K544540 | PTT9 | NLW25-3 | MTI-13 | TT3X25 | MLV25-3 | TE-1055 |

ELECTROLYTIC CAPACITORS (cont)

| ITEM No. | RATING | | REPLACEMENT DATA | | | | | | |
|----------|--------|-------|-------------------|------------------|---------------------------|---------------------------|------------------|------------------|------------------|
| | CAP. | VOLT. | MOTOROLA PART No. | AEROVOX PART No. | CORNELL-DUBILIER PART No. | GENERAL ELECTRIC PART No. | MALLORY PART No. | PYRAMID PART No. | SPRAGUE PART No. |
| C3 | 5 | 3 | 23K544541 † | PTT4 | NLW5-15 | MTI-3 | TT6K5 | MLV5-3 | TE-1052,2 |
| C4 | 200 | 3 | 23K544617 | PTT14 | NLW200-3 | MTI-22 | TT3X200 | MLV200-3 | TE-1064 |

* Not normally in distributor's stock. Available thru distributor on order to manufacturer.
† Replace with Part #23K543076.

FIXED CAPACITORS

| ITEM No. | RATING | REMARKS | REPLACEMENT DATA | | | | | | |
|----------|----------------|--------------|------------------|--------------------|---------------------------|------------------|------------------|------------------|--|
| | | | AEROVOX PART No. | CENTRALAB PART No. | CORNELL-DUBILIER PART No. | ELMENCO PART No. | MALLORY PART No. | SPRAGUE PART No. | |
| C5 | 40-430 | #20A64855A01 | | | | | | | |
| C8 | .003 200V | | P288N-003 | DD-302 | CUB6D3 | 6DP-1-302 | GEM-623 | 6TM-D30 | |
| C7 | 20-120 | #20K541014 | | 823-AN | | 463 | | | |
| C8 | .005 10% | | DI-5000 | DD-502 | L10D5 | CCD-502 | GP250 | 10TS-D50 | |
| C9 | .05 200V | | P288N-05 | DD-503 | CUB2S5 | 4DP-3-503 | GEM-415 | 2TM-S50 | |
| C10 | 3.9 NPO ±.5mmf | | | | C10V4C | | | 10TCC-V39 | |
| C11 | 20-120 | #20K541014 | | 623-AN | | 463 | | | |
| C12 | .005 200V | | P288N-005 | DD-502 | CUB6D5 | 6DP-1-502 | GEM-425 | 4TM-S10 | |
| C13 | .01 100V | | P288N-01 | DD-103 | CUB4SI | IDP-1-103 | GEM-411 | 6TM-D50 | |
| C14 | 310-390 | #20K541700 | | | | 465 | | 4TM-S10 | |
| C15 | 100 N750 10% | | N750-DI 100 | DTN-100 | C10TIU | CCTN-101 | CN7-310 | 10TCU-T10 | |
| C16 | .01 | | BPD-01 | DD-103 | BYA10S1 | CCD-103 | B-110 | 5HK-S10 | |
| C17 | .05 200V | | P288N-05 | DD-503 | CUB2S5 | 4DP-3-503 | GEM-415 | 2TM-S50 | |
| C18 | 180 N750 10% | | | | C10T18U | | CN7-318 | 10TCU-T18 | |
| C19 | .01 | | BPD-01 | DD-103 | BYA10S1 | CCD-103 | B-110 | 5HK-S10 | |
| C20 | .05 | | BPD-005 | DD-502 | BYA10D5 | CCD-502 | B-250 | 5HK-D50 | |
| C21 | .47 100V | #21R10003A01 | | | | | | | |
| C22 | .05 200V | | P288N-05 | DD-503 | CUB2S5 | 4DP-3-503 | GEM-415 | 2TM-S50 | |
| C23 | .005 | | BPD-005 | DD-502 | BYA10D5 | CCD-502 | B-250 | 5HK-D50 | |
| C24 | .05 50V | | C80V503AM | DD-503 | H-05S5 | | TA-150 | TG-S50 | |
| C25 | .03 100V | | BPD-05 | DD-303 | BYB6S3 | CCD-303 | GP130 | 5HK-S30 | |
| C26 | .05 50V | | C80V503AM | DD-503 | H-05S5 | | TA-150 | TG-S50 | |
| C27 | .5 100V | | P288N-5 | | CUB2P5 | IDP-4-504 | GEM-205 | 2TM-P50 | |

Motorola Part Number.

CONTROLS

All wattages 1/2 watt, or less, unless otherwise listed.

| ITEM No. | USE | RESISTANCE | REPLACEMENT DATA | | | | |
|----------|----------------|------------|-------------------|--------------------|--------------------|------------------|------------------|
| | | | MOTOROLA PART No. | CENTRALAB PART No. | CLAROSTAT PART No. | CTS-IRC PART No. | MALLORY PART No. |
| RIA | Tone | 100K | 18C64780A01 | | | | |
| B | Volume, Switch | 10K | | | | | |
| R2 | Output Balance | 10Ω | 18C64735A09 | | | | |
| R3 | Fader Control | 150Ω | 18B64869A02 | | | | |

PARTS LIST AND DESCRIPTIONS (Continued)

RESISTORS

All wattages 1/2 watt, or less, unless otherwise listed.

| ITEM No. | RATING | REPLACEMENT DATA | | | ITEM No. | RATING | REPLACEMENT DATA | | |
|----------|--------|------------------|------------------|----------|----------|---------|------------------|------------------|---------|
| | | IRC PART No. | WORKMAN PART No. | REMARKS | | | IRC PART No. | WORKMAN PART No. | REMARKS |
| R4 | 22K | | | | R17 | 22K | | | |
| R5 | 560Ω | | | | R18 | 680Ω | | | |
| R6 | 2700Ω | | | (22K)* | R19 | 56K | | | |
| R7 | 220Ω | | | (1500Ω)* | R20 | 10K | | | |
| R8 | 1000Ω | | | | R21 | 470Ω | | | Note 1 |
| R9 | 2700Ω | | | | R22 | 10Ω | | | |
| R10 | 82K | | | | R23 | 1200Ω | | | |
| R11 | 56K | | | | R24 | 1meg | | | Note 2 |
| R12 | 4700Ω | | | | R25 | .16Ω 5% | | | |
| R13 | 1000Ω | | | | R26 | 1200Ω | | | |
| R14 | 4700Ω | | | | R27 | 680Ω | | | |
| R15 | 470Ω | | | | R28 | 330Ω | | | (470Ω)* |
| R16 | 22K | | | | | | | | |

* Alternate Value.

Note 1. Negative temperature compensated, Part #6K544646.

Note 2. Positive temperature compensated, Part #17A64856A01.

COILS (RF-IF)

| ITEM No. | USE | REPLACEMENT DATA | | | | | NOTES |
|----------|-----------|-------------------|----------------|-----------------|------------------|------------------|---|
| | | MOTOROLA PART No. | Merit PART No. | Miller PART No. | Stoncor PART No. | Workman PART No. | |
| L1 | Ant. Load | 24K563898 ① | | | | | ① Part of coil assembly - Part #1V40800A57 or tuner M2. |
| L2 | Ant. | 24B40431A02 ① | | | | | |
| L3 | RF | 24B40431A01 ① | | | | | |
| L4 | Osc. | 24B40817A01 ① | | | | | |
| L5 | Input IF | 24B64861A03 | | | | | |
| L6 | Output IF | 24B64861A02 | | | | | |

CHOKE (AUDIO OUTPUT)

| ITEM No. | RATINGS | | | REPLACEMENT DATA | | | | | NOTES |
|----------|--------------------|---------|--------------------------------|-------------------|----------------|------------------|---------------------|----------------|-------|
| | CURRENT (Measured) | DC RES. | INDUCTANCE (0 CURRENT 1000 Hz) | MOTOROLA PART No. | Merit PART No. | Stoncor PART No. | Thordorson PART No. | Triod PART No. | |
| L7 | .180A | 6Ω CT | 120MH | 25B64737A02 | | | | | |

TRANSFORMER (DRIVER)

| ITEM No. | TURNS RATIO | | REPLACEMENT DATA | | | | | NOTES |
|----------|-------------|-------|-------------------|----------------|------------------|---------------------|----------------|-------|
| | PRI. | SEC.1 | MOTOROLA PART No. | Merit PART No. | Stoncor PART No. | Thordorson PART No. | Triod PART No. | |
| | | | | | | | | |
| T1 | 8 | 1 | 25B64866A01 | | | | | |
| | | 1 | | | | | | |

SPEAKER

| ITEM No. | TYPE | | | REPLACEMENT DATA | | NOTES |
|----------|---------|-------|------------|-------------------|---------------|-------|
| | SIZE | FIELD | V. C. IMP. | MOTOROLA PART No. | QUAM PART No. | |
| SP1 | 4"x 10" | PM | 40Ω | 50C64797A01 | 410A2Z40 | |

FUSES

| ITEM No. | TYPE | RATING | REPLACEMENT DATA | | | | | | | |
|----------|------|--------|-------------------|--------|---------------------|--------|---------------|--------|-------|--|
| | | | MOTOROLA PART No. | | LITTELFUSE PART No. | | BUSS PART No. | | | |
| | | | FUSE | HOLDER | FUSE | HOLDER | FUSE | HOLDER | | |
| M1 | 3AG | 4A | 65R61688 | | | 312004 | | | AGC 4 | |

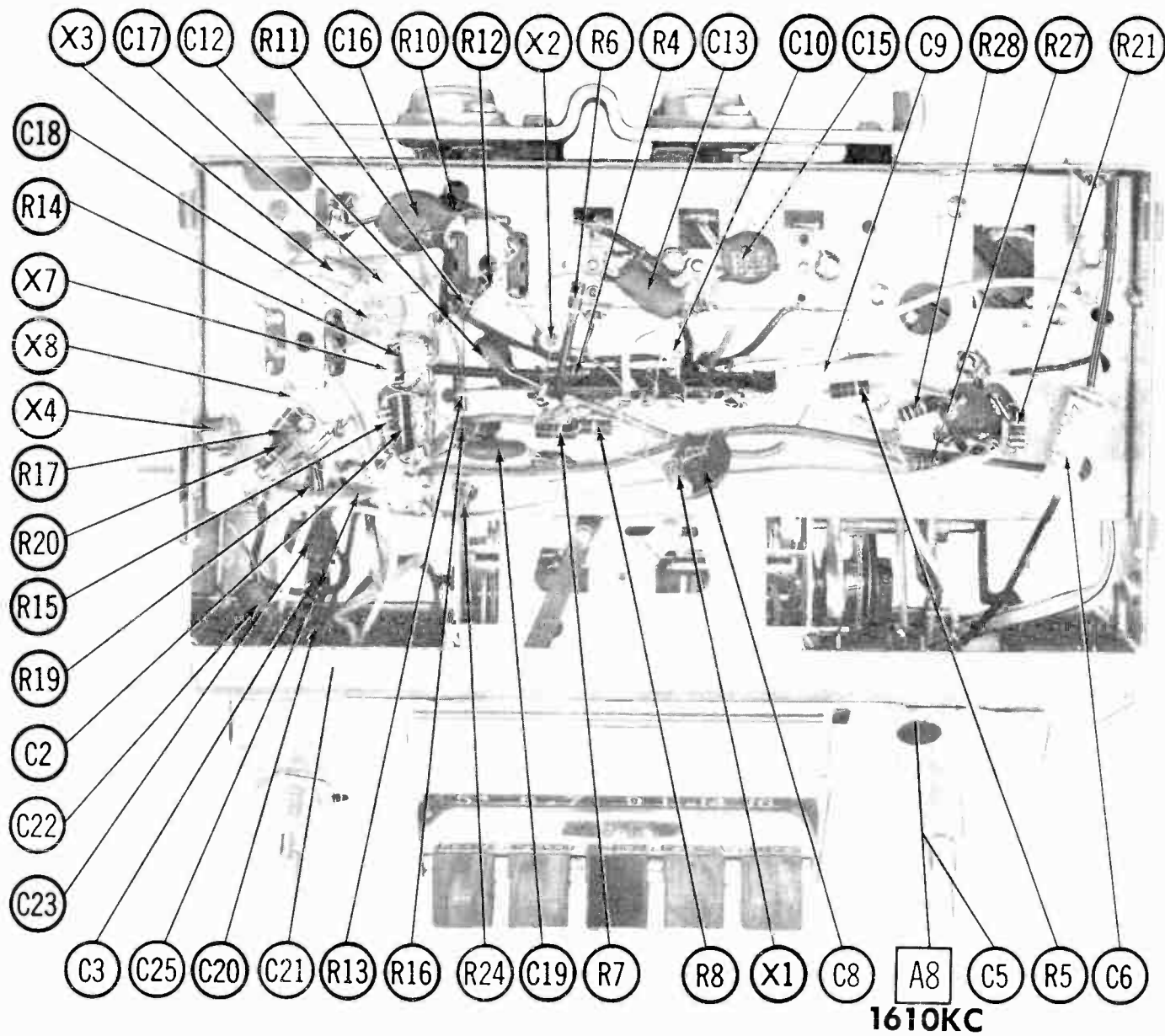
MISCELLANEOUS

| ITEM No. | PART NAME | MOTOROLA PART No. | NOTES |
|----------|-------------|-------------------|---------------------------------------|
| M2 | Tuner | 77D40442A02 | (AT-384) Complete 300mmf 300mmf |
| M3A | Spark Plate | 21A522033 | |
| B | Spark Plate | | |
| M4 | Spark Plate | 64K561877 | |
| M5 | Spark Plate | 64K530177 | |

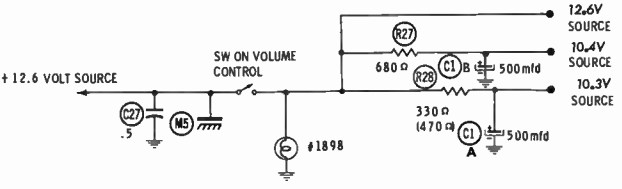
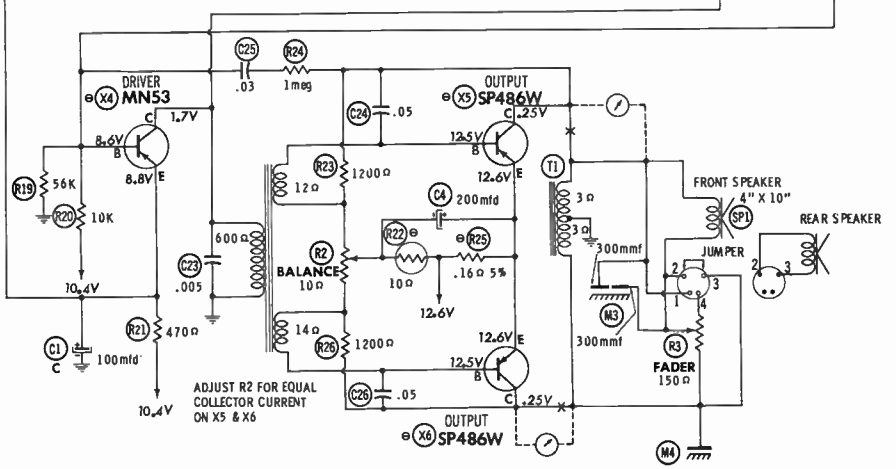
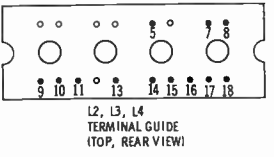
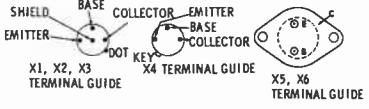
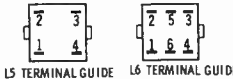
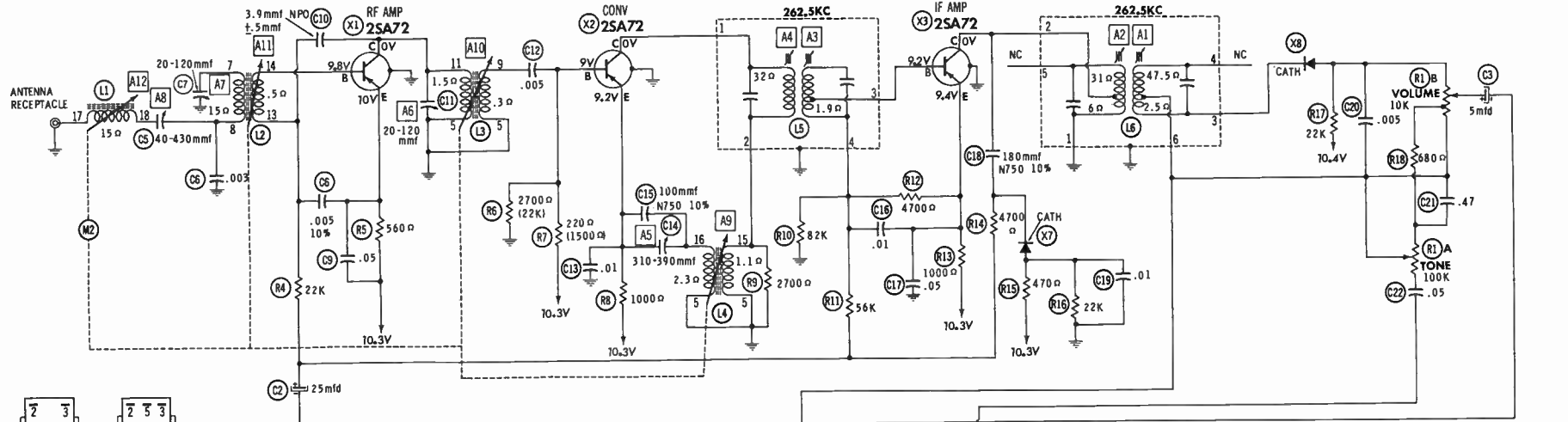
CABINETS & CABINET PARTS

(When Ordering Cabinets & Cabinet Parts, Specify Model, Chassis & Color)

| NAME | PART NO. | DESCRIPTION |
|-------------|-------------|---|
| Dial Scale | 34B64857R03 | With Stud Assembly Volume & Tuning Tone & Rear Speaker #2, 4 #1, 3, 5 |
| Pointer | 1B40460A01 | |
| Knob | 36B64859A01 | |
| Knob | 36B64868A01 | |
| Push Button | 38C40438A03 | |
| Push Button | 38C40438A04 | |



CHASSIS - BOTTOM VIEW



RESISTANCE MEASUREMENTS NOT GIVEN BECAUSE OF THE WIDE VARIATION IN INTERNAL TRANSISTOR RESISTANCE.

NUMBERS ASSIGNED TO COILS, SWITCHES, PLUGS, SOCKETS, AND TRANSFORMERS ARE TO FACILITATE CIRCUIT TRACING OR COMPONENT REPLACEMENT AND MAY NOT NECESSARILY BE FOUND ON THE UNIT.

SEE PARTS LIST FOR ALTERNATE VALUE OR APPLICATION

1. DC voltage measurements taken with vacuum tube voltmeter.
2. Socket connections or transistor terminals are shown as bottom views.
3. Measured values are from socket pin or terminal to common ground.
4. Nominal tolerance on component values makes possible a variation of $\pm 1\%$ in voltage and resistance readings.
5. Volume control at maximum, no signal applied for voltage measurements.

A PHOTOFACIT STANDARD NOTATION SCHEMATIC
© Howard W. Sams & Co., Inc. 1962

MOTOROLA
MODEL CTA62



OLDSMOBILE
MODEL 982030

| | | |
|------------------------|--|--|
| TRADE NAME | Oldsmobile Model 982030 (For 1962 Oldsmobiles) | |
| MANUFACTURER | Delco Radio Div., General Motors Corp., Kokomo, Indiana | |
| TYPE SET | Battery Operated 5 Tube-1 Transistor Custom Built Automobile AM Receiver | |
| POWER SUPPLY | 12 Volt Storage Battery | RATING 2.6 Amp. @12.6 Volts DC (3A When Seeking) |
| TUNING RANGE—BROADCAST | 520 — 1640KC | |

NOTE: To replace tubes, remove six 1/4" hex screws holding cover and remove cover.

RADIO REMOVAL

1. Pull off knobs.
2. Disconnect speaker leads, "A" lead at connector, and the antenna plug.
3. Remove two 1/2" hex nuts from control bushings.
4. Remove 3/8" hex nut holding radio to mount.
5. Remove radio from rear of instrument panel.

SPEAKER REMOVAL

1. Remove 3/8" hex nut holding speaker mounting plate assembly.
2. Pull speaker mounting plate assembly forward to disengage tabs holding plate to upper instrument panel support and remove complete mounting assembly from under instrument panel.

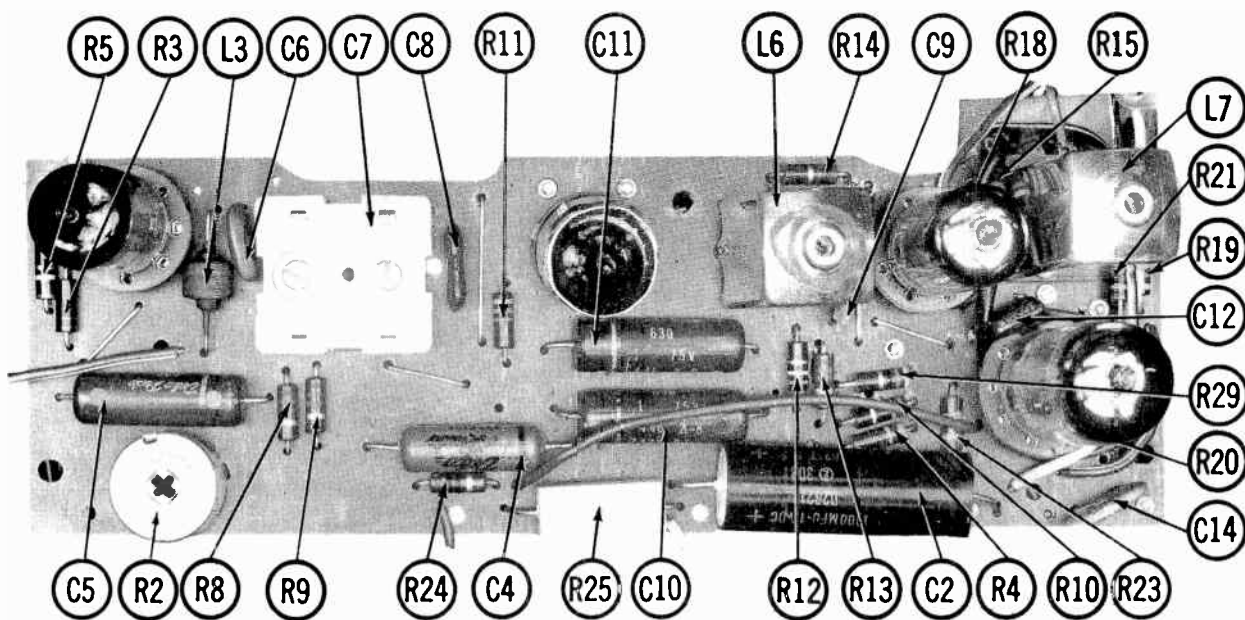
HOWARD W. SAMS & CO., INC. Indianapolis 6, Indiana



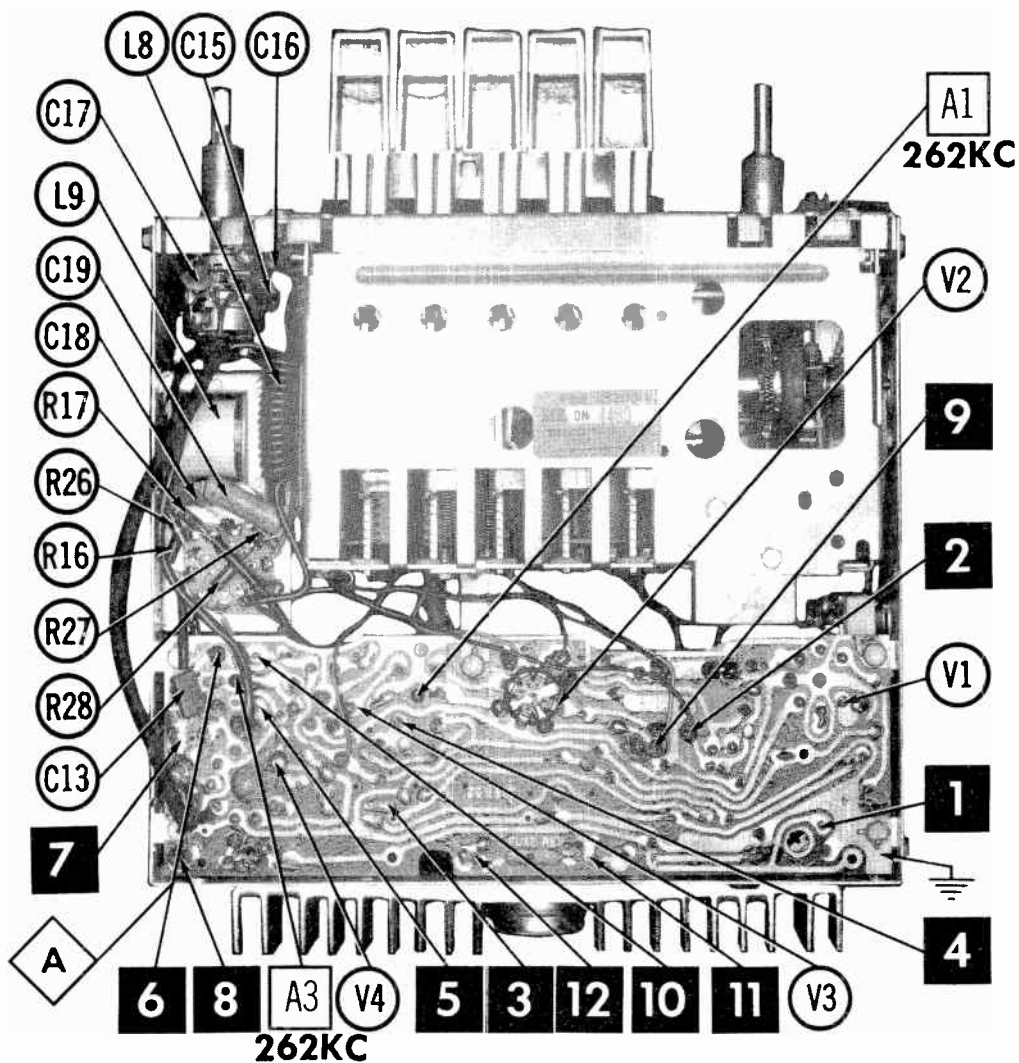
The listing of any available replacement part herein does not constitute in any case a recommendation, warranty or guaranty by Howard W. Sams & Co., Inc., as to the quality and suitability of such replacement part. The numbers of these parts have been compiled from information furnished to Howard W. Sams & Co., Inc., by the manufacturers of the particular type of replacement LD780

part listed. Reproduction or use, without express permission, of editorial or pictorial content, in any manner, is prohibited. No patent liability is assumed with respect to the use of the information contained herein. ©1963 Howard W. Sams & Co., Inc., Indianapolis 6, Indiana.

Printed in U.S. of America



PRINTED BOARD-TOP VIEW



CHASSIS - BOTTOM VIEW

ARROWS INDICATING TUBE LOCATIONS ARE POINTING TO PIN 1 UNLESS OTHERWISE INDICATED

ALIGNMENT INSTRUCTIONS

| ALIGNMENT INSTRUCTIONS—READ CAREFULLY BEFORE ATTEMPTING ALIGNMENT | | | | | |
|---|----------------------------|--------------------|---|------------|---|
| Use only enough generator output to provide a usable indication. | | | | | |
| Suggested Alignment Tools: | | | | | |
| A1 thru A4.....GENERAL CEMENT #8282, 8606, 8606-L, 9091 WALSCO #2526, 2541, 2542, 2543, 2544 | | | | | |
| A6 thru A8.....GENERAL CEMENT #5004, 5009, 8195, 8274, 8275, 8607, 8728, 8987, 8988, 8989, 9291 WALSCO #2515, 2520, 2522, 2523, 2531, 2532, 2534, 2537, 2538 | | | | | |
| SIGNAL GENERATOR COUPLING | SIGNAL GENERATOR FREQUENCY | RADIO DIAL SETTING | INDICATOR | ADJUST | REMARKS |
| 1. High side thru .1mf to Pin 7 (grid) of Converter. Low side to ground. | 262KC (Unmod.) | High Freq. Stop. | DC probe of VTVM to point \diamond common to chassis. | A1, A2, A3 | Adjust for maximum deflection. |
| 2. " | " | " | " | A4 | Adjust for MINIMUM deflection. |
| Check setting of oscillator coil core A5. Rear of core should be 1 5/8" from mounting end of core form. | | | | | |
| 3. Thru dummy (Fig. 1) to antenna receptacle. | 1620KC | 1620KC | " | A6, A7, A8 | Adjust for maximum deflection. |
| 4. " | 600KC | 600KC | " | A9, A10 | Adjust for maximum deflection. Repeat Step 3. |
| With radio installed in car and antenna fully extended, tune in a weak station near 1400KC and adjust A8 for maximum output. | | | | | |

PUSH-BUTTON ADJUSTMENT

1. Tune manually to desired station.
2. Pull push button out, then press in firmly.
3. Repeat for remaining push buttons.

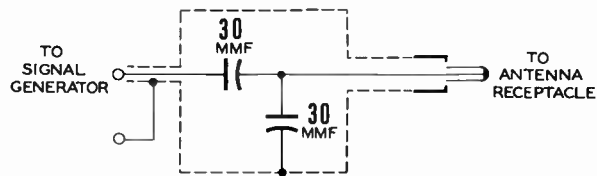
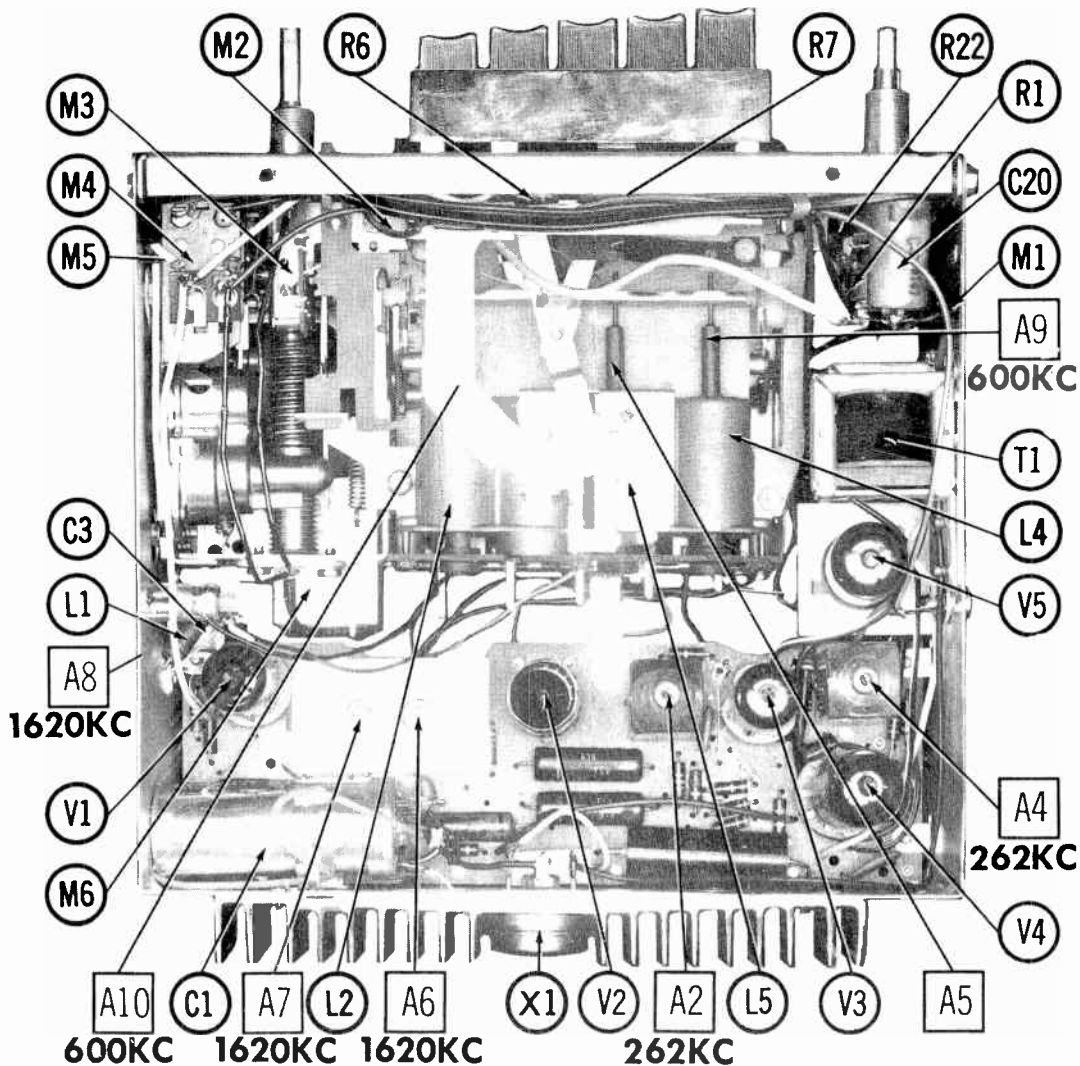
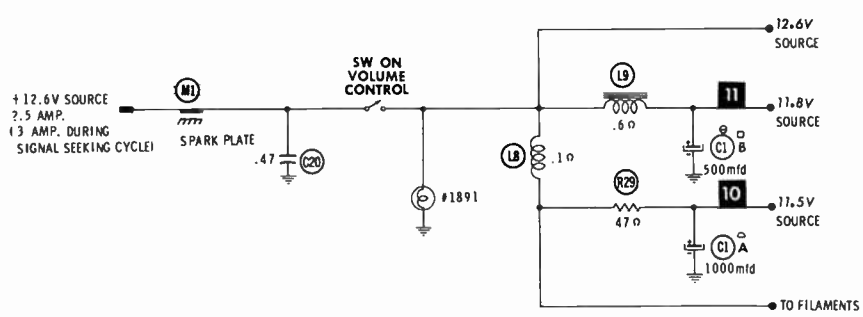
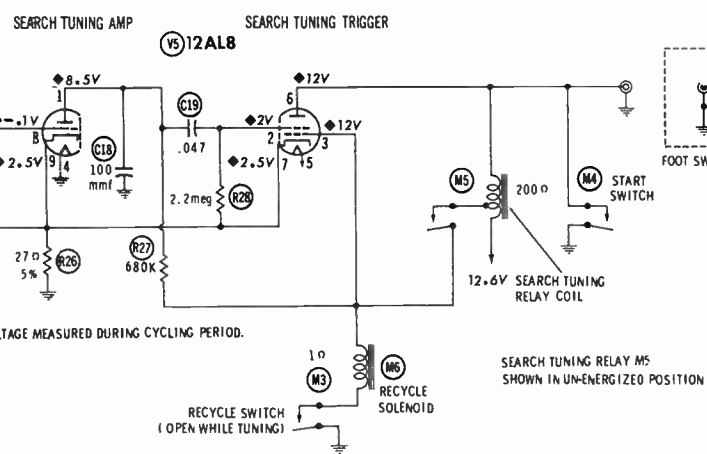
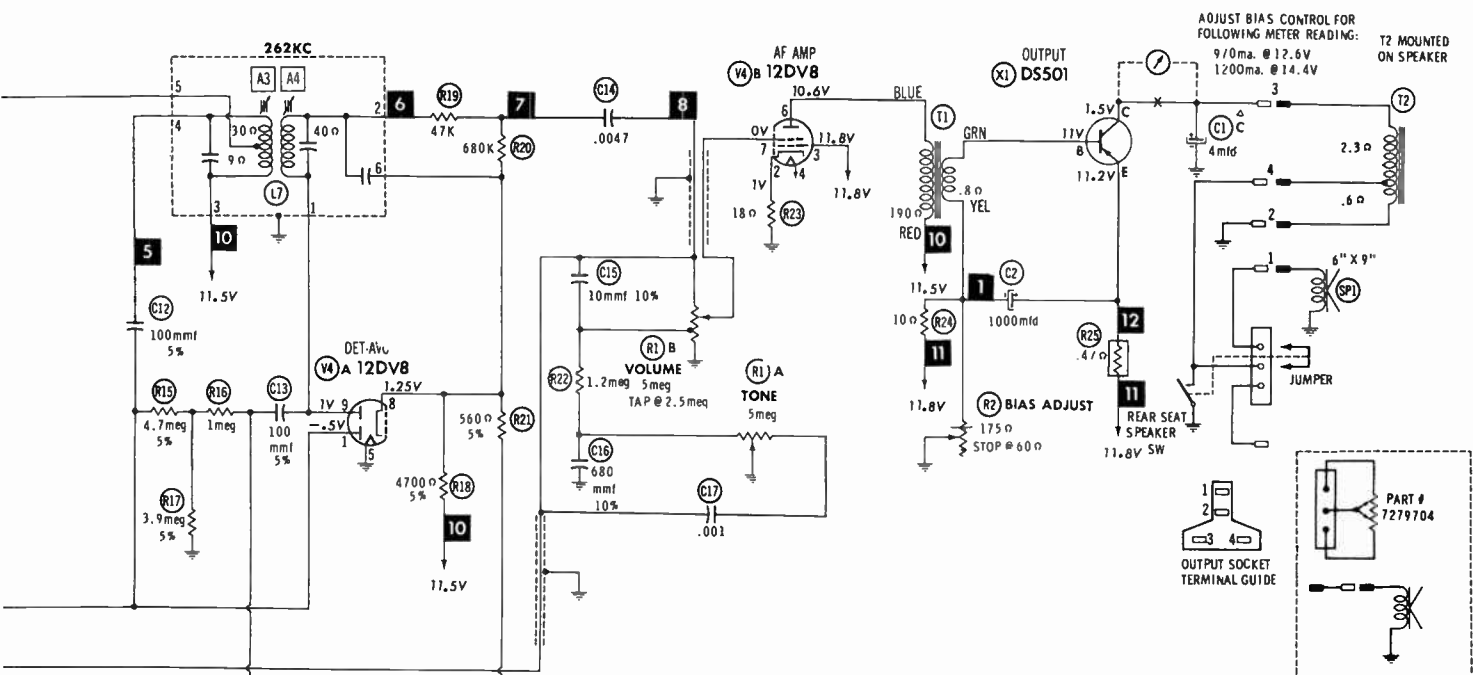


FIG. 1



CHASSIS—TOP VIEW



**OLDSMOBILE
MODEL 982030**

PARTS LIST AND DESCRIPTION

Replacement parts shown may be superseded by the availability of newly introduced replacements.
Have your local distributor check Sams COUNTER FACTS for the most up-to-date replacement.

TUBES

| • AMPEREX • | | | GENERAL ELECTRIC • | | | RCA • | | | RAYTHEON • | | | SYLVANIA • | | |
|-------------|-----------|------|--------------------|-----|------|----------|----------------------|-------|------------|-----|------|------------|--|----------------|
| ITEM No. | USE | TYPE | ITEM No. | USE | TYPE | ITEM No. | USE | TYPE | ITEM No. | USE | TYPE | ITEM No. | USE | TYPE |
| V1 | RF Amp. | | | | | V4 | Det. - AVC - AF Amp. | I2DZ6 | | | | V5 | Search Tuning Amp. - Search Tuning Trigger | I2DV8 I2AL8 |
| V2 | Converter | | | | | | | I2AD6 | | | | | | |
| V3 | IF Amp. | | | | | | | I2EK6 | | | | | | |

TRANSISTORS

| ITEM No. | ORIG. TYPE | USE | REPLACEMENT DATA | | | NOTES |
|----------|------------|--------|------------------|---------------------------|--------------|------------|
| | | | DELCO PART No. | GENERAL ELECTRIC PART No. | RCA PART No. | |
| X1 | DS501 | Output | DS501 | GE-4 | | PNP Note 1 |

Note 1. When replacing, check bias adjustment.

ELECTROLYTIC CAPACITORS

| ITEM No. | RATING | | DELCO PART No. | AEROVOX PART No. | CORNELL-DUBILIER PART No. | GENERAL ELECTRIC PART No. | MALLORY PART No. | PYRAMID PART No. | SPRAGUE PART No. |
|----------|--------|--------|----------------|------------------|---------------------------|---------------------------|------------------|------------------|------------------|
| | CAP. | VOLT. | | | | | | | |
| C1A | 1000 | 16 | 7273810 ① | AFH-3-54-41 | | XC3-6.1 | WP300.88 | | TVLS-3021.5* |
| B | 500 | 16 | | | | | | | |
| C | 4 | 11.5AC | | | | | | | |
| C2 | 1000 | 1 | 7271557 | PRS-1130 | BR1000-6 | QT1-32 | TC-310 | TD-1000-6 | TVA-1104 |

① C1B is 400mfd in some versions.

* Not normally in distributor's stock. Available thru distributor on order to manufacturer.

FIXED CAPACITORS

| ITEM No. | RATING | REMARKS | REPLACEMENT DATA | | | | | | |
|----------|--------------|----------|------------------|--------------------|---------------------------|------------------|------------------|------------------|--|
| | | | AEROVOX PART No. | CENTRALAB PART No. | CORNELL-DUBILIER PART No. | ELMENCO PART No. | MALLORY PART No. | SPRAGUE PART No. | |
| C3 | | #7279311 | | | | | | | |
| C4 | .047 75V | #7279808 | P288N-047 | DD-503 | CUB2S47 | IDP-2-473 | GEM-4147 | 2TM-S47 | |
| C5 | .1 75V | | P288N-1 | DDA-104 | CUB2P1 | IDP-2-104 | GEM-201 | 2TM-P10 | |
| C6A | 27 N470 10% | | | | | * | | | |
| B | 43 N470 10% | #7273693 | | | | | | | |
| C7A | | | | | | | | | |
| B | | | | | | | | | |
| C8 | 220 5% | (15) † | 1469-00022 | DTZ-220 | 22R5T22 | CM-20B-221J | CNO-322 | MS-322 | |
| C9 | .002 | | BPD-002 | DD-202 | BYA10D2 | CCD-202 | B-220 | 5HK-D20 | |
| C10 | .1 75V | | P288N-1 | DDA-104 | CUB2P1 | IDP-2-104 | GEM-201 | 2TM-P10 | |
| C11 | .1 75V | | P288N-1 | DDA-104 | CUB2P1 | IDP-2-104 | GEM-201 | 2TM-P10 | |
| C12 | 100 5% | | 1469-0001 | DTZ-100 | 22R5T1 | CM-19B-101J | MCE-235 | MS-31 | |
| C13 | 100 5% | | 1469-0001 | DTZ-100 | 22R5T1 | CM-19B-101J | MCE-235 | MS-31 | |
| C14 | .0047 | | BPD-0047 | DD-472 | BYA10D47M | CCD-472 | B-247 | 5HK-D47 | |
| C15 | 10 NPO 10% | | NPO-D1 10 | DTZ-10 | C10Q1C | CCTO-100 | CNO-410 | 10TCC-Q10 | |
| C16 | 680 10% | | DI-680 | DD-681 | 22R5T68 | CCD-681 | GP368 | 10TS-T68 | |
| C17 | .001 | | BPD-001 | DD-102 | BYA10D1 | CCD-102 | B-210 | 5HK-D10 | |
| C18 | 100 N750 10% | | N750-D1 100 | DTN-100 | 22R5T1 | CCTN-101 | CN7-310 | 10TC-U-T10 | |
| C19 | .047 100V | | P288N-047 | DD-503 | CUB2S47 | IDP-2-473 | GEM-4147 | 2TM-S47 | |
| C20 | .47 100V | | P288N-47 | DD-503 | CUB2P47 | IDP-4-474 | GEM-4047 | 2TM-P47 | |

* Not normally in distributor's stock. Available thru distributor on order to manufacturer.

† Alternate Value.

Note 1. Delco Part Number.

CONTROLS

All wattages 1/2 watt, or less, unless otherwise listed.

| ITEM No. | USE | RESISTANCE | REPLACEMENT DATA | | | | |
|----------|-----------------|---------------------|------------------|--------------------|--------------------|------------------|------------------|
| | | | DELCO PART No. | CENTRALAB PART No. | CLAROSTAT PART No. | CTS-IRC PART No. | MALLORY PART No. |
| R1A | Tone | 5meg | 7279463 | | | | |
| B | Volume & Switch | 5meg, 2.3meg Tap | | | | | |
| R2 | Bias Adjust | 175Ω, 60Ω Stop | 1221422 | | | | |

RESISTORS

All wattages 1/2 watt, or less, unless otherwise listed.

| ITEM No. | RATING | REPLACEMENT DATA | | | ITEM No. | RATING | REPLACEMENT DATA | | |
|----------|-----------|------------------|------------------|---------|----------|-----------|------------------|------------------|----------|
| | | IRC PART No. | WORKMAN PART No. | REMARKS | | | IRC PART No. | WORKMAN PART No. | REMARKS |
| R3 | 2.2meg | | | | R17 | 3.9meg 5% | | | |
| R4 | 3.3meg | | | | R18 | 4700Ω | | | |
| R5 | 150K | | | | R19 | 47K | | | |
| R6 | 1800Ω | | | | R20 | 680K | | | |
| R7 | 33K | | | | R21 | 560Ω 5% | | | |
| R8 | 1.5meg | | | | R22 | 1.2meg | | | |
| R9 | 1.5meg | | | | R23 | 18Ω | | | |
| R10 | 3.3meg | | | | R24 | 10Ω | | | |
| R11 | 47K | | | | R25 | .47Ω Fuse | | | #7270608 |
| R12 | 680K | | | | R26 | 27Ω 5% | | | |
| R13 | 1.5meg | | | | R27 | 680K | | | |
| R14 | 150Ω | | | | R28 | 2.2meg | | | |
| R15 | 4.7meg 5% | | | | R29 | 47Ω | | | |
| R16 | 1meg | | | | | | | | |

Delco Part Number.

PARTS LIST AND DESCRIPTION (CONTINUED)

Replacement parts shown may be superseded by the availability of newly introduced replacements.

Have your local distributor check Sams COUNTER FACTS for the most up-to-date replacement.

COILS (RF-IF)

| ITEM No. | USE | REPLACEMENT DATA | | | | | NOTES |
|----------|--------------------|------------------|----------------|-----------------|------------------|------------------|----------------|
| | | DELCO PART No. | Merit PART No. | Miller PART No. | Stancor PART No. | Workman PART No. | |
| L1 | RF Choke (6.5uh) | 7255738 | BC-565 | 4610 | RTC-8520 | T858 | ① Wound on 12K |
| L2 | Ant. | 1221138 | | | | | |
| L3 | RF Choke | 7279416 | | | | | |
| L4 | RF | 1221138 | | | | | |
| L5 | Osc. | 1221151 | | | | | |
| L6 | Input IF | 1221257 | BC-344 | 13-PH | RTC-8644 | T655 | |
| L7 | Output IF | 1221253 | BC-424 | 6540 | | | |
| L8 | Fil. Choke (1.4uh) | 7241708 | | 4604 | RTC-8516 | | |

FILTER CHOKE

| ITEM No. | RATINGS | | | REPLACEMENT DATA | | | | NOTES |
|----------|--------------------|---------|------------------------------|------------------|----------------|------------------|---------------------|-------|
| | CURRENT (Measured) | DC RES. | INDUCTANCE (0 CURRENT 1000~) | DELCO PART No. | MERIT PART No. | STANCOR PART No. | THORDARSON PART No. | |
| L9 | 1.2A | .6Ω | 8MH | 1221623 | | | TR-154 | |

TRANSFORMER (DRIVER)

| ITEM No. | TURNS RATIO | | REPLACEMENT DATA | | | | | NOTES |
|----------|-------------|------|------------------|----------------|------------------|---------------------|----------------|-------|
| | | | DELCO PART No. | MERIT PART No. | STANCOR PART No. | THORDARSON PART No. | TRIAD PART No. | |
| | PRI. | SEC. | | | | | | |
| T1 | 20 | 1 | 7277230 | | | TR-188 | | |

TRANSFORMER (AUDIO OUTPUT)

| ITEM No. | IMPEDANCE | | REPLACEMENT DATA | | | | | NOTES |
|----------|-----------|------|------------------|----------------|------------------|---------------------|----------------|-------|
| | | | DELCO PART No. | Merit PART No. | Stancor PART No. | Thordarson PART No. | Triad PART No. | |
| | PRI. | | | | | | | |
| T2 | 9.6Ω Tap@ | 3-4Ω | 7278974 | | TA-50 | TR-162 | | |

SPEAKER

| ITEM No. | TYPE | | | REPLACEMENT DATA | | NOTES |
|----------|--------|-------|------------|------------------|---------------|--|
| | | | | DELCO PART No. | QUAM PART No. | |
| | SIZE | FIELD | V. C. IMP. | | | |
| SP1 | 6"x 9" | PM | 3-4Ω | 7278943 | 69A3 | Rear Sect. For Convertibles and Starfire Rear Sect. For Sedans Rear Sect. For Station Wagons |
| | 6" | PM | | 7276751 | | |
| | 6"x 9" | PM | | 7277331 | | |
| | 6"x 9" | PM | | 7277834 | | |

MISCELLANEOUS

| ITEM No. | PART NAME | DELCO PART No. | NOTES |
|----------|-----------------|----------------|---|
| M1 | Spark Plate | 7271564 | |
| M2 | Switch | 7279556 | Sensitivity (Includes Pushbar) Solenoid (Used with Tuner F-4) Solenoid (Used with Tuner F-3) Pushbar |
| M3 | Switch | 726803C | |
| | Switch Assembly | 7279486 | |
| M4 | Switch | 7279443 | |
| M5 | Relay | 7270545 | |
| M6 | Solenoid | 1221409 | Includes Plunger Assembly Foot Operated. (Used in some models) |
| | Switch | 7273680 | |

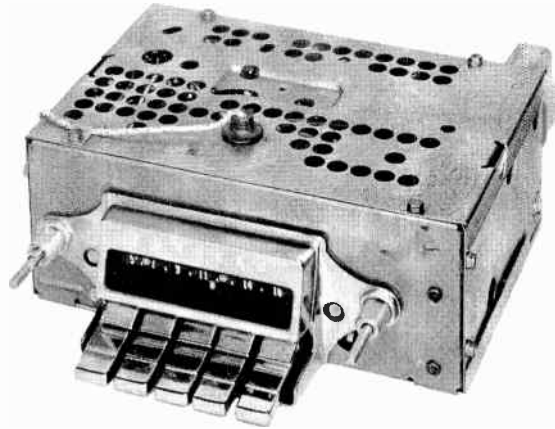
CABINETS & CABINET PARTS

(When Ordering Cabinets & Cabinet Parts, Specify Model, Chassis & Color)

| NAME | PART NO | DESCRIPTION |
|------------------|---------|----------------|
| Pointer Assembly | 1221519 | |
| Dial Glass | 7277036 | |
| Push Button | 7279292 | |
| Knob | 580486 | Tuning, Volume |
| Knob | 580484 | Tone |
| Knob | 580485 | Dummy |

WIRING DATA

| | |
|---|--|
| General-use Unshielded Hook-up Wire | Use BELDEN No. 8530 (Solid) Available in 12 Colors 8524 (Stranded) Available in 12 Colors |
| Shielded Hook-up Wire | Use BELDEN No. 8885 |
| Rear Seat Speaker Extension Cable | Use BELDEN No. 8782 (Stranded) Coded Parallel Leads |
| Bonding Strap | Use BELDEN No. 8661 (3/8 In.) or 8670 (3/4 In.) |



NOTE: All transistorized unit. To replace transistors, remove radio.

RADIO REMOVAL

1. Loosen two Allen screws and remove knobs.
2. Disconnect speaker leads, "A" leads and remove antenna plug.
3. Remove two 1/2-inch hex nuts from control bushings.
4. Remove 7/16-inch hex nut holding radio to rear mount.
5. Remove radio from rear of instrument panel.

SPEAKER REMOVAL

1. Remove four 3/8-inch stamped hex nuts holding speaker to mounting studs and remove speaker.

TRADE NAME Pontiac Model 983579 (For 1962 Pontiacs)
 MANUFACTURER Delco Radio Div., General Motors Corp., Kokomo, Indiana
 TYPE SET Battery Operated 5 Transistor Custom Built Automobile AM Receiver
 POWER SUPPLY 12 Volt Storage Battery RATING 1 Amp. @12.6 Volts DC
 TUNING RANGE—BROADCAST 540 — 1600KC

ALIGNMENT INSTRUCTIONS

ALIGNMENT INSTRUCTIONS—READ CAREFULLY BEFORE ATTEMPTING ALIGNMENT

Use only enough generator output to provide a usable indication.
 Turn Tone Control to Treble position.
 Suggested Alignment Tools:

- A1 thru A5, A9, A10... GENERAL CEMENT #8606, 8606-L, 9091
 WALSCO #2528, 2541, 2542, 2543, 2544
 A6, A7, A8..... GENERAL CEMENT #5000, 5003, 5066, 8276, 8290, 9087, 9089
 WALSCO #2512, 2525, 2528

| | SIGNAL GENERATOR COUPLING | SIGNAL GENERATOR FREQUENCY | RADIO DIAL SETTING | INDICATOR | ADJUST | REMARKS |
|----|--|----------------------------|----------------------|--------------------------------|----------------|--|
| 1. | High side thru .1mfd to (X1) converter base. Low side to chassis. | 262KC (Unmod.) | High freq. end stop. | DC VTVM across volume control. | A1, A2, A3, A4 | Adjust for maximum deflection. |
| 2. | Check setting of Osc. core A5. Rear of core should be 1 5/8" from mounting end of coil form. | | | | | |
| 3. | High side thru 68mmf to antenna connector. Low side to chassis. | 1615KC | High freq. end stop. | " | A6, A7, A8 | Adjust for maximum deflection. |
| 4. | " | 600KC | 600KC | " | A9, A10 | " |
| 5. | " | 1615KC | High freq. end stop. | " | A7, A8 | " |
| 6. | " | 1100KC | 1100KC | " | | Adjust pointer adjustment until pointer coincides with 1100KC on dial. |
| 7. | With radio installed in car and antenna fully extended, tune in a weak station near 1000KC and adjust A8 for maximum output. | | | | | |

PUSH-BUTTON ADJUSTMENT

1. Pull push button out.
2. Tune in desired station manually.
3. Push button in firmly.

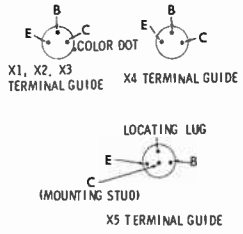
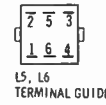
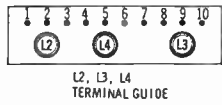
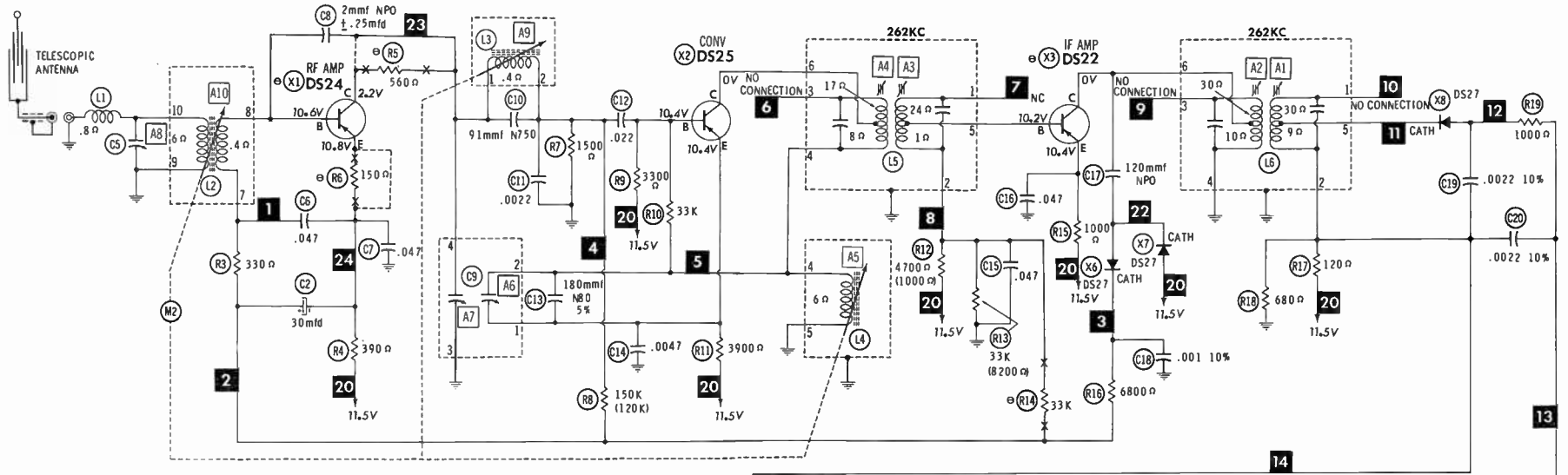
HOWARD W. SAMS & CO., INC. Indianapolis 6, Indiana

The listing of any available replacement part herein does not constitute in any case a recommendation, warranty or guaranty by Howard W. Sams & Co., Inc., as to the quality and suitability of such replacement part. The numbers of these parts have been compiled from information furnished to Howard W. Sams & Co., Inc., by the manufacturers of LD781

the particular type of replacement part listed. Reproduction or use, without express permission, of editorial or pictorial content, in any manner, is prohibited. No patent liability is assumed with respect to the use of the information contained herein. ©1962 Howard W. Sams & Co., Inc., Indianapolis 6, Indiana. Printed in U.S. of America



PONTIAC
MODEL 983579



NUMBERS ASSIGNED TO COILS, SWITCHES, PLUGS, SOCKETS, AND TRANSFORMERS ARE TO FACILITATE CIRCUIT TRACING OR COMPONENT REPLACEMENT AND MAY NOT NECESSARILY BE FOUND ON THE UNIT.

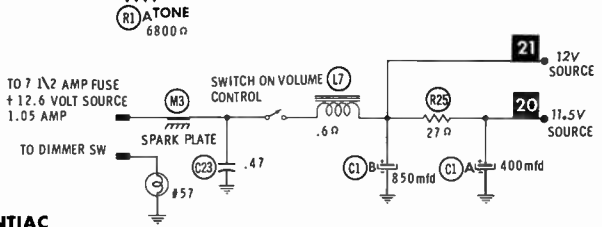
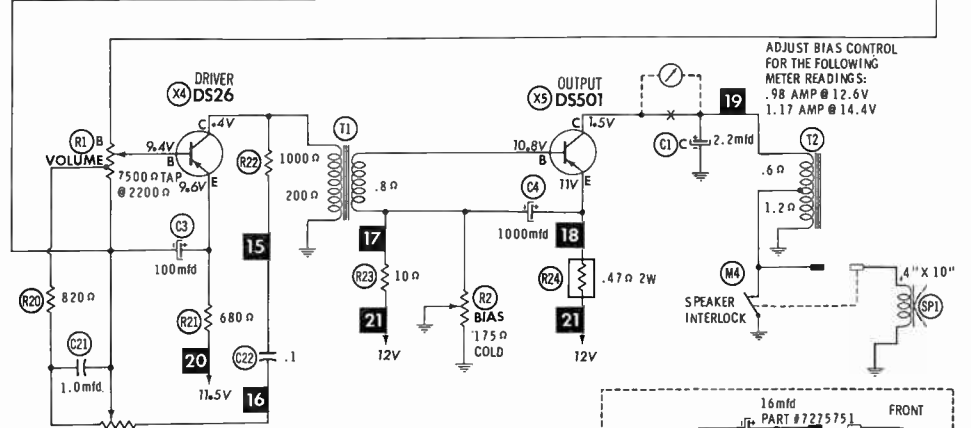
RESISTANCE MEASUREMENTS NOT GIVEN BECAUSE OF THE WIDE VARIATION IN INTERNAL TRANSISTOR RESISTANCE.

SEE PARTS LIST FOR ALTERNATE VALUE OR APPLICATION

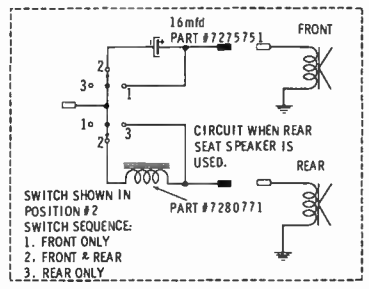
- DC voltage measurements taken with vacuum tube voltmeter.
- Socket connections shown as bottom views.
- Measured values are from socket pin to common ground.
- Battery voltage maintained at 12.6 volts for voltage readings.
- Nominal tolerance on component values makes possible a variation of ±15% in voltage and resistance readings.
- Volume control at maximum, no signal applied for voltage measurements.

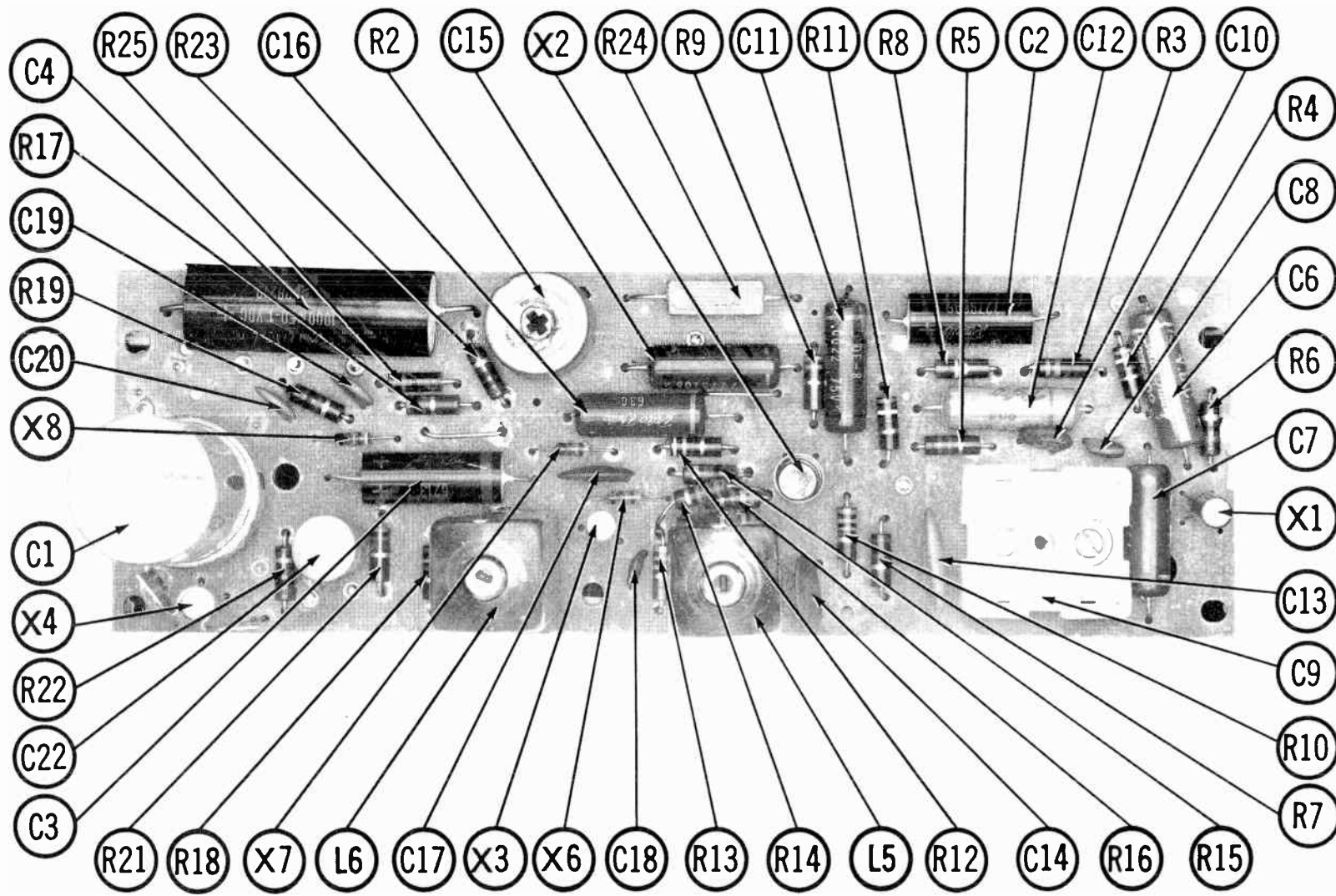
A PHOTOFAC STANDARD NOTATION SCHEMATIC with **CIRCUITRACE**

© Howard W. Sams & Co., Inc. 1962

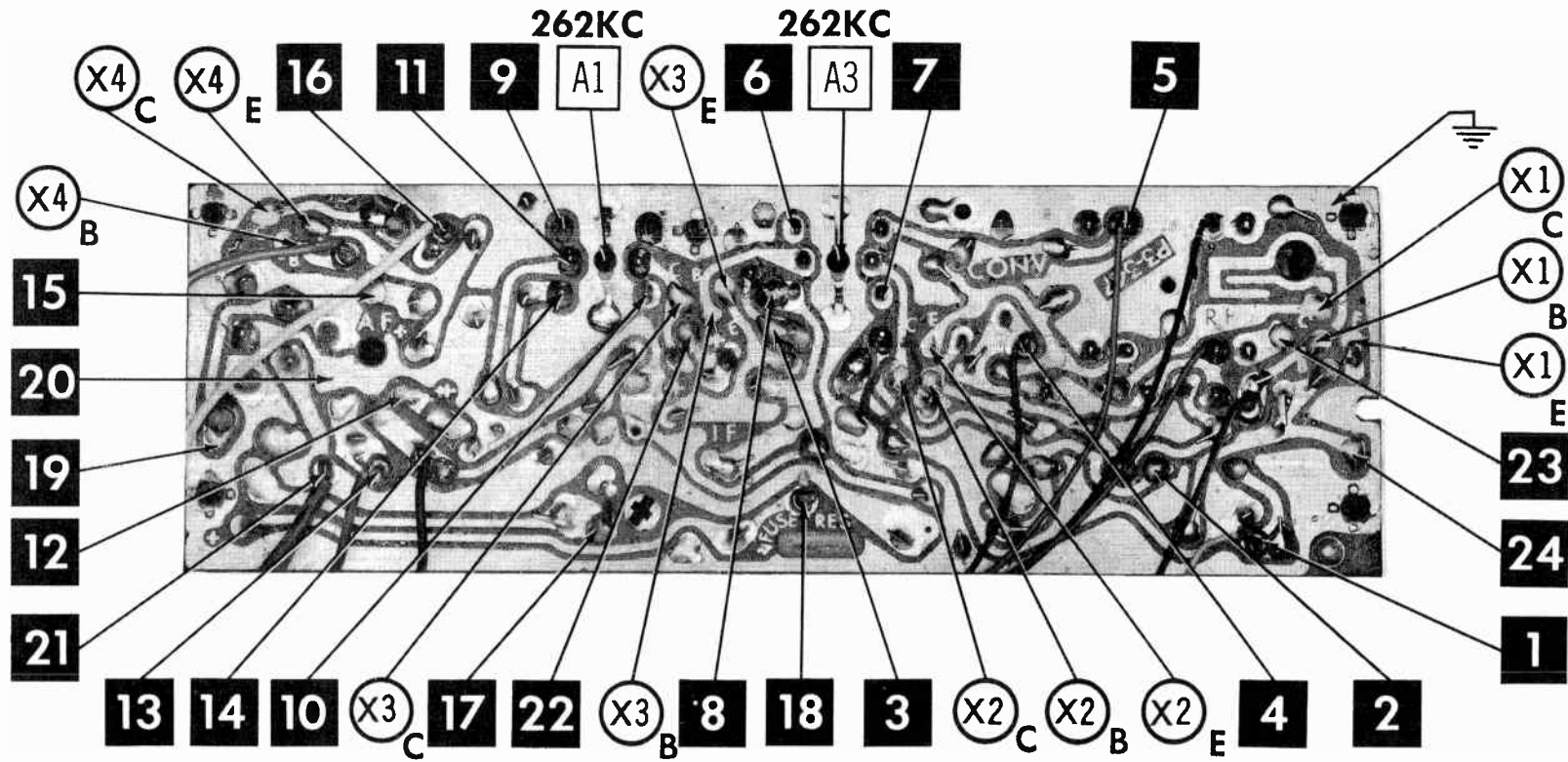


PONTIAC MODEL 983579





PRINTED BOARD - TOP VIEW



A Howard W. Sams **CIRCUITRACE** Photo

PRINTED BOARD E - EMITTER B- BASE C- COLLECTOR

PARTS LIST AND DESCRIPTIONS

TRANSISTORS

| ITEM No. | ORIG. TYPE | USE | REPLACEMENT DATA | | | NOTES |
|----------|------------|--------------|---------------------------|--------------|-------------------|--------------|
| | | | GENERAL ELECTRIC PART No. | RCA PART No. | RAYTHEON PART No. | |
| X1 | DS24 | RF Amplifier | GE-1 | 2N1637 | 2N416 | PNP |
| X2 | DS25 | Converter | GE-1 | 2N1639 | 2N486 | PNP |
| X3 | DS22* | IF Amplifier | GE-1 | 2N1638 | 2N483 | PNP |
| X4 | DS26 | Driver | GE-2 | 2N591 | 2N362 | PNP |
| X5 | DS501 | Output | GE-4 | | | PNP (Note 1) |

* Manufacturer recommends replacing with DS25 when servicing.
Note 1. When replacing, check bias adjustment.

POWER RECTIFIERS & SIGNAL DIODES

| ITEM No. | CURRENT RATING (Measured) | ORIGINAL Part or Type No. | RECTIFIERS | | DIODES | | NOTES |
|----------|---------------------------|---------------------------|--------------|-------------------------|-------------------|----------------|-------|
| | | | RCA PART No. | SARKES TARZIAN PART No. | RAYTHEON PART No. | | |
| X6 | | DS27 | | | IN80 | AVC | |
| X7 | | DS27 | | | IN80 | AVC | |
| X8 | | DS27 | | | IN80 | Audio Detector | |

ELECTROLYTIC CAPACITORS

| ITEM No. | RATING | | REPLACEMENT DATA | | | | | | | |
|----------|--------|--------|------------------|------------------|---------------------------|---------------------------|------------------|------------------|------------------|-------------|
| | CAP. | VOLT. | DELCO PART No. | AEROVOX PART No. | CORNELL-DUBILIER PART No. | GENERAL ELECTRIC PART No. | MALLORY PART No. | PYRAMID PART No. | SPRAGUE PART No. | |
| C1A | 400 | 16 | 7279775 | | | | | FPS300.75 | | PCLS3021.2* |
| B | 850 | 16 | | | | | | | | |
| C | 2.2 | 11.5AC | | | | | | | | |
| C2 | 30 | 6 | 7279896 | PTT27 | NLW30-15 | MT1-13 | | TT6X30 | MLV30-6 | TE-1092 |
| C3 | 100 | 3 | 7279888 | PTT13 | NLW100-3 | MT1-18 | | TT6X100 | MLV100-3 | TE-1059.5 |
| C4 | 100 | 1 | 7271557 | PR8L130 | BR1000-6 | QT1-32 | | TC-110 | TD-1000-6 | TVA-1104 |

* Not normally in distributor's stock. Available thru distributor on order to manufacturer.

FIXED CAPACITORS

| ITEM No. | RATING | REMARKS | REPLACEMENT DATA | | | | | |
|----------|---------------|----------|------------------|--------------------|---------------------------|------------------|------------------|------------------|
| | | | AEROVOX PART No. | CENTRALAB PART No. | CORNELL-DUBILIER PART No. | ELMenco PART No. | MALLORY PART No. | SPRAGUE PART No. |
| C5 | | #7280053 | P288N-047 | DDA-503 | CUB2S47 | IDP-2-473 | GEM-4147 | 2TM-S47 |
| C6 | .047 75V | #7279801 | P288N-047 | DDA-503 | CUB2S47 | IDP-2-473 | GEM-4147 | 2TM-S47 |
| C7 | .047 75V | | | | | | | |
| C8 | 2 NPO ±.25mmf | | | | | | | |
| C9A | | #7279821 | P288N-0022 | TCN-91 | C10Q91U | 6DP-1-222 | GEM-6222 | 6TM-D22 |
| C10 | 91 N750 | | | | | | | |
| C11 | .0022 75V | | | | | | | |
| C12 | .022 75V | | P288N-022 | DD-222 | CUB2S22 | IDP-1-223 | GEM-4122 | 2TM-S22 |
| C13 | 180 N80 5% | | | | | | | |
| C14 | .0047 | | BPD-0047 | DD-472 | BYA10D47M | CCD-472 | B-247 | 5HK-D47 |
| C15 | .047 75V | | P288N-047 | DDA-503 | CUB2S47 | IDP-2-473 | GEM-4147 | 2TM-S47 |
| C16 | .047 75V | | P288N-047 | DDA-503 | CUB2S47 | IDP-2-473 | GEM-4147 | 2TM-S47 |
| C17 | 120 NPO | | NPO-DI-120 | DTZ-120 | C10T12C | CNO-312 | | 10TCC-T12 |
| C18 | .001 10% | | DI-1000 | DD-102 | L10D1 | CCD-102 | GP210 | 5HK-D10 |
| C19 | .0022 10% | | DI-2200 | DD-222 | L10D22 | CCD-222 | GP222 | 5HK-D22 |
| C20 | .0022 10% | | DI-2200 | DD-222 | L10D22 | CCD-222 | GP222 | 5HK-D22 |
| C21 | 1.0mfd 3V | | | UK-105 | | | | HY-135 |
| C22 | .1 75V | | P215N-1 | DF-104 | BC2PIJ | IDP-2-104 | ACE-401 | 2SE-P10 |
| C23 | .47 100V | | P288N-47 | | CUB2P47 | IDP-4-474 | GEM-2047 | 2TM-P47 |

Delco Part Number.

* Not normally in distributor's stock. Available thru distributor on order to manufacturer.

CONTROLS

All wattages 1/2 watt, or less, unless otherwise listed.

| ITEM No. | USE | RESISTANCE | REPLACEMENT DATA | | | | |
|----------|-----------------|------------------------|------------------|--------------------|--------------------|------------------|------------------|
| | | | DELCO PART No. | CENTRALAB PART No. | CLAROSTAT PART No. | CTS-IRC PART No. | MALLORY PART No. |
| RLA | Tone | 6800Ω | | | | | |
| B | Volume & Switch | 7500Ω | 7280055 | | | | ■ UE4349S |
| R2 | Bias Adjust | 2200Ω Tap 175Ω Cold | 1221422 | | | | |

Ⓛ Temperature Compensated.

■ "STA-LOC" Equivalent: FJ682L, RU752T222, OS1000A, IS1750, US41

RESISTORS

All wattages 1/2 watt, or less, unless otherwise listed.

| ITEM No. | RATING | REPLACEMENT DATA | | | ITEM No. | RATING | REPLACEMENT DATA | | |
|----------|--------|------------------|------------------|-----------|----------|---------|------------------|------------------|-----------|
| | | IRC PART No. | WORKMAN PART No. | REMARKS | | | IRC PART No. | WORKMAN PART No. | REMARKS |
| R3 | 330Ω | | | | R15 | 1000Ω | | | |
| R4 | 390Ω | | | | R16 | 6800Ω | | | |
| R5 | 560Ω | | | Note 1 | R17 | 120Ω | | | |
| R6 | 150Ω | | | Note 1 | R18 | 680Ω | | | |
| R7 | 1500Ω | | | (120K)† | R19 | 1000Ω | | | |
| R8 | 150K | | | | R20 | 820Ω | | | |
| R9 | 3300Ω | | | | R21 | 680Ω | | | |
| R10 | 33K | | | | R22 | 1000Ω | | | |
| R11 | 3900Ω | | | | R23 | 10Ω | | | Fuse Type |
| R12 | 4700Ω | | | (1000Ω) † | R24 | .47Ω 2W | | | |
| R13 | 33K | | | (8200Ω) † | R25 | 27Ω | | | |
| R14 | 33K | | | Note 1 | | | | | |

† Alternate Value.

Note 1. Not used in some versions.

COILS (RF-IF)

| ITEM No. | USE | REPLACEMENT DATA | | | | | NOTES |
|----------|------------|------------------|----------------|-----------------|------------------|------------------|-------|
| | | DELCO PART No. | Merit PART No. | Miller PART No. | Stancor PART No. | Workman PART No. | |
| L1 | Ant. Choke | 7255738 | | | | | |
| L2 | Ant. | 1221614 | | 4610 | | | |
| L3 | RF | 1221615 | | | | | |
| L4 | Osc. | 1221616 | | | | | |
| L5 | Input IF | 1221617 | | | | | |
| L6 | Output IF | 1221618 | | | | | |

FILTER CHOKE

| ITEM No. | RATINGS | | | REPLACEMENT DATA | | | | NOTES |
|----------|--------------------|---------|------------------------------|------------------|----------------|------------------|---------------------|-------|
| | CURRENT (Measured) | DC RES. | INDUCTANCE (0 CURRENT 1000~) | DELCO PART No. | MERIT PART No. | STANCOR PART No. | THORDARSON PART No. | |
| L7 | .96A | .6Ω | 8MH | 1221623 | | | | |

TRANSFORMER (DRIVER)

| ITEM No. | TURNS RATIO | | REPLACEMENT DATA | | | | | NOTES |
|----------|-------------|------|------------------|----------------|------------------|---------------------|----------------|-------|
| | PRI. | SEC. | DELCO PART No. | MERIT PART No. | STANCOR PART No. | THORDARSON PART No. | TRIAD PART No. | |
| | T1 | 7 | 1 | 727230 | | | | |

TRANSFORMER (AUDIO OUTPUT)

| ITEM No. | IMPEDANCE | | REPLACEMENT DATA | | | | | NOTES |
|----------|-----------|------|------------------|----------------|------------------|---------------------|----------------|-------|
| | PRI. | | DELCO PART No. | Merit PART No. | Stancor PART No. | Thordarson PART No. | Triad PART No. | |
| T2 | 10Ω Tap | 3-4Ω | 1221428 | | | | | |

PARTS LIST AND DESCRIPTIONS (Continued)

SPEAKER

| ITEM No. | TYPE | | | REPLACEMENT DATA | | NOTES |
|----------|---------|-------|------------|------------------|---------------|--|
| | SIZE | FIELD | V. C. IMP. | DELCO PART No. | QUAM PART No. | |
| SP1 | 4"x 10" | PM | 3-4Ω | 7276482 | 410A2 | Rear Seat, for Sedans Rear Seat, for Convertibles |
| | 6"x 9" | PM | 3-4Ω | 7280082 | | |
| | 6" | PM | 3-4Ω | 983590 | | |

FUSES

| ITEM No. | TYPE | RATING | REPLACEMENT DATA | | | | | | | |
|----------|------|--------|------------------|--------|---------------------|--------|---------------|--------|--------|--|
| | | | DELCO PART No. | | LITTELFUSE PART No. | | BUSS PART No. | | | |
| | | | FUSE | HOLDER | FUSE | HOLDER | FUSE | HOLDER | | |
| M1 | SFE | 7½A | | | | | 30307.5 | | SFE 7½ | |

MISCELLANEOUS

| ITEM No. | PART NAME | DELCO PART No. | NOTES |
|----------|-------------|----------------|---|
| M2 | Tuner | | Complete (Series P2) |
| M3 | Spark Plate | 7271564 | |
| M4 | Switch | 7271425 | |
| | Switch | 7277633 | Speaker Interlock Front-Rear Speaker Control |

CABINETS & CABINET PARTS

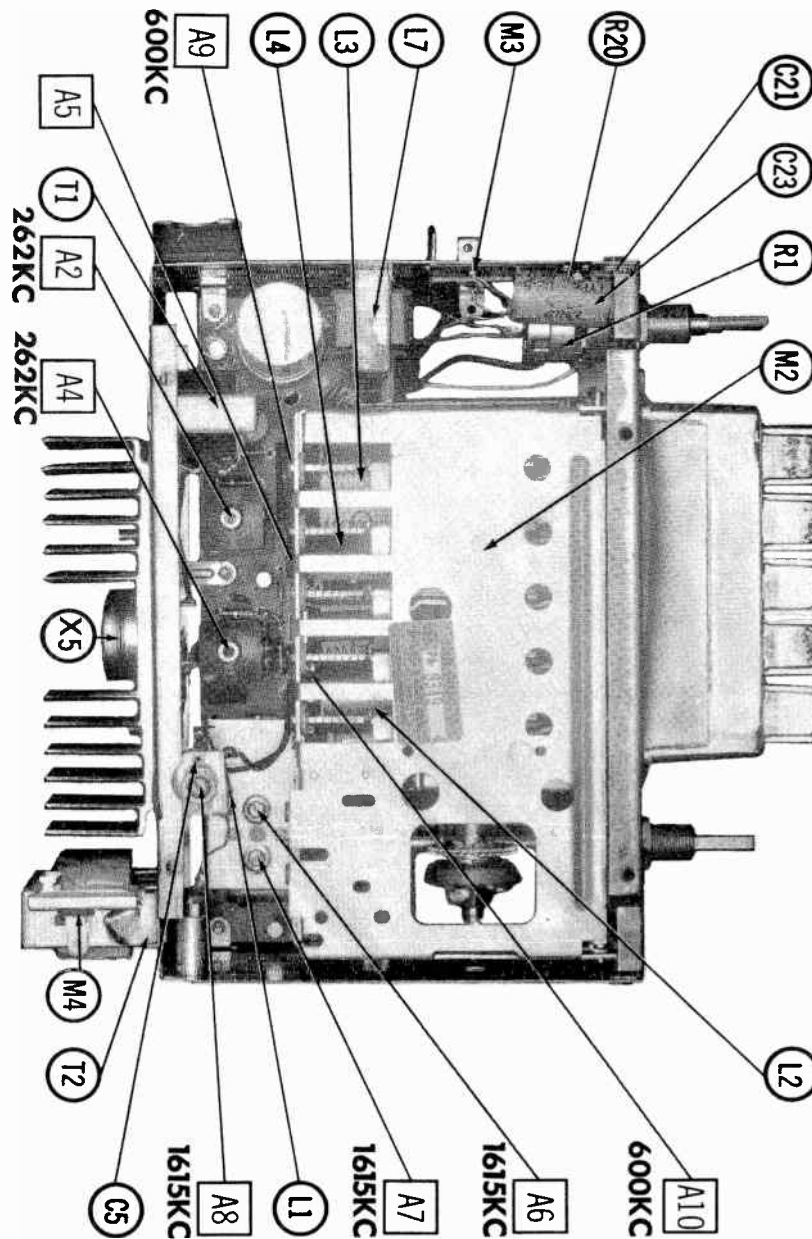
(When Ordering Cabinets & Cabinet Parts, Specify Model, Chassis & Color)

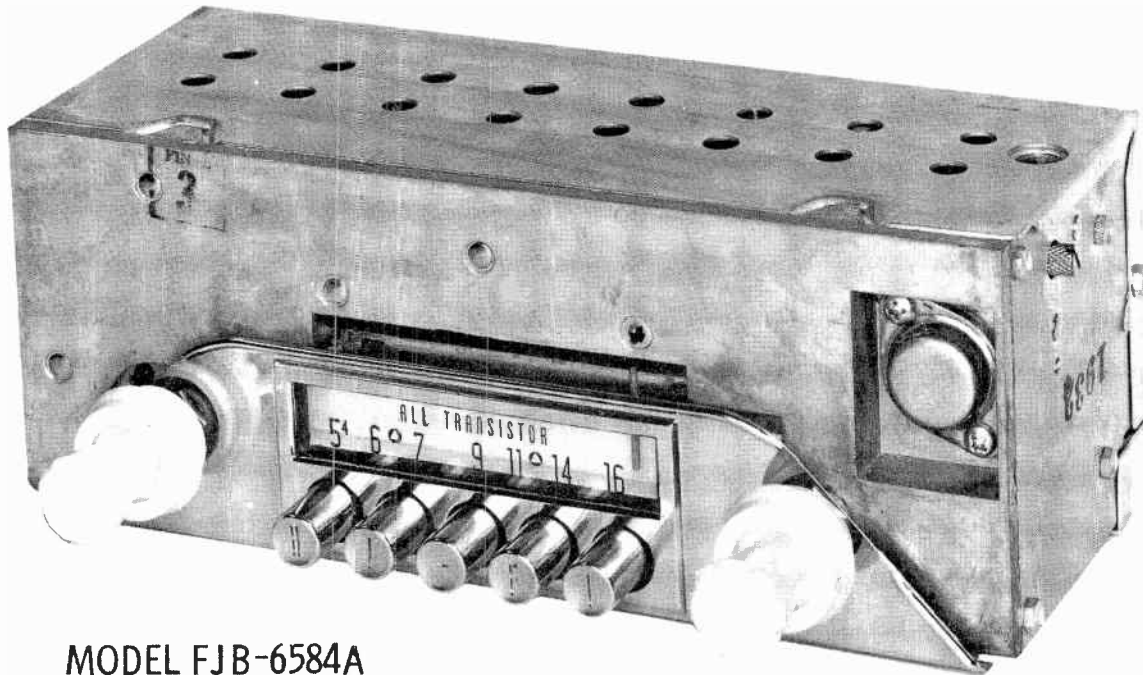
| NAME | PART NO. | DESCRIPTION |
|------------------|----------|--------------------------------|
| Escutcheon | 7279746 | Includes Dial & Dial Backplate |
| Pointer Assembly | 1221513 | |
| Push Button | 7279740 | 5 Required |
| Knob | 535908 | Tuning & Volume |
| Knob | 538621 | Tone |
| Knob | 538718 | Dummy |
| Knob | 535917 | Speaker Switch |

WIRING DATA

| | |
|---|--|
| General-use Unshielded Hook-up Wire | Use BELDEN No. 8530 (Solid) Available in 12 Colors 8524 (Stranded) Available in 12 Colors |
| Shielded Hook-up Wire | Use BELDEN No. 8885 |
| Rear Seat Speaker Extension Cable | Use BELDEN No. 8782 (Stranded) Coded Parallel Leads |
| Bonding Strap | Use BELDEN No. 8661 (3/8 In.) or 8670 (3/4 In.) |

CHASSIS—TOP VIEW





MODEL FJB-6584A

RIVERSIDE MODELS
FJB-6584A, FJB-6608A

| | | |
|--------------|--|---------------------------------|
| TRADE NAME | Riverside Model FJB-6584A (61-6584A) For 1960-1961 Valiants Model FJB-6608A (61-6608A) For 1961 Lancers | |
| SUPPLIER | Montgomery Ward & Co., 619 Chicago Ave., Chicago 7, Illinois | |
| TYPE SET | Battery Operated 5 Transistor Custom-Built AM Automobile Receiver | |
| POWER SUPPLY | 12 Volt Storage Battery | RATING .520 Amp. @12.6 Volts DC |
| TUNING RANGE | — BROADCAST 540 — 1610KC | |

ALIGNMENT INSTRUCTIONS

Use only enough generator output to provide a usable indication.
Suggested Alignment Tools: A1 thru A4... GENERAL CEMENT #8282, 8606, 9295
WALSCO #2526, 2543, 2544, 2545
A5, A6, A7... GENERAL CEMENT #5000, 5066, 8276
WALSCO #2515, 2516, 2518, 2519, 2525, 2541

| | SIGNAL GENERATOR COUPLING | SIGNAL GENERATOR FREQUENCY | RADIO DIAL SETTING | INDICATOR | ADJUST | REMARKS |
|----|--|----------------------------|--------------------|--------------------------------|----------------|--------------------------------|
| 1. | High side to antenna terminal. Common to ground. | 262KC (Unmod.) | 1610KC | DC VTVM across volume control. | A1, A2, A3, A4 | Adjust for maximum deflection. |
| 2. | " | 1610KC | " | " | A5 | " |
| 3. | " | 1400KC | 1400KC | " | A6 | " |
| 4. | With radio installed in car and antenna fully extended, tune in a weak station near 1000KC and adjust A7 for maximum output. | | | | | |

PUSH-BUTTON ADJUSTMENT

1. Pull button out.
2. Tune manually to desired station.
3. Press button in firmly.
4. Repeat for remaining buttons.

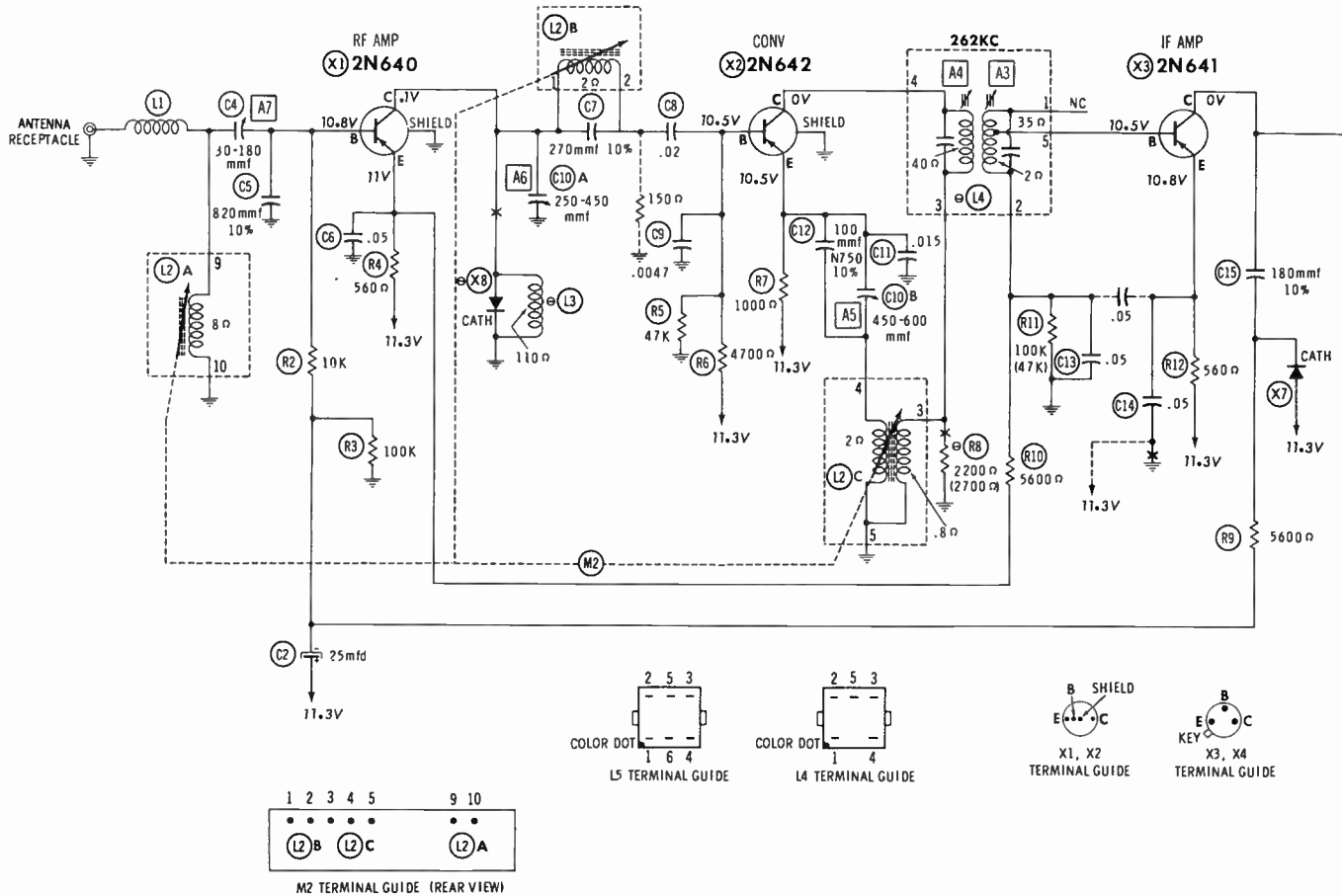
HOWARD W. SAMS & CO., INC. Indianapolis 6, Indiana



The listing of any available replacement part herein does not constitute in any case a recommendation, warranty or guaranty by Howard W. Sams & Co., Inc., as to the quality and suitability of such replacement part. The numbers of these parts have been compiled from information furnished to Howard W. Sams & Co., Inc., by the manufacturers of the particular type of replacement LD857

part listed. Reproduction or use, without express permission, of editorial or pictorial content, in any manner, is prohibited. No patent liability is assumed with respect to the use of the information contained herein. ©1963 Howard W. Sams & Co., Inc., Indianapolis 6, Indiana.

Printed in U.S. of America



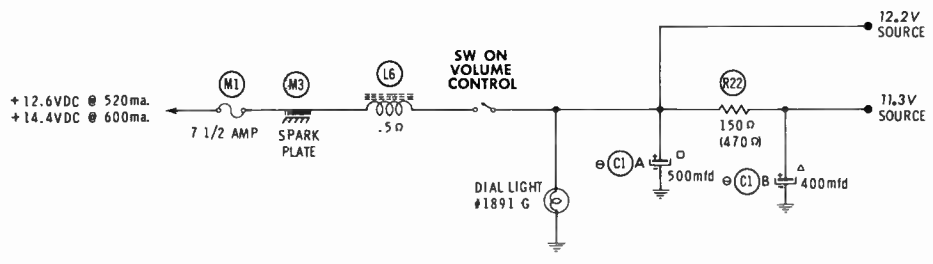
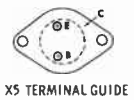
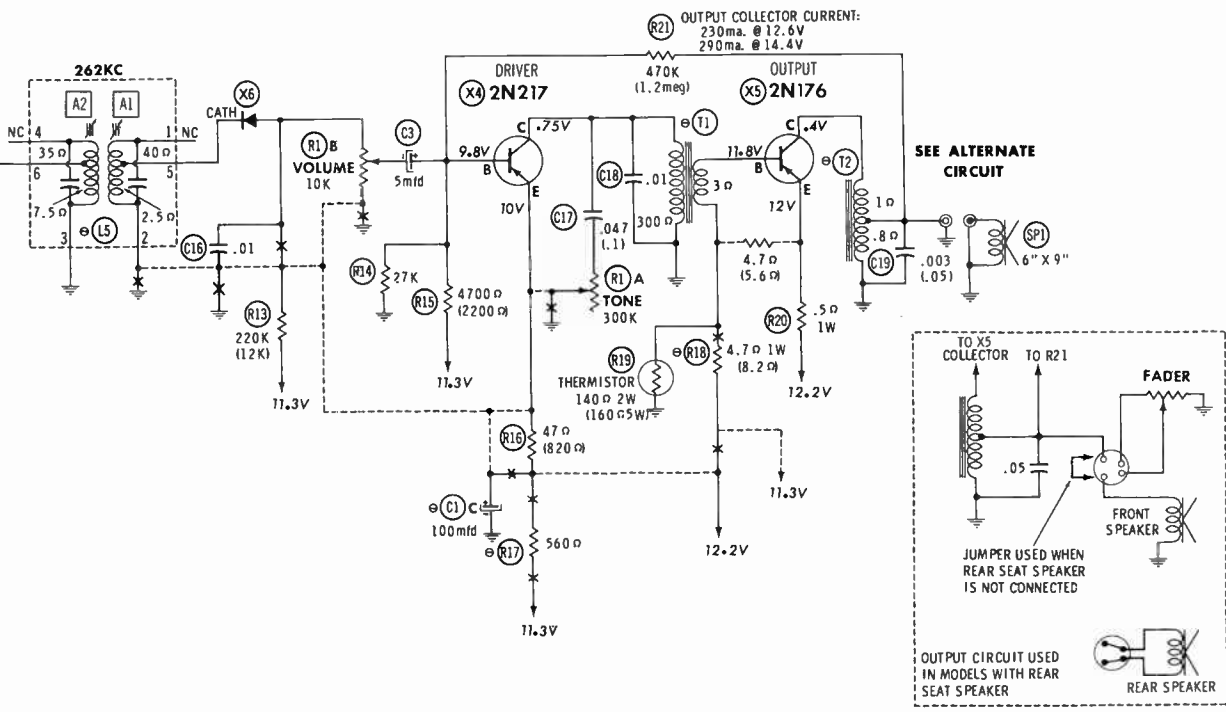
⊗ SEE PARTS LIST FOR ALTERNATE VALUE OR APPLICATION

RESISTANCE MEASUREMENTS NOT GIVEN BECAUSE OF THE WIDE VARIATION IN INTERNAL TRANSISTOR RESISTANCE.

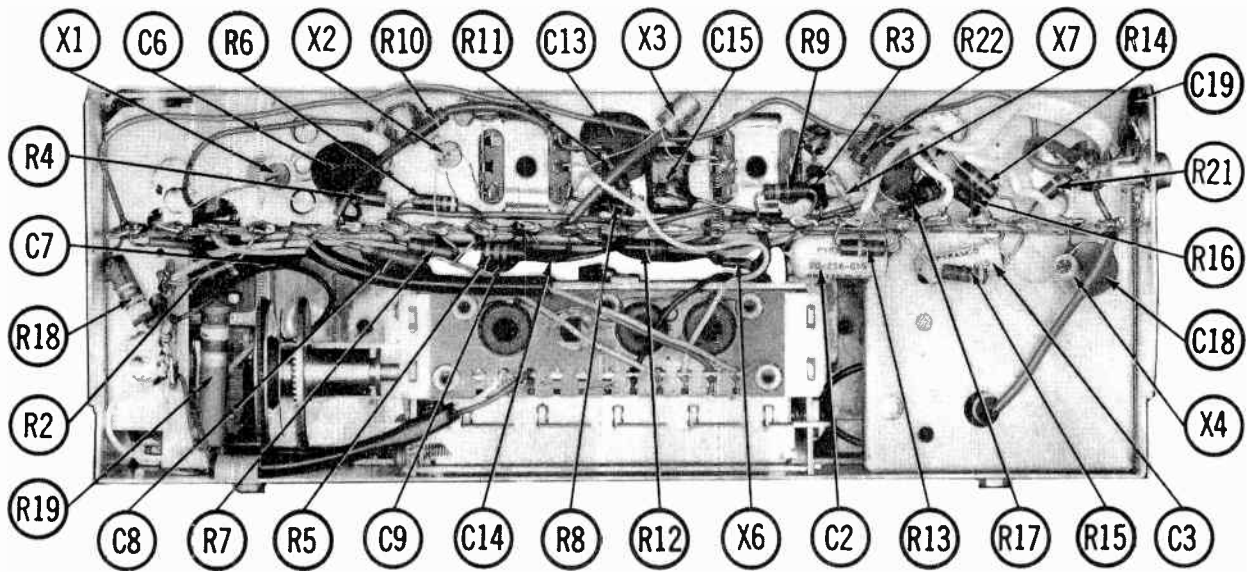
NUMBERS ASSIGNED TO COILS, SWITCHES, PLUGS, SOCKETS, AND TRANSFORMERS ARE TO FACILITATE CIRCUIT TRACING OR COMPONENT REPLACEMENT AND MAY NOT NECESSARILY BE FOUND ON THE UNIT.

1. DC voltage measurements taken with vacuum tube voltmeter.
2. Socket connections shown as bottom views.
3. Measured values are from socket pin to common ground.
4. Battery voltage maintained at 12.6 volts for voltage readings.
5. Nominal tolerance on component values makes possible a variation of $\pm 15\%$ in voltage and resistance readings.

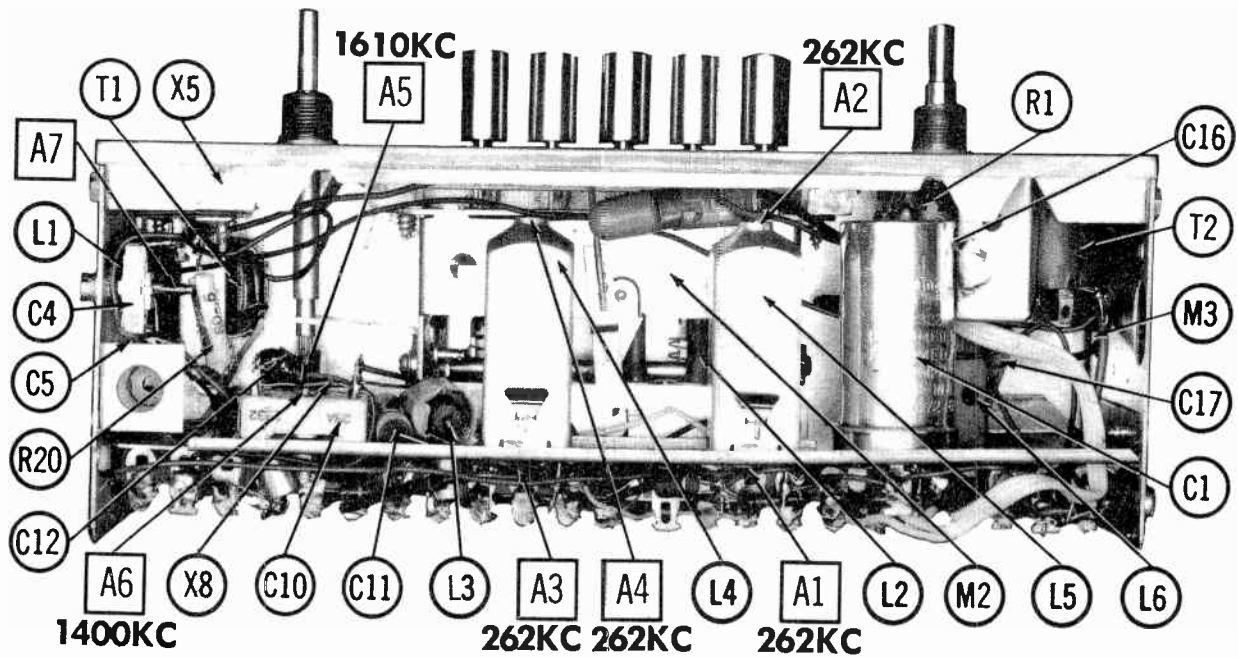
A PHOTOFACIT STANDARD NOTATION SCHEMATIC
 ©Howard W. Sams & Co., Inc. 1963



RIVERSIDE MODELS
FJB-6584A, FJB-6608A



CHASSIS-END VIEW



CHASSIS-TOP VIEW

PARTS LIST AND DESCRIPTION

Replacement parts shown may be superseded by the availability of newly introduced replacements.
Have your local distributor check Sams COUNTER FACTS for the most up-to-date replacement.

WIRING DATA

| | |
|---|--|
| General-use Unshielded Hook-up Wire | Use BELDEN No. 8530 (Solid) Available in 12 Colors 8524 (Stranded) Available in 12 Colors |
| Shielded Hook-up Wire | Use BELDEN No. 8885 |
| Rear Seat Speaker Extension Cable | Use BELDEN No. 8782 (Stranded) Coded Parallel Leads |
| Bonding Strap | Use BELDEN No. 8661 (3/8 In.) or 8670 (3/4 In.) |

TRANSISTORS

| ITEM No. | ORIG. TYPE | USE | REPLACEMENT DATA | | | NOTES |
|----------|----------------|--------------|------------------|---------------------------|--------------|--------------|
| | | | DELCO PART No. | GENERAL ELECTRIC PART No. | RCA PART No. | |
| X1 | 6-60# 2N640 | RF Amplifier | DS-25 | GE-1 | | PNP |
| X2 | 6-61# 2N642 | RF Amplifier | DS-25 | GE-1 | | PNP |
| | | Converter | DS-25 | GE-1 | | PNP |
| X3 | 6-62# 2N841 | IF Amplifier | DS-25 | GE-1 | | PNP |
| | | IF Amplifier | DS-25 | GE-1 | | PNP |
| X4 | 6-63# 2N217 | Driver | DS-26 | GE-2 | 2N591 | PNP |
| | | Driver | DS-26 | GE-2 | 2N591 | PNP |
| X5 | 2N176 | Output | DS-503 | GE-3 | 2N301 | PNP (Note 1) |

Riverside Part Number.
Note 1. When replacing, apply silicone grease to both sides of insulator. Tighten mounting screws securely.

POWER RECTIFIERS & SIGNAL DIODES

| ITEM No. | CURRENT RATING (Measured) | ORIGINAL Part or Type No. | RECTIFIERS | | DIODES | NOTES |
|----------|---------------------------|---------------------------|--------------|-------------------------|--------|--|
| | | | RCA PART No. | SARKES TARZIAN PART No. | | |
| X6 | | IGD2 | | | | Detector Overload Overload (Not used in some versions) |
| X7 | | IGD2 | | | | |
| X8 | | | | | | |

ELECTROLYTIC CAPACITORS

| ITEM No. | RATING | | REPLACEMENT DATA | | | | | | |
|---------------|--------|-------|--------------------|------------------|---------------------------|---------------------------|------------------|------------------|------------------|
| | CAP. | VOLT. | RIVERSIDE PART No. | AEROVOX PART No. | CORNELL-DUBILIER PART No. | GENERAL ELECTRIC PART No. | MALLORY PART No. | PYRAMID PART No. | SPRAGUE PART No. |
| C1A B C | 500 | 15 | 20-322 ① | AFH3-00-95 | | XC3-48 | WP300, 85 | | TVL-3026, 8 |
| | 400 | 15 | | | | | | | |
| | 100 | 15 | | | | | | | |
| C2 | 25 | 15 | 20-256 | PTT89 | NLW25-15 | MT1-10 | TT15X25 | MLV25-15 | TE-1157, 1 |
| C3 | 5 | 15 | 20-505 | PTT64 | NLW5-15 | MT1-3 | TT15X5 | MLV5-15 | TE-1152 |

① Some versions may use 500/300/100mfd in this application (Part #20-327).

FIXED CAPACITORS

| ITEM No. | RATING | REMARKS | REPLACEMENT DATA | | | | | | | |
|-----------|--------------|------------|------------------|--------------------|---------------------------|------------------|------------------|------------------|-----------|----------|
| | | | AEROVOX PART No. | CENTRALAB PART No. | CORNELL-DUBILIER PART No. | ELMENCO PART No. | MALLORY PART No. | SPRAGUE PART No. | | |
| C4 | 30-180 | #28-800-2L | | | | S-463 | | | | |
| C5 | 820 10% | | ADM-19-821 | DD-821 | 5R5T82 | CM-20B-821K | MCB-252 | MS-382 | | |
| C6 | .05 | | TTD-05 | CK-503 | H05S5 | 4DP-3-503 | GP-150 | TG-S50 | | |
| C7 | 270 10% | | ADM-15-271 | TCZ-270 | 5R5T27 | CM-20B-271K | MCB-240 | MS-327 | | |
| C8 | .02 | | TTD-02 | CK-203 | H05S2 | CCD-203 | GP-120 | TG-S20 | | |
| C9 | .0047 | | TTD-005 | CK-502 | H05D5 | CCD-472 | TA-250 | TG-D50 | | |
| C10A B | 250-450 | | #28A1332 | | | | | | | |
| | 450-600 | | | | | | | | | |
| C11 | .015 200V | | | P288N-015 | DD-153 | CUB6S15 | 4DP-1-153 | GEM-4115 | 4PS-S15 | |
| C12 | 100 10% N750 | | | N750-DI 100 | DTN-100 | C10T1U | CCTN-101 | CN7-310 | 10TCU-T10 | |
| C13 | .05 | | | TTD-05 | CK-502 | H05S5 | 4DP-3-503 | GP-150 | TG-S50 | |
| C14 | .05 | | | TTD-05 | CK-502 | H05S5 | 4DP-3-503 | GP-150 | TG-S50 | |
| C15 | 180 10% | | | ADM-15-181 | TCZ-180 | 22R5T18 | CM-20B-181K | | MS-318 | |
| C16 | .01 | | | TTD-01 | CK-103 | H05S1 | CCD-103 | GP-110 | TG-S10 | |
| C17 | .047 200V | | | (.1) † | P288N-047 | DD-503 | CUB2S47 | 4DP-3-473 | GEM-4147 | |
| C18 | .01 | | | TTD-01 | CK-103 | H05S1 | CCD-103 | GP-110 | TG-S10 | |
| C19 | .003 | | | (.05) † | DI-3000 | DD-302 | L10D3 | CCD-302 | GP-230 | 10TS-D30 |

Riverside Part Number.
† Alternate Value.

CONTROLS

All wattages 1/2 watt, or less, unless otherwise listed.

| ITEM No. | USE | RESISTANCE | REPLACEMENT DATA | | | | |
|----------|----------------------|-------------|--------------------|--------------------|--------------------|------------------|------------------|
| | | | RIVERSIDE PART No. | CENTRALAB PART No. | CLAROSTAT PART No. | CTS-IRC PART No. | MALLORY PART No. |
| RIA B | Tone Volume & Switch | 300K 10K | 80A1710 | | | | |

PARTS LIST AND DESCRIPTION (CONTINUED)

Replacement parts shown may be superseded by the availability of newly introduced replacements.
Have your local distributor check Sams COUNTER FACTS for the most up-to-date replacement.

RESISTORS

All wattages 1/2 watt, or less, unless otherwise listed.

| ITEM No. | RATING | REPLACEMENT DATA | | | ITEM No. | RATING | REPLACEMENT DATA | | |
|----------|--------|------------------|------------------|-----------|----------|----------|------------------|------------------|------------|
| | | IRC PART No. | WORKMAN PART No. | REMARKS | | | IRC PART No. | WORKMAN PART No. | REMARKS |
| R2 | 10K | | | | R13 | 220K | | | (12K) † |
| R3 | 100K | | | | R14 | 27K | | | |
| R4 | 560Ω | | | | R15 | 4700Ω | | | (2200Ω) † |
| R5 | 47K | | | | R16 | 47Ω | | | (820Ω) † |
| R6 | 4700Ω | | | | R17 | 560Ω | | | Note 1 |
| R7 | 1000Ω | | | | R18 | 4.7Ω 1W | | | (8.2Ω) † |
| R8 | 2200Ω | | | (2700Ω) † | R19 | 1400Ω 2W | | | (1600Ω) † |
| R9 | 5600Ω | | | | R20 | .5Ω 1W | | | |
| R10 | 5600Ω | | | | R21 | 470K | | | (1.2meg) † |
| R11 | 100K | | | (47K) † | R22 | 150Ω | | | (470Ω) † |
| R12 | 560Ω | | | | | | | | |

Note 1. Not used in some versions.
† Alternate Value.

TRANSFORMER (AUDIO OUTPUT)

| ITEM No. | IMPEDANCE | REPLACEMENT DATA | | | | | NOTES |
|----------|---------------|--------------------|----------------|------------------|---------------------|----------------|---------------------------------------|
| | | RIVERSIDE PART No. | Merit PART No. | Stancor PART No. | Thordorson PART No. | Triod PART No. | |
| T2 | 9Ω Tap @ 3-4Ω | 75A1873* | | | | | * Some version may use Part #75A1860P |

SPEAKER

| ITEM No. | TYPE | | | REPLACEMENT DATA | | NOTES |
|----------|--------|-------|------------|--------------------|---------------|-------|
| | SIZE | FIELD | V. C. IMP. | RIVERSIDE PART No. | QUAM PART No. | |
| SPI | 6"x 9" | PM | 3-4Ω | 73A1997 | 69A2 | |

COILS (RF-IF)

| ITEM No. | USE | REPLACEMENT DATA | | | | | NOTES |
|----------|----------------|--------------------|----------------|-----------------|------------------|------------------|--|
| | | RIVERSIDE PART No. | MERIT PART No. | MILLER PART No. | STANCOR PART No. | WORKMAN PART No. | |
| L1 | Choke (6, 2uh) | 14-6, 2 | | | | | ① Not used in some versions, ② Alternate Part # 14-270X ③ Alternate Part # 14-271X |
| L2A | Ant. Coil. | | | | | | |
| B | RF | | | | | | |
| C | Osc. | | | | | | |
| L3 | Choke (12MH) | ① | | | | | |
| L4 | Input IF | 14-270A ② | | | | | |
| L5 | Output IF | 14-271A ③ | | | | | |

FUSES

| ITEM No. | TYPE | RATING | REPLACEMENT DATA | | | | | |
|----------|------|--------|--------------------|--------|---------------------|--------|---------------|--------|
| | | | RIVERSIDE PART No. | | LITTELFUSE PART No. | | BUSS PART No. | |
| | | | FUSE | HOLDER | FUSE | HOLDER | FUSE | HOLDER |
| M1 | SFE | 7½A | 108-100 | | 30707.5 (SFE 7½A) | 155009 | SFE 7½ | HHH |

FILTER CHOKE

| ITEM No. | RATINGS | | | REPLACEMENT DATA | | | | NOTES |
|----------|--------------------|---------|------------------------------|--------------------|----------------|------------------|---------------------|-------|
| | CURRENT (Measured) | DC RES. | INDUCTANCE (0 CURRENT 1000~) | RIVERSIDE PART No. | MERIT PART No. | STANCOR PART No. | THORDARSON PART No. | |
| L6 | .520A | .5Ω | 10MH | 75A1269 | | | | |

MISCELLANEOUS

| ITEM No. | PART NAME | RIVERSIDE PART No. | NOTES |
|----------|-------------|--------------------|-------|
| M2 | Tuner | 78B-1866 | |
| M3 | Spark Plate | 43-215 | |

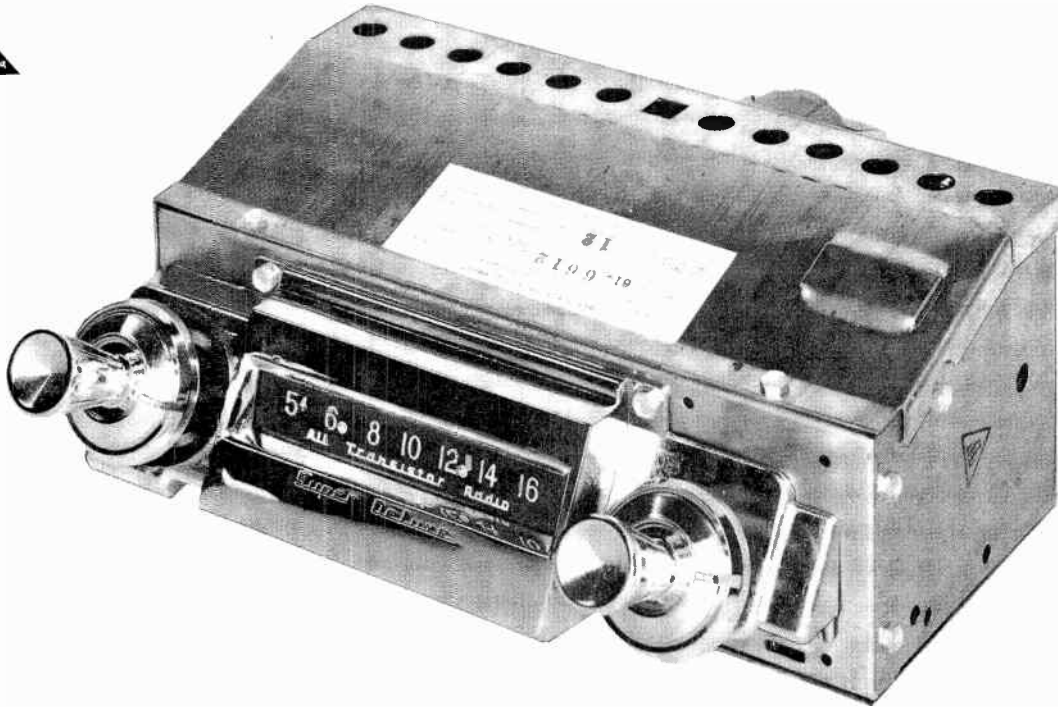
TRANSFORMER (DRIVER)

| ITEM No. | TURNS RATIO | | REPLACEMENT DATA | | | | | NOTES |
|----------|-------------|------|--------------------|----------------|------------------|---------------------|----------------|---------------------------------------|
| | PRI. | SEC. | RIVERSIDE PART No. | MERIT PART No. | STANCOR PART No. | THORDARSON PART No. | TRIAD PART No. | |
| T1 | 15 | 1 | 75A1872* | | | | | * Some versions may use Part #75A1810 |

CABINETS & CABINET PARTS

(When Ordering Cabinets & Cabinet Parts, Specify Model, Chassis & Color)

| NAME | PART NO. | DESCRIPTION |
|--------------|------------|----------------|
| Knob, Tuning | 55A1743 | Model FJB6584A |
| Knob, Tuning | 55A1744 | Model FJB6608A |
| Knob, Tone | 55A1732 | Model FJB6584A |
| Knob, Tone | 55A1732-P | Model FJB6608A |
| Knob, Dummy | 55A1732-1 | Model FJB6584A |
| Knob, Dummy | 55A1732-1P | Model FJB6608A |



RIVERSIDE
MODEL FJB-6612 (61-6612)

TRADE NAME Riverside Model FJB-6612 (61-6612) For 1962 Chevrolets
 SUPPLIER Montgomery Ward & Co., 619 Chicago Ave., Chicago 7, Illinois
 TYPE SET Battery Operated 5 Transistor Custom Built Automobile AM Receiver
 POWER SUPPLY 12 Volt Storage Battery RATING .52 Amp. @ 12.6 Volts DC
 TUNING RANGE - BROADCAST 540 -- 1610KC

ALIGNMENT INSTRUCTIONS

ALIGNMENT INSTRUCTIONS—READ CAREFULLY BEFORE ATTEMPTING ALIGNMENT

Use only enough generator output to provide a usable indication.

Suggested Alignment Tools:

- A1 thru A4..... GENERAL CEMENT #8282, 8606, 9295
 WALSCO #2526, 2543, 2544, 2545
- A5 thru A7..... GENERAL CEMENT #8271, 8272, 8290
 WALSCO #2515, 2516, 2518, 2519, 2525, 2541

| | SIGNAL GENERATOR COUPLING | SIGNAL GENERATOR FREQUENCY | RADIO DIAL SETTING | INDICATOR | ADJUST | REMARKS |
|----|--|----------------------------|----------------------|--------------------------------|----------------|--------------------------------|
| 1. | High side thru .1mfd to base of converter, low side to ground. | 262KC (Unmod.) | High Freq. End Stop. | DC VTVM across volume control. | A1, A2, A3, A4 | Adjust for maximum deflection. |
| 2. | " | 1610KC | 1610KC | " | A5 | " |
| 3. | Thru dummy (Fig. 1) to antenna receptacle. | 1400KC | 1400KC | " | A6 | " |
| 4. | With radio installed in car and antenna fully extended, tune in a weak station near 1400KC and adjust A7 for maximum output. | | | | | |

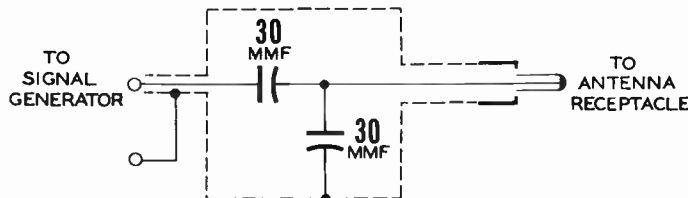


FIG. 1

HOWARD W. SAMS & CO., INC. Indianapolis 6, Indiana



The listing of any available replacement part herein does not constitute in any case a recommendation, warranty or guaranty by Howard W. Sams & Co., Inc., as to the quality and suitability of such replacement part. The numbers of these parts have been compiled from information furnished to Howard W. Sams & Co., Inc., by the manufacturers of the particular type of replacement LD856

part listed. Reproduction or use, without express permission, of editorial or pictorial content, in any manner, is prohibited. No patent liability is assumed with respect to the use of the information contained herein. ©1963 Howard W. Sams & Co., Inc., Indianapolis 6, Indiana.

Printed in U.S. of America

PARTS LIST AND DESCRIPTION

Replacement parts shown may be superseded by the availability of newly introduced replacements.
Have your local distributor check Sams COUNTER FACTS for the most up-to-date replacement.

WIRING DATA

| | |
|---|--|
| General-use Unshielded Hook-up Wire | Use BELDEN No. 8530 (Solid) Available in 12 Colors 8524 (Stranded) Available in 12 Colors |
| Shielded Hook-up Wire | Use BELDEN No. 8885 |
| Rear Seat Speaker Extension Cable | Use BELDEN No. 8782 (Stranded) Coded Parallel Leads |
| Bonding Strap | Use BELDEN No. 8661 (3/8 In.) or 8670 (3/4 In.) |

TRANSISTORS

| ITEM No. | MFG. PART No. | USE | REPLACEMENT DATA | | | NOTES |
|----------|---------------|--------------|------------------|---------------------------|--------------|--------------|
| | | | DELCO PART No. | GENERAL ELECTRIC PART No. | RCA PART No. | |
| X1 | 6-60 | RF Amplifier | DS-25 | GE-1 | | PNP |
| X2 | 6-61 | Converter | DS-25 | GE-1 | | PNP |
| X3 | 6-62 | IF Amplifier | DS-25 | GE-1 | | PNP |
| X4 | 6-63 | Driver | DS-26 | GE-2 | 2N591 | PNP |
| X5 | 8P-404 | Output | DS503 | GE-3 | 2N301 | PNP (Note 1) |

Note 1. When replacing, apply silicone grease between transistor and heat sink. Tighten mounting screws securely.

POWER RECTIFIERS & SIGNAL DIODES

| ITEM No. | CURRENT RATING (Measured) | ORIGINAL Part or Type No. | RECTIFIERS | | DIODES | NOTES |
|----------|---------------------------|---------------------------|--------------|-------------------------|--------|--------------|
| | | | RCA PART No. | SARKES TARZIAN PART No. | | |
| X6 | | | | | | Detector AVC |
| X7 | | | | | | |

ELECTROLYTIC CAPACITORS

| ITEM No. | RATING | | REPLACEMENT DATA | | | | | | |
|----------|--------|-------|--------------------|------------------|---------------------------|---------------------------|------------------|------------------|------------------|
| | CAP. | VOLT. | RIVERSIDE PART No. | AEROVOX PART No. | CORNELL-DUBILIER PART No. | GENERAL ELECTRIC PART No. | MALLORY PART No. | PYRAMID PART No. | SPRAGUE PART No. |
| C1A | 600 | 15 | 20-327 | AFH3-00-95.4 | | | | | TVLS-3026.7* |
| C1B | 300 | 15 | | | | | | | |
| C1C | 100 | 15 | | | | | | | |
| C2 | 25 | 15 | | PTT69 | NLW25-15 | MT1-10 | TT15X25 | MLV25-15 | TE-1157.1 |
| C3 | 5 | 15 | | PTT64 | NLW5-15 | MT1-3 | TT15X5 | MLV5-15 | TE-1152 |

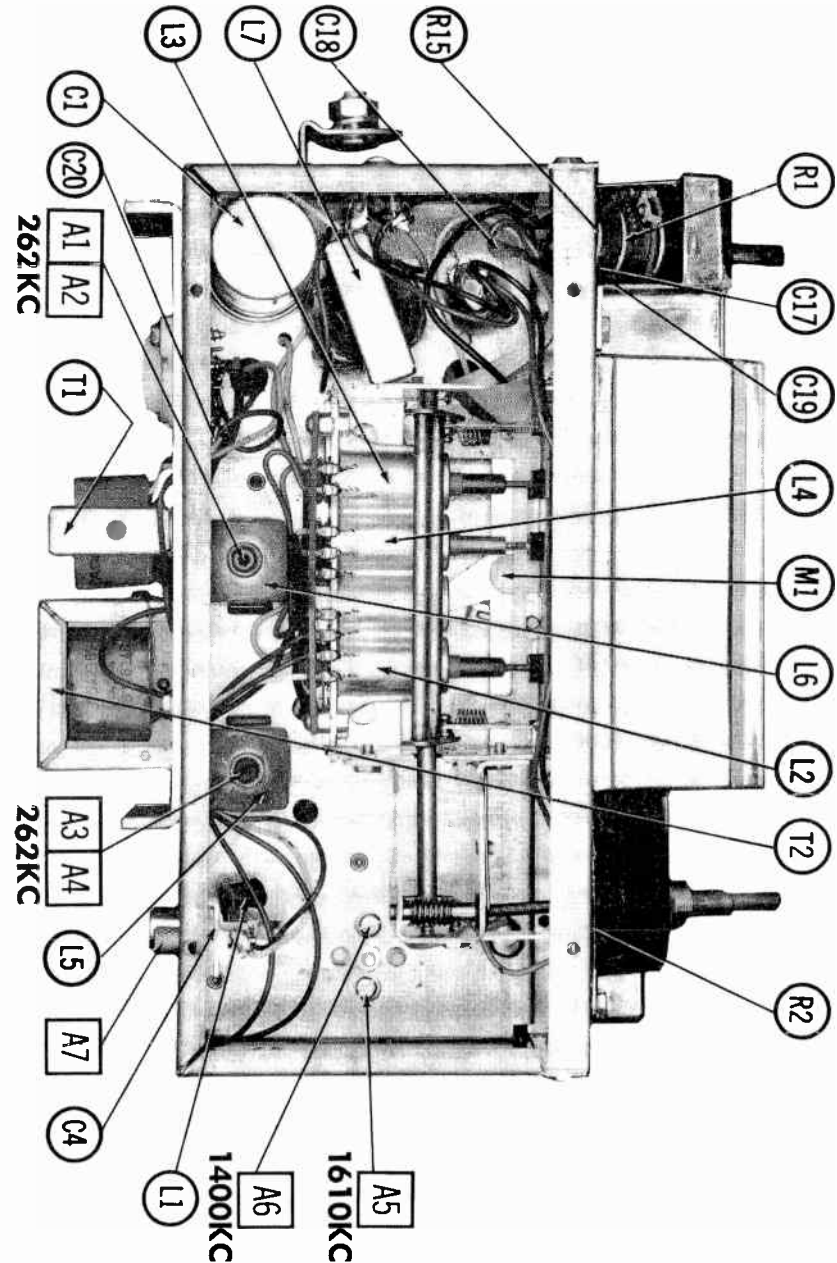
* Not normally in distributor's stock. Available thru distributor on order to manufacturer.

FIXED CAPACITORS

| ITEM No. | RATING | REMARKS | REPLACEMENT DATA | | | | | | |
|----------|---------------|------------|------------------|--------------------|---------------------------|------------------|------------------|------------------|------------|
| | | | AEROVOX PART No. | CENTRALAB PART No. | CORNELL-DUBILIER PART No. | ELMENCO PART No. | MALLORY PART No. | SPRAGUE PART No. | |
| C4 | 30-180 | #28-800-2L | | | | S-425 | | | |
| C5 | .05 100V | | C80V503AM | DD-503 | CUB2S5 | IDP-2-503 | GP-150 | TH-S50 | |
| C6 | .05 100V | #28A1332 | C80V503AM | DD-503 | CUB2S5 | IDP-2-503 | GP-150 | TH-S50 | |
| C7 | 270 10% | | ADM-15-271 | DTZ-270 | L10T27 | CCD-271 | GP-327 | 10TS-T27 | |
| C8A | 250-450 | | | | | | | | |
| C8B | 450-600 | | | | | | | | |
| C9 | .02 | | | T TD-02 | DD-203 | BYB6S2 | CCD-203 | GP-120 | TH-S20 |
| C10 | .005 | | | TTD-005 | DD-502 | CYA10D5 | CCD-502 | GP-250 | TH-D50 |
| C11 | .015 10% 200V | | | BE2S15 | DD-153 | CUB6S15 | 4DP-1-153 | GEM-4115 | 4PS-S15 |
| C12 | 100 N750 | | | N750-D1 100 | DTN-100 | C10T1U | CCTN-101 | CN7-310 | 10TC-U-T10 |
| C13 | .05 100V | | | C80V503AM | DD-503 | CUB2S5 | IDP-2-503 | GP-150 | TH-S50 |
| C14 | .05 100V | | | C80V503AM | DD-503 | CUB2S5 | IDP-2-503 | GP-150 | TH-S50 |
| C15 | .05 100V | | C80V503AM | DD-503 | CUB2S5 | IDP-2-503 | GP-150 | TH-S50 | |
| C16 | 180 10% | | ADM-15-181 | DD-181 | L10T18 | CCD-181 | GP-318 | 10TS-T18 | |
| C17 | .01 | | TTD-01 | DD-103 | BYA10S1 | CCD-103 | GP-110 | TH-S10 | |
| C18 | .22 3V | | | UK-224 | | | | | |
| C19 | .12 10V | | | UK10-104 | | | | TH-P10 | |
| C20 | .047 | | TTD-05 | DD-503 | CUB2S5 | IDP-2-503 | GP-150 | TH-S50 | |

Riverside Part Number.

CHASSIS—TOP VIEW



PARTS LIST AND DESCRIPTION (CONTINUED)

Replacement parts shown may be superseded by the availability of newly introduced replacements.
 Have your local distributor check Sams COUNTER FACTS for the most up-to-date replacement.

CONTROLS

All wattages 1/2 watt, or less, unless otherwise listed.

| ITEM No. | USE | RESISTANCE | REPLACEMENT DATA | | | | |
|----------|----------------------|-------------------|--------------------|--------------------|--------------------|------------------|------------------|
| | | | RIVERSIDE PART No. | CENTRALAB PART No. | CLAROSTAT PART No. | CTS-IRC PART No. | MALLORY PART No. |
| R1A | Tone Volume & Switch | 10K | 80A2204 | | | | |
| B | | 10K | | | | | |
| R2 | Fader | 5000Ω Tap 100Ω | 80A2214 | | | | |

RESISTORS (Power and Special)

| ITEM No. | RATING | REPLACEMENT DATA | | | ITEM No. | RATING | REPLACEMENT DATA | | |
|----------|---------|------------------|------------------|-------------|----------|--------|------------------|------------------|---------|
| | | IRC PART No. | WORKMAN PART No. | REMARKS | | | IRC PART No. | WORKMAN PART No. | REMARKS |
| R20 | 160Ω 5W | | | Temp. Comp. | | | | | |

COILS (RF-IF)

| ITEM No. | USE | REPLACEMENT DATA | | | | | NOTES |
|----------|----------------|--------------------|----------------|-----------------|------------------|------------------|--------------|
| | | RIVERSIDE PART No. | MERIT PART No. | MILLER PART No. | STANCOR PART No. | WORKMAN PART No. | |
| L1 | Choke (6, 2uH) | | | | | | ① Part of M1 |
| L2 | Ant. Coil | | | | | | |
| L3 | RF Coil | | | | | | |
| L4 | Osc. Coil | | | | | | |
| L5 | Input IF | 14-270A | | | | | |
| L6 | Output IF | 14-271A | | | | | |

FILTER CHOKE

| ITEM No. | RATINGS | | | REPLACEMENT DATA | | | | NOTES |
|----------|--------------------|---------|------------------------------|--------------------|----------------|------------------|---------------------|-------|
| | CURRENT (Measured) | DC RES. | INDUCTANCE (0 CURRENT 1000~) | RIVERSIDE PART No. | MERIT PART No. | STANCOR PART No. | THORDARSON PART No. | |
| L7 | .520A | .5Ω | 10MH | 75A1269 | | | | |

TRANSFORMER (DRIVER)

| ITEM No. | TURNS RATIO | | REPLACEMENT DATA | | | | | NOTES |
|----------|-------------|------|------------------|----------|----------|------------|----------|-------|
| | PRI. | SEC. | RIVERSIDE | MERIT | STANCOR | THORDARSON | TRIAD | |
| | | | PART No. | PART No. | PART No. | PART No. | PART No. | |
| T1 | 8 | 1 | 75A1859 | | | | | |

CHOKE AUDIO

| ITEM No. | INDUCTANCE | REPLACEMENT DATA | | | | | NOTES |
|----------|------------|--------------------|----------------|------------------|---------------------|----------------|-------|
| | | RIVERSIDE PART No. | Merit PART No. | Stancor PART No. | Thordarson PART No. | Triad PART No. | |
| T2 | 40MH | 75A2189 | | | | | |

SPEAKER

| ITEM No. | TYPE | | | REPLACEMENT DATA | | NOTES |
|----------|---------|-------|------------|------------------|----------|-------|
| | SIZE | FIELD | V. C. IMP. | RIVERSIDE | QUAM | |
| | | | | PART No. | PART No. | |
| SPI | 4"x 10" | PM | 20Ω | 73B2260 | 410A2220 | |

MISCELLANEOUS

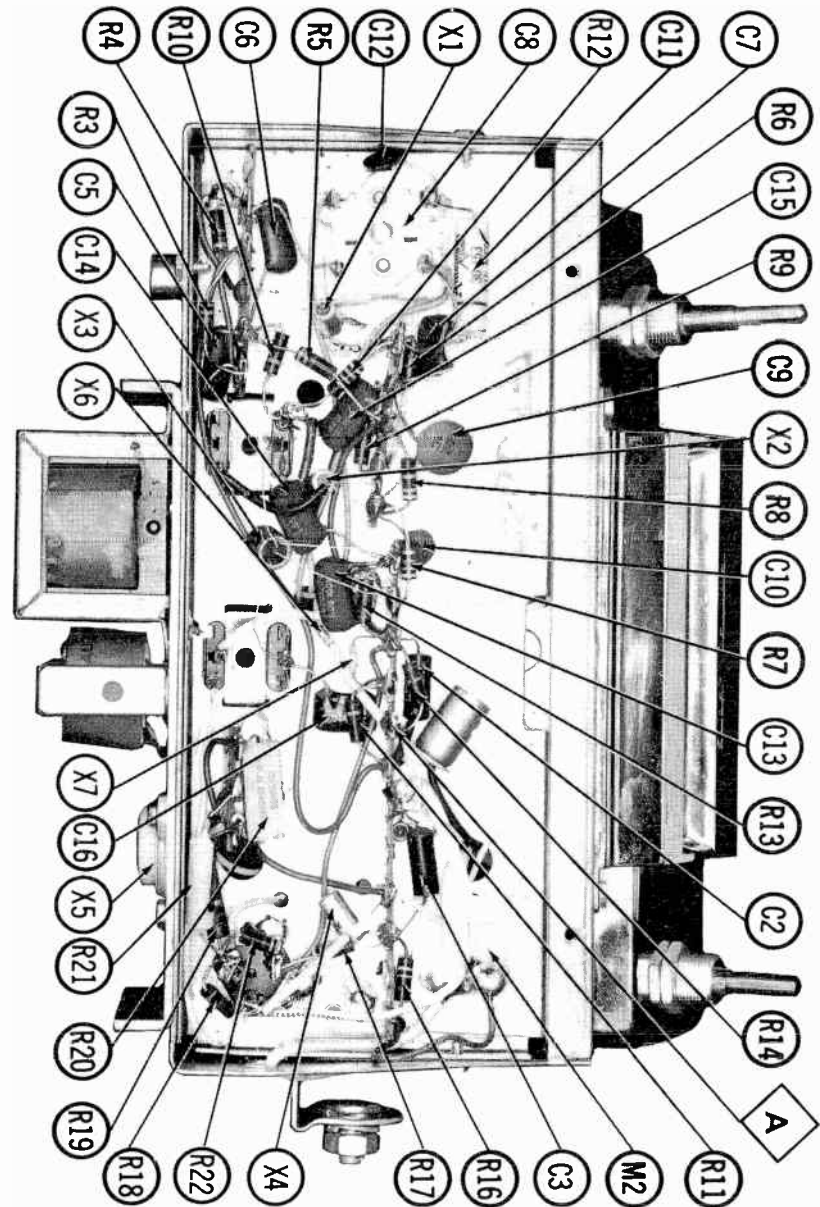
| ITEM No. | PART NAME | RIVERSIDE PART No. | NOTES |
|----------|-------------------|--------------------|-------------|
| M1 | Tuner | 78B2223 | Manual |
| M2 | Tuner Spark Plate | 78B2174 | Push Button |

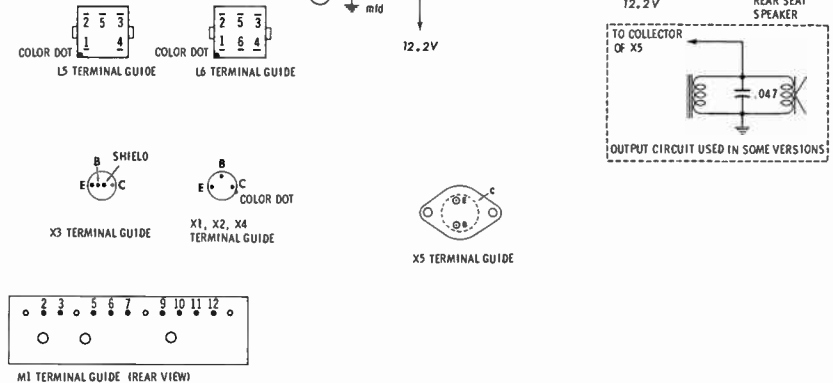
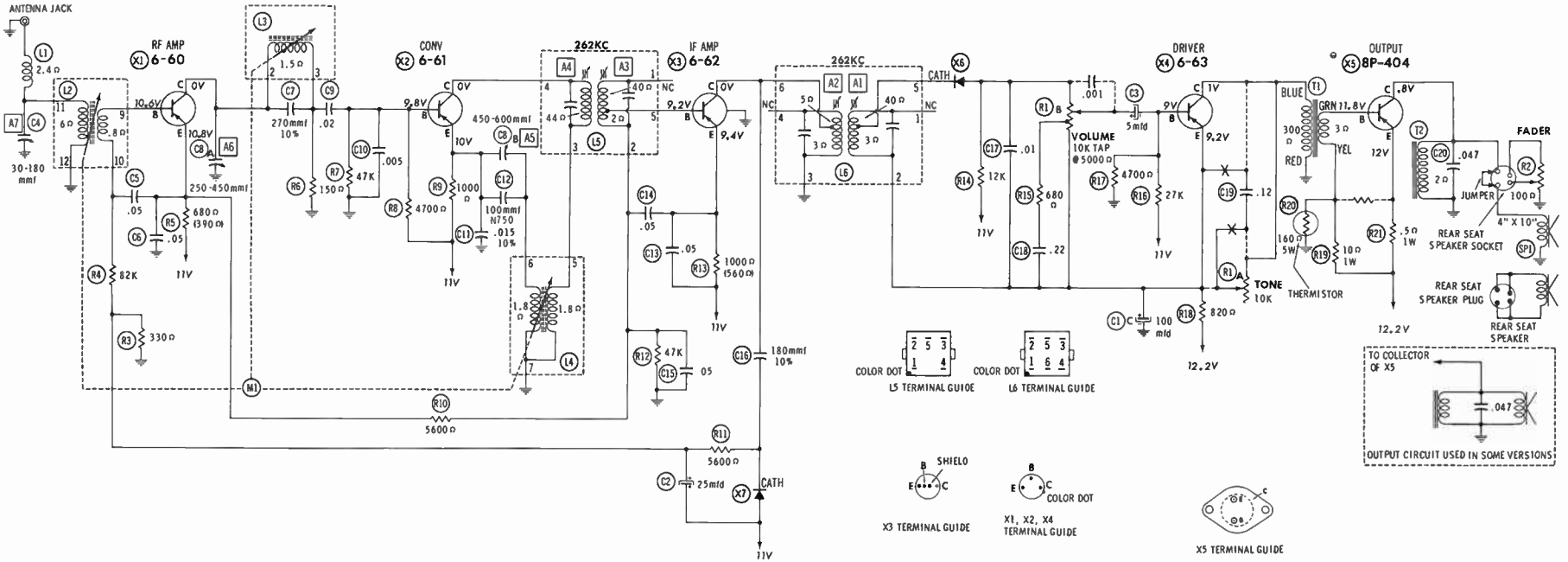
CABINETS & CABINET PARTS

(When Ordering, Specify Model, Chassis & Color)

| NAME | PART No. |
|-------------|----------|
| Knob Tuning | 54A1714 |
| Knob Volume | 54A1735 |

CHASSIS—BOTTOM VIEW





SEE PARTS LIST FOR ALTERNATE VALUE OR APPLICATION

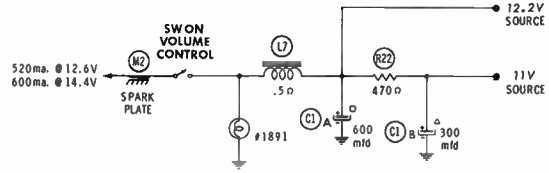
NUMBERS ASSIGNED TO COILS, SWITCHES, PLUGS, SOCKETS, AND TRANSFORMERS ARE TO FACILITATE CIRCUIT TRACING OR COMPONENT REPLACEMENT AND MAY NOT NECESSARILY BE FOUND ON THE UNIT.

RESISTANCE MEASUREMENTS NOT GIVEN BECAUSE OF THE WIDE VARIATION IN INTERNAL TRANSISTOR RESISTANCE.

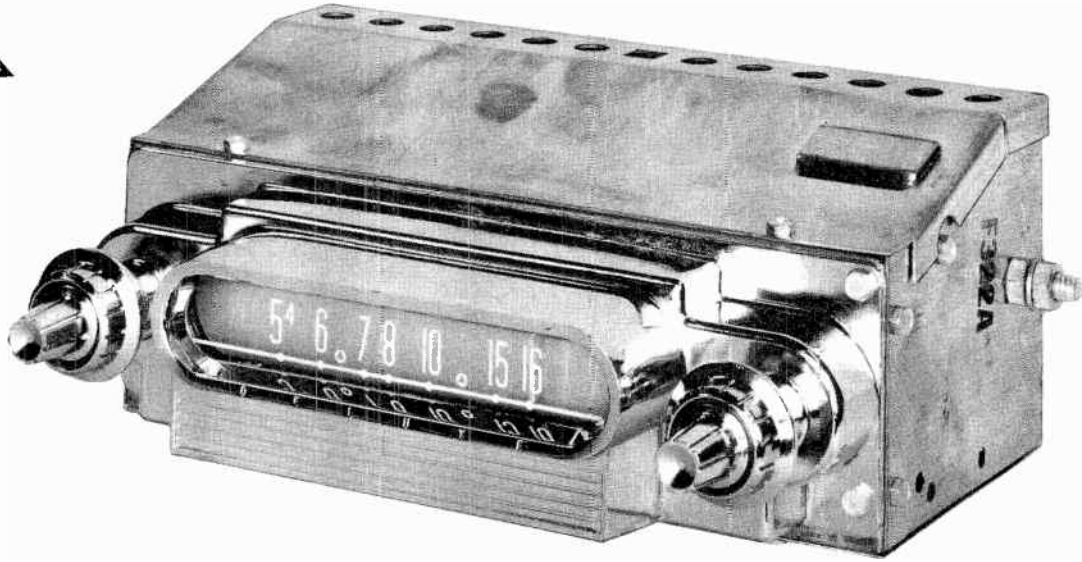
- DC voltage measurements taken with vacuum tube voltmeter.
- Socket connections or transistor terminals are shown as bottom views.
- Measured values are from socket pin or terminal to common ground.
- Nominal tolerance on component values makes possible a variation of $\pm 15\%$ in voltage and resistance readings.

A PHOTOFAC STANDARD NOTATION SCHEMATIC

©Howard W. Sams & Co., Inc. 1963



RIVERSIDE
MODEL FJB-6612 (61-6612)



TRADE NAME Riverside Models FJB-6613, FJB-6613A (For 1960 - 1962 Ford Falcons and Mercury Comets)
 SUPPLIER Montgomery Ward & Co., 619 Chicago Ave., Chicago 7, Illinois
 TYPE SET Battery Operated 4 Tube - 2 Transistor Custom Built AM Automobile Receiver
 POWER SUPPLY 12 Volt Storage Battery
 TUNING RANGE - BROADCAST 535 - 1610KC RATING 1.2 Amp. @ 12.6Volts DC

ALIGNMENT INSTRUCTIONS

Suggested Alignment Tools:
 A1, A2, A3, A4, GENERAL CEMENT #8282, 8606, 8606-L, 9295, 9440
 WALSCO #2526, 2543, 2544, 2545
 A5, A6, A7, GENERAL CEMENT #5004, 5009, 8195, 8274, 8275, 8607, 8728, 8987, 8988, 8989, 9291
 WALSCO #2515, 2520, 2522, 2523, 2531, 2532, 2534, 2537, 2538
 A8, A9, A10, GENERAL CEMENT #8271, 8279, 8897, 9050-L, 9150
 WALSCO #2521, 2524

| | SIGNAL GENERATOR COUPLING | SIGNAL GENERATOR FREQUENCY | RADIO DIAL SETTING | INDICATOR | ADJUST | REMARKS |
|----|---|----------------------------|--------------------|--------------------------------|----------------|--------------------------------|
| 1. | High side thru .1mfd to pin 7 of V2; low side to chassis. | 455KC (Unmod.) | 1610KC | DC VTVM across volume control. | A1, A2, A3, A4 | Adjust for maximum deflection. |
| 2. | " | 1610KC | 1610KC | " | A5, A6, A7 | " |

Step 3 is not necessary unless tuner has been tampered with or associated components have been replaced. If necessary, back tuning cores (A8, A9, A10) out of coils but not out of coil forms. Repeat step #2.

| | | | | | | |
|----|--|--------|--------|---|-------------|---|
| 3. | Thru dummy (Fig. 1) to antenna receptacle. | 1000KC | 1000KC | " | A8, A9, A10 | Adjust for maximum deflection. Repeat step 2. |
|----|--|--------|--------|---|-------------|---|

With radio installed in car and antenna fully extended, tune in a weak station near 1600KC and adjust A7 for maximum output.

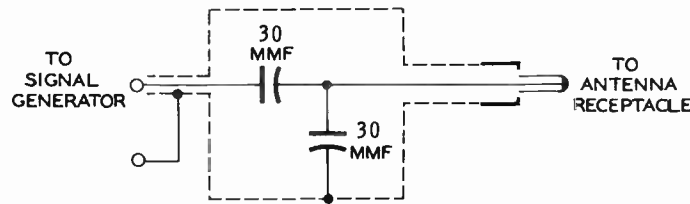


FIG. 1

HOWARD W. SAMS & CO., INC. Indianapolis 6, Indiana

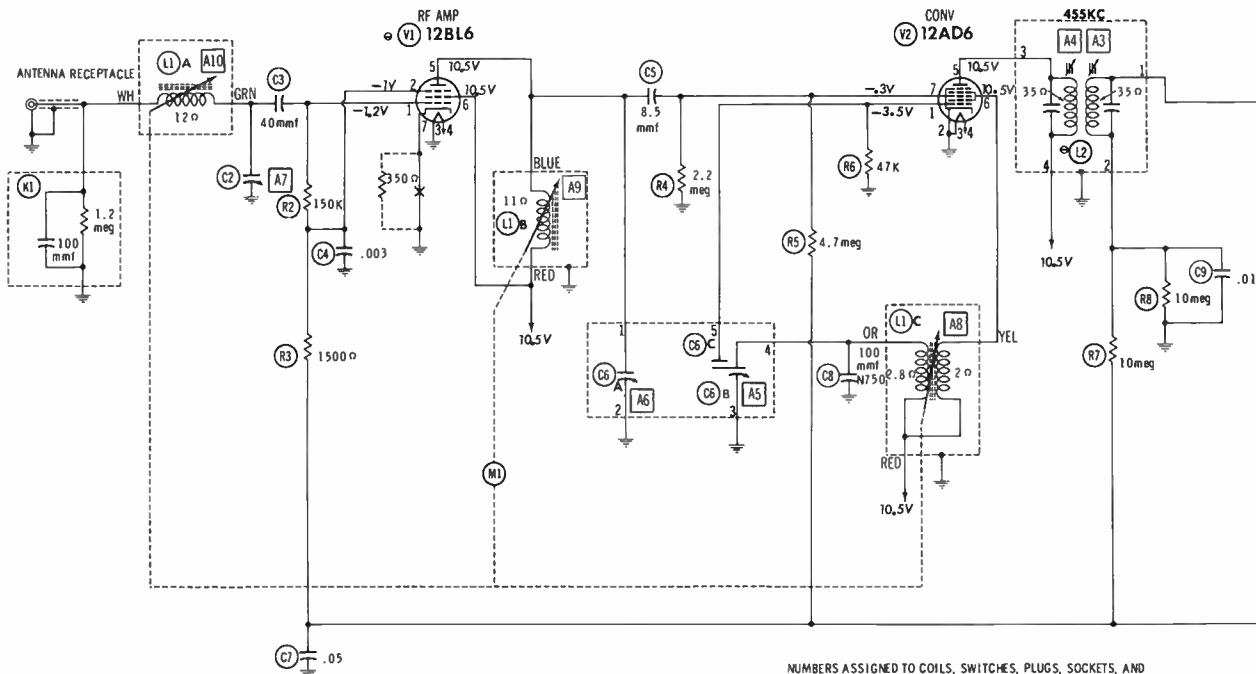


The listing of any available replacement part herein does not constitute in any case a recommendation, warranty or guaranty by Howard W. Sams & Co., Inc., as to the quality and suitability of such replacement part. The numbers of these parts have been compiled from information furnished to Howard W. Sams & Co., Inc., by the manufacturers of the particular type of replacement LD855

part listed. Reproduction or use, without express permission, of editorial or pictorial content, in any manner, is prohibited. No patent liability is assumed with respect to the use of the information contained herein. ©1963 Howard W. Sams & Co., Inc., Indianapolis 6, Indiana.

Printed in U.S. of America

RIVERSIDE MODELS
FJB-6613, FJB-6613A



NUMBERS ASSIGNED TO COILS, SWITCHES, PLUGS, SOCKETS, AND TRANSFORMERS ARE TO FACILITATE CIRCUIT TRACING OR COMPONENT REPLACEMENT AND MAY NOT NECESSARILY BE FOUND ON THE UNIT.

RESISTANCE READINGS

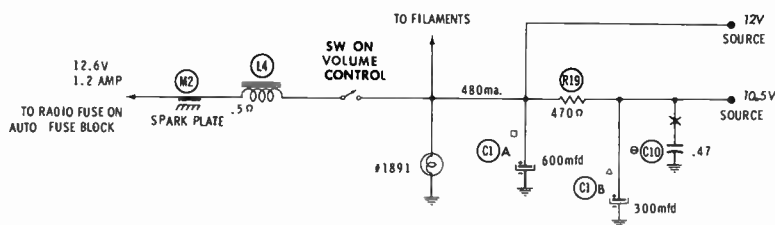
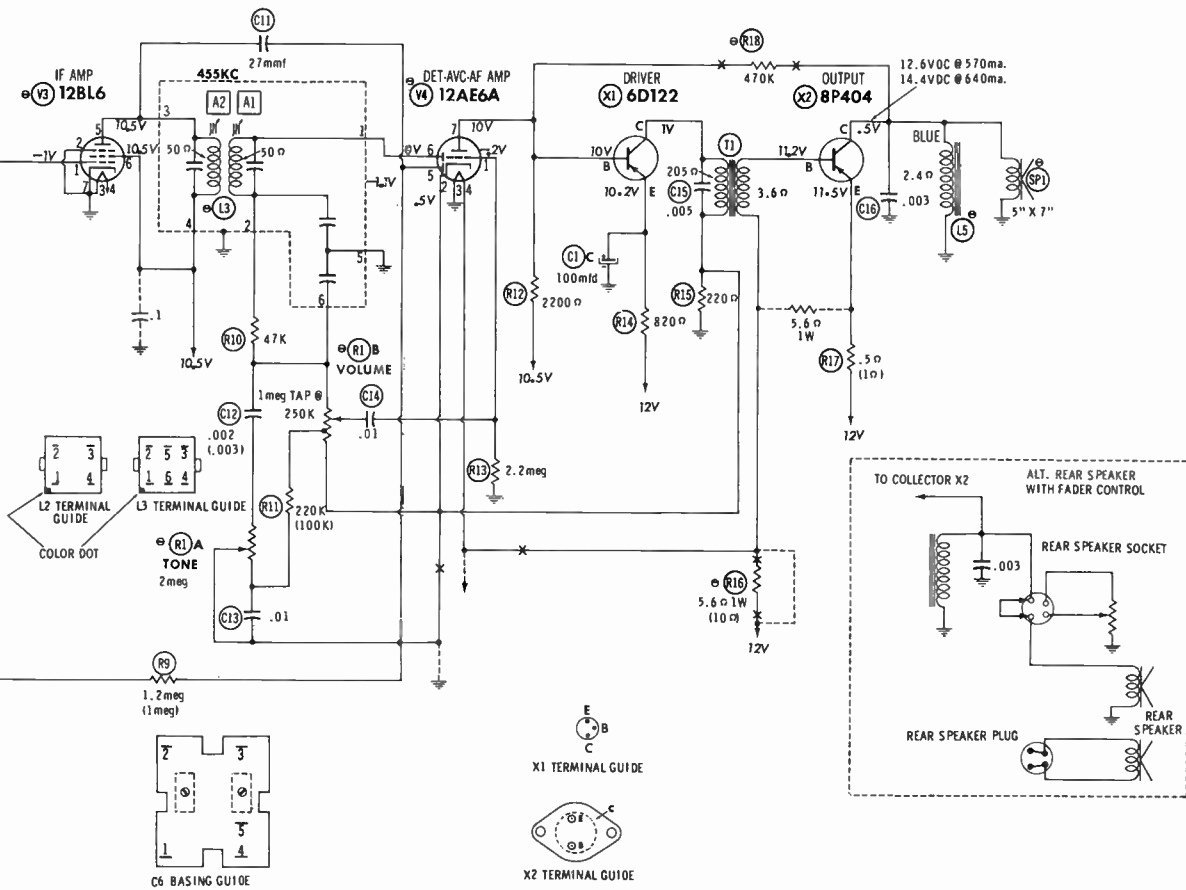
| ITEM | TUBE | Pin 1 | Pin 2 | Pin 3 | Pin 4 | Pin 5 | Pin 6 | Pin 7 |
|------|--------|---------|----------|-------|-------|-----------|-----------|------------|
| V1 | 12B16 | 5 meg | 5 meg | FIL | FIL | 1470 ohms | 1470 ohms | 0 ohms |
| V2 | 12AD6 | 47K | 0 ohms | FIL | FIL | 1500 ohms | 1470 ohms | 1.9 meg |
| V3 | 12B16 | 6.2 meg | 0 ohms | FIL | FIL | 1520 ohms | 1470 ohms | 0 ohms |
| V4 | 12EA6A | 2.2 meg | 175 ohms | FIL | FIL | 6 meg | 1.1 meg | 12700 ohms |

† MEASURED FROM 12.6VDC SOURCE
RESISTANCE MEASUREMENTS NOT GIVEN FOR X1, X2 BECAUSE OF THE WIDE VARIATION IN INTERNAL TRANSISTOR RESISTANCE.

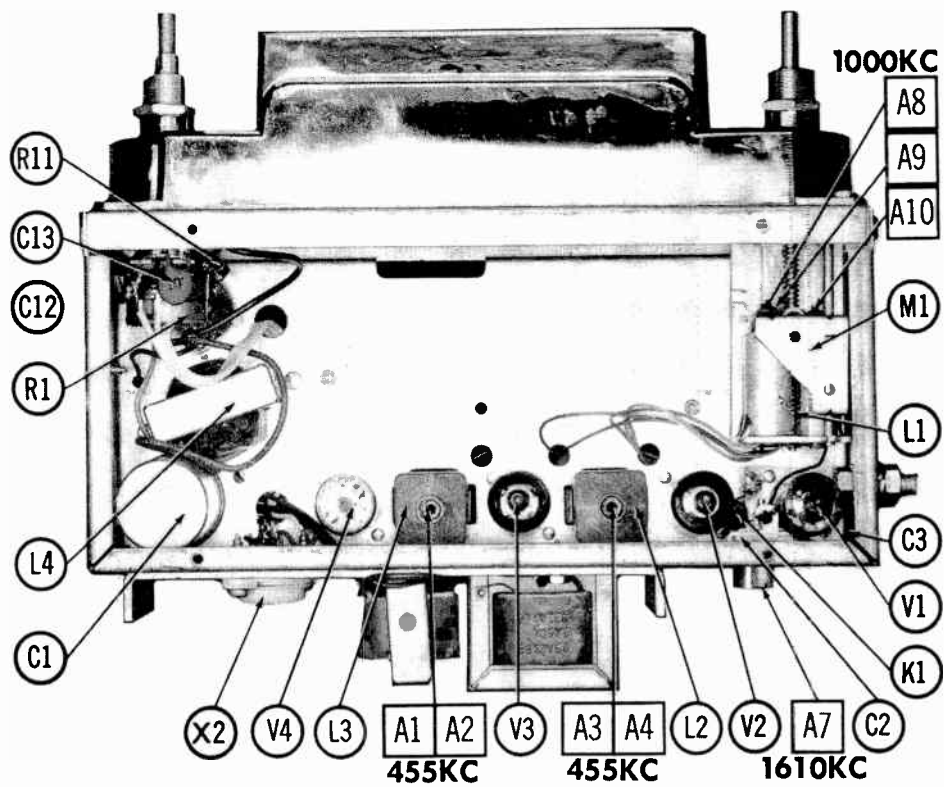
SEE PARTS LIST FOR ALTERNATE VALUE OR APPLICATION

1. DC voltage measurements taken with vacuum tube voltmeter.
2. Socket connections shown as bottom views.
3. Measured values are from socket pin to common ground.
4. Battery voltage maintained at 12.6 volts for voltage readings.
5. Nominal tolerance on component values makes possible a variation of ±15% in voltage and resistance readings.
6. Volume control at maximum, no signal applied for voltage measurements.

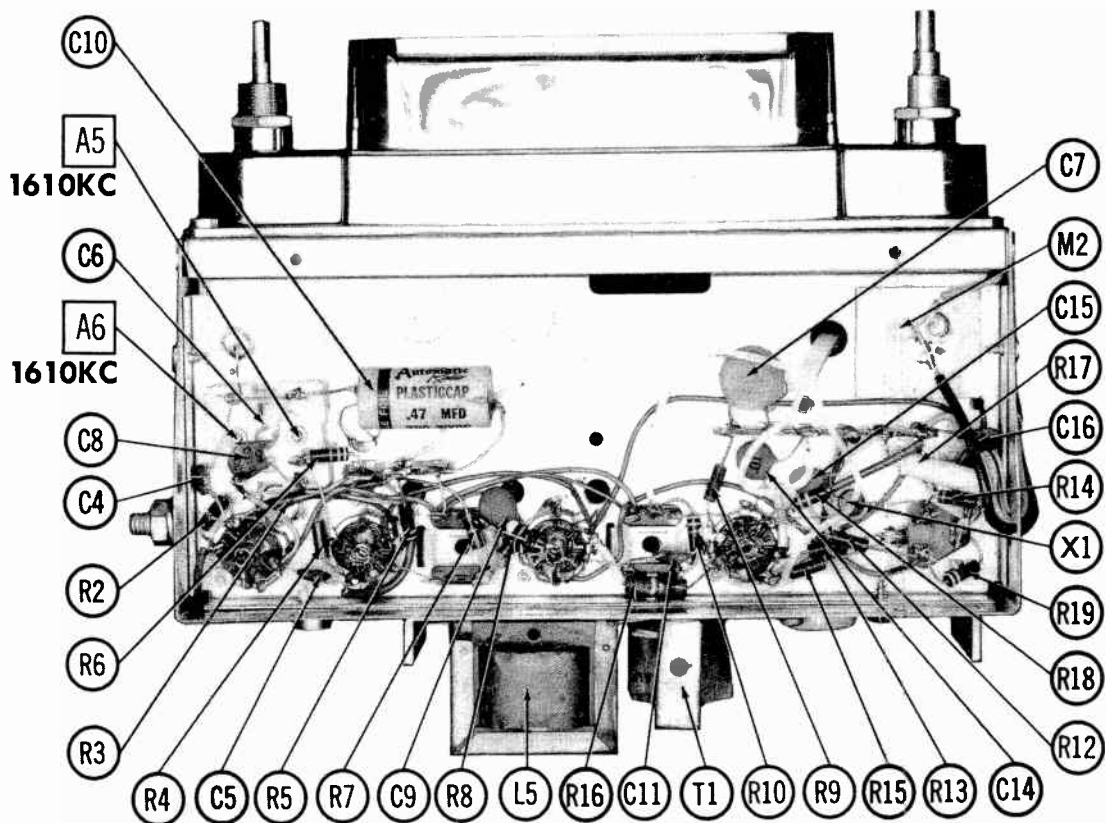
A PHOTOFAC STANDARD NOTATION SCHEMATIC
©Howard W. Sams & Co., Inc. 1963



RIVERSIDE MODELS
FJB-6613, FJB-6613A



CHASSIS - TOP VIEW



CHASSIS - BOTTOM VIEW

PARTS LIST AND DESCRIPTION

Replacement parts shown may be superseded by the availability of newly introduced replacements.

Have your local distributor check Sams COUNTER FACTS for the most up-to-date replacement.

TUBES

| * AMPEREX | | * GENERAL ELECTRIC | | * RCA | | * RAYTHEON | | * SYLVANIA | |
|-----------|--------------|--------------------|--|----------|-------------------|-----------------------|--|------------|--|
| ITEM No. | USE | TYPE | | ITEM No. | USE | TYPE | | | |
| V1 | RF Amplifier | 12BL6 (12AF6)* | | V3 | IF Amplifier | 12BL6 (12EK6, 12AF6)* | | | |
| V2 | Converter | 12AD6 | | V4 | Det. -AVC-AF Amp. | 12AE6A (12FM6)* | | | |

* Alternate.

TRANSISTORS

| ITEM No. | ORIG. TYPE | USE | REPLACEMENT DATA | | | NOTES |
|----------|------------|--------|------------------|---------------------------|--------------|--------------|
| | | | DELCO PART No. | GENERAL ELECTRIC PART No. | RCA PART No. | |
| X1 | 6D122 | Driver | DS28 | GE-2 | 2N591 | PNP |
| X2 | 8P404 | Output | DS503 | GE-3 | 2N301 | PNP (Note 1) |

Note 1. When replacing, apply silicone grease between transistor and heat sink. Tighten mounting screws securely.

ELECTROLYTIC CAPACITORS

| ITEM No. | RATING | | REPLACEMENT DATA | | | | | | |
|----------|--------|-------|--------------------|------------------|---------------------------|---------------------------|------------------|------------------|------------------|
| | CAP. | VOLT. | Riverside PART No. | AEROVOX PART No. | CORNELL-DUBILIER PART No. | GENERAL ELECTRIC PART No. | MALLORY PART No. | PYRAMID PART No. | SPRAGUE PART No. |
| C1A | 600 | 15 | 20-327 | | | | | | PCL5-3028.10* |
| B | 300 | 15 | | | | | | | |
| C | 100 | 15 | | | | | | | |

* Not normally in distributor's stock. Available thru distributor on order to manufacturer.

FIXED CAPACITORS

| ITEM No. | RATING | REMARKS | REPLACEMENT DATA | | | | | | |
|----------|----------|------------|------------------|--------------------|---------------------------|------------------|------------------|------------------|--|
| | | | AEROVOX PART No. | CENTRALAB PART No. | CORNELL-DUBILIER PART No. | ELMENCO PART No. | MALLORY PART No. | SPRAGUE PART No. | |
| C2 | | #28-800-2L | | | | | | | |
| C3 | 40 | } #28-4046 | D1-39 | DD-390 | L10Q39 | CCD-390 | GP439 | 10TS-Q39 | |
| C4 | .003 | | D1-3000 | DD-302 | BYA10D3 | CCD-302 | GP230 | 10TS-D30 | |
| C5 | 8.5 | | | | | | | | |
| C6A | | } #28-4046 | | | | | | | |
| B | | | | | | | | | |
| C | | | | | | | | | |
| C7 | .05 | } Note 1 | T1D-05 | DDA-503 | CUB285 | 6CP-4-503 | BT-150 | TH-S50 | |
| C8 | 100 N750 | | N750-D1100 | DTN-100 | C10T1U | CCTN-101 | CN7-310 | 10TCU-T10 | |
| C9 | .01 | | BPD-01 | DD-103 | BYA10S1 | CCD-103 | B-110 | 5HK-S10 | |
| C10 | .47 200V | } Note 1 | P288N-47 | | CUB2P47 | 2CP-6-474 | GEM-2047 | 2TM-P47 | |
| C11 | 27 | | DI-27 | DD-270 | L10Q27 | CCD-270 | GP427 | 10TS-Q27 | |

FIXED CAPACITORS (cont)

| ITEM No. | RATING | REMARKS | REPLACEMENT DATA | | | | | |
|----------|--------|----------|------------------|--------------------|---------------------------|------------------|------------------|------------------|
| | | | AEROVOX PART No. | CENTRALAB PART No. | CORNELL-DUBILIER PART No. | ELMENCO PART No. | MALLORY PART No. | SPRAGUE PART No. |
| C12 | .002 | (.003) † | BPD-002 | DD-202 | BYA10D2 | CCD-202 | B-220 | 5HK-D20 |
| C13 | .01 | | BPD-01 | DD-103 | BYA10S1 | CCD-103 | B-110 | 5HK-S10 |
| C14 | .01 | | BPD-01 | DD-103 | BYA10S1 | CCD-103 | B-110 | 5HK-S10 |
| C15 | .005 | | BPD-005 | DD-502 | BYA10D5 | CCD-502 | B-250 | 5HK-D50 |
| C16 | .003 | | DI-3000 | DD-302 | BYA10D3 | CCD-302 | GP230 | 10TS-D30 |
| | | | | | | | | |

Riverside Part Number.

† Alternate Value.

Note 1. Not used in some versions.

CONTROLS

All wattages 1/2 watt, or less, unless otherwise listed.

| ITEM No. | USE | RESISTANCE | REPLACEMENT DATA | | | | |
|----------|-----------------|---------------------------|--------------------|--|---|------------------|------------------|
| | | | Riverside PART No. | CENTRALAB PART No. | CLAROSTAT PART No. | CTS-IRC PART No. | MALLORY PART No. |
| R1A | Tone | 2meg 1meg, 250K Tap | 80A2268 ① | F2-2meg, FFS113, R14-1meg, RFS204, AK-28, KR-4 | P-2meg-Z, CPI13, RFI-1meg, † CSR-205, XB-1, SWE-13 | † QJ-1566A | |
| B | Volume & Switch | | | | | | |

① Part #80A1420 used in Model FJB-6613A

† "CONCENTRIKIT" Equivalent: K-8 Kit with Base Elements and Shafts:

B13-139, P17-123 (Panel)

B13-137X, R9-202, 76-1, S42 (Rear)

"SNAPTROL" Equivalent: BU10*, CF27, SF15, CR32T, SR50, GC

* Cut 11/16" from bushing.

RESISTORS

All wattages 1/2 watt, or less, unless otherwise listed.

| ITEM No. | RATING | REPLACEMENT DATA | | | ITEM No. | RATING | REPLACEMENT DATA | | |
|----------|--------|------------------|------------------|---------|----------|---------|------------------|------------------|----------|
| | | IRC PART No. | WORKMAN PART No. | REMARKS | | | IRC PART No. | WORKMAN PART No. | REMARKS |
| R2 | 150K | | | | R11 | 220K | | | (100K) † |
| R3 | 1500Ω | | | | R12 | 2200Ω | | | |
| R4 | 2.2meg | | | | R13 | 2.2meg | | | |
| R5 | 4.7meg | | | | R14 | 820Ω | | | |
| R6 | 47K | | | | R15 | 220Ω | | | |
| R7 | 10meg | | | | R16 | 5.60 1W | | | (100)† ① |
| R8 | 10meg | | | | R17 | .5Ω | | | (1Ω) † |
| R9 | 1.2meg | | | | R18 | 470K | | | Note 1 |
| R10 | 47K | | | | R19 | 470Ω | | | |

① Not used in some versions. † Alternate Value.

PARTS LIST AND DESCRIPTION (CONTINUED)

Replacement parts shown may be superseded by the availability of newly introduced replacements.
Have your local distributor check Sams COUNTER FACTS for the most up-to-date replacement.

COILS (RF-IF)

| ITEM No. | USE | REPLACEMENT DATA | | | | | NOTES |
|-------------------|--------------|--------------------|----------------|-----------------|------------------|------------------|-------|
| | | Riverside PART No. | Merit PART No. | Miller PART No. | Stancor PART No. | Workman PART No. | |
| L1A L1B L1C | Ant. RF Osc. | | | | | | |
| L2 | Input IF | 14-265 ① | BC-350 | 6584 | RTC-8638 | T804 | |
| L3 | Output IF | 14-267 ① | BC-354 | 6585 | RTC-8640 | T806 | |

① Part #14-1655-6 used in Model FJB-6613A

FILTER CHOKE

| ITEM No. | RATINGS | | | REPLACEMENT DATA | | | | | NOTES |
|----------|--------------------|---------|------------------------------|--------------------|----------------|------------------|---------------------|----------------|-------|
| | CURRENT (Measured) | DC RES. | INDUCTANCE (0 CURRENT 1000~) | Riverside PART No. | MERIT PART No. | STANCOR PART No. | THORDARSON PART No. | TRIAD PART No. | |
| L4 | .48A | .5Ω | .0014 HY | 75A1269 | | | | | |

CHOKE (AUDIO)

| ITEM No. | RATINGS | | | REPLACEMENT DATA | | | | | NOTES |
|----------|--------------------|---------|------------------------------|--------------------|----------------|------------------|---------------------|----------------|--------------------------------|
| | CURRENT (Measured) | DC RES. | INDUCTANCE (0 CURRENT 1000~) | Riverside PART No. | MERIT PART No. | STANCOR PART No. | THORDARSON PART No. | TRIAD PART No. | |
| L5 | .56A | 2.4Ω | .027MH | 75A2189 ① | | | | | ① Used in Model FJB-6613 only. |

TRANSFORMER (DRIVER)

| ITEM No. | TURNS RATIO | | REPLACEMENT DATA | | | | | NOTES |
|----------|-------------|------|--------------------|----------------|------------------|---------------------|----------------|-------|
| | | | Riverside PART No. | MERIT PART No. | STANCOR PART No. | THORDARSON PART No. | TRIAD PART No. | |
| | PRI. | SEC. | | | | | | |
| T1 | 8 | 1 | 75A1859 | | | TR-185 | | |

TRANSFORMER (AUDIO OUTPUT)

| ITEM No. | IMPEDANCE | REPLACEMENT DATA | | | | | NOTES |
|----------|----------------|--------------------|----------------|------------------|---------------------|----------------|---------------------------|
| | | Riverside PART No. | Merit PART No. | Stancor PART No. | Thordarson PART No. | Triad PART No. | |
| | PRI. | | | | | | |
| | 14Ω Tap @ 3-4Ω | 75A1860 ① | | | | | ① Used in Model FJB-6613A |

SPEAKER

| ITEM No. | TYPE | | | REPLACEMENT DATA | | NOTES |
|----------|--------|-------|------------|--------------------|---------------|-----------------------------------|
| | | | | Riverside PART No. | QUAM PART No. | |
| | SIZE | FIELD | V. C. IMP. | | | |
| SP1 | 5"x 7" | PM | 20Ω | 73B2210 | 57A21220 | Model FJB-6613 Model FJB-6613A |
| | 5"x 7" | PM | 3-4Ω | 73B854 | | |

COMPONENT COMBINATIONS

| ITEM No. | USE | DESCRIPTION | Riverside PART No. | REPLACEMENT DATA |
|----------|--------------|-----------------|--------------------|------------------|
| KL | Ant. Network | 100mmf, 1.2 meg | 89-4204 | Sprague PRC-9 |

MISCELLANEOUS

| ITEM No. | PART NAME | Riverside PART No. | NOTES |
|----------|---------------------------|--------------------|-----------------|
| M1 | Tuner, Manual | 78A2298 | Model FJB-6613 |
| M2 | Tuner, Manual Spark Plate | 78A1471 | Model FJB-6613A |

CABINETS & CABINET PARTS

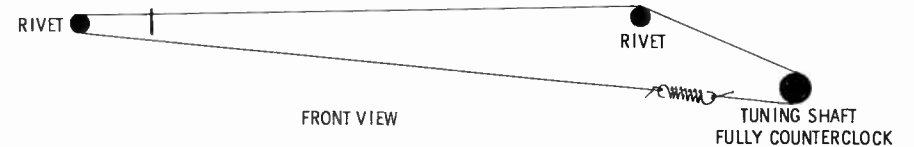
(When Ordering Cabinets & Cabinet Parts, Specify Model, Chassis & Color)

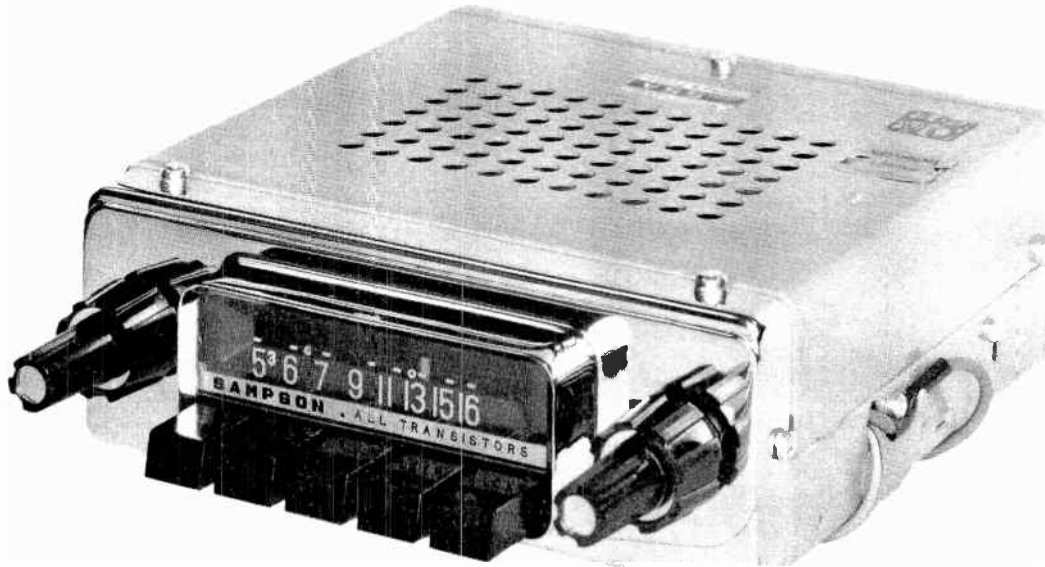
| NAME | PART NO. | DESCRIPTION |
|------------|------------|----------------------------------|
| Knob | 47-52W | Tuning (Falcon), Model FJB-6613 |
| Knob | 47-51W | Tuning (Falcon), Model FJB-6613A |
| Knob | 48-A1522 | Tone |
| Knob | 48-A1522-1 | Dummy |
| Knob | 48A2225 | Tuning (Comet), Model FJB-6613 |
| Knob | 48A1657 | Tuning (Comet), Model FJB-6613A |
| Escutcheon | 54C1355-B | Model FJB-6613 |
| Escutcheon | 54C1355-1 | Model FJB-6613A |

WIRING DATA

| | |
|---|--|
| General-use Unshielded Hook-up Wire | Use BELDEN No. 8530 (Solid) Available in 12 Colors 8524 (Stranded) Available in 12 Colors |
| Shielded Hook-up Wire | Use BELDEN No. 8885 |
| Rear Seat Speaker Extension Cable | Use BELDEN No. 8782 (Stranded) Coded Parallel Leads |
| Bonding Strap | Use BELDEN No. 8661 (3/8 In.) or 8670 (3/4 In.) |

DIAL CORD STRINGING





SAMPSON
MODEL 55A

TRADE NAME Sampson Model 55A
 SUPPLIER The Sampson Co., 2244 S. Western Ave., Chicago 8, Illinois
 TYPE SET Battery Operated 6 Transistor AM Automobile Receiver
 POWER SUPPLY 6 (or) 12 Volt Storage Battery RATING .9A @ 6.3 Volts DC
 TUNING RANGE - BROADCAST 540 - 1620KC .48A @ 12.6 Volts DC

ALIGNMENT INSTRUCTIONS

ALIGNMENT INSTRUCTIONS—READ CAREFULLY BEFORE ATTEMPTING ALIGNMENT

Use only enough generator output to provide a usable indication.
 Suggested Alignment Tools:

A1 thru A8....GENERAL CEMENT #5066, 9087, 5000

| | SIGNAL GENERATOR COUPLING | SIGNAL GENERATOR FREQUENCY | RADIO DIAL SETTING | INDICATOR | ADJUST | REMARKS |
|----|--|----------------------------|--------------------|-----------------------------|----------------|--------------------------------------|
| 1. | High side to antenna terminal, common to ground. | 455KC (Unmod.) | 1620KC | VTVM across volume control. | A1, A2, A3, A4 | Adjust for maximum output. |
| 2. | " | 1620KC | " | " | A5 | " |
| 3. | " | 600KC | 600KC | " | A6 | " |
| 4. | " | 1400KC | 1400KC | " | A7 | " |
| 5. | | | Near 1000KC | | A8 | Connect antenna. Adjust for maximum. |

PUSH-BUTTON ADJUSTMENT

1. Pull button out.
2. Tune manually to desired station.
3. Press button in firmly.
4. Repeat for remaining buttons.

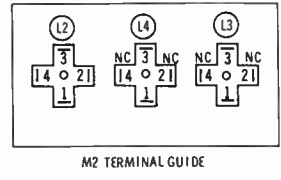
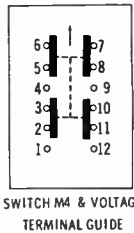
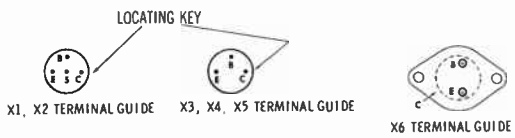
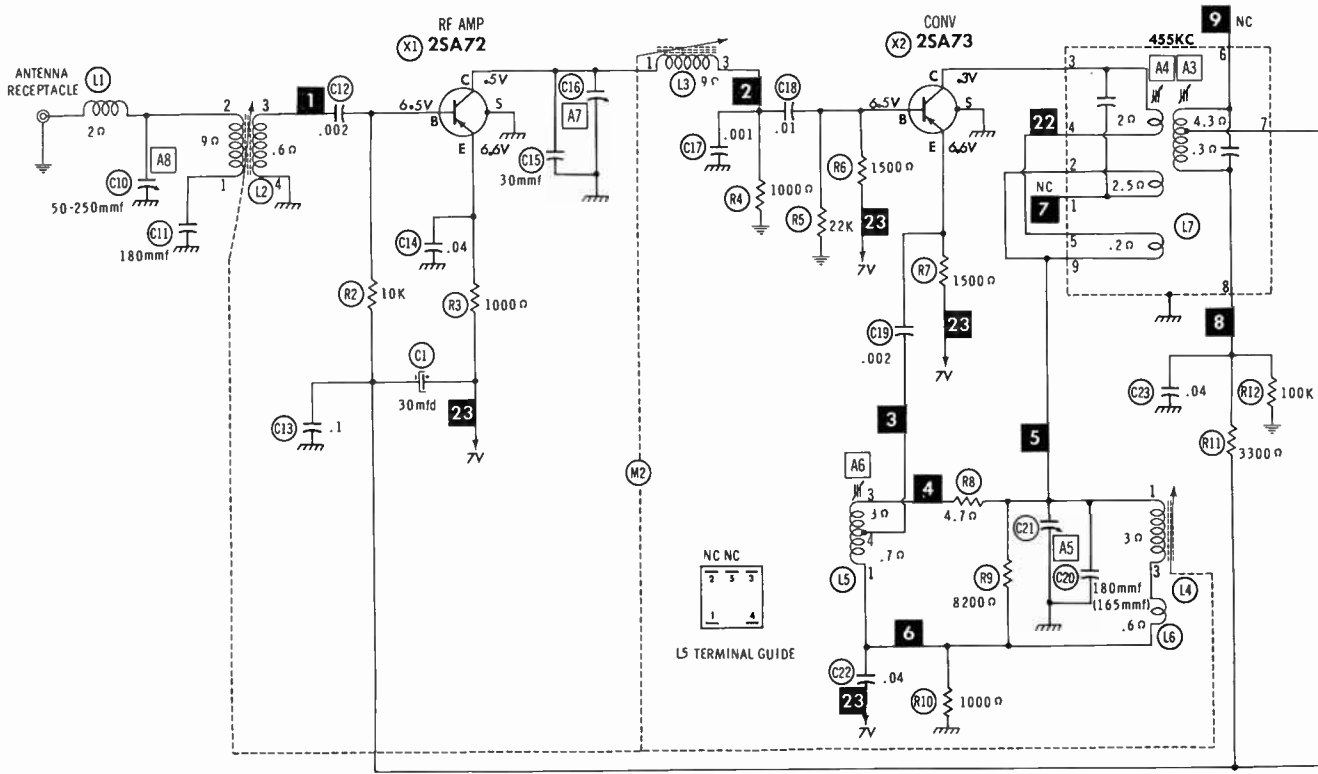
HOWARD W. SAMS & CO., INC. Indianapolis 6, Indiana



The listing of any available replacement part herein does not constitute in any case a recommendation, warranty or guaranty by Howard W. Sams & Co., Inc., as to the quality and suitability of such replacement part. The numbers of these parts have been compiled from information furnished to Howard W. Sams & Co., Inc., by the manufacturers of the particular type of replacement LD853

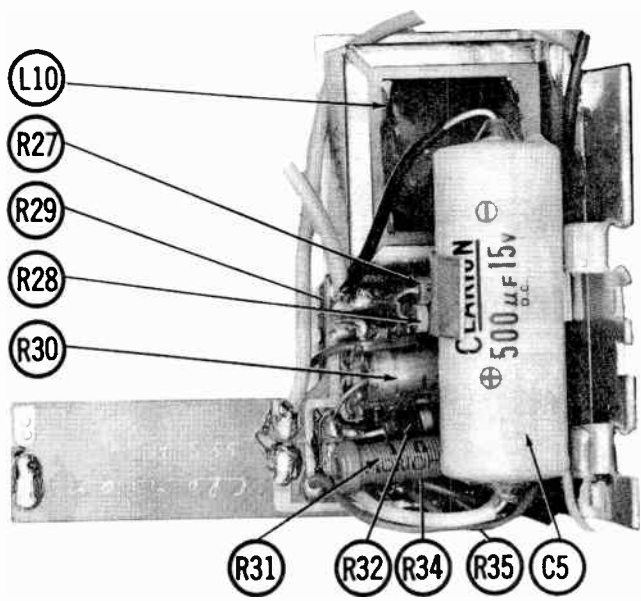
part listed. Reproduction or use, without express permission, of editorial or pictorial content, in any manner, is prohibited. No patent liability is assumed with respect to the use of the information contained herein. ©1963 Howard W. Sams & Co., Inc., Indianapolis 6, Indiana.

Printed in U.S. of America

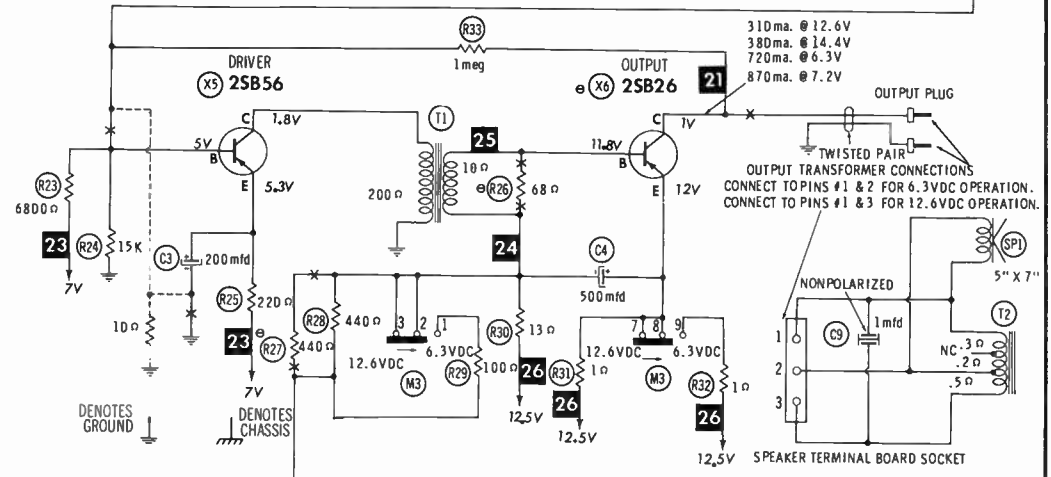
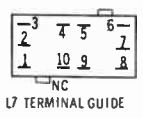
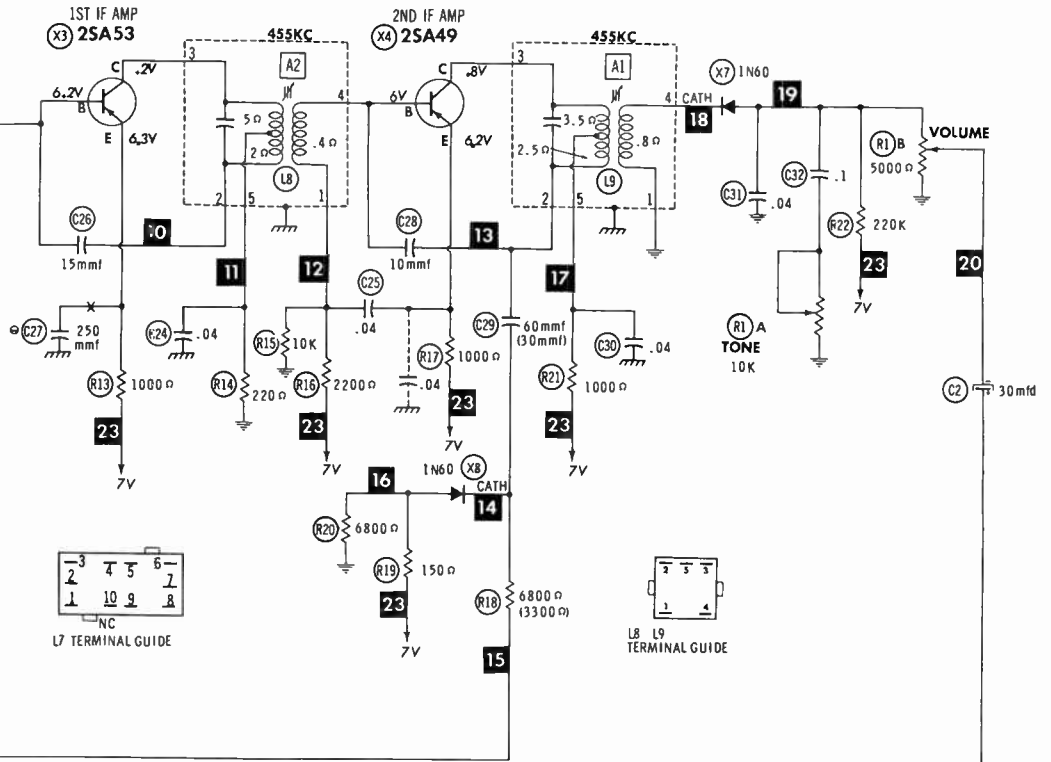


RESISTANCE MEASUREMENTS NOT GIVEN BECAUSE OF THE WIDE VARIATION IN INTERNAL TRANSISTOR RESISTANCE.

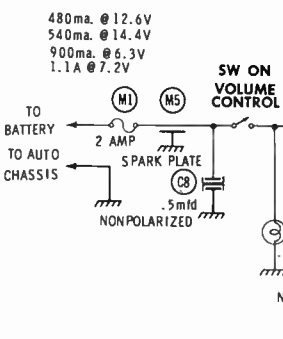
POLARITY SWITCH M4 & VOLTAGE SELECTOR M3
TERMINAL GUIDE



VOLTAGE POLARITY SELECTOR SUBCHASSIS



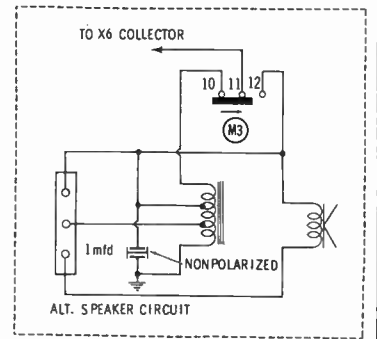
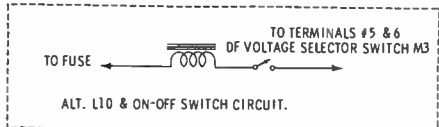
OUTPUT TRANSFORMER CONNECTIONS
CONNECT TO PINS #1 & 2 FOR 6.3VDC OPERATION.
CONNECT TO PINS #1 & 3 FOR 12.6VDC OPERATION.



1. DC voltage measurements taken with vacuum tube voltmeter.
2. Socket connections or transistor terminals are shown as bottom views.
3. Measured values are from socket pin or terminal to common ground.
4. Nominal tolerance on component values makes possible a variation of +15% in voltage and resistance readings.
5. Volume control at maximum, no signal applied for voltage measurements.

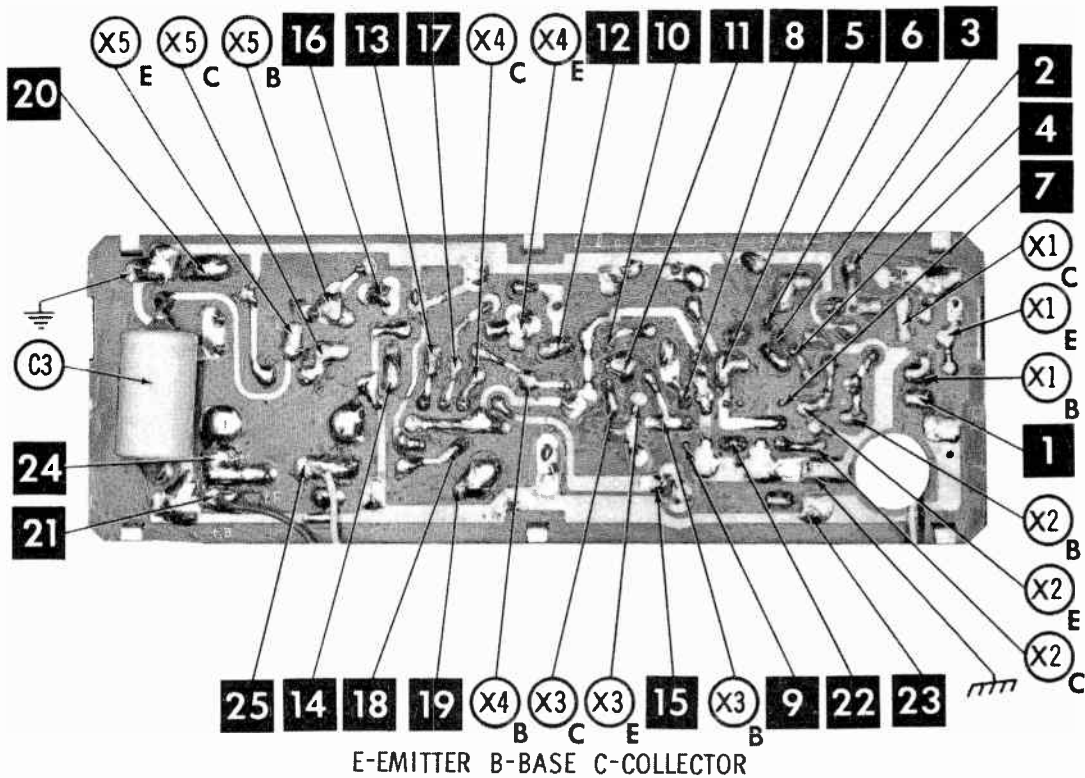
A PHOTOFACT STANDARD NOTATION SCHEMATIC
with **Circuitrace**
©Howard W. Sams & Co., Inc. 1963

NUMBERS ASSIGNED TO COILS, SWITCHES, PLUGS, SOCKETS, AND TRANSFORMERS ARE TO FACILITATE CIRCUIT TRACING OR COMPONENT REPLACEMENT AND MAY NOT NECESSARILY BE FOUND ON THE UNIT.



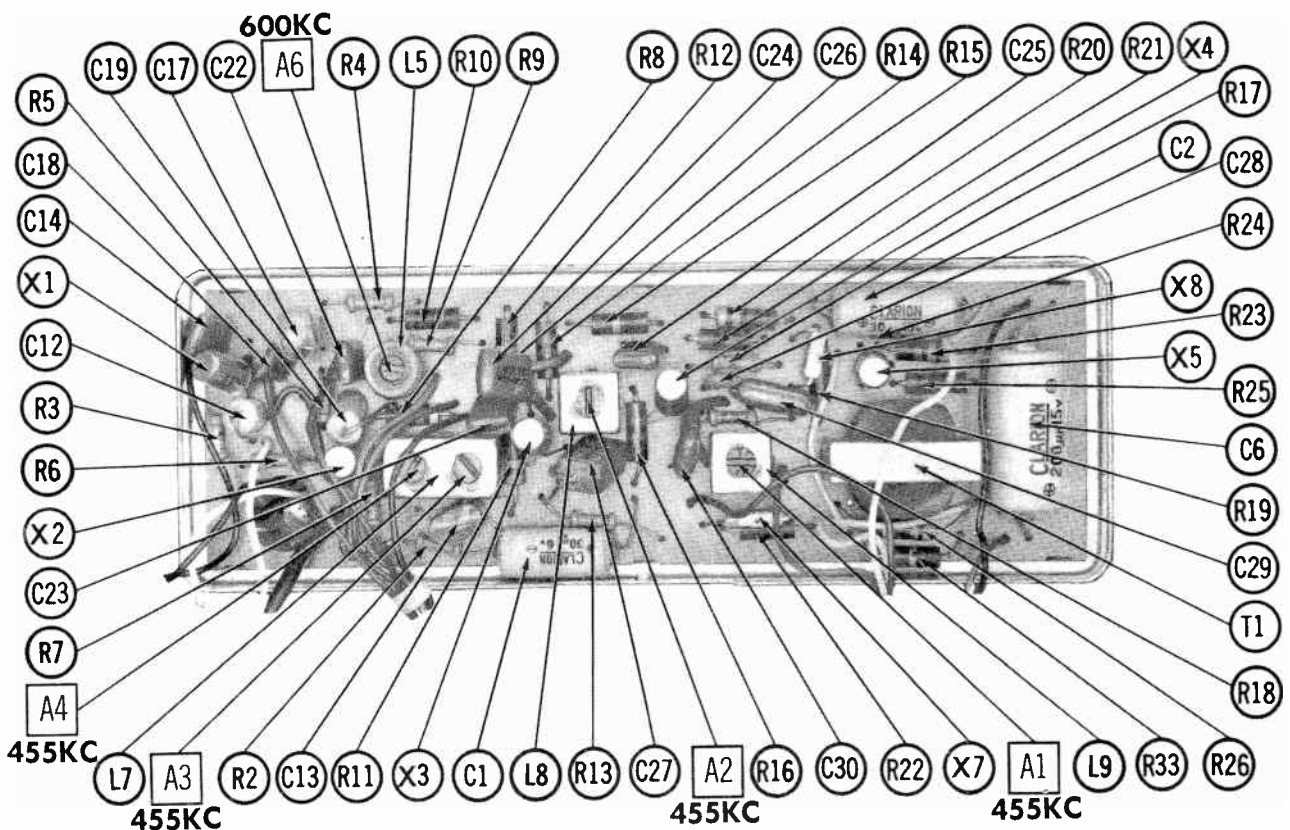
SEE PARTS LIST FOR ALTERNATE VALUE OR APPLICATION

**SAMPSON
MODEL 55A**



A Howard W. Sams **CIRCUITRACE** Photo

PRINTED BOARD



PRINTED BOARD - TOP VIEW

PARTS LIST AND DESCRIPTION

Replacement parts shown may be superseded by the availability of newly introduced replacements.

Have your local distributor check Sams COUNTER FACTS for the most up-to-date replacement.

WIRING DATA

| | |
|---|--|
| General-use Unshielded Hook-up Wire | Use BELDEN No. 8530 (Solid) Available in 12 Colors 8524 (Stranded) Available in 12 Colors |
| Shielded Hook-up Wire | Use BELDEN No. 8885 |
| Rear Seat Speaker Extension Cable | Use BELDEN No. 8782 (Stranded) Coded Parallel Leads |
| Bonding Strap | Use BELDEN No. 8661 (3/8 In.) or 8670 (3/4 In.) |

TRANSISTORS

| ITEM No. | ORIG. TYPE | USE | REPLACEMENT DATA | | | NOTES |
|----------|------------|--------------|------------------|---------------------------|--------------|-------|
| | | | DELCO PART No. | GENERAL ELECTRIC PART No. | RCA PART No. | |
| X1 | 2SA72 | RF Amplifier | DS-25 | GE-1 | | PNP |
| X2 | 2SA73 | Converter | DS-25 | GE-1 | | PNP |
| X3 | 2SA53 | 1st IF Amp. | DS-25 | GE-1 | | PNP |
| X4 | 2SA49 | 2nd IF Amp. | DS-25 | GE-1 | | PNP |
| X5 | 2SB56 | Driver | DS-26 | GE-2 | 2N591 | PNP |
| X6 | 2SB26 | Output | DS520 | GE-3 | 2N301 | PNP |
| | 2SB83* | Output | DS520 | GE-3 | 2N301 | PNP |

* Alternate

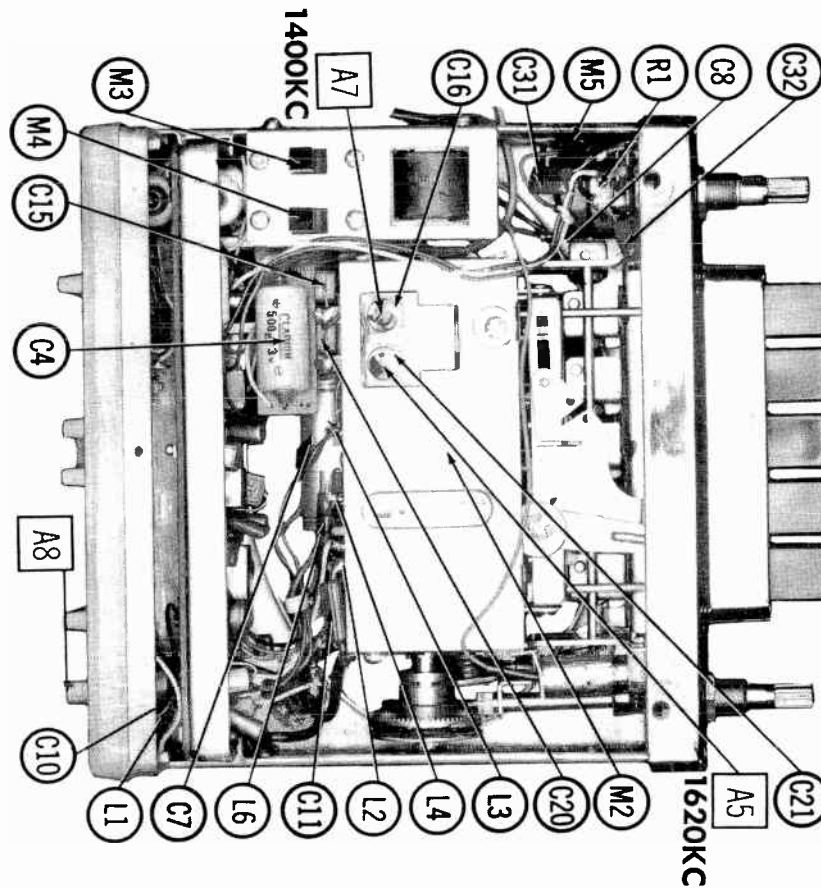
POWER RECTIFIERS & SIGNAL DIODES

| ITEM No. | CURRENT RATING (Measured) | ORIGINAL Part or Type No. | RECTIFIERS | | DIODES | NOTES |
|----------|---------------------------|---------------------------|--------------|-------------------------|--------|--------------|
| | | | RCA PART No. | SARKES TARZIAN PART No. | | |
| X7 | | IN60 | | | | Detector AVC |
| X8 | | IN60 | | | | |

ELECTROLYTIC CAPACITORS

| ITEM No. | RATING | | SAMPSON PART No. | REPLACEMENT DATA | | | | | |
|----------|--------|-------|------------------|------------------|---------------------------|---------------------------|------------------|------------------|------------------|
| | CAP. | VOLT. | | AEROVOX PART No. | CORNELL-DUBILIER PART No. | GENERAL ELECTRIC PART No. | MALLORY PART No. | PYRAMID PART No. | SPRAGUF PART No. |
| C1 | 30 | 6 | | PTT27 | NLW30-6 | MTI-10 | TT6X30 | MLV30-6 | TE-1092 |
| C2 | 30 | 15 | | PTT70 | NLW30-15 | MTI-10 | TT15X30 | MLV25-15 | TE-1158 |
| C3 | 200 | 6 | | PTT31 | NLW200-12 | MTI-23 | TT6X200 | MLV200-6 | TE-1104 |
| C4 | 500 | 3 | | CRE243 | NLW450-3 | MTI-26 | TC305 | | TE-1068 |
| C5 | 500 | 15 | | | BR500-15 | QTI-30 | TC1505A | TD-500-15 | TVA-1162 |
| C6 | 200 | 15 | | CRE481 | NLW200-15 | MTI-23 | TT15X200 | TD-250-15 | TE-1164 |
| C7 | 1.0 | 150NP | | PRS7525 | | | TT150X1 | | |
| C8 | .5 | 150NP | | PRS7525 | | | GE M201 | | |
| C9 | 1.0 | 150NP | | PRS7525 | | | TT150X1 | | |

CHASSIS—TOP VIEW



PARTS LIST AND DESCRIPTION (CONTINUED)

Replacement parts shown may be superseded by the availability of newly introduced replacements.
Have your local distributor check Sams COUNTER FACTS for the most up-to-date replacement.

FIXED CAPACITORS

| ITEM No. | RATING | REMARKS | REPLACEMENT DATA | | | | | | | |
|----------|-----------|---------|------------------|--------------------|---------------------------|------------------|------------------|------------------|----------|--------|
| | | | AEROVOX PART No. | CENTRALAB PART No. | CORNELL-DUBILIER PART No. | ELMENCO PART No. | MALLORY PART No. | SPRAGUE PART No. | | |
| C10 | 50-250 | (185) † | 1469-180 | DTZ-180 | 22R5T18 | CM-20-181 | GP220 | 1FM-318 | | |
| C11 | 180 | | CI-2000 | DD-202 | L10D2 | CCD-202 | | 10TS-D20 | | |
| C12 | .002 100V | | TTD-1 | CK-104 | H05P1 | CM-20-300 | | TG-P10 | | |
| C13 | .1 | | TTD-05 | CK-503 | H05S5 | | GP150 | TG-S50 | | |
| C14 | .04 | | 1469-30 | TCZ-30 | 22R5Q3 | | 1FM-43 | | | |
| C15 | 30 | | Note 1 | CI-1000 | DD-102 | L10D1 | CCD-102 | GP210 | 10TS-D10 | |
| C17 | .001 400V | | | TTD-01 | CK-103 | H05S1 | CCD-103 | GP110 | TG-S10 | |
| C18 | .01 | | | CI-2000 | DD-202 | L10D2 | CCD-202 | GP220 | 10TS-D20 | |
| C19 | .002 400V | | | 1469-180 | DTZ-180 | 22R5T18 | CM-20-181 | | 1FM-318 | |
| C20 | 180 | | | (30) † | TTD-05 | CK-503 | H05S5 | GP410 | GP150 | TG-S50 |
| C21 | | | | | TTD-05 | CK-503 | H05S5 | | GP150 | TG-S50 |
| C22 | .04 | | | | TTD-05 | CK-503 | H05S5 | | GP150 | TG-S50 |
| C23 | .04 | | | | TTD-05 | CK-503 | H05S5 | | GP150 | TG-S50 |
| C24 | .04 | | | | TTD-05 | CK-503 | H05S5 | | GP150 | TG-S50 |
| C25 | .04 | | | DI-15 | DD-150 | L10Q15 | CCD-150 | GP415 | 10TS-Q15 | |
| C26 | 15 | | DI-10 | DD-100 | L10Q1 | CCD-100 | GP410 | 10TS-Q10 | | |
| C27 | 250 | | 1469-60 | TCZ-62 | 22R5Q62 | CM-20-620 | | 1FM-462 | | |
| C28 | 10 | | TTD-05 | CK-503 | H05S5 | GP150 | GP150 | TG-S50 | | |
| C29 | 60 | | TTD-05 | CK-503 | H05S5 | | GP150 | TG-S50 | | |
| C30 | .04 | | TTD-1 | CK-104 | H05P1 | | GP150 | TG-P10 | | |
| C31 | .04 | | | | | | | | | |
| C32 | .1 | | | | | | | | | |

† Alternate Value. Note 1. Not used in some versions.

CONTROLS

All wattages 1/2 watt, or less, unless otherwise listed.

| ITEM No. | USE | RESISTANCE | REPLACEMENT DATA | | | | |
|----------|----------------------|------------|------------------|--------------------|--------------------|------------------|------------------|
| | | | SAMPSON PART No. | CENTRALAB PART No. | CLAROSTAT PART No. | CTS-IRC PART No. | MALLORY PART No. |
| RLA B | Tone Volume & Switch | 10K 5K | 36.03A | | | | |

RESISTORS

All wattages 1/2 watt, or less, unless otherwise listed.

| ITEM No. | RATING | REPLACEMENT DATA | | | ITEM No. | RATING | REPLACEMENT DATA | | |
|----------|--------|------------------|------------------|-----------|----------|--------|------------------|------------------|---------|
| | | IRC PART No. | WORKMAN PART No. | REMARKS | | | IRC PART No. | WORKMAN PART No. | REMARKS |
| R2 | 10K | | | | R19 | 150Ω | | | |
| R3 | 1000Ω | | | | R20 | 6800Ω | | | |
| R4 | 1000Ω | | | | R21 | 1000Ω | | | |
| R5 | 22K | | | | R22 | 220K | | | |
| R6 | 1500Ω | | | | R23 | 6800Ω | | | |
| R7 | 1500Ω | | | | R24 | 15K | | | |
| R8 | 4.7Ω | | | | R25 | 220Ω | | | |
| R9 | 8200Ω | | | | R26 | 8Ω | | | Note 1 |
| R10 | 1000Ω | | | | R27 | 440Ω | | | |
| R11 | 3300Ω | | | | R28 | 440Ω | | | |
| R12 | 100K | | | | R29 | 100Ω | | | |
| R13 | 1000Ω | | | | R30 | 15Ω | | | |
| R14 | 220Ω | | | | R31 | 1Ω | | | |
| R15 | 10K | | | | R32 | 1Ω | | | |
| R16 | 2200Ω | | | | R33 | 1meg | | | |
| R17 | 1000Ω | | | | R34 | 470Ω | | | |
| R18 | 6800Ω | | | (3300Ω) † | R35 | 47Ω | | | |

† Alternate Value. Note 1. Not used in some versions.

COILS (RF-IF)

| ITEM No. | USE | REPLACEMENT DATA | | | | | NOTES |
|----------|-------------|------------------|----------------|-----------------|------------------|------------------|-------|
| | | SAMPSON PART No. | Merit PART No. | Miller PART No. | Stancor PART No. | Workman PART No. | |
| L1 | Choke | | BC-566 | 4612 | RTC-8522 | T980 | |
| L2 | Ant. Coll | | | | | | |
| L3 | RF Coll | | | | | | |
| L4 | Osc. Tuning | | | | | | |
| L5 | Osc. Coll | | | | | | |
| L6 | Choke | | | | | | |
| L7 | 1st IF | | | | | | |
| L8 | 2nd IF | | | | | | |
| L9 | 3rd IF | | | | | | |

FILTER CHOKE

| ITEM No. | RATINGS | | | REPLACEMENT DATA | | | | NOTES |
|----------|--------------------|---------|------------------------------|------------------|----------------|------------------|---------------------|-------|
| | CURRENT (Measured) | DC RES. | INDUCTANCE (0 CURRENT 1000~) | SAMPSON PART No. | MERIT PART No. | STANCOR PART No. | THORDARSON PART No. | |
| L10 | .9A | .2Ω CT | 1.7MH | T-151A | | | | |

TRANSFORMER (DRIVER)

| ITEM No. | TURNS RATIO | REPLACEMENT DATA | | | | | NOTES |
|----------|-------------|------------------|----------------|------------------|---------------------|----------------|-------|
| | | SAMPSON PART No. | MERIT PART No. | STANCOR PART No. | THORDARSON PART No. | TRIAD PART No. | |
| | | | | | | | |
| T1 | 4 1 | T-188P | | | | | |

TRANSFORMER (AUDIO CHOKE)

| ITEM No. | INDUCTANCE | REPLACEMENT DATA | | | | | NOTES |
|----------|----------------------|------------------|----------------|------------------|---------------------|----------------|-------|
| | | SAMPSON PART No. | Merit PART No. | Stancor PART No. | Thordarson PART No. | Triad PART No. | |
| | | | | | | | |
| T2 | 27MH Tap@ 4.5MH, 9MH | T-93B | | | | | |

SPEAKER

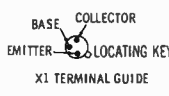
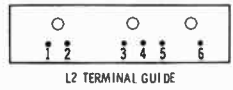
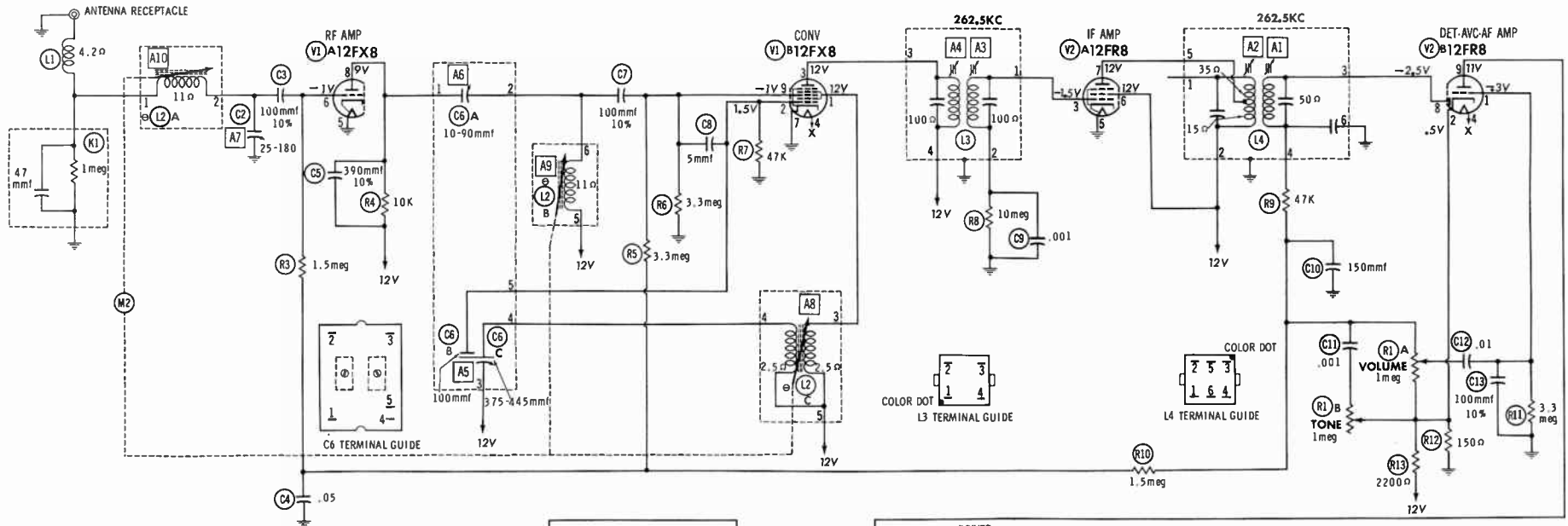
| ITEM No. | TYPE | | | REPLACEMENT DATA | | NOTES |
|----------|--------|-------|------------|------------------|---------------|-------|
| | SIZE | FIELD | V. C. IMP. | SAMPSON PART No. | QUAM PART No. | |
| | | | | | | |
| SP1 | 5"x 7" | PM | 6-8Ω | 75E-1-3 | 57A15Z8 | |

FUSES

| ITEM No. | TYPE | RATING | REPLACEMENT DATA | | | | | |
|----------|------|--------|------------------|--------|---------------------|--------|---------------|-------|
| | | | SAMPSON PART No. | | LITTELFUSE PART No. | | BUSS PART No. | |
| | | | FUSE | HOLDER | FUSE | HOLDER | | |
| M1 | 3AG | 2A | | | 312002. (3AG 2A) | 155020 | AGC 2 | HHJ-B |

MISCELLANEOUS

| ITEM No. | PART NAME | SAMPSON PART No. | NOTES |
|----------|-------------|------------------|---|
| M2 | Tuner | | Push-button Assembly Voltage Selector Polarity Selector |
| M3 | Switch | | |
| M4 | Switch | | |
| M5 | Spark Plate | | |



RESISTANCE READINGS

| ITEM | TUBE | Pin 1 | Pin 2 | Pin 3 | Pin 4 | Pin 5 | Pin 6 | Pin 7 | Pin 8 | Pin 9 |
|------|-------|---------|-------|---------|-------|-------|---------|-------|---------|---------|
| V1 | 12FX8 | 100 Ω | 47K | 200 Ω | FIL | FIL | 3.9 meg | 0 Ω | 10K | 2.5 meg |
| V2 | 12FR8 | 3.3 meg | 150 Ω | 9.5 meg | FIL | FIL | 95 Ω | 110 Ω | 1.1 meg | • |

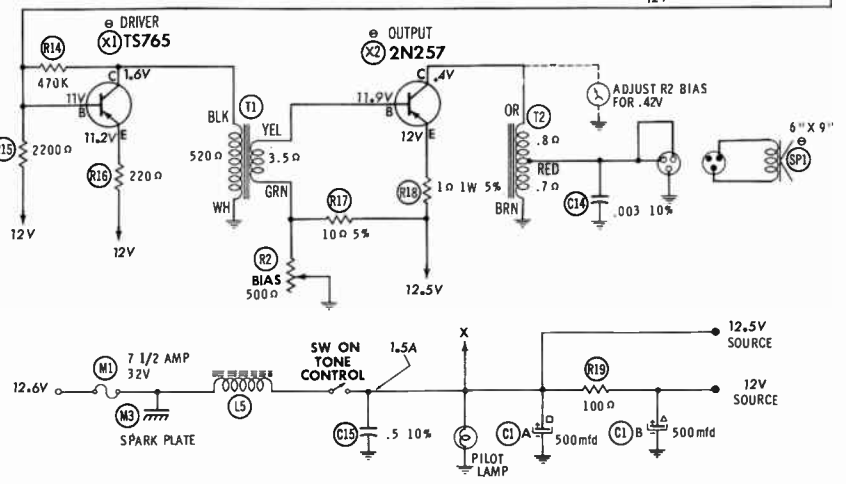
• RESISTANCE MEASUREMENTS FOR X1 AND X2 NOT GIVEN BECAUSE OF THE WIDE VARIATION IN INTERNAL TRANSISTOR RESISTANCE.

SEE PARTS LIST FOR ALTERNATE VALUE OR APPLICATION

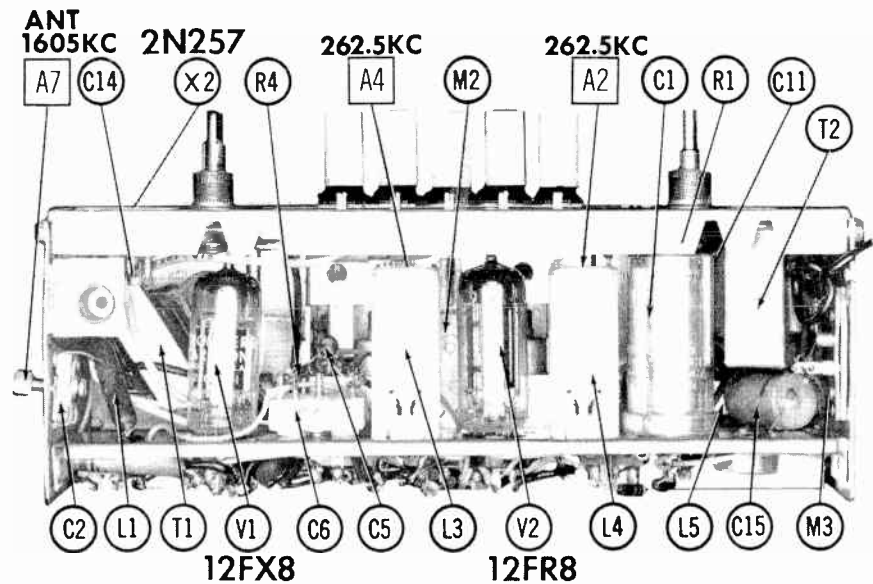
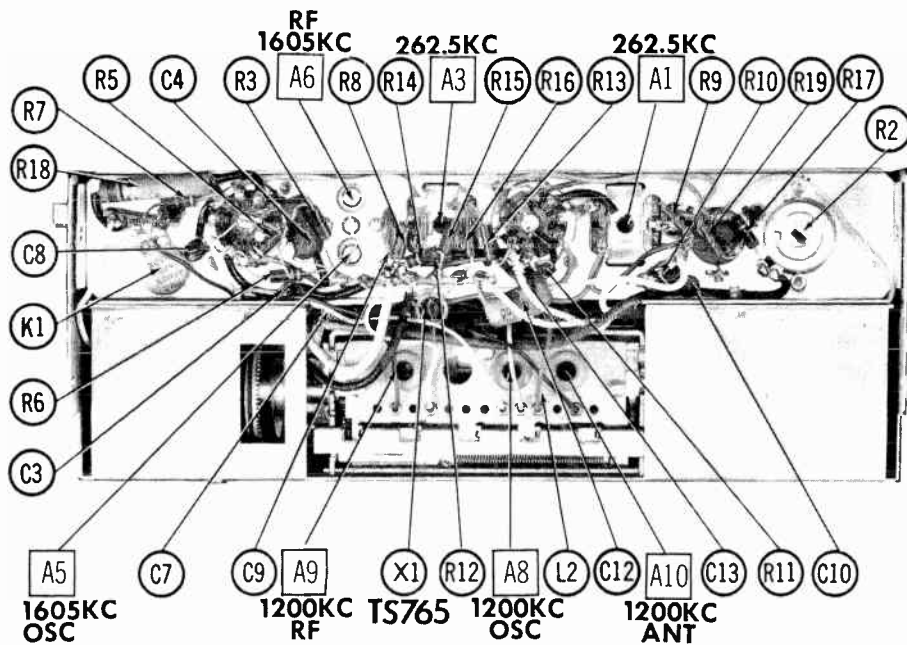
- DC voltage measurements taken with vacuum tube voltmeter.
- Socket connections shown as bottom views.
- Measured values are from socket pin to common ground.
- Battery voltage maintained at 12.6 volts for voltage readings.
- Nominal tolerance on component values makes possible a variation of ±15% in voltage and resistance readings.
- Volume control at maximum, no signal applied for voltage measurements.

A PHOTOFAC STANDARD NOTATION SCHEMATIC
© Howard W. Sams & Co., Inc. 1962

NUMBERS ASSIGNED TO COILS, SWITCHES, PLUGS, SOCKETS, AND TRANSFORMERS ARE TO FACILITATE CIRCUIT TRACING OR COMPONENT REPLACEMENT AND MAY NOT NECESSARILY BE FOUND ON THE UNIT.



STROMBERG-CARLSON MODELS
LR-61-PB, PL-61-PB, VA-61-PB



PARTS LIST AND DESCRIPTIONS

WIRING DATA

| | |
|---|--|
| General-use Unshielded Hook-up Wire | Use BELDEN No. 8530 (Solid) Available in 12 Colors 8524 (Stranded) Available in 12 Colors |
| Shielded Hook-up Wire | Use BELDEN No. 8885 |
| Rear Seat Speaker Extension Cable | Use BELDEN No. 8782 (Stranded) Coded Parallel Leads |
| Bonding Strap | Use BELDEN No. 8661 (3/8 In.) or 8670 (3/4 In.) |

TUBES

| AMPEREX | | GENERAL ELECTRIC | | RAYTHEON | | SYLVANIA | |
|----------|----------------|------------------|--|----------|-------------------------|----------|--|
| ITEM No. | USE | TYPE | | ITEM No. | USE | TYPE | |
| V1 | RF Amp. -Conv. | 12FX8 | | V2 | IF Amp. - Det. -AF Amp. | 12FR8 | |

TRANSISTORS

| ITEM No. | ORIG. TYPE | USE | REPLACEMENT DATA | | NOTES |
|----------|---------------------------|----------------------------|------------------|-------------------|---------------------|
| | | | RCA PART No. | RAYTHEON PART No. | |
| X1 | TS765 2N591* 2N185* | Driver Driver Driver | 2N591 | 2N361 | PNP PNP PNP |
| X2 | 2N257 2N155* | Output Output | 2N301 | 2N155 | PNP (Note 1) PNP |

Note 1. When replacing, apply silicon grease (GENERAL CEMENT #8101 or equivalent) to both sides of mica insulator. Check bias adjustment.

* Alternate.

PARTS LIST AND DESCRIPTIONS (Continued)

ELECTROLYTIC CAPACITORS

| ITEM No. | RATING | | REPLACEMENT DATA | | | | | | SPRAGUE PART No. |
|----------|--------|-------|----------------------------|------------------|---------------------------|---------------------------|------------------|------------------|------------------|
| | CAP. | VOLT. | Stromberg-Carlson PART No. | AEROVOX PART No. | CORNELL-DUBILIER PART No. | GENERAL ELECTRIC PART No. | MALLORY PART No. | PYRAMID PART No. | |
| C1A | 500 | 16 | 111000-080 | AFH3-00-95 | B0043 | XCS-48 | WP200.6 | | TVLS-2157* |
| B | 500 | 16 | | | | | | | |

* Not normally in distributor's stock. Available thru distributor on order to manufacturer.

FIXED CAPACITORS

| ITEM No. | RATING | REMARKS | REPLACEMENT DATA | | | | | |
|----------|------------|-------------|------------------|--------------------|---------------------------|------------------|------------------|------------------|
| | | | AEROVOX PART No. | CENTRALAB PART No. | CORNELL-DUBILIER PART No. | ELMENCO PART No. | MALLORY PART No. | SPRAGUE PART No. |
| C2 | 25-180 | #110000-013 | DI-100 | DD-101 | L10T1 | 463 | GP310 | 10TS-T10 |
| C3 | 100 10% | | P288N-05 | DD-503 | CUB2S5 | CCD-101 | GEM-415 | 2TM-S50 |
| C4 | .05 200V | | DI-390 | DD-391 | L10T39 | 2DP-3-503 | GP339 | 10TS-T39 |
| C5 | 390 10% | | | | | CCD-391 | | |
| C6A | 10-90 | #110000-004 | DI-100 | DD-101 | L10T1 | 423 | GP310 | 10TS-T10 |
| B | 100 | | | | | CCD-101 | | |
| C | 375-445 | | | | | 466 | | |
| C7 | 100 10% | | DI-100 | DD-101 | L10T1 | CCD-101 | GP310 | 10TS-T10 |
| C8 | 5 | | DI-5 | DD-050 | L10V5 | CCD-050 | GP550 | 10TS-V50 |
| C9 | .001 | | BPD-001 | DD-102 | BYA10D1 | CCD-102 | B-210 | 5HK-D10 |
| C10 | 150 | | DI-150 | DD-151 | L10T15 | CCD-151 | GP315 | 10TS-T15 |
| C11 | .001 | | BPD-001 | DD-102 | BYA10D1 | CCD-102 | B-210 | 5HK-D10 |
| C12 | .01 200V | | P288N-01 | DD-103 | CUB4S1 | 4DP-1-103 | GEM-411 | 4TM-S10 |
| C13 | 100 10% | | DI-100 | DD-101 | L10T1 | CCD-101 | GP310 | 10TS-T10 |
| C14 | .003 10% | | DI-3000 | | PM6D3 | CCD-302 | JL-233 | 10TS-D30 |
| C15 | .5 50V 10% | | V84C2P47-10% | | PM2P5 | 1DP-4-504 | GEM-205 | 2TM-P50 |

† Stromberg-Carlson Part Number.

CONTROLS

All wattages 1/2 watt, or less, unless otherwise listed.

| ITEM No. | USE | RESISTANCE | REPLACEMENT DATA | | | | |
|----------|---------------|------------|----------------------------|--------------------|--------------------|------------------|------------------|
| | | | Stromberg-Carlson PART No. | CENTRALAB PART No. | CLAROSTAT PART No. | CTS-IRC PART No. | MALLORY PART No. |
| R1A | Volume | 1meg | 145000-102 | | | | |
| B | Tone & Switch | 1meg | | | | | |
| R2 | Bias | 500Ω | 145000-089 | | 39-500 | 112-500 | FL-500 |

RESISTORS

All wattages 1/2 watt, or less, unless otherwise listed.

| ITEM No. | RATING | REPLACEMENT DATA | | | ITEM No. | RATING | REPLACEMENT DATA | | |
|----------|--------|------------------|------------------|---------|----------|----------|------------------|------------------|---------|
| | | IRC PART No. | WORKMAN PART No. | REMARKS | | | IRC PART No. | WORKMAN PART No. | REMARKS |
| R3 | 1.5meg | | | | R12 | 150Ω | | | |
| R4 | 10K | | | | R13 | 2200Ω | | | |
| R5 | 3.3meg | | | | R14 | 470K | | | |
| R6 | 3.3meg | | | | R15 | 2200Ω | | | |
| R7 | 47K | | | | R16 | 220Ω | | | |
| R8 | 10meg | | | | R17 | 10Ω 5% | | | |
| R9 | 47K | | | | R18 | 1Ω 1W 5% | | | |
| R10 | 1.5meg | | | | R19 | 100Ω | | | |
| R11 | 3.3meg | | | | | | | | |

COILS (RF-IF)

| ITEM No. | USE | REPLACEMENT DATA | | | | | NOTES |
|----------|-----------------|----------------------------|----------------|-----------------|------------------|------------------|----------------------------------|
| | | Stromberg-Carlson PART No. | Merit PART No. | Miller PART No. | Stancor PART No. | Workman PART No. | |
| L1 | RF Choke (32uh) | 114000-002 | TV-180 | 6176 | RTC-8593 | T301 | ① Part of M2 |
| L2A | Ant. | ⓪ | | | | | |
| B | RF | ⓪ | | | | | |
| C | Osc. | ⓪ | | | | | |
| L3 | Input IF | 114000-203 | BC-350 | 12-H1 | RTC-8638 | T604 | * Solder Mtg. Lugs into Chassis. |
| L4 | Output IF | 114000-205 | BC-318* | | | | |

FILTER CHOKE

| ITEM No. | RATINGS | | | REPLACEMENT DATA | | | | | NOTES |
|----------|--------------------|---------|-------------------------------|----------------------------|----------------|------------------|---------------------|----------------|-------|
| | CURRENT (Measured) | DC RES. | INDUCTANCE (0 CURRENT 1000 C) | Stromberg-Carlson PART No. | Merit PART No. | Stancor PART No. | Thordorson PART No. | Triad PART No. | |
| L5 | 1.5A | .7Ω | .008H | 161000-001 | | | | | |

TRANSFORMER (DRIVER)

| ITEM No. | TURNS RATIO | | REPLACEMENT DATA | | | | | NOTES |
|----------|-------------|------|----------------------------|----------------|------------------|---------------------|----------------|-------|
| | PRI. | SEC. | Stromberg-Carlson PART No. | Merit PART No. | Stancor PART No. | Thordorson PART No. | Triad PART No. | |
| T1 | 6.8 | 1 | 161000-171 | | | | | |

TRANSFORMER (AUDIO OUTPUT)

| ITEM No. | IMPEDANCE | REPLACEMENT DATA | | | | | NOTES |
|----------|----------------|----------------------------|----------------|------------------|---------------------|----------------|-------|
| | | Stromberg-Carlson PART No. | Merit PART No. | Stancor PART No. | Thordorson PART No. | Triad PART No. | |
| T2 | 30Ω Tap @ 6-8Ω | 161000-170 | | | | | |

SPEAKER

| ITEM No. | TYPE | | | REPLACEMENT DATA | | NOTES |
|----------|--------|-------|------------|----------------------------|---------------|-------------------------------------|
| | SIZE | FIELD | V. C. IMP. | Stromberg-Carlson PART No. | QUAM PART No. | |
| SPI | 6"x 9" | PM | 6-8Ω | 155009-059 ① | 69A2Z8 | ① Used in Models VA-61-PB, LR-61-PB |
| | 6"x 9" | PM | 6-8Ω | 155009-058 ② | 69A2Z8 | ② Used in Model PL-61-PB |

COMPONENT COMBINATIONS

| ITEM No. | USE | DESCRIPTION | Stromberg-Carlson PART No. | REPLACEMENT DATA |
|----------|----------------|-------------------|----------------------------|------------------|
| K1 | Antenna Filter | 47mmf (NPO), 1meg | 179000-035 | |

FUSES

| ITEM No. | TYPE | RATING | REPLACEMENT DATA | | | | | |
|----------|------|---------|----------------------------|---------------------|---------------|---------|--------|--------|
| | | | Stromberg-Carlson PART No. | LITTELFUSE PART No. | BUSS PART No. | | | |
| | | | FUSE | HOLDER | FUSE | HOLDER | FUSE | HOLDER |
| M1 | SFE | 7½A 32V | 128000-010 | 128000-001 | 30707.5 | 15507.5 | AGC 7½ | HDE |
| | | | | 128000-036 ① | (SFE 7½A 32V) | | | |

① Fuse Holder Cap.

MISCELLANEOUS

| ITEM No. | PART NAME | Stromberg-Carlson PART No. | NOTES |
|----------|-------------|----------------------------|------------------|
| M2 | Tuner | 164000-041 | Push-button Type |
| M3 | Spark Plate | 110000-020 | |

CABINETS & CABINET PARTS

(When Ordering Cabinets & Cabinet Parts, Specify Model, Chassis & Color)

| NAME | PART NO. | DESCRIPTION |
|-------------|------------|---------------------------|
| Dial Glass | 122000-084 | |
| Knob, Back | 134000-129 | Model PL-61-PB |
| Knob, Back | 134000-134 | Model VA-61-PB |
| Knob, Back | 134000-140 | Model LR-61-PB |
| Knob, Front | 134000-099 | Models PL-61-PB, VA-61-PB |
| Knob, Front | 134000-105 | Model LR-61-PB |
| Push Button | 107000-084 | Model VA-61-PB |
| Push Button | 107000-073 | Model PL-61-PB |
| Push Button | 107000-086 | Model LR-61-PB |



DISASSEMBLY INSTRUCTIONS

NOTE: To replace tubes, remove four 1/4" hex screws holding cover and remove cover.

RADIO REMOVAL — 1962 Lark

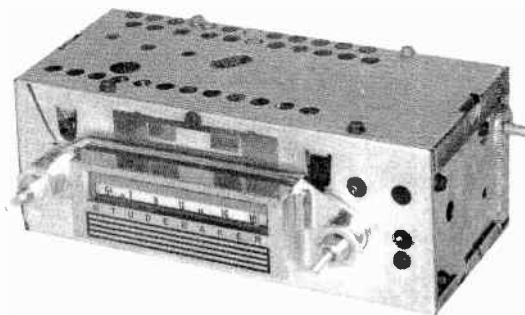
1. Pull off knobs.
2. Remove ash tray, its mounting bracket and instrument panel brace.
3. Disconnect speaker leads, "A" lead at fuse holder and remove antenna plug.
4. Remove two 1/2" hex nuts from control bushings and remove bezel.
5. Remove 1/4" hex nut and bolt holding radio support bracket to instrument panel.
6. Remove radio and support bracket from rear of instrument panel.

RADIO AND SPEAKER REMOVAL — 1962 Hawk

1. Use same procedure as above except omit step #2 and remove four 1/4" hex nuts holding speaker to back side of lower instrument panel and remove speaker before removing radio.

SPEAKER REMOVAL — 1962 Lark

1. Remove four 1/4" hex nuts holding speaker under top of instrument panel and remove speaker.



MODEL AC-3217

| | |
|------------------------|--|
| TRADE NAME | Studebaker Models AC-3217, AC-3246, AC-3255 (For 1962 Studebakers) |
| MANUFACTURER | Delco Radio Div., General Motors Corp., Kokomo, Indiana |
| TYPE SET | Battery Operated 4 Tube-1 Transistor Custom-Built Automobile AM Receiver |
| POWER SUPPLY | 12 Volt Storage Battery RATING 1.8 Amp. @12.6 Volts DC |
| TUNING RANGE—BROADCAST | 540 — 1620KC |

ALIGNMENT INSTRUCTIONS

ALIGNMENT INSTRUCTIONS—READ CAREFULLY BEFORE ATTEMPTING ALIGNMENT

Use only enough generator output to provide a usable indication.

Suggested Alignment Tools:

- | | |
|-----------------|--|
| A1 Thru A4..... | GENERAL CEMENT #8282, 8606, 8606-L, 9091 WALSCO #2526, 2541, 2542, 2543, 2544 |
| A6, A7, A8..... | GENERAL CEMENT #5004, 5009, 8195, 8274, 8275, 8607, 8728, 8987, 8988, 8989, 9291 WALSCO #2515, 2520, 2522, 2523, 2531, 2532, 2534, 2537, 2538 |

| | SIGNAL GENERATOR COUPLING | SIGNAL GENERATOR FREQUENCY | RADIO DIAL SETTING | INDICATOR | ADJUST | REMARKS |
|---|--|----------------------------|--------------------|--|----------------|--------------------------------|
| 1. | High side thru .1mf to pin 7 (grid) of AM Converter, low side to chassis. | 262KC | High Freq. Stop. | Connect VTVM DC probe to point \diamond , common to chassis. | A1, A2, A3, A4 | Adjust for maximum deflection. |
| Check setting of oscillator coil core A5. Rear of core should be 1 5/8" from mounting end of core form. | | | | | | |
| 2. | Thru dummy (Fig. 1) to antenna receptacle. | 1620KC | High Freq. Stop. | DC probe to point \diamond , common to chassis. | A6, A7, A8 | Adjust for maximum deflection. |
| 3. | " | 600KC | 600KC | " | A9, A10 | " |
| 4. | " | 1620KC | 1620KC | " | A7, A9 | " |
| 5. | With radio installed in car and antenna fully extended, tune in a weak station near 1400KC and adjust A8 for maximum output. | | | | | |

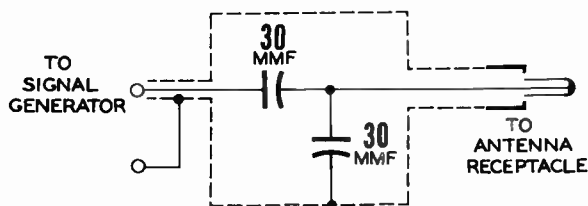
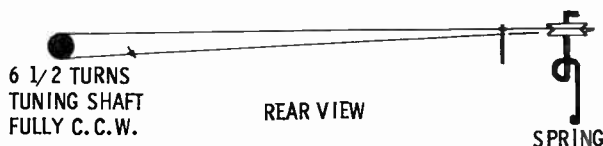


FIG. 1

DIAL CORD STRINGING



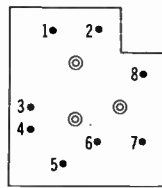
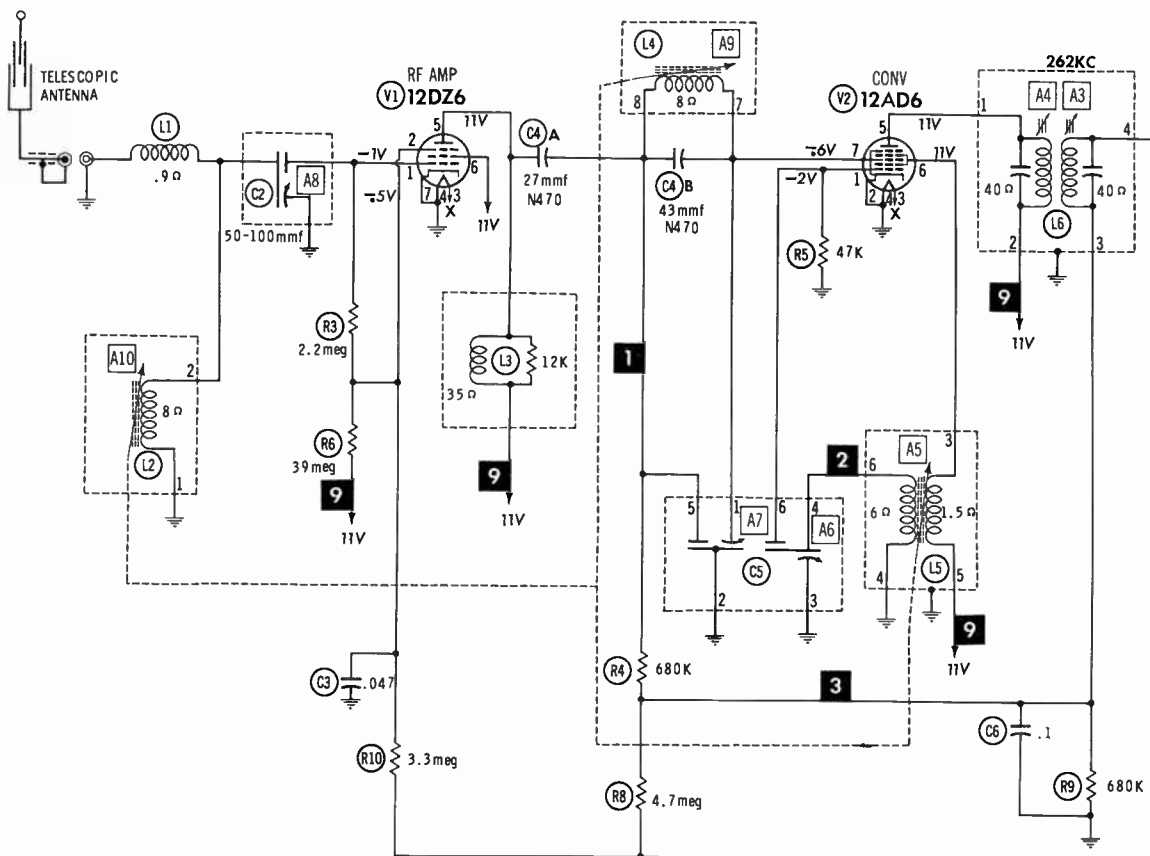
HOWARD W. SAMS & CO., INC. Indianapolis 6, Indiana

The listing of any available replacement part herein does not constitute in any case a recommendation, warranty or guaranty by Howard W. Sams & Co., Inc., as to the quality and suitability of such replacement part. The numbers of these parts have been compiled from information furnished to Howard W. Sams & Co., Inc., by the manufacturers of LD735

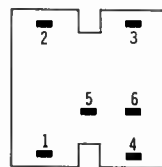
the particular type of replacement part listed. Reproduction or use, without express permission, of editorial or pictorial content, in any manner, is prohibited. No patent liability is assumed with respect to the use of the information contained herein. © 1962 Howard W. Sams & Co., Inc., Indianapolis 6, Indiana. Printed in U.S. of America

STUDEBAKER MODELS AC-3217,
AC-3246, AC-3255





L2, L3, L4
TERMINAL GUIDE



C5 TERMINAL GUIDE



L5 TERMINAL GUIDE

RESISTANCE READINGS

| ITEM | TUBE | Pin 1 | Pin 2 | Pin 3 | Pin 4 | Pin 5 | Pin 6 | Pin 7 | Pin 8 | Pin 9 |
|------|-------|---------|--------|-------|-------|-------|--------|--------|-------|-------|
| V1 | 12DZ6 | 10.5meg | 7.8meg | FIL | FIL | †95 Ω | †56 Ω | 0 Ω | | |
| V2 | 12AD6 | 47K | 0 Ω | FIL | FIL | †97 Ω | †56 Ω | 1.3meg | | |
| V3 | 12EK6 | 680K | 0 Ω | FIL | FIL | †65 Ω | †56 Ω | 100 Ω | | |
| V4 | 12DS7 | 5meg | 18 Ω | †1 Ω | FIL | FIL | †245 Ω | 5meg | 18 Ω | 500K |

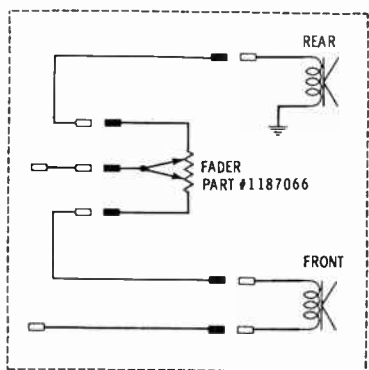
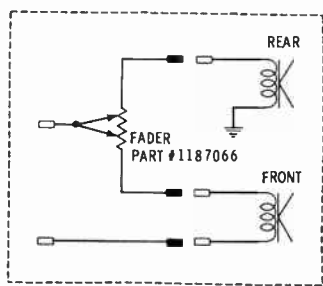
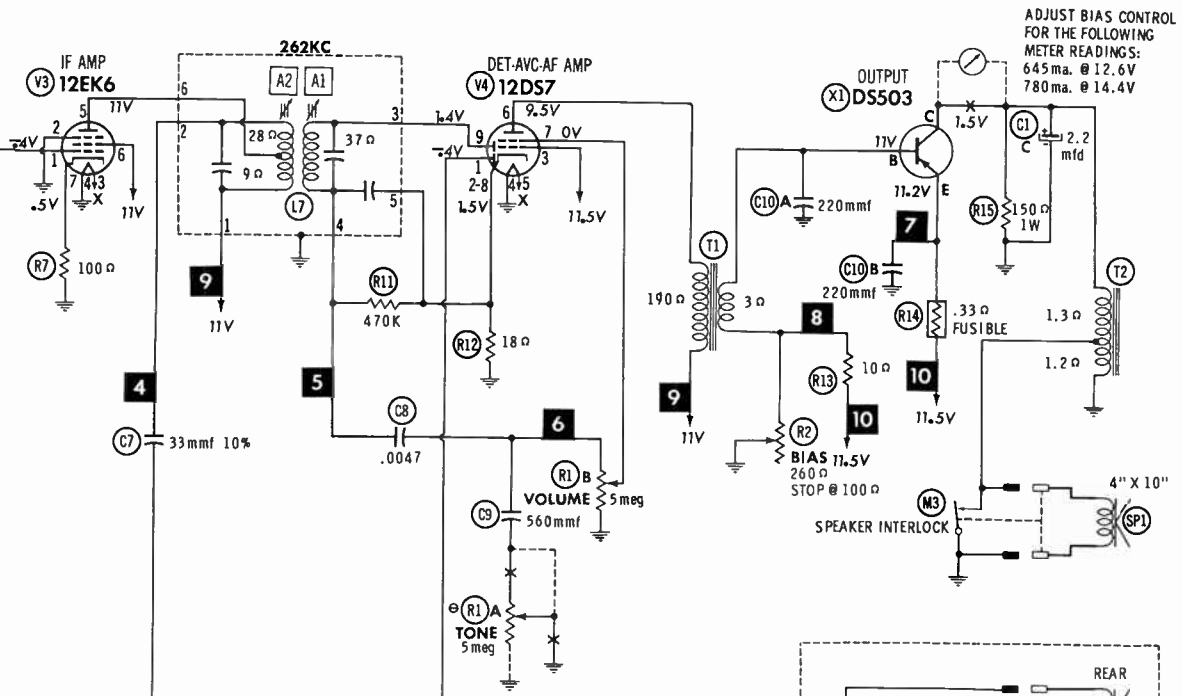
† MEASURED FROM JUNCTION OF L8 & L9.

⊕ SEE PARTS LIST FOR ALTERNATE VALUE OR APPLICATION

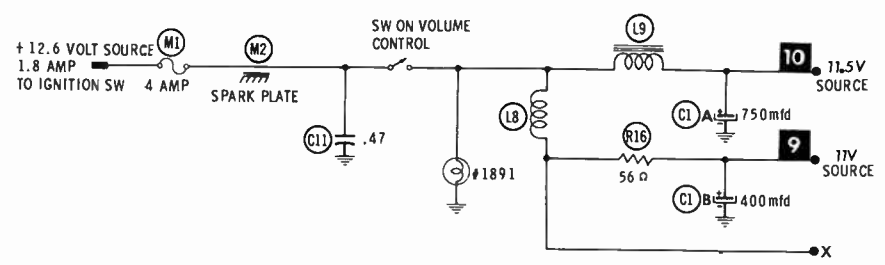
1. DC voltage measurements taken with vacuum tube voltmeter.
2. Socket connections shown as bottom views.
3. Measured values are from socket pin to common ground.
4. Battery voltage maintained at 12.6 volts for voltage readings.
5. Nominal tolerance on component values makes possible a variation of ±15% in voltage and resistance readings.
6. Volume control at maximum, no signal applied for voltage measurements.

A PHOTOFACT STANDARD NOTATION SCHEMATIC
with **CIRCUITRACE**

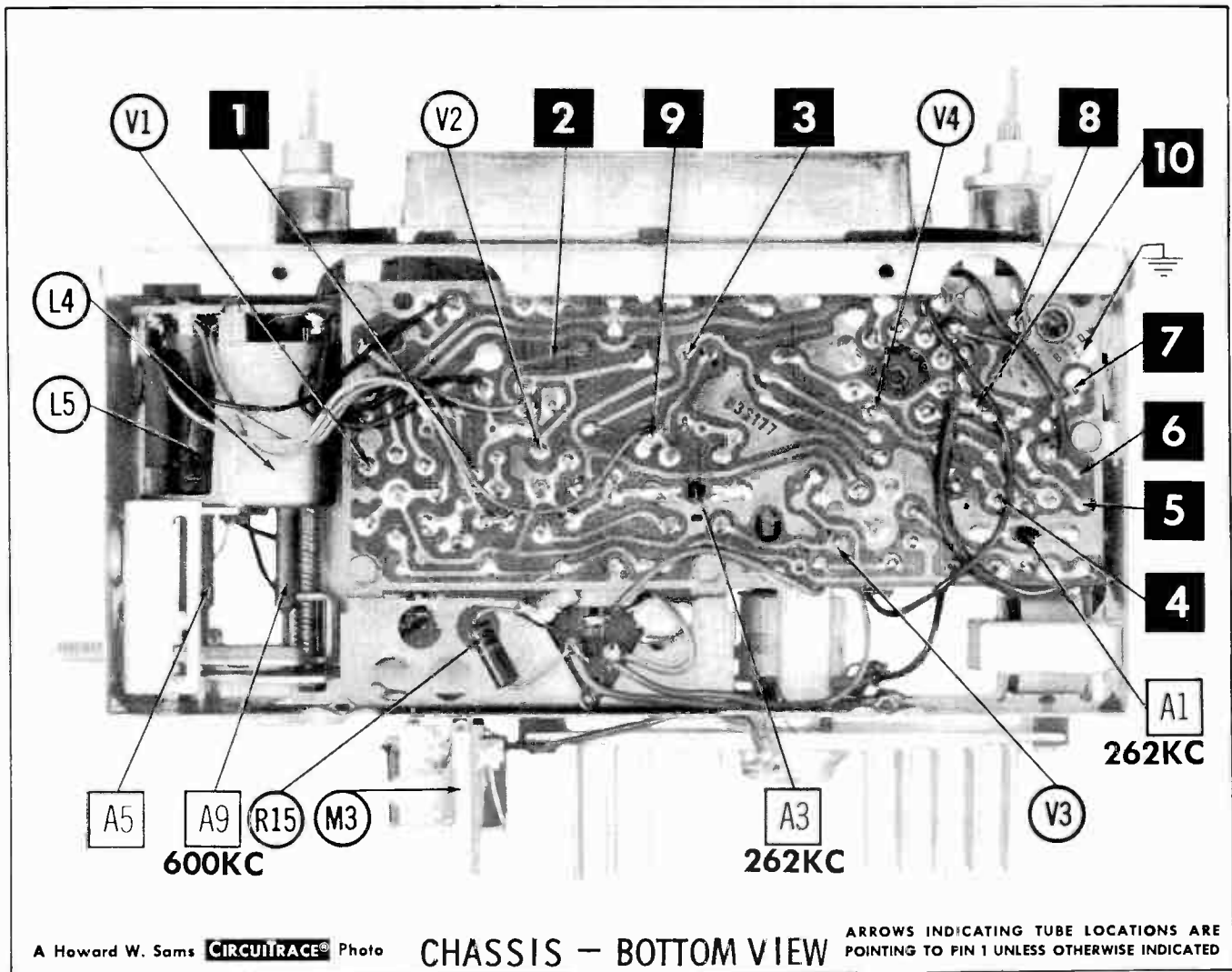
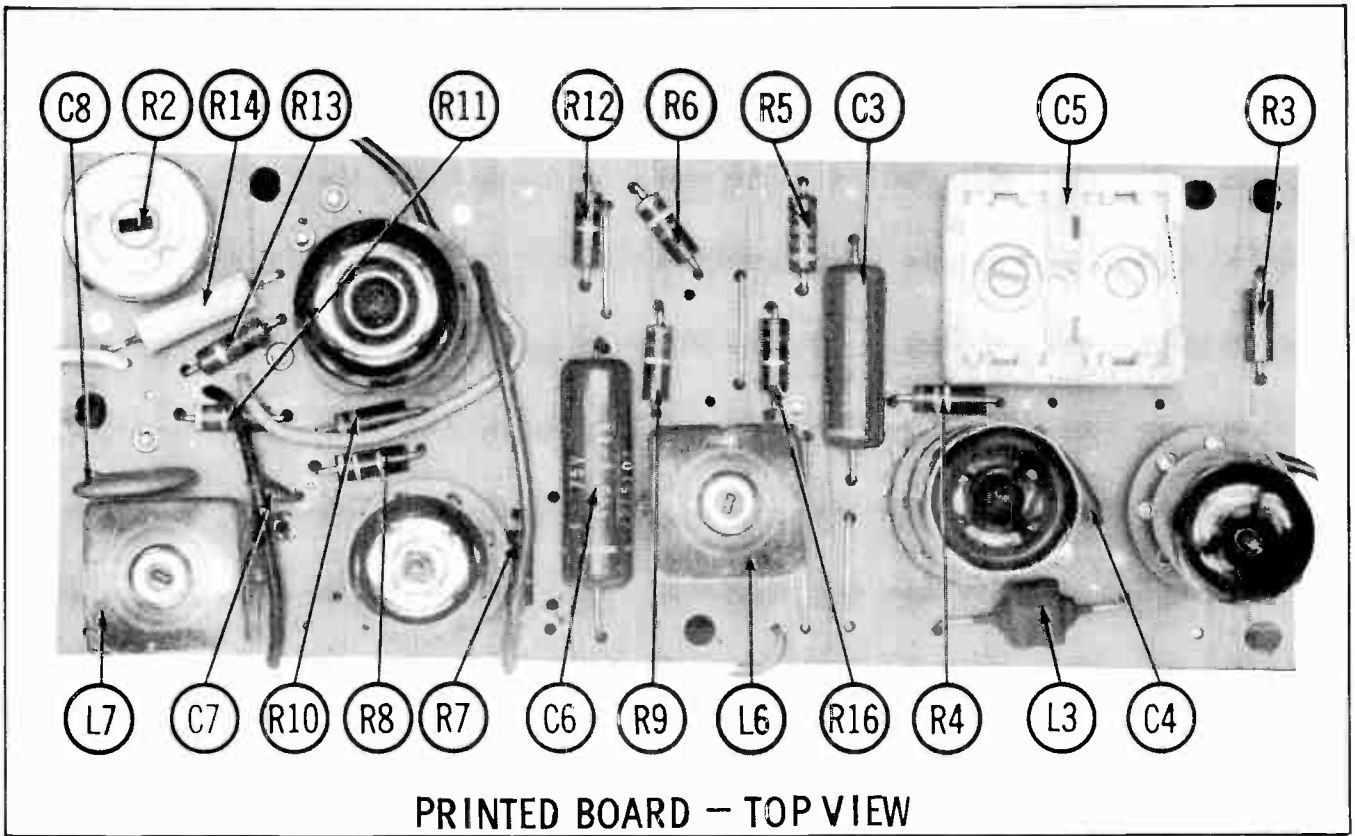
© Howard W. Sams & Co., Inc. 1962



NUMBERS ASSIGNED TO COILS, SWITCHES, PLUGS, SOCKETS, AND TRANSFORMERS ARE TO FACILITATE CIRCUIT TRACING OR COMPONENT REPLACEMENT AND MAY NOT NECESSARILY BE FOUND ON THE UNIT.



STUDEBAKER MODELS AC-3217, AC-3246, AC-3255



PARTS LIST AND DESCRIPTIONS

TUBES

| ♦ AMPEREX ♦ | | GENERAL ELECTRIC ♦ | | RCA ♦ | | RAYTHEON ♦ | | SYLVANIA ♦ | |
|-------------|--------------|--------------------|--|----------|-------------------|------------|--|------------|--|
| ITEM No. | USE | TYPE | | ITEM No. | USE | TYPE | | | |
| V1 | RF Amplifier | 12DZ6 | | V3 | IF Amplifier | 12EX6 | | | |
| V2 | Converter | 12AD6 | | V4 | Det. -AVC-AF Amp. | 12DS7 | | | |

TRANSISTORS

| ITEM No. | ORIG. TYPE | USE | REPLACEMENT DATA | | | NOTES |
|----------|------------|--------|---------------------------|--------------|-------------------|-------|
| | | | GENERAL ELECTRIC PART No. | RCA PART No. | RAYTHEON PART No. | |
| X1 | DS505 | Output | GE-3 | | 2N257B | PNP |

ELECTROLYTIC CAPACITORS

| ITEM No. | RATING | | REPLACEMENT DATA | | | | | | |
|----------|--------|--------|------------------|------------------|---------------------------|---------------------------|------------------|------------------|------------------|
| | CAP. | VOLT. | DELCO PART No. | AEROVOX PART No. | CORNELL-DUBILIER PART No. | GENERAL ELECTRIC PART No. | MALLORY PART No. | PYRAMID PART No. | SPRAGUE PART No. |
| C1A | 850 | 16 | 7273730 | AFH3-54-30 | | XC3-6.1 | WP300.6A | | TVL-3021 |
| B | 400 | 16 | | | | | | | |
| C | 2.2 | 11.5AC | | | | | | | |

FIXED CAPACITORS

| ITEM No. | RATING | REMARKS | REPLACEMENT DATA | | | | | |
|----------|----------|----------|------------------|--------------------|---------------------------|------------------|------------------|------------------|
| | | | AEROVOX PART No. | CENTRALAB PART No. | CORNELL-DUBILIER PART No. | ELMENCO PART No. | MALLORY PART No. | SPRAGUE PART No. |
| C2 | 50-100 | #7275120 | P288N-047 | DD-503 | CUB2S47 | IDP-2-473 | GEM-4147 | 4TM-S47 |
| C3 | .047 75V | #7279808 | | | | | | |
| C4A | 27 N470 | #7273697 | | | | | | |
| B | 43 N470 | | | | | | | |
| C5A | | | | | | | | |
| B | | | | | | | | |
| C6 | .1 75V | | P288N-1 | DDA-104 | CUB2P1 | IDP-2-104 | GEM-201 | 2TM-P10 |
| C7 | 33 10% | | DI-33 | DD-330 | L10Q33 | CCD-330 | GP433 | 10TS-Q33 |
| C8 | .0047 | | BPD-0047 | DD-472 | BYA10D47M | CCD-472 | B-247 | 5HK-D47 |
| C9 | 560 | | DI-560 | DD-561 | L10T56 | CCD-561 | B-356 | 10TS-T56 |
| C10A | 220 | | DI-220 | DD-221 | L10T22 | CCD-221 | B-322 | 10TS-T22 |
| B | 220 | | DI-220 | DD-221 | L10T22 | CCD-221 | B-322 | 10TS-T22 |
| C11 | .47 100V | | P288N-47 | | CUB2P47 | IDP-4-474 | GEM-2047 | 2TM-P47 |

* Not normally in distributor's stock. Available thru distributor on order to manufacturer.
Delco Part Number.

CONTROLS

All wattages 1/2 watt, or less, unless otherwise listed.

| ITEM No. | USE | RESISTANCE | REPLACEMENT DATA | | | | |
|----------|------------------------------------|-----------------------------------|------------------|---|--------------------|------------------|------------------|
| | | | DELCO PART No. | CENTRALAB PART No. | CLAROSTAT PART No. | CTS-IRC PART No. | MALLORY PART No. |
| RIA | Tone Volume, Power Sw. Bias Adjust | 5meg 5meg 280Ω 100Ω Stop | 7280253 ① | F1-5meg, R2-5meg, FFS-106, RFS-114, AK-28, KR-4 | | | ■ UE-4326-S |
| B R2 | | | 7275474 | | | | |

① #7278074 Used in Model AC-3246
■ "STA-LOC" Equivalent: FR56L, RU56A, OSI437A, ISI937, US41

RESISTORS

All wattages 1/2 watt, or less, unless otherwise listed.

| ITEM No. | RATING | REPLACEMENT DATA | | | ITEM No. | RATING | REPLACEMENT DATA | | |
|----------|--------|------------------|------------------|---------|----------|--------------|------------------|------------------|----------|
| | | IRC PART No. | WORKMAN PART No. | REMARKS | | | IRC PART No. | WORKMAN PART No. | REMARKS |
| R3 | 2.2meg | | | | R10 | 3.3meg | | | #7274151 |
| R4 | 680K | | | | R11 | 470K | | | |
| R5 | 47K | | | | R12 | 18Ω | | | |
| R6 | 39meg | | | | R13 | 10Ω | | | |
| R7 | 100Ω | | | | R14 | .33Ω Fusible | | | |
| R8 | 4.7meg | | | | R15 | 150Ω 1W | | | |
| R9 | 680K | | | | R16 | 56Ω | | | |

Delco Part Number.

COILS (RF-IF)

| ITEM No. | USE | REPLACEMENT DATA | | | | | NOTES |
|----------|--------------------|------------------|----------------|-----------------|------------------|------------------|----------------|
| | | DELCO PART No. | Merit PART No. | Miller PART No. | Stancor PART No. | Workman PART No. | |
| L1 | RF Choke (6.5uh) | 7255738 | | | | | ① Wound on 12K |
| L2 | Ant. | 1221138 | | | | | |
| L3 | RF Choke | 7270416 ① | | | | | |
| L4 | RF | 1221138 | | | | | |
| L5 | Osc. | 1221263 | | | | | |
| L6 | Input IF | 1221621 | BC-317 | 13-PH1 | RTC-8644 | T855 | |
| L7 | Output IF | 1221255 | BC-424 | 8541 | | | |
| L8 | Hash Choke (1.4uh) | 7241708 | | | | | |

PARTS LIST AND DESCRIPTIONS (Continued)

FILTER CHOKE

| ITEM No. | RATINGS | | | REPLACEMENT DATA | | | | NOTES |
|----------|--------------------|---------|------------------------------|------------------|----------------|------------------|---------------------|-------|
| | CURRENT (Measured) | DC RES. | INDUCTANCE (0 CURRENT 1000~) | DELCO PART No. | MERIT PART No. | STANCOR PART No. | THORDARSON PART No. | |
| L9 | .780A | .8Ω | 6MH | 1221823 | | | | |

TRANSFORMER (DRIVER)

| ITEM No. | TURNS RATIO | | REPLACEMENT DATA | | | | | NOTES |
|----------|-------------|------|------------------|----------------|------------------|---------------------|----------------|-------|
| | PRI. | SEC. | DELCO PART No. | MERIT PART No. | STANCOR PART No. | THORDARSON PART No. | TRIAD PART No. | |
| T1 | 8, 8 | 1 | 1221590 | | | | | |

TRANSFORMER (AUDIO OUTPUT)

| ITEM No. | IMPEDANCE | | REPLACEMENT DATA | | | | | NOTES |
|----------|-----------------|--|------------------|----------------|------------------|---------------------|----------------|-------|
| | PRI. | | DELCO PART No. | MERIT PART No. | STANCOR PART No. | THORDARSON PART No. | TRIAD PART No. | |
| T2 | 2.4Ω Tap @ 1.2Ω | | 1221535 | | | | | |

SPEAKER

| ITEM No. | TYPE | | | REPLACEMENT DATA | | NOTES |
|----------|---------|-------|------------|------------------|---------------|--|
| | SIZE | FIELD | V. C. IMP. | DELCO PART No. | QUAM PART No. | |
| SP1 | 4"x 10" | PM | 3-4Ω | 7278208 | 410A2 | Model AC-3217 Models AC-3255, AC-3248 |
| | 4"x 8" | PM | 3-4Ω | 7275979 | | |

FUSES

| ITEM No. | TYPE | RATING | REPLACEMENT DATA | | | | | |
|----------|------|--------|------------------|---------|---------------------|--------|---------------|--------|
| | | | DELCO PART No. | | LITTELFUSE PART No. | | BUSS PART No. | |
| | | | FUSE | HOLDER | FUSE | HOLDER | FUSE | HOLDER |
| M1 | AGW | 4A | | 7278483 | 303004 | 155009 | AGW 4 | HHH |

MISCELLANEOUS

| ITEM No. | PART NAME | DELCO PART No. | NOTES |
|----------|-------------|----------------|-------------------|
| M2 | Spark Plate | 7271584 | |
| M3 | Switch | 1221152 | Speaker Interlock |

CABINETS & CABINET PARTS

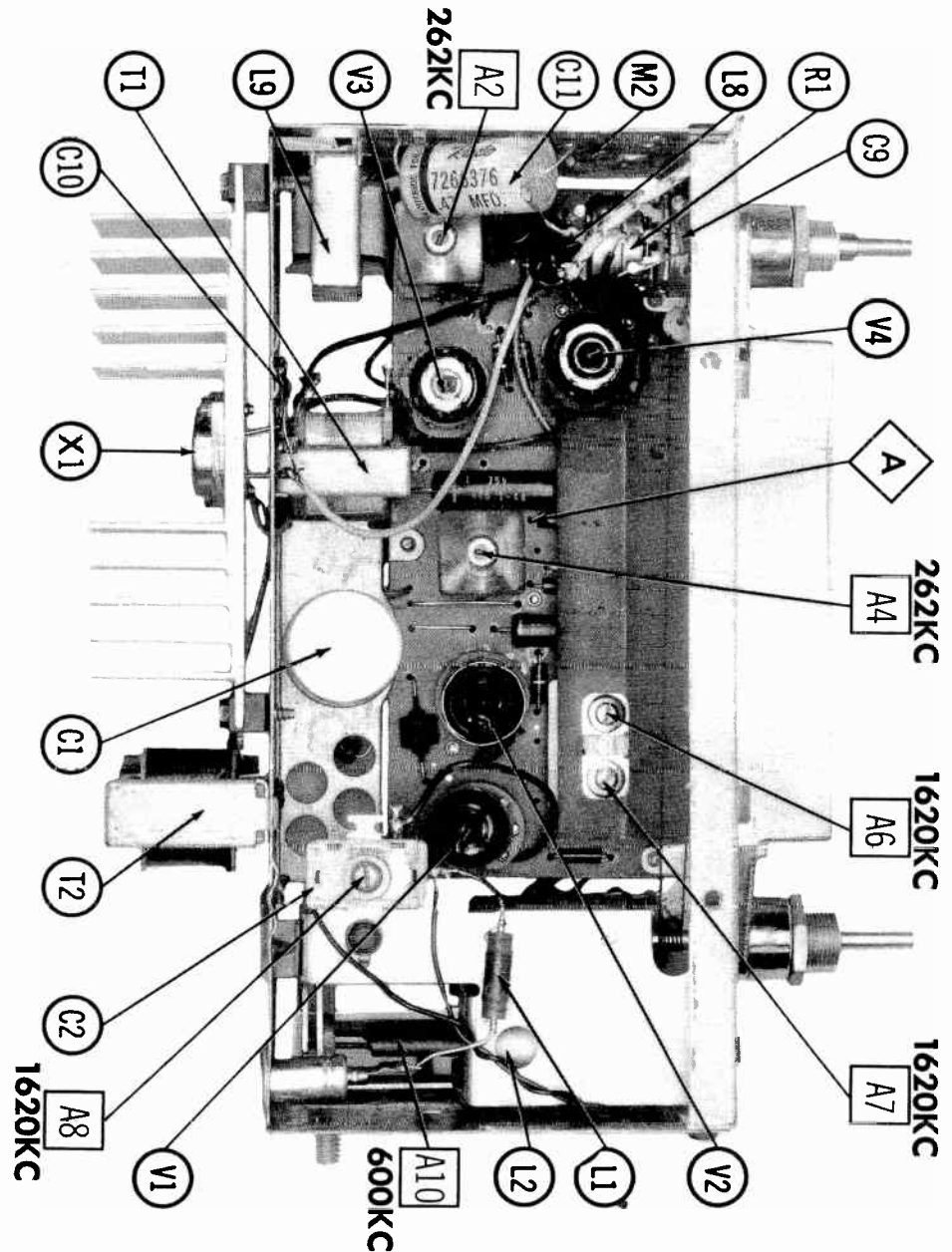
(When Ordering Cabinets & Cabinet Parts, Specify Model, Chassis & Color)

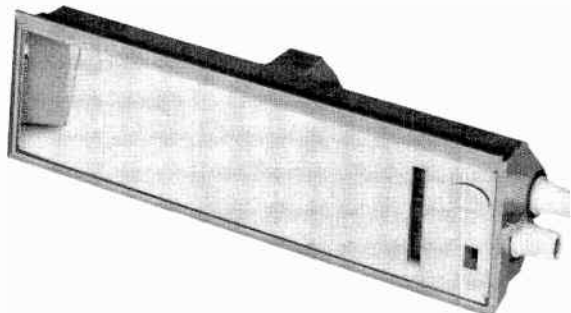
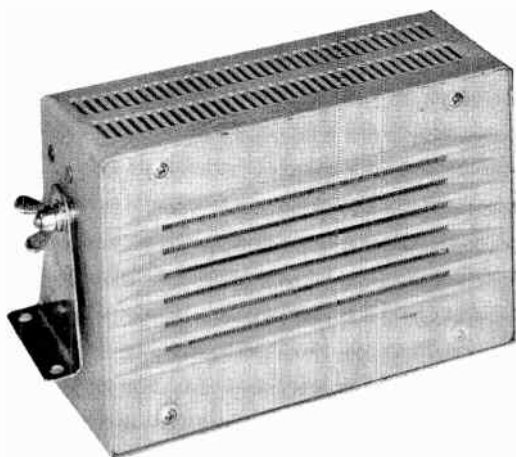
| NAME | PART NO. | DESCRIPTION |
|------|----------|--------------------------------------|
| Knob | 7280822 | Tuning, Volume, Model AC-3217 |
| Knob | 7281332 | Tuning, Volume, Model AC-3255 |
| Knob | 7280335 | Tone, Models AC-3217, AC-3255 |
| Knob | 7280334 | Dummy, Models AC-3217, AC-3255 |
| Knob | 7287414 | Tuning, Off-On-Volume, Model AC-3248 |
| Knob | 589554 | Tone, Model AC-3248 |
| Knob | 589555 | Dummy, Model AC-3248 |

WIRING DATA

| | |
|---|--|
| General-use Unshielded Hook-up Wire | Use BELDEN No. 8530 (Solid) Available in 12 Colors 8524 (Stranded) Available in 12 Colors |
| Shielded Hook-up Wire | Use BELDEN No. 8885 |
| Rear Seat Speaker Extension Cable | Use BELDEN No. 8782 (Stranded) Coded Parallel Leads |
| Bonding Strap | Use BELDEN No. 8881 (3/8 In.) or 8870 (3/4 In.) |

CHASSIS—TOP VIEW





TRUETONE
MODEL DC4200

TRADE NAME Truetime Model DC4200
 SUPPLIER Western Auto Supply Co., 2107 Grand Ave., Kansas City 8, Missouri
 TYPE SET Battery Operated 6 Transistor "Rear View Mirror" Automobile AM Receiver
 POWER SUPPLY 12 Volt Storage Battery RATING .72 Amp. @12.6 Volts DC
 TUNING RANGE - BROADCAST 535 - 1620KC

ALIGNMENT INSTRUCTIONS

Use only enough generator output to provide a usable indication.

Suggested Alignment Tools:

A1 thru A6... GENERAL CEMENT #5066, 8276, 9089... WALSCO #2515, 2516, 2518, 2519, 2525, 2541

| | SIGNAL GENERATOR COUPLING | SIGNAL GENERATOR FREQUENCY | RADIO DIAL SETTING | INDICATOR | ADJUST | REMARKS |
|----|---|----------------------------|-------------------------|--------------------------------|------------|--|
| 1. | Fashion loop of several turns of wire and radiate signal into loop of receiver. | 455KC (Usmod.) | Tuning gang fully open. | DC VTVM across volume control. | A1, A2, A3 | Adjust for maximum deflection. |
| 2. | " | 1620KC | " | " | A4 | " |
| 3. | " | 600KC | 600KC | " | A5 | Adjust for maximum deflection while rocking gang. Repeat step 2. |
| 4. | " | 1400KC | 1400KC | " | A6 | Adjust for maximum deflection. |

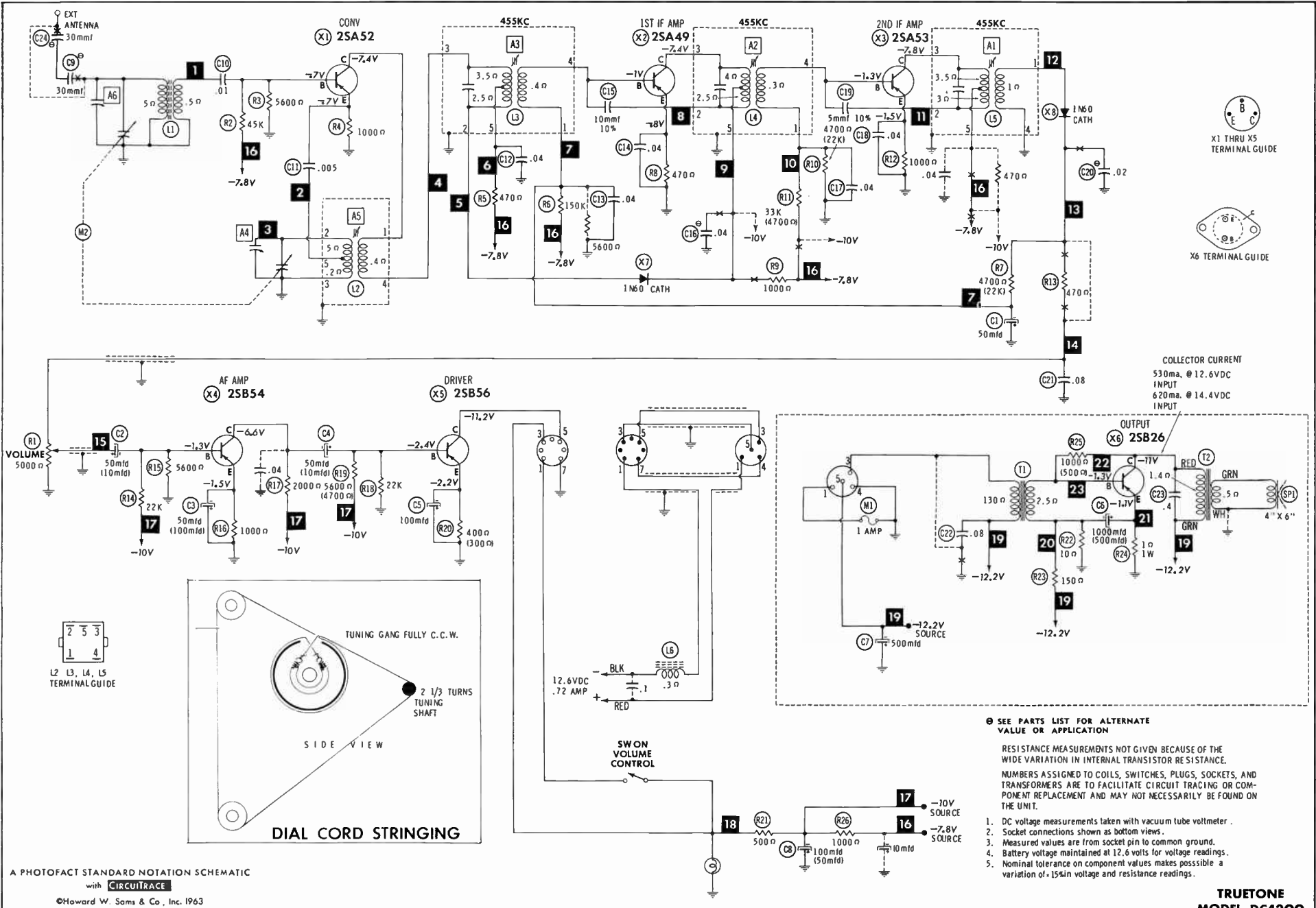
HOWARD W. SAMS & CO., INC. Indianapolis 6, Indiana



The listing of any available replacement part herein does not constitute in any case a recommendation, warranty or guaranty by Howard W. Sams & Co., Inc., as to the quality and suitability of such replacement part. The numbers of these parts have been compiled from information furnished to Howard W. Sams & Co., Inc., by the manufacturers of the particular type of replacement LD913

part listed. Reproduction or use, without express permission, of editorial or pictorial content, in any manner, is prohibited. No patent liability is assumed with respect to the use of the information contained herein. ©1963 Howard W. Sams & Co., Inc., Indianapolis 6, Indiana.

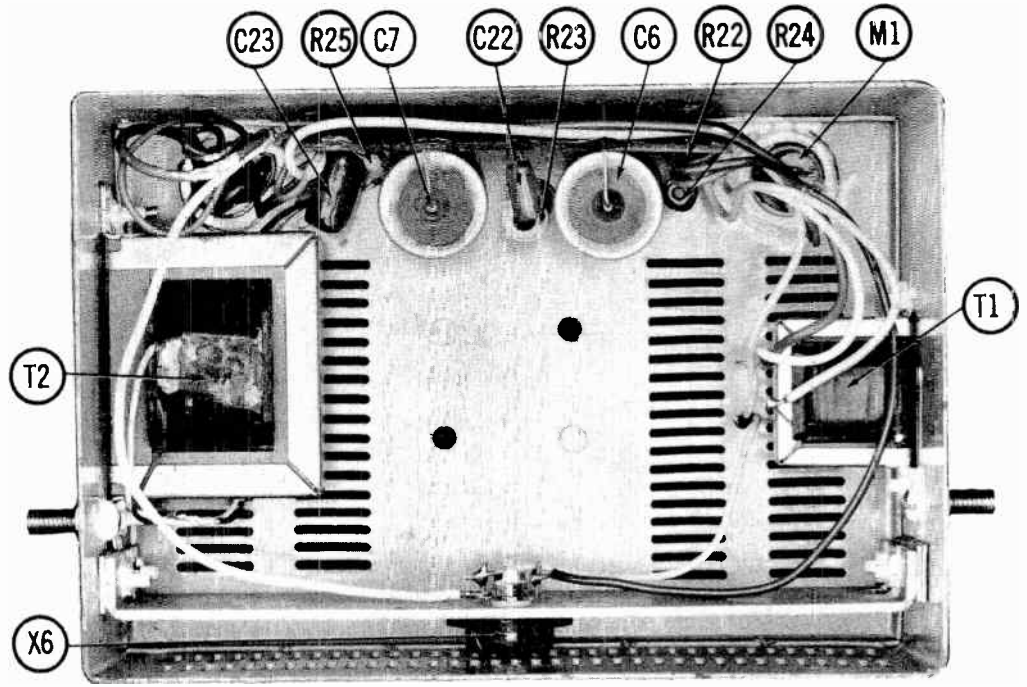
Printed in U.S. of America



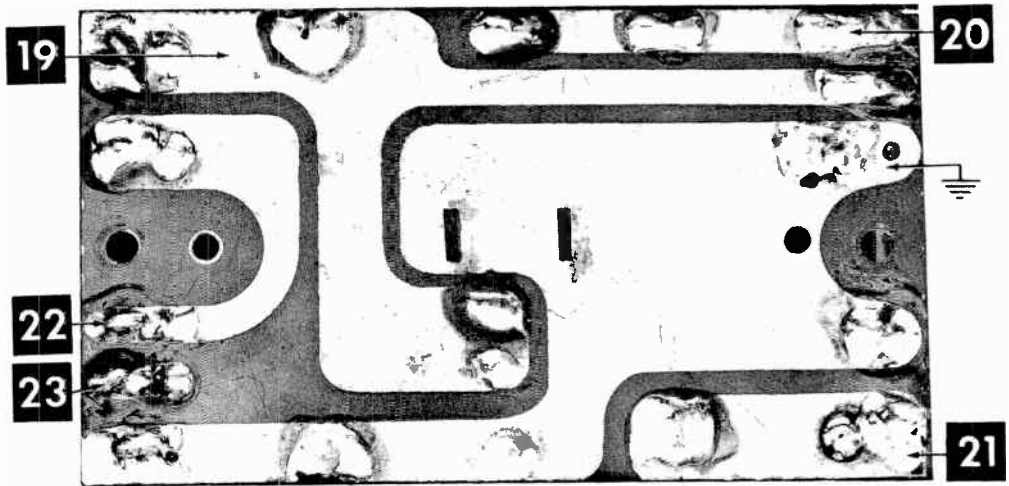
A PHOTOFAC STANDARD NOTATION SCHEMATIC with CIRCUITRACE
©Howard W. Sams & Co., Inc. 1963

TRUETONE
MODEL DC4200

POWER CHASSIS

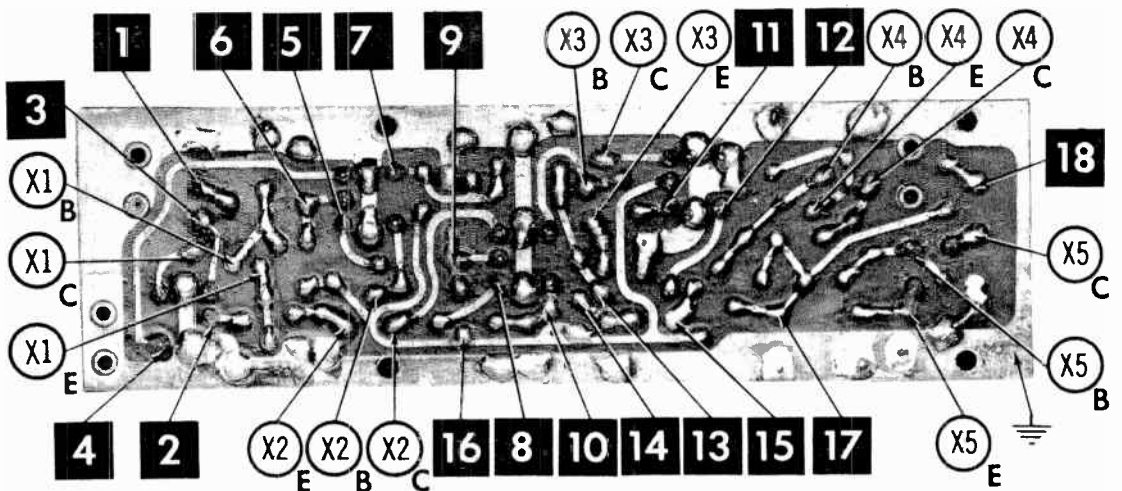


PRINTED BOARD-BOTTOM VIEW



A Howard W. Soms **CIRCUITRACE** Photo

POWER CHASSIS-PRINTED BOARD



A Howard W. Soms **CIRCUITRACE** Photo

PARTS LIST AND DESCRIPTION

Replacement parts shown may be superseded by the availability of newly introduced replacements.
Have your local distributor check Sams COUNTER FACTS for the most up-to-date replacement.

TRANSISTORS

| ITEM No. | ORIG. TYPE | USE | REPLACEMENT DATA | | | NOTES |
|----------|------------|------------------|------------------|---------------------------|--------------|------------|
| | | | DELCO PART No. | GENERAL ELECTRIC PART No. | RCA PART No. | |
| X1 | 2SA52 | Converter | DS25 | GE-1 | | PNP Note 1 |
| X2 | 2SA49 | 1st IF Amplifier | DS25 | GE-1 | | |
| X3 | 2SA53 | 2nd IF Amplifier | DS25 | GE-1 | | |
| X4 | 2SB54 | AF Amplifier | DS26 | GE-2 | | |
| X5 | 2SB56 | Driver | DS26 | GE-2 | 2N591 | |
| X6 | 2SB26 | Output | DS503 | GE-3 | 2N301 | |

Note 1. When replacing, apply silicone grease on both sides of insulator. Tighten mounting screws securely.

POWER RECTIFIERS & SIGNAL DIODES

| ITEM No. | MEASURED CURRENT | ORIGINAL Part or Type No. | RECTIFIERS | | | NOTES |
|----------|------------------|---------------------------|------------------|--------------|-------------------------|--------------|
| | | | MALLORY PART No. | RCA PART No. | SARKES TARZIAN PART No. | |
| X7 | IN80 | | | | | Overload AVC |
| X8 | IN80 | | | | | |

ELECTROLYTIC CAPACITORS

| ITEM No. | RATING | | REPLACEMENT DATA | | | | | | | |
|----------|--------|-------|--------------------|------------------|---------------------------|---------------------------|------------------|------------------|------------------|--|
| | CAP. | VOLT. | TRUE TONE PART No. | AEROVOX PART No. | CORNELL-DUBILIER PART No. | GENERAL ELECTRIC PART No. | MALLORY PART No. | PYRAMID PART No. | SPRAGUE PART No. | |
| C1 | 50 | 12 | BC7 | BCD12050 | NLW50-15 | MTI-18 | TT15X50 | MLV50-12 | TE-1133 | |
| C2 | 50 | 12 | (10) † | BCD12050 | NLW50-15 | MTI-18 | TT15X50 | MLV50-12 | TE-1133 | |
| C3 | 50 | 12 | (100) † | BCD12050 | NLW50-15 | MTI-18 | TT15X50 | MLV50-12 | TE-1133 | |
| C4 | 50 | 12 | (10) † | BCD12050 | NLW50-15 | MTI-18 | TT15X50 | MLV50-12 | TE-1133 | |
| C5 | 100 | 6 | BC19 | BCD12100 | NLW100-12 | MTI-19 | TT12X100 | MLV100-12 | TE-1135 | |
| C6 | 1000 | 15 | (500) † | PRS1230 | BR1000-15 | Q7I-32 | TC-1501 | TD-1000-15 | TVA-1163 | |
| C7 | 500 | 15 | BC23 | PRS1220 | BR500-15 | Q7I-30 | TC-1505 | TD-500-15 | TVA-1162 | |
| C8 | 100 | 12 | (50) † | BCD12100 | NLW100-12 | MTI-19 | TT12X100 | MLV100-12 | TE-1135 | |

† Alternate Value.

FIXED CAPACITORS

| ITEM No. | RATING | REMARKS | REPLACEMENT DATA | | | | | |
|----------|--------|---------|------------------|--------------------|---------------------------|------------------|------------------|------------------|
| | | | AEROVOX PART No. | CENTRALAB PART No. | CORNELL-DUBILIER PART No. | ELMENCO PART No. | MALLORY PART No. | SPRAGUE PART No. |
| C9 | 30 | Note 1 | DI-30 | DD-300 | L10Q3 | CCD-300 | GP430 | 10TS-Q30 |
| C10 | .01 | | TTD-01 | CK-103 | H05S1 | | TA-110 | TG-S10 |
| C11 | .005 | | TTD-005 | CK-502 | H05D5 | CCD-502 | TA-250 | TG-D50 |
| C12 | .04 | | TTD-05 | CK-503 | H05S5 | | | TG-S50 |
| C13 | .04 | | TTD-05 | CK-503 | H05S5 | | | TG-S50 |
| C14 | .04 | | TTD-05 | CK-503 | H05S5 | | | TG-S50 |
| C15 | 10 10% | | DI-10 | DD-100 | L10Q1 | CCD-100 | GP410 | 10TS-Q10 |
| C16 | .04 | Note 1 | TTD-05 | CK-503 | H05S5 | | | TG-S50 |
| C17 | .04 | | TTD-05 | CK-503 | H05S5 | | | TG-S50 |
| C18 | .04 | | TTD-05 | CK-503 | H05S5 | | | TG-S50 |
| C19 | 5 10% | | DI-5 | DD-050 | L10V5 | CCD-050 | GP550 | 10TS-V50 |
| C20 | .02 | | TTD-02 | CK-203 | H05S2 | | TA-120 | TG-S20 |
| C21 | .08 | (.1) † | TTD-1 | CK-104 | H05P1 | | | TG-P10 |
| C22 | .08 | (.04) † | TTD-1 | CK-104 | H05P1 | | | TG-P10 |
| C23 | .4 | (.1) † | | | | | | |
| C24 | 30 | Note 1 | DI-30 | DD-300 | L10Q3 | CCD-300 | GP430 | 10TS-Q30 |

Note 1. Not used in some versions.
† Alternate Value.

CONTROLS

All wattages 1/2 watt, or less, unless otherwise listed.

| ITEM No. | USE | RESISTANCE | REPLACEMENT DATA | | | | | |
|----------|-----------------|------------|--------------------|--------------------|--------------------|------------------|------------------|---------------------------|
| | | | TRUE TONE PART No. | CENTRALAB PART No. | CLAROSTAT PART No. | CTS-IRC PART No. | MALLORY PART No. | |
| R1 | Volume & Switch | 5000Ω | B5SVR | | | | | RU53A, SL36, US42, SL3500 |

COILS (RF-IF)

| ITEM No. | USE | REPLACEMENT DATA | | | | | NOTES |
|----------|----------|--------------------|----------------|-----------------|------------------|------------------|-------|
| | | TRUE TONE PART No. | MERIT PART No. | MILLER PART No. | STANCOR PART No. | WORKMAN PART No. | |
| L1 | Loop Bar | B4AC | | | | | |
| L2 | Osc. | B0SC | | | | | |
| L3 | 1st IF | B1FT1 | | | | | |
| L4 | 2nd IF | B1FT2 | | | | | |
| L5 | 3rd IF | B1FT3 | | | | | |

FILTER CHOKE

| ITEM No. | RATINGS | | | REPLACEMENT DATA | | | | NOTES |
|----------|--------------------|---------|------------------------------|--------------------|----------------|------------------|---------------------|-------|
| | CURRENT (Measured) | DC RES. | INDUCTANCE (0 CURRENT 1000~) | TRUE TONE PART No. | MERIT PART No. | STANCOR PART No. | THORDARSON PART No. | |
| L6 | .720A | .3Ω | 1.5MH | BHFC | | | | |

TRANSFORMER (DRIVER)

| ITEM No. | TURNS RATIO | | REPLACEMENT DATA | | | | | NOTES |
|----------|-------------|------|--------------------|----------------|------------------|---------------------|----------------|-------|
| | PRI. | SEC. | TRUE TONE PART No. | MERIT PART No. | STANCOR PART No. | THORDARSON PART No. | TRIAD PART No. | |
| T1 | 9 | 1 | BT1 | | | | | |

TRANSFORMER (AUDIO OUTPUT)

| ITEM No. | IMPEDANCE | | REPLACEMENT DATA | | | | | NOTES |
|----------|-----------|------|--------------------|----------------|------------------|---------------------|----------------|-------|
| | PRI. | SEC. | TRUE TONE PART No. | Merit PART No. | Stancor PART No. | Thordarson PART No. | Triad PART No. | |
| T2 | 30Ω | 3-4Ω | BT2 | | | | | |

SPEAKER

| ITEM No. | TYPE | | | REPLACEMENT DATA | | NOTES |
|----------|--------|-------|------------|--------------------|---------------|-------|
| | SIZE | FIELD | V. C. IMP. | TRUE TONE PART No. | QUAM PART No. | |
| SP1 | 4"x 6" | PM | 3-4Ω | B4S | 46A15 | |

FUSES

| ITEM No. | TYPE | RATING | REPLACEMENT DATA | | | | | |
|----------|------|--------|--------------------|---------------------|-----------------|--------|-------|--------|
| | | | TRUE TONE PART No. | LITTELFUSE PART No. | BUSS PART No. | | | |
| | | | FUSE | HOLDER | FUSE | HOLDER | FUSE | HOLDER |
| M1 | AGC | 1A | BFH | | 312001 (AGC 1A) | 342003 | AGC 1 | HKP |

MISCELLANEOUS

| ITEM No. | PART NAME | TRUE TONE PART No. | NOTES |
|----------|-------------|--------------------|--------|
| M2 | Tuning Cap. | B2VC | 2 Gang |

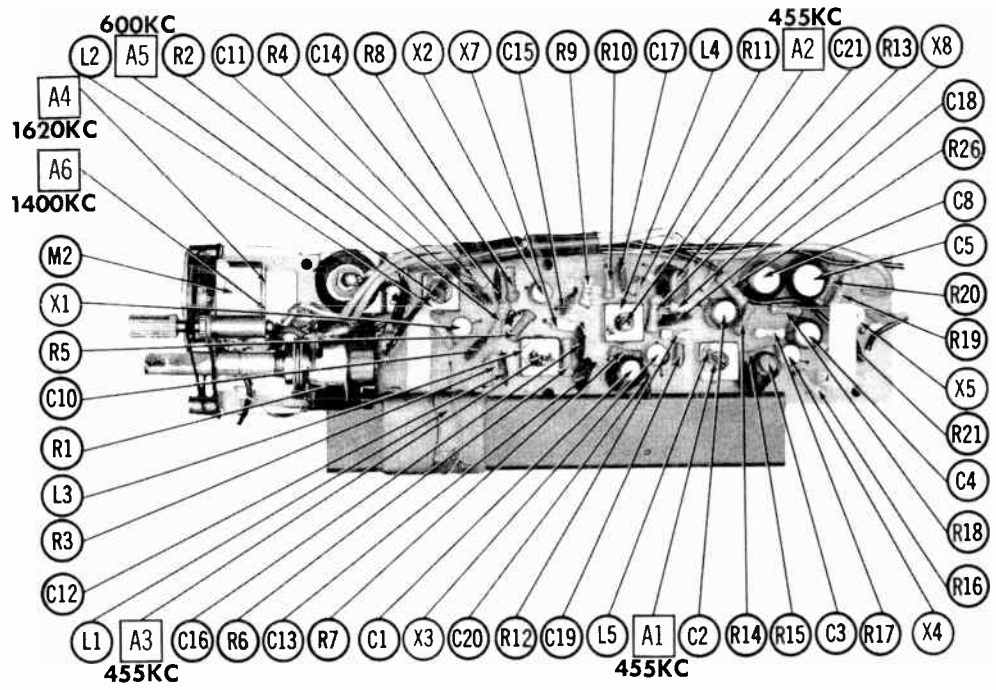
CABINETS & CABINET PARTS

(When Ordering Cabinets & Cabinet Parts, Specify Model, Chassis & Color)

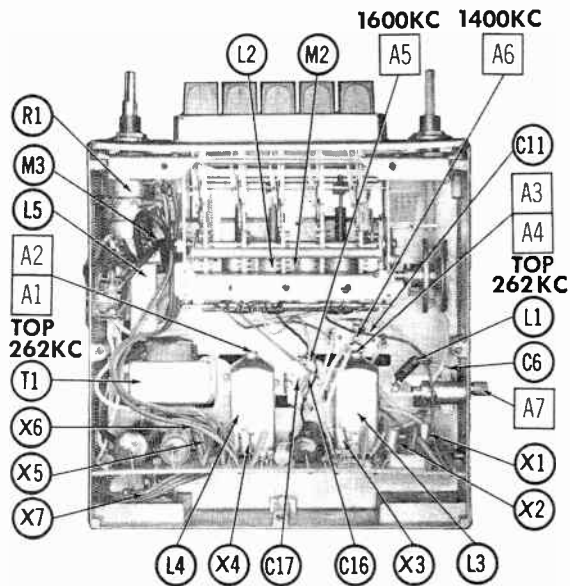
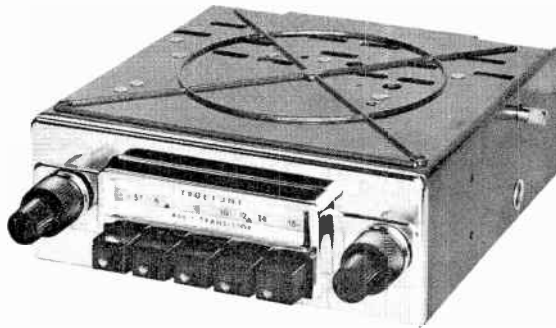
| NAME | PART NO. | DESCRIPTION |
|---------|----------|----------------------|
| Knobs | BK | Volume, Tuning Tuner |
| Cabinet | BTC | |
| Mirror | BMI | |

WIRING DATA

| | |
|-------------------------------------|---|
| General-use Unshielded Hook-up Wire | Use BELDEN No. 8530 (Solid) Available in 12 Colors |
| Shielded Hook-up Wire | 8524 (Stranded) Available in 12 Colors |
| Rear Seat Speaker Extension Cable | Use BELDEN No. 8585 |
| Bonding Strap | Use BELDEN No. 8782 (Stranded) Coded Parallel Leads |
| | Use BELDEN No. 8661 (3/8 In.) or 8670 (3/4 In.) |



CHASSIS COMPONENT IDENT.



| | | | |
|--------------------------|---|--------|-----------------------|
| TRADE NAME | Truetone Models DC4205B, DC4206B | | |
| MANUFACTURER | Western Auto Supply Co., 2107 Grand Ave., Kansas City 8, Missouri | | |
| TYPE SET | Battery Operated 7 Transistor Universal Type Automobile AM Receiver | | |
| POWER SUPPLY | 6 (or) 12 Volt Storage Battery | RATING | 1 Amp. @12.6 Volts DC |
| TUNING RANGE - BROADCAST | 540 - 1610KC | | |

**TRUETONE MODELS
DC4205B, DC4206B**

ALIGNMENT INSTRUCTIONS

| ALIGNMENT INSTRUCTIONS—READ CAREFULLY BEFORE ATTEMPTING ALIGNMENT | | | | | | |
|--|--|----------------------------|----------------------|---------------------------------|----------------|----------------------------|
| Volume control should be at maximum position. Output of signal generator should be no higher than necessary to obtain an output reading. | | | | | | |
| Suggested Alignment Tools: | | | | | | |
| A1 thru A4, ... GENERAL CEMENT #8195, 8728A, 8988 | | | | | | |
| WALSCO #2515, 2520, 2522, 2523, 2531, 2532, 2534, 2537, 2538 | | | | | | |
| A5 thru A7... GENERAL CEMENT #5066, 8276, 9089 | | | | | | |
| WALSCO #2512, 2525, 2528 | | | | | | |
| | SIGNAL GENERATOR COUPLING | SIGNAL GENERATOR FREQUENCY | RADIO DIAL SETTING | INDICATOR | ADJUST | REMARKS |
| 1. | High side to antenna terminal, common to ground. | 262KC (Mod.) | High Freq. End Stop. | AC voltmeter across voice coil. | A1, A2, A3, A4 | Adjust for maximum output. |
| 2. | " | 1600KC | " | " | A5 | " |
| 3. | " | 1400KC | 1400KC | " | A6 | " |
| 4. | With radio installed in car and antenna fully extended, tune in a weak station near 1400KC and adjust A7 for maximum output. | | | | | |

PUSH-BUTTON ADJUSTMENT

1. Pull button out.
2. Tune manually to desired station.
3. Press button in firmly.
4. Repeat for remaining button.

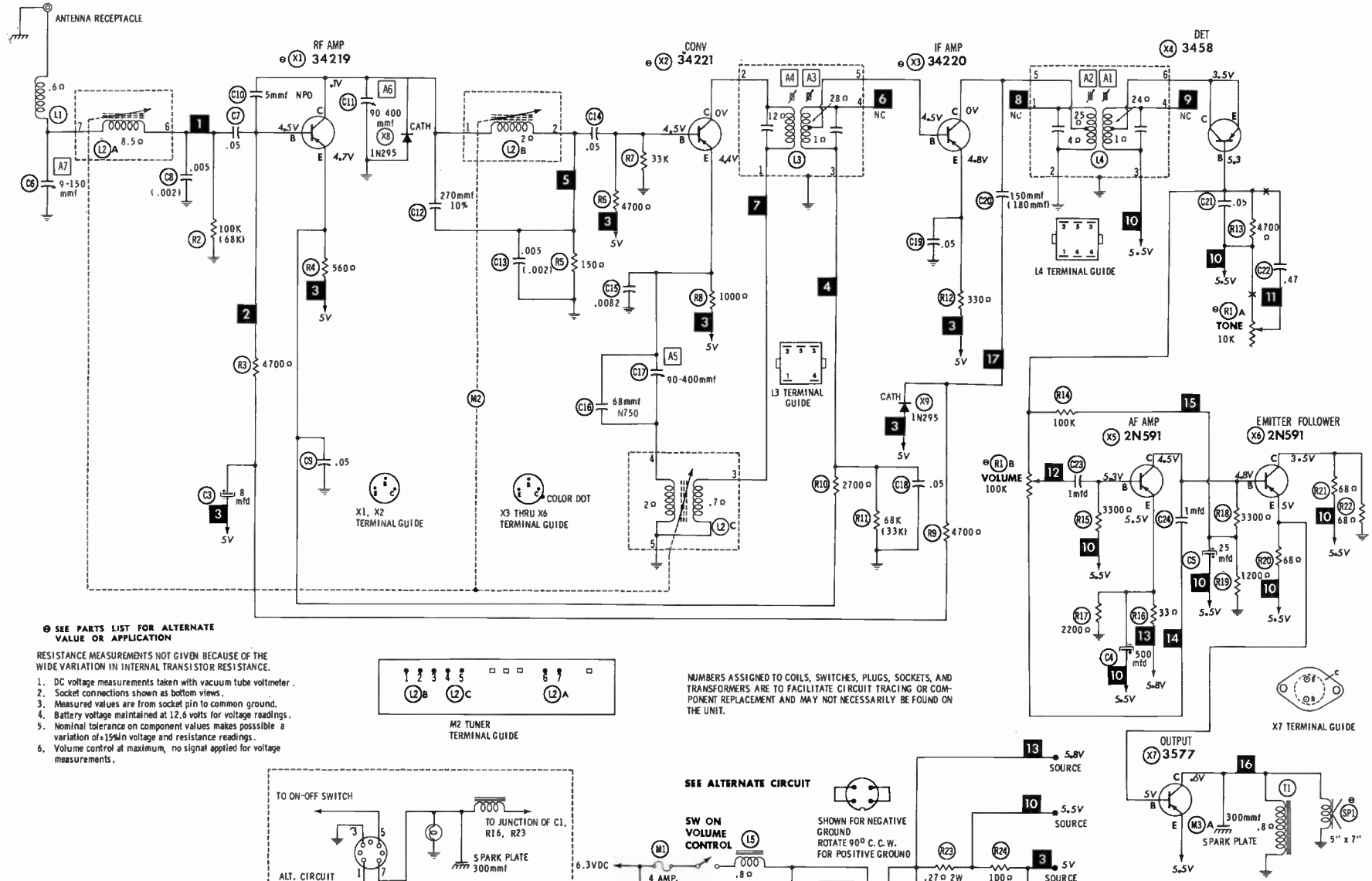
HOWARD W. SAMS & CO., INC. Indianapolis 6, Indiana



The listing of any available replacement part herein does not constitute in any case a recommendation, warranty or guaranty by Howard W. Sams & Co., Inc., as to the quality and suitability of such replacement part. The numbers of these parts have been compiled from information furnished to Howard W. Sams & Co., Inc., by the manufacturers of the particular type of replacement

part listed. Reproduction or use, without express permission, of editorial or pictorial content, in any manner, is prohibited. No patent liability is assumed with respect to the use of the information contained herein. ©1963 Howard W. Sams & Co., Inc., Indianapolis 6, Indiana.

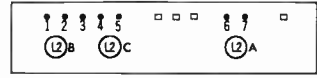
Printed in U.S. of America



SEE PARTS LIST FOR ALTERNATE VALUE OR APPLICATION

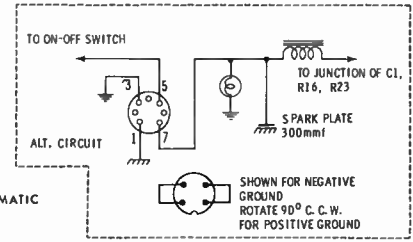
RESISTANCE MEASUREMENTS NOT GIVEN BECAUSE OF THE WIDE VARIATION IN INTERNAL TRANSISTOR RESISTANCE.

1. DC voltage measurements taken with vacuum tube voltmeter.
2. Socket connections shown as bottom views.
3. Measured values are from socket pin to common ground.
4. Battery voltage maintained at 12.6 volts for voltage readings.
5. Nominal tolerance on component values makes possible a variation of $\pm 15\%$ in voltage and resistance readings.
6. Volume control at maximum, no signal applied for voltage measurements.



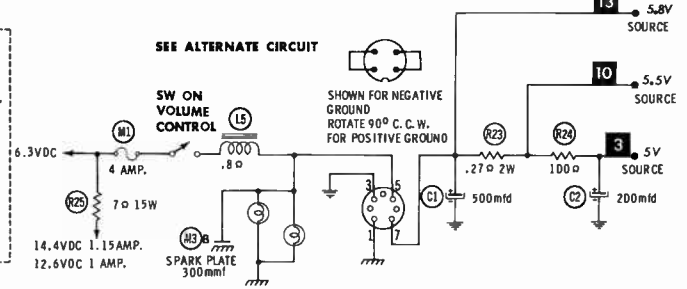
M2 TUNER TERMINAL GUIDE

NUMBERS ASSIGNED TO COILS, SWITCHES, PLUGS, SOCKETS, AND TRANSFORMERS, ARE TO FACILITATE CIRCUIT TRACING OR COMPONENT REPLACEMENT AND MAY NOT NECESSARILY BE FOUND ON THE UNIT.

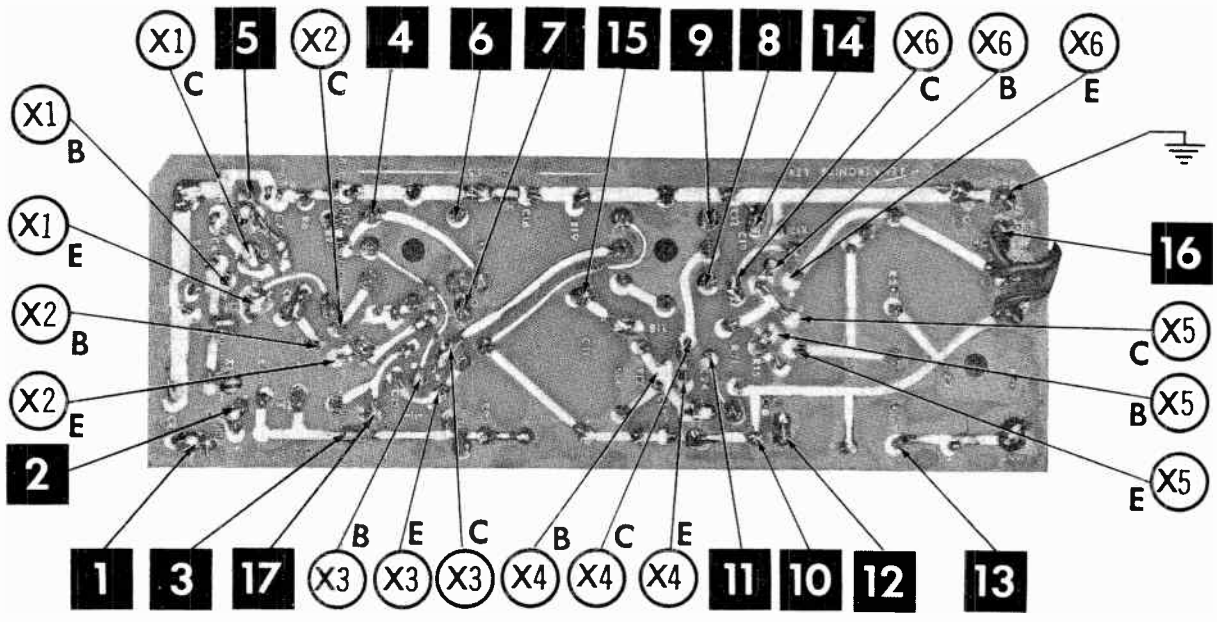


A PHOTOFACIT STANDARD NOTATION SCHEMATIC with **CIRCUITTRACE**
©Howard W. Sams & Co., Inc. 1963

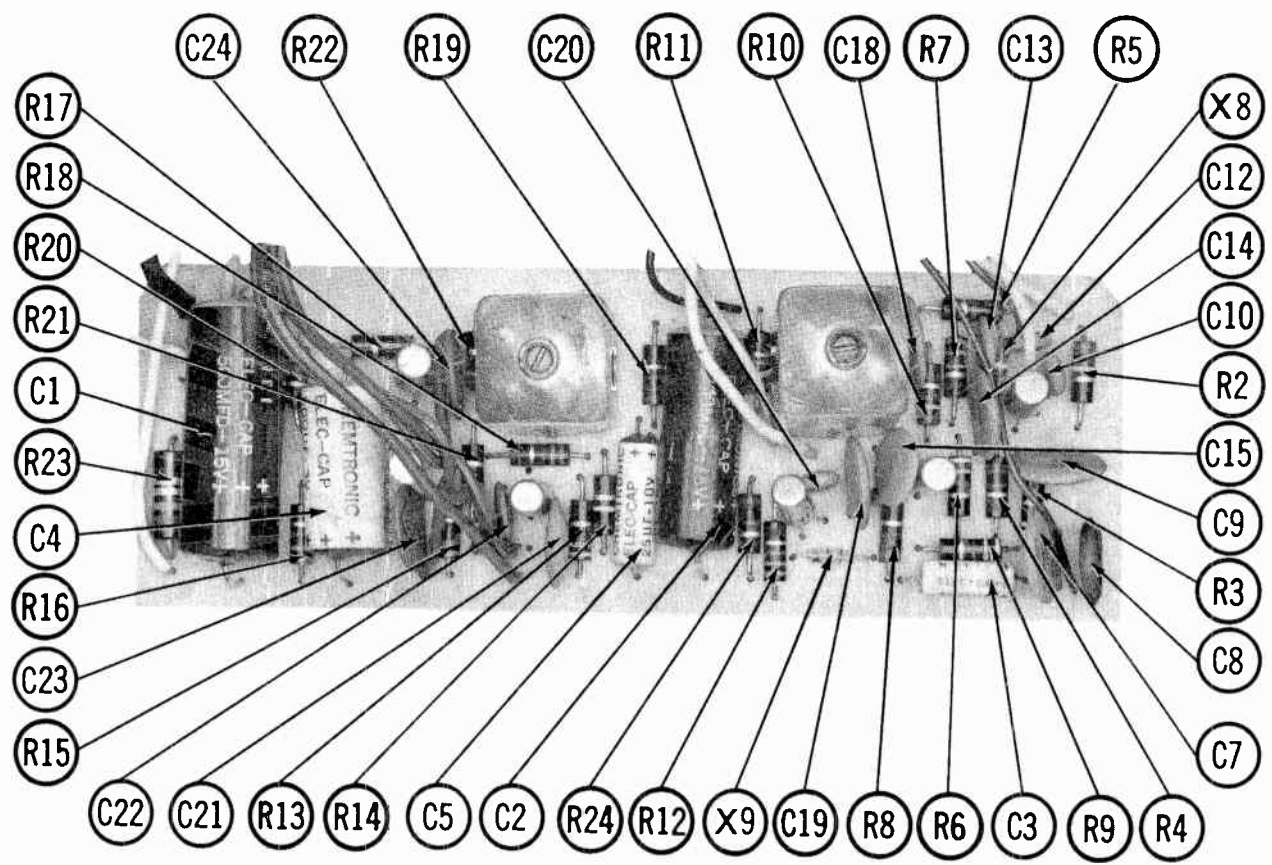
SEE ALTERNATE CIRCUIT



TRUETONE MODELS DC4205B, DC4206B



A Howard W. Sams **CIRCUITRACE** Photo



PARTS LIST AND DESCRIPTION

Replacement parts shown may be superseded by the availability of newly introduced replacements.
Have your local distributor check Sams COUNTER FACTS for the most up-to-date replacement.

TRANSISTORS

| ITEM No. | ORIG. TYPE | USE | REPLACEMENT DATA | | | NOTES |
|----------|------------------|------------------------------|------------------|---------------------------|------------------|------------|
| | | | DELCO PART No. | GENERAL ELECTRIC PART No. | RCA PART No. | |
| X1 | 34219 2N1637* | RF Amplifier | DS25 | GE-1 | 2N1637 | PNP |
| X2 | 34221 2N1639* | RF Amplifier Converter | DS25 | GE-1 | 2N1637 2N1639 | PNP PNP |
| X3 | 34220 2N1638* | IF Amplifier IF Amplifier | DS25 | GE-1 | 2N1638 2N1638 | PNP PNP |
| X4 | 3458 | Detector | DS25 | GE-1 | 2N318 | PNP |
| X5 | 2N591 | AF Amplifier | DS26 | GE-2 | 2N591 | PNP |
| X6 | 2N591 | Emitter Follower | DS26 | GE-2 | 2N591 | PNP |
| X7 | 3577 | Output | DS520 | GE-3 | 2N301 | PNP |

* Alternate

POWER RECTIFIERS & SIGNAL DIODES

| ITEM No. | CURRENT RATING (Measured) | ORIGINAL Part or Type No. | RECTIFIERS | | DIODES | NOTES |
|----------|---------------------------|---------------------------|--------------|-------------------------|--------|--------------------------------------|
| | | | RCA PART No. | SARKES TARZIAN PART No. | | |
| X8 | | T700-708 | | | | Noise Limiter (1N295) AVC (1N295) |
| X9 | | T700-709 | | | | |

ELECTROLYTIC CAPACITORS

| ITEM No. | RATING | | REPLACEMENT DATA | | | | | | |
|----------|--------|-------|-------------------|------------------|---------------------------|---------------------------|------------------|------------------|------------------|
| | CAP. | VOLT. | TRUETONE PART No. | AEROVOX PART No. | CORNELL-DUBILIER PART No. | GENERAL ELECTRIC PART No. | MALLORY PART No. | PYRAMID PART No. | SPRAGUE PART No. |
| C1 | 500 | 15 | T700-417 | | BR500-15 | | | | |
| C2 | 200 | 15 | T700-411 | CRE481 | NLW200-15 | MT1-23 | TT15X200 | TD-250-15 | TE-1164 |
| C3 | 8 | 10 | T700-413 | PTT38 | NLW8-10 | MT1-25 | TT15X8 | ML8-15 | TE-1127.3 |
| C4 | 500 | 3 | T700-416 | PTT17 | NLW450-3 | MT1-26 | TC-305 | TD-500-6 | TE-1068 |
| C5 | 25 | 10 | T700-414 | PTT42 | NLW25-10 | MT1-10 | TT10X25 | MLV25-10 | TE-1118 |

FIXED CAPACITORS

| ITEM No. | RATING | REMARKS | REPLACEMENT DATA | | | | | |
|----------|---------|-----------|------------------|--------------------|---------------------------|------------------|------------------|------------------|
| | | | AEROVOX PART No. | CENTRALAB PART No. | CORNELL-DUBILIER PART No. | ELMENDO PART No. | MALLORY PART No. | SPRAGUE PART No. |
| C6 | 9-150 | #T700-401 | | | | 463 | | |
| C7 | .05 | (.002) † | TTD-05 | CK-503 | H05S5 | | GP150 | TG-S50 |
| C8 | .005 | | TTD-005 | CK-502 | H05D5 | CCD-502 | TA-250 | TG-D50 |
| C9 | .05 | | TTD-05 | CK-503 | H05S5 | | | TG-S50 |
| C10 | 5 NPO | | NPO-DI 5 | DTZ-4R7 | C10V5C | CC TO-050 | CNO-547 | 10TCC-V50 |
| C11 | 90-400 | #T700-422 | | | | 466 | | |
| C12 | 270 10% | | DI-270 | DD-271 | L10T27 | CCD-271 | GP327 | 10TS-T27 |
| C13 | .005 | (.002) † | TTD-005 | CK-502 | H05D5 | CCD-502 | TA-250 | TG-D50 |
| C14 | .05 | | TTD-05 | CK-503 | H05S5 | | GP150 | TG-S50 |
| C15 | .0082 | | DI-8200 | DD-822 | | CCD-822 | CN7-468 | 10TCU-Q68 |
| C16 | 68 N750 | | N750-DI 68 | DTN-68 | C10Q68U | CCTN-680 | | |
| C17 | 90-400 | #T700-422 | | | | 466 | | |
| C18 | .05 | | TTD-05 | CK-503 | H05S5 | | GP150 | TG-S50 |
| C19 | .05 | | TTD-05 | CK-503 | H05S5 | | GP150 | TG-S50 |
| C20 | 150 | (180) † | DI-150 | DD-151 | L10T15 | CCD-151 | GP315 | 10TS-T15 |
| C21 | .05 | | TTD-05 | CK-503 | H05S5 | | GP150 | TG-S50 |
| C22 | .47 | #T700-426 | | UK-474 | | | | |
| C23 | 1mfd | #T700-425 | | UK-105 | | | | |
| C24 | 1mfd | #T700-425 | | UK-105 | | | | |

† Alternate Value.
Truetime Part Number.

WIRING DATA

| | |
|---|--|
| General-use Unshielded Hook-up Wire | Use BELDEN No. 8530 (Solid) Available in 12 Colors 8524 (Stranded) Available in 12 Colors |
| Shielded Hook-up Wire | Use BELDEN No. 8885 |
| Rear Seat Speaker Extension Cable | Use BELDEN No. 8782 (Stranded) Coded Parallel Leads |
| Bonding Strap | Use BELDEN No. 8681 (3/8 In.) or 8670 (3/4 In.) |

CONTROLS

All wattages 1/2 watt, or less, unless otherwise listed.

| ITEM No. | USE | RESISTANCE | REPLACEMENT DATA | | | | |
|----------|----------------------|-------------|-------------------|--------------------|--------------------|------------------|------------------|
| | | | TRUETONE PART No. | CENTRALAB PART No. | CLAROSTAT PART No. | CTS-IRC PART No. | MALLORY PART No. |
| RIA B | Tone Volume & Switch | 10K 100K | T700-525 ① | | | | |

① Model DC4205B uses Volume & Switch only. (Part #T7000524).

COILS (RF-IF)

| ITEM No. | USE | REPLACEMENT DATA | | | | | NOTES |
|----------|------------------|-------------------|----------------|-----------------|------------------|------------------|--------------|
| | | TRUETONE PART No. | MERIT PART No. | MILLER PART No. | STANCOR PART No. | WORKMAN PART No. | |
| L1 | RF Choke(6, 5uh) | T700-306 | BC-565 | 4610 | RTC-8520 | T-959 | ① Part of M2 |
| L2A | Ant. Coil | ① | | | | | |
| B | RF Coil | | | | | | |
| C | Osc. | | | | | | |
| L3 | Input IF | T700-310 | | | | | |
| L4 | Output IF | T700-311 | | | | | |

FILTER CHOKE

| ITEM No. | RATINGS | | | REPLACEMENT DATA | | | | NOTES |
|----------|--------------------|---------|------------------------------|-------------------|----------------|------------------|---------------------|-------|
| | CURRENT (Measured) | DC RES. | INDUCTANCE (0 CURRENT 1000~) | TRUETONE PART No. | MERIT PART No. | STANCOR PART No. | THORDARSON PART No. | |
| L5 | 1A | .8Ω | 3MH | T700-305 | | | | |

CHOKE (AUDIO OUTPUT)

| ITEM No. | IMPEDANCE | REPLACEMENT DATA | | | | | NOTES |
|----------|---------------------|-------------------|----------------|------------------|---------------------|----------------|-------|
| | | TRUETONE PART No. | Merit PART No. | Stancor PART No. | Thordarson PART No. | Triad PART No. | |
| T1 | 20MH .8Ω DC Res. | T700-301 | | | | | |

SPEAKER

| ITEM No. | TYPE | | | REPLACEMENT DATA | | NOTES |
|----------|--------------|----------|--------------|----------------------|---------------|-------|
| | SIZE | FIELD | V. C. IMP. | TRUE TONE PART No. | QUAM PART No. | |
| SP1 | 5"x 7" 5" | PM PM | 3-4Ω 3-4Ω | T700-139 T700-138 | 57A1 | |

FUSES

| ITEM No. | TYPE | RATING | REPLACEMENT DATA | | | | | |
|----------|------|--------|-------------------|---------|---------------------|--------|---------------|--------|
| | | | TRUETONE PART No. | | LITTELFUSE PART No. | | BUSS PART No. | |
| | | | FUSE | HOLDER | FUSE | HOLDER | FUSE | HOLDER |
| M1 | SFE | 4 A | T700-65 | T700-64 | 307004 (SFE 4A) | 155004 | SFE 4 | HRF |

MISCELLANEOUS

| ITEM No. | PART NAME | TRUETONE PART No. | NOTES |
|----------|-------------|----------------------|---|
| M2 | Tuner | T700-85C T700-80C | Push-Button Type, Model DC4206B Manual Type, Model DC4205B |
| M3A | Spark Plate | T700-418 | 300mmf (Speaker) |
| B | Spark Plate | | 300mmf (DC Input) |

AUTO RADIO MANUAL VOLUME 18

This manual contains complete PHOTOFAC service literature on 1962 auto radios produced under the following trade names:

AMERICAN MOTORS
BECKER
BLAUPUNKT
BUICK
CADILLAC
CHEVROLET
ERIC
FORD
GMC
KARMANN GHIA
MERCURY

MOPAR
MOTOROLA
OLDSMOBILE
PONTIAC
RIVERSIDE
SAMPSON
STROMBERG-CARLSON
STUDEBAKER
TRUETONE
VOLKSWAGEN



HOWARD W. SAMS & CO., INC.
THE BOBBS-MERRILL COMPANY, INC.