

ELECTRONIC TECHNOLOGY SERIES

FILTERS AND ATTENUATORS

a **RIDER** **publication**

FILTERS AND ATTENUATORS

edited by

Alexander Schure Ph.D., Ed.D.



JOHN F. RIDER PUBLISHER, INC., NEW YORK
a division of HAYDEN PUBLISHING COMPANY, INC.

**COPYRIGHT APRIL 1961 BY
JOHN F. RIDER PUBLISHER, INC.**

All rights reserved. This book or any parts thereof may not be reproduced in any form or any language without permission of the publisher.

LIBRARY OF CONGRESS CATALOG CARD NUMBER 61-7326

Printed in the United States of America

Reprinted, 1964

PREFACE

This book deals with the major factors and new techniques in filters and attenuators. The problems inherent in this field are discussed fully, step-by-step, as a technician would encounter them on the job.

Detailed attention is given to the general characteristics of low-pass filters, choke-input filter systems, capacitor-input filter systems, tuned low-pass filters, graded filters and cancellation filters.

The problems of audio filters and radio and television filters receive special attention, with special emphasis on decoupling filters, tone controls, speech clipping, high-fidelity filters, Scott filters and high- and low-frequency compensation filters. The problems of traps in television receivers, transmission filters, noise filters, crystal filters and interference filters are also fully discussed.

We have covered large areas such as wave filters and attenuators and equalizers and given special treatment to filter classifications, characteristic impedance, filter configurations, constant-k and derived-m filters, and a host of others dealing with configurations. Bridged-T and parallel-T networks and their applications are fully dealt with.

Attenuators and equalizers are discussed, ranging from definitions and examples of fixed attenuators through amplitude equalizers, phase equalizers and resistance pads, noting their types and design.

Through these discussions the earnest reader will establish a foundation for advanced concepts.

Grateful acknowledgment is made to the staff of the New York Institute of Technology for their assistance and cooperation.

A.S.

*New York, New York
April, 1961*

CONTENTS

Chapter 1

INTRODUCTION TO FILTERS AND ATTENUATORS 1

The Function of a Filter • Types of Filters

Chapter 2

SMOOTHING FILTERS FOR POWER SUPPLIES 7

General Characteristics of Power Supply Filters • Ripple Voltage, Capacitor-Input Filter • Output Voltage and Voltage Regulation, Capacitor Input • Rectifier Considerations in Capacitor-Input Filters • Choke-Input Filter • Ripple Voltage of Choke-Input Filter Systems • Voltage Regulation of Choke-Input Filters • The Output Capacitor • Swinging Choke • Tuned Low-Pass Filters • R-C Filters for Power Supplies • Graded Filters • Cancellation Filters.

Chapter 3

AUDIO FILTERS 26

General Information • Decoupling Filters • Tone Control Considerations • Resonant Tone Compensation • Nonresonant Tone Compensation • Speech Clipping • Crossover Networks • Presence Control • Rumble and Scratch Filters • High Fidelity Equalizer • Scott Filter.

Chapter 4

VIDEO FILTERS 43

The Need for Video Filters • High-Frequency Compensation — Shunt Peaking • High-Frequency Compensation — Series Peaking • High-Frequency Compensation — Combination Peaking • Low-Frequency Compensation Filter • Rejection Filters • Sideband Suppression Filters in Television

Chapter 5

WAVE FILTERS **52**

Filter Classifications • Effectiveness of Attenuation and Transmission • Characteristic Impedance • Basic Filter Configurations • Characteristic Impedances of Filter Sections • Constant-k Filters Defined • Low-Pass Constant-k Filter • High-Pass Constant-k Filter • Bandpass Constant-k Filter • Band-Elimination Constant-k Filter • m-Derived Filters Defined • m-Derived T-Sections • Examples of m-Derived Filter Sections • Bridged-T and Parallel-T Configurations • Frequency-Selective Amplifier

Chapter 6

ATTENUATORS AND EQUALIZERS **68**

Definition of an Attenuator • Fundamentals of Fixed Attenuators • Determination of R_1 , R_2 , and R_3 in Fixed Attenuators • Variable Attenuator Requirements • Types of Variable Pads • Fundamentals of Equalizers • Equalizer Types • Phase Equalizers •

INDEX **85**

Chapter 1

INTRODUCTION TO FILTERS AND ATTENUATORS

1. The Function of a Filter

Like many technical words coined initially to describe a specialized function, the word *filter* has broadened in scope with the passing years. Despite the many phases of electricity and electronics in which it occurs, however, the word has retained its original core meaning. Any filter, whether in a power supply, a high-fidelity amplifier, a radiotelephone transmitter, a keying system, an antenna, or a transmission line, is a *frequency-sensitive device discriminating against certain frequencies in favor of others*. In most filters discrimination is accomplished by *weakening* a preselected range of frequencies while others are untouched, causing the system response curve to undergo a reduction in amplitude for the filtered range. This does not lead to a depression in the *response curve* (Fig. 1A) if the plot of amplitude vs frequency possesses a non-linearity in the form of a raised bump, (Fig. 1B). A filter of this type may be employed to straighten out the curve.

Certain filter arrangements may produce frequency discrimination by *boosting* rather than weakening a selected group or range of frequencies. Here again, the result of such peaking may raise a bump in the response curve which was not there initially (Fig. 2A), or may straighten out a curve that has an undesirable depression in it (Fig. 2B).

In discussing the action of any *filter network* or group of filter components working together to consummate the desired frequency discrimination, we must consider several factors. Broadly outlined, these are:

(1) The *range* of frequencies covered. If the filter is designed to weaken, or *attenuate*, a relatively large range, it may be generally

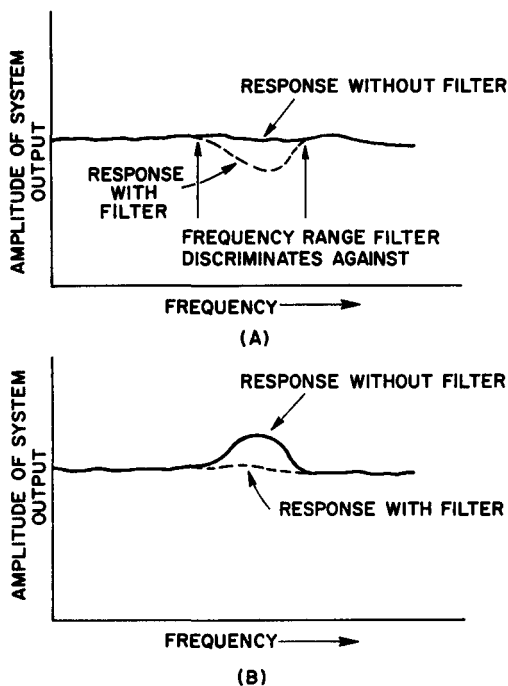


Fig. 1. (A) If the system output is uniform or linear, one type of filter might cause a notch to appear, as in this case. (B) The same filter might be used to straighten the response curve if it originally contained a non-linearity, as here.

described as a *wide-band filter*. A filter acting upon a small range of frequencies is a *narrow-band filter*. (Fig. 3A and B.)

(2) The nominal *center frequency* of the filter — the frequency discrimination position in the frequency spectrum. For example, audio filters are effective in the audio range, i-f filters in the intermediate frequency range, and so on. Center frequencies, then, can only be given for filters like Fig. 3A and B, and not C and D.

(3) We usually specify the frequency at which filter action begins, for filters producing the attenuation of Fig. 3C or D. The starting point must be defined exactly to be precise about the point at which any action starts. Let us give a specific example. Suppose a certain audio amplifier has the response curve of Fig. 4. (The drawing has been idealized to make the definition more clear-cut). Calling its mid-range voltage gain arbitrarily 0 db, we see that the gain falls off at both the low and high ends of the audio band. The -3 db point has been conventionally selected as the termination of the *flat* part of the curve; in other words, this amplifier (without filtering, is said to be flat from 20 cps to 20,000 cps, even though the absolutely level part of the curve does not extend below 300 cps nor above 8000 cps. The frequency f_l is, therefore, termed the lower

cutoff frequency of the amplifier and f_2 the upper cutoff frequency.

Assume now that a filter is introduced to attenuate the response at the high end of the band. Using the same -3 db level as for the amplifier cutoff frequencies, we say that the cutoff frequency of the *filter* (symbolized f_n) is that frequency at which the amplifier gain is brought down 3 db below the mid-range gain. Hence, the starting point for filter action, or f_n in this example, is 8200 cps.

(4) Filters are sometimes classified in terms of the slope of their characteristic below f_n . The curve of Fig. 3C might be termed

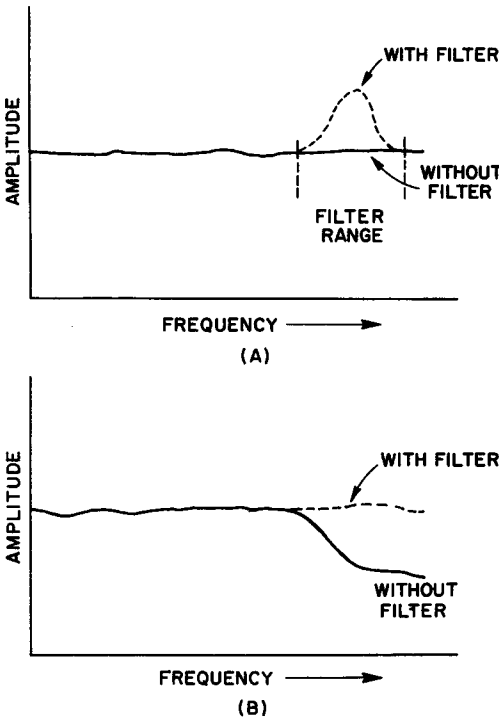


Fig. 2. (A) A peaking filter will produce a bump in an otherwise linear response curve. (B) The action of the same filter on a non-linear curve having a corresponding depression.

gradual cutoff to distinguish it from that of 3D, which is a much sharper cutoff type of curve.

2. Types of Filters — Filter Vocabulary

The descriptive terms used in the chapters that follow, although not solely associated with filters have common and specific technical meanings. It would be helpful to know the basic definitions of the

FILTERS AND ATTENUATORS

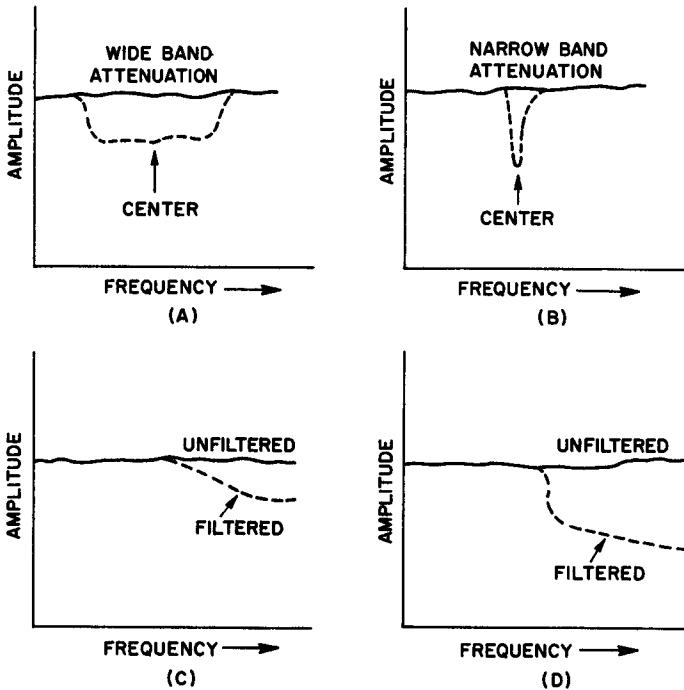


Fig. 3. (A) A wide-band filter attenuates a broad range of frequencies on either side of its center frequency. (B) A narrow-band filter attenuates a small range on either side of the center. (C) This filtering action is gradual. (D) A sharp cutoff filter in action.

more important of these terms. Their exact significance will be fully treated in context.

Transmission: As specifically applied to filters, transmission implies the act of carrying a frequency or a range of frequencies from the input to the output of the filter without weakening it significantly. The -3 db point, as previously discussed, is generally taken as the point at which significant weakening begins.

Attenuation: This term is the opposite of transmission. When a signal is reduced in amplitude to the extent of a 3 db drop, as compared with its original value, attenuation is said to begin. Any further diminution of amplitude may be described in terms of attenuation in db.

Rejection: A specific frequency or range of frequencies is said to be rejected if it has been attenuated sufficiently to meet predetermined specifications. For instance, if a given radio signal interfering with a desired frequency is reduced to a value which makes it inaudible in a specific receiver, it is considered *rejected*.

Pass band: A range of frequencies passing through a filter without undergoing attenuation. Figure 4 can be used to illustrate. The pass band of this amplifier *without* filter extends from 20-20,000 cps; with filter, the pass band covers the range from 20-8200 cps. Hence, *attenuation* occurs below 20 cps and above 8200 cps with filter action. Extrapolating the curve downward enables us to say that all frequencies above approximately 10,000 cps are *rejected*. We may also define the filtered amplifier response by saying that all frequencies between 20 and 8200 cps are *transmitted*.

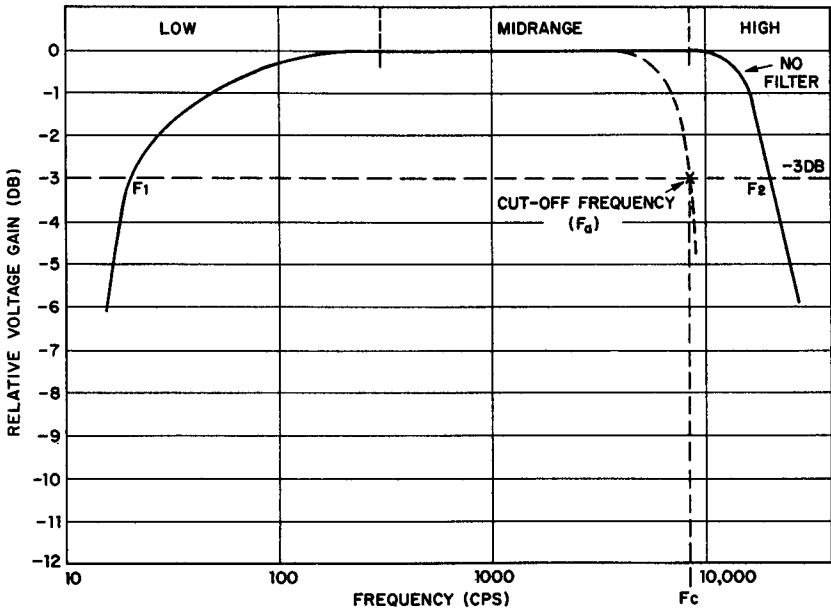


Fig. 4. Idealized response of an audio amplifier with and without filtering. The cutoff frequency of the filter (f_c) is 8200 cps, or the frequency at which the gain is 3 db below the mid-range gain.

Low-Pass Filter: A low-pass filter *attenuates* all frequencies above a selected frequency. The selected frequency is the cutoff frequency of the filter (f_c) and marks the point above which all frequencies are *attenuated*. (Fig. 5A.)

High-Pass Filter: A high-pass filter *attenuates* all frequencies below a selected frequency. The latter marks the cutoff frequency of the filter and designates the point above which all frequencies are *transmitted*. (Fig. 5B.)

Bandpass Filter: A bandpass filter *transmits* a range of frequencies.

All frequencies below the lower cutoff (f_1) and all frequencies above the upper cutoff (f_2) are *attenuated*. (Fig. 5C.)

Band-Elimination Filter: A band-elimination filter *attenuates* a range of frequencies. The lower cutoff frequency and the upper cutoff frequency determine the points beyond which *transmission* begins in both directions (Fig. 5D).

Untuned Filter: An untuned filter, may be made up of resistive and capacitive components, or of inductive and capacitive components, or all three. Such a filter does not resonate at any given frequency; it accomplishes the desired filtering action by means of high and low impedances properly placed with relation to the source and the load.

Tuned (or Resonant) Filter: A tuned filter operates by virtue of either a series or parallel resonant circuit in the transmission system. Such resonant circuits may appear in series with the leads from source to load, or in shunt with them. Tuned filters usually (but not always) are designed to have very narrow pass or rejection bands as compared with untuned filters.

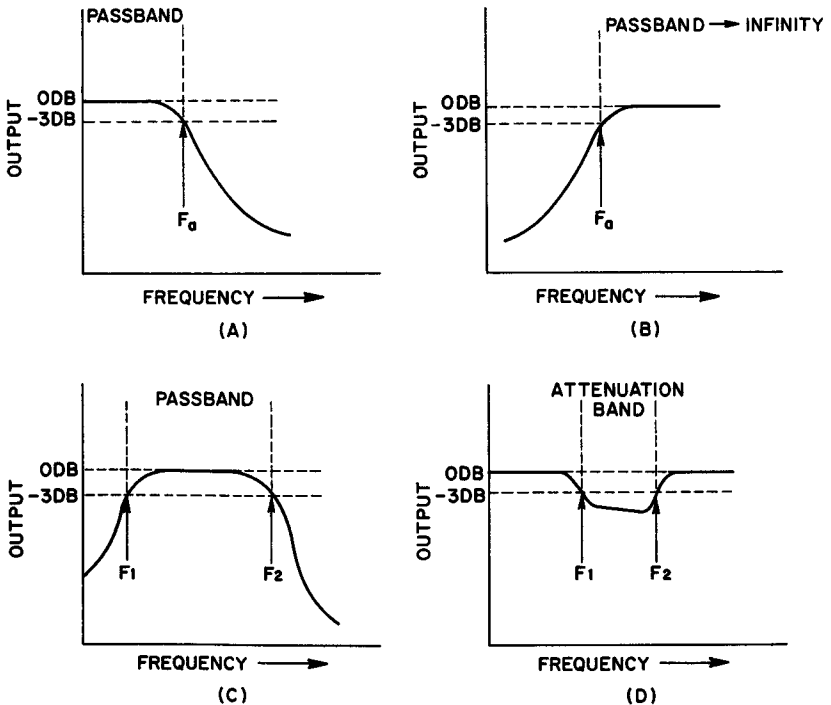


Fig. 5. (A) Low-pass filter. (B) High-pass filter. (C) Bandpass filter. (D) Band-elimination filter.

Chapter 2

SMOOTHING FILTERS FOR POWER SUPPLIES

3. General Characteristics of Power Supply Filters

The output voltage from a rectifier device has a pulsating waveform which must be smoothed to prevent the supply from introducing hum into the equipment it supplies with power. Although the voltage amplitude variations from a full-wave system are just as severe as those obtained by half-wave rectification, full-wave output is easier to filter because the gaps that require filling in are much smaller (Fig. 6).

A practical filter network generally contains a combination of capacitors and resistors, or capacitors and inductors. In some cases, all three circuit elements are found in the same filter system. Generally L-C circuits are used when the current flowing through the load is fairly large and where good voltage regulation is demanded. In power supplies provided for small, constant-current electronic devices, it is often possible to eliminate the inductor entirely, and to use a resistor in its place. Such networks are known as R-C filters and may be found in small table-top radios, portable a-c phonographs, and similar low-power devices.

The design and construction of a practical power supply requires consideration of:

- (a) The maximum tolerable hum or ripple content of the d-c output.
- (b) The desired voltage regulation.
- (c) The maximum load current anticipated.
- (d) The output voltage desired. That is, whether the designer wishes to make use of the peak value of pulsating voltage fed to the

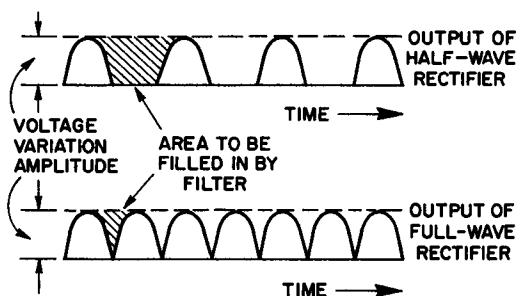


Fig. 6. Full-wave and half-wave rectified amplitude variations are equal in corresponding systems, but the time between successive pulses in a half-wave arrangement is much greater.

filter, or whether the output voltage may be approximately equal to the rms voltage that feeds the rectifier.

Power supply filters may be classified as either capacitor-input or choke-input type. In the first group, a capacitor is the first filter element encountered after the rectifier. Such filters are characterized by comparatively high voltage output, but poor voltage regulation. Choke-input filters begin with an inductor as the first filter element and display better regulation but small voltage output as compared with a corresponding capacitor-input filter (Fig. 7). Pulsating d-c is obtained between the rectifier cathode (or filament) and a common ground.

Voltage regulation is qualitatively defined as the ability of a power source to maintain constant voltage output under conditions of varying load current. It is generally expressed as a percent in accordance with the following equation:

$$\% \text{ reg} = \frac{100(E_n - E_f)}{E_f} = 100 \times \frac{E_n - E_f}{E_f} \quad (1)$$

where E_n = the no-load voltage and E_f = the full-load voltage. For example, the no-load voltage of a certain power supply is 500 volts.

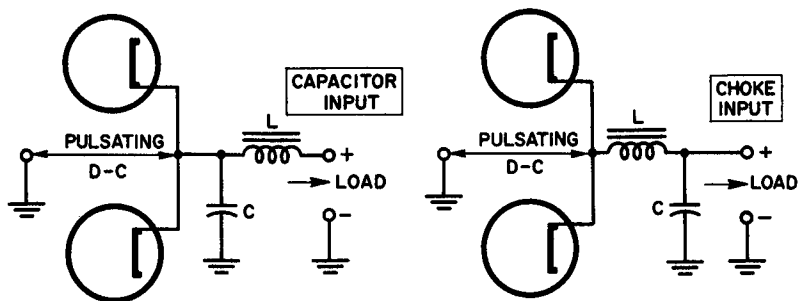


Fig. 7. Capacitor and choke-input filters.

When loaded fully, the voltage drops to 450 volts. The regulation is, therefore:

$$\% \text{ reg} = \frac{100(500 - 450)}{450} = 11.1\%$$

A theoretically perfect power supply has the same voltage output at full-load and at no-load. In that case, the numerator of the right-hand member of the equation (1) falls to zero. Thus, perfect voltage regulation is represented by zero percent. Again, if the out-

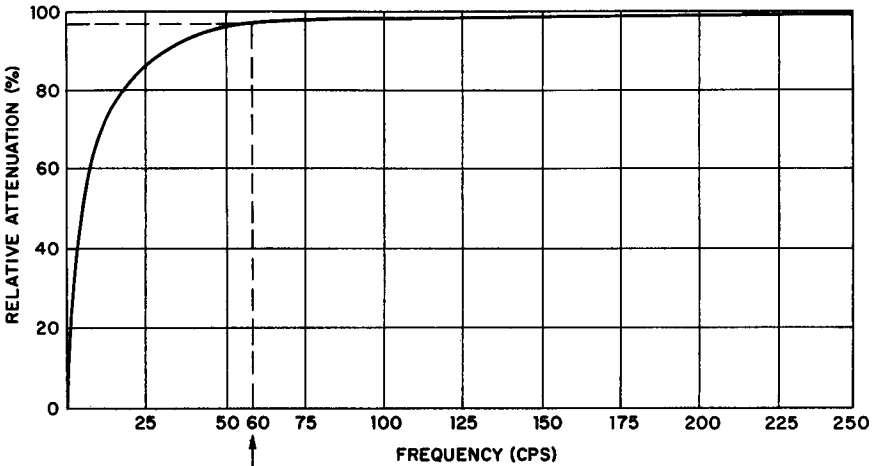


Fig. 8. Attenuation characteristic of an untuned low-pass filter.

put at full-load drops to half the value at no-load, the voltage regulation turns out to be 100%.

Most power supply filters fall into the classification of untuned *low-pass* filters having a frequency *attenuation* characteristic similar to that given in Fig. 8.

This curve is drawn with frequency as its horizontal axis and *relative attenuation* as its vertical axis. In a typical power-supply filter, there is theoretically no attenuation of the pure d-c component (zero cycles per second.) This assumes that the inductances have zero resistance. Thus the curve must start at the origin of the axes. The attenuation then rises rapidly and *approaches* 100% at some high frequency, the approach being asymptotic to the 100% ordinate. Assuming that the attenuation at 280 cps is complete, and accepting the fact that the attenuation at zero cps is zero, the vertical axis may now be divided into percentages to indicate the relative attenuation at various frequencies. Thus, the attenuation in the

curve of Fig. 8 for the 60 cps component of normal line a-c is approximately 95%.

There is a continuously rising curve of impedance as the frequency increases. To realize acceptable filtering action the frequency at which attenuation begins (f_a) must be as low as possible. For 60 cycle power supplies, f_a must certainly be no higher than 40 cps. The methods of incorporating f_a in filter calculations will be discussed later.

4. Ripple Voltage, Capacitor-Input Filter

Reduction of output ripple voltage or residual hum to the lowest figure commensurate with the permissible bulk and cost of the system is one of the prime purposes of the filter network. The factors contributing to the final value of the ripple voltage are the size of the filter components, the magnitude of the load current, the frequency of the pulsating supply (assumed as either 60 cps or 120 cps throughout this book), and the number of *filter sections* (Fig. 9). Starting with the simplest type of filter (Fig. 9A), a single-section capacitor arrangement, the ripple voltage can be determined from equation (2). The equation has been simplified to yield a close approximation of the ripple voltage in terms of percent of its unfiltered value. Specifically, percent ripple expresses the ratio of the rms value of the ripple to the d-c value. Thus, a power supply which provides 500 volts rms d-c with a ripple of 3% contains 15 rms volts of residual hum. Examples of maximum permissible ripple percentage for different applications are:

Transmitter, unmodulated	5%;
Table-model radio	1%;

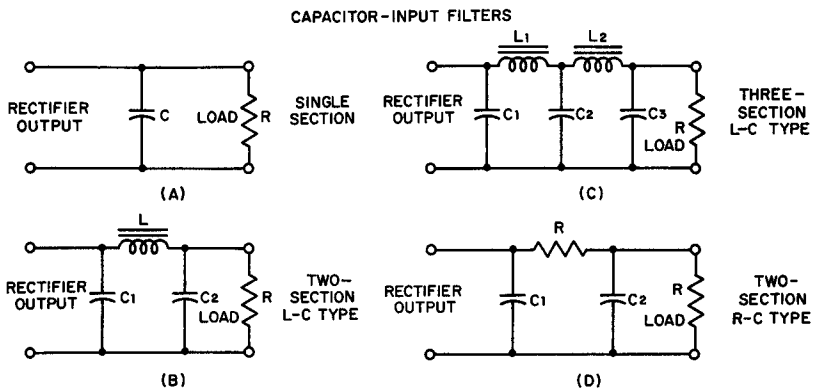


Fig. 9. Capacitor-input filters. (A) Single-section (B) Two-section L-C type (C) Three-section L-C type (D) Two-section R-C type.

Voice transmitters 0.25 %;
 High-fidelity amplifiers less than 0.1 %.

$$\% \text{ ripple} = \frac{2245 \times 10^4}{f_s R_L C1} \quad (2)$$

where f_s = pulsating supply frequency, cps. R_L = load resistance, ohms, $C1$ = capacitance, μf

Example: Find the percent ripple of a single-section filter of the capacitor-input type used after a full-wave rectifier if the load resistance is 10,000 ohms and the filter capacitor has a value of 20 μf . Assume a 60 cps line frequency.

Solution: Since the rectifier is full-wave, the ripple frequency is 120 cps. Substituting the values given in equation (2):

$$\% \text{ ripple} = \frac{2245 \times 10^4}{120 \times 10,000 \times 20}$$

$$\% \text{ ripple} = 0.94\%$$

As shown in equation (2), when the supply frequency is fixed, the ripple percentage can be reduced by increasing the load resistance or the capacitance of the filter section, or both. Although it is possible to obtain low ripple by making the capacitance increasingly larger, it is not economical, as large capacitors are expensive. Further, if the load varies over an appreciable range, such a filter arrangement displays poor voltage regulation. The preferred alternative is adding one or more filter sections.

Equation (2) is equally valid for finding the ripple percentage output of the first filter section of a multi-section network. Assuming that an inductor and a second capacitor are added as in Fig. 9B, the ripple percentage may now be found from equation (3).

$$\% \text{ ripple (2-section)} = \frac{\% \text{ ripple sect. 1}}{\sqrt{\{10^{-6} (2\pi f)^2 L C2\} - 1}} \quad (3)$$

where L is the inductance of the choke in henries and $C2$ is the capacitance of the second capacitor in μf .

Example: Assume that a 10-henry choke and a second 20- μf capacitor are added to the filter system of the previous example. Find the percent ripple output from this section.

Solution: The percent ripple as previously obtained was 0.94%. Thus:

$$\% \text{ ripple (2-section)} = \frac{0.94}{\sqrt{\{10^{-6} (6.28 \times 120)^2 \times 10 \times 20\} - 1}}$$

$$\% \text{ ripple} = \frac{0.94}{\sqrt{10^{-6} (5.67 \times 10^5) (2 \times 10^2) - 1}}$$

$$= 0.0085\%$$

The efficacy of the second filter section is thus easily established. A

percent ripple figure of this low value is suitable for most applications, except possibly those involving extremely high-gain amplifiers.

In a manner analogous to the preceding the reduction in ripple percentage due to a third filter section may be computed using a slightly modified form of equation (3). In this case, the percent ripple for section 2 would appear in the numerator, while the values of the second choke and third filter capacitor would be substituted for L and C in the denominator.

The approximate determination of the residual hum of a resistance-capacitance filter (Fig. 9D) is handled in much the same way. Equation (3) is employed to find the percent ripple from the filter capacitor C1; then, the output ripple is calculated from equation (4).

$$\% \text{ ripple (2-section)} = \frac{\% \text{ ripple sect 1} \times 10^6}{6.28f_s \times C2 \times R1} \quad (4)$$

where R1 = resistance of series filter resistor in ohms.

5. Output Voltage and Voltage Regulation, Capacitor Input

The d-c component of the pulsating voltage that appears at the output terminals of a full-wave rectifier may be shown to be related to the peak voltage across the same terminals by equation (5). (See Fig. 10.)

$$\text{d-c component} = \frac{2}{\pi} \times \text{peak value} = 0.638 E \quad (5)$$

where E is the peak voltage. If a capacitor is now connected in shunt with the output terminals, it charges up to nearly the peak voltage, E, if the load resistance is infinite (load current zero) and remains that way until current is drawn. As the load current increases, the average voltage across the capacitor diminishes because it is supplying load current throughout the nonconducting interval. It is also clear that larger values of capacitance tend to maintain the d-c output voltage closer to the peak value because their potential does not drop as much for a given load during the nonconducting interval.

A capacitor-input filter is characterized: by a d-c output voltage usually substantially larger than the average value of the d-c input voltage to the filter; by a diminishing voltage as the load current increases; and by a smaller ripple component for large values of capacitance.

The voltage regulation of a capacitor-input filter is poor because of the inability of the capacitor to maintain nearly peak voltage as the load current rises. In Fig. 10C the average output voltage with

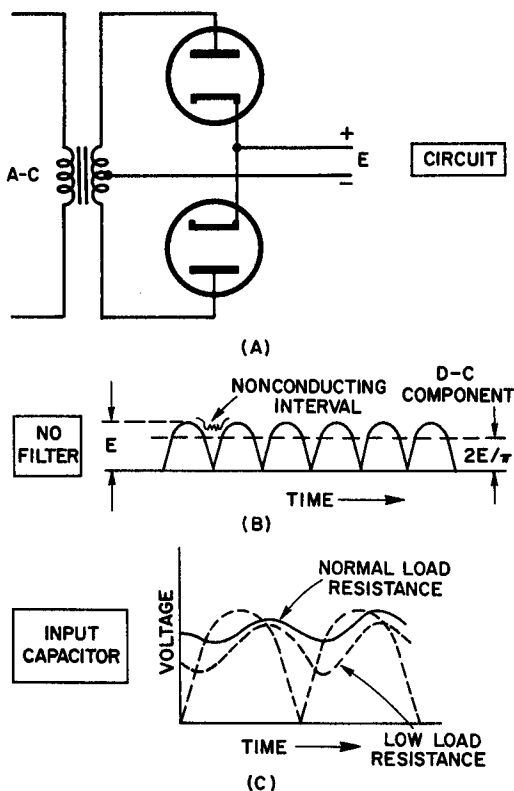


Fig. 10. (A) Full-wave circuit, no filter. (B) Output waveform of full-wave rectifier. (C) Capacitor charge and discharge curves for large and small load currents.

larger load currents is smaller than it is for small load currents. The output voltage vs load current curve of a typical capacitor-input filter power supply is illustrated in Fig 11. It is important to recognize that the ripple voltage must increase as the d-c output component decreases. Hence, capacitor-input filter systems are afflicted by increasing hum voltages with larger load currents.

Capacitor-input filter systems are used in small receivers, public-address systems, and low-powered transmitter power supplies. When the amount of power required is large, choke-input filters are generally preferred. If regulation is important, as in power supplies that feed class-B amplifiers, capacitor-input is usually unsatisfactory.

6. Rectifier Considerations in Capacitor Input Filters

Filter systems introduce a peak current factor in the selection of a rectifier which does not enter into design considerations when

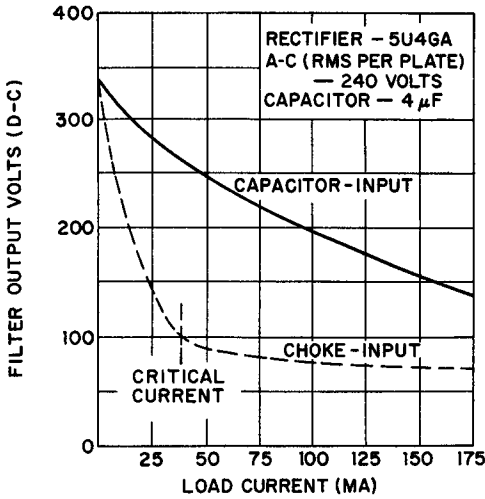


Fig. 11. Curve showing output voltage vs load current.

filters are not used. Rectifier tubes are normally rated in terms of both d-c output current and peak current per plate. For example, the 5U4-GA has a d-c output current rating of 225 ma and a peak plate current rating per plate of 675 ma.

During operation, the plate current in the rectifier flows in short pulses. The flow occurs only during the period when the input capacitor must be brought back to peak charge, after having discharged a portion of its energy into the load. The peak current that flows

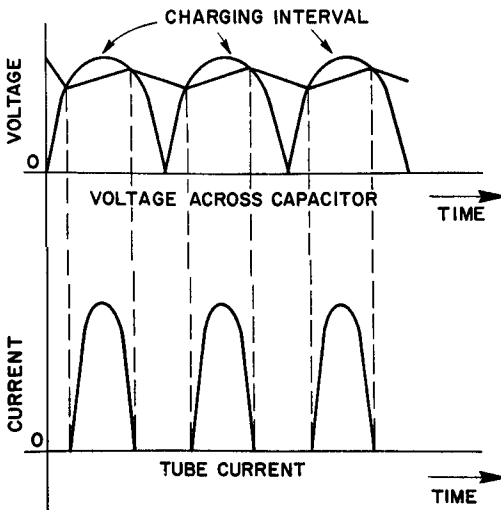
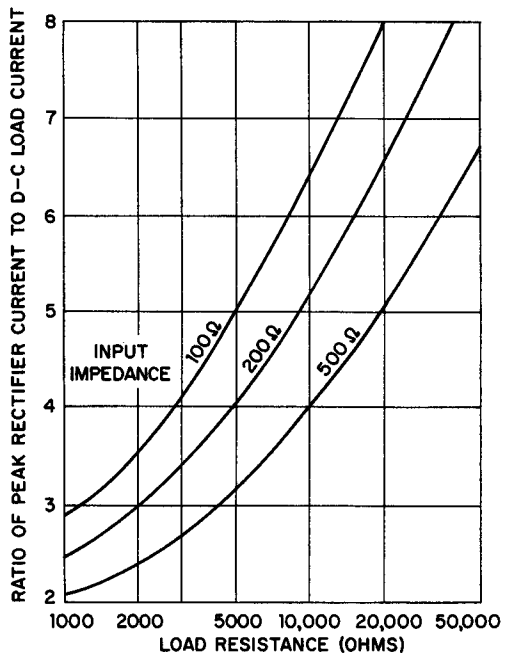


Fig. 12. The relationship between current through a rectifier tube and the voltage across the input capacitor in a capacitor-input type of filter network.

during this interval is a function of the load resistance particularly, and of the transformer secondary impedance to a somewhat lesser degree. A low value of load resistance discharges the input capacitor during the non-conducting portion of the cycle to a much greater extent than a high load resistance. Hence, the charging current flowing through the rectifier to restore the capacitor to its peak potential is also large. The only factor that limits the peak value of the charging current is the input impedance (transformer secondary impedance) to the rectifier.

The relationship between the current through the tube and the voltage across the input capacitor is shown in Fig. 12. Note that plate current flows only during the capacitor charging interval. The ratio of peak plate current to d-c output current is *high*. This means that the rectifier tube must be selected for high-peak current rating, even when the d-c output current does not appear to warrant it. The ratio of peak to d-c output current may be found from a set of curves such as those given in Fig. 13. To use the curves, the load resistance of the power supply is first determined from the ratio of d-c output volts to d-c output amperes. The transformer impedance (input to rectifier) is then taken from the manufacturer's data, and the ratio of peak to d-c load current is found at the inter-

Fig. 13. Graph showing the relationship between the d-c load current and the rectifier peak plate current with capacitor-input filter for various load and input resistances. (ARRL Handbook).



section of the input impedance curve and the load resistance coordinate. Three curves are given to permit interpolation for any value of input impedance between 100 and 500 ohms.

Example: A transformer having an input impedance of 100 ohms provides a d-c output from the rectifier filter system of 400 volts. If the total load current is 125 ma, find the peak rectifier plate current.

Solution: First determine the load resistance.

$$R_L = \frac{400}{.125}$$

$$R_L = 3200 \text{ ohms}$$

Referring to the curves in Fig. 13, we find that a load resistance intersects the 100 ohm input impedance curve at a ratio of 4.25 to 1.

Thus, for a load current of 125 ma, the peak rectifier current rating for this example must be at least $4.25 \times 125 = 532$ ma. A check through the tube manual tables discloses that the 5Y3-GT, for example, has a full-load d-c output current rating of 125 ma, but its peak plate current per plate rating is only 400 ma. A tube like the 5U4-GA with a peak current per plate rating of 675 ma would have to be used here.

7. Choke-Input Filter — Critical and Optimum Inductance

A choke-input filter system utilizes an inductance between the cathode of the rectifier and the first filter capacitor. Such filter networks may be a single choke and one capacitor, or two chokes and two capacitors, as shown in Fig. 14. It is possible to select the input choke L of such value as to cause the current through it to be continuous when the rectifier is a full-wave type. That is, the current through the choke never drops to zero. It is sustained by the collapsing field of the inductor during the nonconduction portion of the a-c cycle. If the load resistance is so large that the load current cannot produce a sizable magnetic field in the choke, this condition cannot be realized. The filter system behaves, then, very much like a capacitor-input type. Only after the load current rises above a definite critical value with relation to the choke used, can the condition of continuous current be obtained.

For a given power supply, there exists a value of inductance which insures that the current into the filter does not go to zero during any portion of the cycle. Its value is a function of the load current (or load resistance) and is given by the approximate equation (6). This equation applies to the important 60 cps case in which a full-wave rectifier is used.

$$L_c = \frac{R_L}{1130} \quad (6)$$

where R_L is the total load resistance consisting of the device being

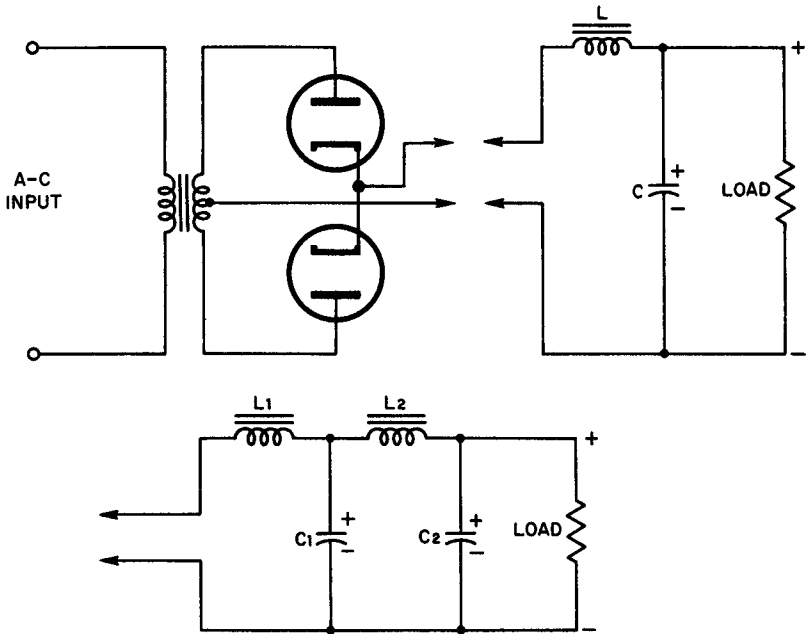


Fig. 14. Choke-input filter configurations normally encountered in power supplies.

powered, the bleeder, the leakage of the filter capacitors and the resistance of the choke itself.

In practice, a minimum inductance safety factor of 100% is employed. That is, the *optimum inductance* for a filter choke is considered to be twice the critical inductance required.

Example: Find the optimum inductance for a single-phase, full-wave, choke-input filter system in a power supply with these characteristics (60 cps supply):

D-c output voltage	300 volts;
Minimum load current	100 ma;
Choke resistance	100 ohms;
Bleeder resistance	20,000 ohms.

Solution: First find the external load resistance by dividing the output voltage by the minimum load current:

$$R = \frac{300 \text{ volts}}{0.1 \text{ amp}} = 3000 \text{ ohms}$$

The external load is in parallel with the bleeder resistance, hence, the equivalent load is:

$$\text{Load} = \frac{3000 \times 20,000}{3000 + 20,000} = 2610 \text{ ohms}$$

Since the choke is in series with the net load, the actual load resistance is the sum of the choke resistance and the equivalent load or: Actual load = $100 + 2610 = 2710$ ohms.

Equation (6) determines the critical inductance.

$$L_c = \frac{2710}{1130} \text{ and } L_c = 2.4 \text{ henries}$$

Finally, the optimum inductance is twice the critical inductance, so that:

$$L_o = L_c \times 2 = 2.4 \times 2 = 4.8 \text{ henries}$$

8. Ripple Voltage of Choke-Input Filter Systems

Two fundamental equations are generally used for determining the ripple voltage (in percent) that can be expected from choke-input filters. These equations are approximate, but practical. The solutions obtained with them are adequate approximations for circuit design purposes.

For a single-section, choke-input filter consisting of one inductance L_1 (henries) and one capacitance C_1 (μf) used with a full-wave rectifier on a 60 cps line, the ripple percentage is given by:

$$\begin{array}{l} \text{where } L_1 \text{ is in henries,} \\ \text{and } C_1 \text{ in } \mu\text{f} \end{array} \quad \% \text{ ripple} = \frac{100}{L_1 C_1} \quad (7)$$

Example: Determine the percent ripple expected from a single-section choke-input filter that uses a 10-henry choke and an 8- μf capacitor.

Solution: Substitution in equation (7) yields:

$$\% \text{ ripple} = \frac{100}{10 \times 8} = 1.25\%$$

When the filter network contains two chokes and two capacitors and is used at 120 cycles, the equation for ripple percentage becomes:

$$\begin{array}{l} \text{where } L_1 \text{ and } L_2 \text{ are} \\ \text{expressed in henries,} \\ \text{and } C_1 \text{ and } C_2 \text{ in } \mu\text{f} \end{array} \quad \% \text{ ripple} = \frac{650}{L_1 L_2 (C_1 + C_2)^2} \quad (8)$$

Example: In a full-wave power supply used on 60 cps, the filter consists of an input choke of 5 henries, a first filter capacitor of 8 μf , a second filter choke of 30 henries, and a second filter capacitor of 8 μf . Find the % ripple.

Solution: Substituting in equation (8).

$$\% \text{ ripple} = \frac{650}{5 \times 30 (8 + 8)^2} = 0.017\%$$

9. Voltage Regulation of Choke-Input Filters

The regulation of a choke-input filter is superior to that of a capacitor-input filter. Calculations for voltage regulation percent-

age are handled by the same equation that was employed for capacitor-input filters (equation 1). Referring to Figure 11, it is seen that the output voltage drops sharply for small load currents until the critical current is reached. For this value, the inductance of the choke becomes critical and the regulation immediately improves. Note that although the output voltage for output current between about 50 ma and 175 ma is lower than for the equivalent capacitor-input filter, it is maintained at a fairly constant value. Choke-input filters are used in applications where voltage regulation of this order is required.

Choke-input filters possess another positive advantage in that their peak-to-average plate current ratio is appreciably small. If the load resistance and input choke inductance are related approximately as given in equation (9), the rectifier peak plate current does not exceed the d-c load current by more than 10%. This is much smaller than the margin allowed in any modern rectifier, hence it is quite safe. Note that this value of choke inductance is approximately the same as the optimum inductance as previously defined.

$$\text{minimum value of } L_1 = \frac{\text{Total load resistance}}{500} \quad (9)$$

Example: The total load resistance on a power supply, taking all components into account, is 10,000 ohms. What is the minimum acceptable value for the input choke in the filter?

Solution: Using equation (9)

$$\begin{aligned} L_{1(\min)} &= \frac{10,000}{500} \\ &= 20 \text{ henries} \end{aligned}$$

Example: A 5Y3-GT rectifier has a d-c current rating of 125 ma and a peak current rating per plate of 400 ma maximum. If the tube is used before a choke-input filter in which L_1 exceeds the optimum inductance at 125 ma, what is the maximum peak current to be expected on full load?

Solution: The peak current will then be 125 ma + 10% of 125 ma = 137.5 ma which is well below the peak current rating of the tube.

10. The Output Capacitor

The output capacitor of any type of power supply, as viewed by the load, is in parallel with the filter choke and rectifier components. At audio frequencies, or at other high frequencies, the output impedance of the power supply is essentially the same as the reactance of the last capacitor. To prevent instability and positive feedback problems in audio systems, the maximum output impedance of the power supply must be very low. Usually, this maximum impedance

is specified for the lowest frequency to be reproduced in the audio amplifier. In this case, the minimum permissible value for the output capacitor in μf is obtained from equation (10).

$$C_{o,\text{min}} = \frac{159,000}{Zf} \quad (10)$$

where Z (ohms) is the specified output impedance maximum and f (cps) is the lowest frequency to be reproduced in the amplifier.

Example: The lowest frequency to be handled by a high-fidelity amplifier is 20 cps. The specified maximum output impedance is 500 ohms at this frequency. Find the minimum output capacitance.

Solution: Use equation (10).

$$C_{o,\text{min}} = \frac{159,000}{500 \times 20} = 15.9 \mu\text{f}$$

11. Swinging Choke

Equation (6) points out that the value required for the critical inductance in a choke-input power supply depends upon the load resistance value, hence, upon the load current. Since the relation between the required choke inductance and the current is an inverse proportion, an appreciable improvement may be made in voltage regulation characteristics by utilizing this fact in power supplies that handle class-B amplifiers, or similar systems in which large variations of load current are anticipated.

Swinging chokes are usually rated in terms of the maximum d-c current they carry, and the range of inductances over which they swing for various load currents. Thus, a typical swinging choke might be rated as 5 to 30 henries, 200 ma. This means that the inductance of the choke is 30 henries at zero load current and 5 henries at a current of 200 ma. At small values of load current, the inductance of the choke is therefore between 30 henries and 5 henries, but closer to the larger figure. In designing swinging chokes, manufacturers calculate their construction specifications on this basis: the choke must have optimum inductance at small values of load current and critical inductance at the larger values of load current.

12. Tuned Low-Pass Filters

Figure 8 shows the superior attenuation characteristics of a tuned low-pass filter¹ in contrast with an untuned type at the frequency

¹Schure, A., *Resonant Circuits*. New York, John F. Rider Publisher, Inc., 1957

of resonance. Since the alternating supply frequency in virtually all places where a-c is used is now maintained sufficiently constant for synchronous clock motors, it is possible to design a tuned filter system economically. However, close design limits are imposed by the nature of the system, and so tuned filters are not as popular as their advantages appear to warrant.

Figure 15 illustrates two types of tuned filters whose attenuation

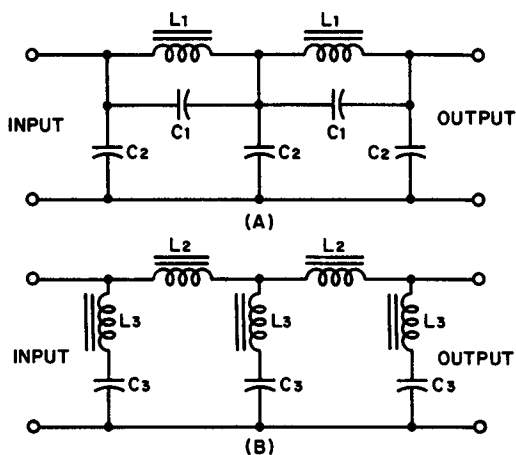


Fig. 15. (A) Parallel-tuned filter having attenuation characteristics given in Fig. 8. (B) Series-tuned filter with similar characteristics. In both cases, inductor and capacitor calculations must be carefully performed to obtain sharp characteristics.

characteristics are similar. Design equations are provided for those who wish to build them.

For the filter system of Figure 15A, the following equations may be used:

$$C1 = \frac{0.0786}{f_a R k \sqrt{k^2 - 1}} \text{ farads} \quad (11)$$

$$C2 = 4C1 (k^2 - 1) \text{ farads} \quad (12)$$

$$L1 = R^2 C \text{ henries (R = load resistance)} \quad (13)$$

$$k = \frac{f_r}{f_a} \quad (14)$$

The following equations apply to the filter system of Fig. 15B

$$C3 = \frac{0.318 \sqrt{k^2 - 1}}{f_a R k} \text{ farads} \quad (15)$$

$$L2 = R^2C3 \text{ henries} \quad (16)$$

$$L3 = \frac{L2}{4(k^2-1)} \text{ henries} \quad (17)$$

$$k = \frac{f_r}{f_a} \quad (18)$$

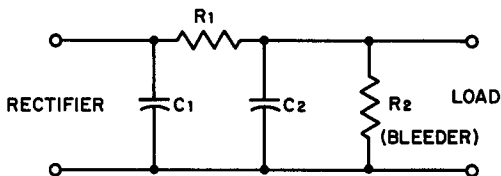
where $k = f_r/f_a$ in which f_r = resonant or line frequency, and f_a is the frequency at which attenuation begins (Fig. 8.)

13. R-C Filters for Power Supplies

Resistance-capacitance R-C filters have become extremely popular in recent years because they provide adequate filtering when correctly designed, and represent a compromise between cost and bulk on the one hand, and performance on the other. Low-gain audio amplifiers, public-address systems, high-voltage power supplies for television receivers, and table-top radio receivers are a few examples of their wide application.

A typical R-C filter appears in Fig. 16. Its operation is approximately as follows: C1 charges nearly to the peak voltage of the power supply on the conduction portion of the cycle. It is discharged through R1 and R2, the latter being the bleeder resistance in parallel with the load. Since R2 is much larger than R1, most of the output voltage develops across it and is applied to C2. Although this

Fig. 16. A representative R-C filter system used in the high voltage power supply of a television receiver.



capacitor can discharge through either R1 or R2, the polarity of the voltage across R1 discourages the discharge through this resistor. Hence, most of the discharge occurs through R2. Typical values for television high-voltage supplies are $0.05 \mu\text{f}$ for C1 and C2, 500,000 ohms for R1, and 5 megohms for R2.

In radio receivers the bleeder is usually omitted, the plate and screen current drain of the power amplifier serving as the principal load. In such power supplies, the capacitors are of the order of 40 to $60 \mu\text{f}$, while R1 is made approximately 1000 ohms.

R-C filters have very poor regulation, due to the substitution of a resistor for a choke. For this reason, R-C filters are never used

where the power requirements are high, because the power loss in the filter resistor may become prohibitive under these conditions, and the regulation is bad.

14. Graded Filters

Various stages in multisection electronic equipment often require different filtering. For example, the high-gain stages following a microphone or playback in a high-fidelity amplifier system demand

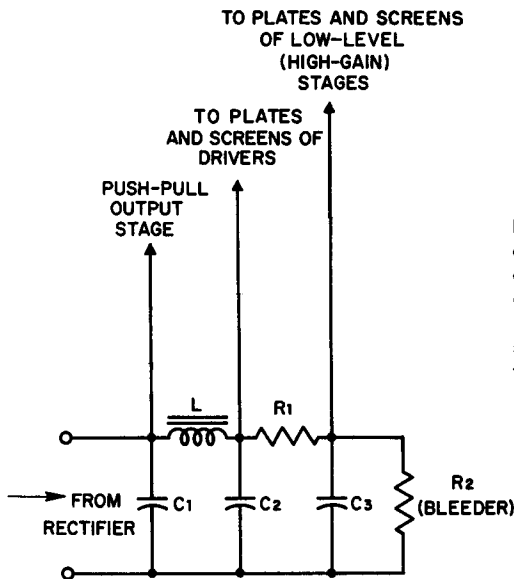


Fig. 17. A graded filter consisting of one L-C and one R-C section. Such filters are economical and tend to produce decoupling which stabilizes the performance of the equipment.

extremely low ripple if intolerable hum is to be avoided; in the same system, however, the power output stage — usually push-pull — may be supplied with plate and screen power having considerably more hum-voltage contact. It would be unwise and uneconomical to supply all the stages with the same, well-filtered d-c because this procedure increases bulk and cost, and because advantage is not taken of the isolation characteristics inherent in a *graded filter* (Fig. 17) to suppress regeneration.

In the example of Fig. 17, the power supply provides voltages for the plates and screens of two high-gain voltage amplifiers, a class-A driver stage, and a push-pull class-AB1 power output section. The last obtains its d-c power directly from the filter capacitor, since no

more filtering than this is needed for a stage operating at this high level. The driver stage obtains power at a point where a substantial amount of filtering has been accomplished (after the filter choke), thus making use of C_1 , L , and C_2 as filter components. The low-level, high-gain voltage amplifiers, are supplied d-c from a point that receives maximum filtration and where the ripple voltage is down to an acceptably reduced figure.

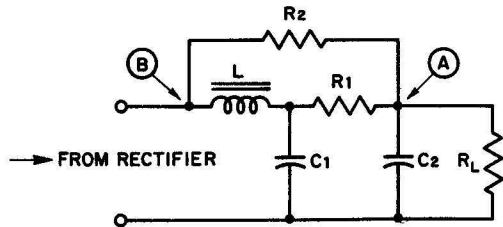
The graded filter used in the example makes it possible to select a choke of much smaller current rating, since the largest part of the circuit current flows in the push-pull output stage which is not fed through the choke. Similarly, the filter resistor may be made very low in wattage rating since the high-gain stages demand very little current. Note, that the resistor R_1 decouples the high-gain stages from the driver and that choke L does the same thing for the driver and output stage.

15. Cancellation Filters

Figure 18 illustrates a cancellation-type of filter network using a choke and two resistors.

Its principle of operation is as follows: the ripple-frequency current passing through L and R_1 to the load is shifted in phase nearly 180° at point A with reference to the input phase at point B. The same frequency current passing through R_2 , however, has the same phase as the input current. Hence, at point A there are two out-of-

Fig. 18. A cancellation filter for reduction of ripple voltage at a specific supply frequency.



phase ripple currents that can cancel each other, theoretically. To realize a phase shift as large as 180° , the Q of the filter choke would have to be very high. Since most chokes used for filter components have Q 's of the order of 9 or 10, at the most, the cancellation is not perfect but sufficient enough to improve filter action to a profitable extent. The addition of one more filter section (R - C) can result in perfect cancellation, but the critical nature of the design required makes this a rather unpopular alternative to straightforward brute force filters.

16. Review Questions

1. Explain why smaller filter components are needed for full-wave power supplies than for half-wave supplies at the same line frequency.
2. Define voltage regulation. Describe the steps in filter design that are taken to obtain the best possible voltage regulation.
3. Discuss and compare capacitor- and choke-input filter systems from the point of view of output voltage and voltage regulation.
4. Find the percent ripple in a full-wave power supply of the capacitor-input type in which the load resistance is 20,000 ohms and the filter components have the values given below. The line frequency is 60 cps.

$$\begin{aligned}C_1 &= 60 \mu\text{f} \\C_2 &= 20 \mu\text{f} \\L &= 9 \text{ henries}\end{aligned}$$

5. Explain why a smaller rectifier tube may be used with a choke-input filter having the same input and impedance characteristics as an equivalent capacitor-input filter.
6. A transformer having an input impedance of 50 ohms is used to supply 300 volts d-c to its load at 200 ma. Find the peak rectifier plate current.
7. Define critical inductance, optimum inductance.
8. Determine the percentage ripple from a filter system in which the following apply:

Type: choke-input
Rectification: half-wave
Line frequency: 60 cps
L1, L2: 15 henries each
C1: 10 μf
C2: 4 μf

9. Describe the nature and operation of a swinging choke.
10. With the aid of a diagram, explain the operation of a cancellation filter.

Chapter 3

AUDIO FILTERS

17. General Information

Wide use is made of filters in audio circuits to perform highly specialized functions. Among the simplest of such filters are those intended to isolate one amplifier stage from another to prevent degenerative or regenerative coupling. Such filters are usually classed at *decoupling filters*.

Radio receivers and public address systems utilize filter networks for the control of tone — usually circuits which produce attenuation of either high- or low-audio frequencies. These are the familiar *tone controls*. In more expensive equipment, both treble and bass boost circuits may be encountered, as well as attenuation components.

High-fidelity amplifiers and speaker systems consistently make use of filters as *crossover networks*, i.e., arrangements in which frequencies below a predetermined value are passed on to the low-frequency speaker (woofer), while those above this limit activate the high-frequency speaker (tweeter). Such items as *presence controls*, *rumble filters*, and *scratch filters* also are becoming common in hi-fi design.

In radio transmission, other types of audio filters, such as *speech clippers*, have become popular recently. Understanding of the function and limitations of audio filters is, therefore, extremely important to any technician who plans to work with, repair, or design audio-frequency equipment.

18. Decoupling Filters

When two circuits that operate at the same frequency have an impedance common to both, there is coupling between them. If the phase relationships are such as to bring the two circuits into the

same phase, the coupling is regenerative and leads to possible instability. Degenerative feedback occurs when the common impedance is between two stages in which the phase differs by 180° .

The common impedance responsible for the coupling usually takes the form of a series element in the power supply. This element may be the filter choke, the filter resistor, or a voltage-dropping resistor. For example, a two-stage resistance-coupled audio amplifier has degenerative coupling through the series impedance because the plate currents in the two tubes are out-of-phase. The reasons for this may be found in an analysis of the action in the circuit shown in Fig. 19.

Consider V1 and R1 alone for a moment. If the incoming signal drives the grid of V1 negative, the tube plate current decreases and the voltage drop across R1 decreases, making the plate more positive. Any tendency of other parts of the circuit to interfere with this effect, i.e., reduce the *positiveness* of the plate, also reduces the amplification of the stage. Since a positive-going plate V1 causes the grid of V2 to go positive as well, the plate current of the second tube must increase, bringing about an increased voltage drop across R2, hence a more negative plate. Now, referring to the common series impedance R_c in the power supply, the increased plate current in V2 causes a larger voltage drop across R_c so that less plate voltage is instantaneously available for V1. Hence, the action of V2 is to reduce the positiveness of the V1 plate through the voltage drop in the common impedance. This tends to reduce the amplification of V1; the effect is, therefore, *degenerative*.

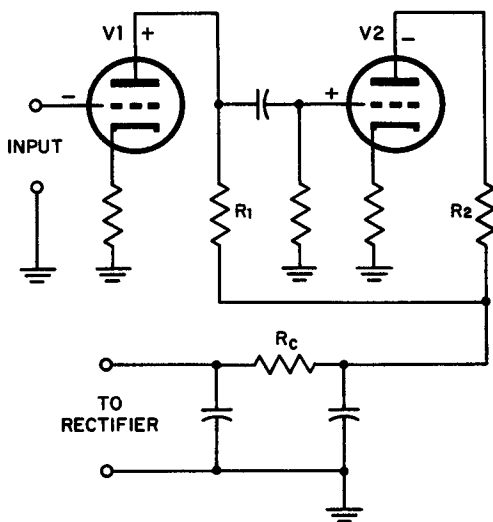


Fig. 19. Degenerative feedback or coupling between two stages of an audio amplifier.

If a third stage is added to the circuit of Fig. 19, the plate current phase relationships bring V1 and V3 into phase. The effect will be opposite to that of the two-stage amplifier: the coupling will be *regenerative* and may lead to serious instability in the form of self-oscillation. The decoupling filter is designed to minimize such coupling and restore stability to the multistage amplifier.

The application of decoupling is shown in Figure 20. V is the first

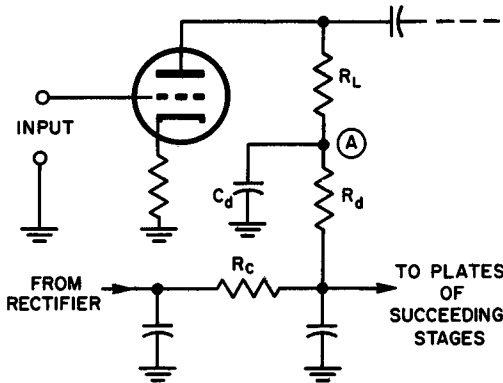


Fig. 20. The decoupling filter consists of R_d and C_d acting together.

of the three amplifier stages, R_L is the normal load resistance, R_d is the decoupling resistance, and C_d is the decoupling capacitance. Such a filter maintains the voltage at point A constant regardless of the variations in the voltage drop produced across R_c by the following stages. In this way, the fluctuations in plate voltage that might cause degenerative or regenerative feedback are eliminated or minimized.

If the reactance of C_d at any frequency to which the amplifier is expected to respond is substantially less than R_d plus R_c , the decoupling is effective. The factor by which the undesirable coupling is reduced is given by:

$$\text{Factor} = \frac{X_c}{R_d + R_c} \quad (19)$$

where X_c is the reactance of the decoupling capacitor, R_d is the resistance of the decoupling resistor, and R_c is the resistance of the common impedance in the power supply. In most decoupling filters, R_d is generally made about 1/5 the value of the load resistor while C_d is seldom less than 8 to 10 μf . A decoupling circuit also acts to reduce hum since it appears as an additional power supply filter section.

19. Tone Control Considerations

An ideal audio-amplifier system, encompassing the input transducer, the amplifier itself, and the final reproduction device, must have a frequency response that is linear and level over the whole audio spectrum. Since pickup devices such as microphones, phonograph cartridges, phototubes, photocells, and other transducers seldom have the desired linearity, it is often best to control the frequency response of the amplifier proper so as to compensate for these defects. Reproducers, such as loudspeakers, also contribute to the need for frequency compensation.

Telephone engineers, broadcast and television designers, and recording engineers make use of highly complex electrical networks for frequency compensation. Comparatively simple combinations of resistance, capacitance, and inductance, however, are more than adequate for the usual applications; we are confining our discussion to these simpler forms.

Basic tone compensation arrangements may be divided into two classes: resonant and nonresonant circuits. Such circuits are not confined to simple tone control applications in audio amplifier work, they are also in speech clippers, crossover networks, presence controls, rumble filters, scratch filters, et al.

20. Resonant Tone Compensation

In general, a resonant tone control comprises an inductance and capacitance which resonate at a preselected frequency, and a resistance used for *damping*, or reducing the *Q* of the resonant pair. These circuits are connected as either the plate load of an amplifier or the grid load of the amplifier following. In Figure 21, a resonant tone control is shown in the plate circuit of the first amplifier tube.

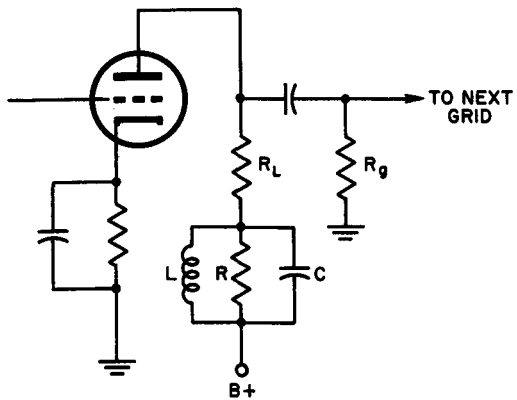


Fig. 21. Resonant tone compensation circuit as part of amplifier plate load. Such a circuit provides either treble or bass boost depending upon the frequency chosen for resonance.

The filter circuit is designed to provide bass boost; that is, the resonant frequency is adjusted near 100 cps to pick up the normal drooping of amplifier response at the low frequencies.

Three different response curves are given in Figure 22. These are the result of selecting different values of damping resistor (R) in each case, depending upon the extent of bass boost desired. damping increases, of course, as R is made smaller.

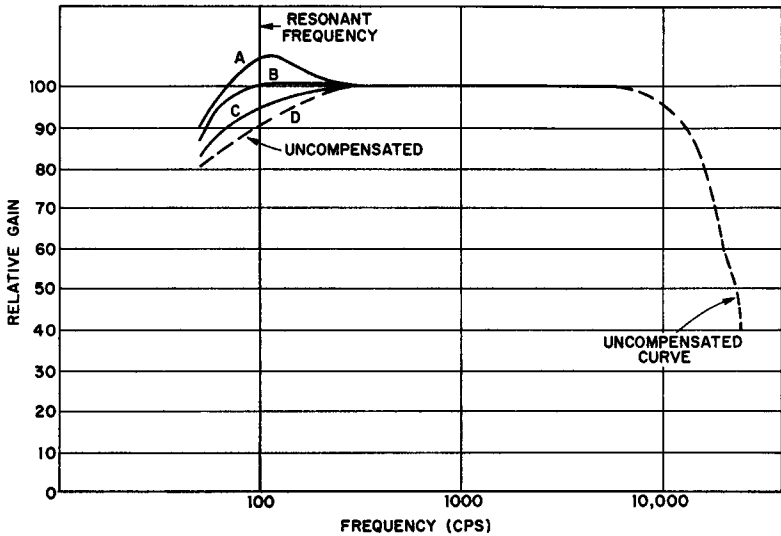


Fig. 22. A resonant base boost filter. Curve A, shows the undamped frequency response (R omitted), B, a medium amount of damping, and C, a highly damped response.

The increase of gain at the resonant frequency of the filter is appreciable only when R_L is much smaller than the plate resistance of the tube and R_g in parallel. A resonant filter of this type is most effective when used in the plate circuit of a pentode amplifier since this tube has an extremely high plate resistance.

All simple methods of resonant tone control have an effect on the volume of the reproduced audio. These circuits attenuate certain frequencies, though they are often referred to as *boost* circuits. The maximum gain at *any* frequency must always be less than the maximum gain of the same amplifier under normal conditions obtained for resistance coupling.

21. Nonresonant Tone Compensation

Although nonresonant tone control circuits using inductances are encountered, they are unpopular as inductance costs are high, undesirable resonance of the inductor with stray capacitance often brings peaks of response at undesirable points, and inductances are often responsible for hum due to stray pickup. Most nonresonant compensation circuits use only resistors and capacitors.

Figure 23 represents one of the most successful modern R-C tone compensation circuits, found in many high-fidelity kits and factory-wired audio amplifiers, and available in printed circuits (shown inside dashes). As it is a *modified bridged-T* compensation network, its analysis requires specialized mathematical treatment which is not attempted here. A qualitative description of its operation can be briefly presented, however.

The $0.1 \mu\text{f}$ capacitor from the plate of the amplifier tube is a source of negative feedback. Since its reactance is small even for low-audio frequencies, the entire audio range is fed back to terminal A of the filter network.

When the two potentiometers (treble and bass) are centered, the phase relationships for both ranges result in a flat response (i.e., treble and bass portions of the signal are applied to the amplifier grid from the input with neither attenuation nor boost). As either

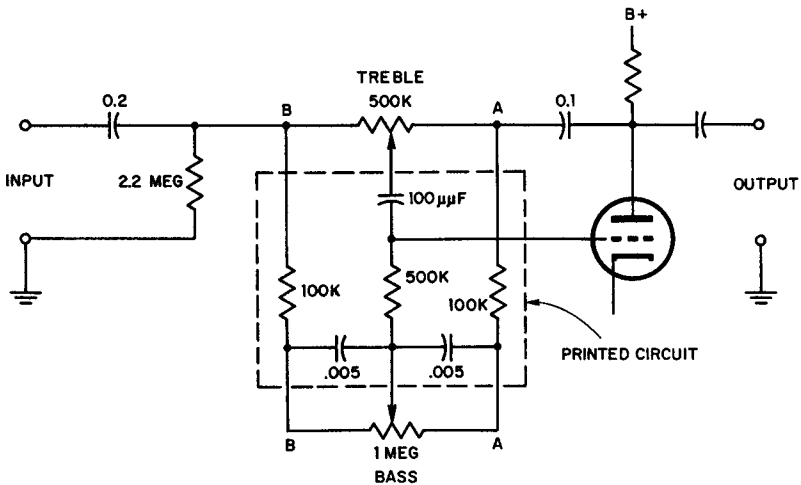


Fig. 23. A prevalent form of tone compensation network providing for bass and treble boost and attenuation. The section inside the dashed lines is generally in the form of a printed circuit.

control is shifted from its central position, the input and feedback phases are shifted so that either attenuation or boost occurs, depending upon the direction of wiper motion. For example, when the treble control wiper is moved all the way to the left (to point B), full treble boost is obtained. The phase relationships between input and fed-back voltages increase the treble response. When the wiper is rotated to point A, the fed-back voltage tends to cancel the trebles, providing full attenuation. Similarly, the bass-control potentiometer in position B provides full boost, while in position A it provides bass attenuation. Obviously, great care must be taken in the design of such a network, particularly for boost purposes, because the in-phase condition of the input and fed-back voltages tend to produce instability.

In less elaborate equipment, simpler methods are usually employed for attenuation of bass, treble, or both. The treble range may be controlled by shunting the plate circuit of a tube by a capacitance in series with a *tone-control* potentiometer (Fig. 24). With the tone control resistance at maximum, very little high-frequency shunting takes place since the impedance of the series components (C and R) is high, even for the high frequencies. As the resistance is decreased, more and more shunting occurs, starting with the highest frequencies and working down toward the lower ones. A measure of control is established, permitting the operator to select the frequency at which attenuation begins to become audible.

Bass attenuation in similar equipment usually takes one or more of three forms. The capacitance of the grid coupling capacitor is reduced to present higher coupling impedance to the bass range. The capacitance of the cathode by-pass capacitor is reduced in any amplifier stage to provide a limited amount of bass attenuation. The capacitance of the screen by-pass capacitor is reduced to provide bass attenuation, particularly when the screen supply current is fed to the tube through a high value of dropping resistor.

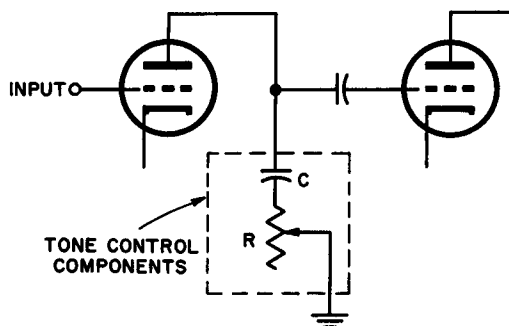


Fig. 24. Simple tone control system found in inexpensive audio equipment.

22. Speech Clipping

In the transmission of radiotelephone signals involving only speech waveforms, an amplitude-modulated radio-frequency carrier carries the modulation power in its sidebands, the percentage modulation being determined by the relative peak amplitudes present in the speech waveform. Unfortunately, the average power content in a speech waveform is quite low when compared to a sine wave. As

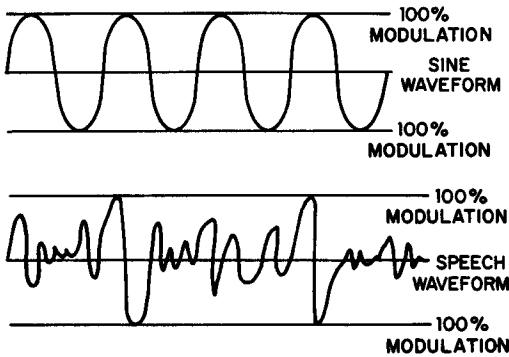
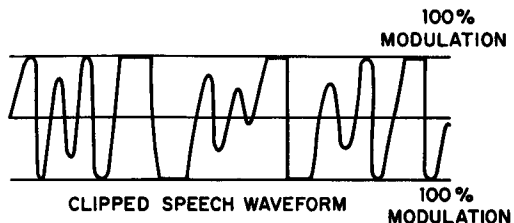


Fig. 25. Speech waveforms and sine waves compared for power content. The power present in a sine wave averages much more than a speech wave because it reaches peak value in every cycle.

shown in Fig. 25, a sine wave reaches peak value during every cycle, but a speech wave does this only occasionally. Yet both waveforms represent the conditions for 100% modulation of a given r-f amplifier as the peak values are the same.

It is possible to increase the modulator power in either the speech amplifier system or modulator itself so that the power content begins to approach the sine wave value. If, at the same time, all peaks producing overmodulation are clipped at the 100% point (Fig. 26), overmodulation cannot occur due to excessive peak values. However, clipping produces many rectangular peaks having the same high-order harmonics as produced by overmodulation, so that a signal clipped in this manner tends to *splatter*, or occupy too-wide a slice of the r-f spectrum. This is prevented by filtering all audio

Fig. 26. The speech waveform of Fig. 25 amplified to approach power content of sine wave but clipped to prevent overmodulation.



frequencies not needed for intelligibility of speech after clipping, before modulation is applied to the output amplifier. In general, intelligibility does not suffer seriously if such a filter does not attenuate any frequencies below 2500 cycles per second, and splatter is minimized if attenuation is high for all frequencies above 3000 cps.

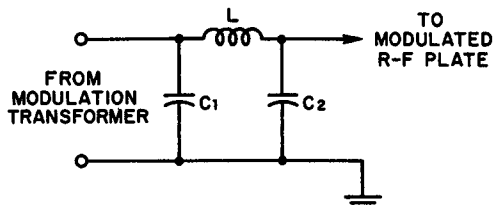


Fig. 27. Splatter filter for high level use between the modulator output and the modulated amplifier.

Splatter filters (Fig. 27) are generally made up of a single inductor and two equal-value capacitors selected in accordance with equations (20) and (21). These equations are based upon a cut-off frequency of 2500 cps.

$$L = \frac{R}{7850} \quad (20)$$

$$C1 = C2 = \frac{63.6}{R} \quad (21)$$

in which L is the choke inductance in henries, $C1$ and $C2$ are equal-value capacitors in mfd., and R is the modulating impedance of r-f power amplifier being modulated.

Example: Find the filter component values for a 2500 cps cutoff splatter filter used between a class B modulator and an r-f amplifier operating at 1000 volts (plate voltage) 150 ma plate current.

Solution: Since the plate voltage and plate current of the r-f amplifier determine its operating impedance, this is first determined:

$$R = \frac{E_p}{I_p} = \frac{1,000}{.15}$$

$$R = 6600 \text{ ohms (to 2 sig. figs).}$$

Using equation (20):

$$L = \frac{6600}{7850}$$

$$L = .84 \text{ henries}$$

and using equation (21)

$$C1 = C2 = \frac{63.6}{6600}$$

$$= .0096 \mu\text{f}$$

In practice, of course, the capacitor value would be selected as $.01 \mu\text{f}$ and the value of the choke adjusted accordingly to realize a cutoff frequency of 2500 cps.

23. Crossover Networks

The most effective way of overcoming the inherent loss of volume at high and low-audio frequencies on most speakers, is the use of two or three separate units.

In a two-speaker system, one unit is specifically designed for good high-frequency response, the other for good low-frequency response.

The speaker cone moving in and out along the distance necessary to pump high-level, low-frequency sound into the listening area, cannot move fast enough to reproduce the high frequencies properly. Similarly, the vibrating element of a "tweeter", or high-frequency speaker must be small and light, hence the distance covered on low-frequency excursions is too small for effective reproduction of this range. Should two such speakers be connected to an amplifier without special precautions, each one attempts to do the other's job with the result that serious losses occur, as well as distortion.

The simplest form of filter network directing the highs and lows to the corresponding speaker is shown in Fig. 28. In this arrangement, a large value of capacitance is connected in series with the *tweeter* while the *woofer* or low-frequency speaker shunts the out-

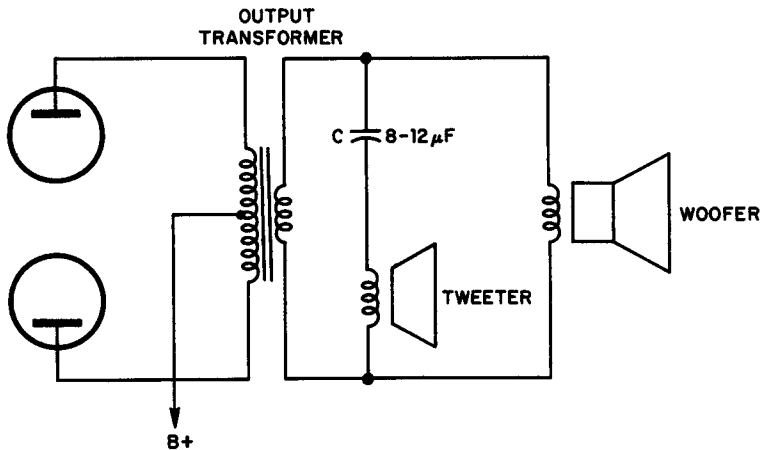


Fig. 28. Simplest configuration for frequency divider or crossover network designed to feed high- and low-frequency loudspeakers.

put transformer directly. The capacitance required depends upon the desired response characteristics and the impedances of the two speakers. High frequencies are shunted through the tweeter unit since the capacitive reactance of C at these frequencies is relatively low. Low frequencies appear as power in the voice coil of the woofer as the inductive reactance of the voice coil is considerably lower for the low frequencies than for the highs, making it possible for low-frequency currents to flow through this voice coil with little impedance. This simple arrangement is not as satisfactory as circuits that utilize inductors and capacitors.

Figure 29 illustrates a basic, high-performance two-speaker crossover network. In the design of such a network, the crossover frequency is first selected (usually from 400 cps to 1000 cps) and then the components chosen so that resonance is obtained at the crossover frequency. L1 and C2 constitute a series resonant circuit at the crossover frequency, so do L2 and C1. The constants given in Fig. 24 were selected for a crossover frequency of approximately 450 cps, using speakers with 8-ohm voice coil impedances.

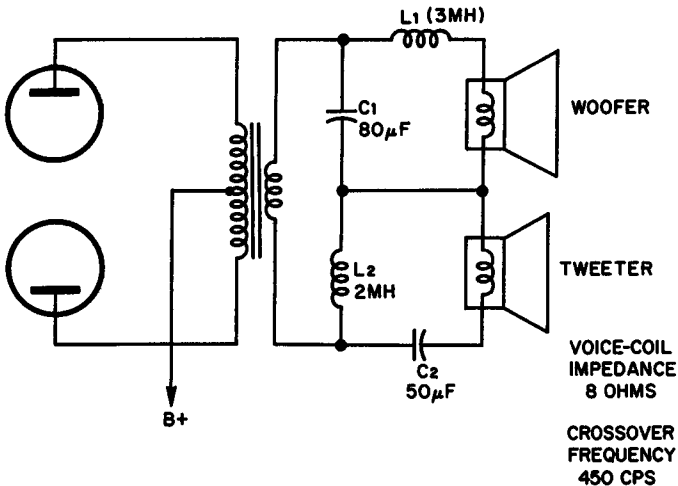


Fig. 29. An L-C two-speaker crossover network with resonant elements.

At the crossover frequency the voltages available across the speaker source components (C1 and L2) are equal, as these units are in resonance. The impedance match at the crossover frequency is maintained substantially constant by action of the series resonant circuit containing L1, C2, and the two voice-coil windings. At high frequencies the voltage drop across C1 becomes small, while the

drop across L2 increases, bringing the tweeter into play. The opposite occurs at low frequencies.

An idealized response characteristic for a two-speaker crossover network is shown in Fig. 30. The crossover frequency is 850 cps. The total available sound energy is 72 db. At the crossover frequency half the total energy is applied to each speaker. At other frequencies the proportion varies, one speaker getting less power, the

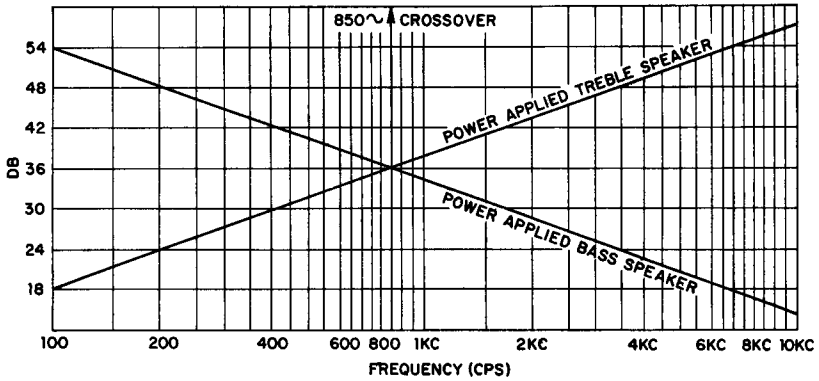


Fig. 30. Idealized response of a two-speaker, 850 cps crossover network with a total sound power input of 72 db. (*Electronic Experimenters Handbook*, 1958).

other speaker more, but the sum of 72 db is constant.

A frequency division network for a three-speaker system is given in Fig. 31. The same general rules apply to the selection of these components. Most crossover networks are primarily designed for resonance, as described, and are then adjusted experimentally to match the speakers used as well as the wishes of the listener.

24. Presence Control

This is the filter system in audio-frequency reproduction in which the middle range of frequencies is accentuated. Since the human voice operates essentially in the mid-range frequencies, increased mid-range emphasis for vocal performances lends realism to the reproduction and an increased sense of *presence* to the vocalist.

A presence control is usually inserted between the preamplifier and power amplifier section of the system. Since it has an insertion loss, the system should have a reserve of gain of at least 12 db. Since most amplifiers are operated conservatively, this reserve is generally available.

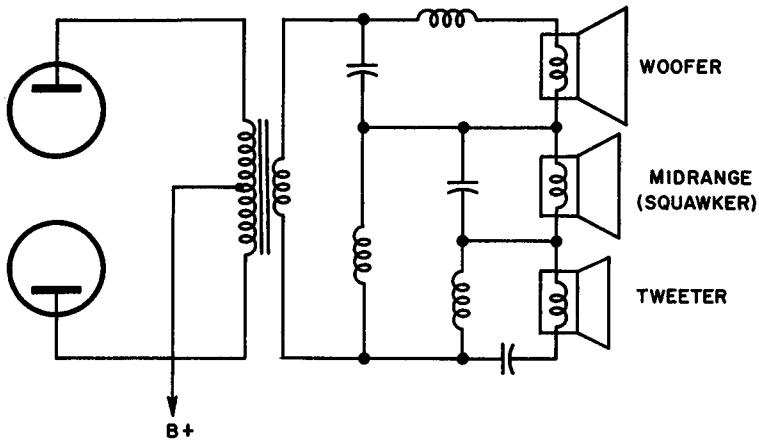


Fig. 31. Three-speaker crossover network. Exact values of components are generally obtained experimentally, although approximate values are determined from resonance considerations.

A practical circuit for a presence control appears in Fig. 32. An attenuation of 6 db occurs at approximately 2500 cps. Since tastes vary as to the extent and frequency of *presence*, other frequencies may be obtained by varying C , and additional accentuation may be realized by increasing the resistance of R_3 .

The circuit action is easy to see. L and C form a parallel-resonant circuit and are selected to resonate at the center presence frequency. The frequencies in the vicinity of 2500 cps are accentuated because the voltage drop across the L - C combination is greatest in this region. With the wiper of R_3 at the ground end of the potentiometer, full accentuation occurs. When moved to the upper end, the resonant circuit is shorted out so that the shunt load becomes merely R_2 . This produces zero accentuation, but accounts for the insertion loss.

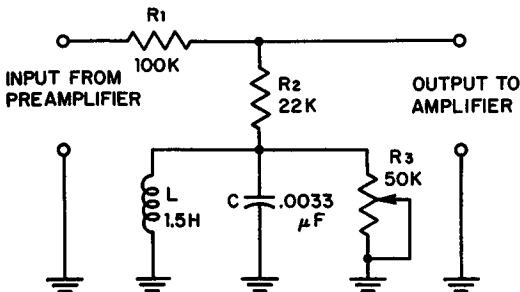


Fig. 32. A practical presence control circuit. The extent of presence is governed by R_3 .

25. Rumble and Scratch Filters

Phonograph turntables sometimes develop voltages at the input of high-gain amplifiers that produce *rumbles* in the output, at frequencies that may range from 20 cps to 100 cps. A filter designed to eliminate this sound, called a rumble filter, is a high-pass arrangement having a cut-off frequency in the 20 to 100 cps range. Usually, the cutoff point is made adjustable, either by the continuous action

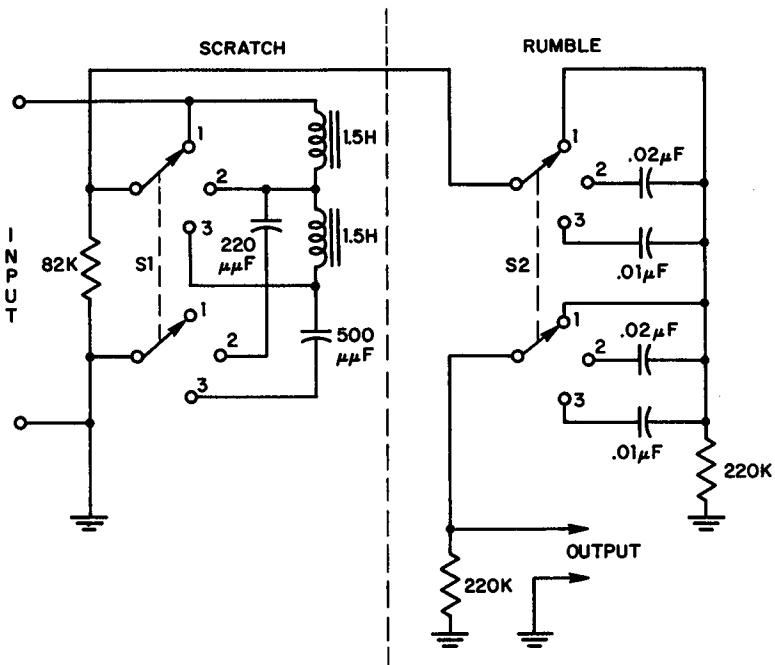


Fig. 33. A combination rumble and scratch filter designed to minimize noise from defective turntables, low-speed and high-speed records.

of a potentiometer or by a step switch used to select predetermined values of capacitance or inductance (Fig. 33). Phonographs also suffer from noise voltages due to the scratch of the stylus on the disc. For 33-1/3 rpm long-play records, this scratch develops after long use and takes the form of a hiss at about 8000 cps. Older 78 rpm records have an inherent scratch at approximately 4000 cps, even when they are new. The scratch intensifies with repeated use and produces frequencies of high amplitude even below this

figure. In Fig. 33, the scratch filter consists of S1 and its associated resistors, capacitors, and inductors while S2 with the associated resistors and capacitors is the rumble filter. Table 1 provides information on the cutoff frequencies in the various switch positions.

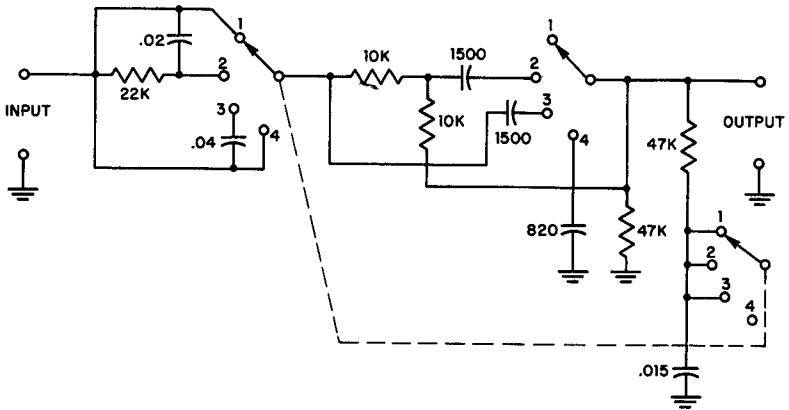


Fig. 34. Turnover and roll-off filter for equalizing any recording to match the RIAA response of modern amplifiers. The filter accomplishes this adding or subtracting from the standard RIAA curve.

The attenuation rate is approximately 12 db per octave. Thus, if the scratch filter switch (S1) is set for attenuation at 4000 cps, the response of the filter will be relatively flat up to this frequency, whereas at 8000 cps the scratch will be reduced by about 4 to 1. The rumble filter would be used on the No. 2 position of S2 for very low frequency rumble (50 cps) and on No. 3 position for rumble of frequencies in the vicinity of 100 cps.

TABLE 1

SWITCH POSITIONS		
	(S2) Rumble	(S1) Scratch
1	Flat	Flat
2	50 cps	8,000 cps
3	100 cps	4,000 cps

26. High Fidelity Equalizer

Before 1953, standards were not established for record equalization curves. Record manufacturers adopted individual response patterns according to their own lights, so that any amplifier had to be equipped with many equalization settings. All records made after 1953, are standardized in accordance with the specifications of the Record Industry Association of America (RIAA). (This response is called Orthophonic by RCA and associated companies).

Many people own excellent recordings made before 1953. To render these properly, the standard RIAA response can be modified by a filter network as illustrated in Fig. 34. Provisions have been made in the design of this circuit to incorporate four positions of low-frequency equalization (often called *turnover*) and four positions of high-frequency equalization (*de-emphasis* or *roll-off*). Since the two selector switches operate independently, the filter can produce 16 different equalization settings so that it accommodates virtually any recording.

The insertion loss of the network is about 6 db. For reasons given previously, this is easily offset by any modern amplifier's reserve gain.

27. Scott Filter

An R-C filter for small currents that *notches* the audio response of an amplifier system is shown in Fig. 35. Designed by H. H. Scott in 1939, the filter system bears his name and is claimed to provide

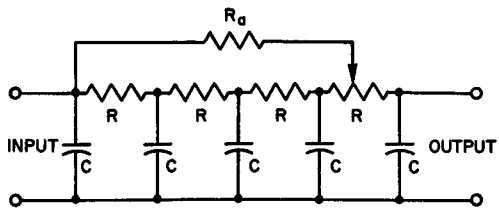
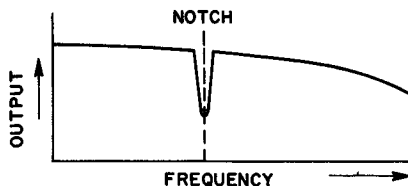


Fig. 35. A resistance-capacitance notching filter that provides sharp attenuation of one frequency.



almost complete attenuation at any desired frequency. For example, the Scott filter may be nicely applied for the removal of scratch noise that peaks at 8000 cps, such as the hiss that develops in the older of LP records; it is quite effective for minimizing 78-rpm scratch at 4000 cps and the surrounding frequencies.

The action of the Scott filter depends upon feedback of one frequency to the input 180° out of phase with the incoming signal. The capacitors and resistors are all of the same values except R_a . By selecting them carefully, the phase of the input signal can be inverted 180° by the R-C pairs for the frequency to be notched from the response. Further fine control is provided by adjusting the tap on the last resistor. Since the final values of the R and C components depend upon the input and output impedances, as well as the frequency to be notched, design formulae are not easily provided. A typical response curve is given in the insert in Fig. 35. Note that the Scott filter does attenuate frequencies higher than the notched frequency but the extent of the attenuation is small, and in most cases is barely noticeable.

28. Review Questions

1. What is the function of a decoupling filter?
2. Under what conditions are decoupling filters required? Draw an amplifier circuit consisting of three stages of amplification, showing a practical decoupling network.
3. Explain, with the aid of diagrams, how a resonant tone control filter operates.
4. What are the underlying principles of nonresonant tone compensation systems?
5. Draw a two-stage amplifier circuit showing a simple type of tone control. Explain its operation.
6. Explain the advantages of speech-clipping in the transmission of speech by radiotelephone. Why can't clipping be used in the transmission of music?
7. Why are crossover networks used in high-fidelity sound reproduction? Draw a diagram showing the basic principles of two-speaker crossover networks.
8. Determine the values necessary to make up a speech-clipper splatter filter having a cutoff at 3000 cps, the filter being placed between the modulator and an r-f amplifier operating at 1500 volts (plate) and 200 ma.
9. Distinguish between the following filters in terms of function and frequencies affected: (a) roll-off filter, (b) presence control, (c) turnover filter, (d) rumble filter, (e) scratch filter, (f) curve equalizer.
10. Explain the operation of the Scott notching filter. Use a diagram to help.

Chapter 4

VIDEO FILTERS

29. The Need for Video Filters

Equipment for transmitting and receiving signals containing video components, as in television and radar, must meet certain requirements. The amplifiers must respond to frequencies lying within an extended range, the lower limit approximately equal to the frame-repetition rate in television, the upper limit at least one-half the rate of transmitting picture elements. In American television practice, these limits are 30 cps and approximately 4,000,000 cps. Amplifiers must pass components within this frequency range with a minimum of amplitude distortion and time-delay discrimination.

A standard R-C coupled amplifier tends to favor the middle-range of frequencies, discriminating against the highs and lows. Shunt capacitances consisting of input and output capacitances reduce the high-frequency gain. Similarly, series impedances such as the coupling capacitor cause a diminution of low-frequency gain. Particularly at low frequencies, the phase response (time-delay characteristics) of an uncompensated amplifier may be quite troublesome. The reason is that a very small phase shift in the amplifier circuit measured in degrees is a very large time delay in seconds when the frequency is low.¹

Thus, for extended frequency range coverage, an uncompensated amplifier is unsatisfactory. Although frequency compensation circuits are not ordinarily viewed as filters, their selective behavior earns them a brief discussion in this book.

¹Schure, A., *Video Amplifiers*. New York, John F. Rider Publisher, Inc., 1959

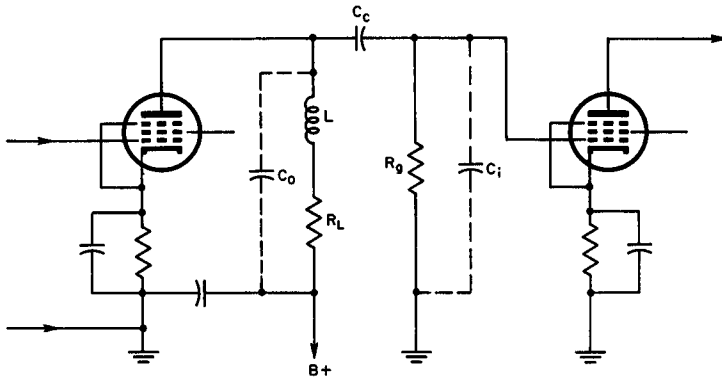


Fig. 36. Fundamental R-C video amplifier showing the position of the shunt peaking coil L1. C_0 and C_i are tube and stray capacitance which are referred to as C_t in the text.

30. High-Frequency Compensation — Shunt Peaking

The principal cause of loss of gain at high frequencies is the shunting effect of tube and stray capacitances going into C_0 and C_i in Fig. 36. Taken together the total shunting capacitance is referred to as C_t . If a coil having the proper inductance L , is connected in series with the load resistor R_L , a substantial improvement can be effected in the response curve, the high-frequency gain being boosted to an extent determined by the inductance L and Q of the shunt peaking coil. In practice, the inductance of the coil is calculated first from equation (22) and then trimmed until the desired response is obtained.

$$L1 = 0.5 C_t R_L^2 \quad (22)$$

in which $C_t = C_0 + C_i$ and R_L is plate load resistance of the first amplifier tube. C_t is best found by measurement, although it may be calculated from the known capacitances with corrections for the Miller effect.

When $L1$ is obtained from equation (22), the resonant frequency for this coil and C_t is 1.414 times as great as the highest frequency to be amplified in the video range. For validity, the value of R_L used in equation (22) should be found from:

$$R_L = \frac{1}{2\pi f_o C_t} \quad (23)$$

in which f_o is the highest frequency to be amplified. For these conditions, the values of R_L and $L1$ are fixed. Other values may be

used with success but the ones obtained this way represent a good compromise between linearity of amplitude response and available gain from the amplifier.

31. High-Frequency Compensation — Series Peaking

Another method of high-frequency compensation which gives higher and more linear phase response is shown in Fig. 37. The filter element consists of output capacitance C_o , the following input impedance C_i , and the coupling inductance L which isolates C_o from C_i . The filter is terminated at the point of entry by impedance R_L and at the remote end by R_g . The effect of the coupling capacitor C_c may be ignored since it is effectively a short-circuit at high frequency.

The value of the filter coil and the plate load resistance is determined first by measuring capacitances C_o and C_i to determine C_t . Then L is determined for a given high-frequency limit, f_o , by equation (24).

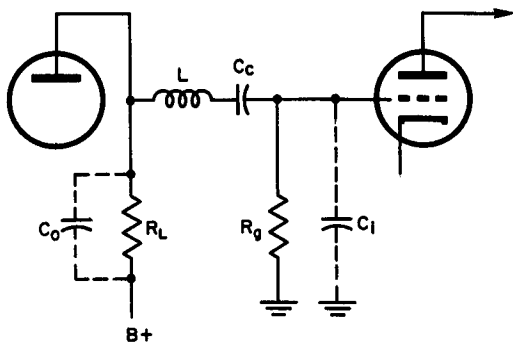
$$L = \frac{1}{8\pi^2 f_o^2 C_o} \quad (24)$$

This equation is obtained because the resonant frequency of L and C_o is chosen 1.41 times as great as f_o .

The plate load resistance is selected on the basis of equation (25).

$$R_L = \frac{1.5}{2\pi f_o C_t} \quad (25)$$

Fig. 37. Series peaking system involving the use of a series peaking coil between the plate of the first amplifier and the coupling capacitor to the next amplifier.



32. High-Frequency Compensation — Combination Peaking

Equation (23) shows that the load resistance for the first amplifier tube (R_L) must be made equal to the reactance of C_t for

effective action at the highest frequency for which compensation is to be obtained. Equation (25) indicates why the gain of the series peaking method of compensation is greater: the value of R_L may be made 1.5 times as great as the reactance of C_t , increasing the gain of the stage. When both series and shunt peaking are used together, a further increase of gain can be realized because, as analysis now shows, R_L can be raised in value to 1.8 times the reactance of C_t . The design equations for combination peaking are:

$$R_L = \frac{1.8}{2\pi f_o C_t} \quad (26)$$

$$L1 = 0.12 C_t R_L^2 \quad (27)$$

$$L2 = 0.52 C_t R_L^2 \quad (28)$$

33. Low-Frequency Compensation Filter

At low frequencies, the shunt capacitance C_t has a very high reactance so that its effect is negligible. The increasing reactances of the coupling and by-pass capacitors as 30 cps is approached, however, begin to introduce amplitude and phase distortion. Impractically large values of coupling capacitance and grid resistance are required

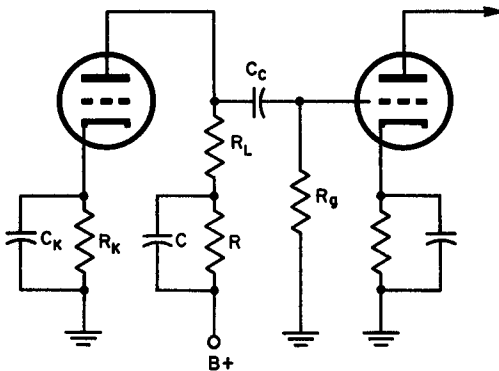


Fig. 38. A low-frequency compensation filter that improves amplitude and phase response.

for proper performance of the amplifier at frequencies in this low range. Should these be employed, the high-frequency response suffers and the amplifier tends to be unstable, often producing relaxation oscillations or motorboating.

It is customary to use a low-frequency compensation filter in series with the output resistor R_L as illustrated in Fig. 38. This combination produces a phase shift that compensates for the time delay introduced by coupling components C_c and R_g , and acts as

a decoupling filter, preventing the amplified signal from developing a voltage drop across the power supply impedance, thus discouraging instability.

In practice, R is often made as large as possible without causing an uneconomical reduction of plate voltage; then the value of C is selected to provide effective decoupling without producing oscillation.

It also turns out that the low-frequency response of an amplifier is affected by the cathode impedance, $R_k C_k$. If this is a serious factor, the decoupling filter may be designed in accordance with equations (29) and (30). With values obtained this way, the cathode reactance will be cancelled out as a source of low-frequency distortion. The filter will continue to serve in its decoupling role.

$$R_f = R_k g_m R_L \quad (29)$$

$$C_f = C_k g_m R_L \quad (30)$$

in which g_m = transconductance of the first tube and R_L is the plate load resistor. R_k and C_k are the cathode components shown in Fig. 38.

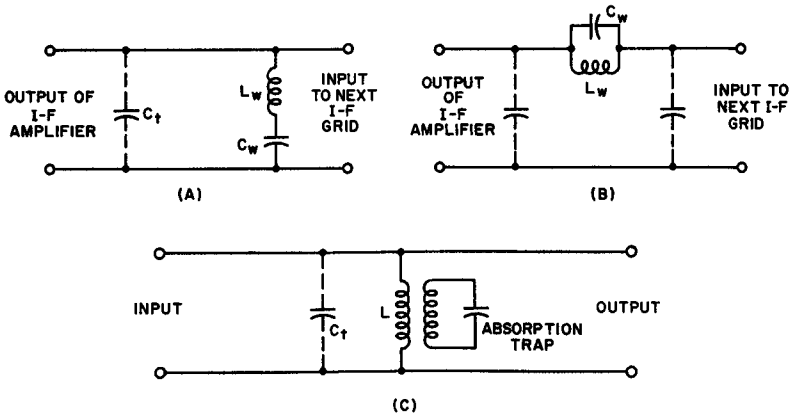


Fig. 39. (A) Series resonant wave trap shunts the grid-input circuit (B) Parallel resonant circuit is in series with following grid circuit. (C) Absorption trap is not connected in the circuit electrically.

34. Rejection Filters

In television signal reception, the sound tends to produce voltages that disturb the picture. So does the sound in the lower adjacent channel, but not to the same degree.

Both types of picture interference are eliminated by *rejection filters* or wave traps. Various types of filters have been used with success. Among the simplest are the parallel-resonant type, series-resonant type, and the absorption trap (Fig. 39).

In the series resonant filter, L_w and C_w are tuned to the rejection frequency. All voltages of this frequency find the shunt path through the series-resonant circuit a very low impedance, so rejection-fre-

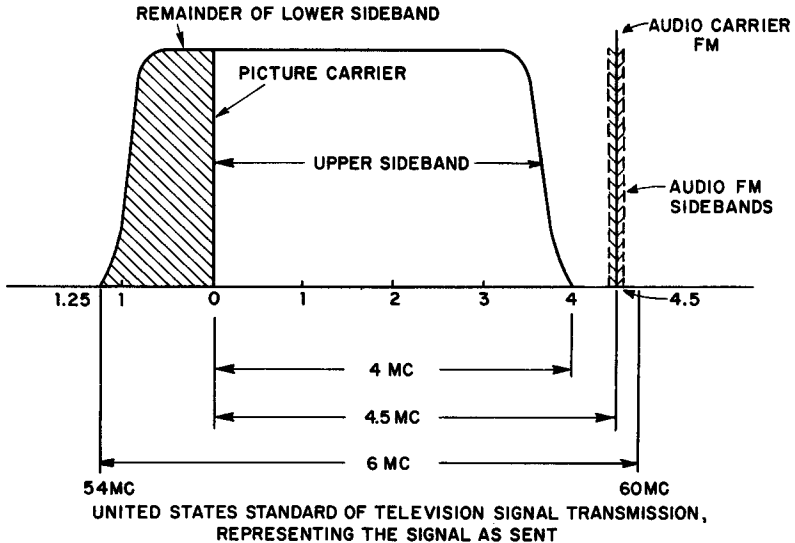


Fig. 40. American standard television channel used as a basis of transmissions in this country. This is actually the transmitter output curve.

quency voltages cannot develop between the grid and cathode of the succeeding stage. The parallel-resonant circuit (Fig. 39B) presents a high impedance to the rejection frequency, causing the major voltage drop to occur across the trap rather than at the grid of the following i-f amplifier. Absorption traps such as that in (C) are normally employed when the i-f amplifier plate-load impedance is a single tuned circuit (L). The trap is tuned to the undesired frequency and is inductively coupled to the plate-load coil. Due to the very high Q of the trap circuit, most of the energy present in the tuned circuit is passed on to the trap, reducing the Q of the tuned i-f coil at the resonant frequency. This decreases the gain of the stage enough at the rejection frequency to remove the undesired signal from the picture circuits.

35. Sideband Suppression Filters in Television

Normal amplitude modulation, such as that used in video modulation of the television carrier, always results in two sidebands, one above and one below the carrier. Since the signal components in the two sidebands contain the identical information, the double sideband system of transmission is wasteful of spectrum space. In view of this, standard television transmission practice now uses a system called *vestigial sideband* operation, in which the lower sideband components are partially removed. Removal of the lower sideband, theoretically more economical than vestigial sideband operation, is impractical because it presents severe technical problems.

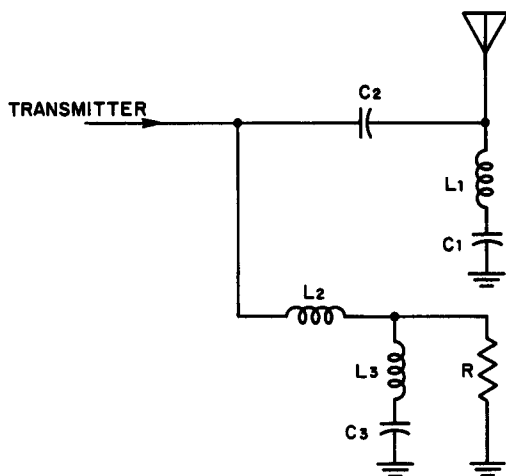


Fig. 41. Vestigial sideband filter shown with lumped constant elements rather than as sections of coaxial transmission line.

The band-elimination filter, used does not have ideal cutoff characteristics, and attempting to remove all the components of the undesired sideband inevitably results in phase shifts. Vestigial sideband operation compromises by completely removing the unwanted components only at a relatively great frequency separation from the carrier. Adjacent to the carrier, the unwanted frequency components are left undisturbed.

The band-rejection filter required to produce the output curve shown in Fig. 40 must have attenuation characteristics like those shown in Fig. 42. In practice the elements of such a filter are made up of segments of coaxial transmission lines. Figure 41 shows the filter sections as containing lumped constants to facilitate analysis.

The upper branch of this two branch filter contains C_2 , L_1 , and C_1 . C_2 represents a low impedance path for the high-frequency

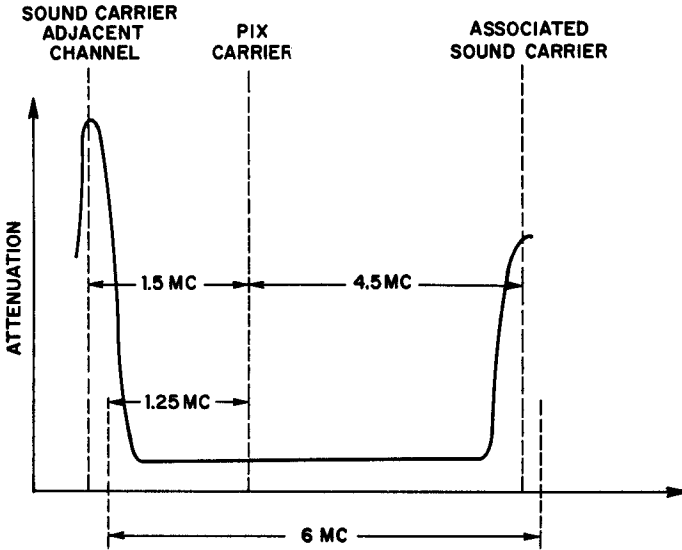


Fig. 42. Attenuation characteristics of the vestigial sideband filter illustrated in Fig. 41. This prevents the production of an output waveform that meets U.S. standards.

sideband which passes on to the antenna. L1 and C1 comprise a series resonant circuit, which aids in obtaining the flat-topped, sharp-edged pass-band shown in Fig. 40. The lower branch consisting of L2, L3, and C3 passes the undesired low-frequency components to the dissipative resistor R where the power is converted into heat. L3 and C3 form a series-resonant circuit which shapes the output waveform to conform with American standards.

36. Review Questions

1. Explain why a standard resistance-capacitance coupled oscillator reproduces high and low frequencies poorly.
2. Describe the operation of a shunt peaking coil as used in the video amplifier in a television receiver.
3. Assume that the highest frequency to be amplified in a video amplifier is 4.0 mc, and that the total shunt capacitance is 8.5 μmf . Find:
 - (a) a suitable value of load resistor to use for shunt peaking this amplifier.
 - (b) the inductance of the shunt peaking coil required.
4. Describe how you would go about measuring input and output capacitances in a video amplifier.
5. Using the figures in question 3, calculate the value of series peaking coil required to provide uniform amplification up to 4.0 mc.

6. Determine the load resistance that would best suit the series peaking coil of question 5.
7. A television monitor contains a video amplifier that must provide uniform amplification up to 6.0 mc. Its input capacitance is $3.6 \mu\mu\text{f}$ and its output capacitance is $3.2 \mu\mu\text{f}$.
 - (a) Which compensation method would you use? Why?
 - (b) Determine the values of all components required to compensate the the amplifier properly.
8. What are the two functions of a low-frequency compensation filter such as that given in Fig. 38. How are these functions realized?
9. Draw diagrams illustrating three types of rejection filters or traps used in television. With the aid of these diagrams explain how the traps operate.
10. How does the band-rejection filter of Fig. 41 accomplish the desired objective?

Chapter 5

WAVE FILTERS

37. Filter Classifications

Wave filters, sometimes known as Zobel filters¹, are generally described as constant-k or m-derived filters and represent a unique family. Many of the filters described in previous chapters are basically either constant-k or m-derived types and may be analyzed with techniques used for generalized wave filters. Design procedures for wave filters are based upon complex mathematics and will not be dealt with in this chapter. The technician can derive substantial benefit from a discussion of filter types and filter structures, using the minimum mathematics needed for comprehension, and bypassing study of the derivations of the equations and charts needed for design work.

The same is true of bridged-T and parallel-T networks. We shall study the general principles of their functioning rather than the development of design techniques. For those interested in design of any type wave filter, this chapter is recommended as a preliminary step, followed by a thorough study of design procedures that can be found in any of the numerous modern electrical engineering texts.

Constant-k and m-derived filters may be placed in roughly four classifications:

Low-pass filter: This has a pass (or transmission) band theoretically starting from zero frequency to the frequency at which cutoff

¹"*Theory and Design of Electric Wave Filters*", Otto Zobel, *Bell Tech J*, vol. II, p. 1., Jan. 1923

is desired, and an attenuation band from the cutoff frequency to infinity.

High-pass filter: The reverse characteristics obtain attenuation-band from zero to the cutoff frequency and a passband from cutoff to infinity.

Bandpass filter: Two cutoff frequencies are specified, high and low. Transmission will occur between these frequencies and attenuation on either side of them.

Band-elimination filter: Again, two cutoff frequencies with attenuation between them and transmission on either side of the cutoff frequencies.

Bridged-T and parallel-T networks will be discussed later, as they are of specialized design.

38. Effectiveness of Attenuation and Transmission

In the attenuation-band of a given filter, the characteristic impedance of the filter is a *pure reactance*. If the load that terminates the filter is equal to the characteristic impedance of the filter, the generator at the input will see a pure reactance. For this condition, no power is transmitted to the load, hence, attenuation is perfect. This ideal situation is modified in practice because filters are often terminated in pure resistances and an impedance mismatch exists between the filter and load. This is reflected back so that the input impedance of the filter becomes slightly resistive. Thus, some power will be transmitted by the filter into the load even in the attenuation band.

In the transmission band of the same filter, however, the characteristic impedance is a pure resistance and, if the load is equal to the filter's characteristic impedance, the input generator will be working into a pure resistance. Since an ideal filter contains only reactive or nondissipative elements, in the theoretical situation all of the generator power is transmitted to the resistive load. In actual practice, of course, the filter components contain resistance so that some power dissipation occurs here as well as in the load. Hence, a practical filter transmits most, but not all, of the generator power to the load in its transmission band.

39. Characteristic Impedance

If a filter is terminated by a load having an impedance such that the filter is caused to have the same *input* impedance, the filter is said to be terminated by its characteristic impedance. Sometimes

known as surge impedance, the characteristic impedance of a filter may be found from:

$$Z_o = \sqrt{Z_a Z_b} \quad (31)$$

where Z_o = characteristic impedance of the filter

Z_a = input impedance with output terminals open-circuited

Z_b = input impedance with output terminals short-circuited.

The term *surge impedance* is often used with reference to transmission lines and has a similar significance. If a transmission line is terminated by a load equal to the surge impedance of the line, all the energy will be transferred to the load and there will be no reflections of energy back along the line. It is helpful to view filter sections as portions of an infinite line drawn to show its various impedance elements as lumped components. We will use this approach in the forthcoming paragraphs.

40. Basic Filter Configurations

Transmission lines are recurrent structures having continuously distributed impedances. Two wires in space have, besides their ohmic resistance, shunt capacitance and series inductance along the line. Signifying any type of impedance with the resistor symbol, a long line may be drawn as shown in Fig. 43. Each series element is labeled $Z1$ and each shunt element $Z2$. The basis of filter design is a full L section consisting of series element $Z1$ and shunt element $Z2$, shown between the labeled broken lines in Fig. 43.

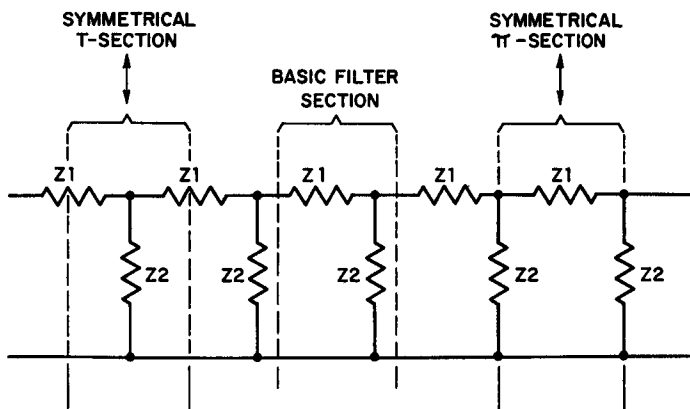


Fig. 43. Symbolic representation of a long transmission line, showing its distributed impedances as lumped elements of recurring nature.

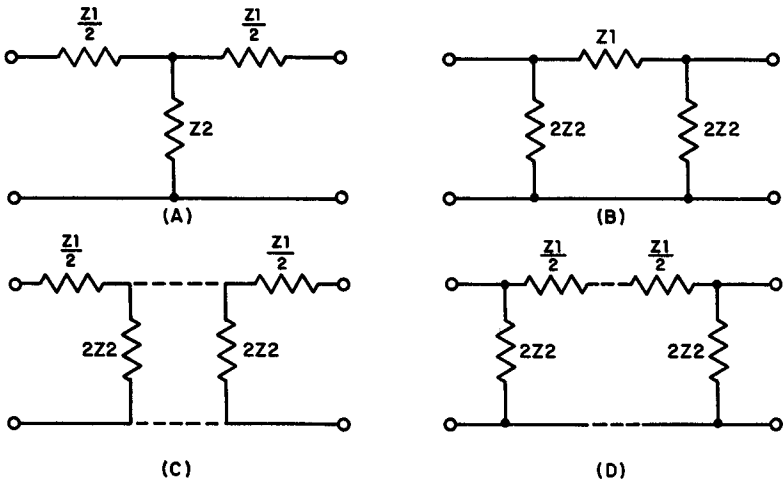


Fig. 44. (A) Symmetrical T-section type of filter configuration, mid-series terminated. (B) Symmetrical π -section configuration, mid-shunt terminated. (C) Symmetrical T-section divided into two half-sections by replacing $Z2$ with two impedances in parallel, each being evaluated as $2Z2$. (D) Symmetrical π -section similarly divided, each $Z1$ being replaced by $Z1/2$.

A wave filter normally makes use of small, symmetrical sections because the number of sections is finite rather than infinite, like the line. One section, called the symmetrical T-section, is obtained by dividing each of two adjacent series elements in half and including between them one shunt element. Thus, the value of each series element (or half-element) is now designated as $Z1/2$ while the shunt element remains $Z2$. (Fig. 44A). Because the symmetrical T-section is cut from the infinite line by bisecting each of two series elements, it is known as *mid-series terminated*.

The symmetrical π -section configuration is obtained by cutting down the centers of two successive shunt elements of the infinite line, including one series element between them (Fig. 44B). Since a shunt impedance thus bisected has a resulting impedance of twice the initial value, the filter configuration shows an evaluation of $2Z2$ for each shunt element and $Z1$ for the series element. Such a section is said to be *mid-shunt terminated*.

For design and analysis purposes, either type of configuration may be divided into half-sections as shown in Fig. 44 (C) and (D).

41. Characteristic Impedances of Filter Sections

The characteristic impedances of symmetrical T and π -sections

are given by the following equations:

$$Z_{T\text{-sect}} = \sqrt{Z_1 Z_2 \left(1 + \frac{Z_1}{4Z_2} \right)} \quad (32)$$

$$Z_{\pi\text{-sect}} = \sqrt{\frac{Z_1 Z_2}{1 + \frac{Z_1}{4Z_2}}} \quad (33)$$

Examination of these equations shows that the characteristic impedances of the two networks depend upon frequency. It is difficult to terminate either one with a simple network.

As a special case, if a filter is terminated in a pure resistance R which is made equal to $\sqrt{Z_1 Z_2}$, it may be shown that equations (32) and (33) may be written:

$$Z_t = R \sqrt{1 + \frac{Z_1}{4Z_2}} \quad (34)$$

$$Z_{\pi} = \frac{R}{\sqrt{1 + \frac{Z_1}{4Z_2}}} \quad (35)$$

The significance of the expression $\sqrt{Z_1 Z_2}$ will become more evident in the next section.

42. Constant-k Filters Defined

The simplest and most common type of filter section is that in which the shunt and series impedances are intentionally selected so that

$$\sqrt{Z_1 Z_2} = \text{constant} = k \quad (36)$$

for all frequencies. Furthermore, the terminating resistance for the filter is chosen to be equal to k , that is $R = k$ so that the equations (34) and (35) are applicable. In constant- k filters, each inductance in the shunt and series arms is associated with a capacitor in the series and shunt arms, respectively. In an ideal filter the shunt and series arms are made of non-dissipative elements wherever possible. Assigning the No. 1 to series elements and the No. 2 to shunt elements, as before, the required relation between the elements for a constant- k filter (that is, to maintain the product of Z_1 and Z_2 constant) is:

$$k = \sqrt{\frac{L_1}{C_2}} = \sqrt{\frac{L_2}{C_1}} = R \quad (37)$$

Constant-k filters may be set up in any one of the four major classifications (high-pass, low-pass, bandpass, and band-elimination). In the paragraphs that follow, we shall examine the transmission characteristics of each of these classifications, with applicable equations. Remember in each case that equation (37) is adhered to exactly, so that the product of Z_1 and Z_2 is always a constant and is always equal to the terminating impedance of the filter.

43. Low-Pass Constant-k Filter

A low-pass constant-k filter contains an inductive series element (L_1) and a capacitive shunt element (C_2). Its transmission curve is given in Fig. 45 with its schematic diagram. This is an idealized

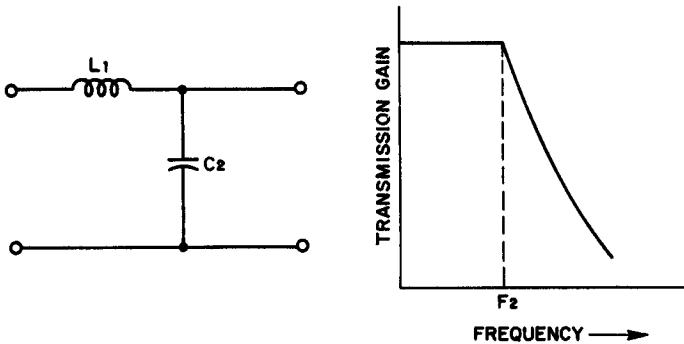


Fig. 45. Schematic diagram and transmission curve of a low-pass constant-k filter. Note that the elements are nondissipative.

drawing in which the filter elements are nondissipative and there are no reflection losses at the terminals. In a practical filter, where there is some power dissipation in the elements and where impedances are not perfectly matched, the cutoff is somewhat more gradual than the curve indicates.

The values of the elements are found from equations (38) and (39).

$$L_1 = \frac{R}{\pi f_2} \quad (38)$$

$$C_2 = \frac{1}{\pi f_2 R} \quad (39)$$

where f_2 = frequency where attenuation begins. The reader should

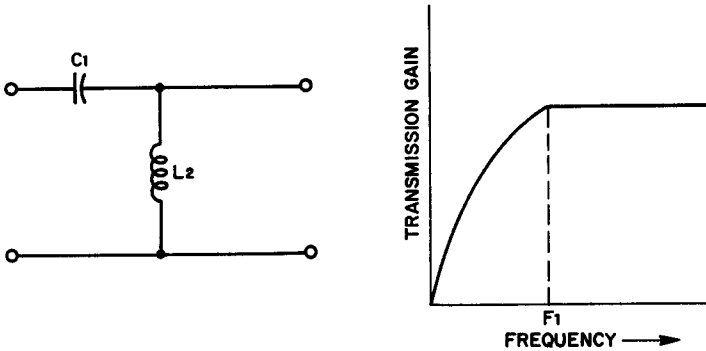


Fig. 46. Schematic diagram and transmission curve of a high-pass constant-k filter.

test the constant-k quality of these values by setting up the ratio as given in equation (37) to show that the square root of L_2 over C_1 comes out equal to R .

44. High-Pass Constant-k Filter

As illustrated in Fig. 46, a high-pass constant-k filter contains a capacitive series element and an inductive shunt element. In this case, the frequency at which full transmission begins is denoted by f_1 . The same idealization assumptions are made for the high-pass filter as for the preceding filter and for others that follow, unless otherwise noted. Element values may be determined from equations (40) and (41).

$$C_1 = \frac{1}{4\pi f_1 R} \quad (40)$$

$$L_2 = \frac{R}{4\pi f_1} \quad (41)$$

45. Bandpass Constant-k Filter

The bandpass constant-k filter (Fig. 47) is considerably more complex than the high- or low-pass types. Containing an inductive and capacitive element in the shunt and series legs, four equations are required to determine the constants. Frequencies f_1 and f_2 are the lower and upper limits respectively of the transmission band. The design equations are given in (42) through (45). It is again suggested that the reader test these equations against the ratios given in equation (37) to ascertain for himself that the constant-k

relationship between elements is maintained, regardless of the filter's complexity.

$$L1 = \frac{R}{\pi (f2 - f1)} \tag{42}$$

$$L2 = \frac{(f2 - f1) R}{4\pi f2 f1} \tag{43}$$

$$C1 = \frac{(f2 - f1)}{4\pi f2 f1 R} \tag{44}$$

$$C2 = \frac{1}{\pi (f2 - f1) R} \tag{45}$$

46. Band-Elimination Constant-k Filter

In the band-elimination constant-k filter, the series leg contains an inductance and capacitance in parallel while the shunt leg contains these elements in series. Figure 48 presents the schematic diagram and transmission characteristics of this filter. The applicable equations are given in (46) through (49).

$$L1 = \frac{(f1 - fo) R}{\pi fo f1} \tag{46}$$

$$L2 = \frac{R}{4\pi (fo - f1)} \tag{47}$$

$$C1 = \frac{1}{4\pi (f1 - fo) R} \tag{48}$$

$$C2 = \frac{(f1 - fo)}{\pi R fo f1} \tag{49}$$

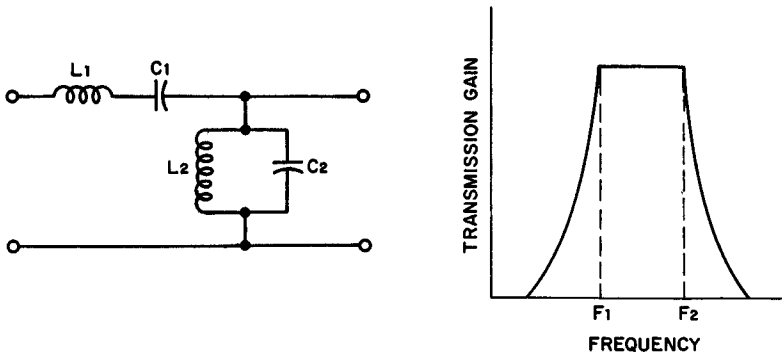


Fig. 47. Bandpass filter of the constant-k type, showing an idealized transmission curve.

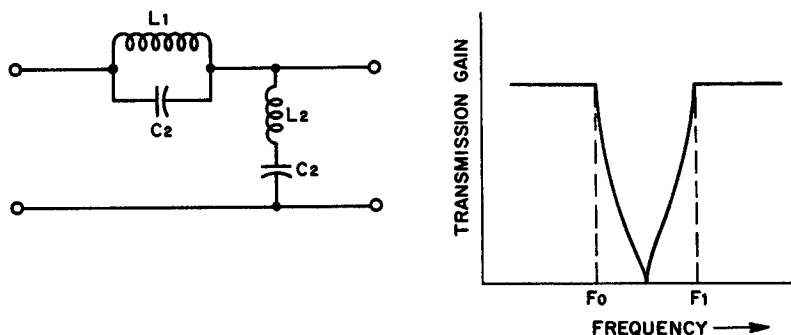


Fig. 48. Band-elimination filter of the constant- k type showing idealized transmission curve.

47. m -Derived Filters Defined

Even the idealized transmission curves of the constant- k filters demonstrate a gradual cutoff characteristic that is unsatisfactory for many applications. Sharper cutoff may be realized by incorporating additional impedances in the shunt or series arms so that infinite attenuation occurs at some frequency beyond cutoff. With the constant- k type of filter used as a prototype, for example, the addition of another impedance in one of the arms can produce the kind of modified response shown in Fig. 49. In this case a T-section low-pass filter (A) is altered by adding L_2 , a shunting impedance, in series with C_2B . This filter has a very high attenuation (low impedance) at the frequency where L_2/C_2 resonates; ideally, the L_2/C_2 combination can shunt a zero impedance across the line, causing infinite attenuation. When the two components are properly selected, this frequency of infinite attenuation (f_∞) can be placed anywhere in the attenuation band.

Since the filter in Fig. 49B, is *derived* from the constant- k prototype as we shall show in the next section, the impedances are related by a constant (called m), the network in (B) is known as an *m -derived* filter.

48. m -Derived T-Sections

It would be desirable to be able to join different filter sections of the general type shown in Fig. 49 with each section having an infinite attenuation frequency at a different point in the attenuating band. In this manner, a high value of attenuation could be realized and maintained through the entire region.

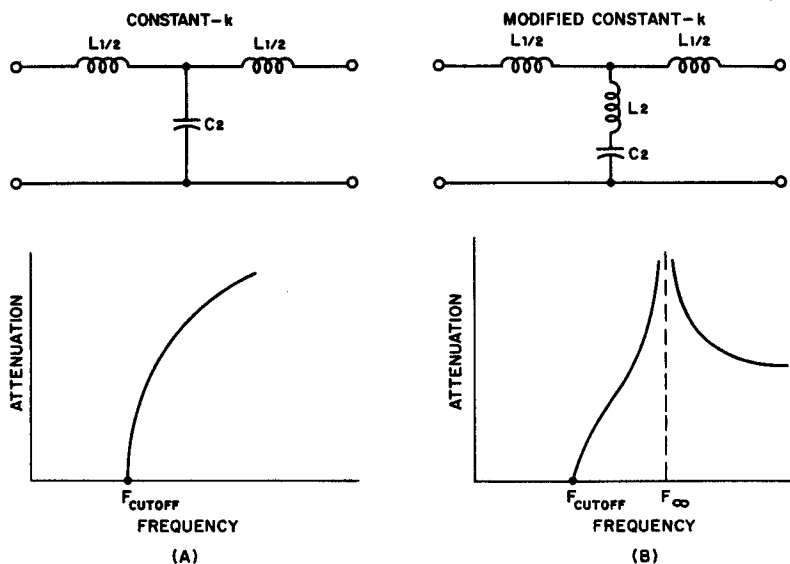


Fig. 49. Modification of constant-k filter response by adding additional shunt impedance.

To do this without undesirable reflections, one must be certain that the characteristic impedances of the different sections are equal to each other at all frequencies. If the characteristic impedances could be matched at all frequencies — the various filter sections would also have the *same* transmission band. This would have to be true because in *only the transmission band is Z_0 a pure resistance*. (See section 39).

Consider first the constant-k filter of Fig 50A. The characteristic impedance of this filter section is given by equation (32)¹. That is:

$$Z_0 = \sqrt{Z_1 Z_2 \left(1 + \frac{Z_1 Z_2}{4} \right)} \tag{32}$$

Now let us derive another filter section having new branches called Z_1' and Z_2' with a characteristic impedance of Z_0' . Furthermore, let us say that Z_1 and Z_1' are related by a constant multiplier m as in equation (50).

$$Z_1' = mZ_1 \tag{50}$$

If the characteristic impedances of both filters are to be the same, then we must find a configuration such that

$$Z_0 = Z_0' \tag{51}$$

¹Equation appears earlier under this number

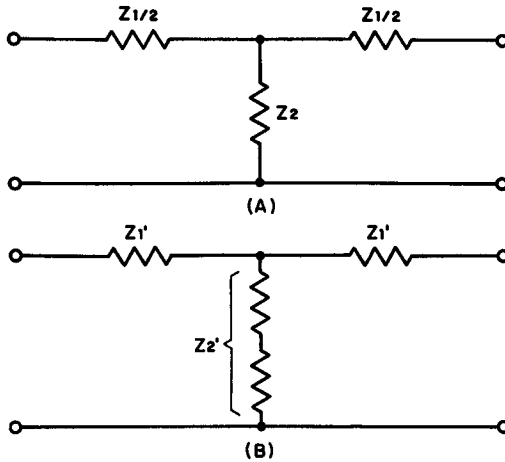


Fig. 50. (A) Constant-k prototype filter from which the m-derived filter in B is obtained. (B) m-derived filter having the same characteristic impedance as the constant-k prototype.

To fulfill equation (51), it should then be possible to set the characteristic impedances of the two filters in Fig. 50 equal to each other as follows:

$$\sqrt{Z_1 Z_2 \left(1 + \frac{Z_1 Z_2}{4} \right)} = \sqrt{Z_1' Z_2' \left(1 + \frac{Z_1' Z_2'}{4} \right)}$$

Squaring both sides and simplifying, we have:

$$Z_1 Z_2 + \frac{Z_1^2}{4} = Z_1' Z_2' + \frac{(Z_1')^2}{4}$$

Now substituting mZ_1 for each Z_1' in accordance with the assumption made in equation (50), the equation above may be written as:

$$Z_1 Z_2 + \frac{Z_1^2}{4} = mZ_1 Z_2' + \frac{m^2 Z_1^2}{4}$$

Solving this equation for Z_2' yields

$$Z_2' = \frac{Z_1 Z_2 + \frac{Z_1^2}{4} - \frac{m^2 Z_1^2}{4}}{mZ_1}$$

The Z_1 factor may be cancelled so that:

$$Z_2' = \frac{Z_2 + \frac{Z_1}{4} - \frac{m^2 Z_1}{4}}{m}$$

and the terms combined to give:

$$Z_2' = \frac{Z_2}{m} + \frac{Z_1}{4m} - \frac{mZ_1}{4}$$

more simply written as:

$$Z2' = \frac{Z2}{m} + \frac{(1 - m^2) Z1}{4m} \tag{52}$$

Equation (52), therefore, implies that if the impedance $Z2'$ in Fig. 50B is given the configuration specified by the right members of the equation, the characteristic impedance of the constant- k filter in (A) will be identical with the characteristic impedance of the derived filter in (B). The development above also demands that the series arms be given the value of $mZ1$ as provided in equation (50). Thus, the series arms contain one component each ($mZ1$). The shunt arm must contain two components, one with an impedance of $Z2/m$ and the other with an impedance of $(1-m^2) Z1/4m$. Since the filter has been derived from a constant- k type in which each series arm is $Z1/2$ (Fig. 50A), then each series arm in the derived filter is $mZ1/2$. Thus, the complete filter appears as shown in Fig. 51.

By using equations (50) and (52) and varying the value of m , any number of sections can be designed, differing in respects but having the same characteristic impedance. Such filters can be linked

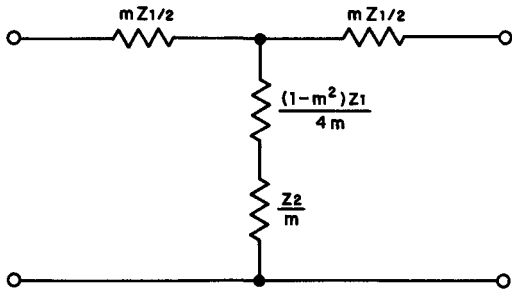


Fig. 51. m -derived filter containing proper impedance values as compared with constant- k prototype so that its characteristic impedance equals that of the prototype.

without reflections between them to obtain virtually any attenuation characteristic desired. The question arises as to the order of value that m may assume. The upper portion of the shunt impedance having the value:

$$\frac{(1 - m^2) Z1}{4m}$$

provides the answer to this question. In order that this value maintain the proper relationship at all frequencies, the numerator must not be permitted to become negative. Hence, m may vary only between zero and $+1$.

49. Examples of m -Derived Filter Sections

To illustrate the design of simple m -derived filter sections from constant- k prototypes, we might examine a common low-pass and high-pass filter configuration. For example, the constant- k prototype of a symmetrical T-section, mid-series terminated (see Fig. 44A) arranged for low-pass characteristics appears in Fig. 52A.

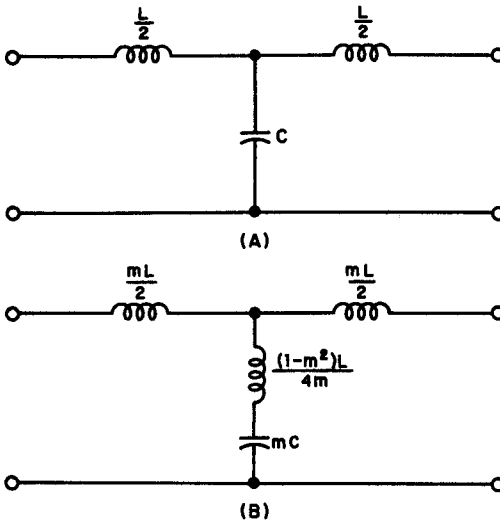


Fig. 52. (A) Symmetrical T-section mid-series terminated low-pass filter (constant- k). (B) m -derived low-pass filter obtained by applying equations (50) and (52) to the prototype.

In the m -derived filter of Fig. 52B, note that the capacitive element is mC (rather than C/m) because of the inverse relationship between impedance and capacitance. Since L and Z are related directly, the inductive component values have the same form as in equation (50) and (52).

A symmetrical T-section high-pass filter, first in its prototype form, then in its m -derived form, is illustrated in Fig. 53. Note the application of equations (50) and (52) to the derivation of the values of the series and shunt arms.

Constant- k prototypes may also be used to construct m -derived π -sections. The same general procedure obtains the relevant equations. Repeat: it is not our purpose to discuss design details, but you may follow through with specific filter forms based on general principles and examples in this chapter.

Bandpass and band-elimination filter configurations in both constant- k and m -derived forms can also be designed, using similar mathematical approaches. Design formulae and equation deriva-

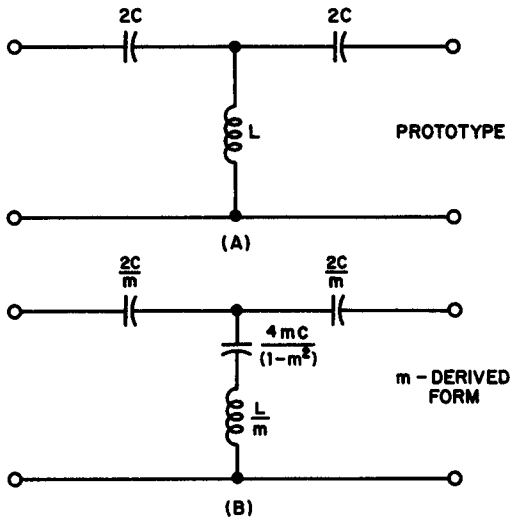


Fig. 53. Symmetrical-T high-pass filters of the constant-k prototype and the m-derived forms.

tions may be found in any of the excellent electronic handbooks now available in the public libraries.

50. Bridged-T and Parallel-T Configurations

Figure 54 illustrates two other types of filter networks of specialized design. In general, these systems are used as band-elimina-

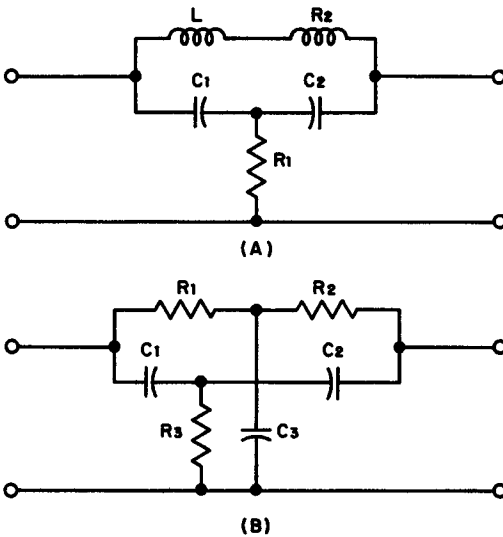


Fig. 54. (A) Bridged-T network consisting of LCR components. (B) Parallel-T network containing R-C components, only.

tion filters, feedback networks for frequency-selective amplifiers and oscillators, and calibrated bridges for measuring devices. They are characterized by their ability to produce high attenuation for a single frequency or group of adjacent frequencies over as narrow a band as desired. They are also capable of producing large phase shifts — either lagging or leading as the design dictates. With the proper selection of components, the maximum phase shift can be as much as 180° . It is also comparatively easy to build bridged-T and parallel-T networks with a negative transfer function (i.e., output voltage 180° out-of-phase with the input voltage). Such a network can be applied to the construction of a single-stage vacuum tube oscillator having exceptional frequency stability).

The bridged-T network in Fig. 54A is unique in that there is no theoretical limit to the minimum width of the attenuation band it can introduce. Actually, the practical limitation is set by the Q of the inductor in the bridging leg. Because of its sharp, narrow attenuation properties, the bridged-T network is often applied where a truly null feedback loop is needed. To illustrate, we shall briefly consider the general structure of a frequency-selective amplifier.

51. Frequency-Selective Amplifier

If a negative feedback amplifier is set up with a null network in the feedback loop (Fig. 55), an amplifier having sharp frequency-selective characteristics can be designed. The amount of feedback at the null frequency theoretically is zero, so that the gain of the amplifier at the null frequency is the same as its gain without feedback. On either side of the null frequency, the attenuation of the

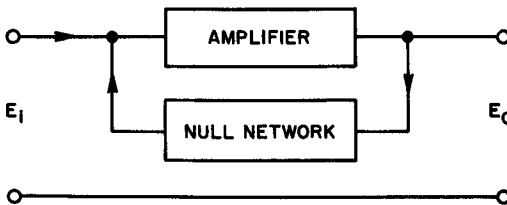


Fig. 55. General plan of a frequency-selective amplifier, using a null network in the feedback loop.

filter drops sharply, causing a greater effective negative feedback and consequently far less amplifier gain.

Bandpass-selective amplifiers, having a flat passband rather than a single peak, as is obtained with resonant circuits, can be designed by using several independent feedback stages, staggered in frequency. The frequency to which each feedback stage is tuned may be determined as are staggered tuned circuits.

52. Review Questions

1. Give the four basic filter classifications. What are the distinguishing characteristic(s) of each group?
2. If the input impedance of a filter network is 400 ohms with its input terminals open-circuited, and 4 ohms when the input terminals are short-circuited, what is the surge impedance of the network?
3. Explain what is meant by a *mid-series terminated* filter section. How does a mid-shunt terminated section differ?
4. Why do equations 32 and 33 show that the characteristic impedance of a network is a function of frequency?
5. Prove that equations 34 and 35 may be derived from equations 32 and 33. What assumption is made in this derivation?
6. Define a constant-k filter section. Why is this type of filter desired more than similar sections not having constant-k characteristics?
7. Using equations 38 and 39, determine the values of L and C necessary to form a low-pass filter in which the attenuation begins at 1500 cps. The characteristic impedance of the filter is to be 600 ohms.
8. How does the physical structure of a constant-k bandpass filter differ from a constant-k band-elimination filter?
9. Describe in your own words how an m-derived filter differs from a constant-k type. What are the principal advantages of the m-derived network as contrasted with the constant-k?
10. Draw a bridged-T and parallel-T configuration. State how the applications of these filters differ from those of the constant-k and m-derived networks.

Chapter 6

ATTENUATORS AND EQUALIZERS

53. Definition of an Attenuator

A network that introduces an intentional loss in the transmission of a signal from one point to another, regardless of frequency, is called an *attenuator*. Generally, a device used for attenuation purposes maintains a fixed impedance at both its input and output ends regardless of the manner in which it is varied.

Attenuators can be designed to have equal or unequal input and output impedances, and to provide varying degrees of attenuation. They may be balanced or unbalanced, depending upon the requirements of the application. They may be fixed or variable; for example, the *T-pad*, used to control the level of a remote speaker is a variable attenuator which maintains constant input and output impedance at all frequencies. Fixed attenuators introduce a fixed loss — as in making a short and long telephone line deliver the same signal to a broadcasting studio — or they may match impedances between a source and load.

Attenuators are designed to work with particular input and output impedances. If worked between sources and loads which differ from the attenuator values, the transmission loss increases. In addition, the design of an attenuator is based on resistive sources and loads, hence an inductive or capacitive load will alter the frequency response.

54. Fundamentals of Fixed Attenuators

Fixed attenuators normally take the T or π form and may be unbalanced or balanced (Fig. 56). In the development that follows, Z_1 will always be taken as the larger impedance while Z_2 is the

smaller. Either may be the input or output impedance of the network.

The loss ratio of an attenuator is normally discussed in terms of power and is defined as:

$$K = \frac{P_1}{P_o} \tag{53}$$

in which K is the loss ratio, P_1 = power input to attenuator, and P_o = power taken out of network. In studying the balanced and unbalanced types, note that half the resistance of a given element is transferred to the opposite line to achieve balance.

Assuming that the input and output impedances are not to be equal – such as in an impedance-matching pad – the ratio of Z_1

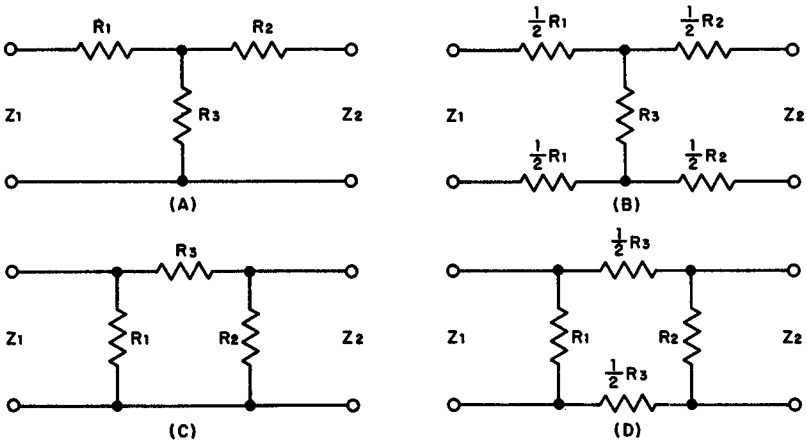


Fig. 56. (A) Unbalanced-T attenuator. (B) Balanced-T attenuator. (C) Unbalanced- π attenuator. (D) Balanced- π attenuator.

to Z_2 will exceed unity since Z_1 is considered the larger of the two impedances. For every ratio of Z_1/Z_2 , there is an associated *minimum* K that can be realized from the attenuator. This means that in designing an attenuator in which the input and output impedances are fixed by other circuit requirements, a definite minimum loss ratio must be anticipated. This can be determined from the equation:

$$\text{Minimum } K = \frac{2Z_1}{Z_2} - 1 + 2 \sqrt{\frac{Z_1}{Z_2} \left(\frac{Z_1}{Z_2} - 1 \right)} \tag{54}$$

Equation (54) is solved graphically in Fig. 57 where the minimum

possible values of K are plotted as functions of Z_1/Z_2 . If K does have its minimum value, it can be shown that R_2 in either the unbalanced- or balanced-T attenuator must equal zero, and that R_2 in either pi network must become an open circuit (i.e., $R_1 = \infty$).

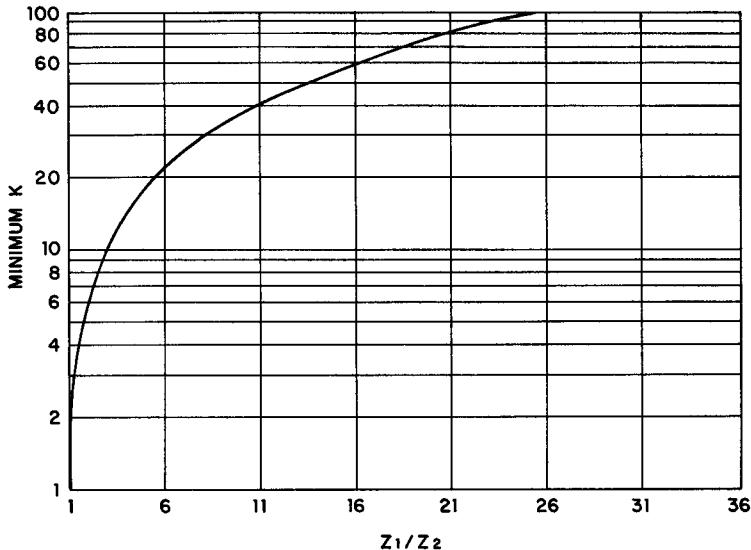


Fig. 57. Minimum K plotted as a function of Z_1/Z_2 . This graph is useful to determine the least possible attenuation ratio to be anticipated with fixed values of input and output impedances.

Example: An attenuator is to be designed that will match a 500-ohm generator at its input to a 200-ohm transmission line. Find the minimum attenuation (or loss ratio).

Solution: The ratio $Z_1/Z_2 = 500/200$

$$= 2.5$$

From Fig. 57, a Z_1/Z_2 ratio of 2.5 yields a minimum- K of 7.8. If equation (54) is solved for the same ratio, the result is more exact: 7.87.

Thus, in this situation no attenuator with a loss that is less than 7.87 could be designed.

55. Determination of R_1 , R_2 , and R_3 in Fixed Attenuators

Let us examine the equations determining the values of the resistors required for fixed attenuators — (55) through (59) for the balanced- and unbalanced-T, and (60) through (64) for the bal-

anced- and unbalanced- π network. For the T-type of attenuator we have

$$R_1 = \frac{Z_1 (K + 1) - 2\sqrt{KZ_1 Z_2}}{K - 1} \quad (55)$$

$$R_2 = \frac{Z_2 (K + 1) - 2\sqrt{KZ_1 Z_2}}{K - 1} \quad (56)$$

$$R_3 = \frac{2\sqrt{KZ_1 Z_2}}{K - 1} \quad (57)$$

If $Z_1 = Z_2$, the foregoing equations may be reduced to the following forms:

$$R_1 = R_2 = Z_1 \left(\frac{\sqrt{K} - 1}{\sqrt{K} + 1} \right) \quad (58)$$

$$R_3 = \frac{2Z_1 \sqrt{K}}{K - 1} \quad (59)$$

The π -attenuator network equations are as follows:

$$R_1 = \frac{(K - 1) Z_1 \sqrt{Z_2}}{(K + 1) \sqrt{Z_2} - 2 \sqrt{KZ_1}} \quad (60)$$

$$R_2 = \frac{(K - 1) Z_2 \sqrt{Z_1}}{(K + 1) \sqrt{Z_1} - 2\sqrt{KZ_2}} \quad (61)$$

$$R_3 = \frac{K - 1}{2} \sqrt{\frac{Z_1 Z_2}{K}} \quad (62)$$

The preceding equations reduce to simpler form if $Z_1 = Z_2$ as shown below:

$$R_1 = R_2 = Z_1 \left(\frac{\sqrt{K} + 1}{\sqrt{K} - 1} \right) \quad (63)$$

$$R_3 = \frac{Z_1 (K - 1)}{2\sqrt{K}} \quad (64)$$

Example: Using an unbalanced-T network, determine the component values of an attenuator that matches a 500-ohm generator to a 200-ohm load with the minimum possible loss ratio.

Solution: Since the loss ratio is to be a minimum, the value of K must be 7.87 as determined in the previous example for the same input and output impedances. Furthermore, with $K = \text{minimum}$, R_2 may be taken as zero, hence this calculation may be omitted. Thus, the determination of R_1 and R_3 are necessary. From equations (55) and (57)

$$R_1 = \frac{500(7.87 + 1) - 2\sqrt{7.87 \times 500 \times 200}}{7.87 - 1}$$

$$R_1 = 387 \text{ ohms}$$

and

$$R_3 = \frac{2\sqrt{7.87 \times 500 \times 200}}{7.87 - 1}$$

$$R_3 = 258 \text{ ohms}$$

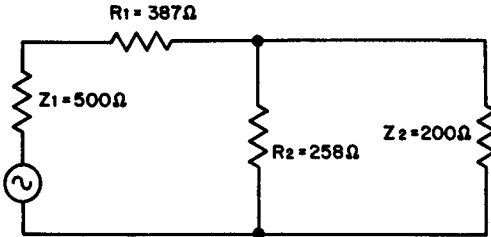


Fig. 58. The unbalanced-T network is calculated in this example. Note that $R_2 =$ zero and is therefore omitted from the diagram.

The complete filter thus has the form and values shown in Fig. 58. Since K is the ratio of power input to power output, the actual network loss in db may be calculated from equation (65)

$$\text{Loss} = 10 \log_{10} K \text{ db} \quad (65)$$

So that in this example the loss is

$$\begin{aligned} \text{Loss} &= 10 \log_{10} 7.87 \\ &= 10 \times 0.896 \\ &= 8.96 \text{ db} \end{aligned}$$

Example: A balanced- π network for the same generator and load as the previous example is to be designed with an actual loss of 20 db. Determine the values of the components required in the network.

Solution: It is necessary to first determine the value of K . Solving equation (65) for K :

$$\log_{10} K = \frac{20}{10}$$

$$\log_{10} K = 2$$

$$K = 100$$

Substituting and solving equations (60), (61), and (62)

$$R_1 = \frac{(100 - 1) \cdot 500\sqrt{200}}{(100 + 1) \sqrt{200} - 2\sqrt{100 \times 500}}$$

$$R_1 = 735 \text{ ohms}$$

$$R_2 = \frac{(100 - 1) \cdot 200\sqrt{500}}{(100 + 1) \sqrt{500} - 2\sqrt{100 \times 200}}$$

$$R_2 = 230 \text{ ohms}$$

$$R_3 = \frac{100 - 1}{2} \times \sqrt{\frac{200 \times 500}{100}}$$

$$R_3 = 1570 \text{ ohms}$$

To form a balanced-pi filter, the value of R_3 is divided in half and distributed equally in the upper and lower lines, thus $\frac{1}{2}R_3 = 785$ ohms and the finished attenuator appears in Fig. 59.

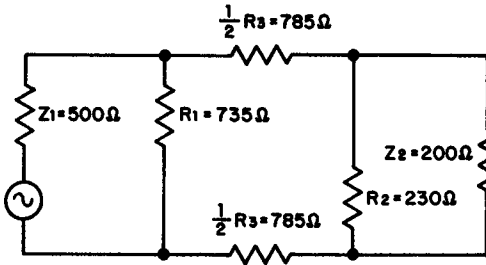


Fig. 59 Balanced-pi attenuator computed.

56. Variable Attenuator Requirements

Variable attenuators are used as volume controls or faders in high quality broadcast equipment, both for transmission and reception. Their frequency characteristics should be uniform between 20 and 20,000 cps, to prevent the occurrence of frequency distortion. Particularly where such attenuators are used in low-level circuits — such as the output of microphones or preamplifiers — their noise level must be very low. Unless the noise level is below -150 db, objectionable scratching sounds will be introduced by such low-level attenuators.

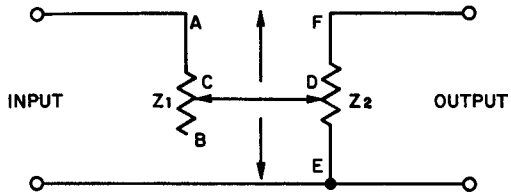
Variable attenuators are known as *variable pads*, *constant-impedance gain controls*, and *faders*. Where noise requirements are rigorous, the structure must be protected against dust and stray fields. For this reason, proper shielding and hermetically-sealed enclosures are necessary.

The last factor we shall introduce is *insertion loss*. Even when set at minimum attenuation, a variable pad introduces a loss of signal. This loss can be made quite small, especially when Z_1/Z_2 approaches unity (Fig. 57); that is, K approaches 1 when input and output impedances are equal, as in equation (53). For practical purposes, a minimum insertion loss of about 2db is considered standard by most authorities. Although such a loss is generally unimportant, it may become significant in some applications and should be taken into account.

57. Types of Variable Pads.

L-T Attenuator: The so-called L-T structure shown in Fig. 60 is frequently used as a microphone fader, and often as a mixer for

Fig. 60. L-T attenuator for use as microphone fader or mixer for several microphones.



combining the output of several microphones. If a microphone is connected directly to its load — such as a transformer or the grid of a tube — impedances are assumed to be closely matched. Thus, in designing an L-T fader, it is taken for granted that the input and output impedances are nearly the same so that the insertion loss is generally not more than 2db.

The resistances in the L-T structure are selected so that:

- (a) the total impedance included between sections AC and DE is equal to the load impedance recommended for the input device.
- (b) this impedance is maintained regardless of the position of the slider.
- (c) the impedance contained between F and E matches the load impedance at the output.

Ladder Attenuator: The ladder attenuator (Fig. 61) maintains an essentially constant impedance in both directions through the mid-

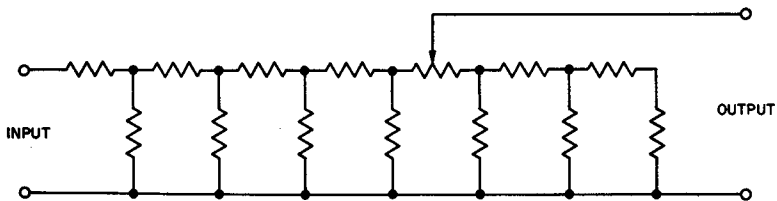


Fig. 61. Ladder attenuator which maintains constant impedance and has only one moving part.

dle of the attenuation range. Although it contains more individual resistors than other types, it has fewer moving parts and is therefore often preferred. The minimum attenuation setting of a ladder fader normally is equal to its insertion loss, generally of the order of 3 to 3.5 db.

Type-L Attenuator: Consisting of two potentiometers with ganged shafts, the L-pad maintains a constant input impedance so that the source always work into the same load. Its operation is more easily understood by referring to the redrawn version shown in Fig. 62B.

As R_2 is reduced, the load sees a condition which approaches a

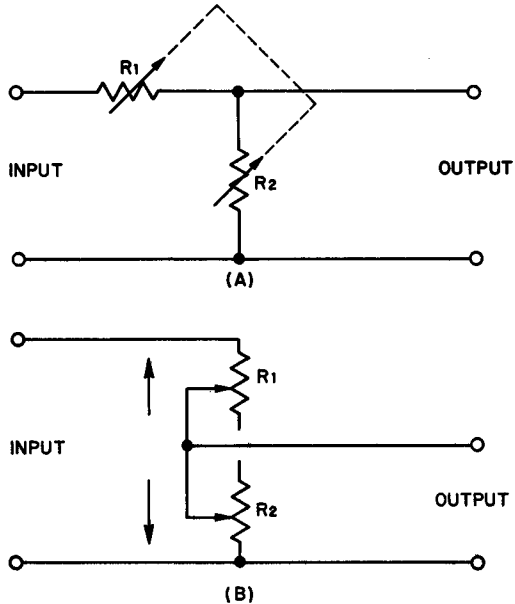


Fig. 62. (A) L-pad attenuator using ganged potentiometers. (B) L-pad redrawn for the purpose of facilitating analysis.

short-circuit. Simultaneously R_1 increases to maintain a constant impedance into which the source works.

Type-T Attenuator: Possibly the most popular of all the unbalanced types of attenuators is the T-pad illustrated in Fig. 63. This arrangement is a modification of the L-attenuator; the modification is introduced to maintain the same impedance for *both* source and load. The operating principle is, again, easier to understand when Fig. 63 is studied. Consider that all the wipers move up and down together. As R_1 increases in resistance, R_2 decreases so that the voltage applied between the wiper of R_3 and ground becomes smaller. This is the direction of maximum attenuation. The total impedance of the used sections in R_1 and R_2 remains the same. Similarly, R_3 grows larger as R_2 diminishes in resistance, thus keeping the output impedance constant. T-pads are highly favored as microphone faders and also as remote loudspeaker volume controls.

58. Fundamentals of Equalizers

Distortionless transmission of signal currents from source, through transmission cable, to the load, requires all component frequencies to be transmitted with equal attenuation or amplification and with equal velocities. Networks containing inductive or capacitive elements do not ordinarily fulfill these specifications. Both attenuation

and velocity in such networks are affected by the frequency of the component.

An often used method of correcting frequency distortion in a transmission system is to incorporate an additional network with an attenuation characteristic so related to frequency that the net attenuation of the two will be essentially independent of frequency.

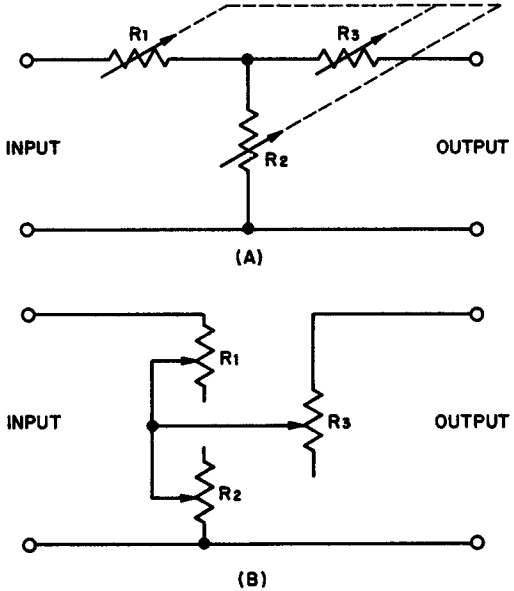


Fig. 63. (A) Conventional drawing of T-pad attenuator. (B) T-pad redrawn to illustrate the principle of operation.

The same procedure may be used to compensate for delay (or phase) distortion. A combination of transmission and compensation network is used in which the total time of transmission is made independent of component frequency. The wide use of telephone lines in all phases of wired and wireless communication has made equalizer engineering virtually a profession in itself. It is often found that attenuation equalization is sufficient and that delay distortion may be ignored.

Figure 64 illustrates graphically the function of an attenuation equalizer. This is idealized and shows what could be accomplished with a perfect equalizer. In practice, actual equalizers can be made to approach the ideal only over a limited frequency band. The total loss of the combination at all frequencies is greater than the maximum loss of the original system, which explains why equalizers are always associated with amplifiers that can compensate for the loss introduced by equalization.

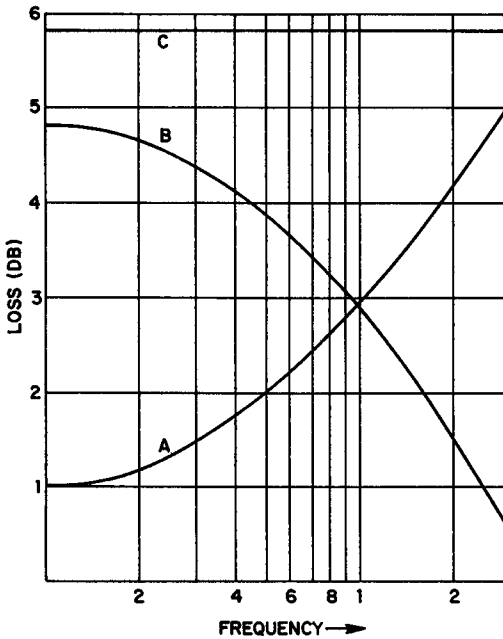


Fig. 64. Ideal equalizer performance. Curve A, shows the attenuation vs frequency characteristic of the transmission system. Curve B, is the corrective attenuation applied by the equalizer. Curve C, represents the resultant curve over the frequency band.

59. Equalizer Types

Amplitude equalizer design has been developed to a high order of perfection, largely by the Bell Laboratories and the Research Council of the Academy of Motion Picture Arts and Sciences.¹ For the reader who is interested in equalizer mathematics and design, there are excellent papers and articles, as well as special engineering texts, devoted to this subject.

For the purposes of this book, some mention should be made of the various types of equalizers in use, without attempting to investigate quantitatively the applicable equations.

It is generally assumed that an amplitude equalizer operates from a source impedance that is equal in magnitude to the load impedance. On this basis, it is possible to design several equalizers having different configurations but which offer exactly the same transmission and attenuation characteristics as a function of frequency. Kimball presents design information for seven of these configurations, each with eight different categories of attenuation characteristics. The configurations are:

¹H. Kimball, *Motion Picture Sound Engineering*, Princeton, 1938. (An excellent treatment of equalizer engineering design.)

- (A) Shunt-impedance type
- (B) Series-impedance type
- (C) Full-shunt type
- (D) Full-series type
- (E) T-configuration
- (F) Bridged-T configuration
- (G) Lattice configuration

Figure 65 presents the general pattern of each configuration for an equalizer that has an insertion loss characteristic (attenuation

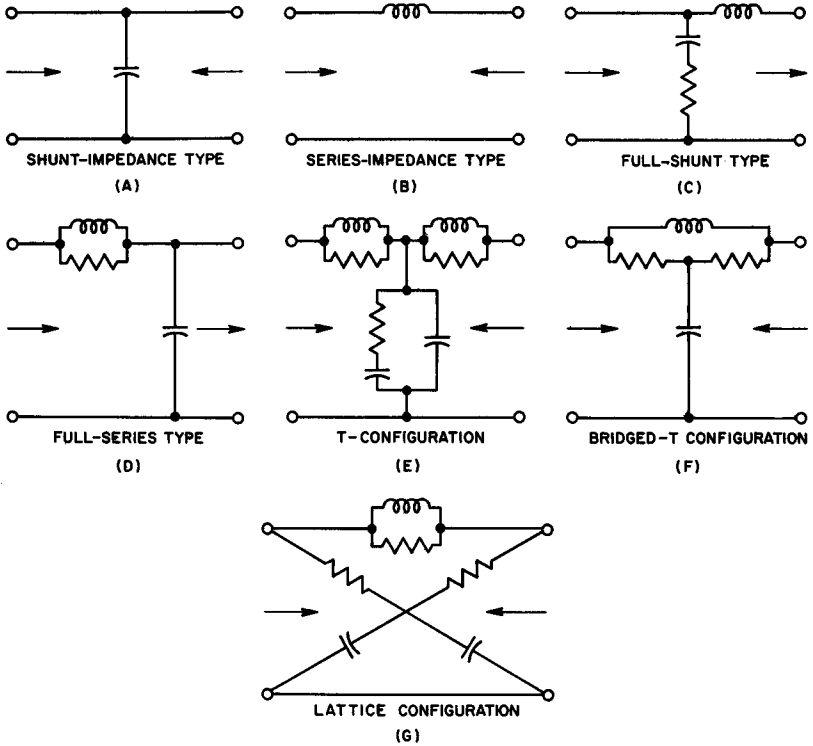
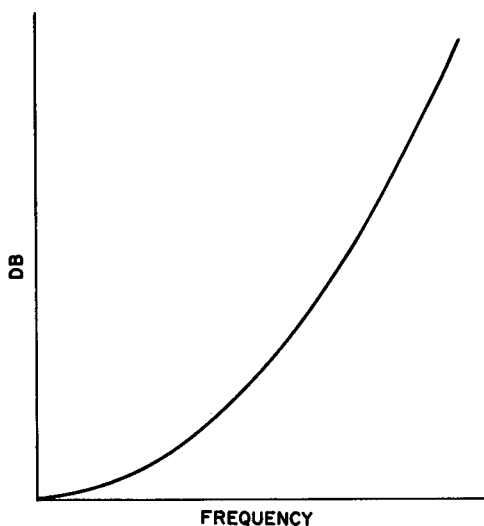


Fig. 65. Equalizer configurations.

characteristic) like that shown in Fig. 66. One may well ask why seven different configurations should be described if each duplicates the others in performance. The answer is that one of the seven generally yields component values which are most easily obtained in practical work.

Fig. 66. Any of the seven configurations shown in Fig. 65 can be designed to have an insertion loss characteristic similar to this.



Because of the eight different categories of attenuation characteristics, each of the configurations can be altered to produce any of the curves given in Fig. 67. Above each curve, the series impedance configuration that produces it is shown. Remembering that *each* configuration can be similarly modified to yield each of these curves, we get 56 possible arrangements. Thus, the equalizer design engineer has a wide field from which to select. It is inconceivable that any practical transmission system could develop frequency distortion characteristics that could not be corrected by one or more of the equalizers illustrated.

60. Phase Equalizers

Phase equalizers are intended to compensate for velocity errors in propagation; that is, a phase equalizer reduces the phase differences between various components of the transmitted signal to a minimum as they arrive at the load. Theoretically, phase equalizers do not affect the amplitude of the signal at all, or do so in a fixed manner, regardless of frequency, so they can be added to existing circuits for phase correction without changing the gain characteristics.

A phase equalizer must be a network in which the phase characteristics can be controlled. Equal transmission times for different frequency components requires that the circuit introduce either no phase shift or an amount of shift that is directly proportional to frequency. This is tantamount to saying that the transmission time must be either zero or *constant* at all frequencies.

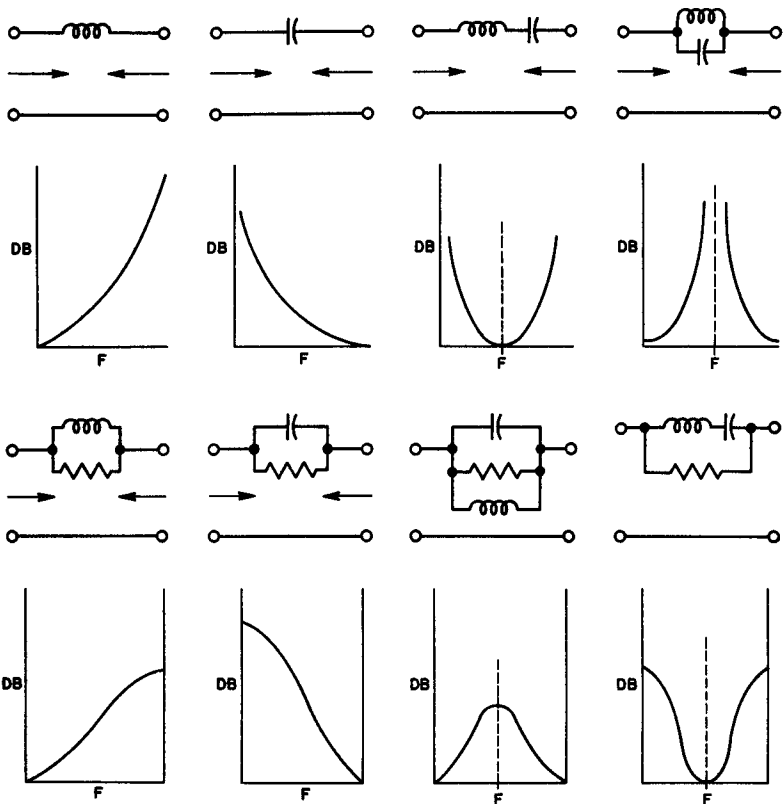


Fig. 67. Possible equalizer insertion loss curves. Although the series impedance equalizer for each curve is illustrated, any one of the other six configurations can be designed for the same characteristic.

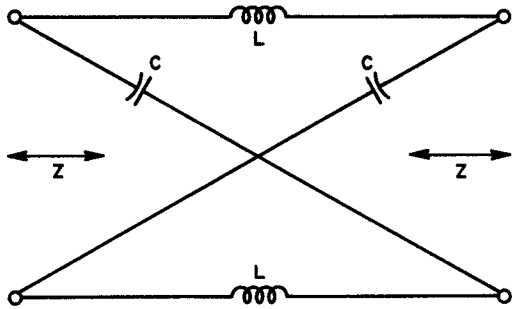
Although several types of phase equalizer networks are suitable, the most common — and perhaps the simplest — is the lattice type shown in Fig. 68. This network has a zero attenuation characteristic and phase characteristics are shown in the curve of Fig. 69. Before we attempt to utilize the curve, we must define the applicable terms and state the pertinent equations.

As a start, let us define certain symbols of importance:

f = the frequency at which a certain, known phase shift is desired. As will be shown, f may have several values where the desired phase shift is different for each.

f_0 = the frequency at which the lattice-compensator's phase shift is -90° .

Fig. 68. Lattice-type phase compensation network with zero attenuation characteristic.



α = the reciprocal of $f_0 = 1/f_0$

Z = in the input impedance = the output impedance of the lattice.

Θ = phase shift of the lattice in degrees

Using these symbols, the applicable equations for determining L and C of the lattice are:

$$L = \frac{a Z}{2 \pi} \tag{66}$$

$$C = \frac{L}{Z^2} \tag{67}$$

Obviously, these equations cannot be used without first determining the factor a as defined above. Further, the equations have no meaning unless related to a specific situation in which phase distortion is occurring and requires correction. After the necessary

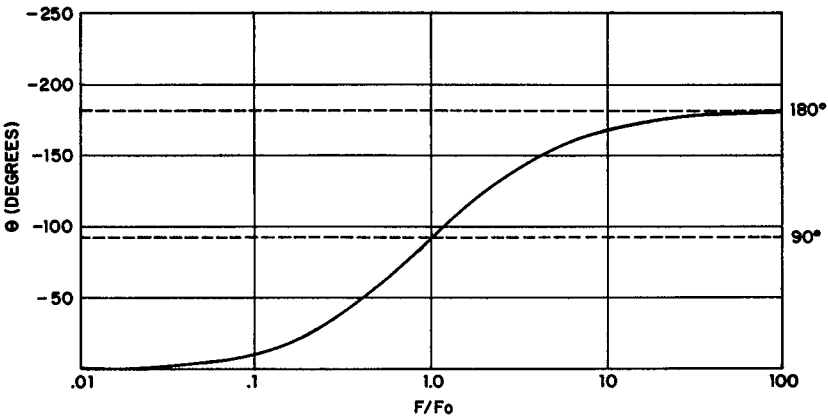


Fig. 69. Phase characteristic of the network shown in Fig. 68. Refer to example for clarification of its application.

correction is determined, the phase characteristic curve of the lattice is used to determine a . Then the values of L and C may be determined from equations (66) and (67).

The technique used is best illustrated by example. The figures have been selected so that the curve will yield exact answers. Usually the engineer is forced to accept approximate information from the curve and correct the values by *aligning* the actual phase equalizer after it has been installed. When properly handled however, the correction required is small and amounts to slight trimming of the L or C values.

Example: A transmission line, handling frequencies between 10 kc and 20 kc, introduces phase distortion by producing phase shifts at various frequencies as follows:

At 10 kc, the phase shift = -27°

At 15 kc, the phase shift = -43.5°

At 20 kc, the phase shift = -63°

As shown in the solution, a phase equalizer is required. Determine the lattice components needed to form a network having a characteristic impedance of 100 ohms.

Solution: (1) First, let us show that a phase equalizer is necessary. If the time delay of a transmission line is linearly proportional to frequency, no phase distortion will occur.¹ In this case, the phase shift at 15 kc would have to be $\frac{3}{4} \times -63^\circ$ if this linear relationship applied since 15 kc is $\frac{3}{4}$ of 20 kc where the phase shift is -63° . But the actual phase shift at 15 kc is -43.5° rather than $\frac{3}{4} \times -63 = -47.25^\circ$. Thus, there is a phase error of $+3.75^\circ$. Similarly, at 10 kc the phase shift should be half that at 20 kc, or $\frac{1}{2} (-63) = -31.5^\circ$ instead of the shift of -27° which actually exists at this frequency. For 10 kc, therefore, the phase error of $+4.5^\circ$. Obviously, compensation is required to eliminate these errors. To equalize the phase throughout this range, a compensating network having errors the inverse of these must be designed. That is,

<u>Designer Equalizer Error</u>	<u>Frequency</u>
-4.5°	10 kc
-3.75°	15 kc
0°	20 kc

(2) Now let us study the characteristics of the curve (Fig. 64) to determine whether there are three values along the f/f_0 axis bearing same relationship numerically as 10:15:20, and which intersect the curve at the correct equalizer *error* points, as given above. Several trials must be made to approach closest to the desired conditions. In this example, the three suitable points are encircled on the curve. Note

¹For a more extended treatment of time delay concepts, see *R-F Amplifiers* by A. Schure, New York, John F. Rider Publisher, Inc., 1959

that these occur at f/f_0 equal respectively to .4, .6, and .8 and that these numbers are related as 10 is to 15 is to 20. Further, the phase shifts at these values of f/f_0 are -43° , -61.5° , and -77° .

(3) It must now be shown that the phase shifts produced by the equalizer introduce the right corrective error.

If the phase shift of the equalizer at $f/f_0 = 0.8$ -77° , then for a linear phase characteristic, the phase shift of the equalizer at $f/f_0 = 0.6$ should be $\frac{3}{4} \times (-77) = -57.75^\circ$. Actually, the shift is -61.5° and since this differs from -57.75° by -3.75° (see preceding table), the phase error of the equalizer is exactly the figure desired.

Similarly, we analyze the shift at $f/f_0 = 0.4$. For a linear characteristic, the shift should be $\frac{1}{2} (-77) = -38.5^\circ$. Its actual phase shift, however, is -43° . The equalizer error is then $-43^\circ - (-38.5^\circ) = -4.5^\circ$. This phase error also corresponds with the desired value given in the table. We now have all the factors required to calculate the necessary values of L and C for the lattice equalizer.

(4) The value of f_0 is next determined. Since this is the frequency at which the phase shift of the equalizer is -90° , and since $f/f_0 = 0.8$ at $f = 20$ kc, then f_0 must be 25 kc. This follows from the fact that f/f_0 at a phase shift of 90° is unity, hence:

$$\frac{0.8}{20 \text{ kc}} = \frac{1}{f_0} \text{ and thus } f_0 = 25 \text{ kc.}$$

(5) The value of L may now be determined from the definition of a and equation (66) given on page 81. Since $a = 1/f_0$, then $a = 1/25000 = 4.0 \times 10^{-5}$.

Substituting in equation (66):

$$L = \frac{4 \times 10^{-5} \times 10^9}{6.28}$$

(Note: the impedance characteristic of this equalizer was specified as 100 ohms. Hence, the factor 10^9 in the numerator).

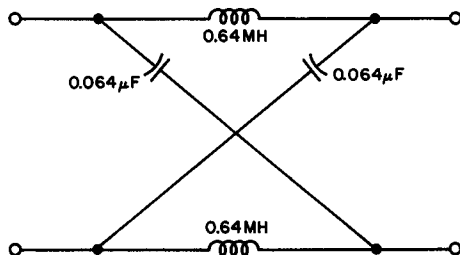
$$L = 0.64 \text{ millihenries}$$

(6) C is determined from equation (67)

$$C = \frac{0.64 \times 10^{-3}}{10^4}$$

$$C = 0.064 \times 10^{-6} \text{ farad}$$

Fig. 70. The lattice phase equalizer computed for the example. Note that this network is symmetrical and therefore may be used in either direction.



$$C = 0.064 \text{ microfarad.}$$

The complete lattice, with values is given in Fig. 70.

61. Review Questions

1. Describe the function of an attenuator. Specifically, what function is served by a fixed attenuator in contrast to a variable type.
2. What is meant by the *loss ratio* of an attenuator?
3. How can one determine the minimum possible loss ratio of a fixed attenuator?
4. Derive equation (58) from the equations that precede it.
5. What is the loss ratio (K) of an attenuator having equal input and output impedances of, say, 500 ohms?
6. What is the minimum loss ratio of an attenuator that matches a 200-ohm transmission line to a 400-ohm load? Find the actual loss in db of this attenuator.
7. Describe four types of variable attenuators and describe the characteristics of each.
8. What is an equalizer? What kinds of equalizers are there?
9. How does an amplitude equalizer differ from a phase equalizer?
10. What essential characteristics must a phase equalizer possess to be effective?

INDEX

- Absorption traps, 48
- Amplitude distortion, 43, 46
- Amplitude equalizer, 77
- Attenuate, 1
- Attenuation, 4
- Attenuator, definition of, 68

- Balanced-T attenuator, 70
- Band-elimination:
 - constant-k filter, 59
 - filter, 6, 49, 53
- Bandpass:
 - constant-k filter, 58
 - filter, 5, 53
 - selective amplifiers, 66
- Band-rejection filter, 49
- Basic filter configurations, 54, 55
- Boost circuits, 30
- Bridged-T:
 - compensation network, 31
 - configuration equalizer, 78
 - configurations, 65
 - networks, 52

- Cancellation filters, 24
- Capacitance, 11
- Capacitor-input filter, 7, 10, 11, 12
- Center frequency, 2
- Characteristic impedance, 53, 54
 - of filter sections, 55
- Choke-input filters, 8, 16, 17
- Compensation network, 76
- Complex networks, 29
- Constant-impedance gain controls, 73
- Constant-k filters defined, 56, 57

- Critical and optimum inductance, 16
- Crossover frequency, 36
- Crossover networks, 26, 35, 36, 37
- Cutoff frequency, 3

- Damping, 29
- Decoupling filters, 26, 27, 28, 47
- De-emphasis, 41
- Degenerative, 27
 - feedback, 27
- Delay distortion, 76
- Determination of R1, R2 and R3 in fixed attenuators, 70, 71, 72
- Distributed impedances, 54

- Effectiveness of attenuation and transmission, 53
- Equalizer:
 - fundamentals, 75, 76
 - types, 77, 78, 79
- Examples of m-derived filter sections, 64

- Filter, 1
 - classifications, 52, 53
 - network, 1
 - vocabulary, 3
- Fixed attenuator fundamentals, 68
- Flat passband, 66
- Frequency, 11
 - characteristics, 73
 - compensation, 29
 - discrimination, 1
 - distortion, 73
 - selective amplifier, 66
 - sensitive, 1

- Full-series equalizer, 78
- Full-shunt equalizers, 78
- Function of a filter, 1, 2, 3

- Graded filters, 23, 24

- High-fidelity:
 - amplifiers, 26
 - equalizer, 41
- High-frequency compensation:
 - combination peaking, 45, 46
 - series peaking, 45
 - shunt peaking, 44, 45
- High-frequency response, 35
- High-pass:
 - constant-k filter, 58
 - filter, 5, 53
- High-voltage power supplies, 22
- Hum-voltage contact, 23

- Insertion loss, 37, 73

- Ladder attenuator, 74
- L-attenuator, 75
- Lattice configuration equalizer, 78
- L-C circuits, 7
- Linearity, 29
- Load:
 - current, 7
 - resistance, 11
- Loudspeaker volume controls, 75
- Low-frequency:
 - compensation filter, 46
 - gain, 43
 - response, 35, 47
- Low-pass:
 - constant-k filter, 57, 58
 - filter, 5, 52

- Maximum impedance, 19
- m-derived:
 - filters, 52
 - defined, 60
 - t-sections, 60, 61
- Microphone faders, 75
- Mid-range gain, 3
- Mid-series terminated, 55
- Multi-section network, 11

- Narrow-band filter, 2
- Need for video filters, 43
- Noise level, 73
- Non-resonant tone compensation, 31, 32

- Orthophonic, 41
- Output:
 - capacitor, 19, 20
 - voltage and voltage regulation, 12, 13

- Parallel-resonant circuit, 38, 48
- Parallel-t configurations, 65
- Pass band, 5
- Peak current, 13
 - rating, 15
- Percent ripple, 10
- Perfect equalizer, 76
- Permissible ripple, 10
- Phase:
 - characteristics, 80
 - distortion, 46
 - equalizer, 79
 - relationship, 31
- Positiveness, 27
- Power supply filters characteristics, 7, 8, 9
- Presence controls, 26, 37, 38
- Pulsating supply, 11
- Pure reactance, 53

- R-C:
 - coupled amplifier, 43
 - for power supplies, 22, 23
 - filters, 7
- Record Industry Association of America, 41
- Rectifier:
 - considerations in capacitor-input filters, 13, 14, 15, 16
 - tubes, 14
- Regenerative, 28
- Rejection, 4
- Rejection filters, 47, 48
- Relative attenuation, 9
- Resonant filter, 6
- Resonant tone compensation, 29, 30
- Response curve, 1, 2,
- Ripple percentage, 18

- Ripple voltage:
 - filter, 10, 11, 12
 - of choke-input filter systems, 18
- Review questions, 25, 42, 50, 51, 67, 84
- Rumble and scratch filters, 39, 40
- Rumble filters, 26

- Scott filter, 41, 42
- Scratch filters, 26
- Series-impedance equalizer, 78
- Series-resonant filter, 48
- Shunt-capacitances, 43
- Shunt-impedance equalizer, 78
- Sidebands, 49
- Sideband suppression filters in TV, 49, 50
- Speech clippers, 26
- Speech clipping, 33, 34
- Splatter, 33
 - filters, 34
- Surge impedance, 54
- Swinging choke, 20
- Symmetrical-a sections, 55
- Symmetrical-T sections, 55

- Table-top radio receivers, 22
- Television:
 - high-voltage supplies, 22
 - practice, 43
- T-configuration equalizer, 78
- T-section, low-pass filter, 60

- Time-delay discrimination, 43
- Tone controls, 26
 - considerations, 29
 - potentiometer, 32
- Transmission, 4
 - band, 53
 - characteristics, 57
 - lines, 54
- Tuned filter, 6
 - system, 21
- Tuned low-pass filters, 20, 21, 22
- Turnover, 41
- Tweeter, 35
- Type-L attenuator, 74
- Types of filters, 3, 4, 5, 6
- Types of variable pads, 73
- Type-T attenuator, 75

- Unbalanced attenuator, 70
- Uncompensated amplifier, 43
- Untuned filter, 6
- Untuned low-pass filters, 9

- Variable attenuator requirements, 73
- Variable pads, 73
- Velocity errors, 79
- Vestigial sideband, 49
- Video modulation, 49
- Voltage regulation, 7, 8, 12
 - of choke-input filters, 18, 19
- Volume controls, 73

- Wave filters, 52
- Wave traps, 48
- Wide-band filter, 2