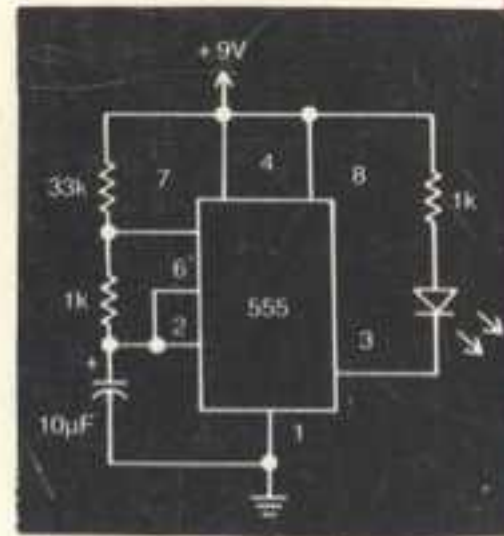
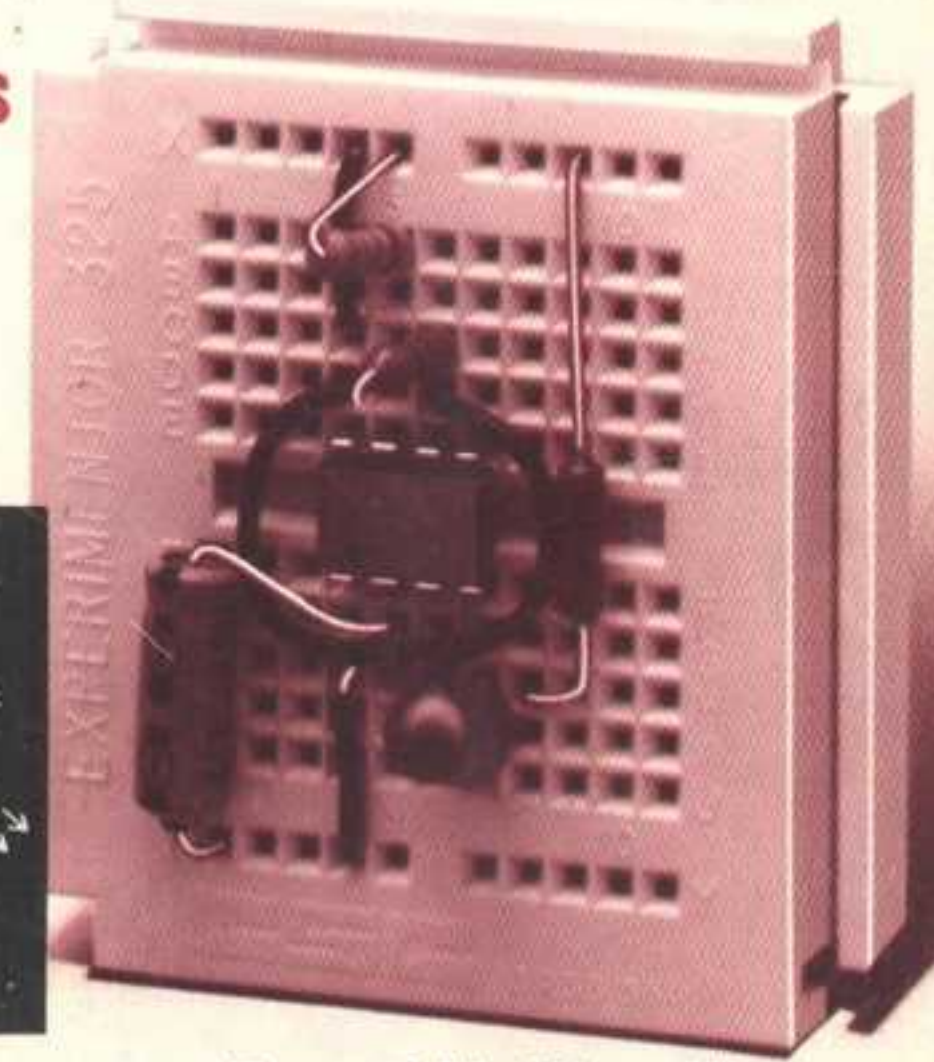


Engineer's Mini-Notebook

Optoelectronics
Circuits

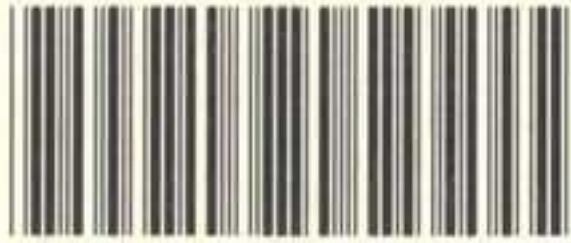


Forrest M. Mims III

Radio Shack

A Division of Tandy Corporation
Fort Worth, TX 76102

PRINTED IN U.S.A.



276-5012

Radio Shack®

CIRCUIT SYMBOLS

FIXED RESISTOR	VARIABLE RESISTOR	FIXED CAPACITOR	POLARIZED CAPACITOR
RECTIFIER/DIODE	ZENER DIODE	PNP TRANSISTOR	NPN TRANSISTOR
LED	SOLAR CELL	PHOTO-RESISTOR	PHOTO-TRANSISTOR
CONNECTED WIRES	UNCONNECTED WIRES	POSITIVE SUPPLY	GROUND
SPST SWITCH	SPDT SWITCH	NORMALLY OPEN PUSHBUTTON	NORMALLY CLOSED PUSHBUTTON
RELAY	TRANSFORMER	SPEAKER	PIEZO-SPEAKER
METER	LAMP	BATTERY	OP-AMP

ENGINEER'S MINI-NOTEBOOK

OPTOELECTRONIC CIRCUITS

BY
FORREST M. MIMS, III

CONTRIBUTING EDITOR
MODERN ELECTRONICS

AUTHOR OF "SILICON CONNECTIONS —
COMING OF AGE IN THE ELECTRONIC ERA"

FIRST EDITION

SECOND PRINTING - 1992

A SILICON CONCEPTS™ BOOK

COPYRIGHT © 1986 BY FORREST M. MIMS, III
ALL RIGHTS RESERVED

PRINTED IN THE UNITED STATES OF AMERICA

THIS BOOK INCLUDES STANDARD APPLICATION CIRCUITS AND CIRCUITS DESIGNED BY THE AUTHOR. EACH CIRCUIT WAS ASSEMBLED AND TESTED BY THE AUTHOR AS THE BOOK WAS DEVELOPED. AFTER THE BOOK WAS COMPLETED, THE AUTHOR REASSEMBLED EACH CIRCUIT TO CHECK FOR ERRORS. WHILE REASONABLE CARE WAS EXERCISED IN THE PREPARATION OF THIS BOOK, VARIATIONS IN COMPONENT TOLERANCES AND CONSTRUCTION METHODS MAY CAUSE THE RESULTS YOU OBTAIN TO DIFFER FROM THOSE GIVEN HERE. THEREFORE THE AUTHOR AND RADIO SHACK ASSUME NO RESPONSIBILITY FOR THE SUITABILITY OF THIS BOOK'S CONTENTS FOR ANY APPLICATION. SINCE WE HAVE NO CONTROL OVER THE USE TO WHICH THE INFORMATION IN THIS BOOK IS PUT, WE ASSUME NO LIABILITY FOR ANY DAMAGES RESULTING FROM ITS USE. OF COURSE IT IS YOUR RESPONSIBILITY TO DETERMINE IF COMMERCIAL USE, SALE OR MANUFACTURE OF ANY DEVICE THAT INCORPORATES INFORMATION IN THIS BOOK INFRINGES ANY PATENTS, COPYRIGHTS OR OTHER RIGHTS.

DUE TO THE MANY INQUIRIES RECEIVED BY RADIO SHACK AND THE AUTHOR, IT IS NOT POSSIBLE TO PROVIDE PERSONAL RESPONSES TO REQUESTS FOR ADDITIONAL INFORMATION (CUSTOM CIRCUIT DESIGN, TECHNICAL ADVICE, TROUBLESHOOTING ADVICE, ETC.). IF YOU WISH TO LEARN MORE ABOUT ELECTRONICS, SEE OTHER BOOKS IN THIS SERIES AND RADIO SHACK'S "GETTING STARTED IN ELECTRONICS." ALSO, READ MAGAZINES LIKE MODERN ELECTRONICS AND RADIO-ELECTRONICS. THE AUTHOR WRITES A MONTHLY COLUMN, "ELECTRONICS NOTEBOOK," FOR MODERN ELECTRONICS.

CONTENTS

INTRODUCTION	5
THE OPTICAL SPECTRUM	5
OPTICAL COMPONENTS	6
SIMPLE LENSES	6
POSITIVE LENS	6
NEGATIVE LENS	6
FILTERS	7
LIGHT SHIELDS	7
OPTICAL FIBERS	7
LIGHT SOURCES	8
INCANDESCENT LAMPS	8
GAS-DISCHARGE LAMPS	8
LIGHT-EMITTING DIODES	9
LIGHT SOURCE SPECTRA	9
HOW TO USE LEDs	10
SAMPLE LED CIRCUIT	11
LOGIC CIRCUIT LED DRIVERS	11
AC/DC POLARITY INDICATOR	12
VOLTAGE-LEVEL INDICATOR	12
LED BRIGHTNESS CONTROL	12
LOGIC PROBE	12
HOW TO USE TRI-COLOR LEDs	13
HOW TO USE FLASHER LEDs	14
BASIC LED FLASHERS	14
DUAL LED FLASHER	15
POWER FLASHER	15
SINGLE LED FLASHER	16
DUAL LED FLASHER	16
INCANDESCENT LAMP FLASHER	17
NEON LAMP FLASHER	17

LIGHT SENSORS 18

PHOTORESISTORS	18
SOLAR CELLS	18
PHOTOTRANSISTORS	19
SENSOR SPECTRAL RESPONSE	19
HOW TO USE LIGHT DETECTORS	20
PHOTORESISTORS	20
SOLAR CELLS	21
PHOTOTRANSISTORS	21
SIMPLE LIGHT METERS	22
ULTRA-SIMPLE LIGHT METER	23
SOLAR BATTERY CHARGER	24
SOLAR-POWERED CIRCUITS	25
LIGHT-SENSITIVE OSCILLATORS	26-27
LIGHT-ACTIVATED RELAYS	28
DARK-ACTIVATED RELAYS	29
DARK-ACTIVATED LED FLASHERS	30
LIGHT/DARK-ACTIVATED ALERTER	31

LIGHTWAVE COMMUNICATIONS 32

SUITABLE COMPONENTS	32
OPTICAL FIBER LINKS	32
FREE-SPACE LINKS	33
LIGHTWAVE TONE TRANSMITTERS	34
SIMPLE LIGHTWAVE RECEIVERS	35
THE PHOTOPHONE	36-37
AM LIGHTWAVE TRANSMITTER	38
AM LIGHTWAVE RECEIVER	39
BREAK-BEAM DETECTION SYSTEM	40-41

OPTOELECTRONIC LOGIC 42

BUFFERS	42
INVERTERS	42
AND CIRCUITS	43
OR CIRCUITS	43

SOURCE/SENSOR PAIRS 44

INTEGRATED SOURCE/SENSORS	45
OPTOCOUPLER -CIRCUITS	46-48

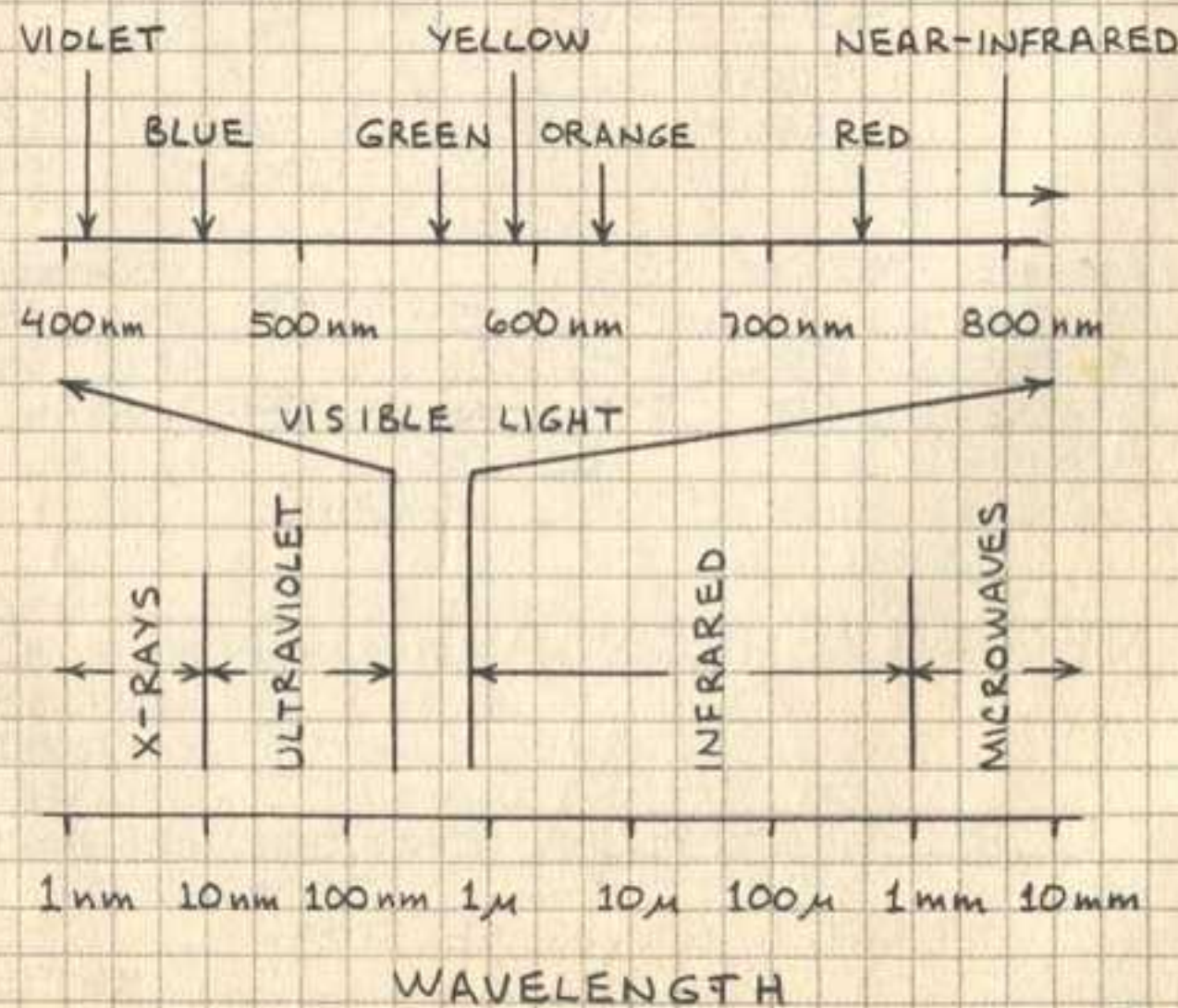
4

INTRODUCTION

OPTOELECTRONICS IS THE TERM FOR THE COMBINED TECHNOLOGIES OF OPTICS AND ELECTRONICS. ELECTRONIC DEVICES THAT EMIT OR DETECT OPTICAL RADIATION ARE CALLED OPTOELECTRONIC COMPONENTS. OPTOELECTRONIC CIRCUITS HAVE WIDESPREAD APPLICATIONS IN COMMUNICATIONS, SENSING, CONTROL, AND READOUTS. MANY KINDS OF SOLID-STATE OPTOELECTRONIC COMPONENTS ARE AVAILABLE AT REASONABLE PRICES FROM RADIO SHACK. SO IS "GETTING STARTED IN ELECTRONICS," A BOOK THAT WILL HELP YOU ASSEMBLE THE CIRCUITS IN THIS BOOK.

THE OPTICAL SPECTRUM

nm = NANOMETER (1 nm = .000 000 001 METER)
 μ = MICROMETER (1 μ = .000 001 METER)
 mm = MILLIMETER (1 mm = .001 METER)



5

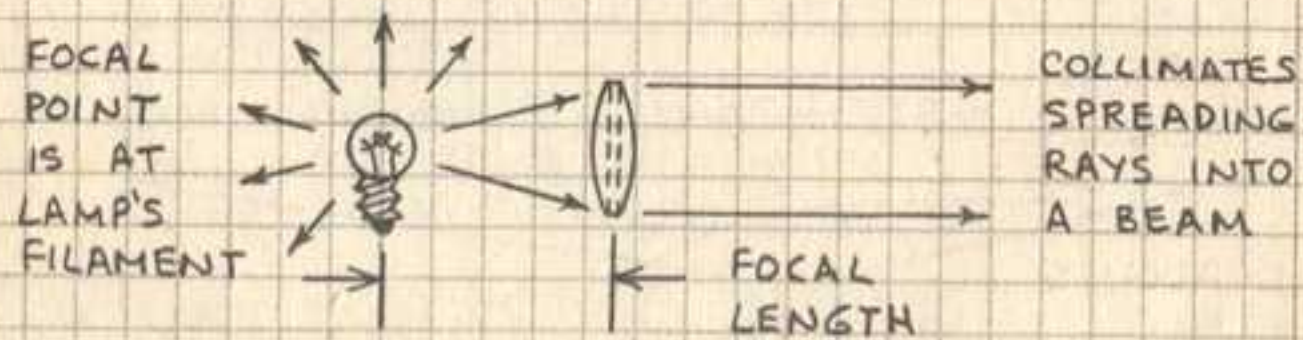
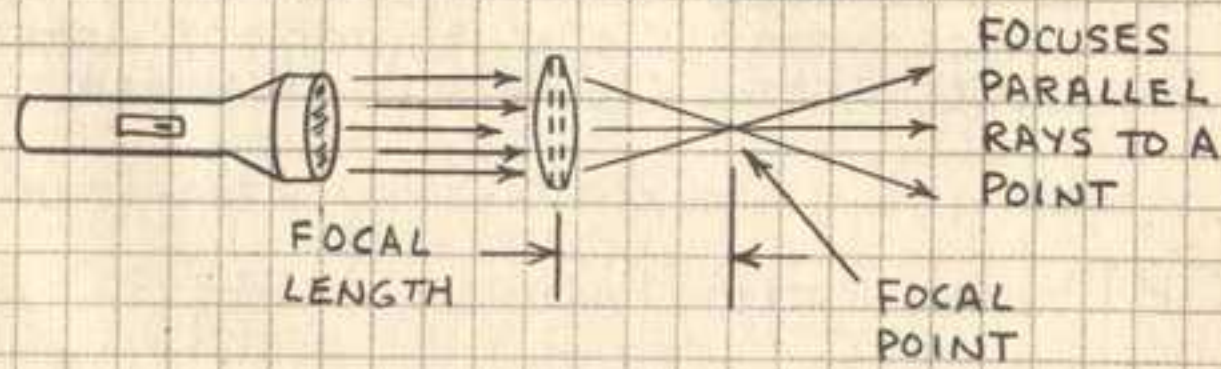
OPTICAL COMPONENTS

OPTICAL COMPONENTS CONDUCT, BEND, OR CHANGE THE CHARACTERISTICS OF LIGHT. MANY OPTICAL COMPONENTS CAN BE FOUND AROUND THE HOME OR OFFICE. OTHERS MUST BE PURCHASED FROM SCIENCE SUPPLY COMPANIES.

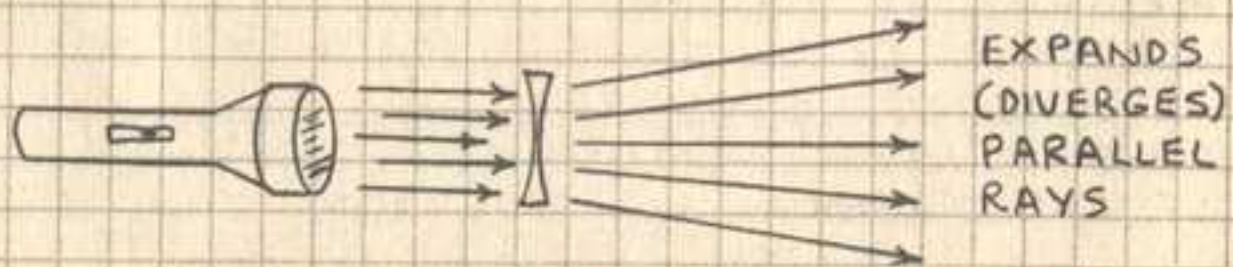
SIMPLE LENSES

LENSES MADE OF GLASS OR PLASTIC ARE AMONG THE MOST IMPORTANT OPTICAL COMPONENTS.

POSITIVE (CONVEX) LENS

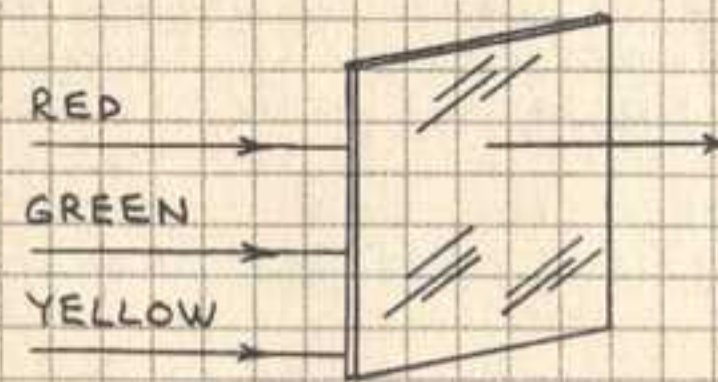


NEGATIVE (CONCAVE) LENS



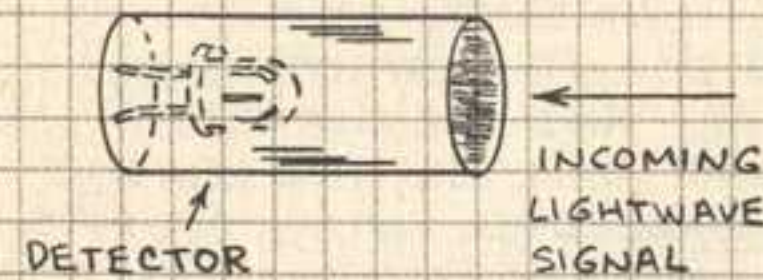
6

FILTERS



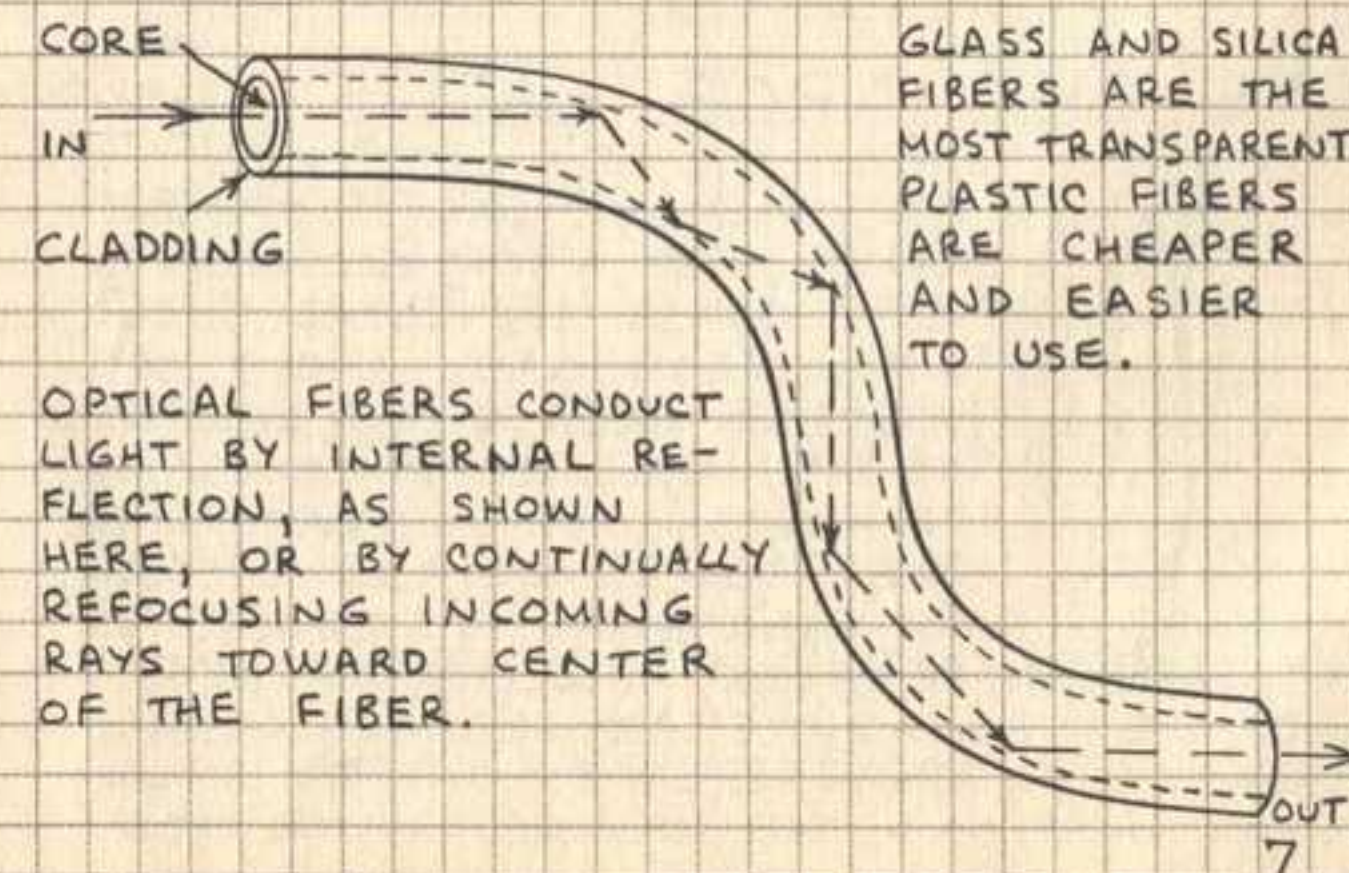
FILTERS TRANSMIT A NARROW BAND OF OPTICAL WAVELENGTHS. USE COLORED CELLOPHANE FOR VISIBLE LIGHT OR DEVELOPED COLOR FILM FOR INFRARED.

LIGHT SHIELDS



TUBE LINED WITH BLACK PAPER OR COATED WITH FLAT BLACK PAINT KEEPS EXTERNAL LIGHT AWAY FROM DETECTOR.

OPTICAL FIBERS



GLASS AND SILICA FIBERS ARE THE MOST TRANSPARENT. PLASTIC FIBERS ARE CHEAPER AND EASIER TO USE.

OPTICAL FIBERS CONDUCT LIGHT BY INTERNAL REFLECTION, AS SHOWN HERE, OR BY CONTINUALLY REFOCUSING INCOMING RAYS TOWARD CENTER OF THE FIBER.

LIGHT SOURCES

MANY LIGHT SOURCES ARE AVAILABLE FOR OPTOELECTRONIC PROJECTS. THE MOST IMPORTANT SOURCES INCLUDE:

INCANDESCENT LAMPS



AN INCANDESCENT LAMP IS MADE BY ENCLOSING A THIN TUNGSTEN WIRE (THE FILAMENT) IN AN EVACUATED GLASS ENVELOPE. AN ELECTRICAL CURRENT PASSED THROUGH THE FILAMENT CAUSES IT TO BECOME INCANDESCENT (WHITE HOT). THE OPERATING LIFE AND BRILLIANCE OF AN INCANDESCENT LAMP CAN BE INCREASED BY FILLING THE ENVELOPE WITH A GAS SUCH AS ARGON, NITROGEN, OR KRYPTON. THE ULTRA-BRIGHT HALOGEN LAMP HAS A QUARTZ ENVELOPE FILLED WITH A HALOGEN GAS LIKE IODINE OR BROMINE. THE GAS COMBINES WITH TUNGSTEN ON THE ENVELOPE WALL AND DEPOSITS IT ON THE FILAMENT.

GAS-DISCHARGE LAMPS

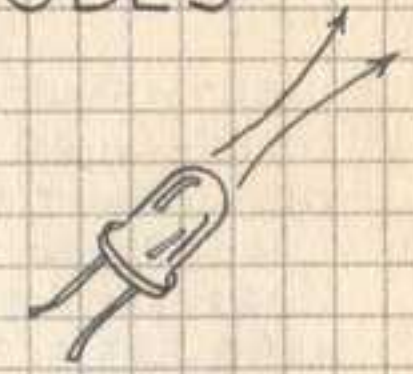


THE SIMPLEST GAS-DISCHARGE LAMP, THE NEON GLOW LAMP, IS A GLASS ENVELOPE FILLED WITH NEON GAS. WHEN THE VOLTAGE ACROSS TWO ELECTRODES IN THE ENVELOPE EXCEEDS 60-70 VOLTS, THE IONIZATION OR BREAKDOWN VOLTAGE OF NEON, AN ELECTRICAL DISCHARGE IS ESTABLISHED BETWEEN THE ELECTRODES, AND THE NEON EMITS AN ORANGE GLOW. OTHER GAS-DISCHARGE LAMPS ARE THE XENON FLASH LAMP AND THE MERCURY VAPOR LAMP.

8

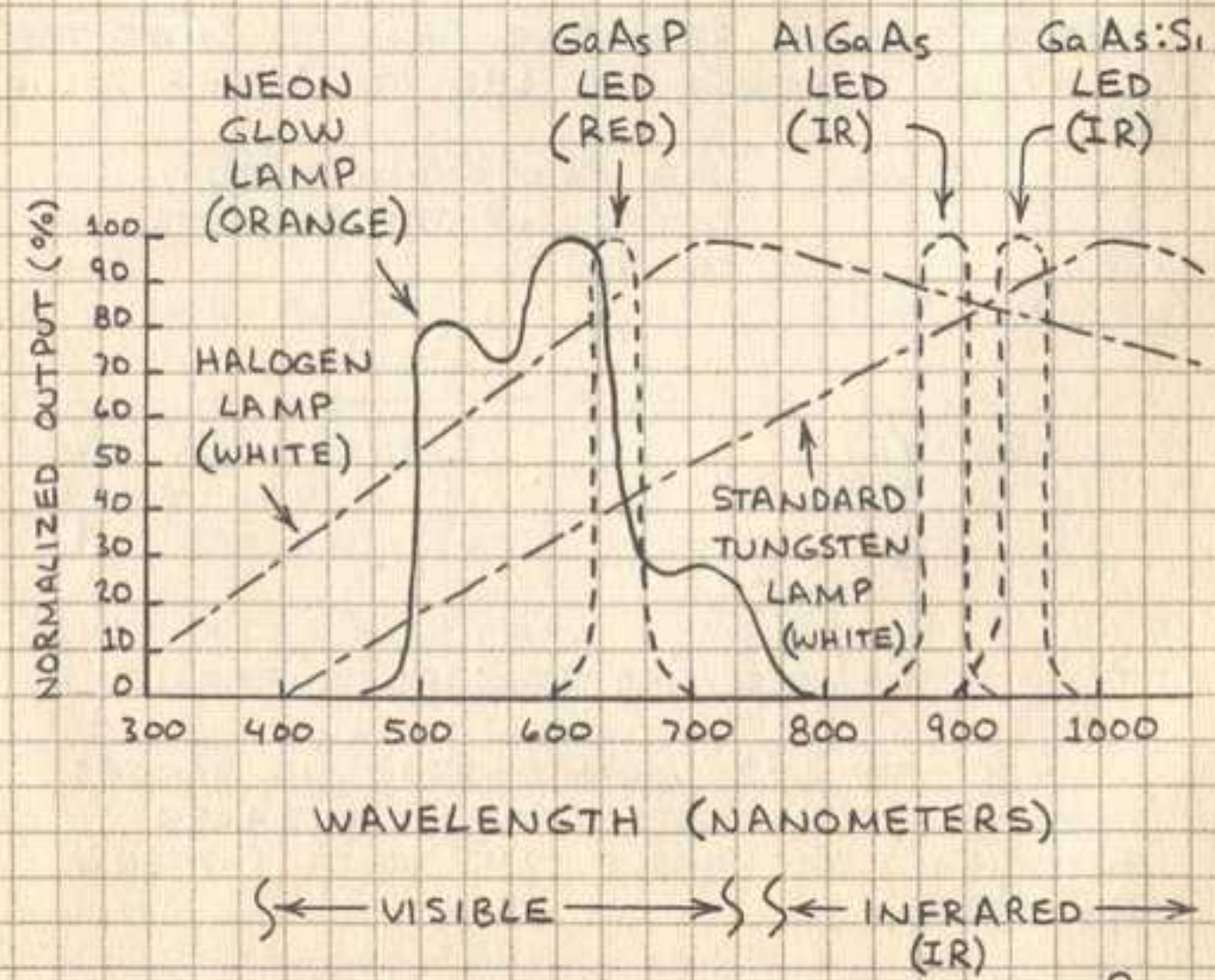
LIGHT-EMITTING DIODES

THE LIGHT-EMITTING DIODE (LED) IS A SEMICONDUCTOR PN JUNCTION DIODE THAT EMITS VISIBLE LIGHT OR NEAR-INFRARED RADIATION WHEN FORWARD BIASED. VISIBLE LEDs EMIT RELATIVELY



NARROW BANDS OF GREEN, YELLOW, ORANGE, OR RED LIGHT. INFRARED DIODES EMIT IN ONE OF SEVERAL BANDS JUST BEYOND RED LIGHT. LEDs SWITCH OFF AND ON RAPIDLY, ARE VERY EFFICIENT, HAVE A VERY LONG LIFETIME, AND ARE EASY TO USE. LEDs ARE CURRENT DEPENDENT SOURCES, AND THEIR LIGHT OUTPUT IS DIRECTLY PROPORTIONAL TO THE FORWARD CURRENT.

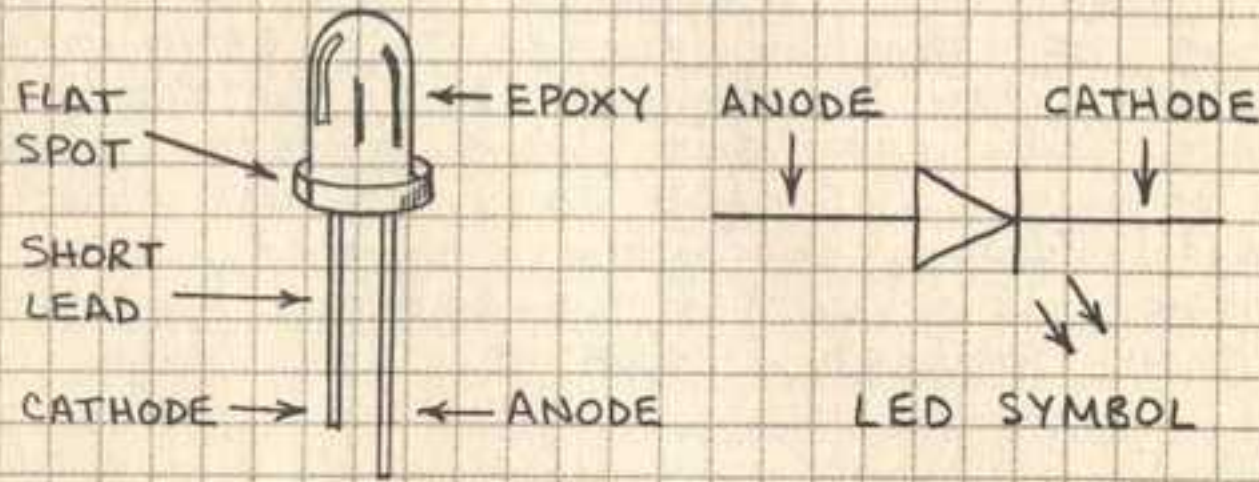
LIGHT SOURCE SPECTRA



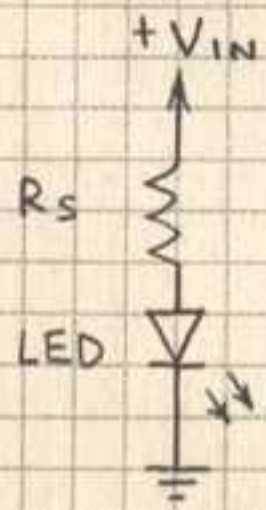
9

HOW TO USE LEDs

LIGHT-EMITTING DIODES ARE VERY RUGGED, LONG-LIVED OPTICAL SOURCES. THE LIGHT THEY EMIT HAS AN INTENSITY THAT IS LINEAR WITH RESPECT TO THE FORWARD CURRENT THROUGH THE LED. TO PREVENT IRREVERSIBLE DAMAGE, ALWAYS OPERATE AN LED WITHIN ITS RATINGS.



USE A SERIES RESISTOR (R_s) TO LIMIT THE CURRENT THROUGH AN LED TO A SAFE VALUE.



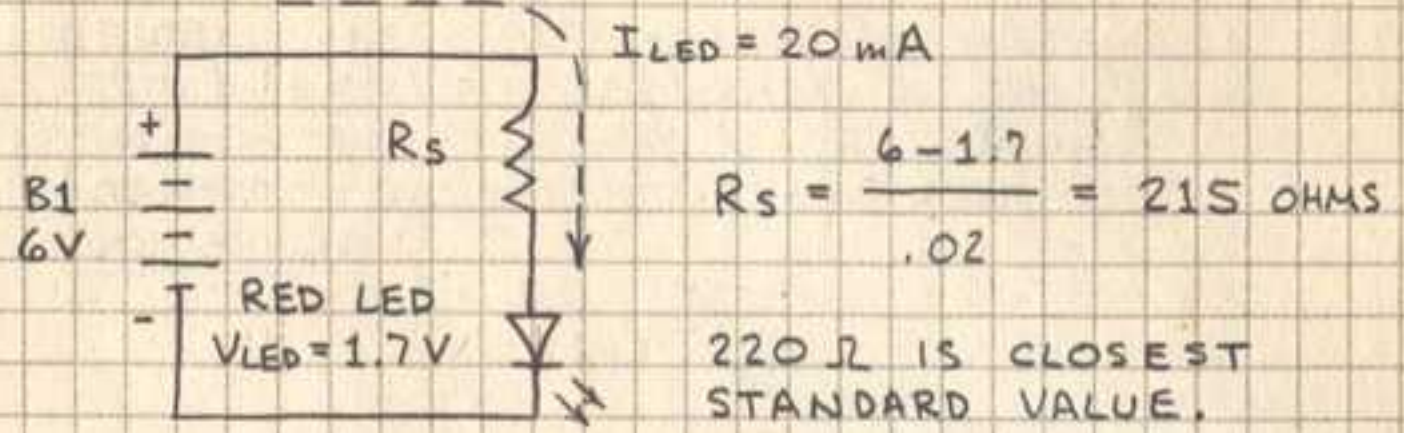
USE THIS FORMULA TO DETERMINE THE RESISTANCE OF R_s :

$$R_s = \frac{V_{IN} - V_{LED}}{I_{LED}}$$

I_{LED} IS THE SPECIFIED FORWARD CURRENT.

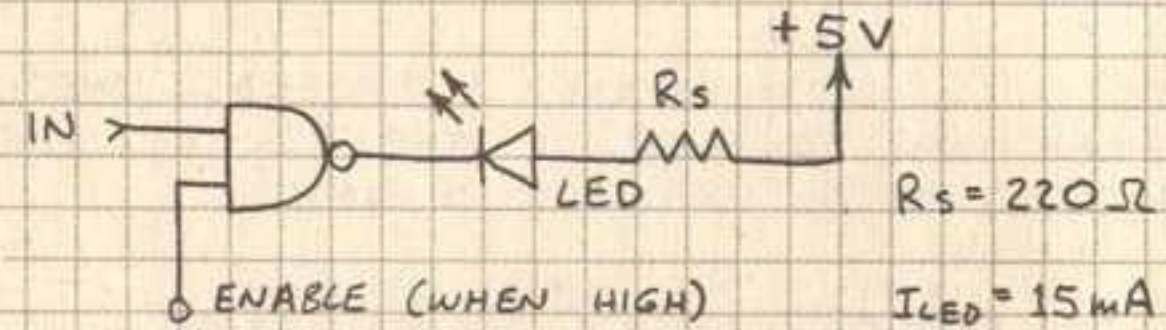
V_{LED} IS THE LED VOLTAGE DROP. IT RANGES FROM ABOUT 1.3 VOLTS (940nm INFRARED EMITTERS) TO ABOUT 2.5 VOLTS (GREEN EMITTERS).

SAMPLE LED CIRCUIT



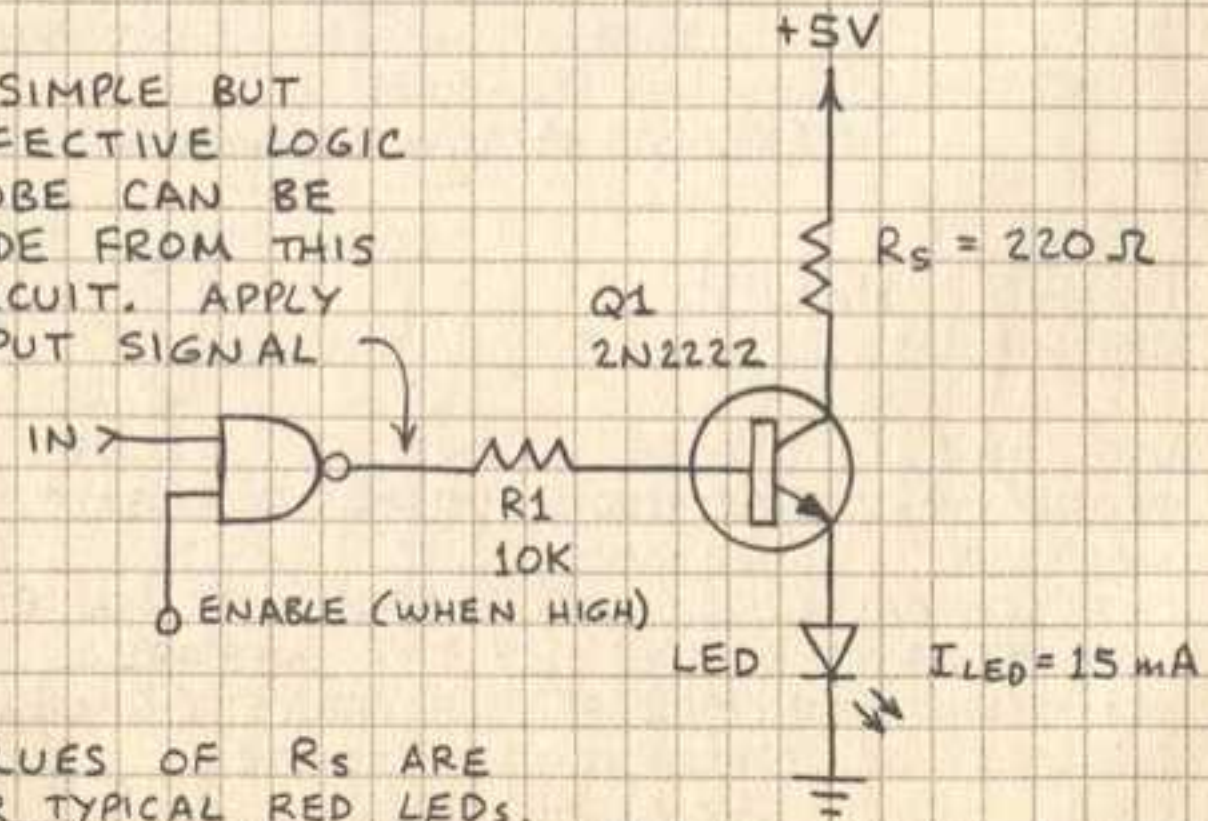
LOGIC CIRCUIT LED DRIVERS

TTL:



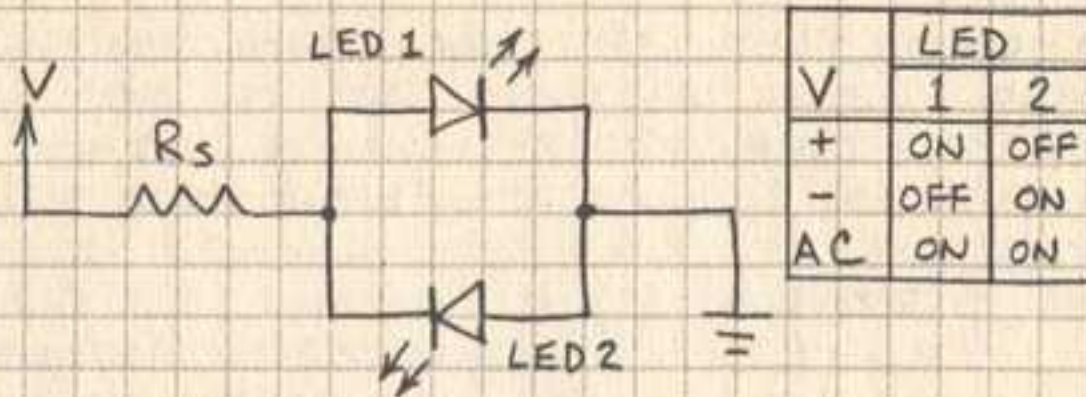
TTL OR CMOS:

A SIMPLE BUT EFFECTIVE LOGIC PROBE CAN BE MADE FROM THIS CIRCUIT. APPLY INPUT SIGNAL

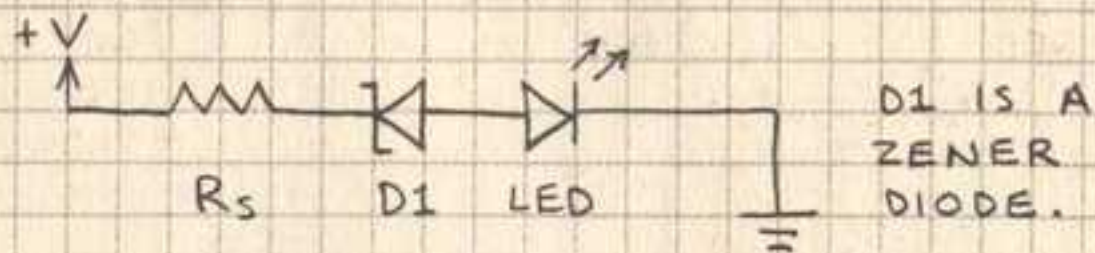


VALUES OF R_s ARE FOR TYPICAL RED LEDs.

AC/DC POLARITY INDICATOR

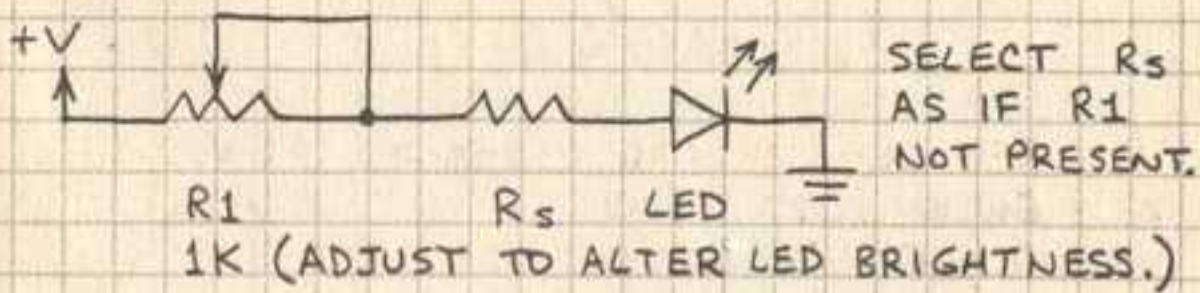


VOLTAGE-LEVEL INDICATOR



LED WILL GLOW WHEN +V EXCEEDS THE BREAKDOWN VOLTAGE OF THE ZENER DIODE. NOTE THAT D1 IS REVERSE BIASED.

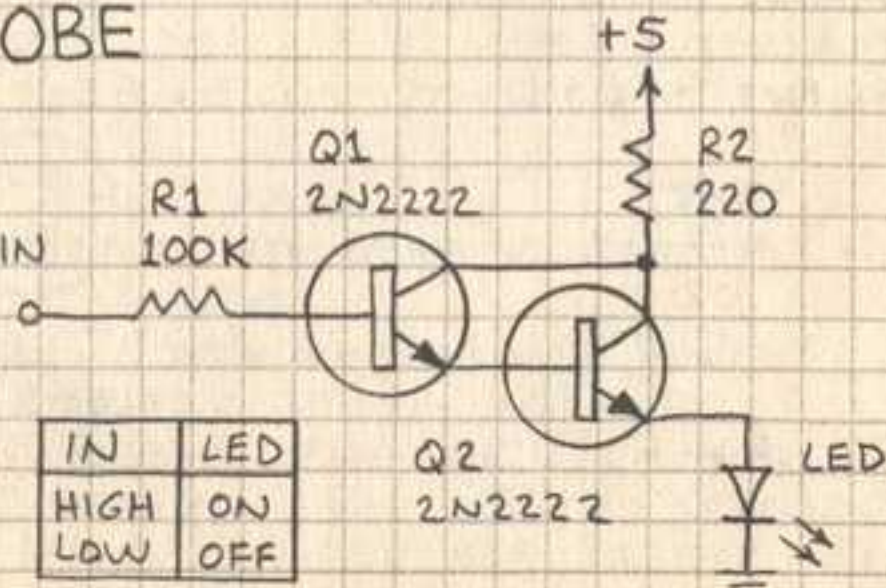
LED BRIGHTNESS CONTROL



SELECT R_s AS IF R_1 NOT PRESENT.
1K (ADJUST TO ALTER LED BRIGHTNESS.)

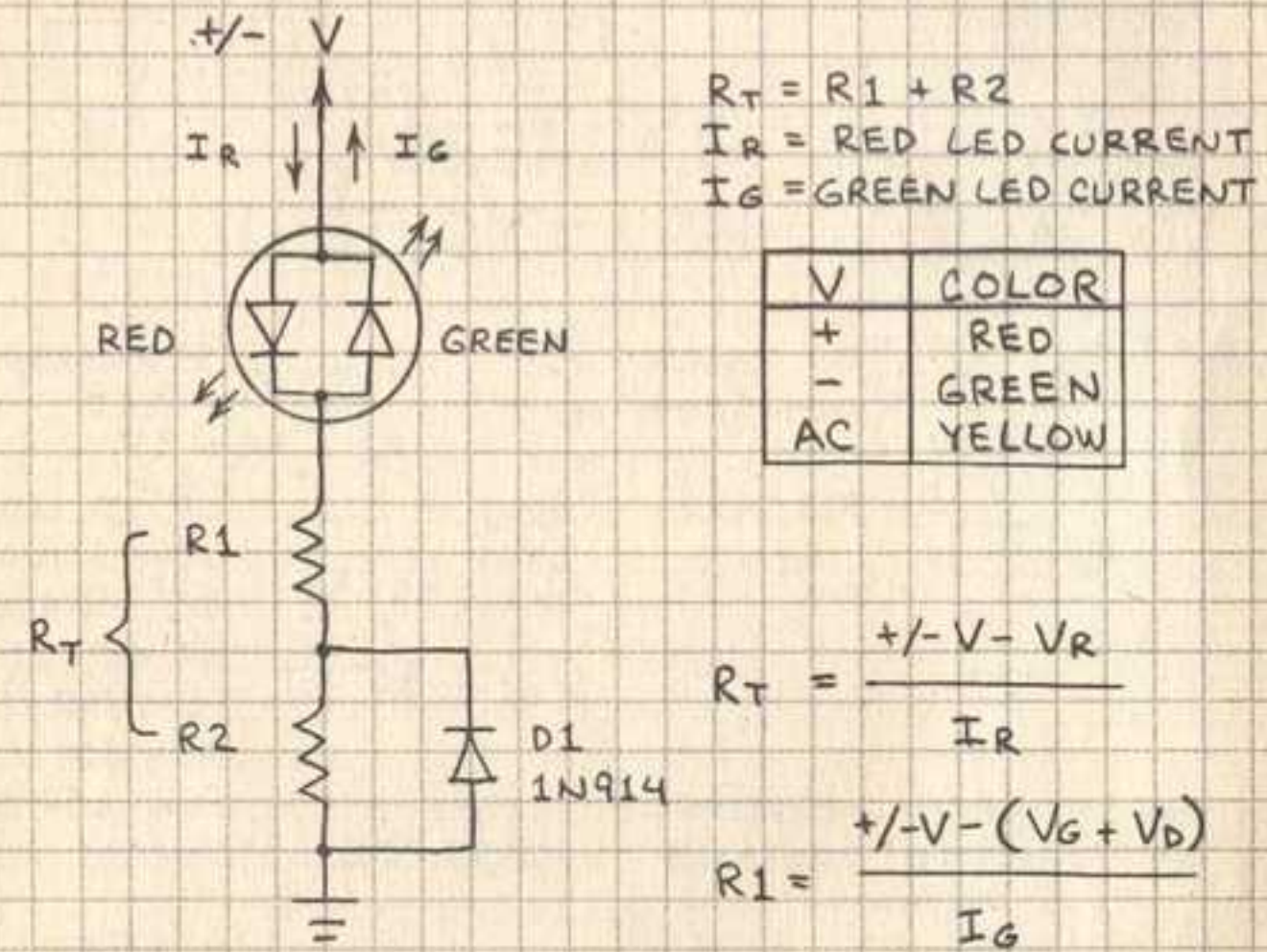
LOGIC PROBE

USE THIS PROBE TO MONITOR THE LOGICAL STATUS OF LOGIC GATES.



HOW TO USE TRI-COLOR LEDs

TRI-COLOR LEDs ARE MADE BY INSTALLING A RED AND GREEN LED CHIP IN THE SAME PACKAGE. THE TWO CHIPS ARE USUALLY CONNECTED IN REVERSE-PARALLEL.



V_r = RED LED FORWARD VOLTAGE (ABOUT 2V)
 V_g = GREEN LED FORWARD VOLTAGE (ABOUT 2V)
 V_D = D1 FORWARD VOLTAGE (0.6V).

SAMPLE CALCULATION:

ASSUME +/-V = 5 VOLTS AND $I_r \& I_g = 20$ MILLIAMPERES.

$$R_T = \frac{5 - 2}{.02} = 150 \text{ OHMS} \quad R_1 = \frac{5 - (2 + .6)}{.02} = 120 \text{ OHMS}$$

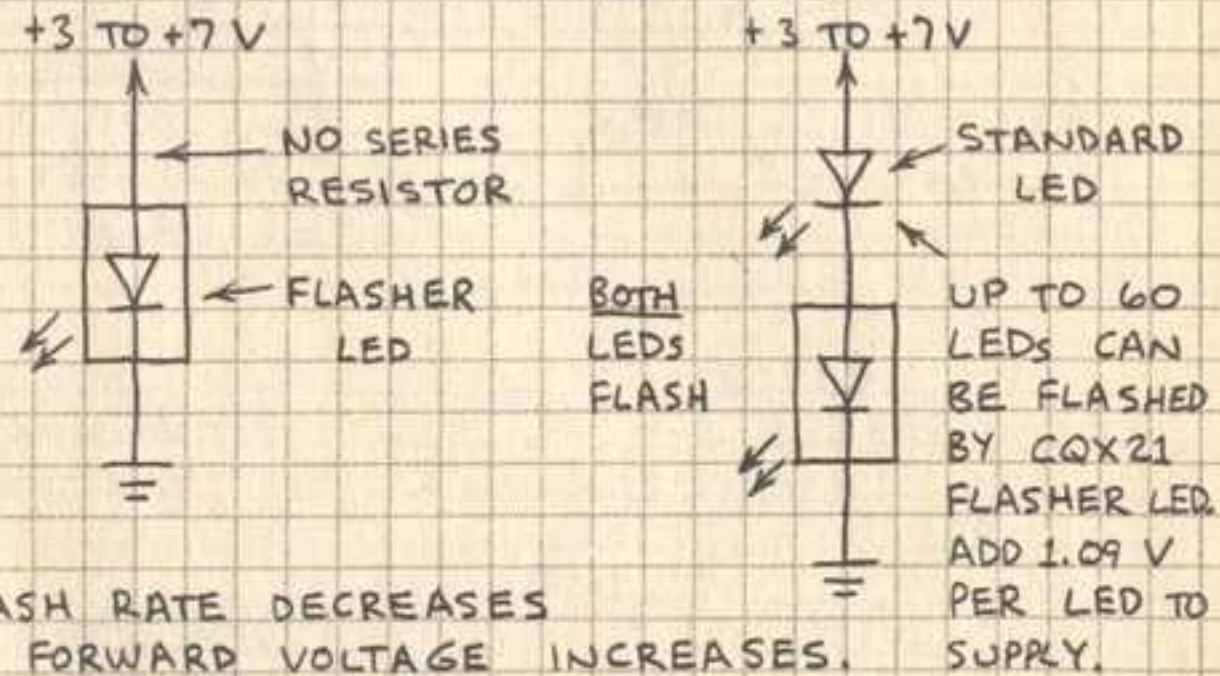
$$R_2 = R_T - R_1 = 30 \text{ OHMS}$$

SELECT STANDARD RESISTANCE VALUES CLOSEST TO THESE.

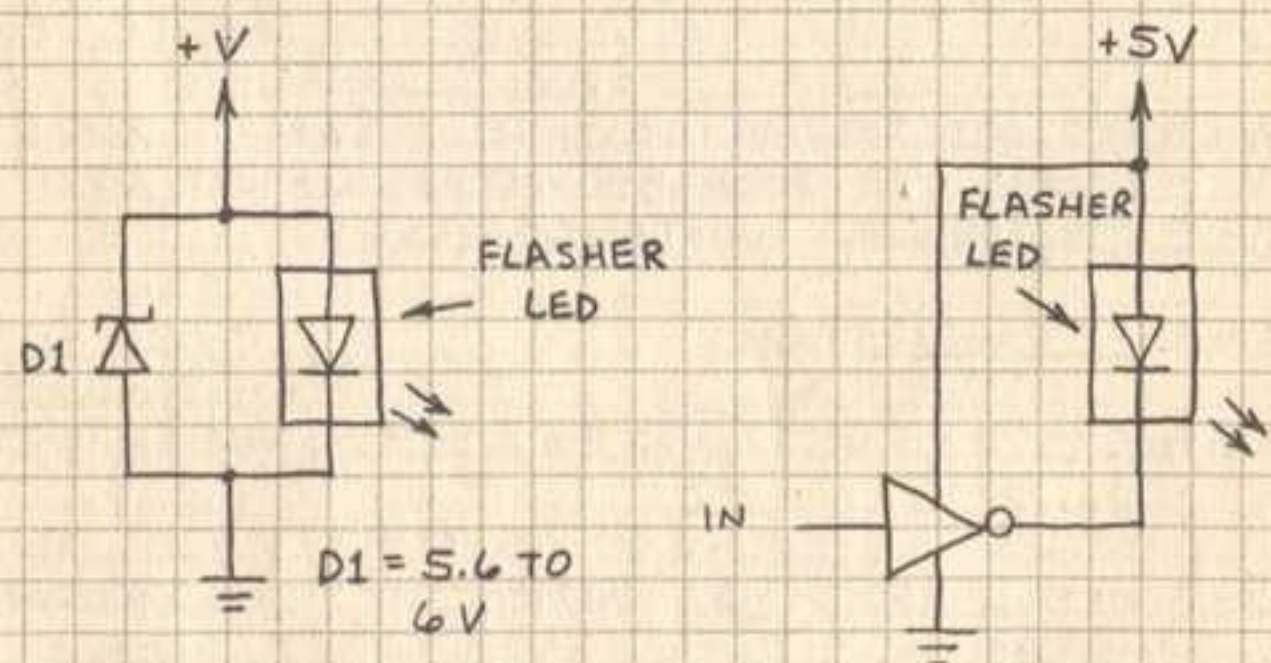
HOW TO USE FLASHER LEDs

FLASHER LEDs INCLUDE IN THE LED PACKAGE A MINIATURE INTEGRATED CIRCUIT THAT CAUSES THE LED TO FLASH FROM 2 TO 6 TIMES EACH SECOND. CAN BE USED WITHOUT A SERIES RESISTOR.

BASIC LED FLASHERS



FLASH RATE DECREASES AS FORWARD VOLTAGE INCREASES.

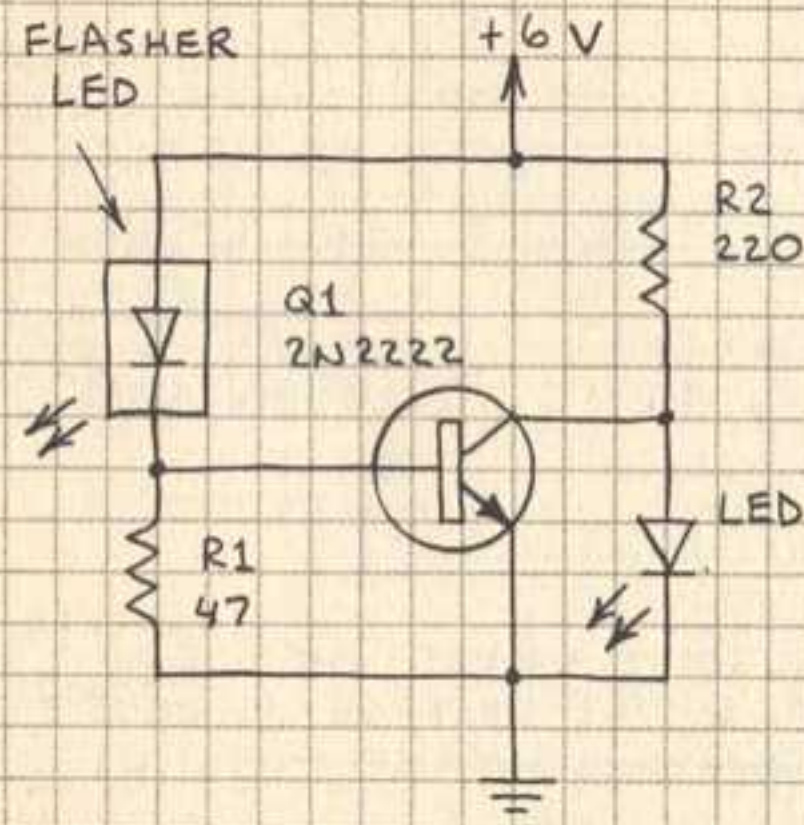


USE THIS CIRCUIT WHEN VOLTAGE EXCEEDS SAFE VALUE. D1 IS A ZENER DIODE.

HOW TO DRIVE FLASHER LED FROM A TTL GATE. THIS WILL WORK WITH HIGH-OUTPUT CMOS.

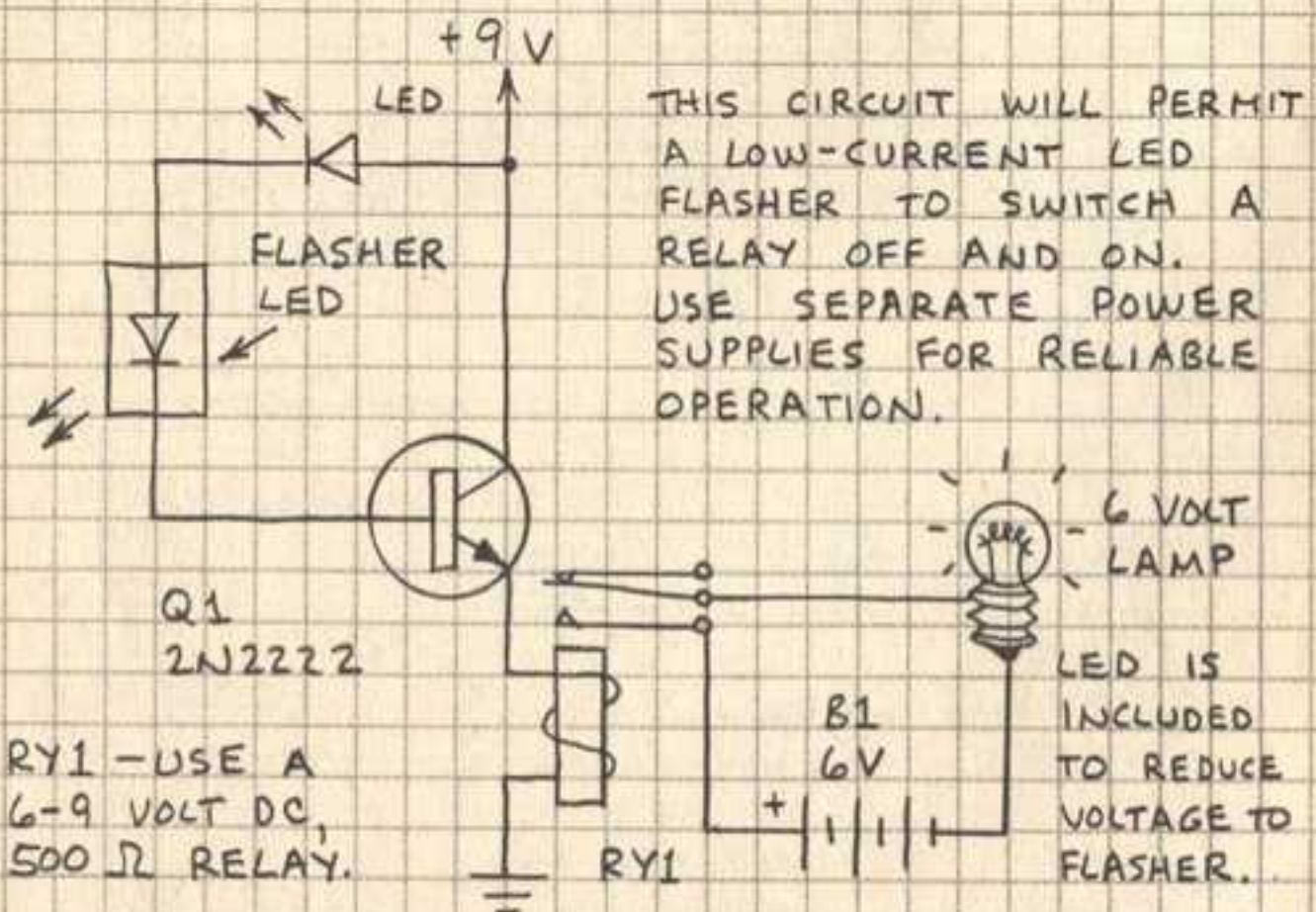
14

DUAL LED FLASHER



WHEN THE SUPPLY VOLTAGE IS 6 VOLTS, THE LEDs WILL FLASH ALTERNATELY. THE STANDARD LED WILL REMAIN ON WHEN THE SUPPLY VOLTAGE FALLS BELOW 6 VOLTS.

POWER FLASHER



THIS CIRCUIT WILL PERMIT A LOW-CURRENT LED FLASHER TO SWITCH A RELAY OFF AND ON. USE SEPARATE POWER SUPPLIES FOR RELIABLE OPERATION.

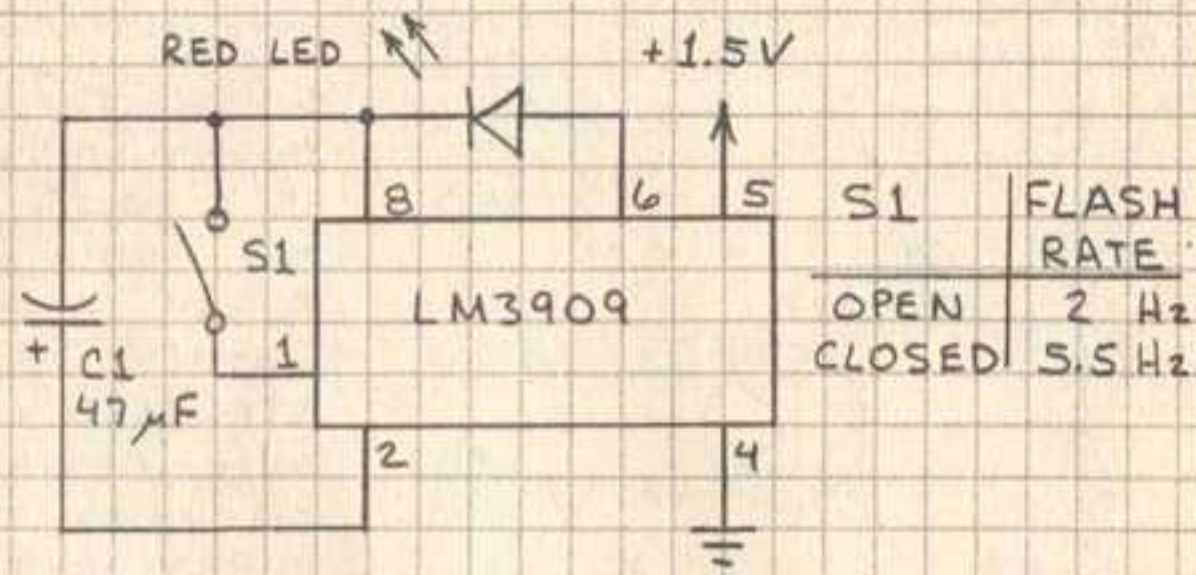
RY1 - USE A 6-9 VOLT DC, 500 Ω RELAY.

LED IS INCLUDED TO REDUCE VOLTAGE TO FLASHER.

CAUTION: DO NOT USE THIS CIRCUIT TO FLASH LINE-POWERED LAMPS. DO NOT EXCEED THE CURRENT RATING OF THE RELAY'S CONTACTS.

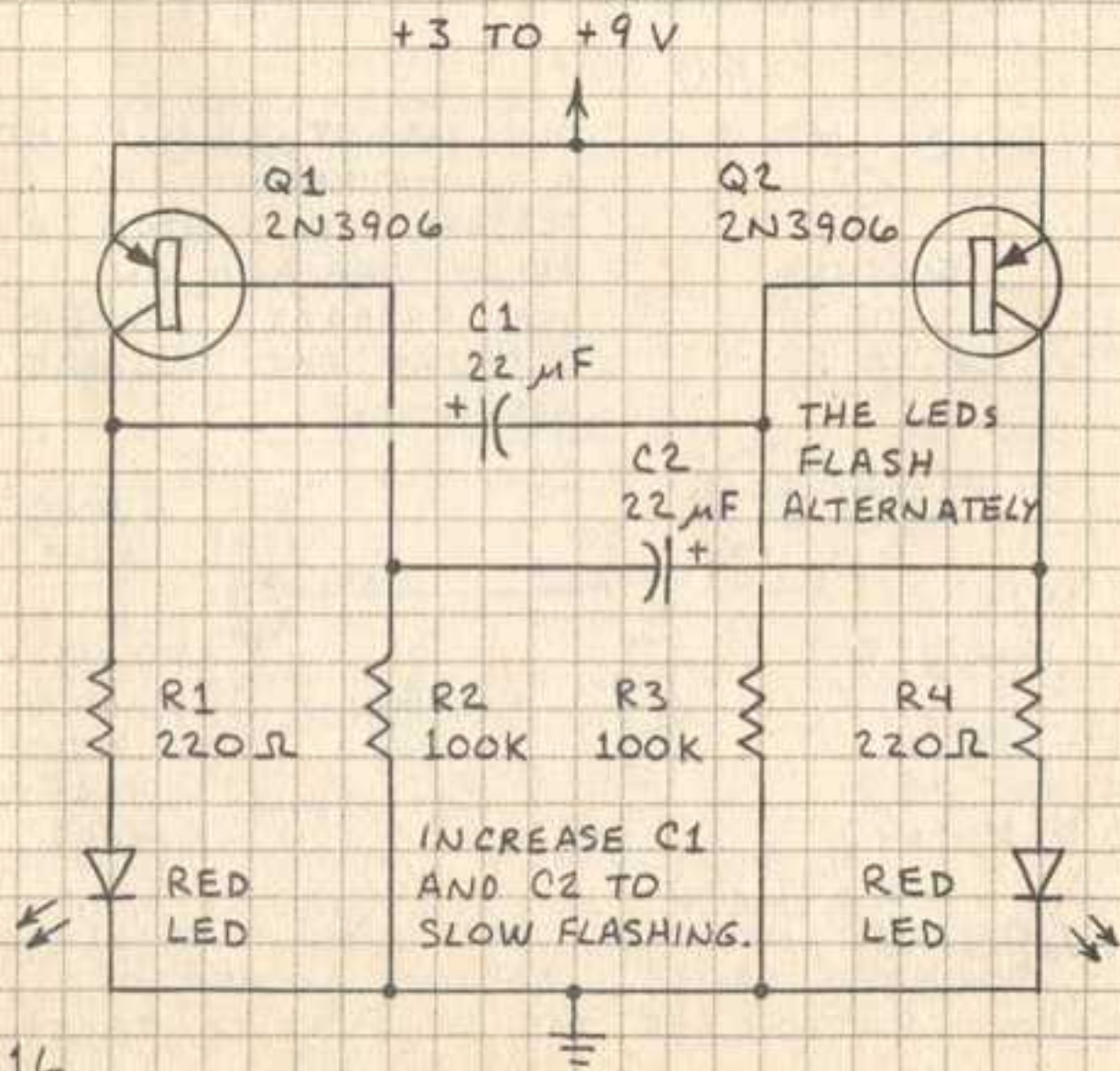
15

SINGLE LED FLASHER

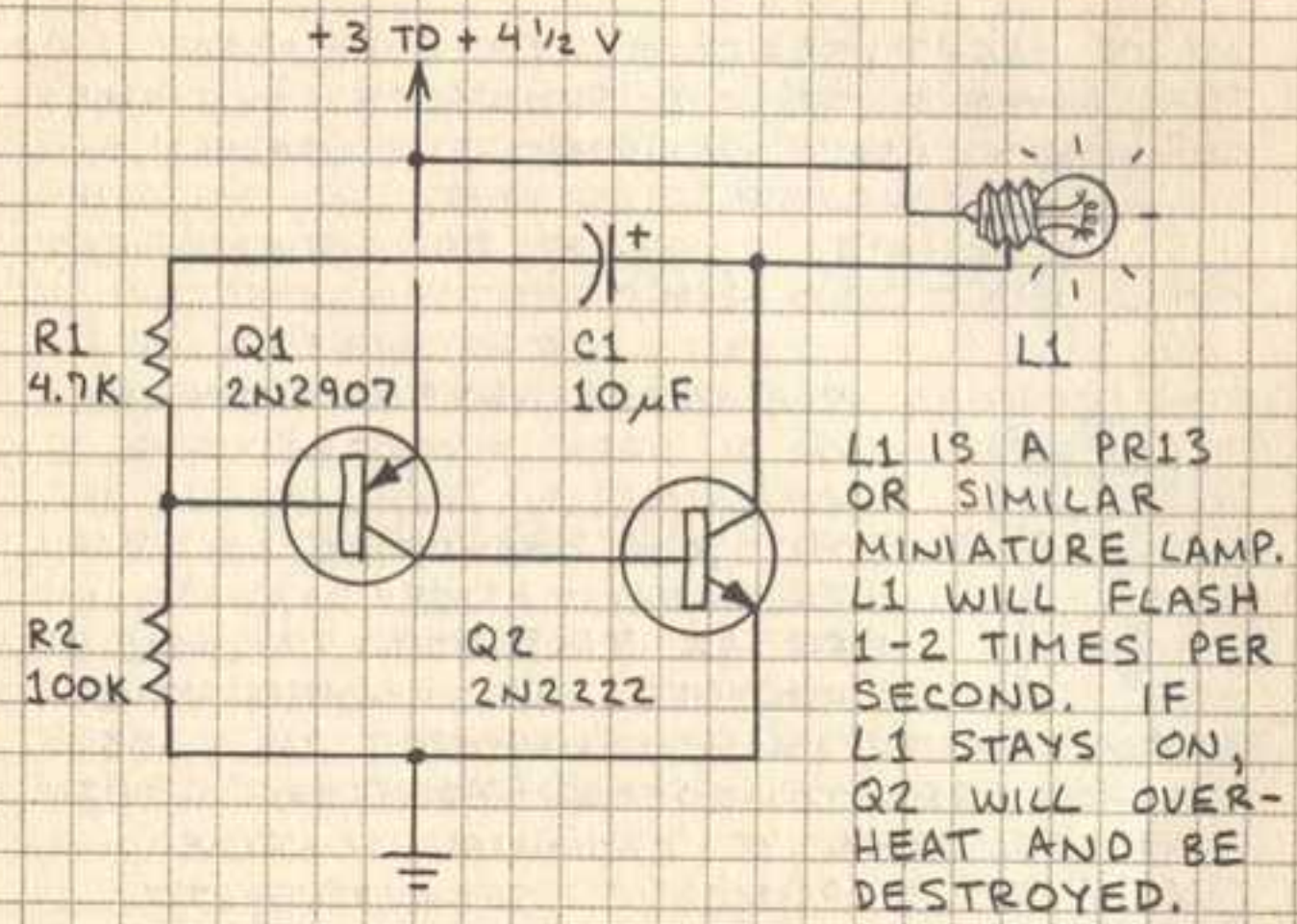


NOTE THAT THIS CIRCUIT DRIVES THE LED EVEN THOUGH THE SUPPLY VOLTAGE IS LESS THAN THE LED FORWARD VOLTAGE (~1.7 V).

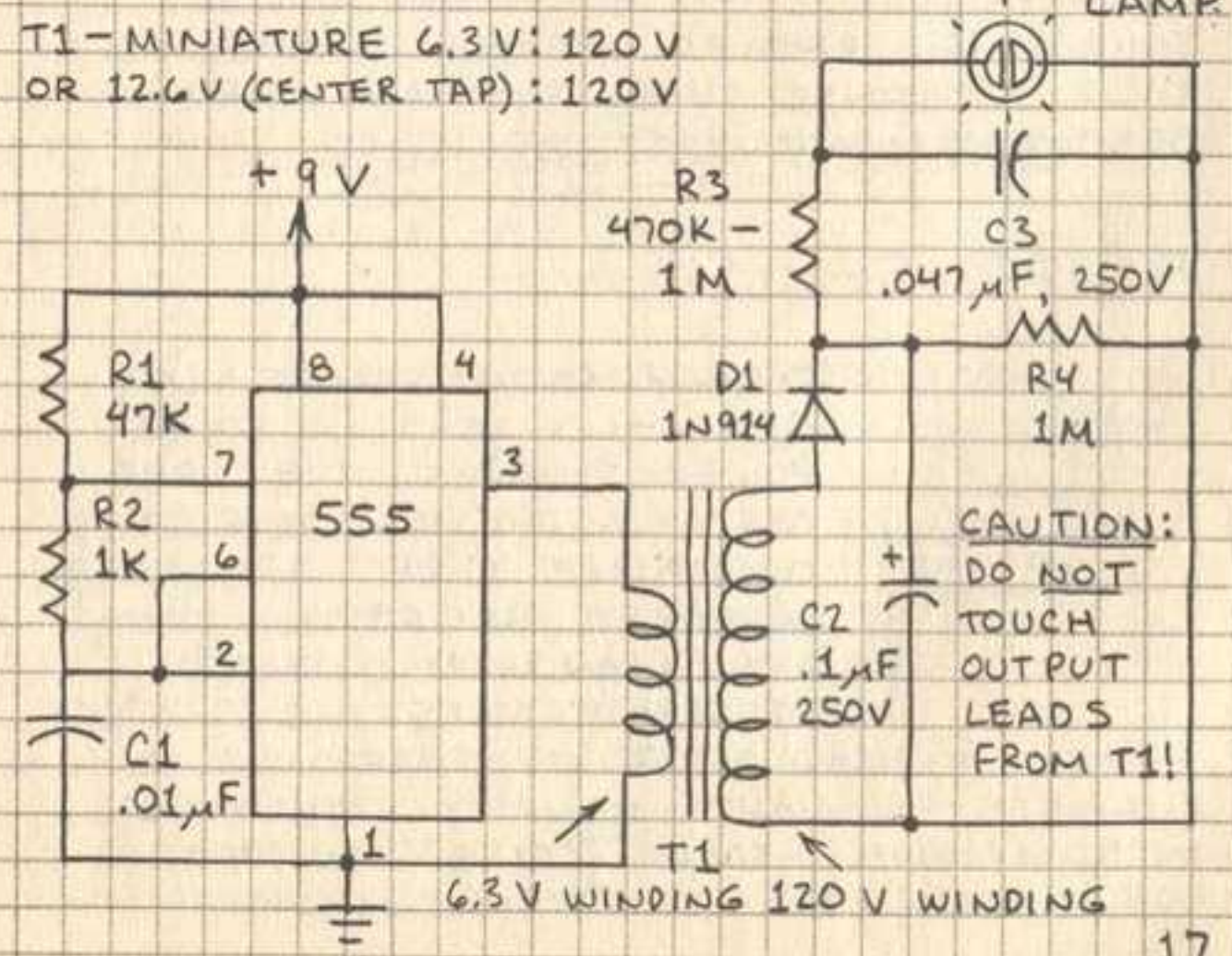
DUAL LED FLASHER



INCANDESCENT LAMP FLASHER



NEON LAMP FLASHER



LIGHT SENSORS

MANY LIGHT SENSORS ARE AVAILABLE FOR OPTOELECTRONIC PROJECTS. THE MOST COMMONLY USED SENSORS INCLUDE:

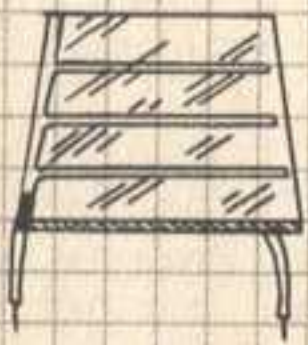
PHOTORESISTORS



THE ELECTRICAL RESISTANCE OF A DARK PHOTORESISTOR IS ORDINARILY VERY HIGH, UP TO 1,000,000 OHMS OR MORE. THE RESISTANCE MAY FALL TO AS LITTLE AS A FEW HUNDRED OHMS WHEN THE

PHOTORESISTOR IS ILLUMINATED. THE MOST COMMON SEMICONDUCTOR USED TO MAKE PHOTORESISTORS IS CADMIUM SULFIDE (CdS). IT IS PRIMARILY SENSITIVE TO GREEN LIGHT. PHOTORESISTORS EXHIBIT A "MEMORY EFFECT" IN THAT THEY MAY REQUIRE A SECOND OR MORE TO RETURN TO THEIR HIGH-RESISTANCE STATE AFTER A LIGHT SOURCE IS REMOVED. THOUGH THIS SLOWS THEIR RESPONSE TIME, THEY ARE VERY SENSITIVE AND EASY TO USE.

SOLAR CELLS



THOUGH SOLAR CELLS ARE GENERALLY USED IN SOLAR POWER SUPPLIES, THEY ARE ALSO USEFUL AS DETECTORS OF VISIBLE LIGHT AND NEAR-INFRARED RADIATION. THEY ARE AVAILABLE IN MANY DIFFERENT SIZES AND SHAPES.

SINCE A TYPICAL SOLAR CELL RESPONDS TO CHANGES IN LIGHT INTENSITY WITHIN 20 MICROSECONDS, SOLAR CELLS CAN DETECT VOICE MODULATED LIGHTWAVE SIGNALS.

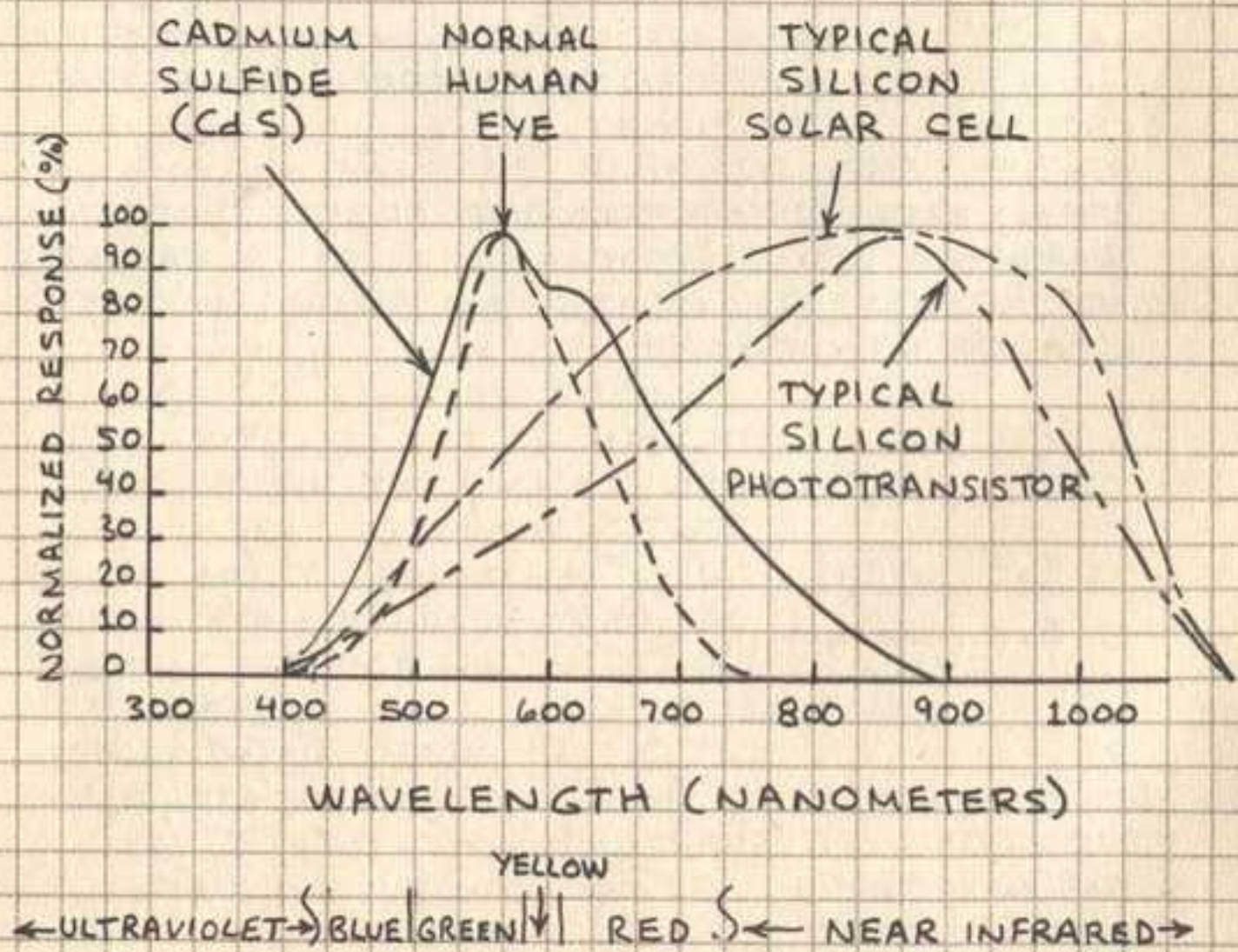
18

PHOTOTRANSISTORS

ALL TRANSISTORS ARE LIGHT SENSITIVE. PHOTOTRANSISTORS ARE DESIGNED TO EXPLOIT THIS PHENOMENON. THOUGH A BIPOLAR TRANSISTOR HAS THREE LEADS, A PHOTOTRANSISTOR MAY NOT HAVE A BASE LEAD. MOST PHOTOTRANSISTORS ARE NPN DEVICES WITH A BASE REGION MUCH LARGER THAN THAT OF A STANDARD NPN TRANSISTOR. THEY HAVE A RESPONSE TIME OF 1 MICROSECOND IN SOME CIRCUITS. THE DARLINGTON PHOTO-TRANSISTOR INCLUDES A SECOND ON-CHIP TRANSISTOR TO AMPLIFY THE SIGNAL GENERATED BY THE PHOTOTRANSISTOR. IT GIVES MORE SENSITIVITY BUT IS SLOWER.



SENSOR SPECTRAL RESPONSE



19

HOW TO USE LIGHT DETECTORS

LIGHT DETECTORS CAN BE OPERATED IN ONE OR MORE OF THESE MODES:

1. PHOTORESISTIVE - THE RESISTANCE OF THE DETECTOR VARIES WITH THE LIGHT LEVEL.
2. PHOTOVOLTAIC - THE DETECTOR GENERATES A CURRENT WHEN ILLUMINATED.
3. PHOTOCONDUCTIVE - THE DETECTOR ALLOWS CURRENT FROM AN EXTERNAL POWER SUPPLY TO FLOW IN RESPONSE TO LIGHT.

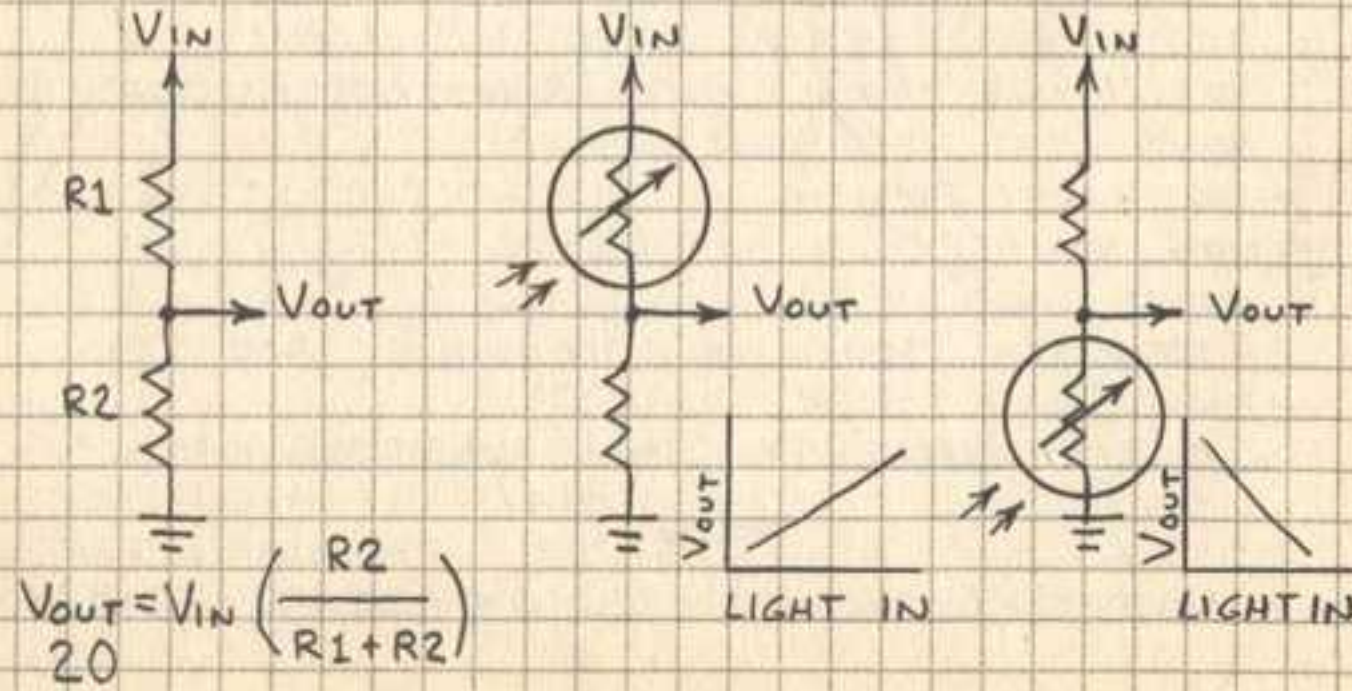
PHOTORESISTORS



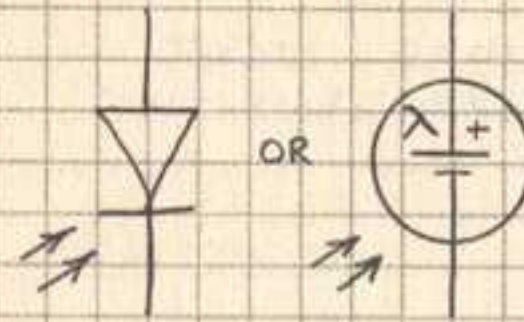
SYMBOL

PHOTORESISTORS ARE PHOTO-RESISTIVE DETECTORS. THEY CAN OFTEN BE SUBSTITUTED FOR FIXED OR VARIABLE RESISTORS TO MAKE AN EXISTING CIRCUIT SENSITIVE TO LIGHT.

THE VARIABLE RESISTANCE OF A PHOTO-RESISTOR CAN BE CHANGED TO A VARIABLE VOLTAGE BY MEANS OF A SIMPLE VOLTAGE DIVIDER CIRCUIT.



SOLAR CELLS



SYMBOLS

SOLAR CELLS ARE PRIMARILY PHOTOVOLTAIC DEVICES, BUT THEY ARE SOMETIMES USED IN A PHOTOCONDUCTIVE MODE. USE THEM TO POWER A CIRCUIT OR SENSE LIGHT.

SOLAR CELLS MAY BE SUPPLIED WITH OR WITHOUT LEADS. THOUGH SOLAR CELLS ARE FRAGILE, IT IS RELATIVELY EASY TO SOLDER WIRE LEADS TO THEM. USE A LOW-WATTAGE SOLDERING IRON AND WRAPPING WIRE FOR BEST RESULTS. FIRST WARM THE ELECTRODE ON THE CELL FOR A FEW SECONDS. THEN MELT A SMALL PUDDLE OF SOLDER ONTO THE ELECTRODE. PLACE THE EXPOSED END OF A LENGTH OF WRAPPING WIRE IN THE SOLDER AND HOLD IT IN PLACE UNTIL THE SOLDER COOLS.

PHOTOTRANSISTORS

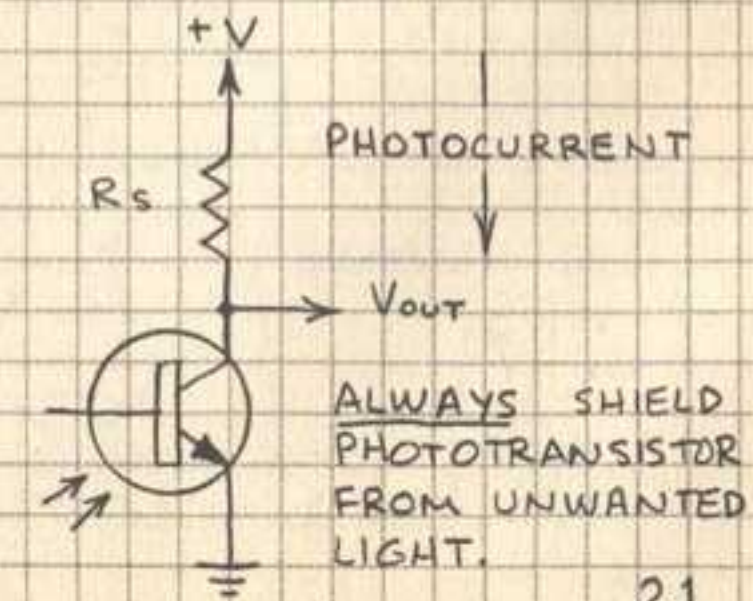
OPTIONAL BASE LEAD



SYMBOL

THE SIMPLEST WAY TO USE A PHOTOTRANSISTOR IS TO CONNECT IT TO A SERIES RESISTOR. IT THEN FUNCTIONS AS A PHOTOCONDUCTIVE DETECTOR.

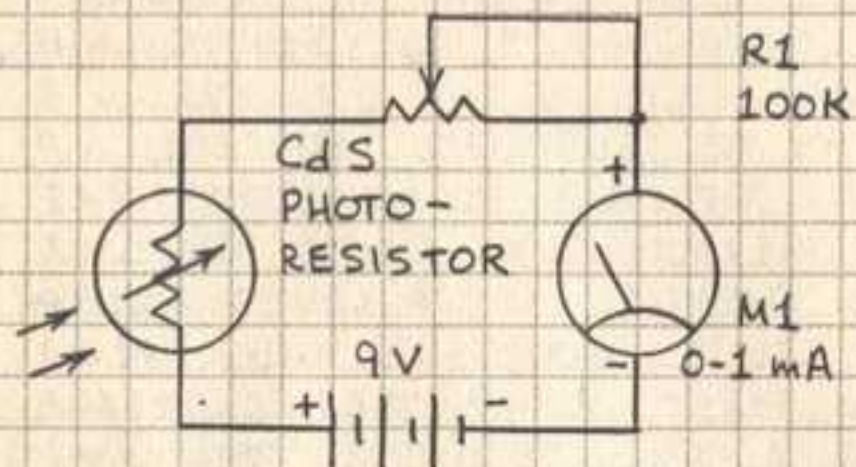
USE A LARGE VALUE ($\sim 100K$ TO $1M$) FOR R_s TO GIVE HIGH SENSITIVITY. USE A SMALL VALUE ($\sim 10K$) FOR FAST SIGNALS.



SIMPLE LIGHT METERS

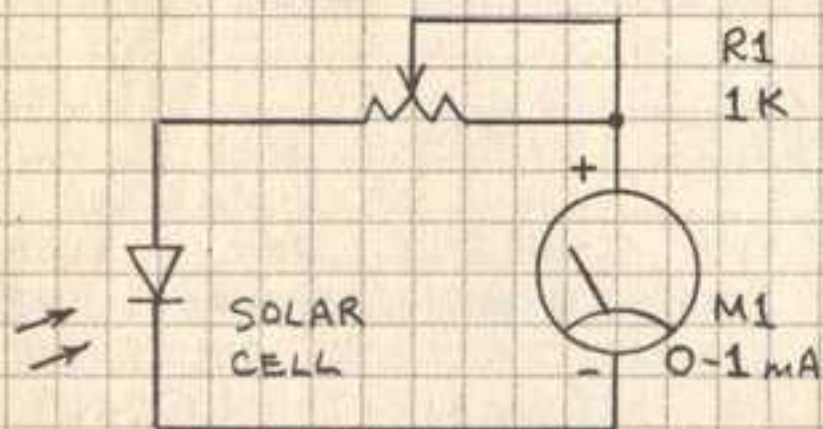
THOUGH VERY SIMPLE, THESE LIGHT METER CIRCUITS ARE VERY SENSITIVE.

PHOTORESISTOR



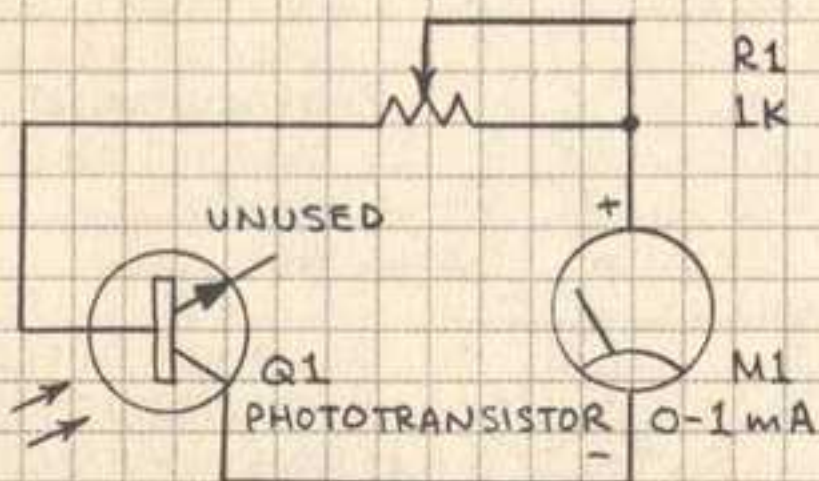
OK TO TRY OTHER BATTERY VOLTAGES. AVOID RAPID INCREASE IN LIGHT THAT MIGHT HARM THE METER!

SOLAR CELL



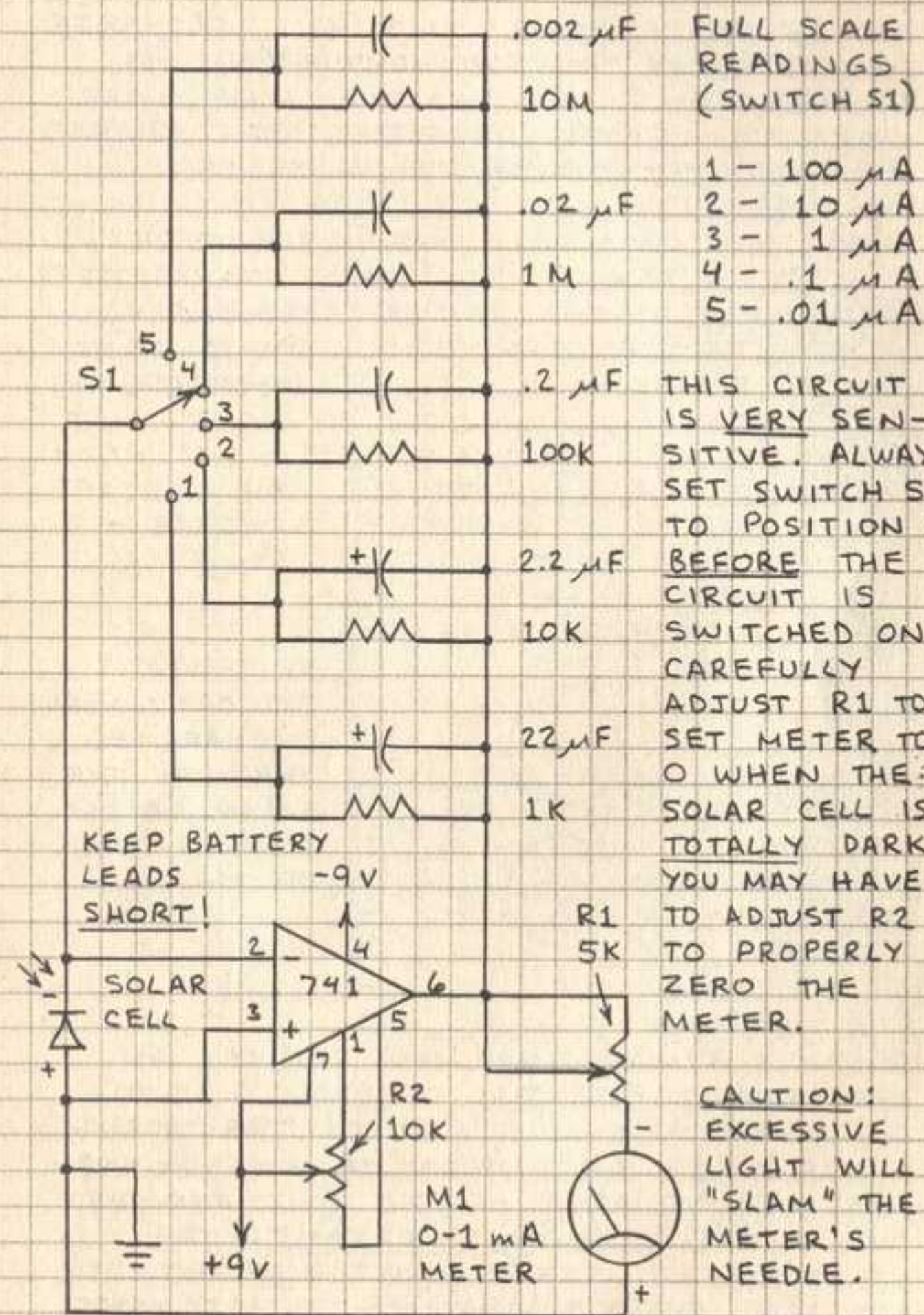
TWO OR MORE SOLAR CELLS IN PARALLEL WILL GIVE HIGHER SENSITIVITY.

PHOTOTRANSISTOR



THE BASE-COLLECTOR JUNCTION OF Q1 FORMS A PHOTODIODE OR MINIATURE SOLAR CELL.

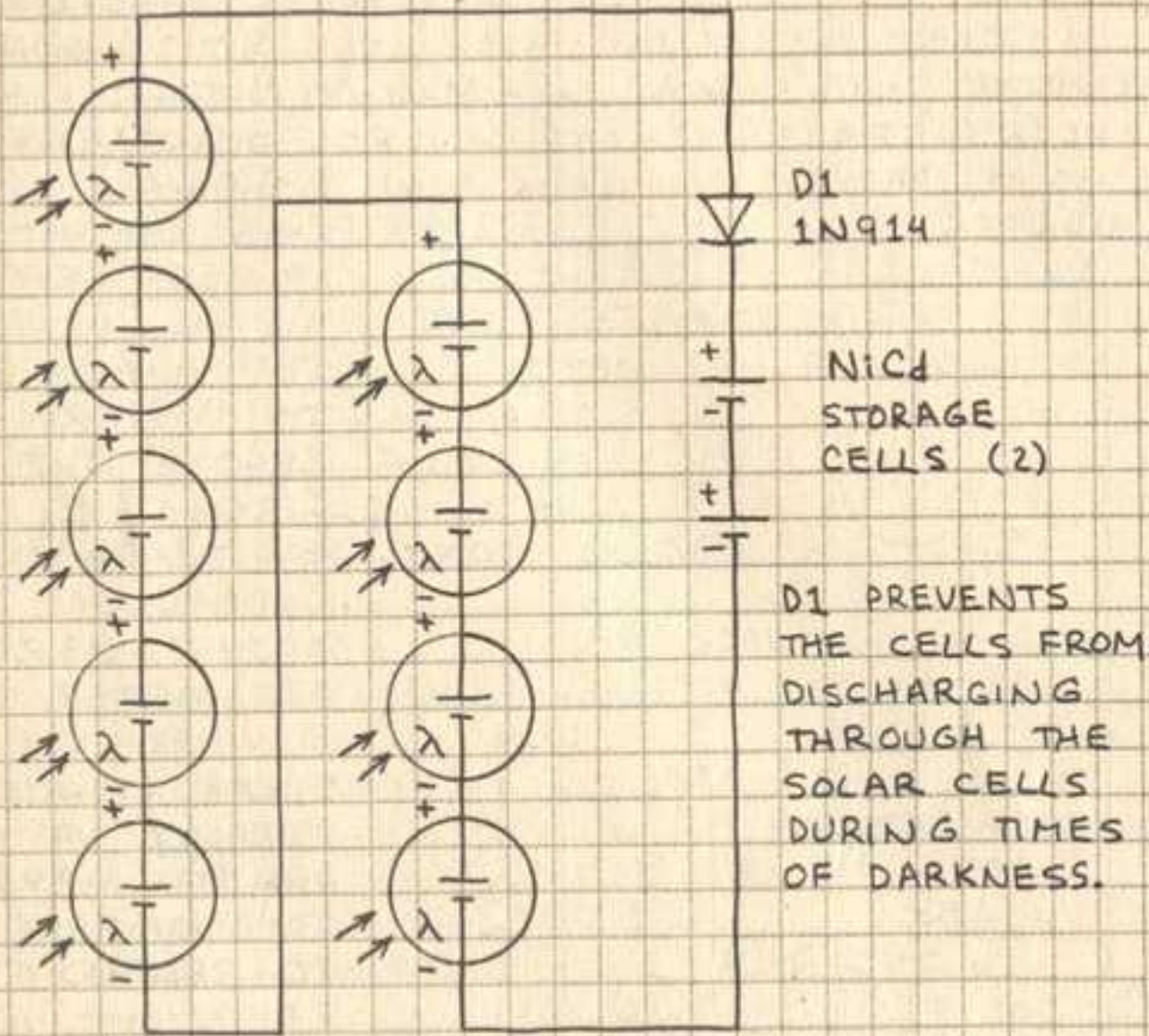
ULTRA-SENSITIVE LIGHT METER



IF ULTRA-HIGH SENSITIVITY IS NOT REQUIRED, OMIT THE UPPER RESISTORS AND USE THE LOWER TWO OR THREE.

SOLAR BATTERY CHARGER

AN ARRAY OF SOLAR CELLS WILL RECHARGE ONE OR MORE NICKEL-CADMIUM (NiCd) STORAGE CELLS. FOR EXAMPLE, NINE SOLAR CELLS CONNECTED IN SERIES WILL CHARGE TWO NiCd CELLS CONNECTED IN SERIES:

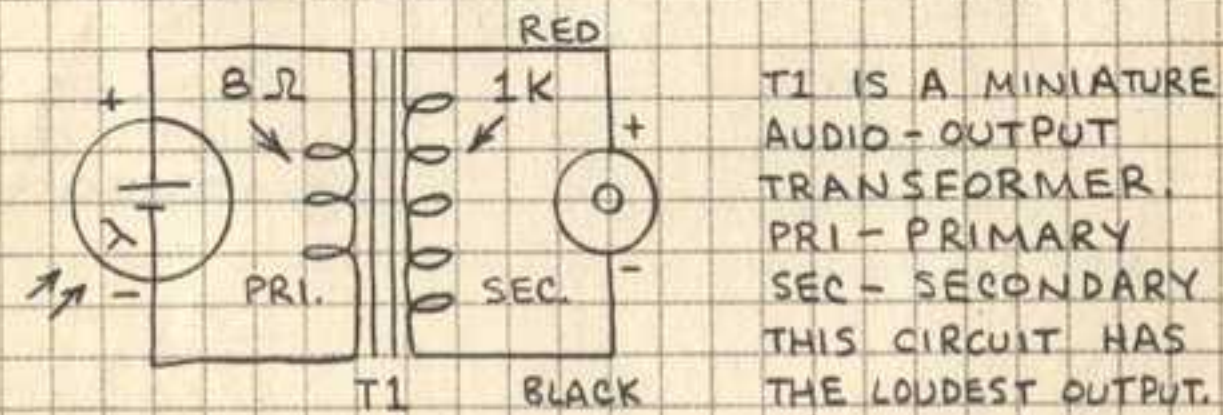
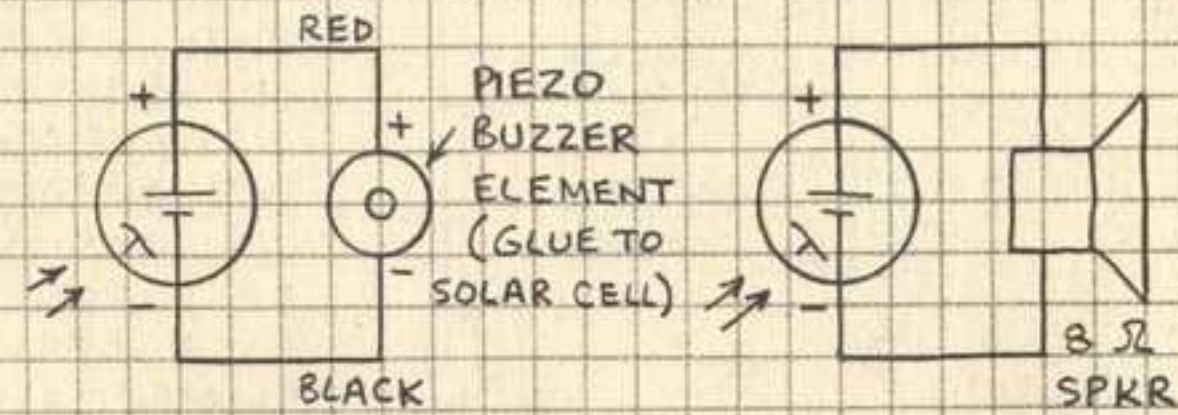


A SINGLE SILICON SOLAR CELL PRODUCES AN OPEN-CIRCUIT POTENTIAL OF FROM 0.45 TO 0.5 VOLT. A SINGLE CELL CAN PRODUCE A CURRENT OF AN AMPERE OR MORE DEPENDING ON THE AREA OF THE CELL AND THE SUNLIGHT INTENSITY. IMPORTANT: THE SOLAR CELL CURRENT MUST NOT EXCEED THE SAFE CHARGING RATE OF THE NiCd CELLS. THE OUTPUT VOLTAGE OF CELLS IN SERIES IS THE SUM OF THE CELL VOLTAGES. SOLAR CELLS ARE FRAGILE. CONNECT THEM WITH WRAPPING WIRE. MOUNT WITH SILICONE SEALANT.

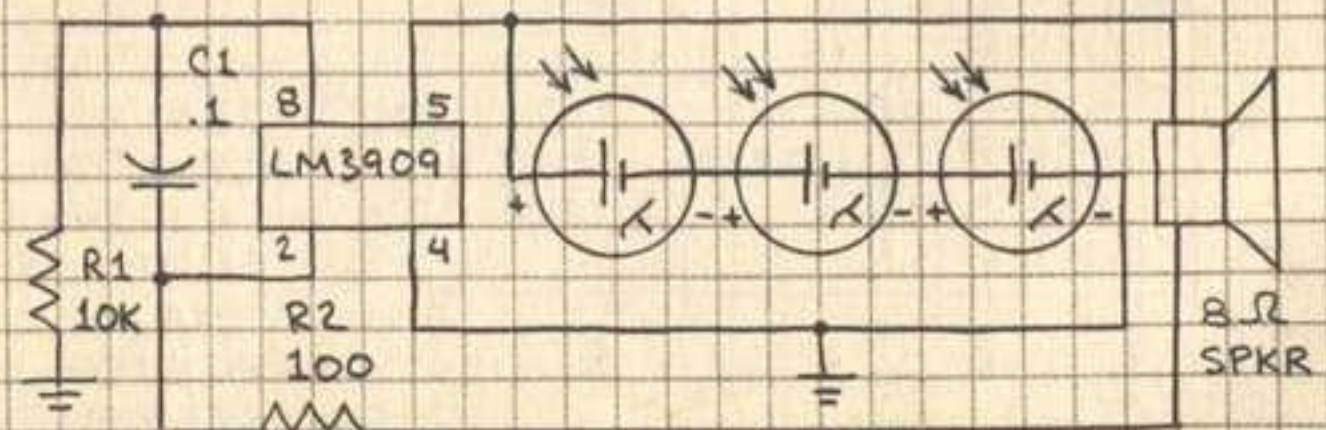
SOLAR-POWERED CIRCUITS

ULTRA-SIMPLE LIGHT RECEIVERS

THESE THREE RECEIVER CIRCUITS REQUIRE NO SOURCE OF POWER BEYOND THE LIGHTWAVE SIGNAL THEY RECEIVE. THEY WILL TRANSFORM AN AUDIO-FREQUENCY MODULATED LIGHT BEAM DIRECTLY INTO SOUND. THEY CAN BE USED TO CHECK INFRARED REMOTE CONTROL TRANSMITTERS AND TO RECEIVE VOICE OR TONE LIGHTWAVE SIGNALS.



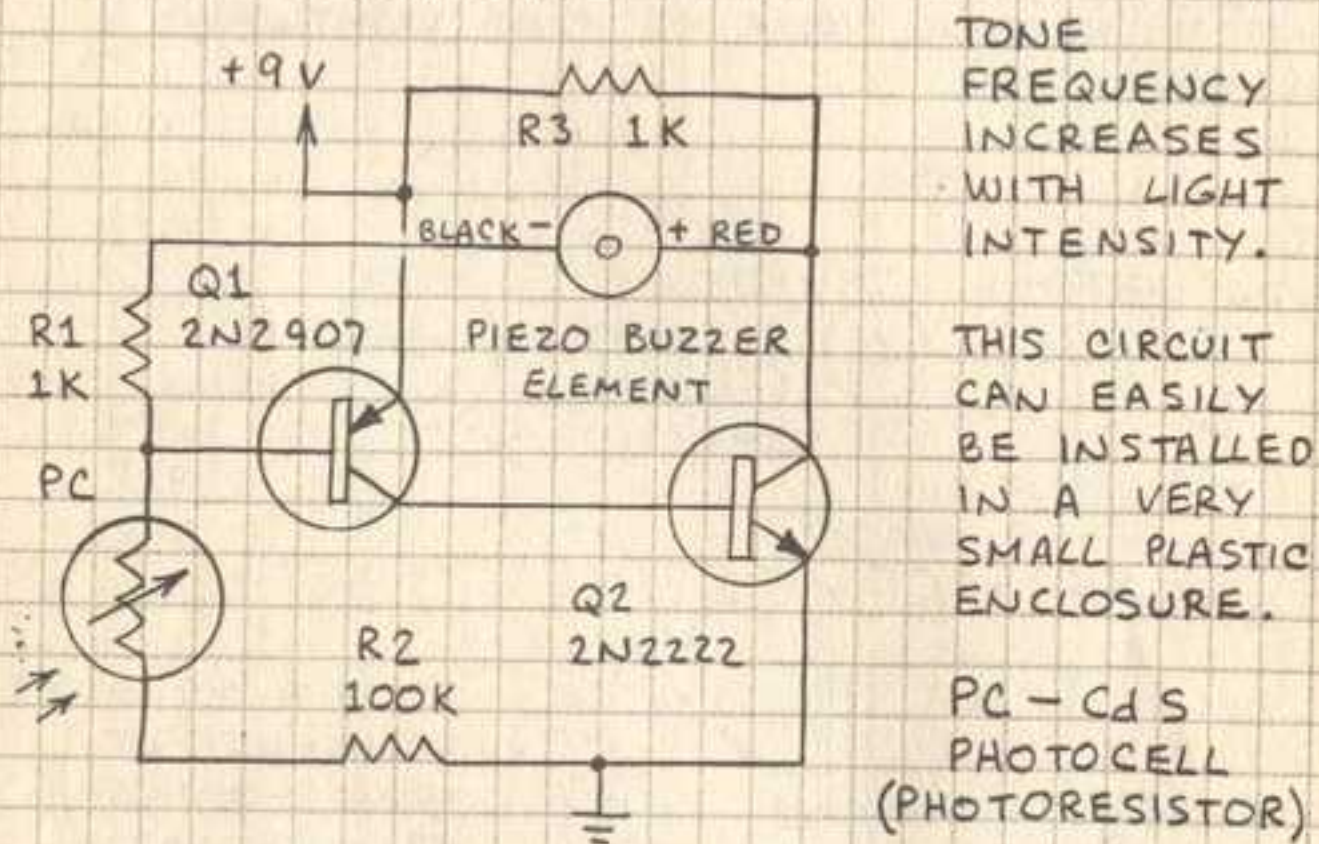
SUN-POWERED OSCILLATOR



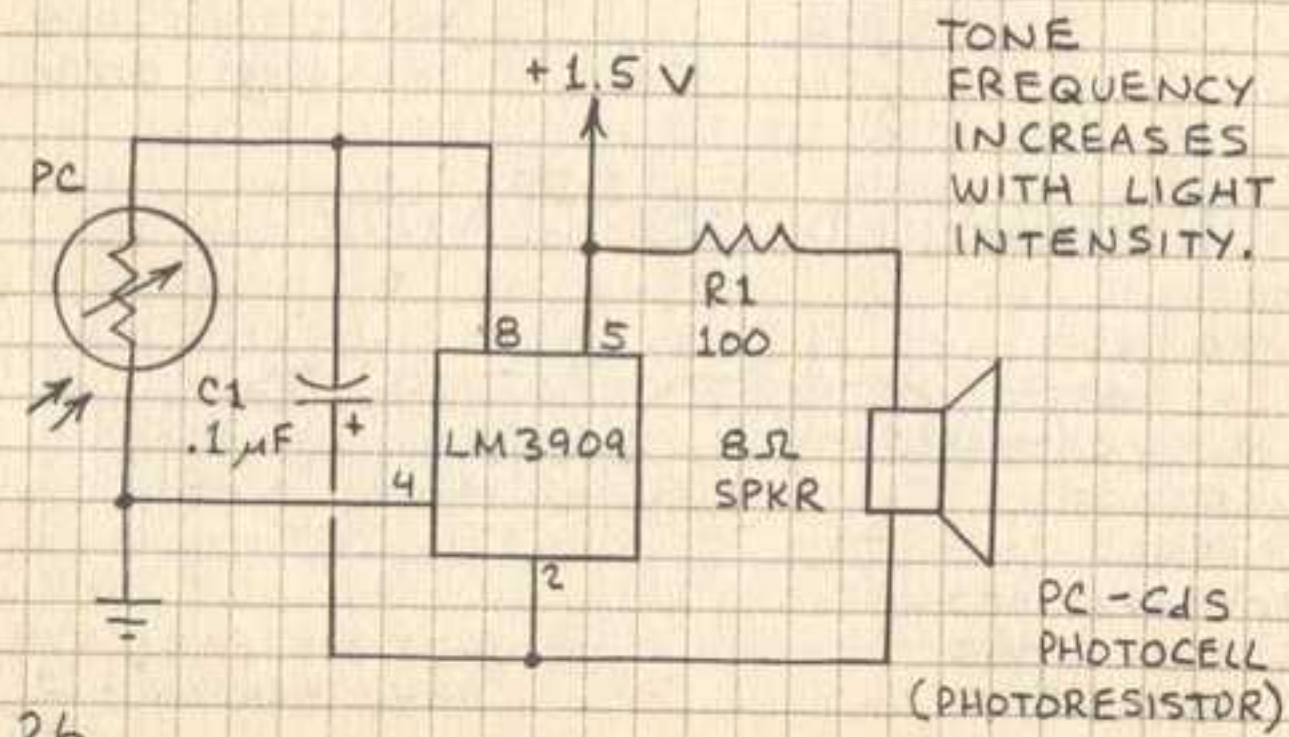
LIGHT-SENSITIVE OSCILLATORS

THESE SIMPLE CIRCUITS ARE SOMETIMES CALLED AUDIBLE LIGHT PROBES. IF THE CIRCUIT IS ADJUSTED SO THE OSCILLATION JUST CEASES WHEN THE SENSOR IS DARK, THE CIRCUIT WILL EMIT CLICKS IN RESPONSE TO A CANDLE FLAME UP TO 100 FEET AWAY.

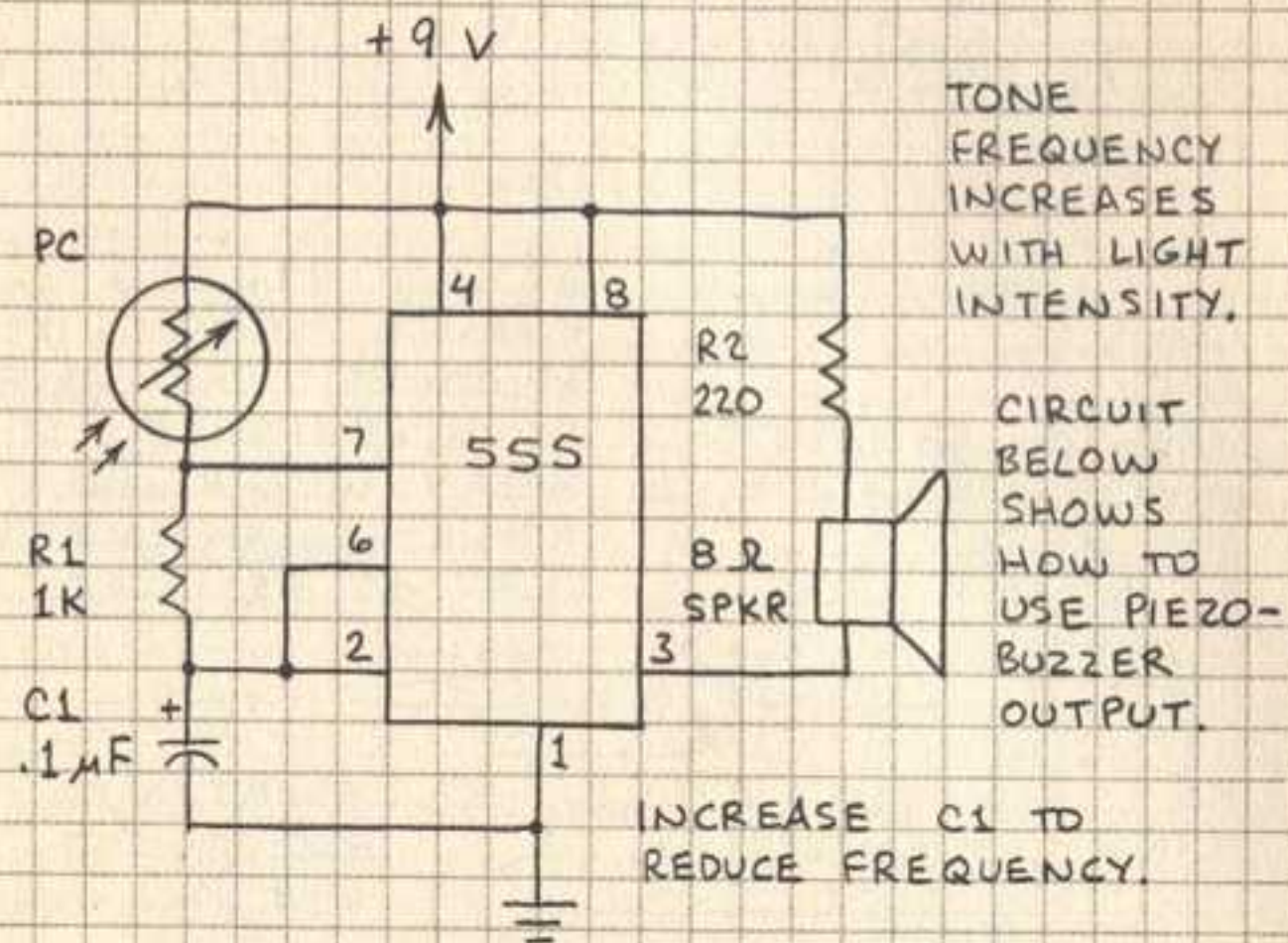
TRANSISTOR



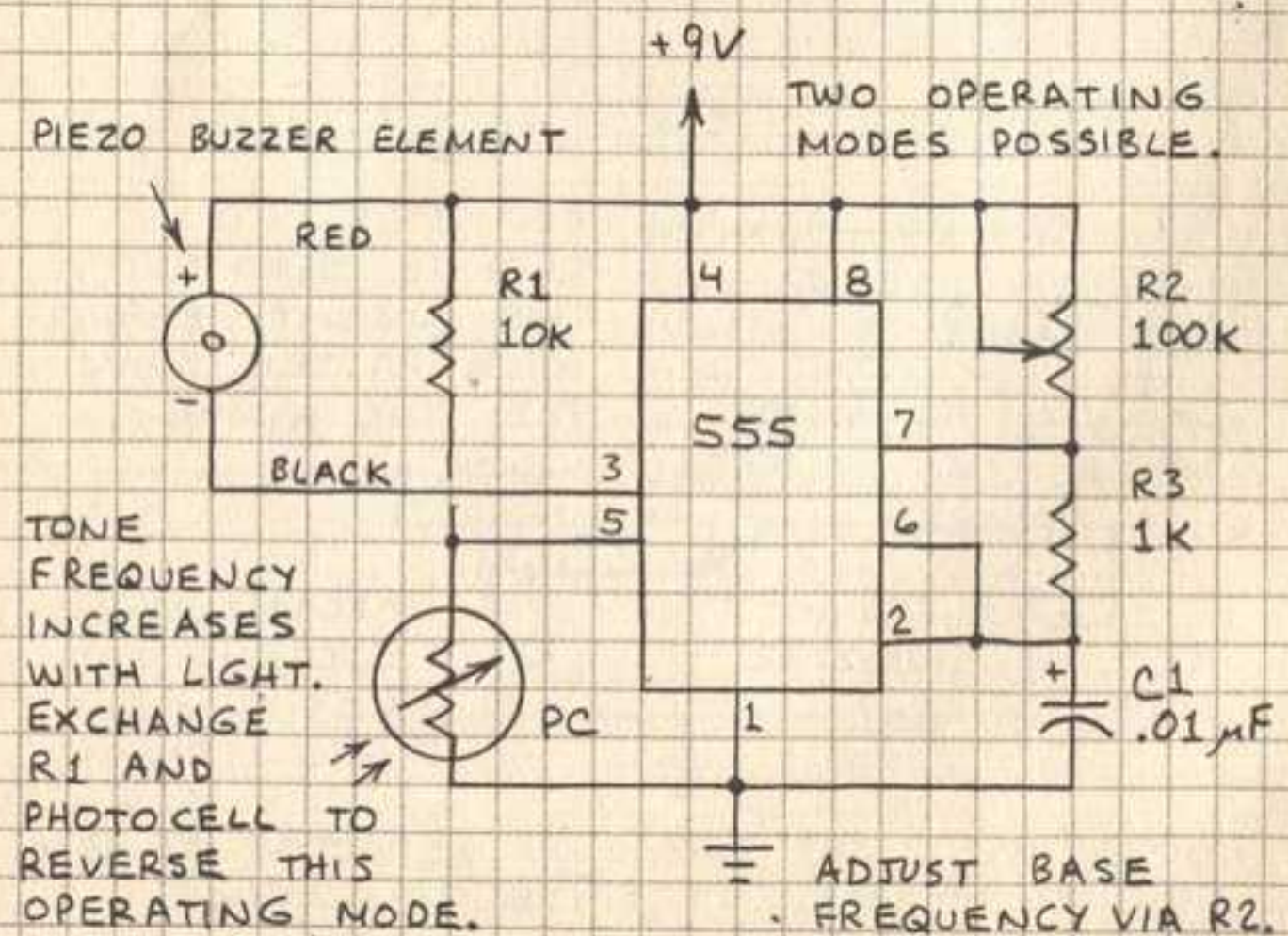
LM3909



555 (BASIC OSCILLATOR)

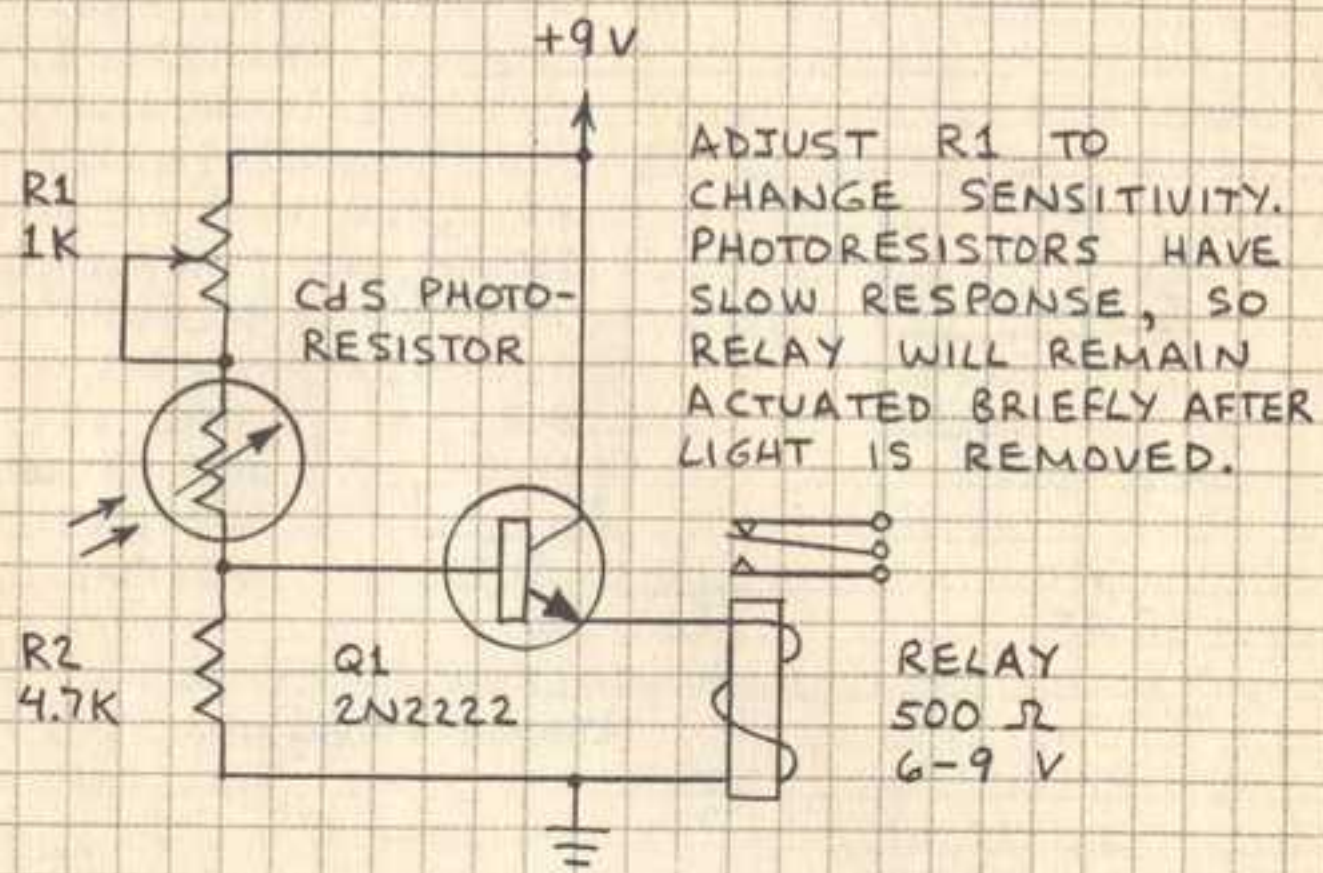


555 (VOLTAGE-CONTROLLED OSCILLATOR)

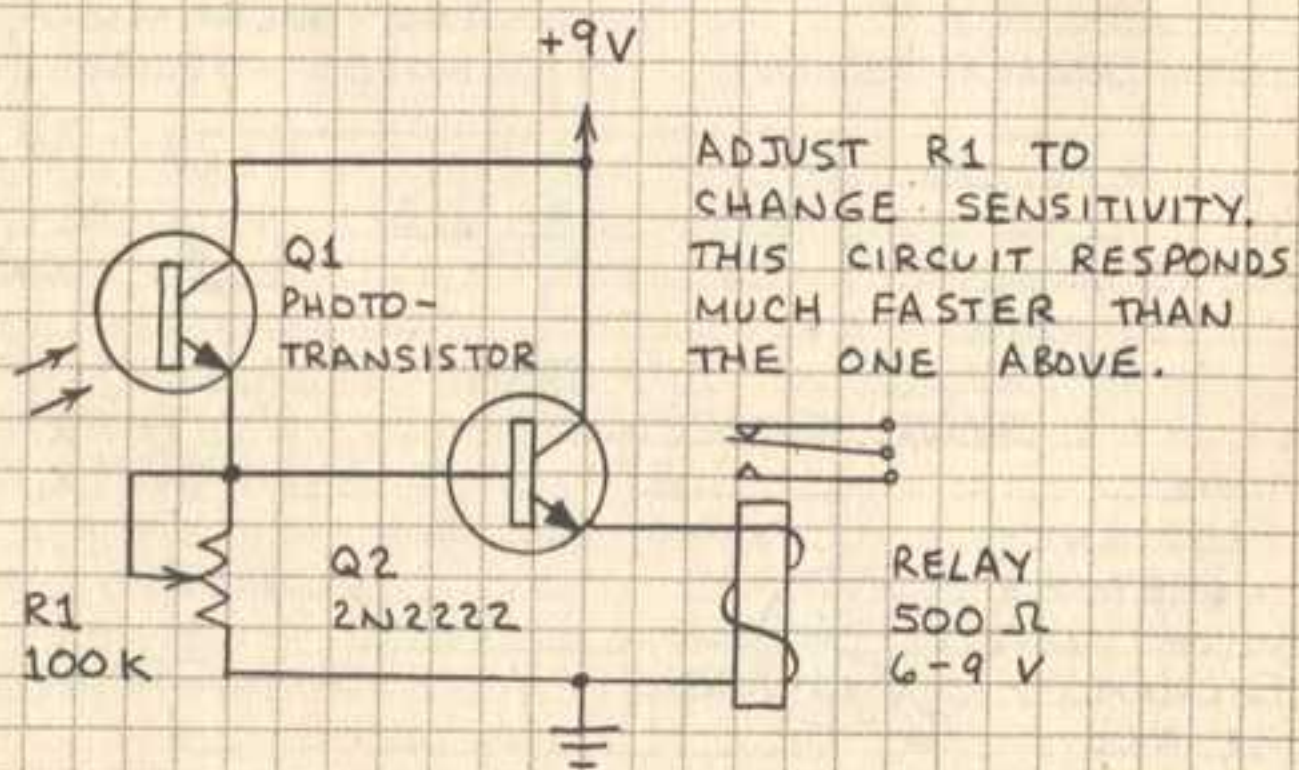


LIGHT-ACTIVATED RELAYS

PHOTORESISTOR



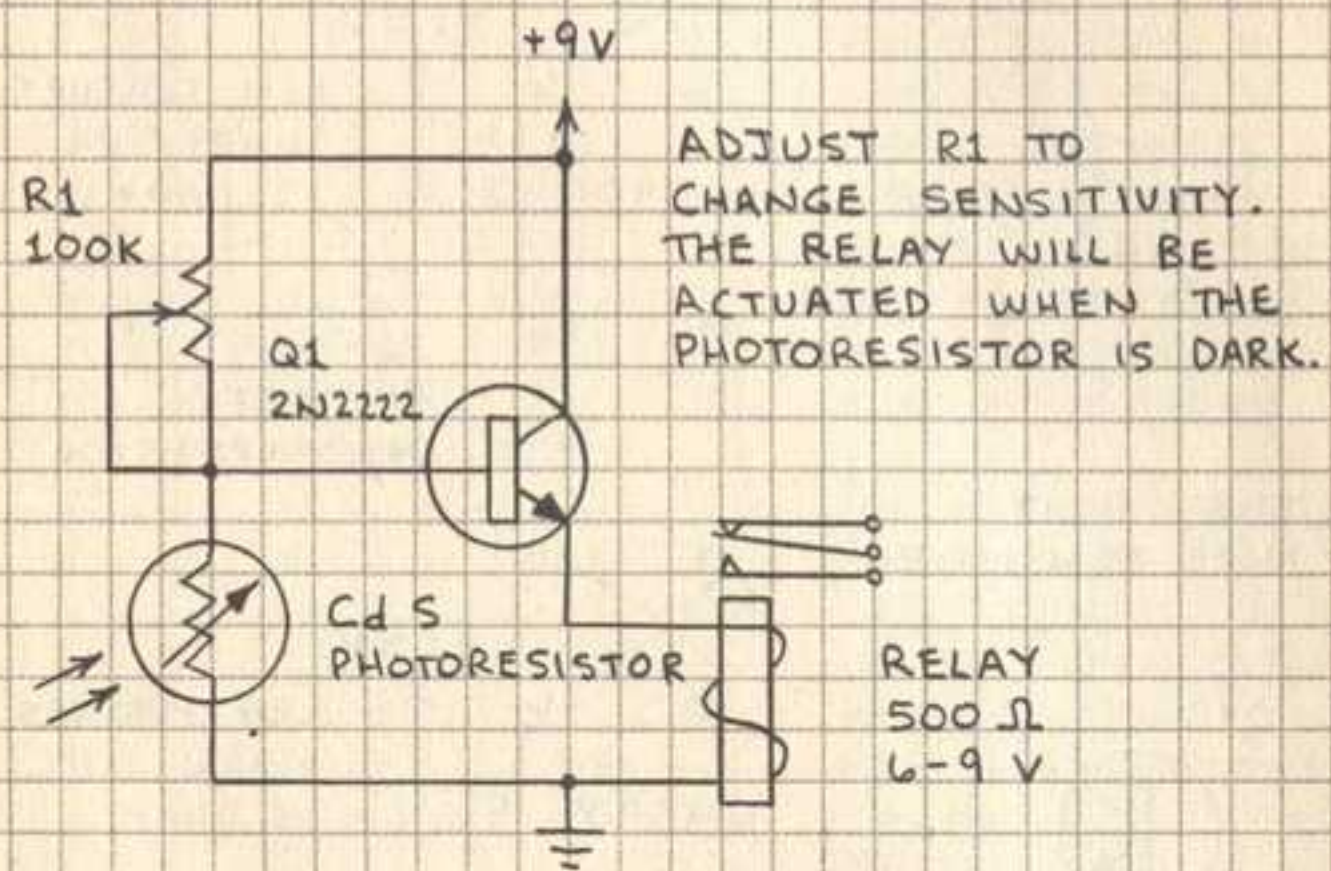
PHOTOTRANSISTOR



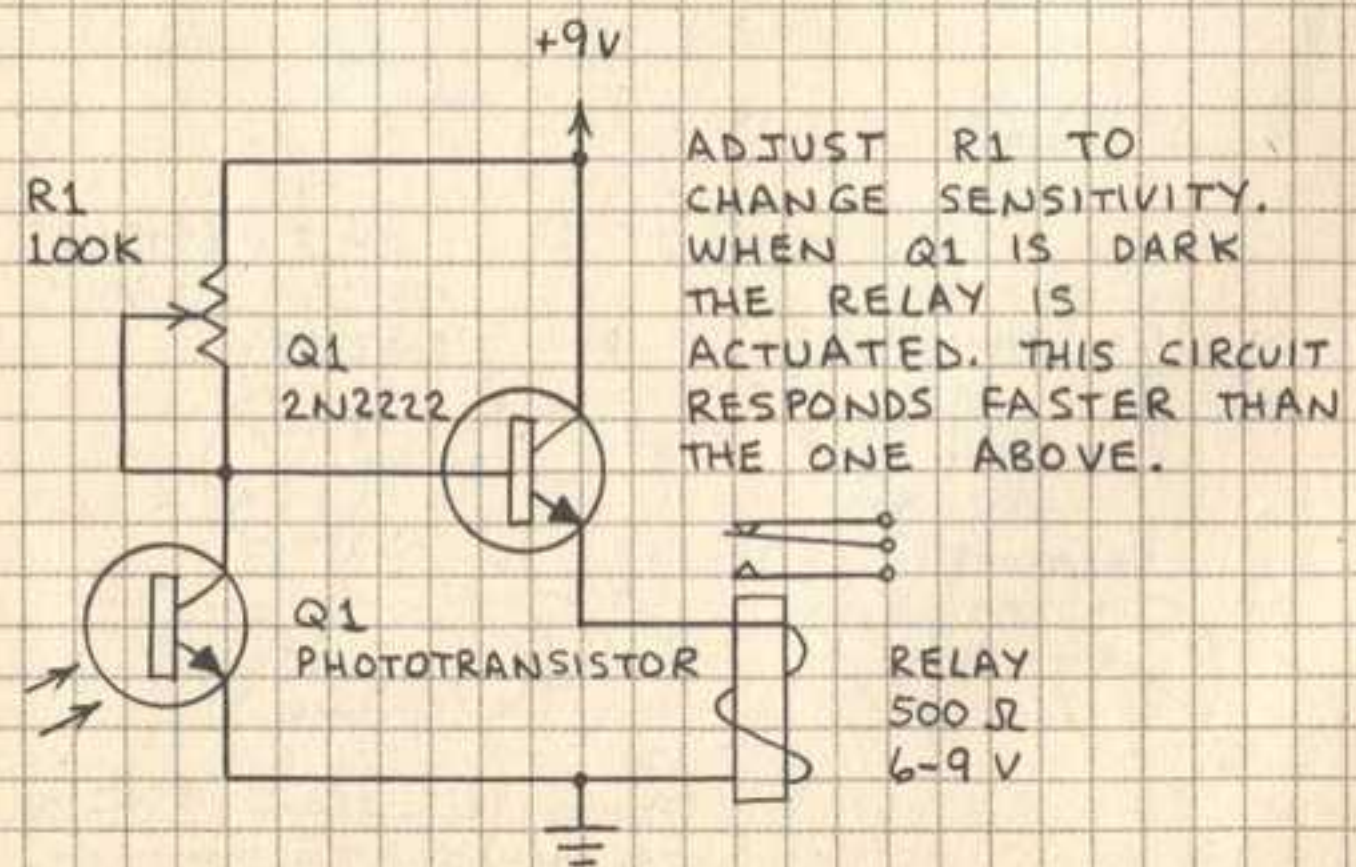
NOTE: USE LIGHT SHIELD AT DETECTOR OF BOTH CIRCUITS TO PREVENT FALSE TRIGGERING.

DARK-ACTIVATED RELAYS

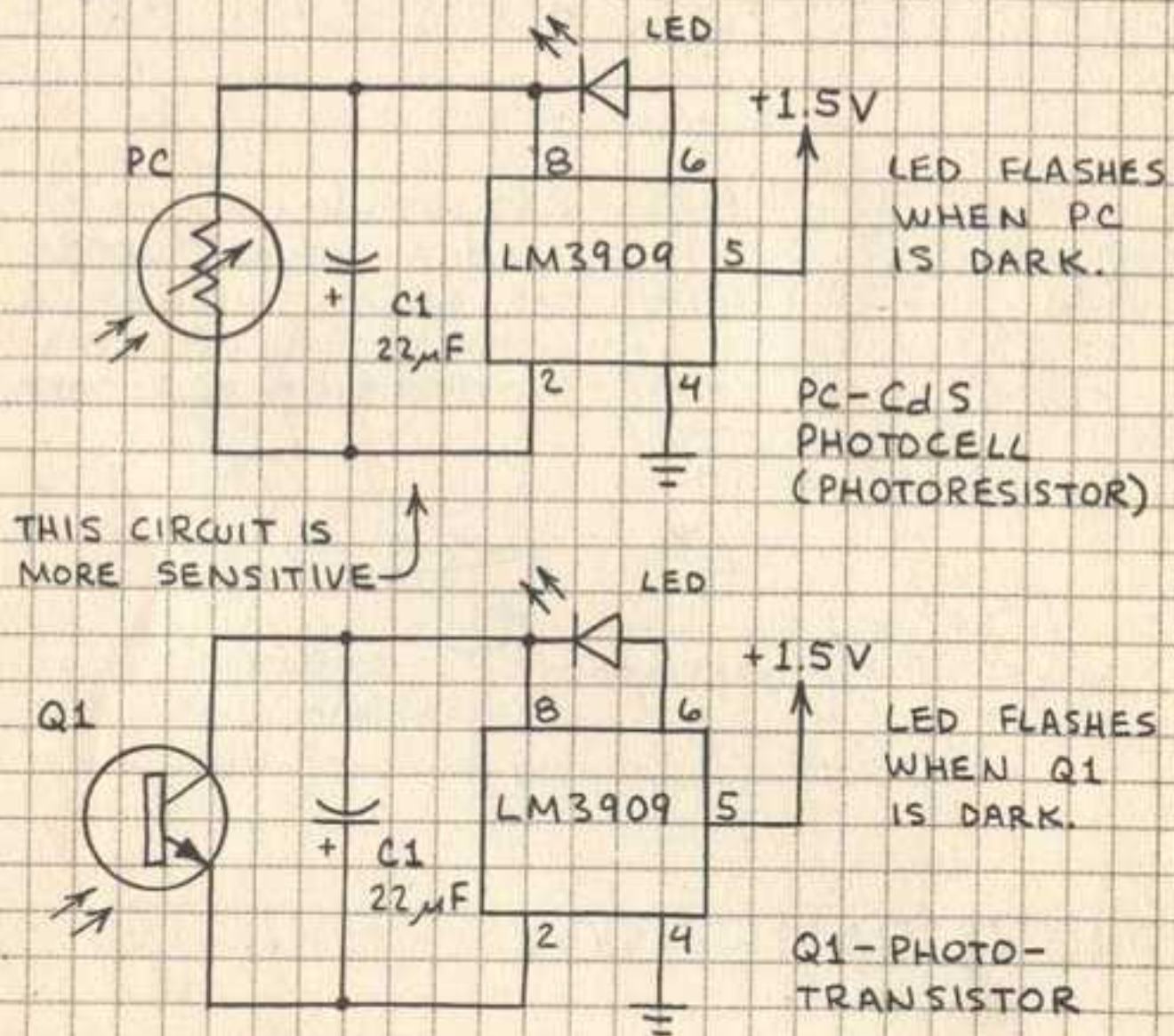
PHOTORESISTOR



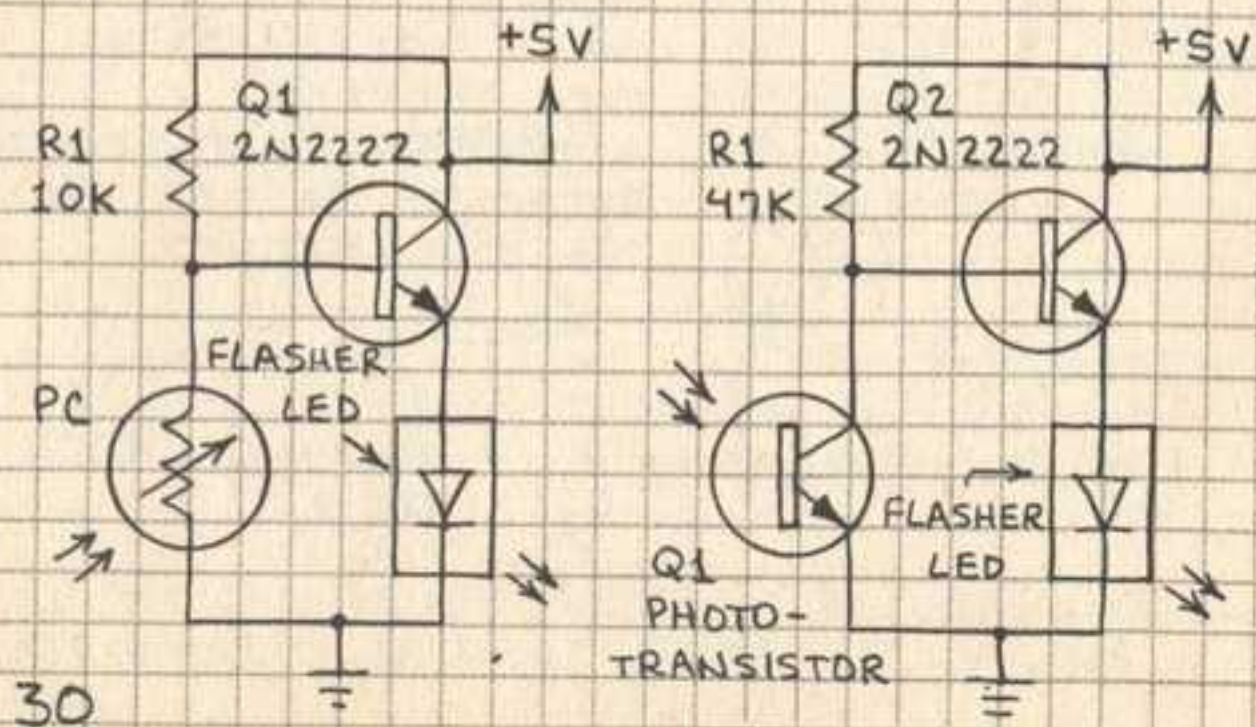
PHOTOTRANSISTOR



DARK-ACTIVATED LED FLASHERS LM3909

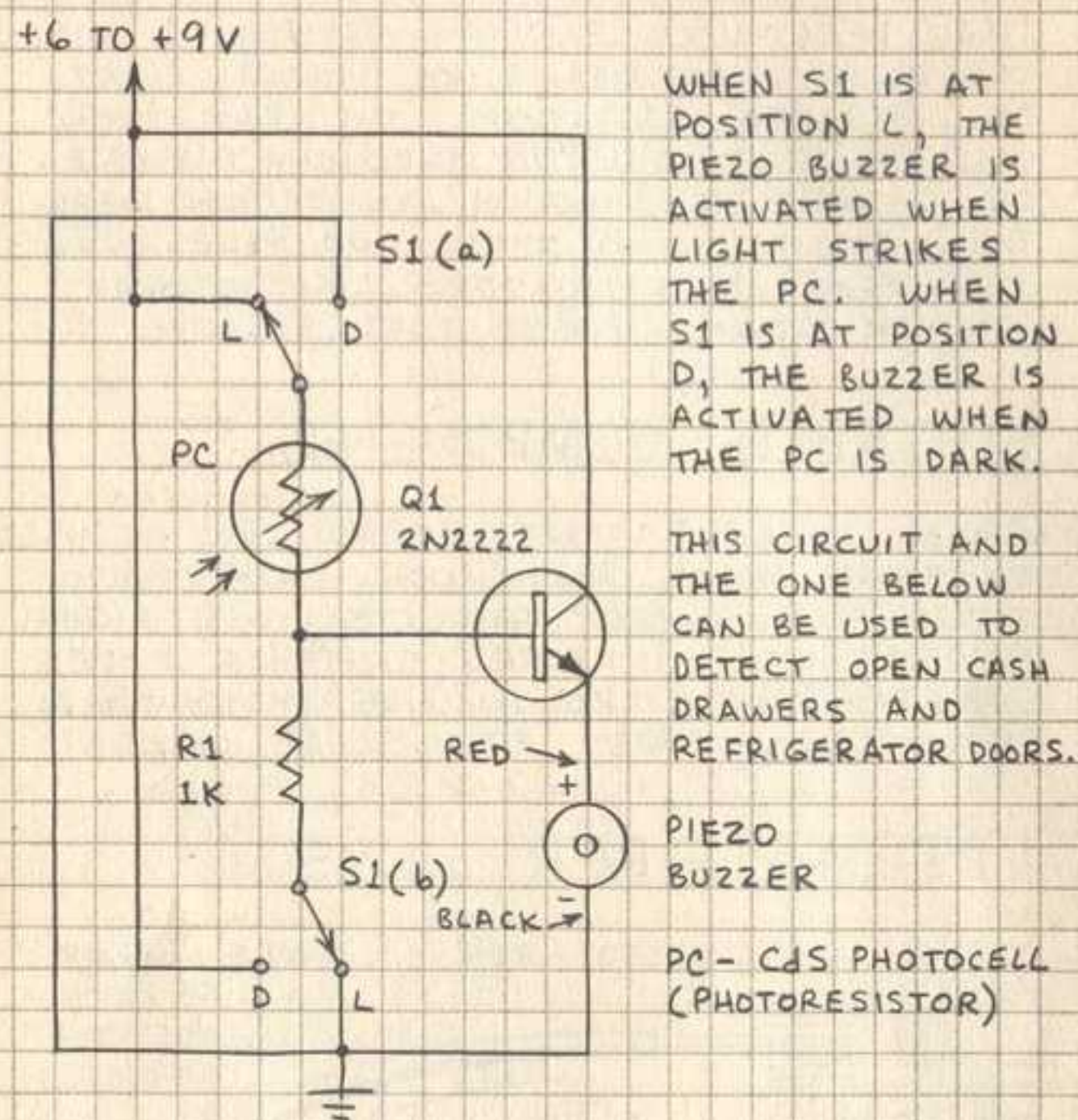


FLASHER LED

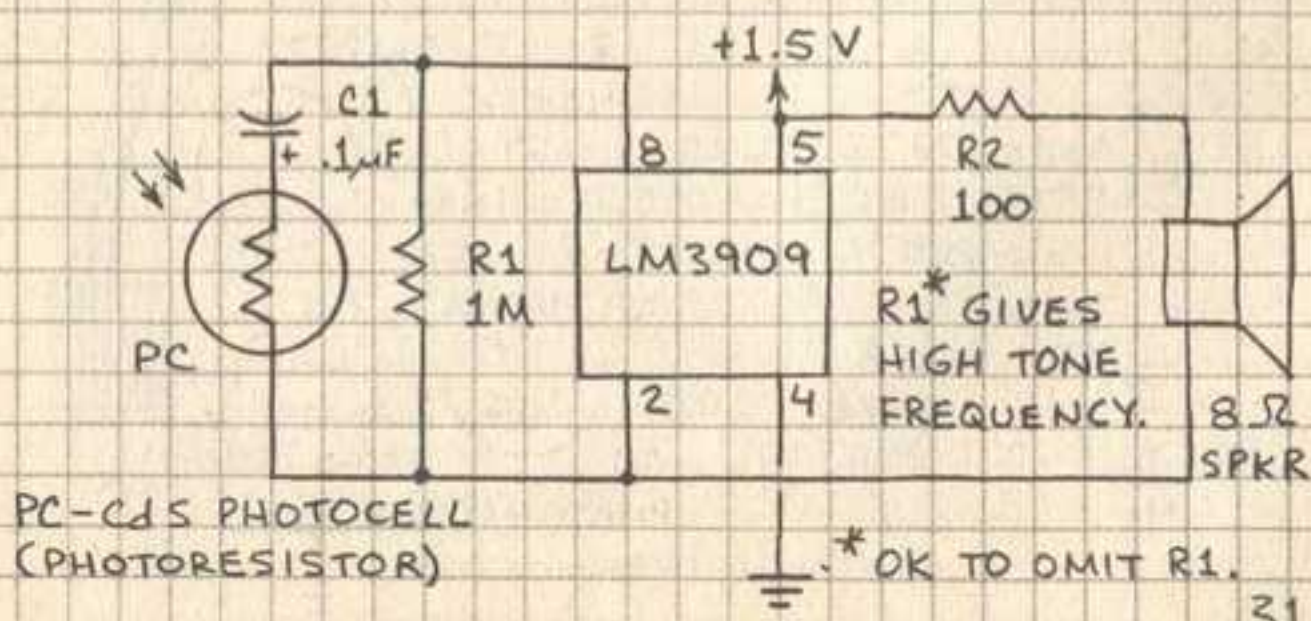


30

LIGHT/DARK ACTIVATED ALERTER



LIGHT-ACTIVATED TONE



31

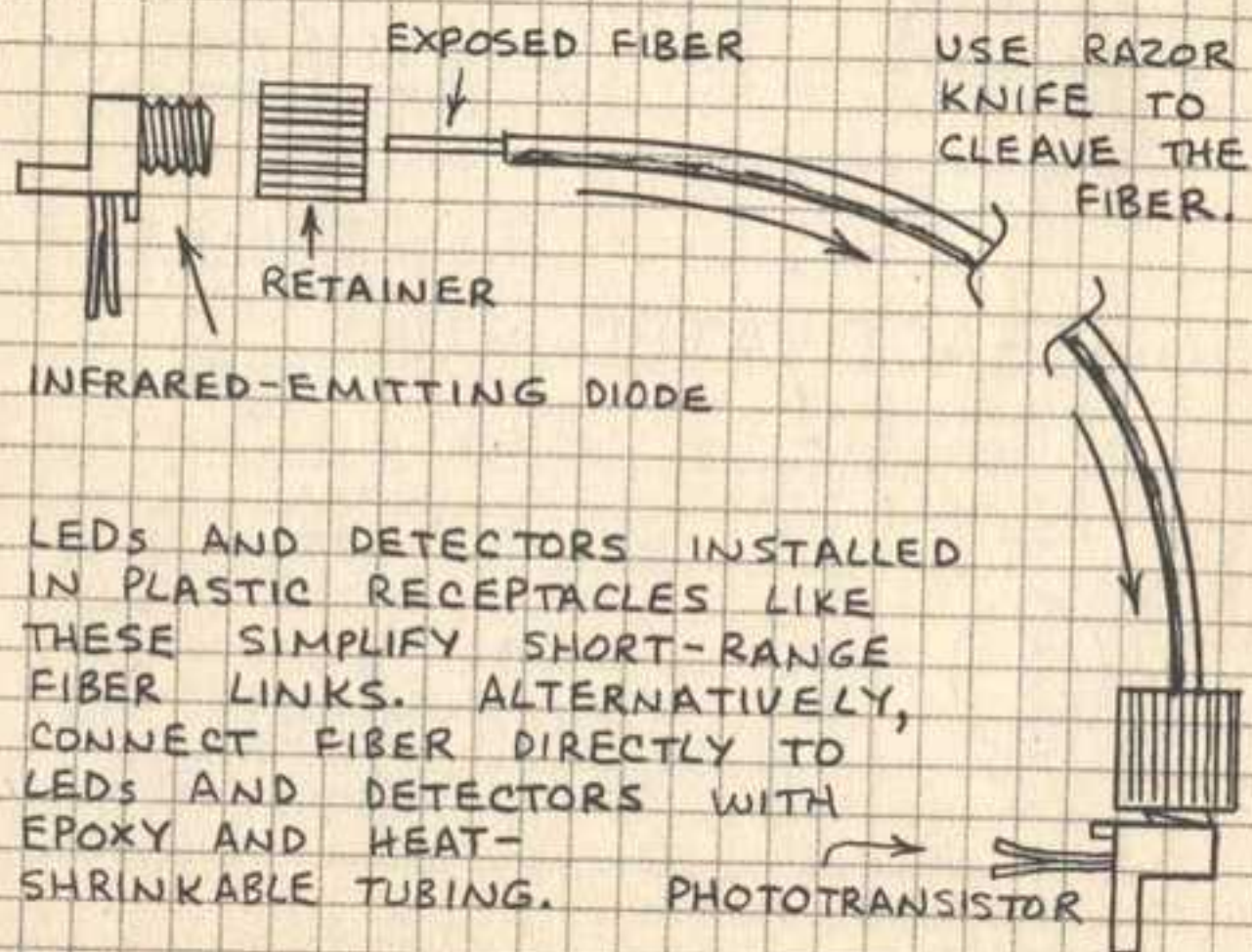
LIGHTWAVE COMMUNICATIONS

IT IS RELATIVELY EASY TO TRANSMIT VOICE OR SIGNALS BY MEANS OF VISIBLE LIGHT OR INFRARED RADIATION. THE RADIATION CAN BE SENT DIRECTLY THROUGH THE AIR OR CHANNLED THROUGH AN OPTICAL FIBER. THE INFORMATION ON THESE TWO PAGES WILL ASSIST YOU IN USING THE LIGHTWAVE COMMUNICATION CIRCUITS THAT FOLLOW.

SUITABLE COMPONENTS

SMALL INCANDESCENT LAMPS CAN BE USED TO SEND VOICE AND AUDIO-FREQUENCY SIGNALS. FOR BEST RESULTS, USE HIGH-POWER, NEAR-INFRARED-EMITTING DIODES. SUITABLE DETECTORS INCLUDE PHOTODIODES, PHOTOTRANSISTORS, AND SOLAR CELLS.

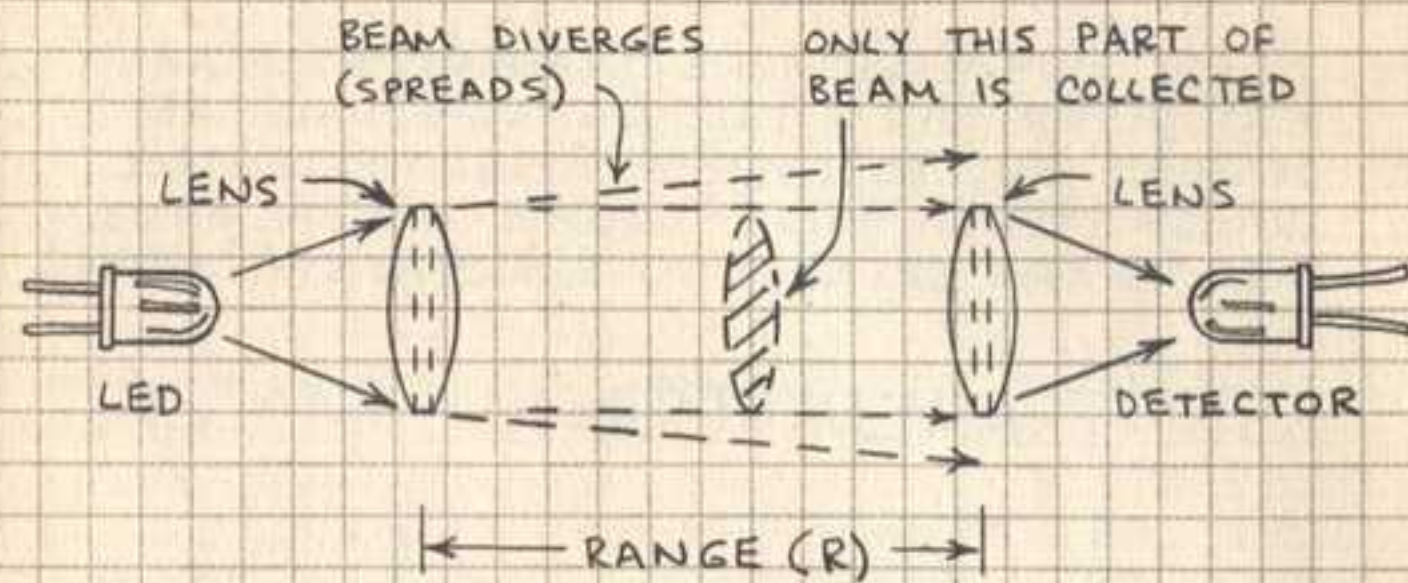
OPTICAL FIBER LINKS



LEDs AND DETECTORS INSTALLED IN PLASTIC RECEPTACLES LIKE THESE SIMPLIFY SHORT-RANGE FIBER LINKS. ALTERNATIVELY, CONNECT FIBER DIRECTLY TO LEDs AND DETECTORS WITH EPOXY AND HEAT-SHRINKABLE TUBING.

32

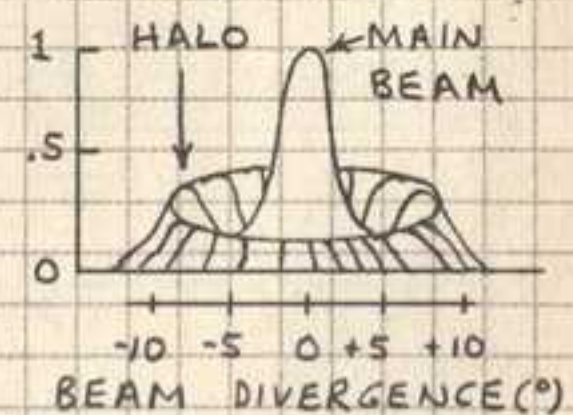
FREE-SPACE LINKS



A PAIR OF LENSES WILL GREATLY INCREASE THE RANGE. USE LENSES FROM MAGNIFYING GLASS OR ORDER FROM SCIENCE SUPPLY FIRM.

FOR BEST RESULTS SHIELD DETECTOR FROM EXTERNAL LIGHT WITH HOLLOW TUBE LINED WITH BLACK PAPER OR COATED WITH FLAT BLACK PAINT. A PIECE OF DEVELOPED COLOR FILM MAKES A GOOD NEAR-INFRARED FILTER.

PRACTICE FOCUSING AN INFRARED LED BY FIRST USING A RED LED. NOTE THAT RAW BEAM FROM CLEAR ENCAPSULATED LED SHOWS BRIGHT SQUARE (THE CHIP) INSIDE DIFFUSE RED HALO. THE HALO IS NOT ELIMINATED BY AN EXTERNAL LENS. TYPICAL BEAM



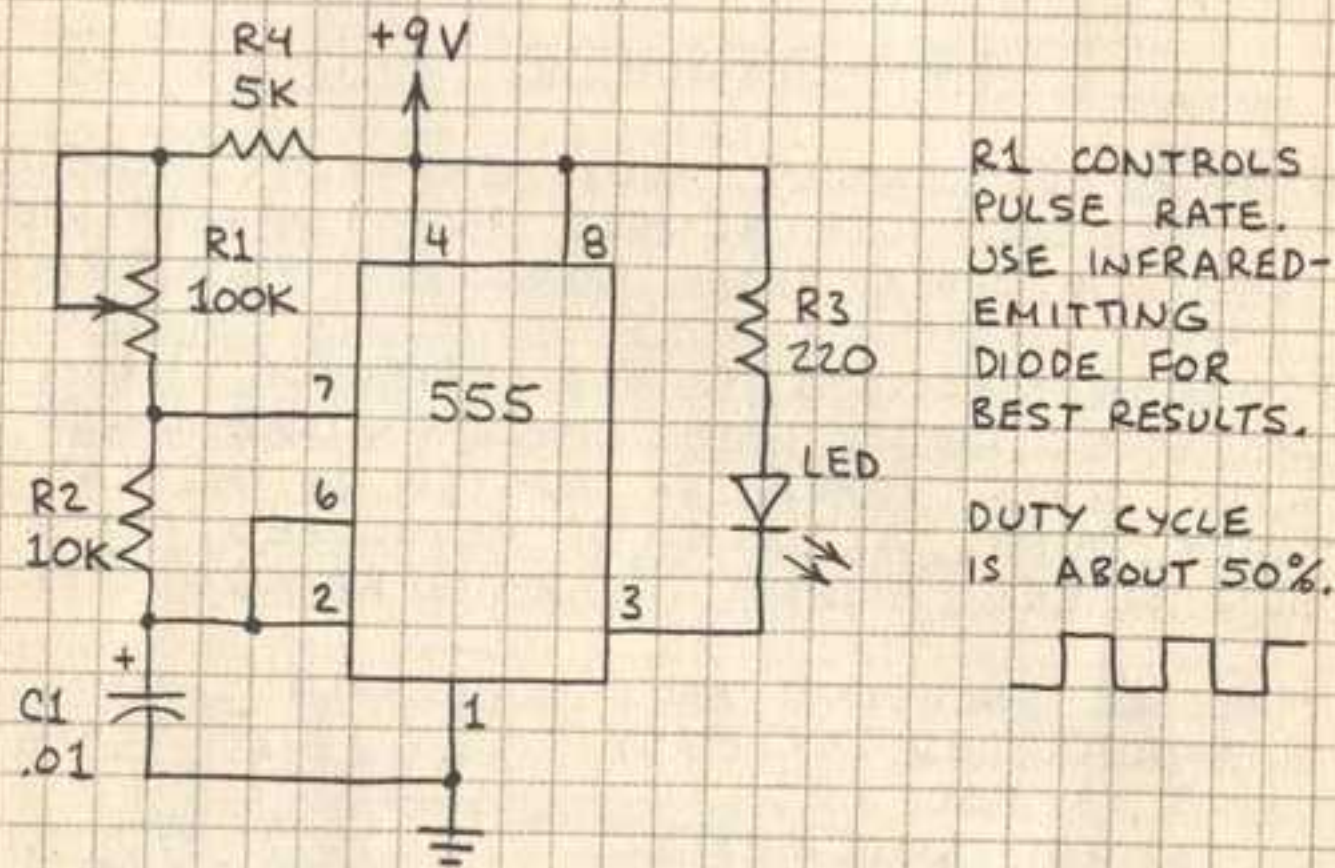
FOCUSING AND ALIGNING AN INFRARED FREE-SPACE LINK IS TRICKY. MOUNT THE TRANSMITTER ON A TRIPOD FOR BEST RESULTS. DOUBLING THE DIAMETER OF THE RECEIVER LENS WILL APPROXIMATELY DOUBLE THE MAXIMUM RANGE. FOR MORE DETAILS, SEE "A PRACTICAL INTRODUCTION TO LIGHTWAVE COMMUNICATIONS" (FORREST MIMS, SAMS, 1982).

33

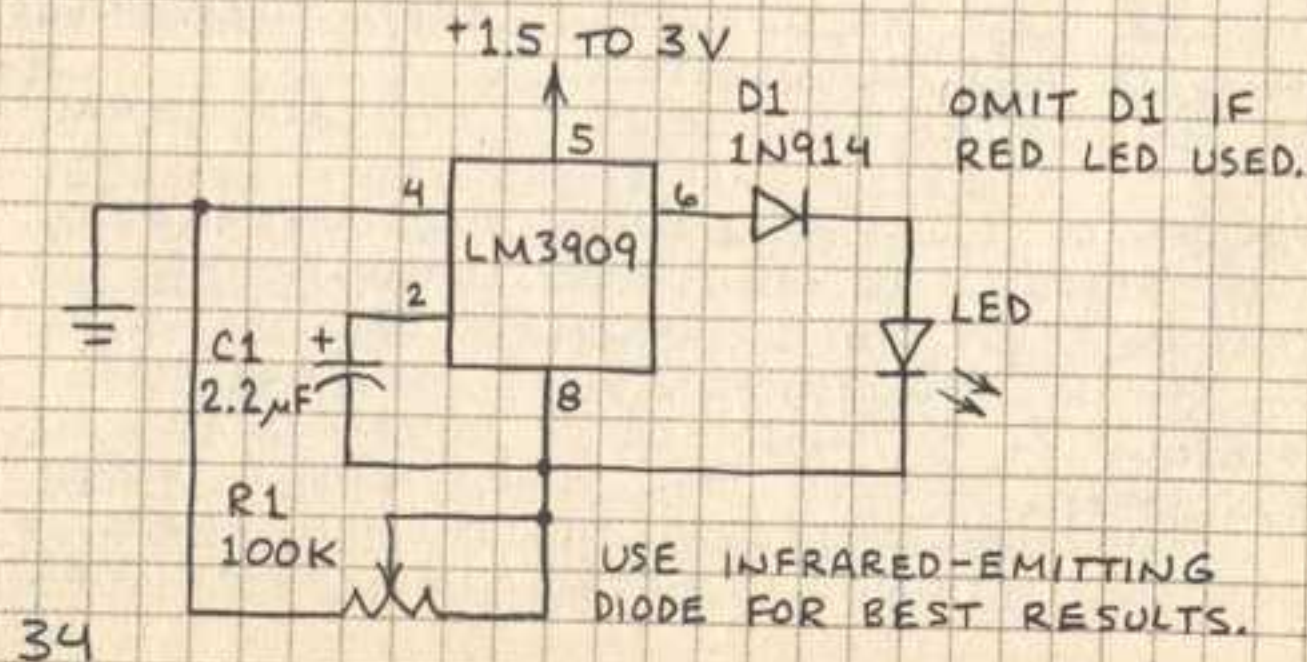
LIGHTWAVE TONE TRANSMITTERS

SIMPLE LIGHTWAVE TONE TRANSMITTERS ARE VERY USEFUL WHEN TESTING LIGHTWAVE RECEIVERS AND AS CODE AND REMOTE CONTROL TRANSMITTERS. THESE CIRCUITS AND THE ONE ON PAGE 40 CAN BE BUILT IN SMALL PLASTIC BOXES.

555 TRANSMITTER



LM3909 TRANSMITTER



SIMPLE LIGHTWAVE RECEIVERS

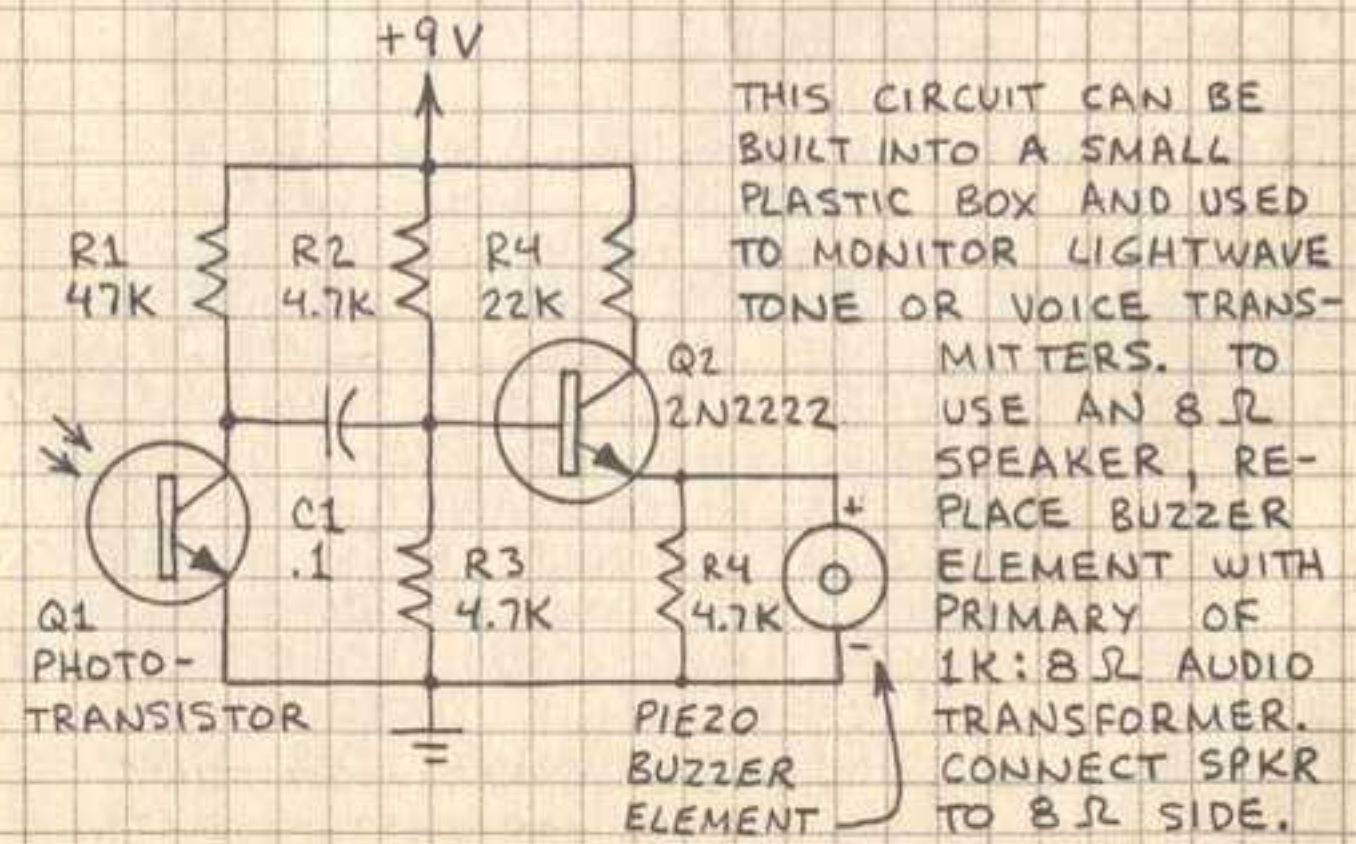
CIRCUITS CAPABLE OF RECEIVING MODULATED LIGHTWAVE SIGNALS ARE EASY TO BUILD. THREE ADVANCED RECEIVERS ARE SHOWN ON THE FOLLOWING PAGES. HERE ARE TWO VERY SIMPLE RECEIVERS (ALSO SEE PAGE 25):

"INSTANT" LIGHTWAVE RECEIVER



CONNECT THE SOLAR CELL DIRECTLY TO THE INPUT JACK OF THE AMPLIFIER. THE SPEAKER MAY BE BUILT-IN OR EXTERNAL. THIS RECEIVER WILL DETECT TONE AND VOICE MODULATED SIGNALS.

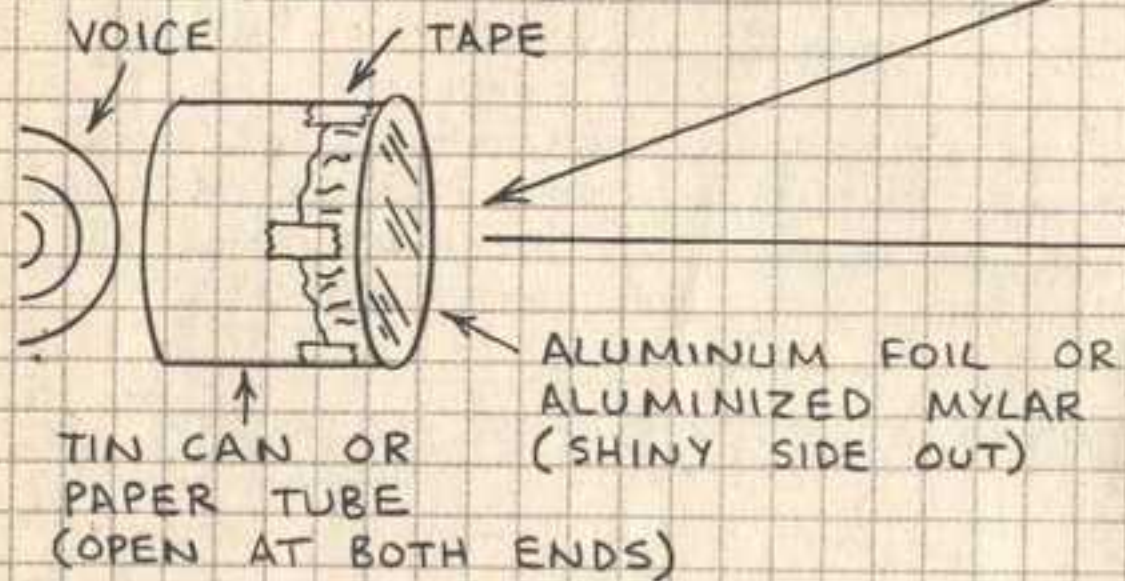
TWO-TRANSISTOR RECEIVER



THE PHOTOPHONE

ON FEBRUARY 19, 1880, ALEXANDER GRAHAM BELL AND SUMNER TAINTER, PROF. BELL'S LABORATORY ASSISTANT, BECAME THE FIRST PEOPLE TO TRANSMIT THEIR VOICES OVER A BEAM OF ELECTROMAGNETIC RADIATION. BELL CALLED HIS INVENTION THE PHOTOPHONE AND SAID IT WAS FUNDAMENTALLY A GREATER INVENTION THAN THE TELEPHONE. THE PHOTOPHONE IS EASILY DUPLICATED.

PHOTOPHONE TRANSMITTER



THE ALUMINUM FOIL OR ALUMINIZED FILM SHOULD BE STRETCHED TIGHT OVER THE CAN OR TUBE AND HELD IN PLACE WITH TAPE OR A RUBBER BAND. BE SURE THE SHINY SIDE OF THE FOIL OR FILM FACES OUTWARD. TEST THE TRANSMITTER BY REFLECTING SUNLIGHT FROM IT TO A WALL SOME DISTANCE AWAY. THE REFLECTED SUNLIGHT SHOULD FORM A DISTINCT SPOT. IF NOT, THE FOIL OR FILM IS NOT TIGHT ENOUGH. FOR BEST RESULTS, MOUNT THE TRANSMITTER ON A PHOTOGRAPHER'S TRIPOD TO SIMPLIFY AIMING THE BEAM.

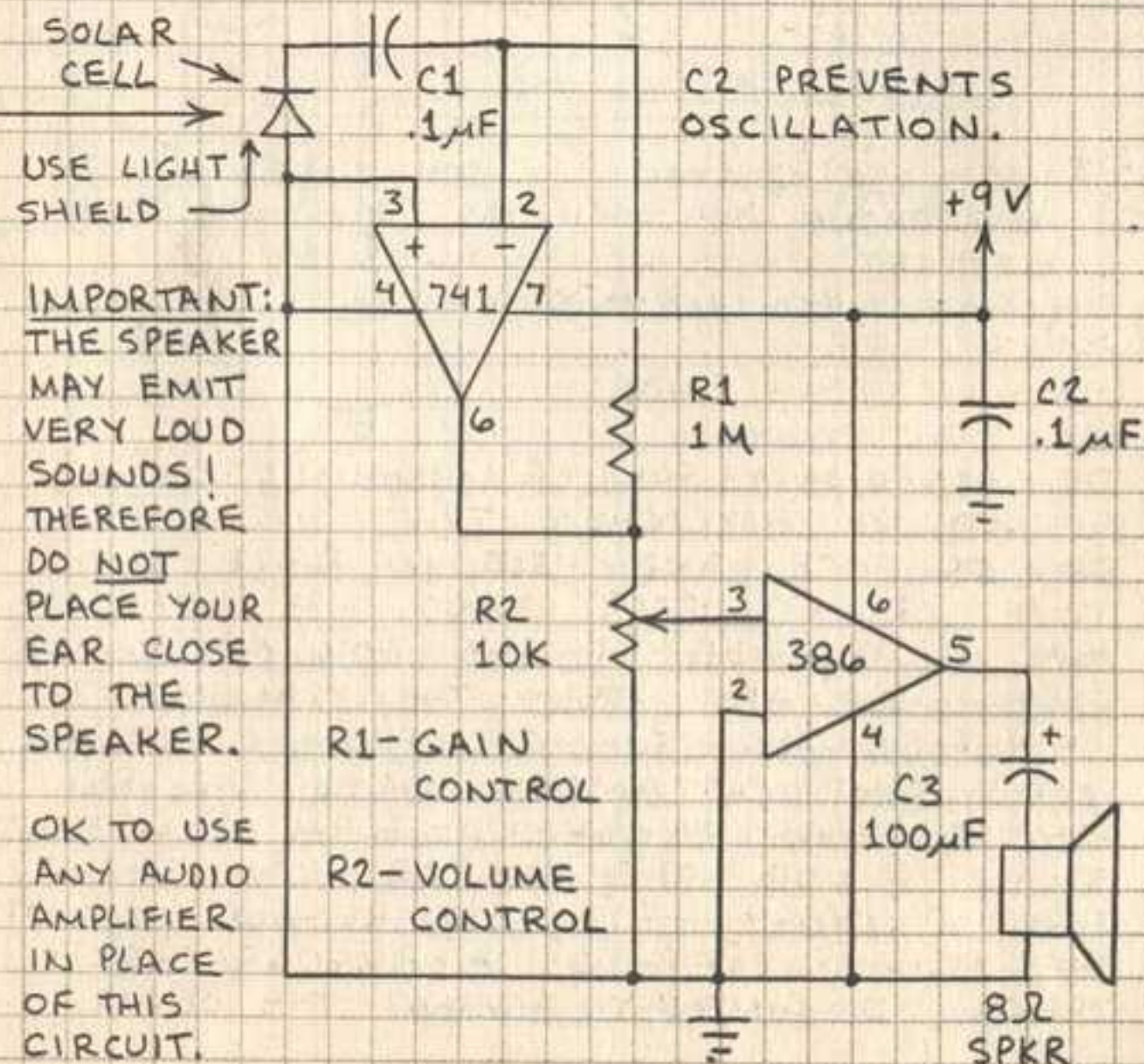
PHOTOPHONE RECEIVER

BELL'S PHOTOPHONES USED A SELENIUM DETECTOR IN SERIES WITH A BATTERY AND TELEPHONE RECEIVER.

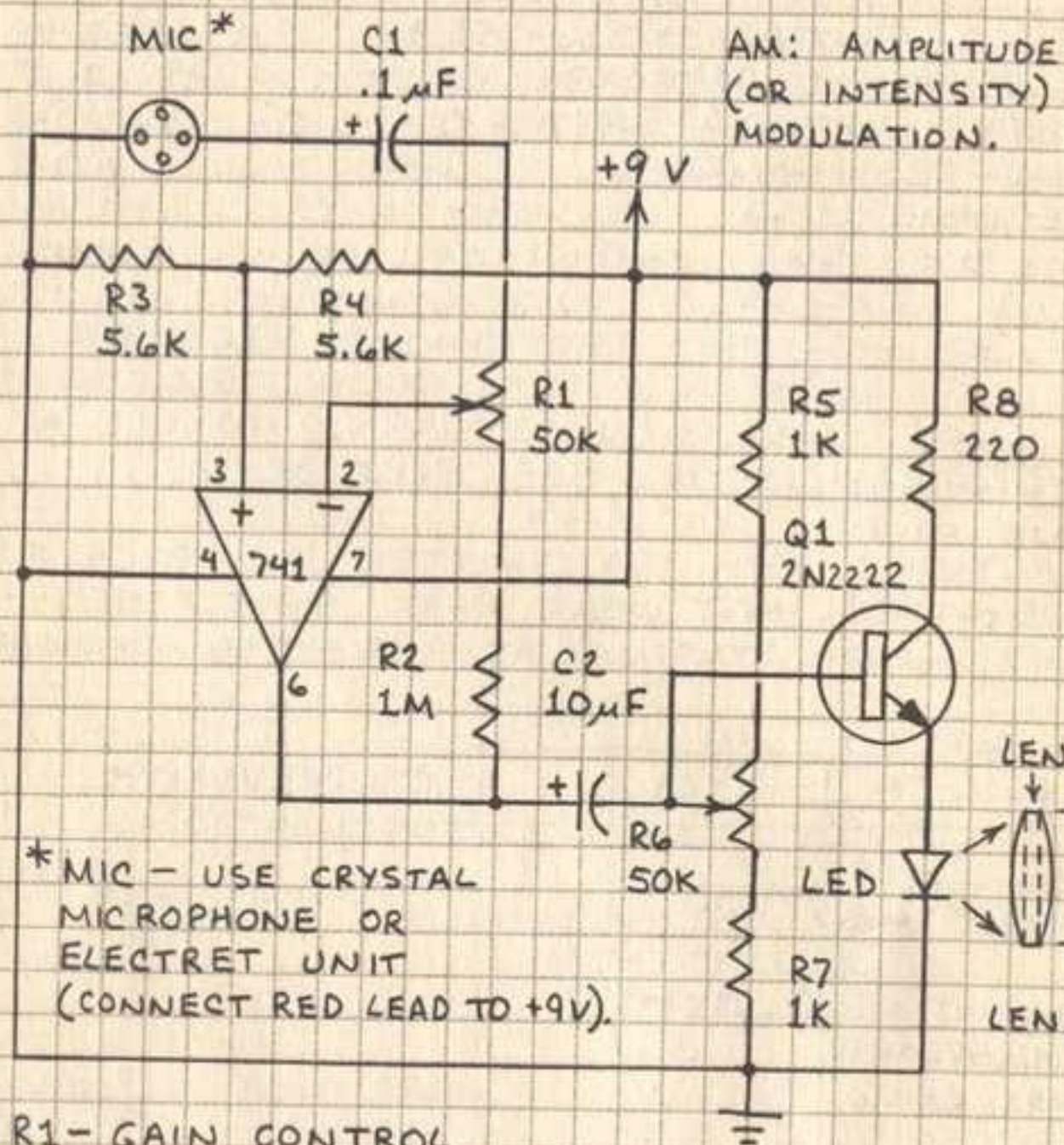


THIS PHOTOPHONE RECEIVER USES A SILICON SOLAR CELL SO NO LENS IS NECESSARY. TO USE A PHOTOTRANSISTOR, SEE PAGE 39.

CAUTION: BOTH TRANSMITTER AND RECEIVER OPERATORS MUST WEAR DARK SUNGLASSES AND AVOID STARING AT REFLECTED SUNLIGHT!



AM LIGHTWAVE TRANSMITTER



AM: AMPLITUDE
(OR INTENSITY)
MODULATION.

*MIC - USE CRYSTAL
MICROPHONE OR
ELECTRET UNIT
(CONNECT RED LEAD TO +9V).

- R1 - GAIN CONTROL
- R6 - LED BIAS CONTROL. ADJUST R6 FOR BEST SOUND QUALITY.
- R8 - LIMITS CURRENT APPLIED TO LED.

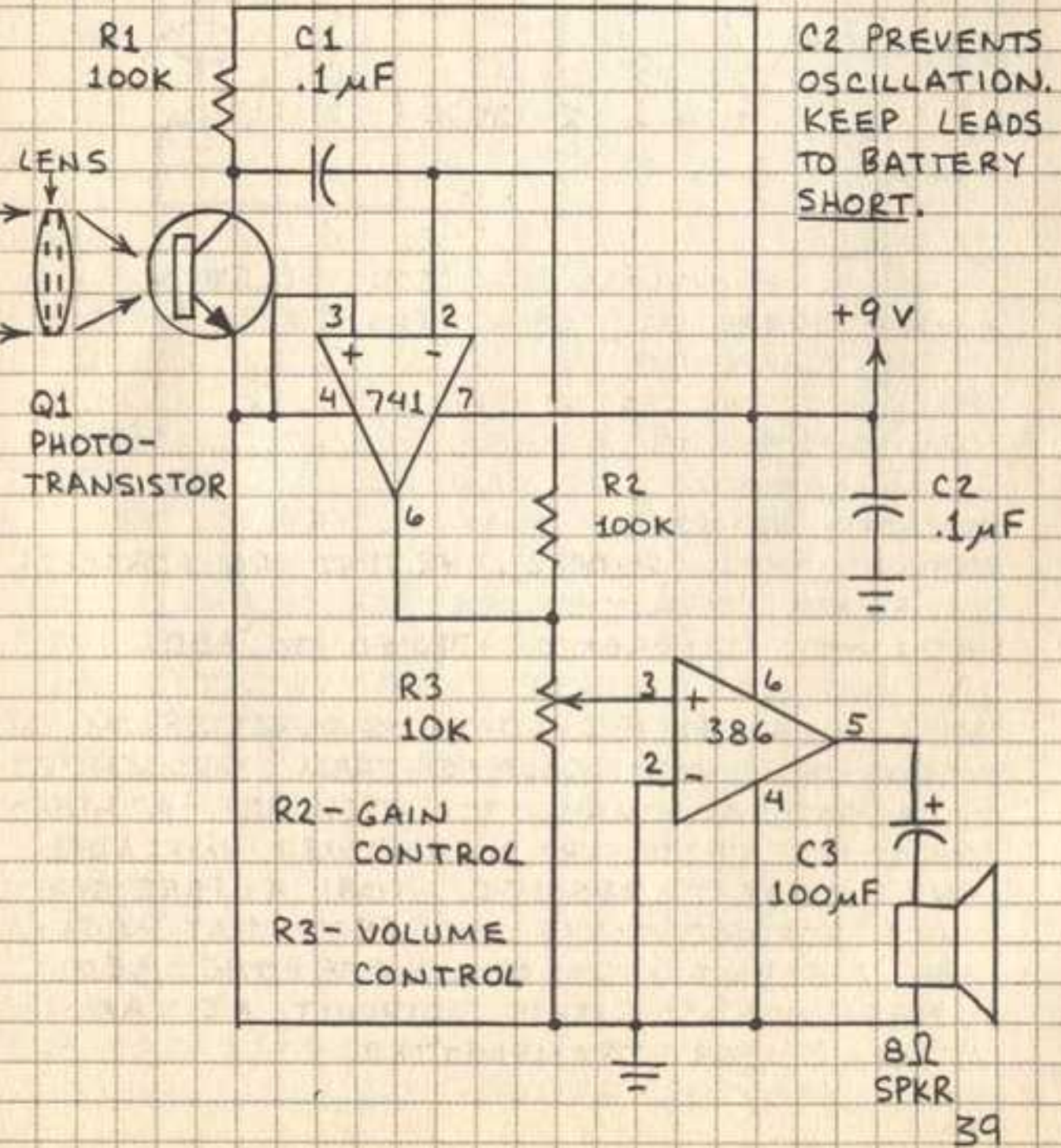
THE 741 AMPLIFIES VOICE SIGNALS FROM THE MICROPHONE AND COUPLES THEM THROUGH C2 TO MODULATOR TRANSISTOR Q1. USE A HIGH-BRIGHTNESS RED OR HIGH-POWER INFRARED LED FOR BEST RESULTS. FOR A FREE-SPACE RANGE OF UP TO 1,000 FEET (AT NIGHT), USE A LENS TO COLLIMATE THE LED BEAM. OR USE THIS CIRCUIT AS AN OPTICAL FIBER TRANSMITTER.

38

AM LIGHTWAVE RECEIVER

THIS RECEIVER WORKS BEST IN SUBDUED LIGHT OR AT NIGHT WHEN USED FOR FREE-SPACE COMMUNICATIONS. ALWAYS PLACE A SHIELD OVER THE DETECTOR IF SUNLIGHT OR BRIGHT ARTIFICIAL LIGHT IS PRESENT. AN INFRARED FILTER SHOULD BE USED FOR BEST RESULTS (DEVELOPED COLOR FILM WORKS WELL) UNLESS THE TRANSMITTER LED EMITS VISIBLE LIGHT.

CAUTION: THIS CIRCUIT CAN PRODUCE LOUD SOUNDS. DO NOT PLACE SPEAKER CLOSE TO YOUR EAR.



C2 PREVENTS
OSCILLATION.
KEEP LEADS
TO BATTERY
SHORT.

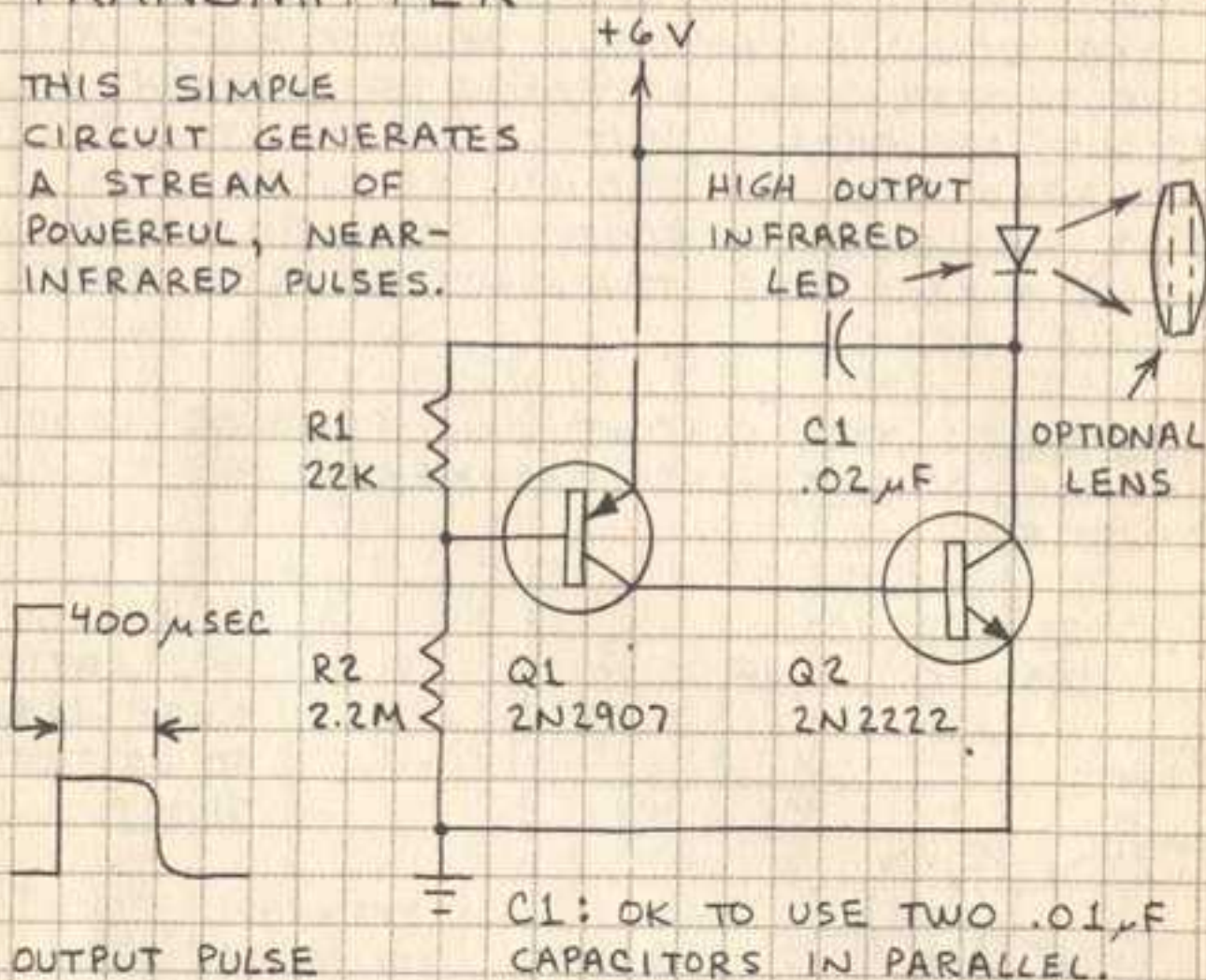
- R2 - GAIN CONTROL
- R3 - VOLUME CONTROL

39

BREAK-BEAM DETECTION SYSTEM

TRANSMITTER

THIS SIMPLE CIRCUIT GENERATES A STREAM OF POWERFUL, NEAR-INFRARED PULSES.

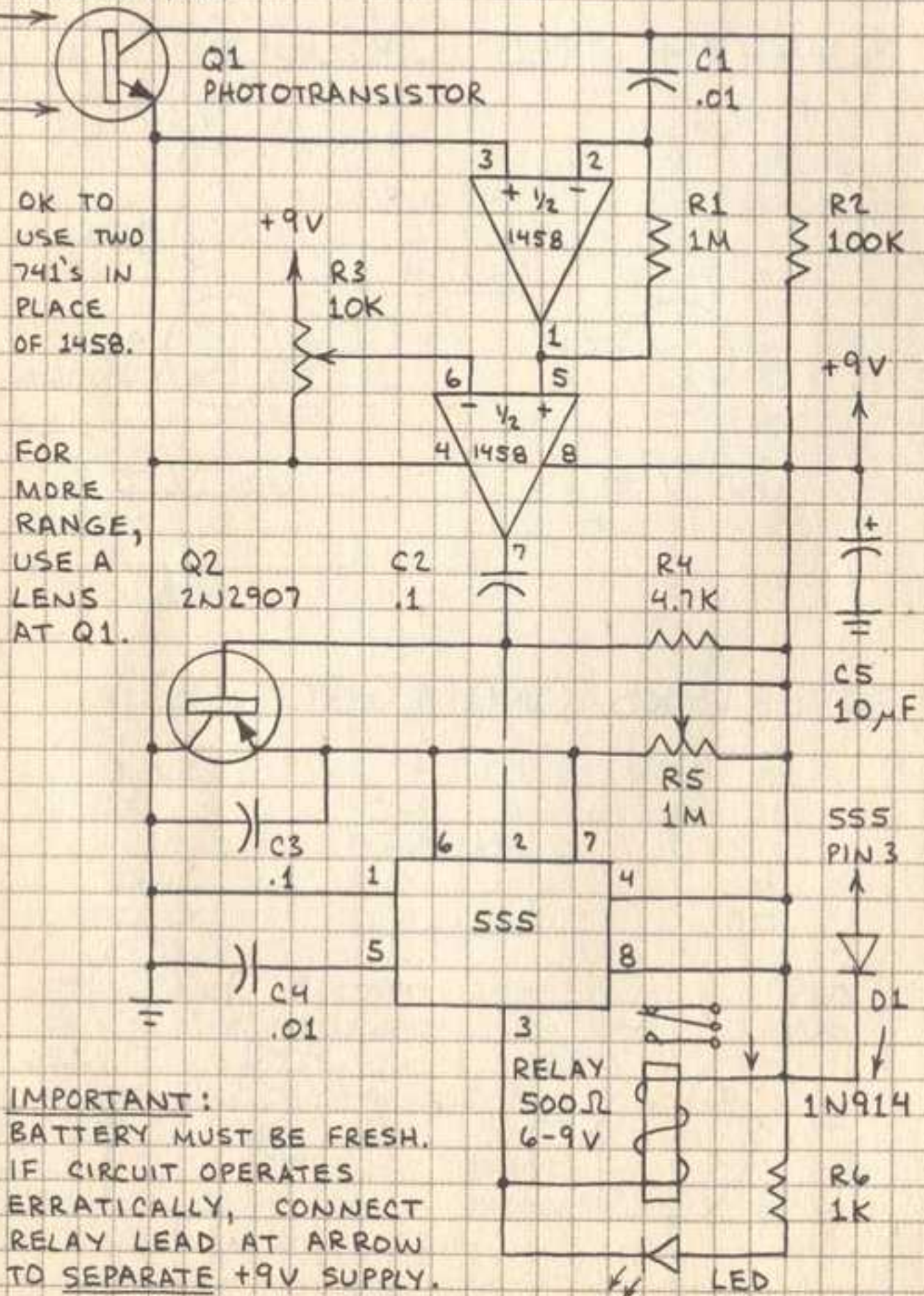


THIS SYSTEM IS A VERY SENSITIVE BREAK-BEAM DETECTOR. IT CAN BE USED TO DETECT OBJECTS OR PEOPLE THAT INTERRUPT THE TRANSMITTER BEAM. THE TRANSMITTER GENERATES ~240 PULSES PER SECOND, EACH 400µSEC IN DURATION WITH AN AMPLITUDE OF 400 mA. THE RECEIVER DETECTS THE NEAR INFRARED FROM THE TRANSMITTER BY MEANS OF PHOTOTRANSISTOR Q1. THE PHOTOCURRENT FROM Q1 IS AMPLIFIED AND THEN SENT TO A THRESHOLD COMPARATOR. THE S55 FORMS A MISSING PULSE DETECTOR THAT ACTUATES THE RELAY AND LIGHTS THE LED WHEN THE INFRARED BEAM IS INTERRUPTED. RANGE WITHOUT LENSES IS AT LEAST SEVERAL FEET. USE LENSES FOR MUCH GREATER RANGE.

40

RECEIVER

SHIELD Q1 TO ELIMINATE AMBIENT LIGHT. ADJUST R3 TO SET THRESHOLD. ADJUST R5 TO ACHIEVE OPTIMUM RELAY OPERATION. ALWAYS TEST CIRCUIT IN SUBDUED LIGHT TO AVOID FALSE TRIGGERING.



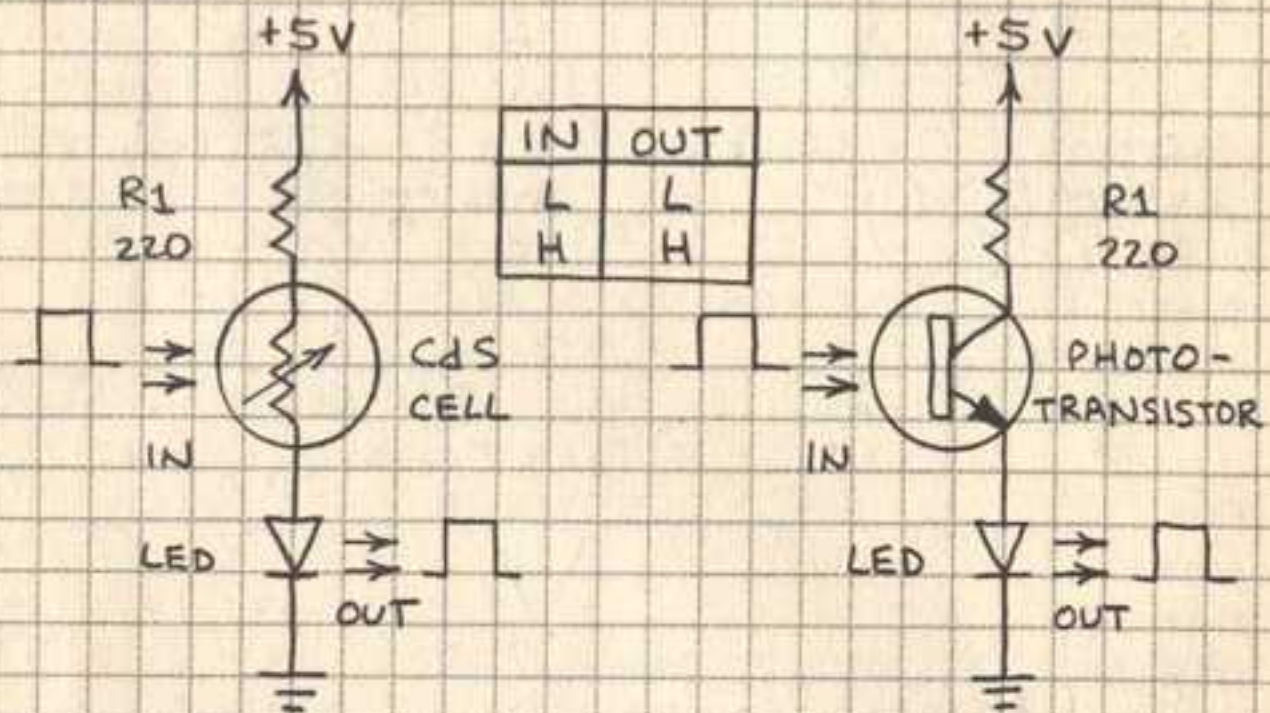
IMPORTANT:
BATTERY MUST BE FRESH.
IF CIRCUIT OPERATES ERRATICALLY, CONNECT RELAY LEAD AT ARROW TO SEPARATE +9V SUPPLY.

41

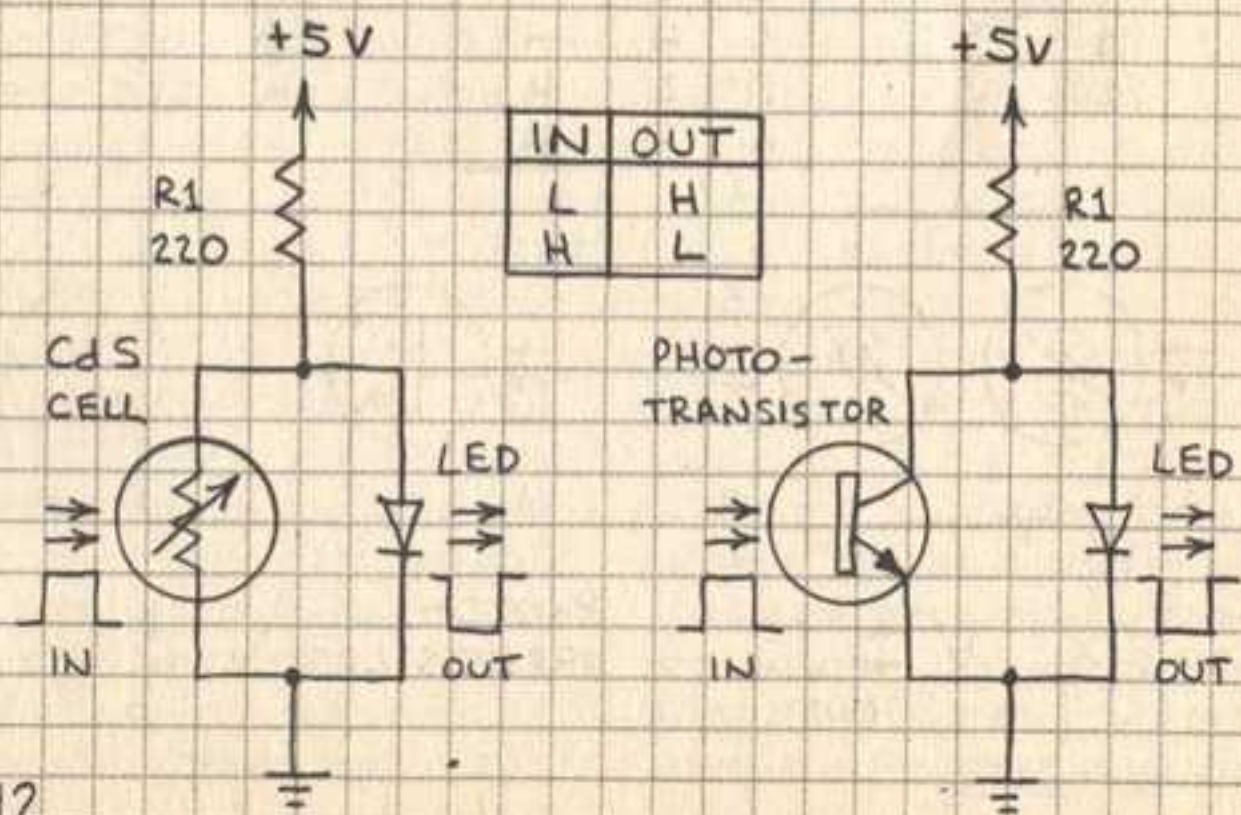
OPTOELECTRONIC LOGIC

THESE CIRCUITS CAN BE USED INDEPENDENTLY, IN CONJUNCTION WITH OPTOISOLATORS, OR AS OPTOELECTRONIC COMPUTING ELEMENTS.

BUFFERS ("YES" CIRCUITS)

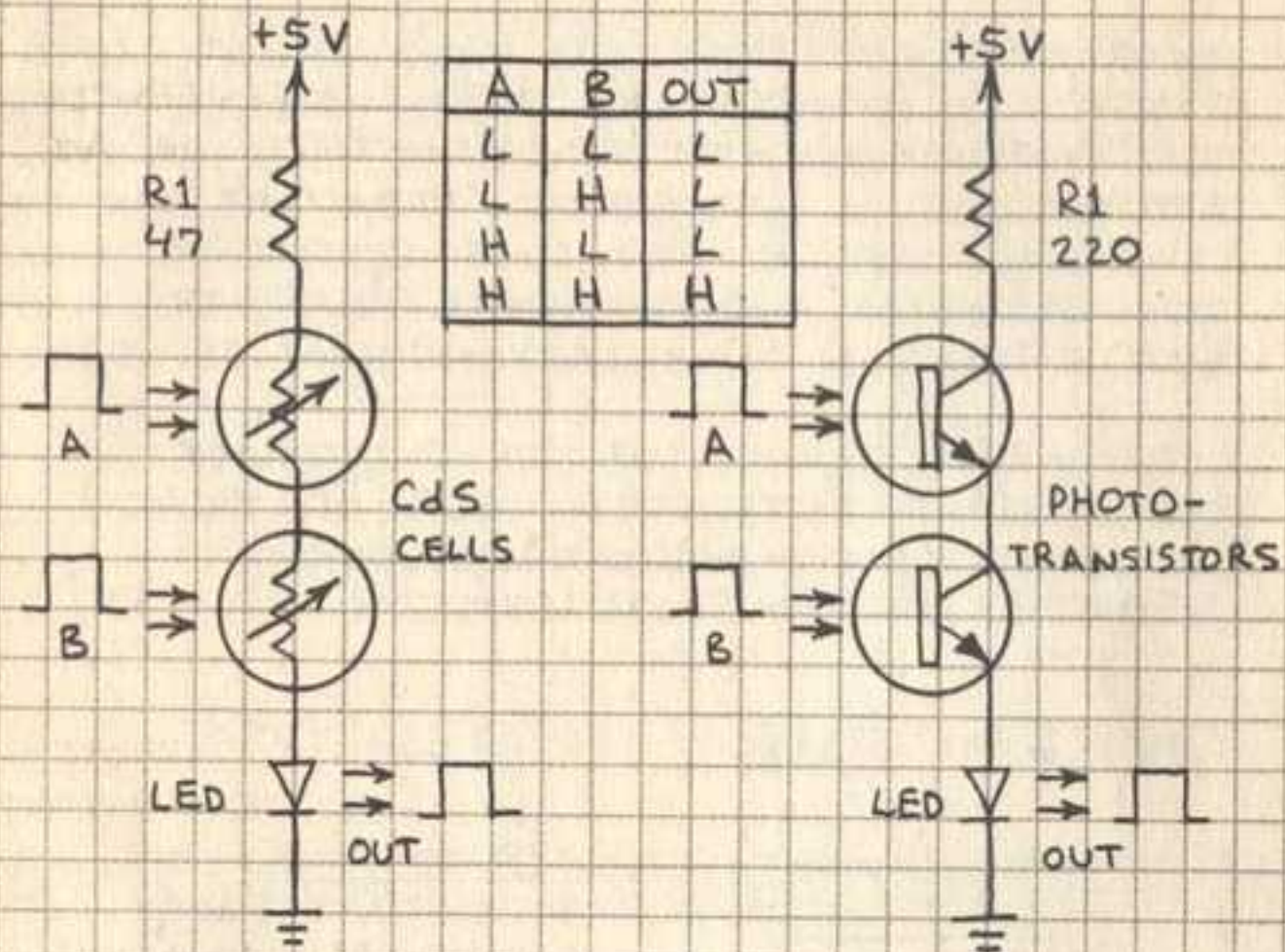


INVERTERS ("NOT" CIRCUITS)

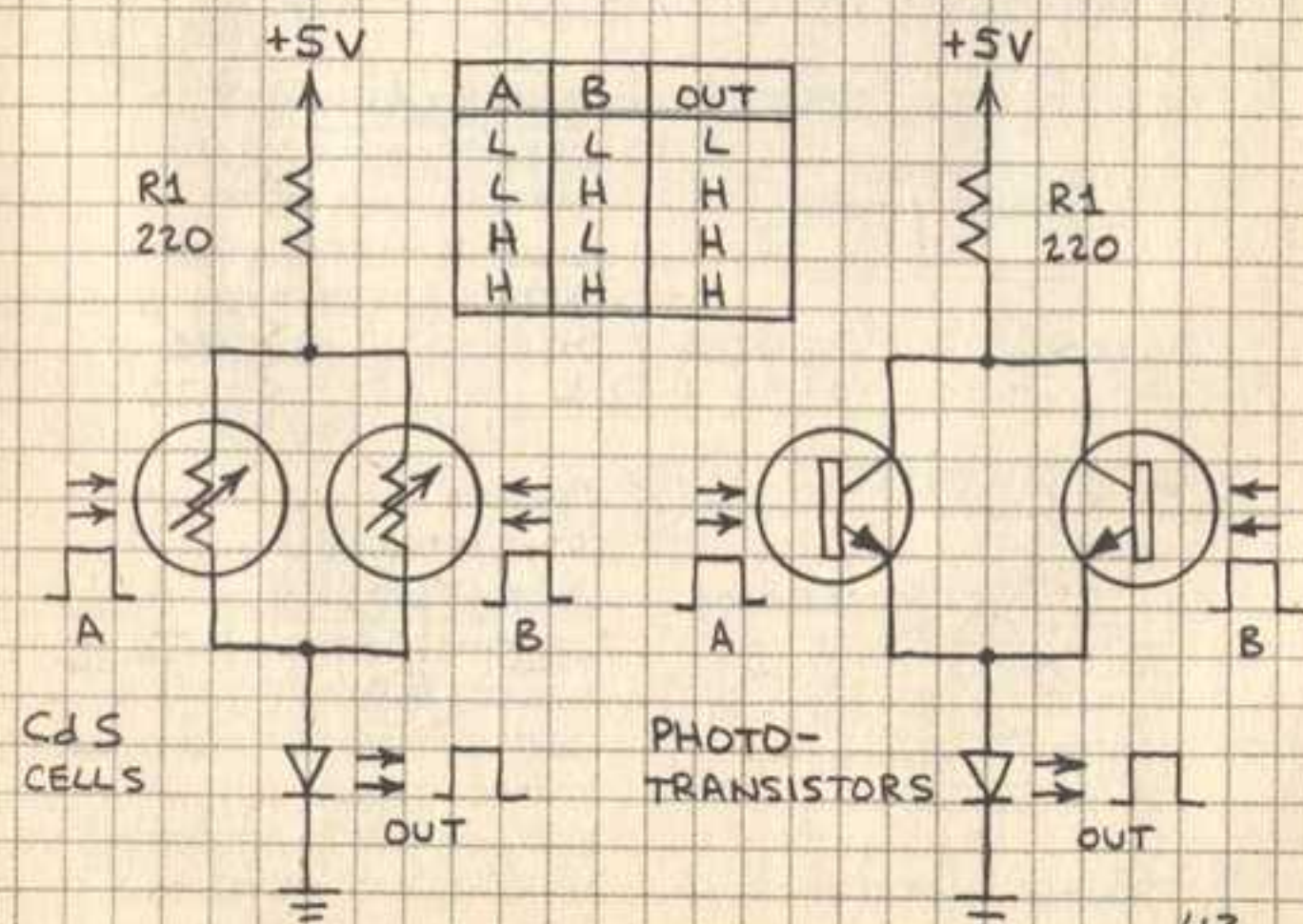


42

AND CIRCUITS



OR CIRCUITS



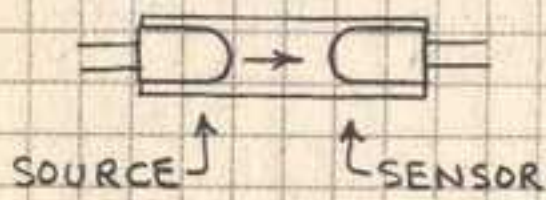
43

SOURCE/SENSOR PAIRS

SOURCE/SENSOR PAIRS ARE ALSO CALLED OPTO-ISOLATORS, OPTOCOUPERS, PHOTO-ISOLATED COUPLERS, AND PHOTON ISOLATORS. THEY HAVE MANY IMPORTANT APPLICATIONS IN ELECTRONICS. THEY ARE PARTICULARLY IMPORTANT AT PROVIDING ELECTRICAL ISOLATION BETWEEN TWO SEPARATE CIRCUITS. MANY SOURCE-SENSOR COMBINATIONS CAN BE USED:

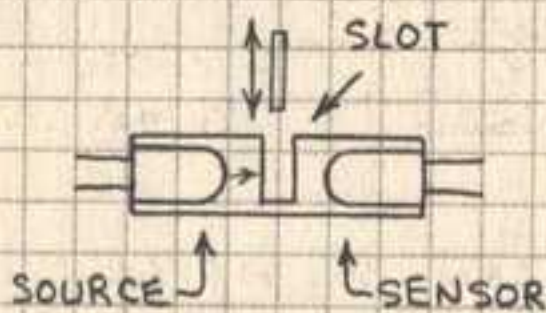
LED → PHOTOTRANSISTOR OR PHOTODIODE
 LED → LIGHT-ACTIVATED SCR OR TRIAC
 TUNGSTEN LAMP → PHOTORESISTOR
 NEON LAMP → PHOTORESISTOR

CLOSED PAIR



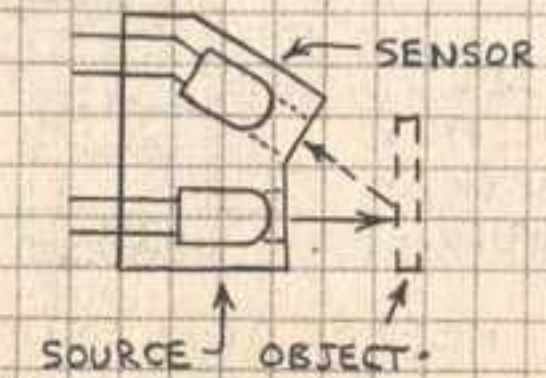
APPLICATIONS:
 SOLID-STATE RELAY
 ELECTRICAL ISOLATION
 LEVEL CONVERSION

TRANSMISSION/SLOT PAIR



APPLICATIONS:
 OBJECT DETECTION
 LIMIT SWITCH
 BOUNCE-FREE SWITCH
 OPTO-POTENTIOMETER
 VIBRATION DETECTOR

REFLECTIVE PAIR

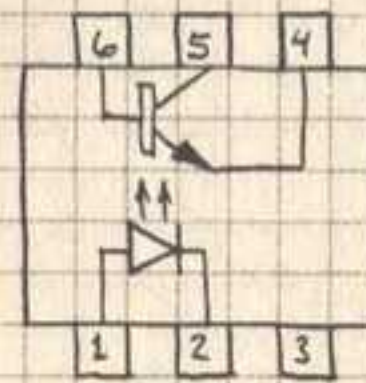


APPLICATIONS:
 OBJECT DETECTION
 LIMIT SWITCH
 REFLECTANCE MONITOR
 TACHOMETER
 END-OF-TAPE DETECTOR
 MOVEMENT DETECTOR

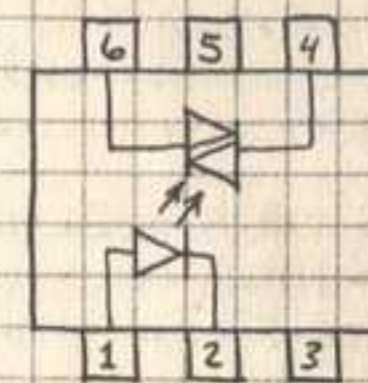
44

INTEGRATED SOURCE/SENSORS

MANY KINDS OF SOURCE/SENSOR PAIRS ARE AVAILABLE IN MINIATURE INTEGRATED CIRCUIT PACKAGES. HERE ARE TWO TYPICAL EXAMPLES:



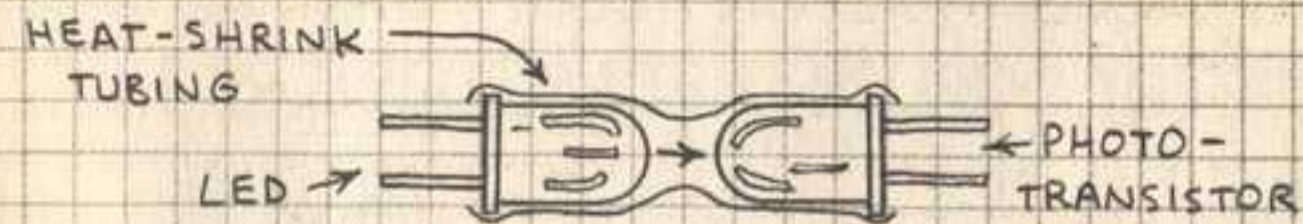
LED/
PHOTOTRANSISTOR



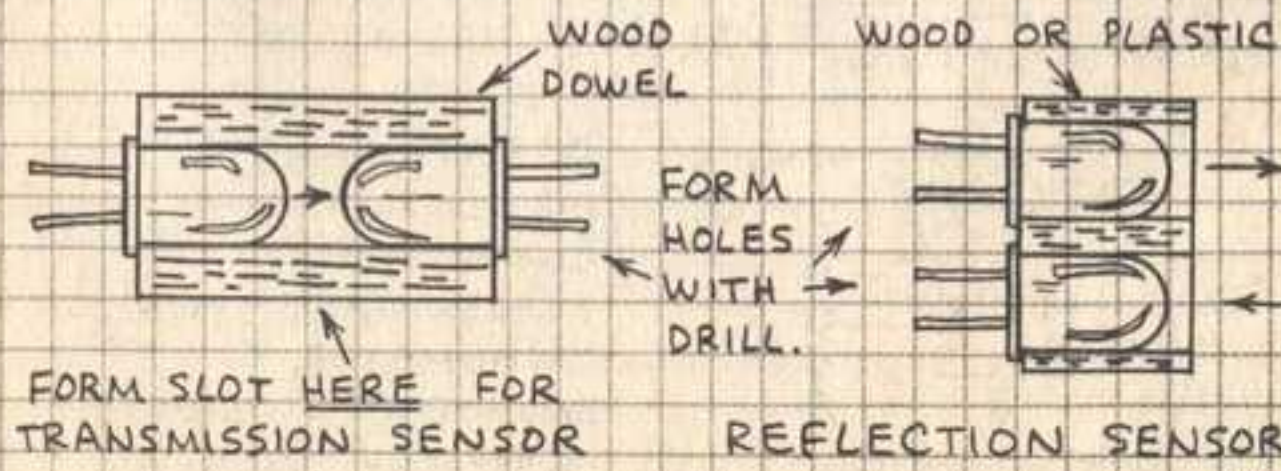
LED/
LIGHT-ACTIVATED TRIAC

DO-IT-YOURSELF SOURCE/SENSORS

SOURCE/SENSOR PAIRS CAN BE EASILY MADE FROM INDIVIDUAL COMPONENTS. FOR EXAMPLE, HERE IS A SIMPLE LED-PHOTOTRANSISTOR PAIR:



THE SOURCE AND SENSOR CAN BE INSTALLED IN WOOD OR PLASTIC STOCK. HERE ARE TWO OF MANY POSSIBILITIES:

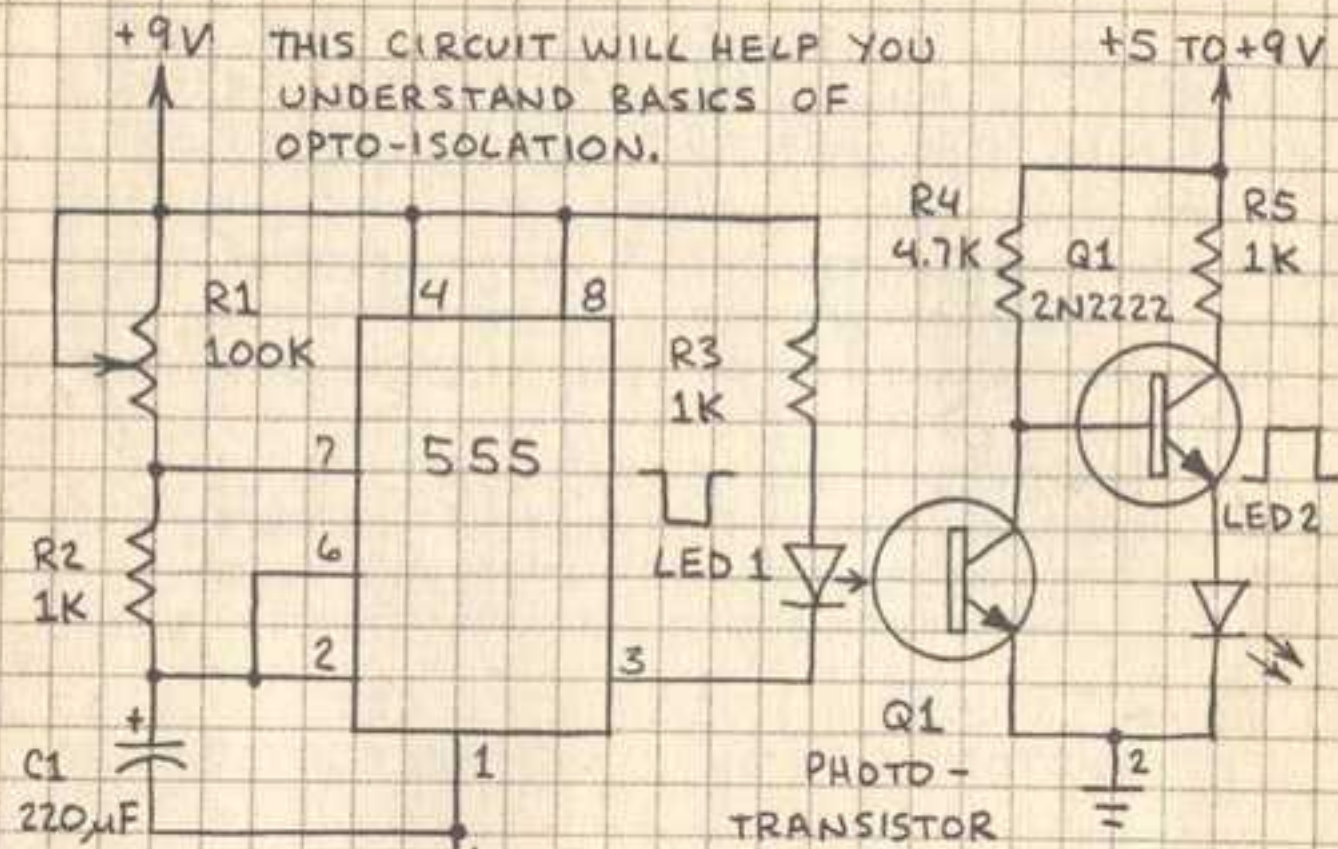


FORM SLOT HERE FOR
TRANSMISSION SENSOR

REFLECTION SENSOR

45

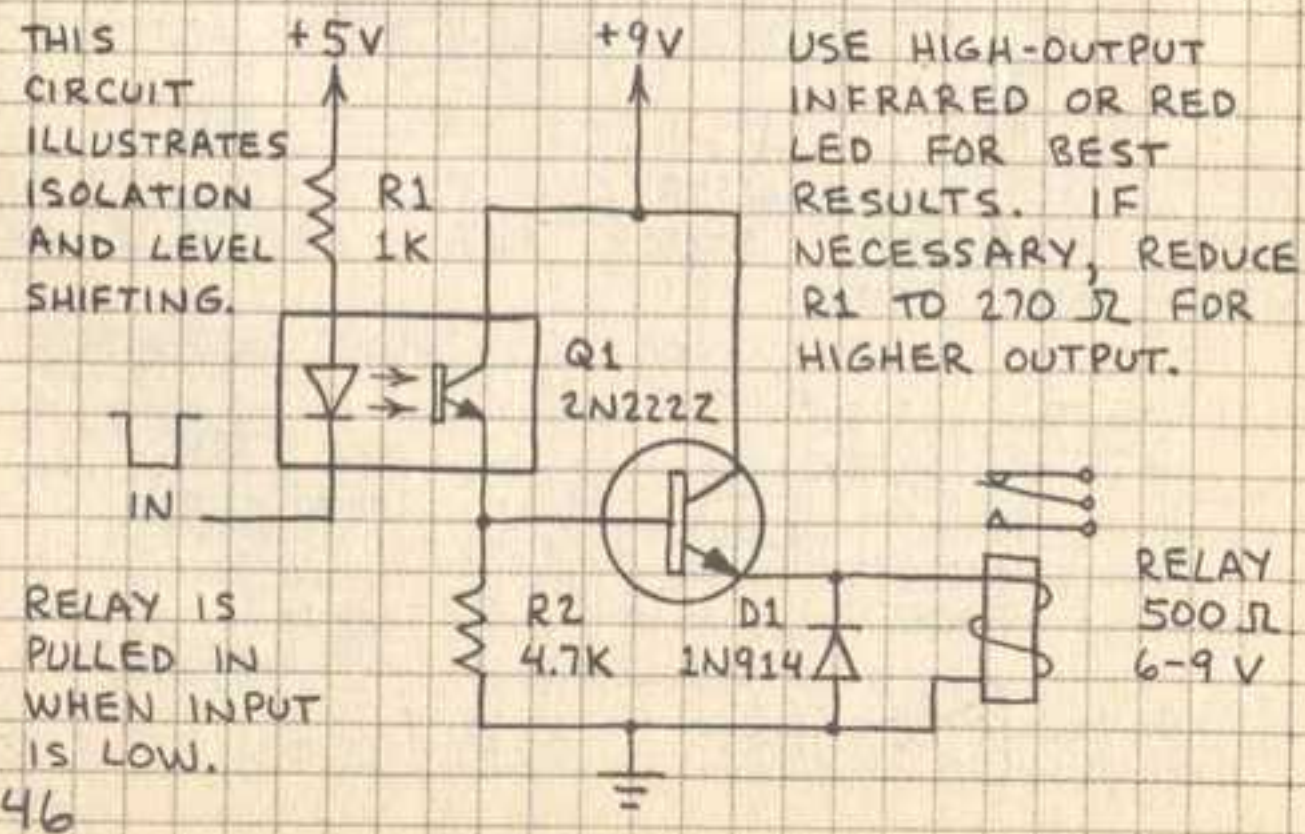
DEMONSTRATION SOURCE/SENSOR



LED2: RED = LED1: HIGH OUTPUT RED

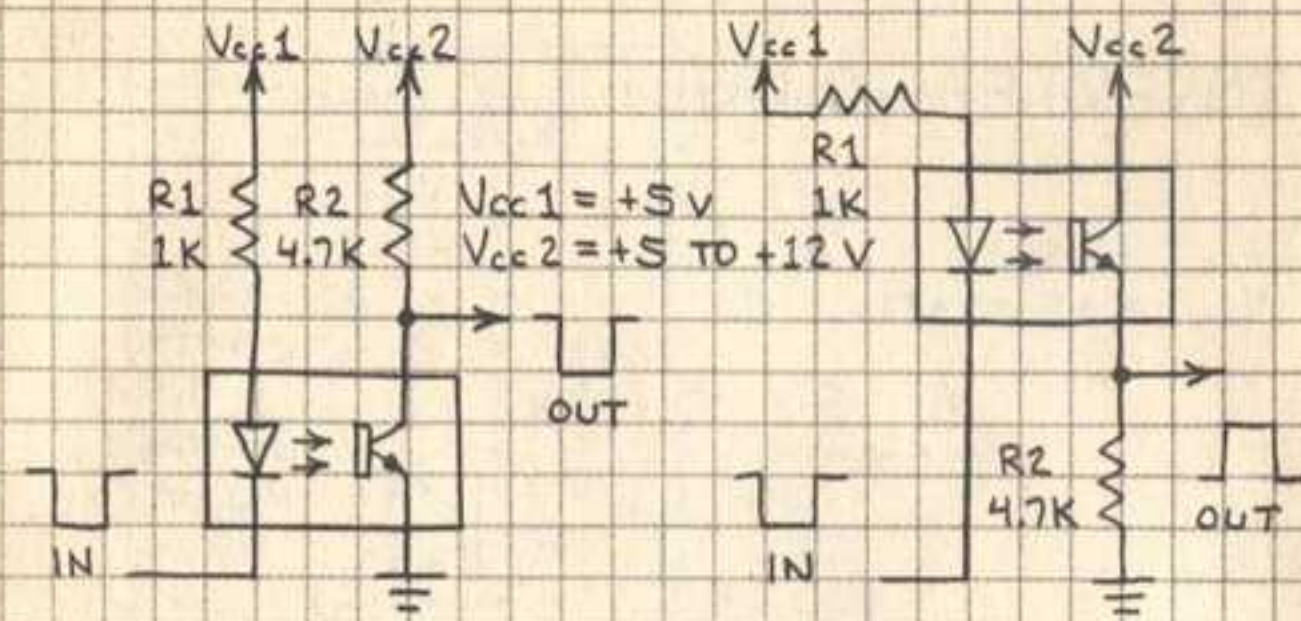
ADJUST R1 UNTIL LED1 FLASHES 1-2 TIMES PER SECOND. LED 2 WILL SWITCH OFF WHEN LED1 SWITCHES ON.

OPTOCOUPLER RELAY DRIVER

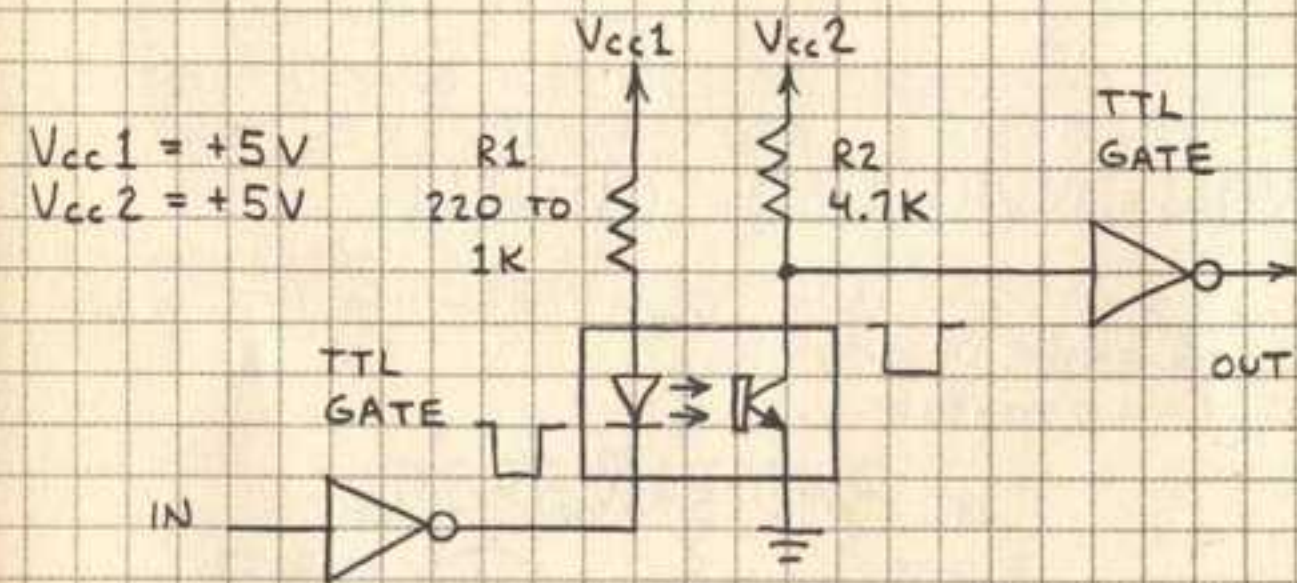


46

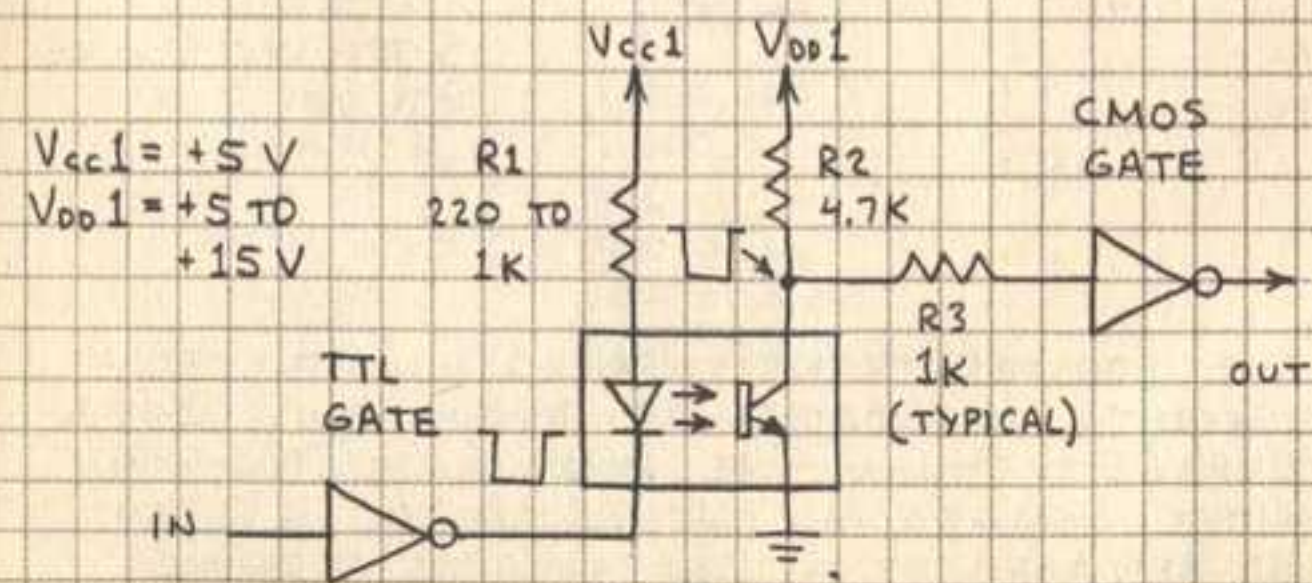
BASIC ISOLATORS / LEVEL SHIFTERS



TTL → TTL ISOLATOR



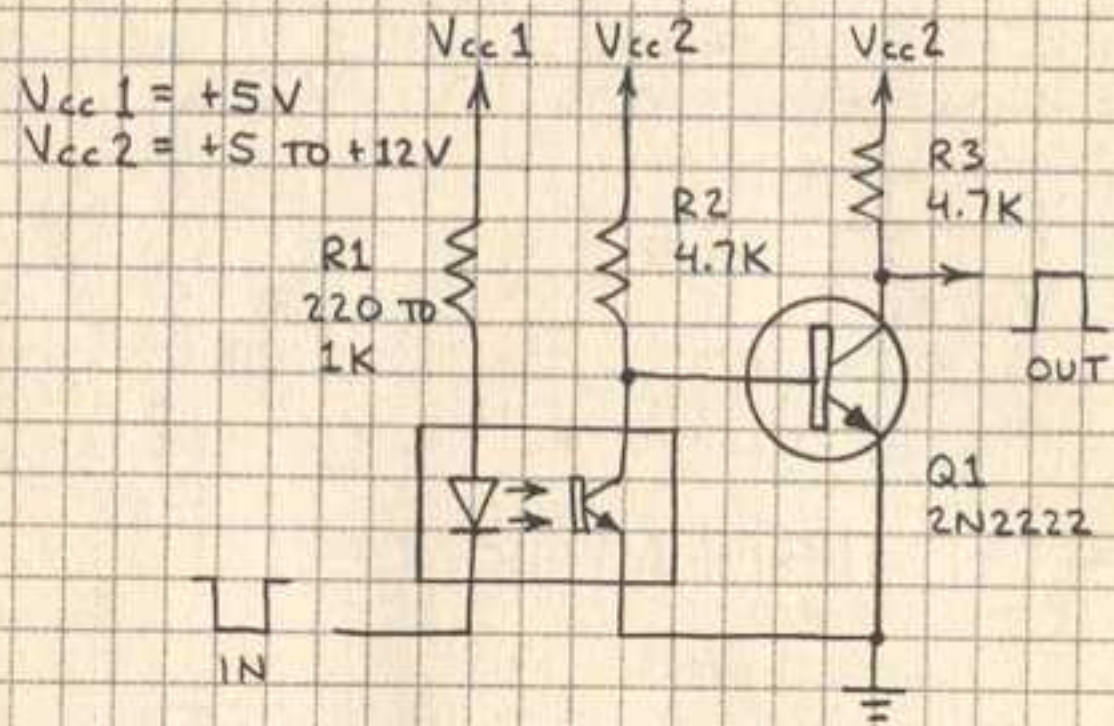
TTL → CMOS COUPLER / ISOLATOR



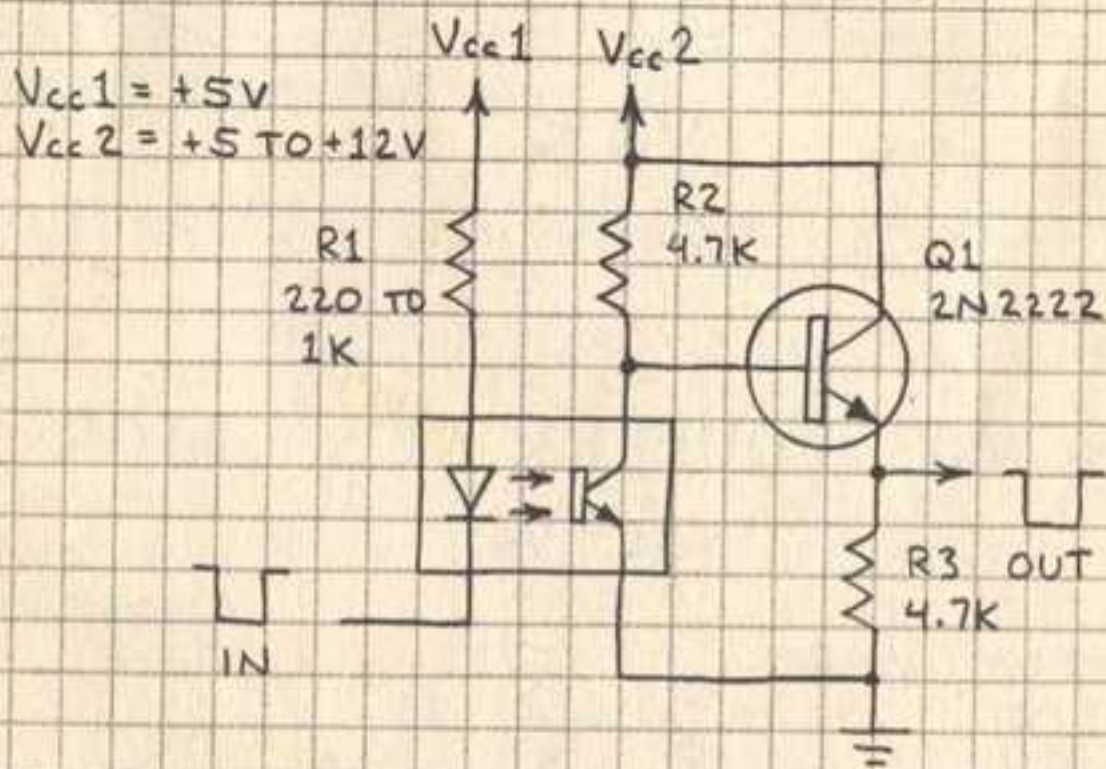
47

OPTOCOUPLER PLUS BOOSTER

INVERTED OUTPUT



NON-INVERTED OUTPUT



THE BOOSTER TRANSISTOR (Q1) IN THESE CIRCUITS PROVIDES MORE POWER-HANDLING CAPABILITY THAN THE PHOTOTRANSISTORS IN MOST COMMERCIAL OPTOCOUPPLERS. R3 CAN BE REPLACED BY A LOAD SUCH AS A RELAY.

48

RESISTOR COLOR CODE



BLACK	0	0	x 1
BROWN	1	1	x 10
RED	2	2	x 100
ORANGE	3	3	x 1,000
YELLOW	4	4	x 10,000
GREEN	5	5	x 100,000
BLUE	6	6	x 1,000,000
VIOLET	7	7	x 10,000,000
GRAY	8	8	x 100,000,000
WHITE	9	9	—

FOURTH BAND INDICATES TOLERANCE (ACCURACY):
 GOLD = ±5% SILVER = ±10% NONE = ±20%

OHM'S LAW: $V = IR$ $R = V/I$
 $I = V/R$ $P = VI = I^2R$

ABBREVIATIONS

A = AMPERE R = RESISTANCE
 F = FARAD V (OR E) = VOLT
 I = CURRENT W = WATT
 P = POWER Ω = OHM

M (MEG-) = x 1,000,000
 K (KILO-) = x 1,000
 m (MILLI-) = .001
 μ (MICRO-) = .000 001
 n (NANO-) = .000 000 001
 p (PICO-) = .000 000 000 001