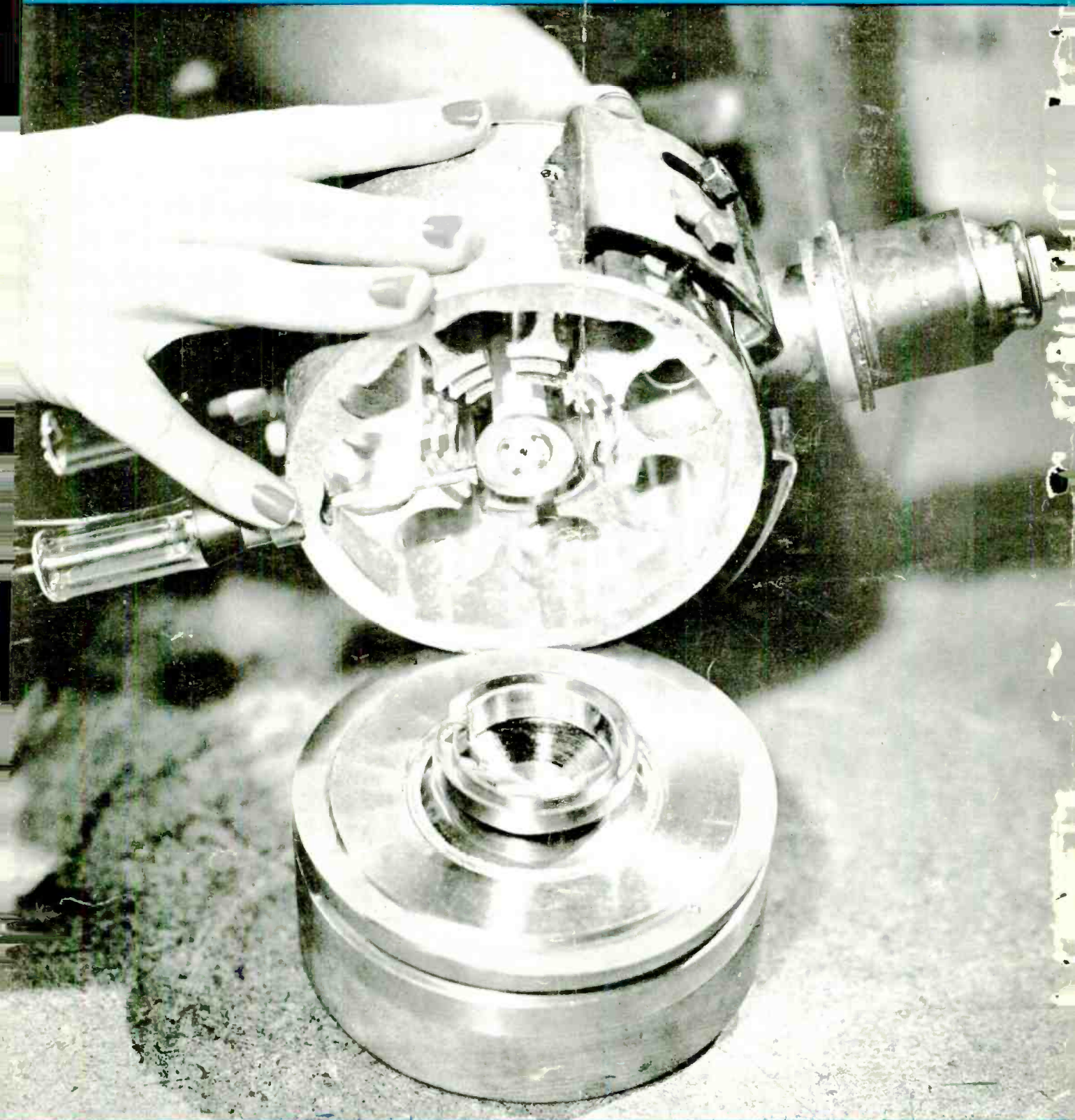


RADIO

SEPTEMBER, 1946

MANUFACTURING
AND
BROADCASTING

The Journal for Radio & Electronic Engineers



Design • Production • Operation

THE LOGICAL CHOICE...

Eimac 4-250A Tetrode

ELECTRICAL CHARACTERISTICS—EIMAC 4-250A

Filament: Thoriated Tungsten	5.0 volts
Voltage	14.5 amps
Current	250 watts
Plate Dissipation (Maximum)	
Direct Interelectrode Capacitances: (Average)	
Grid-Plate (Without shielding, base grounded)	0.12 μ fd
Input	12.7 μ fd
Output	4.5 μ fd



Proven performance is the reason why the EIMAC 4-250A tetrode is the logical choice when a dependable power-amplifier tube is needed. Below are listed characteristics and design features of the EIMAC 4-250A which explain why this tetrode is *picked for power*

HIGH POWER—LOW DRIVE:

At frequencies up to 70 Mc. the EIMAC 4-250A develops a power output of 750 watts with a drive of less than 6 watts.

LOW PLATE—GRID CAPACITANCE:

Extremely low plate to grid capacitance, only 0.12 μ fd, permits operating without neutralization in many cases—simplifies neutralization in others.

OPERATIONAL STABILITY:

The unique arrangement of low inductance leads, plus especially treated grids insures exceptionally stable operation.

COMPACT—RUGGED:

Approximately $3\frac{1}{2} \times 6\frac{1}{2}$ inches in size, the 4-250A has been constructed to withstand abnormal abuse—and give extra long life.

The 4-250A is just one of a host of EIMAC tubes designed for long-life and trouble-free operation. Investigate the possibilities of their use in your transmitters today. Contact your nearest EIMAC representative, or write direct for full technical information.

EITEL-McCULLOUGH, INC., 1265G San Mateo Ave., San Bruno, Calif.
Export Agents: Frazer and Hansen, 301 Clay St., San Francisco 11, Calif. U.S.A.

CALL IN AN EIMAC REPRESENTATIVE FOR INFORMATION

ROYAL J. HIGGINS (W9AIC), 600 So. Michigan Ave., Room 918, Chicago 5, Ill., Phone: Harrison 5948.
YERNER O. JENSEN, Verner O. Jensen Company, 2616 Second Ave., Seattle 1, Wash., Phone: Elliott 6871.
M. B. PATTERSON (W5CI), Patterson & Co., 1124 Irwin-Kessler Bldg., Dallas 1, Tex., Phone: Central 5764.
ADOLPH SCHWARTZ (W2CN), 220 Broadway, Room 2210, New York 7, N. Y., Phone: Cortland 7-0011.

HERB BECKER (W6QD), 2406 So. Grand Avenue, Los Angeles 25, California, Telephone: Richmond 6191.
TIM COAKLEY (W1KMY), 11 Beacon Street, Boston 8, Massachusetts, Telephone: Capitol 0950.
RONALD G. BOWEN, 1006 South Humboldt Street, Denver 10, Colorado, Telephone: Spruce 9568.
JAMES MILLAR ASSOCIATES, J. E. Joyner, Jr. (W5LD) 1000 2 1/2 Street, N.E., Atlanta, Georgia.

Follow the Leaders to

Eimac
TUBES

THE COUNTERSIGN
OF DEPENDABILITY IN ANY
ELECTRONIC EQUIPMENT



RADIO

Published by RADIO MAGAZINES, INC.

John H. Potts.....Editor
Sanford R. Cowan.....Publisher

SEPTEMBER, 1946

Vol. 30, No. 9

CONTENTS

COVER

Installing solder ring and side plates in the anode shell of a 4J51 magnetron at the Western Electric electronics shop.

ARTICLES

Design and Application of Squelch Circuits—*Frederick Delaney* .. 11
Survey of representative squelch circuits, with typical applications.

Modern Studio and Portable Speech Input Equipment—*Leo G. Killian, Paul L. Tourney, and John W. Hooper*..... 14
Technical details of a well-designed studio console and three-channel remote amplifier.

Calculating the Inductance of Universal-Wound Coils—*A. W. Simon* 18
Simplified methods of handling universal coil design problems.

Chart—Increase in Actual Loss Due to Termination Mismatch of Resistance Pad of 200 Ohms 19

Radio Design Worksheet No. 52—A-C Filament Noise 20

MISCELLANEOUS

Transients 3

TECHNICANA

B.B.C. T-V Waveform 4

Dielectric Loss Measurements 6

Sweep Trace Rotation 8

This Month 21

New Products 22

Advertising Index 32

John H. Potts.....President-Editor
Sanford R. Cowan.....Sec'y-Treas.—Adv. Mgr.
Robert G. Middleton.....Associate Editor
Evelyn A. Eisenberg.....Assistant Editor
Harry N. Reizes.....Adv. Sales
David SaltmanAdv. Prod. Mgr.
Miriam Birnboum.....Circ. Manager

MID-WEST OFFICE

Harold J. Sugorman, Manager
82 West Washington St., Chicago 2, Ill.
ANDover 1395

PACIFIC COAST REPRESENTATIVE

JAMES C. GALLOWAY
816 W. 5th St., Los Angeles 13, Calif.

FOREIGN SUBSCRIPTION REPRESENTATIVES

Radio Society of Great Britain, New Ruskin House, Little Russell St., London, W.C. 1, England. Harris & Floyd, 297-299 Swanston St., Melbourne, C. I. Victoria, Australia

RADIO Magazine (title registered U. S. Pat. Off.) is published monthly at Boston Post Road, Orange, Connecticut, by Radio Magazines, Inc. Executive and Editorial Offices at 342 Madison Avenue, New York 17, N. Y. Subscription rates—United States, U. S. Possessions & Canada, \$3.00 for 1 year, \$5.00 for 2 years; elsewhere \$4.00 per year. Single copies 35c. Printed in U.S.A. All rights reserved, entire contents Copyright 1946 by Radio Magazines, Inc. Entered as Second Class Matter May 10, 1945 at the Post Office at Orange, Conn., under the Act of March 3, 1879.



NOW...
SPRAGUE brings you a
2 MIL. METER MULTIPLIER
 that gives you a...



50%
REDUCTION IN
RESISTANCE
VALUE!

Conventional multipliers wound with ordinary enamelled wire cannot operate safely at much more than the one MA called for in government specifications. Sprague Precision Meter Multipliers, however, can be used at *twice their normal current rating*, with only a slight decrease in long time stability. Plus or minus 1% resistance tolerance should be specified.

This cutting of resistance value in *half*, with approximate halving in meter multiplier cost, results from use of wire that is insulated before winding, with a 1000° C. heat-proof ce-

ramic and wound on special high-temperature plastic forms. *Larger wire sizes* are used through reduction of resistance values.

It all adds up to a net saving of as much as 50% in multiplier cost... because it allows exactly half the resistance value and, in some cases, half the number of multipliers, to be used for a given application. Sprague engineers will be glad to make recommendations for your specific application.

Write for the new Sprague Resistor Catalog No. 100E.



SPRAGUE ELECTRIC COMPANY, Resistor Division, North Adams, Mass.

SPRAGUE* KOOLOHMS

POWER TYPES • BOBBIN TYPES • METER MULTIPLIERS • MEGOMAX, ETC.

*Reg. U. S. Pat. Off.

Transients

HI-FI AGAIN

★ Do listeners want high fidelity in sound reproduction? According to surveys made many years ago, they don't—that's why most receivers are operated with the tone controls adjusted to produce a "mellow" tone. When the reasons for this apparent preference for poor fidelity were investigated, objectionable noise at the higher frequencies was the principal gripe.

But these surveys were made long before the advent of f-m broadcasting. Pre-emphasis of higher frequencies, with de-emphasis at the receiver, along with the noise-reducing capabilities of frequency modulation, combined to make reception of higher frequencies not only palatable, but even enjoyable. When nice, big consoles providing a-m/f-m reception start rolling off the production lines in quantity, lots of people are going to start comparing the quality of reception from a-m and f-m stations. And, for discriminating listeners, the fidelity of a-m reception is going to suffer by comparison.

According to NBC, using f.m. with a deviation ratio of 5, noise is reduced over 18 db more by f.m. than by a.m. When de-emphasis is employed in both a-m and f-m systems, the latter is about 7 db better. From this comparison, it seems worthwhile to consider using pre-emphasis at a-m transmitters in order to make less objectionable the fluctuating noise and tube hiss occurring in this region. Despite the fact that channel width limitations preclude broadcasting with amplitude modulation over as wide a range of frequencies as is possible with frequency modulation, the fact that it is still necessary to use a tone control to attenuate high-frequency noise proves that pre-emphasis should improve high-frequency signal response.

Of course, the lower frequencies are likewise essential to high-fidelity reception. And because the present crop of f-m receivers consists largely of table model receivers incapable of good low-frequency reproduction, a great many listeners have yet to learn just how good real high fidelity reception can be.

MULTIPLEX BROADCASTING

★ The International Telephone and Telegraph Corporation recently gave a very successful demonstration of multiplex broadcasting, using pulse-time modulation. Eight different types of broadcast service were transmitted simultaneously from a single transmitter operating on but one carrier frequency, 930 mc. Types of service transmitted were, stock ticker, Muzak, a-m and f-m music rebroadcast, news broadcast, recordings, teletype, and facsimile. The wide variety of programs was chosen to demonstrate the adaptability of the multiplex system. Music transmission was of high quality,

covering an audio range of 9,000 cycles, which could be increased if desired.

Although purely an experimental demonstration of the method, it is apparent that this system of multiplex broadcasting has interesting possibilities for the future. The demand for broadcasting time within a specific period in the early evening may be satisfied by equipping several stations in metropolitan areas for simultaneous broadcasting over several channels without increasing the number of frequency assignments. This would afford the listener a wider choice than is now possible and would at the same time increase greatly the revenue which would accrue to the broadcaster.

The types of service chosen for the demonstration indicate how greater expansion of broadcast facilities can be realized. Undoubtedly there are a great many offices which would subscribe to stock ticker, teletype, facsimile, and similar services, if made available at a reasonable price. This would serve to increase the broadcast station's revenue during the day, when the number of listeners in their homes is fewer, and consequently broadcasting time is cheaper.

While the present system requires a fairly wide band, about 6 mc, this can be halved by using single sideband transmission, and still further reduced by using a narrower guard band between programs. Under the present system, there is a five-microsecond space between each channel, and the pulse duration is one-half microsecond. Stations are selected at the receiver by means of a delay line, replacing a special cathode-ray tube used in original experimental multiplex pulse time modulation broadcasting demonstrated about a year ago.

PATENTS

★ One would think that the great increase in research in radio engineering during the past few years would result in a corresponding growth in the number of patents issued. This is not the case. Patents granted during the month of August, 1936 totalled substantially the same as those issued during the corresponding month of this year. Undoubtedly the quantity of applications for patents has increased greatly, but the number of rejections appears to have grown proportionately. This would seem logical because most of the more obvious ideas have already been patented, and it becomes more and more difficult to find something new. Furthermore, the time and work required at the patent office to make searches must likewise have increased tremendously.

As we get into greater production of apparatus which incorporates new features, we may expect these to stimulate still further thought along similar lines, which will inevitably be reflected in an increased number of patent applications.—J. H. P.

TECHNICANA

B.B.C. T-V WAVEFORM

★ Specifications of the B.B.C. television waveform, with revisions and minor corrections to bring the material up to date, are presented in the June 1946 issue of *Electronic Engineering*. The transmitted waveform is illustrated in Fig. 1 and the method of interlacing in Fig. 2.

Twenty-five complete pictures are transmitted per second, each of 405 total lines, interlaced so that the frame and flicker frequency is 50 cps. The transmitter radiates sidebands to 2.5 mc on either side of carrier frequency.

Thus the line frequency is 10,125 lines per second, and the frame frequency is 50 frames per second, with each frame composed of 202.5 lines.

The interval between the vision signals of successive lines is 16.5% of the total line period (1/10,125 sec.). The first 0.5% of this interval corresponds in intensity to black and separates vision signals from the beginning of the line-synchronizing signal, and the final 5% separates the end of the line-synchronizing signal from successive vision signals.

Between frames is a 14-line interval,

leaving 188.5 active lines per frame, or 377 active lines per complete picture. The d-c component is transmitted as amplitude modulation. An increase in carrier represents an increase in picture brightness, and vision signals occupy values between 30% and 100% of peak carrier. Signals below 30% of peak carrier represent synchronizing signals and extend to effective zero carrier.

Line synchronizing signals are of

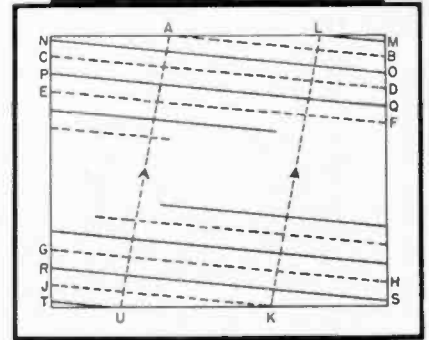


Figure 2

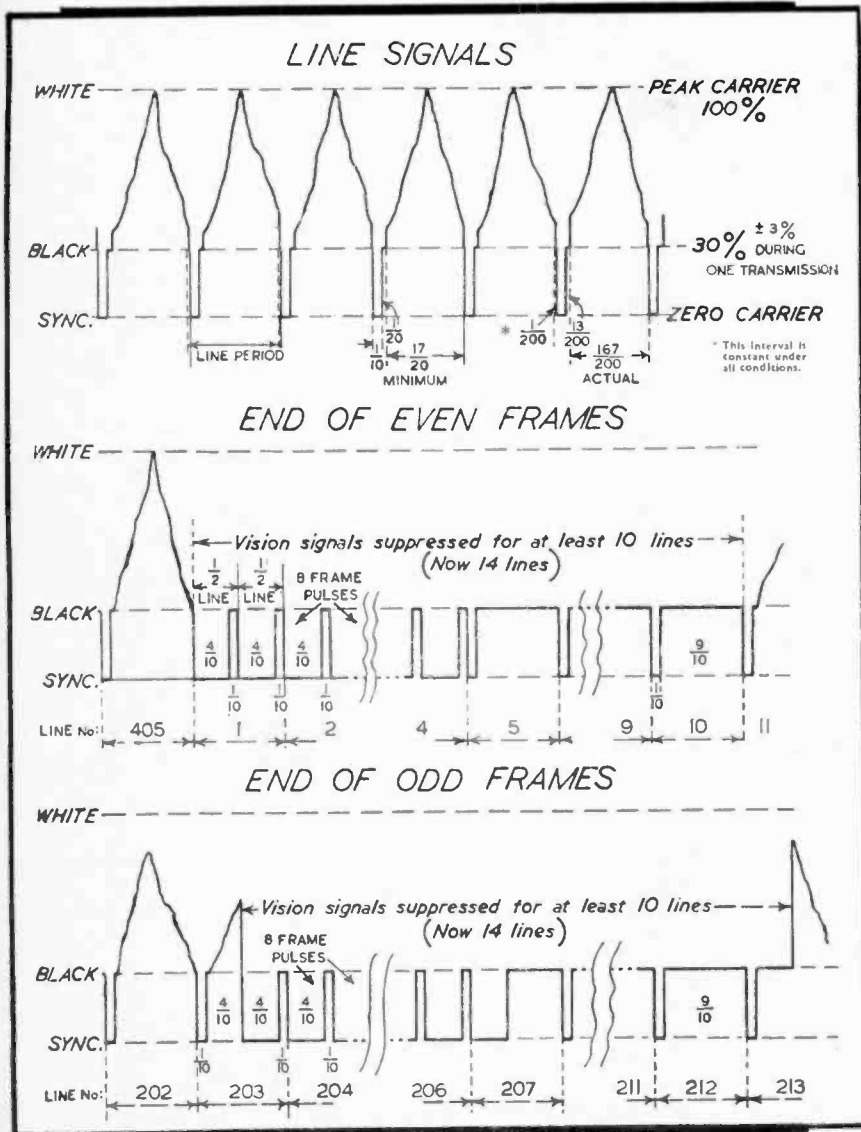


Figure 1

one-tenth of a line duration and are followed by one-twentieth of a line of black (30% peak). The frame-synchronizing signals comprise a train of two pulses per line, each occupying four-tenths of a line and having one-tenth of a line interval of black signal between them. At the end of even numbers of frames the first frame pulse starts, coincident with what would have been a line signal; and at the end of odd numbers of frames the first pulse starts half a line after the preceding line signal. Each frame signal consists of eight pulses, occupying four lines. During the rest of the intervals between frames, normal line-synchronizing signals will be transmitted, with black signals during the remaining nine-tenths of the line.

It will be noted that throughout the interval between frames (as during the whole transmission) the carrier falls from 30% to zero regularly at line frequency and in phase with the beginning of the normal line-synchronizing pulses.

The method of interlacing is shown in Fig. 2. Starting at A, not necessarily at the beginning of the line, the spot completes the line AB, returns to the left and traverses line CD, then EF, etc. At the bottom of the frame the spot travels along line GH, and then starts at J and travels to K. At this point the fly-back of the frame motion begins and returns the spot to L at the top of the frame.

A complete frame scan has now been made since leaving A, so that 202½ lines have been completed, and the point L is half a line away from A. The downward frame motion now starts again, causing the spot to travel along LM, completing a single-line motion

YOU CAN SIT BACK AND RELAX...



... when Adlake Relays are on the job!

YES... with an Adlake Relay handling the control job, you can sit back and relax. Because Adlake Plunger-type Mercury Relays are *dependable* and *tamper-proof*!

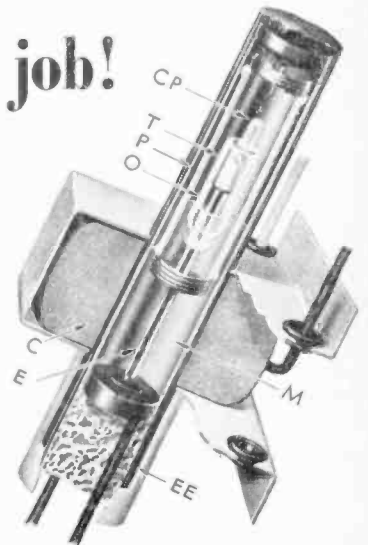
Control is fully automatic. No servicing or periodic cleaning needed.

Contacts hermetically sealed in metal or glass cylinder—not affected by dust, moisture, or temperature!

Mercury-to-mercury contact—no burning, pitting, or sticking. Positive, noiseless, chatterless, and arcless!

Armored against impact and shock—use for either stationary or moving equipment!

There's an Adlake Plunger-type Mercury Relay for *every* job! Send today for interesting, free bulletin. All types described in detail. No obligation.



HOW ADLAKE RELAYS WORK

ENERGIZED—Coil C pulls plunger P down into mercury M. Mercury thus displaced enters thimble T through orifice O. Inert gas in thimble gradually escapes through ceramic plug CP.

Mercury now fills thimble T, is completely leveled off and mercury-to-mercury contact established between electrodes E and EE. Degree of porosity of ceramic plug CP determines time delay.



THE ADAMS & WESTLAKE COMPANY

ESTABLISHED IN 1857

ELKHART, INDIANA

NEW YORK • CHICAGO

Manufacturers of Adlake Hermetically Sealed Mercury Relays for Timing, Load and Control Circuits

RADIO

★ SEPTEMBER, 1946



"THIRD DOWN

... ten yards to go!

● It is in moments like these that clear, distinct voice reproduction is imperative and this depends, to a large extent, upon the characteristics of microphones used in such public address installations. Included, as a part of many such P.A. systems, are Astatic semi-directional microphones, as illustrated, all expertly engineered, sturdily built and sure to render exceptionally fine performance under the most trying conditions. There's an Astatic Microphone made for every known application.



The **CONNEAUT**



DN SERIES



J-T SERIES



MODEL T-3



MODEL D-104

THE Astatic CORPORATION
 CONNEAUT, OHIO
 IN CANADA, CANADIAN Astatic LTD., TORONTO, ONTARIO

Astatic Crystal Devices Manufactured under Brush Development Co. patents.

Visit your Radio Parts jobber or Write for New 1946 Catalog.

TECHNICANA

[from page 4]

JKLM. The spot then returns to the left and traces out line *NO*, which, because of *L* being half a line ahead of *A*, will lie between lines *AB* and *CD*.

The complete picture is thus scanned in two frames, but as each frame contains an integral number of lines, plus a half, the two frames interlace. Line frequency and frame frequency are locked to the 50 cps supply.

DIELECTRIC LOSS MEASUREMENTS

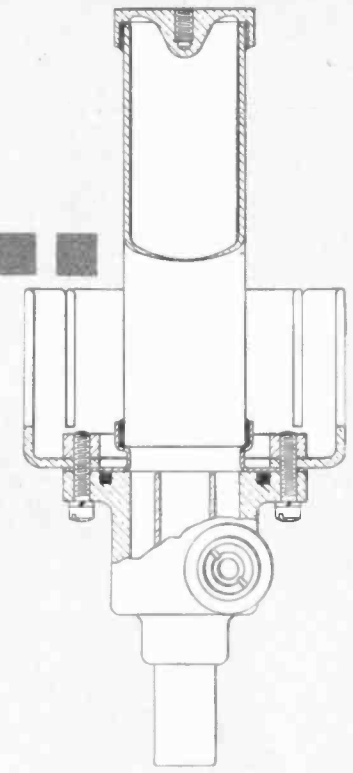
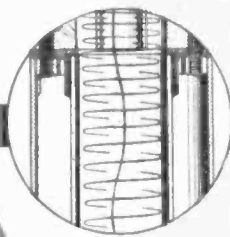
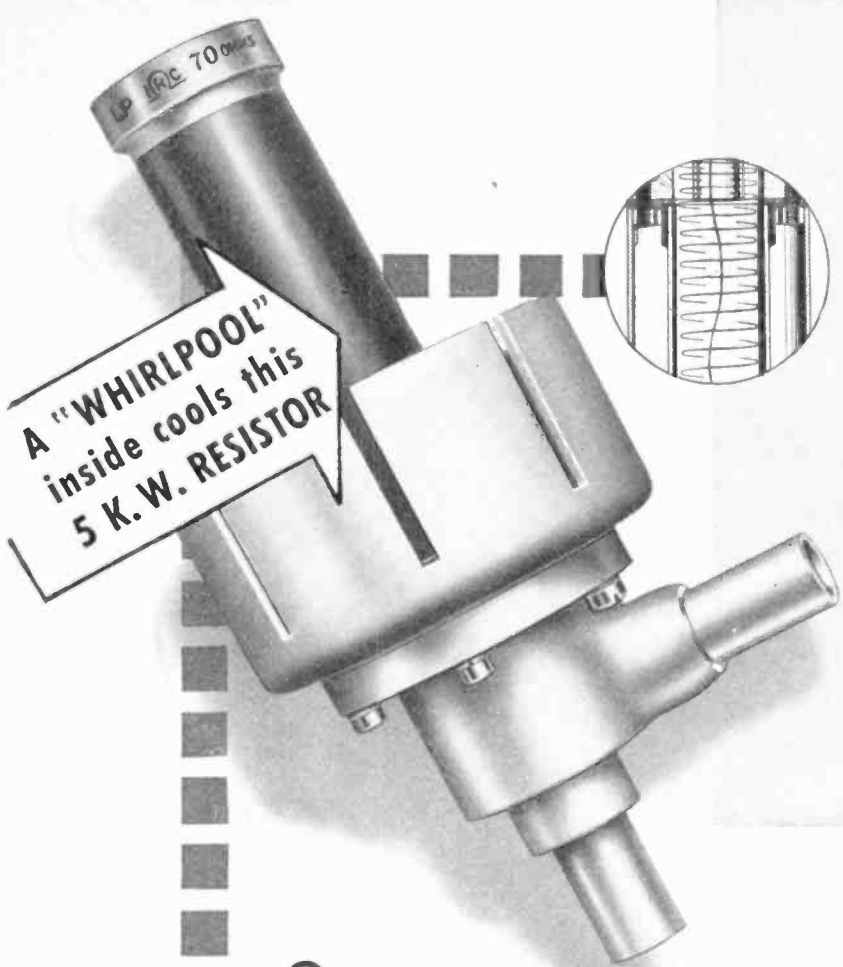
★ Design of measuring equipment and suitable operating techniques for low-loss samples such as polystyrene, are discussed in an article entitled "A Microwave Dielectric Loss Measuring Technique" by William R. MacLean in the *Journal of Applied Physics* for July, 1946. Dielectric loss is measured by *Q* determinations of a cavity resonator using a double-sample technique.

Measurement of the dielectric constant ϵ and the loss factor d for small values of d has previously involved a number of difficulties:

- 1) Resistance losses at joints, particularly at sliding joints.
- 2) With a relatively high metal loss present, a small quantity must be measured in conjunction with a larger parasitic one.
- 3) The metal loss cannot be accurately calculated because of variability of the so-called roughness factor.
- 4) Measurement of the metal loss becomes of doubtful value when using a shifted frequency, with altered geometry inside the cavity.
- 5) Correction may be necessary for a certain amount of loss from coupling into and out of the resonator.
- 6) Resonator *Q*'s are high, and when sliding plugs are used, movements of only a few mils are involved in determination of half-power points.
- 7) Crystals are customarily calibrated at much lower frequencies, or a square law is assumed, placing its half-power point in question.

Mr. MacLean has therefore undertaken investigation of small-loss measurement, and his technique is restricted to this field. A preliminary approximate determination of ϵ is made, which is checked in the final measurement, and a value determined for the small loss factor d .

The noted difficulties have been overcome by use of a cylindrical resonator utilizing a transverse electric mode involving no current flow across the cracks. The samples are placed inside the resonator as a dielectric core and the field is confined almost exclusively to the dielectric. This eliminates side-



A "WHIRLPOOL"
inside cools this
5 K. W. RESISTOR

Unique **IRC** High Frequency-High Power Resistor for Television, FM, and Dielectric Heating Applications



Inside IRC's new Type LP resistor a high velocity stream of water flows in a spiral path against the *metallized* resistance film and, through centrifugal force, maintains intimate thermal contact with the entire surface. Interchangeable intake nozzles permit adjusting the rate of water flow and therefore the cooling action to suit local water pressure and power dissipation up to 5 K.W.

A resistance film less than 0.001" thick, with an active length considerably less than 1/4 wave length at FM and television frequencies, gives good inherent frequency characteristics.

The mechanical design permits direct mounting on the end of a coaxial line with both water intake and outlet connections at R.F. ground potential. Resistor elements are interchangeable. Different values or service replacements can be readily installed in the field.

The IRC Type LP Liquid Cooled High Frequency High Power Unit is the latest in IRC's continuing development of resistors. It is available in resistance values of 35 ohms to 1500 ohms. Resistance tolerance: $\pm 15\%$ standard. Tolerances of $\pm 10\%$ and $\pm 5\%$ can be supplied at increased cost.

SHORT DELIVERY CYCLE
Fittings are now carried in stock.
Resistance elements are made to order for range and tolerance.

For specific engineering information contact your IRC Sales Engineer or write Dept. 71

INTERNATIONAL RESISTANCE CO.
401 N. BROAD ST., PHILADELPHIA 8, PA.
In Canada: International Resistance Co., Ltd., Toronto, Licensee



WIRES



made by engineers
for engineers.....

CORNISH WIRE CO., INC.

15 Park Row • New York City, 7

TECHNICANA

[from page 6]

wall loss from the practical standpoint, and the losses on the end pieces can be made negligible by using a long sample and resonator.

Actual losses on the end pieces are eliminated by the technique of measurement with first one, and then two identical samples. Any loss due to the input and output coupling is also eliminated at the same time.

Detuning of the resonator for the Q measurements is effected by pushing a small metal rod into the center-bored samples as required. A millimeter scale is provided. This detuning effect is so small that a large movement of the rod is obtained, no matter how high the encountered Q . The method includes a determination of the half-power point of the crystal at frequency of operation.

Two small loops are used for the driving oscillator and detecting crystal. These are removable with the top cover, for convenience of insertion of samples; a convenient slotted spider with thumb-screws makes for rapid manipulation.

Detailed techniques and theory of operation are presented by the author. In brief, the Q of the resonator is determined with one, and then with two samples. If W = stored energy, and D = power loss, then

$$d = 1/Q = D/\omega W$$

and with two sources of loss, the damping factor is considered as composed of d_1 observed with one sample, plus d_2 observed with two samples; d_1 consists of several parts, of which d_0 is defined as the dielectric loss. It is then developed that

$$d_0 = 2d_2 - d_1$$

subject to a correction factor derived with the aid of Bessel integrals. Application of the correction factor is made simple by means of plots presented in convenient form by the author.

A considerable portion of the article is also concerned with the design factors of equipment for use in various loss ranges, for which reference should be made to the original paper.

SWEEP TRACE ROTATION

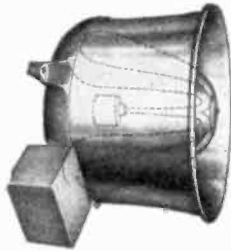
★ L. Bainbridge-Bell, in a communication to the editors of *Electronic Engineering*, June 1946, points out that elaborate techniques are occasionally used to determine the sense of rotation of a circular cathode ray sweep trace when a glance will do the trick.

For this purpose, the observer looks quickly from left to right across the screen, whereupon cusps are seen. If these cusps point upward the movement of the spot is clockwise; if the cusps point downward, the spot is moving counter-clockwise.



RACON

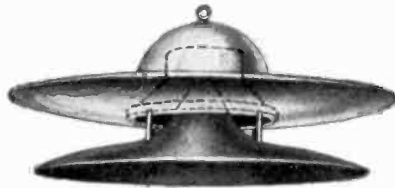
SPEAKS FOR ITSELF



MARINE SPEAKER; approved by the U. S. Coast Guard, for all emergency loud-speaker systems on ships. Re-entrant type horn. Models up to 100 watts. May be used as both speaker and microphone.



RADIAL HORN SPEAKER; a 3½' re-entrant type horn. Projects sound over 360° area. Storm-proof. Made of RACON Acoustic Material to prevent resonant effects.



RADIAL CONE SPEAKER; projects sound over 360° area. Cone speaker driven. Will blend with ceiling architecture. RACON Acoustic Material prevents resonant effects.



AEROPLANE HORNS; super-powerful and efficient P.A. horns for extreme range projection. 9-4-2 single unit trumpets available.

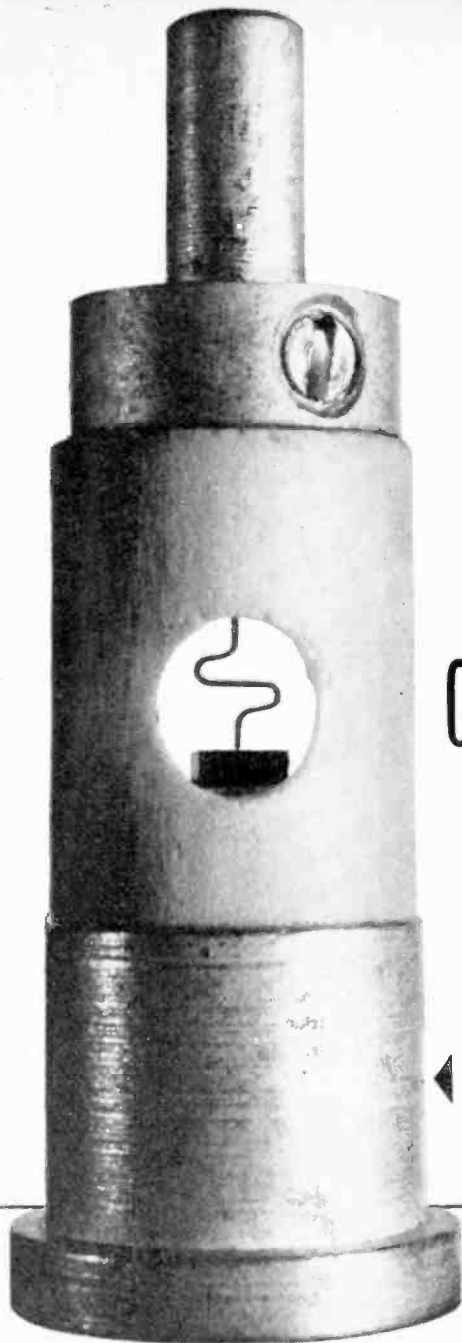
Indoor — outdoor or on shipboard — RACON SPEAKERS, HORNS, and DRIVING UNITS are designed for every conceivable application.

Racon's precision manufacture assures maximum efficiency and high fidelity "true-tone" reproduction even at full power output. All-weather construction design makes Racon speakers impervious to any climatic condition, prevents resonant effects, assuring long, rugged, trouble-free service. Specify and use RACON! All types now available. Write us your requirements now — get our new catalog.

RACON

RACON ELECTRIC CO.

52 EAST 19th ST. NEW YORK, N. Y.



Crystal detector—1946 model

ENLARGED
8 TIMES

ONE INCH



Remember the crystal detector in the first radios — hunting for the right spot with a cat's whisker? For years the detector lay discarded in favor of the vacuum tube. But when microwaves came, and with them the need to convert minute energy to amplifiable frequencies, a Bell Laboratories' scientist thought back to the old crystal.

Silicon of controlled composition, he discovered, excelled as a microwave detector. Unlike the old-style natural crystals, it was predictable in performance, stable in service. From 1934 to Pearl Harbor, the Laboratories developed silicon units to serve microwave research wherever needed.

Then Radar arrived. The silicon crystal came into its own, and found application in long-distance microwave Radar. Working with American and British colleagues, the Laboratories rapidly perfected a unit which the Western Electric Company produced in thousands. It became the standard microwave detector.

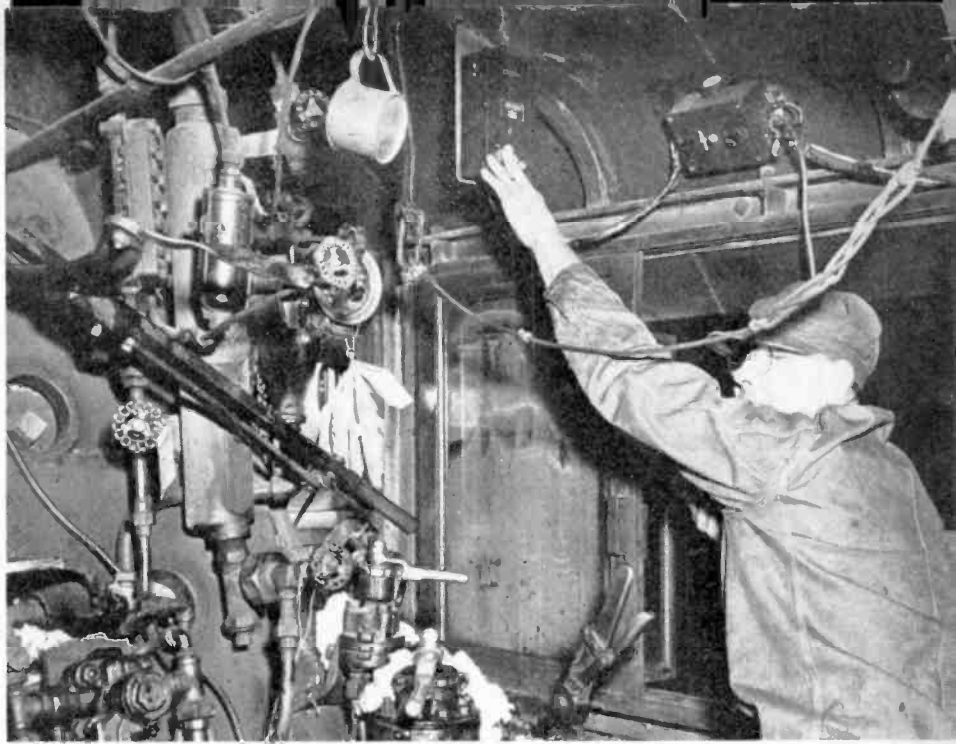
Crystal detectors are destined to play a big role in electric circuits of the future. They will have an important part in Bell System microwave radio relay systems. In various forms, they may reappear in radio sets. Here again Bell Laboratories' research has furthered the communication art.

BELL TELEPHONE LABORATORIES



EXPLORING AND INVENTING, DEVISING AND PERFECTING FOR CONTINUED ECONOMIES AND IMPROVEMENTS IN TELEPHONE SERVICE

Fig. 1. Operating position of Bendix railroad radio.



Design and Application of SQUELCH CIRCUITS

FREDERICK DELANOY

Survey of squelch circuits used by receiver engineers, with representative applications

SQUELCH CIRCUITS are not particularly new. In tracing their development through the years, one finds all-but-lost references to balanced crystal circuits used in the pre-tube days to combat atmospherics. It is perhaps stretching a definition to classify these as squelch circuits since they were designed to combat noise within as well as between channels. At any rate, these early circuits are closely related to

squelch circuits and are direct forebears of present-day "hole-puncher" circuits, which are regarded as a relatively new discovery in some circles.

Interchannel noise is a problem in any sensitive receiver using avc, since the gain of the receiver rises in the absence of a carrier. The problem becomes aggravated in commercial and public-service applications, where personal efficiency of operators is frequently impaired

by long-continued acoustic irritation. Suppression of interchannel noise is likewise advantageous in the case of domestic receivers, since the receiver then possesses greater sales appeal.

Subdivision of Circuits

A broad general division of squelch circuits may be made to include those which are electro-mechanically actuated, and those which are all-electronic. The

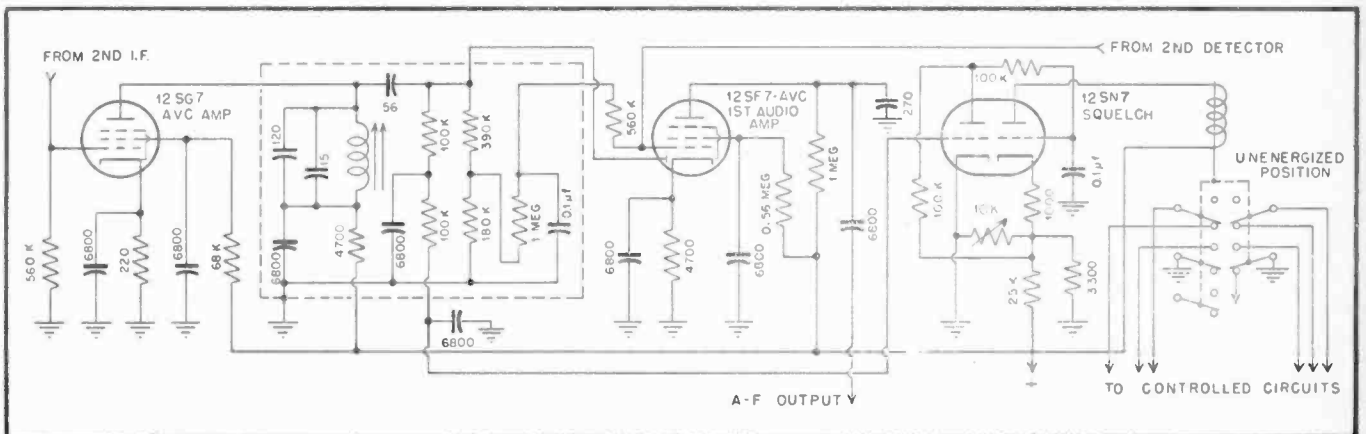


Fig. 3. Schematic diagram of Bendix a-m squelch circuit, using relay.

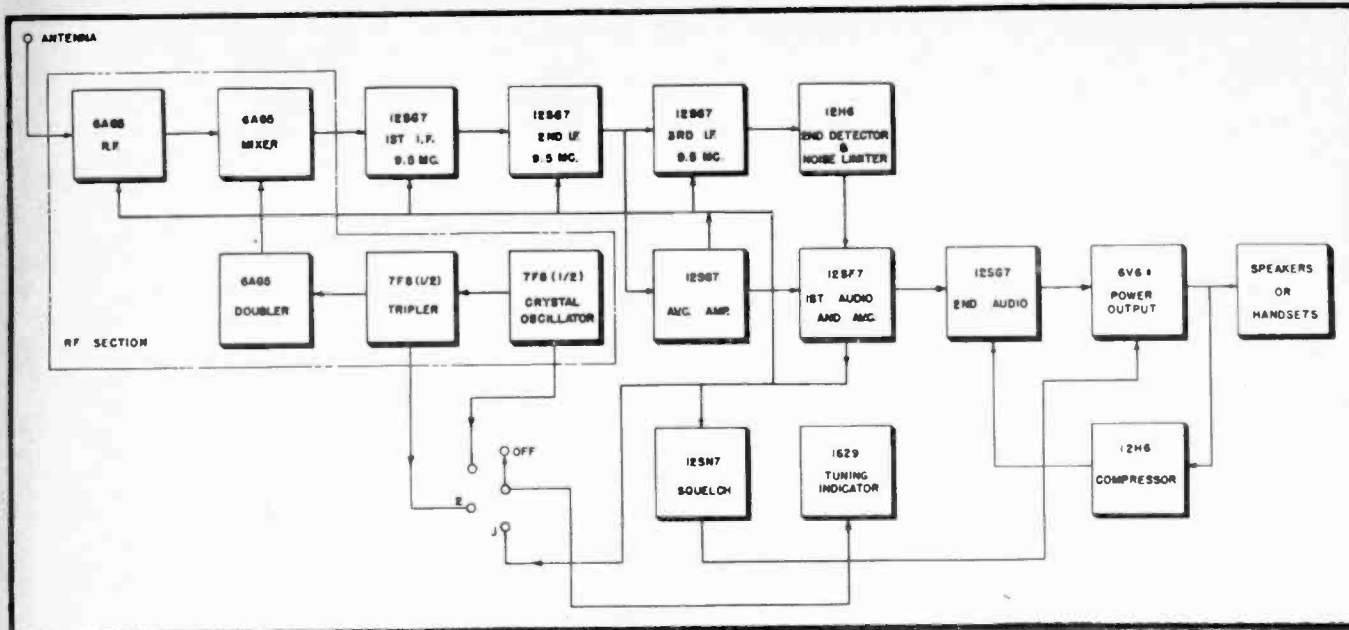


Fig. 2. Block diagram of railroad receiver, showing location of squelch circuit.

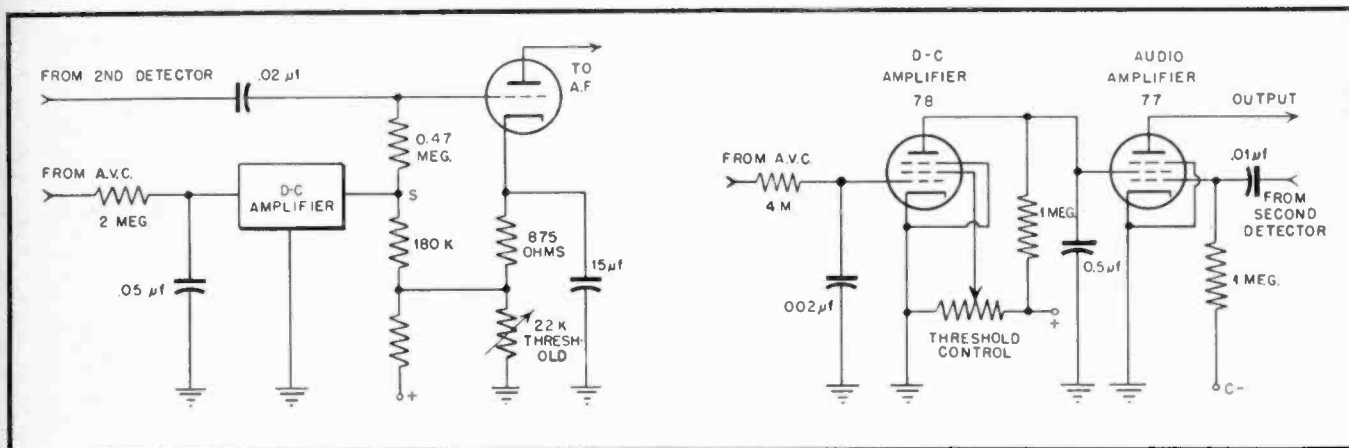


Fig. 5. (left) Typical all-electronic squelch circuit, using d-c amplifier. Fig. 6. (right) Squelch circuit used in Philco receivers.

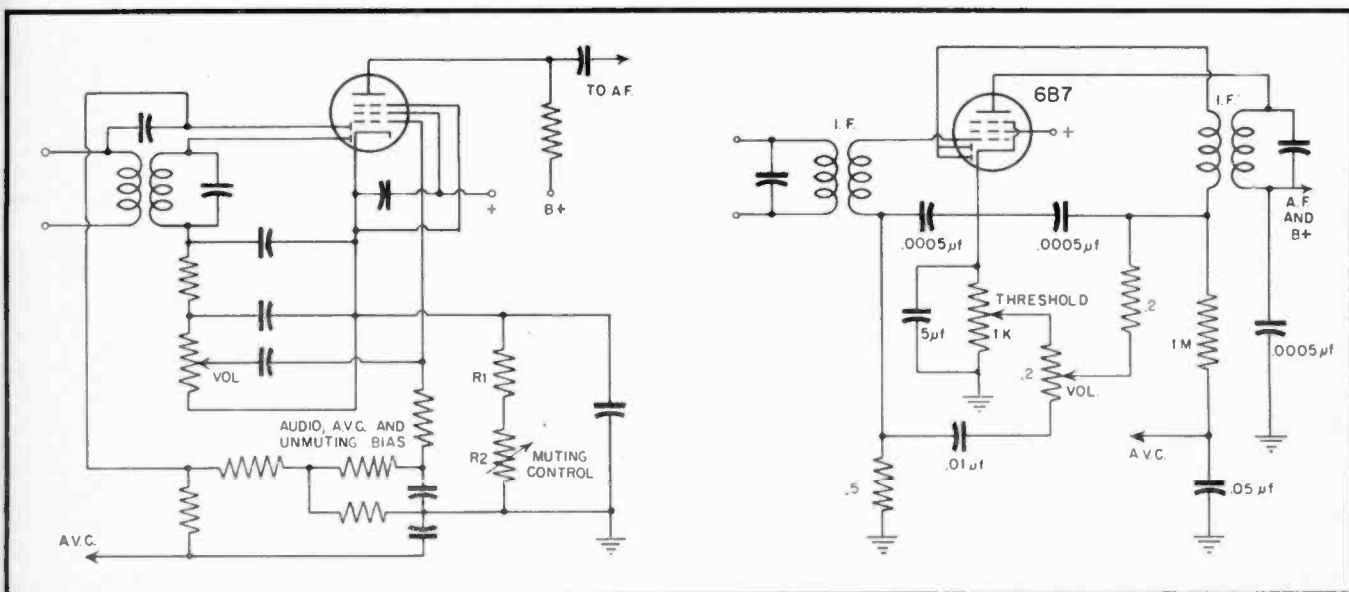


Fig. 7. (left) One-tube squelch circuit used in Australian receivers. Fig. 8. (right) Emerson design of single-tube squelch circuit.

Modern Studio

Leo G. Killian, Paul L. Tourney,
and John W. Hooper

Raytheon Mfg Co

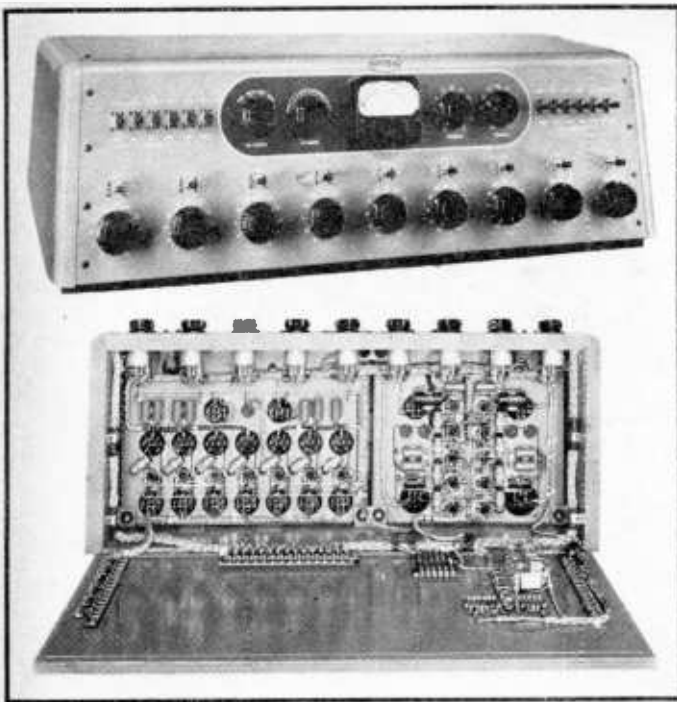


Fig. 1. Front and under-chassis views of studio console, showing controls for two studio and control-room announce-microphones, two transcription turntables and nine incoming lines. Under-chassis view shows wiring of seven preamps, monitoring, and program amplifiers.

AS A RESULT of increased activity in modern broadcasting techniques due to f.m. and the need for higher quality transmission, more interest is being centered upon improved types of speech input equipment.

Among important "links" affecting the overall performance of a broadcast station are units of the speech input type generally referred to as studio speech-input consoles and remote pickup amplifiers. A unit of each type in this class is considered in this article.

Two-Studio Console

Increasing demand for higher quality audio transmission requires apparatus having a wide response range. In addition, such equipment must include a means for gauging the true quality of transmitted programs, especially in frequency-modulated radio stations.

This studio console has many new and useful features and provides a modern, compact, flexible, wide range speech input system adaptable for use in both a-m and f-m broadcasting.

The equipment comprises all the necessary control and monitoring circuits to fit the needs of modern broadcast station requirements. In a typical installation, for example, such a unit has facilities to handle two studios, a control-room announce microphone, two transcription turntables and nine incoming lines. Other arrangements are of course possible and provision is made for the simultaneous auditioning and broadcasting from any combination of the studios, turntables or remote lines.

Circuit Arrangement

A single all-metal console is used as a housing for the amplifying and control

equipment. *Fig. 1* shows the arrangement of the front panel controls and chassis wiring. The dual power supply for the speech-input console is placed in a separate cabinet and mounting can be effected on desk, wall or relay rack. Functions and arrangement of the various circuits are shown in the block diagram, *Fig. 2*.

The console is made up of seven pre-amplifiers, one program amplifier, and one monitoring amplifier. A nine-position mixer system is utilized to provide complete control of the seven pre-amplifiers as well as two remote circuits. Three-position lever-action keys are used in the output of each mixer so that it may be switched to the input of the program amplifier for broadcasting use or to the monitor amplifier for auditioning purposes. The five microphone switches are interlocked to three loud-speaker cut-off relays. This prevents operation of speaker *B*, *C*, or *D* in any studio where there is a live microphone, but facilitates cueing by allowing the performers to hear the close of the program preceding their own. Pre-amplifiers Nos. 6 and 7 are normally used as transcription turntable input amplifiers; however, they may be employed for microphone input use if desired.

The program amplifier provides a high-gain, low-distortion, low-noise level amplifier for feeding the transmission line to the transmitter location point. The monitor amplifier has a maximum output of approximately 8 watts. With the monitor input switch connected to the program input switch through a pad, the monitor amplifier feeds loudspeaker outlets *A*, *B*, *C*, and *D*. By connecting the monitor switch to the monitor section of the input switch-



Fig. 4. Front and rear views of the three-channel remote amplifier and power supply. Connections for three input channels and output lines shown.

& Portable Speech Input Equipment

Technical details for a well-designed studio console and a three-channel remote amplifier are presented

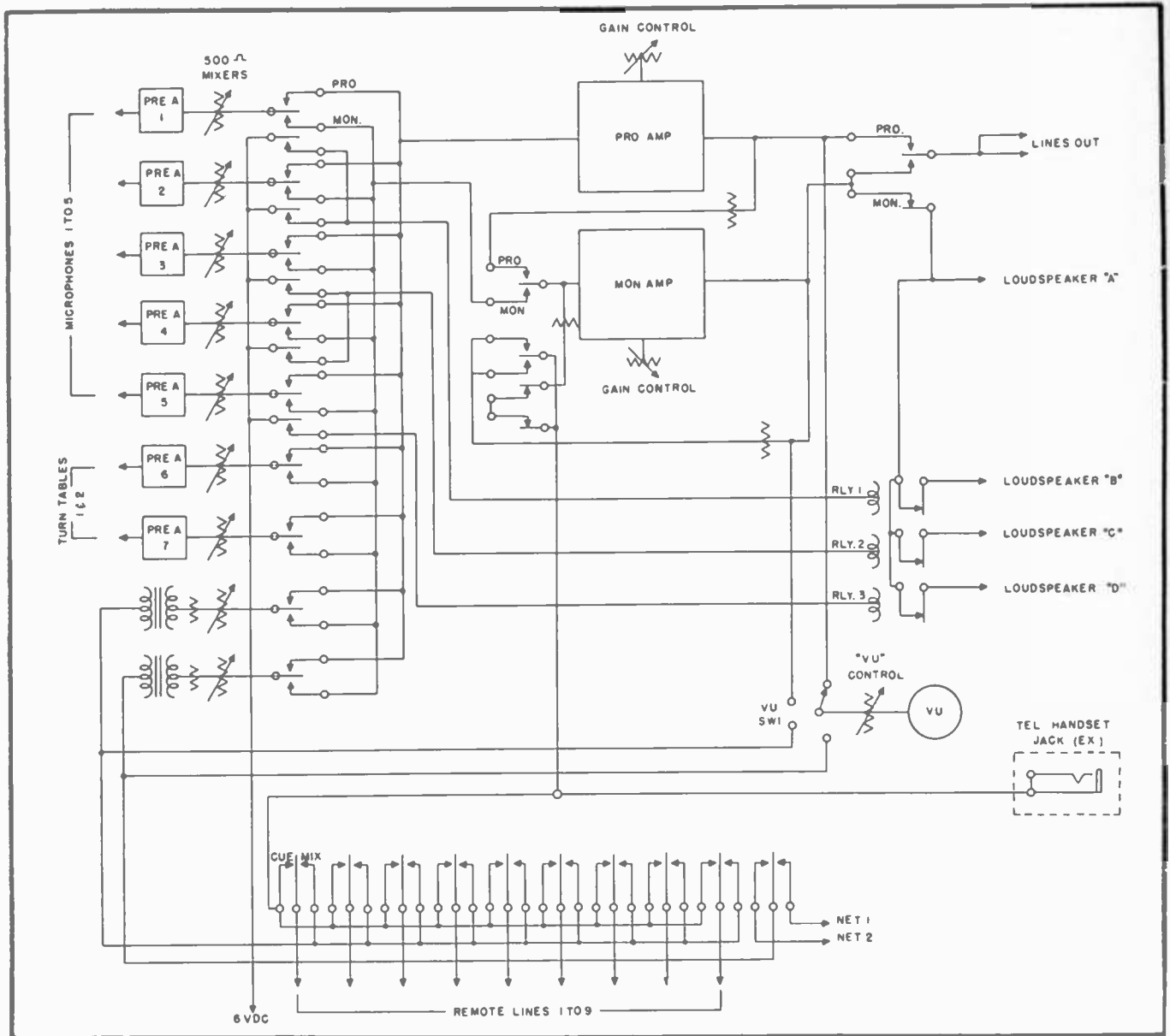


Fig. 2. Block diagram of the studio console, showing functions of the various flip switches.

ing keys the amplifier operates as an auditioning amplifier. In an emergency the monitor amplifier can be used as a program amplifier. An amplifier output switching key connects either the program or monitor amplifier to the "Lines Out". Loudspeaker circuits are also disconnected when this key is operated in the "Monitor" position. In

the center position both amplifier outputs are disconnected from the line circuits but the loudspeakers are in normal operation.

Nine incoming lines can be switched to either a mixing position or to a cue position (see block diagram). A cue from the output of the monitor amplifier may be fed to any one incoming

line when the "Program-Monitor" switch is in either the program or monitor position. When the "Program-Monitor" switch is in the center position the cue is disconnected and the monitor amplifier can be used for "listening" to any remote line point while another remote line or studio is "On the Air". Terminals are provided for the connec-

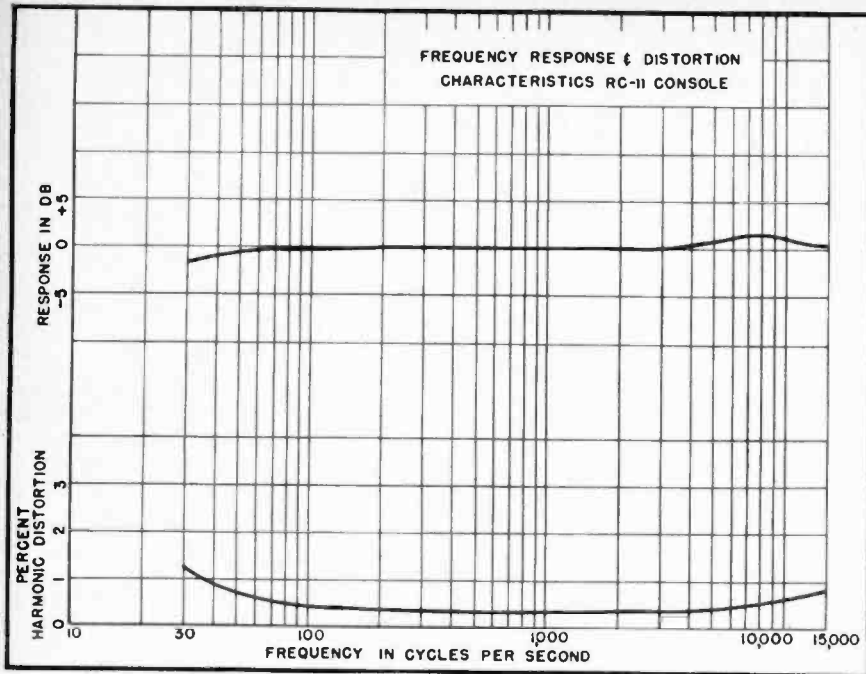


Fig. 3. Typical frequency response and distortion curves taken on a production sample of the console

tion of a telephone handset jack which enables the operator, through the use of a sound powered handset, to talk or listen to any remote point without disturbing his normal studio operation. Talkback to adjacent studios is served through the monitor amplifier and switching facilities. If desired, headsets may be connected to the program, monitor, or remote lines at easily accessible terminal board termination points located on the inside base of the console. Repeater transformers are installed in both the remote line and network mixing positions.

An illuminated VU meter indicates the level at the output of the program amplifier and the monitoring amplifier. It also shows the level at the inputs of the two remote line mixers. Meter switching in these circuits is accomplished by the use of the VU switch located on the left side of the meter. The range of the meter may be extended by the meter multiplier "VU range" switch which is adjacent to the meter. Twelve steps of 2 db per step are provided for this purpose and extend the range to +24 db. An off position is provided on the meter multiplier switch to protect the instrument when making circuit adjustments.

Power Supply

A dual wall or relay rack mount power supply furnishes power for the operation of the console. The power supply is made up of two separate complete units. One supply energizes the program amplifier and the other is for the monitor amplifier. Power for the pre-amplifiers is obtained from either of the two supplies by means of a rotary

switch located on the supply front panel. A d-c supply operates the three 6-volt speaker relays which are mounted on the base of the console. Up to three additional relays may be energized from the supply if desired.

Specifications and Electrical Characteristics

The pre-amplifier input impedance may be connected for 50, 250, or 500

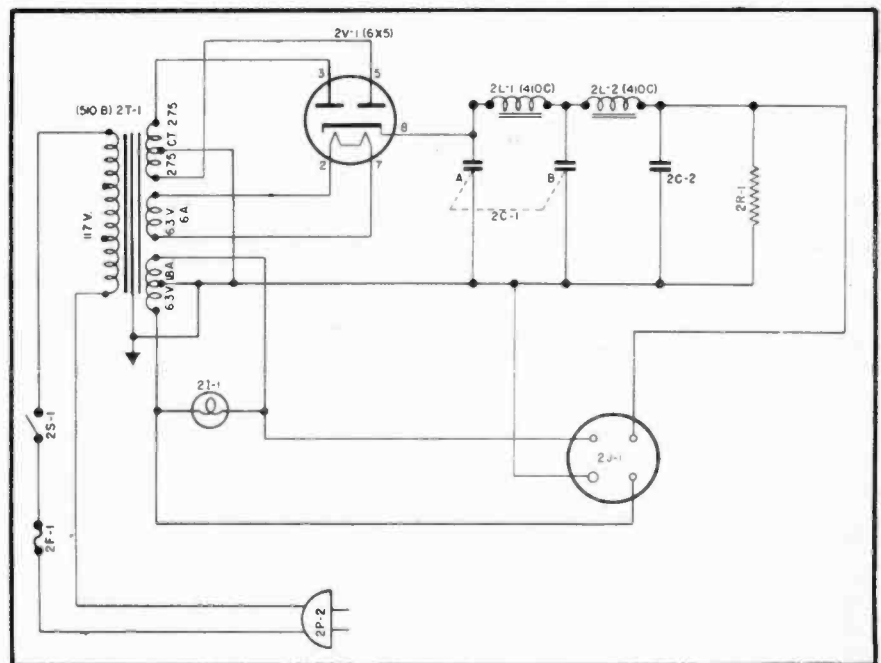
ohms. The remote line input impedance is 600 ohms or 150 ohms. Each pre-amplifier consists of a single 6J7 type tube, transformer-coupled to the mixer system.

The tube line-up of the program and monitor amplifiers is identical. Each amplifier consists of two 6J7 resistance-coupled stages and one 6SN7GT resistance-coupled driver stage for the push-pull 6F6 output tubes. The output impedance of each amplifier is 600 ohms.

Monitor and line amplifier application requires excellent response over a wide range of frequencies. It is most desirable to obtain a response curve which is flat over a wide range and which contains no positive slopes within or near the range of frequencies normally supplied to the amplifier. This last characteristic helps improve transient response. The use of feedback aids in this respect and helps reduce hum and noise as well.

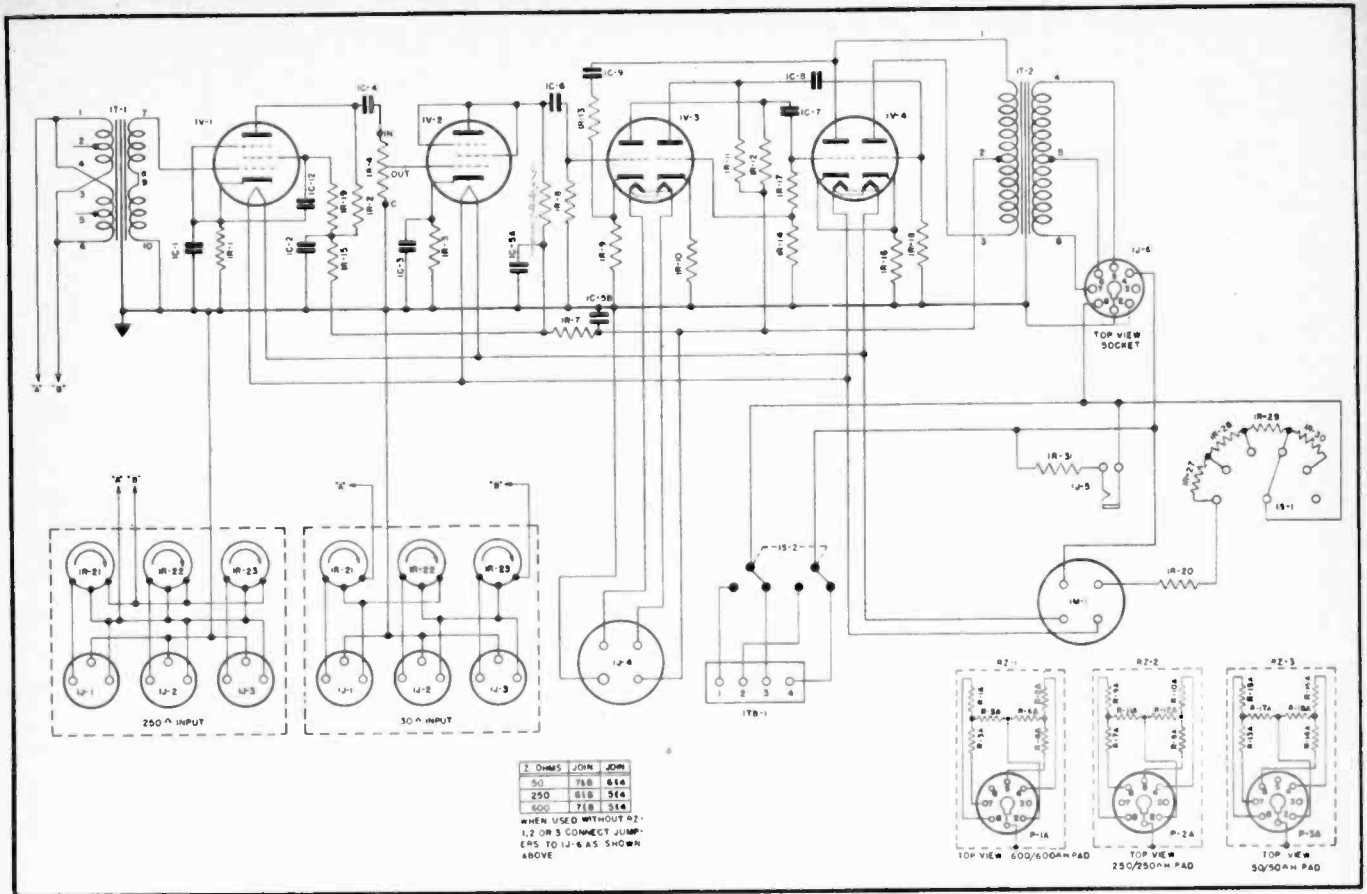
Feedback is incorporated in the line and monitor amplifiers by feeding a portion of the output voltage from the output plate back to the appropriate driver cathode through a resistor-capacitance network.

The frequency response of either the line or monitor amplifier is rated flat within ± 2 db from 30 to 15,000 cycles. Distortion is less than 1 per cent from 50 to 15,000 cycles on the line amplifier at an output level of +20 db. The maximum gain of the system from microphone to line is 112 db.



Parts List — Power Supply Unit

- | | |
|--|--|
| C1A—20-20 μ f, 450 v.d.c., working, electrolytic | R1—25,000 ohms, 10 watts |
| C2—30 μ f, 450 v.d.c., working, electrolytic | S1—toggle switch, SPST |
| F1—2 amp. fuse | T1—power transformer |
| I1—6-8 volt pilot bulb | V1—6X5GT tube |
| J1—receptacle | Fuseholder |
| L1—choke, 20 h, 50 ma | Pilot assembly, miniature bayonet, red jewel |
| P2—plug with clamp | Socket, black bakelite octal |



Parts List — Main Unit

C1, C3—50 μ f, 25 v. electrolytic
 C2—15 μ f, 450 v.d.c., working, electrolytic
 C4, C6, C7, C8—0.1 μ f, 400 v.d.c., working, paper tubular
 C5A-B—20-20 μ f, 450 v.d.c., working
 C9—.02 μ f, 400 v.d.c., working, paper tubular
 C12—0.5 μ f, 400 v.d.c., working, paper tubular
 J1, J2, J3—panel type receptacle
 J4—receptacle
 J5—jack #1
 J6—octal socket
 M1—meter
 R1, R3—1500 ohms
 R2—22,000 ohms
 R4—25,000-ohm potentiometer
 R6, R11, R12—82,000 ohms, 1 watt
 R7—10,000 ohms, 1 watt
 R8, R13—470,000 ohms, 1/2 watt

R9, R10—2700 ohms, 1 watt
 R14—18,000 ohms, 1/2 watt
 R15—47,000 ohms, 1 watt
 R16—560 ohms, 1 watt
 R17, R18—150,000 ohms, 1/2 watt
 R19—1 megohm, 1/2 watt
 R20—820 ohms, 1/2 watt
 R21, R22, R23—250/250 or 30/30-ohm attenuator
 R27—2700 ohms, 1/2 watt
 R28, R29, R30—2400 ohms, 1/2 watt
 R31—10,000 ohms, 1/2 watt
 RZ1—H-pad, 600/600 ohms, 5 db. Consists of: R1A, R2A, R3A, R4A—82 ohms, 1/2 watt
 R5A, R6A—1000 ohms, 1/2 watt
 P1A—octal tube base
 RZ2—H-pad, 250/250 ohms, 5 db (optional). Consists of:
 R7A, R8A, R9A, R10A—39 ohms,

1/2 watt
 R11A, R12A—390 ohms, 1/2 watt
 P2A—octal tube base
 RZ3—H-pad, 50/50 ohms, 5 db (optional).
 Consists of:
 R13A, R14A, R15A, R16A—10 ohms, 1/2 watt
 R17A, R18A—82 ohms, 1/2 watt
 P3A—octal tube base
 S1, S2—switches
 T1—transformer, mike or line to push-pull grids
 T2—transformer, output type, 20,000 ohms, push-pull 6J5 plates to 500-ohm section
 TB1—terminal strip
 Knob—special finger grip type
 Knob—bar type
 Plugs
 Socket—black bakelite octal
 Tube shell

Feedback further lowers the overall noise and hum level of the amplifier to a point where the signal-to-noise ratio at an operating level of +20 db is approximately 60 db. A noise level of this magnitude is not objectionable even when the amplifier is utilized with speakers capable of excellent wide-band response. In addition extraneous noise and operational clicks are virtually eliminated by the use of airplane-type four-way rubber shock mounting of the cabinet itself.

REMOTE PICKUP AMPLIFIER

The three-channel remote amplifier (see Fig. 4) is designed to meet the requirements of a portable a-c remote

pickup amplifier for modern broadcast application. The equipment is built in two units comprising an amplifier and a separate power supply. A connecting cable is furnished to connect the two units together and separate carrying cases are supplied for each unit. This arrangement provides the broadcaster with convenient field pickup equipment having studio quality performance.

Circuit Details

The amplifier section employs low-level mixing with provision for three separate input channels having a source impedance of 30/250 ohms. All mixer controls are of the ladder-network type assuring quiet operation over long peri-

ods of time. The master gain control is a special potentiometer of the "step" type.

The amplifier consists of four resistance-coupled stages as shown in Fig. 5, affording a gain of over 86 db which is more than ample for usual applications. The power supply is conventional, and uses a type 6X5GT/G rectifier.

The input stage of the amplifier employs a 6J7 tube. The low level mixer input circuit is connected to this stage by means of a transformer. The second stage is a voltage amplifier; it also uses a type 6J7 tube, but is connected as a triode. The master gain control for the amplifier is in the grid circuit of this

[Continued on page 31]

Calculating the Inductance of Universal - Wound Coils

A. W. SIMON

Director of Research, Stewart-Warner Corp

Simplified methods of solving practical universal-wound coil design problems are described

FOR CALCULATING the inductance of circulator coils of rectangular cross-section the formulas of Stefan and Wheeler² are available.

These formulas presuppose that the height c , the width b , the mean radius a , and the number of turns t , of the coil are already known. But the radio engineer is usually confronted with the converse problem, namely to determine the physical constants of a coil, particularly the number of turns, required to produce a given inductance. Of course, this problem could be solved by trial and error, by assuming various sets of values of the constants a , b , c , and t , and calculating the corresponding inductances. However, this process would be laborious and, furthermore, the number of turns corresponding to a given coil cross-section usually cannot be calculated accurately.

In the latter respect the universal-wound coil is an exception, because it has the unique property that the number of turns per layer is the same for every layer, and, furthermore, is a simple function of the gear ratio employed in winding the coil. The proper gear ratio itself, for a given width of coil, dowel diameter, and wire size, can be calculated.² Thus, for any assumed number of turns, the height and mean radius of the coil are calculable.³ In particular, then, in the case of a universal wound coil, given the width of the coil (cam throw), the dowel diameter, wire diameter, and an assumed number of turns, all four of the constants required by the Stefan and Wheeler formulas are determined and calculable. Furthermore, if the resulting inductance is not that desired, the (assumed) number of turns

Table of Symbols and Formulas Used in Universal Coil Inductance Calculations

a	Mean radius of the coil	
b	Axial width of the coil	
c	Radial thickness (height above form) of the coil.	
d	Dowel diameter	
n	Approximate or integral number of crossovers per turn of the dowel	
q	Number of crossovers per winding cycle	
s	Spacing between centers of adjacent wires on the dowel	
t	(Assumed) total number of turns	
t_c	Corrected number of turns	
t_l	Number of turns per layer	
w	Overall diameter of the wire	
L_c	Calculated inductance in microhenries	
L	Desired inductance in microhenries	
T_d	Number of teeth in the drive gear	
T_c	Number of teeth in the cam gear	
(1) Calculation of the gear ratio		
$T_c/T_d = (2/n)(1 \pm \sqrt{a^2 + \beta^2} + a^2)$	(1)	
$\alpha = s/qb$	$\beta = ns/q\pi d$	$s = 1.25w$
(2) Calculation of the turns per layer		
$t_l = \pm nT_c/q(2T_d - nT_c)$	(2)	
(3) Calculation of the radial thickness		
$c = tw/t_l$	(3)	
(4) Calculation of the mean radius		
$a = (c+d)/2$	(4)	
(5) Calculation of the Inductance (Wheeler Formula)		
$L_c = 0.8 a^2 t^2 / (6a + 9b + 10c)$	(5)	
(6) Calculation of Corrected Turns		
$t_c = t\sqrt{L/L_c}$	(6)	

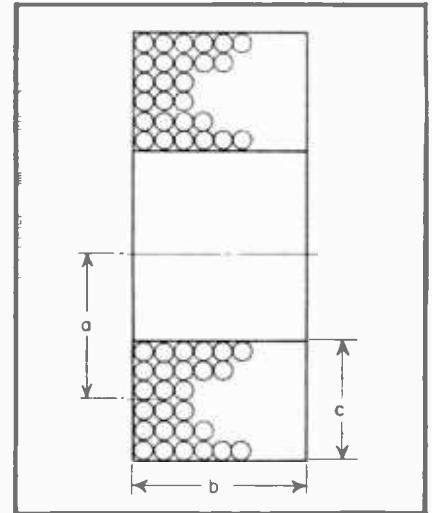


Diagram identifying notation used in equations and text

can be corrected by means of the formula previously given by the author.⁴ It is not necessary, therefore, to assume usually more than one or two sets of values of the coil parameters in order to determine the proper combination.

Hence the problem of finding the number of turns required to produce a desired inductance in the case of a universal coil reduces to the following steps:

(1) Assume a dowel diameter, coil width, wire diameter and number of turns.

(2) Calculate the required gear ratio. (In practice usually one or more of the factors required under (1) and (2), except the number of turns, will already be known.)

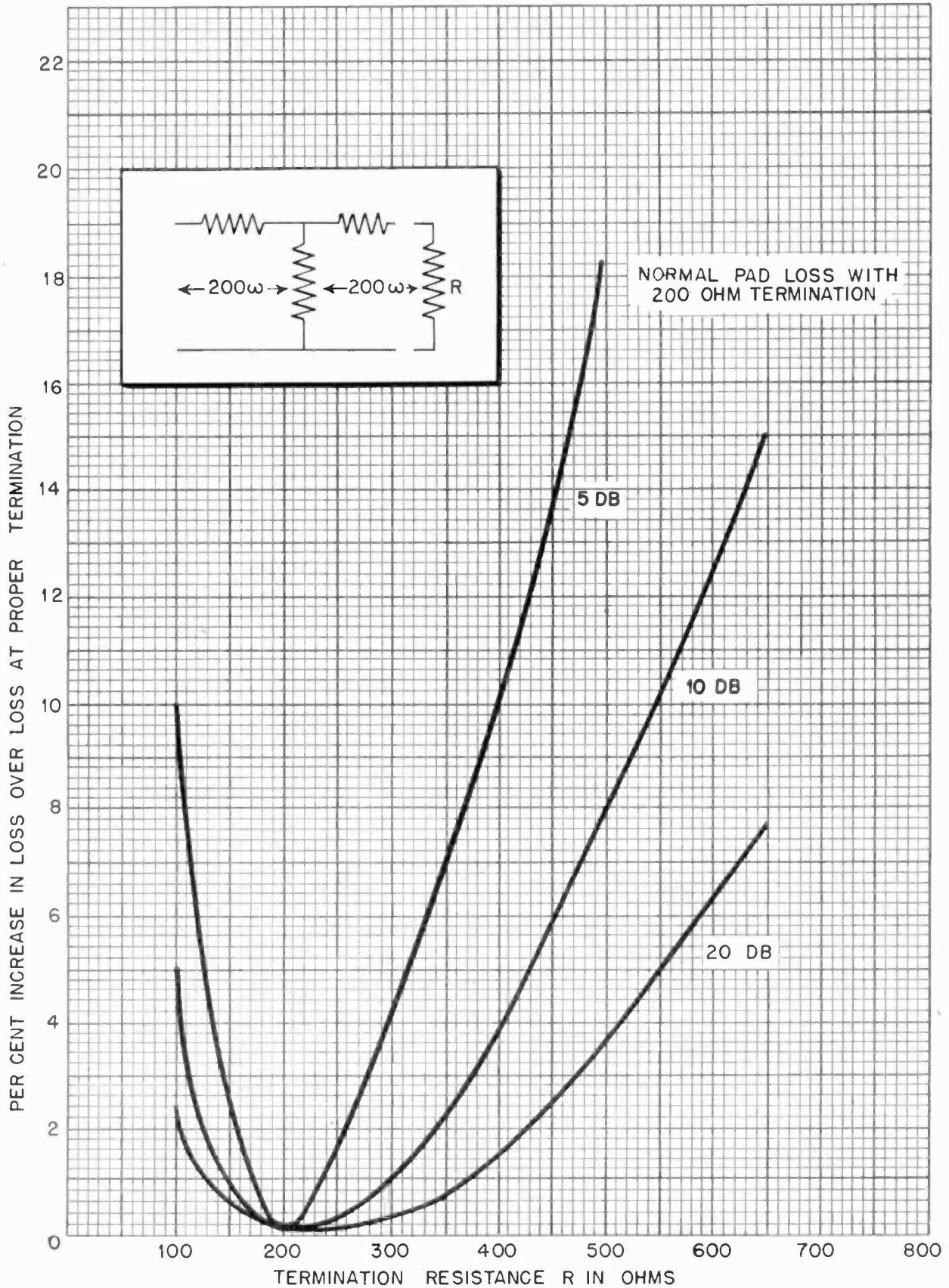
(3) Calculate the number of turns per layer.

[Continued on page 30]

Table 1

Cam 3/16 Turns	Dowel 3/8 L(calc.)	#36 S. S. E. L(meas.)	Gears 27/40 Diff.	Cam 1/8 Turns	Dowel 3/8 L(calc.)	#36 S. S. E. L(meas.)	Gears 28/27 Diff.
200	424	431	1.6%	200	510	521	2.1%
300	994	1002	0.8%	300	1189	1226	3.0%
400	1836	1867	1.7%	400	2200	2258	2.6%
500	2983	3017	1.1%	500	3590	3681	2.5%

Increase in Actual Loss Due to Termination Mismatch of Resistance Pad of 200 Ohms



Copyright 1946, RADIO MAGAZINES, Inc., N.Y., N.Y.

RADIO DESIGN WORKSHEET

NO. 52 - A-C FILAMENT NOISE

Battery operated receivers generally use filament type tubes rather than indirectly heated cathode types. It is often desirable, however, to operate the battery receiver from the alternating current mains. This inevitably gives rise to some a-c hum and in some cases to intermodulation between signal and power supply frequencies. The plate supply filters can usually be made to have sufficient attenuation that the a-c hum introduced in the plate or grid circuit of the tubes is negligible. The noise from the filament supply, however, cannot always be solved simply. It therefore appears worthwhile to investigate the effect of an a-c filament supply first on a filament type triode amplifier and later on multi-electrode filament type tubes. This discusses the triode amplifier.

The a-c noise due to filament supply which appears in the output of a filament type triode may be due to a variety of causes. There are two, however, of paramount importance, namely:

1. The change of potential of the grid and plate of the tube with respect to some point on the filament with time.
2. The non-linearity of the operational characteristic of the triode and its associated circuit.

Fig. 1 represents a filament type triode audio amplifier circuit. For simplicity, assume the filament to be homogeneous. Also assume that the active portion of the filament is symmetrical with respect to the other tube elements.

Let e_1 = signal voltage applied to grid
 = $C \sin \omega t$
 Let e_2 = filament supply voltage
 = $A \sin pt$

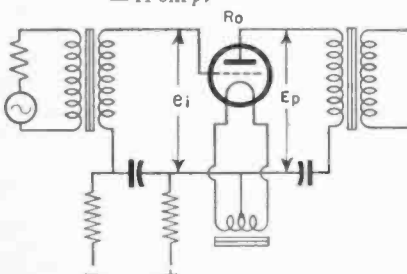


Figure 1

Let E_1 = effective plate voltage

$$E_1 = \frac{E_b}{\mu} + K$$

Assume the tube characteristic is represented by a power series:

$$I = \beta_1 e + \beta_2 e^2 + \beta_3 e^3 + \beta_4 e^4 + \dots + \beta_n e^n$$

Fig. 2 represents the filament circuit, shown here as a straight line although it may be a V or W form without appreciably affecting the argument. The

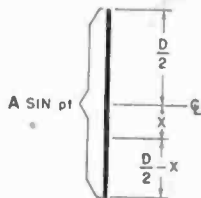


Figure 2

voltage at distance X from the electrical center of the filament will be:

$$\frac{X}{D} (A \sin pt)$$

The differential plate current for differential dX of the filament will be:

$$dI = K [E_1 + C \sin \omega t - \frac{X}{D} A \sin pt]^n dx$$

And:

$$I = K [E_1 + C \sin \omega t]^n \int_{-D/2}^{D/2} \left(1 - \frac{X A \sin pt}{D(E_1 + C \sin \omega t)}\right)^n dx$$

Let:

$$E_1 + C \sin \omega t = E$$

And we have:

$$I = K E^n \int_{-D/2}^{D/2} \left[1 - N \frac{X}{D E} \sin pt + \frac{n(n-1)}{2} \frac{A^2 X^2}{D^2 E^2} \sin^2 pt + \dots\right] dx$$

Integrating this expression yields:

$$I = K E^n \left[X - \frac{n A}{D E} \frac{X^2}{2} \sin pt + \frac{n(n-1)}{2} \frac{A^2 X^2}{3 D^2 E^2} \sin^2 pt + \dots \right]_{-D/2}^{D/2}$$

Let $KD = \alpha$ which is a tube constant
 Whence:

$$I = \alpha \left[E^n + \frac{n(n-1)}{48} A^2 E^{(n-2)} + \frac{n(n-1)(n-2)(n-3)}{5120} A^4 E^{(n-4)} + \dots \right] \cos 2pt + \dots$$

Replace E with $E_1 + C \sin \omega t$ and neglecting very small terms

$$I = \alpha \left[E_1^n + (A^2 + 12C^2) \frac{n(n-1)}{48} E_1^{(n-2)} + \dots \right] \\ + \alpha \left[n C E_1^{(n-1)} + \frac{C(A^2 + 6C^2)}{48} n(n-1)(n-2) E_1^{(n-3)} + \dots \right] \cos 2\omega t \\ + \frac{n(n-1)(n-2)(n-3)}{192} A^2 C^2 E_1^{(n-4)} \dots \cos 2\omega t \\ - \alpha \left[\frac{n(n-1)}{48} A^2 E_1^{(n-2)} + \frac{A^2 C^2}{192} + \frac{A^4}{3840} n(n-1)(n-2)(n-3) E_1^{(n-4)} + \dots \right] \cos 2pt \\ - \alpha \left[\frac{n(n-1)(n-2)}{96} A^2 C E_1^{(n-3)} + \dots \right] \sin(\omega - 2pt) + \dots$$

These formulae omit a long series

N	1	2	3
DIRECT CURRENT	αE_1	$\alpha \left[E_1^n + \frac{A^2 + 12C^2}{24} E_1^n \right]$	$\alpha \left[E_1^n + \frac{A^2 + 12C^2}{8} E_1^n \right]$
SIN ωt	αC	$2\alpha C E_1$	$\alpha \left[3C E_1 + \frac{A^2 C + 6C^3}{8} E_1 \right]$
COS $2\omega t$	—	$\frac{\alpha C^2}{2}$	$\frac{3\alpha C^2 E_1}{2}$
SIN $3\omega t$	—	—	$\frac{\alpha C^3}{4}$
COS $2pt$	—	$\frac{A^2}{24} \alpha$	$\frac{A^2 E_1 \alpha}{8}$
SIN $(\omega - 2pt)$	—	—	$\frac{\alpha A^2 C}{16}$

Figure 3

of higher order harmonics and higher order modulation products. Fig. 3 is a table showing the relative amounts of output noise for several values of N, which is the exponent of the tube characteristic. Thus if that portion of the operating characteristic over which the tube is operated is linear:

$$N = 1$$

Such a circuit adds no noise or modulation products to the output due to filament ripple or alternating voltage. If that part of the operational characteristic over which the tube is operated is parabolic, then:

$$N = 2$$

In this case of a square law characteristic, a second and other even order harmonics of the filament supply appears in the output. However, no intermodulation with the signal results. It is pertinent that the coefficient of the second harmonic of the filament supply has a term involving the square of the amplitude of the signal voltage.

If the circuit characteristic requires a cubic term for its mathematical expression:

$$N = 3$$

then intermodulation between signal and filament supply voltages appear in the output as well as all harmonics. It is interesting to note that if instead of a.c. applied to the filament, a direct current involving ripple or other noise will yield identical results if a center tap is used. This is particularly important in equipment used for mobile application such as auto receiver, marine, police, fire, and aviation equipment.

This Month

FCC APPROVES METER

Official engineering approval of an FTR field intensity meter has been given by the FCC, according to an announcement made by Norman E. Wunderlich, executive sales director, Federal Telephone and Radio Corp., Newark, N. J., manufacturers of the equipment. This is understood to be the first time that the FCC has extended approval to such equipment, regardless of manufacture.

As the result of the FCC action, it is no longer necessary to have the meter calibrated by the U. S. Bureau of Standards, and field measurements made by this meter submitted to the Commission will be considered as official as if it had been calibrated by the Standards Bureau.

DENIES MOTOROLA SALE

Recently rumors were rife to the effect that Paul V. Galvin was giving up active management of the Galvin Manufacturing Corp., makers of Motorola home and car radio. In the following statement to RADIO Mr. Galvin makes denial of this rumor.

"My attention has been called to a trade rumor that I, personally, am selling out my interest in the Galvin Manufacturing Corp. and giving up my active management of the concern. There is absolutely no foundation for this rumor. I have no intention of selling my interests and am not even discussing the matter of sale with anyone. Nor do I have any idea of giving up active management of the affairs of the Galvin corporation."

FACSIMILE FOR DETROIT

Facsimile transmission, temporarily discontinued during the war, soon will be resumed again in the metropolitan area of Detroit, Michigan, according to an announcement made by W. J. Scripps, radio director of the Detroit News.

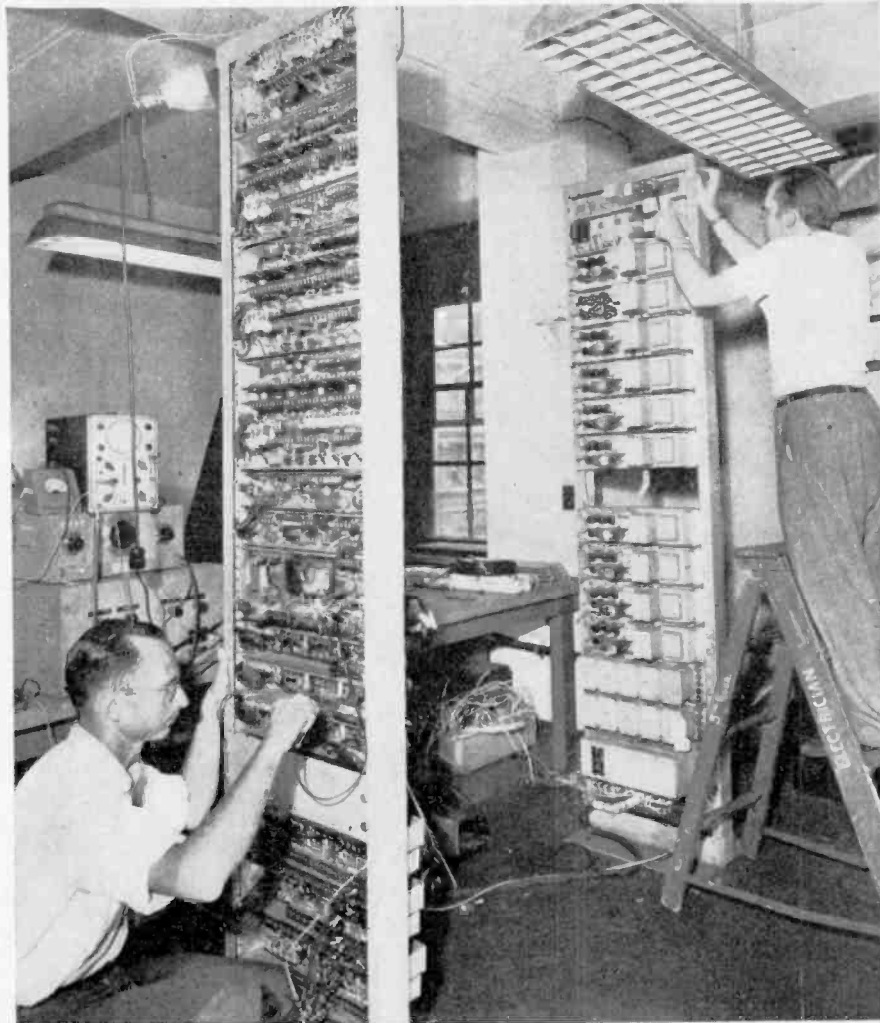
The Detroit News FM transmitter WENA, now in operation, will place its facsimile recorders in homes and other strategic locations in the Detroit area, just as soon as delivery of equipment can be made.

Mr. Scripps, of the Detroit News, said that his AM station WWJ, was one of the pioneer facsimile broadcasting stations prior to the war and, using Finch equipment, was broadcasting experimental facsimile newspapers to the home.

ELECTRONIC EXPOSITION

The \$4,000,000,000 electronics industry, that grew out of the 1905 Edison effect experiments, will have its own exposition in New York at the Grand Central Palace from October 14th to 19th. The exposition has an advisory committee, including Dr. Lee De Forest, Robert A. Millikan, E. F. W. Alexanderson, and other notables.

It is planned to design the exposition under three broad categories—communi-



Final testing on the terminal equipment used in the 24-channel pulse time modulated telephone system developed by the laboratories of the Federal Telephone and Radio Corporation. This equipment transforms the audio signal received from the telephone lines into a train of modulated pulses. These pulses are, in turn, transmitted to their destination by a series of u-h-f links.

cations, broadcasting, and industrial applications. Under communications, the exhibits will be displayed under the groupings of aviation, marine and industrial categories. Under broadcasting there will be subdivisions in AM and FM radio, television, and facsimile. The third major group, that of the industrial application of electronics, will show the equipment used in industry, medicine, science, music, crime detection, and basic materials that are used in the manufacture of various equipment, such as plastics, glass, metals, and plywood.

N.U. EXPANDS

J. J. Clune, sales manager, distributor division, National Union Radio Corp., Newark, New Jersey, announces the addition of radio receiving sets to the company's expanding line of electronic equipment and parts for national distribution.

The G-619, 6 tube a-c/d-c receiver is the first of a series of 5 diversified models

soon to be announced. It employs a tuned r-f superheterodyne circuit with broadcast band tuning and full vision slide rule dial scale.

NEW NAME, OLD ADDRESS

Manufacturers Screw Products announce a change in name to Stronghold Screw Products, Inc. Their line of products is unchanged and operations are continuing as usual at 216-222 West Hubbard St., Chicago 10, Ill.

WEST COAST TRADE SHOW

West coast electronics manufacturers have announced plans for the second annual Electronics Trade Show to be held in Los Angeles October 18-20.

Plans are being made for 113 exhibits covering all types of electronic devices manufactured in the west. For the first time since termination of hostilities the electronics marvels which helped bring

[Continued on page 26]

New Products

NEW 5" OSCILLOGRAPH

The new Du Mont type 274 cathode-ray oscillograph is announced by the Allen B. Du Mont Laboratories, Inc., of



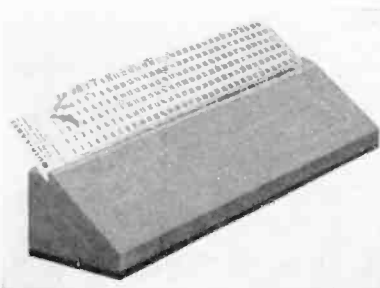
Passaic, N. J. This instrument answers the long-standing need for a good oscillograph for routine laboratory and production testing.

The linear time-base has a range of 8 to 30,000 c.p.s. Synchronization may be from the vertical amplifier or an external signal. Identical vertical and horizontal amplifiers have a range from 20 to 50,000 c.p.s. There is provision for intensity modulation.

Input impedance: vertical-direct 5 meg. 50 micro-microfarads; vertical amplifier 1 meg. 40 micro-microfarads. Horizontal-direct 5 meg. 60 micro-microfarads; horizontal amplifier 5 meg., 40 micro-microfarads. Frequency range: Sine wave response (at full gain) uniform within plus or minus 20% from 20 to 50,000 cps. down less than 50% at 100,000 cps. Deflection sensitivity: Amplifiers at full gain. 65 rms volt/in.; direct, plus or minus 18 rms volts/in.

LABEL DISPENSER

Production operators mark wires much faster it is claimed by using new Quik-Label bench dispenser recently developed by W. H. Brady Company. It is described in an illustrated folder which will be sent gratis, together with free samples of code



cards, by writing the W. H. Brady Company, 2900-R E. Lindwood Ave., Milwaukee 11, Wis.

RURAL RADIO

John Meck Industries, radio and television manufacturer at Plymouth, Ind., has announced that production on its farm model radio is well under way and that several thousand sets have already been manufactured.

Powered entirely on a battery pack, it was designed especially for farmers and others living in rural areas where electricity is not readily available, but where a sensitive set is desired.

Containing five miniature tubes that draw 1.4 volts, and equipped with a five-inch speaker, the superheterodyne chassis is supplied with table model wood cabinet. The set will function on the 'A' battery for 750 continuous hours.

HEAD-PHONE CUSHIONS

Aviometer Corporation, 370 West 35th New York City, is now manufacturing exclusively a new type air-cooled head-

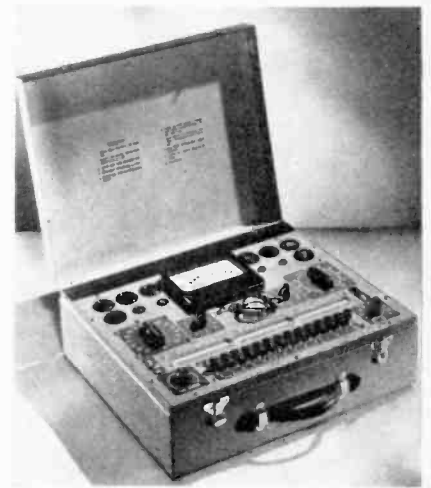


phone cushion made of molded, heat-conducting rubber. This product brings pilots and other aviation personnel the benefits of a new development in synthetic rubber manufacture.

TUBE TESTERS

Two new electron tube testers based on a patented circuit suitable for all standard receiving and several special types of tubes have been announced by R. W. Andrews, merchandise manager, Radio Tube Division, Sylvania Electric Products Inc., 500 Fifth Avenue, New York 18, N. Y. The new testers, he said, combine many developments for production tube testing and provide approximately 80% of available accuracy in commercial tube production equipment.

The new instruments, counter type 139 and portable type 140, provide accurate tube testing facility for shop, spot testing in the home, industrial electronic applications, automobile and mobile radio equipments. Accurate checks of receiving type tubes used in broadcast receivers, FM, television, industrial electronic controls, record players and photoelectric devices



may be made under dynamic conditions and without damage to tubes.

Design of the testers includes extra sockets and switch contacts for modernization as new tube types are developed. Test for shorts may be made without danger of grid-filament contacts due to electrostatic attraction in battery type tubes where spacing between these elements is close. Provision is also made for noise testing.

Both instruments are supplied for 105-125 volts, 50-60 cycle a-c operation and are rated at 20 watts. Controls are readily accessible and all markings, including those on the 4 1/2" meter face are easily read.

CABLE DISPENSER

A new method of packaging dial cord is announced by the JFD Mfg. Co., 4117 Fort Hamilton Parkway, Brooklyn 19, New York. Cables and cord come wound on a metal spool and are housed in an unbreakable glassine container. The all-metal spool prevents the cable from unraveling, kinking or tangling.

CLEAT-MOUNTING ELECTROLYTIC

A universal or general-purpose cleat-mounting electrolytic capacitor, heretofore offered only in a cardboard-tube case, is now made available in an aluminum can, by Aerovox Corp., New Bedford, Mass.

To install, the center screw is removed, metal cleat slipped off, wire leads passed through mounting hole, and the metal



TELEPHONE PORTSMOUTH 7600
CODE WORD • JERAD

Jensen
*Fine
Acoustic
Equipment*



MANUFACTURING CO.
6601 SOUTH LARAMIE AVE.
CHICAGO ILLINOIS

"ALL THE JENSEN SPEAKERS YOU WANT"

During the war...when we were building and shipping thousands of loud speakers every week for the Armed Services...we would have staked our last dollar on our ability to continue our large-scale production when the war was over. We would have promised our customers eagerly, "You'll have all the JENSEN speakers you want when the war ends." Little did we know then that the postwar period would be so difficult.

There's no use reminding you that strikes and shortages of material have resulted in a scarcity of steel and copper wire and all of the parts needed for making loud speakers. Nor can we console ourselves with the thought that other manufacturers are in the same boat. We know our customers need merchandise and we're truly sorry that our production is a trickle instead of a flood; that our deliveries are slow; that our new products are not yet in full production. Some day soon materials will become more plentiful and our production will catch up with our backlog.

Then we can truthfully and honestly promise...and deliver..."all the JENSEN speakers you want."
Now all we can tell our customers is, "We appreciate your patience."



Thomas A. White
President

5 MONOGRAPHS AVAILABLE

1. Loud Speaker Frequency-Response Measurements
2. Impedance Matching and Power Distribution
3. Frequency Range in Music Reproduction
4. The Effective Reproduction of Speech
5. Horn Type Loud Speakers

25c
Each

If you haven't yet procured these five valuable technical booklets, order now—either from your dealer or direct—at 25c each.

The Name Insures the Quality  

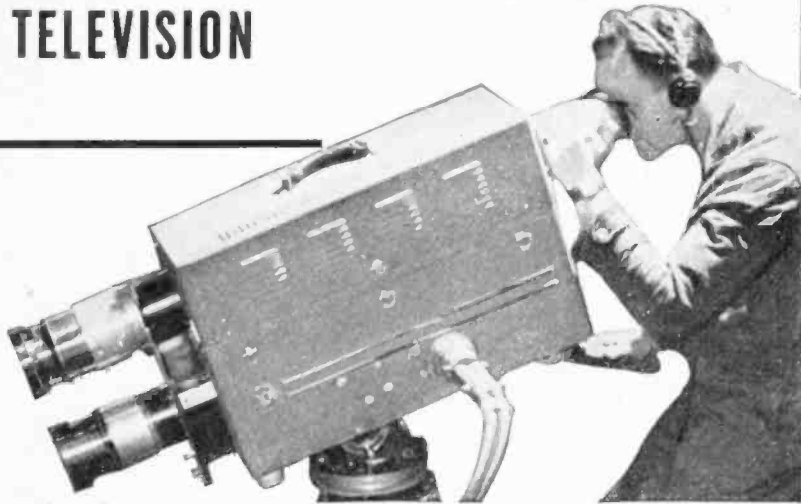
JENSEN MANUFACTURING COMPANY • 6615 South Laramie Avenue, Chicago 38, Illinois
IN CANADA • J. R. LONGSTAFFE, LTD., 11 KING STREET, WEST, TORONTO

RADIO

★ SEPTEMBER, 1946

ONE OF OUR MOST IMPORTANT ANNOUNCEMENTS IN 19 YEARS OF
PROVEN LEADERSHIP IN TRAINING PROFESSIONAL RADIO MEN!

Here it is! Your First Practical
Step Toward a Good-Paying Career
in TELEVISION



CREI INTRODUCES A STREAMLINED
HOME STUDY COURSE IN PRACTICAL

Television

ENGINEERING

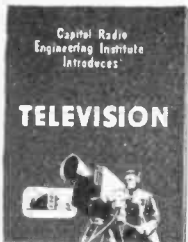
AVAILABLE NOW—FOR THE FIRST TIME!

Here's Your Chance to "Get in on the Ground Floor" of TELEVISION
Opportunities.

Don't say, "I never had a chance." Prepare NOW for the good paying jobs awaiting trained television engineers and technicians. Be in a position to command a "key" job in the growing TELEVISION Industry by preparing now with the type of thorough, practical TELEVISION Engineering training that the industry requires. The new CREI TELEVISION Engineering course is (1) A complete well-coordinated course of study that covers the entire field of practical TELEVISION Engineering (2) Presented in CREI'S professional and proven home study form (3) Prepared by CREI'S experienced staff, based on actual experience in our own TELEVISION Studios and Laboratories, plus years of close contact with leaders in television development. Here's your opportunity to be prepared for television well ahead of competition, if you start NOW!

CAPITOL RADIO ENGINEERING INSTITUTE

Dept. RA-9 S-9, 16th and Park Road, N. W., Washington 10, D. C.



JUST OFF
THE PRESS!
MAIL COUPON
FOR COMPLETE
FREE DETAILS
AND OUTLINE
OF COURSE

If you have had professional or amateur radio experience and want to prepare for opportunities in TELEVISION, let us prove to you we have the training you need to qualify. To help us intelligently answer your inquiry—PLEASE STATE BRIEFLY YOUR BACKGROUND OF EXPERIENCE, EDUCATION AND PRESENT POSITION.

CAPITOL RADIO ENGINEERING INSTITUTE RA-9
S9
16th and Park Road, N. W., Washington 10, D. C.

Gentlemen: Please send me complete details describing the new CREI home study course in Practical Television Engineering. I am attaching a brief résumé of my experience, education and present position.

Name

Street

City Zone State

I am entitled to training under the G. I. Bill.

Member of National Home Study Council — National Council
of Technical Schools — and Television Broadcasters Association

cleat and screw then replaced from the underside of the chassis and tightly drawn up, thereby mounting the unit rigidly in place.

**RESISTANCE-CAPACITANCE
BRIDGE**

The Model 76 Resistance-Capacitance Bridge is a new postwar general-utility instrument combining simplicity of operation, remarkable degree of accuracy, and modest price, just announced by Aerovox Corp. of New Bedford, Mass.

For maximum sensitivity and accuracy both resistance and capacitance readings



are covered by six overlapping ranges as against two or three in usual service instruments.

The Model 76 Bridge measures capacitance from 100 mmf to 200 mmf, and resistance from 10 ohms to 200 megohms in six ranges. It measures power factor from 0 to 50%, provides d-c polarizing potential for leakage measurements, from 0 to 600 v. d-c, continuously variable and calibrated in volts, and also checks leakage of electrolytic capacitors or insulation resistance of paper or mica capacitors.

COLOR CODE GUIDE

Allied Radio Corp. announces the release of their new RMA-JAN color code guide for radio resistors.

Three rotary-discs are provided for setting the code colors and corresponding resistance values which are brought into alignment automatically. Code colors may be set to show corresponding resistance values, or resistance values may be set to show corresponding code colors. The guide includes data covering resistance tolerance.



TEN AMPERE VARIAC

Designed to fill the gap between the conventional 5-amp. and 20-amp. adjustable auto-transformers, General Radio Co. an-

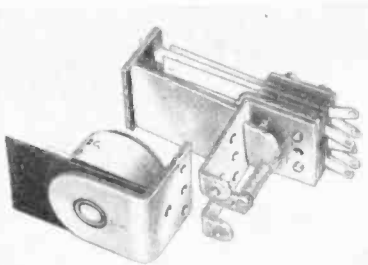


nounces a new Type V-10 Variac. The 115-v. models are rated at 10 amp., with a 15-amp. maximum.

Output voltage is continuously variable from 0 to 17% above line voltage. The improved brush construction of Type V-5 is used in the new Variac. Models are also available for 220-v. service.

NEW RELAYS

A 4-page bulletin describes the new series-200 Guardian relay with interchangeable coil and contact assemblies; also kit of series-200 switch parts. Complete assortment consists of four coils in 6, 12, 24 and 115 volts a.c. and five coils in 6, 12, 24, 32 and 110 volts d.c., each interchangeable with one single-pole double-throw and one double-throw double-



pole contact assembly. A parts kit permits extra contact combinations up to four-pole double-throw which are also interchangeable with the nine coils. Write Guardian Electric Mfg. Co., 1605 West Walnut St., Chicago 12, Ill.

MONITOR AMPLIFIER

A new two-stage, medium-gain, 15-watt power amplifier for use as a monitor amplifier or sound reinforcement amplifier is announced by Pan American Co., 132 Front St., New York City. From a 600-ohm source the gain is approximately 50 db.

The amplifier is intended to operate normally from a 600-ohm source impedance and has a high-impedance connection to accommodate 20,000 ohms. The unit works into output impedances from 500 to 10,000 ohms. Approximate output noise level is 70 db below 42 VU. Frequency characteristic, 0 to -1 db from 40 to 10,000 cps. Maximum power consumption is 150 watts.

ATTENUATORS

by
TECH LABS

STANDARD
TYPE
700

MIDGET
TYPE
600

"Midget" model is especially designed for crowded apparatus or portable equipment.

- Solid silver contacts and stainless silver alloy wiper arms.
- Rotor hub pinned to shaft prevents unauthorized tampering and keeps wiper arms in perfect adjustment.
- Can be furnished in any practical impedance and db. loss per step upon request.
- TECH LABS can furnish a unit for every purpose.
- Write for bulletin No. 431.



Manufacturers of Precision Electrical Resistance Instruments
337 CENTRAL AVE. • JERSEY CITY 7, N. J.



Immediate SHIPMENT!

**RADIO PARTS
ELECTRONIC EQUIPMENT**

New CONCORD Bulletin-FREE

Hundreds of Bargains—Scores of New Items

READY NOW! 8 giant-size pages packed with long-awaited Radio and Electronic Parts, Supplies and Equipment—new merchandise, just received—now in stock for **IMMEDIATE SHIPMENT!** See hundreds of items for every Radio and Electronic need—for building, repair, maintenance—for engineer, manufacturer, service man, amateur—top-quality, standard-made parts—including Condensers, Resistors, Meters, Controls, Switches, Relays, Transformers, Test Equipment, Tools, Amplifiers, Record Players, Record Changers, and many other new and scarce items—scores of them at money-saving bargain prices—all ready for shipment at once from CHICAGO or

ATLANTA. Mail coupon below TODAY for your FREE copy of new CONCORD Bulletin.

Did You Get CONCORD'S NEW COMPLETE CATALOG?

Showing the latest and greatest selection of guaranteed quality Radio Sets, Phono-Radios, Radio Parts, Supplies, Equipment, Amateur Gear, Kits—plus the new Multi-amp Add-A-Unit Amplifiers—exclusive with CONCORD. If you do not have the new **COMPLETE CONCORD Catalog**, check coupon below.



CONCORD
RADIO CORPORATION
LAFAYETTE RADIO CORPORATION
CHICAGO 7 **ATLANTA 3**
901 W. Jackson Blvd. 265 Peachtree Street

CONCORD RADIO CORPORATION
901 W. Jackson Blvd. Dept. P-24 Chicago 7, Ill.

Please rush my **FREE COPY** of the new Concord Bulletin of Radio Parts.

(Check if you also want new Complete Concord Radio Catalog)

Name.....
Address.....
City.....State.....

THIS MONTH

[from page 21]

about victory will be shown together with postwar developments made possible by unusual war time experiments

Sponsored by the West Coast Electronics Manufacturers Association the trade show will be presented by the industry's committee which includes Ed Grigsby, chairman; D. F. MacLachlan, and Russell Dietrich, all of Los Angeles, and Les Logan of San Francisco. Officers of the association are L. W. Howard of Los Angeles, president; Ralph Shermund, vice president; H. O. Brown, secretary, both of San Francisco, and J. L. Fouch of

Los Angeles, treasurer. A. H. Gudie of Los Angeles is executive secretary.

N.E.C. SLATED

Electronic physicists, engineers, designers, production men and others engaged in the electronic industry will be interested in the comprehensive program planned for the 1946 National Electronics Conference to be held at the Edgewater Beach Hotel, Oct. 3, 4 and 5.

Every effort has been made to develop a program of outstanding technical excellence with papers presented by authorities in their respective fields. Several sessions will run concurrently, but the program has been planned to minimize, if not eliminate, overlapping of papers on related topics.

NEW APPOINTMENTS

Walter M. Norton

★ Appointment of Walter M. Norton as President of the RCA Victor Distributing Corporation has been announced by Frank F. Folsom, Executive Vice President in charge of the RCA Victor Division. Mr. Norton will continue as director of the recently organized Distribution Department of RCA Victor, the announcement said.

G. C. Connor

★ George C. Connor has been appointed General Sales Manager of the Electronics Division of Sylvania Electric Products,



George C. Connor

Inc., according to an announcement made here today by Robert H. Bishop, Director of Sales for the company.

R. O. Curry

★ Dr. R. O. Curry, acoustical expert, has been appointed audio and acoustical engineer for Farnsworth Television & Radio Corp., Fort Wayne, Ind., according to B. R. Cummings, Vice-President in Charge of Engineering. He previously was audio research head for the Capehart Division of Farnsworth.

L. B. Keim

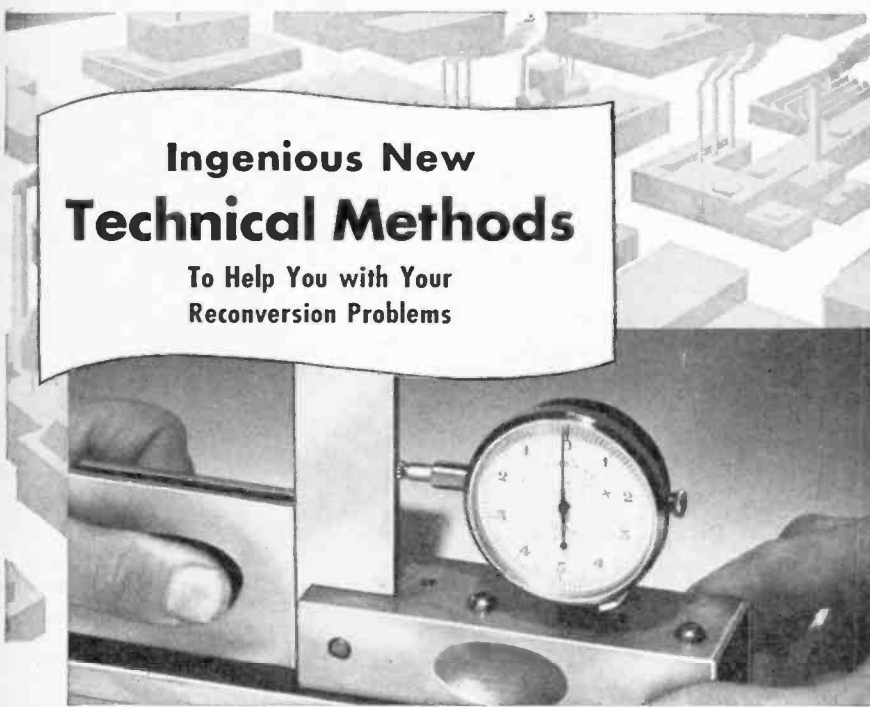
★ The Daven Company of 191 Central Ave., Newark, N. J., announces the appointment of Llewellyn Bates Keim as Field Electronics Engineer.



Llewellyn Bates Keim

Ingenious New Technical Methods

To Help You with Your Reconversion Problems



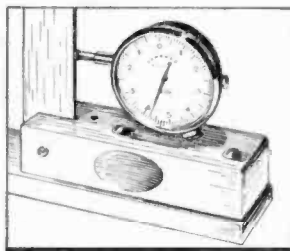
New Micro Square Instantly Checks Right Angles to One 10,000th Inch!

Ideal for precision testing, the Acro Micro-Sine Square quickly and accurately checks right angle work to 1/10,000th inch within a given distance. Its standard indicator dial instantly registers error, location of error, and amount of correction required. Designed for tool and die shops, machine shops and testing laboratories, it also provides a standard for checking master squares, tri-squares and tools.

The Acro Micro-Sine Square is very simple to operate, saves hours of time. Made of hardened tool steel, in ground and lapped precision construction. Available in two types: (1) Standard precision gauge in tenths, (2) Lever indicator in thousandths. Both complete with master checking blocks and carrying cases.

On precision jobs, requiring a static position and mental alertness, workers undergo nervous tension which often results in fatigue. Tests have shown that the act of chewing helps relieve tension—helps workers stay alert, thus increasing their efficiency to do more accurate work. For this reason, many plant owners urge workers to chew Wrigley's Spearmint Gum on this type of job.

You can get complete information from Acro Tool and Die Works
4554 Broadway, Chicago 40, Illinois



Standard Indicator Dial



AA-88

GROUP SUBSCRIBERS SAVE UP TO \$1.50 Each

Form A Group Today!

You and your co-workers can now save up to half the regular cost of a RADIO subscription by using the Group Plan. The more men in a Group the more each saves, up to 50%.

Present subscriptions may be RENEWED or EXTENDED as part of a group.

The combination of exclusive, fine and timely articles plus this low-rate subscription offer makes RADIO a must-have publication. So fellows, form a Group today and send it to—



RADIO MAGAZINES, INC

342 MADISON AVENUE

NEW YORK 17, N. Y.

—TEAR OUT—MAIL TODAY!

RADIO MAGAZINES, INC.
342 Madison Ave., New York 17, N. Y.

Kindly enter the following subscription to RADIO Magazine Remittance of \$..... is enclosed. (1 to 6 subscriptions may be ordered on this form).

- One 1-year subscription \$3.00
- Two 1-year subscriptions \$5.00
- Three 1-year subscriptions \$6.00
- Four 1-year subscriptions \$7.00
- Five 1-year subscriptions \$8.00

Groups of 6 or more subscriptions in the U.S.A. and Canada will be accepted at the rate of \$1.50 each. For Foreign groups add \$.50 to each subscription ordered.

PLEASE PRINT

Name

Address

Position Company

Name

Address

Position Company

Name

Address

Position Company

Name

Address

Position Company

Name

Address

Position Company

Name

Address

Position Company

NOTE: If you do not wish to tear out this order blank, print or type a list giving each subscriber's name, address, employer's name and their respective positions. Mail it in today!

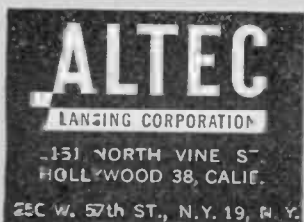
Here's the Finest in Amplifier Systems



This complete recording amplifier channel develops full power from 40 to 10,000 cycles without the usual dirty highs or intermodulation distortion. No other amplifier system can produce such performance. Another Altec Lansing first . . . it is ideal for studio recording. Available complete or in separate units.

- A-420 PRE-AMPLIFIER
- P-405 REGULATED POWER SUPPLY
- A-322 LIMITER AMPLIFIER
- M-500-4 MIXER PANEL
- A-255 POWER AMPLIFIER
- A-127 MONITOR AMPLIFIER

Complete details of gain frequency and power can be obtained from your dealer or



"KEEP ADVANCING WITH ALTEC LANSING"

Fritz Franke

★ Fritz Franke, assistant to the sales manager of the Hallicrafters Company of Chicago, producers of high frequency radio equipment, has been reappointed chairman of the marine section, transmitter division of the Radio Manufacturers Association.

T. K. Burgenbauch

★ Theodore K. Burgenbauch has been appointed Electronics Division Production Manager by H. Ray Ellinwood, president of Ellinwood Industries, Los Angeles.

Winfield Wagener

★ Winfield Wagener has recently been appointed to the sales engineering staff at Eitel-McCullough, Inc., San Bruno, California, manufacturers of radio transmitting tubes. After receiving his M.S. degree from the University of California, he worked for RCA, and later was appointed chief engineer for Heintz & Kaufman in charge of all tube development and design. In 1944 he went to the Litton Engineering Laboratories as head of the tube division, where he conducted research and development in tubes for "radar countermeasures". Also a former chairman of the San Francisco section of I.R.E., he has written many articles on tube design for technical magazines.

Arthur E. Newlon

★ Arthur E. Newlon, senior engineer in the Stromberg-Carlson Company's research department, was recently elected chairman of the Rochester section, Institute of Radio Engineers.

Mr. Newlon, who is a senior member of the IRE, was graduated from Ohio State in 1933. A member of Tau Beta Pi, Eta Kappa Nu, and an associate member of Sigma Xi, he worked on the company's development of radar facilities during the war. Recently he has been engaged in television development.

William J. Nezerka

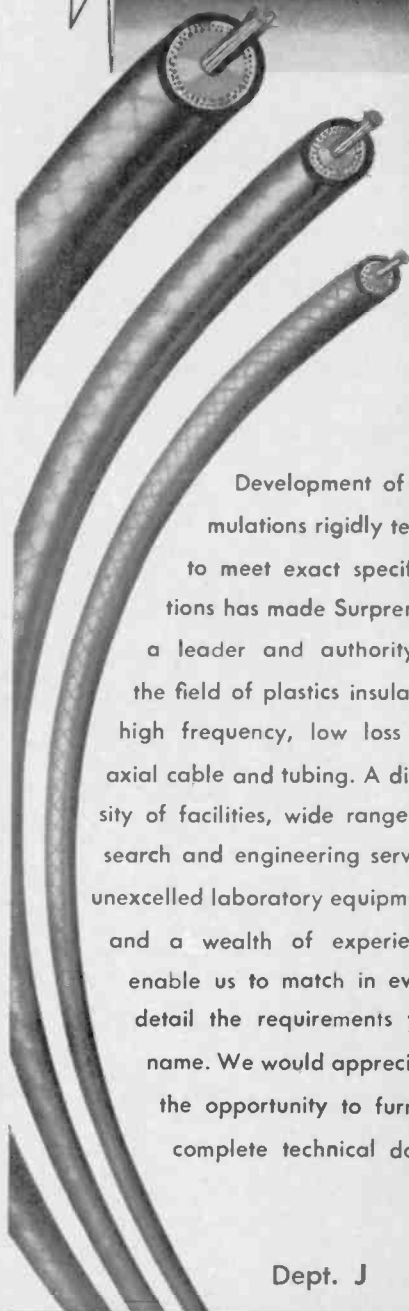
★ Renald P. Evans, President of The Turner Company, Cedar Rapids, Iowa, announced recently that William J. Nezerka has been named Vice President and Sales



William J. Nezerka

Manager of the Turner firm and elected to the Board of Directors. Nezerka has been Sales Manager of The Turner Company, manufacturers of microphones and electronic devices.

CUSTOM MADE COAXIAL CABLE and TUBING



Development of formulations rigidly tested to meet exact specifications has made Surprenant a leader and authority in the field of plastics insulated, high frequency, low loss coaxial cable and tubing. A diversity of facilities, wide range research and engineering service, unexcelled laboratory equipment, and a wealth of experience enable us to match in every detail the requirements your name. We would appreciate the opportunity to furnish complete technical data.

Dept. J

Surprenant
ELECTRICAL INSULATION CO.
84 Purchase St., Boston 10, Mass.

William H. Myers

★ Appointment of William H. Myers as Chief Engineer of the Receiver Division, Farnsworth Television & Radio Corporation, has been announced by B. R. Cum-



William H. Myers

mings, Farnsworth Vice President in charge of Engineering.

Mr. Myers succeeds J. H. Pressley, who has been retained as a consultant to the company.

FTR APPOINTS WENDELL

Edward N. Wendell, who has been associated with the International Telephone and Telegraph Corp. system since 1925, has been appointed vice president in charge of the Federal Telephone and Radio Corp., domestic manufacturing affiliate of I. T. & T., it was announced today. Mr. Wendell in his new post assumes full managerial authority of FTR, which last year produced in excess of \$80,000,000 of telephone, radio and electronic equipment for the Armed Forces and civilian use.

LEAR APPOINTMENTS

Following a recent reorganization of its engineering activities, appointment of new chief engineers for the three internal divisions of Lear, Inc., Grand Rapids, Mich., are announced by William P. Lear, president.

Harry E. Rice now becomes chief engineer of the Lear Home and Aircraft Radio Division. Harry S. Jones is new chief engineer in charge of research and development. William J. Perfield will head engineering activities of the Lear electro-mechanical division.

SQUELCH CIRCUITS

[from page 13]

Single-tube squelch circuits are likewise used in domestic receivers, such as the Emerson 678 auto radio, as shown in Fig. 8. In this receiver a 6B7 operates as a detector, squelch, and a-v-c tube, in addition to amplifying at i-f and a-f frequencies.

Squelch circuits find widest application in specialized services where operation is intermittent, with extended stand-by periods. These include rail-

SPEEDY OPERATION BY FACTORY PERSONNEL

with a
QX CHECKER

TYPE 110-A



The Production Line

Test and Measuring Instrument for Radio Components

This production test instrument is specifically designed to rapidly and accurately compare relative loss and reactance in one operation and with a single setting. Speedy operation results from the fact that the

deviation of both the reactance and resistance values of any R.F. component are simultaneously indicated when that component is resonated in a tuned circuit which has been previously adjusted against a known standard.

FREQUENCY RANGE: 100 kc to 25 mc using plug-in coils. RANGE OF INDUCTANCE COMPARISON: 10 microhenries to 10 millihenries. RANGE OF CAPACITANCE COMPARISON: Approximately 2 mmf to 1000 mmf. ACCURACY OF INDUCTANCE CHECK: Approximately 0.2 percent.



BOONTON RADIO

BOONTON · N · J · U · S · A ·



DESIGNERS AND MANUFACTURERS OF THE "Q" METER . . . QX-CHECKER . . . FREQUENCY MODULATED SIGNAL GENERATOR . . . BEAT FREQUENCY GENERATOR . . . AND OTHER DIRECT READING TEST INSTRUMENTS



The Radio Amateurs' Journal



If you are or intend to be a "ham" — or if your work entails radio communications — you'll like CQ. Subscribe now!

- 12 issues \$2.50
- 24 issues 4.00
- 36 issues 5.00

In U. S. A. & Possessions
Elsewhere \$3.50 per year

Tear Off and Mail ↓

"CQ" is sold on newsstands

CQ-RADIO MAGAZINES, INC.
342 MADISON AVE., NEW YORK 17, N. Y.

Sirs: Here is my check (or money order) for \$ Send me issues of CQ.

Name

Address

City State

Occupation Call Letters



**Plug-In Sensitive Relays--
More Compact
Than Ever Before**

SIGMA Type 41 RO (DC); 41 ROZ (AC)

NEW FEATURES OF THIS DESIGN :

- Fits octal socket.
- Outline dimensions : $1\frac{1}{4}'' \times 1\frac{1}{4}'' \times 2''$ above socket.
Permits lining up contiguous relays as close together as the smallest octal sockets will permit.

Features of All SIGMA Series 41 Relays:

- DC sensitivity: — 0.020 watts (min. input.)
- AC sensitivity: — 0.1 volt-ampere (min. input.)
One standard 110 volt AC model draws about 1.5 milliamperes.
- Contact ratings up to 15 amperes on low voltage.
- High quality construction — mechanically rugged.
- Very low cost.

SIGMA sales and engineering departments are ready to give your relay problems prompt analysis and action.



Sigma Instruments, INC.
Sensitive RELAYS
66 Ceylon St., Boston 21, Mass.

road, police and other mobile service, airport, and forest-service installations.

Bibliography

- Australian Patent No. 19,886
Engineering Index, 1930-1946 (Radio Receiver Circuits)
Wireless World, v. 44, n. 1, p. 15
Wireless World, v. 46, n. 2, p. 51
A.W.A. Technical Review, v. 4, n. 4, p. 139
Radio Engineers' Handbook, Terman, p. 653
Radio Handbook, p. 93
Radio Engineering Handbook, 3rd Edition, Henney, p. 605
Communications, Pressman, Sept. 1943, Emerson
Rider, Abridged Perpetual Manual (Philco, RCA, Emerson Circuit Section).
Principles and Practice of Radio Servicing, Hicks, p. 186
Radio Engineering, Terman, p. 556
Mallory Technical Manual, Sec. 11
Electronic Engineering Master Index
Marconi Co. Patent File

Universal-Wound Coils

[from page 18]

(4) From the total number of turns assumed, the computed number of turns per layer, and the overall diameter of the wire, calculate the height of the coil.

(5) From the height of the coil and the dowel diameter calculate the mean radius.

(6) Insert the values so found in

either the Stefan or Wheeler formula to find the corresponding inductance.

(7) If the calculated inductance is not that desired, correct the number of turns by means of the formula previously given by the author.

(8) If necessary repeat the process using the corrected number of turns found under (7).

Experimental Test

In order to test how accurately the inductances of universal wound coils could be calculated, the inductances corresponding to various numbers of turns were calculated on the basis of the Wheeler formula for two combinations and compared with the measured inductances (Table 1).

It will be seen from these figures that the agreement between the calculated and measured values is very good; in fact, well within the usual 3% tolerance allowed in coil manufacture.

Example Using Wheeler Formula

(1) and (2) Let it be desired to calculate the number of turns required to produce a coil with an inductance of 4.00 mh, using a $\frac{1}{4}''$ cam ($b = 0.250''$); a $\frac{3}{8}''$ dowel ($d = 0.375''$); #36 S.S.E. wire ($w = 0.0071''$); and a gear ratio of 27/53 ($T_d = 27$, $T_s = 53$), which corresponds to 1 crossover per turn ($n = 1$) and 2 crossovers per winding

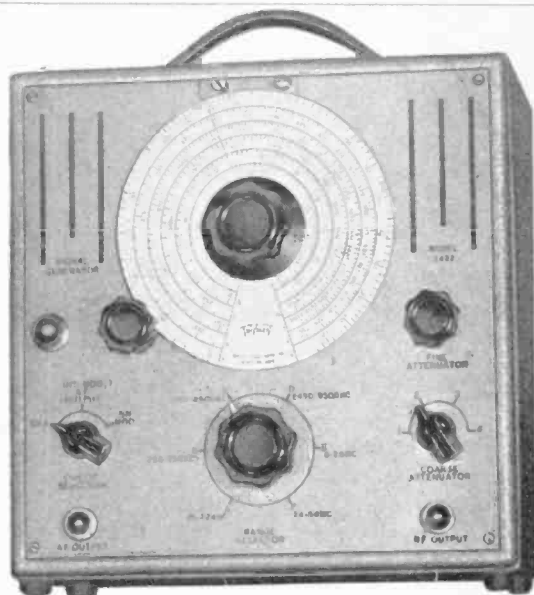


**For the Man Who Takes
Pride in His Work**

FM and Television Band Coverage on Strong Harmonics. Strong Fundamentals to 50 MC.

Another member of the Triplet Square Line of matched units, this signal generator has features normally found only in "custom priced" laboratory models.

FREQUENCY COVERAGE—Continuous and overlapping 75 KC to 50 MC. Six bands. All fundamentals. **TURRETTYPE COIL ASSEMBLY**—Six-position turret type coil switching with complete shielding. Coil assembly rotates inside a copper-plated steel shield. **ATTENUATION**—Individually shielded and adjustable, by fine and coarse controls, to zero for all practical purposes. **STABILITY**—Greatly increased by use of air trimmer capacitors, electron coupled oscillator circuit and permeability adjusted coils. **INTERNAL MODULATION**—Approximately 30% at 400 cycles. **POWER SUPPLY**—115 volts, 50-60 cycles AC. Voltage regulated for increased oscillator stability. **CASE**—Heavy metal with tan and brown hammered enamel finish.



**MODEL 2432
SIGNAL GENERATOR**

Triplet
ELECTRICAL INSTRUMENT CO.
BLUFFTON OHIO

cycle ($q=2$). Assume 600 turns ($t=600$).

(3) The number of turns per layer for a gear ratio of 27/53 is

$$t_1 = 53/2 (54-53) = 26.5$$

(4) The height c of the coil corresponding to 600 turns is

$$c = 600 \times .0071''/26.5 = 0.161''$$

(5) The mean radius according to Eq. (4) is

$$a = 0.1875'' + 0.0805'' = 0.268''$$

(6) Since b was already given as 0.250" under (1), we now have all the constants required by the Wheeler formula (Eq. 5). In particular, $6a=1.608''$, $9b=2.250''$, and $10c=1.610$. Accordingly the inductance corresponding to 600 turns is

$$L = 0.8 (.268 \times 600)^2/5.468 = 3.78 \text{ mh}$$

(7) Since the resulting inductance is not exactly that desired, we correct the number of turns according to the equation:

$$t = 600\sqrt{4.00/3.78} = 617 \text{ turns}$$

that is, 617 turns are required to produce 4.00 mh.

References

¹Simple Inductance Formula for Radio Coils—H. A. Wheeler—*Proc. I. R. E.*, Oct. 1928.

²*Proc. I. R. E.*, vol. 33, pp 35-37, Jan. 1945.

³*Electronics*, vol. 34, p 162, Mar. 1946.

⁴*Electronics*, vol. 18, p 170, Nov. 1945.

⁵The Design of Universal Winding—L. M. Hershey—*Proc. I. R. E.*, Aug. 1941.

Speech Input Equipment

[from page 17]

stage. The third stage utilizes a type 6SN7GT tube as a self-balancing phase inverter. The fourth tube is a type 6SN7GT operating as a push-pull output stage and it is connected through a transformer to feed 600, 500, 250 or 50 ohm output impedance lines. Feedback is incorporated by feeding a portion of the output voltage from one output plate to the appropriate phase inverter cathode.

The amplifier is arranged so that various values of fixed H-pad attenuators may be inserted in the output as desired. Normally a 5-db pad of 600/600 ohms impedance is supplied; however, 250/250 or 50/50 ohm impedance pads are available. These pads may be balanced to ground by adding a simple connection if desired. Direct output can be had by arranging a dummy plug with jumpers. The output of the amplifier is connected to the "Output" switch on the front panel. This switch selects either of two lines as desired.

The volume level indicator is of the approved type and has internal illumination. The meter switch is provided with the following settings: 1 mw, +4, +6, +8, +10 VU and Off. All of these settings except "Off" correspond to the 100 mark on the meter scale.

Specifications

The electrical characteristics of the amplifier are such that the fidelity is flat within 1 db from 30 to 15,000 cycles. With a -60 db input and +16 db output, the noise level is -65 db. These figures are based on a reference level of 1 mw.

The gain of the amplifier from the microphone input to the output terminal is 86 db, measured with a 5-db pad in the output circuit. Without this pad the gain is approximately 91 db. The distortion of the unit at 316 mw output is less than 1 per cent; with 50 mw output the distortion is less than 0.5 of 1 per cent.

The power supply of the unit is conventional and furnishes 250 volts d-c at 25 ma. It also provides current for the operation of the filaments in the amplifier. The ripple voltage of the power supply is 0.0098 volts.

Mechanical features, making this amplifier adaptable for modern broadcast use, are many. In the cabinet construction, for example, sloping panels are employed — the cabinet is of 16-gage steel and ribbed where necessary for added strength. Knobs of standard studio design make for ease of operation and a convenient type of handle is employed for carrying which lays flat when not in use.

SWEDEN

Well established and highly reputable firm of importers, with large sales staff, desires contact with manufacturers and suppliers of:

Portable battery radio receivers
Batteries for such sets
Radio tubes of all types for receivers
Electrolytic condensers, rheostats, replacement parts
Record-changers, mikes and pickups
Novelty items and radio accessories
Bakelite and other plastics

We want to import on firm account with sole selling rights for Scandinavia.

(References: Swedish Legation, Com'l Dep't., Washington; Skandinaviska Banken, Svenska Handelsbanken, Södertälje, Sweden)

HARRY ANDERSON — Södertälje — SWEDEN

ALLIED

for everything in **Electronics and Sound**

Equipment for Research
Development • Maintenance

1946 Catalog FREE

**Largest Stocks • Complete Service
From one Central Supply Service**

Leading industrial and engineering firms depend on the ALLIED Catalog as their Buying Guide for everything in radio, electronics and sound. Lists more than 10,000 quality items . . . radio and electronic parts, vacuum tubes, tools, test instruments, audio amplifiers, accessories . . . complete lines stocked by a single reliable source. Try ALLIED'S expert, specialized industrial service. Send for FREE Catalog now!



Sound Equipment

See ALLIED'S wide selection of Intercom, Paging and Public Address systems. Models for every industrial purpose.

Everything in Radio and Electronics

ALLIED RADIO CORP.

833 W. Jackson Blvd., Dept. 14-J-6, Chicago 7, Illinois

Send for
Your
**ALLIED
CATALOG**

BOOKS FOR THE ENGINEER

UNDERSTANDING MICROWAVES

(Chapter Heads)

The Ultra High Frequency Concept Stationary Charge and its Field • Magnetostatics • Alternating Current and Lumped Constants • Transmission Lines Paynting's Vector and Maxwell's Equations • Waveguides • Resonant Cavities • Antennas • Microwave Oscillators • Radar and Communication • Section Two is devoted to descriptions of Microwave Terms, Ideas and Theorems. Index.

400 PAGES PRICE \$6.00

A-C CALCULATION CHARTS

Student engineers will find this book invaluable. Simplifies and speeds work. Covers all AC calculations from 10 cycles to 1000 megacycles.

160 PAGES PRICE \$7.50

JOHN F. RIDER, Publisher, Inc.

404 FOURTH AVENUE, NEW YORK 16, N. Y.
EXPORT DIV. ROCKE-INTERNATIONAL ELEC. CORP.
13 E. 40TH STREET, NEW YORK CITY CABLE ARLAB

18 YEARS IN RADIO

Get This *New* Catalog
By This *Old* Firm

Latest developments in radio and electronic parts and devices, newest ham gear, gadgets to delight the heart of the experimenter, bargains in war surplus supplies.



- Buy from B-A
- Save Time
- Save Money
- Get the Newest
- Deal with This Old House



**It's
FREE
To You**

MAIL COUPON TODAY

Don't delay, get your copy of this book.

BURSTEIN-APPLEBEE CO.,
1012 McGee, Kansas City 6, Mo.

Send me FREE new catalog. RADIO

NAME _____
STATE CONNECTION IN INDUSTRY _____

NAME _____

ADDRESS _____

TOWN _____ STATE _____

ADVERTISING INDEX

Advertiser	Page
Adams & Westlake Co.	5
Allied Radio Corp.	29
Altec-Lansing Corp.	28
American Phenolic Corp. Cover	4
Anderson, Harry	31
Astatic Corporation	6
Bell Telephone Labs.	10
Boonton Radio Corp.	29
Burstein-Applebee	32
Capitol Radio Engineering Inst.	24
Concord Radio Corp.	25
Cornish Wire Co., Inc.	8
Eitel-McCullough, Inc. Cover	2
Federal Tel. & Radio Corp. Cover	3
Gardiner & Co.	32
International Resistance Co.	7
Jensen Radio Manufacturing Co.	23
Racon Electric Co.	9
Radio and Television Supply Co.	32
Rider, John F. Publisher, Inc.	32
Sigma Instruments, Inc.	30
Sprague Electric Co.	2
Surprenant Electrical Insula- tion Co.	28
Tech Laboratories	25
Triplett Electrical Instr. Co.	30
Vertrod Corp.	32
Wrigley Jr., Co., Wm.	26

In the Rocky Mountain Region it's
RADIO & TELEVISION SUPPLY CO.

ELECTRONIC EQUIPMENT

252 HOBSON AVENUE, PUEBLO, COLO.
P. O. Box #892

"If we don't have it, we'll get it—
or it can't be had! Phone 5729"

ADDRESS CHANGES—

Subscribers to RADIO should notify our Circulation Dept. at least 3 weeks in advance regarding any change in address. The Post Office Dept. does not forward magazines sent to a wrong address unless you pay additional postage. We cannot duplicate copies of RADIO sent to your old address.

RADIO Circulation Dept.
Radio Magazines Inc.
342 Madison Ave., New York 17, N.Y.

Install your aerial

THE VERTROD WAY

As MODERN as the electric refrigerator, compared with the old ice box.

VERTROD—vertical models eliminate poles—insulators—lightning arresters—filters—hanging aerial wires—climbing.

VERTROD—20 models cover all wave reception—FM—AM and Television.

VERTROD—the most perfect scientific development approaching complete freedom from man made static.

The VERTROD way (with patented features) is the modern way. At most radio shops.

WRITE FOR FOLDER 409.

VERTROD CORPORATION

60 EAST 42nd STREET
NEW YORK 17, N. Y.



LEARN CODE SPEED UP YOUR RECEIVING AND SENDING WITH G-C AUTOMATIC SENDERS

TYPE S — Housed in aluminum case—black



instrument finished — Small
— Compact —
Quiet.

\$20.00

Postpaid

DE LUXE CABINET—Matched grain walnut cabinet—Enclosed retracting contacts.



\$30.00

Postpaid

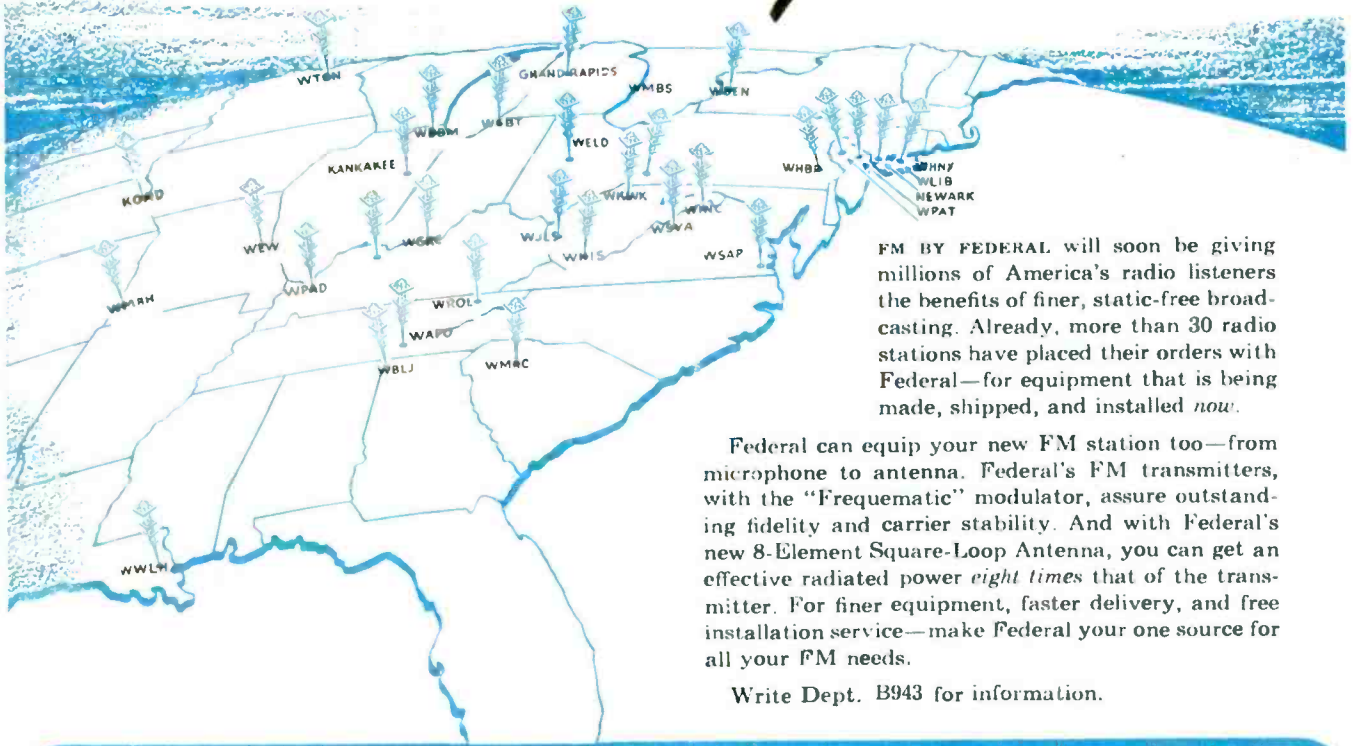
Each unit equipped with silent induction type motor 110 Volts AC — Adjustable speed control — Maintains constant speed at all settings — Complete with ten rolls of double perforated tape. A wide variety of other practice tapes available at 50¢ per roll.

If your dealer cannot supply you write us.

GARDINER & COMPANY

Stratford, N. J., U. S. A.

Federal is really putting FM on the map! MORE THAN 30 BONA FIDE ORDERS ALREADY SIGNED!



FM BY FEDERAL will soon be giving millions of America's radio listeners the benefits of finer, static-free broadcasting. Already, more than 30 radio stations have placed their orders with Federal—for equipment that is being made, shipped, and installed *now*.

Federal can equip your new FM station too—from microphone to antenna. Federal's FM transmitters, with the "Frequematic" modulator, assure outstanding fidelity and carrier stability. And with Federal's new 8-Element Square-Loop Antenna, you can get an effective radiated power *eight times* that of the transmitter. For finer equipment, faster delivery, and free installation service—make Federal your one source for all your FM needs.

Write Dept. B943 for information.

Here Are The First 30 Orders for FM by Federal

WSVA	Harrisonburg, Va. 10-Kw Transmitter 5-Kw Transmitter Associated Equip.	WINC	Winchester, Va. 3-Kw Transmitter 6-Element Square- Loop Antenna	WSAP	Portsmouth, Va. 3-Kw Transmitter Associated Equip.	WSBT	South Bend, Indiana 10-Kw Transmitter 8-Element Square- Loop Antenna Associated Equip.
WPAT	Paterson, N. J. 10-Kw Transmitter	WLHB	Brooklyn, New York 10-Kw Transmitter Antenna Associated Equip.	WTLN	Minneapolis, Minn. 5-Kw Transmitter 8-Element Square- Loop Antenna Associated Equip.	WHBS	Bluefield, W. Va. 20-Kw Transmitter 12-Element Square- Loop Antenna
WGRC	Louisville, Ky. 10-Kw Transmitter	WBLJ	Dalton, Georgia 3-Kw Transmitter Associated Equip.	WWLH	New Orleans, La. 5-Kw Transmitter Antenna Associated Equip.	WCIL	Carbondale, Ill. 1-Kw Transmitter Associated Equip.
WMBH	Jardin, Missouri 3-Kw Transmitter	WBLD	Columbus, Ohio 10-Kw Transmitter Antenna Associated Equip.	WAPQ	Chattanooga, Tenn. 250-Watt Transmitter	WJLS	Breckley, W. Va. 3-Kw Transmitter 8-Element Square- Loop Antenna Associated Equip.
WBEN	Buffalo, New York 3-Kw Transmitter 2-Element Square- Loop Antenna Associated Equip.	KOAD	Omaha, Nebraska 1-Kw Transmitter 8-Element Square- Loop Antenna Associated Equip.	WROL	Knoxville, Tenn. 8-Element Square- Loop Antenna Associated Equip.	≡	North Jersey Radio, Inc. Newark, New Jersey 3-Kw Transmitter Antenna Associated Equip.
WMRC	Greenville, S. C. 10-Kw Transmitter 8-Element Square- Loop Antenna Associated Equip.	WEW	St. Louis, Missouri 10-Kw Transmitter 8-Element Square- Loop Antenna Associated Equip.	WBBM	Chicago, Illinois 3-Kw RF Amplifier	≡	Grand Rapids, Mich. 3-Kw Transmitter Associated Equip.
WHBP	Reading, Pa. 3-Kw Transmitter Associated Equip.			WKWK	Wheeling, W. Va. 3-Kw Transmitter Associated Equip.	≡	Kankakee, Illinois 10-Kw Transmitter Associated Equip.
WHNY	Hempstead, N. Y. 1-Kw Transmitter			WPAD	Paducah, Kentucky 3-Kw Transmitter Associated Equip.	≡	
				WMBS	Uniontown, Pa. 1-Kw Transmitter Associated Equip.	≡	

≡ Call letters not yet assigned.

Federal Telephone and Radio Corporation

In Canada:—Federal Electric Manufacturing Company, Ltd., Montreal.
Export Distributors:—International Standard Electric Corp. 67 Broad St., N. Y. C.



Newark 1,
New Jersey



Microphone Cables

Low Capacitance • Flexible Plastic Jackets

Amphenol engineers announce a new line of four microphone cables in three sizes and two kinds of plastic jackets. All are of unusually low capacitance for their small diameter. They are designed for use by P.A. system installers and service men and for manufacturers of sound equipment, photoelectric devices, home recorders and the complete range of similar applications—as well as for regular studio type installations.

These cables are small in diameter, light in weight and the durable plastic jackets remain flexible down to -40° . Standard microphone connectors and cord protectors may be used with any type. Amphenol cable numbers 21-120, 21-138 and 21-146 have black vinyl jackets. Style 21-147 is the same as 21-138 except it has a polyethylene jacket.

The vinyl type jacket is recommended for heavy use in auditoriums, outdoors and other places where long lengths are required and where crowds of people may be walking over the cable. Polyethylene (21-147) is suitable for home and cocktail lounge applications, where the cord may remain in one position for many days, because the material is chemically inert and has no effect on varnishes. See table below for complete electrical and physical specifications.

	21-120	21-138	21-146	21-147
A	.242" diam. Black Vinyl	.195" diam. Black Vinyl	.155" diam. Black Vinyl	.195" diam. Black Polyethylene
B	#34 AWG. COPPER 65% COVERAGE	#34 TINNED COPPER 65% COVERAGE	#36 TINNED COPPER 65% COVERAGE	#34 TINNED COPPER 65% COVERAGE
C	POLYETHYLENE .175" diam.	POLYETHYLENE .116" diam.	POLYETHYLENE .080" diam.	POLYETHYLENE .116" diam.
D	7 STRANDS #30 WIRE	7 STRANDS #30 WIRE	7 STRANDS #30 WIRE	7 STRANDS #30 WIRE
CAPACITANCE PER FOOT	20 mmf	25 mmf	35 mmf	25 mmf



Microphone Connectors

Amphenol manufactures a complete line of microphone connectors, receptacles and jacks. Connectors are available in straight, right angle and feed-through styles. Receptacles are of single hole and mounting plate types—grounded or insulated.

Write for complete information.

AMERICAN PHENOLIC CORPORATION

CHICAGO 30, ILLINOIS
In Canada • Amphenol Limited • Toronto

The World's Largest Single Source of:

COAXIAL CABLES AND CONNECTORS • INDUSTRIAL CONNECTORS, FITTINGS AND CONDUIT • ANTENNAS • RADIO COMPONENTS • PLASTICS FOR ELECTRONICS