

# RADIO & MODEL ENGINEERING

*Published by*

The SLEEPER RADIO CORPORATION

*Edited by* ~ M.B.Sleeper

Vol. II

NOVEMBER, 1922

No. 9

10 Cents a Copy

\$1.00 Per Year

*In This Issue*

UNDAMPED WAVE TRANSMITTER

A VARIOMETER OF HIGH EFFICIENCY

INDUCTANCE TABLES



# Buy Your Parts With Apparatus Coupons

**H**ERE is a splendid opportunity to purchase instruments and supplies listed in the Sleeper Radio catalog without spending your money.

Write to Mr. Skelton, Circulation Director of Radio & Model Engineering, and he will send you a book of ten subscription receipts. For each year's subscription to R & M that you obtain, he will give you an APPARATUS COUPON which is the equivalent of 50c. in cash. When you have sent in 10 subscriptions you are entitled to two extra Coupons. This makes a total of 12 Coupons or six dollars in trade—by obtaining only ten subscriptions. Write in today and get your receipt book by return mail with ample supplies and complete information on obtaining subscriptions.

Get the members of your Radio Club busy with receipt books and pay for your radio sets with APPARATUS COUPONS.

## Books for Your Radio Work

### Modern Radio Receiving Sets

"The Brown Book," by *M. B. Sleeper*. A strictly constructional book of splendid photos, scale drawings, and clear instructions for building crystal and audion receivers, short and long wave regenerative sets, detectors and amplifiers. The designs are planned so that you can build the sets in your kitchen table workshop.

Radio and Model Engineering Series No. 1. Postage 4c... Price, 50c.

### Modern Radio Receiving Sets

"The Blue Book," by *M. B. Sleeper*. This is also a book for the constructor and experimenter. It takes up a wide variety of receiving instruments such as radio and audio amplifiers, variometer tuners, loose couplers, and regenerative equipment.

Radio and Model Engineering Series No. 2. Postage 4c... Price, 50c.

### 101 Receiving Circuits

*Ready for delivery December 15, 1922*

The "Green Book," by *M. B. Sleeper*. Whenever you are undecided about the choice of a circuit, the Green Book will tell you what to do. The 101 diagrams give you not only the method of connection but detailed information on every type of receiving set now in use. All obsolete circuits have been eliminated, making the Green Book the only authoritative and up-to-date compilation of circuits available.

Radio and Model Engineering Series No. 3. Postage 4c... Price, 50c.

# Things We Have Learned in Our Shop

The experimental work done in connection with the working out of new equipment calls for methods applicable to the experimenter's workshop as well

**T**HE majority of failures experienced by men who build their own radio equipment is due to mistakes and careless workmanship in small details, usually from lack of practice and familiarity with the fine points of craftsmanship.

tip end of the strip is to be under the wire but this is sufficient to hold up fairly in place until the winding is completed.

The larger part of the illustration shows one of the laboratory assistants soldering the taps, taken off in the manner just described, after the



Fig. 1. Showing a new and very satisfactory method of tapping coils. Insert at left indicates position of copper strip.

The photographs reproduced here were taken around the laboratory which handles the work of getting out new designs and offer some suggestions which may help you in the things you are doing. Fig. 1 shows a new and very satisfactory method of tapping either single layer or bank wound coils. As the tapping point is approached the wire is scraped bare and a narrow strip of copper foil, about 0.005 in. thick slipped under the bare section. The winding is then continued after the strip has been pinned back out of the way. Only the

inductance for a C. W. transmitter was finished. The very least possible amount of soldering paste is used and only a tiny dot of solder. The soldering paste is particularly important for if too much is used it runs over the adjoining turns and makes an unsatisfactory and unsightly appearance. By rolling the outer end of the strip over a small brad a tube is formed in which the tapping wire can be inserted and soldered. This system is often times more satisfactory than the extra turn method for there is no possibility that, at the point where

the wire is twisted and brought off, as in the other method, a break will occur.

The left hand illustration in Fig. 2 offers a suggestion to those who have difficulty with excess soldering paste at the switch points. Here the switch point lugs, after being put in place are tinned and the paste wiped off with an old cloth and tooth brush. Later on, when the coil is mounted, there will be no necessity for applying any paste to the soldering lugs. Most brands of paste seem to offer excellent leakage paths across contacts. For this reason it is very important to have the joints clear and clean, as serious losses often occur when

Experimenters who wind their own variometers will be interested in the left hand illustration of Fig. 3. One of the greatest difficulties in making stator windings is to slip them off the form without damaging the coil. That trouble is over very nicely by the method shown. Six strips of paper binding taps are put on the form before the coil is wound. They are a little more than twice as long as the winding. Shortly after the coil is started the outer ends of the taps are moistened and bent over, and stuck to the wire. With the coil finished, the inside ends are also bent over and stuck down.

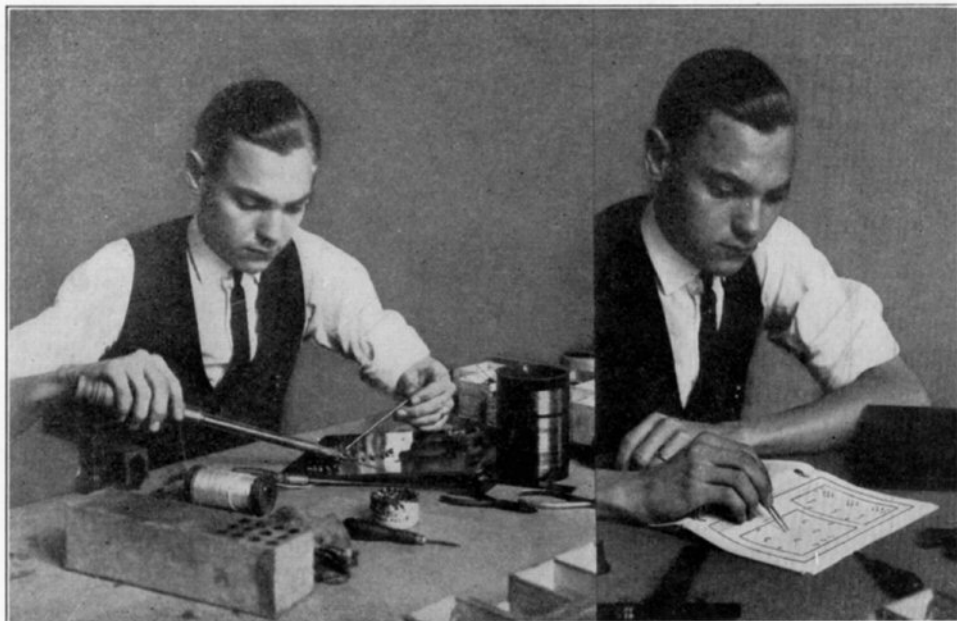


Fig. 2. Left hand picture illustrates simplicity of soldering when lugs have been previously tinned. Above right shows method for taking off dimensions from scale drawings.

the resistance between the taps is not kept at maximum.

At the right in Fig. 2 the method for taking off dimensions to the panel is illustrated. The distance is first measured from the drawing by means of a pair of sharply pointed dividers. This measurement is then transferred to the panel and doubled. Next a scratch mark is run down the panel with a scribe and combination square. When the distance from the side is laid out on the panel and a line drawn at right angles to the first one the center for the hole is located. A center punch mark at the intersection helps to locate the drill accurately.

In this way a strong coil is formed independent of any varnish which may be applied later. Particularly when several coils are to be wound on the same form this system is advantageous because there is no varnish on the form to become sticky and impede the removal of the coil from the form. In addition the paper strips hold the turns closely together so that, when the winding is inserted in the stator, if a part of the coil is not held firmly, there is more support than the mere binding of varnish. Moreover, varnish or shellac stick to the paper much better than they do to the wire itself. A completed stator winding can be seen on the bed of the lathe in the right hand picture.

Like so many of the variometer stator winding forms, our first one was slightly loose. Accordingly, strips of glued paper tape were stuck to the ball, strip on strip, until the coil was enlarged sufficiently to make a perfect fit in the stator or stationary forms. In addition, the friction was reduced to such an extent that no trouble was experienced in slipping the coil off the winding form. This method of shimming worked out exceedingly well.

To check the number of turns in each stator coil a Veeder counter was used. The shaft was driven into a wooden plug, and the plug fitted in a hole in the center of the wooden form. You can see, in the illustration, a block of lead melted into the base of the counter to keep it

of the rotor. A similar disc is held in place by pressure of the tailstock of the lathe. Attached to the disc carried in the chuck is a brass strip pressing against the shaft of the rotor like a lathe dog. This carries the moulded form around during the winding in a most satisfactory manner. The holes are drilled at the outside and on each side of the center section to take the ends of the windings in accordance with customary practice. When one side of the rotor has been wound it is removed and turned around. But the left is rotated in the same direction. As a result, when the inside ends of the coils are joined the direction of the winding is the same as if it were a straight coil.

Slight mechanical imperfections often result

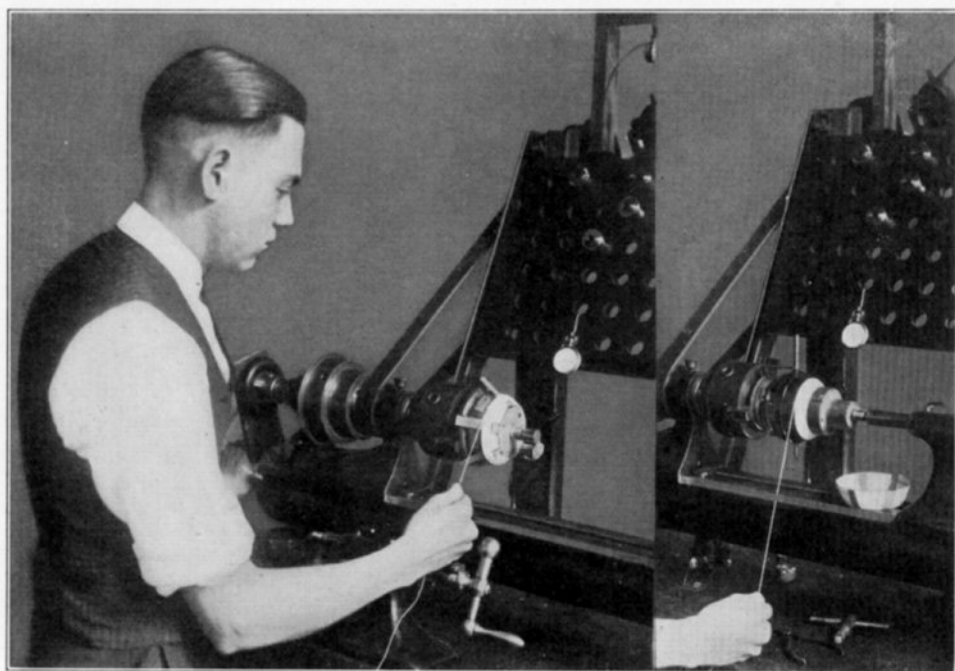


Fig. 3. Laboratory method of winding stators. A simple hand coil winding machine will serve the experimenter equally well.

from revolving as the shaft rotates. No reset is needed. Each time a coil is wound the winder is rotated until an even 50 shows, and the number of turns counted from that.

The rotors used for Sleeper standardized moulded variometers, unlike other types, are split at right angles to the shaft. This introduces something of a problem in winding as the two halves are only held together by small locating pins or holes in the very narrow thickness of the walls and the binding effect of the wire. A little jig to hold the rotor is illustrated above. A wooden disc is recessed at a diameter just great enough to slip over the rim

in failure to obtain maximum efficiency with a set even when extreme care is exercised in following detailed wiring diagrams. Before building a piece of apparatus it is strongly recommended that tests be made on the individual parts which make up the instrument. Frequently a variable condenser is shorted due to a bent plate—A simple test can be made by means of a dry cell and a buzzer wired in series. One lead is fastened to the rotary plates while the other is similarly connected to the stationary plates. If in rotating the plates the circuit is completed the condenser is faulty and should be replaced to avoid a possibility of rewiring.

# A Variometer of High Efficiency

Some interesting notes and data on variometer construction and operation.

VERY rapidly the wooden variometer is being replaced by types employing molded stator and rotor frames. The latter are more attractive in appearance and more permanent in construction than the wooden types which frequently shrink and warp, causing the windings to move out of place. Moreover, the practical limitations of manufacturing the wooden parts necessitate a large clearance between the two windings. As a result the amount of variation in inductance between the minimum and maximum settings is comparatively small.

work of mechanical strain the mounting block was made very close so that any tendency to break off is distributed around the strong center framework. At each end holes are molded into the shaft bearing to carry the contacts. The nickel plated strips at the front and rear act as terminals from the shaft.

Unlike other variometers the ball is split at right angles to the shaft and the shaft molded into each half. In this way there is no possibility for the shaft to come loose or to run out of true. Small lugs and holes in each half of the ball locate the halves in position. The

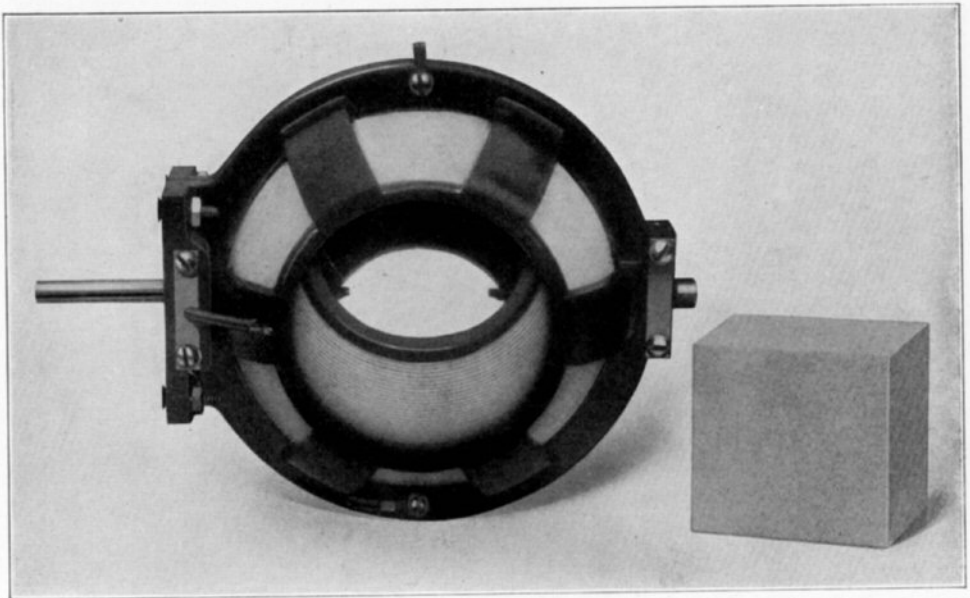


Fig. 1. The completed variometer. Cube at right 2 inches on a side, weighing 10 oz. shows amount of molded material used.

Molded variometers have, however, the disadvantages of high losses due to the presence of molded material within the fields of the coils. The variometer illustrated in Figs. 1 and 2 was planned to show an efficiency even greater than that of wooden variometers by cutting down the volume of condensate to an absolute minimum. At the same time it was necessary, of course, to maintain a margin of mechanical safety. Fig. 2 shows the separate stator and rotor parts before assembly. The stator is in the form of a cage carrying at one end one-half of the mounting block. To relieve the frame

binding of the wire holds the parts tightly. Small shoulders at the outside of each half around the shaft act as bearings against similar shoulders on the inside of the stator. Thus the end play is taken up. Constructing the ball in this manner it is possible to use an extremely thin wall, only  $\frac{1}{16}$  in. thick except for shoulders around the shaft on the inside which act as extra support. The perfection of detail is indicated by the construction of the shaft at the inside where the coil lead is soldered on. The shaft is turned down to  $\frac{1}{16}$  in. diameter. This is done so that, in soldering on the lead,

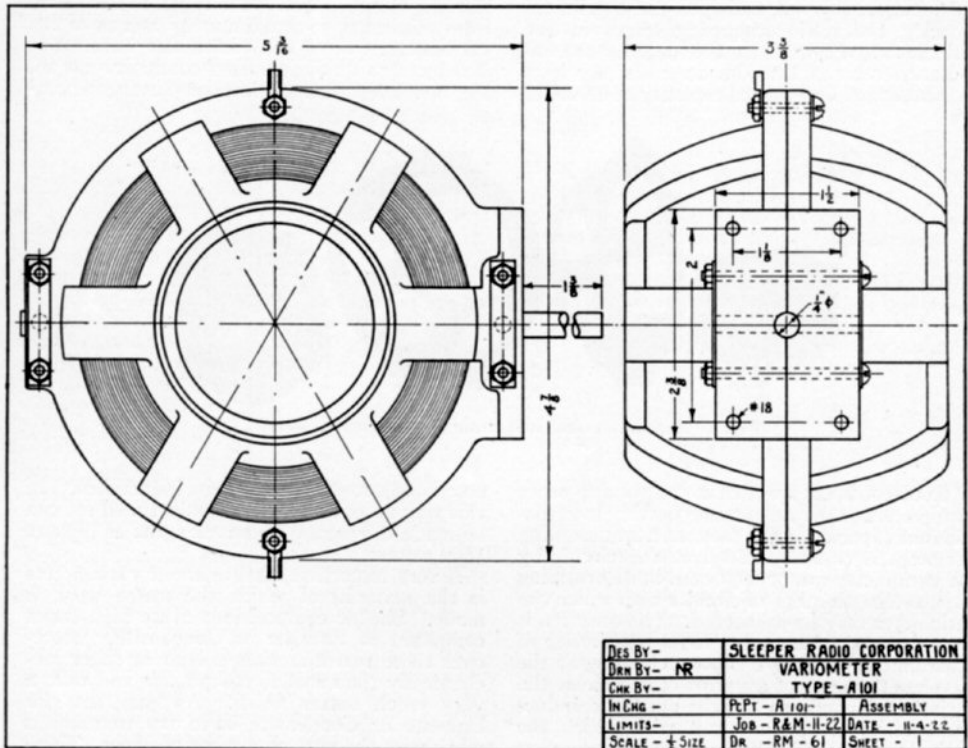


Fig. 3. Outline of drawing of variometer showing location of mounting screws.

an excessive amount of heat will not be transmitted to the entire shaft, causing it to become loose where it passes through the molded ball. Ordinarily stator windings are merely held together by the binding action of a heavy coat of varnish. This method was not approved because it frequently happens that the coil is secured to the frame at the inside but is loose at the outer part. Then the entire strain of holding the free turns comes upon the varnish binder. Coils for this variometer are wound over six narrow strips of gummed tape. When the winding is completed the ends of the tape are bent over on the outside of the winding, thus making a strong coil even tho no varnish is used at all. These strips are hidden beneath the six arms of the frame work so that they do not detract from the appearance of the instrument.

Fig. 3 gives an outline drawing of the variometer and the location of the mounting screws from which any additional dimensions can be scaled since the drawing is one half size.

The Electrical Testing Laboratories of New York City have provided some rather interesting information on this variometer in their report number 40849.

Some of the data is given below.

1. Direct Current Resistance.  
D. C. Resistance, ohms—1.25
2. Inductance in millihenries.

Setting	audio frequency	radio frequency
5	—	0.08
10	0.10	0.11
15	0.12	—
20	0.15	0.20
40	0.31	0.42
60	0.55	0.77
80	0.74	0.99
95	0.84	1.14

3. Distributed Capacity.

Setting	Microfarads
10	0.000036
20	0.000026
40	0.000020
60	0.000017
80	0.000014
95	0.000012

The two important factors are the inductance ratio and distributed capacity. Upon the inductance ratio depends the wavelength range

which can be covered, and upon the distributed capacity the radio frequency losses in the variometer. From 0 to 100 degrees the inductance ratio is 1 to 24, an unusually high ratio while the distributed capacity of 0.000012

circuit. That is the wavelength is increased from minimum to maximum by means of the variometer. Then the variometer inductance is reduced to zero and a fixed condenser cut in. The wavelength is again increased as the variom-

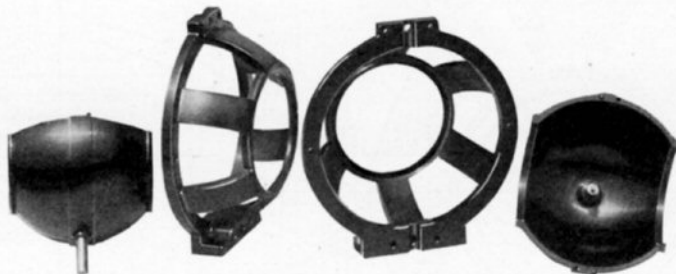


Fig. 2. Separate stator and rotor parts before assembly.

to 0.000036 is far lower than that of any other variometer. One advantage in the low distributed capacity is the fact that, in designing circuits, the capacity added to the circuit by the variometer can be neglected in determining the wavelength range of circuits with which the variometer may be connected. The question is often asked, "what is the wavelength range of a variometer"? There is no such thing as the wavelength range of a variometer because the variation depends so largely upon the inductance of the secondary coil with which the variometer is used. Some companies employ small mica condensers connected across the grid and filament of the detector tube to increase the wavelength range of the secondary

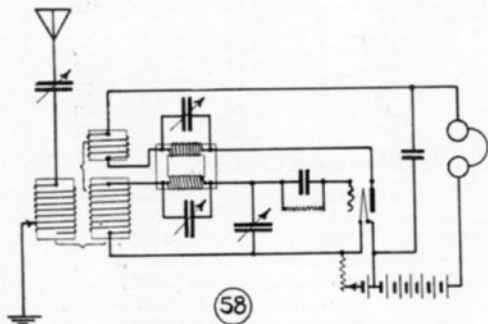
eter is adjusted to maximum inductance. In this way an ordinary variometer tuned set can be made to respond to wavelengths as high as 1500 meters.

A very important feature about variometers is the material of which the frame work is made. Shellac compositions cause high losses compared to Bakelite or Condensite. Moreover these two materials are far stronger mechanically than shellac compounds and take a very much better finish. An easy test for Bakelite or Condensite is to try to make a mark with the part on a piece of paper. These materials will not leave any mark on the paper while shellac or other substitute compounds make a black line.

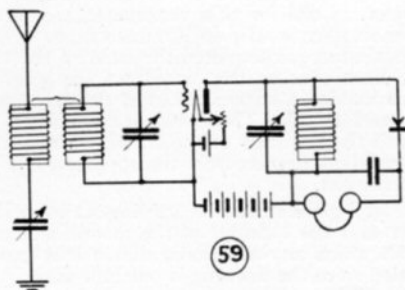
*Note. The high efficiency variometer described in the foregoing article, completely assembled, may be secured from any of our distributors. Price \$7.50*

## 101 Receiving Circuits

### Eighth Installment



58. A combination of high and low frequency regeneration is illustrated in this diagram. The customary tickler coil is coupled



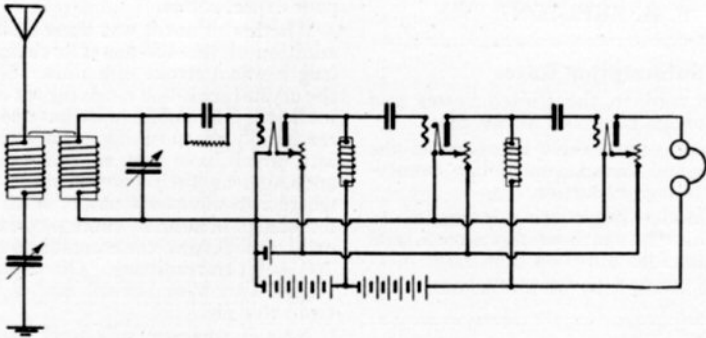
to the secondary of the tuner for radio frequency feed-back, while the primary of an iron coil transformer in the plate circuit and the



secondary in the grid circuit provide for regeneration at audio frequencies. Condensers are shunted across the windings of the iron coil transformer as by-passes for the radio frequency currents. They are variable to permit adjustment of the degree of audio frequency feed-back. In practice this system gives exceptionally good amplification for a single tube outfit, but some difficulty is experienced in keeping it in stable operation. For this reason, regenerative amplification at two frequencies with a single tube is seldom used.

59. While this diagram shows a circuit employing a vacuum tube, a crystal is used as the

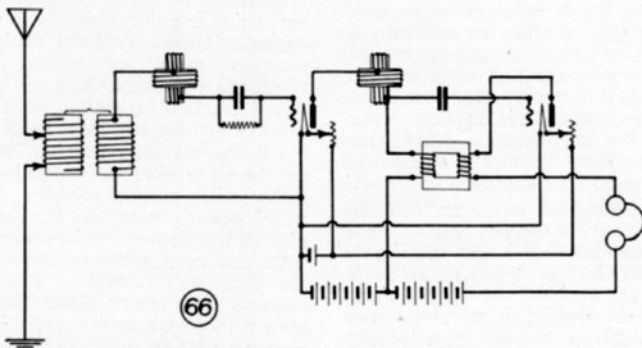
detector. The audion has no grid condenser and is used to amplify the radio frequency energy it receives from the tuner. An inductance shunted by a variable condenser is placed in the plate circuit of the tube. In this oscillatory circuit, the incoming signals are reproduced with an increased amplitude, owing to the amplifying properties of the vacuum tube. Since the current has an inaudible frequency of variation, it is necessary to employ a detector before the signals may be heard. This system of employing a crystal detector amplifier is a popular circuit in England, but is not used very extensively in America.



65

65. An impedance coupled two-stage audio frequency amplifier is shown wired to a two-circuit tuner in this hook-up. In place of the transformers used in the preceding amplifiers choke coils and condensers are employed. The impedances are connected from the B battery to the plates so that the necessary charges may

be placed upon the anodes without providing paths for audio frequency currents to the filament. These, being stopped by the choke coil, are carried to the grid of the following tube thru a fixed condenser which prevents the plate battery from giving the grid a high positive charge.



66

66. The regenerative feature is added to this impedance coupled amplifier by placing a variometer between the detector plate and the primary of the amplifying transformer. Feed-back is obtained in the amplifier tube by

coupling the plate circuit to the impedance coil. In this way we get radio frequency regeneration in the first tube and audio frequency regeneration in the second. When properly adjusted this makes an efficient two-tube outfit.

# RADIO AND MODEL ENGINEERING

A monthly magazine published by  
The Sleeper Radio Corporation  
88 Park Place, New York City.

*Editor*

M. B. SLEEPER

*Associate Editor*

N. H. RICHFIELD

*Circulation Director*

F. A. SKELTON

## Subscription Rates

Ten cents per copy in the United States and Canada; in foreign countries fifteen cents.

One dollar per year, twelve numbers, in the United States and Canada; one dollar twenty-five cents in foreign countries.

Radio and Model Engineering is mailed to subscribers on the tenth of the month, and appears in the radio stores on that date.

Copyright 1922, by M. B. Sleeper.

## EDITORIAL

**T**WO things have happened this fall which, tho they may not be appreciated immediately by radio Experimenters, are helping tremendously to advance the art. One is the lateness of fall business. The other is the use of 360 and 400 meters for broadcast transmission.

To those who are not intimately concerned with the details of the industry, a review of the radio situation may be interesting. Following the start of the summer season, which has been always very quiet, manufacturers generally maintained their production schedules so that they would be prepared to meet the big demand expected with the first of September. Sales during June, July, and August were small, cancellations large, and collections poor. New-comers having few accounts receivable, and those not collectible, promptly succumbed under pressure of current expenses.

Others, a little stronger, held out until September. But the orders did not come. Their goods, of cheap and inferior design, lacking the support of advertising, were not at all in demand. Moreover, dealers' shelves were still groaning under the weight of worthless merchandise held over from last spring, when anything could be sold. October arrived, and still no widespread revival in orders. One by one those companies have collapsed, the little "down cellar factories," the imitation machine shops, and the big stock selling fakery. They couldn't stand the gaff.

At the same time, the dealers have learned what kind of apparatus sells and stays sold, what manufacturers stand behind their goods with guarantees that offer real protection to them and to their customers—and it has been a very expensive lesson.

Altho you may not know it, you and the manufacturers who are powers in the industry have been drawn closer together, for you have been opening their eyes about their products and they are working to make those products more nearly according to your ideas.

When, this spring, you look back a year, you will find radio merchandise and merchandising methods utterly changed and improved beyond your expectations.

Whether or not it was done deliberately, the addition of the 400-meter broadcasting wavelength was a stroke of genius. No longer has the crystal junk-box receiving set a place in the market. The public must have sets capable of reasonably sharp tuning. Those cheap crystal sets, which have been sold in countless thousands, defeat their own purpose in localities where two waves are used. With the demand for sharp broadcast tuning comes automatically a relief from the complaints made against 200-meter transmitters. One almost feels that K. B. Warner or Schnell had a finger in the two-wave pie.

Now if someone will work out that wave analyzer so that receiving sets can be rated for sharpness of tuning, interference problems can be put up, largely, to the lack of judgment on the part of the person buying a receiving set of broad tuning characteristics.

The super-heterodyne system, after exciting passing notice last year, seems to have been dropped. That is due for a decided revival this winter, however. In preparation for an article in R and M, showing features not fully appreciated by Experimenters, some surprising results have been obtained. As a matter of fact, the possibilities are greater than of radio frequency amplification, the circuits in general easier to handle, and the equipment in every way more satisfactory to use. More tubes are required, to be sure, than in the reflex circuits now attracting attention, but the adjustments are more stable and more readily made.

Anyone who suggests that interest in radio is on the wane discloses a decided lack of familiarity with current events. An experiment which opens a new field for the use of radio is that of the Pennsylvania Railroad in receiving broadcasting stations on an outfit installed in the Broadway Limited. The success of the venture leads one to expect that very soon the men who do not care to join in the smoking-compartment arguments and the ladies who are tired of reading can ask the porter for a pair of Pullman phones, plug them into a concealed jack, and listen in to the broadcasting stations.

M. B. SLEEPER,

*Editor.*

# Undamped Wave Transmitter

Altho this outfit is designed for telegraph transmission up to 25 miles it can be easily modified for telephony with a wavelength range of 10 miles.

## Vacuum Tube Transmitters

OF the many suggestions and recommendations which have been sent in for a vacuum tube transmitter the chief demand seems to be for an outfit that can be constructed of parts readily available and one which will not require too much auxiliary equipment. The set described here calls for practically no special parts, uses UV201 or Western Electric VT1 tubes, can be operated on 90 to 150 volts of B batteries with

that, with varying types of antennas the set can be tuned down to 200 meters. As a matter of fact the lower wavelength on which transmission is accomplished the greater the efficiency down to the point where the natural period of the antenna is approached.

The transmitting range of 25 miles for telegraphy or 10 miles for telephony is a conservative estimate. Many experimenters find that they can increase the transmitting range of a low power outfit by employing Western Elec-

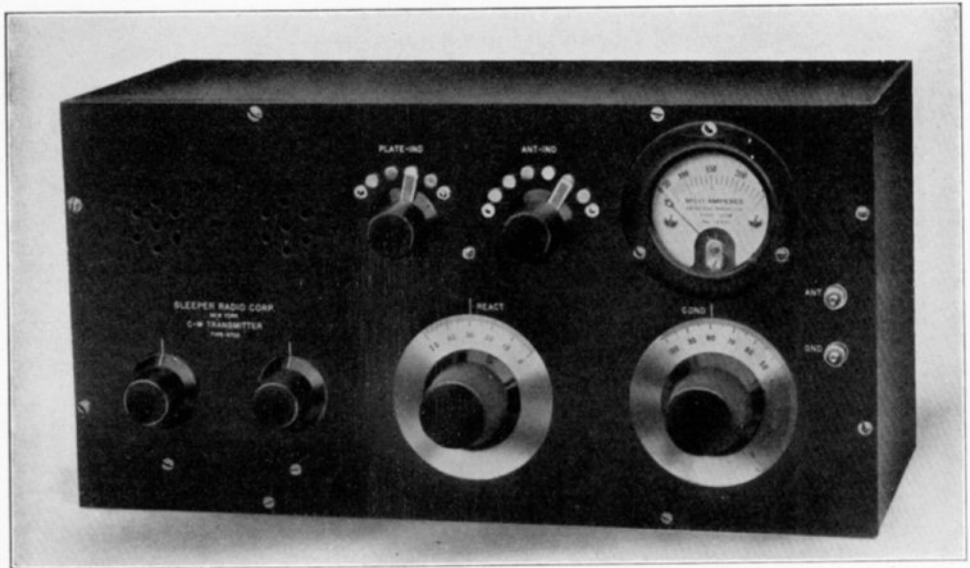


Fig. 2. Front view of completed instrument. Note simplicity of design.

the ordinary 6-volt storage batteries for the filament. Arranging the set in this way it is not necessary to employ a high voltage generator or the extra voltage needed to operate UV202 tubes. Tests were made with UV202 tubes with 6 volts on the filaments and 150 volts on the plates but no improvement was accomplished in the radiation.

Undamped wave telegraph transmitters are exceedingly efficient in operation for surprising results can be obtained with very low power. Moreover an experimenter is only safe from complaints against the interference he causes to the operators of broadcast receiving sets when he uses this type of transmitter. Sufficient variation in the controls is allowed so

electric VT1 tubes altho that type is primarily designed for receiving. By cutting a special slot in the socket tube VT2 tubes can be employed, giving a still greater transmitting range.

## General Description of the Set

The circuit for this set calls for an antenna inductance which is also connected in the plate circuit, a grid coupling coil, plate condenser, two tubes in parallel and a radiation meter. The absence of fixed condensers, special resistances and choke coils makes the outfit easy to construct, low in price, and sure in operation.

On the front of the panel are the radiation meter reading from zero to 250 milliamperes of

the General Radio type, switches for the adjustment of the inductance in the plate and antenna circuits, and controls for the condenser, grid coupling and rheostats. A base panel measuring 5 by 5 ins.,  $\frac{3}{16}$  in. thick, carries the tube sockets and binding posts for the key, B battery, and A battery. Leads are introduced through holes in the rear of the cabinet.

The variocoupler is made up of a ball carried on a shaft which passes through a long bushing secured to the panel and independent of the tube on which the tuning inductance is wound. This arrangement was decided upon because it is difficult to drill accurately the holes in the tubing to act as bearings to the shaft.

#### Drilling the Panels

Fig. 5 gives a one fourth scale drawing of the front and base panels. Dimensions can be taken off and transferred to the panels by means of dividers, multiplying each

sandpaper. Remember when doing this to take straight strokes clear across the panel for otherwise irregular cross scratches will appear.

Fig. 5 illustrates at one fourth scale the location of the taps. **The Inductance** An L. P. F. tube  $3\frac{1}{2}$  ins. in diameter and  $2\frac{1}{2}$  ins. long with a  $\frac{1}{8}$  in. wall carries the stationary coil. The winding is of No. 20 D. C. C. wire, B & S gauge, (No. 18 S. W. G.). Taps are taken off at the 24, 26, 28, 30, 32, and 36 turns. Taps from the 28th, 30th, 32nd and 36th turns are connected to both antenna and plate inductance switches. Holes for the screws to fasten the tube to the mounting pillars are located 3-16 in. in from the end of the tube.

Just beneath the lower coil mounting pillar is a hole 13-32 in. in diameter through which the bushing for the rotor shaft is inserted. An L. P. F. piece measuring 1 in. by  $\frac{3}{4}$  in. thick, is slipped over the bushing and both bushing

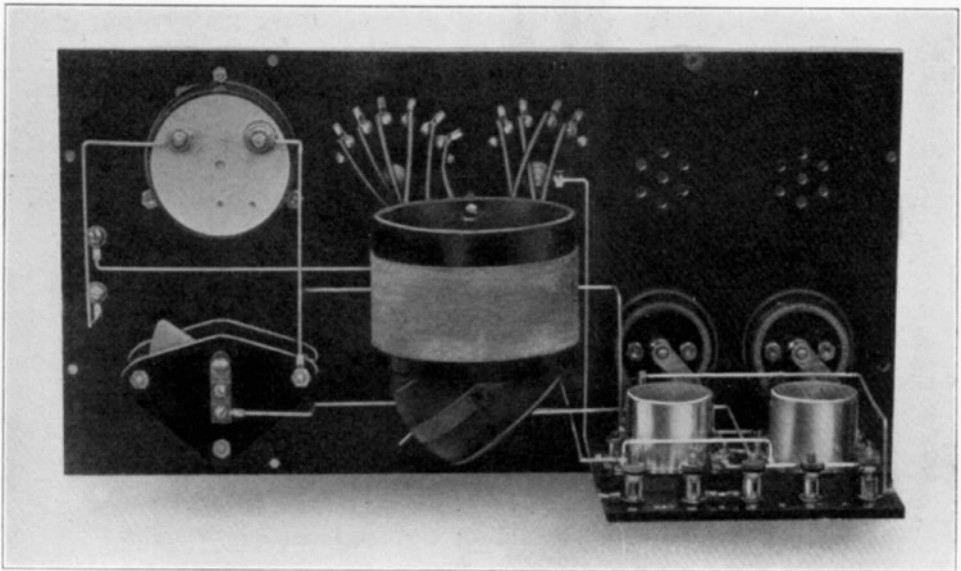


Fig. 2. Rear view of transmitter removed from cabinet.

distance thus found by four. Drill sizes are indicated on the drawings. Two concentric circles show that the hole is countersunk for flat head screws. If L. P. F. panels are used the work of locating the holes is simple since the edges are smoothly cut and the corners perfectly true.

Those who prefer a polished finish on the panels should rub them down with a soft cloth and oil, cleaning the surfaces thoroughly so that no oil will be left to hold dust. On the other hand a dull finish can be obtained by rubbing the panel with linseed oil and No. 00

and terminal block are clamped by a nut screwed down over the threaded part of the bushing. Two flat head screws in the terminal block carry lugs which provide connections for the flexible leads from the ball and the external wiring.

The ball, 3 ins. in diameter, is wound with approximately 30 turns, on each side, of No. 24 S. S. C. wire, B & S gauge, (No. 22 S. W. G.). Both leads from the rotor winding are brought out through a hole at the side of the ball which is away from the stationary coil. The stopping pin in the ball prevents it from rotating

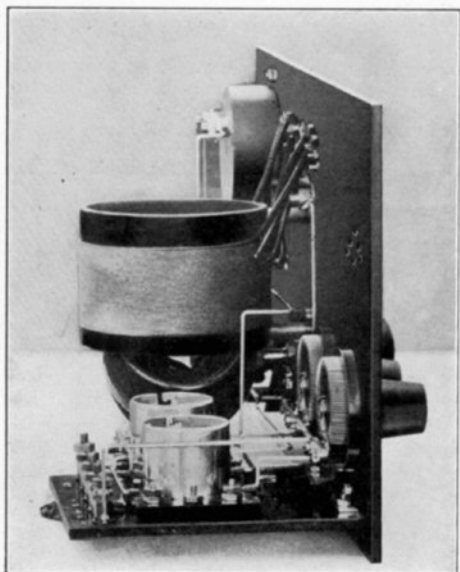


Fig. 3. Side View of Transmitter.

more than 180 degrees. It is important when winding the rotor to make sure that the turns are put on in such a direction that they form a continuous winding. That is, the two halves, when the adjacent center leads are connected together should be wound in the same direction.

All the individual parts should be made ready before any assembly work is started.

#### Instructions for Assembly

1. Fasten the two binding posts, with the round head screws, to the panel as shown in the diagram by numbers 26 and 37; placing a terminal lug between each screw-head and washer. The posts are to be on the front or engraved side of the panel, while the lugs, shown by the short heavy lines, are on the back, and should point in the directions indicated in the layout.

2. Into the four end holes of the groups of switch holes under the words PLATE-IND and ANT-IND, place the four switch stopping points. Hold these in place with the hex nuts furnished.

3. The remaining holes referred to above, are filled with the switch contact points, placing the heads against the front of the panel, and the lugs and nuts on the rear as shown. Tighten the nuts to avoid loose connections.

Note:—Put a little solder on the ends of each lug, before fastening in place. Remove surplus paste on the lugs with an old tooth brush or cloth.

4. Mount the two switches and tighten rear collars on shafts, making sure that a firm pressure is obtained between the switch-arms and contact points.

5. Mount the variable condenser and the two rheostats thru the screws and nuts furnished.

6. Place the contact arms of the rheostats thru the holes provided for them, and shift the arms so as to have them in the "OFF" position, or resting on the bare elements of the rheostat

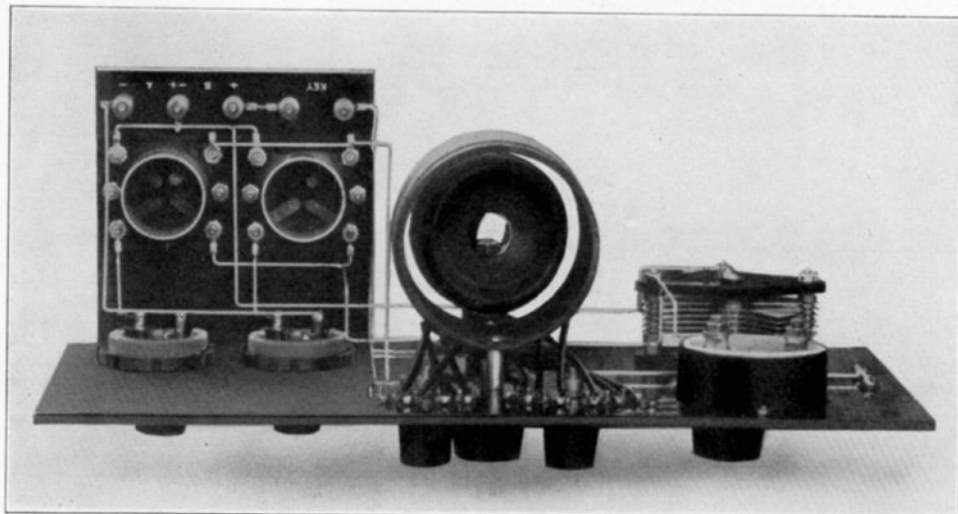


Fig. 4. Top view of instrument illustrating wiring.

winding. This is clearly shown in the drawing. Now, fasten the knobs on the shafts of the contact arms, observing that the white lines of the panel and knob coincide, and making sure that a firm pressure exists between the contact arms and the resistance windings.

9. Fasten the angle brackets to the base panel, with two  $\frac{3}{8}$  in.  $\frac{6}{32}$  F. H. machine screws and nuts, and mount it on this panel to the front panel with two  $\frac{3}{8}$  in.  $\frac{6}{32}$  R. H. machine screws and nuts.

10. Put the bushing of the variocoupler

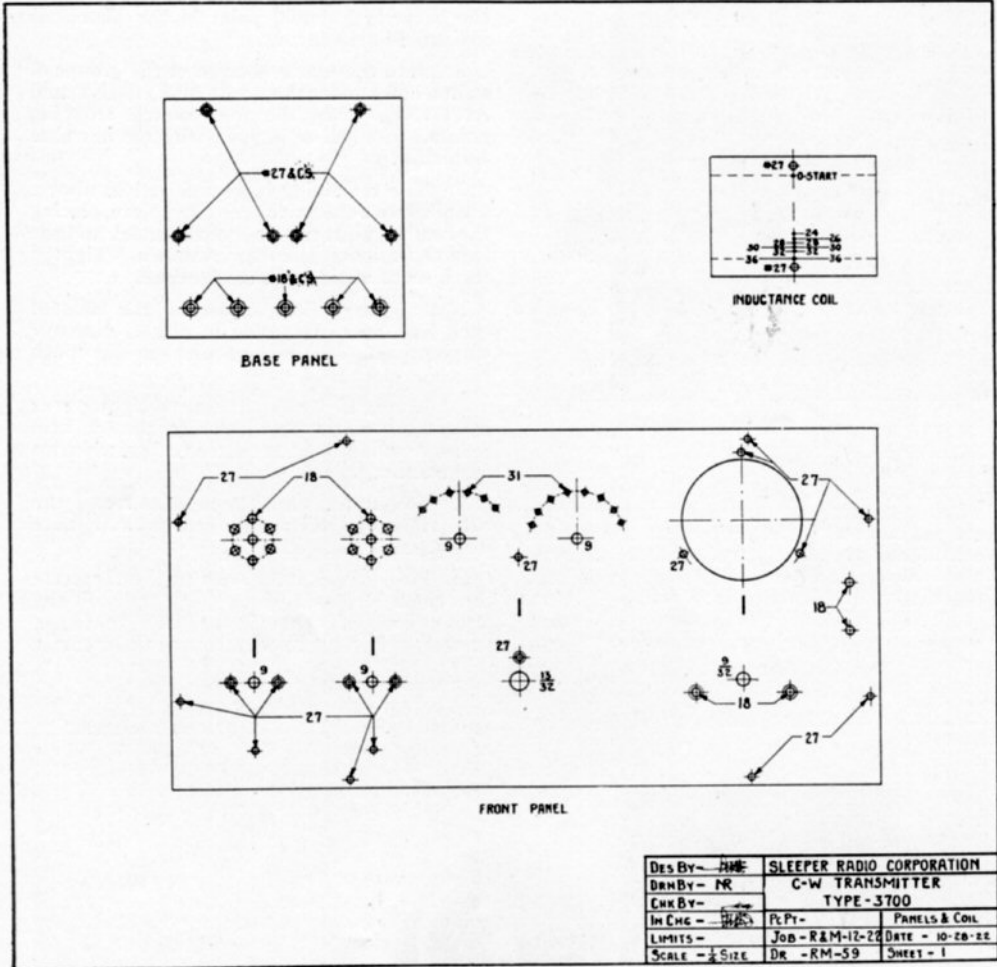


Fig. 5. Scale drawing of front and base panels.

7. Take the base panel (5 by 5 by  $\frac{3}{8}$  L. P. F.) and fasten the remaining five binding posts at 11, 12, 14, 15, and 23.

8. Next mount the two sockets on this panel holding them down with four  $\frac{3}{4}$  in.  $\frac{6}{32}$  F. H. machine screws and nuts. It is important to have the relative positions of the slots of the socket as depicted in the diagram. Failure to observe this may mean the burning out of the vacuum tubes.

rotor thru the  $\frac{1}{32}$  in. hole in the middle of the panel, with the flange against the front. Slip the small 1 in. by  $\frac{7}{8}$  by  $\frac{3}{16}$  in. block over the bushing as shown by the dotted lines in the diagram. Fasten the bushing and block with the nut supplied.

11. Connect 1 to 2. To do that, first fit a piece of square tinned wire from 1 to 2, running it as directly as possible with right angle bends, avoiding contact with any intermediate metal

or wire. Then solder the terminals neatly. For all other connections, similar fitting and soldering processes are used.

12. In the order mentioned connect 3 to 4, 5 to 6, 7 to 8, 9 to 10 to 11, 12 to 13, 14 to 15, 16 to 17, 18 to 19, 20 to 21, 11 to 16. There will be two leads soldered to lug numbered 16. Connect 23 to 24, 25 to 26.

13. Take some of the wire which was used for winding the inductance coil, cut off eleven 4 in. lengths and solder them to the copper foil strips as shown in the diagram. Note that the four upper taps have two leads, and the remaining three have single leads.

14. Slip the variocoupler rotor ball thru the bushing. Solder the two flexible leads to lugs numbered 20 and 22, in the diagram.

15. Mount the inductance coil in place, holding it with a  $\frac{3}{8}$  in. F. H. machine screw at the bottom, and a  $\frac{3}{8}$  in. R. H. machine screw at the top.

16. Fasten the dial and knob on the rotor shaft, so as to have the 50 line of the dial scale coincide with the engraved line on the panel, when the rotor is in the position depicted.

17. Run the two leads from the uppermost top of the coil to lugs numbered 27 and 33. Cut off a piece of empire tubing long enough to cover leads from tap to lugs. Slip the tubing over the leads, scrape off insulation and clean the wire beyond the tubing, and solder to lugs mentioned. Clip the surplus wires extending beyond the lugs.

18. Repeat this operation for the second, third and fourth taps from the top.

19. From the fifth and sixth taps, the single leads is brought to lugs 31 and 32 respectively.

20. Fasten the hot wire ammeter to the panel with three  $\frac{3}{8}$  in.  $\frac{5}{16}$  machine screws and nuts.

21. Connect 37 to 38, 39 to 40.

22. Run a wire from some suitable point 41 on the connecting wire 39 to 40, to lug marked 1.

23. Solder the lead from the lower end of the inductance coil to 42, which is on the wire running from 41 to 1.

24. Mount the 0-100 dial and knob on the variable condenser shaft so as to have the 100 line of the dial and the white line on the panel coincide, when the rotary plates are wholly interleaved with the stationary plates.

With the set completely assembled and mounted in the cabinet connections should be made to the antenna and ground posts, B batteries of 90 to 150 volts to the post marked for the purpose, a 6-volt storage battery to the proper terminals and a telegraph key

around the posts indicated. Light the filaments to full brilliancy and press the key. If no radiation is indicated by the hot wire ammeter the grid coupling ball should be rotated until the pointer moves. Then each control should be gone over carefully until maximum radiation is obtained. To measure the wavelength in an ordinary wavemeter couple the meter to the transmitter inductance and watch the radiation ammeter for a setting of the wavemeter which causes a slight movement of the ammeter. This is caused by the absorption of energy in the wavemeter when the two circuits are at resonance. It will be found that greatest radiation is ordinarily obtained when a minimum amount of plate capacity is employed.

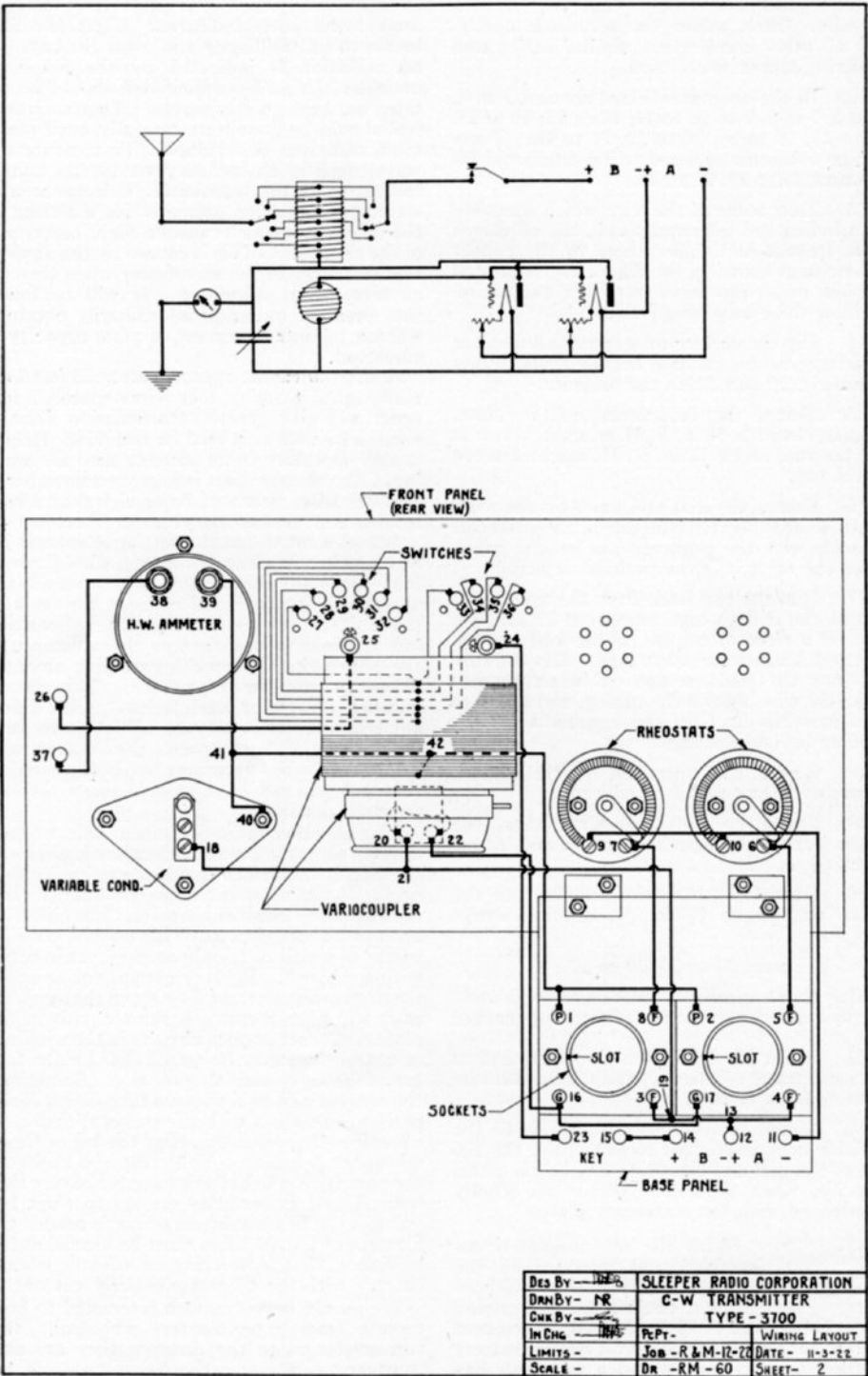
A short antenna, approximately 75 feet long made up of three or four wires spaced 2 feet apart will give greater transmission than a single wire such as is used for receiving. Height is also important in an antenna used for sending. At the same time it must be remembered that the wires must not be so high that a long leading is made necessary.

If you want to use the set for telephony insert a switch in place of the key, wind three or four turns of annunciator wire around the antenna inductance and connect the ends of that coil to a telephone transmitter. Speaking into the microphone changes the resistance of the 4-turn circuit, absorbing varying amounts of energy from the transmitter. This system is called absorption modulation. With different transmitters it may be advisable to vary the number of turns around the antenna coil. The switch is not necessary but is suggested so that you will not have to hold down the key during transmission.

Like all other radio equipment this set may develop some difficulties altho the simplicity of the circuit minimizes the opportunity for failures. If the ammeter does not indicate any radiation find out if the ammeter has either an open or a short circuit. This may be done by means of a pair of telephone receivers in series with a dry cell. Be very careful not to apply the dry battery current directly to the ammeter as it will burn it out. A short circuit in the plate condenser or open circuits in the windings or connections may be responsible for the failure of the set to oscillate properly. Sometimes the contact pins on a vacuum tube do not make perfect connection with the socket springs. It sometimes happens, too, that the tubes themselves are defective. You must also check up the polarity of the batteries and make sure that both A and B batteries are up to their full voltage. When maximum power is needed the filament of UV201 tubes must be burned at full brilliancy, that is, working on a 6-volt storage battery with the rheostats entirely cut out.

We should be very much interested to hear reports from experimenters who build this transmitter as to the distance they are able to cover.

#### Operating and Testing



Des By - <i>DR</i>	SLEEPER RADIO CORPORATION	
DRAWN BY - <i>NR</i>	C-W TRANSMITTER	
CHK BY - <i>DR</i>	TYPE - 3700	
IN CHG - <i>DR</i>	Pt. Pt. -	WIRING LAYOUT
LIMITS -	JOB - R & M - 12 - 70	DATE - 11-3-22
SCALE -	DR - RM - 60	SHEET - 2

Fig. 6. Schematic and picture circuits for the transmitter.



# Inductance Tables

Tables for the determination of the inductance and dimensions of coils from 3 to 10 inches in diameter and 0.1 to 10 inches in length.

## Use of Inductance Tables

THE purpose of these Inductance Tables is to overcome one of the greatest obstacles that has tormented experimenters in their attempts to design accurate receiving circuits and vacuum tube transmitting circuits. The practical impossibility of determining the inductance of coils without resorting to intricate formulas too difficult for shop application, or applicable only to coils already wound, has been the stumbling block of the most conscientious and careful.

Now, however, through use of the Inductance Tables published in this pamphlet, any given inductance, or any given factor affecting inductance can be determined with almost absolute accuracy. By simple multiplication or division, inductance, diameter, turns per inch, or length required for any given conditions can be found.

The experimenter or commercial designer can use these Inductance Tables with complete confidence in the results obtained. Values will be found to be as exact as the experimenter's own hand work. With even a fair standard of work, coils wound from the figures given in the tables will not vary more than 3% from the true values.

The man who is designing coils may have any one of several lines of attack. He may want to know the inductance of a given coil, or the length, or diameter, or size of wire to produce a certain inductance. Methods of solution are given below:

1. To find the inductance, in cms., of a coil of given length, diameter, and turns per inch:

a. Under the column headed by the given diameter, run down to the value opposite the given length. Multiply this value by the turns per inch squared. The result is the inductance, in cms., of the coil.

b. Example. A coil 4 ins. long is wound for 8.5 ins. with wire giving 50 turns per inch. The value in the "4 In." column, opposite "8.5 Ins." is 2819. This multiplied by 50<sup>2</sup> gives  
 $2819 \times 2500 = 7,047,500$  cms.

2. To find the diameter of a coil to produce a certain inductance, given the length and turns per inch:

a. Divide the inductance, in cms., by the turns per inch squared, and locate the column in which this value appears opposite the given length. The heading of that column is the required diameter.

b. Example. 5,100,000 cms. inductance are required of a coil 6 ins. long, wound with 40 turns per inch. The inductance, divided by the turns per inch squared is  
 $5,100,000 \div 1600 = 3,190$

The nearest value opposite "6 Ins." is 3211, in the column headed "5.50 Ins.," which is the diameter required.

3. To find the length of a coil to produce a certain inductance, given the diameter and turns per inch:

a. Divide the inductance, in cms., by the turns per inch squared, and, in the columns headed by the given diameter, locate the value found. The figure at the side shows the required length.

b. Example. 1,500,000 cms., inductance are required of a coil 3.75 ins. in diameter, wound with 60 turns per inch. The inductance divided by the turns per inch squared is  
 $1,500,000 \div 3,600 = 417$

The nearest value in the "3.75 Ins." column is 407.7, opposite "2.1 Ins." which is the length required.

4. To find the turns per inch to produce a certain inductance, given the length and diameter:

a. Find the value under the diameter column opposite the proper length. Divide the inductance, in cms., by the value found, and take the square root of that answer. This gives the required turns per inch.

b. Example. 7,100,000 cms., inductance are required of a coil 5.5 ins. in diameter and 9.6 ins. long. The value in the "5.5 ins." column, opposite "9.6 ins.," is 5799. The inductance, in cms., divided by the value found, is  
 $7,100,000 \div 5,799 = 1,224$

The square root of 1,224 is 35, which is the turns per inch required.

## Inductance of Bank-Wound Solenoids

Banked windings can be treated, with very little error, as single-layer coils, counting the total of turns per inch as the turns per inch of a single-layer coil.

That is, a coil may be wound in three banks with wire giving 40 turns per inch. The turns per inch would be taken as

$$40 \times 3 = 120 \text{ turns per inch.}$$

The value obtained would then be used in the processes just described.

Example. 10,800,000 cms. inductance are required of a coil wound in three banks with

wire giving 30 turns per inch, on a tube 4.5 ins. in diameter. To find the length necessary:

Three banks, each of 30 turns per inch, gives 90 turns per inch. The inductance divided by the turns per inch squared is

$$10,800,000 \div 8,100 = 1,333.$$

The nearest value in the "4.5 Ins." diameter column is 1334, opposite the "4.0 Ins." length. This is the length required.

Figure 8 coils should be treated as single-layer solenoids, the inductance of which is qualified by the multiplier given in the table below.

$\frac{L}{D}$	$\kappa$	$\frac{L}{D}$	$\kappa$
0.02		0.30	1.465
to		0.31	1.450
0.22	1.550	0.32	1.435
0.23	1.545	0.33	1.420
0.24	1.540	0.34	1.400
0.25	1.530	0.35	1.383
0.26	1.520	0.36	1.366
0.27	1.510	0.37	1.348
0.28	1.495	0.38	1.330
0.29	1.480	0.39	1.319

Example. A figure 8 coil is 5 ins. in diameter and 0.5 ins. long, wound 40 turns per inch. The value in the "5 ins." column, opposite "0.5 in." is 60.79. This multiplied by 40<sup>2</sup> is

$$60.79 \times 1,600 = 97,264 \text{ cms.}$$

The length divided by the diameter is

$$0.5 \div 5 = 0.1,$$

the constant of which, from the table, is 1.55. Then the inductance of the figure 8 coil is

$$97,264 \times 1.55 = 150,759 \text{ cms.}$$

In figuring the inductance of pancake coils, one turn thick, the diameter is taken as the average of the inside and outside diameters, the length as the difference between the inside and outside radii, and the turns per inch as measured radially across the coil. These values are applied to the Inductance Table.

Example. 500,000 cms. inductance are required of a coil having an average diameter of 5 ins. wound with wire giving 30 turns per inch. To find the required difference between the inside and outside radii:

The inductance divided by the turns per inch squared is

$$500,000 \div 900 = 555$$

In the column headed "5 Ins." the nearest value is 550.4, opposite "1.9 Ins." length. Therefore the difference between the inside and outside radii is 1.9 ins. The average radius is one-half the average diameter, or 2.5 ins. To find the outside and inside radii, one-half of 1.9 is added to and subtracted from 2.5 ins.

$$2.5 + 0.95 = 3.45 \text{ ins. outside radius.}$$

$$2.5 - 0.95 = 1.55 \text{ ins. inside radius.}$$

To illustrate one way in which these calculations can be used, let us design a loose coupler to tune from 200 to 900 meters, using an antenna of 0.0003 mfd., the average value, and primary and secondary shunt condensers of 0.0001 to 0.001 mfd.

The effective capacity in the primary circuit is 0.0004 to 0.0013 mfd. From the tables previously shown, the following values of inductance are required:

Primary Circuit	
Wavelength with	Wavelength with
0.0004 mfd.	0.0013 mfd.
Tap 1: 25,000 cms.	
188 meters	340 meters
Tap 2: 70,000 cms.	
315 meters	569 meters
Tap 3: 180,000 cms.	
506 meters	912 meters

The effective capacity in the secondary circuit is 0.0001 to 0.001 mfd.

Secondary Circuit	
Wavelength with	Wavelength with
0.0001 mfd.	0.001 mfd.
Tap 1: 50,000 cms.	
133 meters	421 meters
Tap 2: 250,000 cms.	
298 meters	942 meters

If No. 24 S. S. C. wire, giving 44 turns per inch, is wound on a tube 3.5 ins. in diameter, taps must be taken off at the following lengths measuring from the start of the winding:

- Tap 1, 25,000 cms., 0.3 in., 13th turn
- Tap 2, 70,000 cms., 0.5 in., 22nd turn
- Tap 3, 180,000 cms., 0.85 in., 37th turn

The secondary, on a 3-in. tube, will be tapped:

- Tap 1, 50,000 cms., 0.45 in., 20th turn
- Tap 2, 250,000 cms., 1.2 ins., 53rd turn

Here, then, is the complete data for a 200- to 900-meter loose coupler, all of which was figured in less than 5 minutes, while without the table very rough guesses would have been made, with final results far from those expected. On tap 1 of the primary, the condenser tunes from 188 to 340 meters; on tap 2, 315 to 569 meters, etc.

In designing tapped coils of this sort the length for a given inductance is always figured from the start of the winding, and not from the previous tap.

- The following will be found helpful:
- 1,000,000 cms. = 1 millihenry
- 1,000 millihenries = 1 henry
- 1 cm. = 0.000001 millihenry.

Inch. long	3.00	3.25	3.50	3.75	4.00	4.25	4.50	4.75	5.00	5.25	5.50	5.75	6.00	6.25	6.50
1	2.052	2.252	2.479	2.672	2.918	3.084	3.368	3.453	3.826	4.119	4.251	4.373	4.761	5.107	5.243
2	6.887	7.710	8.200	9.046	9.908	11.19	11.78	12.59	13.21	14.02	14.53	15.29	16.01	16.65	17.10
3	13.75	15.11	16.48	20.97	20.34	21.79	23.24	24.70	26.19	27.67	30.37	31.90	32.68	35.62	36.55
4	17.69	25.05	26.82	29.66	32.59	34.79	38.61	40.47	42.39	46.73	48.65	53.17	54.45	57.03	61.68
5	32.18	35.87	39.65	43.49	47.44	51.40	55.42	56.84	60.79	65.70	72.10	74.13	80.71	82.78	89.54
6	43.27	47.86	52.55	57.30	65.19	70.15	75.15	80.27	85.37	90.52	99.34	104.7	110.0	119.4	120.8
7	54.77	62.31	71.93	74.35	84.59	90.39	98.51	102.2	113.3	119.3	125.6	134.2	142.9	149.7	156.0
8	68.27	76.24	84.82	93.59	102.5	109.1	122.4	129.0	135.8	149.7	156.7	171.2	178.1	185.3	200.4
9	82.70	92.44	102.4	110.0	123.0	135.2	146.0	153.4	169.9	177.3	194.6	202.1	220.0	227.6	246.2
1.0	96.79	107.8	121.0	132.6	146.5	157.0	172.9	185.3	200.3	208.2	228.5	236.4	257.4	265.3	286.9
1.1	112.6	124.9	139.9	152.8	171.1	184.5	201.0	215.7	231.7	249.0	266.6	291.3	299.1	324.5	332.3
1.2	127.1	144.9	160.9	178.2	196.0	214.5	229.1	247.8	266.9	286.3	310.0	325.9	346.1	373.5	382.6
1.3	143.2	162.2	181.0	200.1	219.7	239.4	258.4	280.8	301.6	323.0	360.0	377.7	408.1	441.1	448.5
1.4	160.7	182.2	202.7	225.1	248.2	272.8	297.4	321.1	346.3	369.9	408.5	427.6	458.0	491.6	498.5
1.5	177.7	198.6	226.4	249.4	272.8	302.2	326.6	351.4	382.8	408.5	445.9	467.6	494.3	521.2	550.9
1.6	194.1	222.5	246.7	272.2	302.6	328.5	361.3	388.1	422.5	450.2	481.9	514.4	543.1	580.4	610.1
1.7	213.9	241.9	274.2	303.4	328.1	363.0	401.9	427.8	464.8	495.0	534.0	567.9	604.6	635.2	677.2
1.8	232.2	262.5	293.6	325.7	362.5	392.2	430.9	470.6	501.8	543.1	575.2	614.3	661.5	694.7	739.5
1.9	248.3	284.0	317.4	355.8	391.2	432.0	465.2	506.7	550.4	595.2	629.2	675.4	710.2	757.6	804.1
2.0	268.4	302.7	342.4	379.0	421.2	464.9	498.9	544.4	591.1	638.8	674.7	723.9	774.1	827.2	862.6
2.1	286.9	326.4	370.4	407.7	452.7	499.3	547.2	583.7	633.4	684.2	736.1	789.1	827.6	882.0	937.2
2.2	307.6	346.3	391.3	437.8	485.9	529.2	573.3	624.8	677.9	731.6	786.7	842.9	900.1	936.6	999.3
2.3	319.0	372.1	419.8	463.5	514.3	566.6	620.2	667.8	723.8	781.0	839.4	898.9	959.5	1021.	1084.
2.4	353.4	393.6	444.2	496.4	550.3	592.1	652.8	712.8	772.1	832.7	894.4	957.3	1021.	1086.	1152.
2.5	365.0	416.1	469.1	524.0	576.8	639.0	698.9	760.0	822.7	886.7	951.9	1018.8	1086.	1154.	1224.
2.6	387.1	439.0	494.7	551.1	611.9	673.0	735.8	800.0	875.8	943.3	1012.	1082.	1153.	1225.	1299.
2.7	408.1	462.6	521.2	581.6	643.9	717.4	783.5	851.4	920.5	991.0	1075.	1149.	1224.	1299.	1376.
2.8	429.8	487.0	548.3	611.6	676.8	753.8	823.1	894.0	966.4	1040.	1128.	1191.	1297.	1377.	1457.
2.9	445.2	512.0	576.2	642.6	710.8	791.4	863.8	937.7	1026.	1104.	1182.	1262.	1343.	1426.	1541.
3.0	467.8	529.7	605.1	674.3	745.6	830.1	905.5	982.6	1075.	1156.	1238.	1321.	1422.	1506.	1595.
3.1	488.0	555.9	625.3	707.1	781.5	869.8	948.4	1029.	1105.	1209.	1295.	1381.	1486.	1594.	1685.
3.2	508.7	582.9	655.3	740.9	818.7	897.8	992.6	1076.	1157.	1264.	1370.	1461.	1552.	1644.	1700.
3.3	529.6	604.9	686.3	764.1	856.4	939.2	1038.	1125.	1230.	1320.	1433.	1525.	1620.	1733.	1835.
3.4	551.2	627.8	707.1	799.2	882.4	981.7	1085.	1175.	1284.	1378.	1493.	1591.	1690.	1811.	1936.
3.5	571.1	649.2	739.4	835.6	922.1	1025.	1117.	1227.	1322.	1438.	1537.	1658.	1761.	1887.	2017.
3.6	593.4	677.1	767.8	859.4	962.8	1055.	1159.	1253.	1379.	1499.	1602.	1728.	1834.	1965.	2100.
3.7	614.0	700.7	794.2	897.3	989.6	1088.	1215.	1310.	1437.	1562.	1667.	1776.	1909.	2044.	2185.
3.8	634.8	724.3	823.6	924.4	1032.	1147.	1248.	1370.	1497.	1604.	1737.	1848.	1986.	2100.	2287.
3.9	656.0	750.9	851.1	958.0	1059.	1178.	1300.	1427.	1535.	1670.	1807.	1922.	2065.	2183.	2361.
4.0	677.5	775.4	878.5	988.9	1104.	1226.	1334.	1464.	1598.	1737.	1853.	1998.	2146.	2258.	2453.
4.1	699.3	800.2	909.4	1033.	1142.	1257.	1388.	1523.	1663.	1781.	1927.	2076.	2200.	2325.	2514.
4.2	721.3	825.2	935.7	1055.	1178.	1308.	1444.	1560.	1703.	1850.	2002.	2127.	2284.	2413.	2610.
4.3	740.3	847.8	966.7	1088.	1250.	1344.	1487.	1622.	1770.	1922.	2058.	2208.	2371.	2504.	2708.
4.4	763.6	873.6	992.6	1120.	1250.	1384.	1536.	1659.	1811.	1967.	2128.	2292.	2427.	2562.	2771.
4.5	783.8	899.9	1022.	1154.	1286.	1429.	1571.	1728.	1881.	2042.	2208.	2344.	2516.	2656.	2872.
4.6	807.0	922.8	1049.	1183.	1324.	1470.	1617.	1762.	1922.	2088.	2257.	2396.	2566.	2752.	2977.
4.7	827.4	949.4	1079.	1217.	1362.	1512.	1662.	1820.	1994.	2165.	2340.	2484.	2666.	2852.	3047.
4.8	848.0	975.2	1109.	1251.	1400.	1549.	1703.	1874.	2051.	2232.	2418.	2591.	2783.	2973.	3150.
4.9	872.0	1000.0	1140.	1282.	1434.	1594.	1758.	1945.	2122.	2312.	2518.	2688.	2820.	2972.	3216.
5.0	895.0	1025.0	1166.	1317.	1473.	1638.	1803.	1977.	2156.	2340.	2528.	2681.	2877.	3077.	3329.

5.1	910.2	1049.	1195.	1348.	1513.	1679.	1852.	2021.	2213.	2383.	2579.	2776.	2981.	3188.	3448.
5.2	931.4	1073.	1227.	1384.	1548.	1718.	1894.	2083.	2271.	2472.	2670.	2831.	3082.	3247.	3512.
5.3	952.8	1102.	1255.	1416.	1583.	1763.	1943.	2133.	2330.	2535.	2722.	2929.	3142.	3358.	3579.
5.4	974.3	1127.	1283.	1452.	1624.	1802.	1993.	2184.	2381.	2591.	2782.	2987.	3201.	3421.	3709.
5.5	996.1	1152.	1312.	1485.	1660.	1848.	2037.	2240.	2441.	2648.	2869.	3087.	3310.	3485.	3769.
5.6	1018.	1177.	1340.	1517.	1702.	1888.	2088.	2288.	2502.	2714.	2940.	3143.	3370.	3602.	3896.
5.7	1040.	1202.	1368.	1549.	1736.	1929.	2133.	2344.	2555.	2780.	3002.	3230.	3484.	3666.	4065.
5.8	1062.	1224.	1394.	1583.	1775.	1974.	2184.	2393.	2611.	2838.	3078.	3317.	3545.	3787.	4096.
5.9	1084.	1245.	1419.	1605.	1802.	2009.	2226.	2443.	2671.	2906.	3134.	3396.	3663.	3852.	4167.
6.0	1107.	1280.	1462.	1649.	1849.	2058.	2276.	2501.	2734.	2965.	3211.	3465.	3725.	3919.	4237.
6.1	1130.	1306.	1492.	1682.	1887.	2098.	2322.	2552.	2789.	3034.	3286.	3546.	3811.	4045.	4375.
6.2	1152.	1332.	1522.	1716.	1925.	2142.	2368.	2602.	2845.	3094.	3351.	3616.	3886.	4176.	4477.
6.3	1174.	1354.	1547.	1750.	1962.	2192.	2423.	2663.	2910.	3165.	3427.	3697.	3974.	4257.	4519.
6.4	1194.	1380.	1577.	1784.	2001.	2235.	2468.	2714.	2965.	3226.	3493.	3768.	4050.	4339.	4663.
6.5	1217.	1407.	1608.	1818.	2039.	2278.	2517.	2760.	3023.	3288.	3560.	3853.	4140.	4435.	4736.
6.6	1236.	1434.	1638.	1858.	2078.	2321.	2566.	2818.	3080.	3350.	3639.	3925.	4217.	4517.	4824.
6.7	1260.	1456.	1669.	1888.	2113.	2365.	2614.	2871.	3138.	3424.	3707.	3998.	4296.	4596.	4928.
6.8	1283.	1483.	1694.	1924.	2155.	2400.	2662.	2921.	3196.	3487.	3875.	4071.	4389.	4689.	5018.
6.9	1302.	1511.	1726.	1959.	2196.	2444.	2711.	2971.	3254.	3550.	3844.	4159.	4469.	4784.	5125.
7.0	1326.	1538.	1757.	1988.	2237.	2489.	2760.	3032.	3324.	3614.	3912.	4233.	4548.	4885.	5194.
7.1	1350.	1560.	1789.	2023.	2277.	2533.	2809.	3086.	3380.	3678.	3982.	4308.	4628.	4972.	5295.
7.2	1369.	1588.	1814.	2059.	2309.	2578.	2849.	3140.	3442.	3743.	4066.	4384.	4725.	5059.	5418.
7.3	1394.	1610.	1845.	2096.	2350.	2624.	2899.	3195.	3503.	3808.	4137.	4460.	4806.	5146.	5511.
7.4	1413.	1638.	1879.	2125.	2391.	2670.	2949.	3251.	3564.	3874.	4208.	4537.	4889.	5251.	5605.
7.5	1438.	1667.	1908.	2161.	2432.	2705.	3000.	3306.	3612.	3936.	4279.	4613.	4973.	5341.	5699.
7.6	1457.	1689.	1937.	2198.	2466.	2751.	3051.	3350.	3673.	4006.	4351.	4691.	5055.	5430.	5794.
7.7	1481.	1710.	1970.	2229.	2506.	2798.	3091.	3407.	3739.	4074.	4428.	4769.	5139.	5520.	5910.
7.8	1501.	1740.	1995.	2265.	2548.	2839.	3143.	3478.	3818.	4181.	4529.	4880.	5223.	5611.	6007.
7.9	1526.	1770.	2029.	2294.	2581.	2881.	3193.	3528.	3878.	4215.	4567.	4927.	5309.	5702.	6104.
8.0	1545.	1792.	2055.	2332.	2623.	2928.	3247.	3578.	3908.	4263.	4628.	5006.	5395.	5794.	6203.
8.1	1570.	1821.	2088.	2370.	2666.	2965.	3287.	3623.	3971.	4332.	4704.	5087.	5481.	5886.	6302.
8.2	1590.	1844.	2114.	2399.	2699.	3013.	3340.	3681.	4035.	4400.	4778.	5162.	5568.	5979.	6401.
8.3	1616.	1873.	2148.	2438.	2742.	3061.	3394.	3740.	4099.	4470.	4854.	5248.	5656.	6074.	6501.
8.4	1635.	1896.	2174.	2467.	2775.	3098.	3434.	3785.	4148.	4524.	4930.	5331.	5743.	6168.	6602.
8.5	1661.	1926.	2208.	2506.	2819.	3146.	3488.	3844.	4213.	4594.	4989.	5395.	5826.	6241.	6680.
8.6	1680.	1949.	2234.	2535.	2852.	3196.	3542.	3900.	4273.	4661.	5065.	5478.	5895.	6337.	6783.
8.7	1700.	1979.	2265.	2575.	2906.	3253.	3609.	3949.	4328.	4736.	5142.	5561.	5990.	6433.	6886.
8.8	1726.	2002.	2295.	2604.	2930.	3282.	3639.	4009.	4393.	4791.	5201.	5645.	6081.	6529.	6989.
8.9	1746.	2025.	2330.	2644.	2974.	3359.	4069.	4459.	4853.	5279.	5706.	6172.	6618.	7093.	7595.
9.0	1773.	2056.	2356.	2674.	3019.	3359.	3735.	4115.	4510.	4936.	5359.	5793.	6241.	6723.	7197.
9.1	1792.	2078.	2382.	2711.	3052.	3407.	3776.	4176.	4577.	4991.	5437.	5879.	6333.	6798.	7302.
9.2	1812.	2109.	2418.	2744.	3086.	3458.	3832.	4222.	4644.	5064.	5497.	5943.	6426.	6899.	7383.
9.3	1839.	2132.	2444.	2784.	3131.	3495.	3889.	4284.	4694.	5119.	5577.	6030.	6495.	6998.	7481.
9.4	1858.	2155.	2480.	2814.	3165.	3546.	3931.	4330.	4762.	5193.	5658.	6117.	6588.	7098.	7595.
9.5	1878.	2187.	2507.	2844.	3211.	3584.	3987.	4393.	4813.	5268.	5718.	6182.	6682.	7174.	7705.
9.6	1906.	2210.	2543.	2885.	3245.	3625.	4029.	4439.	4882.	5323.	5799.	6269.	6753.	7274.	7786.
9.7	1925.	2233.	2569.	2915.	3273.	3669.	4081.	4502.	4938.	5398.	5869.	6358.	6846.	7377.	7895.
9.8	1945.	2258.	2598.	2948.	3302.	3713.	4139.	4564.	5002.	5483.	5969.	6458.	6944.	7474.	8004.
9.9	1973.	2281.	2628.	2987.	3372.	3763.	4212.	4642.	5083.	5570.	6072.	6573.	7058.	7536.	8066.
10.0	1993.	2311.	2659.	3017.	3406.	3801.	4229.	4659.	5123.	5586.	6086.	6579.	7111.	7632.	8197.

Inch long	Inches 6.75	Inches 7.00	Inches 7.25	Inches 7.50	Inches 7.75	Inches 8.00	Inches 8.25	Inches 8.50	Inches 8.75	Inches 9.00	Inches 9.25	Inches 9.50	Inches 10.00
1	5.330	5.732	6.108	6.204	6.304	6.717	7.048	7.196	7.307	7.729	8.065	8.173	8.335
2	18.44	20.38	20.38	21.02	21.91	23.34	24.19	25.26	26.07	26.83	27.36	27.83	29.00
3	36.91	39.79	42.58	42.91	45.81	46.12	49.77	52.07	53.36	55.39	58.51	61.72	67.72
4	63.64	65.60	70.37	72.37	77.28	79.26	83.52	85.52	88.30	87.49	92.42	97.48	104.9
5	91.59	100.5	107.6	116.8	109.5	116.8	120.6	155.2	133.7	135.2	137.6	145.2	147.2
6	130.3	131.8	141.4	151.3	152.8	162.8	166.6	174.3	175.7	185.9	196.4	202.2	209.5
7	168.4	174.7	187.4	192.1	200.4	213.6	216.8	227.2	233.2	240.2	247.9	254.0	267.5
8	207.4	214.5	230.2	237.4	250.5	260.7	281.4	292.0	299.0	308.9	316.9	323.7	330.1
9	253.6	272.8	280.5	288.2	307.3	315.3	340.2	351.8	363.6	371.3	377.1	387.2	407.9
10	294.9	317.1	325.1	337.9	356.1	379.5	393.0	410.3	419.1	443.3	451.4	476.1	484.1
11	358.3	366.0	392.7	400.5	427.7	435.4	469.8	491.5	499.2	528.3	535.7	565.0	572.3
12	412.9	420.4	440.7	458.4	489.5	521.6	536.4	561.1	568.2	602.5	635.0	642.1	676.4
13	474.5	481.1	516.1	522.8	558.2	594.8	609.7	637.9	691.7	681.6	720.0	725.6	764.3
14	523.9	549.6	589.5	594.8	635.1	676.7	691.2	723.2	727.9	772.1	813.5	817.8	851.5
15	583.6	611.5	647.6	675.9	721.7	725.1	782.3	818.5	821.1	870.6	926.0	949.3	968.4
16	648.5	678.2	718.2	748.7	789.4	820.3	885.1	905.1	935.2	978.8	987.7	1032.	1087.
17	709.0	757.6	776.7	827.8	860.2	905.3	984.0	1073.	1073.	1073.	1099.	1139.	1201.
18	773.3	819.0	866.0	900.6	939.7	997.0	1048.	1082.	1118.	1168.	1207.	1252.	1339.
19	841.8	891.4	941.6	1030.	1082.	1141.	1172.	1226.	1256.	1264.	1314.	1374.	1457.
20	914.9	968.2	1022.	1077.	1115.	1172.	1246.	1298.	1356.	1387.	1442.	1483.	1602.
21	993.5	1050.	1091.	1149.	1208.	1267.	1347.	1369.	1538.	1479.	1555.	1618.	1682.
22	1059.	1119.	1180.	1242.	1305.	1369.	1455.	1472.	1548.	1608.	1674.	1726.	1810.
23	1147.	1212.	1255.	1321.	1387.	1453.	1545.	1581.	1661.	1730.	1801.	1873.	1945.
24	1220.	1288.	1336.	1426.	1497.	1558.	1654.	1713.	1787.	1833.	1907.	1983.	2059.
25	1295.	1366.	1439.	1512.	1586.	1661.	1762.	1814.	1935.	1969.	2048.	2127.	2207.
26	1373.	1448.	1524.	1601.	1679.	1758.	1864.	1917.	1999.	2080.	2163.	2247.	2330.
27	1454.	1533.	1613.	1694.	1775.	1858.	1970.	2025.	2146.	2233.	2320.	2407.	2496.
28	1539.	1622.	1706.	1790.	1876.	1962.	2079.	2175.	2265.	2357.	2446.	2537.	2630.
29	1594.	1675.	1802.	1890.	1980.	2070.	2192.	2294.	2387.	2481.	2576.	2672.	2768.
30	1684.	1811.	1902.	1995.	2088.	2182.	2310.	2362.	2514.	2613.	2712.	2811.	3052.
31	1778.	1871.	2007.	2104.	2201.	2299.	2433.	2546.	2647.	2749.	2852.	2955.	3219.
32	1876.	2012.	2128.	2248.	2319.	2421.	2561.	2622.	2785.	2897.	2997.	3098.	3371.
33	1979.	2081.	2183.	2307.	2388.	2508.	2654.	2737.	2896.	2969.	3149.	3260.	3548.
34	2039.	2144.	2248.	2374.	2466.	2596.	2754.	2806.	3006.	3191.	3306.	3422.	3722.
35	2124.	2232.	2367.	2466.	2609.	2708.	2886.	3051.	3168.	3359.	3470.	3590.	3931.
36	2210.	2322.	2491.	2606.	2722.	2900.	3063.	3137.	3395.	3447.	3570.	3765.	4015.
37	2327.	2443.	2590.	2740.	2860.	2981.	3216.	3293.	3418.	3619.	3740.	3889.	4195.
38	2390.	2539.	2691.	2846.	3004.	3130.	3303.	3456.	3566.	3713.	3925.	4076.	4404.
39	2483.	2706.	2956.	3084.	3212.	3465.	3555.	3759.	3759.	3901.	4026.	4244.	4519.
40	2579.	3032.	3199.	3370.	3555.	3719.	3855.	3992.	3855.	3992.	4316.	4355.	4728.
41	2677.	3012.	3318.	3470.	3727.	3892.	4039.	4180.	4039.	4180.	4322.	4559.	4915.
42	2778.	3085.	3261.	3440.	3622.	3859.	4234.	4378.	4234.	4378.	4521.	4670.	5067.
43	2882.	3197.	3380.	3565.	3753.	4001.	4334.	4460.	4334.	4482.	4631.	4885.	5298.
44	2949.	3314.	3502.	3693.	3896.	4094.	4433.	4692.	4433.	4692.	4955.	5068.	5421.
45	3056.	3434.	3628.	3825.	3976.	4238.	4381.	4588.	4381.	4798.	4955.	5226.	5385.
46	3166.	3510.	3708.	3909.	3909.	4114.	4385.	4532.	4745.	4916.	5181.	5342.	5790.
47	3235.	3634.	3838.	4046.	4046.	4257.	4536.	4688.	4987.	5130.	5355.	5584.	6047.
48	3350.	3761.	3972.	4185.	4403.	4691.	4847.	5073.	5073.	5233.	5469.	5659.	6321.
49	3420.	3827.	4054.	4277.	4494.	4788.	4948.	5179.	5179.	5415.	5649.	5889.	6132.
50	3539.	4121.	4182.	4645.	4645.	4948.	5112.	5350.	5350.	5721.	5834.	6080.	6582.

5. 1	3664.	3886.	4110.	4338.	4570.	4756.	5118.	5566.	5531.	5779.	6030.	6283.	6539.	6791.
5. 2	3732.	3958.	4187.	4419.	4655.	4895.	5213.	5584.	5634.	5886.	6142.	6400.	6661.	7007.
5. 3	3860.	4092.	4369.	4651.	4900.	5151.	5485.	5752.	5815.	6072.	6338.	6603.	6871.	7142.
5. 4	3933.	4108.	4455.	4806.	5160.	5318.	5661.	5944.	6002.	6268.	6539.	6811.	7087.	7364.
5. 5	4065.	4308.	4555.	4806.	5060.	5318.	5661.	5944.	6113.	6384.	6659.	6937.	7307.	7593.
5. 6	4138.	4386.	4638.	4893.	5152.	5415.	5841.	6031.	6307.	6585.	6867.	7152.	7440.	7731.
5. 7	4312.	4465.	4789.	5052.	5318.	5588.	5947.	6124.	6419.	6702.	7080.	7372.	7667.	7966.
5. 8	4351.	4610.	4873.	5142.	5411.	5686.	6135.	6331.	6619.	6800.	7204.	7502.	7802.	8105.
5. 9	4426.	4689.	4957.	5305.	5584.	5865.	6241.	6440.	6733.	7030.	7426.	7730.	8038.	8345.
6. 0	4501.	4841.	5115.	5395.	5678.	5964.	6347.	6641.	6840.	7244.	7552.	7859.	8208.	8599.
6. 1	4646.	4922.	5201.	5485.	5856.	6151.	6543.	6751.	7056.	7365.	7779.	8061.	8418.	8742.
6. 2	4722.	5002.	5366.	5657.	5952.	6651.	6958.	6958.	7272.	7387.	7901.	8171.	8669.	9045.
6. 3	4873.	5160.	5452.	5748.	6048.	6445.	6855.	7011.	7369.	7710.	8174.	8571.	8969.	9414.
6. 4	4950.	5242.	5539.	5928.	6235.	6547.	6964.	7183.	7612.	7941.	8378.	8649.	9068.	9561.
6. 5	5028.	5324.	5711.	6020.	6332.	6649.	7175.	7400.	7730.	8065.	8533.	8862.	9210.	
6. 6	5185.	5490.	5799.	6062.	6527.	6851.	7385.	7514.	7849.	8304.	8650.	8999.	9351.	9837.
6. 7	5264.	5573.	5900.	6300.	6626.	6955.	7389.	7738.	8083.	8430.	8781.	9262.	9622.	9986.
6. 8	5360.	5657.	6068.	6394.	6723.	7059.	7510.	7853.	8203.	8699.	9038.	9401.	9766.	10270.
6. 9	5456.	5830.	6157.	6488.	6928.	7271.	7720.	7969.	8444.	8806.	9171.	9540.	10050.	10420.
7. 0	5571.	5915.	6247.	6685.	7028.	7371.	7844.	8203.	8567.	8934.	9437.	9813.	10190.	10580.
7. 1	5668.	6019.	6436.	6780.	7128.	7482.	8073.	8321.	8689.	9193.	9572.	9953.	10480.	10870.
7. 2	5767.	6142.	6558.	6973.	7329.	7703.	8187.	8438.	8941.	9322.	9707.	10240.	10630.	11030.
7. 3	5841.	6248.	6658.	7071.	7443.	7810.	8300.	8684.	9065.	9452.	9984.	10380.	10780.	11340.
7. 4	5985.	6353.	6760.	7178.	7545.	7917.	8542.	8803.	9190.	9724.	10120.	10520.	11080.	11490.
7. 5	6086.	6453.	6863.	7275.	7647.	8149.	8657.	8922.	9454.	9854.	10260.	10820.	11240.	11650.
7. 6	6187.	6589.	6999.	7396.	7872.	8257.	8773.	9179.	9581.	9985.	10550.	10960.	11380.	11970.
7. 7	6290.	6697.	7115.	7541.	7975.	8366.	9027.	9299.	9707.	10270.	10690.	11110.	11700.	12130.
7. 8	6392.	6807.	7200.	7629.	8105.	8475.	9144.	9420.	9983.	10400.	10820.	11420.	11850.	12290.
7. 9	6517.	6907.	7347.	7786.	8235.	8719.	9261.	9541.	10110.	10540.	11130.	11560.	12000.	12580.
8. 0	6622.	7023.	7464.	7911.	8365.	8829.	9379.	9813.	10240.	10830.	11170.	11710.	12340.	12790.
8. 1	6727.	7163.	7583.	8062.	8498.	8968.	9646.	9935.	10370.	10970.	11410.	12040.	12400.	12950.
8. 2	6833.	7275.	7677.	8161.	8629.	9012.	9765.	9935.	10660.	11100.	11550.	12190.	12640.	13300.
8. 3	6940.	7388.	7848.	8315.	8758.	9279.	9916.	10340.	10920.	11370.	11870.	12330.	12900.	13460.
8. 4	7048.	7503.	7968.	8443.	8926.	9420.	10070.	10490.	10920.	11500.	12010.	12480.	13150.	13630.
8. 5	7156.	7618.	8090.	8574.	9064.	9564.	10220.	10590.	11050.	11690.	12160.	12820.	13300.	13790.
8. 6	7240.	7734.	8212.	8721.	9200.	9666.	10370.	10750.	11350.	11830.	12300.	12970.	13470.	14150.
8. 7	7349.	7824.	8336.	8831.	9337.	9652.	10380.	10930.	11490.	11960.	12640.	13280.	13820.	14320.
8. 8	7458.	7940.	8460.	8963.	9474.	9791.	10580.	11070.	11660.	12290.	12780.	13260.	13980.	14490.
8. 9	7570.	8058.	8556.	9059.	9618.	10090.	10790.	11210.	11830.	12450.	12930.	13640.	14140.	14880.
9. 0	7681.	8176.	8682.	9228.	9735.	10290.	11000.	11430.	12000.	12580.	13070.	13790.	14300.	15040.
9. 1	7794.	8295.	8808.	9362.	9896.	10440.	11150.	11550.	12170.	12750.	13340.	13940.	14590.	15210.
9. 2	7907.	8415.	8935.	9465.	10040.	10597.	11310.	11760.	12340.	12930.	13570.	14090.	14850.	15380.
9. 3	7992.	8523.	9063.	9618.	10180.	10740.	11480.	11960.	12520.	13110.	13770.	14470.	15010.	15555.
9. 4	8106.	8628.	9191.	9737.	10330.	10890.	11640.	12100.	12640.	13300.	14030.	14630.	15170.	15960.
9. 5	8221.	8750.	9321.	9874.	10440.	11050.	11800.	12220.	12870.	13480.	14150.	14780.	15330.	16130.
9. 6	8328.	8973.	9420.	10010.	10580.	11200.	11960.	12390.	13050.	13700.	14350.	14990.	15740.	16300.
9. 7	8415.	9096.	9533.	10150.	10730.	11320.	12130.	12560.	13230.	13890.	14540.	15190.	15900.	16400.
9. 8	8529.	9214.	9651.	10250.	10880.	11470.	12290.	12740.	13400.	14050.	14740.	15400.	16060.	16900.
9. 9	8629.	9311.	9816.	10400.	11020.	11630.	12460.	12910.	13600.	14230.	14880.	15610.	16280.	17070.
10. 0	8777.	9330.	9915.	10540.	11140.	11780.	12590.	13040.	14430.	14430.	15030.	15810.	16500.	17240.

---

---

## To all our friends:

Hundreds of readers of Radio & Model Engineering, have built nearly every set described and designed by M. B. Sleeper.

For the Holidays, we specially recommend the following Sleeper Construction Sets, all of which can be supplied you quickly by your dealer.

### No. 2600 RADIO RECEIVING CONSTRUCTION SET

Cabinet type 150-1400 meter, single tuning unit, comprising variometer and three bank coils. Effective range 400-1200 miles. Can be used with loud speaker. An elaborate long distance receiving set at moderate cost ..... **\$47.12**

### No. 1900-X RADIO RECEIVING CONSTRUCTION SET

Cabinet type 150-600 meter, detector, variocoupler, variometer and variable condenser. Effective range 500-1500 miles. Allows extremely exact "tuning-in." Particularly suited for users who are in the vicinity of many different Broadcasting and Radio Telegraph stations... **\$45.00**

With 2-stage Amplifier No. 3100, allowing use of loud speaker **\$73.00**

### No. 3300 REINARTZ RECEIVER

Comprising detector, two variable condensers and complete tuning inductance. Effective range 400-1200 miles. Quickly adjusted, super-sensitive and tunes sharp. The very latest ..... **\$34.00**

### No. 3100 CABINET TYPE TWO-STAGE AMPLIFIER

For use with any of the above sets with detector and amplifier jacks ..... **\$28.00**

You know the success of these sets because you are one of the old-timers. Pass the word along and get the newcomers building. Sleeper Construction sets work because M. B. Sleeper designed them.

# Sleeper Radio Corporation

88 PARK PLACE

NEW YORK, U. S. A.

---

---

# SLEEPER

Radio

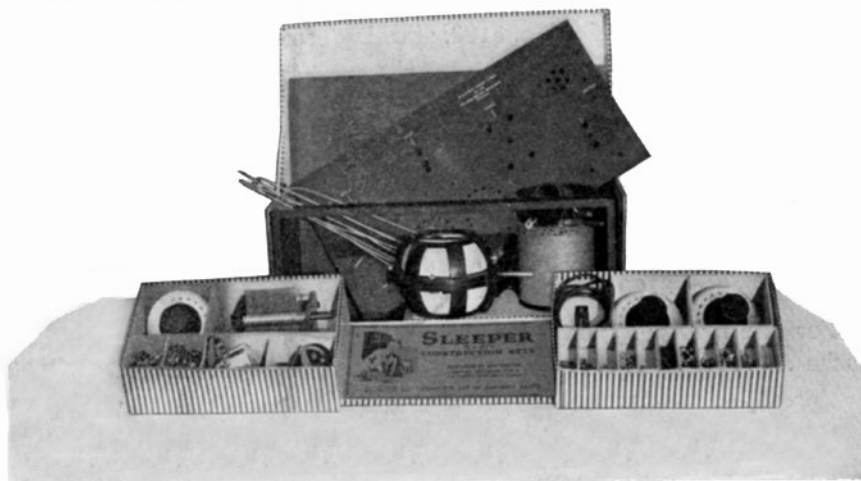
## CONSTRUCTION SETS

### 150 to 600 Meter Receiving Set

**W**HETHER you want to hear those far away stations, or you are troubled by local interference, this set fits your requirements like your hand in a glove. A little practice, and you can change from 360- to 400-meter stations by the adjustment of one control. Either 200- or 600-meter spark stations, under any ordinary circumstances, cause no interference.

As an indication of the long-distance reception accomplished with this receiving set, when connected to the type 3100 two-step amplifier, Mr. Montgomery, Vice-President of the Fort Worth Life Insurance Company, Fort Worth, Texas, heard in a single evening 37 broadcasting stations in 17 different states including California, Georgia, Colorado, Illinois, New York, New Jersey, Utah and Michigan.

This set is furnished with the panels drilled and engraved, coils wound, and similar work completed so that it can be assembled readily in the "kitchen table workshop". An audion detector, without the tube, is included in the cabinet, making a finished outfit to which an amplifier can be added if desired.



No difficulties from interference with the type X-1900.

Complete construction set, 150 to 600 meters, ready to assemble in the handsome mahogany cabinet, packed in an attractive display box. Can be put together with the use of only three tools—a screw driver, pliers and a soldering iron ..... **\$45.00.**

**Sleeper Radio  
Corporation**

**88 PARK PLACE**

**NEW YORK CITY**

In the center of New York's radio district. Dealers coming to the City are invited to make this their headquarters. Every courtesy and convenience is at their disposal