

NEW DBX SYSTEM — PLL FOR CB

\$1.00 ■ APR. 1977

Radio-Electronics

THE MAGAZINE FOR NEW IDEAS IN ELECTRONICS

build this
2650 COMPUTER
on one board

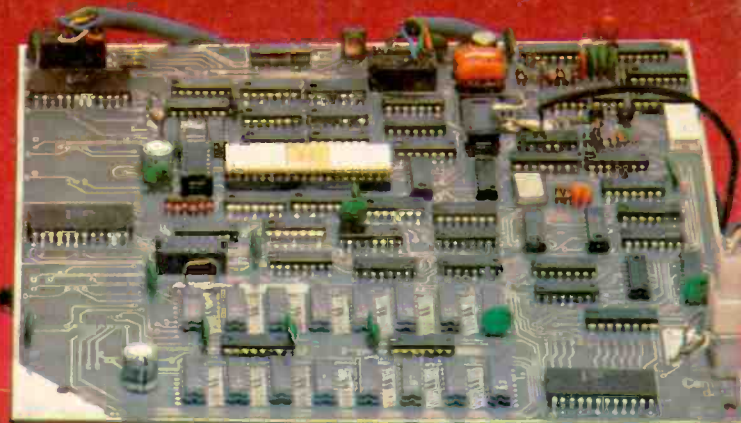
experiment with
FUNCTION GENERATOR
new Exar IC

for your phone :
BUILD TELESWITCH
and turn things on

IC data sheet :
RETICON SAD-1024
bucket brigade

in
A **A TOWERS**
C **y**

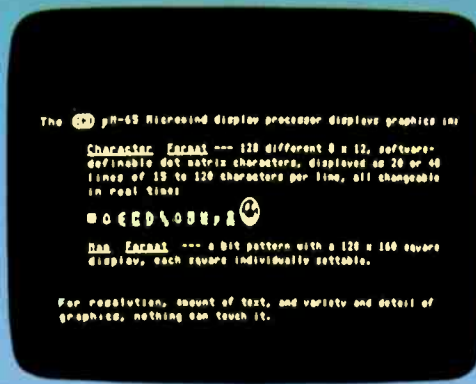
385196 DRX 6450490 14 A JUN78
04
LLOYD DARNELL
6450 MYRTLEHOOD DR
SAN JOSE CA 95129



SIGNETICS 2650 MICRO-PROCESSOR
ASCII ENCODED KEYPBOARD
80-CHARACTER BY 16-LINE VIDEO DISPLAY
CASSETTE INTERFACE--KANSAS CITY STANDARD AT 300 BAUD
SUPERVISOR PROGRAM
1024 BYTES ROM EXPANDABLE TO 4K
2048 BYTES RAM
I/O PORTS EXPANDABLE TO 256
SINGLE 5-VOLT 3-AMP POWER SUPPLY
BROUGHT TO YOU EXCLUSIVELY BY
RADIO-ELECTRONICS MAGAZINE
AND JEFF ROLOFF

- ★ Komputer Korner
- ★ Jack Darr's Service Clinic
- ★ Lab-Tested Hi-Fi Reports
- Yamaha CT-800 Tuner & Kenwood KR7600 Receiver
- ★ State-Of-Solid-State ★ Equipment Reports ★ Reader Questions

GERMSBACK PUBLICATION



Key Into Maxi-Power @ Micro-Price

Micromind is an incredibly flexible, complete and expandable, hardware/software, general purpose computer system. You won't outgrow it.

Hardware includes an 80 key, software-definable keyboard, I/O interface board, 6500A-series microprocessor (powerful enough for advanced computing), a high-detail graphics and character display processor, power supply, rf modulator, and connections for up to 4 tape recorders plus TV or monitor. An interconnect bus



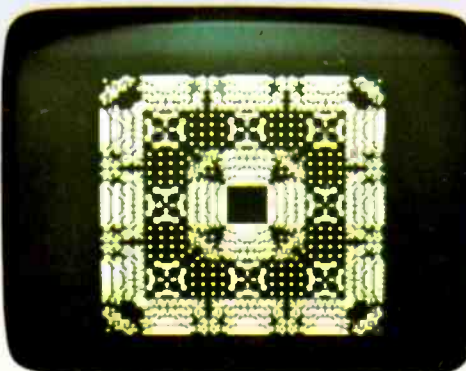
permits 15 additional microprocessors, parallel processing and vastly increased computing power.

System software—including ECD's own notsoBASIC high level language, on advanced error-correcting tape cassettes—provides a word processing editor, a



powerful assembler, a debugger, a file system, graphic routines, and peripheral handlers. We also include dynamic graphic games: Animated Spacewar and Life.

ECD's standard Micromind μM-65 supplies 8K bytes of memory. Additional



32K byte expansion boards and a mapping option give Micromind expandable access to 64 Megabytes. Utilizing software-controlled I/O channels, Micromind's advanced encoding techniques load data from ordinary tape recorders at 3200 bits per second.

Micromind comes to you ready-to-use, factory assembled and fully tested. Among microcomputers, it has the largest memory capacity and the fastest storage. You're looking at the work of the finest display processor on the market. You won't find a microcomputer with a more powerful CPU.

You won't find a computer with a more flexible keyboard. You won't find anything to touch it at \$987.54.



So, quit the kluge scene and key into Micromind. You'll be a main frame performer, with all the comforts of home. We're not fooling... this is the cat's μ

ECD CORP.
196 Broadway, Cambridge, Mass. 02139
(617) 561-4400



Name _____

Address _____

City/State _____ Zip _____

Fantastic! Check enclosed: \$987.54. Shipping paid by ECD

BankAmericard Master Charge Mass. Resident add 5% Sales Tax

_____ Expiration Date _____

Signature _____

Send me your brochure.

Actual unretouched photographs.

CIRCLE 53 ON FREE INFORMATION CARD

HOT

A new consumer concept lets you buy stolen merchandise if you're willing to take a risk.

We developed an exciting new consumer marketing concept. It's called "stealing." That's right, stealing!

Now if that sounds bad, look at the facts. Consumers are being robbed. Inflation is stealing our purchasing power. Our dollars are shrinking in value. The poor average consumer is plundered, robbed and stepped on.

So the poor consumer tries to strike back. First, he forms consumer groups. He lobbies in Washington. He fights price increases. He looks for value.

So we developed our new concept around value. Our idea was to steal from the rich companies and give to the poor consumer, save our environment and maybe, if we're lucky, make a buck.

A MODERN DAY ROBIN HOOD

To explain our concept, let's take a typical clock radio retailing for \$39.95 at a major retailer whose name we better not mention or we'll be sued. It costs the manufacturer \$9.72 to make. The manufacturer sells the unit to the retailer for \$16.

THE UNCLE HENRY PROBLEM

Let's say that retailer sells the clock radio to your Uncle Henry. Uncle Henry brings it home, turns it on and it doesn't work. So Uncle Henry trudges back to the store to exchange his "lousy rotten" clock radio for a new one that works ("lousy" and "rotten" are Uncle Henry's words).

Now, the defective one goes right back to the manufacturer along with all the other clock radios that didn't work. And if this major retail chain sells 40,000 clock radios with a 5% defective rate, that's 2,000 "lousy rotten" clock radios.

CONSUMERS PROTECTED ALREADY

Consumers are protected against ever seeing these products again because even if the manufacturer repairs them, he can't recycle them as new units. He's got to put a label on the product clearly stating that it is repaired, not new, and if Uncle Henry had his way the label would also say that the product was "lousy" and "rotten."

It's hard enough selling a new clock radio, let alone one that is used. So the manufacturer looks for somebody willing to buy his bad product for a super fantastic price. Like \$10. But who wants a clock radio that doesn't work at any price!

ENTER CONSUMERS HERO

We approach the manufacturer and offer to steal that \$39.95 radio for \$3 per unit. Now think of it. The manufacturer has already spent \$9.72 to make it, would have to spend another \$5 in labor to fix and repackage it, and still would have to mark the unit as having been previously used. So he would be better off selling it to us for \$3, taking a small loss and getting rid of his defective merchandise.

Consumers Hero is now sitting with 2,000 "lousy rotten" clock radios in its warehouse.

Here comes the good part. We take that clock radio, test it, check it and repair it. Then we life test it, clean it up, replace anything that makes the unit look used, put a new label on it and presto—a \$39.95 clock radio and it only cost us \$3 plus maybe \$7 to repair it.

Impossible-to-trace ★ ★ Guarantee ★ ★

We guarantee that our stolen products will look like brand new merchandise without any trace of previous brand identification or ownership.

We take more care in bringing that clock radio to life than the original manufacturer took to make it. We put it through more tests, more fine tuning than any repair service could afford. We get more out of that \$10 heap of parts and labor than even the most quality-conscious manufacturer. And we did our bit for ecology by not wasting good raw materials.

NOW THE BEST PART

We offer that product to the consumer for \$20—the same product that costs us \$3 to steal and \$7 to make work. And we make \$10 clear profit. But the poor consumer is glad we made our profit because:

- 1) We provide a better product than the original version.
- 2) The better product costs one half the retail price.
- 3) We are nice people.

BUT THERE'S MORE

Because we are so proud of the merchandise we refurbish, we offer a longer warranty. Instead of 90 days (the original warranty), we offer a five year warranty.

So that's our concept. We recycle "lousy rotten" garbage into super new products with five year warranties. We steal from the rich manufacturers and give to the poor consumer. We work hard and make a glorious profit.

To make our concept work, we've organized a private membership of quality and price-conscious consumers and we send bulletins to this membership about the products available in our program.

Items range from micro-wave ovens and TV sets to clock radios, digital watches, and stereo sets. There are home appliances from toasters to electric can openers. Discounts generally range between 40 and 70 percent off the retail price. Each product has a considerably longer warranty than the original one and a two week money-back trial period. If you are not absolutely satisfied, for any reason, return your purchase within two weeks after receipt for a prompt refund.

Many items are in great abundance but when we only have a few of something, we select, at random, a very small number of members for the mailing. A good example was our \$39.95 TV set (we had 62 of them) or a \$1 AM radio (we had 1257). In short, we try to make it fair for everybody without disappointing a member and returning a check.

EASY TO JOIN

To join our small membership group, simply write your name, address and phone number on a slip of paper and enclose a check or money order for five dollars. Mail it to Consumers Hero, Three JS&A Plaza, Northbrook, Illinois 60062, %Dept. R.A.

You'll receive a two year membership, regular bulletins on the products we offer and some surprises we would rather not mention in this advertisement. But what if you never buy from us and your two year membership expires. Fine. Send us just your membership card and we'll fully refund your five dollars plus send you interest on your money.

If the consumer ever had a chance to strike back, it's now. But act quickly. With all this hot merchandise there's sure to be something for you. Join our group and start saving today.

CONSUMERS HERO



Our CB antennas can improve your reception, too.

Sylvania antennas pull in a lot more than CB messages. They pull in customers who know value. And they pull in profits for dealers who know a good deal.

With the Sylvania antenna line you have everything you need—from base station to base-loaded mobiles. Five different mounts give you the flexibility to meet your customer's requirements for

any type of antenna installation.

Ask your Sylvania distributor about how you can improve your reception. He'll give you the message loud and clear.

We're helping you make it.

GTE SYLVANIA

Radio-Electronics®

THE MAGAZINE FOR NEW IDEAS IN ELECTRONICS

Electronics publishers since 1908

APRIL 1977 Vol. 48 No. 4

BUILD ONE OF THESE

- 31 **Build A 2650 Microcomputer (Cover Story)**
Part I. NMOS processor on a single PC board does some nifty things. by **Jeff Roloff**
- 36 **Experiments With IC Function Generator**
Part I. Practical circuits you can build using versatile XR-2206 IC. by **R.M. Marston**
- 39 **Build Teleswitch For Your Phone**
Add-on circuit turns on and off appliances when you ring your telephone. by **Jules Gilder**

COMPUTERS

- 22 **Komputer Korner**
How a microprocessor addresses an I/O device. by **Peter Rony, David Larsen, and John Titus**
- 26 **Scelbi Book Report**
8008/8080 programming manuals.

CITIZENS BAND

- 43 **Phase-Lock-Loop Synthesizers**
How they work in CB gear. by **Robert F. Scott**

HI-FI STEREO

- 28 **Equipment Report**
Heathkit AP-1640 power amplifier.
- 46 **Dynamic Range Enhancement**
Compression/Expansion for better hi-fi. by **Len Feldman**
- 49 **R-E Lab Tests Yamaha CT-800**
A tuner that rates excellent. by **Len Feldman**
- 51 **R-E Lab Tests Kenwood KR-7600**
80-watt receiver. by **Len Feldman**

TELEVISION

- 67 **Multimeter Servicing**
Tips on selecting the right meter. by **A.N.M. Kluijtmans**
- 70 **Install A Tower**
How to get your antenna to where the signal is. by **Jerry Schwartz**
- 77 **Jack Darr's Service Clinic**
High-voltage hold down.
- 79 **Clinic Questions**
R-E's service editor solves technician problems.

GENERAL ELECTRONICS

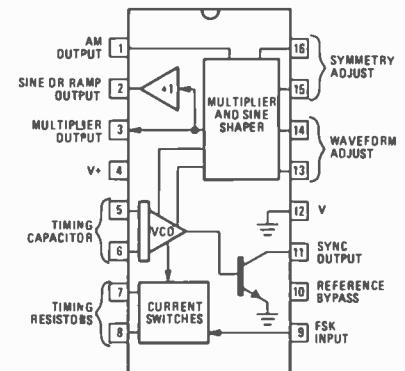
- 4 **Looking Ahead**
Tomorrow's news today. by **David Lachenbruch**
- 58 **IC Data Sheet-Reticon SAD-1024**
How to use the Reticon analog delay.

DEPARTMENTS

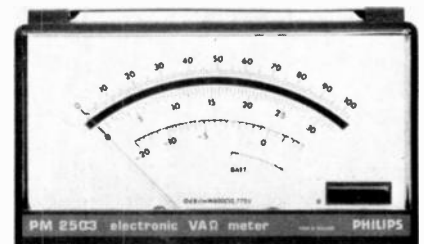
- | | |
|------------------------|--------------------------|
| 98 Advertising Index | 6 New & Timely |
| 12 Advertising Offices | 84 New Products |
| 14 Letters | 91 Next Month |
| 96 Market Center | 99 Free Information Card |

ON THE COVER

A 2650-based microcomputer with impressive features. Built on a single PC board, the microcomputer contains RAM, ROM, video and cassette interface. Add a power supply, keyboard and video monitor for a complete working system. Get started in the microcomputer revolution today. Construction details starts on page 31 of this issue.



VERSATILE XR-2206 FUNCTION GENERATOR is put through its paces in practical circuits you can build. Story starts on page 36.



SELECTING THE RIGHT MULTIMETER for servicing is important. Tips start on page 67.

Radio-Electronics, Published monthly by Gernsback Publications, Inc., 200 Park Avenue South, New York, NY 10003. Phone: 212-777-6400. Second-class postage paid at New York, NY and additional mailing offices. One-year subscription rate: U.S.A., U.S. possessions and Canada, \$8.75. Pan-American countries, \$10.25. Other countries, \$10.75. Single copies \$1.00. © 1977 by Gernsback Publications, Inc. All rights reserved. Printed in U.S.A.

Subscription Service: Mail all subscription orders, changes, correspondence and Postmaster Notices of undelivered copies (Form 3579) to Radio-Electronics Subscription Service, Box 2520, Boulder, CO 80302.

A stamped self-addressed envelope must accompany all submitted manuscripts and/or artwork or photographs if their return is desired should they be rejected. We disclaim any responsibility for the loss or damage of manuscripts and/or artwork or photographs while in our possession or otherwise.

As a service to readers, Radio-Electronics publishes available plans or information relating to newsworthy products, techniques and scientific and technological developments. Because of possible variances in the quality and condition of materials and workmanship used by readers, Radio-Electronics disclaims any responsibility for the safe and proper functioning of reader-built projects based upon or from plans or information published in this magazine.

looking ahead

VTR: It could be that RCA's reticence about going full-speed-ahead on the videodisc has something to do with the success of the home video-cassette recorder in the United States. RCA insists—as it did in the days when it was developing its own VTR—that videocassette and videodisc are non-competitive. But RCA, along with Zenith and Magnavox (all three are videodisc proponents), all now concede that the success of Sony's Betamax so far in the United States has prompted them to take a new look at the potential of home VTR. Any American manufacturers that enter the videocassette market are expected to buy decks from Japan, at least initially, rather than introduce a new and incompatible system to the already chaotic market.

How does this market stand today? Sony's Betamax dominates it. It was there first, and it works well. Demand is currently higher than supply, but Sony is increasing its production capacity to 250,000 recorders per year (to be divided between the Japanese and North American markets). In the U.S., Quasar is marketing the Great Time Machine—Matsushita's VX-2000—and Sanyo is selling V-Cord II, developed by its Japanese parent and Toshiba. Japan Victor Co.'s Video Home System (VHS), which is being pushed as a stop-Betamax machine, has now been embraced by giants Hitachi, Sharp, Mitsubishi, and even Matsushita (parent of both Quasar and Panasonic), which says it will make both VHS and VX-2000. But Sanyo and Toshiba indicate they'll probably go to Betamax if V-Cord II doesn't make it as a standard. To complicate the whole matter, Betamax appears to be not one system but two—the current Betamax, with one hour's playing time per cassette, and a new version which gets two hours out of the same cassette. So there are now five home VTR standards—Betamax I and presumably Betamax II, VHS, VX-2000 and V-Cord II. EIA-Japan is working valiantly to establish a single "standard," but with all Japanese electronics manufacturers as its members, it's faced with alienating more members than it pleases by picking a standard. So, as usual, the public is the guinea pig.

Videodisc update: As this column has frequently warned, never make any plans on the videodisc. It's a moving target, and continues to be. The latest move toward a farther horizon is by RCA, whose president Edgar Griffiths recently said that *if* RCA makes videodiscs and players, they probably won't be introduced into the market until late 1978. And the *if* depends on 3 factors: (1) Increasing the playing time from the current 30 minutes per side. (2) Making certain that the player is susceptible to cost reduction. (3) Developing a program library that will create and sustain demand for players and discs.

"Technical problems have been licked", said Griffiths. "We could introduce it now without any trouble." Playing time has been extended to 60 minutes per side in the labs—meaning that a full two-hour feature film could be recorded on a single disc. In the price area, the goal is to introduce the player at \$500 to \$600, preferably \$500, but to be prepared to cut the

price to \$400 as production revs up. Griffiths' statement of RCA's disc goals and conditions amounts to a one-year postponement of the introduction date. The RCA president correctly pointed out that the company "never said" it would introduce in late 1977, but many RCA officials had informally indicated that was the target date.

Officials of North American Philips say that "very limited marketing" of its optical videodisc system, under the brand name of its subsidiary Magnavox, is still scheduled for late this year, but they decline to estimate when the players and discs will be available nationwide. They also refuse to comment on whether they are working to increase the 30-minute playing time of the disc or to develop a two-sided disc. Philips' and Magnavox's stated target price is \$500 for the player.

Worldwide pocket TV: Probably the first television set that will work almost anywhere in the world, and certainly the lightest-weight TV ever offered to the public, is the two-inch *Microvision* developed by Sinclair Radionics, a British calculator manufacturer, to be offered here for \$300. The black-and-white set measures 6 by 4 by 1½ inches and can fit in a large pocket, weighing only 26 ounces. It has three continuous-tuned bands (varactor tuning)—low VHF, high VHF and UHF, with a three-position standards switch covering American, European and British channels, and is designed to pick up stations all over the world except in some Eastern European countries. It can play four hours on four built-in AA NiCad rechargeable batteries. Most of its circuitry is on five bipolar IC's.

The makers of CB's: What percentage of the 40-channel CB models sold in America are made in the United States? You'd probably be surprised at the answer, which comes out to about five percent. An analysis of the first 297 40-channel CB radios approved by the FCC, conducted by the industry newsletter *Television Digest*, found that only 16 models offered under six brand names were made in the U.S. The remainder came almost entirely from factories owned by Japanese companies—mostly in Japan, but some apparently in Taiwan and Korea.

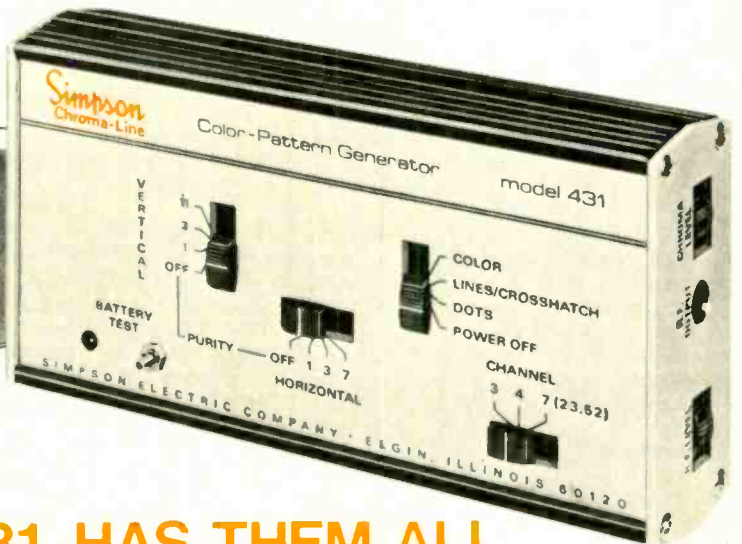
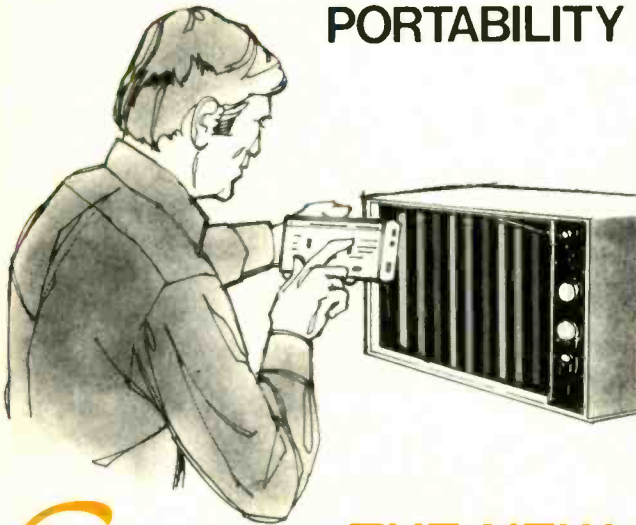
In terms of number of models, Cybernet of Japan is the leading producer, accounting for 61 models sold under 14 brands. Runner-up is Uniden, with 30 models under nine brandnames, followed by Funai Electric, making 13 models for nine marketers. On the basis of the FCC's list of approved models (which includes manufacturer as well as the brand name), the manufacturers that are building CB radios in the U.S. are E.F. Johnson (for itself and General Motors), Emergency Beacon, Hallicrafters, Motorola, Pathcom and Regency.

Emerson TV again: Old brand names never die—they're just sold. The pioneer Emerson brand is appearing on a line of TV sets again, made in Korea.

continued on page 93

3 things that TV servicemen want most in a Color Bar Generator

PORTABILITY • PERFORMANCE • PRICE

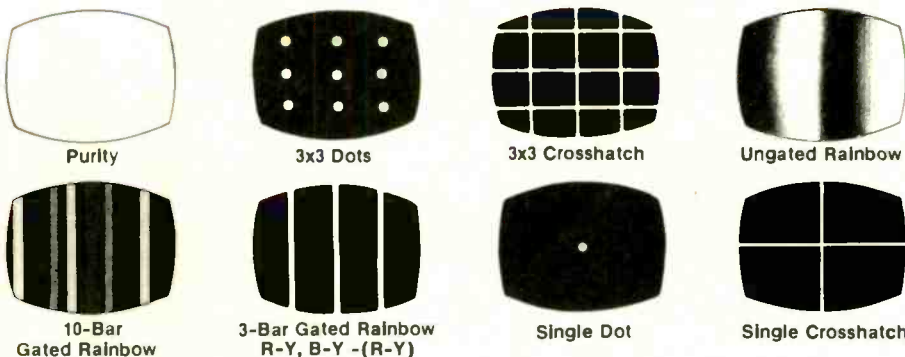


THE NEW Simpson® MODEL 431 HAS THEM ALL

- Fits in the hand. Weighs 13 oz.
- 28 Patterns. 13 Tests.
- Easy, Accurate Adjustment of Color and Black-and-White Sets.
- More Performance for the Price than Any Other Small Size Unit.
- One 9-V Battery Gives about 80 Hours of Continuous Use.
- Digital IC Logic Countdown Chains.
- Crystal-Controlled Master Oscillator and Chroma Subcarrier Oscillator for Stability.
- 3 VHF and 2 UHF Channel Outputs.
- Adjustable Chroma and RF Output.
- External Access Battery Compartment.

MODEL 431 complete with battery, cable assembly and operator's manual ... **\$95.00**
Carrying case, catalog No. 00817 \$7.50

GENERATES THESE MOST USEFUL PATTERNS PLUS MANY MORE ... 28 PATTERNS IN ALL



ORDER FROM YOUR DISTRIBUTOR

PERFORMS THESE TESTS:

1. Purity (Whiteness)
2. Static Convergence
3. Gray Scale Tracking
4. Dynamic Convergence
5. Overscan Adjustments
6. Horizontal Linearity
7. Vertical Linearity
8. Centering
9. Pincushion
10. Automatic Gain Control
11. Automatic Frequency/Phase Control
12. Color Sync Lock
13. Color Killer Adjustment



SIMPSON ELECTRIC COMPANY

853 Dundee Avenue, Elgin, Illinois 60120
(312) 697-2260 • Cable: SIMELCO • Telex: 72-2422
IN CANADA: Bach-Simpson, Ltd., Ontario
IN ENGLAND: Bach-Simpson (U.K.) Limited, Wadebridge, Cornwall
IN INDIA: Ruttonsha-Simpson Private, Ltd., Vikhroll, Bombay

KATY INDUSTRIES



INDUSTRIAL
EQUIPMENT
GROUP

CIRCLE 28 ON FREE INFORMATION CARD

New semiconductor crystal may have unique properties

A monolayer crystal, a material not found in nature and never before prepared in the laboratory, has been synthesized by five Bell Labs scientists. The new material was assembled atomic-layer by atomic-layer by a crystal growing process called MBE (Molecular Beam Epitaxy).

MBE is a method of crystal growing that permits precise control over a crystal's composition and dimensions. Several atomic or molecular beams of controlled intensities are aimed from a heated oven at a base material (substrate). To maintain a temperature at which the atoms on the surface of the base material are mobile enough to form a smooth layer, the substrate rests on a heated block. The whole process is carried on in an ultra-high vacuum.



MAKERS OF THE MONOLAYER CRYSTAL. Left to right: Bell Labs scientists Albert Savage, Raymond Dingle, William Wiegmann, Arthur C. Gossard and Pierre M. Petroff study the development of their new semiconductor.

To assemble the crystal with different materials, shutters turn off the beam from one oven or turn it on from another.

The scientists started with a base of gallium arsenide—a semiconductor often used in making LED's, etc. On this, they laid down a one-atom-thick layer of gallium atoms, followed by layers of arsenic, aluminum, arsenic, then gallium atoms. Because of the similarity of their outer electron shells (equal valence), these materials will bond together in a single crystal much as if they were a single material.

The sequence was repeated hundreds of times to produce a crystal resembling a thin, highly polished mirror. The electron microscope shows the crystal to have an alternating layered structure of atom-thin sheets of gallium arsenide and aluminum arsenide.

No immediate applications are in view for the new material. (As was said of the laser in its early days, it is the answer to a problem that has not yet been found.)

Because the monolayer crystal has new electronic and optical properties, it is likely that—like the laser—uses will be found for it.

Glass-fiber optical waveguides are now in practical use

Some 34,000 cable-TV viewers are now watching programs brought to them on a glass-fiber instead of a coaxial cable. These space-age viewers are in the area of Hastings, England. The pioneering company that introduced the glass line is Rediffusion, Ltd., a large concern that for some years has served more than a million subscribers on the more conventional metal lines.

The optical cable, which has been in use since March, 1976, is 1.427-kilometers long and contains two strands of hair-thin low-loss glass fiber, developed by Corning Glass Works, of Corning, NY, and inserted into the existing cable, with proper terminations.

Magnetic bubble substrates produced almost defect-free

Single-crystal gadolinium-gallium-garnet has been produced in almost defect-free form, a Swiss gallium and phosphorous producer claims. The nonmagnetic crystal material is used as a substrate for magnetic bubble memories.

The producer, Alusuisse, states that almost defect-free boules weighing up to 4 kilograms have been grown.



GADOLINIUM GALLIUM GARNET single-crystal boule and wafer.

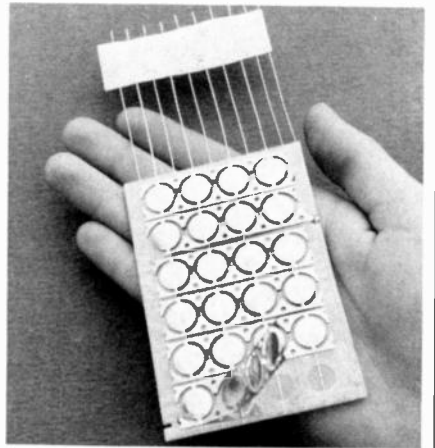
The boule is drawn from a melt in an iridium crucible, and corrosion of the crucible ordinarily tends to cause iridium inclusions in the boule. Alusuisse states

that controlling the temperature gradients minimizes corrosion.

The full-grown boule is ground into cylindrical shape, and wafers, as seen in the photo, are cut from it.

New X-Y keyboard design to cut costs in two

A new low-profile keyboard developed by Texas Instruments promises to cut costs to high-volume users to roughly half present prices. Based on an X-Y matrix technology, the new keyboards will sell for 4¢ per switch position in quantities of 100,000 pieces.



THE NEW LOW-COST X-Y KEYBOARD. Running under the centers of the discs are "Y" wires. Each of the six other (X) wires is connected to one row of discs. A section of the lower row is lifted to show the wires.

Intended for TI's 1200 and 1250 calculators, the new keyboard is now being offered to designers for a multitude of non-calculator applications—credit-card verifiers, telephone-data handling equipment, electronic games and other products with digital control.

Key to the low cost is the elimination of individually assembled switches as well as an arrangement of wire interconnectors which avoids the need for high-cost circuit boards. Instead of individual snap-acting switches, TI has developed a technique for manufacturing the disc switches in strips. Each switch in the strip functions independently. The carrying frame also functions as an electrical circuit element so that switches in any row (the X direction) are electrically common. Individual wires laid under each switch column form the Y direction circuit element. The X wires are located between switch columns and are connected to the disc strips. In this way, all circuit elements emerge at the top of the keyboard, automatically forming

continued on page 12

Get yourself the big one!

1,757 illustrated pages of detailed audio reference for the working technician... the student... the hi-fi buff!

Here's a comprehensive volume especially designed for the man or woman who has an understanding of electronics and an interest in audio technology.

The Audio Cyclopedia is the most authoritative reference book ever published on this subject. It includes every phase of audio technology—plus the latest information on solid-state and integrated circuits.

25 informative chapters... convenient format so you find what you're looking for... quickly... easily!

Each of the big, information-filled chapters covers in depth one of the major areas of audio electronics. You'll find anything you could want to know about everything—amplifiers, acoustics, meters, transformers, coils, transistors, diodes, filters... plus much, much more!

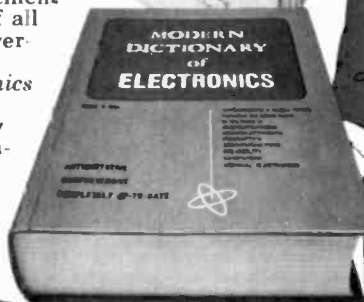
All information is presented in easy-to-understand, question-and-answer format. For "instant find," there's a unique index and reference system so the information you need is always at your fingertips.

Send for this complete reference library today for just **\$34⁰⁰**

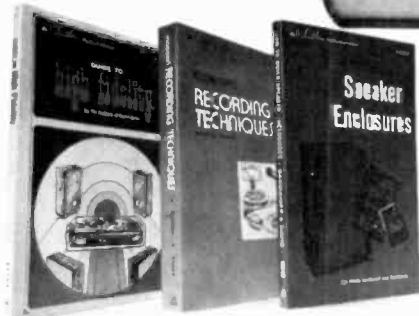
Complete your reference library with this Modern Dictionary of ELECTRONICS!

This handy volume is a convenient way for you to keep abreast of all the latest happenings in the ever-changing field of electronics. *Modern Dictionary of Electronics* gives you clear, concise definitions of 18,500 terms commonly in use today in the fields of communications, microelectronics, fiberoptics, semiconductors, reliability, computers and medical electronics.

It's yours for only **\$14.50**



107R1



For more audio information... Take one or more of these handy paperback guides.

Guide to High Fidelity

Here's a convenient guide to help you select a hi-fi system that not only meets your needs but fits your budget besides. If you ever plan to invest in any hi-fi equipment at all, this book is a must.

Yours for a low **\$4.50**

Modern Recording Techniques

Now, whether you're a would-be recording artist or an experienced engineer, you can find out all about the techniques that are being used today in pop recording. Learn how to cut your own records, and how to use equipment and controls creatively.

Just **\$9.95**

How To Build Speaker Enclosures

Here's the book to use if you want to build enclosures that give you realistic sound reproduction. Includes directions for enclosures to fit any application... any price range.

Yours for a low **\$4.50**

MAIL TODAY FOR 15-DAY FREE TRIAL

YES — send me the book(s) checked below to examine for 15 days free. If not completely satisfied, I may return my order and owe absolutely nothing. Otherwise, I will pay the amount on the invoice accompanying my book(s), including shipping and handling.

- Audio Cyclopedia (20675) \$34.00
- Modern Dictionary of Electronics (20852) \$14.50
- Modern Recording Techniques (21037) . \$9.95
- Guide to High Fidelity (21154) \$4.50
- How to Build Speaker Enclosures (20520) \$4.50

Name _____ (PLEASE PRINT)

Address _____

City _____

State _____ Zip _____

Save shipping and handling costs. Full payment enclosed. (Plus sales tax, if any.)

MAIL TO: Howard W. Sams & Co., Inc., 4300 W. 62nd Street Indianapolis, Indiana 46206

EC28

Learn to service Communications /CB equipment at home...with NRI'S COMPLETE COMMUNICATIONS COURSE

Learn design, installation and maintenance of commercial, amateur, or CB communications equipment.

The field of communications is bursting out all over. In Citizens Band alone, class D licenses grew from 1 to over 2.6 million in 1975, and the FCC projects about 15 million CB'ers in the U.S. by 1979. That means a lot of service and maintenance jobs . . . and NRI can train you at home to fill one of those openings. NRI's Complete Communications Course covers all types of two-way radio equipment (including CB), AM and FM



Transmission and Reception, Television Broadcasting, Microwave Systems, Radar Principles, Marine Electronics, Mobile Communications, and Aircraft Electronics.

The course will also qualify you for a First Class Radio Telephone Commercial FCC License or you get your tuition back.

Learn on your own 400-channel digitally-synthesized VHF transceiver.

You will learn to service all types of communication equipment, with the one unit that is designed mechanically and electronically to train you for CB, Commercial and Amateur communications: a digitally-synthesized 400-channel VHF transceiver and AC power supply. This 2-meter unit gives you "Power-On" training. Then we help you get your FCC Amateur License with



special instruction so you can go on the air.

The complete course includes 48 lessons, 9 special reference texts, and 10 training kits. Included are: your own electronics Discovery Lab, Antenna Applications Lab, CMOS Frequency Counter, and an Optical Transmission System. You'll learn at home, progressing at your own speed, to your FCC license and into the communications field of your choice.

NEW CB SPECIALIST COURSE NOW OFFERED



NRI now offers a special course in CB Servicing. You get 37 lessons, 8 reference texts, your own CB Transceiver, AC power supply and multi-meter . . . for hands-on training. Also included are 14 coaching units to make it easy to get your commercial radio telephone FCC license—enabling you to test, install, and service communications equipment.

NRI offers you five TV/Audio Servicing Courses

NRI can train you at home to service TV equipment and audio systems. You can choose from 5 courses, starting with a 48-lesson basic course, up to a Master Color TV/Audio Course, complete with designed-for-



learning 25" diagonal solid state color TV and a 4-speaker SQ™ Quadraphonic Audio System. NRI gives you both TV and Audio servicing for hundreds of dollars less than the two courses as offered by another home study school.

All courses are available with low down payment and convenient monthly payments. All courses provide professional tools and "Power-On" equipment along with NRI kits engineered for training. With the Master Course, for instance, you build your own 5" wide-band triggered sweep solid state oscilloscope, digital color TV pattern generator, CMOS digital frequency counter, and NRI electronics Discovery Lab.



™ Trademark of CBS Inc.

NRI's complete computer electronics course gives you real digital training.

Digital electronics is the career area of the future . . . and the best way to learn is with NRI's Complete Computer Electronics Course. NRI's programmable digital computer goes far beyond any "logic trainer" in preparing you to become a computer or digital technician. With the IC's in its new Memory Kit, you get the only home training in machine language programming . . . experience essential to trouble shooting digital computers. And the NRI programmable computer is just one of ten kits you receive, including a TVOM and NRI's exclusive electronics lab. It's the quickest and best way to learn digital logic and computer operation.

You pay less for NRI training and you get more for your money.

NRI employs no salesmen, pays no commissions. We pass the savings on to you in reduced tuitions and extras in the way of professional equipment, testing instruments, etc. You can pay more, but you can't get better training.

More than one million students have enrolled with NRI in 62 years.

Mail the insert card and discover for yourself why NRI is the recognized leader in home training. No



salesman will call. Do it today and get started on that new career.

APPROVED UNDER GI BILL
if taken for career purposes Check box on card for details



NRI SCHOOLS
McGraw-Hill Continuing Education Center
3939 Wisconsin Avenue,
Washington, D.C. 20016

an integral leadframe. The supporting board is a sheet of engineering grade structural thermoplastic.

Personal-computer fair at National Computer Conference

The National Computer Conference at Dallas, TX, June 13-16, stamping ground of the giants of the computer industry, will recognize individual computer owners with a Personal-Computing Program and Fair this year. Special space will be provided for exhibits of non-commercial personally or group-owned small computing hardware and software implementations, games and recreation, music and art, amateur radio, scientific, miscellaneous and general applications of the personal computer.

A one-page description of any proposed entry will be the basis for the preliminary selection of exhibits. The description must be cleanly typed, double-spaced on one side of the paper, with the entrant's or group's name, address and telephone number on the page. Deadline for the Fair Entry description is March 15, 1977. One hundred entries will be selected and the entrants notified before April 15, 1977.

The fair entry to be on display will usually be a working system. If the project does not lend itself to a working system (for example, certain types of computer art that may take weeks to produce), the display is to be viewer-oriented with illustrations that show the methods used and convey the end purpose and product of the project.

Prizes will be awarded in eight categories: Hardware and Software Implementation; Games and Recreation; Music, Art and Sensitive Sciences; Amateur Radio; Scientific Applications; Business Applications; General Applications; and special awards of the Judges.

For information, contact: Harold Mauch, Personal Computing Chairman, PerCom Data Co., 4021 Windsor, Garland, TX 75042 (Phone 214-276-1968).

Lenchitz, Walker and Skinner receive Hugo Gernsback awards

The Hugo Gernsback Memorial Award carries on a practice initiated by Hugo Gernsback himself—encouraging radio and electronic students through monetary grants. Every year, an outstanding student in each of eight leading electronics home-study schools receives a check for \$150, to help pay for the training. These students are selected by the schools through essays in which the students tell why they decided to study electronics, what they have obtained through study and what they intend to do in the future. In recent years, through the generosity of

test instrument manufacturers, awards have been made to the students who place second and third.

This month's outstanding student is Harry Lenchitz, Somerville, MA, who is two-thirds through a course with Cleveland Institute of Electronics and is currently employed as an engineering assistant at MIT. He writes, in effect:

"My home study course has helped me in two ways. It has given me the necessary background in electronics, as well as the personal habits necessary to carry out my duties as a technician in a large research facility. Through the programmed course material, I have acquired a firm technical foundation in electronics. This enables me to troubleshoot and repair complex instrumentation and control systems.

"More important, home study has developed my personal responsibility and initiative. Without class schedules to meet, or instructors to depend on, I developed my own study schedule and learned to use reference materials more effectively. The results have carried over directly into my job. I have accepted more responsibility for maintaining research equipment. My scheduling and methods are entirely my own, and my co-workers and superiors know I can be depended on to complete my job."

The runner-up receives a B & K Digital Multimeter from the manufacturer. He is Allen Walker, Staples, MN. He is 22 years old and is employed by Pako Corp. He writes:

"Can a person learn to his utmost ability and gain something else, besides the subject matter, from his efforts? Home study gives me this opportunity. In the classroom, there is a constant struggle to keep to the class pace. When it is too fast, your comprehension suffers. If too slow, it dulls your interest and enthusiasm, and again your learning suffers. But in home study one sets one's own pace, challenges oneself, and keeps one's learning capacity at its maximum.

"That something else is self-discipline and self-stimulation. A correspondence student gains organizational, goal-setting and problem-solving abilities that will be invaluable to him in life."

Third-place James Skinner, who obtains a Special Service Multimeter from VIZ, is 57 years old and graduated from the CIE Master Course. He says:

"The CIE home study course was a great challenge to me. When I started, I knew very little about electronics, but with the aid of their books and instructors I became a graduate from CIE and passed my FCC Elements. I received my Radio Telephone Operator license—First Class, and have worked part time in radio and television stations."

Radio-Electronics®

Hugo Gernsback (1884-1967) founder

M. Harvey Gernsback, KOD-6694
editor-in-chief and publisher

Larry Steckler, KTX-3644, CET, editor

Robert F. Scott, CET, W2PWG,
KXK-8533, technical editor

Arthur Kleiman, KTZ-3288,
managing editor

Jack Darr, CET service editor

Leonard Feldman
contributing high-fidelity editor

Karl Savon, semiconductor editor

David Lachenbruch, contributing editor

Rudolph F. Graf, contributing editor

George Whalen, contributing editor

Vincent P. Cicenla, production manager

Dale Allinson, production assistant

Harriet I. Matysko, circulation director

Sheila Werthing, circulation assistant

Arline R. Bailey, advertising coordinator

Cover design by Louis G. Rubsamen

Cover photo by Walter Herstatt

Radio Electronics is a member of the *Institute of High Fidelity* and is indexed in *Applied Science & Technology Index* and *Readers Guide to Periodical Literature*.



Radio-Electronics magazine is published by Gernsback Publications, Inc.
200 Park Ave. S., New York, NY 10003
(212) 777-6400

President: M. Harvey Gernsback

Vice President: Larry Steckler

Treasurer: Carol A. Gernsback

Secretary: Bertina Baer

ADVERTISING SALES

EAST

Stanley Levitan, KZA-5580, Sales Manager
Radio-Electronics
200 Park Ave. South
New York, NY 10003
(212) 777-6400

MIDWEST/Texas/Arkansas/Okla.

Ralph Bergen, KXD-8396

Jim Reilly

The Ralph Bergen Co.

6319 N. Central Ave.

Chicago, IL 60646

(312) 792-3646

PACIFIC COAST Mountain States

Jay Eisenberg, KYF-3277

J.E. Publishers Representative Co.,

8732 Sunset Blvd.,

4th Floor,

Los Angeles, CA 90069

(213) 659-3810

Sales Mart Building

1485 Bayshore Blvd., Box 140

San Francisco, CA 94124

(415) 467-0125

SOUTHEAST

J.E. Publishers Representative Co.,

214-387-2424

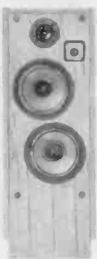
look up to Realistic®

You'll be surprised. Everything about the new Realistic Optimus® T-100 was designed with the discriminating music lover in mind. Tower design puts the speakers at perfect height, without special mounting or stands. Two active 8" acoustic suspension woofers and a 3" tweeter deliver sound so natural you can feel as well as hear its richness. Unlike many large high-performance speaker systems, the T-100 is efficient enough to be driven by almost any hi-fi equipment without pushing the amplifier, yet has the capacity to take 75-watt program peaks. The 3-ft. high, walnut veneer enclosure is finished on all sides to simplify placement and add fine furniture elegance. Sold only by Radio Shack. Ask for 40-2025 and find out what "towering sound" sounds like — today!

139⁹⁵*
each

* Retail price may vary at individual stores and dealers.

Smart styling that's practical, too



Grille removes for easy
speaker balance adjustment



Bottom-mounted terminals —
speaker cable remains out of sight

SOLD ONLY WHERE YOU SEE THIS SIGN:

Radio Shack®

A TANDY CORPORATION COMPANY • FORT WORTH, TEXAS 76107

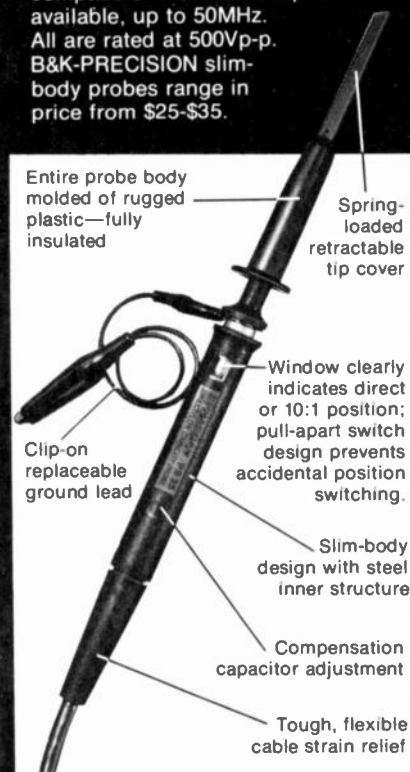


Use your credit card
at most stores

Radio Shack operates as Tandy International Electronics in Australia, England, Belgium, Holland, Germany, France; and as Tandy Radio Shack in Japan.

New Slim-Body scope probes from B&K-PRECISION ...cost effective and really rugged!

B&K-PRECISION's new line of 10:1 direct scope probes is designed to be compatible with most scopes available, up to 50MHz. All are rated at 500Vp-p. B&K-PRECISION slim-body probes range in price from \$25-\$35.



Model	Connector	Bandw.	Matches
PR30	UHF	10MHz	15-120pF
PR31	BNC	10MHz	15-120pF
PR34	UHF	15MHz	10-35pF
PR35	BNC	15MHz	10-35pF
PR36	BNC	50MHz	10-35pF

Available for immediate delivery at your local distributor. Write for a free copy of the latest B&K-PRECISION catalog.

B&K PRECISION

DYNASCAN CORPORATION

6460 West Cortland Avenue
Chicago, Illinois 60635 • 312/889-9087
In Canada: Atlas Electronics, Ontario

RADIO-ELECTRONICS

14

CIRCLE 66 ON FREE INFORMATION CARD

Letters

COUNTDOWN TIMER ON 50 HZ

Having read your two-part article on a digital countdown timer, I'm interested in knowing if it is feasible for 50-Hz operation.

JEAN-PIERRE FRANKENHUIS
Paris, France

Conversion to 50-Hz operation is simple. Figure 1-a shows the pertinent circuitry for 60-Hz operation and Fig. 1-b shows modifications for 50-Hz. Change IC17

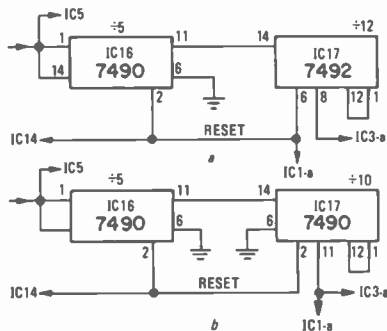


Fig. 1

from a 7492 to a 7490. Connect pin 2 of IC17 to the reset line, ground pin 6 and connect pin 11 to IC1-a and IC3-a as shown. Do not make a connection to pin 8.

On the circuit board layout, remove the connections from IC17 pin 3 to pin 10 and from pin 3 to ground. Do not change the power connections.—George R. Baumgras

A NEW FORCE ANSWERED

I would like to answer a question involving the letter from John W. Ecklin, entitled "A New Force" (Letters Column, October 1976 issue.) I am sure the effect described has been observed by a number of people, myself included.

The general rule involved states that a material with a high permeability (such as iron) will move in such a way as to allow the greatest amount of magnetic field to flow within it. (It is similar to electricity seeking the lowest resistance path.) This is based on Lenz' Law and the tendency of systems to seek the lowest energy state.

One way iron can obey this law is to turn so that the magnetic lines-of-force flow through the entire length of the iron. If the iron is prevented from doing this (such as by the three loops of thread), it will then move to an area with a denser magnetic field—in this case closer to the wire. Of course, either the iron or the wire could move, and I saw a dramatic example of this on a piece of equipment I worked on several years ago. There was some power wiring lying rather loosely in a steel

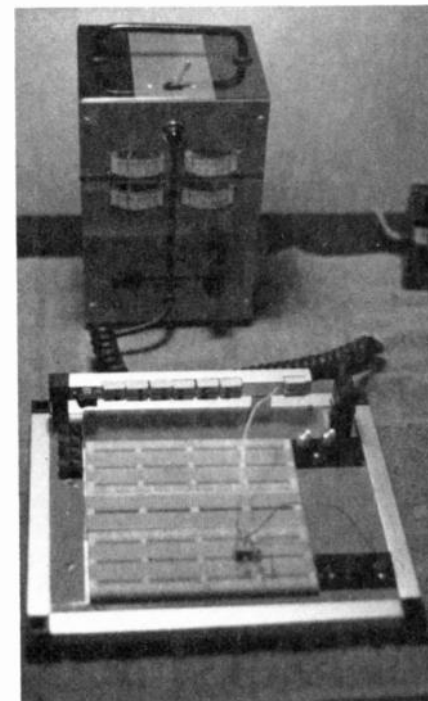
cabinet that occasionally would be subjected to a surge of over 100 amperes, alternating current. Every time this happened, the wire slapped down against the steel cabinet walls loud enough to be heard across the workshop.

Another example you can try yourself. Substitute a length flexible copper wire for the tip on a soldering gun. Trigger the gun briefly (to avoid burning up the wire) and no matter which way the AC flows, the wire will pull towards an iron bar or sheet.

PETER LEFFERTS
Electro-Audio Research Labs
San Martin, CA

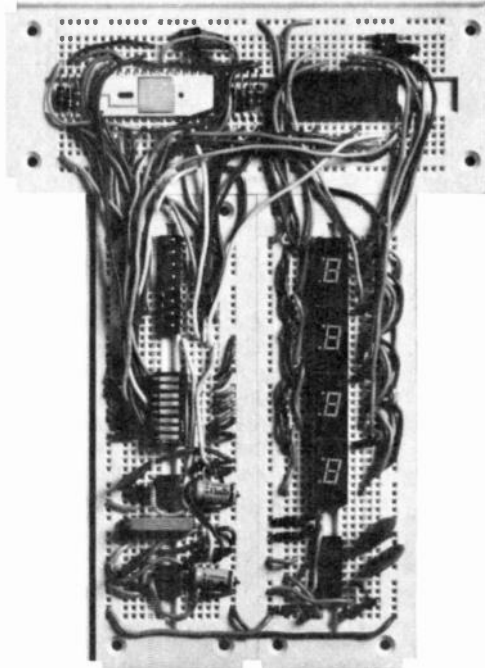
IC BREADBOARD

I built a modified version of the IC Breadboard (February 1975 issue). A photo of the layout is enclosed. The power module consists of 4 separate power supplies—two positive and negative, zero- to 24-volt, power supplies. One 5-volt supply powers the test strips and the other powers all circuitry below the test board. The power module is equipped with a switch-controlled AC outlet and a relay that controls all voltage outputs to give the board a total on/off condition.



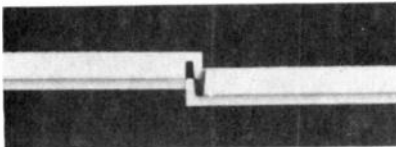
The breadboard module features: remote power clips (plus V, 5V, gnd, neg V); an on/off switch controlling 12 logic-status indicators with associated transistor circuitry below the board. Two of the indicators also power small miniature (continued on page 16)

ANNOUNCING THREE NEW BREAKTHROUGHS IN SOLDERLESS BREADBOARDING.



Whether you design or build circuits for fun or for profit, you owe it to yourself to discover how fast and easy CSC solderless breadboarding can be. Now, more than ever. Because of three new breakthroughs in breadboard design. And our new EXPERIMENTOR™ sockets** that make the most of them.

1. Price Who says a quality breadboard has to be expensive? For as little as \$9.95, CSC's EXPERIMENTOR sockets let you design, assemble and modify circuits as fast as you can push in—or pull out—component leads. On a rugged one-piece socket with 550 solderless tie-points (94 five-point terminals and two 40-point bus strips).



Sockets lock together, snap apart to handle any size circuit with ease.

But don't let the low price fool you: EXPERIMENTOR sockets are precision-molded of durable, abrasion-resistant material, and feature CSC's non-corrosive, prestressed nickel-silver contacts for positive connections and longer life. All contacts are identified, too...with molded-in designations for easier circuit assembly and diagramming.

2. Compatibility CSC EXPERIMENTOR sockets end the "big-chip blues." They're the only ones with full fan-out capabilities for microprocessors and other larger DIP's, as well as 4-16-pin units. EX-

PERIMENTOR 600's 6/10" center is ideal for microprocessor's, clock chips, RAM's, ROM's, PROM's, etc. While EXPERIMENTOR 300's smaller 3/10" center is perfect for smaller DIP's. Both units, of course accept transistors, LED's, resistors, capacitors, pot's—virtually all types of components with plug-in ease. As well as #22-30 solid hook-up wire for interconnections. Eliminating heat and lead damage to expensive components. And saving you more money, on parts.



Mix or match both models; arrange them vertically or horizontally.

3. Flexibility With CSC EXPERIMENTOR sockets, you can arrange your breadboard to suit your circuit... instead of vice versa. An exclusive snap-together inter-

locking system lets you instantly connect them. Vertically or horizontally. So you can mix or match 3/10 and 6/10" centers... expanding or contracting to meet your requirements.

CSC EXPERIMENTOR sockets can be used alone, or mounted on any convenient flat surface, thanks to molded-in mounting holes and vinyl insulation backing that prevents shorts. You can mount them with 4-40 flat-head screws from the front, or 6-32 self-tapping screws, from the rear. But however you use them, EXPERIMENTOR sockets are an unbeatable way to build and test twice the projects in half the time.



Both models feature 94 five-point terminals (vertical lines) and two 48-point bus strips (one strip shown).

WHY WAIT? CSC EXPERIMENTOR sockets are available now from your CSC dealer, or by phone from CSC, at \$9.95* for the 300 and \$10.95* for the 600. Call 203-624-3103 (East Coast) or 415-421-8872 (West Coast)—major credit cards are accepted.

*Manufacturer's suggested list price
Prices subject to change without notice
U.S. Pat. No. D235 554

CONTINENTAL SPECIALTIES CORPORATION



44 Kendall Street, Box 1942, New Haven, Ct 06509
203-624-3103/TWX 710-465-1227
West Coast office Box 7809, San Francisco, CA 94119
415-421-8872/TWX 910-372-7992

MORE FUNCTION GENERATOR FOR YOUR MONEY.



The Hickok Model 270 Function Generator gives you a lot more waveform generating capability than you'd expect for its price.

- Puts stable, calibrated, high quality sine, square and triangle waveforms from 1 Hz to 500 kHz at your fingertips.
- With external connections you can produce logic pulses, sweeps and ramps, AM and FM outputs, phase and frequency shift keying signals, tone bursts and more.
- Its an audio generator and much more.

Before you buy another function generator, check out the Hickok Model 270. Ask your Hickok distributor for full details or write us for our 4-page technical brochure.

\$225⁰⁰

HICKOK
the value innovator

INSTRUMENTATION & CONTROLS DIVISION
THE HICKOK ELECTRICAL INSTRUMENT CO.
10514 Dupont Avenue • Cleveland, Ohio 44108
(216) 541-8060 • TWX: 810-421-8286

LETTERS

continued from page 14

speakers that click on any logic transitions which quickly prove that the ear is quicker than the eye. Two frequency sources with LED outputs are located on the right end of the horizontal bar. The generator consists of a scaled-down 10-MHz crystal source through transistor coupling for blow-out protection. One outlet provides 10 steps from 5 Hz to 10 MHz and the other from 0.5 Hz to 5 Hz. Continuing clockwise is the power supply jack plug, great for battery operation through the remote power clips, and on the bottom right a five-digit frequency counter. The jack for the frequency counter is a transistor socket, and two inputs are used—one for slow signals and the other for fast signals.

The horizontal logic indicators were necessary since I preferred to work on a well lit bench and LED's were useless in the light. Construction below the board was limited to anything that would work on only 5 volts and be no thicker than one IC.

Future construction plans include a 2-, 4-, or 8-channel scope multiplexer, and two jacks (one for the multiplexing and one for normal single-channel testing).

The frame of the breadboard is constructed from aluminum stock obtained from a furniture store, and the base plate is covered with contact paper to provide insulation in the event a jumper wire becomes unhooked.

MARVIN KONOPIK
U.S. Liaison Office
Peking
Peoples Republic of China

P.S. In case you wondered whether Peking would become the mecca for electronic parts—not in 1977. The sales market consists of a few dozen resistors and capacitors of which none are ever in decimal sizes (10K, 1 μ F, etc.). Resistors are cigar sized, pots are baseball size, diodes are unmarked and unbanded, switches either don't work or are missing poles, and batteries clearly marked 'leak proof' are dripping on the shelf and are definitely for sale. Radios and TV's are cheap (to spread the word) and radios are sold with their backs removed and the insides on display to the customer. Happiness is making do with 2 resistors only in series instead of one, and buying the last zip cord on the market since last summer. I did make a rare purchase of some 100-ohm resistors that a factory inadvertently sent to the store, so I have hope on finding something close to 10K before I depart.

NESDA-ILLINOIS CONVENTION

I thought that your readers might be interested in knowing that the National Electronic Service Dealers Association Illinois, Inc., will hold its Annual Convention on May 14 and 15 at the Ramada Inn in Bloomington, IL. The agenda includes such activities as technical and business management seminars, election of new officers, CET tests, auction (bring your "useless" equipment and "white elephants" to sell), prizes and entertainment.

The Hospitality Room will be hosted by the Bloomington-Norman Electronic Technicians Association. The Profitable Service Management (PSM) seminar will be conducted by an experienced instructor—Mr. Jack Hopson, CET.

The cost of the PSM seminar only, including lunch, is \$25. Registration for the convention only, including all meals and Saturday evening banquet, is \$26. The convention and seminar is \$46. For more information write: Convention Chairman, William Fey, 217 E. Front, Bloomington, IL or George Sopocko, 5631 W. Irvine Park Rd., Chicago, IL. Or call the NESDA-Illinois office at 312-545-3622.

GEORGE SOPOCKO
NESDA-Illinois President
Chicago, IL

ROAD RALLY CLOCK

The article on the Digital Car Clock (January 1977 issue) was excellent. However, there was one small problem. Road rallies are timed by decimal minutes (hundredths of minutes) instead of seconds. This allows for greater resolution and timing accuracy. If someone could design a clock with a hundredths readout instead of seconds, rallyists everywhere would be grateful. For that matter, a rally computer kit or construction article would be welcomed with open arms. (I'd buy one without hesitation.)

ORAN SANDS
Indianapolis, IN

COMPUTER HEATHKIT USERS GROUP

The Computer Heathkit Users Group is being formed for the exchange of information on the use of Heath Co. products by computer hobbyists. For more information write: CHUG, 267 Willow St. "R", New Haven, CT 06511.

CHARLES FLOTO
New Haven, CT

R-E

Powerful satellite transmitter broadcasts educational programs

Students at Stanford University in California and Carleton University in Ottawa, Canada, are attending each other's engineering courses by way of a satellite stationed over the equator at 116 degrees west longitude.

The satellite, called Hermes and operated by the Canadian Department of Communications research laboratory in Ottawa, is equipped with a 200-watt transmitter—the most powerful yet carried by a communications satellite. It operates on frequencies between 11 and 14 GHz, much higher than any used by earlier communications satellites. It is expected that the higher frequencies will make it possible to use smaller and less expensive antennas at the transmitting and receiving earth stations.

Besides transmitting educational broadcasts, satellite Hermes is being used by U.S. and Canadian researchers on alternate days in nearly 40 projects. It is used to establish communications between hospitals, medical libraries, widely separated French-speaking and Indian communities, and to communicate with other groups in remote parts of the Dominion of Canada.

SHOP YOUR NEARBY RADIO SHACK FOR QUALITY PARTS AT LOW PRICES!

Top quality devices, fully functional and carefully inspected. Guaranteed to meet all specifications, both electrically and mechanically. All are made by well known American manufacturers, and all have to

pass manufacturer's quality control procedures. These are not rejects, not fallouts, not seconds. In fact, there are none better on the market! Count on Radio Shack for the finest quality parts.



TTL Digital ICs

First Quality Devices Made by National Semiconductor and Motorola

Type	Cat. No.	Reg.	SALE
7400	276-1801	\$ 49	29c
7402	276-1811	\$ 49	29c
7404	276-1802	\$ 59	29c
7406	276-1821	\$ 69	39c
7408	276-1822	\$ 49	29c
7410	276-1807	\$ 49	29c
7413	276-1815	\$1.19	69c
7420	276-1809	\$ 49	29c
7427	276-1803	\$ 69	39c
7432	276-1824	\$ 69	39c
7441	276-1804	\$1.59	89c
7447	276-1805	\$1.99	89c
7448	276-1816	\$1.99	89c
7451	276-1825	\$ 49	29c
7473	276-1803	\$ 79	39c
7474	276-1818	\$ 79	39c
7475	276-1806	\$1.19	69c
7476	276-1813	\$ 79	49c
7485	276-1826	\$1.59	99c
7486	276-1827	\$ 69	49c
7490	276-1808	\$ 19	69c
7492	276-1819	\$1.19	69c
74123	276-1817	\$ 69	89c
74145	276-1828	\$1.49	1.19
74150	276-1829	\$1.79	1.39
74154	276-1834	\$1.79	1.19
74192	276-1831	\$1.69	99c
74193	276-1820	\$1.69	99c
74194	276-1832	\$1.69	1.19
74196	276-1833	\$1.69	1.19

74C and 4000 Series CMOS ICs

Type	Cat. No.	Reg.	SALE
74C00	276-2301	\$ 69	39c
74C02	276-2302	\$ 69	39c
74C04	276-2303	\$ 69	39c
74C08	276-2305	\$ 69	39c
74C74	276-2310	\$1.29	59c
74C76	276-2312	\$1.59	69c
74C90	276-2315	\$2.29	99c
74C192	276-2321	\$2.49	1.29
74C193	276-2322	\$2.49	1.29
4001	276-2401	\$ 69	39c
4011	276-2411	\$ 69	39c
4013	276-2413	\$1.29	89c
4017	276-2417	\$2.49	1.49
4020	276-2420	\$2.49	1.49
4027	276-2427	\$1.29	89c
4049	276-2449	\$ 99	69c
4050	276-2450	\$ 99	69c
4511	276-2447	\$2.69	1.69
4518	276-2490	\$2.49	1.49

Linear ICs

First Quality Devices by National Semiconductor and Motorola

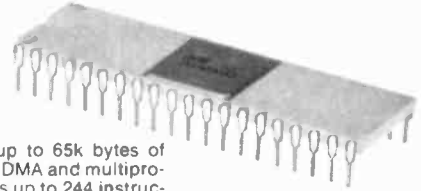
Type	Cat. No.	Reg.	SALE
301AH	276-017	\$ 69	29c
324N	276-1711	\$1.99	1.49
339N	276-1712	\$1.99	1.49
386CN	276-1731	\$1.99	99c
555CN	276-1723	\$1.49	89c
556CN	276-1728	\$2.99	1.29
566CN	276-1724	\$2.99	1.29
587CN	276-1721	\$2.99	1.39
723CN	276-1740	\$ 99	59c
723H	276-009	\$ 99	59c
741CN	276-007	\$ 69	35c
741H	276-010	\$ 69	35c
3900N	276-1713	\$1.99	59c
3909N	276-1705	\$1.29	99c
3911N	276-1706	\$2.19	1.99
4250CN	276-1732	\$1.99	1.19
4558CN	276-038	\$ 99	69c
13741H	276-1733	\$2.59	1.49
75491	276-1701	\$1.49	69c
75492	276-1702	\$1.49	69c

8080A Microcomputer Chip

Direct Plug-In Replacement for Intel 8080A

1795

A CPU with a 16-bit address bus capable of addressing up to 65k bytes of memory and up to 256 I/O ports. "TRI-State" data bus gives it DMA and multiprocessing capability, and all buses are TTL compatible. Handles up to 244 instructions of variable length, with 6 general purpose registers plus an accumulator. 40-pin DIP. 100% Prime. 276-2510 17.95



LEDs/Optoelectronics

Item	Cat. No.	Reg.	SALE
L Red LED	276-041	2/95c	2/89c
L Cir LED	276-047	2/99c	2/69c
M Red LED	276-026	2/99c	2/89c
M Cir LED	276-040	2/99c	2/69c
S Red LED	276-042	2/99c	2/69c
Infrared Det	276-140	\$1.19	
Infrared Em	276-141	\$1.49	
Solar Cell	276-115	\$1.49	
PhotoCell	276-116	\$ 99	
FPT 100	276-130	\$ 79	

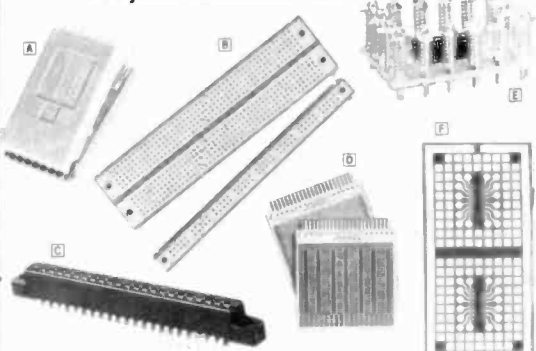
Digital Displays

Item	Cat. No.	Reg.	SALE
276-056			
276-053			
276-059			
276-055			
276-060			

Digits	Size	Drive	Cat. No.	Reg.	SALE
1	0.3"	Anod	276-053	\$2.99	1.99
1	0.3"	Cath	276-052	\$2.99	1.99
1	0.3"	Anod	276-1210	\$8.97	4/6.95
1	0.3"	Cath	276-1211	\$8.97	4/6.95
1	0.6"	Anod	276-056	\$3.99	2.99
1	0.6"	Cath	276-066	\$3.99	2.99

Digits	Size	Drive	Cat. No.	Reg.	SALE
3	0.120"	Cath	276-055	\$1.49	99c
3	0.110"	Cath	276-059	\$1.99	1.49
3	0.150"	Cath	276-060	\$2.99	1.99
4	0.5"	Anod	276-1201	\$9.95	7.95
4	0.5"	Cath	276-1202	\$9.95	7.95

Project Accessories



- IC Troubleshooting Test Clip. Test up to 16 pins with probes or clips. 276-1951 4.99
- Experimenter Socket. 2x47 rows of 5 connected tie points. 276-172 9.95
- Bus Strip. 2x40 connected tie points. Clips to Socket above. 276-173 1.99
- 22 Pin Edge-Card Board Connector. 44 terminals. 276-1551 2.99
- Standard Edge-Card Board. 22 pin. 1295 mounting holes. 276-152 2.99
- 2-Voltage Source Edge-Card Board. 1368 mounting holes. 276-154 2.99
- 3-Voltage Source Edge-Card Board. 1368 mounting holes. 276-153 2.99
- Solderless IC Experimenter Kit. For 8, 14 or 16-pin IC's. 277-101 2.99
- Experimenter's PC Board. Mount 2 IC's. 8, 14 or 16-pin. 276-151 2.49
- Plastic Face Plates. 2x6 1/2" Brown Tint. 270-298 99c
- Red Tint. 270-299 99c
- Photographic PC Board Processing Kit. Complete negative process. 8 pieces. 276-1560, Reg. \$12.95 Sale 9.95

Selected Diodes

Type	Cat. No.	Reg.	SALE
1N4001	276-1101	2/5.39	2/29c
1N4003	276-1102	2/5.59	2/39c
1N4004	276-1103	2/5.69	2/49c
1N4005	276-1104	2/5.79	2/59c
1N4735	276-561	2/5.89	2/69c
1N4739	276-562	2/5.89	2/69c
1N4742	276-563	2/5.89	2/69c
1N4744	276-564	2/5.89	2/69c
1N5401	276-1141	2/5.69	2/59c
1N5402	276-1142	2/5.89	2/69c
1N5403	276-1143	2/5.99	2/79c
1N5404	276-1144	2/5.19	2/89c
1N914/4148	276-1122	10.99c	

SCRs and Triacs

Device	Rating	Cat. No.	Reg.	SALE
SCR	50V, 6A	276-1089	\$ 99	69c
SCR	100V, 6A	276-1090	\$1.29	79c
SCR	200V, 6A	276-1067	\$1.39	89c
SCR	400V, 6A	276-1020	\$1.49	99c
Triac	50V, 6A	276-1003	\$.99	69c
Triac	100V, 6A	276-1002	\$1.29	79c
Triac	200V, 6A	276-1001	\$1.39	89c
Triac	400V, 6A	276-1000	\$1.49	99c

Reference Books

Digital ICs	62-1370	3.50
Linear ICs	62-1372	3.50
Linear Applications	62-1373	2.75
Semiconductors	276-4001	1.99
Voltage Regulators	62-1371	2.25

ASCII Encoded Computer Keyboard



Style May Vary from Photo

Reg. 67.95 **49.95** Pkg.

Operates on the scan principle utilizing TTL logic. With repeat key, negative/positive going data valid strobe, latch outputs, shift and shift-lock capability, True/false ASCII outputs, 6 extra control keys. With all necessary parts, including TTL components. Does not include test jigs, optional features or case and hardware. See store sales persons for parts list.

277-117. Complete Pkg. Sale 49.95

Low-Profile DIP Sockets



8-Pin	276-1995	Reg. 2 for \$ 69	Sale 2/99c
14-Pin	276-1999	Reg. 2 for \$1.19	Sale 2/99c
16-Pin	276-1998	Reg. 2 for \$1.19	Sale 2/99c
28-Pin	276-1997	Reg. \$1.19 Each	Sale 99c
40-Pin	276-1996	Reg. \$1.39 Each	Sale 1.19

WHY WAIT FOR MAIL DELIVERY?
IN STOCK NOW AT OUR STORE NEAR YOU!

OVER 5000 LOCATIONS IN NINE COUNTRIES

Radio Shack

A TANDY COMPANY • FORT WORTH, TEXAS 76107

There's an electronic kit that's exciting NEW HEATHKIT CATALOG.

Here are just a few of the things YOU can build!

New STEREO KITS



Top-performing receivers, amplifiers and tuners including a new "budget-priced" receiver, amplifier and tuner, a digital readout stereo receiver, the world-famous Modulus™, the deluxe AA-1640 "Super Amp" and lots more. All with the reliable performance, guaranteed specifications and superb sound that have made Heathkit hi-fi a favorite of serious audiophiles everywhere.

New SPEAKER SYSTEMS

A complete line of full-fidelity speaker systems for any budget or listening need. Everything from compact bookshelf models to full-size floor models like the exciting new AS-1348 — great sound and great kit savings!



New AIRCRAFT CLOCK/TIMER



Gives you the reliability, convenience and versatility you WANT for precise flight timing at substantial savings. Dual 4-digit displays—one showing 24-hour GMT or ZULU time and the other performing a function you preselect; local time, 24-minute timer, 24-hour trip timer, or a special alarm timer ideal for fuel management. The OL-1154 fits a standard 3 1/4" instrument panel for easy mounting in most any aircraft.

New LEARN-AT-HOME COURSES



Now you can learn electronics at home in your spare time at your own pace whether you're a beginner or an advanced student. Each course includes text material, records and parts for use in "hands-on" experiments. Courses are available in AC and DC electronics, Semiconductor Devices and Digital Techniques plus two NEW courses: Electronic Circuits and a course which prepares you for the amateur radio Novice License exam.

New HOME PRODUCT KITS



Heath has products to make your home a healthier and safer place.

Security systems, a unique freezer alarm, lamp dimmers and electronic air cleaners, and a TOTALLY NEW energy and money-saving home furnace heating control that can save you 5-10% on your heating bill.



FREE

New Heathkit Catalog describing nearly 400 superb electronic kits that you can build yourself for pride, satisfaction and SAVINGS.

just right for you in this

Discover why thousands of people just like you enjoy handcrafting their own electronic equipment with exciting Heathkit products.

Building our kits is so easy and so much fun that most people enjoy the building just as much as they do using the product! There's the pride of accomplishment, the satisfaction of making something with your own two hands and the knowledge that you've "mastered" a sophisticated piece of electronic equipment. And every Heathkit product is designed for easy buildability. Our world famous step-by-step assembly manuals leave nothing to chance — they even teach you to solder properly. And every kit product we sell is backed by our "We won't let you fail" pledge. Find out about the exciting electronic products you can build. Send for your FREE catalog!



New FUN TO OWN KITS



Some Heathkit products are just plain fun to own and use. An exciting TV game that lets you play hockey, tennis or handball in full color, a unique programmable door bell that announces visitors with your favorite tune. A programmable digital stopwatch that times just

about anything with 1/100th second precision, treasure finder/metal locators for beach-time fun, marine electronics, and lots more. There's a complete line of digital electronic clocks and weather instruments including the popular digital floor and shelf clocks. There's also a convenient mount-anywhere touch-control light switch.



There's also a convenient mount-anywhere touch-control light switch.



New COMPUTERIZED TV KIT



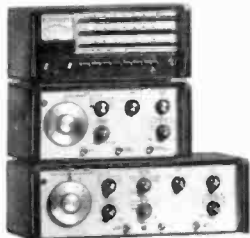
The first and only Programmable Computerized Color TV System: The GR-2001. Its optional programming panel lets you preselect an entire evening's viewing, then just relax as the GR-2001 changes channels automatically at the proper time. You can even program it to rotate your outdoor antenna system automatically. A real breakthrough in TV convenience.

New AMATEUR RADIO KITS



The HW-2036 is the best 2-meter rig we've ever offered — true digital frequency synthesis for complete operating versatility, built-in tone encoder and performance of expensive models at a much lower price. It's a great way to start your amateur radio hobby!

New TEST EQUIPMENT



If you're an electronic hobbyist, experimenter or technician, Heath has the equipment to help you do the job right.

The latest audio service equipment including THD and IMD analyzers and an exclusive audio load, color TV service instruments including a hand-held color alignment generator and a universal CRT tester/rejuvenator, function generators including a new swept-function model — plus meters, power supplies and oscilloscopes to outfit ANY test or hobby bench.

Send for your FREE copy today!

Return card or coupon for your FREE Heathkit catalog today. It has complete descriptions and photos of some of the most exciting electronic products you can find anywhere, all in easy-to-build, money-saving kit form. Plus low discount prices on fully-assembled Johnson, Royce and Midland CB radios.

Heath Company, Dept. 20-28
Benton Harbor, Michigan 49022

HEATH
Schlumberger

Heath Company, Dept. 20-28
Benton Harbor, Michigan 49022

Please send me my FREE Heathkit Catalog.
I am not on your mailing list.

Name _____

Address _____

City _____ State _____

GX-329 _____ Zip _____

KOMPUTER KORNER

PETER RONY, DAVID LARSEN,
and JOHN TITUS*

CONTAINED WITHIN THE 78-INSTRUCTION SET OF the 8080 microprocessor IC is the 16-bit OUT instruction. The OUT instruction comprises two successive 8-bit bytes, and can be written in binary notation as 11010011_2 XXXXXXXX₂. The OUT instruction can also be written in 8-bit octal code such as 323_8 YYY₈, or in 8-bit hexadecimal code, such as $D3_{16}$ ZZ₁₆. A discussion of how one converts 8-bit binary code into either octal or hexadecimal code can be found in Reference 1.

In the above notations, XXXXXXXX₂ represents an 8-bit byte that can range in value from 00000000_2 to 11111111_2 ; YYY₈ represents a three-digit octal code that can range from 000_8 to 377_8 ; and ZZ₁₆ represents a two-digit hexadecimal code that can range from 00_{16} to FF_{16} . A quick calculation will demonstrate that 11111111_2 , 377_8 , and FF_{16} all represent the same 8-bit binary word.

* Dr. Rony, Department of Chemical Engineering, and Mr. Larsen, Department of Chemistry, are with the Virginia Polytechnic Institute & State University, Blacksburg, Virginia. Mr. Titus is president of Tychon, Inc., Blacksburg, Virginia.

The choice of a coding system is up to you. Binary code is awkward to write and difficult

to remember. Octal code is used in the popular Digital Equipment Corporation PDP 8 and PDP 11 minicomputer software and is easy to remember. Hexadecimal code is more natural for an 8-bit binary word and is popular among microprocessor manufacturers. Note well that the way you write the code on paper will not affect the way the microcomputer will execute a program. Both octal and hexadecimal code must be converted back to binary code that is stored in successive 8-bit memory locations. The code conversion can be done in several ways, by hand or by a computer program.

The second 8-bit byte, XXXXXXXX₂, in the 16-bit OUT instruction is the *device code* for the output device. A total of 256_{10} different devices can be addressed with such a code. How this is done is shown in full detail in Fig. 1, a device decoding circuit of seventeen SN74154 IC's. Since this is a rather complicated circuit, let us first discuss the simpler decoding circuit of Fig. 2.

The SN74154 integrated circuit is a 4-line-to-16-line decoder that allows you to input any 4-bit binary word ranging from 0000_2 to 1111_2 and to select any single output among

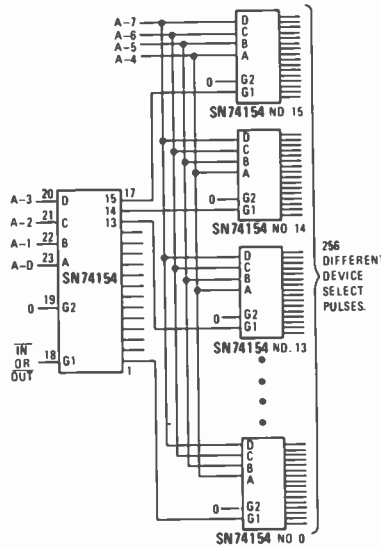


FIG. 1

Be a SuperTech... Get RCA's new Module Kit for the 1977 "XtendedLife" chassis series.



sixteen different output channels labeled 0 to 15₁₀. G1 and G2 are the *strobe* or *gating* inputs to this chip. When these inputs are both at logic 0, the SN74154 IC is *enabled* and the output channel that corresponds to

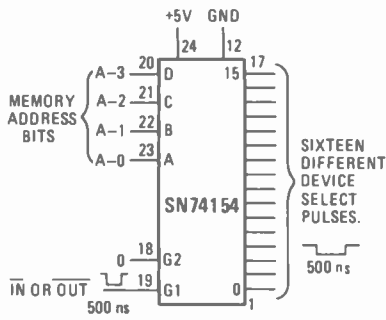


FIG. 2

the binary input at pins 20 to 23 is at logic 0. When either G1 or G2 is at logic 1, the SN74154 IC is *disabled*—inoperative—and all sixteen output channels are at logic 1 irrespective of the binary input at pins 20 to 23.

The basic trick that the 8080 microcomputer employs is to *enable* the SN74154 chip for a very short period of time, 500 ns to be exact. This is done with the aid of a negative clock pulse at G1. This negative clock pulse, called *IN* or *OUT* in Reference 1 or *I/O R* or *I/O W* in the Intel Corporation literature, is generated by the microprocessor chip with the aid of some additional circuitry. *IN* and *I/O R* refer to the 16-bit *IN* instruction; *OUT* and *I/O W* refer to the 16-bit *OUT*

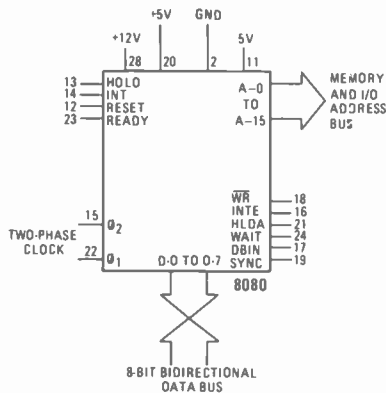


FIG. 3

instruction that we are discussing in this column. During this 500-ns period of time, the device code appears on the *memory address bus* and can be used as inputs to the SN74154 chip to select a desired output channel.

The memory address bus is a group of 16 output pins on the 40-pin 8080 integrated circuit chip (Fig. 3). A *bus* can be defined as:

bus—A path over which digital information is transferred from any of several sources to any of several destinations. Only one transfer of information can take place at any one time. While such transfer is taking place, all other sources that are tied to the bus must be disabled.

The important point here is that two types

of information can appear on the 16-bit memory address bus: either the 16-bit memory address for a memory location addressed by the 8080 microprocessor chip, or the 8-bit device code in the second 8-bit byte of an *IN* or *OUT* microprocessor instruction, but not both at the same time. The *IN* or *OUT* microprocessor instruction requires 5 μ s for execution, and the device code appears only during the last 1.5 μ s of this time. When the device code appears on the memory address bus, the bus is subdivided into two 8-bit bytes, each byte containing the address code. Thus, you have your choice of bits A-0 through A-7 or A-8 through A-15 for the device code.

This 8-bit device code is connected directly to one or a group of SN74154 IC's, as is shown in Figs. 1 and 2. In Fig. 2, only four of the eight bits are used, whereas in Fig. 1, all

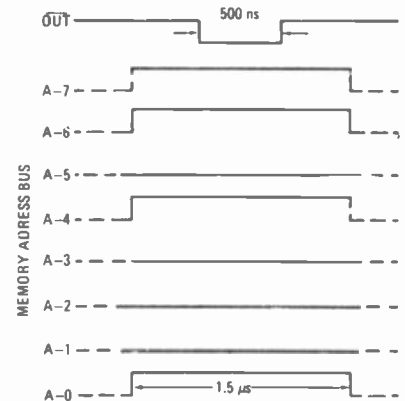


FIG. 4



Be prepared to make service calls faster than a speeding bullet. The new RCA 199045 Module Kit, available for a limited time at a special introductory price, contains 8 modules for quick and easy servicing of the new 1977 color TV sets. This new kit, plus your ColorTrak and XL-100 Module Kits, lets you fix most RCA sets right in the customer's home. You'll save time, make more service calls per day, and earn more profit.

Be an RCA SuperTech — carry these 3 RCA Module Kits and meet almost all RCA color-module needs. All 3 kits contain RCA replacement modules which include the

latest design improvements. And don't forget the RCA Module Caddy — makes it easy to carry all three kits on home service calls.

See your authorized RCA Parts Distributor, or contact RCA Distributor and Special Products Division, 2000 Clements Bridge Road, Deptford, NJ 08096, for additional information.

RCA Distributor and Special Products Division

eight bits are decoded into 256_{10} different output or input device-select pulses. Each output device is addressed uniquely by the $\overline{\text{OUT}}$ function pulse and a corresponding 8-bit device code. The same is true for each input device, only the $\overline{\text{IN}}$ function pulse is employed instead of the $\overline{\text{OUT}}$ function pulse at the gating input G1 to the SN74154 IC. Each device select pulse lasts for only 500 ns, the time that the SN74154 IC is gated.

Figure 4 is a set of timing diagrams that summarizes the external consequences of the 16-bit $\overline{\text{OUT}}$ instruction:

1. An 8-bit device code appears on the memory address bus, in this case the code for device 11010001_2 or 321_8 , for a period of $1.5 \mu\text{s}$.

2. During this $1.5 \mu\text{s}$, an $\overline{\text{OUT}}$ function pulse is generated for a period of 500 ns as a device-select pulse.
3. These nine output lines (A-0 to $\overline{\text{OUT}}$) are used as inputs to the seventeen SN74154 IC's shown in Fig. 1. This circuit generates a 500-ns negative device-select pulse for device 321_8 . All the remaining 255_{10} outputs from the decoders remain at logic 1 during this time.

This device-select pulse can be used to turn on the solid-state relay shown in the circuit in last month's column. The program that is analogous to one given previously, is simply:

Memory address	Octal instruction	Description
0	323	Send device-select pulse to device given by the following 8-bit device code
1	321	Device code for clear input to SN7474 flip-flop
2	166	Halt the microcomputer

Summary

We have discussed the interfacing technique called *accumulator I/O*, which is also known as *isolated I/O* in the Intel Corporation literature.² A much more exciting interfacing technique is *memory I/O*, which is also known as *memory mapped I/O*,² in which an I/O device appears to the microcomputer CPU as a simple memory location. Without question, memory I/O will be the most popular interfacing technique among all the different microprocessor families. One important advantage of this technique is the considerable number of IC's that have already been designed for memory I/O applications. Included among such chips are the 8255 programmable peripheral interface, the 8251 universal synchronous/asynchronous receiver/transmitter (USART), the MC6820 peripheral interface adapter, and the XC6850 asynchronous communications interface adapter. We shall discuss this alternative I/O technique in a future column. **R-E**

References:

1. *Bugbook III. Microcomputer Interfacing Experiments Using the Mark 80 Microcomputer, an 8080 System*, E&L Instruments, Inc., Derby, CT, 1975.
2. *Intel 8080 Microcomputer Systems User's Manual*, Intel Corporation, Santa Clara, CA, 1975.

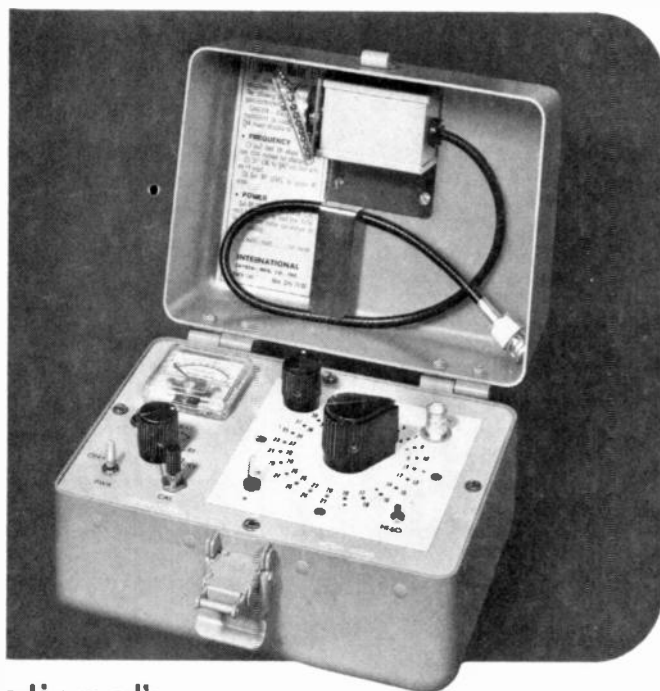
Japan moves toward fiber optics for national two-way cable TV system

An experimental interactive (two-way) CATV network that could eventually provide every household in Japan with services ranging from request entertainment to police and fire protection began test operation on November 15.

The field trial is taking place in Higashi Ikoma, a model city near Osaka. The Higashi Ikoma optical video information system gives the project its name, HI-OVIS. The field trial will supply information that can be used to extend the system to the entire country.

The project was begun in 1972. At that time, no problems were seen in the way of an interactive system using a variety of computer-controlled communications units, but during development the limitations of a coaxial-cable system emerged. The bulk, cost and relatively narrow transmission area per cross-section of cable were obstructions to the geographical scope, multichannel requirements and future flexibility of the net.

The possibilities of optical lines, at that time thought to be ten years from practical use, were considered, and the services of Arthur D. Little, a research organization that was independently exploring the near-term future of optical technology,



International's 6024B 40 Channel CB Frequency Meter


- Secondary Frequency Standard
- Signal Generator
- Power Meter

The 6024B provides three test instruments in one convenient case for professional servicing on all makes of Citizens Radio transceivers.

1. Secondary Frequency Standard, 26.965 to 27.405 MHz, and 27.235 to 27.405 MHz. Counter circuit zero to 2500 Hz.
2. Signal Generator 26.965 to 27.405 MHz.
3. Dummy Load/Power Meter, up to 5 watts.

Complete with connecting cable, dummy load, rechargeable battery and charger.

\$425.
Cat. No. 035311



International Crystals are available from 70 KHz to 160 MHz.

Write for information.
ICM
M/S Dept. P.O. Box 32497
Oklahoma City, Okla. 73132



INTERNATIONAL CRYSTAL MFG. CO., INC.
10 North Lee / Oklahoma City, Okla. 73102

CIRCLE 35 ON FREE INFORMATION CARD

were engaged. The American-based organization reported that optical-fiber technology had not only progressed far enough to be utilized, but was ideally suited to the combination of analog and digital signals and varying bandwidths of the communications media in the HI-OVIS project.

Besides the usual television screen, the home-centered system will have a keyboard that may be used for a number of purposes. These will include request TV programs; request data (supplied in still-picture form and providing various types of specialized information, including news); facsimile; computer-assisted instruction, for both children and adults; cashless transactions, such as payment of utility bills; TV shopping and reservations.

TV retransmission and independent broadcasts will be available. These would include re-runs of current CATV programs, plus such special items as stock market broadcasts, not included in the regular CATV programs. In addition, FM broadcast and request FM transmissions can be supplied.

The system will include a protection service. Detectors will be installed in each home to detect intrusions, heat, smoke, etc., and respond to the appropriate agency.

After the Higashi Ikoma field trial the Japanese government plans to extend the system to the series of small cities—of no more than 100,000 residents—being established around crowded population centers, such as the Tokyo-Osaka corridor. The new system will play an important part in this "String of Pearls" concept by linking the cities with mainstream programming, while also serving communal and regional needs. The "wired cities" will give people a wider and more comfortable choice of homesites without cultural isolation.

Metric system being accepted by 67 percent of manufacturers

A gradual switch toward the metric system for dimension of products is taking place in electronic manufacturing, reports the Distributor Products Division of the Electronic Industries Association (DPD,EIA). Out of 106 manufacturers replying to a recent EIA survey, more than half had established a formal policy for conversion, and some 67 percent are now making some items to metric dimensions.

There are some obstacles in the way of speedy conversion, most notable of them being cost and psychological difficulties. One manufacturer reported that he was making items to metric measurements "when he had to," and another reported converting English measurements to metric. But at least one is using metric measurements as fundamental and converting to English for domestic buyers. (That way the queer fractions appear in the inch and foot, rather than the meter and centimeter measurements.)

The electronics technicians who will work with the new dimensions, and who already find it easier to say "100 K" than "100 thousand" will probably have no difficulties.

MEET OUR family of GRABBERS



MODEL 4233 MICRO GRABBER
Tests high density packaging



MODEL 3925 MINI GRABBER
Tests conventional packaging



MODEL 4011 THREADED GRABBER
Accepts 6-32 threaded leads



MODELS 3780 - 3789 GRABBER LEADS
10 choices of connectors other end



Our Grabber family is five years old now, and we're adding new members to keep pace with the complexities of state-of-the-art electronic packaging. Grabber is our name for a series of test clips designed to simplify testing of electronic packages from conventional components to maximum density DIP's. They're rugged, dependable, versatile, and very easy to use. Write for our catalog and get the complete story on the whole family of Grabbers. Find out why they are your best solution to your electronic testing problems.

**AVAILABLE THROUGH YOUR
FAVORITE ELECTRONIC
PARTS DISTRIBUTOR**

MODEL 4225 MAXI GRABBER
Tests high rise packaging

All Grabbers shown actual size

ITT POMONA ELECTRONICS

1500 East Ninth St., Pomona, Calif. 91766
Telephone (714) 623-3463, TWX: 910-581-3822

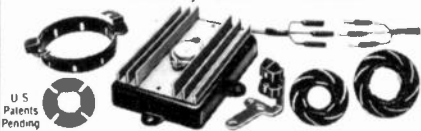


CIRCLE 31 ON FREE INFORMATION CARD

*** PUT THE "IGNITION OF THE FUTURE" ON YOUR CAR TODAY!**

MODERNIZE and Bring Your Car "UP-TO-DATE" with the MOST EFFICIENT Ignition ever invented!

*** End "Tune-Up" Problems FOREVER** caused by Points and Condenser



U.S. Patents Pending

ALLISON XR-700

with the Exclusive... Solid-State Voltage Regulator.

The ONLY Ignition System that has COMPLETELY overcome the Problems that have baffled the Auto Industry for Years!
SO RELIABLE (99.9+%)... SO PERFECTED... that it will soon be STANDARD on most Future new Cars!

ALLISON Rated #1 by Official Testing Laboratory as the BEST "Fuel Saving" Ignition System of ALL the Different Ignition Systems Tested!

* The "XR-700" is a COMPLETELY NEW Ignition System employing the Most Advanced Technology, that replaces the inefficient Points and Condenser with an infrared Light Beam to Trigger the Latest type of Solid-State Power Components. Once installed... "XR-700" has NO moving Parts to wear out or adjust. It works without Friction or wear. Not affected by Dirt, Oil, Moisture, Vibration or extreme Engine Temperatures! **RUGGED and RELIABLE!**

* The "XR-700" is engineered to **OUTLAST YOUR CAR!**

* The "XR-700" produces the MAXIMUM "High Energy" Long Duration Spark... from your present car's Ignition Coil. This permits the Positive Firing of Spark Plugs, even under the most Adverse conditions. Also, Eliminates "Engine Misfire," resulting in more COMPLETE COMBUSTION! Thus you get IMPROVED Fuel Mileage, a HIGHER Performance Level... keeps Plugs FROM FOULING and gives LONGER Plug Life!

Customers Report:

*** "IT MORE THAN PAYS FOR ITSELF!"**

- ★ INCREASES Gas Mileage up to 30%!
- ★ SAVES Money on Costly "Tune-Ups"!
- ★ Gives Continuous PEAK Performance!
- ★ QUICKER Starting in Any Weather!
- ★ Smoother Running... Faster Acceleration!
- ★ Plugs Last Up to 4-Times LONGER!"

* Reliability PROVEN in Millions of Customer Miles to be so exceptionally GOOD... that every "XR-700" has a LIFETIME WARRANTY! FREE Repair or Replacement for as long as you OWN the Unit!... and even if you CHANGE Cars, Allison will supply you the necessary PARTS to fit ANY Point-Type Distributor... FREE! (Include \$2 for Postage & Handling).

* FITS ALL CARS, Domestic & Foreign, 4, 6 or 8-Cylinder.

*** DO-IT-YOURSELF... EASY INSTALLATION!**

The New "XR-700" is Completely Factory Assembled... Thoroughly TESTED! New Precision "Drop-in" Mounting Bracket, with color-coded, "Snap-Together" wire connections. No Distributor Removal necessary. Protected against Incorrect Hook-up!

● Thousands sold at \$59.95 ● ONLY

NOW! Allison's Production Technology offers you the same Premium Quality XR-700 at this SPECIAL LOW Price... \$39.95
COMPLETE (Cal. Res. add Tax)

THAT'S EVERYTHING... INCLUDING POSTAGE & INSURANCE

* ORDER WITH CONFIDENCE... install the "XR-700", and prove to your own SATISFACTION that it is as advertised, or return it within 30 days for a FULL Refund of the Purchase Price

* SAVE! ORDER FACTORY DIRECT.
Send Check or M.O., State Car Make, Year, No. Cylinders

* MASTER CHARGE or BANKAMERICARD Card Holders: ORDER by TOLL-FREE PHONE. (800) 423-6525, Ext. 2 or Send us (1) Your Number, (2) Interbank No., (3) Exp. Date.

*** SEND for FREE BROCHURE and Comparison Sheet.**

"CB" USERS: The "XR-700" completely ELIMINATES the Major Cause of Primary (Ignition Noise) Interference.

* If you have already installed a "Capacitive Discharge" Ignition
* Convert your "C.O." Unit to BREAKERLESS!
INCREASE ITS EFFICIENCY with "XR.CO"... only \$29.95

* America's Oldest and Largest Manufacturer of Opto-Electronic Ignition Systems. ©



ALLISON AUTOMOTIVE CO.

1267 - RA, East EDNA PL., COVINA, CAL. 91722

CIRCLE 3 ON FREE INFORMATION CARD

equipment reports

Scelbi Computer 8008/8080 Programming Manuals

CIRCLE 37 ON FREE INFORMATION CARD

MICROCOMPUTER FANS HAVE AN INSATIABLE appetite for program listings and programming manuals. There is not enough good instructive material around. Engineering computer texts are usually away over the head of most hobbyists. Microcomputer data sheets and manuals familiarize you with a specific device and cannot be expected to give much in the way of programming technique.

The four Scelbi books that are the subject of this review contain a rare mixture of useful programs and substantial illustration of technique. If you use them as texts and study them without skipping, you will be much more confident when you approach your next programming task. Minimizing memory was a secondary concern of the writers; the first was the ease of following the logic.

While the four books are written for 8008- and 8080-based microcomputers, I highly recommend them for owners of any type computer. If you want to run the programs on your machine they can be converted, which although a fairly tedious job, is much easier than starting from scratch. It is an unbeatable educational experience to boot.

And I practice what I preach since I have taken the floating point arithmetic package from *Machine Language Programming for the 8008 and Similar Microcomputers* and converted it to run on the JOLT microcomputer that uses the MOS Technology 6502 μ P. The manageable game programs presented in *Scelbi's First Book of Computer Games for the 8008/8080* is an ideal place to start such a try at translating from one instruction set to another because of their uncomplicated fundamental structure.

Now to the books themselves. *Machine Language Programming for the 8008 and Similar Microcomputers* starts out at the most basic level of any of the texts and proceeds through a sophisticated program development. The manual begins with a description of the instruction set of the 8008 and talks about flow charts and hand assembly techniques. It covers 2's complement number representation and methods of converting between octal and decimal base number systems. Moving on, the manual demonstrates common programming problems by listing and explaining fully table search and sorting routines. Mathematical operations follow and more importantly the floating point package I mentioned earlier. The floating-point package uses four memory bytes (8-bit words) to store each number. Three words are used for the 23-bit mantissa plus 1-bit sign, and one word for the exponent and its sign. The data input, output, multiplication,

addition, subtraction and division routines are explained in detail but in down to earth language.

Listed below is the terminal printout of my converted floating-point package. The first line beginning with the asterisk is the JOLT monitor printout following the initial carriage return. Next the program counter is set to 0100 using the colon alter command.

```
* 7052 30 2A FF 01 FF
: 0100
.G 12 x 12 = +0.1440000E+03
144 / 12 = +0.1200000E+02
123456E10 + 876543E10 =
+0.1000001E+17
99999.9 - 11111.1 = +0.8888883E+05
1E6 x 22.2 = +0.2220001E+08
1E7 / 10 = +0.1000000E+07
1E9 / 1E-4 = +0.1000000E+14
10 - = +0.1000000E+02
10 - 1 = +0.9000000E+01
12E30 x 20E-2 = +0.2400009E+31
```

Following the command prompting dot on the third line is the G or go command that starts program execution. The input data routine accepts numbers in integer, fixed point, and scientific notation. E stands for exponent and signifies that the succeeding digits are powers of ten. 1E-4 is 1×10^{-4} or 0.0001. Output is always in the normalized form $\pm 0.-----E \pm n$. Seventh place inaccuracies are caused by accumulated conversion errors and can be eliminated by a little more work.

As with all four books a complete assembled listing for the 8008 is given. The other three have dual listings for both the 8008 and 8080. Published in a large $8\frac{1}{2} \times 11$ -inch format, the 200-page edition is priced at \$19.95.

Scelbi's First Book of Computer Games for the 8008/8080 includes complete descriptions and program listings for Space Capture, Hexpaw and Hangman.

Space Capture uses an eight by eight space checkerboard in which you must capture an alien ship by surrounding it with PHASOR hits. The initial program message describes the game perfectly:

```
"SPACESHIP CAPTURE. YOU
HAVE 15 PHASOR SHOTS WITH
WHICH TO DESTROY MY TRAVEL
SECTORS. IF ALL MY ADJACENT
SECTORS ARE DESTROYED I AM
CAPTURED. IF YOU HIT ME OR
RUN OUT OF PHASOR ENERGY,
THEN YOU LOSE!"
```

Messages are stored one character per word in a contiguous block of memory. Messages are separated by blank characters. You can shorten the statements to conserve memory or alter them to your own taste.

Hexpaw is a simplified chess game that uses a 9-square board with three pawns on

each side. The game is won by getting one of your pawns to the opposite side of the board or destroying all the computer's men.

Hexpawn is very instructive in technique because the computer learns as it plays. At the start of the first game the computer is literally empty-headed and loses easily. But every time the machine makes a mistake and loses it remembers the error by blanking out the move in a memory table. The next time the same situation is encountered the computer will not repeat the mistake. It reaches the point where you can no longer win—the best chance you have is forcing a draw.

Moves are printed out with three octal digits representing either side's board positions. Memory storage requirements are five 256-word pages and can be reduced to under four pages by shortening text messages.

Hangman is the familiar word game of the same name. One of a series of words stored in memory is randomly selected by the computer. The game offers tremendous language learning possibilities. By starting with the simpler words of a language you are studying and then gradually increasing the difficulty of the vocabulary you learn while enjoying yourself.

An 8-bit word-buffer holds the word selected from the list. The guess-buffer is initially filled with hyphens which are replaced with letters from the word buffer as matches occur between the word buffer and the guessed letter. A program loop sequentially tests the characters in the word buffer for a match.

The printout below shows how Hangman

looks on the terminal. Scelbi's computer game book sells for \$14.95.

```

WANT A NEW WORD? Y
GUESS A LETTER:   A
NOPE! H———
GUESS A LETTER:   E
GOOD. YOU HAVE:   ———E—
GUESS A LETTER:   O
GOOD. YOU HAVE:   —O——E—
GUESS A LETTER:   N
NOPE! HA———
GUESS A LETTER:   P
GOOD. YOU HAVE:   —O——ER
GUESS A LETTER:   L
NOPE! HAN———
GUESS A LETTER:   T
GOOD. YOU HAVE:   —O——TER
GUESS A LETTER:   C
GOOD. YOU HAVE:   CO——TER
GUESS A LETTER:   M
GOOD. YOU HAVE:   COM——TER
GUESS A LETTER:   P
GOOD. YOU HAVE:   COMP—TER
GUESS A LETTER:   U
GOOD. YOU HAVE:   COMPUTER
CONGRATULATIONS!
WANT A NEW WORD? N
GOODBYE!
    
```

The next book is entirely devoted to a single fascinating game. *Scelbi's Galaxy Game for the 8008/8080* works with 64 sectors in space each having a matrix of 64 quadrants. You can give commands that give short and long term scans, fire torpedos and

phasors, and navigate your ship. Every move you make consumes energy and energy conservation is crucial. Then there is the additional consideration of protecting yourself with energy shields. Firing at enemy ships and missing causes immediate retaliation. Space refueling stations are scattered through space, but don't collide with one or hit one with a weapon or you are apt to run out of fuel.

Each time the game is started the space objects are distributed randomly in the sectors. Random numbers are generated by executing a sequence of arithmetic operations at high speed while waiting for the operator's response to the initial message. Even conscious effort of a knowing player has no influence on the random number.

Fourth and most complicated is the text titled *SCELBAL—A Higher Level Language for 8008/8080 Systems*. SCELBAL (SCientific ELementary BASic Language) is a form of the popular Basic computational language useful for scientific and general problem solving. The 400 8½ × 11-inch pages of SCELBAL will reveal many of the mysteries of computer art to the devoted reader. The text simplifies the program by looking at the overall plan with the help of flow charts and then expands each of the main chart blocks.

SCELBAL requires 8K of memory and includes a close facsimile of the floating-point package in the first book as an essential component. Although SCELBAL does not include extended features such as trigonometric and logarithmic functions, after a study of the book and some research in

ONE RIG DOES IT ALL!

Tube and Solid State

THE UNIVERSAL PJS-298

33KV LEADED GLASS 19" CRT

EIA recommended to protect against dangerous X-radiation

A MUST FOR TODAY'S SERVICING

ACCESSORIES INCLUDE:

- CRT 90° Extension
- Yoke Extension
- Transverter
- Convergence Load
- Universal Yoke
- Convergence Assembly
- Blue Lateral Assembly
- Anode Extension

SOLD THROUGH DISTRIBUTORS ONLY

PLEASE SEND ME MORE INFORMATION	4-77
NAME _____	
ADDRESS _____	
CITY _____	STATE _____ ZIP _____

33KV

BUILT-IN SPEAKERS

Easy audio checking

40 KV METER

50aU sensitivity monitoring

FRONT CONNECTORS

Convenient cable plug-in

\$298.98 VALUE

SPECIAL INTRODUCTORY OFFER

\$229.95

COMPLETE WITH CRT

OBSOLETE PROOF

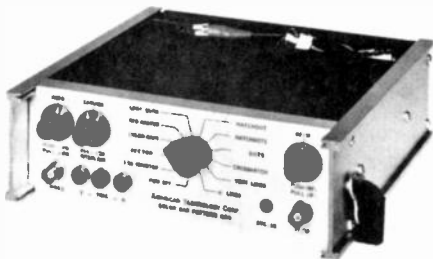
Plug in modules for up-dating

TeleMatic

2849 FULTON ST., BROOKLYN, NY 11207
PHONE: (212) 827-1500

CIRCLE 69 ON FREE INFORMATION CARD

WHY USE THE ATC-10 GENERAL TELEVISION SERVICER?



Patents Pending
covering 13 unique features.

Because for an investment of \$299.95, the ATC-10 provides most of the combined features of a conventional color bar pattern generator, an Analyst and a substitute tuner. You get time saving bonus features, too, like the RED RASTER, 3.58 MONITOR, GRAY QUAD, and multi-purpose HATCHDOTS patterns.

Al Flynn, proprietor of Al Flynn Radio TV Repair Service, Inglewood, California says . . . "Versatility makes the ATC-10 generator a money maker. The ATC-10 is what TV repairmen have needed for ten years."

Write for more information on the ATC-10 General Television Servicer, or try it at our risk.
— 30 DAY SHOP TRIAL —
(If not 100% satisfied in every way, return for instant refund in full.)

American Technology Corporation

225 Main Street, Dept. 4C,
Canon City, CO 81212.

For your convenience, we accept
Master Charge, BankAmericard
and COD phone orders.
Same day shipment!
(303) 275-8991

representing functions as truncated series, the reader should be able to add his own functions (with additional memory). No doubt periodic updates or reader submissions in this vein will be published later on.

SCELBAL has three basic modes of operation. Most significant is stored program operation where line numbers are typed at the beginning of each line. These are stored for later execution using the RUN command. The second mode is direct execution. If line numbers do not precede the statements they will be executed immediately after the carriage return. In this mode the program operates something like a calculator.

Third is the command mode. SCELBAL

detects four commands. Entering LIST triggers a printout of your program. SAVE and LOAD store and reload programs stored on paper tape, magnetic tape cassettes, or any external storage device. SCR clears the program buffer and variable storage memory areas in preparation for a new program.

User programs can contain 26 variables but more can be handled with the extended array capability. 8K of memory leaves about 1250 words for higher level program storage. The SCELBAL manual is priced at \$49.95.

All four publications are available from Scelbi Computer Consulting, Inc., 1322 Rear-Boston Post Road, Milford, CT 06460. **R-E**

Heathkit AA-1640 Power Amplifier



CIRCLE 50 ON FREE INFORMATION CARD

IF YOU ARE DIGITALLY DEXTEROUS, DETERMINED, dauntless, patient, possessed of intellectual curiosity and like to accept challenges, here is THE project for you—the Heathkit model AA-1640, a 200-watts per channel stereo power-amplifier.

If you like the feeling that there's a worthy reward at the end of a demanding project, the AA-1640 will more than satisfy it. In fact, you're likely to feel that you actually did little to earn such a large reward for your efforts and time.

My "journey" with the AA-1640 was not a smooth one. While I worked with great care and patience, it was still possible to commit "boo-boos." While I found the instruction manual complete in terms of installation details, I found it confusing in a number of spots. While Heath comes on strong with a pledge that it will be a "silent partner" in your project, its implementation of that partnership leaves a bit to be desired.

Construction

My total investment of time was 70 hours—a lot to spend on a single project. But it was done pleurably, over a period of two months, in working sessions of one to two and a half hours. The latter is the maximum I would recommend; going beyond that can put a strain on your concentration capabilities and could easily result in mistakes. In fact, the company advises you to "proceed at a leisurely pace . . . to avoid getting tired from working too long at one time." Actually, I found myself wanting to go beyond a two and a half hour maximum; this, I hear, is called "kit fever"—a driving impulse

that keeps you going beyond reasonable limits.

Were I to build another AA-1640, I could lower the time figure by about 15 hours. I'm certain an experienced kit builder could put the unit together in 50 to 60 hours at the outset. I found myself spending a lot of time rechecking parts numbers and hardware sizes because of an overly cautious nature. To show you the amount of parts/hardware involved, it required over three hours to initially check them against the packing lists.

One of the first things that impressed me about the AA-1640 amplifier was the way it was packed. It came in three boxes. One contained the meters and related circuit boards. Another contained a single item—the power transformer, a 25-pound "monster." The third contained the rest of the kit. Splitting the kit enabled Heath to ship via United Parcel, a company noted for handling electronic products with care. Packing the kit in three boxes also substantially reduced the chances of internal damage, as for example, the power transformer loosening from its moorings and slamming into a lighter, more vulnerable part of the kit.

The second thing that impressed me was the sense of security I had after reading a note from Bob Ellerton, Technical Consultant, "your personal consultant during the assembly and checkout of your kit . . . we're partners in the project." While I'd built two other electronic kits several years ago—an integrated amplifier and a stereo tape recorder—I still had a certain amount of stage fright. The note dispelled it. (My personal consultants actually were members of the Heathkit Electronic Center staff in Manhattan.)

Being a cautious type, I decided to "ground" myself before starting by perusing the construction manual. Again I was impressed, this time by the manual's thoroughness. Much of it is well thought out.

My first sense of reward came at the end of less than two hours of working time, which consisted of checking out one of several parts lists and wiring the test meter—a device indispensable for putting this kit together. The meter did

what it was supposed to during its checkout.

My second came an hour and a half later, on completion of the input amplifier circuit board. I was relieved to find that rewiring (and reheating) a miswired transistor had not affected its capabilities.

My third came two and a half hours later on completion of the power-supply circuit board, the largest so far. At this point I felt that I would have few problems completing the set, with no real complications as long as I steadfastly observed each nitty-gritty detail as outlined.

My first apparent trouble occurred some eight working hours later at the end of wiring the first of two output-amplifier circuit boards. The meter did not respond as it should have at one check point (page 50 of the manual)—it barely moved. Following instructions, I rechecked the entire board for solder connections, shorts, etc. Finding none, I then continued following instructions and replaced a capacitor. I got the same miniscule meter reading, nowhere near as broad as indicated in the manual. I was stumped and decided to wire the second board and see what happened when I checked it out, for comparison and as a kind of double check. I also figured that if I had trouble with it, I would take both boards to my Heathkit

consultant for help.

On completing the second amplifier circuit board, and comparing it part for part, placement for placement with the first, I ran the same checks. As with the first board I got correct meter readings at all but one check point—the same one. This suggested there might be an error in the manual, the instructions, or what have you. I headed for midtown Manhattan with the manual for help from the Heathkit center.

There I was told that while the manual reading showed a span of one-fifth of the meter scale, that the miniscule reading I had obtained was, indeed, desirable and that I had no problem. Relief! However, I left feeling a bit miffed that the manual did not spell out the fact that a virtual no-reading reading was OK.

A major disappointment occurred some 26 working hours later when I conducted the input amplifier tests (page 110 of the manual). Nothing. Zero. . . . Thinking the tuner/preamp combination was at fault, I checked it out. It worked. On rehooking the units and starting a recheck, I blew a fuse. I attributed this to having accidentally shorted the tips of a pair of bare blue wires that extended from the innards of the kit. That stopped me cold. At this point I decided to stop by the kit center for advice. There I was told that I had

probably blown two diodes as a result of my inadvertent short and was given free replacements plus a new fuse.

Wiring them in and turning on the set, I heard a momentary buzz and saw a puff of smoke. It was one of the replacement diodes. This suggested I take the amplifier in to Heath for a look-see and additional assistance.

After explaining the matter at the Heathkit center, I was told that I had probably shorted a relay that caused the diode to blow. In the process of asking for further explanation and what I might do next to correct the problem, I was informed that others were waiting for their questions to be answered and that there were phone calls lined up for the technician to answer. Rather than risk trying to comprehend a hurried, impatient explanation of what then seemed to be a complicated matter in such a hectic, pushy atmosphere, I opted to leave the unit for repair. I was told it would be ready in two weeks.

It was ready in exactly one month. I was informed that the delay was caused by a total remodelling of the Heathkit center and employee vacations. My invoice read "Fuse blown by defective D101.102 (diodes), defect caused by left-channel circuit-breaker wires not being connected. Protection board now works. Initial tests all OK, now ready

continued on page 92

Treat yourself to a new direct reading DVM today.



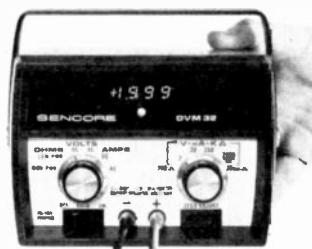
DVM35

POCKET PORTABLE
ANALOG REPLACEMENT
3-digit, 1% DCV,
Battery or AC
Only \$134



DVM36

LAB ACCURATE
POCKET PORTABLE
3½ digit, .5% DCV,
Battery or AC
Only \$158



DVM32

BENCH & FIELD MASTER
3½ digit, .5% DCV,
Battery or AC
Only \$198



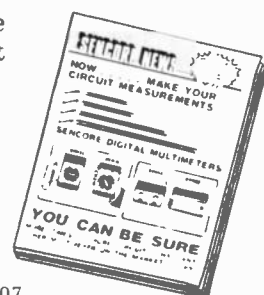
DVM38

"PRIME" STANDARD
AT YOUR FINGERTIPS
3½ digit, .1% DCV,
Auto-Ranging
Only \$348

A COMPLETE LINE OF DVMs TO FILL YOUR EVERY NEED OR WANT.

You can be sure more times in more circuits, under more adverse conditions, with greater versatility, accuracy, and meter protection than any other digital multimeters on the market today; and for less money too. 10 Day Free Trial: Try any of these famous DVMs for 10 days. If the DVMs in use don't prove exactly what we say, return them to your Sencore FLPD Distributor.

Want more information? We would like to tell you all about the Sencore DVMs by sending you a 24-page Sencore News, a six-page brochure, and the name of your nearest Sencore Distributor today . . . simply write or circle reader's service number.



3200 Sencore Drive, Sioux Falls, SD 57107

SENCORE

CIRCLE 20 ON FREE INFORMATION CARD

C & S MARKETING ASSOCIATES

You will never need crystals again with
the Bearcat 101 Scanner

BEARCAT 101 SPECIFICATIONS



FREQUENCY RANGE
 LOW BAND 30-50MHz
 HIGH BAND 148-174MHz
 UHF BAND 450-470MHz
 "T" BAND 470-512MHz
 HAM BAND 146-148MHz

MAXIMUM USABLE FREQUENCY RANGE
 All of the above plus UHF frequencies from 416 to 450MHz

SIZE 9" W x 3 3/8" H x 7 1/4" D
 WEIGHT 6 lbs 4 oz.
 POWER REQUIREMENTS 117 v ac, 30 w
 AUDIO OUTPUT 3W RMS
 ANTENNA Telescoping (supplied)
 SENSITIVITY 6uv for 20 db s/n ratio on L and H Bands U Bands slightly less
 SELECTIVITY Better than -60db @ 25kc
 SCAN RATE 20 channels per second
 JACKS External antenna and speaker

SUGGESTED LIST PRICE
\$349.95

OUR PRICE
\$309.95

- Squelch Control
- Volume Off-On Control
- Combined Man-Scan Channel Select Switches
- Light Emitting Diode Channel Indicators
- Channel Lock-Out Program Switches
- Program Ready Switch
- Program Enter Switch



BEARCAT HAND-HELD

SUGGESTED RETAIL PRICE
\$129.00 WITHOUT CRYSTALS

OUR PRICE
\$129.00 WITH CRYSTALS OF YOUR CHOICE

SPECIFICATIONS

Size: 2.4" W x 6.5" H x 1.1" D
 Weight: 12 ozs.
 Power Requirements: 6 Vdc (4 penlight batteries)
 5 Vdc (3 Nickel Cadmium batteries)
 6 Vdc external power
 0.3W maximum
 Audio Output:
 Antenna: Telescoping antenna and wire antenna (both supplied)
 Optional rubber antenna can also be used
 Sensitivity: 0.6 microvolt for 20 dB quieting (typical)
 Channels: Up to Crystal controlled channels may be scanned automatically or selected individually or any combination
 Frequency Range: Low band 30-50 MHz, total spread 8 MHz
 High band 150-174 MHz, total spread 10 MHz
 Scan Rate: Approximately 8 channels per second
 Crystals: Miniature plug-in type V-115 for easy user installation
 Accessories supplied: Telescoping antenna for both bands, coverment wire antenna
 Panel Features: Squelch control/Volume on-off control/Combined Automatic-Manual Channel Select switch/4 Channel switches/4 L.E.D. channel indicators/Antenna jack/External antenna jack/Forward facing 2" speaker
 Certified under FCC Regulations, Part #15



VOLKSMETER!

THE LM-40 0.1% Accuracy **\$190**

Full four digits.
 Less than 2" high.
 Automatic zeroing.
 Automatic polarity.
 Low power: < 3W.
 MOS/LSI construction.
 Low, low price.

TEXAS INSTRUMENTS CALCULATORS

SR-52 \$199.95
 SR-56 89.95
 SR-51-II 59.95
 PC-100 169.95

HEWLETT-PACKARD CALCULATORS

HP-97 675.00
 HP-67 399.95
 HP-25C 180.00
 HP-25 132.00
 HP-21 72.00



Only \$195
 With Rechargeable NiCad Batteries & Charger Unit

- Small and RUGGED—ideal for field use.
- 1 Hz resolution on low range
- Overload protection.
- Large 7-digit LED display.
- 10 Hz to 60 MHz frequency * range
- C-MOS construction.
- 30 mV sensitivity—Amateur and CB frequencies.

Ideal for audio, broadcast, amateur, CB and industrial frequencies.

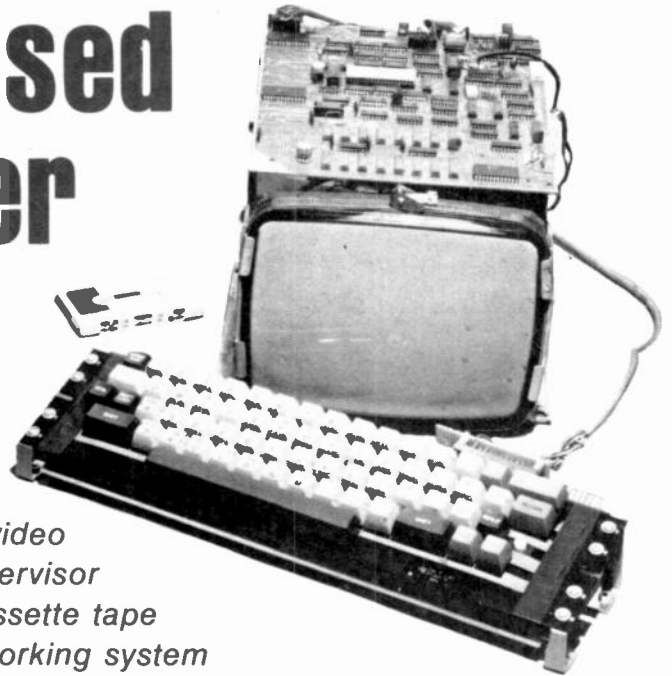
NEW!!

The FM-7 frequency range can be extended to 512 MHz with our new SC-5 Prescaler

Non-Linear Systems, Inc. 25th Year of Progress

To order call TOLL FREE 1-800-251-6771. In Tenn. call 615-528-6502
 POST OFFICE BOX 165, Algood, Tennessee 38501
 Shipping pre-paid on all orders
 Circle the reader service card for our FREE catalog

Build 2650-Based Microcomputer System



Part I. Built on a single printed-circuit board, this 2650 microcomputer contains a video and cassette tape interface and resident supervisor program. Add a keyboard, video monitor, cassette tape recorder and power supply for a complete working system

JEFF ROLOFF

AN EASY-TO-USE COMPUTER SYSTEM MUST have essentially four major sections. There is, of course, the actual processing section that usually (at least for small users) contains a microprocessor IC. There must also be input and output sections so that the processor can communicate with the outside world. The last section that is essential for a computer's operation is the memory. This is used to store programs and data, and it can be either a memory that needs to be accessed very quickly when running a program or a memory used to store information for long periods of time, such as cassette tape.

The 2650 computer project presented here has all of the above circuits mounted on a single printed-circuit board. In addition, there is a versatile supervisor program that allows you to easily create your own programs. The heart of the unit is the Signetics 2650 microprocessor. Basically, it is a simple to use microprocessor with a powerful instruction set. The input device can be any ASCII-encoded keyboard, which simply hooks to an input port of the computer. The output device is a high quality 80-character by 16-line video display generator which is fully controlled by the processor. There are also parallel input and output ports (one each) to allow you to communicate with any other peripheral device, such as a line printer or a floppy disc. The

SPECIFICATIONS

DISPLAY GENERATOR

Display Format: 16 lines of 80 characters. User programmable character generator selected by setting bit 6 of the stored data to logic-1 level. Bit 7 available for any special user application.

Method of Accessing: The processor writes correct RAM location to place a character on the screen.

Output: Composite video, 1 volt P-P nominal, 75 ohms, 7.1 Mhz.

Cursor: Written by processor just like any other character. Supervisor uses a square dot centered in character field.

Screen Blanking: During horizontal or vertical retrace, between character lines and whenever the processor is accessing the display memory.

Display Addressing: Starts (upper left hand corner) at address H1000, and ends at H14FF. As addresses are incremented, the display position moves downward.

Additional User RAM: A total of 768 bytes starting at address H1500. Actually a part of the display memory, but this is transparent to the user.

PROCESSOR

Type: Signetics 2650 microprocessor.

Buffering: All processor signals buffered for TTL fan-out of 10.

Memory: 1K bytes of PROM which contains supervisor program. 768 bytes of RAM unused by display is available for user programs. PROM is on-board expandable to 4K bytes.

Control Lines: Pause and stop-clock lines allow single stepping of programs. Disable-lines for address data, and control buses to allow DMA (Direct Memory Access) or dual processor operation.

CASSETTE INTERFACE

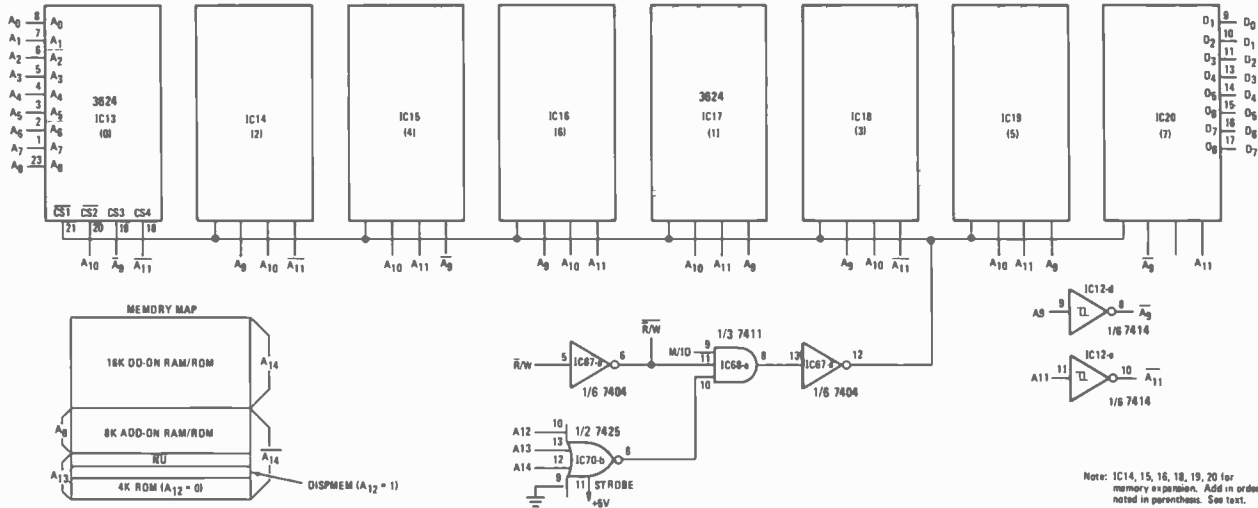
Recording Format: 300 baud, 1200/2400-Hz Kansas City Standard.

Output Voltage: 100 mV P-P.

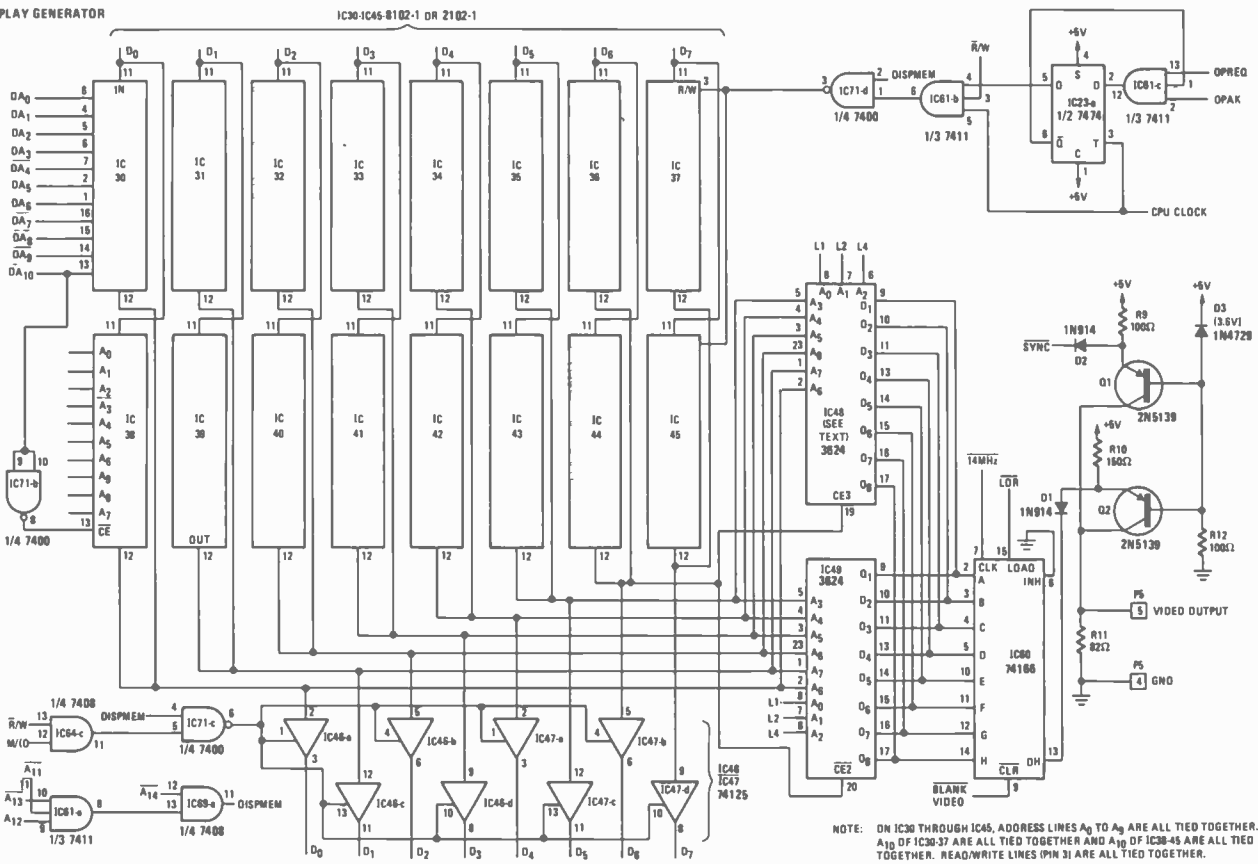
Misc. Size: 8 $\frac{1}{2}$ -inch square printed-circuit board.

Power Consumption: 3 amps at 5 volts.

ROM MEMORY



DISPLAY GENERATOR



TIMING CHAIN AND SYNC GENERATOR

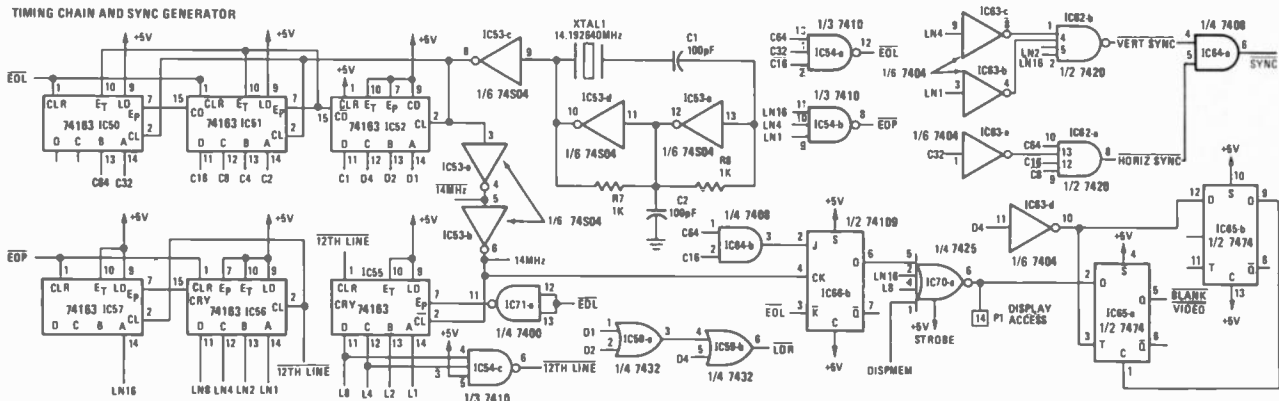
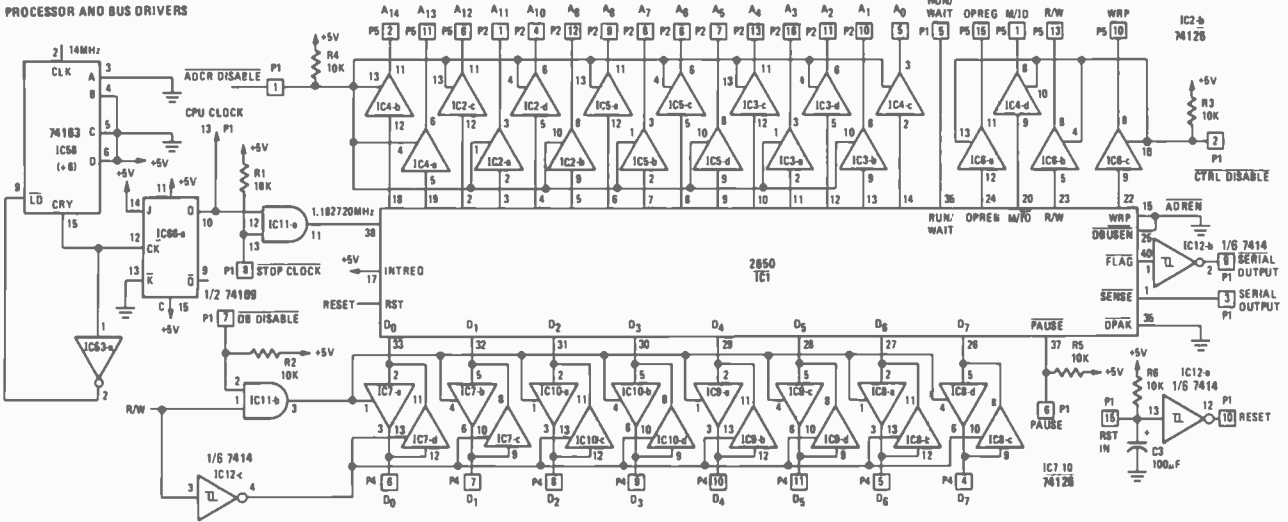
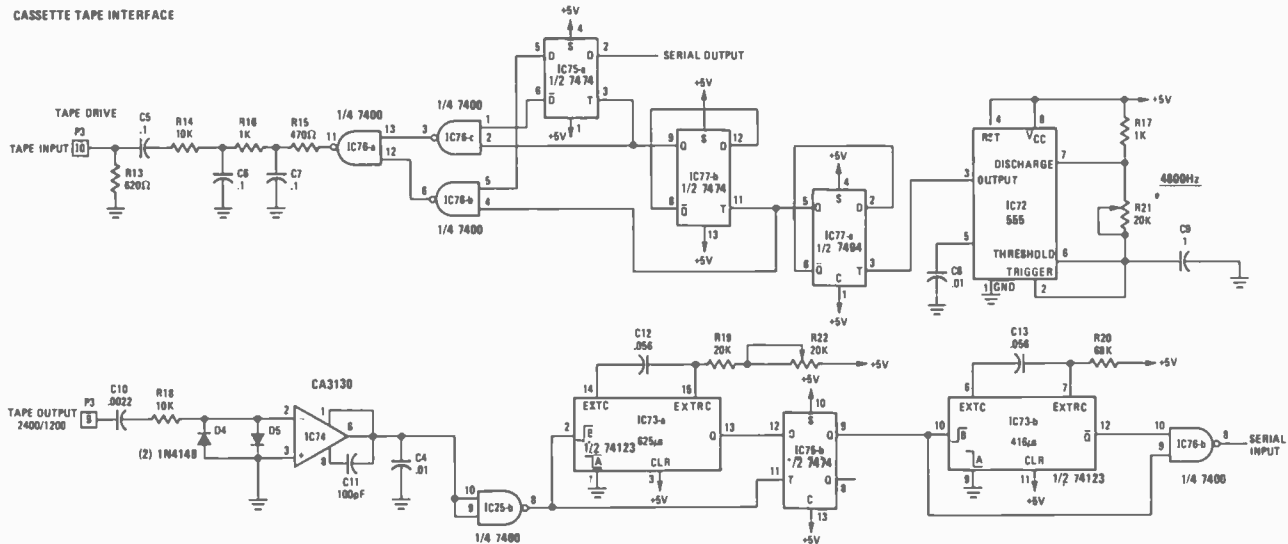


FIG. 1—COMPLETE SCHEMATIC of 2650-based microcomputer. All circuitry, including cassette-tape interface and video display generator, mount on single PC-board. Connection to peripheral devices is made via six IC sockets.

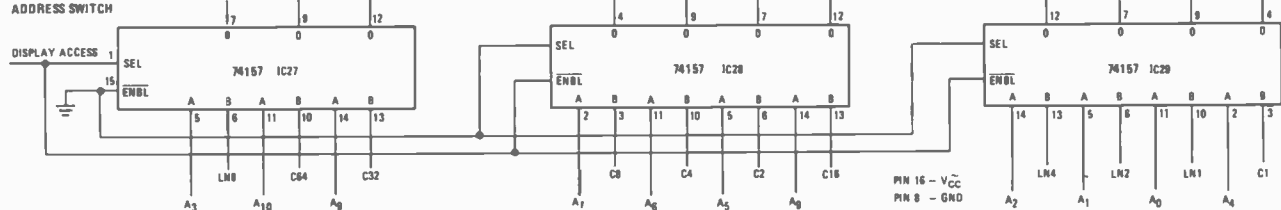
PROCESSOR AND BUS DRIVERS



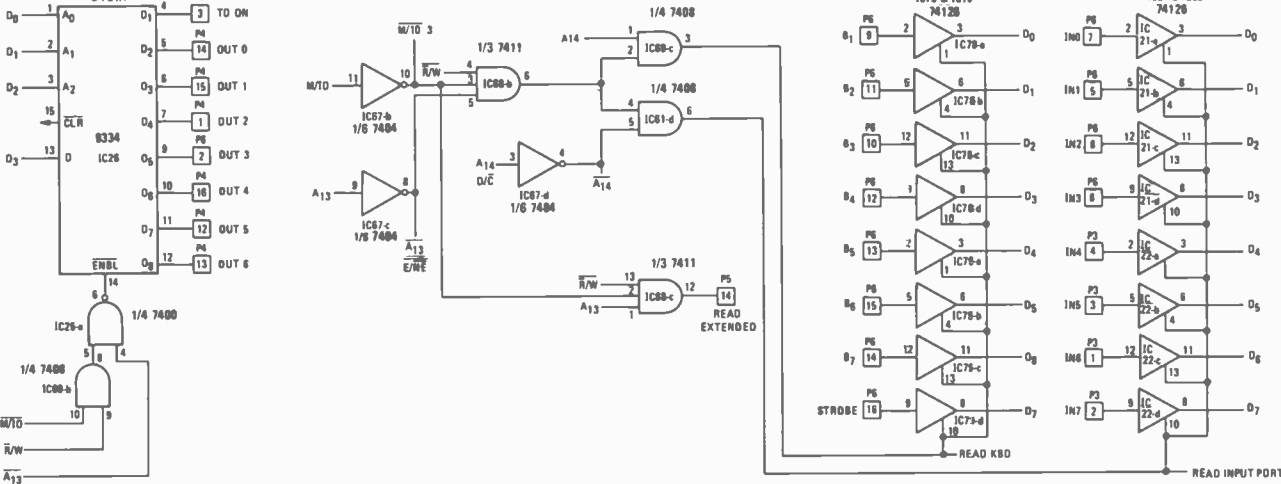
CASSETTE TAPE INTERFACE



DISPLAY MEMORY ADDRESS SWITCH



I/O PORTS



PARTS LIST

All resistors 1/4 watt, 5%.

R1-R6, R14, R18-10,000 ohms

R7, R8, R16, R17-1000 ohms

R9-330 ohms

R10-150 ohms

R11-82 ohms

R12-100 ohms

R13-620 ohms

R15-470 ohms

R19-20,000 ohms

R20-68,000 ohms

R21, R22-20,000-ohm trimmer potentiometer

C1, C2, C11-100 pF, disc

C3, C14-100 μ F, 16 volt, electrolytic

C4, C8-0.01 μ F, disc

C5, C6, C7, C9, C15-C29-0.1 μ F, disc

C10-0.0022 μ F

C12, C13-0.056 μ F, \pm 10% polyester film

D1, D2-1N914 diode

D3-1N4729 Zener

D4, D5-1N4148 diode

Q1, Q2-2N5139 transistor

IC1-2650 microprocessor (Signetics)

IC2-IC10, IC21, IC22, IC78, IC79-74126

IC11, IC64, IC69-7408

IC12-7414

IC13, IC17-3624, pre-programmed PROM containing supervisor program

IC14-IC16, IC18-IC20, IC48-3624, PROM (see text)

IC23, IC24, IC65, IC75, IC77-7474

IC25, IC71, IC76-7400

IC26-9344, 4-bit by 2-bit multiplier (Fairchild)

IC27-IC29-74157

IC30-IC45-2102-1, RAM (Signetics)

IC46, IC47-74125

IC49-3624, pre-programmed PROM

character generator, upper case

IC50-IC52, IC55-IC58-74163

IC53-74S04

IC54-7410

IC59-7432

IC60-74166

IC61, IC68-7411

IC62-7420

IC63, IC67-7404

IC66-74109

IC70-7425

IC72-555, timer

IC73-74123

IC74-CA3130

XTAL1-14.192640 MHz series-resonant crystal

MISC.—One 40-pin DIP socket for IC1, six 16-pin DIP sockets and printed-circuit board.

The following parts may be ordered from: Central Data Company, P.O. Box 2484, Station A, Champaign, IL 61820.

IC49-3624, pre-programmed PROM character generator, upper case, \$27.

IC13, IC17-3624, pre-programmed PROM containing supervisor program, \$27 each.

PC board, predrilled and etched, \$30.

An assembled and tested microcomputer board, \$325.

number of ports can be easily expanded to 256.

The on-board memory consists of 1024 bytes of PROM used to store the supervisor program along with 2048 bytes of RAM used for the video-display generator and for program storage. The external storage device is a cassette-tape recorder. An on-board cassette-tape interface IC is provided that uses the 1200/2400 Hz, 300-baud standard to store the data. When the cassette interface is not being used, data lines are available for serial I/O (Input/Output) data transfer. The computer operates off of a single +5-volt supply. When it comes right down to it, all that you need to get rolling in microcomputers is the board described in this article, plus an ASCII-encoded keyboard, a video monitor, a cassette-tape recorder and a power supply.

Something more should be said about the supervisor program at this time since it pulls all of the hardware together to form a simple to use computer system. The program allows you to have cassette-tape input or output to or from any memory block (in a standard format, in any length that you want), display or change memory, set a software breakpoint (stop) address, inspect and set the CPU registers, and jump to any memory location to execute your program.

Theory of operation

Figure 1 shows the schematic for the 2650 microcomputer system. Because of the architecture of the 2650 microprocessor, the Processor and Bus Drive circuit is very simple. All of the output lines of the 2650 are buffered by tri-state buffers, and the data bus is buffered in both directions, with only one set of buffers being enabled at a time.

Figure 2 shows the timing relation-

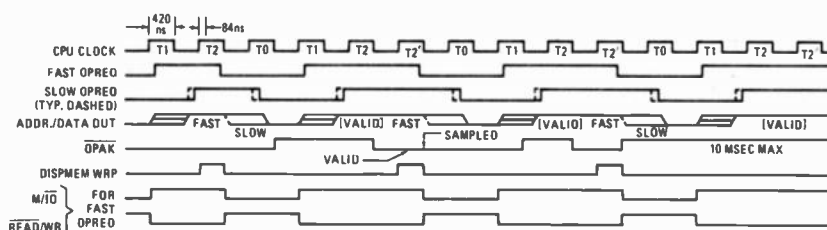


FIG. 2-2650 MICROPROCESSOR timing relationships.

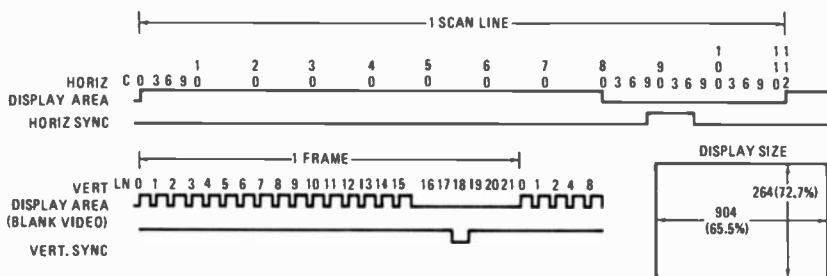


FIG. 3-TIMING DIAGRAM of horizontal, vertical and sync signals supplied to video monitor.

ships for the 2650 microprocessor. Note that both OPREQ (operation request) and the address lines become stable somewhere in an interval of about 600 ns, depending on the individual 2650, the temperature and the power supply voltage. The 1.18 Mhz TTL clock for the 2650 is derived from the output which is a division of the 14-MHz master oscillator used in the display unit.

Because the microprocessor and the display unit use the same RAM (unless you expand the RAM), a priority arrangement for the memory had to be devised. Since the processor could be in the middle of an access when the display needs the memory again, the display checks to see if the processor is accessing RAM, and if it is, the display waits. After the processor is finished accessing the memory, the processor is locked out from accessing the memory again until the display is through. The



FIG. 4-COMPOSITE VIDEO SIGNAL supplied to video monitor.

display releases the memory to the processor whenever it is doing inter-line or vertical blanking, which accounts for about 53% of the time. Therefore, the processor runs at about half-speed when continually accessing the display memory, which is very seldom. When the display is using the memory, pin 36 (OPAK) of the 2650 is high.

Data is transferred between the processor and peripheral devices via the parallel input and output ports. The keyboard should be hooked to the input port by connecting it to the correct pins of plug P6. The data from the keyboard is read by the READ DATA command. The other input port is read by a READ CONTROL command. The bit settable

output port is accessed by the WRITE DATA instruction.

The Timing Chain and Sync Generator circuit divides the 14 Mhz clock in several stages to form the various signals needed to interface with a video monitor. Derived from these divisions of the master clock are the signals HORIZONTAL SYNC, VERTICAL SYNC, and BLANK VIDEO (composite blanking). Figure 3 shows the relation between the vertical and horizontal timing and the sync pulses.

The Display Memory circuit consists of sixteen 2102-1 RAM IC's and up to two 3624 PROM's. The 3624 PROM's are used for both the character generators and the supervisor program (as opposed to 1702's) so that the whole system could run off of a single supply. The use of PROM's for character generators also allows you to create your own characters, symbols or limited graphics. If bit 6 of the ASCII data is low, it selects one of the character generators (IC49), while if it is high it selects the other (IC48). The outputs of the character generators are fed into a parallel-to-serial converter where they are sent out at a 14 Mhz rate. They are then mixed with the sync pulses to form the composite video signal that is sent to the monitor. The video output voltages are shown in Fig. 4.

Since the processor and the display share the display memory, the address lines of the display memory must be switched between the processor address bus and the display timing generator. The Display Memory Address Switch circuit does this. When the Display Generator is not writing characters (and therefore not accessing memory), the DISPLAY ACCESS line is low, which selects the processor address bus to be gated to the RAM. When the display is not blanking the video, however, the Timing Chain and Sync Generator circuit selects the addresses for the RAM in an ordered fashion.

There is a special pattern by which the display accesses the RAM. This pattern allows all locations of memory not used by the display section (there are 768 of these bytes) to be confined to one memory block, not just several bytes here and there scattered throughout memory. A memory map for the display is shown in Fig. 5. When the address of the RAM is incremented, the

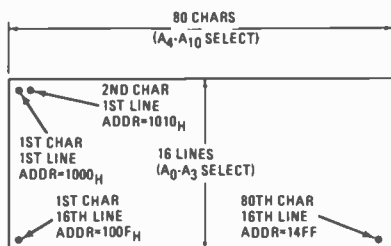


FIG. 5—RANDOM ACCESS MEMORY is simultaneously used for the video display and program storage.

PIN NO.	P1	P2	P3	P4	P5	P6
1	ADDR DISABLE	A ₁₁	IN6	OUT 2	M/I/D	GND
2	CTRL DISABLE	GND	IN7	+5V	A ₁₄	OUT 3
3	SERIAL INPUT	+5V	IN5	GND		TD-DN
4		A ₁₀	IN4	D ₇	GND	+5
5	RUN/WAIT (DUT)	A ₀		D ₆	VIDEO OUT	IN1
6	PAUSE	A ₆		D ₀	A ₁₂	IN3
7	DB DISABLE	A ₅		D ₁	+5V	IN0
8	STOP CLOCK	A ₇	GND	D ₂	+5V	IN2
9	SERIAL OUT	A ₈	TAPE RECORDER EARPHONE	D ₃	GND	B ₁
10	RESET OUT (SQUARED)	A ₁	TAPE RECORDER MICROPHONE	D ₄	WRP	B ₃
11	+5V	A ₂		D ₅	A ₁₃	B ₂
12	+5V	A ₉		OUT 5		B ₄
13	CPU CLK	A ₄	GND	OUT 6	R/W	B ₅
14	DISPLAY ACCESS	+5		OUT 0	READ EXTENDED	B ₇
15	RESET IN	A ₉		OUT 1	DPREQ	B ₆
16		A ₃		OUT 4	A ₁₃	STROBE

FIG. 6—PIN CONNECTIONS of DIP sockets used to connect microcomputer to external devices.

character on the video display moves down one line. When it gets to the bottom line, the next character is on the top line, one character to the right of the present one. Therefore, when the display memory is filled, every memory location from address 1000 to 14FF is filled with data. If you wish to write characters across a line, you must increment the address by 16, thus moving you to the right one position. So from locations 1500 to 17FF you may put your own programs and data, just as if the video display wasn't there.

It may help to show what would happen if the memory addressing scheme was worked out another way. If the addresses were incremented as the characters were being printed on a line, then addresses 80 to 127 would be left unused, along with 207 to 254 and so on to form 16 groups of 48 characters each. All of these groups are separated by 80 characters, and programs cannot be written in them unless they are less than 49 bytes long! The addressing format can be ignored by someone programming the unit, for it is transparent to the programmer. It was thought that it would be appropriate, however, to bring it out here for a more hardware oriented person.

The PROM memory consists of up to eight 3624 4K-bit PROM's that are selected as a function of the upper six address lines. The first two IC sockets (IC13 and IC17) on the PC board are usually filled with the supervisor program. It should be pointed out that other programs could be written that would allow the board to have a special purpose such as an intelligent terminal or a process controller. These programs could either replace the supervisor program or be added to the empty sockets.

The last circuit is the Cassette Interface, which connects to the serial input and output pins of the 2650 processor. The modulator consists of an oscillator and gating circuitry to allow either 1200 or 2400 Hz go to the tape recorder's microphone jack. The demodulator consists of a limiter (IC74) and two Monostable Multivibrators (IC73-a and IC73-b). The output of monostable IC73-a goes low if the input frequency is not fast enough to keep retriggering it (somewhere between 2400 and 1200 Hz). This output is latched by IC75-b, and the other monostable (IC73-b) takes care of bias and distortion problems. This output is sent to the serial input (sense) line of the 2650.

Installation

Connecting the circuit board to external devices is accomplished through the use of DIP plugs and sockets. Figure 6 shows the pin connections of these sockets.

Connection to your video monitor is made using plug 5, pins 4 and 5. Pin 4 is the ground, and pin 5 is the 1 volt P-P composite-video signal. Plug 6 is used to connect to your keyboard. The pin numbers that correspond to the ASCII data bits can be found in Fig. 6.

The strobe signal must be low going, and should ideally be active as long as the key is depressed. Note that the supervisor program will not accept a very short strobe pulse, since the software is used to detect the strobe. If your keyboard strobe is small (less than 1 ms), you can add the circuit shown in Fig. 7 to be sure that the program will catch every keypress.

Most keyboards have a strobe that lasts as long as a key is depressed, so it is then simply a matter of hooking up the

continued on page 90

XR-2206 IC Function Generator Circuits

Part I. The XR-2206 IC is a versatile function-generator with many applications. Here are some of the more interesting circuits you can try.

R. M. MARSTON

THE XR-2206 IC IS A FUNCTION GENERATOR that is capable of generating high quality sine, square, triangular, ramp, and pulse waveforms at frequencies from a fraction of a Hz to several hundred kHz with a minimum of external circuitry. The output frequency can be swept over a 2000:1 range using a single control-voltage or variable resistance. In addition, the IC has facilities for AM, FM, PSK (Phase-Shift Keying) or FSK (Frequency-Shift Keying) operations.

Manufactured by Exar Integrated Systems, Inc., 750 Palomar Ave., Sunnyvale, CA 94086, the XR-2206 is available from many distributors. It is housed in a standard 16-pin DIP and can be powered from either a single supply in the range 10 to 26 volts or a split-voltage supply in the range ± 5 to ± 13 volts. When used as a sine-wave generator, the THD is typically 2.5 percent without adjustment but can be reduced to about 0.5 percent with external trimmer controls. The sine-wave output has a typical maximum amplitude of 2 volts RMS and an output impedance of 600 ohms. The frequency stability of the IC is excellent—20 PPM (Parts Per Million)-per-degree Celsius for thermal changes and 0.01 percent-per-volt for supply voltage changes.

The XR-2206 integrated circuit has many useful applications. It can readily be used as a simple waveform generator or as a complex function generator with a variety of modulation facilities.

How it works

Figure 1 shows the functional block diagram and pin connections of the XR-2206. The heart of the IC is a voltage-controlled oscillator (VCO) that is driven by a pair of current switches. The VCO's main timing-capacitor is wired

between pins 5 and 6, and can have any value in the range 1000 pF to 100 μ F. The VCO's main timing resistor is wired between the negative supply voltage (V-) and pin 7 or pin 8 of the IC. The resistor can have any value in the range 1K to 2 megohms.

The frequency of oscillation, f_o , is determined by the external timing-capacitor C_T and by the timing resistor R_T . The frequency is given as:

$$f_o = \frac{1}{R_T \times C_T} \text{ Hz.}$$

For optimum thermal stability and minimum sinewave distortion, R_T should have a value in the range 4K to 200K ohms.

The timing resistor can be connected to either pin 7 or pin 8, or two timing

pin-7 resistor is selected. Conversely, if pin 9 is biased below 1 volt, the pin-8 timing resistor is selected. This FSK facility enables the output signal to be switched alternately between two independently adjustable frequencies, to produce, for example, a warble-tone signal.

The VCO produces two basic waveforms simultaneously. One of these is a linear ramp that is fed to an internal multiplier and sine shaper. The other is a rectangular waveform that appears on pin 11 via a built-in buffer transistor. In very simple terms, the action of the VCO is such that the timing capacitor C_T first charges linearly via the timing resistor R_T to produce the internal rising ramp waveform. Simultaneously, the voltage appearing on pin 11 switches sharply from a low to a high state. The ramp waveform continues to rise until it reaches a predetermined threshold voltage, at which point the rectangular output switches sharply to the low state and C_T starts charging in the reverse direction via R_T to produce a falling-ramp waveform. The ramp continues to fall until a second threshold voltage is reached, at which point the rectangular output switches sharply back to its original 'high' state and the whole timing process then repeats.

The VCO produces symmetrical triangle and square waveforms if the same timing resistor is used to control both charging cycles of the timing capacitor. Alternatively, if the rectangular output waveform appearing on pin 11 is connected to the FSK terminal (pin 9), the VCO will automatically switch between the pin-7 and pin-8 timing resistors on alternate half cycles. If timing resistors with different values are used, the IC will simultaneously produce non-symmetrical linear-ramp (or

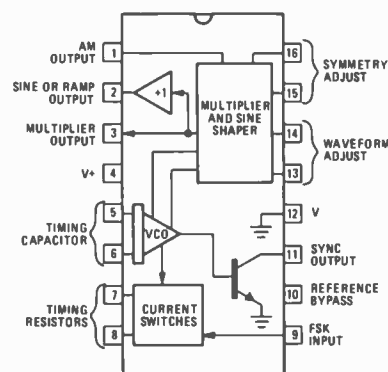
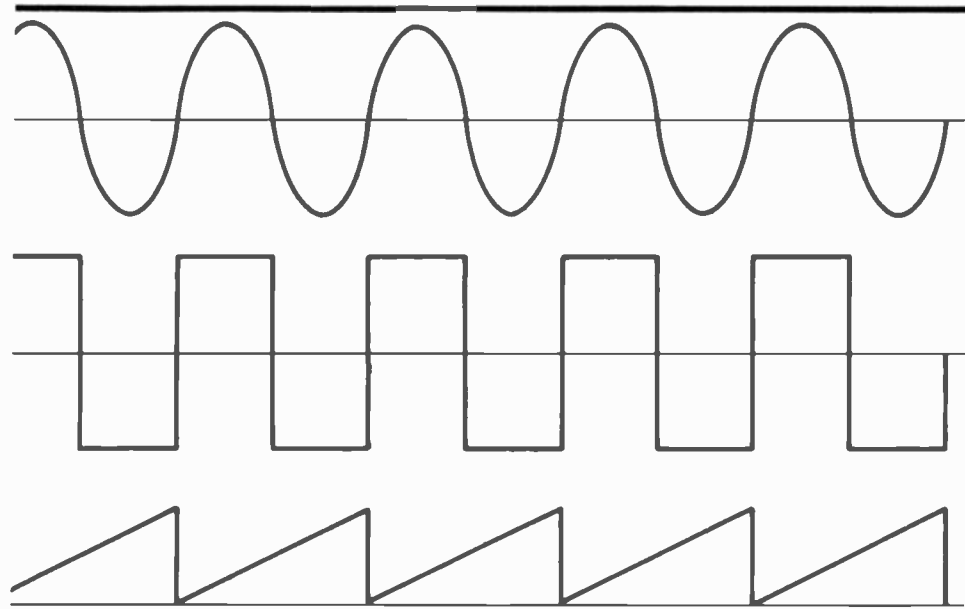


FIG. 1—XR-2206 FUNCTION GENERATOR, block diagram and pin connections.

resistors with different values can be connected for FSK operation. Either the pin-7 or pin-8 timing resistor is selected by applying a suitable voltage to the FSK input terminal (pin 9) of the IC. If pin 9 is open-circuited or connected to a bias voltage greater than 2 volts, the



sawtooth) and non-symmetrical square (or pulse) output waveforms.

The VCO is actually a current-controlled multivibrator, in which the timing current is controlled by the resistors connected to pins 7 or 8, or by external voltages that are connected to these pins via suitable current-limiting resistors. This makes it possible to externally frequency modulate or frequency sweep the output waveforms.

The ramp output of the VCO is fed to the multiplier and sine-shaper circuit. This circuit acts like a gain-controlled differential amplifier that provides a high impedance output at pin 3 and a 600-ohm buffered output at pin 2. With pins 13 and 14 open, a ramp waveform is available at pins 2 and 3. With a resistance of a few hundred ohms between pins 13 and 14, the circuit exponentially cuts off the peaks of the ramp signal from the VCO, producing a sinewave output at pins 2 and 3. With suitable adjustment, the sinewave distortion can typically be reduced to a mere 0.5 percent.

The gain and output phase of the multiplier can be varied by applying a bias or signal voltage to pin 1. The output is linearly controlled by variations above and below a level equal to half the supply voltage. The output is zero when the pin-1 voltage is at half the supply voltage, and rises as the voltage goes above half the supply voltage. When the voltage is reduced below the half-supply level, the output-signal level again increases but its phase is reversed. This characteristic can be used to amplitude modulate (AM) or phase shift key (PSK) the output signal of the waveform generator at pins 2 and 3.

The high output impedance of pin 3 is internally connected to the input of a built-in unity-gain amplifier stage that

produces a buffered 600-ohm output at pin 2. The input signal to the buffer amplifier (and hence the output signal at pin 2) can be varied by connecting a voltage divider between pin 3 and a ground point. This can be used to provide simple gain control of the output, or it can be used for keying or pulsing the output signal at pin 2.

A final point to note about the XR-2206 IC is that the DC level at pin 2 is approximately the same as the DC level at pin 3. Thus, the DC level at pin 2 can be shifted by applying a suitable bias voltage to pin 3. In most applications, pin 3 is biased halfway between the positive and negative supply voltages. In split-supply circuits, this means that the output signal swings about the zero-volt (common) line.

Sinewave generators

Figure 2 shows the connections for using the XR-2206 as a simple sinewave generator that is powered from a single power-supply. Here, the timing resis-

tance is provided by the series combination R1 and R2, and the output frequency can be varied over more than a decade range with any given value of timing capacitor C1. When C1 has a value of 1 μ F, the frequency can be varied from 10 Hz to 100 Hz via R1, and when C1 has a value of 1000 pF, the frequency can be varied from 10 kHz to 100 kHz. Note that the timing resistance is connected to pin 7 of the IC. This timing pin is automatically selected since the FSK terminal (pin 9) is unbiased. The circuit generates a sinewave output at pin 2, since a 220-ohm resistor is wired between pins 13 and 14. Typically, the sinewave distortion is less than 2.5% with this simple connection.

The DC level of the sinewave at pin 2 is equal to half the supply voltage because pin 3 is biased at that level by voltage divider R6-R7, which is shunted to a low impedance by C3-C4. The DC level of the sinewave signal is removed by capacitor C5. Potentiometer R5 varies the amplitude of the sinewave

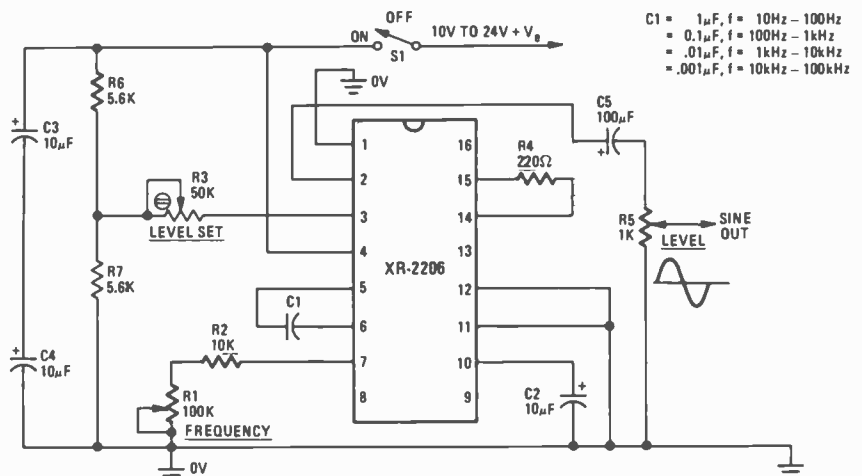


FIG. 2—SIMPLE SINEWAVE generator uses single-voltage supply.

and provides the final output signal.

The maximum amplitude of the output sine wave is determined by LEVEL PRESET control R3. To set up R3, first disconnect R4 from pin 13 so that a triangular output waveform is obtained, then decrease R3 until all clipping is removed from the triangular waveform. Note the R3 setting. Now reconnect R4 to pin 13 and check that a good sine-wave output is obtained. The maximum sine-wave amplitude can be reduced by

replacing all ground connections with the negative output of the supply, and by connecting the LEVEL PRESET control R3 directly to the common or ground line. These modifications are shown in the circuit of Fig. 3. Note that the R6-R7 voltage divider is eliminated and that decoupling capacitor C5 is no longer required since the sine-wave output signal is automatically centered at the zero volt level.

The Fig. 3 circuit also shows how the

a scope or millivoltmeter. Set the output of the generator to 1 volt RMS at approximately 1 kHz. Next, adjust the output frequency of the generator and the SET NULL control R4 of the filter to give a minimum output indication. Finally, adjust the R4 THD and R5 SYMMETRY controls of the generator to reduce the output of the filter to the minimum possible value. The output of the filter corresponds to approximately 0.1% THD-per-mV RMS. For example, if the indicator shows a reading of 5 mV RMS, the THD of the generator is approximately 0.5%.

When using the low-distortion sine-wave facility, it may be noted that the signal appearing at pin 3 of the IC is similar to the signal at pin 2, but has a lower distortion and a higher output impedance than pin 2. Also, the signal at pin 3 is closely centered on the common or ground line, while the signal at pin 2 is offset by a few hundred millivolts. The pin-3 terminal can also supply a greater undistorted signal voltage than the pin-2 terminal.

If required, DC offset can be applied to the output signal at pin 2 and pin 3 in the circuit shown in Fig. 3. This is accomplished by applying a bias to the

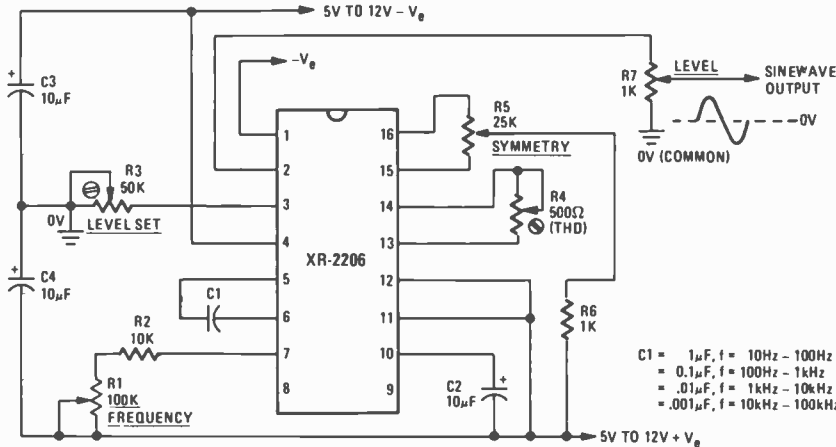


Fig. 3—HIGH-PERFORMANCE SINEWAVE generator uses split-voltage supply and has adjustments for waveform symmetry and distortion.

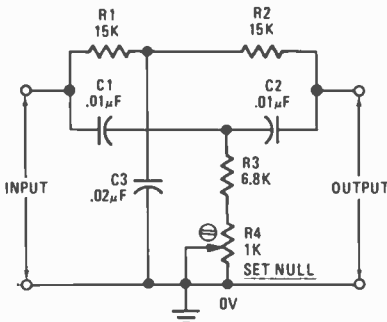


FIG. 4—TWIN-T FILTER aids in adjusting for minimum distortion.

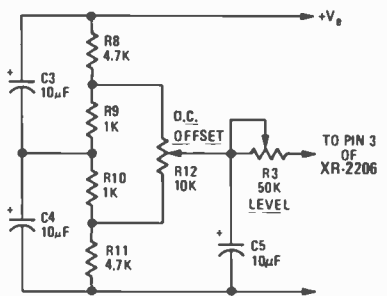


FIG. 5—ADD-ON MODIFICATION for applying a DC offset to the output signal in the Fig. 3 circuit.

moving R3 below the noted setting, but the amplitude must not be increased by moving R3 above this setting. Sine-wave distortion may be reduced below the typical 2.5% value by carefully adjusting the value of R4.

The circuit shown in Fig. 2 can be used with any power supply in the range 10 to 24 volts. The circuit can be modified for split-supply operation by

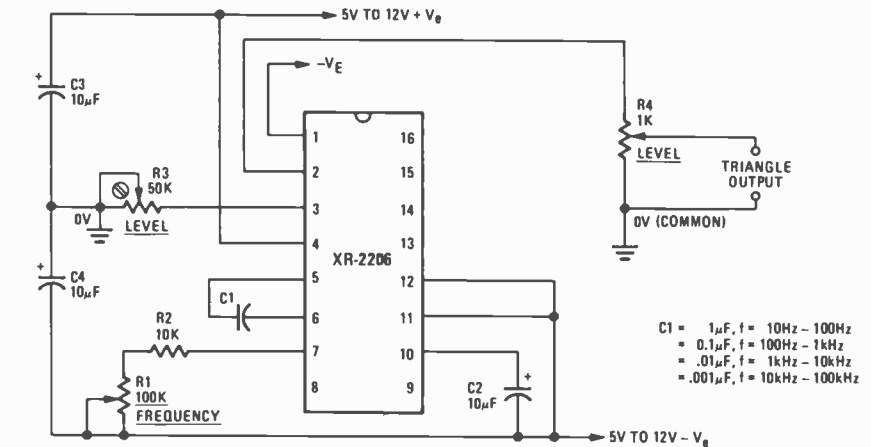


FIG. 6—TRIANGULAR WAVEFORM generator provides a variable-frequency output signal.

total harmonic distortion (THD) of the sine wave signal can be reduced to a typical value of 0.5% with the aid of R4 and R5. Here, R4 trims the THD and R5 is a symmetry adjust control. These controls must be adjusted alternately to give the best sine-wave output waveform, after first setting R3 to give a non-clipped triangle waveform as described earlier.

In the absence of a distortion meter, the simple twin-T 1-kHz filter shown in Fig. 4 can be used in conjunction with an oscilloscope or millivoltmeter to set the sine-wave generator for minimum distortion at 1 kHz. The procedure for using the filter is to apply the sine-wave output of the generator to the input of the filter and connect the output of the filter to the input of an indicator such as

ground side of R3 as shown in the add-on circuit of Fig. 5.

Triangle and squarewaves

The XR-2206 IC can generate triangular waveforms by using the basic circuits of Figs. 2 and 3 without the sine-wave shaping resistors. Figure 6 shows the practical circuit of a variable-frequency split-supply triangular waveform generator. When used with a 9V-0-9V supply, the unloaded output will provide a signal amplitude of about 12 volts peak-to-peak before clipping occurs.

Fixed-amplitude squarewave signals can be generated, either independently or simultaneously with sine or triangular waveforms, by simply wiring a load

continued on page 89

Turn-On Appliances Via Long Distance

An add-on device that enables you to turn on and off appliances or sequently turn on multiple appliances by ringing your telephone

THE TELEPHONE IS PROBABLY ONE OF THE most important of all those appliances that can have a bearing on our daily lives; yet it is the one most often taken for granted. We usually think of it as merely a means of communication but in this article we will see how the telephone can become a "Magic Genie" that can control many simple household tasks while we are away from home.

The project described in this article is designed to operate with the ordinary house telephone. To better understand how it works, we must first look at the basic phone instrument and see how it operates.

One of the more common telephones in use today is the *model 500* used in the Bell Telephone System. It is the model that will be considered. A typical schematic of the 500-type telephone is illustrated in Fig. 1.

Sound is picked up by the telephone transmitter (microphone) as variations in pressure caused by a vibrating diaphragm. Sound is reproduced in the telephone receiver. It contains an electromagnetic earphone.

It's possible to make a telephone with just the receiver, transmitter and some additional switches. But such an instrument would be difficult to use because your voice would be loud in your receiver and low in the receiver of the party you were talking to. The same thing would be true on the other end. To eliminate this, telephone engineers have included varistors in the telephone instrument. (Varistors are voltage variable resistors in which the resistance varies inversely with the voltage.) So if

JAMES GUILDER

the voltage across a varistor increases, the resistance decreases and vice versa. This means that the average voltage across the receiver in the phone remains relatively constant. The voltage produced in your receiver by your microphone is reduced to the same level as the voltage coming from the distant microphone.

In Fig. 1 varistor RV1 suppresses dial pulse clicks in the receiver. The balancing network, composed of varistor RV2,

resistor R2, and capacitors C2 and C3 with the windings of the induction coil, forms a hybrid arrangement that provides simultaneous two-way operation over a two-wire circuit. Capacitor C1 and resistor R1 make up a dial pulse filter to suppress high-frequency interference to nearby radio receivers. Varistors RV2 and RV3 with R1 also reduce the efficiency of the transmitter on short loops from the central office to maintain satisfactory transmission volume. All of the components marked with an asterisk (*) are located within the network block

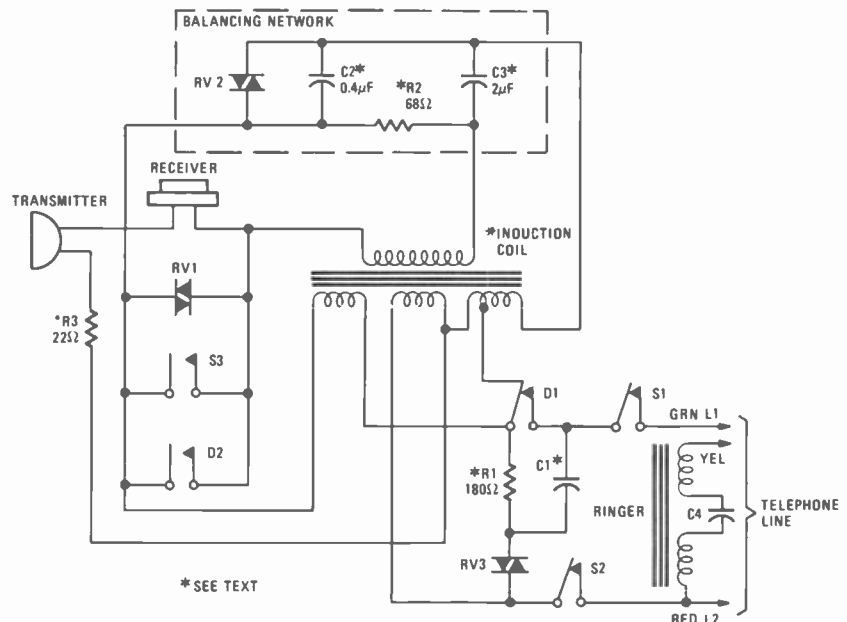


FIG. 1—500-TYPE TELEPHONE contains transmitter, receiver and network for balancing the signal level between the two.

located inside Western Electric and ITT telephones. In phones produced by Automatic Electric, these components are on a printed circuit board in the phone.

While most telephones have three wires coming out of them—green (L1), red (L2) and yellow—the green and yellow wires are often connected together. The yellow and red wires are used to make the telephone ring. To do this, between 60 and 90 volts at 20 Hz is applied to the ringer, which consists of two coils in series with a capacitor. The ringing coils of the bell and capacitor C4 are designed so that once the bell starts to ring, the ringing signal is reinforced and even a small electrical current will cause the bell to continue to ring.

The ringer assembly is connected to the telephone line at all times because it is connected before the hook switch that disables the rest of the telephone until the receiver is lifted off the hook. If the telephone company wants to determine how many phones are connected to a line, it either measures the capacitance of the line or the current drawn during ringing.

When the receiver is lifted off the

hook, switches S1 and S2 close, while switch S3 opens. When S1 and S2 close, the phone resistance, that normally varies between 600 and 900 ohms, is placed across the line. The 48 volts across the line when the phone is on the hook drops to about 5 volts.

To dial a phone number, the line must be interrupted (opened and closed) at a repetition rate of 10 pulses per second. This is done by contact D1, located on the back of the telephone dial. If, for example, the number 7 is dialed, D1 (normally closed) opens and closes 7 times. While this is happening, D2 stays closed. The moment the dial is moved from its normal resting position, contact D2 closes and stays closed until the dial returns to its resting position. This short circuits the receiver to prevent the dial clicks from being heard.

Build the Teleswitch

How would you like to be able to call your house after an evening out, turn the electric coffee pot on, and have a fresh pot of hot coffee waiting for you when you get home? Or maybe you'd like to turn the lights on and off in your

house while you are away on vacation so potential burglars won't realize that you are not home.

You can do these things and more with Teleswitch. If you want to, you can turn on a whole series of devices in sequence, just by making one phone call every time a device is to be turned on. And the best part of the whole thing is that you do not get charged for a phone call, even if it is long distance. The reason for this is that Teleswitch does not answer the phone. It simply uses the ring signal to activate whatever devices are connected to it.

Do not worry about anyone else turning things on accidentally. Teleswitch is designed so that unless the phone rings *exactly once*, and *only once*, nothing will happen.

There are two versions of Teleswitch: sequential, multiple-device and on/off switching. The sequential type will turn on a series of electrically operated appliances one after the other. This is good if you have several things to control remotely such as an electric coffee pot, warming tray, lights, etc. The disadvantage of this device is that to turn something off, it requires a sepa-

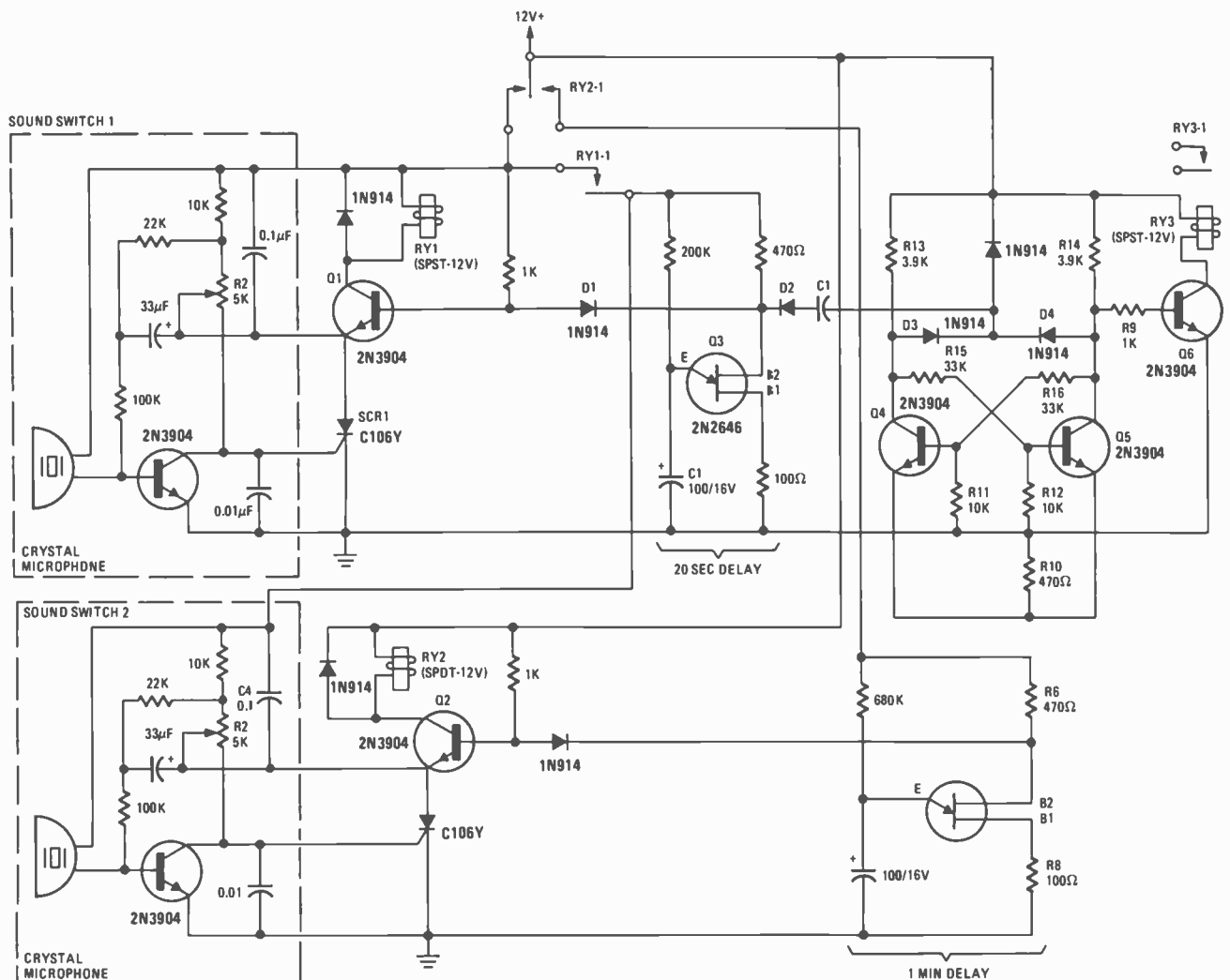


FIG. 2—ON/OFF-TYPE TELESWITCH responds only to single telephone ring.

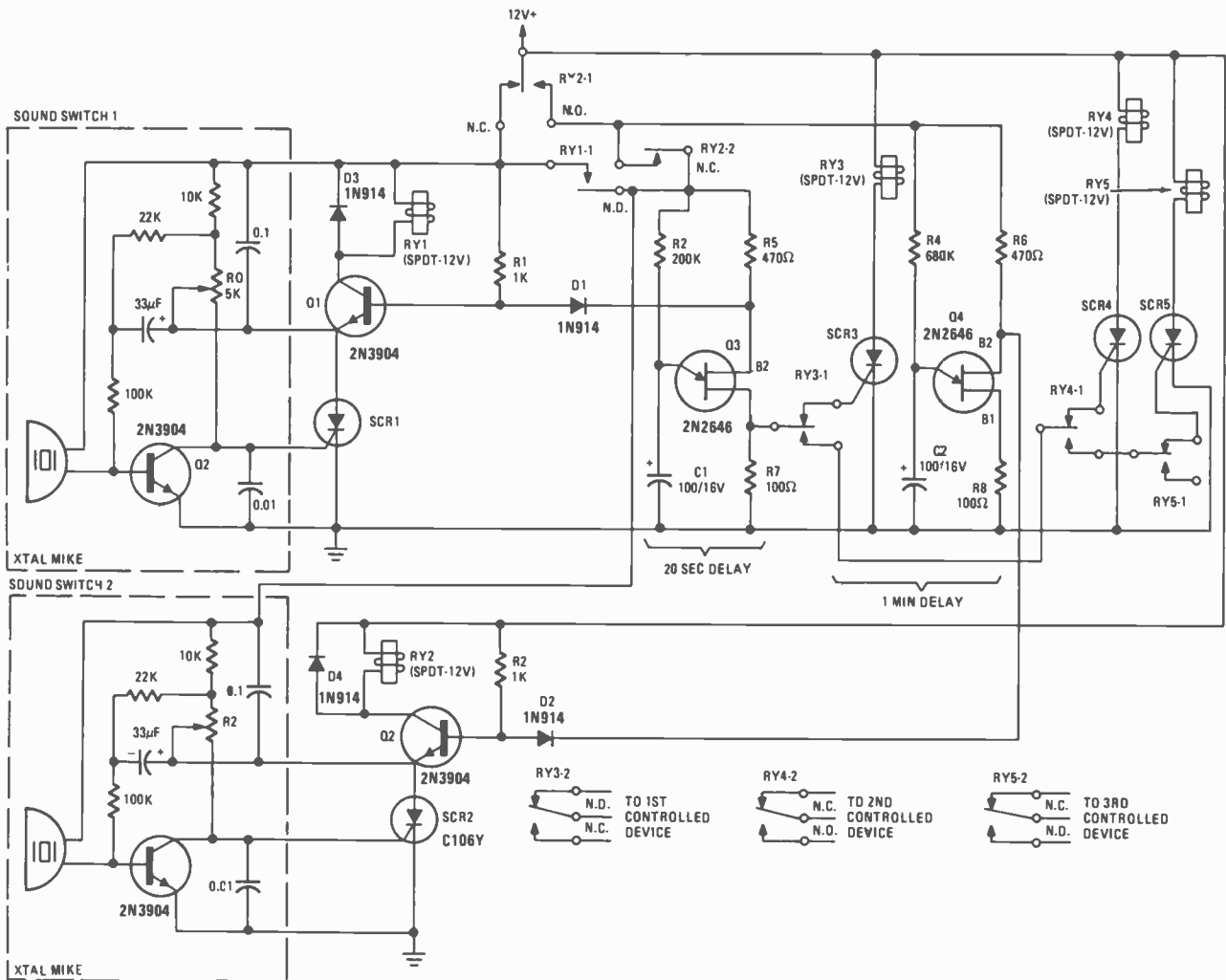


FIG. 3—SEQUENTIAL-TYPE TELESWITCH sequentially turns on multiple appliances.

rate relay in the sequence chain.

This turn-off problem can be eliminated if you are only interested in turning one device or group of devices on and off together. This configuration uses a flip-flop circuit to control a relay that turns whatever is connected to it on and off. The first time you dial, it turns the device on. The next time, it turns it off.

About the circuit

This device uses two sound switches. When the telephone rings the crystal microphone picks up the sound of the bell and triggers SCR1 which closes relay RY1 (Fig. 2). Transistor Q1 is held on by resistor R1 and is used to reset the sound switch by applying a negative pulse to its base.

When RY1 closes, its contacts apply voltage to the second sound switch and to a 20/second unijunction timer circuit.

If the telephone rings only once, which is what happens if you place a call to turn something on, capacitor C1 has enough time to charge and trigger unijunction transistor Q3. The time required for C1 to charge is determined by the R3-C1 combination. The values

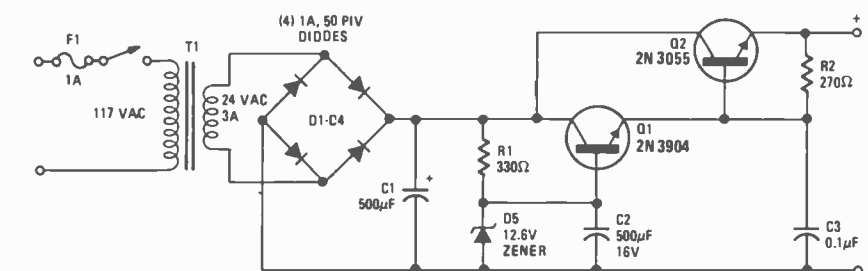


FIG. 4—POWER SUPPLY FOR TELESWITCH. Output voltage is determined by Zener diode. Power is taken from 117 VAC line.

shown give a delay of about 20 seconds.

When Q3 is triggered, it produces a pulse that is used to turn SCR3 on and Q1 off. SCR3 latches relay RY3 on. One set of contacts on RY3 is used to prepare the circuit to trigger SCR4 on the next signal. This is done by transferring the gating pulse from SCR3 to the gate of SCR4 or SCR5, etc. The other set of contacts of RY3 are used to control the first item to be turned on.

While all this is happening capacitor C2 is building up a charge. When the charge on C2 reaches the triggering voltage for unijunction Q4, a reset pulse is generated that resets the sound switches by turning off Q2 and SCR2

and de-energizing RY2 if the call was not a legitimate control signal. The components used produce a delay of about 1 minute from the time the phone first rings until the reset pulse is generated.

What this means is that sequential devices cannot be activated unless there is an interval of at least 1 minute. This delay helps prevent accidental activation by random phone calls.

On-off switching

For on/off switching, the second version of Teleswitch, shown in Fig. 3, should be used. It is similar to the sequential type in that it uses two sound switches and two unijunction transistor

Ma Bell, the FCC and You

There is a gray area of regulatory conditions surrounding the use of privately-owned telephone equipment on telephone company lines. The famous 1968 "Carterfone Decision," that permitted attachment of privately owned "foreign" equipment to the telephone lines, was not a Federal Court decision as most people believe. The Federal Court referred the case to the Federal Communications Commission because of its technical nature. Thus the decision was only an FCC opinion, and not a court ruling.

That decision was against the restrictive practices of the telephone company and said, essentially, that the attachment of customer-owned "foreign" equipment, that increases the utility of the phone to the user, should be permitted providing that such attachment does not pose a hazard to the telecommunications network, telephone company equipment, its employees, or the public.

As a result of the Carterfone Decision, telephone companies modified their tariffs, permitting such connections, but with wording inserted that requires a "voice connecting arrangement."

The FCC has since entered into hearings with the telephone companies, the state Public Utilities Commissions, and telephone equipment manufacturers to finally implement the intent of the 1968 decision. While moving slowly, progress

has been made; and in most cases, the agreements reached and the tariff changes have all been in the direction of allowing private equipment to be connected to the line. AT&T itself has changed its tariffs recently to allow certain equipment, that contains a telephone company-approved connecting device, to be connected to the line.

But these telephone company-approved devices increase the cost of the equipment sold and many people feel they are unnecessary. Experts in the field find it illogical and unreasonable for AT&T to use foreign attachments without the "voice connecting arrangement," but to require it when the identical device is purchased directly by the telephone user.

An Electronics Industry Association staff vice-president for communications and industrial electronics has reported that more than 1800 phone companies nationwide already use independently made attachments without the so-called protective devices for interconnect.

The FCC has indicated to AT&T that the Bell System should not require connecting arrangements for equipment when the same type of equipment provided by the telephone companies themselves is not connected through these voice-connecting arrangements. The Bell System, for example, offers a telephone answering machine on a rental basis and does not connect that

unit through the connecting arrangement they want to require others to use.

Many experts believe that it is now perfectly legal and permissible to connect telephone accessories to the regular phone line providing that these devices do not interfere with normal telephone operations, deprive the phone company of its lawful revenue, or create a hazard to its equipment or personnel.

The FCC's position regarding interconnect is quite clear and has been expressed many times. Even where a potential for harm exists, the FCC is determined to investigate the facts and to assure that only minimum restriction and regulations will be allowed as are absolutely required to prevent such harm.

Many believe that it is only a matter of time before the restrictive interconnecting arrangements will no longer be required. For the time being, would-be users of telephone accessories have three choices:

1. Use only equipment that is inductively or acoustically connected to the telephone line.

2. Pay to have the telephone company install a connecting arrangement and pay a monthly service charge.

3. Ignore the tariffs and connect your telephone accessories directly to the telephone line. (This, of course, would be illegal.)

timing circuits. The difference between the two is that the output of Q3 triggers a flip-flop (Q4 and Q5) instead of an SCR. The negative going pulse from Q3's B2 terminal does two things. First it goes via isolating diode D1 to the base of Q1 and turns off SCR1 and its associated relay. The negative pulse is also applied via isolating diode D2 to the triggering circuit of the bistable flip-flop. Capacitor C4 blocks any DC levels while diodes D3 and D4 serve as steering diodes which cause pulses to change the flip-flop from one state to another, forming the on/off switching action.

The output from one side of the flip-flop is fed to Q6, which acts as a relay driver and closes the relay on every other pulse.

As with the first version of Teleswitch, this one requires exactly one ring of the telephone to activate. More than one ring will trigger sound switch 2 and disable the entire system for one minute.

Construction

Teleswitch is best built on a chassis that measures at least $5 \times 9 \times 2$ inches. Depending on how many sequential devices you are going to control, you may want to use a larger chassis, with enough room to mount all of the controlled outlets.

Mount both sound switches next to

each other in the middle and towards the rear of the chassis.

Drill two $\frac{1}{8}$ -inch holes at the spot where the crystal microphones will be mounted so that the ring signal can be picked up more easily. The controlled outlet(s) are mounted next, after you have first drilled a $1\frac{1}{16}$ -inch hole to accommodate the outlet. This outlet is similar to the ones commonly found in homes except that it does not have two receptacles, only one. It can be purchased in any electrical supply store. After drilling the main hole for the outlet, make the two small holes for the retaining screws. Remember to select a chassis large enough to mount the number of controlled outlets you are going to have.

Layout of components requires no special attention. Perforated phenolic circuit boards can be used, and any convenient arrangement will do. A 12-volt power supply should be used. If a large number of high-current relays are needed, make sure the supply can handle all the current required; otherwise a higher current transformer and power transistor will be needed.

The schematic of a suitable power supply is shown in Fig. 4. The AC voltage is stepped down by the transformer to 24 volts and then rectified by the bridge rectifier. The rectified voltage is then fed to a resistor/Zener-diode circuit, where a reference voltage is

produced, and fed to the collectors of Q1 and Q2. The Zener reference voltage, which determines the output voltage of the supply, is applied to the base of Q2 which is connected in a Darlington configuration with Q1. Output is taken across the series combination of the 270-ohm resistor and the 0.1- μ F capacitor.

The components for the supply are not critical. Just about any NPN power transistor can be used instead of the 2N3055 specified, and any low-frequency small-signal NPN can be used for Q2. The output voltage of the supply equals the Zener voltage minus the voltage drop across the two transistors, or $V_z - 1.2$. To change the output voltage of the supply, simply change the Zener diode.

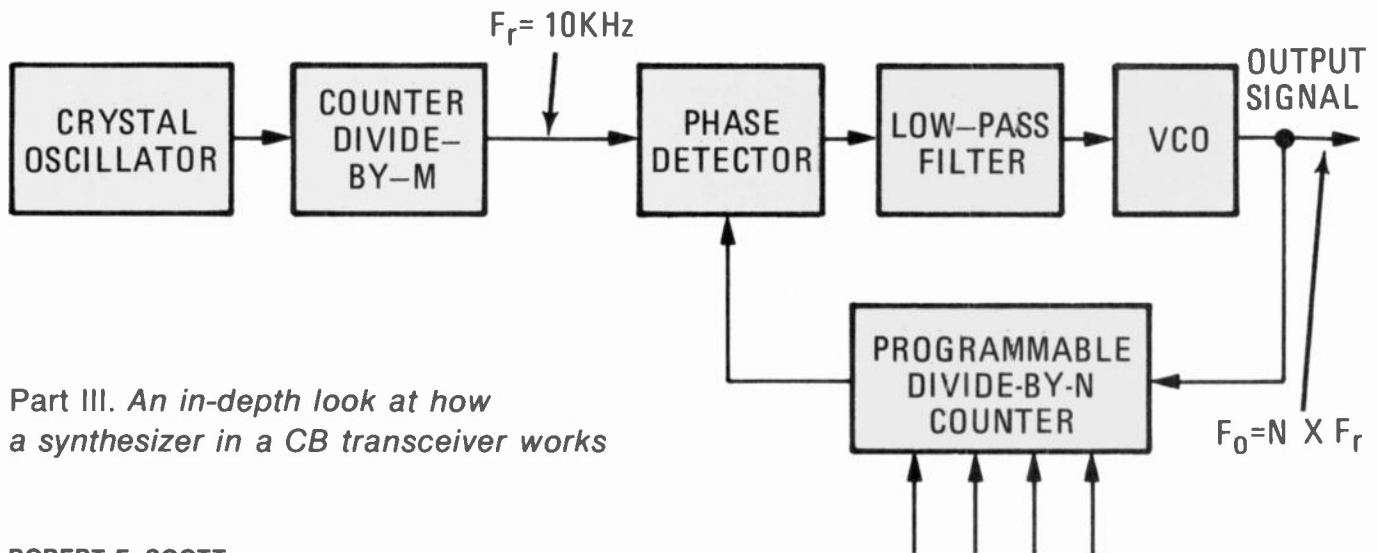
If a large amount of current is required, the transistor will become very hot and it may be necessary to mount it on a heat sink. As long as you can hold a finger on the transistor for a minute while it is operating, you're okay. If you have to pull your finger away immediately, use a heat sink. But be careful, don't burn yourself.

Installation and operation

To use the Teleswitch it is only necessary to place the telephone on top of the chassis and plug in the devices to be controlled. You must adjust the thresh-

continued on page 95

Using PLL for CB Frequency Synthesizers



Part III. An in-depth look at how a synthesizer in a CB transceiver works

ROBERT F. SCOTT
TECHNICAL EDITOR

DURING THE LAST TWO MONTHS, WE HAVE taken a broad look at the phase-locked loop as it is applied to frequency synthesis in CB transceivers. Last month, we saw how the Motorola XC3390 frequency-synthesizer IC might be used in a CB set. In this, the concluding installment of the series, we get a chance to examine some actual circuits as used in the G-E model 3-5800A 23-channel transceiver. (By the time this issue reaches you, the 3-5800A will have been discontinued and replaced by the model 3-5819 and other 40-channel models.)

The Motorola XC3390 IC contains nearly all the components and circuitry needed for a frequency synthesizer. The only external components required are the 30.72-MHz reference crystal, loop amplifier and filter, and the VCO. The synthesizer develops the RF-channel carrier frequencies used in the transmit mode and the two mixer injection-frequencies for the receiver. Compare this with the digital frequency synthesizer in the G-E model 3-5800A. A block diagram of this synthesizer is shown in Fig. 1.

Note that this synthesizer uses two crystals for full control of all transmit and receive frequencies. There are two IC's and eleven transistors. The receiver's first mixer injection-frequency is on the *high* side of the channel carrier and ranges from 37.66 to 37.95 MHz to develop the 10.695-MHz first IF. The

second mixer injection-frequency is on the *low* side at 10.24 MHz to develop the 455-kHz second IF.

The synthesizer is switched between the receive and transmit modes by the control voltage on the R/T line. In the receive mode, the control voltage is +7 (regulated) and is applied to terminal *b* of the synthesizer and to all receiver circuits including the AF preamplifier. In addition, this +7 volts is applied to the emitters of the mike preamp transistor (not shown) and transistor Q904 (shown in Fig. 2) in the unlock switching circuit, biasing these two transistors off.

Figure 2 shows how the synthesizer is connected into the receiver and transmit circuits of the transceiver. When the mike PUSH-TO-TALK switch is pressed, the R/T line is grounded, the receiver circuits are disabled, the synthesizer is set for transmit operation and the Q904 emitter is grounded. Transistor Q904 now saturates, effectively grounding the emitter of the transmit buffer Q901 to activate the transmitter.

Synthesizer operation

When the synthesizer R/T terminal is high (set to receive), the digital frequency divider in IC802 is set for receive operation and R/T switching transistor Q811 is saturated, grounding out any possible transmit-frequency output through D802.

The VCO frequency is controlled by

the voltage on the variable-capacitance diode (D801). When in the receive mode, the VCO operates 455 kHz above the channel carrier frequency.

The 10.24-MHz reference oscillator (Q801) generates the second mixer input signal at terminal *b* and is summed with the VCO frequency in mixer Q803. The amplified 10.24-MHz reference signal is divided by 2 to develop a 5.12-MHz signal for the input to the reference divider (pin 5 of IC802, Fig. 3).

The crystal-controlled offset oscillator (Q806) operates on the third overtone of the 8.650-MHz crystal to generate 25.95 MHz as one of the inputs to mixer Q808 where it is heterodyned with the VCO frequency. The low-pass filter (C835, L808 and C836) selects the difference frequency for the sampling input (pin 4) of IC802. The difference frequency ranges from 1.47 to 1.75 MHz, depending on the channel in use.

In IC802, the reference divider divides the 5.12-MHz input by 512 to develop 10 kHz as one of the inputs to the PLL phase detector. The variable sampling signal (f_s) on pin 4 goes to the programmable divider where it is divided by factor *n* to develop a 10-kHz signal. The phase-detector/charge-pump combination develops a correction voltage that is filtered, amplified and used as the control voltage for the variable-capacitance diode that controls the frequency of the VCO.

The out-of-lock detector develops a

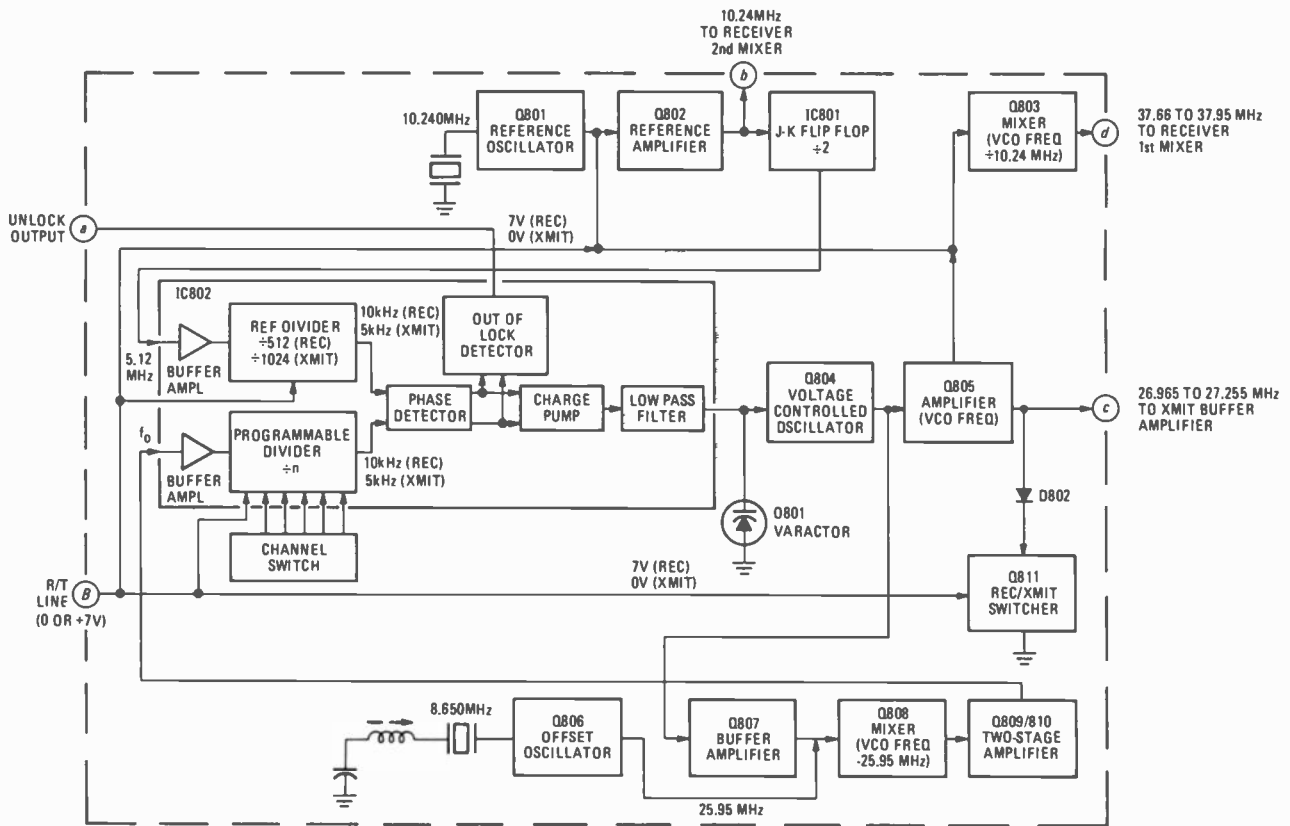


FIG. 1—DIGITAL FREQUENCY SYNTHESIZER in the G-E model 3-5800A uses only two crystals for full control of all transmit and receive frequencies.

positive voltage at terminal *a* whenever there is a difference in the frequency or phase of the two signals applied to the inputs of the phase detector. This positive voltage is fed through R602 and R605 to the base of Q602 in the unlock switching circuit (Fig. 2), turning it on.

Diode D303, normally back-biased by the voltage on the AGC line, conducts through Q602, and shorts the AGC line to the B- line. This mutes the receiver by cutting off the RF and IF amplifiers. Similarly, the receiver (and transmitter) circuits are disabled while switching from one channel to another. This is done by momentary closure of a switch connected to pin 12 of the CHANNEL SELECTOR. This applies +7 volts to the base of Q602 through R603.

Transmit frequency synthesis

When the R/T line is grounded, Q803 is biased off so that the 38-MHz output does not appear at terminal *d*. At the same time, the digital frequency dividers in IC802 are set for transmit operation and Q811 is turned off, removing shorting diode D802 from the Q805 collector circuit so that the transmitter drive signal appears at terminal *c*. The frequency of the VCO is adjusted to the channel center-frequency by the DC control-voltage from IC802.

When in the transmit mode, the only output of the 10.24-MHz reference oscillator that is used is the one applied to the divide-by-2 flip-flop in IC801.

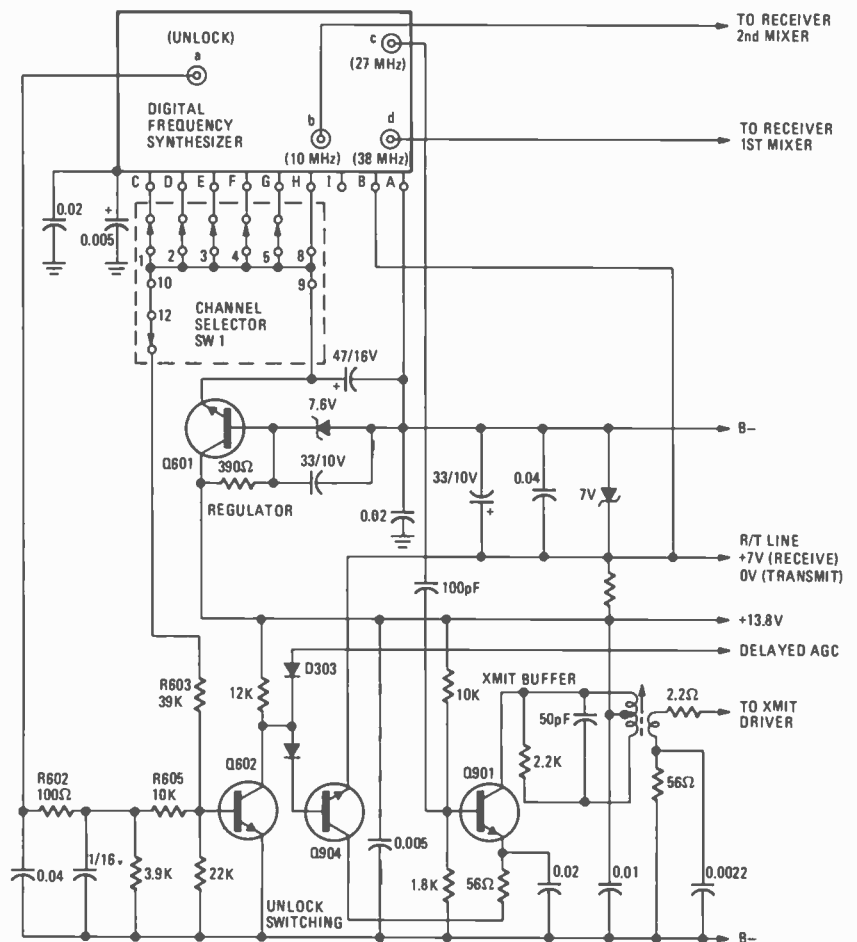


FIG. 2—SYNTHESIZER CONNECTIONS to receive and transmit circuits of transceiver.

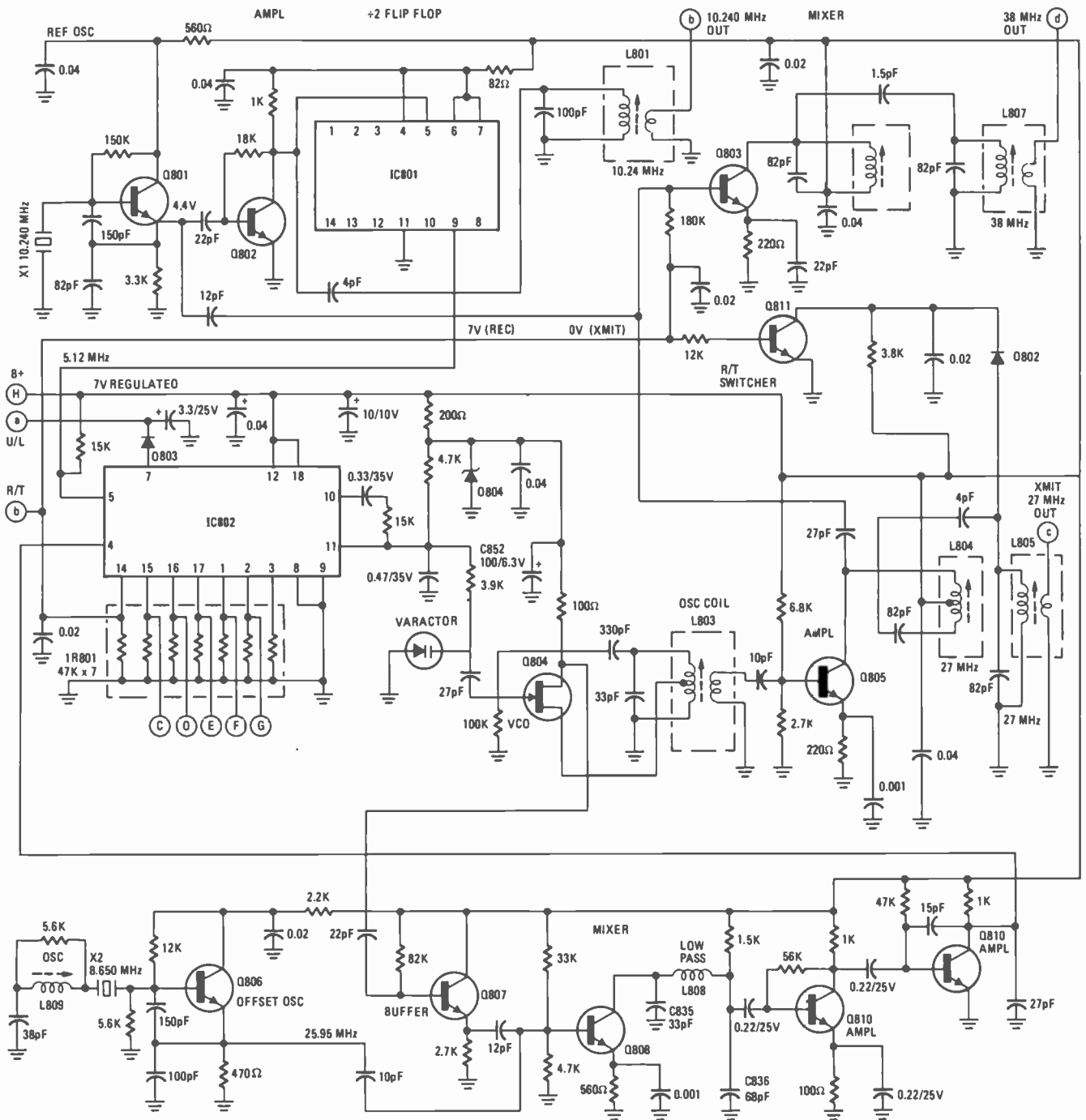


FIG. 3—PHASE-LOCKED-LOOP FREQUENCY SYNTHESIZER in the G-E model 3-5800A.

The 25.95-MHz output of the offset oscillator is mixed with the buffered output of the VCO in the base circuit of mixer Q808.

The low-pass filter eliminates the sum frequency and passes the difference frequency to the sampling input of IC802. The difference frequency will range—depending on the channel selected—between 1.015 and 1.305 MHz.

The 5.12-MHz signal fed to IC802 is divided down to 5 kHz by the divide-by-1024 reference divider. Frequency f_n fed to the sampling input of IC802 is divided in the programmable divider by whatever factor n —determined by bina-

ry-coded voltages from the CHANNEL SELECTOR—will result in a 5-kHz signal.

The two 5-kHz inputs to the phase-detector/charge-pump combination develop a correction voltage that controls the VCO in the same way it does in the receive operation. When the VCO is off frequency, the out-of-lock detector and switching circuit disable the transmitter until the voltage-controlled oscillator is back on frequency.

Well, that about wraps up the PLL circuit in the G-E 3-5800A. There are other interesting circuits that we hope to present in another story. While preparing this series on the PLL, I was in-

trigued by the possibilities of using the basic ideas that we've covered in a broadcast-band receiver.

The phase-locked-loop approach should eliminate distortion caused by mistuning and oscillator drift. Ceramic IF filters can provide a bandpass shape-factor with good bandwidth and minimum interference from adjacent channels. I don't know when I'll have the time to develop a receiver of this type, so why don't you take a crack at it?

No doubt there'll be other IC's developed to simplify PLL circuitry. We'll report on them as soon as technical details are released.

R-E

Increase Dynamic Range For Better HI-FI

Compression/expansion process increases dynamic range and delivers age-old audio dream of a tape copy that sounds better than the original

LEN FELDMAN
CONTRIBUTING HI-FI EDITOR

HAVE YOU EVER WONDERED HOW SOME record companies have been able to "restore" old recordings (notably, those old 78 RPM Caruso records), enhance them with new orchestrations using modern, electronically recorded orchestras and even reduce their background noise? In many cases, computers have been responsible for this audio miracle. Computers have been used to analyze audio signals, differentiate them from random noise and more. But, as you might guess, the cost of such audio restoration is enormous and hardly lends itself to home hi-fi use.

Noise reduction

Several noise reduction schemes have been developed for home use, the most familiar is the Dolby "B" noise reduction system. Dolby works well in reducing any noise that might be added to a program source *during the recording process*, but, as most readers realize by now, Dolby cannot help a program source (records, tapes, FM) that already has noise in it. As far as Dolby is concerned (or JVC's ANRS system, which is similar in operation to and compatible with Dolby), it "looks" upon such noise content as part of the original program material.

In the February, 1975 issue of *Radio-Electronics*, we described a system developed by a company called dbx, Incorporated. This system is capable of encoding and decoding discs or tapes for a significant increase in dynamic range and noise reduction. It can work wonders with "live" recordings in that dynamic ranges as high as 100 dB (difference in level between the softest musical passages and the loudest) can first be linearly compressed so that wide dynamic ranges can be accommodated

on a home or professional tape deck.

Most tape decks used for home applications have a dynamic-range capability of no more than 55 to 60 dB. If the 100-dB dynamic range of music is first compressed into 50 dB, that music can be made to "fit" onto the tape and will lie somewhere between the tape-noise "threshold and the tape-saturation level, as shown in Fig. 1. If a linear expander

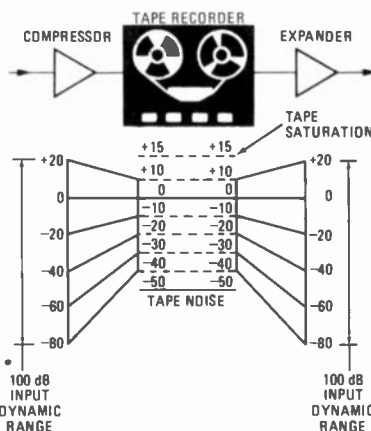


FIG. 1—COMPRESSION/EXPANSION process reduces the dynamic range of input signals so that it fits within the limitations of magnetic tape and then restores the original dynamic range during playback.

(operating in a reciprocal manner) is used during playback, the entire 100-dB range of the original music can be reproduced faithfully. What's more, audible tape noise (the "noise floor") can be effectively reduced by as much as 30 dB in the process. All well and good, so long as you are recording "live" music. But again, as with Dolby, the moment you try to "transcribe" a program source having limited dynamic range and audible noise using this dbx "compander" action, all you can hope to do is end up with no further increase in noise and no further compression of the program. You cannot restore origi-

nal dynamic range or reduce pre-existing noise using this system.

One-sided noise reduction systems have been developed that require no prior encoding. The simplest, and best known of these, is the high-cut filter present on most modern amplifiers and receivers. Such filters arbitrarily and steeply attenuate frequencies above a predetermined point, reducing high-frequency hiss and noise. Unfortunately, such passive filters reduce the treble content of the reproduced music as well. More sophisticated "dynamic" filters operate on the principle of continuously varying bandwidth. When no highs are present, the filter bandwidth is reduced; while when musical highs must be reproduced, the filter bandwidth "opens up" automatically allowing the "highs" to come through. The trouble

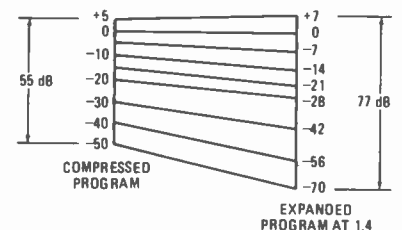


FIG. 2—INPUT/OUTPUT relationship for a linear expansion of 1.4.

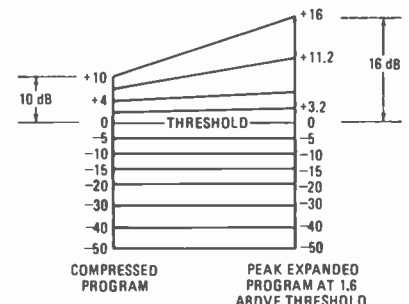


FIG. 3—PEAK UNLIMITING provides expansion only when input signal is above a predetermined threshold.

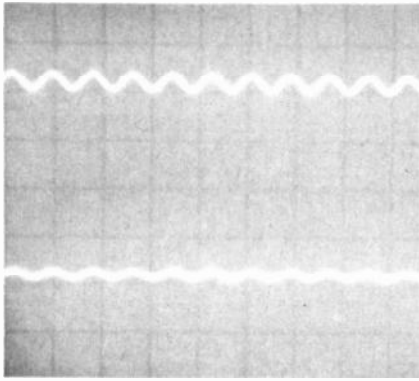


FIG. 4—LOW AMPLITUDE input signal (upper trace) is reduced further (lower trace) by expansion.

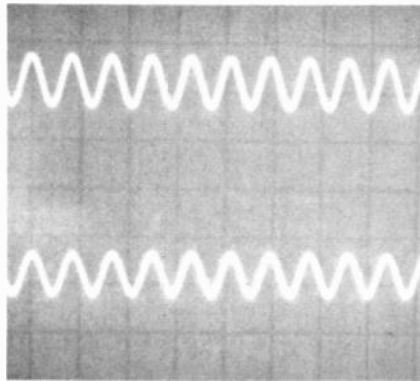


FIG. 5—INPUT SIGNAL at the threshold point of the expander is unchanged by the expansion process.

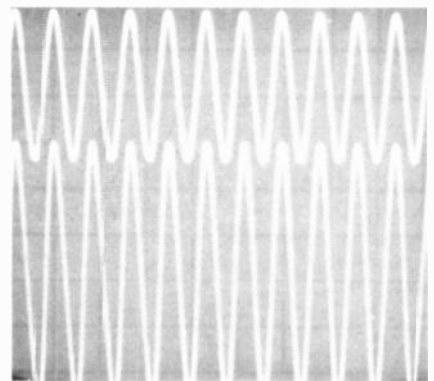


FIG. 6—HIGH AMPLITUDE input signal (upper trace) is increased (lower trace) by the expansion process.

with most of these dynamic filters is that you can hear them working, and residual hiss tends to be audible depending on the musical material being reproduced.

Increasing dynamic range

Another way dynamic range can be restored (and noise reduced at the same time) is by means of an expander. Two types of expanders (*models 117 and 119*) have been marketed for some years now by dbx, Inc., that offer variable expansion capability. They can be set for varying degrees of *linear* expansion (in which louder signals are made still louder and softer signals are made still softer), as shown in Fig. 2. Or, they can be set for peak expansion only—the loudest signals are made louder, while all other levels are reproduced at their original amplitude. The latter application works well for program sources that have been peak-limited (FM programs are a good example of this). To understand how expansion works in the “peak-unlimiting” mode, consider Fig. 3. In this mode, expansion only takes place above a predetermined threshold (that is varied by means of a front panel control on the dbx *model 117* or *model 119*).

Figures 4, 5 and 6 show what happens when signals of varying amplitude are applied to a linear expansion system. In each case, the upper trace represents the input. Gain was set identically for both upper and lower traces in each scope photo. In Fig. 4 we see a low-level signal applied to the expander, and the output is even lower in amplitude. In Fig. 5 the input signal has been increased in amplitude so that it is just about at the “threshold” point of the expander, and the output level almost equals the input level. A higher amplitude input signal results in a still greater (expanded) output signal, as shown in the lower

trace of the scope photo in Fig. 6.

Obviously, such an expander can be used effectively for listening to stored program sources that are known to have been compressed in one way or another. But what if we were to try to *record* such a program source onto tape. Our problems would be worse than before. Since the low-amplitude signals have been made still lower in amplitude, they will be buried below the tape-noise threshold. The loudest passages, that have been further expanded, will push the recording level right up into tape saturation. Figure 7 shows the record/playback response from 20 Hz to 20 kHz at 0-dB recording level on a high-quality cassette deck. Note the effects of high-frequency tape saturation as we approach the high-frequency end of the spectrum. Not only is the output attenuated, but, if we could examine the actual waveforms above 5 kHz or so, we would see that they are highly distorted. So, expansion may be great for *listening* to previously recorded programs, but makes matters worse if it is first applied to a program source that is to be recorded on tape.

Compansion

Referring back to Fig. 1 and dbx's other innovative product—the 2:1/1:2 Compaider (known as their *120 series*)—suppose we used *both* products in series before making a recording. In

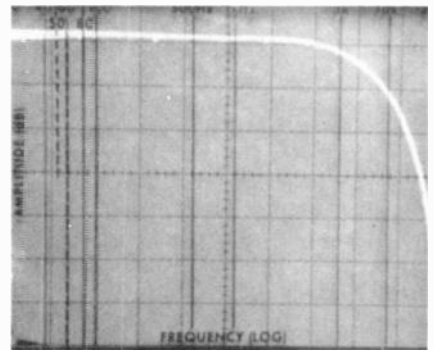


FIG. 7—RECORD/PLAYBACK RESPONSE of a cassette deck at a 0-dB recording level.

other words, if we first expanded our program source (listening all the while to make sure we had applied the correct degree and rate of expansion) and then applied the resultant signal to the 2:1 compressor and recorded it, we could



INCREASED DYNAMIC-RANGE is made possible by the dbx model 128.

"contain" even the previously expanded program source within the tape's available 55 or 60-dB dynamic range.

Realizing that such a combination of products could actually deliver the age-old audio dream of a "copy that sounds better than the original", dbx has now come up with a new unit, the *model 128*. Essentially, the product is nothing more than a combination of their earlier *model 117* (or *model 119*) expander, and their later *120 series 2:1/1:2* compander. By combining both products in one, the *model 128* offers much simpler and more flexible "patching in" facilities.

With the new *model 128*, the audio enthusiast can restore dynamic range to a prerecorded program while reducing playback noise, then copy the enhanced program in dbx encoded format to prevent the build-up of additional noise (and to contain the newly arrived-at extended dynamic range within the limitations of the tape). Simply stated, this new product makes it possible to produce a tape copy that has greater dynamic range and less noise (and therefore sounds better) than the original!

To illustrate the benefits of 2:1/1:2 companding, we used another capability of our spectrum analyzer. It is possible to set the filters within the analyzer to a manual mode, so that while the scope beam sweeps across the screen, the filters are fixed to a pre-determined frequency. We set the filter to pass a 1-kHz signal and made a continuous recording of that tone at a level that would have corresponded to tape saturation—the highest practical recording level. In Fig. 8, therefore, the entire

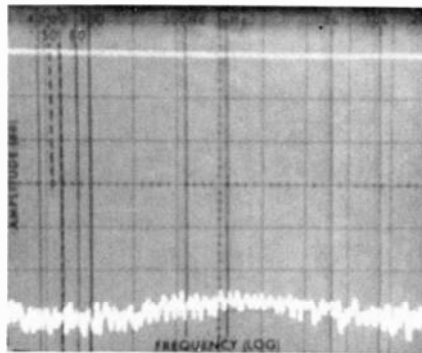


FIG. 8—1 kHz INPUT SIGNAL at 0-dB reference level (upper trace) causes tape saturation. Record and playback of 1-kHz signal reduced to -60 dB results in output that is buried in tape noise (lower trace).

upper trace represents the playback level of this signal from our tape recording, and all references to frequency on the scope screen should be disregarded. Storing this trace at the upper portion of the screen, we then ran some tape while attempting to record the same frequency at a level 60-dB lower than before. The resultant recording was played back, and, as can be seen by the lower trace,

consisted almost entirely of random noise (the low-level signal having been "buried" below the noise of the tape).

Next, we repeated both recording sessions, but this time the signals were first fed to the *model 128*, with the RECORD button depressed so as to apply the fixed 2:1 compression. The recorded levels obtained are shown in Fig. 9.

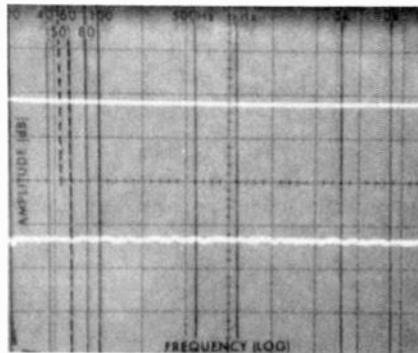


FIG. 9—RECORD/PLAYBACK of 0 dB and -60 dB 1-kHz input signals after fixed 2:1 compression.

Note, that our high-level signal shows up during ordinary playback as being some 12-dB lower than was the case in Fig. 8, while our original -60-dB tone now appears to be only some 30-dB lower than the original 0-dB recorded level. In other words, the difference in amplitude between the high-level and low-level recorded signals has been reduced from 60 dB to 30 dB.

Next, the recordings were played back using the 1:2 expansion capability of the dbx *model 128*. To do this, it is simply necessary to push the PLAY button.

In Fig. 10 we see that the high-level signal has been restored to its original amplitude. But, in reproducing the low-level (-60 dB) signal and displaying it

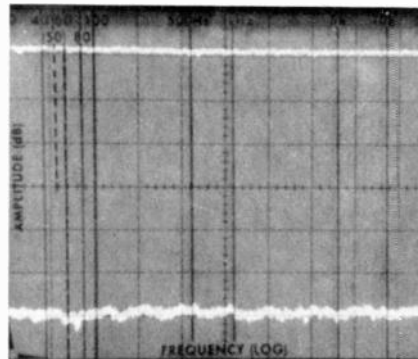


FIG. 10—RECORD/PLAYBACK of 0 dB and -60 dB 1-kHz input signals using fixed 2:1 compression to record and fixed 1:2 expansion during playback. Comparison with Fig. 8 shows reduction in noise.

as the lower trace, notice that this signal now is quite definable as a straight line and is no longer buried below the tape noise as was the case when the compress-expand sequence was not used.

Finally, we returned to the sweep mode of the spectrum analyzer and made a frequency sweep from 20 Hz to 20 kHz at a level that previously resulted in high-frequency tape saturation and attenuation (see Fig. 7). This time, the signal was first compressed by the dbx *model 128*. Results, during playback, are shown in Fig. 11. As expected, the actual recording level on the tape is some 10-dB lower than in the case of Fig. 7, and because of this lower

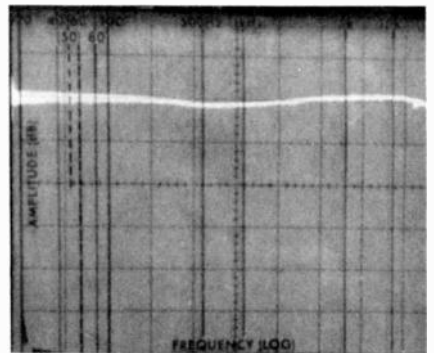


FIG. 11—FREQUENCY RESPONSE of a cassette deck at a 0-dB input-signal level using fixed 2:1 compression.

recording level, response is seen to extend far beyond what it did in Fig. 7. Since response on the actual tape is now flat (and free of distortion caused by tape saturation), it will remain so even after it is expanded by the *model 128*.

From all our experiments and listening tests, it would appear that dbx, by combining both dynamic range enhancement and compression-expansion in a single instrument, has made it possible for home recordists to actually produce taped copies of any program source that contain less noise and more dynamic range than the originals. **R-E**

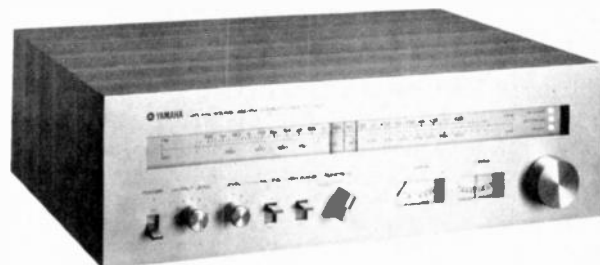
NBS modifies time broadcasts

Beginning February 1, 1977, the broadcast frequencies of the National Bureau of Standards time-signal station WWV, Boulder, CO will be 5, 10 and 15 MHz, and those of WWVH, Kauai, Hawaii, will be 2.5, 5, 10 and 15 MHz. The 2.5, 20 and 25 MHz frequencies are abandoned on WWV, though the broadcasts on 2.5 MHz continue on WWVH. The changes are the result of a survey that showed that the abandoned frequencies were seldom or never used by most of the users of time signals.

WWV and WWVH broadcasts include: standard frequencies, Universal Time Coordinated (UTC) second ticks, voice announcements of UTC minute and hour, storm information for portions of the Atlantic and Pacific Oceans, Omega Navigation System status announcements, geophysical alerts of events in progress and a summary of selected solar and geophysical events in the past 24 hours. A detailed description of the services provided may be obtained from the National Bureau of Standards Time and Frequency Services Section, Boulder, CO 80302. **R-E**

Radio-Electronics

Tests Yamaha CT-800 Tuner



CIRCLE 99 ON FREE INFORMATION CARD

1

LEN FELDMAN
CONTRIBUTING HI-FI EDITOR

SOME TIME AGO, YAMAHA INTRODUCED THEIR CT-7000 tuner, a unit that features selectable bandwidth and sells for around \$1200.00. There is a wide price gap between that excellent product and the next tuner in their line, the CT-800, and so we were curious to learn whether the performance of this much lower priced unit came anywhere near that of the higher priced model. In many respects it does, and there is evidence of the same careful design and engineering that seems to be typical of Yamaha's most recent products.

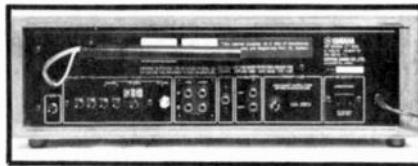
The front panel of the CT-800, shown in Fig. 1, is all one color, including the backplate behind the long, narrow dial-area cutout. The FM dial scale is linearly calibrated, with markings at every quarter of a megahertz. Below is a convenience logging scale, while below that is a non-linear AM frequency scale with markings at every 50 kHz. The dial pointer resembles the familiar hair-line slider.

To the right of the frequency scales, but still within the dial area opening, are three red indicator lamps. The upper one lights when tuning to an incoming stereo signal, the lower one lights when power is applied to the tuner, while the middle indicator is associated with Yamaha's unique AFC (Automatic Frequency Control) circuit. When a user touches the large tuning knob at the lower right of the panel, this AFC light dims (even in the presence of a received signal), indicating that the internal AFC circuit has been defeated by touching the knob. When center-of-channel tuning has been accomplished with the aid of the zero-center tuning meter below and your fingers let go of the knob, the light brightens, indicating proper tuning. The light is off altogether in the absence of a signal, or when

tuning to extremely weak signals.

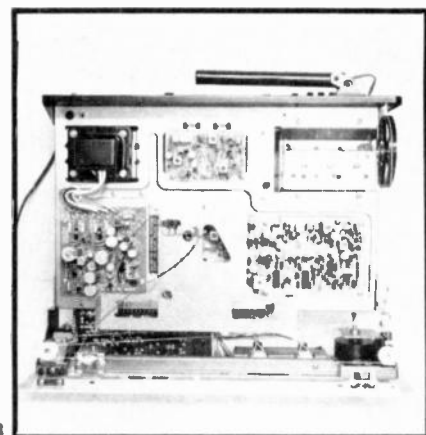
The second meter adjacent to the center-of-channel tuning meter is a conventional signal-strength meter. The center-of-channel tuning meter is actually calibrated in kHz, from 0 to 150, to indicate actual departure from center tuning. Other controls along the lower section of the front panel include a toggle-type on/off switch, an OUTPUT LEVEL control, a muting threshold LEVEL control (interstation noise silencing is variable on this tuner to take care of different reception conditions), an associated MUTING on/off switch, a HIGH BLEND switch (that reduces noise in weak-signal stereo FM reception at the expense of high-frequency stereo separation) and a three position FUNCTION switch for AM, FM MONO, or FM AUTO-STEREO selection.

The rear panel of the CT-800 is shown in Fig. 2. Screw type terminals are provided for external AM, 300-ohm and 75-ohm FM antenna connections. A coaxial connector duplicates the 75-ohm terminals for transmis-



sion lines equipped with that type of plug.

Fixed and variable pairs of output jacks come next, the latter controlled by the front panel volume control. A jack labelled II-OUT is, in reality, a detector output jack ahead of any de-emphasis or multiplex decoding circuitry and is intended for possible use with a 4-channel FM decoder if and when the FCC approves one of the several 4-channel systems currently under investigation.



3

Two more jacks are intended for connection to the horizontal and vertical inputs of an oscilloscope. The display obtained when such connections are made is useful for properly orienting your antenna for minimum multipath distortion. A line fuseholder and one unswitched convenience AC receptacle are located at the right end of the rear panel. The usual pivotable AM ferrite-bar antenna completes the rear panel layout. An internal view of the CT-800 chassis is shown in Fig. 3. Connection of possible associated equipment is illustrated in Fig. 4.

FM performance measurements

The major FM performance measurements of the Yamaha CT-800 is listed in Table 1. Of particular interest is the quieting characteristic of this tuner. Note that only 2.4 μ V (12.8 dBf) of signal strength was required to achieve the 50-dB quieting point. It is unfortunate that Yamaha chose not to conform to the new IHF/IEEE/EIA Tuner Standards in their published specifications, shown elsewhere in this test report. Perhaps they have not had time to reprint the owner's manual to take into account these more meaningful specifications, although they did manage to publish the less stringent standard DIN specifications used in Europe.

Mono and stereo ultimate signal-to-noise ratios (84 dB and 72 dB, respectively) are as good as any we have been able to measure on any tuner or receiver and we were somewhat amazed at Yamaha's conservatism at rating the mono S/N figure at only 75 dB. The one area that could bear improving is the AM

MANUFACTURER'S PUBLISHED SPECIFICATIONS:

IHF Usable Sensitivity: Mono: 1.7 μ V (9.8 dBf). **DIN Stereo Sensitivity:** 40 μ V (for 40 kHz deviation, 46 dB S/N). **Quieting Slope:** 55 dB at 5 μ V (19.2 dBf); 60 dB at 10 μ V (25.2 dBf). **Selectivity:** 80 dB. **Capture Ratio:** 1.0 dB. **Signal-to-Noise Ratio:** Mono: 75 dB; Stereo: 72 dB. **Frequency Response:** 20 Hz to 15 kHz, \pm 1.5 dB. **AM Rejection:** 55 dB. **IF Rejection:** 100 dB. **Image Rejection:** 90 dB. **Spurious Rejection:** 100 dB. **Total Harmonic Distortion:** Mono: 0.15% at 400 Hz; Stereo: 0.3% at 400 Hz. **Stereo Separation:** 45 dB at 1 kHz, 35 dB from 50 Hz to 10 kHz. **Subcarrier Rejection:** 60 dB. **Muting Threshold:** Variable, from 10 μ V to 50 μ V. **AM Sensitivity:** 25 μ V. **AM Selectivity:** 30 dB. **AM S/N Ratio:** 45 dB. **AM Image Rejection:** 70 dB. **AM THD:** 0.8%. **Power Requirements:** 120 V, 50/60 Hz, 12 watts. **Dimensions:** 17 $\frac{1}{4}$ W \times 5 $\frac{1}{2}$ H \times 12 $\frac{3}{4}$ -inches D. **Net Weight:** 16 $\frac{1}{2}$ lbs. **Suggested Retail Price:** \$370.00.

TABLE I
RADIO-ELECTRONICS PRODUCT TEST REPORT

Manufacturer: **Yamaha**

Model: **CT-800**

FM PERFORMANCE MEASUREMENTS

SENSITIVITY, NOISE AND FREEDOM FROM INTERFERENCE	R-E Measurement	R-E Evaluation
IHF sensitivity, mono (μ V) (dBf)	1.7 (9.8)	Excellent
Sensitivity, stereo (μ V) (dBf)	10.0 (25.2)	Good
50-dB quieting signal, mono (μ V) (dBf)	2.4 (12.8)	Superb
50-dB quieting signal, stereo (μ V)	33 (35.6)	Very good
Maximum S/N ratio, mono (dB)	84	Superb
Maximum S/N ratio, stereo (dB)	72	Excellent
Capture ratio (dB)	1.0	Excellent
AM suppression (dB)	55	Fair
Image rejection (dB)	95	Very good
IF rejection (dB)	100	Excellent
Spurious rejection (dB)	100	Excellent
Alternate channel selectivity (dB)	82	Very good
FIDELITY AND DISTORTION MEASUREMENTS		
Frequency response, 50 Hz to 15 kHz (\pm dB.)	1.5	Fair
Harmonic distortion, 1kHz, mono (%)	0.15	Very good
Harmonic distortion, 1kHz, stereo (%)	0.12	Excellent
Harmonic distortion, 100 Hz, mono (%)	0.18	Very good
Harmonic distortion, 100 Hz, stereo (%)	0.17	Excellent
Harmonic distortion, 6 kHz, mono (%)	0.21	Good
Harmonic distortion, 6 kHz, stereo (%)	0.35	Very good
Distortion at 50 dB quieting, mono (%)	0.8	Good
Distortion at 50 dB quieting, stereo (%)	0.35	Very good
STEREO PERFORMANCE MEASUREMENTS		
Stereo threshold (μ V) (dBf)	10.0 (25.2)	Good
Separation, 1 kHz (dB)	45	Excellent
Separation, 100 Hz (dB)	39	Very good
Separation, 10 kHz (dB)	36	Excellent
MISCELLANEOUS MEASUREMENTS		
Muting threshold (μ V) (dBf)	13 to 65 (27.5 to 41.5)	Good
Dial calibration accuracy (\pm kHz @ MHz)	-0.4 @ 108	Poor
EVALUATION OF CONTROLS, DESIGN, CONSTRUCTION		
Control layout		Excellent
Ease of tuning		Superb
Accuracy of meters or other tuning aids		Excellent
Usefulness of other controls		Very good
Construction and internal layout		Excellent
Ease of servicing		Very good
Evaluation of extra features, if any		Excellent
OVERALL FM PERFORMANCE RATING		Excellent

TABLE II
RADIO-ELECTRONICS PRODUCT TEST REPORT

Manufacturer: **Yamaha**

Model: **CT-800**

OVERALL PRODUCT ANALYSIS

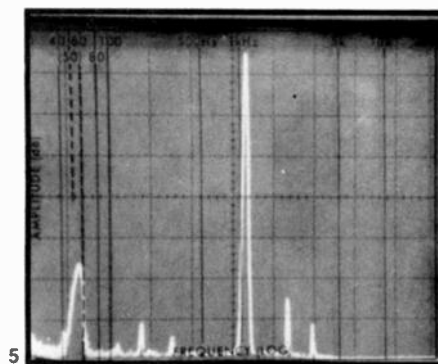
Retail price	\$370.00
Price category	Medium/high
Price/performance ratio	Excellent
Styling and appearance	Excellent
Sound quality	Excellent
Mechanical performance	Very good

Comments: Yamaha has managed to incorporate much of the performance capability of their much more expensive CT-7000 tuner in this lower priced model. We were particularly impressed with their very sophisticated AFC circuit which offered the advantages of automatic frequency control without its disadvantages. Unlike other AVC circuits (which usually make it impossible to tune to a weak signal that is close in frequency to a strong one), this one allowed us to accurately tune and hold signals at all levels. The double set of outputs was also welcome, since it permits connection of the variable amplitude outputs to the rest of the hi-fi component system while the fixed level output jacks can be connected directly to a tape recorder without interposing other components that might introduce distortion. In considering selection of a high-quality tuner for one's own component high-fidelity system, it is important to evaluate available program sources in relation to the performance capability of the tuner. Unfortunately, with few exceptions, FM broadcasting in the United States has undergone serious deterioration in the past several years. In many instances, tuners have greater performance capability than do typical FM broadcast installations. Thus, even if one purchases Yamaha's much higher priced tuner, or those of other makers in a similar high price category, chances are that performance will be limited by the broadcast situation rather than the tuner's capability. It would seem, then, that this medium priced tuner would be a good choice for one who is serious about FM listening. It certainly can handle the present signals we are receiving and should be capable of better reproduction even if more and more stations clean up their studio and transmitter practices.

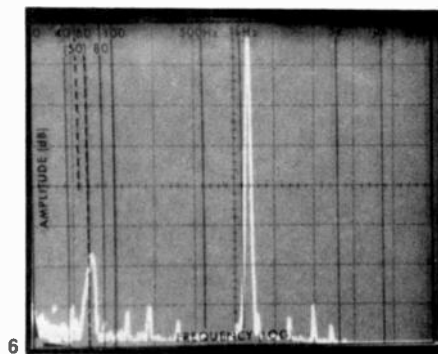
suppression capability that figures importantly in multipath rejection. In the case of this tuner, the AM suppression measured only 55 dB, exactly as claimed. For their much more expensive CT-7000, this figure is specified at 60 dB. Other rejection figures were excellent, and alternate channel selectivity was a high 82 dB.

The slight drop-off in frequency response at 15 kHz (-1.5 dB) is due, in part, to the excellent 19-kHz rejection filter. We saw no evidence of carrier leak-through when making stereo noise and distortion measurements.

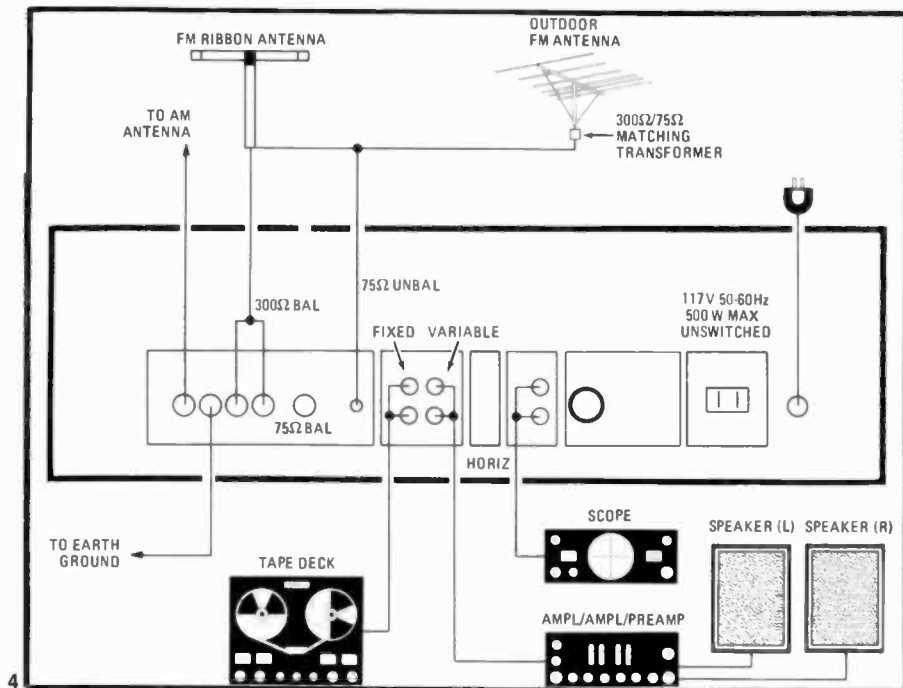
As for harmonic distortion, we have measured lower figures on other tuners, but not much lower. Surprisingly, the single-figure reading obtained for mid-frequencies in mono was higher (0.15%) than that obtained with the same modulating frequency in the stereo mode (0.12%). Since this is not typical of results we have obtained with the majority of tuners and receivers measured, we decided to look further into the matter and investigated the harmonic content by means of our spectrum analyzer.



The tall spike in Fig. 5 represents the fundamental, desired 1-kHz tone as recovered from the tuner. The smaller peaks to the right indicate the amounts of second and third harmonic present in the signal. Each vertical division in the display represents a 10 dB change in amplitude. As can be seen in Fig. 5, the second harmonic in the mono 1 kHz signal is some 60 dB below the fundamental, while the third harmonic is approximately 65-dB below the reference output level, and, there are no visible higher-order harmonics present.



In the case of the recovered stereo 1-kHz signal (Fig. 6), the second harmonic is significantly lower than for the mono signal, the third harmonic is the same, but we see evidence of fourth harmonic contribution and even a minute amount of fifth harmonic. While the single-number reading in stereo



seems better or lower than the reading in mono, these displays show that the audible effects of that distortion may be quite different for mono and stereo. Of course, in the case of this Yamaha tuner, both the mono and stereo THD are so low as to be insignificant, but the importance of identifying the nature of harmonic distortion in general is well illustrated by these disparities and the related scope photos. For those curious about the "pips" appearing to the left of the fundamental in each scope photo, it should be pointed out that these are simply 60-Hz hum (and its harmonics) that is caused by external

pickup and is *not* being produced by the tuner under test.

Dial calibration was off by anywhere from 0.1 MHz (at the 88 MHz end of the dial) to 0.4 MHz (at the high end of the dial) on our sample. In view of the long and well-calibrated dial scales provided on this tuner, we would hope that this is not representative of typical units and that frequency alignment is better maintained as a general rule by final testers of the product.

Use and listening tests

Tuning action is extremely smooth and

easy with the Yamaha CT-800. We felt that the minimum setting of the muting control could have been even a bit lower (ours measured 13 μ V), especially in view of the excellent quieting slope of the tuner and because those requiring a higher threshold setting could easily achieve it with the aid of the muting LEVEL control. As it is, to really pick up those distant weak signals we had to operate with the MUTE switch in the OFF position. Even at signal strengths of 10 μ V, quieting was well above 60 dB and such signals were received with low enough distortion to enjoy them monophonically. The 10 μ V level is also the stereo switching threshold, at which point stereo signals have already been "quieted" to 40-dB below 100% modulation.

The high-blend switch does reduce background noise for weak signals and, to our ears at least, its use did not seriously affect stereo separation. We did detect a slight roll-off at the extreme low end that showed up only on program material containing ultra-low bass. A recheck of low-end frequency response disclosed that there is indeed a roll-off of some 1.5 dB at 30 Hz, the lowest frequency normally broadcast over FM.

Our overall product analysis, taking price and performance into account, is listed in Table II, together with our summary comments. Based upon present FM broadcast practices, we strongly doubt whether anyone would need a better tuner than the Yamaha CT-800. We do wish they had seen fit to incorporate the alternate 25-microsecond de-emphasis needed for proper enjoyment of Dolby FM broadcasts, but there are available external passive add-on networks that can perform this transition and, although they do reduce output level, the Yamaha has plenty of output to drive most preamplifier and amplifiers to rated output. R-E

Kenwood KR-7600 AM/FM Receiver

MANUFACTURER'S PUBLISHED SPECIFICATIONS:

FM TUNER SECTION
Usable Sensitivity: 1.7 μ V (9.8 dBf). **50-dB Quieting:** mono, 3.0 μ V (14.8 dBf); stereo, 37 μ V (36.6 dBf). **S/N Ratio:** mono, 75 dB; stereo, 70 dB. **THD 1 kHz:** mono, 0.15%; stereo, 0.25%. **Capture Ratio:** 1.5 dB. **Selectivity:** 80 dB. **IF Rejection:** 100 dB. **Image Rejection:** 85 dB. **Spurious Rejection:** 85 dB. **AM Suppression:** 65 dB. **Frequency Response:** 20 Hz to 15 kHz, +0.5, -1.5 dB. **Muting Threshold:** 2.2 μ V (12.0 dBf). **Stereo Separation:** 1 kHz, 40 dB; 50 Hz to 10 kHz, 35 dB. **Subcarrier Rejection:** 65 dB.

AM TUNER SECTION

Usable Sensitivity: 20 μ V (external antenna). **S/N Ratio:** 50 dB. **Image Rejection:** 45 dB. **Selectivity:** 35 dB. **IF Rejection:** 35 dB.

AMPLIFIER SECTION

Rated Power Output: 80 watts continuous per channel, 8 ohms. **Power Bandwidth:** 20 Hz to 20 kHz. **Rated Harmonic Distortion:** 0.3% (0.05% at 1 watt). **Rated IM Distortion:** 0.3% (0.1% at 1 watt). **Damping Factor:** 45. **Input Sensitivity:** Phono, 2.5 mV; Aux and Tape, 150 mV; Mike, 1.5 mV. **Phono Overload:** 180 mV (1 kHz). **S/N Ratio (IHF A-weighted):** Phono, 75 dB; Aux and Tape, 90 dB; Mike, 65 dB. **Frequency Response:** Phono, RIAA \pm 0.5 dB; Aux and Tape, 20 Hz to 50 kHz, -1dB; Mike, 70 Hz to 20 kHz, -3 dB. **Bass Control Range:** \pm 8 dB at 100 Hz. **Treble Control Range:** \pm 8 dB at 10 kHz. **Acoustic/Presence:** +3 or +6 dB at 50 Hz and 800 Hz (selectable). **Low- and High-Cut Filter:** -10 dB at 100 Hz and 10 kHz.

GENERAL SPECIFICATIONS

Power Requirements: 120 volts, 60 Hz, 550-watts maximum. **Dimensions:** 20 $\frac{5}{8}$ W \times 5 $\frac{29}{32}$ H \times 14 $\frac{3}{8}$ -inches D. **Net Weight:** 38.1 lbs. **Suggested Retail Price:** \$529.95.



CIRCLE 101 ON FREE INFORMATION CARD

KENWOOD'S EXCELLENT REPUTATION FOR CONSISTENTLY good high-fidelity component designs and products should be further enhanced with the introduction of their newest line of stereo receivers. Rather than test their highest powered model KR-9600, we thought it might be more interesting to see just how much performance and control flexibility they managed to incorporate in the "second-from-the-top" model KR-7600, shown in Fig. 1.

Although the traditional "black-out" dial area has been preserved from earlier designs, the front panel has a very clean, squared off look that is both contemporary in feel and devoid of meaningless frills. The metallic side-pieces can be replaced with optional handles, if desired. The framed dial-area

Should your career in electronics go beyond TV repair?

**CREI prepares you at home
for broader and more advanced
opportunities in electronics—
plus offers you special arrangements
for engineering degrees**

There is no doubt television repair can be an interesting and profitable career field. TV repair, however, is only one of the many career areas in the fast growing field of electronics.

As an indication of how career areas compare, the consumer area of electronics (of which TV is a part) makes up less than one-fourth of all electronic equipment manufactured today. Nearly twice as much equipment is manufactured for the communications and industrial fields. Still another area larger than consumer electronics is the government area. That is the uses of electronics in such areas as research and development, the space program, and others.

Just as television is only one part of the consumer field, these other fields of electronics are made up of many career areas. For example, there are computer electronics, microwave and satellite communications, cable television, even the broadcast systems that bring programs to home television sets.

As you may realize, career opportunities in these other areas of electronics are mostly for advanced technical personnel. To qualify for these higher level positions, you need college-level training in electronics. Of course, while it takes extra preparation to qualify for these career areas, the rewards are greater both in the interesting nature of the work and in higher pay. Furthermore, there is a growing demand for personnel in these areas.

Unlike most other home study schools, CREI programs are devoted exclusively to preparing you for careers in advanced electronics. All of CREI programs are college level. And CREI gives you both theory and practical experience in advanced electronics.

Unique Design Lab

A unique feature of CREI training is its Electronic Design Laboratory Program, which trains you to actually design circuits. It also helps you understand the theories of advanced electronics and gives you extensive practical experience in such areas as tests and measurements, breadboarding, prototype construction, circuit operation and behavior, characteristics of electronic components and how to apply integrated circuits.

Career Training at Home

Only CREI offers this unique Lab Program. It is a complete college lab and, we believe, better than you will find in most colleges. The "Lab" is one of the factors that makes CREI training interesting and effective. And the professional equipment in this program becomes yours to keep and use throughout your professional career after you complete the training.

Engineering Degree

CREI offers you special arrangements for earning credit for engineering degrees at certain colleges and universities as part of your home study training program. An important advantage in these arrangements is that you can continue your full time job while "going to college" with CREI. This also means you can apply your CREI training in your work and get practical experience to qualify for career advancement.

Wide Choice of Programs

CREI gives you a choice of specialization in 14 areas of electronics. You can select exactly the area of electronics best for your career field. You can specialize in such areas as computer electronics, communications engineering, microwave, CATV, television (broadcast) engineering and many other areas of modern electronics.

FREE Book

In the brief space here, there isn't room to give you all of the facts about CREI college-level, home study programs in electronics. So we invite you to send for our free catalog (if you are qualified to take a CREI program). The catalog has over 80, fully illustrated pages describing your opportunities in advanced electronics and the details of CREI home study programs.

Qualifications

You may be eligible to take a CREI college-level program in electronics if you are a high school graduate (or the true equivalent) and have previous training or experience in electronics. Program arrangements are available depending upon whether you have extensive or minimum experience in electronics.

Send for this **FREE** Book describing your opportunities and CREI college-level programs in electronics



Mail card or write describing qualifications to

CREI **CAPITOL
RADIO
ENGINEERING
INSTITUTE**

McGraw-Hill Continuing Education Center
3939 Wisconsin Avenue Northwest
Washington, D.C. 20016

Accredited Member National Home Study Council

GI Bill

CREI programs are approved for training of veterans and servicemen under the G.I. Bill.



illuminates in blue (frequency numerals), orange (meter areas) and white (logging scale) when power is applied. Above the linear FM-frequency and the conventional AM-frequency scales are a series of illuminated words that denote the program source selected and indicate the presence of a received stereo FM signal. The dial pointer is illuminated by tiny LEDs. Rather surprisingly, Kenwood did not provide calibration marks on the FM scale itself, preferring to denote every second megahertz by a numeral. Referencing of favorite, closely spaced stations must therefore be made using the arbitrary log-scale below.

The lower portion of the main dial-area cutout has a pair of tuning meters (signal strength and center-of-channel) as well as eight identical pushbuttons (in clusters of three, three and two). The left-most pushbuttons handle low- and high-cut filters and tone-control bypass or defeat. Three more pushbuttons handle channel reverse, mono/stereo mode and loudness compensation. The remaining two pushbuttons provide selectable FM de-emphasis (75 μ s for ordinary listening; 25 μ s for Dolbyized FM programs) and FM muting. While Dolby circuitry is not actually built into the unit, a provision is made for connection of an appropriate adapter that is used with the 25- μ s position of the de-emphasis button is used.

Controls along the brushed-aluminum lower portion of the front panel include seven identical rotary knobs (all of them metal-turned), three lever switches and a tiny microphone level control that, when pulled outward, connects a microphone input jack located just below it so that microphone signals can be mixed into any other program source. The larger rotary knobs handle SPEAKER selection (including an OFF position for headphone-only listening), BASS, TREBLE, BALANCE, VOLUME, a TAPE switch for monitoring and dubbing, and a program SELECTOR (including two phono inputs). The toggle switches turn on power and introduce fixed amounts of boost at 50 Hz and 800 Hz—a feature that Kenwood calls its acoustic control. The usual stereo phone jack is located near the SPEAKER switch.

All connection terminals on the rear panel of the KR-7600 are recessed sufficiently so that the entire receiver can be pushed up against a wall without damaging plugs, cutting wires, etc. Since heat sinks are well forward of the rear panel and contained within the chassis itself, such placement poses no hazards thermally or otherwise. Rear-panel facilities include the aforementioned PHONO and AUX input jacks, two sets of TAPE PLAY and TAPE REC jacks, and ADAPTER OUT and ADAPTER IN jacks (for a Dolby add-on or a 4-channel decoder, or even a graphic equalizer) that are interconnected by means of solid-wire jumpers when not used. One set of TAPE REC and TAPE PLAY jacks is duplicated in the form of a DIN multi-pin socket. Three sets of speaker terminals of the spring-key type are located at the right, above three convenience AC outlets (one switched, two unswitched) and the external AM, 75-OHM and 300-OHM FM antenna terminals. An FM DETECTOR jack is also provided for possible future use with 4-channel FM adapters. A ground terminal is located just above the PHONO input jacks. To have mounted a pivotable AM ferrite antenna bar on the rear panel would have defeated the advantage of the recessed rear panel, so this necessary

TABLE I
RADIO-ELECTRONICS PRODUCT TEST REPORT

Manufacturer: Kenwood

Model: KR-7600

FM PERFORMANCE MEASUREMENTS

	R-E Measurement	R-E Evaluation
SENSITIVITY, NOISE AND FREEDOM FROM INTERFERENCE		
IHF sensitivity, mono (μ V) (dBf)	1.7 (9.8)	Excellent
Sensitivity, stereo (μ V) (dBf)	15.0 (28.7)	Fair
50 dB quieting signal, mono (μ V) (dBf)	2.6 (13.5)	Excellent
50 dB quieting signal, stereo (μ V) (dBf)	38 (36.8)	Fair
Maximum S/N ratio, mono (dB)	75	Excellent
Maximum S/N ratio, stereo (dB)	69	Very good
Capture ratio (dB)	1.5	Excellent
AM suppression (dB)	65	Superb
Image rejection (dB)	85	Very good
IF rejection (dB)	100 +	Excellent
Spurious rejection (dB)	88	Good
Alternate channel selectivity (dB)	82	Excellent
FIDELITY AND DISTORTION MEASUREMENTS		
Frequency response, 50Hz to 15 kHz (\pm dB)	+0, -1.5	Very good
Harmonic distortion, 1 kHz, mono (%)	0.13	Excellent
Harmonic distortion, 1 kHz, stereo (%)	0.30	Good
Harmonic distortion, 100 Hz, mono (%)	0.11	Excellent
Harmonic distortion, 100 Hz, stereo (%)	0.30	Very good
Harmonic distortion, 6 kHz, mono (%)	0.25	Good
Harmonic distortion, 6 kHz, stereo (%)	0.57	Good
Distortion at 50-dB quieting, mono (%)	0.75	Good
Distortion at 50-dB quieting, stereo (%)	0.5	Very good
STEREO PERFORMANCE MEASUREMENTS		
Stereo threshold (μ V) (dBf)	12.0 (26.8)	Fair
Separation, 1 kHz (dB)	45	Excellent
Separation, 100 Hz (dB)	44	Excellent
Separation, 10 kHz (dB)	39	Superb
MISCELLANEOUS MEASUREMENTS		
Muting threshold (μ V) (dBf)	2.3 (12.4)	Excellent
Dial calibration accuracy (\pm kHz at MHz)	0.2	Good
EVALUATION OF CONTROLS, DESIGN, CONSTRUCTION		
Control layout		Excellent
Ease of tuning		Very good
Accuracy of meters or other tuning aids		Excellent
Usefulness of other controls		Excellent
Construction and internal layout		Superb
Ease of servicing		Excellent
Evaluation of extra features, if any		Excellent
OVERALL FM PERFORMANCE RATING		
		Very good

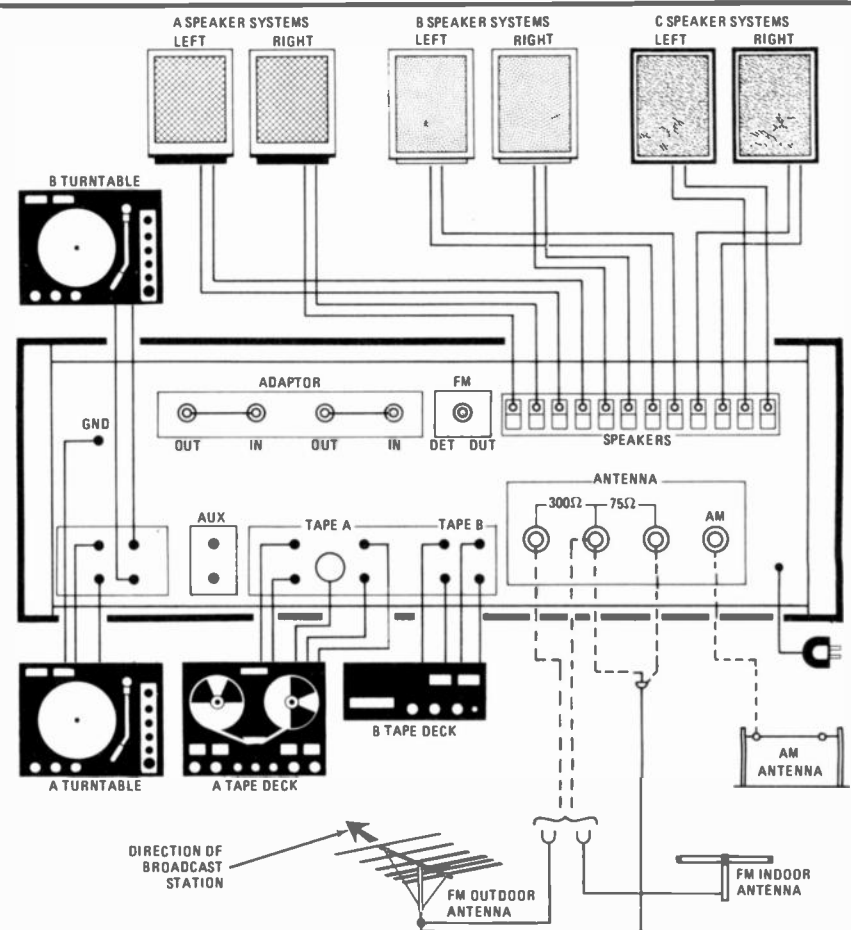


TABLE II
RADIO-ELECTRONICS PRODUCT TEST REPORT

Manufacturer: **Kenwood**

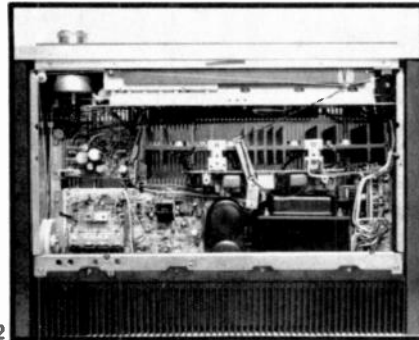
Model: **KR-7600**

AMPLIFIER PERFORMANCE MEASUREMENTS

	R-E Measurement	R-E Evaluation
POWER OUTPUT CAPABILITY		
RMS power/channel, 8-ohms, 1 kHz (watts)	90	Excellent
RMS power/channel, 8-ohms, 20 Hz (watts)	86	Excellent
RMS power/channel, 8-ohms, 20 kHz (watts)	85	Excellent
Frequency limits for rated output (Hz-kHz)	15-30	Excellent
DISTORTION MEASUREMENTS		
Harmonic distortion at rated output, 1 kHz (%)	0.07	Excellent
Intermodulation distortion, rated output (%)	0.26	Good
Harmonic distortion at 1 watt output, 1 kHz (%)	0.03	Excellent
Intermodulation distortion at 1 watt output (%)	0.03	Excellent
DAMPING FACTOR, AT 8 OHMS	45	Very good
PHONO PREAMPLIFIER MEASUREMENTS		
Frequency response (RIAA ± dB)	0.5	Good
Maximum input before overload (mV)	185	Very good
Hum/noise referred to full output (dB) (at rated input sensitivity)	78	Excellent
HIGH LEVEL INPUT MEASUREMENTS		
Frequency response (Hz-kHz, ± dB)	15-47, 1.0	Excellent
Hum/noise referred to full output (dB)	86	Very good
Residual hum/noise (min. volume) (dB)	91	Very good
TONAL COMPENSATION MEASUREMENTS		
Action of bass and treble controls	See Fig. 8	Very good
Action of secondary tone controls	See Fig. 9	Excellent
Action of low frequency filter(s)	See Fig. 10	Fair
Action of high frequency filter(s)	See Fig. 10	Fair
COMPONENT MATCHING MEASUREMENTS		
Input sensitivity, phono 1/phono 2 (mV)	2.7/2.7	
Input sensitivity, auxiliary input(s) (mV)	170	
Input sensitivity, tape input(s) (mV)	170	
Output level, tape output(s) (mV)	170	
Output level, headphone jack(s) (V or mW)	0.44/8 ohms	
EVALUATION OF CONTROLS, CONSTRUCTION AND DESIGN		
Adequacy of program source and monitor switching		Very good
Adequacy of input facilities		Excellent
Arrangement of controls (panel layout)		Good
Action of controls and switches		Excellent
Design and construction		Excellent
Ease of servicing		Very good
OVERALL AMPLIFIER PERFORMANCE RATING		Very good

component is located within the chassis itself. Since the rear panel is non-metallic, this poses no problem as far as AM reception is concerned.

A partial view of the inside of the *KR-7600* chassis is shown in Fig. 2. A four-section tuning capacitor is used for the FM and MOSFET RF stages. A three-stage six-

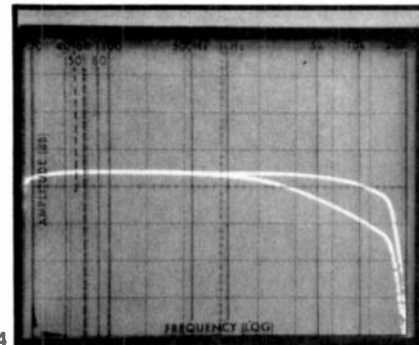


element linear phase IF-filter arrangement and integrated circuitry are used in the FM IF section, followed by a quadrature-detector circuit that feeds a phase-locked-loop multiplex-decoder circuit. The equalizer/pre-amplifier uses operational-amplifier IC's, as do the tone control stages that follow. The direct-coupled circuit of the main power-amplifier section uses complementary pairs of NPN-PNP transistors for both the driver and power-output stages. An elaborate protection circuit arrangement prevents possible damage from overload conditions and includes gold-plated contact relays for speaker protection.

Figure 3 shows the variety of components that can be connected to and used with this receiver. Not shown are the possible Dolby or other adapters and accessories that might be interconnected via the extra adapter jacks, if the jumpers are removed. In such applications, the accessory device must always be connected to provide a feed-through path for the program signals, otherwise the jumpers must be reconnected.

Tuner measurements

Table I summarizes results obtained from measurements made of the FM-tuner section of the receiver. Usable and 50-dB quieting sensitivities were excellent. Stereo figures were a bit poorer, as might be expected, but came close to meeting the published specifications for noise, THD and 50-dB quieting. It



is possible that a slight misalignment may have been responsible for the relatively high stereo sensitivity and threshold figures, although they certainly cannot be faulted in terms of absolute numbers obtained.

Separation was far better than claimed,
continued on page 82

TABLE III
RADIO-ELECTRONICS PRODUCT TEST REPORT

Manufacturer: **Kenwood**

Model: **KR-7600**

OVERALL PRODUCT ANALYSIS

Retail price	\$529.95
Price category	Medium/high
Price/performance ratio	Excellent
Styling and appearance	Very good
Sound quality	Excellent
Mechanical performance	Excellent

Comments: Kenwood's objective in designing this receiver seems to have been to offer to consumers every bit as much flexibility from a receiver as they might obtain from a separate tuner and amplifier. They have succeeded in nearly every aspect of this goal. Physically, the unit has internal and external design touches which set it apart from the usual receiver. The recessed rear panel is an example of good design that should have long ago been thought of by component manufacturers. Controls are well organized on the front panel, with the exception of the volume control which seems to get lost among similarly styled and sized controls and takes a bit of getting used to. Rather than complicate the front panel with secondary rotary controls or multiple-turnover switches, Kenwood's addition of discrete "boost" lever switches for ultra-low and midrange presence augmentation is a novel and useful new control approach. We listened to the *KR-7600* for the better part of a full week, using it to drive both low- and high-efficiency speaker systems. Transient response was very good, and bass was tight and well controlled. The particularly steep quieting characteristics of the FM-tuner section enabled us to log more than 50 listenable mono and stereo signals in our listening area, and the high selectivity permitted such a high count without adjacent or co-channel interference. Two minor points of criticism are in order. The "jumpers" associated with the adapter jacks are a bit of a nuisance. Had a shorting slide switch been substituted, the jacks could have served additional functions (such as separation of the preamp input section from the rest of the amplifier) which are otherwise not provided for on the rear panel. It would have been nice, too, if one more position had been offered on the speaker switch, which would have allowed simultaneous operation of "speakers A" and "speakers C." As it is, only Speakers A and B can be listened to simultaneously. Offsetting these minor points are the excellent audible performance, the considerable flexibility and, what has come to be called the high performance/cost ratio of this latest effort from Kenwood.

ic application of the month

RETICON®

SAD-1024 DUAL 512 STAGE ANALOG DELAY LINE

The SAD-1024 is a general-purpose Serial Analog Delay device fabricated using N-channel silicon-gate technology in a bucket-brigade configuration to obtain flexible performance at low cost.

KEY FEATURES:

- Two independent 512-stage delay sections.
- Clock-controlled delay: 0.5 second to less than 200 μ s.
- N-channel silicon-gate bucket-brigade technology.
- Designed for self-cancellation of clocking modulation.
- Wide signal-frequency range: 0 to more than 200 kHz.
- Wide sampling clock frequency range: 1.5 kHz to more than 1.5 MHz.
- Wide dynamic range: S/N > 70 dB.
- Low distortion: less than 1%.
- Low noise: typically limited by output amplifier.
- Single 15 volt power supply.

TYPICAL APPLICATIONS:

- Voice control of tape recorders.
- Variable signal control of amplitude or of equalization filters.
- Reverberation effects in stereo equipment.
- Tremolo, vibrato, or chorus effects in electronic musical instruments.
- Variable or fixed delay of analog signals.
- Time compression of telephone conversations or other analog signals.
- Voice scrambling systems.

DEVICE DESCRIPTION

The SAD-1024 is a dual 512-stage Bucket-Brigade Device (BBD). Each 512-stage section is independent as to input, output and clock. The sections may be used independently, may be multiplexed to give an increased effective sample rate, may be connected in series to give increased delay at a fixed sample rate or may be operated in a differential mode for reduced even-harmonic distortion and reduced clocking noise. Each section has its output split into two channels so that in normal operation, output is provided over each full clock period. The SAD-1024 is manufactured using N-channel silicon-gate technology to fabricate a chain of MOS transistors and storage capacitors into a bucket brigade charge-transfer device. It is

packaged in a standard 16-lead dual-in-line package with pin configuration as shown in Fig. 1. Only V_{dd} and GND are common to the two separate delay sections. Fig. 2 shows the functional equivalent circuit diagram. Some of the many applications are listed above.

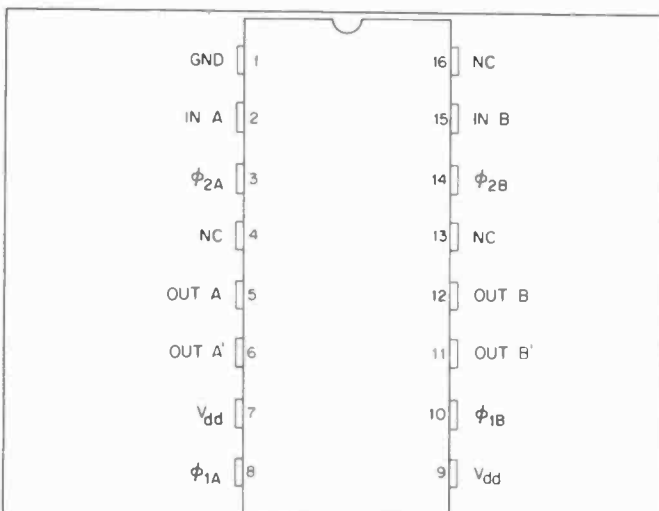


Figure 1. Pin Configuration. Note: Unused outputs should be connected to V_{dd} ; all other unused pins should be connected to GND, Pin 1, including those marked N.C.

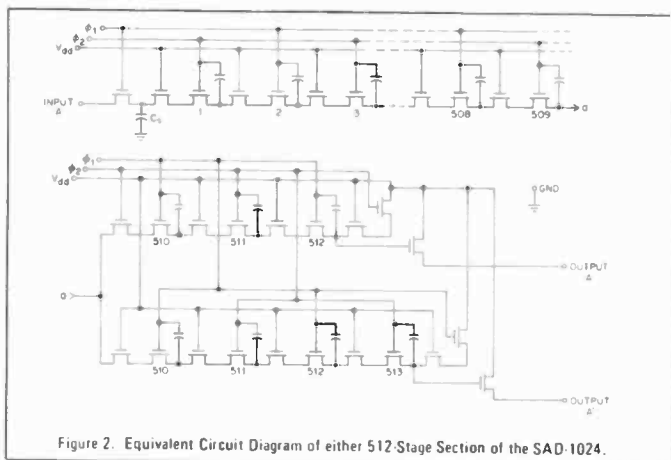


Figure 2. Equivalent Circuit Diagram of either 512-Stage Section of the SAD-1024.

DRIVE AND VOLTAGE REQUIREMENTS

Normal voltage levels and limits are given in the tabular specifications. Clock inputs are two-phase squarewaves (ϕ_2 is the complement of ϕ_1) which swing between ground and V_{dd} . The two V_{dd} inputs (pins 7 and 9) should be connected together to a single power supply. Unused outputs only should be connected to V_{dd} ; other unused terminals (including those marked N.C.) should be connected to ground.

The input analog signal is connected through the first MOS transistor

DEVICE CHARACTERISTICS AND OPERATING PARAMETERS

PARAMETER	SYMBOL	MIN	TYP	MAX	UNITS
Clock Voltage ¹	ϕ_1, ϕ_2	10	15	17	volts
Drain Supply Voltage ¹	V_{dd}	10	15	17	volts
Sampling Freq. Clock Rise Time	F_{ϕ_1}, F_{ϕ_2}	0.0015	—	1.5	MHz
Clock Fall Time	t_{cr}		30		ns
Clock Line Cap	t_{cf}		50		ns
Signal Freq. Bandwidth (3dB point)	C_c		110		pF
Signal to Noise Ratio		See Fig. 7	200		kHz
Distortion		See Fig. 4			
Gain ²		See Fig. 5	1.2		
Video Input Capacitance	C_{in}		7		pF
Video Input Shunt Resistance ³	R_{in}			200K	ohms
Output Resistance	R_o	See Fig. 6			
Input Bias ⁴			+6		volts

ABSOLUTE MAXIMUM VOLTAGES

TERMINAL	LIMITS	UNITS
Any terminal ¹	+20 to -0.4	volts

Notes:

- All voltages measured with respect to GND (pin 1).
- The value of gain depends on the output termination resistance. See Fig. 6
- Effective AC shunt resistance measured at 1 MHz.
- The input bias voltage varies slightly with the magnitude of the clock voltage (and V_{dd}) and may be adjusted for optimum linearity at maximum signal level. The value shown is nominal for 15 volt clocks.

CAUTION

Static discharge to any lead of this device may cause permanent damage. Store with shorting clip or inserted in conductive foam. Use grounded soldering irons, tools, and personnel when handling devices. Avoid synthetic fabric smocks and gloves. It is recommended that the device be inserted into socket before applying power.

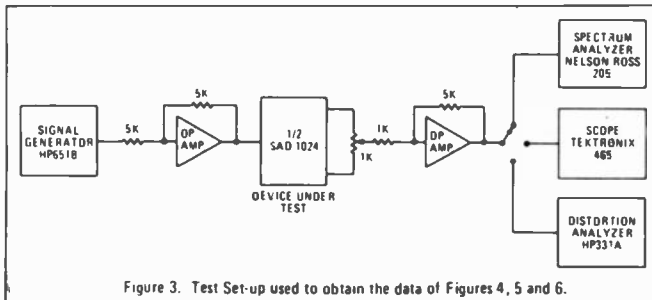


Figure 3. Test Set-up used to obtain the data of Figures 4, 5 and 6.

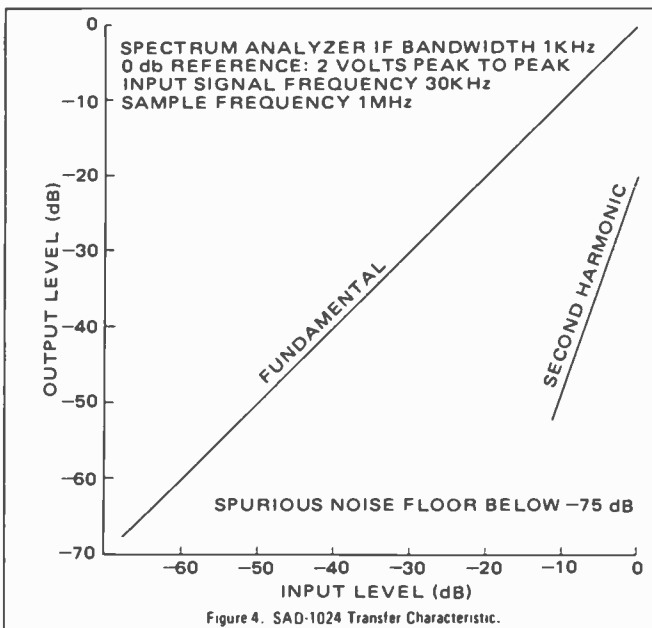


Figure 4. SAD-1024 Transfer Characteristic.

to the input storage capacitor while ϕ_1 is high; the charge is then transmitted to the next bucket-brigade stage when ϕ_1 is low, ϕ_2 high. Thus the signal samples are those values in existence at the positive-to-negative transitions of ϕ_1 and the input sample rate F_s is the same as F_{ϕ_1} . As with all sampled-data devices, the input bandwidth should be limited to a value less than one-half the sampling clock frequency (usually to a value less than $0.3 F_s$). Further, to recover a smooth delayed analog output a post filter having steep cutoff (e.g., 36 dB per octave) is desirable.

PERFORMANCE

Typical performance of the device is shown in the specification and in the curves of Figs. 4-7. This data was obtained with the test configuration of Fig. 3. Internal dispersion becomes the limiting factor for sampling clock frequencies above 1.5 MHz.

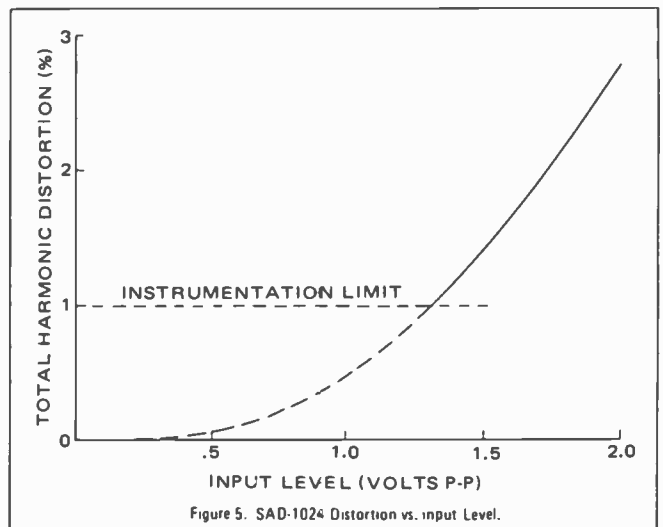


Figure 5. SAD-1024 Distortion vs. input Level.

Figures 4 and 5 indicate the linearity and show the rapid increase in distortion as the input level is increased toward saturation. For inputs less than approximately 500 millivolts RMS, the distortion is less than one percent. Between this point and the noise floor there is approximately 70 dB of dynamic range.

Figure 6 shows the loading effect of the output terminating resistor. The data indicates the output source followers have approximately .400 ohms internal impedance. For this test, each output was connected through a terminating resistor to ground, thus isolating any interaction between the two output followers.

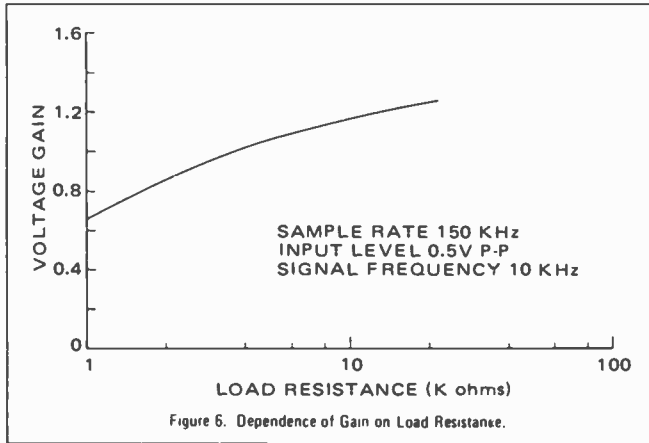


Figure 6. Dependence of Gain on Load Resistance.

Figure 7 shows the frequency response of the device when terminated as shown. The dotted lines indicate the range of variation from device to device.

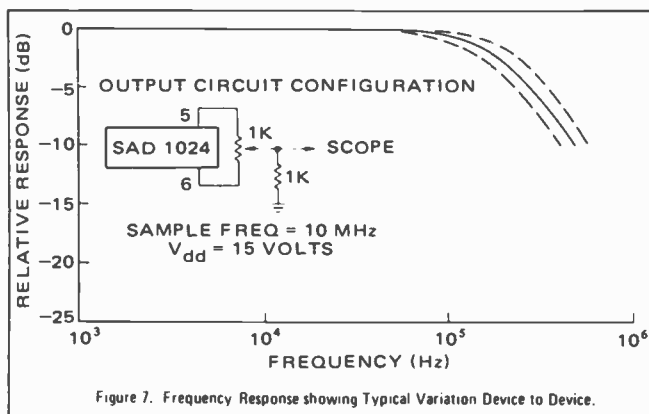


Figure 7. Frequency Response showing Typical Variation Device to Device.

AUDIO APPLICATIONS

Many desirable and interesting acoustical effects may be synthesized with delay elements such as the Reticon SAD-1024 Bucket Brigade Delay device. These effects include enhancement and control of reverberation, generation of chorus, flanging, vibrato and other musical effects, and reduction or cancellation of flutter and wow. The most important feature of a delay device for such application are:

1. Wide bandwidth and flat frequency response
2. Large dynamic range
3. Simplicity of application
4. Magnitude and range of delays
5. Freedom from undesirable side effects
6. Stability
7. Low cost

APPLICATION IN PRACTICAL CIRCUITS

I. Reverberation

Acoustic reverberation is caused by the build-up of sound in an enclosed space. The build-up occurs because of the addition of sound components from simply-reflected and multiple-reflected pencils or rays of sound returned from internal reflecting surfaces. Similarly, the sound field present when sound from the source is suddenly terminated does not die away immediately but decays in an exponential manner as the reflected sounds diminish by acoustic absorption.

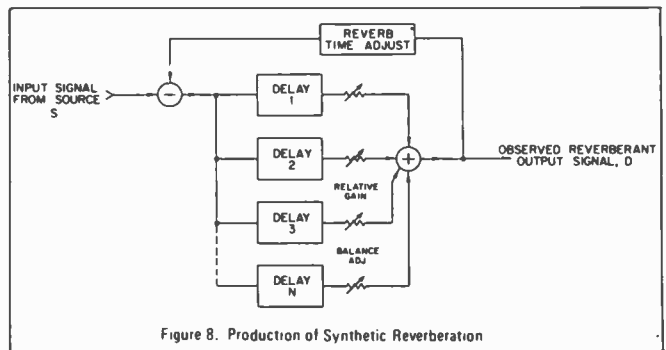


Figure 8. Production of Synthetic Reverberation

Reverberation can thus be synthesized as in Fig. 8. Each delay element represents the time of travel in some possible path from the source S to the observer at O. Feedback adds the effect of multiple-reflection paths. Differing path lengths are represented by differing delays. A single delay element can produce reverberant effects, but would be excessively frequency sensitive with the reverberant sound having distinct flutter. Several different path lengths (delays) are desirable. Attenuation in a path represents its acoustic absorption loss; therefore, the adjustment of loss allows the control of reverberation time.

In an actual room, the direct sound is received first, followed by simple reflections, and then by an increasingly complex mix of multiple reflections. Thus an equivalent synthetic reverberator must be equipped to generate and handle a similarly complex combination of signals.

II. Vibrato and Other Effects

Vibrato is defined as a slight pitch variation at a cyclic rate, usually of the order of 5 to 10 Hz, such as that produced by the rapid oscillatory movement of the fingering hand of a violinist. It is customarily used to add a richness to the sound. The result of vibrato is the combinations of sounds from various paths to give a slight chorusing effect. Such pitch variations can be synthesized by changing the delay element's clock rate in slow cyclical manner (see Fig. 9). Changing the clock rate alternately increases and decreases the delay through the device and hence the pitch in a fashion analogous to the Doppler effect. If the clock-rate changes slowly, we can consider the transit time of the delay element to be constant for any particular instant of the input waveform.

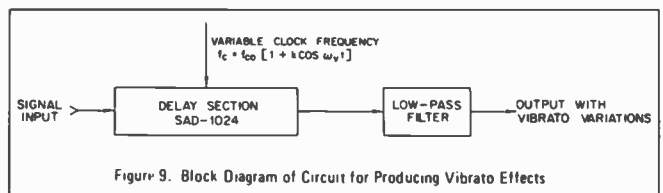


Figure 9. Block Diagram of Circuit for Producing Vibrato Effects

III. Chorus (Multiple Voice) and Phasing Effects (Flanging)

If a solo voice or instrument is joined by the same sound delayed by approximately one to five milliseconds, the resultant is a very popular "spacey" sound. The phenomenon sounds as if there were two voices or instruments present. This is particularly true if the pitch of one is varied slightly (i.e., the two are not exact replicas). If the resultant signal is again delayed and added as before, the effect is that of four voices, etc., until delay becomes so large as to cause blurring. Delay can thus be used to enhance or modify the apparent size of a group of musicians (or speakers, etc.). The SAD-1024 is readily adapted to such use. Figure 10-a shows two delay elements in a stable, nonfeedback arrangement of this application. Additional delay elements can be added, as desired, without loss of stability.

Chorus produced by simple delay alone (without modifying pitch or other characteristics) is likely to sound thin and lifeless because each reproduction is an exact counterpart of the previous signal. The effect of slightly different sources can be produced by varying the clock rates by a small amount as in vibrato (and as indicated in Fig. 10-b). The amount of variation is much less than with vibrato, because the pitch change should not be evident. What is wanted is just enough difference between the direct and delayed signal to make them appear to come from separate sources, i.e., in "chorus".

When the desired effect is that of several different voices added to-

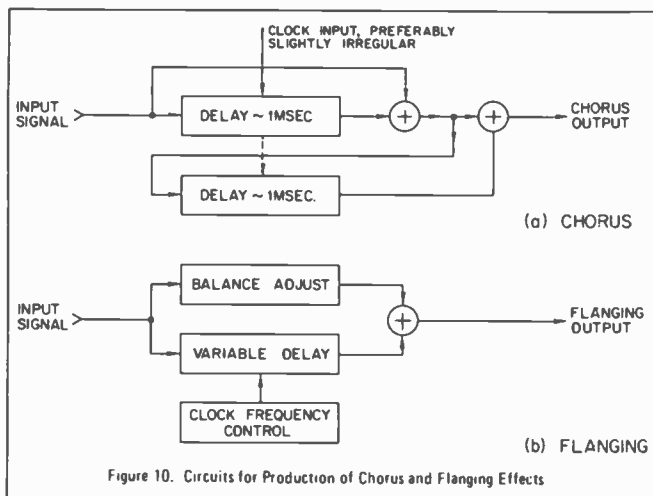


Figure 10. Circuits for Production of Chorus and Flanging Effects

gether, it is possible to vary the clock rate slightly but in a random rather than regular manner. Such a clock rate might be derived from noise passed through a narrow-band filter. The output frequency is changed as in vibrato, but the randomness simulates the slight differences in sources, rather than conventional vibrato with one or more deterministic sources. The exact combination desired is subject to artistic interpretation; no rules can be given.

IV. Wow and Flutter Control

There is need to compensate for imprecise speed control of tape recorders. As illustration, suppose a live performance is taped on a recorder having undesirable speed irregularities, of a limited nature, and is then played back on the same or another machine. The original irregularities appear, but in reversed sense, if the playback is at a constant speed. Flutter and wow components are added to those originally present, if the playback device has speed irregularities. Thus, it is more important that speed be well controlled; however, economic factors limit the actual precision attainable. Suppose that a supersonic signal were recorded and recoverable at playback (the bias frequency is a possible candidate). This frequency could be selected by filter, amplified, and used to control a servo, or more simply, an external delay element could be controlled. The result

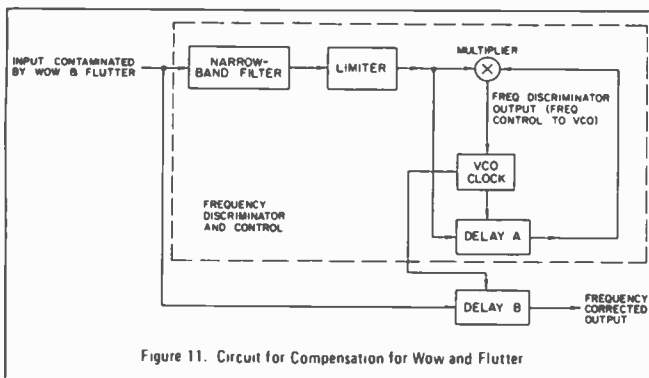


Figure 11. Circuit for Compensation for Wow and Flutter

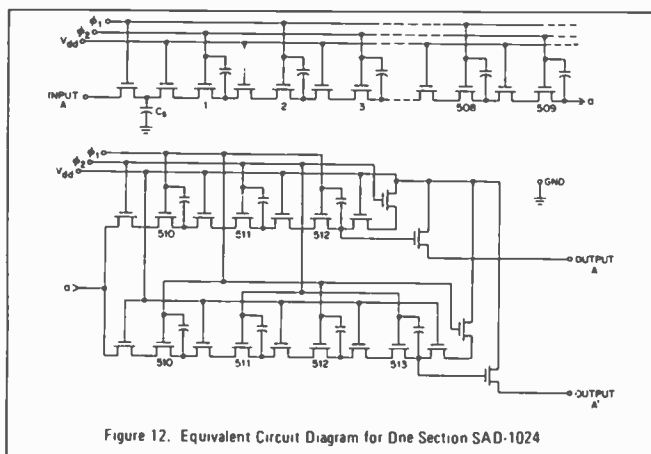


Figure 12. Equivalent Circuit Diagram for One Section SAD-1024

would be to maintain the output supersonic signal at a constant frequency, hence forcing substantial reduction, if not complete cancellation of the combined variable speed effects. One section of SAD-1024 could be used, in this application, as a precise linear frequency discriminator, and a second section could be used as a variable delay control. Figure 11 is a possible circuit configuration. Delay circuits A and B are driven by the common variable clock. The effect of the discriminator is to detect any changes in the frequency of the (supersonic) pilot tone in its passage through channel A. The corrective effect is the same for the desired signals in channel B. This tends to restore the original undistorted sound. There is no average speed (or pitch) change, but effects due to speed variations are reduced or nearly eliminated.

Stability is a potential problem because of the phase shift introduced by the delay A and the discriminator filter; proper feedback design is required.

V. Delay Implementation

To assist in understanding how best to apply the SAD-1024 in delay applications, let us briefly review its operation, Fig. 12 is the equivalent circuit for a 512-bucket delay section and applies to either section of the SAD-1024. Figure 13 shows a SAD-1024 connected in the SC-1024 evaluation circuit which is available from the manufacturer (Reticon). For evaluation and initial application, it is recommended that the SC-1024 evaluation board be used. The SAD-1024 requires a single 15-volt power supply, and an input bias of approximately +6 volts (to common). The requirement for only a single power supply is in direct contrast to requirements for P-channel devices which require typically three and sometimes four separate voltages. The single power-supply requirement is a distinct economic advantage. The bias, along with an input buffer and an output filter amplifier, is supplied by the SC-1024 evaluation board. The board requires plus and minus 15-volt supplies (i.e., two supplies are required because of the operational amplifiers used on the SC-1024 board). Clock input is at TTL level.

VI. Functioning of the SAD-1024

Let us first consider an example of Section A of the SAD-1024 and of the evaluation circuit operating alone (see Fig. 13). Further, let the input TTL clock frequency be 200 kHz and the signal input frequency be a kHz sinewave. The input clock rate is divided by two, by flip-flop U1, to give complementary squarewaves for ϕ_{1A} and ϕ_{2A} of 100 kHz rate (10 μ s period). While ϕ_{1A} is high (nearly +15 volts), the input transistor (N-channel MOS) turns on to connect input A through to C_s (see Fig. 12). The input buffer AR2 (see Fig. 13) inverts the input waveform and superposes it on an approximate 6-volt bias. The instantaneous value of this combined input sample is then "frozen" on C_s when ϕ_{1A} drops to its low state of nearly zero volts. However, note that ϕ_{2A} is now high and as a result C_s is connected to the first boot-strap capacitor at the output of cell 1. During this half period there is readjustment of charge between C_s and cell 1.

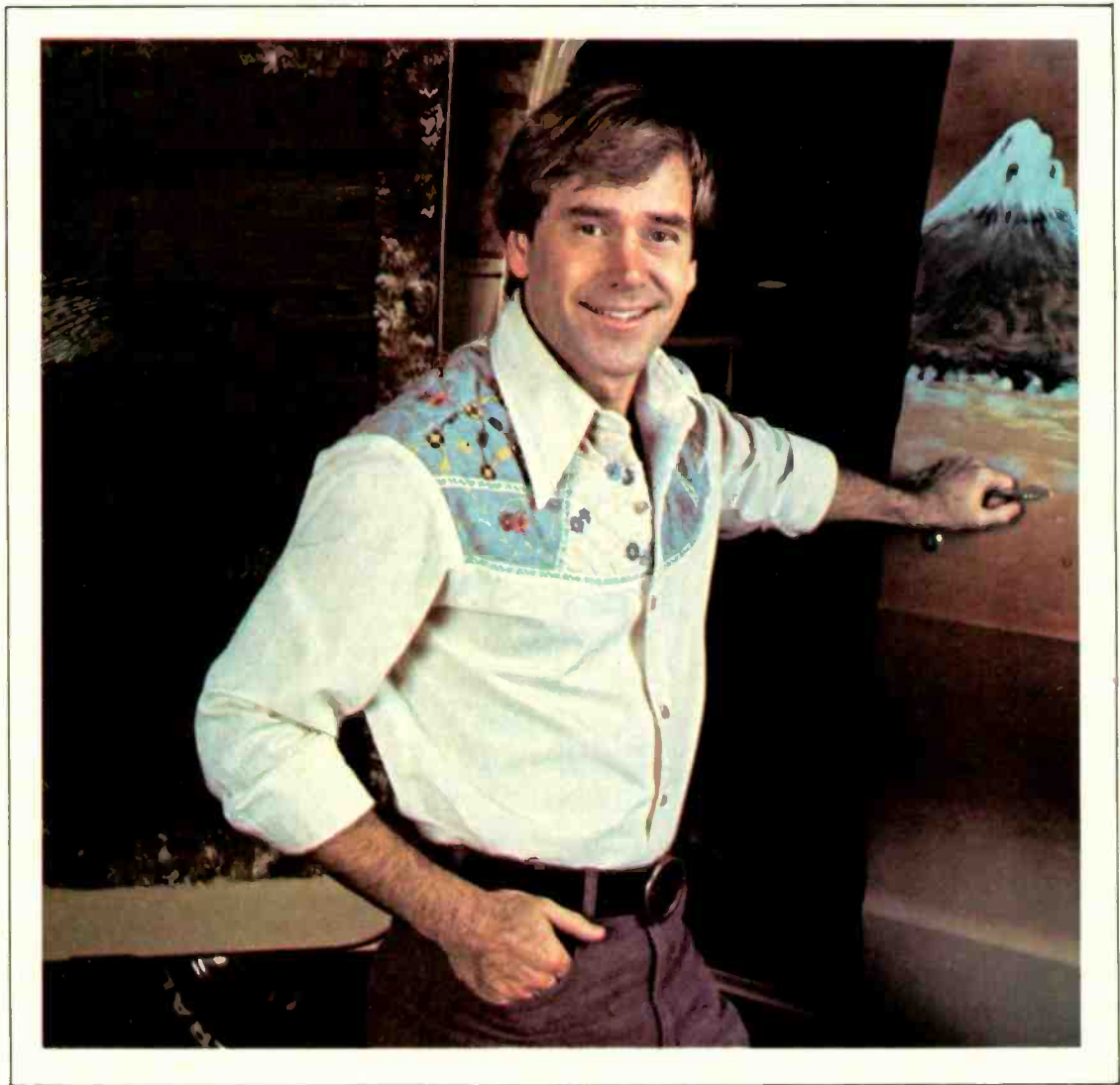
During the next half of the clock period, ϕ_{1A} again goes high and ϕ_{2A} low to connect cell 1 to cell 2 and disconnect cell 1 from C_s . A new sample of the input is again placed on C_s . In this way, each sample at the input is passed along, bucket-by-bucket, to appear at output A with a delay of 512 half-periods of ϕ_{1A} .

In this example, the output appears at A 2.56 ms after it was input.

$$\text{Delay: } T_D = 512 \text{ half periods} \times 5 \mu\text{s/half period} = 2560 \mu\text{s}.$$

Note that only one sample per clock period is selected, and the corresponding output appears at A only while ϕ_{1A} is high. When ϕ_{1A} falls and ϕ_{2A} rises, the output from A drops to its fixed low state, and the signal value now appears at A'. At the input to cells 510 the circuit was split into two equal paths, path A' having one extra cell and one extra half-clock period of delay. Thus, the summed outputs A and A' effectively provide continuity over the full clock period. Each input sample is delayed to give, by combining the outputs, a full stair-step approximation of the continuous analog input. The output filter amplifier inverts the signal, smooths the stair-steps, and discriminates against residual clock glitches. The smoothed output is a phase-locked replica of the input with 2.56 milliseconds of delay. This amount of delay at 5 kHz represents a phase delay in cycles of 2.56 milliseconds divided by the 0.2 millisecond period or 12.8 cycles. Note that the delay is a constant time delay, independent of the signal frequency. This leads to a linearly increasing (undistorted) phase delay with increasing signal frequency.

You gotta shop around.



**When you do, you'll probably pick CIE.
You can't afford to settle for
less when it comes to something like
electronics training that could
affect your whole life.**

When you shop around for tires, you look for a bargain. After all, if it's the same brand, better price — why not save money?

Education's different. There's no such thing as "same brand." No two schools are alike. And, once you've made your choice, the training you get stays with you for the rest of your life.

So, shop around for your training. Not for the bargain. For the best. Thorough, professional training to help give you pride and confidence.

* * *

If you talked to some of our graduates, chances are you'd find a lot of them shopped around for their training. They pretty much knew what was available. And they picked CIE as number one.

Why you should shop around yourself.

We hope you'll shop around. Because, frankly, CIE isn't for everyone.

There are other options for the hobbyist. If you're the ambitious type — with serious career goals in electronics — take a close look at what we've planned for you at CIE.

What you should look for first.

Part of what makes electronics so interesting is it's based on scientific discoveries — on ideas! So the first thing to look for is a program that starts with ideas and builds on them!

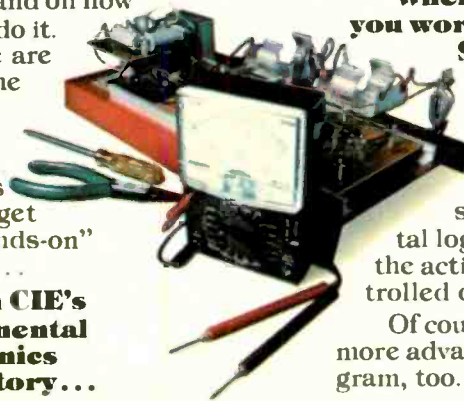
That's what happens with CIE's Auto-Programmed® Lessons. Each lesson takes one or two principles and helps you master them — before you start using them!

How practical is the training?

This is the next big important question. After all, your career will be built on what you can do — and on how well you do it.

Here are ways some of CIE's troubleshooting programs help you get your "hands-on" training . . .

With CIE's Experimental Electronics Laboratory . . .



you learn and review the basics — perform dozens of experiments. Plus, you use a 3-in-1 precision Multimeter to learn testing, checking, analyzing!



When you build your own 5 MHz Triggered-Sweep, Solid-State Oscilloscope you take your first real professional step. You use it as a doctor uses an X-ray machine — to "read" waveform patterns . . . lock them in . . . study, understand and interpret them!

When you get your Zenith 19-inch Diagonal Solid-State Color TV you



Pattern simulated.

apply your new skills to some real on-the-job-type troubleshooting! You learn to trace signal flow . . . locate malfunctions . . . restore perfect operating standards — just as with any sophisticated electronics equipment!



When you work with a completely Solid-State Color Bar Generator —

actually a TV signal transmitter — you study up to ten different patterns on your TV screen . . . explore digital logic circuits . . . observe the action of a crystal-controlled oscillator!

Of course, CIE offers a more advanced training program, too. But the main point is

simply this:

All this training takes effort. But you'll enjoy it. And it's a real plus for a troubleshooting career!

Do you prepare for your FCC License?

Avoid regrets later. Check this out before you enroll in any program.

For some troubleshooting jobs, you must have your FCC License. For others, employers often consider it a mark in your favor. Either way, it's government-certified proof of specific knowledge and skills!

More than half of CIE's courses prepare you for the government-administered FCC License exam. In continuing surveys, nearly 4 out of 5 CIE graduates who take the exam get their Licenses!

Shop around . . . but send for CIE's free school catalog first!

Mail the card. If it's gone, cut out and mail the coupon. If you prefer to write, mention the name and date of this magazine. We'll send you a copy of CIE's FREE school catalog — plus a complete package of independent home study information! For your convenience, we'll try to have a representative contact you to answer your questions. Mail the card or coupon — or write: CIE, 1776 East 17th St., Cleveland, OH 44114.

CIE Cleveland Institute of Electronics, Inc.

1776 East 17th Street, Cleveland, Ohio 44114
Accredited Member National Home Study Council

YES . . . I'm shopping around for the **right** kind of career training in electronics troubleshooting — and CIE sounds well worth looking into. Please send me my FREE CIE school catalog — including details about troubleshooting courses — plus my FREE package of home study information! RE-07

Print Name _____
Address _____ Apt. _____
City _____
State _____ Zip _____
Age _____ Phone _____ (area code)

Check box for G.I. Bill information:
 Veteran Active Duty

Mail today!

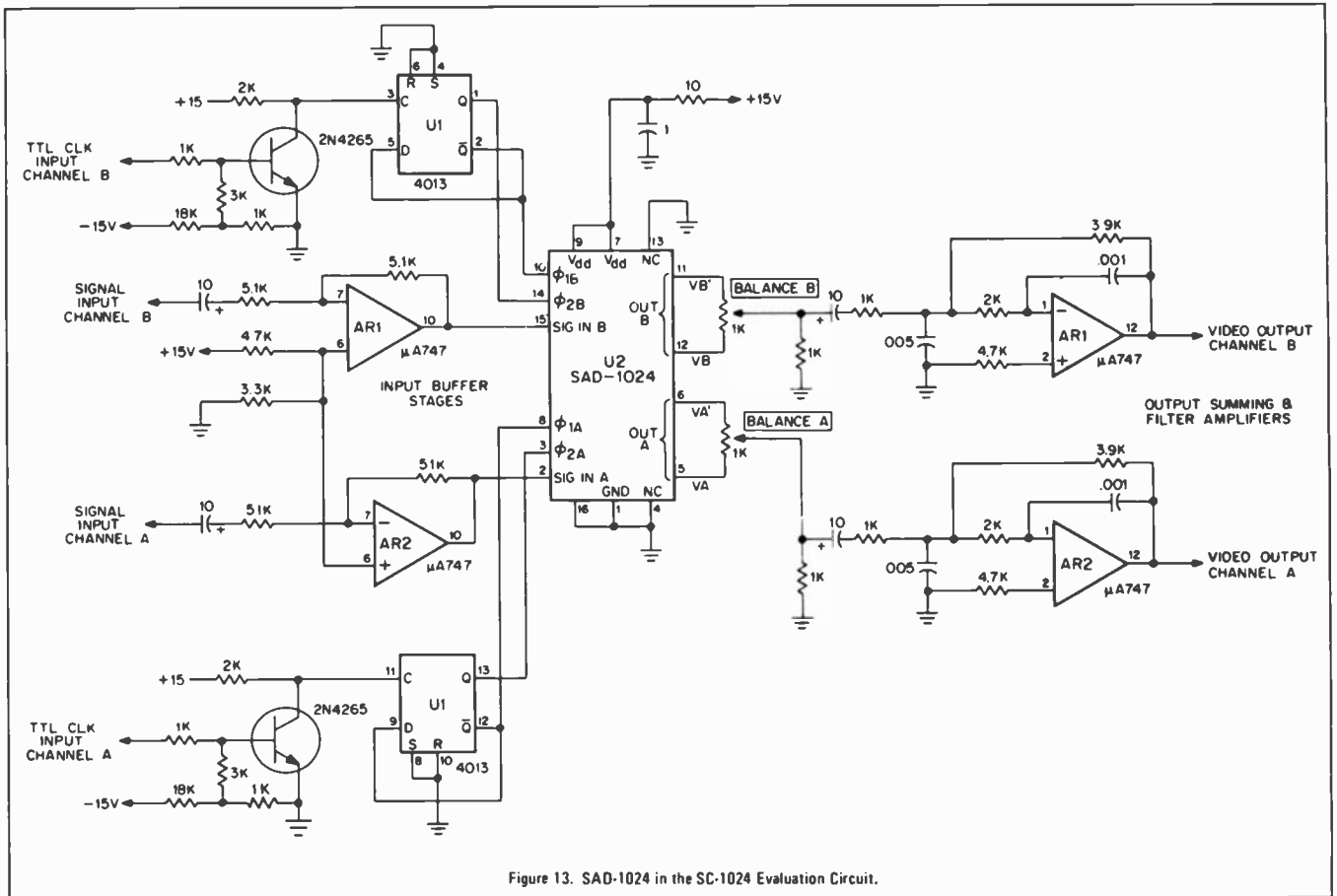


Figure 13. SAD-1024 in the SC-1024 Evaluation Circuit.

The 5 kHz signal is "sampled" twenty times during each of its cycles. This permits good reconstruction of the input waveform. Theoretically, signals up to one-half of the sampling frequency can be completely recovered (Nyquist theorem). Practically, input signals with components (all with the clock-frequency-fixed constant time delay $T_D = 512/(2F_{\phi 1A})$) up to one-third or more of the sampling frequency may be processed with good reconstruction.

In a mathematical sense, each component of the input is convolved with the Fourier transform of the sampling frequency, F_c , to give a $\sin x/x$ amplitude-response modifier at the output (with ideal filtering). The first "zero" of the $\sin x/x$ amplitude modifier occurs at F_c . At the theoretical upper-limit analog input frequency of $F_c/2$, there would be an amplitude factor of $(\sin \pi/2)/(\pi/2) = 0.637$ (3.92 dB loss). At $F_c/3$ the factor becomes 0.827 (1.65 dB loss). In any real-world situation, these factors must be multiplied by any input and output filter factors, which cause its response to be other than ideal, and by the effective transfer factor of the memory device itself.

In a bucket-brigade device, each charge transfer leaves behind a very slight amount of the charge. This charge-transfer inefficiency is cumulative over all N charge transfers. This effect causes reduction in the high-frequency response of the device, in addition to the $\sin x/x$ factor above, but still directly related to the clock frequency. The signal frequency for a given loss thus tends to be a constant fraction of the clock frequency, until charging time constants become dominant. Because of the combination of the two effects, it is very important that the effect from charge transfer inefficiency be as small as possible. N -channel devices such as the SAD-1024 are substantially better than their P -channel counterparts in control of charge-transfer inefficiency.

VII. Practical Details Applicable to Use of the SAD-1024

It has been suggested that the SC-1024 evaluation board be used to permit easy, effective use of the devices. Let us here consider just the devices and their care and feeding.

The devices are sampled-data devices. Inputs may be continuous, but only those values in existence at a particular time in the clock cycle are accepted and transmitted. The properly-combined outputs are

stair-step approximations to the analog input. In addition, some residual clock glitches appear at the output because of the practical impossibility of complete cancellation.

Also, these devices are MOS devices and are subject to possible damage from static discharges. Internal protection is provided, but limited because of the tradeoffs balancing performance with the adverse effects on performance of more complete protection; as a result, moderate care in handling is a must. Susceptibility to damage is comparable to that of standard CMOS logic devices; comparable care should be adequate.

What do these operating characteristics and features mean? The following discussion treats various points to be considered.

The input signal must be inherently limited to a frequency band less than $F_{\text{clock}}/2$, or, if it is not so limited, an input filter should be used to prevent foldover distortion (i.e., aliasing). Many audio signals will be so limited and no input filter will be required. The clocked, sampled nature of the signals through the devices means that some output filtering is desirable. This can be introduced as a separate filter or provided by the band-limiting nature of following devices. An output filter is implicit in the figures. If filtering is provided by following devices, such as amplifiers, etc., it is important that inadvertent input overload of the following device be prevented. Such overload could lead to audible distortion or even failure of components. Some simple output filtering is desirable even if following devices provide band limiting.

The input bias of roughly 0.4 times the clock amplitude is chosen to allow equal signal swing above and below the bias level before distortion occurs. In critical applications, such as those having maximum input, some bias adjustment may optimize conditions to permit lowest distortion and maximum output. For lower signal levels, the adjustment is not critical and may be fixed.

Output source followers must be supplied with a current path. Their drains are internally tied to V_{DD} . As shown in the circuit of Fig. 13, a low-resistance path to ground is functional. To obtain a higher resistance load, it would be possible to connect a higher-value resistance to a point more negative than ground. Such a circuit would be useful where unity gain through the device is desired.

R-E

Servicing With MULTIMETERS



The multimeter has been—and probably will always be—the basic electronic test instrument. However, selecting the type that's best for you can be a problem. Here are some valuable hints on meter selection

A.N.M. KLUIJTMANS*

SERVICING TV SETS DEMANDS A STRICTLY limited—but nonetheless awkward—set of measurements. So the multimeter used must be particularly versatile and, for field use, particularly rugged.

Modern multimeter circuitry can cope with the requirements, but the user must carefully select the most suitable general-purpose instrument. Input selection and protection, the range of facilities, essential accessories and the choice between analog and digital display must all be considered.

Most of the voltages we measure in a TV set are DC—ranging from a few millivolts up to 30 kV for color, less for monochrome. The range of voltages found in a typical color set can be seen from Fig. 1. About the only AC measurement necessary is to check the incoming line supply.

One of the problems is that pure DC levels are practically nonexistent—as can be seen from Fig. 2. Most have pulse levels superimposed with voltages often double that of the level being checked. Add to this the number of stray signals that can appear in a TV set and there is an obvious need for good AC filtering and effective shielding on any multimeter input.

Boost voltages

Checking TV boost voltages is a typical problem. Normal values of 1 kV often have a superimposed peak pulse of 1200 volts. A commonly-occurring pulse form has a 15-kHz repetition rate and 10- μ s duration—quite enough to destroy a meter.

The simplest solution is to measure from some other point than the chassis ground. A typical measuring point is a tube 300-volt supply as shown in Fig. 3. But this is not too convenient when making a general circuit examination and several voltages are being checked.

Now, however, it is possible to find multimeters with enough overload protection to allow accurate measuring of boost voltages without taking special precautions. With monochrome sets, the boost voltage is tied up with the horizontal width control and needs careful regulation. So a 1% accuracy on a 1-kV range with 1200-volt overload protection is needed.

Checking boost voltage on a color set also has to be done accurately. Don't ignore the value of the boost voltage. Too high a value can cause high current peaks and the resulting inductive voltages can point-weld transistors in hybrid driver circuits.

With the 30 kV found on many color picture tubes, however, attenuation is necessary. Instead, a special probe is used (see Fig. 4). This 100-times attenuator uses accurate resistors to reduce

*Philips Test and Measuring Instruments Department, Eindhoven, The Netherlands.



FIG. 4—TO MEASURE really high voltages—such as the 30-kV boost voltage often found in a color TV—some form of attenuator is essential. This special probe provides 100-times attenuation using highly accurate resistors. The length of the probe provides some protection for the user.

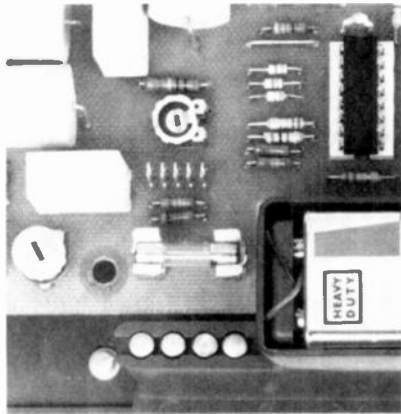


FIG. 5—IF FUSE PROTECTION is used in a multimeter, replacement should be easy and spares always on hand. For a meter being used in the field, spare fuses should preferably be carried in the instrument itself.

measurements there hardly seems any need for a multimeter, a simple voltmeter should do the job. But there are obviously many occasions when other measurements have to be made—typically checking resistors on one of the circuit boards.

Resistance measurements are also useful for locating faulty semiconductors. With the increasing use of solid-state circuitry, much of it still discrete components, it is useful to be able to check diode junctions in suspect transistors. A simple forward and reverse junction measurement gives a fast qualitative check on the transistor condition, when a transistor tester is not readily available.

The meter you select should also have a high input impedance if you want accuracy figures to mean anything. Any instrument added to a circuit is going to influence that circuit due to its loading. A conventional 20,000-ohm input can lead to quite serious errors depending on the resistance of the source being measured. Figure 7 gives some idea of the extent of these hidden errors.

High input impedances—around the 10-megohm mark—are possible with digital multimeters as they are in TVM's and FETVM's. The use of LSI circuitry makes high input impedances economical.

Another advantage of LSI is that it often makes it possible to extend the facilities of the multimeter. Typical is



FIG. 6—CHOOSING BETWEEN ANALOG AND DIGITAL INSTRUMENTS often has to be a matter of personal choice. A digital meter is better for accurate measurements, while an analog meter is ideal for peak-and-dip and other trend readings.

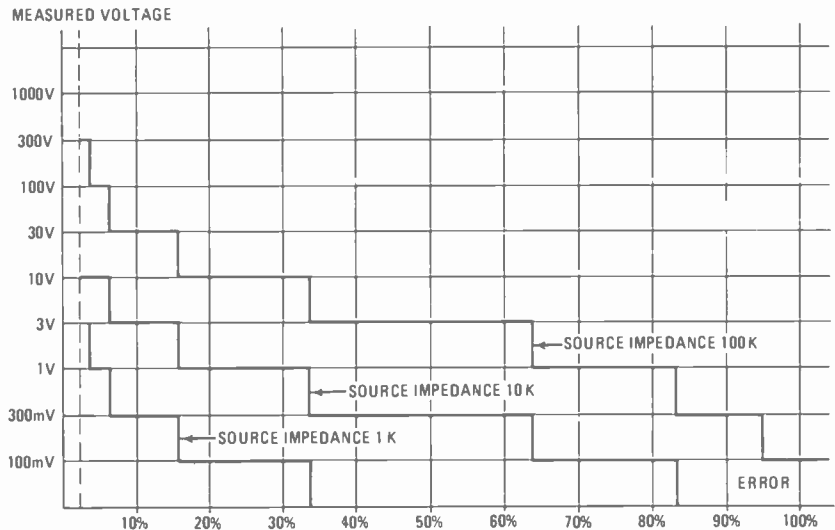


FIG. 7—HIDDEN ERRORS caused by the 20K input impedance of a conventional multimeter loading the circuit under test can build up to very high levels. Modern multimeters have input impedances of 10 megohms, eliminating the loading problems.

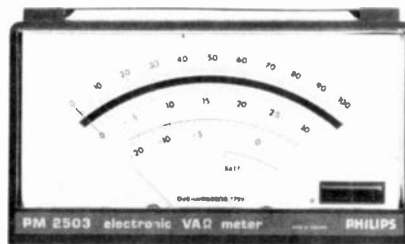


FIG. 8—GOOD CLEAR PRESENTATION of results makes a meter easy to use. So it is worth looking for a meter that uses the minimum of scales. The use of linear resistance-measuring circuits helps presentation as well.

the addition of temperature measurement. Checking the temperature of transistors often helps localize the area of a circuit fault. Measurements of voltage levels, currents and resistance in the neighborhood of the "hot" transistor will then pinpoint the faulty component.

Easy to use

An important aspect of any service instrument is how easy is it to use. A typical multimeter is going to be used to carry out a variety of measurements at the same time. So changing leads every



FIG. 9—EVEN THE BEST cared for service instrument sometimes slips, or is knocked against a tool. Some sort of protection—such as the rubber rings mounted on this meter—are useful.

time you change from voltage to resistance, can be time consuming—and annoying. So it is worth looking for an instrument that uses one set of leads for the majority of measurements.

The meter readout is important too. The average multimeter has a plethora of scales in different colors and different positions. It is worth looking for a meter

continued on page 88



Improve INSTALL

*To get the best possible recep
where the signal is—up high.
to installing antenna towers*

SOME ANTENNA INSTALLERS AVOID TOWER installations. They believe them to be expensive and time consuming, and to require a great deal of skill. Actually, the new TV/FM antenna towers are relatively inexpensive and easy to put up. The average tower can usually be installed in two man-hours, once you get the hang of it.

Towers get the antennas up high, where the best signals are. They cause no roof damage. They help protect the antenna from damage by corrosive chimney fumes. Towers can easily be climbed for servicing the antenna, the downlead, the rotator or the preamp.

Two basic types of towers are available: self-supporting and bracketed. As the name implies, self-supporting towers can stand alone. Since they require a concrete base, self-supporting towers take longer to install. Generally, they are for people who want the installation away from the house or for people who object to attaching the tower to the house.

Most people prefer bracketed towers. These are easier to install. This article illustrates the step-by-step procedures for putting up a bracketed tower.

Step 1—Prepare the ground.

The baseplate must rest on flat, solid ground. Use a spade to clear away grass. Make sure the baseplate rests flat on the ground, as shown in Fig. 1.

Step 2—Assemble 2 or 3 sections.

When installing bracketed towers, it's a good idea to get the bracket up as high as possible. Therefore, you want to pick the highest convenient point on the house.

Assemble enough tower sections on the ground to reach that point. Since each tower section is 8 feet, two or three

tower sections are almost invariably enough.

Use the bolts, nuts and lockwashers supplied to fasten the sections together securely (see Fig. 2).



FIG. 1—LEVELING THE BASEPLATE makes a good foundation for the whole job.



FIG. 2—SECTIONS ARE FASTENED, preferably on the ground before raising.

Attach the baseplate to the bottom of the tower, as shown in Fig. 3.

Assemble the house bracket and attach it to the tower (see Fig. 4) in approximately the right position with the nuts finger-tight. (With the nuts this loose, the bracket will stay in place, but you can slide it up and down on the tower to find the correct position, once the tower is against the house.)

Step 3—Fasten bracket and base plate.

Use a ladder. Put the baseplate on the spot prepared in Step 1 and lean the tower against the house. Then climb the ladder and fasten the house bracket in



FIG. 3—BOLTING THE BASEPLATE to the legs of the tower.

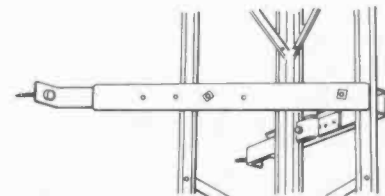


FIG. 4—DETAIL OF HOUSE BRACKET.

TV Reception— A TOWER

*tion, the antenna must be
Here's a step-by-step approach
to gain the necessary height*

JERRY SCHWARTZ*

place with two 3/4-inch lag screws into the side of the house.

Be sure the lag screws bite deep into solid wood. Otherwise, the tower may fall, damaging the house. Remember, the tower installation is only as solid as the bracket itself.

If you must fasten the house bracket to a part of the house with an overhang, attach a 3- or 4-foot 2 by 4 to the soffit. Then, screw the bracket to the 2 by 4 as shown in Fig. 5.

Once the house bracket is firmly in place, use a level to make sure the tower is vertical (see Fig. 6). Finally, drive three 3-foot base stubs into the ground, to hold the baseplate firmly in place, as shown in Fig. 7.

Step 4—Add tower sections.

Once the baseplate and house bracket are firmly fastened in place, you have a solid base from which to work. You don't need a ladder any more, because you can climb the tower.



FIG. 5—BRACKET MUST BE FASTENED securely to a solid part of the house.

When you climb a tower, be sure to use a safety belt. With the safety belt attached to the tower at all times, it is impossible to fall. Be sure the belt runs through the tower, not around it.



FIG. 6—CHECK FOR VERTICAL orientation with a spirit level or a plumbline.

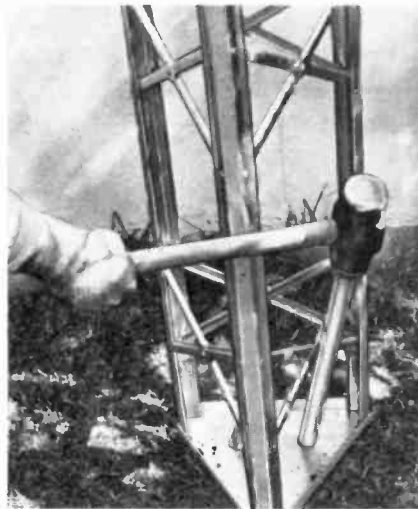


FIG. 7—THREE-FOOT BASE STUBS hold the baseplate firmly in place.

One-man installation is easy. Just use a long rope with a hook on the end of it. Climb to the top of the tower. Fasten your safety belt securely and hook your leg around the tower for added support. Then, lower the hook, snag one of the tower sections, pull it up and lower it into place. Two-man installations are easier and save time. (One man on the ground, one on the tower.)

Once the new section is in position secure it in place with bolts, nuts and lockwashers.

Additional sections can be added in exactly the same way. Be sure to prepare all sections on the ground within easy reach of the rope and hook so you don't have to climb up and down the tower between sections.

Step 5—Attach the rotator

The top section of the tower comes complete with a baseplate, a top plate and a unique mast thrust bearing (see Fig. 8). Most rotators can be attached easily to the baseplate, using an 8-inch piece of mast and the U-bolts supplied. CDE model AR-30 and Channel Master Rotators can be attached directly to the L bracket. CDE models AR-33 and AR-40 are mounted to the baseplate, using 3/8-inch hex nuts as spacers between the rotator and the tower rotator baseplate.

In every case, the rotator fits inside the tower and the mast thrust bearing supports virtually all the weight of the antenna. This lengthens the life of the rotator considerably, and helps it to work more smoothly.

Attach the rotator to the top section of the tower (with rotator wire connected) before it is raised into place.

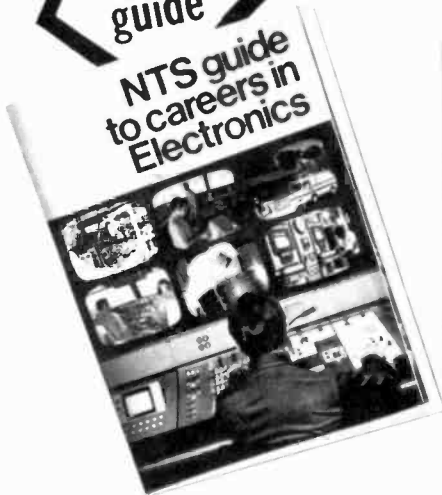
Step 6—Install the antenna

On the ground, attach the antenna securely to the mast. Unfold all

The better the training the better you'll

Send for
FREE
illustrated
career
guide

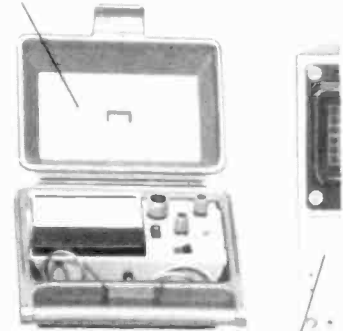
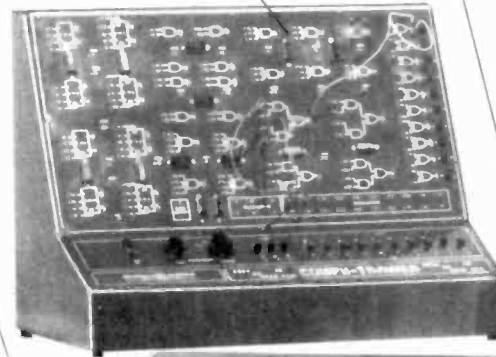
NTS guide
to careers in
Electronics



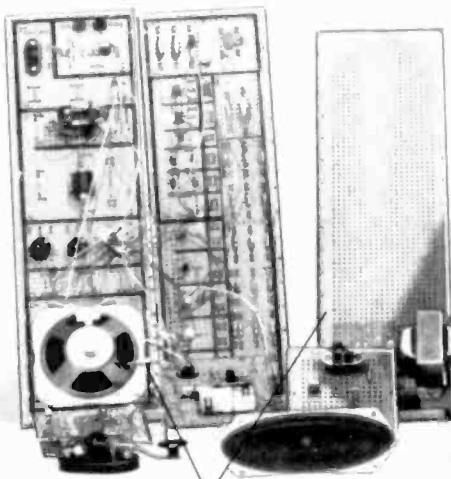
IN-CIRCUIT TRANSISTOR TESTER

COMPU-TRAINER

TROUBLESHOOTER
VOM



SOLID-STATE
OSCILLOSCOPE



ELECTRO-LAB



(Simulated TV Reception)

As an NTS student you'll acquire the know-how that comes with first-hand training on NTS professional equipment. **Equipment you'll build and keep.** Our courses include equipment like the **NTS/Heath GR-2001 computerized color TV (25" diagonal)** with varactor diode tuning and digital read-out channel selection; (optional programming capability and digital clock avail.).

Also pictured above are other units — 5" solid state oscilloscope, vector monitor scope, solid-state stereo AM-FM receiver with twin speakers, digital multimeter, and more. It's the kind of better equipment that gets you better equipped for the electronics industry.

This electronic gear is not only designed for training; it's field-type — like you'll meet on the job, or when you're making service calls. And with NTS easy-to-read, profusely illustrated lessons you learn the theory behind these tools of the trade.

Choose from 12 NTS courses covering a wide range of fields in electronics, each complete with equipment, lessons, and manuals to make your training more practical and interesting.

Compare our training; compare our lower tuition. We employ no salesmen, pay no commissions. You receive all home-study information by mail only. All Kits, lessons, and experiments are described in full color. Most liberal refund policy and cancella-

and the equipment be equipped.

COMPARE OUR
KITS AND LESSONS.
COMPARE OUR
TUITION.



HIGH FIDELITY
SPEAKERS

SOLID-STATE STEREO
AM/FM/MULTIPLEX
RECEIVER

COLOR BAR/DOT
GENERATOR

TUBE & TRANSISTOR
TESTER

FET-VOM
AM/FM/SW PORTABLE
SOLID-STATE RECEIVER

VECTOR MONITOR
SCOPE

SIGNAL
GENERATOR

5" OSCILLOSCOPE

DIGITAL
MULTIMETER

SOLID-STATE 2-METER FM
TRANSCEIVER & POWER SUPPLY

SOLID-STATE
POCKET RADIO

tion privileges spelled out. Make your own comparisons, your own decision. Mail card today, or clip coupon if card is missing.

NO OBLIGATION. NO SALESMAN WILL CALL

APPROVED FOR VETERAN TRAINING
Get facts on new 2-year extension

NATIONAL TECHNICAL SCHOOLS

TECHNICAL-TRADE TRAINING SINCE 1905
Resident and Home-Study Schools
4000 So. Figueroa St., Los Angeles, Calif. 90037

NATIONAL TECHNICAL SCHOOLS Dept. 206-047
4000 South Figueroa St., Los Angeles, Calif. 90037
Please send FREE Color Catalog and Sample Lesson.
NO OBLIGATION. NO SALESMAN WILL CALL.

<input type="checkbox"/> Color TV Servicing	<input type="checkbox"/> Electronics Technology
<input type="checkbox"/> B & W TV and Radio Servicing	<input type="checkbox"/> Computer Electronics
<input type="checkbox"/> Electronic Communications	<input type="checkbox"/> Basic Electronics
<input type="checkbox"/> FCC License Course	<input type="checkbox"/> Audio Electronics Servicing

NAME _____ AGE _____
ADDRESS _____ APT # _____
CITY _____ STATE _____
Please fill in Zip Code for fast service _____
 Check if interested in G.I. Bill information.
 Check if interested ONLY in classroom training in Los Angeles.

elements except the center elements on one side. Leaving these elements folded will enable you to pull the antenna and mast up the tower more easily, since the antenna will fit around the tower.

Attach the lead-in wire securely to the antenna terminals and then raise the antenna and mast into place.

Lower the mast through the thrust bearing into the rotator. Then orient the antenna (as per the instructions of the rotator manufacturer) and tighten the mast into place.

If a rotator is not used, simply skip Step 5. Secure the mast to the tower base and top plate, using the L-brackets and U-bolts supplied.



FIG. 8—THE TOWER'S TOP SECTION is equipped to hold a rotator, if needed.

Step 7—Run wires down the tower

As explained in previous steps, the antenna lead-in and rotator wires should be attached in advance. They can be run down the tower easily.

Use low-loss coaxial cable for all tower installations. The coax cable and

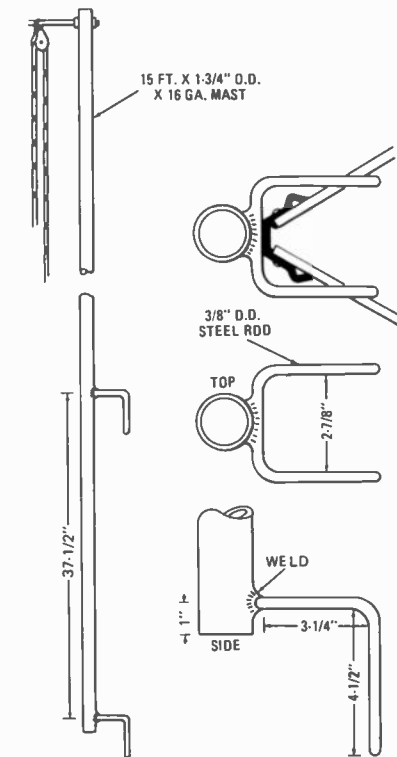


FIG. 9—HOW TO MAKE A GIN POLE that simply slips over the cross-braces.

the rotator wire can easily be taped into opposite grooves of the same tower leg with waterproof tape.

If you do decide to use twin lead, attach wrap-around standoffs to one of the tower legs. Space the standoffs 6 to 8 feet apart and avoid touching metal with the twin lead.

Gin poles

If you plan to install many towers, a gin pole is a very handy accessory to

have. You can use it like a crane to lift sections into place. The gin pole relieves strain on the installers' arms.

Figure 9 shows how to make a gin pole from a mast and some steel rod. (Figure 9 shows 1 3/4-inch O.D. mast, but 1 1/4-inch will do the job.)

Hook the completed gin pole to the top of the tower at the X-braces. Attach the rope that runs through the pulley to the next tower section, about a foot above the middle. Pull the section up and guide it into place on the top of the section on which you are standing.

Once the new section has been bolted securely into place, you can unhook the gin pole, climb the new section and hook the gin pole in place to haul up the next section.

Alternate installation method

Another method of erecting a tower works very well, but takes two men.

The tower is completely assembled on the ground. One man climbs a ladder to the roof, with a rope. The other man stays on the ground. The man on the roof pulls the tower up, using the rope, and the man on the ground pushes, until the top of the tower is resting against the edge of the roof. The tower is held in place temporarily by a safety rope.

Then the man on the roof attaches the antenna and mast to the tower.

Finally, the two men position the tower vertically and secure it in place, using the house bracket and base stubs driven through the baseplate.

So putting up a tower is not as hard as you might think! With a little practice, you can put up even a tall tower with amazing speed, whether you do it alone or have someone to help. **R-E**

Personal-computer gear feature of new store in Boston

A personal-computer user show was the main feature of the recent opening of the Computer Warehouse Store in Boston, MA. Selling used computers and computer accessories of all types (including equipment that originally sold for \$100,000 alongside of simple \$25 power supplies), the new store attracted customers and hobbyists from several States.

One enthusiast, Bill Walde, the first president of the N.E. Computer Society, had two systems with him. He had built one himself from plans published in an electronics magazine—the other was one of the most sophisticated of the micro-computer kits available at the store.

Robert Tripp, publisher of the only New England magazine in the computer hobby field, demonstrated one of the smallest and cheapest microcomputers that can still handle applications like checkbook checking.

According to the Computer Warehouse Store, hobbyists now have 103 clubs, of which the Southern California Computer Society, alone, has 6,000 members. Now, there are more than 80 stores devoted to

the computer hobbyist, as compared to none a little more than a year ago.

The grand opening of the Boston establishment ran for two days with a total attendance of more than 2,350, and during which prizes were given away every hour. A grand total of \$100,000 (original value) worth of equipment was given away.

George Bailey dies at 89 was world's No. 1 amateur

George F. Bailey, who for 12 years was president of the American Radio Relay League and the International Amateur Radio Union—the world's leading "ham"—died December 19 at the home of his daughter in Nashville, TN. He was 89 years old.

In his business life as a manufacturer of floor coverings, Dr. Bailey had been an ardent amateur, and for 12 years was the contact to the Grenfell Mission in Labrador, maintaining schedules every morning. When he retired in 1937, he became more active, and in 1935 was the first American amateur to contact Europe on 5 meters, as well as the first to work all States on single sideband. He was division director, national vice president, and in

1940 became president of the American Radio Relay League, holding the office until 1952.

In 1941 he was called to Washington to recruit an electronics training group under the National Defense Council. The following year he was appointed chief of the scientific personnel office of the Office of Scientific Research and Development.

In 1945, Dr. Bailey became executive secretary of the Institute of Radio Engineers (IRE), a post he held until the IRE merged with the AIEE to become the Institute of Electrical and Electronic Engineers in 1963. He became the Institute's Executive Consultant until 1966.

Dr. Bailey was a graduate of Harvard (1907) and received a D. Sc. from Lawrence College in 1958. He was a Fellow of the IRE and received its Distinguished Service Award in 1962. Previously he had received the Certificate of Merit from President Truman for his contribution to the American war effort. An honorary member of the Veteran Wireless Operators Association, he was awarded its Marconi Medal of Service. A charter member of the Armed Forces Communications and Electronics Association, he was its president 1954-56. **R-E**

R-E's Service Clinic

High-voltage hold-down

The high voltage, the DC and the hair-trigger shutdown

JACK DARR
SERVICE EDITOR

SINCE THE ADVENT OF SOLID-STATE TV circuitry, we have seen the introduction of a few new HEW circuits (sorry about that)—all of them aimed at preventing the high voltage from going too high. Unlike the original high-voltage regulators that simply loaded down the high voltage itself, these circuits work on a different principle: most of them use redundant regulators. There are several of them, in all parts of the chassis, all doing the same thing.

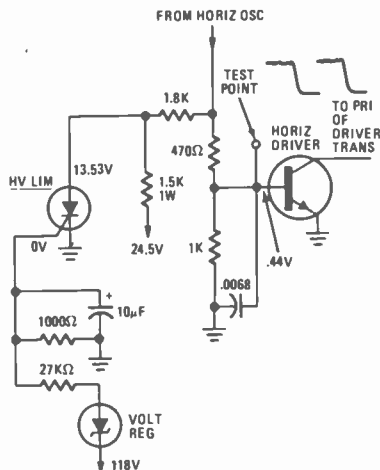


FIG 1

One is a "shut-down" circuit that kills the high voltage by grounding the DC voltage supply to the horizontal oscillator or driver stages. It is usually like the circuit in Fig. 1. An SCR is connected across the 118- and 24.5-volt DC lines feeding the horizontal stages. It is gated on by the output of the horizontal circuitry. If the 118-volt line rises too high, the SCR fires and the horizontal drive is removed, shutting down the horizontal output stage. There are many variations: one senses the actual beam current of the picture tube. It is in series with the "bottom end" of the high-voltage supply.

However, this article deals mainly with another regulator—this one is in the "primary" DC supply circuits. In all sets using scan-derived DC voltage supplies, the horizontal oscillator, driver and horizontal output stage must get DC voltage as soon as the set is turned on. This is done by rectifying the AC line voltage, filtering and feeding it through a voltage-regulator circuit. Typical out-

put will be about +120-volts DC. A partial circuit of this type of regulator is shown in Fig. 2. This one is used in Sylvania's EO-4 chassis.

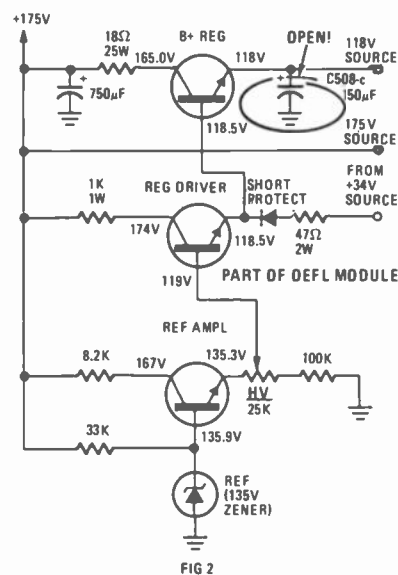


FIG 2

In all of these sets, the high-voltage output is *directly* proportional to the DC voltage output of this regulator. So, if this DC voltage rises 10%, so does the high voltage. When the high voltage reaches an unsafe level, the high-voltage shutdown circuit, which is completely *separate*, shuts down the horizontal stages and the set. This action is quite fast, and sometimes hard to catch!

As in all circuits, increasing the complexity increases the difficulty of diagnosis. However, there is one key test point that should always be checked first: primary +120-volt DC supply voltage. If it is not right on the button, you'll have problems and no clues. So let's look at a couple of real cases.

In a Sylvania EO-4 chassis there was a wild variation of high voltage when the brightness control was turned up or down. Turning the brightness control to minimum raised the high voltage so far that the high-voltage shutdown turned the set off. During tests with brightness set near normal, the AC line voltage was varied from 90 to 120 volts, and the +120-volt line stayed very close to normal. (This led us somewhat astray.) However, when the brightness control was turned down, the +120-volt line *rose* and the shutdown tripped.

This column is for the service technician's problems—TV, radio, audio or industrial electronics. We answer all questions submitted by service technicians on their letterheads individually, by mail, and the more interesting ones will be printed here.

If you're really stuck, write us. We'll do our best to help you. Don't forget to enclose a stamped, self-addressed envelope. If return postage is not included we cannot process your question. Write: Service Editor, Radio-Electronics, 200 Park Avenue South, New York, NY 10003

After much testing and checking, we finally found the cause. It was an *open* filter capacitor—150- μ F C508-C on Sams Photofact sheets—on the +120-volt output of the regulator. The actual mechanism of this fault hasn't been analyzed yet, but replacing this capacitor cleared up the problem. For a crystal-ball guess, the open capacitor reduced the ability of the regulator to hold the output voltage steady by taking away the reservoir effect of a filter capacitor.

In another case with similar symptoms (a Packard-Bell 98C38 chassis), a small surge resistor in the AC input was found open. Replacing it made the set work, and it was returned. Back again three days later, just quit. This time the +120-volt DC supply measured +150 volts. However, the set would run until the brightness control was turned down. The +120-volt regulator seemed to be the obvious cause. Detailed checking in this circuit produced the following:

1. The high voltage reads 29 kV at full brightness. Turning the brightness down, it rises to 41 kV and the shut-down trips.
2. The +120-volt output of the regulator is +150 volts. So it is the most likely cause: check regulator circuitry.
3. The pass transistor Q901 is shorted base-to-emitter (see Fig. 3): replace it.

Performance gets a little better, but the high voltage still goes to 35 kV with brightness down. (There's some improvement, but not enough.)

4. Check Q602, the regulator control. Then, if the collector-emitter junction is open, replace the transistor. Problem solved? Not yet. Q602 is running much too hot, and the DC voltage isn't correct.

5. Check bias on Q602. The base voltage is way off. Suspect SR602, the 123-volt Zener diode, 2% bias clamp for Q602. (No tests needed; case of SR602 is blown apart. Replace.)

6. Turn on. Reset current-limiter for +120 volts. The high voltage now is 23.5 kV, both high voltage and DC voltages are now steady. Uncross your

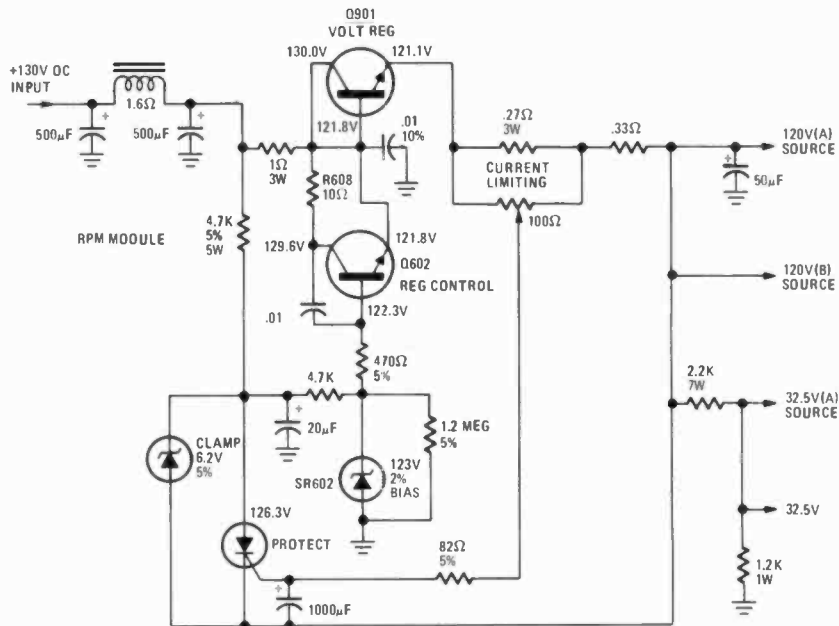
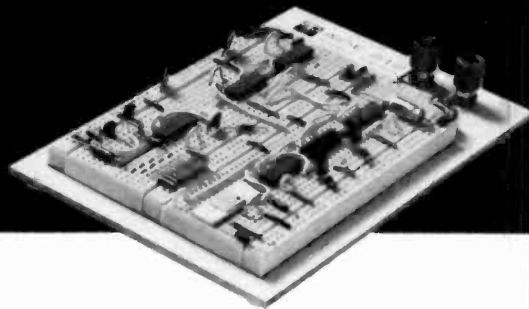
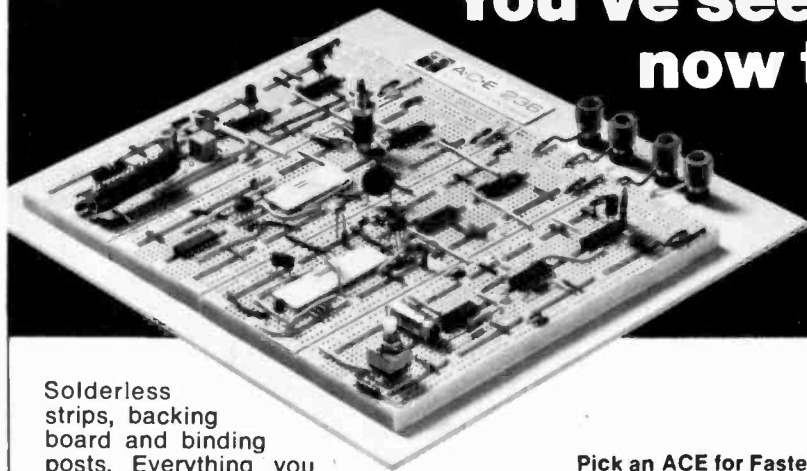


FIG 3

You've seen the rest... now try the best.



Solderless strips, backing board and binding posts. Everything you need to build and test your own circuit. Used to be you'd get a circuit idea, lay out a pc board, print it, solder everything together, trouble-shoot, change your layout, try a new board, and spend absolutely too much time breadboarding. Now A P ACE All Circuit Evaluators let you breadboard in a fraction of the time. Make your changes immediately. Keep full leads on your components. Avoid the heat damage possible with repeated soldering and de-soldering. A P made the first modern solderless breadboard, and we still make them best.

Pick an ACE for Faster and Easier solderless circuit building and testing.

Send for our complete A P catalog, The Faster and Easier Book.

Part No.	ACE Model No.	Tie Points	DIP Capacity	No. Buses.	No. Posts	Board Size (inches)	Price Each
923333	200-K (kit)	728	8 (16's)	2	2	4-9/16x5-9/16	\$18.95
923332	208 (assem.)	872	8 (16's)	8	2	4-9/16x5-9/16	28.95
923334	201-K (kit)	1032	12 (14's)	2	2	4-9/16x7	24.95
923331	212 (assem.)	1224	12 (14's)	8	2	4-9/16x7	34.95
923326	218 (assem.)	1760	18 (14's)	10	2	6-1/2x7-1/8	46.95
923325	227 (assem.)	2712	27 (14's)	28	4	8x9-1/4	59.95
923324	236 (assem.)	3648	36 (14's)	36	4	10-1/4x9-1/4	79.95

Order from your A P distributor today. Our distributor list is growing daily. For the name of the distributor nearest you call Toll-Free 800-321-9668.

**A P PRODUCTS
INCORPORATED**

Box 110-R Painesville, OH 44077
(216) 354-2101 TWX: 810-425-2250



fingers, and watch it for a while. Works very well.

(Thanks very much to Joseph Rotello of Communications Services, 5801 E. 22d St., Tucson, AZ for this skillful and detailed analysis, which was copied almost verbatim. This is a perfect example of what I was (and am) going to suggest for the conclusion of this Clinic. When you find any problem with similar characteristics, be sure to check this primary voltage regulator circuit first. Second key point, *don't stop* when you find the first faulty part. Check all stages and make sure that they are working properly, with no damaged parts.)

The key clue here, and in all of these circuits, is in the reactions of the +120-volt DC supply. It *must* be tightly regulated to hold this voltage at the right level. If it won't, everything will be fouled up for three feet in all directions. Example: A Truetone had odd color problems. I found a bad pass transistor in the regulator without too much trouble, but it took me too long to find that the error-amplifier transistor was also bad.

The chances for catastrophic failure in these circuits are the same as in any transistor circuit. They use a high degree of direct coupling, making "domino failures" that much more likely. You can

see this in the Packard-Bell circuit of the last case. The chain reaction started at the high DC input to the regulator, and went all the way through to ground, demolishing parts as it went. Be sure to check all resistors, diodes, etc. in the bias networks.

In these two cases, the main fault was in the low-voltage primary regulator. However, the redundant high-voltage shut-down stage was still working normally. This circuit too can cause similar problems, so don't overlook it. It may be a little eager, and trip too soon.

This turned up in an early version several years ago. It used an SCR, that fired whenever the brightness control was moved in either direction. We finally had to get a specially-selected SCR from the factory to make it work as it was intended to. So, keep an eye out for "hair-trigger" units, that fire when they really shouldn't. It can happen and cause you to waste a lot of time. R-E

reader questions

TUNER DRIVE MOTOR BURNS UP

The tuner drive motor in this RCA CTC-68 burned up. The new motor starts to run

just as soon as the set is on. The tuner doesn't move! The motor shaft snaps in and it turns, but stops in a minute; you can hear it humming, and it gets hot. What's causing this?—J.H., Homestead, FL.

Well, you may have two problems. It sounds as if the tuner is *stuck* and jamming the motor. The other problem could be a shorted triac, which controls the motor. The motor shouldn't start to run as soon as power is turned on. Try disconnecting the gate lead of the triac (pin 2); if the motor keeps on trying to run now, the triac is probably shorted. (This could be due to the heavy current drawn if the tuner is jammed. Could have blown the triac as well as the original motor. Make sure the tuner is free to turn.)

LOST COLOR

I fixed a couple of things in this CTC-36 RCA and now I have no color; just red and green rainbows. All of the DC voltages, etc., seem to be close, and tubes good by substitution. Where to go?—G.B., Seattle, WA.

If you do have colored rainbows, this usually means that the bandpass amplifier stages are working. No color sync, though. Check the burst amplifier stage, the transformer and the 3.58-MHz oscillator stage. I've found similar problems

THERE'S A BETTER WAY TO GO.

Energy shortages tell us we have to change our driving style.

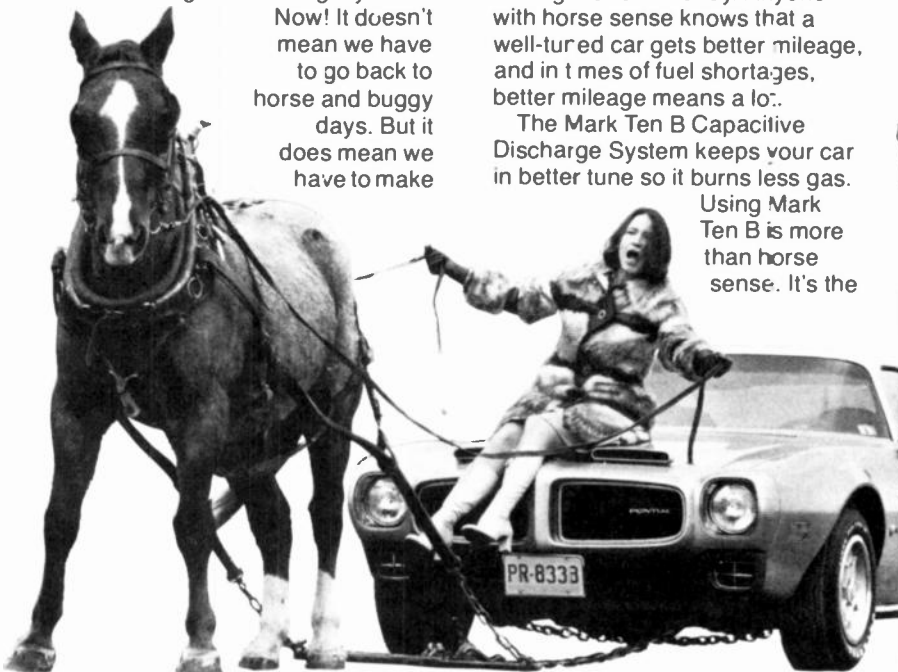
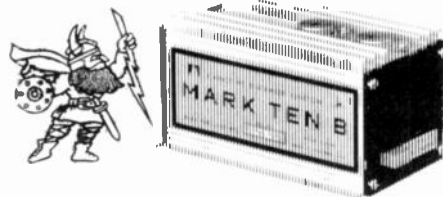
Now! It doesn't mean we have to go back to horse and buggy days. But it does mean we have to make

every drop of gas give us the most go for our money. Anyone with horse sense knows that a well-tuned car gets better mileage, and in times of fuel shortages, better mileage means a lot.

The Mark Ten B Capacitive Discharge System keeps your car in better tune so it burns less gas.

Using Mark Ten B is more than horse sense. It's the

smart move under the hood, helping a nation survive an energy crisis and keeping you on the road. Delta Mark Ten. The best way to go.



CIRCLE 32 ON FREE INFORMATION CARD

DELTA PRODUCTS, INC.

One Delta Way, Dept. RE
Grand Junction, Colo. 81501
(303) 242-9000

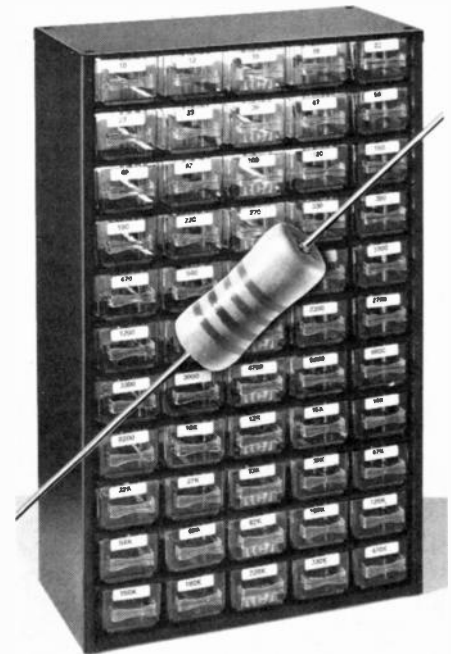
I want to know more about Mark Ten CDI's. Send me complete no-nonsense information on how they can improve the performance of my car.

Name _____

Address _____

City _____ State _____ Zip _____

SpaceSaver: New RCA Flameproof Film Resistor Kit



Introducing RCA's convenient, preloaded and prelabeled Flameproof Resistor Kit containing a wide range of the most-needed, standard value resistors in 1/2, 1 and 2 watt ratings. Two of each rating for a total of 330 resistors; all $\pm 2\%$ tolerance. Packed in a sturdy metal-frame cabinet for easy availability.

Service Technicians prefer RCA Flameproof Film Resistors because of their inherent safety characteristics. Design Engineers prefer them because they won't flame or short even under severe conditions. Look to RCA — your best single source for a complete line of flameproof film resistors.

Contact your authorized RCA Parts Distributor for all the details, or write to RCA Distributor and Special Products Division, 2000 Clements Bridge Road, Deptford, NJ 08096.

RCA Flameproof Film Resistors

due to an open lead on the burst-amplifier transformer, etc.

(Feedback: Whee! That did it. One of the leads on the burst amplifier transformer was loose!)

THERMISTOR BURNING

When I opened up this E0-2 Sylvania, it was shut down. I pushed the circuit breaker and the fire flew! Literally! The thermistor in the input was melting. I changed it and the new one burned up, too. So, I changed it again and replaced the varistor too, and the same thing. Explanation?—G.B., Seattle, WA.

This is the thermistor in the degaussing coil circuit. If you have a big fat short in your DC power supply, for instance a shorted diode, you'll get a terrific current through the thermistor. Check the DC power supply for grounds or bad diodes.

(Feedback: That's a good explanation, all right! One of the diodes in the DC power supply had a dead short!)

WEAK VIDEO

I have several problems in an RCA CTC-25. The video is weak, there are retrace lines and I have bending in the picture. The raster is full. I read +300 volts on both plate and screen of the 6LF8 1st video amplifier. The grid voltage is off, too. What is this?—M.G., Woonsocket, RI.

The key clue here is the very high DC voltage on the 1st video amplifier. If the plate and screen voltages are the same, the stage isn't conducting at all. It appears that the video signal is leaking through the interelectrode capacitance of the tube. This is causing the retrace lines and probably the other problems due to the lack of a proper video signal on the AGC, sync, etc. Check this stage; the cathode circuit may be open.

HIGH-VOLTAGE DROPS

Here's an unusual problem. In this Sears 564-80161 chassis, the high-voltage drops after a couple of minutes, but the cathode current of the 31JS6 goes away up. I substituted all the tubes in the circuit. Now, here's the fun: If I plug the chassis into a variable-voltage line transformer and reduce the line voltage to about 100 volts or less, the current decreases and the high-voltage increases. During this time, the B+ voltages show little change. Any bright ideas?—G.P., Miami, FL.

Here's one based on previous experience with a similar circuit. Check the diode in the heater circuit of these tubes. You may find that it is leaking. You said "the heaters of the tubes are fed with a negative DC supply." This isn't precisely true. The diode in the heater circuit is a *dropping diode*; the tube heaters are fed half-wave rectified AC. So if the diode is leaking, you will get quite a little bit *more* heater voltage; this will

FREE EICO CATALOG

358 Ways To Save On Instruments, CB, Burglar Alarms, Automotive & Hobby Electronics!

The more you know about electronics, the more you'll appreciate EICO. Every EICO product is designed to provide you with the most pleasure and quality performance for your money. The fact that more than 3 million EICO products are in use attests to their quality and performance.

"BUILD-IT-YOURSELF" and save up to 50% with our famous electronic kits.

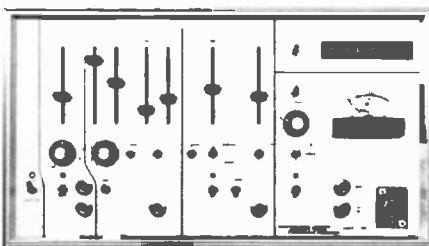
For the latest EICO Catalog and name of nearest EICO Distributor, check reader service card or send 50¢ for fast first class mail service.

EICO—283 Malta Street, Brooklyn, N.Y. 11207

Leadership in creative
electronics since 1945.



CIRCLE 71 ON FREE INFORMATION CARD



MODEL 100A AUDIO RESPONSE PLOTTING SYSTEM and general purpose sweep/tone burst/pulse generator consists of two sine /square/triangle function generators, pulse generator, frequency counter and peak amplitude measurement sections. It is primarily intended to generate a frequency response plot on an X - Y recorder or scope.

Time base generator offers symmetrical or independent control of the positive and negative sides of the ramp providing a duty cycle of .7% to 99.3%. Frequency range is .0035Hz to 100kHz. Amplitude is 15Vpp into 500 Ω with .5VDC offset. The time base output drives the X axis of an X - Y recorder. Manual mode provided for setup.

Audio sweep generator provides manual frequency adjustment or log/linear sweep of 20Hz to 20kHz. Blanking mode produces zero reference line on X - Y recorder or tone burst. Amplitude is 15 Vpp into 500 Ω or 10 Vpp into 8 Ω .

Pulse generator frequency range is .0035Hz to 525kHz. Pulse width is adjusted independent of frequency from 4 seconds to 40 nanoseconds. Outputs are complimentary TTL.

Peak amplitude measurement section measures internal or external signals from mike to power amp level. Amplitude output drives Y axis of X - Y recorder.

Frequency counter is 6 digit, line triggered, and reads either internal or external. Sensitivity is 50 mv peak at 20kHz.

Dimensions: 8 x 14 x 3. Shipping Weight 9 lbs.

\$550, stock to 30 days. Warranty: 1 year.

1894 Cornerchester W. #105
San Bernardino, Ca 92408
(714) 889-7623

FIDELITY SOUND

CIRCLE 6 ON FREE INFORMATION CARD

raise the cathode temperature of the 31JS6, 6BK4 and other tubes. When you reduced the line voltage, the heater voltage of the tubes went back to about normal.

Incidentally, there are several sets that started out using this type of circuit. Most of the newer ones have dropped it. The makers recommend replacing the dropping diode with a plain old-fashioned resistor of suitable value and wattage to give the tubes the correct heater voltage.

VERTICAL PROBLEM

This Zenith 24NC31 has an intermittent loss of vertical sweep. I have changed tubes and checked parts with no luck. Where should I look now?—J.S., Coshcoton, OH.

One good place to look would be in the vertical size and linearity controls. Sometimes they develop a bad contact under the slider, especially if the control hasn't been moved for quite a while.

(Feedback: "You're right. There was a bad vertical-linearity control in it. Someone had shoved the wrong tool in and broke it. A new vertical linearity control fixed it up.")

GREEN FLASHES

There is an intermittent problem in this Zenith 19DC21. It has green flashes on the screen, and once in a while the whole

picture will go green. Happens so fast I haven't been able to get a check. Could this be the picture tube?—J.L., Gonzales, CA.

Possibly. However, there are several things I'd check first. For one, it could be a bad G-Y amplifier transistor. Try exchanging the green-output transistor with one of the others and see if your problem changes color.

(Feedback: "Your idea was right on. I swapped the red and green amplifier and then the screen had red flashes. Leaky transistor.")

HORIZONTAL BAR

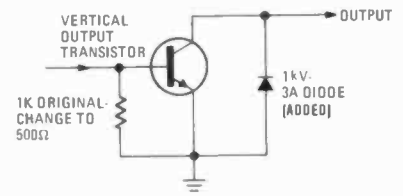
There is a horizontal bar across the center of the screen in this Sylvania E02-1. It is due to stretching of the scan at this point—the lines are too far apart. The odd thing is that if you roll the picture down with the hold control, the bar stands still. I thought I'd seen everything, but I hadn't.—G.D., San Juan Capistrano, CA.

I don't think any of us has seen everything. Anyhow, I know I haven't. One very likely cause for this would be a problem in the pincushion-corrector circuitry, since this can affect the scan. One of the resistors shunted across the pincushion coils may have changed value. Check this.

(Feedback: "That was it. R377 had changed to about 500 ohms. Replacing it made everything just fine.")

PREMATURE TRANSISTOR FAILURE

I have run into several of these Sylvania E02-1 chassis that knocked out the vertical-output transistor every 3-4 months. I made the following changes (see diagram) and haven't had a



problem since.

My thanks to George Dyer, consultant, San Juan Capistrano, CA, for this one.

PICTURE POPS IN AND OUT

The picture pops in and out on this RCA CTC-28. What shall I do?—S.C., Mentone, CA.

Substitute a signal from a working TV, check AGC and all that. (First answer)

I gave you the wrong symptoms. The picture pops in and out of focus. Sorry about that!

That's OK. Check the focus rectifier, transformer and circuitry.

(Feedback: "That was it: arcing in the focus transformer.") R-E



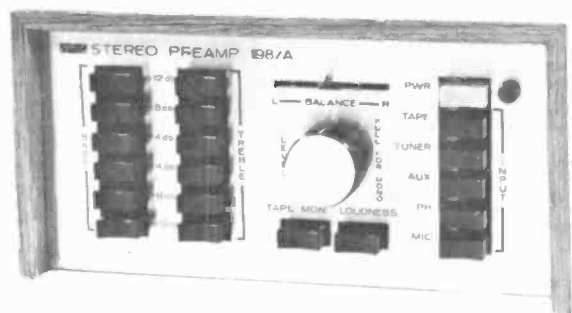
Stereo Preamp

Would you believe a high quality preamp and control center for less than \$75.00?? Well it's true. With a few hours work you can assemble our #198 preamp kit and have a unit equal to, or superior to products costing three, or four times this amount. Our kit features push-button tone controls, and extremely low distortion gain modules. Discrete transistors are used for lowest noise and distortion—no cheap IC's in this unit. Self contained 110 Volt power supply and wood grain finished cabinet.

SPECIFICATIONS

Sensitivity 2.0 Mv. for 1.0 Volt Output
 Maximum Output 5.0 Volts RMS
 Freq. Response ± 1 Db 10 Hz to 100K Hz.
 Distortion Less than .05% Harmonic or IM
 Noise and Hum More than 65 Db down

198 Preamp Kit \$74.50 PPd



Southwest Technical Products Corp.
 219 W. Rhapsody, Dept. FM
 San Antonio, Texas 78216

BEST IN NEW ELECTRONICS BOOKS!

- The Complete Handbook of Slow-Scan TV, 304 p., 69 il. \$9.95
- How To Build Metal/Treasure Locators, 112 p., 51 il. \$3.95
- Build-It Book of Digital Electr. Timepieces, 294 p., 209 il. \$6.95
- Programming Microprocessors, 280 p., 105 il. \$6.95
- Display Electronics, 252 p., 195 il. \$4.95
- Flying Model Airplanes/Helicopters By RC, 192 p., 147 il. \$4.95
- Complete Hdbk of Videocassette Recdrs, 266 p., 160 il. \$5.95
- Microphones—How Work/How Use, 224 p., 85 il. \$5.95
- The Complete Hdbk of Electr. House Wiring, 476 p., 197 il. \$6.95
- Practical Solid-State DC Power Supplies, 196 p., 151 il. \$6.95
- Broadcast Engineering Maintenance Hdbk, 532 p., 235 il. \$19.95
- CB Radio Operator's Guide—2nd Edition, 256 p., 139 il. \$5.95
- Build Your Own Working Robot, 238 p., 83 il. \$5.95
- Master Transistor IC Substitution Handbook, 518 p. \$7.95
- Master Hdbk of 1001 Pract. Electr. Cirs, 602 p., 1250 il. \$9.95
- Transistor Ignition Systems, 252 p., 169 il. \$5.95
- Prof. Electr. Eng. Lic. Study Guide, 448 p., 318 il. \$7.95
- Color TV Trouble Facts—Probs Sols—3rd Ed, 612 p. \$5.95
- Talk-Back TV: Two-Way Cable Television, 238 p., 64 il. \$5.95
- Understanding Using Modern Sig. Gens, 294 p., 120 il. \$6.95
- Handbook of Multichannel Recording, 322 p., 196 il. \$7.95
- Mathematics Unraveled—280 p., 91 il. \$6.95
- CET License Handbook—2nd Edition, 448 p., 169 il. \$8.95
- Fun With Electronics, 140 p., 50 il. \$3.95
- Practical CB Radio Troubleshooting Repair, 238 p., 108 il. \$5.95
- Fire/Theft Security Systems—2nd Edition, 192 p., 108 il. \$5.95
- Auto Electronics Simplified, 256 p., 202 il. \$5.95
- Electronic Music Circuit Guidebook, 224 p., 180 il. \$6.95
- Linear IC Applications Handbook, 280 p., 183 il. \$6.95
- Pilot Navigation With Pocket Calculator, 406 p., 338 il. \$8.95
- Commercial FCC License Handbook, 444 p., 150 il. \$5.95
- Understand Using Modern Electr. Svc. Test Eq., 252 p. \$5.95
- AMATEUR RADIO STUDY GUIDES:** Novice \$5.95 General \$7.95 Advanced \$5.95 Extra \$5.95 Incentive \$4.95
- Master Hdbk of Digital Logic Applications, 392 p., 287 il. \$7.95
- 106 Easy Electr. Projs Beyond Transistors, 224 p., 127 il. \$5.95
- Master Tube Substitution Handbook, 548 p., 322 il. \$4.95
- Servicing Medical/Bioelectronic Equipment, 350 p., 165 il. \$8.95
- Model Railroad Electronics, 308 p., 218 il. \$5.95
- Microprocessor Microprogramming Hdbk, 294 p., 176 il. \$6.95
- Optoelectronics Guidebk—With Projects, 196 p., 115 il. \$5.95
- The Complete FM 2-Way Radio Handbook, 294 p., 111 il. \$5.95
- The Electronic Musical Instrument Manual, 210 p., 385 il. \$6.95
- Impedance, 196 p., 90 il. \$5.95
- Switching Regulators & Power Supplies, 252 p., 128 il. \$6.95
- 21 Simple Transistor Radios You Can Build, 140 p., 122 il. \$3.95
- OP AMP Circuit Design & Applications, 280 p., 239 il. \$6.95
- Basic Digital Electronics, 210 p., 117 il. \$4.95
- How to Test Almost Everything Electronic, 160 p., 114 il. \$3.95
- Servicing Cassette/Cartridge Tape Players, 294 p., 196 il. \$6.95
- CB Schematic Svcing. Manuals, each 200 p. \$5.95 Vol. 1 Kris Browning, Hygain, Penney's Vol. 2 Teaberry, Unimetrics, Pearce-Simpson, Siltronix Vol. 3 E. F. Johnson, SBE Linear Sonar, Royce Vol. 4 Pace, Fannon-Courier (Cobra) Vol. 5 Radio Shack (Realistic), Surveyor, Beltek Vol. 6 Kial, Tram Diamond, Sharp Vol. 7 Lafayette, J.I.L., Fanon

SEND NO MONEY! We'll invoice you on 10-DAY FREE TRIAL. Clip entire ad to order. 100% guaranteed or your money refunded.

TAB BOOKS DEPT RE-47 P.O. BOX 40
BLUE RIDGE SUMMIT, PA. 17214

CIRCLE 5 ON FREE INFORMATION CARD



You can build a better organ than you can buy!

A magnificent Schober Electronic Organ

What a marvelous way to put your special talents to work! With our Schober Electronic Organ Kits and your skill, you can build yourself some very special satisfaction, and a lifetime of great music!

Schober Organs are literally far superior to comparably-priced "ready-made" units. You could actually pay twice as much and get no better organ ... and miss the fun of assembling it yourself. A PC board at a time, component by component, you'll assemble your own "king of instruments." And when you're done, you'll wish there was more to do. And there is! For then, Schober will help you learn to play, even if you've never played a note before!

Schober Organ Kits range from \$650 to \$2850, and you can purchase in sections to spread costs out ... or have two-year time payments.

Just send the coupon for the fascinating Schober color catalog (or enclose \$1 for a record that lets you hear as well as see Schober quality.)

The *Schober* Organ Corp., Dept. RE-161
43 West 61st Street, New York, N.Y. 10023

Please send me Schober Organ Catalog.
 Enclosed please find \$1.00 for 12-inch L.P. record of Schober Organ music.

NAME _____

ADDRESS _____

CITY _____ STATE _____ ZIP _____

CIRCLE 36 ON FREE INFORMATION CARD

R-E TESTS KENWOOD

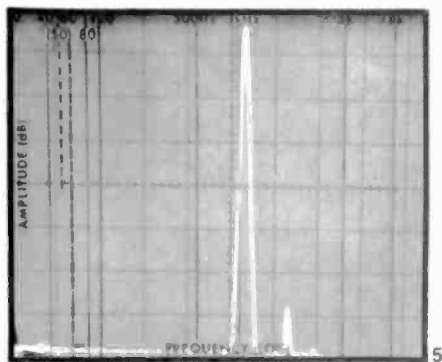
continued from page 57

with readings of nearly 40 dB obtained even at the high 10-kHz test frequency. The oscilloscope photo of Fig. 4 shows the de-emphasis characteristics of the tuner section, with the upper trace corresponding to the 25- μ s position of the de-emphasis switch and the lower trace corresponding to 75- μ s de-emphasis. The center-of-channel meter was perfectly aligned to indicate precise tuning at the minimum distortion points in both FM and stereo-FM reception.

Amplifier and preamplifier measurements

Amplifier, preamplifier and control-section measurements are summarized in Table II. The power-amplifier exceeded its output and distortion ratings by a wide margin, both at mid-frequencies and at the low- and high-frequency extremes. Had Kenwood been less conservative, they could have easily rated this receiver as an 85 watts-per-channel unit or, they could have extended the quoted FTC power bandwidth from 15 Hz to 30 kHz—the frequency limits for which the full 80 watts-per-channel output power was delivered at the rated harmonic distortion of 0.3 percent. As things stand, the amplifier had a harmonic distortion of only 0.07 percent at its rated output using a 1-kHz test signal. This decreased to 0.03 percent at the 1-watt power level, with no evidence of rising distortion at even lower power levels that might have been evident if there was significant crossover or notch distortion in the amplifier design.

The phono-input stages were able to handle input signals as high as 185 mV before exhibiting overload distortion, and



signal-to-noise measured 78 dB. Bearing in mind that Kenwood specified 75 dB using A-weighting, the 78-dB figure we obtained was unweighted and referred to an input sensitivity of 2.5 mV.

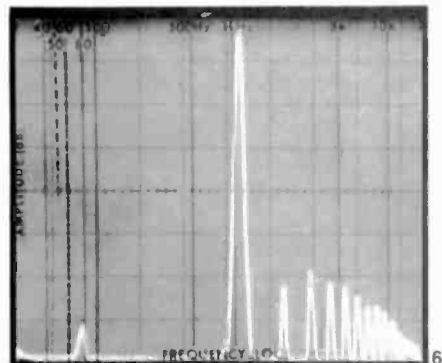
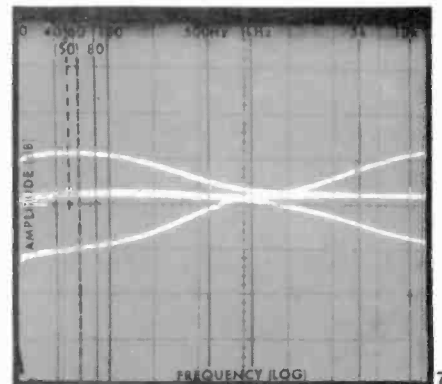
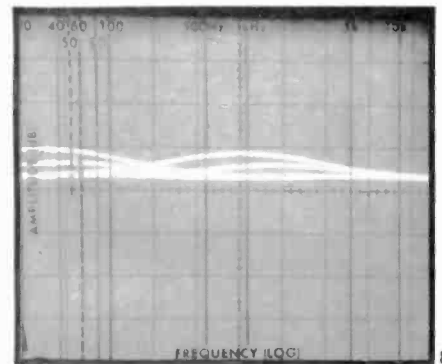


Figure 5 is a spectrum analysis of a 1-kHz output signal at the rated 80-watts-per-channel level (8 ohms, both channels driven). Harmonics seen to the right of the fundamental 1-kHz peak consist primarily of some second-order and, to a lesser degree, third-order components. We drove the amplifiers hard into clipping and again swept through the audio range from 20 Hz to 20 kHz, using the spectrum analyzer. In Fig. 6, we see the expected increase in the third harmonic, as well as progressively diminishing higher-order harmonics.

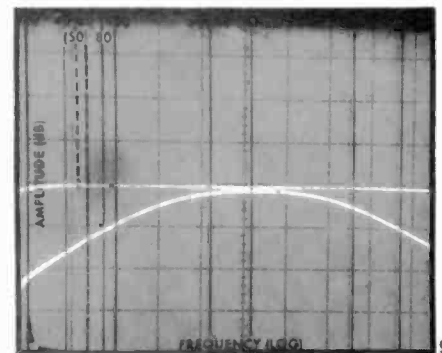
The tone control range of the BASS and



TREBLE controls of the KR-7600 is more moderate than on some receivers we have measured, with around 8 dB of boost provided at 100 Hz and 10 kHz, as specified by Kenwood (see Fig. 7). Actually, the need



for greater boost in one's system would only suggest that something is mighty wrong with some other component, and Kenwood was wise to keep the range within these bounds. Many newcomers to hi-fi tend to over-boost



lows and highs, which often results in amplifier clipping and overload at those frequency extremes.

Of particular interest were the extra ACOUSTIC controls mentioned earlier. The

response of each of the fixed boost positions of these two extra controls is shown graphically in the scope photo of Fig. 8. The low-boost control was particularly effective in adding that extra amount of emphasis to the lowest octave of audio when using less-than-perfect speaker systems, while the midrange boost positions acted much like a two-step "presence" control and will lend extra sense of presence to vocal program materials.

Filter responses are shown in the scope photo of Fig. 9. The 6 dB-per-octave roll-off rate render these filters only moderately more useful than the tone controls, though the maximum attenuation provided at the frequency extremes are somewhat greater than could be achieved by full counterclockwise rotation of either the BASS or the TREBLE controls.

Summary and listening tests

Our overall summary product analysis of Kenwood's KR-7600 together with comments regarding its design and performance will be found in Table III. While many hi-fi component manufacturers content themselves with cosmetic changes alone when introducing a "new" line, Kenwood has gone further and truly redesigned their receiver line from the inside out—judging by this model. Workmanship is excellent, and the choice of components used seems geared towards long-term durability and reliability. R-E

More shows and conferences for the computer hobbyist

The magazine *Personal Computing* is sponsoring three computer conference-shows this Spring, and is planning more for later in the season.

The Western Personal Computer Show is on March 19 and 20, in Los Angeles, the Eastern show May 7 and 8, in Philadelphia and the New England show June 18 and 19, in Boston. Exhibitions, seminars and special presentations, and tutorial workshops will be featured at all the conferences.

Special areas of the exhibition halls are being set aside for personal computing in education, in the home, in ham radio and in small businesses.

Later shows are being planned for the South, Southwest, Canada and Europe.

NEW MEXICO JOINS NESDA



NEW MEXICO ELECTRONIC SERVICE ASSOCIATION receives 34th NESDA State Affiliate Charter. Receiving the NESDA charter is Arlin Pennington, president. The occasion is the quarterly Board of Directors meeting, held at the Clovis Country Club in Clovis, NM.

**CONFUSED BY
ELECTRONIC
IGNITION CLAIMS**



**The
PROOF is in
PERFORMANCE!**

Amazing MEGASPARK, the advanced-design Opto-Electronic Breakerless Ignition System, FITS ANY CAR! Replaces points and condenser — gives longer spark plug life. Increases performance, mileage and driving satisfaction while cutting fuel and maintenance costs dramatically. Learn the facts and don't settle for less than the best. Models from \$29.50 to \$64.50

The only unit that gives you all these features:

- LIFETIME WARRANTY
- DIFFERENTIAL AMPLIFIER CIRCUITRY
- FULL INTERNAL VOLTAGE REGULATION
- AUTOMATIC OVERCURRENT PROTECTION

Rush name and address for FREE information package including catalog and discount offer. Or call toll-free 24-hours 800-648-4711 Ext 22

MEGASPARK™

by



Ignition Systems Inc.

2547 8th Street
Berkeley, CA 94710
(415) 845-3584

CIRCLE 47 ON FREE INFORMATION CARD



"FERRET" TV MINI-ANALYZER

FOR FAST STEP-BY-STEP TROUBLE SHOOTING

SUB TUNER

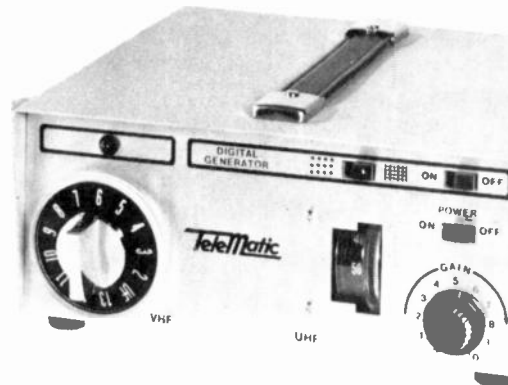
VHF AND UHF TUNER FOR RAPID TESTING OF ALL CHANNELS. CALIBRATED GAIN ADJUSTMENTS PROVIDE FOR SIGNAL STRENGTH COMPARISON.

DIGITAL GENERATOR

CRYSTAL CONTROLLED FOR GENERATING STABLE PATTERNS WHEN CONVERGING RED, GREEN AND BLUE GUNS. IDEAL FOR LINEARITY, PIN CUSHION, CENTERING, FOCUS AND ALL PICTURE ADJUSTMENTS.

40 MHz OUTPUTS

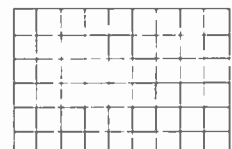
IF SIGNALS FROM DIGITAL GENERATOR AND SUB TUNER FOR STAGE-BY-STAGE ANALYZING AND TROUBLE SHOOTING.



SG 785 \$99.95

GENERATOR SECTION

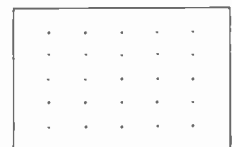
CROSS-HATCH



LINEARITY ADJUSTMENT

STANDARD FOR VERTICAL AND HORIZONTAL POSITIONING, PICTURE CONTRAST, IF BANDWIDTH TEST

DOT PATTERN



CONVERGENCE ADJUSTMENT

STATIC AND DYNAMIC CONVERGENCE, BEAM ADJUSTMENTS.

The VHF/UHF section of the Ferret allows direct substitution of the TV's tuner for fast, positive localizing of front end trouble.

The crystal controlled digital circuitry assures complete accuracy of both the vertical and horizontal frequencies. Accuracy is better than .005%. Output from the generator may be coupled thru the tuner section or directly to the IF-video stages. Resolution is limited only by the picture quality of the TV receiver. Operates from 105 to 125 volts 50-60Hz.

SOLD THRU DISTRIBUTORS ONLY

Please send me more information. F-4

Name _____

Address _____

Code _____



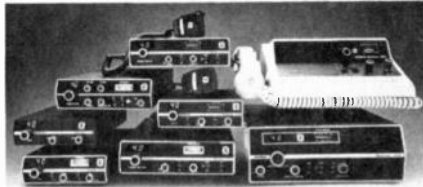
2849 FULTON STREET, BROOKLYN, NY 11207
PHONE: (212) 827-1500

CIRCLE 70 ON FREE INFORMATION CARD

new products

More information on new products is available from the manufacturers of items identified by a Free Information number. Free Information Card follows page 98.

40-CHANNEL CB TRANSCEIVERS. The 4000 series provides a complete range of 2-way 40-channel radios. Phase-lock-loop circuit is a single IC made especially for the manufacturer.



All units have large LED channel display with automatic brightness control for easy readability. The new radios include six mobile and two base stations. The Messenger 4120, 4140, 4145, 4170, 4175, 4230, 4250 and the Viking 4740. For the CB'er demanding maximum performance, the Messenger 4175 features dual crystal

filtering for adjacent channel noise rejection, a noise blanker, automatic channel brightness control and local/normal/extended control circuitry at \$249.95.—E.F. Johnson Co., Waseca, MI 56093.

CIRCLE 77 ON FREE INFORMATION CARD

DIGITAL MULTIMETER, Model 3435A is a 3½-digit unit that has a 'Touch-Hold' Probe available as an accessory. It permits the user to 'freeze' the reading on the display. Intended for both bench and field use, the unit is autoranging on AC and DC volts and resistance. AC and DC current ranges are selected manually. Lighted front panel indicators display the function and its units. The digital multimeter covers a DC measurement range from 200 mV full scale to 1200 V full scale with a midrange accuracy of $\pm(0.1\%$ of reading + 1 digit).

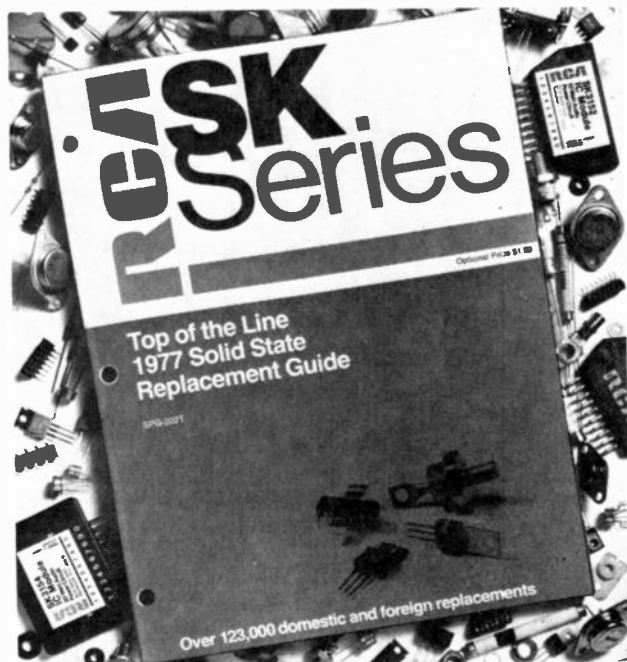
AC measurement range is 200 mV full scale to 1200 volts RMS full scale with a midrange accuracy of $\pm(0.3\%$ of reading + 3 digits) over

a 30 Hz to 100 kHz bandwidth. AC current measurements are made over a frequency band of 30 Hz to 10 kHz with a midband accuracy of (1.7% of reading + 4 digits). Resistance range is 10 milliohms to 20 megohms with a midrange accuracy of $\pm(0.2\%$ of reading + 2 digits). Open circuit voltage on the ohms terminal when set to its lowest range does not exceed 5 volts, preventing damage to most solid-state devices.



Input protection is provided to 1.2 kV on any DC range, 1700V (DC + peak AC) on any AC range, and 250V RMS on any resistance range. A front-panel fuse protects the instrument from overload when measuring current. Two power supplies available: Internal AC and rechargeable lead acid batteries. Price: \$400 with rechargeable batteries; \$335 AC only; \$40 'Touch-

A "bestseller" you'll never put down.



It's RCA's all new 1977 "Top of the Line" SK Series Replacement Guide. The most comprehensive list to date of transistors, rectifiers, thyristors and integrated circuits — 381 RCA types, including 68 brand new, that will replace 123,000 domestic or foreign semiconductors in entertainment and industrial equipment. The 68 new types have enabled us to increase our replacement capability by over 11,000 additional industry devices.

You can't afford to be without it. The 1977 Replacement Guide is a complete, accurate information source for your Solid State replacement needs. The book represents thousands of hours of engineering know-how. Keep in mind, too, that RCA SK replacement semiconductors measure up to strict AQL standards.

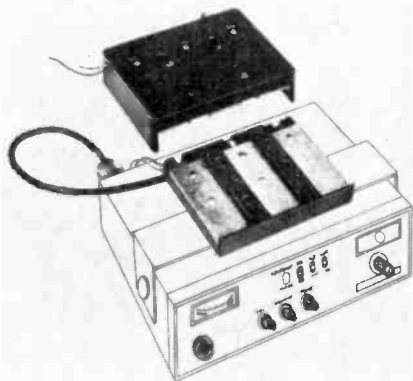
Get yours now. RCA's SK Replacement Guide. Contact your RCA Distributor. Or send \$1.50 (check or money order) to RCA Distributor and Special Products Division, PO Box 85, Runnemede, NJ 08078.

RCA SK Replacement
Semiconductors

Hold' probe; \$87 RF probe; \$75 high-voltage probe.—Hewlett-Packard Co., 1501 Page Mill Rd., Palo Alto, CA 94304.

CIRCLE 78 ON FREE INFORMATION CARD

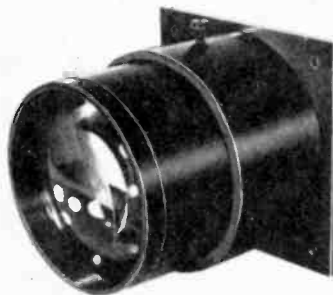
MAGNETIC CB RADIO MOUNT is especially designed for two-way communications equipment. The "Easy Mount" uses three permanent magnets to make positive contact, assuring maximum signal transfer with perfect VSWR match. The unit can be installed under the dash or on the transmission hump. All necessary hardware and instructions are included. Addi-



tional optional top sections permit the user to transfer the transceiver from vehicle to vehicle or to a boat, trailer, office, or home. Weight, 1.25 pounds; Profile, 1 1/8 inch; Mounting Area, 4 3/8 inches wide by 3 1/4 inches deep.—Cornell-Dubiller Electronics, 150 Avenue L, Newark, NJ 07101.

CIRCLE 79 ON FREE INFORMATION CARD

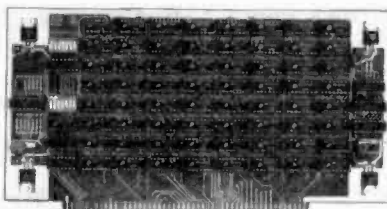
PROJECTION TV LENS, new f2.8 especially designed for large screen television viewing.



The lens is 5 inches in diameter with a focal length of 12 inches and is finished in anodized gold. Supplied with a mount, the lens is \$195.00.—Miami Projection TV, 304 N.E. 79th St., Miami, FL 33138.

CIRCLE 80 ON FREE INFORMATION CARD

8K RAM BOARD, Model MB6 is Altair, IMSA1 plug compatible. Uses low-power, 500ns, static RAM's and low-power Schottky support chips.



Memory protect feature can be set in blocks of 256, 512, 1K, 2K, 4K and 8K bytes. This allows

the user greater flexibility and ease in programming. An additional RAM is used in the memory protect circuit. Assembled, \$295.00; as an 8K kit, \$250.00. The 4K kit is available for \$169.00.—Solid State Music, 2102A Walsh Ave., Santa Clara, CA 95050.

CIRCLE 81 ON FREE INFORMATION CARD

LEAD-FREE FLUX-CORE SOLDER, model Silver Solder 96S, has been specifically formulated for soldering requirements where it is necessary to



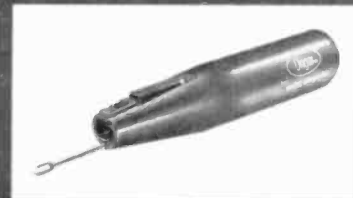
use a lead-free solder, where high service stresses and temperatures exclude the use of other soft solders and for stainless steel. Silver Solder 96S can be furnished either with a non-

~~\$24.95~~ Special \$19.95



quick charge

Cordless Soldering Station



- Cordless portability on the bench or in the field.
- Quick 4-hour charge.
- Holder automatically charges high-performance Ni-Cd battery.
- Rigid coaxial tip rotates to desired working position.
- Easy-touch switch, tunnel light.
- Switch lock and indicator light.

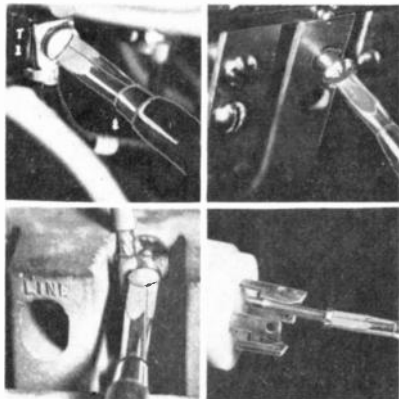
Ask your Local Distributor for The Ungar #200 Quick Charge Cordless Soldering Station or Contact Ungar for more information.



Division of Eldon Industries, Inc.
P. O. Box 6005, Compton, Ca. 90220 — (213) 774-5950
In Canada, 50 Prince Andrews Place, Don Mills, Ontario.

CIRCLE 73 ON FREE INFORMATION CARD

Use Quick-Wedge to install a bus, connect a motor, mount a p.c. board, cinch up a connector



They do all that ordinary screwdrivers do, PLUS they hold and start the screw



QUICK-WEDGE 17 sizes

Screw-holding screwdrivers
Unconditionally guaranteed.
BUY A SET TODAY

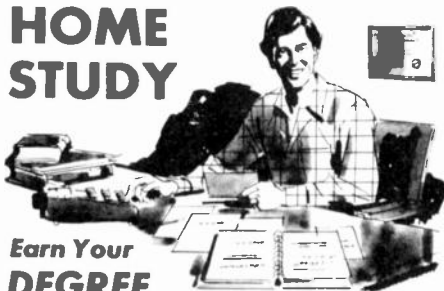
See your dealer or write to:
Kedman Company, P.O. Box 25667,
Salt Lake City, Utah 84125

© Copyright 1977

CIRCLE 1 ON FREE INFORMATION CARD

Put Professional Knowledge and a
COLLEGE DEGREE
in your Electronics Career through

**HOME
STUDY**



Earn Your
DEGREE

by correspondence, while continuing your present job. No commuting to class. Study at your own pace. Learn from complete and explicit lesson materials, with additional assistance from our home-study instructors. Advance as fast as you wish, but take all the time you need to master each topic. Profit from, and enjoy, the advantages of directed but self-paced home study.

The Grantham electronics degree program begins with basics, leads first to the A.S.E.T. degree, and then to the B.S.E.E. degree. Our free bulletin gives complete details of the program itself, the degrees awarded, the requirements for each degree, and how to enroll. Write for *Bulletin R-77*.

Grantham School of Engineering
2000 Stoner Avenue
P. O. Box 25992
Los Angeles, CA 90025

Worldwide Career Training thru Home Study

corrosive rosin based 5-core flux for electronic applications or with a 4-core acid flux for mechanical joining applications. It is also available as a solder cream.—**Multicore Solders**, Dept. D, Westbury, NY 11590.

CIRCLE 82 ON FREE INFORMATION CARD

MICROCOMPUTER SYSTEM, Expanded-68, based on the Motorola/AMI/Hitachi 6800 micro-processor chip set. Comes complete with 8K of memory, power supply, 16-digit keyboard, TCC3 adapter, hexadecimal LED display, expansion cabinet, 36-pin edge connector, and *Mik-bug*.



Also available for direct interfacing are: dual floppy disc drive, IMP-1 printer, 132-column printer, TV interface, and full ASCII keyboard — **Electronic Product Assoc., Inc.**, 1157 Vega St., San Diego, CA 92110.

CIRCLE 83 ON FREE INFORMATION CARD

REMOTE CONTROL HEAD, Model 100RC, allows remote power level control of linear and bi-linear amplifiers used with amateur transceivers. Indicator light and power level control knob enable the operator to visually monitor modulation and adjust for optimum RF output while minimizing signal distortion and disturbance to other channels. Designed for use with



most major brand linear amplifiers, the unit permits installation of an amplifier in an auto trunk or other secure area.—**Power Plus**, 16255 Ventura Blvd., Encino, CA 91436.

CIRCLE 84 ON FREE INFORMATION CARD

40-CHANNEL CB TRANSCEIVER, Model Lion 40 is a deluxe full-feature set with LED channel read-out, HetroLock™ circuitry and 3-position



frequency variance capacity. HetroLock uses three crystals to keep the unit on precise FCC

FREE catalog

of over
2000
small tools,
measuring
instruments,
and supplies



ELT
COL
DRILLS
FILM LOADERS
PS. PAGES
GRAVERS
GRINDERS
HAMMERS
INCLINOMETERS
JACKS
KNIVES
LATHES
LEATHER
ETTES
LOUPES
MINIATURE
TOOLS
METRIC TOOLS
MULTI
TESTERS
NEGATIVE FILES
NIPPERS
OILERS
PIN VISES
PLIERS
PROBES
RIFFLERS
SCISSORS
SNARES
SOLDER
ING SUPPLIES
TEST INSTRUMENTS
TWEEZERS
VIEWERS
VISES
WRENCHES
ADH
NATIONAL CAMERA
1952
25
1977
SILVER ANNIVERSARY
ABRASIVES
BOOKS
LIMATORS
EPOXIES
CALIPERS

National Camera
2000 West Union Ave. Dept. GB
Englewood, Colo., U.S.A. 80110

CIRCLE 7 ON FREE INFORMATION CARD

Convention
OF ELECTRONIC
SERVICERS.

Orlando, Florida
Sheraton Twin Towers
August 16-20, 1977

Technical workshops
for technicians.

Management training for
shop owners and managers.

Fun for the wives and kids.

Learn how to make
more money - FAST.

Write for convention details
to: NESDA - ISCT
1715 Expo Lane
Indianapolis, IN 46224

CIRCLE 76 ON FREE INFORMATION CARD

frequencies. Receiv-O-Shide™ varies frequencies about 1 kHz to pull in other stations operating slightly "off frequency", but this special tuning does not affect the transmitter's precision. Integral SWR/CAL/RF/S meter, CB monitor switch and volume control power switch. Transmitter operates in either positive or negative ground in cars, boats, trucks and recreational vehicles. \$249.95—Pearce-Simpson, 4701 N.W. 77th Ave., Miami, FL 33166

CIRCLE 85 ON FREE INFORMATION CARD

FREQUENCY MEASUREMENT SYSTEM, model FC200B, gives 7-digit accuracy from 0 to 200 MHz in a completely portable unit designed for use with VHF two-way communications equipment. The built-in field strength meter allows simultaneous checks on transmitter frequency and radiated signal-strength patterns. Typical input sensitivity is below 20 mV, with 50 mV



sensitivity guaranteed at 200 MHz. Automatic display-blanking prevents erroneous low-level readings. Input sensitivity is selectable, allowing approximately 12 dB of alternation for high-level or noisy signals. The unit is fully functional with the included BNC telescoping antenna, allowing fast convenient checks on mobile equipment. Accurate checks can also be made by using a single turn of wire as a pick up for testing local oscillators, etc., without disturbing the surrounding circuitry.

Internal crystal stability is 0.00001%/C° over

0° to +50° C. Internal gating accomplishes automatic round-off of last digit, giving a ±1/2-digit accuracy plus timebase uncertainty. Built-in Indicators give overflow and low-battery warning. The counter weighs 1.5 lbs. and measures 5.5 x 3.75 x 1.75 inches. \$279 includes counter, AC power pack, telescoping antenna, attache carrying case, and 1-year warranty.—AME Inc., Unit 1, 1819 Underwood Blvd., Deiran, NJ 08075.

CIRCLE 86 ON FREE INFORMATION CARD

ZING RING, model 1114, claimed to improve CB antenna's performance by providing a 360° launching pad for the signal. A gutter-, mirror-



or bumper-mounted antenna is not centered and does not offer these necessary performance features. Without a 360° primary ground plane, the signal has a lop-sided and weak radiation pattern in certain directions. The Zing Ring provides this primary ground plane and centering effect to enhance the omni-directional radiation pattern.—Gold Line Connector, Inc., P.O. Box 893, East Norwalk, CT 06855.

CIRCLE 87 ON FREE INFORMATION CARD

DESOLDERING TOOL. Manual desoldering tool which protects sensitive FET and MOSFET semiconductor devices from failure due to static electricity while isolating operator from a direct short. Named the Silverstat Soldapull, this tool is a hand-held, spring-loaded vacuum device

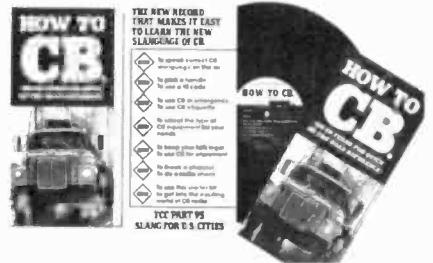
that incorporates all of the features found in this manufacturer's deluxe Soldapull—such as a fully enclosed loading shaft, high-low vacuum adjustment, and fast bayonet-type disassembly



for ease of maintenance. The bonus feature of the Silverstat is its conductive plastic tip, and barrel housing which allow any built-up static charge to drain off harmlessly through the hand to ground.—Edsyn Inc., 15958 Arminta St., Van Nuys, CA 91406.

CIRCLE 88 ON FREE INFORMATION CARD

CB RECORD—How to CB. This is a complete package consisting of record and brochure that gives the beginning CB operator all the informa-



tion he needs to get started in CB radio.—Pickwick International, Inc., 135 Crossways Park Dr., Woodbury, NY 11797.

CIRCLE 89 ON FREE INFORMATION CARD

a revolutionary concept in kit building...

THE PROGRAMMABLE CLOCK KIT! \$29.95

SYSTEM 5000 is the first full-feature timepiece available in programmable form. After the circuit has been assembled and tested, all that is necessary is to add the appropriate switches and jumpers to easily program the system for the desired functions. The system may be expanded or reprogrammed at any time.

This represents a revolutionary concept in adaptability and flexibility. Build an Alarm Clock/Calendar or a full feature Desk or Radio Station clock. Use the DUPLICATE TIME REGISTER to monitor GMT, another time zone, or as an elapsed timer. Add the optional relay to control AC or DC accessories. The possibilities are limited only by your imagination.

features

TIME OF DAY REGISTER • DUPLICATE TIME REGISTER • FOUR YEAR CALENDAR - month/day or day/month format • ALARM WITH SPEAKER TONE OUTPUT • ADDITIONAL ALARM - use for "his and hers" alarm or activate an accessory at a preset time • 10 MINUTE SNOOZE & "ID" REMINDER • 3 FUNCTION ALARM OUTPUT SELECT - tone, relay, or relay then tone • ONE HOUR DOWN COUNTER • BRIGHT FLUORESCENT DISPLAY - 5" easy to read digits with AM/PM • AUTOMATIC DISPLAY DIMMING • POWER FAILURE INDICATION • 12 & 24 HOUR DISPLAY • BLINKING OR STEADY COLOR • SIMPLE FORWARD AND REVERSE TIME SETTING

DIRECT DRIVE ELIMINATES RFI • SINGLE 9 VOLT BATTERY BACKUP • DISPLAY SECONDS CONTROL • HOLD AND RESET CONTROLS • 50/60 HZ • 700 WATT RELAY OPTIONAL

SYSTEM 5000 includes all components, 2 time setting switches and complete assembly and programming manuals. Switches for additional functions and relay are not included but are available as options.

RELAY OPTION - \$4.00
Includes 700 watt relay and all interface components. Will control appliances, stereos, etc.

SWITCH OPTION - \$3.75
Contains 4 black SPST pushbuttons, 2 black DPDT pushbuttons, and 2 black SPST slide switches. Programs all major features.

CASE OPTION - \$11.00
Hand finished, solid walnut cabinet complete with faceplate and rear panel.

Send your check or money order today for fast delivery. Add \$1.00 per clock to cover shipping and insurance. Money back guarantee on all products if not fully satisfied. N.J. residents add 5% sales tax. Use your Master Charge or BankAmericard. Phone orders accepted.

 digital concepts

DIGITAL CONCEPTS CORPORATION
249 Route 46, Saddle Brook, N.J. 07662
201/845-7101

add a new dimension to time itself with SERIES 2000 Decorator Clocks



A bright fluorescent display provides easy to read numbers that brighten and dim automatically according to the light. The clear acrylic tube with Acrylic or Hardwood end blocks gives these clocks a unique look of simple elegance. AM/PM & power failure indication. Seconds display button. 3 1/2" x 3 1/2" x 5 1/2", 5C/60 HZ

Specify blue or green display, 12 or 24 hour time, and choice of Hardwood - Walnut, Zebra wood, or Rosewood.

COMPLETE KITS - 90 DAY WARRANTY
EC-2001-K Solid Acrylic NEW! \$39.95
EC-2002-K Acrylic & Hardwood SPECIAL! \$34.95

FACTORY ASSEMBLED - 1 YEAR WARRANTY
EC-2001 Solid Acrylic "Time Capsule" \$59.95
EC-2002 Acrylic & Hardwood \$49.95

CIRCLE 56 ON FREE INFORMATION CARD

Town & Country

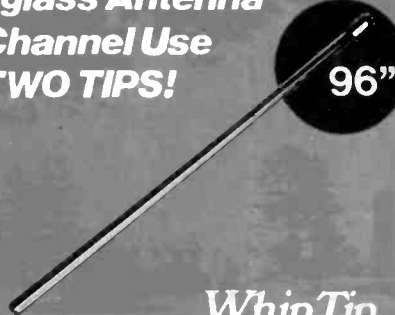
- 3 Piece Fiberglass Antenna
- For 23 or 40 Channel Use
- Comes with TWO TIPS!



56"

Power Stub

For town use, or other areas with overhead obstructions. Total antenna length when using the "Power Stub" is 56 inches but performs like a giant.



96"

Whip Tip

For the country, or on the road. The ultimate in peak performance where heights are no problem. Total antenna length when using the "Whip Tip" is 96 inches.

CAT. NO. 18-2060



GC ELECTRONICS
DIVISION OF HYDROMETALS, INC.
ROCKFORD, ILLINOIS U.S.A. 61101

See your CB dealer for FREE
GC CB Accessories Catalog

CIRCLE 67 ON FREE INFORMATION CARD

MULTIMETER SERVICING

continued from page 69

that tries to combine scales and simplifies reading (Fig. 8). With modern circuitry the instrument designer has the facilities to select a sensible range of scales to provide an easy-to-read solution.

Linear resistance ranges are a great help to this ease of use. Many meters now use a constant-current system that feeds a constant current through the resistance being measured and the reading can then be made on the voltage scales. The result is a linear reading with 2 or 3% accuracy instead of the problems found with the traditional logarithmic scale.

In the field.

Ruggedness is particularly important with a field instrument. The easiest way to approach a service call is to carry all tools and so on in the same bag, but this can have drawbacks. Taking care of the bag may become second nature—but there is always the occasion when a tool hits against the instrument, or it slips and hits the floor. So it's worth checking to see that the instrument will stand the occasional knock—or can be easily protected against the rough and tumble of service life.

The use of large-scale integration—cutting down the number of components and vulnerable connections—helps make a modern multimeter highly shockproof, but the case still needs some protection. A typical service accessory that is highly useful is a rubber protecting ring (as can be seen in Fig. 9) guarding against most misuse.

A choice of power supplies is also important when selecting an instrument for use in the field and in applications where you want to be isolated from the power line. For ease of use a self-contained instrument is ideal—preferably using rechargeable batteries and an optional AC supply when required for workbench use. Any unit that uses rechargeable batteries should be fully rechargeable overnight.

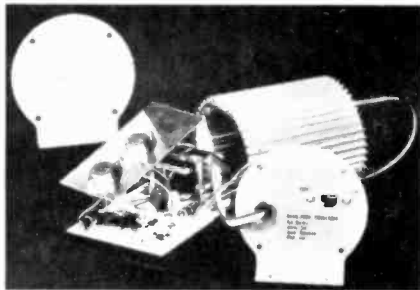
If the meter is powered by batteries, some form of power-saving circuitry to make the batteries run the instrument as long as possible, is desirable.

One method is to have the display operate only on pushbutton demand—the reading staying lit for some 20 or 30 seconds. Some form of battery-low warning is also useful.

Wide choice

There is a wide choice of multimeters on the market, but not all are suitable for service use. The points covered here should aid in the selection of a rugged, versatile instrument to make TV servicing easier.

R-E



FROM KIT TO CAR IN 80 MINUTES!

Electronic ignition is "in." Update your car with the TOPS in power, efficiency and reliability — the TIGER SST capacitive discharge ignition (CD).

The TIGER delivers everything other CD's promise — and more: quicker starting, more power, more gas mileage, tune-ups eliminated, lifetime plugs and points, reduced repairs and pollution.

The TIGER can be built and installed in your car in 80 minutes. The TIGER is unique!

The TIGER comes with a switch for TIGER or standard ignition for 12V negative ground only.

Simpli-Kit \$21.95
POST PAID U.S.A.

WE ACCEPT:
Mastercharge or BankAmericard.
Send check or money order with order to:

Tri-Star Corporation

DEPT. FF, P.O. Box 1727
Grand Junction, Colorado 81501

CIRCLE 8 ON FREE INFORMATION CARD



endeco soldering & desoldering equipment

SOLDERING IRONS

Pencil style. Safety light. Two heats — 20w and 40w. 6 tips. Unbreakable handle. 2 and 3 wire neoprene cords.

DESOLDERING IRONS

Pencil style. Safety light. Some operate at 40w, idle at 20w. 8 tip sizes. 2 and 3 wire neoprene cords.



SOLDERING & DESOLDERING KITS

Everything needed to solder or desolder or both. All in a handy lifetime metal box with hasp.

See your distributor or write...

Enterprise Development Corp.

5127 E. 65th St. • Indianapolis IN 46220
PHONE (317) 251-1231

CIRCLE 18 ON FREE INFORMATION CARD

EXAR FUNCTION GENERATOR
continued from page 38

resistor between pin 11 and the positive supply line. Figure 7 shows a simple variable-frequency split-supply circuit that produces squarewave signals only. The output is taken directly from pin 11. The XR-2206 data sheets refer to pin 11 as a "sync output" terminal, since the signal appearing at this point is not suitable for directly driving low-impedance loads but is intended only for driving high-impedance loads such as oscilloscope input or synchronization terminals, etc. The risetime and falltime

continued on page 90

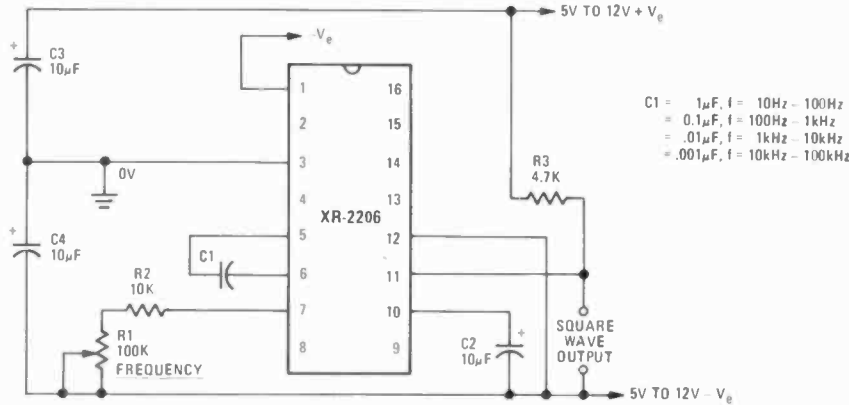


FIG. 7—SIMPLE SQUAREWAVE GENERATOR provides a variable-frequency output signal.

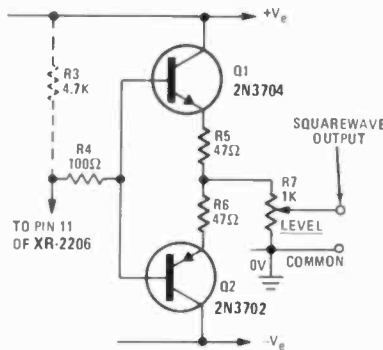


FIG. 8—ADD-ON MODIFICATION for the circuit shown in Fig. 7 provides low-impedance variable-amplitude squarewave output.

FREE burglar —
fire
alarm catalog



over 900
systems,
detectors,
controls,
sounders,
tools, locks,
supplies

**TO PROTECT HOMES,
BUSINESSES, INDUSTRY**

Huge selection of hard-to-find security equipment from stock. 64 fact-filled pages loaded with 100's of highest quality professional alarm products, technical notes, diagrams.

**ONE-STOP SUPERMARKET
SELECTION INCLUDES:**

ultrasonics, radar, infrared, undercarpet mats, magnetic contacts, smoke & heat detectors; Controls; Alarms; bells, sirens, phone dialers, lights, guard panels. Large selection of tools, relays, wire, holdup alarms, books. Fills need for industry, alarm cos., businesses, homes, institutions. Order your copy today. (Outside U.S., send \$1.00.)

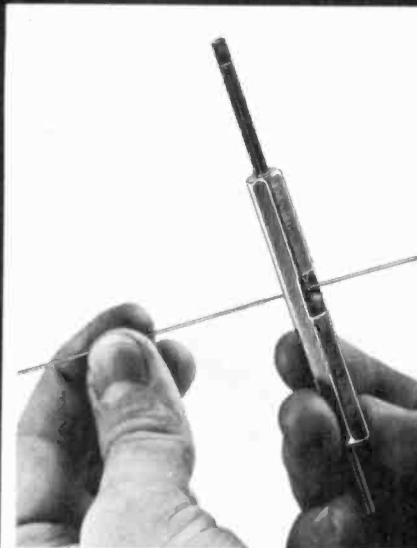


mountain west alarm
4215 n. 16th st.
phoenix, az. 85016
(602) 263-8831

CIRCLE 12 ON FREE INFORMATION CARD

IN WIRE-WRAPPING  HAS THE LINE...

HOBBY-WRAP-30 WIRE-WRAPPING, STRIPPING, UNWRAPPING TOOL FOR AWG 30 (.025 SQUARE POST)



STRIP



WRAP



UNWRAP

\$5.95

SHIPPING CHARGE \$1.00
VEHICLE RESIDENTS: ADD SALES TAX

OK MACHINE & TOOL CORPORATION

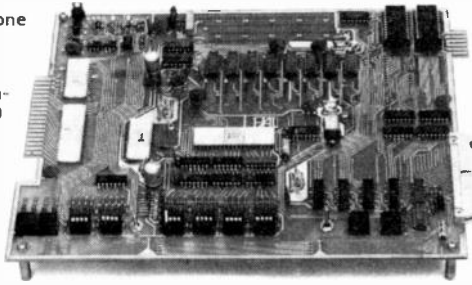
3485 CONNER STREET, BROOKLYN, NEW YORK, N.Y. 10478 U.S.A. • PHONE (212) 994-6800

TELEX: 125091 TELEX: 232395

CIRCLE 33 ON FREE INFORMATION CARD

If you want a microcomputer with all of these standard features...

- 8080 MPU (The one with growing software support)
- 1024 Byte ROM (With maximum capacity of 4K Bytes)
- 1024 Byte RAM (With maximum capacity of 2K Bytes)
- TTY Serial I/O
- EIA Serial I/O
- 3 parallel I/O's
- ASCII/Baudot terminal compatibility with TTY machines or video units
- Monitor having load, dump, display, insert and go functions



- Complete with card connectors
- Comprehensive User's Manual, plus Intel 8080 User's Manual
- Completely factory assembled and tested—not a kit
- Optional accessories: Keyboard/video display, audio cassette modem interface, power supply, ROM programmer and attractive cabinetry... plus more options to follow. **The HAL MCEM-8080. \$375**

interface, power supply, ROM programmer and attractive cabinetry... plus more options to follow. **The HAL MCEM-8080. \$375**

...then let us send you our card.

HAL Communications Corp. has been a leader in digital communications for over half a decade. The MCEM-8080 microcomputer shows just how far this leadership has taken us...and how far it can take you in your applications. That's why we'd like to send you our card—one PC board that we feel is the best-valued, most complete

microcomputer you can buy. For details on the MCEM-8080, write today. We'll also include comprehensive information on the HAL DS-3000 KSR microprocessor-based terminal, the terminal that gives you multi-code compatibility, flexibility for future changes, editing, and a convenient, large video display format.



HAL Communications Corp.
Box 365, 807 E. Green Street, Urbana, Illinois 61801
Telephone (217) 367-7373

Want to cut out a career as a two-way radio technician?

MTI offers the only training for professional FM two-way radio available. Qualified technicians are employed in government, industry, and public service. But training is your key.

You could cut out a career as a two-way radio technician by cutting out this coupon. We'll send you information on how you can learn more about this specialized field, at home.

Name _____

Address _____

City/State/Zip _____

I am a veteran or serviceman on active duty. D D3



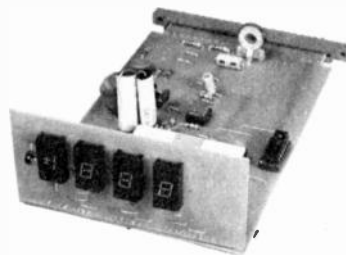
formerly

MOTOROLA TRAINING INSTITUTE

College Hill, Summerdale, Pennsylvania 17093

CIRCLE 26 ON FREE INFORMATION CARD

NEW! D.V.M. KIT



Convertible into Multimeter

KIT FEATURES BASIC 2 RANGE D.V.M ACCURATE TO 1%. CIRCUITS FOR ADDITIONAL VOLTAGE RANGES, OHMS, D.C CURRENT, AND A.C. VOLTS CAN BE ADDED. PARTS MOUNT ON EDGE CARD CONNECTOR P.C. BOARD. DISPLAY BOARD HAS EASY TO READ 1/3" LED'S AND CAN BE REMOTE MOUNTED.

KIT CONTAINS • 2 P.C. Boards • Signal Converter • Digital Processor • Op. Amp • Inverter • 3-Drivers • 4-LED Displays •

Basic D.V.M. Kit \$39.90
 (POWER SUPPLY NOT INCLUDED)

Send Check Or Money Order. Add \$1 for Postage and Handling in U.S. N.J. Residents Add 5% Tax.

J. B. Electronics Inc.
 Box 521
 Short Hills, N.J. 07078

of the output signal are typically 250 ns and 50 ns, respectively, when pin 11 is loaded by 10 pF.

Figure 8 shows a simple add-on buffer stage that can be used to provide a low-impedance variable-amplitude squarewave output signal. The circuit is a simple complementary emitter-follower that is driven directly from the pin-11 squarewave output of the IC. Short circuit output protection is provided by the 47-ohm resistors (R5 and R6) in series with the transistor emitters. The output level is fully variable from maximum to zero using LEVEL potentiometer R7. The output signal is referenced to zero volts (ground) and can be used to drive high- or low-impedance external loads.

continued next month

BUILD A COMPUTER

continued from page 35

wires to the correct pins of the DIP plug. If you have a keyboard with tri-state outputs, they can be always enabled. Then their outputs can be wired to the inputs of the on-board buffers as in a normal keyboard.

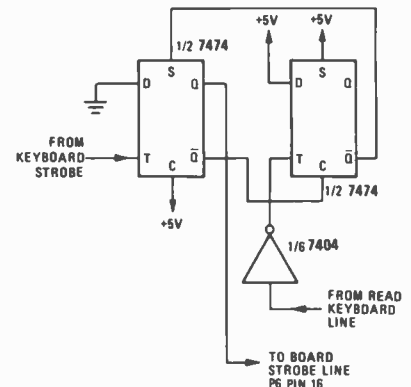


FIG. 7—DURATION OF STROBE pulse from keyboard is increased using this add-on circuit.

To hook up your cassette-tape unit, you use plug 3 of the board. Pin 10 is for the record jack and pin 9 is for the earphone jack. Pin 14 of plug 3 can be used to turn off and on the tape recorder (using the auxiliary control line) by simply hooking up a relay and switching transistor to the circuit as shown in Fig. 8. You may need to adjust the volume and tone controls on the

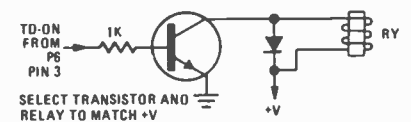


FIG. 8—AUTOMATIC CASSETTE TAPE operation is obtained by adding driver transistor and relay.

tape recorder in order to get perfect data storage (no errors on loading).

continued next month

next month

MAY 1977

■ Build A Programmable Frequency Divider

IC's and printed-circuit board construction make it easy to duplicate this valuable test instrument.

■ Build A CB Preamp

Improve your CB reception. Add this inexpensive preamp. You'll be surprised at the difference it makes.

■ ABC's Of Room Equalization

A new easy way to match your listening room to your hi-fi gear.

■ Build A Speaker Phone

Hands off talking and listing when you use your telephone is the purpose of this device.

■ Heath's New Programmable Color TV Kit

Set up the evenings programs and the set takes care of itself—it changes channels and reorients the antenna rotator.

■ WARC '79

A report on the pending World Administrative Radio Conference and its potential effects on you.

PLUS

Jack Darr's Service Clinic

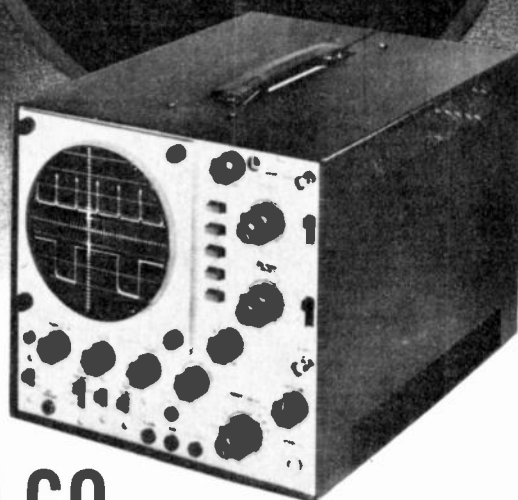
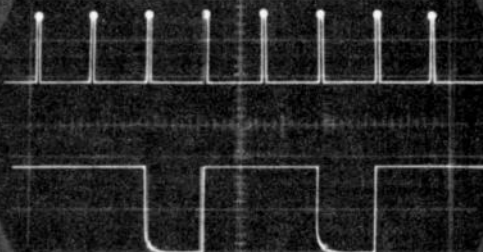
All About Function Generators

Lab Tested Hi-Fi Reports

Komputer Korner

the bright one

new phosphor picture tube
with twice the brightness



TO-60 automatic dual-trace triggered-sweep oscilloscope

P-31 phosphor CRT has double the brightness for bright displays even in high speed dual-trace modes. Bandwidth: DC to 15 mhz. Unique features for the industry's greatest value are: • Automatic Triggering • Automatic Astigmatism • Automatic Horizontal Sweep • Automatic Horiz/Vert. TV Triggering provides positive display on composite video signals. Vertical sensitivity: .01 volts/cm to 20 volts/cm in 1-2-5 step sequence. Horizontal Sweep Speeds: .2 sec/cm to .5 μ sec/cm in 1-2-5 step sequence. Has 5X magnifier at all sweep speeds. External Horiz. Amp. Bandwidth: DC to .5 mhz; Sensitivity: .5 volts/cm. Calibrated Test Signal: 1 volt P-P square wave. Power: 105-125 volts, 60 cycles, 65 watts

Model TO-60 Less Probes. Net \$489.50

TO-55 automatic single-trace triggered sweep oscilloscope. Features same as TO-60 except Vert. Bandwidth is DC to 10 mhz.

Model TO-55 Less Probes. Net \$379.50

For the "bright one," see your distributor, or write:



LECTROTECH, INC.

5810 N. Western Avenue, Chicago, Illinois 60659
Area (312) 769-6262

CIRCLE 62 ON FREE INFORMATION CARD

EQUIPMENT REPORTS

continued from page 29

for amplifier testing." There was a P.S. also, which read "Good job, Fred!"

My confidence somewhat restored, but still wary, I worked up the output amplifier assemblies. This is a truly sticky mechanical proposition involving the use of a thermal compound to coat output transistors and their insulators. (I challenge any kitmaker to work with this stuff and *not* get it all over the heat sinks!)

All the tests involving the output amplifier combinations (circuit board/heat-sink assemblies) checked out. This despite the fact that I checked the units side-by-side rather than sequentially, through a misinterpretation of the instructions. I determined that the error of my procedure was a boxed paragraph on page 117 which I felt was out of place on that page in that it anticipated work not yet done.

And now the Big Moment. Double checking all my connections and all the procedures. I turned on the preamp and tuner, then the amplifier. Sound! Music! Beautifully reproduced music! Ah . . . but from only one channel. I was deflated.

After a thorough check of connections, etc., I removed the top cover. A

bare wire confronted me . . . not there before. It turned out to be the tip of one speaker wire. The wire had broken off from the connector when I had inserted the speaker plug. I carefully managed to make a solid, albeit temporary connection, and replaced the fuse that had blown when the wire had been pushed out and had shorted to the chassis. I turned up the gain control . . . to be confronted with mushy, distorted sound from the previously dead channel. Again I was deflated.

A phone call to the Heathkit center brought advice to switch the input connectors to see if both preamp channels were working in terms of proper connections. They were. I was then advised to check the preamp transistors. I removed them, checked them, found them OK, and replaced them.

The final bit of advice was to remove both amplifier channel sections and reverse them, to thus check out connection points and to positively localize the trouble as being in one amplifier section. In the process, a phrase from the manual kept running through my head. It was: "About 90 percent of the kits that are returned for repair do not function properly due to poor connections and soldering. Therefore, many troubles can be eliminated by a careful inspection of connections to make sure

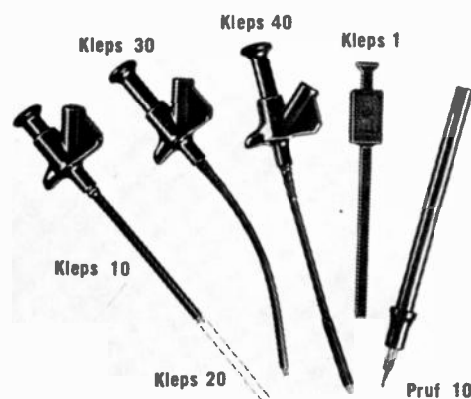
they are soldered properly." Actually, I felt that first rate soldering was my main forte in this project. On removing the malfunctioning amplifier segment, I decided to follow up on that phrase. I was wrong. In the center of the heat-sink I noticed a capacitor, one of whose ends passed through a power transistor terminal then into the circuit board. The circuit board connection was OK, but the transistor terminal connection was solderless. Careful as I had *thought* I had been, I had goofed.

I soldered the connection, mounted the amplifier section, connected it, and hooked up the equipment. Sound! Beautiful sound, now coming out of *both* amplifier channels! The job was done.

Comments

What do I now have for my efforts and involvement? A \$489.95 (mail-order price) amplifier that reproduces music on the order of amplifiers costing \$1,000 and more. I know that from making comparisons with equipment my audio buff friends possess. Phono records I had relegated to second rank status in my collection because they sounded distorted in heavy transient passages, have been restored to first rank status because I now hear these same passages

continued on page 94



Clever Kleps

Test probes designed by your needs—Push to seize, push to release (all Kleps spring loaded).

Kleps 10. Boathook clamp grips wires, lugs, terminals. Accepts banana plug or bare wire lead. 4¾" long. \$1.39

Kleps 20. Same, but 7" long. \$1.49

Kleps 30. Completely flexible. Forked-tongue gripper. Accepts banana plug or bare wire. 6" long. \$1.79

Kleps 40. Completely flexible. 3-segment automatic collet firmly grips wire ends, PC-board terminals, connector pins. Accepts banana plug or plain wire. 6¼" long. \$2.59

Kleps 1. Economy Kleps for light line work (not lab quality). Meshing claws. 4½" long. \$.99

Prof 10. Versatile test prod. Solder connection. Molded phenolic. Doubles as scribing tool. "Bunch" pin fits banana jack. Phone tip. 5½" long. \$.89

All in red or black - specify. (Add 50¢ postage and handling).

Write for complete catalog of - test probes, plugs, sockets, connectors, earphones, headsets, miniature components.

Available through your local distributor, or write to:

RYE INDUSTRIES INC.

130 Spencer Place, Mamaroneck, N.Y. 10543

In Canada: Rye Industries (Canada) Ltd.



You can pay more.
You can pay less.
But you can't buy
a better FET VOM.

The ultimate VoltOhmyst®

- Measures AC or DC volts, 0.05mV to 1500V.
 - Current from 0.15mA to 1.5A
 - Hi- or Lo-power ohms (R X 1 to R X 1 Meg), with pushbutton polarity reversal.
 - Autopolarity, taut-band mirror-scale meter with 3 color-coded scales, separate polarity-indicating meter
 - AC or battery operation.
- WV-534A**
\$150.00



See it at your VIZ distributor

VIZ Test Instruments Group of VIZ Mfg. Co.

335 E. Price St.
Phila. PA 19144

• VIZ 6643

Formerly Instruments

LOOKING AHEAD

continued from page 4

The Emerson name was purchased by radio and stereo importer Major Electronics from National Union Electric, Emerson's last parent. Major, which changed its name to Emerson Radio Corp., then licensed the television rights to Empire Ultrasonics, which plans to import a line of color and black-and-white televisions from Korea with the familiar Emerson brand name and trademark.

Microprocessor games: Second entry into the programmable video game market, after Fairchild's VES, is RCA's Studio II. List-priced at \$150, it has two calculator-type keyboards. The first three cartridges are *TV Schoolhouse I*, *Fun with Numbers* and *Space War*, at \$15 each. It also has five built-in games, including math quiz, bowling, car racing and doodling. Fairchild now has six cartridges available at \$20 each, the latest additions being *Spitfire* (airplane game), *Space War* and *Math Quiz*. Among the earlier cartridges are *Blackjack*, *Tank War* and doodling games.

Where do games leave off and computers begin? It's too early to tell, but as games increase in sophistication the line between them will become increasingly blurred. One item that's definitely a computer and not a game is the \$495 Personal Electronic Transaction (PET) device being readied for sale by Commodore, developed by its subsidiary MOS Technology. With its own built-in cathode-ray tube readout, the unit has an alphanumeric keyboard and is designed as an all-purpose household computer. It will accept specially programmed audio cassettes, or the owner can program his own. Since it speaks standard computer language, it can communicate by phone with other computers or central information banks.

R-E

CB'ers and local police cooperate to reduce crime

The police department of Gardena, CA, in seeking new ways to reduce crime, is taking advantage of the rapidly increasing popularity of CB radio. Believing that "Neighborhood Watch" programs already in existence could be improved with radio communication, the police contacted the local REACT (Radio Emergency Associated Citizens Teams), C-CAP (California Community Alert Patrol) and several CB social clubs, to propose cooperation.

The response was overwhelming, both from the CB'ers and from businesses in the area. Craig Corp, which is headquartered in nearby Compton, made a Craig 4201 CB base station available to the police department. For a time it was monitored by police personnel, but other duties often caused the station to be unattended. Calling on the citizens for help, the department found a large enough number of volunteer monitors to maintain the station on a 24-hour, 7-day basis.

Standards were set for monitors. They are required to be licensed CB operators with some experience in radio procedures, undergo a criminal background screening and be able to monitor the radio for at least one 4-hour shift per month.

In two months in late 1976, more than 2,000 calls were received. They ranged from traffic accidents to reports of crimes in progress. Some 150 volunteers work at the base station, and larger numbers are involved in the projects.

R-E

For
faster
service

USE
ZIP
CODE

on
all
mail

■ MATHEMATICS ■ ELECTRONICS

■ ENGINEERING MATHEMATICS

■ ADVANCED MATHEMATICS

■ ADVANCED ENGINEERING MATHEMATICS

These unusual courses are the result of many years of research and teaching by the President of the INDIANA HOME STUDY INSTITUTE, who has *personally* lectured in the classroom to *thousands* from all walks of life on mathematics, electrical and electronic engineering.

- You must see these lessons to appreciate them!
- NOW you can master mathematics and electronics and actually *enjoy* doing it!
- WE ARE THIS SURE:—you order your lessons on a *money-back guarantee*.

WRITE TODAY for more information and your outline of courses. You have everything to gain and nothing to lose!

LICENSED BY THE STATE BOARD OF INDEPENDENT POST-SECONDARY VOCATIONAL, TECHNICAL, TRADE AND BUSINESS SCHOOLS.

THE INDIANA HOME STUDY INSTITUTE
EASTERN DIVISION
P.O. BOX 1189
PANAMA CITY, FLA. 32401

CIRCLE 29 ON FREE INFORMATION CARD

Accuracy like a VTVM... Convenience like a VOM...

NEW BATTERY-OPERATED FET SOLID-STATE VOLT-OHMMETER #116

Easy-to-build KIT

\$39.48 =116K

Factory-Wired & Tested

\$52.95 =116W

Now you can get all the benefits of a VTVM (laboratory accuracy, stability and wide range) but with its drawbacks gone: no plugging into an AC outlet, no waiting for warm-up, no bulkiness. New Field Effect Transistor (FET) design makes possible low loading, instant-on battery-operation and small size. Excellent for both bench and field work.

Compare these valuable features:

- High impedance low loading: 11 megohms input on DC, 1 megohm on AC
- 500-times more sensitive than a standard 20,000 ohms-per-volt VOM
- Wide-range versatility: 4 P-P AC voltage ranges: 0-3.3, 33, 330, 1200V; 4 RMS AC voltage ranges: 1-1.2, 12, 120, 1200V; 4 DC voltage ranges: 1-1.2, 12, 120, 1200V; 4 Resistance ranges: 1-1K, 0-100K, 0-10 meg., 0-1000 meg.; 4dB ranges. -24 to +56dB.

Sensitive easy-to-read 4½" 200 micro-amp meter. Zero center position available. Comprises FET transistor, 4 silicon transistors, 2 diodes. Meter and transistors protected against burnout. Etched panel for durability. High-impact bakelite case with handle useable as instrument stand. Kit has simplified step-by-step assembly instructions. Both kit and factory-wired versions shipped complete with batteries and test leads. 5¼"H x 6¾"W x 2⅞"D. 3 lbs.



Send FREE catalog of complete EMC line and name of nearest distributor. RE-04

Name _____

Address _____

City _____

State _____ Zip _____

EMC

ELECTRONIC MEASUREMENTS CORP.
625 Broadway, New York, N.Y. 10012

PRINTED CIRCUIT KITS MAKE CARDS QUICKLY



ONLY Vector kits contain:

- Positive photo-resist coated AND uncoated copper laminate—no messy photo-reversal—no spraying, dipping, or baking.
 - 4 types of art aids: rub transfers, ink, tape, cut and peel—use 1 or all.
 - 1:1 circuit art rub transfers—IC sets, pads, lines, connectors, symbols, letters, and numbers.
 - Everything included—just add water and sunlamp or bright sunshine.
 - Liquid etchant and developer—no dry chemical mixing problems.
- AND
- Process choices—make circuit on copper and etch for 1 card. Make circuit on film, expose, develop and etch for 1 or many cards.



+ mylar film + sunlamp cards + developer & etchant = 1 or many PC's
+ card + etchant = 1PC

32XA-1 kit makes 7 PC cards, \$28.00, 32X-1 starter kit makes 2 cards, \$11.50

Vector Electronic Co., 12460 Gladstone Av., Sylmar, CA 91342
Visit us at NEPCON Booth 6062.

510177

CIRCLE 51 ON FREE INFORMATION CARD

1
out of
2 who
have it
don't
know
it...

Do you?

21 million Americans have high blood pressure. But 50 percent of those who have it, don't know it.

When blood pressure goes higher than it should, and stays high, it sets the stage for heart attack or stroke.

Most cases of high blood pressure can be controlled with drugs and other advances in treatment. That's why you should see your doctor regularly. Only he can tell if you need help.

A public service message from your Heart Association



EQUIPMENT REPORTS

continued from page 92

undistorted with the kind of definition you'd obtain in a concert hall. I hear high-frequency sounds with a clarity and sweetness that I still find hard to believe. My wife hears the highs without wincing, as she did whenever I played certain records before. I can now play music at high volume levels without listening fatigue. There is no audible distortion at any point of the sound spectrum. My speaker systems now produce a kind of solid satisfying bass I did not think they could deliver. In sum, I feel that I have obtained the best audio bargain I could possibly have obtained. I am unabashedly proud of my AA-1640.

R-E



No matter how I figure it, the money we'd save on a service call wouldn't be enough to go out for an evenings entertainment!



GO DIGITAL, GO DANAMETER®

(The New VOM For Today's Needs.)

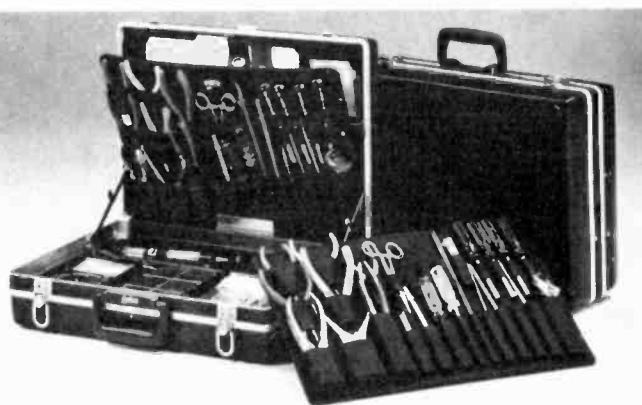
- 0.25% Accuracy
- Full Overload Protection
- Really Drop-Proof
- Full One Year Battery Life

DANA®

Dana Laboratories, Inc.

2401 Campus Dr, Irvine, Ca 92715, (714) 833-1234

CIRCLE 41 ON FREE INFORMATION CARD



A Platt tool case won't fall apart at the seams because there are no seams.

Unlike other tool cases, the pockets on a Platt Pallet are molded without any seams, stitches or rivets to form a one-piece unit. It's practically indestructible.

The case itself has that same rugged construction. It comes in either tough, lightweight ABS Thermoplastic, rich looking expanded vinyl or a combination of both.

Platt also has rugged hardware. Like an aluminum rim for extra strength. Steel core handles. And tough brass locks.

Inside there are compartments for larger tools, parts boxes and testing equipment. And multiple lid pockets for paper and order books.

Besides having a tough case Platt has a tough 5-year guarantee on both the case and pallet.

• Pat. No. 3,880,285

Cases for business and industry.

platt

2301 S. Prairie Ave., Chicago, Ill. 60616 (312) 225-6670

CIRCLE 65 ON FREE INFORMATION CARD

A Logical Solution to your Digital Logic Problems!



THE NEW CATCH-A-PULSE® LOGIC PROBE!

- Multi-family
- Open circuit detection
- High input impedance
- Pulse stretching
- 60 Nsec pulse response
- Replaceable tip and cord

Compatible with RTL, DTL, TTL, CMOS, MOS, and Micro-processors using a 3.5V to 15V power supply. Thresholds automatically programmed for multi-logic family operation. Automatic resetting memory for single or multi-pulse detection. No adjustment required. Visual indication of logic levels, using LEDs to show high, low, bad level or open circuit logic and pulses. Highly sophisticated, shirt pocket portable (protective cap over tip and removable coiled cord). Eliminates need for heavy test equipment. A definite plus in time and money for engineer and technician.



\$29.95
Plus \$1.75 shipping & handling
No C.O.D. out of the U.S.A.
Calif. residents add 6% sales tax
AVR Electronics
Box 26205
San Diego, Ca 92126
(714) 566-1570

Dealer inquiries invited

CIRCLE 34 ON FREE INFORMATION CARD

TELESWITCH

continued from page 42

old level of each sound switch so it triggers on the telephone ring. This is done by adjusting the value of the potentiometer on each sound switch so that the SCR will latch after the first ring.

If the sequential Teleswitch is used and you want to turn things off remotely, remember that you have to connect that device to the power line through a normally closed relay so that the relay contacts can be opened when the relay is activated.

To test the unit, have someone telephone you, but do not answer the phone. Let it ring a few times and then have the caller wait 1 minute and call back.

If the unit is operating properly, a relay click should be heard after the first ring and another relay click after the second ring. If so, the controlled device should remain off. After a total of 1 minute from the first ring, the sound of a relay opening should be heard. This is RY2 disconnecting power from the reset timer. Now the teleswitch is ready to accept a new ring signal.

Have your friend call again, this time allowing the telephone to ring only once. Twenty seconds after that ring, the device connected to the controlled outlet should turn on.

For the sequential version of the circuit, the next single ring should turn on the second outlet. In the on/off version, the next single ring of the telephone will turn the controlled outlet that is now on, to off.

Olson ELECTRONIC PARTS AND ACCESSORIES

REG. SALE

Voice Activated Switch, XM-556	1.98	.99
60 Min. Cassette, Pkg. of 3, TA-879	1.49	.87
2V. RED L.E.D., Pkg. of 5, PL-233	1.99	.59
40 Min. 8-Track Tape, TA-90769	.39
Elect. Cap. Kit, 50 Asstd., CD-407	5.00	1.70
Slidemount, CB-Stereo, AU-344	2.50	1.79
Black Light Bulb, XM-291	1.00	.49
CB Converter for Car, CB-417	14.99	9.99
Resistors 1/2-watt, Pkg. 100, RR-077	1.79	.79
Volume Controls, 12 Asstd. YC-274	1.00	.49
Univac Key punch Keyboard Assembly		
Parts Bargain AS/IS, XM-539	17.00	9.00
Empire 999 Mag. Phono Cart. PC-188	9.99	6.99
3-6V DC Hobby Motors, 5 Asstd. MO-333	2.00	.59
Solder Terminal Strips, 40 Asstd. XM-501	1.30	.50
Double Face Foam Tape 1/4"x52", TA-903	1.00	.80
1/4 RPM Timing Motor, 117 VAC, MO-27749	.30
8 RPM Revers. Motor 117 VAC, MO-393	2.50	.99
Ceramic Disc Cap., 100 Asstd. CC-210	1.29	.80
TI Calculator Keyboard, 20 Key, XM-253	5.00	1.60
Push-Button Car Radio, Less Knobs and Speaker, AU-580	ONLY	10.99
3 1/2 Digit Liquid Crystal Display, XM-371	10.00	3.00
Knob Kit, 25 Pcs. Asstd., XM-030	1.00	.69

Send to: Olson Electronics, Dept. LW, 260 S. Forge St. Akron, Ohio 44327. Allow for Postage, C.O.D. 20% Deposit. Ohio Residents Add 4% Sales Tax.

FREE

Ask for our Catalog when you Order

CIRCLE 75 ON FREE INFORMATION CARD

PROGRAMMABLE



DRUM SET

- PROGRAM ANY TIME SIGNATURE
- PROGRAM ANY RHYTHM PATTERN
- SAVE 2 SCORES SIMULTANEOUSLY
- SEPARATE BRIDGE PATTERN FOR EACH SCORE
- • • • ELECTRONIC "TOUCH BUTTON" CONTROLS
- • • • 256 BYTE MEMORY

MORE THAN JUST ANOTHER ELECTRONIC RHYTHM UNIT A WHOLE NEW INSTRUMENT

PROGRAMMABLE DRUM SET KIT

#3750 \$79.95
(plus \$3.00 postage & insurance)



FREE CATALOG

ELECTRONICS, DEPT 4 - R
1020 W. WILSHIRE BLVD.
OKLAHOMA CITY, OK 73116

CIRCLE 2 ON FREE INFORMATION CARD

Learn Electronics along with MATHEMATICS

The Grantham Electronics -With-Mathematics SERIES — in four volumes, written in *home-study-course* style — now available by mail order...

Order by letter, OR check off the volumes you want (below) and mail this ad with your name & address and your payment (noCODs).

- Introductory Electricity With Mathematics. 288 pages \$12.75
- Fundamental Properties of AC Circuits. 267 pages \$12.75
- Mathematics for Basic Circuit Analysis. 352 pages \$12.75
- Basic Electronic Devices and Circuits. 378 pages \$12.75
- All Four Volumes Listed Above. (Save \$6) \$45.00

Add 75¢ for total postage and handling charge, regardless of number of books ordered.

All volumes written by Donald J. Grantham, whose 25 years of teaching—in print and in the classroom—enable him to anticipate questions in these subjects and thus answer them in these books. 16 lessons and 16 multiple-choice tests in each volume; many circuit diagrams with detailed explanations; many sample problems with step-by-step solutions; many practice problems with answers; easy to understand language; *In-depth* explanations. ORDER FROM:

GSE BOOK CO.
P.O. Box 25992, Los Angeles, CA 90025
CIRCLE 14 ON FREE INFORMATION CARD

EDI

GENERAL TIME DIGITAL CLOCK MOVEMENT



- Illuminated Film Strip Numerals
- 110V Motor

Special Limited Quantities

G-83 **2.99**

Shipping Wt. 1 lb.

CHROMALOX HEAT ELEMENT

- 1500 Watt - 120V
- Size A - 10", B - 13.5", C - 3"
- Ideal for Heating, Brining, Etc.



Shipping Wt. 1 lb.

N-889 **.69**

GENERAL TIME DC HOUR METER

- Operates On 4 to 50 Volts DC
- Permanently Sealed Against Moisture and Dust
- Accurate Within 1%, At Temperatures From -20 to +165 Degrees F.



Shipping Wt. 1 lb.

F-149 **9.39**

COLOR SUBCARRIER OSCILLATOR QUARTZ 3579.545 KC CRYSTAL

- Ideal Hobbyist Crystal



E-86 **.88**

ELECTRONIC 4-RANGE DIGITAL READOUT INTERVAL TIMER KIT

- 4 Time Functions: 1-9.9 Sec., 1-99 Sec., 1-9.9 Min., 1-99 Min.
- 1" High Nixie Tube Readouts
- For Darkroom Use in Both Processing & Enlarging Processes
- As A Timer For Sport & Contest Events (Stop Switch)
- Provides Timed 120V AC Outlet And SP. No Contact To Trigger Buzzer Alarm Or Visual Signals
- Uses Standard EIA Components & 10 1/2" Bergliss 4K, 10 1/2" P.C. Board, DTL Logic With Two Standard TTL IC's For Noise-Reduction
- Full Wiring Instructions Included - No Cabinet Or Case Available For Timer



Shipping Wt. 9 lbs.

E-207 Now Only **19.99**

JERROLD 82-CHANNEL TV UNIVERSAL ELECTRONIC TV REMOTE CONTROL

Remote Control Of Any TV Set

UNIVERSAL

- You can use it on any TV. When you buy a new TV you don't have to buy another remote control. If someone gets sick, move the remote control to the sick room. Saves Mom a lot of sleep.
- 12 VHF Channels + 70 UHF Channels + On-Off
- Fine Tuning + Clean Up CB Interference



Shipping Wt. 8 lbs.

New!! TRC-82 **109.95**

- Features of the Jerrold 82-Channel Universal TV Remote Control:
- Turns TV set on and off + Instant push-button channel change + Fine tunes TV set for best color reception + Eliminates direct pickup ghosts + Works with all TV sets - black & white or color + Replaces Defective Tuner
- Simplifies channel selection for the elderly.
- Relax! Now you can control your TV from the comfort of your favorite easy chair.

FIRE/HEAT SENSOR

- Heat Sensor Closes At 135 Deg. F. Opens At 105 Deg. F.
- Build Your Own Or Add To Your Security Alarm System



Great Value!

Shipping Wt. 1 lb.

S-2 **.59** 3/1.50

SIGNAL HORN

- 1 + 3 Volts DC (Adjustable)
- Use In Warning Devices, Alarms, Horns, Etc.



Shipping Wt. 1 lb.

N-34 **.59** 3/1.50

SPERRY SP-353 3-DIGIT NUMERIC DISPLAY

- A flat panel display designed for interfacing with MOS/LSI 1/2 characters



Shipping Wt. 1 lb.

E-28 **1.88** 3/5.00

PKG/5 IN82A SILICON UHF MIXER DIODE

Shipping Wt. 1 lb.

E-59 **.99**

MALLORY PTC-401 FULL WAVE BRIDGE 2 AMP - 200 VOLTS

Shipping Wt. 1 lb.

E-90 **.88** 4/3.50

PKG/4 SPRING LOADED HEAT SINKS

- Two 1.7" long small heat sinks. One with RT angle, one straight two 2" long heat sinks. One with RT angle, one straight



Shipping Wt. 1 lb.

E-84 **.99** pkg.

MAGNETIC BASE 2 1/2" LONG HEAT SINK

- Strong Magnet



Shipping Wt. 1 lb.

E-85 **.69**

Limited Quantity

MALLORY COMPUTER GRADE CAPACITORS

- 1.50 500 mfd 2V .99
- 1.52 100,000 mfd 5V 1.99
- 1.284 13,500 mfd 10V 1.49
- 1.287 21,000 mfd 10V 1.88
- 1.48 43,500 mfd 25V 1.49
- 1.282 31,500 mfd 25V 1.78
- 1.296 11,000 mfd 75V 1.49
- 1.48 5,000 mfd 75V 2.29
- 1.48 1,000 mfd 100V 1.49



Average Shipping Wt. 1 lb.

SEND FOR FREE CATALOG with hundreds of electronic items

Minimum order \$3.00 - allow 25¢ per pound shipping and .50¢ handling charge. Ill. residents add 5% sales tax. Prices good thru May 1, 1977 or while stocks last. Notice: Some items may be in limited quantities and subject to prior sale.

EDI

Dept. PLI, 4900 Elston, Chicago, IL 60630 • Tel. 312-283-4800

market center

CLASSIFIED COMMERCIAL RATE (for firms or individuals offering commercial products or services) **\$1.40 per word (no charge for zip code)** . . . minimum 15 words.

NONCOMMERCIAL RATE (for individuals who want to buy or sell personal items) **85¢ per word** . . . no minimum.

ONLY FIRST WORD AND NAME SET in bold caps. Additional bold face (not available as all caps) at 10¢ per word. Payment must accompany all ads except those placed by accredited advertising agencies. 5% discount for 6 issues, 10% for 12 issues within one year, if paid in advance. All copy subject to publisher's approval. Advertisements using P.O. Box address will not be accepted until advertiser supplies publisher with permanent address and phone number. Copy to be in our hands on the 26th of the third month preceding the date of the issue (i.e., August issue closes May 26). When normal closing date falls on Saturday, Sunday or a holiday, issue closes on preceding working day.

BUSINESS OPPORTUNITIES

CABLE/FM broadcast station: No investment, excellent income. Details free: "BROADCAST-ING", Box 5516-FD, Walnut Creek, CA 94596

HIGHLY effective degree program in electronics engineering. Advance rapidly! Our 31st year. Free literature. **COOK'S INSTITUTE**, Box 20345, Jackson, MS 39209

PLANS & KITS

SAVE 50%. Build your own speaker systems. Write: **MC GEE RADIO ELECTRONICS**, 1901 McGee Street, Kansas City, MO 64108

LIGHT pen cursor control for TVT-II works with or without cursor boards. Complete kit \$12.50. **Micro-Lite**, RFD 1, Box 30, North Stonington, CT 06359

HIGHLY PROFITABLE ONE-MAN ELECTRONIC FACTORY

Investment unnecessary, knowledge not required, sales handled by professionals. Ideal home business. Write today for facts! **Postcard will do.** Barta-BP, Box 248, Walnut Creek, CA 94597.

WANTED

QUICK cash . . . for electronic equipment, components, unused tubes. Send list now! **BARRY**, 512 Broadway, New York, NY 10012, 212 Walker 5-7000

YOUR HOBBY EXPENSES ARE TAX DEDUCTIBLE!

FOR FREE INFORMATION WRITE **FINANCIAL MANAGEMENT ASSOC., INC.** BOX 82129 AD SAN DIEGO, CA 92138

EDUCATION & INSTRUCTION

TELEPHONE bugged? Don't be Watergated! Countermeasures brochure \$1.00. **NEGEYE LABORATORIES**, Box 547-RE, Pennsboro, WV 26415

GRANTHAM's FCC License Study Guide-377 pages, 1465 questions with answers/discussions-covering third, second, first radiotelephone examinations. \$13.45 postpaid. **GSE PUBLICATIONS**, 2000 Stoner, Los Angeles, CA 90025

CB'ers-Be a "Ham"-We'll teach you!-Life membership: \$4.00-**AMERICAN RADIO COUNCIL**; Box 1171-F; Garland, TX 75041

F.C.C. EXAM MANUAL

PASS FCC EXAMS! Memorize, study-Tests-Answers for FCC 1st and 2nd class Radiotelephone licenses. Newly revised multiple choice questions and diagrams cover all areas tested in FCC exams, plus Self-Study Ability Test. \$9.95 postpaid. Money-back guarantee.

Tests-Answers for FCC First and Second Class Commercial License

COMMAND PRODUCTIONS RADIO ENGINEERING DIV. P.O. BOX 26348 E SAN FRANCISCO, CAL. 94126

ORGAN KITS KEYBOARDS

THE ULTIMATE IN DESIGN AND SOUND

DEMO RECORD AND BROCHURE \$1.00

DEVTRONIX ORGAN PRODUCTS, Dept. 4B 5872 Amapola Dr. • San Jose, CA 95129

DECORATOR telephone kits. Over 50 styles and colors. Catalog 50¢. **PHONE FACTORY KITS**, RE018, Box 43147, Las Vegas, NV 89104

THIS month: Super power supply kits feature excellent regulation, foldback current limiting, heavy-duty components. Complete, with boards, less case. CB base supply 13.5vdc 2A \$10.95-5vdc 1A, \$6.95. Free catalog of goodies. **DIAMONDBACK**, Box 194R, Spring Valley, IL 61362

TV JAMMER

Amaze your friends! Makes TV's go into distortion. Max. range 20'. IN EASY KIT FORM. \$2.65

* SEND FOR FREE CATALOG *

PRO ELECTRONICS COMPANY 6827 Tobias Av. Van Nuys Ca. 91405

ECONOMY kits, CT7001 clock calendar \$27.75; TVT-III (4 page) \$114.75; screen read \$11.65; manual cursor \$9.50; cassette interface \$28.50; motion detector (ultrasonic) assembled \$16.95. Free catalog. **ELECTRONIC DISCOUNT SALES**, 138 North 81st Street, Mesa, AZ 85207

NEGATIVE ion generator (dual stage). Complete construction plans. \$7.50. **GOLDEN ENTERPRISES**, Box 1282RE, Glendale, AZ 85311

LINEAR amplifier, 2-30 MHz, 150 watt mobile. Construction plans, \$3.00. **IGOR**, Box 5516-FD, Walnut Creek, CA 94596

FORDHAM

BEST BUYS

Hickok CB Test Instruments



MODEL 334 DIGITAL MULTIMETER

Lab quality, all-function workhorse gives 5 ranges of AC and DC voltage and current; plus 6 ranges of ohms. All with 3 1/2 digit resolution plus automatic decimal point, automatic polarity and automatic overrange indication.

MODEL 388 CB IN-LINE TESTER

Provides digital read-out of the four prime operational checks required in transmitter service. One hook-up operation and front panel control. One compact package. Frequency. Power output. Standing-wave ratio. And percent of modulation. Cable matching and coupling circuits are internal and automatic. Also model 388X with TCXO.



MODEL 270 FUNCTION GENERATOR

For all CB transceiver audio circuits. Doubles as a 455 KHz IF generator. Calibrated, sine, square and triangle waveforms from 1 Hz to 500 KHz. With external connections produces logic pulses, sweeps and ramps; amplitude and frequency modulated outputs; tone bursts; and a host of mixed signal outputs.

MODEL 380 SERIES FREQUENCY COUNTERS

Easy-to-use with simplified controls and hands-off operation provided by autoranging and auto-decimal circuits. Model 380 offers guaranteed range of 1 to 80 MHz. Model 385 is for communications and UHF with a range of 10 to 512 MHz. Stability to 1ppm available in 380X and 385X models.



FOR PRICING AND TO PLACE YOUR ORDER:

Call collect for Mr. Louis (516) 752-0050
Master Charge, BankAmericard and C.O.D.'s accepted

FORDHAM RADIO SUPPLY CO., INC.
855R Conklin St.
Farmingdale, N.Y. 11735
YOUR ONE STOP DISCOUNT CENTER



FREE

148 page catalog of over 3000 items... test equipment, CB, tools, tubes, components and a full line of electronic supplies

* Now — ... YOUR CAR WILL START

- even with a LOW BATTERY!
- even in COLD WEATHER!
- even in DAMP WEATHER!



... THANKS TO:

Coil Foil®

AUTOMATIC STARTING BOOSTER
... the Amazing New Invention!

* GIVES YOU
"Sure-Fire" STARTS
EVERY TIME...



If your Cold or Weak Battery can turn the Engine over just ONCE ... COIL/FOIL will START your Car, even under the worst weather conditions, by Automatically providing a STRONG Spark from its OWN Power Source.

- EASY-TO-INSTALL (Only 4-Wires & 2-Bolts). Fits ALL Vehicles with Battery/Coil Systems.
- COIL/FOIL Prolongs Car Battery Life ... and reduces wear and tear on Starter-Motor.



No one in your Family need ever be STRANDED with a Car that WON'T START! No more running the Car Battery "DEAD" trying to start the Car! COIL/FOIL uses its own Power (2-Dry Cell Batteries, not included) ONLY in Starting, and Batteries usually last a Year.

TESTED and APPROVED
by Leading Automotive
Magazines and Authorities!

Comes with...
FACTORY WARRANTY.
Copy available on written request
ADVANCED ELECTRONICS, N.V.
1625 EYE ST. N.W. Washington D.C. 20006

ORDER NOW! ... and never be caught
with difficult Starting AGAIN! Install
the COIL/FOIL and prove to yourself
that it works or your money back.

**SPECIAL
Introductory Offer
Only
\$1995**

ADVANCED ELECTRONICS, N.V.
P.O. Box 1579 — RA, 1, Washington, D.C. 20013

Please RUSH _____ COIL/FOIL Units to:

NAME _____

ADDRESS _____

CITY _____ STATE _____ ZIP _____

MAKE/YEAR of Vehicle _____

Add \$2 for Postage, Insurance & Handling. Canadian & Foreign Add \$3.

Enclosed: Check, M.O., in amount \$ _____

30-DAY "NO RISK" TRIAL... SATISFACTION GUARANTEED
or Return Unit in 30 days for Full Refund.

CIRCLE 19 ON FREE INFORMATION CARD

ADVERTISING INDEX

RADIO-ELECTRONICS does not assume any responsibility for errors that may appear in the index below.

Free Information Number Page

3	Allison.....	26
39	American Technology.....	28
11	AP Products.....	78
34	AVR Electronics.....	95
66	B&K-Div. of Dynascan.....	14
27	C&S Marketing.....	30
	CIE-Cleveland Institute of Electronics	62-65
4	Cobra-Div. of Dynascan.....	Cover IV
25	Continental Specialties.....	15
	CREI-Div. of McGraw-Hill Continuing Education.....	52-55
41	Dana Labs.....	94
32	Delta Products.....	79
56	Digital Concepts.....	87
24	Edmund Scientific.....	116
53	ECD.....	Cover II
71	FICO.....	80
	EMC-Electronics Measurements.....	93
18	Enterprise Development.....	88
6	Fidelity Sound.....	80
67	GC Electronics.....	88
14	Grantham School of Electronics.....	86, 95
	GTE Sylvania-Consumer Renewal.....	2
	HAL Communications.....	90
100	Heath.....	18-21
17	Hickok Electrical Instruments.....	16
47	Ignition Systems.....	83
29	Indiana Home Study Institute.....	93
35	International Crystal.....	24
	JB Electronics.....	90
	JS&A.....	1
1	Kedman.....	86
62	Lectrotech.....	91
12	Mountain West Alarm Supply.....	89
26	MTI.....	90
7	National Camera Supply.....	86
	National Radio Institute (NRI)-Div. of McGraw-Hill Continuing Education Center.....	8-11
	National Technical Schools.....	72-75
76	Nesda.....	86
33	OK Machine & Tool.....	89
75	Olson Electronics.....	95
2	PAIA Electronics.....	95
65	Platt Luggage.....	94
31	Pomona Electronics-Div. of ITT.....	25
	Radio Shack.....	13, 17
	RCA Distributor & Special Products.....	22-23, 80, 84
55	Rye Industries.....	92
	H.W. Sams.....	7
20	Sencore.....	29
36	Schober Organ.....	82
28	Simpson Electric.....	5
64	Southwest Technical Products.....	81
5	TAB Books.....	82
69,70	Telematic-Div. of UXL.....	27,83
8	Tri-Star.....	88
73	Ungar Tools-Div. of Eldon Industries.....	85
52	VIZ Mfg.....	92
51	Vector Electronics.....	94
15	Weller-Xcelite-Div. of Cooper Industries.....	Cover III

MARKET CENTER AD INDEX

54	Active Electronics.....	110
19	Advanced Electronics.....	98
	AMC Sales.....	102

Free Information Number Page

	Amateur Radio Supply.....	102
	American Used Computer.....	106
	ATV Research.....	102
38	Babylon Electronics.....	114
	Karel Barta.....	96
	Burdex Security.....	102
	CFR Associates.....	106
	Command Productions.....	96
	Dage Scientific Instruments.....	102
57	Delta Electronics.....	108
	Devtronix Organ Products.....	96
61	Digi-Key.....	101
16	EDI.....	96
22	Electronics Warehouse.....	106
	Fair Radio Sales.....	104
58	Fordham Radio Supply.....	97
42	Formula International.....	107
	Financial Management Associates.....	96
30	Godbout Electronics.....	106
59	Hobby-tronix.....	114
	Information Unlimited.....	104
43	International Electronics.....	109
9,10	James Electronics.....	112,113
	Lab Science.....	102
	Lakeside Industries.....	106
49	Meshna.....	114
60	New-Tone.....	104
40	Optoelectronics.....	105
45	Penninsula Marketing.....	106
	P.P.G. Electronics.....	96
23	Poly Paks.....	103
44	Quest.....	104
72	Radio Hut.....	115
74	SD Sales.....	111
68	Solid State Sales.....	108
13	Surplus Center.....	102
46	Trico Electronics.....	108
	Trumbell.....	106
	Wersi Electronics.....	102

MOVING?

Don't miss a
single copy of
**Radio-Elec-
tronics.** Give
us:

Six weeks' no-
tice

Your old ad-
dress and zip
code

Your new ad-
dress and zip
code

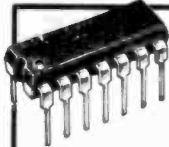
ATTACH
LABEL
HERE

name (please print)

address

city state zip code

Mail to: Radio-Electronics
SUBSCRIPTION DEPT., P.O. BOX 2520,
BOULDER, COLO. 80302



DIGI-KEY CORPORATION
Quality Electronic Components
Double-Digit Discounts
Save You Even More

2102-1 \$1.99 8080A \$24.95 LM3909 69¢

NATIONAL SEMICONDUCTOR CLOCK MODULES

"Assembled and tested. The IC & other parts are on the back of these compact modules."

MA1010A 12 Hour (AM-PM) Version . . . \$13.00
MA1010C 24 Hour Version \$13.00

MA1002A 12 Hour (AM-PM) Version . . . \$10.50
MA1002C 24 Hour Version \$10.50

0.5" High LED Digits



Special transformer and 6 switches, when ordered with module add \$3.45.

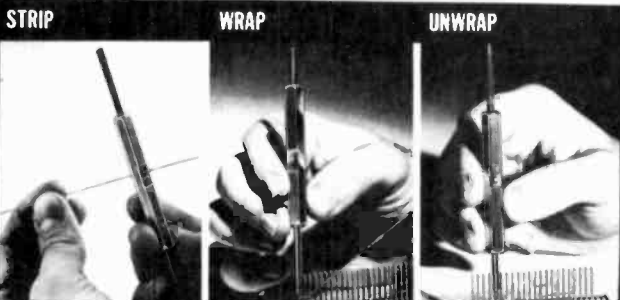
0.84" High LED Digits



Special transformer and 6 switches when ordered with module add \$3.45

Hobby-Wrap-30 \$5.95

Strips, Wraps and Unwraps 30 ga. wire on standard wire wrapping pliers



MA1002 & MA1010 Series Electronic Clock Modules

The MA1002 & MA1010 Series Electronic Clock Modules are assembled and pretested modules which combine a monolithic MOS-LSI integrated clock circuit, 4-digit LED display, power supply and other associated discrete components on a single-primed circuit board to form a complete electronic clock movement. The user need add only a transformer and switches to construct a digital clock for application in clock-radios, alarm or instrument panel clocks. Time-keeping may be from 30 or 60 Hz inputs and 12 or 24 hour display formats may be chosen. Direct LED drive eliminates RF interference. Time setting is made easy through use of "Fast" and "Slow" scanning controls.

The MA1002A and MA1010A have a 12 hour display with an AM and PM indicator. The MA1002C and MA1010C have a 24 hour display.

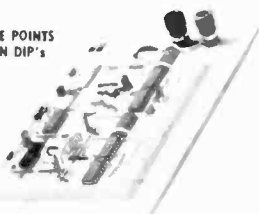
Features include alarm "on" and "PM" indicators; "sleep" and "snore" timers and variable brightness control capability. The modules are extremely compact, the MA1002 measuring 1.375" by 3.05"; the MA1010 measuring 1.75" by 3.75". This small size is achieved by bonding the I.C. to the back of the circuit board.

It is highly recommended that the transformer be obtained with the clock module as it is a special dual secondary type not otherwise readily available.

Double Digit Discounts Save You Even More!

ACE201-K \$24.95

1,032 SOLDERLESS PLUG-IN THE POINTS CAPACITY: UP TO 12 14-PIN DIP's
TWO 5-way binding posts
Size: 4-9/16" by 7"
Kit form



ENTIRE ROCKWELL CALCULATOR LINE ON DISCOUNT IN OUR LATEST CATALOG



SLIDE SWITCHES

Single Pole Single Throw
15 1.20/10 10.00/C
Double Pole Double Throw
23 2.00/10 19.00/C

BATTERY HOLDERS

1-AA . . . 24¢
2-AA . . . 42¢
1-C . . . 35¢
2-C . . . 42¢
1-D . . . 35¢
2-D . . . 42¢

BISHOP GRAPHICS Printed Circuit Drafting Aids are now available from Digi-Key

RADIAL ELECTROLYTICS

47/50V .08	65/10	22/50V .12	1.00/10	330/25V .23	1.66/10
3/50V .08	65/10	100/10V .10	77/10	470/16V .23	1.81/10
3/30V .08	65/10	100/16V .11	85/10	470/25V .29	2.35/10
4.7/35V .08	65/10	100/25V .13	110/10	1000/10V .24	1.96/10
4.7/50V .08	68/10	100/50V .21	1.71/10	1000/16V .29	2.35/10
10/16V .08	65/10	220/10V .13	1.06/10	1000/25V .42	3.33/10
10/25V .08	65/10	220/16V .15	1.16/10	2200/10V .42	3.33/10
10/50V .10	75/10	220/25V .21	1.71/10	2200/16V .54	4.30/10
22/16V .08	67/10	220/50V .29	2.35/10	3300/16V .58	4.67/10
22/25V .09	70/10	330/10V .15	1.16/10	3300/16V .89	7.14/10

AXIAL ELECTROLYTICS

47/10V .11	90/10	33/25V .14	1.15/10	330/16V .29	2.35/10
1/30V .12	90/10	33/50V .19	1.52/10	330/25V .32	2.54/10
3.3/35V .12	95/10	47/16V .14	1.15/10	470/16V .32	2.55/10
3.3/50V .12	100/10	47/25V .17	1.30/10	470/25V .38	3.00/10
4.7/25V .11	90/10	47/50V .21	1.17/10	1000/10V .33	2.65/10
4.7/35V .12	95/10	100/10V .14	1.13/10	1000/16V .39	3.15/10
4.7/50V .12	100/10	100/16V .17	1.30/10	1000/25V .46	3.50/10
10/25V .12	100/10	100/25V .20	1.55/10	2200/10V .50	3.96/10
10/50V .14	1.15/10	100/50V .29	2.30/10	2200/16V .62	4.95/10
10/25V .12	1.00/10	220/10V .18	1.42/10	2200/25V .79	6.36/10
22/25V .13	1.05/10	220/16V .20	1.55/10	3300/16V .89	7.63/10
22/50V .17	1.32/10	220/25V .29	2.35/10	4700/16V .09	8.70/10
33/16V .12	1.00/10	220/50V .40	3.23/10	10000/10V 1.15	9.19/10
		330/10V .14	1.16/10		

INTEGRATED CIRCUITS - TTL, CMOS, LINEAR & MOS

7400 .21	7476 .32	74181 2.15	4012 .23	4520 .114
7401 .21	7480 .70	74182 .79	4013 .40	4527 .168
7402 .21	7482 .70	74184 2.19	4014 .96	4528 .168
7403 .21	7483 .70	74185 2.19	4015 .96	4585 1.23
7404 .21	7485 .89	74188 3.50	4016 .40	2102-1 1.99
7405 .21	7486 .28	74189 3.50	4017 .05	8080A 24.95
7406 .25	7489 2.19	74190 1.23	4018 1.05	CA3046 .75
7407 .25	7490 .44	74191 1.23	4019 .23	LM2711N 1.25
7408 .21	7491 .70	74192 .88	4020 1.14	LM309K 1.80
7409 .21	7492 .44	74193 .88	4021 1.14	LM324A 1.28
7410 .21	7493 .44	74194 .88	4022 .96	LM3401-5 1.25
7411 .21	7494 .70	74195 .88	4023 .23	LM3401-6 1.25
7412 .21	7495 .70	74196 .88	4024 .84	LM3401-8 1.25
7413 .25	7496 .70	74197 .88	4025 .23	LM3401-12 1.25
7414 .89	74100 1.26	74198 1.49	4026 1.68	LM3401-15 1.25
7415 .25	74107 .30	74199 1.49	4027 .40	LM3401-18 1.25
7416 .25	74109 .33	74201 1.09	4028 .89	LM3401-24 1.25
7417 .21	74121 .35	74202 .35	4029 1.14	LM3909N .88
7418 .25	74122 .44	74305 .67	4030 .23	LM3909N .89
7419 .35	74123 .61	74306 .67	4033 1.51	MC1456V 1.00
7420 .21	74125 .40	74307 .67	4034 3.50	MC1458V .53
7421 .35	74126 .40	74308 .67	4035 1.14	MC3302P 1.14
7422 .35	74127 .40	74309 .67	4040 1.14	NE567 3.24
7423 .35	74128 .40	74310 .67	4041 .79	NE540L 2.05
7424 .35	74129 .40	74311 .67	4042 .79	NE555V .48
7425 .35	74130 .40	74312 .67	4043 .70	NE560B 3.83
7426 .35	74131 .40	74313 .67	4044 1.86	NE561B 3.83
7427 .35	74132 .40	74314 .67	4049 .40	NE562B 3.83
7428 .35	74133 .40	74315 .67	4050 .40	NE565A 1.25
7429 .35	74134 .40	74316 .67	4051 1.26	NE566V 1.28
7430 .35	74135 .40	74317 .67	4052 1.26	NE567V 1.36
7431 .35	74136 .40	74318 .67	4053 1.26	uA709CV .44
7432 .35	74137 .40	74319 .67	4054 1.58	uA710CA .44
7433 .30	74138 .40	74320 .67	4055 1.58	uA711CA .63
7434 .35	74139 .40	74321 .67	4056 1.26	uA723CA .60
7435 .35	74140 .40	74322 .67	4057 .23	uA733CA .75
7436 .35	74141 .40	74323 .67	4058 1.26	uA741CV .44
7437 .35	74142 .40	74324 .67	4059 1.26	uA742CA .70
7438 .35	74143 .40	74325 .67	4060 1.26	uA748CV .49
7439 .35	74144 .40	74326 .67	4061 2.23	uA7805CU 1.25
7440 .35	74145 .40	74327 .67	4062 2.23	uA7805CU 1.25
7441 .35	74146 .40	74328 .67	4063 2.23	uA7806CU 1.25
7442 .35	74147 .40	74329 .67	4064 2.23	uA7806CU 1.25
7443 .35	74148 .40	74330 .67	4065 2.23	uA7812CU 1.25
7444 .35	74149 .40	74331 .67	4066 2.23	uA7812CU 1.25
7445 .35	74150 .40	74332 .67	4067 2.23	uA7815CU 1.25
7446 .35	74151 .40	74333 .67	4068 2.23	uA7815CU 1.25
7447 .35	74152 .40	74334 .67	4069 2.23	uA7824CU 1.25
7448 .35	74153 .40	74335 .67	4070 2.23	uA7824CU 1.25
7449 .35	74154 .40	74336 .67	4071 2.23	uA7824CU 1.25
7450 .35	74155 .40	74337 .67	4072 2.23	uA7824CU 1.25
7451 .35	74156 .40	74338 .67	4073 2.23	uA7824CU 1.25
7452 .35	74157 .40	74339 .67	4074 2.23	uA7824CU 1.25
7453 .35	74158 .40	74340 .67	4075 2.23	uA7824CU 1.25
7454 .35	74159 .40	74341 .67	4076 2.23	uA7824CU 1.25
7455 .35	74160 .40	74342 .67	4077 2.23	uA7824CU 1.25
7456 .35	74161 .40	74343 .67	4078 2.23	uA7824CU 1.25
7457 .35	74162 .40	74344 .67	4079 2.23	uA7824CU 1.25
7458 .35	74163 .40	74345 .67	4080 2.23	uA7824CU 1.25
7459 .35	74164 .40	74346 .67	4081 2.23	uA7824CU 1.25
7460 .35	74165 .40	74347 .67	4082 2.23	uA7824CU 1.25
7461 .35	74166 .40	74348 .67	4083 2.23	uA7824CU 1.25
7462 .35	74167 .40	74349 .67	4084 2.23	uA7824CU 1.25
7463 .35	74168 .40	74350 .67	4085 2.23	uA7824CU 1.25
7464 .35	74169 .40	74351 .67	4086 2.23	uA7824CU 1.25
7465 .35	74170 .40	74352 .67	4087 2.23	uA7824CU 1.25
7466 .35	74171 .40	74353 .67	4088 2.23	uA7824CU 1.25
7467 .35	74172 .40	74354 .67	4089 2.23	uA7824CU 1.25
7468 .35	74173 .40	74355 .67	4090 2.23	uA7824CU 1.25
7469 .35	74174 .40	74356 .67	4091 2.23	uA7824CU 1.25
7470 .35	74175 .40	74357 .67	4092 2.23	uA7824CU 1.25
7471 .35	74176 .40	74358 .67	4093 2.23	uA7824CU 1.25
7472 .35	74177 .40	74359 .67	4094 2.23	uA7824CU 1.25
7473 .35	74178 .40	74360 .67	4095 2.23	uA7824CU 1.25
7474 .35	74179 .40	74361 .67	4096 2.23	uA7824CU 1.25
7475 .35	74180 .40	74362 .67	4097 2.23	uA7824CU 1.25

PERF BOARD 0.1" spacing between holes

4 1/2" x 6" \$1.71
4 1/2" x 17" \$4.25

TERMINALS for above perf board

LED LAMPS
MS1505: 1-1 1/4 .18 \$15/C
MS1508: 1-1 1/4 .18 \$15/C

WIRE WRAPPING WIRE IN BULK

Red or Black 30 ga. Kynar
100' \$2.00 500' \$8.50 1000' \$15.00

SILICON DIODES

1N4001	.64/1C	5.50/C	\$49/M
1N4002	.66/1C	5.60/C	\$51/M
1N4003	.68/1C	5.80/C	\$52/M
1N4004	.70/1C	5.95/C	\$54/M
1N4005	.82/10	7.05/C	\$63/M
1N4006	.90/10	7.75/C	\$69/M
1N4007	.95/10	8.60/C	\$77/M
1N4148	.40/10	3.50/C	\$29/M

DOUBLE DIGIT DISCOUNTS Save You Even More!

1/2 WATT ZENER DIODES

1N5226B 3.2v	15 \$11/C	1N5236B 7.5v	15 \$11/C
1N5227B 3.6v	15 \$11/C	1N5237B 8.2v	15 \$11/C
1N5228B 3.9v	15 \$11/C	1N5238B 8.7v	15 \$11/C
1N5229B 4.3v	15 \$11/C	1N5239B 9.1v	15 \$11/C
1N5230B 4.7v	15 \$11/C	1N5240B 10v	15 \$11/C
1N5231B 5.1v	15 \$11/C	1N5241B 11v	15 \$11/C
1N5232B 5.6v	15 \$11/C	1N5242B 12v	15 \$11/C
1N5233B 6.0v	15 \$11/C	1N5243B 13v	15 \$11/C
1N5234B 6.2v	15 \$11/C	1N5244B 14v	15 \$11/C
1N5235B 6.8v	15 \$11/C	1N5245B 15v	15 \$11/C

TERMINALS for above perf board

LED LAMPS
MS1505: 1-1 1/4 .18 \$15/C
MS1508: 1-1 1/4 .18 \$15/C

WIRE WRAPPING WIRE IN BULK

Red or Black 30 ga. Kynar
100' \$2.00 500' \$8.50 1000' \$15.00

SILICON DIODES

1N4001	.64/1C	5.50/C	\$49/M

U.S. GOV'T ELECTRONIC SURPLUS

• Nationally Known - World Famous SURPLUS CENTER offers finest, most expensive, Government Surplus electronic units and components at a fraction of their original acquisition cost.



AUTOMATIC BATT. CHARGER

• (ITEM #11-018) - Charges 12-volt batteries at 2-ampere rate. Turns off when battery reaches full charge, turns on when battery is low, automatically. Can be mounted permanently in engine compartment. 5 1/2" x 3 3/4" x 2 1/4".

\$12.95 (3 1/2 lbs.)

SNAP-AROUND VOLT-AMMETER

• (ITEM #21-1028) - "MINIPROBE" clamp type AC ammeter-voltmeter. Small enough to carry in shirt pocket. Will measure 0 to 50-amperes, 0 to 250-volts. Furnished with test leads. Overall size 4-1/2" x 2-3/4" x 1". (1 lb.) List \$33.00



\$22.95



STANDARD DIAL TELEPHONE

• (ITEM #715) - Same as used on commercial systems in U.S.A. Use as extension to private system. Connect several together for local intercom system. Instructions furnished. Original Cost \$24.50

\$8.79 (9 lbs.)

RUNNING TIME METER

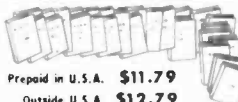
• (ITEM #2188) - Record number of operating hours of electric lights, electrical devices such as refrigerators, furnaces, etc. Records total hours, tenths and hundredths to 9,999.99 hours. For 115-volts, 60-cycles. 4 1/4" x 3" x 2 1/4". (2 lbs.)



Cost \$29.00

\$4.39

SPECIAL SALE Correspondence Course In ELECTRICAL ENGINEERING



Prepaid in U.S.A. \$11.79

Outside U.S.A. \$12.79

• (ITEM #9-181) - Technical training at low cost! Lincoln Engineering School suspended Correspondence Course because of rising costs. Limited number of Electrical Engineering Courses are available without exams and grading services. Consists of fifteen lesson books, each with associated exams and standard answers. Book showing how to build prize-winning Home Experimental Laboratory Bench included at no extra cost.

ALL ITEMS SHIPPED F.O.B. LINCOLN, NEBR.
Order Direct From Ad - - Send For FREE Catalog

SURPLUS CENTER

DEPT. RE-047

LINCOLN, NEBR. 68501

CIRCLE 13 ON FREE INFORMATION CARD

NO veneer, no junk; just top quality electronic parts, military-industrial. Free catalog. U.S., Canada, Mexico. BRAND X, Rt. 3, Box 223R, Ontario, OR 97914

SCOPE Tektronix's 315D & guaranteed; DC to 10 MHz @ 10 mV VS. PETE CAMPIONE, 32 Jones Street, New York City, NY 10014

Looking for BIRD RF PRODUCTS?



AMATEUR RADIO SUPPLY
SEATTLE
6213 13th Ave. So., 98108
(206) 767-3222

FREE catalog. Solar cells, NiCads, kits, calculators, digital thermometers, ultrasonics, stroboscopes, LED's, transistors, IC's, speakers, unique components. CHANEY's, Box 27038, Denver, CO 80227

Burglar. Smoke Fire Alarm Catalog

• Billions of dollars lost annually due to lack of protective warning alarms.

FREE CATALOG Shows you how to protect your home, business and person. Wholesale prices. Do-it-yourself. Free engineering service.



Burdex Security Co.

Box 82209 Dept. RE Lincoln, Ne. 68501

WERSI KITS



Organs, Pianos, Strings
Rhythms, PA Systems
104-page catalog \$2
WERSI electronics, Inc.
Dept. A4, Box 5318,
Lancaster, PA 17601

FOR SALE

SEMICONDUCTOR and parts literature, J. & J. ELECTRONICS, Box 1437R, Winnipeg, Manitoba, Canada. U.S. Inquiries Invited.

CANADIAN discount and factory clearouts catalog. Top brand stereo equipment, calculators, test gear, CB & communications, telephones. Factory dumps—government surplus. Amazing bargains. Unusual items. Rush \$1. ETCO-RE, 521 5th Ave., NYC, 10017

BUILD YOUR OWN TV CAMERA

Ideal for home & business
THE ECONOMIC ANSWER TO HOME MONITORING OF NURSERIES, ENTRANCES, DRIVEWAYS, BUSINESS AND INDUSTRIAL SURVEILLANCE, TV, AMATEUR TV, PLUS HUNDREDS OF OTHER APPLICATIONS. MODEL XT-1A, SERIES D - KIT FORM \$185. ASSEMBLED \$225. SOLID STATE. WORKS ON ANY TV SET. OPTIONAL SOUND KIT \$32.95. PHONE OR WRITE for catalog. Dial 402-987-3771

BOX 453-RE ATV Research DAKOTA CITY, NE 68731

FREE catalog. IC's, Semi's. CORONET ELECTRONICS, 649A Notre Dame W., Montreal, Que., Canada, H3C-1H8. US Inquiries.

RADIO & TV tubes 36¢ each. One year guaranteed. Plus many unusual electronic bargains. Free catalog. CORNELL, 4217-E University, San Diego, CA 92105

MANUALS for Govt. surplus radios, test sets, scopes, List 50¢ (coin). BOOKS, 7218 Roanne Drive, Washington, DC 20021

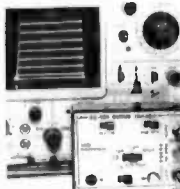
FREE KIT Catalog

STOP! Take a minute & let us send our latest kit catalog. If you like, send us the name & address of a friend who may also be interested and we'll include to you our booklet "How to build electronic thermometer" contains TEST & EXPERIMENTER'S EQUIP.

DAGE SCIENTIFIC INSTRUMENTS
BOX 1054R LIVERMORE CA 94550

PROFESSIONAL unscramblers—use with any scanner. Free Information. CAPRI ELECTRONICS, 8753R Windom, St. Louis, MO 63114

NAME brand digital/analog test equipment. Discount prices. Free catalog. SALEM ELECTRONICS, P.O. Box 82, Skokie, IL 60076



EC-101 CURVE TRACER
STILL BY FAR THE LOWEST COST FULL FUNCTION CURVE TRACER ON THE MARKET. ATTACHES TO YOUR SCOPE IN SECONDS. USED BY EDUCATORS, PROFESSIONALS AND HOBBYISTS ALL OVER THE WORLD. 30 DAY MONEYBACK GUARANTEE.

lab science STILL ONLY \$39.50 COLO. RES. ADD 2 1/4% ADD \$2 P&H SALES TAX

PO BOX 1972, BOULDER, COLO. 80306

COMPUTER/microprocessor/calculator and software bargains! We bring together buyers and sellers. BUYERS' AID, Box 632R, Santa Ana, CA 92702



MICRO MINI MIKE™ WIRELESS MICROPHONE

World's smallest; solid state, self-contained. Picks up and transmits most sounds without wires up to 300 ft. through FM Radio. Use as mike, amp., alarm & alert sys., hot line, baby sitter, etc. Money back guar. B/A, M/C cds, COD ok. \$18.95 plus \$1.00 post. & hdg. Calif. res. add tax. Mail orders only. Qty. Disc. Avail. AMC SALES, INC.

SIZE 2 1/4" x 3/4" x 1/2" Dept. 19, Box 928 • Downey, Calif. 90241

NON semi surplus. Monthly picture flyer, Quality. Low price. Send 25¢ U.S. only. STARTRONICS, Box 683, McMinnville, OR 97128

The New Yorkers Who Hustle the Wind.

Street life in a metropolitan area often inspires genius. And that genius can be funneled two ways—good or bad.

The 11th Street Movement in Manhattan's Lower East Side has funneled their genius on the good side with a unique energy saving project involving windmills and solar panels.

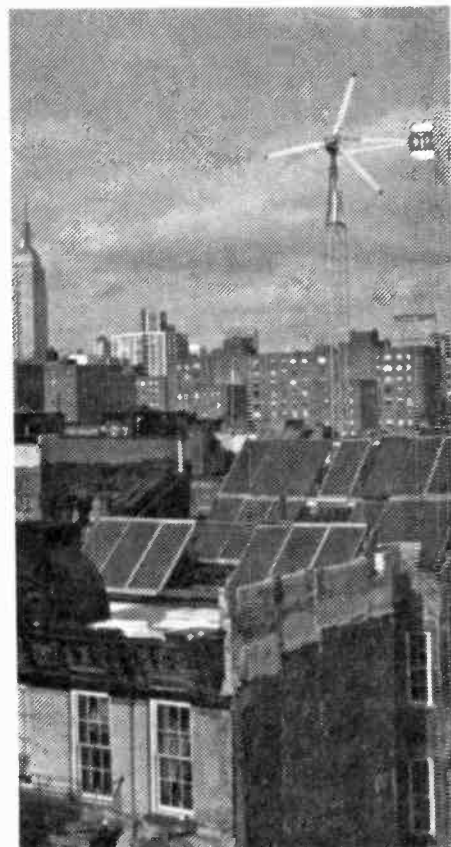
This project is just part of the Emergency Energy Conservation Program operated by the Community Services Administration. CSA has established many demonstration programs designed to find new and better ways to help the poor and elderly cope with what for them is a continuing energy crisis.

The program has a broad base, covering everything from development of low cost solar heating and wind generators to experiments with energy conserving farming technologies.

But helping people help themselves isn't an easy task. Simply put, it demands community support—Your support and the support of local and state governments.

If you think this effort is worthwhile, take action, contact your local Community Action Agency or Community Services Administration Washington, D.C. 20506.

There are thousands of people who want to help themselves. Like the 11th Street Movement—they learned how to catch the wind, so they'll no longer be a victim of the elements.



DIP Switch

Your Choice \$1.69

3 for \$4.99

Cat. No. Switches We bought a factory's complete inventory of 100,000 pieces. We've sold 'em at a high price of \$2.99 each. Now at 50% off, you can mix 'em when you buy 'em. All DIP sockets, Wt. 1 oz. buy 100 for \$1.69.

4R3668	2
4R3669	3
4R3670	4
4R3671	5
4R3672	6
4R3673	7
4R3674	8

SOLID STATE AM-FM Tuner

FIRST TIME ever offered! Enjoy AM and FM broadcasts at a tremendous savings! Top quality compact construction, only 2 1/2" x 6" x 2 1/4". Highly sensitive and selective, with excellent S/N ratio; sensitivity less than 5 uV for 10 db S/N. Tunes complete FM band from 88.5 to 108.5 mhz, and complete AM band from 540 to 1605 kHz. Features built-in AM antenna, 3 gang variable condenser, IF frequency of AM is 455 kHz, FM is 10.7 mhz. Zero signal current, 7.1 ma FM, 6.4 ma AM. Five stages, RF amp, mixer, and 3 IF stages. Slide switch selects AM, FM or FM-ACC. NOT A KIT! Completely wired and easy to connect to amplifier. Operates on 9-12VDC. Wt. 12 ozs.

MINIATURE 12VDC AMPLIFIER

3 for \$18. **\$6.50**

CALL No. 4R3522

OP AMP SPECIALS

LM301H	5 for \$1.19
LM301V	4 for 1.19
LM307V	4 for 1.19
LM308V	2 for 1.19
LM309N	3 for 1.19
LM322M	3 for 3.00
LM324N	3 for 3.00
LM339N	4 for 1.19
LM370N	3 for 2.50
LM373N	3 for 4.00
LM377N	3 for 4.00
LM380V	2 for 1.19
LM381N	3 for 4.00
LM555N	3 for 1.19
LM558N	3 for 1.19
LM703N	4 for 2.50
LM709N	5 for 1.19
LM710N	2 for 1.19
LM723N	4 for 1.19
LM741V	4 for 1.19
LM747M	2 for 1.19
LM748V	5 for 1.19
LM1800N	3 for 4.00
LM3900N	4 for 2.50
LM4250N	3 for 2.50
V=Mini Dip, no DIP.	

100'S OF BARRELS PURCHASED!

For the first time anywhere, Poly Pak merchandisers introduce a new way in buying the economical way. Raw stock from the "barrel". Remember the "good ole days"? They're back again. The same way merchandisers throughout the United States buy from various factories... their overruns in barrels. Poly Pak has done the same. Therefore, you are getting the same type of material as the RE-TESTERS DO!

TEST 'EM YOURSELF 'N SAVE!

Poly Pak's EXCLUSIVE BARREL KITS

Avg. Ship. Wt. 6 ozs.

\$1.98

YOUR CHOICE OF ANY KIT

Includes "100%" MATERIAL TOO!!!!

Every kit carries a money back guarantee!

Buy 10 BARREL KITS 11th Free

BARREL KIT #210 GLOWIN' PANELS

3 for \$1.98

4" x 2" panels that glow blue-green with 110VAC. Use for night lights, indicators, etc. Cat. No. 4R3650

BARREL KIT #184 1/4-WATT METAL FILM

150 for \$1.98

100% metal film resistors. Long life. 4R3413

BARREL KIT #158 MAGNIFIED MAN-3's

12 for \$1.98

MAN-3's. 7-seg readout, with built-on magnifier. Factory discontinued line. 100% material. Cat. No. 4R3325

BARREL KIT #135 MICRO MINI LAMPS

20 for \$1.98

1 oz. Imagine! Micro size 1/4" x 1/2" with wire leads. 600 mVDC. 40 mil. Worth 60¢ ea. Cat. No. 4R3259

BARREL KIT #203 CALCULATOR KEYBOARDS

10 for \$1.98

It's true! 20-key, 4 function keyboards at ridiculous give-away. Wt. 12 ozs. Cat. No. 4R3524

BARREL KIT #182 JUMBO RED LEDS

15 for \$1.98

100% material, user cancellation from factory clumps. 3V to 10V. For 100's of projects, red lens. Cat. No. 4R3369

BARREL KIT #167 ROMS-RAMS-REGISTERS

1-lb. \$1.98

With approx count of 80 pins. You get more. Mostly marked, mostly National. Some 40 pins. 4R3064

BARREL KIT #144 RCA PHONO PLUGS

40 for \$1.98

1,000,000 RCA phono plugs for this one. You hit-ers who want they are 100% material. 4R3293

BARREL KIT #202 PLUGS, SOCKETS, RECEPTACLES

100 for \$1.98

Includes AC, DC, RF, audio, 4-9 pin, all kinds. Wt. 1 lb. Cat. No. 4R3527

BARREL KIT #166 LONG LEAD DISCS

4 ozs. \$1.98

No counting makes it so you get 160-pc. kit (approx.). All marked. 100%. Cat. No. 4R3089

BARREL KIT #154 CLOCK CHIPS

20 for \$1.98

We gathered an assortment of clock chip, alarm, calendar, beepers, who knows, all mixed. Cat. No. 4R3308

BARREL KIT #201 6V INDICATORS w/leads

15 for \$1.98

Test lamp manufacturer's inventory! Worth 60¢ ea. Like vrain-o-wheat. Cat. No. 4R3526

BARREL KIT #163 MINI TRIM POTS

30 for 1 oz. \$1.98

Ast. values 100 to 1 meg. What a buy. Single turn. 1/4 W. Wt. 6 oz. 4R3345

BARREL KIT #143 75-PC TRANSISTORS

\$1.98

100% material, TO-92, factory discontinued lines, pnp's mixed with npn. 2N4100-1-2-3-4. 4R3290

BARREL KIT #188 400 Parts \$1.98

Includes: resistors, caps, transformers, rectifiers, diodes, etc. for p.c. work. Preformed, dumped into barrels by factories. 100% Cat. No. 4R3401

BARREL KIT #159 MODULAR SWITCHES

25 for \$1.98

Centralab switches, TV-makers, etc. case. DIP, 6-pin, etc. Brand new. Cat. No. 4R3150

BARREL KIT #138 PANEL SWITCHES

30 for \$1.98

Did you hear of OAK? An other expert maker barrelled all types of rotatory electric, slides, etc. 4R3268

BARREL KIT #127 AXIAL ELECTROES

40 for \$1.98

Ast. capacities and voltages. Cat. No. 4R3227

BARREL KIT #109 TERMINAL STRIPS

100 for \$1.98

Wide asst. of terminal strip connectors, from 1 contact up. Strip manufacturers barrel dump in your zain. Wt. 1 lb. Cat. No. 4R3126

BARREL KIT #93 HALF WATTERS

200 for \$1.98

Resistor factory tried to fool us by mixing 100% color-coded resistors in barrel. But value is there. 4 oz. 4R3046 Untested

BARREL KIT #157 MOLEX CONNECTORS

75 for \$1.98

12 ozs. Nylon, white cable connectors, asst. factory over-run. NO PICKLE! Mixed in barrel. Cat. No. 4R3324

BARREL KIT #134 CALCULATOR CHIPS

15 for \$1.98

National type. Can be MM5738, 3A, etc. Untested. Cat. No. 4R3258

BARREL KIT #126 UPRIGHT ELECTROES

40 for \$1.98

1mg to 300mg in mixture of voltages 100% marked in good. 4R3228

BARREL KIT #101 RESISTOR SPECIAL

200 for \$1.98

Includes: 1/2, 1/4, 1/10, 1/20, 1/50, 1/100 watt, carbon. 8 oz. 100% good. 4R3054

BARREL KIT #91 SILVER MICAS

100 for \$1.98

Axial, red case, variety of physical sizes & values. Cat. No. 4R3018

BARREL KIT #112 MICRO MINI LEDS

40 for \$1.98

All the tiny leds, axial, upright, of Monsanto, Litronix, variety of colors. Yield 60% or better. 4R3136

BARREL KIT #99 PHOTO ELECTRIC CELLS

10 for \$1.98

Ast. GR types, CDS types. Mixed by factory. Big job for us to separate. 100% good. Cat. No. 4R3052

BARREL KIT #87 NATIONAL IC BONAZAI

100 for \$1.98

Types 8000, 7100 series, TTLs, ROMs, registers, vlc-k & calc chips. Includes 4R2855. 4R2860 Untested

BARREL KIT #68 2 WATTERS

100 for \$1.98

100% good. Suppliers throw 'em in the barrel. It's a 1/4 gold mine. All marked. Cat. No. 4R2735

BARREL KIT #39 2N3055 HOBBY TRANSISTORS

15 for \$1.98

Fallouts of the famous 2N3055. 4R2617 100%

BARREL KIT #83 HOBBY LEDS

40 for \$1.98

747's, 727's, singles, tri-ples, etc. 33 to 0.6. Not from factory. All mixed. Have fun! 4R2855

BARREL KIT #65 MIXED READOUTS

10 for \$1.98

Factory returns—such numbers as MAN-3's, MAN-7's, MAN-9's, 11 barrels & no time to separate. Cat. No. 4R2733 Untested.

BARREL KIT #37 1 AMP "BULLET" RECTIFIERS

100 for \$1.98

Famous for their voltage, silicon, axial includes all types of voltages to 1KV. Cat. No. 4R2615

BARREL KIT #81 POLYSTYRENE CAPS

100 for \$1.98

Finest caps made. As a gambler we bought 10 barrels from factory, mixed values. All good. Cat. No. 4R2729

BARREL KIT #36 GERMANIUM DIODES

200 for \$1.98

Famous maker, popular item. Never grows old. But this is the way the RE-TESTERS buy 'em from the factories. Cat. No. 4R2614

BARREL KIT #74 1-WATT ZENERS

100 for \$1.98

Factory same as 400-mw's. Never-to-use-again offer. 6, 8, 10, 12, 15V, under glass. Double plug. Cat. No. 4R2741 Untested

BARREL KIT #73 TRANSISTOR ELECTROES

50 for \$1.98

We don't wish to separate wide asst voltages & values up to 300 mW. Cat. No. 4R2747

BARREL KIT #71 CAPACITOR SPECIAL

100 pcs. \$1.98

micra, mairids, plastics, ceramic, discs, etc. Nifty 100% good. Cat. No. 4R2730

BARREL KIT #40 PNP HIGH-POWER TRANSISTORS

20 for \$1.98

Popular germanium TO-3 case 4R2618 100% good

BARREL KIT #25 PLASTIC TRANSISTORS

100 for \$1.98

Untested. Type: TO-92 (TO-18), all manufacturers, variety of 2N's. Cat. No. 4R2604

BARREL KIT #26 METAL CAN TRANSISTORS

100 for \$1.98

Includes TO-5, TO-1, TO-3, etc., assorted 2N numbers, unmarked etc. Cat. No. 4R2603 Untested.

BARREL KIT #11 POWER TAB TRANSISTORS

40 for \$1.98

NPN, plastic TO220 type. Assorted 2N numbers. No. 4R2425 Untested.

BARREL KIT #25 LONG LEAD DISCS

100 for \$1.98

"Auction sale". Prime, marked only. Long leads. Cat. No. 4R2598 100% good.

BARREL KIT #17 VOLUME CONTROL BONAZAI

30 for \$1.98

100% good. Singles, duals, variety of values, big ones. Cat. No. 4R2421

BARREL KIT #21 SUBMINI RESISTORS

200 for \$1.98

PC, upright type, color coded. 1/2 watt. Ast. values. Come to us in a barrel. Cat. No. 4R2746 100% good

BARREL KIT #58 SLIDE SWITCHES

30 for \$1.98

All shapes, sizes, opt. opt., momentary, etc. Tremendous shop pak for 100's of switching projects. Cat. No. 4R2726 100% good

BARREL KIT #35 NEON LAMPS

30 for \$1.98

100% good. Amazon NE-2's. All prime, but factory made millions and barrelled 'em. Your advantage. Cat. No. 4R2613

BARREL KIT #56 POWERS! POWERS!

\$1.98 100 for \$1.98

Large distributor cleaned house. Barrels of power resistors 3 to 7 watts. Cat. No. 4R2724

BARREL KIT #31 METALLIC RESISTORS

100 for \$1.98

Made mostly by Corning, the finest resistor made. Mostly 1/2 watt, 1% to 5% to 4 and a barrel of values. Cat. No. 4R2609

BARREL KIT #36 PREFORMED RESISTORS

200 for \$1.98

We got barrels of pre-100 1/4, 100 1/2 watt resistors for pc use. No. 4R2608 100% good

BARREL KIT #2 LINEAR OR AMPS, DIPS 75 for \$1.98

Un-Tested. May include 709's, 741's, 703's, 660 series, 655 includes. 4R2416

HONEST ABE PENNY SALE

Order by Cat. No. 4R1981 & Typs No.

SN7400N	0.16	50.17	SN7464N	.16	.17	SN74150N	.99	1.00
SN7401N	.16	.17	SN7470N	.45	.46	SN74151N	.70	.71
SN7402N	.16	.17	SN7472N	.34	.35	SN74153N	.65	.66
SN7403N	.16	.17	SN7473N	.36	.37	SN74154N	1.03	1.04
SN7404N	.16	.17	SN7474N	.31	.32	SN74157N	.70	.71
SN7405N	.18	.19	SN7475N	.49	.50	SN74157N	.70	.71
SN7406N	.20	.21	SN7476N	.31	.32	SN74158N	.85	.86
SN7407N	.25	.26	SN7477N	.79	.80	SN74160N	.88	.89
SN7409N	.18	.19	SN7478N	.39	.40	SN74161N	.88	.89
SN7410N	.16	.17	SN7479N	.19	.20	SN74162N	.99	1.00
SN7411N	.25	.26	SN7480N	.44	.45	SN74163N	.99	1.00
SN7412N	.25	.26	SN7481N	.75	.76	SN74177N	.79	.80
SN7413N	.45	.46	SN7482N	.47	.48	SN74178N	.79	.80
SN7417N	.32	.33	SN7483N	.47	.48	SN74179N	.79	.80
SN7420N	.16	.17	SN7484N	.78	.79	SN74180N	2.05	2.06
SN7421N	.16	.17	SN7485N	.78	.79	SN74181N	1.75	1.76
SN7423N	.35	.36	SN7486N	.72	.73	SN74182N	1.75	1.76
SN7425N	.27	.28	SN7487N	.72	.73	SN74183N	1.05	1.06
SN7426N	.16	.17	SN7488N	.65	.66	SN74192N	.87	.88
SN7427N	.16	.17	SN7489N	.65	.66	SN74193N	.83	.84
SN7437N	.26	.27	SN7490N	.65	.66	SN74195N	.73	.74
SN7438N	.26	.27	SN7491N	.59	.60	SN74196N	.88	.89
SN7445N	.69	.70	SN7492N	.59	.60	SN74198N	1.49	1.50
SN7446N	.79	.80	SN7493N	.47	.48	SN74199N	1.49	1.50
SN7447N	.79	.80	SN7494N	.78	.79	SN74200N	3.95	3.96
SN7448N	.76	.77	SN7495N	.78	.79	SN74201N	1.09	1.10
SN7450N	.16	.17	SN7496N	.72	.73	SN74204N	5.95	5.96
SN7451N	.16	.17	SN7497N	.65	.66	SN74205N	5.95	5.96
SN7454N	.16	.17	SN7498N	1.29	1.30			

©Poly Paks Inc. Wakefield, Mass., U.S.A. 1977

CIRCLE 23 ON FREE INFORMATION CARD

Terms: Add postage. Rated: net 30
Phone: Wakefield, Mass. (617) 245-3829
Retail: 16-18 Del Carmine St., Wakefield.
MINIMUM ORDER — \$6.00

POLY PAKS

P.O. BOX 942R LYNNFIELD, MA. USA 01940

Send for FREE SPRING CATALOG

C.O.D.'S MAY BE PHONED

APRIL 1977

P.O. Box 4430E Santa Clara, CA 95054
(408) 988-1640

Quest ELECTRONICS

Same day shipment. First line parts only. Factory tested. Guaranteed money back. Quality IC's and other components at factory prices.

INTEGRATED CIRCUITS

74007FL	17	74LS05	34	LM323N	1.55	INA733A	25	CD4044	2.00	8109	1.25
74009	17	74LS08	28	LM3405-1	1.50	INA734A	25	CD4049	52	8110	4.50
74012	17	74LS10	28	LM3405-1.5	1.50	INA755A	25	CD4060	55	8120	3.50
74014	17	74LS10	28	LM3405-1.5	1.50	INA755A	25	CD4066	65	8123	3.50
74016	17	74LS10	28	LM3405-1.5	1.50	INA755A	25	CD4069	65	8125	3.50
74018	17	74LS10	28	LM3405-1.5	1.50	INA755A	25	CD4071	40	8126	2.75
74019	17	74LS10	28	LM3405-1.5	1.50	INA755A	25	CD4072	40	8127	2.75
74020	17	74LS10	28	LM3405-1.5	1.50	INA755A	25	CD4073	40	8127	2.75
74021	17	74LS10	28	LM3405-1.5	1.50	INA755A	25	CD4074	40	8128	2.75
74022	17	74LS10	28	LM3405-1.5	1.50	INA755A	25	CD4075	40	8129	2.75
74023	17	74LS10	28	LM3405-1.5	1.50	INA755A	25	CD4076	40	8130	2.75
74024	17	74LS10	28	LM3405-1.5	1.50	INA755A	25	CD4077	40	8131	2.75
74025	17	74LS10	28	LM3405-1.5	1.50	INA755A	25	CD4078	40	8132	2.75
74026	17	74LS10	28	LM3405-1.5	1.50	INA755A	25	CD4079	40	8133	2.75
74027	17	74LS10	28	LM3405-1.5	1.50	INA755A	25	CD4080	40	8134	2.75
74028	17	74LS10	28	LM3405-1.5	1.50	INA755A	25	CD4081	40	8135	2.75
74029	17	74LS10	28	LM3405-1.5	1.50	INA755A	25	CD4082	40	8136	2.75
74030	17	74LS10	28	LM3405-1.5	1.50	INA755A	25	CD4083	40	8137	2.75
74031	17	74LS10	28	LM3405-1.5	1.50	INA755A	25	CD4084	40	8138	2.75
74032	17	74LS10	28	LM3405-1.5	1.50	INA755A	25	CD4085	40	8139	2.75
74033	17	74LS10	28	LM3405-1.5	1.50	INA755A	25	CD4086	40	8140	2.75
74034	17	74LS10	28	LM3405-1.5	1.50	INA755A	25	CD4087	40	8141	2.75
74035	17	74LS10	28	LM3405-1.5	1.50	INA755A	25	CD4088	40	8142	2.75
74036	17	74LS10	28	LM3405-1.5	1.50	INA755A	25	CD4089	40	8143	2.75
74037	17	74LS10	28	LM3405-1.5	1.50	INA755A	25	CD4090	40	8144	2.75
74038	17	74LS10	28	LM3405-1.5	1.50	INA755A	25	CD4091	40	8145	2.75
74039	17	74LS10	28	LM3405-1.5	1.50	INA755A	25	CD4092	40	8146	2.75
74040	17	74LS10	28	LM3405-1.5	1.50	INA755A	25	CD4093	40	8147	2.75
74041	17	74LS10	28	LM3405-1.5	1.50	INA755A	25	CD4094	40	8148	2.75
74042	17	74LS10	28	LM3405-1.5	1.50	INA755A	25	CD4095	40	8149	2.75
74043	17	74LS10	28	LM3405-1.5	1.50	INA755A	25	CD4096	40	8150	2.75
74044	17	74LS10	28	LM3405-1.5	1.50	INA755A	25	CD4097	40	8151	2.75
74045	17	74LS10	28	LM3405-1.5	1.50	INA755A	25	CD4098	40	8152	2.75
74046	17	74LS10	28	LM3405-1.5	1.50	INA755A	25	CD4099	40	8153	2.75
74047	17	74LS10	28	LM3405-1.5	1.50	INA755A	25	CD4100	40	8154	2.75
74048	17	74LS10	28	LM3405-1.5	1.50	INA755A	25	CD4101	40	8155	2.75
74049	17	74LS10	28	LM3405-1.5	1.50	INA755A	25	CD4102	40	8156	2.75
74050	17	74LS10	28	LM3405-1.5	1.50	INA755A	25	CD4103	40	8157	2.75
74051	17	74LS10	28	LM3405-1.5	1.50	INA755A	25	CD4104	40	8158	2.75
74052	17	74LS10	28	LM3405-1.5	1.50	INA755A	25	CD4105	40	8159	2.75
74053	17	74LS10	28	LM3405-1.5	1.50	INA755A	25	CD4106	40	8160	2.75
74054	17	74LS10	28	LM3405-1.5	1.50	INA755A	25	CD4107	40	8161	2.75
74055	17	74LS10	28	LM3405-1.5	1.50	INA755A	25	CD4108	40	8162	2.75
74056	17	74LS10	28	LM3405-1.5	1.50	INA755A	25	CD4109	40	8163	2.75
74057	17	74LS10	28	LM3405-1.5	1.50	INA755A	25	CD4110	40	8164	2.75
74058	17	74LS10	28	LM3405-1.5	1.50	INA755A	25	CD4111	40	8165	2.75
74059	17	74LS10	28	LM3405-1.5	1.50	INA755A	25	CD4112	40	8166	2.75
74060	17	74LS10	28	LM3405-1.5	1.50	INA755A	25	CD4113	40	8167	2.75
74061	17	74LS10	28	LM3405-1.5	1.50	INA755A	25	CD4114	40	8168	2.75
74062	17	74LS10	28	LM3405-1.5	1.50	INA755A	25	CD4115	40	8169	2.75
74063	17	74LS10	28	LM3405-1.5	1.50	INA755A	25	CD4116	40	8170	2.75
74064	17	74LS10	28	LM3405-1.5	1.50	INA755A	25	CD4117	40	8171	2.75
74065	17	74LS10	28	LM3405-1.5	1.50	INA755A	25	CD4118	40	8172	2.75
74066	17	74LS10	28	LM3405-1.5	1.50	INA755A	25	CD4119	40	8173	2.75
74067	17	74LS10	28	LM3405-1.5	1.50	INA755A	25	CD4120	40	8174	2.75
74068	17	74LS10	28	LM3405-1.5	1.50	INA755A	25	CD4121	40	8175	2.75
74069	17	74LS10	28	LM3405-1.5	1.50	INA755A	25	CD4122	40	8176	2.75
74070	17	74LS10	28	LM3405-1.5	1.50	INA755A	25	CD4123	40	8177	2.75
74071	17	74LS10	28	LM3405-1.5	1.50	INA755A	25	CD4124	40	8178	2.75
74072	17	74LS10	28	LM3405-1.5	1.50	INA755A	25	CD4125	40	8179	2.75
74073	17	74LS10	28	LM3405-1.5	1.50	INA755A	25	CD4126	40	8180	2.75
74074	17	74LS10	28	LM3405-1.5	1.50	INA755A	25	CD4127	40	8181	2.75
74075	17	74LS10	28	LM3405-1.5	1.50	INA755A	25	CD4128	40	8182	2.75
74076	17	74LS10	28	LM3405-1.5	1.50	INA755A	25	CD4129	40	8183	2.75
74077	17	74LS10	28	LM3405-1.5	1.50	INA755A	25	CD4130	40	8184	2.75
74078	17	74LS10	28	LM3405-1.5	1.50	INA755A	25	CD4131	40	8185	2.75
74079	17	74LS10	28	LM3405-1.5	1.50	INA755A	25	CD4132	40	8186	2.75
74080	17	74LS10	28	LM3405-1.5	1.50	INA755A	25	CD4133	40	8187	2.75
74081	17	74LS10	28	LM3405-1.5	1.50	INA755A	25	CD4134	40	8188	2.75
74082	17	74LS10	28	LM3405-1.5	1.50	INA755A	25	CD4135	40	8189	2.75
74083	17	74LS10	28	LM3405-1.5	1.50	INA755A	25	CD4136	40	8190	2.75
74084	17	74LS10	28	LM3405-1.5	1.50	INA755A	25	CD4137	40	8191	2.75
74085	17	74LS10	28	LM3405-1.5	1.50	INA755A	25	CD4138	40	8192	2.75
74086	17	74LS10	28	LM3405-1.5	1.50	INA755A	25	CD4139	40	8193	2.75
74087	17	74LS10	28	LM3405-1.5	1.50	INA755A	25	CD4140	40	8194	2.75
74088	17	74LS10	28	LM3405-1.5	1.50	INA755A	25	CD4141	40	8195	2.75
74089	17	74LS10	28	LM3405-1.5	1.50	INA755A	25	CD4142	40	8196	2.75
74090	17	74LS10	28	LM3405-1.5	1.50	INA755A	25	CD4143	40	8197	2.75
74091	17	74LS10	28	LM3405-1.5	1.50	INA755A	25	CD4144	40	8198	2.75
74092	17	74LS10	28	LM3405-1.5	1.50	INA755A	25	CD4145	40	8199	2.75
74093	17	74LS10	28	LM3405-1.5	1.50	INA755A	25	CD4146	40	8200	2.75
74094	17	74LS10	28	LM3405-1.5	1.50	INA755A	25	CD4147	40	8201	2.75
74095	17	74LS10	28	LM3405-1.5	1.50	INA755A	25	CD4148	40	8202	2.75
74096	17	74LS10	28	LM3405-1.5	1.50	INA755A	25	CD4149	40	8203	2.75
74097	17	74LS10	28	LM3405-1.5	1.50	INA755A	25	CD4150	40	8204	2.75
74098	17	74LS10	28	LM3405-1.5	1.50	INA755A	25	CD4151	40	8205	2.75
74099	17	74LS10	28	LM3405-1.5	1.50	INA755A	25	CD4152	40	8206	2.75
74100	17	74LS10	28	LM3405-1.5	1.50	INA755A	25	CD4153	40	8207	2.75
74101	17	74LS10	28	LM3405-1.5	1.50	INA755A	25	CD4154	40	8208	2.75
74102	17	74LS10	28	LM3405-1.5	1.50	INA755A	25	CD4155	40	8209	2.75
74103	17	74LS10	28	LM3405-1.5	1.50	INA755A	25	CD4156	40	8210	2.75
74104	17	74LS10	28	LM3405-1.5	1.50	INA755A	25	CD4157	40	8211	2.75
74105	17	74LS10	28	LM3405-1.5	1.50	INA755A	25	CD4158	40	8212	2.75
74106	17	74LS10	28	LM3405-1.5	1.50	INA755A	25	CD4159	40	8213	2.75
74107	17	74LS10	28	LM3405-1.5	1.50	INA755A	25	CD4160	40		

6 Digit LED Clock Kit - 12/24 hr.

\$9.95 QTY. 12
ea. OR MORE

\$10.95 QTY.
ea. 6-11

\$11.95 QTY.
ea. 1-5

KIT INCLUDES

- INSTRUCTIONS
- QUALITY COMPONENTS
- 50 or 60 Hz OPERATION
- 12 or 24 HR OPERATION

6-LED Readouts (FND-359 Red, com. cathode)
1-MM5314 Clock Chip (24 pin)
13-Transistors
3-Switches
6-Capacitors
5-Diodes
9-Resistors
24-Molex pins for IC socket

LARGE .4" DIGITS!
ORDER KIT #850-4
AN INCREDIBLE VALUE!

"Kit #850-4 will furnish a complete set of clock components as listed. The only additional items required are a 7-12 VAC transformer, a circuit board and a cabinet, if desired."

Printed Circuit Board for kit # 850-4 (etched & drilled fiberglass) \$2.95
Mini-Brite Red LED's (for colon in clock display) pkg. of 5 1.00
Molded Plug Transformer 115/10 VAC (with cord) 2.50
NOTE: Entire Clock may be assembled on one PC Board or Board may be cut to remote display. Kit # 850-4 will fit Plexiglas Cabinet II.

6 Digit-LED Clock-Calendar-Alarm Kit

This is a complete, top of the line, Kit for the person that wants the best. Some of the many features and options are: 12/24 time, 28-30-31 day calendar, alternates time (8 sec) and date (2 sec) or can display time only and date on demand, 24 hr alarm - 10 minute snooze, alarm set indicator, 50/60 HZ. line operation or use with Xtal time base (#TB-1), built in OSC for battery back-up / AC failure, Aux. timer, CHOICE OF DIGITS.

- Kit #7001B 6 - .4" Digits \$39.95
- Kit #7001C 4 - .6" Digits & 2-." [Seconds] \$42.95
- Kit #7001X 6 - .6" Digits \$45.95

Kits are complete (less cabinet) including PC boards, power supply, IC socket, 9 switches, 16 transistors and all parts required for above features and options [All #7001 Kits Will Fit Cabinet I]

PRINTED CIRCUIT BOARDS for CT-7001 Kits sold separately with assembly info. PC Boards are drilled Fiberglass, solder plated and screened with component layout. Specify for #7001B or #7001C (Set of 2) \$7.95

JUMBO DIGIT CLOCK KIT

A complete Kit (less Cabinet) featuring: six .5" digits, MM5314 IC, 12/24 Hr. time, 50/60 HZ., Plug-Transformer, Line Cord, Switches, and all Parts.

[Ideal Fit in Cabinet II] \$19.95 ea. 2/*38.

JUMBO DIGIT CONVERSION KIT

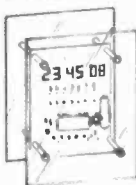
Convert small digit LED clock to large .5" displays. Kit includes 6-.5" LED's, Multiplex PC Board & easy hook-up info.

KII #JD-1CC for common Cathode \$9.95 ea. 2/*19.
KII #JD-1CA for common Anode

SEE THE WORKS Clock Kit

Clear Plexiglas Stand

- 6 Big .4" digits
- 12 or 24 hr. time
- 3 set switches (back)
- Plug transformer
- all parts included



A SUPER LOOKING CLOCK!

Kit #850-4CP \$23.50 ea. 2/*45.

7-SEG LED COMMON CATHODE

COLOR	H.T. DEC PT.	PREA
FND-359 RED	.4" RHDP	\$.95
FND-503 RED	.5" RHDP	\$1.35
DL-750 RED	.6" LHDP	\$1.95
XAN-654 GREEN	.6" NDP	\$1.95
XAN-664 RED	.6" NDP	\$1.95

COLOR	H.T. DEC PT.	PREA
DL-747 RED	.6" LHDP	\$1.95
MAN-72 RED	.3" LHDP	\$1.25
XAN-81 YELLOW	.3" RHDP	\$1.75
XAN-351 GREEN	.3" RHDP	\$1.50
XAN-361 RED	.3" RHDP	\$1.50
XAN-362 RED	.3" LHDP	\$1.50
XAN-662 RED	.6" NDP	\$1.95
XAN-692 RED	.6" NDP	\$1.95

Farm Inexpensive Sockets 100 for \$1.25 Reel of 1000 - \$8.50

Fairchild Super Digit FND-359

4" Char. Ht. 7 segment LED RED Com. Cath. Direct pin replacement for popular FND-70.

95¢ ea. 10/\$8.50 100/\$79.00

SET OF 6 FND-359 WITH MULTIPLEX PC BOARD \$6.95

25 AMP BRIDGE

\$1.95 ea. 3/\$5.00

TELEPHONE FORMAT KEYBOARD

BY Chomerics

2-1/4" x 3" 5/32" thick \$4.95 6/*28.

SHOHTKY TTL

74S00	\$.35	930	\$.09
74S01	.40	937	.09
74S04	.55	LED DRIVERS	
74S06	.60	7447	\$.95
74S09	.55	7448	.95
74S10	.40	75491	.65
74S20	.50	75492	.85
74S22	.45	VOLTAGE REGULATORS	
74S40	.45	LM309 M	\$ 1.25
74S51	.55	LM309 K	1.25
74S60	.85	DTL	
74S64	.55	7805	TAB .95
		7812	TAB 1.25
		7815	TO-3 1.25
		7815	TAB 1.25
		78L15	TO-5 .75
		78L15	TO-5 .75
		LM340T-18	TAB 1.25
		LM340T-24	TAB 1.25
		7824	TO-3 1.25
		723	DIP .75
		723	TO-5 .75

DIGITAL CLOCK IC'S

MM5312	\$ 4.95
MM5314	3.95
MM5375 AB	3.95
CT-7001	7.95
CT-7002	13.95
50380	3.95
MM5369	2.50

XTAL

3.579545 MHZ.	\$ 1.95
---------------	---------

PRESCALE

11C90DC	\$15.95
95H90	9.95

DIODES

IN 4002	1A, 100 PIV	12/\$1.00
IN 4005	1A, 600 PIV	11/\$1.00
IN 4007	1A, 1000 PIV	10/\$1.00
RECTIFIER	2.5A, 1000 PIV	4/\$1.00
IN 914	SIL. SIGNAL	20/\$1.00
IN 4148	(1N914 Equiv.)	20/\$1.00
OYAC	28V	4/\$1.00

PLUG TRANSFORMERS

12VAC at 150 MA	\$2.50
12VAC at 500 MA	3.50
7VAC at 1.75VA	2.50

LINEAR

555 TIMER	2/\$1.00
566 QUAL. TIMER	.95
565 PLL	.95
566 FUNCTION GEN.	1.75
567 TONE DECODER	1.75

IC SOCKETS

PINS	1-24	25	100
	8	\$.25	\$.22
	14	.25	.22
	16	.28	.25
	18	.31	.28
	24	.50	.45
	28	.60	.55
	40	.75	.70

COMPUTER

8080A	CPU	10.95
17102	E Prom	8.95
5203	E Prom	6.95
2102L1PC	1K Ram	1.95

60 HZ. XTAL TIME BASE KIT

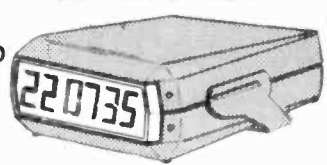
Will enable Digital Clock or Clock-Cal. Kits to operate from 12VDC. Uses MM5369 and 3.58MHZ. XTAL. Req. 5-15VDC/2.5 MA. 1"x2" PC Board. Easy 3 wire hookup Accuracy: + 2 PPM #TB-1 [adjustable] Complete kit \$4.95 ea Wired & Cal. \$9.95 ea

Visit Our Store at 823 S. 21st. Avenue, Hollywood, FL.

MOBILE LED CLOCK

12 OR 24-HOUR OPERATION
12 VOLT AC or DC POWERED FOR FIXED OR MOBILE OPERATION.
SIX LARGE .4" DIGITS!

KIT OR ASSEMBLED



MODEL 2001

ACCURATE TIME WITH ADJUSTABLE XTAL TIME BASE

Approx. Size: 1 3/4" H x 4" W x 4 1/2" D

BATTERY BACK-UP FOR POWER FAILURE OR TRANSPORTING FROM HOUSE TO CAR, ETC.

- 6 JUMBO .4" RED LED'S BEHIND RED FILTER LENS WITH CHROME RIM.
- SET TIME FROM FRONT VIA HIDDEN SWITCHES • 12/24-Hr. TIME FORMAT
- STYLISH CHARCOAL GRAY CASE OF MOLEDO HIGH TEMP. PLASTIC
- BRIDGE POWER INPUT CIRCUITRY - TWO WIRE NO POLARITY HOOK-UP
- OPTIONAL CONNECTION TO BLANK DISPLAY (Use When Key Off in Car. Etc.)
- TOP QUALITY PC BOARDS & COMPONENTS • EXCELLENT INSTRUCTIONS
- MOUNTING BRACKET INCLUDED

Kit # 2001 COMPLETE KIT (Less 9V. Battery) 2995 EA 3 OR MORE \$2795 EA 115 VAC Power Pack #AC-1 \$250 EA

ASSEMBLED UNITS WIRED & TESTED ORDER #2001 WT (LESS 9V BATTERY) \$3995 EA 3 OR MORE \$3795 EA Assembled Units May Be Mixed With Kits For Qty. Price

CPU 8080A

\$19.95 ea. NS8080AD

Micro Processor Chip Prime National LSI

40 Pin socket

\$.50 with each 8080A!

450 ns MEMORY

Fairchild 1K Ram low, low, low power.

2102L1PC \$1.95ea.

25-99 \$1.75 ea.

100-199 \$1.60 ea.

200 or more \$1.45 ea.

JUMBO RED LED'S 12/\$1.00 50/\$3.95

EXAR TRANSISTORS

XR2556	TO-18	5/\$1.00
XR2567	TO-5	2/\$1.00
2N2222	TO-98	5/\$1.00
2N2554	TO-92	5/\$1.00
2N2712	TO-92	5/\$1.00
2N3415	TO-92	5/\$1.00
2N3704	TO-92	5/\$1.00
2N4400	TO-92	5/\$1.00
2N4125	TO-92	5/\$1.00
2N4249	TO-92	5/\$1.00
2N4437	TO-92	5/\$1.00
2N6027	PUT	2/\$1.00
2N5457	N J-Fet	2/\$1.00

OP AMPS

301 TO-5	3/\$1.00
709 DIP	4/\$1.00
709 TO-5	741 DIP
741 M-DIP	741 TO-5
747 DIP	748 DIP

DISCRETE LED'S

12/100	50/13.95
100/47.50	JUMBO RED

SWITCHES

ROCKER SPDT	6/51
MINI-SLIDE SPDT	5/51
REG. SLIDE DPDT	6/81
PUSH BUTTON N.O.	3/51

MINI TOGGLE SPDT

MINI TOGGLE SPDT	\$1.30
2N3704	DPDT 1.50

TRANSISTOR SOCKET TO-5/18 GOLD PINS

5/\$1.00	NYLON WIRE TIES
	8" TIE-WRAP 100/\$1.95
	4" TIE-WRAP 100/\$1.75
	MOLEX PINS
	REEL OF 1000 \$ 8.50
	STRIP OF 100 1.25
	MISC. PRIME IC'S
	FAIRCHILD 9316 (74161) \$.95
	75234 DUAL CORE SENSE AMP 1.50
	MM502H TO 5 SHIFT REG .95

COMPUTER

8080A	CPU	10.95
17102	E Prom	8.95
5203	E Prom	6.95
2102L1PC	1K Ram	1.95

PLEXIGLAS CABINETS

Great for Clocks or any LED Digital project. Clear-Red Chassis serves as Bezel to increase contrast of digital displays.

\$6.50 ea. 2/*12. ANY SIZE/ COLOR

CABINET I

3" H, 6 1/2" W, 5 1/2" D

CABINET II

2 1/2" H, 5" W, 4" D

3" x 6" x 1 1/8" RED OR GREY PLEXIGLAS FOR DIGITAL BEZELS 95¢ ea. 4/*3

ORDER BY PHONE OR MAIL COD ORDERS WELCOME (\$1.00 CHG.) Orders Under \$15 Add \$1.00 Handling Fla. Res. Please Add 4% Sales Tax.

OPTOELECTRONICS, inc.

BOX 219 • HOLLYWOOD, FLA. 33022 • (305) 921-2056



WE PAY ALL SHIPPING IN CONTINENTAL USA - OTHERS ADD 5% TO 10% FOR AIRMAIL

GODBOUT

BILL GODBOUT ELECTRONICS
BOX 2355, OAKLAND AIRPORT, CA 94614

SPECIALS

The following are Ltd qty, subject to prior sale:

Miniature Trimmer Caps

5/\$2, any one value. Choose from (in pF): 2-8, 2.5-11, 5.8-18, 7-25, and 9-35.

ALSO AVAILABLE: 10 ASSORTED TRIMMER CAPS FOR \$2. SORRY, NO CHOICE OF VALUES.



Terminal Strips 30/\$2

Yes, that's 30/\$2. This is an assortment of 6 and 7 lug types (center lug grounded). No choice of types, but at this price who cares anyway?

8" Digit Clock Display \$4.95!!

BUY 3/\$12.50 AND SAVE. DON'T CONFUSE THIS WITH .5" TYPES OFFERED BY OTHERS; THESE DIGITS ARE BIG! AM/PM INDICATOR, COLON, AND 3 1/2 DIGITS IN A CLEAR RED PLASTIC ENCLOSURE. COMMON CATHODE.

POWER TRANSFORMER

\$22.50 (+ postage for 6 lbs) brings you a hefty transformer. 117 VAC primary, 16V @ 12A RMS secondary. Custom made to our specifications for high power applications. Order part #G111.

TEFLON HOOKUP WIRE

Hi flexibility, top quality stranded wire with insulation that doesn't melt under normal heat. Sorry, no choice of color.....250 ft./\$2.95

TERMS: Add 50c orders under \$10; over \$10 add 5%. NO COD. Cal res add tax. Mastercharge® and BankAmericard® orders call 415-562-0636, 24 hours.

CIRCLE 30 ON FREE INFORMATION CARD

ALL AM ASR 33 IS AND MORE!
OLIVETTI 318 TELETYPEWRITER
BUILT-IN PAPER TAPE I/O
KEYBOARD PLUS 10 KEY PAD
HEAVY DUTY BUT QUIET \$950
NATIONAL SERVICE + SHIPPING

A REAL COMPUTER VIDEO - IDEAL FOR
ALPHANUMERIC WORK
1 VOLT P TO P INPUT
ANTIGLARE SCREEN
GREEN PHOSPHOR
12" DIAGONAL SCREEN
\$150 +\$25 SHIPPING

RTS: ADM-3, RIM-1, HSC SC/MP, INSAI 8080, SUTPC TERM, 6800
INTERCEPT JR, SMOKE H-16, TARBELL CASSETTE INTERFACE.

TO ORDER: 1. ENCLOSE CHECK FOR FULL PRICE PLUS SHIPPING
(IN MASS, ADD 5% SALES TAX)
2. CLEARLY IDENTIFY SHIPPING ADDRESS.
3. DESCRIBE ITEM BY MODEL #
1 DAY SHIPMENT IF BANK CHECK OR MONEY ORDER

COMPUTER WAREHOUSE STORE
WRITE FOR OUR CATALOG
DEPT R, PO BOX 68, KENMORE STA.
BOSTON, MA 02215 671/261-2701

COMPUTER keyboards with encoder alpha memories \$25.00 ea. CB regulated power supply converters 115V to 12VDC, 4 amps \$19.95 ea. 115V fans 4 1/16" sq. x 1 1/2" deep \$6.00 ea. Speakers 6" x 9" or 8" coax 20 oz. \$12.95 or 10 oz. \$10.95 ea. Also capacitors, resistors, switches, and transistors such as 2N3405 for 30¢ ea. Many other items, 50¢ for catalog, COD plus postage accepted or COD phone orders plus postage. CENTRAL ELECTRONICS, 809 Court St., Utica, NY 13502 Phone a/c 315-735-6474.

PICTURE TUBE MACHINE
We buy and sell NEW and USED CRT rebuilding machinery. COMPLETE TRAINING. Buy with CONFIDENCE from the ORIGINAL MFGR.
For complete details send name address zip code to
LAKEBIDE INDUSTRIES
3520 W. Fullerton Ave
Chicago, IN 46047
Phone 317-342-3399

COLOR video tape recorder \$250.00, TV camera \$150.00, videotapes \$4.00, Cartrivision accessories. D. E. TRIMBLE, 5835 Herma, San Jose, CA 95123

SMALL picture tube rebuilding plant. Excellent condition. MYRLE BOCKES, 307 North 6th, Hannibal, MO 63401

POWERFUL, adjustable, regulated, three-output power supply and 900 easily removable parts in complete Cartrivision television recorder electronic assembly with documentation. Perfect for microprocessor, IC, transistor, television, CB radio applications. \$21.45. Free brochure. MADISON ELECTRONICS, INCORPORATED, 369, D101, Madison, AL 35758. Satisfaction guaranteed.

PRINTED CIRCUIT

Positive Acting Photo Resist; Carbide bits; Bubble etchers; Artwork; Epoxy Glass Boards.

Send stamp & address label for flyer
TRUMBULL
833 Balra Dr., El Cerrito, CA 94530

SAVE up to \$600.00 on giant screen TV, video players, etc., NPC, Box 321, Maple Shade, NJ 08052

MAKE professional quality PC boards with silk-screen techniques. Complete step by step information, \$4.95 postpaid. TERRATRONIC RESEARCH, Box 513, Quincy, IL 62301

MUSIC SYNTHESIS ANALOG PROBING PLANTS KITS CIRCUIT THEORY PARTS AND COMPONENTS

FREE INFORMATION SEND A SELF STAMPED ENVELOPE, DON'T DELAY DO IT NOW

NEWTON MAIL 68886 608-328-8179



Time Saver 200 p. - \$5.95

The complete hobbyist guide to electronic equipment, parts, supplies and services. Hundreds of mail order sources.

The new book contains over 600 companies and 250 categories: components, transceivers, antennas, μ Ps, ICs, assortments, assemblies, discounted items, test equipment, peripherals, etc.

Dealer Inquiries Invited

Limited first run - Order Today

I enclose \$5.95 plus 55¢ postage and handling. Californians add 39¢ sales tax. 15 day refund guarantee.

Name _____

Address _____

City/State/Zip _____

Send to: PMS Publishing, Dept. L, 12625 Lido Way, Saratoga, CA 95070 L

CIRCLE 45 ON FREE INFORMATION CARD

For faster service

USE ZIP CODE

on all mail

NEW FROM CONCORD THE FIRST FULL FEATURE

LSI DMM KIT
INTRODUCTORY PRICE:

\$77.77

Reg. Suggested Retail: \$149.00

- AUTO RANGING
- AUTO POLARITY
- AUTO ZERO
- 3 Large Digits (1/2")
- Rechargeable

MEASUREMENT RANGES:

Voltage: (AC & DC) 1 MV - 1000V
Current: (AC & DC) 10 μ A - 1 A
RESISTANCE: 1 Ω - 10 M Ω
Basic D.C. Accuracy, better than 0.1% \pm 1 Digit
Power: 4 AA batteries (Rechargeable batteries optional)

Concord EW II @ 77.77

Rechargeable power pack @ 6.00

Mail Check, _____

Money Order, _____

or Charge Card, _____

information, _____

to: _____

Shunt kit for 3 current ranges @ 4.75

Electronics Warehouse Inc.
1603 Aviation Blvd.
Redondo Beach, Ca. 90278
(213) 376-8005

Cal Res. add 6% tax _____

Ship, Hndl. & Ins. 3.75

TOTAL: _____

CIRCLE 22 ON FREE INFORMATION CARD



TV Games

Direct Sales Only

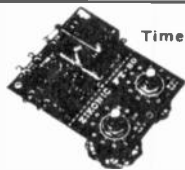
\$38.50

USES 6 C SIZE BATTERIES (Not Included)

JUST SIMPLY HOOK THE OUTPUT LEAD OF THE UNIT TO THE ANTENNA INPUT OF YOUR TV SET AND YOU'RE READY TO PLAY!

FEATURES:

- 4 Games—Tennis, Hockey, Racquet Handball and Single Handball
- Adjustable bat size.
- Automatic or manual serve
- 20° or 40° ball angles.
- Pair of extension control units optional (3.00 each)
- Auto counter display on the screen.
- 3 different beeps
- Ball against bat-high beep
- Ball against bound-dry-low beep
- Ball out of play-2 low beeps



TIMER KIT

Time Controlled from 1-100sec. Ideal to be used as time delay unit for burglar alarm, photo service, and other purposes. Max. loading 110V, 2 AMP. Supply voltage 12-18V D.C.

PT-80 ELECTRONIC IC TIMER **\$11.50 each**



Electronic Police Siren Kit

Ideal for use as an alarm unit. High output up to 5 watt at 12V DC supply. Can be used with horn-type speaker.

AU-999 POLICE ALARM UNIT **\$14.00 EACH**

COLOR ORGAN KIT

Music on Light in Colour!



MC-520 MINI MUSIC COLOR UNIT

Operates in low voltage (9V-24V DC). Can control up to 100 low voltage light bulbs. Light bulbs change colors to the tones of music. Connect to the speaker output of the amplifier.

\$10.50 PER KIT

Don't move!

LIGHT CONTROL SWITCH KIT



RC-102

Can control TV, radio, lights or can be used with the Police Siren Kit to form a burglar alarm system.

\$4.50 EACH

POWER SUPPLY KIT

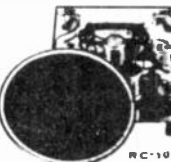
0-35V D.C. REGULATED Uses UA723 and ZN3055 Power TR output can be adjusted from 0-35V, 2 AMP. Complete with PC board and all electronic parts. **\$9.50 each**



035 POWER SUPPLY

SOUND CONTROL SWITCH KIT

Now you can turn your lights, radio, or even TV on with sound. Sensitivity can be adjusted. Operating voltage from 9-18V DC. It is a lot of fun to build one.



RC-103

\$5.50 each

0.7" Led Clock Module



\$13.50 EACH

4 Digits Alarm Clock

LT701E, 60 Hz 12 hr. display.
LT701G, 60 Hz 24 hr. display.

Power Supply 12V AC Ideal for panel clock, desk clock, or auto clock with our time base kit.

COMPLETE ALARM CLOCK

- 4 Digits 0.5" LED with brightness control
- 12 Hour display with AM/PM indication
- True 24 hour alarm with repeatable snooze
- Power failure indication for power interrupt

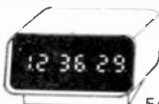


MODEL EC 400

(Not A Kit)

Only **\$22.50**

ON SALE **\$17.50 ea.**



CLOCK KIT

MOST POPULAR MM5314 KIT

WITH A NEW CASE!! Features 12/24 Hour Display 50/60 HZ Input 6 Digits Readout Kit Includes: Grey Color Plastic Case MM5314 Clock Chip PC Boards and Transformer, 6 Green Color 0.3" Tube Readouts, All other transistor Drivers and other Components.

Special Only \$19.95 ea.



MODEL OC

ALARM CLOCK

only **\$19.50**

Kit Includes: TI Alarm clock chip, LD8132 0.5" Green readouts, PC board with all electronic parts, speakers, transformer and specially designed case.

5W AUDIO AMP KIT

USE 2 LM380 with Volume Control POWER SUPPLY 6VDC only **\$5.00 ea.**



TV GAME MODULATOR UNIT

FCC Approved For channel 3 and 4



ONLY **\$4.50**



NEW! NATIONAL MM 5369 17-STAGE PROGRAMMABLE OSC/DIVIDER generate A 60 Hz reference Frequency with a 3.58 MHz Color TV X'TAL in Mini DIP Package

ONLY **\$2.25 each**

19 KEY HEXADECIMAL KEYBOARD

STANDARD SIZE KEY TOPS WITH UNENCODED SPST KEYS



ONLY **\$9.95 EACH**

NI-CD RECHARGEABLE BATTERIES



AA SIZE 12V \$1.25 each
C SIZE 12V \$1.50 each
F SIZE 12V \$2.50 each

ALL GUARANTEED GOOD

AUTO ALARM KIT



The Crimelighter Auto Alarm is an electronic, self controlled auto protection system normally mounted within the glove box of an automobile

Two minutes after turning off the ignition the alarm automatically turns itself "on". When the auto is re-entered, the horn will sound after a 10-45 second entry delay. The automobile owner, by inserting the ignition key will activate the alarm. Once activated the alarm will sound for two minutes before automatically turning off. The alarm then resets and is ready to again protect the vehicle from unwanted entry.

FEATURES: Simple installation 5 wires. Automatically turns on when auto is parked. Adjustable entry time. Extended exit time to allow for untrashed exit from vehicle. Numerous applications include protection of boats, campers, trailers, motorcycles, trucks. Cannot be deactivated by "hot wiring" an auto. Can not be turned off without ignition key. Neg active ground only.

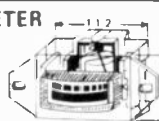
ONLY **\$10.00 per kit Completed Unit \$16.00**

QUARTZ CRYSTALS

1MHz Computer Crystals \$4.25 ea
3.58 MHz Color TV Crystals \$1.25 ea
Use with Nation MM 5369 to make a perfect time base for clock.

150UA METER

only **\$1.50 ea.**



QUAD VOLUME CONTROL

4 100K Volume pot in one unit very resistance proportional to the angle of the stick. Perfect for electronic games or model remote control.

Knob for Joystick 50g ea.

ELECTRONIC SWITCH KIT

CONDENSER TYPE

Touch on Touch Off use 7473 I.C. and 12V relay

\$5.50 each



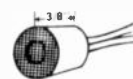
FM WIRELESS MIC KIT

Transmit range up to 500 ft.

Easy to assemble

\$4.50 each

Sub-Mini Size Condenser Microphone **\$2.50 each**



G1-AY3-8500-1

(28 pin Dip) 6 Game, TV Game Chip With Data Tennis, Squash, hockey, practice and two-shooting.

Special Only **\$11.00**

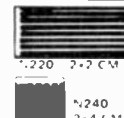


COMPUTER KEYBOARDS



Standard Teletype Keyboards with gold plated contact switches. All switches are independent and allow you to connect into any form of output.

63 Keys - **19.50**
60 Keys - **14.50**



SOLAR CELL

Large Size \$3.00 Each (85MW, 200MA, 430MV)
Small Size \$1.50 Each (43MW, 100MA, 430MV)

SAE DIP SWITCHES



Part No. 1004 692 4xSPST 1Sw
1008 692 8xSPST 1Sw

4 Toggle SPST Switches on a Mini-DIP (8 pins) Only **\$1.50 ea**
8 Toggle SPST Switches on a DIP (16 pins) Only **\$2.60 ea**

SUBMINIATURES TOGGLE SWITCHES



SPDT On/Off **\$1.30 ea**
DPDT On/Off **\$1.50 ea**
3PDT On/Off **\$1.75 ea**

Mini Size Rocket Type Also Available at the Same Price

ECCO BCD THUMBWHEEL SWITCHES



8 positions **\$1.25 ea**
10 positions **\$2.15 ea**
12 positions **\$2.50 ea**

PUSH-BUTTON SWITCH

RED COLOR N/OPEN **4/\$1.00**

BLACK COLOR N/C/NOF **2/\$1.00**

LARGE QTY. AVAILABLE

SOLID STATE ELECTRONIC BUZZER

Mini Size 1 x 3 x 1.4 Supply voltage 1.5V 12V Ideal for Alarm or Tone Indicator **\$1.50 each or 2/\$2.50**

MINIMUM ORDER \$10.00 California residents add 6% sales tax. All orders add 10% postage for out of state. Overseas countries add 15% of total order for postage. SEND CHECK OR MONEY ORDER TO



FORMULA INTERNATIONAL INC.

12603 CRENSHAW BOULEVARD • HAWTHORNE, CALIFORNIA 90250

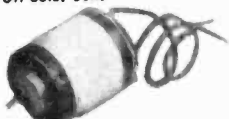
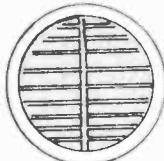
For more information please call (213) 679-5162

STORE HOURS 10-7 Monday - Saturday



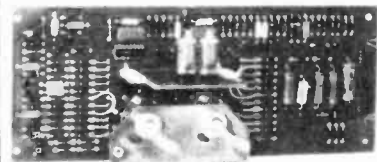
SOLAR CELLS Energy source of the future

Miniature DC Motor Runs Off Solar Cells
Use In Science Fairs!



Solar cell large: 430 mv, 500ma. Dia. .25
Solar cell small: 430 mv, 130ma. .788 sq.
Solar cell motor large, 1.80 1gx 1 1/4 dia.
Solar cell motor small, 1.65lg x 1" dia.
If you buy the large cell & motor together..... \$12.00
If you buy the small cell & motor together..... \$4.50

STOCK NO. R1001 \$8.95
STOCK NO. R5456 \$2.50
STOCK NO. R5456 \$3.95
STOCK NO. R5457 \$2.50



PROGRAMMABLE COUNTER

A brand NEW, working 2 digit programmable counter with 2 Nixie tube readouts. Set desired count with 10 position switches, and the

logic will count up, giving an output at the preset number. The board contains 2 7490 counters, 2 74141 decoders, a PUT, and many transistors, caps, etc. With schematic. Many uses. 4 1/2" x 10 1/2", 1 lb. STOCK NO. R6275 \$7.95 each, 2/15.00

4.000 Mhz. & 5.000 Mhz CRYSTALS

NO.S1000 4.0 Mhz CRYSTAL Either type
NO.S1008 5.0 Mhz CRYSTAL 3.95 ea. 2/7.00

This month only. Free crystal socket with each crystal

Transformer—17 V.@7A, 32 or 64 V.@4 A., 380 V. @ 400 ma.
STOCK NO. R9905 11 lb. \$11.95 ea. 2/22.00

Send for our latest free catalog. Minimum order \$5, phone orders welcome: (617) 388-4705. Include sufficient postage; excess will be refunded. BANKAMERICARD & MASTERCARD welcome, ALL numbers needed for processing. Minimum charge \$15.



DELTA ELECTRONICS CO.
P.O. BOX 2, AMESBURY, MASS. 01913

CIRCLE 57 ON FREE INFORMATION CARD

AUTO BURGLAR ALARM

 \$12.75
Easy Installation

4 Digit Alarm Clock Kit

Using FSC 8000 jumbo display. Kit includes IC, P.C. board, transformer and all necessary components with detailed instructions.

SPECIAL ONLY \$19.50

4 or 6 Digit Alarm Clock 0.5" FND500 Display. Kit

Kit Includes all necessary parts with detailed instructions.

4 Digits \$12.50

6 Digits \$14.50

MOTOROLA RECTIFIERS

MDA962-2
100V 12A Bridge \$2.00 ea.
1N1202A Used
200V 12A \$0.65 ea.

AM Headphone with case Radio

 \$17.25

I.C.S.

MM5375 AA or AB
6 Digit Alarm Clock Chip
\$3.00 each

2107—\$5.95 2102—\$1.75

UA741 Mini Dlp .22 each
10 for \$2.00

LED's Fairchild 0.188"

.20 ea. 6/1.00, 100'S \$13.00

TRANSFORMERS

28V C.T. 0.6A \$1.75

MINIATURE SLIDE SWITCH

 DPDT — .20 each
1.75/10 pcs.

EXTENSION SPEAKERS

For CB or CAR RADIO

3W, 4W, or Horn Type 5W

3 Watt \$6.00

4 Watt 4W or 5W

\$8.00

3 Watt

5 Watt

Min. Order \$5.00 Orders under \$10.00 add \$1.50 handling.

CALIF. RESIDENTS ADD 6% SALES TAX

Please add \$1.00 for postage inside Calif. \$2.00 for

Out of State. Overseas add 10% of order.

STORE HOURS Mon.-Sat. 10:7, Sun. 10:3



PHONE 714/821-0234
ELECTRONIC SUPPLIES

2669 W. LINCOLN AVE., ANAHEIM, CA. 92801

CIRCLE 46 ON FREE INFORMATION CARD

2708 PROM \$55.00

- 2522 STATIC SHIFT REG. \$1.95
- 2518-HEX 32 BIT SR \$3.50
- 2102-1 1024 BT RAM \$1.80
- 5280-4K DYNAMIC RAM \$10.50
- 5202A UV PROM \$10.50
- MM5203 UV PROM \$10.50
- 1702A UV PROM \$10.75
- 5204-4K PROM \$18.95
- MINIATURE MULTI-TURN TRIM POTS 100, 500, 2K, 10K, 100K, 200K, 1 Meg \$7.5 each 3/52.00
- MULTI-TURN TRIM POTS Similar to Bourns 3010 style 3/16"x5/8"x1-1/4". 50, 100, 1K, 10K, 50K ohms \$3/54.00
- LIGHT ACTIVATED SCR's TO-18, 200V 1A. \$1.75

TRANSISTOR SPECIALS

- 2N3585 NPN Si TO-66 \$.95
- 2N3772 NPN Si TO-3 \$ 1.80
- 2N456A PNP GE \$.75
- 2N4908 PNP Si TO-3 \$ 1.00
- 2N6056 NPN Si TO-3 Darlington \$ 1.70
- 2N5086 NPN Si TO-92 4/5 1.00
- 2N4898 PNP TO-66 \$.60
- 2N404 PNP GE TO-5 5/5 1.00
- 2N3919 NPN Si TO-3 RF \$ 1.50
- MPSA 13 NPN Si TO-92 3/5 1.00
- 2N3767 NPN Si TO-66 \$.70
- 2N2272 NPN Si TO-18 5/5 1.00
- 2N3055 NPN Si TO-3 \$.80
- 2N3904 NPN Si TO-92 5/5 1.00
- 2N3906 PNP Si TO-92 5/5 1.00
- 2N5296 NPN Si TO-220 \$.50
- 2N6109 PNP Si TO-220 \$.55
- 2N3638 PNP Si TO-5 5/5 1.00
- 2N6517 NPN TO-92 Si 3/5 1.00

C/MOS (DIODE CLAMPED)

- 74C02 .22 4015 .95 4035-1.10
- 74C10 .22 4016-.40 4042-.78
- 74C193-1.50 4017-.105 4047-2.00
- 4001-.22 4018-1.00 4049-.40
- 4002-.22 4019-.25 4050-.40
- 4006-1.20 4020-1.05 4055-1.50
- 4007-.22 4022-.95 4065-.80
- 4009-.42 4023-.22 4071-.22
- 4010-.42 4024-.75 4076-.70
- 4011-.22 4027-.40 4081-.22
- 4012-.22 4028-.88 4520-1.15
- 4013-.40 4029-1.10 4030-.22

MCA-BI OPTICAL LIMIT SWITCH. \$1.50

LED READOUTS

- FND 500-.5" C.C. \$1.75
- HP 7740-.3" C.C. \$1.40
- MAN-7-.3" C.A. \$1.25
- NS 33-3 dig. array \$1.25
- DL 747 \$2.50

Terms: FOB Cambridge, Mass
Send Check or Money Order.
Include Postage. Minimum
Order \$5.00, COD'S \$20.00

PRINTED CIRCUIT BOARD

4 1/2" x 6 1/2" SINGLE SIDED EPOXY BOARD 1/16" thick, unetched \$3.50 ea. 5/52.20

7 WATT LD-65 LASER DIODE IR \$895

- 2N 3820 P FET \$.45
- 2N 5457 N FET \$.45
- TIS 43 UJT \$.35
- ER 900 TRIGGER DIODES \$1.00
- 2N 6028 PROG. UJT \$.65
- 8 PIN DIP SOCKETS \$.24
- 14 PIN DIP SOCKETS \$.25
- 16 PIN DIP SOCKETS \$.28
- 18 PIN DIP SOCKETS \$.30
- 24 PIN DIP SOCKETS \$.40
- 40 PIN DIP SOCKETS \$.60

VERIPAX PC BOARD

This board is a 116" single sided paper epoxy board, 4 1/2" x 6 1/2" DRILLED and ETCHED which will hold up to 21 single 14 pin IC's or 8, 16, or LSI DIP IC's with busses for power supply connector. \$4.00

- MV 5691 YELLOW-GREEN BIPOlar LED \$1.25
- FP 100 PHOTO TRANS \$.50
- RED, YELLOW, GREEN OR AMBER LARGE LED's ea. \$.20
- MOLEX PINS 1000/\$1.00

- 10 WATT ZENERS 3.9, 4.7, 5.6, 8.2, 18, 22, 100, 150 oh, 200V ea. \$.60
- 1 WATT ZENERS 4.7, 5.6, 10, 12, 15, 18 OR 22V ea. \$.25
- MC6800 MODEM CHIP \$13.00

Silicon Power Rectifiers

PRV 1A	3A	12A	50A	125A
100	06	14	30	80
200	07	20	35	115
400	09	25	50	140
600	11	30	70	180
800	15	35	90	230
1000	20	45	110	275

SILICON SOLAR CELLS

2 1/2" diameter
4V at 500 ma. \$4.00 ea., 6/\$22.50

REGULATED MODULAR POWER SUPPLIES

- +15 VDC AT 100ma \$27.95
- 115VAC INPUT \$27.95
- 5VDC AT 1A 115VAC INPUT \$24.95
- 12 VDC AT 5 AMP \$24.95
- IN 4148 (IN914) 15/\$1.00

Send 25¢ for our catalog featuring Transistors and Rectifiers
145 Hampshire St. Cambridge, Mass.

TANTULUM CAPACITORS

- 22UF 35V 5/1.00 4.7UF 35V 4/51.00
- 47UF 35V 5/51.00 6.8UF 35V 3/51.00
- 68UF 35V 5/51.00 22UF 35V \$.40
- 1UF 35V 5/51.00 33UF 35V \$.40
- 2.2UF 20V 5/51.00 30UF 6V 5/51.00
- 3.3UF 35V 4/51.00 100UF 35V \$.50
- 150UF 15V \$.50
- M7001 ALARM CLOCK CHIP. \$5.75

NATIONAL MOS DEVICES

- MM1402-1.75
- MM1403-1.75
- MM1404-1.75
- MM5013-2.50
- MM5016-2.50
- MM5017-2.70
- MM5055-2.25
- MM5056-2.25
- MM5057-2.25
- MM5058-2.75
- MM5060-2.75
- MM5061-2.50
- MM5555-4.75
- MM5556-4.75
- MM5210-1.95
- MM5260-1.75

30 WIRE WRAP WIRE SINGLE STRAND 100 FT. \$1.40

TTL IC SERIES

- 7400-.15 7442-.52 74126-.40
- 7401-.15 7445-.70 74151-.70
- 7402-.15 7446-.70 74153-.65
- 7403-.15 7447-.70 74154-1.10
- 7404-.20 7448-.70 74155-.70
- 7405-.20 7450-.70 74157-.70
- 7406-.25 7472-.33 74161-.85
- 7407-.25 7473-.35 74164-.95
- 7408-.25 7474-.35 74165-1.05
- 7409-.21 7475-.49 74173-1.40
- 7410-.15 7476-.35 74174-.95
- 7411-.20 7480-.35 74175-.92
- 7412-.20 7483-.70 74176-.75
- 7413-.45 7485-.88 74177-.79
- 7414-.70 7486-.30 74180-.70
- 7416-.25 7489-1.85 74181-2.10
- 7417-.25 7490-.45 74190-1.20
- 7420-.20 7491-.70 74191-1.20
- 7425-.28 7492-.50 74192-.85
- 7426-.25 7493-.45 74193-.85
- 7427-.30 7494-.70 74194-.85
- 7430-.20 7496-.70 74195-.75
- 7432-.25 7496-.70 74196-.88
- 7437-.25 74107-.32 74257-1.25
- 7438-.25 74121-.38 74279-.90
- 7440-.16 74123-.65 75324-1.75
- 7441-.85 74125-.65 75491-.65
- 75492-.65

MINIATURE DIP SWITCHES

- CTS-2064 Four SPST switches in one mminiip package. \$1.75
- CTS-2068 Eight SPST switches in a 16 pin DIP package. \$1.95

ALC MINIATURE TOGGLE SWITCHES

- MTO 106 SPDT \$1.20
- MTA 206 DPDT \$1.70

Full Wave Bridges

PRV	2A	6A	25A
200	.75	1.25	2.00
400	.95	1.50	3.00
600	1.20	1.75	4.00

SANKEN AUDIO POWER AMPS

- Si 1010 G 10 WATTS \$ 7.95
- Si 1020 G 20 WATTS \$15.95
- Si 1050 G 50 WATTS \$27.95

CCD 110 LINEAR 256 XI BIT SELF SCANNING CHARGED COUPLED DEVICE \$99.00

CCD 201 - 100 x 100 CHARGE COUPLED DEVICE \$135.00

LINEAR CIRCUITS

- LM307 - Op. Amp. \$.30
- LM 308 5V 1A REGULATOR \$.96
- 723 - 40 + 40VV REGULATOR \$.50
- 301/748-Hi Per. Op. Amp. \$.31
- 320T 5.12, 15, or 24V NEG REG \$1.25
- 709C Op. Amp. \$.31
- 741A or 741C OP AMP. \$.31
- 710 COMPARATOR \$.35
- CA 3047 Hi Per. Op. Amp. \$.95
- 3407 5, 6, 8, 12, 15, 18, 24V POS REG. TO-220 \$1.10
- 101 OPER. AMP. HI PERFORM. \$.75
- LM 308 Oper. Amp. Low Power \$.95
- 747 - DUAL 741 \$.85
- 556 - DUAL TIMER \$1.00
- 537 - PRECISION OP AMP \$1.70
- LM 3900 - QUAD OP AMP \$.49
- LM 324 - QUAD 741 \$1.50
- 560 - PHASE LOCK LOOP \$2.00
- 561 - PHASE LOCK LOOP \$2.00
- 565 - PHASE LOCK LOOP \$1.25
- 566 FUNCTION GEN. \$1.85
- 567 - TONE DECODER \$1.50
- LM 1310M FM STEREO DEMOD. \$2.75
- 8038 IC VOLTAGE CONTROL OSC \$3.90
- LM 370 - AGC SOUCLCH AMP. \$1.15
- 555 - 2us - 2 HR. TIMER. \$.45
- 553 QUAD TIMER \$2.50
- FCD 810 OPTO ISOLATOR \$.80
- 1458 DUAL OP AMP \$1.50
- LM 380 - 2W AUDIO AMP \$.95
- LM 377 - 2W Stereo Audio Amp. \$2.50
- LM 381 - STEREO PREAMP \$1.50
- LM 382 - DUAL AUDIO PREAMP \$1.50
- LM 311 - HI PER. COMPARATOR \$.90
- LM 319 - Dual Hi Speed Comp. \$1.25
- LM 339 - QUAD COMPARATOR \$1.50

TRIACS SCR'S

PRV	1A	10A	25A	1.5A	6A	35A
100	40	70	1.30	40	50	1.20
200	70	1.10	1.75	60	70	1.60
400	1.10	1.60	2.60	1.00	1.20	2.20
600	1.70	2.30	3.60	1.50	3.00	

RADIO-ELECTRONICS



SOLID STATE SALES
P.O. BOX 74D
SOMERVILLE, MASS. 02143 TEL. (617) 547-4005

WE SHIP OVER 95% OF OUR ORDERS THE DAY WE RECEIVE THEM

CIRCLE 68 ON FREE INFORMATION CARD

INTERNATIONAL ELECTRONICS UNLIMITED

10% OFF WITH \$25 ORDER
15% OFF WITH \$100 ORDER

THESE DISCOUNTS APPLY TO TOTAL OF ORDER — SPECIALS INCLUDED

7400	.13	7451	.17	74153	.89
7401	.16	7453	.17	74154	1.20
7402	.15	7454	.17	74155	.97
7403	.15	7460		74156	.97
7404	.16	7464	.35	74157	.99
7405	.19	7465	.35	74158	1.79
7406	.20	7470	.30	74160	1.23
7407	.28	7472	.30	74161	.97
7408	.18	7473	.35	74162	1.39
7409	.19	7474	.28	74163	1.09
7410	.16	7475	.49	74164	.99
7411	.25	7476	.30	74165	.99
7413	.43	7483	.60	74166	1.25
7414	.65	7485	.80	74170	2.10
7416	.35	7486	.40	74173	1.49
7417	.35	7489	2.25	74174	1.23
7420	.16	7490	.43	74175	.97
7422	.30	7491	.75	74176	.89
7423	.29	7492	.48	74171	.84
7425	.27	7493	.48	74180	.90
7426	.36	7494	.78	74181	2.45
7427	.29	7495	.79	74182	.79
7430	.20	7496	.79	74184	1.90
7432	.23	74100	.90	74185	2.20
7437	.25	74105	.44	74187	5.75
7438	.25	74107	.37	74190	1.15
7440	.15	74121	.30	74191	1.25
7441	.89	74122	.30	74192	.95
7442	.59	74123	.65	74193	.85
7443	.73	74125	.54	74194	1.25
7444	.73	74126	.58	74195	.74
7445	.73	74132	.89	74196	1.25
7446	.81	74141	1.04	74197	.73
7447	.79	74145	1.04	74198	1.73
7448	.79	74150	.97	74199	1.69
7450	.17	74151	.79	74200	5.45

LOW POWER

74L00	.29	74L51	.29	74L90	1.40
74L02	.29	74L55	.29	74L91	1.20
74L03	.23	74L71	.29	74L93	1.50
74L04	.29	74L72	.45	74L95	1.50
74L06	.29	74L73	.56	74L98	2.25
74L10	.29	74L74	.56	74L164	2.25
74L20	.29	74L78	.75	74L165	2.30
74L30	.29	74L85	1.09		
74L42	1.39	74L86	.65		

LOW POWER SCHOTTKY

74LS00	.36	74LS32	.38	74LS95	2.09
74LS02	.36	74LS40	.45	74LS107	.59
74LS04	.36	74LS42	1.40	74LS164	2.20
74LS08	.38	74LS74	.59	74LS193	2.20
74LS10	.36	74LS90	1.30	74LS197	2.20
74LS20	.36	74LS93	1.30		

HIGH SPEED

74H00	.25	74H22	.25	74H61	.25
74H01	.25	74H30	.25	74H62	.25
74H04	.25	74H40	.25	74H74	.39
74H08	.25	74H50	.25	74H101	.58
74H10	.25	74H52	.25	74H102	.58
74H11	.25	74H53	.25	74H103	.60
74H20	.25	74H55	.25	74H106	.72
74H21	.25	74H60	.25	74H108	.72

SCHOTTKY

74S00	.59	74S08	.68	74S22	.65
74S02	.59	74S10	.65	74S32	.60
74S03	.59	74S20	.65	74S74	.60
74S04	.72				

8000 (NATIONAL)

8091	.61	8220	1.49	8811	.65
8092	.61	8230	2.19	8812	1.02
8095	1.25	8388	1.49	8822	2.19
8121	.80	8520	1.16	8830	2.19
8123	1.43	8552	1.49	8831	2.19
8200	2.33	8563	.62	8836	.79
8214	1.49	8810	.70	8880	1.19

8000 (SIGNETICS)

8263	5.79	8267	2.59		
------	------	------	------	--	--

9000

9002	.40	9309	.79	9601	.61
9101	1.03	9312	.79	9602	.79

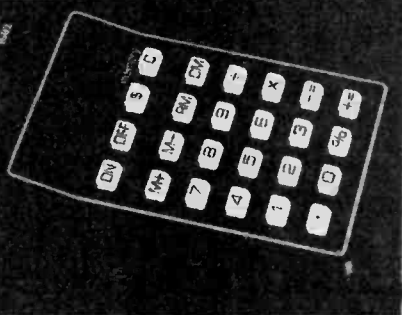
ELECTRONIC GAMES



We have available in kit form **Electronic Roulette** and **Electronic Craps**. Both kits contain P.C. boards, LED's, all necessary components, transformer, case and instructions for easy assembly. Included with each kit is a 55 page booklet explaining the entire game.

Electronic Roulette
Dimensions 6 1/2" x 6 1/2" x 1 1/2" **\$23.95**

Electronic Craps
Dimensions 6 1/2" x 3 1/2" x 1 1/2" **\$14.95**



CALCULATOR KIT

LITRONIX 1602 MEMORY

FULL ACCUMULATING MEMORY — STORES AND RECALLS SUBTOTALS

% KEY — PERFORMS ALL PERCENT FUNCTIONS INCLUDING ADD-ONS, DISCOUNTS, MARKUPS AND YIELDS.

\$ KEY — ALLOWS DOLLAR AND CENTS ENTRIES WITHOUT PRESSING DECIMAL POINT KEY.

SQUARE ROOT

PERFORMS SQUARE ROOT BY PRESSING — AND + = SEQUENTIALLY.

ARITHMETIC LOGIC — LETS YOU ENTER PROBLEMS IN ADDING MACHINE MODE.

FLOATING DECIMAL SYSTEM — AUTOMATIC DECIMAL POINT POSITIONING FOR FULL 8-DIGIT ACCURACY.

OVERFLOW SAVE — IN CASE OF OVERFLOW IN DISPLAY, THIS CLEARS THE CONDITION AND ALLOWS CALCULATOR TO CONTINUE USING THE OVERFLOWED RESULTS DIVIDED BY 10⁴

AUTOMATIC TIMEOUT TO SAVE BATTERIES

*** USES STANDARD 9V TRANSISTOR BATTERY**
*** SUPPLIED WITH ASSEMBLY INSTRUCTIONS**

CALC. KIT ONLY **\$8.95**

ADAPTER -60Hz **\$3.95**

CALCULATOR DISPLAY 9 MAN 3 M ON PC BOARD **99 c**

MULTIPLE DISPLAYS

NSN33	3 digit 12" red LED	1.79
HP5002	5 digit 11 red LED	3.49
HP5002	4 digit 11 red LED	3.25
7414		
SP-425-09	9 digit 25 gas dish	1.79

DL747

RED, 7 SEGMENT DISPLAY
SOLID BAR, LEFT DEC., .63" COMMON ANODE

\$1.75

LED DISPLAYS

MAN 1	\$1.95	DL33B	.45
MAN 2	3.95	DL33-	.35
MAN 5	2.25		
MAN 7	1.49	DISCRETE LED'S	
MAN 8	2.25	ME 4	.29
MAN 66	2.25	MV10B	.25
MAN 72	1.25	MV50	.12
MAN 3620	1.50	NSL100	.12
FND 359	.95		
FND 500	1.89	MV5020	
FND 507	.95	RED	.15
DL10A	2.19	CLEAR	.15

MEMORIES

1101	256 bit RAM MOS 16 pin	1.39
1103	1024 bit RAM MOS dynamic 18 pin	1.95
1702A	2048 bit PROM static electrically programmable UV erasable 24 pin	10.95
2102	1024 bit RAM static 16 pin	1.95
5203	2048 bit PROM static electrically programmable UV erasable 24 pin	10.95
5260	1024 bit RAM MOS dynamic 16 pin	1.95
5261	1024 bit RAM MOS dynamic 16 pin	1.95
7489	64 bit BOM TTL 16 pin	2.25
82523	256 PROM-SCHOTTKY 16 pin	3.69
F93410	256 bit RAM bi-polar 16 pin	1.95
74187	1024 bit ROM TTL 16 pin	5.75
74200	256 bit RAM tri-state 16 pin	5.45

CLOCK CHIPS

MM5311	6 digit multiplexed BCD, 7 seg. 12-24 Hr, 50-60 Hz — 28 pin	4.45
MM5312	4 digit multiplexed BCD, 7 seg. 1pps. 12-24 Hr, 50-60 Hz — 24 pin	3.95
MM5314	6 digit multiplexed 12-24 Hr, 50-60 Hz 24 pin	4.45
MM5316	4 digit, 12-24 Hr, 50-60 Hz, alarm 40 pin	4.95
IS75AA	4-6 digit, 12 hour, 60 Hz snooze alarm brightness control capability, alarm tone output — 24 pin	4.95
CT7001	6 digit, 12-24 Hr, 50-60 Hz, alarm, timer and date circuits — 28 pin	6.95

CALCULATOR CHIPS

CT5002	12 digit, 4 function fixed decimal battery operation — 40 pin	1.95
CT5005	12 digit, 4 function plus memory, fixed decimal — 20 pin	2.49
MM5725	8 digit, 4 function, floating decimal 18 pin	1.98
MM5736	6 digit, 4 function, 9V battery operation — 18 pin	2.95
MM5738	8 digit, 5 function plus memory and constant floating decimal, 9V battery operation — 24 pin	1.95
MM5739	9 digit, 4 function, 9V battery operation — 22 pin	3.95

OPTO ISOLATORS

MCD2	Opto isolator diode	1.09
MCT2	Opto isolator transistor	.70

82S23

256 bit PROM Schottky 16 pin **\$2.50**

KEYBOARD 20 KEYS 2 SLIDE SW 3" x 3 1/2" **99 c**

DVM CHIP 4 1/2 DIGIT MM5338 — P channel device provides all logic for 4 1/2 digit volt meter, 16 pin DIP with data **\$6.95 ea.**

Crystal 3.58 MHz Color TV **\$1.50**
MM5369 Divider mDIP **2.35**

2102 1024 bit static RAM 16 pin **\$1.49**

1702A 2048 bit static PROM elect. prog. UV ears. 24 pin **\$6.95**



IC BREADBOARD Accommodates 5 16 pin IC's with additional interconnection holes, 1/16" phenolic with silver plated copper circuitry, 2 5/16" x 6 7/16" **\$1.80 ea.**

CENTRAL PROCESSING UNIT

8008 \$19.95
8080 \$19.95

IC SOCKETS Solder Tail - low profile

8 pin	\$.17	24 pin	.42
14 pin	.20	28 pin	.59
16 pin	.22	40 pin	.69
18 pin	.29		

WIRE WRAP - gold plate 14 pin **.49**

SPECIAL DEVICES

372	AF-IF Strip Detector DIP	2.93
546	AM Radio Receiver Subsystem DIP	.75
1310	FM Stereo Demodulator DIP	2.90
1496	Balanced Modulator-Demodulator	.99
1800	Stereo Multiplexer DIP	2.40
ULN2208	FM Gain Block 3dbb (typ) mDIP	1.18
ULN2209	FM Gain Block 4dbb (typ) mDIP	1.35
2513	Character Generator 64x8x5 DIP-24	10.20
3046	Transistor Array DIP-14	.73

TV GAME CHIP AY-3-8500-1
Six games with scoring and sound **\$24.95**

LINEAR CIRCUITS

300	Pos V Reg (super 723) TO-5	\$.71
301	Hi Perf Op Amp mDIP TO-5	.29
302	Volt follower TO-5	.53
304	Neg V Reg TO-5	.80
305	Pos V Reg TO-5	.71
307	Op AMP (super 741) mDIP TO-5	.26
308	Micro Pwr Op Amp mDIP TO-5	.89
309K	5V 1A regulator TO-3	1.35
310	V Follower Op Amp mDIP	1.07
311	Hi perf V Comp mDIP TO-5	.95
319	Hi Speed V Comp DIP	1.13
3201	Neg Reg 5, 12, TO-220	1.39
320A	Neg Reg 5, 2, 12 TO-3	1.39
322	precision Timer DIP	1.70
324	Quad Op Amp DIP	1.52
339	Quad Comparator DIP	1.58
340K	Pos V reg (5V, 6V, 8V, 12V, 15V, 18V, 24V) TO-3	1.69
340T	Pos V reg (5V, 6V, 8V, 12V, 15V, 18V, 24V) TO-220	1.49
372	AI-IF Strip detector DIP	2.93
373	AM/FM/558 Strip DIP	2.42
374	Pos V Reg mDIP	.68
380	2w Audio Amp DIP	1.30
380-B	.6w Audio Amp mDIP	1.25
381	Lo Noise Dual preamp DIP	1.75
382	Lo Noise Dual preamp DIP	1.75
531	High Slew rate Op Amp	2.95
540	Power driver TO-5	2.95
550	Prec V Reg DIP	.79
555	Timer mDIP	.45
556A	Dual 555 Timer DIP	1.19
560	Phase Locked Loop DIP	3.39
562	Phase Locked Loop DIP	3.39
565	Phase Locked Loop DIP TO-5	1.18
566	Function Gen mDIP TO-5	1.95
567	Tone Decoder mDIP	1.95
709	Operational AMP TO-5 or DIP	.26
710	Hi Speed Volt Comp DIP	.35
711	Dual Difference Compar DIP	.26
723	V Reg DIP	.62
733	Diff. video AMPL TO-5	.89
739	Dual Hi Perf Op Amp DIP	1.07
741	Comp Op Amp mDIP TO-5	.32
747	741 Dual Op Amp DIP or TO-5	.71
748	Frq Adj 741 mDIP	.35
1458	Dual Comp Op Amp mDIP	.62
1800	Stereo multiplexer DIP	2.40
3900	Quad Amplifier DIP	.49
7524	Core Mem Sense AMPL DIP	.71
7525	Core Mem Sense AMPL DIP	.90
8038	Voltage contr. osc. DIP	4.25
8864	9 DIG Led Cath Dvr DIP	2.25
75150	Dual Line Driver DIP	1.75
75451	Dual Peripheral Driver mDIP	.35
75452	Dual Peripheral Driver mDIP	.35
75453	(351) Dual Periph Driver mDIP	.35
75491	Quad Seg Driver for LED DIP	.71
75492	Hex Digit driver DIP	.80

Data included with order on request. Add \$.30 ea. if item is priced below \$1.00

FREE CATALOG AVAILABLE ON REQUEST

Satisfaction guaranteed. Shipment will be made postage prepaid within 3 days from receipt of order. Payment may be made with personal check, charge card (include number and exp. date), or money order. Phone Orders — BotA and M C card or C.O.D

Add \$1.00 to cover shipping and handling if order is less than \$10.00. California residents add sales tax. Include shipping expense for orders shipped out of U.S. and Canada approx. 10% of order.

INTERNATIONAL ELECTRONICS UNLIMITED
VILLAGE SQUARE, P.O. BOX 449
CARMEL VALLEY, CA 93924 USA
PHONE (408) 659-3171



TTL 7400N

SN7400N	15	SN74121N	36
SN7401N	15	SN74122N	42
SN7402N	15	SN74123N	49
SN7403N	15	SN74125N	45
SN7404N	18	SN74126N	45
SN7405N	18	SN74128N	65
SN7405N	18	SN74132N	84
SN7406N	34	SN74136N	64
SN7407N	34	SN74141N	93
SN7408N	18	SN74142N	3.70
SN7409N	18	SN74143N	3.98
SN7410N	15	SN74144N	3.98
SN7411N	21	SN74145N	89
SN7412N	28	SN74147N	68
SN7413N	29	SN74148N	1.25
SN7414N	41	SN74150N	99
SN7416N	26	SN74151N	63
SN7417N	31	SN74153N	63
SN7420N	15	SN74154N	99
SN7421N	21	SN74155N	78
SN7422N	21	SN74156N	69
SN7423N	27	SN74157N	64
SN7425N	27	SN74159N	2.50
SN7426N	24	SN74160N	89
SN7427N	27	SN74161N	89
SN7428N	35	SN74162N	89
SN7430N	15	SN74163N	89
SN7432N	24	SN74164N	1.10
SN7433N	35	SN74165N	99
SN7437N	23	SN74166N	1.19
SN7438N	23	SN74167N	2.98
SN7440N	15	SN74170N	1.75
SN7442N	38	SN74172N	8.75
SN7443N	85	SN74173N	1.29
SN7444N	85	SN74174N	99
SN7445N	74	SN74175N	89
SN7446AN	78	SN74176N	79
SN7447AN	78	SN74177N	78
SN7448N	74	SN74178N	1.25
SN7450N	15	SN74179N	1.60
SN7451N	15	SN74180N	1.49
SN7453N	15	SN74181N	1.99
SN7454N	15	SN74182N	69
SN7460N	15	SN74184N	1.89
SN7470N	28	SN74185AN	1.85
SN7472N	27	SN74186N	6.95
SN7473N	31	SN74188N	3.50
SN7474N	31	SN74190N	1.09
SN7475N	48	SN74191N	1.09
SN7476N	34	SN74192N	88
SN7480N	39	SN74193N	88
SN7481AN	99	SN74194N	94
SN7482N	59	SN74195N	59
SN7483AN	69	SN74196N	93
SN7484AN	1.65	SN74197N	83
SN7485N	88	SN74198N	1.69
SN7486N	32	SN74199N	1.69
SN7489N	1.95	SN74221N	1.20
SN7490AN	45	SN74246N	1.95
SN7491AN	64	SN74247N	1.85
SN7492AN	46	SN74248N	1.75
SN7493AN	46	SN74249N	1.75
SN7494N	74	SN74251N	1.40
SN7495AN	69	SN74252N	85
SN7496N	69	SN74278N	2.45
SN7497N	2.85	SN74279N	5.99
SN74100N	99	SN74283N	1.45
SN74104N	43	SN74284N	4.50
SN74105N	43	SN74285N	4.50
SN74107N	29	SN74290N	85
SN74109N	49	SN74293N	85
SN74110N	54	SN74298N	1.98
SN74111N	74	SN74351N	1.92
SN74116N	1.75	SN74365N	65
SN74120N	1.40	SN74366N	65
		SN74367N	65
		SN74368N	65
		SN74390N	1.40
		SN74393N	1.40
		SN74490N	1.90

ZENER DIODES

IN472B-IN4752A	19
(1 watt molded)	
IN746A-IN759A	15
(400 MW)	

TTL LOW POWER SCHOTTKY

SN74LS00N	25	SN74LS138N	1.49
SN74LS01N	25	SN74LS139N	1.25
SN74LS02N	25	SN74LS145N	1.25
SN74LS03N	25	SN74LS151N	1.25
SN74LS04N	30	SN74LS153N	1.25
SN74LS05N	30	SN74LS155N	1.45
SN74LS08N	25	SN74LS156N	1.45
SN74LS09N	25	SN74LS157N	1.25
SN74LS10N	25	SN74LS158N	1.20
SN74LS11N	25	SN74LS160N	1.95
SN74LS12N	25	SN74LS161N	1.95
SN74LS13N	69	SN74LS162N	1.95
SN74LS14N	1.35	SN74LS163N	1.95
SN74LS15N	25	SN74LS164N	1.98
SN74LS20N	25	SN74LS168N	2.25
SN74LS21N	25	SN74LS169N	2.25
SN74LS22N	25	SN74LS170N	2.80
SN74LS26N	40	SN74LS174N	1.40
SN74LS27N	30	SN74LS175N	1.40
SN74LS28N	30	SN74LS181N	3.50
SN74LS30N	25	SN74LS190N	1.95
SN74LS32N	37	SN74LS191N	1.95
SN74LS33N	39	SN74LS192N	1.95
SN74LS37N	39	SN74LS193N	1.95
SN74LS38N	39	SN74LS194A	1.40
SN74LS40N	30	SN74LS195A	1.40
SN74LS42N	1.10	SN74LS196N	1.45
SN74LS48N	1.10	SN74LS197N	1.45
SN74LS47N	1.10	SN74LS221N	1.35
SN74LS48N	1.10	SN74LS240N	2.50
SN74LS49N	1.10	SN74LS241N	2.50
SN74LS51N	25	SN74LS242N	2.40
SN74LS54N	25	SN74LS243N	2.40
SN74LS55N	25	SN74LS244N	2.50
SN74LS56N	1.75	SN74LS247N	1.30
SN74LS73N	49	SN74LS248N	1.30
SN74LS74N	49	SN74LS249N	1.30
SN74LS75N	69	SN74LS251N	1.55
SN74LS76N	49	SN74LS253N	1.55
SN74LS78N	49	SN74LS257N	1.60
SN74LS83AN	1.49	SN74LS261N	1.50
SN74LS85N	1.75	SN74LS268N	2.95
SN74LS86N	58	SN74LS266N	69
SN74LS90N	99	SN74LS279N	59
SN74LS91N	1.15	SN74LS283N	1.40
SN74LS92N	1.10	SN74LS290N	1.40
SN74LS93BN	99	SN74LS293N	1.35
SN74LS95AN	1.60	SN74LS295AN	1.75
SN74LS96N	1.75	SN74LS298AN	1.25
SN74LS107N	49	SN74LS324AN	2.25
SN74LS109N	55	SN74LS352AN	1.45
SN74LS112N	49	SN74LS353AN	1.70
SN74LS113N	49	SN74LS365AN	1.75
SN74LS114N	49	SN74LS366AN	1.75
SN74LS122N	89	SN74LS367AN	1.75
SN74LS123N	1.09	SN74LS368AN	1.75
SN74LS124N	1.95	SN74LS375AN	1.80
SN74LS125N	75	SN74LS386AN	1.95
SN74LS126N	75	SN74LS395AN	5.99
SN74LS132N	1.25	SN74LS5670AN	2.95
SN74LS136N	55		

We offer the largest variety of current production Texas Instruments and Fairchild Semiconductor only 74LS devices from stock. Even through the competition for current production major manufacturer 74LS devices is limited, we are dedicated to provide the best prices possible. As our costs decrease, we pass the savings on to you, our customer.

TEXAS INSTRUMENTS DATA BOOKS

STK NO.	DESCRIPTION	PRICE
LCB1011	Understanding Solid State Electronics	2.95
LCB1891	Software Design for Microprocessors	12.95
LCC4041	Power Data Book	3.95
LCC4112	TTL Data Book	4.95
LCC4131	Transistor and Diode Data Book	4.95
LCC4151	Linear and Interface I.C. Data Book	3.95
LCC4200	Semiconductor Memories Data Book	2.95
LCC4230	Optoelectronics Data Book	2.95
LCC4241	Linear Control Circuits Data Book	2.95

FAIRCHILD DATA BOOKS

Power Data Book	3.00
Bi-Polar Memory Data Book	2.50
Linear Integrated Circuit Data Book	2.95
Low Power Schottky and Macrologic TTL	1.75
Interface Data Book	1.00
Raytheon Linear Integrated Circuit Data Book	1.50
SolidStateScientific CMOS 'B' Series Data Book	2.50
Unitrode Semiconductor Data Book	1.50

STANDARD MICROSYSTEMS

COM2502	8 Bit UART	7.95
COM2601	Universal Synchronous Receiver Transmitter	23.50
COM2017	8 Bit UART	8.50

CMOS

CD4000BE	.10
CD4001BE	.19
CD4002BE	.14
CD4006BE	1.19
CD4007BE	.18
CD4008BE	.85
CD4009BE	.39
CD4010BE	.39
CD4011BE	.95
CD4012BE	.18
CD4013BE	.39
CD4014BE	.95
CD4015BE	.95
CD4016BE	.39
CD4017BE	.99
CD4018BE	1.09
CD4019BE	.44
CD4020BE	1.09
CD4021BE	1.15
CD4022BE	.95
CD4023BE	.19
CD4024BE	.69
CD4025BE	.18
CD4026BE	1.45
CD4027BE	.44
CD4028BE	.79
CD4029BE	.89
CD4030BE	.39
CD4033BE	1.70
CD4034BE	2.95
CD4035BE	1.05
CD4040BE	1.05
CD4041BE	.69
CD4042BE	.65
CD4043BE	.50
CD4044BE	.50
CD4049BE	.39
CD4050BE	.39
CD4051BE	1.20
CD4052BE	1.20
CD4053BE	1.25
CD4055BE	1.35
CD4056BE	1.50
CD4060BE	1.50
CD4068BE	.65
CD4068BE	.25
CD4069BE	.25
CD4070BE	.25
CD4072BE	.30
CD4073BE	.30
CD4075BE	.30
CD4076BE	1.10
CD4078BE	.25
CD4081BE	.25
CD4082BE	.30
CD4085BE	.75
CD4086BE	.75
CD4502BE	1.20
CD4507BE	.54
CD4510BE	1.10
CD4511BE	1.50
CD4512BE	1.20
CD4518BE	1.19
CD4518BE	.95
CD4519BE	.89
CD4520BE	.89
CD4528BE	1.25
CD4531BE	1.25
CD4539BE	1.20
CD4555BE	.75
CD4558BE	.75
CD4585BE	1.80
74C85/40085PC	1.20
74C160/40160PC	1.65
74C161/40161PC	1.65
74C162/40162PC	1.65
74C163/40163PC	1.65
74C174/40174PC	1.50
74C175/40175PC	1.50
74C192/40192PC	1.65
74C193/40193PC	1.65
74C194/40194PC	1.50
74C195/40195PC	1.50

LED's

Litronix	1.05
IL1	1.15
IL5	.69
IL12	.82
IL74	23
AL2	
Texas Instruments	
TIL111	.99
TIL112	.95
TIL113	1.25
TIL114	1.15
TIL116	1.20
TIL117	1.30
TIL118	.80
TIL119	.85
TIL138	2.25
TIL139	2.25
TIL209A	.18
TIL211	.39
TIL220	.20
TIL221	.19
TIL222	.35
TIL23	1.98
TIL24	3.95
TIL302	3.98
TIL303	3.98
TIL304	3.98
TIL305	4.95
TIL306	7.95
TIL307	7.95
TIL308	7.95
TIL309	7.95
TIL311	8.95
TIL312	1.60
TIL313	1.60
TIL31	1.50
TIL32	.85
TIL63	.95
TIL66	.75
TIL78	.60
TIL81	1.20
LS600	2.10
Fairchild	
FCD802	.60
FCD806	.60
FCD810	.75
FCD820A	.75
FLV117	.18
MV5054-1	1.85
FND357	1.75
FND500	1.75
FND507	1.75
FND807	3.00
FNS700	.60

Plastic Power Transistors

TIP29A	45	TIP116	80
TIP30C	59	TIP117	90
TIP31A	52	TIP121	1.25
TIP32A	55	TIP122	1.50
TIP33C	90	TIP125	1.35
TIP41A	65	TIP127	1.60
TIP42A	75	TIP295	89
TIP47	80	TIP3055	85
TIP112	.88		

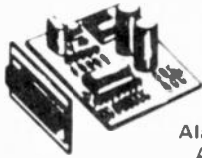
LINEARS

LM301AH		34
LM301AN-8	(mini dip)	34
LM304H		75
LM305H		78
LM305AH		90
LM307H		28
LM307N-8	(mini dip)	28
LM308H		84
LM309H		75
LM309K		115
LM311H		89
LM311N-8	(mini dip)	99
LM318H		1.50
LM318N-8	(mini dip)	1.25
LM323K		6.95
LM324N		1.10
LM339N		1.20
LM555N-4	(mini dip)	.44
LM555N-14		.89
LM703CN-14		.24
LM710CN-14		.29
LM710CH		.50
LM723CN-14		.49
LM733CN-14		.99
LM739CN-14		1.20
LM740CH		1.50
LM741CH		1.50
LM741CN-8	(mini dip)	.28
LM741CN-14		.25

JUMBO LED CAR CLOCK

\$16.95

KIT



Alarm Option - \$1.50
AC XFMR - \$1.50

THE HOTTEST SELLING KIT WE EVER PRODUCED!
You requested it! Our first D.C. operated clock kit. Professionally engineered from scratch. Not a makeshift kluge as sold by others. Features:

- A. Bowmar Jumbo -.5 inch LED array.
- B. MOSTEK - 50250 - Super Clock Chip.
- C. On board precision crystal time base.
- D. 12 or 24 Hr. Real Time Format.
- E. Perfect for cars, boats, vans, etc.
- F. P.C. Board and all parts (less case) included.

**50,000 SATISFIED CLOCK
KIT CUSTOMERS CANNOT
BE WRONG!**

THIS MONTH'S SPECIALS
AMD - 8080A \$14.95
Z-80 CPU 49.95
82S129 1K PROM 2.50

1702A 2K EPROM
We tell it like it is. We could have said these were factory new, but here is the straight scoop. We bought a load of new computer gear that contained a quantity of 1702A's in sockets. We carefully removed the parts, verified their quality, and are offering them on one heck of a deal. First come, first served. Satisfaction guaranteed! U.V. Eraseable. \$6.95 ea. 4/\$25

UP YOUR COMPUTER!
**21L02-1 1K LOW POWER 500 NS
STATIC RAM** Time is of the essence!
And so is power. Not only are our RAM's faster than a speeding bullet but they are now very low power. We are pleased to offer prime new 21L02-1 low power and super fast RAM's. Allows you to STRETCH your power supply farther and at the same time keep the wait light off.
8 for \$12.95

60 HZ CRYSTAL TIME BASE
S.D. SALES EXCLUSIVE!
\$5.95

KIT FEATURES:

- A. 60HZ output with accuracy comparable to a digital watch.
- B. Directly interfaces with all MOS Clock Chips.
- C. Super low power consumption (1.5 ma typ.)
- D. Uses latest MOS 17 stage divider IC.
- E. Eliminates forever the problem of AC line glitches.
- F. Perfect for cars, boats, campers, or even for portable clocks at ham filed days. **2/\$10.00**
- G. Small size; can be used in existing enclosures.
Kit includes Crystal, Divider IC, PC Board, Plus all necessary parts and specs. **At last count - over 20,000 sold!**

S.D. SALES EXCLUSIVE
\$12.95 MOS 6 DIGIT UP-DOWN COUNTER \$12.95

40 PIN DIP. Everything you ever wanted in a counter chip. Features: Direct LED segment drive, single power supply (12 VDC TYPE.), six decades up/down, pre-loadable counter, separate pre-loadable compare register with compare output, BCD and seven segment outputs, internal scan oscillator, CMOS compatible, leading zero blanking. 1MHz. count input frequency. Very limited quantity! WITH DATA SHEET

7400-19c	7411-29c	7451-19c	7490-65c	74153-75c
74LS00-49c	7413-50c	7453-19c	74LS90-95c	74154-100
7402-19c	7416-69c	7473-39c	7492-75c	74157-75c
74LS02-49c	7420-19c	7474-35c	7493-69c	74161-95c
7404-19c	7430-19c	74LS74-59c	7495-75c	74164-1.10
74L04-29c	7432-34c	7475-69c	7496-89c	74165-1.10
74S04-44c	7437-39c	7476-35c	74121-38c	74174-95c
74LS04-49c	7438-39c	7480-49c	74123-65c	74181-2.50
7406-29c	7440-19c	7483-95c	74132-1.70	74191-1.25
7408-19c	7447-85c	7485-95c	74S138-1.95	74192-1.25
7410-19c	7448-85c	7486-45c	74141-75c	74193-1.00

TTL INTEGRATED CIRCUITS

**1000 MFD
Filter Caps**
Rated 35 WVDC
Upright style
with PC leads.
Most popular
value for hobby-
ists. Compare at
up to \$1.19 ea.
from franchise
type electronic
parts stores. S.D.
Special 4/\$1.

**Slide Switch
Assortment**
Our best seller.
Includes mini-
ature and stan-
dard sizes; single
and multi-pos-
ition units. All
new, first
name brand. Try
one package and
you'll reorder
more!
Special
12/\$1.00



**RESISTOR
ASSORTMENT**
1/4W 5% & 10%
PC leads. A good
mix of values.
200/\$2.



**P.C. LEAD
DIODES**
1N4148/1N914
100/\$2.00
1N4002-1A.
100 PIV 40/\$1.

**HEAVY DUTY
Full Wave Bridge**
25 AMP 50 PIV
\$1.25

**DISC CAP
ASSORTMENT**
PC leads. At
least 10 different
values. Includes
.001, .01, .05,
plus other stan-
dard value.
60/\$1.00

TRANSISTOR SPECIALS
EN2222 NPN 8 for \$1.00
EN2907 PNP 8 for \$1.00
2N3904 NPN 8 for \$1.00
2N4400 NPN 10 for \$1.00
2N4402 PNP 8 for \$1.00

LED's WITH CLIPS
Jumbo Red. RL-2
by Litronix. With plastic mtg.
clips which are very scarce.
4 for \$1.00

C&K MINI TOGGLE SWITCH
No. 7101. S.P.D.T. Panel
mount or P.C. mount. 79c
3 for \$2.



SIX DIGIT LED ALARM CLOCK KIT
We made a fantastic kit even better. Redesigned to take advantage of the latest advances in I.C. Clock technology. Features: Litronix Dual 1/2 inch displays, Mostek 50250 super clock chip, Single I.C. segment driver, SCR ditit drivers. Greatly simplified construction. More reliable and easier to build. Kit includes all necessary parts (except case). P.C.B. or XFMR optional.
ALL NEW DESIGN! P.C. Board - 3.00 AC XFMR - \$1.50 KIT \$9.95

Motorola SCR
2N4443. 8 AMP 400 PIV.
P.C. Leads 3/\$1.

FAIRCHILD - TBA 641
4W. Audio power Amp. Just
out! In special heat sink
DIP. One super audio IC.
\$1.50 with data

FND-359 -Led Readout
.4 IN. Common Cathode.
High efficiency. Has FND-
70 PIN OUT. 59c

OUR CATALOG
is chocked full of rare parts
bargains, deals, RAM or CPU
kits, plus much more. Yours
FREE!

**PRICES SHOWN SUBJECT
TO CHANGE WITHOUT
NOTICE.**



\$15.95

COMPUTER POWER SUPPLY
A very fortunate purchase. One of the best industrial quality REG-
ULATED supplies we have seen. High performance, small size.
Input is 120 VAC 60 HZ. Has the following regulated outputs:
-5VDC@800MA; -15VDC @ 1.25 AMP; -25VDC @ 180 MA.
Sold at a fraction of original cost. Do yourself a favor and order
NOW. We expect a quick sellout.

NEXT MONTH:
S.D. will have music for your ears. Watch our ads.

For your Imsai or Altair 8080 Computer:
Z-80 CPU Kit - \$149. 4K Low Power Ram Kit - \$89.95

Terms: Money back guarantee.
No COD. Texas residents add
5% sales tax. Add 5% of order
for postage & handling. Or-
ders under \$10. add 75c.
Foreign orders: US funds
only!

Call your BankAmericard or
Master Charge order in on our
continental United States
toll free Watts:
1-800-527-3460
Texas Residents Call Collect:
214/271-0022

Special Thanks to:
Dennis, Fred, Abe, Bill, Sam,
Hal, Tom, Alex, John, Ely,
and Larry

S.D. SALES CO.
P. O. BOX 28810
Dallas, Texas 75228

CRYSTALS

THESE FREQUENCIES ONLY

Part #	Frequency	Case/Style	Price
CY1A	1.000 MHz	HC33/U	\$5.95
CY2A	2.000 MHz	HC33/U	\$5.95
CY3A	4.000 MHz	HC18/U	\$4.95
CY7A	5.000 MHz	HC18/U	\$4.95
CY12A	10.000 MHz	HC18/U	\$4.95
CY14A	14.31818 MHz	HC18/U	\$4.95
CY19A	18.000 MHz	HC18/U	\$4.95
CY22A	20.000 MHz	HC18/U	\$4.95
CY30B	32.000 MHz	HC18/U	\$4.95

XR-2260KB Kit \$27.95 XR-2206KA Kit \$17.95

WAVEFORM GENERATORS	EXAR	TIMERS
XR-205 \$4.40	XR-555CP \$3.35	XR-320P 1.55
XR-2206CP 4.49	XR-556CP 1.85	XR-556CP 3.70
XR-2207CP 3.95	MISCELLANEOUS	XR-2556CP 3.25
	XR-2211CP \$6.70	XR-2240CP 3.25
	XR-4136 99	PHASE LOCKED LOOPS
	XR-1310CP \$3.20	XR-1468 3.85
	XR-1310EP 3.20	XR-1468 5.80
	XR-1800P 3.20	XR-2115 6.60
	XR-2567 2.99	XR-2208 5.20
		XR-567CT 1.70

CONNECTORS

PRINTED CIRCUIT EDGE-CARD

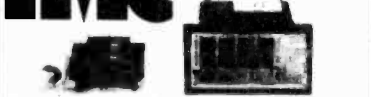
156 Spacing-Tin Double Read-Out
Bifurcated Contacts — Fits 054 to .070 P.C. Cards

15/30	PINS (Solder Eyelet)	\$1.95
18/36	PINS (Solder Eyelet)	\$2.49
22/44	PINS (Solder Eyelet)	\$2.95
50/100 (.100 Spacing) PINS (Solder Eyelet)		\$6.95

25 PIN-D SUBMINATURE

DB25	PLUG	\$3.25
DB25	SOCKET	\$4.95

3 1/2 DIGIT DVM Kit



This 0-2 VDC .05 per cent digital voltmeter features the Motorola 3 1/2 digit DVM chip set. It has a 4' LED display and operates from a single +5V power supply. The unit is provided complete with an injection molded black plastic case complete with Bezel. An optional power supply is available which fits into the same case as the D-2V DVM allowing 117 VAC operation.

- A. 0-2V DVM with Case \$49.95
- B. 5V Power Supply \$14.95

VECTOR WIRING PENCIL

Vector Wiring Pencil P-73 consists of a hand held featherlight (under one ounce) tool which is used to guide and insulate wires. Led off a self-contained replaceable bobbin, onto component leads or terminals installed on pre-punched P-Plate Vectorboard. Connections between the wrapped wire and component leads, pads or terminals are made by soldering. Complete with 250 FT. of red wire \$9.95

REPLACEMENT WIRE — BOBBINS FOR WIRING PENCIL

W36-3-A-Plg 3	250 ft. 36 AWG GREEN	\$2.40
W36-3-B-Plg 3	250 ft. 36 AWG RED	\$2.40
W36-3-C-Plg 3	250 ft. 36 AWG CLEAR	\$2.40
W36-3-D-Plg 3	250 ft. 36 AWG BLUE	\$2.40

1/16 VECTOR BOARD

PHENOLIC	D1* Hole Spacing Part No.	P-Plate		Price
		L	W	
	64P44 06212XP	4.50	6.50	1.72 1.54
	169P44 021XP	4.50	17.00	3.69 3.32
EPDXY	64P44 062	4.50	6.50	2.07 1.86
	64P44 062	4.50	8.50	2.56 2.31
	169P44 062	4.50	17.00	5.04 4.53
EPDXY GLASS	169P44 062	8.50	17.00	9.23 8.26
COPPER SLAD	169P44 062C1	4.50	17.00	6.80 6.12

HEAT SINKS

205-CB	Beryllium Copper Heat Sink with Black Finish for T0-5	\$ 25
291-36H	Aluminum Heat Sink for T0-220 Transistors & Regulators	\$ 25
680-75A	Black Anodized Aluminum	\$1.60

HEXADECIMAL ENCODER 19-KEY PAD



\$10.95 each

63 KEY KEYBOARD



\$19.95

HD0165 16 LINE TO FOUR BIT PARALLEL KEYBOARD ENCODER \$7.95

JOYSTICK



*5K Pots \$6.95
*100K Pots \$7.95

MICROPROCESSOR COMPONENTS

8080A CPU	\$19.95	8228 System Controller - Bus Driver	\$10.95
8212 8 Bit Input/Output	4.95	MC6800L 8 Bit MPU	35.00
8214 Priority Interrupt Control	15.95	MC6820L Pemph. Interface Adapter	15.00
8216 Bi-Directional Bus Driver	6.95	MC6810AP1 128 x 8 Static RAM	6.00
8224 Clock Generator/Driver	10.95	MC6830L7 1024 x 8 Bit ROM	18.00

GEMINI-68 The Unique Microprocessing System

Standard 4 1/2" Boards - Dual 22 pin edge connector NOT A KIT

Fully Buffered and Tristatable Address and Data Buses FULLY ASSEMBLED

STAND ALONE CPU BOARD — Has 384 bytes of RAM on board, serial I/O (RS-232 and 20 ma current loop, cycle stealing direct memory access (DMA), built in soft-ware — selectable echo back capability. Part # SA-CPU Board \$279.95

CPU BOARD — Same as above but only has 128 bytes of RAM on board used with BK RAM board listed below. Part # Gemini 68 CPU Board \$259.95

BK RAM BOARD — Uses low power static RAMS, 500ns cycle time, 1.5 Amps Max Part # Gemini 68 RAM Board \$269.95

BK EPROM BOARD — Uses 5204 EPROMS by AMI or NATIONAL. Shipped with all decode and miscellaneous IC's, except the 5204 EPROMS. Part # Gemini 68 EPROM Board \$ 89.95

Allow approximately four weeks per delivery

SPECIAL REQUESTED ITEMS

MC6306P 3.50	CD4508 6.75	825115 75.00	3341 6.95
MC6168P (74416) 7.50	CD4515 6.50	5841 9.95	9368 3.95
MC14583 3.50	CD4520 2.70	8850240 17.50	MC14067.7 5.95
MC14562 14.50	MC04571 17.50	11C90 19.95	LD110,LD111 25.00/set
CD4059 9.95	MC06574 17.50	DS00260H 3.75	AY-5-9100 17.50 ea
CD4070 95	MC06575 17.50	TTL308 10.50	95490 13.95

THE BUGBOOKS — Integrated Circuits Applications & Experiments

BUGBOOK I & II - Basic concepts of TTL Logic — over 90 experiments \$17.00/set

BUGBOOK IIa - Introduces UART — recommended for RTTY enthusiast \$5.00/book

BUGBOOK III - Explores 8080 chip — introduces Mark 80 Microcomputer \$15.00/book

555 TIMER APPLICATIONS SOURCEBOOK WITH EXPERIMENTS — over 100 design techniques \$6.95/book

Introductory Offer — all 5 books (worth \$43.95) SPECIAL - \$39.95

CONTINENTAL SPECIALTIES

PROTO BOARD 6	Other CS Proto Boards	PROTO CLIPS
\$15.95 (6" long X 4" wide)	PB100 - 4.5" x 6" \$ 19.95	14 PIN \$4.50
	PB101 - 5.8" x 4.5" 29.95	16 PIN 4.75
	PB102 - 7" x 4.5" 39.95	24 PIN 8.50
	PB103 - 9" x 6" 59.95	
	PB104 - 9.5" x 8" 79.95	
	PB203 - 9.75 x 6 1/2 x 2 1/4 75.00	
	PB203A - 9.75 x 6 1/2 x 2 1/4 120.00 (includes power supply)	
	Logic Monitor \$84.95 for DTL, HTL, TTL or CMOS Devices	

QT PROTO STRIPS

QT type	#holes	price
QT-595	590	12.50
QT-596	bus strip	2.50
QT-475	470	10.00
QT-476	bus strip	2.25
QT-355	350	8.50
QT-356	bus strip	2.00
QT-185	180	4.75
QT-125	120	3.75
QT-85	80	3.25
QT-75	70	3.00

Experimenter 300 \$ 9.95
Experimenter 600 \$10.95

\$5.00 Minimum Order — U.S. Funds Only
California Residents — Add 6% Sales Tax
Spec. Sheets - 25¢ — Send 35¢ Stamp for 1977A Catalog
Dealer Discount Available — Request Pricing

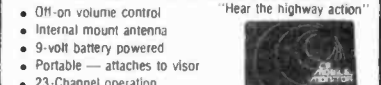
James ELECTRONICS
1021-A HOWARD AVE., SAN CARLOS, CA. 94070
PHONE ORDERS WELCOME — (415) 592-8097
All Advertisers Prices Good Thru April

Panatronics LOGIC ANALYZER KIT



Troubleshoot any type of digital system including Microcomputers. (Includes IC, power supply, PC Board, case and manual) LA100 Kit \$189.00

TV ANTENNA SWITCH



• More than 60 db isolation
• Switches 300 ohm to 300 ohm
• Switches 75 ohm to 300 ohm
• RF coax connecting cable (16ft.) with RCA phono plugs \$6.95

CB MOBILE MONITOR

• Off-on volume control
• Internal mount antenna
• 9-volt battery powered
• Portable — attaches to visor
• 23-Channel operation
• Long range reception (Battery not included)
Actual Size - 4" x 3" x 1 1/2" \$9.95

DIGITAL STOPWATCH

• Bright 6-Digit LED Display
• Times to 99 minutes 59.95 seconds
• Crystal Controlled Time Base
• Three Stopwatches in One
• Times Single Event — Split & Taylor
• Size 4.5" x 2.15" x .90" (4 1/4 ounces)
• Uses 3 Penrite Cells
Kit — \$39.95
Assembled — \$49.95
Heavy Duty Carry Case \$5.95

Stop Watch Chip Only (7205) \$19.95



Timeband

DIGITAL ALARM CLOCK \$16.95

• 24-Hour Alarm
• "DOZE" Button
• 100% Solid State
• Large Red Led Display (.8" high)
• AM/PM Indicator
• Seconds Display at touch of button
• SPECIFY BLACK OR IVORY

DIGITAL QUARTZ CAR CLOCK

Complete kit from mounting bracket of the injection molded case down to the three conductor power cord and all components including MM5314 clock chip. Features quartz accuracy of 0.1% vs. 1% vs. 1% high LED display and P.C. boards. Works on any 12 volt system — motorcycles, boats, vans, motor-homes, autos, and trucks. DIMENSIONS: 4 1/2" x 4 1/2" 12 or 24 HOUR MODE
Kit: \$29.95
Assembled: \$39.95

CASE ONLY (includes hardware, mounting bracket and bezel) \$6.50

JE700 CLOCK

The JE-700 is a low cost digital clock, but is a very high quality unit. The unit features a simulated walnut case with dimensions of 6" x 2 1/2" x 1 1/2". It utilizes a MAN72 high brightness red-lead and the MM5311 clock chip.
12 or 24 Hour
115 VAC
\$17.95

DIGITAL CLOCK KIT — 3 1/2 INCH DIGITS

This clock features big 3 1/2" high digits for viewing in offices, auditoriums, etc. Each digit is formed by 31 bright 0.2" LED's. The clock operates from 117 VAC, has either 12 or 24 hr. operation. The 6 digit version is 27" x 3 1/2" x 1 1/2" and the 4 digit is 18" x 3 1/2" x 1 1/2". Kits come complete with all components, case, and transformer.
Specify 12 or 24 Hour When Ordering

4 DIGIT KIT \$49.95 4 DIGIT ASSEMBLED \$59.95
6 DIGIT KIT \$69.95 6 DIGIT ASSEMBLED \$79.95

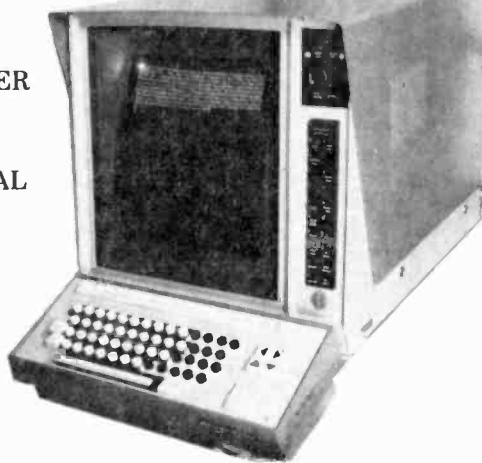
JE803 PROBE

The Logic Probe is a unit which is for the most part indispensable in trouble shooting logic families TTL, DTL, RTL, CMOS. It derives the power it needs to operate directly off of the circuit under test, drawing a scant 10 mA max. It uses a MAN72 readout to indicate any of the following states by these symbols: (H) 1 (LOW) 0 (PULSE) P. The Probe can detect high frequency pulses to 45 MHz. It can't be used at MOS levels or circuit damage will result.
\$9.95 Per Kit
printed circuit board

T-1 5V 1A Supply

This is a standard TTL power supply using the well known LM309K regulator IC to provide a solid 1 AMP of current at 5 volts. We try to make things easy for you by providing everything you need in one package, including the hardware for only \$9.95 Per Kit

COMPUTER
DISPLAY
TERMINAL
\$180.00



Unused computer terminals in original factory boxes. Made for airline ticketing & seating reservations. 17 inch B/W CRT in modernistic housing. 41 lines of data, 52 characters per line, generated by diode matrix (graphic) technique. Self contained power supply. Keyboard, free standing, reed switches, 54 data keys, 28 special keys. Logic unit (not shown) 1024 by 6 bit core memory, printer I/O interface, communications I/O interface. Due to several years storage, though unused, you may have to tinker, clean contacts on circuit boards, etc. We furnish free with each, one operational manual, one book of schematics. Sold "as is", all sales final. The price is a give-a-way. Check with order please (for immediate shipping certify your check. Shipped truck (238 lbs) you pay shipping on arrival. These have been interfaced by local customers with KIM-1 and IMSA1 (no doubt can be interfaced with many others.

\$180.00

JOHN MESHNA JR, PO BOX 62, E.LYNN MASS 01904

CIRCLE 49 ON FREE INFORMATION CARD

**BIG-BRIGHT - .5" LED ALARM CLOCK
6 DIGIT AC or DC or ELAPSED TIMER KIT**

\$19.95 Complete

- PC Board Drilled & Silk Screened (Includes Xtal Time Base Circuitry)
- 5375 Nat. Clock Chip & Fairchild Displays
- Includes EVERY part required for clock and all options except Cabinet and Crystal Time Base components. If desired, see below.
- Brightness Control
- 24 Hr. Alarm w/snooze
- Freeze feat. on every mode
- 0-60 Min. Elapsed Timer
- Field Tested over 1 Yr.
- 12 Hr., 60 Hz oper.

Most Important — Complete Instructions, schematics Pictorials, layouts — everything for trouble free assembly
OPTION — XTAL Time Base Components - \$2.95 when purchased w/clock
Wooden Case - Walnut gr. incl. Filter \$4.00 each
Dimension - 6 5/16" W x 2 9/16" H x 3 7/16" D (1/8" Material)

Plexiglass Case (Ch. - Bl., White, Blue, & Smoke) incl. Filter \$3.00 each

Dimensions - 5 13/16" W x 2 1/4" H x 5 3/8" D (1/8" Material)

Individual Filters - Red, Smoke, Blue, Amber and Green \$.60 each

SPECIALS

- 8080A Microprocessor \$19.95 ea.
- 21L02-1 Low Power 500NS RAM \$1.95 ea.
- .6" Display Common Anode or Cathode \$1.95 ea.
- .5" Fairchild Display Com. Anode or Cathode 79¢ ea.
(Same as FTK 0001 & FTK 0002)
- .8" 3 1/2 Digit Display Module \$5.40
(Same as FTK 0010)
- LM309K - 5 Volt Regulator - Raytheon 79¢
- LM340T Series Regs - 5, 6, 12, 15 & 24 V (pos.) 99¢
- LM741 Op. Amp. 14 Pin Dip Pkg 4 for 99¢
- 2N3055 NPN Transistor TO-3 Pkg 59¢
- 2N4904 PNP (complement to 2N3055) 69¢
- 25 Amp - 200 Volt Full Wave Bridge \$1.49

HOBB-Y-TRONIX, INC.

Box 511, Edison, N.J. 08817

Orders must include Check - No COD's. Add \$1.00 handling for orders under \$25.00. N.J. residents - add 5% tax.

CARBON FILM RESISTORS

IN STOCK - A FULL LINE OF QUALITY 1/4 W 5% RESISTORS
STANDARD VALUES FROM 2.7 ohm to 4.7Mohm

5 for .25 10 for .40 100 for \$1.60 1000 for \$14.
(no mix of values) 100 per value for 1000 price

<p>Memory</p> <p>MOS 256 by 1 INTEL 1101A .59 ea</p>	<p>Photocells</p> <p>Qual Cadmium Sulfide Photocells, by Clairrex. .25 Each 10 for 2.00</p>	<p>Bipolar Memory</p> <p>Fairchild 9341D 256 by 1 - 40MS \$1.00 ea</p>
<p>NE2 Neon Lamps</p> <p>W/39K Resistor 10/\$1.00</p>	<p>25K Trimmer</p> <p>Printed Circuit Board Type Each \$.20 10 for \$1.50</p>	<p>Zener Diodes</p> <p>6 V 1 W 6.8 V 1/2 W 5% 6 / \$1.00</p>
<p>RESISTORS</p> <p>Preformed 1/2 W 5 & 10% Popular Values 100 Asst. \$1.00</p>	<p>RESISTORS</p> <p>Preformed 1/4 W 5 & 10% Popular Values 100 Asst. \$1.00</p>	<p>HP</p> <p>5082-4557 Bright Yellow LEDs w/panel clips 3 / \$1.00</p>

150 Mhz PRESCALER

ECL INPUT-TTL COMPATIBLE OUTPUT - DIVIDE BY 10 AND 100, BOARD, IC'S, COMPONENTS AND COMPLETE INSTRUCTIONS..... \$12.95

650MHZ OPTION - DIVIDE BY 100 OR 1000 INCLUDES ABOVE PLUS 11C90 FAIRCHILD ECL CHIP \$29.95

MONTHS SPECIALS

- ★ 747 DUAL 741 OP-AMP .65
- ★ REGULATORS
- ★ 1 AMP TO-220 TAB
- ★ +5, +12, +24
- ★ -5, -12, -24 EACH .75
- ★ 1 AMP TO-3
- ★ +5, +12, +24 EACH \$1.00
- ★ free INTEL data book with \$25 order

Specials

Diode Array
10-11914 SILICON SIGNAL DIODES IN ONE PACKAGE. 20 LEADS ALTERNATELY SPACED .1"; NO COMMON CONNECTIONS.
25¢ ea.
Ten for \$2.25

Transistor Sale!

- 2N5964 - HEP50005, NPN, 150V Each .20, 10 for 1.50
- 2N4248 - HEP715, PNP, 40V. Each 15¢ 10 for \$1.00
- 2N2222 - NPN, 20¢ 10 for \$1.75
- 2N4400 NPN \$.15 10 \$1.35

POTTER BRUMFIELD

Type KHP Relay
4 PDT 3A Contacts
24V DC . \$1.50
(650 coil)
120V AC . \$1.75
(10.5 MA coil)



POWER TRANSISTORS

TIP 31 PWR TAB NPN 50 EA 10 FOR 4.00
04101 PWR TAB PNP 50 EA 10 FOR 4.00
2N3773 T03 160 V 15 A. 1.50 EACH

BOOKS

- Learn Microprocessing!
- I An Introduction to Microcomputers by Adam Osborne \$7.50
- II An Introduction to Microcomputers Volume II: Some Real Products \$12.50
- III 8080 Programming for Logic Design by Adam Osborne \$7.50
- Complete Set of Three for \$25.00

High Quality PCB Mounting IC Sockets

- wire wrap sockets 4 pin \$.19
- 14 pin .19
- 14 PIN WW .35
- 16 PIN WW .45
- 16 pin .21
- 24 pin .55
- 28 pin .70
- 48 pin 1.10

TRIACs 59¢ each

SPACE AGE CLOCK KIT

Instructions & parts - 12 or 24 hour format.
Four digit clock kit includes all parts for complete clock: 3 1/2" x 2":
-FND 70 readouts
-MM5314 clock chip & all transistors, etc.
-extruded aluminum case
-cord with transformer plug
\$16.95



RCA 8 amp 500+ volt triacs, house numbered

MOLEX

- 500 \$ 4.50
- 1000 8.00
- 2000 15.00

Diac .25 ea

DIP Trimmer

-12 turn trim pots which plug into a DIP socket
-5K and 200K
-1/2" x 1/2" x 1/2"
-4 leads spaced .3" x .2"
Each 5.65 10 for \$4.95



1 Amp OP AMP

Sim. National LM0021. General purpose operational amplifier in an 8-pin TO-3 package. Capable of large output currents. Complete data included. \$4.50 each 5 for \$20.00

Send a stamp for our flyer listing more money-saving bargains!

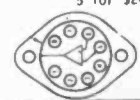
Orders under \$7.00 add \$1.00 postage and handling. Residents of Cal. add sales tax. Orders shipped promptly. \$10 minimum on C.O.D.s.

Phone (916)334-2161

Mail orders to: P.O. Box 41778 Sacramento, CA 95841

Money Back Guarantee

BABYLON ELECTRONICS



CIRCLE 38 ON FREE INFORMATION CARD

Radio Hut

TERMS: Money Back Guarantee. No. COD's. Texas Residents add 5% Tax. Add 5% of order for postage and handling. Orders under \$15.00 add 75¢. Foreign Orders: US Funds ONLY!
 For your convenience, call your BankAmericard or Master Charge orders in our Continental United States. Call Toll Free 1-800-527-2304. Texas Residents call Collect 1-214-271-8423.

P.O. Box 64783 Dallas, Texas 75206

VARIABLE POWER SUPPLY KIT #1

- Continuously variable from 5V to 20V
- Excellent regulation up to 300 mill
- 4400 MFD of filtering.
- Drilled Fiberglass PC board
- One hour assembly
- Makes an excellent bench or lab power supply
- Kit includes all components
- Yes, Case is included

ONLY \$9.95

VARIABLE POWER SUPPLY KIT #2

Same as above but with 1 amp output also with case - ONLY \$12.95

POSITIVE VOLTAGE REGULATORS

LM340-6 LM340-15
 LM340-8 LM340-18
 LM340-12 LM340-24

To 220 Case. Your choice ONLY \$.85

NEGATIVE VOLTAGE REGULATORS

7905 7915
 7906 7924
 7912 To 220 case

Your choice - ONLY \$.85 each

FINNED HEATSINK for above

Regulators 2-3/4" high
 2-1/2" wide
 1" deep

ONLY \$.40 each

TRANSISTORS

2N3904 6 / 1.00
 2N3906 6 / 1.00
 2N3055 .65
 2N4400 6 / 1.00
 2N5401 6 / 1.00
 *2N2907 15 / 1.00

(*House numbered and are PC lead)

BATTERY CLIP

Standard 9V battery clip with
 4-1/2" tinned leads 15 / \$1.00

2N4249 @ 4/1.00
 2N4443 400V 8 amp SCR @ .65

TN2021 RCA 200V · 115W T03 NPN @ 1.25

Potter Brumfield Relay
 115 VAC · 4PDT @ 1.00

Pancake Photo Cell @ 2/1.00

LM380 8 Pin Mini Dip @ .75

Memorex Computer Boards @ 4.25
 (5 pieces)

Color Organ
 60 Watt @ 2.00

Sockets - Pulled from new PC Boards
 Guaranteed 100%

24 PIN low Profile 4/1.00
 40 PIN Low Profile 3/1.00

TRANSISTOR ASSORTMENT
 A good selection of PNP NPN transistors, PC Lead
 Spec included for numbers in assortment 20/1.00
 (100% Satisfaction Guaranteed)

IN4004 400 PIV 1 amp @ 15/1.00
 IN4007 1000 PIV 1 amp @ 10/1.00
 IN4148 Switching @ 20/1.00

MAN 8 @ 1.25 each

FND 800 .80 character c.c. only 2.50

LINEARS

LM710	14 Pin	.25	NE555	.45
LM711	14 Pin	.25	NE566	.95
LM741	Can, 14 Pin Mini-Dip	.25	NE565	.95
			NE566	.95
LM748	Can	.25	NE567	1.10
LM324	14 Pin	.40	1458 (5558)	.49
LM309K		.95		
LM3900		.35		
LM380	8I Pin Mini-Dip	.75		
LM380	14 Pin	1.00		

LOW POWER SCHOTTY

74LS00	.25	74LS74	.49
74LS02	.25	74LS90	.85
74LS04	.30	74LS132	.90
74LS08	.25	74LS138	.89
74LS10	.25	74LS139	.89
74LS11	.32	74LS155	.90
74LS20	.31	74LS157	1.00
74LS21	.33	74LS162	1.39
74LS22	.33	74LS163	1.39
74LS27	.30	74LS175	1.09
74LS30	.31	74LS193	1.09
74LS32	.33	74LS258	1.09
74LS37	.40	74LS367	.70
74LS38	.35	74LS368	.70

REPEAT OF SELLOUT

12 HOUR BASIC CLOCK KIT INCLUDES:

- FCS 8000 3-1/2 Digit .80in. Characters
- FCM 7010 Direct Drive Radio Alarm Clock chip
- 1 case (Punched for readout)

ALL THIS ONLY \$9.50 (Specs included)

DRILLED PC BOARD

For above only \$2.50
 Transformer for above \$1.00

WATERGATE SPECIAL: Telephone relay automatically starts and stops tape recorder. No batteries required. KIT COMPLETE with all parts—drilled PC board and case. \$10.95

5V POWER SUPPLY—5 volt, 1 amp regulated power supply kit for all your TTL supply requirements.

FEATURES: line regulation .005%
 Load regulation 50mV Kit includes all components, PC Board, Transformer, Fuse and Pilot Light.
 Nothing else to buy! \$ 6.50

60 HZ CRYSTAL TIME BASE—This 60 Hz crystal time-base enables MOS Clock circuit to operate from a DC power source ideal for car, camper, van, boat, etc.

- *60 Hz output with an accuracy of .005% (typ)
- *Low power consumption 2.5mA (typ.)
- *Small size will fit most any enclosure
- *Single MOS IC oscillator/divider chip
- *5-15 volts DC operation

only \$5.95
 2 for \$10.00

TRANSFORMERS

12V CT 500ma @ 2.00
 10V 1 AMP @ 3.25

TTL 100% GUARANTEED! OR YOUR MONEY BACK

7400	.19	7425	.30	7454	.19	74100	\$1.
7401	.19	7426	.27	7470	.38	74123	.65
7402	.19	7427	.19	7472	.25	74125	.47
7403	.19	7432	.34	7473	.25	74141	.75
74L04	.29	7437	.39	7474	.39	74145	\$1.
7404	.19	7438	.39	7475	.59	74154	\$1.
7406	.29	7440	.19	7480	.49	74161	.95
7408	.19	7442	.65	7485	.95	74163	\$1.10
7409	.19	7443	.65	7490	.75	74164	\$1.10
7410	.19	7444	.69	7491	.75	74174	.95
7411	.29	7446	.89	7492	.75	74175	\$1.80
7413	.50	7447	.85	7493	.70	74180	.80
7420	.19	7450	.24	7494	.95	74191	\$1.25
7430	.19	7451	.19	7495	.75	74192	\$1.25
7421	.19	7453	.19	7496	.89	74193	\$1
7423	.39			74195			\$ 69

CALL OUR TOLL FREE NUMBER 1-800-527-2304 FOR QUANTITY DISCOUNT INFORMATION.

CMOS SALE PRICES SLASHED—ALL PARTS ARE 100%PRIME

CD4000	.16	CD4023	.16	CD4053	.90
CD4001	.16	CD4024	.70	CD4056	1.00
CD4002	.16	CD4025	.19	CD4058	.90
CD4007	.16	CD4027	.39	CD4060	1.00
CD4009	.45	CD4028	.75	CD4066	.69
CD4010	.45	CD4029	.99	CD4069	.30
CD4011	.16	CD4030	.16	CD4071	.16
CD4012	.16	CD4035	.99	CD4076	.99
CD4013	.29	CD4040	1.00	CD4102	.68
CD4014	.75	CD4041	.69	CD4116	.39
CD4015	.75	CD4042	.59	CD4507	.40
CD4016	.29	CD4043	.60	CD4512	.50
CD4017	.80	CD4044	.59	CD4516	.85
CD4018	.80	CD4049	.35	CD4518	.85
CD4019	.39	CD4050	.35	CD4520	.85
CD4021	.90	CD4051	.90	CD4528	.80
CD4022	.90	CD4052	.90	CD4911	.30
4006	1.10	4008	.16	4020	1.10
4032	.16	4047	.59	4077	.39
74C02	.29	74C04	.29		

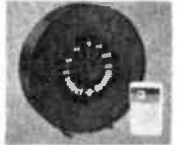
CAPACITORS

2200u'	35VDC	PC Lead Axial	@ .29 Elec.
1000u'	35VDC	PC Lead Axial	@ .29 Elec.
20u'	350VDC	PC Lead Radial	@ .29 Elec.
6.8uf	35VDC	PC Lead Axial	@ 6/1.00 Tant.
6.8uf	35VDC	PC Lead Axial	@ 10/1.00 Elec.
10uf	50VDC	PC Lead Axial	@ 10/1.00 Elec.
10uf	35VDC	PC Lead Axial	@ 10/1.00 Elec.
10uf	10VDC	PC Lead Axial	@ 10/1.00 Elec.
47uf	10VDC	PC Lead Axial	@ 10/1.00 Elec.
470uf	15VDC	PC Lead Axial	@ 16/1.00 Elec.
220uf	63VDC	PC Lead Axial	@ 6/1.00 Elec.
100uf	15VDC	PC Lead Axial	@ .20 Elec.
2000uf	16VDC	PC Lead Axial	@ 3/1.00 Elec.
470uf	16VDC	PC Lead Axial	@ 4/1.00 Elec.
68pf	50VDC	Disc	@ 20/1.00
220pf	50VDC	Disc	@ 20/1.00
150pf	Mica	@ .10	

USE OUR TOLL FREE NUMBER 1-800-527-2304

AMAZING & HARD-TO-FIND SCIENCE BUYS! ALTERNATE ENERGY SPACE AGE • HOBBIES

SUPER POWER FOR ANY AM RADIO



Antenna assist has pulled in stations up to 1000 miles* off!
No wires, clips, grounding. Solid state—no elec. batts., tubes.
No. 72,095EH \$19.95 Ppd.
ULTRA SELECT-A-TENNA (OVER 1000* MILES)
No. 72,147EH\$24.95
SUBJ. TO LOCAL COND.

SAVE 50%! 8 x 20 MONOCULAR



Top quality Spy Scope, a \$30 value, now \$14.95! Special purchase saves you 50%. 100% coated optics; 393 ft. field of view. Only 2 oz.—stores in pocket, purse, glove box.
No. 1568EH .. \$14.95 Ppd.

SEE MUSIC IN PULSATING COLOR



3-Channel Color Organ lets you modulate 3 independent strings of colored lamps w/ intensity of your music. "Audio light show" flashes, responds to rhythm, pitch!

No. 42,309EH (ASSEMBLED)\$18.50 Ppd.
No. 42,336EH (UNASSEMBLED).....\$15.95 Ppd.

NASA-CHOSEN FOR APOLLO/SOYUZ



The Astronauts used this super 20X60 binocular (modified) to view Earth! Big 60 mm objective lenses; 173-ft. field of view at 1000 yds. Relative brightness, 9.0. Fully coated optics, more!

No. 1556EH(9 1/4" x 8 1/2"; 47.5 oz) \$99.95 Ppd.

110V FUEL MISER RECLAIMS HEAT



Save your 40% wasted heat to warm a basement, garage, rec. rm. at no extra cost! Direct it your way instead of up the chimney. Fan-forced clean hot air via easy ducting!

No. 19,194EH (5" DIA.) Shpg. 17 lb. ..\$121.50 FOB
No. 19,195EH (6" DIA.)

BUILD ALPHA MONITOR: \$37.50!



All you need w/ your basic electronics knowledge (excl. 9v tr. batt.) for port. biofeedback unit, an aid to relaxation, concentration. 5 microvolt sensitivity; self-cont.

No. 61,069EH (KIT)\$37.50 Ppd.
No. 71,809EH (FULLY ASSEMBLED) ..\$59.95 Ppd.

PRO ELECTRONIC SOUND CATCHER



Parabolic mike w/ 18 1/2" transparent reflecting shield & 2 I.C.'s in amplifier magnifies signals 100X over omni-direction mikes. Catch sounds never bef. heard; highest signal to noise ratio poss. 5 1/2 lb.

No. 1649EH (REQ. 2.9V BATT.).....\$299.00 Ppd.

15% EFFICIENT SOLAR CELL!



Largest, most powerful ever for terrestrial use, to build solar panels where max. power per unit area is req. Output up to 12w per sq. ft. Produces 8A @ .45v, .38w output. 2" x 2" sq. 2.0Z.

No. 42,514EH..\$39.95 Ppd.

CAN'T SLEEP, RELAX? TRY THIS!



Electronic sound conditioner simulates 4 kinds of soothing sounds of ocean surf & rain; "white" sound helps mask unwanted noise. Medical tests proved analgesic effects!
No. 71,997EH \$89.95 Ppd.

QUALITY DETECTOR UNDER \$40



Our fully transistorized BFO unit can locate a quarter at 18". Powerful 6 trans.-oscillator-amplifier circuit. Comp. to others priced 50% more! Aluminum, just 2 lb.
No. 80,222EH \$39.95 Ppd.

EDMUND SCIENTIFIC CO.

300 Edscorp Bldg., Barrington, N.J. 08007 • (609) 547-3488
America's Greatest Science • Optics • Hobby Center



THERE IS NO OTHER TELESCOPE LIKE IT! THE NEW EDMUND 4 1/4", f/4 NEWTONIAN WIDE FIELD REFLECTOR TELESCOPE

Clear, bright, spectacular wide angle views of stars, moon, comets... easy to use... portable!

IN SECONDS YOU'RE SCANNING THE ASTOUNDING UNIVERSE. able to see and study the breath-taking cosmos as perhaps you never have before awesome vastness, unbelievable orderliness, stark silent beauty! All the fascinating heavenly mysteries are yours to enter and explore! This new reflector telescope makes it easy for everyone to span a thousand light-years to space-age enjoyment of the heavens and outdoors. No complicated set up! Just insert the eyepiece, focus, and its big 3 1/2" field of view gives you more stars in a single view than any other type of telescope. Bright, crisp, finely resolved images to capture your interest and imagination! It's probably the easiest to use telescope ever—over your shoulder, in your lap, on a tripod. Or just rotate the spherical base on its own mount for use on a table, car hood. Take it anywhere (only 17", 10 lb.). Top quality optical system: 4 1/4", f/4 parabolic primary mirror (1/4 wave, 17" F.L.); prealigned 1/4 wave diagonal on a coated optical window seals optics from moisture and dust. 28mm Kellner eyepiece (gives 15X, higher without other eyepiece or Barlow). Fast focusing (25 to infinity). Bright Scharfianian red (doesn't impair night vision), adj. carrying strap. A "first scope" must be an ideal second scope!

There is no other telescope like it. NO. 2001EH \$149.95 Ppd.

FOR GREATER RELAXATION, CONCENTRATION, listen to your Alpha and Theta brainwaves!



COMPARES
WITH UNITS
SELLING FOR
\$150 UP.

No. 1689EH
Do-It-Yourself Kit #61069EH \$37.50 ppd.
Low Cost 'Starter' Unit #71809EH \$59.95 ppd.

Do it with an amazing biofeedback monitor. This ultra-sensitive sensor detects brain signals, lets you monitor (hear and see!) your Alpha and Theta brainwaves. Great aid to relaxation, concentration. This portable (8 x 3 x 4") lightweight (24 oz.) metal unit has a unique electrode headband to slip on or off in seconds without messy creams or solutions. Hooked to amplifier, it filters brainwaves, and signals an audible beep for each Alpha or Theta wave passed. You get both audio and visual (L.E.D.) feedback with this reliable, completely safe unit. It operates on two 9v transistor batteries, offers features comparable to many costlier models. A comprehensive instruction booklet is included.

No. 1689EH JUST \$99.95 Ppd.

LOW COST, HIGH QUALITY INFRA-RED EYE

BINOCULAR
STYLE
\$329.95

A must for Infra-red crime detection surveillance, security system alignment, I.R. detection, laser checking, night-time wildlife study—any work requiring I.R. detection and conversion to the visible spectrum. Self-contained scope (11 x 14 1/4 x 3") includes I.R. light source (for up to 90' sight at night!), 6032 I.R. converter tube, f/3.5 telephoto lens, adjustable triplet eyepiece, an adapter for use with your car's cigarette lighter—more! Bright 1.6X image (Binocular style gives super-bright 2.5X). Focuses from 10' to infinity, runs on 6 or 12v DC.

Not for sale to Cal. residents other than authorized by U.S. Armed Forces, law enforcement agencies or solely for scientific research and education purposes.

STANDARD STYLE, STOCK NO. 1683EH ONLY \$299.95 Ppd.
BINOCULAR STYLE, STOCK NO. 1685EH JUST \$329.95 Ppd.



STANDARD
STYLE
\$299.95

COMPLETE AND MAIL COUPON NOW

EDMUND SCIENTIFIC CO. 300 Edscorp Bldg., Barrington, N. J. 08007

Send me the following:

Stock No. _____ Quantity _____ Price Ea. _____

SEND FREE

164 PG. CATALOG "EH"

Charge my American Exp

BankAmericard Master Chg.

Interbank No. _____

Card No. _____

Expiration Date _____

30-DAY MONEY-BACK GUARANTEE. You must be satisfied or return any purchase in 30 days for full refund.

Signature _____

Address _____

City, State, Zip _____

GIANT FREE 164 PG. CATALOG



4,000 UNUSUAL BARGAINS
FOR HOBBYISTS,
SCHOOLS, INDUSTRY

new design... new features...unique, time-tested principle!

Weller® controlled output soldering station

Model WTCPN. New convenience-features. Striking contemporary appearance. Completely new design. Now more than ever in a class by itself. Only Weller's advanced engineering could have improved on its own predecessor WTCPL Station, popular standard of the electronics industry.

- new heat shield for cool operator comfort
- new plug-in iron design for zero down-time
- new integral tip-storage tray
- new larger sponge for easier tip cleaning
- improved, unitized rocker switch and neon indicator light
- new impact-resistant case

And add to these new features Weller's unique, proven, closed-loop, low-voltage circuit: with its "interchangeable brains" in the tip... a ferromagnetic sensor that controls the temperature at 600, 700, or 800°F., protecting sensitive work pieces. To change temperatures, simply change tips with knurled thumb-screw. More than 50 options in configuration, tip size, reach, and temperature! Exclusive-process triple-plating prevents tip oxidation and "freezing".

With all these new features and exclusive principles, Model WTCPN is still all function... no frills! It's UL-listed and OSHA-compliant, of course. And now it's available at leading electronic distributors... coast-to-coast. See it there. For technical information, write on your letterhead.



Weller-Xcelite Electronics Division
The Cooper Group

P.O. BOX 728 • APEX, NORTH CAROLINA 27502

CIRCLE 15 ON FREE INFORMATION CARD

The 40-channel Cobra 29XLR. From the sleek brushed chrome face to the matte black housing, it's a beauty. But its beauty is more than skin deep. Because inside, this CB has the guts to pack a powerful punch.

The illuminated 3-in-1 meter tells you exactly how much power you're pushing out. And pulling in. It also measures the system's efficiency with an SWR check. In short, this Cobra's meter lets you keep an eye on your ears.

The Digital Channel Selector shows you the channel you're on in large LED numerals that can be read clearly in any light. There's also switchable noise blanking to reject short-pulse noise other systems can't block. The built-in power of DynaMike Plus. Automatic noise limiting

and Delta Tuning for clearer reception.

And the added protection of Cobra's nationwide network of Authorized Service Centers with factory-trained technicians to help you with installation, service and advice.

The Cobra 29XLR. It has 40 channels. And it has what it takes to improve communications by punching through loud and clear on every one of them. That's the beauty of it.



Punches through loud and clear.

Cobra Communications Products
DYNASCAN CORPORATION

6460 W. Cortland St., Chicago, Illinois 60635

Write for color brochure

EXPORTERS: Empire • Plainview, N.Y. • CANADA: Atlas Electronics • Toronto

PUNCH AND BEAUTY



CIRCLE 4 ON FREE INFORMATION CARD