

**radio-
electronic
circuits**

RADIO-CRAFT LIBRARY

NO. 34

50 cents

RADIO • CRAFT LIBRARY No. 34

radio- electronic circuits

Prepared

By the Editors of



PUBLISHED BY

RAD CRAFT PUBLICATIONS, INC.

25 west broadway

new york 7, n. y.

Copyright, 1947
BY HUGO GERNSBACK
All Rights Reserved

First Printing—July, 1947
Second Printing—October, 1947

Printed in United States of America

contents

section 1

Receivers 5

section 2

Amplifiers 20

section 3

Power Supplies 33

section 4

Transmitters and Oscillators 38

section 5

Intercoms 43

section 6

Testers 46

section 7

Miscellaneous 58

index 63

pre face

THIS is a companion book to *HANDY KINKS AND SHORT CUTS*. It represents the circuit ideas of the radio experimenter rather than of the editors. Some of the circuits are ingenious, other are adaptations of common circuits to meet the special requirements of the builder, but all represent the ideas of the active experimenter at work.

The relative size of each chapter is an accurate gauge of the experimenter's interest; the number of circuits in each chapter is based on the number of contributions to the *Radio-Electronic Circuits* department of *RADIO-CRAFT* magazine. It is no surprise that receivers and amplifiers top the list in popularity. Among the many circuits given are those for a one-tube superhet; an all-wave portable receiver; an r.f. regenerator and several different superregenerators.

This book, the editors feel, will find a place on every radio man's bookshelf, because of the many odd and useful circuits which are not to be found elsewhere.

Circuits are the basis of the electronic experimenter's handiwork. In many cases the ideas incorporated in these circuits, plus some new slant or variation conceived by the reader, will help to solve his problem.

The diagrams have been checked carefully and represent actual working hookups contributed by readers of *RADIO-CRAFT*.

Section 1...

RECEIVERS

1-Tube Superhet

USING the multi-element 1D8 tube, I have designed the superheterodyne shown in Fig. 101.

The pentode section is the mixer, the triode is the oscillator, and the diode plate a detector. T2 is the oscillator coil, T3 the transformer,

3-Tube A.C.-D.C. Set

THE diagram in Fig. 102 shows a midget 3-tube t.r.f. receiver for 115-volt a.c.-d.c. operation. The use of 2 dual-purpose tubes makes the set more compact.

The 6K7-GT functions as an amplifier, while the first section of

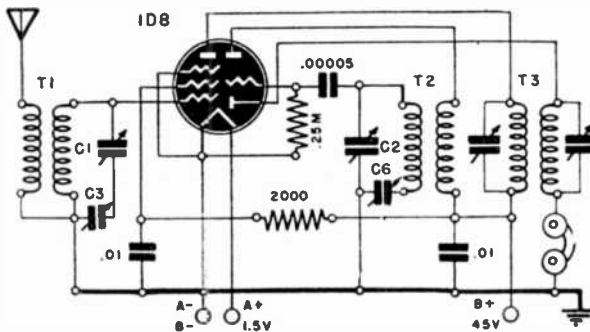


Fig. 101

and C1-C2 may be ganged. C3 and C6 are padders.

C3 may be omitted in most cases, the rotor of C1 being connected directly to ground. Alignment troubles will be saved if C1 and C2 are not ganged, but tuned independently.—MAX W. SCHMUCKLER.

the 6C8-G acts as a detector supplying the a.f. voltage into the second section for additional amplification.

The 25A7-GT is a combined output pentode and half-wave rectifier.

A good 3-inch PM speaker will handle the output.

Careful construction and alignment of the trimmers on the 2-gang tuning condenser will give plenty of volume.

A 10 foot antenna should be sufficient.

—DOUGLAS KOHL.

triode, the 1G6-G. These characteristics save space. The tubes can be lighted by 1 or 2 flashlight batteries. Two stages of audio are provided.

The short-wave coils, down to

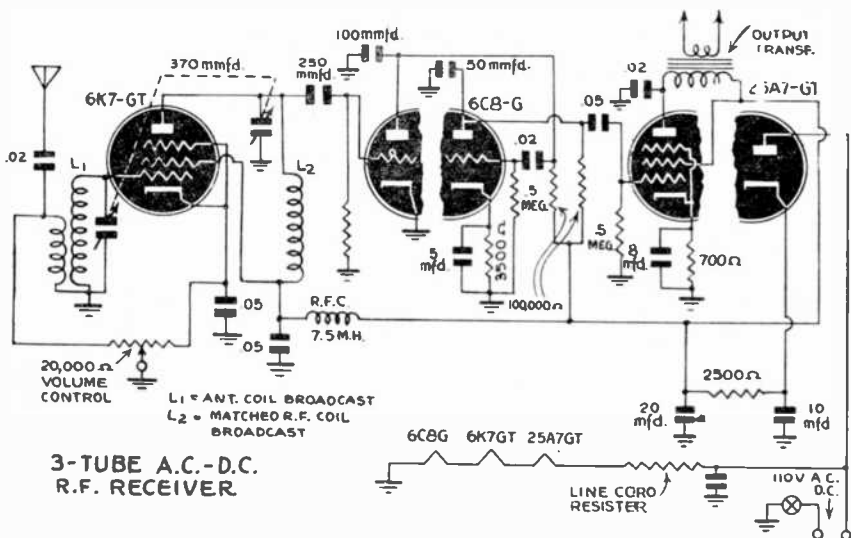


Fig. 102

All-Wave Portable

I EMPLOY this hookup (Fig. 103) in a battery portable. It uses one 1T4 and one double-purpose

19 meters, all work fine, and regeneration is smooth and easy to control. Standard short-wave coils are used. — ROBERT W. L. MARKS.

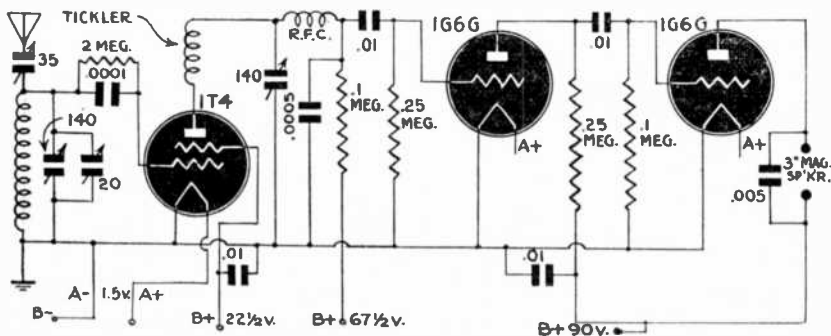


Fig. 103

PARTS LIST

C1—250 $\mu\mu\text{f}$	RFC—2.5 mh.
C2—30 $\mu\mu\text{f}$	R1—2 meg
C3—15 $\mu\mu\text{f}$	R2—100,000 ohms
C4—100 $\mu\mu\text{f}$	R3—250,000 ohms
C5—0.01 μf	R4—2,500 ohms
C6—0.001 μf	R5—400 ohms
C7—0.006 μf	R6—50,000 ohms
C8—0.01 μf	

—ROBERT J. MEAGHER.

distorted volume will result, even from the most powerful locals.

The synchronous vibrator makes a handy and compact power pack, but there is no reason why a vibrator using a rectifier tube should not be used, if available.

—D. A. KOHL.

Economy Four

THIS 4-tube superhet (Fig. 106) uses midget-type tubes. The circuit of the radio is conventional but for the power supply, which

R.F. Regenerator

THE diagram shown (Fig. 107) is of a set which I constructed and which works very well. Unusual features are regeneration in

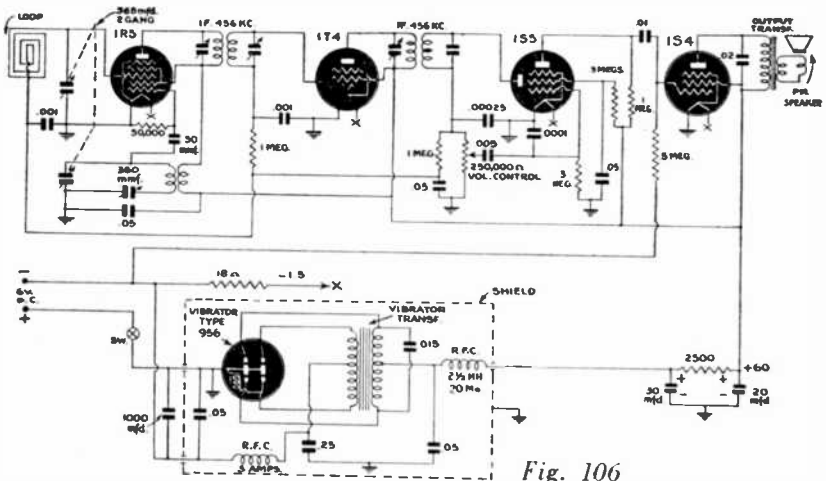


Fig. 106

is designed to operate efficiently on a 6 volt d.c. source of power. Because of the low B drain, the power supply can be designed so that the maximum drain will only be 1.5 amp. The vibrator transformer can be easily wound to fit the core of a bell-ringing transformer (try a small power transformer) by using the ratio of 6 turns per volt and No. 20 wire for the primary and No. 35 wire for the secondary. By using a fixed bias of 6 v on the 1S4, good un-

the second r.f. stage (not the detector), the method of securing regeneration, and the use of an untuned detector stage. The latter was decided upon because a diode detector instead of the second r.f. stage would load the tuned circuit and reduce the selectivity. Use the smallest condenser at C which will just permit oscillation over the entire band.

The coils were taken from an old t.r.f. set and the feedback coil was inserted inside the primary wind-

the power transformer when the receiver is in operation,
 T1—Power Transformer 700 v
 (C.t.)

- 5 v, 3.5 amp
- 6.3 v, 0.3 amp
- 350-350 v, 120 ma

T2—Audio 3:1 for single 6L6 tube

tance-capacity coupled to a 1C5-G as audio amplifier), it has given me such good results I would like to call it to the attention of readers (see Fig. 110).

It uses a 3-winding plug-in type of coil. I tried values of grid-leak ranging from 1 to 5 megohms but

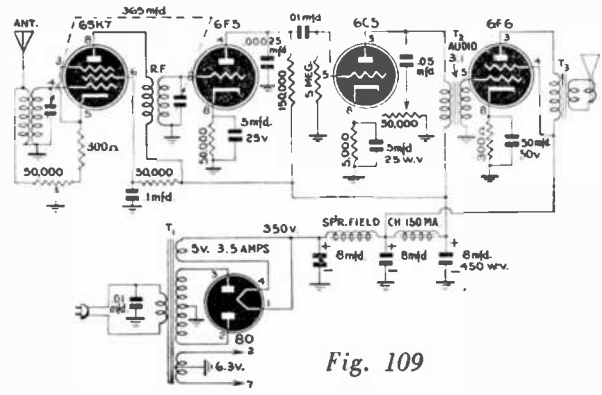


Fig. 109

T3—Universal output transformer
 1—Speaker (8-10 inch) electro-dynamic speaker

R—All resistors may be 1 w
 All other values are given on the diagram — EUSEBIO V. MANIQUIS.

Battery Short-Waver

WHILE there is nothing new about this circuit (a 2-tube regenerative short-wave set with a 1N5-G as grid-leak detector resis-

found 2 megohms best. The regeneration control is the usual 50,000-ohm potentiometer, used to vary the screen-grid voltage. I found no place on the dial where dead spots occurred and yet the control was not too "touchy."

The plate load for the 1C5-G was a filter choke salvaged from an old electric set. This tube adds greatly to the amplification and

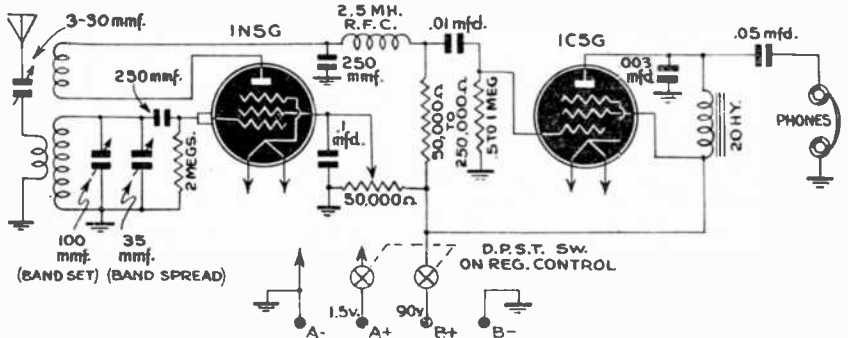


Fig. 110

will operate a small PM or magnetic speaker on many strong stations.

I have received all continents on this, using only the coil covering the 17- to 41-meter bands. —

GERALD A. CHASE.

Portable Radio

THIS novel receiver is intended for local reception only. Although it can be built much smaller I purposely made it large so that the loop would be bigger and have more pickup.

The circuit (Fig. 111) is straight regenerative.

Almost any small tube available may be used, such as the 1S5, 1A5-G, 1N5-G, all of which work equally well. The only trick is to have enough turns on L3 so the set will regenerate at any spot on the dial.

L1 is a spiderweb loop with approximately 30 turns roughly 3 x 6 inches. L2 is 20 turns on a 1-inch tube, and L3 is 35 turns wound directly over L2. Battery A is a

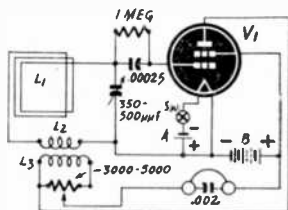


Fig. 111

1.5-v flashlight cell and B, 15 to 45 volts of B-battery. Any one of the tubes works very well on 22.5 v, and many on less.

—HAROLD J. SHAFFER.

1R5 Superregenerator

I HAVE designed a super-regenerative receiver that is eco-

nomical, light in weight, and sensitive for operation at remote locations.

The novelty of the circuit (Fig. 112) lies in the coefficient of coupling between the grid windings, and in the system of control-

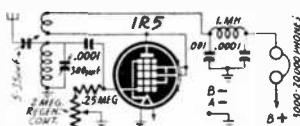


Fig. 112

ling regeneration. The circuit normally oscillates strongly, and is then damped by inserting a low value of resistance in the grid circuit. At the point of proper operation, a strong hiss will be heard in the headphones and the stations may then be tuned in.

The builder may wind the coils to any frequency. The coils are wound as for normal regenerative operation with the addition of 40 to 50 percent more turns added to the tickler.

Generally this circuit works best at the higher frequencies and is not recommended for operation at frequencies below 7 megacycles.

—BOB ESSEX.

10-200 Meter Set

THE circuit for this set uses a 6J7 regenerative detector and a 5C8 as an amplifier and half-wave rectifier. All other parts are from the junk box (Fig. 113).

By using standard plug-in coils, the range of 10 to 200 meters can be covered. Regeneration is controlled by the 15,000-ohm potentiometer. This set brings in London, South American stations, air-

craft, ship, and c.w. with plenty of wallop. —F. MACADAM.

Short-Wave Converter

THIS (Fig. 114) short-wave converter is just about the simplest

supply, and because of the low drain almost any tube may be used as a rectifier—provided, of course, that proper considerations are given to heater requirements.

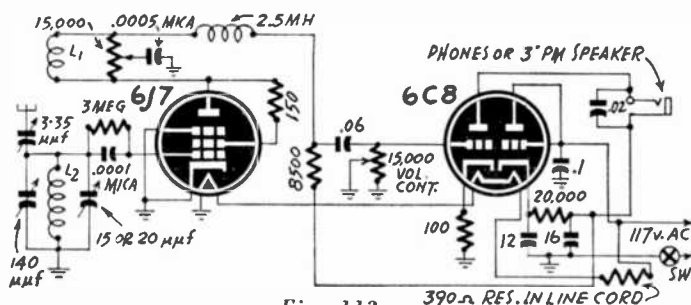


Fig. 113

and most economical converter that can be built. Under favorable conditions it will easily pick up

If oscillation does not occur, it may be necessary to increase the feedback by moving the oscillator coil tap, away from ground. No more than one additional turn should be required. — Y. MUKAI.

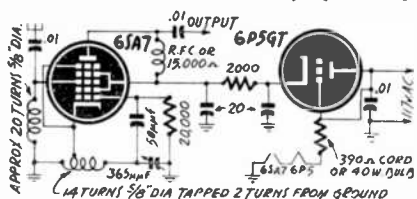


Fig. 114

London when connected to the antenna binding post of any 5-tube superhet.

The converter has its own power

Novel Receiver

THIS sensitive superregenerative receiver uses a 6AK5 high-frequency pentode and standard plug-in coils. The a.f. amplifier is a 6K6. A small power supply using a 6X5 supplies 200 volts for the plates of the tubes. If the voltage on the plate of the

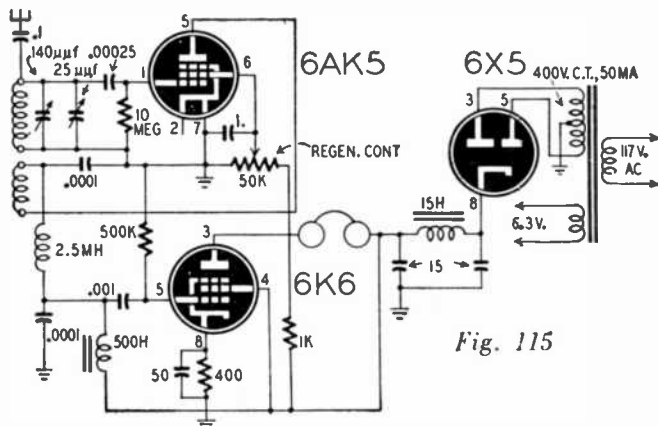


Fig. 115

6AK5 exceeds 180 volts, a resistor should be inserted between the B-plus lead and the 500-henry choke to drop the voltage to the desired value (see Fig. 115).

The power supply should be turned off when changing coils to avoid the risk of receiving a shock and to prevent operating the detector without plate voltage.

—JOHN JUSTIN.

1-Tube A.C.-D.C. Receiver

THE diagram (Fig. 116) shows a 1-tube a.c.-d.c. set that has

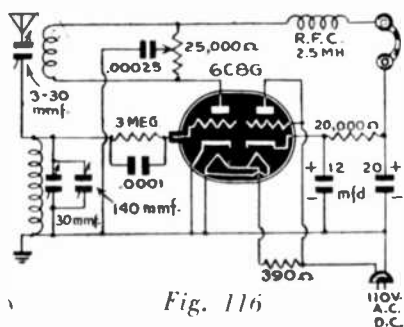


Fig. 116

been used very successfully. In about 25 nights I received over 200 short-wave stations.

tuning is by a variable condenser and plug-in coils. The set is used with phones or a small PM speaker.

—LEO SILBER.

High-Fidelity Tuner

THIS simple high-fidelity tuner can be attached to any public address system with excellent results. It uses a 6K7 r.f. stage and a 76 detector. See Fig. 117. The coils and tuning condensers were salvaged from an old t.r.f. receiver.

In localities where there are strong local stations, it may be necessary to use a small condenser (50-250 μmf) in series with the antenna to provide the proper ratio between selectivity and sensitivity.

—SAUL SHERMAN, W2MPL.

Effective Detector

THIS detector is just another variation of the well-known voltage doubler circuit applied as a detector (Fig. 118). If the .0005- μf condensers are increased in size it may increase the gain. The highs will be reduced if the condensers are of too large a value. If less

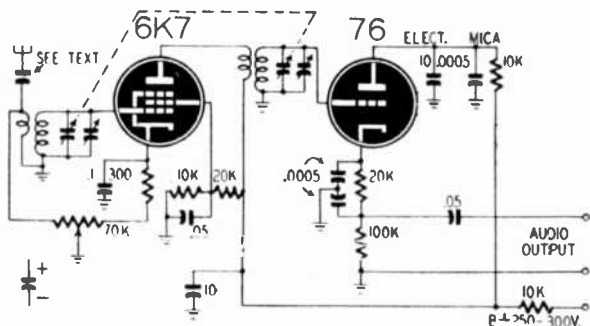


Fig. 117

The set uses a 6C8-G as combined detector and rectifier. The

a.v.c. action is needed, the a.v.c. may be obtained by tapping the

diode load resistor. The other components are the same as in the usual diode circuit — KENNETH LOEWEN.

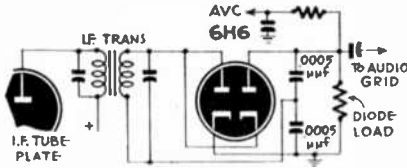


Fig. 118

Superregenerator

THIS superregenerator (Fig. 119) is selective enough that I

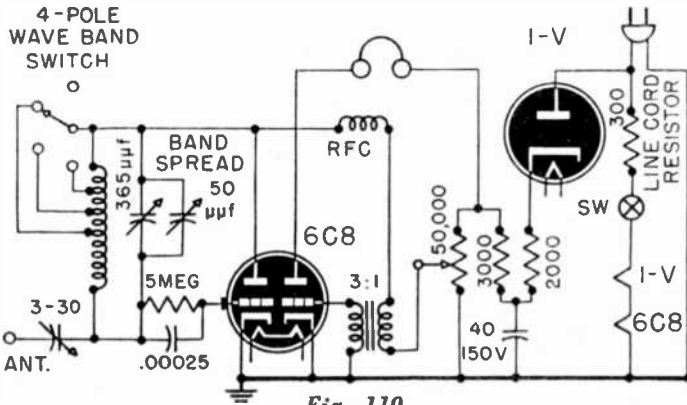


Fig. 119

have no difficulty separating the stations, although I occasionally have trouble keeping police calls apart.

The set uses a broadcast coil tapped for the short waves. I have no trouble with radiation except when the regeneration control is advanced too far. Then it puts out a healthy whistle. The 6C8 is a detector and audio amplifier, while the 1-V is used as the rectifier. The 6C8 must be shielded to prevent hum — DONALD CHASE.

Reflex-Regenerator

THE circuit of this reflex-regenerator is essentially a 3-tube

set using only 1 tube. The signal first undergoes regeneration through the tickler coil. It is then fed to the diode detector through an r.f. transformer. The detected component is applied through the audio transformer to the grid of the triode to be amplified at audio frequency. (See Fig. 120.)

Tr1 and Tr4 are standard r.f. transformers; Tr2 and Tr3 are audio transformers. The tickler

coil L, is a small coil wound on Tr4 as determined by experiment.

This set gives excellent results

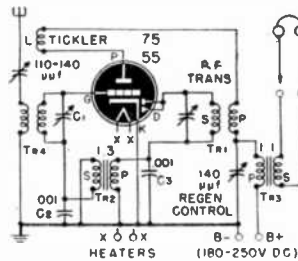


Fig. 120

on short-wave bands and is good for broadcast reception.

—HENRY W. GOULD.

loaded r.f. amplifier rather than another tuned circuit (see Fig. 125). The high-quality infinite-imped-

Two regular flashlight cells form the A-battery, and 3 penlight cells are used for the B. The grid coil has 95 turns $1\frac{1}{2}$ inches in diameter, the tickler 35 turns wound just above. I use a $365\text{-}\mu\text{f}$ trimmer with one plate removed.

—JIM BROPHY.

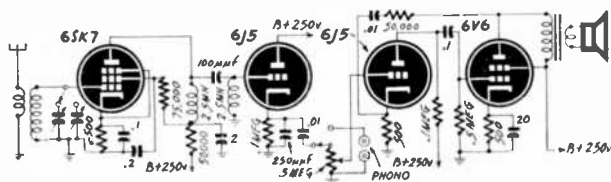


Fig. 125

ance detector does not overload and gives distortion-free response.

This detector is coupled through a phono-radio switch into a 2-stage audio amplifier. An inverse-

Photo-Tube Radio

THIS novel circuit (Fig. 127) will detect r.f. signals due to the electronic emission of a

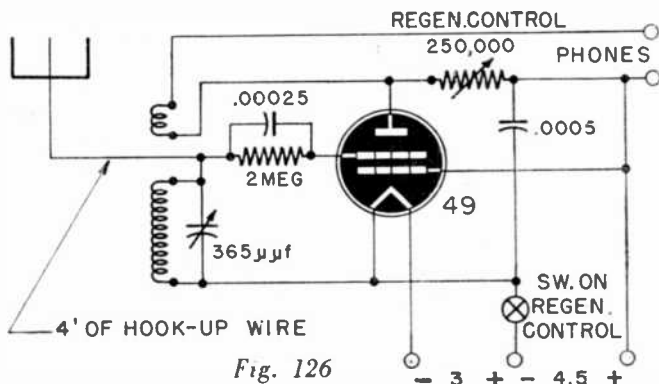


Fig. 126

feedback network is incorporated to enhance the bass response and to reduce harmonic distortion. The power supply is a conventional full-wave rectifier and capacitor-input filter.

—JEROME I. COOPERMAN.

Space-Charge Set

GOOD volume on all local stations is obtained from this receiver which fits in a box 4 x 5 x 2 inches. Note that the input is fed to the screen grid, and that the control grid is used as a space-charge element. (See Fig. 126.)

photo cell when it is struck by a light beam. When the light is turned off, no detection will result.

Dim light causes low volume, and bright light a higher volume level.

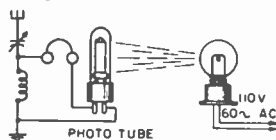


Fig. 127

No hum is noticeable, using a 60-watt incandescent lamp on a 60-cycle source. —L. E. SHEPARD.

Converter Control

HERE is a simple method of controlling the strength of the oscillator voltage applied to the grid of the converter of a superhet. It permits the operator to maintain a desirable ratio between oscillator injection voltage and signal voltage in the converter tube, and reduces objectionable hiss that is common at low signal levels.

In this circuit (Fig. 128), the oscillator of the set is replaced by one triode section of a 6SL7, the output of which is resistance-capacity-coupled to the remaining section through a variable control. The injection voltage for the converter is taken from the plate of the amplifier through a 10- μmf condenser.

It is imperative that the 50,000-ohm control be mounted very close to the socket of the 6SL7. An extension shaft may be used to bring a control out to the panel. Keep all other leads as short as possible in accordance with standard practice of oscillator construction.

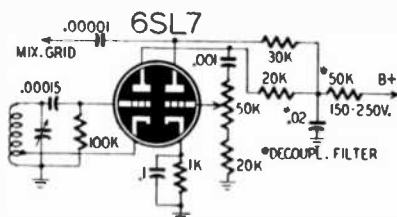


Fig. 128

The c.w. operator may use this circuit on his beat-frequency oscillator with the same advantages.

—C. E. HENDERSON.

Two-Tube Portable

THIS regenerative receiver (Fig. 129) covers the broadcast band without an external antenna

and with enough power to drive a small speaker on strong locals. A standard broadcast loop antenna, mounted on the case with wooden supports, provides enough pickup for most purposes. The entire set, including batteries, is built in a box 3 x 4 x 5 inches.

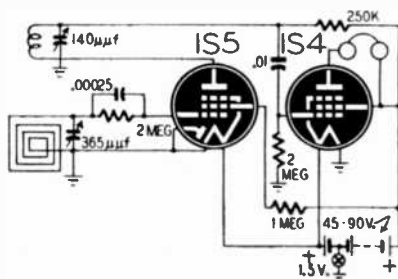


Fig. 129

It uses a 1S5 detector with a 1S4 a.f. amplifier. Regeneration is provided by winding a 10- to 15-turn loop, using No. 28 wire, over the grid winding. Volume and regeneration are controlled by a 140- μmf variable between one side of the tickler and ground. The grid winding is tuned with a small 365- μmf variable. Plate voltages are supplied from a 45- or 90-volt B-battery, the latter supplying sufficient power for a speaker.

—ARNOLD FITTINGER.

Novel Regenerator

THIS compact 1-tube super-regenerator provides a.f. amplification without an additional amplifier stage. It uses a 1A7-GT with the detector coils connected between the No. 1 and No. 2 grids (Fig. 130). This permits the plate to operate at full voltage without the coupling resistor normally used for interstage coupling to an a.f. amplifier. The plate is coupled to the

detector by the electron stream. Regeneration is controlled with a .02- μ f condenser and 500,000-ohm potentiometer in series between the No. 2 grid and ground.

If a long antenna is used, it should be connected to the control grid, No. 4, which is returned to

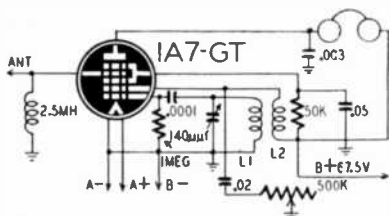


Fig. 130

ground through a 2.5-millihenry r.f. choke. A short antenna works best when connected directly to the oscillator grid.

Coils are wound as follows:

	I_1	I_2
14- 25 met	4t	6t
23- 41 met	7t	9t
40- 85 met	14t	12t
83-125 met	23t	23t
120-200 met	36t	36t

No. 36 d.c.c. or enamel wire is used on 1 $\frac{1}{4}$ -inch forms. The windings are spaced $\frac{1}{8}$ inch apart.

—HAROLD R. NEWELL.

1-Tube Set

THIS one-tube regenerative circuit gives excellent results on the broadcast band. I receive 5 to 10 stations at fair loudspeaker volume. with a 60-foot antenna and a good ground. Local stations can be received with a short 10-foot piece of wire strung

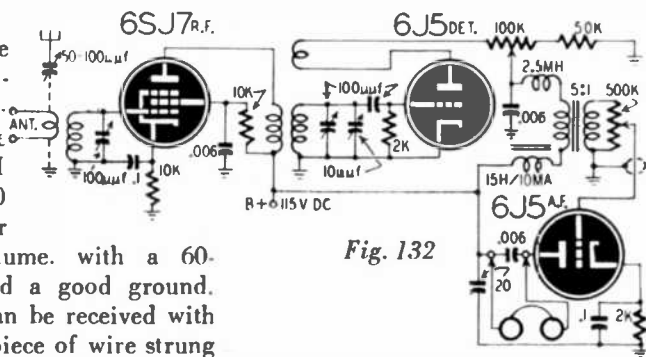


Fig. 132

around the room or laid on the floor (see Fig. 131).

The tube is a 1D8-GT—a combination diode-triode-pentode in one

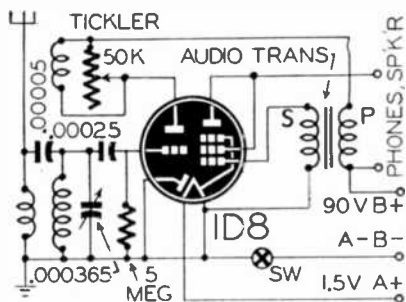


Fig. 131

envelope. The diode is unused and is grounded. The coil is a regular antenna coil with 30 turns of No. 30 wire wound on it for a tickler. Regeneration is controlled by a 50,000-ohm variable resistor across the tickler. —RICHARD KRAFT, JR.

115-Volt D.C. Receiver

HERE is a simple receiver that was constructed aboard ship as an auxiliary h.f. receiver. Standard 2- and 3-winding coils are used in the r.f. and detector circuits as shown in Fig. 132. A 15-henry choke was inserted in the plate lead to the detector to remove all traces of commutator hash. —J. YOUNG.

Section 2...

AMPLIFIERS

Push-Pull Amplifier

THIS push-pull circuit delivers 4 to 5 watts of power. The voltage-doubling circuit provides adequate voltage on the plates. An 8-inch speaker is recommended. (See Fig. 201)

The phase inverter (6SC7) feeds

filament resistor other types of tubes could be used.

—JOSEPH F. DUNDOVIC.

12-Watt Amplifier

SHOWN here is a diagram of a 12-watt high-gain amplifier which I designed (See Fig. 202).

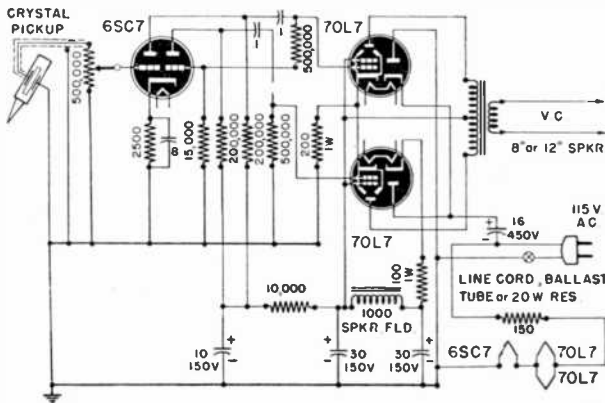


Fig. 201

an out-of-phase signal to the power stage. The 70L7 tubes are combined amplifiers and power rectifiers.

The 2 parallel 70L7's in series with the 6SC7 and 150-ohm resistor make an excellent filament

The voltage amplifier has sufficient gain to drive the output stage well up to a 15-watt peak. Three inputs are provided: 2 for phonographs with a fader control, and 1 for a high-impedance crystal, dynamic, velocity, or other microphone with a low output.

as shown in the diagram. When so used, the sensitivity control is turned to the extreme right (zero bias), and the plate current de-

The 20,000-ohm resistor and 0.5- μ f condenser in the B-plus line serve as additional filter and also to decouple the 2 stages. The

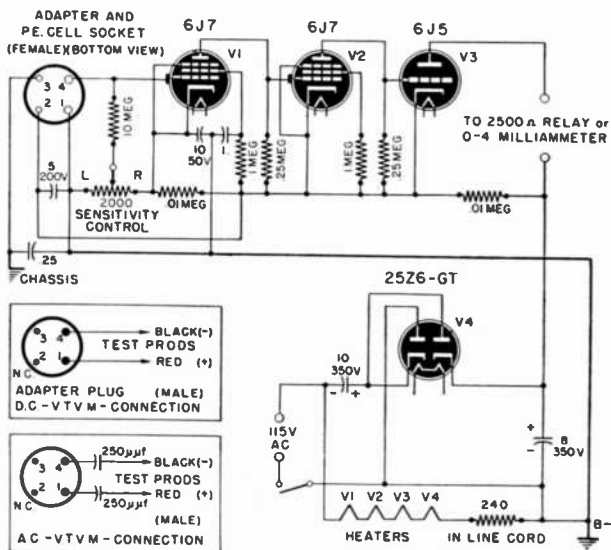


Fig. 203

creases in the 6J5 as the input voltage increases.

The power supply, a 25Z6-GT as a half-wave voltage doubler, is only partially filtered but if relay chatters the 8- μ f filter condenser can be increased in capacity.

—VERNON J. FOWLER.

2-Stage Amplifier

THIS 2-stage resistance-coupled amplifier (Fig. 204) was used to good advantage in talking to students grouped around a U-shaped bench. Outside noises, combined with other instructors talking loudly to their students, induced me to build the circuit. It has sufficient gain to enable good reception and is very clear and distinct.

inductor in the output tube's plate circuit was an old 1:3 audio transformer with a burned-out primary. Six pairs of headsets were used in parallel, though more could have been used.

The results were so good that a number were constructed for the various benches. Tubes used were either 6C5's, 6J5's or a single 6SN7.

—ROSS C. FERRY.

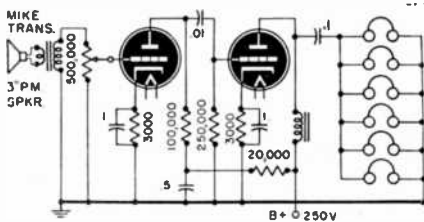


Fig. 204

be the use of a d.c. amplifier for vertical deflection. This circuit (Fig. 209) using a 6J7, 6K7, or equivalent tube gives a voltage gain of about 30, higher figures being possible by the use of tubes with higher transconductance, such as the 1232 or 1853. There is no need for a special device to center the graph on the screen of the c.r. tube, the adjustment of the screen-grid potentiometer of the amplifier tube does it.

It is necessary to separate the last accelerating anode and the deflecting plates from ground potential, this being probably the only drawback in this circuit; in this case the shell of the 913 c.r. tube has now a positive charge of 200 volts. As the potential of the

above ground, it is necessary to reduce all other negative potentials on the same tube by the same

amount, so that the cathode, which may have had -500 volts, must now have only -300 volts and so on.

- HAROLDO ELLERN.

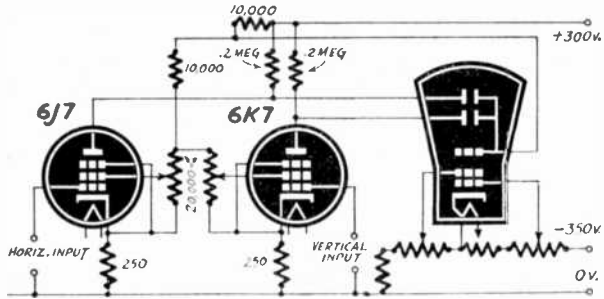


Fig. 209

Phono Amplifier

HERE is the circuit of a phono amplifier that can be constructed easily with parts salvaged from an old broadcast receiver using 2.5-volt tubes (Fig. 210).

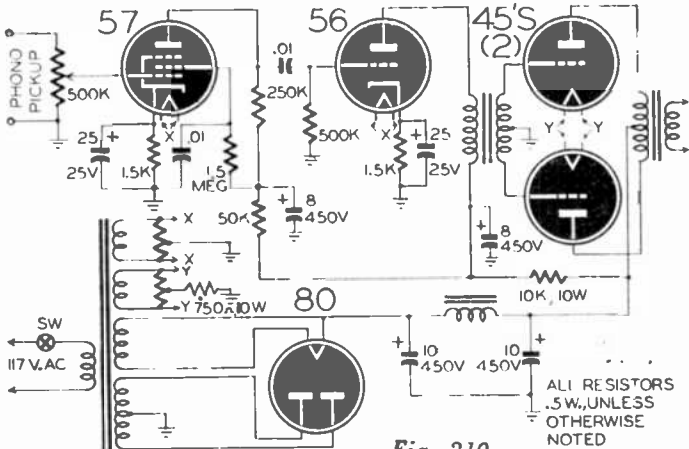


Fig. 210

last accelerating electrode has been raised from zero volts to 200 volts

The input stage uses a 57 tube resistance coupled to a 56 driver.

Dual Push-Pull Amplifier

I use this amplifier circuit (Fig. 213) in connection with my crystal pickup. With a well-baffled 12-inch speaker the power is ample and the tone excellent. My crystal pickup has 3 tabs or lugs, one of which is grounded to the case. Two-conductor shielded wire, with the crystal case grounded to the shield, is connected to the dual control.

I use a conventional power supply, an 80 rectifier with capacity-input filter consisting of 16 μ f on each side of a 1,500-ohm speaker field.

If response is too brilliant, a little by-passing on the input will bring it down. No cathode by-passing or decoupling is necessary except on the 6F6 screens.

—WESLEY MARSHALL.

30-Watt PA Amplifier

RESULTS have been most gratifying with this 30-watt, 47-db gain amplifier. With excellent filtering, there is practically no

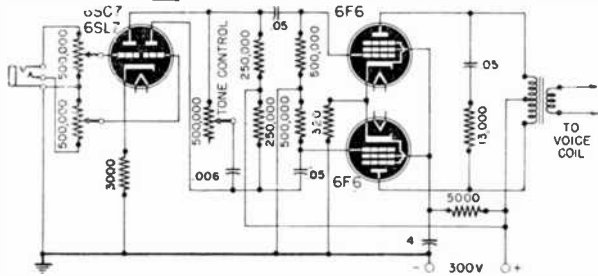


Fig. 213

hum present. Shielded wire was used in wiring in the controls and the input circuit. Phase inversion makes an input transformer unnecessary. Inverse feedback is utilized, the connection being from the 4-ohm tap through a 1-meg-ohm resistor to the first 6N7 cathode (see Fig. 214).

Unless the plate leads to the 6L6's are correctly phased, oscillation will take place. The leads should be transposed if this happens.

—JOSEPH SWARTZ.

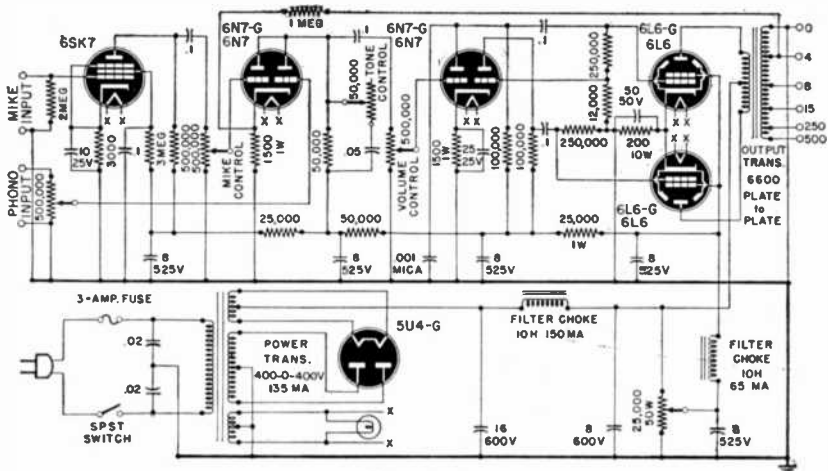


Fig. 214

do, with 500,000 ohms recommended.

The .006- μ f condenser is connected from the outer leg of the 50,000-ohm resistor to the center arm of the potentiometer. When the arm is at the ground side of the "pot," the highs are by-passed, giving bass reproduction. When the arm is at the grid side of the "pot," the bass is attenuated, due to the R/C pad (the .006- μ f condenser offers higher resistance to the bass notes than it does to the high notes), and the reproduction is treble.

Intermediate positions of the arm

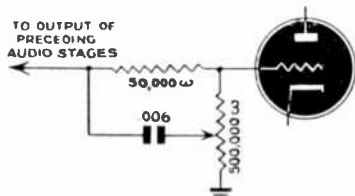


Fig. 222

will give different bass-treble response. Best position is determined by the listener's ear.

—LEON A. WORTMAN.

Test Amplifier

THE circuit shown in Fig. 223 of the 117L7-GT, is a compact little setup for making many tests on the experimenting bench.

To the input you can hook up any kind of signal you want to amplify—output from a 1-tube receiver, or a phono pickup, or from a signal generator, etc.

Also, inasmuch as the rectifier portion of the 117L7-GT furnishes B-supply, you can get any voltage from 90 down to 22.5 volts d.c. by using either 2 variable resistors of about 1,000 ohm capacity each, or

a fixed power resistor with several taps that can be slid along.

FRED U. DILLION.

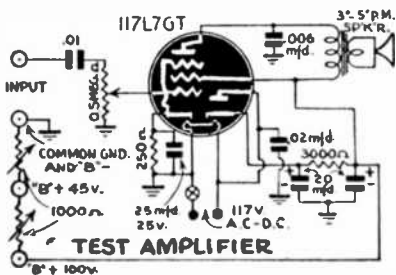


Fig. 223

Photoelectric Cell Amplifier

THE diagram shows a circuit which was converted for use with a 117L7-GT tube.

In this circuit (Fig. 224) one tube does the work of two 37's and has much higher amplification. There is no need for a voltage-dropping line-cord resistor. All this makes possible a more compact and efficient unit.

This circuit has sufficient power to work homemade relays. Strong sensitive relays can be made from

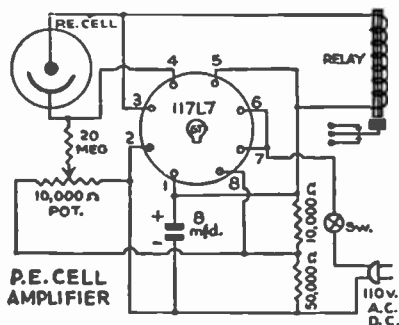


Fig. 224

old telephone ringers or cheap high-resistance milliammeters.

—EUGENE HARMON.

25-Watt Amplifier

AN output of 25 watts is produced with minimum distortion by the amplifier in Fig. 225. It can be

amplifier which is known for low-distortion output (see Fig. 226).

The method of lighting the pilot is unique. At first it was intended

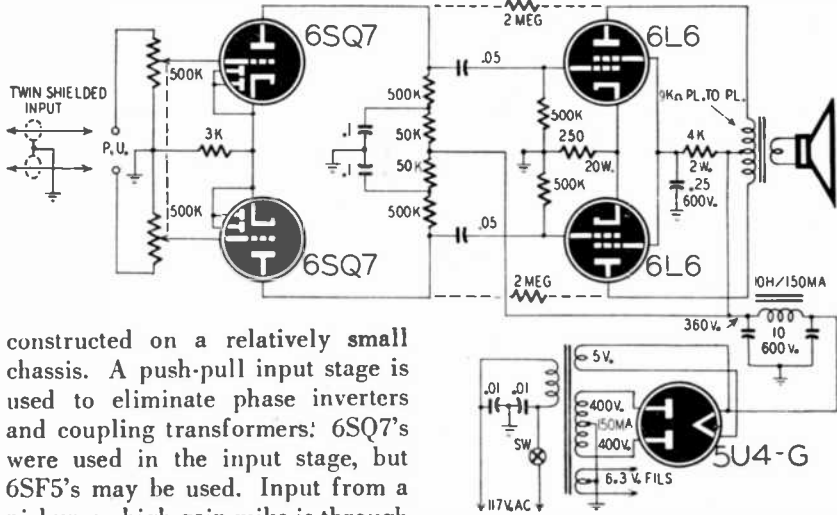


Fig. 225

constructed on a relatively small chassis. A push-pull input stage is used to eliminate phase inverters and coupling transformers: 6SQ7's were used in the input stage, but 6SF5's may be used. Input from a pickup or high-gain mike is through a 2-conductor shielded cable. The conductors are connected to the high sides of the ganged volume controls and the shield is grounded. If desired, inverse feedback may be used by connecting two 2-megohm resistors as shown by the dotted lines. —FRANK GUE.

A.C.-D.C. Amplifier

THIS circuit of an a.c.-d.c. amplifier may be of use to many readers. Together with simplicity in design, a minimum of parts and a two-watt output, I have never made an amplifier that had comparable response or such high gain.

Having noticed that many variations in design have been published. I do not recall circuits with a paraphase

to obtain bias for the preamplifier across the pilot, but the amount of hum produced was terrific. Test with a scope showed that the bias produced by grid current was not detrimental to good operation. The series filament operation does not affect operation of the power tubes, but will actually give them longer

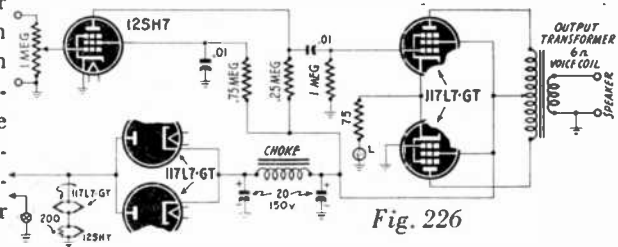


Fig. 226

life because of a lower surge current when the tubes are cold.

—ROBERT J. CARTWRIGHT.

Section 3...

POWER SUPPLIES

Midget Power Supply

THIS B-power supply for an RCA personal radio was made to take the place of the 67.5-volt battery. It can be made to fit in the space which was occupied by the battery. No attempt was made to build a filament supply since the

strapped to the choke. The other parts are mounted between the tube and condenser. The top of an old 67.5-volt battery was removed and fastened on to the end so that the power supply can be readily disconnected whenever it is desired to use a battery again.

A hole has to be drilled through the panel for the guide pin of the 6H6. The pilot light is installed so that the set will not be left on. A hole can be drilled through the removable back of the set for the power cord.

-FLOYD E. SMITH.

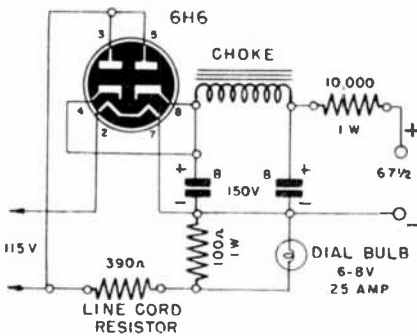


Fig. 301

flashlight cell is always available. (See Fig. 301).

The B-power supply was built on a flat piece of bakelite $3\frac{1}{2} \times 1\frac{1}{4} \times \frac{1}{4}$ inches. The midget choke and the 6H6 socket (a wafer type lifted on $\frac{1}{4}$ -inch spacers) are mounted on this panel. A dual 8- μ f condenser is also mounted on the panel and

R.F.-A.F. and Power Unit

THIS is a combination r.f. and a.f. amplifier and regenerative receiver and power supply. (See Fig. 302.)

S3 is for switching the antenna from the regenerative r.f. amplifier to the receiver with which it is used.

Five-prong coil forms are used to accommodate the tapped tickler which may be necessary because of different reactions between receiver and r.f. amplifier connections. R2 and C5 are mounted between tube

Inexpensive B-Supply

MANY users need more than the 95 to 115 volts available from

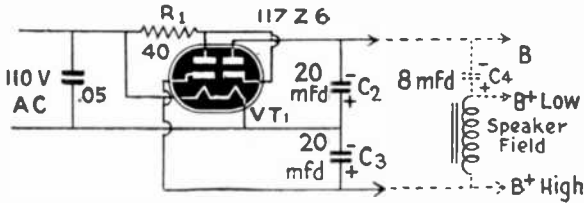


Fig. 305

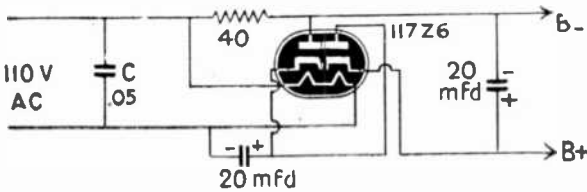


Fig. 306

a half-wave a.c. rectifier operating from the 110-volt supply. I have found the voltage-doubler circuits to be the answer to many of these problems.

In the full-wave circuit shown in Fig. 305 the voltage across the load is the sum of the d.c. output voltage of the conducting diode and the condenser discharge voltage. It can be seen from the circuit shown that one side of the d.c. load cannot be connected to ground or to one side of the a.c. line.

This circuit may cause hum because of the high a.c. voltage between the cathodes and heaters in a.c. sets in which tubes are connected in series across the line.

The half-wave circuit shown in Fig. 306 has one side of the a.c. line as common with the negative side of the d.c. load.

Do not exceed the rated current drain of the tube.

The value of the resistor R1 is not critical and need be only large enough to limit the peak plate current in some applications.

- J. B. PARCHMAN.

B-Eliminator

THIS is an inexpensive easy-to-build emergency B-battery eliminator (see Fig. 307).

The dual electrolytic condenser may be either a 20-20 or a 40-40- μ f unit. The primary of an old

audio transformer may be used as the filter choke. Almost any 6.3-v, 0.3-amp tube, such as a 37, 77, 78, 6C6, 6D6, etc., may be used with the proper sockets. In any case, all elements of the tubes except the

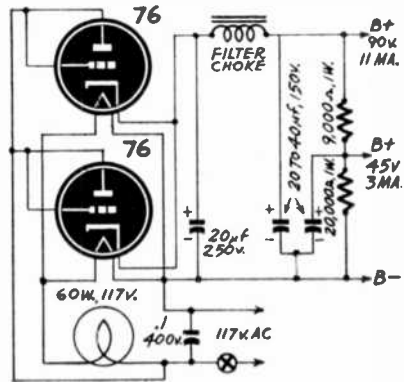


Fig. 307

cathode and filament are connected together.

If a ground is necessary on the radio, connect it through a 0.1- μ f, 400-v condenser.—C. W. CLAY, JR.

Speaker Field Supply

A SIMPLE field supply for a dynamic speaker can be assembled from a condenser, 40-watt lamp, and a 25Z5 rectifier tube as Fig. 308 shows.

The circuit will supply approximately 100 ma at 130 v, when used with an 8- μ f condenser. Increasing the condenser size increases the output voltage.

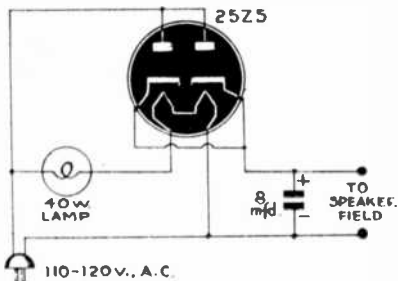


Fig. 308

ing the condenser size increases the output voltage.

—CHARLES GRIFFITH.

Voltage Regulator

A 15,000-ohm resistor stabilizes current through the VR-105 which biases the cathode of the lower half of the 6SN7. Both halves of the 6SN7 are used as d.c. amplifiers which amplify any voltage fluctuations due to load variations. The amplified variations are applied to the grid of the 6L6 in the form of bias changes. The plate resistance of the 6L6 varies with the bias, causing the voltage drop across the tube to rise or fall to keep the output voltage constant for varying loads. (See Fig. 309).

The 0.1- μ f condenser is used to increase the effectiveness of control with rapid load changes. The 50,000-ohm potentiometer may be used to give a reasonable range

of almost perfectly regulated output voltages.

—PFC. H. W. MERRIHEW.

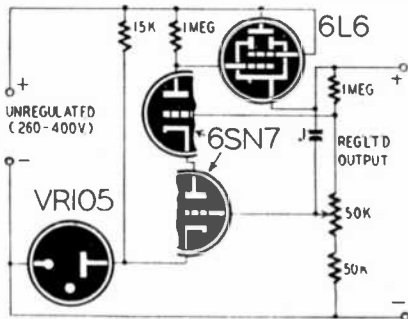


Fig. 309

A.C.-D.C. Power Pack

A DIAGRAM of a hum-free A- and B-voltage supply for portable radios is shown in Fig. 310. A 117Z6 has its plates connected in parallel, and each of its cathodes works into a separate filter network. One cathode is used as a source of A-voltage and may be adjusted by varying R2. The no. 1 cathode supplies the high voltage, which is varied by R1.

By supplying the correct heater voltage to the tube, it is possible

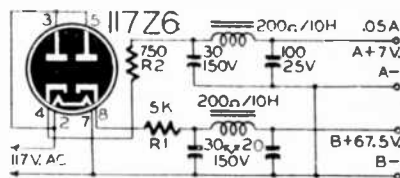


Fig. 310

to use a 50Y6, 25Z6, 25Z5, or other rectifier tube in the circuit with excellent results.

—LEHMAN M. HAUGER.

(Note that the A-supply should be used only with series-connected tubes drawing not more than 50 ma.—Editor)

Section 4...

Transmitters & Oscillators

Transmitter Monitor

THIS circuit for a transmitter monitors c.w. and phone transmissions (see Fig. 401).

mitter is keyed and the frequency of the monitor adjusted until a beat note is heard in the receiver.

To use the monitor: the stand-by

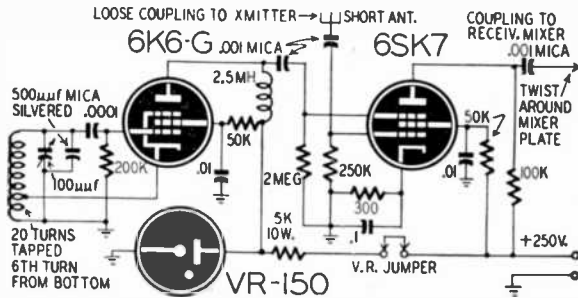


Fig. 401

A 6K6-G electron-coupled oscillator operates at a frequency close to that of the transmitter. Regulated voltage and a high-C tank circuit insure adequate frequency stability. The 40-meter coil is wound on a 1-inch form with 20 turns of No. 22 enameled wire, tapped at the sixth turn from the bottom. The 6SK7 mixes the signals from the oscillator and transmitter and applies the difference frequency to the i.f. amplifier section of a superhet receiver.

The receiver is turned on with the b.f.o. in operation. The trans-

switch of the receiver should be altered so that the i.f. and a.f. sections of the receiver are in operation at all times. Initial adjustments on the monitor are made with the receiver in its stand-by position. — DOUGLAS K. VANDERWATER.

B-Batteryless Oscillator

THIS oscillator (Fig. 402) works with only one battery which is used to supply the filament voltage, the grid bias voltage, and the plate voltage. With the proper combination of tube and audio transformer it should function nor-

mally, but the proper combination must be found. It might be necessary to put a 6-volt battery in se-

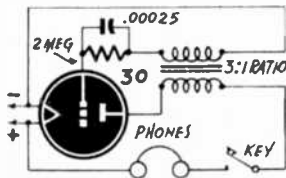


Fig. 402

ries with the positive lead of the filament battery and the phones in order to get it to oscillate. A type 30 or a 1G4 tube is recommended for this oscillator.

—HENRY BROWN.

Coil-Less Oscillator

MOST oscillators require at least one coil or transformer. Here is a circuit which gives very good results and makes no use of any coil whatsoever. Only several condensers, resistors, and a double-triode tube are needed (see Fig. 403).

The condenser values (which are

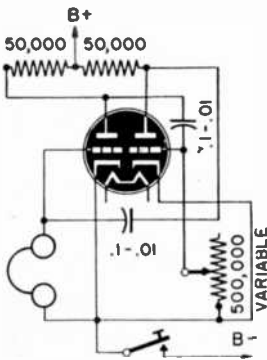


Fig. 403

equal) may be increased to lower the frequency. Typical values are

0.1 μ f for the condensers, 50,000 ohms for the fixed resistor, and 500,000 ohms for the variable resistor. The latter has an effect on the tone, also. Any double triode may be used.

—ROBT. G. WORLEY.

Transitron

THE transitron oscillator is very useful as a b.f.o. signal generator, audio, or superhet oscillator since it does not require a tapped coil or separate tickler for feedback and has the advantage of being as stable as a crystal without temperature regulation. It is particularly good as a b.f.o., reducing

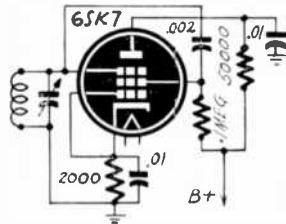


Fig. 404

frequency drift and consequent change in note.

To add a b.f.o. to a superhet, use one coil and trimmer from an i.f. transformer of the same intermediate frequency as the set and couple through a small condenser (around 10 μ mf) to the second detector. (See Fig. 404).

The circuit shown will oscillate readily from audio frequencies up to 15 mc at any plate voltage from 100 to 250 volts. Voltage regulation will improve stability. Since the transitron depends on the negative resistance developed by a pentode when the plate is operated at

Bias for the suppressor grid is supplied through a 220,000-ohm resistor and a bias battery. The battery voltage may be adjusted by listening to the signal on another transceiver and adjusting for highest modulation strength with least distortion. —H. O. NORTHERN.

Home Broadcasts

THIS home broadcasting unit is very small and simple to make. (See Fig. 409).

The coil may be an old superhet oscillator coil with sufficient capacitance added in parallel to make it operate in the broadcast range. I use a crystal mike, the output of which is amplified by the 1S4 before modulation.

—GLEN SOUTHWORTH.

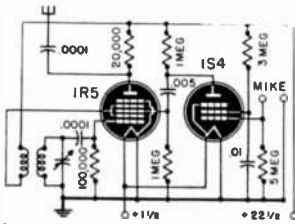


Fig. 409

Code Oscillator

HERE is a diagram (Fig. 410) of a simple code practice oscillator. It uses a 1G6-GT twin triode. Variable pitch control over a wide range is possible through the use of a 500,000-ohm potentiometer in the feedback circuit.

Filament and battery power are supplied from a 1½-volt flashlight cell and 67½-volt B-battery respectively. A d.p.s.t. switch on the tone control is used in the positive side of the A and B leads.

—ARTHUR A. DAY.

(NOTE.—If a d.p.s.t. switch is not available, a s.p.s.t. switch in the common negative lead will be satisfactory.—Editor)

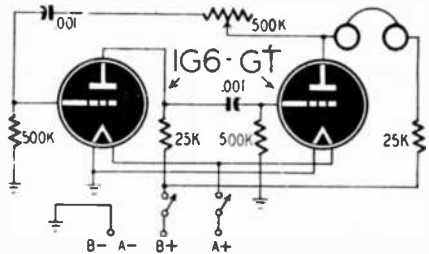


Fig. 410

Phono Oscillator

THIS phono oscillator can be built cheaply and is so compact that it will easily fit into a record player. (See Fig. 411).

When it is operated in conjunction with or near a sensitive receiver, no external antenna is needed but in most cases, a short wire about 7 or 8 feet (or a small loop), will give best results.

The coil consists of 150 turns of No. 28 enameled wire, wound on a 1-inch form, and tapped at the 50th

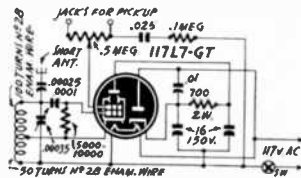


Fig. 411

turn. This coil and the leads from it should be shielded from the 110-volt a.c. line to prevent pickup and consequent 60-cycle hum.

—RALPH DAY.

Section 5...

INTERCOMS

A.C.-D.C. Intercommunicator

THIS intercommunicator gives excellent results up to 50 miles. It is self-contained and was

When S1 is in normal "listening" position, the low-impedance windings coupling T1 to T2 are connected together and simultaneously the speaker is connected to the out-

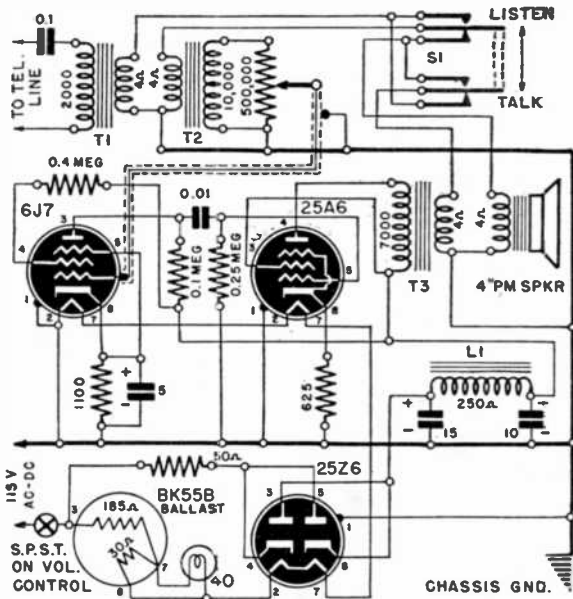


Fig. 501

designed for use by signalmen to communicate between interlocking towers and signal locations over available telephone lines. (See Fig. 501).

put secondary. When S1 is depressed, the speaker is connected to T2 and amplifier output T3 is connected to T1 to transmit sounds over wires.

Components are marked and impedance of transformers is designated. Better results would probably have been obtained had it been possible to obtain a transformer with 600 ohms impedance facing the open line for T1. Instead, an ordinary Jensen output transformer (ZP-1020) was used for it as well as for T2 and T3.

—P. A. FLANAGAN.

Carrier Current

THE transmitter circuit is shown in the diagram, Fig. 502. The oscillator coil is an i.f. tapped

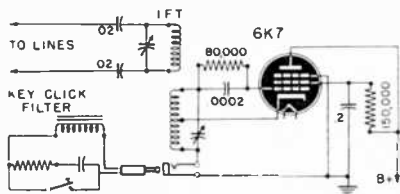


Fig. 502

coil. To eliminate key clicks, the filter may be connected as shown. The i.f. oscillations are then transmitted to the line through .02- μ f condensers. The line is a power line, telephone line, or any other available wire.

To receive, it is necessary only to couple the line again through .02- μ f condensers to the first i.f. stage of a superheterodyne receiver. A b.f.o. must be used in the receiver so that the code signals can be heard. It is also possible to modulate the oscillator with phone,

in which case no b.f.o. is required in the receiver. --RICHARD COLE.

Compact Intercom

HERE is the circuit of a compact instant-heating intercommunicator. A 1N5-G drives a 3Q5-GT power amplifier.

Small PM speakers are used at the master and remote stations where they serve either as speakers or microphones. Talk-listen switching is done with a d.p.d.t. lever switch. (See Fig. 503.)

The power supply uses a selenium rectifier to supply high voltage for the plates and screen grids and 4.5 volts for the series-connected filaments.

The speaker voice coils are matched to the 1N5-G grid with a voice-coil-to-grid transformer designed for use in intercom units. An 8,000-ohm output transformer matches the plate of the 3Q5-GT to the voice coils. If it is not necessary for the remote station to

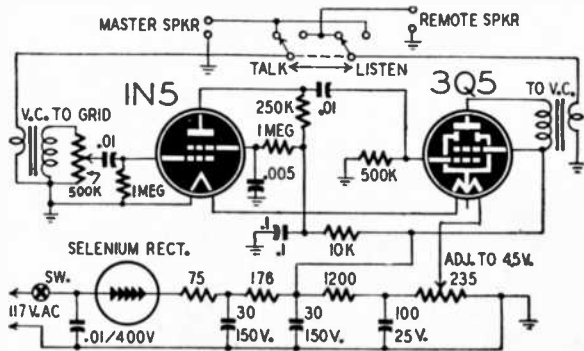


Fig. 503

initiate a call, the unit may be turned off until the master makes a call.—F. C. HOFFMAN, W9VVU.

Carrier Communicator

THIS circuit uses a 6L6 oscillator, modulated for phone transmission by a 6V6-GT. A 6J5-GT speech amplifier works from a sin-

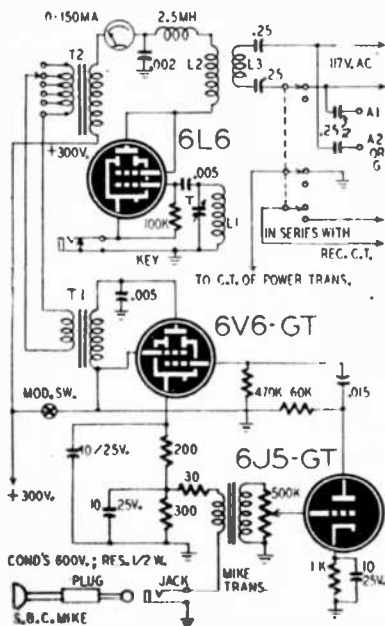


Fig. 504

gle-button carbon mike. Excitation voltage for the mike is obtained from a tap on the modulator cathode resistor. (See Fig. 504).

The oscillator coil L1 is an old 175-kc i.f. transformer. One of the windings is replaced with 75 to 100 turns of No. 30 d.c.c. wire, scramble-wound. This is L2. L3 consists of 8 to 12 turns of No. 24 d.c.c. wire wound around L2. The frequency is set by tuning the trimmer condenser T (15-250 μmf).

Two output transformers T1 and T2, connected back to back, are used in place of a modulation transformer. Impedance matching is handled by changing the taps on

T2. Condensers between L3 and the line are 1,000-volt mica type.

The output coil is adjusted so that the oscillator draws 70 ma with 300 volts on the plate. For c.w. operation, the modulator switch is opened and a key inserted in the closed-circuit jack in the oscillator cathode lead. A 3-circuit, 2-position switch opens the receiver B-minus lead, closes the transmitter B-minus lead, and connects the pickup coil to the line, when transmitting. For receiving, the connections are reversed.

- ROBERT K. COBB.

Intercommunicator

A CIRCUIT of an intercom unit that has worked effectively for distances up to two miles is shown in Fig. 505.

One of these units is required for each station. This simple 1-tube circuit uses a 70L7-GT as a rectifier and power amplifier with approximately 2 watts output. T1 and T2 are high-impedance plate-to-voice-coil transformers. A double-pole double-throw switch changes the speaker from the output to input circuits when the unit is used for transmitting.

Multistation circuits may be used

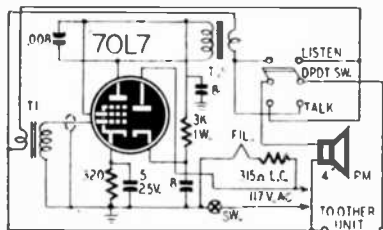


Fig. 505

by connecting a selector switch between the line and talk-listen switch.

- G. BOULT.

Section 6...

TESTERS

Vacuum-Tube Voltmeter

A VERY good vacuum-tube voltmeter may be constructed from a 6SN7GT tube. Care in the selection of the 2-meg resistor for the 15-v range will result in accurate calibration

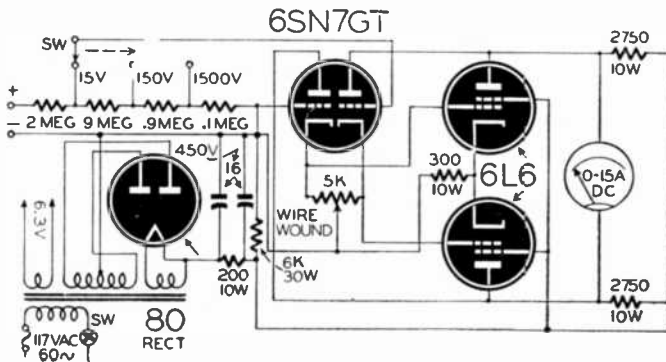


Fig. 601

a high-range d.c. ammeter. (See Fig. 601).

The shunt is removed from across the terminals of a Westinghouse 15-amp d.c. meter. The meter is inserted in the output circuit of a balanced bridge amplifier using two 6L6 tubes.

Calibration is obtained by adjusting the meter to zero with the 5,000-ohm wire-wound resistor in the cathode circuit of the 6SN7 and applying known voltages to the input.

over the entire range of the meter.

—LEONARD W. NORRIS.

Plug-In Signal Generator

THIS signal generator has been giving excellent results in my service work (see Fig. 602).

The 6H6 filament transformer was originally an output transformer designed to match two 2A5's in push-pull. The secondary was rewound to provide 6.3 v (in this case 200 turns of No. 26 d.s.c.

wire were used). The low ripple of the filter provides a clear audio note. The audio input jack enables me to use a wireless record player for modulation.

Plug-in coils comprise the r.f. os-

ludion to keep the coil in place and to keep out moisture.

The 1N5-G is used to isolate the generator from the output. It is also advisable to shield the attenuator and output leads to prevent di-

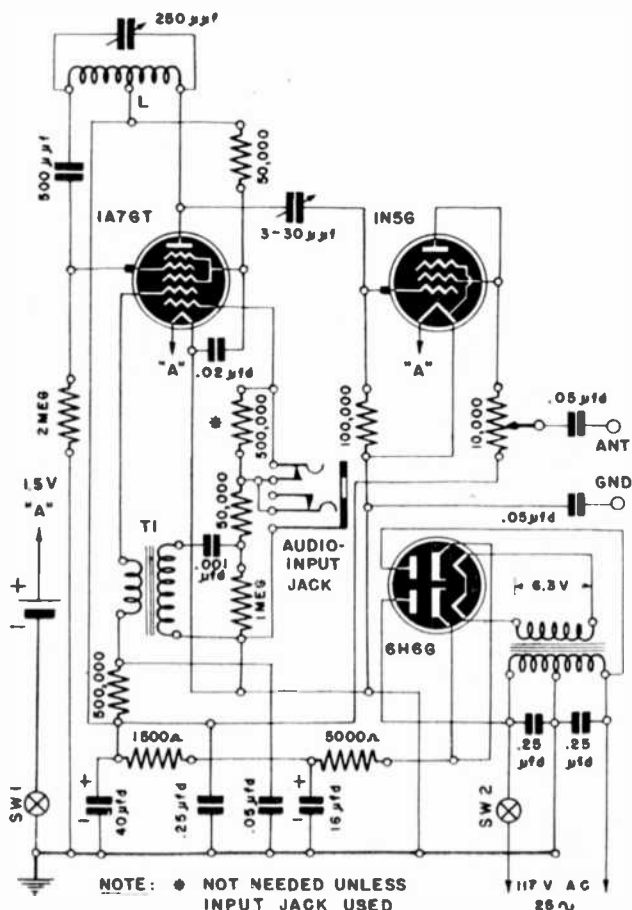


Fig. 602

cillator coils. A total of 225 turns of No. 35 d.s.c. wire, tapped at 80 turns, tunes from about 300 to 800 kc. The tuning condenser is a straight-line frequency type which can be easily calibrated. I use col-

lect pickup. Wiring of the r.f. section should be done with fairly heavy wire for a steady frequency and output, and the entire instrument should be shielded to avoid radiation. —GERALD A. CHASE.

2-Tube Signal Generator

I HAVE constructed this all-wave signal generator. It gives good, accurate signals, both modulated and unmodulated. The power supply may be 250 v, well filtered. By allowing the generator to warm up before using, little drift will be encountered. (See Fig. 603).

The 6A8 is used as a negative-resistance-type audio oscillator. The inductance of the choke determines frequency range. The 3-pole switch allows choice of 3 modulation tones: I used coils from an old r.f. generator which had a 12SA7 oscillator. The low-frequency coils were made from 2.5-mh chokes and windings from i.f. transformers.

This type of oscillator allows the use of harmonics if desired. At low

lated signal is desired. Otherwise the audio oscillator output is shorted to ground. —W. G. BARRETT.

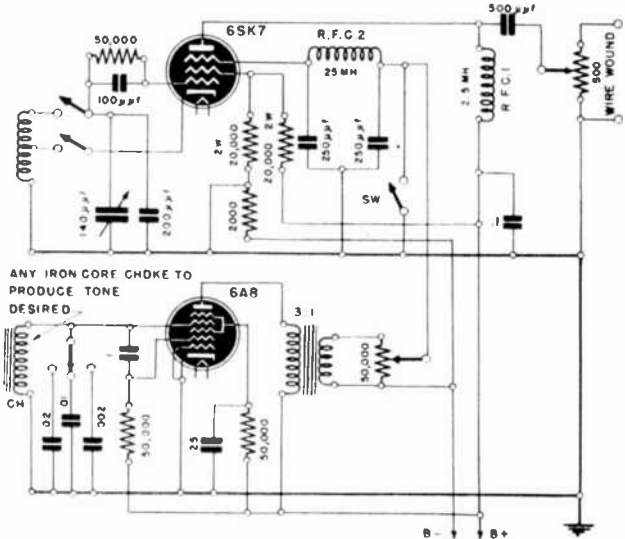


Fig. 603

R-C-L Bridge

THIS very handy piece of equipment can be constructed quite compactly yet may have the precision of a larger laboratory model. In this circuit, Fig. 604, we use the bridge method of comparing known

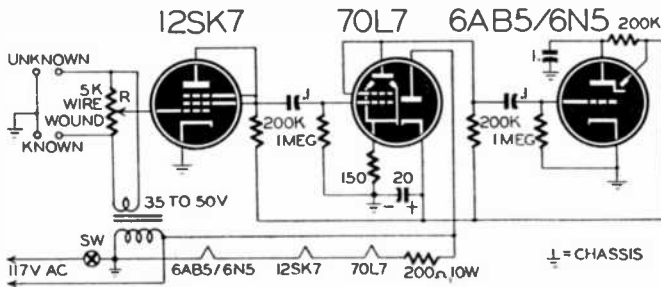


Fig. 604

power, harmonics are greatly decreased. The 6SK7 suppressor circuit switch is opened when a modu-

against unknown values and reading the ratio of the bridge.

Balance is indicated by minimum

shadow on the eye of the 6AB5/6N5 indicator tube.

Direct current necessary for the operation of the amplifier and indicator sections of the set is furnished by the rectifier section of the 70L7 and the bridge is fed with an alternating voltage having a value from 30 to 50 v. This voltage may be supplied by rewinding an output transformer. The 5,000-ohm, wire-wound resistor in the circuit is the ratio arm of the bridge. It should have a linear taper.

To calibrate the bridge, it is necessary to have a number of standard resistors, capacitors, and inductors. These are placed across the *known* posts and the unknown value is connected across the *unknown* posts. The dial of the potentiometer is calibrated from 0 to 100 and, if linear, will balance at 50 if known and unknown are equal. After the standards have been selected it is possible to calibrate the dial directly by placing other known values across the *unknown* posts and noting the position of the potentiometer R when the bridge is balanced.

—DALE W. COURTER

Self-Signal Tracer

THE signal tracer shown in Fig. 605 is merely part of the set

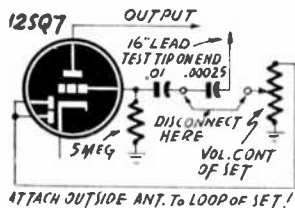


Fig. 605

being tested. An outside antenna is attached to the loop of the set.

The center connection on the volume control is disconnected and a .0025- μ f or .005- μ f condenser is connected to the grid that originally ran to the center position of the volume control. By this means you can use the radio being tested as a signal tracer and it will enable you to check every stage but the one disconnected. The fact that this stage works as the signal tracer indicates to the serviceman that it also is functioning properly.

—RALPH BLOOM.

Volt Ohmmeter

THIS meter has been built into a 9 x 8 x 4-inch box.

The same input terminals are

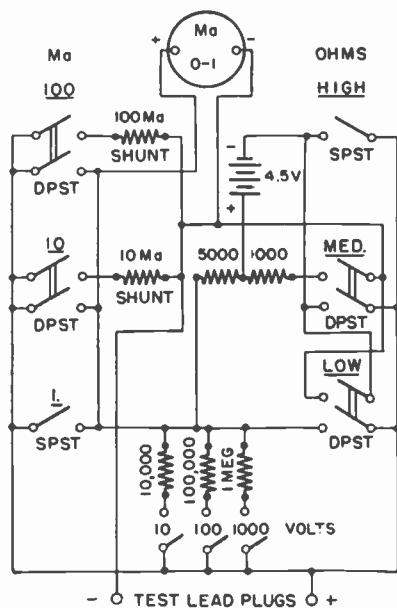


Fig. 606

used for volts, ohms, or milliamperes (see Fig. 606). For volts, a switch closes the desired range circuit: 10, 100, or 1,000. For milliamperes, 1 single-pole switch and

2 double-throw switches are necessary, the desired one being closed. The shunts depend upon the meter resistance, and may be wound by cut-and-try methods. I used a 0.1 milliamperemeter, but others can be used by changing the voltage resistors. Shunts always have to be calibrated with the meter used.

Three ohm scales are available. For these circuits 2 double-throw and 1 single-throw switches are required. —PAUL KIRCHBAUM.

(If a 4,000-ohm resistor is used instead of the 5,000, and a series-variable resistor of 1,000 ohms is added as a zero adjuster, aging batteries will be compensated for.—*Editor*)

2-Tube Tracer

A SIGNAL tracer can be built with the help of any old midget

No changes are made between the plate of the detector and the speaker. The original audio circuit of the receiver will work equally well in the signal tracer. (See Fig. 607).

If the r.f. lead is kept short, with the 10- μmf condenser connected directly to the prod end, ordinary wire may be used. If this lead is more than 2 feet long, it will be necessary to use flexible co-axial cable. The a.f. lead may be ordinary wire or shielded microphone cable, with the resistor at the prod end. Another lead, about 2 feet long, should be soldered to the chassis for the ground connection of the set.

Since signals from a set in bad condition will not always work the speaker, a headphone jack should be inserted between the plate of the output tube (through a 0.1- μf or

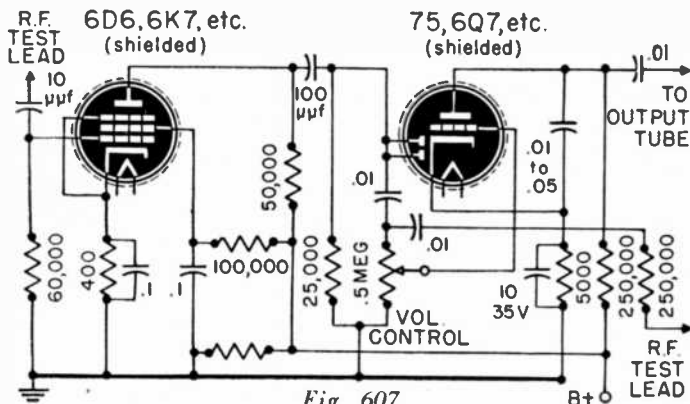


Fig. 607

or other receiver using a diode detector. Remove all r.f. and i.f. coils, gang condensers, and wave-band switches, with all the wiring, condensers, etc., in the r.f. and i.f. section. Then hook up the i.f. tube as shown in the sketch. It will become an untuned amplifier for the tracer.

larger condenser) and ground. This will make possible the plugging in of a pair of phones. The phones are also useful in detecting causes of slight noise, hum, or distortion.

—BILLY SHELBY.

(It should be noted that the receiver from which a signal tracer

is made should be one with a power transformer, as difficulties are likely to be experienced if an a.c.-d.c. receiver and tracer are hooked together.—*Editor*)

Signal Tracer

THIS tracer is easy to use as it can be listened to while the probe

grid coil of the r.f. oscillator is wound with No. 32 enameled wire, close wound, to cover $1\frac{1}{8}$ inches on a 1-inch form, and is tuned by one section of a standard broadcast condenser. This winding is then covered with a thin sheet of celluloid. The plate winding is wound over the lower end of the

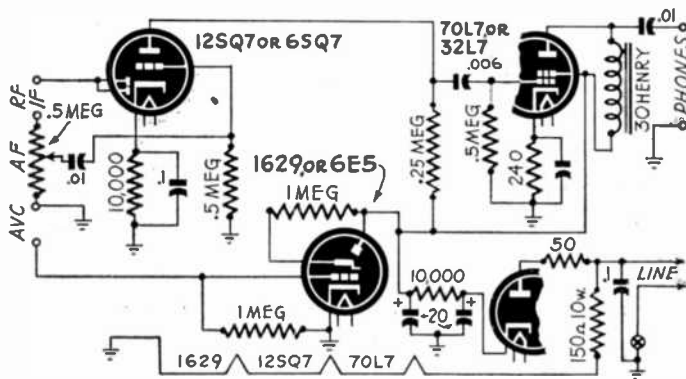


Fig. 608

is moved from place to place in the set (see Fig. 608). Separate posts are provided for r.f., i.f., and a.f. signals. The a.v.c. voltage may also be checked by use of an electron-ray tube.

With sets using a.v.c. it is possible to listen while looking at the eye. This gives both visible and audible indication of what is going on while changes or repairs are made.

—A. MALINICK.

1-Tube Signal Generator

A FEW parts from the junk box may be assembled in a short time into an efficient signal generator that will furnish either modulated or unmodulated r.f. signals at the will of the operator.

The circuit (Fig. 609) uses a 1G6-G twin triode as radio- and audio-frequency oscillators. The

grid coil and covers $\frac{3}{16}$ inch. The output coil is wound immediately above the plate coil and covers a $\frac{1}{8}$ -inch winding space.

The panel controls are: *Tuning*, *Off-Tone-Rf.*, and *Attenuator*. *Off-Tone-Rf.* control is a double-pole, 3 position switch.

If either of the oscillators fail to oscillate, reverse the connections of either of the windings.

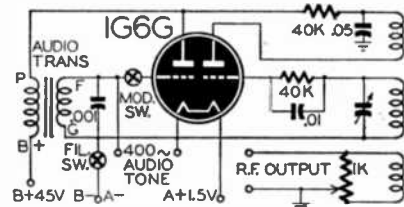


Fig. 609

This signal generator produces a signal from 400 to 1,500 kc.

—A. SKITSKI.

Thermocouple

WHEN designing a Q meter to test high-frequency coils, I encountered trouble when I looked around for a thermocouple ammeter of suitable range to check the output voltage of the oscillator. I used an old discarded 26 tube

for its very low resistance (less than 1 ohm when not completely heated). —HAROLD O. ELLERN.

Capacity Meter

FIG. 611 shows a simple capacity meter which I use around the shop for general condenser

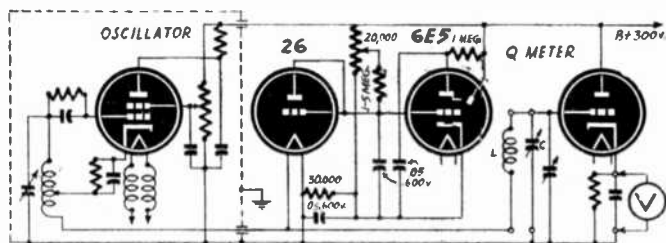


Fig. 610

($E_f = 1.5$ volts, $I_f = 1.05$ amperes) and applied the r.f. voltage to be controlled across the filament of the tube, heating it in this way. Applying sufficient voltage, at least 0.3 volt, the filament starts emitting electrons toward grid and plate (tied together), to which is connected a positive voltage through a protective series resistor. (See Fig. 610). Electron flow is indicated by inserting in the plate circuit a resistor and measuring the voltage drop across it with a v.t.v.n., or by using an electron ray tuning indicator tube (6E5). The set may be adjusted to let the tuning eye shut exactly when the predetermined r.f., a.f., or d.c. voltage is applied to the filament of the 26 tube (ranging from 0.3 volt up to 1.5 volts). Using different tubes with other filament voltages, other readings may be obtained, resistors may be applied in series or in parallel with the filament. I preferred the 26-type tube

checking. Using a 0.1 milliamperemeter, the range of this tester is .01 to 4 μ f. By using a 5-v winding for the filament, thermionic effects are eliminated. Usually this thermionic effect causes the meter to show a reading with the Cx terminals open. This effect can be noticed more readily with meters of greater sensitivity than 1 ma.

The meter shown in the drawing may be shunted to extend the

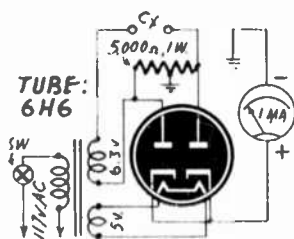


Fig. 611

range if higher capacities are to be measured. This meter was calibrated by using marked, tested condensers. —DAN W. DAMROW.

A Comparator

THIS condenser tester (Fig. 612) works very well.

By using a bank of known condensers, any one of which may be switched into the circuit, it is possible to compare directly with the unknown. When the two neon bulbs are of equal brightness, the

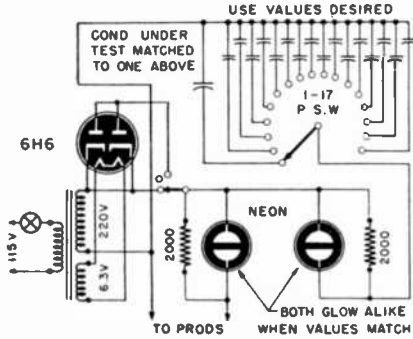


Fig. 612

unknown capacitance is the same as the switched-in standard.

The single-pole double-throw switch changes from a.c. to d.c.

—ROGER WILLS.

V.T. Voltmeter

THIS 1-tube electron voltmeter was built to use a zero-center

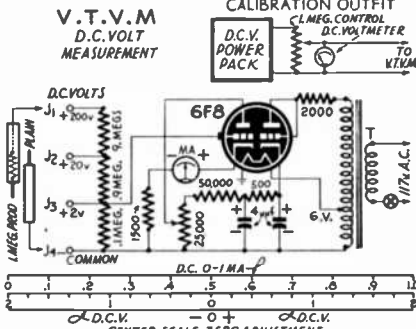


Fig. 613

1-ma meter and a 6F8 tube I had on hand. It is a very effective little

instrument and uses only one manual control, for the zero adjustment. (See Fig. 613.)

To adjust the 2-volt scale, increase or decrease the ohmage of the 0.1-meg resistor between J3 and J4 until the correct reading is obtained. Then the other scales will be correct automatically.

Do not use an a.c.-d.c. power supply or any power transformer in which the line can be grounded to the chassis of the v.t.v.m. The one used in my instrument was a tube tester transformer, which isolates the line. One 6F8 works both as the triode for the tester and as a diode for the power supply.

The best way to calibrate the set for the 2-volt scale is to get a d.c. voltmeter and supply a measured voltage of 2 volts to the input by using a voltage divider across two dry cells or low-voltage d.c. power pack.

—W. FRED WHALEN.

Saw-Tooth Sweep

WHEN I needed a sweep circuit for an oscilloscope, I could get no gas triode (884, 885).

After plenty of trials with vacu-

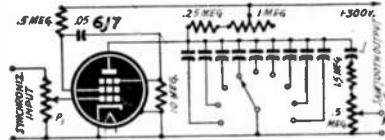


Fig. 614

um-tube circuits, the simplest and most useful proved to be the triode oscillator.

Synchronization is excellent, requiring about .01 volt on the control grid for stability of the observed wave, it being easy to synchronize signals over a range of 1 to 10.

the broadcast band with fair stability. I finally tried an electron-coupled oscillator circuit using a 6SQ7 tube (the triode section), and obtained what I wanted. (See Fig. 616.)

Then I connected an aerial wire to the grid end of the tank coil and grounded the chassis. A pair of headphones were connected in the plate circuit. I immediately picked up a good half-dozen strong stations. The louder ones were of sufficient volume to be uncomfortable, making a control necessary.

The tank circuit size depends on the condenser used. With one of 350 μmf , use about 100 turns tapped 20 turns from the bottom. The coil is wound with No. 30 enameled wire on a 1½-inch form.

To use as a signal generator, take off the aerial and ground, disconnect phones, and short the jack (or use a closed-circuit jack).

—BENNIE JOHNSON.

Multi-Use Indicator

THIS indicator circuit (Fig. 617) has a large number of uses.

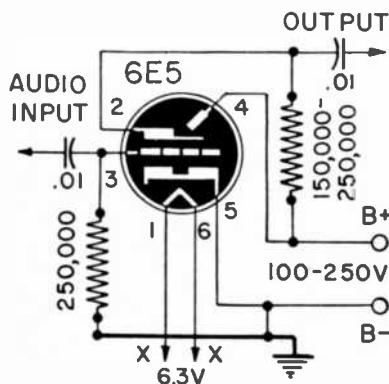


Fig. 617

It can be added to a 1-tube set as a tuning indicator and will amplify

the signal as well. It may be inserted between the detector and power tube to act as a voltage amplifier and indicator.

It may be attached also to an amplifier or recorder as a volume indicator. —EDWIN BOHR.

V.H.F. Oscillator

THIS 112- to 300-mc parallel-line oscillator makes an ideal signal generator for testing v.h.f. receivers.

The oscillator uses parallel-line

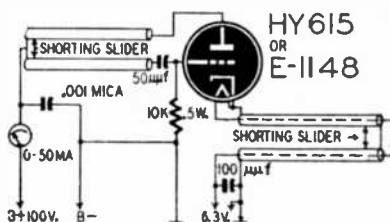


Fig. 618

tuners in the plate-grid and cathode circuits. The plate-grid inductors consist of 2 pieces of 5/16-inch brass tubing, 12 inches long, spaced 1 inch center to center. They are mounted above the chassis with standoff insulators which permit the shortest connections to the plate and grid caps of the tube. The tubes are joined together at the B-plus end with a piece of No. 14 wire. (See Fig. 618.)

The cathode inductors are made of the same material, 7 inches long, mounted below the chassis. One of the filament leads is threaded through the tubes and the other is connected to ground through the inductor. The open ends are connected with a piece of No. 14 wire.

The oscillator frequency is determined by the position of the shorting bar on the plate-grid in-

ductors. The shorting bar on the cathode inductor is varied for maximum output and best stability at the desired frequency. The normal plate current is from 10 to 12 ma.

The oscillator may be either plate or grid modulated if desired.

Tracer From Bloop

WHILE planning a new untuned signal tracer, I decided to see what could be done with an old seldom-used regenerative receiver (Fig. 620). The plug-in coil was removed and a tube base connected

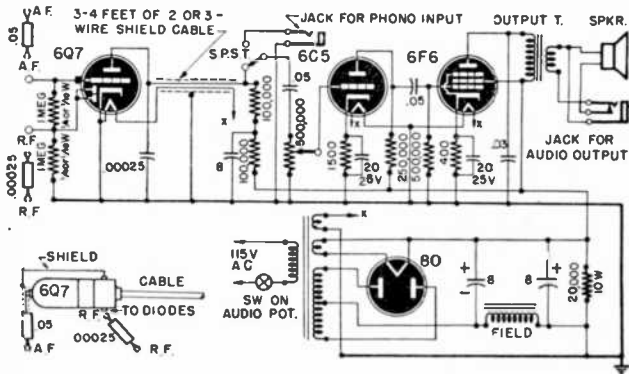


Fig. 619

Output may be taken from the oscillator with a hairpin loop coupled closely to the B-plus end of the plate-grid inductor. The loop may be connected to an antenna or to the tuned grid circuit of an amplifier stage.

—P. ECERTON, JR.

Prod Signal Tracer

THIS circuit (Fig. 619) has been in use for the past five years and has given excellent account of itself.

The 6Q7 is used as the prod, being completely shielded but for an a.f. and an r.f. binding post. The tube is connected to the a.f. amplifier (last 2 tubes) by about 3 feet of 3-wire cable which includes the filament and plate voltage leads. Either a meter (plug-in) or the speaker may be used at the output.

—J. LEONARD KING.

as a jumper to connect the cathode to ground. A shielded probe was

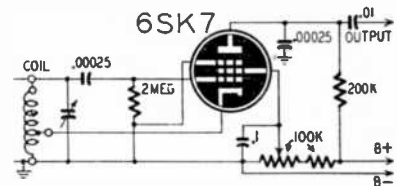


Fig. 620

made and connected to the antenna post. The regeneration control became the gain control. With the tracer (Fig. 621) in action it is possible to follow a signal from the

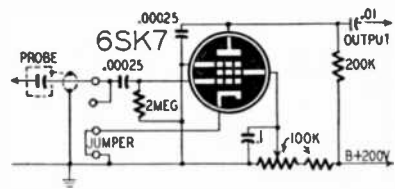


Fig. 621

antenna to the detector of a receiver.

When the coil is replaced the unit becomes a tuned tracer or signal generator.—WESLEY NEELANDS.

A.C.-D.C. V.T.V.M.

HERE is a circuit of a vacuum-tube-voltmeter that I have found useful for measuring a.c. and d.c. voltages up to 500 volts

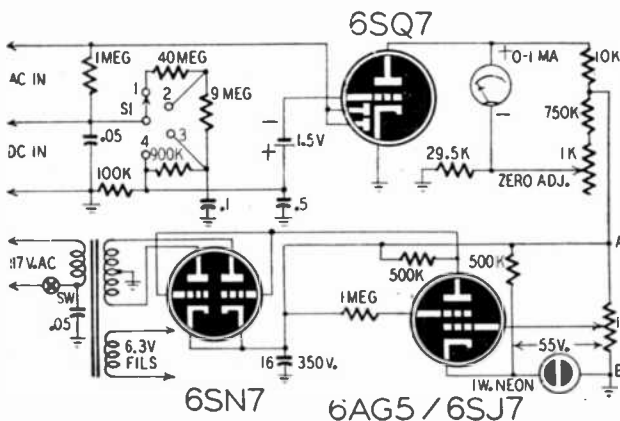


Fig. 622

(Fig. 622). A 6SN7, a 6AG5, and a 1-watt neon lamp are used in a voltage-regulated power supply, and a 6SQ7 acts as meter amplifier and rectifier.

The 6SN7 is connected as a grid-controlled rectifier with its grid voltage derived from the output of the supply. Any changes in the output voltage are neutralized by changes in the internal resistance of the rectifier. A 6AG5 was used as the voltage regulator, but a 6J7, 6K7, and similar tubes can be used with equal results. The bias on these tubes is critical and should be adjusted to give 250 volts between A and B.

—LEON MEDLER.

Time-Delay Circuit

THE specially designed time-delay circuit illustrated in Fig. 623 operates a control relay a predetermined length of time after the control voltage has been applied. Upon removal of the control voltage, an equal time interval will elapse before the relay is deactivated.

With switch S1 in position No. 1, the bias developed across the cathode resistor charges condenser C through the control resistor R. This biasing voltage reduces the plate current of the tube to a point at which the relay contacts open.

When the switch is thrown to position No. 2, the cathode resistor is shorted to permit

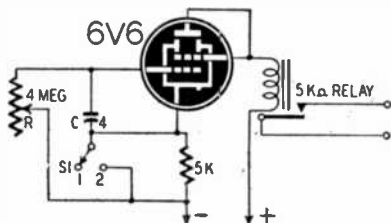


Fig. 623

the charge to leak off the condenser through the variable resistor.

One of the applications of such a time delay circuit is in photographic work. It may be used to control printing time when making photographic prints.

—J. A. SIDERMAN.

Section 7...

MISCELLANEOUS

Capacity-Operated Relay

THIS relay operates on an increase in capacitance across the grid coil so that oscillation is re-

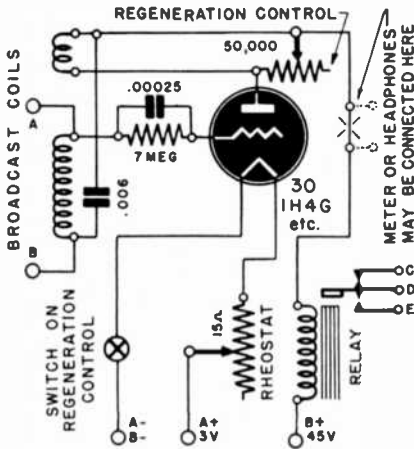


Fig. 701

duced and plate current increased. The relay used should be very sensitive. Point A connects to any large metal object, point B to ground (see Fig. 701).

The relay is adjusted so that, at the point of oscillation, it just opens. A person approaching the large metal plate causes an increase in capacitance which throws the

circuit out of oscillation and closes the relay. A meter or phone may be used to indicate oscillation.

This circuit may be used to protect a safe, a motor car, or any other large metal object. In the case of a car, a ground chain would have to be used at point B.

—HAROLD NEWELL.

Home-Made Stroboscope

HERE is a diagram (Fig. 702) of a simple, home-made stroboscope that works by simply attaching one or two medium-sized neon bulbs in series with the output of the circuit, or by connecting an ordinary

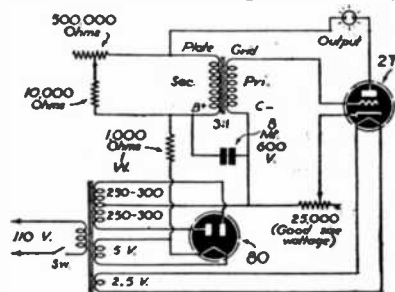


Fig. 702

small fluorescent bulb in series with the output.

The two variable resistors can be

adjusted to decrease or increase the frequency of the output, so that when a rotating or moving object is placed in the vicinity of the oscillating neon bulb, the object will appear to stand still.

No chokes are needed for the power supply which may be between 250 and 300 v, but the 8- μ f condenser is a necessity if the circuit is to work. The audio transformer does not necessarily have to be a 1:3 (primary to secondary) ratio but may be some other closely related ratio. I might also add that when a fluorescent bulb is used instead of neon bulbs in the output, an interesting rainbow color effect will be achieved by the rotating object.

—ROY A. HEMPEL.

Line Filter

THE drawing (Fig. 703) illustrates the components and hook-up of an efficient power line filter to reduce interference and hum from the a.c. line.

The input condensers are mica, while those at the receiver end are paper.

The chokes are magnet windings

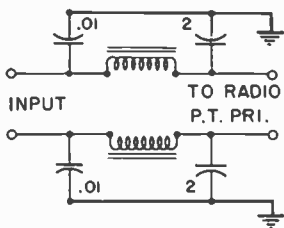


Fig. 703

from an old pair of B-vibrators. They may be wound, using No. 16 enamel magnet wire, on a wooden spool. Leaving out the iron core will not make much difference.

If you wind the chokes, put on from 150 to 200 turns. Good results have been obtained with rolls of bell wire.

The unit is enclosed in a metal shield to which the condensers are grounded. The shield then is grounded externally to a water pipe — separate from the receiver ground.

—EMMETT BRIGHTWELL.

Simple Power Supply

THIS interesting a.c. power supply uses a power transformer from an automobile radio. The unit

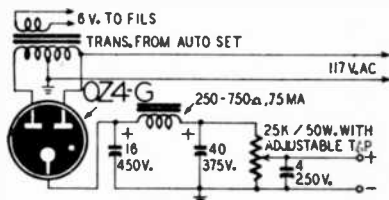


Fig. 704

will supply up to 250 volts of well-filtered d.c. at 75 ma, and 6.3 volts for tube filaments. (Fig. 704).

The center-tapped secondary winding is used as an autotransformer with the a.c. line connected between one end and the center tap. The rectifier plates are connected across the entire winding in the conventional manner.

Filament voltage is taken from the primary winding.

This unit is connected directly to the power line and should not be used with any equipment that uses a direct ground. If a ground is needed, it should be made through a .01- μ f, 600-volt condenser.

—RICHARD L. ALLMAN.

Tuning Indicator

A DIAGRAM of an amplified tuning indicator is shown in Fig. 705.

It is possible to use a common

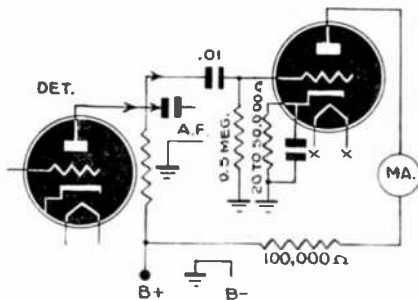


Fig. 705

A- and B-supply with this hookup. Any triode that has a cathode can be used, such as the 76, 56, 6J5, or 6C4 depending on A-supply in the receiver.

One of the main features is its ability to work even on a 1-tube set.

—RICHARD GRAHAM.

Electronic Relay

THIS circuit is designed to actuate positively a heavy-duty relay from the light contacts of a small switch or relay. No strain is put upon these contacts, since there

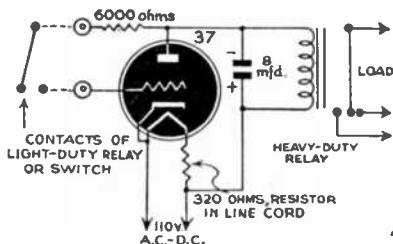


Fig. 706

is no induction and very little current.

The tube can be practically any triode. Different values should be

tried for the plate resistor. (See Fig. 706).

This arrangement is of value in body-capacity and photocell circuits, because it does away with relay batteries and burnt contacts.

—HENRY CLINTON.

Novel Tone Control

HERE is a useful tone-control circuit. (See Fig. 707). It consists of high- and low-pass filter circuits fed from a common source and working into the grids of a 6N7. The plates of the tube are tied together to form a mixer circuit. The voltage input to the networks is controlled by the setting of a 1-megohm volume control. A 1-megohm variable tone control determines the amount of voltage ap-

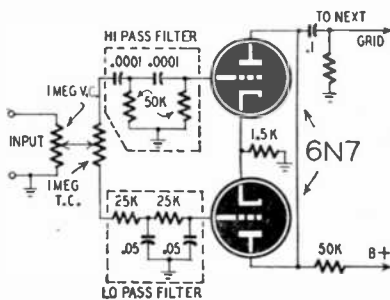


Fig. 707

plied to each grid through its filter network.

—GEORGE A. FRANCE, W3LTA.

Code Oscillator

WITH the use of this single-tube oscillator, (see Fig. 708), all danger of grounding through the power lines is eliminated, and no high voltages are present, thus all possible shocks are avoided.

The 6-volt secondary is used not only to light the filament, but, after rectification by one of the tri-

odes (connected as a diode), it is used as plate supply of the oscillator, the voltage being quite sufficient.

—GENE CLARDY.

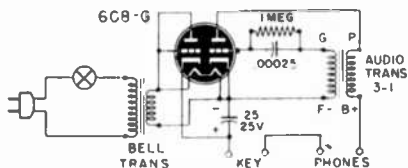


Fig. 708

Easily Built Intercom

I WANTED an intercommunication device for 2-way communication between my study and the kitchen. I tried several circuits, using different tubes and various types of mikes and speakers.

The diagram (Fig. 709) is laid out in detail to avoid the necessity of further explanation. There is a little hum, which could be further eliminated, if it were troublesome, by adding more filter capacity. I tried resistance coupling between the two tubes, but that cut

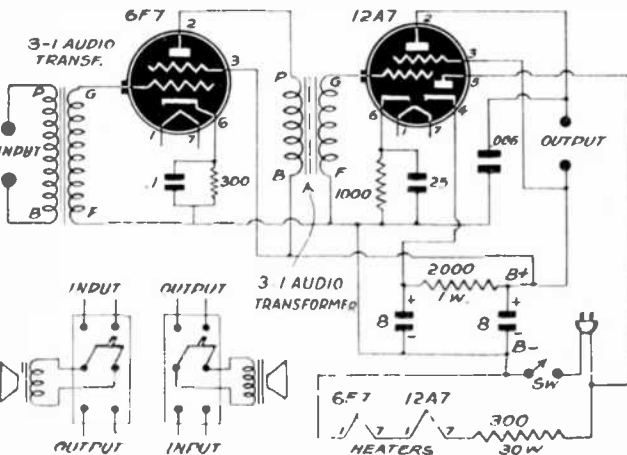


Fig. 709

down the volume and didn't help the quality at all. The speakers are old-type magnetics.

—ROBERT W. L. MARKS.

R.F.-A.F. Generator

THE circuit illustrated in Fig. 710 has been used with very good results. The 6C5 is used as an a.f. oscillator and mixer. The r.f. oscillator is very stable and the frequency is not changed by switching the modulation on and off or by varying the output.

The coil L consists of 130 turns

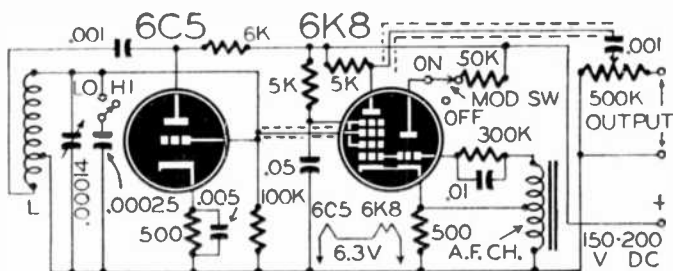


Fig. 710

of No. 30 enameled wire, wound on a 1½-inch form tapped 30 turns from the bottom of the coil. The audio choke may be anything on

hand; an audio transformer with the primary and secondary connected in series may be used. Any well-regulated power supply may be utilized. All grid and plate

metal box which provides sturdy connections and adequate shielding against radiation.

In use, the signal generator is connected to one side of the desired

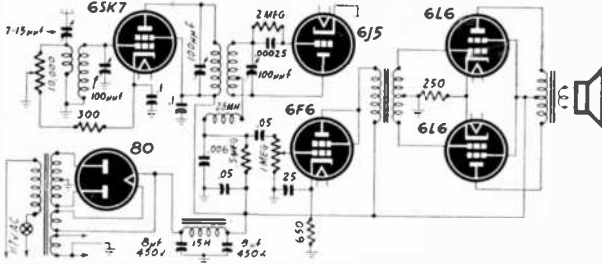


Fig. 711

leads should be shielded. The set should be housed in a metal cabinet to prevent oscillation.

The frequency range is from 750 to 1,350 kc and from 440 to 525 kc.

—DALE COURTER.

Superregenerative Set

THIS set has picked up stations from all over the world.

The set itself is built in a metal cabinet and a 10-inch PM speaker is used.

The circuit (Fig. 711) is composed of an r.f. amplifier, superregenerative detector, a driver, and a push-pull output stage.

—FRANK CHIN.

Universal Antenna

THIS circuit contains practically all of the condensers and resistors that may be specified by set manufacturers, as dummy antennas for aligning their receivers (see

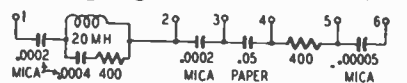


Fig. 712

Fig. 712). The components are mounted in a 2 x 6 x 1½-inch

component and the receiver antenna post to the other. If the manufacturer of the set does not specify the type of dummy antenna to be used, the I.R.E. universal antenna may be used by connecting the signal generator to pin No. 1 and the set antenna to pin No. 2.

—RALPH J. WALSH.

Safety Power Supply

The filter constants will depend on the amount of filtering required.

In the circuit shown (Fig. 713),

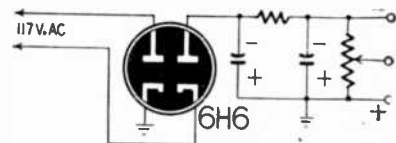


Fig. 713

the chassis is positive. The polarity may be reversed by reversing the connections to each diode section. Any double diode, such as a 25Z6, 50Y6, or 117Z6, may be used as long as the correct heater voltage is applied. The 6H6 may take its heater voltage from the 6.3-volt line of an amplifier or transmitter.

—JOHN A. DEWAR.

index . . .

A.c.-d.c. Amplifier	32	Control, High-low Tone	29
A.c.-d.c. Intercommunicator	43	Control, Remote	40
A.c.-d.c. Power Pack	36	Control, Tone	29
A.c.-d.c. 1-tube Receiver	13	Converter Control	18
A.c.-d.c. Receiver, 3 tube	5	Converter, Short-wave	12
A.c.-d.c. Vacuum Tube Voltmeter	57		
A.c. 5-tube B.C. Receiver	9	Delay, Time (Circuit)	57
Amplifier:		Detector, Duplex	16
A.c.-d.c.	32	Detector, Effective	13
Direct Current	21	Detector, Space-charge	17
Dual Push-pull	27	Detector, Voltage-doubling	13
Electronic Mixer	23	Direct-current Amplifier	21
Expressor for	26	Dividing Network	29
Inverse Feedback	24	Dual Push-pull Amplifier	27
Microphone Preamplifier	28	Dual Signal Generator	54
One-tube Preamplifier	24	Duplex Detector	16
PA, 4-tube "Home-built"	26	Easily Built Intercom	61
Phase Inverter	30	Electronic Mixer	23
Phono	25	Electronic Relay	60
Phono, 3-tube	28	Expressor, 2-tube	26
Photo-cell	31	Field Supply, Speaker	36
Preamplifier, Compact	23	Filter, Hum	37
Push-pull	20	Filter, Line	59
Square-wave	24	Five-tube a.c. Broadcast Set	9
Test	31	Four-tube Receiver	7
Thirty-watt PA	27	Generator, 1-tube Signal	51
Twenty-watt	20	Generator, r.f.-a.f.	61
Twenty-five watt	32	Generator, Signal	54
Two-stage	22		
Antenna, Universal	62	High-fidelity Tuner	13
B-Eliminator	35	High-low Tone Control	29
B-Supply, Inexpensive	35	Home Broadcaster	42
B-Supply Regulator	37	Home-built PA, 4-tube	26
Broadcaster, Home	42	Hum Filter	37
Broadcast 30 Set	15		
Capacity Meter	52	Indicator, Multi-use	55
Capacity-Operated Relay	58	Indicator, Tuning	60
Carrier Communicator	45	Inexpensive B-supply	35
Carrier Current Intercom	44	Intercommunicator	45
Carrier Transceiver	41	Intercommunicator, a.c.-d.c.	43
Code Oscillator	42, 60	Intercom, Carrier Current	44
Coil-less Oscillator	39	Intercom, Compact	44
Communicator, Carrier	46	Intercom, Easily Built	61
Compact Intercom	44	Inverse-feedback Amplifier	24
Comparator (Condenser)	53	Inverter, Phase	30
Compensator, Tone	30	Line Filter	59
Condenser, Comparator	53		
Control Converter	18	Meter, Capacity	52
		Microphone Preamplifier	28
		Midget Power Supply	33

Monitor, Transmitter	28	Relay, Electronic	60
Multi-use Indicator	55	Remote Control	40
Network, Dividing	29	R.f.-a.f. and Power Unit	33
Novel Power Supply	34	R.f.-a.f. Generator	61
Novel Regenerator	18	R.f. Regenerator	8
Novel Tone Control	60	Safety Power Supply	62
Old-type Tubes in t.r.f. Set	9	Saw-tooth Sweep	53
One-tube a.c.-d.c. Receiver	13	Self-signal Tracer	49
One-tube Regenerative Receiver	19	Signal Generator	44, 51, 54
Oscillators:		Signal Generator, Dual	54
B-batteryless	38	Signal Generator, Plug-in	46
Code	42, 60	Signal Tracer	51
Coil-less	39	Short-wave Battery Receiver	10
Phono	40, 41, 42	Short-wave Converter	12
Transitron	39	Short-wave Receiver	7
V.h.f.	55	Simple Power Supply	59
Oscilloscope, Saw-tooth Sweep	53	Simple Tone Control	30
PA System, Home-built	26	Space-charge Detector	17
Phase Inverter	30	Speaker Field Supply	36
Phono Amplifier	25, 28	Square-wave Amplifier	24
Phono Oscillator	40, 41, 42	Stroboscope, Home-made	58
Photo-cell Amplifier	31	Superhet, 1-tube	5
Photo-tube Radio	17	Superhet, 4-tube	8
Portable, All-wave	6	Superregenerative Set	11, 12, 14, 18, 62
Portable, 1-tube Receiver	11	Supply, Midget Power	33
Portable, 2-tube Set	18	Sweep, Saw-tooth	53
Power Supply:		Test Amplifier	31
A.c.-d.c. Power Pack	36	Thermocouple	52
B-Eliminator	35	Thirty-watt PA Amplifier	27
B-Supply, Inexpensive	35	Time Delay Circuit	57
B-Supply Regulator	37	Tone Control	29
Midget	33	Tone Control, Novel	60
Novel, for Portables	34	Tone Control, Simple	30
R.f.-a.f. and Power Unit	33	Tone Compensator	30
Safety	62	Tracer, 2-tube	50
Simple	59	Tracer from Blooper	56
Speaker Field	36	Tracer, Prod Signal	56
Two-way	37	Tracer, Self-signal	49
Voltage Regulator	36	Tracer, Signal	51
Preamplifier, Compact	23	Tranceiver, Carrier	41
Preamplifier, 1-tube	24	Transitron Oscillator	39
Pretuned Set, 4-tubes	16	Transmitter, Monitor	38
Push-pull Amplifier	20	Tuner, High-fidelity	13
Push-pull, Dual	27	Tuner, Wide-band	15
R-C-L Bridge	48	Tuning Indicator	60
Receiver:		Twenty-five Watt Amplifier	32
A.c. 5-tube B.C.	9	Two-channel Radio	16
Four-tube	7	Two-stage Amplifier	22
One-tube a.c.-d.c.	13	Two-tube Portable	18
Portable 1-tube	11	Two-way Power Unit	37
For 115 volts d.c.	19	Universal Antenna	62
Three-tube a.c.-d.c.	5	Vacuum-tube Voltmeter	52
Two-channel	16	V.h.f. Oscillator	55
Reflex Regenerator, 1-tube	14	Voltage Regulator	36
Regenerator, r.f.	8	Voltmeter, a.c.-d.c. Vac.-tube	57
Regulator, B-supply	37	Voltmeter, Vacuum-tube	46, 53
Regulator, Voltage	26	Volt-ohmmeter	49
Relay, Capacity-Operated	58	Wide-band Tuner	15

10 New Books

RADIO-CRAFT LIBRARY SERIES

Each book in this new series is crammed full of meaty material for immediate, practical application. All are set in modern easy-to-read type, carefully printed and illustrated. 50c each.

29—HANDY KINKS AND SHORT CUTS. A compilation of practical methods of overcoming difficulties encountered by every radio man. Here are kinks on antennas, servicing, the shop, power supplies, etc. — arranged by sections for easy reference, and illustrated.

30—UNUSUAL PATENTED CIRCUITS 1944-46. A digest of new radio-electronic patents, many the result of wartime research, valuable to anyone in the electronics field. Covers: Control Circuits; Power Supplies; Detectors and Amplifiers; Foreign Patents and others. Simplified circuit diagrams.

31—RADIO QUESTIONS AND ANSWERS. Here are answers to questions most frequently asked the "Question Box" editor of RADIO-CRAFT. The material selected is well diversified and chosen for practical application to workaday problems. Many diagrams.

32—ADVANCED SERVICE TECHNIQUE. An up-to-date collection of information on specialized phases of servicing, appealing to the advanced serviceman. The book is a diversified library of ideas, methods, and procedures not found in other books for professional servicemen.

33—AMPLIFIER BUILDER'S GUIDE. A valuable book for the designer and constructor of sound equipment. Theory and construction of audio amplifiers are treated. It contains a wide range of technical data on amplifier design, followed by constructional details for a variety of amplifiers.

34—RADIO-ELECTRONIC CIRCUITS. Here is an extensive collection of circuit diagrams with a brief description of each, to serve as a source of inspiration to the experimenter bent on developing new circuits. Constructional data is purposely limited to allow space for a maximum number of circuits.

35—AMATEUR RADIO BUILDER'S GUIDE. Here is a book for the "ham" who builds his own. Practical and down-to-earth, it is divided into sections on receivers, transmitters, and accessory eqpt. (antennas, converters, and other equipment). The book is packed with information.

36—RADIO TEST INSTRUMENTS. Every radio man can use this new book on building test equipment. Among the instruments described are signal tracers, capacity meters, portable and bench multimeters, signal generators, tube checkers, and electronic voltmeters.

37—ELEMENTARY RADIO SERVICING. How to get started and keep going. A wide range of essentials is covered: Planning and Equipping the Shop, Systematic Circuit Checks, Signal Tracing Methods, Servicing Midget Receivers, and other fundamental servicing topics.

38—HOW TO BUILD RADIO RECEIVERS. Here is a book for the set builder. 18 modern sets are described including short-wave, broadcast, v.h.f., portable, a.c.-operated, a.c.-d.c., and miniature types—a sufficient variety to appeal to practically every radio fan.

