

The

Call Letter

September, 2012
Vol. 38 – No. 9



NEXT MEETING: SEPTEMBER 8th

The Northwest Vintage Radio Society

Post Office Box 82379

Portland, Oregon 97282-0379

The Northwest Vintage Radio Society is a non-profit historical society incorporated in the State of Oregon. Since 1974 the Society has been dedicated to the preservation and enjoyment of "Vintage radio" and wireless equipment.

Membership in the Society is open to all who are actively interested in historic preservation. The dues are \$25.00 for domestic membership, due on January 1st of each year (prorated quarterly).

The Call Letter has been a monthly publication since 1974. It was originated with the founder, Bob Bilbie, and our first president, Harley Perkins. Through several editors and with the assistance of numerous society members, the Call Letter has continued to be a publication that informs members of the society's business and that supports the hobby of collecting, preserving, and restoring vintage radios.

Society meetings are held the second Saturday of each month at the Abernethy Grange Hall at 15745 S. Harley Ave. in Oregon City, Oregon. They convene at or about 10 AM for the purpose of displaying radios, conducting Society business, and exchanging information. Guests are welcome at all Society meetings and functions (except board meetings).

Other Society functions include guest speakers, auctions, radio shows, and radio sales which are advertised in the Call Letter and are held in and around Portland.

With each issue of the Call Letter, we remember Jim Mason, a charter member of the society who remained active until his death in 1999. A generous bequest from Jim's estate ensures the vitality of the Northwest Vintage Radio Society, and continued publication of the Call Letter.



Society Officers for 2012:

President	Mark Moore (503)286-5224	mark@pdxhistory.com
Vice-President	Mike McCrow (503)730-4639	tranny53@frontier.com
Treasurer	Ed Tompkins	edtomp@Q.com
Recording Sec'y	Charlie Kent (503)281-9335	radiogallerykent@qwestoffice.net
Corresponding Sec'y	Jim Harper (503)538-8738	JLHarperclan@aol.com
Board member at large	Dick Bixler (503) 690-2557	rf2af@comcast.net
Call Letter Editor	Tony Hauser (503)438-0297	abhouser@aol.com
Librarian	Robert Robinson (503) 255-3585	srrobins@comcast.net

September 2012

Table of Contents

NWVRS Meeting Minutes.....2
 NWVRS Monthly Meeting Tech Talk Calendar.....4
 From The Bench of WRNO.....5
 Roster Updates.....6
 NWVRS BOD Meeting Minutes.....7
 Mt. St. Helens: The TV Reflector.....10
 NWVRS Calendar of Events.....13
 Swap Shop.....14
 Monthly Meeting Display.....15

On the cover: The 1941 Airline 14BR-735 discussed in this month’s WRNO article from Sid Saul.

Monthly Feature: Radio Related Gadgets

Tech Talk: Wood Radio Cabinet Restoration

Visit our web site at <http://nwvrs.com>
 and on Facebook:
www.facebook.com/northwest-vintage-radio-society

Next Call Letter deadline: September 30, 2012

The *Call Letter* is the official publication of the Northwest Vintage Radio Society. Circulation is limited to the membership and guests of the Society. The Society is not responsible for the material contributed for publication, nor the quality, timeliness, or accuracy of the items or services offered for sale in the SWAP SHOP. By common agreement of the board of directors, the buyer assumes all responsibility for the satisfaction of any transaction.

NWVRS August Meeting Minutes

by Recording Secretary Charlie Kent

President Mark Moore called the August 11, 2012 meeting of the NWVRS to order at 10:00 a.m. Jason Jennsen was a guest in attendance. The July meeting minutes as published in *The Call Letter* were approved as presented.

Treasurer's Report

The Club will conduct an audit as part of the transition to our new Treasurer. As Tom Hoskins is an expert in this field, he was asked to help. Dick Bixler suggested two members with no accounting experience be involved so Dick and George Kirkwood making and supporting the suggestion are the volunteers.

Club Correspondence

James Harper reported a link both ways between www/RadioDaze.com and the NWVRS website is being established.

Swap Sale

Brian Toon reported all upstairs tables have been sold, as well as and two tables downstairs, for the Fall swap sale.

Rosters

A new Membership Chair is needed to replace Rick Walton as of January 1, 2013. The responsibility includes maintaining the roster in all forms of information, publishing it annually, taking new members photos, and taking photos of the monthly features and swap sales.

Tech Committee

The Don Iverson Restoration Award Contest is November 10th.

Website

Pat Kagi has posted some new photos on our www.NWVRS.org (also www.NWVRS.com) club website.

Monthly Feature

A membership vote decided the topic for September is **Radio-related Gadgets**.

Leads and Needs

Mark Richardson has radios for sale that include a Zenith 12-tube console, an Atwater Kent table, a Philco, and many more. Contact Mark for his list.

Blake Dietze needs a Toshiba tuning capacity for a transistor, approx. 100 UF.

John Cushion needs three wood knobs for a General Motors radio.

Good and Welfare

Jeff Martin has returned to the mainland from Hawaii and is living in Southern California.

Monthly Feature

Transoceanic and multiband portables were shown.

Monthly Presentation

George Kirkwood gave a presentation on Unusual Radios: Two-tube Superheterodynes.

There were 47 members in attendance. The meeting adjourned.

NWVRS Monthly Meeting Tech Talk Calendar

by Mike McCrow

September 8 Wood Radio Cabinet Restoration. Guest speaker:
Esteban Mendoza



**Reliving
Radio**

Dick Karman
relivingradio.com
503.784.4398

10% DISCOUNT

To members in good standing of the
Northwest Vintage Radio Society
for any purchase from



NORVAC
Electronic Parts, LLC

WE'RE STILL HERE!

SALEM (503) 585-9810
1545 Commercial Street

Please show your
NWVRS membership
card for discount

From The Bench of WRNO

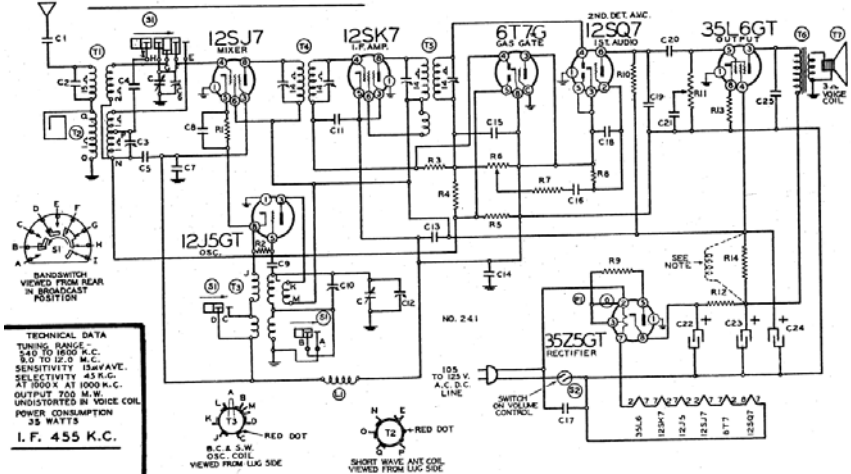
by Sid Saul

Gas Gate Tubes

Inflated Tube Count or a Classic Example of a Solution in Search of a Problem

Every once in a while a radio magically walks across our bench whose circuit defies all logic. Introducing the Airline 14BR-735 seven tube two-band built by Belmont Radio Corp (BR) Chicago in 1941. Notice the 6T7G between the I.F. and first audio with its grid to ground, its plate and cathode joined together and tied to the cathode of the 12SQ7. Does this make sense or just a clever way to *inflate* the tube count?

MODEL 14BR-735A IVORY



Think of it as nothing more than a diode with its grounded grid acting like a diode’s cathode. This diode going from the AVC line to ground will now conduct when an AVC controlled tube grid turns positive. Something we don’t typically see. Without the gas gate, a gassy tube will drive other AVC controlled grids positive. The increased current may go critical, damaging tubes and power transformers along the way. Crosley and Philco both used the 6H6 tube for gas gates even if not labeled as such.

Many times we see tube testers go off scale showing tubes *better* than new spec. Actually, this could just be a gassy tube showing increased current, and therefore *always* to be eyed with suspicion.

So, until next time from the *Wednesday Radio Night-Out Bench* and for truth, justice and the American way, keeping tube counts honest everywhere!

Sid

Roster Updates



Whiting, Brad KD7GDT R
PO Box 831
Corvallis, OR 97339-0831
541-760-5052
US Military Aircraft Radios – WW2 & Korea Era
KD7GDT@arrl.net

NWVRS BOD August Meeting Minutes

by Recording Secretary Charlie Kent

Northwest Vintage Radio Society
Board Meeting
August 8, 2012

In attendance: Mark Moore, Charlie Kent, James Harper and Ed Tompkins.

Excused: Mike McCrow and Dick Bixler.

Guest: Wendy Johnson-Kent

The Board of the NWVRS was called to order by President Mark Moore at the Elmer's Restaurant at 9660 SE Stark St. at 6:30 pm. The minutes of the June 6, 2012 meeting as printed in the *Call Letter* were approved.

Financial Report

Ed Tompkins reported the bank signature cards are progressing with his plan to go by the bank tomorrow and drop them off. Ed will be able to sign checks and documents for the club.

Club Correspondence and Promotions

James contacted RadioDaze and asked if we could link our club. The response is yet to come. Mark suggested we place their link and other appropriate links on our website.

Website

Mark reported that he and Pat Kagi got together to update the club website. Pat had added some large photos that made the website unstable so he made the photos smaller which made them more compatible with most people's computers and adjusted the spacing. Mark saved the

photos of old swap meets back to 2000 in a PDF format before the old website was discontinued and Mark and Pat got them posted on our new website. Mark will delete some of the old links, and Pat will have some new stuff to add.

Mark also reported that we need to purchase a thumb drive for backups and when the website grows, we will need to invest in an external hard drive

Swap Sales/Advertising

Several members suggested that Mother's Day may be affecting attendance at our May radio sale. Mark suggested moving the sale to April, and this would make our swap and sales events every six months. Dick and Liles normally handle the advertising so we'll enlist their help to get the word out. Most of the tables for October's sale have already been paid for.

Special Audit

We discussed our options for conducting an audit of our financial records. We could pay an outside accountant several hundred dollars or we could ask several of our members to do one. The audit committee should be made up of individuals who do not write the checks or submit periodic expenditure requests. Ed indicated that most audits contain a sampling of transactions that are scrutinized, i.e., one month sampling of the checking account. Ed can instruct folks on what to do. Then we would expect them to look for any unusual transactions. Ed estimated it would involve a couple of hours work. It was suggested that a past officer be appointed. Several capable members were suggested.

Membership

Foreign memberships have cost the club money due the conversion of Canadian funds into U.S. funds. Mailing costs for the newsletter are higher to foreign countries as well. It was suggested that we update our membership application to include the verbiage that dues are payable in U.S. funds.

Lifetime memberships were discussed. There are many factors in determining the cost of maintaining our membership including life expectancy. For some, the figure may be lower than others. To offer this as an incentive to members of any age to prepay dues might require payment of up to \$1,000 or more. The board declined to setup a Lifetime Membership category at this time and suggested that our new Membership Chair may want to give it further study.

Rick Walton is moving to the east coast at the end of the year so we'll need a new Membership Chair. We need a volunteer to step forward to help..

Christmas Party

We expect to appoint a committee to plan the Christmas Party. We are always looking for volunteers.

Next Board Meeting

Our next board meeting will be on October 10, 2012 at 6:30 pm at Elmer's Restaurant at 9660 SE Stark St.

The meeting was adjourned at 8:10 pm..

cjk

Mt. St. Helens: The TV Reflector

by Art Redman

Alfred Abraham lived at 9803 N. Hudson in 1948 in the North Portland community of St. Johns. He was a television experimenter who owned a scanning disc and assorted short wave radio receivers before World War Two according to my father Arthur Wilfred Redman who lived in St. Johns for sixty-seven years. It is not known what stations Mr. Abraham received in the 1930s but Wilbur J. Jerman was broadcasting television on his experimental station W7XAO in 1930 on 2.75-2.85 MHz in Portland.

Also, Portland had the world premiere of the Farnsworth mobile television unit on September 25, 1939. This transmission and reception of television took place for two days at the tenth floor auditorium of the Meier and Frank store. More than 250 acts, including local talent KGW radio entertainers, Meier and Frank fashion models, amateurs and spectators themselves were televised.

In 1948 when Seattle station KRSC went on the air Mr. Abraham decided he wanted to watch television and he bought a television and outdoor antenna. He pointed his rooftop antenna towards the western slopes of pre-1984 Mt. St. Helens in the hope of receiving the Seattle broadcasts by receiving TV signals after they were reflected of the glacier slopes of the then 9600 foot peak. He received signals from station KRSC some 148 air miles away when the normal range for television in the 1940s was only 20 to 30 miles.

Robert A. Landsburg, the engineer in charge of the Seattle station, believed that the Federal Communications Commission monitoring station at 2310 NE 148th Avenue received the first Seattle-based television program in Portland. "Several local stores which handle television receivers have tried," Landsburg said, "but I have heard of none which had success." Of course Landsburg never heard of Alfred Abraham.

The FCC on December 19, 1948 headed by engineer in charge J.I. Skov invited Portland newspapermen to watch a television show from Seattle on their twenty-six tube receiver. Oregon Journal reporter

Rolla J. Crick described the event. “It came. We saw. It remains to be conquered. That’s television in Portland. It’s clear, considering.”

“First a test pattern of black lines in geometric designs flashed on the 54- square inch screen. Following this, the screen showed a sign bearing the Seattle station call letters then came the show.”

“It was a movie of the radio show ‘Stop Me if you’ve heard This One.’ Some of the time the various persons in the show appeared as sharp clear images on the tiny screen. Most of the time, the image was blurred with tiny white flecks of light. It appeared as one would expect a picture to look in a snowstorm.”

“At times, the image would disappear altogether. At these times audio was very bad. At other times, a series of lines would paint weird geometric designs across the screen through which the characters in the radio show could barely be seen.”

It was never stated whether the FCC pointed their antennas at western slopes of Mt. St. Helens. Landsburg warned the reporters not to judge television by what they could see and make allowances for interference from noises such as car ignitions. “After all,” he said “we are not supposed to be able to get it. The fact we are able to receive it is remarkable.”

The same could be said for Alfred Abraham who wanted to watch television in the late 1940s. Whether he was the first to receive Seattle station KRSC in Portland cannot be determined but the fact he did was remarkable.

Girl Selected For Televisor

From the Oregonian of September 25, 1939, page 5.

A “telegenic” young Vancouver, Washington woman Miss Lenore McCallum Sunday became first of the group of entertainers to be

chosen for appearance in the Farnsworth television demonstration beginning today in the tenth floor auditorium of the Meier and Frank's store.

Miss McCallum, a singer, will perform before the television camera, and her voice and image will be flashed before the public audience invited to see and hear Portland's first demonstration of the "wireless talking picture." Store officials said the occasion would be the world premiere of the Farnsworth mobile television unit.

The audience will witness transmission and reception of television, will be "televised" themselves and hear an explanatory lecture by Arthur Halloran, authority on television, store executives said in an announcing program.

Shows will be given hourly, starting at 10 am.

Note: The premiere Farnsworth mobile TV demonstration was held over for an additional day according to the September 27, 1939 Oregonian on page 8.

NWVRS Calendar of Events

Most of the hamfest and ham swap meet information comes from: PNW Hamfair web page at www.n7cfo.com/amJradio/hf/hf.htm

September 8 NWVRS monthly meeting 10 am; tailgate swap 8:30.

September 22 **Spokane Hamfest/ARRL Washington State convention.** University High School, 12420 E 32nd Ave, Spokane Valley WA 99216. *This is an ARRL sanctioned event.* For information contact Bob, AC7GP ac7gp@hotmail.com .

October 13 NWVRS Swap Meet & Sale. 9-3, American Legion Hall, 21510 Main St. Aurora, OR.
<http://www.nwvrs.com>

October 20 **North Kitsap Amateur Radio Hamfest.** Bremerton, WA. *This is an ARRL sanctioned event.* <http://www.nkarc.org/>

October 27 **Swap-Tober-Fest. Mid-Valley ARES.** Polk County Fairgrounds, Rickreall, OR. Contact: Don sch, k7un@swaptoberfest.net
 . <http://www.swaptoberfest.net>

November 10 NWVRS monthly meeting 10am; tailgate swap 8:30.
Nomination of 2013 Officers.

December 8 NWVRS annual holiday party and Election of 2013 Officers 10am.

January 12 NWVRS Annual Meeting 10am; tailgate swap 8:30.

Swap Shop

FOR SALE: Thousands of tubes, hundreds of radio parts, panels, meters, surplus, etc. R5-D3 electronic surplus, Bob Lee, 9770 S.E. Stanley Ave., Milwaukie, OR 97222, (503) 513-0410

FOR SALE: **Reducing collection for moving. Consoles and other stuff. Extremely reasonable. Contact Rick Walton, 503-701-3260, rewalton@gmail.com.

Leads and Needs

Questions about restoration of vintage radio? Visit Radiolaguy's web site often for this information plus lots of other interesting displays, photos, virtual museum plus lots of other information on vintage radio and television. Oh, yes, there are items for sale as well and NVRS members get a substantial discount on most of these items. Thank You, Sonny the Radiola Guy
Visit my vintage radio web site: <http://www.radiolaguy.com>

Radio Service

These members have indicated they are willing to perform radio repairs:

Roger Brown – (503) 693-6089

Bruce Baur - (503)-708-4537, brucebaur@comcast.net

Blake Dietze – (360) 944-7172, wb6ijh@ix.netcom.com

Jack Doyle – (503) 305-8097

Pat Hickman – (503) 887-9015 Web: www.classictubeaudio.com

Email: phickman@comcast.net

Jim Myers – (509) 525-6264

Todd Ommert – (503) 246-4141 Web: www.burlingame-radio.com

Email: burltv@msn.com

Tony Ranft – (360) 944-8489 or walterranft@hotmail.com – General repairs.

Dave Wise – (503) 648-0897, david_wise@phoenix.com

If you are willing to repair radios, give your name, phone and/or e-mail, and any comments to the *Call Letter* editor.

The Northwest Vintage Radio Society is not responsible in any disputes arising from services provided by members listed here. By common agreement of the board of directors, the buyer assumes all responsibility for the satisfaction of any transaction.

August Monthly Display

Pictures from the August meeting display of T/O's & multiband portables.



Chinese made
George Kirkwood



Hallicrafters Continental
Art Redman



Hallicrafters S-72L
John Aiken



George Kirkwood delivering
Monthly Tech Talk



Delmonico AW6000
Liles Garcia



Hallicrafters CR-44
Liles Garcia



Hallicrafters TW-1000
Myron White



Hallicrafters TW-1000
Roger Brown



T-O 7G605 Bomber
Brian Toon



T-O 8G005
Rick Walton



T-O H500
Dan Presley

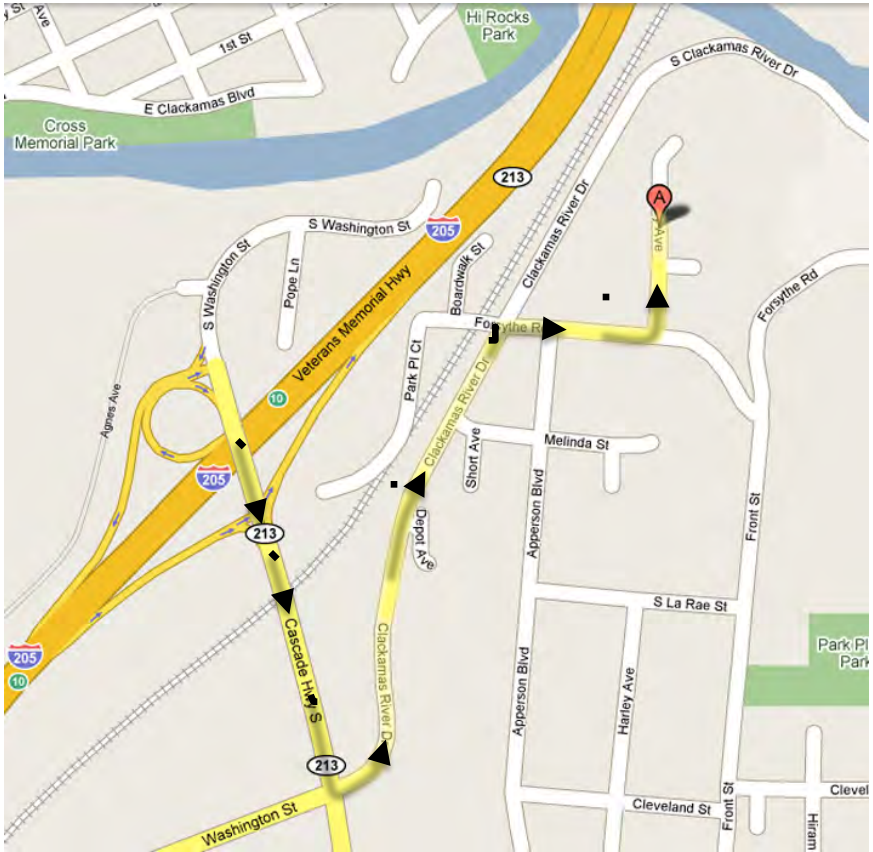


T-O 3000-1
Blake Dietze



T-O D7000
Alan Shaddock

Meeting Location



To get to the Abernethy Grange Hall:

1. Exit I-205 at SR-213 (Exit 10 to Molalla) and head south on 213.
2. At the first intersection (the traffic light), turn left onto Clackamas River Dr.
3. Turn right at Forsythe Rd.
4. Turn left onto Harley Ave. The Grange Hall is on the left about a block and a ha



**NW Vintage Radio Society
P.O. Box 82379
Portland, Oregon 97282-0379**



FIRST CLASS MAIL