

Modern Electric *W.C.*
Signaling To Mars

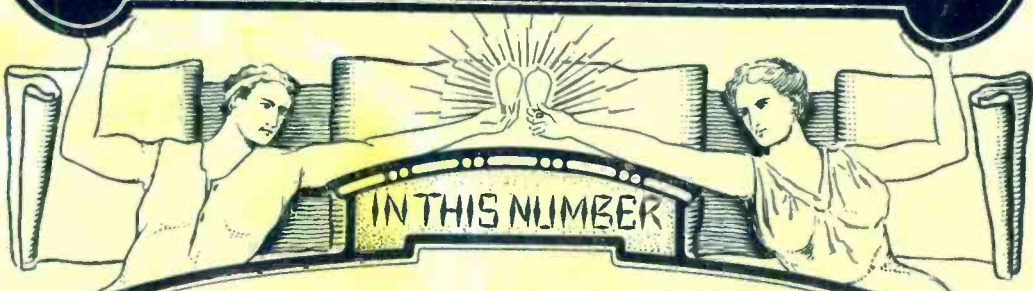
IN THIS ISSUE

PRICE 10 CENTS

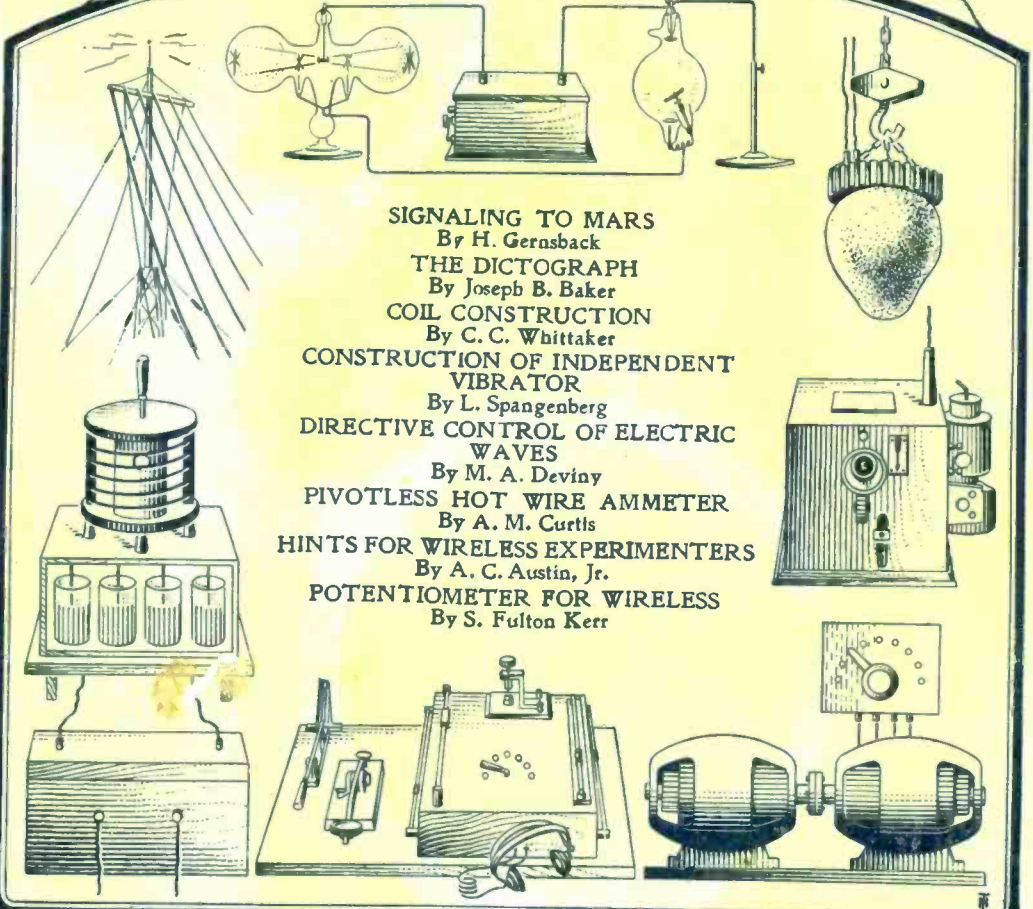
MAY, 1909

Vol. II.

No. 2



IN THIS NUMBER



SIGNALING TO MARS

By H. Gernsback

THE DICTOGRAPH

By Joseph B. Baker

COIL CONSTRUCTION

By C. C. Whittaker

CONSTRUCTION OF INDEPENDENT VIBRATOR

By L. Spangenberg

DIRECTIVE CONTROL OF ELECTRIC WAVES

By M. A. Deviny

PIVOTLESS HOT WIRE AMMETER

By A. M. Curtis

HINTS FOR WIRELESS EXPERIMENTERS

By A. C. Austin, Jr.

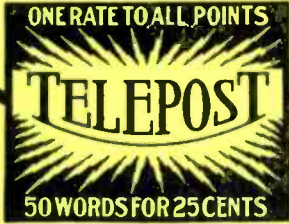
POTENTIOMETER FOR WIRELESS

By S. Fulton Kerr

"THE ELECTRICAL MAGAZINE FOR EVERYBODY"

Copyright 1909 by MODERN ELECTRICS PUBLICATION.

NEW ENGLAND GETS FIRST SERVICE



RESIDENTS of Portland, Me., Old Orchard, Me., Saco, Me., Biddeford, Me., Dover, N. H., Portsmouth, N. H., Exeter, N. H., Haverhill, Mass., Lawrence, Mass., Lowell, Mass., Boston, Mass., and adjacent points, are now communicating by wire at rates so low and service so accurate and prompt that they are wondering at their former patience with exorbitant rates and inadequate service.

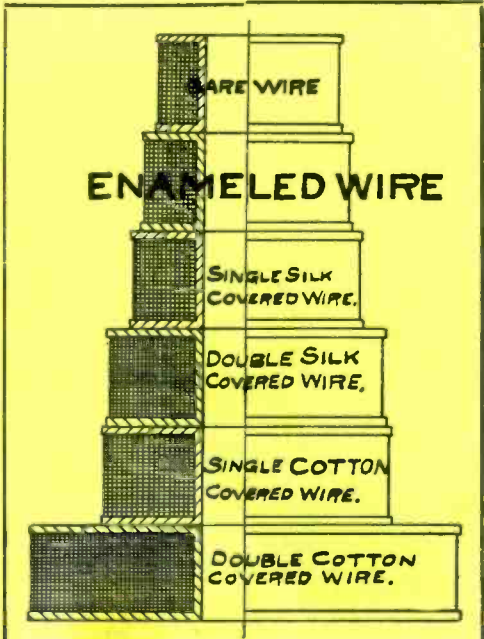
☞ New lines will be opened as rapidly as physical and financial conditions permit until every city in the United States will be sending—

25-word TELEGRAMS, any distance, for 25c.
50-word TELEPOSTS, any distance, for 25c.
100-word TELETAPEs, any distance, for 25c.
10-word TELECARDS, any distance, for 10c.

☞ An interesting illustrated booklet has been prepared, describing in detail the invention, its operation, its economy, its rapidity and its accuracy. Mailed without cost to anyone asking for Booklet No. 359.

TELEPOST COMPANY 225 Fifth Ave., New York

When writing please mention "Modern Electrics."

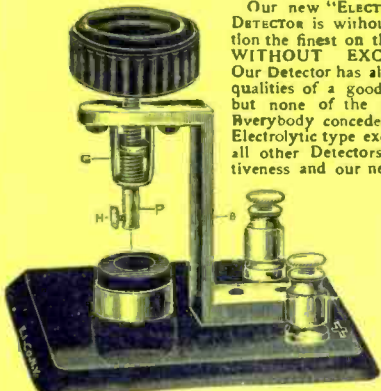


AMERICAN BLACK ENAMELED MAGNET WIRE
 All sizes from No. 16 to 40 B. & S.

American Electric Fuse Co.
NEW YORK. MUSKOGON, MISS.

When writing please mention "Modern Electrics."

The "ELECTRO"-LYTIC BARE POINT DETECTOR (PATENT PENDING)



Our new "Electro"-LYTIC DETECTOR is without a question the finest on the market WITHOUT EXCEPTION. Our Detector has all the good qualities of a good Detector but none of the bad ones. Everybody concedes that the Electrolytic type excels by far all other Detectors in sensitiveness and our new type—

already adopted by two of the leading wireless companies—is without doubt the same of perfection. Please

bear in mind that our new Detector has been designed for *hard commercial work*, it is not an amateur contrivance. Here are a few points: Hard rubber base $\frac{1}{2}$ in. thick, hard rubber thumbnut 1 in. diameter, graphite-carbon cup moulded in brass cup (under hydraulic pressure), heavy cast brass standard, etc. The most important part is that the 1-10,000 inch Wollaston wire does not need to be soldered, as in all other Detectors, a screw holds it in a unique manner. The last 1-16 inch piece of wire is utilized, new wires inserted in 10 seconds, etc. By means of an ingenious plunger movement, the fine wire is raised and lowered with greatest precision—less than 1-10,000 inch at a time. The wire cannot turn in a circle, (as wires do, directly attached to thumb screws,) it can only move *up or down*, not sideways, etc. This has been found is of tremendous importance. ALL METAL PARTS ARE HEAVILY SILVER PLATED, as we found that silverplate is not attacked by fumes of the acid. We also furnish bottle to hold acid, and one pipette to fill acid in cup.

Introduction price, **\$1.50** By mail extra 12 cents
 Write for new Pamphlet on this Detector.
Electro Importing Co., 86-Z.W. Broadway, New York



WE MANUFACTURE MOULDED AND SPECIAL RUBBER GOODS OF EVERY DESCRIPTION AND CAN FURNISH ANY SPECIAL RUBBER ARTICLE TO YOUR SATISFACTION.

NEW YORK BELTING & PACKING CO. LTD.
91-93 CHAMBERS STREET, NEW YORK.

Send for our large Catalogue "M" containing 94 pages, with useful information.

When writing please mention "Modern Electrics."

"Modern Electrics" guarantees the reliability of its advertisers.

The First Annual Official Wireless Blue Book

JUST OFF THE PRESS. The only book of this kind in existence. It contains the location, call letters, wave length, power, etc., of

972 Wireless Stations in the United States and Canada

| | |
|---|------------|
| U. S. Atlantic and Inland Stations | 90 |
| " Pacific Shore Stations | 60 |
| " Navy Stations | 51 |
| " Army Stations | 50 |
| " Revenue Cutters Stations | 22 |
| " Navy Vessels Stations | 185 |
| Hawaii Stations | 7 |
| Merchant Vessels in the Atlantic, Pacific & Great Lakes | 350 |
| Canadian Stations | 39 |
| Cuban Stations | 3 |
| U. S. Amateur Stations | 115 |
| Total | 972 |

If you have a wireless station this book will be invaluable to you. When receiving messages you will know at once where from they originate. NO MORE GUESSWORK as heretofore. The Wireless Blue Book creates a new interest in wireless as it enables every experimenter to accurately estimate the range of his outfit.

It took four months to compile the data of the Blue book and it is warranted to be correct in every respect. **YOU CANNOT AFFORD TO BE WITHOUT IT.**

PRICE, 10c BY MAIL.

Cash or stamps (only U. S., no foreign ones) taken.

Modern Electrics Publication,

84 W. Broadway, New York

THIS IS THE WONDERFUL RED STYLO INK PENCIL

Impossible to leak, even if carried upside down. Writes like a pencil. Has a platinum-iridium feed wire and we therefore guarantee each and every pencil. Order one now.

Over 2 Million of these Pencils now in use.

All editorials and text matter of MODERN ELECTRICS are written with

Red Stylo
Ink
Pencils

To introduce this marvelous ink pencil to readers of MODERN ELECTRICS we will send one sample prepaid for \$1.00. Regular price strictly \$2.00. Dealers and Agents write for interesting proposition. We also make electric flash lights, batteries, the famous Universal Dry cells, electric scarf pins, Alladin electric gas lighters, electric magic lanterns; also the marvelous dry alcohol (in chunks) Universal flaming cigar lighter, sample sent by mail for 50c., etc. CATALOGUE FREE. Special prices for July and Aug.

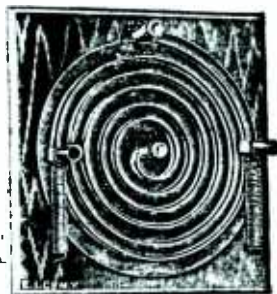
Universal Novelty Co.

165 W. 29th St., New York, N. Y.

When writing please mention "Modern Electrics."

WIRELESS GOODS

Sending HELIX



SENDING HELIX

(Inductance)

AS CUT

\$2.00



POTENTIOMETER

POTENTIOMETER

NON-INDUCTIVE, as cut, with two Resistance Rods, 300 and 500 Ohms.

\$1.50

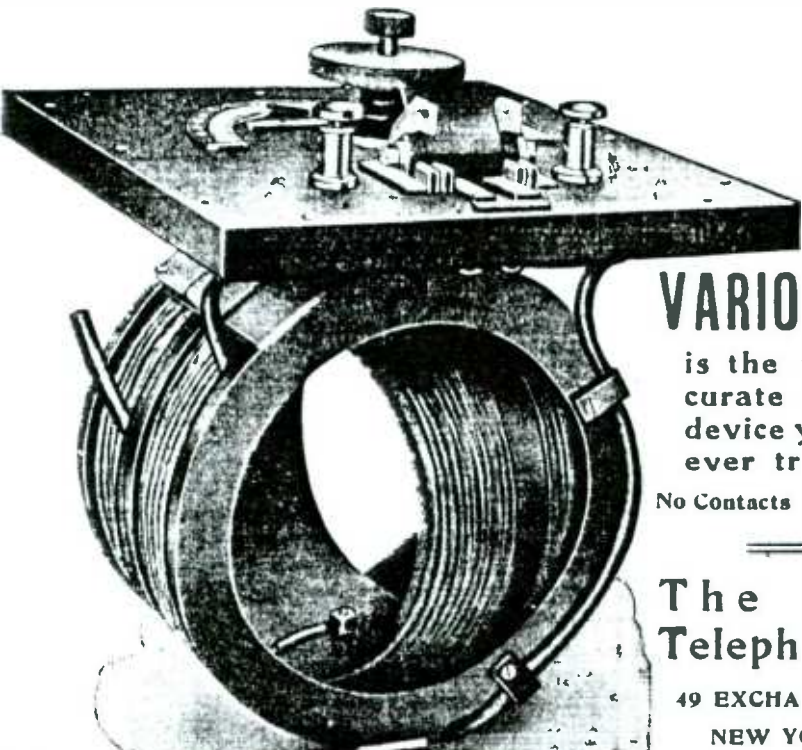
Only house in Washington, D. C., carrying a COMPLETE line of Wireless experimental apparatus in stock. Come and look over our stock and judge for yourself. Will gladly demonstrate all goods.

JOHN C. RAU, Electrical Supplies

526 12th St. N. W. Washington, D. C.

!!! information free and good treatment assured

When writing please mention "Modern Electrics."



THE
"R-J"
VARIOMETER

is the most accurate tuning device you have ever tried

No Contacts Low Prices

The Radio Telephone Co.
49 EXCHANGE PLACE
NEW YORK CITY

When writing please mention "Modern Electrics."

PATENTS

**TRADEMARKS AND COPYRIGHTS
SECURED OR FEE RETURNED**

Send model or sketch and description of your invention for free search of the U. S. Patent Office records.

Our Four Books mailed Free to any address. Send for these books; the finest publications ever issued for free distribution.

HOW TO OBTAIN A PATENT

Our illustrated eighty page Guide Book is an invaluable book of reference for inventors and contains 100 mechanical movements illustrated and described.

FORTUNES IN PATENTS

Tells how to invent for profit and gives history of successful inventions. Also list of Patent buyers.

WHAT TO INVENT

Contains a valuable list of Inventions Wanted and suggestions concerning profitable fields of inventions. Also information regarding prizes offered for inventions, among which is a

PRIZE OF ONE MILLION DOLLARS

offered for one invention and \$10,000 for others.

PATENTS THAT PAY

Contains fac-similes of unsolicited letters from our clients who have built up profitable enterprises founded upon patents procured by us. Also indorsements from prominent inventors, manufacturers, Senators, Congressmen, Governors, etc.]

WE ADVERTISE OUR CLIENT'S INVENTIONS FREE in a list of Sunday Newspapers with two million circulation and in the *World's Progress* Sample Copy Free. Electrical Case a Specialty.

VICTOR J. EVANS & CO.

(Formerly Evans, Wilkens & Co.)

Main Offices, 200 "F" Street, N. W.
WASHINGTON, D. C.

When writing please mention "Modern Electrics."

The Three Best Books

WIRELESS TELEGRAPHY. By R. P. Howgrave-Graham. Including History of Principles, Generation of Electric Waves, Practical Radiotelegraphy, transmitting and receiving apparatus. 160 pages, profusely illustrated, 12mo. cloth \$1.00.

MAKING WIRELESS OUTFITS. By Newton Harrison. A concise and simple explanation on the construction and use of simple and inexpensive Wireless Equipments. Fully illustrated, 12mo. cloth, 50c.

WIRELESS TELEPHONE CONSTRUCTION. By Newton Harrison. The latest work on the subject, practically written and fully illustrated, paper price, 25c

SEND FOR OUR NEW LIST OF OVER
50 TITLES OF PRACTICAL BOOKS

Books mailed postpaid on receipt of price

Spon & Chamberlain
Publishers of TECHNICAL BOOKS
123-G LIBERTY STREET
NEW YORK

When writing please mention "Modern Electrics."

MODERN ELECTRICS

Vol. II.

MAY, 1909.

No. 2

Signaling to Mars

By H. GERNSBACK.

Every time our neighbor Mars comes in opposition to the earth a host of inventors and others begin to turn their attention to the great up-to-date problem, "signaling to Mars."

It is safe to say that all the proposed, possible as well as impossible, projects would fill a good-sized volume, especially the ones invented in this country, which by far leads the world in number of projects and "inventions."

So far only one feasible plan has been worked out. The writer refers to Professor Pickering's mirror arrangement, now being discussed all over the world. But even Professor Pickering is skeptical, as he apparently does not like to take the responsibility of spending ten million dollars on a mere idea which might prove fallacious.

Wireless telegraphy has been talked of much lately as a probable solution of the problem. The writer wishes to show why it is not possible at the present stage of development to use wave telegraphy between the two planets, but at the same time he would like to present a few new ideas how it could be done in the near future.

Take the average present-day wireless station having an output of about 2 K. W. On good nights and under favorable circumstances such a station may cover 1,000 miles. Very frequently, however, only about 800 miles can be spanned.

Next summer for a few days Mars will be nearer to us than for many years to come. The distance between the two planets will then be about 35 million miles.

If we base transmission between the earth and Mars at the same figure as transmission over the earth, a simple calculation will reveal that we must have the enormous power of 70,000 K. W. to our disposition in order to reach Mars.

Now it would be absolutely out of the question to build a single station with

that output. Even a station of 700 K. W. would be a monster and a rather dangerous affair to meddle with. This may be understood better when considering that none, even the most powerful stations, to-day have 100 K. W. at their disposal.

A solution, however, presents itself to the writer's mind. As it is impossible and impracticable to build and operate a single station with an output of 70,000 K. W., let us divide the 70,000 K. W. in small stations of, say 2, 10 or 50 K. W. Neither do we have to build these stations for the sole purpose of using them to signal to Mars; they are already being erected by the governments and commercial stations at the rate of about 150 per month.

At the present time of writing the entire output of the U. S. Government, commercial and ship wireless stations combined, is about 2,500 K. W. By adding the stations of private individuals, ranging in power from 1/4 to 2 K. W., the total sum is brought up to about 3,500 K. W., as far as the writer is able to ascertain from the latest reports.

If, however, the art progresses as it has during the past four years, it is safe to predict that in 20 or possibly 15 years the United States, Canada and Mexico will reach the combined output of 70,000 K. W.

It will then be comparatively easy to seriously undertake to signal to Mars, and the writer proposes the following plan, which has the great advantage that the experiments can be made at practically no cost, against Professor Pickering's project, involving the enormous expense of ten million dollars.

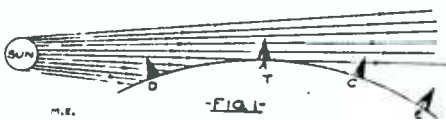
The idea is simple enough. A central point of the continent, such as Lincoln, Nebr., should be selected preferably. By previous arrangement all wireless stations on the continent should be informed that on certain days their sta-

tions should be connected with a magnetic key*, which is connected through the already existing wire telegraph lines with the central station at Lincoln. As the wires may be leased from the existing wire telegraph lines, it is of course the simplest thing in the world to connect the key of each wireless station (by wire) with the central station. Each time, therefore, when the operator at Lincoln depresses his key all the keys belonging to the wireless stations connected with his key will be pressed down, and if the combined power of the connected stations is 70,000 K. W., the enormous energy of 70,000 K. W. will be shot out in the ether!

What effect the 70,000 K. W. will have on the weather or climate after they have been radiated for several hours the writer dares not conjecture, but that something will "happen" is almost certain.

Considering the technical side of the project, it is of course feasible. If the necessary amount of power was to be had to-day, there would be no difficulty to try it next summer; as this is not the case, we must be patient and wait; the writer, however, hopes to see the day when the experiment will be tried.

Referring to the technical side, it will be necessary, of course, to tune all the sending apparatus to exactly the same wave length, which, naturally—on account of the great distance to be overcome—should be as long as possible.



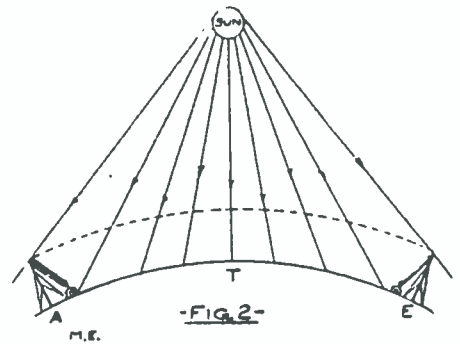
The frequency of the oscillations should be practically the same for all stations. The result of this arrangement would be that the effect would be practically the same as if one tremendously large station of 70,000 K. W. capacity was sending.

Just as we may blow two or a dozen whistles of the same pitch at the same time, in order to carry the sound further, and just as Professor Pickering may use thousands of small mirrors all operated at the same time, as if they were one huge mirror, so it may be possible to unite a great number of different

wireless senders and operate them as if they were one, provided of course that, like the whistles, they are tuned to the same "pitch."

There is only one more point to consider.

It has been demonstrated time and again that the action of the sun's rays greatly interfere with wireless telegraphy. In fact, it is possible to send twice



as far over water during the night than during the day. This may be better understood by quoting Mr. Marconi's views:*

"Messages can now be transmitted across the Atlantic by day as well as by night, but there still exists certain periods, fortunately of short duration, when transmission across the Atlantic is difficult and at times ineffective unless an amount of energy greater than that used during what I might call normal conditions is employed.

"Thus in the morning and in the evening when, due to the difference in longitude, daylight extends only part of the way across the Atlantic, the received signals are weak and sometimes cease altogether."

Mr. Marconi's explanation is that illuminated space possesses for electric waves a different refractive index to dark space and that in consequence the electric waves may be refracted and reflected in passing from one medium to another.

The writer wishes to offer a different explanation, which seems far more plausible.

Referring to Fig. 1, let T represent a section of the earth. Let A be a station on the American, E a station of the English coast. As will be seen, the sun is just setting for the point A, while E

* Described in the October, 1908, issue M. E., page 243.

* Article in the May, 1908, issue M. E., page 55.

ous might already (no sun rays reach E).

When A is sending the waves are shot out *parallel* with the sun's rays and *carried with the rays*. The action of the sun's rays is so strong that most of the electric waves are carried along, and therefore never reach E at all. Only by using more powerful waves can this effect be overcome.

This action is not surprising at all. Electromagnetic waves are closely related to light rays. As Svante Arrhenius* has also shown us, the rays of the sun exert a certain amount of pressure on all encountered objects. It is therefore easy to prove that considering the close relationship of light rays and Hertzian waves, the latter *will be carried in the direction away from the sun* under favorable circumstances. Again considering Fig. 1, such favorable circumstances would be reached during sunset or during sunrise.

That this explanation is not a mere theory is best proved by the fact that a point D and C will communicate with each other best during sunrise and sunset, the signals received being then strongest. The electric waves during

ately that the earth has a great advantage over Mars as far as wireless is concerned.

Messages sent from the earth during the opposition will go in the same direction as the sun's rays, and the writer is of the opinion that instead of the theoretical amount of power—that is, 70,000 K. W.—possibly only one-half or one-quarter will be required to signal to Mars, as the electric waves are undoubtedly assisted toward Mars by the rays of the sun.

On the other hand, Mars will find it difficult to signal back, especially during opposition, when his "operators" would have to work directly against the sun's rays.

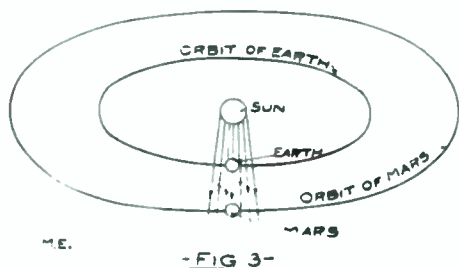
However, we can only hope that the Martians are further advanced than we and may signal back to us, using a method new to us and possibly long discarded by them, when thousands of years ago they stopped signaling to us, and gave us up, as we did not have intelligence enough to understand.

ANOTHER NOVEL DETECTOR.

An odd discovery was made by Mr. H. Gernsback the other day.

He reasoned that it should be possible to light an ordinary lamp by coherer (imperfect contact) action, and the experiment proved that this was actually the case. A 110 V. 25 C. P. tantalum lamp hanging from a 10 foot ordinary lamp cord was selected. By means of the key of the socket the lamp was lighted in the usual way. The key was left "on," while the lamp bulb itself was screwed out till the lamp extinguished. It was then screwed back till it *almost* made contact again (10 to 15 trials may be necessary to accomplish this and to get the right distance).

When the key of a 1 1/2 inch spark coil, with spark gap, connected to a 20 foot aerial, was operated, the lamp would light every time the key was depressed. As soon as the spark coil stopped working, the lamp extinguished. The lamp therefore proved to be auto-decohering. This "detector" is not very reliable, as it will not always respond. Sometimes also the lamp will not decohere of its own accord.



these two periods *travel parallel with the sun's rays, following the line of least resistance.*

During the day (Fig. 2), let A again represent the American, E the English coast station. Now it will be easily understood why messages can be sent almost twice as far during the night as during the day. In this instance the electric waves must *cut directly through the vast field of light*, and are being "held down" to a certain degree by the pressure of the light.

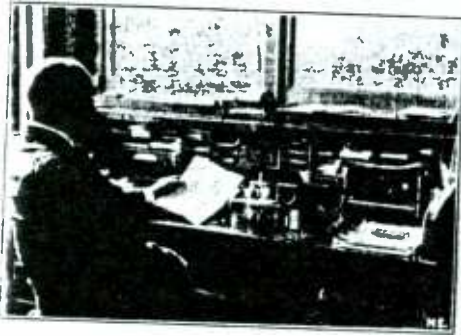
Now let us turn our attention to Fig. 3. This represents the earth and Mars in opposition. It will be seen immedi-

*"Worlds in the Making." See Panspermie.

The Dictograph

By JOSEPH B. BAKER.

The busiest business man in the world has no more hours in his day than the idlest. Ahead of every specific business problem that confronts the executive is the problem of extending his personality to the subordinates through whom his work must be done. He knows his own mind, but how shall he communicate it? There are two ways of doing so: Speech and writing. The busy man has not time to write, so that speech—direct, dictated or telephoned—is for him the only way. The problem, therefore, reduces to this: How can he achieve the most direct oral contact with his stenographer and his other subordinates? How much time can be saved in summoning them, how far



can he guard the conveyance of his thought from being hampered and diverted by the machinery of communication?

Ordinarily, the busy executive has three channels for delivering his thought orally: Calling in a stenographer, dictating to a phonograph, and using the telephone. Each of these is a time-saver, yet each falls short of ideal simplicity. Each involves a waste of seconds or minutes, and more than that, the frittering of attention on details utterly trivial in themselves, yet inseparable from these modes of communication.

Press a button to summon your stenographer from the next room. You want her on the instant, while you are under full headway. But you wait a minute or two minutes before she

appears, and the momentary check has clouded the current of your thought, like a stone dropped into a clear stream. Yet, she came fairly promptly; a sheet had first to be taken from the machine, a sentence finished or the note book and pencil gathered up. If an hour's dictation follows, you do not mind the trilling delay at the beginning. But suppose you wanted only to ask her a question, or give her a direction consuming ten seconds of your time? And suppose there are a score of such incidental communications in the course of the morning? How many neglected details might you have attended to in the time thus wasted? And, what is far more important—how much would that time and mental energy be worth if you could keep them unbroken and steer them into effective channels?

The phonograph, under some conditions, is an admirable time-saver, and it renders the dictator independent of the presence or convenience of the stenographer, but, after all, the time chiefly saved by the phonograph is the transcriber's, which is not valuable; and to use this machine successfully, the dictator has as much to learn as the transcriber herself. Talking into a mouthpiece, and the mechanical processes of starting, stopping, and changing the cylinders, are distracting, and tend to fetter creative thought. In practice the phonograph is most successful in certain occupations calling for a large volume of dictation, more or less routine in character.

The intercommunicating telephone system saves time, but has no application to dictation. It has the serious objection, to the busy man, of holding him up pretty completely from other activities for the time being. It requires practically his entire time and attention, largely for the purely physical reason that one hand is "tied up," by having to hold the receiver to the ear and talk directly into the transmitter.

The systems and devices that we have described seem modern and time-

saving, and they are; but is not something better possible? For example, suppose that instead of having to call your stenographer in, you were able to dictate to her in the next room, just as though she were close at hand, by simply talking out into the air.

Picture yourself sitting at ease with no transmitter or mouthpiece to talk into, no receiver to hold to your ear, no mechanical contrivance whatever to manipulate—with literally nothing to do but talk. You touch a button, and your stenographer's voice answers



out of the air. You address her in the same fashion, getting up and walking about if you wish, or turning to the files or books at your elbow, dictating steadily the while exactly if she were at the adjoining desk. Can you imagine the unfettering of ideas, the gaining in orderly and effective thought, the heightening concentration that would result from this perfect physical freedom?

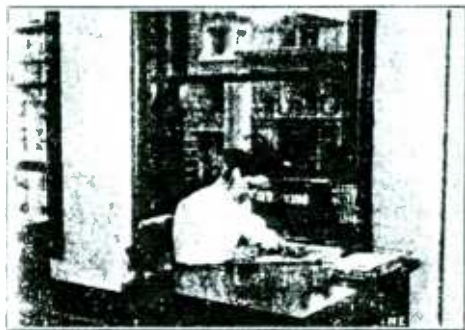
The dictograph, shown in the annexed illustrations, achieves this perfect emancipation of mental activity.

This marvelous apparatus is simply a small box tucked away unobtrusively in the back of your desk. The "master station," as it is called, contains in small compass an extraordinarily sensitive transmitter and a loud-speaking receiver. Hanging at the side of the box is an ear-piece receiver also, and on the front are mounted a number of simple electric switches and signals, the terminals of concealed wires running to the desks of the different members of your staff. The "sub-stations" on each of these desks consists only of a transmitter and an ear-piece receiver. At the stenographer's stations the ear-piece may be held against the

ear by a head-band, like that used by telephone operators, so as to leave both hands free to manage note-book and pencil.

In using the dictograph, all you have to do is to "call" the assistant needed. A simple movement, which requires no more conscious attention than picking up a lead-pencil, brings the subordinate's voice and ear, instantly reporting for duty and ready to take your instructions. To dictate a letter, for example, you touch one of the little levers on the dictograph box. The stenographer's reply emanates from the little box, though she is sitting at her own desk in another room. You then proceed with the dictation, speaking right out into the air in the customary way, every word being heard and taken down at the other end of the wire. If you wish you may get up from your chair, turn your back, and walk about the room; yet every sound reaches your stenographer through the sensitive electric ear. Should a caller enter while you are dictating, and you desire to have your letter repeated back, or obtain other private information while he is present, you may silence the loudspeaking receiver and use the ear-piece instead.

These things are only indications of the way the dictograph revolutionizes office methods. With the absolutely unhampered freedom of the dictograph you may keep your work stead-



ily moving forward, putting things through without the little hindrances and delays that ordinarily cramp your abilities. You have only to think aloud; the little box is always ready to listen, and through it there may pass a rapid fire of telegrams, letters and memoranda for stenographers to

write, orders for department heads to carry out, questions and suggestions to and from colleagues—short-cut communications of all kinds that result in getting things done.

The secrecy attained is an important feature. The physical presence of a stenographer or other persons in the private office has a dampening effect under some circumstances. Many a business deal has gone awry because the principals felt unable to talk freely. With this apparatus, assistants can be called in and dismissed instantly, and "interviews" accorded to callers, without time-consuming ceremony. By utilizing the ear-piece receiver, warnings or advice may be received from the credit man or general counsel during a business call without being overheard by the third party sitting beside your desk.

Conferences may be held over the wire without any of the conferees leaving their desks. You may speak to your manager, book-keeper, or other employee without wasting an instant of either his time or your own. You do not distract his attention from his work any more than you would by coming up to his desk for a moment to ask a question. The system lends itself no less admirably to more formal conferences. A master station on a board-room table at a Directors' Meeting enables any of the directors to speak with any one in the establishment—to obtain needed information, receive messages, etc.—without leaving his associates, or losing touch with the proceedings.

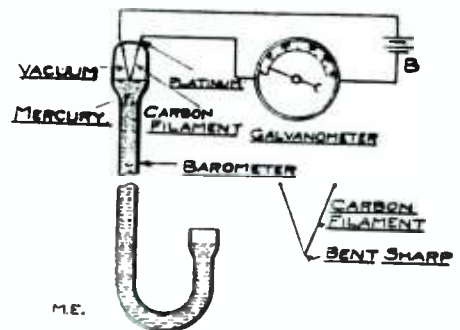
The business man who observes a demonstration of the dictograph realizes vividly the possibilities of its application in his own office. He realizes what hitherto unattained freshness and vigor his letters would have, what satisfaction he would obtain in being able to pick up details in their most efficient order and dispose of them finally, in many instances in less time than it now takes him to begin to get in touch with the assistant to whom he delegates them—in short, what "freedom" this wonderful apparatus confers. Every business man who tries it sees unique advantages for his particular problems. Is it any wonder that progressive concerns are taking up the system? The apparatus has al-

ready been installed in several prominent banks and trust companies, as well as other commercial houses. In many speaking, the system is certain of widespread utilization, and in anticipation of this the company which controls it has made ample preparations to manufacture the apparatus on a large scale.

ELECTRIC BAROMETER.

BY OUR BRUSSELS CORRESPONDENT.

Mr. P. B. Goldschmidt, in a paper read before the Royal Medical Society of Brussels, describes a novel barometer, with which readings are taken direct from a galvanometer. Our illustration shows the arrangement clearly. In the vacuum at the top of the barometer a V shaped carbon filament of minute size is sealed. Platinum wires lead to the filament, the same as in an electric lamp. The filament is in series with a sensitive galvanometer and a few batteries, giving a constant current.



As the mercury rises in the upper part of the tube it submerges the filament more or less and consequently cuts out resistance. These changes are registered on the scale of the galvanometer, and the instrument is so sensitive that it will record pressures of less than one-tenth millimeter. The scale of the galvanometer is graduated so that the usual barometric pressures, in millimeters are to be read off without calculation of any kind.

An interesting discovery was made with the electric barometer. Mr. Goldschmidt found that the atmospheric pressure does not remain constant, not even for seconds. The pointer of the galvanometer moves continually. This had not been known heretofore, as the regular barometer is not a very sensitive instrument as far as direct readings are concerned.

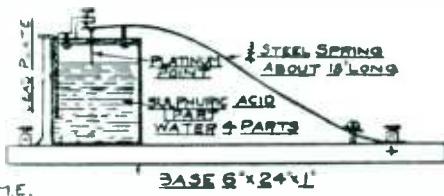
AN AUTOMATIC WIRELESS TRANSMITTER.

KENNETH RICHARDSON.

The purpose of this short article is to outdo the one in the January number describing an "automatic transmitter."

I made the following apparatus a short time ago and found it works very steady. It is to be used on voltages above forty or fifty.

Make an ordinary electrolytic interrupter with a lead plate and a platinum



point, dipping in a solution of sulphuric acid and water. Mount the jar holding the solution on the end of a board 6 inches wide by about 2 feet long. Attach the platinum point to the end of a 3/4 inch steel clock spring about 18 inches long. Fasten the other end of the spring near the end of the board farthest from the jar, and connect it to a binding post screwed on the board. Have the spring bent so that the platinum point just barely touches the solution. Put stops on the cover of the jar to limit the movement of the spring. A regulating screw is attached to the end of the spring farthest from the platinum point. A piece of glass rod may be put through the cover of the jar and down into the solution to regulate the depth of same.

When this apparatus is connected to the 110 or 220-volt circuit through the primary of the induction coil, steam forms around the platinum point, forcing it upward and out of the solution. No waves are then sent from the aerial. The power of the spring brings the point back into the solution and a buzzing sound occurs. When the momentum of the down-coming spring is overcome, the steam again forces the point out of the solution, etc.

The speed of the signals may be varied by moving the regulating screw

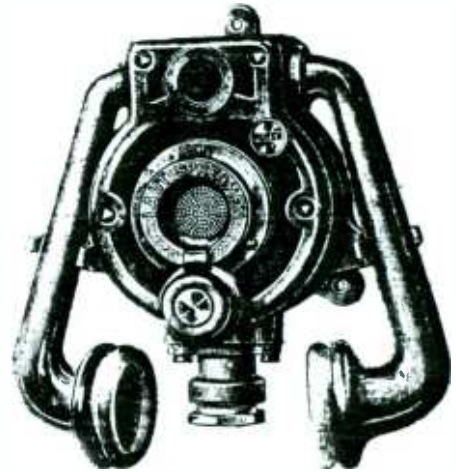
FREAK TELEPHONE.

BY OUR BERLIN CORRESPONDENT.

The accompanying illustration represents a gas and water-tight telephone station as manufactured by a leading German concern. This telephone is used in mines and in chemical factories, great attention having been paid that explosive gases or fumes cannot enter the telephone.

The Transmitter (inscribed "Laut Sprechen," ("talk loud")) can be closed hermetically by means of an iron hinged cover, provided with a soft rubber basket. The two receivers are raised up when calling. When down the line is cut off. These receivers are also provided with soft rubber ear cushions to facilitate listening.

The little disc at the upper right, inscribed "Rufen" (call) is the call push button.



The casing of the telephone is entirely of steel.

W. A. O. A.



The Wireless Association of America, headed by America's foremost wireless men, has only one purpose: the advancement of "wireless."

If you are not a member as yet, do not fail to read the announcement in the January issue. *No fees to be paid.*

Send today for free membership card. Join the Association. It is the most powerful wireless organization in the U. S. It will guard your interest when occasion arises.



A Magazine devoted entirely to the
Electrical Arts.

PUBLISHED MONTHLY BY

Modern Electrics Publication
NEW YORK CITY, N. Y.

H. GERNSBACK, EDITOR.

Subscription Price: For U. S. and Mexico
\$1.00 per year, payable in advance.

New York City and Canada, \$1.25.

Foreign Countries, \$1.50 in Gold.

Stamps in payment for subscriptions *not*
accepted.

Checks on out of town Banks cannot be
accepted unless the usual exchange is
added.

SINGLE COPY, 10 CENTS.

Forms close the 20th of the month pre-
ceding date of publication. Advertising
rates on application.

The Editor will be pleased to receive
original contributions of timely interest
pertaining to the electrical and the affil-
iated arts. Articles with good drawings and
clear photographs especially desired. If
accepted, such articles will be paid for on
publication, at regular rates. No manu-
scripts will be returned unless return post-
age is enclosed.

Address all communications to:

MODERN ELECTRICS PUBLICATION

84 West Broadway, New York, N. Y.

European Office:

23 Rue Henri Maus, BRUSSELS

Copyright, 1909, by MODERN ELEC-
TRICS PUBLICATION.

Entered as Second Class matter March 31, 1908, at the
New York Post Office, under the Act of Congress of
March 3, 1879.

Vol. II. MAY 1909. No. 2

We call our readers' especial attention
to the first annual official blue book
which we are publishing and which is
ready now.

This book contains all the informa-
tion the student of wireless telegraphy is
interested in. It enables him to tell
where and from whom a message is sent
and thereby increases and stimulates the
interest in the art to a great extent.

A contemporary publication a few

months ago made the statement that it
did not consider it wise to publish a list
of Government and commercial stations,
with their call letters, etc., as this would
only tend to put the experimenter in a
position where he could successfully an-
noy the large stations. This statement
is not very flattering to the mentioned
publication's readers. It seems to have
very little confidence in its own readers
and their honesty.

The world has a right to be enlight-
ened. There can be no progress with-
out enlightenment. Any publication
keeping valuable and enlightening news
from its readers is not working in the
readers' interests.

The wireless situation as it stands to-
day, considered from the experimenter's
standpoint, may be understood better by
an analogy.

Take a blind man who only under-
stands English. Let him walk over a
dangerous road full of deep holes. The
Italian laborer may vainly shout in Ital-
ian: "Look out, you will fall!" but the
unfortunate blind man, while he hears
the shout, of course, pays no heed—and
falls in the first hole he encounters. *He*
heard, but did not understand.

The same with the wireless experi-
menter. The large stations may vainly
shout at him to stop sending. He hears,
but does not understand. He doesn't
even know *who* shouts at him. He is far
worse off than the blind man. If he
knew *who* was doing the shouting he
would more likely pay heed and respect
the station whom he disturbed.

And still some people wish to keep the
student in the dark, to refrain him from
doing mischief! Sancta Simplicitas!

W. A. O. A.



The Wireless Associa-
tion of America was
founded solely to advance
wireless. IT IS NOT A
MONEY MAKING OR-
GANIZATION. Con-
gress threatens to pass a law to license
all wireless stations. The W. A. O. A.
already has over 2,000 members—the
largest wireless organization in the
world. When the time for action ar-
rives, the thousands of members will ex-
ert a powerful pressure to oppose the
"wireless license" bill. This is *one* of
the purposes of the W. A. O. A. There
are more.

Wireless Association of America

Wireless Registry

This department has been started with the idea to bring the wireless amateur in closer touch with commercial land and ship stations. Each month a list of new members will be printed here and once each year an official BLUE BOOK will be issued by MODERN ELECTRICS giving a list of all the members who registered during the year. Each member will receive the Official Blue Book free of charge. The Blue Book will also contain a complete list of commercial and government stations, their call letters, wave length, etc.

To register a station requires: Total length of aerial (from top to spark balls), spark length, call letter, if none is in existence M. E. will appoint one) name and address of owner.

Fee for Registry (including one Blue Book) 25 cents.

| NAME AND ADDRESS OF OWNER. | CALL LETTERS | APPROXIMATE WAVE LENGTH IN METERS. | SPARK LENGTH OF INDUCTION COIL. |
|----------------------------|--------------|------------------------------------|---------------------------------|
|----------------------------|--------------|------------------------------------|---------------------------------|

| NAME AND ADDRESS OF OWNER. | CALL LETTERS | APPROXIMATE WAVE LENGTH IN METERS. | SPARK LENGTH OF INDUCTION COIL. |
|----------------------------|--------------|------------------------------------|---------------------------------|
|----------------------------|--------------|------------------------------------|---------------------------------|

| | | | |
|--|--------|-----|---------|
| Ralph Damon, Whitman, Mass., | R.D.M. | 175 | 2 ins. |
| George and Fred Taylor, Susanville, Cal., | G.F.T. | 61 | 1 " |
| Karl F. Spark, S. Butte, Mont., | K.S.M. | 400 | 3 " |
| F. A. Marriott, Seattle, Wash., | J.A.M. | 120 | 1 1/2 " |
| Thos. Appleby, W. Phila., Pa., | H.N.M. | 360 | 1 1/2 " |
| H. M. Atwater, Kentfield, Cal., | K.N.M. | | 1 " |
| E. Winne, Jr., New York City. | J.W.M. | 150 | 2 " |
| Earl C. Hawkins, Minneapolis, Minn., | H.A.M. | 62 | 1 1/2 " |
| Charles J. Meyers, Albany, N. Y., | C.J.M. | 175 | 1 " |
| Harry Butts, Mazomanie, Wis., | H.B.M. | 170 | 1 1/2 " |
| S. W. Case, Marcellus, N. Y., | S.W.C. | 335 | 2 KW |
| Geo. H. Nison, Hackettstown, N.J., | G.H.N. | 365 | 1 ins. |
| Walter E. Haaren, New York City. | W.E.M. | 135 | 2 " |
| Myah Ritterhouse, Philadelphia, Pa., | F.R.M. | 80 | 3 " |
| G. S. Vernam, Brooklyn, N. Y., | G.S.W. | 215 | 1 1/2 " |
| Meade N. Powell, St. Louis, Mo., | M.P.M. | 135 | 2 " |
| Rochester Wireless Tele. Co., Rochester, N. Y., | H. | 125 | 2 " |
| Allen Lee Whitman, Cambridge, Mass., | A.L.W. | 110 | 1 1/2 " |
| Max Wells, Riverside, Cal., | M.W.X. | 85 | 3 " |
| Frank McGram, Jersey City, N. J., | F.M.X. | 61 | |
| Edwin R. Willard, Chicago, Ill., | E.R.W. | 110 | 1 KW |
| F. J. Rodrick, Weymouth, Boston. | R.V.M. | 35 | 2 ins. |
| Geo. Burrell, Ayon, Ohio. | G.B.A. | 125 | 1 " |
| F. C. Randall, Albany, N. Y., | S-1 | 130 | 1 " |
| Chas. E. Spirey, Spartanburg, Me., | C.E.S. | 135 | 2 " |

| | | | |
|--|--------|-----|---------|
| R. S. Burt, N. Paterson, N. J., | R.B.M. | 210 | |
| Earle L. M. Coolidge, Everett, Mass., | E.M.C. | 70 | 1 1/2 " |
| E. Wommer, Minneapolis, Minn., | E.W.M. | 74 | 1 1/2 " |
| Ray Newby, San Jose, Cal., | E.Z.M. | 235 | 3 " |
| E. D. Porter, Lewistown, Mont., | P.O.M. | 950 | 2 KW |
| Paul J. Hackett, Walla Walla, Wash., | P.J.H. | 165 | 3 KW |
| Thos. J. P. Shannon, Los Angeles, Cal., | S.I.M. | 160 | 2 KW |
| B. F. Rittenhouse, N. Woodbury, N. J., | A.R.M. | 105 | |
| A. G. Rayercraft, Manhattan, Nev., | A.R.M. | 260 | 12 " |
| A. G. Rayercraft, Tonopah, Nev., | N.H.M. | 260 | 12 " |
| A. P. Morgan, C. Montclair, N. J., | M.M.U. | 350 | 3 KW |
| E. H. Guilford, Winchester, Mass., | H.H.G. | 350 | 3 KW |
| Harry Brandt, Goyans, Md., | S.S.S. | 52 | 1 in. |
| C. A. Stone, New Haven, Conn., | G.K.S. | 35 | 1 " |
| Ralph T. Morse, Indianapolis, Ind., | R.T.M. | 145 | 2 " |
| Mervyn Sullivan, San Francisco, Cal., | M.X.M. | 110 | 1 " |
| Kendrick Noble, Yonkers, N. Y., | K.N.Y. | 85 | 1 1/2 " |
| J. L. Douglas, E. Orange, N. J., | J.L.D. | 210 | 1 " |
| John Christianson, Chicago, Ill., | J.C.C. | 45 | 2 " |
| Branson M. DeCon, Blairstown, N. J., | B.M.D. | 180 | 6 " |
| A. Inderbitzen, New York City. | A-1 | 200 | 2 " |
| Malcolm H. Smith, Gloucester, Mass., | M.S.M. | 170 | 1/4 KW |
| E. L. Showers, Los Angeles, Cal., | E.L.S. | 270 | 2 ins. |
| Wm. Kuhn, Los Angeles, Cal., | W.E.K. | 270 | 2 " |
| F. W. Harris, Renton, Wash., | F-1-B. | 235 | 5 1/2 " |

Receiving stations only.

Wave stations will be found in the official Blue Book just issued. Subsequent stations will be registered in next or some blue book.

Coil Construction

BY C. C. WHITTAKER.

On account of recent developments in wireless telegraphy and X-ray work, the induction coil, or inductorium, as it was first called, is now no longer confined to the laboratory as an interesting piece of apparatus; but, by its application to these comparatively newly discovered branches of science, has advanced till it is now almost a necessity in the electrical arts.

The proportions of the coil depend in a large measure upon the use to which the coil is to be put. In a long coil of small diameter, the secondary winding would, of course, be nearer the primary than that of a short thick coil; however, the former would be relatively slow in its action. The latter possesses the quality of quick action, but the outer turns of the secondary are so far removed from the most intense part of the field that its efficiency is seriously impaired. As a result of this, a compromise must be decided upon. Modern practice makes the length of the coil about twice as great as its diameter.

The proportions for the core follow the same general argument. The core must always have sufficient diameter so as not to strangle the magnetic flux, which flow through it. It is poor economy to make the core of small diameter for the purpose of saving wire. Good proportions for the core are given in the table at the end of this article.

The size wire to be used is another varying factor depending on the nature of the spark desired. Number 36 to 40 gives a long thin spark; number 30 to 34 gives a shorter and fatter one. Larger wire than number 30 is seldom used. Modern wireless coils are now being built with number 30 wire on account of the greater efficiency. For the primary there is an advantage in using large wire. This allows plenty of current to flow, does not heat up readily, and enables the coil to demagnetize quicker than if it was wound with more turns of finer wire on account of the inductive effect which the latter would have.

Number 20 to 22 soft iron wire seems to be about the best for core construction. If this cannot be procured in the soft form, it may be softened in the following manner:

After the wires have been cut the proper length and straightened, the whole bundle should be bound tightly in four or five places with wire so as to bind the whole firmly together. This bundle is now laid in a coal fire, where it is heated till nearly red hot, after which it is taken out and covered thoroughly with ashes. The object of this is to afford the bundle a chance to cool slowly. In all, it should take about two

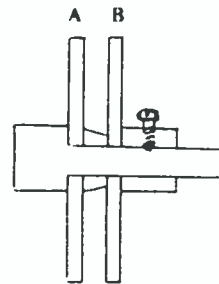


Fig. 1

hours for this to cool sufficiently. If the bundle is heated too hot it will oxidize and thereby lessen the quantity of iron in the core. This cooling process having been completed, the ends of the core can now be squared off and the whole bound with one layer of fine, strong cord. Greater firmness will be secured if the core is now soaked in melted paraffine, or, better still, thick shellac.

The primary is now ready for winding. Usually two layers of wire are enough. This brings the two ends out at the same end of the core.

The next subject under consideration regards the insulation which is to separate the primary and secondary windings. The best material for this is of course hard rubber, but this may prove expensive, especially if the coil is large. Compressed fibre can be obtained either black or red in color at a nominal price and forms a fairly good substitute. This fibre can be procured in any size, and the maker will do well to make his core and wind his primary before buying this tube. He will then be able to obtain an insulating tube that will tightly cover the primary.

We are now ready to construct the secondary. All coils giving longer than a one-half inch spark should be built up in sections. These are made by wind-

winding the wire on a bobbin, one end of which can be readily slipped off. Fig. 1 gives a good idea of this arrangement, as shown by a cross section. The two large discs A and B should be faced on the inside with metal to prevent warping from the hot paraffine. Discs of thin hard cardboard, or, better still, of compressed fibre, are cut so as to have a hole in their center the diameter of which is to be equal to that of the tube cov-

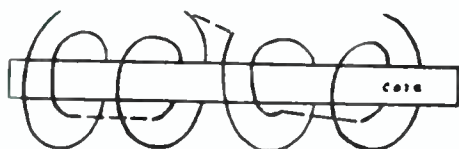


Fig. 2

ering the primary. The outer circumference has a diameter a little larger than that of the secondary winding. These are placed between each adjacent section. The sections should not exceed 1/4 inch in thickness; for coils giving longer than a three-inch spark they should be even thinner. Every other section is wound in the opposite direction. The wire should be run through melted paraffine, as it is wound onto the sections. This treatment cements the whole section together, increases insulation, and facilitates the handling of the section. The sections are connected by solder, as shown in Fig. 2.

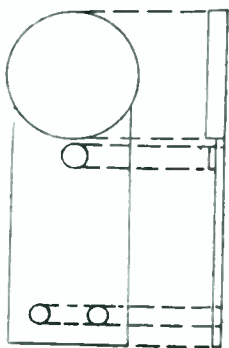


Fig. 3.

The vibrator claims our attention next, the speed of vibration of which depends upon its size and weight. If a very rapid vibration is desired, the vibrator is made comparatively short; the soft iron head giving rise to slow vibrations. The full vibration is checked if the contact screw is placed so as to make contact near this

head. Fig. 3 shows a good form of vibrator. The contacts should be of sufficient size to carry all the current that is needed and should have their faces truly parallel. Negligence of this will result in nothing but inefficiency in the coil.

The contact screw must be provided with a check-nut, or other arrangement to maintain the adjustment.

The condenser is perhaps the most interesting adjunct of the coil. Its function is to "absorb" the extra induced current in the primary and, by its oscillatory nature of its discharge, to increase the output of the secondary. It is made of alternate pieces of tin foil and paper. The shape of these is immaterial as far as results are concerned. For convenience, however, the condenser should, when completed, have the same proportions as the coil, so that it will fit nicely underneath the coil base. The paper used for this work should be entirely free from holes and should combine the qualities of thinness and strength. The paper which is used by grocers for wrapping fatty material is good for this purpose; indeed, in some small coils bought ready made the condenser is made from old note-book paper or newspaper; but this is not reliable on account of the presence of a corroded metal in the ink whereby an arc or a short circuit is formed. The ends of the sheets of foil are most conveniently soldered to small brass strips, to which are soldered copper wire terminals. When completed the whole condenser should be thoroughly boiled in paraffine and then pressed firmly together until cold. A book press is excellent for this purpose. If a variable capacity is desired, the condensers are connected in parallel by a switch. Condenser data will be found in the table at the end of this article.

| | 1/2 in. Spark | 1 in. | 2 in. | 6 in. | 12 in. |
|-----------------------------|---------------|---------|---------|-----------|-----------|
| Core length | 5 in. | 7 in. | 9 in. | 12 in. | 19 in. |
| " diam. | 5/8 in. | 3/4 in. | 1 in. | 1 1/8 in. | 1 1/2 in. |
| Area of foil in sq. in. | 900 | 1000 | 2000 | 3000 | 5800 |
| Margin of paper about foil. | 1/2 in. | 3/8 in. | 3/4 in. | 1 in. | 1 1/2 in. |

Construction of An Independent Vibrator

L. SPANGENBERG.

Perhaps some readers of MODERN ELECTRICS will be interested in an instrument of this kind to replace the ordinary core type of vibrator, which gives the operator so much trouble while sending by sticking and producing a lagging

screwed into the top base. Hard wood may be substituted, but hard rubber makes a much better base and gives a neater appearance. Four binding posts should be placed, one in each corner of the base.

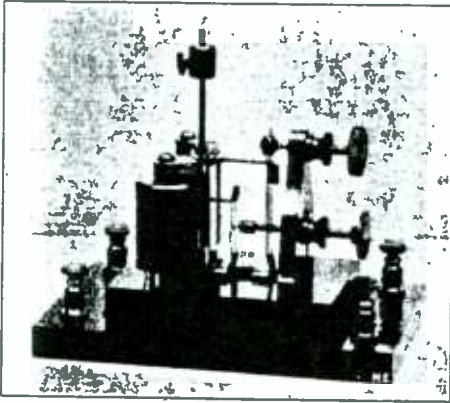


Fig. 1

spark. The difference, however, is not noticeable until after having used an independent vibrator. It will be found that this instrument will give much better results, for when the primary circuit is closed, your vibrator is ready to do its work. Below I will endeavor to instruct the experimenter how to make this instrument, and, if constructed as directed, it will be found to give very good satisfaction.

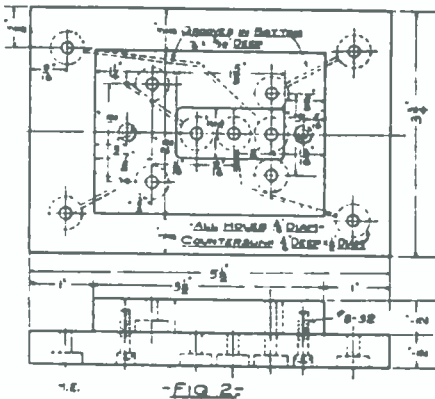


FIG 2

Obtain enough hard rubber 1/2 inch thick to make a base and sub-base, as shown in Fig. 2, which shows them held together by two No. 8/32 screws

The two uprights shown in Fig. 3 and Fig. 4 are made of 1/4 inch brass. The screws in the top of each upright holding the platinum points are made of brass, having threads cut on each as shown. These platinum points are soldered into place, the point shown in Fig. 3 being about 3/32 inch diameter, while that in Fig. 4 may be much smaller.

The armature and springs complete are shown in Fig. 5, the construction of which will be plainly understood by referring to drawing. The springs are made of spring steel, and the bottom bracket of brass. A small platinum rivet or point should be inserted in the small spring, as shown.

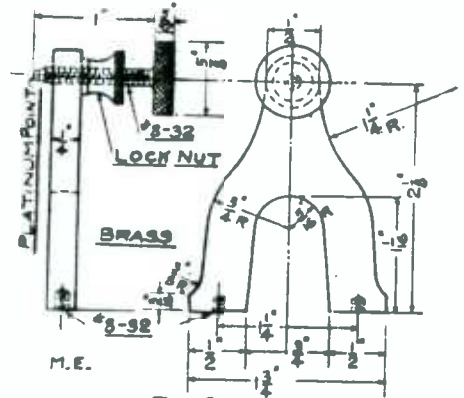
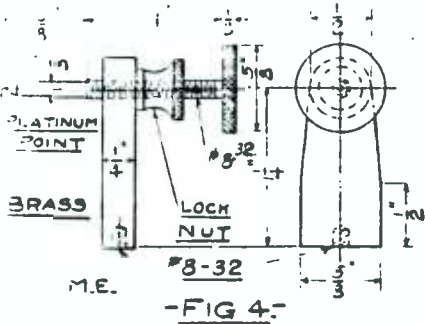


FIG 3

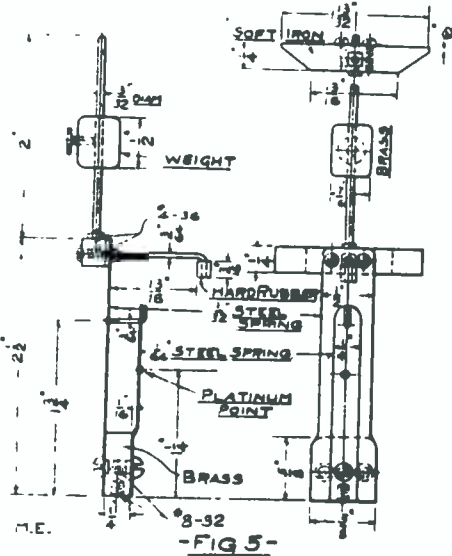
The primary circuit spring is shown in Fig. 6, and is made of spring steel, with the bottom bracket of brass. When drilling and filing holes in spring, as shown, care must be taken that the holes are the right size and in the right place. The platinum point in the top of this spring is held in place by soldering it in a brass cup, bolted to spring as shown.

The electro magnets can be purchased from any electrical supply house cheaper than they can be made. The figures in this article are to suit a pair of 4 ohm electromagnets purchased from a supply house. Tap a No. 8/32 hole in the top of each magnet core and make two mag-

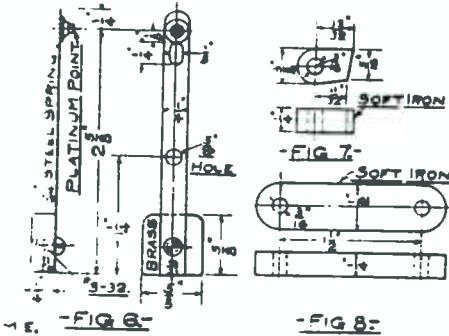
of units of soft iron, as shown in Fig. 7, which may be fastened to each electromagnet by a No. 8/32 screw. The mag-



nets are spaced 1 1/2 inches apart, and fastened to a piece of soft iron, such as shown in Fig. 8.

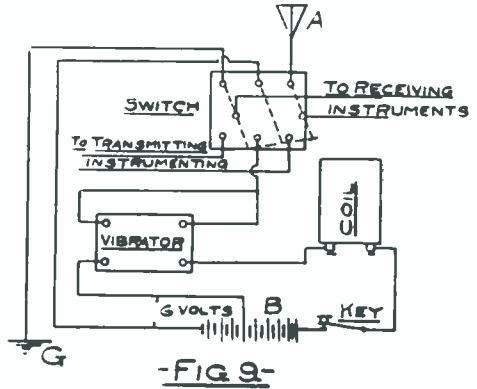


For the erection of this vibrator refer to Fig. 1 and connect up the instrument to correspond with grooves in the bot-



tom base (Fig. 2), using No. 14 copper wire in connecting up the primary cir-

If constructed as directed this vibrator will operate any coil up to 12 inches. Six volts will be enough to operate a pair of 4 ohm magnets, and if used in connection with a coil having a core type of vibrator, screw up the vibrator screw so that it will not work, and wire



as shown in Fig. 9, using an aerial switch such as shown on page 402 of the February number of MODERN ELECTRICS.

A NOVEL "WIRELESS DETECTOR."

The writer was once looking over a building in the course of construction in Boston, and happened to put his hand against the hook and chain at the bottom of a tall derrick. Small, bright sparks, about an eighth of an inch long, jumped to the fingers. This appeared very puzzling, since the derrick was run by steam and there were no wires rubbing against the cable. More puzzling than this was the rhythmical way the sparks came. The writer was just realizing that they seemed a great deal like the Morse alphabet, when they ceased with a BN, BN, and the finish signal used in wireless.

The explanation was simple enough. In the very neighborhood was the ten K. W. DeForest station. The long wire rope cable of the derrick acted as an aerial, which discharged to the ground through the fingers.

ROBERT E. BRADLEY.

WIRELESS ON CANAL ZONE.

Washington.—Finding that a wireless telegraph service would be cheaper than a telephone or a cable service, the Isthmian Canal Commission has decided to erect a station at Porto Bello, a port on the Caribbean Sea, eighteen miles east of Colon, to communicate with Colon.

Wireless Department

The Directive Control of Electric Waves

BY M. A. DEVINY.

Ever since the possibility of utilizing electric waves as a medium for the transmission of intelligence first began to be appreciated, there have been continual attempts on the part of those identified with the progress of the art to devise some practical method whereby directive control of the radiations might be effected. The tremendous advantages that would result if such directive control could be secured were realized from the beginning, and, next to the problem of securing selective communication, this subject has probably received the largest share of attention on the part of the investigators. It has only been recently,

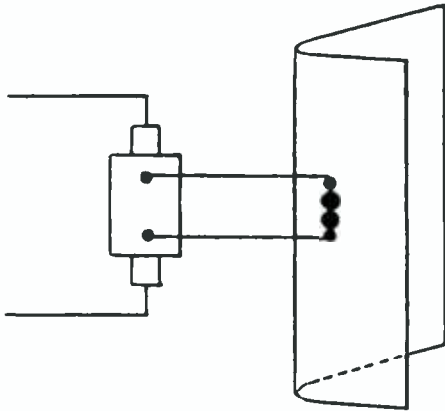


Fig. 1

however, that the results obtained in this direction have proved of sufficient importance to render the apparatus employed of any true value in the field of practical wireless telegraphy. Like all other valuable improvements, the problem has been attacked from many standpoints and as a result several more or less successful systems are now in the course of development.

When it was first proven experimentally by Hertz, in his classic researches, that electric waves were identical in all of their physical characteristics with the radiations causing the sensation of light, and after Marconi's triumphs had become fairly well known, there were sev-

eral methods devised by his colleagues for obtaining directive radiation by employing the property of reflection. One of the most notable of these was that of Dr. Righi, of the University of Bologna. He proposed to obtain control of the radiations produced by an especially designed oscillator by reflecting them from a parabolic mirror, somewhat after the manner shown in Fig. 1. The oscillator, which closely resembles the well-known type designed by Sir Oliver Lodge, consisted of two small metallic balls which were connected by wires to the high tension source of supply. Between these balls were placed two larger ones which were very carefully insulated and served the purpose of breaking the spark discharge into three distinct parts. This oscillator was placed at the focus of a large parabolic "mirror" made from sheet metal, and when the discharge was allowed to take place the radiations produced were resolved by the mirror into a single beam and concentrated in a direction along the axis of the parabola.

This was probably the most effectual and simple method yet devised for the purpose, but it was soon found that in order to secure satisfactory operation the wave length employed, even with the largest mirror that had been constructed, was of necessity so short as to render it of very little practical value. In fact, the experiments in which they were used were made over distances not exceeding two miles. The system was also applicable to directive receiving, in which case the coherer employed was placed at the focus of a similar mirror which was so arranged that it might be turned as to face in any desired direction. The incoming radiations were thus caused to converge at the focus of the mirror and produce oscillations which affected the coherer, while those coming from any other direction were screened and produced no effect upon the receiving instruments.

Many attempts have since been made to improve this system, but owing to its

inherent defects, which cannot be overcome, they have never proved of any real practical value. This can be readily appreciated from the fact that in order to reflect radiant energy as a beam it is necessary that the ratio existing between the length of the wave employed and the

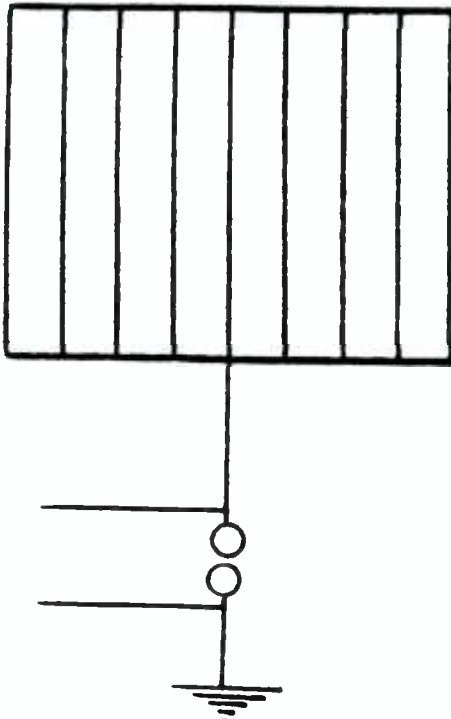


Fig. 2

diameter of the mirror must be exceedingly large. For example, we find that in reflecting light from a concave mirror, the ratio between the length of the light waves and the size of even the smallest mirror it is possible to construct, is still of such tremendous magnitude that we find no difficulty in securing the desired reflection. The length of wave employed in wireless telegraphy is relatively so great, however, that in order to employ the method of reflection it would be necessary to use mirrors so large as to render its practical application almost impossible.

After wireless telegraphy first began to be introduced commercially, and after a considerable number of installations had been made which afforded facility for the observation of the phenomena of transmitting and receiving over considerable distances, it was found that the various forms of aeri-als then in use possessed marked individual characteristics as regards to their direction of maximum

propagation. It was observed that aeri-als consisting of a single earthed wire slightly inclined to the horizontal possessed the property of radiating more strongly in the direction away from which the wire pointed, and that the effective radiation might be controlled by altering the degree of inclination and the direction of the aerial. Dr. DeForest took up the subject in 1904 and obtained two patents for effecting the directive control of the radiations by the use of aeri-als of special design. One of these consisted of a series of vertical wires which were connected so as to form a sort of a grid after the manner shown in Fig. 2. This grid was connected by a leading-in wire to the transmitting or receiving apparatus and was so constructed mechanically as to be capable of being rotated about a vertical axis in order that it might be made to face any desired direction. The effective radiations from this type of aerial were found to be more pronounced in a direction perpendicular to the plane of the grid, and that the oscillations produced in it when used for receiving were most powerful when the grid faced in the direction from which the radiations were proceeding. This method, although not securing absolute control of the radiations, nevertheless showed itself to be of some practical value in determining, with more or less accuracy, the direction in which the source of radiation was located.

Another form of semi-directive aerial also designed by Dr. DeForest for obtaining the same results, and shown in Fig. 3, consisted of a single vertical wire of comparatively short length to the up-

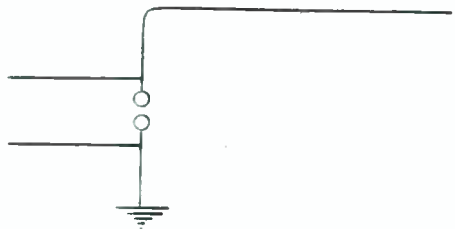


Fig. 3

per end of which was fastened a longer horizontal section. When the oscillations were set up in this type of aerial the radiations produced were found to be a maximum in a direction away from which the horizontal wire pointed, and it was thus possible (although somewhat

(inconvenient) to control the principal direction of the waves by altering the position of the horizontal section. For use in receiving from a desired direction a similar operation was necessary, and the oscillations induced by the waves were a maximum when the horizontal section pointed away from the direction of propagation. This form is the prototype of the now familiar "flat-top" aerial which is so extensively used by the Government stations, the latter being a combination of the "grid" and the horizontal semi-directive aerials and radiates and responds more strongly when the horizontal section is directed away from the position desired. It is on account of these

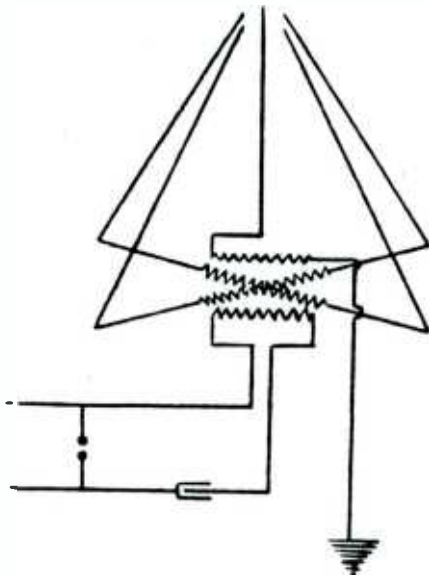


Fig. 4

desirable properties and other valuable features possessed by the "flat-top" aerial that it has become the most popular and widely used type at the present time; its merits having caused it to be recently introduced into some of the large trans-Atlantic stations.

The theory of the semi-directive action of the inclined and "flat-top" forms of aerials seems to be rather meagerly understood. Perhaps the most widely accepted explanation is that evolved by Professor Zebeck, who maintains that the waves, in passing over the earth, become inclined forward from the perpendicular, there seeming to be a sort of dragging action on the surface due to the electrical characteristics of the earth as a conductor. Hence an aerial which is

inclined forward or of the horizontal type is in reality more nearly parallel to the wave front and is therefore in the most advantageous position for the induction of the oscillations.

In transmitting with this class of aerials, the radiations are thrown out into space in the direction away from which the top is pointed, while those in the opposite direction are thrown more toward the earth and are suppressed to a greater or less extent.

Attempts have also been made to effect directive control by employing two aerials placed half a wave length apart and exciting them by oscillations in the same phase. It was thus expected that the interference of the waves might neutralize all radiation in a vertical plane through the two wires and increase the effectiveness of those in a plane perpendicular to the line connecting the aerials. The practical limitations of this method, however, due to the constantly changing wave length employed and the great difficulty of installing it on board ship have to a considerable extent prevented its more extended introduction.

The more recently designed systems which have lately been introduced in some of the European stations seem to have solved the problem in a most satisfactory manner. The two most notable of these are those designed by Count Alessandro Artom and Messrs. Bellini and Tosi.

Count Artom has succeeded, after long and careful research upon the subject in producing polarized electric waves of considerable length and has perfected a system of applying these to long distance wireless telegraphy. In his system two aerial wires are used which are placed at right angles to each other; these being excited from the secondary of an oscillation transformer used in conjunction with two additional transformers of special design. By this arrangement one of the aerials is excited electromagnetically while the other receives its energy by electrostatic induction from a special type of condenser, and he is thus able to produce oscillations in each of the aerials which are equal in magnitude but differing in phase by an amount slightly greater than a quarter of a period. The resultant waves emitted by the two aerials are thus elliptically polarized and can be sent in any desired direction by merely turning the aerial

structure so that the line of propagation is perpendicular to the plane of the aerials. Several long distance tests were made on this system and the results obtained appear to be very satisfactory.

Probably the most interesting as well as one of the most ingenious systems now in use is that of Messrs. Bellini and Fosi, one type of which is shown diagrammatically in Fig. 4. In their method two triangular aerials are employed which are open a short distance from the top and which are placed in a fixed position at right angles to each other. These aerials are excited from the secondaries of an oscillation transformer of special design known as the "radiogoniometer."* This instrument employs two entirely separate secondaries which are placed at right angles to each other so as to form a cross, their terminals being connected directly to the aerials in the manner indicated in the figure. A single primary, which is capable of being rotated on a vertical axis through any desired angle, is placed within the secondaries and is excited in the usual manner by means of an induction coil or a high tension transformer. By this arrangement the relative values of the strength of the oscillations induced in the fixed secondaries is made dependent upon the position of the primary, and the radiations from the two aerials are governed accordingly. The interaction of the waves of different intensities emitted from the triangular aerials combine according to the parallelogram law and form a resultant radiation which will have a direction in a line through the primary coil. Hence by turning the primary so as to point in the direction in which it is desired to send, the waves may be transmitted in that direction only. A similar operation is performed in receiving from a desired direction; the radiations being resolved into two components by the fixed coils (which in this case become primaries) and affect the secondary only when it is in such a position as to point in the direction of the transmitting station.

In order to check all backward radiation or that in the opposite direction from that desired, a vertical wire is placed between the two triangular aerials and connected as shown. The radiations produced by this wire are in phase with the resultant forward radia-

tions from the main aerials, which are thereby strengthened, while the backward radiations which are of opposite phase are completely neutralized. This system has shown itself to be practical and comparatively simple, and on tests made with it in France it was found capable of determining the direction of a transmitting station nearly two hundred miles distant within one degree of arc.

Directive systems, although possessing several marked advantages, are nevertheless not very applicable to the general field of wireless telegraphy and for this reason their use seems limited to certain special conditions. For example, highly directive systems such as those of reflection and the more recently introduced methods would seem impracticable on board ship and under other conditions where the position of the station is constantly changing, as it would be next to impossible to so control the beam of radiation as to cause it to continually strike the receiving station. Their chief field of application will no doubt lie in special shore installations at certain fixed points such as light houses and similar places where they might be of considerable value to mariners in determining their bearings at sea without the necessity of taking the customary observations. In fact, the entire art is in such an embryonic condition that it is almost impossible to predict what its possibilities are, and as new developments are continually being made and more efficient apparatus and systems devised, there is but little doubt but that the near future will see a chain of directive transmitting stations installed along our coasts with apparatus of such high efficiency as to greatly reduce the ever-menacing perils of the sea.

TO GET RID OF STATICS.

When using a silicon or a perikon detector, much of the trouble from noise from statics can be stopped by increasing the battery current sent through the detector. This decreases its sensitiveness more or less, but shuts out other noises. It is usually easier to read weak signals when all else is quiet than it is to read moderately strong signals amidst a loud roar from statics.

*See March issue, this magazine.—Ed.

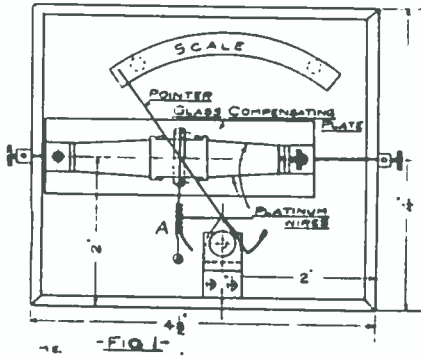
Pivotless Hot Wire Ammeter

BY A. M. CURTIS.

Following is the description of a hot wire ammeter designed for use in tuning wireless telegraph transmitters, but which may be used for any kind of current, direct or alternating.

The baseboard is of mahogany or other hard wood, $4 \times 4 \frac{1}{2} \times 1 \frac{1}{2}$ inches.

To compensate for external changes



of temperature and to prevent them from changing the position of the pointer, the wires which carry the current are mounted on a strip of ordinary window glass, $3 \frac{1}{2}$ inches long by 1 inch wide. As glass and platinum expand at very nearly the same rate, the tension on the wires is thus kept constant.

Drill four $\frac{1}{8}$ inch holes in the glass strip (Fig. 5), using a twist drill which is hardened by heating red hot and cooling in ice water. Lubricate the drill with turpentine. At one end of the glass plate screw on angle piece, of $\frac{1}{16}$ soft brass $\frac{3}{4}$ inch high by $\frac{3}{8}$ inch wide, to the bottom of which is soldered a short piece of the stranded conductor taken from a piece of lamp cord (A, Fig. 2). Use a $\frac{6}{32}$ machine screw and nut with a couple of paper washers to prevent cracking the glass.

At the other end of the glass fasten a brass piece of the same dimensions, tapped for an $\frac{8}{32}$ thumb screw (B, Fig. 2). Clamped by the same screw which holds the upright to the glass base is a spring of $\frac{1}{64}$ inch brass, $\frac{3}{4}$ inch high by $\frac{3}{8}$ inch wide, also notched at the top. A piece of the same conductor as is attached to A is also soldered to the heavier angle piece of B.

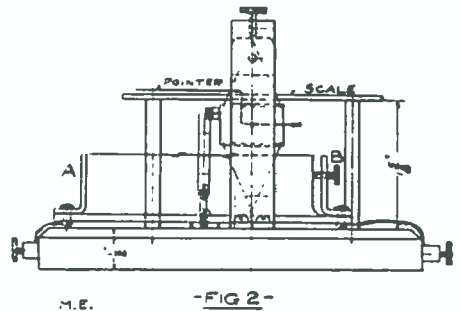
For a scale reading to 3 amperes, which is high enough for a 1 K. W.

transmitter, 6 strands of .002 platinum wire should be used, three on a side. For a smaller scale, only one wire may be used on each side.

Screw the thumbscrew at B in, so as to push out the spring somewhat. Tie a loop of the wire around the upright A, then wind it between A and the spring at B till there are 3 strands on each side, taking care that each wire is drawn taut and all are of equal length. Tie the loose end at B, and then with a small soldering iron solder the wires at the back of A and B with as little solder as possible.

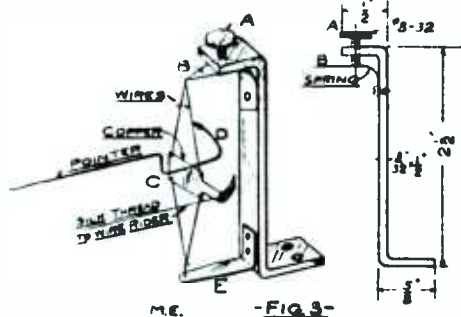
Screw the glass plate with the wires to the middle of the baseboard (Fig. 1), and fasten each of the copper wires to a binding post, which is screwed into the edges of the base opposite to where the ends of the glass plate come.

The part shown in Fig. 4 is made of very thin sheet copper. Cut a rectangular piece (Fig. 4) $\frac{3}{4}$ inch by $\frac{1}{2}$ inch with projecting lugs at the corners, $\frac{1}{16}$ by $\frac{1}{8}$ inch. Slit these lugs with a pair of scissors and bend half of each in opposite directions, so as to make a small groove in which the platinum wire rests and supports the rider. Cut a $\frac{1}{8}$ inch slit in the middle of the rider with a penknife and insert in it a strip of



the same copper $\frac{1}{8}$ inch by 2 inches so that 1 inch projects on each side of the rider. Solder it at right angles to the rider with a trace of solder, then with a pair of round nose pliers, bend the ends of this strip into sextants in opposite directions, leaving $\frac{1}{2}$ inch of each part of the strip straight (A, Fig. 4). Next attach two fine silk threads to the sextants, tying them in holes

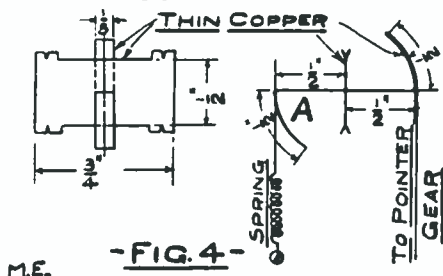
punched into the copper with a needle. The thread at the top, which goes to the pointer sextant, is attached to the free end of the sextant, while the bottom thread is attached at the angle. Attach to the bottom thread a spiral spring wound of No. 28 German silver or brass wire, about 1/8 inch in diameter. Next place the rider between the platinum



wires (see Fig. 1), and attach the spring, held clear of the baseboard, to a small screw (A, Fig. 1).

The upright shown in Fig. 3 is made of 3/32 inch soft brass, 1/2 inch wide, bent as shown. The top part of it is drilled and tapped for an 8/32 thumb screw (A, Fig. 3). E is a strip of 1/16 inch brass which projects from the upright 1 1/8 inches. A small hook made of part of a pin is soldered to it 1 inch from the upright. B is a brass spring 1/64 inch thick by 1 1/2 inches long, cut as shown and screwed to the upright. Its tension is adjusted by the thumb screw A.

The moving part C, which carries the

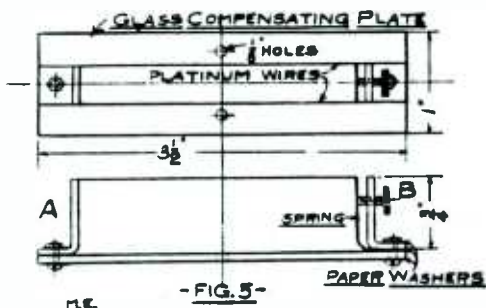


pointer, is made of the same copper as the rider in Fig. 4. A projecting arm carries a sextant similar to those in Fig. 4, to a hole, in the free end of which the thread from the rider on the wire couple is to be attached. The pointer fastened to C is of No. 24 aluminum wire, held by being passed through a hole, around the top of C, and again through the same hole, and being clinched with a pair of pincers. The

back end of the pointer D is bent in a segment of a circle. A few turns of No. 24 copper wire, wound on D so as to be movable with considerable friction, serves to balance the pointer.

The wires which support C are of phosphor bronze, .003 inch in diameter, or if phosphor bronze cannot be gotten, No. 36 bare copper wire will answer. Two loops of this wire 2 inches long are tied to the four corners of C through small holes and fastened by a trace of solder. The loops are then hooked over the end of the spring B and the hook on E adjusted so that the pointer moves horizontally. The tension of the spring B is adjusted by the thumb screw so that the pointer returns quickly to its normal position when moved.

When the pointer movement is assembled, as shown in Fig. 3, it may be screwed in position on the baseboard and the free end of the thread coming from the upper sextant on the wires attached to the free end of the sextant of C and



drawn taut. Considerable care must be taken that neither of the two sets of fine wire are broken.

The scale is a piece of brass (Fig. 1), to the top of which a piece of white paper is glued. It is supported by two brass rods, which are bolted to the base.

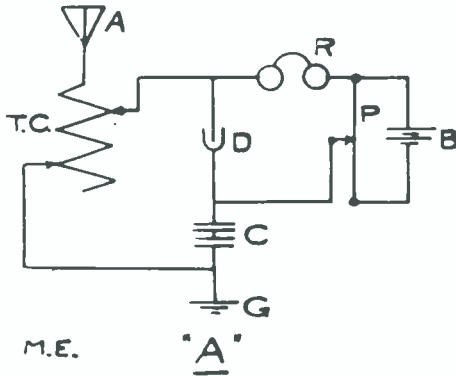
The case of the meter is a wooden frame 4 x 4 1/2 x 3 inches, the top of which is a glass plate which may be fastened by a wooden moulding or more conveniently by passe-partout binding paper. It should be attached by hinges and two hooks so that it may be easily raised.

To calibrate the meter it should be put in series with a direct current ammeter, a rheostat and a source of direct current and the scale marked with the various values of current as shown by the DC meter. Its readings will then show the R M S value of an alternating or oscillating current.

Hints for the Wireless Experimenter

A. C. AUSTIN, JR.

Since becoming interested in wireless telegraphy I have tried many different circuits, both transmitting and receiving, which have been more or less successful, and of which a record has been kept, embracing both the diagrams of the circuits tested and the results obtained during



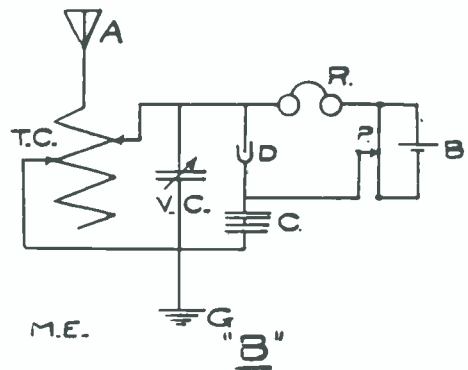
the varying conditions of the atmosphere. The record of these results day by day as the weather changed has proven surprisingly interesting and instructive. Sometimes on a rainy day or night the signals came in extremely clear and sharp, and distant stations were heard with ease. In fact, I have found it not uncommon to hear stations from 500 to 800 miles away, with a compromise antenna 100 feet long and only elevated 35 feet at the highest point, and a carborundum detector. Again, under the same conditions, practically nothing could be heard except a few commercial stations near by.

One of the first things an experimenter should do is to get a book and start such a record as I have mentioned, keeping under the diagram of each circuit that is tried the daily record of the results and the condition of the weather during such time as the operator is "listening in."

Too many of the wireless experimenters are content to use any circuit that will give a result, relying upon blue prints of "tuned circuits" or an "operator friend" for their connections, and when the instruments are once "hooked up" they stay that way, until some friend says he has a better connection, or until the experimenter's interest dies out and

he either sells his apparatus or consigns it to the junk heap. This is entirely wrong and I do not think my interest in wireless would last very long if I only sat down to the instruments and listened to private messages or to reports from ships giving location, etc. I must admit that there is some interest in copying the messages that are being flashed through the ether at all times of the day and night, but for real downright, and above all lasting, interest you must learn to "putter round" your instruments, as the Yankees term it.

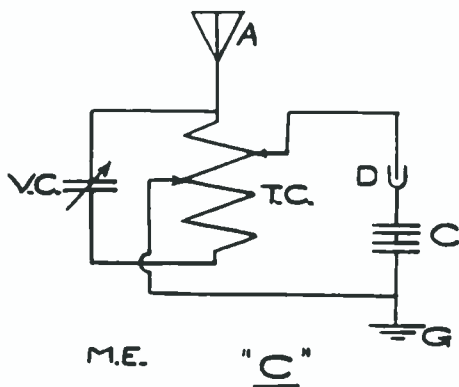
For instance, I sit down to the instrument table, throw the switch in, and listen for some message to come in. As soon as I find that the station sending is apt to keep on sending for a few moments, I take a condenser, or some other piece of apparatus, and connect it up some place in the circuit and note the result, whether better or worse. In this way I have discovered many new circuits, some very good and many only ordinary, and in fact have, to some degree, achieved selectivity, being able to talk with friends without noticing any interference, even when high-powered stations near by were operating, and to tune out any unwanted station and listen to another. My instruments are connected all above board, that is to say the



wiring is all open, and may be altered very easily, thus facilitating quick changes, though not conducive to good appearance; in fact, a photograph and description of my instruments would never take a prize, and I doubt if it would even receive "Honorable Men-

tion" in the "Monthly Contest" carried on by MODERN ELECTRICS, but in point of workability I believe they are on a par with any in the country.

The above will serve to illustrate my meaning, but to make it a little clearer, a few diagrams are given, showing the difference a condenser or slight change in connections will make. For instance, while signals may be received quite clearly with instruments connected as in diagram A, the addition of a variable condenser, as in diagram B or C, or the extra connection from the tuner to the fixed condenser, as in diagram D, will enable the operator either to hear the signals from 25 per cent. to 50 per cent.



louder or to tune out the signals entirely simply by a variation of the condenser or the third contact on the tuner.

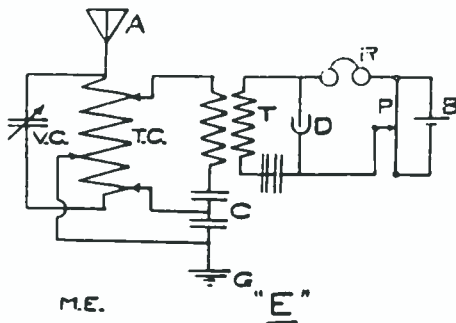
As will be seen in diagrams C and E, the variable condenser is in shunt with the winding of the tuner. This arrangement has been worked out by Mr. H. Gernsback, and to my knowledge has not been used previously. Diagram E shows a connection with which I have had a great deal of success, this being a combination close and loose coupled system.

As soon as a book of diagrams and results is started there is bound to be an improvement in the working of the station, for it is so interesting to compare the results from one circuit with those from another that you keep on trying something new, and thus increase your knowledge.

Never discard a circuit until you have tried several different detectors with it, for some circuits that will work very good with an electrolytic detector only give fair results with the carborundum, and vice versa.

Try new materials for detectors, and

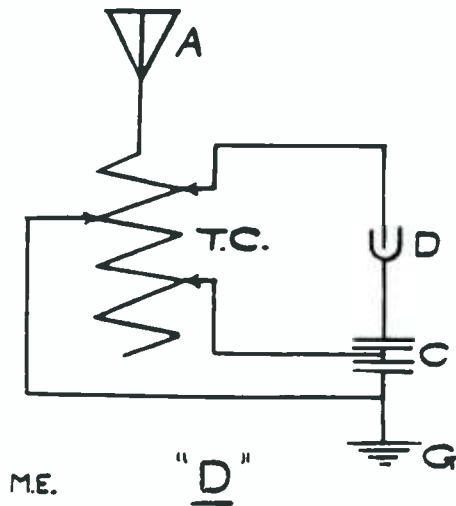
don't forget to try with and without battery. Generally I use a buzzer tester first and then switch in the aerial, using



some standard detector, and when some station starts sending, switch over and compare results on the new material. In this way I have found many minerals which may be used as detectors more or less successfully.

You will note that only one aerial lead is shown in diagrams, and in defense of this I would say that I believe the double slide tuner is better in every way than two tuning coils on two separate aerial leads, the second slide on the tuner taking the place of the static coil in the loop system.

The greatest advantage, however, in the use of the one aerial lead to the receiving instruments lies in the fact that it is not necessary to use an anchor gap, wherein much energy is lost, and which I believe materially cuts down the sending radius of a station. In fact, to my knowledge some of the commercial companies have apparently waked up to this

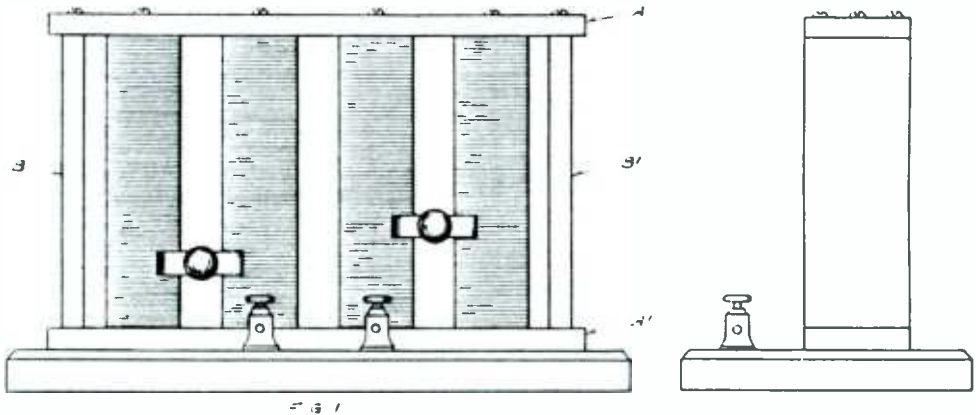


and are now experimenting, with a view to discarding this gap. It is the use of

(Continued on Page 78)

A Potentiometer for Wireless Telegraphy

By S. FULTON KERR.



In long distance wireless telegraph experimenting the variable resistance or potentiometer plays a more important part than many experimenters realize. In fact, for the successful operation of a receiving station, it is as essential as the tuning coil, especially so when an Electrolytic detector is used as this type of detector requires very accurate adjustment.

There have been more or less articles in electrical publications lately dealing on the construction of wireless apparatus, but they have failed to give the potentiometer much consideration, and this fact has led many experimenters to believe to some extent, that the potentiometer does not necessarily have to be employed. Of course, in some cases this may be true enough, as for instance, when one lives near a large government or commercial station, and wishes to receive messages from the same as the waves emitted by these are so strong that they may be received with very simple apparatus.

To obtain the best results, however, the potentiometer must be so constructed that a very gradual increase or decrease of resistance can be introduced into the circuit, and it is the purpose of this article to describe the construction of one that fulfils these requirements.

The two pieces A, A1, are made from oak or other hard wood, 12 1/2 inches long, 2 1/2 inches wide and 1/2 inch thick. The pieces B, B1, are

made from the same kind of wood, the dimensions being 7 inches long, 2 1/2 inches wide and 1/2 inch thick. These strips are then screwed together to make the frame as shown in Fig. 1.

Now, turn down on a lathe or otherwise procure four cylinders of wood 1 3/4 inches in diameter and 7 inches long. After thoroughly drying them in an oven they should be wound with No. 26 B. & S. gauge, (.0159 inch) bare German silver wire allowing the same distance between the turns as the thickness of the wire. This can easily be done by screwing in a small brass wood screw, wrap the wire around the screw a few times and proceed to wind. Another screw should be screwed in at the finishing point, and the end of the wire wrapped around it. This prevents the wire from coming loose and unwinding. When the cylinders are all wound they should be given a double coat of shellac and allowed to dry.

Then screw the cylinders into the frame as shown with a distance of one inch between each one. The shellac should then be scraped off the part of the wire where the sliders will make contact with it.

The sliders are made from a strip of phosphor bronze 1/2 inch wide and about 1/32 inch thick. The shape should be like that shown in Fig. 2. The curve in the slider will of course have to have the same radius as the cylinders so that it may slide easily between them. Phosphor bronze is

used to make the sliders as it is very springy and does not easily lose its stiffness, but if it cannot be obtained, stiff copper or brass will answer the purpose. Two sliders are required.

To give the instrument a neat appearance the frame should be screwed down to a base made of the same kind of wood as the frame and being 15 inches long, 7 inches wide and 1 inch thick. The edges of the base are beveled and the two binding posts are mounted on it.

The connections are made as shown in the diagram in Fig. 3. The two middle coils are connected together at the bottom, and the two end coils are each connected to a binding post.

This potentiometer if wound with the size wire specified will have a resistance of approximately 300 ohms. That is if the German silver wire is 18 per cent. alloy, but if it is a 30 per cent. alloy the resistance will be about 500 ohms. As 300 ohms will be sufficient resistance with two dry cells, the 18 per cent. alloy should be used. One pound of the wire will be sufficient.

Of course, this instrument may be made on a smaller scale, but to obtain the same resistance of 300 ohms, it would be necessary to wind it with smaller wire, and this would not permit the very gradual increase or decrease of resistance as can be obtained

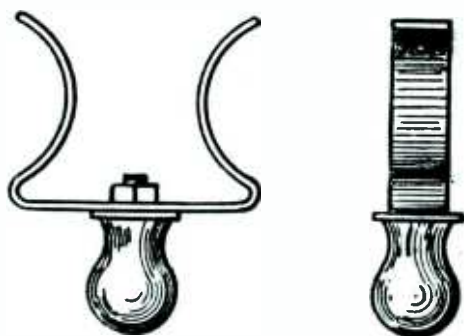


FIG. 2.

when the instrument is made larger and heavier wire is used.

By referring to Fig. 3 it can be seen that when both sliders are at the bottom of the coils, there is no resistance in the circuit as the current goes right through the sliders.

To introduce resistance into the circuit, raise the left hand slider and the

higher up it is raised the more resistance there will be in the circuit. When the slider is raised as far as it will go the total resistance of the two left hand coils will be in the circuit.

If more resistance is wanted raise the right hand slider, leaving the left hand one still at the top, and when the

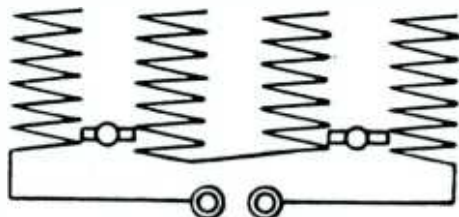


FIG. 3.

right hand slider is up at the top the total resistance of all the coils will be in the circuit.

There have been so many articles published from time to time on the method of adjusting this instrument when it is connected up with the other instruments that it will not be necessary to explain that here, and in conclusion, it may be added that if this instrument is properly constructed, it will make a valuable addition to the experimenter's station.

This instrument, as will be seen, is of the inductive type, and while not as efficient as a non-inductive potentiometer it will do good service in the hands of the experimenter who does not require absolutely exact balanced circuits.

PARAFFINE TAPE.

The ordinary insulating tape is much too heavy to be used on very fine wires, and in applying it there is danger of breaking the wire. For all such work paraffine tape is much better, and may easily be prepared as follows:

Get a roll of taffeta silk seam binding, which may be bought at any dry goods store for a few cents. This is a thin silk tape and should be about a quarter of an inch wide.

Prepare the paraffine by heating it to nearly the boiling point; then run the tape through it, being careful not to get the paraffine on too thick, and wind on a spool.

In using the tape, the heat of the fingers is sufficient to soften the paraffine so that it will adhere readily.

Contributed by J. CARLTON PAULMIER.

Wireless Telegraph Contest

Our Wireless Station and our Laboratory Contest will be continued every month until further notice. The best photograph for each contest is awarded a monthly prize of Three (3) Dollars. If you have a good, clear photograph send it at once; you are doing yourself an injustice if you don't. If you have a wireless station or a laboratory no matter how small have a photograph taken of it by all means. Photographs not used will be returned in 30 days. This competition is open freely to all who may desire to compete, without charge or consideration of any kind. Prospective contestants need not be subscribers for the publication in order to be entitled to compete for the prizes offered.

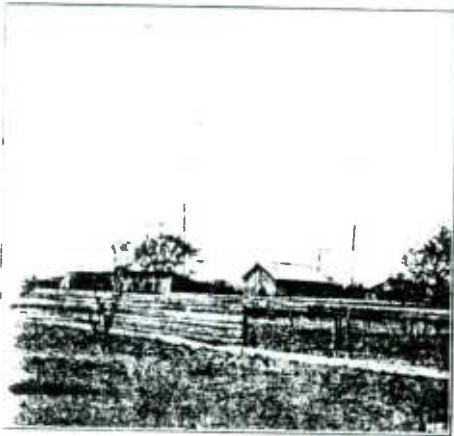
FIRST PRIZE, THREE DOLLARS.

Please find enclosed a picture of my wireless station. I am 15 years old and have been experimenting with wireless six months. On the right are the sending instruments. I use a one inch induction coil, and run my coil from the 110 volt alternating current here. I use a



water rheostat in connection with same; this gives very good results. You can see rheostat just back of coil.

I use two 3 quart Leyden jars for sending condenser, one on each side of spark gap. On this side of coil is my sending helix, which I made from 10



feet of No. 8 brass wire. The spark gap is on top of coil. I use an ordinary strap key for sending. With these instruments I can easily get a station 5 miles from here. For receiving I use 3

complete outfits; one is a 75 ohm relay with a coherer and decoherer, which signals me.

Another is a 1,000 ohm receiver which I made from a 75 ohm one, and an "auto" coherer with a rheostat regulator. The last one is a 1,000 ohm receiver in connection with an electrolytic detector, tuning coil, condenser, and a potentiometer made of German silver wire. With the above instruments at night I can hear the Galveston and Dallas stations. I use the "auto" coherer to communicate with my friends that have stations here.

Just to the right above coil is my D. P. D. T. switch, used to connect the sending and receiving with ground and aerial. My aerial is suspended from two 50 foot poles and is composed of 2 No. 14 B. S. copper wires 50 feet long and 2 feet apart.

MODERN ELECTRICS is a fine magazine, especially for wireless experimenters, and is a great help to me.

Abilene, Texas. EARNEST CARTER.

HONORABLE MENTION.

Enclosed please find 2 photos of my wireless station.

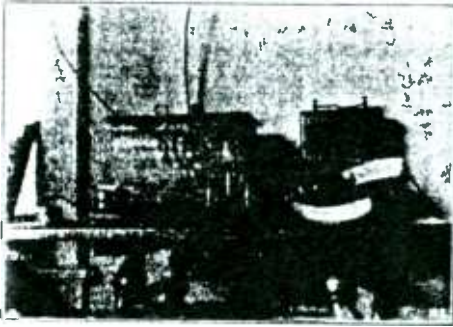
No. 1 is the receiver. Against the wall, on the left of the table is the tuning coil, with two sliding contacts. To the right of this is the adjustable condenser, made of four small condensers arranged with plugs like a resistance box. Just to the right of the phones is a silicon detector. In front of the tuning coil are an electrolytic and a silicon with finer adjustments than the other one. It is made of a telegraph sounder, the top of the anvil being cut off and the magnets taken out. The lever is turned around in the frame and the frame unscrewed and then screwed down so that the lever is over the anvil. The silicon is put between the lever and the anvil and the adjustment is obtained with the regular spring and thumb-screw. I made everything on the table, except of course, the phones.

No. 2 is the transmitter. It is ar

ranged in portable form, in a box 12x 12x13 inches.

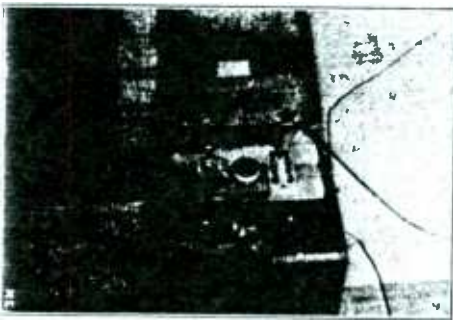
On the right is the top of the coil, on the left is the discharger, a brass mushroom and a zinc rod, at the back of the box, under the shelf, are the Leyden jars. The tuning coil is in the front, near the bottom, and does not show.

On the shelf are the key, battery switch and a D. P. D. T. switch for



the aerial. The receiver shown fits in a box of the same size. It has two binding posts on the outside which lead by a flexible cord to two on the outside of the transmitter box, two more on the transmitter box go to the batteries or dynamo, and two to the aerial and ground.

All the wiring is done in silk flexible cord—high-tension in green, battery wiring in red.



The binding posts are labeled with red or green plates such as you get from slot machines. The instruments are finished in green "Jap-a-lac."

My aerial contains some 450 feet of wire and is raised by a 35 foot pole on the roof. I have had very good results with this set, and have heard B. G. quite clearly.

MODERN ELECTRICS is the best magazine I have ever seen for the amateur.

Its articles are clear and concise, without being too detailed.

New York BOWDEN WASHINGTON.

HONORABLE MENTION.

My station is located at Baldwinsville, N. Y. The pole I made of iron pipe, and is 72 feet high; length of aerial, 85 feet. My transmitter consists of sending inductance, spark gap, muffler type; series.



multiple condensers, key, and spark coil, which will give a 4 inch spark, which I run from a transformer giving 10 volts, connected with 110 volt 60 cycle lighting circuit. I use tuned circuit receiving apparatus, which includes tuning coil, dou-



ble slide, potentiometer, variable condenser, rotary type; electrolytic detector, and telephone receivers wound to 1,200 ohms each. I think MODERN ELECTRICS a fine book on everything in the wireless question.

New York.

C. R. MILLER.

Laboratory Contest

FIRST PRIZE, THREE DOLLARS.
Being an acute reader of your up-to-

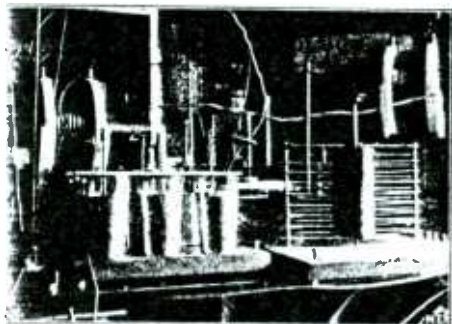


date magazine, I am sending you these photos for the laboratory contest.

They were taken by myself with a 9 x 12 folding camera. To the right is an electrolytic detector, U form, with two resistance coils and telephone.



Higher is my D'Arsonval galvanometer with glass case. The magnet is one taken off a magneto, the armature is a coil of cardboard upon which I rolled



50 meters of 0.2 millimeter insulated copper wire.

Higher to the left is my 3 centimeters

induction spark coil, and in front of your magazine a 200 ohm Radignett (Paris) relay. In front is a mercury-carbon coherer, but the electrolytic type works very much better with the telephone. My aerial has 3 parallel wires on top of the house. I work only with accumulators because it is the only available source of energy for an electrical laboratory. I also enclose another photo of my laboratory showing my lathe, 3 H. P. Minerva motor, steam engine, and projection apparatus for 8 1/2 x 10 plates.

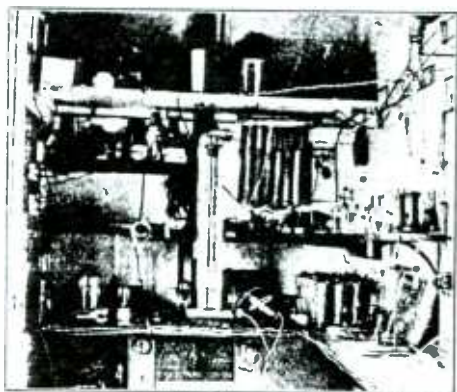
Another photo shows my recent high frequency apparatus constructed by me for wireless work.

The battery of Leyden jars which are in front work very well.

Brussels, Belgium. RENE BEYAERT.

HONORABLE MENTION.

I enclose a photo of my laboratory and wireless sets. I own one sending set and four different receiving sets. I use the electrolytic detector most of the time. My tuning coil I made myself, and it has 182 feet of wire on it. I have an aerial 60 feet high, eight wires of No. 18 bare copper from the instruments to top of mast. The photo which I enclose was taken last December; the room has been



changed a great deal since then. The reason for so many bottles is that I do a great deal of experimenting in chemistry. New York. ROBERT L. STEELE.

HONORABLE MENTION.

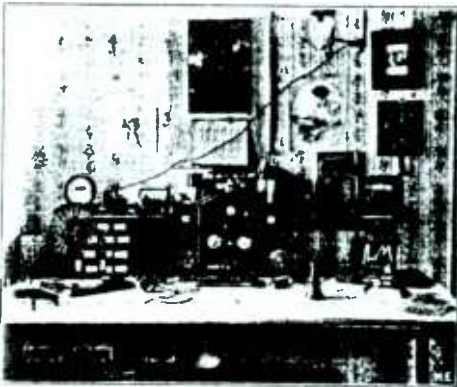
I herewith enclose a photograph of my electrical laboratory.

The switchboard, which controls nine batteries, can be seen in the center of the table. A current may be had from

one, two, three, four or nine batteries, as desired. This arrangement is controlled by two two-point switches and one lever switch. The two knife switches control two miniature lamps.

To the right and left of the switchboard and on the shelf are two telegraph sounders and a relay. The telegraph lines lead to the home of my friend, and the receivers, which are seen in the foreground, may be switched in to the circuit and used in place of the sounder.

The rheostat under the shelf to the left of switchboard regulates the miniature lamps, while the one to the right is used to regulate the speed of motors or the current of other instruments. Both rheostats are made of field coils from an electric fan.



An 8 inch plate E. I. Co. static machine is at the left of table, and it will give a 2 1/2 inch spark at all times.

Leyden jars of my own make may be seen directly above the switchboard.

My laboratory contains many other electrical instruments which can be seen in the photo.

MODERN ELECTRICS is a splendid magazine for electrical experimenters.

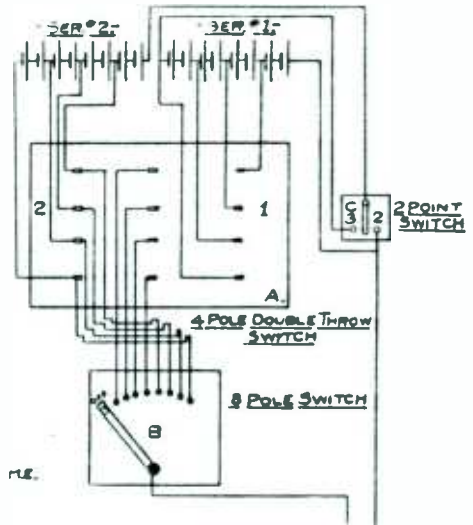
Indiana. L. S. MUSSER.

BATTERY SWITCH.

Some time ago I worked out the following circuit for controlling a battery of dry cells, which is very satisfactory, allowing the battery to be used in two sets, one recuperating when the other is in use or allowing all to be used in series.

The parts are: A, a four-pole double throw knife switch, which can be made up of the parts of 2 double-pole double throw switches. B is an eight-point switch for cutting in the batteries.

C is a two-point switch for governing the sets. To use set No. 1, A is thrown over to 1 and B advanced until the current is right.



To use set No. 2, A is thrown over to 2, C is turned to 2, and B advanced for right amount of current. To use all cells in series, A is put to 1, C put on 3, and B advanced for current.

The diagram shows 16 cells or two sets of 8. The arrangement will be found very handy for experiments.

Contributed by FRANK J. HARRIS.

HINTS FOR THE WIRELESS EXPERIMENTER.

(Continued from Page 67)

the anchor gap which, to my mind, prevents the average amateur from communicating with friends except over short distances, as when the power of a station is low the anchor gap takes the greatest part of it, and consequently the aerial radiates but feebly.

Apparently the Government experts have appreciated this fact, for they are now using a form of relay which closes the gap when sending, and opens it when receiving, the object of this being to disconnect the transmitter from the receptor, thus avoiding any possibility of unbalancing the receiving circuit with the capacity and inductance of the sending circuit. However, I accomplish this end all at the switch, and I believe in a much simpler way.

These few hints if remembered I hope will prove of benefit to many experimenters in wireless telegraphy and I trust may lead to some future discovery of importance.



Queries and questions pertaining to the electrical arts addressed to this department will be published free of charge. Only answers to inquiries of general interest will be published here for the benefit of all readers. Common questions will be promptly answered by mail.

On account of the large amount of inquiries received, it may not be possible to print all the answers in any one issue, as each has to take its turn. Correspondents should bear this in mind when writing, as all questions will be answered either by mail or in this department.

If a quick reply is wanted by mail, a charge of 15 cents is made for each question. Special information requiring a large amount of calculation and labor cannot be furnished without remuneration. THE ORACLE has no fixed rate for such work, but will inform the correspondent promptly as to the charges involved.

Name and address must always be given in all letters. When writing only one side of question sheet must be used; not more than three questions answered at one time. No attention paid to letters not observing above rules.

If you want anything electrical and don't know where to get it, THE ORACLE will give you such information free.

CARBON DETECTOR.

(206.) MERLYN DENNIS, Chicago, Ills., asks:

1.—Will two electric light carbons sharpened to an edge, with a steel needle laid across them, act as a detector for a short distance wireless telegraph?

A. 1.—Yes.

2.—With a 1-1/4 inch spark coil, will a 75 ohm telephone receiver, receive messages with the above named detector up to one-half mile?

A. 2.—Yes.

SENDING AND RECEIVING.

(207.) BRANSON M. DeCOU, N. J., writes:

1.—What is the maximum sending and receiving range of a wireless set employing for the receiving set, "Electro" Lytic detector, tuning coil, variable condenser, fixed condenser, potentiometer, 2,000 ohm amateur type phones, aerial 75 feet high on both ends, 90 feet in length, composed of two parallel aluminum wires and a lead from this to station in the middle, same on top of a hill in a mountainous district. For sending six-inch Rhumkorff coil, 6-quart Leyden battery, small helix, zinc spark gap, same aerial.

A. 1.—Sending 35 to 50 miles, receiving possibly 700-800 miles.

2.—If a 2-inch coil and small adjustable condenser are substituted in above outfit?

A. 2.—5-10 miles.

3.—Do the letters C. Q. D. stand for the first letters of any particular combination of words, or is the combination simply a conventional signal?

A. 3.—The letters C. Q. D. stand for the phrase, "Come Quick. Danger." We understand that the danger signal has now been changed to S. O. S.

AERIAL AND LIGHTNING.

(208.) GEO. R. VINER, Ills., asks:

1.—What is the greatest possible distance that a message could be sent with a one-inch spark coil, using dry batteries and having an aerial wire about 35 feet high?

A. 1.—3-5 miles.

2.—Is an aerial of 35 feet in height liable or apt to draw lightning?

A. 2.—Yes. Ground switch should be used during storms.

WIRELESS QUERIES.

(209.) J. R. CALDWELL, Brooklyn, N. Y., asks:

1.—What is the greatest possible distance a message can be received with a "Electro-Lytic Detector," using one wet battery. One watch case receiver, and an aerial wire about 40 feet high.

A. 1.—200 to 300 miles.

2.—If I were to use a tuner what would be the greatest possible distance?

A. 2.—300 to 400 miles.

3.—What distance can I send with a 1-4 in. spark coil? A 1-2 in. coil?

A. 3.—One quarter mile. 1-2 to 3-4 mile.

SENDING DISTANCE.

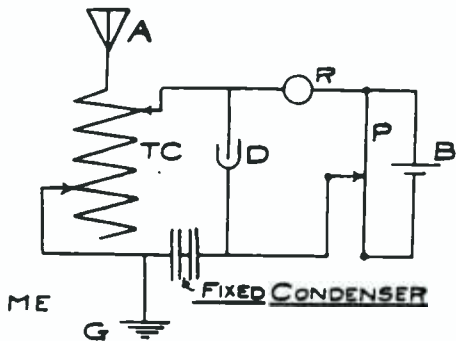
(210.) R. A. McCLEERY, California, writes:

1.—How far can I send with a one-inch spark coil and a fifty-foot aerial? I am situated in the highest part of the city.

A. 1.—3 to 5 miles.

WIRELESS QUERIES.

(211.) EMERY M. PARNELL, Iowa, writes:



1.—How far can I send messages, under favorable conditions, with an E. I. Co.'s two (2) inch spark coil, and with an "Electro zinc spark gap" in circuit, providing that the receiving station has an "Electro Lytic Detector?"

A. 1.—10 to 15 miles.

2.—Can you please show me by diagram how I can connect the following instru-

ments for receiving for best results: An E. I. Co. tuning coil Electro Lytic Detector, Potentiometer, telephone receiver (75 ohm) and battery?

A. 2.—Diagram shows the addition of a fixed condenser which must be used with the double slide tuning coil.

3.—Can I use a 20 ohm relay in connection with the "Electro Lytic Detector," the relay used in connection with an electric bell for calling.

A. 3.—No.

RECEIVING DISTANCE.

(212.) HENRY R. SMITH, Ky., writes:

1.—How far can I receive with an aerial composed of 4 wires 8-in. apart strung between two masts 56 feet and 40 feet high? My instruments, consisting of an "Electro"-Lytic Detector, two 1,000 ohm receivers, tuning coil, variable condensers and Potentiometer are within 4 feet of the ground.

A. 1.—Five to eight hundred miles.

POTENTIOMETER.

(213. RICHARD H. FOSTER, R. I., writes:

1.—How far can I receive with the following: Electro Lytic Bare-point detector, tuning coil of 246 meters wave length, 75 ohm telephone receiver, choke-coil inserted between battery and detector, aerial, 50 feet long, composed of 4 No. 16 copper wires on spreaders and is about 75 feet high.

A. 1.—Three hundred to five hundred miles.

2.—I use a choke coil to keep down the battery current. Had I better use a potentiometer?

A. 2.—Potentiometer is a great deal better for the purpose you mention.

3.—Will the Electro Imp. Co.'s rheostat-regulator cut down the electric lighting current so as to run a one-inch spark coil?

A. 3.—No.

TUNED CIRCUITS.

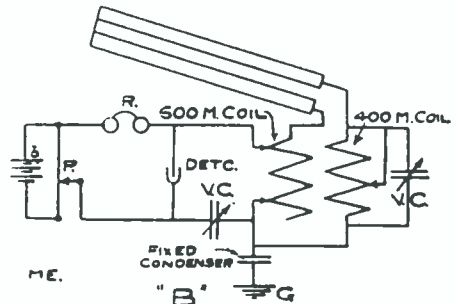
(214.) L. H. ROBINSON, California, asks:

1.—Does a high resistance telephone receiver act as a choke coil in a wireless receiving circuit, or would it add efficiency to place one or two non-inductive choking coils in series with receiver to force all oscillations to travel through the detector?

A. 1.—A high resistance telephone receiver acts in a certain way as a choking

2.—Does it make any difference whether the variable condenser is between the detector and aerial, or between detector and ground, when using electrolytic and silicon detectors?

A. 2.—Decidedly. We have found that a condenser in the round circuit is ten per cent better than a condenser in the aerial circuit.



3.—Using tuned system as shown in enclosed diagram, with electrolytic detector fitted with .0002 Wollaston wire, and receivers of 1,000 ohms each, what should my receiving distance be at night over mountainous country?

A. 3.—We would suggest that you use connections as shown in diagram B, with which we think you will get very much better results. You should have little trouble to get messages from distances 1,000 miles away.

VIBRATOR.

(215.) GUY MEAD PORT, Pa., asks:

1.—Will you please state the size of wire enclosed?

A. 1.—No. 34 B. & S. gauge single silk covered.

2.—Will you please give a diagram showing how to connect a vibrator to a coil for wireless use.

A. 2.—We refer you to query No. 192 in the April issue.

RECEIVING DISTANCE.

(216.)—G. A. GREEN, Mass., writes:

1.—Please tell me what the receiving radius of my station will be with aerial 40 feet high, using silicon detector, tuning coil, condenser and a 1,000 ohm receiver.

A. 1.—Two to three hundred miles.

TUNER.

(217.) CHARLES SCHILLING, Kansas, asks: 1.—Kindly tell me what size wire would be best for a tuning coil.

A. 1.—We consider No. 24 B. & S. Gauge enameled wire the best for this purpose.

2.—How could I take the insulation off of the wire, "for above coil," where contacts are to slide without having frayed ends.

A. 2.—Enamel may be scraped off with a sharp knife.

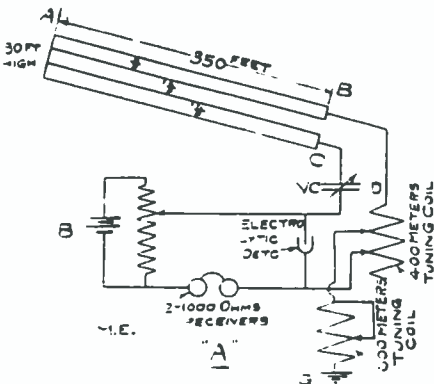
10-INCH COIL.

(218.) GEO. CLINTON, Ills., writes:

1.—Would you please tell me where I can get a list of Government and commercial wireless stations?

A. 1.—We refer you to query No. 218, answer to question three.

2.—Give dimensions of a 10-inch spark coil.



coil, and we do not believe it would add to the efficiency to use non-inductive choking coils in connection with the receivers.

A. 2.—Core 18-inch long, 1 3/8 inches diameter. Primary wound in two layers with 32 ounces of No. 10 wire. Secondary wound in sections with 10 pounds No. 36 B. & S. gauge S. S. C. Condenser 10x6 inches tin foil 60 sheets. Voltage 24. Amperage 10.

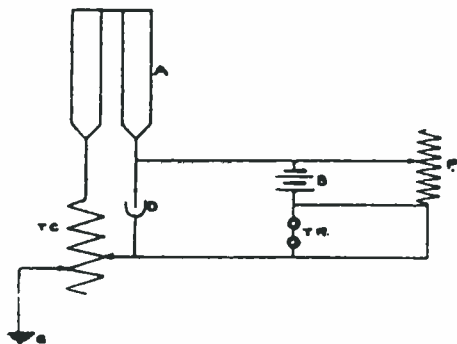
3.—How large a spark coil would I need to send messages 100 miles with a 100-foot aerial and over level country?

A. 3.—10-inch coil would do very well for this purpose.

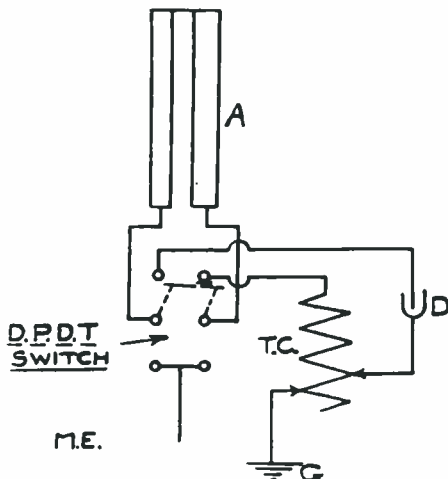
LIGHTNING ARRESTER.

(219.) FRANK W. HARTH, N. Y., writes:

1a.—How would I insert lightning arresters in the following circuit?



A. 1a.—Diagram two is self-explanatory. Ground wires should be run as straight as possible. Throw switch to ground during storms.



1b.—Could I use a vent pipe for a ground?

A. 1b.—No; it is not safe, use gas, or better, water pipe.

Premium Catalog containing over 600 electrical articles anyone of which you may acquire for NOTHING, simply by getting us new subscribers will be sent you on receipt of 2c stamp.

MODERN ELECTRICS PUBLICATION
43 West Broadway, New York

.. TRANSFORMER..

250 watt 10,000 volt transformer for use in wireless telegraphy. Special price delivered to any part of U. S., \$30.00. Will send up to fifty miles. Speaking arcs, transformers, etc. supplied for use in wireless telephony. Drawings and plans furnished. Send for descriptive matter.

VICTOR H. LAUGHTER
BYHALIA, MISS.

When writing please mention "Modern Electric."

Electric Light Fixtures
For Residence, Boat and Camping.

We construct special designs to order. We manufacture all specialties of metal goods in quantities only. Write us your requirements. We issue no catalogue.

Gothberg Manufacturing Co.
112 Duane Street, - - New York City

When writing please mention "Modern Electric."



The "Electra" Pole Indicator

This new little tester is a wonder. It is used every day in the week by all experimenters, electricians and amateurs. It is the neatest device we have ever seen. Is used on currents from 1-250 volts. A marvel of simplicity. The tester at each end has an ingenious wire clip for attaching wires or cords. Connect them to a current supply and one of the platinum foils inside the tube will turn red. This is the NEGATIVE Pole. Shakes the tube and the color vanishes. The tester is ready for a new test. Always ready. Can never wear out. Absolutely reliable. So small it can be carried in the vest pocket. Size 2x3/4 inch. Every tester guaranteed or money refunded. Introduction price 50c by mail.

ELECTRO IMPORTING CO.
86-Z WEST BROADWAY, NEW YORK CITY, N. Y.

When writing please mention "Modern Electric."

Instructions in Wireless Telegraphy

Send 25c. for the best wireless instruction book published—construct your own outfit. Tells how much material to use, etc. NO RED TAPE—Facts only.

Electrical
Experimenters Supply House

Dept. A, 622 Wells St. Chicago, Ill.
(Succ. to Joeriu Electric Novelty Co.)

Dealers and Manufacturers of All Kinds of Wireless Apparatus at Low Prices.
Send Stamps for Illustrated Catalog.

When writing please mention "Modern Electric."

Wireless Communication

NOW is the time to engage in the study of the new art of wireless. The demand for trained wireless operators is growing constantly. The recent government action has increased the demand 100 per cent. Salary of trained operators ranges from \$15.00 to \$40.00 per week.

The American Wireless Institute

is the only universally recognized school in the world for the teaching of this art.

Applications Now On File For 100 Expert Operators

Come in and be one of the first to take a position in this new field that offers promotion, good salaries and boundless opportunities. Descriptive matter free on request.

Address Nearest Office

27 WILLIAM STREET
New York, N. Y.



UNIVERSITY BUILDING
Detroit, Mich.

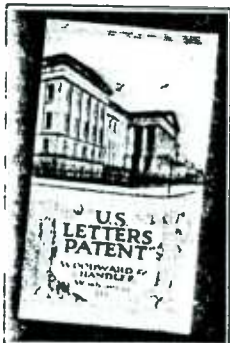
When writing please mention "Modern Electrics."

Patent What You Invent

THIS BOOK

Giving full information in Patent Matters, and two others telling what to invent and a history of successful inventions

MAILED FREE



Send Us a Sketch

of an invention for our opinion as to patentability which will be rendered without charge. If we believe it to be new, we will issue a contract under which

WE REFUND ALL FEES IF WE FAIL TO OBTAIN A PATENT : : : :

We Advertise Patents of Our Clients For Sale in Prominent Dailies At Our Expense

CONSCIENTIOUS SERVICE

WRITE FOR OUR BOOKS

WOODWARD & CHANDLEE

Registered Attorneys

1268 F Street, Washington, D. C.

When writing please mention "Modern Electrics."

CLASSIFIED ADVERTISEMENTS.

Advertisements in this column 2 cents a word, no display of any kind. Payable in advance, stamps not accepted. Count 7 words per line. Minimum, 2 lines. Heavy face type 4 cents a word. Minimum, 3 lines.

Advertisements under "Wireless" 5 cents a word. Minimum, 4 lines. Wireless books and blueprints not listed under "Wireless" 2 cents a word.

Advertisements for the June issue must be in our hands by May 25.

ELECTRICAL APPARATUS.

STUDY ELECTRICITY AT HOME—A complete electrical course at home, containing 30-page detail book, 220-page text-book, 200 experiments and over 100 pieces of apparatus. Price, complete, only \$5.80. Catalogue "M. E. S." explains this and other remarkable offers. Thomas M. St. John, 848 Ninth Ave., New York.

CHEMICAL RECTIFIER, how to make, 25 cents. Slate for wireless work, cheaper than wood. Electro Shop, Barker, N. Y. (5).

AGENTS WANTED in every town having free delivery of mail to handle one of the newest articles on the market. This is a good seller and men that are familiar with electricity would have no trouble in clearing from three to five dollars per day. We are a new company and we have a good proposition for hustlers. We will mail all particulars upon receipt of letter asking for information. Clark Manufacturing Company, Kirk Building, Syracuse, N. Y.

ELECTRICAL BOOKS, BLUEPRINTS, ETC. **WIRELESS CODES.** Send 10c. for blue print showing Morse, Continental and Navy Codes. A. C. Austin, Jr., Hasbrouck Heights, N. J.

WIRELESS EXPERIMENTERS! Do you get the maximum efficiency from your station? Are the results satisfactory? Better get our ten blueprints of tuned transmitting and receiving stations, 25 cents. Four blueprints of wireless telephones, 15 cents. Construction blueprints of electrolytic detector, 15 cents. Imperial Wireless Co., 5215 Penn avenue, Pittsburg, Pa.

HOW TO BUILD A WIRELESS TELEGRAPH. Directions and blueprints, 25 cents. Miller Electric Co., Syracuse, N. Y.

PRINT YOUR OWN PICTURES! The mystery of photographic picture printing and permanent fixing reduced to a simple art, which any child can do without study or experience. A box containing negative, printing frame, photographic paper and fixing solution. Price, 15 cents, postpaid. Don't miss this offer. Hewitt Photo Co., 3207 Germantown, Philadelphia, Pa.

INSTRUCTIONS IN WIRELESS TELEGRAPHY, 25 CENTS. Tells you how to make your own spark coils, relay, coherer-decoherer, tapping key, etc. Complete instructions, no red tape. Electrical Experimenters' Supply House, Dept. A., 622 Wells street, Chicago, dealers and manufacturers of wireless apparatus and electrical novelties. Send 2 cents postage for illustrated catalog.

FIX YOUR OWN MACHINE when a coil burns out. Send 25 cents cash for practical instruction on winding coils and replacing the same. R. K. Gunkle, Box 513, San Francisco, Cal.

WIRELESS MADE SIMPLE. Send 25 cents for stamps for full plans, directions and codes for practical, inexpensive outfit. W. M. Kishpaugh, 227 Forster street, Harrisburg, Pa.

ELECTRICAL APPARATUS AND BOOKS. Reiser, Gen. Del., Oswego, N. Y.

WANTED.—Young men and boys to take subscriptions for a \$1.00 musical publication. You make 25 cents on every subscriber. Send two cent stamp for information and copy of C. Q. D., Co-Operative Music Pub. Co., 314 Currier Building, Los Angeles, Cal.

C. Q. D. Send 20 cents for copy of the wireless march song. C. Q. D., Co-Operative Music Pub. Co., 314 Currier Building, Los Angeles, Cal.

? WIRELESS ?

Of course we have it. Coherers, Detectors, Auto Coherers, Rheostats, Static Machines, in fact all the Electrical "knick-knacks" you have been looking for. All apparatus carried in stock in St. Louis. Why pay freight and expressage to get goods from the East? Come and look over our stock. **HANCE ELECTRIC CO., Olive Street, St. Louis, Mo.**

A CHOICE STOCK and the finest assortment of Wireless Telegraph supplies for the experimenter and the amateur in Philadelphia. We can save you money on all these goods and shall be only too pleased to demonstrate and explain you the philosophy and working of the apparatus' tuners, detectors, condensers, high resistance phones, coherers, etc. J. Elliott Shaw, 632 Arch St., Philadelphia, Pa.

WIRELESS. New England wireless amateurs can obtain high grade wireless goods from me. All supplies kept in stock. All material guaranteed. Send 2-cent stamp for printed matter on New Detector. Springfield Wireless & Morse Institute, Room 31, 178 Main street, Walker Building, Springfield, Mass.

YOU BET

we have all up to date wireless supplies. We carry more wireless goods for the amateur than any other house on the Coast. Why pay express and freight, when you can get the goods right here at right prices? Detectors, Tuners, Condensers, Spark Coils from 1-2 to 4 inch spars, oscillators, coherers, lamps, static machines, in fact, anything electrical you want. Call or write. It will pay you. **PAUL REILLY ELECTRIC WORKS, Market St. San Francisco, Cal.**

1,000 OHM WIRELESS RECEIVERS, \$1.75. Double poles, thin diaphragms, nickel plated backs and special windings, giving them the maximum sensitiveness possible for 1,000 ohms. More sensitive than most 1,500 ohm receivers. Alden Wireless Co., Campello, Mass.

WIRELESS TELEGRAPH complete sets from \$10.00 up. Large line of wireless supplies. Send 2 cents for catalogue. Miller Electric Co., Syracuse, N. Y.

WIRELESS FIRMS. LOOK AT THESE BARGAINS. No. 36 S. S. C. IRON wire for Marconi Magnetic Detector, 50 cents per ounce. No. 36 S. S. C. Aluminum wire, the latest for high resistance telephone receivers, 50 cents per ounce. No. 50 (1 1/2 mil.) S. S. covered copper wire for high resistance phones, 60 cents for spool containing exactly 1,000 ohms. Wollaston wire, .0005, 15c., .00001, 25c.; silicon fused, large piece, 15c.; Molybdenite, more sensitive than silicon, 10 c. large piece; aluminum wire, No. 14, for antennae, used by all up-to-date wireless stations, 60 c. per pound. 240 feet: telephone cords, two conductors, with tips for receivers, 3 feet long, 15c. each, graphite carbon cup for electro-lytic detector, 20c.; selenium metal in sticks, for selenium cells, large piece, 25c. Enclose 2-cent stamp for article weighing over one ounce, if same is to be mailed. Electro Importing Co., 56-Z, West Broadway, N. Y. City.

FOR SALE.

1-3 K. W. Transformer, \$20.00; 10,000 volt secondary, 110 volt primary, finished complete, with all fittings, in oak case. This transformer I guarantee to send 50 miles with fair conditions. Address F. W. Balck, 204 Emerald street, Los Angeles, Cal.

FOR SALE: Static machine, engineering books, drafting table, etc. Engineer changing business. Hurry. G. H. Bolus, Mansfield, Ohio.

FOR SALE.—80-watt dynamo castings with armature punchings, and directions, \$2 a set. Roy A. Critchfield, 225 3d street, Lincoln, Ill.

FOR SALE.—Two pounds, unused, No. 36 enamel covered magnet wire, 33 lb., or two for \$5, shipped prepaid on receipt of price. H. C. Ford, 57 Kenilworth avenue, Chicago, Ill.



THE ONLY
MAGAZINE
PUBLISHED
IN THE SERVICE
AND DEVOTED
EXCLUSIVELY
TO THE INTERESTS
OF THE ENTIRE
NAVY

MAILED TO
ANY ADDRESS
IN THE UNITED
STATES OR
TO ANY SHIP
IN THE NAVY
FOR \$1.50 PER
YEAR

An Illustrated Monthly Magazine written and published by men in the U. S. Navy

YOU are interested in our great American Navy; all Loyal Americans are, but you do not get the inside news—the real facts about the life aboard ship. You do not get close enough to the men with their joys and troubles. You may know the movements of all the Naval Vessels each month. You may know what their crews are doing—what they are seeing. You may follow the great fleets around the world. You may read Naval news written by Naval men who know what they are writing. In short, you may be on the inside of everything pertaining to the great battleships and the men who run them, by reading the navy magazine, "Our Navy." Published monthly at the Naval Training Station, San Francisco, California.

The Advertising Medium that reaches the Navy

ROYAL STORAGE BATTERY
STYLE B-3

6 Volts, 60 Ampere Hours



Size 6 1/2 x 7 1/2 x 7 in. Weight 27 lbs. Used on board of several U. S. Battleships. Same type used in the Ochs-mobile, Pullman and a number of other high-class automobiles for ignition and lighting. Six plates in each cell, 3 positives and 3 negatives. 18 plates in one battery.

Through a fortunate deal with the makers, we have purchased several hundred of these batteries, all in perfect condition except that they are of the 1908 style. As the makers have brought out

a new 1909 type they did not wish to keep the 1908 type in stock and we bought the whole block. If you wish to know more about this wonderful ROYAL BATTERY, send 2c stamp and we will send you a 20 page book entitled: "Treatise on Storage Batteries." The type B-3, exactly as cut, only wider and bigger, lists at 27 Dollars (see book)

Our PRICE NOW, to M. E. Readers ONLY \$9.00.

This is a chance of a lifetime. We can ship at once; two styles. One Enamel steel case, the other treated wood case. Fine rubber-belted handle, patent gas vent, etc. etc. Speak quick, only about 50 left.

ELECTRO IMPORTING CO., 862 W. Broadway, N. Y.

When writing please mention "Modern Electric."

Modern Electric's Binder.

Here it is. You've waited long enough for it. You do not have to hunt all through the house to find a particular copy of MODERN ELECTRICS—our new M. E. Binder keeps them together.



It is the most up-to-date binder ever gotten up and will last a lifetime. It works automatic and you can add each month a new copy. Will hold 12 copies and at the end of the year you will have a beautiful BOUND book containing more PRACTICAL information than any electrical cyclopedia three times as large. The binder is made of a beautiful dark red velum. All lettering is impressed in genuine gold and is guaranteed not to wear off.

New copies can be inserted in 10 seconds. You will never be without one, once you've tried it. Only by ordering 10,000 binders are we enabled to sell it at the ridiculous low price of **50 CENTS PREPAID.**

We know that every "M. E." reader will send for it. All other magazines ask \$1.00 for identically the same binder. No stamps, nor out of town checks accepted (except if 10c exchange is added).

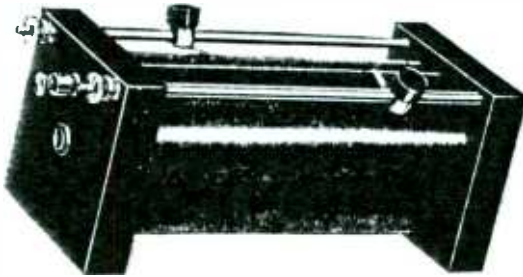
MODERN ELECTRICS PUBLICATION

84 West Broadway

New York City

When writing please mention "Modern Electric."

MURDOCK WIRELESS APPARATUS



Style Am tuning Coil.
 Double Slide. Special Friction Contacts.
 Enamel Wire Winding.
 All Metal Parts are Nickel Plated.
 Coil Ends made from Hard Rubber
 Composition.
PRICE \$4.00

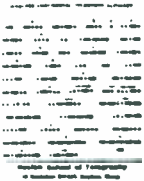
Head Receivers, all resistances, 100-ohms
 to 6000-ohms \$2.70 to \$10.00.
 Detector Condensers \$3.50 to \$5.50.
 Receiving Condensers \$1.00.

Send for our latest list.

WM. J. MURDOCK & CO., : : 40 Carter Street, Chelsea, Mass.

When writing please mention "Modern Electrics."

Wireless Telegraphy Taught Quickly by Correspondence.



Positions secured.
**BOSTON SCHOOL OF
 TELEGRAPHY**

18A Boylston St., Boston, Mass.

The largest and best Telegraph School in New England. We make a specialty of qualifying ambitious young men and women for Railroad, Commercial Brokerage and Wireless Telegraph service. Send 10c postage cash or stamps for free wireless telegraphic book. With this we furnish FREE OF CHARGE two handsome Telegraph codes, mounted on fine cardboard, one showing the Wireless Telegr. code, the other Morse code. Size 6 x 6 inches.

When writing please mention "Modern Electrics."

INDUCTION COILS OUR SPECIALTY

All sizes from 1 in. to 20 in. Spark
 Testing Instruments,
 Telegraph Apparatus,
 Experimental Work
 of all kinds.



Foots, Pierson & Co.
 160 Duane St., New York

When writing please mention "Modern Electrics."

TELEGRAPHY TAUGHT



in the shortest possible time.
 The Omnigraph Automatic Trans-
 mitter combined with standard key
 and sounder. Sends you telegraph
 messages at any speed just as an
 expert operator would. 5 styles
 \$2 up; circular free.

Omnigraph Mfg. Co.
 39 1/2 Cortlandt St., New York

When writing please mention "Modern Electrics."

60 YEARS'
 EXPERIENCE



TRADE MARKS
 DESIGNS
 COPYRIGHTS & C.

Anyone sending a sketch and description may
 quickly ascertain our opinion free whether an
 invention is probably patentable. Communica-
 tions strictly confidential. **HANDBOOK** on Patents
 sent free. Oldest agency for securing patents.
 Patents taken through Munn & Co. receive
 special notice, without charge, in the

Scientific American.

A handsomely illustrated weekly. Largest cir-
 culation of any scientific journal. Terms, \$3 a
 year; four months, \$1. Sold by all newsdealers.
MUNN & Co., 365 Broadway, New York
 Branch Office, 625 F St., Washington, D. C.

When writing please mention "Modern Electrics."

A Book Worth Having—it's FREE



A book packed full of new ideas in labor-saving "YANKEE TOOLS" for all classes of Mechanics. Tools that appeal to any man, no matter what his profession or calling. The book is the embodiment of Yankee ingenuity and invention, illustrated with photographic reproductions of the Tools in use.

A postal brings it if you say "Modern Electrics" Your dealer sells "YANKEE TOOLS"

NORTH BROS. MFG. CO.

Philadelphia, Pa.

When writing please mention "Modern Electrics."

WIRELESS APPARATUS

1/2 K. W. Mounted in Mahogany Cabinet \$75.00
Oscillation Transformer alone 15.00


These transmitting sets mounted or unmounted, in sizes of 1/2 K. W. upwards are fully equal to commercial installations of similar rating.

Of their many exclusive features, one fact stands out pre-eminent—that fact is absolute reliability.

An illustrated catalog descriptive of wireless apparatus of distinctive merit will be mailed on request.

Clapp-Eastham Co.

729 1/2 Boylston St., Boston, Mass.



ELECTRICITY
Practically and Individually Taught

Our pupils actually handle the tools and machinery. Instructors stand beside them, directing, criticising and showing them how to work.

Day and evening sessions.
Call and inspect our school and equipment or write for Prospectus.

New York Electrical School
39 1/2 West 17th St., New York.

When writing please mention "Modern Electrics."

Attention!

This is the famous "ELECTRO-LYTIC DETECTOR" the standard receptor with new non-leaking graphite carbon cup, and 0000 Wollaston wire. Sent to anybody on receipt of

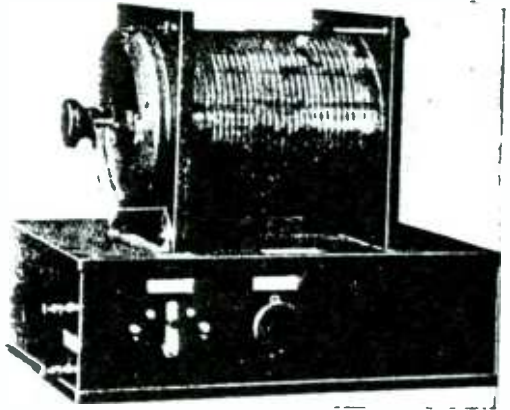
\$1.50



(No stamps.) By mail extra 16c. Regular price \$2.00. If you ever wanted a GOOD Detector, here is your chance. This instrument is positively more sensitive than carborundum, silicon, or other Detectors. This is an acknowledged FACT. Send 5c stamp for large catalogue. Write at once.

M. TANNENBAUM, 728A Broadway, Brooklyn, N. Y.

When writing please mention "Modern Electrics."



Type A. C. C. Transmitting Set.

ANNOUNCEMENT

The Wireless Equipment Co.

of Baltimore, Md.

Has Taken Over The Business of

MR. W. C. GETZ

The present type of apparatus originated by Mr. Getz, as well as the reasonable prices, will be strictly maintained, the only change being that the organization of this Company allows a greater field of operation than was possible heretofore.

Address All Communications to

The Wireless Equipment Co.

WEST ARLINGTON, MD.

When writing please mention "Modern Electrics."

ACCURATE

COMPACT

INEXPENSIVE

Voltmeters, Ammeters
and Volt-Ammeters

Send for Complete Catalogue of
PORTABLE and SWITCHBOARD

PATTERNS

L. M. PIGNOLET

82 CORTLANDT ST.,

NEW YORK



When writing please mention "Modern Electrics."

FREE--Two Books:
61-Page
"Inventor's Guide"
AND
76-Page
"Proof of Fortunes in
Patents—
What and How to
Invent."

Trade-Marks, Copyrights,
Prints, Labels, Registered.
ADVICE FREE.
Correspondence Solicited.

PROTECT YOUR IDEA! Patents That Pay

SPECIAL OFFER: Send sketches or model and description of invention for FREE SEARCH of Patent Office Records and Report as to patentability. You will save TIME and MONEY.

EXPERT--PROMPT SERVICES.

E. E. VROOMAN,

HIGHEST REFERENCES
Registered Patent Attorney
Patent Lawyer (Patent Litigation)
1109 F STREET,
WASHINGTON, D. C.

REFERENCES:

- American National Bank,
Washington, D. C.
- Little Giant Hay Press Co.,
Dallas, Texas.
- Gray Lithograph Co.,
New York City, N. Y.
- Farmers M'fg Co.,
Norfolk, Va.
- New Era M'fg Co.,
Fairfield, Iowa.
- The Parry Stationery Co.,
Oklahoma City Okla.
- Bell Show Print Co.,
Sikouneve, Ia.

When writing please mention "Modern Electrics."



THIS FINE
Rheostat, 10 Ohms,
2 Amperes capacity,
will be sent to
you on receipt of
50 CENTS (post-
age 5 cents extra.)
The best experi-
mental Rheostat
ever made. Used to
regulate light of

small lamps *gradually* not by steps, for electro-
plating, as potentiometer, etc. etc.

We have a full line of Wireless goods in stock—all modern,
all up-to-date. Send 2c stamp for new 100 page Catalog,
Over 100 illustrations.

FRANKLIN ELECTRIC CO.

4225a Susquehanna Ave. Philadelphia, Pa.
"THE EXPERIMENTERS HOUSE"

When writing please mention "Modern Electrics."

Anything Electrical.

OUR NEW CATALOGUE—100 Pages of Electricity.

Send 2 cent stamp—postage.

Flash-lights to Dynamos. Containing also the largest
assortment of unexcelled German toys.

Highest Quality. Lowest Prices.

J. J. DUCK, 432 St. Clair Street, Toledo, O.

When writing please mention "Modern Electrics."



TYPEWRITER Sacrifice Sale

Greatest bargains ever
offered. **UNDERWOODS,**
OLIVERS, REMINGTONS,

SMITHS (all makes) rebuilt \$15. to \$38, worth
double; sent subject to examination and trial.
Send for "Bargain List"

Consolidated Typewriter Exchange

248 BROADWAY, NEW YORK

Old reliable. Established 27 years on Broadway. Don't
miss this chance to get a good typewriter at half price.
Write immediately.

When writing please mention "Modern Electrics."

Faucet WATER MOTORS



Complete with emery **\$2.50**
wheel, buff wheel, pulley
to run sewing and washing
machine, polish. In some cities where
we have no agents, and where the
water pressure is good, a sample
motor will be given free; apply at
once if you want to make some
extra money, or if you can devote
your whole time, liberal salary and
commission will be paid.

**ALCOHOL STOVES, LAMPS
AND FLAT IRONS.**

ENGINEERS WANTED to send for catalog of in-
dicators, Reducing Wheels, Planimeters. Address,
LIPPINCOTT M. S. CO.,
52 Columbia St.,

Newark, :: :: New Jersey

When writing please mention "Modern Electrics."

B O O K S

We carry the best book assortment in this coun-
try. Our specialty is to publish electrical books—
just what you are looking for. Here are a few:
Storage Batteries, by A. E. Watson. Ph. D. E. E.
Theory, Construction and Use. Price postpaid,
cloth, \$1.50.

O **K**

How to Make a 1-Kilowatt Dynamo, by A. E.
Watson. Profusely illustrated. Price postpaid \$1.

O **K**

The Gas Engine, How to Make and Use It, by
P. B. Warwick, including discussion on gasoline
engines. Price, cloth, postpaid 75 cents.

O **O**

A B C of Wireless Telegraphy, by E. Trevert.
An excellent book for the amateur. Price post-
paid \$1.00

O **O**

New Experimental Electricity, by E. Trevert.
A book every experimenter should possess. Price
postpaid \$1.00.

K **O**

X-Rays for Everybody, by E. Trevert. Un-
questionably the best book printed for the amateur
and experimenter. Price postpaid 50 cents.

S **O**

These are only a few books from our large as-
sortment. Send for free list containing over 75
best electrical books in existence.

S **O**

M. Bubler Publishing Co., Lynn, Mass.

S K O O B

When writing please mention "Modern Electrics."

—DON'T BUY WIRELESS GOODS!

Until you see our **INSIDE PRICES**. We make tun-
ing coils, potentiometers, etc., and sell directly to
you. Our prices can't be beat. Send for list.

CHICAGO WIRELESS SUPPLY CO.
52 B Auditorium Bldg., Chicago

When writing please mention "Modern Electrics."



LOOK—FOR A SHORT TIME ONLY

Weight 14 oz.

Every Part Guaranteed

Wireless Telegraph Receivers

Our Wireless Telegraph Receivers are perfect in every respect, combining
CLEAR CUT, resonant talking with delicacy of operation essential for successful
wireless work.

Perfection in mechanical detail and in quality of material produces efficiency.
WE KNOW that we have this perfection. A test will convince you.

Double head type complete with five foot of green cord and nickel plated
German Silver Head Band as shown in cut.

| | |
|---------------|------------|
| 1000 Ohm..... | \$1.25 net |
| 1500 Ohm..... | 5.55 net |
| 2000 Ohm..... | 6.30 net |
| 3000 Ohm..... | 7.25 net |

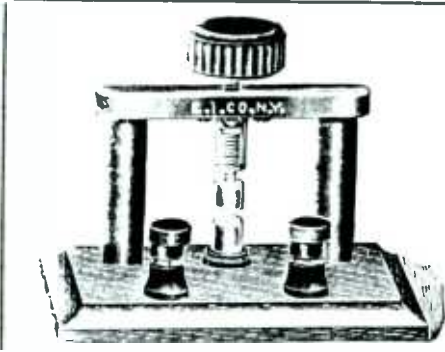
By Mail 20 cents extra.

We desire to call your particular attention to the fact that the receiver case is
NOT METAL. Metal case receivers are not suitable for wireless work.

FLETCHER-STANLEY COMPANY
32-34 Frankfort St., New York City



When writing please mention "Modern Electrics."



ADJUSTABLE ZINC SPARK GAP

This Spark Gap, ever since its introduction last year, has found much favor among wireless people. This gap is a marvel of simplicity and must be seen in action to be appreciated. It has heavy zinc plugs, 1/4-inch thick, which makes it possible to use the gap up to a 1-K.V. transformer. Size of base: 1 1/2 x 2 1/4 in. Finely polished hard rubber pillars, binding posts and thumb screw (1 inch in diameter). Metal arch is of cast brass 1/4-inch thick, finely lacquered. The adjustment is extremely accurate. Gap is to be adjusted while IN OPERATION.

No. 9250a - Zinc Spark Gap patents pending as described.

\$1.00

BY MAIL, EXTRA 12 CENTS.

Electro Importing Co. 86-z West Broadway, New York

SEND US YOUR NAME AND ADDRESS so as to be at the head of the list to receive our new **STORAGE BATTERY CATALOGUE** now in blossom. Just the thing for the wireless experimenter. A new low priced complete storage battery of any capacity. We have almost anything you can wish for and a few specials you can get nowhere else. Send the stamps today and state just what you are most interested in. Storage batteries and storage battery work is our specialty.

ELECTRICAL MAINTENANCE AND REPAIR CO.
200-202 MARKET ST., NEWARK, N. J.

When writing please mention "Modern Electrics."

The Schoen Printing Co.

Printers Magazines Catalogues Stationery, etc.

13 Vandewater Street, NEW YORK

When writing please mention "Modern Electrics."

PATENTS That Protect and Pay

WATSON E. COLEMAN,

Registered Patent Attorney,

Advice and Book Free; Highest References; Best Service

612 F Street, N. W., WASHINGTON, D. C.

When writing please mention "Modern Electrics."

Memory the Basis of All Knowledge

Stop Forgetting THE KEY TO SUCCESS

HOW TO REMEMBER: If you are no greater intellectually than your memory. Easy, inexpensive. Increases income; gives ready memory for faces, names, business details, studies, conversation; develops write TO-DAY will, public speaking, writing, personality. **Dickson Memory School, 942 Auditorium Bldg., Chicago**

When writing please mention "Modern Electrics."



GROBET SWISS FILES

And Other High Grade Tools

Are shown in our catalog. Send your name and address on postal and mention this paper and we will send free our catalog.

MONTGOMERY & CO.,

103 Fulton Street, New York City

When writing please mention "Modern Electrics."

The Inventor's Universal Educator

TELLS ALL ABOUT PATENTS, HOW TO SECURE THEM. HAS

600 MECHANICAL MOVEMENTS, also 50 PERPETUAL MOTIONS

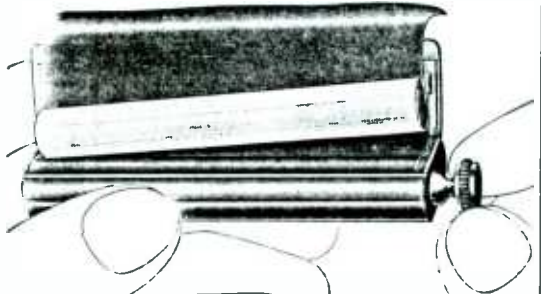
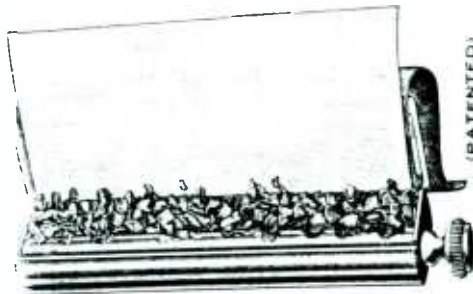
Every inventor should have a copy. Price \$1.00 by mail.

ADDRESS

F. G. DIETERICH, Ourey Bldg., Washington, D. C.

When writing please mention "Modern Electrics."

CIGARETTE ROLLING MADE EASY



Place tobacco and paper as above. Close cover and moisten edge of paper.

Turn knob and a perfect cigarette will be delivered as shown above.

AGENTS ROLLS PERFECTLY ANY KIND OF TOBACCO OR PAPER and Dealers write for terms. Make your own cigarettes of tobacco and paper of your choice. Make them any time. No waste of tobacco. Machine pays for itself in a short time. Weighs one ounce. Size twice that of an ordinary cigarette. **PRICE 25c PREPAID.** Money returned if you want it.

SIGARET ROLLER WORKS,

40-42 W. QUINCY ST., CHICAGO, ILL.

When writing please mention "Modern Electrics."

Stop! Look!! Listen!!!

Here we are again with something new. We are essentially the experimenter's house. Our motto: "Everything for the Experimenter," is not an idle phrase. Not alone do we have everything, but we have it at prices which match the experimenter's pocketbook. Look at our new Interrupter. It is positively the only low priced electrolytic interrupter on the market to-day THAT WILL WORK AS WELL AS THE TWENTY DOLLAR KIND. It took the inventor five months to bring it to its present perfection. But don't worry. Next month you will see the imitation brigade get busy. In order to get around the patents you will see the most impossible freak interrupters which may sell cheaper, maybe higher, than ours. Be on your guard. We lead, others follow.

THE GERNSBACK ELECTROLYTIC INTERRUPTER (PATENTS PENDING)

is a radical departure in electrolytic interrupter manufacture. It was constructed with the view to stand great abuse, give marvellous results and to be ridiculously low in price. Heretofore such interrupters could not be had under 15 to 20 Dollars and most young experimenters who did not care to pay this sum had to go on using batteries, which only cause trouble and dissatisfaction.

The Gernsback interrupter is connected in series with any ordinary spark coil and the 110 V or 220 V, direct or alternating lighting current supply. No resistance or condenser is used, except a key or switch to break the current in the usual manner. The vibrator of the coil must be screwed up tight as it should not vibrate. The glass vessel is filled with the solution and as soon as the key is depressed you will get the surprise of your life. You don't get a thin, meagre spark, as with batteries, but A HEAVY FLAME $\frac{1}{4}$ INCH THICK. That this is the ideal thing for Wireless is unnecessary to mention. The spark obtained of a 1 inch coil, connected to a big sending condenser and a zinc spark gap with zincs $\frac{1}{2}$ INCH THICK will crash in the gap with such a tremendous noise that it will take your breath away. AND THE SPARK FILLS THE GAP. These are PLAIN FACTS. Our usual guarantee backs them. By way of proving our statement look at the two photo's taken by Mr. Gernsback. The first one shows the full spark of a 2 inch coil run by a 6 V 60 A. H. storage battery. Exposure $1\frac{1}{2}$ seconds. The second shows the FLAME of the same coil with a 110 V current and the new interrupter. Exposure $1\frac{1}{2}$ seconds. The flame shoots upward, as the great amount of heat raises the discharge. You cannot appreciate the work you are able to do with this wonderful interrupter till you see it in operation. Not alone do you get a better and a heavier spark, but it is also from 15% to 25% LONGER, all depending on the construction of the coil. And that is not all. The output of the coil is increased at least 60%. That means that you can send at least 60% further with the Gernsback Interrupter. This will be better understood by mentioning that two No. 14 copper wires, connected to a 1 inch coil and separated $\frac{1}{4}$ inch will fuse within 5 to 10 seconds.

The Gernsback interrupter starts with 60 volts. A metal rod of especial alloy goes through the cover, down in the glass tube. This tube at its lower end has a peculiar aperture in which the point of the rod fits. The tube at the upper end has a screw top which screws in the cover. In operation the metal rod wears itself away to a perfect point. The rod itself is fed down by gravity. Very little metal is used up; it takes about 60 hours constant work to consume one inch of the rod. New rods are supplied at a trifling cost. The rod can be left constantly in the solution without harm. The hard rubber composition top has all metal parts IMBEDDED in it. (Patented.) No metal exposed whatsoever. Therefore NO CORROSION as is usually experienced in other interrupters. The interrupter heats up very little, even when working for hours. The path between the two electrodes is only $\frac{1}{4}$ inch and the amount of solution heated at a time therefore is necessarily slight. This interrupter will find thousands of friends and is especially recommended for wireless and X-ray work. When used for the former it may be stated that it produces an extremely high sound in the distant receiver, which is much easier to read than the low sound produced with the old spring vibrator giving only from 150 to 200 vibrations per second, against 5000 to 7000 per second with the electrolytic interrupter.



No. 8000

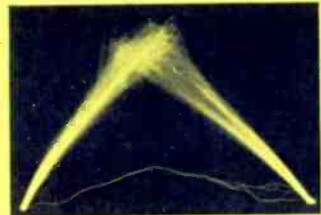


No. 1

Every instrument is fully guaranteed to be all we claim for it. Mr. Gernsback would not allow his name put to it if he had not implicit faith in it. It is a guarantee by itself.

You understand that we will be swamped with orders. You do not wish to be delayed. Therefore order NOW—TODAY.

The Gernsback Interrupter (patents pending) No. 8000, as described, size $10\frac{1}{2} \times 5$ inches. Weight, without solution, 2 lbs.



No. 2

INTRODUCTION PRICE \$2.50

- | | |
|--|--------|
| No. 8001. D. P. S. T. Switch block with two 10 A Edison fuses..... | \$0.45 |
| No. 8002. Cotton covered double-cond. lamp Cord, per foot..... | 0.01 |
| No. 8003. Attachment plug (separable) fits any lamp socket..... | 0.10 |
| No. 8004. Extra Edison fuses..... | 0.05 |
| No. 8000a. Metal rods for Gernsback Interrupter..... | 0.15 |

NOTE—Parts to this Interrupter NOT SOLD, only to owners of the Interrupter for repairs, etc.

Our new **ELECTRICAL CYCLOPEDIA CATALOG No. 6**, containing 120 pages, valuable information, wireless diagrams, WIRELESS CODES, electrical photographs and the most complete assortment of wireless goods, apparatus, novelties, etc., etc., will be sent to you on receipt of 2 cents postage to cover cost of mailing.

Electro Importing Co., 86-z West Broadway, New York

"Modern Electrics" guarantees the reliability of its advertisers



Franklin Discovered It—Edison Devel-
oped It—The Cyclopaedia Applies It.

Cyclopaedia of Applied Electricity

Is a practical guide for every man who wants information regarding electrical appliances. This work presents in compact, practical form, and in simple, non-technical language, the results of the best work of the best men in the electrical profession; it lays the foundation of electrical progress for years to come.

THE ELECTRICAL WORKER, whether "trouble shooter" or expert, will find this Cyclopaedia especially valuable as an index to what he knows and a ready reference to what he has forgotten.

THE BUSINESS MAN AND HOUSE OWNER can gain from it a knowledge of electricity that will save him many a dollar.

This Cyclopaedia covers the whole electrical field more completely than any other group of volumes. It comprises 2,896 pages of up-to-date, authoritative information; it treats 23 general subjects; its detailed index includes over 4,000 different topics. It contains hundreds of special photographs, diagrams, sections, etc., besides condensed tables and formulas, containing information that it would require years of time and a fortune to collect. The pages are 7x10 inches in size, printed on special paper, in large, clear type, carefully bound in half morocco. **FREE FOR EXAMINATION.** Fill in and mail the coupon. We will send you a set of these practical books for five days' FREE examination. Examine the books carefully. If satisfactory send \$2 within five days and \$2 per month until you have paid the special \$18.60 price. The regular list price price \$36. If you don't keep the books, advise us and we will send for them. Remember! You can examine the books without expense or obligation—we pay all charges.

IMPORTANT SUBJECTS COVERED.

Electric Telegraph—Theory, Calculation, Design and Construction of Generators and Motors—Types of Dynamos and Motors—Elevators—Dynamo-Electric Machinery—Alternating Current Machinery—Wireless Telegraphy—Storage Batteries—Wireless and Automatic Telephony—Power Stations and Transmission—Telantograph—Electric Lighting and Wiring—Electric Railways—Telegraphone—Direct Current Motors—Direct-Driven Machine Shop Tools—Alternating Current Motors, etc.—Single-Phase Electric Railway—Electric Welding—Mercury Vapor Converter—Management of Dynamos and Motors—Central Station Engineering—Central Station Design.

FREE! IF YOU ORDER PROMPTLY

With all orders before May 1st, we will include FREE for one year, as a monthly supplement, the **TECHNICAL WORLD MAGAZINE**

An ideal American family monthly—regular price \$1.50. Clean, instructive, helpful and true—with the whole round world as its field. Present day, scientific facts and inventions are treated in a manner so clear and comprehensive that any one can understand and every one can learn.

FREE OFFER COUPON

American School of Correspondence, Chicago, U.S.A.

Please send Cyclopaedia of Applied Electricity for FREE examination, also T. W. for 1 year. I will send \$2.00 within five days and \$2.00 a month until I have paid \$18.60! otherwise I will notify you and hold the books subject to your order. Title not to pass until fully paid.

Name
Address
Employer

(Mod. Elec. 5-09)



MY BOY!

HERE'S YOUR CHANCE

It's more than a chance—you can make it a certainty because it depends entirely upon yourself. It's your opportunity to rise to one of the countless positions open to the trained man and obtain a trained man's salary.

The man who sits in his private office and "hires and fires" and lays out your work, was no more qualified to fill that position a few years ago than you are to-day. He saw *his chance* and made the most of it. He obtained his training and knowledge by study. You can do the same—the American School will help you.

Don't be afraid to mail the coupon, you won't be bothered by agents or collectors. Like all strictly educational institutions the American School depends, for growth, upon reputation and the success of its students.

Don't let a little thing like filling in and mailing a coupon stand between you and success, congenial work and more pay. *Accept your chance to-day.*

We Help Men Help Themselves

FREE INFORMATION COUPON

American School of Correspondence,
Chicago, U. S. A. :

Please send me your free Bulletin of Engineering information and advise me how I can qualify for position marked "X."

| | |
|--------------------------|-----------------------------|
| ... Electrical Engineer | ... Heating and Vent. Engr. |
| ... Draftsman | ... Plumber |
| ... Civil Engineer | ... Architect |
| ... Mechanical Engineer | ... Hydraulic Engineer |
| ... Stationary Engineer | ... Textile Boss |
| ... Structural Engineer | ... Sheet Metal Pattern |
| ... Municipal Engineer | ... Draftsman |
| ... Railroad Engineer | ... College Preparatory |
| ... Structural Draftsman | ... Course |

NAME

ADDRESS

OCCUPATION

Mod. Elec. 5-09.

"Modern Electrics" guarantees the reliability of its advertisers.

When writing please mention "Modern Electrics."