

ELEKTOR **ELECTRONICS** **USA**

THE INTERNATIONAL JOURNAL
FOR RECREATIONAL ELECTRONICS
JULY/AUGUST 1992

\$5.00 US
CANADA \$6.50

BUMPER SUMMER ISSUE

With Over 50 Construction Projects

Opto-Card for Multi-Purpose Bus

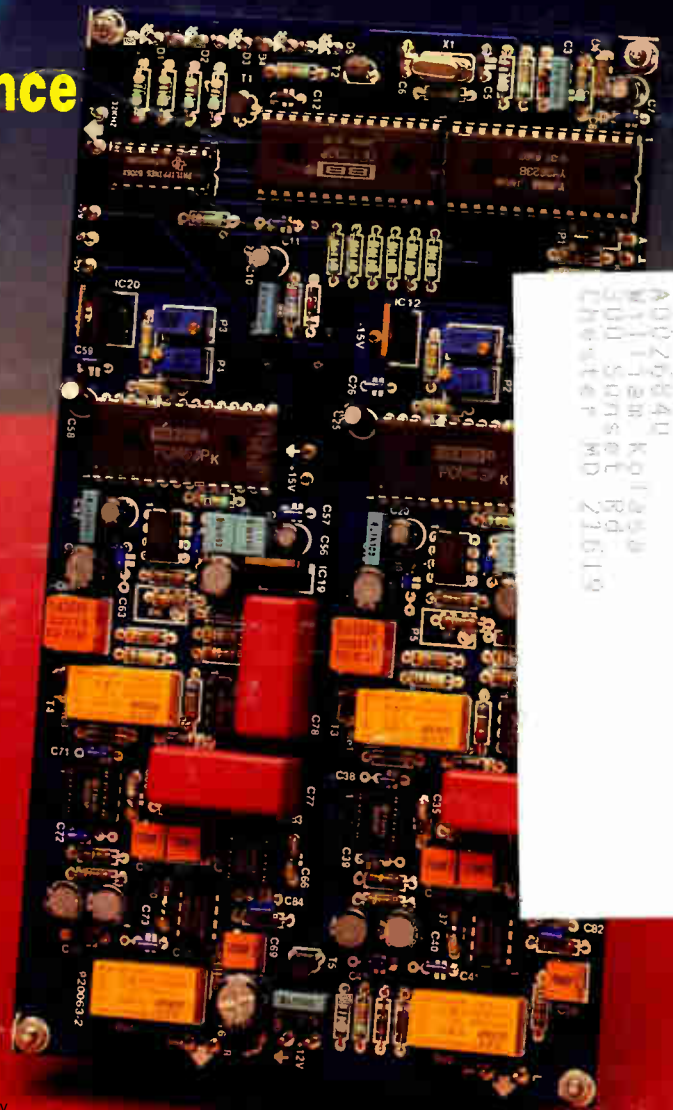
Handling Noise and Interference

Mark 2 QTC 80 + 40 Loop

Audio-Frequency DAC

RS232 Tester

Fuzzy Logic



GO FIGURE!

DesignCAD 2D. Like Leonardo da Vinci's concept of a rotary blade aircraft, it is ahead of its time, not only in technology, but also in cost and value.

DesignCAD 2D is only \$349, and it has more and better features than the other CAD programs that cost \$3,000!

And, if you're ready for a three dimensional CAD program, there is the state-of-the-art DesignCAD 3D . . . for only \$499!

So, how come theirs costs several thousand dollars and ours costs a couple hundred? Go figure. (Why do you think the Mona Lisa is smiling like that?)

*Your product designed with DesignCAD?
Let us know, and maybe we'll put it in one of our ads.*

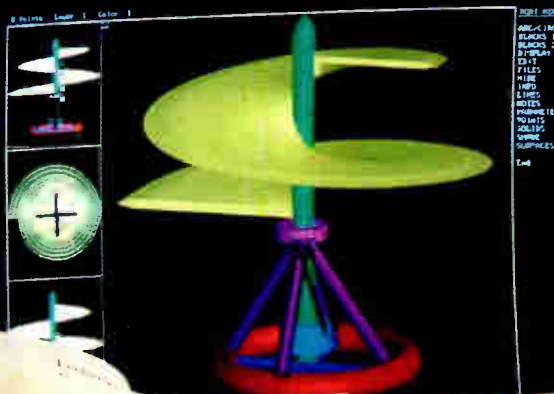
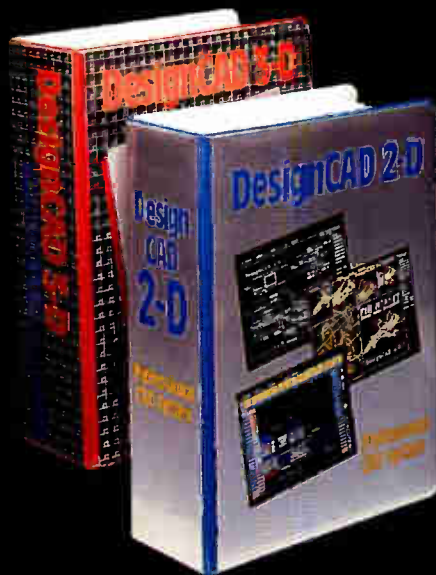
For a free demo disk and 16 page color brochure, contact:



American
Small Business Computers, Inc.
One American Way • Pryor, Oklahoma 74361
(918) 825-4844 • FAX (918) 825-6359

European Headquarters:
102 Rue La Fontaine • 75016 Paris, France
Phone 331 4520 6540 • FAX 331 4520 6578

Other offices in:
Athens • Barcelona • Brussels • Bucharest • London
Mexico City • Paris • Prague • Sao Paulo • Tokyo • Zurich



Also Available for Macintosh

In the next issue

- 23 cm FM transceiver
- Replacing your paging system with a high-power intercom
- A.F. digital-to-analogue converter Part 2
- 8051/8032 assembler course Part 6
- The applicable and constructable fictions of electronics
- Flash EPROMs
- CALSOD II: designing loudspeaker boxes by computer
- Current-sense MOSFETs
- EPROM emulator II

Front cover

Build this month's A.F. digital-to-analogue converter into your existing equipment or use as a stand-alone unit. It is eminently suitable for use with the CD player we published earlier this year. Twenty-bit converter ICs, $\times 8$ over-sampling and high-quality analogue stages are used to translate accurately the digital output of CDs, DAT recorders or radio broadcasts into the desired analogue information.

EDITORIAL

- 10 Should Congress Eviscerate PBS?

AUDIO & HI-FI

- 17 Audio-Video Processor—Part 3
 24 A. F. Digital-to-Analogue Converter
 62 Digital Volume Control
 67 Scanner for All Solid-State Preamplifier
 68 Stereo Protector against D.C.

COMPONENTS

- 30 Elements of Passive Electronic Components—Part 3

COMPUTERS & MICROPROCESSORS

- 14 Opto Card for Universal PC I/O Interface
 40 8051/8032 Assembler Course—Part 5
 45 Power-On Delay for Atari ST
 59 PC Fan Control
 65 PC Cooling Fan Control
 84 RS-232 Quick Tester

GENERAL INTEREST

- 45 Dimmer for Neon Tubes
 48 Metal Detector
 50 Telephone Monitor
 56 Water Pump Control for Solar Power System
 60 Halogen Lamp Protector
 61 Extra Brake Light
 63 Super Starter for Cars
 64 Starter for Model Aircraft
 66 Telephone Gong
 66 Bounce-Free Change-Over Switch
 75 Front-to-Rear Wiper Coupling
 76 Sidac Neon Tube Starter
 78 Rev Counter for Diesel Engines

POWER SUPPLIES & BATTERY CHARGER

- 34 12 VDC-to-240 VAC Inverter
 50 Low-Drop Regulator I
 51 Crowbar Protection
 52 Low-Battery Indicator
 53 Voltage Converter I
 54 Battery Regulator for Solar Power System
 55 Low-Drop Regulator II
 69 Simple Power Supply Concept
 70 Experimental Fast NiCd Battery Charger

- 72 240 VAC-to-110 VAC Converter
 74 Voltage Converter II
 74 Current Limiting for LM317 Regulator
 76 Three-Phase Simulator
 77 Touch "On", Auto "Off" Controller for Battery-Operated Equipment

RADIO, TELEVISION & COMMUNICATIONS

- 46 Wideband Active Telescopic Antenna
 47 Infra-Red Headphone Transmitter
 47 Infra-Red Headphone Receiver
 49 CB-to-SW Down Converter
 51 CGA-to-SCART Adaptor
 73 Video Enhancer
 88 Mark 2 80/40 QTC Loop Antenna
 91 FM Tuner—Part 5 (final)

SCIENCE & TECHNOLOGY

- 80 Fuzzy Logic: An Introduction
 96 A Virtual Component: Half-Capacitance from Heaviside

TEST & MEASUREMENTS

- 20 Dealing with Noise and Interference in Electronic Instrumentation Circuits
 29 Pulse Generator
 33 Acoustic Crystal Tester
 58 Power Supply Tester
 63 Audible Fluid Level Indicator
 64 Simple Signal Generator
 65 Fuse Monitor
 67 Frequency Probe
 71 Continuity Tester
 72 Noise Generator
 78 Smartec Temperature Sensor
 98 Differential Temperature Indicator

MISCELLANEOUS INFORMATION

Electronics Scene 12-13; Classifieds 99; Letters 99; Advertisers' Index 100; Readers' Services 101; Terms of Business 102.

ELEKTOR ELECTRONICS USA (US ISSN 1051-5690) is published monthly except August at \$28 per year; \$50 for two years by Audio Amateur Publishing Group, 305 Union St., Peterborough NH 03458 USA. Second class postage paid at Peterborough NH and an additional mailing office.

POSTMASTER: Send address changes to **Elektor Electronics USA**, Caller Box 876, Peterborough NH 03458-0876.

NOW THAT YOU'VE SEEN OUR NEWEST TREASURE . . .

WHY NOT HAVE A LOOK AT THE REST?

GLASS AUDIO

The newest publication from the folks who bring you *Audio Amateur* and *Speaker Builder*

Glass Audio features the best vacuum tube designs for audio reproduction—past and contemporary. The new designs take advantage of improved components and control techniques that make the end results far superior to anything possible during the early days of audio's rebirth after World War II.

That's why tubes are having such a renaissance of interest as a perfectionist approach to good sound. And that's why tubes are reappearing in original equipment, in high end consumer and professional audio systems.

Published quarterly, *Glass Audio* will inform you about new innovations in the field and about parts sources. We'll also include modification projects, reviews of technical basics and regular columns such as Tube Troubles, Tube Tips and much more.

Subscribe today!



GLASS AUDIO

- Two years, (8 issues) \$35
 One year, (4 issues) \$20
 Canada add \$4 per year postage



Audio Amateur

THE JOURNAL FOR AUDIOPHILE CRAFTS

The innovative, independent audiophile journal for the thoughtful and capable music lover

Audio Amateur's articles deal with how audio equipment works, as well as how to build or modify it. Construction and modification articles are plentiful, supplying all needed parts, performance and assembly details. Exceptionally high quality designs.

Audio Amateur offers a number of features in each issue that abound with useful ideas. The *Letters* column is an open forum for problem solving and information interchange; *Classic Circuitry* reprints schematics of state-of-the-art gear—old and new; *Audio Aids* relates readers' experience with simple modifications to equipment and construction techniques. We also feature many useful and practical hi-fi accessories you can build to further your audio enjoyment.

For a small investment you can make your music system sound better—very probably a lot better.

AUDIO AMATEUR

- Two years, (8 issues) \$35
 One year, (4 issues) \$20
 Canada add \$4 per year postage

Speaker Builder

THE LOUDSPEAKER JOURNAL

The magazine that finally deals seriously with the art and craft of speaker building

The *Art* of building a speaker is to optimize that mixture of design and engineering to balance all the parameters for the most beautiful sound possible. The *Craft* is knowing how and why. *Speaker Builder* gives you knowledge—from driver parameters and crossovers to woodworking—to develop and refine your techniques, and to get the most out of your system.



Speaker Builder helps you explore new designs with how-to construction articles, and can show you how to modify your old speakers and make them sound better than ever. Learn from our writers who turn abstract theory into practical approaches, and from the experience of other readers who have been down the road before you. *Speaker Builder* is the best investment you can make in your system—six issues per year filled with stimulating and exciting ideas.

SPEAKER BUILDER

- Two years, (12 issues) \$45
 One year, (6 issues) \$25
 Canada add \$6 per year postage

NAME _____

STREET & NO. _____

CITY _____

STATE _____

ZIP _____

MC OR VISA NUMBER _____

EXPIRE _____

AUDIO AMATEUR PUBLISHING GROUP

PO Box 576, Dept. E92, Peterborough, NH 03458-0576 • (603) 924-9464 • FAX: (603) 924-9467

Answering machine for credit card orders only: before 9:00 a.m., after 4:00 p.m. and weekends. Have all information plus MC/VISA available.

NEW FROM OLD COLONY

HIGH POWER AUDIO AMPLIFIER CONSTRUCTION

BKEV18
\$10.95

R.A. Penfold

This book provides background information on high power audio amplifiers, together with some practical designs capable of output powers of up to around 300-400Wrms. Included are types having power MOSFETs in the output stage, which give excellent performance over the full audio range and offer good reliability in what are relatively simple circuits. Printed circuit designs are included for these MOSFET circuits, as are suitable power supply designs. For those who prefer to use bipolar output transistors, inverting and non-inverting circuits are provided. These can be used in single-ended or bridge configurations, and provide output powers comparable to those of the MOSFET designs. United Kingdom, 1991, 76pp., 4¾ x 7, softbound.

LOUDSPEAKERS FOR MUSICIANS

BKEV19
\$10.95

Vivian Capel

In this unique handbook, the author sets out to narrow the gap between the technician and the musician by relating technical expressions to musical terms. It contains all that a working musician needs to know about loudspeakers: the different types; how they work; and those most suitable for different instruments, for club/cabaret work, and for vocals. In addition, the author gives tips on constructing cabinets, wiring, when and where to use wadding/damping (and when not to), finishing, how to ensure they travel well, how to connect multi-speaker arrays, and much more. Ten practical enclosure designs with plans and comments are given in the last chapter, but by the time you've read that far, you should be ready to design your own. United Kingdom, 1991, 163pp., 4¾ x 7, softbound.

ACOUSTIC FEEDBACK—HOW TO AVOID IT

BKEV20
\$10.95

Vivian Capel

While feedback usually cannot be completely eliminated, many things can be done to reduce it to a level at which it is no longer a problem. Much of the trouble is often the hall itself, not the equipment, but there is a simple and practical way to greatly improve acoustics. Some microphones are prone to feedback, while others are not. Certain speaker systems are much better than others, and the way the units are positioned can produce or reduce feedback. All these aspects are fully explored in this book, in addition to electronic aids such as equalizers, frequency shifters, and notch filters. The special requirements of live group concerts are also considered, as well as the related instability problems sometimes associated with large setups. Some unsuccessful attempts at curing feedback are even explored, in order to save readers wasted time and effort in duplicating them. The design, layout, and operation of a highly successful twin notch filter is also included in this handy overview. United Kingdom, 1991, 92pp., 4¾ x 7, softbound.

PREAMPLIFIER AND FILTER CIRCUITS

BKEV21
\$10.95

R.A. Penfold

This book provides circuits and background information for a range of preamplifiers, plus tone controls, filters, mixers, and so forth. The use of modern low-noise operational amplifiers and a high performance audio preamp IC results in circuits that have excellent performance yet are still not too complex. All the designs featured can be built at relatively low cost. Preamp designs featured include: microphone preamps (low impedance, high impedance, and crystal); magnetic cartridge pickup preamps with RIAA equalization; a crystal/ceramic pickup preamp; a guitar pickup preamp; and a tape head preamp (for use with compact cassette systems). Other circuits are: an audio limiter to prevent overloading of power amps; passive tone controls; active tone controls; PA filters (high pass and low pass); scratch and rumble filters; a loudness filter; audio mixers; and volume and balance controls. No construction details are provided for the circuits in this book, and it is not really intended for beginners. On

the other hand, the circuits are all pretty simple, and you do not really need much previous experience in electronic construction in order to tackle them. Where appropriate, any setting up procedures and notes on tricky aspects of construction are provided. Mainly intended for use in conjunction with BKEV18, *High Power Audio Amplifier Construction*, United Kingdom, 1991, 91pp., 4¾ x 7, softbound.

PRACTICAL ELECTRONIC FILTERS

BKEV22
\$12.95

Owen Bishop

Filters play a vital part in almost all electronic circuits, yet many people believe they are difficult to understand. This is probably because so many of the books on this topic are extremely mathematical. By contrast, this book deals with the subject in a nonmathematical way, reviewing the main types of filters and explaining in simple terms how each type works and is used. The book also presents a dozen filter-based practical projects with applications in and around the home or in the constructor's workshop. These include a number of audio projects such as a rhythm sequencer and a multi-voiced electronic organ. Project descriptions include circuit diagrams, explanations of their operation, and detailed instructions for building them. A number of the projects are suited to the beginner, while others will be of interest to the more advanced constructor. Concluding the book is a practical step-by-step guide to designing simple filters for a wide range of purposes, with circuit diagrams and worked examples. United Kingdom, 1991, 188pp., 4¾ x 7, softbound.

LOUDSPEAKER DESIGN POWERSHEET SOFTWARE

Marc Bacon

Surely at the front of the spreadsheet speaker-design wave of the future, The LOUDSPEAKER DESIGN POWERSHEET was written by professional engineer Bacon with one purpose in mind: to make computer-aided speaker design accessible to everyone. The program covers a wide range of knowledge taken from the most recent publications in the field, yet is extremely simple to use and low in cost. The Professional version covers 19 different kinds of bass loading with extensive graphing capabilities; volume calculation for 5 different enclosure shapes; evaluation of cavity resonances, rectangular panel resonances, and the coincidence effect; 24 different types of crossovers; 10 miscellaneous programs for shaping circuits, zobel, room interaction, and coil design; 8 programs for evaluating driver parameters and losses; electrical laws; conversion factors; room acoustics; and more. A Basic version which includes 41 of the above programs is also available.

An unprotected source code allows the user to customize and build upon individual spreadsheets for his own use. Individual programs are accessed through a user-friendly menu tree, and context-sensitive HELP and an introductory README.1ST file are also included. Requires IBM PC or compatible with 640K of memory, preferably a hard disk, and Lotus 1-2-3, Quattro Pro, Excel, or another spreadsheet which can use Lotus *.WK1 files. Please note that spreadsheet software is not included. From SB. Upgrades from the Basic to the Professional version are available for \$25 plus proof of purchase.

Purchasing options available:

SOF-PSH1B5	LOUDSPEAKER DESIGN POWERSHEET	\$49.95
	Basic version for IBM, 2 x 5¼"	
SOF-PSH1B3	LOUDSPEAKER DESIGN POWERSHEET	\$49.95
	Basic version for IBM, 1 x 3½"	
SOF-PSH2B5	LOUDSPEAKER DESIGN POWERSHEET	\$69.95
	Professional version for IBM, 5 x 5¼"	
SOF-PSH2B3	LOUDSPEAKER DESIGN POWERSHEET	\$69.95
	Professional version for IBM, 3 x 3½"	

NEW FROM OLD COLONY

LAYO1 PCB CAD/CAM SOFTWARE

Baas Electronics BV

Spectacular LAYO1 from The Netherlands features elegant schematic capture, autoloading of part shapes, continuous control of all electrical connections with simultaneous manual intervention option, easy-to-find optimum parts placement via a rat's-nest feature, high speed autorouting, and much more. This revolutionary package easily serves as an OrCAD™ add-on, its utilities and related functions implementable through its user-friendly Project Manager command shell. OrCAD SDT III or IV schematics input seamlessly to LAYO1.

The menu-driven Output Driver allows you to select up to forty recently used files and graphically preview pads and layers. Options include not only extensive scaling facilities for pen width and/or speed, "blackscale" for generating normal or extra-black plots, and pads and pens for mask generation purposes, but also selection features for image move, rotate and mirror, pad hole centering for facilitating drilling, automatic/manual pen change, drill program, pads, 15 different layers, extra pen for grid drawing and file name, date/time stamp, and automatic flash/selection for GERBER output. Most options can be directly verified and adjusted. Output can be directly to device or disk, the following output standards being supported: DMPL, HPGL, GERBER, EXCELLON, SIEB & MEYER, and POSTSCRIPT. Prototype output can be generated directly to HP LaserJet and Epson-compatible printers.

Requires IBM or compatible XT with EGA display adapter, 640K main internal memory, MSDOS 3.x, EGA monitor, hard disk with at least 5M free space, 3-button mouse, printer. Includes 119-page User Manual and 204-page Reference Manual, as well as registration information. Registered users receive update and upgrade information, as available, directly from Europe. Package "levels" indicate the relative density possible and are based on the number of "vectors" available, the latter essentially being X-Y coordinates on the board. Most hobbyists will find 4,000 vectors more than enough for normal creative use. Without question, we think LAYO1 is the ideal package for today's state-of-the-art electronics designer. Please allow five weeks for delivery.

Purchasing options available:

SOF-LAYOL1G LAYO1 WITH GRAPHICS	\$99.00
Level 1 (4,000 vectors) for IBM (PLEASE SPECIFY 3 1/2" or 5 1/4")	
SOF-LAYOL2G LAYO1 WITH GRAPHICS	\$355.00
Level 2 (10,000 vectors) for IBM (both sizes supplied)	
SOF-LAYOL3G LAYO1 WITH GRAPHICS	\$575.00
Level 3 (20,000 vectors) for IBM (both sizes supplied)	

GERBER TOOLKIT SOFTWARE

Logical Systems

GERBER TOOLKIT is a collection of utilities that lets you view, print, and panelize Gerber artwork files *before* producing film. In addition to GERBERJET and EZ-VIEW, described below, the programs include GERBERMERGE (Gerber file panelization utility), GERBERCR (add or remove CR-LF pairs in Gerber file), GERBERFLIP (Gerber X and/or Y mirror utility) and GERBERSCAN (X/Y minimum and maximum report utility).

GERBERJET prints Gerber files on HP LaserJet and compatible printers. Features include: capability of plotting up to four layers simultaneously; 260 apertures per layer; multi-layer plotting; positive and negative overlays; seven aperture shapes (circle, square, ellipse, rectangle, oval, annular, and thermal); aperture size from 0.003 to 1 inch; autoscaling (shrinks artwork to fit on one page); autotiling (plots an oversize image on several pages automatically); selectable tile size (8 x 10.4 or 8 x 13.4 inches); EMS support (buffers the image for fast plotting); capability of reading OrCAD™ aperture files directly into GERBERJET; auto-orientation (selects the best fit, portrait, or landscape); and page preview (displays plotted image on EGA or VGA monitor before printing).

EZ-VIEW displays up to eight Gerber files in color on EGA or VGA monitors for easy inspection and panelization. This software allows: viewing and panelization of up to eight Gerber files in color; memory buffering using RAM, EMS, and hard disk to permit virtually unlimited file size; 990 apertures (any size from 1 mill to 6 inches) and eleven shapes (annular, circle, crosshair, diamond, ellipse, line, octagon, oval, rectangle, square, and thermal); reading popular formats (OrCAD, P-CAD, PADS, Protel, Racal, Tango II, and ASCII—other CAD system users can create compatible aperture files in ASCII with a text editor); writing visible layers to Gerber file; moving and rotating layers on screen, with aperture substitution; cursor control (keyboard, mouse, grid snap on/off, 0.00001 inch resolution); Gerber formats (leading and trailing zeros, absolute or incremental data, 3 to 6 decimal places); object identity (reports Dcode, size, and location); layer report of file names, offset, and rotation; zoom factors from 0.05x to 100x; grid sizes from 0.001 to 0.500 inch; screen refresh pre-emption for quick keyboard response; layer visibility (detail, draft, box outline, or invisible); and individually selectable flash and draw colors for each layer.

Requires PCDOS or MSDOS; monochrome or color monitor for text modes, EGA or VGA monitor for graphic modes; 640K RAM; one floppy drive; HP LaserJet or compatible printer. Recommended: Microsoft-compatible mouse or trackball; 2 to 16M expanded memory; hard disk with at least 2M available. 5 1/4" only. Full documentation. Programs besides EZ-VIEW not sold separately.

Purchasing options available:

SOF-GTK1B5G GERBER TOOLKIT WITH GRAPHICS	\$250.00
(includes all six programs) for IBM	
SOF-EZV1B5G EZ-VIEW WITH GRAPHICS	\$150.00
for IBM	

EASY-PC SOFTWARE

Number One Systems Ltd.

From the United Kingdom, this award-winning PCB and schematic design program now has more than 11,000 copies in use in 70 countries worldwide. Producing circuit diagrams and PCBs with one simple, easy-to-learn package, it utilizes exceptionally high-speed operation, including zoom and pan at typically 1 to 2 seconds. Features include: multilayer board capability with up to 8 conductor layers, top and bottom silk screens, and solder resists; up to 17 x 17 inch board size; surface mount support; up to 1,500 ICs per board; up to 5,000 tracks with up to 12,000 segments; up to 4,000 pads in addition to those in ICs; up to 100 different symbols per board; up to 6,000 text characters in circuit diagrams; 128 different track widths; 128 different pad sizes; superb track editing facilities; comprehensive, modifiable library facilities; and over 400 library symbols already included. A thoroughly amazing package, supplied in both 3 1/2" and 5 1/4" disk sizes.

Requires IBM PC/XT/AT/286/386/486 or true compatible with 512K memory; supports Hercules mono, CGA, EGA, or VGA graphics. Math coprocessor not necessary. Recommended: Microsoft, Mouse Systems, or equivalent mouse or trackerball. Full documentation. Please allow five weeks for delivery.

Purchasing options available:

SOF-ESY1B5GD EASY-PC	\$7.50
Demo for IBM (usable as credit toward later purchase of full package)	
SOF-ESY1B5G EASY-PC	\$195.00
for IBM	

EASY-PC ADD-ON LIBRARY SOFTWARE

Number One Systems Ltd.

Package for EASY-PC above contains over 1,000 schematic symbols for 74LS and 74ALS; 74S, 74AS, and 74F; 74HC and 74HCT; 74C and 74AC; 74ACT, 74BCT, and 74FCT; CMOS 4000; 20- and 24-pin PALs;

NEW FROM OLD COLONY

and microprocessors and support memories. Also included are board layout symbols for long and short 8- and 16-bit PC adapters, and single and double Eurocards. Supplied in both 3½" and 5¼" disk sizes. Please allow five weeks for delivery.

SOF-EL11B5G EASY-PC ADD-ON LIBRARY \$75.00
for IBM

EASY-PC SURFACE MOUNT LIBRARY SOFTWARE

Number One Systems Ltd.

Package for EASY-PC above contains over 500 PCB land patterns for RC and CC passives; MELF and chip inductors; SOD diodes; SOT transistors; DIPI, DIPL, SOIC, and SOJ dual-in-line; MO and quad flat packs; MS008 and MS044 ceramic chip carriers; MO047 and MO052 PLCCs; JEDEC types A through F; IDC and other connectors; and IC sockets. Supplied in both 3½" and 5¼" disk sizes. Please allow five weeks for delivery.

SOF-ESM1B5G EASY-PC SURFACE MOUNT LIBRARY \$115.00
for IBM

EASY-LINK SOFTWARE

Number One Systems Ltd.

Users of EASY-PC who need to maintain designs produced on older, less friendly PCB design programs will find in EASY-LINK a simple-to-use method of translating their old files into EASY-PC's format. Using as an intermediate the Gerber photoplot files produced by the majority of PCB programs, EASY-LINK performs a quick and accurate translation, allowing the user to modify many of the layout parameters on the way. Translated files are immediately available for modification and updating in EASY-PC. Features include selectable layers, including silk screen

legend; selectable pad shapes; and selectable track and pad sizes. From the United Kingdom. Supplied in both 3½" and 5¼" disk sizes. Full documentation. Please allow five weeks for delivery.

SOF-ELK1B5G EASY-LINK \$195.00
for IBM

ANALYSER III ADVANCED LINEAR CIRCUIT ANALYSIS SOFTWARE

Number One Systems Ltd.

Allowing you to test designs without soldering a single component and without the need for test equipment, this incredible package is ideal for the analysis of filters, amplifiers, crossover networks, wideband amplifiers, antenna matching networks, radio and TV IF amplifiers, chroma filters, linear ICs, and much more. Features include a frequency range extending from 0.001Hz to 999GHz; adjustable component models; printable frequency response display showing gain, phase, group delay, and both input and output impedance; over 50-nodes-per-second analysis speed (20MHz 386SX); over 130 circuit nodes (640K RAM); over 2,000 components (640K RAM); 16-level subcircuit nesting; and library component capacity limited only by computer memory space available. Requires IBM PC/XT/AT/386/486 or compatible; minimum 512K RAM; VGA or EGA color monitor; hard drive with MSDOS 3.x. Mouse or trackerball recommended. 9/24-pin dot matrix or LaserJet II compatible printer optional. From the United Kingdom. Supplied in both 3½" and 5¼" disk sizes. Full documentation. Please allow five weeks for delivery.

Purchasing options available:

SOF-ANA1B5GDANALYSER III \$7.50
Demo for IBM (usable as credit toward later purchase of full package)

SOF-ANA1B5G ANALYSER III \$375.00
for IBM

OLD COLONY EASY ORDER FORM

QTY.	ITEM NO.	PRICE EACH	TOTAL
_____	_____	_____	_____
_____	_____	_____	_____
_____	_____	_____	_____
_____	_____	_____	_____
_____	_____	_____	_____
<input type="checkbox"/> FREE CATALOG		SHIPPING	\$ _____
		TOTAL	\$ _____

NAME _____

COMPANY _____

STREET _____

CITY _____ ST _____ ZIP _____

DAYTIME TELEPHONE _____

PLEASE REMIT IN US DOLLARS ONLY. PAYMENT BY:
 CHECK / MONEY ORDER MASTERCARD VISA

MC OR VISA _____ EXP. _____

PLEASE BE SURE TO ADD SHIPPING CHARGES:

Shipping Charge According to Destination and Method Desired (\$)

Order Value	United States		Canada		Other	
	Surface	Air	Surface	Air	Surface	Air
<\$50.00	3.00	7.50	5.00	7.50	10.00	20.00
\$50.00-99.99	4.00	15.00	7.50	15.00	20.00	30.00
\$100.00-199.99	5.00	20.00	15.00	20.00	30.00	40.00
>\$200.00	6.00	30.00	25.00	30.00	40.00	50.00



OLD COLONY SOUND LAB

PO BOX 243, Department E92
Peterborough, NH 03458-0243 USA

24-Hour Lines
Telephone: (603) 924-6371 or (603) 924-6526
FAX: (603) 924-9467

CELLULAR TELEPHONE MODIFICATION HANDBOOK

*How are hackers making
cellular phone calls for free?*

- Techniques for decoding & changing cellular phones' NAMS & ESNS
- Where to buy programming devices
- The "roaming technique" scam!
- Chip supplier's phone numbers
- Instructions on how to change phone numbers on all models
- Cellular phone manufacturer's ESN codes

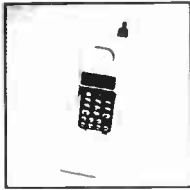


Complete Manual only \$79.95

M.O. or C.O.D. to

SPY Supply

7 Colby Court Suite 215
Bedford, NH 03110
(617) 327-7272



Sold for educational purposes only

134th SMPTE Technical Conference and Equipment Exhibit
(Including Media Integration)
November 10-13, 1992 — Metro Convention Centre
Toronto, Canada

LOOK BEYOND BROADCASTING DISCOVER SMPTE'92

TUTORIAL SEMINARS • HANDS-ON-WORKSHOPS
TECHNICAL SESSIONS • EQUIPMENT EXHIBIT

All-Day Tutorial Seminars On Mon.
November 9th

"THE POST EXPERIENCE" Post-Production
Techniques and "MULTIMEDIA WORLD"
The integration of video and computer
technologies.

Hands-On-Workshops
November 10-13th

"MULTIMEDIA PRODUCTION"
"TELETRAINING AND LEARNING"
"MULTIMEDIA COMMUNICATIONS"
"INFORMATION ACCESS AND RETRIEVAL"

Four Days of Technical Sessions
November 10-13th

"IMAGES IN MOTION—THE SECOND
CENTURY" Examine the advances and
developments in motion picture and
television methodology.

EQUIPMENT EXHIBIT
November 10-13th

Discover advanced motion imaging equipment,
prototypes, new product introductions and
meet the industry's leading manufacturers
and innovators.

EXPERIENCE THE SMPTE DIFFERENCE!

If you want to look beyond broadcasting and see the linking of motion imaging
and computer science, be sure to attend the 1992 SMPTE Conference and
Equipment Exhibit. November 9-13 is the time, Toronto, Canada is the place.

For Advance Registration or Exhibit Information:

CALL-FAX-OR-WRITE



Society of Motion Picture and Television Engineers
595 West Hartsdale Ave., White Plains, New York 10607-1824
Call (914) 761-1100 Fax (914) 761-3115

Reader Service #177

THE LATEST ISSUE OF

**ELEKTOR
ELECTRONICS
USA**

IS NOT FAR OFF!

IT CAN BE FOUND
AT THESE LOCATIONS:

- | | | |
|---|---|--|
| Tri-Tek
9014 N 23rd Ave 11
Phoenix, AZ | HSC Electronic Supply
4837 Amber Lane
Sacramento, CA | Tapco Engineering
1639 47th St NE
Cedar Rapids, IA |
| Gateway Electronics
9222 Chesapeake Dr
San Diego, CA | HSC Electronic Supply
3500 Ryder St
Santa Clara, CA | RJM Electronics
4204 Overland Rd
Boise, ID |
| Henry Radio
2050 S Bundy Dr
Los Angeles, CA | Gateway Electronics
2525 N Federal Blvd
Denver, CO | Gateway Electronics
8123 Page Blvd
St Louis, MO |
| | | Powell's Technical Books
33 NW Park
Portland, OR |
| | | Cody Books Ltd.
1122 Fir Ave
Blaine, WA |
| | | RP Electronic Co
2113 W 4th Ave
Vancouver, BC
CANADA |



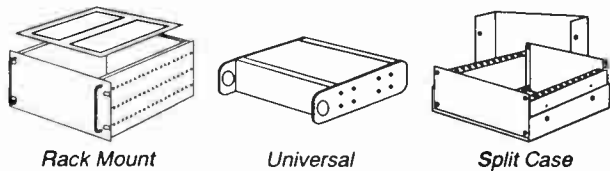
*If you prefer
home delivery
use the handy
subscription card
enclosed.*

RECOMMENDED SOURCES FOR ELEKTOR ELECTRONICS USA EUROPEAN PARTS

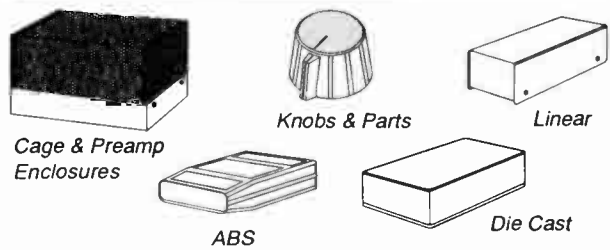
- | | |
|---|---|
| Borbely Audio
<i>Erno Borbely</i>
Melchior Fanger Strasse 34A
8031 Neu-Gilching
Germany
Tel 49-8105-5291
FAX 49-8105-24605 (24H) | EasyTech, Inc.
2917 Bayview Dr.
Fremont, CA 94538
Tel (800) 582-4044
FAX (800) 582-1255 |
| Bull Electrical
250 Portland Road
Hove
Sussex BN3 5QT
United Kingdom
Tel 44-0273-203500
FAX 44-0273-23077 | ELV France
BP 40
F-57480 Sierck-les-Bains
France
Tel 33-82-83-72-13
FAX 33-82-83-81-80 |
| C-I Electronics
PO Box 22089
6360 AB Nuth
The Netherlands
FAX 31-45-241877 | Meek It Electronics
<i>Rob Planken</i>
Paveljoensgracht 35A
2515 BL Den Haag
The Netherlands
Tel 31-70-609554
FAX 31-70-397-9707 |
| DIL Elektronika
Jan Lighthartstraat 59-61
3083 AL Rotterdam
The Netherlands
FAX 31-10-4841150 | Technomatic
Technohouse
486 Church Lane
London NW9 8UF
United Kingdom
Tel 44-081-205-9558
FAX 44-081-205-0190 |

ELECTRONIC ENCLOSURES

Everything to complete your project -
From initial concept to finished product!



Complete line of Enclosures in Aluminum, Steel or ABS, Hardware, Silkscreening, Tools, Custom Fabricating
Call for our FREE Full Color Catalog
(800) 800-3321 or (216) 425-8888 (216) 425-1228 Fax



Project Pro

1710 ENTERPRISE PKWY. TWINSBURG, OHIO 44087

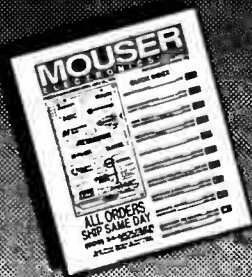
Reader Service #73

38.370 ELECTRONIC COMPONENTS

Whether you order 1 part or
all 38,370...MOUSER stocks
and...can ship today!!
MOUSER also makes it easy to
do business.

CALL...
(800) 992-9943
for your
FREE
CATALOG
2401 Hwy 287 N.

Mansfield, TX 76063



MOUSER ELECTRONICS

Sales & Stocking Locations Nationwide

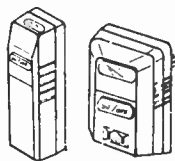
Reader Service #131

Courteous Service • Discount Prices • Fast Shipping

ALL ELECTRONICS CORP.

P.O. Box 567 • Van Nuys, CA 91408

INFRARED Remote A.C. SWITCH



This infrared remote control device lets you turn on/off lamps, appliances or other 120 Vac devices using an IR transmitter similar to the one on your TV or VCR. Originally designed for use with a hydromassage unit, these transmitters and receivers will apparently operate most A.C. devices with 2 prong non-polarized plugs. Not recommended for use with heaters. Requires a 9 volt battery (not included).

CAT# RC-1

\$9.95
each

2 for \$17.00

VERY SPECIAL DEAL 17VDC 210MA WALL TRANSFORMER

New 17 Vdc, 210 ma wall transformers. 6 ft. cord. Unusual co-axial device on end of cord can be cut off and used for another application. Large quantity available.

CAT# DCTX-1721
100 for \$1.25 each • 1000 for \$1.00 each



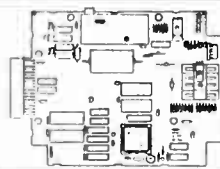
\$1.50
each

PC BOARD WITH RF MODULATOR (and lots of other parts)

We recently received a load of these PC boards which contain, among other things, a RF modulator. With a little desoldering you should be able to liberate a working unit from the board. Also contains a 7805T voltage regulator with a couple of heatsinks, 20 ICs, capacitors, resistors, diodes and connectors. No hook-up information available on the modulator.

CAT# VMB-1

\$2.75
each



Electret MIKE

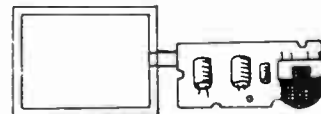
High efficiency, omni-directional, miniature electret condenser microphone element. Low current drain, good signal to noise ratio, operates on 2 to 10 Vdc. Ideal for telephones, tape recorders, noise-activated alarms and other applications. 0.39" dia X 0.31" high.

200 pcs \$150.00
(75c each)

85¢
each



Electroluminescent BACKLIGHTS

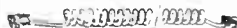


At last! A low cost electroluminescent glow strip and inverter. These brand-new units were designed to backlight small LCD TVs made by the Citizen Watch company. The inverter circuit changes 3 or 6 Vdc to approximately 100 Vac, the voltage required to light the glowstrip. Luminous surface area is 1.7" X 2.25". The strip is a salmon color in its off state, and glows white when energized. The circuit board is 2.2" X 1". Glow strip and circuitry can be removed easily from plastic housing. Ideal for special lighting effects and backlighting. Two models available:

Citizen# 91TA operates on 3 Vdc CAT# BLU-91
Citizen# 92TA operates on 3-6 Vdc CAT# BLU-92

LARGE
QUANTITY
AVAILABLE
\$3.50
each
10 for \$32.00 • 100 for \$275.00

Handset Coil Cord



12' beige coil cord with modular plugs on each end. Small modular plugs for handset to phone connection. Retracted length is 2'.

CAT# MCT-12
10 for \$12.50

\$1.50
each

ULTRASONIC TRANSDUCER

Panasonic (Matsushita)#
EFR RCBK40K54

An ultrasonic microphone consisting of a bimorph type piezo electric ceramic vibrator. Nom. Freq. 40 kHz. Max input volts: 20 Volts. 15/16" diameter X 3/8" high. 5/8" long leads.

CAT# UST-1

\$1.00
each



TOLL FREE ORDER LINES
1-800-826-5432

CHARGE ORDERS to Visa, Mastercard or Discover

TERMS: Minimum order \$10.00. Shipping and handling for the 48 continental U.S.A. \$3.50 per order. All others including AK, HI, PR or Canada must pay full shipping. All orders delivered in CALIFORNIA must include state sales tax (7.25, 7.5, 7.75, 8.25 or 8.5%).

Quantities limited. NO C.O.D. Prices subject to change without notice.
CALL OR WRITE FOR OUR FREE 64 PAGE CATALOG

ALL ELECTRONICS CORPORATION
P.O. Box 567 • Van Nuys, CA • 91408

Reader Service #8

SHOULD CONGRESS EVISCERATE PBS?

Some members of Congress would like to cut all funding to the Public Broadcasting System, others want to set up a government agency to control its programming decisions and still others would like to pull the allocations for Public TV stations and force all of them to find cable outlets.

The reasons for these proposals to shackle, cripple or destroy Public Television have a number of understandable, probable causes. The news reporting on public TV is more incisive, digs deeper and reports more accurately than any other source. The public media have embarrassed Congress more often than any other news channels. A PBS reporter broke the news of the sexual harassment charge in the Thomas hearings.

Many commercial interests would love to get their hands on the allocations presently assigned to the public TV stations. Capitalistic greed in the TV industry does not need further encouragement, to say the least.

The forces who would like to destroy or ignore the 1st Amendment guarantees protecting free speech and expression in the United States are hard at work to censor nearly any form of communication to their special standards and, to them, Public TV is one of the worst offenders.

Cable TV is a pay-for-view medium. Do we suppose Sesame Street would be seen in the rotting tenements of the large cities of this country if Big Bird were accessible on a pay channel costing \$18 to \$25 per month? Our literacy rate is bad enough without losing this single force for education that has disseminated the basics in a marvelous form to a generation of children.

Public TV now reaches 98% of the public freely and the content of its broadcasts is some of the best, not just in the USA, but in the world. The only cable channels, other than the news types, which are flourishing draw heavily from programs developed either by the BBC or US Public TV. The major networks are dying of "bottom-line" program managers, losing several percentage points of listenership each year. Do we need room in the TV channels for more of this kind of crass, profit-oriented, violent, lowest common denominator, silly non-leadership?

The Congress of the United States appropriates far less per capita for non-commercial broadcasting than most of the major western

countries. Outside the US we are regarded as mindless bumpkins because of our attitude toward public support for the arts and especially public broadcasting. Our Congress has been niggardly for years about the arts, never recognizing even the cash value of the investment of public funds in the quality of our cultural life.

We probably ought not to be surprised that this gadfly PBS has become a royal pain in the Congressional sitting equipment. If so, isn't that a really vital reason all of us should support PBS? Think of how much worse things might be if people like MacNeill/Lehrer were not doing their remarkable nightly work.

Public Television serves as a daytime resource to 80% of the public schools in the US while we are at our daytime work. But of course, the Congress can scarcely be expected to be too concerned about that since the youngsters won't be voting this year. They are doubtless more concerned about their free haircuts, free postage and their private, no-fault banking arrangements. They were also more concerned about shoving such issues as the Savings and Loan disaster under the rug for three years before the situation became really messy. And several house members were kept busy propping up the credibility of some of the worst of the bankers until it was too late to do anything but load the bills of the robbers onto the backs of the US taxpayers.

If you agree with me about even a part of the value of Congress investing a paltry 80 cents per year, per citizen, in the Public Broadcasting System, I hope you will bombard your Senators and members of the House of Representatives with an avalanche of protest.

The framers of the United States Constitution had good reason to know that even the best government in the world is potentially the natural enemy of the citizenry. George III was the most visible example, but the army of mindless bureaucrats behind him were a real and permanent part of the danger, as well. Even the Continental Congress might not have imagined the lengths to which today's CIA and IRS are prepared to go. Our task as citizens has always been to keep the "enemy" in check. Obviously we have not been doing a good job. Unless we learn, and soon, the mess in Washington is going to get bigger and worse and more expensive. Whatever your politics, please vote, even if you haven't much stomach for your choice. At least you'll have a platform for beefing later.—E.T.D.

Published by Audio Amateur Publishing Group

Editor/Publisher: Edward T. Dell, Jr.

Editorial Offices:

305 Union St., P.O. Box 876
Peterborough, NH 03458-0876 USA

Telephone: 603-924-9464 (National)
or +1 (603) 924-9464 (International)

FAX: (603) 924-9467 (National)
or +1 (603) 924-9467 (International)

Advertising: Maureen E. McHugh

Telephone: (603) 358-3756

FAX: (603) 358-0157

Subscriptions: Katharine Gadwah

Elektor Electronics USA

Post Office Box 876,
Peterborough, New Hampshire 03458

Subscriptions to *Elektor Electronics USA* are available **ONLY** in the fifty United States, Canada, Puerto Rico, the Virgin Islands and those Pacific territories administered by the United States of America.

International Advertising:

Uitgeversmaatschappij Elektuur b.v.

P.O. Box 75

6190 AB BEEK

The Netherlands

Telephone: +31 46 38 94 44

FAX: +31 46 37 01 61

European Offices:

Elektuur BV

Postbus 75

6190 AB BEEK

The Netherlands

Telephone: 011 31 4638 9444

Telex: 56617 (elekt nl)

FAX: 011 31 4637 0161

Managing Director: M.M.J. Landman

Overseas Editions:

FRANCE

Elektor sarl

Les Trois Tilleuls

B.P. 59; 59850 NIEPPE

Editors: D.R.S. Meyer

G.C.P. Raedersdorf

GERMANY

Elektor Verlag GmbH

Susterfeld Strasse 25

5100 AACHEN

Editor: E.J.A. Krempelsauer

GREECE

Elektor EPE

Kariskaki 14

16673 Voula—Athena

Editor: E. Xanthoulis

HUNGARY

Elektor Elektronikai folyoirat

1015 Budapest

Batthyany U. 13.

Editor: Lakatos Andras

INDIA

Elektor Electronics PVT Ltd

Chhotani Building

52C, Proctor Road, Grant Road (E)

BOMBAY 400 007

Editor: Surendra Iyer

ISRAEL

Elektorcal

P.O. Box 41096

TEL AVIV 61410

Publisher: M. Avraham

NETHERLANDS

Elektuur BV

Peter Treckpoelstraat 2-4

6191 VK BEEK

Editor: P.E.L. Kersemakers

PAKISTAN

Electro-shop

35 Naseem Plaza

Lasbella Chawk

KARACHI 5

Editor: Zain Ahmed

PORTUGAL

Ferreira & Bento Lda.

R.D. Estef-83-ni, 32-1°

1000 LISBOA

Editor: Jeremias Sequeira

SPAIN

Resistor Electronica Aplicada

Calle Maudes 15 Entio C.

28003 MADRID

Editor: Agustin Gonzales Buelta

SWEDEN

Electronic Press AB

Box 5505

14105 HUDDINGE

Editor: Bill Cedrum

UNITED KINGDOM

Elektor Electronics (Publishing)

P.O. Box 1414

Dorchester DT2 8YH

England

Editor/Publisher: Len Seymour

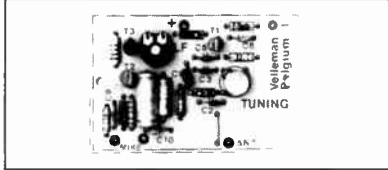
Printed in the United States of America.

ISSN: 1051-5690

TAPTO KITS

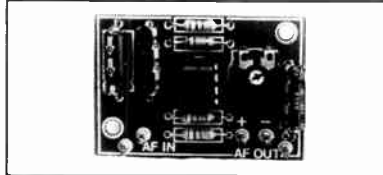
Our high-quality kits will provide you with educational projects. After you complete your kit, you will have a high-tech product that will provide years of reliable operation. Assembly instructions in English, French, Dutch and German. Over 100 kits available. Call or write for a full-line catalogue.

K1771 FM Oscillator **PRICE \$16.95**



Mini FM transmitter with good frequency stability (100-108MHz). Built-in pre-amp (5mV Sensitivity). Interfaces to all microphones. Requires 9-12 VDC.

K1803 Universal Mono Pre-Amplifier **PRICE \$7.95**



Ideally suited as a microphone amplifier, signal matching of tuner or tape outputs. Supply voltage: 10-30 VDC (stabilized)* Gain: typ. 40 dB* Adjustable output level* Frequency range: 20 Hz to 20 KHZ (+/- 3 db)* Maximum input voltage: 40 mV.

K2622 AM-FM Antenna Amplifier **PRICE \$16.95**



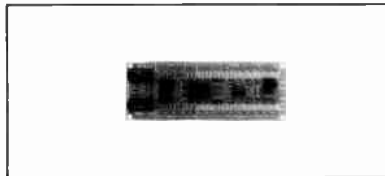
Do away with noisy signals! The K2622 gives you 22 dB gain where it's needed. DC supply direct or via the coax cable (50-75 Ohm impedance), metal box included.

K2637 2.5 Watt Mini Audio Amplifier **PRICE \$13.95**



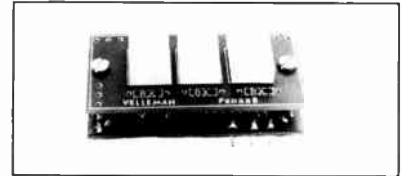
This small kit comes with a pre and power amplifier. No adjustments required. Short circuit protected. Power supply: 4,5 to 15 VDC* Input sensitivity: power-Amp: 150 mV (12V)* Pre-Amp: 20 mV (12V)* Max output 2.5W (4 Ohm, 12V)* Size: 42 x 32 x 27 mm.

K2666 Precision Stereo Vu-Meter **PRICE \$89.95**



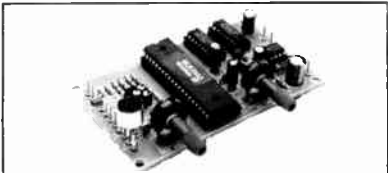
Extremely precise VU-meter* 2 x 30 LED's "flying dot" readout* dB-linear scale from +8 to -8 dB (0.75dB per LED)* Steadily increasing scale partitions under -6dB* Peak measurements* No adjustments* Maximum error 0.5dB.

K2032 Digital Panel Meter **PRICE \$33.95**



A compact kit that can be incorporated into many housings or into existing equipment* Power supply: 5VDC, 250 mA (regulated)* Read out: -999 mV to +99 mV, 1 mV resolution* Overload indication (positive and negative)* Linearity 0.1%* Input impedance: 100 Mohm.

K2653 Digital Voice Record/Playback **PRICE \$61.95**



Record your voice message on a IC and play it back! Short messages (10-12 seconds) can be repeated to welcome your guests in your home or store. Use your imagination. Tech data: Loudspeaker output: 2W at 4 Ohm* 9VDC regulated.

K2645 Geiger-Muller Counter **PRICE \$119.95**



Reliable acoustic indication of radiation level. Excellent sensitivity to Gamma rays and high energy Beta rays. Battery operated (9V). Battery life exceeds 2 months in continual use and in normal natural radiation surroundings. Very compact: 99 x 64 x 25 mm. Light weight; assembled pcb weighs only 55 gr.

K2659 Morse Decoder with LC-display **\$109.95**



Decode Morse messages on your shortwave receiver. This decoder keeps up with the quickest signallers or automatic stations, and "notes" message on LCD. Alphanumeric LCD* 1 line of 16 characters* decodes Morse at almost any speed.

K2651 Digital Volt Meter **PRICE \$39.95**



This kit provides an easy-to-read display. Because of the simple power supply requirement and compact size of the kit, it can easily be incorporated into a variety of applications. Technical specs: Selectable - to + 200 mV or - to + 2V* Power supply: 8 to 15 VDC of 9V battery.

K4300 Audio Spectrum Analyzer **PRICE \$99.95**



Provides visual composition of an audio signal. Kit consists of two boards and attractive front panel with 10 frequency bands. Technical specs: 10 bands: 32, 64, 125, 500, 1K, 2K, 4K, 8K and 16 KHZ* Range: 20 dB (10 LED's, 2dB per LED)* Line input: adjustable from 100 mV to 2 V rms, impedance 100K* Power supply 2 x 9v transformer: 12-15VDC* Current consumption 0.75ADC max, 70mA in stand-by.

ORDER INFORMATION

Call: (303)-480-7544
Fax: (303)-480-7553

Mail: Tapto Corporation
2650 W. 18th Street
Denver, CO 80211

PAYMENT METHODS

-- VISA
-- MASTERCARD
-- CHECK

\$5.00 SHIPPING CHARGE PER ORDER

Reader Service #187

TECHNICAL NOTES

ARX Systems offers the third in a series of applications notes for Sixgate, a six-channel noise gate which accommodates the demands of gating drums. It includes basic operating functions of Attack time, Release time, Attenuation or Depth, and Threshold.

While the notes are intended primarily for users of ARX Systems' products, the technical information is applicable to other products of a similar nature. Send a self-addressed stamped envelope for ARX Systems' application notes.

Contact ARX Systems, PO Box 842, Silverado, CA 92676-0842, (714) 649-2346.

Reader Service #284

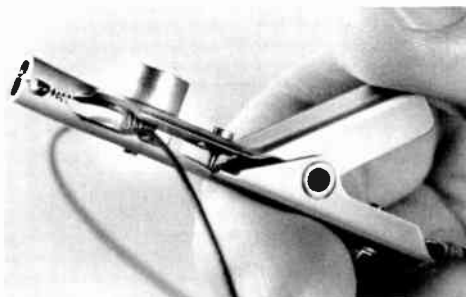
TINY TEST TOOL

J. S. Popper, releases the JP-8783, a rugged test tool whose cluster of insulation-piercing needles permit entering a circuit without going to a termination. The tiny needles permit light wire (of 22- or 24-gauge) to "heal" after withdrawal. You can eliminate the chores of stripping insulation and tape wrapping. An insulating boot is available in six colors.

The JP-8783 Test Tool can be purchased individually or factory-assembled to a 50" test lead with banana plug termination.

For prices, contact J. S. Popper, Inc., 200 Liberty St., Little Ferry, NJ 07643, (201) 641-3252.

Reader Service #258



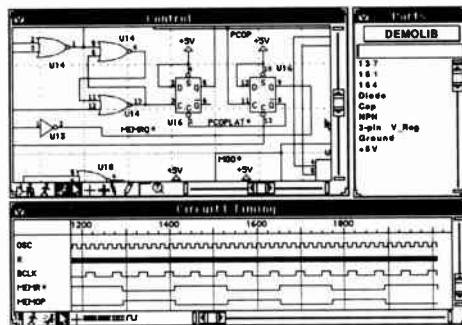
FM DIRECTORY

FM Atlas, in its 14th edition, lists more than 7,200 commercial and educational FM stations by geography and frequency. The 192-page directory includes program formats, stereo or SCS, and maps that indicate stations' cities, call letters, and frequencies. Articles cover topics of current interest for FM audiophiles, specifically the local marketing agreement (LMA), improving reception, new CD-type audio technology, and FM translators.

The cost of the directory is \$12, including shipping. Write *FM Atlas*, Box 24, Adolph, MN 55701-0024.

Reader Service #247

ELECTRONICS SCENE



LOGIC SIMULATOR

Capillano Computing Systems offers LogicWorks, a digital circuit design simulator for the DOS audience. Available for the Macintosh since 1985, LogicWorks brings circuit ideas to life on the screen with fully interactive digital simulation. Probes, displays and switches can be placed right on the circuit diagram and operated just like a real circuit breadboard. Device delays, clock rates and signal connections can be changed with a few mouse clicks, allowing your circuit ideas to be immediately tested.

For more information contact Capillano Computing Systems Ltd., Canada, Tel (604) 522-6200, FAX (604) 522-3972.

Reader Service #239

RUGGED DMM

A. W. Sperry Instruments, Inc., introduces three digital multimeters in the DM-6000 series. Each model (the DM-6100, the DM-6200, and the DM-6300) is 3½-digit, heavy duty, and drop-proof to 5'. They can read up to ten functions on 33 ranges, have 6kV transient voltage protection, audible continuity, and diode test. They meet IEC-348 Class II and UL-1244 standards. Prices begin at \$89.95. The DMMs are differentiated by their ability to handle amps and temperatures.

For further details, contact A. W. Sperry Instruments Inc., 245 Marcus Blvd., Hauppauge, NY 11788, (516) 231-7050.

Reader Service #231

POWER RESISTORS

Caddock Electronics, Inc., offers three resistors at three power levels in noninductive designs manufactured in TO-220-style power packages.

The MP 820 Kool-Tab with a resistance range of 0.05Ω-10k at 20W at 25°C. The 16W/MP 816 Kool-Pak has a range of 0.10Ω-10k, and is also thermally conductive. The MP 850 Kool-Pak can handle 50W at 25°, in a range of 1Ω-10k, and has a copper heatsink molded into the package.

For details or a free general catalog, contact Caddock Electronics, Inc., 1717 Chicago Ave., Riverside, CA 92507, (714) 788-1700, FAX (714) 369-1151.

Reader Service #245

CAD COMBO

American Small Business Computers offers a new DesignCAD Professional software package which it refers to as a high end CAD package. The bundled software, valued at almost \$2,000 if sold separately, combines DesignCAD 2D and 3D, ScanPro, DesignSYM Professional Symbols Library, SmartEST estimating program, plus three video training tapes in one package.

DesignCAD 2D version 5.0 contains more than 200 commands with an on-line manual. DesignCAD 3D version 4 is a solid-modeling package offering Boolean operations, shading, a materials library, programming functions, and greater speed than the previous version. ScanPRO offers raster-to-vector conversion; DesignSYM's 6,700+ pre-drawn symbols are in 35 libraries; SmartEST, included for free, allows you to estimate any type of work using information which can be automatically transferred from DesignCAD.

The training videos for the 2D, 3D, and ScanPro programs require MS-DOS with 2MB RAM and a hard disk. At a total cost of \$995, DesignCAD Professional offers you a savings of almost 50%. Current users of DesignCAD 2D or 3D can upgrade for \$299.

For further information, contact American Small Business Computers, One American Way, Pryor, OK 74361, (918) 825-4844, FAX (918) 825-6359.

Reader Service #226



WorldRadioHistory

CONDUCTIVE PEN

Planned Products announces a new Micro Tip version of the 2200 Circuit Works Conductive Pen. Handy for engineers, designers, and manufacturers, the pen's new tip and enhanced silver conductor draws fine-line silver traces in electronic design with precision and control. The improved silver conductor offers increased conductivity and adhesion and dries within 10 minutes at room temperature. It is safe for circuit plastics and metals including copper, solder, and solder mask. The unopened shelf life is 18 months; one pen contains enough material for about 100' of highly conductive silver traces, jumpers, and shielding.

The Micro Tip 2200 Circuit Works Conductive Pen is \$10.95. To find out about the dealer nearest you, contact Planned Products 303 Potrero St., Suite 53, Santa Cruz, CA 95060, (408) 459-8088, FAX (408) 459-0426.

Reader Service #269



PRO CD RECORDER

Carver introduces the PDR-10, a full-function, stand-alone professional CD recorder designed to offer cost-effective commercial capabilities. The software for this rack-mountable three-unit system automatically generates a table of contents to help you edit your recordings. You can use this feature to interrupt and resume recording as well as to delete unwanted passages.

The PDR-10 (list price is under \$8,000) accepts the same PQ subcode data generated by most hard-disk-based professional edit systems. Record/play specifications include an 89dB signal-to-noise ratio, 90dB dynamic range, and a ± 0.1 dB (20Hz-20kHz) frequency response deviation. The fully programmable Carver PDR-10 provides a variable headphone output and facilities for infrared or hard-wired remote control.

For further details, contact Carver Corporation, PO Box 1237, Lynnwood, WA 98046, (206) 775-1202, FAX (206) 778-9453.

Reader Service #233

ELECTRONICS SCENE

ANALOG INPUT

Global Specialties introduces the Model AIP-24, an analog input board ideal for reading up to 24 analog voltages from the shop floor or benchtop. It occupies a standard I/O slot in IBM PC-compatibles and provides 24 differential 12-bit analog inputs.

The Model AIP-24 can replace A/D converter boards and is suitable for measuring voltages in the ranges of 0-10, -5 to +5, or -10 to +10V. It will function using a variety of programming languages, and you can use its four ports to select gain, begin conversion, and read results.

The Model AIP-24 costs \$495. For details and a catalog, contact Global Specialties, 70 Fulton Terrace, New Haven, CT 06512, (800) 572-1028, FAX (203) 468-0060.

Reader Service #294

ANTENNA ANALYZER

MFJ Enterprises, Inc., offers the MFJ-247, an antenna analyzer and frequency counter (\$189.95) which allows you to tune HF beams, verticals, dipoles, and mobile antennas to your desired frequency. It works without a transceiver or other equipment, and consists of a precise digital frequency counter plus low power signal generator and SWR in one meter. It has a separate BNC input connector for high accuracy, uses six AA cells, or 100V AC with MFJ-1312 (\$12.95).

When you plug in your antenna to the MFJ-247's SO-239 socket, set its readout to the frequency you wish to operate, you can read the SWR directly on the meter. Shorten or lengthen the antenna's elements, tune to band edges, and read bandwidth of antenna. The Model-247 includes a one-year guarantee.

Contact MFJ Enterprises, Inc., PO Box 494, Mississippi State, MS 39762, (800) 647-1800.

Reader Service #242

SAFE CONTAINERS

Techni-Tool provides storage containers, safe for shipping sensitive electronic devices, that are made of high-density polyethylene in attache, square box, or footlocker dimensions. These cases, which meet ATA Spec 300, include rubber gaskets to seal out dirt and moisture, and use quarter-turn military-style latches. Rugged wheels are optional.

For further details, contact Techni-Tool, 5 Apollo Rd., PO Box 368, Plymouth Meeting, PA 19462, (215) 941-2400, FAX (215) 828-5623.

Reader Service #289



TINY RECEIVERS

Electronic Equipment Bank offers the Lowe HF-150, a portable, rugged receiver, covering 30kHz-30MHz, AM AMN, upper sideband, lower sideband plus four AM synchro-detection modes. 2.5 and 7kHz filters, 60 memories, large LCD readout, 10-15V DC, and 150mA operation. Three antenna input types include 600 Ω balanced whip and 50 Ω coax. Options include a keypad, NiCad 8AA batteries; and 120V AC adapter.

This unit is a great companion for a QRP field operation, measures 7.3" x 3.2" x 6.3" and weighs 2.9 lbs, all protected by a rugged metal-alloy case.

Full details on Lowe HF-10, HF-225, and HF-235 are available from Electronic Equipment Bank, 323 Mill St. NE, Vienna, VA 22180, (800) 368-3270, FAX (703) 938-6911.

Reader Service #280



OPTO CARD FOR UNIVERSAL PC I/O INTERFACE

Whenever an interface is connected to a circuit with a supply voltage higher than 5 V, there is the risk that an error during experimenting, or a faulty component, will cause serious damage to the computer system. The opto card described here has been designed to afford complete electrical isolation between the computer and the (cruel) outside world, which is the only way to prevent system down time and expensive repairs caused by incompatible signal levels.

Design by J. Ruiters

IN this article we present the second extension card for the Universal I/O Interface For IBM PCs, described in Ref. 1. While the relay card for this bus (Ref. 2) offers electrically isolated outputs, the present opto card is designed to process input signals in the safest possible way. By the way, the multi-purpose Z80 card described elsewhere in this issue may also be used as a controller for the universal bus.

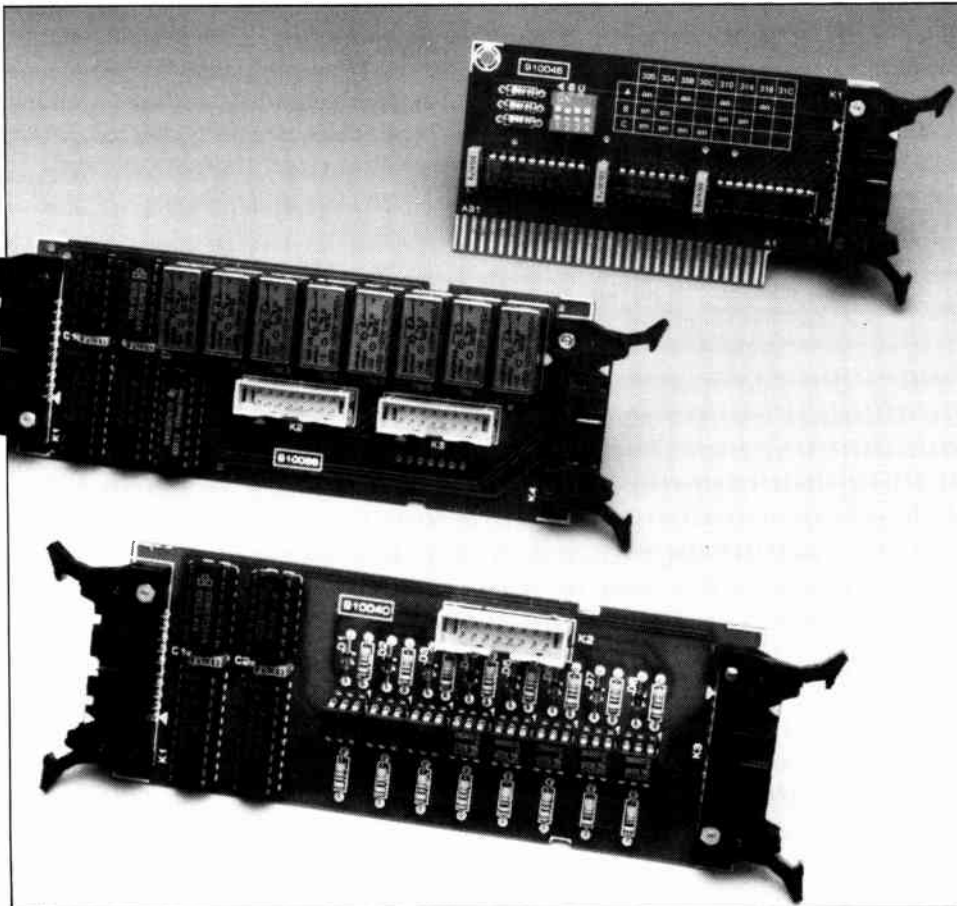
Eight optocouplers

The circuit diagram of the opto card is given in Fig. 1. If you compare it with the circuit diagram of the relay card, you will find quite a few similarities. That is not surprising, because the functions of the two cards are closely related, one being a parallel output device (relay card), the other a parallel input device (opto card). The address decoding

logic, for instance, is identical, consisting of a number of gates and a bidirectional buffer. With reference to Fig. 1, we are talking of IC9, IC10 and IC12. How the card is addressed, that is, how it complies with the rules of extension card addressing that apply in the universal bus system, will be reverted to below.

The opto card is actuated when bus signals A0, A1, RD and ENABLE go logic low. Consequently, bus buffer IC10 is enabled, and data is conveyed towards connector K1, i.e., towards the PC. At the same time, the \overline{OC} input of data latch IC11 is pulled low, which enables the latch outputs. The data on the databus is clocked into the latches on the negative (falling) edge of the \overline{OC} signal. This means that data applied to the optocoupler inputs is captured right at the start of a read cycle of the computer system, which ensures that data is stable on the bus during the actual read operation.

The eightfold optocoupler input circuit is all plain sailing. The only parameters to keep in mind are a couple of maximum specifications. To begin with, the input voltage is limited to 'low voltage' (in most countries, this is defined as 42 V a.c., or 60 V d.c.). This limitation is not caused by the optocouplers, but rather by the printed circuit board and a few other components. When designed to handle the 240 V (110 V) mains voltage at the input, the PCB would have become much larger to meet the relevant safety requirements. A further point to note is the specification of the series resistors with the optocouplers (R2, R4, R6, R8, R10, R12, R14 and R16). The indicated resistors (1 k Ω , 0.25 W) may be used when the input voltage is between 2 V and 15 V d.c. Each optocoupler is protected against reverse voltages by a diode connected in anti-parallel. If voltages greater than 15 V d.c. are applied to the inputs, the



series resistors have to be increased accordingly, or resistors with a higher permissible dissipation must be used. The latter solution is not very elegant because of the larger size and the heat developed. The resistor values are calculated such that the LED current is a few milli-ampères at the given input voltage.

The construction of the opto card is entirely straightforward, and therefore not discussed further.

The bus system

As shown in Fig. 2, the address of any extension card connected to the universal bus system is determined by its position in the chain of extension cards. Unconventionally, DIP switches, jumpers and the like are not used. Apart from the beautifully simple and inexpensive hardware, the advantage of this system is mainly that you can not make address setting errors because there is nothing to set: the card address is determined by its physical position in the system. Note, however, that you must not confuse the bus-IN and bus-OUT connectors. Remember, the incoming A0 signal is inverted on every extension card, and swapped with A1 on the bus-OUT connector. This is done to enable any extension card to be selected when both A0 and A1 are logic low, although the actual address to be supplied by the PC to select a particular card is determined by the number of cards connected ahead of that card.

Those of you who have recalled from the earlier articles that the bus system has only four addresses may be surprised to see eight extension cards in Fig. 2. This is simple to explain. Any bus address can be read from, or written to. In other words, there are four 'read' addresses, and four 'write' addresses, which makes a total of eight. This difference is of no consequence as long as you do not wish to use more than four cards, which can then be chained via linking cables without problems. The difference between reading and writing is not in order until you use more than four cards. Let us assume that you wish to hook up four relay cards and four opto cards. This requires the positions with the same card number, e.g., 1 and 1', to be occupied by one relay card (write only) and one opto card (read only). You can not fit two

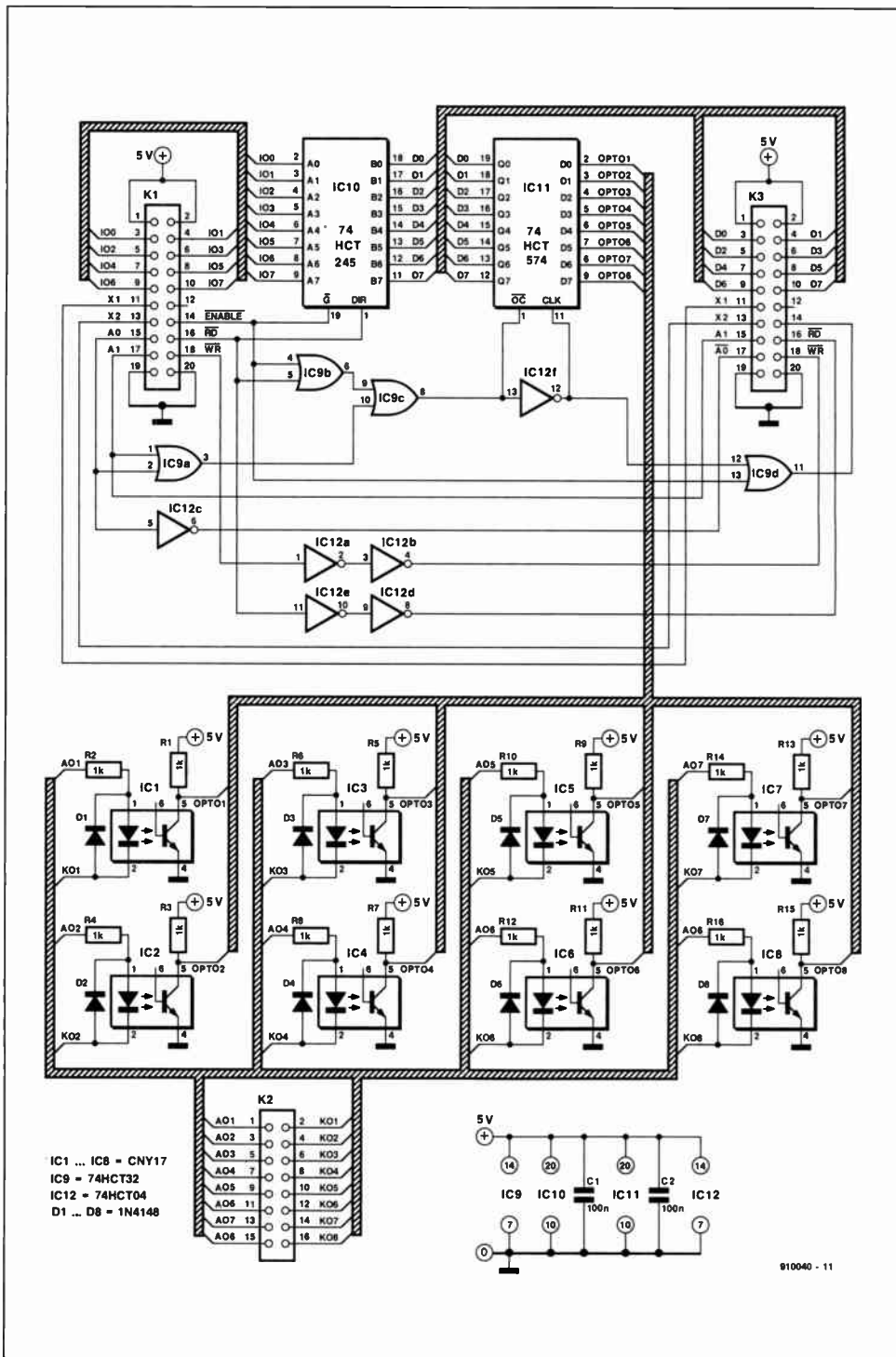


Fig. 1. Eight optocoupler inputs ensure that input signals can not cause damage to the computer.

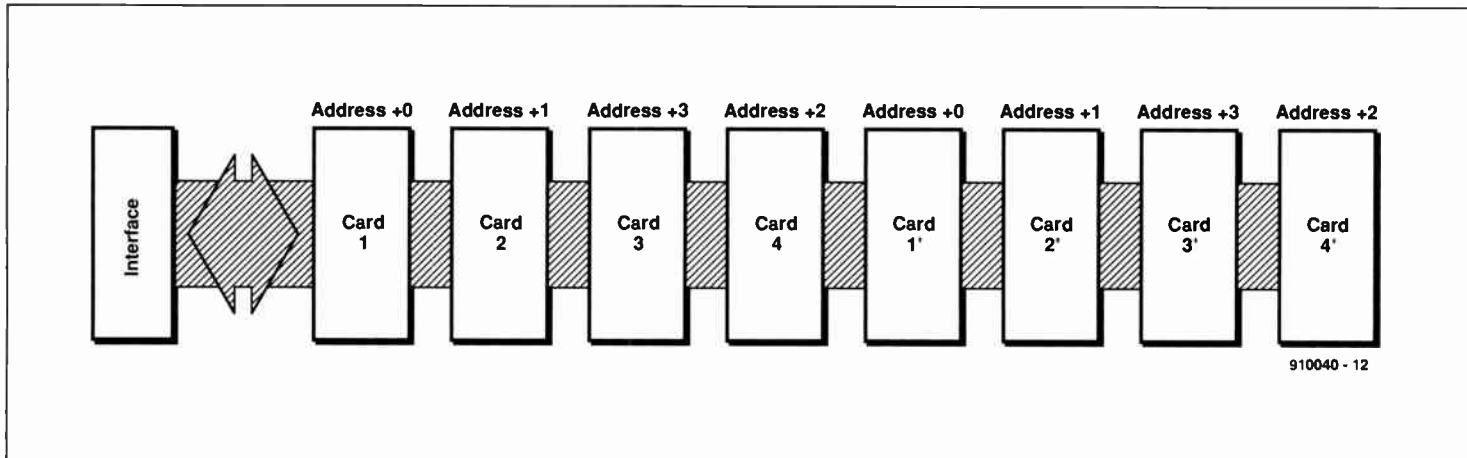


Fig. 2. The bus system can always accommodate four extension cards. However, it is also possible to fit up to four more cards, depending on their type (read or write function).

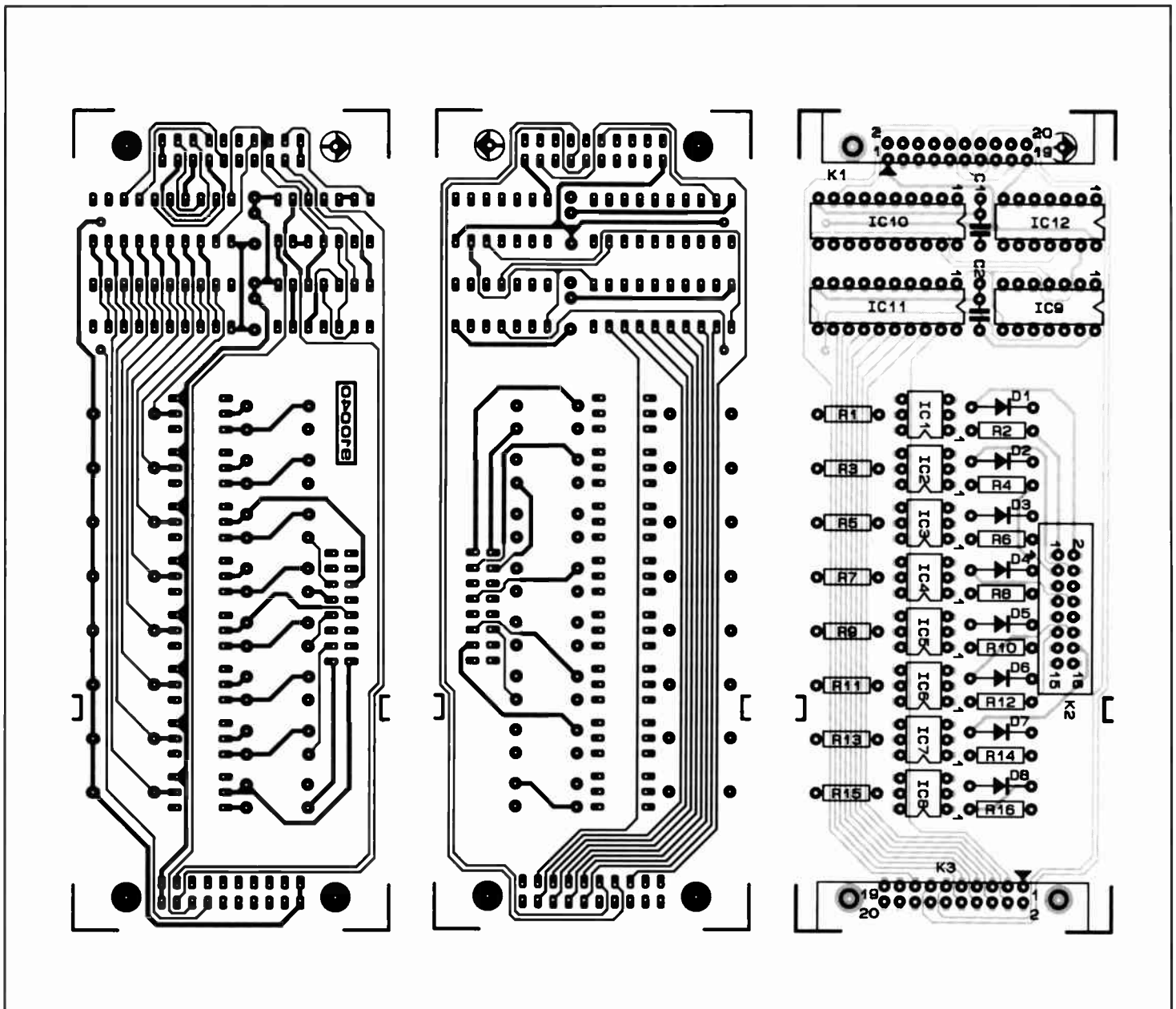


Fig. 3. Track layouts (mirror images of the component side and the solder side) and component mounting plan of the double-sided PCB for the opto interface.

cards with 'write' functions, or two cards with 'read' functions, in a position with the same card number. If you still do so, the computer will forever be unable to 'see' the card with the accented (') number. Fortunately such an 'impossible' connection will not damage the hardware, because the first card addressed in the chain keeps the $\overline{\text{ENABLE}}$ signal for the rest of the chain logic high, whereby all other extension cards are disabled.

A different kettle of fish are extension cards with read *and* write functions (we have not published any of these, but you may have ideas ...). Such cards must always be fitted in one of the first four positions, but as far as possible towards the end of the chain. If a 'read/write' card is fitted in position '1', and three relay cards in positions '2', '3' and '4', it would appear that you can not fit an opto card up to position 2'. That will not work, however, since there is first card 1', but that position is blocked by card 1. The upshot is that first four positions must always be occupied by cards that can only be

read from or written to. This leaves the next positions available for cards with the double 'read/write' function.

Summarizing the above:

- the address occupied by the card is determined by its physical position in the chain;
- at every address, a distinction is made between reading and writing;
- if an address is used for writing or reading only, the corresponding accented position may be occupied by a card with the complementary function only.

References:

1. "Universal I/O Interface for IBM PCs," *Elektor Electronics USA*, May 1991.
2. "Relay Card for Universal I/O Interface," *Elektor Electronics USA*, November 1991.

COMPONENTS LIST

Resistors:

16 1k Ω R1-R16

Capacitors:

2 100nF C1;C2

Semiconductors:

8 1N4148 D1-D8
 8 CNY17 IC1-IC8
 1 74HCT32 IC9
 1 74HCT245 IC10
 1 74HCT574 IC11
 1 74HCT04 IC12

Miscellaneous:

2 20-way header with side latches, angled PCB connections K1;K3
 1 16-way box header K2
 1 Transparent plastic enclosure Type 222 (Heddic)
 1 Printed circuit board 910040

AUDIO-VIDEO PROCESSOR TYPE AVP300 – PART 3

An ELV design

Synchronization circuit

THE signals in a number of circuits of the processor must be matched to the input signal to prevent a wandering or distorted picture. The circuit responsible for this is the sync(hronization) circuit, whose diagram is shown in Fig. 6.

The sync circuit is based on sync separator IC₆₀₁. This circuit is fed with the VBS signal via T₆₀₁ and provides three output signals: a sandcastle pulse at pin 7; a square wave at pin 3, whose first transition (leading edge) determines the onset of the horizontal sync pulse; and the vertical sync pulse at pin 10.

The signals at pin 3 and pin 7 are not yet suitable for further use. The sandcastle pulse contains as yet no information on the vertical blanking that is essential for colour demodulator IC₁₀₁ (Fig. 4). Also, a signal that merely determines the onset of the horizontal sync pulse is not enough for further processing of the video signal. To make it into a

true sync signal, a fly-back pulse is required. In fact, three pulses are needed: a horizontal and a vertical blanking pulse (12 μs and 1.9 ms respectively) and a horizontal sync pulse of 4.7 μs. These pulses are generated by monostables IC₆₀₂, IC_{603a} and IC_{603b} respectively.

The horizontal blanking pulse generated by IC_{603a} (pin 6) is superimposed on to the sandcastle pulse via R₆₂₃. The modified sandcastle pulse has exactly the right shape to ensure correct functioning of IC₁₀₁.

The reason for IC₆₀₂ being fed directly by the sync separator, whereas both IC_{603a} and IC_{603b} are fed via potential dividers, is that IC₆₀₂ operates from the 12 V supply line and the other two from the 5 V line.

Gate IC_{604b} combines the horizontal and vertical blanking pulses into a composite sync signal. Note that the vertical blanking pulse is applied to the gate via XOR gate IC_{604a}, because this signal is difficult to load owing to the impedance R₆₁₇-R₆₁₈.

Audio frequency circuits

To enable background music or a commentary to be added to the audio signal, the processor is equipped with a mixer and tone control.

The input of the audio circuits shown in Fig. 7 enables up to three signals to be mixed: the audio signal associated with the selected video source (master), a randomly selected audio signal (line) and a signal from a stereo microphone.

Selection of the master signal is facilitated by an input selector switch, consisting of analogue multiplexer IC₄₀₄, and two electronic switches, IC_{405b} and IC_{405c}. The multiplexer selects four of the five possible audio signals, while the electronic switches take care of the fifth. Three audio signals are available from the SCART connectors in Fig. 3 and connector BU₃₀₁ in Fig. 5. The other two arrive from the S-VHS connector and the BNC socket.

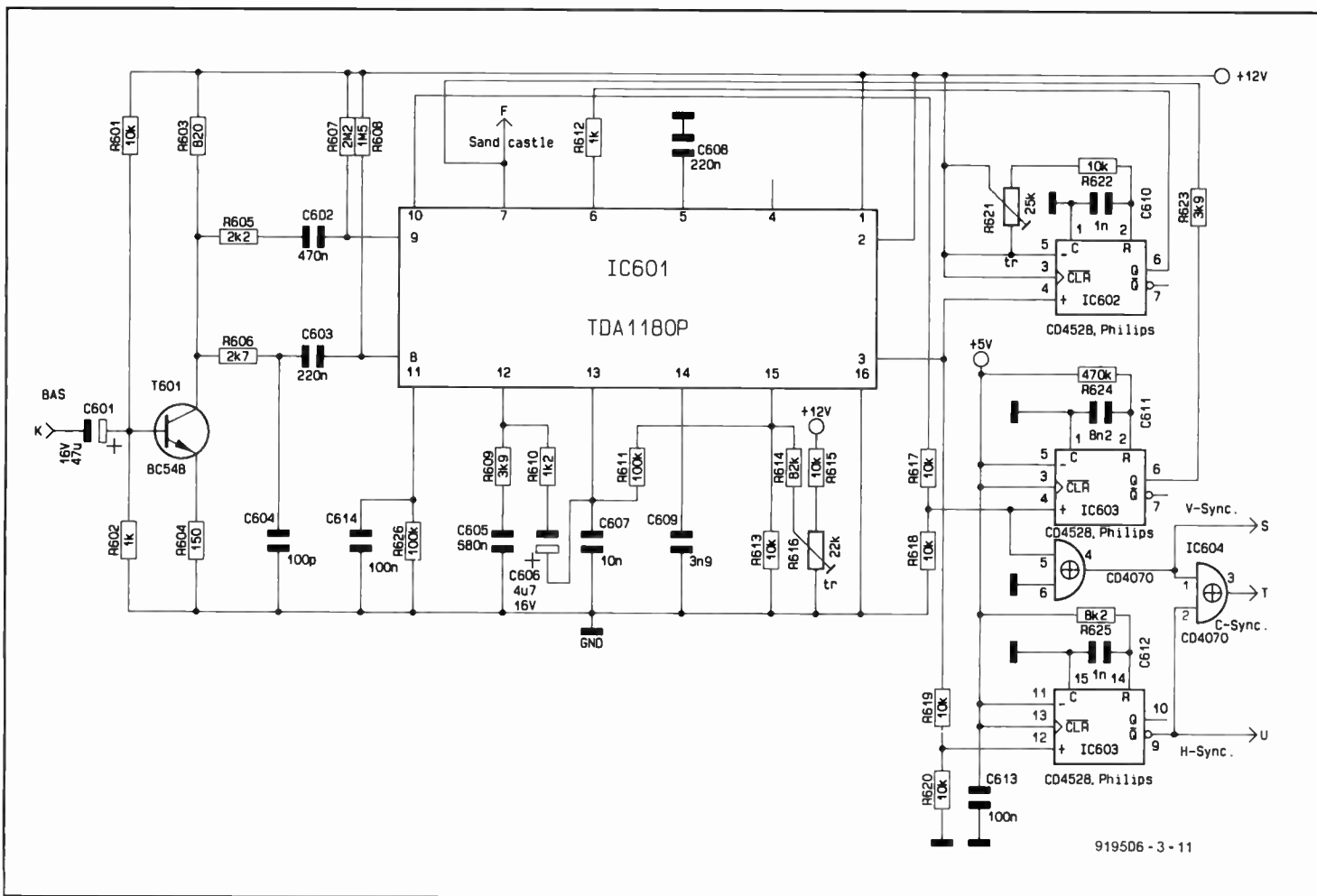


Fig. 6. Diagram of the synchronization circuit.

The line signal at sockets BU₄₀₆ and BU₄₀₇ is connected directly to the line control potentiometers on the mixer.

The level of the microphone signal is well below that of the line and master signals and is, therefore, amplified in IC₄₀₁ (left-hand) and

IC₄₀₂ (right-hand).

The mixer consists of three linear stereo slide potentiometers, whose wipers are connected to the relevant left-hand or right-hand line via a summing resistor. The use of linear potentiometers may not seem right, but their

wipers are loaded by the summing resistors in a manner that results in traditional logarithmic volume control.

Since not many video signals carry stereo sound, the audio circuit can be switched to mono by closing electronic switch IC_{405a},

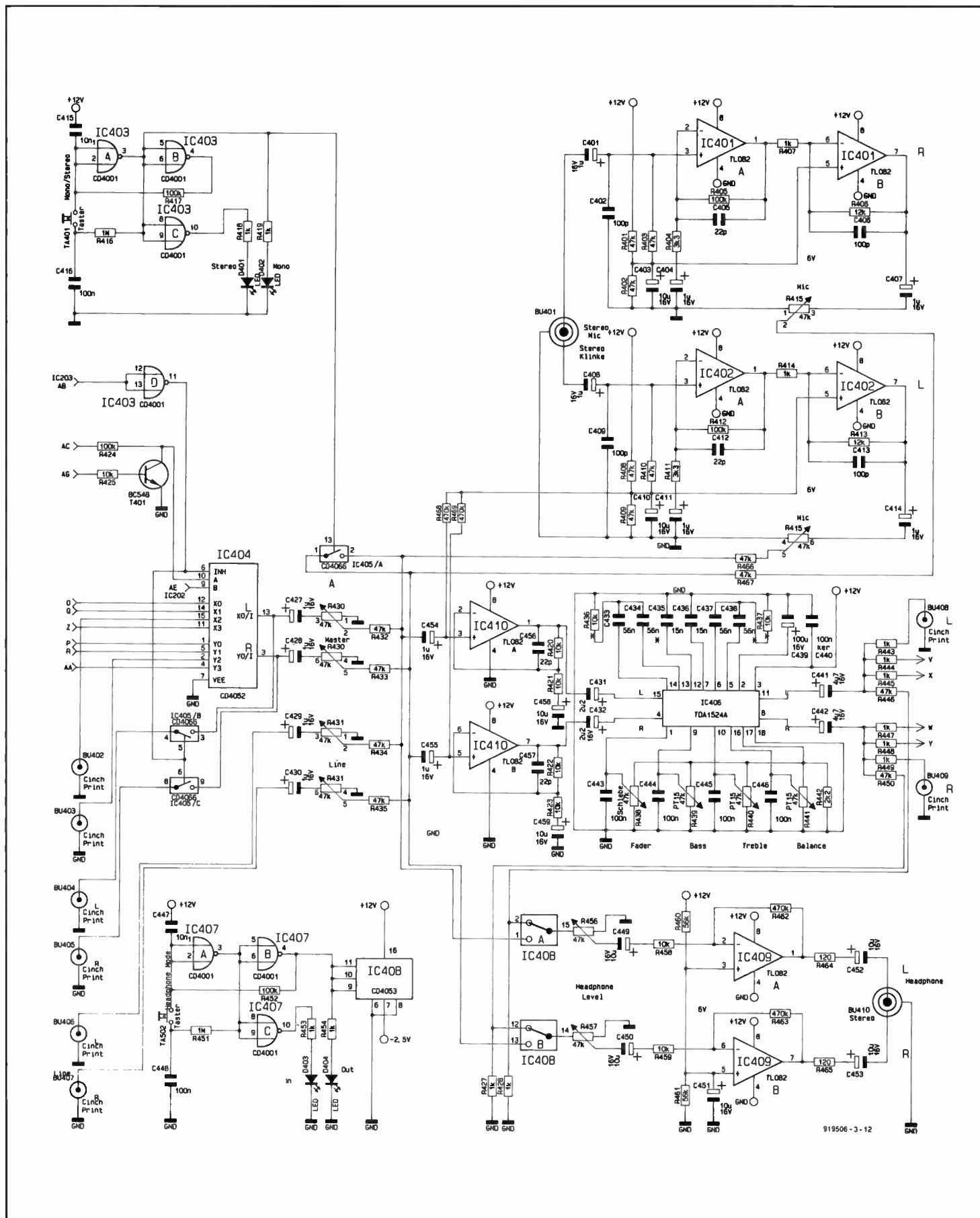


Fig. 7. Diagram of the audio circuits.

which is controlled with switch TA₄₀₁ and a bistable, IC₄₀₃. The left-hand and right-hand signals from the mixer are then interconnected; their sum is seen by the remainder of the circuit as a mono signal.

The signal is then applied to two non-inverting opamps, IC_{410a} and IC_{410b} and from these to control amplifier IC₄₀₆. The control amplifier enables the volume, bass and treble, and the balance to be adjusted. The control range of the bass frequencies can be enlarged by using R₄₃₆, R₄₃₇, C₄₃₄ and C₄₃₈ (marked with an asterisk). Without these components, the bass range is the traditional ±20 dB. The output of IC₄₀₆ is available at output sockets BU₄₀₈ and BU₄₀₉.

The headphone amplifier enables the signal before and after the control amplifier to be listened to, depending on the position of

electronic switches IC_{408a} and IC_{408b}. These switches are controlled by push button TA₅₀₂ and the circuit based on IC₄₀₇. The signals from the two sections of IC₄₀₈ are applied to potentiometers R₄₅₆ and R₄₅₇, with which the volume and balance of the signal to the headphones can be adjusted. The signal to the headphone is amplified in dual opamp IC₄₀₉.

Power supply

The circuit of the mains-operated power supply is shown in Fig. 8. The rectifier may look unfamiliar, but it is a straightforward bridge, whose negative connection is not directly to earth, but via three diodes. The drop across these diodes is used as an auxiliary negative supply (-2.5 V) for electronic switches IC₄₀₅ and IC₄₀₈.

Transistor T₅₀₁ serves as the on/off control; it is operated by push button TA₅₀₁ and the circuit based on IC₅₀₃. That IC is fed by the potential across C₅₀₁ to ensure that it can always be powered. That voltage is too high, however, and it is, therefore, lowered by zener diode ZD₅₀₁. The output of IC_{503c} is additionally protected against too high voltages by zener diode ZD₅₀₂.

The circuit following switching transistor T₅₀₁ is traditional: two three-terminal regulators ensure stable output voltages of 5 V and 12 V. The capacitors following the regulators are decoupling devices used at miscellaneous positions in the circuits.

The next and final instalment, dealing with the construction and calibration, will appear in our September issue (there is no August issue).

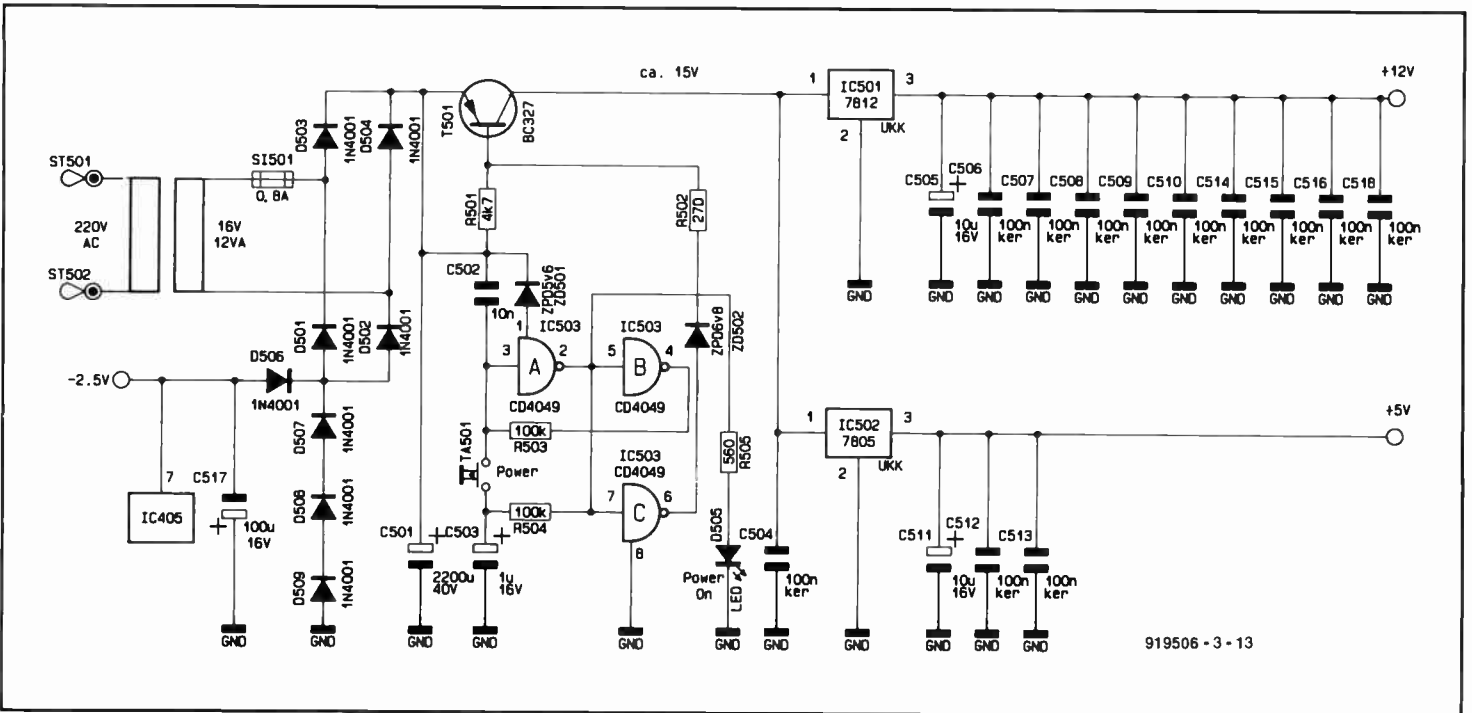


Fig. 8. Circuit diagram of the power supply.

Micro Video Cameras

Small size 1 3/8" x 1 1/4" x 2 1/4" Light Weight 2.5 oz. Low Power 7 - 14 volts. @ 80ma. Low Light @ 2 Lux. Camera comes complet in metal case with 3 ft. plug & cable for video out and power. Camera is presently in use in R/C airplanes, helicopters, cars, tanks and robots. Camera output is NTSC or PAL, 240 line resolution with electronic iris. Full stock on hand. VHS video available for \$ 10. Satisfaction Guarenteed!

All Cameras Factory New. For product information and ordering. Call 1 (800) 473-0538 FAX (714) 545-8041

MICRO VIDEO PRODUCTS

1334 So. Shawnee Dr. Santa Ana, California. zip 92704

Reader Service #120

HEAR EVERY SOUND OVER 1 MILE AWAY!



Simply attach the VT-75 microtransmitter to any 3V to 12V battery and you can hear every sound in an entire house over 1 mile away! Super-sensitive circuit on a single chip even picks up footsteps from across a large room. Tunable from 80 to 130 MHz. Hear everything on any FM radio or wideband scanner tuned to the "secret" frequency you select. Unlimited uses for security, baby monitor, remote mic, etc. **Not a toy.** The VT-75 meets many U.S. Gov't Military Specs and with 100mW RF output, it is the smallest, most powerful miniature transmitter you can buy. Easily assembled even by a youngster in only 5 minutes and performs so well that it is the only miniature transmitter available *anywhere* that comes with a **full unconditional moneyback guarantee!** Complete kit includes VT-75 microtransmitter chip, miniature microphone, 9V battery connector and instructions - \$49.95 + \$1.50 S&H or save- buy 2 for \$45.00 each with free S&H! Call toll free or send money order, Visa, or MC acc't number for immediate shipping by U.S. Mail. COD's add \$4. Checks allow 21 days.



DECO INDUSTRIES

BOX 607
BEDFORD HILLS, NY
10507

1-800-759-5553 (U.S. ONLY) ALL OTHER 914-232-3878

Reader Service #52

DEALING WITH NOISE AND INTERFERENCE IN ELECTRONIC INSTRUMENTATION CIRCUITS

SHIELDING, FILTERING AND USING LOW NOISE AMPLIFIERS

Many electronic instrumentation and data acquisition circuits must deal with low-level signals in the presence of strong interfering signals. If the signal level is small enough, even the noise produced by amplifiers and passive components can obscure the desired signal. In this article we will look at several strategies for solving problems with low signal level amplifier systems. These techniques include use of a low noise amplifier (LNA), filtering, circuit shielding, input leads shielding (including professional guard shielding techniques) and isolation of the circuit from the power mains.

By Joseph J. Carr

Noise, etc.

Noise can be defined as any unwanted signal, even though a somewhat narrower definition is sometimes sought in textbook treatments of the subject. But in the context of this article, *noise* can mean the internal 'hiss-like' noise generated in any amplifier, the atmospheric noise in radio receivers, 50 or 60 Hz hum picked up from the power mains, and interference from nearby sources of electromagnetic radiation (e.g., radio stations or other RF devices). Noise signals mix with, and either distorts or obscures the desired signals.

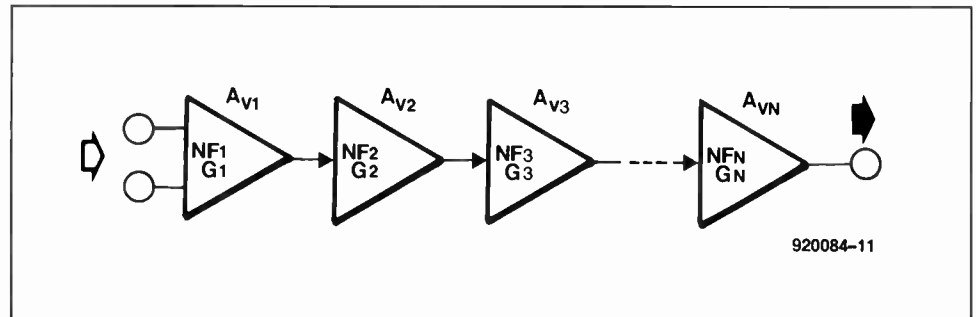


Fig. 1. Cascade chain of voltage amplifiers.

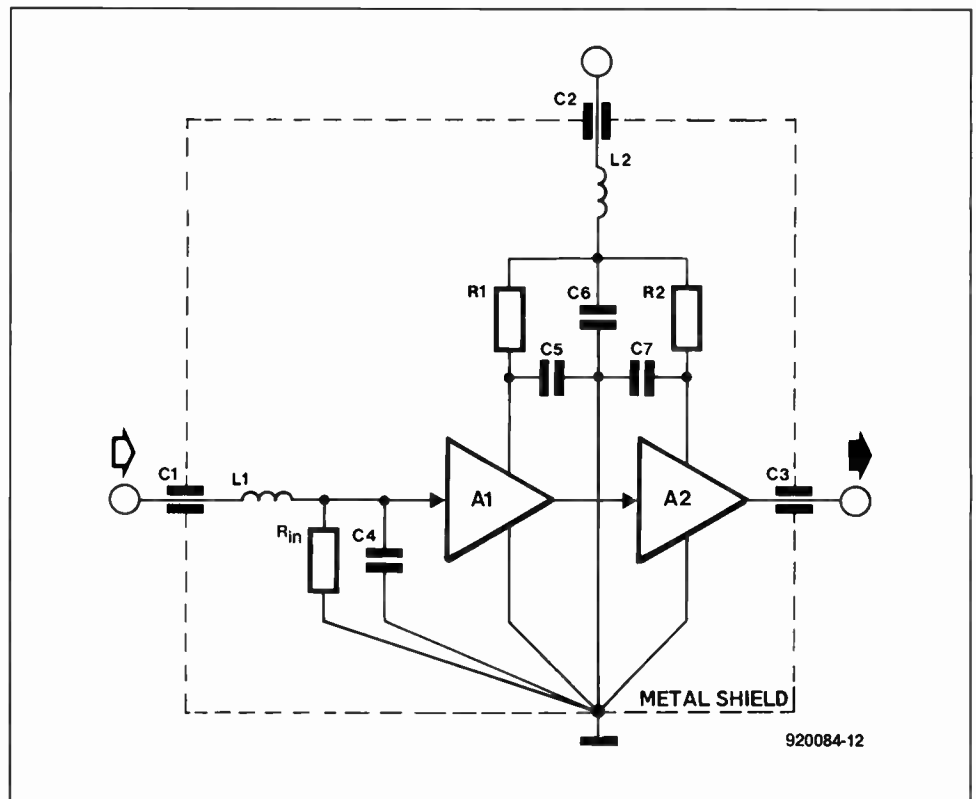


Fig. 2. Generic electronic circuit showing use of shielding and filtering to eliminate noise interference.

Several different forms of noise signal can be recognized: *white noise*, *impulse noise* and *interference noise*.

White noise supposedly contains all possible frequencies, so gets its name from analogy to white light, which contains all colours. Such noise is also called *gaussian noise*, although in reality it is neither 'white' nor 'gaussian' unless there are no bandwidth limits placed on the system. True white noise has a bandwidth from d.c. to daylight, and beyond. In practical elec-

tronic circuits, however, there are bandwidth limitations, so the noise is actually pseudo-gaussian 'pink' or even 'orange' noise. True gaussian noise can be eliminated absolutely by low-pass filtering, because it by nature integrates to zero, given sufficient time. Bandwidth-limited noise, however, does not integrate to zero, but to a low value. The effect of low-pass filtering on pink noise is therefore not total reduction.

An analogy to pseudo-gaussian or pink

noise is the 'hiss' heard between stations on an FM broadcast band receiver. Much of the noise in instrumentation systems is due to thermal sources, and has an RMS value of:

$$U_n = \sqrt{4 K T B R} \quad (1)$$

Where:

- U_n is the noise signal in volts (V);
- K is Boltzmann's constant (1.38×10^{-23} joules per Kelvin);
- T is the temperature in Kelvin (K);
- B is the bandwidth in hertz (Hz);
- R is the circuit resistance in ohms (Ω).

Noise can be generated in a passive component such as a resistor by virtue of its resistance. According to Eq. (1), in a circuit with a 1,000 Hz bandwidth and a resistance of 100 k Ω , there is 0.6 microvolts (μ V) of noise created by molecular motion due to temperature. Although this signal may appear to have a very low amplitude, keep in mind that many signals found in practical systems have the same order of magnitude. For example, in medical electronics, the electroencephalograph (EEG) machine records minute scalp potentials generated by the human brain's electrical activity, and may have components as low as 1 to 2 μ V, with peak amplitudes in the 10 to 100 μ V range. In that application, 0.6 μ V represents a significant artifact, especially when amplified 5,000 to 10,000 times, as is common practice in EEG machines.

Part of the solution to this type of problem is to keep circuit impedances in the early stages — i.e., those stages that most of the gain follows — very low so that the resistance term in Eq. (1) is reduced to a minimum practical value. Additionally,

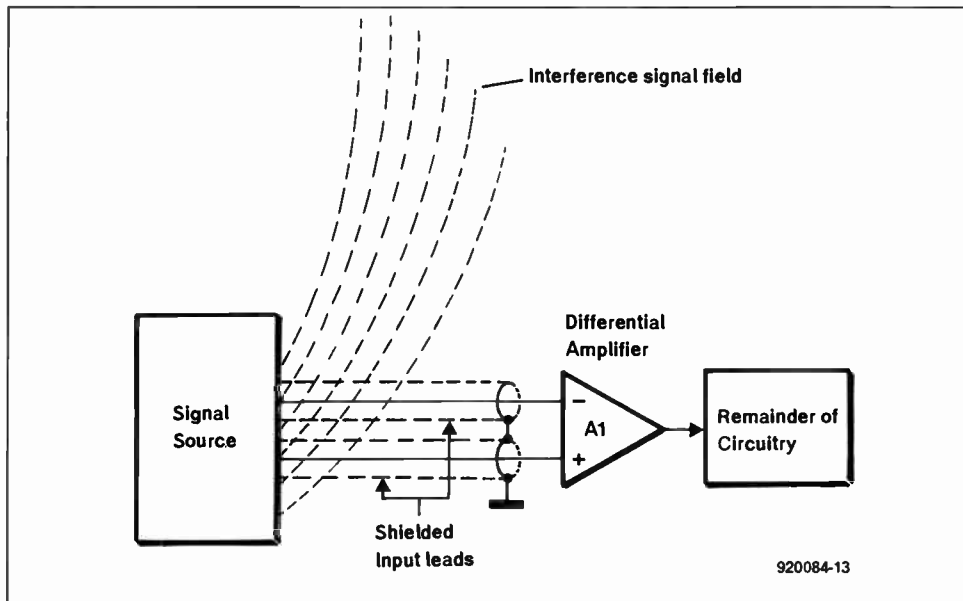


Fig. 3. Generic instrument using a signal source and differential input amplifier. The shielding prevents external interference signal fields from invading the circuit — or does it?

low-pass filtering, bandpass filtering or other methods might be employed to keep the bandwidth term low.

There are several sources of noise that are peculiar to solid-state amplifiers: *shot noise*, *Johnson noise*, and *flicker noise*. In some amplifiers these noise sources can add up to a significant amplitude. Although low-pass filtering offers relief, it is better to specify a low-noise amplifier for the earliest stages in the system.

Friis' equation uses the noise factors (i.e. ratio of input to output signal-to-noise ratio) to show us that low noise amplifiers in the input stages provide most of the noise relief for the entire system. It is for this reason that satellite communications or TV earth stations use Low Noise Amplifiers (LNA) as preamplifiers on the dish antenna. Similarly, analogue instrumentation and data acquisition amplifiers use a single LNA in the front-end, and then ordinary amplifiers throughout the rest of the circuit. The Friis equation for a cascade chain of amplifiers such as Fig. 1 is:

$$NF_{total} = NF_1 + \frac{NF_2 - 1}{G_1} + \frac{NF_3 - 1}{G_1 G_2} + \dots + \frac{NF_n - 1}{G_1 G_2 G_3 \dots G_{n-1}} \quad (2)$$

Where:

- NF_{total} is the noise factor of the entire cascade chain;
- NF_1, NF_2, \dots are the noise factors of the individual stages;
- G_1, G_2, \dots are the gains of the individual stages.

Thus, we can use a single, usually premium low noise amplifier device for the first stage, and regular amplifiers for all others.

Low noise operational amplifiers are a good choice, but are sometimes rather expensive. A low cost alternative for many uses is the CA3130, CA3140 or CA3160 device in the 8-pin metal can package (not

the mini-DIP!). Use a flexible heatsink of the type used for TO-5 metal transistor packages on the op-amp package, and operate the device from ± 5 V dual polarity d.c. power supplies. This treatment (heatsinks and low power supply voltages) will mimic low-noise operation.

Other noise problems

Impulse noise is due to local electrical disturbances such as arcs, lightning bolts, electrical motors and so forth. Part of this same general type is general electromagnetic interference (EMI) problems. Such interference is usually caused by nearby radio transmitters, or other RF sources. It is not usually possible to force the transmitter off the air, even when it is an amateur operator, because they are licensed by the Government to be there ... while you are not.

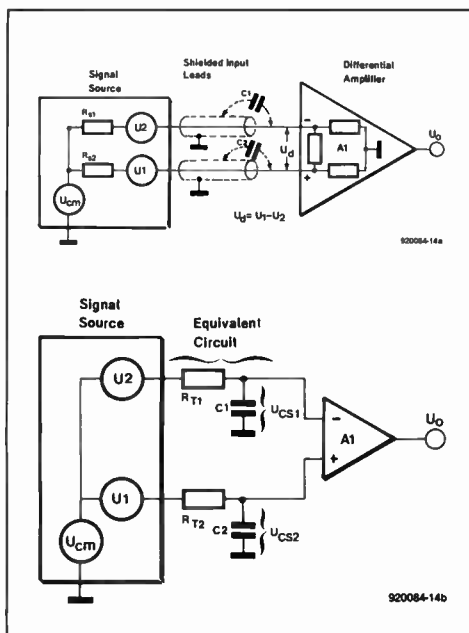


Fig. 4. a) Typical circuit for a differential input amplifier circuit showing sources of resistance and capacitance in the circuit; b) equivalent circuit.

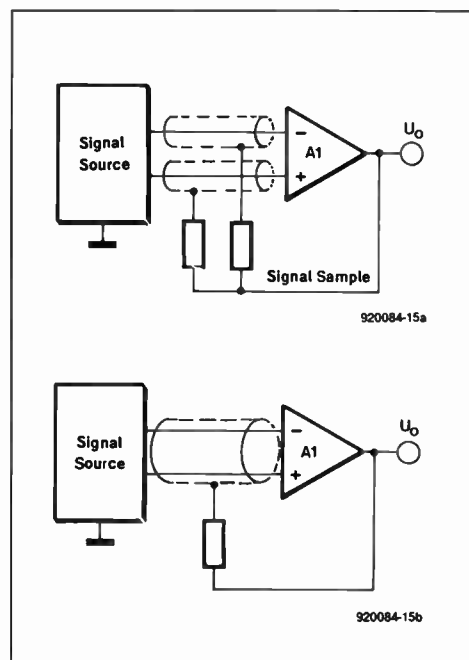


Fig. 5. a) Simple guard shield drive circuit for twin shields; b) same circuit for single shield circuits.

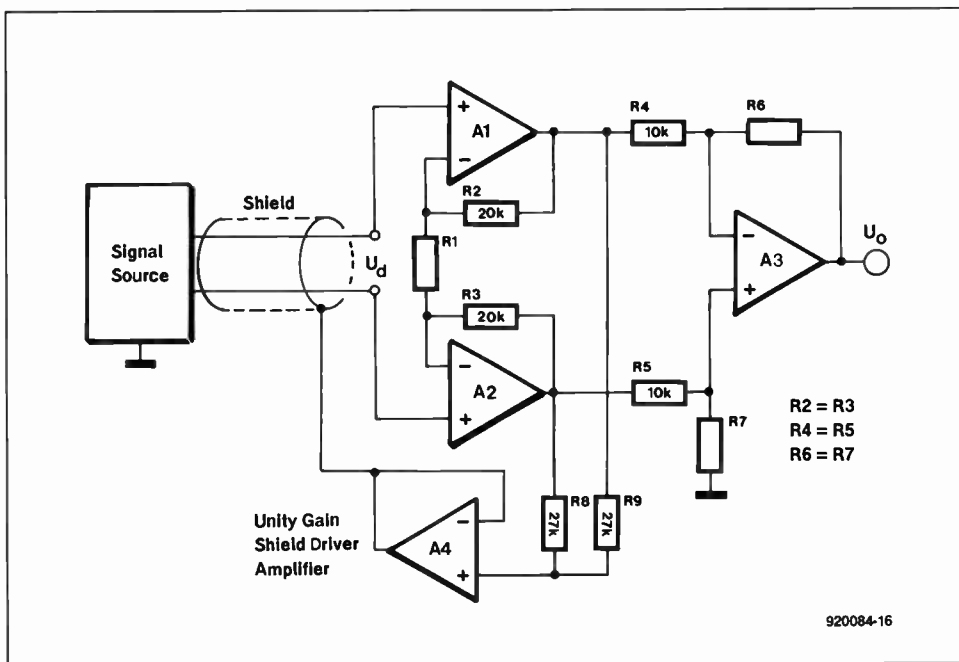


Fig. 6. Differential instrumentation amplifier, based on operational amplifiers, using an active guard shield driver (amplifier A4).

From an engineering point of view, your equipment might be very expensive and quite good, and still be very poor from an EMI point of view. The purpose of any electronic equipment is twofold: a) *it must respond to proper signals*, and b) *it must reject improper signals*. It is point 'b' where most improperly designed equipment fails most significantly.

Shielding and filtering of signal lines is the key to EMI problems. Figure 2 shows a generic circuit with several of the possible correction types used. First, note that the entire instrument is built inside of a shielded metal box, and the box is grounded. Points of entry and exit are passed through feedthrough 'EMI filter' capacitors. Feedthrough capacitors C1 through C3 have values of 50 pF to 2 nF (0.002 μ F), depending on the circuit impedance and which capacitor is specified. For example, the signal line capacitors C1 and C3 will have smaller values, while power supply capacitor C2 should be larger than 1 nF (0.001 μ F).

Each stage in Fig. 2 is isolated from other stages by a resistor, and has its own decoupling capacitor (C5 and C7). The main power bus is decoupled (C6), and has a series radio frequency choke (L2) to prevent RF that gets past C2 from interfering with the operation of the circuit. The input leads are similarly filtered with L1 and C4. The input resistance (R_{in}) of the amplifier and capacitor C4 also form a low-pass filter with a frequency response that rolls off at a -3 dB/octave rate from the -3 dB point defined by:

$$F = \frac{1}{2\pi R_{in} C_4} \quad (3)$$

Where:
 F is the frequency in hertz (Hz)
 C_4 is in farads (F)
 R_{in} is in ohms (Ω)

Not all of the techniques of Fig. 2 are needed, or even appropriate, in all circuits. Their inclusion was meant to show the

possibilities, rather than form a recommendation for all applications. Select those that are appropriate, or practical, for your particular application.

Suppressing local interfering signals

Local interfering signals are created by other electrical devices close to the circuit being operated, and by the 50/60 Hz electrical power mains in the building. Consider Fig. 3, where a low-level signal source is connected to an amplifier at the input of a larger circuit. The signal source might be a sensor such as a Wheatstone bridge strain gauge, an electro-optical detector. Alternatively, it may be a biopotential such as the EEG brain wave signal or electrocardiograph (ECG) heart signal. The common factor shared by these signals is that they produce low level signals, and often must operate in a high interference environment.

A common solution to these problems is to use a *differential amplifier* at the input of the circuit. One of the properties of the differential amplifier is that its *common mode rejection ratio* (CMRR) tends to suppress interfering signals from the environment. It does this job because the inverting ($-$) and non-inverting ($+$) inputs offer equal gain, but are of opposite polarity. If identical signals are applied to the two inputs simultaneously, the net output voltage will be zero.

When a differential amplifier is used in a situation where it is connected to an external signal source through wires, those wires are subjected to strong local signals such as the 50/60 Hz a.c. fields from nearby power line wiring. Fortunately, in the case of the differential amplifier the field affects both signal equally, so the induced interfering signal is canceled out by the common mode rejection property of the amplifier.

Guard shielding

Unfortunately, the cancellation of interfering signals by the input amplifier CMRR is not total. There may be, for example, imbalances in the circuit that tend to deteriorate the CMRR of the amplifier. These imbalances may be either internal or external to the amplifier circuit. Figure 4a shows a common sensor interface scenario, similar to Fig. 3: a differential amplifier connected to shielded leads from the signal source, U_{in} . Shielded lead wires offer some protection from local fields, but there is a problem with the standard wisdom regarding shields: *it is possible for shielded cables to manufacture a valid differential, but erroneous, signal voltage from a common mode signal!*

Figure 4b shows an equivalent circuit that demonstrates how a shielded cable pair can create a differential signal from a common mode signal. The cable has capa-

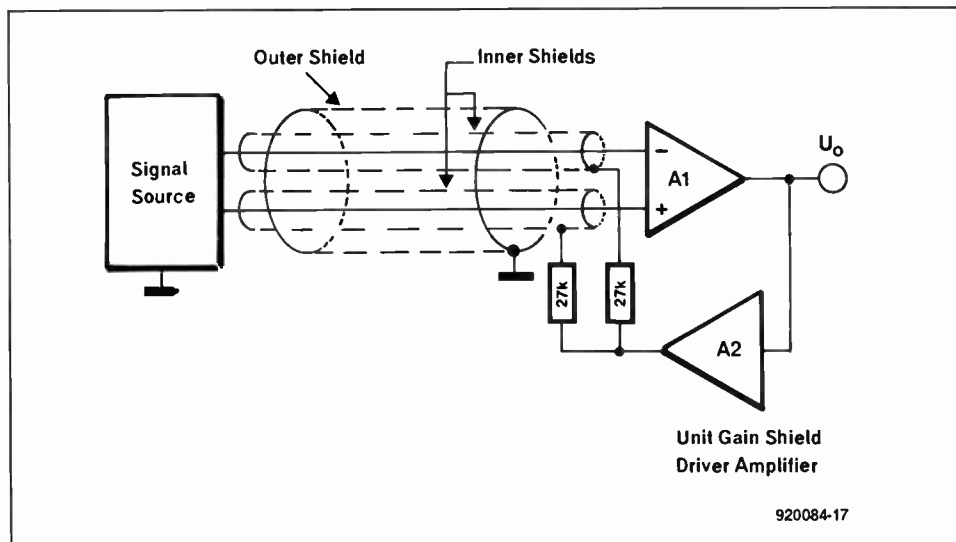


Fig. 7. Dual shielding combines twin-shield and single shield concepts.

citance between the centre conductor and the shield conductor surrounding it. In addition, input connectors and the amplifier equipment internal wiring also exhibits capacitance. These capacitances are lumped together in the model of Fig. 4b as C_1 and C_2 .

There are also resistances in the circuit. The signal source resistances R_{S1} and R_{S2} are generally low, but in some cases (e.g., EEG, ECG, pH electrodes, optoelectronic sensors, etc.) they may be quite high. In addition, there are also input impedances, both differential and unbalanced to ground (see Fig. 4a).

As long as the sum circuit resistances are equal, and the two capacitances are equal, there is no problem with circuit balance. But inequalities in any of these factors (which are commonplace) creates an unbalanced circuit in which common mode signal U_{cm} can charge one capacitance more than the other. As a result, the difference between the capacitance voltages, U_{CS1} and U_{CS2} , is seen as a valid differential signal by the amplifier.

A low-cost solution to the problem of shield-induced artifact signals is shown in Fig. 5a. In this circuit, a sample of the two input signals are fed back to the shield, which in this situation is not grounded. This type of shield is called a *guard shield* circuit. Either double shields (one on each input line) as shown in Fig. 5a or a common shield for the two inputs as in Fig. 5b, can be used.

An example of guard shielding for the standard three op-amp instrumentation amplifier, a very common differential front-end for electronic instrument circuits, is shown in Fig. 6. The instrumentation amplifier consists of A_1 , A_2 and A_3 , with associated resistors. If $R_2=R_3$, $R_4=R_5$ and $R_6=R_7$, the voltage gain of the circuit is given by:

$$A_v = \left(\frac{40k\Omega}{R_1} + 1 \right) \left(\frac{R_6}{10k\Omega} \right) \quad (4)$$

(All resistance in kilo-ohms)

In Fig. 6, the gain can be set by selecting values for R_1 and R_6 , which implies also a value for R_7 (which is equal to R_6). Variable gain control is provided by making R_1 variable. Keep R_1 away from zero ohms, however, or the gain will get very high very quickly.

In the circuit of Fig. 6, a single shield covers both input signal lines, but it is possible to use separate shields. In this circuit a sample of the two input signals is taken from the junction of resistors R_8 and R_9 , and fed to the input of a unity gain buffer/driver 'guard amplifier' (A_4). The output of A_4 is used to drive the guard shield.

Perhaps the most common approach to guard shielding is the arrangement shown in Fig. 7. Here we see two shields used: the input cabling is double-shielded insulated wire. The guard amplifier drives the inner

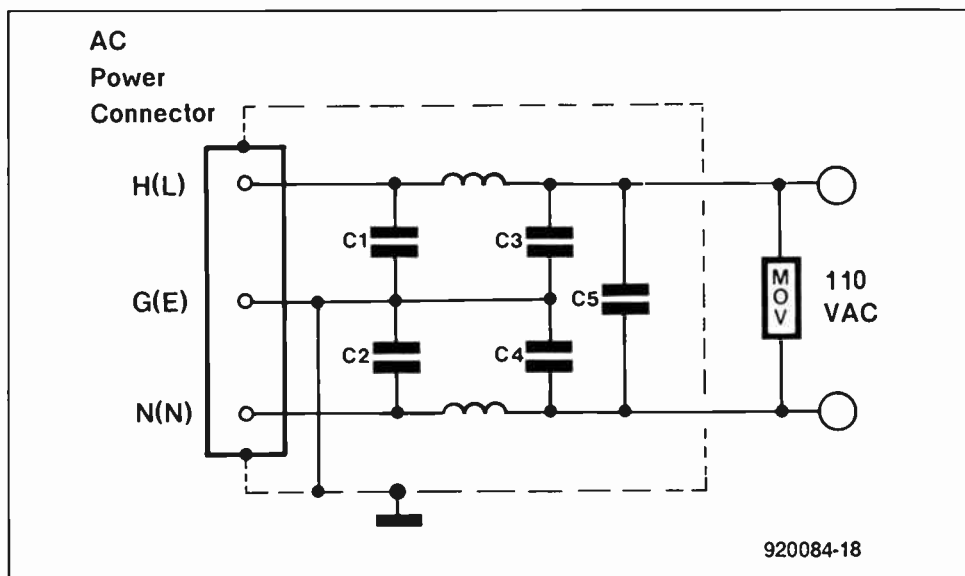


Fig. 8. Shielded LC EMI filter for the a.c. power mains (wiring shown common in North America).

shield, which serves as the guard shield for the system. The outer shield is grounded at the input end in the normal manner, and serves as an electromagnetic interference suppression shield.

Power line noise

Another potential source of interference is noise and EMI signals arriving on the a.c. power mains. I can recall digital instrumentation and computers in a medical school building that acted in a schizophrenic manner until it was identified that the a.c. power mains were the source of the problem.

A humorous event while this problem existed came about when the medical (M.D.) and medical sciences (Ph.D and D.Sc) students took the standard multiple choice national examination in human physiology. They used a 'mark-sense' answer sheet on which they use a pencil to darken the letter corresponding to the printed candidate answer they believe is correct. These papers were then taken to an optical scanner that input the answers to a computer. While the scanning was going on one year, some ac power line switching equipment started operating, sending high voltage transients over the mains. The result was that the entire freshman class of medical and sciences students flunked the national exam!

Where sensitive scientific instruments are used, one might want to consider designing the ac electrical power mains system to be either isolated from the building system, or having a separate system that keeps a separated neutral and ground conductor all the way back to the service entrance of the building.

Figures 8 and 9 show methods for dealing with severe power mains noise. In Fig. 8 we see an *L-C* power line filter wired in the North American standard manner. These filters are shielded low-pass filters, and are mounted inside of equipment as close as possible to the point where a.c.

enters the cabinet. Some filters are available molded into the a.c. chassis connector. Exterior to the filter is a *Metal Oxide Varistor* (MOV) device used to suppress a.c. line transients above the normal peak a.c. voltage (some high voltage transients can reach 2000 V for 30 μ s).

The transformer in Fig. 9 performs two functions. First, it isolates the equipment electrical system from the mains electrical system. Second, it frequency limits the system to prevent high frequency transients and pulses from passing into the equipment. It is my opinion, shared by many other engineers, that no computerized or other digital equipment — and many types of analogue equipment — should be operated in a noisy environment without one of these transformers. If the equipment is life-support, or life-saving, as it often is in medical applications, then it is probably engineering malpractice to design a piece of equipment without the transformer. ■

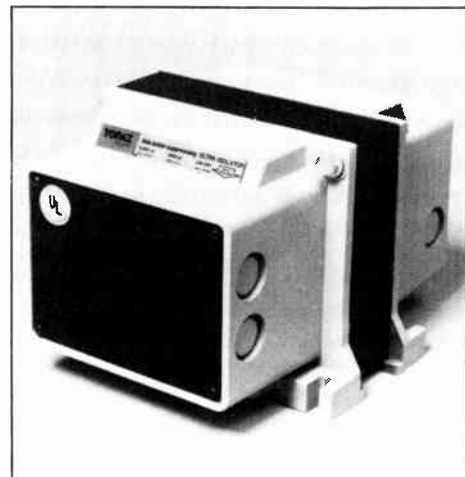


Fig. 9. Line isolation transformer used with digital instruments, analogue instruments and computers to eliminate high voltage transients, mains voltage fluctuations and other problems. This transformer is manufactured by Topaz in the USA.

A.F. DIGITAL-TO-ANALOGUE CONVERTER

PART 1

Design by T. Giesberts

Twenty-bit converters, $\times 8$ oversampling and high-quality analogue stages are used to translate the digital output of CDs, DAT recorders or radio broadcasts into the desired analogue information as accurately as possible. The converter is a stand-alone unit that is eminently suitable for use with the CD player published earlier this year.

DURING the past decade, digital techniques have assumed an increasingly important role in audio engineering. Hailed, somewhat exaggeratedly, as 'perfect' and 'ideal', quite a few improvements have been found necessary since those early years in appliances using these techniques. No doubt, others will be found indispensable over the next few years. There is also a growing band of audio pundits who foresee the end of both the CD and DAT before the year 2000.

Be that as it may, at present, the CD player is the second most important unit in the audio chain (world-wide, the compact cassette is still way ahead as the most popular music medium). It is well known that the output sections of that unit play a vital role in producing a near-perfect reproduction of the original sound. Unfortunately, a CD player cannot be upgraded as easily as a record player in the past. Then, a better quality tone arm or styles could be added without any trouble. In a CD player, the only improvements possible are in the digital or analogue sections and they are not so easily implemented. There are, of course, two other possibilities: buy a new CD player or an add-on digital-to-analogue converter—DAC. Neither of these is a simple solution, although in the case of the add-on unit, it should be borne in mind that it can be used with a number of different appliances.

Furthermore, there are not that many commercially available stand-alone DACs on the market, probably owing to their high price: at present this can vary from a few hundred to a few thousand pounds. A build-yourself design was until now not really feasible owing to the non-availability of certain parts and components. The design presented costs about one third of a commercially available unit with near-identical specifications: £250–£400.

The design

The digital-input selection in the block schematic in Fig. 1 accepts four digital signal sources, which may be connected by fibre-optic or coaxial cable. The tape select stage enables any one of the four signals to be applied to the digital tape output.

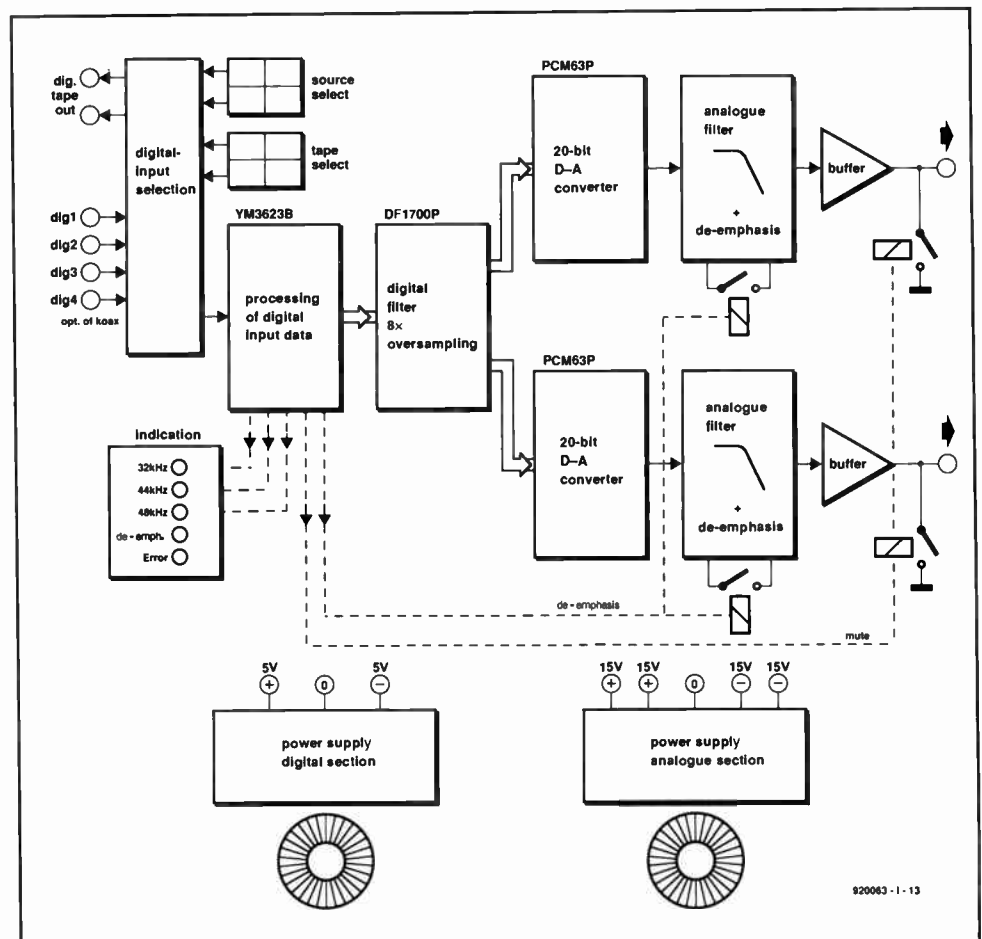
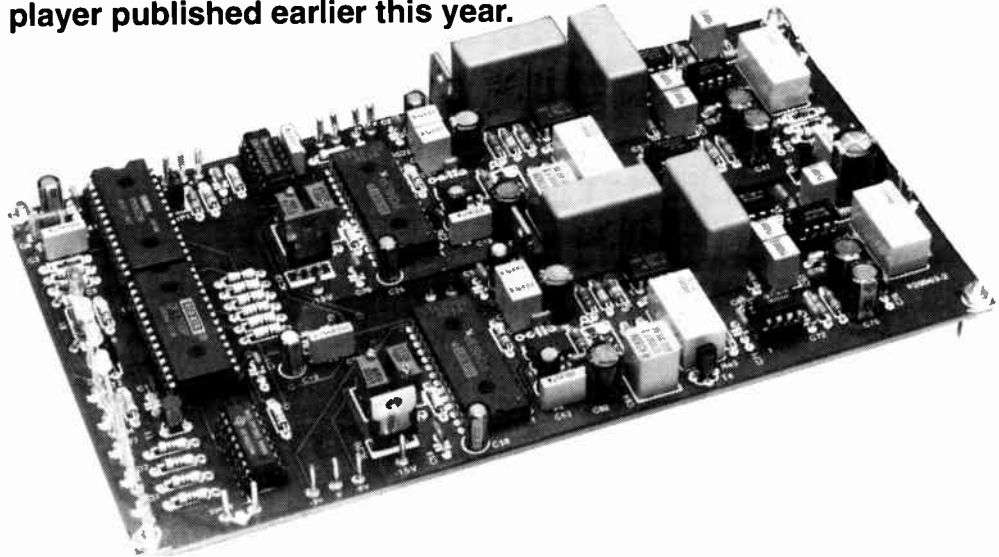


Fig. 1. Block diagram of the digital-to-analogue converter.

The selected input signal is applied to a special Yamaha IC Type YM3623. The circuit of this chip is shown in Fig. 2. Its PLL (phase-locked loop) produces a clock from the input signal for the subsequent stages. The range of the PLL is wide enough to enable the processing of all current sampling frequencies. In the absence of an input signal, the IC's crystal oscillator generates a stable frequency for the digital filter and the actual DAC stages.

The most important task of this chip is, however, the analysis of, and error detection (Philips-Sony format) in, the audio data of the incoming signal before this is applied to the digital filter.

Basically, the data provided by the IC could be processed directly by the DAC, but that would create problems in the analogue section, because the sampling frequency must be sufficiently suppressed there without introducing amplitude and phase errors in the audio range. That introduction is combated by oversampling, which involves the computation by a digital filter of intermediate steps that cause the sampling frequency to be shifted upwards artificially. The more intermediate steps, the higher the sampling frequency, and the easier the design of the analogue filters.

The digital filter, a Burr-Brown Type DF1700 dual channel type, provides $\times 8$ oversampling, which means that each sample is converted into eight discrete levels. These levels make possible smaller steps than the various original levels. The $\times 8$ oversampling converts the input data frequency of 44.1 kHz (with CD reproduction) to 352.8 kHz. This means that a third-order filter can be used in the analogue section, which reduces filter phase non-linearities.

The interposition of additional steps and the computation of the intermediate values increase the resolving power at the output of the digital filter compared with that of the 16-bit input. If a converter with an accuracy of more than 16 bits is used, the increased resolving power is retained in the conversion, so that in the present design, the converter processes 20 bits. This is, by the way, the maximum resolution the DF1700 can provide at its output. The pass-band ripple of the DF1700 is <0.00005 dB.

Although one-bit converters are currently in fashion, they do not really give satisfactory results for top-of-the-range equipment. In the present design, a 20-bit monolithic IC Type PCM63P from Burr-Brown was chosen. Burr-Brown supplies many manufacturers of CD players and currently this chip is their top multibit converter.

The PCM63P—see Fig. 4—contains two 19-bit converters: one each for the positive and negative halves of the signal. This design has the advantage that it prevents bipolar zero distortion (traditional DACs usually switch the most significant bit around the bipolar zero, which may give rise to glitches and non-linear distortion). To ensure exact synchronization of the two converters, they use the same R-2R ladder network and the same reference voltage. Because of the 20-bit conversion, the harmonic distortion is low:

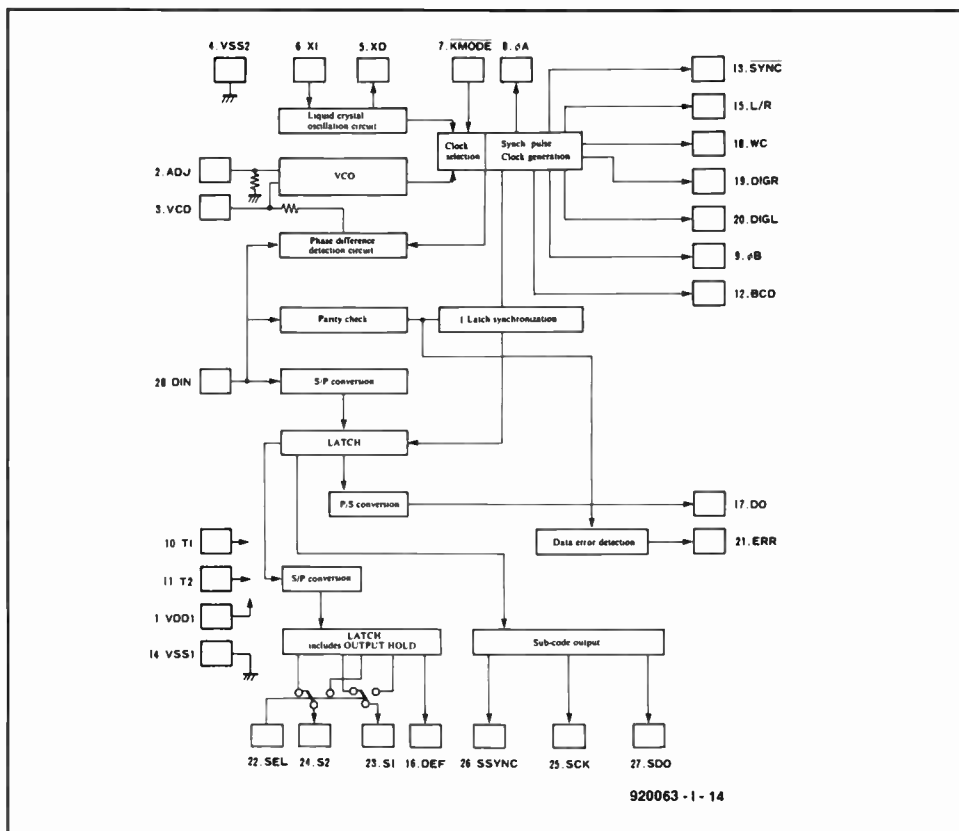


Fig. 2. Block schematic of Yamaha's digital audio interface receiver Type YM3623.

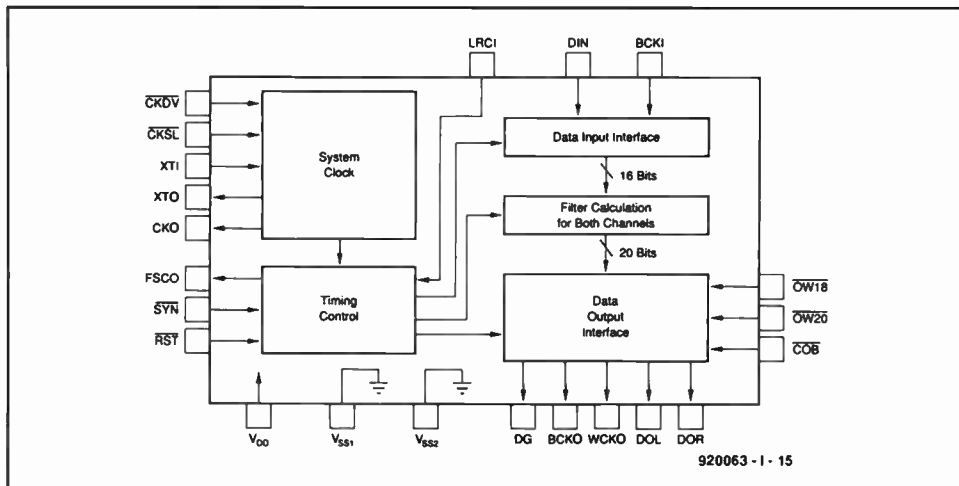


Fig. 3. Block schematic of Burr-Brown's Type DF1700 dual-channel digital filter.

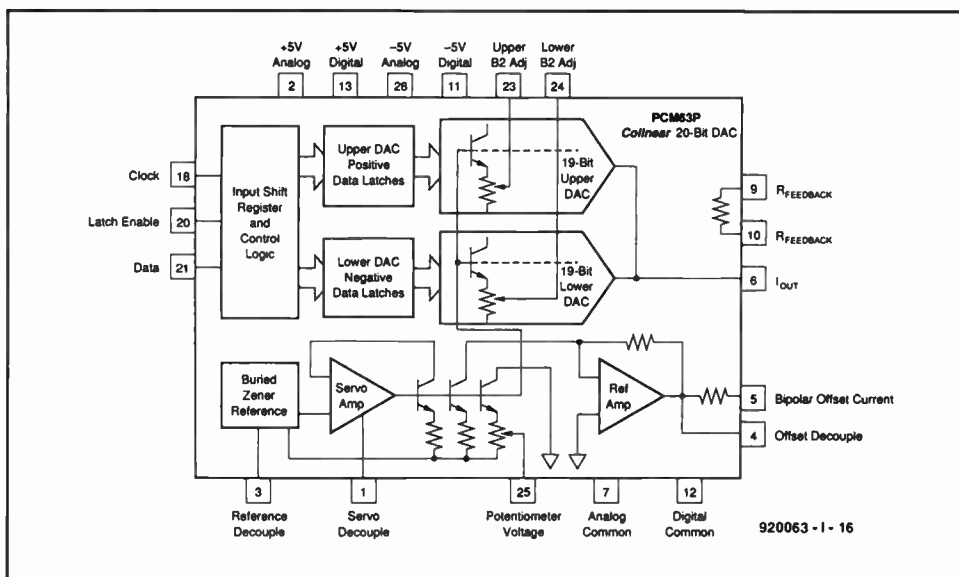


Fig. 4. Block schematic of Burr-Brown's 20-bit monolithic audio DAC.

-96 dB at full drive (K version).

The analogue output section consists of a very fast current-to-voltage converter following the DAC and a third-order low-pass filter in which no opamps are used. Its design is known as a Generalized Impedance Converter—GIC. In this, an opamp configuration to ground acts as a second-order frequency-dependent passive element. This has the advantage that the audio signal does not have to pass through an opamp.

The analogue signal is fed to the output via a buffer stage. Relays short-circuit the output when a high level of noise is present or when the de-emphasis circuit is switched in, if the input signal makes that necessary.

The design of the power supply ensures complete separation of the digital and analogue sections, and it, therefore, used two transformers. No fewer than ten regulator ICs ensure optimum supply quality.

The circuit

The digital signal from the CD player, DAT recorder, or DCC (digital compact cassette) player enters the circuit in Fig. 5 via K₁. Resistor R₁ ensures correct termination of the coaxial input cable to obviate possible reflections. The bi-phase signal is enhanced by two inverters, IC_{1a} and IC_{1b}. With the aid of R₂ and R₃, the former is arranged as an analogue amplifier that raises the 500 mV signal six-fold. Inverter IC_{1b} produces a pure TTL signal with improved transitions (edges). The signal is then applied to the Digital Audio Interface Receiver—DIR—IC₂.

When the digital input selector (to be published shortly) is used, the input signal is applied from that selector to A—resistors R₁, R₂, and R₃, capacitor C₁ and IC₁ can then be omitted.

The YM3623B requires only few external components. Crystal X₁ provides a stable output frequency in the absence of input data; the internal PLL is then switched off. Capacitor C₄ and resistor R₆ form the integrator network for the VCO—voltage-controlled oscillator—of the internal PLL. The values of these components have been chosen to ensure that the 32–48 kHz frequency range is scanned with the minimum of phase jitter. Network R₅–C₃–D₆ resets the clock switch-over circuit in the IC at power-on. The supply line is decoupled by R₈–C₇–C₈.

Note that the crystal frequency is usually chosen to give an oscillator frequency of exactly 44.1 kHz (after scaling). In practice, it transpired that that created a lot of interference in the PLL, since both operate at about the same frequency. Therefore, a crystal frequency that is not a multiple of the sampling frequency was chosen. This does not detract from the operation of the circuit, because the oscillator is in any case used only as an emergency frequency source for the internal logic of the IC and subsequent circuits in the absence of input data. The crystal frequency may be 16–20 MHz.

The YM3623B provides, apart from the audio data, also additional information contained in the bi-phase signal. For instance,

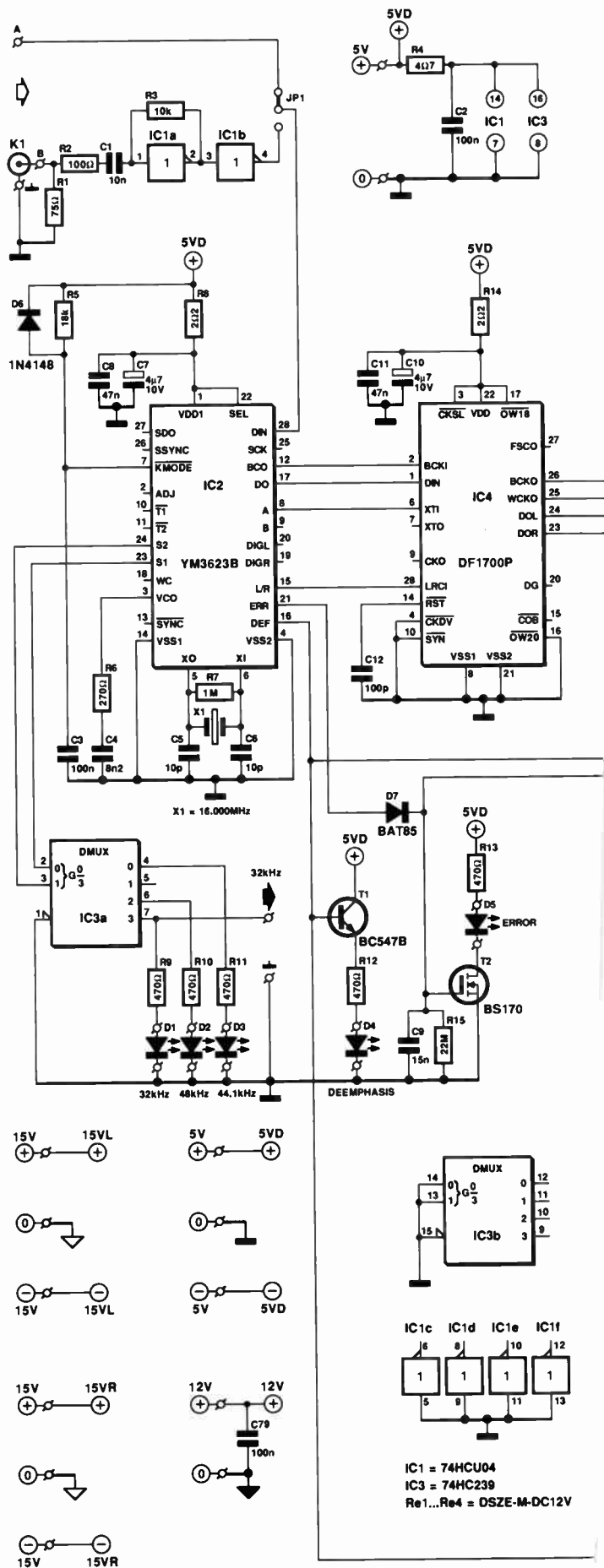
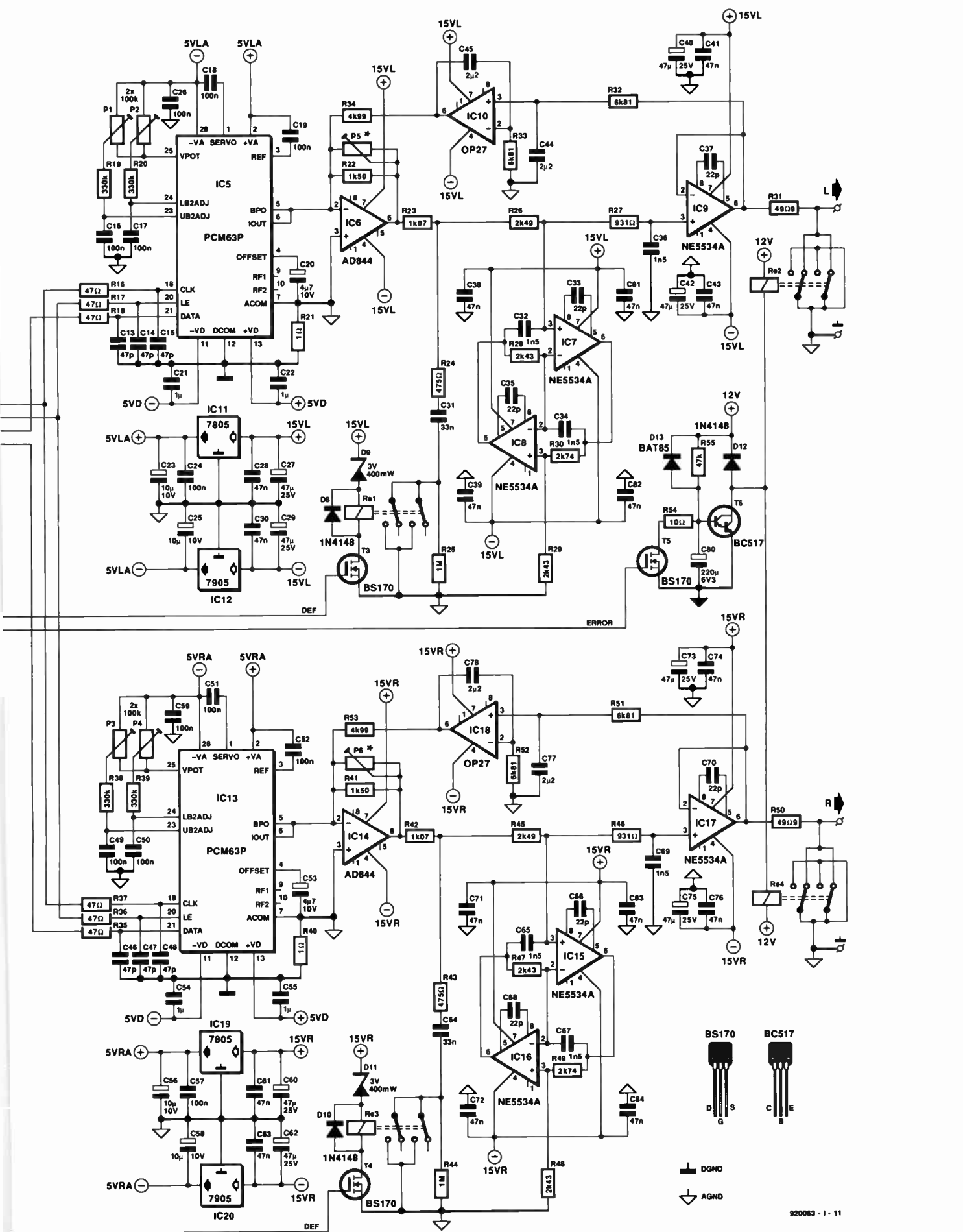


Fig. 5. Circuit diagram of the audio-frequency digital-to-analogue converter.



920063 - 1 - 11

outputs S_1 and S_2 carry the current sampling frequency. That information is made visible with the aid of IC_{3a} on one of three LEDs: 32 kHz; 44.1 kHz; 48 kHz.

The copy bit contained in the information is not made visible, because it is not used by any manufacturer.

The ERR(or) output indicates when an error has been detected in the data input. The signal available at this pin is lengthened sufficiently by pulse stretcher R₁₅-C₉-D₇ to switch on T₂ switching, so that D₅ lights. The ERR signal is also used to energize relays Re₂ and Re₄ via T₅, whereupon the analogue outputs are switched off. Transistors T₂ and T₅ are MOSFET types to keep the switching currents on the printed-circuit board low.

The DEF output signals the presence of pre-emphasis on the input, whereupon the de-emphasis network and T₁ are switched on via Re₁ and Re₃. As soon as T₁ conducts, D₄ lights.

Subsequently, the audio signal is fed from pin 17 of IC₂ to digital filter IC₄. This IC needs clocks to function correctly: one is derived from the bi-phase signal and is available at pin 8 of IC₂, while the other is the timing signal for writing serial data and is available at pin 12 of IC₂. It also needs a multiplex signal that indicates whether the current data are for the left-hand or right-hand channel; this signal is fed from pin 15 of IC₂ to pin 28 of IC₄.

The supply lines to the filter are decoupled by R₁₄-C₁₀-C₁₁.

After the filter has translated each data word into eight new values, the DACs can be driven by these data (DOR=Data Out Right; DOL=Data Out Left). Again, some control signals are needed: bit clock (BCKO) and word clock (WCKO).

The RC networks inserted into the lines from the filter to the DACs filter out any RF interference and noise signals.

As an aside, assuming that a CD signal is input, the system clock from IC₂ to IC₄ is 16.9344 MHz—the L/R clock is, of course, 44.1 kHz. The clock (BCO) for writing serial data is 2.8224 MHz. The BCKO clock and WCKO clock between the digital filter and the DACs are 8.4672 MHz and 352.8 kHz respectively. It is clear that these are all RF signals, and it is imperative to keep them—and their harmonics—away from the analogue section.

Presets P₁ and P₂ (P₃ and P₄) enable the setting of the MSB—most significant bit—of each 19-bit converter in IC₅ and IC₁₃. Precision test equipment is required for this, however; if that is not available, the presets can be omitted. The ICs are available in three versions indicated by (a) no letter after the type number (least expensive); (b) a J after the type number; (c) a K after the type number (most expensive).

Since the divorce of the analogue and digital sections comes about in the DACs, attention must be paid to the power supply. As already stated, the supplies for the two sections are completely separate. All supply connections are decoupled independently. Moreover, on the relevant printed-circuit board, the earth connections for the two

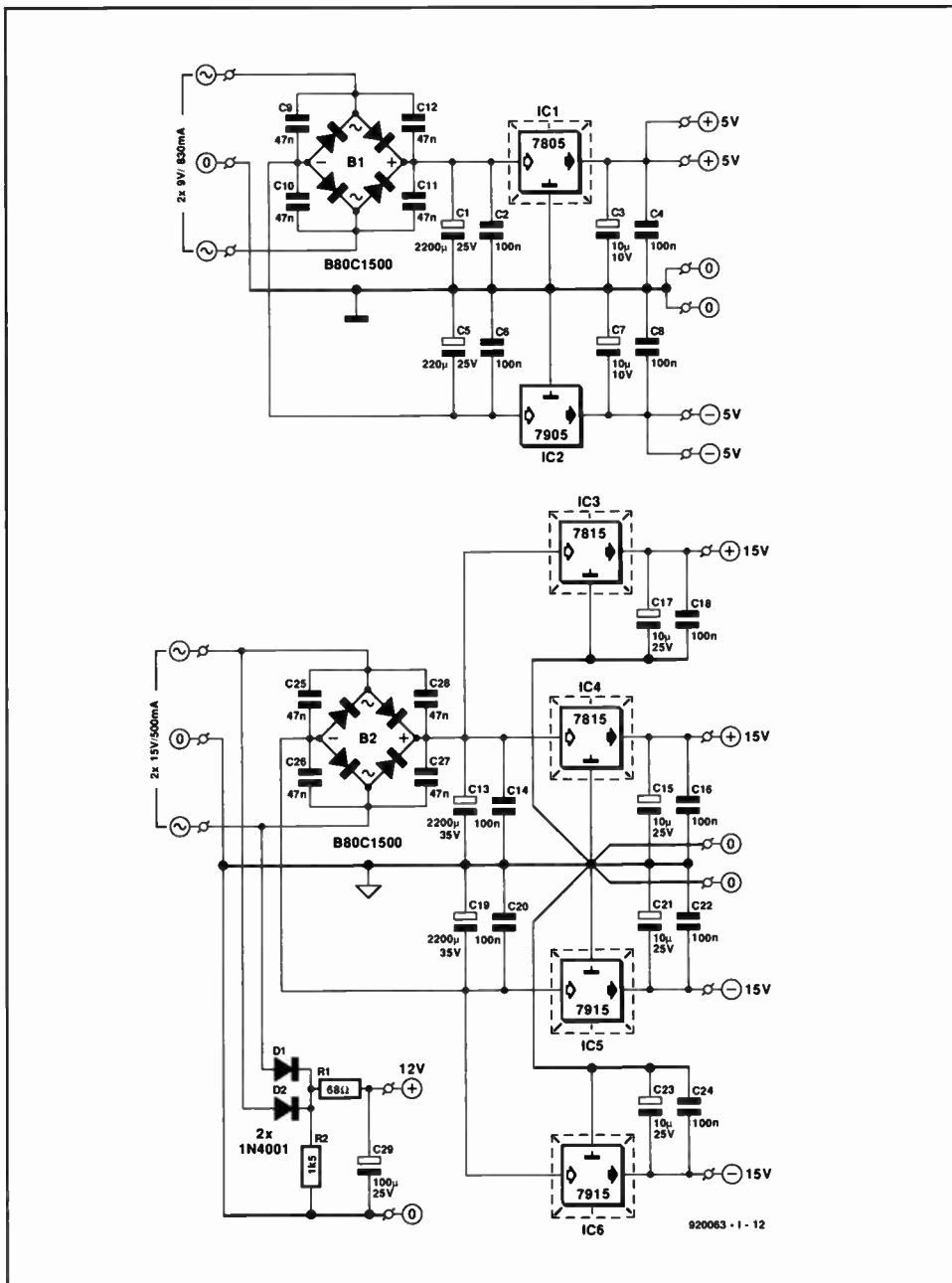


Fig. 6. Circuit diagram of the power supply for the DAC.

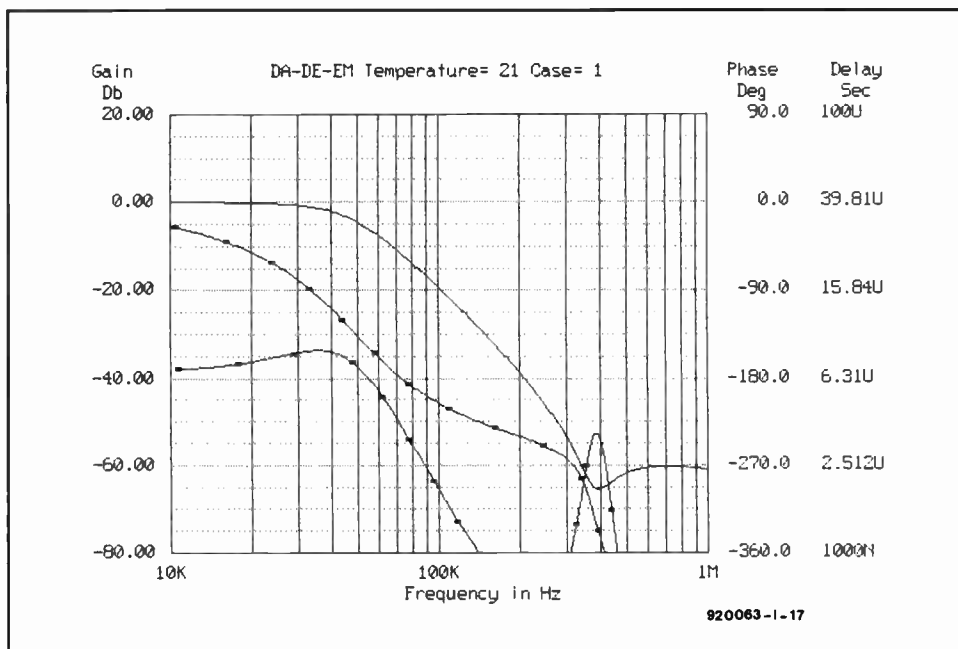


Fig. 7. Theoretical response of the analogue output filter.

sections have been kept separate.

The output of the converters is applied to a current-to-voltage converter, IC₆ and IC₁₄, for the left-hand and right-hand channel respectively. These are needed, because virtually all converters provide an analogue output current rather than a voltage. Undistorted conversion of the voltage waveform (analogue signal with superimposed steps of the sampling frequency) requires an IC with a very high slew rate. That requirement is met by Analog Devices' Type AD844, an opamp with a bandwidth of 60 MHz and a slew rate of no less than 2000 V/μs.

The output filter is a third-order pseudo passive design, that is, there are no active components in the signal path. It consists of R₂₃+R₂₆ followed by the GIC configuration of IC₇ and IC₈, which is followed in turn by passive section R₂₇-C₃₆.

The de-emphasis network is entirely passive and consists of R₂₃-R₂₄-C₃₁. It is switched into circuit by relay Re₁ as soon as this is energized, whereupon R₂₅ is short-circuited (left-hand channel).

Finally, buffers IC₉ (left-hand) and IC₁₇ (right-hand) provide a high load for the low-pass filter on the one hand, and sufficient current for driving a (pre)amplifier at the output of the converter.

The impedance of the analogue outputs is 50 Ω (R₃₁ and R₅₀). Resistors R₃₁ and R₅₀ also make it possible for the mute relays,

Re₂ and Re₄, to short-circuit the outputs to earth without detriment. Energizing of these relays is delayed by the circuit based on T₆. This gives the entire circuit time to settle in after power-on before any relays are energized. In the case of error indications, the mute relays are de-actuated off via T₅.

There is a wide choice of opamps for the low-pass filter and buffer stages. Ten different models were tried in the prototypes, but their performance was more or less uniform. The parts list (next instalment) gives an NE5534A, which was the least expensive of the ten. Note also, that there are commercial CD players costing over £1000 that also use the NE5534A.

It will have been observed that the entire analogue section is DC coupled and also that there is no output capacitor. To ensure that the direct voltage at the output is always exactly zero, a servo control, IC₁₀ and IC₁₆ respectively, has been added between the output of the buffer opamp and the non-inverting input of the current-to-voltage converter opamp. Although the off-set current of the DACs is virtually zero, this arrangement ensures that very-low-frequency signals, as well as the off-sets of the various opamps, are nullified.

The servo control is an integrator that monitors the output voltage of the buffer, on the basis of which it adjusts the direct voltage of the I-U converter so that the output

voltage remains zero. The control has absolutely no effect on signals in the analogue circuits above 10 Hz. To ensure purity of the signal in the servo control, which is after all a sort of high-pass filter with low cut-off frequency, all capacitors are MKP (metal-plated polypropylene) types.

The power supply—see Fig. 6—is clearly in two parts. That for the digital section delivers ±5 V (B₁, IC₁, and IC₂). In that for the analogue section, rather more components are used, because it was thought important to give the left-hand and right-hand channel its own regulation. Bridge rectifier B₂ is followed, therefore, by two positive and two negative regulators. A 'star' earthing point obviates any problems with earth currents.

There is a separate 12 V supply, provided by D₁ and D₂, for the mute relays. The value of capacitor C₂₉ has been kept small to ensure that the mute relays are de-energized the instant the power is switched off.

Each of the supplies uses its transformer. It is, of course, possible to use one with split secondaries, but that will have to be wound to order. In the prototypes, toroidal transformers were used, which keep the stray field to an absolute minimum. ■

The second and final part of this article, describing the construction of the converter, will be published in our September issue (there is no August issue).

PULSE GENERATOR

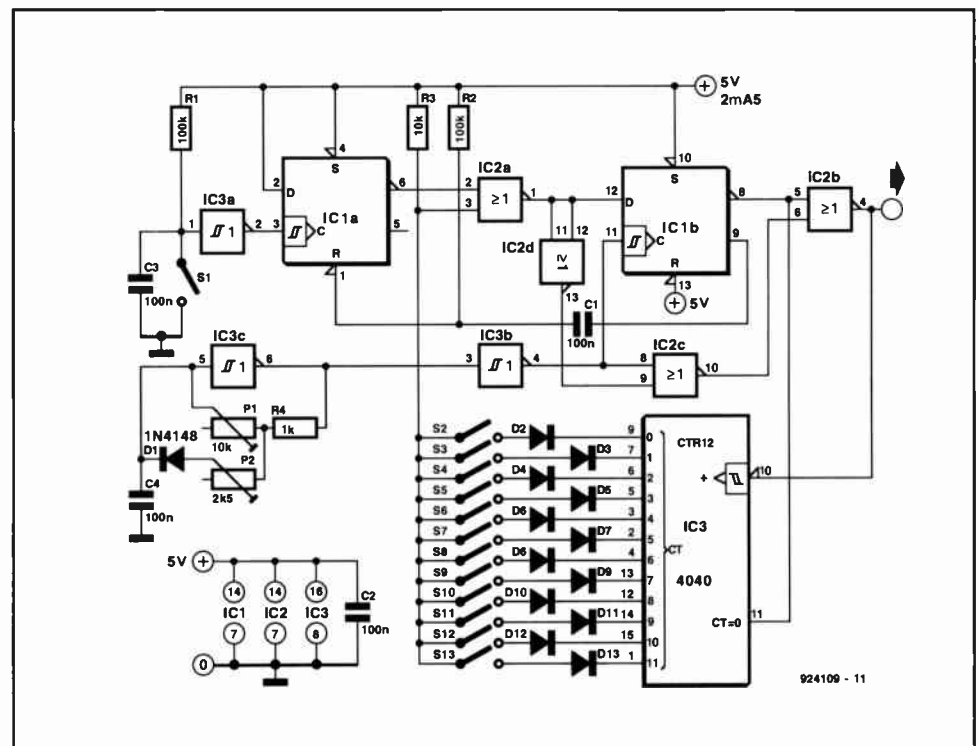
THIS pulse generator can provide up to 12 pulses at its output, depending on the setting of hexadecimal switches S₂-S₁₃.

The (rectangular) pulses are generated by IC_{3c}; with circuit values as shown, their p.r.f. (pulse repetition frequency) is a few kHz.

The output of the generator is taken to one input of NOR gate IC_{2c} via buffer/inverter IC_{3b}.

When switch S₁ is operated, bistable IC_{1a} receives a clock pulse, whereupon a logic 1 is passed to the D input (pin 12) of IC_{1b} via IC_{2a}. The other input of IC_{2a} is low because counter IC₃ is disabled via its reset input. At the next leading clock transition (edge), the bistable is set, so that IC₃ and, via IC_{2b}, the pulse output are enabled.

When the relevant number of pulses has been output, junction R₃-S₂ goes high, whereupon the output of IC_{2a} goes low and IC_{1b} passes a logic 0 from its D input to pin 9 (Q output). IC_{1a} is reset via C₁, so that S₁ can be operated again, and the counter is reset via pin 8 of IC_{1b} (Q output). Also, pin 8 disables gate IC_{2b}, so



that no more pulses can appear at the output. only 2.5 mA.

The generator draws a current of

(A.N. Other - 924109)

ELEMENTS OF PASSIVE ELECTRONIC COMPONENTS

PART 3: THE CAPACITOR

by Steve Knight, B.Sc.

THE history of the modern capacitor goes back to antiquity when the Greeks made a study of electrification of amber by friction. After that, very little more about the subject of electrostatics emerged until the middle of the eighteenth century when, in 1746, the Dutch physicist Pieter van Musschenbroek (1692–1761) discovered, by accident, the principle of the capacitor in the form of the celebrated Leyden jar. Having received a powerful electric shock from his experiments, arising from an attempt to electrify water in a bottle, van Musschenbroek confessed that he would not take such another shock 'for the kingdom of France'. Many modern experimenters have, no doubt, uttered words to the same effect when carelessly handling circuits boards containing charged capacitors.

We have seen in the previous parts of this article that inductance and inductive effects depend upon the magnetic field; here we shall see that capacitance and capacitive effects depend upon the electric field. The existence of an electric field depends itself on the presence of electric charges. When the charges are removed, the field vanishes. The nature of the field and the direction taken by the electric flux is a function of the magnitude of the charges and their distribution.

The fundamental electric charge, e , resides in the electron, which carries a charge of -1.6×10^{-19} coulomb (C). Electrons may be added to a body so as to give that body an excess of electronics; the body then exhibits a negative electrostatic charge. In the same way, electronics may be removed from a body, giving it a deficit of negative charges; the body is then positively charged. In normal circumstances, bodies have neither an excess nor a deficit of electrons and are uncharged, neutral, or at 'earth' potential. So the general mass of the earth is a permanently neutral body and materials may carry charges in the form of an excess or a deficit of electronics with respect to earth. There should be no confusion here with the 'excess' or 'deficit' of charge carriers in semiconductor materials, where the crystal remains electrically neutral.

As the Greeks established, without being aware of what they were handling, the removal from, or the addition to, a body of electrons may be accomplished by purely mechanical means, as when a piece of amber is rubbed with silk, or, more practically for our purposes today, by applying a potential difference between conducting materials.

A field of electric force, like a magnetic field, may be represented in magnitude and direction by drawing lines of force in the region surrounding the charged body or between charged bodies, the line densities being an

indication of the field strength. The relationship between these convenient though imaginary lines and the field strength E (a vector) is that the tangent to a line at any point gives the direction of E at that point and the number of lines per unit cross-sectional area (that is, the flux density, D , in $C\ m^{-2}$) is proportional to the magnitude of E . A number of typical and idealized fields for isolated and adjacent charges is shown in Fig. 1. Unlike the magnetic field, electric lines of force do not form closed loops, but are taken to emanate from positive charges and terminate on equal and opposite negative charge. When, therefore, a charged body is brought into proximity of an uncharged body, an induced charge of opposite sign appears on the near surface of the body, resulting from the line termination points. Hence, a net attraction is set up between the bodies because unbalanced forces act on the induced surface charges as illustrated in Fig. 2: a phenomenon known to the Greeks when their charged pieces of amber attracted wisps of straw.

It was believed at one time that a metallic body could not be given a charge by frictional means as could bodies of non-conducting or insulating materials; however, provided that the metal is supported or held by an insulating substance, such conductors

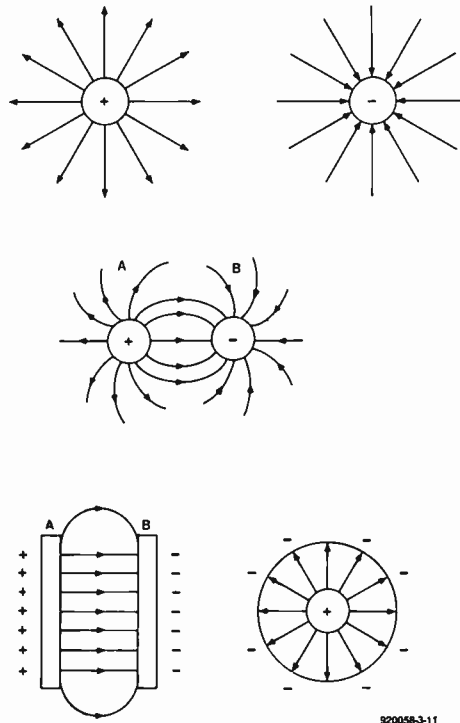


Fig. 1. Some typical electrostatic field configurations using the concept of lines of force.

can be charged just as well as anything else. In metals, only the negative charge is free to move; the positive charge is as immobile as it is in glass or any other insulator.

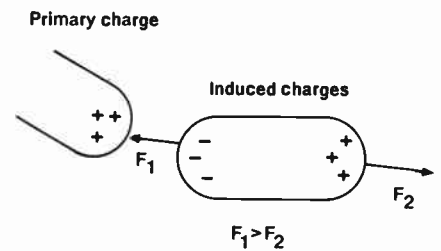


Fig. 2. A charged body attracts an uncharged body because unbalanced forces act on the induced charges disposition.

The electric field

To get a proper understanding of the phenomenon of capacitance, we need a proper appreciation of the field concept. In both magnetic and electric systems, energy is stored in the field, *not* in the component parts producing the field. Before Faraday's time, the force acting between charged particles was thought of as a direct and instantaneous interaction between the particles, and Faraday himself always thought of the field in terms of lines of force. This concept still provides us with a convenient way of visualizing field patterns as we have seen, but it is really necessary to think in terms of charge acting on a field or of a field acting on a charge, and *not* as charge acting upon charge as the action-at-a-distance concept would have us suppose. Look at Fig. 1c for a moment; suppose particle A carrying the positive charge suddenly moved to the left; how soon after this would the charge on particle B learn that A has moved and that the force of attraction it has so far experienced decreases? If action-at-a-distance were true, the information would be transmitted instantaneously to particle B, but this does not accord with commonplace experience. Moving charges in the aerial system of a radio transmitter, for example, establish an electromagnetic field and so influence electrons in a distant receiving aerial system, but only after a *finite* time, determined by the distance travelled and the speed of light.

When the flux density, D , changes, the electric force E changes proportionally and there is a constant relationship for a field established in air: the ratio D/E is designated ϵ_0 . This is the *permittivity* of free space or the free space constant. Its value is found ex-

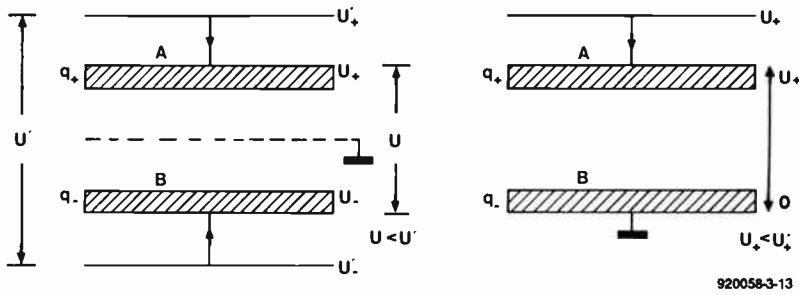


Fig. 3. The potential between conductors carrying equal charges falls as the conductors approach one another.

perimentally to be 8.85×10^{-12} F(arads) m^{-1} .

Capacity

There is a limit to the charge that may be placed upon a conductor. If an attempt is made to exceed this limit, a discharge will take place from the surface of the conductor to some nearby earthed or neutral point, sometimes as a spark or a fine corona or brush discharge into the surrounding air. Any conductor, therefore, has a certain ability or 'capacity' for holding a charge. Can we now obtain a practical definition of capacity and is it possible to increase the capacity of a given conductor so that more charge may be added before an 'overflow' occurs?

When a positive charge is added to a conductor, the potential of the conductor is raised relative to a neutral plane. This 'rise' in potential is measured in a negative sense for a negatively charged conductor; in both cases, the potential U is found to be proportional to the charge q coulombs; hence, $q = CU$, where C is a constant of proportionality. This constant, that is, the capacity of the

conductor, is called the *capacitance*. The m.k.s. unit of capacitance is the coulomb/volt, more commonly called the *farad* (F), named in honour of Michael Faraday. Thus, one farad = one coulomb/volt; that is, 1 coulomb of charge raises the potential of unit capacitance by one volt. The farad is a very large unit, and in practice the microfarad, μF (10^{-6} F), the nanofarad, nF (10^{-9} F), and the picofarad, pF (10^{-12} F) are used, although memory back-up values of several farads are now commonplace.

How might the capacity of an inductor be increased? What follows is true for conductors of any shape, but to make the explanation easier, it is assumed that a conductor in the form of an isolated metal plate, A , carries a positive charge, q_+ coulomb, giving it a positive potential. In Fig. 3a, this potential is represented by the line U_+ . The line marked U represents a neutral plane or earth line. Suppose a second metal plate, B , carrying a negative charge, q_- coulomb, also isolated, has a corresponding potential, U_- , represented by the line U_- . The potential difference between the plates is clearly $U = U_+ - U_-$ and this is proportional to the charge on *either* plate.

Let the two plates now approach each other; the charge on the plates will be unaffected, but what happens to their potentials? If a positive charge is brought near to an isolated conductor, the potential of that conductor will be lowered, since a negative charge will be induced on it; in the same way, the proximity of a negative charge will raise the potential. This, the potential of the positively charged plate A , will be lowered by the nearby presence of the negatively charged plate B from U_+ to some lower value U_+ . Similarly, the potential of plate B will be raised from $-U_-$ to some higher value $-U_-$. These new potentials are shown in the figure: the changes are indicated by the vertical arrows.

The same effect can be produced if a single plate, carrying, say, a positive charge Q_+ , is approached by an isolated neutral plate as shown in Fig. 3b. Lines of force from the charge on A will terminate on the inner surface of plate B and an induced negative charge will be established there. The inner plate surfaces now carry equal but opposite charges. The induced charge on B produces its own field and, in the same way

as described above, the potential of A consequently falls. Hence, the 'capacity' of A has been effectively increased by the presence of plate B . We conclude that the potential difference between two conductors that carry constant, equal charges of opposite sign is reduced as the conductors are brought closer together.

Devices that operate on these principles are capacitors; perhaps their old name of 'condenser' was not so inappropriate when it is considered that the electric field is concentrated by such means and so made capable of storing additional electrostatic energy.

The parallel plate capacitor

The parallel plate is the most basic of all capacitor designs: all other varieties are simply adaptations of it. Suppose two parallel plates are connected into a circuit as shown in Fig. 4. Starting with plates A and B uncharged, let a voltage be applied by the closing of switch S . A positive charge $+q$ then appears on the left-hand plate and a negative charge $-q$ on the right-hand one, so that finally the potential difference between the plates is equal to the applied voltage, U . The plates are then charged.

For these charges to be established, there must have been a movement of electrons around the circuit; that is, a current must have flowed in the direction A to B for the time during which the equalization of the voltages was attained. This *displacement* current can be detected on an ammeter wired in series with the circuit. If the battery is switched off, the charge on the plates persists, as does the potential U across the plates. Thus, the capacitor stores electrical energy. It should be noticed particularly that q coulombs is the quantity of charge on *either* plate; it must not be taken as the net charge on the capacitor, which is *zero*.

If the plates are now connected together by a piece of wire, the capacitor will discharge; a momentary displacement current follows from plate B to plate A to restore the neutral condition of the plates and reduce the terminal voltage to zero. No current passes *through* the capacitor; there is simply a movement of electrons away from the positive plate and towards the negative plate; and these return in the opposite direction when the device is discharged.

Effect of a dielectric

When a slab of insulating material is placed in the space between the plates of a capacitor, it is found that the capacitance is increased. This comes about because the molecules of the dielectric, as the insulator is called, have what are known as *electric dipole moments* which may be permanent in some material and tend to align themselves with an applied electric field, as illustrated in Fig. 5. The dipoles have random orientations in the absence of an external field, but experience a torque tending to align them with the field when this is applied. Complete alignment does not occur, because of ther-

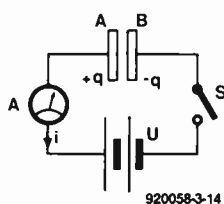


Fig. 4. Charging the basic capacitor.

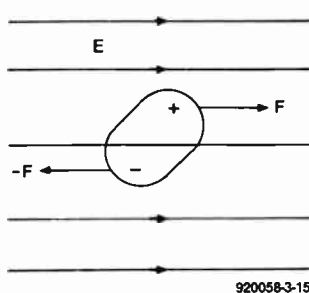
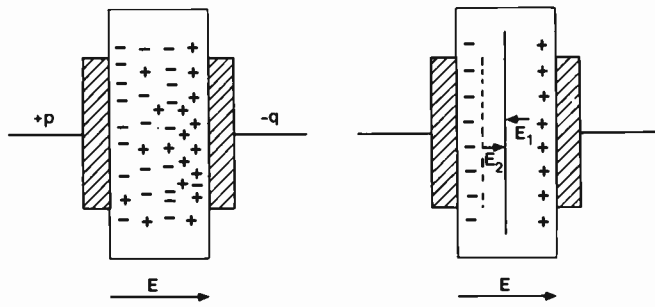


Fig. 5. Forces act on a molecular dipole and tend to align it with the electric field.

mal agitation of the molecules, but the alignment increases as the field is increased or the temperature falls. Molecules that do not have permanent dipole moments will, nevertheless, acquire them when subjected to an electric force. The field tends to separate the negative and positive charges on the molecule, so creating an induced dipole that will tend to alignment only when the field is present.

When a slab of dielectric is introduced between the plates of a capacitor, assumed to carry a fixed charge q , the effect of dipole alignment is to separate the *centre* of positive charge of the slab slightly from the *centre* of negative charge. The dielectric, although remaining electrically neutral, becomes polarized. The overall effect is the appearance of positive charges on one surface of the slab and of negative charges on the other. These charges must be equal in magnitude; within the slab itself, there is no displacement of electrons and no transfer of charge over large distances. As Fig. 6 shows, the induced surface charges will always be established in such a way that the electric field they themselves set up, E_1 , will oppose the applied field. The resultant field in the dielectric, E_2 , is then the (vector) sum of E (the applied field) and E_1 , and this is always smaller than E . We conclude that, owing to the presence of a dielectric in a field, induced surface charges tend to weaken the original field. This weakening shows itself as a fall in the potential between the plates; hence, the capacitance, for a constant q , must be increased.

Faraday first investigated the effect of a dielectric on the capacitance of a conductor. In an experiment similar to that shown in Fig. 7, two capacitors were charged to the same potential, U , by the battery. Unlike the argument made earlier, in this system U does not change, so the charge q on the capacitor with the dielectric must increase above that on the air-spaced capacitor, which Faraday found was so. Thus, since q is greater for the same potential and $C=q/U$, the capacitance must increase through the introduction of a dielectric. If we give the capacitance with dielectric the symbol C_d and that without a dielectric C_a , the ratio C_d/C_a is called the dielectric constant or, more generally, the *relative permittivity*, ϵ_r . The dielectric con-



920058-3-16

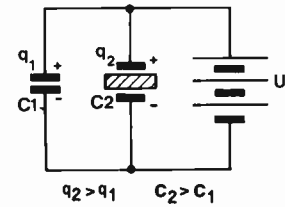
Fig. 6. (a) The applied field E separates the centre of +ve charge from that of -ve charge. (b) The surface charges set up a field E_1 which opposes the applied field E . The resultant field $E_2=E-E_1$ is thus weaker than E .

stant is unity for air spacing (strictly, for a vacuum), which, as we have noted, has a free space permittivity ϵ_0 . The *absolute permittivity* when a dielectric is used is $\epsilon_0\epsilon_r$. Hence, the capacitance of any capacitor can be expressed as $C=\epsilon_0\epsilon_rL$, where L depends on the form of construction and has the dimensions of length. For a parallel plate capacitor, L is A/d , where A is the plate area and d the plate separation.

Energy and losses

When a capacitor is charged to potential U , energy is stored in the electric field established between the plates. When the capacitor is discharged, the field energy is returned to the external circuit in some way, often as a spark that generates heat and light. For a perfectly efficient capacitor, there would be no energy loss and all the charge put into the system would be returned by it. In a dielectric, work is done in turning the molecular dipoles, and if the capacitor is charged and discharged periodically, this process causes heat to be generated in the dielectric which represents energy loss; this loss can be represented as a small resistance in series (or a large resistance in parallel) with a loss-free component. It is usual to express such a loss in terms of the angle by which the lead of the current on the voltage falls short of 90° .

The energy stored in a capacitor is potential



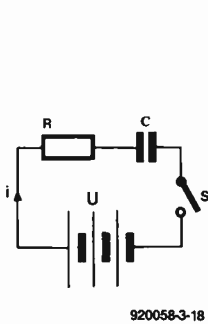
920058-3-17

Fig.7. The principle of Faraday's experiment to show that a dielectric increases the capacitance.

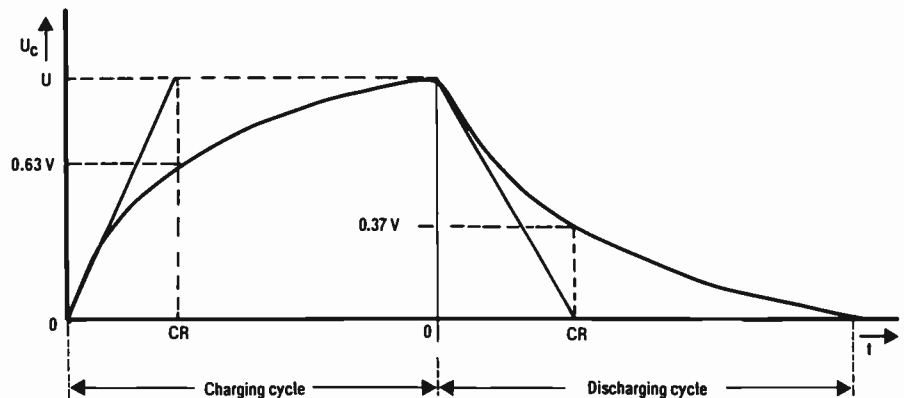
energy, which is dependent on the potential difference set up across the plates; in an inductor, it is comparable with kinetic energy associated with the movement of electrons in a wire. It is easily shown that the energy stored in a capacitance C is given by $CU^2/2$ joules.

Time constant

Since current is the rate of change of charge, $i=dq/dt$, the charge on a capacitor cannot change instantaneously, because that would require an infinite current and hence an infinite rate of change of voltage. This does not accord with experience. In effect, since the capacitance is constant, the voltage across a capacitor must momentarily remain the *same* before *and* after any abrupt change in the



920058-3-18



920058-3-19

Fig. 8. The meaning of time constant for the charging and discharging of a capacitor through a resistor.

circuit conditions. This concept is of great value in predicting the behaviour of a circuit at some particular instant of time, such as the closing or opening of a switch. We can use it here in a very brief study of the capacitor as a timing element, where the charging cycle is restricted by the use of a series resistance—see Fig. 8.

The voltage across *C* cannot rise immediately to the level of the applied voltage, *U*, when switch *S* gets closed: in fact, it remains at zero. So, the capacitor behaves as an instantaneous short-circuit and the applied voltage appears across *R*. This situation cannot remain, however; *C* begins to charge with a consequent rise in its terminal voltage and the potential across *R* falls correspondingly. The charging current will, therefore, be reduced from its initial value of $i=U/R$ to $i=(U-U_c)/R$. That is, as the voltage across *C* rises, the current and the rate of charging falls. Since $dq=idt=CdU$, $i=CdU/dt$. At the onset of charging, the initial current, $i=U/R$; hence, $U/R=CdU/dt$, and the initial rate of rise of voltage is U/CR V s⁻¹. If this rate could continue unopposed, the voltage on *C* would reach its final value *U* in a time

given by $t=U(U/CR)=CR$ seconds as shown in Fig. 8. One important point arises here: if the charging current is kept constant, the charging curve will be linear. This fact is used in circuits where a voltage with a linear sawtooth waveform is required.

With the existing situation, of course, the voltage across *C* continually rises and opposes the supply voltage, thus making the charging cycle non-linear. At any particular instant, the capacitor still has to be charged $(U-U_c)$ volts, and if this in turn were to continue at a constant rate, the time for the completion of the charge would be $(U-U_c)/(U-U_c/CR)=CR$ seconds as before. Hence, at any point on the charging curve, the time remaining to complete the charge at a linear rate is *CR* seconds. In theory, then, the capacitor can never be charged completely.

Figure 8 shows the actual form of the charging curve which is exponential in form, just as the rise of current in an inductor was seen to be in the first part of this article.

The product *CR* has the dimensions of time, and it is not too difficult to show that in a time equal to *CR* seconds, the charge will have

reached a level given by $U_c=0.63U$.

The curve also shows the discharge condition, assuming that the charged capacitor discharges through the same resistance. Again, if the initial rate of fall in the capacitor voltage were to continue at a constant rate, the cycle would be completed in *CR* seconds, and this would be true for any point on the curve. Notice that the level actually reached in *CR* seconds is 0.37 *V*.

The product *CR* is known as the *time constant* of the circuit and is a very important and fundamental aspect of capacitance principles. Note that the time constant is normally given the symbol τ , thus $\tau=CR$.

To summarize: the electronic age could not exist without capacitors and inductors. Both of these passive components are used in conjunction with each other and with other devices to produce tuned circuits, oscillatory systems, smoothing circuits, the transmission of signals and to provide time delays, to name but a few. Perhaps these brief studies will afford the 'passives' a little more respect than they usually get. ■

ACOUSTIC CRYSTAL TESTER

A CRYSTAL cannot be tested acoustically, unless, that is, its output is scaled down to the audio frequency range by a circuit as shown in the diagram.

A divider that is particularly suitable for this purpose is the Type 4060 CMOS IC. This circuit contains not only a 14-stage binary scaler, but also a complete oscillator.

The crystal to be tested is connected across the input terminals and *S*₂ set as indicated in the table. The crystal frequency is scaled down in IC₁ and, depending on the setting of *S*₂, one of the outputs of the 4060 drives transistor T₁ via R₂. The transistor, in turn, drives a small loudspeaker, LS₁. The power delivered to the speaker is limited by R₅ to prevent damaged eardrums.

It is, of course, not possible to use one scale factor for all sorts of crystal, and that is why switch *S*₂ enables selection of one of three different factors. For crystals <1 Mhz, the scale factor is 128; for crystals in the range 1–10 MHz, the scale factor is 4096; and for crystals >10 Mhz, the scale factor is 8192.

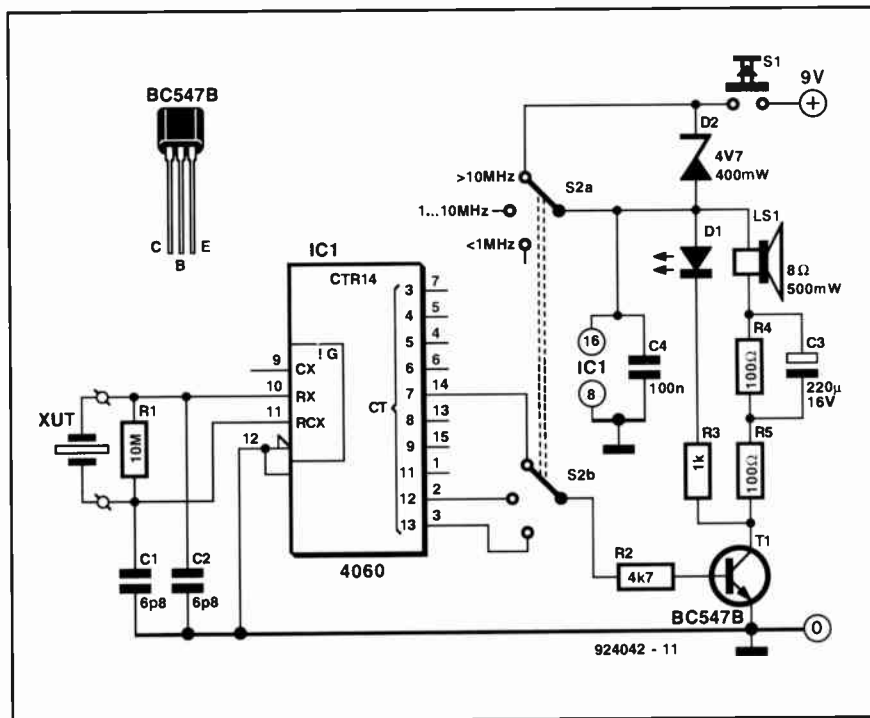
Also, crystals operating above 10 MHz oscillate readily at somewhat higher

voltages than low-frequency ones. That is why *S*_{2a} and D₂ lower the supply voltage to 4.7 V when crystals below 10 MHz are tested.

If a mains-operated power supply is preferred over a 9-V battery, a 12 V/50 mA one is recommended. In that case, D₂ must be a 6.8 V type.

[K.H. Lorenz - 924042]

Position of S ₂	Crystal Frequency	Oscillator Frequency	Tone Frequency
<1 MHz	32.768 kHz	32.768 kHz	256 Hz
	100 kHz	100 kHz	781 Hz
1–10 MHz	1 MHz	1 MHz	244 Hz
	4 MHz	4 MHz	977 Hz
	10 MHz	10 MHz	2 441 Hz
>10 MHz	27.145 MHz	9.048 MHz	1 105 Hz
	48 MHz	16 MHz	1 953 Hz
	100 MHz	20 MHz	2 441 Hz



12 VDC-TO-240 VAC INVERTER

Design by N. Grimm

Many people intending to go on a camping or caravanning holiday will appreciate this 600 VA converter that provides a standard 240 V 50 Hz a.c. supply from a 12 V vehicle battery.

A perennial problem in the design of an inverter is the waveform of the output voltage. A sine wave is, of course, the ideal, but unfortunately the losses in the inverter are then unacceptably high. It is far better to design a rectangular waveform output for which the losses are much smaller. That in turn allows a compact design that can deliver a fairly high power. This has, however, the serious disadvantage that virtually all appliances that are to be powered by the inverter require a more or less sinusoidal supply.

In the present design, a compromise between these opposites has been reached: the output voltage has a trapezoidal waveform. This is near enough to a sine wave to enable standard domestic appliances to operate from the inverter and, moreover, it does not appreciably add to the cost or size of the unit. Repeatability and reliability were two important aspects of the design. Efficiency and control action from no-load to full-load conditions in the prototypes are excellent.

Design

The block diagram of the inverter is shown in Fig. 1. A power stage, connected to the battery via a polarity protection circuit, converts the battery voltage into a low-level alternating voltage, which is applied to the secondary winding of a mains transformer. The turns ratio of the transformer is such that across the primary winding an alternating voltage at a level of 240 V is generated.

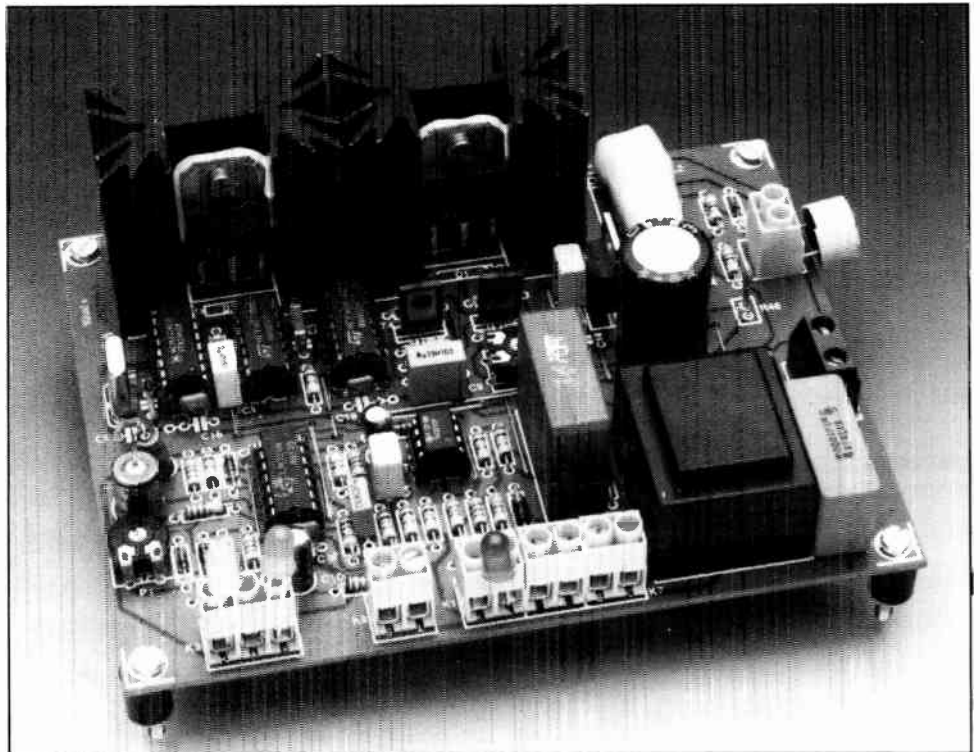
A controller stage provides the necessary correcting voltage to the power stage. The controller receives information from a temperature monitor, an input-current limiting stage, and a quartz oscillator (clock).

The oscillator provides a stable 100 Hz signal to which the frequency of the output voltage is locked.

An optoisolator supplies part of the output voltage to a voltage regulator. If the optoisolator should fail, a small piezo buzzer warns that the voltage regulator is inoperative. The output of the regulator is applied to the controller.

The circuit

In the circuit diagram in Fig. 2, four modules, each containing four power transistors, make up the push-pull power stage of the inverter. The power transistors in each of the modules are connected in parallel via R_5 - R_8 and R_{52} - R_{55} . The low-value resistors in the emitter circuits provide current feedback,



which ensures near-equal currents through the transistors. Modules 1 and 2 form one branch of the push-pull power stage, and modules 3 and 4 the other. The four secondary windings of Tr_2 are connected to the collector circuits of the power transistors and

to the positive terminal of the battery via relay contact Re_2 . The power transistors alternately connect and disconnect the secondary windings to and from earth.

The control voltage for the power stages is derived from crystal oscillator IC_1 . The

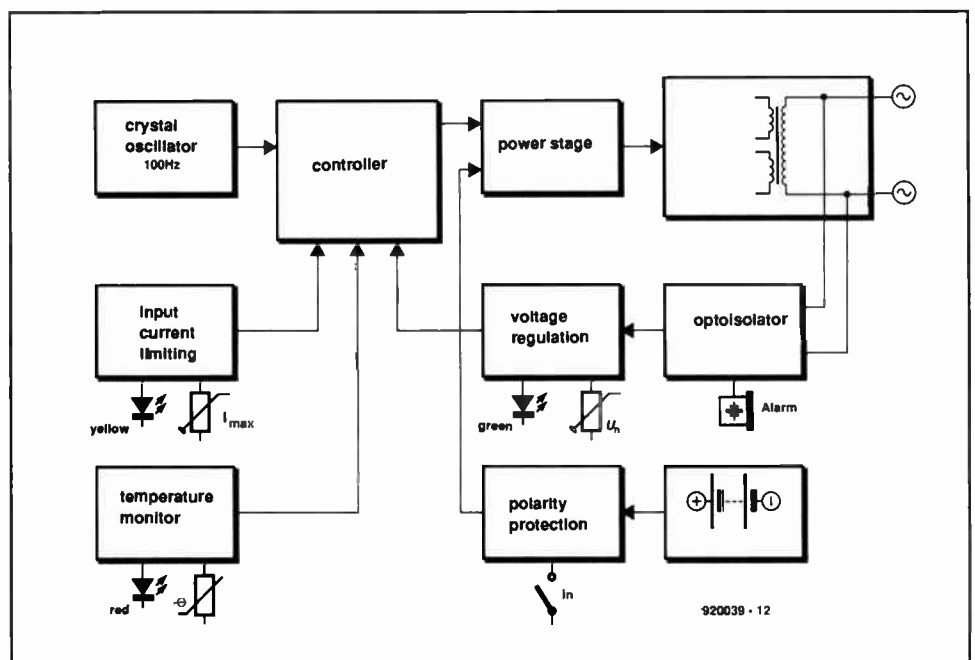


Fig. 1. Block diagram of the inverter.

crystal has a frequency of 3 2678 MHz, which is scaled down by the chip itself to a rectangular 200 Hz signal. Bistable IC_{2a} scales this down further to 100 Hz. The resulting 100 Hz signal is supplied to bistable IC_{2b}, which delivers two out-of-phase 50 Hz signals to its two complementary outputs.

The clock signals are applied to the bases of Type BD679 darlington transistors, T₂ and T₄, via AND gates IC_{3a}-IC_{3b} and IC_{3c}-IC_{3d} respectively. These transistors provide sufficient base current for drivers T₃ and T₅, each of which forms a darlington configuration with the power transistors in modules 1-2 and

3-4 respectively.

In this kind of configuration, it is essential that the drive signals for the two push-pull branches do not overlap. If that were to happen, all power transistors would conduct simultaneously, albeit for a very short time. This would, however, cause an unrec-

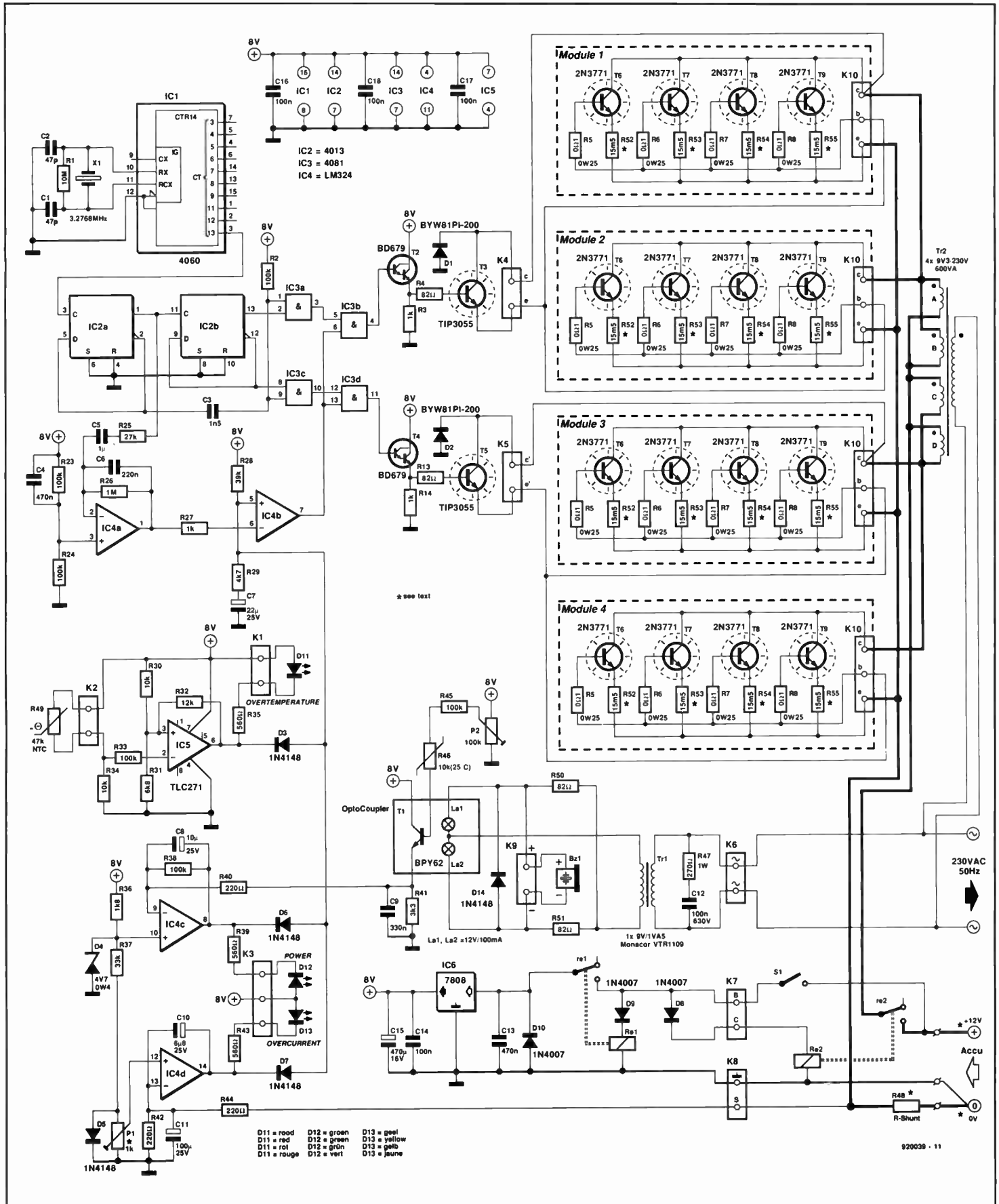


Fig. 2. Circuit diagram of the inverter.

essary drain on the battery, and also be a potential risk to the power transistors. This situation is obviated by shortening the clock pulses to about 0.1 ms by network R₂-C₃.

The control and protection functions are provided by opamps IC₄ and IC₅.

The 100 Hz output signal of IC_{2a} is applied to the inverting input (pin 2) of integrator IC_{4a}. The output of this opamp is a triangular waveform (pin 1).

The triangular waveform is compared by IC_{4b} with the signal at its non-inverting input (pin 5). That signal consists of three components that are OR-linked via D₃, D₆ and D₇.

The output (pin 7) of the comparator is a rectangular waveform, whose duty factor depends on the level of the voltage across R₂₉-C₇.

The clock provided by bistable IC_{2b} is combined with the output of the comparator by IC_{3b} and IC_{3d}.

If the width of the pulses provided by IC_{4b} is small, the push-pull output is switched on only relatively briefly, which results in a low inverter output. The greater the width of the pulses, the higher the inverter output will be.

The components of the signal at pin 5 of IC_{4b} are provided by temperature monitor IC₅, voltage regulator IC_{4c} and current limiter IC_{4d}.

The inverting input of IC₅ is fed with the voltage across an NTC (negative temperature coefficient) resistor R₄₉, which is mounted on one of the heat sinks for the power transistors. The non-inverting input is at a fixed potential provided by R₃₀-R₃₁. When, owing to a rising temperature, the value of R₄₉ becomes low, the output (pin 6) of IC₅ toggles to near-earth potential, which is indicated by the lighting of D₁₁. Feedback resistor R₃₂ provides a hysteresis of about 10 °C, so that IC₅ switches off at about 60 °C and switches on again at around 50 °C.

Because of its low output level, IC₅ pulls the non-inverting input of IC_{4b} to ground via D₃. This results in a lowering of the duty factor of the output signal of IC_{4b}, and this in turn reduces the mean current through the power transistors and, therefore, the output voltage of the inverter.

Voltage regulator IC_{4c} compares the reference voltage at pin 10, which is held steady by R₃₆-D₄, with the potential at its inverting input (pin 9). That potential is derived from the inverter output by optoisolator T₁-La₁-La₂. The light bulbs operate from a 9 V supply provided by Tr₁.

The base of phototransistor T₁ is at a temperature-dependent potential derived from the 8 V supply via P₂-R₄₅-R₄₆. When it receives a large light flux, the potential across R₄₁ rises above the reference voltage at pin 10 of IC_{4c}, the output of that opamp drops and D₁₂ lights. At the same

time, the voltage at pin 6 of IC_{4b} drops, resulting in a lower duty factor and, consequently, a reduced output voltage. When the inverter output has dropped to a value that causes pin 9 of IC_{4c} to become more negative than pin 10, the inverter output rises again. The regulation is set with P₂ to obtain a stable 240 V output.

Piezo buzzer monitors the two light bulbs. In normal operation, there is no drop across

it, but when one of the bulbs burns out, it is connected to the 9 V secondary of T₁ via R₅₀ or R₅₁ and sounds an alarm.

The control board is connected to the battery via a separate earth line. The current in that line is so small that for all practical purposes the earth potential of the board is the same as that of the battery. The output stages and Tr₂ are connected to the (earthed) battery terminal via R₄₈. This is, however, not a

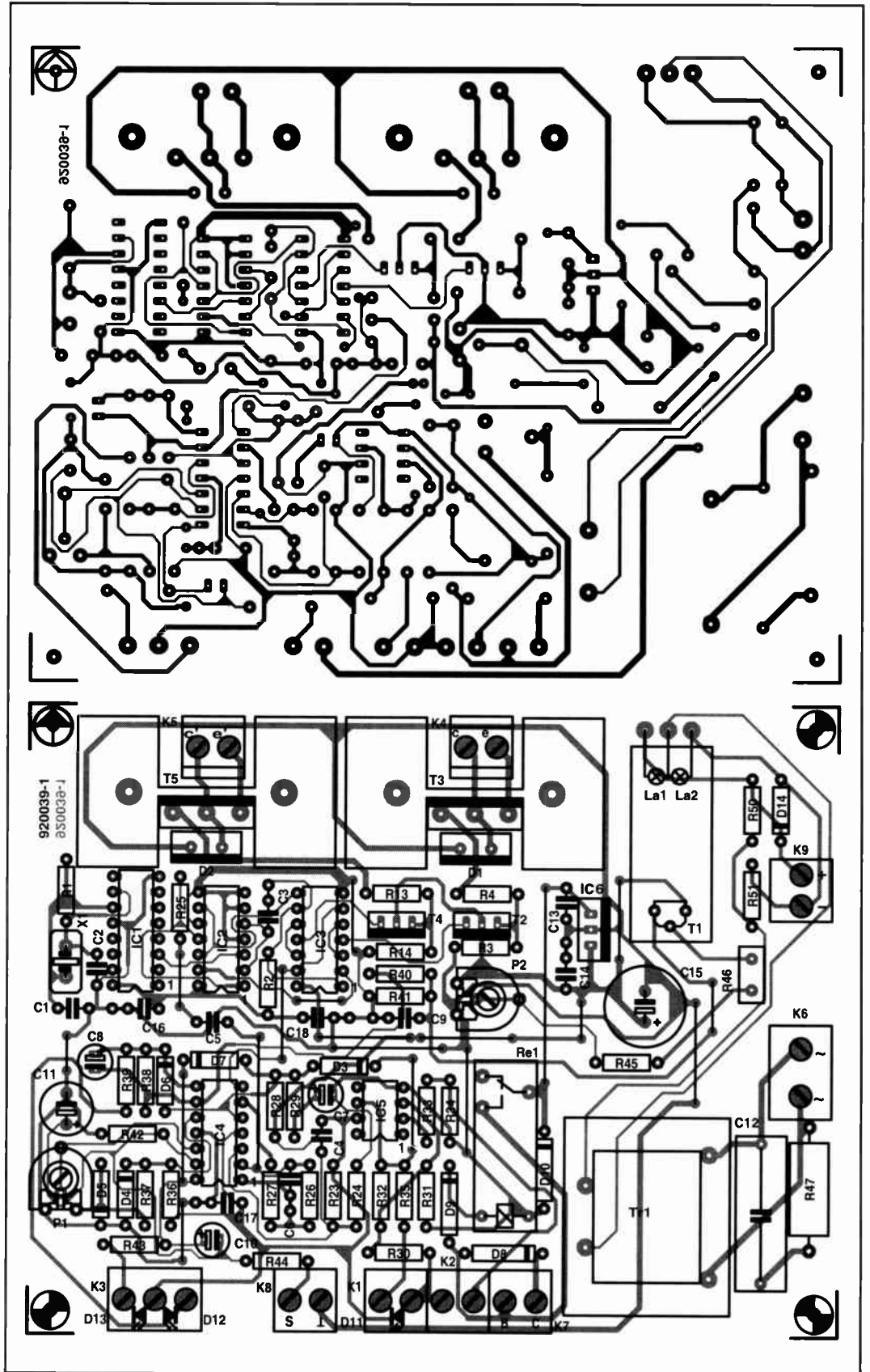


Fig. 3. The printed control circuit board.

PARTS LIST

Control circuit

Resistors:

R1 = 10 M Ω
 R2, R23, R24, R33, R38, R45 = 100 k Ω
 R3, R14, R27 = 1 k Ω
 R4, R13, R50, R51 = 82 Ω
 R25 = 27 k Ω
 R26 = 1 M Ω
 R28 = 39 k Ω
 R29 = 4.7 k Ω
 R30, R34 = 10 k Ω
 R31 = 6.8 k Ω
 R32 = 12 k Ω
 R35, R39, R43 = 560 Ω
 R36 = 1.8 k Ω
 R37 = 33 k Ω
 R40, R42, R44 = 220 Ω
 R41 = 3.3 k Ω
 R46 = 10 k Ω (at 25 °C) NTC
 R47 = 270 Ω , 1 W
 R48 = see text
 R49 = 47 k Ω NTC
 P1 = 1 k Ω multiterm preset
 P2 = 100 k Ω multiterm preset

Capacitors:

C1, C2 = 47 pF
 C3 = 1.5 nF
 C4, C13 = 470 nF
 C5 = 1 μ F
 C6 = 220 nF
 C7 = 22 μ F, 25 V, upright
 C8 = 10 μ F, 25 V, upright
 C9 = 330 nF
 C10 = 6.8 μ F, 25 V, upright
 C11 = 100 μ F, 25 V, upright
 C12 = 100 nF, 630 V
 C14, C16, C17, C18 = 100 nF
 C15 = 470 μ F, 16 V, upright

Semiconductors:

D1, D2 = BYW81P1-200 (SGS Thomson)
 D3, D5-D7, D14 = 1N4148
 D4 = 4.7 V, 400 mW, zener
 D8-D10 = 1N4007
 D11 = 5 mm LED, red
 D12 = 5 mm LED, green
 D13 = 5mm LED, yellow
 T1 = BPY62/2
 T2, T4 = BD679
 T3, T5 = TIP3055
 IC1 = 4060

IC2 = 4013
 IC3 = 4081
 IC4 = LM324
 IC5 = TLC271
 IC6 = 7808

Miscellaneous:

La1, La2 = telephone bulb, 12 V, 100 mA
 K1, K2, K3, K4, K5, K7, K8, K9 = 2-way spring-loaded PCB terminal board, 5 mm grid
 K3 = 3-way spring-loaded PCB terminal board, 5 mm grid
 K6 = 2-way spring-loaded PCB terminal board, 7.5 mm grid
 S1 = on/off switch, 2 A
 X1 = crystal, 3.2768 MHz
 Re1 = 12 V relay, contact rating 8 A
 Re2 = 12 V relay, contact rating 70 A
 Bz1 = 5 V d.c. buzzer
 Tr1 = secondary 9 V, 1.5 A (Monacor)
 Tr2 = primary 4 \times 9.3 V, 50-60 Hz; secondary 240 V*
 2 \times heat sink Type 129/37.5 SA \dagger
 Enclosure 165 \times 440 \times 350 mm
 PCB Type 920039-1

Front panel foil Type 920038F

Power circuit (for one module)

Resistors:

R52-R55 = made from 0.433 Ω /m resistance wire (see text)
 R5-R8 = 0.1 Ω , 3 W

Semiconductors:

T6-T9 = 2N3771

Miscellaneous:

K10 = 3-way flat-cable connector for PCB mounting
 Heat sink Type SK85/75/SA \dagger
 Heat sink Type WP40/30/SA \dagger , 1000 mm long (see text)
 PCB Type 920038-2

\dagger Available from Dau Ltd, 70-75, Barnham Road, Barnham PO22 0ES; Phone (0234) 553031

*Available from Amplimo BV, Vossenbrinkweg 1; 7491 DA Delden, The Netherlands; Phone 05407 62024; Fax 05407 63132

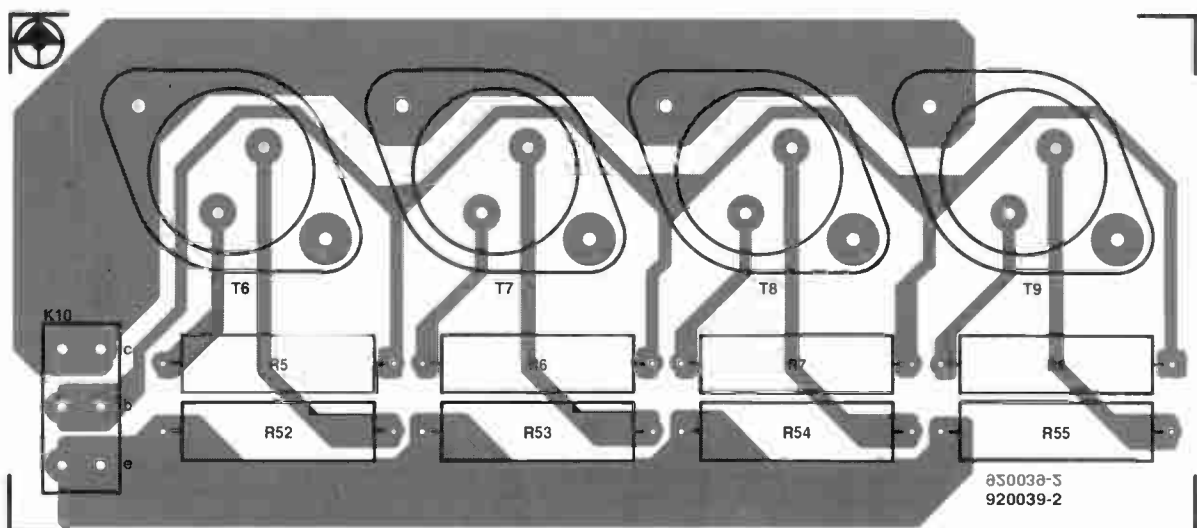
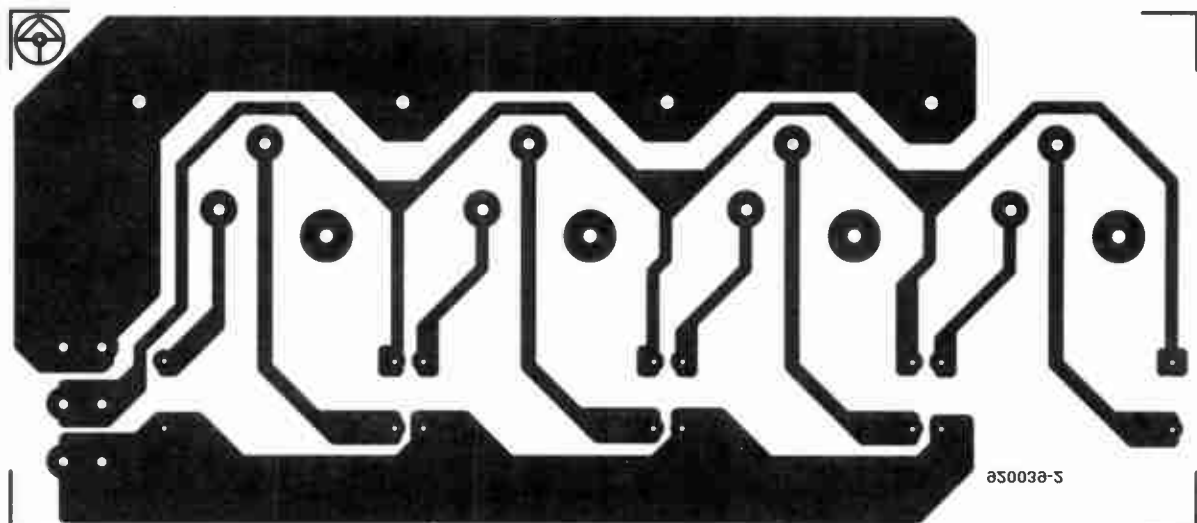


Fig. 4. The printed power circuit board.

resistor, but represents the resistance of the connecting cables. The (load-dependent) drop across this resistance ensures that the potential at the inverting input (pin 13) of IC_{4d} is positive with respect to earth. The voltage level at the non-inverting input (pin 12) is preset with P₁. When the drop across R₄₈ exceeds the level at pin 12, IC_{4d} changes state, whereupon its output (pin 14) pulls pin 5 of IC_{4b} to ground via D₇. That results in a lowering of the duty factor and, consequently, a drop in the inverter output. This situation is

indicated by the lighting of D₁₃.

Polarity protection is provided by relays Re₁ and Re₂ and diodes D₈ and D₉. The inverter can be switched on by S₁ only if the battery is connected with correct polarity.

Finally, IC₆ and C₁₃–C₁₅ provide traditional regulation of the power supply for the control board.

Construction

The inverter is built on five PCBs: one for

the control, monitor and regulation stages—see Fig. 3, and four for the power stages: one for each module—see Fig. 4.

Populating the control board is straightforward. Driver transistors T₃ and T₅ must be fitted on a suitable heat sink as shown in the parts list, but IC₆ does not need one. Sockets should be used for all ICs.

The optoisolator is constructed from a length of pipe of suitable, but not too large, diameter, into which the phototransistor and the two 12 V (telephone) light bulbs are fit-

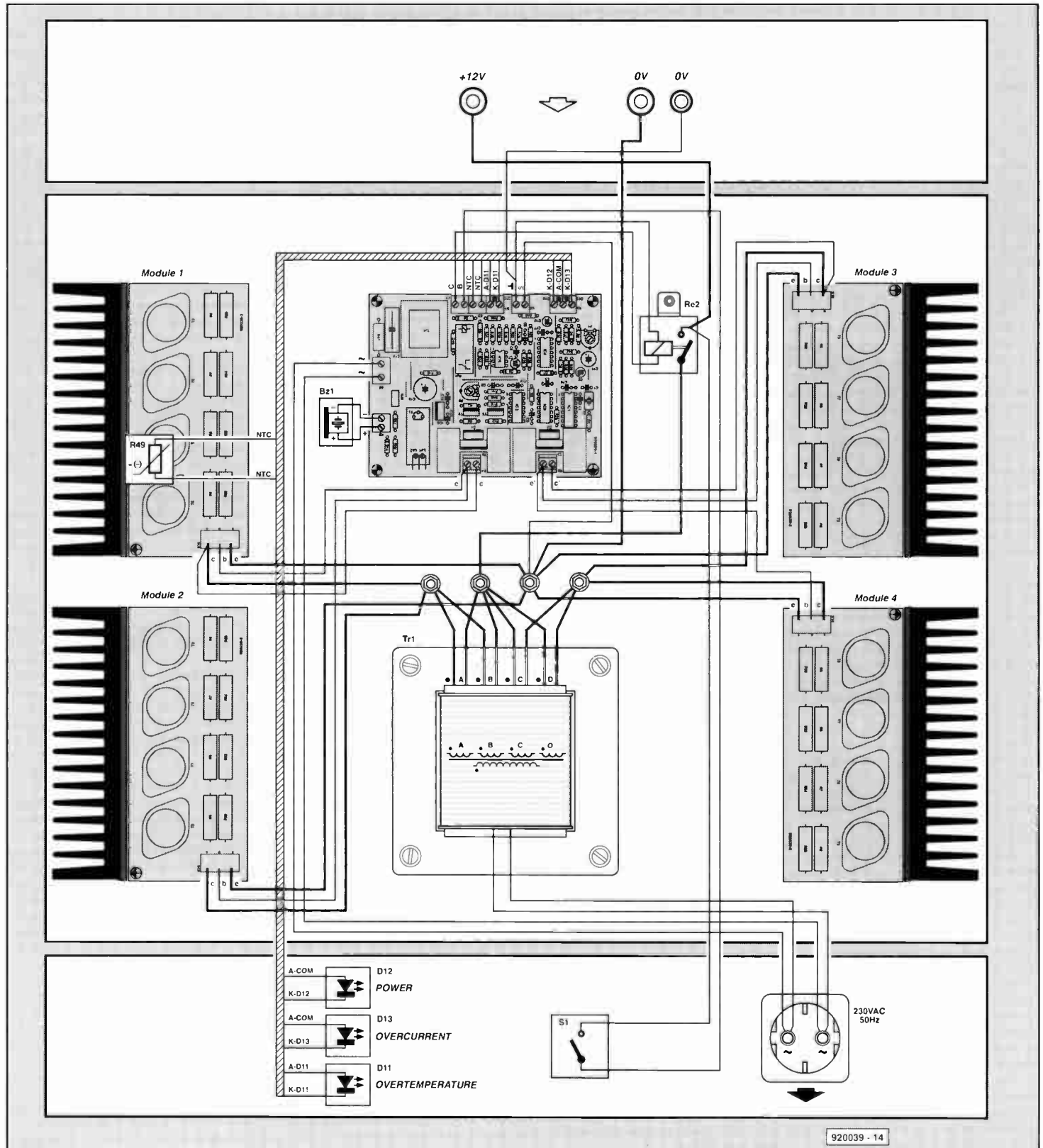


Fig. 5. Wiring diagram of the inverter.

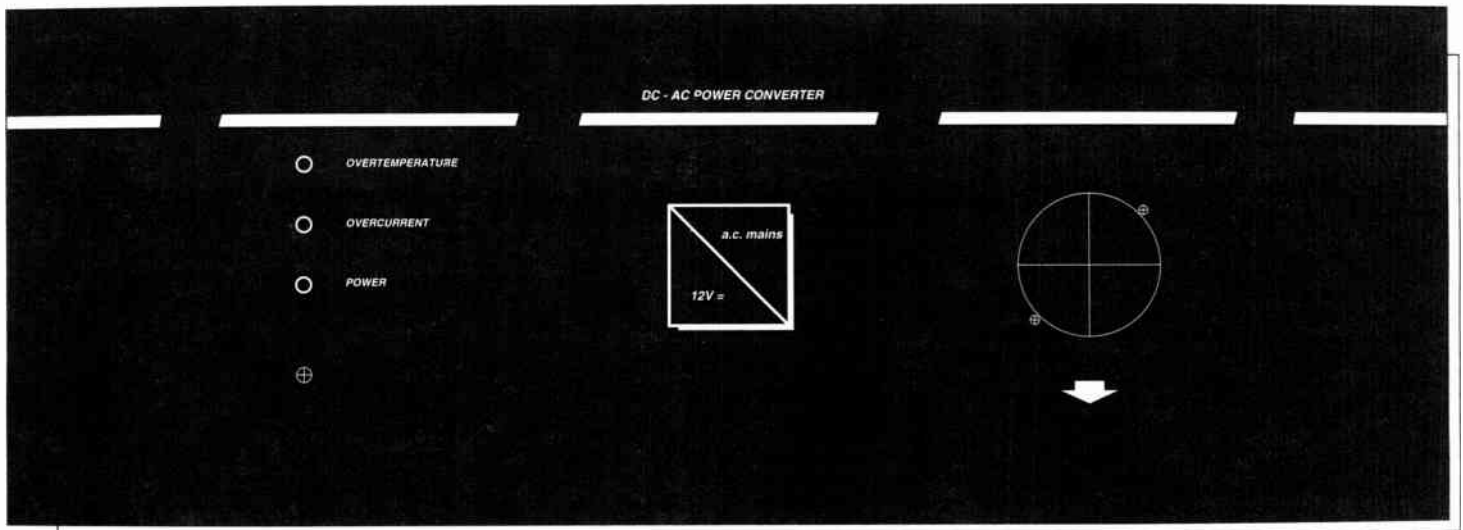


Fig. 6. A self-adhesive foil for the front panel is available through our Readers' services.

ted at either side. When the connecting wires of these components have been taken outside, the pipe must be sealed light-tight.

Transformer Tr₂ is a special type that may have to be made to order, although it is available from certain retailers. It is not cheap: of the order of £75–£80.

Each of the four power boards is designed for use with an angle-profiled heat sink, for instance, that shown in the parts list, that must be sawn to the required length of 16 cm. The necessary holes are best drilled in it by using the a photocopy of the board as a template. The power transistors are mounted on it with insulating washers, non-metallic screws, nuts and washers, and a good helping of heat conducting paste, before the board and heat sink sink are fastened together.

Power resistors R₅₂–R₅₅ consist of a 50 mm (2 in) length of resistance wire, whose ends must be cleaned with wire wool and bent at right angles. Solder them on to the board so that they are a few millimetres above the surface.

Boards and power stages are best interconnected with the use of bullet plugs and sockets as used in vehicle wiring.

Wiring to the power transistors should be flexible and have a cross-sectional area of not less than 2.5 mm². The sixteen wires to

the emitters and those to the collectors should preferably have the same length.

The inverter should be connected to the battery with starter cable of cross-sectional area not less than 10 mm², but preferably 16 mm².

Testing

The control board is best tested before it is assembled with the remainder of the inverter with the use of a 12 V battery or laboratory power supply. Connect the +ve line to K₇B and the -ve line to K₈. With an oscilloscope or voltmeter, check the voltages at the output of drivers T₃ and T₅ (K₄ and K₅ respectively). After power-on, the duty factor of this waveform should change slowly to 1:1.

Next, apply a variable direct voltage across the secondary of Tr₁. When the level of that voltage is raised to about 6–8 V, the effect of the voltage regulation on the duty factor should be quite clear.

For the remainder of the tests, it is better not to use a power supply, but a car battery. Also, take care with using a multimeter: its 20 A d.c. range may be overloaded at even low loading of the inverter.

Connect a 100 W light bulb to the output socket of the inverter. A few seconds after

power-on, this should attain maximum brightness. Adjust P₂ until it has the same brightness as when it is connected to the mains. It is, of course, also possible to carry out this adjustment with the use of a moving-iron voltmeter. Note that moving-coil and digital voltmeters are not suitable. Recheck the output voltage after the inverter has been on for about 10 minutes. If it has risen by more than 3–5 V, replace R₄₆ by a 5 k (25 °C) type.

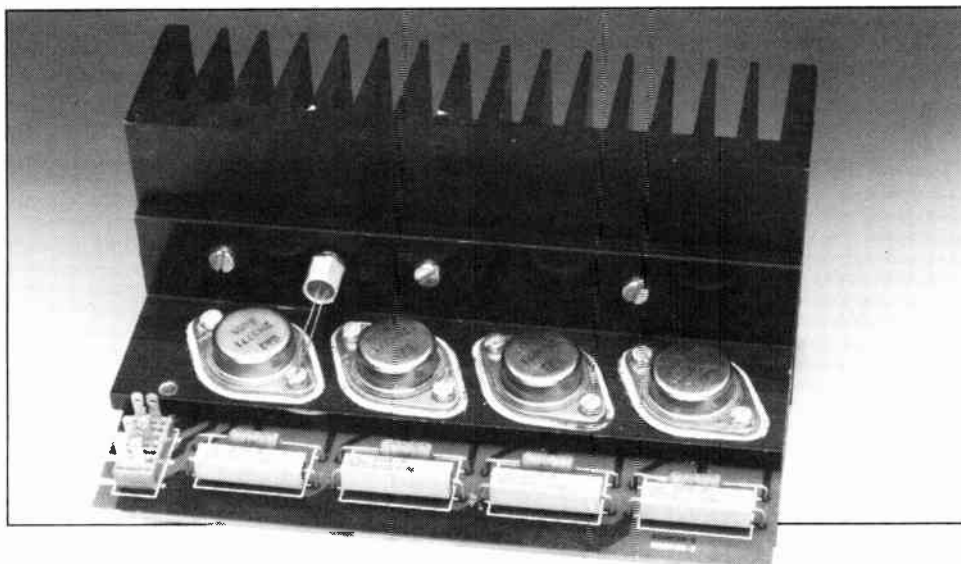
The current limiting must be set after the inverter has been loaded with six 100 W light bulbs in parallel. Adjust P₁ such that current limiting just begins. If the inverter is to be used at high loads regularly, P₂ should be re-adjusted accordingly. The inverter can deliver up to 800–1000 W for short periods, provided the battery is capable of this. If the inverter is to be used in high ambient temperatures, a cooling fan should be added.

Under no-load conditions and operating from a well-charged 12-V battery, the inverter draws a current of about 1 A; with a 100 W load, the drain is around 10 A; with a 300 W load, the current is some 30 A; and at full load, the drain is around 80 A—a current that most car batteries cannot deliver for long periods. Apart from the fact that the battery gets hot, its efficiency drops sharply. For instance, an 80 Ah battery delivering 40 A has an effective capacity of only 60% of its rated capacity.

It is, of course, possible to operate from a 24-V power source (battery or solar cells, for instance), when all currents mentioned will be halved. The changes necessary to do this are: (a) the primary of Tr₂ should be rated at 21 V; (b) the power transistors should be Type 2N3772; and (c) the relays should be 24-V types. Furthermore, it would then be prudent to fit IC₆ on a small heat sink.

Efficiency

A variety of tests, carried out on the author's prototype operating from a 12-V battery, showed that the efficiency varied from 68% to nearly 75% when the battery voltage and load ranged from 11.3 V and 970 W to 12.5 V and 25 W.



8051/8032 ASSEMBLER COURSE

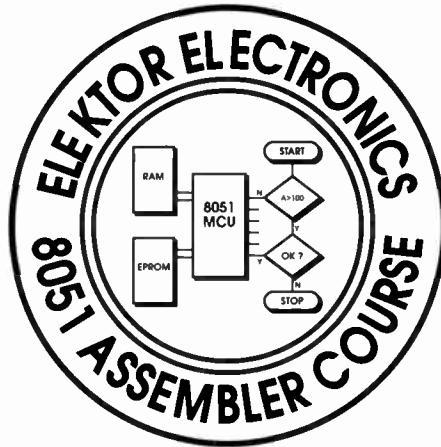
PART 5: ARITHMETIC INSTRUCTIONS

By Dr. M. Ohsmann

This instalment of the course is devoted to arithmetic operations, which are used in nearly every program, however small. In addition, some programming techniques will be discussed to show how simple calculations can be performed on the basis of the arithmetic instructions. Finally, two example programs are given that take the theory into practice: a capacitance meter and a noise generator.

Addition

The 8051 family of microcontrollers has the following instruction to add two 8-bit values (bytes):



```
ADD A, BYTE-OPERAND ;add BYTE-OPERAND to accu contents
```

The result of the above instruction is left in the accumulator. The carry bit (CY, sometimes also referred to as C) is set if there is a carry out from bit 7, and cleared otherwise. When adding unsigned integers in the range 0 to 255, a set carry flag indicates that an overflow occurred.

The auxiliary carry (AC) flag, used for BCD number adding, is set if there is a carry out from bit 3, and cleared otherwise. The AC flag is used by the DA A instruction discussed further on.

The overflow (OV) flag is set if there is a carry out of bit 6, but not out of bit 7, or a carry out of bit 7, but not bit 6; otherwise OV is cleared. This flag allows an overflow to be detected when adding two signed integers in the range -128 to +127.

The meaning of the flags depends on whether the bytes involved are unsigned integers, signed integers, or BCD numbers. The difference between these three requires a short discussion, given below.

Number notation

1. Unsigned numbers

These are all numbers that can be written with the aid of a sequence of weighted binary values 2^n , where n is 1, 2, 4, 8, 16, etc.:

$$128 \times \text{bit7} + 64 \times \text{bit6} + \dots + 4 \times \text{bit2} + 2 \times \text{bit1} + 1 \times \text{bit0}$$

In this way, a byte (eight bit positions) can

be used to represent all unsigned values between 0 and 255.

2. BCD numbers

The BCD (binary coded decimal) number notation is based on indicating the left and right 4-bit groups (nibbles) contained in a byte as binary coded decimal numbers. The advantage of this notation is that it is simple to output. However, it also has a disadvantage: binary addition and subtraction can not be used just like that on BCD numbers, since additional corrections ('decimal adjustments') are required. The DA A instruction is capable of performing these corrections, for which it uses the AC flag.

3. Signed numbers

The world is, unfortunately, not completely positive. Many computer applications require the use of negative values, which forces us to think of ways to add the minus sign to a number. In computer number notation, this is usually done as follows for the range -128 to +127: if the number to be represented, x, is positive or nought, it is simply written as a byte without a sign. If x is negative (and has an absolute value smaller than or equal to 128), it is represented as (256+x), i.e., the value lies between 128 and 255. This means that bit 7 is set to indicate that the number is negative. To be able to output a negative number, the value has to be formed first, so that the new (then positive) number can be output with a minus sign in front of it. Negative numbers are also treated separately with multiplications and divisions.

Table 1 shows some examples of bit patterns that represent different numbers.

4. Large numbers

It often happens that the eight bit positions of a byte are not sufficient to represent all numerical values needed to achieve a certain accuracy. 16-bit values, for instance, are represented by two bytes; 32-bit values by four bytes, and so on. The bytes that form a 16-bit or 32-bit number are kept together as a group stored in successive memory locations. In this course, the lowest order byte is always stored at the lowest address. The bytes stored in the next higher locations are either signed, unsigned or BCD numbers. When two bytes are used to represent numbers, the following 16-bit ranges are available:

Table 1

Binary	Hex	non-signed	signed	BCD number
00000000	00	0	0	0
00000001	01	1	1	1
00000010	02	2	2	2
00010001	11	17	17	11
00100101	25	37	37	25
11111111	FF	255	-1	not defined
10000000	80	128	-128	80
01111111	7F	127	127	not defined

Unsigned: 0 to 65535
 Signed: -32768 to +32767
 BCD: 0 to 9999

the CY flag is set, signalling that the result of the previous ADD or ADDC instruction is greater than 99 after the DA instruction. An example:

Multiplication and division

The 8051 features an auxiliary accumulator, referred to as register B, and located at

Table 2 shows a few examples.

Adding with carry

If 16-bit or 32-bit numbers are to be added, it is required that a carry resulting from a byte position be taken into account when the next byte is added. This is achieved with the instruction

```

MOV A,#11H      ;Addition of 99 and 11
ADD A,#99H      ;BCD value 11 to accu      00010001B  11
DA A            ;+ BCD value 99 gives    +10011001B  99
                ;not a BCD value =      10101010B  AA
                ;gives                  000010000B + carry
                ;equals BCD             1 00010000  110
    
```

```
ADDC A,BYTE-OPERAND ;add operand+CY to A
```

The result of this instruction is left in the accumulator. The following program example adds a number NMBR2 to a 16-bit number NMBR1, which is contained in RAM:

After the DA A instruction, the CY flag again signals a carry, which means that the BCD value is 100.

```

MOV A,NMBR1      ;fetch LS byte of NMBR1
ADD A,NMBR2      ;add LS byte of NMBR2
MOV NMBR1,A      ;store result
MOV A,NMBR1+1    ;fetch next byte of NMBR1
ADDC A,NMBR2+1   ;add byte, incl. previous carry
MOV NMBR1+1,A    ;store result
    
```

Subtraction

The MCS-51 instruction set has only one instruction for subtraction:

```
SUBB A,BYTE-OPERAND ;subtract OPERAND+CY from A
```

If the status of the carry (borrow) bit is not known before starting a subtraction, it should be cleared by a CLR C instruction.

SFR address 0F0H. It is used for multiplication and division of unsigned 8-bit numbers. The relevant instructions are

```

MUL AB          ;multiply A and B
DIV AB          ;divide A by B
    
```

where A is contents of the accumulator contents, and B that of register B.

The result of the MUL instruction is that the low-order byte of the 16-bit product is left in the accumulator, and the high-order byte in register B. If the product is greater

BCD correction

To obtain a BCD number as the result of adding two BCD numbers, the instruction

```
DA A ;decimal adjust
```

where DA A stands for decimal adjust accumulator for addition. DA A is executed immediately after the addition. Six is added to the accumulator if the value of the low-order nibble of A is greater than 9, or if the AC flag is set. This produces the proper BCD digit in the low-order nibble. The CY flag is set if this adjustment produces a carry out, which propagates through all higher-order bit positions. Next, we can check if the CY flag is set, or if the value of the higher-order nibble is greater than 9. If either of these conditions is met, six is added to the higher-order nibble. If, again, a carry out is produced,

Comparison

The subtraction instruction has a further, important, application in the comparison of two values. This involves use of the CY (borrow) flag, which is set when a value y is subtracted from a value x, where y is greater than x. So, to check if a number y is greater than x, program x<y, and subsequently test the carry flag:

```

MOV A,x          ;fetch x from internal RAM
CLR C            ;clear carry
SUBB A,y         ;form x-y
JC GREATER       ;jump if y>x
    
```

In this example, both x and y are taken to be unsigned integers. A comparison between two signed integers is a little more complex.

than 255, the overflow (OV) flag is set; otherwise it is cleared.

The result of the DIV instruction is that the accumulator receives the integer part of the quotient, while the integer part of the remainder is stored in register B. Both the carry and the overflow flags are cleared. Only if B contained 00, the overflow flag is set to indicate a division by zero.

The power of the MUL and DIV instructions offered by MCS-51 devices is limited by the fact that they do not allow direct 16x16-bit multiplication, nor division of a 16-bit number by an 8-bit number. Later, enhanced, versions of the 8051, like Siemens' 80537, have much more powerful multiplication and division instructions.

To compensate the 'lack of arithmetic power' of the 8051, the course monitor program, EMON51, offers a number of subroutines that may be used to perform 16x16-bit multiplications with 32-bit results. Simply study the relevant sections of EMON51.LST to see how this is done. The monitor is also capable of doing 32-bit/16-bit divisions.

Table 2

Byte at address (hexadecimal)	hex	non-signed	signed	BCD
m+1 m				
00 00	0000	0	0	0
12 34	1234	4660	4660	1234
0A BC	0ABC	2748	2748	not defined
80 00	8000	32768	-2768	8000
FF FF	FFFF	65535	-1	not defined

Capacitance measurement using the V24 port

The practical use of the above arithmetic instructions will be illustrated by an example. We have in mind a capacitance meter that transmits the value of an unknown capacitor to the terminal (display) via the V24 serial interface on the 80C32 SBC. Interestingly, the measurement prin-

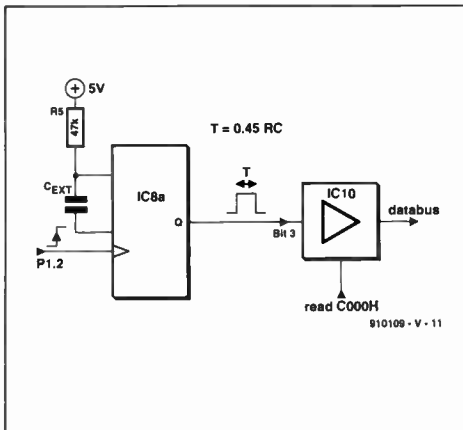


Fig. 22. Capacitance meter hardware.

principle adopted allows resistance and time measurement also.

The hardware (contained on the SBC extension board) is shown in Fig. 22. The operation of the capacitance meter is both classic and simple: first, monostable IC8a is triggered by the program. Next, the program measures the monostable period, i.e., the time that elapses between the triggering instant and the instant the Q output of IC8a toggles. The measured time is converted into an equivalent capacitance value, and subsequently sent to the display. What sort of program is required to realize such an instrument?

1. Time measurement

The monostable time is measured by a 16-bit number, MTIME. With reference to the listing in Fig. 24, each measurement starts with resetting MTIME to 0 (label lpl; lines 20 and 21). Next, the monostable trigger pulse (positive edge) is output via port line P1.2. The loop that starts at label lpp lengthens the start pulse a little, to allow some recovery time for the monostable before a new trigger action.

After sending the trigger pulse, the program enters the time measurement loop, marked by the label MLP. The program checks if the monostable is still triggered by monitoring bit 3 of RAM address 0C00H. If so, the variable MTIME is increased by one. If not, the measurement is finished, and the program jumps to the label ENDMEAS. Lines 29 to 34 show how MTIME is increased, and thus, more generally, how 16-bit and 32-bit variables are treated when it comes to using them in calculations. Starting with the lowest-order byte, the calculations are performed in a step-by-step manner, taking carry-overs into account at all times. After increasing MTIME, the program returns to the start of the loop.

2. Overflow detection

It may happen that the measured capacitance

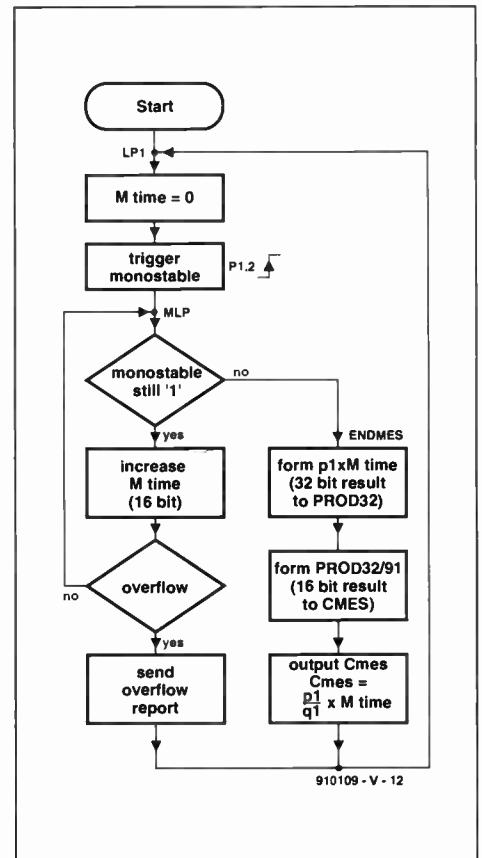


Fig. 23. Flow diagram of the capacitance meter program.

```

***** LISTING of EASM51 (XAMPLE08) *****
LINE LOC OBJ T SOURCE
1 0000 ; ***** FILE XAMPLE08.A51 *****
2 0000 ;
3 0000 P1 EQU 090H ; SFR addresses as usual
4 0000 ACC EQU 0E0H
5 0000 DPL EQU 082H
6 0000 DPH EQU 083H
7 0000 ;
8 0000 p1 EQU 1000 ; calibration constants
9 0000 q1 EQU 1522 ; counter
10 0000 ; ; denominator of cal. factor
11 0000 MONTOP EQU 050H ; use assembler for RAM management
12 0000 ORG MONTOP ; above MONITOR RAM
13 0050 MTIME DS 2 ; 16 bit measured TIME
14 0052 p DS 2 ; p=p1 : multiplier ( 16 bit value )
15 0054 q DS 2 ; q=q1 : divisor ( 16 bit value )
16 0056 PROD32 DS 4 ; product MTIME*p ( 32 bit value )
17 005A Cval DS 2 ; result given in nF ( 16 bit value )
18 005C ;
19 005C ORG 4100H ; start address of program
20 4100 75 50 00 [2] lpl MOV MTIME,#0,0 ; reset 16 bit value MTIME
21 4103 75 51 00 [2] MOV MTIME,#1,0
22 4106 C2 92 [1] CLR P1.2 ; Trigger=0
23 4108 E4 [1] CLR A
24 4109 D5 E0 FD [2] lpp DJNZ ACC,lpp ; wait loop for trigger pulse
25 410C 90 C0 00 [2] SETB P1.2 ; trigger monostable
26 4110 90 C0 00 [2] MOV DPTR,#0C000H ; address for monostable output
27 4111 E0 [2] MOVX A,@DPTR ; read monostable output
28 4112 30 E3 15 [2] JNB ACC.3,ENDMEAS ; BIT 3 = 0 means END
29 4115 E5 50 [1] MOV A,MTIME ; else increment 16 bit value
30 4117 24 01 [1] ADD A,#1 ; i.e. add 1
31 4119 F5 50 [1] MOV MTIME,A ; store (LSB)
32 411B E5 51 [1] MOV A,MTIME+1 ; fetch MSB
33 411D 34 00 [1] ADDC A,#0 ; add 0 + carry
34 411F F5 51 [1] MOV MTIME+1,A ; store MSB
35 4121 50 EE [2] JNC MLP ; carry -> overflow, else continue
36 4123 90 41 78 [2] MOV DPTR,#OVRTXT ; send overflow message
37 4126 31 88 [2] ACALL STXT
38 4128 80 D6 [2] SJMP lpl
39 412A 90 03 E8 [2] ENDMEAS MOV DPTR,#p1 ; end of time measurement
40 412D 85 82 52 [2] MOV p+0,DPL ; p:=p1 ( 16 bit value )
41 4130 85 83 53 [2] MOV p+1,DPH
42 4133 78 52 [1] MOV R0,#p
43 4135 79 50 [1] MOV R1,#MTIME
44 4137 75 30 52 [2] MOV COMMAND,#ccMUL ; calculate MTIME*p
45 413A 12 02 00 [2] LCALL MON
46 413D 86 56 [2] MOV PROD32+0,@R0 ; store to PROD32 ( 32 bit value )
47 413F 08 [1] INC R0
48 4140 86 57 [2] MOV PROD32+1,@R0
49 4142 08 [1] INC R0
50 4143 86 58 [2] MOV PROD32+2,@R0
51 4145 08 [1] INC R0
52 4146 86 59 [2] MOV PROD32+3,@R0
53 4148 90 05 F2 [2] MOV DPTR,#q1 ; q:=q1
54 414B 85 82 54 [2] MOV q+0,DPL
55 414E 85 83 55 [2] MOV q+1,DPH
56 4151 78 56 [1] MOV R0,#PROD32
57 4153 79 54 [1] MOV R1,#q
58 4155 75 30 53 [2] MOV COMMAND,#ccDIV ; compute (MTIME*p)/q ( 16 bit value )
59 4158 12 02 00 [2] LCALL MON
60 415B 86 5A [2] MOV Cval+0,@R0 ; store to Cval
61 415D 08 [1] INC R0
62 415E 86 5B [2] MOV Cval+1,@R0
63 4160 90 41 7F [2] MOV DPTR,#TXT1 ; send first text
64 4163 31 88 [2] ACALL STXT
65 4165 78 5A [1] MOV R0,#Cval
66 4167 75 30 05 [2] MOV COMMAND,#ccdR016 ; send Cval in decimal
67 416A 12 02 00 [2] LCALL MON
68 416D 90 41 82 [2] MOV DPTR,#TXT2 ; send second text
69 4170 31 88 [2] ACALL STXT
70 4172 21 00 [2] AJMP lpl

```

Fig. 24. List file produced by assembling the capacitance meter program, XAMPLE08, on your course diskette.

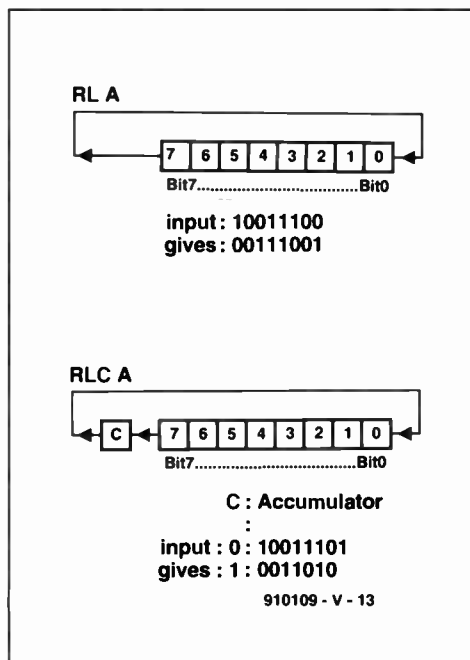


Fig. 25. Illustrating the operation of the rotate instructions.

ance (i.e., the value of MTIME) exceeds the range of a 16-bit number. When this happens, a MTIME produces an 'overflow', which is detected in line 35. The overflow condition is reported on the display with the aid of the serial output routine called up in lines 36 and 37.

3. Number conversion

It is, of course, required that the capacitor value be indicated in a usual unit of measure, say, nanofarads. To obtain such values, the number of iterations of the measurement loop is first converted into an equivalent time, which represents the length of the monostable period. Since each loop iteration takes 12 μ s, the pulse length, T , at the end of the loop equals $T=12 \times \text{MTIME}$ microseconds. Note, however, this is not quite correct since 6 microseconds elapse before the loop is entered. Fortunately, the resulting error is so small that we need not bother about it.

According to the data sheets of the 74HC123, the monostable period, T , is calculated from

$$T = 0.45 R_{\text{ext}} C_{\text{ext}}$$

when C_{ext} is greater than 10 nF. The units are ohm, second and farad. Since $R_{\text{ext}}=47 \text{ k}\Omega$ (resistor on the SBC extension board), we get

$$C_{\text{ext}} = 0.5673 \text{ MTIME}$$

where C_{ext} is in microfarads (μF). Since the 8051 lacks a floating-point arithmetic module, we have to resort to equivalent fractions, a procedure familiar from Forth programming. First, therefore, we write 0.5673 as 5673/1,000. This allows both the denominator and the numerator to be fitted into 16-bit numbers. In the program, these appear as variables p1 and q1. To multiply MTIME with 0.5673, we first multiply it

with the denominator (lines 39 to 52), and subsequently divide the resulting 32-bit number (stored as 4 bytes under PROD32) by the numerator (lines 53 to 63). The result is a 16-bit number stored under the variable Cval, which is converted into decimal and output to the display by calling a routine in the EMON51 system monitor (line 66).

Theory and practice

Unfortunately, the results of the above calculations must be taken with a pinch of salt, mainly because of tolerances on the 47-k Ω resistor and on the 74HC123. The latter tolerance is particularly troublesome as it is fairly large and temperature-dependent. The program therefore includes variables to calibrate the capacitance meter, not by adjusting the resistor, but by a more clever approach. First, p1 and q1 are turned into constants set to 1,000. Next, the program is started, so that the value of MTIME is output rather than the capacitor value, although a close-tolerance 1.5- μF capacitor is connected. The resulting value of MTIME, say, 1,540, is noted, and assigned to q1 in the final program. The other variable, p1, remains at 1,000, so that $\text{MTIME}=1,540$ when a 1- μF capacitor is connected. Multiplied by p1 (1,000), and divided by q1 (1,540), this gives the correct readout: 1,000 nF. Since the monostable period is virtually proportional to the connected capacitance, the meter can be calibrated in this way without problems.

The capacitance measurement program, simple as it may be, already goes to show that converting measurement values into a meaningful indication requires a thorough

JOIN THE COURSE!

What you need to follow this course:

- a 8032/8052AH-BASIC single board computer as described in *Elektor Electronics USA, May 1991*. The preferred CPU is a 8051 or 80C32. Alternatively, any other MCS52-based microcontroller system (but read Part 1 of the course);
- a course diskette (IBM: order part number 1661; Atari: order part number 1681) containing programming examples, hex file conversion utilities, and an assembler;
- a monitor EPROM (order part number 6091);
- an IBM PC or compatible operating under MS-DOS, or an Atari ST with a monochrome display.

Appeared so far:

- Part 1: Introduction (February 1992)
- Part 2: First 8051 instructions (March 1992)
- Part 3: Hardware extensions for 80C32 SBC (April 1992)
- Part 4: Flags, bit addressing, PSW, conditional jumps, logic operators (June 1992)

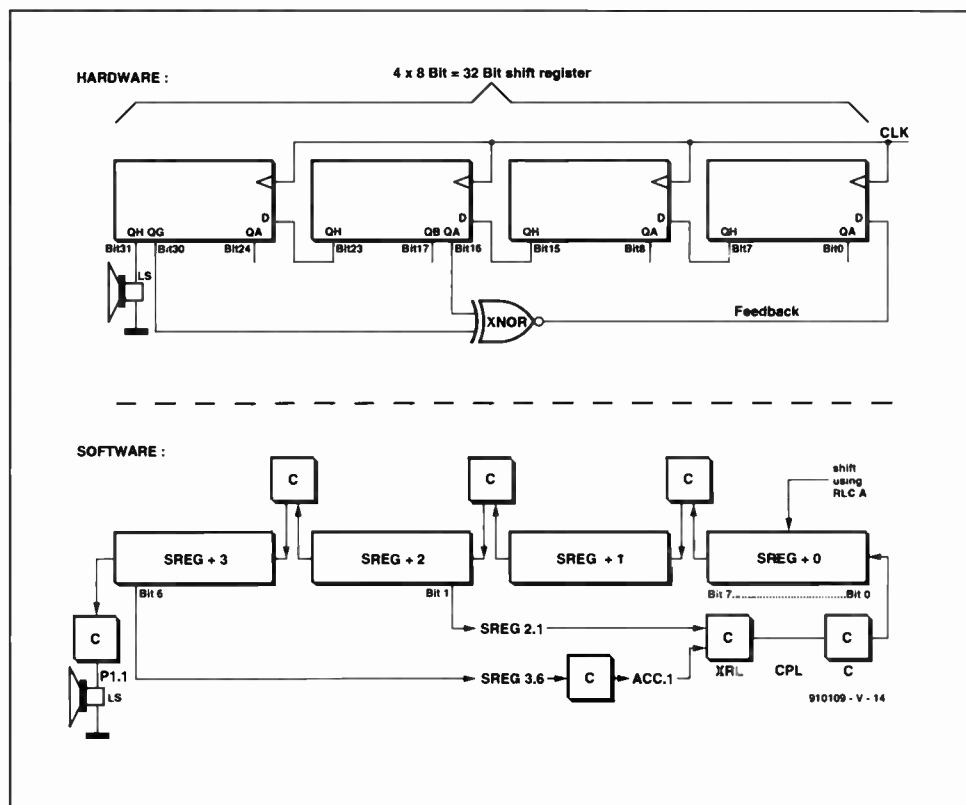


Fig. 26. Hardware (above) and software (below) design of a noise generator.

```

***** LISTING of EASM51 (XAMPLE09) *****
LINE  LOC  OBJ      T      SOURCE
1  0000          ; ***** FILE XAMPLE09.A51 *****
2  0000
3  0000          P1      EQU 090H      ; SFR addresses as usual
4  0000          ACC      EQU 0E0H
5  0000
6  0000          MONTOP   EQU   050H      ; use assembler for RAM management
7  0000          ORG      MONTOP   ; above MONITOR RAM
8  0050          SREG     DS      4      ; 32 bit shift register
9  0054
10 0054          ;
11 4100 75 50 00 [2]      ORG      4100H      ; start address of program
12 4103 75 51 00 [2]      MOV     SREG+0,#0    ; clear shift register (32 bit)
13 4106 75 52 00 [2]      MOV     SREG+1,#0
14 4109 75 53 00 [2]      MOV     SREG+2,#0
15 410C E5 53 [1]      NEW     MOV     A,SREG+3    ; form XNOR logic combination
16 410E A2 E6 [1]      MOV     C,ACC.6      ; bit 6 of SREG byte 3
17 4110 92 E1 [2]      MOV     ACC.1,C      ; to bit 1 in accu
18 4112 65 52 [1]      XRL    A,SREG+2      ; XOR with pos. 1 of SREG+2
19 4114 A2 E1 [1]      MOV     C,ACC.1      ; = XOR of bits 17 and 30
20 4116 B3 [1]      CPL    C              ; C = NOT-XOR of bits 17 and 30
21 4117
22 4117 E5 50 [1]      SHIFT  MOV     A,SREG+0    ; 32 bit shift register
23 4119 33 [1]      RLC    A              ; shift rightmost byte
24 411A F5 50 [1]      MOV     SREG+0,A      ; and save
25 411C E5 51 [1]      MOV     A,SREG+1      ; fetch next byte
26 411E 33 [1]      RLC    A              ; bit stored temporarily in C
27 411F F5 51 [1]      MOV     SREG+1,A
28 4121 E5 52 [1]      MOV     A,SREG+2      ; etc.
29 4123 33 [1]      RLC    A
30 4124 F5 52 [1]      MOV     SREG+2,A
31 4126 E5 53 [1]      MOV     A,SREG+3
32 4128 33 [1]      RLC    A
33 4129 F5 53 [1]      MOV     SREG+3,A      ; C now contains new output
34 412B 92 91 [2]      MOV     P1.1,C        ; send to loudspeaker
35 412D 80 DD [2]      SJMP   NEW           ; and start again
36 412F
***** SYMBLTABLE (6 symbols) *****
P1 :0090      ACC :00E0      MONTOP :0050      SREG :0050
NEW :410C     SHIFT :4117

```

Fig. 27. Listing of the noise generator assembler program.

understanding of various programming steps involving arithmetic instruction sequences. Those of you who wish to practise with these may do so by writing small programs that make use of the arithmetic routines built into the system monitor program, EMON51.

Shift and rotate

The following instructions are available to shift (or rotate) a bit pattern in the accumulator to the left or to the right:

```

RL   A      ;rotate accu left
RLC  A      ;rotate accu left
                through carry flag
RR   A      ;rotate accu right
RRR  A      ;rotate accu right
                through carry flag

```

The operation of the rotate instructions is illustrated in Fig. 25. By clearing the C flag before an RRC or an RLC, a 0 is shifted into the extreme left hand or extreme right-hand accu bit position, respectively. The rotate instructions can be used in shift register simulations (see below), or in arithmetic operations (see, for example, the realization of the DIV routine in EMON51).

A noise generator

Reference 3 describes a noise generator of which the central part is formed by a shift register with feedback as shown in Fig. 26. As a programming example, we will implement this circuit on the 80C32 SBC and its extension board. The result is a programmable noise generator. The noise will be output via the loudspeaker, which is driven via port line P1.1.

The function of the program we are

about to discuss is based on the noise generator hardware shown in the top drawing in Fig. 26. The shift register is stored at four consecutive locations in the internal RAM; the extreme right-hand bit is contained in the byte at the lowest address. This storage arrangement corresponds to the structure of a 32-bit number. This number is shifted to the left, where the XOR gate determines which bit is fed back into the sequence, at the far right end. The highest-order bit (bit 31) drives the loudspeaker.

The program listing of the noise generator is shown in Fig. 27. It is a straightforward implementation of Fig. 26, only the realization of the XOR gate (lines 15 to 20) is based on a 'trick'. Essentially, the function of the XOR gate is translated into software by combining bits in the sequence into a new bit that is added to the rightmost end of the 32-bit word. This creates feedback in the shift register, so that the output is a pseudo-random bit sequence with a long repeat time. To be precise: one loop iteration takes 23 μ s, and the shift register goes through about 2 million states before a bit pattern is repeated. The pseudo-random signal thus has a sample rate of about 43 kHz, and the first 'duplicate' occurs after about 13 hours, so pretty random it is!

When used as a noise generator for audio measurements, the system requires a low-pass filter to shape the output spectrum. However, even without such a filter, the loudspeaker will produce quite a bit of real noise (a practically 'white' spectrum is produced with components up to about 20 kHz).

Assignments

Based on what has been discussed so far, consider the following assignments. Add

ranges to the capacitance meter that allow it to measure smaller as well as larger capacitors. You may also try your hand at implementing an autoranging function. Another interesting subject could be the realization of a 'tolerance window' that tells the user of the capacitance meter instantly whether or not the value of a certain capacitor is within the required range. Producing a program to realize this will enable you to get a thorough grip on the possibilities of the arithmetic instructions.

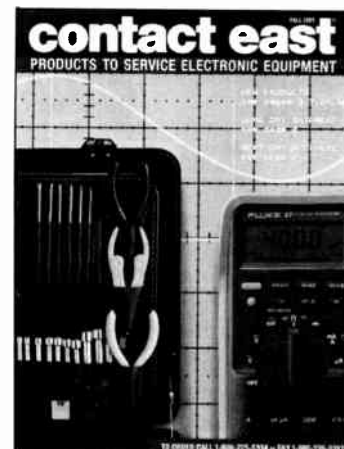
Finally, how about turning the noise generator into a rhythm generator?

What's in store

This month's instalment nearly completes the discussion of the 8051 instruction set, which has been elucidated, where necessary, with examples. This allows us to concentrate on more hardware-oriented aspects of the 8051 in the following instalments. The subjects to be discussed will be: timers, LCD connection, serial interface and D-A/A-D conversion. □

Reference:

- Horowitz, Paul and Windfield Hill, *The Art of Electronics*, Cambridge University Press, 1989. Available from Old Colony Sound Lab, #BKC1, costs \$59.95 plus \$2.00 (US) and \$4.50 (Canada) for S/H.



FREE CATALOG TEST INSTRUMENTS & HARD-TO-FIND TOOLS

Packed with over 10,000 quality products for testing, repairing, and assembling electronic equipment. A full selection of test instruments, power protection equipment, precision hand tools, tool kits, soldering supplies, and much more. Products are shown in full color with detailed descriptions and pricing. All products come with a 100% satisfaction guarantee. SAME-DAY shipment program.

In a hurry to receive your catalog?

Call (800) 225-5370

In Massachusetts call (508) 682-2000

Contact East, Inc., Dept. R495
335 Willow St., No. Andover, MA 01845

Reader Service #76

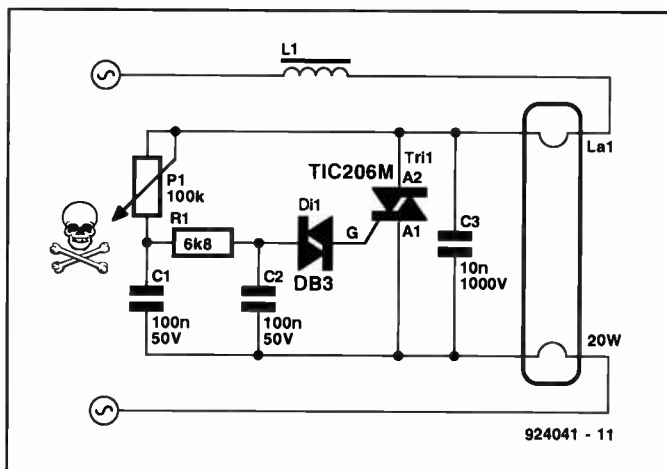
DIMMER FOR NEON TUBES

A NEON tube cannot be dimmed as easily as an incandescent lamp because the tube can start only at a voltage much higher than the mains, after which it will remain lit at the mains voltage. The level of both the starting voltage and the working voltage depends on the temperature of the tube.

Normally, the high starting voltage is obtained by interrupting the current through a choke. This is usually done by the starter, which also ensures that a fairly large current flows through the filaments of the tube. This heats the ends of the tube, which makes starting easier.

These tasks of the starter are taken over by the circuit shown in the diagram, which also enables the tube to be dimmed.

During the zero voltage crossings of the applied mains voltage, the



very high value, whereupon the tube starts.

The larger the angle of the mains voltage during which the triac conducts, the larger the current through the tube filaments, which results in a lower starting voltage. At the same time, since a larger part of the current flows through the triac, that through the tube will be reduced, so that the tube will light more faintly.

When the tube is first switched on, the dimmer control, P1, should be set for maximum brightness of the tube to facilitate starting.

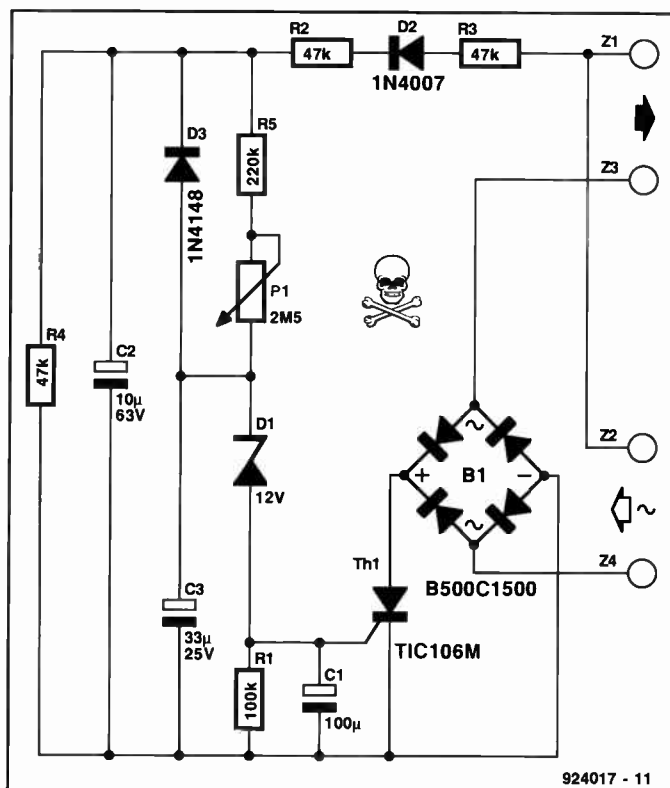
The triac used should have a high du/dt value, otherwise the steep voltage transitions occurring across the tube, and thus across the triac, during the zero voltage crossings would cause the triac to remain on.

[SGS Thomson - 924041]

POWER-ON DELAY FOR ATARI ST

WHEN the Atari ST is provided with an external hard-disk drive, it has to be reset after about 15 seconds, as otherwise the drive is not enabled. The delay circuit presented here obviates that inconvenience by ensuring that the computer is not switched on until a (presettable) period of time has elapsed. The circuit may also be used with the combination of MS-DOS computer and HP DeskJet printer, since the latter can be switched on only after the MS-DOS machine is powered. If that type of printer is used with an Atari ST, the printer must be switched on before the computer is. No doubt, there are other situations where this delay may prove useful.

Operation of the circuit is fairly simple. After the mains has been switched on, capacitor C3 is charged via R5 and P1. When, after a period of time set with P1, the potential across C3 has reached 12 V, zener diode D1 conducts and switches on thyristor Th1. That device ensures



the thyristor is switched on, owing to the anode-cathode current, its gate voltage rises slightly. This results in C3 being charged a little more and thus serves as gate-current buffer to ensure that the thyristor remains on during the mains zero voltage crossings. Therefore, once the thyristor has been switched on, it stays on.

The delay is best built into a small man-made fibre box with integral mains connectors.

The circuit is best built on a small piece of veroboard or other prototyping board, bearing in mind that it will carry the full mains voltage. This means that tracks carrying the mains must be separated by at least 3 mm and preferably 5 mm. This probably entails the removal of tracks between the mains-carrying ones.

[R. Lucassen - 924017]

WIDEBAND ACTIVE TELESCOPIC ANTENNA

MOST VHF/UHF amplifiers for use with a symmetrical antenna (such as an open or closed dipole) have a balun at the input. A balun (short for 'balanced to unbalanced') is an inductive device that converts the symmetrical (balanced) RF signal into an asymmetrical (unbalanced) signal that can be applied to the base of a transistor. Unfortunately, baluns have an inherent loss of 2–3 dB, while most input transistors (typically a BFR91 or similar) have noise figures not better than about 2 dB. This explains the rather poor overall noise figure of 4–5 dB of this type of input stage.

A much lower noise figure is achieved by the circuit shown here, which does not incorporate a balun, and uses the BFG65 low-noise transistor as the amplifying device. The combination of a telescopic rod and a low-noise wideband RF amplifier is referred to as an 'active antenna'. The design shown here has two options: (1) if used with an existing antenna, it ensures a much better S/N (signal-to-noise) ratio in the receiver, or (2) the same S/N ratio can be achieved using a much simpler antenna.

The antenna proper is an open dipole with a total length of 1.6 m, which works as a 0.5 lambda dipole from 60 MHz to about 187 MHz, or as a multi-lambda V-dipole up to about 900 MHz. Unusually, the balanced-to-unbalanced conversion is done at the output of the amplifier, with the aid of a length of coax cable that functions as a kind of choke. The construction of the amplifier on the PCB shown, and its electrical behaviour, enables the antenna to 'see' a balanced load.

The two telescopic rods are connected directly to the solder pads marked 'ANT.1' and 'ANT.2'. Usually, telescopic rods have a kind of 'knee' construction at the base that enables them to be rotated as well as bent up and down. With some dexterity, this mechanism may be retained for use with the present amplifier.

The output inductor, L_1 , consists of 10 turns of 2.5 mm dia. 60 Ω coax cable wound on a 10 cm long ferrite rod with a diameter of 10 mm. The phantom supply for the amplifier is not contained on the printed circuit board, but is simple to install at the input of the receiver, since it consists of a resistor and a capacitor only. If the receiver is located further than about 2 m away from the

active antenna, it may be connected to K_1 via a length of ordinary coax cable like RG58.

Provided the antenna is used in an area with relatively low local field strengths, you may lower the noise figure of the BFG65 by increasing R_3 a little. This should not be done, however, if there are strong signals around, in which case the result is an increased risk of cross-modulation.

With $R_3=560 \Omega$, the current consumption is about 20 mA. The gain of the dipole signal amounts to about 12 dB, while a noise figure of about 1 dB is achieved. This will ensure results comparable to those of a much larger antenna (yagi), provided signal reflections and multipath reception are not a problem.

(J. Barendrecht - 924102)

PARTS LIST

Resistors:

R1 = 10k Ω
R2 = 390 Ω
R3 = 560 Ω (see text)

Capacitors:

C1 = 1nF ceramic
C2 = 1nF ceramic

Semiconductors:

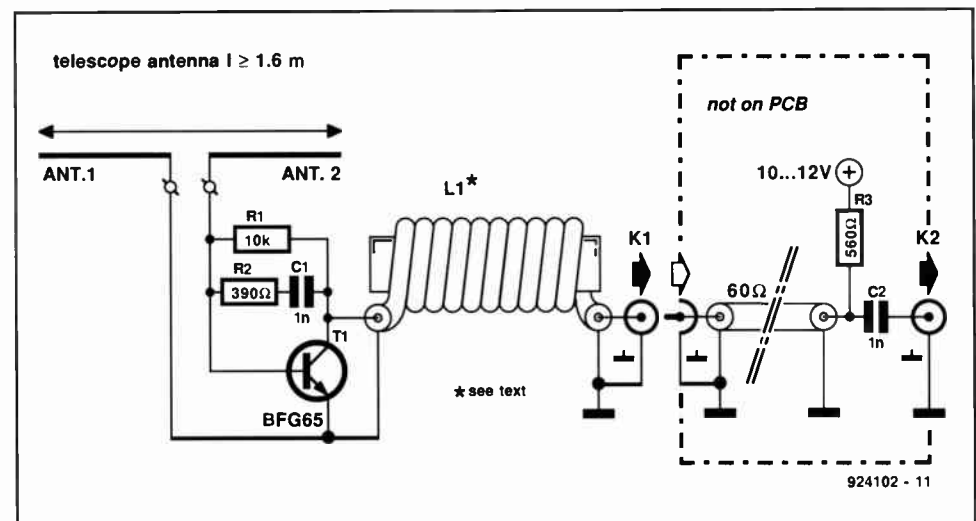
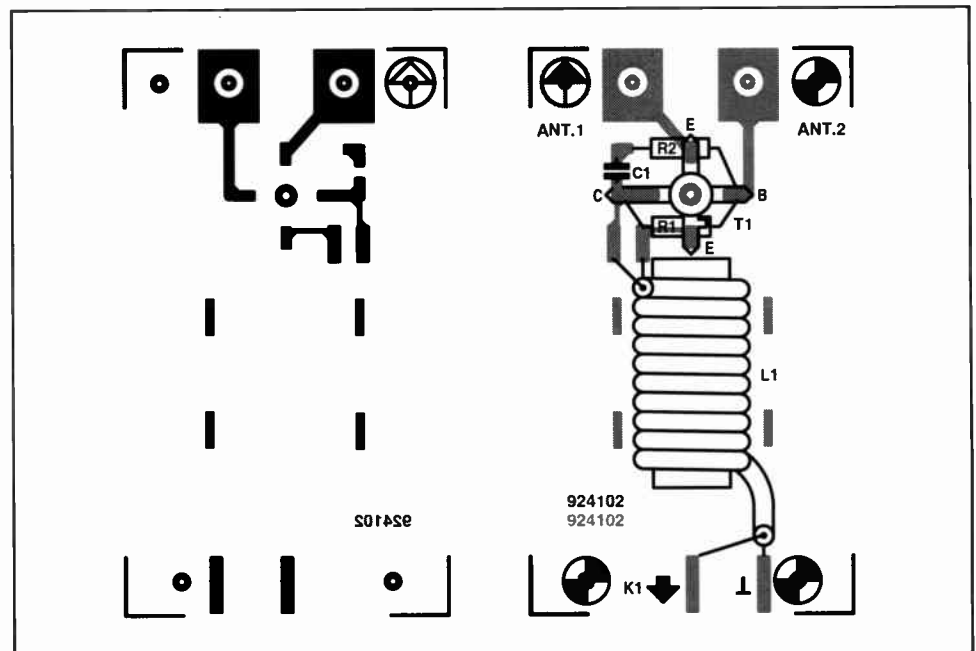
T1 = BFG65

Inductor:

L1 = see text. Materials: 2.5-mm dia. 60- Ω coax cable; 10-mm dia. ferrite rod.

Miscellaneous:

ANT.1; ANT.2 = telescopic rod antenna for PCB connection. Min. length = 80cm.
K1 = BNC socket.
Printed circuit board 924102.



INFRA-RED HEADPHONE TRANSMITTER

THE proposed transmitter provides an optical (infra-red), that is, wireless, connection to a headphone. The receiver is described in the next article.

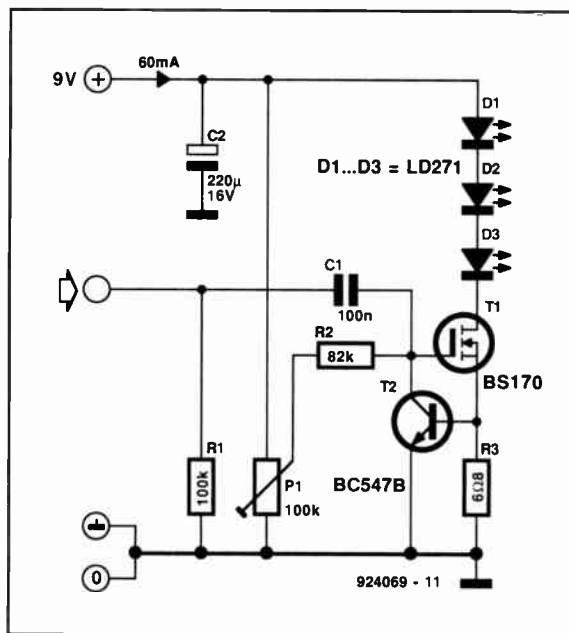
Three infra-red (IR) LEDs are provided with a quiescent current by T_1 . The level of that current is set with P_1 . When an audio signal is applied to the gate of T_1 , the current through the LEDs is modulated. Consequently, the light emitted by the diodes is also (amplitude) modulated.

To prevent overdriving of the gate causing too high a current through the LEDs, a current limiter, consisting of T_2 and R_3 , holds the current below 100 mA.

The maximum dissipation of a BS170 is 830 mW at an ambient temperature of 25 °C, while the maximum drain current is 500 mA.

Therefore, even when the FET is overdriven, those limits are not exceeded.

The optimum quiescent current through the LEDs must be determined in conjunction with the receiver



(which must be adjusted for minimum distortion).

The prototype transmitter drew a current of about 60 mA at a supply voltage of 9 V. It is, therefore, advis-

able to use a mains adaptor, because that current is just a little too high for a PP3 battery. Keep the earths of the mains adaptor and the audio signal separated as shown in the diagram to prevent feedback of the LED current to the input.

The gate-source voltage of a BS170 may be up to 15 V. If you use a signal source that delivers a higher level, it is advisable to incorporate a simple protection circuit (for instance, a 10-V zener diode in parallel, or a resistor in series, with the input).

The optical connection is fairly directional, but this can be improved by placing the LEDs at varying angles. Also, the distance of operation can be extended appreciably by fitting reflectors behind the LEDs.

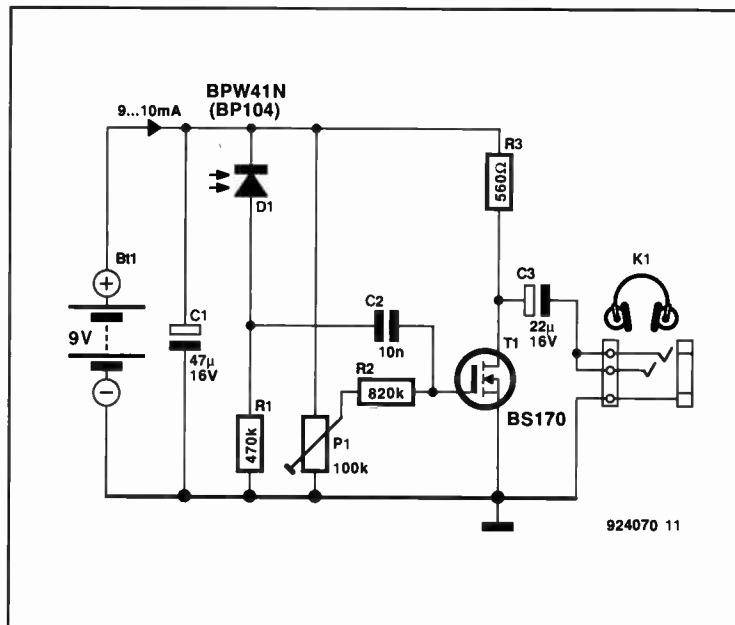
The optimum input level for an operating distance of some metres (4–8 ft) is 100–200 mV.

(Amrit Bir Tiwana – 924069)

INFRA-RED HEADPHONE RECEIVER

THIS receiver is meant to complement the transmitter described in the previous article. Its design is based on just one FET. This has the advantage that construction is simplicity itself, and the disadvantage that for a sufficiently low output impedance the value of drain resistor R_3 has to be fairly low. That results with correct operation of T_1 to a fairly large (certainly for a battery) current. The value of R_3 was chosen, as a compromise, at 560 Ω, which makes driving 600 Ω headphones possible. The load seen by T_1 is then 300 Ω.

Both usable types of receive diode shown in the diagram have a daylight filter and are tuned to the wavelength of the LEDs in the transmitter (950 nm at 25 °C). At a couple of metres (5–8 ft) distance, a (no-load) output voltage of 200–300 mV is obtained, which is quite sufficient for most headphones. The circuit then draws a current of 9–10 mA.



circuits for minimum (audible) distortion. This should be done without electric light, because the transmitter does not modulate the audio signal on to a carrier, so that light bulbs, and particularly neon tubes (which emit an appreciable amount of IR light at 950 nm, modulated with 100 Hz) can cause quite a hum. Even normal ambient light causes a deterioration of the signal-to-noise ratio. However, with a little ambient light and a distance between transmitter and receiver of 3–4 m (10–13 ft), the distortion was 1–2%, which is not bad for such a sparse design.

(Amrit Bir Tiwana – 924070)

METAL DETECTOR

THIS detector will help you find fairly large objects that consist of materials with a relatively high permeability. Also, it indicates whether the magnetic object inside the detection coil has good or bad conductive properties. Examples of materials that couple good magnetic properties to a fairly high electrical isolation are ferrites pressed from metal oxides. The detector is not suitable for 'coin digging', for which it is not sensitive enough. The more fanciful

stuff like bombs and treasures left by pirates, is, however, reliably located.

The metal detector is powered symmetrically by two 9-V batteries, each of which is loaded with about 15 mA. The detection coil, L₁, forms part of a sine wave oscillator built around transistor T₁. Normally, the central frequency of the VCO (voltage-controlled oscillator) in the PLL (phase-locked loop) contained in IC₁ equals the oscillator frequency of T₁. That

PARTS LIST

Resistors:

- R1 = 6kΩ
- R2;R3 = 4kΩ
- R4 = 680Ω
- R5;R6 = 5kΩ
- P1 = 10kΩ multiturm preset
- P2 = 470Ω linear potentiometer

Capacitors:

- C1;C2 = 100μF 16V radial
- C3 = 68nF
- C4 = 15nF
- C5;C8 = 10nF
- C6;C7 = 1nF

Inductor:

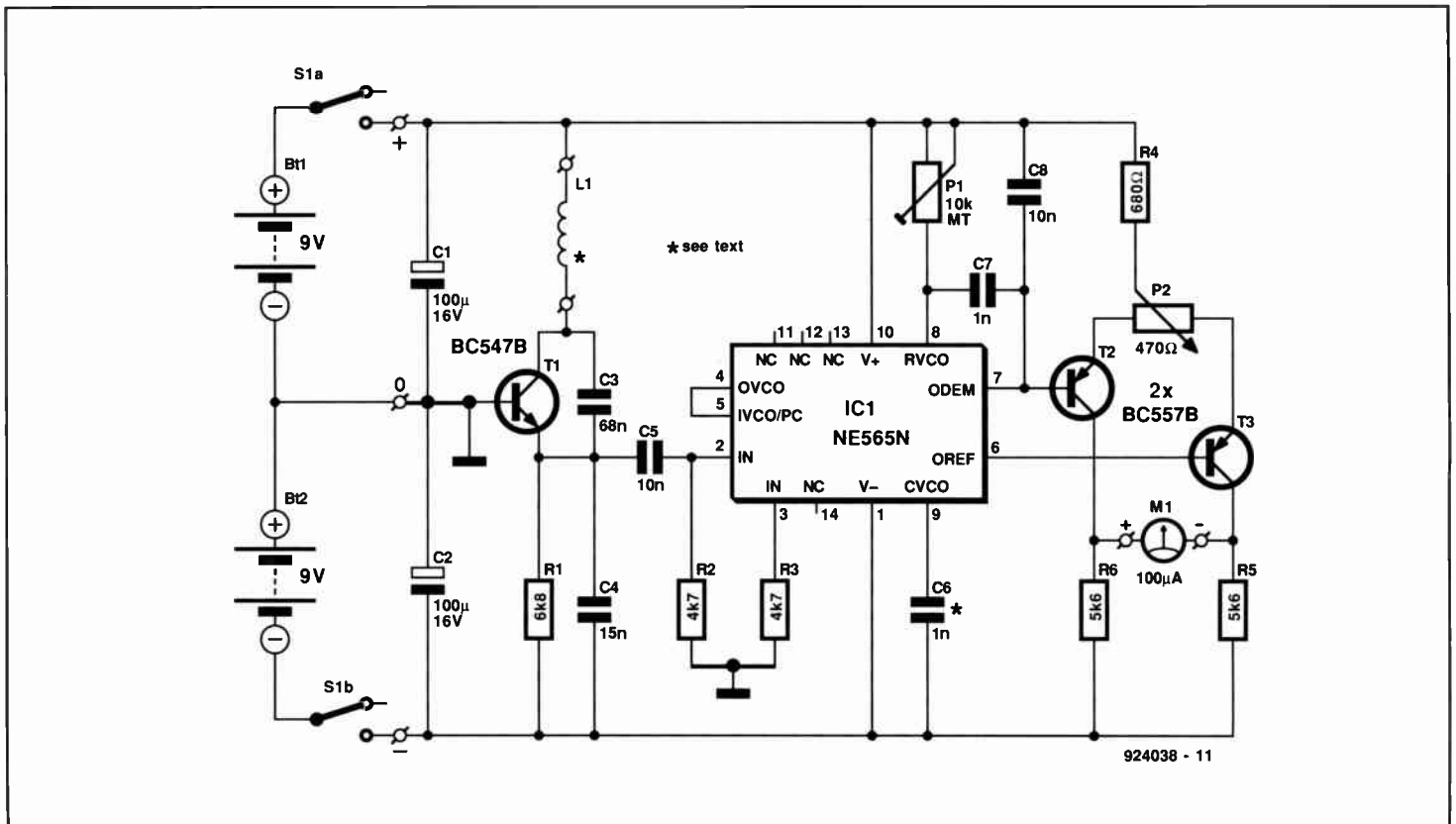
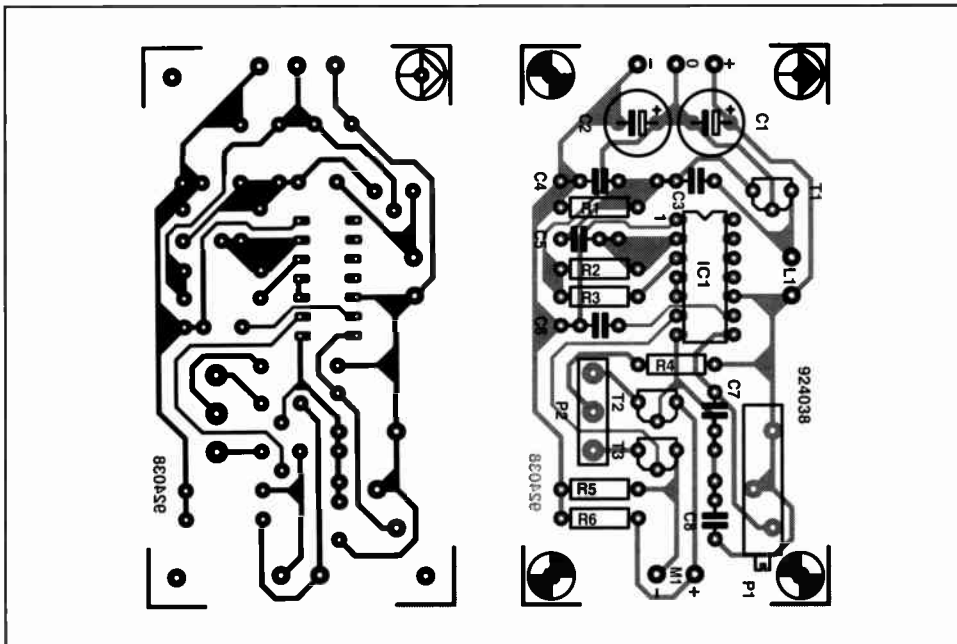
- L1 = details in text

Semiconductors:

- T1 = BC547B
- T2;T3 = BC557B
- IC1 = NE565N

Miscellaneous:

- S1 = miniature double-pole change-over switch.
- Bt1;Bt2 = 9-V battery with connecting clip.
- M1 = centre-zero ±50μA moving coil meter.



changes when a metal object (ferromagnetic or non-ferromagnetic) enters the field induced by L_1 . When that happens, the sine-wave oscillator is detuned, and the voltage difference between pins 6 and 7 of IC₁ indicates the difference between the sine oscillator frequency and the VCO frequency. This difference causes moving-coil meter M₁ to deflect. The needle deflection itself is a measure of the frequency change, while the direction of the needle depends on the

type of material detected by the coil. The meter used here is a centre-zero $\pm 50 \mu\text{A}$ type.

The coil consists of 40 turns of enamelled copper wire on a plastic former with a diameter of about 10 cm (4 in). The inductance so obtained ensures that the sine-wave oscillator works at a frequency which is roughly equal to that of the VCO in the PLL.

Use an oscilloscope to check that pin 2 of IC₁ supplies a sine-wave signal with a frequency of about 75 kHz.

Next, adjust P₁ such that the edges of the rectangular signal at pin 4 coincide with the positive peaks of the sine wave at pin 2. Next, null the meter by turning potentiometer P₂. Since the null adjustment will drift a little as the battery voltage drops, it will be necessary to redo the balance adjustment every now and then during use.

(K. Kraus - 924038)

CB-TO-SW DOWN CONVERTER

THIS converter enables long-distance (DX) reception of AM or SSB stations in the 27-MHz citizens' band (CB) on a short-wave or medium-wave radio (note, though, that AM or SSB modulation in the 27-MHz CB band is no longer allowed in a number of countries).

The converter consists of a prestage, T₁, and a mixer/oscillator, IC₁. The antenna signal is coupled inductively to the gate of dual-gate MOSFET T₁ via tuned circuit L₁-C₁, which acts as a 27 MHz input filter. The operating point of the MOSFET is determined by resistors R₁-R₂ connected to the gate-2 terminal. The amplified signal is fed to the mixer amplifier via a coupling capacitor and a second tuned circuit, L₃-C₂. The oscillator on board the S042P IC (manufacturer: Siemens) works with a quartz crystal, X₁. The quartz frequency is selected such that the dif-

ference frequency produced by the mixer (also on board the S042P) falls within the tuning range of the radio connected to the output of the converter. For instance, if an inexpensive 26.800 MHz crystal is used, the frequency of the received 27-MHz station, f_{in} , is

$$f_{in} = 26,800 \pm f_{dial}$$

where f_{dial} is the frequency read on the radio's tuning scale (in this case, the received stations will appear in the medium-wave band). Other crystal frequencies may be used, e.g., 10 MHz, to move the CB band into the SW range (17 MHz).

Construction of the converter is fairly easy on the printed circuit board shown here. Parts shown with a dashed outline are fitted at the solder side of the board. The converter is shielded all around to prevent spurious radi-

ation. The antenna and the IF output are best connected via coax sockets (SO239 or BNC). The two inductors in the converter are simply adjusted for best reception.

The converter is powered either by a regulated 9-V adaptor, or by the radio is connected to, if this is capable of furnishing 9 V at a few tens of mA.

(924001 — Dr. U. Kunz)

For drawings of the PCB, see p. 99

PARTS LIST

Resistors:

R1;R2 = 100k Ω
R3 = 39 Ω
R4;R5;R6 = 330 Ω

Capacitors:

C1;C2 = 56pF ceramic
C3 = 2nF2 ceramic
C4 = 10pF ceramic
C5 = 1nF ceramic
C6 = 47 μF 16V radial
C7 = 100nF ceramic
C8;C9 = 10pF ceramic
C10 = 27pF ceramic
C11 = 220pF ceramic
C12 = 3nF3 ceramic

Semiconductors:

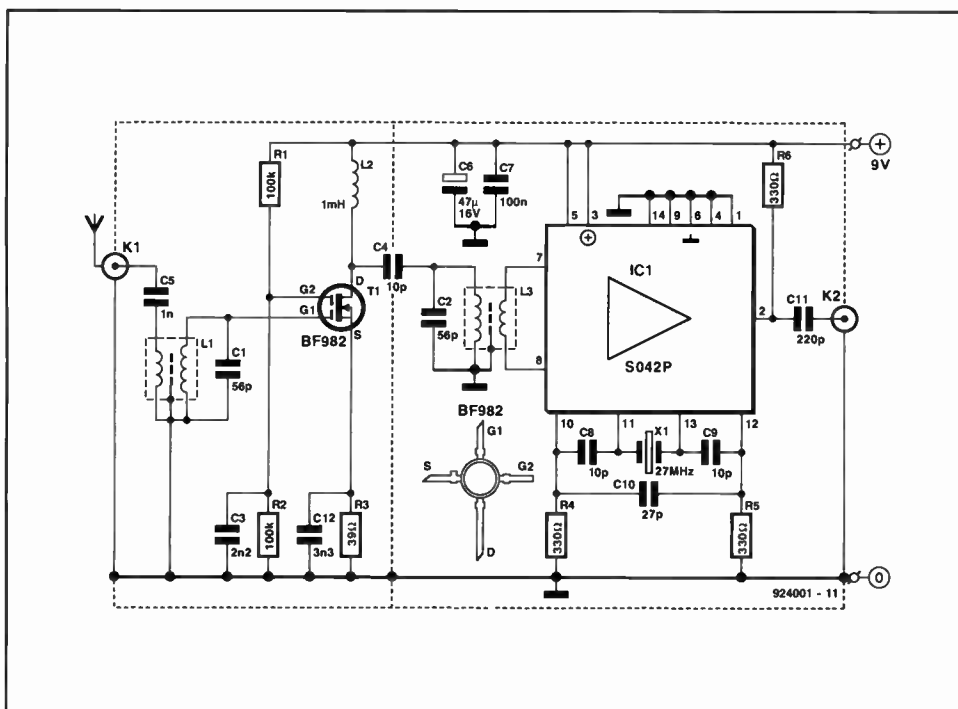
T1 = BF982
IC1 = S042P

Inductors:

L1;L3 = 113CN2K50989189ADZ (Toko)
L2 = 1mH choke

Miscellaneous:

K1;K2 = BNC socket
X1 = see text

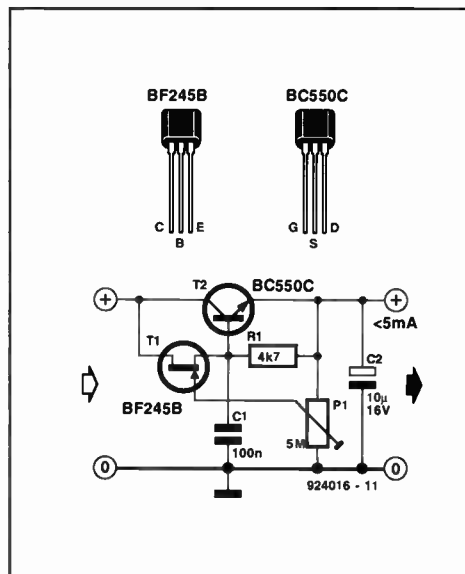


LOW-DROP REGULATOR I

NOWADAYS the only reasons for not using a voltage regulator in a power supply are: I have not got one; I need an 'odd' voltage; I want to keep the current drain very low.

The regulator shown in the diagram is suitable for currents of 5–10 mA. The two transistors draw only a tiny current. The drop across the regulator depends on the load current and lies between 0.5 V and 1.4 V. The output voltage may be preset between 1.8 V and 8 V.

On power-up, there is no voltage at the source of T_1 , so that the FET conducts. Current amplifier T_2 then draws base current and is switched on. This arrangement means that the reference (gate) voltage may be taken from a high-resistance potentiometer. The quiescent current depends on the level of the preset output voltage:



age: at 5 V, it is a mere 1 μA .

[B.C. Zschocke - 924016]

TELEPHONE MONITOR

MODERN telephones can easily be connected in parallel, enabling a household to have one in the bedroom, kitchen and hall or study. It is, however, not always easy to see (or hear) at one position whether the phone at one of the other positions is in use or has taken up the call.

The d.c. level on most telephone lines drops from 48 V to about 8 V when one appliance is in use and to around 5 V when two telephones are in use. Also, its polarity changes over when a telephone is in use.

Since the polarity changes over, the circuit is of necessity a bridge type as shown in Fig. 1. To keep the current drain small and relatively constant at varying voltage levels, a current source is needed for the high-efficiency indicator LEDs. At 50 V across *a* and *b*, the circuit is inactive; when that potential drops to about 8 V, the current source is on; when the level has dropped to about 5 V, the 'switch' across the upper LED opens so that both diodes light.

The diagram of the practical circuit is shown in Fig. 2. The bridge rectifier is formed by diodes D_1 – D_4 , while T_3 serves as the LED switch.

When the applied voltage is greater than 30 V, T_1 is on and switches off current source

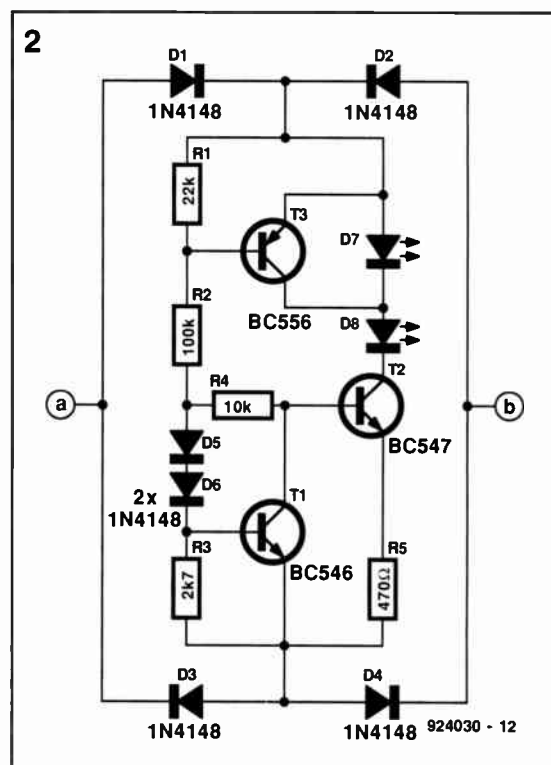
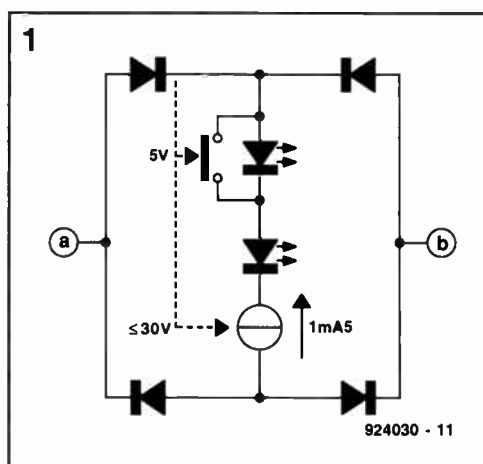
T_2 . In this situation, the circuit draws not more than 0.5 mA. When the applied voltage drops to 8 V, T_1 is off and T_2 is on. The current source is completed by D_5 , D_6 , R_3 and R_5 ; with values as shown, the current supply is about 1.5 mA.

In this situation, because of the values of R_1 and R_2 , T_3 is on, and D_7 is short-circuited. As soon as a second receiver is lifted, the line voltage drops to some 5 V, resulting in T_3 being switched off, so that D_7 lights.

The current through the LEDs is necessarily small and should in any circumstances not rise above 5 mA. With two telephones that means that R_5 must be

270–330 Ω , and for three telephones, 390–470 Ω . As already stated, this means that high-efficiency LEDs are essential.

(P. Holmes - 924030)

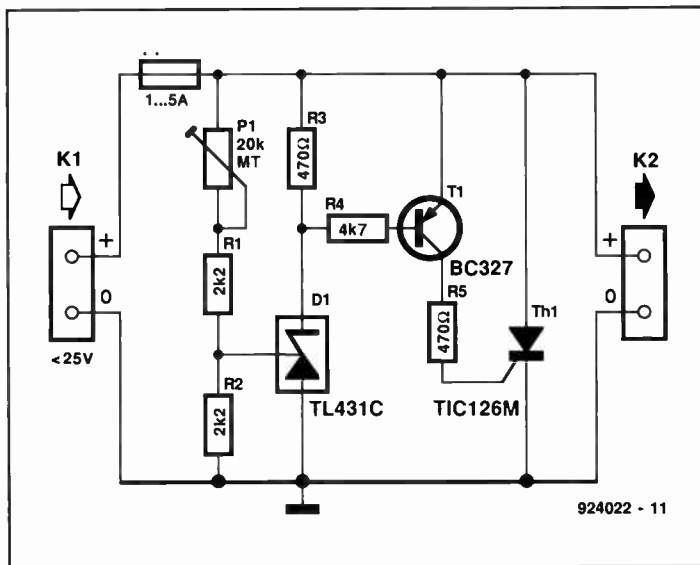


CROWBAR PROTECTION

QUITE a few electronic components, particularly active ones, cannot withstand too high voltages. Preventing costly circuits dying a premature death because the supply voltage has risen too high, an overvoltage protector is no luxury. Such a protector must, of course, act swiftly, otherwise the deed has been done before it has a chance to act. Therefore, (slow-acting) relays are not suitable for this purpose.

The circuit shown here, a so-called crowbar, contains several fast-acting components. It is intended to be connected between the mains and the appliance to be protected.

The circuit depends, as it were, on brute force: when the supply voltage rises too high, a thyristor short-circuits the output. This means that



the too high voltage is immediately removed from the connected appliance and also that fuse F₁ blows. Brute force, indeed!

The voltage at which the crowbar

comes into action is set between 5 V and 25 V with P₁. This is done as follows:

1. Set P₁ to its maximum value.
2. Replace the fuse temporarily by a wire bridge and connect the crowbar to a variable power supply. Set the current limit of that supply to 1 A and the output voltage to the value at which the crowbar is desired to act.
3. Turn P₁ back slowly until the thyristor comes on, that is, when the current limiter of the power supply comes into action.

The crowbar is now set.

Replace the wire bridge by the fuse (max. rating 5 A). In quiescent operation, the crowbar circuit draws a current of only about 1 mA.

[J. Ruiters - 924022]

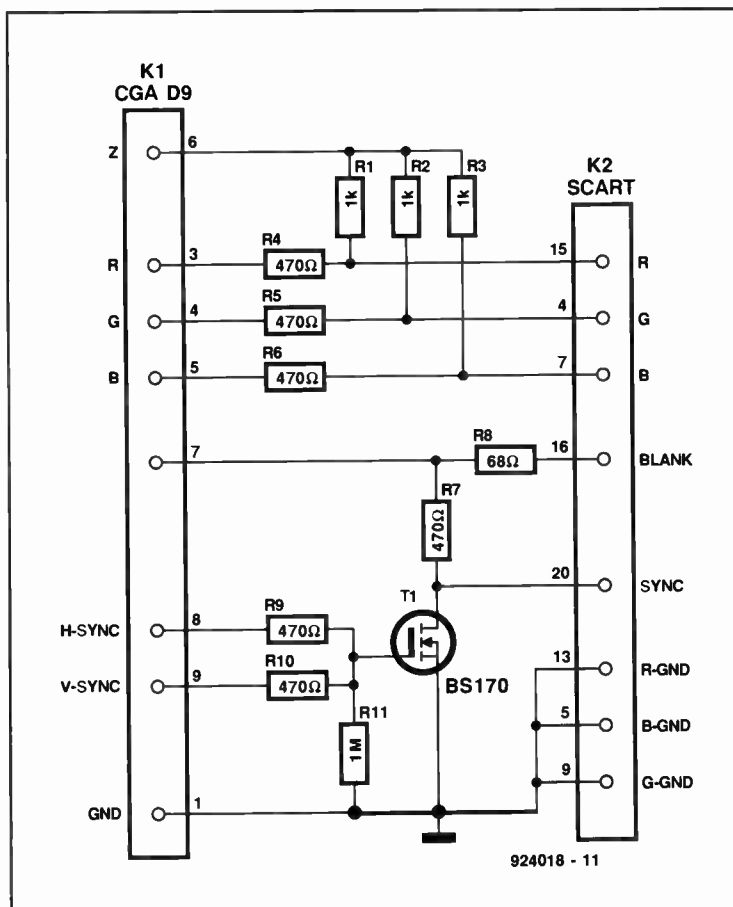
CGA-TO-SCART ADAPTOR

THE adaptor has the great advantages of not needing a separate power supply and requiring so few external components that these can easily be accommodated in the SCART connector.

The signals on the R, G, and B pins of the CGA card are converted from TTL level to SCART level with the aid of transistors R₄, R₅ and R₆ and the input impedance (75 Ω) of the SCART inputs. The output impedance of the so created voltage dividers is not exactly 75 Ω as specified for SCART video inputs, but in practice this does not appear to make much difference.

Resistors R₁-R₃ between pin 6 of the CGA card and the R, G, B pins of the SCART connector ensure that the brightness is brought down to 50% when pin 6 is active.

A composite sync(hronization) signal and a blanking signal for the TV are derived from the horizontal



and vertical sync pulses of the CGA card with the aid of R₇-R₁₁ and T₁.

The 5-V supply for T₁ is obtained from the CGA card via pin 7. Since that pin is not normally used, it must be linked to the 5-V line by a short length of wire.

[S. Plus - 924018]

LOW-BATTERY INDICATOR

THE reliability of readings of battery-operated measuring instruments depends, of course, on the state of the battery. Even simple instruments are, therefore, provided with a facility (normally a push button) to check the battery voltage. If, however, the state of the battery must be monitored constantly, that type of check is not very reliable. And then there are instruments that have no battery check facility whatsoever.

The indicator shown in Fig. 1 solves all these problems. With jump links JP₁ and JP₂ in the positions shown, D₂ serves primarily as on/off indicator. This low-current LED lights constantly as long as the battery voltage is sufficiently high and the optional alarm input (a) is not actuated. When the battery voltage drops below a value set by P₁, oscillator IC_{1b} is switched on, whereupon D₂ begins to flash at a frequency of about 0.5 Hz. A second oscillator, IC_{1a}, is actuated when a high voltage level is applied to terminal a. The LED will then flash at a frequency of 10 Hz. This additional indication is often useful to alert the user to an operational error.

When JP₁ and JP₂ are in their other position, there is no on/off indication; the quiescent current then drops from about 4 mA to a few μ A. If this condition is selected, the connections of D₂ must be changed over (as shown in dashed lines).

The circuit uses the NAND gates of a Type 74HC132 IC, which is suitable for supply voltages, U_i, of 2–6 V. Since the change-over point of the indicator depends on the supply voltage, connected to U_i, this must be regulated. It is, of course, possible, even preferred, to connect U_i to the regulated supply of the relevant measuring instrument. Here, an independent supply of 5 V is assumed. Since the regulator, IC₂, is a low-drop type, the battery voltage may drop to about 5.5 V before the stability of the output voltage (at U_i) becomes questionable.

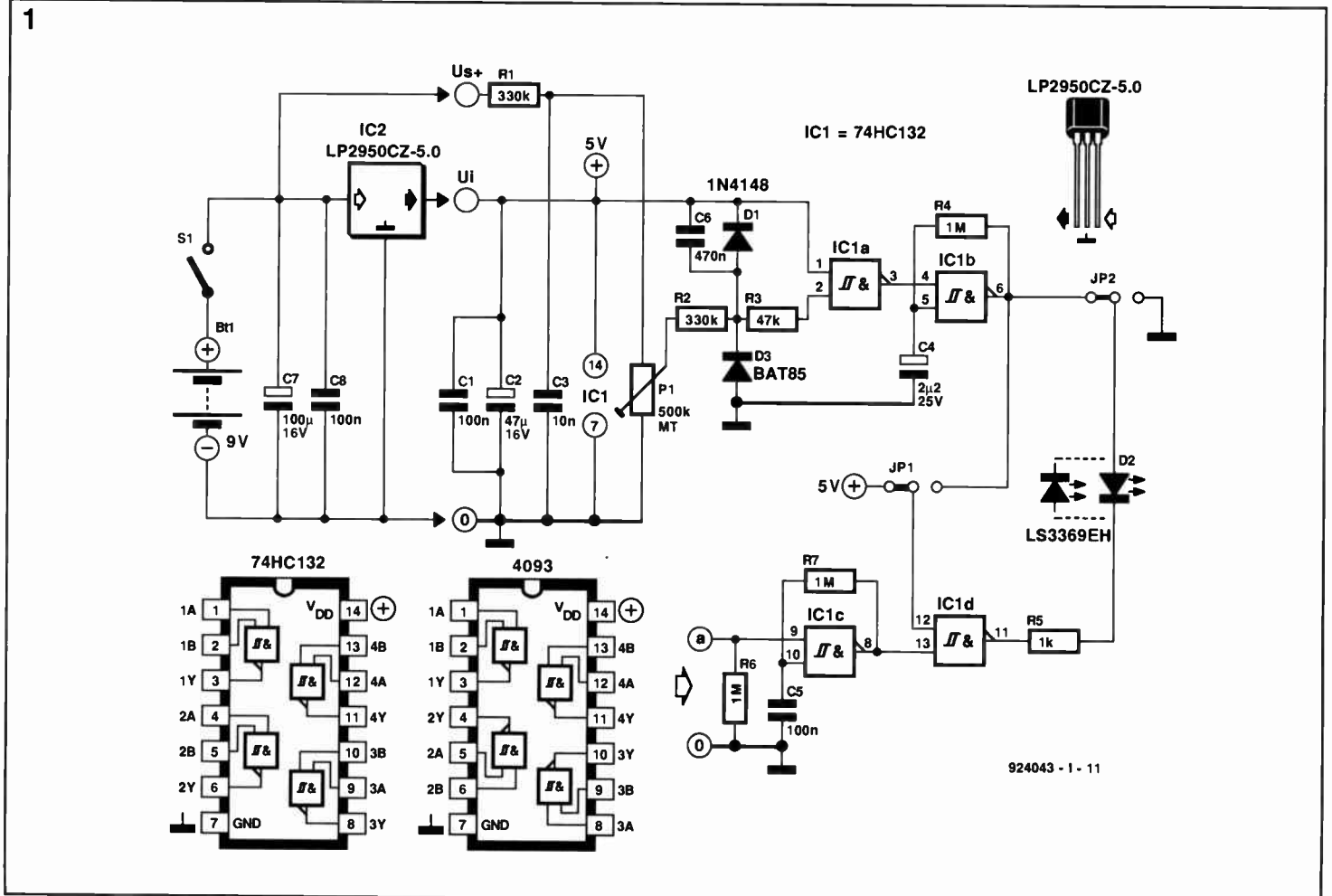
The design may be adapted for use with higher supply voltages: if IC₁ is replaced by a Type 4093, the circuit becomes suitable for an input voltage, U_i, of up to 18 V. The series resistor of D₂ must, of course, also be adapted: for instance, D₅ should be 3.9 k Ω when U_i = 15 V.

The battery voltage is applied to the input of IC_{1a} via potential divider R₁-P₁. Diode D₁ protects the gate against too high a voltage from a fresh battery.

Although the function of C₆ may not be immediately evident, it is a vital one: the capacitor ensures that the upper switching threshold (about 2.5 V) of IC_{1a} is exceeded briefly on power-on. Oscillator IC_{1b} is then reset. After about one second, the potential at junction R₂-R₃ is a measure of the state of the battery. If that potential lies below about 1.5 V (the lower switching threshold), the oscillator is actuated. If C₆ were not in circuit, the oscillator would not be reset at low battery voltages, resulting in an erroneous low-battery indication.

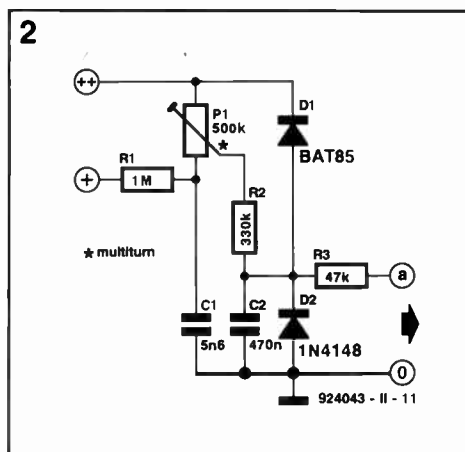
Preset P₁ (maximum resistance) is adjusted when a variable power supply is connected to U_{s+} and set to an output level at which the indicator is to become operational, say, 6 V. Turn P₁ slowly until D₂ begins to flash.

The alarm input, a, may be adapted for use with negative battery voltages by the circuit shown in Fig. 2.



In fact, the two circuits together monitor a symmetrical battery supply: the positive line via U_{s+} and the negative line via the circuit in Fig. 2, connected to terminal a in Fig. 1. When one of the batteries becomes low, D_2 begins to flash: at a frequency of 0.5 Hz in case of the + battery, and at about 10 Hz in case of the - battery. When both batteries become low simultaneously, D_2 flashes with interruptions.

The circuit in Fig. 2 raises the negative battery voltage to above earth level. Note that, because of the loading of its output, R_6 in Fig. 1 must be removed. Connect the ++ line to U_1 in Fig. 1, the + line to the negative terminal of the symmetrical battery supply, and 0 to 0 in Fig. 1.



Provided all connections are correct, the total current drain rises by only about 10 μ A over that of

Fig. 1 (assuming two 9-V batteries in series).

Preset P_1 is adjusted in a manner similar to that described above for P_1 in Fig. 1. When the upper switching threshold of IC_{1c} is exceeded, the gate oscillates and D_2 begins to flash. The power-on reset (terminal a becomes logic 0) is provided by capacitor C_2 . That capacitor is discharged via D_1 and the supply lines.

Diode D_2 protects IC_{1c} against negative input potentials, while capacitor C_1 prevents the circuit being triggered by possible brief noise peaks on the battery voltage.

[J. Ruiters - 924043]

VOLTAGE CONVERTER I

THE limiter is capable of converting a 70-260 V r.m.s. alternating voltage into a 180-350 V direct voltage. For that, a full-wave rectifier, contained in an MC34161, is used as a voltage doubler at low input voltages and as a standard rectifier at high input voltages. In this way, an input voltage variation of $\times 4$ is reflected in an output voltage change of not greater than $\times 2$.

The MC34161 has an integral voltage reference source that provides a voltage of 2.54 V at pin 1. The level of a signal applied to pin 2 is compared internally with a potential of 1.27 V.

Voltage divider R_2 - R_3 ensures that the internal comparator changes state when the input voltage rises above 135 V: pin 5 then becomes logic high. The potential at pin 2 is then lower than 1.27 V. The triac is switched off, and this removes the centre link between the output capacitors, C_2 and C_3 , so that voltage doubling cannot take place. Diodes D_1 - D_4 then operate as a normal bridge rectifier.

When the input voltage is lower than 135 V, the potential at pin 2 remains higher than 1.27 V: the internal transistor at pin 6 is then off. Because of R_4 , pin 3 then carries the reference voltage of 2.54 V. That in turn results in the internal transistor at pin 5 being switched on, so that triac Tri_1 switches from the blocking state to the conducting state. Diodes D_2 and D_3 , and capacitors C_2 and C_3 , then function as voltage doubler.

Zener diode D_5 , in conjunction

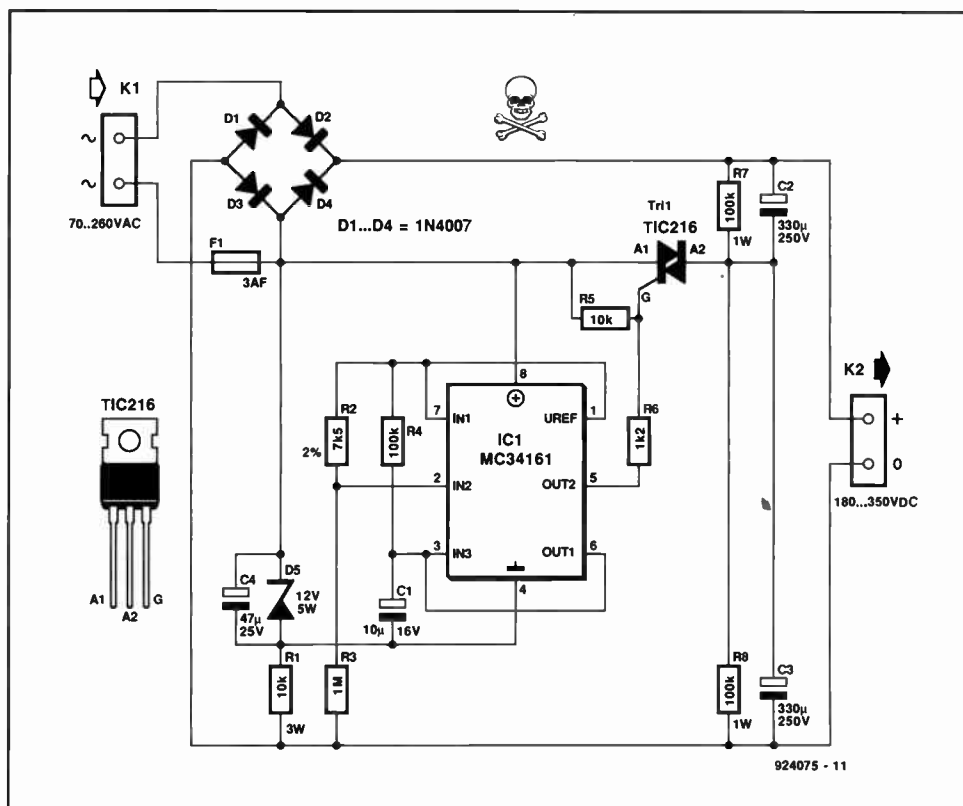
with R_1 and C_4 , ensures that the IC is supplied from a stable 12 V source. The time taken by the circuit to switch from standard rectifier to voltage doubler is determined by R_4 - C_1 .

The working voltage of capacitors C_2 and C_3 must be ≥ 250 V.

WARNING: the circuit carries high voltages and must therefore be treated with the greatest care.

(Motorola Application - 924075)

$U_{a.c.}$	$U_{d.c.}$
70	180
85	218
100	260
125	325
160	212
175	233
200	270



BATTERY REGULATOR FOR SOLAR POWER SYSTEM

Although newer types of solar cell have come to the fore recently, amorphous cells are bound to be with us for some time to come, mainly because of their low cost. Most solar cells based on amorphous technology have a relatively high internal resistance, which results in large differences between the loaded and 'open-circuit' output voltages. Where a rechargeable battery is used as an energy storage device, a voltage regulator circuit is in order that charges the battery when the cell output voltage is high, and forms a minimum load on the battery when the cell output voltage is low.

For relatively small solar power systems, the parallel (or 'shunt') regulator is a viable alternative. Apart from a single (Schottky) diode, nothing is inserted between the solar cell and the battery. Since the supply voltage is furnished by the solar panel, the regulator works always, even if the battery is fully discharged or not connected. This ensures the best possible protection against overvoltage of all circuits powered by the solar cell (or array of cells).

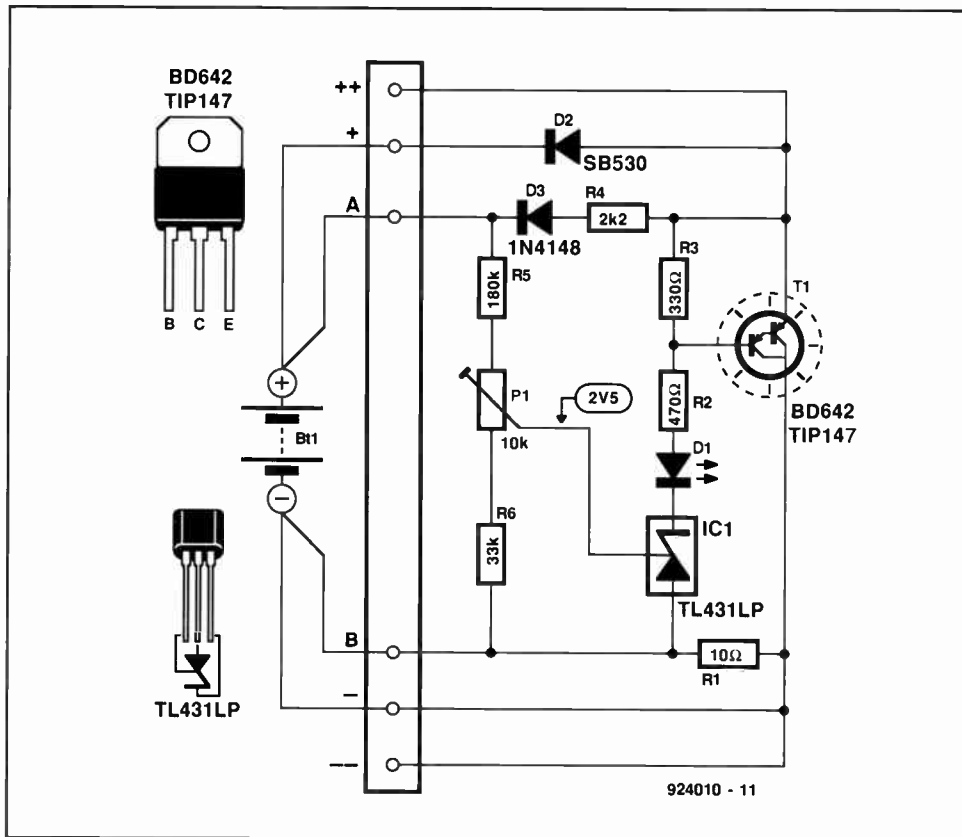
The heart of the shunt regulator presented here is formed by a Type TL431LP precision voltage regulator from National Semiconductor. When the solar cell output voltage rises above the level set with preset P_1 , a current starts to flow through R_3 - R_2 - D_1 . When the current has risen to about 5 mA, transistor T_1 starts to conduct. The transistor used here, a BD642, may be replaced by almost any other, similar, power darlington, for example, the TIP147. The collector of the BD642 is conveniently connected to ground, which means that the device can be bolted direct on to a heat sink.

Since the regulator is capable of shunting quite high currents, it has separate sense inputs, 'A' and 'B', to monitor the battery voltage. The solar cell is connected to terminals '++' and '- -'. Resistor R_4 limits the current through D_3 in the event of the high-power series diode, D_2 , breaking down. Not shown in the circuit diagram, but required in the interest of safety, are fuses in series with the battery and the load(s). Also, do not forget to connect a surge arrester in parallel with the solar cell.

The Schottky diode used here, an SB530 from Conrad, is capable of passing up to 5 A. For panel output

currents up to 3 A, it may be replaced by the more familiar 1N5401 (which, unfortunately, has a slightly

higher forward drop voltage). Talking of ratings: the heat sink on to which the power transistor is bolted must



PARTS LIST

Resistors:

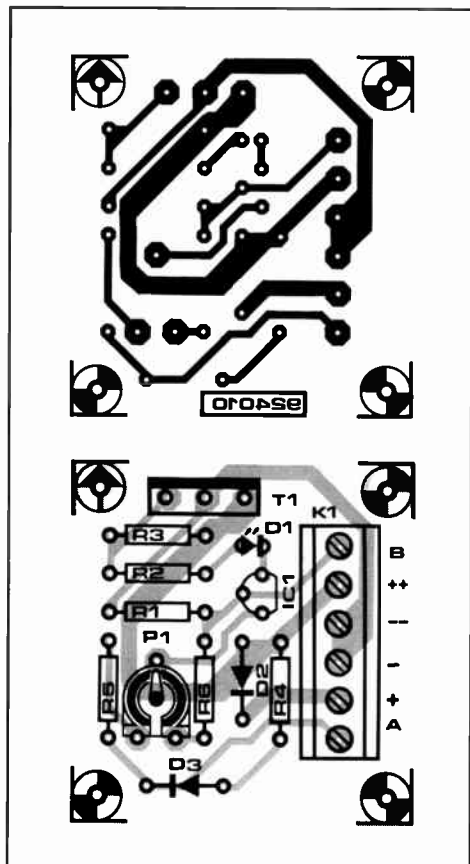
R1 = 10Ω
R2 = 470Ω
R3 = 330Ω
R4 = 2kΩ
R5 = 180kΩ
R6 = 33kΩ
P1 = 10kΩ preset H

Semiconductors:

T1 = TIP147 or BD642
D1 = LED
D2 = SB530
D3 = 1N4148
IC1 = TL431LP

Miscellaneous:

K1 = 6-way PCB terminal block;
pitch = 5mm



have a thermal resistance of 1.5 K W⁻¹ or smaller, in which case power dissipation levels up to 40 W can be handled without problems. For very high power applications, connect a number of power darlington's in parallel, and connect their emitters via 0.22-Ω current distribution resistors.

Obviously, to cope with the increased power dissipation, the size of the heat sink must be increased accordingly.

The component values shown result in a battery voltage adjustment range of 13.4–17.6 V. This is on the high side for most (lead-acid and gel-

type) batteries, which do not fare very well at charge voltages greater than 13.8 V. The circuit can be modified for an output voltage range of about 11–16 V by fitting: R₅=220 kΩ; R₆=47 kΩ; P₁=25 kΩ.

(K. Schönhoff – 924010)

LOW-DROP REGULATOR II

If a stable 5-V direct voltage is to be derived from an already low supply voltage, the 4805 from SGS Thomson is probably the most suitable regulator IC available at present. The popular 7805 does not work so well with supplies lower than about 8 V. The 4805, on the other hand, needs an input voltage that is only about 0.5 V higher than its output voltage. Its data sheets state that its output voltage remains stable so long as the input voltage does not drop below 5.7 V. That voltage, by the way, is the worst-case voltage when the output current is 400 mA. In practice, therefore, the regulator normally works fine with input voltage as low as 5.4 V.

What to do if the output current is more than 400 mA? Well, in that case, and for output currents up to 1 A, the LM2940T appears to be just about the best available. This IC from National Semiconductor is available in three variations: 5 V, 8 V, and 10 V. The 5-V version, in which we are principally interested here, is type-coded LM2940T-5. These ICs are pin-compatible with the 7805 and 4805, which makes it possible for an existing low-drop supply based on one of these devices to be upgraded fairly simply.

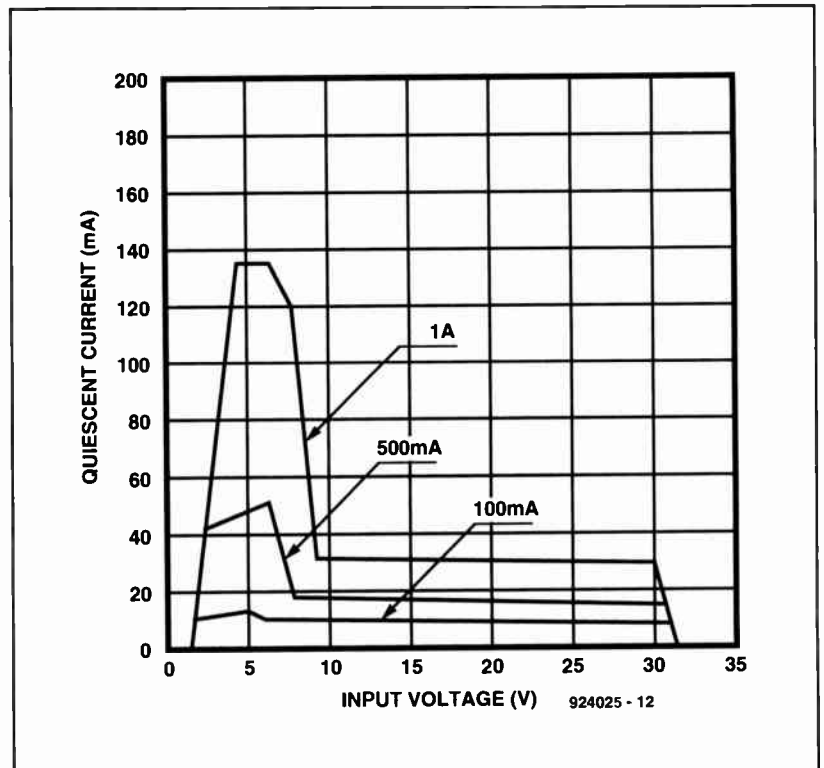
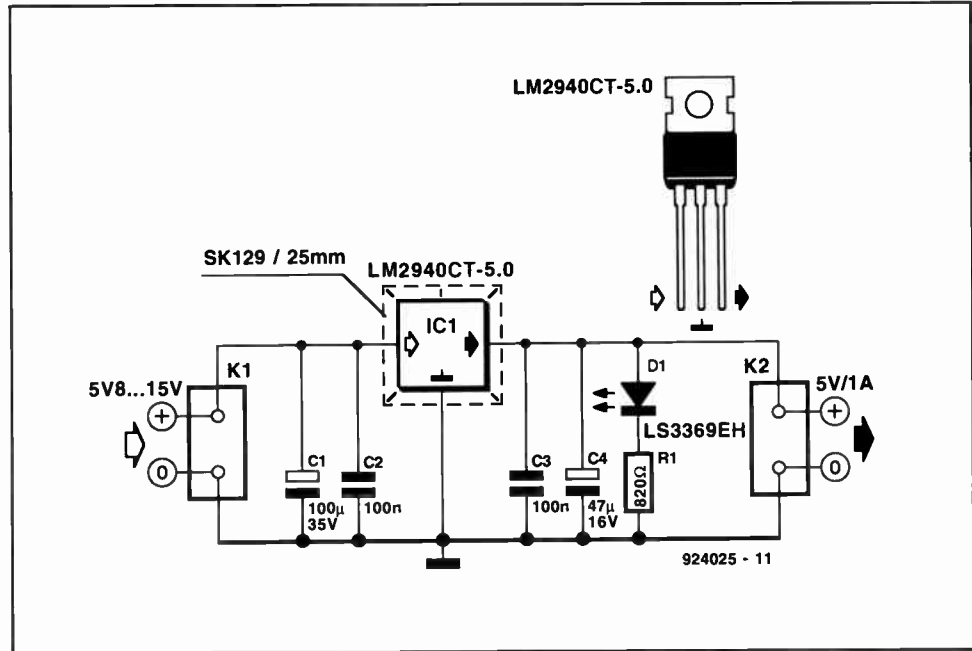
For completeness' sake, the circuit diagram shows a simple 5-V design. The only really important parameter here is the capacitance of decoupling capacitor C₄. According to the relevant data sheets, its value should be not less than 22 μF to ensure correct stability.

If the input voltage does not go above about 7.5 V, a heat sink is not necessary. If the regulator is required to operate at a higher output voltage and the full output current, a suitable heat sink is imperative. A heat sink rated at 6.5 °C W⁻¹ makes the low-drop circuit suitable for input voltages up to 15 V at full output current or up to 25 V at 500 mA. The worst case input voltage is 5.8 V.

The LM2940T, like the 7805, is short-circuit-proof, but it does draw

a rather high quiescent current as shown in the characteristic curves.

[J. Ruiters – 924025]



WATER PUMP CONTROL FOR SOLAR POWER SYSTEM

In most small solar power systems using a boiler it is required that the water circulation pump is not switched on until the temperature of the collector (the solar panel) exceeds that of the water in the vessel. Here, a two-sensor monitor is presented that enables this condition to be met. One sensor is fitted on the collector, the other on the water vessel. The control shown here has two adjustments: one for the temperature difference at which the pump starts to operate, and one for the temperature difference at which it is switched off. Although these settings are independent, the switch-off level must be lower than the switch-on level. Calibration in degrees Celcius is simple because the gradient of the voltage at the wiper of the potentiometers (or presets) that set the on/off temperatures is exactly $0.1 \text{ V } ^\circ\text{C}^{-1}$.

The two temperature sensors Type LM334 are adjusted to supply a

temperature gradient of $1 \mu\text{A } ^\circ\text{C}^{-1}$. Unequal sensor temperatures therefore produce a current flow at their junction. The voltage across R_1 is directly proportional to the temperature difference measured. This enables the switching thresholds of the on/off control to be set with the aid of two presets: the 'on' preset (P_4) is adjusted to, say, $3 \text{ } ^\circ\text{C}$, and the 'off' preset (P_3) to $1 \text{ } ^\circ\text{C}$. The range of the two presets is about $5 \text{ } ^\circ\text{C}$.

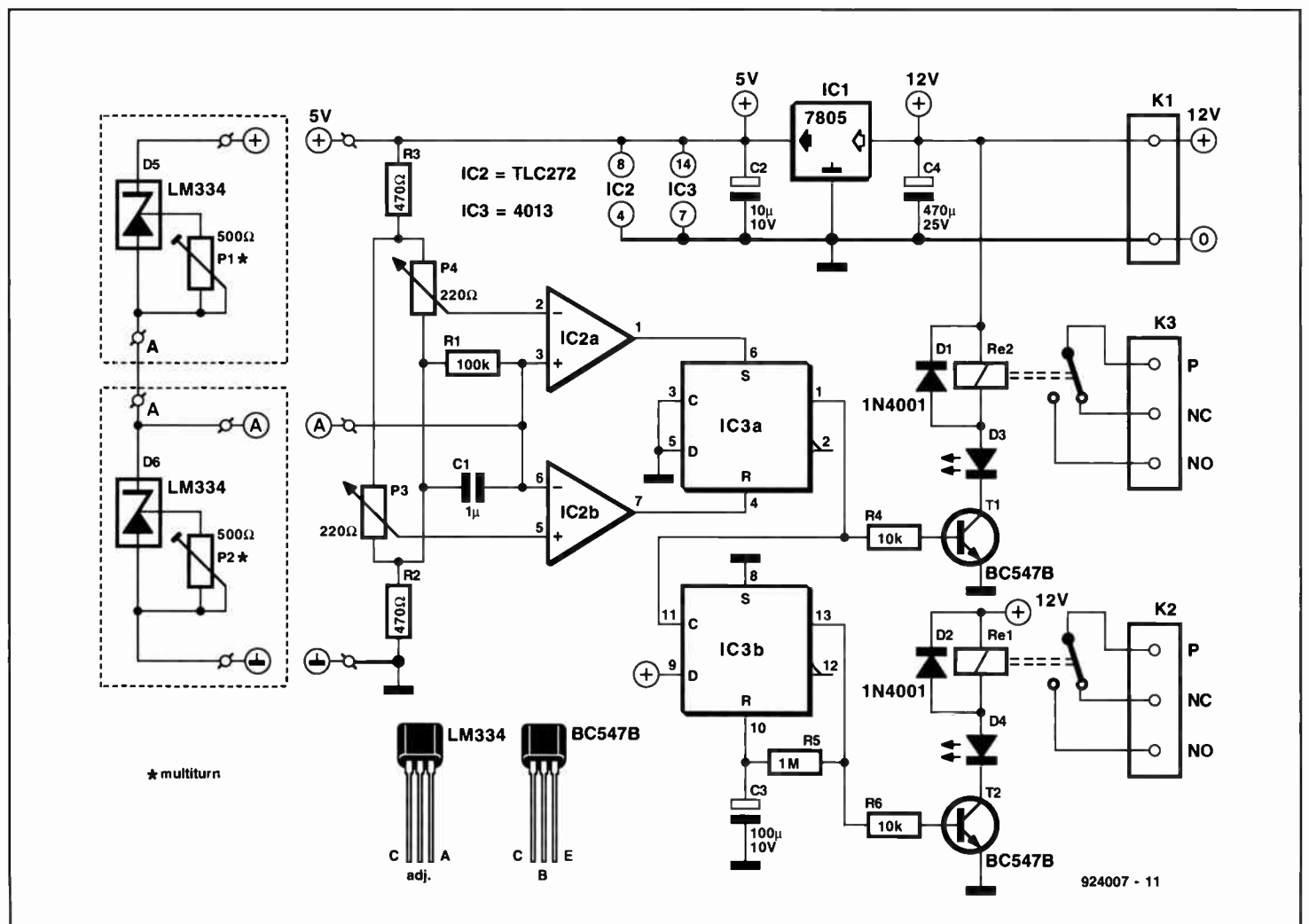
The sensors used here supply a current rather than a voltage. This eliminates thermocouple effects caused by temperature changes on the connecting cables between the sensors and the circuit. If voltage-type sensors such as PTCs or NTCs were used, the circuit would have become more complex because of the required compensation. The AD590 may be used instead of the LM334. Note, however, that the AD590 does not require an adjustment preset or resistor.

Relay Re_2 switches the pump on and off. A second relay, Re_1 , comes on after Re_2 . It is optional, and may be used to switch the pump briefly to a higher speed, which is required in some solar heating systems to increase the initial water flow, or to fill the system.

The circuit is calibrated by setting equal sensor currents at equal sensor temperatures. The sensor current equals

$$[273 + T_a] \mu\text{A},$$

where T_a is the ambient temperature in degrees Celsius. Thus, at a room temperature of $20 \text{ } ^\circ\text{C}$, presets P_1 and P_2 are adjusted until the current flow through each sensor is $293 \mu\text{A}$. A few microamps more or less will not make much difference, as long as the sensor currents are equal. It is best to first adjust one sensor only. Start by connecting a microammeter between 'A' and ground, and



PARTS LIST

Resistors:

- R1 = 100kΩ
- R2;R3 = 470Ω
- P3;P4 = 220Ω linear potentiometer
- R4;R6 = 10kΩ
- R5 = 1MΩ
- P1;P2 = 500Ω mutiturn preset

Capacitors:

- C1 = 1μF MKT
- C2 = 10μF 10V radial
- C3 = 100μF 10V radial
- C4 = 470μF 25V radial

Semiconductors:

- D1;D2 = 1N4001
- D3;D4 = LED
- D5;D6 = LM334
- IC1 = 7805
- IC2 = TLC272
- IC3 = 4013

T1;T2 = BC547B

Miscellaneous:

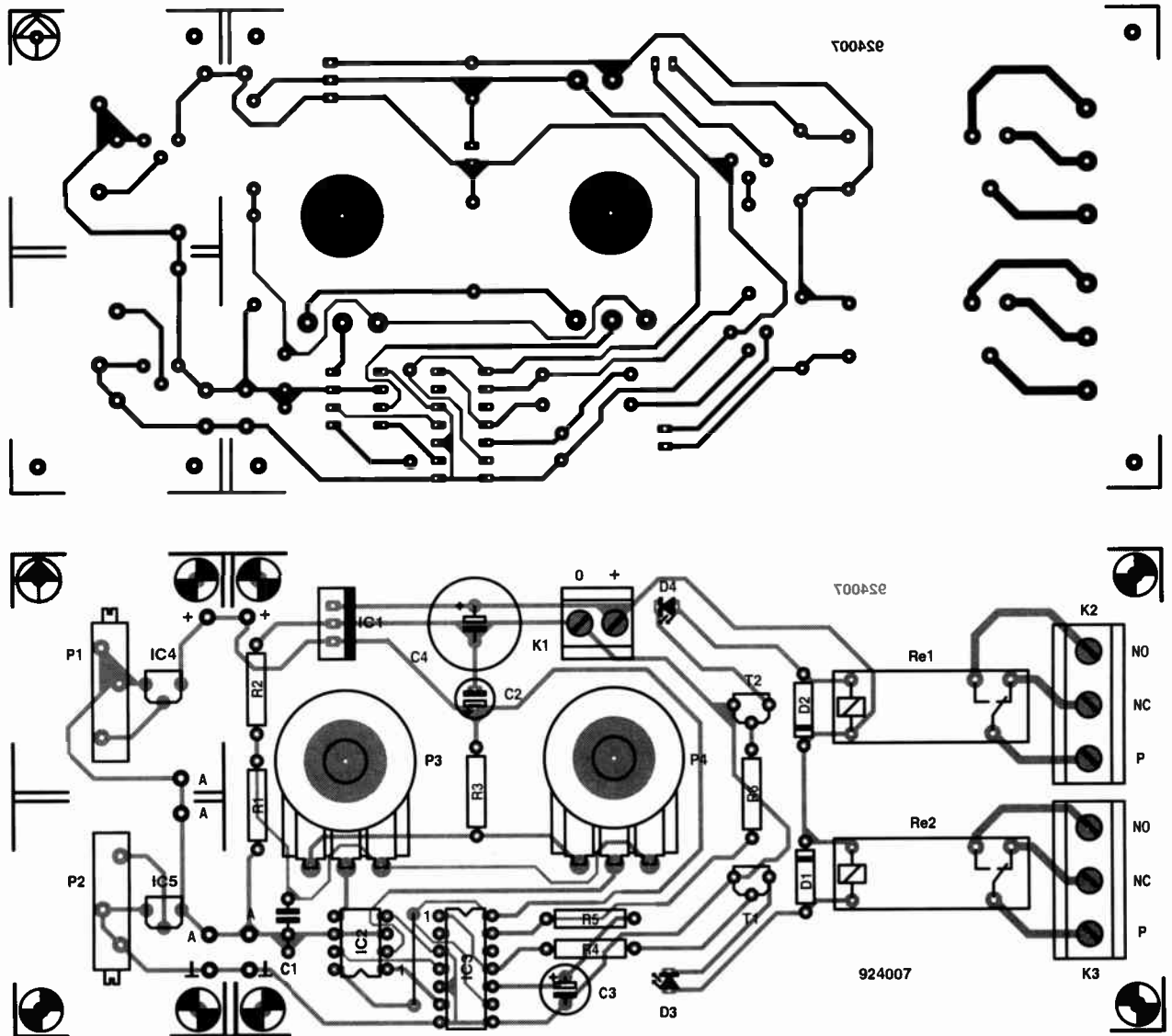
- K1 = 2-way PCB terminal block, pitch 5mm.
- K2;K3 = 3-way PCB terminal block, pitch 7.5mm.
- Re1;Re2 = GBR 10.2-11.12 (12V coil, contact 250V @8A).
- Enclosure: about 155x61x90 mm; e.g., Retex Gibox Type RG3.
- PCB Type 924007.

adjust P₁. Next, adjust the other preset until the voltage across R₁ is nought. It will be clear that these initial adjustments require that the two LM334 are at the same temperature.

Current consumption of the on/off control is about 11 mA plus about 35 mA for each relay.

The dimensions of the printed circuit board are geared to the size of the box mentioned in the parts list. The potentiometers are fitted with the spindles at the track side of the board.

(K. Walraven - 924007)



POWER SUPPLY TESTER

THIS little circuit enables you to measure the so-called dynamic response of a d.c. power supply. A power MOSFET, T₁, is used to switch the supply load on and off at a user selectable rate. The response of the supply to these fast load variations is displayed on an oscilloscope.

The switching rate is selected with the aid of a rotary switch, S₁, which also serves as the on/off switch. The available switching frequencies are: 10 Hz, 100 Hz, 1 kHz and 10 kHz. The well-known 555 timer IC is used to supply the switching signal. Diodes D₃ and D₄ cause the astable multivibrator to supply an output signal with a duty factor of about 0.5. The switching transistor, T₁, is protected against too high currents by a fast 10-A fuse inserted in the drain line. The tester may be powered by any regulated d.c. supply with an output voltage between 6 V and 15 V. However, this must not be the supply under test! Given the low current consumption of the tester (40 mA max.), a 9-V battery is an excellent power source.

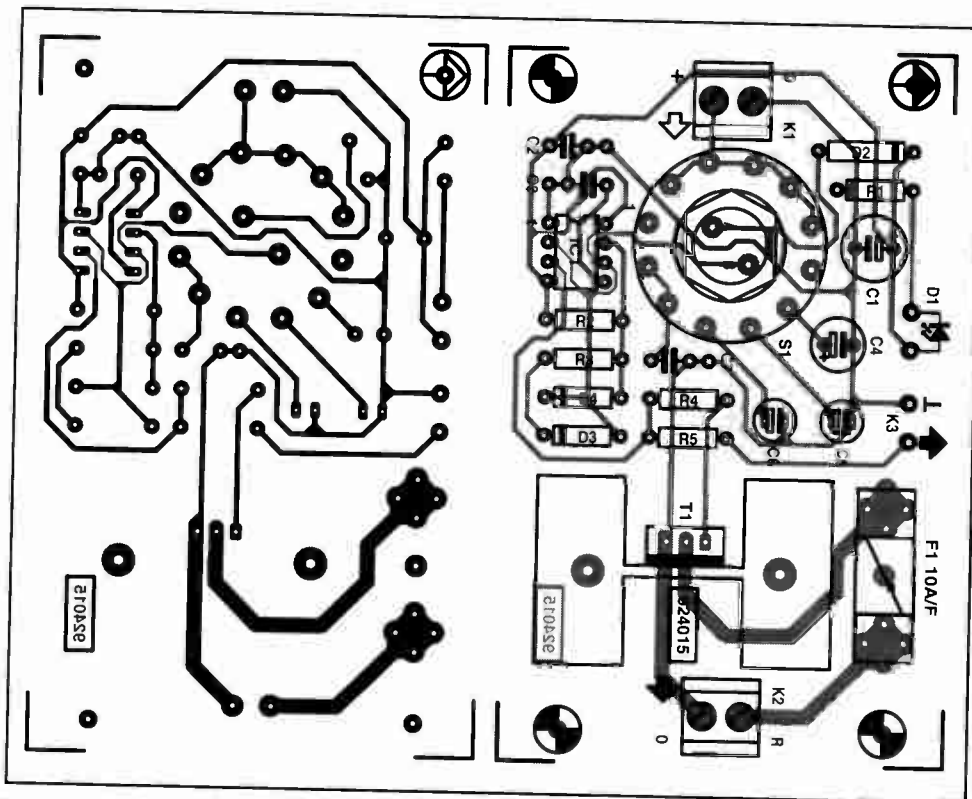
The tester is extremely simple to use. First, select the load resistance of the supply you wish to test; say,

12 Ω/15 W for a 12-V, 1-A PSU. This resistor is connected between output 'R' of the tester, and the '+' output of the PSU. The '0' output of the tester goes to the '-' (or '0') terminal of the PSU. Next, connect the scope input to the PSU outputs, and the trigger input to K₃ of the tester. Switch on the scope, the PSU and the tester. The scope will now display the dynamic regulation characteristic of the PSU at the given output current (1 A)

and the selected switching rate (initially, 10 Hz).

Construction of the tester is straightforward on the small printed circuit board shown here. The power MOSFET is bolted on to a small PCB-mount heat sink, and will not run very hot even when the maximum permissible drain current (about 10 A) is approached.

(J. Ruiters - 924015)



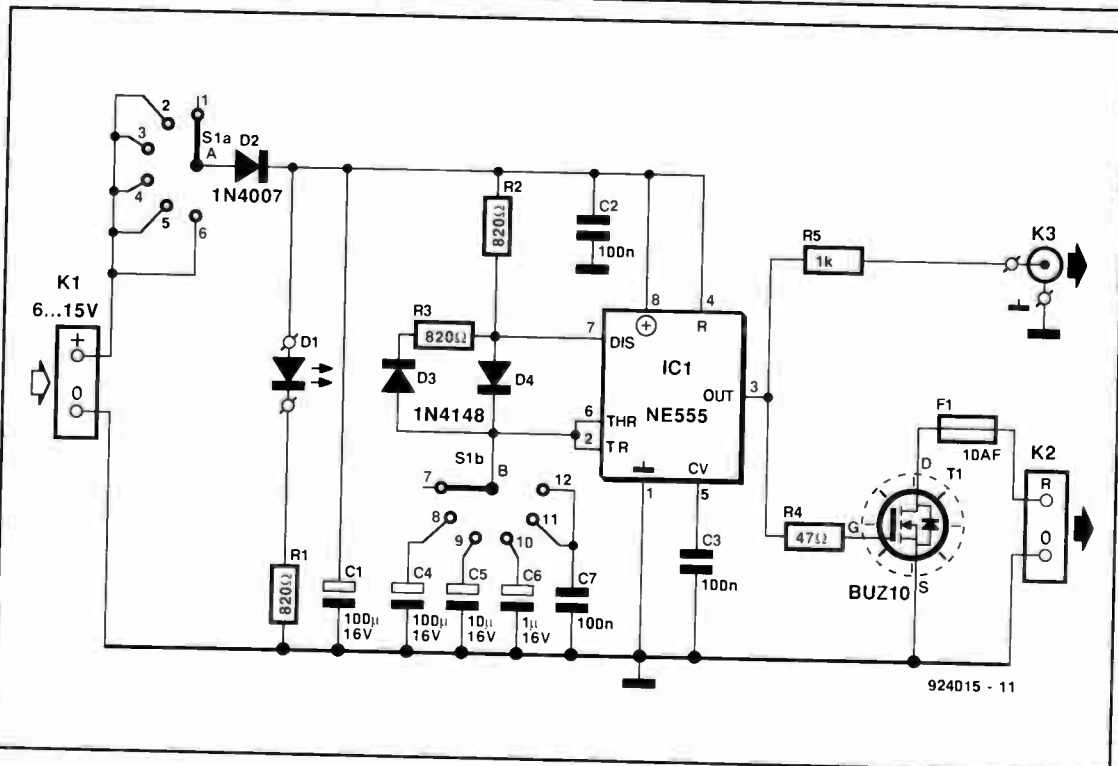
PARTS LIST

Resistors:
 R1;R2;R3 = 820Ω
 R4 = 47Ω
 R5 = 1kΩ

Capacitors:
 C1 = 100μF 16V radial
 C2;C3;C7 = 100nF
 C4 = 100μF 16V radial
 C5 = 10μF 16V radial
 C6 = 1μF 16V radial

Semiconductors:
 D1 = LED, red, 5mm
 D2 = 1N4007
 D3;D4 = 1N4148
 T1 = BUZ10
 IC1 = NE555

Miscellaneous:
 K1;K2 = 2-way PCB terminal block; pitch 5mm.
 K3 = panel mount BNC socket.
 S1 = 2-pole 6-way PCB mount rotary switch.
 F1 = 10A fast fuse plus PCB mount holder and cap.
 Heat sink 5K/W, e.g. SK129/38.1mm.



924015 - 11

PC FAN CONTROL

IT is an unfortunate and well-known fact that most PCs of the 'IBM and compatible' type make a lot of noise, which is both undesirable (as regards noise in the working environment) and unnecessary (as regards the actual power consumption, which is often quite low). Many fans in PC power supplies are over-rated, noisy, and run at a constant, high, speed. Fortunately, the authors found that such fans can do their protective job just as well at far lower speeds.

The speed controller presented here consists of (1) a temperature monitor based on a LED as the sensor device, and (2) an idle speed regulator. The combination of the temperature monitor and the idle speed regulator results in a linear relation between temperature and fan speed. In other words: the fan will never run faster than strictly necessary. By virtue of the two separate regulator circuits, there is no interaction between idle speed and temperature regulation, as with many other (less sophisticated) fan controllers. The result is low fan speed (low noise) at low temperatures, as well as good cooling and a safe start-up at all times.

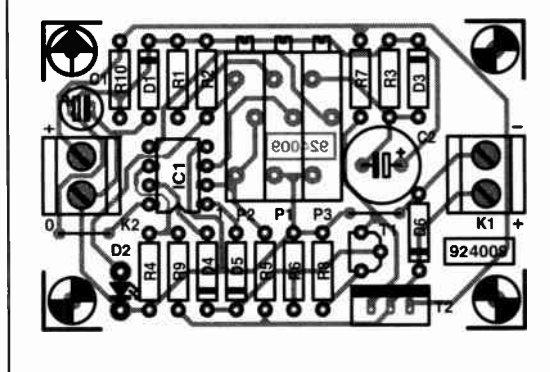
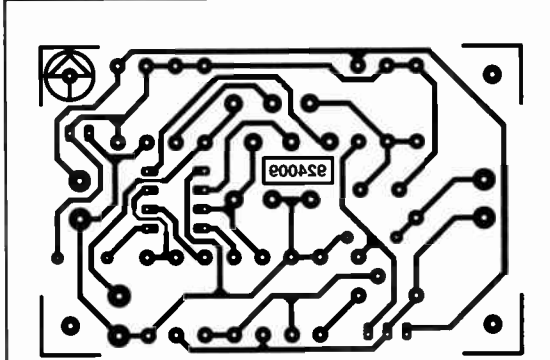
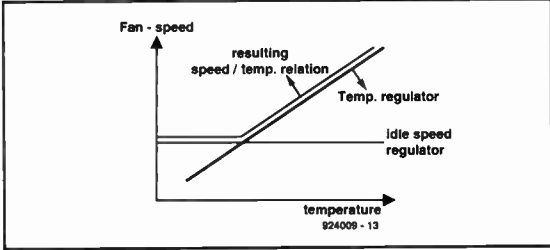
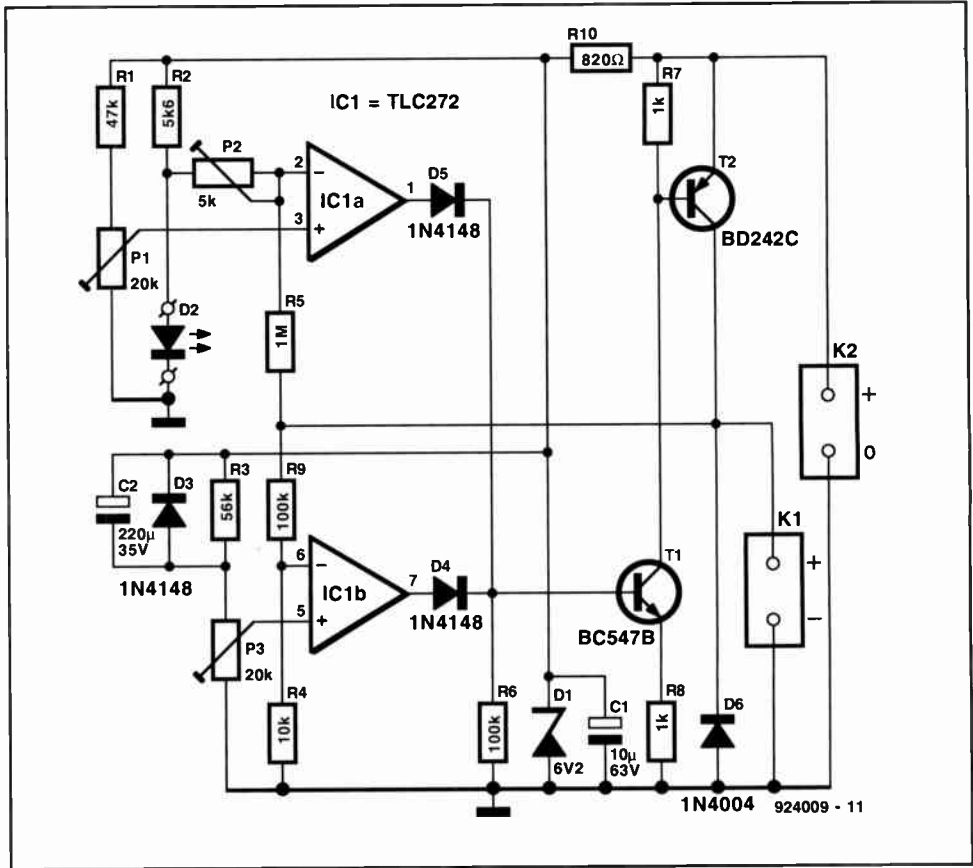
When the temperature inside the PC rises, the voltage drop across the **red LED**, D₂, decreases by approximately -2 mV K⁻¹. This results in a higher output voltage of opamp IC_{1A}. Preset P₁ is used to set the start level, while P₂ determines the slope of the regulator characteristic. The adjustment range of the idle-to-full speed regulation is about 2 °C to 30 °C.

The idle speed is set to the desired value by adjusting P₃. Capacitor C₂ ensures a 4-second full-speed start up period, while diode D₃ restarts the fan after a short interruption on the mains.

The outputs of the temperature monitor and the idle speed regulator are 'joined' by two diodes, D₄ and D₅, at the base of T₁. The regulator is stabilized by feeding a small portion of the fan voltage back to the - inputs of the opamps.

The circuit is built on a small printed circuit board that can be fitted into the PC's power supply. The LED may have to be moved off the board, and connected with wires, to enable it to be fitted in a position where temperature changes are best noticed.

(L. Svenkerud and A. Kristiansen - 924009)



PARTS LIST

- Resistors:**
 R1 = 47kΩ
 R2 = 5kΩ
 R3 = 56kΩ
 R4 = 10kΩ
 R5 = 1MΩ
 R6;R9 = 100kΩ
 R7;R8 = 1kΩ
 R10 = 820Ω
 P1;P3 = 20kΩ multiturn preset
 P2 = 5kΩ multiturn preset
- Capacitors:**
 C1 = 10μF 63V radial
 C2 = 220μF 25V radial
- Semiconductors:**
 D1 = 6V2 0.4W zener diode
 D2 = LED, red, 5mm
 D3;D4;D5 = 1N4148
 D6 = 1N4004
 T1 = BC547B
 T2 = BD242C
 IC1 = TLC272

- Miscellaneous:**
 K1;K2 = 2-way PCB terminal block, pitch 5mm.

HALOGEN LAMP PROTECTOR

HALOGEN lamps, particularly high-wattage ones, tend to draw very high currents when they are cold, because they then have a very low resistance: of the order of 0.1 Ω or lower. If such a light is operated from a 24 V battery, a switch-on peak current of over 200 A may flow. This is highly detrimental to the life span of the light, which after only a few switch-ons may give up the ghost. That costly situation may be prevented by gradually building up the power supplied to the lamp. Since operation is from a d.c. source, the only practical way of so doing is by pulse-width modulation. With that technique, the voltage to the lamp is switched from zero with increasing pulse width, while the current is smoothed by a coil, so that its average level increases gradually. Switching is carried out with two MOSFETs Type BUZ11. This type is characterized by an extremely low channel resistance, which is typically 0.03 Ω for a gate-source voltage of 15 V; moreover, the can handle continuous currents of up to 30 A and pulsed ones of up to 120 A. By connecting the two in parallel, the current is split two ways: not exactly 50/50, of course, but near enough to ensure that on switch-on the devices remain within their limits.

The control circuit for the MOSFETs, T_2 and T_3 , provides nothing new. A regulator, IC_1 , ensures that the supply

to the circuit cannot rise too high: it is set for about 18.5 V. The battery voltage cannot be used directly, because, among others, the gate-source voltage of the MOSFETs must not be higher than 20 V.

A sort of triangular waveform is generated by Schmitt trigger IC_{2a} ; R_2 and R_4 ensure that the operating point of the opamp is half the supply voltage. Because of the feedback via R_6 - C_5 , the output waveform is rectangular. However, the voltage across C_5 is an exponential waveform, that is more or less triangular. That voltage is compared by IC_{2b} with the terminal potential of C_6 , which, after switch-on, rises gradually.

As long as the voltage across C_5 is lower than that at the non-inverting input of IC_{2b} , the output of that opamp will be high. As soon as the inverting input reaches a potential higher than that at the +ve input, the output changes state, which is accelerated by the positive feedback via R_{10} .

The higher the terminal voltage of C_6 , the longer the output of IC_{2b} will remain high. Eventually, it will reach a value higher than the maximum voltage across C_5 : pin 7 of IC_{2b} is then permanently high. The lamp is then no longer switched on and off, but remains on.

The Type CA3240 dual opamp in the IC_2 position has the advantage that its output can become almost zero, but the disadvantage that it can-

not sink relatively large currents. Because of that, T_1 ensures that the gate capacitances of T_2 and T_3 , together 2–10 nF, are discharged rapidly. Those gate capacitances are charged again (that is, T_2 and T_3 are driven into conduction) by IC_{2b} via D_2 . An additional driver is not needed, because the CA3240 can source enough current at high levels. When the FETs are on, their gate potential is about 16 V.

When the lamp is switched off, C_6 is discharged immediately, so that the circuit is ready at once to switch it on again. To ensure that on switch-off the induced potential across L_1 does not rise above the maximum level of the drain-source voltage (50 V), the coil is shunted by D_3 . This needs to be a fast type (25 ns or better) that can handle currents of up to 30 A.

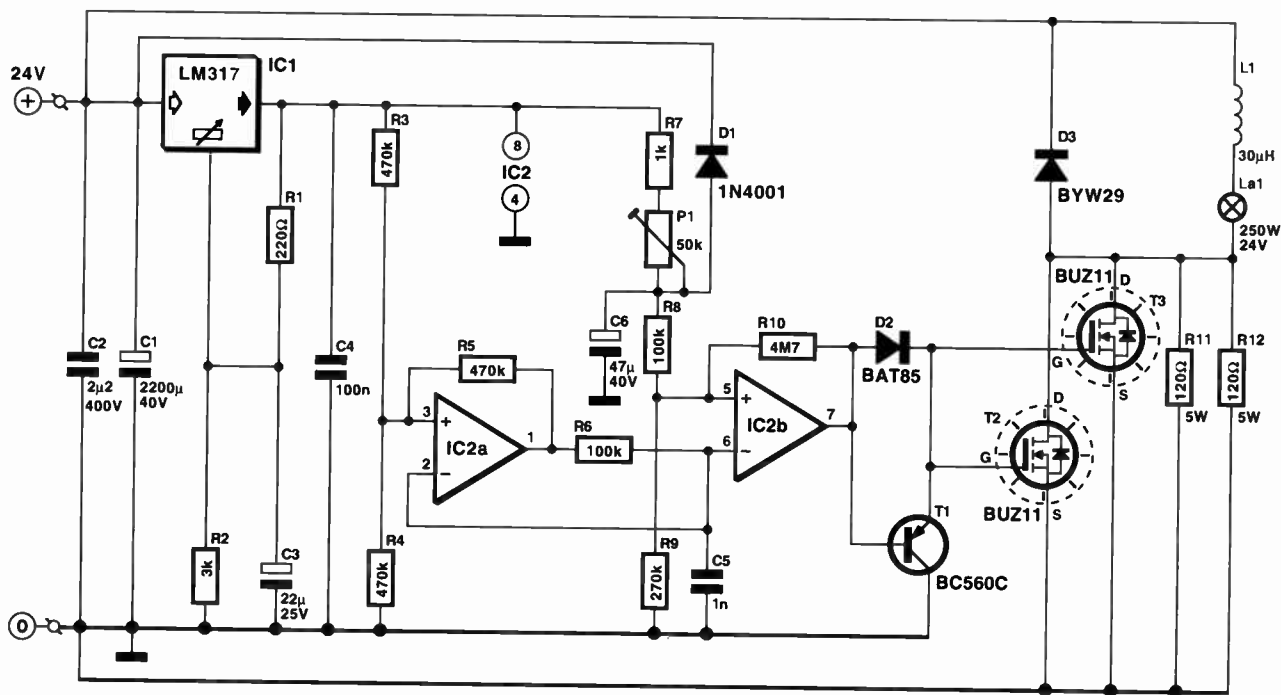
Resistors R_{11} and R_{12} provide the lamp with some voltage before the MOSFETs switch on.

The speed at which the circuit switches the lamp on is preset with P_1 ; normally, it will be sufficient to set this to the centre of its travel.

It is advisable to mount the FETs on a heat sink, although their dissipation is of the order of 1.6 W only.

Capacitors C_1 and C_2 must be able to handle high-frequency pulse currents of up to 30 A.

Inductor L_1 must ensure that the lamp current does not exceed a predetermined value: the larger the in-



924060 - 11

ductance, the lower the maximum level of the current. However, the physical dimensions of the coil must be acceptable. In the prototype, the maximum lamp current was set at 30 A. At a switching frequency of 7 kHz, an inductance of 30 μH is

sufficient. Moreover, to avoid saturation problems, the coil is an air-cored one.

It is made by winding 45 turns of 1.5 mm (1/16 in) dia. enamelled copper wire in three layers on a 24 mm (15/16 in) dia. round former. During

the winding, apply some glue from time to time to the turns.

The current drawn by the circuit is primarily that through the lamp: with a 250 W lamp and a 24 V battery, the current is some 10 A.

(J.J. Paauwe - 924060)

EXTRA BRAKE LIGHT

THERE are many cars on the road that could do with an extra brake light, particularly one high up that can be seen by the third, fourth or fifth car behind it. That proposed here consists of a running-light bar of LEDs that starts again and again when all LEDs light. In some countries, this may not be allowed—check with your local highway or police department, but it can be used, anyway, in model cars.

Power is taken from terminals of the present brake lights. Because of bridge rectifier D₁-D₄, the polarity

of that voltage is immaterial. The voltage is kept steady at 5 V by IC₄.

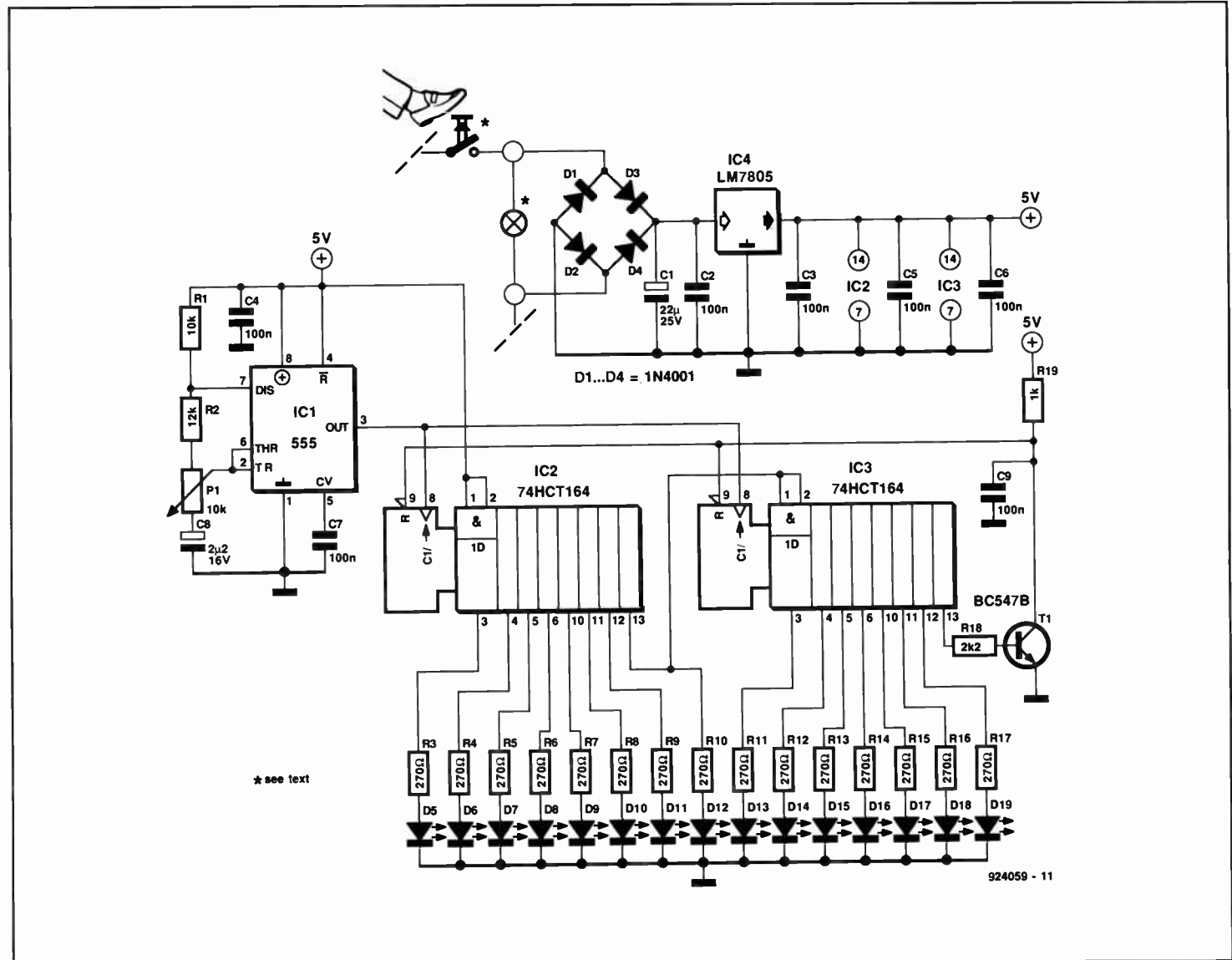
An oscillator, based on IC₁, provides clock pulses to shift registers IC₂ and IC₃ as long as the brake pedal is pressed. The p.p.r. (pulse repetition rate) is set with P₁.

LEDs are connected to the outputs of the shift registers via series resistors. Because input pins 1 and 2 of IC₂ are connected to the positive supply line, each clock pulse generates a logic high at successive output pins, so that more and more LEDs will light. Since the last out-

put of IC₂ is linked to input pins 1 and 2 of IC₃, the outputs of that register will also be supplied successively with logic 1s when all LEDs connected to IC₂ light. When, finally, the last output of IC₃ goes high, T₁ is switched on, which results in a reset of the shift registers and all LEDs going out. If the brake pedal is still pressed, the LEDs will light one by one again.

Network R₁₉-C₉ ensures that the shift registers are reset and thus the LEDs go out the instant T₁ is switched on.

(Soumya Mitra - 924059)



DIGITAL VOLUME CONTROL

TWO ladder networks and a buffer each form a volume control with a range of 63 dB. Network R₃-R₁₇ provides fine control in steps of 1 dB, whereas network R₂₀-R₃₄ provides coarse control in steps of 8 dB. The desired attenuation is set with the aid of multiplexers IC₁ and IC₃, each of which is controlled via three digital inputs. The design is such that the binary code on the six-bit wide overall control input accords with the set attenuation.

Resistor R₁ ensures that C₁ can discharge, even if K₁ is open-circuited. This resistor and network R₃-R₁₇ form an input impedance of 46.3 k Ω . The resistor also determines the maximum permissible input voltage. That voltage depends, in the first instance, on the supply voltage to IC₁ and IC₃ (± 8.2 V).

plus R₃-R₁₇ attenuate the input signal $\times 2.4$ (7.6 dB). This means that the maximum input level must not exceed 20 V_{peak}, that is, 14 V r.m.s. That means also that IC_{2a} must not amplify to prevent too high an input to the second ladder network and buffer.

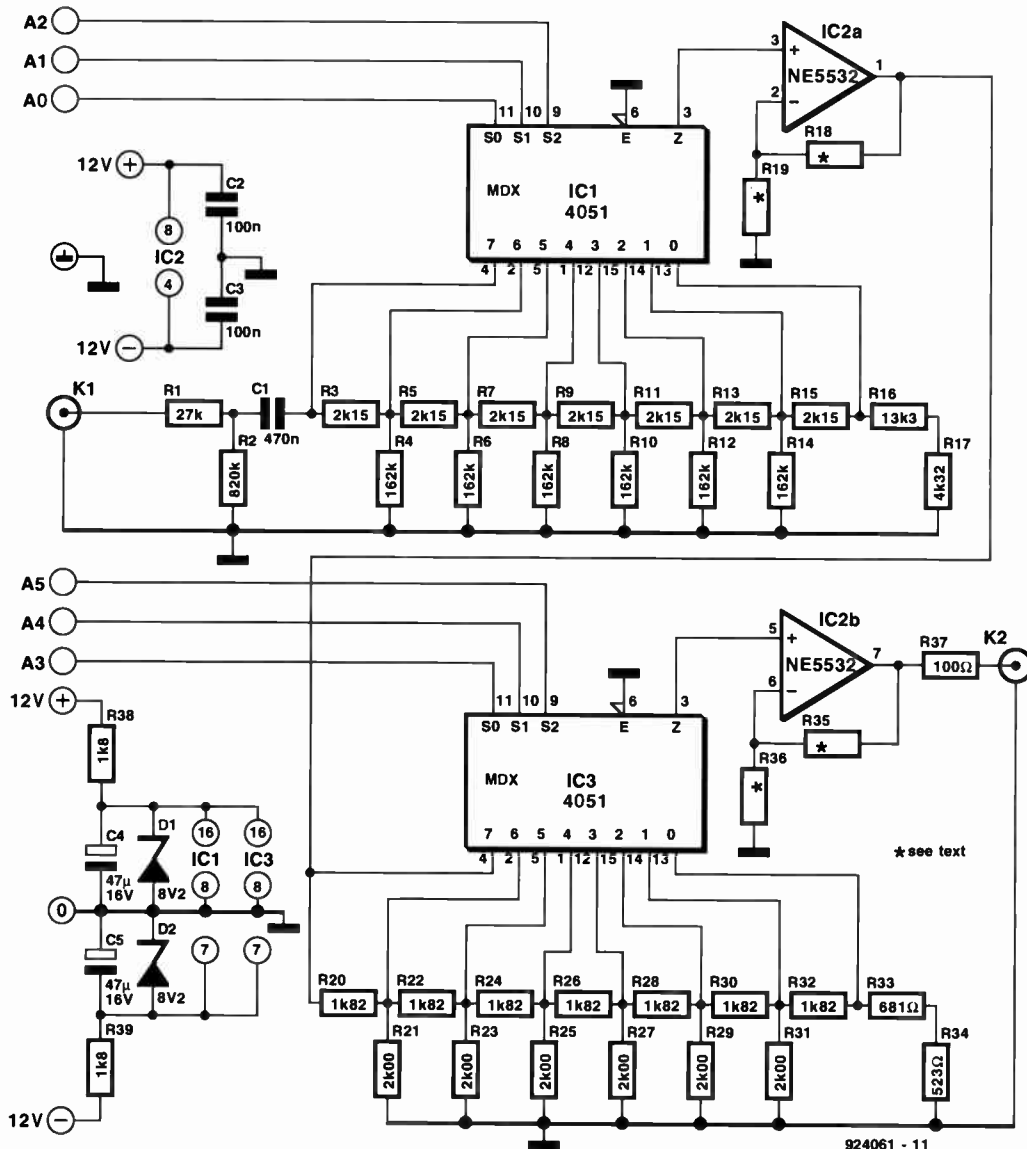
The amplification of the two opamps is determined by R₁₈-R₁₉ and R₃₅-R₃₆ respectively. As stated before, that of IC_{1a} should be unity, in which case R₁₈=0 Ω and R₁₉ is omitted. If the amplification of IC_{2b} is also unity, the overall control range is -7.6 dB to -70.6 dB. To obtain a control range of 0-63 dB (when the binary code on the control inputs accords with the actual attenuation), IC_{2b} should provide an amplification of $\times 2.4$.

The current drawn by the circuit is determined primarily by the dual opamp and amounts to about 10 mA.

The overall distortion is <0.003% over the range 20 Hz to 20 kHz and an input signal of 1 V.

The control has one, small, drawback: when the volume is set, weak clicks occur (which are typical of all normal CMOS switches). That makes it less suitable for super-de-luxe applications, although many listeners will not even notice the clicks. And, in any case, the volume is not varied constantly.

(P.C. Hogenkamp - 924061)

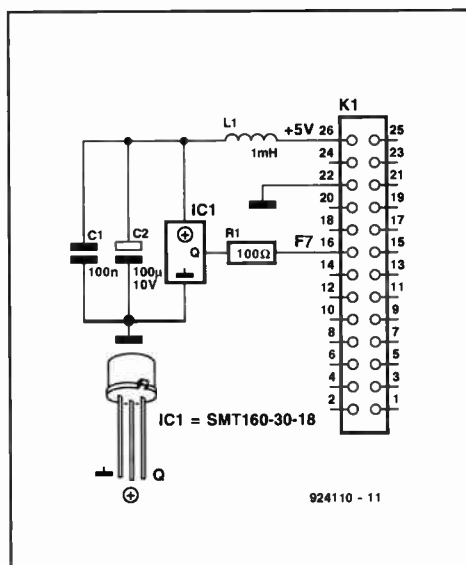


924061 - 11

AUDIBLE FLUID LEVEL INDICATOR

A 600 Hz signal at a level of $2.4 V_{pp}$, generated by the oscillator on board an LM1830 (National Semiconductor) is applied to a probe via C_2 . The probe is immersed in the liquid whose level is to be monitored. Because of C_2 , there is no direct voltage at the probe, so that there are no electrolysis problems.

As long as the probe makes no contact with the (conductive) liquid, the signal level at the input of the detector is equal to the level of the oscillator signal. When the liquid touches the probe, the detector input is connected to ground (or nearly so). This causes the level at pin 10 to drop. When it becomes more than 0.6 V lower than the oscillator signal, the detector switches on the in-



ternal output transistor in the rhythm of the oscillator frequency, since that is not suppressed by the detector.

The consequent signal at pin 12 is used to drive a simple output stage, T_1 , which drives a small loudspeaker, LS_1 .

The supply for the circuit is best taken from a 9-V PP3 battery. In quiescent operation, the current drain is 3 mA; when the alarm sounds, the current rises to about 80 mA.

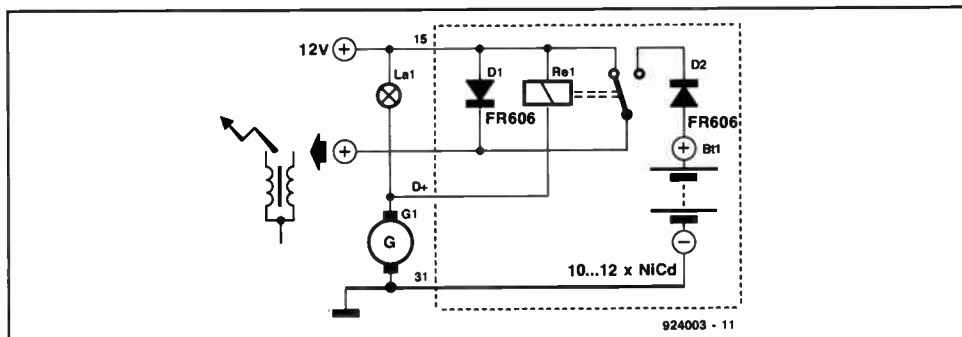
[L. Lemmens - 914110]

SUPER STARTER FOR CARS

THE super starter makes it possible to start cars with ageing batteries and obsolescent (coil-based) ignition systems, particularly during cold or damp weather. During starting, the voltage of an ageing (and possibly cold) battery will be insufficient for the coil to generate a tension high enough to create a strong spark across the spark plugs. The circuit presented ensures that the coil is powered by a battery of NiCd cells; even in these arduous conditions, such cells will last up to ten minutes. After the engine has started and the dynamo voltage has risen, the coil is powered by the car battery again.

The circuit uses the D+ terminal of the charging current indicator lamp (La_1) to check whether the engine is running, since that terminal is connected directly to the dynamo. As long as the engine does not run, and the dynamo, therefore, does not generate a voltage, relay Re_1 is energized via the ignition key (+ connection) and the low-resistance dynamo (connection to earth). The NiCd battery then provides plenty of power to the coil, irrespective of the state of the car battery. Once the engine has started, a voltage will be generated by the dynamo. There is then no potential difference across the relay coil and its contact changes over, whereupon the coil is supplied by the car battery (or the dynamo).

Diode D_1 prevents two possible



troubles. First, it prevents the relay interrupting the current to the coil when its contact changes over, which would result in a spark at a moment that the engine does not need one. Therefore, the coil is powered via the diode during the change-over period. This reduces the voltage across the coil by about 2 V, but that does not matter. Secondly, it ensures that the car can be started when the car battery is fully charged and the NiCd cells are flat, or have been removed for charging.

The relay must have a contact rated at not less than 8 A. Car relays with change-over contacts are not easily obtainable as a spare part, but can be often be found in car scrap yards (particularly in Citroen CX models).

The Type FR606 diode may be replaced by a Type BYW29-100; both can handle currents up to 6 A and their reverse voltage is high enough

to withstand the inductive peaks generated by the coil.

The circuit is best built in behind the dashboard, although it is advisable to place the NiCd cells in a removable holder to enable them to be charged externally. It is, of course, possible to charge them from the car battery via a suitable resistor. The D+ connection at the charging indicator lamp is that which is at earth potential when the engine is not running, but the ignition is switched on. At the ignition switch is a cable that goes to the coil: that cable must be connected to the output, 15, of the circuit. The ⊕ terminal of the circuit must be connected to the freed contact at the ignition switch. The -ve line of the circuit must be connected to the car chassis.

(J. Vaessen - 924003)

SIMPLE SIGNAL GENERATOR

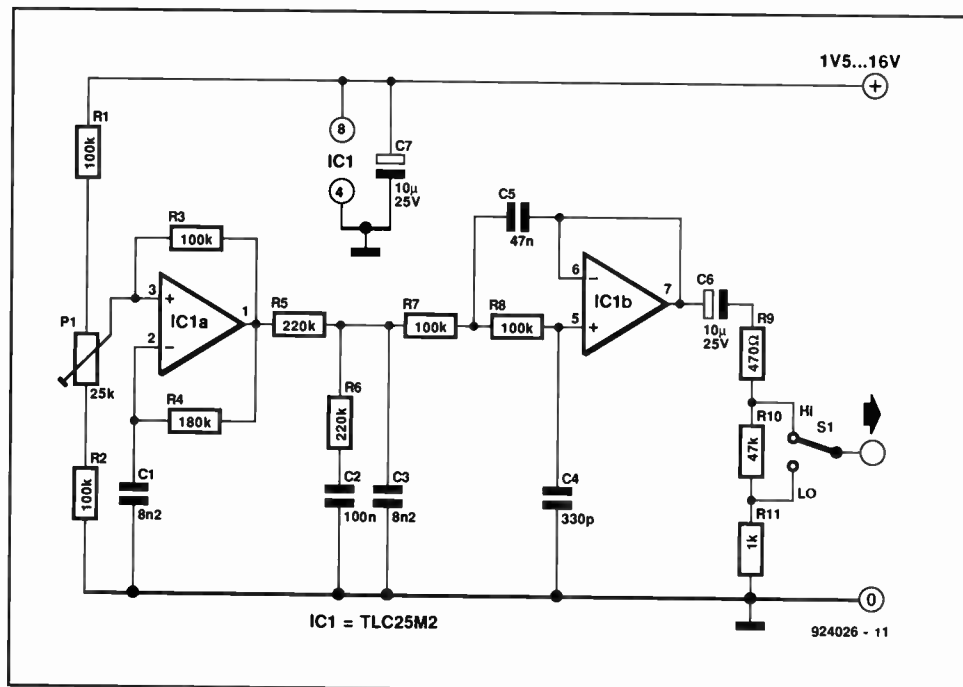
THIS signal generator provides a 440 Hz sine wave output at two levels. The power supply may lie between 1.5 V and 16 V, so that even a single 1.5 V battery can do.

Opamp IC_{1a} operates as a rectangular-wave generator; the values of R₄ and C₁ determine the frequency at which the output of the device toggles. Preset P₁ enables the output to be set as a square wave (it may be adjusted by listening for minimum distortion).

Network R₅-R₆-C₂ reduces the output of IC_{1a} by 3 dB (50%), after which the signal is superimposed on half the supply voltage (derived from the average level of the rectangular signal by C₂). That voltage is needed for setting the d.c. operating point of IC_{1b}.

Opamp IC_{1b} forms a third-order Chebyshev filter with a cut-off frequency of 400 Hz. This filter removes the majority of harmonics from the rectangular signal, so that the output is a reasonably clean sine wave.

The level of the output signal is selected with S₁ from potential divider R₉-R₁₀-R₁₁, depending on the requirements of the circuit on test. With a power supply of 16 V, the



output level is 1.5 V r.m.s. or 30 mV r.m.s.; with a 1.5 V supply, the output levels are 150 mV and 3 mV. The output frequency is somewhat dependent on the supply voltage and varies from about 440 Hz at 16 V to

around 370 Hz at 1.5 V.

The circuit draws a current of 300 μ A at 16 V and 80 μ A at 1.5 V.

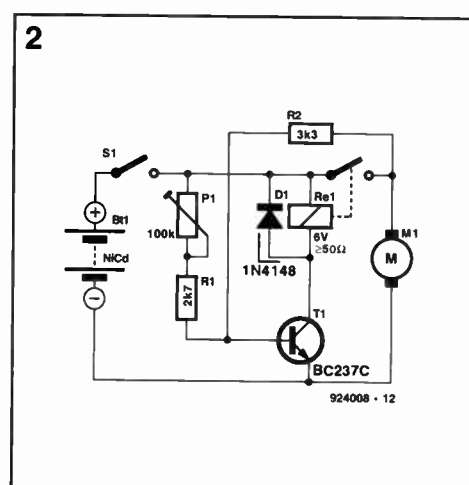
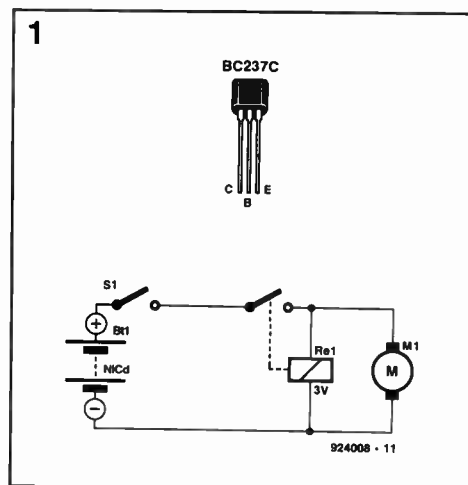
(C. Sanjay - 924026)

STARTER FOR MODEL AIRCRAFT

MODEL aircraft tend to be realistic reproductions of the real thing. That means, among others, that starting the petrol engine must be done by hand or with an external, electric starter. Manual starting may be realized in two ways: with the circuit in Fig. 1 or with that in Fig. 2.

The circuit in Fig. 1 places a 3-V relay between the starter and the motor. When the starter switch is closed, nothing happens. But if then the propeller is turned by hand, the motor acts as a generator and, once it is turned fast enough, the generated voltage is high enough to energize the relay, whereupon the motor starts. An advantage of this is that it is a pure mechanical operation, which is readily incorporated. A disadvantage is that once the relay is energized, it is operated by a 6-V supply: a slight waste of energy.

The circuit in Fig. 2 is rather more economical, since it uses a 6-V relay. Again, the motor is used as a gener-



ator operated by turning the propeller. The generated voltage is applied to the base of T₁ via R₂. When the base is supplied with sufficient current, the transistor is switched on, the relay is energized and the motor starts. The starting point can be preset with P₁.

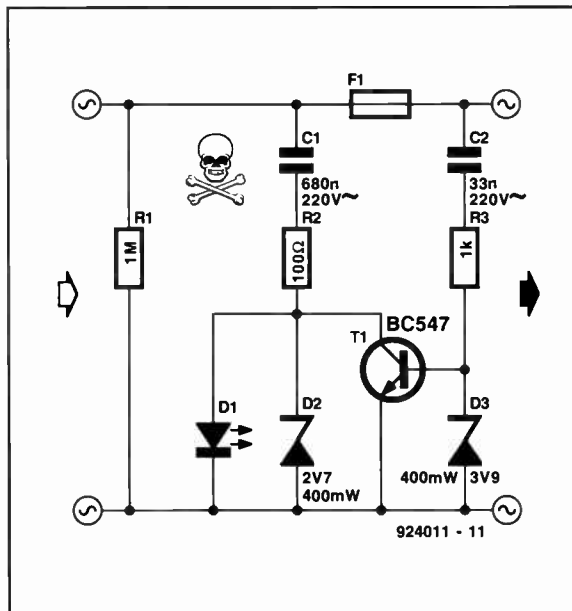
[G. Bartelt - 924008]

FUSE MONITOR

WHEN an appliance ceases to operate, there may be various causes for this, one of which is the blowing of the mains fuse. The monitor proposed here contains an LED that lights when that is the case. It is suitable for use with fuses rated from milliamperes to amperes.

As long as the fuse is intact, the full mains voltage exists across C_2 - R_3 - D_3 . Capacitor C_2 and resistor R_2 serve to limit the base current of T_1 . Diode D_3 prevents C_2 from being charged, which would cause the base current to quickly drop to zero.

Capacitor C_1 and resistor R_2 limit the current through D_1 , while D_2 ensures that the voltage across the LED does not exceed 2.7 V. At the same time, D_2



prevents C_1 from being charged.

As long as the mains voltage exists at junction F_1 - C_2 , transistor T_1 conducts and short-circuits D_1 and D_2 . When F_1 blows, T_1 is switched off, whereupon current flows through D_1 and D_2 ; the LED then lights.

Resistor R_1 must conform to relevant safety regulations. Furthermore, capacitors that still carry the mains voltage after the appliance is switched off, must become discharged (via R_1) within a stipulated time.

When the monitor is in use, remember at all times that certain of its parts are at, potentially lethal, mains voltage.

[I. Fietz - 924011]

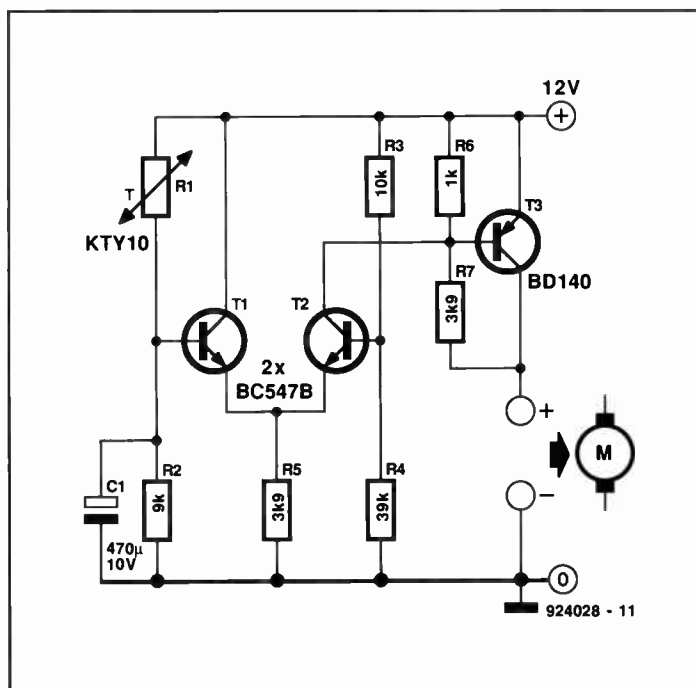
PC COOLING FAN CONTROL

MOST PCs are provided with a cooling fan to ensure that the internal temperature does not rise unduly. Unfortunately, in many PCs the fan noise soon becomes an irritant. Since for a large part of the time the fan cools the PC more than is necessary, it seems sensible to make the speed of the fan dependent on the ambient temperature. That is the purpose of the circuit shown.

The circuit, designed with discrete components, is intended for the control of 12-V fans that do not draw a current exceeding 200 mA.

To ensure that the fan operates satisfactorily in all circumstances, the supply to it must not drop below its starting voltage. That voltage is equal to the 12-V supply less the 'zener' voltage of T_3 - R_6 - R_7 . With values shown in the diagram, the supply to the fan will be at least 7 V. If the fan does not start at 25 °C, replace temperature sensor temporarily by a 1.8 kΩ resistor and lower the value of R_7 . If the fan runs too fast, raise the value of R_7 .

Transistors T_1 and T_2 compare the fixed potential at junction R_3 - R_4 with the temperature-dependent one



at junction R_1 - R_2 . It may be found convenient initially to place 25 kΩ potentiometer meter in the R_2 position, adjust this till the fan runs correctly, measure the resistance and then replace it by a fixed resistor of that value.

Place the temperature sensor in the warm air flow of the fan. When the computer is switched on, the speed of the fan, owing to C_1 , will be fairly

high, but will soon drop to a minimum. With a thermometer, measure the temperature of the outflowing air close to the sensor. When the temperature has reached a value of about 35 °C, the control circuit should come into action, indicated by an increase in the speed of the fan or its supply voltage. If that does not happen, change the value of R_2 , or adjust the potentiometer in its place. When the temperature rises, the speed of the fan will increase. The maximum speed will be only slightly lower than that without the control circuit. This is thanks to the fact that T_3 can be driven into hard conduction, so that the drop across it is only some tenths of a volt.

[K Walraven - 924028]

TELEPHONE GONG

THOSE of you who like the telephone bell louder may find this circuit of interest. It uses the telephone bell signal to actuate an oscillator, which in turn drives a relay that operates a standard door-gong.

The oscillator is an RC type based on a 4093 Schmitt trigger. Both the charging and discharge times of C_4 are set with presets. The oscillator is followed by a kind of buffer that energizes the relay via T_1 .

The telephone bell signal is applied to terminals *a* and *b*. Capacitors C_1

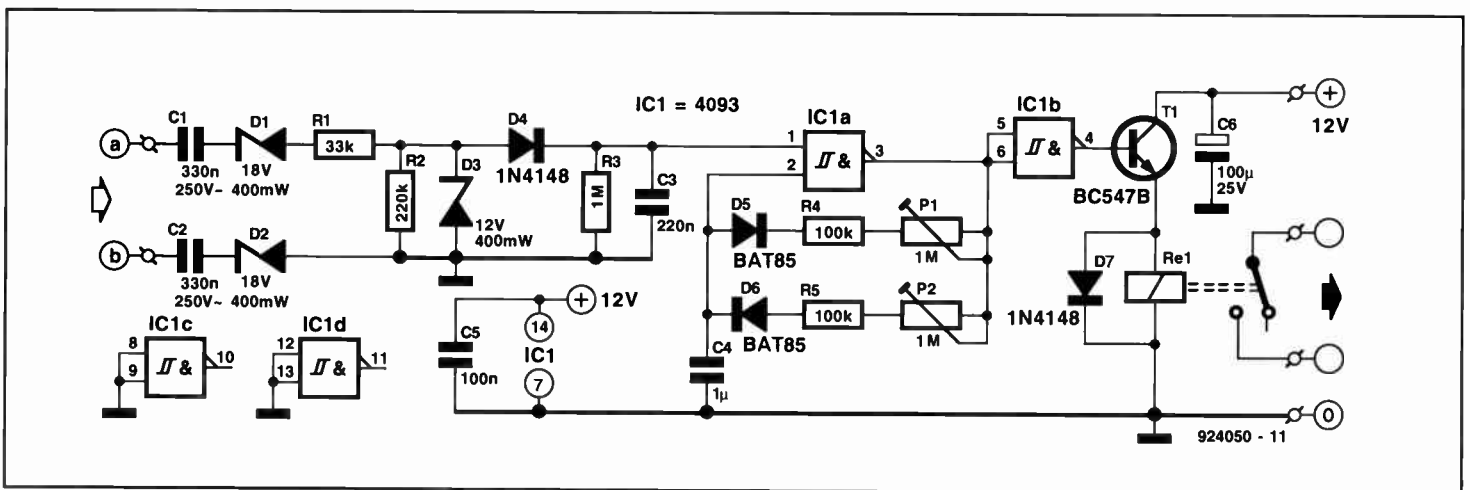
and C_2 in the two lines isolate the circuit from the telephone network, at least as far as d.c. is concerned. To prevent the circuit responding to speech signals, level thresholds are provided by zener diodes D_1 and D_2 . Network R_1 - D_3 limits the 120–150 V_{pp} bell signal to about 12 V. That signal is rectified by D_4 and smoothed by C_3 , after which it is used to switch IC_{1a} . Capacitor C_3 is discharged rapidly via R_3 when the bell signal ceases. Resistor R_2 prevents too high a drive voltage when there is speech on the

input lines.

The relay contact is connected across the terminals via which the gong is operated. The circuit may be fed by the same transformer used for the gong. When the relay is energized, the total current drawn is only 35 mA.

The setting of presets P_1 and P_2 depends on individual taste how long the on and off periods of the gong are desired to be.

(T. Giesberts - 924050)

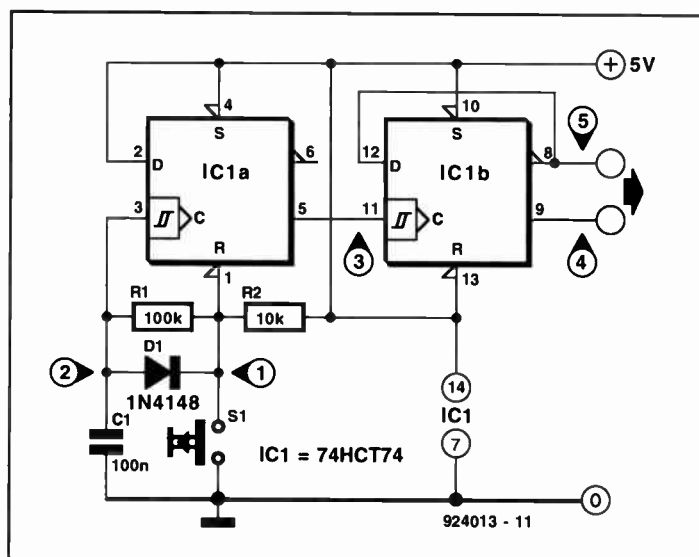


BOUNCE-FREE CHANGE-OVER SWITCH

ANY push-button switch can be used as a bounce-free, change-over switch with the aid of two D-type bistables contained in a 74HCT74 and some external components.

In the circuit diagram, IC_{1b} provides the change-over function. The \bar{Q} output (pin 8) of this bistable is interconnected with its D input (pin 12), which results in the logic levels at the Q and \bar{Q} outputs alternately changing state when a leading transition (edge) appears at its clock input (pin 11).

Circuit IC_{1a} serves as pulse generator and debouncing element. The push-button switch, S_1 , is connected between its reset input (pin 1) and earth. Normally, because of R_2 , there is a high level at pin 1. When the push-button is pressed, IC_{1a} is reset.



The clock input (pin 3) is also connected to the switch via R_1 - C_1 . When the switch is operated, C_1 discharges rapidly via D_1 ; when the switch is released, it takes a little while be-

fore C_1 is recharged to a logic high level.

When S_1 is open, pin 9 (IC_{1b}) is low, while pin 8 and pin 5 (IC_{1a}) are high. When the switch is closed, IC_{1a} is reset immediately, resulting in pin 5 and pin 3 going low. When S_1 is released, the reset is removed, but it takes a little while before C_1 is charged to a logic high level. Only when that level is reached, and a leading transition appears at pin 3, does pin 5 go high again. This results in IC_{1b} being clocked, whereupon its Q outputs change state.

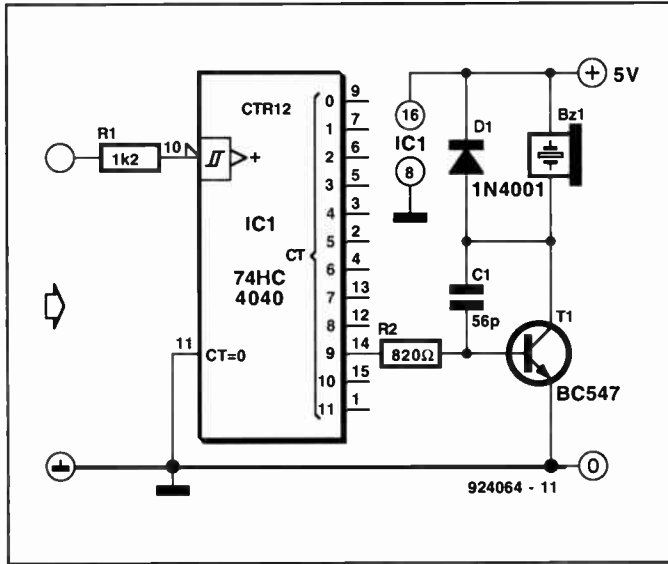
(A. Rietjens - 924013)

FREQUENCY PROBE

THE frequency probe enables you to 'listen in' to the speed of your computer. It is, however, also suitable for use with other digital circuits, because it makes high frequencies audible, so that signals can be conveniently monitored.

A 12-bit counter serves as 'frequency detector'. The signal measured in a computer or digital circuit is divided by 1024 and is output at pin 14. It is then used to control a transistor, T₁, which in turn drives piezo buzzer Bz₁.

The scale factor has been chosen to convert MHz into kHz, so that the clock frequency of, say, an XT computer will



be heard as a shrill 8 kHz tone. If higher frequencies need to be monitored, scale factors of 2048 and 4096 can be obtained by connecting R₂ to pin 15 or pin 1 respectively. If an HCT circuit is used, the measuring limit is some tens of MHz. For frequencies <4 MHz, a standard Type 4040 may be used: that has the advantage that the supply voltage need not be exactly 5 V.

The supply connections and the probe are best made from flexible wire terminated into crocodile clips.

(Amrit BirTiwana - 924064)

SCANNER FOR PREAMPLIFIER

THE scanner is an extension for the 'All-solid-state preamplifier' published in the December 1989/January 1990 issues of this magazine. As its name implies, it scans all inputs of the preamplifier to ascertain where there is an audio signal present. That input remains selected. After there has been no signal for some time, scanning is resumed.

The scanning action is provided by rectangular-wave generator IC_{2c}. The output of this oscillator is applied to one of the input selector keys via buffer/inverter IC_{2d} and diode D₃. The diode prevents the key being disabled when the oscillator is off. The oscillator is switched on and off by IC_{2b}, which in turn is controlled

by IC_{1b}. That opamp is configured as a comparator whose voltage threshold is preset with P₁.

The inputs of the scanner are linked to the audio inputs on the volume control board of the preamplifier. The relevant signal is amplified ×40 by IC_{1c} and IC_{1d}, after which summing amplifier IC_{1a} combines the left-hand and right-hand signals. As soon as there is music or speech on the input lines, C₁ will partly discharge rapidly. When the voltage across the capacitor drops below the level set by P₁, IC_{1b} disables the oscillator via IC_{2b} and the input selected at that instant remains actuated. As long as there is a signal coming in, part of the charge on C₁ will ebb away

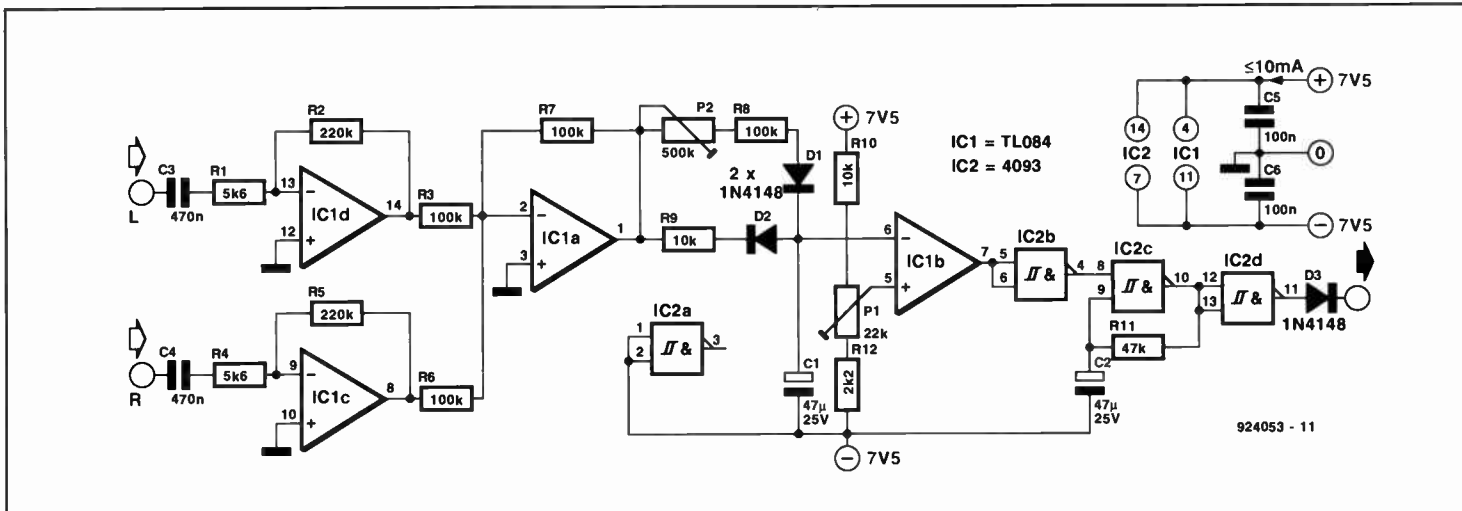
via IC_{1a}. If there is no signal for some time (presettable with P₂ between 3 s and 25 s), the capacitor will be charged almost completely via P_{2,3}, R₈ and D₁. Once the terminal voltage of C₁ rises above the comparator threshold, the oscillator is enabled again and the scanning action resumes.

A total scan of all inputs is completed in 3 s (determined by R₁₁-C₂).

The input sensitivity can be set between 10 mV and 4 V with P₁.

The current drawn by the scanner is not greater than 10 mA.

(L. Soete - 924053)



STEREO PROTECTOR AGAINST D.C.

If a d.c. coupled output amplifier breaks down during operation, the loudspeakers, particularly the bass units, are at risk. The bass particularly so because it is not decoupled for d.c. by the capacitors in the crossover network. If, for instance, the output transistor has given up the ghost, the bass units will get the full d.c. supply voltage at their terminals.

A suitable circuit to protect the loudspeakers in such an eventuality, and at the same time to obviate the annoying 'plops' on switch-on is shown in the diagram. Interestingly, it operates from an unregulated, non-symmetrical power supply. Normally, it may be powered directly from the power supply of the output amplifier.

The a.c. component of the signals in the output stage is bypassed by R_1 and the two anti-series connected capacitors, C_2 and C_3 . The signal at the junction R_1 - R_2 is, therefore, the d.c. component of the loudspeaker signal. From there it is applied to potential divider R_2 - R_3 and then to window comparator IC_{1a} and IC_{1b} . Since the supply voltage is fixed at 10 V by R_{13} - D_7 , the window height is fixed at 2 V by R_5 . In other words,

$u_2 = 6$ V and $u_3 = 4$ V. In the absence of d.c. at the output of the power amplifier, $u_1 = 5$ V. In this situation, the outputs of 'OR gates' D_1 and D_2 is logic high.

When the d.c. component at the output of the power amplifier is greater than ± 2 V, u_1 is greater or smaller than either u_2 or u_3 . The output of one of the opamps will then be logic low.

When the power amplifier is switched on in step with the present circuit and u_1 lies within the window, C_4 is charged via R_8 . After about 1.5 s, 'Schmitt trigger' IC_{1d} changes state and its output becomes logic high. The relay is then energized and connects the loudspeaker to the power amplifier: no 'plop'.

If a defect occurs, or if the direct voltage at the output of the power amplifier rises, C_4 is discharged via R_7 within 50 ms. The output of IC_{1d} then goes low, the relay is deenergized and the loudspeaker is disconnected from the output amplifier.

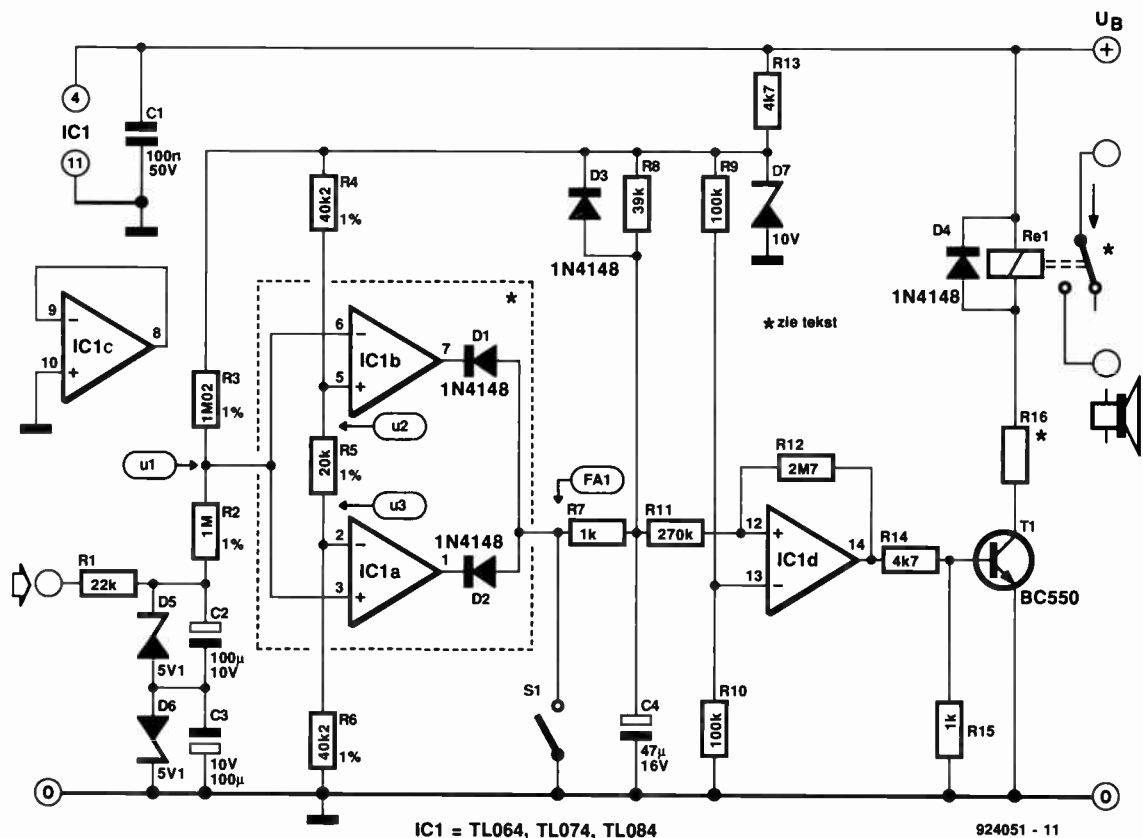
Resistor R_{13} and the operating voltage of the relay must be suitable for the supply voltage. If that voltage is 20–40 V, a good value and rating for R_{13} is 4.7 k Ω , 1 W; while for

12–20 V, 1 k Ω , 1/4 W is right. If the supply voltage is, say, 36 V, the operating voltage of the relay should be 24 V. The difference of 12 V should be dropped across a suitable resistor. If, for instance, the relay draws 15 mA, R_{16} should have a value and rating of 820 Ω , 1/4 W.

If there is likely to be a requirement for switching off the circuit, S_1 should be incorporated. When that switch is closed, the relay is energized.

For a circuit suitable for a stereo power amplifier, only components R_1 - R_3 , C_2 , C_3 , D_1 , D_2 , D_5 , D_6 , IC_{1a} and IC_{1b} need to be duplicated. The additional circuit is connected in parallel with S_1 . Note that the relay should then have two working contacts or two relays with their contacts in series should be used.

[T. Schaerer - 924051]



SIMPLE POWER SUPPLY CONCEPT

THE best known alternatives to a 'quick and dirty' power supply are the three-pin fixed voltage regulator and the zener-plus-transistor combination. While these basic circuits will suit a good many applications, they do have their limitations, which can be frustrating at times. For example, most types of fixed voltage regulators are limited to an output current of about 1 A only. Where more power is required, a 'current bypass' transistor is often added. However, while this boosts the maximum output current, the regulation of the supply suffers. Fixed voltage regulators with higher output currents (say, 5 A) are no alternative because they are notoriously expensive.

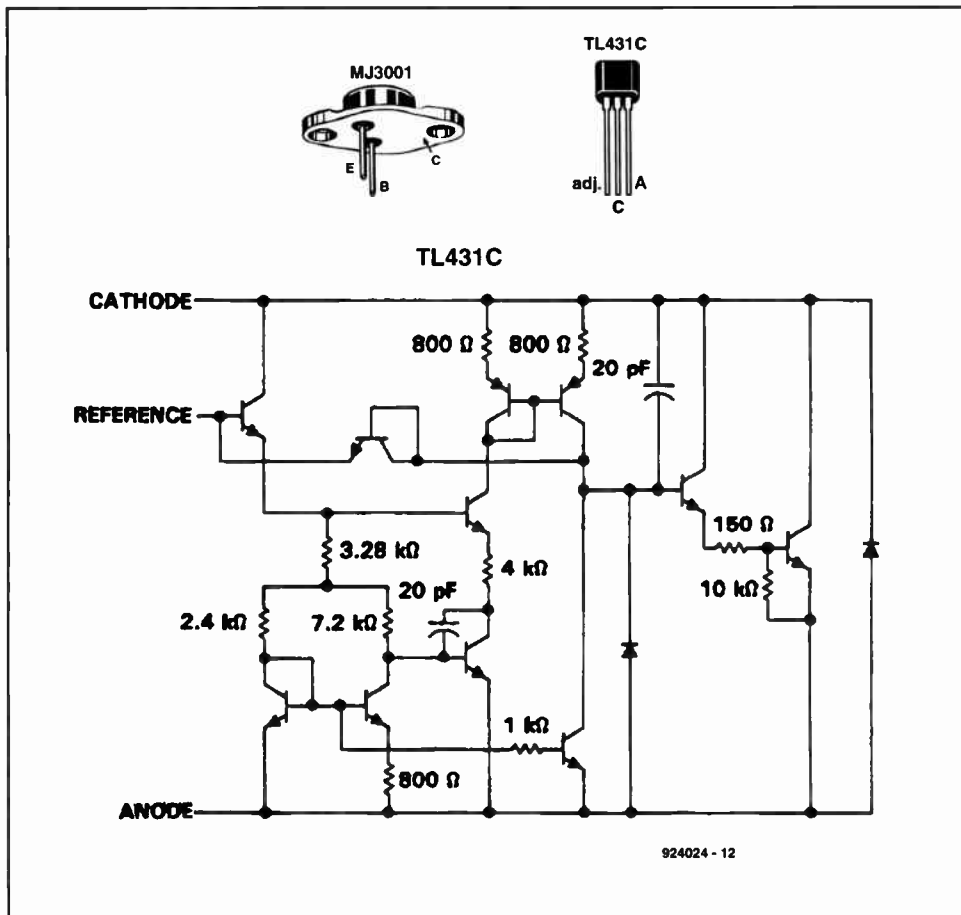
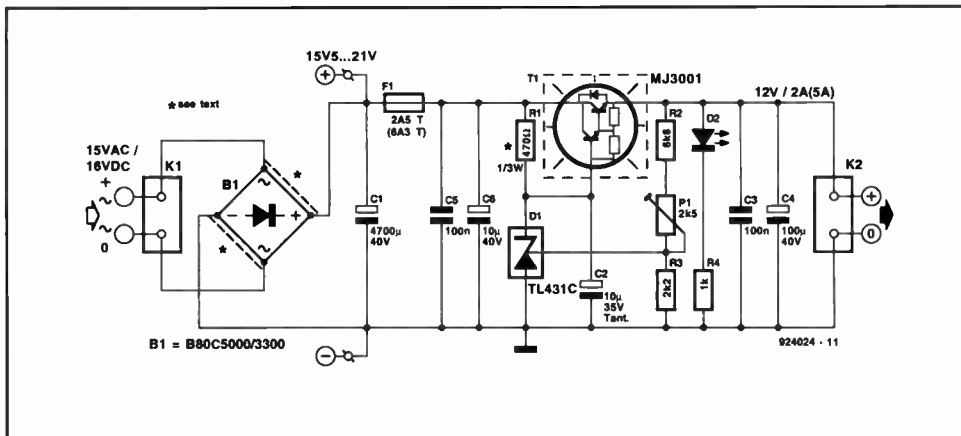
The second alternative, the zener-plus-transistor circuit, has limited use also because of its relatively poor ripple rejection and insufficient stability at output load variations.

The PSU presented here suffers none of the disadvantages mentioned above, and is simple to memorize as a multi-purpose concept. It is the perfect low-cost supply for a host of applications. At first glance, the circuit looks very much like the familiar zener-transistor combination. However, an essential difference is that feedback is implemented, which results in a 100-Hz ripple suppression of up to 55 dB—far more than can be achieved with the simple zener-transistor stabilizer.

The voltage reference used here is D₁, a TL431C from Texas Instruments. The internal structure of the TL431C is shown in the diagram. Here, D₁ supplies a base current to T₁ that results in 2.5 V across resistor R₃. This allows you to calculate the supply output voltage, U_o, from

$$U_o = 2.5 [1 + (P_1 + R_2) / R_3] \text{ volts.}$$

The indicated component values result in an output voltage of 12 V. For other output voltages, simply adapt the output voltage divider, making sure that the current through P₁, R₂ and R₃ is at least 1 mA. This is required to ensure that the current flowing into the reference input of the TL431 is negligible (approx. 2 μA). The power transistor is a darlington with a guaranteed current gain of 1 000 or greater at an emitter current of 5 A. This means that only 5 mA of base current is required. Although this is not much, it has to be taken into account when R₁ needs to be given a different value. Also, D₁ requires a minimum cathode-



anode current of 0.5 mA, which results in a total, minimum, current of 5.5 mA through R₁. This design information, together with the lowest possible input voltage, U_{in} (measured across C₆), and the base-emitter drop of T₁ (approx. 2 V), results in a theoretical value of the current limiting resistor:

$$R_1 = (U_{in} - U_{be} - U_o) / I_{R1} \quad [\Omega].$$

Because the current gain of the darlington may be up to two or three times the guaranteed value mentioned above, it is often possible to give R₁ a higher value than calculated. Since a higher resistor value results in lower dissipation of R₁ and D₁, some experimenting is certainly worth while.

The PCB designed for the supply accommodates the complete rectifier section, that is, a bridge rectifier, a buffer capacitor and a fuse. The buffer capacitor, C₁, and the on-board heat sink for T₁ are large enough for output currents up to 2 A.

As already mentioned, this PSU is a concept. Those of you who do not need the rectifier section may omit it, and connect a d.c. voltage of 16 V to K₁. Note, however, that this requires wire links to be fitted in the positions indicated with dashed lines near the bridge rectifier.

If you require more output current, some experimenting is certainly worth while.

rent (say, up to 5 A), simply move the power transistor off the board, and fit it on a larger heat sink (see parts list). Also, increase the buffer capacitor to 10000 μ F. Since such a capacitor (or array of capacitors)

will not fit on the board, it is connected as an external part via heavy-duty wires and two spade terminals (marked '+' and '-' on the component overlay). A continuous output current of 5 A also requires the bridge rectifier

to be cooled a little. This is best achieved by leaving it on the PCB, and clamping it on to a side panel of the metal enclosure used to house the supply.

(J. Ruiters - 924024)

PARTS LIST

Resistors:

R1 = 470 Ω 0.33W (see text)
R2 = 6k Ω 8
R3 = 2k Ω 2
R4 = 1k Ω
P1 = 2k Ω 5 preset H

Capacitors:

C1 = 4700 μ F 40V
C2 = 10 μ F 35V tantalum
C3;C5 = 100nF
C4 = 100 μ F 40V
C6 = 10 μ F 40V

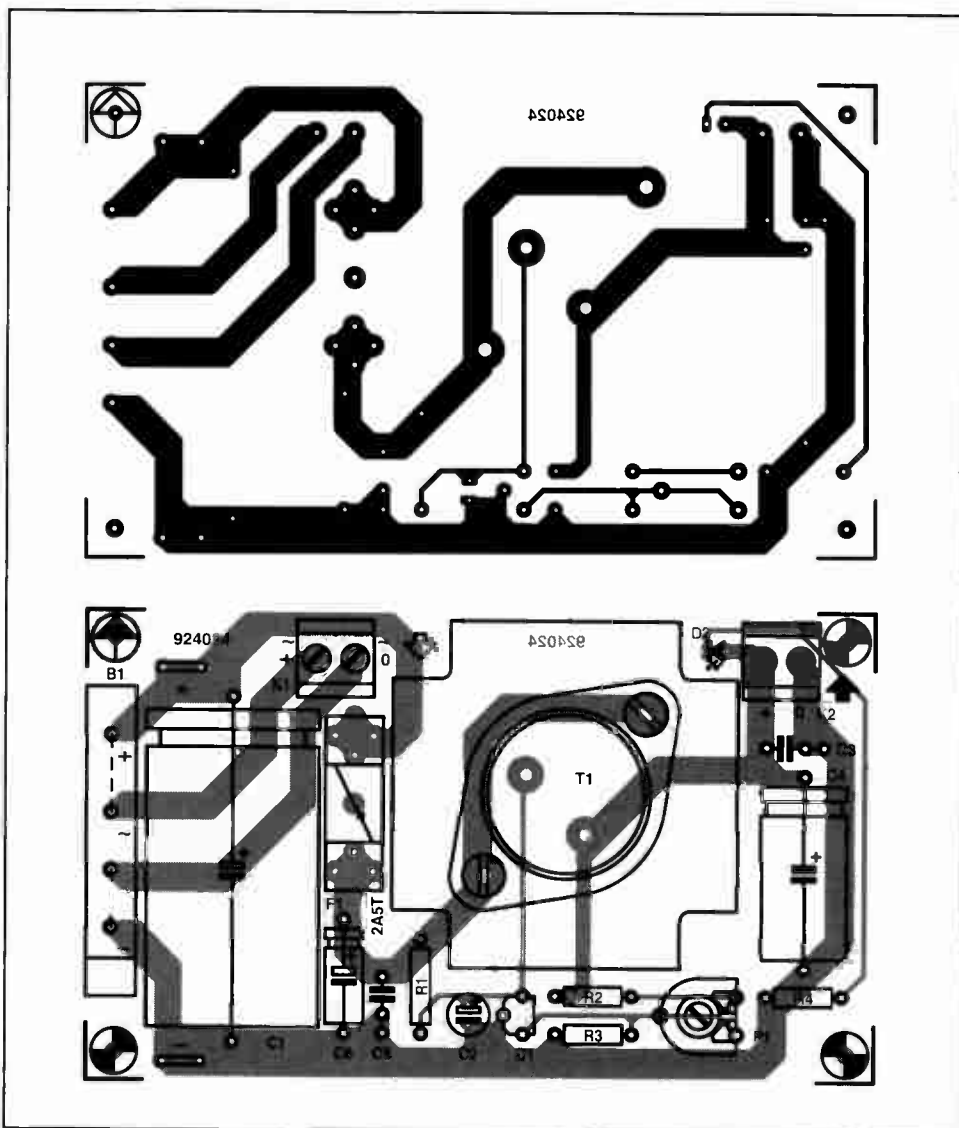
Semiconductors:

D1 = TL431C
D2 = LED, green, 3mm
T1 = MJ3001
B1 = B80C5000/3300

Miscellaneous:

K1;K2 = 2-way PCB terminal block, pitch 5mm.
F1 = 2.5A fast fuse (6.3A)* and PCB mount holder.
Heat sink: SK201 (6K/W) or SK71/75mm* (1.25K/W).
Two 'fast-on' spade terminals for PCB mounting*.
Printed circuit board 924024.

* for 5 A version only.



EXPERIMENTAL FAST NiCd CHARGER

THE perpetual difficulty in designing fast NiCd chargers is determining when the battery is charged, that is, when to stop charging.

The charger presented here is based on the latest developments as reported by several manufacturers. It is not at all certain whether, and under what conditions, the circuit will consistently give satisfactory results.

The battery is charged with a current (in mA) that is ten times its nominal capacity (in mAh). That means that, for instance, an HP7 (AA; RG) type battery is charged at 5 A, a current 100 times larger than used in standard charging.

The charging is controlled by Type 555 timer IC, here connected as an astable. If the IC's output is high, charging takes place. There is, however, a fixed period of time ($=R_6C_3$) during which there is no charging. As soon as charging stops, C₁ is connected across the battery by electronic switch IC_{3a}. Its terminal voltage is then compared by IC_{1a} with the maximum battery voltage set by P₁. The output of the comparator is integrated by R₃ and C₂ and then used to determine the period of the astable. If the maximum battery voltage has not been reached, charging takes place for about 90% of that time. If

the maximum battery voltage has been reached, charging takes place for 1% of the time (trickle charging). Do not leave the battery connected to the charger unnecessarily; when the LED lights, the battery is fully charged.

During charging, owing to a variety of resistances, primarily in the supply leads and connections, the battery e.m.f. is an unreliable yardstick for determining the state of charge of the battery.

Therefore, the e.m.f. is taken immediately after a burst charge, because then the voltage can be measured exactly. The important question is, of course, to what e.m.f. P₁

should be set; in other words, what is the correct battery e.m.f.? Opinions vary, but with our prototype we had good results with a value of 1.42 V at room temperature (21 °C).

The circuit draws a current of only 10–15 mA, which may be obtained with a 7805 regulator.

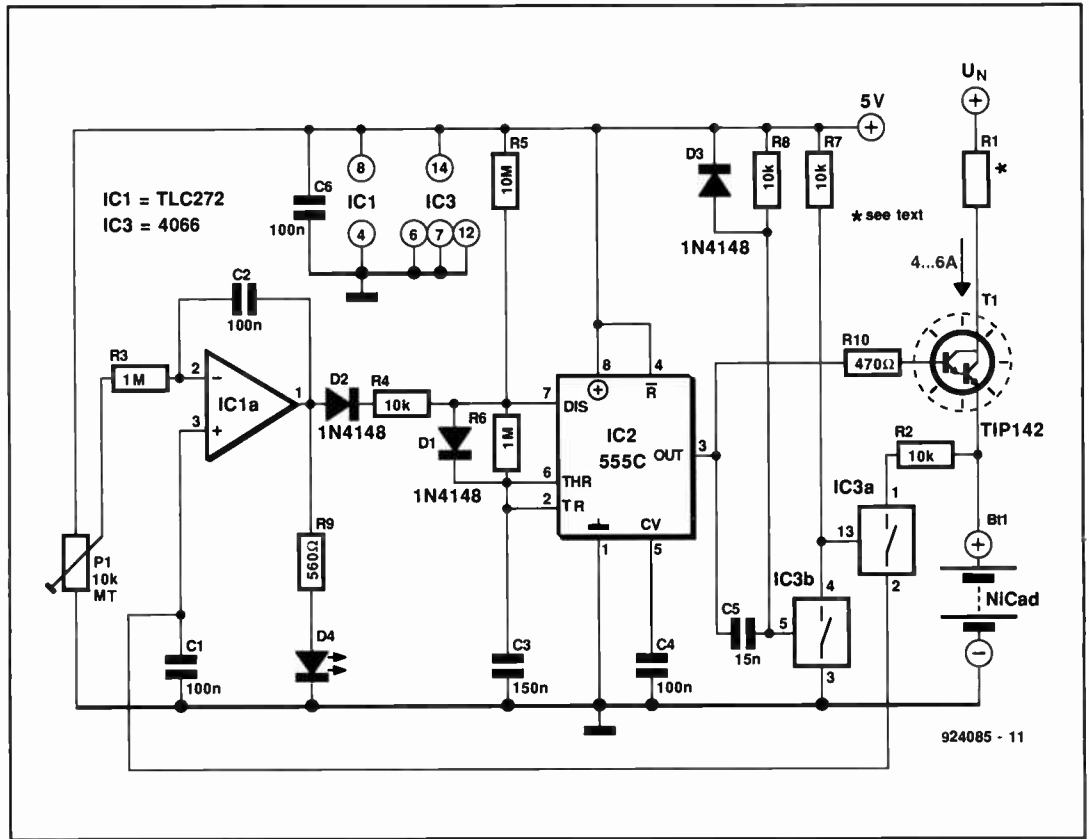
The proposed charger is intended for charging one 1.5 V NiCd battery in 8–10 minutes. The charging current for a 500 mAh battery is about 5 A, which need not be regulated, since it will be limited by R₁.

The value of R₁ is given by Ohm's law. If, for instance, the charging current is drawn from an 8-V source, and assuming that the drop across the battery and T₁ is 2 V, the voltage across the resistor is 6 V. Its value should thus be 6/5=1.2 Ω. Bear in mind that the power dissipated in it is 6×5=30W; you will, therefore, have to connect a number of resistors in parallel.

If you want to charge a number of batteries in series, raise the level set by P₁ accordingly (at 1.42 V per battery). Note, however, that you should

use only batteries that have already been sorted for equal capacity by the manufacturer. Also, the supply voltage to the charger circuit must always be 2 V higher than the level set with P₁.

Finally, after every five fast charges, give the battery a 'normal' (1/10 mA over 14 hours) charge. (K. Walraven - 924085)



CONTINUITY TESTER

A continuity tester is very useful for checking printed-circuit boards. It indicates a sound connection by a squeak from a buzzer; there is, therefore, no need to continually watch a meter.

The voltage across test terminals TP₁ and TP₂ is only 80 mV. That is not sufficient to test diodes, but it obviates the risk of damage to electronic components.

The design consists of a comparator, IC₁, and an astable consisting of T₁ and T₂, whose frequency is around 1250 Hz for a supply voltage of 3 V. The astable is actuated the moment the output of IC₁ (pin 6) goes logic high. This happens when the resistance between TP₁ and TP₂ is low, so that the voltage at pin 2 of the comparator is lower than that at pin 3, which depends on the setting of P₁.

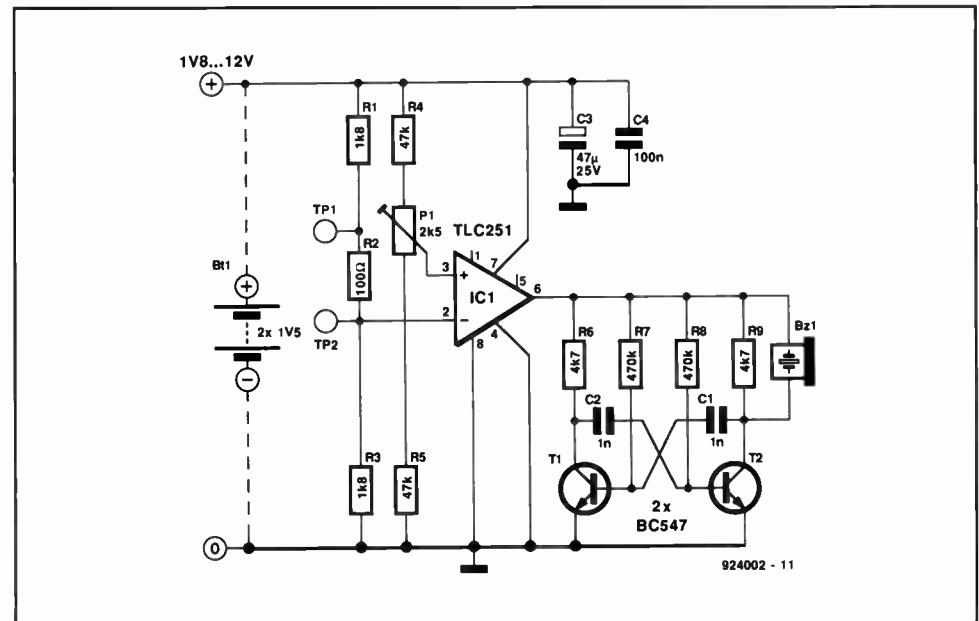
The circuit is powered by a 3-V battery (two 1.5 V cells in series), but may be maximum 12 V. At such a high supply voltage, it may be that the tone of the buzzer is too high; in that case,

the values of C₁ and C₂ should be increased.

If a Type TLC271C is used instead of a TLC251 for IC₁, the supply voltage must be not lower than 3 V. At

3 V, the circuit draws a current of about 1.4 mA.

(C. Sanjay - 924002)



NOISE GENERATOR

NOISE generators are used for measuring the self-noise of amplifiers and receivers and for some acoustic measurements. The noise of traditional low-frequency noise generators is based on the stochastic properties of an ion current resulting from a gas discharge. A simple noise generator can, however, be designed without a special gas discharge tube: the reverse-biased base-emitter junction of a bipolar transistor a compact and inexpensive alternative.

In the circuit diagram, the noise voltage is taken from the emitter of

T₁. The base-emitter junction of this p-n-p transistor begins to behave like a break-down diode at a reverse bias of about 9 V, but it really starts to generate noise at 10 V.

To ensure that the circuit works satisfactorily with a battery supply of 9 V, a step-up generator, based on IC₁, is used. This stage provides a rectangular output voltage at a frequency of around 2750 Hz.

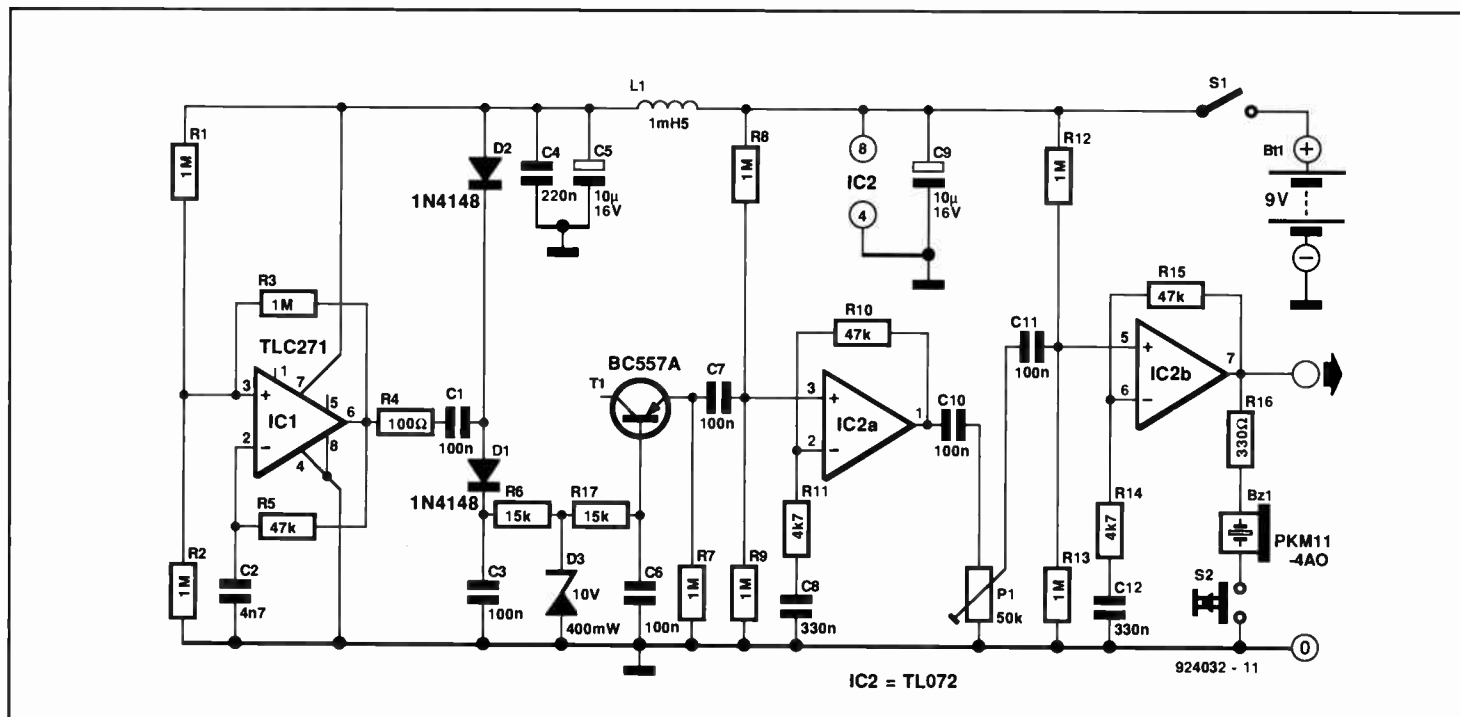
The diode pump, consisting of C₁, C₃, D₁, and D₂, doubles the battery voltage, which results in a stable direct voltage of 10 V across D₃.

Low-pass filter R₁₇-C₆ prevents frequency components of the rectangular-waveform generator appearing in the noise spectrum.

Each of the opamps in IC₂ raises the noise voltage in the frequency range from 0.1 Hz to 300 kHz tenfold. The amplitude of the output voltage can be preset with P₁. The noise signal can be tested with the a.c. buzzer by closing S₂.

With a fresh 9-V battery, the circuit draws a current of 5-6 mA.

[J. Ruiters - 924032]



240 VAC-TO-110 VAC CONVERTER

FROM time to time one comes across appliances in second-hand goods stores that were designed for operation from a 110 V a.c. (50/60 Hz) supply. If such an appliance is a pure resistive load, such as a radiant fire, a soldering iron, or a melting furnace, the circuit shown may be found useful. Strictly speaking, it is a dimmer set so that the output voltage has an r.m.s. value of 110 V. It is, of course, possible to set it to a different output voltage if so desired.

To obtain an r.m.s. voltage of 110 V across the load, the phase angle at which the triac is switched on must be about 110°. There is no guarantee that this will be met exactly by

the present design: owing to tolerances of the various parts, the phase angle may be quite different so that the r.m.s. voltage will be higher or lower than 110 V. It is, therefore, essential, to check the actual voltage across the load. *Bear in mind that the circuit carries mains voltage and is thus potentially lethal.* Checking the phase angle with an oscilloscope cannot be carried out safely without special precautions. The safest and most accurate way of measuring the voltage across the load is with the use of a true-r.m.s. voltmeter (which shows the r.m.s. value also of non-sinusoidal voltages). If the voltage across the load is not correct, the value of

R₂ must be altered.

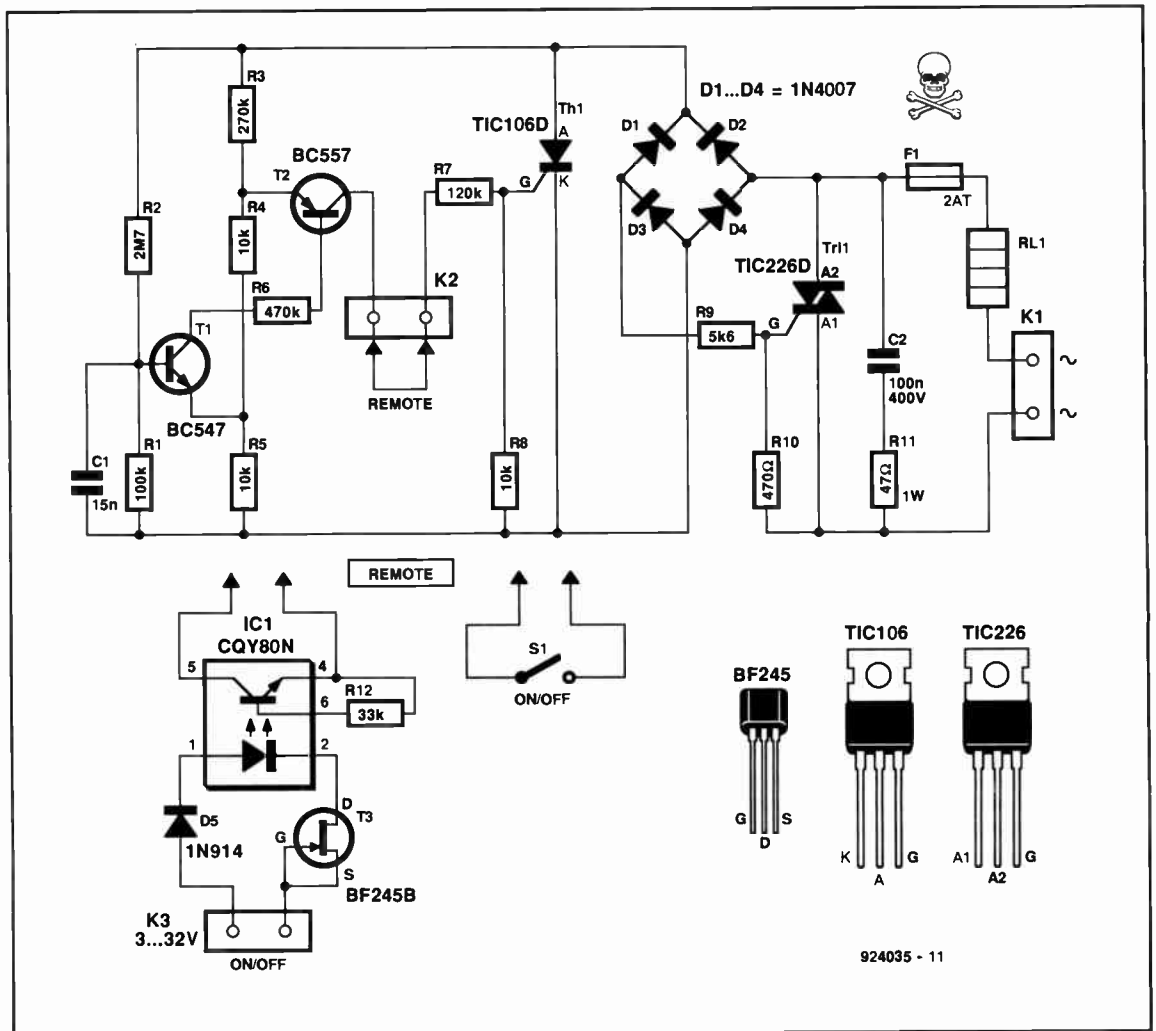
If you have no true-r.m.s. meter to hand, checking may be done in a slightly more primitive way. Use an incandescent 5 W, 240 V bulb as the load and place a thermometer close to it. Switch on the converter, wait till the thermometer gives a stable reading and note that reading (if the thermometer goes off its scale, place it a little further away from the bulb). Do not change the distance between the bulb and the thermometer, and connect a second 5 W, 240 V bulb in series with the first. Once the first bulb has cooled down sufficiently, connect the two in series across the 240 V mains supply (when the bulbs

will each drop 110 V). If the thermometer after a while has the same reading as before, you can be pretty certain that the converter provides an r.m.s. voltage of 110V.

The converter may be remotely switched on and off via a direct connection between a suitable 240 V switch to the REMOTE terminals. The wire link should then, of course, be removed. It may also be switched on and off by a voltage of 3-32 V as shown. This optoisolator circuit has the great advantage of isolating the circuit from the mains.

If a triac Type TIC226 is used, the converter can handle currents of up to 2 A. If the triac is mounted on a heat sink, the current may go up to 4 A.

[J. Vanden Berghe - 924035]



VIDEO ENHANCER

THE enhancer amplifies the high frequencies of a video signal, resulting in a sharper picture. It may be inserted between, say, the video recorder output and the SCART input of a television receiver.

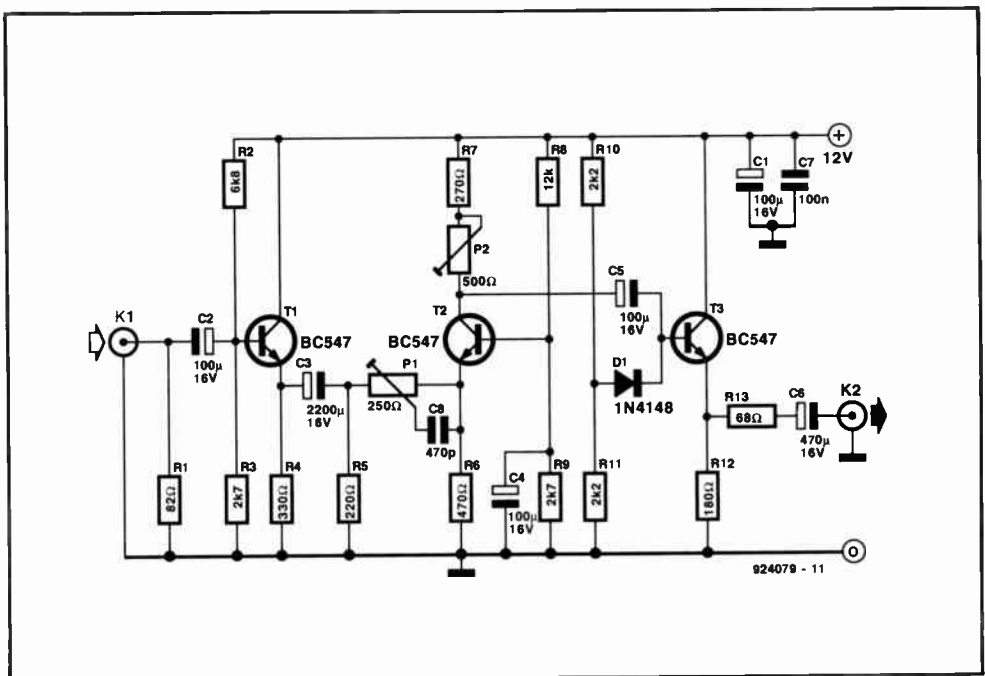
The simple design is based on only three transistors. The first, T₁, is a buffer. Resistor R₁ ensures that the input impedance is of the order of 75 Ω. The signal is then applied to amplifier T₂, whose gain is determined by the setting of P₂.

The frequency characteristic of the signal at the base of T₂ is shaped by P₁, R₆, and C₆, and is, therefore, to a certain extent under the control of the user (by P₁).

Buffer T₃ provides sufficient current for correctly driving most 75 Ω loads.

Preset P₂ must be set to give an output voltage of 1 V_{pp} (terminated output; for an open-circuit output, the level should be 2 V_{pp}).

The enhancer draws a current of about 50 mA. Note that the 12 V



supply should be regulated.
(J. Bodewes - 924079)

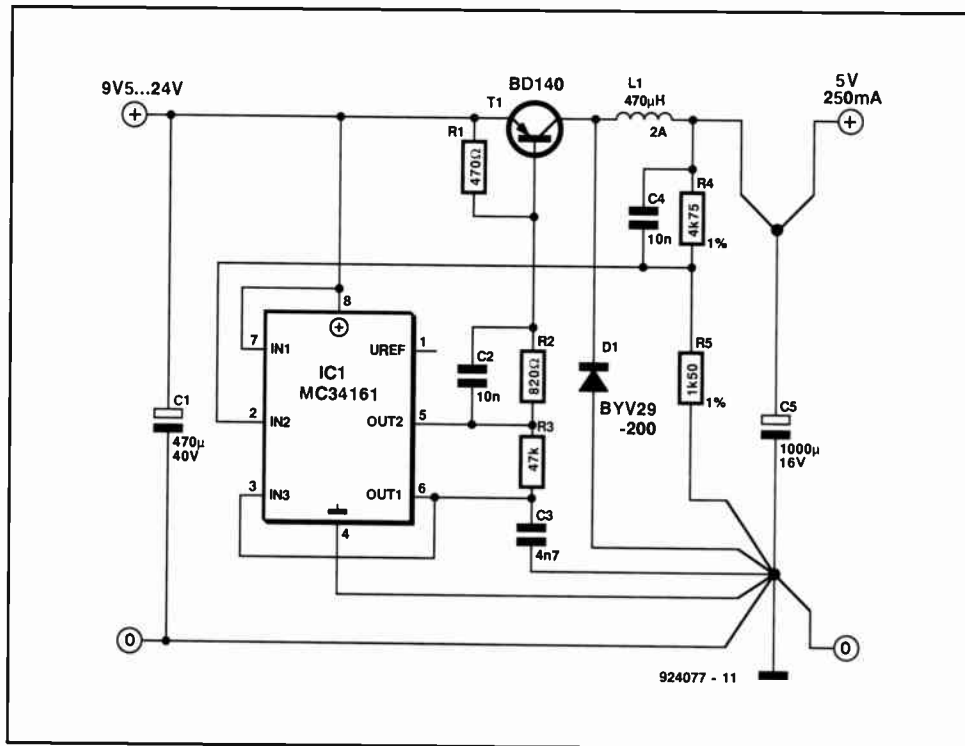
VOLTAGE CONVERTER II

ALTHOUGH a 9.5–24 V direct voltage can be brought down to 5 V easily by a standard regulator, the converter described here has the advantage that, since it is a switch-mode type, it hardly dissipates any heat. Its maximum, steady output current at 5 V is 250 mA, although it can cope with peaks of up to 750 mA.

The converter is based on a Motorola Type MC34161 circuit, to which a power stage, T_1 has been added. Inductor L_1 , C_5 and D_1 remove any ripple from the output.

The internal comparator at pin 2 of IC_1 is connected to the output of the converter via potential divider R_4 – R_5 to monitor the output voltage. The second comparator (pin 3) is used in the oscillator circuit and connected to pin 6 direct and to pin 5 via R_3 – C_3 .

When the supply is switched on, the output of the converter, and thus the voltage at pin 2, is 0; the oscillator operates normally. Transistor T_1 charges C_5 via L_1 . When T_1 is off, L_1 ensures a supply of energy to C_5 via D_1 . As soon as the terminal voltage of C_5 has risen to a sufficiently high level, the internal comparator at pin 2 changes state. The oscillator is then switched off via pin 6, so that T_1 is also off. After C_5 has discharged to an extent that its terminal voltage drops below the preset level, the oscillator is re-enabled, and C_5 is



charged again via T_1 .

The values of L_1 and C_5 determine the switching frequency; with values as shown, an input voltage of 12 V and a load current of 250 mA, the frequency is 18 kHz. At higher inductances and input voltages, the frequency drops.

It is essential that *all* earth connections are taken to the negative ter-

terminal of C_5 as shown in the diagram.

The inductor is a standard triac choke, to which a number of turns have to be added. If the inductance of the choke is $L \mu\text{H}$ and its number of turns is n , the number of turns, n' required for the present inductor is given by $n' = n\sqrt{(470/L)}$.

(Motorola Application – 924077)

CURRENT LIMITING FOR LM317 REGULATOR

ALTHOUGH the well-known Type LM317 voltage regulator is already short-circuit-proof, there are cases where a limit of the heavy short-circuit current can be desirable. As the diagram shows, such a current limiting facility can be provided in a simple manner. Use is made of the fact that the output voltage, U_o , is dependent on the feedback to the control input. As long as the current limiting does not operate, resistors R_2 and R_3 , as well as T_1 , may be ignored. The output voltage is then:

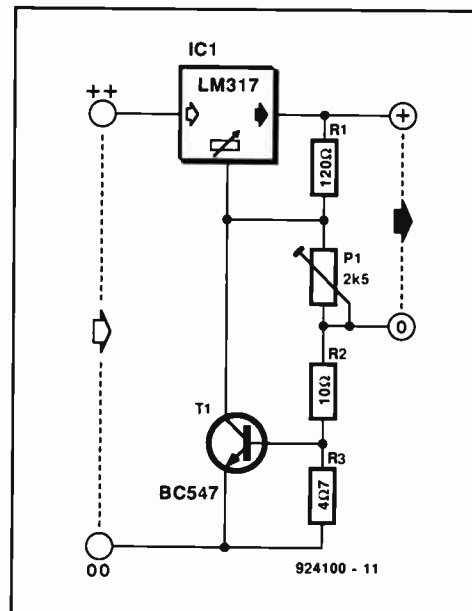
$$U_o = 1.25(1 + P_1/R_1) + I_{adj}P_1 \text{ (volts).}$$

Since the maximum level of I_{adj} is 0.1 mA, P_1 can set U_o to 1.25–27 V.

When the current through the regulator causes a drop of about 600 mV across R_3 , T_1 will come on. This will

cause a drop in the level at the control input of the regulator, and thus in the output voltage. With a value of R_3 as shown, the current limiting will come into operation at a current of $0.6/4.7 = 120 \text{ mA}$.

(National Semiconductor Application – 924100)



FRONT-TO-REAR WIPER COUPLING

ON some cars, it is convenient to couple the rear window wiper to the windscreen wiper. However, since the rear window does not get nearly as wet as the windscreen, particularly when the car is moving, the rear wiper should operate only once for every umpteen wipes of the windscreen. Note that your car may be one of the fortunate ones of which the rear window, when the car is moving in the wet, does not get wet at all because of the car's design.

The coupling shown in Fig. 2 ensures that the rear wiper operates once for every four or 16 wipes of the windscreen, depending on the setting of switch S₁ (as shown, once every four).

The clock for the circuit is taken from the return (terminal 53e - green/black wire on most cars) of the windscreen wiper motor—see Fig. 1. This signal, which is a square-wave, is applied to IC₁ via K₁. Its level is lowered to not more than 5 V

by potential divider R₁-R₂ to prevent any damage to IC₁. Any noise from the car's electrical system is bypassed by C₁.

The Q₂ output (pin 1) of IC₁ goes high every fourth clock input, and the Q₄ output (pin 3) once every eighth clock input.

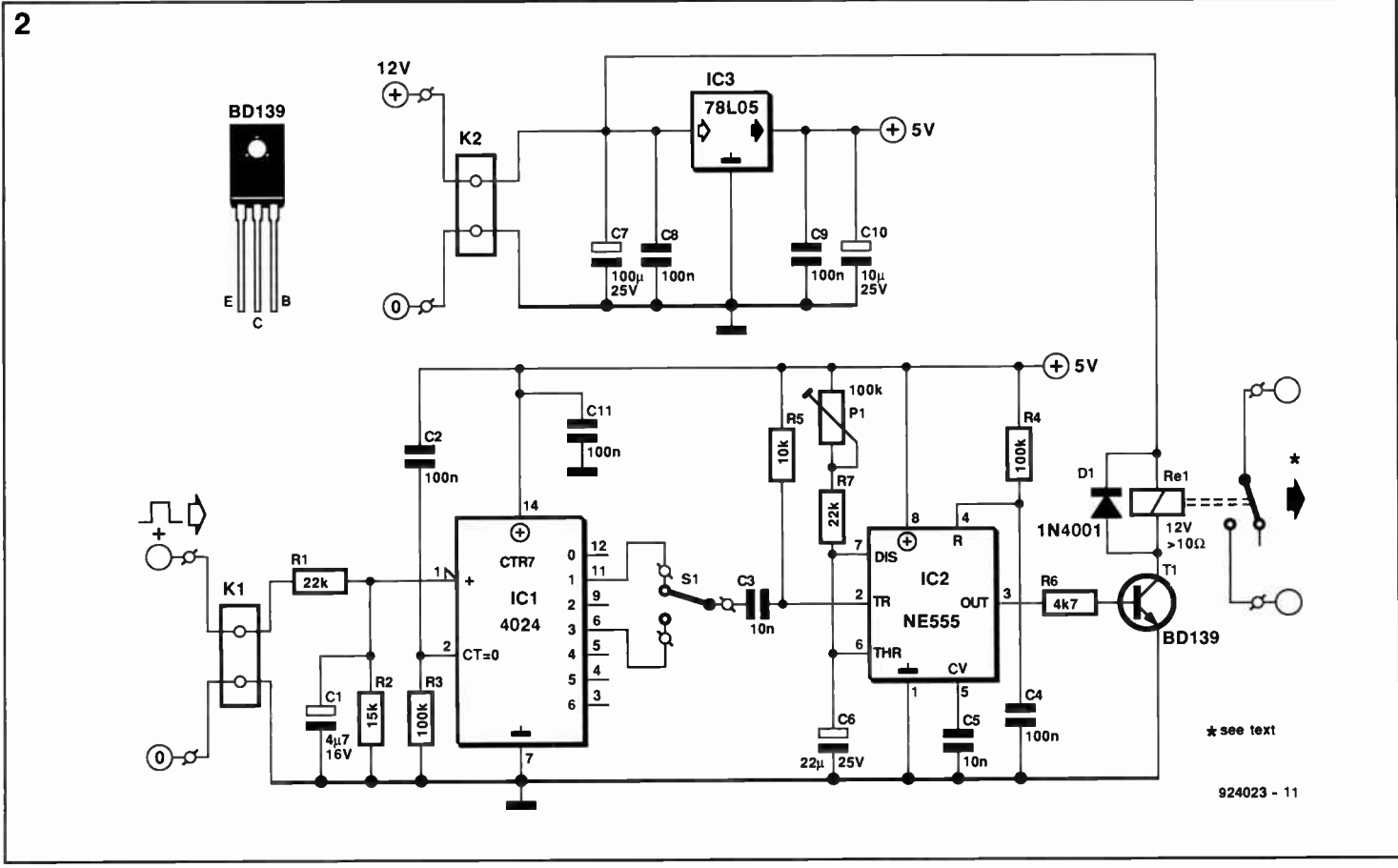
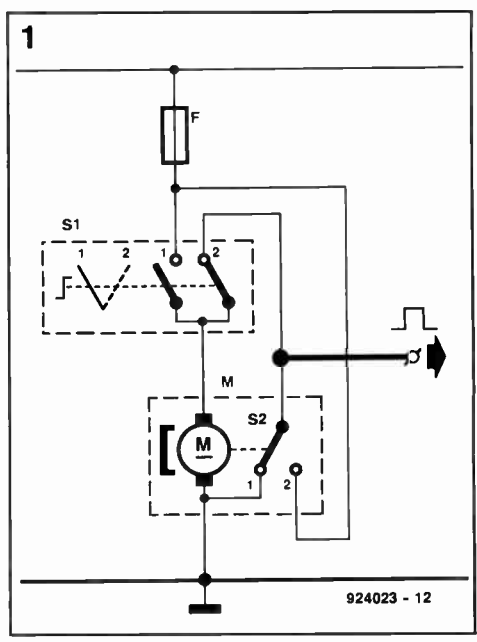
The trailing edge of the signal at S₁ is transformed into a trigger pulse by R₅-C₃. This pulse, whose length is determined by R₇-P₁-C₆, is applied to monostable IC₂. The length of the pulse should be set to about one second to give the rear wiper time to get going.

The monostable drives transistor T₁, which in turn controls relay Re₁. This relay is a motorcar type that can handle the large switch-on current of a wiper motor: it may be rated at 25 A or 35 A.

The supply for the circuit is provided by IC₃, which brings down the car voltage of 12 V to 5 V. This IC also prevents large peaks on the bat-

tery voltage from reaching the circuit.

[I. Fietz - 924023]



THREE-PHASE SIMULATOR

MOST domestic consumers (in the UK) are provided with a single-phase supply, unless exceptionally heavy loading is foreseen. It may, however, occur that a low-voltage three-phase supply is required for experimental purposes and in such cases, the simulator can prove useful.

The source signal for the phases, R, S and T is generated with a standard Wien bridge. The sine-wave generator is formed by IC_{1a}. Preset P₁ enables the frequency to be set accurately to 50 Hz; the output level (pin 1) is set with P₂ to 1 V (peak).

Circuit IC_{2a} provides a constant load impedance for IC_{1a}, which is important for the stability of the generated frequency. It also raises the signal level to 5.6 V (peak). The peak value of the phases is set to 0–12 V with P₃. Series capacitor C₉ prevents the offset voltage of IC_{1a} and IC_{2a} adding direct voltage to the outputs of IC_{2b} and IC_{2d}.

The R phase results from inverting the signal at the wiper of P₃, that is, shifting it by 180°. Owing to low-pass filter R₁₂–C₁₁, the T output lags the signal at the wiper by 60°, while R₉–C₁₀ provide a 60° lead at the S output. There is, therefore, a 120° phase difference between any pair of phases.

Presets P₄ and P₅ need to be set only once and that in such a manner that the peak values of the three phases are identical.

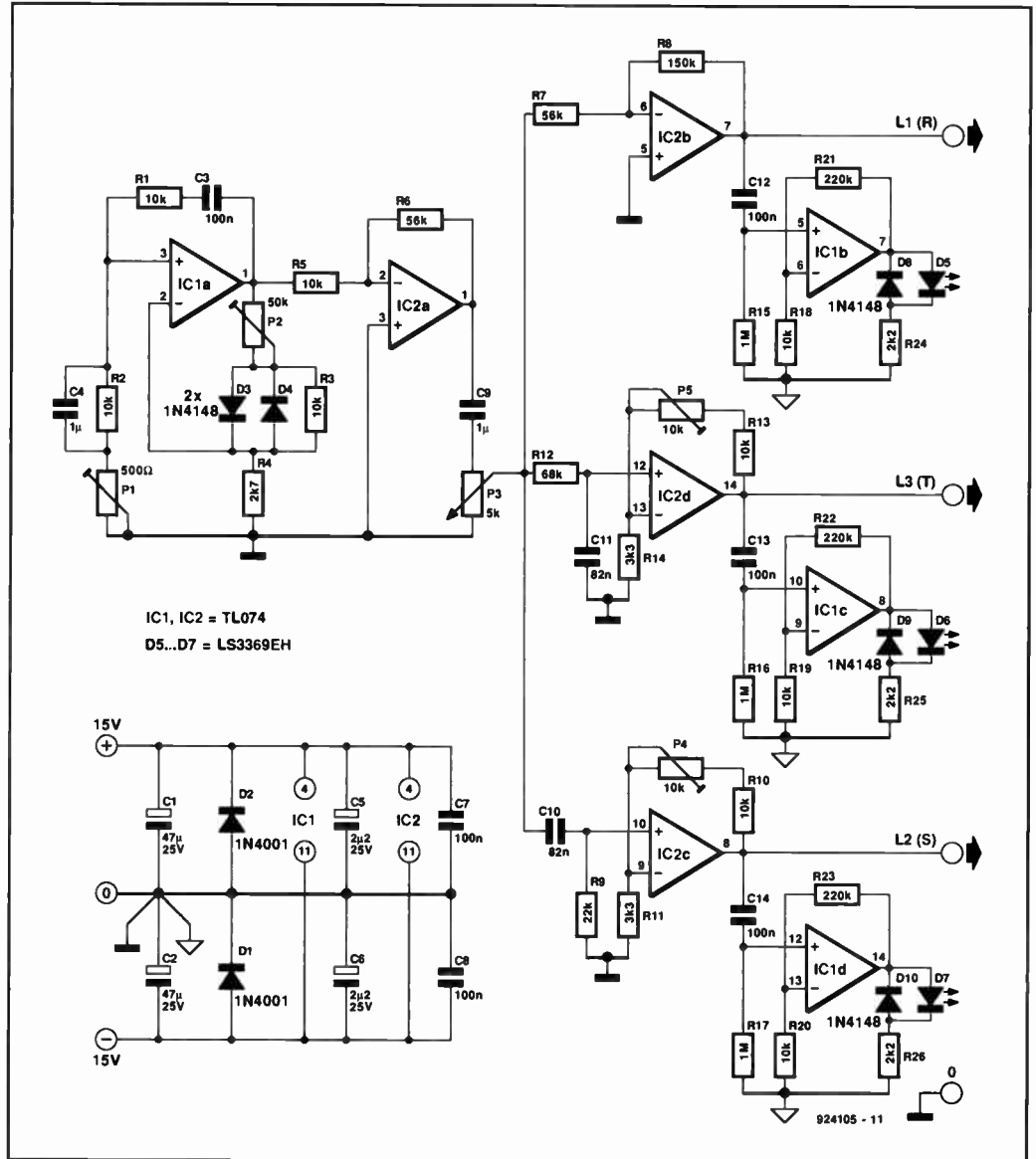
Low-current LEDs D₅–D₇ light only if there is an alternating voltage present at the associated output. An accidentally short-circuited phase is,

therefore, detected immediately.

The opamps are short-circuit proof and can provide a current of about 10 mA. When a symmetrical ± 15 V

supply is used, the quiescent current is ± 20 mA.

(J. Ruiters - 924105)



SIDAC NEON TUBE STARTER

THE sidac from Motorola is best compared with a triac of which the gate connection is missing. It switches on whenever the voltage across it exceeds a certain level. The polarity of that potential is immaterial: like a triac, the sidac works equally well with direct and alternating voltages. Furthermore, when the sidac is on, it resembles a short-circuit and remains in that state until the level of the current drops below a certain value (the holding current), whereupon it

switches off.

A series network of a sidac and a load connected to the mains results in a kind of dimmer whose, non-variable, phase angle depends on the starting voltage of the sidac. Sidacs are available for starting voltages between 104 V and 280 V.

A neon tube does not switch on as easily as an incandescent lamp because the tube can start only at a voltage much higher than the mains, after which it will remain lit at the mains voltage. The level of both the

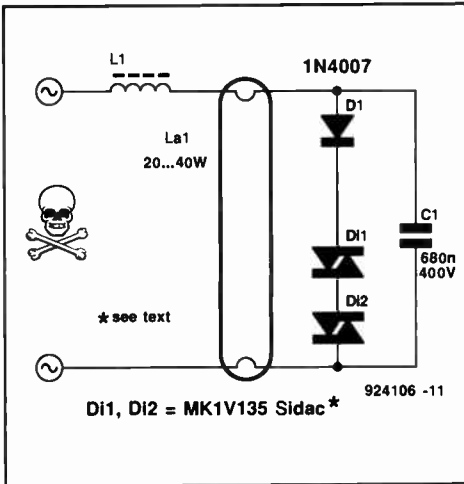
starting voltage and the working voltage depends on the temperature of the tube.

Normally, the high starting voltage is obtained by interrupting the current through a choke. This is usually done by the starter, which also ensures that a fairly large current flows through the filaments of the tube. This heats the ends of the tube, which makes starting easier.

These tasks of the starter are taken over by two 135 V sidacs (or a single 270 V one). The starting voltage is

thus 270 V, which is below the peak value of the mains (about 340 V), but higher than the working voltage of a 20-40 W neon tube.

As long as the tube has not started,



almost the whole of the mains voltage is dropped across the starter. Assume for a moment that the polarity of the mains causes D_1 to be forward biased. When the instantaneous value of the mains voltage reaches the level of the starting voltage of the sidacs, these will short-circuit the starter, whereupon a fairly heavy current will flow through the filaments and the coil. This gives rise to a magnetic field around L_1 . When the polarity of the mains voltage reverses, the positive current through L_1 will decrease gradually. When the level of the current approaches zero, the sidacs switch off, whereupon the instantaneous negative mains voltage is applied across the tube immediately, because of C_1 being charged rapidly. This capacitor and the starter form a series resonant

circuit that magnifies the sudden drop across the tube to way above the level of the mains voltage.

During the next positive period of the mains voltage, the sidacs switch on again, and the sequence repeats itself until after a few cycles the tube has warmed up enough to remain lit. The drop across the lit tube does not exceed the starting voltage of the sidacs, so that the electronic starter is switched off.

Capacitor C_1 not only suppresses any r.f. interference generated by the tube, but also makes the load on the mains supply less inductive (so-called $\cos\phi$ improvement).

The capacitor and diodes can probably be fitted into the man-made fibre enclosure of the original starter.

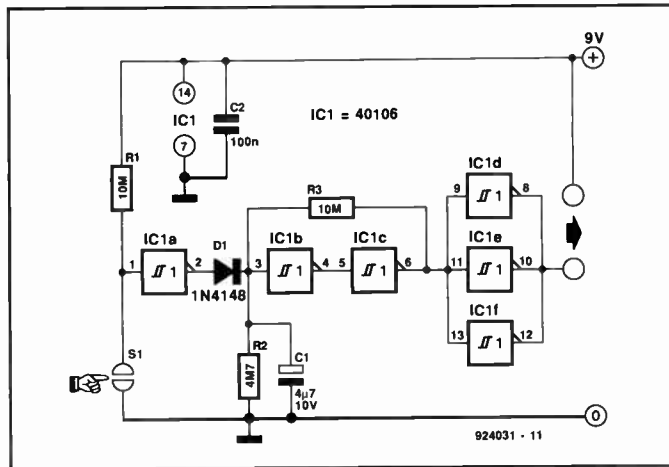
(Motorola Application - 924106)

TOUCH 'ON', AUTO 'OFF' CONTROLLER FOR BATTERY-OPERATED EQUIPMENT

THIS handy circuit is intended for battery-operated appliances. It functions as a touch-operated supply on switch and delayed supply off switch. Figure 1 shows the design for applications that require only a few milliamperes. Figure 2 is identical but for the added FET at the output, which enables up to 300 mA to be switched.

The active electronics is formed by six Schmitt triggers contained in a Type 40106. The touch key consists of two small conducting plates that can be interconnected by our skin resistance. When the key is not touched, R_1 causes a high level at the input of IC_{1a} . That gate is followed by a diode, D_1 , which ensures that C_1 can be charged only if the output of IC_{1a} is high. When the key is touched, C_1 is charged rapidly. The capacitor discharges slowly via R_2 : the state of its charge is monitored by $N_2-N_3-R_3$.

The shunting of gates IC_{1b} and IC_{1c} by resistor R_3 greatly increases the hysteresis at the input of IC_{1b} . That means that the output of IC_{1c} goes high

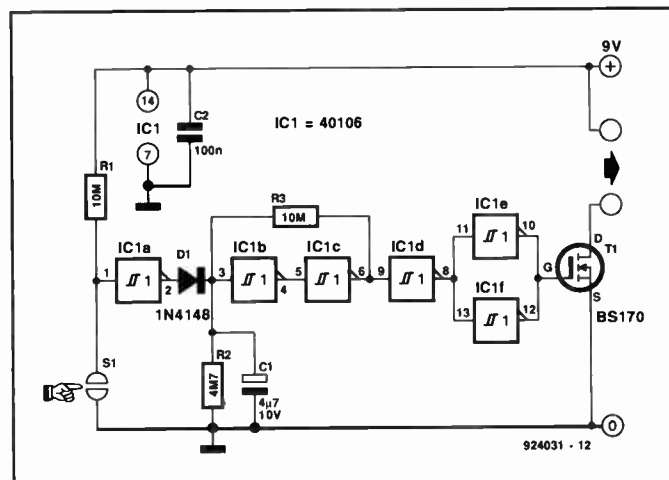


only when C_1 is almost fully charged, and changes state again only when C_1 is nearly discharged.

Gates IC_{1d-f} serve as output buffers.

The appliance connected to the output terminals will be provided with power as soon as the touch key is operated, because C_1 will then be charged rapidly. The discharge time of this capacitor (and thus the time that the appliance is powered) is fairly long and depends on the value of R_2 and the leakage resistance, and may, therefore, be extended by giving R_2 a higher value. Note that it is not advisable to increase the value of C_1 by much, because that increases the charging time and, worse, simply touching the key may not be sufficient any more. When C_1 is nearly discharged, the supply to the connected appliance is switched off.

(R. Evans - 924031)



REV COUNTER FOR DIESEL ENGINES

ALTHOUGH most petrol-engined cars and lorries have a rev counter as standard, that is by no means the case in diesel-engined motor vehicles. The reason for this is that, since a diesel engine has no contact breaker, it is not so easy to derive pulses to drive a rev counter. There are, none the less, several possibilities of adding a rev counter if so desired.

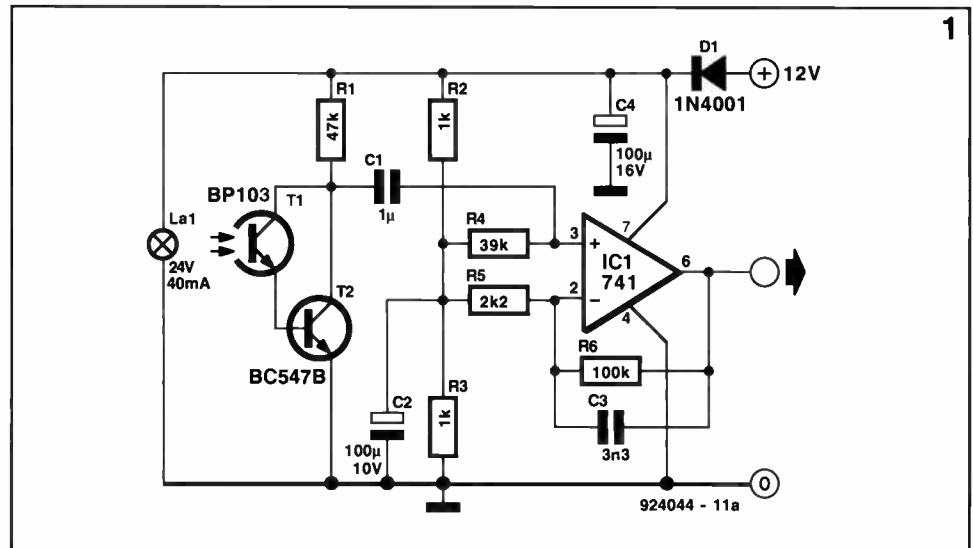
Firstly, it would be possible to take the pulses from terminal W of the alternator. Unfortunately, that machine does not run at the same speed as the engine, so that some arithmetic unit would have to be added. Moreover, and more seriously, terminal W of modern alternators is no longer accessible externally.

A second way might be to attach a small magnet to each of the cranks on the crankshaft and so induce magnetic pulses in a fixed coil. The problem here is to attach these magnets securely.

A third method is an optical one proposed in this article. In this, the cranks are divided into sectors that are painted alternately white and black. A home-made light barrier is then used to evaluate the speed with which the sectors are rotating. If the cranks are divided into four sectors, pulses are generated that are suitable for driving commercially available rev counters, irrespective of whether the diesel engine has four, six or eight cylinders.

The circuit in Fig. 1 may, therefore, be considered as an adaptor for the rev counter.

A small 12-V bulb lights the crankshaft, whereupon the light reflected by the white sectors falls on to phototransistor T_1 . This transis-



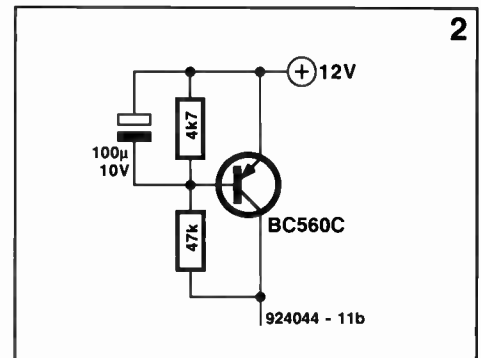
tor is connected in a darlington configuration with T_2 . The type of phototransistor is not important: it is thus not necessary to use the BP103 shown in the diagram. The output of T_2 is applied via C_2 to IC_1 , where it is chopped and amplified by about $\times 50$ to give a rectangular output signal of about 10 V_{pp}. That signal is perfect for driving a rev counter.

The circuit is best built on a small piece of prototyping (vero) board and then fitted in a tube, whose front is closed watertight by a circular piece of perspex. It may be necessary to separate the lamp and the phototransistor by a dark screen.

The circuit is connected to the rev counter by a three-core cable. The cable connections (+12 V, earth and pulse signal) to the circuit must be waterproof.

If the lamp is found to be too bright, it may be connected in series with a small resistor.

The circuit can be tested by mea-



suring the voltage at the collector of T_2 , which should be 1–5 V when a white sector is being illuminated.

If the sensitivity is too high, replace R_1 by the circuit in Fig. 2, which keeps the voltage at the collector of T_2 at around 5 V.

The circuit draws a current of about 10 mA plus the current through the lamp.

[N. Sauer - 924044]

SMARTEC TEMPERATURE SENSOR

THE Smartec Type SMT160-30-18 is a temperature sensor with a digital output, and housed in a TO-18 case. Pins 1 and 3 are the supply input pins. With a nominal 5V supply, the current drain is not more than 200 μ A. At pin 2, a short-circuit-proof and TTL compatible output, a rectangular voltage with a pulse repetition frequency (p.r.f.) of 3 kHz is available. The value of the frequency is not all that important, because

the actual temperature data are stored in the duty factor (that is, the ratio of the pulse width to the pulse spacing). There is a linear relation between the temperature, T and the duty factor:

$$\text{duty factor} = 0.32 + 0.0047 \times T.$$

Thus, at a temperature of -45°C , the lowest at which the sensor can be used, the duty factor is 0.109.

The maximum temperature at which the sensor can be used is 130°C . The sensors are calibrated to an accuracy of $\pm 0.25^\circ\text{C}$ during production.

In principle, it would be feasible to apply the rectangular signal to a moving coil meter. This would indicate a value that is directly proportional to the average voltage level of the rectangular signal and thus with the duty factor and the temperature.

```

program SMARTEC;
(*****)

{ SMARTEC: V1.0/JR.  }
{ Turbo Pascal 5.5.  }

{S-,S-,I-,F-,O-,A-,V+,B-,N-,E+,D-,L-}

uses
  crt,dos,PMEASURE;
const
  ErrStr1='Error: load sequence ADCF.CFG aborted!';
  ErrStr2='Error: multifunction PC card not found!';
  SmartChan=7;

procedure Measure;
(*****)
var
  PulseLevel:HighOrLow;
  DutyCycle:real;
  Time:record
    High,Low:Second;
  end;
  Dummy:Char;

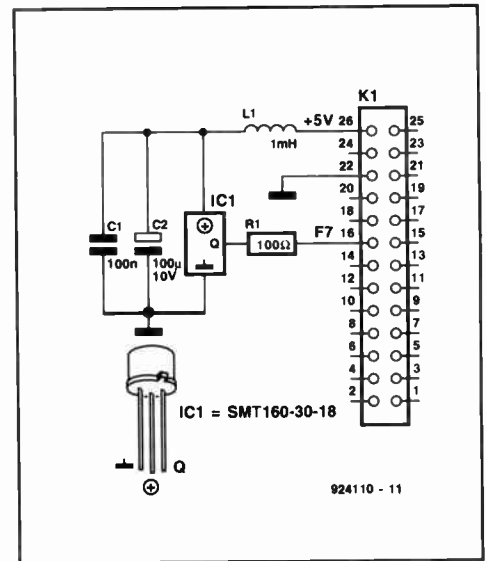
function Temperature(DutyCycle:real):real;
(*****)
const
  a=0.32;
  b=0.0047;
begin (* Temperature *)
  Temperature:=(DutyCycle-a)/b;
end; (* Temperature *)

begin (* Measure *)
  with Time do
  begin
    High:=0;
    Low:=0;
  end;
  PulseLevel:=Low;
  SelectFreqChannel(SmartChan);
  StartPulseTimeConversion(PulseLevel);
  repeat
    if PulseTime.Updated
    then
    begin
      if PulseLevel=High
      then
      begin
        Time.High:=PulseTime.Value[SmartChan];
        PulseLevel:=Low;
      end
      else
      begin
        Time.Low:=PulseTime.Value[SmartChan];
        PulseLevel:=High;
      end;
    with Time do
    begin
      if (Low>0.1E-6) and (High>0.1E-6)
      then
      begin
        DutyCycle:=High/(High+Low);
        write('Temperature: ',Temperature(DutyCycle):5:1,' °C ');
        writeln('(',DutyCycle*100:4:1,'%');
        gotoxy(1,1);
      end;
    end;
    delay(500);
    StartPulseTimeConversion(PulseLevel);
  end;
  until keypressed;
  Dummy:=readkey;
end; (* Measure *)

begin (* SMARTEC *)
  clrscr;
  if ConfigFileErrorCode<>0
  then
  begin
    writeln(ErrStr1);
    Beeps(2);
  end
  else
  if not HardwareFound
  then
  begin
    writeln(ErrStr2);
    Beeps(3);
  end
  else
  begin
    InstallTimeIntHandler;
    InstallHardwareIntHandler;
    Measure;
    UnInstallHardwareIntHandler;
    UnInstallTimeIntHandler;
  end;
end. (* SMARTEC *)

```

924110 - 12



924110 - 11

In practice, it is, however, much more sensible to connect the sensor to a digital input port of a peripheral interface or a microcontroller. Sampling the rectangular signal enables the computer system to carry out temperature measurements with a minimum of external components as shown in the diagram. A suitable PC measurement card was published early last year (see Ref. 1). Connector K₁ is a 26-way box header that is linked to connector K₆ of the measurement card via a short length of flatcable. The 5 V supply is taken directly from the computer. On the prototype, L₁-C₁-C₂ proved essential to prevent jitter of the signal, which caused the first digit after the decimal point to move to and fro.

The program for controlling shown here is also available, with other basic routines for the measurement card through our Readers' services (ESS 1753)

(J. Ruiters - 924110)

Reference:

"I²C Interface for PCs," *Elektor Electronics USA*, February 1992.

PREVIEW**Glass Audio****Issue 3, 1992**

- An Octal Tube Preamp
- Vacuum Tube Op Amp
- Tube Design Primer
- A 50s Purist Amp

FUZZY LOGIC: AN INTRODUCTION

Fuzzy logic is a kind of statistical reasoning, whose foundations can be said to have been laid in the 18th century by the British philosopher Thomas Bayes. With this technique, large amounts of data can be condensed into a much smaller set of variable rules than with rigid logic. The result is an expert system that can process information faster, and provide a more flexible, more human-like response than conventional logic.

THE great German polymath, Gottfried Leibniz (1646–1716), dreamed about devising a way whereby a couple of philosophers could discuss and settle any human argument once and for all by pure logic. But he and many other thinkers after him have discovered that there are many problems that cannot be solved by just logic. This realization gave rise to another way of attempting to solve problems: the use of statistics. In statistical reasoning, probabilities express the idea of 'perhaps'. One method of statistical reasoning, whose foundations can be said to have been laid in the 18th century by the British philosopher Thomas Bayes, is called fuzzy logic. In fuzzy logic, there is not just 'true' and 'false', 1s and 0s, 'black' and 'white', but also all the various grades of grey in between. Fuzzy logic can condense large amounts of data into a much smaller set of variable rules than rigid logic. The result is an expert system that can process information faster, and provide a more flexible, more human-like response than conventional logic. For example, a washing machine controlled by fuzzy logic will wash very dirty clothes very hard; not-so-dirty clothes get a milder wash, and so on. Fuzzy logic is already being used in many domestic appliances, cameras and passenger trains.

Traditional control technology is based on

a mathematical model that describes the control process. Although this is perfectly satisfactory for simple processes, it gets more difficult as the process becomes more complex. In such cases, the solution is derived from a simplified model or from a set of values that was determined empirically.

An example from everyday life would be when you are driving along in your car and you want to turn left (or right): without conscious calculation you determine the moment when you have to start turning the steering wheel. Without precise information of the width of the roads, the position of your car, the way the front wheels of your car react to the turning of the steering wheel, the wheel base of your car, and so on, you will normally act so that you do not get on the wrong side of the road or on the pavement. In the same easy manner, you can steer your car, or that of your neighbours, through completely different bends. What you are doing is reacting in a 'fuzzy-logical' way to the effect of an action. You turn the steering wheel a little, your eyes register the effect of this and your brain corrects, if necessary and without complex analyses and calculations, the action. If we were to have this, to us simple, operation carried out by a digital control system, we would have to design a surprisingly complex system that would, more-

over, require a fairly large computer power. However, for a control system based on fuzzy logic, the rules would be based on human practical experience. For instance, at home:

if the room temperature is much *too low*, turn up the thermostat *to maximum*;

if the room temperature drops *slowly*, turn up the thermostat *a little*.

But how do we define *too low*, *slowly*, and *a little*? Fortunately, fuzzy logic can cope with these terms, as we will see later on.

Collecting data

An important principle of fuzzy logic is *set theory* (in mathematics, a set is a collection of elements chosen for membership of the set because it possesses some required property). This may be illustrated by, say, our desire to go out and buy fragrant red roses. We may go to a market and find a stall that sells flowers. We make our wishes known to the stall-holder, who subconsciously may reason: 'if the flower is a rose, and if it is red, and if it is fragrant, then the customer will buy a bunch'. In other words, if the flower is an *element* of all three collections (rose, red, fragrant), it is the desired one. This is illus-

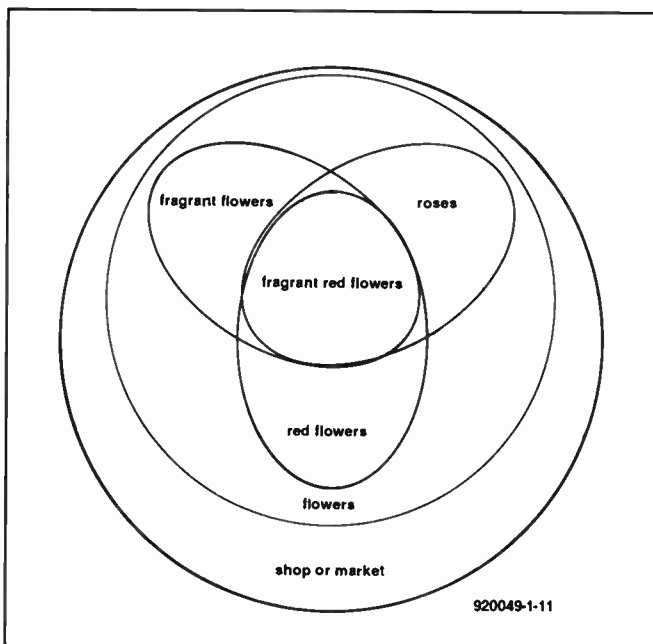


Fig. 1. Venn diagram of choices in a flower shop.

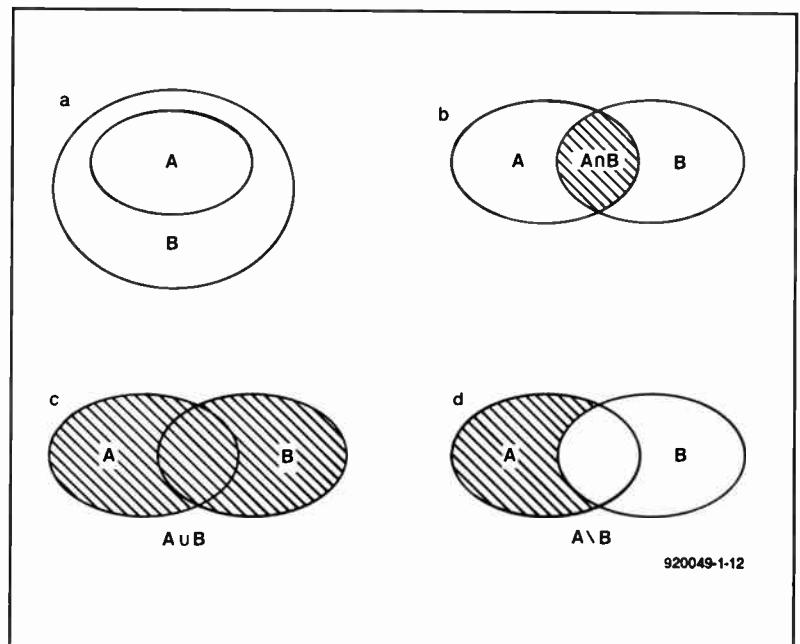


Fig. 2. Various basic operations in Set Theory.

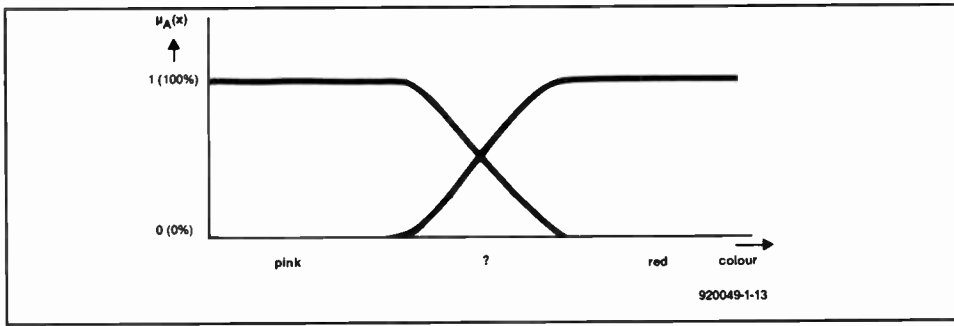


Fig. 3. Typical 'degree of association' curve.

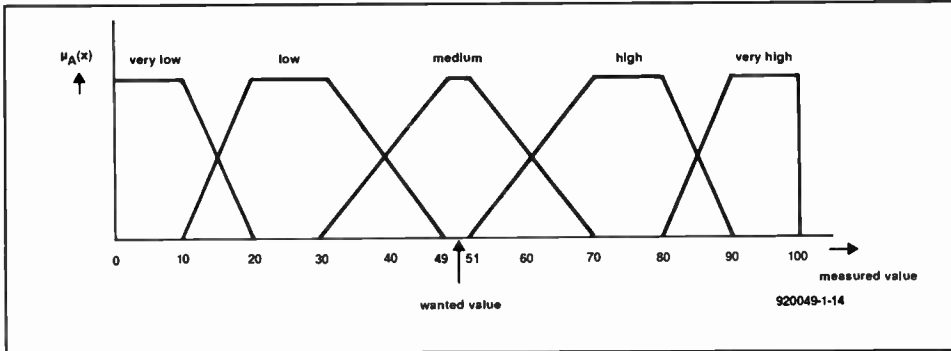


Fig. 4. Example of a fuzzy division of a measured value.

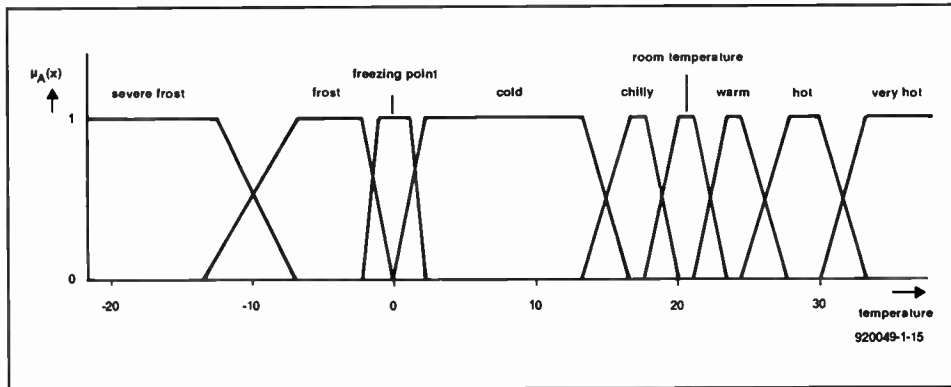


Fig. 5. Allocating likely values of temperature to fuzzy sets.

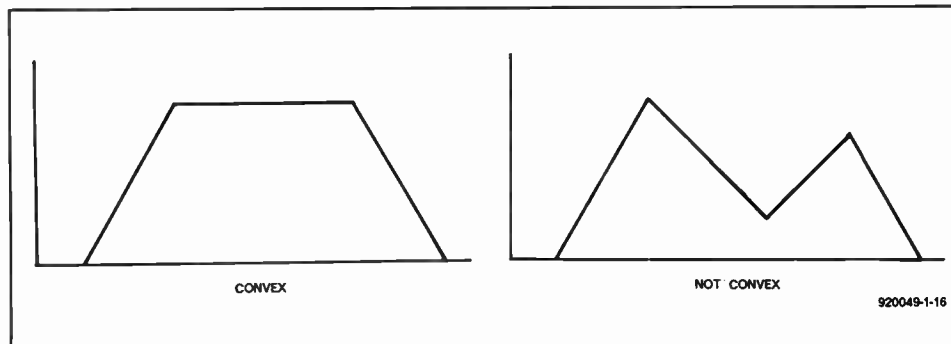


Fig. 6. The 'degree of association' curve should be as at the left, not as on the right.

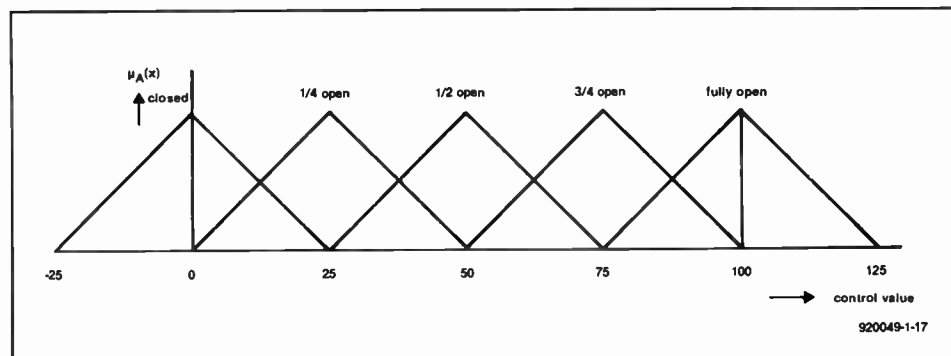


Fig. 7. Fuzzy sub-division of output signals.

trated in the Venn diagram in Fig. 1.

In the logic rule we use to arrive at a final conclusion, we make use of a number of basic operations that are illustrated in Fig. 2, another Venn diagram. Figure 2a shows the simplest situation that can occur: from a set B , a new set A is formed, such that all elements of A are also elements of B . Such a set A is called a *subset* of B . Mathematically, this is expressed as $B \supset A$, read as 'A is a subset of B'. A more general situation arises when two sets A and B are involved, each of which possesses elements that are not common to the other, so that neither $A \supset B$ nor $B \supset A$ is true. The set of elements C that is common to the two sets is called the *intersection* of sets A and B and is written $C = A \cap B$; this is illustrated in Fig. 2b. Another important set related to sets A and B is the set C containing all the elements belonging to A , to B or to both A and B . This is called the *union* of sets A and B and is written $C = A \cup B$, read as 'A cup B'; it is illustrated in Fig. 2c. Finally, in connection with sets A and B , there is the *complement* of B relative to A , which is written as $A \setminus B$ and read as 'A minus B'; this is illustrated in Fig. 2d.

All this is still clearly defined, but in the earlier instance of the red roses, we could ask: 'What is red; where does pink begin?'. In general, the colours red and pink will be recognized as such by most people, but in between them there is a range of hues that is not clearly red or pink. That sort of problem is solved by the use of fuzzy sets, in which a clearly red flower is entirely common to the red set and not at all to the pink set. A flower with a colour in between red and pink is common to both sets, for instance, 70% red and 30% pink. This is called the *degree of association*, μ . For example, the degree of association of an element x to a set A is written as $\mu_A(x)$. The degree of association is shown by the curves in Fig. 3.

The type of characteristic shown in Fig. 3 is an important aid in the application of fuzzy logic in control engineering, because it enables measured values to be arranged in sets. The measured values (input signals) are entered on the x -axis, while the degree of association curves for a number of sets are plotted on the y -axis—see Fig. 4. In the design of control systems, it is usual to take an odd number of sets and to place the centre one in a position where it coincides with the desired value: here, 50.

Another instance of allocating likely values of ambient temperatures to fuzzy sets is shown in Fig. 5. The boundaries between areas are not always clearly defined; in fact, in this way it may be determined how 'fuzzy' the boundary between two sets is. It is customary, but not obligatory, to allow the boundaries to overlap to such an extent that the combined border areas have a degree of association of 100%, that is, $\mu=1$.

It will have been noticed in these examples that the curves of μ are trapezoidal. This is the most customary shape, since it allows straightforward arithmetic. Other shapes are possible, as long as they are convex, that is,

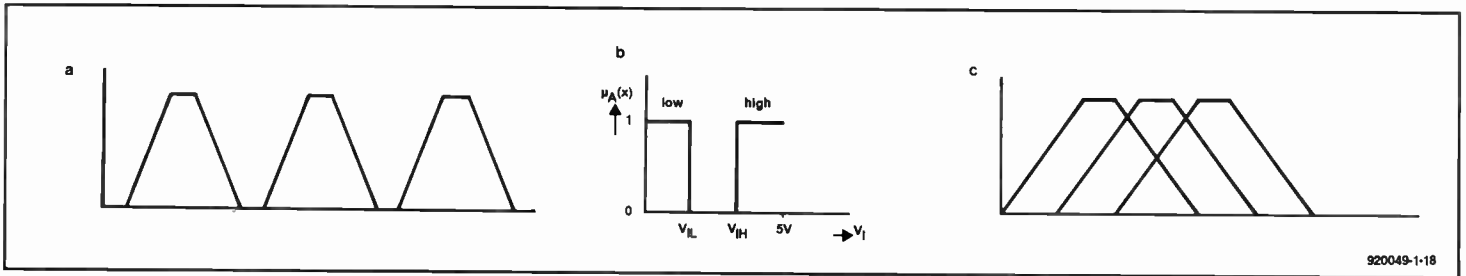


Fig. 8. Examples of how not to sub-divide fuzzy input and output signals.

their edges should not have transitions as shown in Fig. 6. It is, however, possible to omit the horizontal top of the trapezium so that the curves attain a triangular shape. This is done, for instance, in the case of a set that represents the desired value of a control system to obtain a very accurate setting. It is always done when the subdivision of output signals is fuzzy—see Fig. 7, which shows the positions of a boiler valve in a heating system. It may look strange that the μ -characteristic for 'closed' extends to -25% and that for 'open' to $+125\%$, but that is how these sets are weighted to the same scale as the other three positions. Once the output signals have been brought back to concrete values, the valve can be set exactly between 0% and 100%, no more, no less.

Examples of how not to subdivide input and output signals are shown in Fig. 8. The curves in Fig. 8a do not overlap, which means that there is no defined μ for a number of values. A well-known example of this is the inputs of TTL-gates—see Fig. 8b. In these, a certain range of values belongs to the set 'low' and another range to the set 'high'. Values between these ranges will lead to unpredictable behaviour. This is, by the way, a special fuzzy set: a so-called crisp-set. In Fig. 8c, the edges of the various curves spill over into various other sets: this will lead to instability.

Logic combining of fuzzy sets

We have seen how input and output signals can be divided into fuzzy sets. To use these to make a practical control system, certain rules are required to indicate the logic connections between input and output sets. These rules, which describe and determine the behaviour of the system, can be arrived at through practical experience of the system or by trial and error.

As an example of how to go about setting the rules, we will use a system that has a switch-on behaviour as shown in Fig. 9b. This is quite a common behaviour: for a little while after switch-on, the measured value will swing around the wanted value. It is the task of the control system to bring the measured value to the wanted value quickly and to keep it there in spite of possible interference. To design the system, we set out the error, that is, the difference between measured and wanted values (Fig. 9c) and also the variations in the measured value (Fig. 9d). The x -axes of these figures show no concrete values, only a 0. In practice, the allocating of concrete values together with the

selecting of sensible sets (and the rules mentioned earlier) will be the key to a successful design.

The fuzzy division of the control signal is approached in two ways. First, we divide the magnitude of the signal into seven sets—see Fig. 9e. These sets enable us to give the system a proportional-control behaviour. To ensure that the system responds timely to the reactions of the process (integrating and differentiating), we need a number of sets that indicate by how much the control signal must be corrected to prevent overshoot, or to limit it to a wanted minimum value—see Fig. 9f.

Next, we have to formulate the rules necessary to keep the measured value equal to the wanted value. They are summarized in Table 1. Rules 1–7 must ensure that through proportional control the measured and wanted

values are kept equal, or nearly so. Rules 8–14 ensure through integrating control that the value of the control signal is corrected as relevant to obtain the wanted value. Overshoot of the control signal after the wanted value has been reached is prevented by rules 15–21, which, when the error becomes smaller, slow down the altering of the measured value. All the rules together ensure that the system reacts rapidly without overshoot.

In fuzzy logic, all these considerations can be evaluated by simple arithmetic and a computer or analogue electronics. There are processors and controllers designed specifically to carry out fuzzy-logic computations. It is interesting to note that an algorithm to carry out these computations would need a 32-bit microprocessor, whereas in fuzzy logic an 8-bit microcontroller is sufficient.

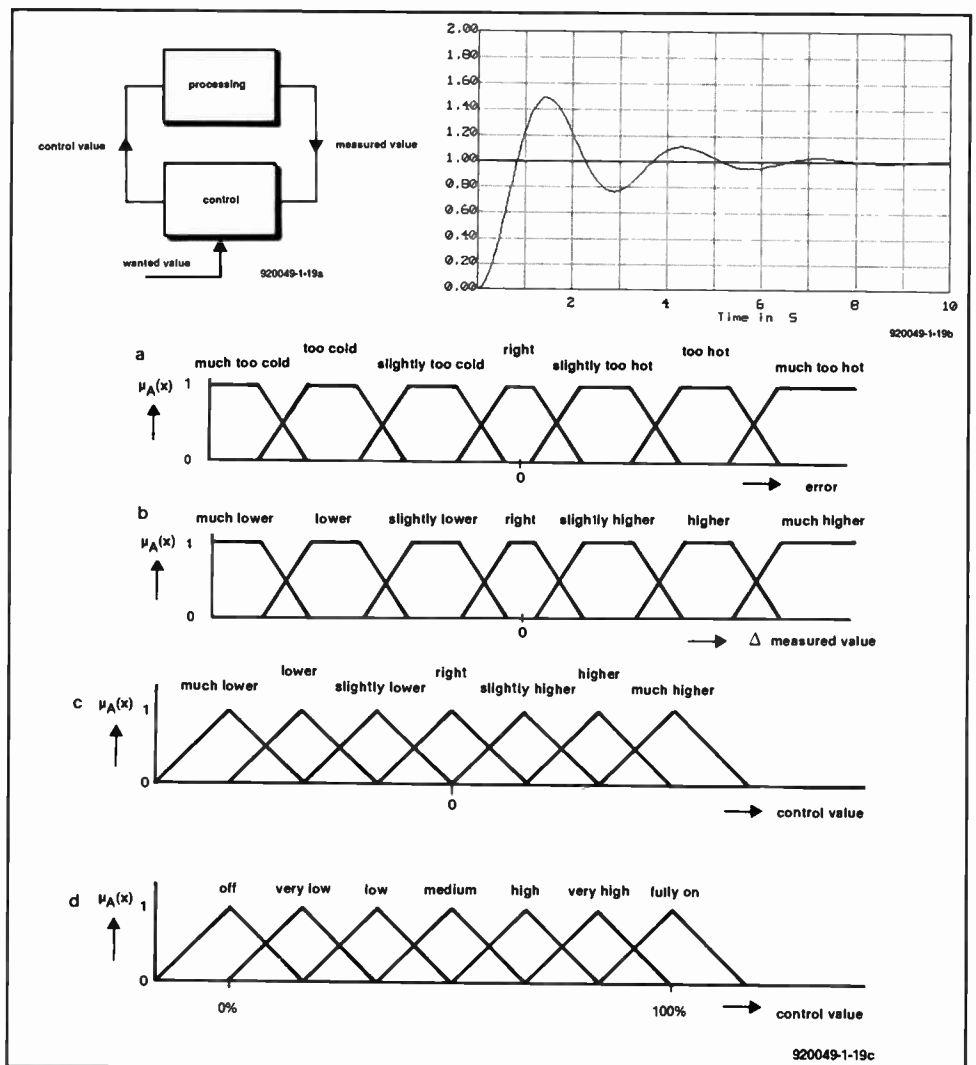


Fig. 9. Example of how to compute a control system.

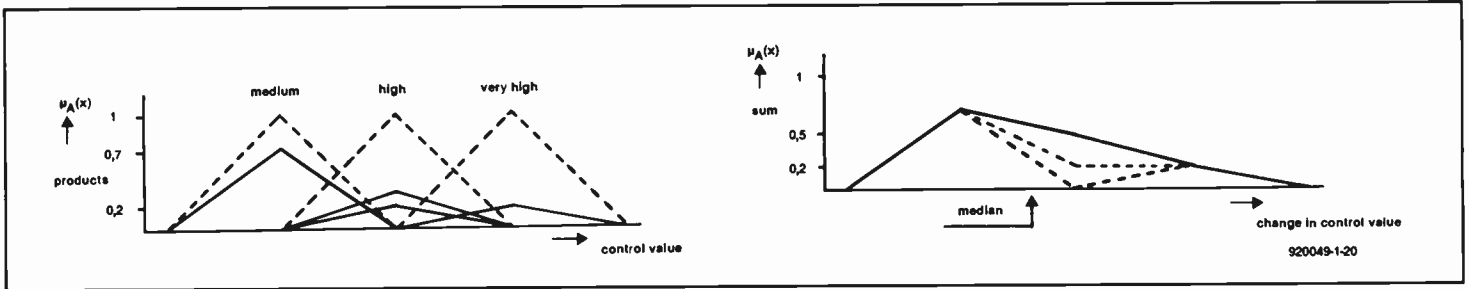


Fig. 10. Computation of the control signal for the system illustrated in Fig. 9.

Fuzzy logic arithmetic

The function $\mu_A(x)$ enables us to calculate to what degree an element x is common to set A . If we use a microcontroller and an analogue-to-digital (A-D) converter, the calculation becomes very simple, because the converter provides concrete values. For each of these values, the associated μ can be found in relevant tables.

Evaluating the logic rules is normally simplicity itself. There are three basic operations: AND, OR and NOT. In an AND-operation, the smallest μ -value of the relevant sets is allocated to the output set. If, for instance, two inputs, x and y , have values of $\mu_A(x)=0.8$ and $\mu_B(y)=0.3$, it follows from the logic rule 'A AND B gives C' ($A.B=C$) that the smallest μ , that is, 0.3, must be allocated to C . This is done by adding an element of value 0.3 to set C . This operation is called minimum-operator ($\text{MIN}\{A,B\}$) and is one of the special instructions in fuzzy logic.

The OR-operation allocates the largest μ -value to the output set. This operation is called maximum-operator ($\text{MAX}\{A,B\}$). With the values from the previous example, the logic rule 'A OR B gives C' ($A+B=C$) gives an element with a μ -value of 0.8.

The NOT operation is just as simple: deduct the μ -value from 1: $\text{NOT } A=1-\mu_A(x)$.

Compensating operations yield results that lie somewhere between AND and OR; they add a sort of 'but' to the logic rule. For instance, you want to buy a house. It must be sound, in a good position, and not too expensive, but, if it is very nice and well situated, it may cost a little more. In pure logic terms, such a consideration is difficult to realize, but compensating operators make it possible. The most important of these is the gamma-operator. If the value of y lies between 0 and 1, this operator can be set between AND and OR. The simplified form of the gamma-operator (for three sets) is

$$\mu_r(x)=[\mu_A(x)\mu_B(x)\mu_C(x)]^{(1-y)} \times \{1-[1-\mu_A(x)][1-\mu_B(x)][1-\mu_C(x)]\}^y,$$

where $\mu_r=\mu_{\text{result}}$ and $0 \leq y < 1$.

Fuzzy becomes distinct

After working through the logic rules, we have a number of indications (21 in Table 1) of what has to happen next. All the results in Table 1 refer to a signal that controls the relevant process. In complex processes, more control signals may be used. For the calculation of concrete values for these signals, a method is needed that somehow combines the results relevant to the signals. There are two

usual methods: min-max-median and product-sum-median. The former is simple, but not suitable for the example in Table 1, because several logic rules apply to the same output set. In that case, the product-sum-median method must be used.

Assume that on evaluation of the logic rules the following results have been obtained: 0.7 median; 0.2 and 0.3 high; and 0.2 very high. How the product-sum-median method works is shown in Fig. 10. For each element, we multiply the height of the triangle indicating the μ of a set with the value of the elements and use the results to draw four new (smaller) triangles. We then add the areas of the triangles together and determine the median position of the resulting figure: the value on the x -axis underneath that position is the value we seek.

All this may sound pretty complicated, but the arithmetic is not too difficult. If we assume that the functions of μ for the control signals are isosceles triangles, the calculation becomes:

$$S_c = \frac{\sum_{x=1}^q [\alpha(x) \times S_a \times A]}{\sum_{x=1}^q [\alpha(x) \times A]}$$

where:

- S_c is the value of the control signal;
- q is the number of logic rules whose value is relevant to the magnitude of the control signal;
- $\alpha[x]$ is the result of logic rule number x ;
- S_a is the value of the control signal immediately underneath the apex of the triangle (set) to which logic rule x refers;
- A is the area of the relevant triangle (set) ($A=1/2 \times \text{base} \times \text{height}$).

This formula is worked out in a computer in seconds: S_a and A are fixed data for all sets, which, therefore, can be stored in memory and need not be computed. If all triangles have identical areas, as in the example, the calculation becomes even simpler, because A can then be ignored both in the numerator and the denominator. ■

Reference:

Zimmermann, H. J., *Fuzzy Sets, Theory and Its Applications*, ISBN 0 7923 9075 X, Kluwer Academic Publishers, T. K. Smith, 101 Philip Drive, Norwell, MA 02061 (617) 871-6300, FAX (617) 871-6528.

error	Δ measured value	control value
1. much too cold		full on
2. too cold		very high
3. slightly too cold		high
4. right		medium
5. slightly too hot		low
6. too hot		very low
7. much too hot		off
8. much too cold		much higher
9. too cold		higher
10. slightly too cold		slightly higher
11. right		right
12. slightly too hot		slightly lower
13. too hot		lower
14. much too hot		much lower
15. slightly too cold	much higher	off
16. slightly too cold	higher	very low
17. slightly too cold	slightly lower	high
18. slightly too cold	lower	high
19. slightly too hot	higher	off
20. slightly too hot	much higher	off
21. slightly too hot	much lower	high

RS-232 QUICK TESTER

No PC interface has attracted more attention in the electronics press, and caused hotter debates, than the RS-232 interface. It is unfortunate but true that both hardware and software appear to be open to different interpretations when it comes to connecting RS-232 devices like printers, plotters, mice and modems. The tester described here is a handy tool to help you locate possible hardware errors, when hooking up a new RS-232 peripheral is not going as smoothly as you would have hoped.

Design by A. Rietjens

THE RS-232 interface is an old faithful in the telecommunications industry, its protocol and hardware being geared to conveying data over long distances. In its most rudimentary form, the interface could be reduced to only two lines: ground and data, which are used alternately by the transmitter and the receiver. First, data is sent from location A to location B. Next, the control software changes the direction, and location B starts to transmit to location A. This type of half-duplex communication is nearly extinct these days, when a three-wire connection appears to be the minimum. Provided software is used to deal with the handshaking function, such a three-wire link could be used, theoretically, to implement full-duplex communication. In most cases, the handshaking software is realized on the basis of the Xon/Xoff protocol. In this system, the receiver sends the Xoff code as soon as it has received the maximum amount of data it is able to handle. Transmission of the Xoff code causes the communication to be interrupted until the receiver transmits the Xon code. Communication is resumed on receipt of this

code at the transmitter side of the link.

The main advantage of the Xon/Xoff protocol is that only three wires are required to set up a bidirectional data link. Also, the simple electrical connection is a boon because it prevents hardware problems. However, true full-duplex communication is not possible using the Xon/Xoff protocol.

Faster!

The fastest and most versatile version of the RS-232 interface is its complete implementation on the basis of hardware handshaking. In addition to the two data lines, the 'full' version has a number of handshaking lines (usually five) to control the data exchange between connected devices. Unfortunately, in particular the connection between transmitter and receiver has given rise to much confusion. This is mainly caused by poor understanding of the terms DTE (data terminal equipment) and DCE (data communication equipment) used in handbooks and system documentation.

A DTE is, for instance, a PC or a terminal,

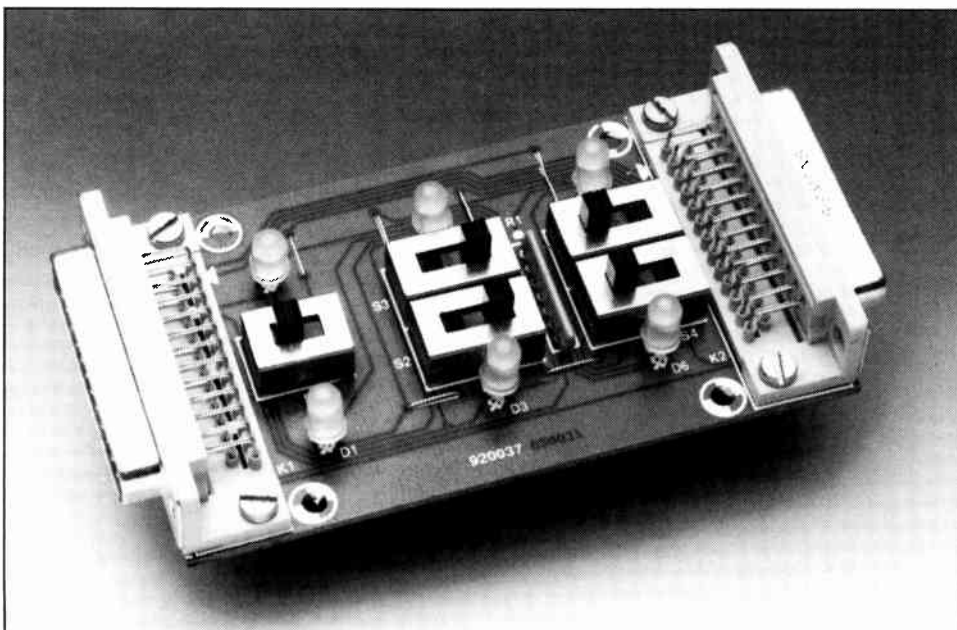
while a modem or a line printer is usually a DCE. By virtue of the RS-232 protocol, it is possible to interconnect not only a DTE and a DCE (the original aim), but also two DTE devices, without the need of inserting a modem. A DTE-DTE connection, however, requires some cross-links to be made in the connecting cable. Figure 1 shows the most frequently used connection options.

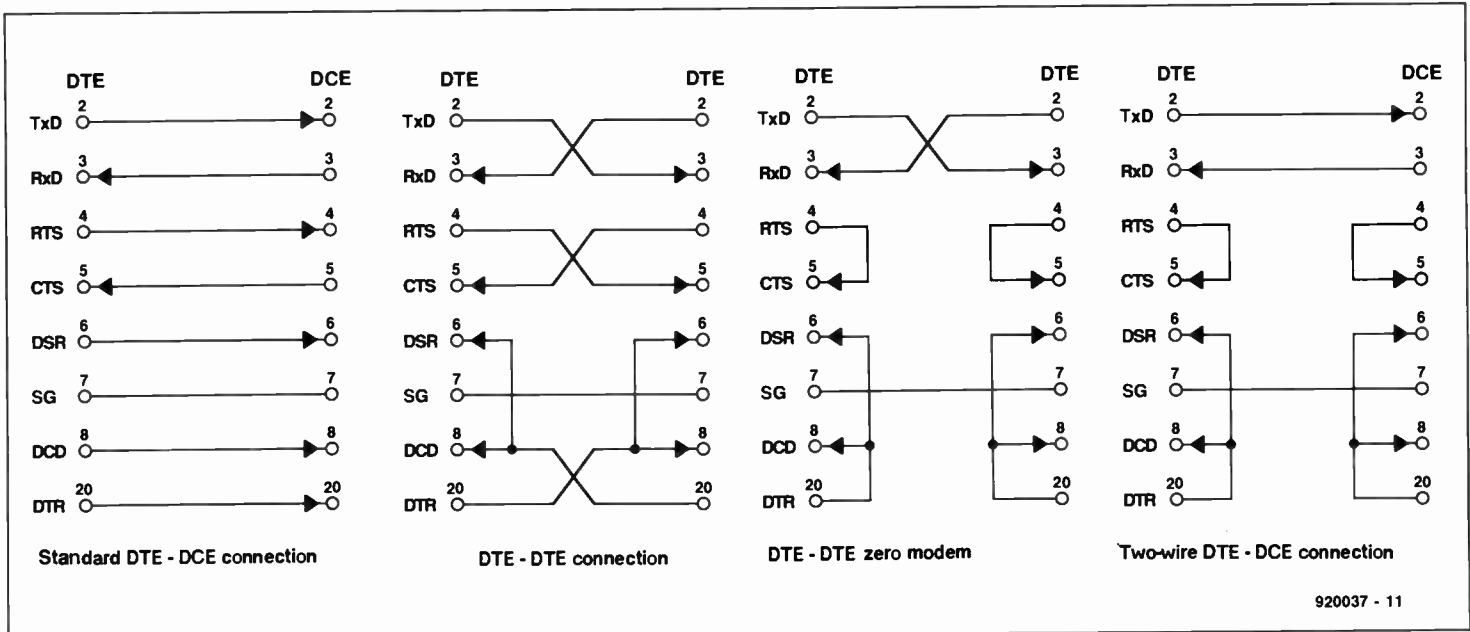
The RS-232 connector

Most of you will recognize the 25-way RS-232 sub-D connector found on virtually all PCs these days. The 9-way (AT-style) version, which omits some of the less important handshaking lines, is also used increasingly. The lines discussed below are available on both the 25-way and the 9-way sub-D connector — see the overview in Table 1.

As already mentioned, eight pins on the RS-232 connector are essential for a reliable data link. Pin 2 carries the TxD (transmit data) signal. This line is used by a DTE device to send data to a DCE device. Pin 3 is used for the complementary function, RxD (receive data), which carries data from the DCE device to the DTE device. Pin 4 carries the RTS (request to send) signal, which is sent by the DTE to the DCE to indicate that it is about to send a dataword. The DCE responds via pin 5, the CTS (clear to send) line. In addition, there is the DSR line (pin 6). Via this line, the DCE informs the DTE that it is 'on line' and ready for use. The DCD (data carrier detect) pin carries a signal that is used by the DCE to set up a stable data connection with another DCE. The last line is DTR (data terminal ready), via which the DTE tells the DCE that it is on, and ready to use the DCE to set up a data link. Figure 1 shows how a DTE is connected to a DCE: a pretty straightforward connection.

In practice, a communication sequence via an RS-232 link would look something like this. Initially, a PC (DTE) and a modem (DCE) are switched on. The PC actuates the DTR line, and the modem actuates the DSR line shortly afterwards. Next, the modem





920037 - 11

Fig. 1. Familiar, but never easy to remember, these RS-232 connection options!

sets up the link to another modem, and subsequently actuates the DCD line. This is detected by the PC, which decides that communication can be started, and actuates the RTS line in order to do so. If the modem is capable of processing the transmit command, it actuates the CTS line, whereupon the communication, i.e., data exchange, can commence. One wonders what could possibly go wrong if everything appears to be as simple as that. Well, a lot! Let us look at some possible problems.

First, there is quite some confusion about the signal levels on the RS-232 interface. According to the RS-232 standard, the control signal levels may lie between +3 V and +27 V for a logic '1', and between -3 V and -27 V for a logic '0'. This applies to control lines DTR, DSR, DCD, RTS and CTS.

The opposite applies to the data lines, RxD and TxD, which use active-low levels, i.e., a logic '0' corresponds to a level between +3 V and +27 V, while a logic '1' corresponds to a level of -3 V to -27 V. Evidently, manufacturers of equipment that uses only +5 V and ground for an RS-232 interface violate the standard by not meeting the required voltage swing (and polarity).

A second source of trouble is the connection of two DTE devices. Although there should be no problems with such a connection, cross links are required in practice on all lines except DCD.

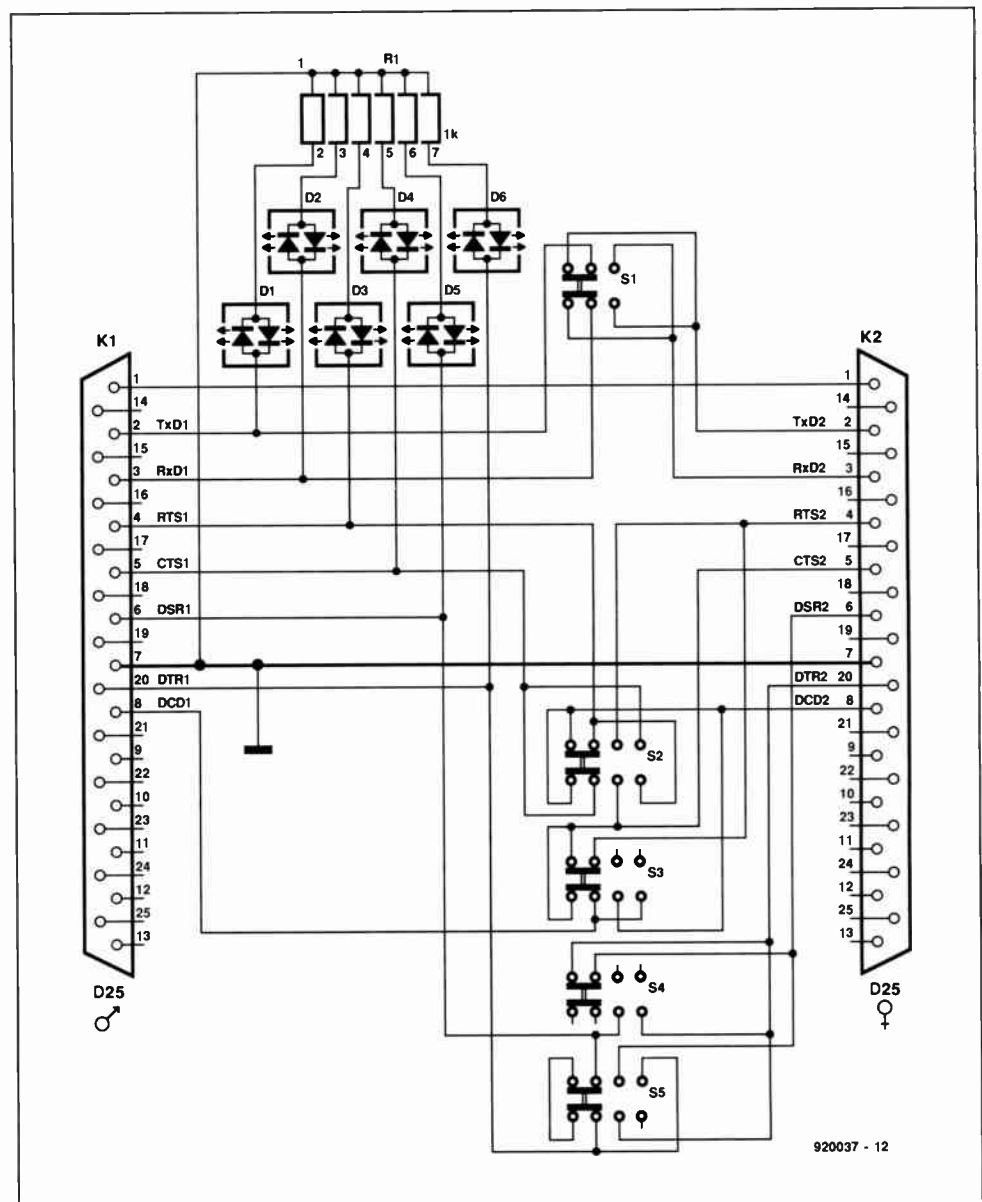
A third problem arises when the RS-232 interface is not complete at the DTE or DCE side. In the worst case, this requires some hard thinking before a link can be set up successfully. The best known 'trick' to fool the handshaking circuits at either side of the link is the zero-modem, which simulates signals normally supplied by the 'other party' (see Fig. 1). This is also referred to as 'local echo'.

RS-232 quick tester

We all hope that there will be no problems when serial equipment is properly connected. After all, a good quality cable has

been used, connectors have been secured, and matching data transfer parameters (number of data bits, stop bits, and parity) have been set at both sides after wading

one's way through hefty manuals, and some cajoling with DIP switches. Alas, problems are still likely to occur. Time to get out your RS-232 tester!



920037 - 12

Fig. 2. Circuit diagram of the RS-232 tester: simple and uncluttered.

D-25 pin	D-9 pin	Signal	Function	DTE	DCE
1		CG	chassis ground		
2	3	TxD	transmitted data	out	in
3	2	RxD	received data	in	out
4	7	RTS	request to send	out	in
5	8	CTS	clear to send	in	out
6	6	DSR	data set ready	in	out
7	5	SG	signal ground		
8	1	DCD	data carrier detect	in	out
9			positive test voltage		
10			negative test voltage		
11			not assigned		
12		SDCD	secondary DCD	in	out
13		SCTS	secondary CTS	in	out
14		STxD	secondary TxD	out	in
15		TxC	transmit check (DCE)	in	out
16		SrxD	secondary RxD	in	out
17		RxC	receive clock	in	out
18			not assigned		
19		SRTS	secondary RTS	out	in
20	4	DTR	data terminal ready	out	in
21		SQ	signal quality detect	in	out
22	9	RI	ring indicator	in	out
23		SEL	speed selector DTE	in	out
24		TCK	speed selector DCE	out	in
25		BSY	data line busy	in	out

Table 1. RS-232 connector pinning overview. Essential signals are in bold print.

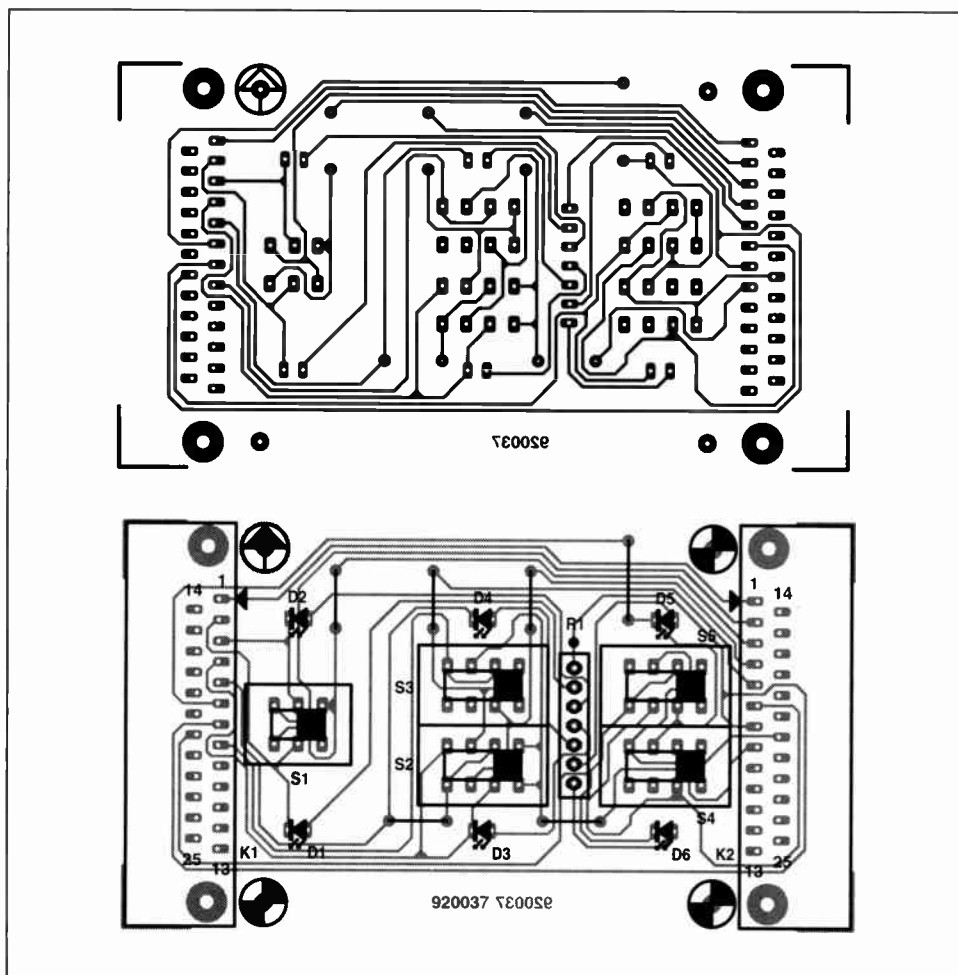


Fig. 3. Track layout (mirror image) and component mounting plan.

As shown in Fig. 2, the circuit consists merely of a number of connections, a set of switches, and six LEDs. The tester is inserted between the DTE output and the cable to the DCE, or another DTE. It should be noted that switches S2 and S3, and S4 and S5, form pairs, and must always be operated simultaneously. Two separate switches are used rather than a fourfold slide switch because the latter proved difficult to find at a reasonable price.

LED D1 indicates the level on the TxD line, D2 that on the RxD line, D3 that on the RTS line, D4 that on the CTS line, D5 that on the DSR line, and, finally, D6 that on the DTR line for the DCE. The LEDs are bicolour (red/green) types, which enables high and low signal levels to be easily seen. Red means a positive line voltage; green a negative line voltage.

Figure 4 shows the connections that are established when the switches are operated. If all switches are set to position 'A', all cross-links required to connect two DTEs via a standard RS-232 cable are made. So, if you want to set up an RS-232 link between two PCs, insert the tester between one of these and the cable. The LEDs will indicate how the communication is getting on.

Normally, A DTE is connected to a DCE via a standard RS-232 cable. If the switches are set to position 'B', the tester may simply be inserted in the link. Here, too, the LEDs show what is happening (or not).

Switches S2, S3, S4 and S5 also have a position 'C', which serves to set up a null-modem connection. A null-modem causes local feedback at the peripheral and the terminal. This disallows hardware control over the data exchange, and may be required either when the Xon/Xoff protocol is used, or a peripheral device is connected to a PC, or any other computer system, that does not have hardware handshaking. Examples of equipment that lacks hardware handshaking on the serial port include the 80C32 single-board computer (Ref. 1), and many types of serial A-to-D converter.

COMPONENTS LIST

Resistors:

1 6-way array 1k Ω R1

Semiconductors:

6 bicolour LED D1-D6

Miscellaneous:

1 2-pole 2-way slide switch (e.g., Spoerle MFP220) S1
 4 2-pole 3-way slide switch (e.g., Spoerle MFP230) S2
 1 25-way PCB-mount male sub-D connector; angled K1
 1 25-way PCB-mount female sub-D connector; angled K2
 1 Printed circuit board 920037

Construction

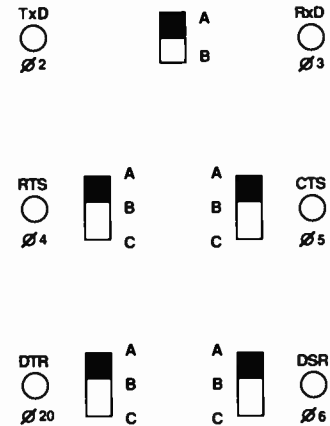
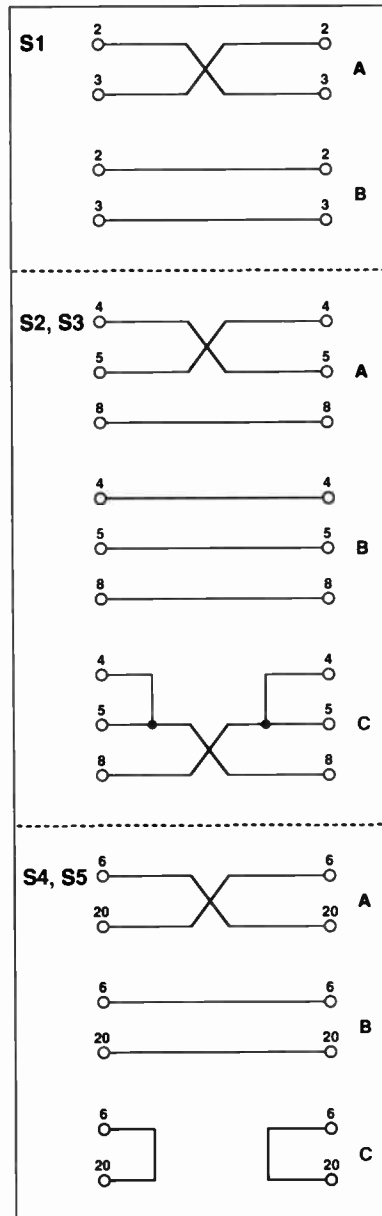
The design of the printed circuit board for the RS-232 quick tester is shown in Fig. 3. Start the construction by fitting the six wire links on the board, followed by the resistor array (note the orientation!) and the five switches. As already mentioned, switches S2-S5 are formed by two double-pole, 3-way slide switches, because a 4-pole switch with 3 positions proved difficult to get. The equivalent switch pair will be fine as long as you remember always to operate them together. With some dexterity, the switches may also be coupled by a small piece of plastic glued in between the levers.

Continue the construction by fitting the two connectors K1 (male) and K2 (female), followed by the LEDs, D1-D6. Note that all LEDs should be fitted with the same orientation. The flat side of a bicolour LED should be at the side of the cathode of the diode symbol printed on the overlay. Take care to ensure the correct LED orientations, or you will not be able to tell the RS-232 signal level for sure. To make it sturdy and easy to handle, the tester may be fitted into a small plastic enclosure.

The circuit is now ready for use. Set all switches to position 'A' for a DTE-DTE link, or to position 'B' for a DTE-DCE link. If you need a null-modem link, set S4 and S5 to position 'C'. A null-modem may be called for in a DTE-DTE link as well as in a DTE-DCE link. Well, at this stage proper communication via the RS-232 ports can only be disrupted by software faults, in which case Murphy's laws apply. ■

Reference:

1. "80C32/8052AH-BASIC Single-board Computer," *Elektor Electronics USA*, May 1991.



- 2 = TxD
- 3 = RxD
- 4 = RTS
- 5 = CTS
- 6 = DSR
- 7 = GND (Common)
- 8 = DCD
- 20 = DTR

920037 - 13

Fig. 4. Overview of connections established by operating the switches on the tester. Keep these settings handy with the tester.



KELVIN PRO 400
\$69.95

30 DAY MONEY BACK GUARANTEE!

FREQUENCY COUNTER TO 20MHz IDEAL FOR TROUBLE SHOOTING
AC/DC VOLTAGE RANGES
AC/DC CURRENT RANGES
5 FREQUENCY RANGES
5 CAPACITANCE RANGES

LOGIC TEST
CONTINUITY TESTER/BUZZER
DIODE CHECK
TRANSISTOR hFE TEST
LED TEST VERIFY GOOD/NO
DISPLAY - 3 1/2 DIGIT LCD
ACCURACY - 0.5%
IMPEDANCE - 10 Mega Ohm

PROTECTIVE CARRY CASE for PRO 400
Stock No. 990094 **\$9.95 ea**

2 YEAR WARRANTY

BEST BUY NEW Series II

FLUKE 79 with Capacitance **\$169**

FLUKE 87 True RMS **\$289**

NEW! SCOPEMETER™ 90 SERIES
HAND HELD, 50 MHz, DUAL CHANNEL

FLUKE 12 **\$ 83**

FLUKE 45 **\$ 599**

FLUKE 97 FULLY LOADED **\$1695**

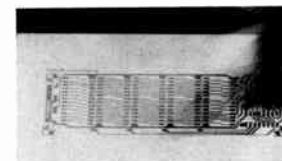


FLUKE 97

KELVIN AUTHORIZED DEALER VISA M/C (800) 645-9212
10 HUB DRIVE (516) 756-1750
MELVILLE, NY 11747 (516) 756-1763 FAX

Reader Service #97

MAKE CIRCUIT BOARDS THE NEW, EASY WAY



WITH TEC-200 FILM

JUST 3 EASY STEPS:

- Copy circuit on TEC-200 film using any plain paper copier or laser printer
- Iron film on to copper clad board
- Peel off film and etch

SATISFACTION GUARANTEED

convenient 8 1/2 x 11 size
5-Sheets for \$3.95 10-Sheets only \$5.95
add \$1.50 postage NY res. add sales tax

The MEADOWLAKE Corp.
Dept E, P.O. Box 497, Northport, NY 11768

MARK 2 QTC 80/40 LOOP ANTENNA

by Richard Q. Marris, G2BZQ

The original experimental QTC transmitting loop antenna was built in late 1990, tested immediately, and details were published in the June 1991 issue of this magazine. The design raised a lot of interest and a number of fellow amateurs in both the UK and the USA advised the author that they were apartment dwellers (no outdoor antenna possible!) and were going to construct it. Others asked whether a two-band 80/40 metre (3.5–7.0 MHz) version was feasible. That request is answered in this article.

IN response to the comments and questions of a number of readers, particularly in the UK and the USA, a Mark 2 QTC loop antenna was constructed to cover the 80 m and the 40 m bands. A similar octagonal configuration as for the original was used, but the tuning/coupling impedance matching circuits were redesigned for two-band operation after a number of experiments and tests. The result is even simpler than the original.

The original QTC loop was a 30 in. (75 cm) diameter octagonal spiral loop, of novel design, whose general circuit and configuration is shown again in Fig. 1. The loop was designed for indoor use, set up on a table alongside an 80-m low-power CW transmitter. It was intended as a possible answer for those amateur transmitting enthusiasts who, for one reason or another, cannot erect an outdoor antenna.

Theoretically, a small, indoor loop using a maximum of 10 W RF power cannot be ex-

pected to produce a signal comparable with the conventional 100 W transmitter/outdoor dipole set-up. However, in practice, it occasionally does; we think for the following reasons.

1. The QTC loop being directional, and comparatively narrow-band, reduces incoming interference (and outgoing, such as TVI!).
2. Being 'on hand' alongside the operator, the QTC loop can be peak resonated for absolute maximum performance and directivity on the spot frequency being used.
3. Some outdoor dipoles (and other types) are erected to textbook dimensions, with little or no regard being paid to the height and surrounding objects, resulting in an off-tune compromise, which, when fed with, say, 100 watts, produces results that are accepted without the realization that these could be greatly improved if the antennas were tuned to optimum frequency at optimum height. To which should be added the antenna compass alignment, and the type, length and condition of the coaxial feedline, and so on. The overall result is that the original 100 W signal is largely dissipated or attenuated in the system.

Reason 3. became apparent during various contacts with continental European stations when using the QTC Loop, and later the Mk. 2 QTC Loop, and discreet questions were asked about the height, length and surrounds of their antennas.

Nevertheless, it must be stressed that in most cases the QTC loop signal was somewhat down on the outdoor dipole/transmitter set-up. It was, however, quite adequate for 2-way communication, which must be considered satisfactory when an enthusiast is lumbered with a 'no outdoor antenna' situation, for whatever reason.

The circuit

The original QTC Loop was intended for operation on the 80-m (3.5 MHz) amateur band. The circuit and general layout are given in Fig. 1. A spiral $5 \frac{1}{8}$ turns loop, L_1 , and inductance L_2 were resonated to frequency by

bandset and bandspread variable capacitors C_1 – C_2 . There was also an optional tuning meter.

The Mark Two QTC 80/40 Loop uses an identical spoke framework—see Fig. 2. The total number of turns of L_1 is five for 80 metres and an optional tap for 40 metres. It is resonated by C_1 – C_2 , which is a good-quality receiving type two-gang variable capacitor (2×125 pf) with the built-in padders removed. Coupling to the transmitter (and receiver) is by C_3 (300 pF ceramic variable) to 48 in (120 cm) of RG58 coaxial feedline. The original tuning meter—see Fig. 1—can be used with advantage.

Construction

The construction is shown in Fig. 3. It consists of an eight-spoke octagonal frame, a vertical member, and a heavy base to prevent it tipping over. On to this is fixed the sim-

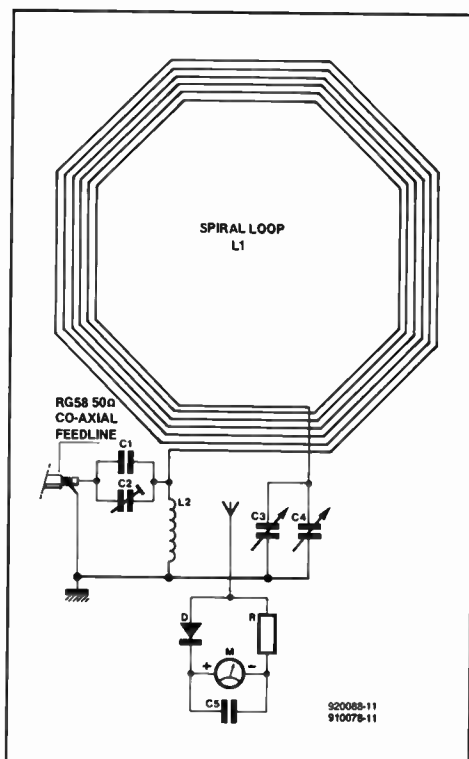


Fig. 1. The original QTC Loop.

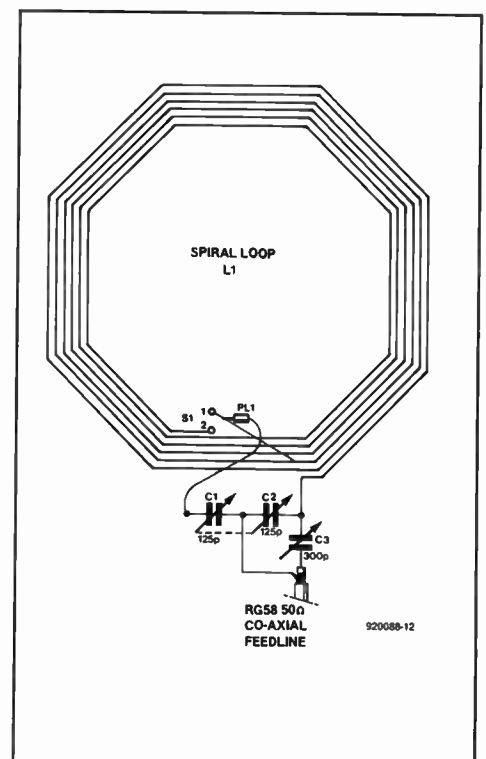


Fig. 2. The QTC Mark 2 circuit.

ple resonating/loading unit, which is constructed on a standard 9"×4" (23×10 cm) fibre-glass board, copper-clad on one side. Ideally, this should be replaced by a suitable box. However, as it was anticipated that the loop would be used as a test bed for future experiments, a board was used as this can be re-used, or quickly replaced, at little cost—see Fig. 3 and Fig. 4.

The loop frame consists of eight spokes made from four lengths of moulded hardwood, each 30 in. long, $\frac{5}{8}$ in. wide and $\frac{1}{4}$ in. thick (760×16×6 mm). A 2BA (5 mm dia) clearance hole is drilled in the centre of each spoke. The spokes are then glued and clamped together with a long 2BA (5 mm dia) bolt, nut and washers. The spokes must overlap in the order shown in Fig. 3 and evenly spaced apart. The assembly should then be allowed to dry out thoroughly, after which it is given a coat of polyurethane varnish. A six-way, 2 A polythene terminal block (cut from a standard 12-way block) is screwed to the end of each spoke to provide the necessary securing, spacing and insulation of the wire turns.

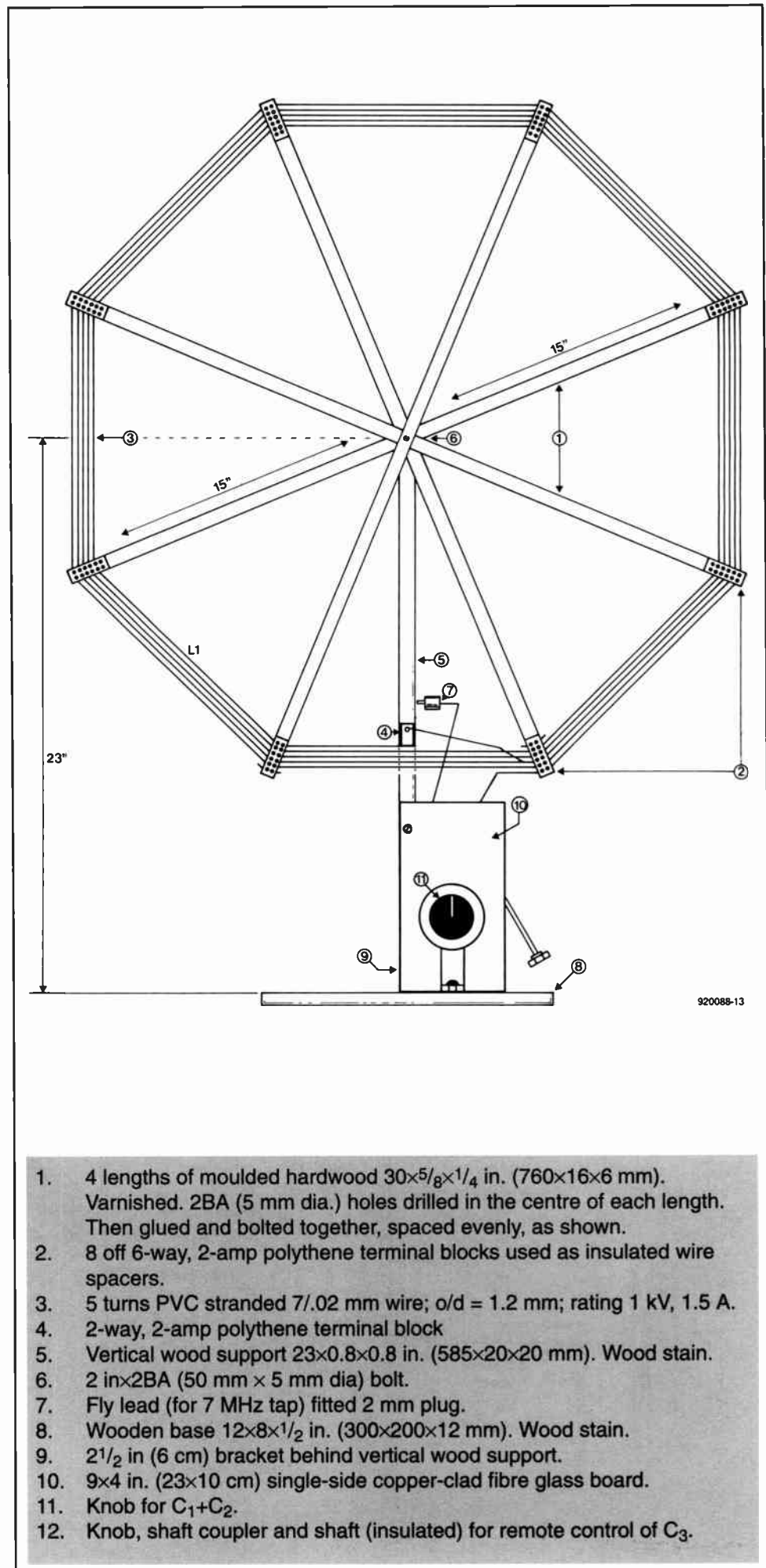
A 23×0.8×0.8 in (585×20×20 mm) vertical wooden support is glued, screwed and bracketed to a suitable 12×8×0.5 in (300×200×12 mm) wooden base, the whole being teak-wood stained. The loop frame is then glued and bolted to the top of the vertical support as shown.

The loop winding, L_1 , uses PVC covered 7/0.2 mm wire with an outside diameter of 1.2 mm and rated at 1 kV, 1.5 A. After loosening the grub screws in the terminal blocks, thread the wire through, turn by turn, for five turns, starting at the outer hole of the bottom right-hand spoke, threading through all the blocks in an anti-clockwise direction, and terminating at the inner hole of the bottom left-hand spoke. Tighten the grub screws while going along just enough to hold the wire in place, and firmly when all the wire is threaded through and pulled tight. Leave long wire tails at both ends: these can be cut back and soldered later—see Fig. 3.

Next, secure the fibre-glass board to the wooden upright—see Fig. 3 and Fig. 4. Positioning the capacitors depends on their actual size and shape, but should be more or less as shown in Fig. 4. Capacitor C_1 – C_2 must be fastened to the panel as shown and fitted with an extension shaft, with front support bracket and panel bush as shown in Fig. 4, with a wooden support platform, cut to size, to support the bracket.

Capacitor C_3 is mounted at an angle and fitted with an insulated extension shaft as shown in Fig. 3 and Fig. 4. It must be completely insulated from the copper-clad fibre-glass panel. Also, it should be fitted such that the knob is well away from the loop winding. This capacitor requires setting in only one position for 80 m (3.5 MHz) and 40 m (7.0 MHz) and may, therefore, be considered preset.

A two-way polythene terminal block is screwed to the vertical support just inboard of the bottom inner end of L_1 —see Fig. 3. This is to give the 40 m (7.0 MHz) facility later.



1. 4 lengths of moulded hardwood 30× $\frac{5}{8}$ × $\frac{1}{4}$ in. (760×16×6 mm). Varnished. 2BA (5 mm dia.) holes drilled in the centre of each length. Then glued and bolted together, spaced evenly, as shown.
2. 8 off 6-way, 2-amp polythene terminal blocks used as insulated wire spacers.
3. 5 turns PVC stranded 7/0.2 mm wire; o/d = 1.2 mm; rating 1 kV, 1.5 A.
4. 2-way, 2-amp polythene terminal block
5. Vertical wood support 23×0.8×0.8 in. (585×20×20 mm). Wood stain.
6. 2 in×2BA (50 mm × 5 mm dia) bolt.
7. Fly lead (for 7 MHz tap) fitted 2 mm plug.
8. Wooden base 12×8× $\frac{1}{2}$ in. (300×200×12 mm). Wood stain.
9. 2 $\frac{1}{2}$ in (6 cm) bracket behind vertical wood support.
10. 9×4 in. (23×10 cm) single-side copper-clad fibre glass board.
11. Knob for C_1 + C_2 .
12. Knob, shaft coupler and shaft (insulated) for remote control of C_3 .

Fig. 3. Construction of the Mark 2 QTC Loop.

The outer end of L_1 must be cut back and soldered to the junction of C_2 and C_3 as shown in Fig. 3. The inner end of L_1 is cut back and inserted into the bottom connection on the terminal block—see Fig. 2 and Fig. 3. Solder a flexible plug lead, cut to length, to the stator of C_1 . A 2 mm plug is a snug fit in the block terminal insert.

Selecting of the 40 m (7 MHz) tap is discussed in 'Testing and operation' later.

All other behind-the-panel wiring must be in 16 SWG tinned copper wire, with the copper cladding of the board used for the 'earth' connections—see Fig. 4.

Fit a large 3 in. dia (75 mm) control knob to C_1 - C_2 .

Secure a 48 in. (1.20 m) length of RG58 coaxial feedline with cleats to the wooden base.

Testing and operation

1. 80-metre (3.5 MHz) band

Initial tests must be made with a receiver. Rotate the resonating control, C_1 - C_2 , to ensure that it covers the 3500-3800 kHz (3500-4000 kHz in the USA) band. Then rotate C_3 for maximum signal in the centre of the band.

Feed a small amount of RF to the loop and re-adjust C_1 - C_2 to resonate at the exact transmit frequency. Capacitor C_3 may also require a small re-adjustment for maximum loading (or lowest SWR if a SWR meter is available). Check the loop radiation with a nearby field strength meter (the tuning meter used on the original QTC Loop is ideal). It should now be possible to fully load the loop. Capacitor C_3 should not require any further adjustment over the band.

Check the directional properties by tuning the receiver to a signal and rotating

the loop for maximum signal—this is also the position for maximum radiation to the desired station.

2. 40-metre (7 MHz) band

The approximate position of the 40-m 'tap' on L_1 is shown in Fig. 2 and Fig. 3. The exact position must be selected carefully so that C_1 - C_2 are enmeshed about 15% at 3800 kHz. The tap is made with a flexible lead.

To avoid mutilating the PVC wire covering on L_1 when seeking the correct 'tap' position, take a lead from the top insert on the two-way terminal block. Solder a thin sewing needle at the other end.

With the receiver tuned to about the centre of the 40-m band, insert the 2 mm plug into the two-way terminal block at the top and push the needle through the PVC wire cover in the position shown in Fig. 2 and Fig. 3. Resonance should be obtained at 3800 kHz with C_1 - C_2 enmeshed about 15% and C_3 peaked for maximum signal. If necessary, move the 'needle' tap slightly to the left or right as required. The tapping point will vary between loop models, depending on the construction. Once the tap point has been found, the PVC can be removed, and the lead end soldered on in place of the needle. It will be found that any tiny needle holes will not show if the wire is squeezed between finger and thumb.

The transmitter can now be resonated/loaded to the loop as in the 80-m band.

3. Other bands

There seems to be no obvious reason why a further tap cannot be added for another band, such as the 20 m (14 MHz) band

using a similar technique to the one described. A slow motion drive could be added between the knob and C_1 - C_2 . The loop would probably be less directional on the higher frequencies.

Safety

The QTC 80/40 Loop is designed for use with low transmitter power. The prototype has been operated with up to 10 watts CW. It has been tested up to 20 watts, but any higher powers would necessitate higher voltage variable capacitors and thicker wire for L_1 .

In the interest of domestic household safety, 10 watts should not be exceeded. There will be no prizes for the operator for setting fire to the curtains or giving the kids a nasty RF shock, or scaring the living daylight out of the cat.

Reference:

"The QTC Loop Antenna," *Elektor Electronics USA*, June 1991.

PREVIEW

Speaker Builder

Issue 4, 1992

- A Prize Transmission Line Speaker
- Alignment Jamming
- An Electronic Coil Winding Counter
- Stalking F3
- Double Chambered Isobarik Bass Speaker

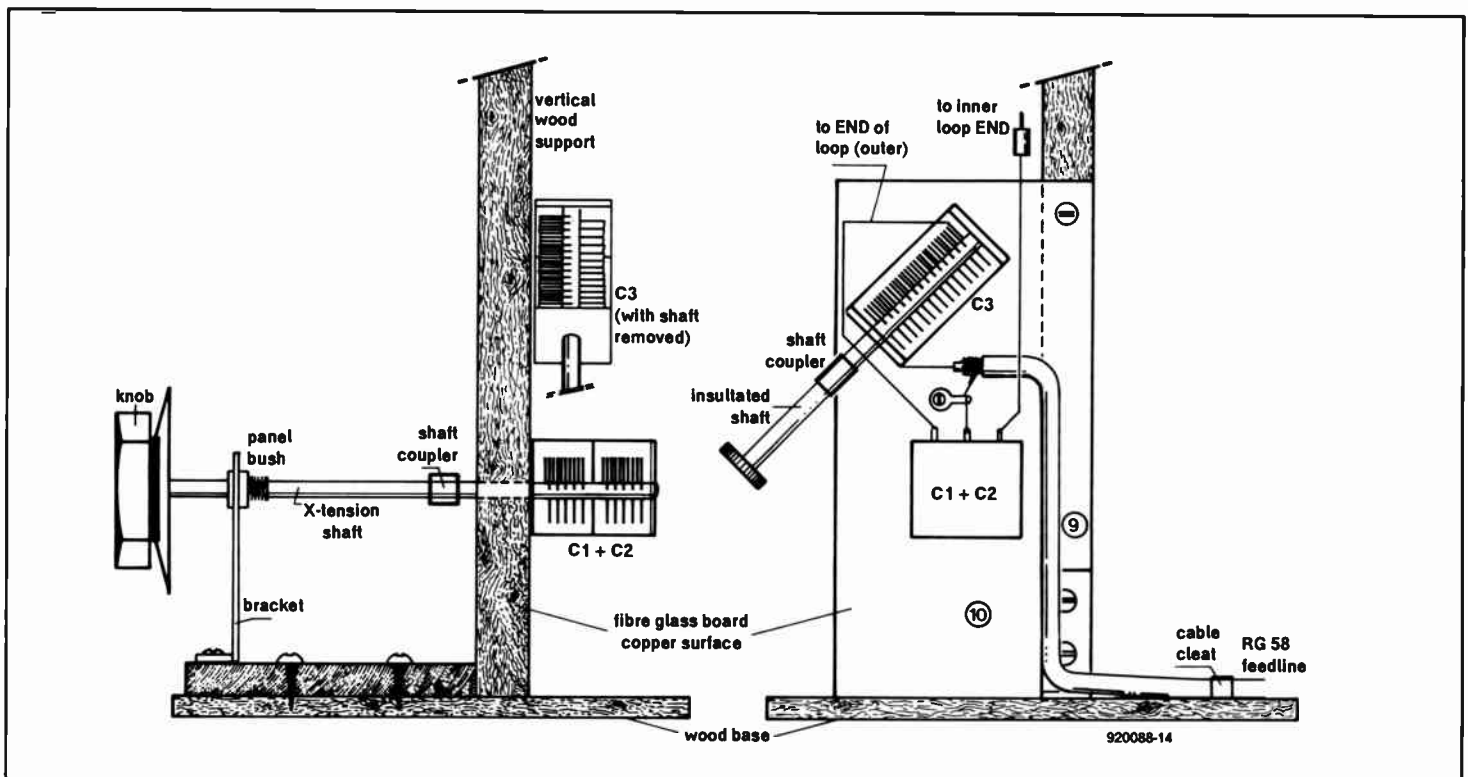


Fig. 4. Panel details.

FM TUNER

PART 5 (FINAL PART): S-METER, WIRING, CONSTRUCTION, COMPONENT SUPPLIER INFORMATION

By H. Reelsen



The last printed circuit board to be discussed is the LED-based S-meter (signal strength) unit, which is fitted on to the front panel of the tuner enclosure.

The S-meter is a simple circuit (Fig. 16) based on the familiar LM3914 LED bar driver IC from National Semiconductor. This IC allows LEDs to be connected direct, i.e., without the usual external current limiting resistors. Here, the LM3914 is used in 'bar' mode, which allows rectangular face LEDs to be used to mimic a continuous horizontal scale. The driver is powered from the 5-V supply line in the tuner. The bar indication is a good alternative to a moving-coil

meter because the input voltage range starts at 0 V (in spite of the single power supply), and the circuit is simple to adapt to the required full-scale voltage level. The full-scale indication is determined by a voltage reference source that outputs 1.25 V between pins 7 (REFOUT) and 8 (REFADJ). The resistor connected between these two pins has two functions. Firstly, it determines the current through the LEDs driven, according to

$$I_{LED} = 12.5 \text{ V} / R_1$$

The indicated value of 1.2 kΩ results in a LED current of about 10 mA.

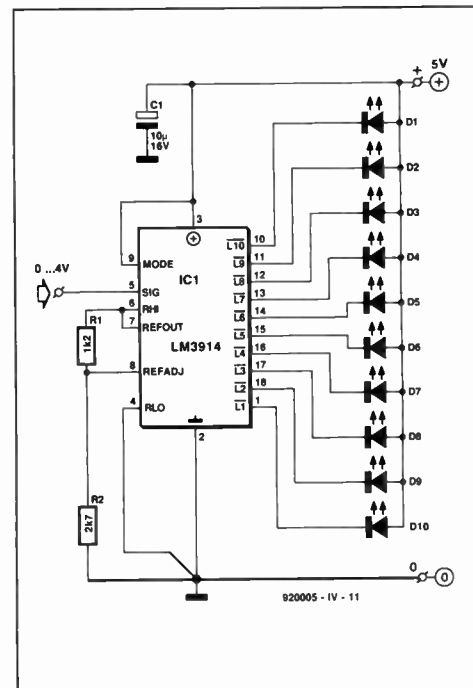


Fig. 16. Circuit diagram of the S-meter.

Secondly, the combination of R1 and R2 determines the full-scale input voltage level, U_{max} :

$$U_{max} = 1.25 \text{ V} \times (R_1 / R_2 + 1) = U_{RHI}$$

The voltage at RHI (pin 6) determines the end-of-scale value, while that at RLO determines the start of the scale. The resistor values used here result in a scale range of 0 to 4 V.

The supply voltage of the LED driver is not limited to 5 V only. In fact, you may use any supply voltage between 3 V and 12 V, as

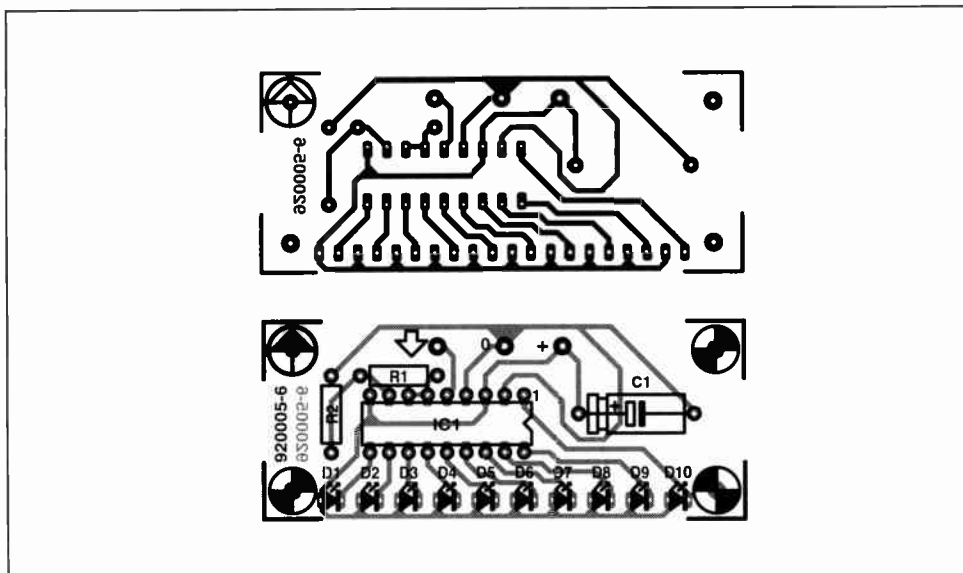


Fig. 17. Track layout (mirror image) and component overlay of the S-meter PCB.

COMPONENTS LIST

Resistors:

- 1 1kΩ2 R1
- 1 2kΩ7 R2

Capacitors:

- 1 10µF 16V C1

Semiconductors:

- 10 LED, green, rectangular D1-D10
- 1 LM3914 IC1

Miscellaneous:

- 1 Printed circuit board 920005-6

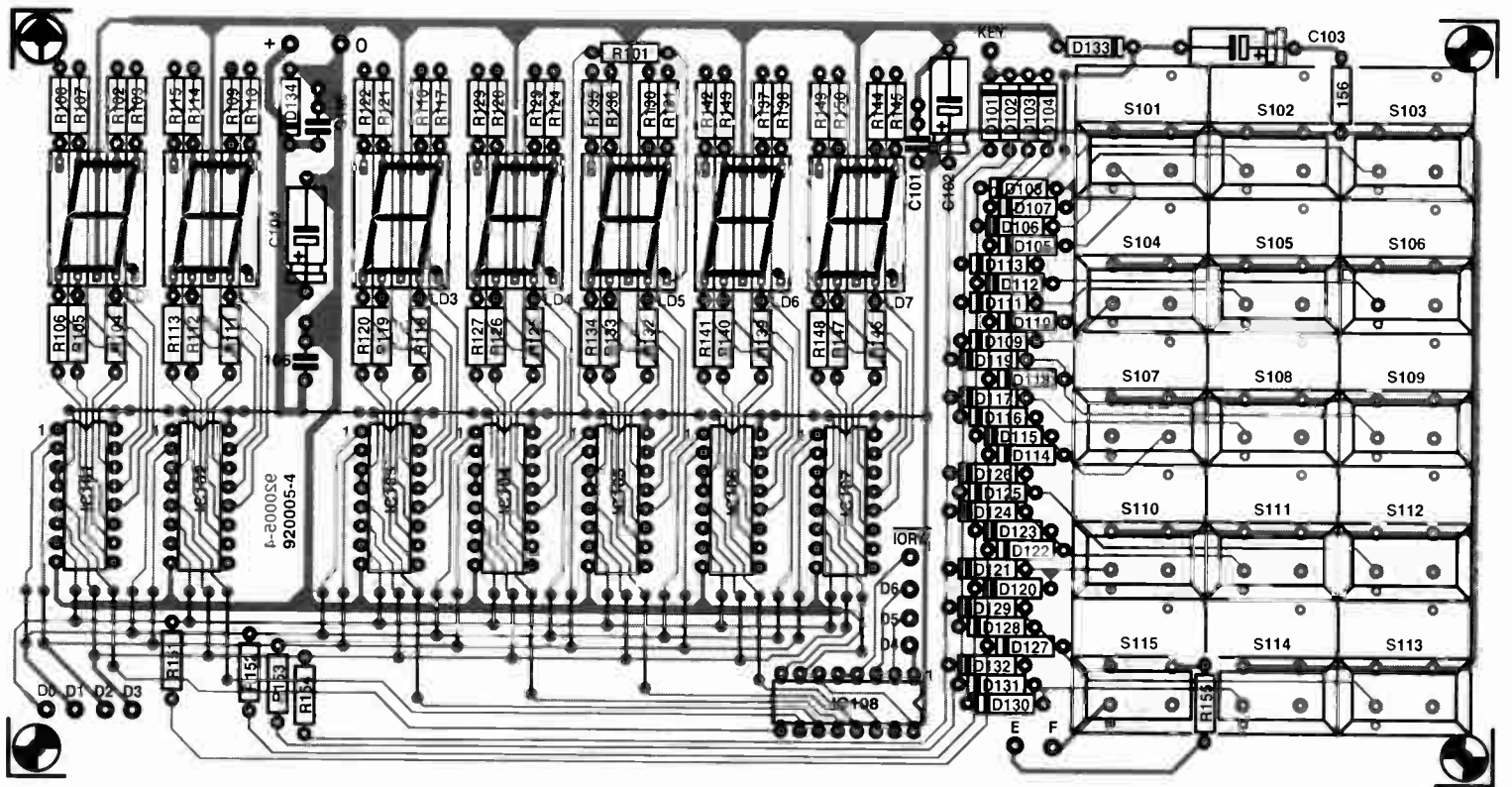
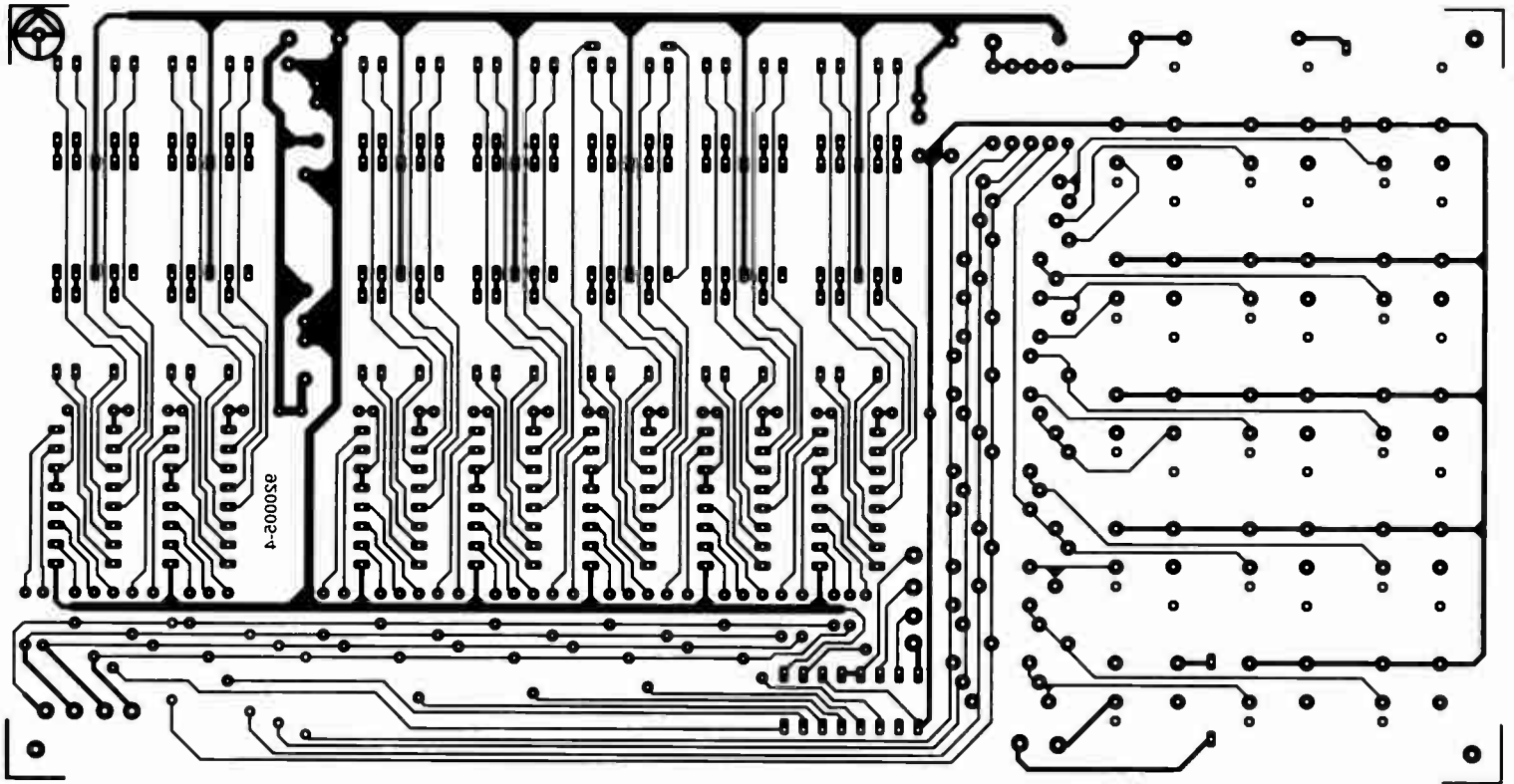
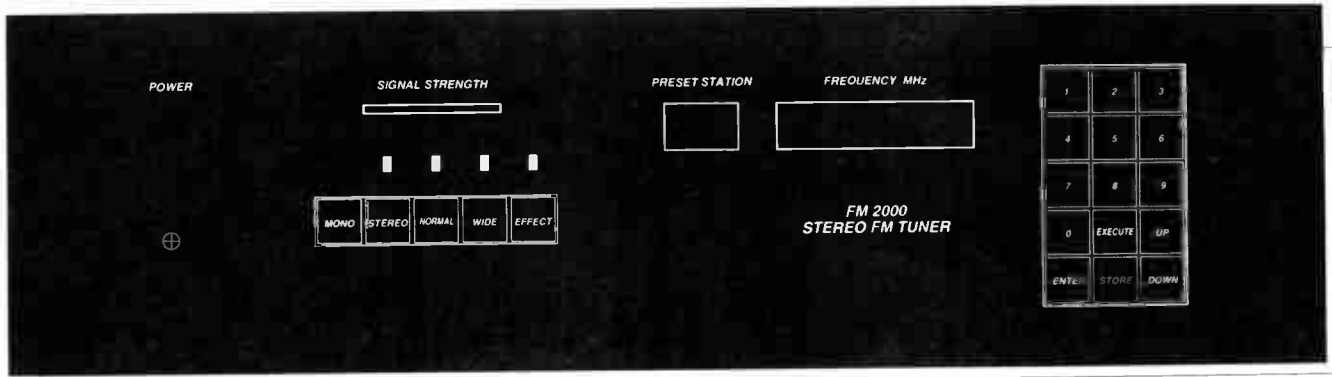


Fig. 18. Track layout (mirror image) and component mounting plan of the keyboard/display PCB.



920005 - F

Fig. 19. Front panel layout (shown at approx. 36% of true size).

COMPONENTS LIST

Resistors:

1	680Ω	R101
49	330Ω	R102-R150
5	1kΩ	R151-R155
1	390Ω	R156

Capacitors:

1	220nF	C101
1	22μF 16V	C102
1	100μF 16V	C103
1	22μF 25V	C104
2	100nF	C105;C106

Semiconductors:

33	1N4148	D101-D133
1	1N4001	D134
7	74HC4511	IC101-IC107
1	74HC138	IC108
7	DP352PK (red, common cathode) (Telefunken Electronic)	LD1-LD7

Miscellaneous:

15	Digitast key with wide (17mm) cap	S101-S115
1	Printed circuit board	920005-4
1	Front panel foil	920005-F

long as the input voltage does not exceed the supply voltage.

The signal strength indicator is built on the small printed circuit board shown in Fig. 17. It effectively replaces the moving-coil S-meter shown in the circuit diagram of the main tuner board.

Keyboard PCB

Figure 18 shows the printed circuit board for the keyboard/display unit of which the circuit description was given in last month's article. On this PCB is a 100-nF decoupling capacitor, C106, not indicated in the circuit diagram (Fig. 14). It is connected in parallel with D134.

The functions of the keys are apparent from the front panel foil layout given in Fig. 19. This self-adhesive foil is available

COMPONENT SUPPLIER INFORMATION

FD12 tuner module:

Restek Electronic Products GmbH
Industriegebiet
Richard-Roosen-Strasse 15
3500 Kassel-Waldau
GERMANY.
Telephone: +49 561 585001.
Fax: +49 561 581664.

TQF-2599 quartz filter:

Toyocom
Toyocom
(Toyo Communications Equipment)
Onarimon-Daiichi Bldg.
20-4 Nishi-Shimbashi 3-chome
Minato-ku
Tokyo 105
JAPAN.
Telephone: +81 334 361 431.
Fax: +81 334 338 526.

Toyocom Europe GmbH

Bollenhöhe 5
D-4020 Mettmann
GERMANY
Telephone: +49 2104 12099
Fax: +49 2104 15546

Viertron b.v.

Zuideinde 2
2991 LK Barendrecht
HOLLAND.
Telephone: +31 1806 18355.
Fax: +31 1806 19967.

F-G Electronics GmbH

Dipl. Ing. F. Grigelat
Mühlweg 32-33
D-8501 Rückersdorf (nh. v. Nürnberg)
GERMANY.
Telephone: +49 911 570101.
Fax: +49 911 570100 or 576000.
Contact: Mr. Borgers.

FM tuner kits:

Elektronikladen
Giessler und Danne Bauteile Vertriebs
GmbH
Hammerstrasse 157

4400 Münster

GERMANY.
Telephone: +49 251 795125.
Fax: +49 251 74301.

214KCS-10115X inductor:

Contact your national Toko distributor (equivalent types may be supplied).

Componex

Vogelsanger Weg 80
4000 Düsseldorf 30
GERMANY.
Telephone: +49 211 626291.
Fax: +49 211 626295.

Circuit Distribution Ltd.

Park Lane
Broxbourne
Herts EN10 7NQ.
ENGLAND.
Telephone: (0992) 441306.
Fax: (0992) 464457.

Bonex

12 Elder Way
Langley Business Park
Slough
Berkshire SL3 6EP.
ENGLAND.
Telephone: (0753) 49502.
Fax: (0753) 43812.

Integrated circuits TDA series:

C-I Electronics
P.O. Box 22089
6360 AB Nuth
HOLLAND.
Fax: +31 45 241877.

ready-made through our Readers Services, and fits perfectly on the front panel of the 19-inch rack enclosure used to house the receiver. It should be noted, however, that the order of the function keys as indicated in Fig. 19 should be corrected to (left to right):

NORMAL WIDE EFFECT STEREO MONO

Ensure this order by cutting out the rectangular, lettered, pieces from the foil, and sticking them on to the right keycaps.

The LEDs indicate the following functions (left to right):

WIDE EFFECT MUTE STEREO

FD12 tuner modifications

Those of you keen on taking the performance of the FM receiver to an even higher level may be interested to know how the noise figure of the FD12 tuner module can be lowered. Well, this may be achieved by replacing the BF900 dual-gate MOSFET in the RF input amplifier by a later, improved, type, the BF982.

To gain access to the BF900, remove both covers of the tuner module. Locate the transistor (Figs. 20 and 21), and remove it from the board, noting its orientation. The BF982 is pin compatible, and can take the place of the BF900 without any modification to the circuit. Make sure to treat the BF982 with care: like the BF900, it is a static sensitive device, which requires the soldering iron tip to be grounded. That completes the low-noise modification. Fit the covers again.

Conversely, it may happen that the tuner has to cope with very high signal levels, for instance, from a radio/TV cable network in which amplifiers are used to boost certain FM band signals. High signal levels may cause intermodulation, and require a separate, attenuated, receiver input, which has to be provided on the rear panel of the enclosure. Use any suitable RF input socket, and solder a 82- Ω resistor between the centre pin and ground. Next, connect a 1-k Ω resistor between the centre pin of the coax socket and the signal wire in the coax cable to the terminal marked 'Ant.' on the main tuner board.

Case and front panel

The photographs in last month's instalment give a good impression of the internal construction of the FM tuner. The rear panel of the 19-inch case contains the two audio output sockets (RCA or 'phono' style), the isolated RF input socket, and the mains appliance socket. The latter may, of course, be substituted by a fixed mains cord with a feed-through grommet and a strain relief clamp at the inside of the enclosure. In any case, the metal enclosure must be connected to the protective earth terminal (E) on the mains socket.

The main tuner board, the synthesizer board and the power supply board are mounted on 10 to 15 mm high PCB pillars secured to the bottom plate of the enclosure.

The other three boards (mode control; S-meter; keyboard/display) are fitted at the in-

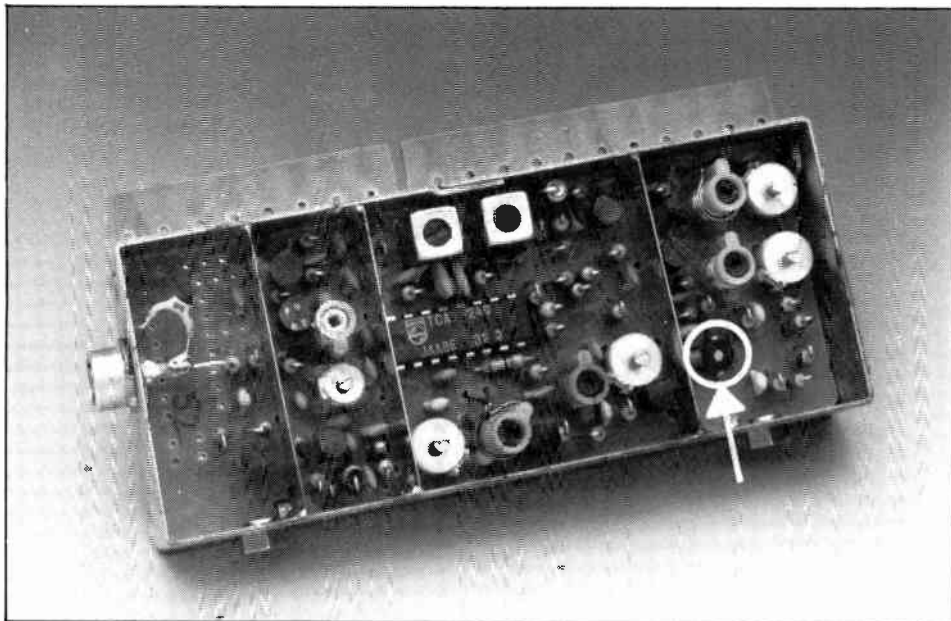
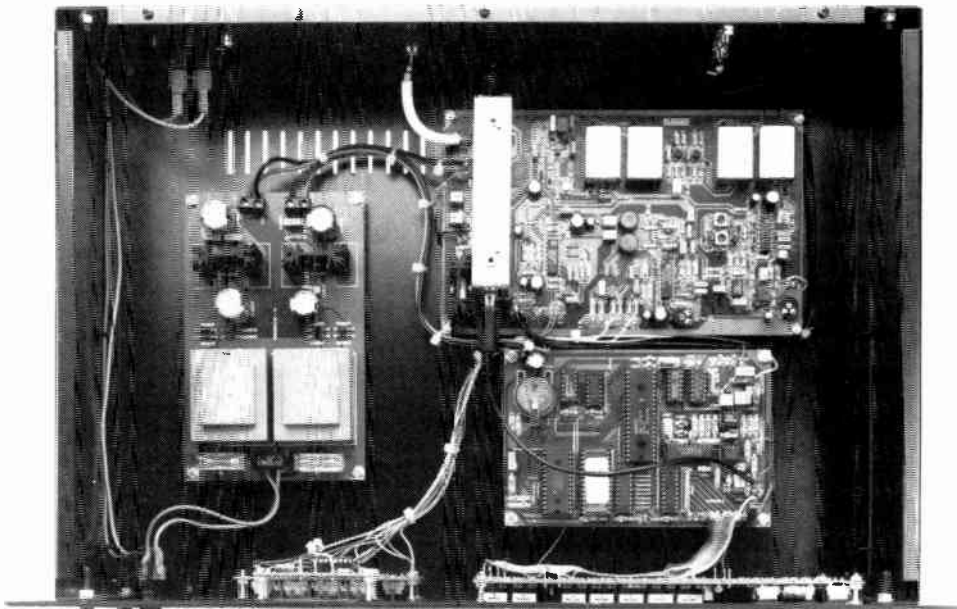


Fig. 20. Showing the position of the BF900 DG MOSFET in the FD-12 tuner module.

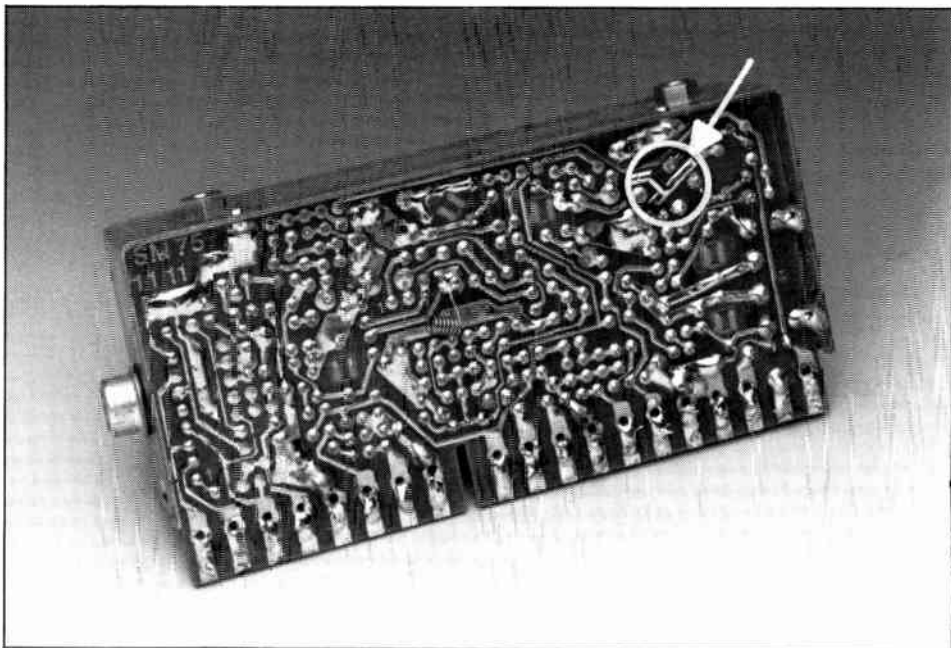


Fig. 21. Solder side view of the FD-12 tuner PCB.

Table 1. Wiring overview

Power supply board		
0 (K3)	↔	Main tuner board GND
+32V (K3)	↔	Main tuner board +33V
0 (K2)	↔	Synthesizer board 0 (near C414)
+5V (K2)	↔	Synthesizer board + (near C414)
+5V (K2)	↔	Mode control board +5V
+5V (K2)	↔	Display board +5V
Main tuner board		
+33V	↔	main tuner board + (near D2)
+33V	↔	Synthesizer board ++ (near R415)
UABST	↔	Synthesizer board TUNE (near R406)*
M1 -	↔	Display board 0
M1 +	↔	Display board INPUT (arrow 'in')
GND	↔	Mode control board 0
+15V (+C67)	↔	Mode control board +15V
BASIS B LED	↔	Mode control board A
P-STEREO	↔	Mode control board B
MUTE LED	↔	Mode control board C
STEREO-LED	↔	Mode control board D
MODESELECT A	↔	Mode control board E
MODESELECT B	↔	Mode control board F
MONO	↔	Mode control board G
MUTE (at R45)	↔	Mode control board H
Synthesizer board		
UNLOCKED	↔	Mode control board I
Keyboard/display board		
D0	↔	Synthesizer board D0
D1	↔	Synthesizer board D1
D2	↔	Synthesizer board D2
D3	↔	Synthesizer board D3
D4	↔	Synthesizer board D4
D5	↔	Synthesizer board D5
D6	↔	Synthesizer board D6
$\overline{\text{IORW}}$	↔	Synthesizer board $\overline{\text{IORW}}$
+ (near D134)	↔	Synthesizer board + (near C414)
0 (near C106)	↔	Synthesizer board - (near C414)
E (near S115)	↔	Synthesizer board - (near C414)
F (near S115)	↔	Synthesizer board RESET

* Use screened cable.

side of the front panel. Their locations are governed by the layout of the front panel foil, which has a size of 483x132 mm (WxH). Before sticking it on to the front panel, the foil (or a photo copy of it) is conveniently used to mark out the holes that have to be cut and drilled. Next, use photocopies of the overlays to mark the locations of the corner fixing holes for each PCB. The distance between the inside of the front panel and the PCBs is made such that the keytops are flush with the outside of the front panel. This may

require some filing and cutting of PCB spacers, but it is certainly worth your while. On the prototype, we glued the heads of standard cylinder head screws to the inside of the front panel, at the locations marked out with the aid of the respective overlays. Plastic PCB spacers and nuts were used to achieve the correct mounting distances behind the front panel. Alternatively, you may want to use screws with countersunk heads, and drill holes in the front panel such that the surface remains flat for the foil to be stuck

on smoothly. This, however, is not easy, and bumps and holes easily occur in the front panel (if not immediately, then after some time), which spoils the look of the receiver. We therefore recommend fitting the PCBs with the aid of screws glued to the inside of the front panel.

The front panel foil has transparent windows (bezels) for the displays and the LED bar. The clearance for the keys must be cut out very carefully using a sharp hobby knife. Take care not to damage the foil parts cut out, since these are used to stick on the key-caps later. Once again observe the key order (left to right):

NORMAL WIDE EFFECT STEREO MONO.

Wiring

To keep synthesizer noise to a minimum, the ends of the signal wire in the coax cable must be kept as short as possible. This means that the signal wire must be screened over the maximum possible length between RF input socket (on the rear panel of the enclosure), and the 'Ant.' and 'GND' terminals on the main tuner board. The shielding braid of the coax cable must be connected at both ends: to the 'GND' terminal next to the 'Ant.' terminal, and to the shaft of the RF input socket, which is fitted isolated from the rear panel.

The audio output signals are taken from the R-OUT and L-OUT terminals on the main tuner board to the output sockets on the rear panel. The cable screening is connected to the respective ground (GND) terminals on the main tuner board. The output sockets are also the best location to make the only connection between the circuit ground (GND carried via the screening of the audio cable) and earth (carried via the metal enclosure).

The connection of the components connected to the mains must be carried out with great attention paid to proper isolation, and using appropriate wire. All mains wiring must be secured to the enclosure, and kept away as far as possible from signal wiring.

The connections between the printed circuit boards are listed in Table 1. Needless to say that a carefully done wiring job may prevent precious time spent on fault finding. Note that the tuning voltage (UABST) is carried via a single-core screened audio cable.

Provided the main tuner board has been adjusted as outlined earlier, the FM tuner is ready for use when the wiring is finished. Simply connect the antenna, an audio amplifier, and power up. Program your favourite stations, and ... happy listening! ■

SCIENCE & TECHNOLOGY

A VIRTUAL COMPONENT: HALF-CAPACITANCE FROM HEAVISIDE

by M.C. Soper, MA

A capacitor can be defined by the fact that

$$i=C(dV/dt)$$

is the formula relating voltage, V , current, i , and time, t , when the voltage across the capacitor, C , changes.

Similarly, although rarely used now except in r.f. work,

$$V=L(di/dt)$$

is the formula used to define an inductor, L .

Oliver Heaviside used his transform to define the 'fractional integral' in the following terms:

if $F(t)$ has Laplace transform $f(s)$, then

$$\int_0^t F(u)du$$

has Laplace transform $f(s)/s$ and dF/dt has Laplace transform $sf(s)-F(0)$.

Now, the half-integral

$$\int_0^t F(u)du$$

has the Laplace transform $f(s)t^{1/2}(s)$. When defined, the half-derivative is the inverse of the half-integral. Call this operator $D^{1/2}$, then

$$D^{1/2}(x)=2t^{1/2}(x/\pi)$$

and

$$D^{1/2}(x^m)=x^{m-1/2}(m-1)!/(m-1/2)!$$

Since these are all calculated from the first derivative half-integrated (by using the inverse Laplace transform), they are all properly defined functions. In general, let $f(x)$ be expressible as a power series in x , then $D^{1/2}(yf(y))$ is properly defined, where $y^2=x$ (if x real, take positive value).

Static to dynamic

Definition: let $D^{1/2}$ denote half-differentiation with respect to time. Then, a half-capacitor obeys the law

$$i=CD^{1/2}(V)$$

and a half-inductor obeys the law

$$V=LD^{1/2}(i).$$

To show how a half-derivative is calculated, consider the half-derivative of $\exp(at)$.

This can be done as the half-integral of the derivative:

if $y=\exp(at)$, then $dy/dt=a\exp(at)$.

If $F(t)=a\exp(at)$,

then $f(s)=a/(s-a)(f(s)/t^2(s)=$

$=az/(s-a)$ (where $1/z$ is t^2/s),

for which $F(t)=t^2(a)\exp(at)\text{erf}(t^2[at])$ is the inverse Laplace transform. For the ability to calculate this, we are much indebted to Oliver Heaviside.

Thus, the admittance of the half-capacitor at angular frequency ω is given by:

$$Ct^2(j\omega)\text{erf}(t^2[j\omega t])$$

and the impedance of the half-inductor is given by

$$Lt^2(j\omega)\text{erf}(t^2[j\omega t]).$$

$\text{Erf}(x)$ is the integral from 0 to x of $\exp(-x^2)\times 2/\sqrt{\pi}$.

The product of the two impedances is L/C , and t is the time since turn-on. Note that after the circuits have settled down (t is large), $\text{erf}(t^2[j\omega t])$ is very close to one. Thus, the formulas are much simplified and become:

$$Lt^2(j\omega)$$

and

$$1/Ct^2(j\omega).$$

Therefore, some time after turn-on, a half-inductor becomes:

$$(Lt^2[2/\omega])(1+j)$$

and a half-capacitor:

$$\{1/(Ct^2[2\omega])\}(1-j).$$

Half-reactance for sale

Evidently, a half-inductor can be viewed as a frequency-dependent resistor in series with a frequency-dependent inductor, and similarly for a half-capacitor.

We need symbols at this point and choose



for the half-capacitor and



for the half-inductor.

Choose $L\omega L=1/C\omega C$ and consider:



This becomes:

$$L(1+j)t^2(\omega/2) + L(1-j)t^2(\omega/2)=Lt^2(2\omega),$$

which is a real, frequency-dependent resistance; note, however, that $LC=1/\omega$ compared with the usual formula $LC=1/\omega^2$ for a tuned circuit at resonance.

The parallel connection produces exactly the same result: let $z=Lt^2(\omega/2)$, then

$$z(1+j)/z(1-j)=2z=Lt^2(2\omega).$$

Note that with normal tuned circuit, the parallel impedance at resonance is infinite, and the series impedance is zero.

Is Z maximum or minimum when $LC\omega=1$?

Let $kLC\omega=1$, then the series connection is

$$L(1+j)t^2(\omega/2)+kL(1-j)t^2(\omega/2)= \\ =Lt^2(\omega/2)[1+k+j(1-k)],$$

which, with magnitude squared, becomes

$$\omega L^2(1+k^2).$$

This is a minimum when $k=0$, unlike the case for a usual tuned circuit.

Let $z=Lt^2(\omega/2)$, then for the parallel case:

$$(1-j)/2z+(1+j)/2kz=[(k+1)+j(1-k)]/2kz.$$

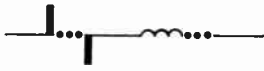
The parallel impedance is then:

$$2kz/[(k+1)+j(1-k)].$$

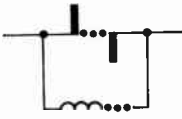
Let k be positive, then the minimum impedance occurs when $k=0$, and the maximum when k is very large.

Zero resistance

The condition $L\omega=-1/C$, which can be brought about by the use of negative impedance converters—NICs—leads to zero resistance in both the parallel and series connection. Then,



has zero impedance and, similarly, for the parallel case



gives an impedance $jz=jLt^2(\omega/2)$.

For a half-capacitor in series with a 1- Ω resistor, a law like this is obeyed:

$$V-v=CD^{1/2}(v),$$

where V is the supply voltage. Therefore, the solution of half-differential equations like this is specifically interesting to see what kind of evolution of voltage across the half-capacitor occurs in practice.

Duration of the initial transient

So far in this analysis, we have adopted a simplified expression for the half-reactances, ignoring the error function (erf); this is justified, since the time-dependent feature vanishes very quickly at all but the very lowest frequencies, and this we will establish now.

As time increases, the function $\text{erf}(t)$ rises to close to 1, and then stays near 1 indefinitely for increasing time. Erf constantly increases to this level. When $t=0.75$, $\text{erf}(t)$ is close to $1/1.414=0.7071$, and thereafter is greater. Thus, we must consider:

$$\text{erf}(t^2[\omega t]) > 0.7071.$$

This occurs when $(\omega t) > 0.55$; since $\omega=2\pi f$, we have:

$$ft > 0.0872.$$

This implies that for frequencies above 10 Hz, this feature can be ignored after 0.2 s.

The effect of j within the square root has been ignored here, but analysis in terms of functions like Fresnel sine and Fresnel cosine shows that the same general behaviour is displayed, although the complex number introduces some small wobbles in the tendency to unity.

Since the use of $\exp(j\omega t)$ in circuit analysis implicitly applies only to the steady state when d.c. levels are quiescent, the use of the simplified formulae is justified. The fact that, just after initial transients, $dy/dt=y$ has other solutions is important, even for physics, since the half-derivative may have a direct bearing on the thinking behind Dirac's equation of the electron. If time is never measured directly, how can we assert confidently that the first derivative, and not the half-derivative, is appropriate for measuring change?

Laws obeyed by half-reactance

Laws obeyed by half-reactance will apply in the steady state after the levels within the

circuit have become quiescent. There are two kinds of element, say, cZ and ℓZ , where the small letters denote 'half'.

- 1) $1/cZ=Ct^2(j\omega)$
 $\ell Z=Lt^2(j\omega)$
 $(cZ)\times(cZ)$ is a capacitance;
 $(\ell Z)\times(\ell Z)$ is an inductance.
- 2) $(cZ)\times(\ell Z)$ is 'has no reactance'.
3. $c1Z//c2Z$ is a half-capacitance;
 $\ell1Z//\ell2Z$ is a half-inductance.
4. $c1Z+c2Z$ is a half-capacitance;
 $\ell1Z+\ell2Z$ is a half-inductance.
5. $1/cZ$ is a half-inductance;
 $1/\ell Z$ is a half-capacitance.

There are other relations that can be related to the original defining relations:

$$i=CD^{1/2}(V)$$

and

$$V=LD^{1/2}(i).$$

Evidently, when a half-capacitance is in series with a 1- Ω resistance, there is a relation between the voltage on the resistance and that on the half-capacitance. Let V be the applied constant voltage across the series pair; then:

$$i=V-v=CD^{1/2}(v).$$

Half-differentiating this yields

$$VC/t^2(\pi t)-i=C^2D(v),$$

that is, after the circuit has settled down, i and v are related by the law of a negative capacitance. The same applies to the half-inductance in parallel with a 1- Ω resistance: this becomes a negative inductance. This does apply not only to a constant voltage, but also to a sinusoidally varying one.

But does following the law of a negative capacitance necessarily entail that we have a negative capacitance? Say, $i=-CD(v)$ and let $v=V\exp(j\omega t)$, then

$$i=-CVj\omega\exp(j\omega t);$$

let $i=I\exp(j\omega t)$, then

$$V/I=v/i=-1/j\omega C,$$

which is the formula for the impedance of a negative capacitance; so, the answer is yes.

Practical use of half-reactance

Can these circuit elements be built? The essential requirement is the square-rooting of some impedance. Now, suppose we had a

device to square any impedance presented to the input terminals, so that the square of the impedance appeared at the output terminals. We could then compare the output with, say, an inductance and feed back any error signal to the input of the squaring device appropriately transformed, and thus have the appearance of a half-inductance at the input.

Thus, fabrication is possible, because impedance squaring devices are known to exist. The case of a capacitor is not so easy, because some active devices do not work well with a pure capacitive load; but certainly a half-capacitor in parallel with a very high impedance could be made. The effect of 1- Ω in series can then be checked empirically. (A circuit element that produces a negative capacitance or a negative inductance when combined with standard components cannot fail to have many uses if practically produced, but until this is checked empirically there is uncertainty about whether this can be done practically: a 'practical' implementation may just oscillate).

More significantly, a circuit that has an impedance magnitude that is not simply proportional or inversely proportional to frequency, but to the square root of frequency, or the reciprocal of this, is a device that has many immediate uses in the design of different types of filter: new types of filter with a more gentle roll-off than usual.

In particular, the ends of the frequency band would have responses less dependent on component tolerances, so that the frequency response of, say, audio filters at high and low frequencies would be more predictable, and the spread in manufacture would be less.

Also, the half-capacitance and half-inductance, apart from theoretical interest, open the door to devices whose impedance magnitude depends on half-integral powers of the frequency domain.

We must restate here that these devices are defined in practice by the half-derivative operation (or half-integral) and not by the simple square-root form, which is approximate.

Quiescence

We have already determined how long the quiescent phase lasts at different frequencies, that is, before the approximations used in the laws of the last section become accurate. This is a consideration that relates to the use of the device itself, but, on a more general note, this is serious, because we never directly measure time (think about how time is determined). We cannot say whether changing parameters should be differentiated or half-differentiated to represent the rate of change. Consider that there is another way of considering the time variable, that is, change in a parameter u is represented by $D^{1/2}(u)$, where the half-derivative is with respect to a variable f and:

$$D^{1/2}(u)=du/dt=(df/dr)(du/df)$$

by the chain rule. We may then consider that t and f are related by some non-trivial func-

tion like $t=\text{erf}(t^2\{f\})+g(f)$, and thus that our physics and our picture of the world is changed, unobservably. (Dirac argued that d/dt had to feature in the equation of the electron, but did not consider fractional derivatives, invented by Heaviside, which can feature, because t is not measured directly).

This does not matter at all if our Universe is now quiescent, because of the properties of the erf function, but at some very, very low frequencies there is a difference which would seem to our measurements as 'physics' changing with time. The red shift, for instance, may be a feature resulting from this; nor has a changing value of G , the gravitational constant, been ruled out as yet.

Why should this be relevant to electronics? Because all circuits are turned on. This means in practice, that assumptions made for quiescent conditions, may not apply in some case for a very long time after switch-on; mathematically, this means that for some time

$$a\exp(at)\text{erf}(at^2\{t\}),$$

where $a=t^2(j\omega)$, is just as relevant as $\exp(j\omega t)$, although it is both time-dependent and a function of frequency.

The prime example of this is the 'American East Coast Blackout' after which it was found that only one man knew how to turn on all the stations and switches in the right order without causing fatal instabilities. That is a large-scale version of the same phenomenon.

It is a daunting thought that the Universe, which is some ten thousand million years old, may still be affected by a switch-on transient (of course, this is only on one view of cosmology).

More importantly, this analysis indicates that under a.c. conditions, not d.c. (which is what the erf alternative refers to), we cannot necessarily apply the standard analysis methods to the frequency dependence of the circuit at very, very low frequencies, since erf forms are equally appropriate. Especially when half-capacitances and half-inductances are built in, this feature must be checked carefully. In essence, $D(y)=y+(\text{terms decaying with time})$ can have a solution very different indeed from $D(y)=y$. And, since in practice differentiation takes time (even when done with Cs and Rs), after switch-on, the former is more relevant; for instance:

$$D(y)=y+1/t^2(\pi t)$$

has a solution similar to

$$y=\exp(t)\text{erf}(t^2\{t\}),$$

our erf function.

That is, blithe claims that 'this circuit works down to zero frequency' must be checked very carefully, since reactance is always present. ■

References:

1. Berg, Ernst Julius, Sc.D., *Heaviside's Operational Calculus*, McGraw-Hill, New York and London, 1936.
2. Heaviside, O., *Electromagnetic Theory*, Dover, NY, 1936.
3. "Augmented A-Matrices", *Elektor Electronics USA*, May 1991.
4. Dirac, P.A.M., *Quantum Theory*, OUP, 1978.
5. Wiener, Norbert, *Cybernetics*, Wiley, 1961.

Plus any book on Laplace Transforms.

DIFFERENTIAL TEMPERATURE INDICATOR

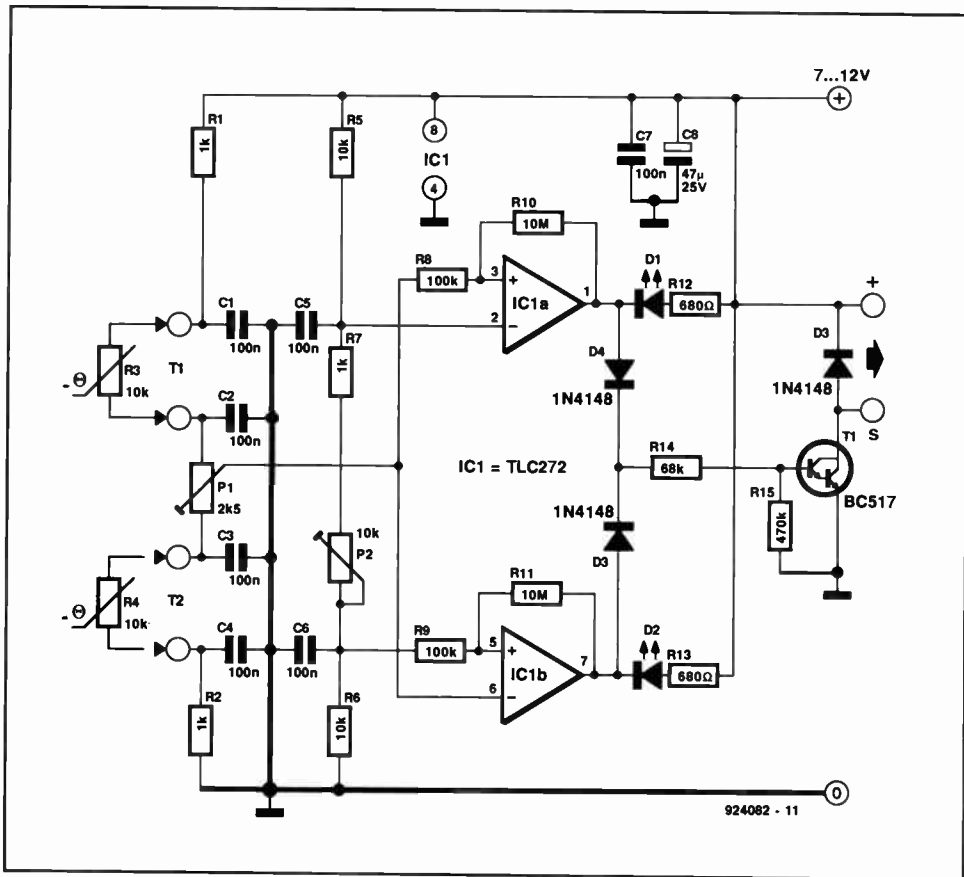
THE circuit in the diagram enables the monitoring of two temperatures, t_1 and t_2 . The sensors are NTC resistors R_3 and R_4 , which may be connected to the circuit via lengths of circuit wire that may be up a few metres long.

Diodes D_1 and D_2 indicate whether t_1 and t_2 are close to each other or not. 'Close' means that the difference between the two voltages from the sensors is smaller than the level set with P_2 . If the temperatures are close, both LEDs light; if they are not, one LED will go out: D_1 if t_1 is higher than t_2 , and D_2 if t_1 is lower than t_2 . Apart from this optical indication, it is possible to obtain an acoustic one by connecting a d.c. buzzer to terminal S.

It is also possible to connect a 7-12 V relay with a maximum energizing current of 400 mA, to this terminal. Free-wheeling diode D_5 protects T_1 against a possible, destructive back-e.m.f.

The circuit draws a maximum supply current of 35 mA, largely on account of the LEDs.

A certain temperature off-set may be preset with P_1 . Normally, this preset will be at the centre of its travel: when $t_1=t_2$, the potential at the wiper will then be half the supply voltage. The 'window' within which tem-



peratures are monitored may be preset with P_2 to a value of 1-25 °C at a regulated supply voltage of 8 V and $t_1=25$ °C.

[Amrit Bir Tiwana - 924082]

LETTERS

CORRECTION

CB-to-SW down converter

Here are the drawings of the PCB which were omitted from the article on CB-to SW Down Converter, p. 49.

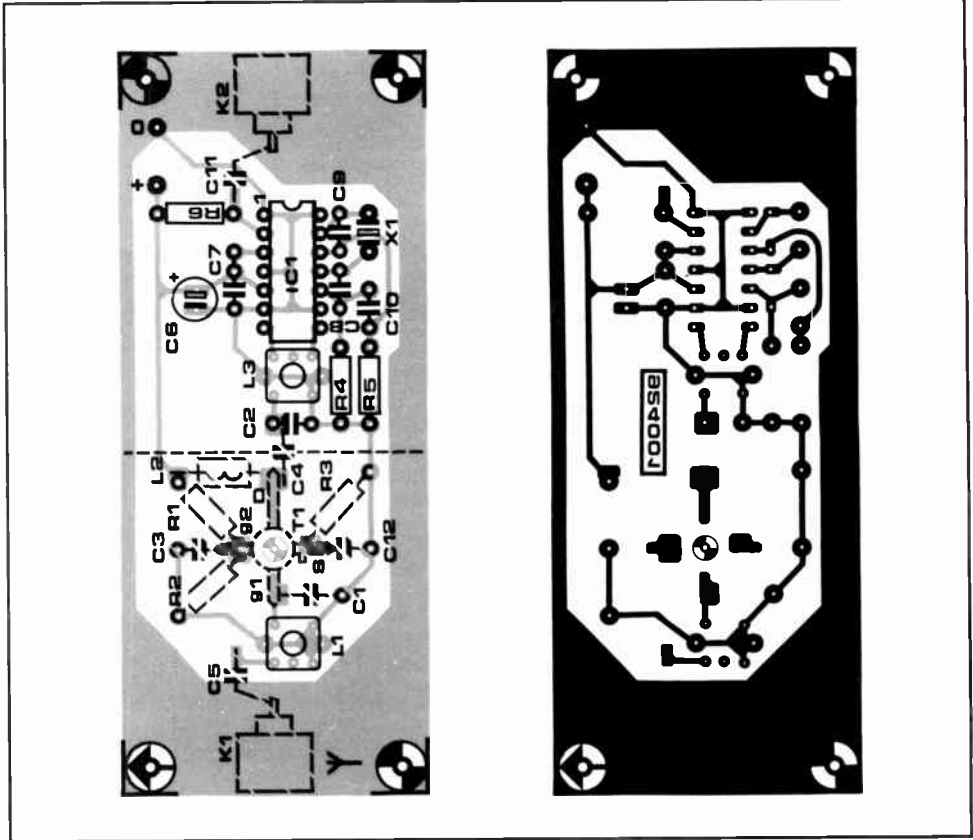
CONVERTER QUERY

Is *Elektor Electronics USA* planning to do a project on the "Sine Wave Converter" as previously proposed?

L. J. Burns
New Zealand

Editor replies:

Unfortunately, the designer could not obtain the repeatability of his prototype which is absolutely vital for our readers. Furthermore, the designer has since moved away. Sorry!



NECTA IS HERE

FINALLY AN ASSOCIATION FOR YOU WORKING TECHS/ STUDENTS/ ENTHUSIASTS

ANNUAL CATALOG GOODIE PACK DISCOUNTS CONTESTS
BI-MONTHLY NEWSLETTER CAREER GROWTH TECH TIPS
COMPANY PROFILES SOUND-OFF COLUMN NEWS

CALL OR WRITE TODAY

NATIONAL ELECTRONICS & COMPUTER TECHNICIANS ASSOC
6401 GREELEY BLVD. SPRINGFIELD, VA. 22152 703-560-3549

Reader Service #133

TEST EQUIPMENT

CABLE TEST CHIPS. S-A 8550, S-A 8500—\$310, 311, 320, 321 (specify)—\$33.95. S-A 8580/338—\$69.95. TOCOM 5503/07 VIP—\$33.95. **TELECODE**, PO Box 6426-EK, Yuma, AZ 85366-6426. T10/92

KITS

KITS, sound, light effects and high tech. **JM ELECTRONICS**, Box 150454, Altamonte Springs, FL 32715-0454. T7/92

POOR MAN'S Spectrum Analyzer monitor receiver kit. 2 to 1,500MHz. Basic kit only \$78. Now available with switched resolution filters, tracking generator and direct digital frequency readout. Works with ANY scope. Send SASE for details. **SCIENCE WORKSHOP**, Box 310-EE, Bethpage, NY 11714. T10/92

KITS! FREE catalog of fantastic electronic products that you can build. Microprocessors, test instruments, digital speech and more! **LNS TECHNOLOGIES**, 20993 Foothill Blvd., Suite 307E, Hayward, CA 94541-1511. T7/92

*Mention Elektor
When You Patronize
Our Advertisers!*

CLASSIFIEDS

Design and Build Class A Audio

THE CLASS A DESIGN MANUAL and PC SOFTWARE by engineer of KRELL KRS series. Practical design formulas for preamps, amps and crossovers. Build or modify tested designs using top quality circuit boards available for all projects. Companion software calculates component values for DC bias, gain, stability and filter response using algorithms found in the manual. The ten transistor version of PSPICE is also supplied free of charge.

MANUAL AND SOFTWARE \$35

3 1/2" or 5 1/4"
CK/MO +\$8 INTL AIR



New
England
ANALOG

THREE RUNDEL PARK
ROCHESTER, NY 14607

Reader Service #135

BOOKS & PERIODICALS

VIDEOCIPHER II/Satellite/Scanner/Cable/Amateur/Cellular/Repair Manuals, Modification Books & Software. Catalog—\$3. **TELECODE**, PO Box 6426-EK, Yuma, AZ 85366-6426. T1/93

KENWOOD & ICOM Service Bulletins. 175+ pages covering all models, \$33.95 Catalog—\$3. CODs, (602) 782-2316/FAX (602) 343-2141. **TELECODE**, Box 6426-EK, Yuma, AZ 85366-6426. T10/92

PHOTOFACT FOLDERS. Individual folders, not sets, #1 to #1400, \$5; #1401 to #2800, \$7. Sent first-class postpaid. Also books, CB, AR, MHF, VCR, etc. **A.G. TANENBAUM**, PO Box 110, E. Rockaway, NY 11518, (516) 887-0057. T9/92

RECEIVING TUBES
OVER 3000 TYPES IN STOCK!
Also hard-to-find transformers, capacitors and parts for tube equipment.
Send \$2.00 for our 32 page catalog.

ANTIQUE ELECTRONIC SUPPLY
6221 S. Maple Ave. • Tempe, AZ 85283 • 602-820-5411

Reader Service #15

COMPUTER HARDWARE

PC BOARDS etched and drilled for .70 square inch. **JM ELECTRONICS**, Box 150454, Altamonte Springs, FL 32715-0454, (407) 767-8196. T7/92

HUGE FREE CATALOG WITH PRICES!

- ◆ Shortwave Receivers
- ◆ Scanners
- ◆ Amateur HF Transceivers
- ◆ VHF-UHF HT's and Mobiles
- ◆ Amateur and SWL Antennas
- ◆ Accessories and Parts
- ◆ RTTY and FAX Equipment
- ◆ Books and Manuals

This catalog is available FREE by fourth class mail, or for \$1 by first class mail.

Universal Radio
6830 Americana Pkwy. **EK**
Reynoldsburg, OH 43068
◆ Orders 800 431-3939
◆ Info. 614 866-4267

CLASSIFIEDS

Prototype it..... FAST!

with ProtoQuick 8051 or Z8

- Complete single board computers
- Up to 32K EPROM and 8K RAM
- 12 in. in. plated through proto area
- RS232 C serial port w/ DB25 conn
- Op. sys. in EPROM w/ source code
- Assembled, ready to run. Sv. only
- MS DOS cross assembler included

ProtoQuick Z8 and 8051

\$99.00 each

Software Section
2736 Rounsbottom Road
Chenoweth, OH 43024 USA
(513) 561-2060

Run prototype applications or experimental hardware from the serial port - WITHOUT PROGRAMMING!

Reader Service #178

For advertising information,
call Maureen McHugh at
(603) 358-3756

or write
ELEKTOR ELECTRONICS
Audio Amateur Publishing Group
PO Box 876
Peterborough, NH 03458

EDUCATION

COPIER DOCTOR: Introductory text teaches troubleshooting and basic copier repair. Plus: Access to parts, toner, developer, supplies, \$12.95, plus \$2.50 S/H.
COASTAL TECHNICAL PRODUCTS, 317 Leeds Gate Rd., Savannah, GA 31406. T7/92

SURVEILLANCE

COUNTERSURVEILLANCE Electronic Devices
Miniature Transmitter Kits.. \$29.95
Voice Changers, Phone Scramblers, Vehicle Tracking, Phone Recording Systems, Bug & Phone Tap Detectors, & More!
CALL IDENTIFIER device • displays callers phone number before you answer with date & time of call...\$49.95
FOR CATALOG SEND \$5.00 TO...
RDP P.O. Box 337, Buffalo, NY 14226 (716) 601-3478

Reader Service #58

INDEX OF ADVERTISERS

All Electronics Corporation	9	Tapto Corporation	11
American Small Business Computers	CV II	ELECTRONICS SCENE/NEW PRODUCTS	
Audio Teknology, Inc.	CV IV	American Small Business Computers	12
BG Micro	CV III	ARX Systems	12
Contact East	44	A.W. Sperry Instruments, Inc.	12
Deco Industries	19	Caddock Electronics	12
Kelvin Electronics	87	Capillano Computing Systems, Ltd.	12
Meadowlake Corporation	87	Carver Corporation	13
Micro Video Products	19	Electronic Equipment Bank	13
Mouser Electronics	9	FM Atlas	12
OLD COLONY SOUND LAB		Global Specialties	13
New Products	5-7	J.S. Popper, Inc.	12
Parts Sources	8	MFJ Enterprises, Inc.	13
Project Pro	9	Planned Products	13
SMPTE	8	Techni-Tool	13
Spy Supply	8		

ELEKTOR ELECTRONICS CLASSIFIED ORDER FORM

RATES

75 cents per word. Deduct 10% for a 6x contract. \$10.00 minimum for charge card orders.

HOW TO COUNT WORDS

Definition of a word: A series of letters with a space before and after. Count words, not letters. Hyphenated words count as one word (i.e. first-rate).

No ads will be taken over the telephone. No questions taken over the phone. Prepayment must accompany ad. No Billing.

Categories (please check just one)

- Audio for Sale
- Books & Periodicals
- Business Opportunities
- Cable & Satellite
- Conferences, Fairs, Seminars
- Components, Parts & Supplies

- Computer Hardware For Sale
- Computer Software For Sale
- Computer Systems For Sale
- Education
- Home Automation
- Kits
- Miscellaneous

- Optoelectronics
- Plans & Schematics
- Professional Services
- Radio Communications
- Security
- Test Equipment
- Video

- Clubs
- Wanted To Buy

Ads in these two categories are free to subscribers. Attach your mailing label to form for verification. Limit 50 words.

1 _____	2 _____	3 _____	4 _____	5 _____	6 _____	7 _____	8 _____	9 _____	10 _____
11 _____	12 _____	13 _____	14 _____	15 _____	16 _____	17 _____	18 _____	19 _____	20 _____
21 _____	22 _____	23 _____	24 _____	25 _____	26 _____	27 _____	28 _____	29 _____	30 _____
31 _____	32 _____	33 _____	34 _____	35 _____	36 _____	37 _____	38 _____	39 _____	40 _____
41 _____	42 _____	43 _____	44 _____	45 _____	46 _____	47 _____	48 _____	49 _____	50 _____

Please run this ad _____ times.
Advertisement will be inserted in first available issue.

- Check/Money order enclosed
- Please charge to my Master Card/Visa

MC/VISA _____ EXP. DATE _____

NAME _____ COMPANY _____

STREET _____

CITY _____ ST _____ ZIP _____

PHONE NUMBER _____

LETTERS

CORRECTION

CB-to-SW down converter

Here are the drawings of the PCB which were omitted from the article on CB-to-SW Down Converter, p. 49.

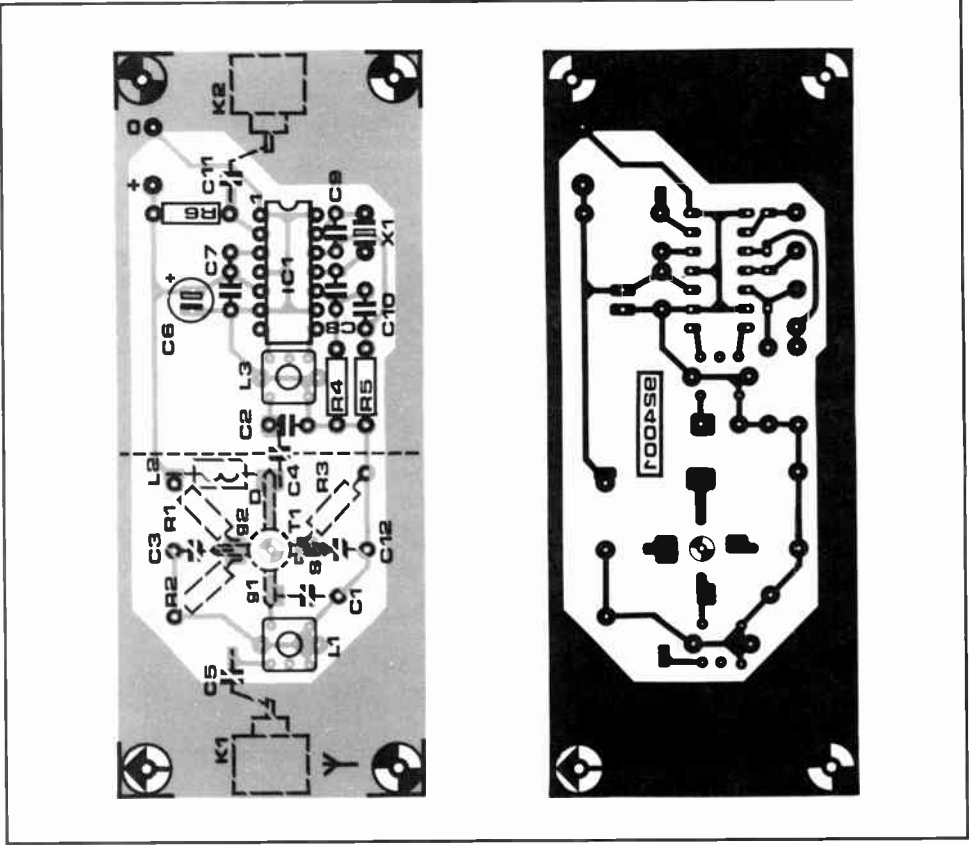
CONVERTER QUERY

Is Elektor Electronics USA planning to do a project on the "Sine Wave Converter" as previously proposed?

L. J. Burns
New Zealand

Editor replies:

Unfortunately, the designer could not obtain the repeatability of his prototype which is absolutely vital for our readers. Furthermore, the designer has since moved away. Sorry!



NECTA IS HERE

FINALLY AN ASSOCIATION FOR YOU
WORKING TECHS/ STUDENTS/ ENTHUSIASTS
ANNUAL CATALOG GOODIE PACK DISCOUNTS CONTESTS
B I-MONTHLY NEWSLETTER CAREER GROWTH TECH TIPS,
COMPANY PROFILES, SOUND-OFF COLUMN, NEWS
CALL OR WRITE TODAY
NATIONAL ELECTRONICS & COMPUTER TECHNICIANS ASSOC
8401 GREELEY BLVD. SPRINGFIELD, VA. 22152 703-599-3549

Reader Service #133

TEST EQUIPMENT

CABLE TEST CHIPS. S-A 8550, S-A 8500—\$310, 311, 320, 321 (specify)—\$33.95. S-A 8580/338—\$69.95. TOCOM 5503/07 VIP—\$33.95. **TELECODE**, PO Box 6426-EK, Yuma, AZ 85366-6426. T10/92

KITS

KITS, sound, light effects and high tech. **JM ELECTRONICS**, Box 150454, Altamonte Springs, FL 32715-0454. T7/92

POOR MAN'S Spectrum Analyzer monitor receiver kit. 2 to 1,500MHz. Basic kit only \$78. Now available with switched resolution filters, tracking generator and direct digital frequency readout. Works with ANY scope. Send SASE for details. **SCIENCE WORKSHOP**, Box 310-EE, Bethpage, NY 11714. T10/92

KITS! FREE catalog of fantastic electronic products that you can build. Microprocessors, test instruments, digital speech and more! **LNS TECHNOLOGIES**, 20993 Foothill Blvd., Suite 307E, Hayward, CA 94541-1511. T7/92

*Mention Elektor
When You Patronize
Our Advertisers!*

CLASSIFIEDS

Design and Build Class A Audio

THE CLASS A DESIGN MANUAL and *PC SOFTWARE* by engineer of KRELL KRS series. Practical design formulas for preamps, amps and crossovers. Build or modify tested designs using top quality circuit boards available for all projects. Companion software calculates component values for DC bias, gain, stability and filter response using algorithms found in the manual. The ten transistor version of PSPICE is also supplied free of charge.

MANUAL AND SOFTWARE \$35 3 1/2" or 5 1/4"
CK/MO +\$8 INTL AIR



Reader Service #135

BOOKS & PERIODICALS

VIDEOCIPHER II/Satellite/Scanner/Cable/Amateur/Cellular/Repair Manuals, Modification Books & Software. Catalog—\$3. **TELECODE**, PO Box 6426-EK, Yuma, AZ 85366-6426. T1/93

KENWOOD & ICOM Service Bulletins. 175+ pages covering all models, \$33.95 Catalog—\$3. CODs, (602) 782-2316/FAX (602) 343-2141. **TELECODE**, Box 6426-EK, Yuma, AZ 85366-6426. T10/92

PHOTOFACT FOLDERS. Individual folders, not sets, #1 to #1400, \$5; #1401 to #2800, \$7. Sent first-class post-paid. Also books, CB, AR, MHF, VCR, etc. **A.G. TANNENBAUM**, PO Box 110, E. Rockaway, NY 11518, (516) 887-0057. T9/92



RECEIVING TUBES

OVER 3000 TYPES IN STOCK!
Also hard-to-find transformers, capacitors and parts for tube equipment.
Send \$2.00 for our 32 page catalog.

ANTIQUE ELECTRONIC SUPPLY
6221 S. Maple Ave. • Tempe, AZ 85283 • 602-820-5411

Reader Service #15

COMPUTER HARDWARE

PC BOARDS etched and drilled for .70 square inch. **JM ELECTRONICS**, Box 150454, Altamonte Springs, FL 32715-0454, (407) 767-8196. T7/92

HUGE FREE CATALOG WITH PRICES!

- ◆ Shortwave Receivers
- ◆ Scanners
- ◆ Amateur HF Transceivers
- ◆ VHF-UHF HT's and Mobiles
- ◆ Amateur and SWL Antennas
- ◆ Accessories and Parts
- ◆ RTTY and FAX Equipment
- ◆ Books and Manuals

This catalog is available FREE by fourth class mail, or for \$1 by first class mail.

Universal Radio
6830 Americana Pkwy. **EK**
Reynoldsburg, OH 43068
◆ Orders 800 431-3939
◆ Info. 614 866-4267

CLASSIFIEDS

Prototype it..... FAST!

with ProtoQuick 8051 or Z8

- Complete single board computers
- Up to 32K EPROM and 8K RAM
- 12 pin in plated through proto area
- RS232 C serial port w/ DB25 cone
- Op Sys in EPROM w/ source code
- Assembled, ready to run. 5k only
- MS DOS cross-assembly included

ProtoQuick Z8 and 8051

\$99.00 each

Software Science
3750 Roundbottom Road
Chapel Hill, NC 27514 USA
(513) 561-2060

Run prototype applications or experimental hardware from the serial port - WITHOUT PROGRAMMING!

Reader Service #178

EDUCATION

COPIER DOCTOR: Introductory text teaches troubleshooting and basic copier repair. Plus: Access to parts, toner, developer, supplies, \$12.95, plus \$2.50 S/H.

COASTAL TECHNICAL PRODUCTS, 317 Leeds Gate Rd., Savannah, GA 31406. T7/92

SURVEILLANCE

COUNTERSURVEILLANCE Electronic Devices

Miniature Transmitter Kits... \$29.95
Voice Changers, Phone Scramblers, Vehicle Tracking, Phone Recording Systems, Bug & Phone Tap Detectors, & More!

CALL IDENTIFIER device • displays callers phone number before you answer with date & time of call... \$49.95

FOR CATALOG SEND \$5.00 TO...

E.D.P. P.O. Box 337, Buffalo, NY 14226 (716) 881-3476

Reader Service #58

For advertising information, call Maureen McHugh at **(603) 358-3756**

or write
ELEKTOR ELECTRONICS
Audio Amateur Publishing Group
PO Box 876
Peterborough, NH 03458

INDEX OF ADVERTISERS

<p>All Electronics Corporation 9</p> <p>American Small Business Computers . . . CV II</p> <p>Audio Teknology, Inc. CV IV</p> <p>BG Micro CV III</p> <p>Contact East 44</p> <p>Deco Industries 19</p> <p>Kelvin Electronics 87</p> <p>Meadowlake Corporation 87</p> <p>Micro Video Products 19</p> <p>Mouser Electronics 9</p> <p>OLD COLONY SOUND LAB</p> <p style="padding-left: 20px;">New Products 5-7</p> <p style="padding-left: 20px;">Parts Sources 8</p> <p>Project Pro 9</p> <p>SMPTE 8</p> <p>Spy Supply 8</p>	<p>Tapto Corporation 11</p> <p>ELECTRONICS SCENE/NEW PRODUCTS</p> <p>American Small Business Computers . . . 12</p> <p>ARX Systems 12</p> <p>A.W. Sperry Instruments, Inc. 12</p> <p>Caddock Electronics 12</p> <p>Capillano Computing Systems, Ltd. 12</p> <p>Carver Corporation 13</p> <p>Electronic Equipment Bank 13</p> <p>FM Atlas 12</p> <p>Global Specialties 13</p> <p>J.S. Popper, Inc. 12</p> <p>MFJ Enterprises, Inc. 13</p> <p>Planned Products 13</p> <p>Techni-Tool 13</p>
---	--

ELEKTOR ELECTRONICS CLASSIFIED ORDER FORM

RATES
75 cents per word. Deduct 10% for a 6x contract. \$10.00 minimum for charge card orders.

HOW TO COUNT WORDS
Definition of a word: A series of letters with a space before and after. Count words, not letters. Hyphenated words count as one word (i.e. first-rate).

HOW TO SUBMIT YOUR AD
Type or print your ad clearly on form. Check the category you wish your classified to appear under. Indicate number of insertions. Enclose check with order or include credit card number and expiration date.

Mail to:
Elektor Electronics, Classifieds, PO Box 876, Peterborough, NH 03458.

No ads will be taken over the telephone. No questions taken over the phone. Prepayment must accompany ad. No Billing.

- Categories (please check just one)**
- | | | |
|---|---|--|
| <input type="checkbox"/> Audio for Sale | <input type="checkbox"/> Computer Hardware For Sale | <input type="checkbox"/> Optoelectronics |
| <input type="checkbox"/> Books & Periodicals | <input type="checkbox"/> Computer Software For Sale | <input type="checkbox"/> Plans & Schematics |
| <input type="checkbox"/> Business Opportunities | <input type="checkbox"/> Computer Systems For Sale | <input type="checkbox"/> Professional Services |
| <input type="checkbox"/> Cable & Satellite | <input type="checkbox"/> Education | <input type="checkbox"/> Radio Communications |
| <input type="checkbox"/> Conferences, Fairs, Seminars | <input type="checkbox"/> Home Automation | <input type="checkbox"/> Security |
| <input type="checkbox"/> Components, Parts & Supplies | <input type="checkbox"/> Kits | <input type="checkbox"/> Test Equipment |
| | <input type="checkbox"/> Miscellaneous | <input type="checkbox"/> Video |

Clubs

Wanted To Buy

Ads in these two categories are free to subscribers. Attach your mailing label to form for verification. Limit 50 words.

1	2	3	4	5	6	7	8	9	10
11	12	13	14	15	16	17	18	19	20
21	22	23	24	25	26	27	28	29	30
31	32	33	34	35	36	37	38	39	40
41	42	43	44	45	46	47	48	49	50

Please run this ad _____ times.
Advertisement will be inserted in first available issue.

Check/Money order enclosed

Please charge to my Master Card/Visa

MC/MSA	EXP. DATE
NAME	COMPANY
STREET	
CITY	ST ZIP
PHONE NUMBER	

**ELEKTOR
ELECTRONICS USA**

**READER
SERVICE CARD**

**Issue Date: July/August 1992
Expire Date: September 21, 1992**

Signature: _____ Date: _____

Name: _____

Title: _____

Company: _____

Co. Address: _____

City: _____ St: _____ Zip: _____

Phone: () _____ FAX: () _____

Are you a current subscriber?
 Yes No

Do you want to start a subscription?
 Yes No

**FOR BROCHURE ONLY circle RS numbers
PLEASE USE INK**

1-50	51-100	101-150	151-200
1 2 3 4 5	51 52 53 54 55	101 102 103 104 105	151 152 153 154 155
6 7 8 9 10	56 57 58 59 60	106 107 108 109 110	156 157 158 159 160
11 12 13 14 15	61 62 63 64 65	111 112 113 114 115	161 162 163 164 165
16 17 18 19 20	66 67 68 69 70	116 117 118 119 120	166 167 168 169 170
21 22 23 24 25	71 72 73 74 75	121 122 123 124 125	171 172 173 174 175
26 27 28 29 30	76 77 78 79 80	126 127 128 129 130	176 177 178 179 180
31 32 33 34 35	81 82 83 84 85	131 132 133 134 135	181 182 183 184 185
36 37 38 39 40	86 87 88 89 90	136 137 138 139 140	186 187 188 189 190
41 42 43 44 45	91 92 93 94 95	141 142 143 144 145	191 192 193 194 195
46 47 48 49 50	96 97 98 99 100	146 147 148 149 150	196 197 198 199 200

201-250	251-300	301-350	351-400
201 202 203 204 205	251 252 253 254 255	301 302 303 304 305	351 352 353 354 355
206 207 208 209 210	256 257 258 259 260	306 307 308 309 310	356 357 358 359 360
211 212 213 214 215	261 262 263 264 265	311 312 313 314 315	361 362 363 364 365
216 217 218 219 220	266 267 268 269 270	316 317 318 319 320	366 367 368 369 370
221 222 223 224 225	271 272 273 274 275	321 322 323 324 325	371 372 373 374 375
226 227 228 229 230	276 277 278 279 280	326 327 328 329 330	376 377 378 379 380
231 232 233 234 235	281 282 283 284 285	331 332 333 334 335	381 382 383 384 385
236 237 238 239 240	286 287 288 289 290	336 337 338 339 340	386 387 388 389 390
241 242 243 244 245	291 292 293 294 295	341 342 343 344 345	391 392 393 394 395
246 247 248 249 250	296 297 298 299 300	346 347 348 349 350	396 397 398 399 400

PLEASE ANSWER THE FOLLOWING::

- A. How many electronic projects have you worked on this month?
1 1 2 2 3 3 4 4
- B. How much did you spend on parts?
5 \$0-\$49 6 \$50-\$99 7 \$100-\$199 8 \$200 +
- C. Do you own a personal computer?
9 No 10 IBM or Clone 11 MAC 12 Other
- D. Have you purchased electronic tools this month?
13 Yes 14 No

If yes, approximate amount.
15 \$20 or less 16 \$21- \$50 17 \$51-\$99 18 \$100 +

- E. Are there PCs in your office?
19 Yes 20 No
- F. Do you make electronic equipment choices in your work place?
21 Yes 22 No

If yes, check estimated weekly value of components.
23 Less than \$1K 24 \$1K- \$5K 25 \$5K-\$20K
26 \$20K- \$50K 27 \$50K +

- G. Number of employees in your company.
28 25 or less 29 26- 99 30 100-499
31 500-999 32 1000 +

**ELEKTOR
ELECTRONICS USA**

**READER
SERVICE CARD**

**Issue Date: July/August 1992
Expire Date: September 21, 1992**

Signature: _____ Date: _____

Name: _____

Title: _____

Company: _____

Co. Address: _____

City: _____ St: _____ Zip: _____

Phone: () _____ FAX: () _____

Are you a current subscriber?
 Yes No

Do you want to start a subscription?
 Yes No

**FOR BROCHURE ONLY circle RS numbers
PLEASE USE INK**

1-50	51-100	101-150	151-200
1 2 3 4 5	51 52 53 54 55	101 102 103 104 105	151 152 153 154 155
6 7 8 9 10	56 57 58 59 60	106 107 108 109 110	156 157 158 159 160
11 12 13 14 15	61 62 63 64 65	111 112 113 114 115	161 162 163 164 165
16 17 18 19 20	66 67 68 69 70	116 117 118 119 120	166 167 168 169 170
21 22 23 24 25	71 72 73 74 75	121 122 123 124 125	171 172 173 174 175
26 27 28 29 30	76 77 78 79 80	126 127 128 129 130	176 177 178 179 180
31 32 33 34 35	81 82 83 84 85	131 132 133 134 135	181 182 183 184 185
36 37 38 39 40	86 87 88 89 90	136 137 138 139 140	186 187 188 189 190
41 42 43 44 45	91 92 93 94 95	141 142 143 144 145	191 192 193 194 195
46 47 48 49 50	96 97 98 99 100	146 147 148 149 150	196 197 198 199 200

201-250	251-300	301-350	351-400
201 202 203 204 205	251 252 253 254 255	301 302 303 304 305	351 352 353 354 355
206 207 208 209 210	256 257 258 259 260	306 307 308 309 310	356 357 358 359 360
211 212 213 214 215	261 262 263 264 265	311 312 313 314 315	361 362 363 364 365
216 217 218 219 220	266 267 268 269 270	316 317 318 319 320	366 367 368 369 370
221 222 223 224 225	271 272 273 274 275	321 322 323 324 325	371 372 373 374 375
226 227 228 229 230	276 277 278 279 280	326 327 328 329 330	376 377 378 379 380
231 232 233 234 235	281 282 283 284 285	331 332 333 334 335	381 382 383 384 385
236 237 238 239 240	286 287 288 289 290	336 337 338 339 340	386 387 388 389 390
241 242 243 244 245	291 292 293 294 295	341 342 343 344 345	391 392 393 394 395
246 247 248 249 250	296 297 298 299 300	346 347 348 349 350	396 397 398 399 400

PLEASE ANSWER THE FOLLOWING::

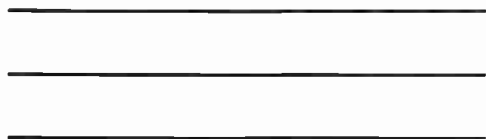
- A. How many electronic projects have you worked on this month?
1 1 2 2 3 3 4 4
- B. How much did you spend on parts?
5 \$0-\$49 6 \$50-\$99 7 \$100-\$199 8 \$200 +
- C. Do you own a personal computer?
9 No 10 IBM or Clone 11 MAC 12 Other
- D. Have you purchased electronic tools this month?
13 Yes 14 No

If yes, approximate amount.
15 \$20 or less 16 \$21- \$50 17 \$51-\$99 18 \$100 +

- E. Are there PCs in your office?
19 Yes 20 No
- F. Do you make electronic equipment choices in your work place?
21 Yes 22 No

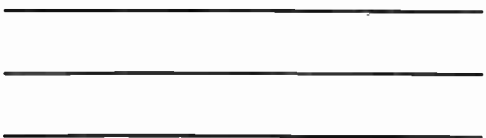
If yes, check estimated weekly value of components.
23 Less than \$1K 24 \$1K- \$5K 25 \$5K-\$20K
26 \$20K- \$50K 27 \$50K +

- G. Number of employees in your company.
28 25 or less 29 26- 99 30 100-499
31 500-999 32 1000 +



Your
Stamp
Helps

ELEKTOR ELECTRONICS USA
PO Box 5009
Pittsfield MA 01203-5009



Your
Stamp
Helps

ELEKTOR ELECTRONICS USA
PO Box 5009
Pittsfield MA 01203-5009



READERS SERVICES

All orders, except for subscriptions, should be sent to Old Colony Sound Lab: by mail to PO Box 243, Peterborough NH 03458-0243; Visa/MasterCard charge orders by FAX to (603) 924-9467 (24 hours) or by voice 8-4 weekdays to (603) 924-6526 or 6371. Please use the form opposite for all orders. All prices are postpaid to customers in the fifty states except for books. Please add \$2.00 for the first book and 75¢ for each additional book ordered. Canadians, please add \$4.50 US for the first book, and 75¢ for each additional one. Outside North America, please add 20%. Canadians may expect Canadian duty charges on shipments of any items except books and subscriptions.

SUBSCRIPTIONS

Subscriptions can be provided anywhere in the United States and its territories as well as Canada by sending mail subscriptions to Elektor Electronics USA, PO Box 876, Peterborough NH 03458-0876. Visa/MasterCard orders may be telephoned directly to (603) 924-9464 between 8 and 4 on business days and to our machine recorders at other hours and on weekends. Orders may be FAXed at any time to (603) 924-9467. US subscription rates: \$28 for one year (11 issues); \$50 for 2 years. Canadian rate: \$38.80 for one year. Student rate to full-time, registered students, \$15 per year (photocopy of student ID required).

PAST ISSUES

Back issues of the British Elektor from July/August 1987 onward are available from Worldwide Subscription Service Ltd., Unit 4, Gibbs Reed Farm, Pashley Road, Ticehurst TN5 7HE, England, United Kingdom. Single copies are \$4.50 surface mail, \$7.50 airmail. Back issues of Elektor Electronics USA from October 1990 onward (except 2/91) are available from Old Colony for \$4 postpaid, \$6 for July/August or December double issues.

PAST ARTICLES

Photocopies of articles from the British Elektor from January 1979 onward are available from Old Colony Sound Lab for \$5 each (multi-part articles: \$5 per part); \$6 in Canada. Indexes are available. Send a stamped (50¢), self-addressed business-size envelope to Old Colony, at the address above, for EACH YEAR desired. A complete set of indexes for 1979-91 is available for \$7.50 postpaid. Also available postpaid: Digital model train (13 parts).....\$15.00

BOOKS

The following Elektor books are currently available from Old Colony Sound:

Table listing books such as '301 Circuits' for \$12.50, '302 Circuits' for \$12.50, '303 Circuits' for \$15.95, '304 Circuits' for \$19.95, 'Data Sheet Book 2' for \$16.50, 'Databook 3' for \$17.95, 'Databook 4' for \$17.95, 'Databook 5: Application Notes' for \$17.95, and 'Microprocessor Data Book' for \$17.90.

SHELF BOXES

Blue heavy-duty Elektor vinyl shelf box (holds 8 issues).....\$6.00

WALL CHART

PC Connectors (1/92)\$3 postpaid; 2/\$5; 5/\$10

FRONT PANEL FOILS

Table listing various electronic components and their prices, including Video mixer (87304-F \$33.00), The complete preamplifier (890169-F \$15.00), All solid-state preamplifier (890170-F1 \$33.50), LF/HF signal tracer (890183-F \$18.50), Q meter (900031-F \$23.00), Budget sweep/function generator (900040-F \$20.00), High current hFE tester (900078-F \$28.00), 400W lab power supply (900082-F \$35.00), Variable AC PSU (900104-F \$28.00), Universal battery charger (900134-F \$11.00), Milliohmmeter (910004-F \$28.00), Wattmeter (910011-F \$16.50), Digital phase meter (910045-F \$20.00), Timecode interface (910055-F \$15.00), Digital funct. gen. (910077-F \$18.00), 4-megabyte printer buffer (910110-F \$19.50), Economy PSU (910111-F \$18.00), and CD player (910146-F \$20.50).

OLD COLONY SOUND LAB PO BOX 243 PETERBOROUGH, NH 03458

ORDER FORM

TELEPHONE CHARGE ORDERS (603) 924-6371, 924-6526 Answering machine before 9 a.m., FAX: (603) 924-9467, 24 hours

CUSTOMER ADDRESS

Name, Street & No., City, State, ZIP, MAGIC NUMBER (FROM SUBSCRIPTION LABEL)

SHIPPING ADDRESS IF DIFFERENT

Name, Company, Street & No., City, State, ZIP

PAYMENT METHOD FOR CHARGE CARD ORDERS UNDER \$10, PLEASE ADD \$2.

Checkboxes for CHECK, MONEY ORDER, MASTERCARD, VISA

CARD NUMBER, EXPIRES

AUTHORIZED SIGNATURE, DAYTIME PHONE

Table with 4 columns: Qty., Part Number and Description, Price, Total. Includes a callout: CALL OR WRITE FOR YOUR FREE OLD COLONY CATALOG!

BECAUSE OF THEIR SPECIAL NATURE, ORDERS FROM THIS PAGE ARE NONCANCELABLE AND NONRETURNABLE, EXCEPT IN CASE OF DEFECT.

SUBTOTAL SHIPPING TOTAL

PLEASE ALLOW 4-6 WEEKS FOR DELIVERY.

Table listing electronic parts like Measurement amplifier, LC meter, NICAM decoder with prices and issues.

EPROMS/PALS/MICROCONTROLLERS

Table listing various microcontrollers and related components like PROJECT, Multifunction measurement card, MIDI control unit, Digital model train, Darkroom clock, Slave indication unit, EPROM emulator, Microcontroller-driven power supply, Autonomous I/O controller, Video mixer, Four-sensor sunshine recorder, P-controlled telephone exchange, MIDI program changer, Logic analyzer, MIDI-to-CV interface, Amiga mouse/joystick switch, Stepper motor board, 4-megabyte printer buffer, 8751 emulator incl. system EPROM, FM tuner, Connect 4.

Table listing components like EMONS1 (8051 assembler course), Multipurpose Z80 card, GAL set, Multipurpose Z80 card, BIOS, 8751 programmer, DISKETTES.

DISKETTES

Table listing various software and hardware items like Digital model train, Logic analyzer for Atari ST, Computer-controlled Teletext decoder, Plotter driver (Lewetz), FAX interface, RAM extension, BBC-B, EPROM simulator, RS-232 splitter, Centronics ADC/DAC Transistor, characteristic plotting (Atari ST b/w), ROM-copy for BASIC Multifunction measurement card for PCs, 8751 programmer, PT100 thermometer, Logic analyzer software, IBM Atari Plotter driver (Sijtsma), PC-controlled weather station (1), PC-controlled weather station (2), I/O interface for Atari, Tek/intel file converter, B/W video digitizer, Timecode interface, RTC for Atari ST, 24-bit color extension for video digitizer, PC-controlled weather station (3).

Table listing components like 8051/8032 assembler course (IBM), A-D/D-A and I/O for I2C bus, 8051/8032 assembler course (Atari), AD232 converter, GAL programmer (3 disks), Multipurpose Z80 card.

PRINTED CIRCUIT BOARDS

Table listing various printed circuit boards like APRIL 1992 (80C32 SBC extension, 2-meter FM receiver, Comb generator, AD232 converter, Automatic NiCd charger, LCD for L-C meter, MilliOhm meter adaptor), MAY 1992 (1.3-GHz prescaler, Compact mains supply, FM tuner PSU (3), GAL programmer, NICAM decoder), JUNE 1992 (4-megabyte printer buffer, I2C display, FM tuner (4), mode control board, synthesizer board, Guitar tuner, Multipurpose Z80 card), JULY 1992 (12VDC to 240VAC inverter main board, power board, Audio DAC, Optocard for universal PC I/O bus, FM tuner (5), keyboard/display, S-meter, RS232 quick tester, Water pump control for solar power system, Simple power supply, Wide-band active telescopic antenna, Not Available: 924001, 924009, 924010, 924015, 924038).

TERMS OF BUSINESS

PRICING

Prices, except as noted, include shipping in the continental USA. The minimum order is \$10. A \$2 service charge will be added to orders of less than \$10. Prices are subject to change as our costs change. WE RESERVE THE RIGHT TO MAKE PRICE CHANGES WITHOUT NOTICE.

TELEPHONE ORDERS

Telephone orders are welcome between the hours of 9:00 a.m. and 4:00 p.m. EDT, Monday-Friday. Orders for parts are to be made on the ORDER FORM provided. Payment for telephone orders is by MC/VISA only. Our TELEPHONE ORDER NUMBER IS (603) 924-6371 or 924-6526. Our answering machine for MC/VISA orders during non-business hours is (603) 924-6371. FAX: (603) 924-9467 (24 hours).

PAYMENT

All remittances **MUST BE IN US FUNDS DRAWN ON A US BANK**. Payment for telephone orders must be made by MasterCard or VISA. Mail order payment may be made by MC/VISA, money order, cashier's check or personal check. If payment is made by personal check, allow up to 2 weeks for clearance before order is shipped. Should check be returned for any reason, there will be a \$10 charge.

SHIPPING

Unless noted, freight is prepaid by Old Colony. All orders shipped USPS first class mail or by UPS. Allow two to three weeks for delivery. Please inquire about appropriate funds for special handling (UPS next day or second day). UPS requires a street address. If you cannot receive UPS delivery, please in-

clude an extra \$2 for insured service via Parcel Post. We cannot accept responsibility for safety or delivery of uninsured Parcel Post shipments. **Absolutely no COD shipments.**

BOOKS, RECORDINGS, CDs, and SOFTWARE

The shipping/handling charge for the US is \$2.00, plus 75¢ each additional item. In Canada, please add \$4.50 for the first item, 75¢ each additional. For orders to be shipped outside North America, add 20% to the total order to cover shipping. **No returns.** According to the Connecticut Dept. of Revenue Services, Regulation #27, Section 12-426-27, in order to sell software to residents of Connecticut, we must register with the department as well as collect taxes for the state from the purchaser. We regret to inform customers that we will not sell software to anyone from Connecticut. ■

BOOKS FROM ELEKTOR ELECTRONICS USA

301 CIRCUITS

This book follows the theme of the first in this series, *300 Circuits* (now out of print). It contains over 300 assorted circuits first published in the 1979, 1980, 1981 summer issues of *Elektor Electronics*.

The circuits range from the simple to the more complex and are described and explained in straightforward language. The book is a comprehensive source of ideas and construction projects for anyone interested in electronics.

ISBN 0-905705-12-2

BKAA11 Price \$12.50

302 CIRCUITS

The popularity of this book is shown by its having been reprinted no fewer than three times. It offers a selection of the most interesting articles from the 1982, 1983, 1984 summer issues of *Elektor Electronics*.

In it you will find circuits for audio and video; car, cycle, and motorcycle; home and garden; receivers and aeriels; hobbies and games; measuring and testing; oscillators and generators; current sources and power supplies; microcomputers and music electronics; and a miscellany of other interesting subjects.

ISBN 0-905705-25-4

BKAA12 Price \$12.50

303 CIRCUITS

Like its predecessors, *303 CIRCUITS* offers a comprehensive collection of practical ideas, concepts, and developments in the gamut of electronics. Unlike its predecessors, the book is arranged in 11 subject sections to make it easier for the reader to find that long-sought circuit.

In well over 300 pages, the book offers 32 Audio and Hi-Fi projects; 14 circuits for Car and Bicycles; 43 Computer & Microprocessor circuits; 11 Electroponic projects; 24 HF and VHF circuits; 16 circuits for a number of hobbies and pastimes; 54 projects for Home and Garden; 29 Power Supply circuits; 29 circuits for Test and Measurement equipment; nine TV and Video projects; as well as 42 Design Ideas.

ISBN 0-905705-62-2

BKAA13 Price \$15.90

304 CIRCUITS

The latest in *Elektor's* famous "300" series, BKAA18 contains 304 innovative circuits and descriptions broken down as follows: 36 audio/video, 19 high frequency, 36 hobby, 36 home and garden, 9 music/electroponics, 32 computer/microprocessor, 19 generator/oscillator, 33 test and measurement, 30 power supply, 13 car electronics, and 41 miscellaneous. Arranged by subject for ease of use.

ISBN 0-905705-34-3

BKAA18 Price \$19.95

DATA SHEET BOOK 2

Like its predecessor (now out of print), this book offers concise, relevant, and rapidly accessible information, which is both practical (e.g., the pin-out of a device) and informative.

The book contains data on integrated circuits as well as on discrete transistors and diodes. Moreover, it gives an introduction to fast (HCMOS) devices and a review of the new symbolic logic as laid down in British Standard BS3939: Section 21 (IEC Standard 617-12).

The final part of the book deals with a number of computer chips, such as memory devices (including programming information for these) and I/O circuits. This section also includes data on a number of non-digital discrete and integrated devices, such as op amps, as well as on some microprocessor peripherals (e.g., the 6522 VIA, the 6580 ACIA, and the 8355A PPI).

ISBN 0-905705-27-0

BKAA14 Price \$16.50

DATABOOK 3: PERIPHERAL CHIPS

This book lists the most important design data of peripheral chips whose type numbers and functions relate them unambiguously to a microprocessor in the same family. All listed devices form part of families based on widely used microprocessors or microcontrollers. Their most evident application will therefore be in conjunction with the associated microprocessor. This should, however, not be taken to mean that a peripheral cannot be used in another application. Far from it, as witness the familiar type MC146818A real-time clock and the type MC6845 cathode-ray tube controller. It deserves a place on the bookshelf of anyone concerned with the design, maintenance and servicing of microprocessor-controlled electronic equipment.

ISBN 0-905705-30-0

BKAA15 Price \$17.95

MICROPROCESSOR DATA BOOK

This book has come about because of a need by *Elektor Electronics* engineers, technicians, and editorial staff of a ready reference work on the most important microprocessors. This implies that it does not only contain information on the latest devices, such as the transputer, but also on older, well-established types, such as the Z80 and the 6800.

A general description, hardware block schematic, software structure, DC characteristics, and instruction sets are given for over 70 microprocessors. To prevent the book from becoming unwieldy (and to keep costs down), timing diagrams and AC characteristics have, however, been omitted. The detailed information on all manufacturers mentioned will, however, enable any additional information to be obtained quite readily.

Included in the book are, among others, the 68000 series; the 6502 family; the Z80, 8080, and 8085; Intel's 8086, 80186, 80188, 80286, and 80386; the NS32XXX series; and the INMOS transputers.

ISBN 0-905705-28-9

BKAA16 Price \$17.90

DATABOOK 4: PERIPHERAL CHIPS II

This further volume in *Elektor Electronics' Microprocessor Data Book* series deals with general peripheral chips that, at least as far as their type-coding is concerned, do not belong to a specific family of microprocessors. There are so many of these, however, that only a portion of them can be dealt with in one book. Those contained in this collection have been chosen carefully on the basis of their practical application and frequency of use. Complete data are given for coprocessors from the 80 series (AMD, Cyrix, IIT, Intel, Weitek); real-time clocks from MEM, OKI, Statek, National Semiconductor, and Dallas Semiconductor; transmitters and receivers of serial interfaces RS232, 422, 423, 485 from Motorola, Newport Components, Maxim, Texas Instruments, National Semiconductor, Dallas Semiconductor, and Linear Technology; UARTS, DUARTS, and QUARTS (i.e., programmable ICs intended for data transfer); and the CS8221 set of ICs from Chips & Technology that are used in a great number of PC mother boards (also included is the data sheet of associated software LIM 4.0 for the management of the Extended Memory System).

Apart from the actual data, the book contains much other useful information, such as comparisons between and second sources for all important IC families; addresses of manufacturers and their representatives; and overviews of all peripheral chips (including many that could not be included in this book) that are available from various manufacturers.

ISBN 0-905705-32-7

BKAA17 Price \$17.95

DATABOOK 5: APPLICATION NOTES

This book presents a series of application notes and design briefs that cover a wide variety of subjects. Apart from a number of applications related to specific components, the book also includes articles on basic design theory and the practical use of certain components. For example, there is an article reprint from *Advanced Micro Devices* that provides information on programming the motion of a stepper motor with the aid of a PAL (programmable array logic). Similarly, an article reprint from *Motorola* presents an overview of protocols and conventions used for serial communication between computers.

The application notes complement the theoretical sections by discussing the use of components related to current electronics technology. In a number of cases, this technology is ahead of the practical application, and the product is so new that an application note has not yet been published by the manufacturer—for examples, Analog Devices' description of a Continuous Edge Graphics (CEG) digital-to-analog converter (DAC), and that of a NICAM (near instantaneous companding audio multiplex) decoder chip developed by Micronas of Finland. Given the complexity of the practical circuits that could be developed on the basis of these ICs, all the relevant data sheets are included for easy reference. The book also includes a short list of manufacturers' logos that should be helpful in identifying unknown components, as well as a worldwide address list of manufacturers and distributors/representatives for the products which are discussed.

ISBN 0-905705-33-5

BKAA24 Price \$17.95

SPECIALS!

BKAAZ/1 BKAA11, 12, 13, 18: all 4 for \$49.00 (Save \$11.85!)

BKAAZ/2 BKAA14, 15, 16, 17, 24: all 5 for \$74.95 (Save \$13.30!)

BKAAZ/3 Complete *Elektor* library: all 9 for \$114.95 (Save \$34.15!)

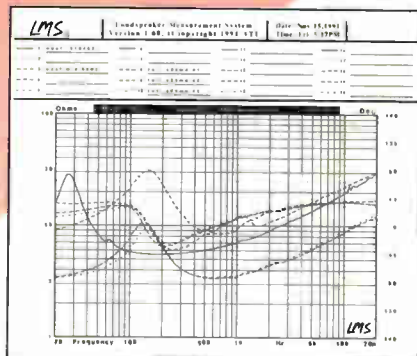
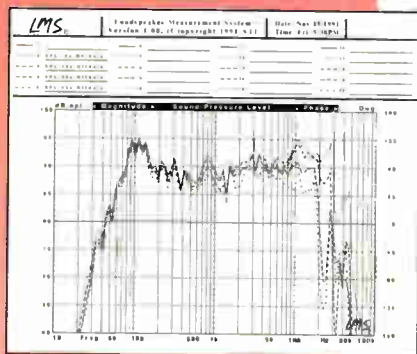
These books are all available direct from *Elektor Electronics USA* through the Readers Services, from a number of bookshops and electronics retailers in the US and Canada, and from selected bookshops throughout the world. Special prices are those of *EEUSA* only.

LMS

Loudspeaker Measurement System *Solution!*



**Quick,
Easy,
Accurate**



A laboratory-quality Loudspeaker Measurement System tool at an unbelievable price!

The ATI LMS is a complete electro-acoustic measurement system for your test/analysis requirements. You get a calibrated precision condenser measurement microphone, a PC-compatible card and LMS system control software. The LMS features a programmable sine wave oscillator, dual tracking filters with LP/HP/BP/BR modes, and a high-speed gating system for quasi-anechoic measurements. You can take SPL and Impedance measurements at the touch of a key, and print the graphs to a wide variety of output devices. Moreover, other system utilities are provided for scaling, smoothing, subtracting, dividing, and PASS/FAIL curve comparisons. For serious production testing, the LMS software provides macro programming capability for automatic test operation. And this is only the start. The LMS system provides features and capabilities usually found (if at all!) on systems costing many times more.

By utilizing the power of a PC, our own precision calibrated microphone (with greater than 20kHz bandwidth), and complete test/control software, we are able to offer a system with more features, precision, flexibility, and capabilities. Up to now, anything with this much performance had to be assembled out of high-priced stand-alone test instruments, expensive measurement microphones, and non-existent software!

Still not convinced? Give us a call and take our demo software package for a test drive.

**Breakthrough
Technology from**



Audio Teknology Incorporated

7556 SW Bridgeport Road
Portland, Oregon 97224
TEL: 503-624-0405
FAX: 503-624-0194

© 1991 Audio Teknology Incorporated