

# **ELEKTOR** **ELECTRONICS** **USA**

THE INTERNATIONAL JOURNAL  
FOR RECREATIONAL ELECTRONICS  
DECEMBER 1991

\$3.00 US  
CANADA \$4.00

## Double Issue for the Holidays

MORE THAN 60 PROJECTS AND ARTICLES

Cumulative 1991 index

Active Filters

Class A Power Amplifier

Connect-4



William Kolasa  
Rt 1 Box 267A Sunset Dr  
Chester MD 21619

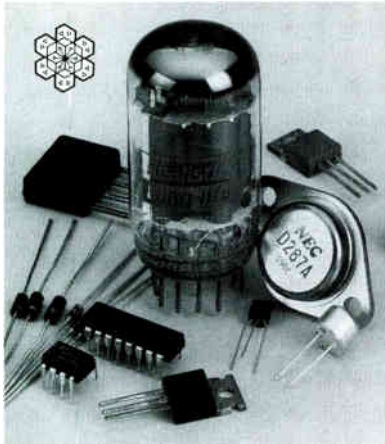
### Economy Power Supply

### FSK/RTTY Decoder for PCs

### Temperature Measurement

# RADIO SHACK

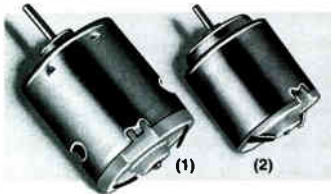
## THE PARTS PLACE<sup>SM</sup>



**Special-Order Hotline.** Your Radio Shack store can special-order over 10,000 items from our main warehouse—tubes, ICs, microprocessors, transistors, diodes, crystals, styli, computer accessories—even SAMS<sup>®</sup> service manuals.

**Range-Doubler Multitester.** With extra resolution on V/A ranges plus 50,000 ohms-per-volt DC sensitivity, 125mV and 25  $\mu$ A ranges. Continuity sounder. Measures to 1000 VDC in 12 ranges, 1000 VAC in eight ranges, 10 amps DC in 10 ranges, 20 megs in four ranges. #22-214 ..... 39.95

**Digital Logic Probe.** So handy! LEDs and tone outputs reveal logic states instantly. Check operation and pinpoint problems in all types of digital circuits—TTL, LS and CMOS, memory, microcomputer and peripheral ICs. #22-303 ..... 16.95



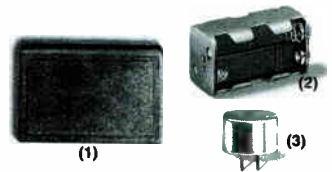
- (1) **High-Speed 12VDC Motor.** Up to 15,200 RPM no load. About 2" long. #273-255 ..... 2.99
- (2) **Low-Voltage DC Motor.** From 1 1/2 to 3VDC. About 1 1/2" long. 8300 RPM max. #273-223 ..... 99¢



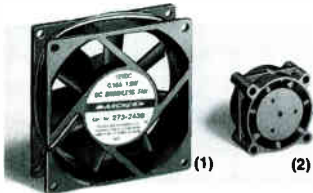
**NEW! Infrared Sensor.** For security systems and electronics projects requiring remote control. Use it to identify and locate near-infrared radiation emanating from an LED or laser source. #276-099 ..... 95¢



- (1) **Pulsating or Continuous Piezo Buzzer.** 90 dB at 12VDC. #273-068 ..... 8.49
- (2) **"Ding-Dong Chime".** 80 dB at 12VDC. #273-071 ..... 8.99
- (3) **PC-Mount Piezo.** 78 dB. From 3 to 20VDC. #273-065 ..... 2.49



- (1) **PC-Mount Omnidirectional Electret Mike Element.** 20-15,000 Hz. #270-090 ..... 1.79
- (2) **Transmitter Case.** #270-293 ..... 3.99
- (3) **Battery Holder.** 4 "AA", 9V-type snap. #270-383 ..... 1.29



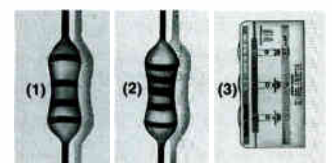
- (1) **12VDC Brushless 3" Fan.** Ball bearings for long life. Low sound level—34 dB. 27 CFM. #273-243 ..... 14.95
- (2) **12VDC Brushless Micro Fan.** Rated 150 mA. 3.5 CFM airflow. #273-244 ..... 17.95



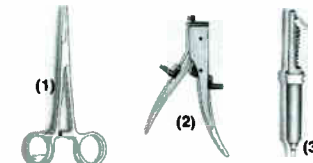
- (1) **NEW! QS-56 75-Ohm TV/VCR/FM Connectors.** For use with RG6QS Quad Shield cable. #278-232 ..... Pkg. of 2/99¢
- (2) **Archer<sup>®</sup> Coax Cable.** Four layers of shielding for CATV. #278-1317 ..... 31¢ Per Ft.



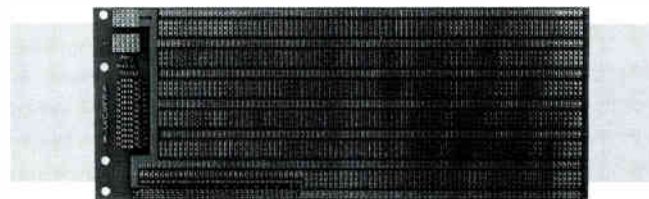
**Building Power Supplies.** Explains how power supplies work, both regulated and unregulated. Also includes plans and instructions on how to build five power supplies—three linear and two switching. #276-5025 ..... 4.95



- (1) **1/4-Watt Carbon-Film Resistors.** 5%. #271-312, Set 100/7.95
- (2) **1/4-Watt Metal-Film Resistors.** 1%. #271-309, Set 50/2.99
- (3) **Color Code Pocket Guide.** Resistor, capacitor, inductor values. #271-1210 ..... 79¢



- (1) **Locking Stainless Steel Forceps.** #64-1866 ..... 4.95
- (2) **Nibbling Tool.** Cuts up to 18-ga. steel. #64-823 ..... 10.95
- (3) **Desoldering Tool.** #64-2120 ..... 6.95



**NEW! Archer<sup>®</sup> Experimenter's Plug-In Card.** Great for experimenters. Build your own serial port card. PC/XT-compatible prototype card for breadboarding digital/analog circuits. Plated through-holes with .100" centers, power and ground bus grids, 8-bit 3 1/2 plated-edge contacts, I/O mounting area for 25-pin d-sub connector (at right). #276-1598 ..... 29.95



**NEW! 25-Pin Female D-Sub Connector.** Right-angle mounting, designed for Experimenter's PC/XT-Compatible Plug-In Card (at left) to provide standard 25-pin input/output port. #276-1504 ..... 2.39

Since 1921 Radio Shack has been the place to obtain up-to-date electronic parts as well as quality tools, test equipment and accessories at low prices. Nearly 7000 locations to serve you—NOBODY COMPARES

Prices apply at participating Radio Shack stores and dealers. Radio Shack is a division of Tandy Corporation

**Radio Shack<sup>®</sup>** SINCE 1921  
**AMERICA'S TECHNOLOGY STORE<sup>SM</sup>**

## Cumulative 1991 Index pages 98-99

### EDITORIAL

11 Join Our Triangle

### APPLICATION NOTES

60 Amplification/Attenuation Selector  
62 Digital Tape Counter  
64 Microprocessor Programmable Universal Active Filters  
86 CMOS Dimmer  
87 REF 200  
94 Single-Chip Power Line Supply

### AUDIO & HI-FI

30 Power-On Delay  
40 Class A Power Amplifier-Part 2 (of 2)  
48 On/Off Delay for Valve Amplifiers  
72 Overload Indicator  
81 Electronic Power-On Delay  
85 Protection against Direct Voltage

### COMPUTERS & MICROPROCESSORS

28 Mouse/Joystick Switch for Amiga  
29 RS232 for Sharp Pocket Computers

### DESIGN IDEAS

78 6-digit Coded AC Power Switch

### GENERAL INTEREST

14 Musical Christmas Present  
16 Universal Time Switch  
21 Safe Solid-State Relay  
22 Connect-4  
26 Automatic Blower Fan Control for Cars  
34 VOX Actuator for Baby Alarm  
35 Universal Power-On Delay  
36 BCD Rotary Switch  
37 Gentle Halogen-Light Switch

### GENERAL INTEREST - continued

45 Variable Time Switch  
46 Auto Power On-Off for Bicycle Speedometer  
47 Disco Running Lights  
47 Telephone Buzzer as Switch  
48 Bedside Light Timer  
50 Video Camera Timer  
51 Switching Clock from Parking Timer  
59 LED Indicator for Temperature Logger  
60 Slave Power Line On-Off Control Mark  
62 Water Level Control  
70 Voltage Regulator for Cars  
70 Fast Switching Gate  
73 Horse Simulator  
75 Digital 555  
86 Intelligent Power Switch  
90 Review of the Heath GC-1000 Clock

### POWER SUPPLIES & BATTERY CHARGERS

36 Battery Tester  
50 9V NiCd Battery Charger  
54 Economy Power Supply  
71 Static DC-DC Converter  
72 Relay Fuse

### RADIO, TELEVISION, & COMMUNICATIONS

18 FSK/RTTY Decoder for PCs  
80 Alexander Graham Bell  
88 Wideband Antenna Amplifier

### SCIENCE & TECHNOLOGY

52 A Simple and Adaptable Logic

### TEST & MEASUREMENT

30 Sine Wave Converter  
31 Temperature Measurement Techniques  
37 HCT Crystal Oscillator  
63 Audible Tester  
76 Digital Function Generator-Part 3 (of 3)  
77 Pulse Shaper

### MISCELLANEOUS INFORMATION

Electronics Scene 12-13; New Books 92;  
Cumulative 1991 Index 98-99; Reader Services 100;  
Terms of Business 101; Classifieds 102.

Copyright © 1991 Elektor BV

ELEKTOR ELECTRONICS USA (US ISSN 1051-5690) is published monthly except August at \$28 per year; \$50 for two years by Audio Amateur Publications, Inc., 305 Union St., Peterborough NH 03458 USA. Second class postage paid at Peterborough NH and an additional mailing office.

POSTMASTER: Send address changes to Elektor Electronics USA, Caller Box 876, Peterborough NH 03458-0876. Return Postage Guaranteed.



# OLD COLONY SOFTWARE

## ACTIVE FILTER DESIGN

Fernando Garcia Viesca, Marco A. Perez

This easy-to-use program calculates component values for Butterworth filters in four configurations: high- and low-pass in second- and third-order. From *SB 4/88*; article reprint included. Written in GW-BASIC. 1 x 5 1/4", 360K, DS/DD.

**SOF-ACT1B5 ACTIVE FILTER DESIGN for IBM \$17.50**

## A-FILTER

Sitting Duck Software

Designed to be a companion for the ever popular *Active Filter Cookbook* by Don Lancaster, this program designs op-amp-based active filter networks to order eight. It is aimed at the electronic hobbyist and bench technician who may be working on other types of projects besides crossovers, handling 5th, 6th, and 8th orders, multi-stage bandpass, notch, and a number of useful utility functions.

**SOF-AFL1B5G A-FILTER WITH GRAPHICS for IBM \$34.95**

## Q COMPENSATION NETWORK COMPONENT VALUES

Hans Klarskov Mortensen

From Denmark, this program computes component values for the Q compensation networks described in *Speaker Builder 1/90's "An Acceleration Feedback System,"* which are based on design formulas first published by Siegfried Linkwitz in "Loudspeaker System Design," *Electronics and Wireless World*, May, June 1978. Written in Turbo-Prolog, requires DOS 2.0 or higher. 1 x 5 1/4", 360K, DS/DD, for PC/XT/AT. Article reprint included.

**SOF-AFS1B5 Q COMPENSATION NETWORK COMPONENT VALUES for IBM \$12.50**

## ATTENUATOR STEPS

Dave Halbakken

Based on an article by Fred Gloeckler in *The Audio Amateur 2/72*, this handy program is used for designing stepped attenuators for audio signals by using fixed resistors and multi-pole switches, producing a list of resistor values in order from the top of the attenuator to ground. Written in C; source code also included. Article reprint included.

**SOF-AST1B5 ATTENUATOR STEPS for IBM \$7.50**

## BOXRESPONSE

Robert M. Bullock III, Robert White; Glenn Phillips

Very straightforward, menu-driven, and flexible, this package provides model-based performance data for either closed-box or vented-box loudspeakers with or without a first- or second-order electrical high-pass filter as an active equalizer. It can be used for designing closed, vented, passive radiator, and electronically augmented vented boxes--and from different perspectives, which is most valuable (you can base the design on a flat response or specify different descriptive variables, for example). The disk also contains seven additional handy programs:

**AIR CORE:** This program was written as a quick way of evaluating the resistance effects of different gauge (16-38 only) wire on a given value inductor.

**SERIES NOTCH:** This was developed to study the effects of notch filters in the schematics of some manufacturers.

**STABILIZER 1:** This program calculates the resistor-capacitor values needed to compensate for a known voice coil inductance and driver DC resistance.

**OPTIMUM BOX:** This is a quick program based on Thiele/Small to predict the proper vented box size, tuning, and -3dB down point.

**RESPONSE FUNCTION:** This program calculates the small-signal response curve of a given box/driver combination after the input of the free-air resonance of the driver ( $f_s$ , the overall Q of the driver ( $Q_{TS}$ ), the equivalent volume of air equal to the suspension ( $V_{AS}$ ), the box tuning frequency ( $f_B$ ), and the box volume ( $V_B$ ).

**L-PAD** by Glenn Phillips: This is useful for padding down a tweeter or midrange while still retaining the same load as the driver itself.

**VENT COMPUTATION** by Glenn Phillips: This program calculates the needed vent length for 1, 2, or 4 ports of the same diameter.

Purchasing options available:

**SOF-BOX1A5 BOXRESPONSE for Apple (not Mac) \$25.00**

**SOF-BOX1B5 BOXRESPONSE for IBM \$25.00**

**SOF-BOX1C5 BOXRESPONSE for Commodore 64 (disk) \$25.00**

**SOF-BOX3CC BOXRESPONSE for Commodore 64 (cassette) \$25.00**

**SOF-BOX2B5G BOXRESPONSE WITH GRAPHICS for IBM \$50.00**

### The Difference Between BOXRESPONSE and BOXMODEL

BOXRESPONSE has two capabilities. The first is the capability to display various aspects of the performance of a passive-radiator or vented-box loudspeaker system using a generalized Thiele/Small model. The display is in the form of graphs of small-signal response, cone excursion, and so forth. The second capability is that of calculating various maximally-flat alignments for a given driver.

BOXMODEL has the first capability of BOXRESPONSE but not the second. Its difference from BOXRESPONSE is twofold. First, it is vastly easier to input and modify data in BOXMODEL, and any change you make is immediately incorporated into the system. BOXRESPONSE is more awkward (though still eminently usable) in this regard. Second, BOXMODEL is capable of displaying graphs of up to four systems simultaneously, whereas BOXRESPONSE can only handle one system at a time. This capability makes BOXMODEL an invaluable aid in comparing the consequences of various design tradeoffs you might want to consider.

Alignment generation capability was not included in BOXMODEL because it would have made the program awkward to use and much larger. If you are mainly interested in having automatically generated alignments, then BOXRESPONSE is the program you should choose. But, if you want to consider many possible alignments, and compare and contrast their performances, then BOXMODEL is the only way to go. Either way, you will be joining hundreds of very satisfied users of each program.

# GREAT HOLIDAY GIFTS!

## BOXMODEL

Robert M. Bullock III, Robert White

This new box design program does large- and small-signal analysis of driver low-end performance below 400Hz. It is somewhat of a next generation of the authors' BOXRESPONSE program, although it is considerably more sophisticated. Although no automatic calculation of optimal alignment is provided by BOXMODEL (see BOXRESPONSE), the program has numerous advantageous features:

- (1) Instant updating of all system parameters whenever one is changed.
- (2) Simultaneous retention of data on up to four different systems.
- (3) Simultaneous display on a common axis of parameters from up to four systems, for easy performance comparison.
- (4) One-step inclusion of high-pass equalizer through order 3, allowing easy comparison of performance with and without.
- (5) Easy accommodation of passive-radiator systems, as well as closed or vented boxes.
- (6) Provision for distributing loss among absorption, leakage, and vent/passive-radiator, allowing for easy assessment of performance variations due to various possible loss distributions.
- (7) Easy selection of ambient temperature and barometric pressure, immediately updating relevant parameters.
- (8) On-line help or suggestions for most items.
- (9) Running calculations of miscellaneous data such as  $C_{MS}$ , vent length,  $\alpha$ ,  $h$ , and  $\delta$ .

From SB 6/90; article reprint included. Requires 384K RAM plus CGA, EGA, VGA, or Hercules graphics card. Coprocessor recommended but not necessary. 1 x 5 1/4", 360K, DS/DD.

Purchasing options available:

**SOF-MOD3B5GD BOXMODEL WITH GRAPHICS**  
Demo for IBM (usable as credit toward later purchase of full package) **\$5.00**

**SOF-MOD3B5G BOXMODEL WITH GRAPHICS**  
for IBM **\$50.00**

## BANDPASS BOXMODEL

Robert M. Bullock III, Robert White

This program is a computer model for bandpass loudspeaker systems. These systems are characterized by the fact that there are two chambers, one at the rear of the driver and one in the front. The primary output is from a vent or passive-radiator on the front enclosure. The program provides eight different acoustic arrangements. 1 x 5 1/4", DS/DD; requires graphics capability.

Purchasing options available:

**SOF-BPB1B5GD BANDPASS BOXMODEL WITH GRAPHICS**  
Demo for IBM (usable as credit toward later purchase of full package) **\$5.00**

**SOF-BPB1B5G BANDPASS BOXMODEL WITH GRAPHICS**  
for IBM **\$50.00**

## TRANSMISSION LINE BOXMODEL

Robert M. Bullock III, Robert White

This program is a computer model for transmission line loudspeaker systems. The standard Thiele/Small model is used for the driver, and a modified Bradbury model is used for the acoustic section.

TRANSMISSION LINE BOXMODEL allows selection of driver parameters, line length and taper, and properties of the filling material, as well as choice of line air speed and filling porosity. 1 x 5 1/4", DS/DD; requires graphics capability.

Purchasing options available:

**SOF-TLB1B5GD TRANSMISSION LINE BOXMODEL WITH GRAPHICS Demo for IBM (usable as credit toward later purchase of full package)** **\$5.00**

**SOF-TLB1B5G TRANSMISSION LINE BOXMODEL WITH GRAPHICS for IBM** **\$50.00**

## CALSOD

Witold Waldman/Audiosoft

From Australia, CALSOD (or "Computer-Aided Loudspeaker System Optimization and Design") is one of the world's most famous software packages in the field of crossover network design. It combines the transfer function of an LC network with the acoustic transfer function of the loudspeaker, by using some form of iterative analysis.

CALSOD creates, through the process of trial-and-error curve fitting, a suitable transfer function model which it can then optimize. The program was the subject of the designer's research paper, "Simulation and Optimization of Multiway Loudspeaker Systems Using a Personal Computer," which appeared in the Audio Engineering Society's *Journal* for September 1988. CALSOD differs considerably from other software in that it models the entire loudspeaker output of a multi-way system, including the low-end response, as well as the summed responses of each system driver.

The CALSOD program comes on a single 360K floppy which requires one directory and two subdirectories in installation, as well as access to the DOS GRAFTABL file which it uses for a couple of special symbols. The 133-page User Manual, provided on a second disk, is well-written, more than adequately describes the various program functions, and contains an excellent tutorial example which demonstrates the use of the program. For PC/XT/AT and PS/2 with 512K of free RAM and DOS 2.10 or higher. Hard disk recommended (except for demo). 8087/80287/80387 coprocessor recommended but not necessary. CGA, EGA, VGA, or Hercules graphics card required.

Purchasing options available:

**SOF-CAL2B4GD CALSOD WITH GRAPHICS**  
3 1/2" Demo for IBM (usable as credit toward later purchase of full package) **\$6.00**

**SOF-CAL2B4G CALSOD WITH GRAPHICS**  
3 1/2" for IBM **\$67.50**

**SOF-CAL2B6GD CALSOD WITH GRAPHICS**  
5 1/4" Demo for IBM (usable as credit toward later purchase of full package) **\$5.00**

**SOF-CAL2B6G CALSOD WITH GRAPHICS**  
5 1/4" for IBM **\$65.00**

## PC-ECAP

Peter Volpa

This package is one of the world's simplest and best AC circuit analysis programs, as described in the review by Jan Didden in TAA 1/91. PC-ECAP can calculate the frequency response (amplitude and phase) for a given circuit. Its simple but adequate built-in editor generates a text file that describes the circuit to be simulated, and on-line help is available.



# OLD COLONY SOFTWARE

**SOF-LMP1C5 LMP LOUDSPEAKER MODELING PROGRAM**  
for Commodore 64 **\$17.50**

**SOF-LMP2B5 LMP LOUDSPEAKER MODELING PROGRAM**  
for IBM **\$17.50**

**SOF-LMP3M3 LMP LOUDSPEAKER MODELING PROGRAM**  
for Macintosh **\$17.50**

## "SOUPED UP" SD-LMP LOUDSPEAKER MODELING PROGRAM

Ralph Gonzalez, Bill Fitzpatrick

This package is available for the IBM PC and Macintosh computers, providing professional-quality graphics, a fast and friendly graphical user interface, and the means for rapid data entry. It remains compatible with LMP data files, and documentation is included. The Macintosh version (also sometimes referred to as LMP PROFESSIONAL) adds visual and audible square-wave prediction using the internal speaker or audio output jack. For technical users, this version also permits crossover definition directly via the factored or unfactored transfer function, if desired. The most striking difference is the program's ability to process a sine, square, or sawtooth waveform through the simulated network topology and display it on the screen as well as through the speaker or audio out jack. CGA, EGA, VGA, or Hercules graphics capability required. IBM PC/XT/AT version: 1 x 5 $\frac{1}{4}$ ", DS/DD. Macintosh version: 1 x 3 $\frac{1}{2}$ ", SS/DD. Standard LMP packages (listed elsewhere in this section) may be exchanged for a \$10 credit toward the purchase of either of the full SD-LMP packages listed below.

Purchasing options available:

**SOF-LMP3B5G "SOUPED UP" SD-LMP LOUDSPEAKER MODELING PROGRAM WITH GRAPHICS** for IBM **\$49.95**

**SOF-LMP3M3G "SOUPED UP" SD-LMP LOUDSPEAKER MODELING PROGRAM WITH GRAPHICS** for Macintosh **\$49.95**

## MACSPEAKERBOX

Eldon Sutphin

This software allows you to design and examine the low frequency characteristics of bass reflex, closed box (acoustic suspension), and infinite baffle types of enclosures. Thiele/Small driver parameters are used to calculate the response for various design tradeoffs. In general, MACSPEAKERBOX is a must for those who would rather be building and listening than calculating. Macintosh 512K, Macintosh Plus, or Macintosh SE required. ImageWriter or ImageWriter II recommended for hard copy. DS/DD.

Purchasing options available:

**SOF-MSB1M3GD MACSPEAKERBOX WITH GRAPHICS**  
Demo for Macintosh (usable as credit toward later purchase of full package) **\$5.00**

**SOF-MSB1M3G MACSPEAKERBOX WITH GRAPHICS**  
for Macintosh **\$39.95**

## PASSIVE CROSSOVER CAD

Robert M. Bullock III, Robert White

PASSIVE CROSSOVER CAD (Computer-Aided Design) is the result of Dr. Bullock's extensive research concerning first-, second-, third-, and fourth-order passive crossovers as published in *Speaker Builder* 1,2,3/85. The package contains six extremely useful programs:

**PASSIVE TWO-WAYS:** This program comes directly from the article by Dr. Bullock in *SB* 1/85. It computes the values for components and identifies the network diagrams (supplied) for the required net.

**PASSIVE THREE-WAYS:** This program, implemented on the Apple by Robert White after an article by Dr. Bullock in *SB* 2/85, calculates the values for two- and three-way passive crossover components.

**EQUALIZER UTILITY:** This computes the values for components in a network used to equalize the impedance of a driver over its frequency range.

**RADIATION PATTERNS:** The vertical radiation pattern from a multi-driver system can be explored with this program based on Dr. Bullock's article in *SB* 1/85.

**EX(CURSION)-LIMIT:** This computes the SPL, G force, and required power in watts for a given excursion, piston diameter, and mass.

**CROSSOVER TRANSFER FUNCTION:** In this program, the operator enters the filter order--first, second, third, or fourth--and the center frequency. The program then outputs the transfer function for the high- and low-pass sections for a frequency range above and below the selected crossover frequency.

Requires DOS 3.3 or higher. Graphics version available for IBM only; please see PXO PASSIVE CROSSOVER CAD elsewhere in this section.

Purchasing options available:

**SOF-PAS1A5 PASSIVE CROSSOVER CAD**  
for Apple (not Mac) **\$25.00**

**SOF-PAS1B5 PASSIVE CROSSOVER CAD**  
for IBM **\$25.00**

**SOF-PAS1C5 PASSIVE CROSSOVER CAD**  
for Commodore 64 (disk) **\$25.00**

## PXO PASSIVE CROSSOVER CAD

Robert M. Bullock III, Robert White

PXO is the graphics version of PASSIVE CROSSOVER CAD, featuring the same six programs with improved ease of use, faster performance, and high resolution graphics (presented in tabular form if graphics capability is not available). 1 x 5 $\frac{1}{4}$ ", DS/DD.

Purchasing options available:

**SOF-PXO3B5GD PXO PASSIVE CROSSOVER CAD WITH GRAPHICS** Demo for IBM (usable as credit toward later purchase of full package) **\$5.00**

**SOF-PXO3B5G PXO PASSIVE CROSSOVER CAD WITH GRAPHICS** for IBM **\$50.00**

## QUICK BOX

Sitting Duck Software

QUICK BOX allows the speaker-building hobbyist to rapidly design closed, vented, and fourth-order bandpass boxes. The program's Library Manager, which allows "quick preview" of driver parameters and box possibilities, comes complete with data for 38 common drivers--more are easily added by the user. 1 x 5 $\frac{1}{4}$ ". Supports CGA, EGA, VGA, or Hercules; coprocessor; LaserJet or dot matrix.

**SOF-QBX1B5G QUICK BOX WITH GRAPHICS**  
for IBM **\$34.95**

# GREAT HOLIDAY GIFTS!

Users should note that this is a shareware product, which means that it may be used for a reasonable evaluation period, after which continued use morally obligates the user to register his copy with the author and pay the full package price (in this case, about \$75). In return, the author provides full support and updates when available. Article reprint included. 1 x 5 1/4". Usable with MDA, CGA, EGA, VGA, and Hercules display adapters.

**SOF-CAP1B5G PC-ECAP WITH GRAPHICS for IBM \$9.95**

## PSPICE

MicroSim Corporation

Within minutes after receiving the description of a speaker system's equivalent electrical circuit, PSPICE will provide you with high-quality graphs of frequency response, phase response, transient response, and cone excursion versus frequency. PSPICE was derived from SPICE, a public-domain software package developed in the '70s by researchers at the University of California at Berkeley. It was developed primarily as an aid to integrated circuit design, and thus its acronym stands for Simulation Program with Integrated Circuit Emphasis. The PSPICE version of SPICE is produced by MicroSim Corporation. Users should note that the packages below are student (demo) versions intended only to introduce PSPICE to potential users who may wish to later purchase the full PSPICE package from MicroSim. The PSPICE demo programs below can simulate circuits of up to five nodes and ten transistors, with the parameters inserted by the user.

Purchasing options available:

**SOF-SPC1B5GD PSPICE WITH GRAPHICS  
Demo for IBM PC \$12.95**

**SOF-SPC2B5GD PSPICE WITH GRAPHICS  
Demo for IBM PS/2 \$12.95**

**SOF-SPC1M3GD PSPICE WITH GRAPHICS  
Demo for Macintosh II \$12.95**

## CROSSOVER DESIGN PLUS

G.R. Koonce

This disk is intended primarily for the design of passive crossovers, although it also contains files #1 through #7 from DRIVER EVALUATION PLUS (elsewhere in this section). Thus it allows the evaluation of the suitability of drivers for application in closed, vented, and passive-radiator enclosures, as well as the design of approximate optimum and non-optimum vented boxes. Additional files include:

#8 TWWYCO87.EXE: This allows the design of first-, second-, and third-order two-way crossovers.

#9 TRWYCO87.EXE: This program provides for the design of first-, second-, and third-order three-way crossovers, and otherwise has the same features as file #8.

DOS 2.0 or later, 256K of RAM required. Coprocessor optional. 1 x 5 1/4", 360K, DS/DD.

**SOF-CRS1B5 CROSSOVER DESIGN PLUS for IBM \$19.95**

## DRIVER EVALUATION PLUS

G.R. Koonce

This program evaluates the suitability of drivers for application in closed, vented, and passive-radiator enclosures. It then goes on to allow you to design vented boxes in detail, complete with port duct calculations. These programs, in general, will not handle closed-box, passive-radiator,

large-signal, or equalized-enclosure design. The disk does contain an IBM version of the original BOXRESPONSE from 1984, but none of the more recent upgrades have been incorporated into it. In addition to operating files #1 through #4, this disk also contains the following files:

#5 LXCOMP.EXE: This is a simple program associated with inductance measurement, which does not have source information on the title page and does not check most data entries.

#6 QKLOOK.EXE: This allows you to enter the Thiele/Small (T/S) parameters of one or two drivers and then displays a chart of how the driver(s) will perform in closed boxes, in vented boxes, and in a passive-radiator box with alpha equal to delta.

#7 NONOPT87.EXE: This program uses the equations developed by Small and Margolis to approximate vented-box design in a specified box volume.

#8 OPTIMUM.EXE: This is identical to #7 above, but starts by first doing an approximate optimum design. It can actually do any calculations that NONOPT87 can do.

#9 BOXRESQ.EXE: This is the original version of BOXRESPONSE as discussed above.

#10 VBTUNE87.EXE: This program provides tuning data on a vented-box design. It will, however, allow you to do optimum designs, approximate non-optimum designs, or enter just the needed data from an existing design.

#11 PORT87.EXE: This provides for design of the old-fashioned "hole-type" ports in vented boxes, which has long been omitted from most modern programs.

DOS 2.0 or higher, 256K of RAM required. Coprocessor optional. 1 x 5 1/4", 360K, DS/DD.

**SOF-DRI1B5 DRIVER EVALUATION PLUS for IBM \$19.95**

## FREQUENCY/WARBLE TONE GENERATOR

Paul William

These ingenious programs, PCFREQ and PCWARBLE, along with a simple modification, transform an IBM PC or compatible into a frequency and warble tone generator. Some hardware required. Note: Modification of PC will usually violate warranty. Written in C; 1 x 5 1/4".

**SOF-FRQ1B5 FREQUENCY/WARBLE GENERATOR  
for IBM \$9.95**

## LMP LOUDSPEAKER MODELING PROGRAM

Ralph Gonzalez, Bill Fitzpatrick

A speaker system modeling program and crossover network design utility, LMP is based on original work by Ralph Gonzalez. It is a program designed to model multi-way loudspeaker systems, with the resulting frequency and phase response curves predicting the on-axis sound pressure level produced by the interaction of your choice of crossover, drivers, and enclosure design. Apple II version: 1 x 5 1/4", SS/DD, requires DOS 3.3 or higher. Commodore 64 version: 1 x 5 1/4", DS/DD. IBM PC/XT/AT version: 1 x 5 1/4", DS/DD, requires DOS 2.1 or higher. Macintosh version: 1 x 3 1/2", SS/DD. Each Standard LMP version below is usable as a \$10 trade-in credit toward the later purchase of a "SOUPED UP" SD-LMP LOUDSPEAKER MODELING PROGRAM WITH GRAPHICS full package as described elsewhere in this section.

Purchasing options available:

**SOF-LMP1A5 LMP LOUDSPEAKER MODELING PROGRAM  
for Apple (not Mac) \$17.50**



# OLD COLONY SOFTWARE

## SPEAKER DESIGNER

Stuart E. Bonney

SPEAKER DESIGNER is a loudspeaker system design aid and modeling tool for use with both closed and vented systems over the frequency range of 10–300Hz. The program computes and displays system frequency response, power handling capabilities, and relative sound pressure level (SPL) outputs for each of 26 discrete frequencies over this range. This package runs on any IBM PC/XT/AT, true compatible, or IBM PS/2 running MS/PC-DOS 2.0 or higher. Printer output compatible with any 80-column or wider printer. 1 x 5 1/4", 360K, DS/DD.

**SOF-SPD1B5 SPEAKER DESIGNER for IBM \$19.50**

## STEPPED VOLUME CONTROLS

Joseph O'Connell

These ready-to-run Macintosh programs come on a 3 1/2" SS/DD disk initialized as a 400K disk for compatibility with all machines. Also included are the Pascal source codes, should you wish to customize them for your own use. The package contains two programs:

**RESISTOR SELECTOR (Program A):** This program simplifies the math necessary to build stepped volume controls.

**RESISTOR CHECKER (Program B):** This program would be superfluous if it were possible to obtain every resistor value that the above program called for. But because you will be limited to the nearest standard values, or with series and parallel combinations, this program quickly calculates the taper that will result with different actual values. It can also show the effects of different source and load impedances on the taper. Both programs (contained on the same disk) allow you to save their output to a text file. From TAA 4/88, 3/89; article reprints included.

**SOF-SVC1M3 STEPPED VOLUME CONTROLS for Macintosh \$25.00**

## THE LISTENING ROOM

Sitting Duck Software

This interesting program predicts standing wave modes in small rooms and is designed for positioning speakers--and the listener--in such a way as to minimize standing wave effects and other room-generated influences. With proper speaker/listener positioning, serious frequency response dips and peaks due to room influences can be kept to a minimum. The program allows for a full range of speaker and listener movement in 3D space and continuously updates a standing wave Pressure Versus Frequency display. 256K RAM, DOS 2.11 or higher required. CGA, EGA, VGA, or Hercules graphics capability required. LaserJet or dot matrix printer recommended. 1 x 5 1/4"; supplied on the diskette is a second version of the program which recognizes a coprocessor. Softbound manual.

**SOF-TLR1B5G THE LISTENING ROOM WITH GRAPHICS for IBM \$34.95**

## THIELE/SMALL DRIVER PARAMETERS

David Long

This package was written in order to make easier and faster the job of determining the Thiele/Small parameters of raw drivers. The final display screen will show, in addition to the usual parameters, the effects of amplifier and crossover losses on the driver ( $Q_E$ ,  $Q_T$ ,  $Q_{ES}$ ,  $Q_{TS}$ , and SPL), driver impedance at  $f_S$ , the driver's moving mass ( $M_{MD}$ ), the driver's suspension compliance ( $C_{MS}$ ), and efficiency.

This disk also contains programs for  $Q_{LA}$ ,  $Q_{TC}$ , and room resonance. 1 x 5 1/4", SS/DD. From SB 1/89; article reprint included.

**SOF-TSD1C5 THIELE/SMALL DRIVER PARAMETERS for Commodore 64 (disk) \$25.00**

## TWO-WAY ACTIVE CROSSOVERS PLUS

Gary Galo

This program will perform the necessary calculations for the eight common two-way active crossover designs described by Dr. Robert M. Bullock III in *Speaker Builder* 3/85 (article reprint is included). The schematics are drawn in the text mode using the IBM line drawing characters. No graphics adapters are needed to display them, but your printer must be set up to emulate the IBM ProPrinter in the alternate character set mode. As an aid to selecting op amps suitable for use in audio circuits, also included is a program for calculating op amp  $V_{TH}$  (input dynamic range), based on an article in TAA 3/86 (article reprint included). This program is particularly valuable since the demands of CD players have made  $V_{TH}$  such an important consideration in designing analog circuitry. DS/DD.

Purchasing options available:

**SOF-TWO1B3 TWO-WAY ACTIVE CROSSOVERS PLUS 3 1/2" for IBM \$20.00**

**SOF-TWO1B5 TWO-WAY ACTIVE CROSSOVERS PLUS 5 1/4" for IBM \$20.00**

## VENTWRK VENTED BOX CONSTRUCTION (PLUS)

George L. Augspurger

A short segment of a much larger loudspeaker analog program, VENTWRK is provided by one of audio's most famous names as a companion to his article "New Guidelines for Vented-Box Construction," which appeared in SB 2/91 (article reprint included). The program encompasses simple design rules developed by the author which enable  $f_B$  (resonance frequency) to be predicted reasonably accurately for typical vented loudspeaker enclosures. The Apple IIe version is written in Applesoft BASIC and runs on any member of the Apple II family having an 80-column card. It contains the VENTWRK program only. The IBM PC version is written in Turbo Pascal. The source code and the compiled .EXE program are included on the high density diskette. In addition to VENTWRK, the IBM version also contains the following two programs:

**SPCONV:** This program performs very fast interactive conversion between Thiele/Small parameters and basic specifications such as B1 factor and cone assembly mass.

**BXCKT:** This calculates and displays the R-L-C analog circuit values for Locanthi's analog circuit. Closed box, vented system, and passive radiator system are provided.

Purchasing options available:

**SOF-VNT1A5 VENTWRK VENTED BOX CONSTRUCTION for Apple (not Mac) \$9.95**

**SOF-VNT2B5 VENTWRK VENTED BOX CONSTRUCTION PLUS for IBM \$19.95**

## WOOFER-SATELLITE OFFSET

Sitting Duck Software

When, due to aesthetic considerations, woofer systems are placed at



# USE OUR EASY ORDER FORM BELOW!

distances from the listener which are different from that of the satellites, serious dips in frequency response may result. The magnitude, width, and frequency of the dips are a function of the distance differential and the crossover network in use. This program plots the frequency and phase response curve which results from user-determined offset differentials and network configurations. 256K RAM required. CGA, EGA, VGA, or Hercules graphics capability required. LaserJet or dot matrix printer recommended. 1 x 5 1/4".

**SOF-WSO1B5G WOOFER-SATELLITE OFFSET WITH GRAPHICS for IBM \$34.95**

## SPEAKER BUILDER AND THE AUDIO AMATEUR INDEXES, 1980-1990

Russell Schoof

These eleven-year indexes, available separately and as a set, chronicle in a very user-friendly fashion the contents of *Speaker Builder* and *The Audio Amateur* magazines. The indexes are not stand-alone software; they require database management software such as PCFile:dB or Alpha Four for implementation.

These are dBASE III+ files and can be used by any program that either directly accesses or imports that type of file. Since dBASE is the *de facto* industry standard, though, most database and spreadsheet programs will work--even some word processors will. Since the index contents are

standard database files, the indexes themselves can be updated annually or otherwise modified by the user. Alternatively, registration of the index copy with the designer (card provided) will entitle the purchaser to a discounted price on professionally produced annual updates.

The *Speaker Builder* index comes on two 5 1/4" disks. The EDITORIAL CONTENTS disk contains more than 1000 entries for articles, columns, letters, and corrections. The DRIVERS disk contains more than 800 entries for raw drivers. It lists all raw drivers for which useful information is presented in articles, letters, and some advertisements. Further, it also gives data (when available) on the type, function, construction materials, voice coils, and use, as well as the other types of information published in *SB*. Occasionally, data has been supplemented by information from outside sources. The index for *The Audio Amateur* comes on one 5 1/4" disk and is presented in the same form and style as the *Speaker Builder* EDITORIAL CONTENTS.

Purchasing options available:

**SOF-SBX2B5 SPEAKER BUILDER INDEX, 1980-1990, for IBM \$16.00**

**SOF-AAX2B5 THE AUDIO AMATEUR INDEX, 1980-1990, for IBM \$16.00**

**SOF-XXX2B5 SPEAKER BUILDER/THE AUDIO AMATEUR COMBINED INDEX SET, 1980-1990 \$30.00**

DEALER DISCOUNTS AVAILABLE



## OLD COLONY SOFTWARE EASY ORDER FORM

QTY.	ITEM NO.	PRICE EACH	TOTAL
_____	SOF-_____	\$ _____	\$ _____
_____	SOF-_____	_____	_____
_____	SOF-_____	_____	_____
_____	SOF-_____	_____	_____
_____	SOF-_____	_____	_____
<input type="checkbox"/> FREE CATALOG		SHIPPING	\$ _____
		TOTAL	\$ _____

NAME \_\_\_\_\_

COMPANY \_\_\_\_\_

STREET \_\_\_\_\_

CITY \_\_\_\_\_ ST \_\_\_\_\_ ZIP \_\_\_\_\_

DAYTIME TELEPHONE \_\_\_\_\_

PAYMENT BY:

CHECK / MONEY ORDER

MASTERCARD  VISA

MC OR VISA \_\_\_\_\_ EXP. \_\_\_\_\_

**SHIPPING:**  
 USA: \$2 first item, \$.75 each additional.  
 Canada: \$4.50 first item, \$.75 each additional.  
 Overseas Surface: \$6 first item, \$.75 each additional  
 Overseas Air: \$9 first item, \$.75 each additional.

**OLD COLONY  
SOUND LAB**  
 PO BOX 243, Department E91  
 Peterborough, NH 03458-0243 USA  
 24-Hour Lines  
 Telephone: (603) 924-6371 or (603)924-6526  
 FAX: (603) 924-9467

# NOW THAT YOU'VE SEEN OUR NEWEST TREASURE . . .

## WHY NOT HAVE A LOOK AT THE REST?



The newest publication from the folks who bring you *Audio Amateur* and *Speaker Builder*

**Glass Audio** features the best vacuum tube designs for audio reproduction—past and contemporary. The new designs take advantage of improved components and control techniques that make the end results far superior to anything possible during the early days of audio's rebirth after World War II.

That's why tubes are having such a renaissance of interest as a perfectionist approach to good sound. And that's why tubes are reappearing in original equipment, in high end consumer and professional audio systems.

Published quarterly, *Glass Audio* will inform you about new innovations in the field and about parts sources. We'll also include modification projects, reviews of technical basics and regular columns such as Tube Troubles, Tube Tips and much more.

Subscribe today!



### *Audio Amateur* THE JOURNAL FOR AUDIOPHILE CRAFTS

The innovative, independent audiophile journal for the thoughtful and capable music lover

*Audio Amateur's* articles deal with how audio equipment works, as well as how to build or modify it. Construction and modification articles are plentiful, supplying all needed parts, performance and assembly details. Exceptionally high quality designs.

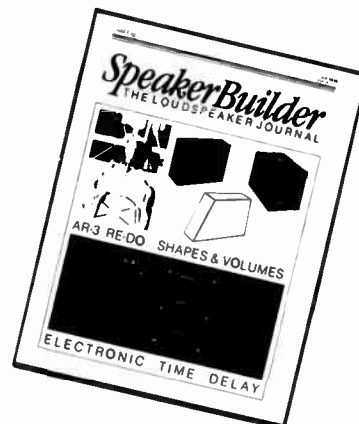
*Audio Amateur* offers a number of features in each issue that abound with useful ideas. The *Letters* column is an open forum for problem solving and information interchange; *Classic Circuitry* reprints schematics of state-of-the-art gear—old and new; *Audio Aids* relates readers' experience with simple modifications to equipment and construction techniques. We also feature many useful and practical hi-fi accessories you can build to further your audio enjoyment.

For a small investment you can make your music system sound better—very probably a lot better.

### *Speaker Builder* THE LOUDSPEAKER JOURNAL

The magazine that finally deals seriously with the art and craft of speaker building

The *Art* of building a speaker is to optimize that mixture of design and engineering to balance all the parameters for the most beautiful sound possible. The *Craft* is knowing how and why. *Speaker Builder* gives you knowledge—from driver parameters and crossovers to woodworking—to develop and refine your techniques, and to get the most out of your system.



*Speaker Builder* helps you explore new designs with how-to construction articles, and can show you how to modify your old speakers and make them sound better than ever. Learn from our writers who turn abstract theory into practical approaches, and from the experience of other readers who have been down the road before you. *Speaker Builder* is the best investment you can make in your system—six issues per year filled with stimulating and exciting ideas.

#### GLASS AUDIO

- Two years, (8 issues) \$35
  - One year, (4 issues) \$20
- Canada add \$4 per year postage

#### AUDIO AMATEUR

- Two years, (8 issues) \$35
  - One year, (4 issues) \$20
- Canada add \$4 per year postage

#### SPEAKER BUILDER

- Two years, (12 issues) \$45
  - One year, (6 issues) \$25
- Canada add \$6 per year postage

NAME \_\_\_\_\_

STREET & NO. \_\_\_\_\_

CITY \_\_\_\_\_ STATE \_\_\_\_\_ ZIP \_\_\_\_\_

MC OR VISA NUMBER \_\_\_\_\_ EXPIRE \_\_\_\_\_

## AUDIO AMATEUR PUBLICATIONS

PO Box 576, Dept. E91, Peterborough, NH 03458-0576 • (603) 924-9464 • FAX: (603) 924-9467

Answering machine for credit card orders only: before 9:00 a.m., after 4:00 p.m. and weekends. Have all information plus MC/VISA available.

# JOIN OUR TRIANGLE

A great magazine community is, in my view, a triangular structure. As I said last month, the reader/advertiser side of the triangle is important to the health of the avocation. But just as vital is the interaction between the magazine and the vendor for their mutual health.

I alluded to the magazine/reader side of the triangular relationship last month. Nothing illustrates the idea like a concrete example. This one popped out of our FAX just this morning:

Gentlemen:

Thanks for a great job on publishing Elektor! I have enjoyed every issue!

I thought that maybe you could help me locate some information about a project that I would like to build, a programmable moving sign. I plan to use lamps instead of the typical LED array, but it should be easy to upscale the driving circuits once I know the basics. If you have any suggestions, please advise.

Again, many thanks for a great magazine!

Ellis Guy

Cathedral Sound & Light  
Fayetteville, NC 28304

Mr. Guy, by his letter, rises out of the mass of readers (just over 10,000 this morning) and becomes a more visible, recognizable person than before.

Next, Mr. Guy shares a wish. This touches exactly on one of the basic issues about a magazine's function. All too many publications project the fountainhead image where the magazine appears to be the infinite resource for information and answers to problems. Most of the time this function is more appearance than fact. In my experience, the readers and editors are both sources of knowledge. Most magazines find answers by research or by accumulating data or data sources in a central office. But no one repository has it all.

Lewis Thomas, one of our finest essayists and long time research director at the Sloan-Kettering Institute of Cancer Research in New York, has said that the greatest scientific discovery of the 20th century is that our ignorance is growing at an exponential rate. We can take that as a frightening fact or regard it as a clear signal that we are more interdependent than ever before.

This interdependency is not only a necessity, Japanese universities are demonstrating that it is an effective educational tool. Writing recently in the October 28, 1991 issue of *Electronic Engineering Times*, Robert Deiters paints a fascinating picture of Japanese student life. Deiters, who is an American, a Jesuit priest with a doctorate in engineering, has been teaching in Japan for 15 years.

Deiters reports that although Japanese universities are widely regarded as lax "party" schools making very few demands on students, with low class attendance and lackluster scores on exams, they are nonetheless managing to turn out remarkably capable and successful graduates. The secret: clubs. Yes, hundreds of clubs flourish on all campuses dedicated to such mundane interests as tennis. Unlike American clubs, any student may join with any level of expertise. The most surprising fact about the clubs, however, is that a student rarely belongs to more than one.

The growth and development of the younger students is guided, inspired, shaped and administered within these groups not primarily by a peer-to-peer relationship, but by an older to younger alignment within what are called "cells." All this is spelled out clearly, according to Deiters, in *Japanese Society*, a study by Japanese cultural anthropologist Chie Nakane (University of California Press, 1970). Within the club, "cells" of students form and function to develop young students into elder guides.

In their fourth year, the student must perform a year-long project chosen from a list provided by the professor. In a sense this summarizes and finally forms the capabilities of the student. Deiters reminds the reader that these students have passed rigorous exams to enter the university which means they are extraordinarily well equipped in all disciplines, especially in mathematics and science. "Finally," Deiters says of the students, "at every step of the way, he is corrected (mostly by imitating his seniors and emulating his peers) and frequently coached, and his work is evaluated."

That statement is a perfect expression of the goals I pursue for any magazine. A good magazine is never a one-way street. Avocational or recreational magazines such as this have one large, added advantage. Trained and experienced professionals in a scientific discipline often choose their avocation in another. Thus they bring unique experience and knowledge to what they write from areas of technology which may never be part of the ordinary training or experience in the pursuit of the hobby. For example, a radar specialist brings something to ham radio which is outside the ordinary ham's knowledge. The cross-fertilization factor in technology becomes more important daily. The avocational enrichment this provides is beyond description.

All this adds up to a simple message for every reader of this magazine. Tell me what you wish. Tell me what you can offer. Happily, three U.S. authors have become published authors in *EEUSA* in recent months. You can too. Let's hear your ideas, your queries, your experiences with building projects published here. I want to see a lively column of letters from you each month. A shared idea or experience enriches us all, and you too.—E.T.D.

Published by Audio Amateur Publications, Inc.

**Editor/publisher:** Edward T. Dell, Jr.

**Editorial Offices:**  
305 Union St., P.O. Box 876  
Peterborough, NH 03458-0876 USA

Telephone: 603-924-9464 (National)  
or +1 (603) 924-9464 (International)

**FAX:** (603) 924-9467 (National)  
or +1 (603) 924-9467 (International)

**Advertising:** Donald B. Kennedy

Telephone: (617) 383-9059

**FAX:** (603) 924-9467

**Subscriptions:** Katharine Gadwah

*Elektor Electronics USA*  
Post Office Box 876,  
Peterborough, New Hampshire 03458  
**Subscriptions to *Elektor Electronics USA* are available ONLY in the fifty United States, Canada, Puerto Rico, the Virgin Islands and those Pacific territories administered by the United States of America.**

**European Offices:**

Elektuur BV  
Postbus 75  
6190 AB BEEK  
The Netherlands  
Telephone: 011 31 4638 9444  
Telex: 56617 (elekt nl)  
FAX: 011 31 4637 0161

**Managing Director:** M.M.J. Landman

**Overseas Editions:**

**FRANCE**

Elektor sarl  
Les Trois Tilleuls  
B.P. 59; 59850 NIEPPE  
**Editors:** D.R.S. Meyer  
G.C.P. Raedersdorf

**GERMANY**

Elektor Verlag GmbH  
Susterfeld Strasse 25  
5100 AACHEN  
**Editor:** E.J.A. Krempelsauer

**GREECE**

Elektor EPE  
Kariskaki 14  
16673 Voula—Athens  
**Editor:** E. Xanthoulis

**HUNGARY**

Elektor Elektronikai folyoirat  
1015 Budapest  
Batthyany U. 13.

**Editor:** Lakatos Andras

**INDIA**

Elektor Electronics PVT Ltd  
Chhotani Building  
52C, Proctor Road, Grant Road (E)  
BOMBAY 400 007

**Editor:** Surendra Iyer

**ISRAEL**

Elektorcal  
P O Box 41096  
TEL AVIV 61410

**Publisher:** M. Avraham

**NETHERLANDS**

Elektuur BV  
Peter Treckpoelstraat 2-4  
6191 VK BEEK  
**Editor:** P.E.L. Kersemakers

**PORTUGAL**

Ferreira & Bento Lda.  
R.D. Estef-83-ni, 32-1°  
1000 LISBOA

**Editor:** Jeremias Sequeira

**SPAIN**

Resistor Electronica Aplicada  
Calle Maudes 15 Entio C.  
28003 MADRID

**Editor:** Agustin Gonzales Buelta

**SWEDEN**

Electronic Press AB  
Box 5505  
14105 HUDDINGE

**Editor:** Bill Cedrum

**UNITED KINGDOM**

Down House  
Broomhill Road  
LONDON SW18 4JQ  
England UK

**Editor/Publisher:** Len Seymour

Printed in the United States of America.

ISSN: 1051-5690

## COMPREHENSIVE INDEX FOR DO-IT-YOURSELFERS

1989 Index to How To Do It Information contains listings for 62 magazines containing how-to articles in hobby and special interests for 1989. This is the 27th annual supplement compiled and published by Norman Lathrop Enterprises and it includes periodic cumulations. Subjects are arranged alphabetically, entries therein are by magazine title and then chronological. It offers a synopsis of each article and includes the estimated cost of the project you are researching.

For details contact Norman Lathrop Enterprises (NLE), PO Box 198, Wooster, OH 44691-0198.

## PANEL CONNECTORS FROM NEUTRIK

Neutrik's MPR/FPR Series, XLR-Type Panel Chassis Connectors are small, feature gold-plated contact elements, shell and chassis ground and self-tapping screws, and snap into printed circuit boards of 1.6mm thickness for prefasting with a bottom retention pin. They are available in two female and one male configurations with or without retention spring.

Contact Neutrik USA, 195-3 Lehigh Ave., Lakewood, NJ 08701-4527, (908) 901-9488, FAX (908) 901-9608.

## DIGITAL MULTIMETER FITS IN YOUR POCKET

Pocket Pro Digital Multimeter, model DM-2A, from A.W. Sperry Instruments Inc., is a 3½-digit portable tester that includes manual/autoranging, overload protection on all ranges, auto polarity, audible and visual continuity indication, and built-in leads. It is UL listed and packed on a transparent blister card with two B-6 batteries, C-70 carrying case, and operating instructions.

Contact A.W. Sperry Instruments Inc., 245 Marcus Blvd., Hauppauge, NY 11788, (516) 231-7050.

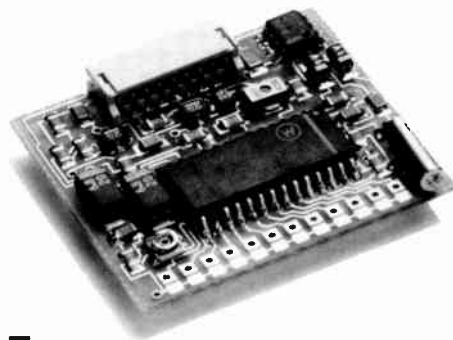


## ELECTRONICS SCENE

### MCG'S CATALOG ON SURGE SUPPRESSORS

A free 16-page catalog and application guide, *Surge Protection for Data Lines*, which eases selection of appropriate surge protectors for data lines, is available from MCG Electronics, makers of power line surge suppressors with proprietary  $\mu Z$  circuitry.

Contact MCG Electronics Inc., 12 Burt Dr., Deer Park, NY 11729, (516) 586-5125 or (800) 851-1508, FAX (516) 586-5120.



### DIGITAL ENCODER-DECODER

The Digital Coded Squelch Encoder-Decoder, Model DCS-23, is a microminiature from Communications Specialists Inc. Measuring 1.36" x 1.18" x .25", it uses surface mount technology to permit installation of all mobile and most portable radios. A crystal-controlled CMOS microprocessor allows operation on a very low 6-20VDC @ 8mA. Connections are color-coded jumper wires connected to a microminiature plug and socket. The DCS-23 is \$59.95 and covered by a one-year warranty.

For information, contact Communications Specialists Inc., 426 West Taft Ave., Orange, CA 92665-4296, (800) 854-0547, FAX (714) 974-3420.

### CREDIT-CARD SIZE MEMORY PERIPHERAL

The RAM Card Drive (RCD-1) was developed by Basicon to provide a more reliable means of data storage, but goes beyond simple data storage.

The RCD-1 features include RS-232 or RS-422/485 communication enabling easy connection to PC/XT/AT computers and many other types of industrial computer and communications systems. Other features include simple string character commands, communications line monitoring, command time stamping, and supplied wall transformer or 9-13V DC input power connection.

For more information, contact Basicon, 14273 NW Science Park Dr., Portland, OR 97229, (503) 626-1012, FAX (503) 643-4686.

### WIPES IMPROVE CONDUCTIVITY AND PROVIDE PROTECTION

DeoxIT and PreservIT from Caig Laboratories are available in nonflammable, non-toxic, noncorrosive, and ozone-safe wipe applicators.

DeoxIT improves conductivity by dissolving oxides that form on metal connector and contact surfaces, eliminating resistance that impedes electrical performance. DeoxIT and PreservIT contain active ingredients that do not rely on solvents (freon, alcohol, and others) for performance. Both have excellent migration properties that coat and condition the metal surfaces and protect them from future oxidation and contamination.

For more information, contact Mark K. Lohkemper, Caig Laboratories, Inc., 16744 W. Bernardo Dr., Rancho Bernardo, CA 92127, (619) 451-1799, FAX (619) 451-2799.

### SPEED UP CIRCUIT BOARD ART

New releases from PCBoards include Version 3.3 of PCRoute and version 3.0 of SuperCAD by Mental Automation, Inc. and features their improved interface. Your schematic capture program will benefit from a higher completion ratio, document and art created simultaneously, and being executable from SuperCAD.

PCRoute is \$99; its upgrade an additional \$35. SuperCAD's schematic capture program is \$99 and SuperCAD+ is \$199 with an extra library and drivers for laser printers and pen plotters, plus a conversion utility. Contact PCBoards, 2110 14th Avenue South, Birmingham, AL 35205, (205) 933-1122.

### XLR-10 BOOSTS MACKIE MIXER

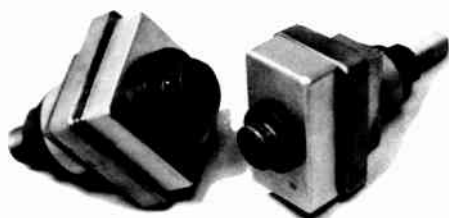
Mackie Designs' XLR-10 adds ten discrete, studio-grade, phantom-powered mike preamps to the CR-1604 16-channel MIC/Line Mixer, for a total of 16. It mounts directly to the bottom of the mixer jack panel with no external wiring. Each XLR-10 preamp uses four conjugate-pair transistors with large emitter geometry to reduce distortion at all levels and deliver low noise (-129dBm at 150 $\Omega$ ). Contact Mackie Designs Inc., 16130 Woodinville-Redmond Rd. NE, No. 2, Woodinville, WA, (206) 488-6843.



## NEW CHASSIS PUNCHES FOR HANDS OR HYDRAULIC

Leads Metal Products Inc. introduces their new  $\frac{1}{16}$  DIN (45MM X 45MM) and  $\frac{1}{32}$  DIN (45MM X 22.5MM) chassis punches. Manufactured of tool steel, they are designed to easily remove a slug after punching. The units may be operated by hand or by a hydraulic knock-out driver and can handle up to 14-gage in thickness. The manufacturer will resharpen and replace parts.

Contact Eileen Alexander, Leads Metal Products, Inc., Circle City Industrial Complex, 1125 Brookside Ave., Suite C, Indianapolis, IN 46202-2748, (317) 631-7200, FAX (317) 631-7237.



## 8-CHANNEL MOBILE FROM MIDLAND

The Midland LMR Model 70-9150 800MHz Mobile is an 8-channel two-way under-dash radio. Available from Midland LMR, it is PLL synthesized and is programmable from 806-825MHz and 951-870MHz transmit, 851-870MHz receive, with maximum frequency separation of 64MHz, transmitter to receiver. RF output is adjustable from 7.5-15W.

Contact Midland LMR Marketing, 1690 N. Topping, Kansas City, MO 64120, (800) MIDLAND, ext 1690.

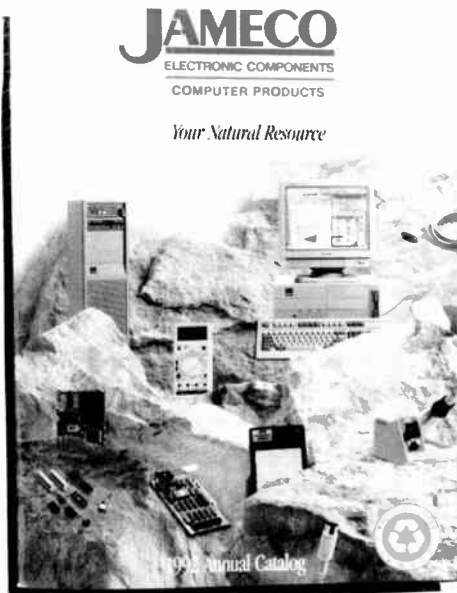


## ANALOG/DIGITAL SOUNDTRACKS ON SAME 35mm PRINT

Dolby has developed a new 35mm print format, Dolby Stereo SR-D. It features two separate optical soundtracks on the same print: a normal analog stereo SR track in the usual location, and a new six-channel digital track adjacent to it. Titles in the new format and theater equipment to play the digital track will be commercially available next year.

For more information, contact Dolby, 100 Potrero Ave., San Francisco, CA 94103, (415) 558-0200, FAX (415) 863-1373, TELEX 34409.

## ELECTRONICS SCENE



## RESOURCE FOR RESOURCES

The 1992 Annual Catalog from Jameco Electronic Components lists computer products in a handsome, comprehensive 90-page glossy format with an index. Its selections include cables and adapters, power supplies, computer kits, coprocessors, ICs, monitors/cards, and printers & accessories, to name a few. Benefit from direct line service for ordering, technical assistance, and customer service. Photographs of items appear in color, followed with a listing of their attributes and price.

Send your request to Jameco Electronic Components, 1355 Shoreway Rd., Belmont, CA 94002-9864, (800) 831-4242, FAX (800) 237-6948.

## TOOLBOX FOR NUMERIC COMPUTATION

MATLAB Optimization Toolbox, available from The Math Works, Inc., performs minimization and maximization of mathematical functions used in complex system analysis and design. Applications include curve fitting, parameter identification and optimization, performance tuning, and cost minimization.

Interactive routines enhance numeric computation software. When you combine the Toolbox with MATLAB, you can explore 2- and 3-dimensional graphics. It also integrates linear algebra, matrix computation, and graphics.

Prices begin at \$495, with academic and quantity discounts available. Contact The Math Works, Inc., Cochituate Place, 24 Prime Park Way, Natick, MA 01760, (508) 653-1415, FAX (508) 653-2997.

## FREQUENCY COUNTER FITS IN YOUR POCKET

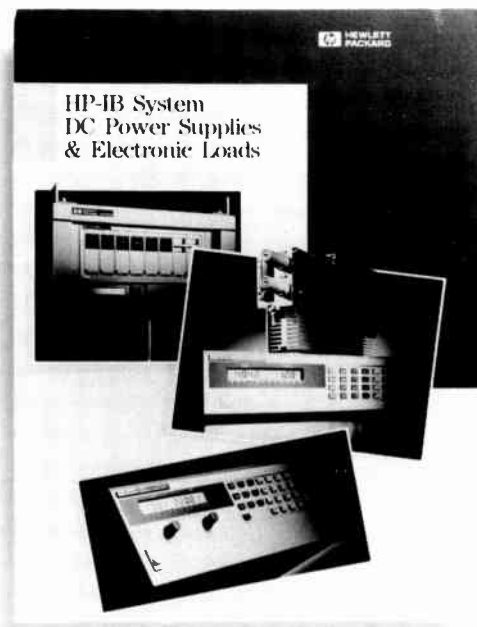
The Model 3500 is a pocket-sized frequency counter from Startek International Inc. that can find and measure frequencies from 10Hz-3500MHz or 3.5GHz. It features a one megohm input impedance from 10Hz-12MHz and a 50Ω input impedance from 10MHz-3.5GHz. Its eight-digit red LED display with a Hold function is powered by internal NiCad batteries that allow for portability up to 5 hours; recharge with supplied unit or use optional auto adapter. Select from three gate times, two adjustable clock oscillators and two MMIC amplifier stages for input sensitivity. The Model 3500 costs \$250 and includes a full-year parts and labor limited warranty. The Model 2500, which covers 10Hz-2400MHz, costs \$210. Call (800) 638-8050 for orders only.

Contact Startek International Inc., 398 NE 38th St., Ft. Lauderdale, FL 33334, (305) 561-2211, FAX (305) 561-9133.

## H-P SYSTEM-POWER PRODUCT CATALOG

The new *HP-IB System DC Power Supplies & Electronic Loads* catalog from Hewlett-Packard features 42 new H-P products, offering a wide selection of system-power products. Select the appropriate power supply from 28 pages for almost any automatic-test-equipment (ATE) application. Included are single- and multiple-output units and a mainframe with easy-to-interchange modules. Also, it contains information on 15 analog/manual programmable, and DC power supplies.

Contact the Hewlett-Packard Company Inquiries, 19310 Pruneridge Rd., Cupertino, CA 95014.



# A MUSICAL CHRISTMAS PRESENT

Build this little circuit and surprise whoever you think eligible for a Christmas present that plays a short tune when opened.

**M**ELODY ICs are now available in such a wide variety that it has become fairly easy to build an electronic music box from very few components. Here, we propose the use of an IC that contains eight popular Christmas tunes. The circuit starts to play a tune when triggered by a switch. The switch and the circuit should be carefully tucked away in the Christmas present. Remember, this time the electronics is less important—it is the appearance of the present that matters most. The nicer it looks, the better your chances of success.

The heart of the circuit shown in Fig. 1 is formed by an UM3481A melody generator IC from United Microelectronics Corp. (UMC). Although a series of similar ICs is available offering a wide variety of tunes, the UM3481A is used here because it plays eight 'evergreens' suited to the festive season. The chip contains an oscillator (tone generator), a modulator and an electronic memory. The information contained in the memory controls the tone generator and the modulator, so that a sequence of tones is produced to form a tune. All that is required additionally

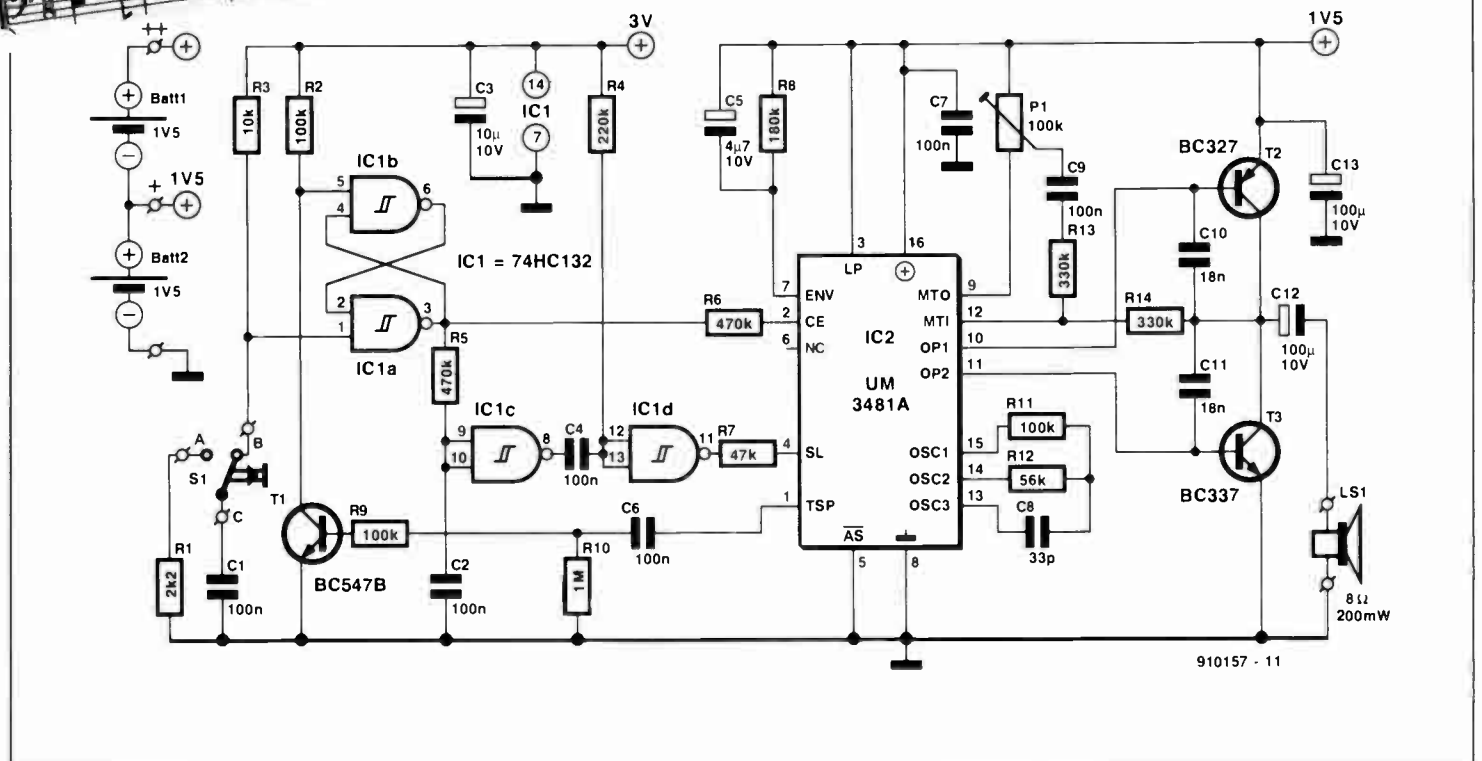
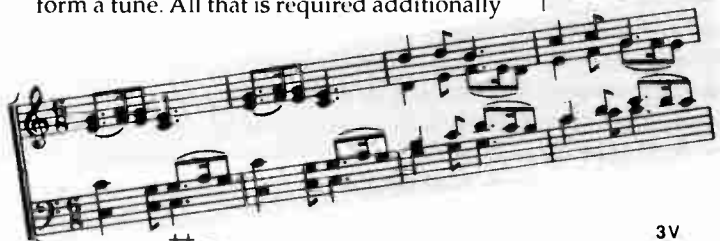


Fig. 1. A switch-triggered eight-melody generator for the festive season.

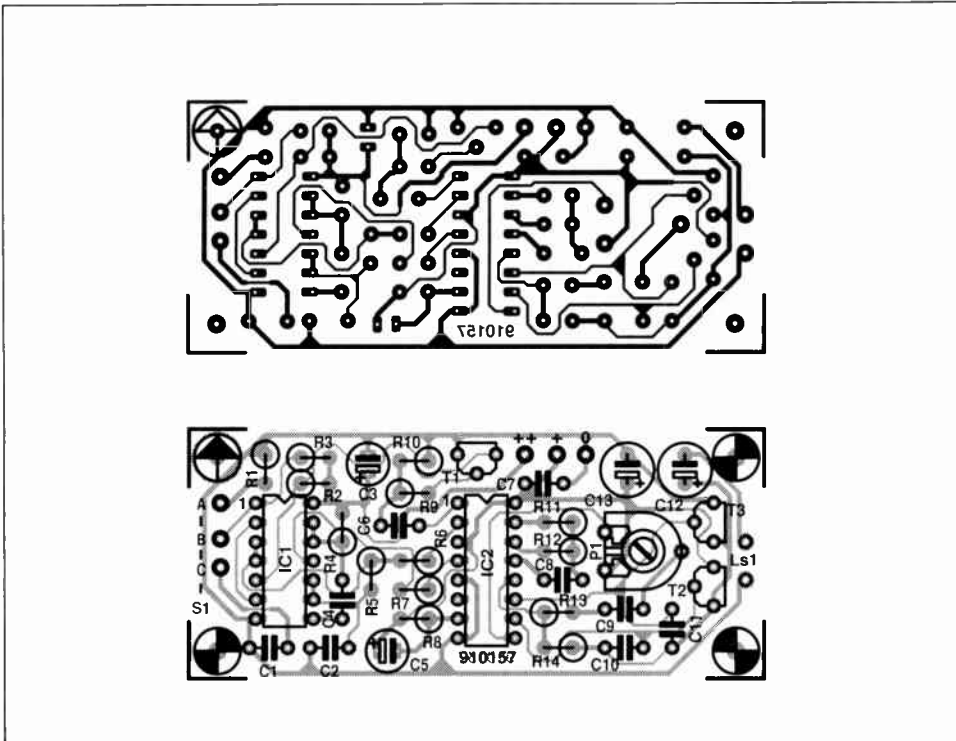


Fig. 2. Single-sided printed-circuit board for the melody generator.

to make the tune audible is a small power amplifier and a loudspeaker. The balanced power output stage is formed by transistors T2 and T3. The loudspeaker is connected to this amplifier via output capacitor C12. The volume can be controlled by preset P1 connected between the audio output, MTO (pin 2) of IC2 and the input of the on-chip driver, MTI (pin 12). The power amplifier transistors are driven direct from the push-pull outputs of the IC, OP1 and OP2 (pins 10 and 11).

The frequency of operation of the on-chip oscillator is determined by components R11, R12 and C8. The tone frequency can be changed by altering the value of C8. The timbre is determined by R8 and C5. For experiments with the timbre, change the value of C5 to personal taste.

Table 1. UM3481A melodies

Jingle bells  
 Santa Claus is coming to town  
 Silent night, holy night  
 Joy to the world  
 Rudolph the red-nosed reindeer  
 We wish you a merry Christmas  
 O come, all ye faithful  
 Hark, the herald angels sing

The melody generator IC is switched on and off by a set-reset (S-R) bistable, IC1a-IC1b. A tune is started when the output of IC1a supplies a logic high level to the CE (chip enable) input, pin 2, of the melody generator. When the CE input is held low, IC2 is switched to the low-current (1  $\mu$ A) standby-mode. This obviates an on/off switch.

Pin 5 of IC1b is connected to a reset circuit based on transistor T1. When the UM3481A has finished playing a tune, a '1' appears on the TSP output, pin 1. This signal causes T1 to conduct briefly, and reset the bistable, so that the CE input of the melody generator is made low. When the present is opened, switch S1 is set to position 'B'. Since C1 is then not charged yet (it was previously connected to ground via R1), pin 1 of the bistable is pulled low briefly, so that the output (pin 3) changes from low to high.

The two remaining gates in IC1 ensure that a different tune is played every time S1 is actuated. The eight available tunes are listed in Table 1. As soon as the output of IC1a supplies a logic '1', C2 is charged via R5. When the 'high' trigger level of IC1c is reached, this Schmitt-trigger NAND gate toggles and supplies IC1d with a pulse via a differentiating network, C4-R4. This pulse is inverted and, on arrival at the SL input causes the melody generator to select the next tune from the memory. In this way, all eight tunes are played in succession, although this requires the present (a box?) to be closed and opened again eight times.

The circuit is powered by two series-connected 1.5-V penlight batteries. Given the low current drain of the circuit, the batteries should last through many 'recitals' of the IC's repertoire.

For ease of construction, a small printed-circuit board has been designed for the Christmas tune generator (see Fig. 2). Most passive components are fitted vertically. The two ICs may be fitted in sockets, but to reduce cost they may also be soldered direct on to the board.

Much of the effect achieved with your melodious Christmas present depends on your creativity in hiding the electronics, and, even more importantly, in finding the best way to fit the switch unobtrusively. When

## COMPONENTS LIST

### Resistors:

1	2k $\Omega$	R1
3	100k $\Omega$	R2;R9;R11
1	10k $\Omega$	R3
1	220k $\Omega$	R4
2	470k $\Omega$	R5;R6
1	47k $\Omega$	R7
1	180k $\Omega$	R8
1	10M $\Omega$	R10
1	56k $\Omega$	R12
2	330k $\Omega$	R13;R14
1	100k $\Omega$ preset H	P1

### Capacitors:

6	100nF pitch 5mm	C1;C2;C4;C6; C7;C9
1	10 $\mu$ F 10V radial	C3
1	4 $\mu$ F 7 10V radial	C5
1	33pF	C8
2	18nF	C10;C11
2	100 $\mu$ F 10V radial	C12;C13

### Semiconductors:

1	BC547B	T1
1	BC327	T2
1	BC337	T2
1	74HC132	IC1
1	UM3481A*	IC2

\* UMC distributors:

#### UK:

Manhattan Skyline Ltd. (0628) 75851

METL (0844) 278781

#### USA:

Unicom Microelectronics Corp. (408) 727-9589

### Miscellaneous:

1	Microswitch with change-over contact	S1
1	Miniature loudspeaker 0.2W/8 $\Omega$	LS1
2	1.5-V penlight battery	
1	Holder for 2 penlight batteries	
1	Printed circuit board	910157

you use a box, you may want to fit a false bottom and install the electronics and the loudspeaker between it and the real bottom. A cigar box or a larger chocolate or sweets box will be sturdy enough for this purpose. Do not forget to drill a few holes where the loudspeaker is fitted, otherwise the sound will lack brightness. Next, the microswitch is fitted near the lid, such that it is switched to the rest position (position 'B' in the circuit diagram) when the lid is opened, or taken from the box.

If all is ready, assembled and tested, proceed with dressing up the box. Do not forget to put your Christmas present inside (the tunes are all very well, but She will probably not appreciate the electronics as much as you do), and use a large red ribbon to wrap the whole thing up. ■

# UNIVERSAL TIME SWITCH

by R. Lucassen

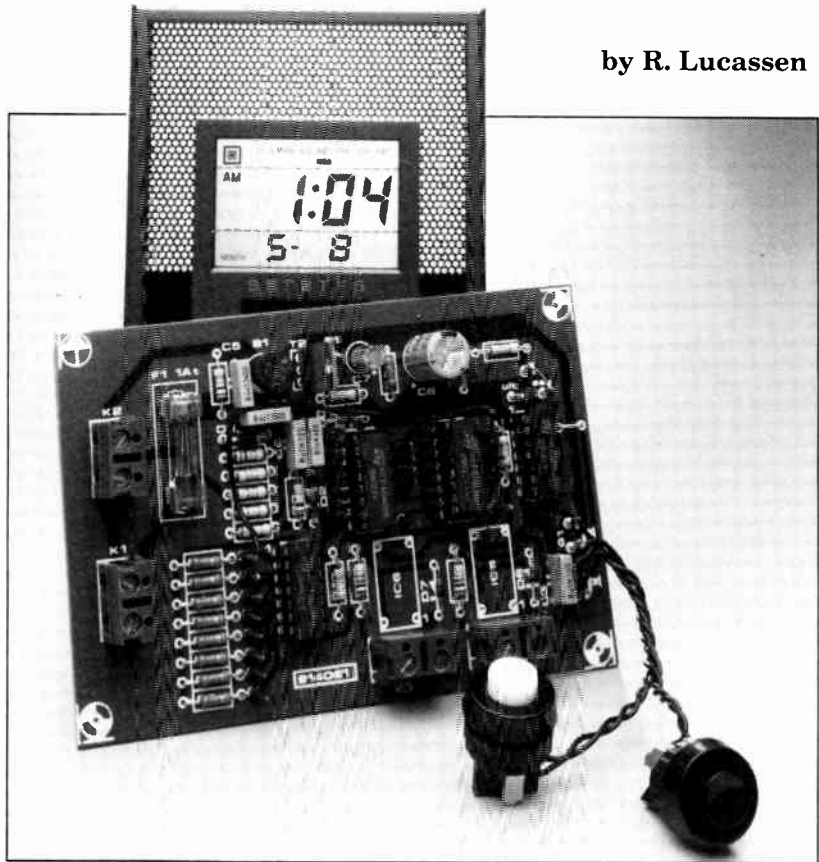
**T**HIS circuit meets the requirement for a simple, low-cost timer with a timing range of a less than a second to several tens of hours, and a thyristor-based mains interface capable of controlling inductive loads.

The circuit consists basically of a timer section and a switching section. The timer derives its accuracy from the mains frequency: 50 Hz or 60 Hz. Components R4, R3, R2, C1 D1 and D2 convert the mains voltage into a clock signal for binary ripple counter IC1, a 4040. Counters IC1, IC3, and an 8-input AND gate, IC4, form a programmable divider. When the time set with the jumper wire(s) at the outputs of IC2 and IC3 has elapsed, the output of IC4 goes low and causes bistable IC2b-IC2c to toggle. As a result, the gate drive of thyristor Th1 is removed, and the load connected to K2 is switched off. To prevent mains pollution and switching noises, the load is switched during the zero crossing of the mains voltage. The timer can also be used to switch on a load after the preprogrammed time <197> this only requires wire jumper 'Y' to be fitted instead of 'Z'.

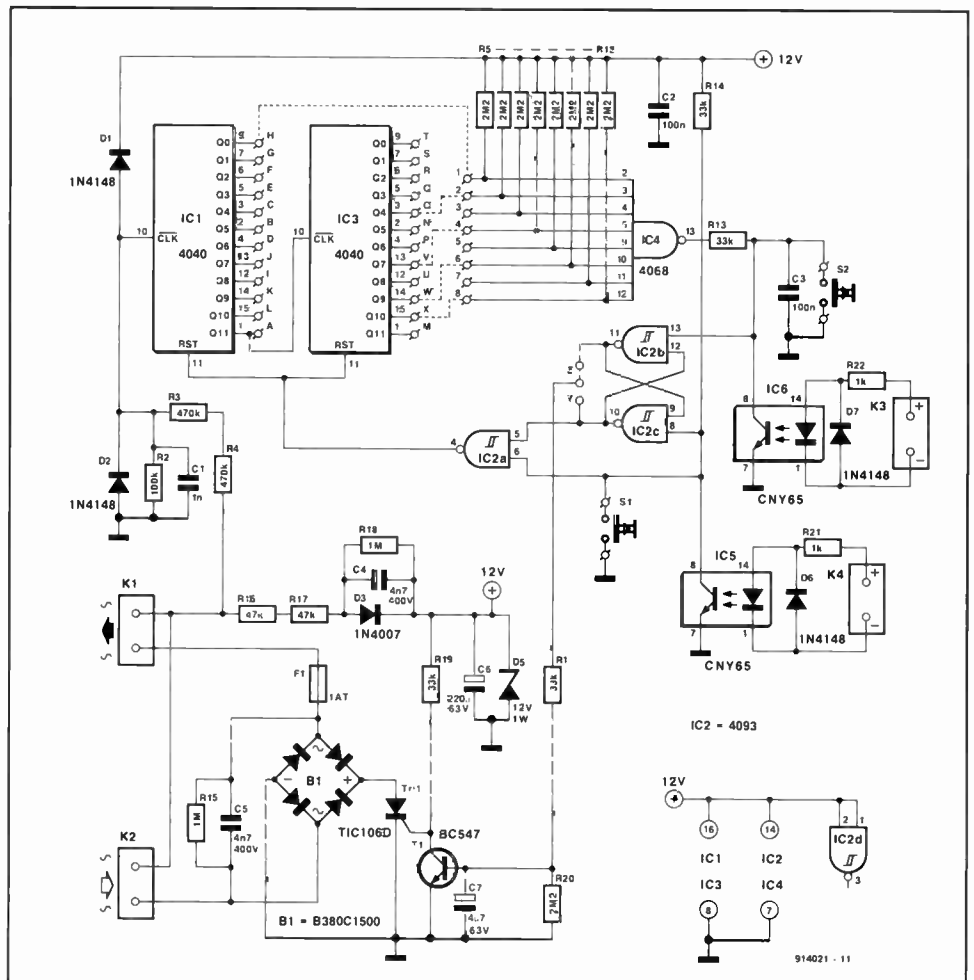
The time is set by fitting a maximum of eight wires between the 8-input AND gate and the counter outputs. The actual time is the sum of all selected times listed in the table. The 12-V supply voltage for the circuit is obtained from the mains with the aid of a single-phase rectifier, D3. The supply voltage is stabilized and smoothed by zener diode D5 and reservoir capacitor C6.

The two series resistors in the rectifier, R16 and R17, must not be replaced by a single 100-kΩ resistor. Remember, the total voltage drop across R16 and R17 is of the order of 220 V (at a mains voltage of 240 V), which is too much for a single resistor rated at 0.5 W. The same applies to resistors R3 and R4.

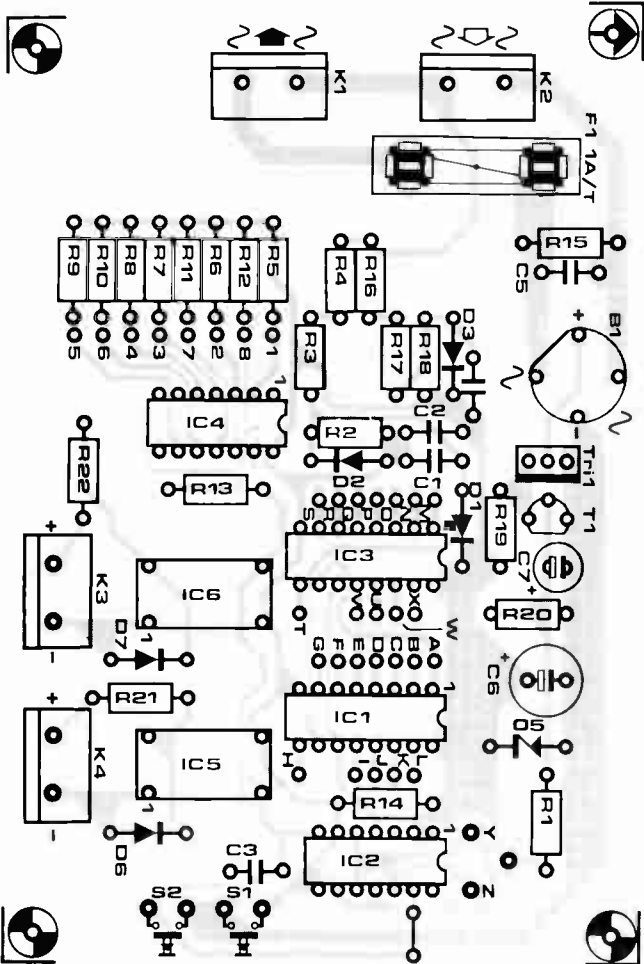
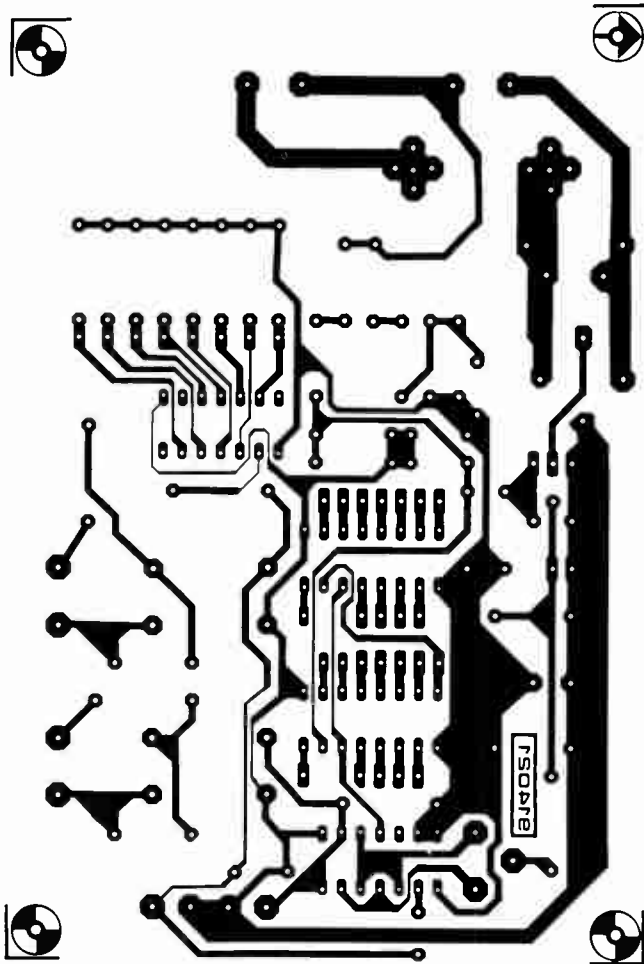
The timer is actuated by pressing push-button S2. Note that actuating the timer means that the load is switched on or off, depending on whether jumper Y or Z is fitted. During the timing cycle, the circuit can be reset by pressing S2 again. This starts a full timing cycle, irrespective of when the switch was pressed. The timing cycle can be stopped by pressing S1. Provision is made for electronic control of the start and stop functions. This is achieved with the aid of two optocouplers, IC5 and IC6. The electronic control inputs, K3 and K4, are electrically isolated from the timer, and can be driven with control voltages of 5 V. The construction of the timer is straightforward. A minimum of wiring is required since all parts are contained on a single printed-circuit board. The start and stop switched must be rated at 250 V because they are at mains potential. The circuit must be fitted into an ABS enclosure with non-metallic screws. Take care to provide adequate strain reliefs and insulation of the mains input and output cables.



**WARNING.** Since the circuit carries dangerous voltages at a number of points, never work on the circuit when the mains is connected to it. Make sure that no part of the circuit can be touched when it is being set, adjusted or used.







**SWITCHING TIMES**

IC <sub>2</sub> output	Time 50 Hz	Time 60 Hz
Q <sub>1</sub>	0.02 s	0.02 s
Q <sub>2</sub>	0.04 s	0.04 s
Q <sub>3</sub>	0.08 s	0.07 s
Q <sub>4</sub>	0.16 s	0.13 s
Q <sub>5</sub>	0.32 s	0.27 s
Q <sub>6</sub>	0.64 s	0.53 s
Q <sub>7</sub>	1.28 s	1.07 s
Q <sub>8</sub>	2.56 s	2.13 s
Q <sub>9</sub>	5.12 s	4.27 s
Q <sub>10</sub>	10.24 s	8.53 s
Q <sub>11</sub>	20.48 s	17.07 s
Q <sub>12</sub>	40.96 s	34.13 s
<b>IC<sub>3</sub> output</b>		
Q <sub>1</sub>	1 m 22s	1 m 8 s
Q <sub>2</sub>	2 m 44 s	2 m 16 s
Q <sub>3</sub>	5 m 28 s	4 m 33 s
Q <sub>4</sub>	10 m 55 s	9 m 6 s
Q <sub>5</sub>	21 m 50 s	18 m 12 s
Q <sub>6</sub>	43 m 41 s	36 m 24 s
Q <sub>7</sub>	1 h 23 m	1 h 12 m
Q <sub>8</sub>	2 h 55 m	2 h 25 m
Q <sub>9</sub>	5 h 50 m	4 h 51 m
Q <sub>10</sub>	11 h 39 m	9 h 43 m
Q <sub>11</sub>	23 h 18 m	19 h 18 m
Q <sub>12</sub>	46 h 36 m	38 h 50 m

**PARTS LIST**

**Resistors:**

- R1, R13, R14, R19 = 33 kΩ
- R2 = 100 kΩ
- E3, R4 = 470 kΩ
- R5-R12, R20 = 2.2 MΩ
- R15, R18 = 1 MΩ
- R16, R17 = 47 kΩ
- R21, R22 = 1 kΩ

**Capacitors:**

- C1 = 1 nF
- C2, C3 = 100 nF
- C4, C5 = 4.7 nF, 400 V
- C6 = 220 μF, 63 V, radial
- C7 = 4.7 μF, 63 V, radial

**Semiconductors:**

- D1, D2, D6, D7 = 1N4148
- D3 = 1N4007
- D4 = not used
- D5 = zener diode, 12 V, 1.3 W
- B1 = B380C1500 (round type)
- T1 = BC547B
- Tri1 = TIC106 D
- IC1, IC3 = 4040
- IC2 = 4093
- IC4 = 4068
- IC5, IC6 = CNY65

**Miscellaneous:**

- K1-K4 = 2-way PCB terminal block, 7.5 mm pitch
- S1, S2 = push-button switch for 250 VAC
- F1 = fuse, 1 A, delayed action, with holder for PCB mounting
- Enclosure, e.g., Bopla E430

# FSK/RTTY DECODER FOR PCs

The circuit and the software described here are aimed at those of you who have so far dreaded the complexity of a full-blown FSK decoder and the well-presented objections of the Miss or Missus about the weight, size and noise of a good-as-new teleprinter machine (no matter how cheaply you may have acquired this wonderful equipment), when all you want to do is receive RTTY (telex) transmissions in the short-wave bands.

by Roger Collins

KEEPING the peace at home and still be able to intercept FSK (frequency-shift keying) transmissions requires some hardware to be built or purchased that changes the output of a short-wave receiver into a form that is suitable for processing by a personal computer (PC). The decoder presented here does everything to achieve just that. In combination with a simple BASIC program (Fig. 2), it turns your IBM PC (or compatible) into an RTTY decoder capable of handling

different types of FSK, different baud rates, and different mark/space tone conventions. The method used to accomplish this is fairly rudimentary, and intended as a guide for further experimenting.

## FSK techniques

Much transmission of data, whether news broadcasts, weather information or amateur radio traffic, over a radio network employs the

principle of frequency shift keying (FSK). The data to be sent is in the form of logic 1s and 0s. This stream of data is used to shift the frequency of the transmitter, resulting in two discrete frequencies being radiated just like an SSB signal modulated by two (alternate) tones. A high transmit frequency denotes a 1 (or mark), and a low transmit frequency a 0 (or space). The two tones and the difference in frequency shift vary depending on the standard used.

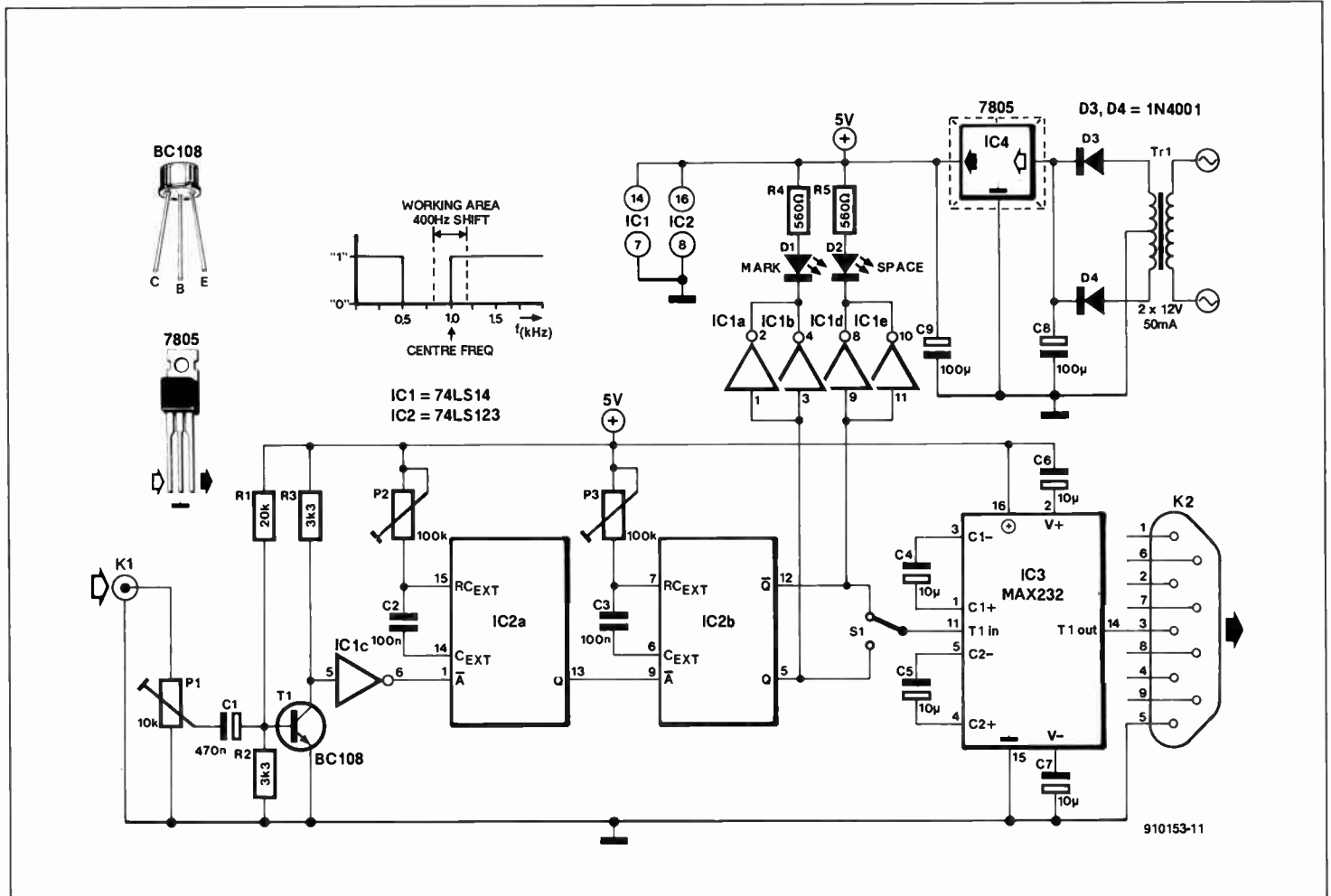


Fig. 1. Circuit diagram of the FSK decoder. A MAX232 is used to ensure the correct signal levels for the PC's serial port, COM2:.

A databyte can be sent asynchronously if it is preceded by a start bit to enable the terminal equipment to get ready to receive it. Likewise, one or two stop bits are used to enable the terminal equipment to shift the newly received databyte out, and prepare for the next start bit, which signals the arrival of a new databyte.

Since a byte is eight bits, a complete dataword would produce a packet of 10 or 11 bits. To reduce the number of bits, and with it the bandwidth occupied by the transmitter, the length of the dataword is reduced to seven and a half bits — five databits, one start bit, and a one and a half stop bit. However, five bits of data will only produce 32 ( $2^5$ ) combinations. Assuming that plain language is used for the transmission, the 32 codes available allow the complete alphabet to be sent. In the RTTY (radioteletype) system, one of the codes is reserved to indicate 'figure shift', which offers another set of 32 codes that may be used for numbers and punctuation marks. In this set, there is a 'letter shift' code that returns the equipment to the alphabet. The code used is based on the Murry, or more frequently, the Baudot, convention.

To keep the bandwidth of the transmission in the short-wave band as small as possible, the transmission (data-) rate must be kept within limits. The normal speed in terms of bits transmitted per second (baud rate) is 45 to 75. At 50 baud, one bit of data has a length of 20 ms. Using a tone of 1 kHz to indicate a 1 would mean 20 cycles of the tone being transmitted.

At the receiver, a BFO (beat frequency oscillator) enables the two tones to be converted to any frequency within the audio pass-band, i.e., they may not necessarily be the exact original two tones. In the FSK demodulator, filters and phase-locked loop techniques are used to convert these two tones into the marks and spaces (1s and 0s) of the original transmitted data.

## FSK decoding on a PC

MS-DOS as well as most communication and terminal emulation programs developed for PCs will allow the baud rate of a serial port (COM1: to COM4:) to be set only as low as 110 baud, and the data format to 7 or 8 bits, with 1 or 2 stop bits. For the reception of FSK data we require to set the baud rate as low as 45, with 5 databits and 1½ stop bit. Quite an unusual format for the average PC user!

Most PCs use a 8250 UART or similar IC in the serial interfaces COM1: and COM2:. The COM1: and COM2: base addresses are 03FB and 02FB respectively. The register functions of the 8250 are listed in Table 1.

For the present application, COM2: is used, and the BASIC program has been written to use this port for the RTTY decoder. The baud rate is sent to the UART as two bytes (high and low). Testing LSR bit 0 will indicate if data has been received in the RDR. Next, the RDR is read, the content is converted to ASCII, a check is made on letter shift or figure shift, and the converted char-

**Table 1. 8250 UART register functions**

address	LCR bit 7	Function
base + 0	0	Tx holding reg. (THR) (write) Rx data reg. (RDR) (read)
base + 0	1	baud rate divisor low (BRDL)
base + 1	1	baud rate divisor high (BRDH)
base + 1	0	interrupt enable reg. (IER)
base + 2	x	interrupt ID reg. (IIR)
base + 3	x	line control reg. (LCR)
base + 4	x	modem control reg. (MCR)
base + 5	x	line status reg. (LSR)
base + 6	x	modem status reg. (MSR)

x = don't care.

**Table 2. Teletypewriter codes**

CHARACTER		START	CODE SIGNALS					STOP	CODE	ASCII	
LTRS	FIGS		1	2	3	4	5			LTRS	FIGS
A	—		1	1	0	0	0	3	65	45	
B	?		1	0	0	1	1	25	66	63	
C	:		0	1	1	1	0	14	67	58	
D	\$		1	0	0	1	0	9	68	36	
E	3		1	0	0	0	0	1	69	51	
F	>		1	0	1	1	0	13	70	62	
G	*		0	1	0	1	1	26	71	42	
H	<		0	0	1	0	1	20	72	60	
I	8		0	1	1	0	0	6	73	56	
J	bell		1	1	0	1	0	11	74	07	
K	(		1	1	1	1	0	15	75	40	
L	)		0	1	0	0	1	18	76	41	
M	.		0	0	1	1	1	28	77	46	
N	,		0	0	1	1	0	12	78	44	
O	9		0	0	0	1	1	24	79	57	
P	0		0	1	1	0	1	22	80	48	
Q	1		1	1	1	0	1	23	81	49	
R	4		0	1	0	1	0	10	82	52	
S	'		1	0	1	0	0	5	83	39	
T	5		0	0	0	0	1	16	84	53	
U	7		1	1	1	0	0	7	85	55	
V	=		0	1	1	1	1	30	86	61	
W	2		1	1	0	0	1	19	87	50	
X	/		1	0	1	1	1	29	88	47	
Y	6		1	0	1	0	1	21	89	54	
Z	+		1	0	0	0	1	17	90	43	
	BLANK		0	0	0	0	0	0	00	00	
	SPACE		0	0	1	0	0	4	32	32	
	CR		0	0	0	1	0	8	13	13	
	LF		0	1	0	0	0	2	10	10	
	FIGS		1	1	0	1	1	27	00	00	
	LTRS		1	1	1	1	1	31	00	00	

```

10 \ *****
20 \ *
30 \ *          FSK DECODER PROGRAM
40 \ *
50 \ *          L - LTRS ARRAY
60 \ *          F - FIGS ARRAY
70 \ *          BRD - BAUD RATE DIVISOR
80 \ *          G - 1/0 FIGS/LTRS
90 \ *          &H2F8 - COMM 2 RDR/BRDL
100 \ *          &H2F9 - COMM 2 IER/BRDH
110 \ *          &H2FB - COMM 2 LCR
120 \ *          &H2FD - COMM 2 LSR
130 \ *****
140 \
150 CLS
160 PRINT
170 PRINT "   FREQ           BAUD RATE "
180 PRINT "   ----- "
190 PRINT
195 PRINT "  20.967           50      TASS "
200 PRINT "  18.404           50      TASS "
210 PRINT "  18.194           50      TASS "
220 PRINT "  18.439           50      "
230 PRINT "  18.049           50      FRENCH "
240 PRINT "  15.937           50      "
250 PRINT "  13.490           50      FRENCH "
260 PRINT "   8.064           50      FRENCH "
270 PRINT "   7.594           50      BELGRADE "
280 PRINT
290 PRINT
300 INPUT "Enter baud rate ",B
310 BRD=1843200!/(16*B)
320 BDRL=BRD AND &HFF
330 BRDH=(BRD AND &HFF00)/256
340 CLS
350 DIM L(31),F(31)
360 FOR J=0 TO 31
370 READ L(J)
380 NEXT J
390 FOR J=0 TO 31
400 READ F(J)
410 NEXT J
420 OUT &H2FB,&H84
430 OUT &H2F8,BRDL
440 OUT &H2F9,BRDH
450 OUT &H2FB,&H4
460 S=INP (&H2FD)
470 K=S AND 1
480 IF K=0 THEN GOTO 460
490 A=INP (&H2F8)
500 IF A=27 THEN G=1
510 IF A=31 THEN G=0
520 IF G=0 THEN PRINT CHR$(L(A)); ELSE PRINT CHR$(F(A));
530   OUT &H2FD,0
540 GOTO 460
550 DATA 00,69,10,65,32,83,73,85,13,68,82,74,78,70,67,75,84,90,76,87,72,89,
80,81,79,66,71,00,77,88,86,00
560 DATA 00,51,10,45,32,39,56,55,13,36,52,07,44,62,58,40,53,43,41,50,60,54,
48,49,57,63,42,00,46,47,61,00

```

Fig. 2. Listing of the control program written in BASIC.

acter is sent to the video adapter. LSR bit 0 is then cleared, and the software waits for the next character by testing this bit.

## A simple FSK decoder

The circuit diagram of the FSK decoder hardware is given in Fig. 1. The audio output of the receiver is applied to connector K1, and the preset level of P1 is adjusted to give a squared-up signal at the collector of T1. Provided the receiver has been tuned correctly to the FSK signal, the rectangular signal supplied by T1 will be the digital version of the two tones.

The two signal frequencies are fed to IC2a via a Schmitt trigger, IC1c. IC2a is a retriggerable monostable multivibrator set to a mono time of about 1 ms with preset P2. This means that signals higher than 1 kHz will cause this mono to be permanently set. Any frequency lower than 1 kHz, for instance, the lower FSK tone, will cause the mono to set and clear. This signal is fed to a second monostable, IC2b, set to 2 ms with P3. This monostable will be set for the periods of the signals, supplied by IC2a, shorter than 2 ms,

i.e., for frequencies higher than 500 Hz. The result is that frequencies between 500 Hz and 1 kHz will produce a logic 0, and frequencies higher than 1 kHz a logic 1, with a

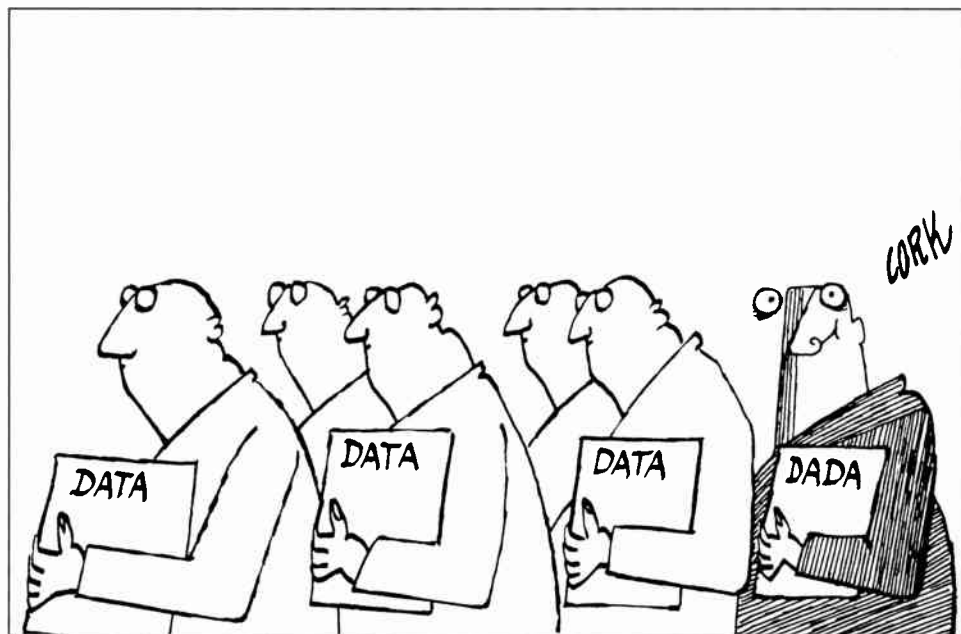


Table 3. Decoder to PC connections

Decoder (D9)	PC (D9)	PC (D25)	Signal
5	5	7	ground
3	2	3	RxD

sharp transition at this centre frequency.

If the receiver is tuned so that the high tone and the low tone (mark and space) are equidistant around the centre frequency, the mark and space signals will produce 1s and 0s, depending on the received transmission.

The Q and  $\bar{Q}$  signals are used to drive the mark and space LEDs to assist tuning to the FSK transmission. As there are as many marks as spaces, the two LEDs will flash at the same rate when the tuning is correct. These signals are also fed to the phase reversing switch, S1, and from there to a Type MAX-232 RS232 driver, IC3. This IC has an on-board DC-DC converter providing +10 V and -10 V rails to ensure the correct swing of the RS232 signal required by the serial port of the PC.

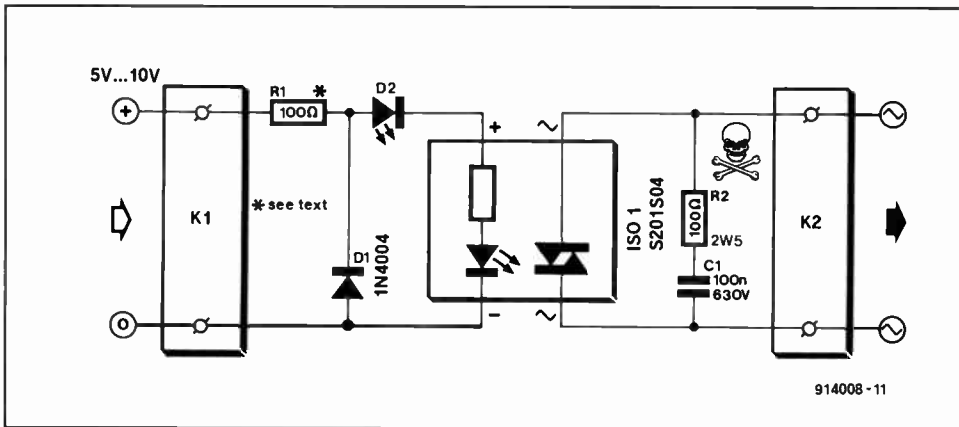
Correct setting-up of the serial port, the baud rate, the number of databits and stop bits will result in the interception of the RTTY transmission, which will be displayed on your computer monitor. Converting the 5-bit code into ASCII will enable the characters to be displayed.

Presets are sufficient here since the final adjustment of the audio signal can be done at the receiver. The phase switch, S1, will be called upon occasionally when the marks and spaces are swapped as a result of tuning the receiver above or below the tones (USB or LSB).

Finally, the decoder is powered by a simple 5-V supply connected to the mains. Although its current drain is small, no attempt should be made at powering the decoder from the modem signals on the PC serial port lines. ■

# SAFE SOLID-STATE RELAY

by J. Ruffell



pends to some degree on the current to be switched, and will typically lie between 5 mA and 20 mA. The optimum value is best determined empirically, observing a maximum current of 40 mA. The minimum value of the series resistor,  $R_{1min}$ , in  $\Omega$ , is calculated from

$$R_{1min} = 25 (U_s - 2.4) - 130$$

where  $U_s$  is the control voltage applied to connector  $K_1$ .

Diode  $D_1$  protects the SSR against reverse control voltages, and  $D_2$  indicates whether the SSR is supplied with a control current. Network  $R_2$ - $C_1$  is connected across the SSR output to protect the device against voltage surges on the mains.

When connected to a mains supply of 220 V or 240 V, the circuit may be used with non-reactive loads up to 330 W, which corresponds roughly to the maximum permissible effective load current of 1.5 A.

**WARNING.** Since the circuit carries dangerous voltages at a number of points, it is essential that proper electrical insulation is applied. Never work on the circuit when the mains is connected to it. Make sure that no part of the circuit can be touched when it is being set, adjusted or used. Good guidance on safety precautions may be obtained from the IEEE Wiring Regulations, a copy of which is available in most Public Libraries in the UK.

## PARTS LIST

### Resistors:

- R1 = 100  $\Omega$
- R2 = 100  $\Omega$ , 2.5 W

### Capacitors:

- C1 = 100 nF, 630 V

### Semiconductors:

- D1 = 1N4004
- D2 = LED, red
- ISO 1 = S201S04 (Sharp)

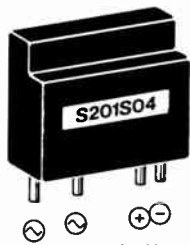
### Miscellaneous:

- K1 = PCB terminal block, 5 mm pitch
- K2 = PCB terminal block, 10 mm pitch

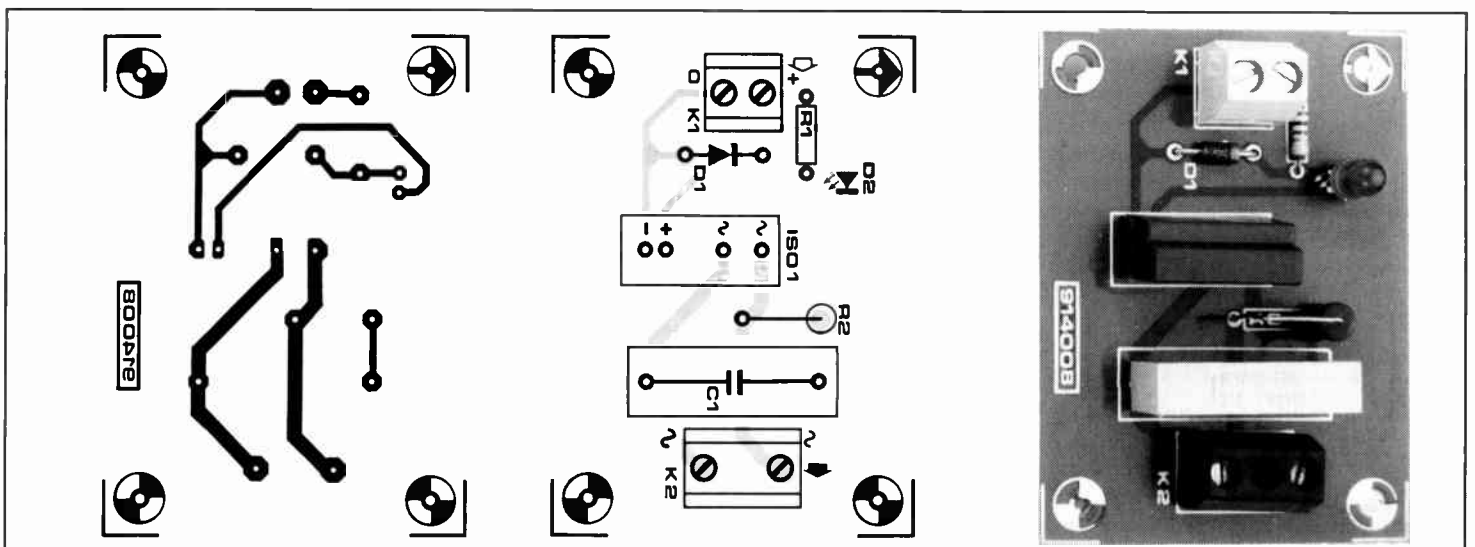
**A**LTHOUGH the S202DS2 solid-state relay (SSR) from Sharp is a useful and interesting electronic component, it fails to meet the minimum requirements for electrical safety in many countries where the mains voltage is 220 V or 240 V. This is mainly because the breakdown voltage of the optocoupler in the S202DS is too low, and the pin spacing of the device is too small.

For the many applications where electrical safety is a primary concern, Sharp have developed another SSR, the S201S04. The small SIL enclosure (shown in the photograph) contains an optocoupler complete with a series resistor, a zero-crossing switch and a power triac. The presence of the zero-crossing switch implies that the SSR is suitable for non-reactive loads only. Furthermore, since the value of the series resistor is only 130  $\Omega$ , an additional, external, resistor will often be required to prevent too high a current through the LED in the internal optocoupler.

For reasons of safety, the solid-state switch is best built on the printed-circuit board shown here (this board is not available ready-made). The value of the external series resistor,  $R_1$ , depends on the control voltage and the trigger current. The trigger current, in turn, de-



914008-12



# CONNECT - 4

This article describes a battery-powered little circuit that allows you to play Connect-4 against a computerized opponent.

by Richard D. Bell

**A**LTHOUGH most of you will know how to play Connect-4, here are the rules. The game is played on a 7-by-7 vertical board. Players take it in turns to drop their counters down the columns. The counters stop falling when they hit the bottom of the column or another counter. The aim is to get your counters in a line of four either horizontally, vertically or diagonally. The first to get a line wins.

I have always enjoyed playing Connect-4 as long as I can remember. It is a game that is not as taxing to play as chess, but it does provide enough mental stimulation when played against a fairly competent opponent. With this in mind I set about designing a small pocket-sized circuit so that I could play sitting in lectures, or when I was on the train. The result is a 80x60 mm board with remarkably few components that plays a pretty mean game of Connect-4.

## Circuit description

At the heart of the circuit (Fig. 1) is a microprocessor Type 6802. This was chosen because it has 128 bytes of in-built RAM, which suited my requirements perfectly.

The microprocessor runs a program stored in a 27C64 8-KByte EPROM. The program is all machine code, and about 6.5 KBytes long. It takes care of everything: user input, deciding where the computer should move, displaying the computer's moves, etc. More information on the software can be found further on.

The two four-input AND gates contained in IC3 (a 74HC20) serve to decode the address space of the microprocessor, so that it can read the EPROM, and write and latch data to the display.

For the display it was decided to use a single 7-segment LED type. The idea of using 49 bi-coloured LEDs was toyed with (the board is 7x7), but this was rejected for a number of reasons: cost, circuit complexity and current. Being a poor student at the time, the cost of 49 LEDs was found a bit excessive, while the current drain was also something to worry about (thinking about it now, this was not really a problem because only one column of 7 LEDs could be lit at any

one time. The software would have cycled through the columns at a fast enough rate so that it appeared as if all 7 columns were being displayed simultaneously). Additional components would also be required: at least two more ICs, 7 transistors and some resistors. Coupled with the LEDs, the PCB size would have at least doubled. For all of these reasons, I decided against using 49 LEDs, and instead to use a single 7-segment LED display.

The use of a 7-segment LED display means that the player has to keep track of the state of the play manually. That is, you have to draw the board (or buy one of those pocket Connect-4 games).

The circuit has an RS423 interface, which allows the game to be connected to a (dumb) terminal, a computer running a communications program, or a printer with a serial input. The serial link enables the game board to be printed out automatically. The software provides two data transfer rates, selectable by the user, of 300 baud and 9,600 baud. The RS423 standard is similar to the more common RS232, except that the voltage swing is only  $\pm 5$  V as opposed to  $\pm 12$  V. Most equipment will receive RS423 signals just as well as it does RS232 signals.

The driver for the RS423 link consists of two transistors and a couple of resistors. It is only an output — no handshaking lines are received from the external equipment. It is assumed that at 300 baud the equipment will be able to handle displaying the received characters without the need of handshaking. At 9,600 baud, it is assumed that the equipment buffers all received data, making handshaking also unnecessary.

## Construction

Construction of the game is relatively easy when the printed circuit board shown in

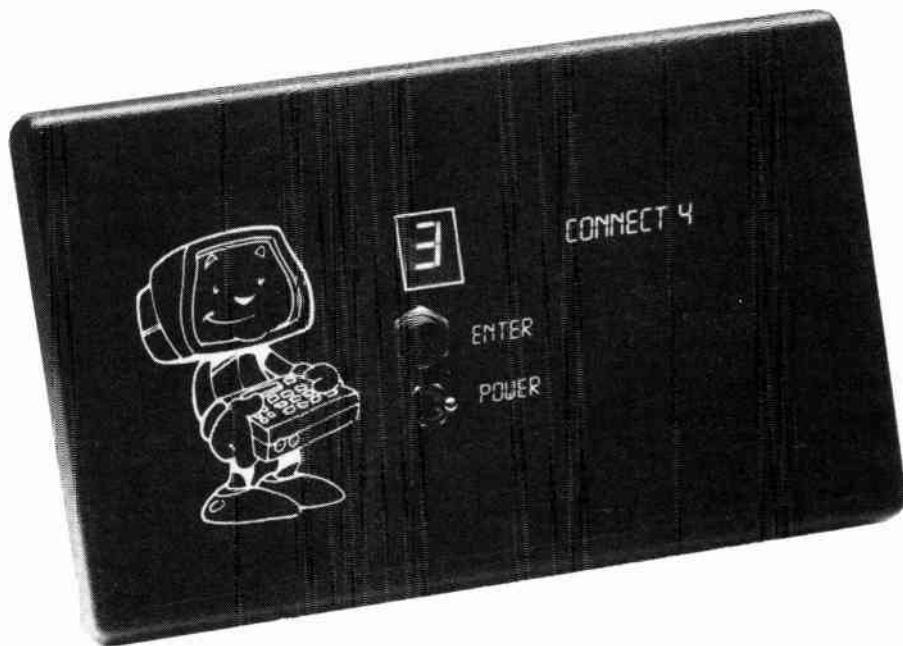


Fig. 2 is used. Provided a soldering iron with a fine tip is used, no problems should be encountered.

It is best to start with the lowest profile components. The following order is recommended: wire links, resistors, IC sockets, capacitors, transistors, jack socket (use short pieces of solid wire to mount it a little above the board), crystal and then the regulator (IC5).

A 4-MHz crystal must be used because all timing for the RS423 link is derived from it. If the serial interface is not required, any crystal up to the maximum frequency of 4 MHz could be used. For example, the commonly found 3.58 MHz NTSC colour burst crystal.

Next, fit the two switches. Depending on the height of the enclosure you intend to use, these may be fitted direct on to the board, or connected to it via short wires. The same goes for the display, which may have to be fitted into a wire-wrap socket to allow it to reach up to the front panel of the enclosure. Alternatively, stack up a couple of regular IC sockets. In any case, fit a regular 14-pin IC socket in position LD1 on the board. The voltage regulator must be fitted with a small heatsink, making sure that this can not touch any of the component wires near IC5.

Finally, connect the battery leads to the board. The red lead goes to the hole marked '+', and the black lead to the hole marked '-'. If you do not intend running the circuit from a battery, a suitable DC input may be used instead. If you power the circuit from the mains, do not use the RS423 link, or else the 'ground' on the jack connector will be shorted to 0 V (it is normally at around 4 V). Any DC voltage from 7 V to 15 V can be used to power the circuit.

If the RS423 link is not required, the following components can be left out: R3, R4, R5, R6, R14, R15, T1, T2 and K1.

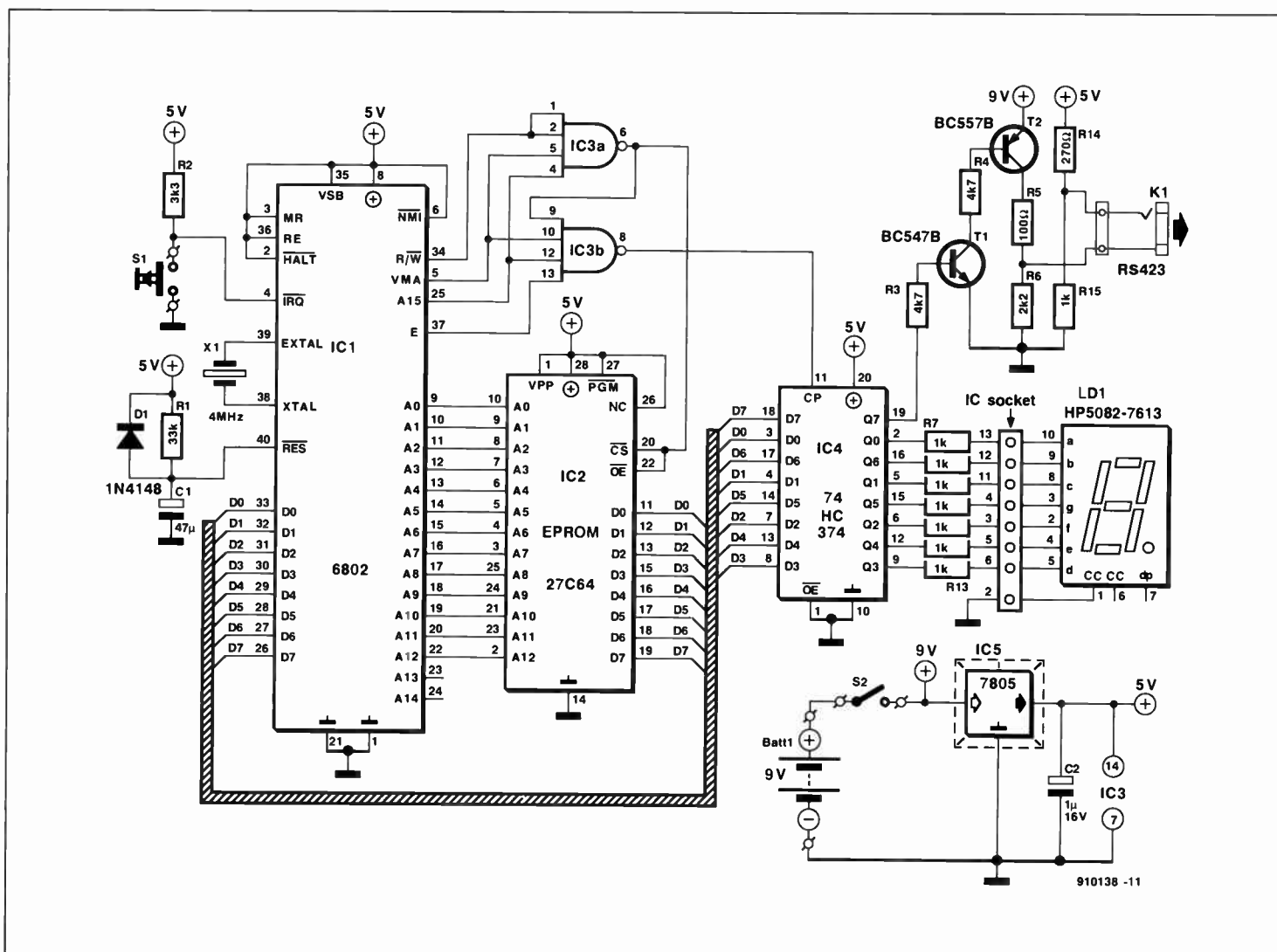


Fig. 1. Circuit diagram of the Connect-4 game. Remarkably, the game is played with a single push-button, S1, as the input device, and a 7-segment display as the output device.

## Testing

Inspect your solder work carefully before testing the board. Also check the orientation of the polarized components and the IC sockets. Do not fit the ICs yet, except the voltage regulator. Connect a 9-V (PP3) battery, and switch on S2. Check that +5 V can be found on all the pins that it should be on (refer to the circuit diagram), and that it does not appear on any that it should not. If everything seems all right, you may proceed.

If you have fitted the parts for the RS423 interface, check the voltage on the common ('ground') connection of the jack socket. This voltage should be about 4 V with respect to the circuit ground. If it is not, there is a problem with R14 and/or R15. Next, with a piece of wire short pins 1 and 19 of the socket for IC4. Measure the voltage on the 'signal' (plug tip) connection of the jack socket. It should be about 0 V. Next, remove the shorting wire, and short pins 19 and 20 together on the same socket. This time the voltage on the signal connection should be about 8.5 V.

If everything is all right so far, switch off the power, and insert all ICs and the display into their sockets, making sure to observe the orientation. Note that the microprocessor, IC1, is the other way around from the three other ICs. The display is a 10-pin device

which must be mounted centrally in the 14-way IC socket, that is, pin 1 of the display goes to socket pin 2.

Switch on, and hopefully you should see the letters 'c o n 4' cycle through on the display. If nothing at all appears on the display, or if the display remains steady or shows constantly changing garbage, there may be a problem with either the crystal, the reset circuitry or your solder work. All that can be done is to check the supply voltage, change the value of C1, and check the PCB meticulously for any open or short circuits. The EPROM must, of course, contain the right program.

## Serial connection

The serial link on the board sends data at 300 bits/s or 9,600 bits/s. The format is 8 data bits, no parity, and 1 stop bit.

Figure 4 shows the connection to the serial port on the BBC microcomputer, and Fig. 3 the connection to the RS232 (or RS423) port of a terminal, printer or an IBM PC or compatible. In all cases, an RTS-CTS connection is fitted to simulate handshaking.

## Get ready to play!

You are ready to play the game as soon as

you see the message 'c o n 4' cycle through on the display.

If you have the game connected up to a printer or terminal, press the button any time during the 'c o n 4' display to actuate the serial link. The letter 'P' will appear on the display indicating that printout (serial output) is enabled. Release the button, whereupon the display will switch between a '3' and a '9'. Press the button on the '3' to select 300 baud, or on the '9' for 9,600 baud. The game will restart, and this time data will be sent to the terminal.

You will now be asked to specify the board size (serial link only). See the examples in Figs. 6 and 7 for the difference between the two sizes. Stop the display on the 'S' for the small board, or on the 'L' for the large board.

Next, the display will cycle through either 1, 2 or 3 horizontal bars (segments) being lit. This is the prompt for the level of difficulty. Stop the display on the desired level, 1 bar being easiest, 3 being the hardest.

Finally, you must tell the game who is to go first. Stop the display on the 'H' (for human) if you want to go first, or on the 'C' (for computer) if you want the 6802 to go first.

You are now playing the 6802 at Connect-4. Do not forget to have a ready-drawn board

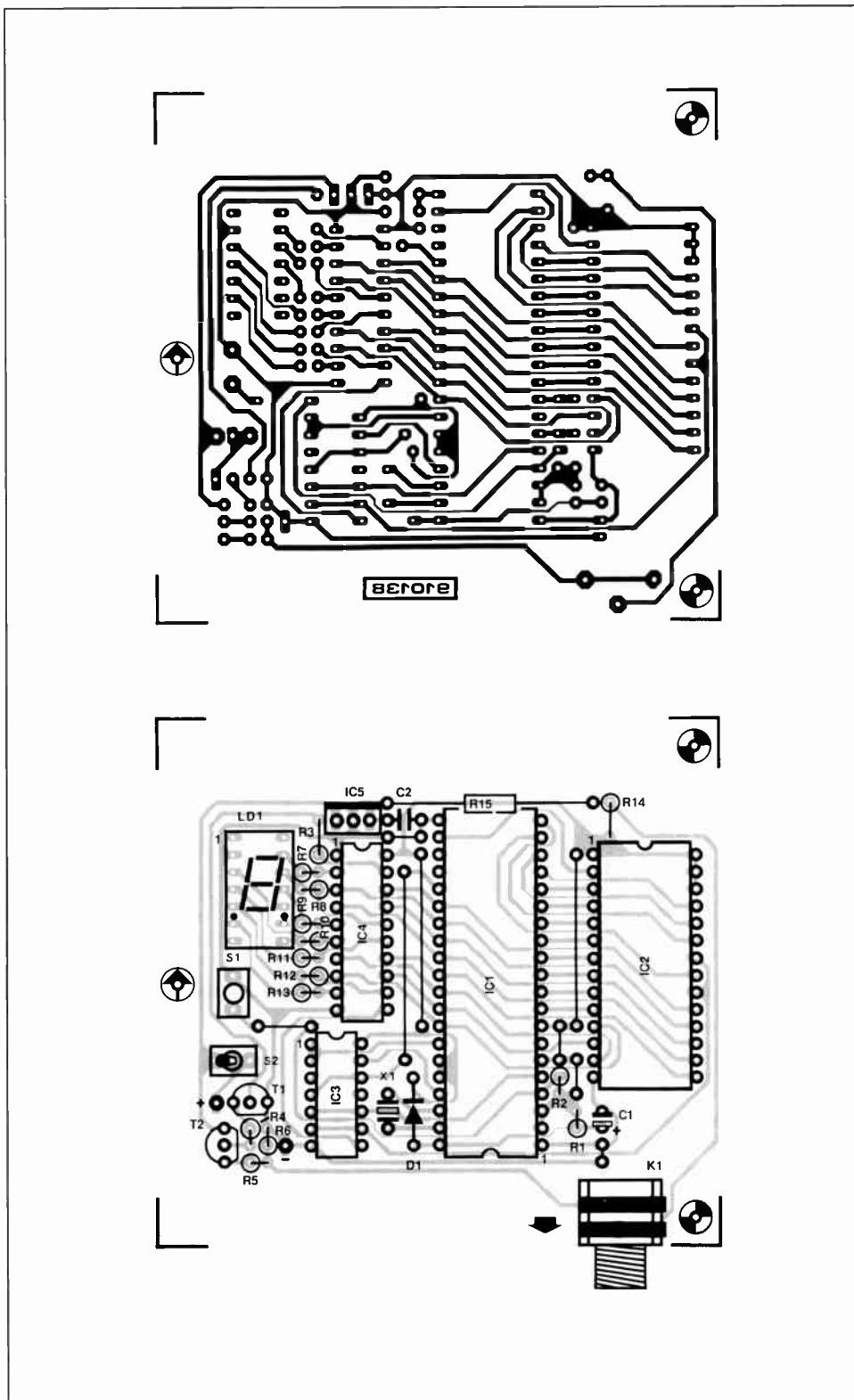


Fig. 2. Printed circuit board for the Connect-4 game.

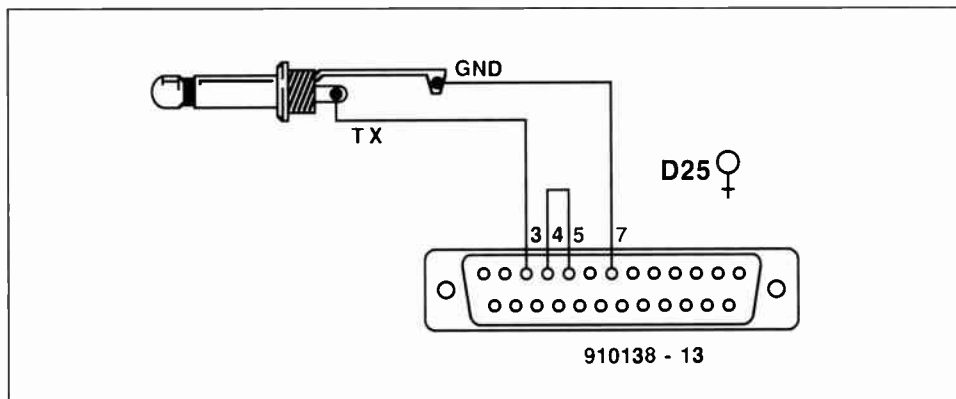


Fig. 3. Serial lead connection details for PCs, printers and terminals.

## COMPONENTS LIST

### Resistors:

1	33k $\Omega$	R1
1	3k $\Omega$ 3	R2
2	4k $\Omega$ 7	R3;R4
1	100 $\Omega$	R5
1	2k $\Omega$ 2	R6
8	1k $\Omega$	R7-R13;R15
1	270 $\Omega$	R14

### Capacitors:

1	47 $\mu$ F 25V radial	C1
1	1 $\mu$ F 16V tantalum	C2

### Semiconductors:

1	BC547B	T1
1	BC557B	T2
1	1N4148	D1
1	6802	IC1
1	27C64 (ESS6081)	IC2
1	74HC20	IC3
1	74HC374	IC4
1	7805	IC5
1	HP5082-7613	LD1

### Miscellaneous:

1	4.00 MHz quartz crystal	
1	PCB mount 3-mm jack socket	K1
1	miniature push-button	S1
1	miniature on/off switch	S2
1	PP3 (9V) battery clip	
1	heatsink for IC5	

handy if you are not connected up to a serial link.

When it is your turn, the display will cycle through the numbers '1' to '7', which correspond to the seven columns on the board. Press the button on the column you wish to play. In later stages of the game, some of the numbers will be missed out, indicating that the column is full. When you press the button, the falling graphic will be displayed, representing your counter dropping down the column.

When it is the computer's turn, the top segment of the display flashes, showing that the 6802 is 'thinking' about its move. When it has finished, it will display a number indicating which column it wishes to play.

If you wish to retire, just turn the game off and then on again.

If you win, a symbol which looks like a 'u' is displayed. If you lose (far more likely, even at level 1) an 'L' will be displayed. In the event of a draw, a 'd' will be displayed. Whichever indication appears, just press the button to start another game.

If you are using the serial link, you will be prompted for your response at each stage (see the examples in Figs. 5, 6 and 7).

## Software

The machine code program contains a total of six search algorithms. Depending on the level of difficulty selected, either one, five or all six are used. The first search goes through each of the seven columns, and gives them a



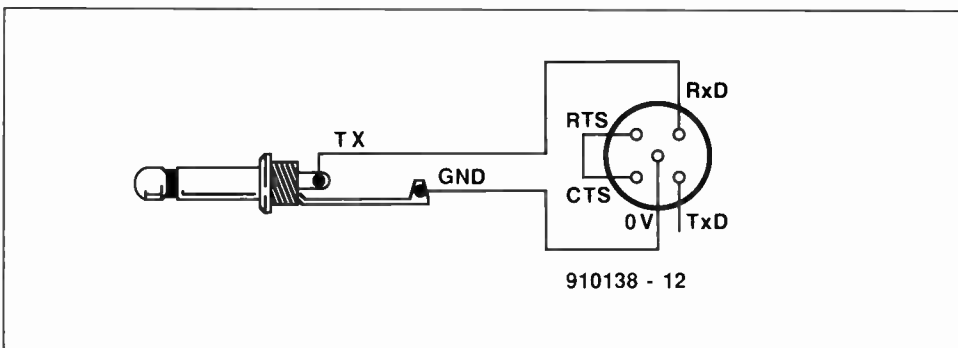


Fig. 4. Serial lead connection details for BBC-B micro.

```

CONNECT 4 - game (c) MB Ltd, code (c) R D Bell 1990-91, version 1.6
Instructions:
Try and outwit the computer by being the first to make a line of four, either
vertically, horizontally or diagonally.

The game is played on a 7 by 7 board. Play progresses with each player taking
turns to drop their counters down a column. The counters will fall until they
hit the bottom or another counter. The first to make a line of 4 wins.

Do you want a (S)mall or (L)arge board?

ALT-F10 HELP | ANSI-BBS | HDX | 9600 N81 | LOG CLOSED | PRT OFF | CR | CR
Instructions:
Try and outwit the computer by being the first to make a line of four, either
vertically, horizontally or diagonally.

The game is played on a 7 by 7 board. Play progresses with each player taking
turns to drop their counters down a column. The counters will fall until they
hit the bottom or another counter. The first to make a line of 4 wins.

Do you want a (S)mall or (L)arge board?
Large: You're ## I'm ^
      ##          ^

Select the level of difficulty by pressing the button. (1=easy, 3=hard)
Easy: What a wimp!

If you want to go first stop the display on H, or if you wish the computer to
go first stop it on c.
OK, I'll go first.

I'm thinking . . .
I'll go in column 4
    
```

910138-14

Fig. 5. Instruction screen displayed on the terminal when the serial link is used.

```

+---+---+---+---+---+---+
|   |   |   |   |   |   |
|   |   |   |   |   |   |
|   |   |   |   |   |   |
|   |   |   |   |   |   |
|   |   |   |   |   |   |
|   |   |   |   |   |   |
|   |   |   |   |   |   |
|   |   |   |   |   |   |
+---+---+---+---+---+---+
      1     2     3     4     5     6     7

I'm sorry, you've lost.
    
```

910138-15

Fig. 6. Example of the 'large board' option as displayed on the terminal.

rating. The column with the highest rating is then checked to see what effect it would have if it were played as the computer's go. If playing it would allow the human to win, it is ignored, and the next higher rated column is tried. If the level of difficulty is one, this is the only search used to pick up the computer's go.

If the level of difficulty is either two or three, a further four search techniques are used. These are far more complex, and involve searching forward by up to 12 moves in some instances. The microprocessor attempts to force the human into a losing situation, or create multiple win lines for itself, that the human will not be able to block.

For level three, only one more additional search is used. This compares the current board positions against stored ones in memory. If a match is found, the ideal response is read from memory. This search can be quite time consuming, but it does not mean that any moves that the micro rates as the best (but in the long run have proved not the best) can be avoided. It will be found that the 6802 plays a very good game of Connect-4 at level 3, when the maximum 'move' time is about 20 seconds.

The search algorithms are quite complicated, and their operation is not discussed further here. The author can supply the source listing (which is about 2,500 lines long) on paper or disk (BBC, Amiga or IBM format) for £8.

```

. . . . .
. . . . .
. . . H C . .
. . H C C . .
. . C C H . .
. . H C H . .
. C H H H C H
1 2 3 4 5 6 7

I'm thinking . . .
I'll go in column 2

. . . . .
. . . . .
. . . H C . .
. . H C C . .
. . C C H . .
. C H C H . .
. C H H H C H
1 2 3 4 5 6 7

I'm sorry, you've lost.
    
```

910138-16

Fig. 7. As Fig. 6, but showing the 'small board' option. As you can see, it is quite difficult to beat the 6802!

# AUTOMATIC BLOWER FAN CONTROL FOR CARS

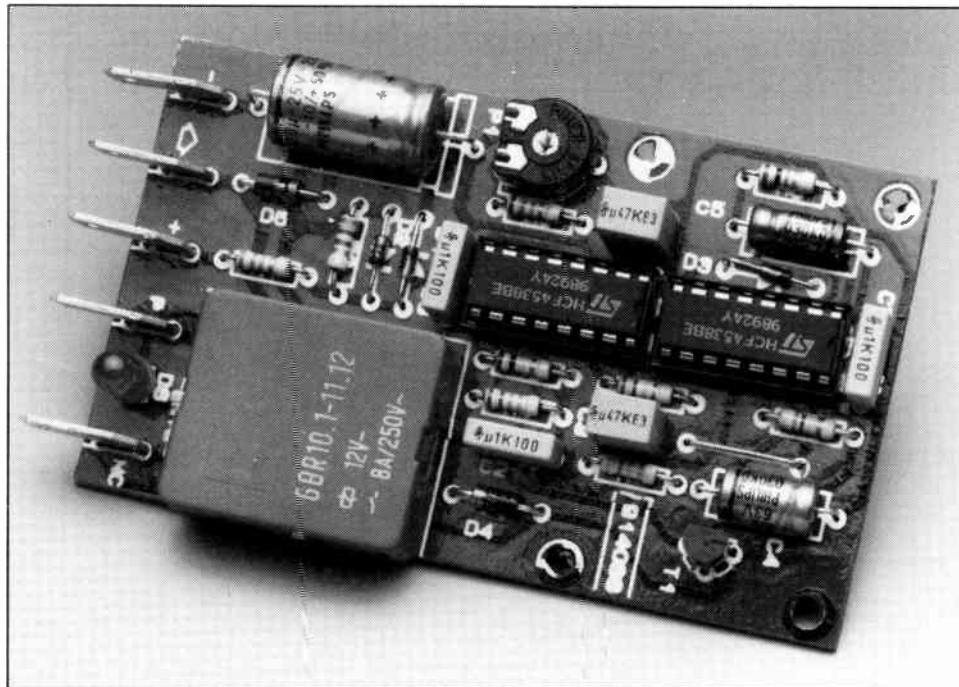
by J. Riecker

**I**N CASE you were not aware of it, the rush hour can affect your health. Stuck in a traffic jam or caught in the dense traffic in a big city, car drivers are often forced to switch off the fan to prevent being choked by the exhaust fumes produced by the vehicle in front of them. Switching the fan on and off every minute or so to keep the fumes out is a nuisance, and calls for an automatic switch controlled by the engine speed. Such switches exist, but unfortunately for most of you they are only found in top-of-the-range cars equipped with an airconditioning system.

The circuit shown here will not set you back too much, yet puts you at a par with certain BMW 7xx drivers—well, at least as far as the fan control is concerned. The control automatically switches off the fan when the engine runs at a relatively low speed. After a short delay, the fan comes on again automatically when you are clear to drive after passing a congested spot or start moving again in a traffic jam.

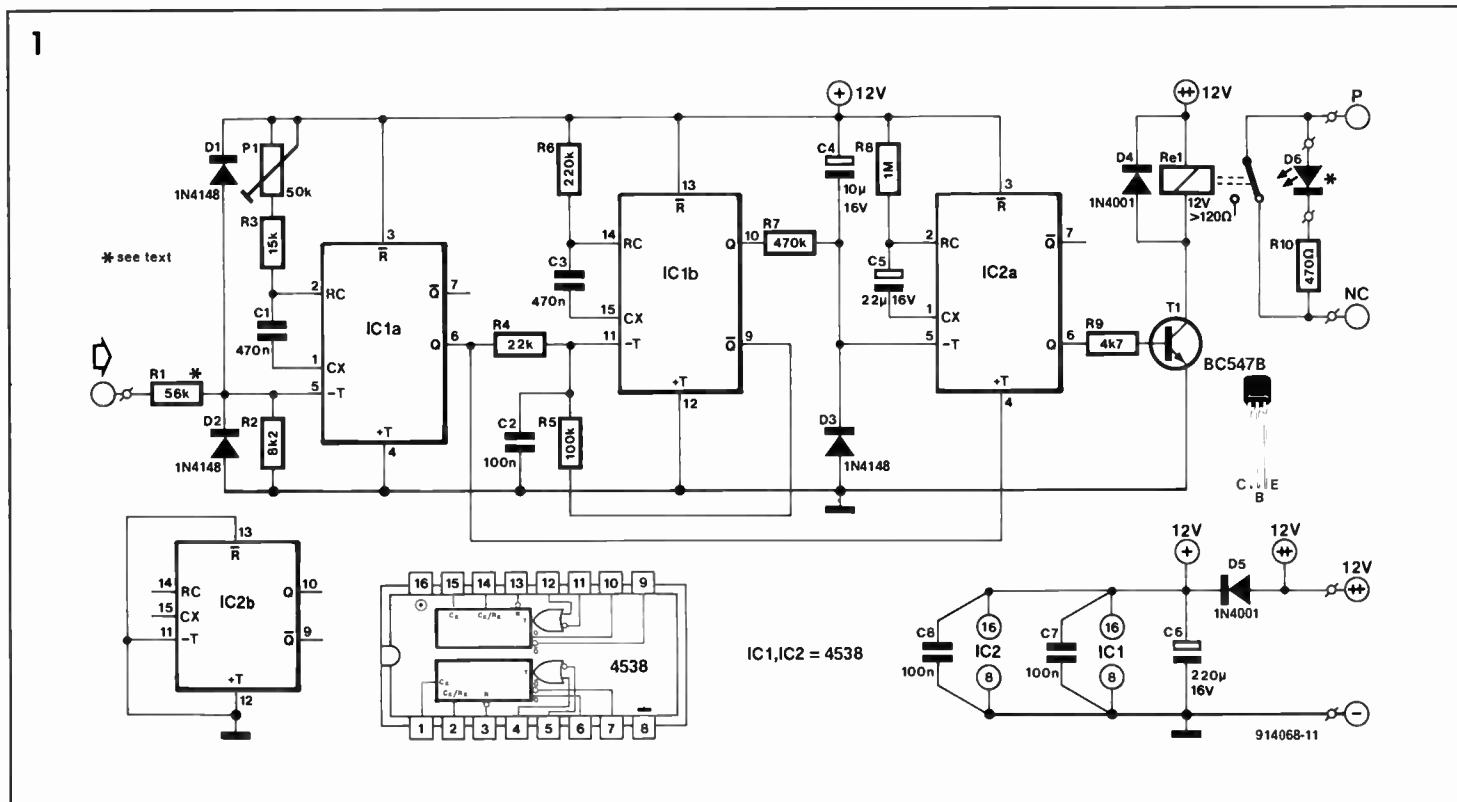
The circuit consists essentially of (1) an engine speed monitor circuit set to a switching level of 1,800 rev/min; (2) an integrator to prevent fast switching around the engine speed; and (3) a time constant that introduces a delay before the fan is switched on.

The engine speed monitor serves to sense whether you are moving or not. This is achieved by detecting when the car engine idles, i.e.,

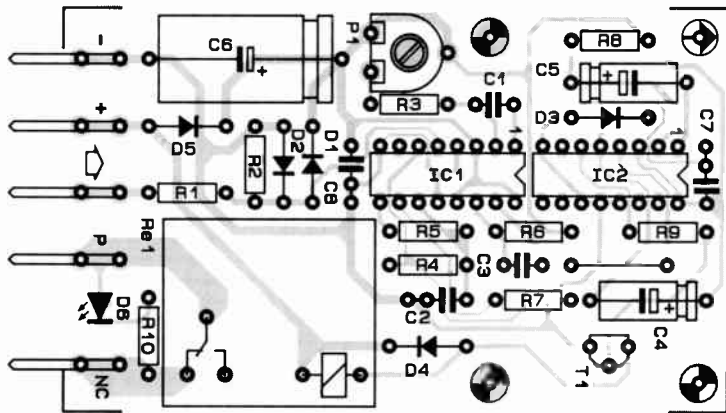
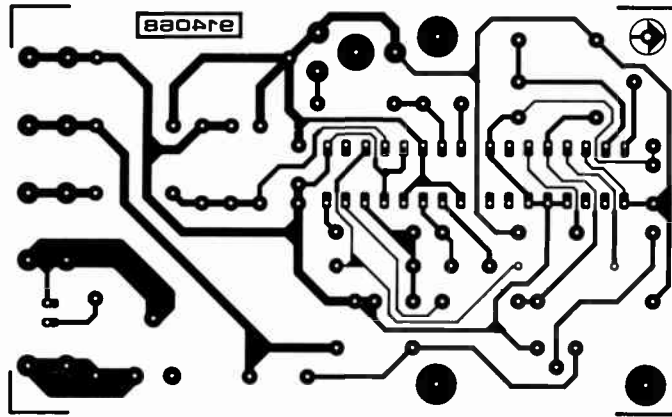


runs at a relatively low speed. The monitor consists of two monostable multivibrators, IC<sub>1a</sub> and IC<sub>1b</sub>. The first is supplied with pulses from the contact breaker. Resistors R<sub>1</sub>-R<sub>2</sub> and diodes D<sub>1</sub>-D<sub>2</sub> serve to reduce the pulse level to the maximum supply voltage of the circuit. This protection is necessary because in

some cars the contact breaker pulses can have a peak value of up to 200 V. Monostable IC<sub>1a</sub> supplies pulses of a fixed length as long as the period of the input signal is greater than the time constant defined by network P<sub>1</sub>-R<sub>3</sub>-C<sub>1</sub>. If the input pulses are shorter, the Q output of IC<sub>1a</sub> remains at 1. The time constant,  $\tau$ ,



2



for a 6-cylinder engine,  $\tau_1=11.11$  ms; and for an 8-cylinder engine,  $\tau_1=8.32$  ms.

The second monostable, IC<sub>1b</sub>, is triggered as long as it receives input pulses from IC<sub>1a</sub>. This results in pin 10 of IC<sub>1</sub> going high when the engine speed drops below 1800 rev/min. To delay the response of the engine speed monitor, a small hysteresis is provided by R<sub>5</sub> and C<sub>2</sub>. The monotime of IC<sub>1b</sub>,  $\tau_2$ , must be greater than the greatest value of  $\tau_1$ . Here,  $\tau_2$  is set to about 100 ms.

The integrator is formed by network R<sub>7</sub>-C<sub>4</sub>, whose time constant,  $\tau_3$ , is set to about 3 s. Then follows a third monostable, IC<sub>2a</sub>, which determines the on time,  $\tau_4$ , set to about 20 s. A transistor driver, T<sub>1</sub>, interfaces the control to a relay. Note that the fan is switched off when the relay is energized. This is done to enable the fan to be used when the control is not powered for whatever reason. Finally, the third monostable is connected to the first via the positive trigger input. This is done to prevent IC<sub>2</sub> being re-triggered every time the engine speed drops below 1800 rev/min.

The circuit is best constructed on the printed-circuit board shown here. Keep an eye on the maximum fan current that flows via the board and the relay contacts—the connections between the fan and the board, 'P' and 'NC' (for normally closed) must be made in heavy-duty terminals and sockets as used in cars.

Test the circuit with the aid of a function generator connected to pin 5 of IC<sub>1</sub>. Set a generator frequency that corresponds to the desired engine speed at which the fan control must operate. The generator frequency is  $1/\tau_1$ . Set the length of  $\tau_1$  by adjusting preset P<sub>1</sub> until the signal at pin 10 just toggles. Lower the frequency. The relay must be energized. Increase the frequency, and the relay must be de-energized after a delay of about 20 s. The circuit is now ready to install in the car. The current consumption is about 1 mA in the off state, and about 38 mA when the relay is energized. ■

**PARTS LIST**

**Resistors:**

- R1 = 56 k $\Omega$
- R2 = 8.2 k $\Omega$
- R3 = 15 k $\Omega$
- R4 = 22 k $\Omega$
- R5 = 100 k $\Omega$
- R6 = 220 k $\Omega$
- R7 = 470 k $\Omega$
- R8 = 1 M $\Omega$
- R9 = 4.7 k $\Omega$
- R10 = 470  $\Omega$
- P1 = 47 k $\Omega$  preset

**Capacitors:**

- C1, C3 = 470 nF
- C2, C7, C8 = 100 nF
- C4 = 10  $\mu$ F, 16 V
- C5 = 22  $\mu$ F, 16 V
- C6 = 220  $\mu$ F, 16 V

**Semiconductors:**

- D1, D2, D3 = 1N4148
- D4, D5 = 1N4001
- D6 = LED
- T1 = BC547B
- IC1, IC2 = 4538

**Miscellaneous:**

- Re1 = 12 V/330  $\Omega$  PCB mount relay, contact rating about 8 A, e.g. Siemens V23127-A0002-A201
- 5 off angled 'fast-on' pin for PCB mounting

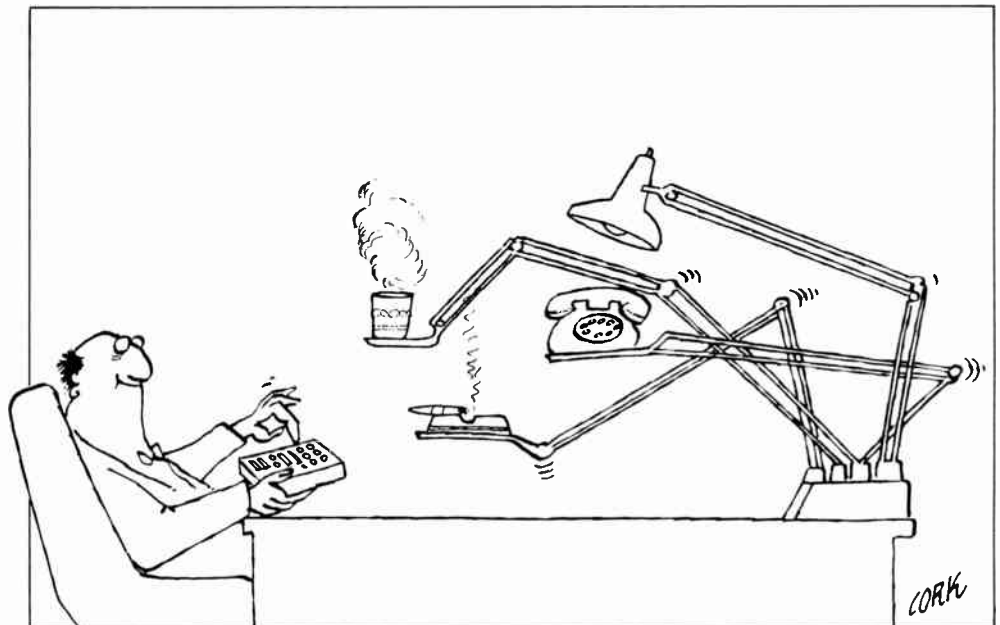
depends on the number of cylinders,  $N$ , in the engine:

$$\tau_1 = 120 / (\text{engine speed} \times N)$$

For example, for a four-cylinder engine, and a switch-off speed of 1800 rev/min:

$$\tau_1 = 120 / (1800 \times 4) = 16.67 \text{ ms.}$$

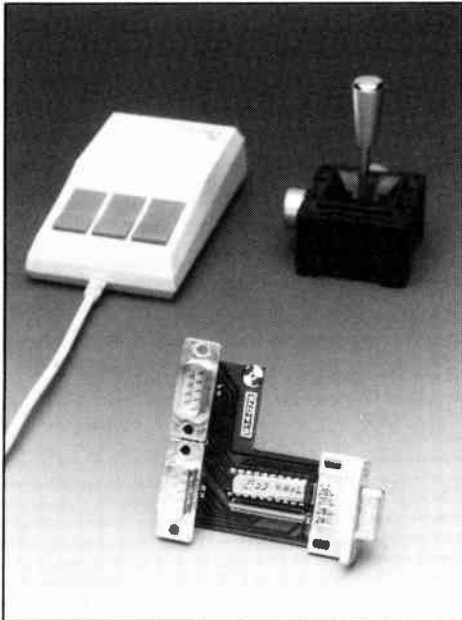
Similarly, for a 5-cylinder engine,  $\tau_1=13.32$  ms;



# MOUSE/JOYSTICK SWITCH FOR AMIGA

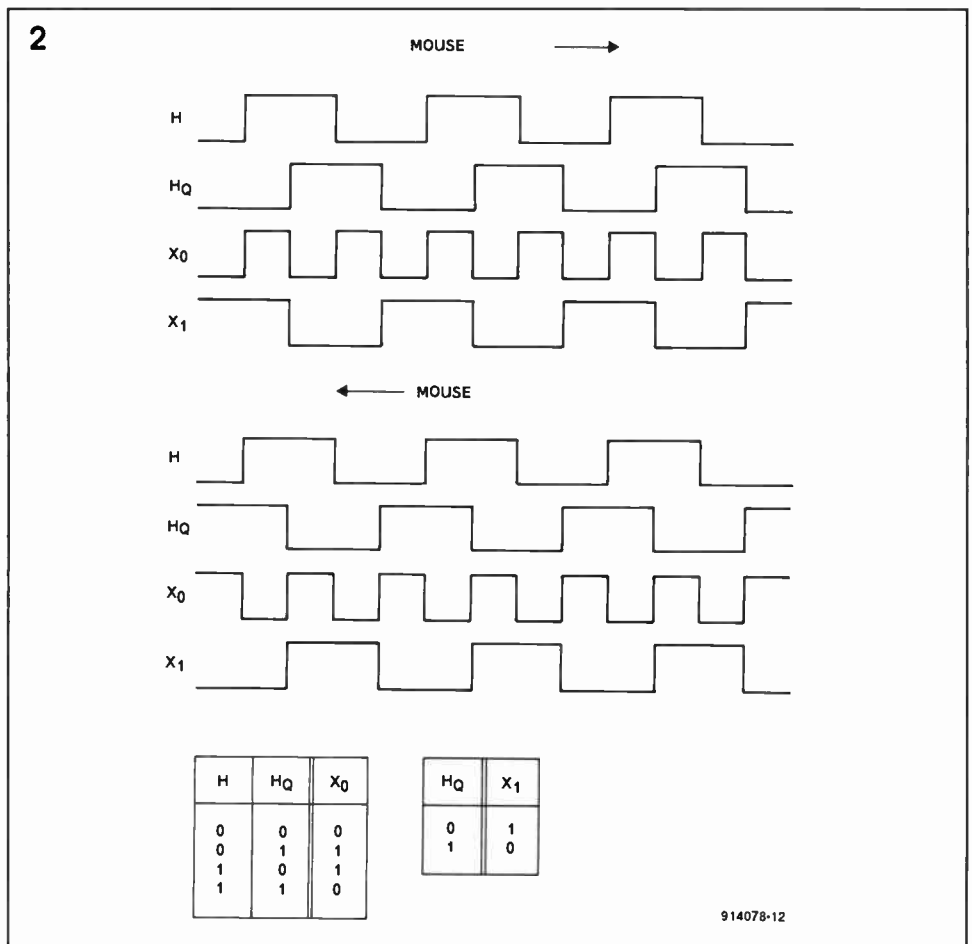
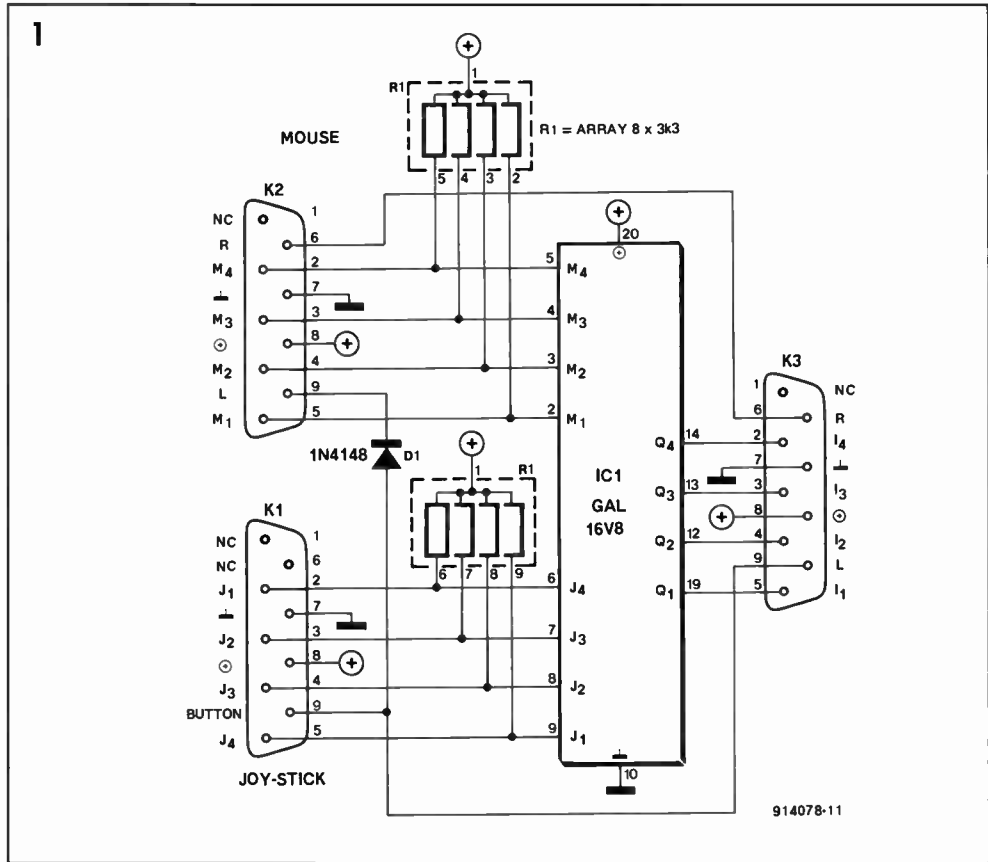
by D. Gembris

HERE is an interesting circuit for all Amiga owners who object to having to disconnect the mouse every time a second joystick is required for a video game. The switch is all-electronic, and can be connected permanently to the joystick-1 port on the Amiga. Extremely simple to build from a minimum of components, the circuit detects automatically when the joystick or the mouse is used.



The mouse supplied with the Amiga computer supplies four signals, apart from the two button signals. Signals H and HQ (or V and VQ) indicate the direction, and X0 and X1 the speed (see Fig. 2). The joystick supplies similar signals, although it must be noted that joystick activity is simpler to detect than mouse activity. The joystick is active whenever one of the four direction signals goes low.

By contrast, mouse activity can only be detected by comparing the current state of the

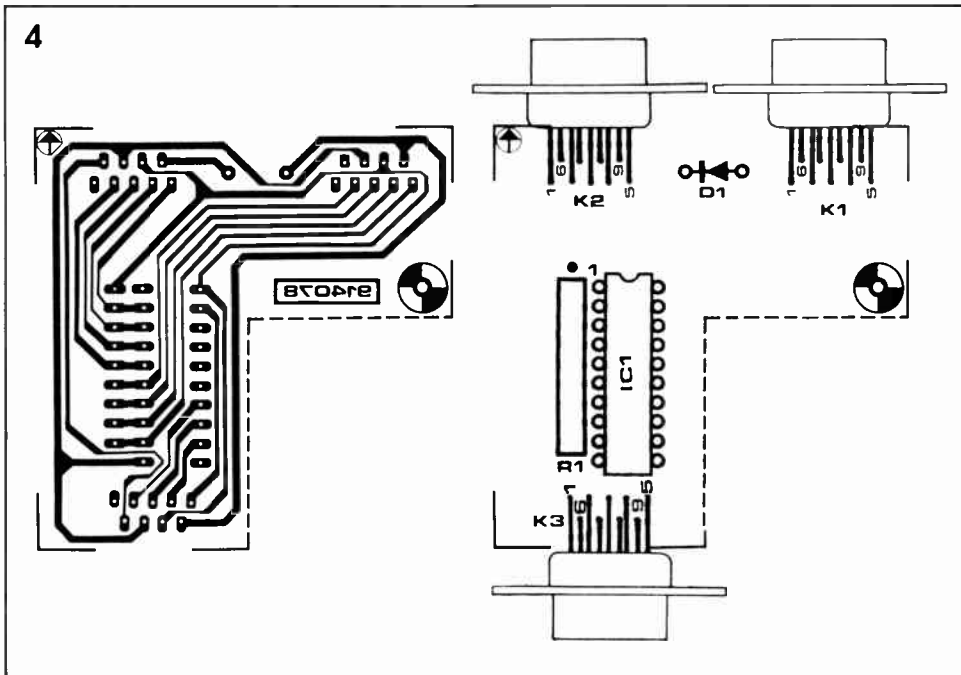


**3**

\*IDENTIFICATION  
 ELEKTOR,  
 \*TYPE GAL16V8;  
 \*PINS  
 M1=2, M2=3, M3=4, M4=5, J1=9, J2=8, J3=7,  
 J4=6, Q2.T=12, Q3.T=13, Q4.T=14  
 HOUT.T=15, VOUT.T=16, SWM.T=17, DIF.T=18,  
 Q1.T=19;  
 \*BOOLEAN EQUATIONS  
 SWM = /DIF & SWM & J1 & J2 & J3 & J4  
 + DIF;  
 Q1 = SWM & M1  
 + /SWM & J1;  
 Q2 = SWM & M2  
 + /SWM & J2;  
 Q3 = SWM & M3  
 + /SWM & J3;  
 Q4 = SWM & M4  
 + /SWM & J4;  
 VOUT = M1;  
 HOUT = M2;  
 DIF = /VOUT & M1  
 + /M1 & VOUT  
 + /HOUT & M2  
 + /M2 & HOUT;

\*END

914078-13



**PARTS LIST**

**Resistors:**  
R1 = array, 8x3.3 kΩ

**Semiconductors:**  
D1 = 1N4148  
IC1 = GAL 16V8 (ESS6003)

**Miscellaneous:**  
K1, K2 = 9-way male sub-D connector, angled, for PCB mounting  
K3 = 9-way, female sub-D connector, angled, for PCB mounting  
PCB 914078

H and V lines with the previous state. The mouse is active when these states are different. Hence, a bistable and a clock would be required to implement an activity detector.

Here, a much simpler solution has been found by making use of the propagation delay of the logic functions contained in the GAL. In practice, the actual delay is uncriti-

cal, so that even the slowest GALs can be used—a few nanoseconds are sufficient for a reliable mouse activity detector.

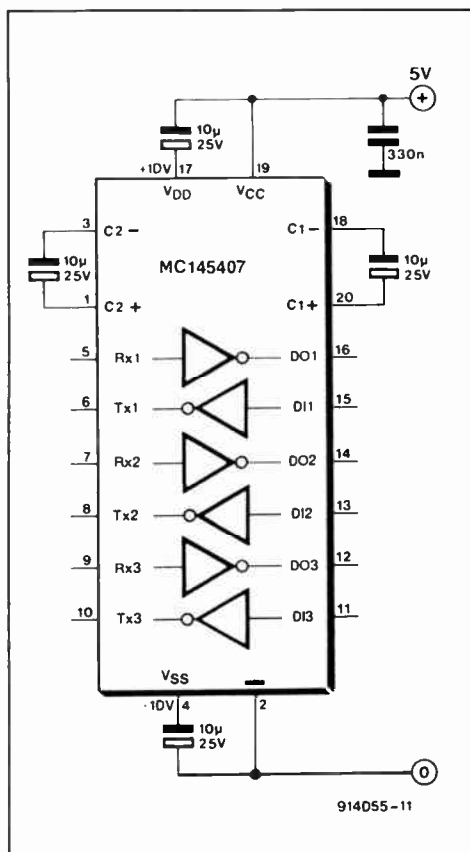
The left-hand mouse button is combined with the button on the joystick via diode D1. Pull-up resistors are fitted at the joystick and mouse inputs to prevent non-defined signals when one of these devices is not con-

nected.

Those of you with access to a GAL programmer can use the source listing in Fig. 3 to produce a JEDEC file and program their own device. If you do not have a GAL programmer, you may like to know that IC1 is available ready-programmed through our Readers Services. ■

# RS232 WITH SINGLE POWER SUPPLY

by K. Walters



IN MOST personal computers, the power supply provides +5 V and ±12 V lines. The positive 12 V line is needed for the disk drives, and the ±12 V for the RS232 interface. Over the past few years, ICs have become available (such as the MAX232) that can drive serial channels (which need ±12 V) from a single +5 V line.

In the diagram, a Motorola MC145407 and four electrolytic capacitors provide ±10 V (the supply for RS232 connections may lie between ±5 V and ±15 V). The circuit also provides three input buffers and three output buffers (the MAX232 provides two of each). If more buffers are needed, the IC can supply a 145406 via its Vdd and Vss pins to give a total of six input buffers and six output buffers.

The 10-volt potentials are generated by an integral 20 kHz oscillator and two voltage doublers. When the supply is loaded, these voltages drop a little, but remain well within the RS232 requirement.

The open-circuit current drawn by the IC is only 1.5 mA, but this increases, of course, under load conditions:

It is advisable to keep the construction as compact as possible and to locate the electrolytic capacitors very close to the relevant pins. The 330 nF decoupling capacitor must

be soldered with the shortest possible leads between pins 2 and 19. Preferably, do not use an IC socket, because fairly high peak currents flow when the electrolytic capacitors are being charged. ■

**PREVIEW**  
**SPEAKER BUILDER**

Issue 6, 1991

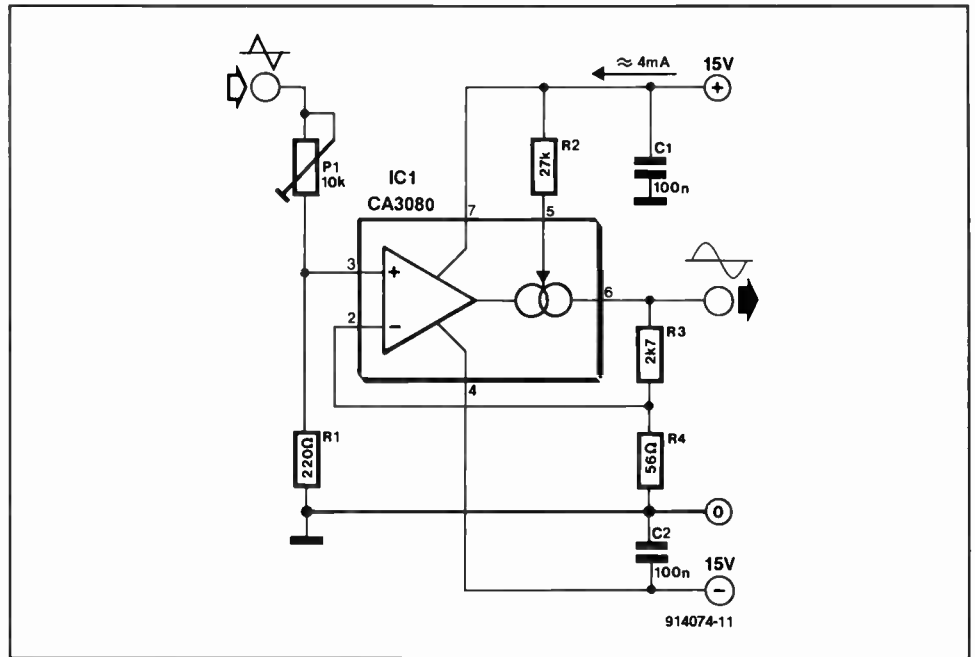
- Sensitivity of vented-box designs
- Transmission line speaker evaluation
- A speaker system capable of concert-level music
- Improved cables for better sound delivery
- An Amazing loudspeaker
- A 3-way reflex cabinet

# SINE WAVE CONVERTER

by H. Kühne

THE converter, based on a Type CA3080 operational transconductance amplifier (OTA) converts a triangular voltage into a sinusoidal one with very low distortion. An OTA is a device whose amplification can be varied by a control current.

The circuit needs a stable, precisely symmetrical supply voltage, since the control is derived directly from this via resistor  $R_2$ . It also needs a symmetrical triangular voltage at a level of 350 mV p-p at pin 3 of IC<sub>1</sub>. The output in those conditions is a sinusoidal voltage at a level of 2.85 V r.m.s. Provided the circuit is constructed carefully and  $P_1$  is set correctly, the distortion does not exceed 1.2%. This figure deteriorates rapidly when the supply voltage is not accurate or precisely symmetrical. ■



# POWER-ON DELAY

by G. Peltz

THE power supply for this analogue circuit that affords delays of 330 seconds is taken directly from the mains. The direct voltage at the output of the bridge rectifier is held at 22 V by zener diode  $D_5$ . Resistor  $R_6$ , which enables  $C_1$  to discharge rapidly as soon as the mains is switched off, must be rated at 250 V a.c. or 400 V d.c.

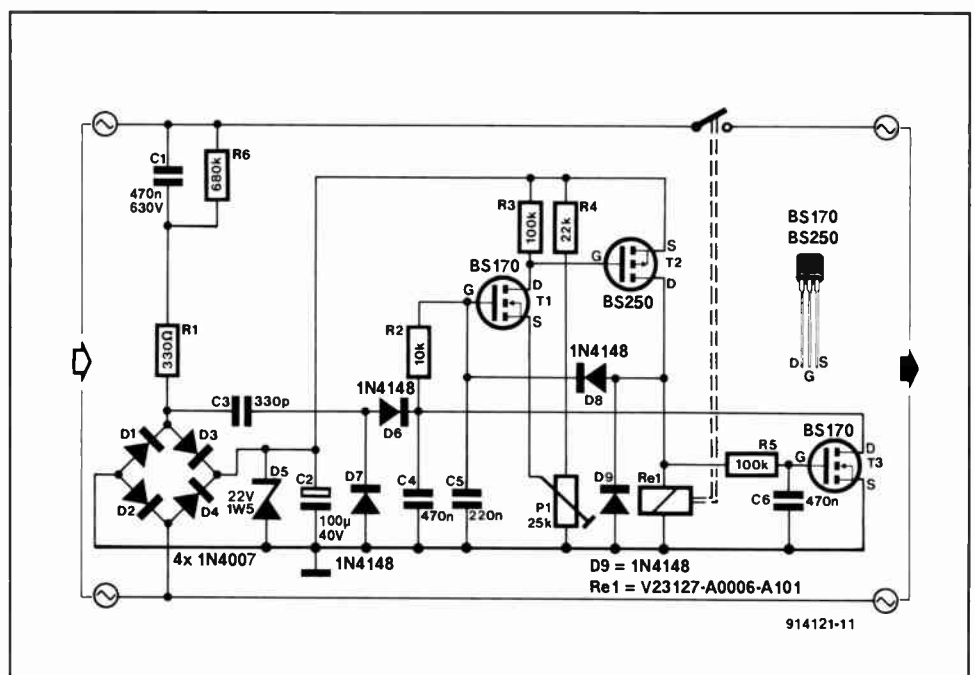
The delay is provided primarily by  $C_4$ , which is charged via  $C_3$ , whose impedance at 50 Hz is about 10 MΩ, and half-wave rectifier  $D_6$ - $D_7$ . After a given period, the potential across  $C_4$  will be 12 V higher than the source voltage of  $T_1$ , which is set with  $P_1$ . The gate of  $T_1$  has the same potential as  $C_4$ . Network  $R_2$ - $C_5$  serves to suppress any spurious voltage peaks.

When the potential across  $C_4$  becomes higher than the source voltage of  $T_1$ , the FET begins to conduct and this will result in  $T_2$  being switched on. Moreover, the voltage across the relay is fed back to the gate of  $T_1$  via  $D_8$ . This feedback ensures that  $T_1$  and  $T_2$  are quickly driven into saturation.

Once the relay has been energized, transistor  $T_3$  will be switched on via  $R_5$ - $C_6$ . When this happens,  $C_4$  will discharge through the transistor, so that the circuit is quickly back in its initial state. The delay on power-up is, therefore, not shortened by the residual charge

in  $C_4$ . In spite of  $C_4$  being discharged, the relay remains actuated because the gate voltage of  $T_1$  is held via  $D_8$ . Only when the supply voltage is switched off will the relay be deenergized.

Note that the circuit is connected electrically to the mains so that great caution should be observed during any testing and operation. ■



# TEMPERATURE MEASUREMENT TECHNIQUES

Whereas over the past few centuries temperature was measured by observing the expansion of a liquid (and later, a solid), nowadays many temperature measuring devices are based on electronic sensors. This article looks at the physical backgrounds and application areas of such sensors, as well as the methods of using them.

**T**EMPERATURE in the abstract is not easy to define, but it may be said of two bodies at different temperatures that one feels hotter to the touch than the other, or that when placed in contact, heat flows from the hotter to the colder. Temperature is thus a difference, which may be measured by the physical effects it produces in contact with a measuring instrument called a thermometer. Thermometers of whatever nature are devices for comparing temperature intervals with a standard temperature interval, that between two fixed points. The practical fixed points are the *ice point* (the equilibrium temperature between ice and air-saturated water at standard atmospheric pressure) and the *steam point* (the temperature of equilibrium between liquid water and its vapour at standard atmospheric pressure). The SI definition of temperature makes the fixed points *absolute zero* (0 K) and the *triple point of water* (273.16 K), that is, when the three phases liquid, solid and vapour exist together in equilibrium.

Scientifically speaking, temperature (symbol:  $T$ ) is a measure of the kinetic energy of the molecules, atoms or ions of which a body or substance is composed. The faster the movement of these particles, the higher the temperature of the body or substance. Unfortunately, measuring the speed of molecules is hardly a practicable method to express temperature as a value. Fortunately, we can make use of some of the effects of temperature changes to measure the temperature proper. What effects can we observe?

- the volume increases (usually) with higher temperatures;
- the state of matter (usually) changes from the solid into the liquid and, finally, the gaseous phase.
- Many properties of matter, including heat capacity, sound propagation and electrical resistance, change.

The best known instrument to record the first type of change is the fluid thermometer. The length of the fluid column (mercury; alcohol) is a measure of temperature. The fluid is forced to expand in one direction by a small (glass) tube. A temperature change  $\nu$  gives rise to a volume change,  $\Delta V$  ( $V_1 - V_2$ ), of

$$\Delta V = V_0 \gamma \nu$$

where  $\gamma$  is the thermal expansion co-efficient per kelvin for the relevant matter.

A second example of temperature recording elements are thermometers and thermostats based on bimetallic strips.

These are used, for example, in fuses. A bimetallic strip consists of two thin metal plates secured to one another, having different expansion coefficients. One end of the strip is securely fixed. Current flow through the strip causes a temperature increase, which in turn causes the strip to bend owing to unequal expansion of the components. The free end can thus serve to open or close an electrical circuit. The calculation of the change of length is similar to that for fluid expansion:

$$l = l_0 \alpha \nu$$

where  $\alpha$  is the length expansion co-efficient for the relevant material. It should be noted that the co-efficients  $\gamma$  and  $\alpha$  are constant within a certain temperature range only (generally, 0–40 °C for fluids, and 0–100 °C for solid matter).

The phase change from solid to liquid as a result of a temperature rise is exploited in a well-known electrical component: the fuse. The wire in a fuse melts when the current through it exceeds a certain limit.

Bimetallic elements and fuses are not,

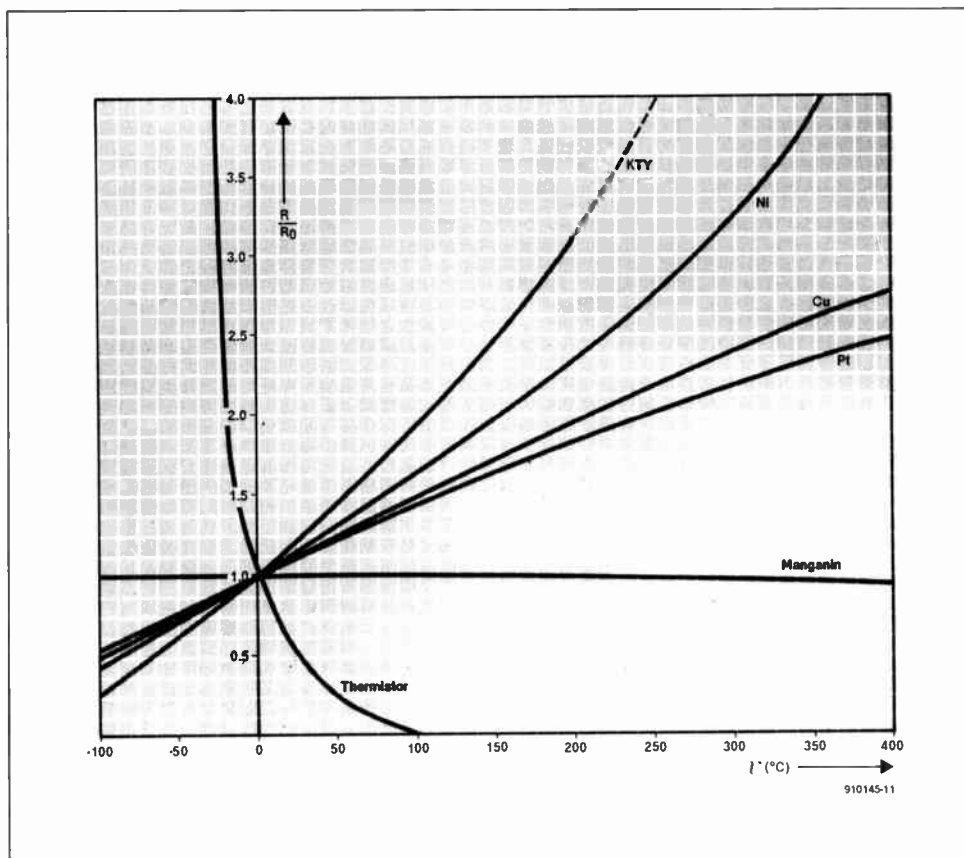


Fig. 1. Characteristic curves of some passive temperature sensors.

strictly speaking, direct temperature sensors. They are unsuitable for analogue temperature measurement, and merely serve to establish or break an electrical circuit permanently or temporarily by monitoring a current flow.

## The resistance-based thermometer

One of the most important effects of temperature changes on physical properties is the change of resistance of conductors and semiconductors. There exist materials whose resistivity,  $\rho$ , (rho), rises with temperature. This is caused by an increase or decrease of charge carrier mobility, as a result of a greater charge carrier density. In the first case, the material has a positive thermal co-efficient, in the second, a negative thermal co-efficient.

Thermometers based on resistors are passive sensors that require auxiliary energy to enable the effect of a temperature change to be measured.

Conducting temperature sensors usually consist of a copper-nickel alloy (temperature range approx.  $-50\text{ }^{\circ}\text{C}$  to  $+150\text{ }^{\circ}\text{C}$ ), or platinum ( $-250\text{ }^{\circ}\text{C}$  to  $+1000\text{ }^{\circ}\text{C}$ ). The type marking of the sensor indicates the material resistance at  $0\text{ }^{\circ}\text{C}$ . A Type Pt100 sensor, for example, consists of platinum, and is produced to have a resistance of  $100\ \Omega$  at  $0\text{ }^{\circ}\text{C}$ .

Apart from the metal-based sensors, there are also semiconductor sensors such as KTY sensors, PTC-cold, and NTC types. These sensors are inexpensive, and widely used in, for example, electric household utensils (washing machines, tumble dryers, etc.).

Figure 1 shows the temperature-resistance characteristic of a number of metals and semiconductors. The curves shown may be approximated mathematically by an exponential series. Since the curves are relatively straight, a sufficiently close mathematical description may be achieved for powers up to 3. Similarly, the resistance characteristic is described sufficiently accurately by

$$R = R_0 \left[ \alpha (v - v_0) + \beta (v - v_0)^2 + \gamma (v - v_0)^3 \right]$$

In this equation,  $v$  is the current temperature and  $v_0$  the reference temperature of  $0\text{ }^{\circ}\text{C}$ , at which the resistance  $R_0$  is valid.

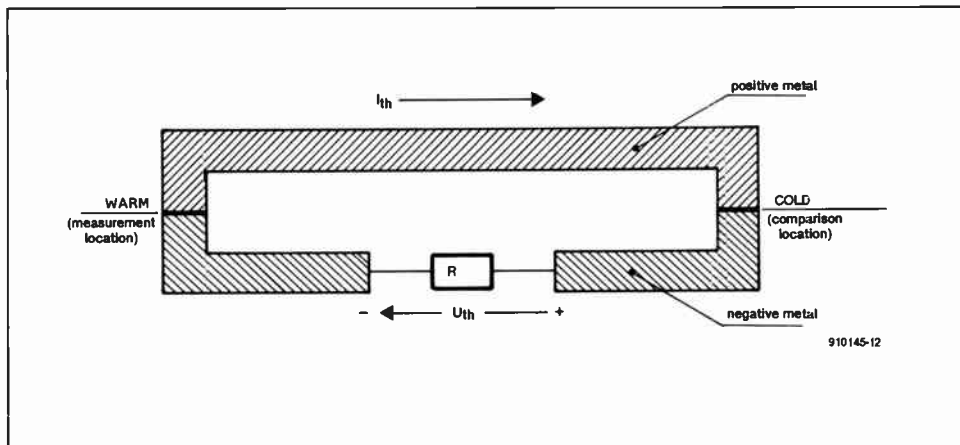
The first power indicates the rate of rise of the curve (the temperature co-efficient), and the second its curvature. The sensitivity of the sensor may be obtained by differentiation:

$$S_r = \alpha + 2\beta (v - v_0) + 3\gamma (v - v_0)^2$$

**Table 1. Temperature scale conversions**

	Kelvin (K)	Centigrade ( $^{\circ}\text{C}$ )	Fahrenheit ( $^{\circ}\text{F}$ )
Absolute zero point	0	-273.15	-459.67
Triple point point of water *	273.15	0	32
Steam point	373.15	100	212

\* For practical purposes, the ice point and the triple point of water may be taken as the same, but strictly speaking, the triple point of water is a little higher than  $0\text{ }^{\circ}\text{C}$  since, under the pressure of its own saturated vapour at that temperature, the melting point of ice is about  $0.0075\text{ }^{\circ}\text{C}$ .



**Fig. 2. Basic construction of a thermocouple.**

Table 2 lists the values of the first two co-efficients for the materials indicated in Fig. 1. Note that

- metals are less sensitive to temperature changes than semiconductors (the curves are straighter);
- the curvature of the characteristics is significant at very high temperatures only, since the  $\beta$  co-efficient is 3 to 4 powers of ten smaller than the  $\alpha$ -coefficient;
- the temperature/resistance characteristic of copper is linear;
- the non-linearity of semiconductor sensors is much greater than that of metal sensors;
- the resistance of manganin is virtually independent of temperature;
- the thermistor characteristic is so non-linear that it is better described by an  $e$  function than by series of powers. The resistance is described by

$$R = R_0 e^{B(1/T - 1/T_0)}$$

where  $T$  is the absolute temperature, and  $T_0$  equals  $v_0 + 273.15\text{ K}$ , or the reference temperature at which  $R_0$  is valid. The material constant,  $B$ , is found in the datasheets. It takes values of  $2000\text{ K}$  to  $5000\text{ K}$  at  $v_0 = 20\text{ }^{\circ}\text{C}$ , and causes a sensitivity that is ten times higher than that of metal film resistors, since

$$S_r = \beta / T_0^2$$

Also note that PTC thermistors have a posi-

**Table 2. Co-efficients of temperature-dependent resistivity**

	$\alpha$ (1/K)	$\beta$ (1/K <sup>2</sup> )
Nickel	$+5.5 \cdot 10^{-3}$	$+7.4 \cdot 10^{-6}$
Platinum	$+3.9 \cdot 10^{-3}$	$-0.6 \cdot 10^{-6}$
Copper	$+4.3 \cdot 10^{-3}$	0
KTY	$+9 \cdot 10^{-3}$	$+11 \cdot 10^{-6}$
Manganin	$<0.04 \cdot 10^{-3}$	$-0.5 \cdot 10^{-6}$

tive temperature coefficient within a certain temperature range only—outside this range, the co-efficient is negative.

Resistor-based thermometers come in many shapes and sizes. Thermistors, PTCs and NTCs are inexpensive, readily applicable and quite sensitive. Their non-linear behaviour, however, makes them hardly suitable for measurement applications. Their maximum usable temperature is usually  $200\text{ }^{\circ}\text{C}$  to  $300\text{ }^{\circ}\text{C}$ , although special (and much more expensive) types may be found with a rating of  $1000\text{ }^{\circ}\text{C}$ .

Integrated semiconductor sensors such as the LM35 series from National Semiconductor are cheap and tailored to temperature measurement. These sensors have the invaluable advantage of a high linearity within the operating temperature range. This linearity is ensured by internal compensation of the self heating caused by the current flow through the sensor. There also exist versions with an internal current source, which



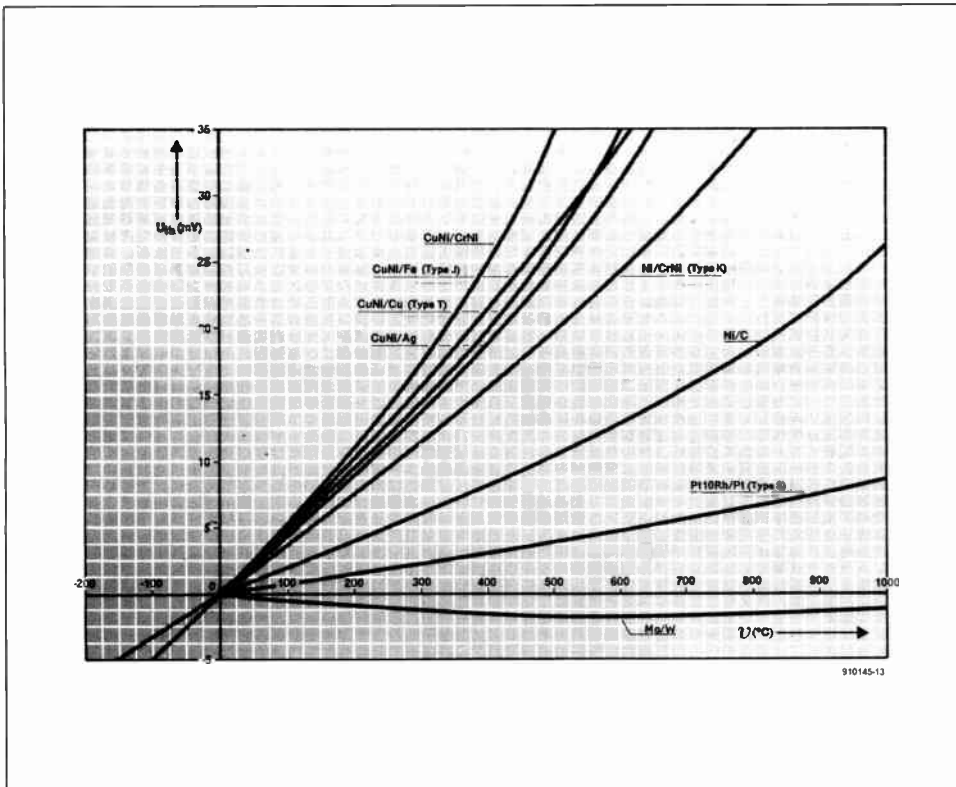


Fig. 3. Characteristic curves of commonly used thermocouples.

allows current-drive to be applied, avoiding errors caused by the resistance of long connecting wires. The main shortcoming of semiconductor temperature sensors is their restricted operating temperature range and maximum temperature, which is usually 150 °C or so.

High temperatures are the exclusive domain of passive and metal sensors. Inexpensive and accurate, these devices are used at temperatures up to 1000 °C. Their non-linearity is fairly easy to compensate. On the down side, passive and metal sensors offer a low sensitivity, and are relatively expensive. Fortunately, metal film sensors are now available that can be produced economically whilst offering the same accuracy and stability as the traditional types.

## Thermoelements

The group of active thermoelements is quite different from that of the passive resistance thermometers. While the latter require a current flow to operate, thermoelements produce a voltage proportional to temperature by virtue of the Seebeck-effect: if two different metals are joined, and the two junctions are kept at different temperatures, an electromotive force (e.m.f.) is developed in the circuit. The e.m.f. is caused by electron shifts inside a conductor of which the ends are at different temperatures. A metal is called 'positive' if it has a surplus of electrons at the 'hot' end, and 'negative' if the 'cold' end is negative with respect to the 'hot' end. When a positive and a negative metal are joined as shown in Fig. 2, the re-

sultant thermocurrent,  $I_{th}$ , causes a thermovoltage,  $U_{th}$ , across the resistor.

The thermovoltage is proportional to the difference,  $\nu$  between the temperature at the measurement location,  $\nu_m$ , and that at the comparison location,  $\nu_c$ :

$$\nu_m = \nu_c + \nu$$

In practice, an electronic circuit is used to relate the temperature of the comparison location to a virtual reference of 0 °C. The degree of electron shift is a material constant. Some values are given below in order of thermoelectrical voltage:

Material	Symbol	$U_{th}$ ( $\mu\text{V}/\text{K}$ )
Antimony	Sb	+35
Iron	Fe	+16
Zinc	Zn	+3
Copper	Cu	+2.8
Lead	Pb	0
Aluminium	Al	-0.5
Platinum	Pt	-3.1
Nickel	Ni	-19
Bismuth	Bi	-70

Figure 3 shows the characteristic curves of some commonly used thermocouples. It is seen that some of these exhibit a virtually linear thermovoltage characteristic, for instance, the nickel/chromium-nickel, copper/constantan and iron/constantan combinations (constantan is a copper/nickel alloy). The curves of the high-temperature thermoelements with a range of up to 2650 °C are relatively non-linear, which is indicative of a low sensitivity.

The most commonly used thermoelements are classified according to the DIN-IEC 584 standard:

Mark	Combination	Symbols
T	copper/constantan	Cu/CuNi
E	chromium-nickel/constantan	NiCr/CuNi
J	iron/constantan	Fe/CuNi
K	chromium-nickel/aluminium-nickel	NiCr/NiAl
R	platinum + 13% rhodium/platinum	Pt13Rh/Pt
S	platinum + 10% rhodium/platinum	Pt10Rh/Pt

In addition to these elements, thermocouples are available based on gold, silver, rhenium, cobalt, molybdenum and wolfram.

Thermoelements are coupled to the measurement electronics either by welding or bolting. One alternative is a connector whose contacts must be made of the same materials as the thermoelement.

## Pyrometers

Pyrometers are instruments for measuring very high temperatures. Their main application is in the metal industry (steel works; melting ovens), but also in meteorology. A principle is used that has not been discussed so far. Each body with a temperature higher than the absolute zero emits electromagnetic waves of a length between 800 nm and 1 mm. The power of this so called *radiant exitance* depends on the temperature and on the shape and colour of the object: black and rough objects have a higher radiant flux than smooth, bright ones. The relation between the emission constant, the radiant flux, the surface and the temperature is given by Stefan's law (Stefan's law, often called the Fourth Power law, is properly called the Stefan-Boltzmann Law, since while Stefan deduced it empirically, Boltzmann later gave a theoretical proof of it).

The radiant flux is distributed over a wide spectral range, i.e., it is not of a single wavelength. It has been found that the short-wavelength components in this spectrum become more prominent as the temperature rises (Wien displacement law). This effect may be observed when iron is heated: red glowing iron is 'colder' than white glowing iron.

The *optical pyrometer* depends for its action on the Wien displacement law, and the *total radiation pyrometer* on Stefan's law. Most pyrometers have optics complete with a diaphragm and an interference lens. The application is governed by the 'visible' area, the frequency range of the optics, and the absolute absorption capacity of the receiving surface, which is usually a small black area. This area absorbs the radiation energy, and consequently heats up, allowing the above mentioned types of sensor to be used for the actual temperature measurement. ■

# VOX ACTUATOR FOR BABY ALARM

by R.G. Evans

HAVING a recent arrival in the family meant that some form of baby alarm or monitor was required if 'junior' was not to 'wah' unduly in his cot when left unattended. The circuit published in Ref. 1 seemed suitable, and was duly built. However, having dealt with single-transistor RF oscillators before, I was suspicious about the long-term stability of the transmitter, and did not want to sit thinking all was well when 'junior' was actually 'wahhing away' a few tens of kHz further up or down in the FM band.

The circuit shown in Fig. 1 was developed to enable the VOX (voice-operated switch) at a user-determined interval (1 to 10 minutes), and to emit a recognizable sound, such that the correct operation of the device could be verified. Well, in actual fact the single-transistor oscillator in the FM transmitter proved to be more stable than the receiver used to monitor it!

## The circuit

The circuit (Fig. 1) comprises three sections: an oscillator and counter, a digital pulse generator, and two tone generators. Referring to the circuit diagram, R1, R2 and C1 are connected to the oscillator pins of a 4060 oscillator/divider, IC1. Resistor R3 and capacitor C2 serve to reset both counters when the circuit is switched on. Resistor R4 and LED D1 form a counting indicator that provides evidence that the circuit is actually working — ideal for anxious parents! Pin 7 on IC1 supplies the clock pulse that steps the 4017 de-

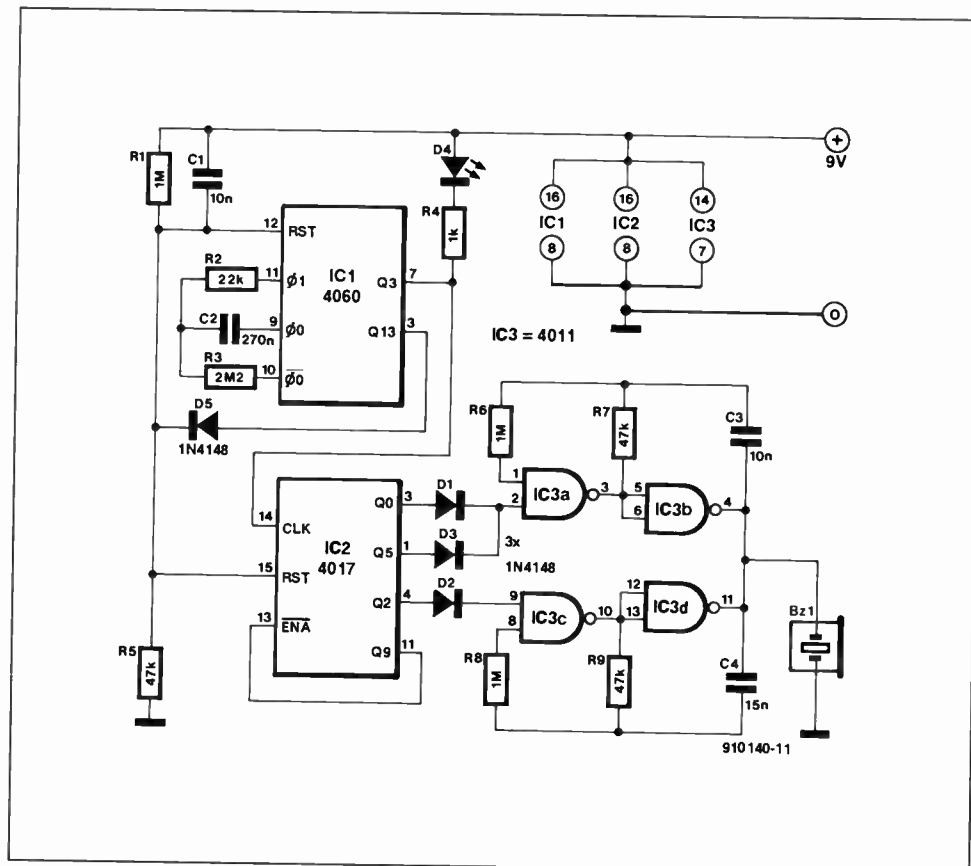


Fig. 1. Circuit diagram of the VOX timer.

cade counter, IC2. If a slower progression through the counts is required, simply use subsequent outputs, for example, Q5 available on pin 5 of the 4060. Since the 4060 is a binary counter, each successive output will take twice as long to step through the tone sequence selected. Similarly, if a shorter time between beep sequences is needed, take lower Q outputs to reset both counters (as drawn, this is done by the highest counter

output, Q14). The decade counter, IC2, makes each output high in succession, until Q9 is reached. This is connected directly to the ENABLE to disable counting when high. Before this happens, each successive 'high' is fed through a diode to the required oscillator enable input. Gaps of one or more counts have been left between successive tones. By using various combinations of diodes and IC2 outputs, a variety of effects can be achieved. In this application, all that was required was a distinctive note, although a morse-code-like sequence could easily be programmed.

Circuit IC3 contains four NAND gates, allowing two gated oscillators to be realized. Note that each oscillator drives a single piezo resonator direct. On the prototype, this caused no problems with overloading of the NAND gate outputs. Changing the value of C3 or C4 will change the tone frequency as required.

Current consumption of the circuit should average about 5 mA, most of which goes to the 'counting' LED. Removing this on the prototype reduced current consumption to 0.8 mA except when tones were sounding, when the current drawn was 6 mA. At this low level, an Alkaline PP3 9-V battery should give about 500 hours service.

## Reference:

1. "Mini FM transmitter," *Elektor Electronics (UK)*, July/August 1990.

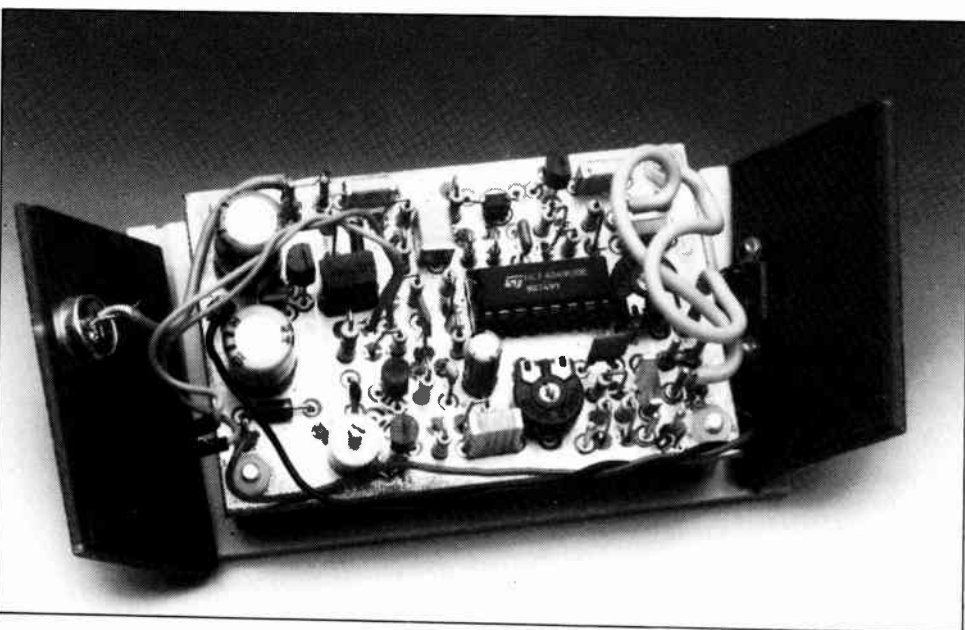
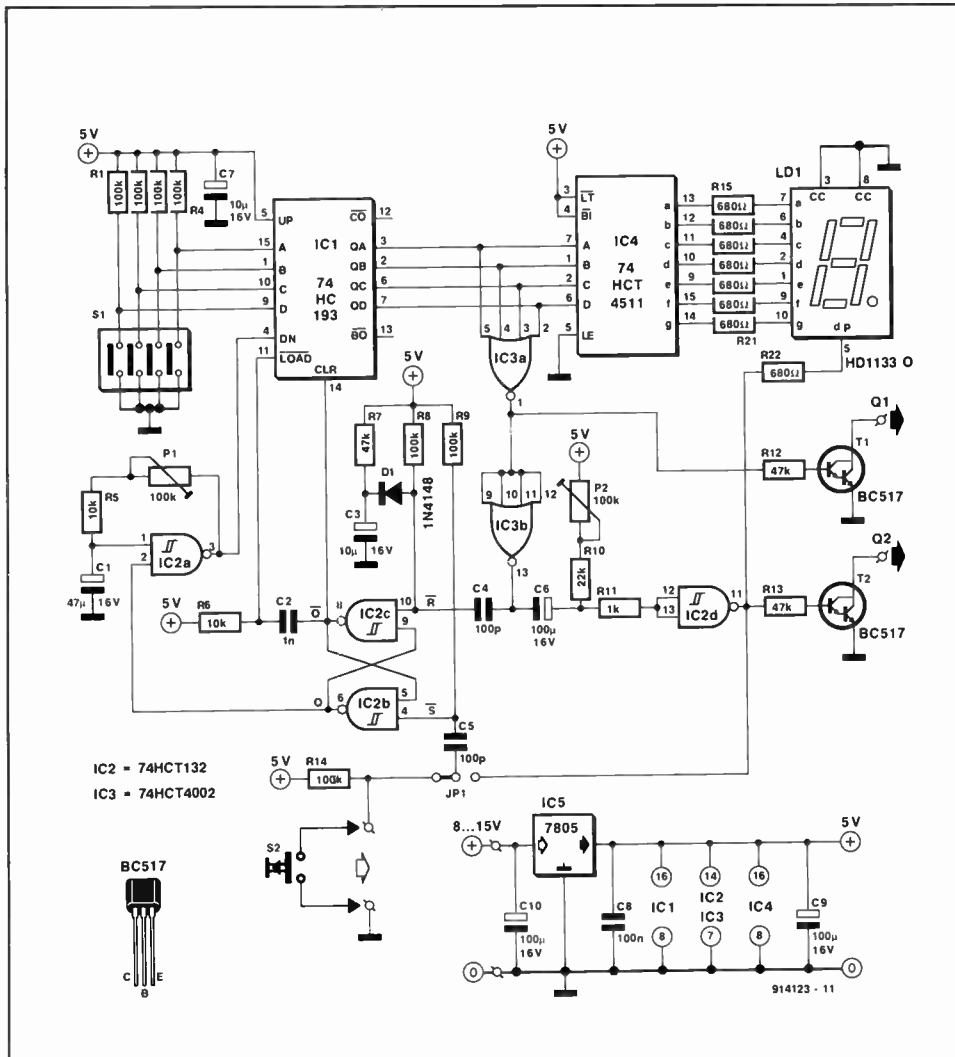
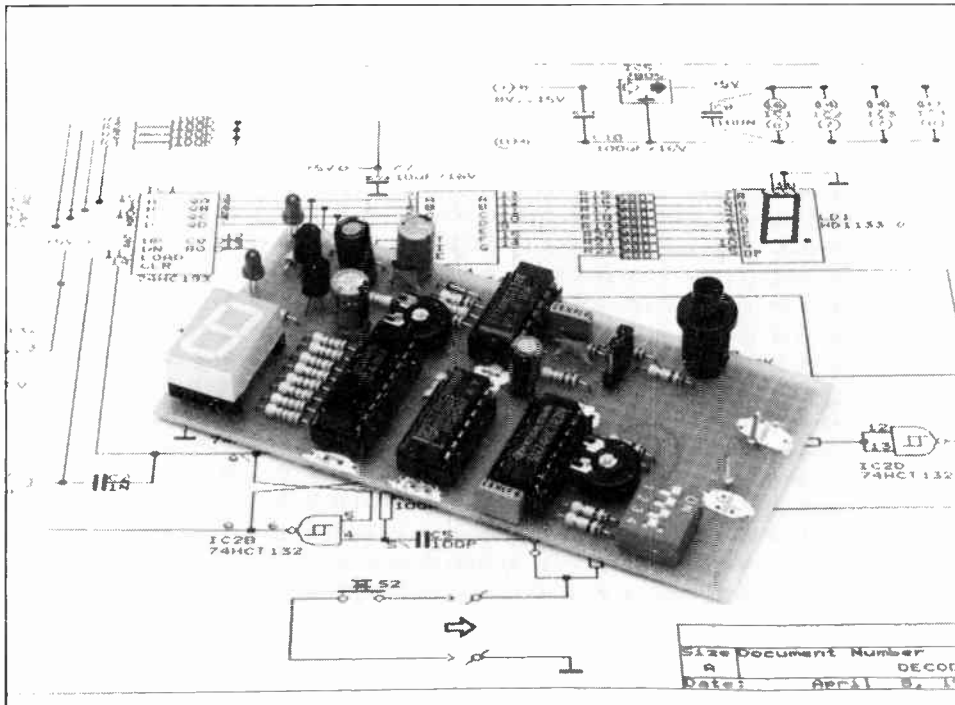


Fig. 2. FM transmitter used with the VOX (see Ref. 1).

# UNIVERSAL POWER-ON DELAY

by J. Ruffell



OUTPUT Q1 of this delay circuit becomes active after the switch-on period has elapsed and remains so until the next cycle is begun. Output Q2, on the other hand, also functions as a monostable; after its mono period has elapsed, Q2 automatically becomes inactive. The mono period can be set between 1 second and 4 seconds with P<sub>2</sub>. The power-on delay can be set accurately between 1 second and 1 minute with P<sub>1</sub> and DIP switch S<sub>1</sub>.

The circuit is also provided with a count-down indicator: the digit display on LD1 gives continuous information on the remaining switch-on time. The 7-segment display is driven by IC<sub>4</sub>, a decoder chip that makes only the normal digits (1-9) visible.

When the end of the delay period has been reached, counter IC<sub>1</sub> has come to position 0. As a result, the output of IC<sub>3a</sub> goes high and T<sub>1</sub> is switched on. Since at the same time the output of IC<sub>3b</sub> toggles from high to low, monostable IC<sub>2d</sub> is started. The output of the monostable then goes high and switches on T<sub>2</sub>, indicated by the lighting of the decimal point of the display. Also, start/stop bistable IC<sub>2b</sub>-IC<sub>2c</sub> is reset, which disables the counter and the oscillator. To start the next time-out cycle, the bistable must be set afresh, for which, with link JP1 in the position shown in the diagram, a last transition (trailing edge) is required at the input. This is arranged most simply by pressing S<sub>2</sub>, but the transition may also come from another circuit or from a sensor.

When JP1 is in the other position, the output of the monostable is linked to the input of the start/stop bistable (flip-flop). This results in the time-out cycle being started anew at the end of the mono time. The circuit then operates as an oscillator.

The circuit requires a power supply of 8-15 V. It draws a current of about 40 mA, most of which by the display. Transistors T<sub>1</sub> and T<sub>2</sub> can switch up to 400 mA. ■

# BCD ROTARY SWITCH

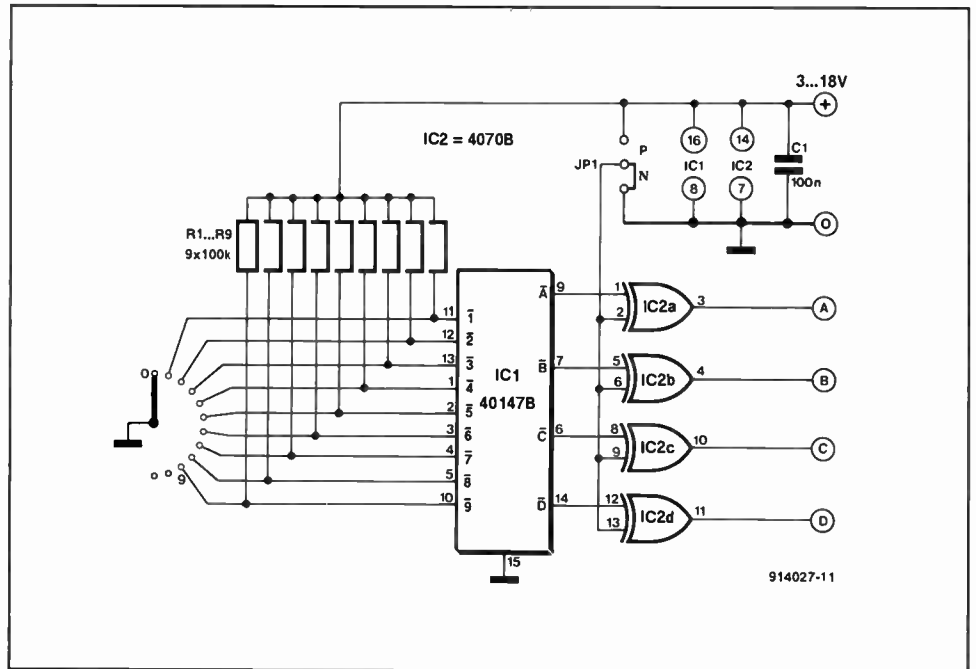
by J. Ruffell

**B**INARY-coded-decimal (thumb-wheel) switches are not only relatively expensive, but are also often not available to the wanted specification. A good alternative is shown in the present circuit that uses generally easily available components and a 12-position rotary switch (the most popular type) of which two positions are disabled.

The terminals of the switch are connected to the inputs of a priority encoder, IC<sub>1</sub>. When an input goes low, the IC puts the number of that input as an inverted BCD code at the output. The four XOR gates enable the inverted code to be inverted again into a standard BCD code. This operation is effected with link JP1: in position P, the output carries the standard BCD code, and in position N, the inverted BCD code.

The circuit is powered by 3–18 V (because CMOS ICs are used). The use of a 5 V source enables LS, TTL, HC and HCT inputs also to be connected to the switch.

The circuit draws a current of only about 200  $\mu$ A.

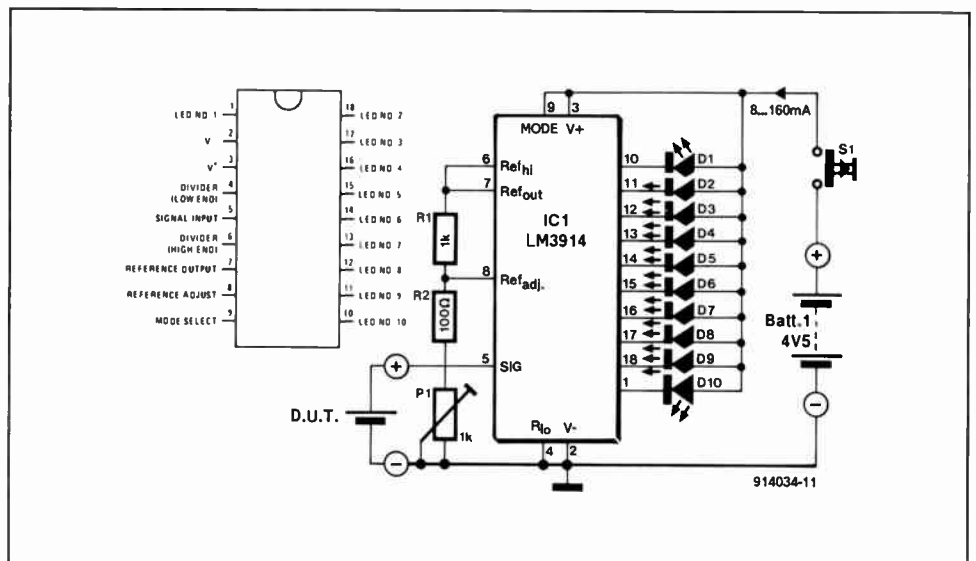


# BATTERY TESTER

by A.B. Tiwana

**V**ARIOUS types of dry and rechargeable battery (with an e.m.f. of  $\leq 2.7$  V) can be tested with the circuit shown in the diagram. It is based on the well-known Type LM3914 LED-display driver from National Semiconductor. The circuit compares the e.m.f. of the battery with a reference voltage that is derived from an internal source. The reference potential (pin 8) can be set between 1.5 V and 2.7 V by R<sub>1</sub>-R<sub>2</sub>-P<sub>1</sub>. The voltage at pin 8 refers to the maximum scale value of the LED series. That is, if that voltage is 1.5 V, each LED represents 150 mV. It is recommended to set it to 1.5 V for NiCd batteries, and to 2.0 V for dry batteries. Resistor R<sub>1</sub> arranges a current of 12.5 mA for each LED.

It is advisable to test dry batteries on load, since the terminal voltage depends on the residual capacity. And, of course, the e.m.f. of even an almost flat battery is still close to its specified value. Rechargeable batteries retain their specified e.m.f. until they are virtually discharged, when it drops fairly rapidly. It is, therefore, of not much use to check the residual capacity of these batteries on the basis of their e.m.f.: the test is limited to an indication of whether the battery is fully charged or (nearly) flat.



# GENTLE HALOGEN-LIGHT SWITCH

by H. Moser

THE switch circuit, intended for low-voltage halogen lights, extends the life of the lamps, because it ensures that the filament current is increased gradually, thus obviating the high peak currents that flow through the lamp with normal switches. The addition of a timer would enable the circuit to switch the lamp off again after a preset period of time.

The lamp is switched via  $T_1$ , a MOSFET that has a channel resistance of only 0.08  $\Omega$ , which ensures that losses are low (in the prototype  $\leq 250$  mW). Control is by means of pulse-width modulation, which also tends to minimize losses.

The circuit is switched on and off with  $S_1$ . Bistable  $IC_{2b}$  is a debounce circuit that clocks binary scaler  $IC_{2a}$ . When the Q output of the scaler is high, the lamp is on or is coming on; when the Q output is low, the lamp is out or going out. The lamp may be switched off automatically by  $IC_3$  after a preset time. The time,  $t$ , in seconds, is calculated from  $t = 32768 \times 2.3 \times R_4 \times C_7$ , where  $R_4$  is in ohms

and  $C_7$  in farads. With values as shown, the time is 700 s (11 min).

When the reset input of  $IC_{2a}$  is earthed, the lamp can be controlled only via  $S_1$ ; timer  $IC_3$  and the associated RC network can then be omitted.

When the lamp is switched on with  $S_1$ , the voltage across  $C_6$  rises slowly. Because of  $D_3$ , even at standby there is a potential across  $C_6$  at a level just below that necessary to toggle comparator  $IC_{1b}$ . As soon as  $C_6$  is being charged, the comparator will, therefore, toggle almost immediately. This starts rectangular-wave generator  $IC_{1c}$ . However, it is not the rectangular signal that is used here, but the triangular signal across  $C_8$ . That signal is compared with the voltage across  $C_6$ . This results in a 25 kHz rectangular signal at the output of  $IC_{1d}$ , whose pulse width increases slowly. That signal is used to drive  $T_1$ , and thus the lamp, which will gradually begin to light.

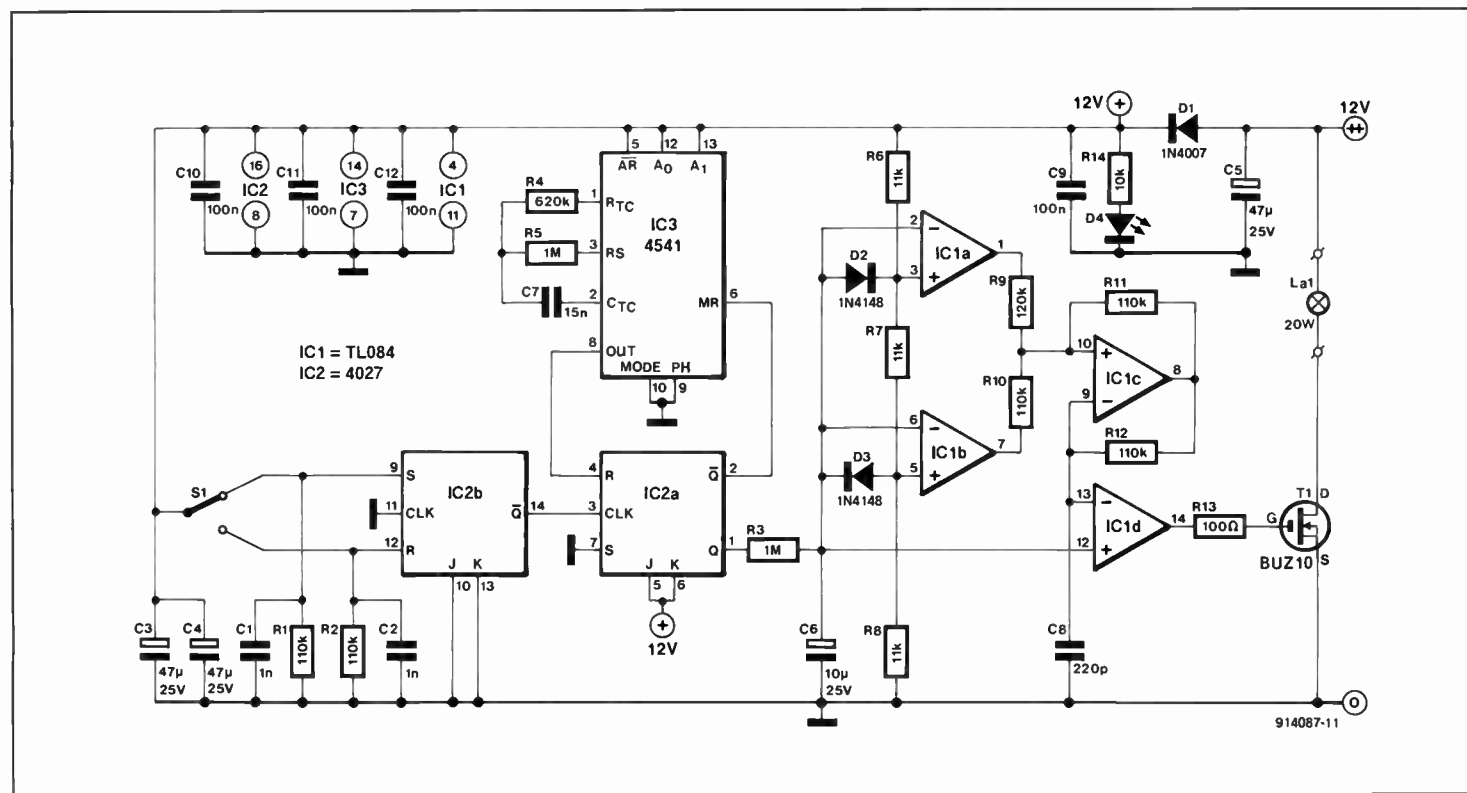
The voltage across  $C_6$  continues to rise until the toggle level of comparator  $IC_{1a}$  is reached.

That circuit then toggles, which stops generator  $IC_{1c}$ , but  $T_1$  is kept conducting by  $IC_{1d}$ . The potential across  $C_6$  is kept just above the toggle level of  $IC_{1a}$  by  $D_2$ . This arrangement makes it possible, if required, for the lamp to be turned down almost immediately after  $S_1$  is pressed or the time set for  $IC_3$  has elapsed.

When  $IC_{1a}$  toggles again, the triangular voltage is compared with the falling potential across  $C_6$ , so that the pulse width of the output signal from  $IC_{1d}$  decreases. When the voltage across  $C_6$  has reached the level at which  $IC_{1b}$  toggles, the generator is switched off again, but this time  $T_1$ , and thus the lamp, remains off.

Finding switch  $S_1$  in the dark is facilitated by using a switch with integral LED ( $D_4$ ).

The power supply consists of a suitable mains transformer (which is probably already present for the lamp) and a bridge rectifier rated at 3 A. The current is drawn primarily by the lamp: with a 20 W lamp, it amounts to 1.6 A.



# HCT CRYSTAL OSCILLATOR

by J. Bareford

THE wide frequency range, low power consumption and well-defined switching levels of HCMOS inverters make these de-

vices eminently suited to building quartz crystal oscillators with TTL compatible outputs. Here, the six gates in a 74HCT04 pack-

age are used to build three crystal oscillators. The only difference between the 2 MHz, 16 MHz and 24 MHz oscillators is the capac-

itance around the quartz crystal, which in all cases must be a type that resonates at the fundamental frequency; overtone crystals cannot be used here.

For output frequencies,  $f_o$ , other than the ones used here, use the following design data:

$$C_2 = 723 / f_o;$$

$$C_1 = C_2 / 4.$$

where  $f_o$  is in MHz and  $C_1, C_2$  in pF. For 1-MHz crystals with a high impedance:

$$C_1 = C_2 / 10.$$

When one of the oscillators is not built, make sure to fit a wire link in PCB position C1, C3 or C5. This ensures a low level at the input of the first oscillator gate, preventing high current consumption and spurious oscillation of the HCT04.

### PARTS LIST

#### Resistors:

R1, R3, R5 = 10 M $\Omega$   
R2, R4, R6 = 220  $\Omega$

#### Capacitors:

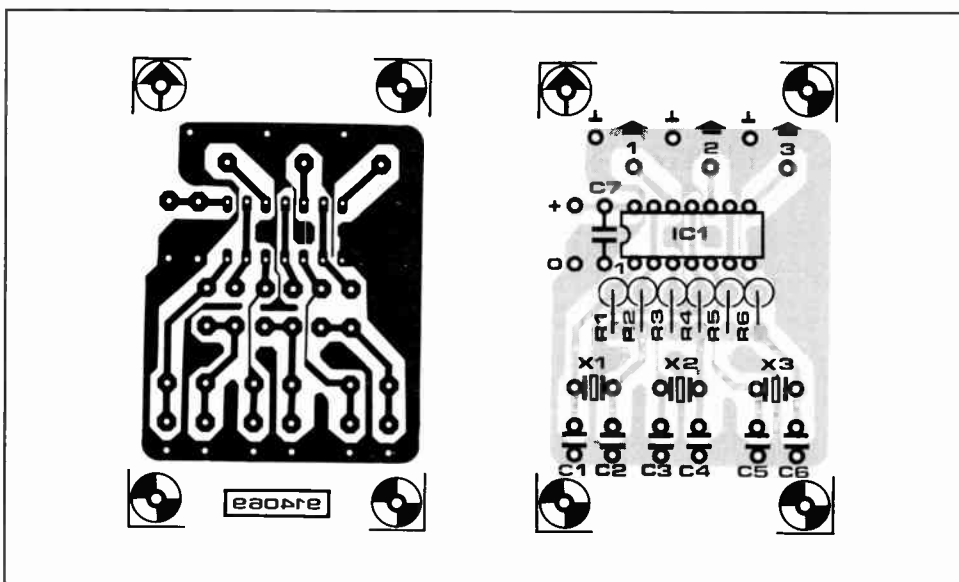
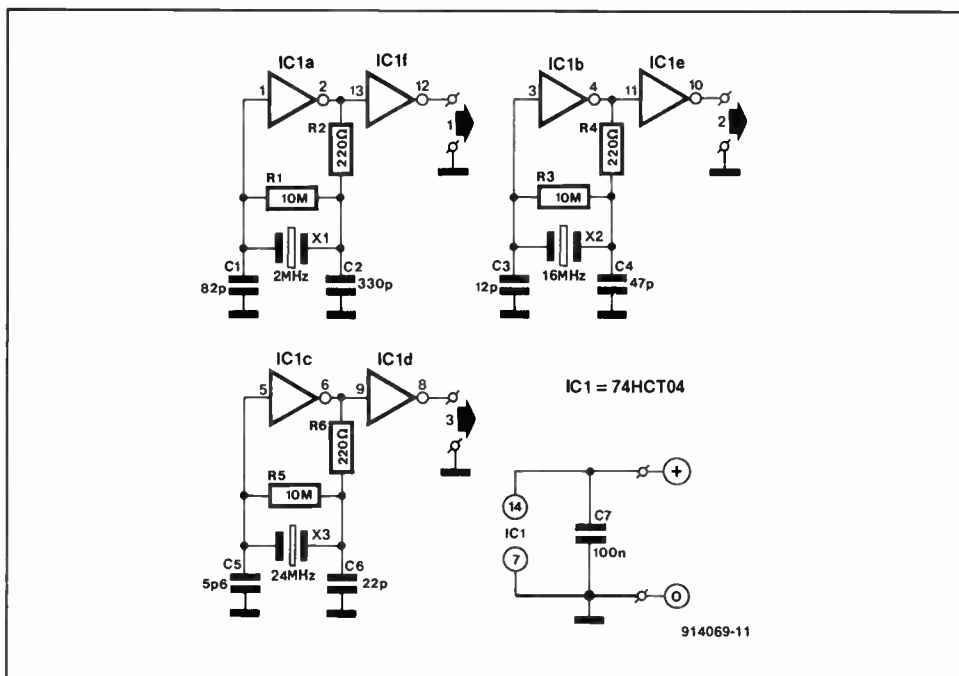
C1 = 82 pF  
C2 = 330 pF  
C3 = 12 pF  
C4 = 47 pF  
C5 = 5.6 pF  
C6 = 22 pF  
C7 = 100 nF

#### Semiconductors:

IC1 = 74HCT04

#### Miscellaneous:

X1 = crystal 2 MHz  
X2 = crystal 16 MHz  
X3 = crystal 24 MHz



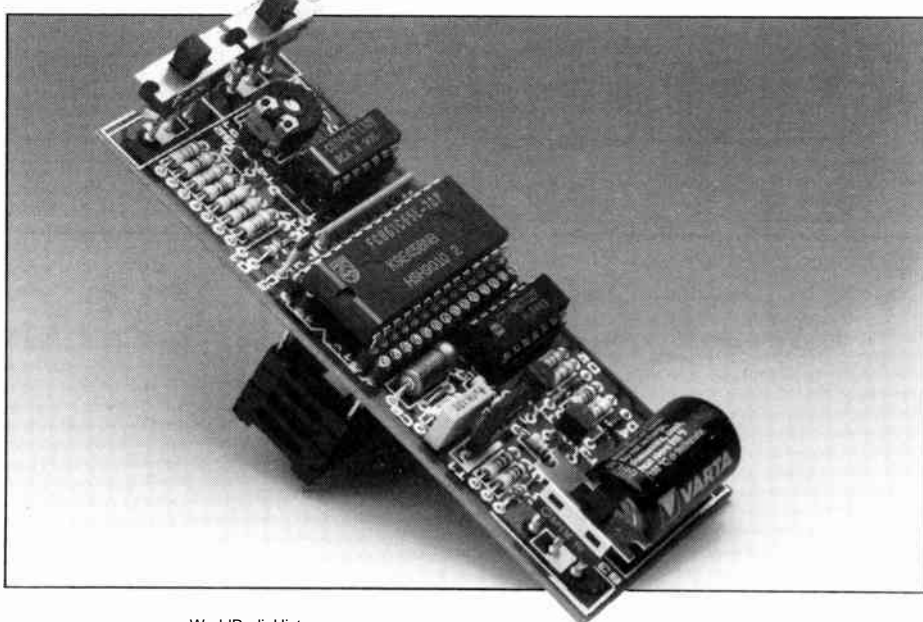
# 2764 EPROM EMULATOR

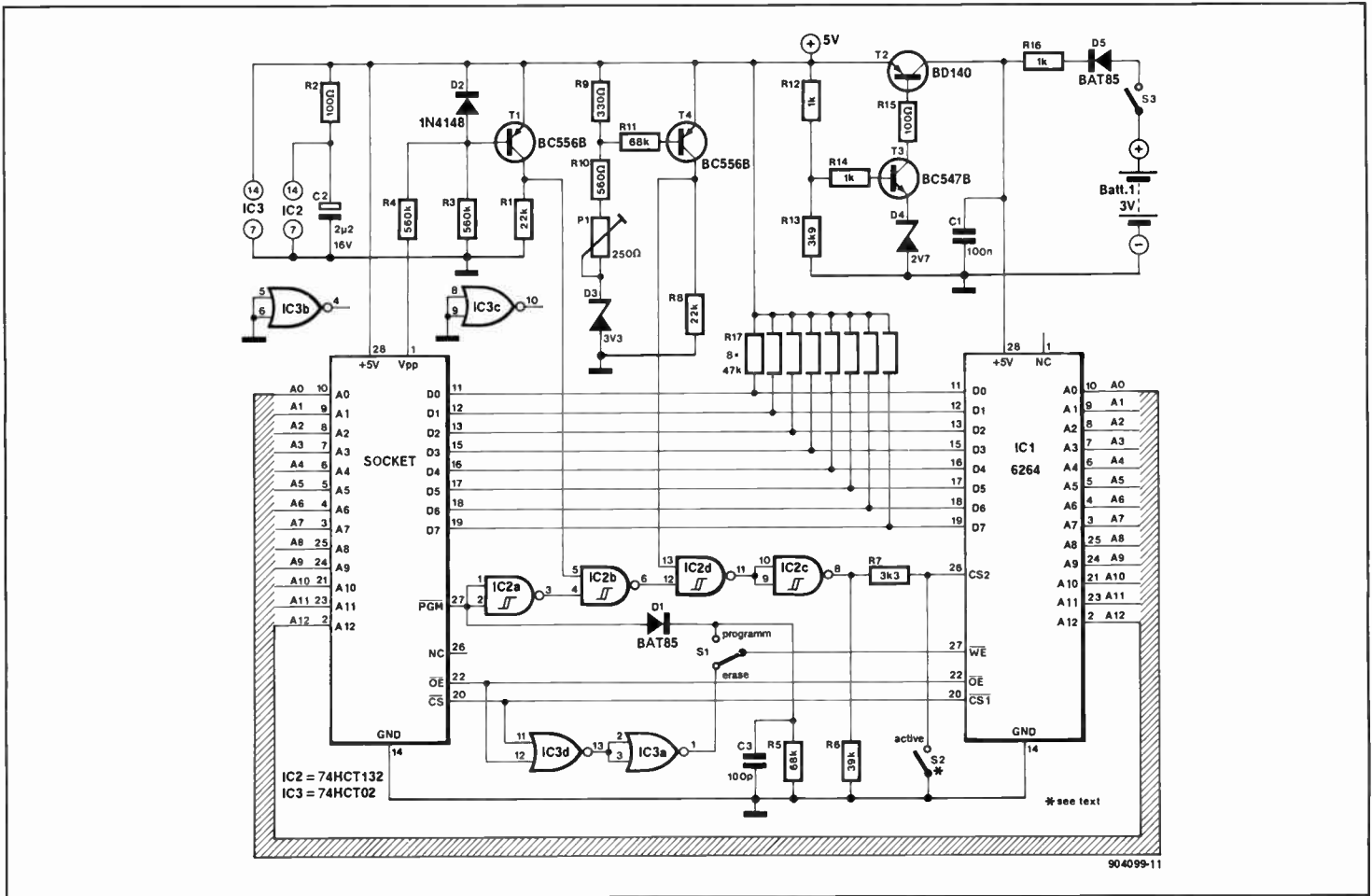
by I & H.J. Ehlers

THE emulator enables a Type 2764 EPROM in an existing circuit to be replaced by a static RAM. It is a very compact circuit: together with the stand-by power supply, it fits on a 105x40 mm (4 1/8 x 1 9/16 in) board.

To all intents and purposes, the action of the circuit is indistinguishable from that of an actual 2764 EPROM. The programming voltage may be 12.5 V or 21 V. An additional advantage of the emulator is that programming and erasing during a development phase are not necessary, thus saving much time.

The position of switch  $S_2$  determines whether the circuit is actuated or inactive. When it is closed, the circuit is inactive and the memory cannot be influenced externally: it is then





in the stand-by mode. This mode should be selected when it is expected that the circuit will not be used for some time or when it is removed from, or placed into, another circuit.

When S<sub>2</sub> is open, the content of the memory is protected by IC<sub>2</sub>, T<sub>4</sub> and T<sub>1</sub>. The only

way the memory can be erased is by placing it in an EPROM programmer, setting switch S<sub>1</sub> to 'erase', and actuating the function 'Blank Check' or 'Read Out' on the programmer. When this routine has been completed, the entire content of the emulator is set to FF-H. Switch S<sub>1</sub> must then be set to position 'program' again, whereupon the emulator can be programmed in the traditional manner.

When programming has been completed,

S<sub>2</sub> must be closed and the emulator can then be inserted into its proper place in the circuit. Before that circuit can be operated, S<sub>2</sub> must be opened again.

The battery supply is switched on and off with switch S<sub>3</sub>: when it is switched off, the content of the RAM is lost, of course.

As can be seen in the photo, two PCB terminal strips with extra long pins are used to replace the EPROM pins.

**PARTS LIST**

**Resistors:**

- R1, R8 = 22 kΩ
- R2, R15 = 100 Ω
- R3, R4 = 560 kΩ
- R5, R11 = 68 kΩ
- R6 = 39 kΩ
- R7 = 3.3 kΩ
- R9 = 330 Ω
- R10 = 560 Ω
- R12, R14, R16 = 1 kΩ
- R13 = 3.9 kΩ
- R17 = array 8×47 kΩ
- P1 = 250 kΩ preset

**Capacitors:**

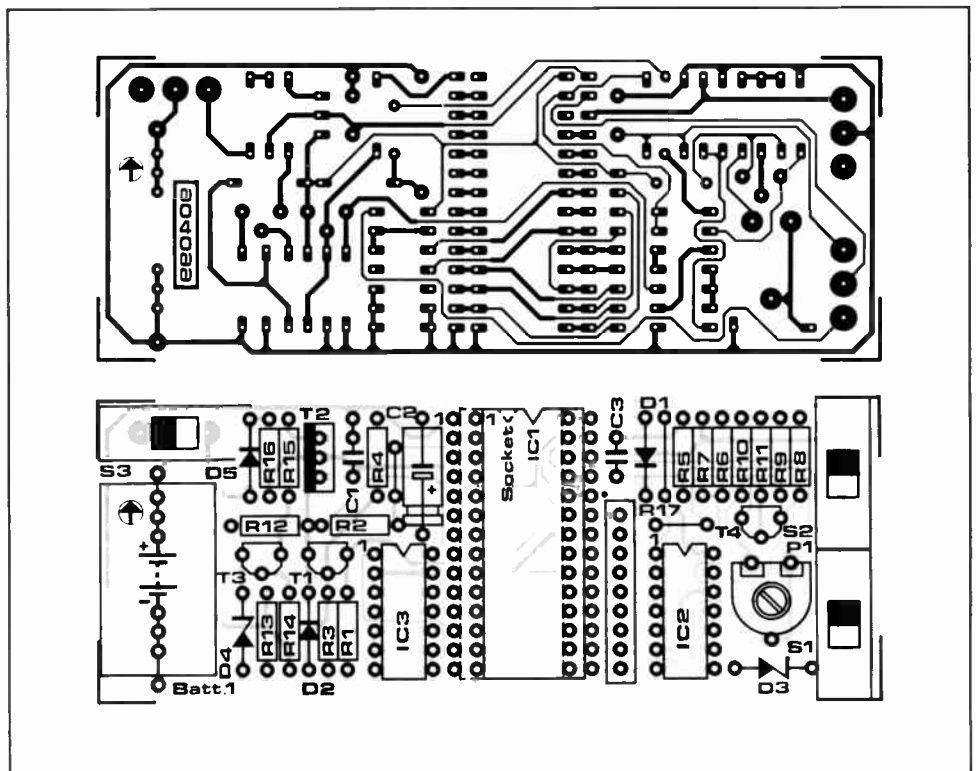
- C1 = 100 nF
- C2 = 2.2 μF, 16 V
- C3 = 100 pF

**Semiconductors:**

- D1, D5 = BAT85
- D2 = 1N4148
- D3 = zener diode 3.3 V, 400 mW
- D4 = zener diode 2.7 V, 400 mW
- T1, T4 = BC556B
- T2 = BD140
- T3 = BC547B
- IC1 = 6264
- IC2 = 74HCT132
- IC3 = 74HCT02

**Miscellaneous:**

- S1-S3 = PCB slide switch; change-over contact
- Batt1 = 3 V lithium battery



# CLASS A POWER AMPLIFIER – PART 2

by T. Giffard

THE voltage amplifier and current amplifier are housed on separate printed-circuit boards—see Fig. 3 and 4 (Part 1). The current-amplifier board is fitted just above the heat sink as shown in Fig. 1, while the drivers, current control transistor and output transistors are screwed underneath (or beside) the board on to the heat sink. The terminals of the transistors are bent upwards at 90° about 3 mm from their housing and then soldered directly to the board. All other components are fitted at the *track side* of the board a few millimetres above the surface.

## Protection circuit

The protection circuit serves to:

- delay the energizing of the output relay by a few seconds from power-on;
- monitor the d.c. resistance of the loud-

speaker on switch-on: if this is lower than 2.2 Ω (nearing short-circuit), the output relay is not energized;

- deactivate the relay if the direct voltage across the output terminals of the amplifier rises above 0.6 V (indicating a defect in the amplifier);
- deactivate the relay if one, or both, of the secondary a.c. voltages fails—this also ensures that the loudspeakers are disconnected from the output when the amplifier is switched off.

Although the amplifier is not protected against short-circuits during operation, the output transistors can cope with such large currents that a short-circuit has disastrous results only when it happens at full drive. Such conditions are, however, not envisaged. After all, this is a quality design, not a foolproof public-address amplifier.

The circuit diagram of the protection section is given in Fig. 5. Note that the relay is not shown here, because it is located on the current amplifier board—see Fig. 4 (Part 1). The relay is controlled by Schmitt trigger T<sub>43</sub> and T<sub>41</sub>. The hysteresis in these stages, determined by R<sub>99</sub>–R<sub>100</sub>, ensures that the relay is energized when the potential across C<sub>47</sub> is not less than 11 V and de-energized when that potential drops below 8.5 V. Inverter T<sub>42</sub> in the collector circuit of T<sub>41</sub> conducts when the relay is energized and this causes D<sub>29</sub> to light.

When the power is switched on, and everything is in good order, C<sub>47</sub> is charged slowly via R<sub>97</sub>. Once the potential across the capacitor has reached a level of 11 V, T<sub>43</sub> is switched on and the output relay is energized.

Capacitor C<sub>47</sub> is shunted by T<sub>40</sub>, which enables it to discharge very rapidly if a fault arises. The base of T<sub>40</sub> is connected to the

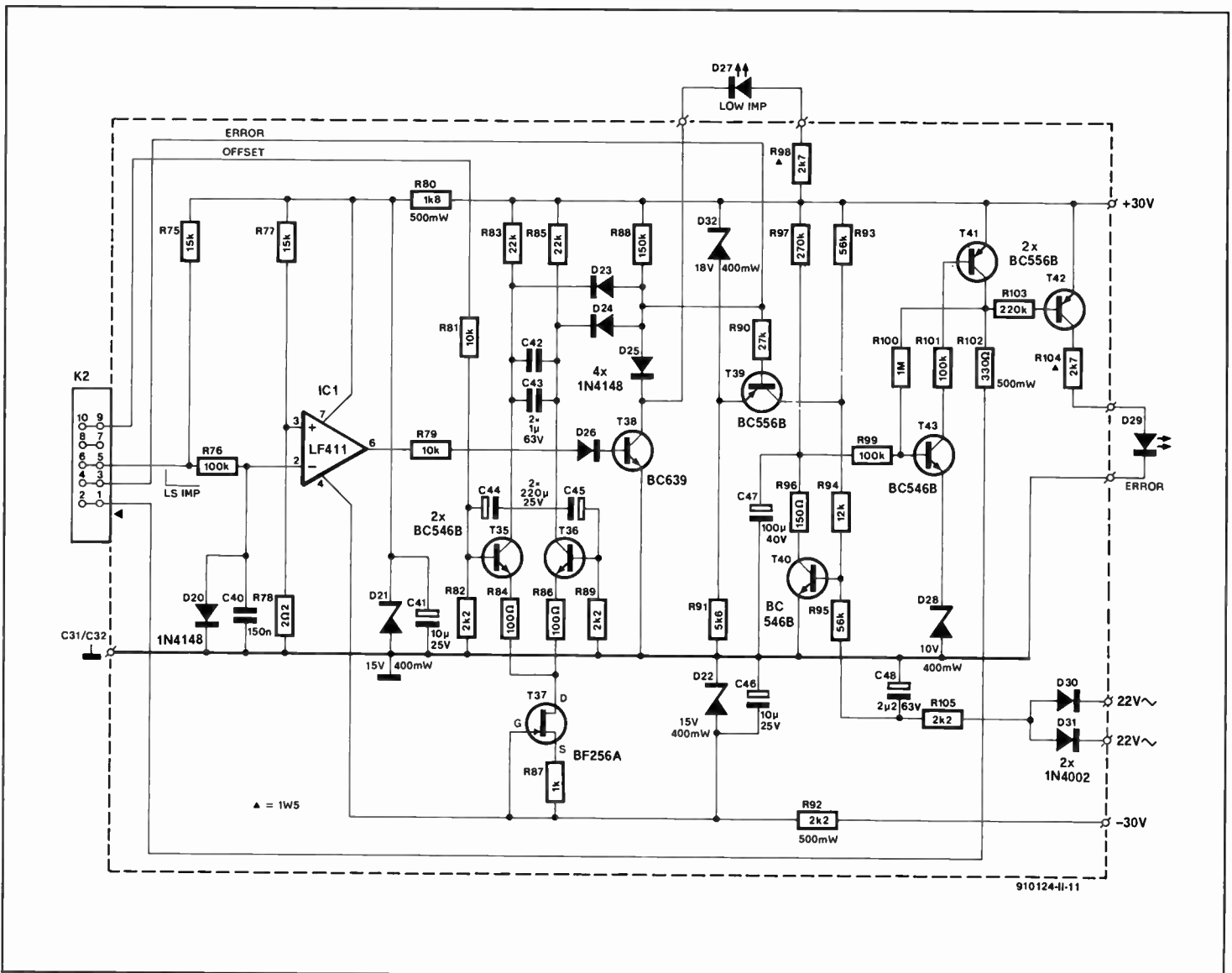


Fig. 5. Circuit diagram of the protection unit.



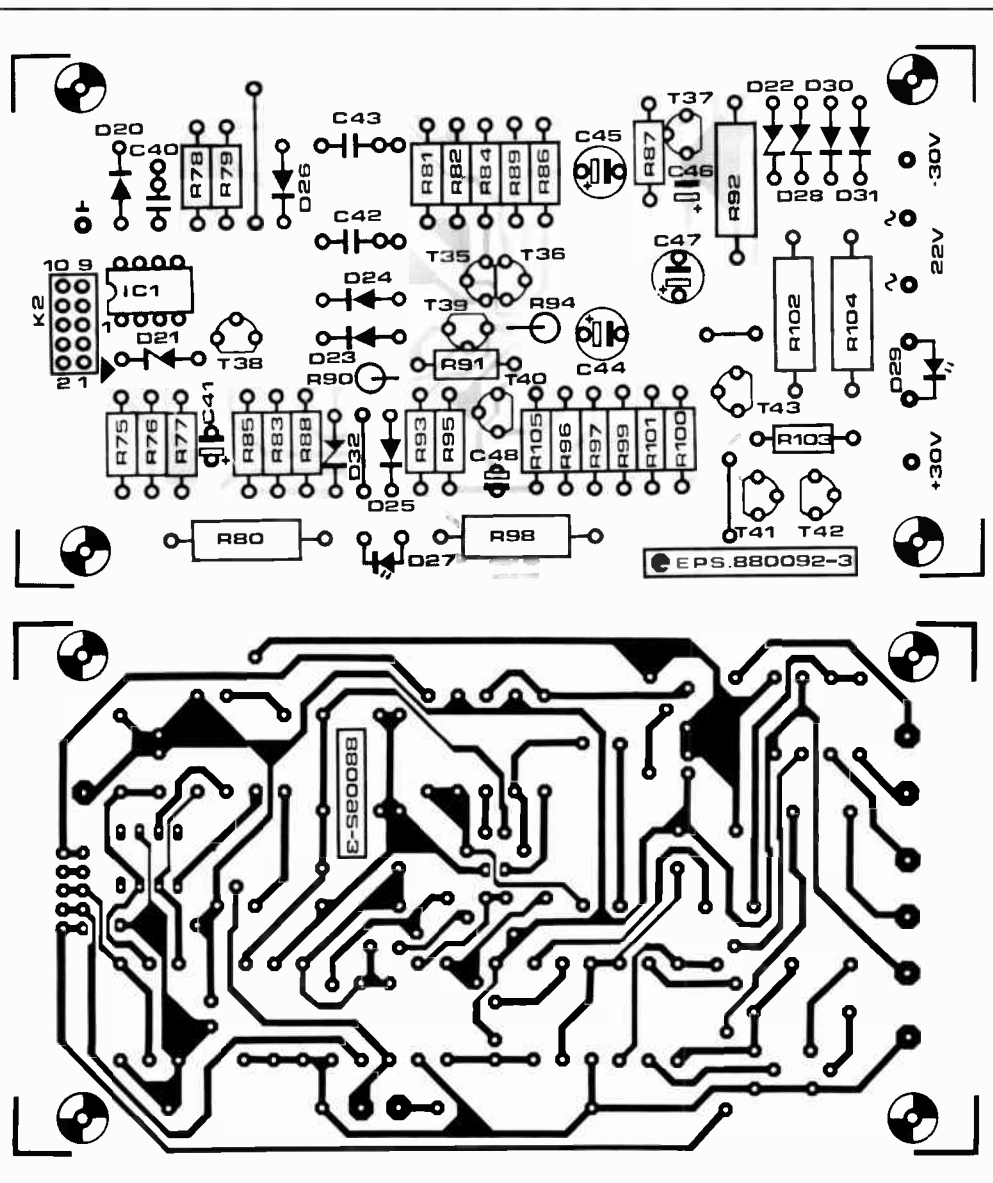


Fig. 6. Printed-circuit board for the protection unit.

## PARTS LIST

## Resistors:

R75, R77 = 15 k $\Omega$   
 R76, R99, R101 = 100 k $\Omega$   
 R78 = 2.2  $\Omega$   
 R79, R81 = 10 k $\Omega$   
 R80 = 1.8 k $\Omega$ , 0.5 W  
 R82, R89, R105 = 2.2 k $\Omega$   
 R83, R85 = 22 k $\Omega$   
 R84, R86 = 100  $\Omega$   
 R87 = 1 k $\Omega$   
 R88 = 150 k $\Omega$   
 R90 = 27 k $\Omega$   
 R91 = 5.6 k $\Omega$   
 R92 = 2.2 k $\Omega$ , 0.5 W  
 R93, R95 = 56 k $\Omega$   
 R94 = 12 k $\Omega$   
 R96 = 150  $\Omega$   
 R97 = 270 k $\Omega$   
 R98, R104 = 2.7 k $\Omega$ , 1.5 W  
 R100 = 1 M $\Omega$   
 R102 = 330  $\Omega$ , 0.5 W  
 R103 = 220 k $\Omega$

## Capacitors:

C40 = 150 nF  
 C41, C46 = 10  $\mu$ F, 25 V  
 C42, C43 = 1  $\mu$ F, 63 V  
 C44, C45 = 220  $\mu$ F, 25 V  
 C47 = 100  $\mu$ F, 40 V  
 C48 = 2.2  $\mu$ F, 63 V

## Semiconductors:

D20, D23–26 = 1N4148  
 D21, D22 = zener, 15 V, 400 mW  
 D27 = LED, orange  
 D28 = zener, 10 V, 400 mW  
 D29 = LED, red  
 D30, D31 = 1N4002  
 D32 = zener, 18 V, 400 mW  
 T35, T36, T40, T43 = BC546B  
 T37 = BF256A  
 T38 = BC639  
 T39, T41, T42 = BC556B  
 IC1 = LF411CN

## Miscellaneous:

K2 = 10-way header for PCB mounting  
 IDC socket for mating with K2  
 PCB 880092-3 (see Readers' services)

secondary winding of the transformer via R<sub>95</sub>–C<sub>48</sub>–R<sub>105</sub>–D<sub>30</sub>–D<sub>31</sub>. This rectifier circuit provides a negative direct voltage at a level which ensures that T<sub>40</sub> is switched on as soon as the secondary voltage fails.

All other protection sections make use of T<sub>40</sub> via a comparator based on T<sub>39</sub>. When the base potential of T<sub>39</sub> drops below about 12 V, that transistor conducts, and this causes C<sub>47</sub> to discharge via T<sub>40</sub>.

The value of the loudspeaker resistance is monitored by IC<sub>1</sub> immediately after the power is switched on, but just before the relay is energized. The inputs of the IC are connected to a Wheatstone bridge, one arm of which consists of R<sub>75</sub> and the loudspeaker resistance, and the other of R<sub>77</sub> and R<sub>78</sub>. If the loudspeaker resistance is smaller than 2.2  $\Omega$ , the output of the opamp goes high so that T<sub>38</sub> is switched on and LOW IMP indicator D<sub>27</sub> lights. At the same time, T<sub>39</sub> switches on T<sub>40</sub>, so that the relay cannot be energized.

When the loudspeaker resistance is higher than 2.2  $\Omega$ , the relay is energized a few seconds after power-on. The voice coil is then no longer connected to the inverting input of IC<sub>1</sub> via pins 5 and 6 of K<sub>2</sub> and the IC can no longer monitor its resistance. During normal operation, the output of IC<sub>1</sub> is kept low via diode D<sub>20</sub>.

The direct voltage at the output of the amplifier is measured by the differential amplifier formed by T<sub>35</sub> and T<sub>36</sub>. The output signal is fed to T<sub>35</sub> direct and to T<sub>36</sub> via C<sub>44</sub> and C<sub>45</sub>. If the direct-voltage difference is greater than 0.6 V, the collector voltage of either T<sub>35</sub> or T<sub>36</sub> drops to such an extent that T<sub>39</sub> is switched on via D<sub>23</sub> or D<sub>24</sub>, depending on the polarity of the direct voltage.

Transistors T<sub>27</sub> and T<sub>30</sub> in the current amplifier—see Fig. 2 in Part 1—measure the current through the emitter resistor of one of the output transistors in the positive and negative half of the output signal respectively. When the peak value of that current exceeds 15 A, T<sub>39</sub> is switched on via the ERROR line, so that the relay is de-energized.

## Power supply

The power supply is designed as a dual mono configuration to ensure complete isolation between the two output stages. Its circuit is contained in Fig. 2 (Part 1). It also needs an additional board—see Fig. 7—to house the auxiliary transformer, Tr<sub>1</sub>, rectifiers D<sub>35</sub>–D<sub>38</sub>, and smoothing capacitors C<sub>54</sub> and C<sub>55</sub>. The board is designed to be fitted with a number of terminal blocks to facilitate the inter-wiring of the amplifier sections.

## Construction

The construction details are given for a mono amplifier; two such amplifiers are needed, of course, for a stereo installation.

The prototype is built in a fairly expensive enclosure with integral heat sinks; a suitable box and separate heat sinks may, of course, also be used. It is best to begin by drilling (and, preferably, tapping) holes in the heat sinks for the fastening screws of the boards and tran-

sistors: a photocopy of Fig. 4 can be used as a template. Note that the board must be centred on the heat sink to ensure even heat distribution.

Next, build the voltage and current amplifier boards, followed by that for the protection unit. It is worth while to pair the transistors beforehand, particularly T<sub>3</sub>-T<sub>4</sub>, T<sub>6</sub>-T<sub>7</sub>, T<sub>21</sub>-T<sub>22</sub>, T<sub>23</sub>+T<sub>24</sub>-T<sub>25</sub>+T<sub>26</sub>, and, not so important, T<sub>8</sub>-T<sub>9</sub> and T<sub>10</sub>-T<sub>11</sub>.

On the current amplifier board, fit all components at the track side, a few millimetres above the tracks. Note that inductor L<sub>1</sub> has fewer turns than its counterpart in the LFA150. Resistor R<sub>63</sub> is located in the centre of the

coil, thus 'floating' a good centimetre (about 7/16 in) above the board.

Make certain that the type numbers of T<sub>1</sub> and T<sub>2</sub> in the voltage amplifier have the suffix 'V' (which indicates the amplification factor). Also ensure that the dot on the case of this dual FET is located above the corresponding dot on the board.

The pairs T<sub>3</sub>-T<sub>4</sub> and T<sub>6</sub>-T<sub>7</sub> must be juxtaposed with their smooth sides separated by heat conducting paste. Tighten the pairs together with a nylon cable tie.

Mount transistors T<sub>8</sub>, T<sub>9</sub>, T<sub>10</sub> and T<sub>11</sub>, insulated from one another, on a common L-shape aluminium heat sink measuring 55x20x15 mm (2<sup>1</sup>/<sub>8</sub>x<sup>3</sup>/<sub>4</sub>x<sup>9</sup>/<sub>16</sub> in).

Note that the dimensions of a number of components on the print have become smaller (because their rating has been reduced) and that several of the indicated voltage levels

on the board are no longer correct.

After the three boards have been completed, fit the drivers, output transistors and T<sub>20</sub>-T<sub>26</sub> to the heat sink: use heat conducting paste and insulating washers throughout. Cut about 1 mm off the washers for the output transistors to prevent their overlapping.

Bend the pins of T<sub>23</sub>-T<sub>26</sub> into a 'Z', so that their ends finish up about 1.2 mm (1/16 in) above the heat sink—see Fig. 8.

The pins of T<sub>21</sub> and T<sub>22</sub> must point straight up and those of the quiescent-current transistor, T<sub>20</sub>, obliquely upwards. While bending the pins, check from time to time with the current amplifier board to make sure that everything fits nicely. If so, the board can be fitted on to the heat sink with the aid of 1 cm (3/8 in) long spacers. The transistor terminals should locate exactly in the appropriate holes in the board.

## PARTS LIST

### ANCILLARY POWER SUPPLY

#### Resistors:

R106 = 820 Ω

#### Capacitors:

C50-53 = 22 nF

C54, C55 = 1000 μF, 63 V

C56, C57 = 680 nF, 100 V

C58 = 22 μF, 25 V

#### Semiconductors:

D35-39 = 1N4002

D40 = LED, green

#### Miscellaneous:

Tr1 = mains transformer, 2x9 V, 3 VA for PCB mounting

F1 = fuse, 50 mA, delayed action, with PCB-mount holder

3x six-way PCB terminal block

PCB 880092-4 (see Readers' services)

### MAIN POWER SUPPLY:

B1 = B100C35000

Tr2 = toroidal mains transformer, 2x22 V, 5 A

C31, C32 = 2x22,000 μF, 40 V

F2 = fuse, 2 A, delayed action

S1 = double-pole mains switch

Mains input socket with integral fuseholder

Heat sink: thermal resistance ≤0.4 K/W

Enclosure

### SWITCH-ON DELAY SECTION

#### Resistors:

R1 = 220 Ω

R2 = 1 MΩ, ≥350 V

R3, R4 = 22 Ω, 10 W (4x12 Ω, 5 W)

#### Capacitors:

C1 = 1000 μF, 40 V

C2 = 330 nF, 630 V

#### Semiconductors:

D1-4 = 1N4007

D5 = zener, 24 V, 1.4 W

#### Miscellaneous:

Re1 = relay for PCB mounting, 24 V d.c., 20 mA, contact rating ≥5 A

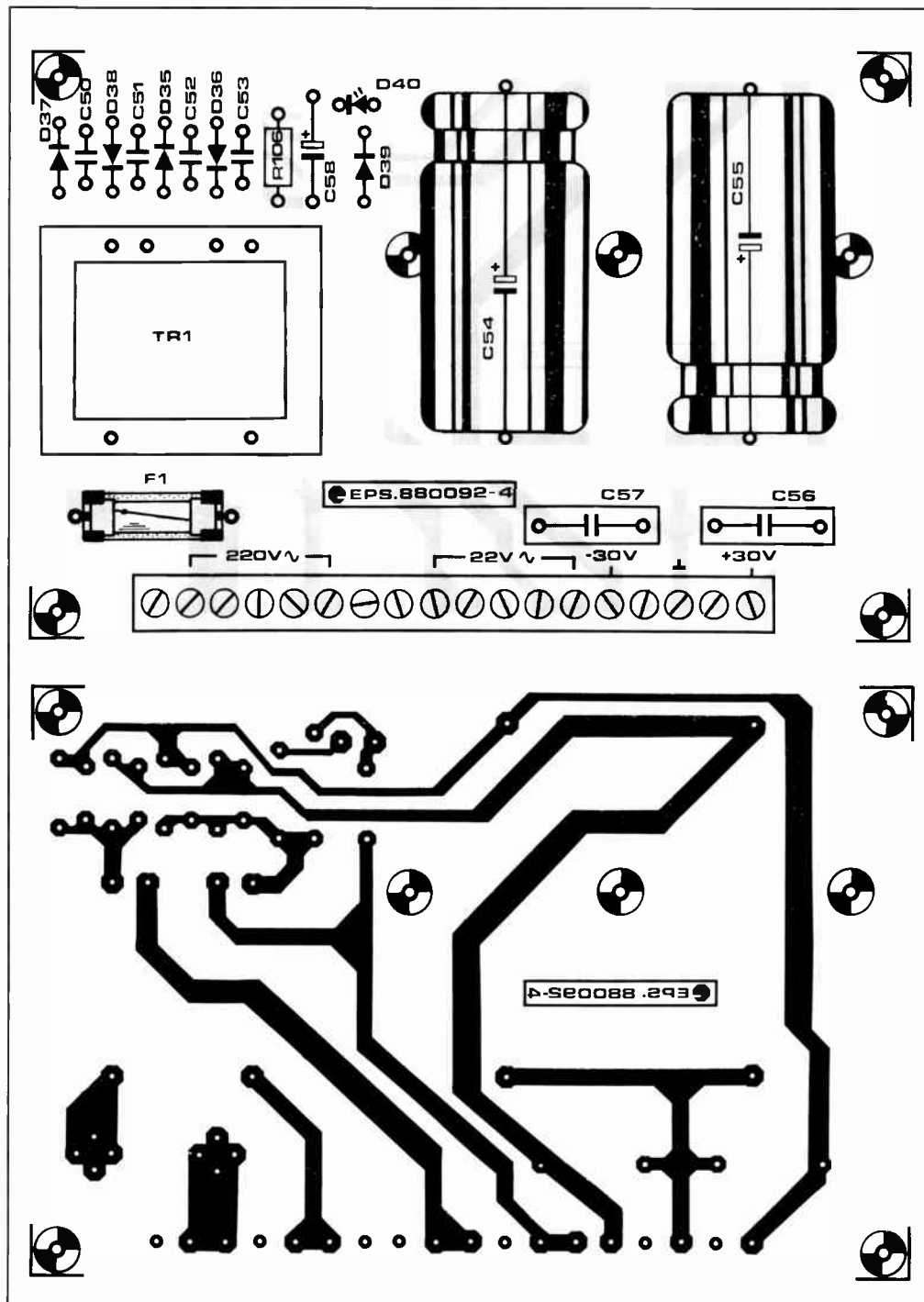


Fig. 7. Printed-circuit board for the ancillary power supply.

Bend the terminals of the output transistors so that they lie on the relevant solder pads over a length of a few millimetres, whereupon all transistors can be soldered in place.

Next, fit the voltage amplifier on to the current amplifier board on 30 mm (1<sup>3</sup>/<sub>16</sub> in) spacers, and then the protection board on to the voltage amplifier board, again on 30 mm (1<sup>3</sup>/<sub>16</sub> in) spacers. The length of the spacers, by the way, is dictated largely by the dimensions of the components.

Interconnect the 10-way connectors on the protection board and current-amplifier board by a length of suitably terminated 10-core flatcable. Interlink points A, B, C and FB on the current amplifier and voltage amplifier boards by short lengths of enamelled copper wire.

Provide a good number of ventilation holes in the top and bottom panels of the enclosure: the heat sinks get pretty hot and part of that heat is radiated into the case. Note that the ageing of most electrolytic capacitors (in the power supply) is accelerated at very high temperatures. It pays, therefore, to use electrolytic capacitors that are designed for op-

eration in high temperatures.

The bottom panel also needs some holes for access to presets P<sub>1</sub>.

In the prototype, the two mains transformers were placed one above the other in the centre of the case. Fit each of the boards of the ancillary power supplies on two L-shaped pieces of aluminium, in such a way that the 6-way terminal blocks are accessible from above. Screw the bridge rectifier next to the transformers to the bottom panel with behind it the electrolytic capacitors—see Fig. 12. Keep a reasonable gap between the rectifier and the capacitors, because the rectifier gets pretty hot.

Figure 12 gives the wiring diagram of a mono amplifier: everything shown must be doubled for a stereo amplifier, except the mains entry, on/off switch and switch-on delay circuit.

The switch-on delay circuit prevents the fuses blowing when the amplifier is switched on (surge currents!). It consists of only a few components, so that it can easily be accommodated on a small piece of vero (prototyping) board.

The 'earth' side of the audio input connector must be connected to the metal case. If an insulated connector is used, fit a solder tag to its 'earth' side and solder this to the metal case. These are the only earth points that should be connected to the metal case. Note that the loudspeaker return line is not connected, as usual, to the central earthing point (between C<sub>31</sub> and C<sub>32</sub>), but to point C on the current-amplifier board. This arrangement ensures the least possible potential difference via the earth line between the input signal and the feedback signal at the gate of T<sub>2</sub> on the one hand, and the loudspeaker signal on the other, so that distortion is kept well below that in a traditionally wired amplifier. It was arrived at after extensive measurements with a number of earthing configurations.

### Testing and setting up

After the wiring of the power supplies has been completed, it is wise to check it carefully before the amplifiers are connected to the power lines. Switch on the mains and measure the voltages across the buffer ca-

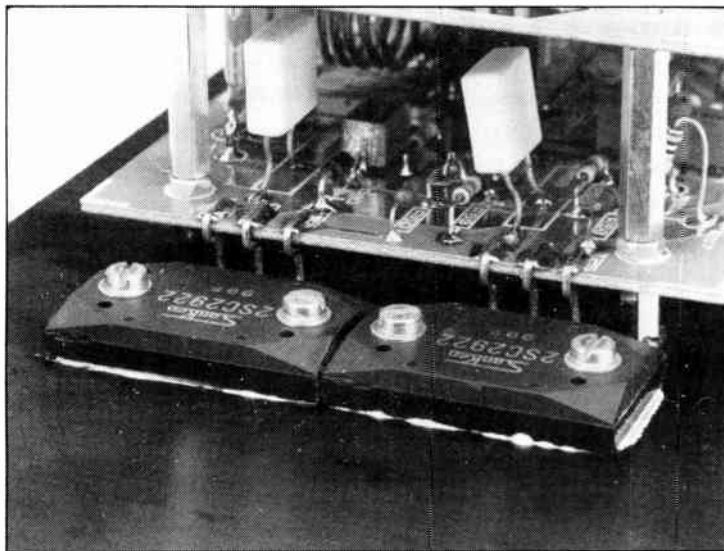


Fig. 8. This photo shows how the output transistors should be mounted; their terminals are bent into an 'Z' shape.

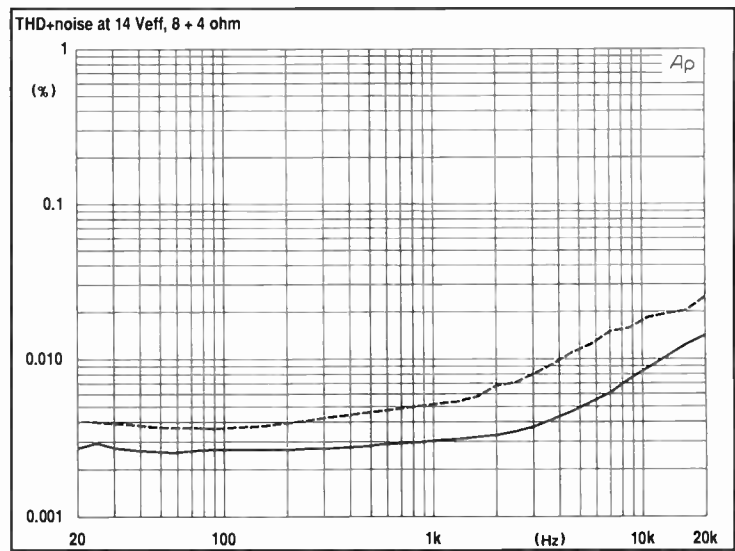


Fig. 9. Harmonic distortion over frequency range 20 Hz to 20 kHz at an output power of 25 W.

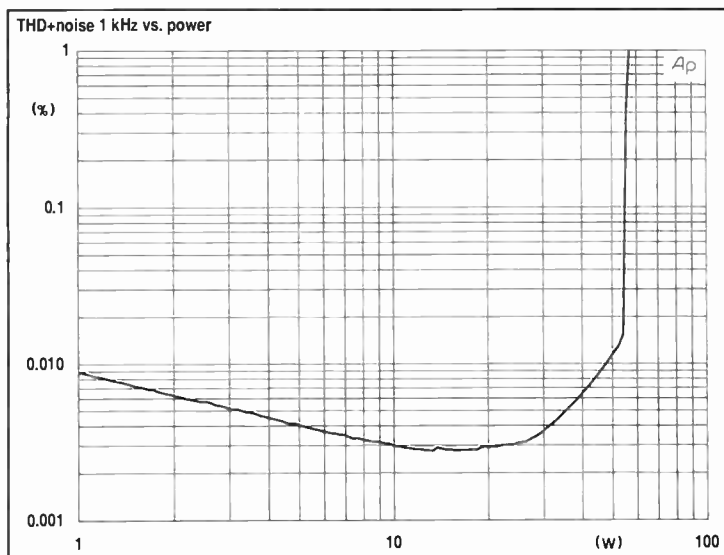


Fig. 10. Harmonic distortion as a function of output power into 8 Ω at a frequency of 1 kHz.

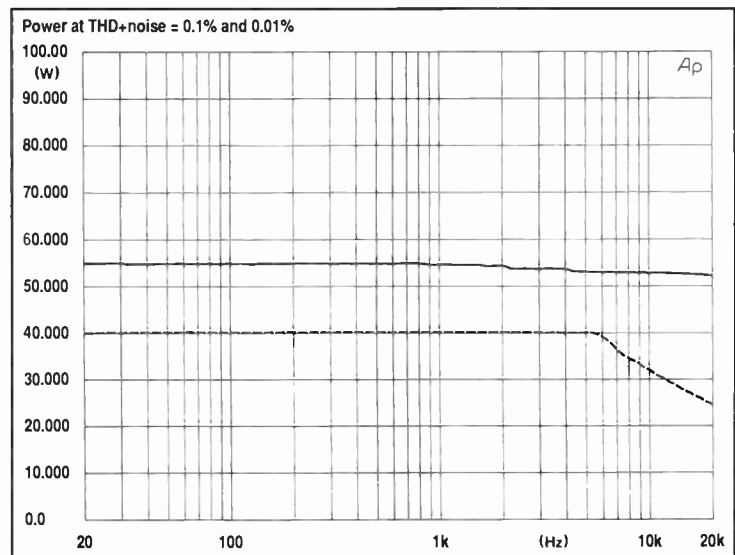
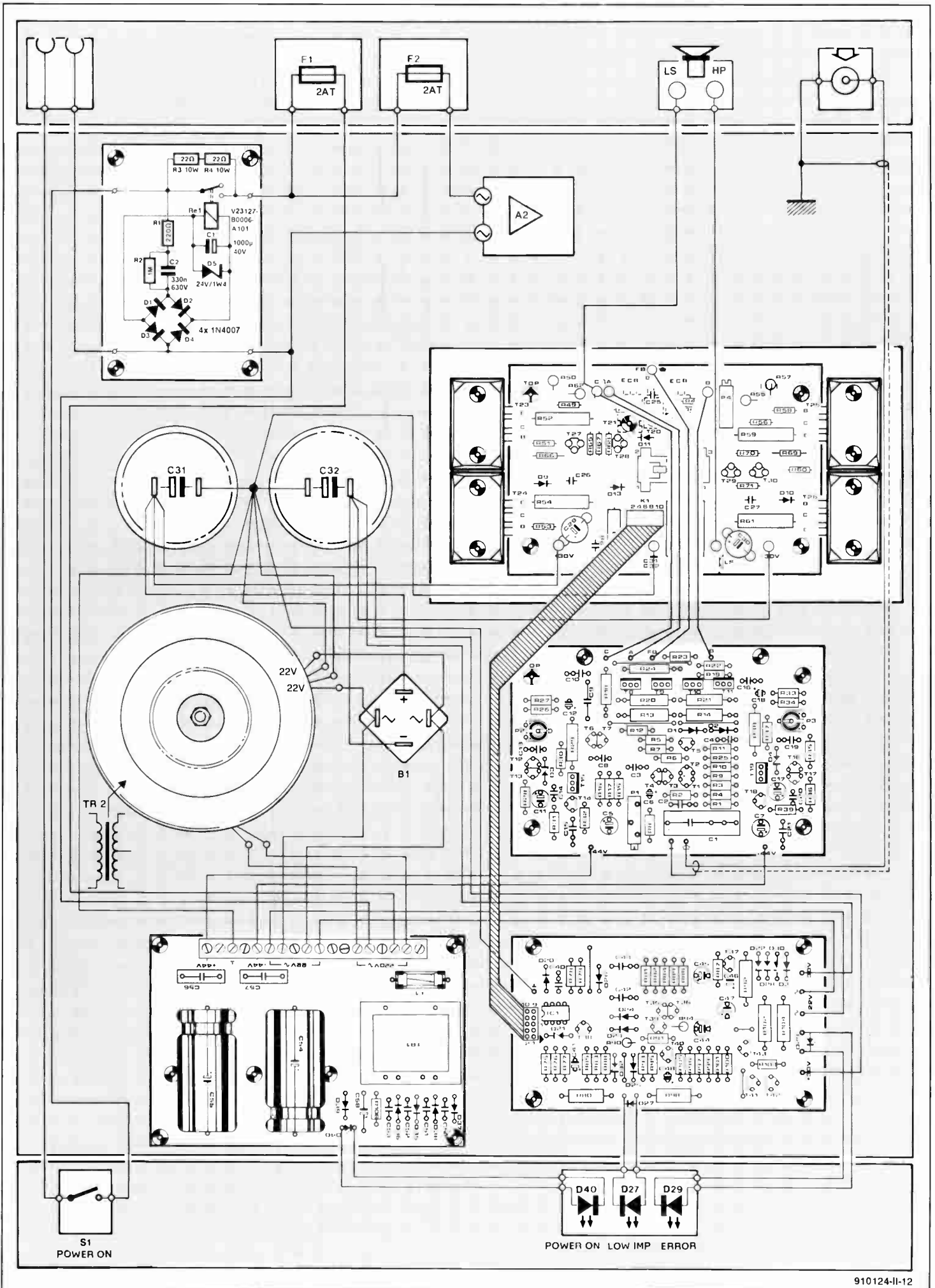


Fig. 11. Maximum output power into 8 Ω with harmonic distortion at 0.1% (solid line) and 0.01% (dashed line).



910124-II-12

Fig. 12. Wiring diagram for a mono amplifier.

capacitors, which should be  $\pm 30$  V, and those at the terminal blocks, marked  $\pm 70$  V, on the ancillary supply boards, which should be  $\pm 44$  V. If the last voltages are clearly lower than that value, the windings of the main transformer and of the ancillary transformer are not in series. That is remedied by interchanging the connections to the terminals marked 40 V~.

When all these levels are in order, run supply lines to the three boards, suitable lengths of screened cable to the audio inputs and heavy-duty wires to the loudspeaker terminals. For safety's sake, connect a  $10\ \Omega$ , 5 W resistor in each of the supply lines to the current-amplifier boards.

Set  $P_4$  to maximum resistance and switch

on the mains. Next, with  $P_2$  and  $P_3$  respectively, set the supplies to the voltage amplifier to  $+38.5$  V and  $-35$  V. With a multimeter, measure the direct voltage at the output of the amplifier and set it to zero with  $P_1$ . Adjust the quiescent currents by varying  $P_4$  until the voltage across the emitter resistors of the output transistors is 10 mV. When that is done, and the d.c. setting at the output remains virtually zero, the resistors in the supply lines to the current-amplifier boards can be removed after the mains has been switched off. Switch the mains on again, and measure the offset at the output afresh: readjust  $P_1$  if necessary. Then, the quiescent current can be increased until the average direct voltage across each of the four  $0.22\ \Omega$  emit-

ter resistors is 138 mV. It is advisable to let the amplifier operate in that state for about an hour and then to measure the voltage across the emitter resistors again: readjust  $P_4$  if required.

Committed Class A enthusiasts can adjust the quiescent current to 1.8 A, corresponding to 50 W into  $8\ \Omega$  in Class A. However, much larger heat sinks (lower  $R_{th}$ ) or forced cooling are then required. In the near future, we intend to publish an indicator circuit that shows when the  $-3$  dB drive and the clipping point have been reached during music reproduction. In that way, it will be possible to check whether the amplifier operates in Class A or in Class B. ■

## VARIABLE TIME SWITCH

by C. Mieslinger

THE SWITCH described has two time ranges that are selected with a push-button. In the prototype, the ranges were 5 minutes and 20 minutes, but these can be altered easily. Moreover, pressing the switch three times in succession switches off the load (here, a lamp).

When  $S_1$  is pressed,  $IC_3$  is enabled via  $D_1$  and NAND gate  $IC_{2b}$ ; at the same time, capacitors  $C_3$  and  $C_4$  are charged. When the switch is released,  $IC_3$  gets a clock pulse from  $IC_{2a}$  via  $R_2$ , so that its QA output goes high. This results in the relay being energized by  $T_2$ , so that its contact closes and the lamp comes

on.

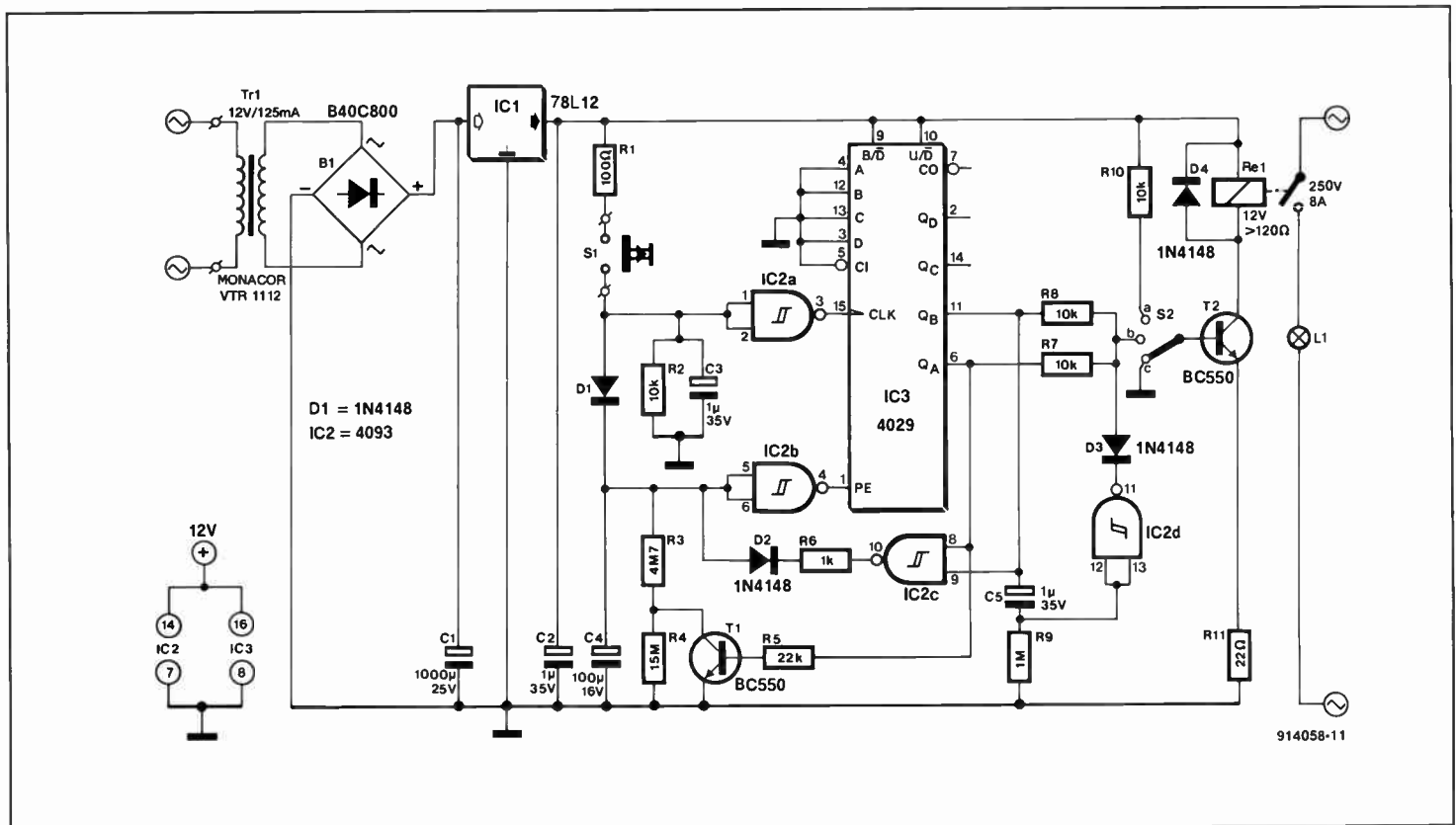
At the same time, the QA output switches on transistor  $T_1$ , so that  $R_4$  is short-circuited. Capacitor  $C_4$  is then discharged via  $R_3$ . After the potential across  $C_4$  has dropped to the lower trigger level of  $IC_{2b}$ , which takes about 5 minutes,  $IC_3$  is reset and the relay switches off the lamp.

When  $S_1$  is pressed twice in succession, the counter gets two clock pulses and its QB output goes high. Transistor  $T_1$  then remains off and  $C_4$  discharges via  $R_3+R_4$ , which takes about 20 minutes. As an indication that the longer time has been selected, immediately after

the second press on  $S_1$ , the lamp goes out briefly. This is effected by  $IC_{2d}$ , which is given a pulse by differentiating network  $R_9$ - $C_5$  when QB of  $IC_3$  goes high.

When  $S_1$  is pressed three times in succession, both QA and QB of  $IC_3$  go high, which results in the output of  $IC_{2b}$  becoming 0 and  $C_4$  discharging rapidly. The lamp is then switched off instantly.

Rotary switch  $S_2$  enables switching the lamp on or off permanently. When this switch is in its centre position, the relay is controlled by the timing circuit. ■



# AUTO POWER-ON/OFF FOR BICYCLE SPEEDOMETER

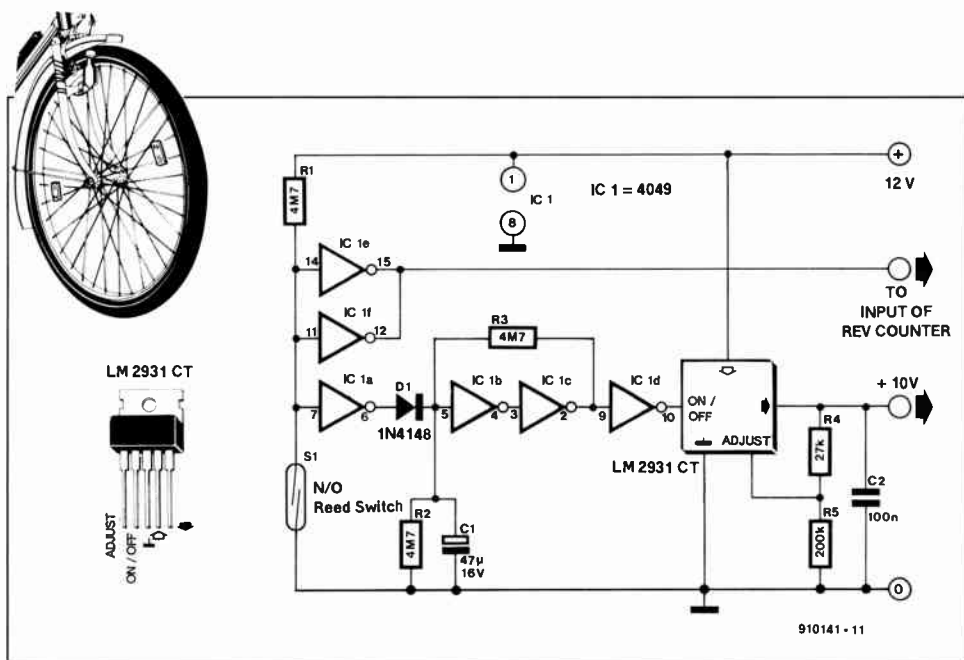


Fig. 1. Circuit diagram of the auto power-on/off extension.

by R.G. Evans

When a bicycle speedometer must be rugged, accurate and, above all, novel and a little unusual, the 'high-tech' computerized LCD units found in the shops are not really what you are looking for. The author found a circuit published in this magazine far more attractive, and set out to design an automatic on/off control for it.

Digital revolution counters (or 'speedos') are all very well, but although satisfactory in practical use, are unlikely to create much interest from other cycling enthusiasts. The same applies to a conventional moving-coil meter display, which is no alternative because it requires scale lighting, and its wavering needle is difficult to read in the first place. So, what is needed is a combination of a LED-based readout and yet some novel feature such as a line of lights. Fortunately, such a circuit was found in Ref. 1: a LED revolution counter with the LEDs arranged in a circle, just like a conventional rev counter or speedo. The circuit is based on Telefunken's U1096B 30-LED bar driver.

Some quick calculations on the likely rpm (and therefore speed) of a bicycle wheel led to substantially lower input pulse rates than would be encountered in the original application. Referring to the original article made redimensioning the monostable period simple, and the use of four trigger pulses per revolution helped iron out low-speed flicker whilst retaining a reasonable 'reaction time' to changes in speed (although not many people ride a bike at 1-2 mph).

In the present application, it was required to display a maximum speed of 30 mph (it

was an off-road bike), which meant that each LED would represent 1 mph — easy to read, and novel in its appearance.

## Automatic on/off control

Building the circuit to the original *Elektronics* article was easy. However, a problem arose with the voltage regulator specified, an 48L10 low-drop 10-V stabilizer IC. This proved difficult to obtain, so an alternative was sought, and located in the RS (ElectroMail) catalogue. The LM2931CT from National Semiconductor has the facility to adjust the output voltage, and offers an on/off function coupled with low standby current drain. The idea was born to implement an automatic on/off control for the bicycle speedo. It had already been decided to (a) make the device quickly removable to prevent theft, and (b) to make it rechargeable to reduce running costs, and (c) to cut down on the fiddling about when installing the device.

Basically what was needed was a low current drain monitoring device that would sense the front wheel's movement, and switch the voltage regulator in the speedo on and off. The circuit to accomplish this is shown in Fig. 1. Based on a single CMOS IC, its standby current is under 1  $\mu$ A, while its output capability is sufficient to switch the regulator on. Also, there are two inverter gates left, which are used here to provide the count signal to the rev counter circuit. A simple high/low input was obtained from a cheap reed switch mounted on the front fork, triggered by four passing magnets attached to the spokes of the front wheel. This signal is processed to suit both the rev counter input and the on/off circuit.

Pull-up resistor R1 ensures that the input to gate IC1a is low most of the time (the chances of the bike being left in a position where the reed switch and magnet coincide are much smaller than them being separate, and so allow the circuit to turn off, e.g., when you leave the bike for a short while). When the bike is ridden, the reed switch is closed by a passing magnet, when the input of IC1a is taken low, and the output of the gate goes high. The resultant pulse train charges capacitor C1 via diode D1. Resistor R2 determines the 'on' time, and the value shown provides a 30-second delay. The voltage across C1 is applied to the input of gate IC1b, which, along with IC1c and feedback resistor R3, forms a pulse shaper that provides a well-defined high or low output used to control the voltage regulator via one further inverter, IC1d. The regulator control voltage is low for 'on' and high for 'off'. The two remaining inverters are connected in parallel, and also take the reed contact signal. Their outputs are, therefore, high when a magnet passes the reed switch, just what the rev counter needs for correct operation.

## Battery considerations and connection

The stand-by current of the prototype was a mere 0.8 mA, which goes mainly on account of the regulator. Since the circuit was being powered from a 12-V 800-mAH lead-acid gel battery, this would provide at least a week between recharges. Incidentally, recharging is accomplished by using two contacts on the base of the cycle lamp holder, so that the battery need not be removed for recharging. A suitable battery charger may be found in Ref. 2.

The current consumption of the active circuit is about 30 mA on average, giving at least 24 hours use in a week. This was deemed more than sufficient (after all, who has the time to cycle more than three hours a day).

Connections to the reed switch (a normally-open type) are made via a miniature plug and socket combination mounted on the back of the lamp holder, which, with careful modification, provided a ready-made housing for the battery and the circuit board. Using such a ready-made housing was felt reasonable in this case, as someone else had already spent time designing an anti-slip and anti-jolt bracketry to suit a bicycle environment, thereby solving what could be a major problem for some constructors. ■

## References:

1. 'LED revolution counter'. *303 Circuits*, circuit no. 045.
2. 'Lead-acid battery charger'. *303 Circuits*, circuit no. 250.

# DISCO RUNNING LIGHTS

by A.B. Tiwana

POP MUSIC and light effects are inseparable. The circuits that make the effects possible vary from simple to complex. The circuit presented here is a simple one and is a sort of running light whose rate of change depends on the frequency and intensity of the sound.

The signal is applied to the clock input of

counter IC<sub>1</sub> via a single-transistor amplifier, T<sub>1</sub>. Its (amplified) level must be high enough to overcome the switching threshold of the counter, while its frequency determines how often the counter is clocked.

The input may be fed with the signal of a preamplifier, but it is also possible, as shown in the diagram, to connect an electret micro-

phone across it, when it functions entirely contact-less. After amplification, the signal is applied to IC<sub>1</sub> via P<sub>1</sub>, which controls the sensitivity of the circuit.

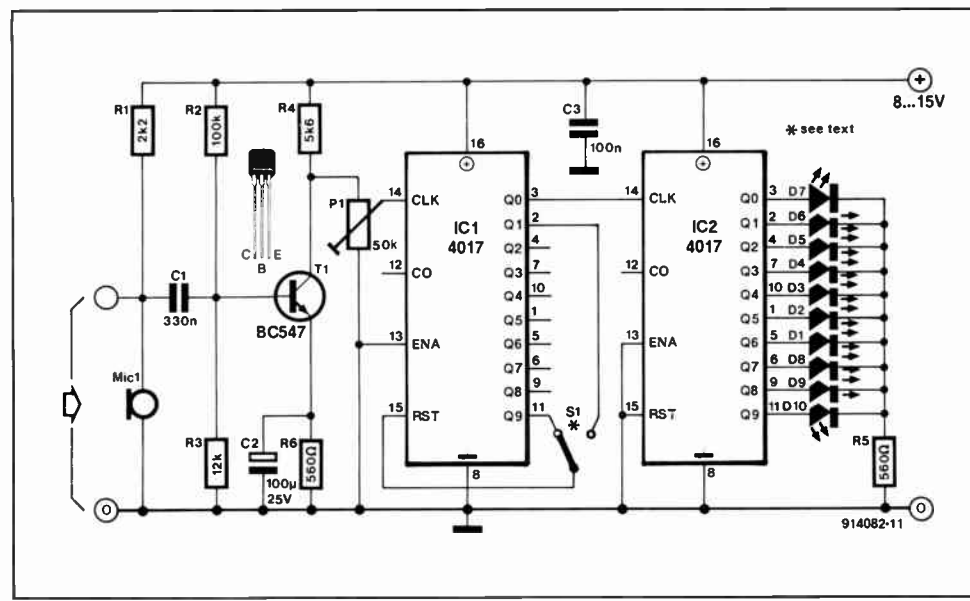
Since audio frequencies are too high for making a good visual effect, the signal frequency is scaled down by IC<sub>1</sub> when S<sub>1</sub> connects pin 11 with pin 15. When the switch is in the other position, pin 2 is connected with pin 15: the counter then divides by 1 and the effect assumes a completely different character that no longer resembles a running light.

The actual running light is provided by IC<sub>2</sub>, a counter with integral 1-from-10 decoder, which is clocked by the Q<sub>0</sub> output of IC<sub>1</sub>. Of the ten outputs of IC<sub>2</sub>, each of which is connected to an LED, there is always one 'high'. The ten LEDs have a common bias resistor, R<sub>5</sub>, an arrangement that is perfectly feasible, since only one LED lights at a time (although it often seems as if more do so).

The circuit may be expanded by adding an LED at pin 12 (carry out) of IC<sub>1</sub>. This LED must have its own bias resistor (560 Ω).

The power supply must be able to provide a current of up to 100 mA: at low frequencies the current is appreciably lower.

The colours of the LEDs can be chosen to individual taste.



# TELEPHONE BUZZER AS SWITCH

by A. Rigby

RECTIFYING the buzzer signal on a telephone line results in a voltage that may be used to switch one or more loads, for instance, a light to show the deaf or hard-of-hearing that the telephone is ringing.

In the present circuit, the buzzer signal is

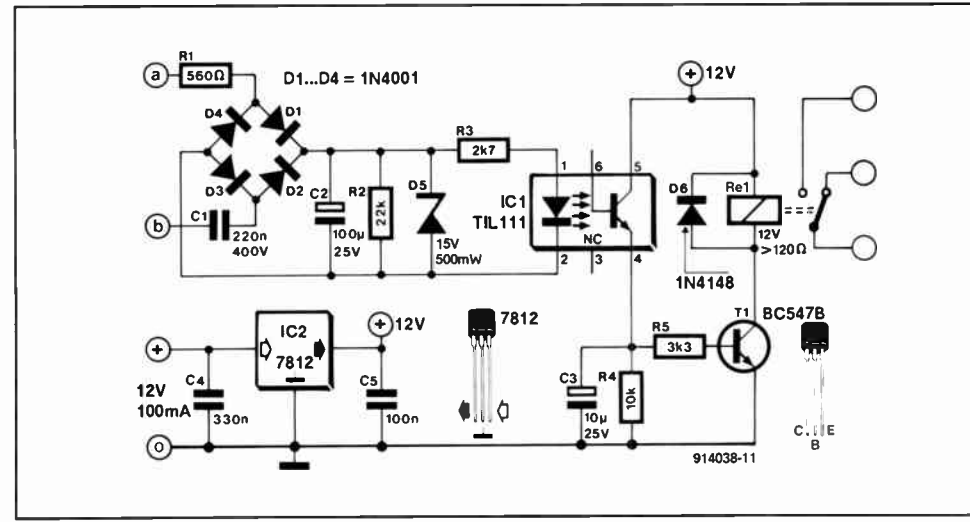
rectified by D<sub>1</sub>-D<sub>4</sub>; the rectified voltage is smoothed by C<sub>2</sub> and held at 15 V by zener diode D<sub>5</sub>. The voltage is used to drive the LED in optoisolator IC<sub>1</sub> via R<sub>3</sub>. The optoisolator provides safe isolation between the telephone line and the present circuit and its load. Note,

however, that in spite of this, the telephone authorities in some countries may not permit the use of the present circuit: it is always best to seek the advice of your local telephone manager.

As soon as a call signal appears on the telephone line, the LED in the optoisolator ensures that the integral transistor is switched on. This in turn switches on T<sub>1</sub>, whereupon relay Re<sub>1</sub> is energized.

Capacitor C<sub>3</sub> is charged as long as the transistor in the optoisolator conducts, but discharges via R<sub>4</sub>-R<sub>5</sub>-T<sub>1</sub> when the call signal fails: this prevents T<sub>1</sub> being switched off during the intervals between the various pulses of the call signal. When that signal fails, the relay will be denegerized after a short delay.

The circuit can be supplied by a 12 V mains adapter. The current it draws depends on the type of relay used, but should not exceed 100 mA. Make sure that the relay can handle the switched voltages and currents.



# ON/OFF DELAY FOR VALVE AMPLIFIERS

by A. Rigby

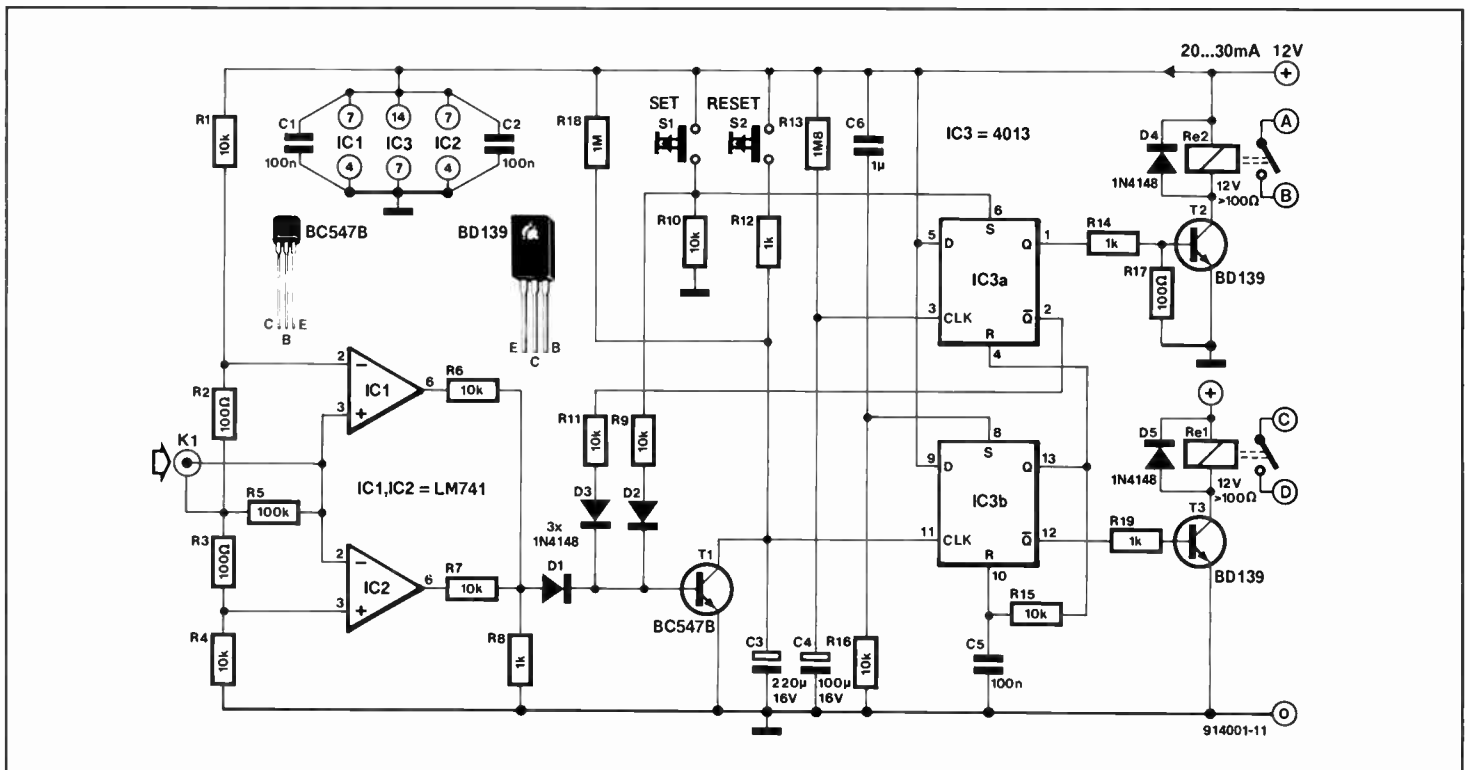
THIS circuit has been designed primarily for use with valve amplifiers. When the amplifier is switched on, filament voltage is supplied first and the anode potential a few minutes later. When there has been no input signal for a while, the anode voltage is switched off again automatically.

When the mains is switched on, a set pulse is supplied to bistable (flip-flop) IC<sub>3b</sub> via R<sub>16</sub>-C<sub>6</sub>. The Q output (pin 13) then goes high and the bistable resets itself via R<sub>5</sub>-C<sub>15</sub>, whereupon relay Re<sub>1</sub> is energized via T<sub>3</sub> and the valves are provided with heater voltage. After a delay, dependent on time constant R<sub>13</sub>-C<sub>4</sub>, the potential at the clock input of IC<sub>3a</sub> reaches a level that causes the bistable to toggle so that its Q output (pin 1) goes high. Relay Re<sub>2</sub> is then energized and switches the high voltage to the valves.

During operation of the amplifier, the inverting input of IC<sub>1</sub> and the non-inverting input of IC<sub>2</sub>, both of which circuits are connected as comparator, are provided with a voltage of about 6 V by potential divider R<sub>1</sub>-R<sub>2</sub>-R<sub>3</sub>-R<sub>4</sub>. The audio signal from the preamplifier or output amplifier (one channel suffices) is fed to both ICs. The earth of this signal is connected to the potential divider, which means that the supply and earth lines of the amplifier and the delay circuit must be well isolated from one another. When the signal level is about 60 mV or greater, the output of either IC<sub>1</sub> or IC<sub>2</sub> will go high, depending on the polarity of the signal. Transistor T<sub>1</sub> is then switched on via R<sub>6</sub> or R<sub>7</sub>, which results in C<sub>3</sub> discharging. When T<sub>1</sub> is off, C<sub>3</sub> is charged slowly via R<sub>18</sub>. When there has been no signal input for a few minutes, the voltage across

C<sub>3</sub> rises to a level where IC<sub>3b</sub> gets a clock pulse. This results in IC<sub>3a</sub> being reset, whereupon T<sub>2</sub> is switched off, so that relay Re<sub>2</sub> is deenergized and the high voltage is removed from the valves. Transistor T<sub>1</sub> is provided with base current via R<sub>11</sub> and D<sub>3</sub>, so that the clock input of IC<sub>3b</sub> remains low. This bistable resets itself almost immediately, however, via R<sub>15</sub>-C<sub>5</sub>. The interval between clock pulse and reset is so short that Re<sub>1</sub> remains energized: heater voltage to the valves is, therefore, maintained.

There are two keys for user operation: S<sub>1</sub> resets IC<sub>3a</sub> whereupon the high voltage is reapplied to the valves; S<sub>2</sub>, when pressed, causes a clock pulse to be generated that switches the amplifier to standby. ■



# BEDSIDE LIGHT TIMER

by H. Moser

MANY young children will insist on keeping the bedside light on for a couple of minutes after the storybook has been closed and father or mother has gone downstairs. They are also prone to fall asleep with the light on, which is a waste of energy, and a problem for the parent because the light has to be switched off without waking the child. The timer shown here is an elegant solution

to this little domestic problem. Simple to build from a handful of inexpensive components, it lets you determine how long the bedside light remains on after you have said goodnight and actuated the timer. Pressing switch S<sub>1</sub> causes bistable IC<sub>1b</sub> to toggle, and produces a debounced clock pulse at the input of the second bistable, IC<sub>1a</sub>, whose Q output goes high, triggering a low-power

thyristor, Th<sub>1</sub>. The complementary bistable output, Q, goes low and enables timer IC<sub>2</sub>. The load, a small bulb (max. 60 W) is switched on, and remains on until counter IC<sub>2</sub> resets IC<sub>1a</sub>.

The counter, a Type CD4541, has an on-board oscillator that operates at a frequency,  $f$ , given in Hz by

$$f = 1/2.3 R_{TC} C_{TC}$$





where  $R_{TC}$  and  $C_{TC}$  are the resistor and capacitor connected to pin 1 and 2 respectively. The resistor connected to the RS input, pin 3, has a value of about  $2R_{TC}$ .

The scale factor of the 4541 is set to 65 536 ( $2^{16}$ ) here by tying its A and B control pins to the positive supply rail. This means that the OUT pin changes state after 32 768 clock pulses. The logic levels defined at pins 5, 10 and 9 select a logic low level at the OUT pin when the RESET pin is logic high. Hence, the delay,  $\tau$ , in seconds, introduced by the circuit can be calculated from

$$\tau = 2.3 \times 32\,768 \times R_5 \times C_5.$$

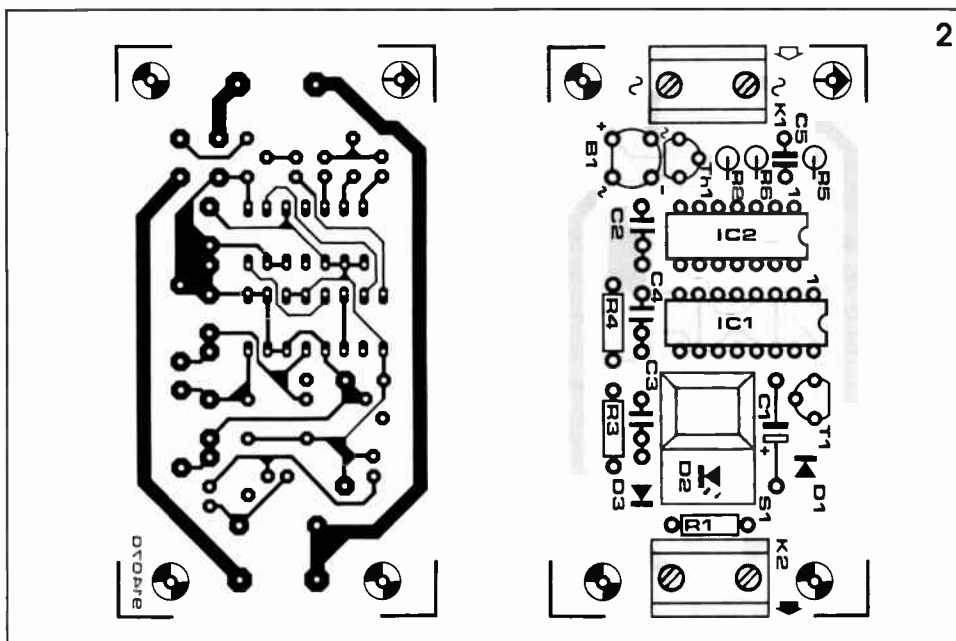
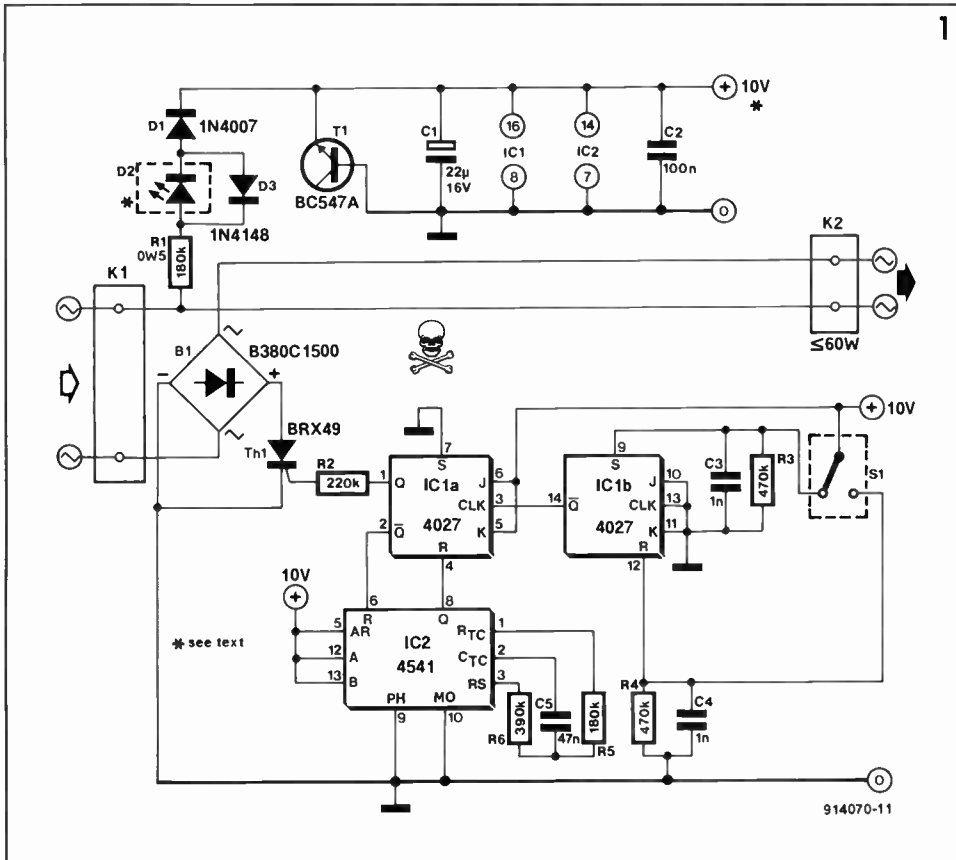
The circuit is powered direct by the mains. Transistor  $T_1$  forms a 10-V zener diode. A LED,

$D_2$ , is used as an orientation aid for the child. The LED forms part of the ITW (Digitast) push-button,  $S_1$ .

It should be noted that the actual supply voltage of the circuit may lie between 6 V and 12 V, depending on the characteristics of  $T_1$ . The actual value is of little importance, however, as long as  $IC_{1a}$  is capable of supplying a trigger current of about 200  $\mu$ A to the thyristor.

The circuit is constructed on the printed-circuit board shown in Fig. 2, and fitted in a suitable ABS enclosure. In the interest of safety, make sure the input and output cable are properly insulated and secured with strain reliefs. The clearance for the keytop in the top panel of the enclosure must be made as small as possible to prevent any risk of the circuit being touched.

WARNING. Since the circuit carries dangerous voltages at a number of points, it is essential that proper electrical insulation is applied. Never work on the circuit when the mains is connected to it. Make sure that no part of the circuit can be touched when it is being set, adjusted or used. ■



## PARTS LIST

### Resistors:

- R1 = 180 k $\Omega$ , 0.5 W
- R2 = 220 k $\Omega$
- R3, R4 = 470 k $\Omega$
- R5 = 180 k $\Omega$
- R6 = 390 k $\Omega$

### Capacitors:

- C1 = 22  $\mu$ F, 16 V
- C2 = 100 nF
- C3, C4 = 1 nF
- C5 = 47 nF

### Semiconductors:

- D1 = 1N4007
- D2 = LED, high-efficiency (see S1)
- D3 = 1N4148
- B1 = B380C1500
- T1 = BC547A
- Th1 = BRX49
- IC1 = 4027
- IC2 = 4541

### Miscellaneous:

- S1 = digitast push-button switch with integral LED
- K1, K2 = PCB-mount terminal block, pin spacing 10 mm
- ABS enclosure about 100×50×25 mm

# 9-VOLT NiCd BATTERY CHARGER

by H. Moser

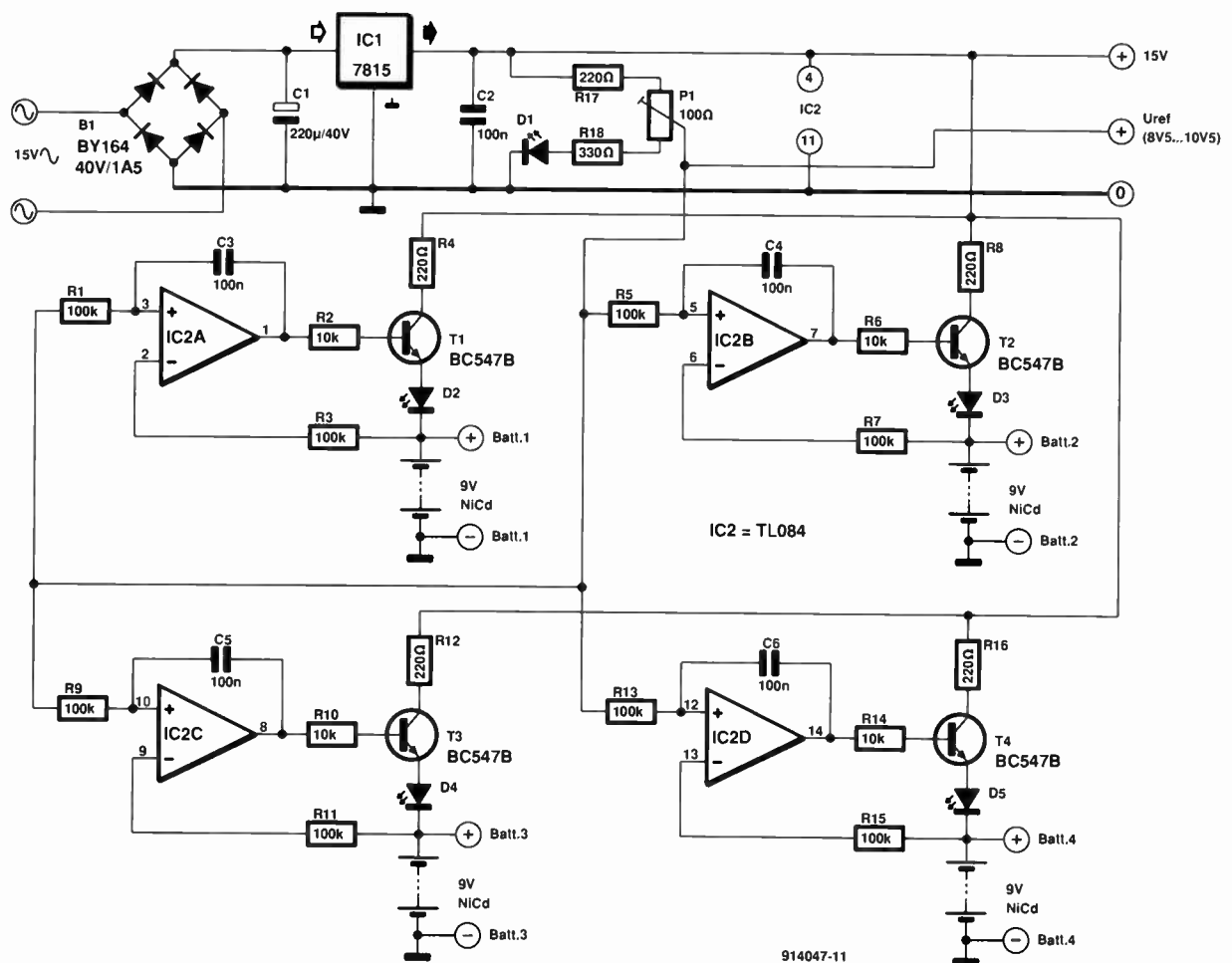
THE regulated power supply and four identical current sources shown in the diagram enable the simultaneous charging of four 9-volt NiCd batteries. The potential at the wiper of  $P_1$  determines to what voltage the batteries will be charged: an unusual, but effective method. The voltage at the wiper is also applied to the non-inverting inputs of four comparators,  $IC_{2a}$ - $IC_{2d}$ , via 100 k $\Omega$  resistors. When the battery voltage is too low, the relevant comparator toggles, which results in the associated transistor being switched on, whereupon the battery is charged. The rate at which the comparators can toggle is slowed down by a capacitor shunting the opamps (when a battery is being charged, its e.m.f.

rises). The charging voltage, resulting from the current through the battery or batteries can rise to the level set with  $P_1$ . When that level is reached, the relevant circuit is switched off, and the e.m.f. of the battery drops almost instantly. This might cause the charging current to be switched on again, resulting in a charging voltage rising to the level set with  $P_1$ . To prevent this oscillatory action, the capacitor across the opamps enables the battery to stabilize. If, after a short delay, the battery voltage proves to be too low, the current is switched on again. The capacitor then ensures that the current will flow for a while, irrespective of the battery e.m.f. (after all, the battery was found not to be fully

charged).

LEDs in the emitter circuits of the transistors give a visual indication of the on and off switching of the charging current. When the battery is nearly flat, the LED will be on continuously; when it is about fully charged, the charging current will be interrupted more and more frequently, so that the LED begins to flicker. The more nearly the battery is charged, the faster the LED will flicker; when the rate is about 1 Hz, the battery is fully charged.

The circuit requires an alternating voltage of 15–18 V; it draws a current of about 150 mA.



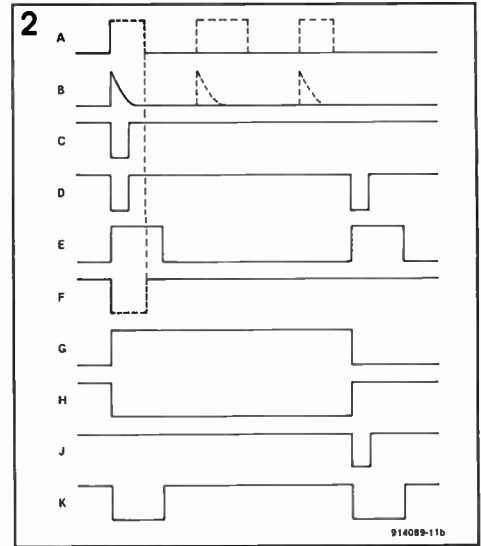
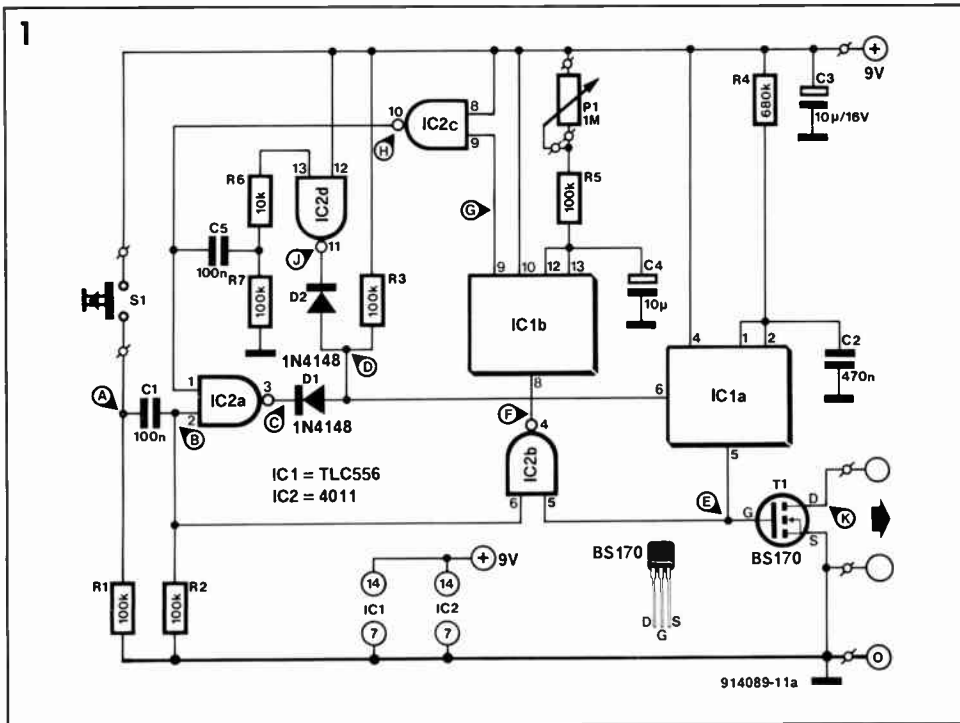
# VIDEO CAMERA TIMER

by C. Hagl

SOME video cameras have a socket for a remote control unit. It appears, however,

that it is not always easy to connect an interval-control to this socket. For instance, the

Blaupunkt 8010 camcorder is not switched on or off in the traditional manner, but with a



40–60 ms long pulse. One pulse switches the camera on, the next one switches it off. Manual operation with a switch is virtually impossible to achieve. However, the timer described here offers a solution.

The timer generates the pulses automatically; the interval between two pulses can be set between about 1 s and 10 s. It operates from a 9V (PP3 or 6F22) battery; the current drain is only 330  $\mu$ A.

When switch S1 is closed (signal A—see Fig. 2), differentiating network R<sub>2</sub>-C<sub>1</sub> en-

sure that IC<sub>2a</sub> gets only a short pulse (signal B), even if S<sub>1</sub> remains closed for some time. Assuming that the circuit was quiescent before S<sub>1</sub> was closed, pin 1 of IC<sub>2a</sub> is high, so that the output of the IC (signal C) goes low as a result of signal B.

The output signal of IC<sub>2a</sub> triggers monostable IC<sub>1a</sub> via AND gate D<sub>2</sub>-D<sub>3</sub>-R<sub>3</sub>, whereupon the output of IC<sub>1a</sub> (signal E) switches on transistor T<sub>1</sub>. This transistor serves as the stop/start switch of the camcorder; its drain and source are connected to the camera.

At the same time that IC<sub>1a</sub> generates the start pulse, IC<sub>1b</sub> is triggered to commence measuring the time interval between the start and stop pulses. This interval can be preset with P<sub>1</sub>. During the interval, signal H is kept low and this disables switch S<sub>1</sub>. Once the mono time of IC<sub>1b</sub> has elapsed, signal H goes high via IC<sub>2d</sub>, so that IC<sub>1a</sub> is triggered anew and sends a stop pulse to the camera. The circuit then returns to the quiescent state, until S<sub>1</sub> is closed afresh.

As drawn, the circuit is particularly suitable for adding titles to the filmed material. One touch of S<sub>1</sub> and the title in front of the camera lens is recorded within a few seconds.

Switch S<sub>1</sub> may be replaced by an interval timer for making speeded-up recordings. ■

## SWITCHING CLOCK FROM PARKING TIMER

by W. Zeiller

OVERCHARGING of batteries is prevented by the timely switching off of the charger. A timer that can be set to within a minute can be built fairly easily from an inexpen-

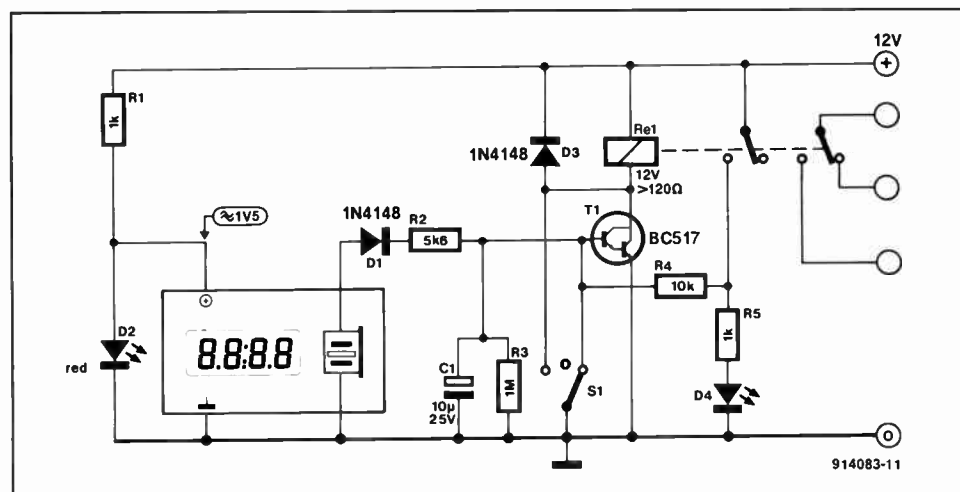
sive parking timer and a simple switching circuit as shown in the diagram.

The button cell is removed from the timer and the connections remade as shown. Diode

D<sub>2</sub> serves as on/off indicator and as voltage stabilizer for the timer. The voltage across the buzzer is used as the output signal. Check that the buzzer in the timer you are using is connected as suggested here.

When the buzzer comes into action, its output is rectified by D<sub>2</sub> and then used to charge C<sub>1</sub>. When the capacitor is charged to a certain level, the potential across it is sufficient to switch on T<sub>1</sub>, whereupon relay Re<sub>1</sub> is energized and its contacts change over. One of these holds T<sub>1</sub> in conduction; the other can be used to make or break contact. The load can also be switched manually with S<sub>1</sub>.

The connecting wires between the timer and the rest of the circuit pass via a small hole drilled in the back of the timer and a hole in the case that houses the other components. When that is done, the timer is glued to the front of the case so that its operating controls remain within easy reach. ■



## A simple and adaptable logic a simplest logic of all

by M. Soper, MA

**A** PROBLEM with standard logic as implemented in the 7400 series of integrated circuits is that, since the approach is functional, there is a natural tendency to organize any system into levels—a kind of nested hierarchical structure results. But suppose the requirement is more unilevel and free-wheeling—suppose true statements are chasing each other round in a loop in a system intended to have a use as associative memory in artificial intelligence applications, some expressed positively: 'all ships are intended for use in water' and some negatively: 'no normally conducting useful circuits are short circuits', then any hierarchical approach to analysing what can follow from statements like these will confound the flexibility of the system by deciding the functional pattern of logical analysis at the outset. The logic suggested in this article, being relational, not functional, gets round this.

### Building the new system

The system used here is very simple

EVEN is true                  ODD is false

and the relation is, for three integers  $a, b, c$ :

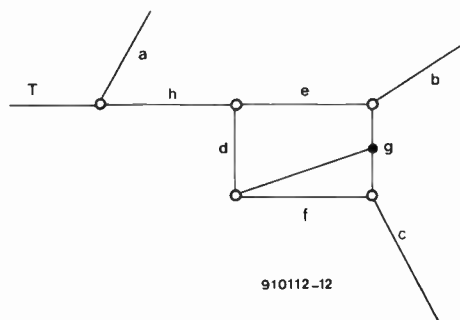
$a+b+c$  is odd                   $abc$  is even.

Here, addition and multiplication are carried out as usual.

To show that this simplest logic is what is claimed, we must show that all logic can be done by this relation. Consider the notation  $((a, b, c))$  used to indicate that numbers  $a, b, c$  obey this rule:  $a+b+c$  is odd and  $abc$  is even. We must show that this relation is adequate for all logic and this can be done if the existence of the functions (relations) NOT and OR (first of all NOT) must be shown to exist:

- $((a, b, 2))$  is equivalent to  $a = \text{NOT } b$ , since one of  $a, b$  is even and the other is odd. In fact, the relation is exactly two of  $a, b, c$  are even numbers.
- to show we can make OR: consider  $((a, h, 2))$ ,  $((h, d, e))$ ,  $((e, b, g))$ ,  $((g, f, d))$ ,  $((f, g, c))$ —these entail that  $a \text{ OR } b = c$  is TRUE.

Here is a diagram of this logic circuit, where circles denote the relation:



The proof is thus:

Let  $a, b$  be odd: then  $h$  is even and, since  $b$  is odd, from  $((e, b, g))$  we have  $e$  and  $g$  is even; then  $((h, d, e))$  implies  $d$  is odd so that from  $((f, g, d))$ ,  $f$  and  $g$  are even and, since  $f$  and  $g$  are even, from  $((f, g, c))$ ,  $c$  is odd.

Let  $a$  be even and  $b$  odd, then as before,  $e$  and  $g$  are even, but in this case  $h$  is odd since  $a$  is NOT  $h$ . Since  $h$  is odd, from  $((h, d, e))$ ,  $d$  and  $e$  are even now since  $d, g$  are even,  $f$  is odd so that  $((f, g, c))$  implies  $c$  is even.

Let  $a$  be odd and  $b$  be even, then  $h$  is even:  $((h, d, e))$ ,  $((e, b, g))$  imply  $e$  is even and  $d, g$  odd; OR  $e$  is odd and  $d, g$  are even in either case because  $((g, f, d))$ ,  $f$  is odd. Moreover  $f$  is odd and  $((f, g, c))$  implies  $c$  is even.

Let  $a$  be even and  $b$  be even, then  $h$  is odd and from  $((h, d, e))$ ,  $d$  and  $e$  are even; from  $((e, b, g))$  and  $e, b$  even, we have  $g$  odd, then from  $((f, g, c))$ ,  $c$  is even.

From all this we now have the table

$a$	$b$	$c$
odd	odd	odd
odd	even	even
even	odd	even
even	even	even

which is the correct pattern for the logic function OR with even meaning true, and odd, false.

### Why should this logic be preferred?

There are two reasons for this logic to be

preferred: the first is that no easy logic could be simpler, and the second is the fact that a relation is not hierarchical and can thus operate on converging data streams to create new true and false statements without any hierarchical structure being necessary. One can imagine triples of related strings, each one of which represents a 'proposition', moving through a data network like 'trains with three carriages' and interacting with other trains at junctions to produce more trains of statements on the data lines. Each junction can become a source of proliferation and segments on the 'lines', when triples of propositions are formed in this way, can 'float about' on the communication lines of a distributed processing system preceded by a special symbol or token (like three carriage trains running freely through a number of junctions). Thus, for an artificial intelligence system, each triple can be compared at each junction according to interference rules like these:

$((A, D, E)), ((A, B, C)), ((B, C, D))$  implies  $((B, C, E))$  and  $E$  false;

$((A, D, T)), ((B, D, X)), \text{NOT}((A, D, B))$  implies  $((A, \bar{B}, T))$ ;

$((B, C, E)), ((A, B, C)), ((C, D, E)), ((A, D, F))$  implies  $((B, E, F))$ ;

$((A, B, C)), ((C, D, E)), ((A, D, F)), \text{NOT}((B, C, E))$  implies  $((\bar{B}, E, \bar{F}))$

$((A, B, C)), ((B, C, D)), ((B, C, E))$  implies  $\text{NOT}((A, D, E))$

### Liberation from standard binary functional logic

The most useful rules for generating a few of the many possible relations are:

$((A, D, T)), ((B, D, X))$  iff  $A \vee B$  is true, where  $X$  has any possible value, and

$((A, B, C)), ((B, C, D))$  iff  $A = D$ .

Note that  $((A, B, T))$  iff  $A = \bar{B}$ , and

$((A, B, X))$  implies  $A$  or  $B$  true.

These relations, therefore, can generate all standard logic. But we need, perhaps, to

generate from any propositions ones that are true and false. Here is one such method:

$((A, B, C)), ((B, C, D)), ((A, D, E))$  implies  $E$  is false, and

$((A, B, C)), ((B, C, D)), ((A, D, E)), ((U, V, E))$  implies  $U, V$  true.

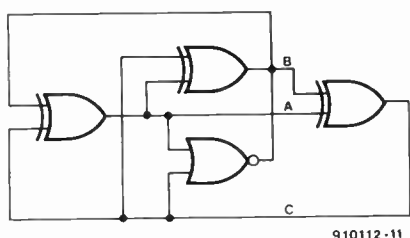
Thus, the hierarchical structure caused by functional approaches is not necessary.

### Continuity with the old system

Stripped down to bare essentials, the new system of logic expressed as a table looks like this

<i>a</i>	<i>b</i>	<i>c</i>
F	F	*
F	T	T
T	F	T
T	T	F

which is the function table for exclusive OR (XOR) with one line deleted. This can be implemented by the following logic circuit:



This is cumbersome, but it shows that the simplest logic we are dealing with here can actually be built. In practical terms, the reason for using relational logic, and for perhaps building such units as available ICs, is the fact that one relational logic circuit can easily perform more than one task, because lines are not specifically inputs and outputs.

All lines can be connected as outputs—impossible or paradoxical networks simply result in unstable or partially competing output circuits, so that the units built for this purpose should be output protected. In practice, lines to have a use as inputs should be fed by high impedance buffers (non-inverting) or, more simply, fed by some impedance. Thus, all logic functions, and naturally also oscillators (three-phase) and other derived circuits, can be implemented with the use of buffers and our symmetric logic element. Hence, continuity with the old system is established.

### Some higher versions of the logic

There are infinitely many relational logics, of which ours is the simplest. The next in-

teresting logic is a six-logic, where the consecutive lines coming out have this cyclic pattern of true and false values: (TTFTFF), and a 10-logic, where the consecutive lines are (TTTTFFFTFF) in a cyclic pattern. In the six-logic, for readers with the patience to work this out, (CDABMN)(MNFCGH) is equivalent to  $C=A \text{ NAND } B$  and in the 10-logic, the pattern (T.A.B..C..) forms  $C=A \text{ NOR } B$ . These ten lines form a kind of device (or insect) with ten radially disposed legs. They are based on what is known as the *Theory of Quadratic Residues*.

### Transformation model of the relation

For some purposes, a transformational model is preferable. When this is the case, the following model can be used—thus

$$\begin{bmatrix} 1 & 1 \\ 1 & 0 \end{bmatrix} \begin{bmatrix} c \\ a \end{bmatrix} = \begin{bmatrix} b \\ c \end{bmatrix}$$

$$\begin{bmatrix} 1 & 1 \\ 1 & 0 \end{bmatrix} \begin{bmatrix} b \\ c \end{bmatrix} = \begin{bmatrix} a \\ b \end{bmatrix}$$

$$\begin{bmatrix} 1 & 1 \\ 1 & 0 \end{bmatrix} \begin{bmatrix} a \\ b \end{bmatrix} = \begin{bmatrix} c \\ a \end{bmatrix}$$

where all the numbers are modulo 2—that is, throwing out 2s and taking only the remainders, 0 or 1.

Note the fact that  $a, b, c$  here are not allowed all to be zero; we could remove this condition by adding one more row and column to the three matrices, but instead we merely note  $abc \neq 0$ . One interesting fact is that this matrix can be square-rooted; the square root is

$$\begin{bmatrix} 0 & 1 \\ 1 & 1 \end{bmatrix}$$

The original matrix could generate the Fibonacci series from  $(1,1)^T$  and so can this one, but inverted. This square-root property suggests that our  $\Delta$  of transformations can be turned into a  $Y$  of transformations and, indeed, this is possible—let all transformations operate from the same vector at the middle  $(a, b, c)^T$ . The three matrices need three rows and three columns since they are distinct in the three directions. These

$$\begin{bmatrix} 0 & 1 & 0 \\ 1 & 0 & 1 \\ 1 & 0 & 0 \end{bmatrix} \begin{bmatrix} 0 & 0 & 1 \\ 1 & 0 & 0 \\ 0 & 1 & 0 \end{bmatrix} \begin{bmatrix} 1 & 0 & 0 \\ 0 & 1 & 0 \\ 0 & 0 & 1 \end{bmatrix}$$

can do this, each operating in turn.

### Buffer stages

The logic outlined above does require in the practical implementation the use of buffer stages, but these are used anyway. From the point of view of logic rather than electronics, these are not easily modelled in a system without time. They can be called com-

pellers and merely *insist* that output equals input. Logically (without a sense of evolution), these are simple equalities.

Is there any reason for relational logic to dominate? The systems, being equivalent, can coexist, but note that relational logic is very highly suited to the continuous ordering and relation of isolated facts, whereas a more functional approach cannot do this naturally.

For example, the system associating propositions with numbers can link each proposition with a multiple of three, and add 0 or 1, depending on truth or falseness; adding 2 could be used, when the truth of a statement has not yet been decided, if required.

### Adaptation

The strange feature of this logic system is that a 'cubic' network is used. For example: define  $[xyz]$  by  $((x, s, t)), ((y, t, u)), ((z, s, u)), ((t, s, u))$  for some  $s, t, u$ ; then this network:  $((a, c, n)), ((a, c, l)), ((b, q, n)), ((n, c, p)), [qdp]$  performs  $d=a$  iff  $b$  when  $a, b$  are inputs and in this case  $c$  is NOT  $a$ . Using  $c, d$ , as inputs results in  $b$  iff  $c \text{ XOR } d$ .

This is a strange feature to adapt to—instead of rank upon rank of ordered functional logic, we have what appears as a graph with two sorts of vertice or node and a rank of buffers (one way round or another). This utilization of flexibility of options is difficult for people, but very easy for computers, which can quickly print out all available uses of a net, wherever they can be used immediately or not.

Here, then, is a logic based merely on arithmetic. ■

#### We Enjoy Hearing From You.

*Elektor Electronics USA* is a place for readers to meet and discuss ideas, projects, and challenges. When you write, please include a self-addressed envelope with stamp attached with a clip if you expect a reply. If the author lives outside of the US, please include two International Postal Reply coupons (available at your post office) instead of stamps on your envelope. Because of space limitations, we do reserve the right to edit all letters. Although we read and note all letters, only those of general interest are selected for publication. When responding to an article, please cite the name of the magazine, article, letter, department, and the page number. Address all correspondence to the **Letters Department, Elektor Electronics USA, Box 576, Peterborough, NH 03458.**

# ECONOMY POWER SUPPLY

One instrument no electronics hobbyist can do without is a regulated power supply. This month we present a no-frills design that should be affordable for many.

by L. Lemon



UNDOUBTEDLY the most popular class of regulated, variable power supplies is that with a voltage range of up to 30 V or so, and an output current of 2 to 3 ampères. The present supply belongs in this ever popular class. The fact that we have baptized it 'economy power supply' does not mean that it is a very basic design with marginal specifications. Most of you will know that the greater part of the money spent on a regulated

power supply is invested in the power transformer and the smoothing capacitors — little to be done about that! However, while this cost consideration holds true for the present supply, it was our aim to achieve the best possible specifications from inexpensive components.

## Basic operation

The operation of the power supply is illustrated in Fig. 1. What is shown is a classic series-regulated power supply. The heart of the circuit is formed by a positive voltage regulator based on IC3a, T4, T5 and T6. This is a classic voltage regulator. The negative input of the opamp is supplied with a sample of the output voltage via a voltage divider. The opamp compares the voltage at the negative input with that at the positive input, which is held at a voltage adjustable with P6. The opamp acts as an error amplifier, that is, it will attempt to counter voltage differences between its inputs by driving the power transistors via T4. In this way, it ensures a stable output voltage at all load currents below the maximum.

The base-emitter junction of T4 is shunted by the phototransistor of an optocoupler. As soon as the current limit is actuated, the phototransistor starts to conduct, withdrawing so much base current from T4 as is necessary to keep T5 and T6 from supplying the maximum permissible output current.

The current limit circuit measures the output current with the aid of resistors R, inserted in the two supply rails. In the positive half of the supply, T3 monitors the voltage across R<sub>s</sub> in the positive rail. When this voltage is high enough for T3 to conduct, the 'current limit' LED, D4, lights, just as the LED in the optocoupler. The latter causes the associated phototransistor to conduct, and the output current to be limited.

The actuation level of the current limit is made adjustable by a current source based on T1 and T2. Transistor T1 supplies a current set by potentiometer P2 to the current limit circuit in the positive half of the supply. T2 supplies the same current to the negative half. This provides the current monitoring...

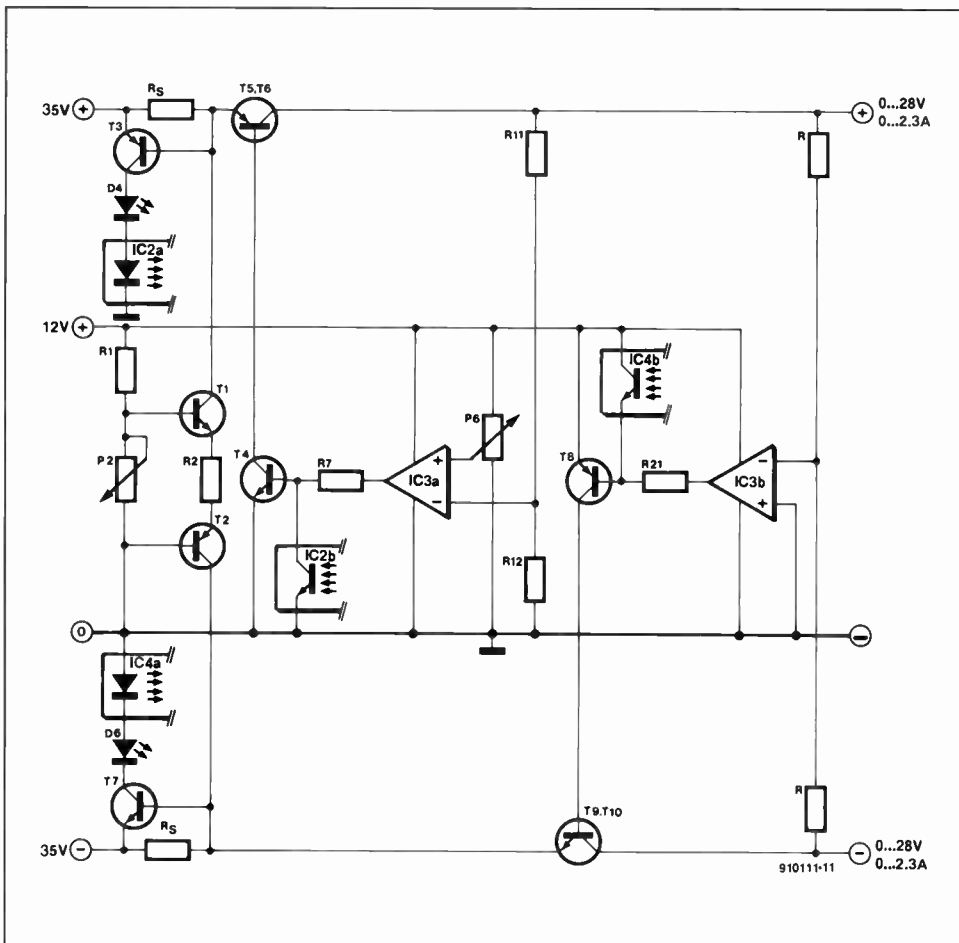


Fig. 1. Block schematic diagram of the power supply. Conventional? Well, not quite...

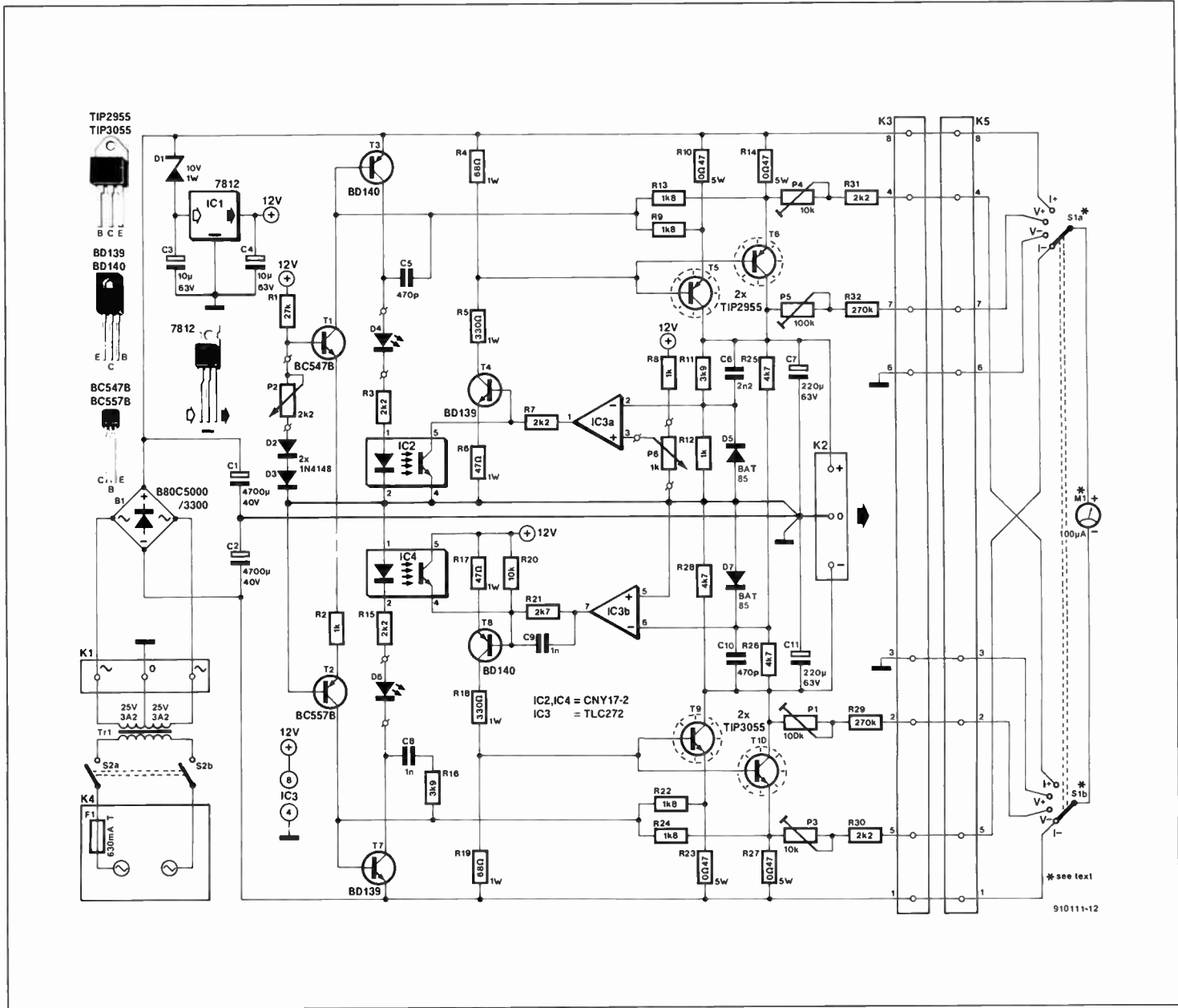


Fig. 2. Circuit diagram of the economy power supply, a conventional symmetrical design based on series regulators and error amplifiers.

transistors, T3 and T4, with a bias, which gives the current limit circuit a greater sensitivity, that is, it can be actuated by relatively small currents.

The operation of the current limit circuit in the negative supply is identical to that in the positive supply. Potentiometer P1 acts as a common control for both current limiters. Transistor T7 monitors the negative output current, and controls the voltage regulator accordingly via an optocoupler. The voltage regulator is basically the same as in the positive supply. Note, however, that the driver transistor, T8, and the optocoupler are connected to +12 V instead of to ground. This is necessary because the negative voltage regulator is powered by a positive supply voltage. This unusual arrangement obviates positive and negative auxiliary supply voltages, but does raise the problem of regulating the output voltage between 0 V and about -28 V with the aid of an opamp that works with input voltages between 0 V and +12 V. At the output of the opamp, this is solved by operating the driver with respect to +12 V. The opamp input voltages are held



Fig. 3. Initial test on the assembled board.

at virtually nought volts. The positive input (the reference of the regulator) is simply tied to ground. This means that the regulator must keep the negative input at 0 V via the feedback of the negative output voltage. Since the feedback is realized with two identical resistors  $R$  connected between the positive and the negative output, the regulator will adjust itself such that the positive and negative output voltages are equal, and adjustable with a single control,  $P_6$ .

## Circuit description

The circuit diagram of the power supply, Fig. 2, is a not more than a 'dressed up' version of the block diagram discussed above.

The mains voltage is connected to the supply via a mains entrance socket,  $K_4$  (note that this has an integral fuseholder), and from there goes to the on/off switch,  $S_2$ , and the primary of the mains transformer,  $Tr_1$ . The secondary voltages ( $2 \times 25$  V) are rectified by a bridge rectifier,  $B_1$ , and smoothed by reservoir capacitors  $C_1$  and  $C_2$ . This results in an unregulated voltage of about  $\pm 35$  V.

The unregulated voltage is reduced by about 10 V by zener diode  $D_1$ . This is done to keep the input voltage of regulator  $IC_1$  (a 7812) within safe limits. The regulator output voltage, 12 V, is used to power the auxiliary supply.

In the current limit circuit,  $P_2$  has two diodes connected in series. This is done to prevent a 'dead range' on  $P_2$ , when the threshold voltage of the base-emitter junction of  $T_1$  and  $T_2$  has to be overcome.

The power stages of the supply consist of two parallel connected transistors,  $T_5$ - $T_6$  and  $T_9$ - $T_{10}$ . Strictly speaking, one transistor would have sufficed in each power stage, since the second breakdown point is just not reached when the dissipation is maximum (maximum output current at minimum output voltage). However, the additional tran-

COMPONENTS LIST			
<b>Resistors:</b>			
1	27k $\Omega$	R1	
3	1k $\Omega$	R2;R8;R12	
3	4k $\Omega$	R25;R26;R28	
2	68 $\Omega$ 1W	R4;R19	
2	330 $\Omega$ 1W	R5;R18	
2	47 $\Omega$ 1W	R6;R17	
5	2k $\Omega$	R3;R7;R15;R30; R31	
4	1k $\Omega$	R9;R13;R22;R24	
4	0.47 $\Omega$ 5W	R10;R14;R23;R27	
2	3k $\Omega$	R11;R16	
1	10k $\Omega$	R20	
1	2k $\Omega$	R21	
2	270k $\Omega$	R29;R32	
2	100k $\Omega$ preset H	P1;P5	
2	10k $\Omega$ preset H	P3;P4	
1	1k $\Omega$ lin. potentiometer	P6	
<b>Capacitors:</b>			
2	4700 $\mu$ F 40V	C1;C2	
2	10 $\mu$ F 63V radial	C3;C4	
2	470pF	C5;C10	
1	2nF2	C6	
2	220 $\mu$ F 63V radial	C7;C11	
2	1nF	C8;C9	
<b>Semiconductors:</b>			
1	10V 1W zener diode	D1	
2	1N4148	D2;D3	
2	LED 3mm red	D4;D6	
2	BAT85	D5;D7	
1	B80C5000/3300	B1	
	(80V piv, 5A peak bridge rectifier)		
1	BC547B	T1	
1	BC557B	T2	
2	BD140	T3;T8	
2	BD139	T4;T7	
2	TIP2955	T5;T6	
2	TIP3055	T9;T10	
1	7812	IC1	
2	CNY17-2	IC2;IC4	
1	TLC272	IC3	
<b>Miscellaneous:</b>			
2	3-way PCB-mount terminal block; pitch 5mm	K1;K2	
1	10-way male box header	K3	
1	Mains appliance socket with integral fuseholder; fuse: 1.25A slow (240/220 V mains) or 1.25 A slow (110/117 V mains)	K4;F1	
1	10-way female IDC header plus flatcable	K5	
1	2-pole, 4-contact rotary switch	S1	
1	2-pole mains on/off switch with indicator lamp	S2	
1	100- $\mu$ A moving-coil meter or digital meter module	M1,	
1	Printed-circuit board	910111	
1	Front-panel foil	910111-F	
1	Toroidal mains transformer	Tr1	
	2 $\times$ 25V @ 3.2A, e.g., 510116 (220V) or 530116 (240V) from ILP (Jaytee Electronic Services)		
1	Heat sink 0.6K/W, e.g., Fischer SK90; h=100mm		
4	insulating set for T5, T6, T9 and T10		
1	Metal case 100 $\times$ 300 $\times$ 180mm (Telet LC970; supplier: C-I Electronics)		

sistor affords peace of mind both in regard of safe maximum ratings and the ability of the heatsink to maintain a reasonably low temperature.

The emitter resistors with the power tran-

sistors have two tasks: first, they distribute the current between the transistors; and second, they function as current sensors  $R_c$  (refer back to Fig. 1). Since the current limiting circuit is to monitor the total current through both power transistors, the emitters are connected to the base of  $T_3$  and  $T_7$  respectively via summing resistors.

Diodes  $D_5$  and  $D_7$  do not appear in the block diagram. Their function is to protect the negative opamp inputs against negative voltages that could cause destruction, or switching to undefined states. The diodes limit the negative input voltage to about 0.6 V, a value that is safely withstood by almost any modern IC. Normally, the opamp inputs will not go negative. This may happen briefly, however, when the supply is switched on, or when it acts on sudden, large, load variations. In these cases, the difference between the output voltage can give rise to a negative voltage at the negative input of the opamps. Diodes  $D_5$  and  $D_7$  clamp these negative voltages to safe levels.

To keep the cost of the instrument low, a single meter is used for the voltage and current read-out. The meter ranges are created by switch  $S_1$ , whose contacts are connected to several points in the circuit. Your budget allowing you are, of course, free to fit as many meters as you like, with a choice between analogue and digital.



Fig. 4. Preparing the enclosure and the front panel before the PCB is fitted.



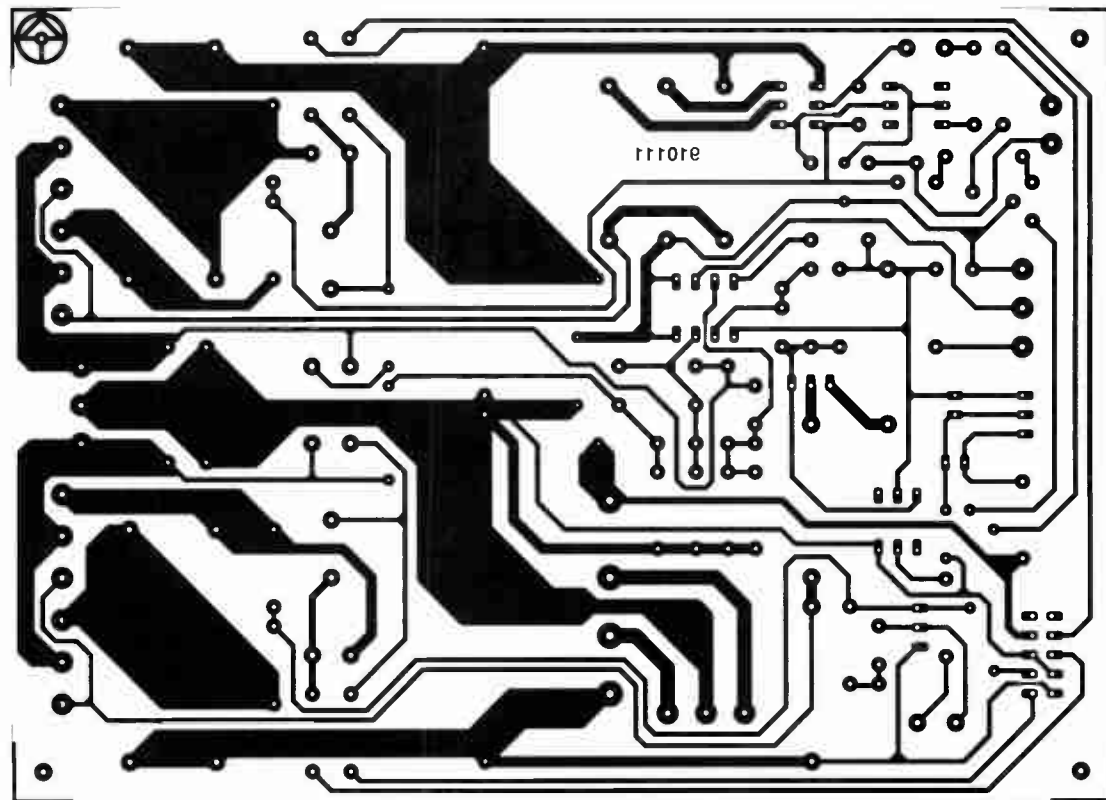
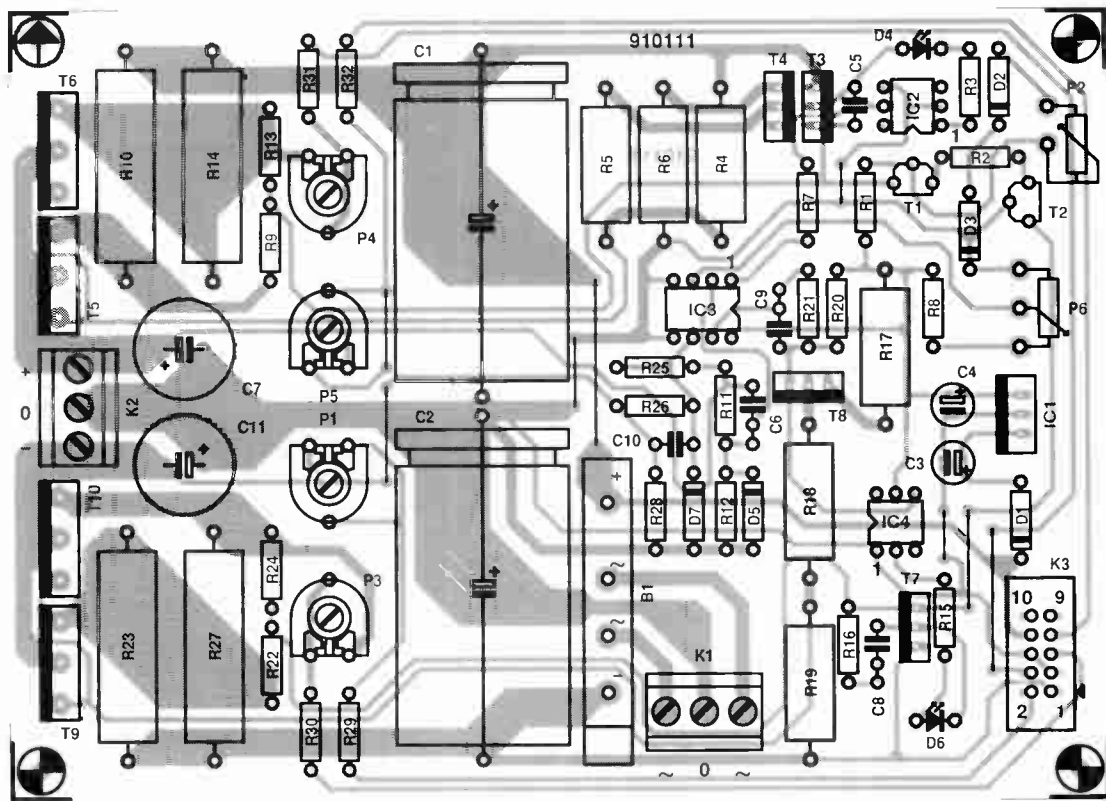


Fig. 5. Single-sided printed circuit board for the economy power supply.

## TESTING A POWER SUPPLY — THE DYNAMIC WAY —

The most important feature of a regulated power supply is its ability to keep the output voltage constant in spite of load variations. Unfortunately, this can never be done perfectly. The main stumbling blocks we encounter in practice are the internal resistance of the supply, and the speed of the voltage regulator. To establish the effect of these parameters, the supply may be subjected to the fairly gruesome test described here.

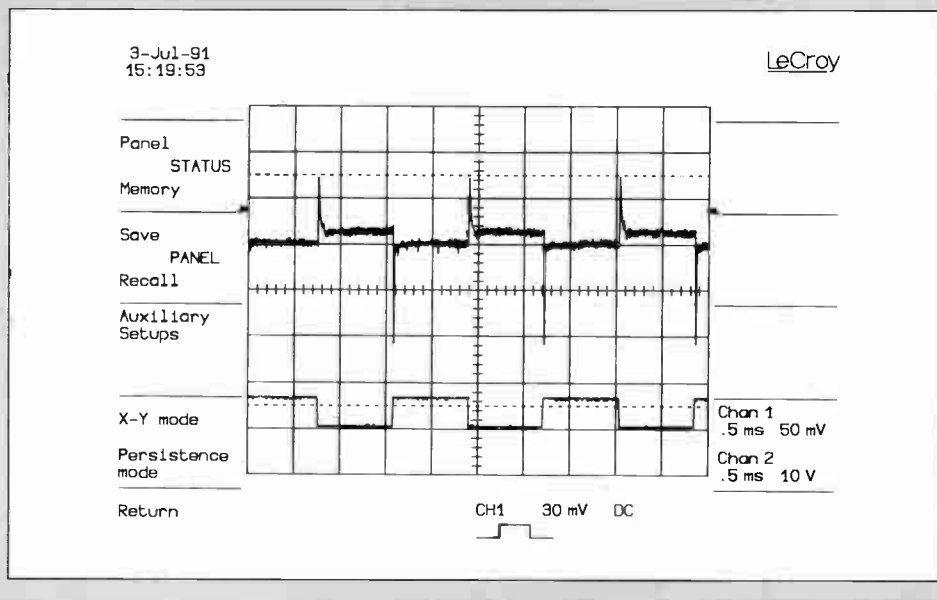
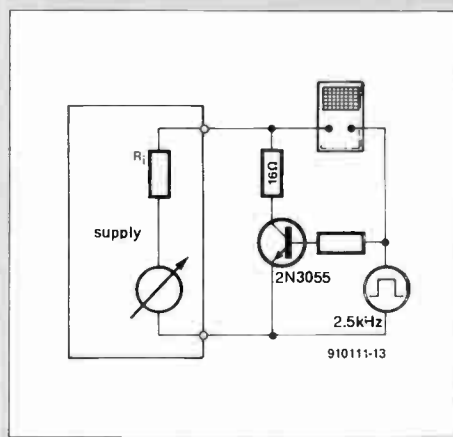
A 16- $\Omega$  load is switched on an off by a rectangular control signal via a power transistor. The power supply is set to an output voltage of 16 V, so that the output current is switched between 0 A and 1 A. The test setup is shown in the circuit diagram. The oscilloscope plot shows the response of the supply to these sudden, heavy, load vari-

ations. Because a rectangular control signal is used, we can find a point where the voltage regulator loses track of the load variations.

When the load is switched on, the voltage will first drop considerably, and not rise to the previously set level until the voltage regulator provides the necessary drive to the power transistors. Similarly, when the load is switched off, the voltage regulator maintains the drive for the transistors a little too long, so that the output voltage rises considerably. The length of the voltage

peaks (approx. 100  $\mu$ s), enables us to deduce that the regulator functions properly up to about 10 kHz (above 10 kHz, the response may be improved by adding buffer capacitors).

Apart from the peaks, the scope plot also shows a small variation of the output voltage when the load is stable. This change is caused by the internal resistance of the power supply. Here, the variation is about 15 mV. Since this voltage drop is caused by a current of 1 A, the internal resistance of the supply is 15 m $\Omega$ .



### Construction and adjustment

The construction is best carried out on the single-sided printed-circuit board shown in Fig. 5. There is no fixed order in which the components are mounted on to the board, as long as you start with the eight wire links. Keep the power transistors, T5-T6, and T9-T10, and connector K2 to the last.

The case and the heatsink must be drilled before the power transistors are soldered to the board. When it is time to solder, have all mounting hardware, i.e., mounting pillars, bolts, nuts, washers and the like handy to enable the transistor terminals to be given the required Z-shape and inserted into the PCB holes. At this stage it is also possible to determine the best way of mounting the terminal block connector, K2, which is fairly close to the edge of the PCB and, therefore, to the heat sink. In some cases, you may want to fit K2 such that the connecting wires can be inserted from the side of C7/C11. On the component mounting plan there seems to be little space to do this, but in most cases capacitors C7 and C11 will be smaller than drawn.

The wiring between the mains entrance socket, mains switch S2 and the primary of the transformer must be installed in accordance with safety regulations.

The wiring between connector K3 and

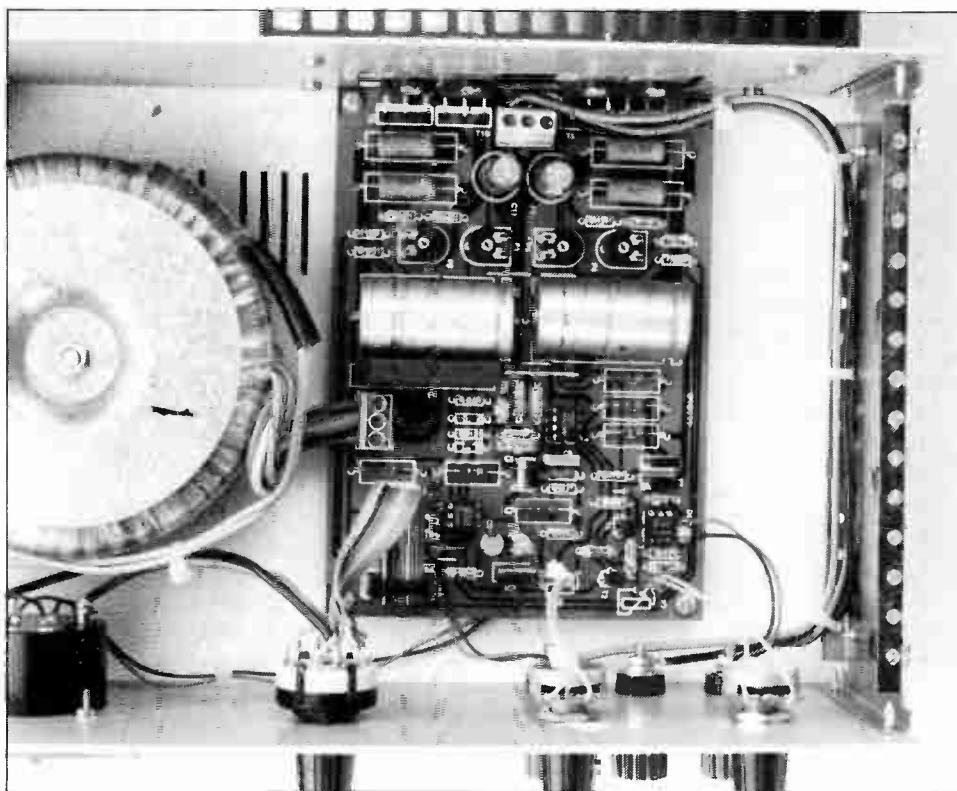
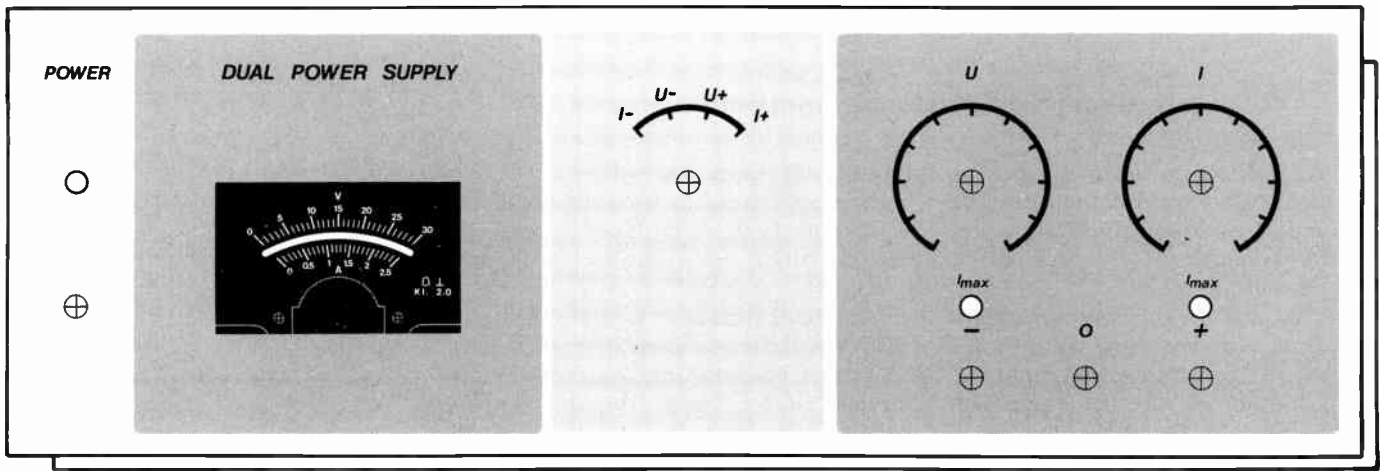


Fig. 6. Internal view of the economy power supply.



910111-F

Fig. 7. Front panel layout.

switch S1 consists of connector K5 and a length of flatcable. The connector pinning is such that the flatcable wires can be connected to the switch contacts in the right order. If a digital meter is used, a 3-pole type must be used for S1. The third switch section is then used to switch the decimal point and the 'V' and 'A' indications on the display. In addition, you will require a shunt resistor at the input of the digital meter. When a meter is used with a sensitivity of 200 mV, this shunt resistor takes a value of 270  $\Omega$ . Also note that the power supply of the digital meter unit must float with respect to the supply. In most cases, this means that a battery or a separate supply is required.

The power supply proper has no adjustment points; only the meter needs to be calibrated against an accurate multimeter. Set

the supply to the maximum output voltage and maximum output current. Connect the multimeter as a voltmeter to the outputs. Take the multimeter reading, and adjust P1 and P3 to give corresponding meter indications for the positive and the negative output voltage respectively. Next, short-circuit the positive output with the multimeter set to the current range. Adjust P4 until the indication of the meter on the supply equals that of the multimeter. Do the same for the negative output and preset P5.

Finally, note that the space reserved for the meter on the front panel foil (Fig. 7) allows analogue as well as digital meters to be fitted. The analogue meter scale printed on the foil may be cut out and stuck over the existing meter scale.

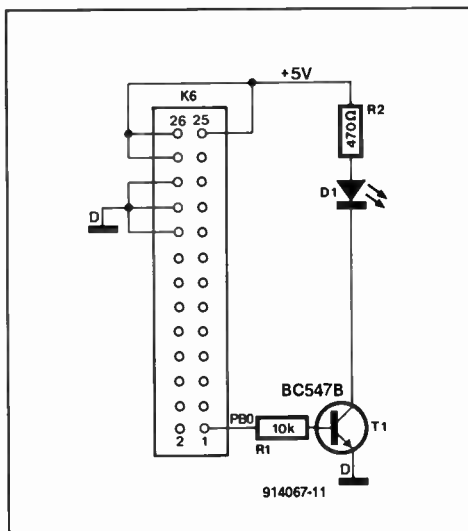
Elektor		
110V ~	60Hz	
No. 910111		
F= 1.25A T		

Elektor		
240V ~	50Hz	
No. 910111		
F= 630mA T		

Fig. 8. Suggested rear panel labels for the power supply.

## LED INDICATOR FOR TEMPERATURE LOGGER

by J. Ruffell



THE measurement card for the indoor/outdoor thermometer\* may be provided with the additional LED indicator shown in the diagram to check the operation of the software.

Every fifteen seconds, a pulse is placed via the background program TLOGGER on to line PBO, which is taken outside via connector K6. The level on this line is, of course, not switched irrespective, but only at the instant that TLOGGER checks whether a temperature measurement is being carried out. If that is so, the level on the line remains high for about 1 s (depending on the speed of the computer). When no measurement is being

carried out, this time is appreciably shorter: of the order of 80 ms. The line is also used by the software to signal an error condition outwards. If, for instance, TTRANS.CFG or TLOGGER.CFG is not found, or the path is not correct, or the disc is full, pulses at a frequency of 10 Hz are placed on it.

The diagram shows how the LED is connected to K6 via a short length of flatcable. Power is supplied by the computer.

\* Elektor Electronics USA, March 1991

# AMPLIFICATION/ATTENUATION SELECTOR

A National Semiconductor application

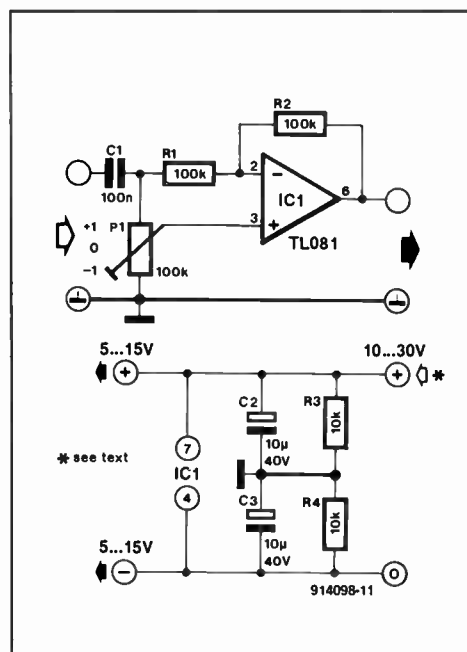
A TYPE TL081 opamp and some passive components are sufficient to construct a small amplifier whose amplification can be varied between +1 and -1 with a potentiometer—see the diagram.

The input signal is applied to both inputs of the opamp: to the inverting input via  $C_1$  and  $R_1$ , and to the non-inverting input via  $C_1$  and  $P_1$ . The amplification of the amplifier is  $R_2:R_1=1$ . However, the level of the signal at the +input is determined by the position of the wiper of  $P_1$ . When the wiper is at the centre of its travel, the two input signals cancel each other, so that there is no output. When the wiper is at the 'high' end of the potentiometer, the signal at the +input is larger than that at the inverting input and this is then available, amplified by 1, at the output. When the wiper is at earth potential, the opamp functions as a normal inverting

amplifier with unity gain.

The input impedance of the circuit is about 50 k $\Omega$ . With a value of  $C_1$  as shown, the amplifier can handle frequencies from 30 Hz upwards.

The circuit requires a power supply of  $\pm 5-15$  V and draws a current of only a few mA. If such a supply is not available, it may be produced from a single 10-30 V supply as shown in the diagram.



# SLAVE MAINS ON-OFF CONTROL

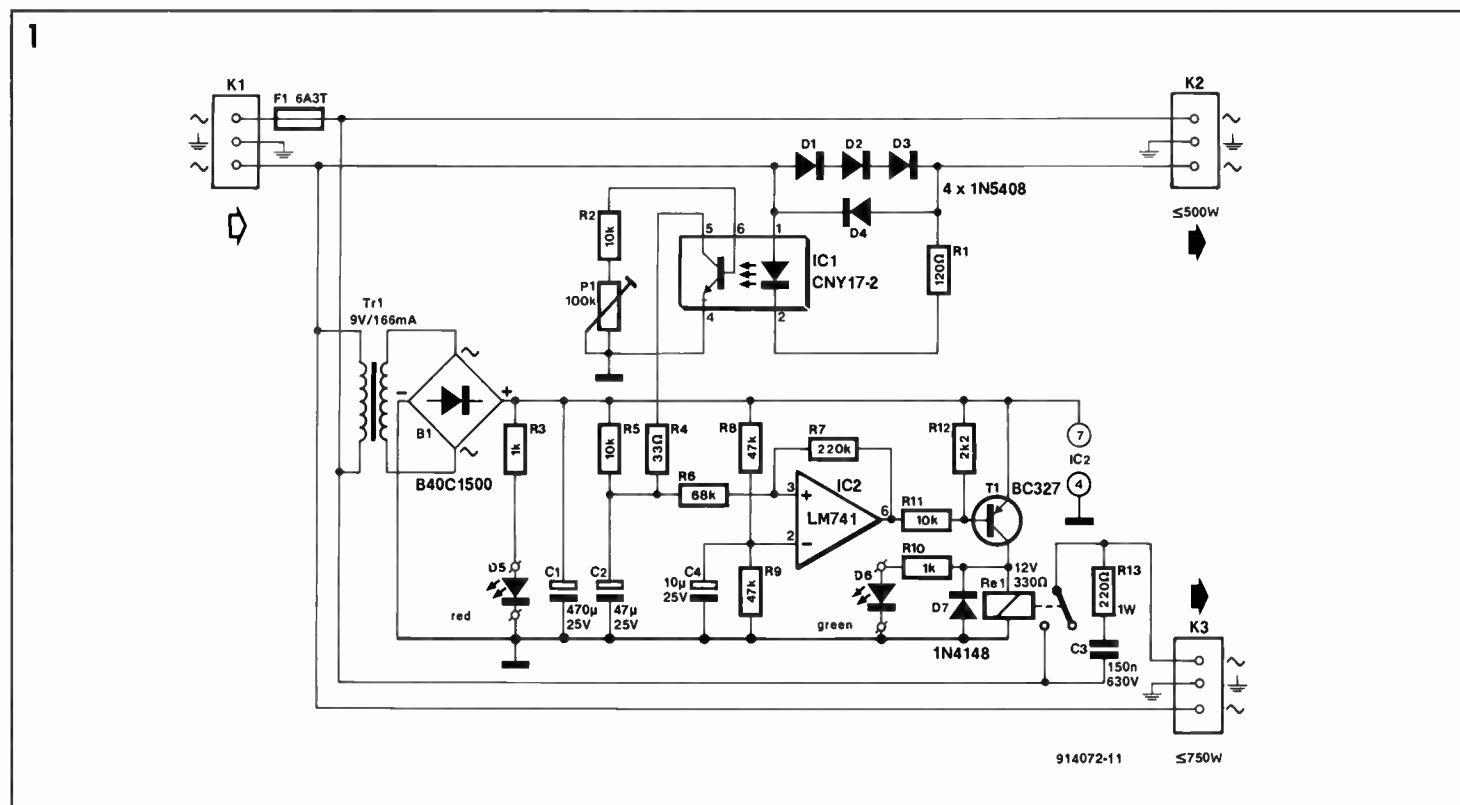
by J. Ruffell

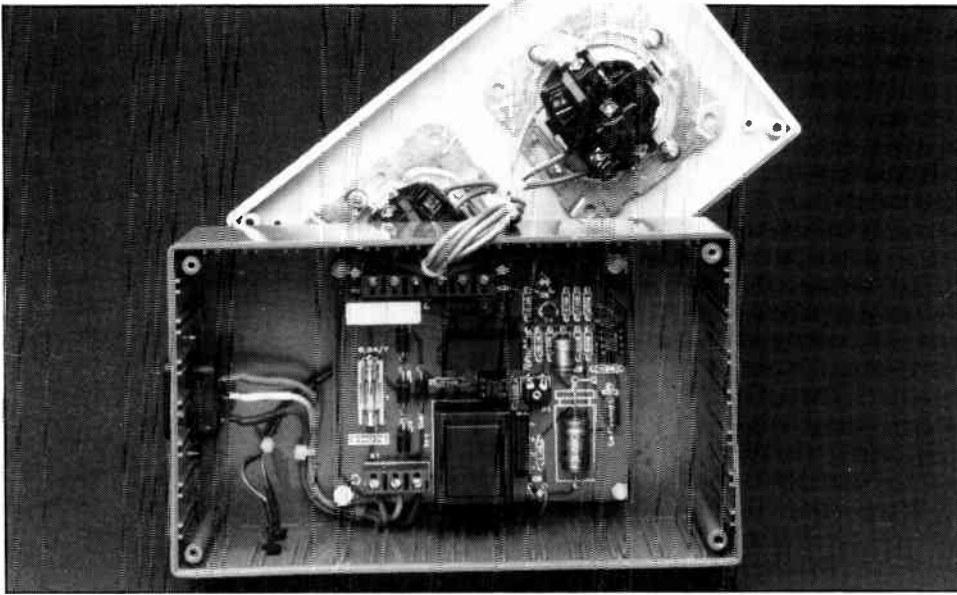
THIS is an improved version of the slave mains on-off control published in the July 1990 issue of *Elektor Electronics*. The circuit has been substantially changed and offers much better control of inductive loads.

The control switches mains-powered equip-

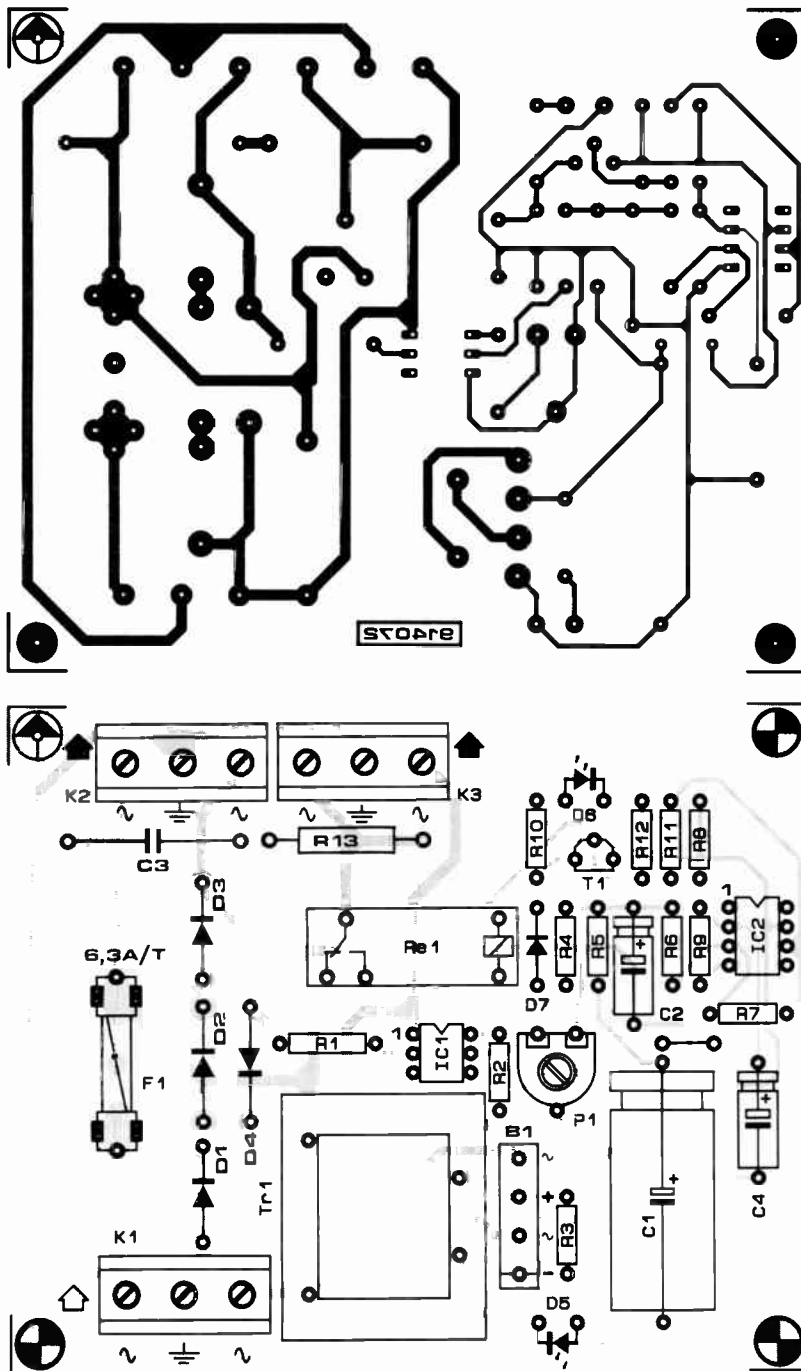
ment on and off simultaneously with a master unit. One particularly useful application of the control is in audio racks where the signal sources (cassette deck, CD player, tape recorder, tuner, etc.) are switched on and off together with the power amplifier.

The circuit monitors the current consumption of the master unit (connected to  $K_2$ ) with the aid of an optocoupler, IC<sub>1</sub>. When  $P_1$  is set to maximum sensitivity (corresponding to the highest resistance value), a few milliamperes are sufficient for the control to switch on the





2



slave(s), which are connected to K<sub>3</sub>. The maximum sensitivity will rarely be used, however, since allowance should be made for leakage and quiescent currents of the master unit.

When the current consumption of the master unit exceeds the preset trigger level, the transistor in IC<sub>1</sub> starts to conduct, causing the output of opamp IC<sub>2</sub> to go low. Consequently, transistor T<sub>1</sub> conducts and actuates the load (the 'slave') via relay Re<sub>1</sub>.

After the master unit has been switched off, C<sub>2</sub> is charged via R<sub>5</sub>. At a certain voltage on C<sub>2</sub>, the comparator toggles and switches off the slave via T<sub>1</sub> and Re<sub>1</sub>. This happens after 500 ms or so.

The state of the control is indicated by two LEDs, one, D<sub>5</sub>, as an on/off indicator for the control proper, and another, D<sub>6</sub>, for the on-off state of the slave. The maximum loads at the master and slave outputs are 500 W and 750 W respectively.

The control is best constructed on the printed circuit board shown in Fig. 2. The mains connections to the board are made with three 3-way PCB terminal blocks. For safety reasons the earth track on the board should be strengthened by a piece of copper wire of 2.5 mm<sup>2</sup> cross-sectional area or larger.

**WARNING.** Since the circuit carries dangerous voltages at a number of points, it is essential that proper electrical insulation is applied. Never work on the circuit when the mains is connected to it. Make sure that no part of the circuit can be touched when it is being adjusted or used. ■

#### PARTS LIST

##### Resistors:

- R1 = 120 Ω
- R2, R5, R11 = 10 kΩ
- R3, R10 = 1 kΩ
- R4 = 33 Ω
- R6 = 68 kΩ
- R7 = 270 kΩ
- R8, R9 = 47 kΩ
- R12 = 2.2 kΩ
- R13 = 220 Ω, 1 W

##### Capacitors:

- C1 = 470 μF, 25 V
- C2 = 47 μF, 25 V
- C3 = 150 nF, 630 V
- C4 = 10 μF, 25 V

##### Semiconductors:

- D1-D4 = 1N5408
- D5 = LED, red
- D6 = LED, green
- D7 = 1N4148
- B1 = B40C1500
- T1 = BC327
- IC1 = CNY17-2
- IC2 = LM741

##### Miscellaneous:

- K1-K3 = 3-way PCB block, pitch 7.5 mm
- F1 = 6.3 A fuse with holder
- Tr1 = mains transformer 9 V, 160 mA sec.
- Re1 = SPST relay, 12 V, 330 Ω, e.g. Siemens V23127-B2-A201
- ABS enclosure 190×110×74 mm, e.g. Retex RG4

# DIGITAL (TAPE) COUNTER

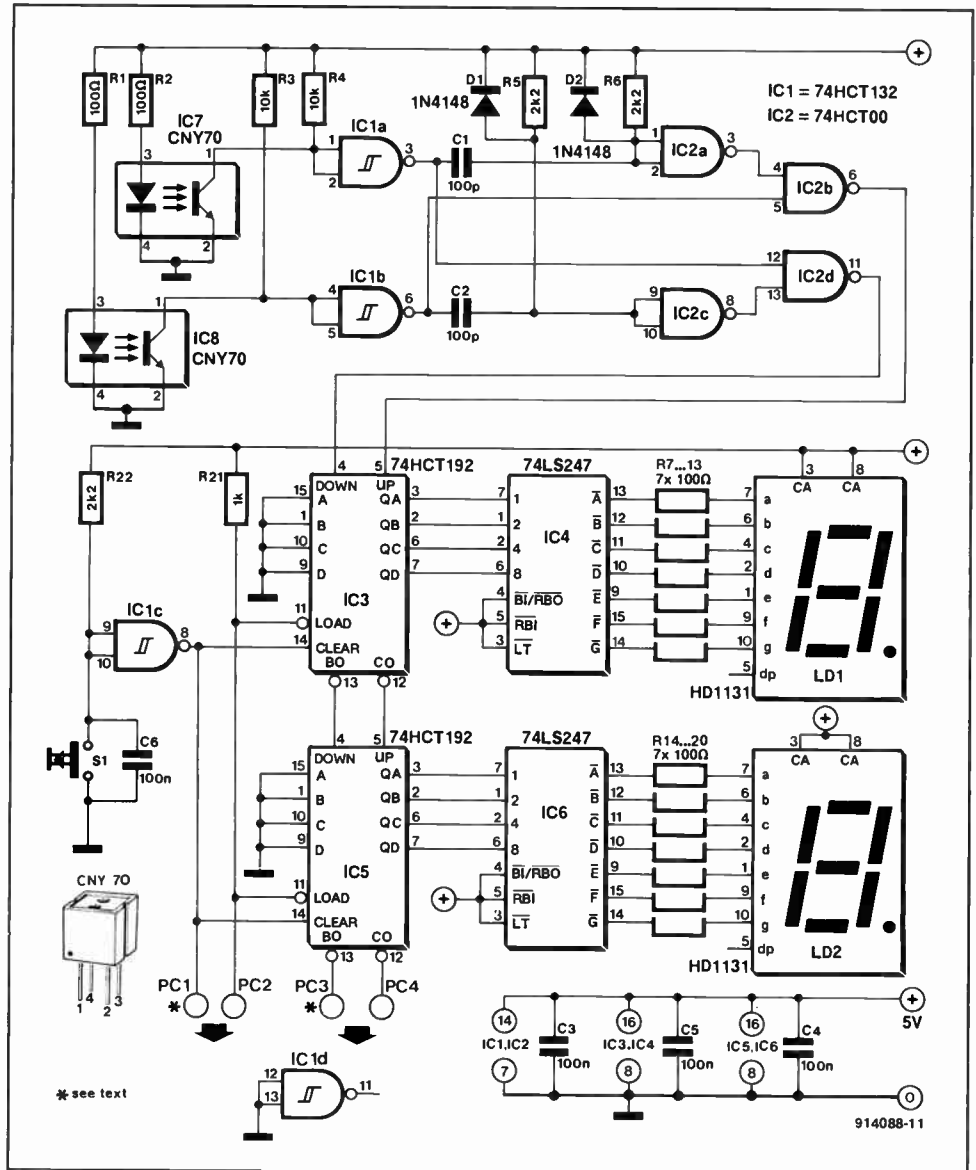
a Texas Instruments application

SINCE there are still tape recorders about that have no mechanical tape counter, the circuit shown here offers an excellent, electronic add-on for these. It can, of course, also be used to replace a mechanical counter. Furthermore, it can be used for other applications, for instance, as hoist-height indicator for a model building crane, or for indicating the position of a chisel on a lathe.

The input of the circuit is formed by two optoisolators. The sequence of the pulse signals provided by these isolators depends on the direction into which a coding disc turns. The NAND gates following the isolators produce from those signals an up pulse or a down pulse, which enables up/down counter IC<sub>3</sub> to register the position irrespective of the direction of rotation. That position is made visible via a decoder on a seven-segment display. The number of digits the counter provides can be extended by adding more counter/decoder/display stages to the extension terminals, PC<sub>1</sub>–PC<sub>4</sub>, in the same way that IC<sub>5</sub>, IC<sub>6</sub>, LD<sub>2</sub> are connected to IC<sub>3</sub>.

The optical input signal is provided by a coding disc that is sub-divided into a number of alternate reflecting and non-reflecting segments. The two optoisolators are positioned above the disc in such a way that when one is directly above a segment, the other is exactly above the line dividing two segments. It is, of course, possible to use a light barrier and a coding disc that has alternate transparent and opaque segments. Two LEDs and a pair of phototransistors can also be used.

The power supply is a 5 V regulated type that can deliver 250 mA. For each additional counter stage, 100 mA should be added to that figure.



# WATER LEVEL CONTROL

by S. Kokate

IN SOME countries, the water supply is irregular at most times; in many other countries at times of a drought. A means of making this less inconvenient is offered by the circuit described here. It needs two water tanks: one, T2, at ground level or even underground and the other, T1, in the loft or at least considerably higher than the first one. Tank 2 gets filled by a pump from tank 1 to ensure that there is sufficient water pressure. The circuit shown ensures that the water in tank 1 is kept at a given level; if the water drops below that level, the pump will be switched

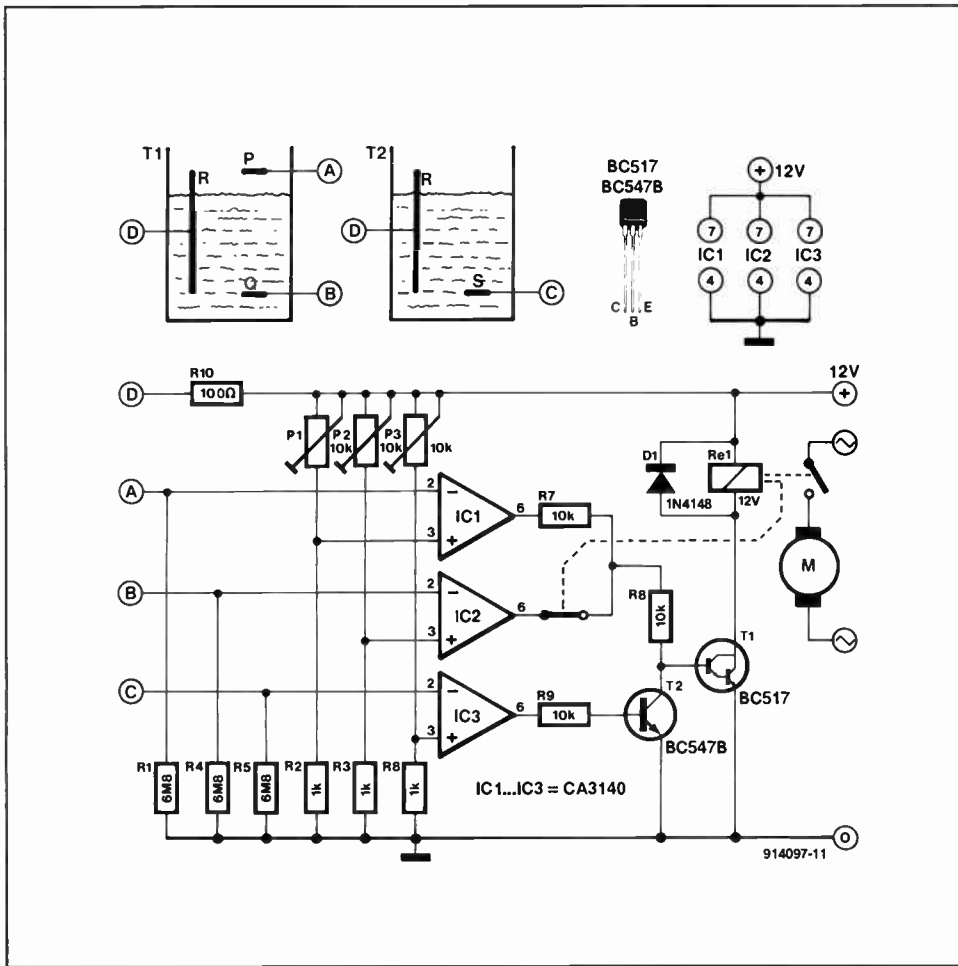
on. There is protection in case tank 2 is empty.

The circuit is operated by a number of sensors mounted in the tanks. Each tank contains a non-corrosive or insulated pin or straight piece of stout wire, *R*. Tank 1 has two sensors, *P* and *Q*, each consisting of a small, non-corrosive metal disc; tank 2 has one sensor, *S*, which is identical to those in tank 1. Sensor *P* indicates when tank 1 is full; *Q* signals when tank 1 is empty; *S* indicates when tank 2 is empty (no water at all).

Pins *R* are connected via a resistor to the positive supply line, while the sensors are

linked to the inverting input of three opamps, IC<sub>1</sub>–IC<sub>3</sub>. The non-inverting inputs of these amplifiers are supplied with a reference voltage, derived from potential dividers. Sufficient water between a pin and a sensor causes a virtual short-circuit that results in a high level at the inverting input of the associated opamp. A relay is used to switch the pump and on/off: its normally open contact operates the motor and its normally closed contact is linked to the output of IC<sub>2</sub>.

When tank 1 is full, the inverting input of all three opamps is at a high level: the out-



puts of all three are then low and the relay is not energized. When the water level in tank 1 drops, the output of IC<sub>1</sub> goes high, but, since the output of IC<sub>2</sub> is low, the relay will remain inoperative. When, however, the water level drops to below sensor Q, the output of IC<sub>2</sub> will go high. Transistor T<sub>1</sub> is switched on and the relay is actuated, so that the pump is switched on and the output of IC<sub>2</sub> is open-circuited. The high level at pin 6 of IC<sub>1</sub> will ensure that T<sub>1</sub> remains switched on.

When tank 1 is filled to the level of sensor P, the resulting low level at the output of IC<sub>1</sub> will cause the relay to be deenergized, so that the pump is switched off.

When tank 2 is empty, the output of IC<sub>3</sub> becomes high, which switches on T<sub>2</sub> so that T<sub>1</sub> does not get any base current. Consequently, the relay cannot be energized.

The reference voltage for each of the opamps can be preset with P<sub>1</sub>-P<sub>3</sub> to obtain the required switching pattern, which, of course, depends also on the sensors used and the composition of the water.

Since there is a direct voltage at the sensors, these must be inspected regularly. Some advice here: the carbon electrodes from an old battery do not dissolve in water and are non-corrosive.

The current drawn by the circuit is determined chiefly by the relay coil: the BC517 can switch up to 400 mA. The opamps draw only a few milliamperes.

# AUDIBLE TESTER

by L. Roerade

THE TESTER, which is very useful for testing parts of electronic circuits, consists of an oscillator that generates a 1 kHz test signal and a detector that amplifies the detected signal which is then made audible by a small loudspeaker or buzzer. The tester draws only a small current so that it can be powered by a 9 V (PP3 or 6F22) battery.

Circuit IC<sub>1a</sub> functions as a rectangular-wave generator whose frequency is determined by the time constant R<sub>4</sub>-C<sub>2</sub>. With values as shown, the frequency is about 1 kHz and this is hardly affected by variations in the supply voltage.

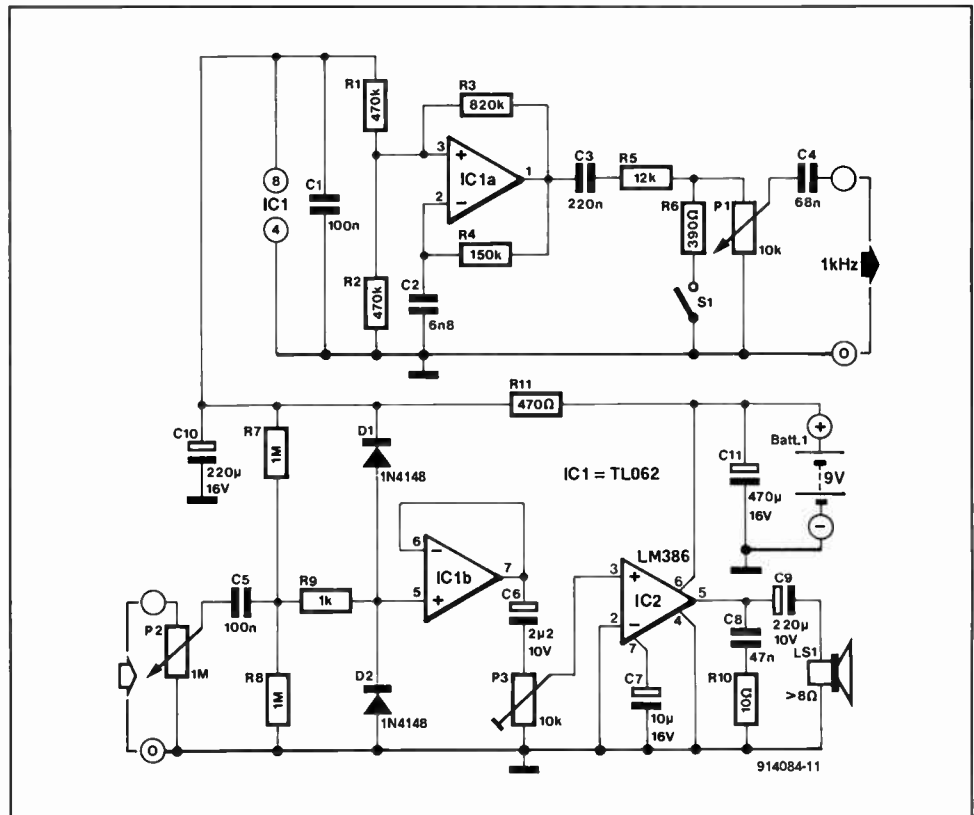
The oscillator signal is fed to the circuit on test via C<sub>3</sub>, R<sub>5</sub>, potentiometer P<sub>1</sub> and C<sub>4</sub>. With a 9 V supply, the maximum voltage at the wiper of P<sub>1</sub> is about 3.5 V p-p. When S<sub>1</sub> is closed, the voltage at the output terminals is reduced to 1/14th.

The measurand is input to the detector via sensitivity control P<sub>2</sub>. The circuit is protected against too high input voltages by R<sub>9</sub>, D<sub>1</sub> and D<sub>2</sub>. After the signal has been buffered by IC<sub>1b</sub>, it is applied to power amplifier IC<sub>2</sub> via C<sub>6</sub> and P<sub>3</sub>. The signal is raised to a level that enables its driving a small loudspeaker or buzzer.

The prototype drew a current of 7 mA in

the absence of a signal, and this increased to nearly 200 mA with a strong input signal. The maximum drive level to the power ampli-

fier, and thus the maximum current drain, is determined with P<sub>3</sub>.



# APPLICATION NOTES

The contents of this article are based on information obtained from manufacturers in the electrical and electronics industry and do not imply practical experience by *Elektor Electronics* or its consultants.

## MICROPROCESSOR PROGRAMMABLE UNIVERSAL ACTIVE FILTERS (Maxim Integrated Products Inc.)

Maxim's MAX260/261/262 series of ICs contain two double filter sections of which the response can be set for each section individually by means of a microprocessor output port or a microcomputer system. This brings the programming of roll-off frequencies and  $Q$  factors at the flick of a switch within easy reach. Handy, too, in the laboratory, such a computer-controlled filter bank!

**F**ILTER ICs based on switched capacitors have been with us for quite some time. Their operating principle is fairly simple: each frequency determining capacitor is associated with an electronic switch that enables the charge transfer to the capacitor to be controlled by pulse-width modulation at a frequency much higher than the desired pass-band. Switched-capacitor filter ICs usually require the desired pass-band to be defined beforehand, which results in a certain internal configuration. Next, a potentiometer is added to give continuous control of the filter frequency over a certain range.

The new family of IC filters produced by Maxim takes this principle one step further. Each IC in the three-member family contains two second-order switched-capacitor active filters, whose parameters  $Q$ ,  $f_c$  and  $f_0$  can be set with the aid of a few datawords supplied by a computer system. Virtually everything required to do this efficiently is integrated in

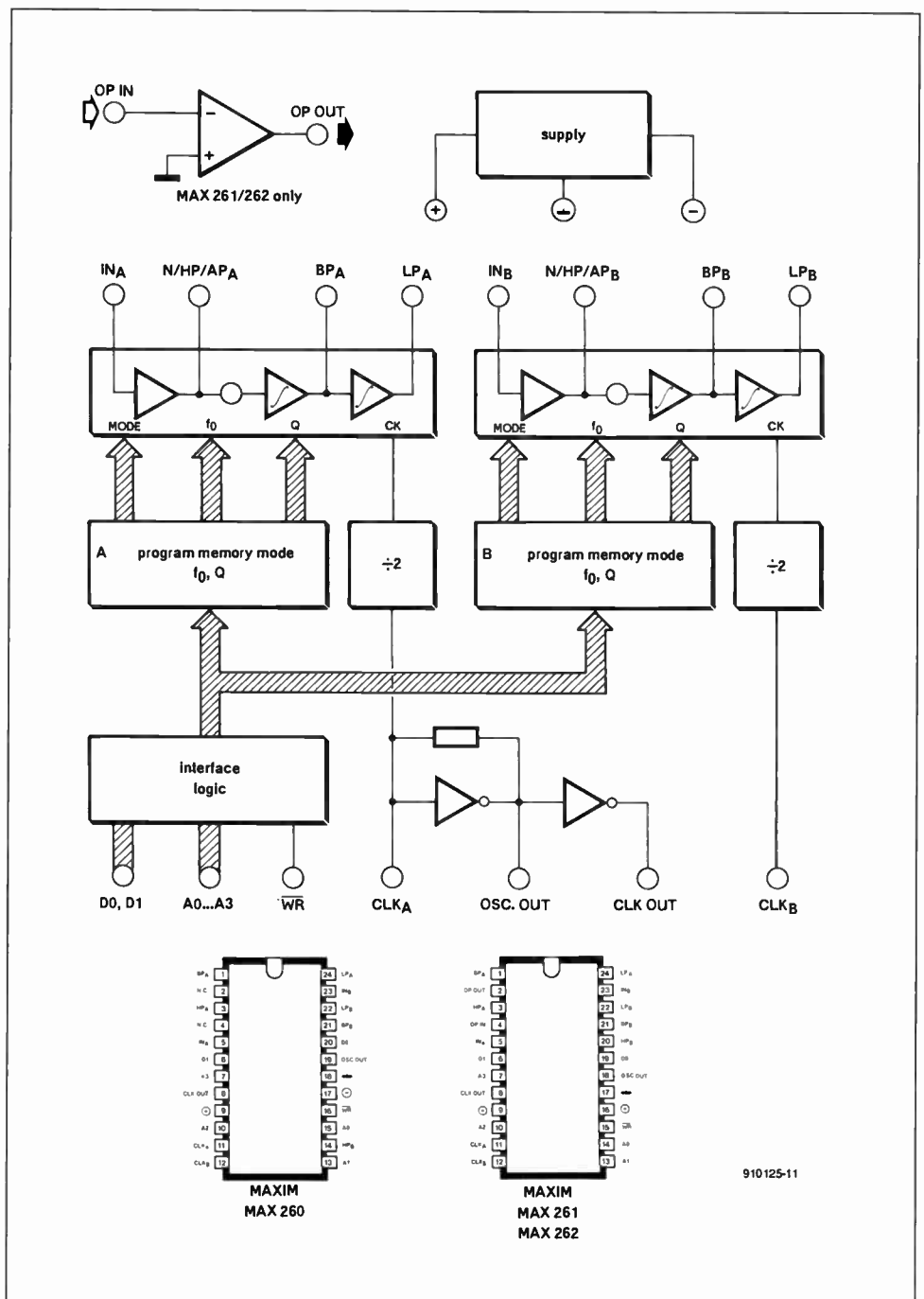


Fig. 1. MAX260/261/262 block diagram and pinouts.



the IC, including the capacitors. The filter configuration is flexible since each section has a low-pass, a high-pass and a band-pass output. Each filter section can be used on its own, but it is also possible to cascade sections to obtain higher-order filters (which have steeper roll-off characteristics).

### IC topography

The block schematic diagram of the MAX260/262/262 is shown in Fig. 1. Each second-order filter section has its own clock input, and individual settings for the roll-off frequency and the Q factor. In this way, the sections can operate independently whilst allowing complex filter functions to be created. An on-board oscillator is available that may be connected to a quartz crystal or a suitable R-C combination. A binary scaler connected between each clock input and the filter section prevents the duty factor of the applied signal affecting the operation of the filters. The MAX261 and the MAX262 also contain an uncommitted opamp that may be used to create, for instance, a notch output.

Figure 2 gives the internal structure of a filter. What is shown is basically a state-variable filter consisting of two integrators and a summing amplifier. Four switched-capacitor networks enable the Q factor as well as the centre frequency,  $f_0$ , of each section to be programmed individually. The three switches controlled by the 'mode select' block allow the opamps and the summing amplifier to be interconnected in many different ways.

The ratio of the clock frequency to the set centre frequency is so large that the clock frequency is readily extracted from the output signal, which results in a nearly ideal second-order state-variable response. The ratio is not the same for all three ICs — for the MAX262, it is purposely set to a lower value to enable the IC to handle higher frequencies than the other two.

### Filter mode selection

**Mode 1** (Fig. 3a) is useful when implementing all-pole low-pass and band-pass filters such as Butterworth, Bessel and Chebyshev types. It can also be used for notch filters, but only second-order types because the relative pole and null locations are fixed. Mode 1, along with Mode 4, supports the highest clock frequencies because the input summing amplifier is outside the filter's resonant loop. The gain of the low-pass and notch outputs is 1, while the band-pass gain at the centre frequency,  $f_0$ , equals Q.

**Mode 2** (Fig. 3b) is also used for all-pole low-pass and band-pass filters. The advantages compared to Mode 1 are higher available Q factors and lower output noise. However, the  $f_{clk}/f_0$  ratios available in Mode 2 are  $\sqrt{2}$  times lower than with Mode 1, so a wider overall range of section centre frequencies may be selected when a common clock is used.

**Mode 3** (Fig. 3c) is the only mode which produces high-pass filters. The maximum clock

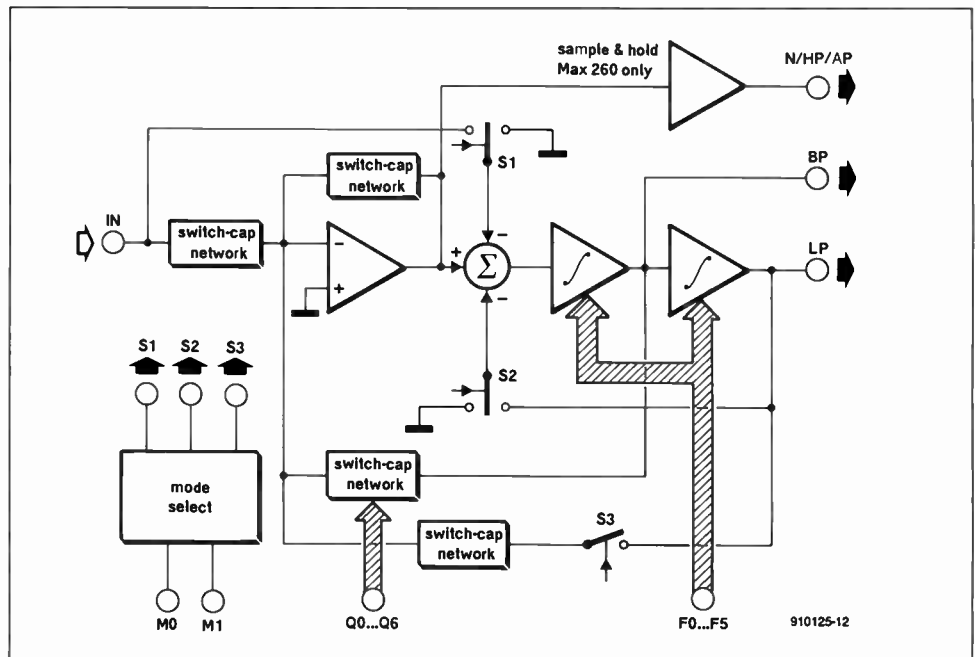


Fig. 2. Filter block diagram. The IC contains four switched-capacitor sections. Switches S1, S2 and S3 allow a certain filter configuration to be set (see Fig. 3)

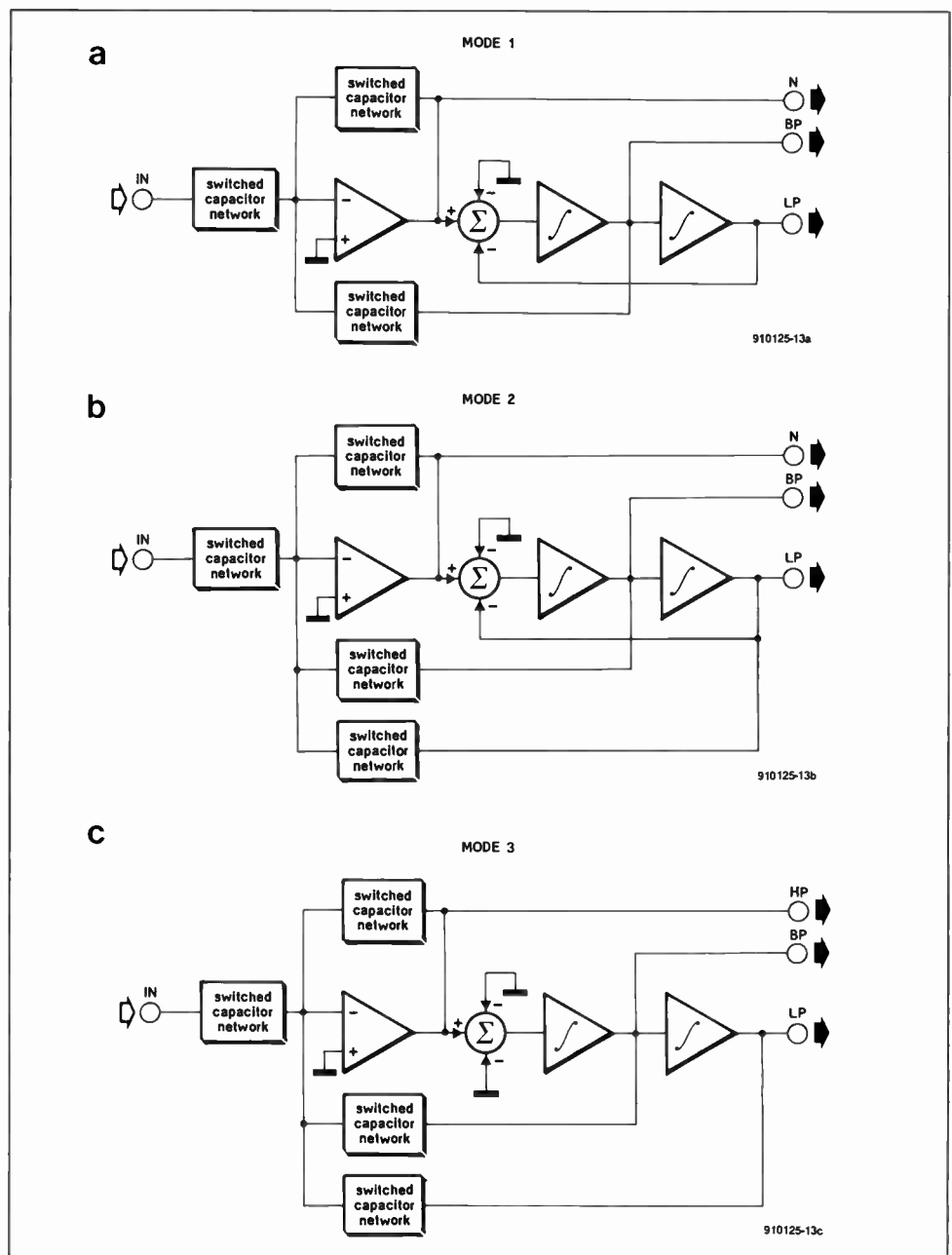


Fig. 3a, 3b, 3c. Filter modes selected by programming the IC.

frequency is slightly lower than with Mode 1.

**Mode 3a** (Fig. 3d) is an extension of Mode 3. The uncommitted opamp in the MAX261 and MAX262, or an external opamp, is used to create a separate notch output. This is achieved by summing the low-pass and high-pass outputs. Mode 3a is particularly suited to creating elliptical filters (with poles and nulls).

**Mode 4** (Fig. 3e) is the only mode that provides an all-pass output. It also allows all-pole low-pass and band-pass filters to be created. Table 1 lists the main characteristics of the above modes.

## Programming the filters

Very narrow filters can be created by cascading a number of filter sections. This, however, requires the central frequency,  $f_0$ , and the quality factor,  $Q$ , to be calculated with the aid of filter theory. Since the two filter sections in the MAX26x-based experimental circuit (to be described further on) are used independently, the discussion can be limited to a second-order filter, which will meet most experimental demands.

The filter IC has three address lines and two datalines. These are readily connected to, for instance, a Centronics port on a computer. To program a filter section, eight two-bit datawords must be written to it. The function of these bits is given in Table 2. After programming the IC, the connection to the computer may be broken. The filter IC will continue to function with the programmed settings until its supply voltage is removed.

Apart from the desired mode for a certain filter configuration, the computer must supply a corresponding value for the ratio  $f_{CLK}/f_0$ , and another for the desired  $Q$  factor. The latter two parameters depend on the programmed mode, and can not be caught in a simple rule or equation. That is why Table 3 lists values for  $N$ , a number to be fed to the IC in order to obtain a certain frequency ratio given the selected mode. When using this information, do mind the 'notes' below the table.

The ratio  $f_{CLK}/f_0$  may be programmed between about 100 and 200 for the most frequently used modes of the MAX260/261. Consequently, at a clock of 200 kHz,  $f_0$  can be set (via the computer) to a value between 1 kHz and 2 kHz. To obtain a somewhat larger control range, the oscillator frequency is made adjustable in our design. This is achieved with the aid of a potentiometer.

The  $Q$  factor is also programmed via a corresponding number,  $N$ , which may take a value between 0 and 127. This allows the actual  $Q$  to be set between 0.5 and 64 in Modes 1, 3 and 4. The set  $Q$  also determines the maximum clock frequency. The MAX261 in the present circuit is capable of operating up to 1.7 MHz in all modes at  $Q$  values smaller than 8 (with  $Q=1$ , 4 MHz is achieved). At higher  $Q$ s, the maximum frequency is reduced to about 1.2 MHz.

The filter IC may be put into a low-power

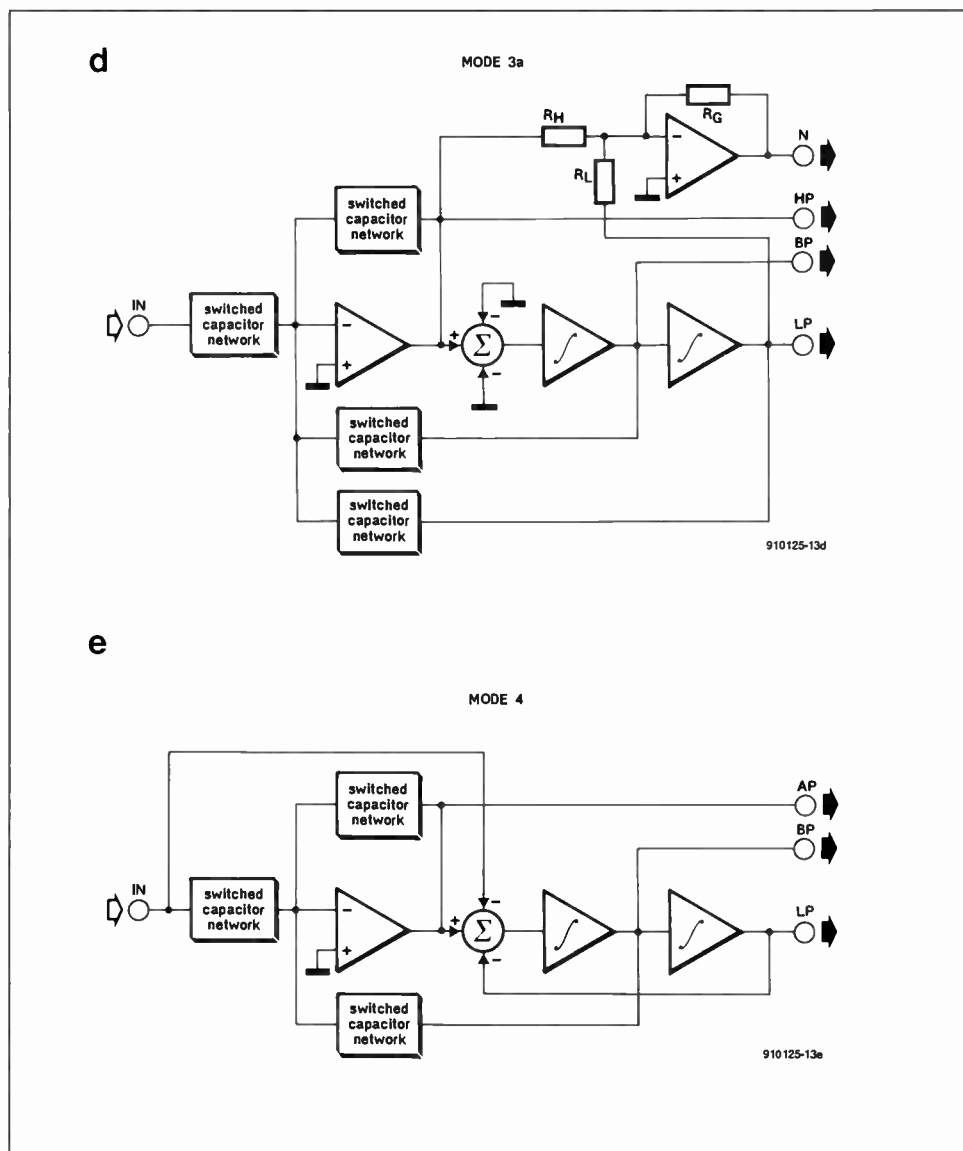


Fig. 3d, 3e.

MODE	M1, M0	FILTER FUNCTIONS	$f_0$	$Q$	$f_N$	$H_{OLP}$	$H_{OBP}$	$H_{ON1}$ ( $f - 0$ )	$H_{ON2}$ ( $f - f_{CLK}/4$ )	OTHER	
1	0, 0	LP, BP, N	SEE TABLE 2	SEE TABLE 3	$f_0$	-1	-Q	-1	-1		
2	0, 1	LP, BP, N			$f_0\sqrt{2}$	-0.5	$-Q/\sqrt{2}$	-0.5	-1		
3	1, 0	LP, BP, HP				-1	-Q				$H_{OHP} = -1$
3A	1, 0	LP, BP, HP, N			$f_0\sqrt{\frac{R_H}{R_L}}$	-1	-Q	$+\frac{R_G}{R_L}$	$+\frac{R_G}{R_H}$	$H_{OHP} = -1$	
4	1, 1	LP, BP, AP				-2	-2Q			$H_{OAP} = -1$ $f_2 = f_0, Q_2 = Q$	

Notes:  $f_0$  = Center Frequency  
 $f_N$  = Notch Frequency  
 $H_{OLP}$  = Lowpass Gain at DC  
 $H_{OBP}$  = Bandpass Gain at  $f_0$   
 $H_{OHP}$  = Highpass Gain as  $f$  approaches  $f_{CLK}/4$

$H_{ON1}$  = Notch Gain as  $f$  approaches DC  
 $H_{ON2}$  = Notch Gain as  $f$  approaches  $f_{CLK}/4$   
 $H_{OAP}$  = Allpass Gain  
 $f_2, Q_2 = f$  and  $Q$  of Complex Pole Pair

Table 1. Main filter characteristics (Fig. 3)

shut-down mode by programming a  $Q$  of 0 in filter A. This reduces the current drain from 7 mA to about 0.35 mA.

## A development circuit

Figure 4 shows the circuit diagram of an experimental programmable filter based on the MAX261. The circuit is eminently suited to quick design and testing of a certain filter response.

The inputs of the IC are fitted with two coupling capacitors, C1 and C2, and signal level controls, P1 and P2. Two clamp circuits, D1-D2-R1 and D3-D4-R2, protect the IC inputs

against too large input signals.

The clock oscillator runs with an R-C combination, P3-C7. The potentiometer gives a clock frequency range of about 70 kHz to 1.5 MHz. If necessary, lower frequencies may be obtained by increasing the value of C7.

The jumpers at the outputs of the filter sections allow you to select a particular filter function for feeding to output connectors K4 and K5. It is also possible to connect two filter sections in series by fitting a jumper (or a wire link) between points 'A' and 'B'.

The low-pass filters at the outputs of the circuit, R5-C8 and R7-C10, serve to suppress



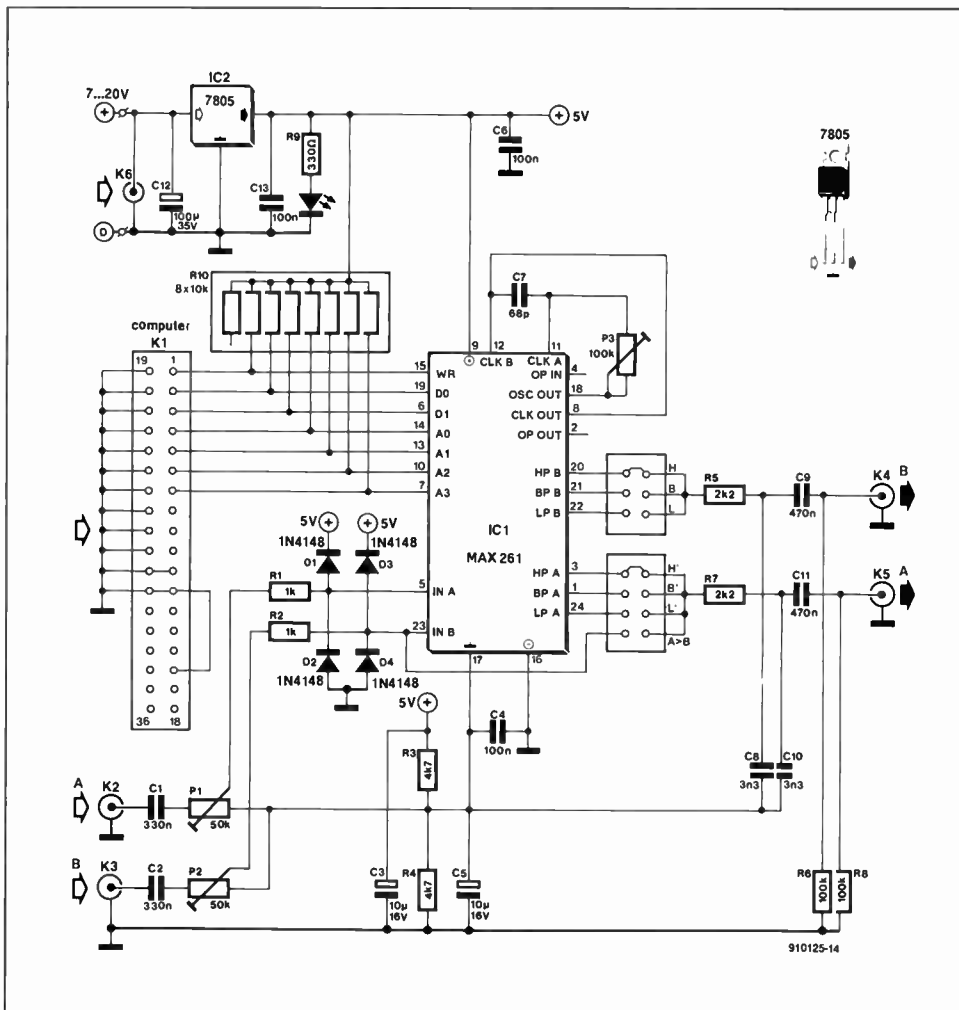


Fig. 4. Although fairly simple, the experimental circuit based on the MAX262 offers many interesting possibilities.

### COMPONENTS LIST

<b>Resistors:</b>	
2 1k $\Omega$	R1;R2
2 4k $\Omega$ 7	R3;R4
2 2k $\Omega$ 2	R5;R7
2 100k $\Omega$	R6;R8
1 330 $\Omega$	R9
1 10k $\Omega$ 8-way SIL	R10
2 50k $\Omega$ preset H	P1;P2
1 100k $\Omega$ preset H	P3
<b>Capacitors:</b>	
2 330nF	C1;C2
2 10 $\mu$ F 16V	C3;C5
3 100nF	C4;C6;C13
1 68pF	C7
2 3nF3	C8;C10
2 470nF	C9;C11
1 100 $\mu$ F 35V radial	C12
<b>Semiconductors:</b>	
4 1N4148	D1-D4
1 LED red 5mm	D5
1 MAX261	IC1
1 7805	IC2
<b>Miscellaneous:</b>	
1 36-way PCB-mount angled Centronics socket	K1
4 PCB-mount RCA or phono socket	K2-K5
1 3-mm dia. PCB-mount adaptor socket	K6
1 Printed circuit board	910125

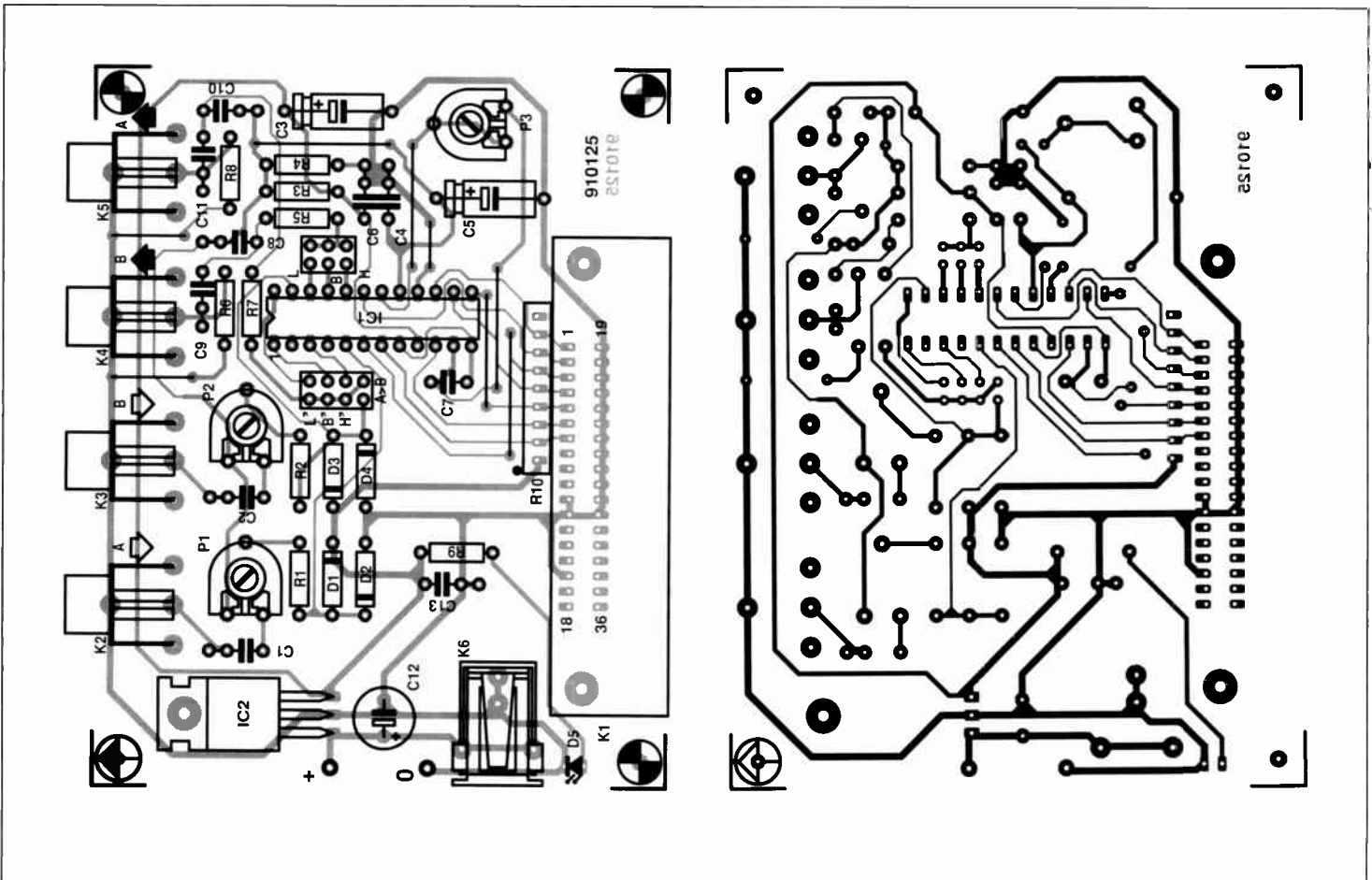


Fig. 5. Printed-circuit board designed for the programmable filter.

PROGRAMMED Q		PROGRAM CODE							
MODE 1,3,4	MODE 2	N	Q6	Q5	Q4	Q3	Q2	Q1	Q0
0.500*	0.707*	0	0	0	0	0	0	0	0
0.504	0.713	1	0	0	0	0	0	0	1
0.508	0.718	2	0	0	0	0	0	1	0
0.512	0.724	3	0	0	0	0	0	1	1
0.516	0.730	4	0	0	0	0	1	0	0
0.520	0.736	5	0	0	0	0	1	0	1
0.525	0.742	6	0	0	0	0	1	1	0
0.529	0.748	7	0	0	0	0	1	1	1
0.533	0.754	8	0	0	0	1	0	0	0
0.538	0.761	9	0	0	0	1	0	0	1
0.542	0.767	10	0	0	0	1	0	1	0
0.547	0.774	11	0	0	0	1	0	1	1
0.552	0.780	12	0	0	0	1	1	0	0
0.556	0.787	13	0	0	0	1	1	0	1
0.561	0.794	14	0	0	0	1	1	1	0
0.566	0.801	15	0	0	0	1	1	1	1
0.571	0.808	16	0	0	1	0	0	0	0
0.577	0.815	17	0	0	1	0	0	0	1
0.582	0.823	18	0	0	1	0	0	1	0
0.587	0.830	19	0	0	1	0	0	1	1
0.593	0.838	20	0	0	1	0	1	0	0
0.598	0.846	21	0	0	1	0	1	0	1
0.604	0.854	22	0	0	1	0	1	1	0
0.609	0.862	23	0	0	1	0	1	1	1
0.615	0.870	24	0	0	1	1	0	0	0
0.621	0.879	25	0	0	1	1	0	0	1
0.627	0.887	26	0	0	1	1	0	1	0
0.634	0.896	27	0	0	1	1	0	1	1
0.640	0.905	28	0	0	1	1	1	0	0
0.646	0.914	29	0	0	1	1	1	0	1
0.653	0.924	30	0	0	1	1	1	1	0
0.660	0.933	31	0	0	1	1	1	1	1
0.667	0.943	32	0	1	0	0	0	0	0
0.674	0.953	33	0	1	0	0	0	0	1
0.681	0.963	34	0	1	0	0	0	1	0
0.688	0.973	35	0	1	0	0	0	1	1
0.696	0.984	36	0	1	0	0	1	0	0
0.703	0.995	37	0	1	0	0	1	0	1
0.711	1.01	38	0	1	0	0	1	1	0
0.719	1.02	39	0	1	0	0	1	1	1
0.727	1.03	40	0	1	0	1	0	0	0
0.736	1.04	41	0	1	0	1	0	0	1
0.744	1.05	42	0	1	0	1	0	1	0
0.753	1.06	43	0	1	0	1	0	1	1
0.762	1.08	44	0	1	0	1	1	0	0
0.771	1.09	45	0	1	0	1	1	0	1
0.780	1.10	46	0	1	0	1	1	1	0
0.790	1.12	47	0	1	0	1	1	1	1
0.800	1.13	48	0	1	1	0	0	0	0
0.810	1.15	49	0	1	1	0	0	0	1
0.821	1.16	50	0	1	1	0	0	1	0
0.831	1.18	51	0	1	1	0	0	1	1
0.842	1.19	52	0	1	1	0	1	0	0
0.853	1.21	53	0	1	1	0	1	0	1
0.865	1.22	54	0	1	1	0	1	1	0
0.877	1.24	55	0	1	1	0	1	1	1
0.889	1.26	56	0	1	1	1	0	0	0
0.901	1.27	57	0	1	1	1	0	0	1
0.914	1.29	58	0	1	1	1	0	1	0
0.928	1.31	59	0	1	1	1	0	1	1
0.941	1.33	60	0	1	1	1	1	0	0
0.955	1.35	61	0	1	1	1	1	0	1
0.969	1.37	62	0	1	1	1	1	1	0
0.985	1.39	63	0	1	1	1	1	1	1

Notes: 4) \* Writing all 0s into Q0A-Q6A on Filter A activates a low power shutdown mode. BOTH filter sections are deactivated. Therefore this Q value is only achievable in filter B.  
 5) In Modes 1, 3, and 4:  $Q = 64/(128-N)$   
 6) In Mode 2, the listed Q values are those of Mode 1 multiplied by  $\sqrt{2}$ . Then  $Q = 90.51/(128-N)$

Table 4. Q factor programming.

```

100 ABS=" FILTER A " : GOSUB 150 : REM GET DATA FOR SECTION A
110 ADD = 0 : GOSUB 220 : REM WRITE DATA TO THE PRINTER PORT
120 ABS=" FILTER B " : GOSUB 150 : REM GET DATA FOR SECTION B
130 ADD = 32 : GOSUB 220 : REM WRITE DATA TO THE PRINTER PORT
135 PRINT
140 GOTO 100
150 PRINT " MODE (1..4; SEE TABLE 1) : "; ABS; : INPUT M
160 IF M<1 OR M>4 THEN 150
170 PRINT "CLOCK RATIO (0..63, N OF TABLE 3) "; ABS; : INPUT F
180 IF F<0 OR F>63 THEN 170
190 PRINT "Q (0..127, N OF TABLE 4) "; ABS; : INPUT Q
200 IF Q<0 OR Q>127 THEN 190 ELSE PRINT
210 RETURN
220 LPRINT CHR$(ADD+M-1); : ADD=ADD+4
230 FOR I=1 TO 3
240 X=(ADD + (F-4*INT(F/4))) : LPRINT CHR$(X);
250 F=INT (F/4) : ADD = ADD + 4
260 NEXT I
270 FOR I=1 TO 4
280 X=(ADD + (Q - 4*INT(Q/4))) : LPRINT CHR$(X);
290 Q=INT(Q/4) : ADD = ADD + 4
300 NEXT I
310 RETURN
    
```

910125-15

bers  $N$  that yield the desired parameter values, observing the available range (between 0 and 63 for  $N(f_0)$ , and between 0 and 127 for  $N(Q)$ ). The computer builds the resulting datawords and sends them to the filter circuit. You may want to extend the program by incorporating the equations below Tables 3 and 4 in order to be able to work without the conversion ( $N$ -) tables, and program the frequency ratio and the quality factor direct.

Finally, a few programming hints for commonly used filter types. A Butterworth filter is implemented by programming a  $Q$  of 0.707, in which case the  $-3$ -dB roll-off frequency equals  $f_0$ . A Bessel characteristic is obtained with  $Q$  set to 0.5, when  $f_0$  equals the  $-6$ -dB roll-off frequency. A Chebyshev-like response is possible by entering a  $Q$  of 1. In that case,  $f_0$  is the resonance point of the small peak which occurs near the roll-off frequency with this type of filter. This peak becomes larger when higher  $Q$  values are programmed. However, the resultant filter characteristics are rarely used or required. ■

Source:

Maxim Integrated Circuits Data Book 1989, pages 10-1 to 10-24.

Maxim Integrated Products Inc. • 120 San Gabriel Drive • Sunnyvale • CA 94086 • U.S.A. Telephone: (480) 737 7600. Fax: (480) 737 7914.

Maxim UK Ltd. • 21C Horseshoe Park • Pangbourne • Reading RG8 7JW • England. Telephone: (07357) 5255. Fax: (07357) 5257.

UK distributors: Dialogue Distribution Ltd. (0276 682001); 2001 Electronic Components (0438 742001); Thame Components Ltd. (084 4214561).

Fig. 6. Use this BASIC program along with the information in Tables 3 and 4 to program the filter sections. Note that the centre frequency and the  $Q$  factor are not programmed direct but as corresponding values of a variable,  $N$ .

# VOLTAGE REGULATOR FOR CARS

by R. Lucassen

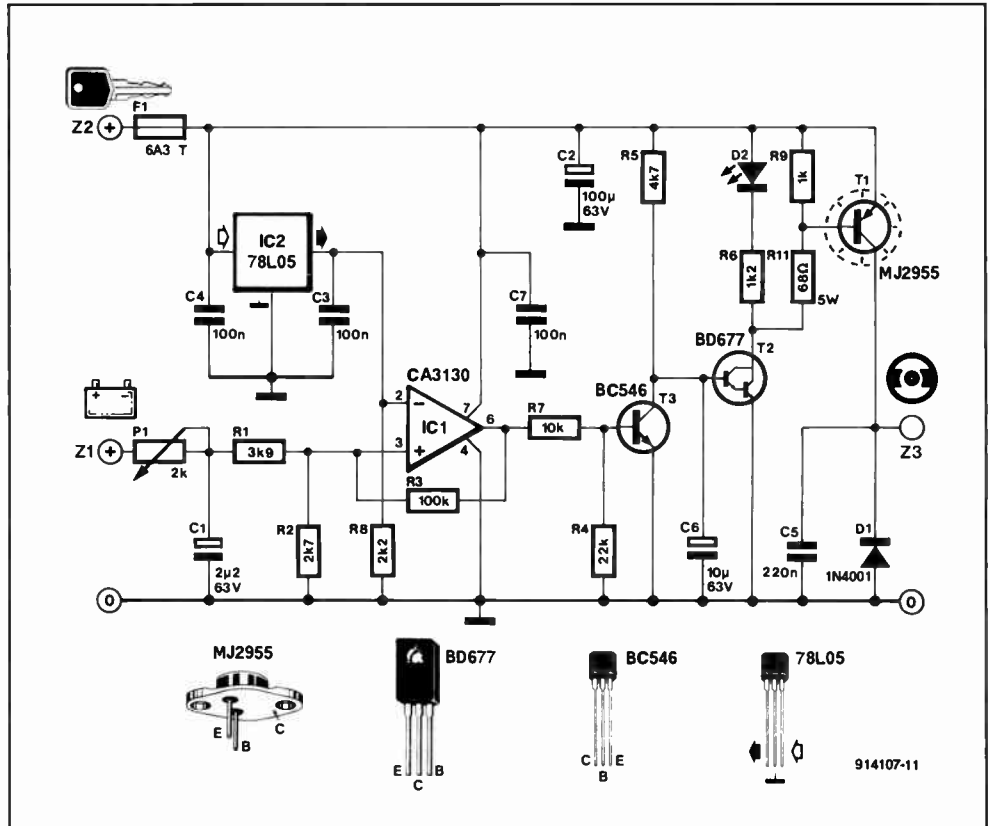
IN OLDER cars, the battery charging voltage is controlled mechanically. The regulator consists of a relay that switches the stator windings of the alternator on and off. This arrangement is prone to breakdown, inaccurate regulation and sensitivity to load variations.

An electronic alternative as shown has the advantages of not containing any moving parts and of providing much more accurate regulation. Moreover, the voltage is measured at the battery terminals, so that losses in the wiring are not included in the measurement.

The regulator, IC<sub>1</sub>, is essentially a device that continuously compares the battery voltage with a reference potential. This comparator drives a power transistor that switches the excitation of the alternator.

Terminal Z1 is connected to the + terminal of the battery; Z2 to the ignition switch; and Z3 to the stator winding of the alternator.

The battery voltage is reduced to about 5 V by potential divider R<sub>1</sub>-R<sub>2</sub>-P<sub>1</sub> and applied to the non-inverting input of Schmitt trigger IC<sub>1</sub>. The inverting input of this opamp is at a reference potential of 5 V provided by regulator IC<sub>2</sub>. Power transistor T<sub>1</sub> is switched by the output of IC<sub>1</sub> and transistors T<sub>2</sub> and T<sub>3</sub>. Diode D<sub>2</sub> functions as an indicator, while D<sub>1</sub> is a free-wheeling diode. Capacitor C<sub>6</sub> attenuates the pulse generated when T<sub>1</sub> is switched on, so that far fewer harmonics are generated and interference on medium-wave radio is suppressed.



The regulator is calibrated by connecting a 12 V lamp or 15 Ω, 10 W resistor between Z3 and earth and a variable power supply and multimeter, set to 15 V, between Z1 and earth. Set the power supply output to 14.3 V and adjust P<sub>1</sub> until the lamp just goes out. When

the power supply output is reduced slowly, the lamp should come on again at 13.9 V.

The regulator is best built in a small aluminium case that also serves as heat sink for T<sub>1</sub>. The case can be made water-tight with a suitable (hardening) silicone paste. ■

## FAST SWITCHING GATE

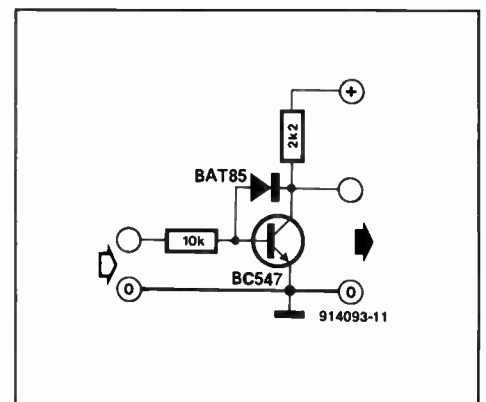
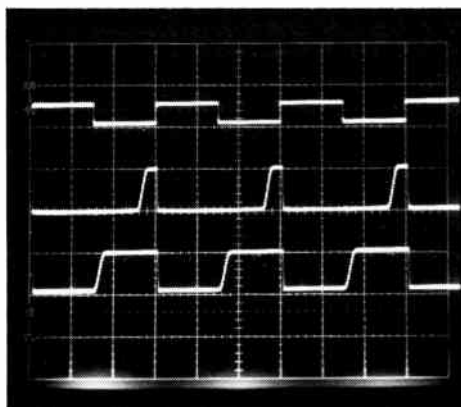
by A. Rigby

SWITCHING transistors are usually driven into saturation, which has an adverse effect on the switching speed. This effect is eliminated, or nearly so, by the use of Schottky diodes at the inputs. It is equally possible to add a diode to a transistor (across its base-collector junction) as shown in the diagram to increase its switching speed.

When the transistor is driven into conduction, its base current will soon be limited because the diode has a lower transfer potential than the base-collector junction, so that part of the current will flow through the diode. When the transistor is switched off, it will therefore require less time to reach the non-conducting state. The effect is seen clearly in the photograph. Signal 1 is the input signal at a frequency of 166 kHz. Signal 2 is the

(inverted) collector signal without diode, and signal 3 is the collector signal with the diode added. It is evident that, owing to the

diode, the collector returns to the high-level state much more rapidly. ■



# UNIVERSAL 64-BIT OUTPUT

by D. Lorenz

SINCE the proposed circuit makes use of the Centronics interface, it is suitable for virtually all types of computer: even older types with a seven-bit Centronics interface, although in their case the possibility of giving an overall reset is not available.

The data from the interface are clocked in IC<sub>18</sub> with the strobe signal. The three least significant bits are applied directly to the three address inputs of eight-bit addressable latches IC<sub>9</sub>–IC<sub>16</sub>. These latches are addressed by the next three data bits via address decoder IC<sub>17</sub>.

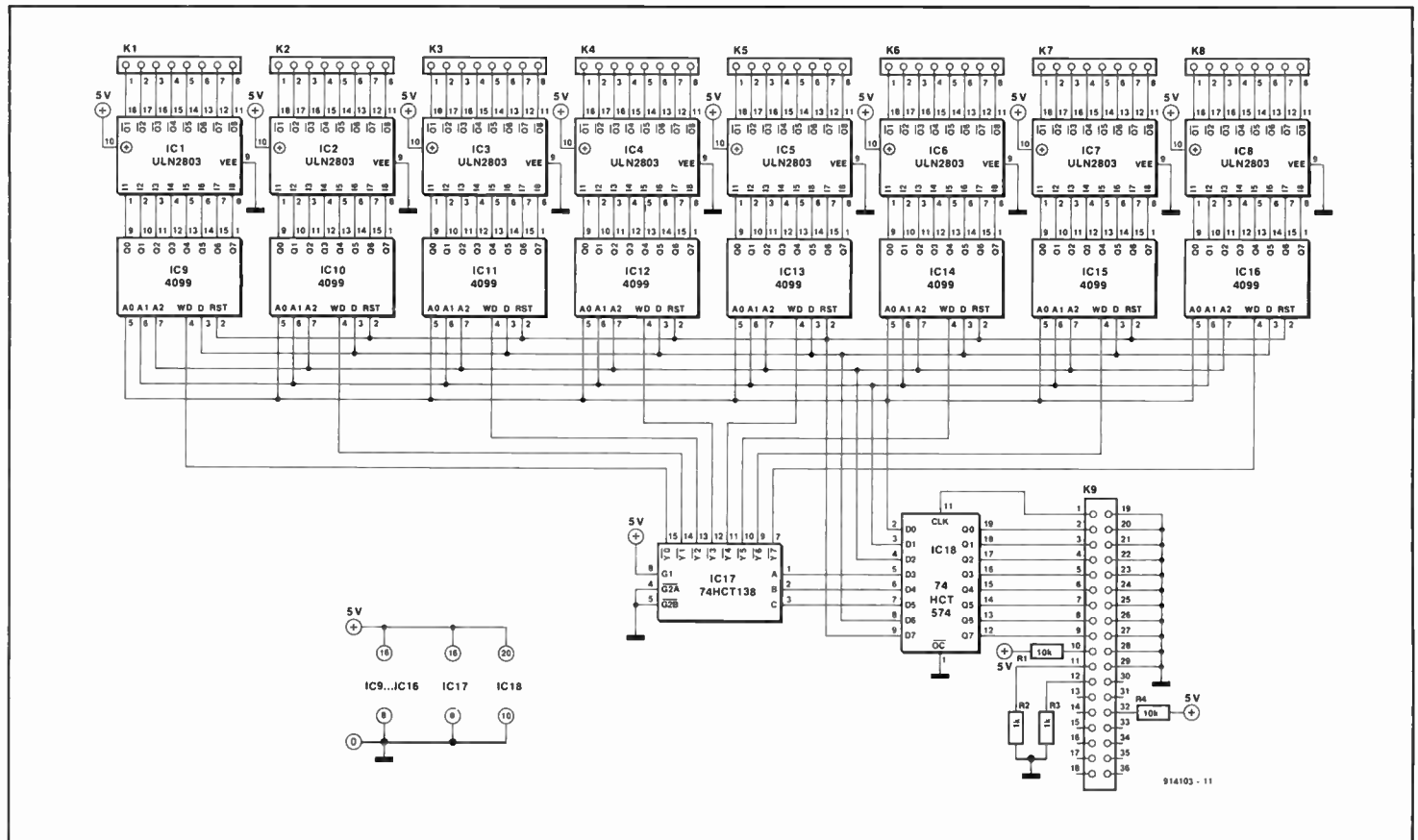
In that way, the six least significant bits form the number of the output bit to be addressed (0–63).

Whether the addressed output is high or low depends on data bit 6. Since drivers IC<sub>1</sub>–IC<sub>8</sub> invert, the logic level at the output is inverted with respect to bit 6. The driver ICs can switch up to 500 mA per output.

All outputs are reset (the open-collector outputs of the drivers become high-impedance) when data bit 7 is high and data bit 6 is low. The state of the three address bits is irrelevant.

When it is required to set one bit and reset the others rapidly (for instance, by a running light), data bits 6 and 7 can both be made high, whereupon the wanted bit is addressed with the other six bits.

Most loads can be driven directly by the driver ICs, as long as the levels at the output do not exceed 50 V and 500 mA. If it is required to switch the mains, the outputs can be expanded with a solid-state relay. ■



# STATIC D.C.-D.C. CONVERTER

by A.B. Tiwana

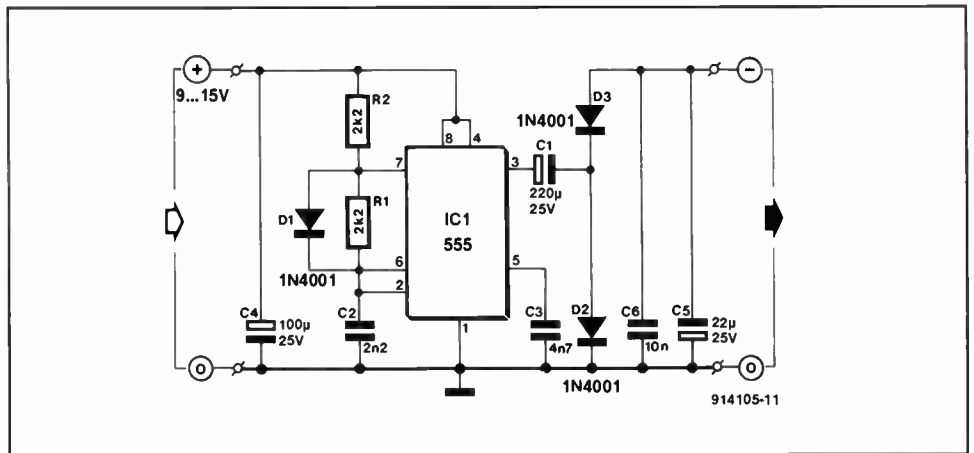
A TYPE 555 timer and some passive components can provide a small converter to provide a negative output of 12 V at a few milliamperes.

The 555 is connected as an astable with a rate of 125 kHz. Network C<sub>1</sub>–D<sub>2</sub>–C<sub>5</sub>–D<sub>3</sub> forms a cascade circuit that supplies a negative direct voltage. Since in the design it was required that neither a transformer nor a coil was used, the efficiency of the converter is not high: not more than 16% at an output current of

Load (Ω)	Output data for $U_{in} = 15\text{ V}$			
	$U_{out}$ (V)	$I_{out}$ (mA)	$I_{in}$ (mA)	Efficiency (%)
—	14.3	—	15	0
15 k	12.7	0.85	17.8	4
1 k	10.5	10.5	53.8	14
680	10	14.7	65.5	15
400	9	22.5	85.4	16
330	7.5	22.7	105	11

20 mA. However, in battery-powered equipment requiring a negative supply at only a few mA, that is no hardship. Note, however, that even unloaded, the converter draws a current of about 15 mA.

The output voltage has a ripple of about 0.6 V p-p, which can be suppressed with the aid of a resistor-zener diode network or a low-drop regulator at the output. ■

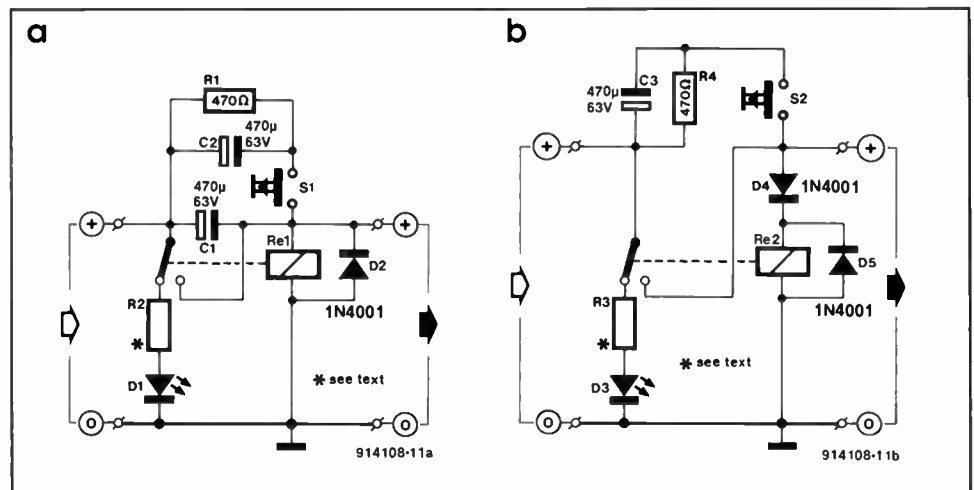


## RELAY FUSE

by R. Kuhn

**S**IMPLE battery chargers and power supplies are not normally provided with a current limiter. In many cases, however, it would be advantageous if the unit were proof against short-circuits. An electro-mechanical fuse which serves that function and which can be added to the unit is shown in the diagram. There are two variations, one for power supplies (a) and the other for battery chargers (b). The circuit will be described on the basis of (a).

When power is switched on, the relay gets a short energizing pulse of current via  $C_1$ . Since the relay contact then changes over, the relay remains energized. When a short-circuit occurs at the output terminals of the power supply, the relay is deenergized and the connection between input and output is broken. The relay is re-energized by a new pulse of current via  $C_2$  after the short-circuit has been removed and  $S_1$  is pressed briefly. Capacitor  $C_2$  also prevents an overload if  $S_1$  were pressed while the short-circuit persists. The capacitor is discharged via  $R_1$  when  $S_1$  is opened. Diode  $D_1$  (biased via  $R_2$ ) shows when the



circuit is off.

The diagram for battery chargers differs in one respect from that described: on power-on, the relay is not energized via a capacitor, but by the battery on charge via  $D_4$ . In case the battery is so flat that it can no longer supply sufficient current to actuate the relay,

the relay can be energized, via  $C_3$ - $R_4$ , by pressing  $S_2$  briefly.

The value of bias resistors  $R_2$  and  $R_3$  depends on the LED used and the supply voltage. The relay voltage must, of course, also be in accord with the supply voltage. ■

## OVERLOAD INDICATOR

by W. Teder

**T**HE overload indicator consists of a window comparator that measures the magnitude of an a.f. signal. Two of the opamps contained in an TL072 are supplied with a reference voltage by potential divider  $R_1$ - $R_2$ - $R_3$ - $P_1$ . The outputs of the opamps drive  $T_1$  via diodes  $D_1$  and  $D_2$  (that function as half-wave rectifier), which in turn actuates  $D_3$ . Network  $R_5$ - $R_6$ - $C_2$  ensures that the LED lights even during short signal peaks.

Capacitor  $C_2$  is charged fairly rapidly via  $D_1$  (or  $D_2$ ) and  $R_5$ , after which it discharges slowly via  $R_6$ ,  $R_9$  and the base-emitter junction of  $T_1$ . Capacitor  $C_1$  also contributes to the longer lighting of the LED.

When the level of the signal at the input is high enough,  $IC_{1a}$  is toggled by the positive half periods of the signal and  $IC_{1b}$  by the negative halves. In this way, a peak above the maximum level will be indicated even

when the signal is asymmetrical.

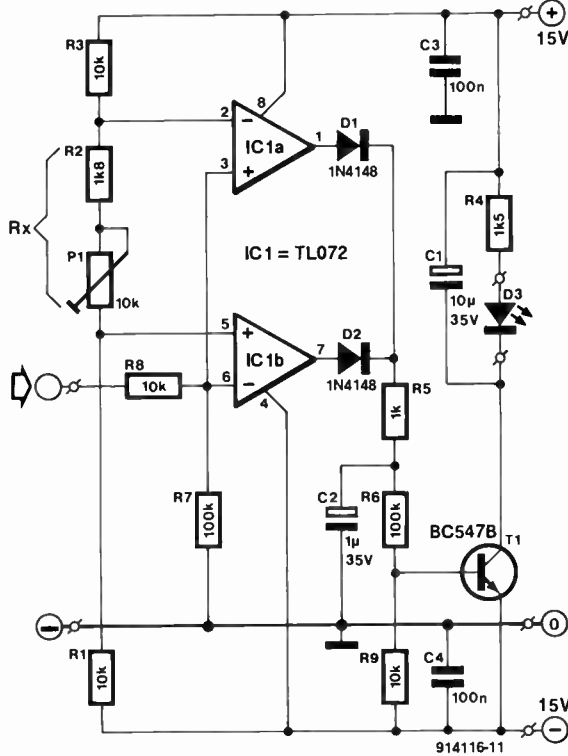
Because of the symmetrical power supply and design of the indicator, the reference voltage for both opamps can be set with one potentiometer.

The circuit draws a current of 5-6 mA when the LED is off. When an overload peak is indicated, the LED draws an additional 20 mA. With values as shown, the reference voltage can be set roughly between 0.9 V

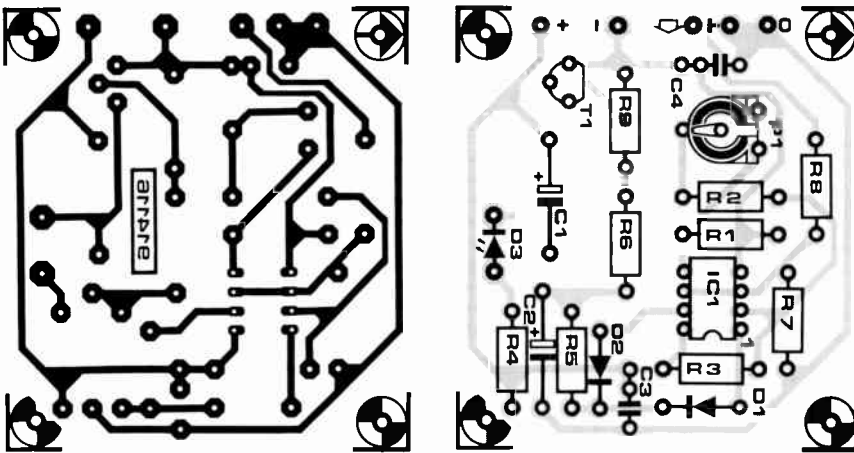


and 5.5 V.

The circuit can be connected to the output of a power amplifier, but potential divider R7–R8 then needs to be adapted and protected by diodes to the supply lines.



2



# HORSE SIMULATOR

by G. Lausches-Dress

HERE is a way of faithfully reproducing the movements of a horse: with a rotary switch that enables selection of step, trot, gallop to the right, gallop to the left, and backward. The manner in which the horse puts down its hoofs is indicated clearly by LEDs. The simulator forms, therefore, a versatile demonstration model for instructors and learner riders.

The patterns for driving the LEDs are provided by EPROM IC<sub>4</sub>, whose hex dump in the table shows the relevant addresses and associated data. Addressing is carried out with S<sub>3a</sub> and counter IC<sub>1</sub>. Oscillator IC<sub>3c</sub> ensures that successive addresses are generated automatically. The speed with which the horse moves can be set with P<sub>1</sub>. The oscillator can also be switched off by closing S<sub>1</sub>. If that is

done, S<sub>2</sub> must be pressed briefly before the next pattern is supplied to the LEDs.

When correct addresses are generated, a reset pulse is passed to the counter by IC<sub>3a</sub>. The power-up reset is provided by C<sub>2</sub> and one of the resistors of array R<sub>10</sub>.

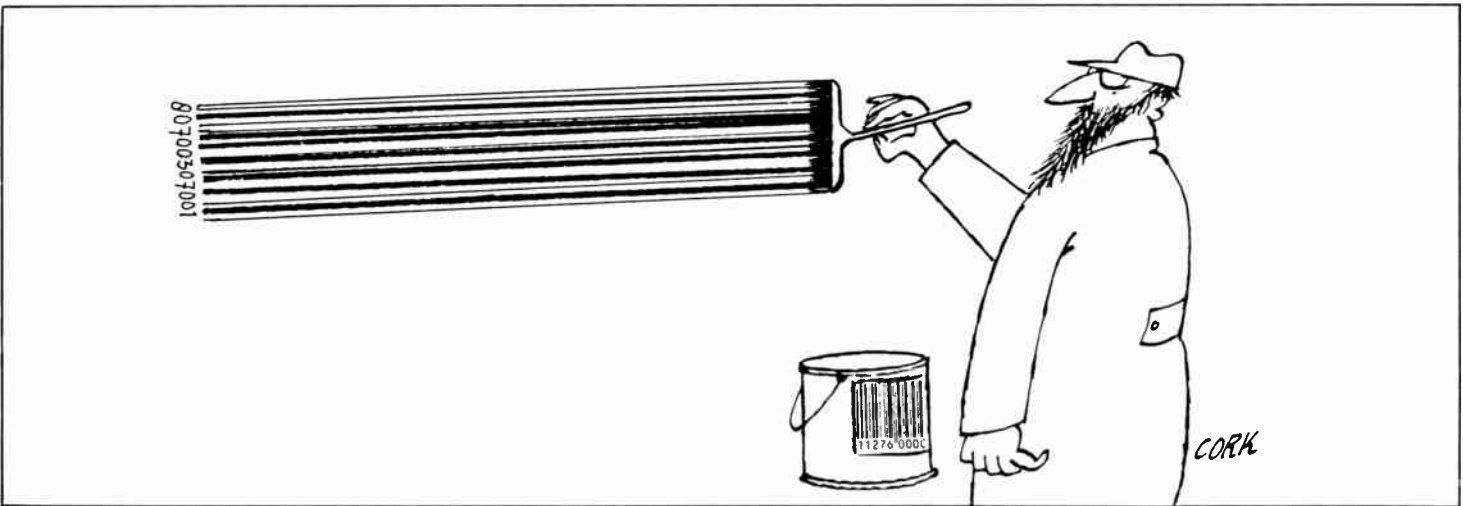
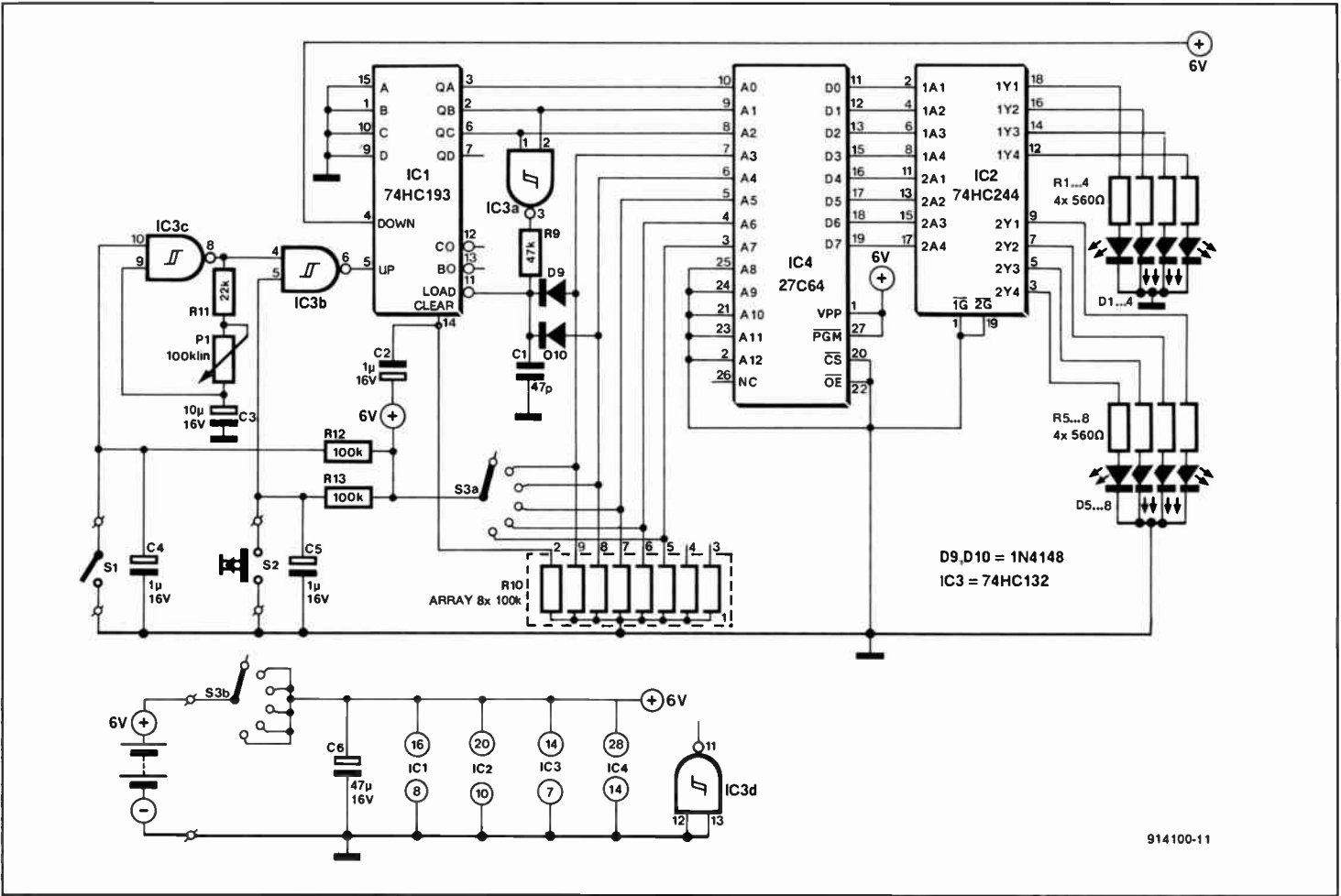
The circuit is operated by a 6 V battery. An separate on/off switch is not required because that function is already provided by S<sub>3b</sub>. In

operation, the circuit draws a current of only 35 mA.

The simulator can be built on a piece of prototyping (vero) board. The only important thing during the construction is to ensure that the LEDs are configured as shown, that is, two rows of four LEDs each with D<sub>1</sub> at the top left and D<sub>5</sub> at the bottom left. The head of the horse is then at the right and its tail at the left.

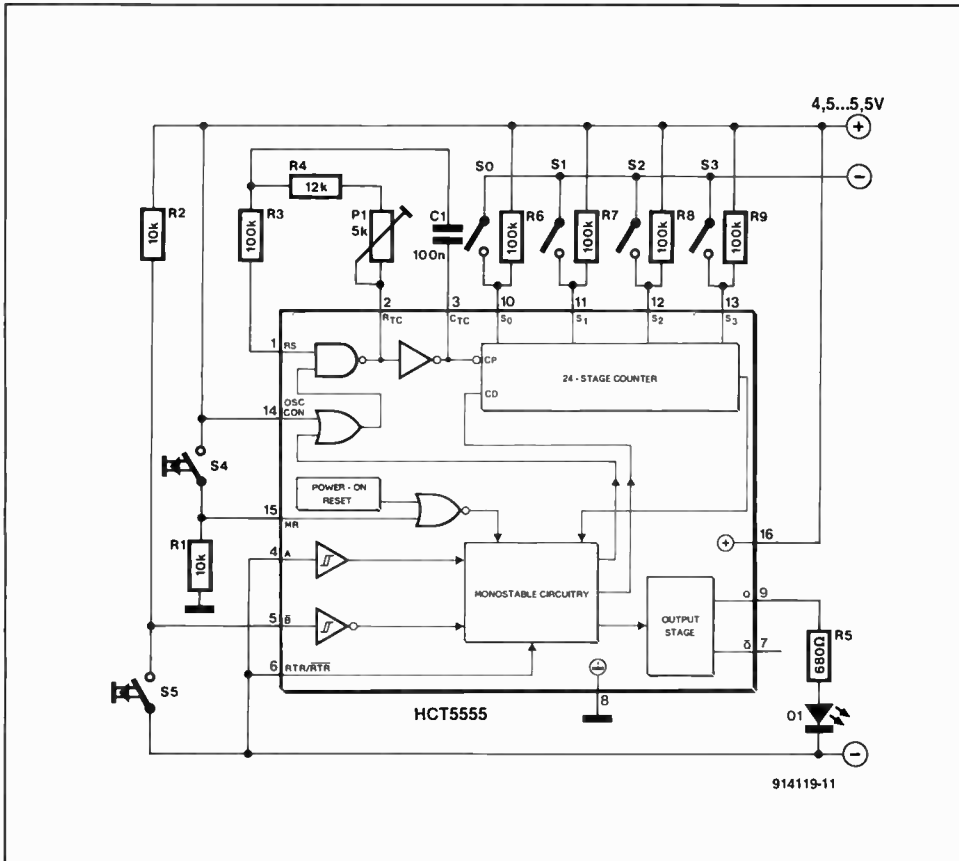
**Table 1. EPROM-Listing.**

00000:	00 00 00 00 00 00 00 00	85 84 92 90 A2 22 2A 09
00010:	84 00 21 00 84 00 21 00	00 00 00 00 00 00 00 00
00020:	01 45 44 54 10 00 00 00	00 00 00 00 00 00 00 00
00030:	00 00 00 00 00 00 00 00	00 00 00 00 00 00 00 00
00040:	80 A2 22 2A 08 00 00 00	00 00 00 00 00 00 00 00
00050:	00 00 00 00 00 00 00 00	00 00 00 00 00 00 00 00
00060:	00 00 00 00 00 00 00 00	00 00 00 00 00 00 00 00
00070:	00 00 00 00 00 00 00 00	00 00 00 00 00 00 00 00
00080:	5A 12 96 48 69 5A 00 00	00 00 00 00 00 00 00 00
00090:	00 00 00 00 00 00 00 00	00 00 00 00 00 00 00 00
000A0:	00 00 00 00 00 00 00 00	00 00 00 00 00 00 00 00
000B0:	00 00 00 00 00 00 00 00	00 00 00 00 00 00 00 00
000C0:	00 00 00 00 00 00 00 00	00 00 00 00 00 00 00 00
000D0:	00 00 00 00 00 00 00 00	00 00 00 00 00 00 00 00
000E0:	00 00 00 00 00 00 00 00	00 00 00 00 00 00 00 00
000F0:	00 00 00 00 00 00 00 00	00 00 00 00 00 00 00 00



# DIGITAL 555

by K. Walters



**A**FTER many years, there is finally a digital version of the well-known Type 555 timer IC: the HCT5555. The traditional 555 can be used as astable or monostable, with the timing determined by an RC network. Crystal control is not possible and when the time constant is long, accuracy goes by the way.

The HCT5555 is intended purely as a monostable; if operation as an astable is required, a number of external components must be added—see diagram. The timing is arranged, however, by a separate integral oscillator and programmable divider. Owing to the greater number of facilities, the new device is not housed in an 8-pin case like the 555, but in a 16-pin package.

The chip has two trigger inputs: one for first transitions (A) and one for last transitions (B). These inputs can be interlinked: the mono time, determined by the oscillator and the set scaling factor, then starts at each and every transition of the input signal. When one of the inputs is actuated, output Q goes high. There is a complementary output Q̄.

Some of the new terminals are:

- MR (pin 15) is the Master Reset;
- retriggerable (pin 16), which determines whether the IC reacts to trigger pulses when the mono time has not yet lapsed;
- OSC(illator) CON(trol) (pin 14) via which the integral oscillator can be stopped.
- pins 1, 2, and 3, are used for the oscillator, while pins 10-13 determine the scaling factor—see table.

A possible application of the new device is the timer as shown in the diagram that indicates when, for instance, NiCd batteries have been on charge for 14 hours. The LED then goes out (or just comes on if the Q output is used). The oscillator is set to 333 Hz with P<sub>1</sub> (R=1.84 kΩ). Leave all switches open or omit them altogether.

The supply voltage depends on the type of IC used: the HCT version needs 4.5–5.5 V, whereas the HC version can operate from 2–6 V. The IC draws about 0.5 mA. ■

select inputs				divisors	
S3	S2	S1	S0	binary	decimal
L	L	L	L	2 <sup>1</sup>	2
L	L	L	H	2 <sup>2</sup>	4
L	L	H	L	2 <sup>3</sup>	8
L	L	H	H	2 <sup>4</sup>	16
L	H	L	L	2 <sup>5</sup>	32
L	H	L	H	2 <sup>6</sup>	64
L	H	H	L	2 <sup>7</sup>	128
L	H	H	H	2 <sup>8</sup>	256
.	.	.	.	.	.
H	L	L	L	2 <sup>17</sup>	131 072
H	L	L	H	2 <sup>18</sup>	262 144
H	L	H	L	2 <sup>19</sup>	524 288
H	L	H	H	2 <sup>20</sup>	1 048 576
H	H	L	L	2 <sup>21</sup>	2 097 152
H	H	L	H	2 <sup>22</sup>	4 194 304
H	H	H	L	2 <sup>23</sup>	8 388 608
H	H	H	H	2 <sup>24</sup>	16 777 216

# DIGITAL FUNCTION GENERATOR – PART 3

by T. Giffard

POPULATING the four boards should not present any problems. As usual, care must be taken to ensure that, where appropriate, the polarity of components is observed and

that soldering is carried out neatly. IC sockets, when used, should be high-quality types with gold-plated contacts.

On the display board, the 7-segment dis-

play must be fitted in a suitable socket that is mounted a little above the board. The ICs should be soldered, not fitted in a socket.

The connectors with protection collars must

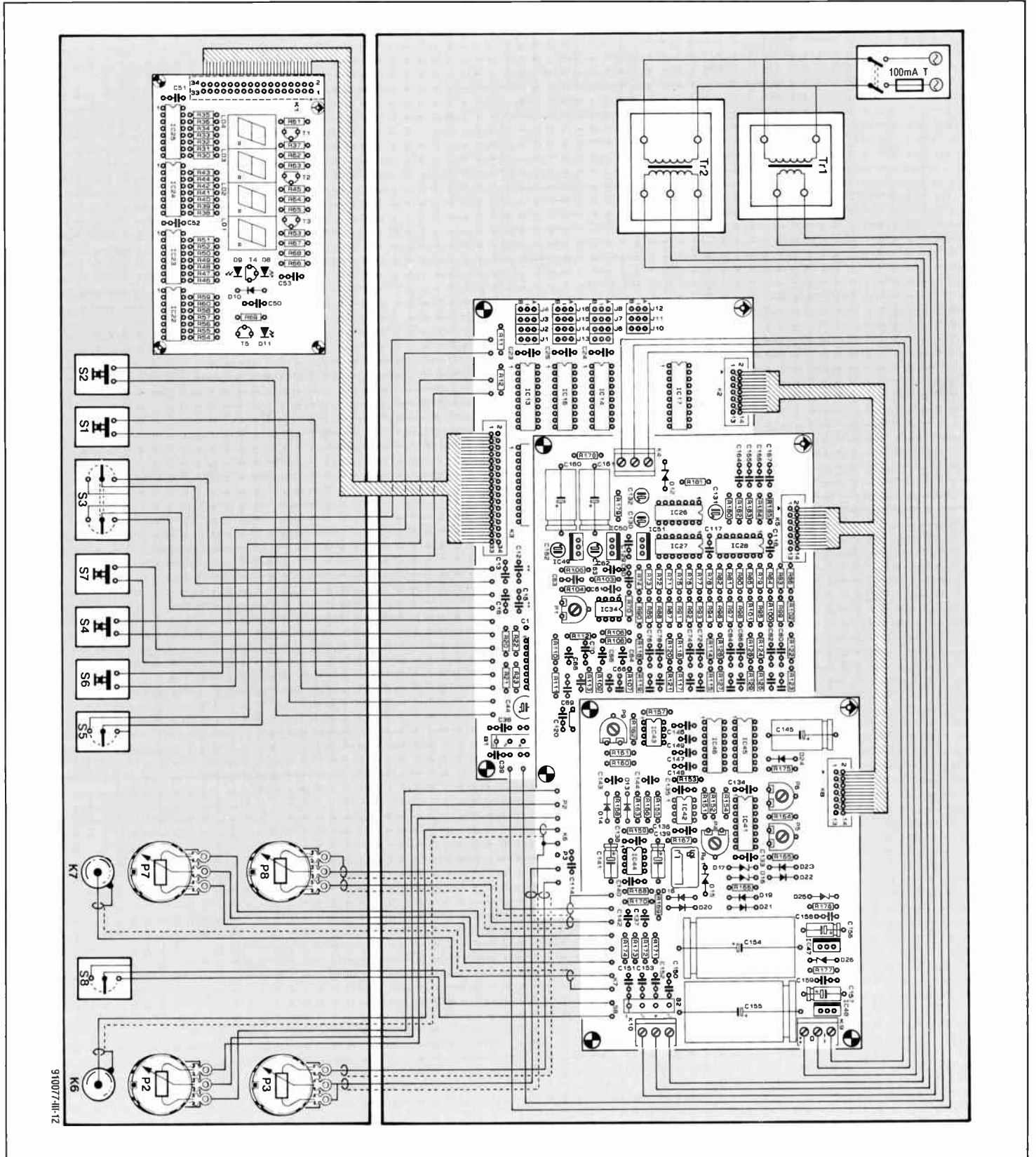


Fig. 24. Wiring diagram of the digital function generator.

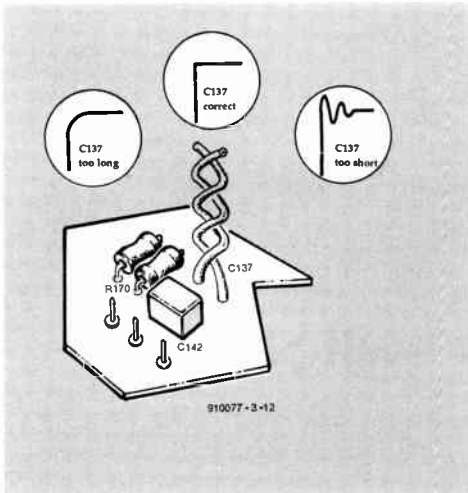


Fig. 25. Construction of C37.

be fitted at the track side of the board. Do not fit the three LEDs until the board has been fastened to the front panel of the case.

The printed-circuit boards for the digital section, the rectangular/triangular wave converter, and the sine wave converter are inter-joined into a three-layer construction. Any connecting wires to the front panel controls should be soldered to the relevant pins on the boards before these are joined together. Use normal insulated circuit wire and make the connections rather longer than eventually required. This does not apply to the connections to output level control  $P_3$  and to the BNC sockets, which should be in screened audio cable: the screen should be left unconnected at the front panel. This method of building is necessary, because functional tests will be carried out before the overall construction is begun.

Connect a suitable 9 V supply to the rel-

evant points on the digital section board. Connect an oscilloscope to pin 6 of  $IC_{1d}$  and adjust  $C_2$  until the oscillator in  $IC_1$  generates a signal of 40 kHz. The frequency of the signal at pin 3 of  $IC_4$  should then be 160 Hz. Next, adjust the core of  $L_1$  so that the VCO operates correctly at both minimum and maximum drive voltage.

Connect the display board to the digital section board and press  $S_1$  (DOWN) until the lowest display position (1000) has been reached. Then, with the oscilloscope connected at the VCO output, pin 6 of  $IC_5$ , adjust  $L_1$  for a frequency on the oscilloscope of 2.56 MHz. The level at pin 13 of  $IC_4$  should lie between 0.3 V and 5.7 V.

Check the function of the various switches and insert the jump leads as required in accordance with the instructions in Part 1.

## Mechanical construction

The boards for the digital section, the rectangular/triangular converter and the sine wave converter must be screwed together with the aid of suitable spacers. Next, make the connections in flatcable between  $K_2$ ,  $K_5$  and  $K_8$  and the power supply connection in suitable circuit wire to  $K_4$  on the sine wave converter board and to  $K_9$  on the rectangular/triangular converter board.

Then, make the various holes in the enclosure: for the front panel, use a photocopy of the front panel foil as template (do not use Fig. 11, which is not the right size). Do not forget the four holes for fastening the display board: use a photocopy of Fig. 13 as template.

Fit the mains transformers on the bottom panel of the enclosure, and the mains entry and on/off switch to the rear panel.

Finally, make all electrical connections

between the various boards and front panel controls: consult the overall wiring diagram in Fig. 24.

## Calibration

Connect a multimeter at pin 6 of  $IC_{34}$ , switch on the generator, leave it for a few minutes, set the frequency to 1000 Hz, and then adjust  $P_1$  for zero reading on the multimeter.

Connect an oscilloscope to pin 7 of  $IC_{42}$  and adjust  $P_4$  until the rectangular signal is symmetrical with respect to the base line on the oscilloscope.

Connect a multimeter across  $R_{163}$  and an oscilloscope to output socket  $K_7$ . Set  $S_8$  to triangular wave,  $P_8$  to maximum and  $P_7$  to the centre of its travel. Next,  $P_6$  (amplitude of the input signal to  $IC_{41}$ ) and  $P_9$  (regulating time) must be adjusted, but here a compromise must be made. The aim is to keep the time the generator requires to stabilize after a change of frequency short, yet long enough at low frequencies as mentioned earlier.

Connect a multimeter to pin 1 of  $IC_{42}$  and adjust  $P_5$  till the multimeter reads zero.

Set  $S_8$  to rectangular wave and connect an oscilloscope to output socket  $K_7$ . When the capacitance of  $C_{137}$  is correct, a true rectangular wave will appear on the screen. If the waveform has rounded corners, the capacitance is too large, whereas if it shows overshoot, the capacitance is too small. These effects are shown in Fig. 25. If the capacitance is too small,  $C_{137}$  must be remade; when it is too large, it may be shortened millimetre by millimetre with sharp side-cutting pliers until the waveform is correct. Take care not to damage the enamel insulation. In some cases, it may be found that the capacitance of the track on the board is sufficient and  $C_{137}$  is not required at all. ■

# PULSE SHAPER

by T. Giffard

THE diagram shows how the four gates contained in a 4077 may be used to build a circuit that doubles the frequency of a signal applied to it. In other words, it generates

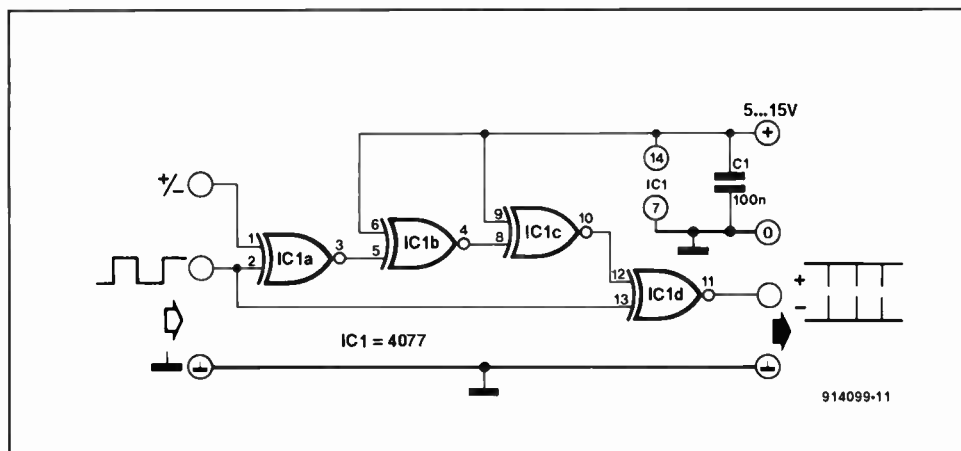
a pulse for every edge of the input signal: the pulse width is determined by the internal delay of gates  $IC_{1a}$ – $IC_{1c}$ . To that end, the original signal at pin 13 is compared with

the delayed signal at pin 12. Because of the XNOR function of  $IC_{1d}$ , any level difference between the two is translated into a level change at the output of  $IC_{1d}$ .

The quiescent output level at pin 11 is set by connecting the  $\pm$  input of  $IC_{1a}$  to ground or to the +ve supply rail. If it is taken to ground,  $IC_{1d}$  delivers a zero level followed by positive pulses for each of the edges of the input signal. If it is linked to the +ve supply rail,  $IC_{1d}$  outputs a high level followed by negative pulses for each of the edges of the input signal.

Instead of a 4077, a 4030 or 4070 may be used, in spite of the fact that these have XOR instead of XNOR gates. Only the pulse width of the output signal will be slightly different owing to the changed transfer time in the gates.

The current drawn by the circuit depends on the signal frequency: at very low frequencies, it is virtually nil. ■



# DESIGN IDEAS

The contents of this column are based solely on information supplied by the author and do not imply practical experience by *Elektor Electronics*

## 6-digit coded a.c. power switch

by K.A. Nigim, B.Sc., Ph.D., MIEEE

**D**IGITALLY coded switches are useful and have many applications: for the individual who does not want to carry a heavy bundle of keys for his home or his business premises; in industry, remote or coded switched power devices are also appreciated.

The 6-digit coded power switch described in this article can be used to switch a.c. loads of up to 25 A ON and OFF *directly*. Moreover, the output signal from the electronic circuitry can be used to interface with many alarm and control systems.

The six digits are keyed in one at a time, in the correct sequence, on a standard 4×3 telephone-type keyboard. In case of a wrong code being input, a signal is available to actuate an alarm circuit or buzzer. When that happens, the system can be disarmed with a *secret* reset button that may be any number on the keyboard.

Assuming a correct code is input, a signal is transmitted to

- a latch circuit that commands the power

switch to change its current state, and

- auto-reset the circuit in readiness for the second command.

The circuit, whose diagram is given in Fig. 1, is built around four Type 4013BE CMOS dual D-type bistable (flip-flop) ICs, a Type 4069B inverter IC, a Type MOC3063 optoisolator and a Type BTA 26-600B triac.

### Coding section

The push-button keyboard is connected to the main circuit board via a 12-way PCB terminal connector, allowing an easy and quick way to change the proper number. After the wanted six digits have been chosen (here, 012457), the remainder, except the one for manual reset, are tied to the dummy switch terminal.

The circuit is powered by a 9–12 V regulated d.c. source. The common terminal of the keyboard is connected to the positive rail. Whenever a switch is pressed, a high level potential is applied rapidly to the appropriate input and charges the capacitor connected

in series with it. The capacitor discharges slowly through the resistor shunting it every time the switch is released, thus eliminating switch bounce effects.

When the first digit has been entered correctly, a high level is applied to pins 10 and 11 of IC<sub>1</sub>, which results in a change from low to high at pin 12 of this IC. That is the initializing pulse and the aim is to use this to command the power switch to change its state. Therefore, the pulse is fed directly to the data input (pin 5) of IC<sub>2</sub>, waiting for the second digit to be entered to the clock input (pin 3).

The data is transferred to the output port (pin 1), which in turn is connected directly to the data input of IC<sub>2b</sub> (pin 9) waiting for the third digit to be entered to pin 11.

This process continues until all six digits have been keyed in, one at a time, in the correct sequence. The pulse has then moved from the first bistable (flip-flop) to the latch part of IC<sub>4a</sub>. It is possible to add as many digits

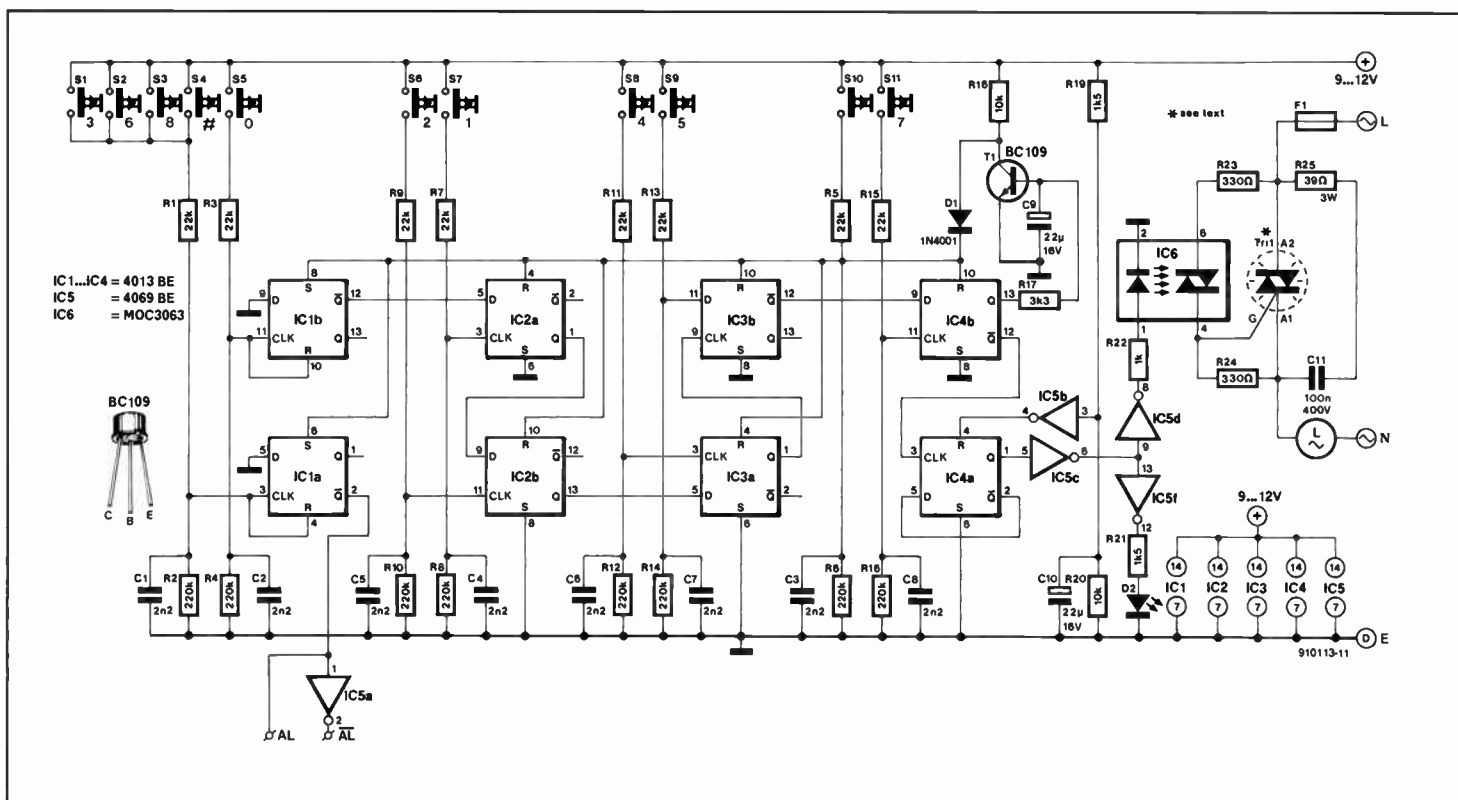


Fig. 1. Circuit diagram of the 6-digit coded a.c. power switch.

to the code as wanted merely by increasing the number of bistables: two digits per IC.

When a wrong digit is keyed in, the state of pin 2 of IC<sub>1</sub> is changed instantly and a high or low level output is available for use with an alarm circuit or a simple buzzer. The circuit is reset with the *secret* switch, here S<sub>10</sub>.

To reset the circuit automatically every time the correct code is entered, the reset line is given a 20 ms delay pulse, generated

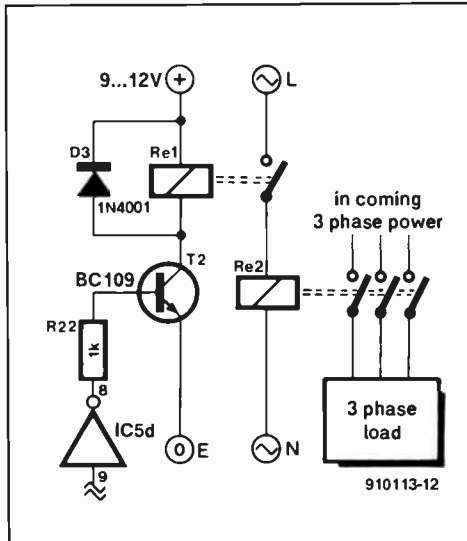


Fig. 2. Slave-master relay configuration for use with large industrial systems.

## PARTS LIST

### Resistors:

R1, R3, R5, R7, R9, R11, R13, R15 = 22 k $\Omega$ , 0.5 W  
 R2, R4, R6, R8, R10, R12, R14  
 R16 = 220 k $\Omega$   
 R17, R26 = 3.3 k $\Omega$   
 R18, R20 = 10 k $\Omega$   
 R19, R21 = 1.5 k $\Omega$   
 R22 = 1 k $\Omega$   
 R23, R24 = 330  $\Omega$   
 R25 = 39  $\Omega$ , 3 W

### Capacitors:

C1–C8 = 2.2 nF, ceramic  
 C9, C10 = 22  $\mu$ F, 16 V, electrolytic  
 C11 = 0.1  $\mu$ F, 400 V, metallized polypropylene

### Semiconductors:

IC1–IC4 = 4013 BE  
 IC5 = 4069 BE  
 IC6 = MOC 3063  
 T1, T2 = BC109  
 D1, D3 = 1N4001  
 D2 = LED, green  
 Tri1 = BTA 26-600B

### Miscellaneous:

Keyboard = standard 3x4  
 12-way PCB connector for keyboard  
 Re1 = miniature relay, 12 V, 400  $\Omega$  coil; 3 A contacts  
 Re2 = specified by the load

by T<sub>1</sub>; the delay is the time constant of network R<sub>18</sub>–C<sub>9</sub>.

## Latch and triac driver

After the correct code has been entered, the output pulse will disappear as soon as the auto-reset signal is applied. To drive the power switch, the output (pin 1) of a bistable or latch in IC<sub>4a</sub> will stay on or off until a second signal is generated by the same code. A green LED, D<sub>2</sub>, will light to indicate a successful entry and the latch state.

It was found that every time the power supply is switched on, a false trigger could be initiated by the latch and, therefore, the reset input (pin 4) of IC<sub>4a</sub> is disabled for an instant by a delayed high signal via IC<sub>5b</sub>. The delay is determined by R<sub>19</sub>–C<sub>10</sub>.

The output of the latch is buffered and connected to the zero-crossing optoisolator. The input current to IC<sub>6</sub> is limited to 15 mA by R<sub>22</sub>. The use of a zero-crossing isolator minimizes the electromagnetic interference normally associated with switching power devices and isolates the electronics from the mains supply.

The a.c. load is connected to the mains via a suitable load-rated triac mounted on an appropriate heat sink. To drive a load of up to 25 A, a triac Type BTA 26-600B or equivalent can be used mounted on a 2.4–3.3 K/W heat sink. Suppressor network R<sub>25</sub>–C<sub>11</sub> is included for loads with a poor power factor ( $\leq 0.6$ ). The triac must be mounted well away from the main logic board to avoid potentially fatal electric shocks.

Although the circuit described has been designed primarily for driving single-phase a.c. loads, it can be modified by adding the slave-master relay configuration shown in

Fig. 2 to make it suitable for use with large 3-phase powered industrial loads.

The slave relay, Re<sub>1</sub>, is energized or de-energized depending on the state of the latch port (pin 1) of IC<sub>4a</sub>. When the output signal is high, the relay coil is energized and power is supplied to the coil of master relay Re<sub>2</sub>. The three contacts of that relay then close and supply power to the 3-phase load. When the output signal is low, the slave relay is de-energized and breaks the supply to the master relay, whose contacts thereupon open and remove the power from the load.

## Construction

Construction of the switch unit is straightforward. Connect the common line of the keyboard to the positive supply rail. Set the required code, reset and dummy digits. Insert all resistors and capacitors. Insert IC<sub>1</sub> and test the operation of the reset, dummy inputs and the first digit. When any dummy switch is pressed, the output of pin 2 of IC<sub>1</sub> should change state. Proceed with inputting the correct first digit and examine the existence of the initializing pulse at pin 12 of IC<sub>1</sub>. When all is well, insert the remainder of the ICs and follow the pulse every time the next digit is keyed in. An auto-resetting pulse must be initiated at the end of the process. Varying the value of R<sub>19</sub> will change the reset time. The green LED (D<sub>2</sub>) will change state after a successful entry.

## Caution

Great care should be taken when wiring the power switch, since it carries mains voltage. During testing, connect a 40–100 W bulb in place of the load; this should change state every time the correct code is entered. ■

## NORMAN H. CROWHURST

1913-1991

I am profoundly saddened to report that Norman H. Crowhurst died on March 7, 1991 after a brief illness. He was 77. Born November 3, 1913 in Southend-on-Sea, England, he earned degrees at Streatham Hill College and at Goldsmith's College, S.E. London Technical College, where he was later a senior lecturer. Mr. Crowhurst's career began at Johnson & Phillips Ltd. In 1935 he became Chief Engineer at Tannoy, Ltd. where he remained for ten years.

He and his wife emigrated to the US in 1953. He was honored with a Fellowship by the Audio Engineering Society in 1959. He and Mrs. Crowhurst became naturalized citizens on Nov. 17, 1960.

Norman Crowhurst was certainly one of the most prolific of authors in the audio field, having contributed to 32 commercial publications and to many professional journals. He once claimed to have written over 2,000 articles and papers and some 50 books. He held a number of patents.

He was an associate member of the British IEE, Senior member of British Sound Recording Association, a member and fellow (1959) of the AES; and a member of SMPTE, IEEE, ASE, Na-

tional Council of Teachers of Mathematics, and Professional Engineers of Oregon.

He worked as editor at several British and US publishing houses both on staff and as a consultant. He also spent two years working at Fairchild Recording Equipment Company.

Mr. Crowhurst was best known to electronics buffs, and especially audiophiles during the 1950s and '60s, as an author on audio theory and construction. He developed many unique answers to problems, such as a stereo power amplifier which sported only one pair of output tubes but two transformers. He had an unusually clear writing style and an exceptional ability to explain difficult theoretical concepts in terms beginners could understand. He had a remarkable number of admirers among his readers who credited him with being the first author to stimulate their appreciation for audio and electronics.

In mid-October of 1990 the bicycle he was riding was struck by a passing car, in his adopted home town of Dallas, OR. Medical examination revealed little or no obvious damage but he failed to recover completely. He became ill in late February and was bedridden for much of each day. His death came suddenly from heart failure.

# ALEXANDER GRAHAM BELL

by Douglas Clarkson

IT IS one thing to be remembered for a single clever invention, quite another to have made worthwhile contributions in a broad range of disciplines. The overwhelming importance of Bell's invention of the articulate telephone overshadows many of his other contributions to the education of the deaf, aeronautics, telegraphy and marine engineering. It is obvious that he was driven by strong humanitarian instincts to use the emerging technology for the benefits of society in general.

Events in his personal life highlighted his awareness of the problems created by physical handicaps. Bell was born in Edinburgh in 1847 and his mother suffered a severe hearing impairment that gave him an insight into the problems of communication thus created. His father, Andrew Melville Bell, was a prominent teacher of the deaf who, in 1862, published a progressive treatise on 'visible speech'—a method of teaching deaf individuals to vocalize and not use sign language.

In Scotland, Alexander Graham Bell's health had never been good and his younger brothers had died at an early age of respiratory problems. A subsequent move of his family in 1870 to Canada and then to Boston in the USA succeeded in restoring his well-being, though his health would from time to time suffer from excessive overwork.

Being the son and grandson of speech therapists, Bell was fascinated by all aspects of speech relating to education and training of the deaf. In 1874 he developed the 'photoautograph'—a device that incorporated a human ear and produced a visible indication of sounds on smoked glass. With this apparatus, sounds constructed by a teacher could be copied by a deaf pupil. Unfortunately, the device provided insufficiently sensitive for practical use. Modern technology has since implemented the idea in diverse ways with the use of, for example, frequency analysis and microprocessor-based displays.

Bell's most productive period dates from 1871 when he began teaching at Sarah Fuller's school in Boston by day and experimenting in the fields of electricity and acoustics by night. In 1873, he gained access to the research laboratories of the University of Boston following his appointment there as Professor of Vocal Physiology. Up to the emergence of the telephone in 1876, however, he had to supplement his small income by taking private classes as a teacher of the deaf.

It is quite clear that success with the telephone could have come much sooner if Bell had been allowed to follow his own intuition. His sponsors were more concerned with

the 'harmonic telegraph', a system for loading a single telegraph line with multiple channels of communications, where each channel had a harmonic frequency that could be sent independently over a single wire. While the commercial advantage of increasing the data throughput on existing telegraph lines was significant, it was left to Bell to pursue his vision of the usefulness of the telephone privately.

Bell first succeeded in transmitting oral sounds in Boston on 2 June 1875 after discovering that plucking reeds on the harmonic telegraph could induce an undulating current which would cause the receiving reeds to vibrate audibly. Bell refined this system in January 1876 when he wrote the patent application to include a variable resistance device (microphone) in the transmit section. The patents was filed on 14 February and the system was successfully demonstrated on 10 March. The world was then at his feet.

After the development of the telephone, Bell found much of his time taken up with protecting his series of patents. In all, around 600 challenges were made. By today's standards, Bell was fortunate to have won a series of legal arguments raised by major telegraph companies, such as Western Union, seeking to develop their own implementations of the telephone. No doubt, the respectful appearance of Bell helped in securing of what was in effect a monopoly of all telephone communication in North America.

The tale of the commercial exploitation of the telephone is at least as important as the technical development of the product, though this is seldom touched upon. The general principle that the financial guardians of the Bell system followed was that at each stage of its growth the company was not to be constrained, particularly as regards capitalization. It was determined, for instance, that the State of New York provided the most liberal policies for effective financing of the company.

At each stage in the rapid expansion of the Bell system, there was always the danger that its very success would bring about its downfall. Bell, however, was not a direct player in commercial wheeling and dealing and left that up to individuals like Gardiner Hubbard, his father-in-law. One of the main problems of insufficient capital funding arose from Hubbard's insistence that the telephone equipment should be rented and not purchased outright. This was characteristic of Hubbard's company that manufactured and leased sewing machines.

With his financial position now assured, Bell's role became one of a wealthy philanthropist who was able to devote time to what interested him personally and pro-

vide help to deserving organizations and individuals. A large amount of funding, for example, was provided for educating the deaf.

Some of the most touching photographs in the Bell archives are those of Bell with Helen Keller, who was blind and deaf from an early age. This is where the humanity of the man can be most visibly discerned. In fact, reading of the intensity that such matters were given over 100 years ago, the question begs to be asked: "Are we doing enough today?". In all, funding of around \$450,000 was channelled into the education of the deaf during his lifetime.

Another significant technical development was the audiometer, a device used for the assessment of hearing impairment. After winning the prestigious Volta Prize in 1880, Bell helped set up the Volta Laboratory, which succeeded in developing Edison's phonograph into a successful commercial product (called gramophone).

His interest in various fields was in some instances prompted by personal tragedy. Following the death of his infant son from a respiratory complaint, he developed an 'artificial lung', forerunner of the iron lung ventilator. He was also aware of the possibilities of the use of radium for the treatment of cancer as early as 1903. After the loss of the *Titanic*, he experimented with early forms of the sonar system.

Bell was later to return to Canada amid the rugged scenery of Cape Breton Island where at Baddeck he built his beloved house 'Beinn Breagh'. It was here that Bell undertook investigations into diverse fields, such as aeronautics, marine engineering and even the breeding of sheep. Bell's wife Mabel, whom he met as one of his deaf pupils in 1873, took an active interest in his various projects. Indeed, as a major shareholder in the Bell Telephone System, she was a major source of funding, especially for aviation projects.

Mabel, in fact, suggested the formation of the Aerial Experiment Association. Efforts in flight development were rewarded by the flight in 1909 of the *Silver Dart*—the first powered flight in Canada. Investigations of this group led to the independent development of the aileron—essential for stable, controlled flight. Marine engineering held his interest in later years, resulting in the development of the HD-4 hydrofoil, which in 1919 achieved a record speed of 70 m.p.h. in the Bay of Baddeck.

Bell was ever ready to give encouragement to others directly involved in scientific experimentation. He provided funds, for example, for the Michelson-Morley experiment to detect the presence of the *ether*.



Bell was also largely responsible for raising the esteem of the *National Geographic Magazine* to that of a global publication following the death of its founder, Gardiner Hubbard, in 1891.

Setting aside the hugely important invention of the telephone, Alexander Graham Bell should be remembered largely for demonstrating in his various activities that technology should be developed and implemented for the ultimate benefit and welfare of the individual. There can be no doubt, however, that the tremendous advances in world-wide communications that continue to develop, and which have their origin in his work, are a major factor in removing artificial barriers of nationality, culture and political systems. In this regard, therefore, Alexander Graham Bell is largely responsible for beginning the evolution of a 'global

Readers interested in the history of communications may find it intriguing to learn that A.G. Bell's patent application made it by a few hours, because later on 14 February 1876 a second patent for the telephone was lodged by Elisha Gray. The applications were virtually identical, describing the electrical transmission and reception of human speech by variations in the resistance of the transmitter (microphone).

Elisha Gray (1835-1901) was a professional inventor whose first patent (granted in 1867) was for a self-adjusting telegraph relay. This proved to be of interest to the Western Union Telegraph Company and so earned Gray enough money to become a part-

ner in a Cleveland firm that manufactured telegraphic instruments.

Gray and his partner, Enos Barton, transformed the company into America's leading maker of electrical apparatus: the Western Electric Manufacturing Company, which eventually became Western Electric, the sole supplier of telegraphic equipment to Western Union.

It is a curious fact that most experts in telegraphy, including Gray, misjudged the importance of the telephone, whereas Bell had always believed that the telephone would eventually be of far greater importance than the telegraph. History has proved him right.

(Editor)

# ELECTRONIC POWER-ON DELAY

by G. Peltz

THE power supply for the delay circuit is derived directly from the mains by a bridge rectifier, D<sub>1</sub>-D<sub>4</sub>. The rectifier must be able to handle a current of up to 1 A. For safety reasons, resistor R<sub>1</sub> ensures that capacitor C<sub>1</sub> is discharged rapidly when the mains is switched off. The resistor should, therefore, be rated at 250 V a.c. or 400 V d.c.

The direct voltage output of the rectifier is held steady at 24 V by zener diodes D<sub>6</sub> and D<sub>7</sub>. The use of two zener diodes gives a stable voltage of 12 V for IC<sub>1</sub>. The rectifier output is smoothed by C<sub>2</sub> and C<sub>3</sub>.

Timing of the circuit is based on the mains frequency: the clock signal is rectified by D<sub>5</sub> and then taken from the junction R<sub>2</sub>-R<sub>3</sub> at a level of about 11 V from where it is applied to pin 10 of IC<sub>1</sub>. After 2-10 clock pulses, output Q<sub>11</sub> goes high. If contact 2 of DIP switch

S<sub>1</sub> is closed, that high (12 V) signal is applied to the gate of T<sub>1</sub>, an n-channel VMOS FET. This transistor then conducts, which causes the relay to be energized.

If, as shown in the diagram, all contacts of S<sub>1</sub> are open, the gate of T<sub>1</sub> is permanently connected to the positive supply rail. That means that as soon as the supply is switched on, the relay is energized.

When T<sub>1</sub> is on, the clock input of IC<sub>1</sub> is low via D<sub>9</sub>, so that the counter is disabled.

The delays that can be selected with the DIP switch are shown in the table. The DIP switch may for convenience's sake be replaced by a binary-coded decimal (thumb-wheel) switch.

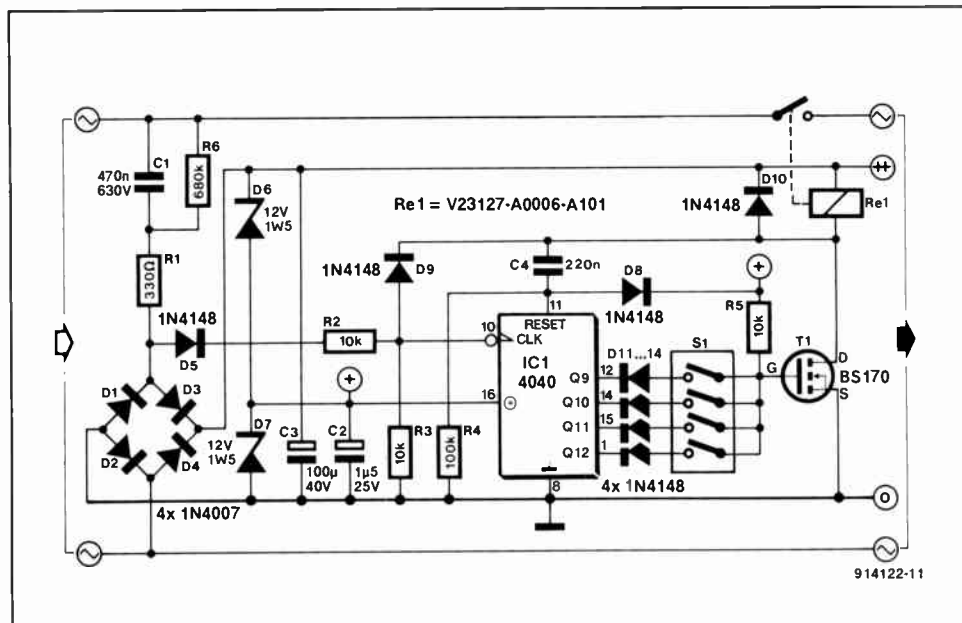
Immediately after the supply is switched on, assuming that T<sub>1</sub> does not begin to conduct, the IC is reset by a pulse generated by

R<sub>4</sub>-C<sub>5</sub>. The level of the pulse is limited by D<sub>8</sub> to a safe value. When a new count cycle is started, the IC is, therefore, always in its zero state.

Diode D<sub>10</sub> is a free-wheeling device to suppress voltage peaks that are caused by the relay coil when the current through it is switched off.

The current drawn by the circuit is determined mainly by the value of C<sub>1</sub>: in the diagram it amounts to about 30 mA.

Caution must be exercised because the circuit is connected directly to the mains. The circuit must, therefore, be tested with the aid of an isolating transformer. Furthermore, it should be built into an enclosure that makes it impossible for mains-carrying parts to be touched. ■



DELAY TIMES				
Switches S <sub>1</sub>				Time (s)
1	2	3	4	
0	0	0	0	0.0
0	0	0	1	5.1
0	0	1	0	10.2
0	0	1	1	15.4
0	1	0	0	20.5
0	1	0	1	25.6
0	1	1	0	30.7
0	1	1	1	35.8
1	0	0	0	41.0
1	0	0	1	46.1
1	0	1	0	51.2
1	0	1	1	56.3
1	1	0	0	61.4
1	1	0	1	66.6
1	1	1	0	71.7
1	1	1	1	76.8

# A WORLD OF COMPUTERS

by C.C. Whitehead

IT MAY surprise many people to learn that computers have been with us since the dawn of history—or even before! It is, however, only in the second half of the present century that ordinary people have had them brought to their notice. Because of recent publicity (among others on BBC television), the name Babbage may stand out. But let us go back to the beginning.

Most people who have to do with computers would casually describe them as 'thinking machines', which would be good enough. That brings us to consider the term 'thinking'. Immediately comes to mind the term 'intelligence'. What is intelligence? This could lead to a great deal of controversy. Some people say that the term 'military intelligence' is a contradiction in terms. But in that connection, intelligence has a different meaning, best interpreted as 'information', upon which real intelligence can be brought to bear.

Now we are faced with the problem of defining intelligence. This again will cause controversy, but in this article it will have the broadest definition so as to cover all possible cases.

The definition might be 'the ability of an individual to react favourably to his/her environment—that is, from the point of view of the individual concerned'.

If we accept this definition, we realize that intelligence is inherent not only in human beings, but in all living creatures and even machines. And this is where the inorganic computer, of which we hear so much, comes in.

This brings us back to the matter of information, and how it is to be transmitted. Using technical terms, we say that it is usually transmitted in either or both of two forms: analogue and digital. Analogue is the form in which it is usually presented to our senses, whereas digital is the form in which it is normally employed in certain units in all computers.

As the computer machine has been developed, it has come more and more to resemble the living computer—particularly the human brain, but with one or two important differences—which we will discuss later.

From this, it may be realized that computers exist in a multitude of forms, from the simplest machine and living creature to the latest product of technology and the human machine.

Many people, particularly those with religious views, cannot accept the idea that physical laws appertain to living creatures. Although the inescapable fact is that they do, there are several aspects to be taken into account. To understand these, we have to consider the basic form of a computer—see Fig. 1. Although this is one of the many forms that a computer may take, the drawing shows all the essential elements. In the simplest form of

computer, such as, for instance, a washing machine, the logic and the clock are inherent in the arrangement of its components.

There is a striking similarity between a fully developed inorganic computer, that is, machine, and a fully developed organic computer—the human brain. There are, however, also several important differences between them: some of these are clearly understood, but little is understood of others.

One of the well-understood differences is the 'clock rate' in terms of the number of pulses per second. In the human brain, that rate is about 16 pulses per second (although it varies in different individuals), but in the

**The only thing we know with absolute certainty about the universe in which we live is that it changes.**

Karl Marx

inorganic computer, it may be a million times faster. This enables calculations to be carried out that would be impossible in the human brain on account of the time involved. The clock controls the speed of operation.

A little-understood difference is *emotion*, about which we do not know nearly as much as we would like, and only insofar as it appertains to the human brain. It probably also

plays a large part in other organic brains.

Information processed in the basic computer may be in either analogue or digital form. In the 'logic unit', however, it is always dealt with in its digital form. There are only two answers to every question: yes or no, resembling a switch that is on or off as shown in Fig. 2. The problem represented by the switches in that illustration—which may be translated into analogue form at a later stage—exists in the memory and logic units in the form of a pattern as shown in Fig. 3.

It is here that the similarity between the living and non-living computer stands out. In the living human brain, there are untold millions of these tiny switches, as neurologists will testify, very probably more than exist in any inorganic computer. In the most highly developed computers, they exist not only in the logic unit but in the memory as well, and this, of course, applies to the living brain.

There is another important fact about *all* computers, and that is that *they have to be programmed*, that is, told what problem they have to solve and how they must proceed in doing so. How this is done is well known to anyone who uses an inorganic computer. But how does it apply to the living brain? The answer is that it lies in what we call 'education', which is said to derive from the Latin for 'bringing out', although it is quite obviously a process of 'putting in'. *Now you see why governments*

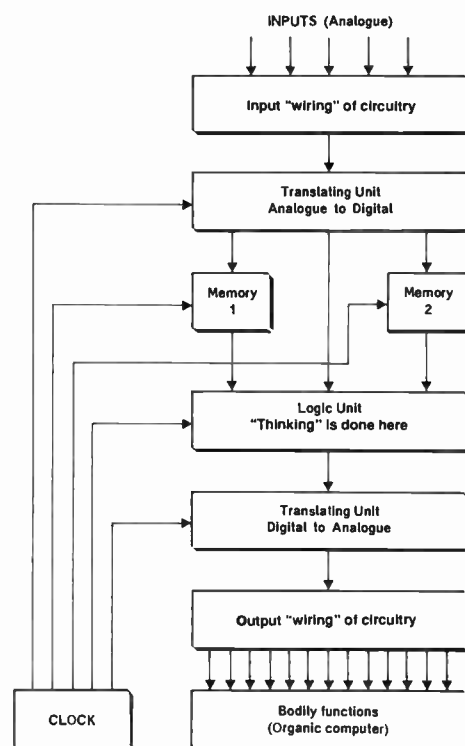
**The organic computer generally has the ability to select its inputs from the environment. In the case of an organic computer, the inputs are nerve-trunks.**

**Information may be stored in many memories in the case of an inorganic computer, but the human brain has only two memories.**

**The output wiring of circuitry in an inorganic computer is analogous to nerve-trunks in the organic computer.**

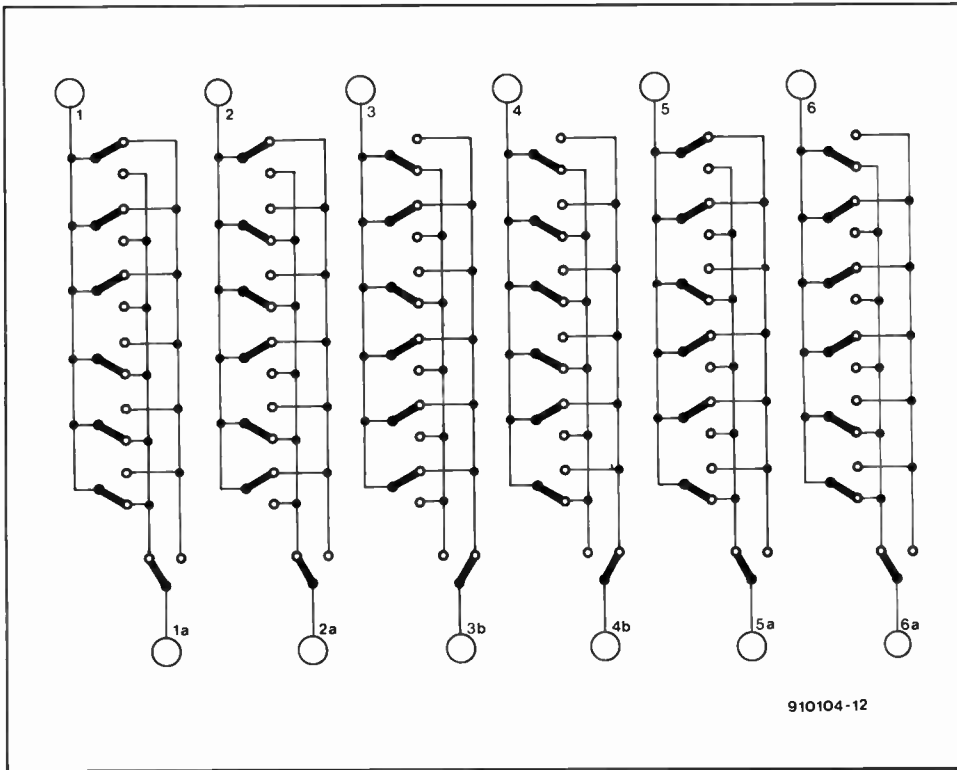
**Bodily functions in the organic computer are equivalent to machine and chemical processes in an inorganic computer.**

**In an organic computer, the clock rate is generally 16 pulses per second, but in inorganic computers it may be many millions of pulses per second.**

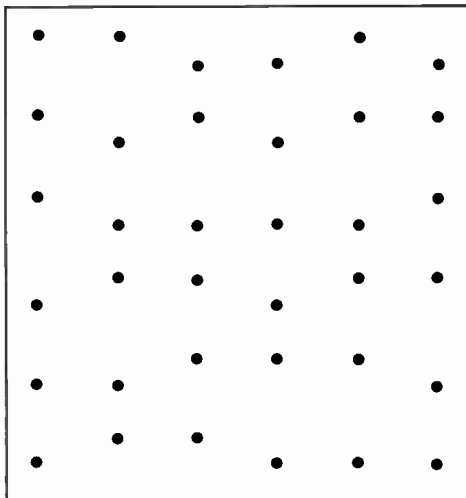


910104-11

Fig.1. Basic form of a computer.



**Fig. 2. Computers are, basically, assemblies of switches, each of which represents a 'yes' or 'no'. In this drawing there are 84 switch contacts, whose pattern is shown in Fig. 3. It does not require much mathematical insight to see that even 84 contacts provide an astronomical number of possible patterns. Imagine then the complexity of the human brain that has millions of switch contacts.**

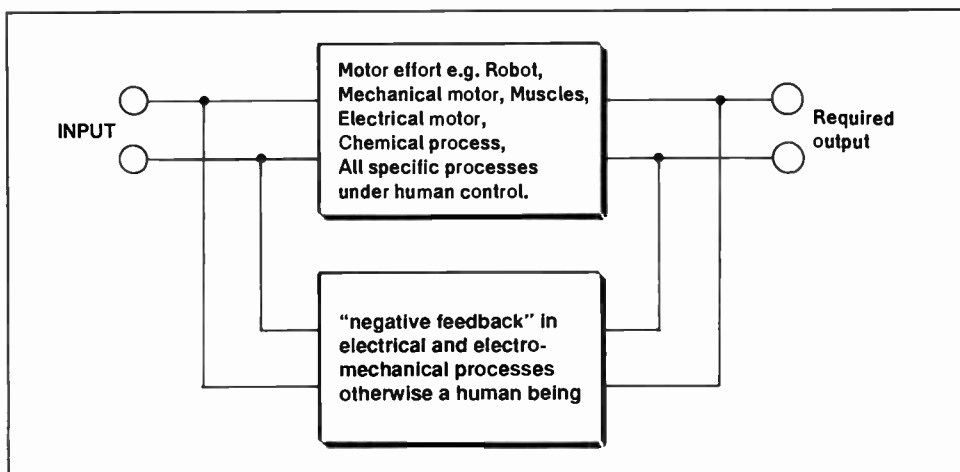


**Fig. 3. See caption of figure 2.**

*are so concerned with 'education'!*

Another well-developed form of inorganic computer is the 'automatic factory', where the total output of the computer is translated into analogue terms to make the machine work. In living creatures, there are numerous analogue units. For example, in the human organism, the process of translating the output of the logic unit into analogue terms would appear to take place in the cerebellum and the independent nervous system to control such functions as digestion, excretion, and the supply of hormones.

Now, let's look at it from another angle, that which directly concerns human consciousness and the nature of human thinking. It is important to think carefully about the *real* world in which we are living. Did the dominant animals in the past become



**Fig. 4. In some processes, such as the performing of simple tasks by a machine, the 'feedback' control is exercised by a human being: this is called 'management'.**

extinct owing to the fact that they didn't have enough intelligence to survive or did they have intelligence and did not use it?

The dominant creature in the world today—man—is in imminent danger of extinction if he does not use *his* intelligence. To use that intelligence, we must look at the world as it is *today*.

The comment of Karl Marx quoted above is apposite. In the world as we see it today, that change is very rapid. Changes that in the not too distant past would have taken a hundred years to come about now happen in a period of less than ten years.

It is the economic system brought about by politics that decides what sort of life we shall live or, in simple terms, how we will gain our livelihood.

In today's technology, the computer plays an important role. It is more than just a machine. The highest state of development of the computer shows a startling analogy with the human brain, at least insofar as brain function is known.

There are two basic principles used in the design of a computer. Any computer may employ either or both principles. In the earliest automatic machines and computers, the 'analogue' principle was used.

A source of electrical power is applied to a machine to perform a certain task. The resulting output in terms of electrical power is reversed in phase and applied to the input in common with the original input—negative feedback—as illustrated in Fig. 4. This device is known as a servo system. In the case of an inorganic system, its design involves a high standard of mathematical ability.

The organic system, for instance, the human body, has a multitude of such servo systems that control the movement of muscles and other body functions.

An important difference between the inorganic computer and the human brain is, as stated before, emotion, about which, apart from its overt effects, we know little. It involves self-consciousness, which is most apparent in human beings and the higher-order apes.

The science that embraces computers, calculators and robots is called cybernetics, which means 'steersmanship'. Thus, machines that can steer themselves towards a desired goal. Many such machines have been invented over the past two centuries at least, but only to perform one, or at most a few, simple tasks, like many of our household gadgets.

One section of a complete computer, the one that is most analogous to the thinking part of the human brain—the cerebral cortex—works on the digital principle. This is the *logic unit*.

Other sections of the computer work on the analogue principle and still others use both. In the organic computer, these would appear to be located in the hypothalamus, cerebellum and autonomous nervous system. It appears that the memories use the digital system located in the hypothalamus, since they obviously exist even in lowly forms of animal life.

The hormone system, controlling the chem

istry of the blood and the beating of the heart (which has its own servo-system) appears to be controlled by the pituitary gland in the hypothalamus. The digestive and excretory systems are controlled by the autonomous nervous system in the trunk; it is separate from the main nervous system, but partly under its control.

The most important part of both the organic and inorganic computer is the memories—the vital core of the whole system. There may be many memories in an inorganic computer system, but the human brain appears to have two: the long-term memory and the short-term memory. They perform separate functions. An older person, whose short-term memory may be failing, can normally recall with some clarity incidents that

happened in his or her childhood, but cannot remember something that occurred yesterday.

In order that it can function, the computer must be fed with information and instructions, for which it has a number of 'inputs'. The human brain is fed by the five senses: sight, hearing, touch, smell and kinæsthesia. These inputs enable both types of computer to keep in touch with their environment. The organic computer has the ability to select some of its inputs from the environment; the inorganic computer, however, must be programmed by human beings.

Now, 'programming' is the tricky part of this dialogue, since this is where the different points of view come in. Since programming involves instructions in regard to the

task to be performed and the way in which it is to be performed, the religious person will aver that the programming is carried out by God or his counterpart, the Devil, with the connivance of family and acquaintances. The agnostic or atheist will insist that programming is nothing more than the effect of the environment—physical, political and economic. The physical facts are obvious and not necessarily antagonistic to the religious point of view. The political fact is that governments are keenly concerned with the programming, that is, education. And the process always concerns the economy.

If this article makes it appear that the whole universe is a computer, the question arises: "Who is the programmer?" ■

## RS232 FOR SHARP POCKET COMPUTERS

by S. Schmid

PROGRAMMING pocket computers is normally a tricky job, owing to the small keys and the small memory. The pocket computers from Sharp, which can be programmed in BASIC, have an interface that can be connected to a special cassette interface. The signals at that interface are very similar to those of an RS232 interface, but they are inverted and have different logic levels. It would, of course, be tremendous if the pocket computer could be linked to larger computer via this interface, because the writing, changing and storing of the software could then be done much more conveniently.

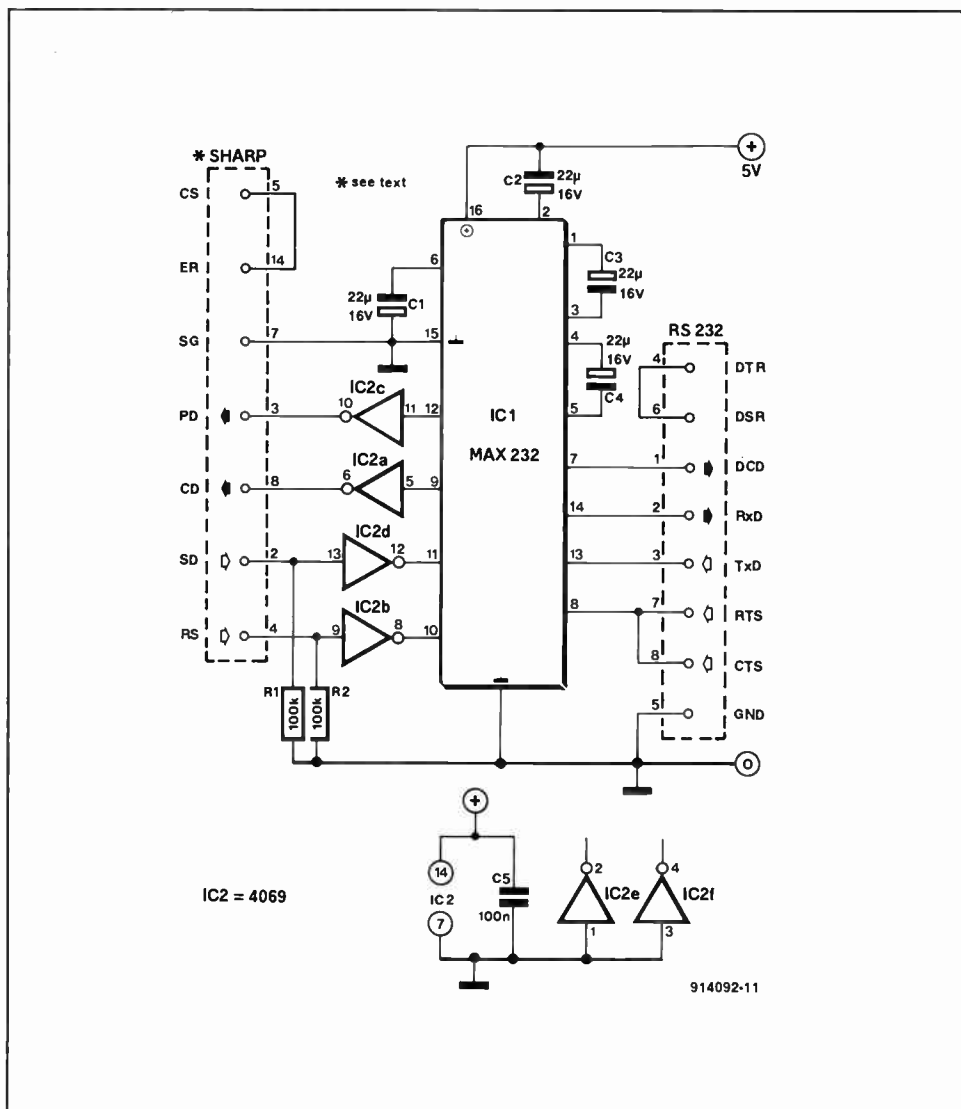
It only requires a small circuit—see diagram—to make that possible. The single 5V supply voltage is converted into  $\pm 10$  V in IC<sub>1</sub>. With these voltages, the buffers in IC<sub>1</sub> can convert the logic signals of the pocket computer into RS232 levels. Inversion of the levels is effected by four inverters in IC<sub>1</sub>.

The circuit draws a current of only 30 mA, so that it can be supplied from the larger computer.

The connector to link the interface to the pocket computer presents a little inconvenience, because its pitch (1.27) is rather unusual. Connectors with that pitch are normally too long for this application: the only solution is to cut one to size!

The circuit has been tested with a XON/XOFF protocol, 2400 baud, even parity, 8 data bits and a stop bit. At higher speeds, small problems arose, but that need not always be the case, depending on the software.

The interface of the Sharp pocket computer is set with  
OPEN" COM:2400, E, 8,1, A, L, &H1A, X,  
N": CLOSE. ■



# PROTECTION AGAINST DIRECT VOLTAGE

by W. Teder

AMPLIFIERS that have no capacitor at their output may, in case of a defect, apply a direct voltage to the loudspeakers and this

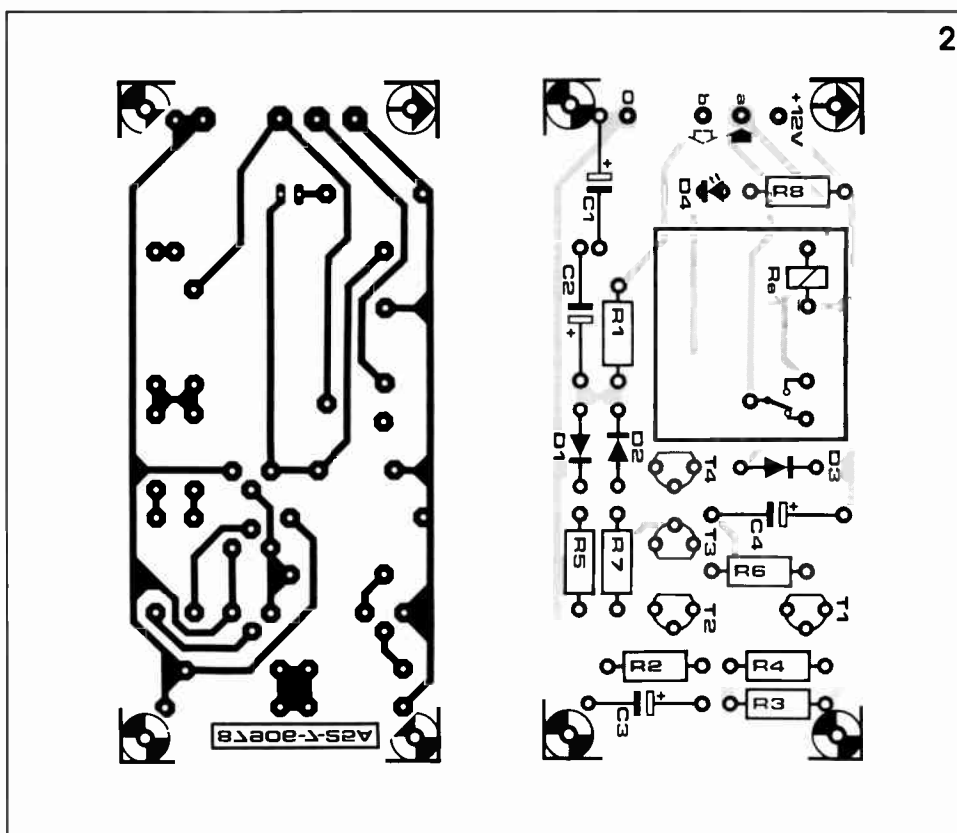
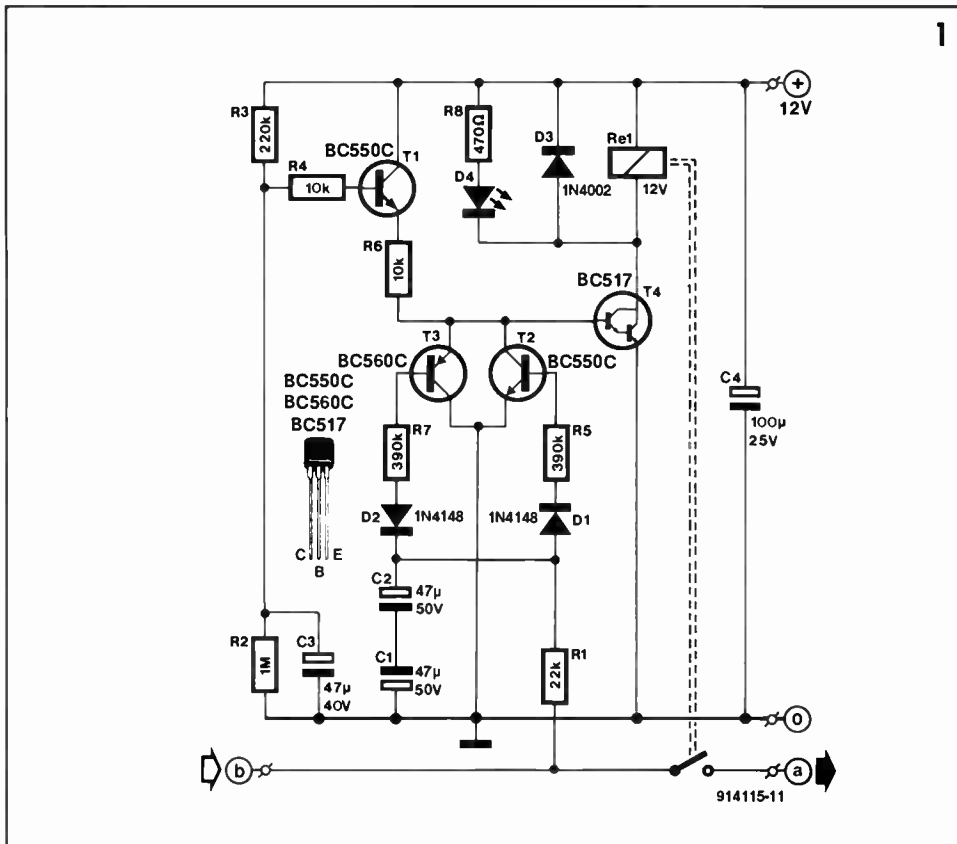
can destroy the drive units. The circuit shown can prevent such a catastrophe.

It is best to give the circuit a separate

power supply: this minimizes any work on the amplifier(s). This supply must, however, be switched synchronously with that to the amplifier(s), since on power-on, T<sub>1</sub> ensures that the relay (which switches the loudspeaker inputs) is energized after some delay. The delay is determined by the time-constant R<sub>3</sub>C<sub>3</sub>.

Assuming that the amplifier operates correctly, its output signal at point b is linked to point a, and thence to the loudspeaker(s), via the relay contact. Owing to the time constant R<sub>3</sub>-C<sub>3</sub>, bipolar capacitor C<sub>1</sub>-C<sub>2</sub> cannot be charged by the a.c. signal at point b. If, however, a defect causes a direct voltage at that point, the capacitors will be charged via R<sub>2</sub>. Depending on the polarity of the direct voltage, either T<sub>2</sub> or T<sub>3</sub> will be switched on, which removes the base current from T<sub>4</sub> and this results in the deenergizing of the relay: the amplifier output is then removed from the loudspeaker(s).

The supply to the protection circuit must be neither regulated nor smoothed. True, C<sub>4</sub> provides some smoothing, but the important thing is that after the amplifier has been switched off, this capacitor is discharged more rapidly than the smoothing capacitors in the amplifier power supply. This ensures that the relay is deenergized before the amplifier can produce a click in the loudspeaker(s). Depending on the relay, the current drawn by the circuit is about 50 mA. ■



## PARTS LIST

### Resistors:

R1 = 22 kΩ  
R2 = 1 MΩ  
R3 = 220 kΩ  
R4, R6 = 10 kΩ  
R5, R7 = 390 kΩ  
R8 = 470 Ω

### Capacitors:

C1, C2 = 47 µF, 50 V  
C3 = 47 µF, 40 V  
C4 = 100 µF, 25 V

### Semiconductors:

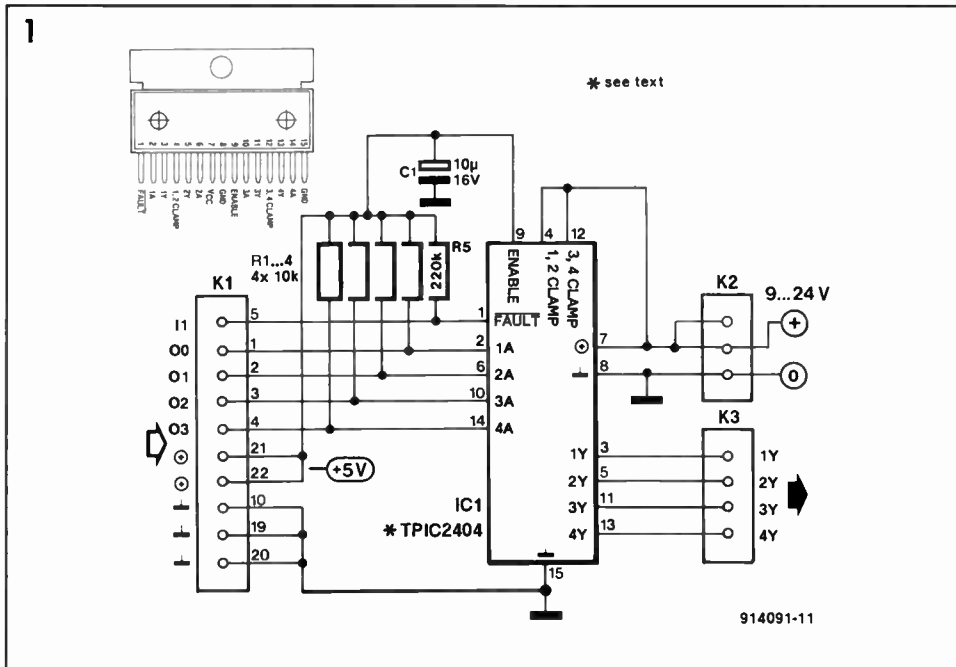
D1, D2 = 1N4148  
D3 = 1N4001  
D4 = LED  
T1, T2 = BC550C  
T3 = BC560C  
T4 = BC517

### Miscellaneous:

Re1 = 12 V relay, e.g.  
Siemens V23217-A0002-A101

# INTELLIGENT POWER SWITCH

by J. Ruffell



TEXAS Instruments' TPIC2404 is a monolithic, high-voltage, high-current, quadruple switch especially designed for driving peripheral loads, such as relays, solenoids, motors, lamps, and other high-voltage, high-current loads from low-level logic. It can switch currents of up to 1 A without any problem; the current may be increased to 4 A by connecting four outputs in parallel. As shown in Fig. 2, the outputs are of the open-collector type.

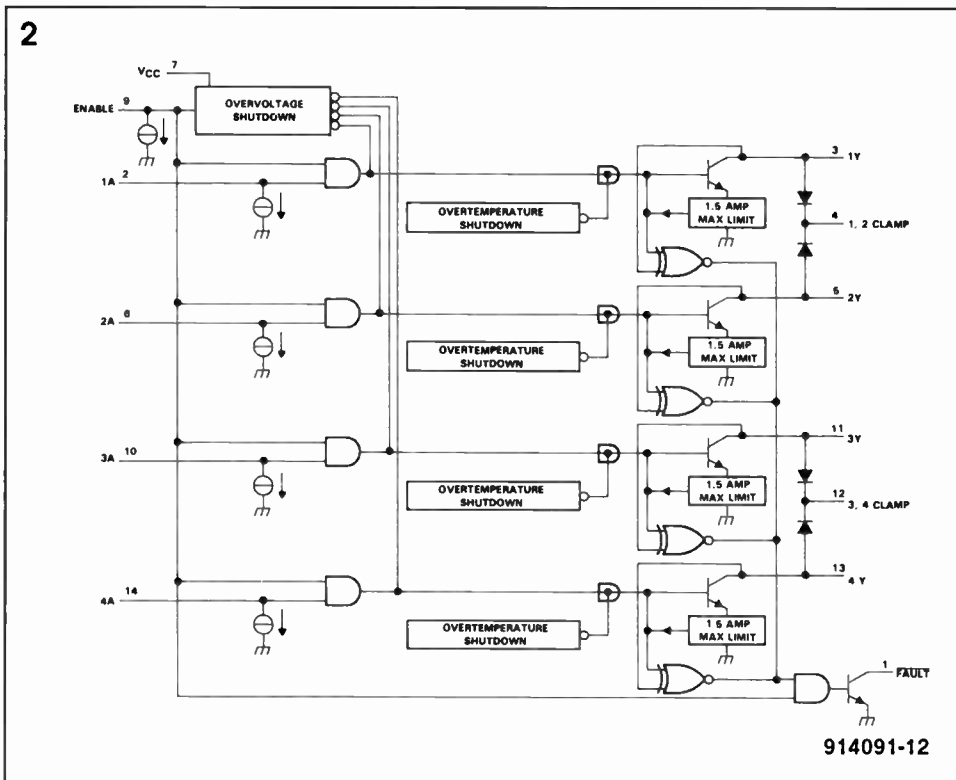
Connected in a circuit as shown in Fig. 1, the chip may conveniently be used to increase the power handling of the Centronics analogue-to-digital and digital-to-analogue converter published in the May 1990 issue of *Elektor Electronics*. Note that the FAULT output of the IC is connected to input I1 of the converter. This enables the TPIC2404 to indicate the following fault conditions.

- Too high supply voltage (>25.5 V).
- Thermal overload.
- Output short circuit.
- Loads not connected (only if outputs are inactive).

The software regularly monitors the level on line I1 and will indicate a fault condition.

The TPIC2404 must be fitted on to a small heat sink: 8 cm<sup>2</sup> (1.5 in<sup>2</sup>). When the chip is used with the converter, R<sub>31</sub> on the converter board must be disconnected.

The switch draws a current of about 100 mA when all outputs are active. ■



# CMOS DIMMER

A Siemens application

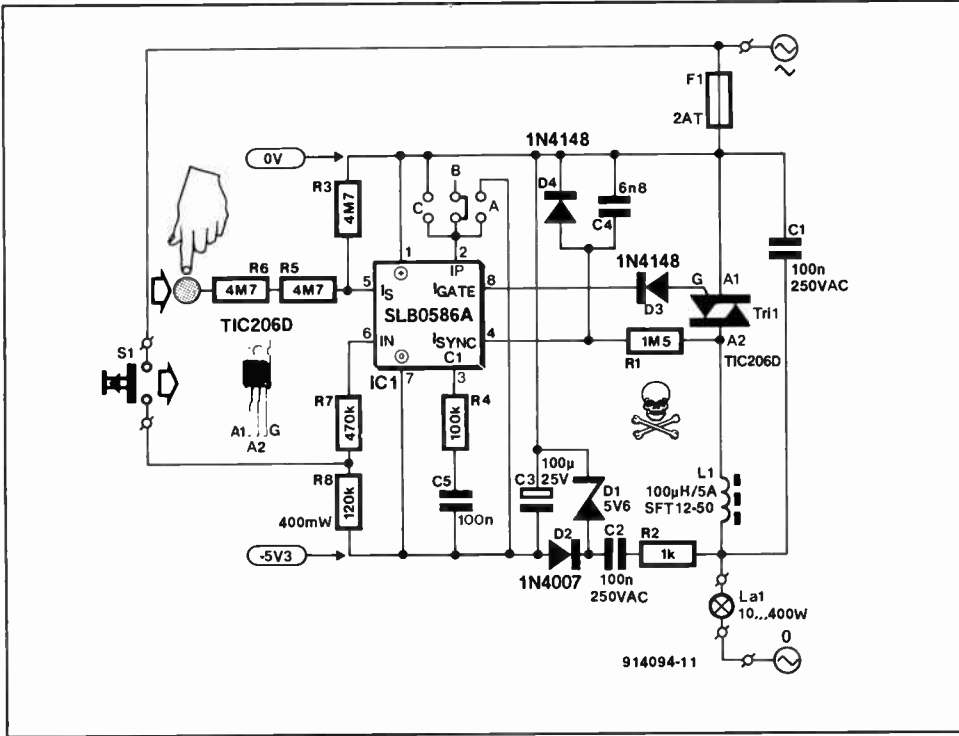
SIEMENS' Type SLB0586A IC enables the simple construction of a dimmer with touch control. Used in conjunction with a Type TIC206D triac, it allows the dimming of light

bulbs of 10–400 without any problem. A 100µH, 5 A inductor is needed to suppress the switching noise.

Synchronizing pulses are derived from the

mains voltage via R<sub>11</sub>, C<sub>4</sub> and D<sub>4</sub> and these are applied to pin 4 of the IC.

The supply voltage is obtained by means of R<sub>2</sub>, C<sub>2</sub>, D<sub>1</sub>, D<sub>2</sub> and C<sub>3</sub>, and lies about 5.3 V



below the mains voltage. The touch key used to operate the IC is connected to pin 5 via two 4.7 MΩ resistors, R<sub>5</sub> and R<sub>6</sub>, to guarantee the safety of the user.

Since dimmers are often built into an existing circuit, there is frequently a need for operation from two different locations. Consequently, the diagram shows an additional push-button switch that may be situated well away from the touch key.

The diagram also shows three jump leads, which are intended for selecting one of three modes in which the IC can work. When jump lead B is used, the light is always switched on at the last used level, whereas when A or C are used, the light comes on at minimum brightness. When B or C are used, the dimming direction reverses every time dimming is used; this is not the case when jump lead A is used.

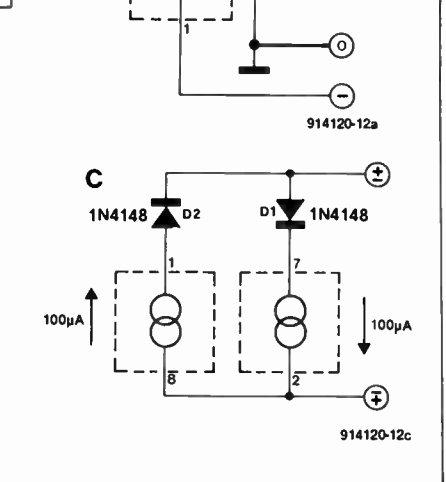
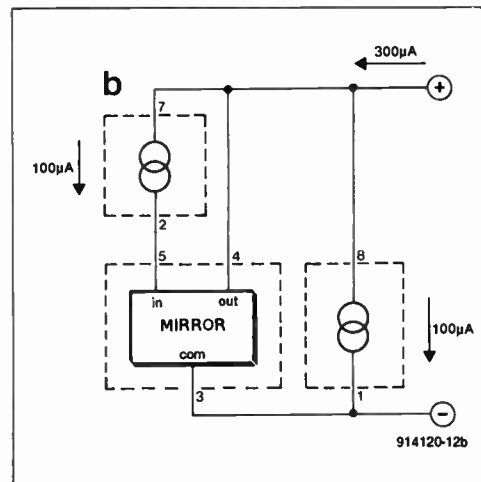
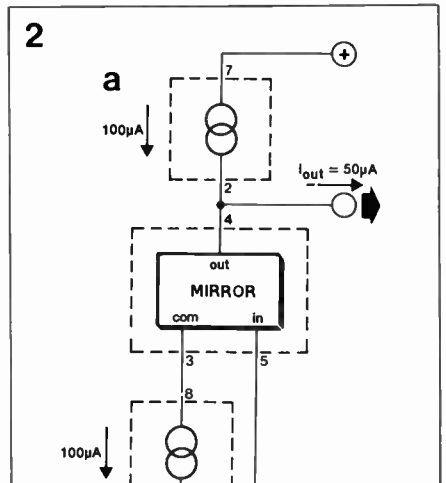
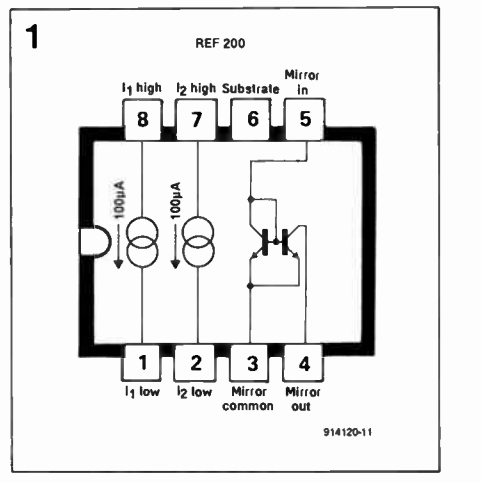
When the touch key is touched briefly, that is, for 50–400 ms, the light is switched on or off; if it is touched for a longer period, the dimming cycle is started. ■

# REF 200

## A Burr-Brown application

**B**URR-BROWN's REF200 provides in one 8-pin DIL package two independent current sources, either of which can supply 100 μA, and a 1:1 current mirror. The pinout of the device is shown in Fig. 1. Note that there are no pins for connecting a supply voltage. The correct operation of the current sources is, however, guaranteed when the potential across the source is not less than 2.5 V. The average drift with temperature is only 25 p.p.m./K. The output impedance is not less than 100 MΩ. The operating voltage must not exceed 40 V.

The two sources and the mirror make possible a number of configurations, some of which are shown in Fig. 2. That in Fig. 2a is a 50 μA current source whose output voltage may vary between 0 and the positive supply voltage minus 2.5 V. In Fig. 2b, all parts of the IC form a floating 300 μA current source. Finally, Fig. 2c shows a bidirectional 100 μA source. ■



# WIDEBAND ANTENNA AMPLIFIER

This simple to build antenna booster offers a gain of some 20 dB over a frequency range that covers the VHF FM radio band and the whole of the UHF TV band.

## an ELV design

**A**N antenna amplifier is useful in cases where reception of a VHF or UHF station is marginal, or where several radios or TV sets share a single antenna. In the latter case, the loss introduced by a 'splitter' has to be overcome with some additional gain. Since an antenna amplifier raises noise as well as signals within its pass-band, it is essential that it be mounted as close as possible to the antenna, where its beneficial effect is greatest.

The antenna amplifier described here is designed such that it can be connected to the antenna via a very short cable, without the need of a separate power supply being fitted close by on the roof top.

The amplifier is powered via the output coax cable. This arrangement is called a phantom supply. Figure 1 gives an indication of the RF performance that may be expected from the amplifier. It is seen that a gain of about 20 dB is achieved at frequencies between 40 MHz and 860 MHz.

## Use and function

The antenna amplifier is inserted between two coax connectors in the existing cable near the antenna. The connection is broken, and the coax plug at the side of the antenna is inserted into the input socket of the antenna amplifier. The amplifier output socket is connected to the plug fitted on the download cable, i.e., the coax cable that leads to the TV set. That is all there is to the basic installation of the amplifier.

Once installed, the amplifier provides a gain of 20 dB, which is ample to prevent a fairly long download cable or other attenuating devices (including splitter boxes and connectors) degrading the signal-to-noise that exists at the antenna terminals — the upshot is that you have a better signal/noise ratio at the end of the download cable, i.e., at the input of your TV set.

The amplifier is phantom-powered, that is, it receives its supply voltage via the download cable, obviating the need of separate (low-power d.c.) wiring. The phantom supply for the amplifier is inserted into the cable at the antenna input of the TV set. The antenna plug is pulled out of the TV antenna input, and plugged into the input of the phantom supply unit. Next, the output plug of the phantom supply unit is plugged into the antenna socket on the TV set. The supply

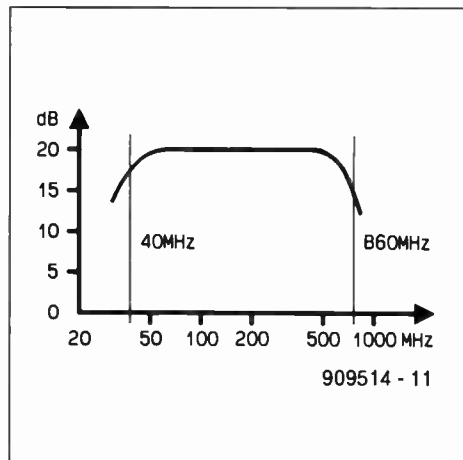


Fig. 1. Pass-band of the amplifier.

voltage for the phantom unit must lie between 5 V and 8 V d.c., and is best provided by a small mains adaptor. When an unregulated adaptor is used, care should be taken to keep the output voltage below 7 V. Given that the current consumption of the antenna amplifier is a few milliamps only, this may mean that the output voltage switch must be set to 4.5 V, which usually gives a no-load output voltage of between 6.5 V and 7 V. Make sure that the tip of the 3.5-mm jack plug is the positive supply. The 3.5-mm jack

plug of the mains adaptor is inserted into the socket on the phantom supply unit, which takes care of the d.c. decoupling at the input of the TV set.

## The circuit

The circuit diagram of the antenna amplifier is given in Fig. 2. The RF signal supplied by the antenna arrives at the input of a Type NE5205 RF integrated amplifier via input socket BU4 and coupling capacitor C3. The NE5205 raises the signal ten times, which corresponds to a voltage gain of 20 dB. The output signal of the IC is fed to the input of the TV set via capacitor C4, socket BU5, the download cable and the phantom supply unit. Inductor L2 blocks the RF signal, and so provides a d.c. path for the positive supply voltage on the signal connection of BU5. Likewise, capacitor C4 blocks the d.c. supply voltage at the output of the amplifier IC. The IC supply voltage is decoupled for RF as well as lower frequencies by a parallel combination of an SMA (surface-mount assembly) capacitor, C6, and an electrolytic capacitor, C5.

The operation of the phantom supply unit is apparent from Fig. 3. The output signal of the antenna amplifier arrives at socket BU2, and is fed through to BU3 via coupling

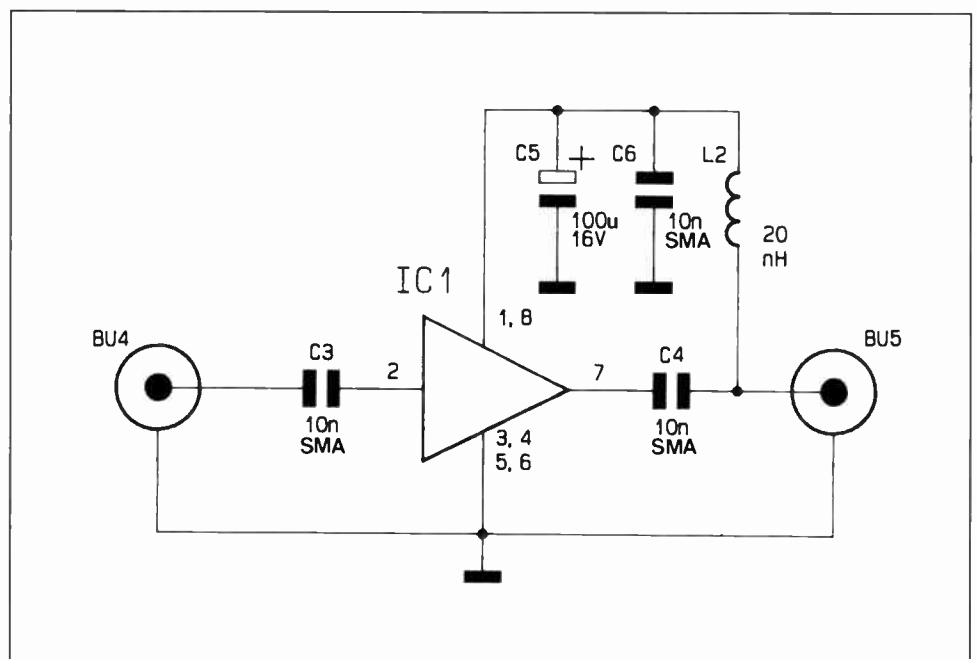


Fig. 2. Circuit diagram of the masthead amplifier.



capacitor C2. The output connector, BU3, is plugged into the antenna input on the TV set. Inductor L1 prevents RF signals being short-circuited by the power supply, and feeds the direct voltage applied to BU1 (the supply input socket) to the core of the coax cable. In this way, the RF signal is superimposed on the direct supply voltage of the amplifier. This supply voltage can not arrive at the antenna input of the TV set because it is blocked by capacitor C8.

**Construction**

Provided you have some experience in working with miniature circuits, the construction of the antenna amplifier is straightforward.

Start the construction by positioning and soldering the three SMA capacitors at the track side of the amplifier board. Next, mount IC1 at the component side, and solder its terminals at the track side. Finally, mount

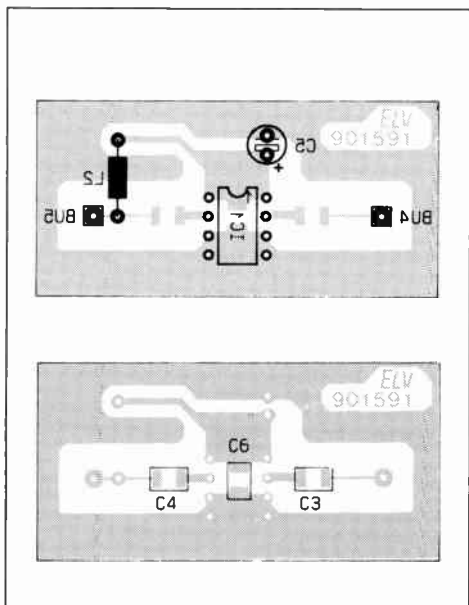


Fig. 4. PCB design for the RF amplifier.

COMPONENTS LIST	
Content of kit supplied by ELV	
<b>Capacitors:</b>	
1 820pF	C2
3 10nF SMA	C3;C4;C6
1 22nF ceramic	C1
1 100µF 16V radial	C5
<b>Semiconductors:</b>	
1 NE5205	IC1
<b>Miscellaneous:</b>	
2 20nH inductor	L1;L2
1 3.5-mm jack socket	BU1
2 Coax socket, chassis mount	BU2;BU4
2 Coax plug, chassis mount	BU3;BU5
2 sheet metal enclosure	
70mm silver-plated wire	
1 Printed circuit board	

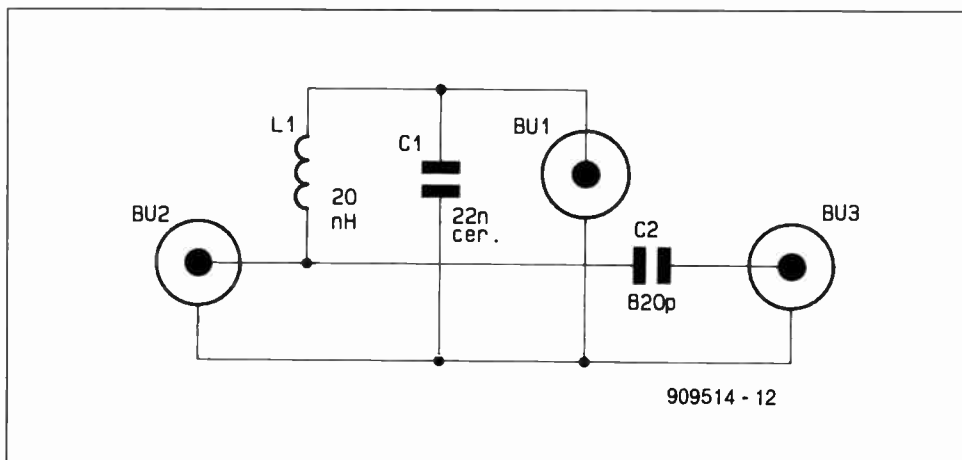


Fig. 3. Phantom supply unit.

inductor L2 at the component side, taking care not to create short-circuits.

The strip of sheet metal supplied with the kit is bent around the PCB edges to form the amplifier case. Next, the input socket and the output plug are fitted to the short sides, and soldered at the inside of the 'case'.

Push the amplifier PCB into the case, such that the side with the IC on it rests against the pins of the coax connectors. Align

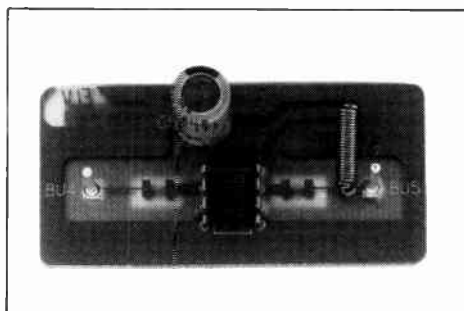


Fig. 5. Component side view of the completed amplifier board.

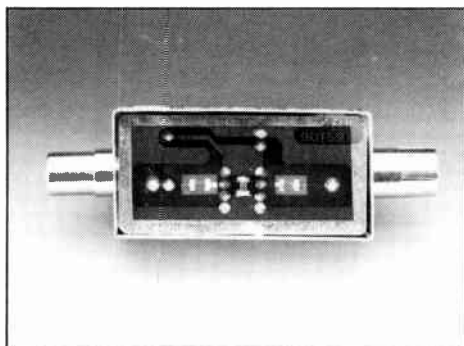


Fig. 6. Track side view of the amplifier board before it is soldered to the inside of the enclosure.

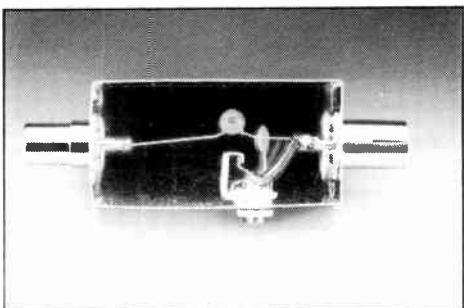


Fig. 7. Completed phantom supply unit.

the PCB, and solder one of the long sides to the metal case, at about 4 mm from the underside of the case. Next, clamp the case into its final shape, and solder the ends of the metal plate where they join. Secure the PCB in the case by soldering it all around to the metal plate. Likewise seal the input and output connector by soldering at the outside of the enclosure. The 6-mm hole in one of the long sides of the enclosure must also be sealed by soldering.

Connect the centre pins of the coax connectors on the amplifier to the copper tracks at the other side of the board by inserting short pieces of silver-plated wire (supplied with the kit) into the respective holes, and soldering at the track side and the connector pin.

The phantom supply does not require a separate circuit board. The input and output coax connectors are fitted on to the metal sheet enclosure as with the amplifier. Here, however, the 6-mm hole in one of the long sides is used to mount the 3.5-mm jack socket for the d.c. supply voltage. The centre pins of the coax connector are connected by capacitor C2. The centre pin of the input coax connector is connected to the centre pin of the supply socket via inductor L1. Next, solder the ground connection of the supply socket to the inside of the enclosure. Finally, fit decoupling capacitor C1 across the supply socket terminals.

Carefully check the construction of the amplifier and the phantom supply unit before you run a short test on them. Next, seal the enclosures completely by fitting the cover plates, and soldering these securely to the enclosures.

A complete kit of parts for the wideband antenna amplifier described here is available from the designers' head office and worldwide distribution centre:

**ELV GmbH**  
**P.O. Box 1000**  
**D-2950 Leer**  
**GERMANY**

Telephone: +49 491-60080  
 Facsimile: +49 491-72030

# HEATH GC-1000 "MOST ACCURATE CLOCK"

Reviewed by William Sommerwerck

**Y**OUR digital wristwatch is probably accurate to 15 seconds a month. But what good is that accuracy if you don't have the exact time by which to set the watch? One way to find it out is to tune to WWV (WWVH in Hawaii) and set your watch "at the sound of the tone." If you don't own a shortwave receiver, you can get a Radio Shack *Talking Clock* to receive WWV at 5, 10, or 15MHz.

The voice and the beep are not the only WWV time signals. Digital time data is also buried in WWV's subcarriers. The GC-1000 decodes and displays that data.

## How it works

At its heart, the GC-1000 is a conventional crystal-controlled digital clock. A 3.6MHz crystal oscillator, its timebase, drives the display continuously. The uncorrected accuracy of the crystal is 10ppm (parts per million). That's a little better than  $\pm 0.9$  seconds per day—hardly "most-accurate."

The accuracy comes from WWV. Once each minute, WWV transmits the correct time in BCD (binary-coded decimal) form, along with synchronizing pulses. The GC-1000 decodes the time and updates the display. If, for example, the correct time is 12:42 AM, the GC-1000 forces the display to that time. The internal timebase runs the display until the next WWV time is decoded.

Of course, the clock cannot know whether it has decoded the BCD data correctly. Noise could add or obliterate a data bit, and the logic circuits would be none the wiser.

To reduce the chance of making a mistake, the GC-1000 keeps a running track of the decoded times. When two successive times are one minute apart and are consistent with the currently displayed time, the GC-1000 assumes these times were read correctly. The displayed time is then updated and the green Hi-Spec light on the front panel is turned on. The Hi-Spec light goes off after about 10 minutes, unless the time is again correctly decoded.

Heath claims the display is accurate to within 10mS when the Hi-Spec light is on.<sup>1</sup> The light is off if no recent updates have occurred, and the clock will drift until the next updating.

How much it drifts depends on the accuracy of the crystal. The GC-1000 can improve the crystal's accuracy, however. Whenever the decoded time differs from the crystal's time by more than 5mS, the clock trims the crystal frequency—by way of the varactor—to compensate.<sup>2</sup>

Whenever the GC-1000 has not correctly decoded the time within the preceding 24 hours, it dims the tenths-of-seconds digit in the display. This is a warning that WWV reception has deteriorated or become unstable.

## Even more accuracy

To improve the accuracy of the displayed time further, the GC-1000 includes compensation for propagation delay. You can set the distance from WWV up to 3,750 miles, in 250-mile increments.

Another available correction is for "UTC1," which appears to be a compensation for the variation (about 1%) in orbital speed of the earth. This is important to navigators, since this variation causes a slight change in the time at which the sun is directly overhead. (The resulting positional error is about 0.3 of a mile at the equator.)

Switching on UTC1 correction causes the displayed time and the announced time to fall out of synch by about a half second. At the end of 1989, when a leap second was added, I turned on UTC1 compensation and watched to see what happened. The extra second reversed the phase of the synch error. The once-per-second blip had been ahead of the display; it was now behind it.

One convenient feature is the provision for daylight-savings time. When the DST switch is on, the GC-1000 recognizes WWV's daylight-savings time code and advances the display one hour.

## Display

The display uses large ( $\frac{7}{16}$ " ) LEDs and is easy to read (even for myopic, astigmatic eyes like



mine). A switch on the left turns the display on and off.

It may seem odd to have a display switch. After all, if you don't wish to look at the GC-1000, you can tuck it away. The reason is that the GC-1000 draws a lot of power when the display is on. The power supply has a base voltage of 12V, while the display board runs at 5; the regulator must dissipate 7V at 600mA. If you intend to leave the display on, be sure the GC-1000 is in a well-ventilated area.

The GC-1000 includes a speaker so you can hear the time announcements and once-per-second beeps. A knob on the back sets the volume or shuts the sound off. An internal jumper can be set so the audio is muted whenever the Hi-Spec light is not lit (the type of imaginative touch that distinguishes a superior product).

## Computer interface

An RS-232 interface is available as an option for the kit. (It's standard with the assembled version.) You can set the baud rate and number of stop bits, but not the parity or number of data bits. (This shouldn't cause a problem, because most computers' serial ports are fully configurable.)

The interface transmits the time as a string of ASCII characters in the following format:

HH:MM:SS.S PM MM/DD/YY

### HEATH GC-1000 SPECIFICATIONS

**Description:** Crystal-controlled clock synched to WWV time code; uncalibrated accuracy 10ppm; displayed time within 10mS when Hi-Spec light is lit.

**Features:** Seven-digit display: hours, minutes, seconds, tenths of seconds; automatic scan of WWV 5, 10, and 15MHz signals; 12/24-hour local-time display, or UTC; autoswitch to Daylight Savings Time; UTC-1 compensation; channel lockout for unreceivable frequencies; propagation delay compensation (0-3,750 miles in 250-mile steps).

**Power:** 120 (240V AC), 50/60Hz at 100mA (50mA), or 12V DC at 750mA (150mA with display turned off).

**Accessories:** whip antenna; RG-174 antenna cable and connectors; DC power cable and plug.

**Options:** GCA-1000-1 RS-232 interface, \$50 (plus shipping).  
GCA-1000-3 computer interface software (IBM PC only), \$50 (plus shipping).  
GCA-1000-4 technical manual, \$25 (plus shipping).  
GCA-1000-5 outdoor antenna, \$100 (plus shipping).

**Price:** GC-1000-H kit, \$250 (plus shipping); GCW-1000-H assembled (includes RS-232 interface), \$380 (plus shipping).

(The AM/PM indication is replaced with spaces if the clock is set for 24-hour mode.) You can set the interface to send the time continuously or only when the RTS (request to send) line is strobed.

The optional software (described later) is for the IBM PC and compatibles. However, any computer with a serial port, and software to control it, can read the time from the GC-1000.

## Documentation

The instruction manual, schematics, and pictorials meet Heath's usual high standards of completeness and accuracy. The theory of operation section is also typical Heath—badly written and poorly organized. The author doesn't know much about electronics<sup>3</sup> and less about astronomy. For example, he or she confuses the normal change in earth's velocity as it circles the sun with the wobble of the earth's axis and the irregular changes in the length of the year.

The manual is particularly unclear on the meaning and use of UTC1 correction. (The author obviously doesn't understand it.) Unfortunately, my copy of *Reference Data for Radio Engineers* is 15 years old; WWV did not incorporate this correction at that time.

## Assembly

Heath rates the GC-1000 as a "level 2" project—moderately complex. No tight mechanical work is required, but you must solder fine wires to connector pins, which takes a light touch. Only the large number of parts might be intimidating. A self-assured beginner shouldn't have any trouble.

I ambled through assembly in about 15 hours. (A fast worker might knock it off on a single long Saturday.) Despite my leisurely pace, I still managed to put one of the board connectors on backwards.

The GC-1000 worked correctly when I turned it on, except for one of the LEDs. I found the problem—an unsoldered joint—in about two minutes.

## Assembly hints and tips

The kit includes four M3 x 8mm self-tapping screws (key F2) that hold the regulator heatsink to the board and attach a small PC board to the top of the heatsink. They're made of soft metal and shear off when screwed into the heatsink. Buy steel screws and save yourself a lot of trouble.<sup>4</sup> (I had to remove two broken screws with Vise-Grips.) "Tap" the heatsink with the screws before installing it or the PC board.

The GCA-1000-1 RS-232 interface is non-standard. It's wired as DTE (data terminal equipment) and uses a male connector. Since the GC-1000 is a controlled device (like a modem or a printer), it should be wired as DCE (data communication equipment) and have a female connector.<sup>5</sup>

TABLE 1

```
MICROSOFT QUICKBASIC 4.5 PROGRAM
OPEN "MACLK" FOR INPUT AS #42
clock$ = INPUT$(24, #42)
CLOSE #42
PRINT clock$
```

Of course, you can correct this with an adapter. But you should fix the problem by replacing the Heath-supplied 25-pin male connector with a female connector. Be sure to wire the data line to pin 3 instead of 2. You'll also need to move the RTS (request to send) line over to pin 4.

## Calibration

Follow the instructions exactly for the calibration, and you should be dead-on the first time.

I've owned the GC-1000 for 18 months, and the calibration seems to hold. The clock always locks on to the time code in the morning, after lock is lost at night. However, on one occasion I lost AC power for several hours. At power-up, the clock refused to lock on, even after half a day. I repeated the calibration, and the clock locked on within a few minutes.

I don't know why this occurred. However, the calibration trimmers (R434 and 444) are cheap, unsealed carbon pots. I replaced them with sealed, plastic-film trim pots. (Cermet should be okay, too.) They have less backlash and are probably more stable.

## Locking on

For obvious reasons, the GC-1000 has no power switch. When you first plug it in, the time-display LEDs are off; only the tenths-of-a-second decimal point is lit. You'll see the scan LEDs lighting, in turn, as the receiver moves from 5 to 10 to 15MHz, and then starts over.

Don't expect to get the exact time immediately. The GC-1000 must find a clean WWV broadcast, then read the correct time three times in a row. This can take from four minutes to several hours. In Seattle, the best reception is during daylight; the GC-1000 quickly loses lock at sunset.

You may find that one frequency gives consistently better reception than the others. (In Seattle, it's 15MHz.) Three DIP switches on the bottom control which frequencies are scanned. The GC-1000 will lock on more

TABLE 2

```
MICROSOFT QUICKPASCAL 1.0 PROGRAM
PROGRAM ReadClock;
VAR clockfile : TEXT;
time : STRING[24];

BEGIN
Assign (clockfile, 'MACLK');
ReSet (clockfile);
ReadLn (clockfile, time);
WriteLn (time);
Close (clockfile);
END.
```

quickly if you shut out frequencies that aren't well-received.

## Software

The \$50 software package is pricey, but it delivers the goods.<sup>6</sup> You get three programs, plus full assembly-language source code. Unfortunately for Macintosh or NeXT owners, Heath supplies only IBM software.

MACLOCK.COM reads the GC-1000 and sets the system clock. You would normally call MACLOCK from AUTOEXEC.BAT, to reset the time (and date) when you reboot. You can also call it at any time from the command line to update the system clock.

The year in the GC-1000's output—which can be between 1983 and 1998—is set by four DIP switches on the RS-232 interface board. It's inconvenient to open the cabinet each December 31st, but MACLOCK provides a solution—which also takes care of the next century. Set the DIP switches for a leap year (1984, 1988, 1992, or 1996), then specify the current year on MACLOCK's command line. This way you must edit only a batch file. I tested it for 2001, and it worked.

MACLKDVD.SYS is a system driver loaded by CONFIG.SYS. Your own software can then call MACLKDVD to read the time. The programs in *Tables 1 and 2*, one in Microsoft QuickBASIC 4.5 and the other in Microsoft QuickPascal 1.0, show how this works.

SHOWCLK.COM displays a graphical representation of the GC-1000's front panel on the screen. Even the status LEDs blink. It's cute, but if you have Windows 3.0 (and these days, who doesn't?), you already have the digital-clock utility program.

## Conclusion

Heath occasionally comes up with a brilliantly designed, truly innovative product. The GC-1000 is one of them. If you have even the least desire to own the "Most-Accurate Clock," buy it. You won't be disappointed. ■

## REFERENCES

1. The display's resolution is only 0.1 second, so this spec must refer to how accurately tenths-of-seconds are updated.
2. Heath does not specify the ultimate accuracy of the timebase, only that the accuracy will improve after the GC-1000 has warmed up and has had several days to trim the crystal.
3. I'm an electrical engineer and a professional technical writer. I have room to criticize.
4. Other Heathkits—such as the ET-1000 Circuit Trainer—use the same soft screws. You have been warned.
5. Want proof? I bought a Kurta IS/ONE tablet. Its IBM interface has a female connector and is wired DCE.
6. Heath should offer the interface and the software as a single \$50 package.

**BULLOCK ON BOXES**

By Robert M. Bullock III  
with Robert White

ISBN 0-9624191-5-X

74 pages—illustrated

Price \$10.95 plus postage (softcover)

Since 1980, Bob Bullock has been writing articles on vented-box loudspeaker systems for *Speaker Builder*. These articles, known for their scope and clarity, have now been collected into *Bullock on Boxes*.

The book is an easy-to-read guide to designing and building vented-box systems based on Thiele/Small models. In addition to the background theory and descriptions of the models, it carefully covers much related information drawn from numerous resources. Computer modeling, as demonstrated by the author's BOXRESPONSE and BOXMODEL programs, is also explained in clear detail.

A professor of applied mathematics at Miami University (Ohio) and a long time hands-on speaker buff, the author brings an unparalleled breadth of experience to *Bullock on Boxes*. Fully indexed and referenced, with glossary, bibliography, and more than 100 illustrations, the work is a practical handbook and lasting reference indispensable to every serious speaker builder.

Old Colony Sound Lab

PO Box 243

Peterborough, NH 03458-0243

**PRINCIPLES OF TRANSISTOR CIRCUITS**

Seventh Edition

By S.W. Amos

ISBN 0-408-04851-4

351 pages

Price \$39.95 (softcover)

Although the use of integrated circuits has become all encompassing since the previous edition of this book, there is still a role for discrete transistors, particularly where appreciable power output or high-voltage operation is required. Discrete transistors are also likely to be used in experimental work and in the early stages of design of electronic equipment.

Like its predecessors, this book deals in detail with the design of amplifiers, receivers, and digital circuits that use discrete components, but the text has been updated throughout. Some dated material has been removed, while a number of old circuit diagrams have been replaced by modern ones.

A number of useful appendices provide information on transistor manufacturer and parameters.

The work should be of great interest to the student of electronics/electrical engineering (it has already been adopted as a standard

**NEW BOOKS**

course book by many technical colleges) and to the serious enthusiast.

Butterworth-Heinemann

80 Montvale Ave.

Stoneham, MA 02180

**ENCYCLOPEDIA OF ELECTRONIC CIRCUITS—VOLUME 3**

By Rudolf F. Graf

ISBN 0-8306-7348-2

832 pages—illustrated

Price \$60 (hardcover)

*Encyclopedia of Electronic Circuits Vol. 3* is not a revision of the earlier two volumes, but offers hundreds of new electronic circuits from a wide variety of sources, from Motorola, Texas Instruments, and other world-renowned leaders of the electronics industry to magazines such as *Popular Electronics*, *Electronics International Today*, *Elektor Electronics*, and others.

The book is extremely well organized and easy to use: any subject contained in the 100+ chapters, from "Active Antennas" through "Digital-to-Analog Converters" to "Window Detectors," can be found in seconds. Apart from a very useful, comprehensive Sources Index, there is an excellent, highly detailed Subject Index covering no fewer than 36 pages.

*Encyclopedia of Electronic Circuits Vol. 3* is a reference guide for anyone needing quick answers to specific design problems. It should be on the bookshelves of any college or university library and, indeed, of anyone interested in electronics.

Tab Books (A Division of McGraw-Hill)

Blue Ridge Summit, PA 17294-0850

**SEQUENCES**

Edited by Renato M. Capocelli

ISBN 3-540-97186-6

549 pages

Price \$49.50

This volume contains all the papers presented at the 1988 Advanced International Workshop on Sequences: Combinatorics, Compression and Transmission, which brought together for a week computer scientists, leading mathematicians, and experts in various allied fields.

The work provides an up-to-date view of the status of a number of relevant topics in theoretical computer science and suggests directions for future research. It constitutes a

valuable working tool for mathematicians, computer scientists, researchers, and graduate students interested in combinatorics, combinatorial algorithms, cryptography, information compression and transmission, and mathematical applications in engineering fields.

Springer-Verlag

175 Fifth Ave.

New York, NY 10010

**AUDIO ANTHOLOGY VOLUME 4**

Compiled by C.G. McProud

ISBN 0-9624191-9-2

Price \$16.95 (softcover)

This book is a reprint of a collection by the founder/editor of *Audio Engineering*, and was first published in 1958. Articles were selected from the pages of what had then become *Audio* magazine. It is the fourth of the six volumes in the series.

Apart from transistors and amplifiers, the book also covers a number of tube circuits. This is especially apposite today when vacuum tube technology is being rediscovered and offered by a host of manufacturers in what is termed "the high end" of audio.

Also included are "How to Plan Your Hi-Fi System," 12 amplifiers and preamplifiers, an introduction to solid-state techniques, six loudspeaker designs, and some designs for tape amplifiers for stereo tape playback: a very new technology in those days.

This fourth collection reflects the maturing of home sound systems, the appearance of stereo, and the beginnings of an evolution toward solid-state devices. It provides a clear and authoritative picture of audio as a craft in the late 1950s.

Audio Amateur Publications

305 Union St.

PO Box 576

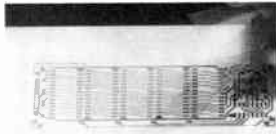
Peterborough, NH 03458-0576

**Mail Call**

When writing to AAP, please indicate on the **outside of your envelope** the appropriate department to which the letter should be directed—circulation, advertising, editorial, graphics, Old Colony. Or if it should go to a specific person—the publisher or one of the contributing editors. Or indicate if it is an article submission, a letter, an order . . . something to help us determine who should receive the letter. Also, please indicate the appropriate magazine on the envelope—*Speaker Builder*, *Audio Amateur*, *Glass Audio*, or *Elektor Electronics USA*.

Please also include an SASE if you expect a reply or two international postal reply coupons (available at your post office) if your correspondence must be sent overseas. Your cooperation will help ensure that your order is processed quickly, your manuscript is reviewed in a timely fashion, your letter is forwarded to the appropriate person, and so forth. We thank you.

**MAKE CIRCUIT BOARDS THE NEW, EASY WAY**



**WITH TEC-200 FILM**

**JUST 3 EASY STEPS:**

- Copy circuit on TEC-200 film using any plain paper copier or laser printer
- Iron film on to copper clad board
- Peel off film and etch

**SATISFACTION GUARANTEED**

convenient 8 1/2 x 11 size  
 5-Sheets for \$3.95 10-Sheets only \$5.95  
 add \$1.50 postage NY res. add sales tax

**The MEADOWLAKE Corp.**  
 Dept E, P.O. Box 497, Northport, NY 11768

**WORD OF MOUTH**

Helps us grow, means a stronger publication that can do more of the things that need doing in the pursuit of better electronic systems. If you have friends, associates, relatives or even enemies who share your enthusiasm for ELEKTOR ELECTRONICS tell us their names and addresses, and we will send the word along. THANKS

**THE LATEST ISSUE OF**



**IS NOT FAR OFF!**

**IT CAN BE FOUND AT THESE LOCATIONS:**

- |   |   |  |
|---|---|--|
| <b>Tri-Tek</b><br>9014 N 23rd Ave 11<br>Phoenix, AZ               | <b>HSC Electronic Supply</b><br>4837 Amber Lane<br>Sacramento, CA | <b>Tapco Engineering</b><br>1639 47th St NE<br>Cedar Rapids, IA      |
| <b>Gateway Electronics</b><br>9222 Chesapeake Dr<br>San Diego, CA | <b>HSC Electronic Supply</b><br>3500 Ryder St<br>Santa Clara, CA  | <b>RJM Electronics</b><br>4204 Overland Rd<br>Boise, ID              |
| <b>Henry Radio</b><br>2050 S Bundy Dr<br>Los Angeles, CA          | <b>Gateway Electronics</b><br>2525 N Federal Blvd<br>Denver, CO   | <b>Gateway Electronics</b><br>8123 Page Blvd<br>St Louis, MO         |
|   |   | <b>Powell's Technical Books</b><br>33 NW Park<br>Portland, OR        |
|   |   | <b>Cody Books Ltd.</b><br>1122 Fir Ave<br>Blaine, WA                 |
|   |   | <b>RP Electronic Co</b><br>2113 W 4th Ave<br>Vancouver, BC<br>CANADA |



*If you prefer home delivery use the handy subscription card enclosed.*

**ELEKTOR BINDERS**

Keep your valuable copies in perfect condition in these Elektor Binders. Each binder holds 11 issues with wires so you don't have to punch holes in your magazines. High quality, book binder cloth construction. The logo is stamped in gold on a dark green background.



each \$12  
 three or more, \$10 each

Shipping: Postpaid in US.  
 Canada and Caribbean, please add \$4 for one, \$2 for each additional binder.  
 Overseas, please add \$4 per binder.

**RECOMMENDED SOURCES FOR ELEKTOR ELECTRONICS USA EUROPEAN PARTS**

- |   |  |
|---|--|
| <b>Borbely Audio</b><br><i>Erno Borbely</i><br>Melchior Fanger Strasse 34A<br>8031 Neu-Gilching<br>Germany<br><b>Tel 49-8108-8291</b><br><b>Fax 49-8108-24608 (24H)</b> | <b>ELV France</b><br>BP 40<br>F-57480 Sierck-les-Bains<br>France<br><b>Tel 33-88-85-72-15</b><br><b>Fax 33-88-85-81-80</b>                           |
| <b>Meek It Electronics</b><br><i>Rob Planken</i><br>Paveljoensgracht 35A<br>2515 BL Den Haag<br>The Netherlands<br><b>Tel 31-70-609854</b><br><b>Fax 31-70-3979707</b>  | <b>Technomatic</b><br>Technohouse<br>486 Church Lane<br>London NW9 8UF<br>United Kingdom<br><b>Tel 44-081-208-9888</b><br><b>Fax 44-081-208-0190</b> |
| <b>C-I Electronics</b><br>PO Box 22089<br>6360 AB Nuth<br>The Netherlands<br><b>Fax 31-48-241877</b>  | <b>Bull Electrical</b><br>250 Portland Road<br>Hove<br>Sussex BN3 5QT<br>United Kingdom<br><b>Tel 44-0273-203500</b><br><b>Fax 44-0273-23077</b>     |

Note: Although some numbers above may seem to be too long/short, they are correct as shown. USA residents need to preface calls with "011".

# SINGLE-CHIP MAINS SUPPLY

## A Harris application

HARRIS's Type HV-2405E IC, connected with a few external components as shown in the diagram, enables the direct derivation of a regulated 5-24 V d.c. supply from a 100-260 V a.c. mains supply. The peak output current of the device is 50 mA.

The chip contains a pre-regulator that arranges the charging of  $C_2$ , a fairly large capacitance, at the onset of each period of the mains voltage. The charging continues until the potential across the capacitor has reached a level that is roughly the wanted output plus 6 V.

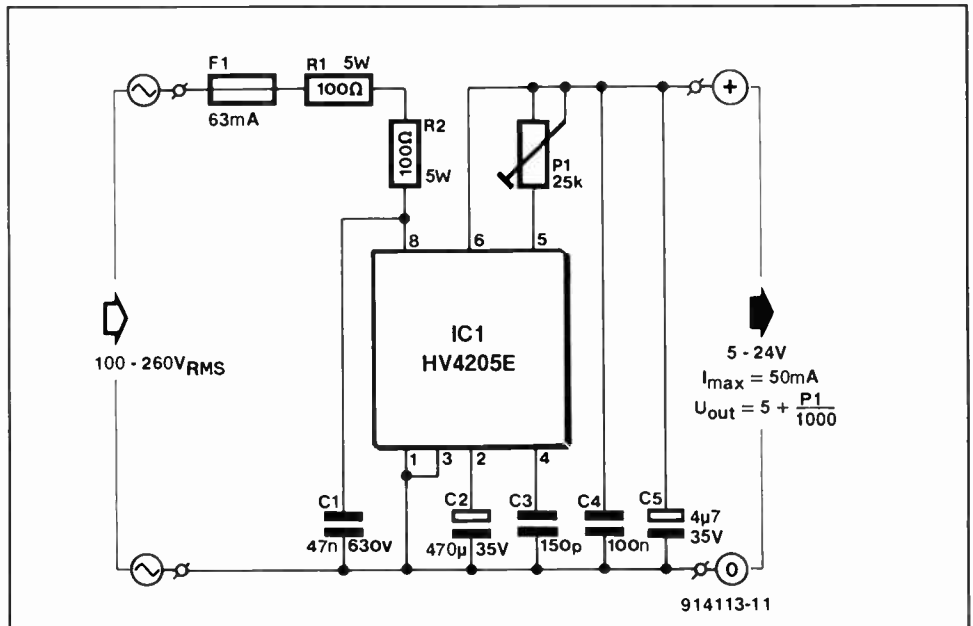
When that state is reached,  $C_2$  provides the voltage necessary for the series regulator also contained in the IC. The output of this regulator can be set between 5 V and 24 V with  $P_1$ , and is available at pin 6.

The load current will discharge  $C_2$  to some extent, but the pre-regulator ensures that adequate recharging takes place during every period of the mains supply.

**WARNING.** Since the circuit and its output is connected electrically to the mains, any apparatus connected to the circuit is,

therefore, also at mains potential. Great care should thus be exercised when working on

it: touching certain parts is potentially lethal!



## FULL-FEATURED TINY PROGRAMMABLE CONTROLLER

The Micro-440 from Blue Earth Research is a single board controller designed for industrial control, data acquisition, home automation, and OEM applications. It is based on a 12MHz Intel 83C51FB microcontroller and can be programmed from a terminal or PC for remote stand-alone or local interactive operation. On-chip software allows the device to be programmed in BASIC or 8051 assembly language.

The Micro-440 costs \$199 in single quantities, and OEM versions start at \$99 in 1,000s.

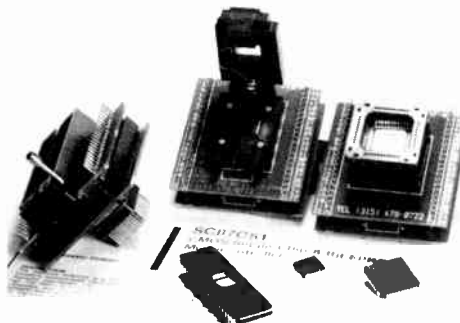
For more information, contact Tom Bachmann, Blue Earth Research, 310 Belle Ave., Mankato, MN 56001, (507) 387-4001, FAX (507) 387-4008.

## 1992 EQUIPMENT BUYER'S GUIDE FROM CQ

CQ Communications, Inc. offers the 1992 *Equipment Buyer's Guide*, full of equipment listings compiled and cross referenced for Ham users. It covers HF through UHF rigs, specialized mode equipment, tuners, accessories to computers, and other related software. It also includes details on the new No-Code Amateur License, tutorials, and tips.

The new edition costs \$6.95 postpaid from CQ Bookstore, 15 Main St., Greenville, NH 03048, (800) 457-7373, in NH: (603) 878-1441, FAX (603) 878-1951.

## ELECTRONICS SCENE



## ADAPTERS SUPPORT NEWEST 8051 FAMILY

Logical Systems, builder of adapters since 1987, offers an expanded line of test and development adapters for the 8051 that perform device programming, in-circuit emulation, prototyping, and debugging.

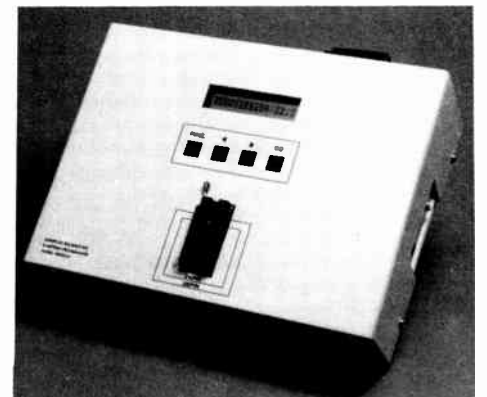
The PA51-44 (\$115) takes 44-pin PLCCs and programs them in the 40-pin DIP footprint. The PA52-QFP (\$179) takes 44-pin QFPs and programs them in the 40-pin DIP footprint. The DA51-DP (\$160) plugs into a PLCC production socket and takes the 40-pin DIP device in its ZIF socket. The DA44-44-DP (\$160) takes the 44-pin PLCC device and plugs into a PLCC production socket.

OEM inquiries welcome. Contact Logical Systems Corp., PO Box 6184, Syracuse, NY 13217-6184, (315) 478-0722, FAX (315) 475-8460.

## E/EEPROM PROGRAMMER WITH BUILT-IN ERASER

Engineers and hobbyists can now program their own E/EEPROMs with the stand-alone Model 9850 personal programmer with a built-in UV eraser (Model 9850UV) from American Reliance. Each model can program 2716 to 27513 EPROMs and 2804 to 28256 EEPROMs. They can operate alone or through a remote PC hook-up. Serial interface is RC-232C, DB-25F, and data rates are 150-19200 baud. It includes programming algorithms and data-file formats. Personal programmers incorporate a 16 x 1 LCD, 28-pin ZIF socket, and 64KB of data RAM. They operate on 110/220 VAC [10%, 50-60Hz]. The Model 9850 E/EEPROM Programmer costs \$395 and the Model 9850UV with the built-in eraser is \$445.

Contact American Reliance Inc., 9952 E. Baldwin Place, El Monte, CA 91731, (818) 575-5100, FAX (818) 575-0801.



# HEAR EVERY SOUND OVER 1 MILE AWAY!



Simply attach the **VT-75** microtransmitter to any 3V to 12V battery and you can hear every sound in an entire house over 1 mile away! Super-sensitive circuit on a single chip even picks up footsteps from across a large room. Tunable from 80 to 130 MHz.

Hear everything on any FM radio or wideband scanner tuned to the "secret" frequency you select. Unlimited uses for security, baby monitor, remote mic, etc. **Not a toy.** The **VT-75** meets many U.S. Gov't Military Specs and with 100mW RF output, it is the smallest, most powerful miniature transmitter you can buy. Easily assembled even by a youngster in only 5 minutes and performs so well that it is the only miniature transmitter available *anywhere* that comes with a **full unconditional moneyback guarantee!** Complete kit includes **VT-75** microtransmitter chip, miniature microphone, 9V battery connector and instructions - **\$49.95 + \$1.50 S&H** or save - buy 2 for \$45.00 each with free S&H! Call toll free or send money order, Visa, or MC acc't number for immediate shipping by U.S. Mail. COD's add \$4. Checks allow 21 days.



**DECO INDUSTRIES**

BOX 607  
BEDFORD HILLS, NY  
10507

**1-800-759-5553 (U.S. ONLY) ALL OTHER 914-232-3878**



**KELVIN PRO 400**  
**\$69.95**

FREQUENCY COUNTER TO 20MHz IDEAL FOR TROUBLE SHOOTING AC/DC VOLTAGE RANGES AC/DC CURRENT RANGES 6 FREQUENCY RANGES 5 CAPACITANCE RANGES

**30 DAY MONEY BACK GUARANTEE!**

LOGIC TEST CONTINUITY TEST TESTER/ANALYZER DIODE CHECK TRANSISTOR HFE TEST LED TEST VERIFY GOOD/BAD DISPLAY - 3 1/2 DIGIT LCD ACCURACY - 0.5% IMPEDANCE - 10 Mega Ohm

PROTECTIVE CARRY CASE for PRO 400 Stock No. 990094 **\$9.95 ea**

**2 YEAR WARRANTY**

---

BEST BUY ..... **NEW Series II**

**FLUKE 79** with Capacitance ..... **\$169**

**FLUKE 87** True RMS ..... **\$269**

**NEW! SCOPEMETER™ 90 SERIES**  
HAND HELD, 50 MHz, DUAL CHANNEL

**FLUKE 93** ScopeMeter ..... **\$1095**

**FLUKE 95** ScopeMeter ..... **\$1395**


**FLUKE 97** FULLY LOADED ..... **\$1695**



---

**KELVIN Electronics** VISA M/C AUTHORIZED DEALER  
7 Fairchild Ave. Plainview, NY 11803  
**(516) 349-7620 • 1(800) 645-9212 • FAX (516) 349-7830**

## Tone and Code Finder



**Pricing**

Tone Only	\$189.95
Tone & Digital	\$299.95
Tone w/Memory	\$239.95
Tone & Digital w/Memory	\$339.95


The Tone/Code Finder is composed of a high speed display unit mounted to a scanning receiver. Its purpose is to instantly find and display all CTCSS and DIGITAL codes, including split channel and inverted codes.


On board memory retains all hit and time information which is then transferred to a printer via a RS 232 port upon command. Time is stored in seconds and hits in units. In the event of power loss, the FINDER will maintain memory for up to three weeks.

Signal processing is accomplished by an eight pole filter configured as a low pass with a cutoff of 234 Hz. The superior filter characteristics eliminates chopping and false reading.

**Measurements Division**  
AUTOMATED INDUSTRIAL ELECTRONICS CORP.

141 GRANITE ST P O BOX 70  
BATESBURG, S.C. 29006  
(803)532-9256 FAX(803)532-9258





# Motorless Motion!

Connect Muscle Wires to a battery or other power source and watch them *contract in length!* Remove power, and they relax and are ready for millions more cycles.

Muscle Wires let you create direct *linear action* without heavy gears, coils, or motors. Use them in robots, models, planes, railroads - anywhere you need small, strong *motion*.

Get our new 96 page Book and Muscle Wire Sample Kit - it has everything you need to *get moving today!* Toll free:

800-374-5764

Visa, MC, check, MO

Mondo-tronics

2476 Verno Court  
San Leandro, CA 94577  
Phone: 510-351-5930  
Fax: 510-351-6955

Book and Sample Kit only

\$29.90

Plus \$4.00 P&H  
CA orders add tax

# PCBoards

## P-C-B ARTWORK MADE EASY !

Create and Revise PCB's in a Flash

- \* HERC, CGA, EGA, VGA, SUPER-VGA
- \* HELP SCREENS
- \* EXTREMELY USER FRIENDLY
- \* AUTO GROUND PLANES
- \* DOT- MATRIX, LASER and PLOTTER ART
- \* GERBER and EXCELLON OUTPUT
- \* CREATE YOUR OWN FILMS with 1XART
- \* LIBRARIES
- \* DOWNLOAD DEMOS from 24 hr. BBS!

REQUIREMENTS: IBM PC or Compatible, 384 K RAM DOS 3.0 or later. IBM compatible printers, HP Laser

<b>PCBoards</b> - layout program	<b>99.00</b>
(PCBoards HP or HI PEN PLOTTER DRIVER	49.00)
<b>PCRoute</b> - auto-router	<b>99.00</b>
<b>SuperCAD</b> - schematic pgm.	<b>99.00</b>
<b>Demo Pkg.</b> - (includes all 3 programs)	<b>10.00</b>

Call or write for more information  
**PCBoards**

2110 14th Ave. South, Birmingham, AL 35205  
**1-800-473-PCBS/ (205)933-1122**  
**BBS/ FAX (205)933-2954**

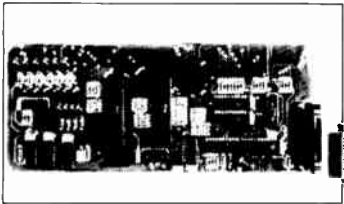


### IBM PC SERVICE CARD

This card was developed for assistance in the field of service, development and test. The card is used as a bus-extension to reach the measurement points very easy. It is also possible to change cards without having a "hanging computer".

Ready Assembled Module

**\$145**

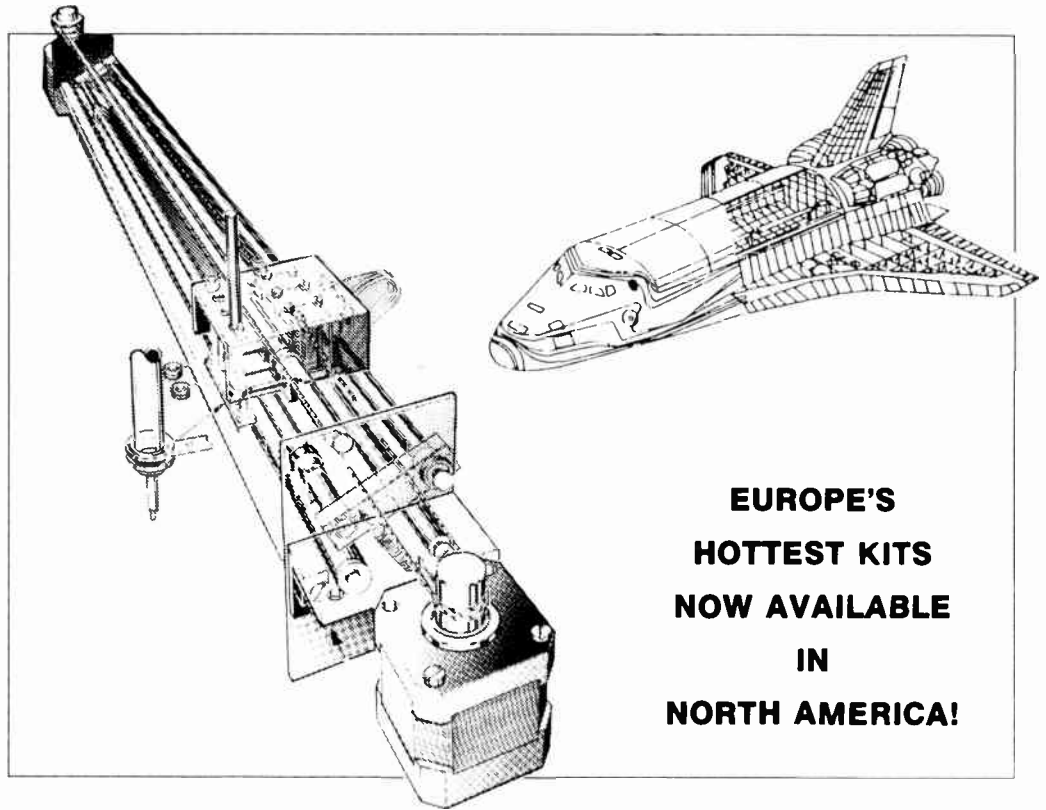


### IC TESTER FOR IBM-PC-XT/AT

With the ELV IC tester logic function tests can be carried out on nearly all CMOS and TTL standard components, accommodated in DIL packages up to 20 pin. The tester is designed as an insertion card for IBM-PC-XT/AT and compatibles. A small ZIF test socket PCB is connected via a flat band cable. Over 500 standard components can be tested using the accompanying comprehensive test software. Complete Kit including Textool socket, connectors, sockets, Flat band cable, PCB, Software.

Ready Assembled Module

**\$200**



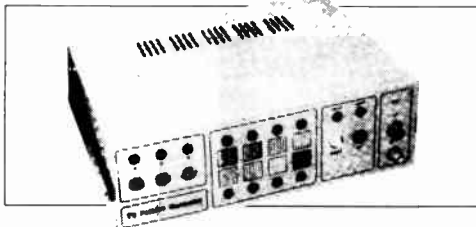
**EUROPE'S  
HOTTEST KITS  
NOW AVAILABLE  
IN  
NORTH AMERICA!**

### PLOTTER MARK-II

completely reworked version: see *Elektor Electronics* March 1990.

- Max. width 50 cm.
- All mechanical parts supplied ready-drilled, filed and tapped, so get going at once.
- Complete kit, including 2 stepper motors, 3 pen lift solenoids, HPGL software on disk (IBM), stepper motor control board

100.100 **\$275**



### COLOUR TEST PATTERN GENERATOR

A PAL-compatible colour video source that supplies a number of test patterns for aligning television sets.

A test pattern generator is virtually indispensable for troubleshooting in television sets because it supplies a video signal that is known to be stable, and thus easily displayed and synchronized on an oscilloscope.

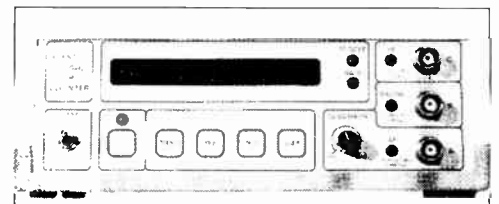
Inc. case and front

100.111 **\$175**



### ELEKTOR P.C. i/o card

\* 220.007 **\$175**



### MICROPROCESSOR-CONTROLLED FREQUENCY METER

A professional grade multi-purpose frequency meter, designed by Elektor Electronics, that can be built by many at affordable cost. Described in *Elektor Electronics* December 1984, January & February 1985. U665B-based prescaler.

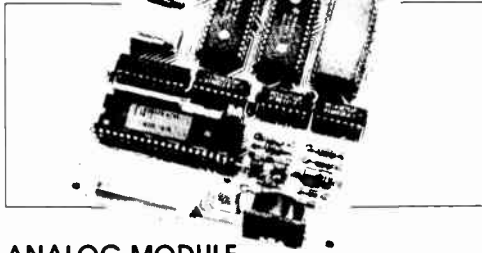
- Frequency meter: 0.01 Hz to 1.2 Ghz.
- Pulse duration meter: 0.1 to 100 s.
- Pulse counter: 0 to 10<sup>9</sup> pulses
- Period meter: 10 ns to 100 ns
- Sensitivity: Input A: 10 mV<sub>rms</sub> (Z<sub>in</sub> = 2 MΩ); Input B: TTL or CMOS compatible (Z<sub>in</sub> = 25 kΩ); Input C: prescaler input: 10 mV<sub>rms</sub> (Z<sub>in</sub> = 50 Ω).
- Auto-ranging and completely menu-driven.
- 6 or 7 digit accuracy.

Kit includes power supply, prescaler and enclosure.....100.112 **\$300**



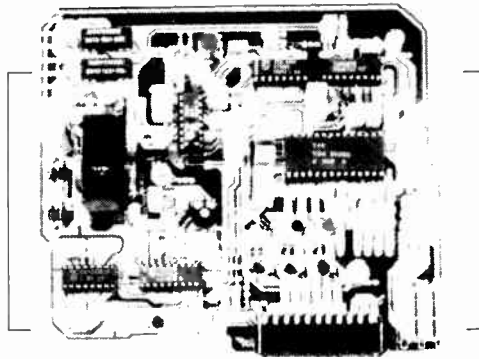
**BASIC COMPUTER**  
With Intel 8052AH-BASIC

100.117  
**\$160**



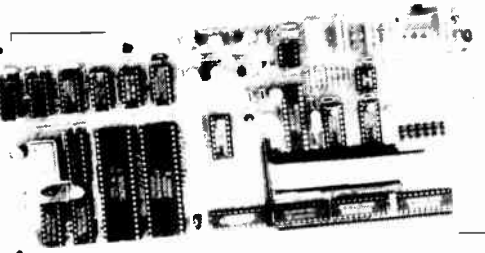
- ANALOG MODULE**  
eps 880162      100.113      **\$80**
- DIGITAL MODULE**  
eps 880163      100.114      **\$55**
- ADRESSDECODER**  
eps 880159      100.115      **\$45**

**S-VHS/CVBS-TO-RGB CONVERTER**



Following last month's introduction into the main characteristics of the Super-VHS system, we close off the article with details of a practical converter circuit that allows an S-VHS-VRC or camcorder to be connected to the RGB inputs of a colour TV or monitor. The circuit presented here forms a state-of-the-art approach to all-analogue picture standard conversion, and is based on the latest in IC technology available for this purpose.

220.039 **\$150**



**MULTIFUNCTION MEASUREMENT CARDS FOR PCs**

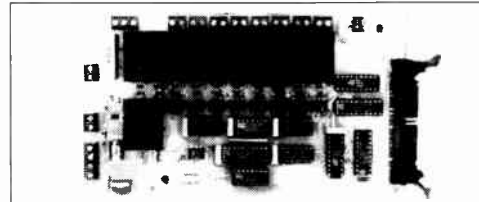
The high-performance insertion card described in this article allows your IBM PC-XT, PC-AT or 100% compatible to measure direct voltage at 12-bit accuracy, as well as frequency and a host of other parameters related to pulse-shaped signals. The accuracy and versatility afforded by the card are of a level associated with much more expensive, industrially rated products. The menu-driven control software developed for this exciting project allows you to keep tabs on up to eight voltages quasi-simultaneously, while up to eight remaining inputs can be used for time-related measurements including frequency, duty factor and pulse duration, not forgetting the event counter. Connected to the sensors and timing devices of your choice, this card turns a PC into a powerful central controller in a complex measurement and control system.

220.040 **\$225**

**SPECIAL PARTS SERVICE**

We are the no. 1 suppliers of hard-to-find components for Elektor Electronics projects. Always contact us first if you see an unfamiliar component. Items include analogue & digital ICs (HCT, SMD), precision resistors (1%, 0,1%), capacitors (MKT/styrolflex), inductors (Neosid, Toko), transducers, enclosures (Telet, OKW) and quartz crystals.

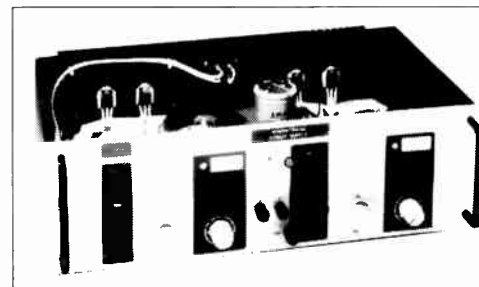
**FOR FURTHER INFORMATION, PLEASE SEND A BUSINESS-SIZE SASE TO OLD COLONY SOUND LAB (ADDRESS ABOVE), ATTN: MEEK IT.**



**MICROPROCESSOR-CONTROLLED TELEPHONE EXCHANGE**

The telephone exchange presented here allows up to eight pulse-dialling telephone sets to be connected, and has an option for connecting calls to or from an external (trunk) telephone line. The unit is controlled by the popular 8052-based BASIC computer we introduced a few years ago.

220.057 **\$190**



**400-WATT LABORATORY POWER SUPPLY**

Here is an all-purpose d.c. power supply for symmetrical as well as asymmetrical use, and capable of supplying high output currents and voltages. An all-analogue design based on discrete parts only, this 400-watt PSU deserves a prominent place on your work bench.

ex. case 220.036 **\$525**



**AVAILABLE FROM:  
OLD COLONY SOUND LAB**

PO Box 243, Dept E91  
Peterborough, NH 03458 USA  
24-Hour Lines:  
Tel. (603) 924-6371 FAX (603) 924-9467

- Check, money order, MC/VISA accepted.
- Please allow 6-8 weeks for delivery.
- **SHIPPING:** Airmail shipping to USA included in price. Others: Please inquire.
- **CUSTOMS:** USA residents may be required to pay 5-10% customs duty. Others may vary.



**MAIN FEATURES**

- 8 Internal lines
- 1 external line
- memory for 10 numbers
- Internal through connections
- versatile computer control
- automatic hold for external line
- simple-to-extend
- can be interfaced to a PC
- selective external call acceptance
- shortcut dial codes for external number
- works with pulse-dialling telephone sets
- one optional relay for extra switching function

**MAIN SPECIFICATIONS**

- **Mode: Single**  
- one adjustable power supply with current on voltage controls  
- Output 0 - 40 V at 0 - 5 A
- **Mode: independent**  
- two identical, electrically separated, power supplies  
- Outputs 2 x 0 - 40 V of 2 x 0 - 5 A
- **Mode: Tracking**  
- two identical, series connected, power supplies  
- Outputs  $\pm 0 - \pm 40$  V of 0 - 5 A  
0 - 80 V of 0 - 5 A  
- Voltage and current of slave follow master
- **Mode: parallel**  
- two identical, parallel connected, power supplies  
- Outputs 0 - 39.4 V at 0 - 10 A
- **Maximum output voltage:**  
0 - 40 V (at full load)  
48 V (no load)
- **Maximum output current:** 5 A
- **Ripple:** 10 mV (no load)  
50 mV (at full load)
- **Voltage difference in tracking mode:** 50 mV

# CUMULATIVE INDEX 1991

## Notation:

[article title] ..... [month] — [page number]  
 Example: [9 — 41] = September 1991, page 41.

## APPLICATION NOTES

Amplification/attenuation selector .....	12 — 60
CMOS dimmer .....	12 — 86
DC-to-DC converter (SGS Thomson MicroElectronics) .....	5 — 44
Digital tape counter .....	12 — 62
Microprocessor programmable universal active filters .....	12 — 64
REF 200 .....	12 — 87
Remote control ICs MV500 and MV601 (Plessey Semiconductors) .....	9 — 34
Single-chip power line supply .....	12 — 94
Switch-mode voltage regulators LM2575/LM2577 (National Semiconductor) .....	10 — 59

## AUDIO & HI-FI

Automatic power-off for audio equipment .....	7/8 — 11
Class A power amplifier (1) .....	11 — 37
Class A power amplifier (2) .....	12 — 40
The complete preamplifier (1) .....	1 — 44
The complete preamplifier (2) .....	3 — 18
The digital compact cassette .....	10 — 56
Electronic power-on delay .....	12 — 81
Headphone amplifier .....	3 — 48
On-off delay for valve amplifiers .....	12 — 48
Overload indicator .....	12 — 72
Peak indicator for loudspeakers .....	9 — 14
Power-on delay .....	12 — 30
Preamplifier for moving-coil pick-up .....	4 — 18
Preamplifier for moving-magnet pick-up .....	5 — 54
Protection against direct voltage .....	12 — 85

## AUTOMOTIVE ELECTRONICS

Car battery monitor .....	7/8 — 62
Central car locking control .....	9 — 16
Windscreen wash/wipe circuit .....	7/8 — 57

## COMPUTERS & MICROPROCESSORS

1-Mbit adapter for EPROM programmer .....	7/8 — 40
8-bit I/O interface for Atari ST .....	4 — 28
8031 single-board computer .....	1 — 54
80C32/8052AH-BASIC single-board computer .....	5 — 17
8088 single-board computer .....	7/8 — 78
Angled bus extension card for PCs .....	7/8 — 46
Change-over switch for C64 control port .....	7/8 — 50
Communication buses .....	7/8 — 53
Digital Research DOS 5.0 brings back your memory .....	4 — 31
Intel/Tektronix-to-hexdump converter for PCs .....	4 — 36
Keyboard change-over switch .....	7/8 — 52
Microprocessor supply regulator .....	7/8 — 64
Mouse/joystick switch for Amiga .....	12 — 28
Multifunction I/O for PCs .....	7/8 — 23
Multifunction measurement card for PCs (1) .....	1 — 14
Multifunction measurement card for PCs (2) .....	2 — 14
PC interrupt handler .....	7/8 — 72
Plotter driver .....	9 — 53
Real-time clock for Atari ST .....	6 — 60
Relay card for universal I/O interface .....	11 — 54
RS232 for Sharp pocket computers .....	12 — 29
Serial video card .....	2 — 48
A simple watchdog circuit .....	11 — 45
Universal I/O interface for IBM PCs .....	5 — 24
Upgrade for MCS BASIC-52 V. 1.1 (1) .....	10 — 14
Upgrade for MCS BASIC-52 V. 1.1 (2) .....	11 — 50
Video enhancement for Acorn Archimedes .....	7/8 — 43
ZAP51: an 87C51 programmer .....	9 — 39

## DESIGN IDEAS

6-digit coded AC power switch .....	12 — 78
8-channel audio/video switch (Philips Components) .....	3 — 28
Audio spectrum shift techniques .....	10 — 16
Advanced input stage for left/right rev counter .....	1 — 52
Keyboard circuit .....	9 — 46
Versatile pulse-width modulator .....	5 — 48

## ELECTROPHONICS

Asymmetrical-to-symmetrical converter .....	9 — 31
MIDI programme changer .....	4 — 14
MIDI-to-CV interface .....	2 — 53
MIDI-to-CV interface — some additional notes .....	3 — 35

## GENERAL INTEREST

50 Hz band-stop filter .....	7/8 — 70
Auto power on-off for bicycle speedometer .....	12 — 46
Automatic blower fan control for cars .....	12 — 26
Automatic cycle lights .....	7/8 — 49
BCD rotary switch .....	12 — 36
Bedside light timer .....	12 — 48
Bounce-free switch .....	7/8 — 49
Central heating controller (1) .....	2 — 38
Central heating controller (2) .....	3 — 51
A cheap, efficient, strategic fire alarm .....	9 — 48
The cipher machine .....	11 — 46
Computer-controlled weather station (1) .....	3 — 14
Computer-controlled weather station (2) .....	10 — 28
Connect-4 .....	12 — 22
Darkness-sensitive switch .....	7/8 — 55
Digital 555 .....	12 — 75
Dimmer for halogen lights .....	4 — 54
Disco running lights .....	12 — 47
Electronic exposure timer .....	3 — 31
Electronic reversing circuit for model trains .....	7/8 — 44
Fast switching gate .....	12 — 70
Fault signalling circuit .....	7/8 — 47
Four-terminal networks (1) .....	10 — 46
Four-terminal networks (2) .....	11 — 42
Gentle halogen-light switch .....	12 — 37
Intelligent power switch .....	12 — 86
House telephone .....	7/8 — 54
Horse simulator .....	12 — 73
Laser (1) .....	5 — 27
Laser (2) .....	6 — 50
Laser (3) .....	7/8 — 82
LED indicator for temperature logger .....	12 — 51
Light switch with TV remote control .....	6 — 54
Momentary action push-button .....	7/8 — 74
Musical Christmas present .....	12 — 14
One-shot solid-state relay timer .....	7/8 — 76
PC-ECAP circuit simulator .....	3 — 61
Product modelling .....	11 — 32
Programmable LED indicator .....	7/8 — 65
Pulse generator with one 4066 .....	7/8 — 42
Rectifier calculations .....	5 — 40
Review of the Heath GC-1000 clock .....	12 — 90
Safe solid-state relay .....	12 — 21
Sequential control .....	7/8 — 61
Slave flash trigger .....	7/8 — 67
Slave power line on-off control mark .....	12 — 60
Solid-state light-sensitive switch .....	7/8 — 40
Speed control for large d.c. motors .....	5 — 14
Stepper motor board (1) .....	6 — 63
Stepper motor board (2) .....	7/8 — 87
Switch for central heating pump .....	7/8 — 52
Switching clock from parking timer .....	12 — 51
Switch-off for battery supply .....	7/8 — 55
Teeth-cleaning timer .....	7/8 — 75
Telephone buzzer as switch .....	12 — 47
Telephone extension .....	7/8 — 58
Temperature-compensated current source .....	7/8 — 59

Timecode interface for slide controller (1)	7/8	— 14
Timecode interface for slide controller (2)	9	— 18
Time delay with one 555	7/8	— 51
Universal power-on delay	12	— 35
Universal time switch	12	— 16
Universal timer	7/8	— 68
Variable time switch	12	— 45
Variegated LED	7/8	— 63
Video camera timer	12	— 50
Voltage-controlled current source	7/8	— 44
Voltage regulator for cars	12	— 70
VOX actuator for baby alarm	12	— 34
Water level control	12	— 62
Would you be an inventor?	7/8	— 36

## INTERMEDIATE PROJECTS

2-metre band converter	3	— 37
Battery tester	5	— 32
Build the Opticalock (1)	9	— 42
Build the Opticalock (2)	10	— 23
Light transmitter/receiver	6	— 43
Modern LED clock	7/8	— 20
Simple function generator	2	— 42
Surf generator	4	— 51
Timer for central-heating systems	11	— 52

## POWER SUPPLIES & BATTERY CHARGERS

9V NiCd batter charger	12	— 50
Automatic battery charger I	7/8	— 56
Automatic battery charger II	7/8	— 75
Battery charger	7/8	— 41
Battery tester	12	— 36
Dissipation limiter	11	— 19
Economy power supply	12	— 54
Presettable shunt regulator	7/8	— 53
Relay fuse	12	— 72
Static DC-DC converter	12	— 71
Super voltage regulator	7/8	— 74
Universal NiCd battery charger	6	— 14
Variable a.c. power supply	6	— 46

## RADIO, TELEVISION & COMMUNICATIONS

6-metre band transverter	4	— 38
23/24 cm FM ATV receiver (review)	1	— 42
24-bit full-colour video digitizer	11	— 16
Alexander Graham Bell	12	— 80
AM broadcast receiver	10	— 52
AM/FM receiver	4	— 59
Audio spectrum shift techniques	10	— 16
Error detection and correction	1	— 34
Experimental quadriform ferrite T/R antenna	11	— 57
Fibre optics (1)	9	— 24
Fibre optics (2)	10	— 49
Field strength meter	7/8	— 70
FSK/RTTY decoder for PCs	12	— 18
Optical fibre communication	2	— 34
PC-controlled Videotext decoder (2)	1	— 28
Phones in the air	2	— 20
The QTC loop antenna	6	— 40
Radar detector	3	— 58
S-meter for short-wave receivers	7/8	— 59
Synchronization separator	7/8	— 60
Video A-D and D-A converter (1)	5	— 36
Video A-D and D-A converter (2)	6	— 27
Video digitizer	7/8	— 29
Wideband active rod antenna	5	— 49
Wideband antenna amplifier	12	— 88

## SCIENCE & TECHNOLOGY

A simple and adaptable logic	12	— 52
Augmented A-matrices	5	— 42
A review of coding theory	10	— 42
Understanding the EDIF standard	9	— 50

## TEST & MEASUREMENT

50-MHz 8-bit DAC	10	— 26
Audible tester	12	— 63
Binary logarithmic ladder network	7/8	— 68
Conductance meter	5	— 46
Decadic voltage dividers	2	— 26
Digital function generator (1)	10	— 34
Digital function generator (2)	11	— 22
Digital function generator (3)	12	— 76
Digital LED voltmeter	7/8	— 47
Digital phase meter	6	— 32
HCT crystal oscillator	12	— 37
High current H <sub>FE</sub> tester	2	— 56
LED VU meter	7/8	— 62
Logic analyser (1)	1	— 38
Logic analyser (2)	2	— 28
Logic analyser (3)	4	— 22
Logic analyser (4)	6	— 20
Logic analyser (5)	7/8	— 96
Measurement techniques (3)	1	— 20
Measurement techniques (4)	2	— 23
Measurement techniques (5)	3	— 24
Measurement techniques (6)	9	— 29
Measurement techniques (7)	10	— 32
Measurement techniques (8)	11	— 14
Measuring electrolytic capacitors	7/8	— 54
PC-controlled semiconductor tester (1)	3	— 42
PC-controlled semiconductor tester (2)	4	— 44
Precision rectifier for digital voltmeters	7/8	— 42
Pulse shaper	12	— 77
Remote temperature module for digital multimeters	7/8	— 39
Semiconductor tester	7/8	— 43
A simply elegant LCR bridge	1	— 23
Sine wave converter	12	— 30
SWR meter for 1.5 — 70 MHz	1	— 58
Temperature measurement techniques	12	— 31
Triggered sawtooth generator	7/8	— 66
Universal test probe	7/8	— 67
Wattmeter	4	— 32
Wien bridge with asymmetrical supply	7/8	— 50

## CORRECTIONS & UPDATES

6-metre band transverter	6	— 49
400-watt laboratory power supply	1	— 62
80C32/8052 single-board computer	9	— 28
Augmented A-matrices	9	— 28
Digital phase meter	9	— 28
Dimmer for halogen lights	6	— 49
Electronic exposure timer	9	— 28
EPROM simulator	1	— 62
Hard disk monitor	1	— 62
Interval control for camcorders	1	— 64
Medium-power AF amplifier	1	— 62
Microprocessor-controlled telephone exchange	1	— 62
MIDI programme changer	9	— 28
Multifunction measurement card for PCs	6	— 49
Programmer for the 8751	1	— 62
RDS decoder	6	— 49
Sequential control	9	— 28
S-VHS/CVBS-to-RGB converter	1	— 62
S-VHS/CVBS-to-RGB converter	6	— 49
Slide potentiometers in the video mixer—an update	1	— 57
Universal NiCd battery charger	9	— 28
Wattmeter	9	— 28



# TERMS OF BUSINESS

## PRICING

Prices, except as noted, include shipping in the continental USA. The minimum order is \$10. A \$2 service charge will be added to orders of less than \$10. Prices are subject to change as our costs change. WE RESERVE THE RIGHT TO MAKE PRICE CHANGES WITHOUT NOTICE.

## TELEPHONE ORDERS

Telephone orders are welcome between the hours of 9:00 a.m. and 4:00 p.m. EDT, Monday-Friday. Orders for parts are to be made on the ORDER FORM provided. Payment for telephone orders is by MC/VISA only. Our TELEPHONE ORDER NUMBER IS (603) 924-6371 or 924-6526. Our answering machine for MC/VISA orders during non-business hours is (603) 924-6371. FAX: (603) 924-9467 (24 hours).

## PAYMENT

All remittances MUST BE IN US FUNDS DRAWN ON A US BANK. Payment for telephone orders must be made by MasterCard or VISA. Mail order payment may be made by MC/VISA, money order, cashier's check or personal check. If payment is made by personal check, allow up to 2 weeks for clearance before order is shipped. Should check be returned for any reason, there will be a \$10 charge.

## SHIPPING

Unless noted, freight is prepaid by Old Colony. All orders shipped USPS first class mail or by UPS.

Allow two to three weeks for delivery. Please inquire about appropriate funds for special handling (UPS next day or second day). UPS requires a street address. If you cannot receive UPS delivery, please include an extra \$2 for insured service via Parcel Post. We cannot accept responsibility for safety or delivery of uninsured Parcel Post shipments. Absolutely no COD shipments.

## BOOKS, RECORDINGS, CDs, and SOFTWARE

The shipping/handling charge for the US is \$2.00, plus 75¢ each additional item. In Canada, please add \$4.50 for the first item, 75¢ each additional. No returns. According to the Connecticut Dept. of Revenue Services, Regulation #27, Section 12-426-27, in order to sell software to residents of Connecticut, we must register with the department as well as collect taxes for the state from the purchaser. We regret to inform our customers that we will not sell software to anyone from Connecticut, as it will prove to be too costly and burdensome.

## OVERSEAS ORDERS

For orders to be shipped outside North America, add 20% to the total order to cover shipping.

## RETURNS

If you wish to return all or part of an order for any reason, please call or write first. If we are in error, correction will be made promptly, without charge.

## WARRANTY

We warrant that all items sold conform to the qual-

ity and specifications set forth. We make no representations. We accept no responsibility whatever for further use by the customer. We accept no monetary liability in excess of the original cost or replacement of the material if originally defective or damaged in transit.

## COPYRIGHT

All drawings, photographs, articles, printed circuit boards, EPROMs, software, and cassettes published in our books or magazines (other than in third-party advertisements) are copyright and may not be reproduced or transmitted in any form or by any means, including photocopying and recording, in whole or in part, without the prior permission of *Elektor Electronics USA* in writing. Such written permission must also be obtained before any part of these publications is stored in a retrieval system of any nature.

Notwithstanding the above, printed circuit boards may be produced for private and personal use without prior permission.

## LIMITATION OF LIABILITY

*Elektor Electronics USA* shall not be liable in contract, tort, or otherwise, for any loss or damage suffered by the purchaser whatsoever or howsoever arising out of, or in connection with, the supply of goods or services by *Elektor Electronics USA* other than to supply goods as described, or at the option of *Elektor Electronics USA*, to refund the purchaser any money paid in respect of the goods. ■

## BOOKS FROM ELEKTOR ELECTRONICS USA

### 301 CIRCUITS

This book follows the theme of the first in this series, *300 Circuits* (now out of print). It contains over 300 assorted circuits first published in the 1979, 1980, 1981 summer issues of *Elektor Electronics*.

The circuits range from the simple to the more complex and are described and explained in straightforward language. The book is a comprehensive source of ideas and construction projects for anyone interested in electronics.

ISBN 0-905705-12-2

BKAA11 Price \$12.50

### 302 CIRCUITS

The popularity of this book is shown by its having been reprinted no fewer than three times. It offers a selection of the most interesting articles from the 1982, 1983, 1984 summer issues of *Elektor Electronics*.

In it you will find circuits for audio and video; car, cycle, and motorcycle; home and garden; receivers and aeriels; hobbies and games; measuring and testing; oscillators and generators; current sources and power supplies; microcomputers and music electronics; and a miscellany of other interesting subjects.

ISBN 0-905705-25-4

BKAA12 Price \$12.50

### 303 CIRCUITS

Like its predecessors, *303 CIRCUITS* offers a comprehensive collection of practical ideas, concepts, and developments in the gamut of electronics. Unlike its predecessors, the book is arranged in 11 subject sections to make it easier for the reader to find that long-sought circuit.

In well over 300 pages, the book offers 32 Audio and Hi-Fi projects; 14 circuits for Car and Bicycles; 43 Computer & Microprocessor circuits; 11 Electroponic projects; 24 HF and VHF circuits; 16 circuits for a number of hobbies and pastimes; 54 projects for Home and Garden; 29 Power Supply circuits; 29 circuits for Test and Measurement equipment; nine TV and Video projects; as well as 42 Design Ideas.

ISBN 0-905705-62-2

BKAA13 Price \$15.90

### DATA SHEET BOOK 2

Like its predecessor (now out of print), this book offers concise, relevant, and rapidly accessible information, which is both practical (e.g., the pin-out of a device) and informative.

The book contains data on integrated circuits as well as on discrete transistors and diodes. Moreover, it gives an introduction to fast (HCMOS) devices and a review of the new symbolic logic as laid down in British Standard BS3939:Section 21 (IEC Standard 617-12).

The final part of the book deals with a number of computer chips, such as memory devices (including programming information for these) and IO circuits. This section also includes data on a number of non-digital discrete and integrated devices, such as op amps, as well as on some microprocessor peripherals (e.g., the 6522 VIA, the 6580 ACIA, and the 8355A PPI).

ISBN 0-905705-27-0

BKAA14 Price \$16.50

### DATABOOK 3: PERIPHERAL CHIPS

This book lists the most important design data of peripheral chips whose type numbers and functions relate them unambiguously to a microprocessor in the same family. All listed devices form part of families based on widely used microprocessors or microcontrollers. Their most evident application will therefore be in conjunction with the associated microprocessor. This should, however, not be taken to mean that a peripheral cannot be used in another ap-

plication. Far from it, as witness the familiar type MC146818A real-time clock and the type MC6845 cathode-ray tube controller. It deserves a place on the bookshelf of anyone concerned with the design, maintenance and servicing of microprocessor-controlled electronic equipment.

ISBN 0-905705-30-0

BKAA15 Price \$17.95

### MICROPROCESSOR DATA BOOK

This book has come about because of a need by *Elektor Electronics* engineers, technicians, and editorial staff of a ready reference work on the most important microprocessors. This implies that it does not only contain information on the latest devices, such as the transputer, but also on older, well-established types, such as the Z80 and the 6800.

A general description, hardware block schematic, software structure, DC characteristics, and instruction sets are given for over 70 microprocessors. To prevent the book from becoming unwieldy (and to keep costs down), timing diagrams and AC characteristics have, however, been omitted. The detailed information on all manufacturers mentioned will, however, enable any additional information to be obtained quite readily.

Included in the book are, among others, the 68000 series; the 6502 family; the Z80, 8080, and 8085; Intel's 8086, 80186, 80188, 80286, and 80386; the NS3200X series, and the IN-MOS transputers.

ISBN 0-905705-28-9

BKAA16 Price \$17.90

### DATABOOK 4: PERIPHERAL CHIPS II

This final volume in *Elektor Electronics' Microprocessor Data Book* series deals with general peripheral chips that, at least as far as their type-coding is concerned, do not belong to a specific family of microprocessors. There are so many of these, however, that only a portion of them can be dealt with in one book. Those contained in this collection have been chosen carefully on the basis of their practical application and frequency of use. Complete data are given for coprocessors from the 80 series (AMD, Cyrix, ITT, Intel, Weitek); real-time clocks from MEM, OKI, Statek, National Semiconductor, and Dallas Semiconductor; transmitters and receivers of serial interfaces RS232, 422, 423, 485 from Motorola, Newport Components, Maxim, Texas Instruments, National Semiconductor, Dallas Semiconductor, and Linear Technology; UARTS, DUARTS, and QUARTS (i.e., programmable ICs intended for data transfer); and the CS8221 set of ICs from Chips & Technology that are used in a great number of PC mother boards (also included is the data sheet of associated software LIM 4.0 for the management of the Extended Memory System).

Apart from the actual data, the book contains much other useful information, such as comparisons between and second sources for all important IC families; addresses of manufacturers and their representatives; and overviews of all peripheral chips (including many that could not be included in this book) that are available from various manufacturers.

ISBN 0-905705-32-7

BKAA17 Price \$17.95

### SPECIALS!

BKAAZ/1 BKAA11, 12, 13: all 3 for \$35 (Save \$5.95!)

BKAAZ/2 BKAA14, 15, 16, or 17: ANY THREE for \$45 (Save \$7.35!)  
(BE SURE TO SPECIFY)

BKAAZ/3 Complete *Elektor* library: all 7 for \$85 (Save \$26.20!)

These books are all available direct from *Elektor Electronics USA* through the Readers Services, from a number of bookshops and electronics retailers in the US and Canada, and from selected bookshops throughout the world. Special prices are those of *EEUSA* only.

## WANTED

27XX series EPROM programmer and related software for Atari Mega-2 ST, complete unit or plans or source for one, will pay reasonable price, PLEASE HELP! Ron Yost, 646 Bolen Dr., Paso Robles, CA 93446-2760, (805) 238-1071.

## FOR SALE

Wharfedale W70D speakers, each 70 lb. cabinet contains a 2" h soft dome tweeter, 4 1/2" midrange, 7" woofer and 11" passive radiator, oiled walnut cabinets are 23W x 24H x 13 1/2D, too big for our room, \$300. Prefer not to ship. Kent Merideth, 1623 Sherwood Dr., Anderson, IN 46012, (317) 642-8371.

## TRADE

GET YOUR "FCC commercial general radio-telephone license." Electronics home study. Fast, inexpensive! Free Details! **COMMAND PRODUCTIONS**, D-266, Box 2824, San Francisco, CA 94126-2824. T1/92

**RADIO-TV RECEIVING**, transmitting, C.R.T. tubes, Sam's Fotofacts and more. **P.E.M. TUBES**, 8005 Florin Road, #10, Sacramento, CA 95828, (916) 383-9107. T3/92

## CLUBS

**THE ATLANTA AUDIO SOCIETY** is dedicated to furnish pleasure and education for people with a common interest in fine music and audio equipment. Monthly meetings often feature guest speakers from the audio manufacturing and recording industry. Members receive a monthly newsletter. Call: Chuck Bruce, (404) 876-5659, or Denny Meeker, (404) 872-0428, or write: PO Box 361, Marietta, GA 30061.

**THE HI-FI CLUB** of Cape Town in South Africa sends a monthly newsletter to its members and world-wide subscribers. To receive an evaluation copy of our current newsletter, write to: PO Box 18262, Wynberg 7824, South Africa. We'll be very pleased to hear from you.

**LONDON LIVE D.I.Y. HI-FI CIRCLE** meets quarterly in London, England. Our overall agenda is a broad one, having anything to do with any aspect of audio design and construction. We welcome everyone, from novice to expert. For information contact Dick Bowman, 081 520 6334.

## CLASSIFIEDS

**THOSE INTERESTED IN AUDIO** and speaker building in the Knoxville-East Tennessee area please contact Bob Wright, 7344 Toxaway Dr., Knoxville, TN 37909-2452, (615) 691-1668 after 6 p.m.

**TUBE AUDIO ENTHUSIASTS.** Northern California club meets every other month. For next meeting announcement send a self-addressed, stamped #10 envelope to Tim Eding, PO Box 611662, San Jose, CA 95161.

**WASHINGTON AREA AUDIO SOCIETY** Meetings are held every two weeks, on Fridays from 19:00 hours to 21:30 hours at the Charles Barrett Elementary School in the city of Alexandria, Va. Prospective members are welcome but must register in advance in order to be admitted to the meetings. No exceptions please. If interested please call Horace Vignale, (703) 578-4929.

**THE INLAND EMPIRE AUDIO SOCIETY** (soon to become) **THE SOUTHERN CALIFORNIA AUDIO SOCIETY—SCAS** is now inviting audiophiles from all areas of Southern California and abroad to join our serious pursuit for that elusive sonic truth through our meetings and the **IEAS'** official speaker *The Reference Newsletter*. For information write or call, Frank Manrique, President, 1219 Fulbright Ave., Redlands, CA 92373. (714) 793-9209.

**THE COLORADO AUDIO SOCIETY** is a group of audio enthusiasts dedicated to the pursuit of music and audio-ophile arts in the Rocky Mountain region. We offer a comprehensive annual journal, five bi-monthly newsletters, plus participation in meetings and lectures. For more information, send SASE to: CAS, 4506 Osceola St., Denver, CO 80212, or call Art Tedeschi, (303) 477-5223.

**ELECTROSTATIC LOUDSPEAKER USERS GROUP** is now a world-wide network for those interested in sharing valuable theory, design, construction, and parts source information. If you are interested in building, or have built, your own SOTA ESL we invite you to join our loose-knit organization. For information, send an SASE to: Barry Waldron, 1847 Country Club Dr., Placerville, CA 95667.

**CHICAGO AREA ENTHUSIASTS WANTED** for audio construction club. Call Tom, (312) 558-3377 or (708) 516-0170 evenings for details.

**CONNECTICUT AUDIO SOCIETY** is an active and growing club with activities covering many facets of audio—including construction, subjective testing, and tours of local manufacturers. New members are always welcome. For a copy of our current newsletter and an invitation to our next meeting, write to: Richard Thompson, 129 Newgate Rd., E. Granby, CT 06026, (203) 653-7873.

**MEMPHIS AREA AUDIO SOCIETY** being formed. Serious audiophiles contact J.J. McBride, 8182 Wind Valley Cove, Memphis, TN 38125, (901) 756-6831.

## INDEX OF ADVERTISERS

AIE Corporation	95	A.W. Sperry Instruments	12
All Electronics Corporation	CV III	Basicon	12
Deco Industries	95	Blue Earth Research	94
Easy Tech	CV IV	Caig Laboratories	12
Hampshire Industries	CV III	Communications Specialists, Inc.	12
Kelvin Electronics	95	CQ Bookstore	94
Meadowlake Corp	93	Dolby	13
Mondo-tronics	95	Hewlett-Packard Co.	13
OLD COLONY SOUND LAB		Jameco Electronic Components	13
Books	100, 101	Leads Metal Products, Inc.	13
EPROMs, Etc.	100	Logical Systems Corporation	94
Front Panel Foils	100	Mackie Designs, Inc.	12
Meek-It Kits	96, 97	MCG Electronics	12
Parts Sources	93	Midland LMR	13
Printed Circuit Boards	100	Neutrik USA	12
Software	4-9, 100	Norman Lathrop Enterprises	12
PC Boards	95	PC Boards	12
Pseudo Corporation	CV III	Startek International, Inc.	13
Radio Shack	CV II	The Math Works, Inc.	13
<b>Electronics Scene/New Products</b>			
American Reliance, Inc.	94		

## ELEKTOR ELECTRONICS CLASSIFIED ORDER FORM

PLEASE FILL OUT IN CLEAR BLOCK LETTERS OR TYPE. PLEASE SPELL OUT ENTIRE WORD.

1	2	3	4	5	6	7	8	9	10
11	12	13	14	15	16	17	18	19	20
21	22	23	24	25	26	27	28	29	30
31	32	33	34	35	36	37	38	39	40
41	42	43	44	45	46	47	48	49	50

Private For Sale       Private Wanted       Trade      Please indicate # of insertions \_\_\_\_\_

**Private For Sale** ads are for non-profit use. Individuals selling items for retail/profit should be using **Trade** ads. **Private For Sale** and **Private Wanted** ads are on a one time insertion basis. Ads **must** be resubmitted for renewal. Ads **will not be taken over the phone**.

**Definition of a word:** A series of letters with a space before and after. Count words, not letters. Any words over 50, 20¢ per word. Trade ads are 75¢ per word and indicate number of insertions. Deduct 10% for a 6 x contract; deduct 15% for a 11 x (year) contract in *Elektor Electronics USA*.

Please remember to include your name, address and telephone number. In order for Private For Sale and Want ads to be **free**, you must be a current subscriber. **Ten dollar minimum for charge card orders. Payment MUST accompany first ad.**

Check/Money Order Enclosed       Please charge to my MasterCard/Visa:

CARD NUMBER \_\_\_\_\_ EXP. DATE \_\_\_\_\_

NAME \_\_\_\_\_

COMPANY \_\_\_\_\_

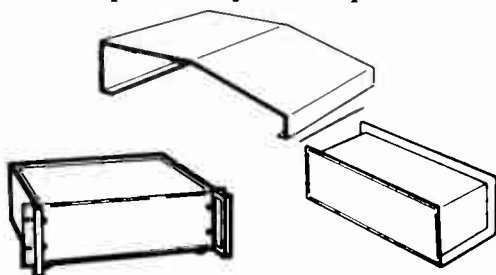
STREET & NO. \_\_\_\_\_

CITY \_\_\_\_\_ ST \_\_\_\_\_ ZIP \_\_\_\_\_

# Project Pro

Call For **FREE** Catalog  
Call (800) 800-3321 or (216) 425-8888

*Project Pro brings a complete line of electronic enclosures, hardware, and tools to both the professional project engineer and the hobbyist. Everything you need to bring ANY project from development to finished product.*



- |                              |                        |                  |
|------------------------------|------------------------|------------------|
| <u>Electronic Enclosures</u> | <u>Custom Services</u> | <u>Fasteners</u> |
| * Aluminum                   | * Fabricating          | * Nickel Plated  |
| * Steel                      | * Screening            | * Black Zinc     |
| * Plastic (ABS)              | * 72 hour-turnaround   |                  |
| <u>Racks</u>                 | <u>Chassis</u>         | <u>Tools</u>     |

1710 Enterprise Pky. Twinsburg, Ohio 44087

**Cross-Assemblers** from \$50.00

**Simulators** from \$100.00

**Cross-Disassemblers** from \$100.00

**Developer Packages**

from \$200.00 (a \$50.00 Savings)

**Make Programming Easy**

Our Macro Cross-assemblers are easy to use. With powerful conditional assembly and unlimited include files.

**Get It Debugged--FAST**

Don't wait until the hardware is finished. Debug your software with our Simulators.

**Recover Lost Source!**

Our line of disassemblers can help you re-create the original assembly language source.

**Thousands Of Satisfied Customers Worldwide**

PseudoCorp has been providing quality solutions for microprocessor problems since 1985.

**Processors**

- |                 |               |                 |                  |
|-----------------|---------------|-----------------|------------------|
| Intel 8048      | RCA 1802,05   | Intel 8051      | Intel 8096,196kc |
| Motorola 6800   | Motorola 6801 | Motorola 68HC11 | Motorola 6805    |
| Hitachi 6301    | Motorola 6809 | MOS Tech 6502   | WDC 65C02        |
| Rockwell 65C02  | Intel 8080,85 | Zilog Z80       | NSC 800          |
| Hitachi HD64180 | Mot. 68k,8,10 | Zilog Z8        | Zilog Super 8    |
- All products require an IBM PC or compatible.

For Information Or To Order Call:

**PseudoCorp**

716 Thimble Shoals Blvd, Suite E  
Newport News, VA 23606

(804) 873-1947

FAX:(804)873-2154

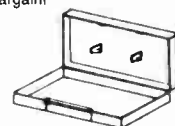
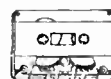
Courteous Service • Discount Prices • Fast Shipping

## ALL ELECTRONICS CORP.

P.O. Box 567 • Van Nuys, CA 91408

### HIGHEST QUALITY METAL CASSETTES (ERASED)

Premium quality metal tape in C-60 and C-90 cassettes (30 or 45 min. per side). One of the finest "brand-name" tapes on the market, in durable, clear plastic transport mechanisms. Recorded and bulk erased, the record-protect tabs have been removed and therefore, need to be taped over to re-record. Audiophiles will appreciate the wide dynamic range of this tape. If your cassette deck has a "metal" setting you will hear the difference. A real bargain! 60 min. tape - CAT# C-60M \$1.25 each • 10 for \$10.00 90 min. tape - CAT# C-90M \$1.65 each • 10 for \$15.00



#### CASSETTE STORAGE CASE

Black, unbreakable plastic audio cassette storage case.  
CAT# CBOX 5 for \$1.00 • 100 for \$15.00

#### TOUCH DIMMER

The "brain" part of the "LITE TOUCH" touch dimmer.



when connected to any lamp, will turn it on and off and change the brightness level when any metal part is touched. We don't have the wiring harness that originally connected this to the lamp, but we can provide a simple hook-up diagram and instruction sheet. The solid-state circuitry is contained in a thermo-plastic box 1.91" X 3.11" X 0.835".  
CAT# DMR-1 \$3.50 each

#### SWITCHES

##### SPDT Mini-Toggle (Flat Handle)

(ON-ON)  
C&K # 7101 or equivalent.  
Standard size SPDT mini-toggle switch with flat lever handle. 1/4-40 threaded bushing. Solder loop terminals. Rated 5 amps @ 125 Vac.  
CAT# MTS-14 \$1.35 each



##### SPST N.O. Pushbutton

SPST normally open p.c. mount pushbutton. 0.47" square mounting pad. Plunger extends 0.47" above surface. No pushbutton cap available. Ideal, inexpensive switch where look is not important. 4 p.c. pins on 0.2" X 0.5" mounting centers.  
CAT# PB-35 5 for \$1.00



#### OPTO SENSOR

TRW/Optron # OPB5447-2 IR emitter/sensor pair in Rectangular package with 28" color coded leads.  
CAT# OSR-4 2 for \$1.00



#### Special Reduced Price

#### PHOTOFLASH CAPACITOR

Rubicon CE 210 Mfd 330 Volt photoflash capacitor. 0.79" dia. X 1.1" high. These are new capacitors that have been prepped with 1.4" black and red wire leads soldered to the terminals. CAT# PPC-210 \$1.25 each  
10 for \$11.00 • 100 for \$100.00



#### AUDIO SLIDE POT

Dual 1K audio 3 1/2" long, 2 1/2" slide.  
CAT# ASP-1KD  
Reduced to 50¢ each • 100 for \$40.00



#### WALL TRANSFORMER

**12 Vdc 500 ma.**  
2.1mm D.C. power plug with center negative. White case.  
CAT# DCTX-125W \$4.50 each

**12 Vdc, 200 ma.**  
2.1 mm D.C. power plug with center negative.  
CAT# DCTX-122 \$3.00 each



#### 20 AMP RF/EMI FILTER

Corcom# 20B6 20 amp RF/EMI general purpose common-mode filter. Controls line-to-ground noise. Small size, low leakage. 3.46" X 1.16" X 2.81". UL and CSA listed.  
CAT# RFI-201 \$8.50 each



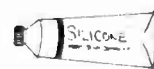
#### 4PDT - 24 Vdc RELAY

24 Vdc, 650 ohm coil - 3 amp contacts  
Standard 14 pin (ICE CUBE) style. Plastic dust cover.  
Size: 1 1/4" X 1 3/4" X 7/8" CAT#4PRLY-24N \$4.00 each



#### HEAT SINK COMPOUND

G C Electronics # 10-8109 - For effective transfer of heat between components and heat sinks. 29 silicone heat sink compound. CAT# HSC-1 \$2.00 per 1 oz tube



### TOLL FREE ORDER LINES

**1-800-826-5432**

CHARGE ORDERS to Visa, MasterCard or Discover

TERMS: Minimum order \$10.00. Shipping and handling for the 48 continental U.S.A \$3.50 per order. All others including AK, HI, PR or Canada must pay full shipping. All orders delivered in CALIFORNIA must include state sales tax (7 1/4, 7 1/2, 7 3/4 or 8 1/4%).

Quantities Limited. NO C.O.D. Prices subject to change without notice.  
CALL OR WRITE FOR OUR FREE 64 PAGE CATALOG

ALL ELECTRONICS CORPORATION  
P.O. Box 567 • Van Nuys, CA • 91408

