

**Elektor  
Electronics  
USA**

Multi I/O for IBM  
Modern LED Clock  
Logic Analyzer (5)  
The Inventor's Trade  
Laser (3)  
Stepper Motor Control (2)

## SPECIAL LARGE SUMMER ISSUE

More than sixty construction projects and educational articles

**Video Digitizer**

**8088 Single-Board  
Computer**

**Timecode Interface  
For Slide Controller**

**One-Shot Solid-  
State Relay Timer**

**Modern  
LED Clock**

**Low-Z  
Shunt Regulator**



William Kolasa  
Rt 1 Box 267A Sunset Dr  
Chester MD 21619



# KELVIN Electronics

# DISCOUNT CENTER

## MULTIMETERS

with TEST LEADS and BATTERIES INCLUDED



KELVIN PRO 400

**KELVIN DIGITAL MULTIMETERS**

KELVIN 100 Basic ..... \$19.95

KELVIN 150 Basic+ ..... \$29.95

with Transistor Hfe Test

KELVIN 200 Advanced ..... \$39.95

w/Transistor Hfe, Capacitor Test

KELVIN PRO 400 ..... \$69.95

w/Transistor, Capacitor, AC/DC Test, Logic, 20 MHz Freq Counter, Durable

**Kelvin Meters backed by a 2 Yr Warranty - Parts & Labor**

Protective Case ..... \$4.95

For Model 100, 150, 200

Protective Case ..... \$9.95

For Model Pro 400

## FLUKE



ALL FLUKE METERS COME WITH A 3 YEAR WARRANTY

FLUKE 87

BEST BUY ..... **NEW Series II**

FLUKE 70 Series II	\$ 63
FLUKE 73 Series II	\$ 89
FLUKE 75 Series II	\$ 127
FLUKE 77 Series II	\$ 149
FLUKE 79 Series II	\$ 169
FLUKE 83	\$ 199
FLUKE 85	\$ 229
FLUKE 87	\$ 269
FLUKE 86	\$ 367
FLUKE 88	\$ 423
FLUKE 8062A	\$ 329
FLUKE 8060A	\$ 395
FLUKE 8010A	\$ 329
FLUKE 8012A	\$ 359
FLUKE 8050A	\$ 439
FLUKE 37	\$ 249
FLUKE 45	\$ 579

## SCOPES

**20 MHz SCOPE** ..... \$375

with Built-in Component Tester

2 Yr Warranty - Parts & Labor

**HITACHI V523 50 MHz** .. \$995

50 MHz, Analog 2 Ch, 1 mV, Delay Sweep, DC Offset, Vert Mode Trigger

3 Yr Warranty - Parts & Labor



HITACHI V523

## SCOPE PROBES

60 MHz, X1 & X10

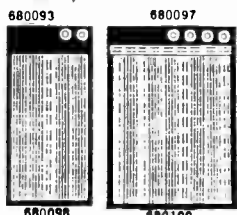
700072 ..... \$19.95

150 MHz, X10

700073 ..... \$39.95



## BREADBOARDS



680093	0	500	\$ 4.25
680097	0	840	\$ 5.95
680098	2	1380	\$ 11.75
680100	4	2390	\$ 22.95

**WIRE JUMPER KIT**

Pre-cut, Pre-Stripped

330289 140 Piece Set, \$ 4.75

330290 350 Piece Set, \$ 7.75

## COMPONENTS

600021	555 TIMER	\$ .20 EA
600029	556 DUAL TIMER	\$ .40 EA
600039	LM566 PLL FUNCTION GENERATOR	\$ .60 EA
600018	741C OP-AMP INTERNALLY COMPENSATED	\$ .30 EA
600026	1458 OP-AMP DUAL 741C OP-AMP DIP	\$ .35 EA
630041	2N2222	\$ .18 EA
630383	PN2222	\$ .08 EA
600023	7805 VOLTAGE REG.	\$ .36 EA

**SILICON CONTROLLED RECTIFIER**

(Similar to GE C106C1) 4.0 AMP, 100 PIV

600014 \$ .89 EA \$ .79 EA 50+

## TEST ACCESSORIES

**IC CLIPS**

SOLDER TYPE

SPRING LOADED

990104 BLACK	\$ .65 EA	25+ Qty \$ .50 EA
990105 RED	\$ .65 EA	\$ .50 EA

**IC TEST LEAD SET**

5 COLOR CODED

18" LEADS WITH MINATURE HOOK-ON

PROD AT BOTH ENDS

Stock No. YOUR COST 3+ Qty

990108 \$ 8.95 EA \$ 8.25 EA

**DOUBLE BANANA JACK**

600056	YOUR COST \$ 2.30 EA	3+ Qty \$ 2.07 EA
--------	----------------------	-------------------

**FEMALE BNC TO DUAL BANANA PLUG**

990103	YOUR COST \$ 2.95 EA	3+ Qty \$ 2.75 EA
--------	----------------------	-------------------

**DUAL BANANA BINDING POST TO MALE BNC PLUG**

600058	YOUR COST \$ 5.95 EA	3+ Qty \$ 4.95 EA
--------	----------------------	-------------------

**BNC TEST CABLES 3 FT.**

990101	YOUR COST \$ 3.45 EA	3+ Qty \$ 2.95 EA
--------	----------------------	-------------------

**MALE TO MALE**

990101	YOUR COST \$ 3.45 EA	3+ Qty \$ 2.95 EA
--------	----------------------	-------------------

## RESISTORS

5% Tolerance Carbon Film

CALL WITH YOUR VALUE

1/4 W \$2 / 200 Pcs

1/2 W \$3 / 200 Pcs

1 W \$1.30 / 10 Pcs

2 W \$1.70 / 10 Pcs

## LUBES/CLEANERS

**WD-40 LUBRICANT**

12 OZ. CAN

Stock No. 870001

\$ 2.95 ea

\$ 2.80 ea / 3+ Qty

**MINUS BLUE SHOWER CLEANER & DEGREASER**

24 OZ. SPRAY CAN

Stock No. 510007

\$ 8.95 ea

\$ 8.25 ea / 3+ Qty

**MINUS 62 INSTANT CHILLER SPRAY**

15 OZ. SPRAY CAN

Stock No. 510004

\$ 5.95 ea

\$ 5.25 ea / 3+ Qty

**TRANSISTOR SILICON GREASE**

1 OZ. TUBE

Stock No. 510002

\$ 5.00 ea

\$ 4.95 ea / 3+ Qty

## WALL TRANSFORMERS

**WALL TRANSFORMER**

220069	9V DC/500 mA	\$ 3.95 ea
220068	12V DC/500 mA	\$ 4.25 ea

**MALE JACK**

370048	2.1 mm Male	\$ .49 ea \$ .39 /10+
--------	-------------	-----------------------

## BATTERIES

**9V Alkaline Battery**

Duracell / Eveready

\$ 1.95 ea

\$ 1.75 ea/10+

**9V Battery SNAP & HOLDER**

Snap \$ .15 ea \$ .10 ea/100+

Holder \$ .20 ea \$ .10 ea/100+

**HEAVY DUTY NI-CAD RECHARGEABLE BATTERIES**

220039	AAA	\$ 3.30 ea
220025	AA	\$ 2.85 ea
220027	C	\$ 6.00 ea
220037	D	\$ 6.00 ea
220038	9V	\$ 8.90 ea

**NI-CAD BATTERY CHARGER**

4 Cell Charger for AAA, AA, C, D or 9V

Stock No. 220035

SPECIAL \$ 9.95 ea

## LED CENTER

**SPECIAL - RED LED** - \$.05 ea 1000+ Qty

**JUMBO LED**

TYPE - T 1 3/4 5mm

260020	Red	\$ .06 ea 100+ \$ .05 ea
260027	Green	\$ .08 ea 100+ \$ .07 ea
260026	Yellow	\$ .08 ea 100+ \$ .07 ea

**LED HOLDER**

for T 1 3/4 SIZE, BLACK

Stock No. 250019

\$ .10 ea 100+ Qty

\$ .06 ea 1000+ Qty

**0.37" 7 SEGMENT LED READOUT**

260022	Anode	\$ .95 ea \$ .75 ea
260090	Cathode	\$ 1.25 ea \$ .99 ea

**0.6" 7 SEGMENT LED READOUT**

260021	Anode Jumbo	\$ 1.15 ea \$ .99 ea
--------	-------------	----------------------

**TIL 311 4 X 7 HEXIDECIMAL DISPLAY**

260066	YOUR COST \$ 9.75 ea
--------	----------------------

**RED LED DISPLAY Bar Graph**

260058	Red	\$ 1.99 ea \$ 1.79 ea
260088	Green	\$ 1.99 ea \$ 1.79 ea
260089	Yellow	\$ 1.99 ea \$ 1.79 ea

**MOVING SIGN DISPLAY**

for Fabricating Your Own Moving Sign Display

50 mm

260067	YOUR COST \$ 5.95 ea
260068	YOUR COST \$ 5.45 ea 20+

## TOOLS

**MINIATURE LONG NOSE PLIERS**

4 1/2" LONG, INSULATING HANDLES, DROP FORGED STEEL, FULLY MILLED JAWS

Stock No. 520021

\$ 3.95 ea

\$ 3.50 ea / 6+ Qty

**MINIATURE DIAGONAL CUTTER**

4 1/2" LONG, CUSHIONED HANDLES, DROP FORGED STEEL

Stock No. 520023

\$ 3.95 ea

\$ 3.45 ea / 6+ Qty

**MILLER WIRE CUTTER & STRIPPER**

MODEL 100

ADJUSTABLE GRIPPING HANDLES

INSULATED

Stock No. 520010

\$ 2.95 ea

\$ 2.66 ea / 6+ Qty

**DELUXE WIRE STRIPPER & CRIMPING TOOL**

CRIMPS REGULAR & INSULATED TERMINALS

CUTS & STRIPS WIRE

Stock No. 520065

\$ 3.60 ea

\$ 3.42 ea / 6+ Qty

## PROJECT PARTS

**Project Speaker**

2" - 8 Ohm, .1 Watt

Stock No. 350009

\$ 59 c

**Project BUZZER**

3 - 9 Volt DC, 80 db

Stock No. 680089

\$ 1.59 ea

\$ 1.39 ea / 10+ Qty

**HORN ALARM**

Loud Penetrating Sound

Stock No. 640001

\$ .75 ea

\$ .69 ea / 10+ Qty

**DC MOTOR**

for SOLAR/ROBOTIC

Stock No. 852211

\$ .50 ea

\$ .45 ea / 20+ Qty

**SOLAR CELL**

3/4" x 1 1/2", .45V DC, 150 mA, wired enclosed

Stock No. 260056

\$ 6.95 ea

**XENON STROBE TUBE**

Stock No. 260050

\$ 2.95 ea

\$ 2.50 ea / 20+ Qty

**TRIGGER COIL**

for Xenon Strobe Tube

Stock No. 320037

\$ 1.25 ea

\$ .89 ea / 20+ Qty

**INFRARED LED IR Pair, LED infrared transmitter and receiver**

Stock No. 260061

\$ 2.79 ea

**NEON LAMP**

NE2, 2" Lead

Stock No. 260003

\$ .15 ea

\$ .12 ea / 100+ Qty

**PHOTO CELL CADMIUM SELENIDE**

Stock No. 260017

\$ .99 ea

**PHOTO CELL SULPHIDE**

Stock No. 260018

\$ .99 ea

**PUSH-BUTTON SWITCH**

PUSH-ON, PUSH-OFF

Stock No. 270021

\$ .55 ea

\$ .49 ea / 100+ Qty

**SUB-MINIATURE MOMENTARY SWITCH**

Stock No. 990002

\$ .35 ea

\$ .28 ea / 100+ Qty

**MINIATURE TOGGLE SWITCH**

Stock No. 270034

\$ .90 ea Type - SPST

\$ .79 ea 50+ Qty

**KELVIN ELECTRONICS 1991 CATALOG**

120 PAGES FULL OF DISCOUNTS

OVER 10,000 ITEMS IN STOCK

ELECTRONIC COMPONENTS & TECHNOLOGY ACTIVITIES

VISA & MASTERCARD ACCEPTED \$20 MINIMUM ORDER



# KELVIN Electronics

7 Fairchild Ave. Plainview, NY 11803

Call: 1 (800) 645-9212

1 (516) 349-7620

FAX: 1 (516) 349-7830

**EDITORIAL**

- 11 Telecommunications  
and the World Weather Watch

**AUDIO & HI-FI**

- 56 Automatic Power Off for Audio Equipment

**COMPUTERS & MICROPROCESSORS**

- 23 Multi-Function I/O for PCs  
40 1Mbit Adapter for EPROM Programmer  
43 Video Enhancement for Acorn Archimedes  
46 Angled Bus Extension Card for PCs  
50 Change-Over Switch for C64 Control Port  
52 Keyboard Change-Over Switch  
53 Communication Buses  
64 Microprocessor Supply Regulator  
72 PC Interrupt Handler  
78 8088 Single-Board Computer

**GENERAL INTEREST**

- 14 Time-Code Interface for Slide Controller  
36 Would You Be an Inventor?  
40 Solid-State Light-Sensitive Switch  
42 Pulse Generator with One 4066  
44 Voltage-Controlled Current Source  
44 Electronic Reversing Circuit for Model Trains  
47 Fault Signaling Circuit  
49 Automatic Cycle Lights  
49 Bounce-Free Switch  
51 Time Delay with One 555  
52 Switch for Central-Heating Pump  
54 House Telephone  
55 Darkness-Sensitive Switch  
55 Switch-Off Delay for Battery Supply  
57 Windscreen Wash/Wipe Circuit  
58 Telephone Extension  
59 Temperature-Compensated Current Source  
61 Sequential Control

- 62 Car Battery Monitor  
63 Varigated LED  
65 Programmable LED Indicator  
67 Universal Test Probe  
67 Slave Flash Trigger  
68 Universal Timer  
70 50Hz Band-Stop Filter  
74 Momentary Action Push Button  
75 Teeth-Cleaning Timer  
76 One-Shot Solid-State Relay Timer  
82 Laser Pt. 3  
87 Stepper Motor Board Pt. 2

**INTERMEDIATE PROJECT**

- 20 Modern LED Clock

**POWER SUPPLIES & BATTERY CHARGERS**

- 41 Battery Charger  
53 Presetable Shunt Regulator  
56 Automatic Battery Charger I  
74 Super Voltage Regulator  
75 Automatic Battery Charger II

**RADIO, TELEVISION & COMMUNICATIONS**

- 29 Video Digitizer  
59 S-Meter for Short-Wave Rectifiers  
60 Synchronization Separator  
70 Field Strength Meter

**TEST & MEASUREMENT**

- 39 Remote Temperature Module for Digital  
Multimeters  
42 Precision Rectifier for Digital Voltmeters  
43 Semiconductor Tester  
47 Digital LED Voltmeter  
50 Wien Bridge with Asymmetrical Supply  
54 Measuring Electrolytic Capacitors  
62 LED VU Meter  
66 Triggered Sawtooth Generator  
68 Binary Logarithmic Ladder Network  
96 Logic Analyzer Pt. 5

**MISCELLANEOUS INFORMATION**

- 44 Electronics Scene 12, 13; Advertisers' Index 99; Class-  
ifieds 99; Readers' Services 102; Terms of Business 103.

Copyright © 1991 Elektor BV

ELEKTOR ELECTRONICS USA (US ISSN  
1051-9690) is published monthly except August at \$26  
per year, \$50 for two years by Audio Amateur Publica-  
tions Inc. 305 Union St. Peterborough, NH 03458 USA  
Second class postage paid at Peterborough, NH and an  
additional mailing office

POSTMASTER: Send address changes to  
Elektor Electronics USA, Caller Box 876, Peter-  
borough, NH 03458-0876. Return Postage Guaranteed

# NOW THAT YOU'VE SEEN OUR NEWEST TREASURE . . .

## WHY NOT HAVE A LOOK AT THE REST?

### GLASS AUDIO

The newest publication from the folks who bring you *Audio Amateur* and *Speaker Builder*

**Glass Audio** features the best vacuum tube designs for audio reproduction—past and contemporary. The new designs take advantage of improved components and control techniques that make the end results far superior to anything possible during the early days of audio's rebirth after World War II.

That's why tubes are having such a renaissance of interest as a perfectionist approach to good sound. And that's why tubes are reappearing in original equipment, in high end consumer and professional audio systems.

Published twice a year in June and December, *Glass Audio* will inform you about new innovations in the field and about parts sources. We'll also include modification projects, reviews of technical basics and regular columns such as Tube Troubles, Tube Tips and much more.

Subscribe today!



### Audio Amateur

THE JOURNAL FOR AUDIOPHILE CRAFTS

The innovative, independent audiophile journal for the thoughtful and capable music lover

*Audio Amateur's* articles deal with how audio equipment works, as well as how to build or modify it. Construction and modification articles are plentiful, supplying all needed parts, performance and assembly details. Exceptionally high quality designs.

*Audio Amateur* offers a number of features in each issue that abound with useful ideas. The *Letters* column is an open forum for problem solving and information interchange; *Classic Circuitry* reprints schematics of state-of-the-art gear—old and new; *Audio Aids* relates readers' experience with simple modifications to equipment and construction techniques. We also feature many useful and practical hi-fi accessories you can build to further your audio enjoyment.

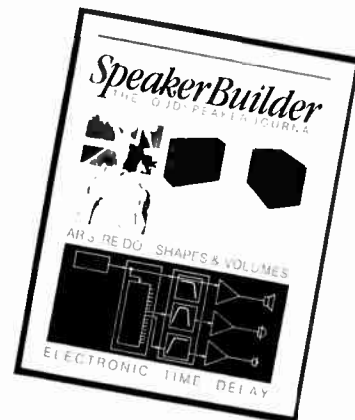
For a small investment you can make your music system sound better—very probably a lot better.

### Speaker Builder

THE LOUDSPEAKER JOURNAL

The magazine that finally deals seriously with the art and craft of speaker building

The *Art* of building a speaker is to optimize that mixture of design and engineering to balance all the parameters for the most beautiful sound possible. The *Craft* is knowing how and why. *Speaker Builder* gives you knowledge—from driver parameters and crossovers to woodworking—to develop and refine your techniques, and to get the most out of your system.



*Speaker Builder* helps you explore new designs with how-to construction articles, and can show you how to modify your old speakers and make them sound better than ever. Learn from our writers who turn abstract theory into practical approaches, and from the experience of other readers who have been down the road before you. *Speaker Builder* is the best investment you can make in your system—six issues per year filled with stimulating and exciting ideas.

#### GLASS AUDIO

- Two years, (4 issues)  
 One year, (2 issues)

\$18  
\$10

Canada add \$2 per year postage

#### AUDIO AMATEUR

- Two years, (8 issues)  
 One year, (4 issues)

\$35  
\$20

Canada add \$4 per year postage

#### SPEAKER BUILDER

- Two years, (12 issues)  
 One year, (6 issues)

\$45  
\$25

Canada add \$4 per year postage

NAME

STREET & NO.

CITY

STATE

ZIP

MC OR VISA NUMBER

EXPIRE

## AUDIO AMATEUR PUBLICATIONS

PO Box 576, Dept. E91, Peterborough, NH 03458-0576 • (603) 924-9464 • FAX: (603) 924-9467

Answering machine for credit card orders only: before 9:00 a.m., after 4:00 p.m. and weekends. Have all information plus MC/VISA available.

## OLD COLONY'S NEW REFERENCE TOOLS!



### COMPACT DISC PLAYER MAINTENANCE AND REPAIR

Gordon McComb, John Cook

Complete with a preventive maintenance schedule you can follow, this well-illustrated guide walks the reader through the steps involved in taking apart, cleaning, and lubricating a CD player. And if problems do occur, the troubleshooting techniques in this book provide easy relief. The book also includes background information on the theory and operation of CD players, what criteria you should use when shopping for one, a list of major manufacturers, a "similar model" cross reference table for troubleshooting, and a handy glossary. 1987, 245pp., 7 1/2 x 9 1/2, softbound.

**BKT16**  
**\$14.95**

### THE MUSICIAN'S GUIDE TO ACOUSTICS

Murray Campbell, Clive Greated

The result of the authors' fifteen-plus years of lecturing on musical acoustics to students at Edinburgh (U.K.) University, this book is a must for everyone with some musical background who feels the need for a clearer understanding of the practical basis of their art. While reasonable familiarity with musical notation and terminology is required to make best use of the book, only elementary mathematics is needed. Chapters include The Creation and Transmission of Musical Sounds; Hearing Musical Sounds; Anatomy of a Musical Note; Playing in Tune; Sound Production in Musical Instruments; Bowed and Plucked Stringed Instruments; Stringed Keyboard, Woodwind, Brass, and Percussion Instruments (one chapter each); Organs; The Human Voice; Electronic Instruments; and The Musical Environment. 1987, 612pp., 6 1/2 x 9 1/2, hardbound.

**BKS35**  
**\$27.95**

### DESIGN AND BUILD AUDIO AMPLIFIERS —INCLUDING DIGITAL CIRCUITS

Mannie Horowitz

This second edition is a complete course in designing and building audio circuits for all electronics applications, covering JFETs, equivalent noise generators, and much more. Whether you need a preamp, amp, power amp, mixer, tone modification circuit, power supply, or special accessory, here is all the data you need to create completely up-to-date circuits. 1980, 350pp., 5 x 8, softbound.

**BKT17**  
**\$19.95**

### SEMICONDUCTOR CROSS REFERENCE DATA BOOK

Engineers of Howard W. Sams & Company

Old Colony Sound Lab uses cross references all the time, every day. Of all the versions available for semiconductors, this is easily one of the very best. Sams' engineers have assembled replacement data for over 319,000 registered type and part numbers, including those for the United States, Europe, and the Far East, and present it here in a very easy-to-read and use format. Four suppliers are featured: NTE Electronics, Radio Shack, Philips ECG, and RCA. Semiconductors covered include bipolar transistors, FETs, diodes, rectifiers, ICs, SCRs, LEDs, modules, and thermal devices. 1991, 520pp., 8 1/2 x 11, softbound.

**BKS37**  
**\$19.95**

### HOW TO MAKE PRINTED CIRCUIT BOARDS —WITH 17 PROJECTS

Calvin R. Graf

In addition to general workshop principles, in this book Graf discusses tools and safety habits and offers a complete refresher course on electronics theory, schematic diagrams, and soldering. He also explains design and layout as well as numerous types of boards and wiring. Key subjects covered include: how to get from an electronic schematic to a printed circuit board; etching a printed circuit board; cleaning, drilling, and mounting electronic parts onto the board; soldering and desoldering components; a listing of commercially available electronic project kits; and the various types of diagrams used in electronics, including block, pictorial, layout, and wiring. 1988, 207pp., 7 x 9, softbound.

**BKT18**  
**\$15.95**

### THE RECORD SHELF GUIDE TO THE CLASSICAL REPERTOIRE

Jim Svejda

From the host of American Public Radio's "The Record Shelf," this classy book is an irreverent, selective, and highly opinionated recordings guide to the best in CDs, LPs, and cassettes. Just as on his radio show, the author tries to include something pointed, interesting, amusing, or enlightening about each work, and then suggests which of the available recordings should be bought. 1988, 462pp., 6 x 9, softbound.

**BKSM1**  
**\$16.95**

### TROUBLESHOOTING AND REPAIRING AUDIO EQUIPMENT

Homer L. Davidson

This volume supplies all the basic information you need, along with specific examples, to fix stereo components, compact disc players, telephone answering machines, and much more. The detailed discussion of servicing and repair procedures for individual items includes probable causes of malfunctions and tips on difficult-to-diagnose problems. Scores of photos, diagrams, and drawings are used, as well as actual manufacturers' schematics and service literature. In addition to the equipment above, the book also covers auto CD players, compact cassette tape decks and portable stereo players, boom-box cassette players, deluxe amplifiers, auto stereo cassettes, and stereo turntables and speakers. 1987, 325pp., 7 1/2 x 9 1/2, softbound.

**BKT19**  
**\$18.95**

### THE FOUNDATIONS OF ACOUSTICS: BASIC MATHEMATICS AND BASIC ACOUSTICS

Eugen Skudrzyk

The goal of this book is to provide the acoustician with a mathematically-based insight into the physical phenomena of acoustics. Combining into one volume such subjects as mathematics, dynamics, hydrodynamics, physics, statistics, signal processing, and electrical theory, the author comes up with a powerful reference for the academic or professional acoustician. Well illustrated. Austria, 1971, 790pp., 7 1/2 x 10, hardbound.

**BKS32**  
**\$189.95**

### AUDIO AMPLIFIER CONSTRUCTION

R. A. Penfold

The purpose of this book is to provide the reader with a wide range of preamplifier and power amplifier designs that will hopefully fill almost anyone's needs. The preamp circuits include low noise microphone and RIAA types, a tape head preamp, a guitar preamp, and various tone controls. The power amplifier designs range from low-power, battery-operated to 100W MOSFET types. Also included is a 12V bridge amp capable of giving up to 18W output. All of the circuits are relatively easy to construct using the PCB or stripboard designs given. Where necessary any setting-up procedures are described, but in most cases no setting-up or test gear is required in order to successfully complete the project. Most of the designs should be within the capabilities of constructors with limited experience as well as more advanced hobbyists. United Kingdom, 1983, 128pp., 4 3/4 x 7, softbound.

**BKEV10**  
**\$7.95**

### ACOUSTICS: WAVES AND OSCILLATIONS

S. N. Sen

The result of the need in an honors course at Jadavpur University for a better text, this rare yet refreshing book supplements the physical bases of acoustics with mathematical and experimental details wherever possible. Topics include simple harmonic motion; theory of forced vibration and resonance; theory of coupled oscillations; vibration in an extended medium; vibration of strings, bars, tuning forks, membranes, rings, and air columns; reflection, refraction, diffraction, reception, and transformation of sound; sound measurement and analysis; acoustics of building; recording and reproduction of sound; and ultrasonics. India, 1990, 234pp., 6 1/2 x 10, hardbound.

**BKW2**  
**\$34.95**



## INCREDIBLE INTRODUCTORY BOOK SALE!

### LOUDSPEAKERS, VOLUME 1

Raymond E. Cooke, editor

**BKAS1/1**

**\$29.95**

From The Audio Engineering Society's Anthology Series, 61 papers, covering the years 1953 to 1977, written by the world's greatest transducer experts and inventors on the design, construction, and operation of loudspeakers. 1980, 448pp., 8 1/4 x 11 1/4, softbound.

### LOUDSPEAKERS, VOLUME 2

Raymond E. Cooke, editor

**BKAS1/2**

**\$29.95**

Also from The Audio Engineering Society's Anthology Series, 49 papers from 1978 to 1983 by experts in loudspeaker technology, extending the work initiated in Volume 1. 1984, 464pp., 8 1/4 x 11 1/4, softbound.

### LOUDSPEAKERS SET!

Raymond E. Cooke, editor

**BKAS/S**

**\$53.95**

From The Audio Engineering Society's Anthology Series, both BKAS1/1 (Volume 1) and BKAS1/2 (Volume 2) as above, at a savings of \$5.95!

### MICROPHONES

Louis A. Abbagnaro, editor

**BKAS2**

**\$29.95**

Sixty-three papers covering calibration and testing, general purpose microphones, directional microphones, miniature types, and associated electronic circuits. From The Audio Engineering Society's Anthology Series. 1979, 392pp., 8 1/4 x 11 1/4, softbound.

### SOUND REINFORCEMENT

David L. Klepper, editor

**BKAS3**

**\$29.95**

Seventy-three papers dealing with the significant aspects of the development of sound-reinforcement technology and its practical application to sound system design and installation. From The Audio Engineering Society's Anthology Series. 1978, 339pp., 8 1/4 x 11 1/4, softbound.

### STEREOPHONIC TECHNIQUES

John M. Eargle, editor

**BKAS4**

**\$29.95**

From The Audio Engineering Society's Anthology Series, 67 articles and documents on the history, development, and applications of stereophonic techniques for studio technology, broadcasting, and consumer use. 1986, 390pp., 8 1/4 x 11 1/4, softbound.

### SPICE: A GUIDE TO CIRCUIT SIMULATION & ANALYSIS USING SPICE

Paul W. Tuinenga

**BKPH2**

**\$19.95**

Designed as a reference on PSpice for the design and analysis of analog circuits, this book clearly explains how to use the features of PSpice to solve common electrical and electronic problems, as well as some in nonelectrical areas. Topics include DC operation, transfer functions, frequency response, and noise analysis. SPICE is an acronym for Simulation Program with Integrated Circuit Emphasis, and PSpice is a SPICE-derived simulator created by MicroSim Corporation. Companion software for the book is available (see below). 1988, 200pp., 7 x 9 1/2, softbound.

### SPICE BOOK/SOFTWARE SPECIAL!

**BKPH2/S**

**\$27.95**

Student-version software to accompany BKPH2 is available for both the IBM PC and Macintosh II. The PSpice program can simulate circuits of up to five nodes and ten transistors, with the parameters inserted by the user. Special BKPH2/S includes both the book and one software package at a savings of \$4.95!

Software packages available (be sure to specify!):

SOF-SPC1B5GD IBM PC

SOF-SPC2B5GD IBM PS 2

SOF-SPC1M3GD Macintosh II

### TIME DELAY SPECTROMETRY

John R. Prohs, editor

**BKAS5**

**\$29.95**

From The Audio Engineering Society's Anthology Series, 32 articles of the works of Richard C. Heyser on measurement, analysis, and perception, reprinted from the pages of the *Journal of the Audio Engineering Society* and other publications representative of the field, including *Audio* magazine and that of IREE Australia. The anthology serves as a memorial to the author's work and as fundamental material for future developments in audio, and will undoubtedly provide the stimulus for expanded discussion. 1988, 280pp., 8 1/4 x 11 1/4, softbound.

### AUDIO IN DIGITAL TIMES: CONFERENCE PROCEEDINGS

**BKAS6**

**\$34.95**

Forty-four papers presented by experts on digital audio at The Audio Engineering Society's Seventh International Conference held in Toronto on 14-17 May 1989. Digital audio, from the history, basics, hardware, and software, to the ins and outs, was the topic of the conference. Illustrated with many figures and tables. 1990, 384pp., 8 1/4 x 11 1/4, softbound.

### THE SOUND OF AUDIO: CONFERENCE PROCEEDINGS

**BKAS7**

**\$34.95**

Twenty-four papers presented by authors highly regarded in the engineering community at The Audio Engineering Society's Eighth International Conference held in Washington, D.C., on 3-6 May 1990. The topics were devoted to the progress of sound, including measurement, recording, and reproduction. Textbook style, fully illustrated. 1990, 384pp., 8 1/4 x 11 1/4, softbound.

### DIGITAL AUDIO: COLLECTED PAPERS

Barry Blessner, et al., editors

**BKAS8**

**\$34.95**

First publication of papers presented at The Audio Engineering Society's Premiere International Conference held in Rye, N.Y., on 3-6 June 1982, authored by the world's leading experts in the application of digital techniques in the field of audio engineering. Twenty-five of the 27 papers are transcribed, edited, and published for the first time. Subjects include basics, converters, measurements, rate conversion, recording formats, error correction, manufacturing, and applications. Includes a Soundsheet disk with audio demonstrations of digitally synthesized sounds. 1983, 268pp., 8 1/4 x 11 1/4, softbound.

### MICROPHONES: TECHNOLOGY AND TECHNIQUE

John Borwick

**BKB3**

**\$29.95**

Beginning with a brief history of the relevant technology, this book then goes on to explain the basic theory of acoustics, electricity, and magnetism. The working principles and design of all types of microphones are explained in considerable detail, with examples of popular current models and descriptions of microphone accessories. The second half of the book provides guidelines on the creative balance techniques to be used for musical instruments, voices, and ensembles of all kinds, in both classical and pop music. Production methods are outlined both for studios and for on location, with notes on public address operations for live shows. Borwick is considered THE authority. United Kingdom, 1990, 241pp., 7 1/2 x 9 1/2, softbound.

### THE ART OF ELECTRONICS

Paul Horowitz, Winfield Hill

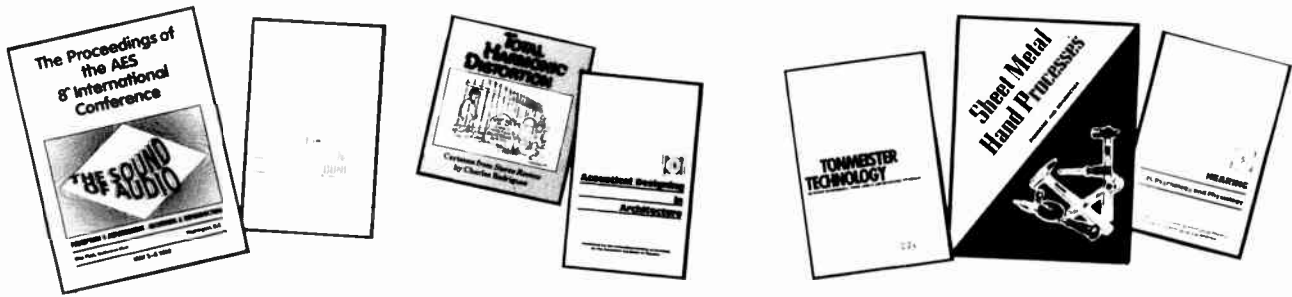
**BKC1**

**\$54.95**

Completely up-to-date with the latest technology and standards, this second edition features completely rewritten chapters on microcomputers and microprocessors, digital electronics, and low-power and micro-power design (both analog and digital). Many new tables have been added, including ones for A/D and D/A converters, digital logic components, and low-power devices. The quintessential electronics text and reference. 1989, 1100pp., 7 1/2 x 10 1/4, hardbound.



# HARD-TO-FIND BARGAINS FROM AROUND THE WORLD!



## ACOUSTICAL MEASUREMENTS

Leo L. Beranek

Here is a completely revised edition of the famous text by the well-known authority, with more than half the pages and chapters revised or completely rewritten to cover new developments in acoustical instruments and measurement procedures, including sound and vibration meters, intensity meters, spectrum analyzers, recorders, computers, and noise measurement devices. 1948, 1989, 841pp., 5 3/4 × 8 3/4, hardbound.

**BKAC1**

**\$44.95**

## ACOUSTICS—AN INTRODUCTION TO ITS PHYSICAL PRINCIPLES AND APPLICATIONS

Allan D. Pierce

This volume introduces the physical principles and theoretical basis of acoustics, concentrating on those concepts and points of view that have proven useful in applications and phenomena such as noise control, underwater sound, architectural acoustics, audio engineering, nondestructive testing, remote sensing, and medical ultrasonics. The text is supplemented by problems and their answers. 1981, 1989, 678pp., 6 1/4 × 9 1/2, hardbound.

**BKAC2**

**\$37.95**

## EXPERIMENTS IN HEARING

Georg von Békésy

Considered obligatory reading for all those who want to claim literacy in the auditory sciences, this classic on hearing contains many of the vital roots of contemporary auditory knowledge. 1960, 1989, 760pp., 6 × 9, softbound.

**BKAC3**

**\$27.95**

## ACOUSTICAL DESIGNING IN ARCHITECTURE

Vern O. Knudsen, Cyril M. Harris

This book is a comprehensive, nonmathematical treatment of architectural acoustics, completely revised with new illustrations and updated to eliminate obsolete materials. In handbook format, it covers all the general principles of acoustical designing and includes specific applications. 1950, 1980, 408pp., 5 3/8 × 8 1/2, softbound.

**BKAC4**

**\$27.95**

## ACOUSTICS

Leo L. Beranek

This volume is an indispensable source of practical acoustical concept and theory for acoustical and electrical engineers, scientists, and consultants, with new information on microphones, loudspeakers and speaker enclosures, room acoustics, and acoustical applications of electromechanical circuit theory. 1954, 1986, 491pp., 6 × 9, softbound.

**BKAC5**

**\$27.95**

## MARQUETRY AND INLAY: TWENTY DECORATIVE PROJECTS

Alan and Gill Bridgewater

Complete with 200 illustrations, a glossary, and an introduction to tools and techniques, BKT21 provides step-by-step directions for easy-to-do projects. This book gives woodworkers an opportunity to add a valuable new skill to their repertoire—inserting fine woods and decorative veneers into finished surfaces. 1989, 192pp., 7 × 10, softbound.

**BKT21**

**\$15.95**

## TONMEISTER TECHNOLOGY: RECORDING ENVIRONMENTS, SOUND SOURCES AND MICROPHONE TECHNIQUES

Michael Dickreiter

Recently translated from the German by Stephen F. Temmer, this rare book for the first time provides an English-language reference integrating music and musical engineering. Used by the German Broadcasting System Technical Training Center as a text to train people who graduate from a music conservatory and opt to go into broadcast, TV, recording, or sound reinforcement engineering, this book will appeal to neophytes as well as professionals in the music and audio engineering fields. Profusely illustrated, with every other page illustrations. 1984, 1989, 142pp., 6 × 9, softbound.

**BKTE1**

**\$19.95**

## HEARING: ITS PSYCHOLOGY AND PHYSIOLOGY

Stanley Smith Stevens, Hallowell Davis

This multidisciplinary book leads readers from the fundamentals of the psychophysiology of hearing to a complete understanding of the anatomy and physiology of the ear, including the relationship between stimulus and sensation. 1938, 1983, 512pp., 5 1/2 × 8 1/2, softbound.

**BKAC6**

**\$27.95**

## ELECTROACOUSTICS: THE ANALYSIS OF TRANSDUCTION AND ITS HISTORICAL BACKGROUND

Frederick V. Hunt

This volume provides a comprehensive analysis of the conceptual development of electroacoustics, including the origins of echo ranging, the crystal oscillator, the evolution of the dynamic loudspeaker, and electromechanical coupling. 1954, 1982, 260pp., 5 1/2 × 8 1/2, softbound.

**BKAC7**

**\$27.95**

## VIBRATION AND SOUND

Philip M. Morse

One of the most widely used texts and references on the science of acoustics, this volume provides students and professionals alike with a broad spectrum of acoustics theory, including wave motion, radiation problems, the propagation of sound waves, and transient phenomena. 1936, 1981, 468pp., 6 × 9, softbound.

**BKAC8**

**\$27.95**

## ACOUSTICS/HEARING SPECIAL #1

Your choice of TWO from BKAC3 through BKAC8, at a savings of \$5.95! Be sure to specify books. (BKAC1 and BKAC2 not eligible.)

**BKAC/X2**

**\$49.95**

## ACOUSTICS/HEARING SPECIAL #2

Your choice of THREE from BKAC3 through BKAC8, at a savings of \$8.90! Be sure to specify books. (BKAC1 and BKAC2 not eligible.)

**BKAC/X3**

**\$74.95**

## TOTAL HARMONIC DISTORTION —CARTOONS FROM STEREO REVIEW

Charles Rodrigues

This hilarious collection of 118 of the author's classic cartoons on audio, video, and music is the perfect gift and/or a wonderful conversation piece. Also featured are a foreword by William Livingstone and an illustrated autobiographical sketch by Rodrigues himself. One of a kind. 1988, 132pp., 6 1/2 × 7, softbound.

**BKPB1**

**\$7.95**

## SHEET METAL HAND PROCESSES

Claude J. Zinngarbe, Fred W. Schumacher

For help in building that special enclosure, this volume will prove indispensable, introducing the beginning sheet metal technician to basic instruction in the properties and selection of metal and the processes performed with measuring and marking, bench, cutting, piercing, joining, and soldering tools. BKDE2 includes an excellent selection of illustrations, and every process is described in an easy-to-understand, step-by-step fashion. 1974, 209pp., 7 3/4 × 10 1/4, softbound.

**BKDE2**

**\$18.95**

## CABINETMAKING, PATTERNMAKING, AND MILLWORK

Gaspar J. Lewis

If making your own speaker cabinets has led you into woodworking, this book will be a great addition to your library. Designed for advanced high school, vocational, technical, and apprenticeship programs, it provides the reader with the skills necessary for proficiency in each of the three areas of specialization. Also included are three sections common to all three fields: the nature of wood and its uses; how to use hand tools, portable power tools, and stationary woodworking machines; and methods of joinery. 1981, 438pp., 7 1/2 × 9 1/2, hardbound.

**BKDE4**

**\$34.95**



**SALE ENDS JULY 1! BUY THREE, TAKE 10% OFF!**

**AUDIO ENTHUSIAST'S HANDBOOK**

*B. B. Babani*

**BKEV12**

**\$4.95**

This book discusses a number of audio and hi-fi topics, including record/playback curves, stylus compliance, vinyl recordings then and now, evaluating loudness, acoustic feedback, hi-fi vs. stereo, stereo tape track standards, equipment performance figures, and tracking error's cause, effect, and cure. United Kingdom, 1975, 96pp., 4 1/8 x 7, softbound.

**BUILD YOUR OWN SOLID STATE HI-FI AND AUDIO ACCESSORIES**

*M. H. Babani, editor*

**BKEV13**

**\$4.95**

This volume presents the reader with the design and construction plans for a variety of useful projects, including a stereo decoder, three-channel stereo mixer, FET preamp for ceramic PUs, microphone preamp with adjustable bass response, stereo dynamic noise filter, speaker protector, and voice-operated relay. United Kingdom, 1976, 96pp., 4 1/8 x 7, softbound.

**DIGITAL AUDIO PROJECTS**

*R. A. Penfold*

**BKEV14**

**\$9.95**

The first section of this book takes a look at the basic principles involved in converting an audio signal into digital form and then converting it back again to an analog signal. It also deals with some practical aspects that have to be borne in mind when considering digital audio projects. The second section contains some useful and extremely interesting practical circuits for constructors to build and experiment with. The projects are not highly complex, but nonetheless they are probably beyond the range of complete beginners. United Kingdom, 1988, 96pp., 4 1/8 x 7, softbound.

**ELECTRONIC CIRCUITS FOR THE COMPUTER CONTROL OF MODEL RAILWAYS**

*R. A. Penfold*

**BKEV15**

**\$9.95**

This innovative book is an examination of the problem of interfacing the computer to the layout. It includes projects consisting of various types of controllers, including a high-quality pulse type, as well as circuits for train position sensing, signal and electric points control, sound effects, and more. Projects are equally adaptable to large or small layouts. United Kingdom, 1986, 96pp., 4 1/8 x 7, softbound.

**MODEL RAILWAY PROJECTS**

*R. A. Penfold*

**BKEV16**

**\$6.95**

This handbook provides a number of useful but reasonably simple projects for the model railway enthusiast to build, including such things as controllers and signals and sound effects units. Stripboard layouts are provided for each project. United Kingdom, 1981, 112pp., 4 1/8 x 7, softbound.

**MODEL RAILROAD SPECIAL!**

**BKEV/RR**

**\$14.95**

Both *Electronic Circuits for the Computer Control of Model Railways* (BKEV15) and *Model Railway Projects* (BKEV16), at a savings of \$1.95!

**INTERNATIONAL TRANSISTOR EQUIVALENTS GUIDE**

*Adrian Michaels*

**BKEV17**

**\$11.95**

This book, one of two transistor guides recommended by Old Colony, is designed to help the user find possible substitutes for a popular, user-oriented selection of modern transistors. It includes devices produced by over 100 manufacturers, and wherever possible the equivalents are subdivided into European, American, and Japanese types. Also shown are the material type, polarity, and manufacturer, as well as an indication of device use or application. United Kingdom, 1981, 1990, 320pp., 4 1/8 x 7, softbound.

**THE WOOD EFFECT**

*R. C. Johnson*

**BKMA1**

**\$12.95**

According to the author, masked by random combination with other distortions in the music reproduction chain an unsuspected major contributor has lain hidden: aural sensitivity to "phase inversion," the Wood Effect. In this book the results of an extensive study of the Wood Effect are reported and discussed, including an exhaustive survey of the relevant literature. Although no means are proposed to correct countless errors, customary practice in acoustics and audio is severely scrutinized. BKMA1's subtitle is "Unaccounted Contributor to Error and Confusion in Acoustics and Audio." 1988, 99pp., 6 x 9, softbound.

**THE HOMEBUILT DYNAMO: DYNAMO DESIGN AND CONSTRUCTION WITH CERAMIC MAGNETS**

*Alfred T. Forbes*

**BKTF1**

**\$64.95**

We added this book to our offerings not just because it is a physically handsome volume, but also because it is unique and, as many reviewers have pointed out, an experimenter's "delight." In 1969, Al Forbes and his wife decided to live the simple life and retreated to a parcel of undeveloped land. Soon enough, they needed a generator. This book is the extremely detailed account of how Al built one from scratch. But it is more than that: it's a head-on encounter with just about every principle of electricity, magnetism, and hands-on construction known to man. Along the way, incidentally, the reader runs into how to build precision wire-winding jigs, a small lifting magnet, a foot-powered version of the dynamo, a diamond saw, a sheet metal cutter, and a 139-pound flywheel. With more than 300 illustrations, this volume is slowly becoming a worldwide cult favorite among do-it-yourselfers everywhere. New Zealand, 182pp., 8 1/2 x 12, hardbound.

**THE VTL VACUUM TUBE LOGIC BOOK**

*David Manley*

**BKVT1**

**\$12.95**

This third edition of every tube freak's must-have book is replete with tube matter of every description, including circuits, specifications, reviews, and history, presented with more than a liberal dash of humor and puckishness. 1991, 120pp., 5 1/2 x 8 1/2, softbound.

**AUDIO AND HI-FI ENGINEER'S POCKET BOOK**

*Vivian Capel*

**BKHN1**

**\$27.95**

This book is a concise collection of practical and relevant data for anyone working on sound systems. The topics covered include microphones, record players, compact discs, tape recording, high-quality radio, amplifiers, loudspeakers, and public address systems. A lengthy section on acoustics is included for dealing with most aspects a technician is likely to encounter, from human hearing to sound insulation, and qualities such as heat and magnetism are covered as well. This is a pocket book, in a very handy size. United Kingdom, 1988, 190pp., 3 3/4 x 7 3/4, hardbound.

**STRUCTURE-BORNE SOUND**

*L. Cremer, M. Heckl*

**BKSV4**

**\$84.95**

Translated from the German and revised by E. E. Ungar, this second edition is a thorough introduction to structural vibrations, with emphasis on those at audio frequencies, and the attendant radiation of sound. The book presents in-depth discussions of fundamental principles and basic problems, in order to enable the reader to understand and solve his own. Included are chapters on the measurement and generation of vibrations and sound; the various types of structural wave motions; structural damping and its effects; impedances and vibration responses of the important types of structures; the attenuation of vibrations, and sound radiation from structures. Germany, 1973, 1988, 573pp., 6 1/2 x 9 1/2, hardbound.







**BUY FOUR, TAKE 15% OFF! SALE ENDS JULY 1!**



**HOW TO USE OP AMPS**

*E. A. Parr*

Parr's book is a designer's guide covering many operational amplifiers which serves both as a source book for circuits and as a reference book for design calculations. The approach is as nonmathematical as possible and is thus equally understandable by the hobbyist or the engineer. United Kingdom, 1982, 160pp., 4 3/8 x 7, softbound.

**BKEV3**  
**\$9.95**

**AUDIO PROJECTS**

*F. G. Rayer*

This book covers in detail the construction of a wide range of audio projects, including preamps, power amps, mixers, tone controls, and many others. All are fairly easy to build, and to that end the author has included a number of board layouts and wiring diagrams. United Kingdom, 1981, 96pp., 4 3/8 x 7, softbound.

**BKEV4**  
**\$6.95**

**AN INTRODUCTION TO LOUSPEAKERS AND ENCLOSURE DESIGN**

*V. Capel*

In this volume may be all you need to know about the theory and operation of speakers and the various boxes into which they may be fitted. The book also includes the complete design and construction details for the inexpensive but high quality enclosure called the "Kapellmeister." United Kingdom, 1988, 160pp., 4 3/8 x 7, softbound.

**BKEV5**  
**\$9.95**

**MODERN OP-AMP PROJECTS**

*R. A. Penfold*

BKEV6 includes a wide range of construction projects which make use of the specialized operational amplifiers available today, including low noise, low distortion, ultra-high input impedance, low slew rate, and high output current types. Circuits using transconductance types are also included. United Kingdom, 1982, 112pp., 4 3/8 x 7, softbound.

**BKEV6**  
**\$6.95**

**HOW TO GET YOUR ELECTRONICS PROJECTS WORKING**

*R. A. Penfold*

We have all built circuits from magazines and books only to find that they did not work correctly, or at all, when first switched on. The aim of this book is to help the reader overcome just these problems by indicating how and where to start looking for many of the common faults that can occur when building projects.

Chapter 1 deals with mechanical faults such as tracing dry joints, short circuits, broken PCB tracks, and so forth. The construction and use of a tristate continuity tester to help in the above is also covered. Chapter 2 deals with linear analog circuits and also covers the use and construction of a signal injector/tracer which can be used to locate and isolate faulty areas.

Chapter 3 considers ways of testing the more common components such as resistors, capacitors, op amps, diodes, transistors, SCRs, unijunctions, and so forth, with the aid of only a limited amount of test equipment. Chapter 4 deals with both TTL and CMOS logic circuits and includes the use and construction of a pulse generator to help in fault-finding. United Kingdom, 1982, 96pp., 4 3/8 x 7, softbound.

**BKEV7**  
**\$6.95**

**CONCERT HALL ACOUSTICS**

*Yoichi Ando*

Number 17 in the Springer Series in Electrophysics, this book provides an interdisciplinary approach to solving acoustic design problems in concert halls. Considered one of the original sources in this field, the volume explains in detail the importance and interrelationship of total sound energy, delay of early reflections, reverberation, and the "spatial-binaural criterion," a measure of the spatial impression of the sound field. Germany, 1985, 151pp., 6 1/4 x 9 3/8, hardbound.

**BKSV3**  
**\$69.95**

**ACOUSTICS SOURCE BOOK**

*Sybil P. Parker, editor-in-chief*

This widely-sought member of the McGraw-Hill Science Reference Series is an accumulation and explanation of all that has to do with acoustics, focusing on basic concepts, sound production, sound transmission, sound detection, and practical applications. One of the clearest and most basic references on acoustics available today. 1988, 333pp., 7 x 9 1/2, hardbound.

**BKMHS**  
**\$39.95**

**LISTENING: AN INTRODUCTION TO THE PERCEPTION OF AUDITORY EVENTS**

*Stephen Handel*

This book combines broad coverage of acoustics, speech and music perception, psychophysics, and auditory physiology in a lively introduction to the perception of music and speech events. Coherence and clarity are the hallmarks of this book, and the author's strategy is to discuss specific points in detail rather than every possible thing superficially. All in all very fascinating, especially the treatment of the physiology and neurophysiology of the auditory system. 1989, 597pp., 6 1/2 x 9 1/2, hardbound.

**BKMT1**  
**\$39.95**

**AUDITORY PERCEPTION**

*F. Alton Everest*

This thorough, inventive, and understandable audio training course on psychoacoustics comes complete with eight lessons on four tapes and a manual with hundreds of technical diagrams illustrating the concepts. The aural examples and classic experiments enable the student to clearly and quickly comprehend the complexity of the hearing process. Topics include the perception of delayed sounds, auditory filters, masking of critical bands, the perception of pitch, timbre, and much more. 1986, 104pp., 5 1/2 x 8 1/2, softbound, 4 cassettes, vinyl case for all.

**BKMX1**  
**\$159.95**

**POWER ELECTRONICS HANDBOOK: COMPONENTS, CIRCUITS, AND APPLICATIONS**

*F. F. Mazda*

The purpose of this book is to provide all the information required by power electronics engineers. It describes the design of power circuits used for a variety of applications, the characteristics of power semiconductor devices, and how they are used in power circuits. The author's approach is to give the maximum amount of information in a concise form, with the emphasis on the practical rather than the theoretical. United Kingdom, 1990, 417pp., 6 1/2 x 9 1/2, hardbound.

**BKB4**  
**\$79.95**

**AUDIO ELECTRONICS REFERENCE BOOK**

*Alan R. Sinclair, editor*

Written by a team of expert, specialist contributors, this volume is of interest and profit to audio design and service engineers and technicians, as well as any amateur users of audio equipment who want to learn the technology of the art. BKBL1 is both a summary and a guide to the new state of audio, and includes in its coverage those areas where professional and amateur audio have begun to overlap, such as electronic music and public address systems. United Kingdom, 1989, 615pp., 6 1/2 x 9 1/2, hardbound.

**BKBL1**  
**\$164.95**

**TROUBLESHOOTING AND REPAIRING COMPACT DISC PLAYERS**

*Horner L. Davidson*

This is an invaluable reference for both the electronics technician and the do-it-yourselfer alike. With it, you'll be able to troubleshoot and repair servo control loops, remote control systems, optical lenses and laser assemblies, and much more! Detailed examples of actual repair and adjustment procedures and a chapter on the care and handling of the discs themselves further enhance the usefulness of this book. 1989, 337pp., 7 1/2 x 9 1/2, softbound.

**BKT20**  
**\$18.95**

**BUY FIVE OR MORE, TAKE 20% OFF! SALE ENDS JULY 1!**



**BEGINNER'S GUIDE TO READING SCHEMATICS**

Robert J. Traister

This outstanding handbook takes you step-by-step through every phase of understanding and using schematics. Coverage includes how and why schematics are used; how each symbol is derived, used, and drawn; how individual symbols are combined to represent electronic circuits; proper numbering of components; and units of electronic measurement. 1983, 134pp., 5 x 8 1/2, softbound.

**BKT14**  
**\$11.95**

**AUDIO (BABANI ELEMENTS OF ELECTRONICS, BOOK 6)**

F. A. Wilson

In this book, analysis of the sound wave and an explanation of acoustical quantities prepare the way. These are followed by a study of the mechanism of hearing and examination of the various sounds we hear. A look at room acoustics with a subsequent chapter on microphones and loudspeakers then sets the scene for the main chapters on audio systems, amplifiers, oscillators, disc and magnetic recording, and electronic music. United Kingdom, 1985, 320pp., 4 3/8 x 7, softbound.

**BKEV8**  
**\$11.95**

**GREAT SOUND STEREO SPEAKER MANUAL —WITH PROJECTS**

David B. Weems

In this book, Weems strips the mystery from drivers, crossovers, and construction materials in order to help you build your own speakers and get the best possible performance from all of your sound equipment. Included are current trends in speaker design, getting great stereo sound from units you build yourself, calculating design parameters, transmission-line systems, crossover networks, and much more! 1990, 248pp., 7 1/2 x 9, softbound.

**BKT15**  
**\$16.95**

**AUDIO AMPLIFIER FAULT-FINDING CHART**

C. E. Miller

This tool is actually a foldable wall chart which will help the user trace most common faults which might occur in audio amplifiers. All the reader has to do is select one of the faults shown at the top of the chart and then follow the arrows, carrying out the suggested checks in sequence until the fault is cleared. United Kingdom, 1987, 17 1/2 x 25.

**BKEV9**  
**\$4.95**

**PRACTICAL STEREO AND QUADRAPHONY HANDBOOK**

B. B. Babani

A reference book for all those interested in modern stereophonic and multi-sound-channel equipment. The subjects covered include explanations of many of the technical terms used in this audio field, stereo equipment and techniques, positioning of multiple loudspeakers for best results, stereo and four-channel pickups, and more. United Kingdom, 1975, 96pp., 4 3/8 x 7, softbound.

**BKEV11**  
**\$4.95**

**THE ART OF DIGITAL AUDIO**

John Watkinson

This book begins with clear definitions of technical terms specific to particular technologies employed in digital audio. The theory of each area is then discussed and their practical applications considered. All of the major digital recording formats are explained. Consumer machines, compact discs, DAT, and mastering recorders are covered, as well as multitracking. The professional's first digital audio reference, written in laymen's terms. United Kingdom, 1988, 500pp., 6 1/2 x 9 1/2, hardbound.

**BKB2**  
**\$52.95**

**AUDIO SYSTEM DESIGN AND INSTALLATION**

Philip Giddings

This book is a practical, hands-on tool designed to help the audio professional find information quickly. The many useful tables, checklists, photos, and diagrams included are all intended to improve and expedite system design. Giddings also provides many effective tips and strategies for efficient audio system installation. 1990, 350pp., 7 3/8 x 9 1/4, hardbound.

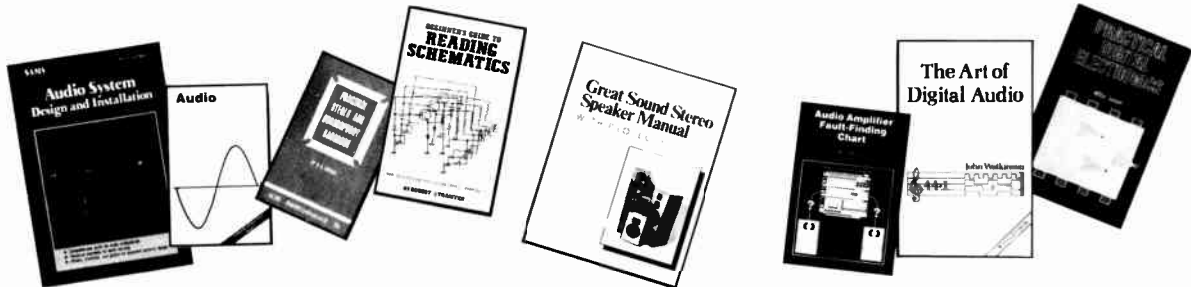
**BKS33**  
**\$59.95**

**PRACTICAL DIGITAL ELECTRONICS HANDBOOK**

Mike Tooley

Aimed at amateurs and professionals alike, this book features nine digital test gear projects, pinouts for CMOS and TTL devices, and numerous tables of reference data. It introduces digital circuits, logic gates, bistables, timers, microprocessors, memory, and input/output devices, as well as looks at the RS-232C interface and the IEEE-488 and IEEE-1000 microprocessor buses. United Kingdom, 1988, 1990, 208pp., 5 1/2 x 8 1/2, softbound.

**BKPC1**  
**\$14.95**



**YES! Please send me**

\_\_\_\_\_ BK \_\_\_\_\_ @ \$ \_\_\_\_\_ = \$ \_\_\_\_\_  
 \_\_\_\_\_ BK \_\_\_\_\_ @ \_\_\_\_\_ = \_\_\_\_\_  
 \_\_\_\_\_ BK \_\_\_\_\_ @ \_\_\_\_\_ = \_\_\_\_\_  
 \_\_\_\_\_ BK \_\_\_\_\_ @ \_\_\_\_\_ = \_\_\_\_\_  
 \_\_\_\_\_ BK \_\_\_\_\_ @ \_\_\_\_\_ = \_\_\_\_\_  
 \_\_\_\_\_ BK \_\_\_\_\_ @ \_\_\_\_\_ = \_\_\_\_\_  
 SUBTOTAL = \_\_\_\_\_  
 LESS SALE DISCOUNT = \_\_\_\_\_  
 TOTAL = \_\_\_\_\_  
 PLUS SHIPPING (see right) = \_\_\_\_\_  
 TOTAL ORDER = \$ \_\_\_\_\_

**SALE ENDS JULY 1!**



**OLD COLONY SOUND LAB**

PO Box 243, Dept. E91  
Peterborough, NH 03458  
24-HOUR LINES:  
TEL. (603) 924-6371  
FAX (603) 924-9467

NAME \_\_\_\_\_ MAGIC NO. \_\_\_\_\_  
 STREET & NO. \_\_\_\_\_  
 CITY \_\_\_\_\_ STATE \_\_\_\_\_ ZIP \_\_\_\_\_  
 MC/VISA \_\_\_\_\_ EXP. DATE \_\_\_\_\_

PAYMENT BY:  MC/VISA  CHECK  
 MONEY ORDER

**SHIPPING:** In US, please add \$2 for first book, 75¢ each additional. In Canada, please add \$4.50 for first book, 75¢ for each additional. Others, please add 20% for surface delivery. Airmail: Please inquire.

FOREIGN CHECKS MUST BE IN US FUNDS  
DRAWN ON US BANK.

**CALL OR WRITE FOR YOUR FREE CATALOG!**

# TELECOMMUNICATIONS AND THE WORLD WEATHER WATCH

**T**HE weather has a profound influence on man and affects many of his activities, his safety and, often, his survival. Each nation of the world, therefore, shares a common interest in monitoring weather phenomena and, moreover, in forecasting weather conditions. The state of the entire atmosphere and its evolution determine weather conditions in any one country, and, as a consequence, meteorological activities rely upon an efficient and timely exchange of meteorological data collected at many observation points throughout the world. It is, therefore, not surprising that the development of operational meteorology has gone hand in hand with the dramatic advances that have taken place in telecommunications over the years. The most significant milestone in its development was the establishment of the World Weather Watch programme, adopted by the Fourth Congress of the World Meteorological Organization (WMO) in 1963.

## The World Weather Watch

The World Weather Watch (WWW) is a global system for the collection, analysis and distribution of weather and other environmental information. It is an integrated system composed of national facilities and services owned and operated by individual countries which are members of WMO. The operation of the WWW is based on the fundamental concept that each of the 160 member countries undertakes, according to its means, to meet certain responsibilities in the agreed global scheme so that all countries may benefit from the consolidated efforts. It is a unique achievement in international co-operation: in few other fields of human endeavour, and particularly in science and technology, is there – or has there ever been – such a truly world-wide operational system to which virtually every country in the world contributes, every day of every year, for the common good.

- The WWW has three basic components:
  - the Global Observing System, comprising facilities on land, at sea, in the air and in outer space, for the observation and measurement of meteorological elements;
  - the Global Telecommunication System, a world-wide telecommunications system for the rapid exchange of the observational information as well as of analysed and processed information, including forecasts, which are produced by the third main component;
  - the Global Data-processing System, a network of world and regional computerized data-processing centres.

## The Global Telecommunication System

The Global Telecommunication System (GTS) comprises the arteries, heart and veins of the WWW. The life blood of the meteorological observations and processed information has to be collected, processed and disseminated to national meteorological services, and the operation of the WWW system relies entirely on efficient and reliable telecommunications. At present, the GTS conveys several tens of millions of octets of alphanumeric and binary data and thousands of weather charts daily, and is operating with a degree of speed, automation and efficiency not thought possible in the early 1960s.

## Structure of the GTS

The GTS is an integrated system of point-to-point circuits, meteorological communication centres, radio broadcast and satellite-based communication systems, organized in three levels:

- the Main Telecommunication Network linking the World Meteorological Centres (WMCs) and certain Regional Telecommunication Hubs (RTHs), responsible for selecting and relaying global traffic;

- the Regional Meteorological Telecommunication Networks linking Regional Telecommunication Hubs and National Meteorological Centres (NMCs) that carry observational data and processed information in order to meet WMO members' needs to the degree possible;
- the National Meteorological Telecommunication Networks implemented in each country for the collection of observational data and distribution of meteorological information to meet national requirements.

Plans for the point-to-point network of the GTS provide for 281 circuits that should link three WEMCs, 30 RTHs and 150 NMCs; 244 of these circuits have been implemented and an increasing number of circuits are operating at medium/high speed using advanced communication techniques. The GTS also includes radio teleprinter and facsimile broadcasts to disseminate meteorological information.

Satellite-based communication systems are also increasingly being used within the GTS, in particular for data collection and distribution functions at the global, regional and national levels. The fundamental mission of polar-orbiting and geostationary meteorological satellites is to measure observational data in the atmosphere and at sea and land surface, and to provide for the distribution of these digital and pictorial data to meteorological user stations through appropriate telecommunication means.

Furthermore, meteorological satellites have the capability of collecting messages from data collection platforms (DCPs), which may be installed on ships, buoys, aircraft, balloons as well as on land in remote locations. Some meteorological satellites also include a service for distribution of meteorological data to overcome the existing deficiencies as regards the availability of meteorological data and products in some

Published by Audio Amateur Publications, Inc.

**Editor/publisher:** Edward T. Dell, Jr.

**Editorial Offices:**  
305 Union St., P.O. Box 876  
Peterborough, NH 03458-0876 USA

Telephone: 603-924-9464 (National)  
or +1 (603) 924-9464 (International)  
FAX: (603) 924-9467 (National)  
or +1 (603) 924-9467 (International)

**Advertising:** Raily Dennis  
Telephone: (603) 924-9750  
FAX: (603) 924-9467

**Subscriptions:** Katharine Gadwah

*Elektor Electronics USA*  
Post Office Box 876,  
Peterborough, New Hampshire 03458

**Subscriptions to *Elektor Electronics USA*** are available **ONLY** in the fifty United States, Canada, Puerto Rico, the Virgin Islands and those Pacific territories administered by the United States of America.

### European Offices:

**Elektuur BV**  
Postbus 75  
6190 AB BEEK  
The Netherlands  
Telephone: 011 31 4638 9444  
Telex: 56617 (elekt nl)  
FAX: 011 31 4637 0161  
**Managing Director:** M.M.J. Landman

### Overseas Editions:

**FRANCE**  
**Elektor sari**  
Les Trois Tilleuls  
B.P. 59; 59850 NIEPPE

**Editors:** D.R.S. Meyer  
G.C.P. Raedersdorf

**GERMANY**  
**Elektor Verlag GmbH**  
Susterfeld Strasse 25  
5100 AACHEN

**Editor:** E.J.A. Krempelsauer

**GREECE**  
**Elektor EPE**  
Kariskaki 14  
16673 Voula—Athens  
**Editor:** E. Xanthoulis

### INDIA

**Elektor Electronics PVT Ltd**  
Chhotani Building  
52C, Proctor Road, Grant Road (E)  
BOMBAY 400 007

**Editor:** Surendra Iyer

### ISRAEL

**Elektorcal**  
P O Box 41096  
TEL AVIV 61410

**Publisher:** M. Avraham

### NETHERLANDS

**Elektuur BV**  
Peter Treckpoelstraat 2-4  
6191 VK BEEK

**Editor:** P.E.L. Kersemakers

### PAKISTAN

**Electro-shop**  
35 Naseem Plaza  
Lasbella Chawk  
KARACHI 5

**Editor:** Zain Ahmed

### PORTUGAL

**Ferreira & Bento Lda.**  
R.D. Estef-83-ni. 32-1°  
1000 LISBOA

**Editor:** Jeremias Sequeira

### SPAIN

**Resistor Electronica Aplicada**  
Calle Maudes 15 Entio C.  
28003 MADRID

**Editor:** Agustin Gonzales Buelta

### SWEDEN

**Electronic Press AB**  
Box 5505  
14105 HUDDINGE

**Editor:** Bill Cedrum

### UNITED KINGDOM

**Down House**  
Broomhill Road  
LONDON SW18 4JQ  
England UK

**Editor/Publisher:** Len Seymour

Printed in the United States of America.

ISSN: 1051-5690

areas of the world. Satellite-based communication services, provided through the specialized telecommunication satellites, are also contributing extensively to the GTS operation and will play an increasing role in its implementation. In particular, INMARSAT services, by providing a full coverage of oceans for collecting weather reports from voluntary observing ships to meteorological services, and for the distribution of forecasts and warnings to ships, are an essential element for the provision of maritime meteorological services.

The surge of new telecommunication and processing techniques now makes it possible to use internationally standardized procedures and standardized (and thus less expensive) hardware and software. These methods and techniques used on the GTS and WW will make it possible to handle an increased volume and diversity of observa-

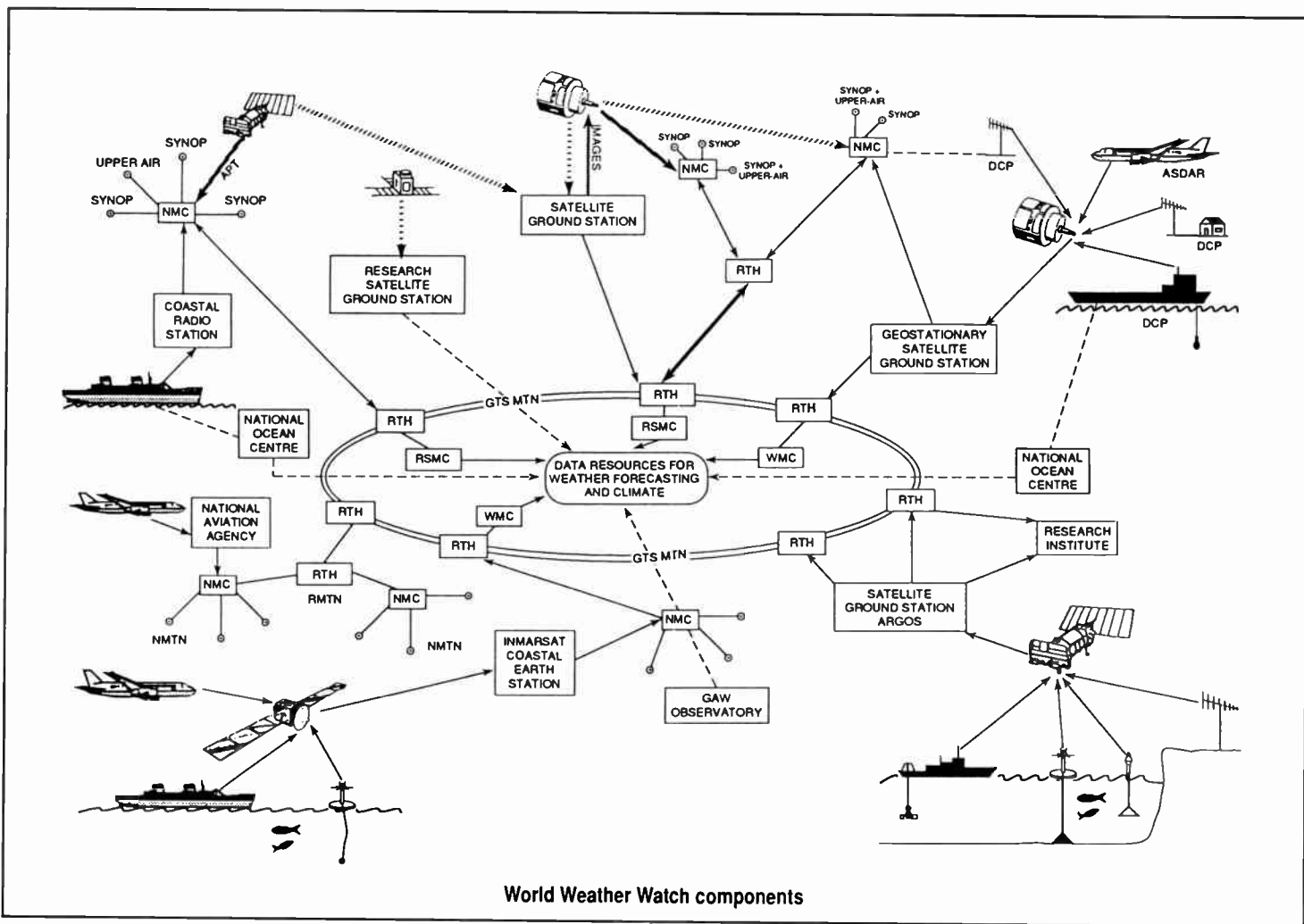
tional data and products, whilst guaranteeing members access to information according to their needs and possibilities.

The WW programme is the basic programme of WMO and through its real-time provision of data and products to WMO members where telecommunications play a vital role, provides an essential support to other WMO and international programmes.

**Security and safety of life**

The most important requirement of the WW, and the one from which the greatest benefits are obtained, is contribution to security and safety of life. Such benefits derive in particular from severe-weather warnings issued for the general public and from specialized meteorological services to aviation, marine activities and transport on land and inland waters based on meteorological data and products distributed over the GTS.

Probably the most significant impact on safety of life is in the area of tropical cyclone warning. In an average year, about 80 tropical cyclones form over the warm ocean water in certain parts of the tropics, affecting some 50 countries. About 20,000 people lose their lives each year and the damage caused may reach £4,000 million (\$7,000 million). A significant amount of this damage and loss of life is avoidable, given adequate forewarning of the characteristics and path of each cyclone. The national meteorological services in all cyclone-prone areas of the world provide such warning services for their respective areas of responsibility, coordinated under the WMO Tropical Cyclone Programme and relying upon efficient and reliable telecommunication services provided by the GTS. (915059)



**ELECTRONICS SCENE**

**NEW DATES SET FOR SMPTE TV CONFERENCE**

The 26th Annual Television Conference of the Society of Motion Picture and Television Engineers (SMPTE) will be held February 7-8, 1992 in San Francisco at the Westin St. Francis Hotel. Peter Hammar (Hammar Communications) is the television

conference program chairman; John A. Carlson (Monaco Labs) is the general arrangements chairman.

On February 6, the Society will sponsor an all-day tutorial tentatively called "Computers for Video, Video for Computers,"

which will discuss professional use of new low-cost computer technologies in graphics and editing and will provide an introduction to the theoretical papers presented during the conference.

For more information, contact SMPTE, 595 W. Hartsdale Ave., White Plains, NY 10607, (914) 761-1100.

## MEDIA CHESTS PROTECT VIDEO TAPES

You can store videos and other recorded material in a Sentry Fire-Safe™ media chest. These chests have passed Underwriters Laboratories fire endurance tests. When subjected to temperatures up to 1,550°F for half an hour, they maintain an internal temperature below 125°F and a humidity level below 80%—safe conditions for the information stored on the magnetic media.

For more information, contact Sentry Group, 900 Linden Ave., Rochester, NY 14625, (716) 381-4900.

## RECEIVER BANDPASS FILTER

Optoelectronics has announced a receiver bandpass filter that separates closely spaced radio signals. The model APS-204 works as an active preselector, isolating desired signals and passing them on to the protected receiver, while eliminating interfering frequencies. It has a constant bandwidth and continuous electronic tuning over the six octaves from 20MHz to 1,000MHz.

The unit's bandpass width is fixed at 4MHz, regardless of the center frequency to which it is tuned. This is accomplished with a four-pole resonant cavity filter with a Q of 325. The antenna output is routed to and from this resonant cavity by a double-hetrodyne technique, which uses a simple voltage-controlled local oscillator (LO) whose frequency is set by a ten-turn pot. Output of the LO is mixed with the incoming antenna signal. The resultant intermediate frequency (IF) is passed through the 4MHz resonant filter and mixed back down with the same LO, then passed on to the protected radio receiver.

The APS-204 operates on 12V DC for mobile convenience and consumes 6W. It measures 4" by 1½" by 7" and is housed in a rugged aluminum extrusion. Noise figure is specified at 10dB maximum and its third-order intercept is specified at 15dB typical.

The APS-204 sells for \$995 in unit quantities. For more information, contact Optoelectronics Inc., 5821 NE 14th Ave., Ft. Lauderdale, FL 33334, (305) 771-2050 or (800) 327-5912, FAX (305) 771-2052.



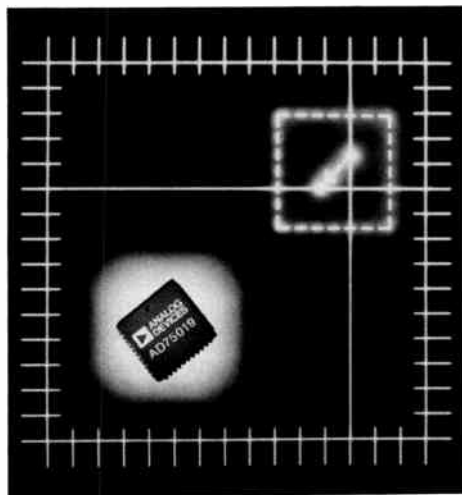
## ELECTRONICS SCENE

### ANALOG SWITCH ARRAY CELL-BASED DESIGN

Analog Devices' AD75019 16 by 16 monolithic analog crosspoint switch array is a 256-switch device that handles analog signals up to 26V p-p. The device connects any of 16 analog inputs to any of 16 outputs. Applications include automatic test equipment, instrumentation switching, medical monitoring equipment, audio studio systems, and telecommunications switching systems.

The array's control interface is a three-wire serial port (TTL/CMOS compatible); internal latches store the switch setup. Each 44-pin PLCC device consumes 2mW quiescent current; analog signals up to the maximum supply rails of 26V or ±13V can be handled. Typical on-resistance is 200Ω. Operation is specified at ±12V and ±5V, and operation from a single supply or asymmetrical bipolar supplies is allowed.

The cost of the AD75019 is \$15 (100s). For more information, contact Analog Devices, Inc., 181 Ballardvale St., Wilmington, MA 01887, (617) 937-1428.



### RADIO INSTRUMENTATION DESCRIBED IN CATALOG

Optoelectronics offers a 16-page brochure describing the firm's newest handheld and benchtop instruments. Contents include descriptions, technical data, and useful tips on how to use frequency finding handi-counters, universal counter-timers for lab and field, PC-based counters with Windows 3.0 for control and display, active preselector bandpass filters, and antennas and accessories. It is free to all involved in subaudio to 3GHz.

For more information, contact Bill Owen, Optoelectronics Inc., 5821 NE 14th Ave., Fort Lauderdale, FL 33334, (800) 327-5912 or (305) 771-2050.

### GOLD CONDITIONER AND PROTECTOR

Caig's CRAMOLIN ProGold 100 is a non-abrasive/noncorrosive formula that conditions gold connectors, enhancing their conductivity characteristics to transmit electrical signals efficiently. The product coats the entire connector surface, providing protection from abrasion (insertion resistance), wear, and atmospheric contamination.

CRAMOLIN ProGold 100 is ideal for use on edge connectors, batteries, interconnecting cables, plugs, sockets, switches, relay, and so on. It is available in spray, liquid, precision dispenser, wipes, and pen applicators.

For more information, contact Mark K. Lohkemper, Caig Laboratories, Inc., 16744 W. Bernardo Dr., Rancho Bernardo, CA 92127, (619) 451-1799, FAX (619) 451-2799.



### PRODUCTS TO HELP IMPROVE TROUBLESHOOTING TIME

Electronic Design Specialists has announced the EDS-59C Series II Semianalyzer and the Microanalyzer model 76. The EDS-59C allows technicians to trace audio, video, digital, or FG signals to the problem area while monitoring DC voltages on its 3½ digit voltmeter.

The unit displays the device's type, polarity, and condition and beeps different tones for speedy troubleshooting. The semianalyzer also checks zener diodes for proper voltages, as well as neons, LEDs, and capacitors for leakage, noise and voltage breakdown up to 175V DC using its built-in hi-pot tester. An optional infrared detector probe is available for repairing remote controls.

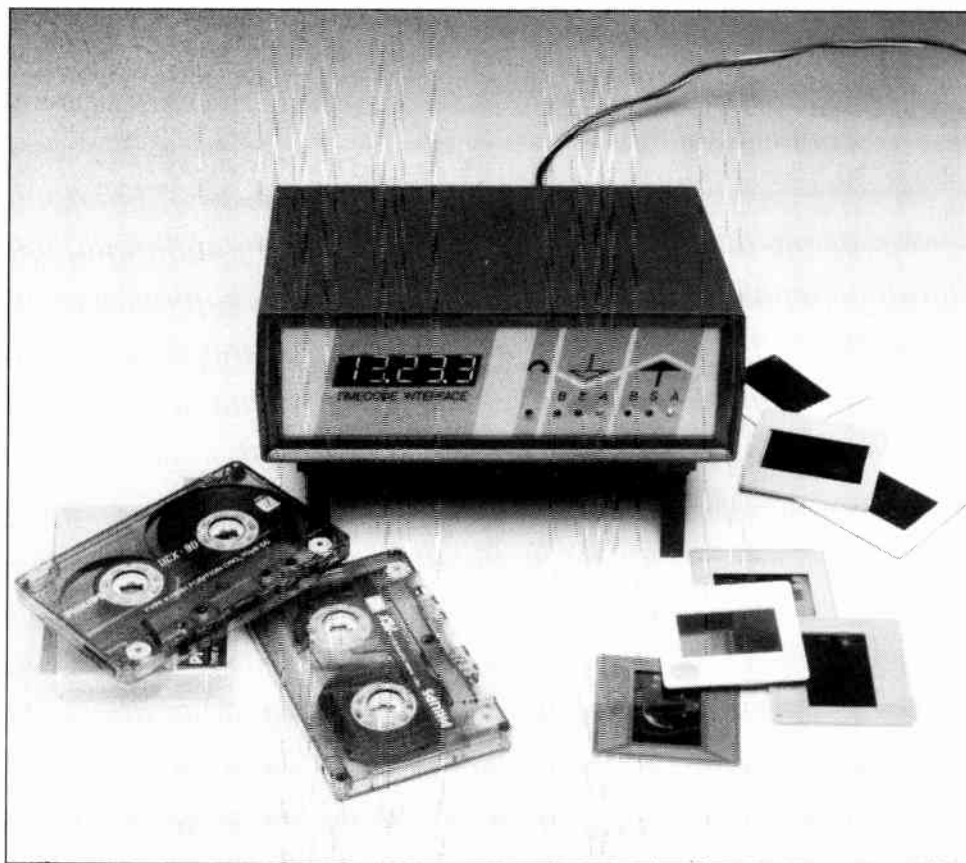
The Microanalyzer 76 will test in circuit, using high-voltage signals, components in microwave ovens such as high-voltage diodes and capacitors, magnetrons, and power transformers, as well as TRIACs, transistors, and MOSFETs. The device also includes a 3½ digit voltmeter that measures up to 5kV AC or DC in two ranges. All special test leads are included, as well as an article on repairing microwave ovens.

For more information, contact Electronic Design Specialists, Inc., 275 Rock Island Rd., North Lauderdale, FL 33068, (305) 720-4497.

# TIMECODE INTERFACE FOR SLIDE CONTROL

## PART I. SYSTEM OUTLINE

Noticing that the projector is running out of step with the audio programme is pretty embarrassing when your friends and relatives have gathered to watch your carefully prepared slide presentation. The circuit described here ensures perfect synchronization between the slide controller and a music or voice programme recorded on tape. This is achieved by recording an accurate time code on a tape track and playing it back later, sending commands to a slide projector control.



### A. Rigby

OVER the past few years we have published a number of circuits related to electronic slide control systems. Many photography enthusiasts and photographers' clubs are now using two or more projectors to bring life to otherwise rather dull slide presentations. At some stage, it will be required to add sound to the presentation, and be able to have some special effects such as fading one slide into another. These functions invariably require an electronic slide projector control, a lamp dimmer, and a system to synchronize the audio track on a tape recorder to the projector control.

The circuit described here records time signals on a tape track. This is done at fixed intervals, allowing projector control commands to be accurately timed and processed by, for instance, a computer. Similar systems are also available commercially (at a much higher cost than the circuit described here), and are generally identified as being based on timecode synchronization.

To be able to make optimum use of the circuit, you will need the following equipment: a slide projector control (Ref. 1), a multitrack recorder, slide projectors and a computer. The computer can be a PC or a microprocessor-controlled stand-alone sys-

tem. Such a system, based on a Z80 microprocessor, is currently being developed and will be published in a future article.

The complete system is capable of controlling the slide projector and the timecode interface. The practical use is basically as follows. The computer is used to program a slide presentation with all the possible effects such as 'fades', 'twinkles' and lamp intensity changes. Next, the presentation is coupled to a music/voice programme on tape via the timecode interface. The time information used to control the slide projector is recorded on track 3 or 4 of the tape, and allows the user to define the exact instants when a slide control command occurs. This provides perfect synchronization between the tape and the slide projector. A change in the timing in the series only requires a different timing code to be recorded. This can be done at an accuracy of 10 ms, which is quite a luxury compared to hand-timing the pulses, which hardly allows control signals to be moved back and forth if a correction is required.

As already mentioned, timecode systems are available commercially. These systems are pretty expensive, though, and often do not include the necessary lamp control circuits, or 'faders'. The system proposed here is much cheaper, has a performance which is at least equal to commercial systems, and is suitable for 4 to 16 projectors.

### The principle

The time code is recorded on tape as a serial signal with a bit rate of about 1,000 per second. The system is suitable for reel and cassette tape recorders. The logic ones and zeroes that form the digital control signal are converted into bursts of 5,000 Hz and 2,500 Hz respectively. Each byte (8 bits) requires about 10 ms. A complete digital word consists of one startbit, eight databits, one parity bit and two stop bits.

One nibble (4 bits) allows a decimal number to be stored. When 5 nibbles are used, we can put a time code on tape that sets a control action which is to occur 99 minutes and 59.9 seconds later (or, slightly unusually, 9999.9 seconds). This means that the timecode has sufficient capacity for use with long-play reel recorder tapes.

Since 5 nibbles correspond to 2½ bytes, one nibble remains for an integrity check on the data recorded on tape. One complete timecode, including the checksum, takes about 30 ms.

Since the timecode and the music programme are recorded on the same tape, the two are inseparable. This means that the synchronization is not upset by tape stretch and other irregularities during recording or playback.

When the timecode is read back from the tape, the resolution can be increased by hav-

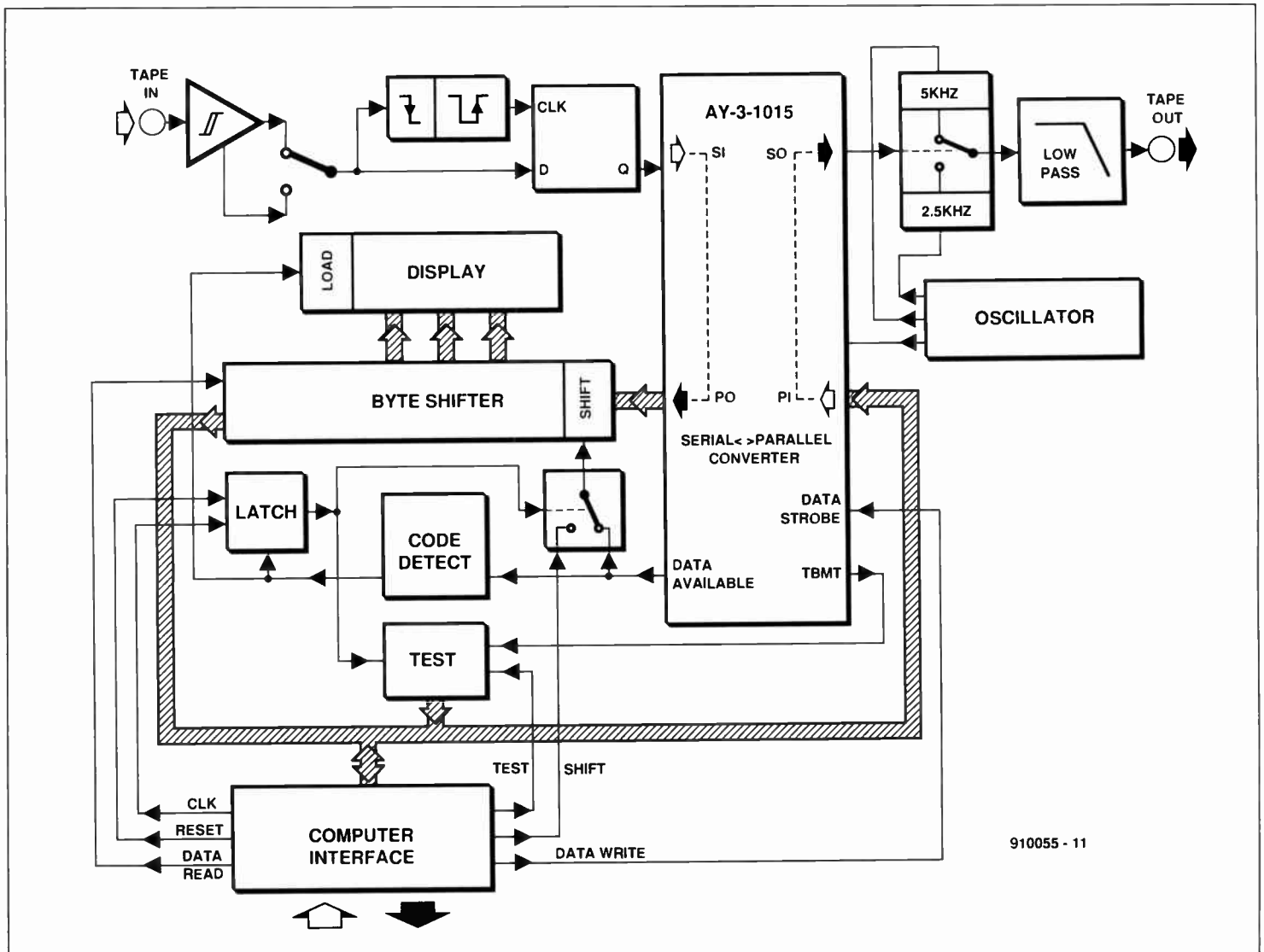


Fig. 1. Block diagram of the timecode interface.

ing the computer calculate times in between recorded time codes. Note, however, that this implies that the computer clock must be capable of working on its own, without copying any incorrectly decoded time information. When the timer is used in manual mode, the higher resolution intervals are not applicable, since we have enough trouble as it is detecting codes in 0.1-s steps and responding to them with the appropriate action. For manual use, the timecode interface can be equipped with a LED read-out that shows the current time. This read-out is modular and based on LED units used in the Elektor Electronics Digital Train System (EEDTS, see Ref. 2). When the tape is played back, the interface can be disconnected from the computer and used as a digital tape counter.

The timecode interface is perfect for use with the projector control system described in Ref. 1. We have no reservations about calling the resulting slide presentations professional and timed to perfection.

Those of you who have already looked at the photograph of the prototype may wonder why it has four line signal sockets, where only two are expected for a two-way recorder connection (one input and one output). The two extra sockets allow a new data format to be generated that contains all the

information about a certain slide presentation. This enables a presentation with a sound programme to be started at any point in the slide sequence. More importantly, however, the extra format makes the use of floppy discs optional while still ensuring that the information about the sequence remains coupled to the sound programme. During the development of the slide presentation, time codes are generated on a PC and sent to a stand-alone controller. Next, the new data format is recorded on another tape track. By virtue of the information on this track, the actual presentation can then be run without a PC.

### A look at the hardware

The hardware for the timecode interface is designed to allow a minimum amount of software to control both the timecode system and the (optional) read-out. In principle, it is possible to record and retrieve the serial code direct to and from the magnetic medium. This is usually done with the aid of a serial-to-parallel converter. Such a system, however, requires continuous read and write operations on the tape, which can be problematic if a reliable RS232 connection is not available on the computer.

Here, the hardware is capable of gather-

ing all bytes that form a code, and storing them until the next code is available. If necessary, the computer can call up a certain code. Note, however, that the code can be read out only once to prevent the system reading incorrect codes. The data can be read by the computer at high speed in parallel form. Likewise, the writing of data to the timecode interface, and from there to the tape, is a simple process that requires little time.

The block diagram in Fig. 1 illustrates the operation of the system. The most important part is the bidirectional serial-to-parallel converter. Data is recorded on the tape and played back as a serial signal. In the circuit, however, all information is processed as parallel data.

The format converter is capable of transmitting and receiving independently. The clock oscillator determines the speed of the serial signal, which, incidentally, may be set differently for transmission and reception.

### Transmit operation

The parallel data applied to the unit by the computer is converted into a serial data-stream that consists of logic ones and zeroes. Next, these digital levels are converted into tone bursts of 2,500 Hz (logic 0) and 5,000 Hz (logic 1). The clock frequencies used for this conversion are derived from the converter

clock. Before the bursts are sent to the tape recorder, their level is adapted, and the bandwidth is limited.

**Receive operation**

The data retrieved from the tape is amplified and subsequently digitized by a Schmitt-trigger. A frequency detector recognizes the two burst frequencies, and converts them into logic 1s and 0s which are applied to the serial-to-parallel converter. When the data is valid, the 'data available' (DAV) signal is actuated, and the data appears on the parallel outputs of the converter.

**Data processing**

A time code consists of three bytes which are held together as a unit by a byte shifter and a code detector. When the converter detects the start of a new dataword, the previously loaded word is shifted one location in the byte shifter. In this way, the system can hold up to four bytes at a time. The 'oldest' byte is lost when the next word appears.

To enable the system to recognize a complete code in the datastream, the codes are separated by short pauses. This results in the DAV signal being active longer during a pause than in between bytes that form a code. This is detected by the 'code detect' block, which also serves to feed the received code to the display. When the codes are not used, the display will simply show them one by one as they are retrieved from the tape.

**Computer action**

The synchronization function of the circuit requires that the time information can be read, recognized and processed. This is achieved via an interface that allows the computer to detect the presence of a timecode. The code detector output is latched in the computer interface with the aid of the CLK (clock) line. A buffer, which also serves to read other signals, allows the computer to test for the presence of a code. To prevent new databytes being loaded, the shift input is also switched to the computer interface when a code is present.

The computer interface allows the code to be read and processed on a byte-by-byte basis. When the read operation is finished, the latch requires a reset signal before it can accept the next code.

**Timing of the datastream**

It will be clear that the bytes that make up the time code must be sent in quick succession to enable the system to detect them as a coherent block. We must take into account however the code detection time as well as the time required to convert a byte to serial format and record it on the tape. Since the parallel-to-serial converter can not handle further data just after receiving a byte, and has only room for two bytes, there is a requirement for the system to signal that the next databyte can be offered. This is achieved by using the TBMT (Transmitter Buffer eMpTy) signal supplied by the converter. A new databyte can be applied as long as TBMT is active, indicating that the

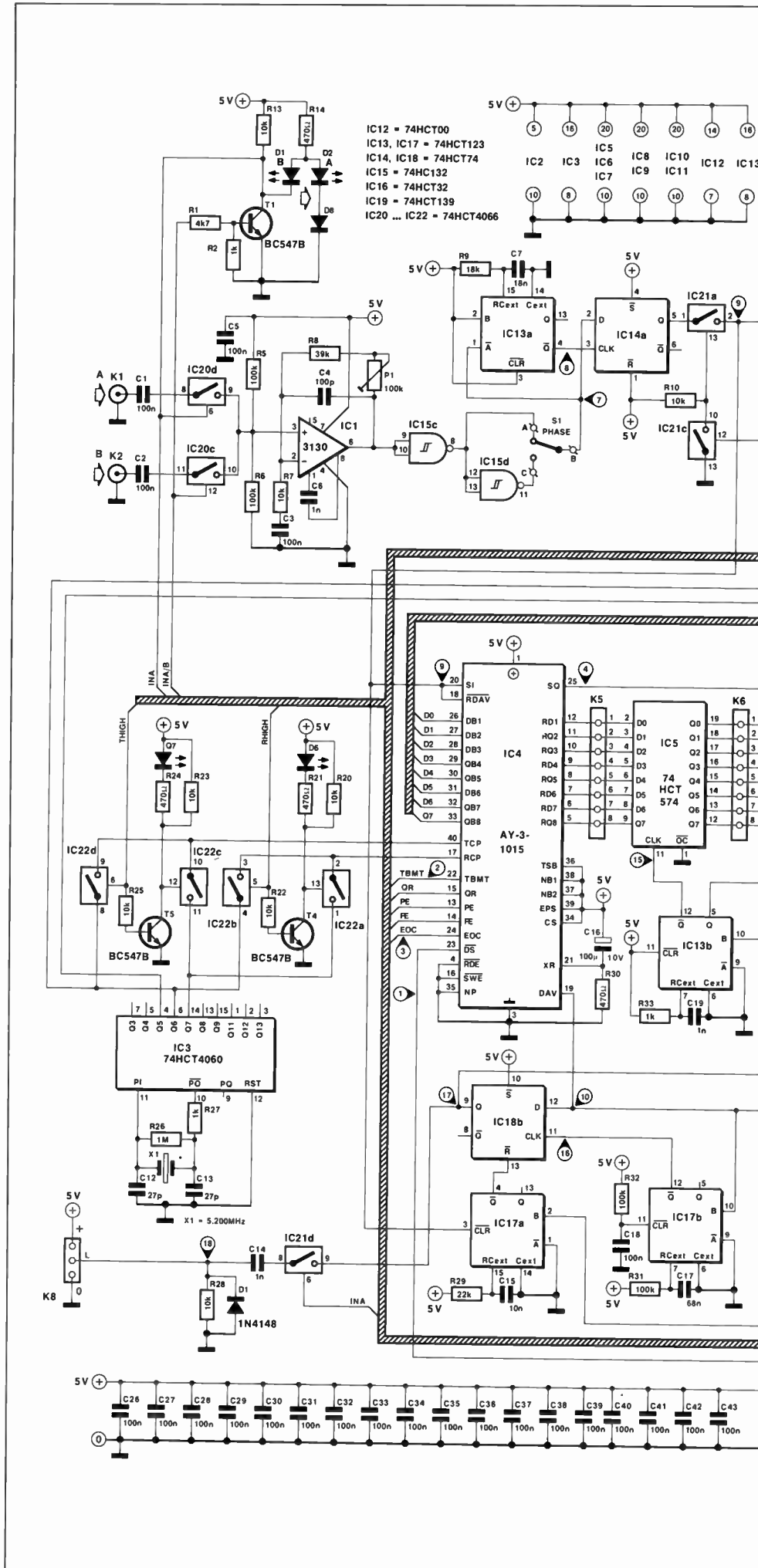
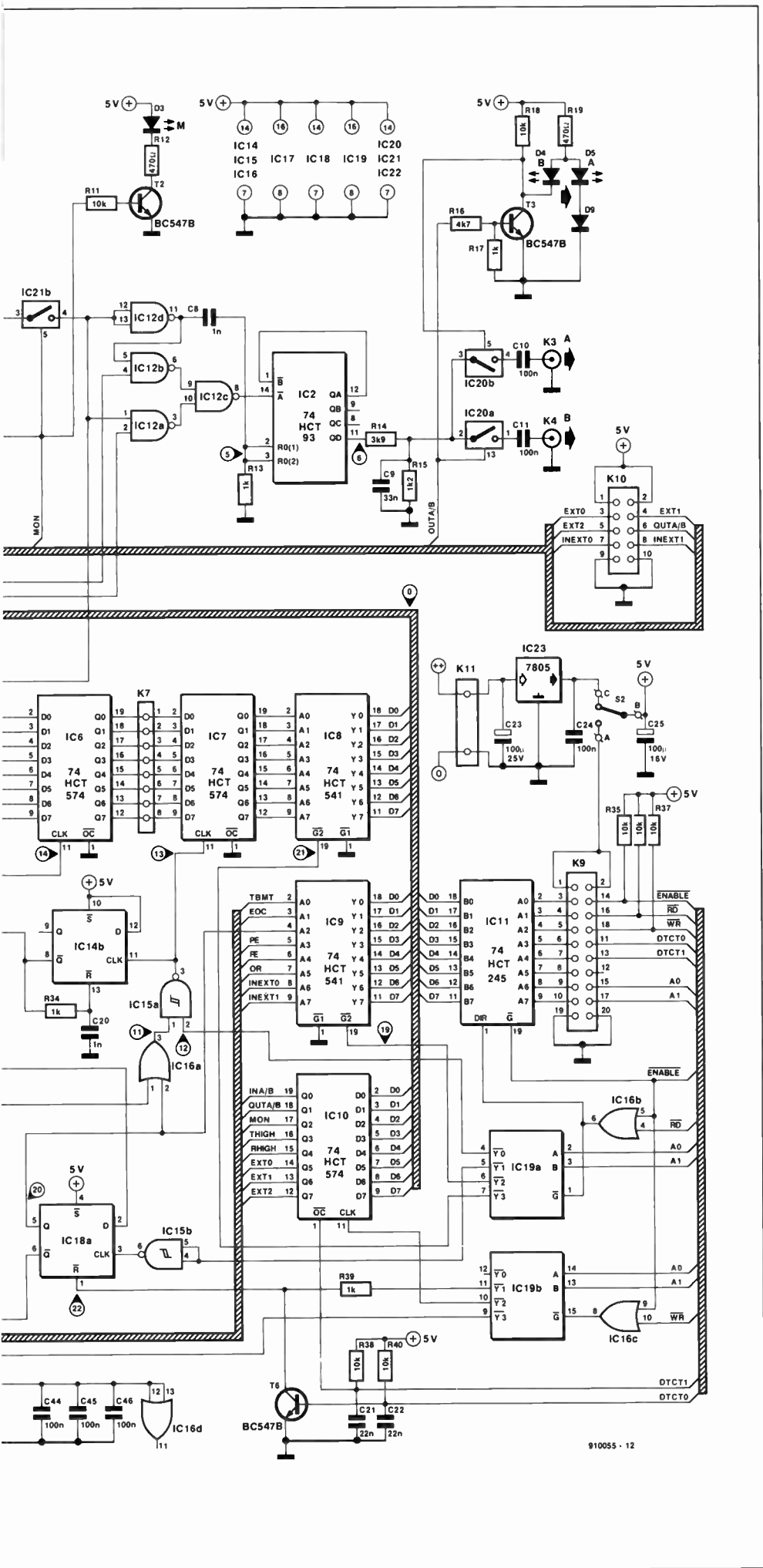


Fig. 2. Circuit diagram of the timecode interface.





transmit buffer is empty after sending a byte to the internal shift register.

The write speed of the system is ensured by sending the bytes that form a code at the time the buffer is empty. Due care should be taken, however, to leave sufficient time between codes to enable them to be detected as coherent blocks during reception.

The above system works on the assumption that the TBMT output of the converter is continuously monitored. Another possibility is to send the next byte just before the end of the previous one, under interrupt control. This allows the system to handle other tasks in the mean time, without being fully 'tied up' with the interface.

The interface is based on two possible speeds, 10 ms/byte and 5 ms/byte. These speeds allow interrupt cycles to be used of 20 ms and 10 ms respectively (two bytes can be sent during an interrupt). To make sure that the code can also be read back under interrupt control, a minimum pause of one interrupt period is required.

**Computer interface**

The interface between the timecode controller and the computer is relatively simple, and consists of a few ICs only. The PC and the timecode interface communicate via the universal I/O interface for IBM PCs (Ref. 3). As already mentioned, we have in the pipeline a stand-alone Z80-based control card designed to assume the function of the PC. This card also has an interface for the slide controller, and offers PC control and manual control as options.

**Circuit description**

The practical realization of the above functions is shown in the circuit diagram in Fig. 2. The heart of the circuit is formed by the parallel-to-series format converter, a UART (universal asynchronous receiver/transmitter) Type AY3-1015D, IC4. This IC is capable of converting data from serial to parallel and parallel to serial. These operations are independent and may run at different speeds.

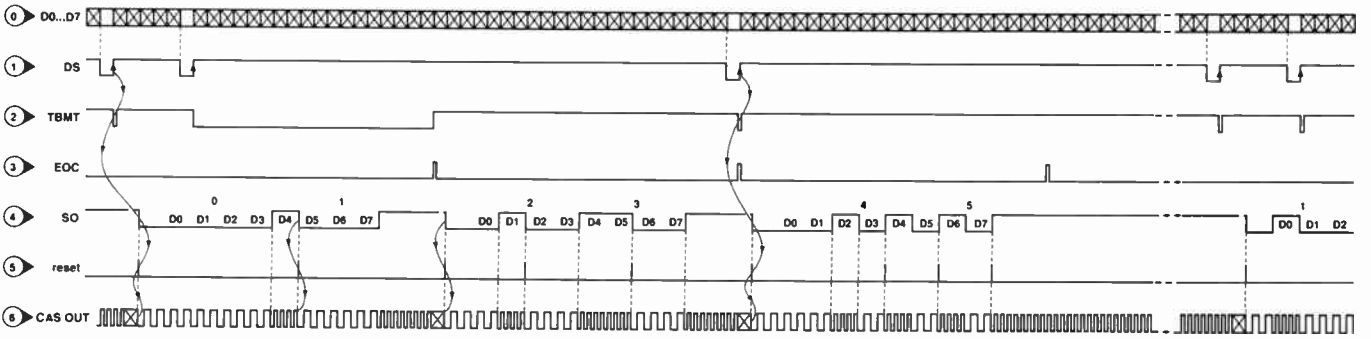
First, the parallel-to-series conversion is described, i.e., the writing of data to tape. The timing diagrams in Fig. 3 through 6 illustrate how the conversion works. The numbers that identify the signals in the timing diagrams correspond to those found at various points in the circuit diagram.

**Parallel-to-series conversion**

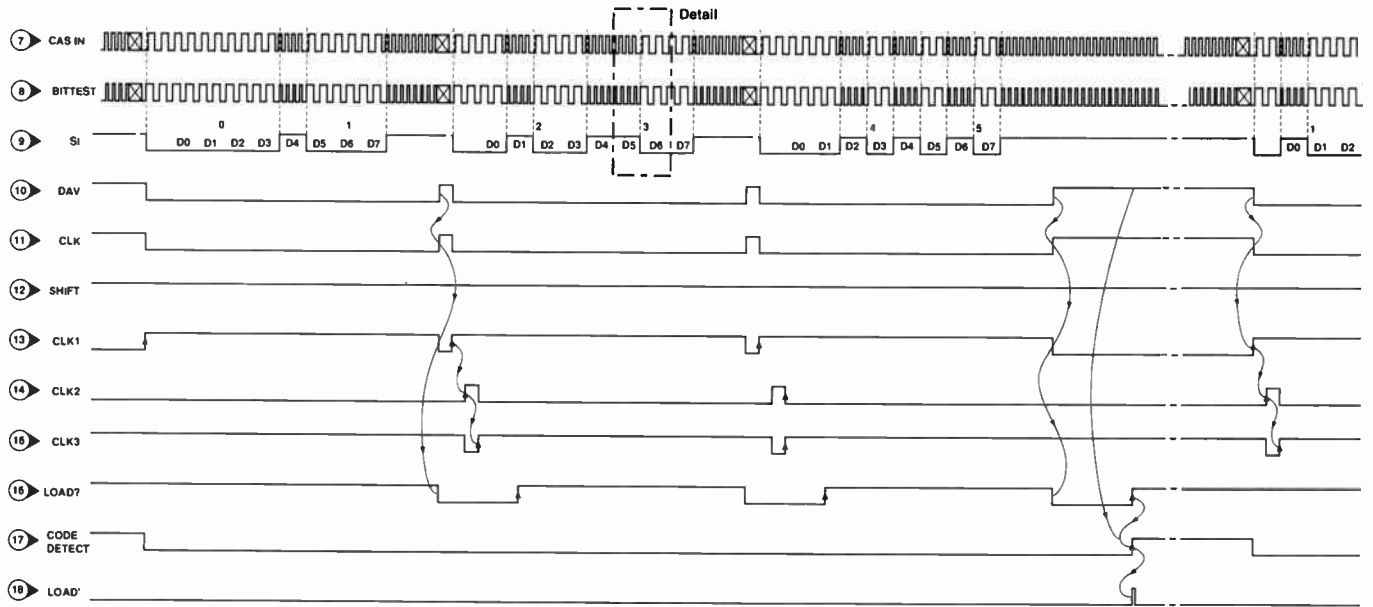
Figure 3 illustrates how a parallel code is converted into a serial signal that is recorded on to tape. The signal direction is basically via IC11 and a pulse at the DS (data strobe) input of IC1 (signal 1). The tape signal is shown as signal 6. First, the code is converted from parallel into serial format. The serial output signal, 4, available at the SO (serial output) pin of IC4, is fed to IC12.

A clock oscillator based on a 4060, IC3, determines the bit rate of the serial signal. The electronic switches in IC22 select between two clock speeds, which may be set in-

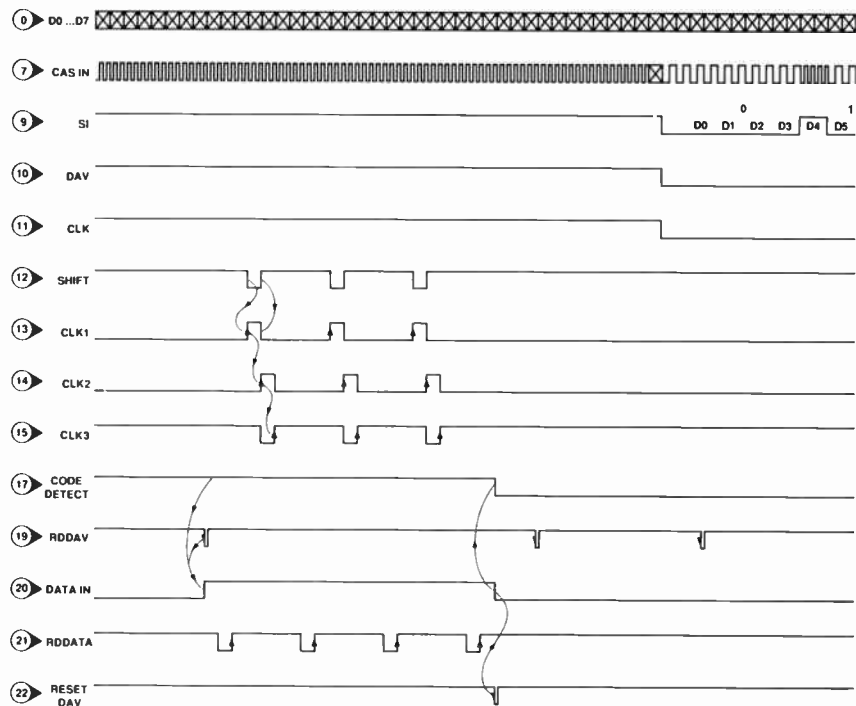
3



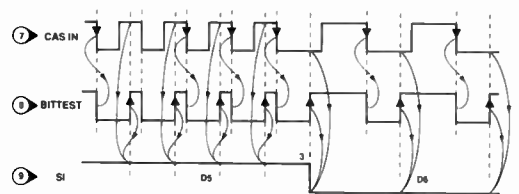
4



5



6



dependently for transmission and reception. The clock oscillator also determines which frequencies are fed to gates IC12a and IC12b. IC12 forms a frequency selector controlled by the level of the S0 output of IC4. IC2 divides the output signal of IC12c by eight. Assuming that the lower bit rate is used, this results in four periods for a logic 1, and two periods for a logic 0, corresponding to frequencies of about 5 kHz and 2.5 kHz respectively. At the higher bit rate, the number of periods is halved (but the frequencies remain the same).

You may wonder why we have gone to all this trouble when the outputs of the 4060 already supply the required burst frequencies. The reason is that the signals at the divider outputs are not synchronous with the UART output signal (remember, the UART derives the timing of S0 from its clock signal). If the bursts are not generated synchronously with the S0 signal, frequency changes could occur in one period, resulting in signal peaks, tape saturation and other unwanted effects that cause trouble when the data is read back from the tape. In the present circuit, the synchronism is actually achieved by C8 and R13, which reset IC2 (signal 5) on every logic 0 (which occurs at the start of a serial word). This ensures that every dataword starts with a well-defined 'low' period.

Components R14, R15 and C9 form a level conversion circuit as well as a low-pass filter. The output signal is limited to about 1 V<sub>pp</sub>. Electronic switches IC20a and IC20b determine to which output the recording signal is fed.

### Serial-to-parallel conversion

At the tape input of the interface, switches IC20a and IC20c determine which signal is fed to amplifier IC1. The gain of IC1 is made adjustable with preset P1 to allow the sensitivity of the circuit to be matched to the playback level of the tape recorder used. IC1 is set to amplify the sinusoidal input signals with respect to half the supply voltage. Next, the signal is converted into a pulse train from which the logic 1s and 0s can be extracted. This is achieved in a reliable manner by making use of a specific characteristic of HCMOS integrated circuits, in which the digital level (0 or 1) is related to half the supply voltage. This means that a gate in the 74HC132 package forms an ideal zero-crossing detector if a little hysteresis is added. Mind you: IC15 must be a HC type, not a HCT type.

Assuming that the data recovery circuit works, pin 8 of IC15 supplies a copy of the signal sent to the tape recorder (signal 6). To eliminate the 180° phase shift introduced between the input and the output of some tape recorders, switch S1 allows the digital datastream to be inverted.

As shown in the timing diagrams, signal 7 consists of two frequencies that must be converted into logic 0s and 1s (see also Fig. 4). The falling signal edges (signal 7) start a one-shot, IC13, whose output pulse width is set to about 75% of the period of the highest burst frequency. When the  $\bar{Q}$  output

Function	A1	A2	$\bar{RD}$	$\bar{WR}$	I/O address
SHIFT	0	0	0	1	BASE + 0
RRDDAV	0	1	0	1	BASE + 1
TEST	1	0	0	1	BASE + 2
RDDATA	1	1	0	1	BASE + 3
---	0	0	1	0	BASE + 0
RESETDAV	0	1	1	0	BASE + 1
WRTAPE	1	0	1	0	BASE + 2
WRDATA	1	1	1	0	BASE + 3

Table 1. Address assignment in the timecode interface.

(signal 8) returns to logic high, the level of the input signal is latched in IC14a. As illustrated in Fig. 5, a logic 1 is latched at a high frequency. The decoded signal (9) is fed to the serial input of the UART via electronic switch IC21a. The result of the serial-to-parallel conversion is available on pins 5 through 12 of IC4. The DAV output of the converter (signal 10) indicates that a new byte has been read.

The byte shifter discussed earlier is formed by IC5, IC6 and IC7. A rising edge at the CLK input of IC7 (signal 13) causes the byte to be transferred from the input to the output. At the same time, MMV (monostable multivibrator) IC14b is started. A little later, IC14b starts another MMV, IC13b. The setting of IC13b clocks IC6 (signal 14), while the resetting clocks IC5 (signal 15). This results in all bytes available via K5, K6 and K7 being shifted one position.

Disregarding the computer interface for the moment, signal 13 is the result of the DAV (data available) signal (10). At the end of the DAV signal, a new byte enters the byte shifter. DAV is reset by the start bit of the next byte received.

Besides controlling the byte shifter, signal 10 starts the code detector formed by IC17b and IC18b. If signal 10 is still at logic 1 when the  $\bar{Q}$  pulse is finished (this occurs when a code is received), a logic 1 is latched in IC18b (signal 17). A start bit of the next byte in a subsequent code (signal 9) resets this information again via IC17a. The received code can be visualized by connecting 2½ 'EEDTS' address display modules to K5, K6 and K7. The code displayed remains stable until a new valid code is received.

When input B is used, the display is switched off because it would show a different data format that makes no sense to visualize.

### Communication with the computer

Connector K9 may be connected to the universal I/O interface (Ref. 3) or to any other equipment that provides a similar control bus. The PC I/O interface keeps the address decoding in the timecode circuit simple. The address selection signals are available at the outputs of IC19a (read) and IC19b (write). Table 1 lists the functions of the selection lines. The RDAV signal allows us to check the status of the code detector (signal

17). When a code is ready for reading, this condition is stored in IC18a (signal 20). This bistable blocks signal 10, which prevents the code being changed in the mean time. The TEST signal (19) is used to read the information held by buffer IC9. TEST indicates that a code has been detected. If it is active, the data bytes can be read or shifted with the aid of RDDATA (21) and SHIFT (12) — see Fig. 6.

The code detector is restarted by signal 22, RDAV. The  $\bar{Q}$  output of IC18a resets the code detector via IC17a. The UART is written to with the aid of the WRDATA signal.

The WRTAPE signal enables input A or B to be selected via IC10, a monitor position to be switched (S0, signal 4, is fed direct to S1, signal 9), and the transmitter and the receiver to be switched to the high bit rate via THIGH and RHIGH.

The remaining inputs and outputs of IC9 and IC10 are brought together on connector K10, which is intended for options related to recorder control.

### Status signalling and power supply

LEDs are used at a number of positions in the circuit to indicate the configuration selected.

A voltage regulator, IC23, is provided on the board to enable the circuit to be powered by a mains adaptor when used in stand-alone applications without a computer link (tape playback only). Components R35 to R40, C21 and C22 ensure that the interface can read tape signals recorded at the low bit rate. Switch S2 provides a selection between computer supply or adaptor supply. □

Continued in the September 1991 issue.

### References:

1. "Computer-controlled slide fader" *Elektronik*, March and April 1988
- 1a. "Centronics interface for slide fader" *Elektronik*, October 1988.
- 1c. "Replacement for TCA280A" *Elektronik* March 1990.
2. "The digital model train" Part 12 — address display, *Elektronik*, March 1990.
3. "Universal I/O interface for IBM PCs" *Elektronik*, May 1991.

# INTERMEDIATE PROJECT

A series of projects for the not-so-experienced constructor. Although each article will describe in detail the operation, use, construction and, where relevant, the underlying theory of the project, constructors will, none the less, require an elementary knowledge of electronic engineering. Each project in the series will be based on inexpensive and commonly available parts.

## MODERN LED CLOCK

Clocks, as most of you will be aware, can take many shapes and sizes. Here is one with a fairly unusual read-out, intended as an eye catcher on your desk.

J. Ruffell

As shown in Fig. 1, the 29 LEDs on the front panel of the clock are arranged in four groups: 12 for the hours indication, 6 for the 10-minutes indication, 10 for the minutes, and 1 for the seconds indication. The read-out works as follows: suppose it is 3.54 (a.m. or p.m.). This time is indicated as follows: in the top bar, the third LED from the left lights (3 hours); in the centre bar, the LED at the extreme right (50 minutes); and in

the lower bar, the fifth LED from the left (4 minutes). The time indication is, therefore, obtained by adding the values indicated by the three bars.

### The circuit

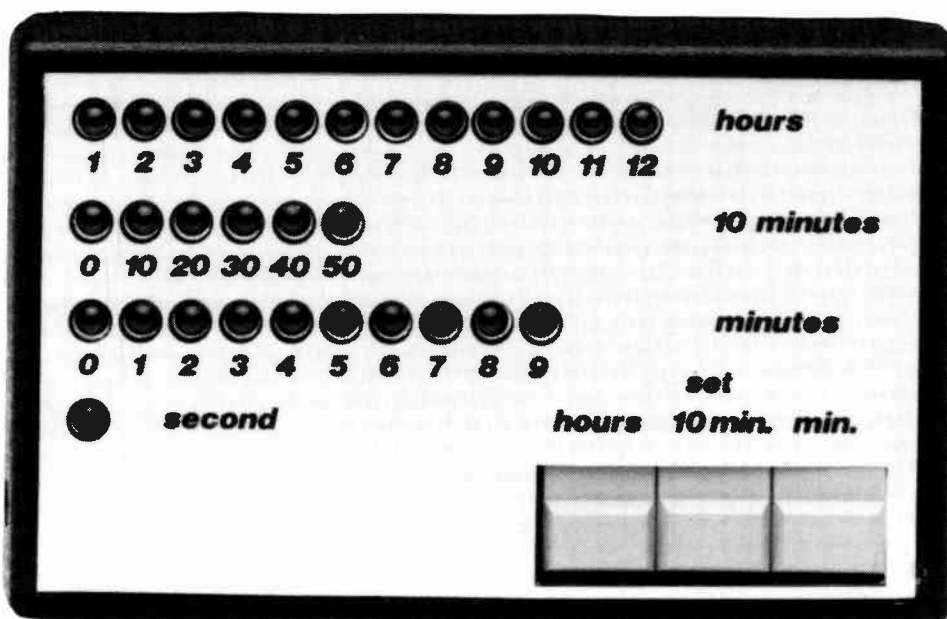
The clock consists of three main parts: a counter, an adjustment circuit, and a read-out. These functions are easily located in the

circuit diagram, Fig. 2. The mains frequency, 50 Hz, is applied to the clock input of counter IC1, which divides the clock input signal by 50. Its Q2B output supplies the seconds pulses. If the mains frequency is 60 Hz, pin 11 of IC1 should be tied to ground instead of to the positive supply line.

The second counter, IC4, is wired to divide by 60, and supplies the minutes pulses, i.e., a rectangular output signal with a period of 1 minute. Via an XOR gate, N1, the minutes pulses are fed to the clock input of a 4017 decade counter, IC3. The ten LEDs at the outputs of the counter, D1-D10, form the minutes read-out. When IC3 reaches output state 10, it supplies a high level at its carry-out (CO) pin. This pulse clocks a second 4017, IC5, via XOR gate N2. The second decade counter counts to 6 and drives the 10-minutes indicators, D11-D16.

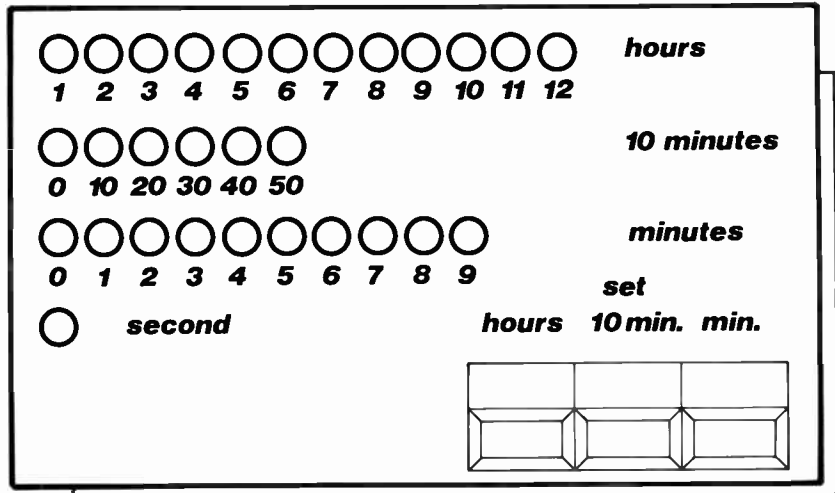
Every time Q6 of IC6 goes high, the counter resets itself via D32. This happens when 6 periods of ten minutes, or 1 hour, have elapsed. The hours pulse is fed to a third 4017 counter, IC7, via XOR gate N3 and bistables FF1 and FF2. Since we require an indication of 12 units (12 hours), the hours pulse can not be fed direct to the 4017, which can only count to 10. The first bistable divides the hours pulses by two, so that the counter is advanced every two hours rather than every hour.

A 12-hour indication is obtained by resetting the counter when value 6 is reached (Q6-RST connection), and using the Q and  $\bar{Q}$  signal of bistable FF1 to control two driver transistors that, in turn, control two groups of six LEDs connected to the outputs of IC7. This works as follows. The first clock pulse sets FF1, so that the Q output goes high, and



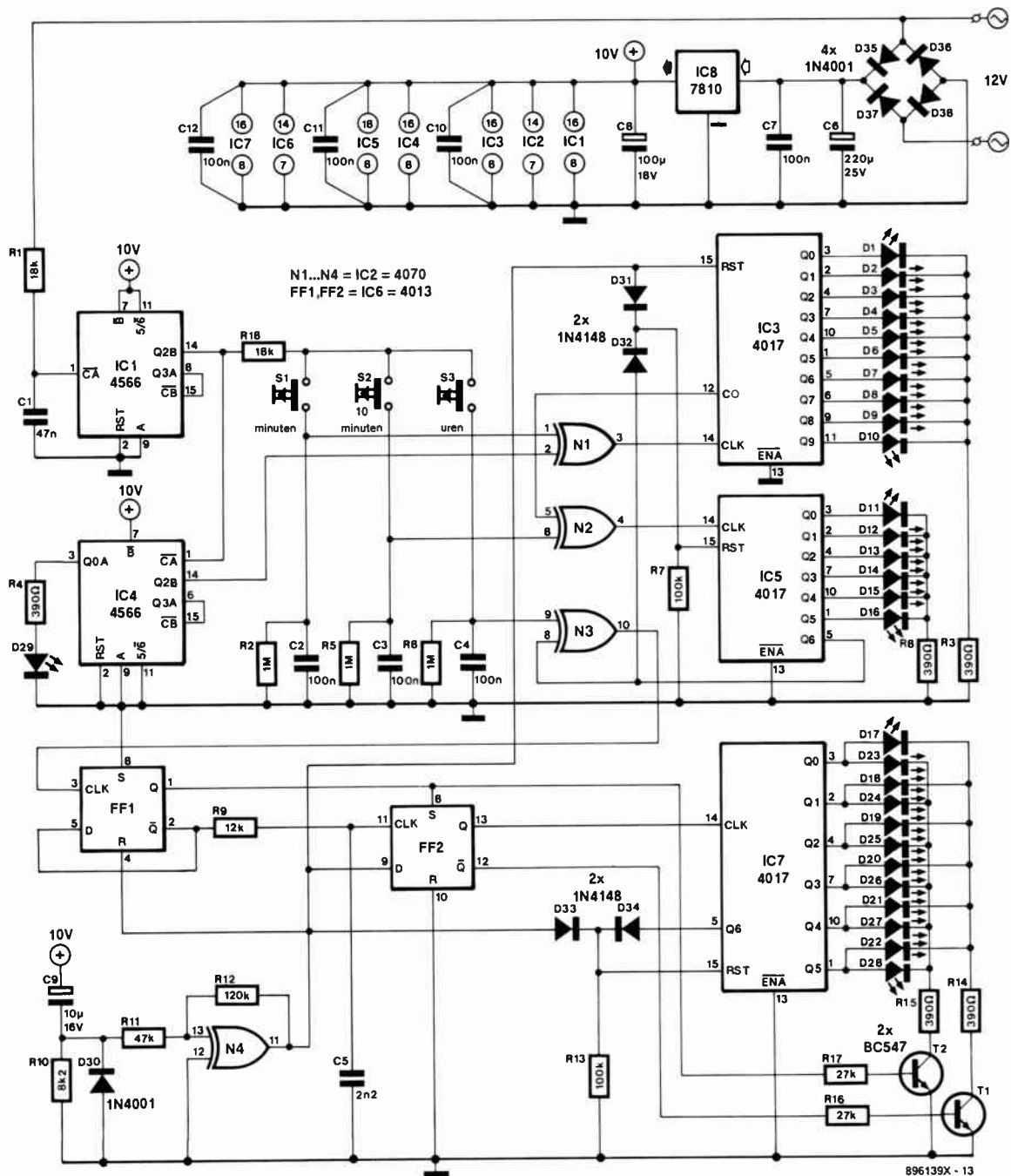
the  $\bar{Q}$  output low. This switches on T2, so that one of the LEDs D23-D28 lights. The 0-to-1 transition at the Q output of FF1 sets the second bistable, FF2, which actuates its Q output and thus clocks IC7, while T1 is switched off (because  $\bar{Q}$  is low). The two bistables toggle on the next clock pulse supplied by N3. As a result, T1 starts to conduct, so that one of the LEDs D17-D22 lights. The other group of LEDs, D23-D28, is switched off via T2. The counter, IC7, does not receive a clock pulse, and remains at the previous state until the third clock pulse occurs.

You may wonder at this stage why the second bistable, FF2, is used when the  $\bar{Q}$  output of FF1 could control T1 direct. We found it a pity not to use the second bistable when it is available anyway in the 4013 IC. Its purpose here is to allow you to start the clock at 0.00 h exactly. By making sure that FF2 is set, and FF1 is reset, when the clock is switched



896139X - 12

Fig. 1. Suggested front panel layout of the LED clock.



896139X - 13

Fig. 2. Circuit diagram of the LED clock. Note that the circuit is powered by a mains adaptor with an output of 12 V a.c.

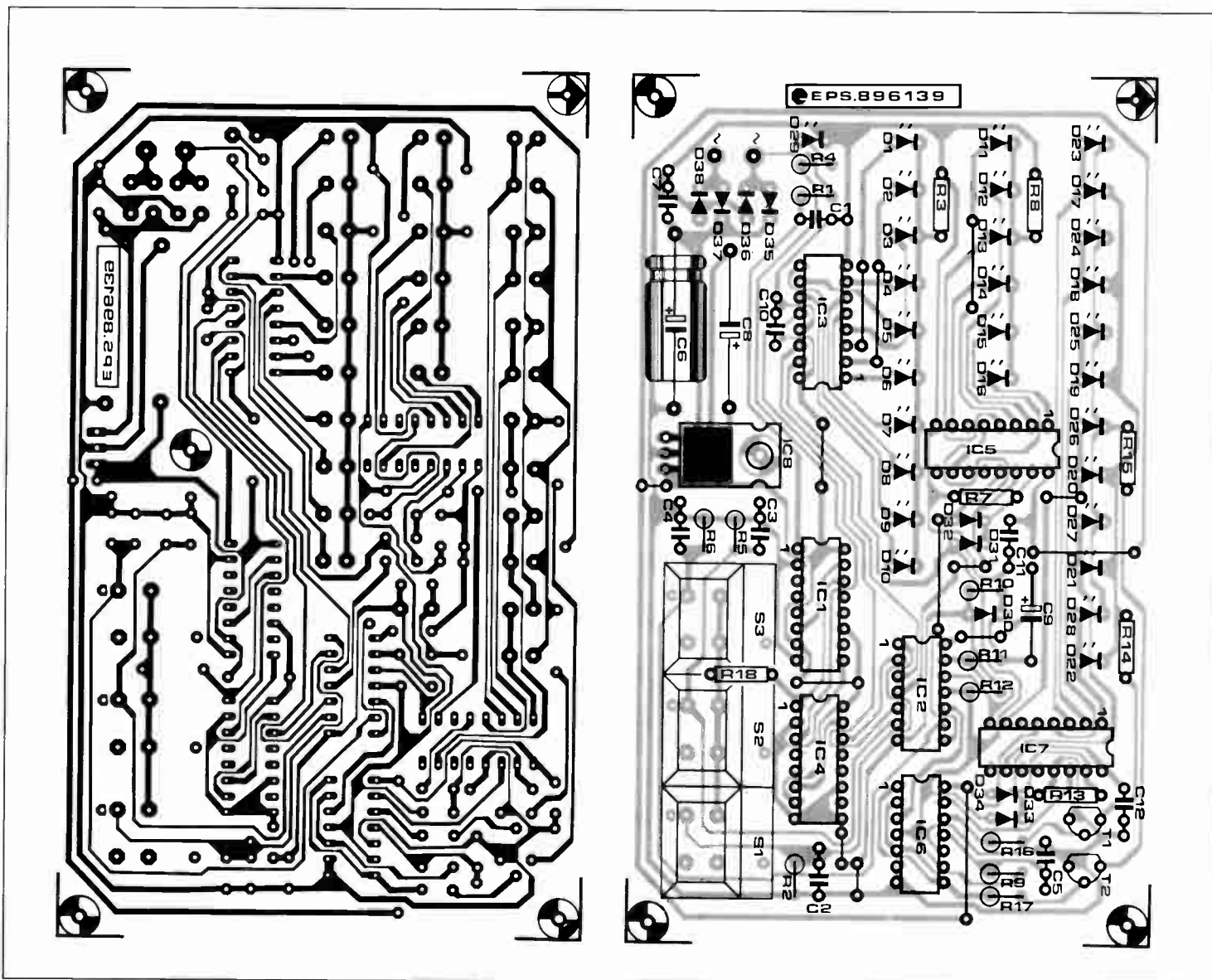


Fig. 3. Track layout (mirror image) and component mounting plan.

on, the two transistors are switched off during the first hour, allowing you to start the clock at 0.00 h exactly. Without the bistable, this would have the be done at 1.00 h, which we found less usual.

Note that although IC7 is advanced every two hours, a different LED lights every hour.

The clock is synchronized by applying the 1-Hz signal to the inputs of the minutes, 10-minutes and hours counters. This is achieved with the aid of three push-buttons, S1, S2 and S3, and three associated XOR gates, N1, N2 and N3. The push-buttons are connected to R-C debouncing networks to ensure reliable response of the clock setting to the actions on the keys.

Without a proper reset pulse, the decade counters, IC5 and IC7, could start at a value higher than 6 when the clock is switched on. Since in that case none of the LEDs lights, it would appear as if the clock is not functional when it is switched on. To avoid this, gate N4 supplies a well-defined reset pulse, which is also used to start the clock at 0.00 h.

The power supply is conventional, and based on a three-pin fixed voltage regulator Type 7810 (IC8). The input voltage to the board is supplied by the secondary winding of a 12-V transformer.

COMPONENTS LIST			
<b>Resistors:</b>			
2	18k $\Omega$	R1;R18	
3	1M $\Omega$	R2;R5;R6	
5	390 $\Omega$	R3;R4;R8;R14; R15	
2	100k $\Omega$	R7;R13	
1	12k $\Omega$	R9	
1	8k $\Omega$	R10	
1	47k $\Omega$	R11	
1	120k $\Omega$	R12	
2	27k $\Omega$	R16;R17	
<b>Capacitors:</b>			
1	47nF	C1	
7	100nF	C2;C3;C4;C7; C10;C11;C12	
1	2nF2	C5	
1	220 $\mu$ F 25V	C6	
1	100 $\mu$ F 16V	C8	
1	10 $\mu$ F 16V	C9	
<b>Semiconductors:</b>			
29	LED	D1-D29	
5	1N4001	D30;D35-D38	
4	1N4148	D31-D34	
2	BC547	T1;T2	
2	4566	IC1;IC4	
1	4070	IC2	
3	4017	IC3;IC5;IC7	
1	4013	IC6	
1	7810	IC8	
<b>Miscellaneous:</b>			
3	Digitast push-button	S1;S2;S3	

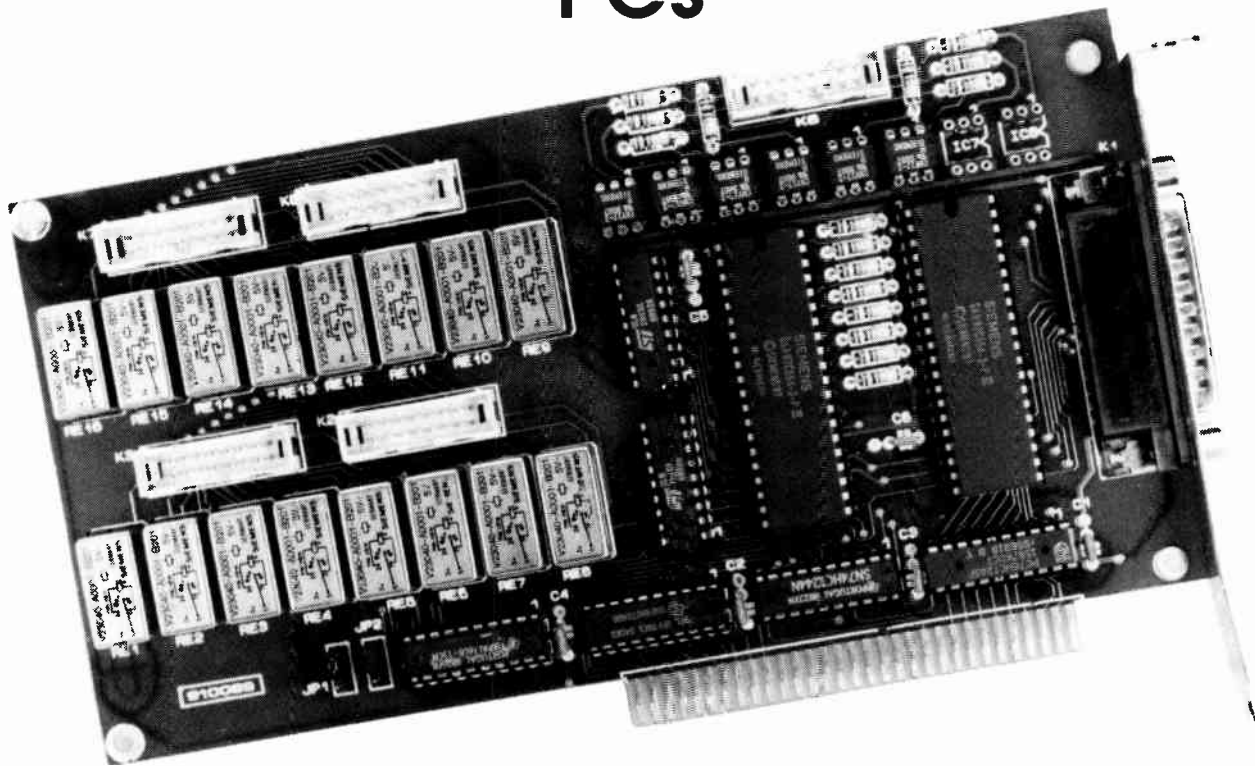
## Construction

Since the clock is a relatively complex design, it is best to build it on the printed-circuit board shown in Fig. 3 rather than on prototyping board. The construction itself is straightforward once you have produced a good quality PCB from the track layout

given. All LEDs and the three switches are accommodated on the PCB, so that the wiring is limited to the two a.c. supply connections.

The clock is housed in a black ABS enclosure with a front panel to the design in Fig. 1. Once you have tested and adjusted it, put it on your desk!

# MULTIFUNCTION I/O CARD FOR PCs



This insertion card for IBM PCs and compatibles is the gateway to PC-based control of almost any type of equipment. Based on the familiar 8255 PPI from Intel, the card offers no fewer than 16 relay outputs, 8 electrically isolated digital inputs, and 24 programmable I/O lines.

A. Rigby

**M**OST industrial control systems used these days are based on PLCs (programmable logic controllers), which provide a small amount of 'intelligence' to handle automated processes at various points along a production or assembly line. Usually, the function of a PLC boils down to error detection and correction. For example, in a paper works, the sheets of paper produced by a machine will need to be packaged. This is usually done by rolling the sheets on large spools. Since the paper leaves the machine at a constant speed, and the effective diameter of the spool increases as more paper is rolled on to it, the rotational speed of a spool will need to be controlled to prevent the thin sheet of paper being torn. Such a task can, in principle, be handled by a PC equipped with the I/O card described here.

## The circuit

The present I/O card is a relatively simple design because the hardware is geared fully to switching and control applications. The circuit diagram in Fig. 1 shows the general

structure of the interface. The data and address signals for the I/O card are supplied by the PC via a bus extension connector. The databus is buffered by a 74HCT245 octal bidirectional driver, IC9. The address lines are buffered with unidirectional drivers, a 74HCT240 (IC10) and a 74HCT244 (IC11). Since the I/O card uses only 10 address lines, the remaining drivers in IC11 are used to buffer control signals  $\overline{IOWR}$ ,  $\overline{IORD}$ , RESET and AEN.

The address buffer ICs are followed by an address decoder, which takes the form of a PAL (programmable logic array), IC12. This IC, which is available ready-programmed, performs certain combinatorial logic functions that would otherwise have required a fair number of integrated circuits. The PAL selects two address blocks in which the two PPIs (programmable peripheral interface) Type 8255 are accessed. The 8255 is used here because it is inexpensive, widely available, and simple to program.

The I/O ports of IC14 are wired direct to connector K1. The outputs of the other 8255, IC13, are connected to the on-board relays

## MAIN SPECIFICATIONS

- Universal I/O card for PCs and compatibles
- 16 relays with changeover contacts
- 8 optocoupler inputs for full electrical isolation
- 24 digital input/output lines
- Buffers for all PC signals
- Inexpensive and compact
- Based on PPI 8255; simple to program in BASIC or Pascal

and optocouplers. Port A is connected to optocouplers IC1-IC8, while port lines PB0-PB7 and PC0-PC7 are buffered by two ULN2803 driver ICs that control the relays. The drivers ensure minimum loading of the 8255 outputs, and their built-in output diode suppresses back-e.m.f pulses when a relay coil is switched off. PPI port B switches relays Ret-

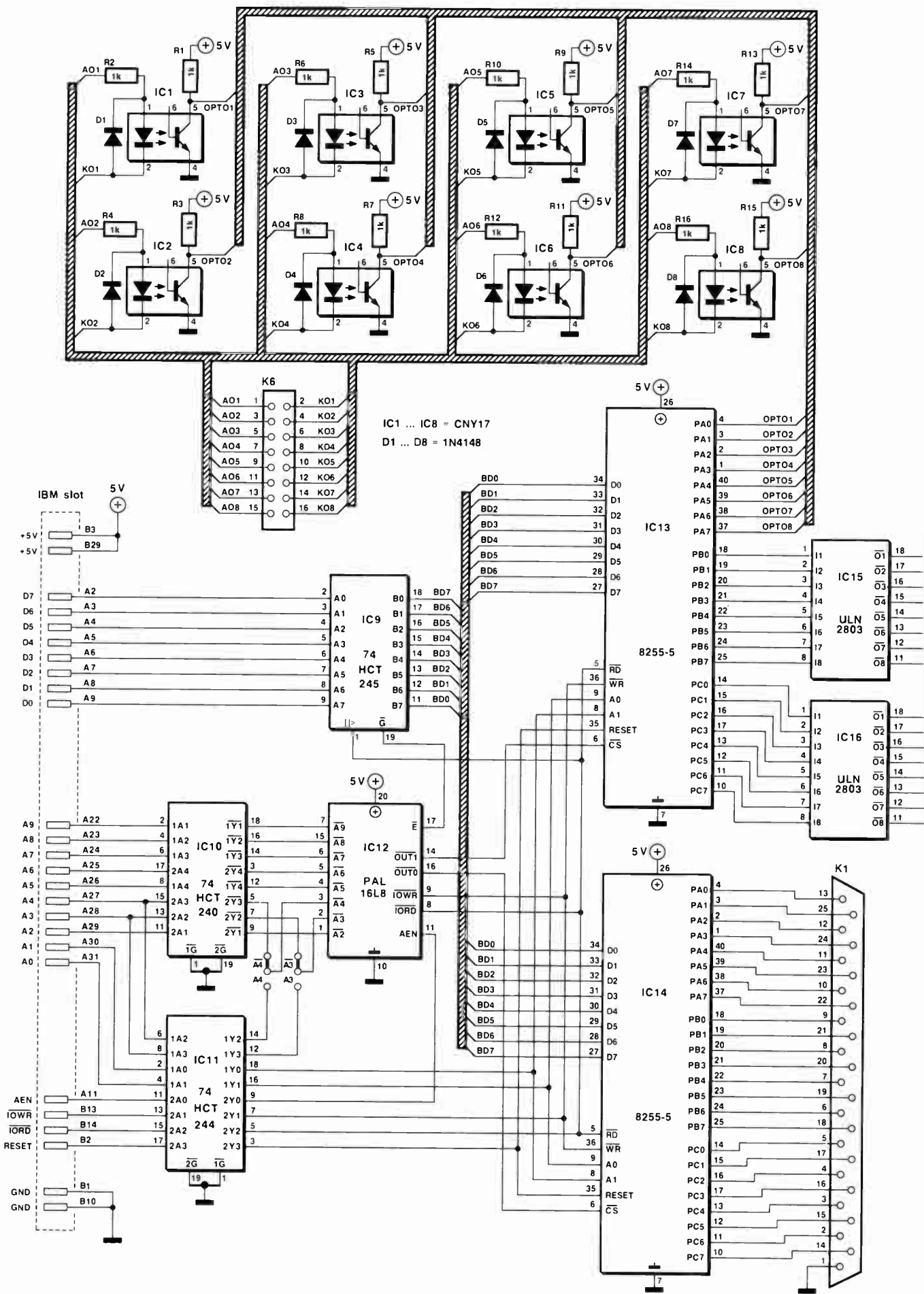
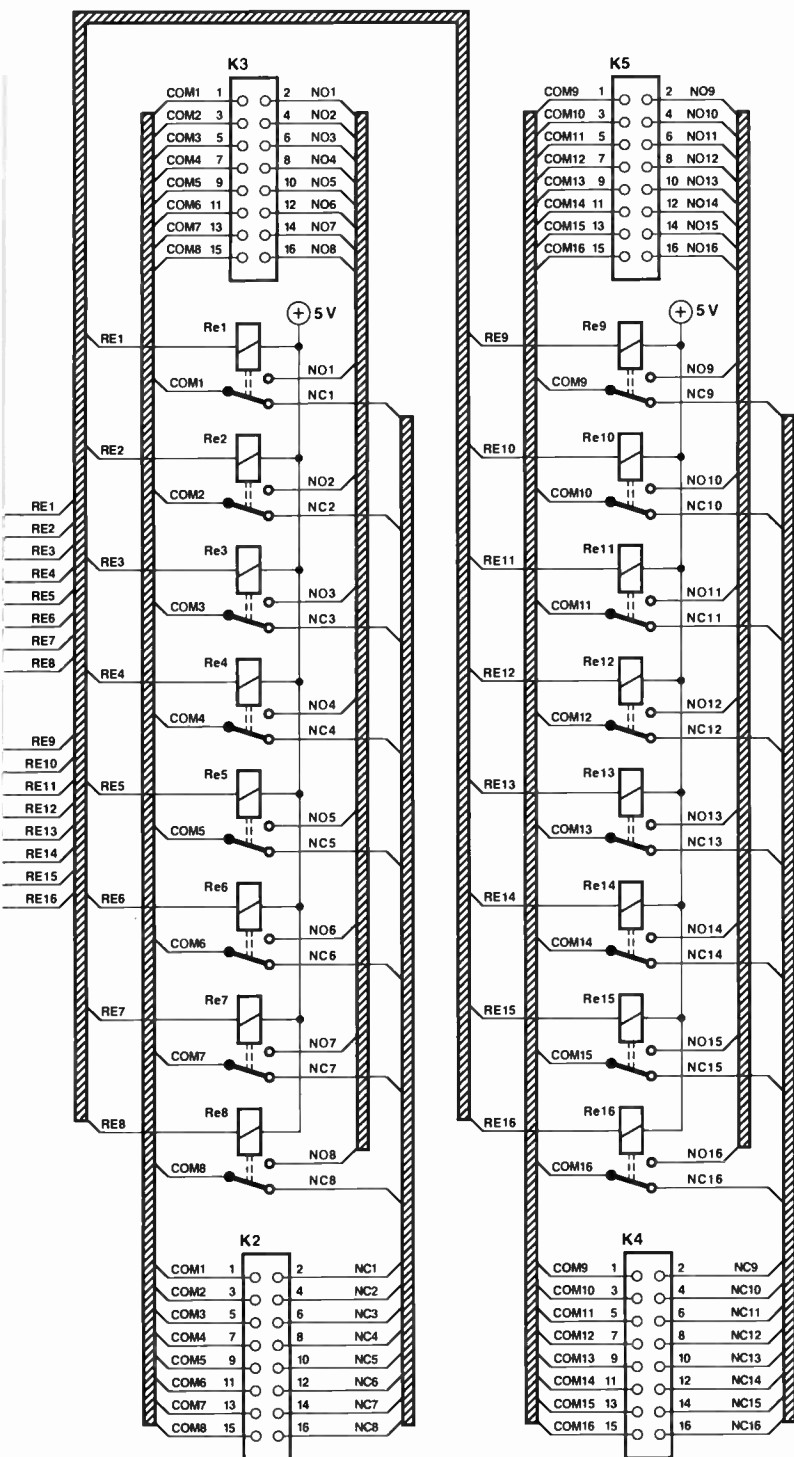
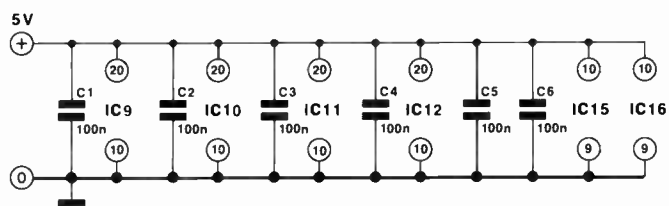


Fig. 1. Circuit diagram of the PC input/output card. A PAL (programmable array logic), IC12, takes care of all the address decoding, avoiding

WorldRadioHistory





910029 - 11

Re8, and port C relays Re9-Re16.

Since the relays are types with a change-over contact, you have the choice between a normally open (NO) and a normally closed (NC) contact to suit your application. The relays used here are Siemens Type V23040-A0001-B201. These are quite sturdy, although they weigh only 6 g. The gold-plated, rhodium-coated, contacts are made of palladium-nickel. According to the manufacturer, the contacts are rated at a maximum current of 2 A at a voltage of 150 V d.c. or 125 V a.c. The printed-circuit board, however, forms a limiting factor here, because the copper tracks connected to the relay contacts may not carry more than 1 A. Also note that the tracks are not suitable for high voltages.

Digital input signals are measured via optocouplers that ensure electrical isolation between the PC and the peripheral equipment. Because of the inverting function of an optocoupler, a logic high input level is read as a logic 0 by the PC. The optocoupler inputs are fitted with current limiting resistors. If necessary, the value of these resistors is adapted to suit the applied voltage level,  $U_i$ . The resistors value,  $R$ , is simple to calculate from

$$R = U_i / I$$

where  $I$  lies between 5 mA and 10 mA. The LEDs in the optocouplers are fitted with parallel diodes that protect them against too high reverse voltages.

### Building the card

The construction of the I/O card is simple, and merits little comment. The track layouts and component overlay of the double-sided through-plated printed circuit board are shown in Fig. 4. Ready-made boards supplied through our Readers Services are provided with gold-plated PCB bus contact fingers. All components, including the relays, are fitted on the board. The relay contacts are brought out to connectors K2, K3, K4 and K5. Input signals are applied to the card via connector K6, while the programmable I/O lines of PPI IC14 are available on connector K1.

The flatcables connected to the I/O card will have to enter the PC enclosure at a suitable location; in view of the universal character of the present I/O card, there is no other way. In some cases, the PC will have to be left open during initial tests. Later, when the card and control software have passed the test phases, a more permanent solution will have to be found to deal with the flatcables.

The only connector directly accessible at the rear of the computer is a 25-way D type that connects PPI IC14 to the real world. This connector protrudes from an aluminium fixing plate used to secure the I/O card to the metal frame at the rear of the PC.

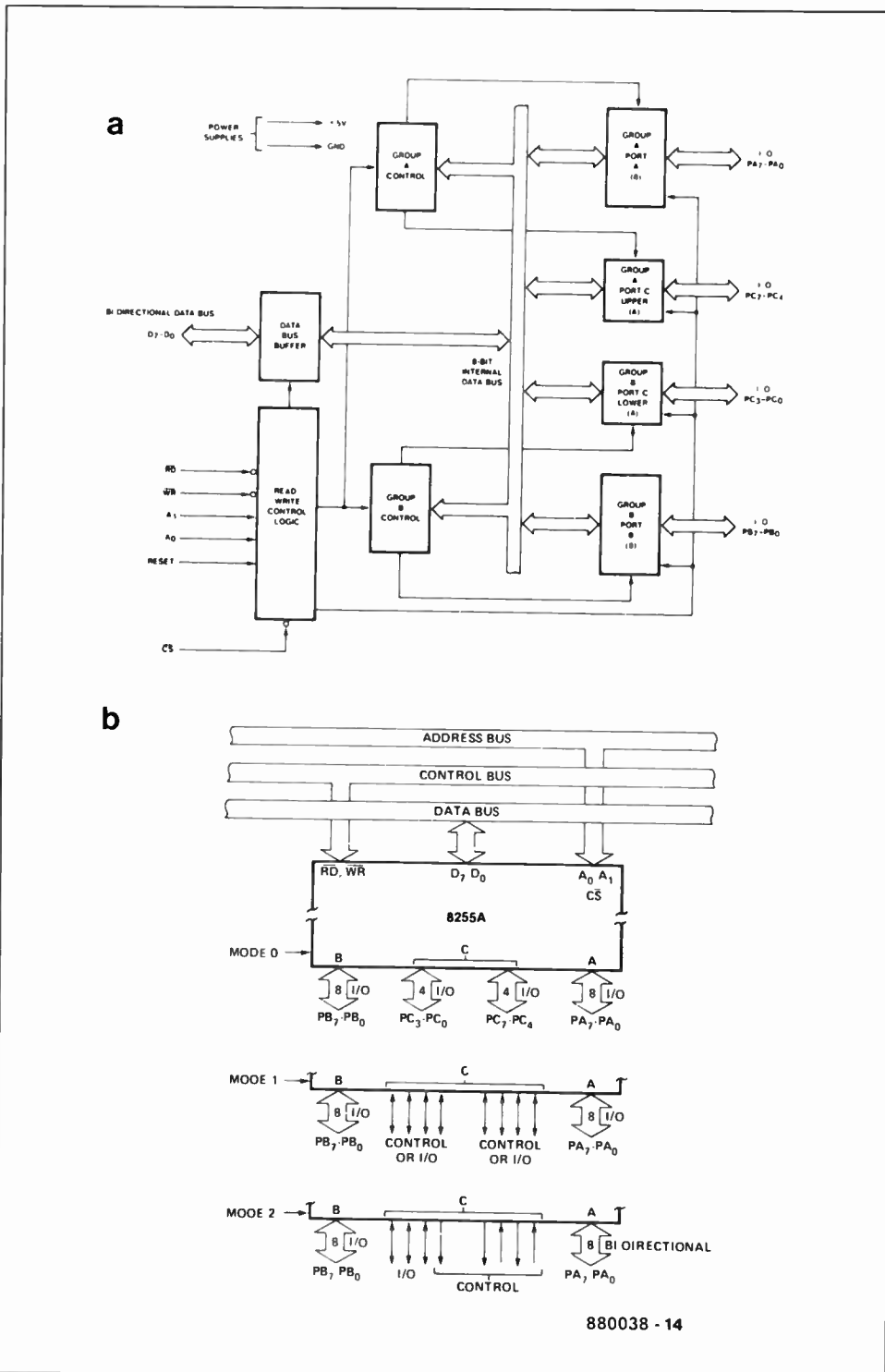
The card must be given its appropriate address before it is fitted into a free bus extension slot. Two jumpers are used for the address setting in the I/O range between

```

0 REM controlling multi-I/O card for IBM-PC in BASIC
10 CLS
20 ..... ibmio interface test
30 X=0 ..... address 0: &H300-&H307 1: &H308-30F 2: &H310-&H317 3: &H318-31F
40 X=&H300+X*&H8
50 .....addresses
60 A1=X+0: B1=X+1: C1=X+2: CTRL1=X+3: ..... I/O addresses
70 A2=X+4: B2=X+5: C2=X+6: CTRL2=X+7
80 OUT CTRL1,&H9B: ..... A1, B1 en C1 input
90 OUT CTRL2,&H90: ..... A input B and C output
100 ..... test of I/O ports
110 CLS
120 LOCATE 23,1:PRINT "Testing I/O"
130 LOCATE 10,1
140 FOR I=0 TO 7
150 OUT B2,2*I
160 GOSUB 240
170 NEXT I
180 FOR I=0 TO 7
190 OUT C2,2*I
200 GOSUB 240
210 NEXT I
220 PRINT HEX$(INP(A2)),INP(A1),INP(B1),INP(C1)
230 GOTO 120
240 FOR J=0 TO 100:NEXT
250 RETURN
    
```

910029-12

Fig. 2. Sample test program for the I/O card.



880038 - 14

Fig. 3. Internal structure (3a) and port programming options (3b) of the 8255 PPI (Intel).

## COMPONENTS LIST

### Resistors:

16 1kΩ R1-R16

### Capacitors:

6 100nF C1-C6

### Semiconductors:

8	CNY17-2	IC1-IC8
1	74HCT245	IC9
1	74HCT240	IC10
1	74HCT244	IC11
1	PAL 16L8 (ESS 5991)	IC12
2	8255-2	IC13;IC14
2	ULN2803	IC15;IC16
8	1N4148	D1-D8

### Miscellaneous:

16	PCB-mount change-over relay, 5V, e.g. Siemens V23040-A0001-B210	Re1-Re16
1	25-way male sub-D connector with angled solder pins	K1
5	26-way male box header	K2-K6
1	printed-circuit board	910029

300<sub>H</sub> and 31F<sub>H</sub>, in which the card occupies a block of 8 addresses. The jumpers set the following base addresses:

<u>300</u>	<u>308</u>	<u>310</u>	<u>318</u>
A3	A3	A3	A3
A4	A4	A4	A4

In most cases, one of these base addresses will be free to accommodate the I/O card. If all four of them are available, you may even install four I/O cards.

## Control software

The heart of the circuit is formed by the two 8255 PPIs, which need to be programmed depending on the control function of the I/O card. The internal structure of the 8255 is given in Fig. 3. The three 8-bit I/O ports contained in the IC are arranged into two groups of one and a half port each. This unusual division is the result of the handshake facilities offered by the PPI, which can be used in one of three basic modes:

- Mode 0: basic input/output
- Mode 1: strobed input/output
- Mode 2: bidirectional bus

The mode selection is effected by sending a control word to the 8255. As shown in Fig. 3, Port C is the odd man out because it consists of two 4-bit ports that can be used for I/O as well for handshaking and interrupt. Each of the two 'half' ports is connected to the other two, 8-bit, ports.

The special internal structure of the 8255, which is really an I/O device with two 12-bit ports, is also reflected in the control of the IC. The organization of the control word, and the function of the individual bits may be found in the datasheets of the 8255. Note that

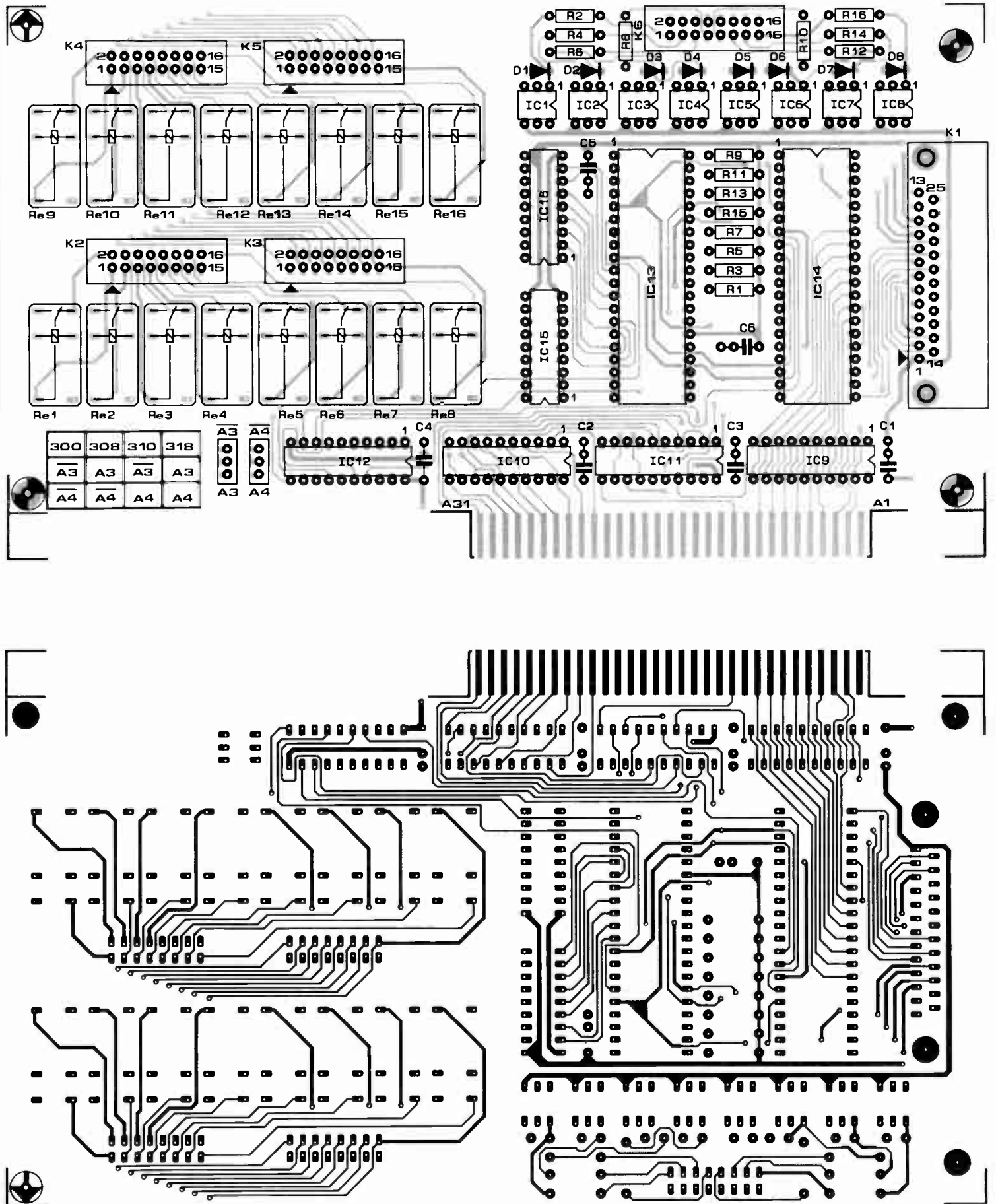


Fig. 4a. Component mounting plan and component side track layout (mirror image) of the double-sided, through-plated PCB.

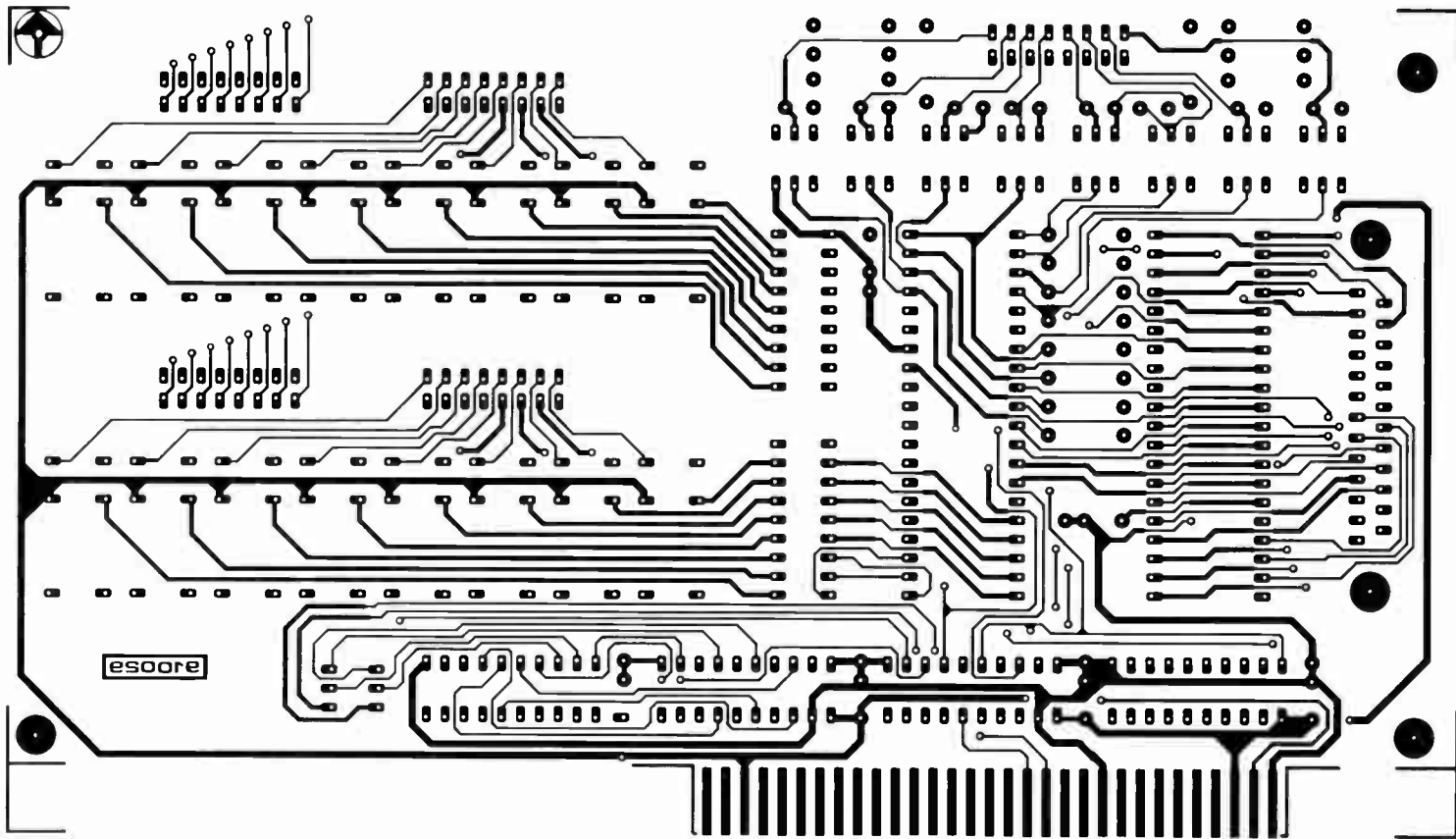
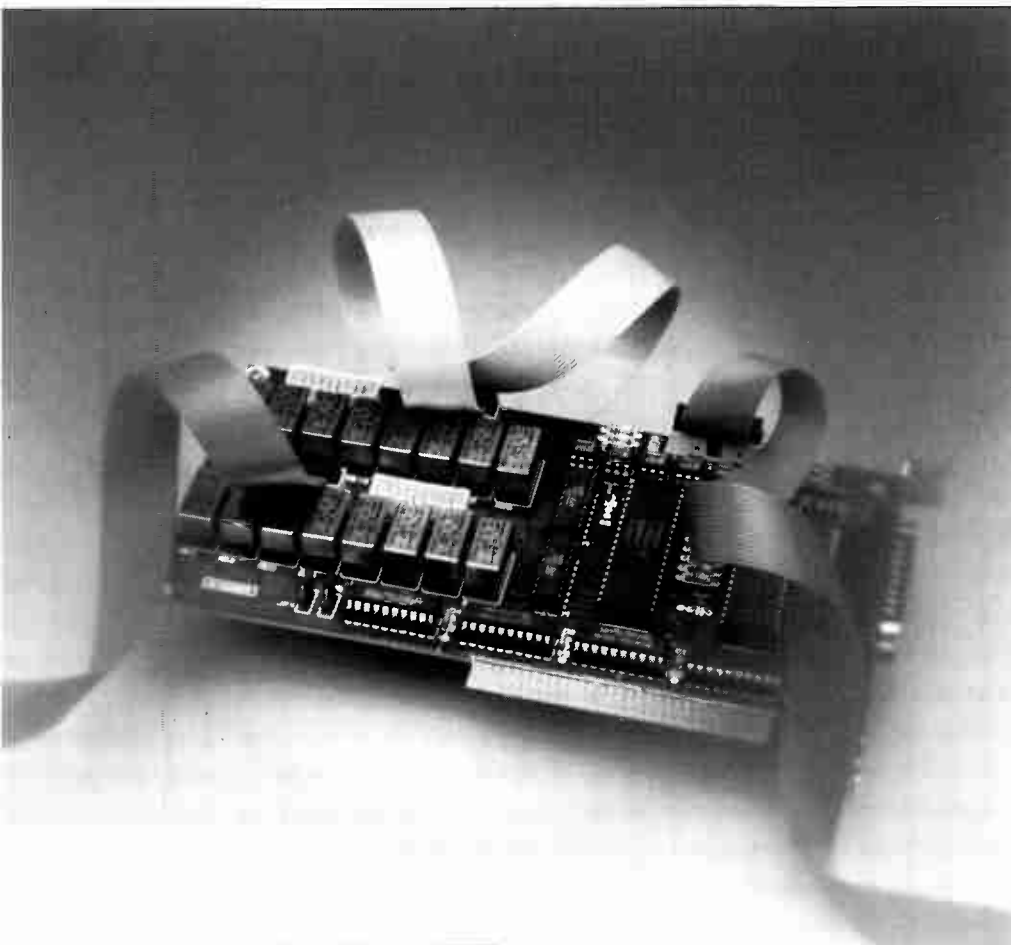


Fig. 4b. Solder side track layout (mirror image).



the port lines can not be set to input output individually — this is only possible for the entire port. Bit 7 is always '1' when selecting a mode.

The simplest setting is Mode 0, in which the processor only has to perform read or write operations on certain registers. A port programmed to function as an output can be read back at any time. The use of Mode 1 and Mode 2, and the programming of bit 7 in the control word are not covered here, since the PPI is always used in Mode 0 on this card. Further details on the 8255 can be found in the datasheets supplied by Intel, as well as in *Data sheet book 2*, an *Elektor Electronics* publication.

The PPI outputs are capable of supplying a maximum current of 1 mA at an output voltage of 1.5 V. This allows an output port line to be connected to a darlington transistor or an integrated darlington driver. The current sink capability of the output lines is about 2.5 mA.

The listing in Fig. 2 is a small BASIC program intended to help you on the way to developing your own software for the I/O card. The program shows how the PPIs are initialized, and how the relays and the optocouplers can be tested. The relays are energized in succession, and the logic levels at the optocoupler inputs are continuously read. The port lines of PPI IC<sub>14</sub> are defined as inputs, and their logic level is shown on the screen. ■

# BLACK-AND-WHITE VIDEO DIGITIZER

Most of you will know that processing video images on a computer requires a video digitizer. Unfortunately, these units do not come cheap. The circuit described here is a low-cost, yet quite advanced, video digitizer with excellent performance. Designed for use with the Acorn Archimedes computer, and complete with a powerful software package, it allows video images to be captured, loaded into documents, and converted to different graphics formats for exporting to other computer systems.



## J. Kortink

**I**N recent years, the use of software and hardware tools to integrate images, sound and text on a computer has been boosted by the rise of the graphics user interface (GUI), which allows the user to have a good indication of the printed result simply by looking at the screen. This seems logical, but used to be impossible on computer systems based on text only.

The RiscOS (reduced instruction set computer operating system) implemented on Acorn's Archimedes computer is among the most advanced of GUIs, offering a host of interface options and support software.

The digitizer described here converts video signals supplied by a TV set, a camcorder, a video recorder, or a video camera with a still-picture facility, into digital data that can be processed by the Archimedes. The support software for this project offers all the routines required to edit the captured pictures until the user is satisfied with the result. Special filters have been implemented

in the software that enable errors in the images to be corrected, and the contrast to be optimized.

The data formats used for the picture files enable these to be exchanged between different applications. Furthermore, the files can be converted to standardized formats such as GIF and TIFF. This allows any MS-DOS PC, Commodore Amiga, and even a UNIX workstation to use the digitized pictures.

AIM, the picture processing program developed by the Department of Applied Physics of the Technical University of Delft, Holland, is capable of importing the picture files produced by the digitizer. This means that the hardware described here is suitable for educational purposes as well as advanced studies into picture analysis, composition and processing.

## The circuit

Video signals are much more difficult to convert than audio signals, mainly because the process of digitizing the analogue input levels must run at a fairly high speed, and syn-

MAIN SPECIFICATIONS	
•	Vertical resolution: 512, 256 or 128 dots
•	Horizontal resolution: 640, 320 or 160 dots
•	Max. number of gray values: 256
•	Occupies one module slot
•	Max. conversion time: 2.5 s
•	Accepts CVBS signals
•	GIF and TIFF file conversion and export
•	Complete with multi-tasking software
•	For all Archimedes systems: A3x0, A4x0, A5x0
•	Inexpensive and simple to build

chronously with the video information applied to the A-D (analogue-to-digital) converter. The latter requirement can be met by

making use of the synchronization (sync) signals contained in the input signal.

Although the above functions appear pretty daunting, we have managed to keep the digitizer simple, resulting in a compact circuit built on a single Eurocard-size (10x16 cm) printed circuit board. The advantages of the digitizer over competitive designs are mainly the lower cost and the simpler construction. On the down side, it should be noted that the A-D conversion can not be run in real time, which results in slightly more time required to capture the picture. In practice, this should not be a problem since most of the previously mentioned video sources are capable of sup-

plying a still picture for about 2.5 seconds.

The circuit diagram of the video digitizer is shown in Fig. 1a. Basically a so-called simple podule, the circuit is addressed in one of four 16-KByte address blocks reserved by the IOC. The podule operates in fast mode.

**Podule ident**

The jumpers around IC1 transmit the podule identification to the operating system. The function of the identification bits is given in Table 1. Bits 1, 2 and 7 are fixed; the others can be set to 0 or 1 as required by placing the appropriate jumpers. Bits 3 through 6 set the identification nibble to \$E (hexadecimal), enabling the RiscOS to recognize the podule,

and locate it in the memory, where it is accessed with the aid of fixed subroutines.

The podule is selected by the PS signal at pin C22 of connector K1. The selected address is then available on address lines LA2-LA15 (pins A2-A15), while the data appears on lines BD0-BD15 (pins A16-A31). Since the Archimedes works with words (of 32 bits) rather than bytes, the two lower address lines, LA0 and LA1, are not used.

As indicated by the two schematic drawings, the digitizer consists of an A-D converter (Fig. 1a) and an optional circuit (Fig. 1b) that may be used as an extra I/O port on the Archimedes.

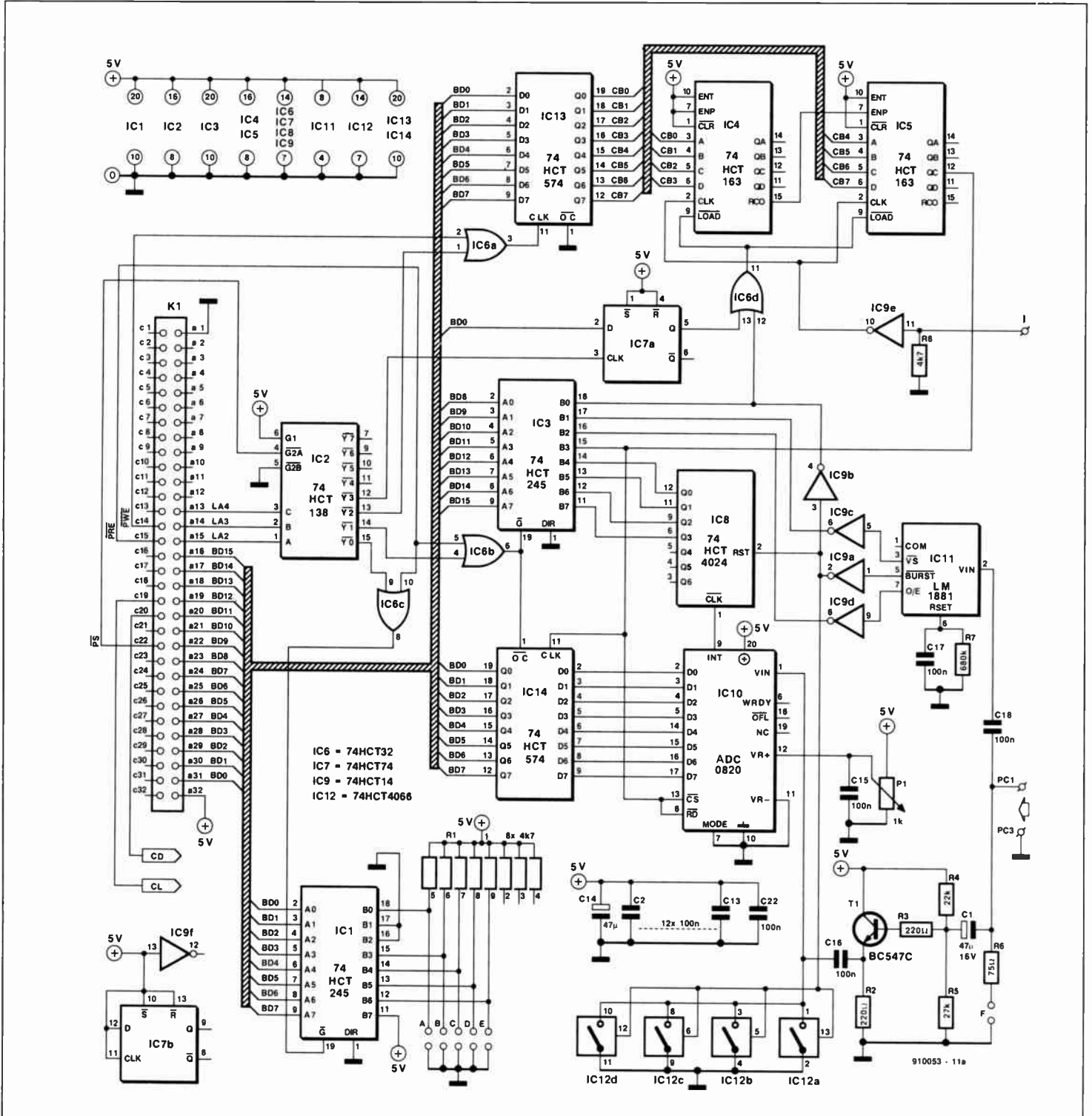


Fig. 1a. Circuit diagram of the video digitizer section.

**Sync separator**

As shown in Fig. 1a, the video signal applied to the digitizer follows two paths — one leads to the ADC chip (an ADC0820) via a buffer and a clamping circuit, and the other to an LM1881 via a coupling capacitor. The LM1881 is a synchronization separator that extracts the horizontal sync (HSYNC, pin 5) and the vertical sync (VSYNC, pin 3) from the composite input signal. In addition, it supplies an odd/even field indication signal on pin 7 (for interlaced video signals), and a composite synchronization signal (CSYNC, pin 1). Here, the HSYNC signal supplied by the LM1881 is used mainly by the hardware, while the VSYNC and odd/even signals are

processed by the software. The latter two are fed to the computer via IC3, an octal bus buffer Type 74HCT245. IC12, a 4066 bilateral CMOS switch, restores the black level of the video signal after every HSYNC pulse. The drive to the ADC is set with a preset, P1.

**Analogue to digital conversion**

A black-and-white video signal can be converted from analogue to digital by taking samples of the luminance (brightness) component. This is achieved with an ADC, IC10. When the start condition occurs (pins 8 and 13 are brought low simultaneously with pin 7 held low permanently), a sample is taken of the video signal, and stored inter-

nally. After about 1.2  $\mu$ s, the conversion is complete, and the digital value of the sample is available. Next, the ADC signals to the computer that the conversion is finished by actuating the INT (interrupt) line. At the same time, the digital value is stored in IC14, an 8-bit register. Next, the INT line is cleared. Since the interrupt signal is fed to a binary counter (IC8, a 74HCT4024), it is a simple matter to count the number of conversions since the last HSYNC pulse. The lower four bits supplied by the counter are read by the software via IC3, a 74HCT245. The counter is reset by the CSYNC pulse, so that its output value is nought at the start of every picture line.

A complete picture line, including the HSYNC pulse, has a length of 64  $\mu$ s (PAL B, G and I systems, line frequency 15,625 Hz, raster frequency 50 Hz). Realizing that the distance between successive samples is about 0.1  $\mu$ s at the maximum resolution of 640 picture elements, it will be clear that the ADC is too slow at a conversion time of 1.2  $\mu$ s. Since we do not want to use the latest of (very expensive) video ADCs, we are more or less forced to run multiple sampling operations on a single picture line.

Apart from the hardware, the software and the data transmission to the computer memory are limiting factors in this respect. In practice, each picture line is sampled 64 times before it is completely digitized. This sets the time between successive samples to 6.4  $\mu$ s. A disadvantage of this solution is that the picture has to be stable for at least  $1/25 \times 64 = 2.56$  s.

Since every picture line has to be sampled so often, the sampling times must be fixed accurately. This is achieved by dividing the 6.4- $\mu$ s interval into sixty-four 0.1- $\mu$ s slots. The sampling instant must move by exactly one slot on completion of each successive sampling operation.

After the complete picture line has been digitized, the software fetches the data from the memory, and puts the 640 samples in the right order.

**Counters**

The exact starting instant of a sampling sequence is determined by IC4, IC5 and IC13. The first two are 74HCT163s that form an 8-bit counter clocked by the 24-MHz system clock supplied by the Archimedes motherboard. On the motherboard, this clock signal is sent to the VIDC (video processor) via a jumper, where it is 'tapped' and fed to the digitizer. This simple solution saves you the investment in a separate 24-MHz oscillator.

When the counter runs free, its outputs QA to QD supply signals with period times of 1.33  $\mu$ s, 2.67  $\mu$ s, 5.33  $\mu$ s and 10.67  $\mu$ s respectively. Of these, the 5.33- $\mu$ s signal is used to control the ADC. Note that this is not the 'ideal' clock of 6.4  $\mu$ s. Fortunately, we need not sample the sync signals at the start and the end of the picture line — the available 53.3  $\mu$ s then cover most of the video contents of the picture line.

During the HSYNC pulse, the 8-bit counter is loaded with the content of IC13, a

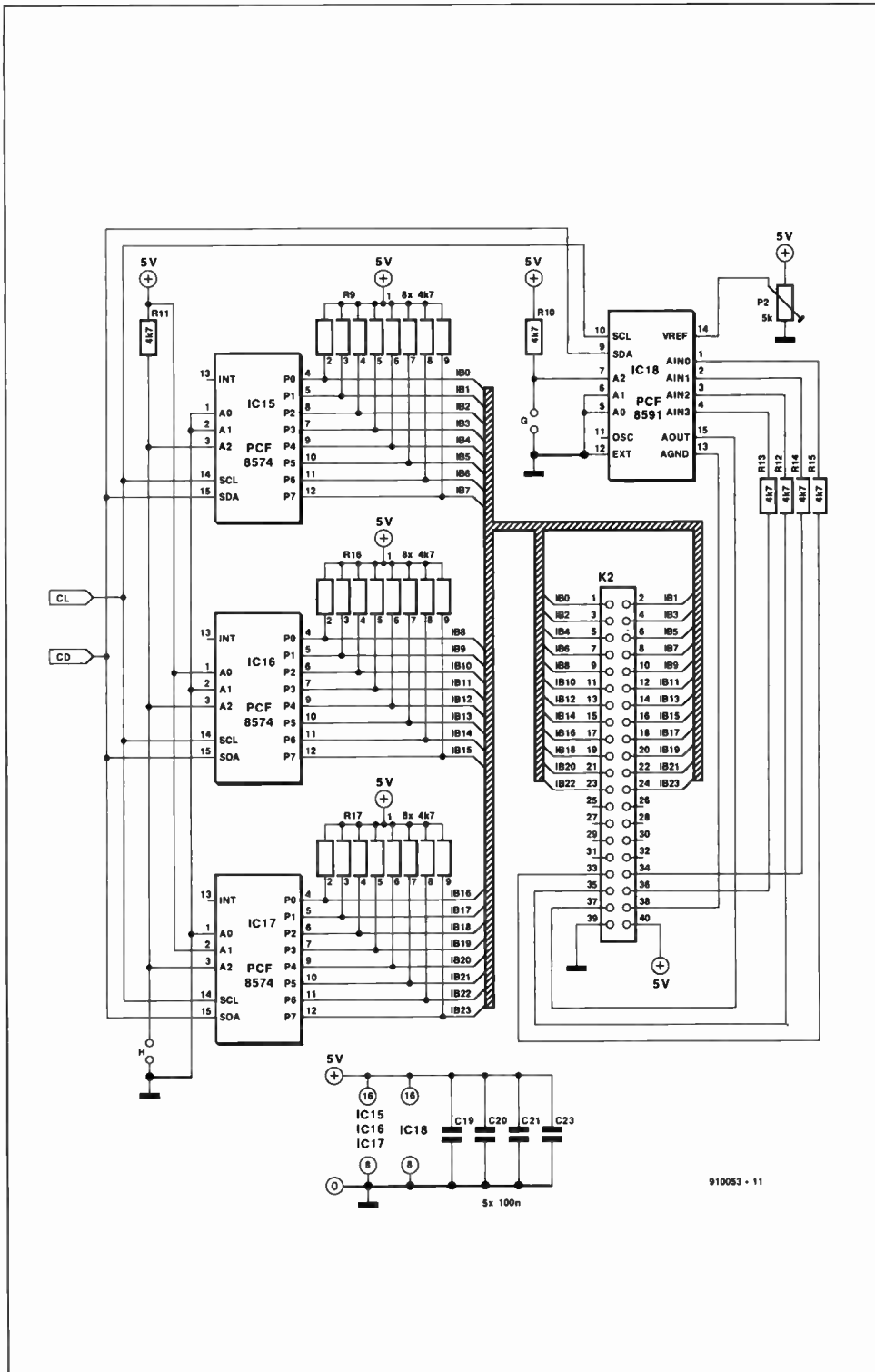


Fig. 1b. Circuit diagram of the automatic brightness extension and the 18-bit I/O port.

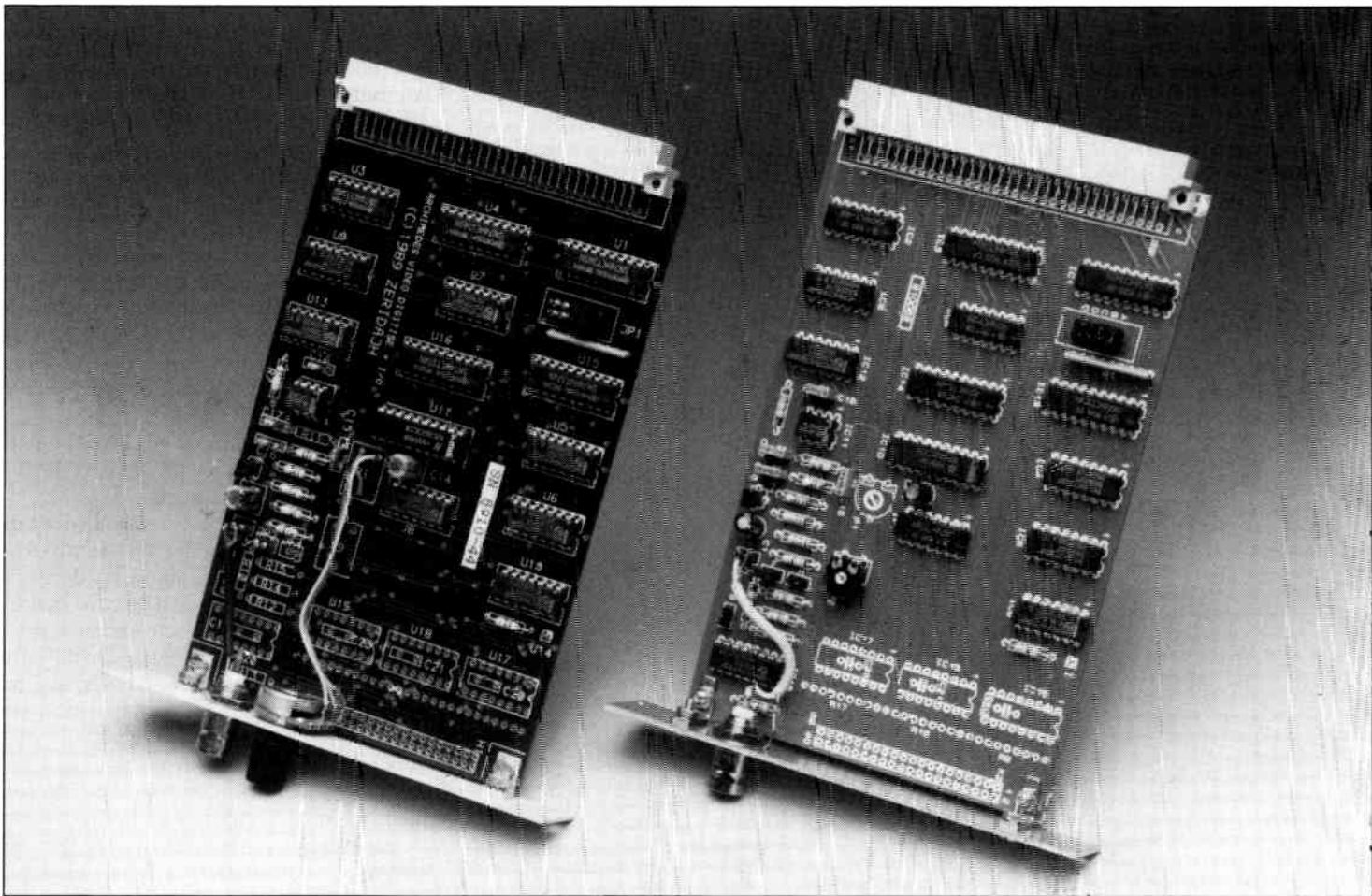


Fig. 2. Prototypes of the digitizer, with (left) and without (right) the optional extensions.

74HCT574. The value determines the time between the HSYNC pulse and the first time output QC of IC5 goes low. After that, QC will go high, toggling with 5.33- $\mu$ s 'low' pauses, and enabling the ADC during the 'high' periods. After shifting the sampling starting instant 64 times, the content of the entire picture line has been sampled.

A built-in option of the circuit is that the load pulse of IC4 and IC5 can be blocked via bistable IC7a and AND gate IC6d. This allows the software to control the behaviour of the QC output of the counter via buffer IC3 and dataline BD11.

The four address selection signals are derived from the LA2, LA3 and LA4 address

bits on the podule connector with the aid of a 74HCT138, IC2. This decoder is actuated by the  $\overline{PS}$  signal supplied by the computer via pin 4 of the podule connector. Since IC13 is a write-only device, its selection signal is ANDed with  $\overline{PWE}$  (podule write enable). Similarly, the selection signal for the read-only devices, IC1, IC3 and IC14, is ANDed with the  $\overline{PRE}$  (podule read enable) signal.

As shown in the circuit diagram, the databus is 16-bits wide, and used fully to read back address 4. This allows the computer to load an 8-bit sample and the other relevant information in a single read operation.

#### Extra features

The circuit diagram of the (optional) extra I/O port implemented on the present podule is shown in Fig. 1b. The port consists of four ICs: three PCF8574s and one PCF8591. The PCF8574s together form an 18-bit I/O port, and the PCF8591 a single-chip ADC/DAC. All four ICs are controlled via the I<sup>2</sup>C bus provided on the Archimedes. This bus, designed by Philips (Ref. 1) allows integrated circuits to communicate by making use of a simple three-wire connection and a communication protocol. The I/O lines are brought out to a 40-pin PCB header.

When fitted, the PCF8591 ADC/DAC is recognized by the digitizer software. The analogue output of the ADC/DAC may be connected to the reference input of the main video ADC, IC10, to implement an automatic brightness control. If this option is used, omit P1, and connect pin 12 of IC10 to pin 15 of

IC18. Furthermore, the analogue ground of IC18 (pin 13) is connected to the circuit ground (pin 8 or 12). From there on, the software does all the work, and automatically presents a 'sensitivity' control option in the menu.

#### Construction and test

The digitizer is built on a single printed circuit board that is readily fitted into the Archimedes. This PCB is double-sided and through-plated (see Fig. 3). It occupies one podule slot. One side has a 64-way DIN (a-c row) connector, the other an aluminium fixing plate which is secured to the computer enclosure with the aid of two screws. The fixing plate offers sufficient space for the BNC connector, which is connected to PC1 and PC3, and the sensitivity potentiometer, P1.

Since the extra I/O channels are optional, the relevant ICs need not be fitted as yet. The same goes for connector K2, the three resistor arrays R9, R16 and R17, resistors R10-R15 and preset P2.

The construction of the PCB is straightforward if you follow the indications on the overlay, and the components list. The supply decoupling capacitors may be fitted at the solder side of the PCB, or, if IC sockets are used, underneath the ICs. The fixing plate is secured to the PCB with the aid of two small aluminium brackets.

The terminal marked 'I' on the digitizer board is connected to a short wire fitted with a jumper. On the Archimedes motherboard,

Table 1. Podule identification word

Bit 0:	0 = podule generates IRQ *1 = podule does not generate IRQ
Bit 1:	*0 = podule present 1 = podule not present
Bit 2:	0 = podule generates FIRQ *1 = podule does not generate FIRQ
Bit 3-6:	podule identification nibble (0 = extended PI)
Bit 7:	0 = Acorn *1 = other manufacturer

\* Option used in this digitizer



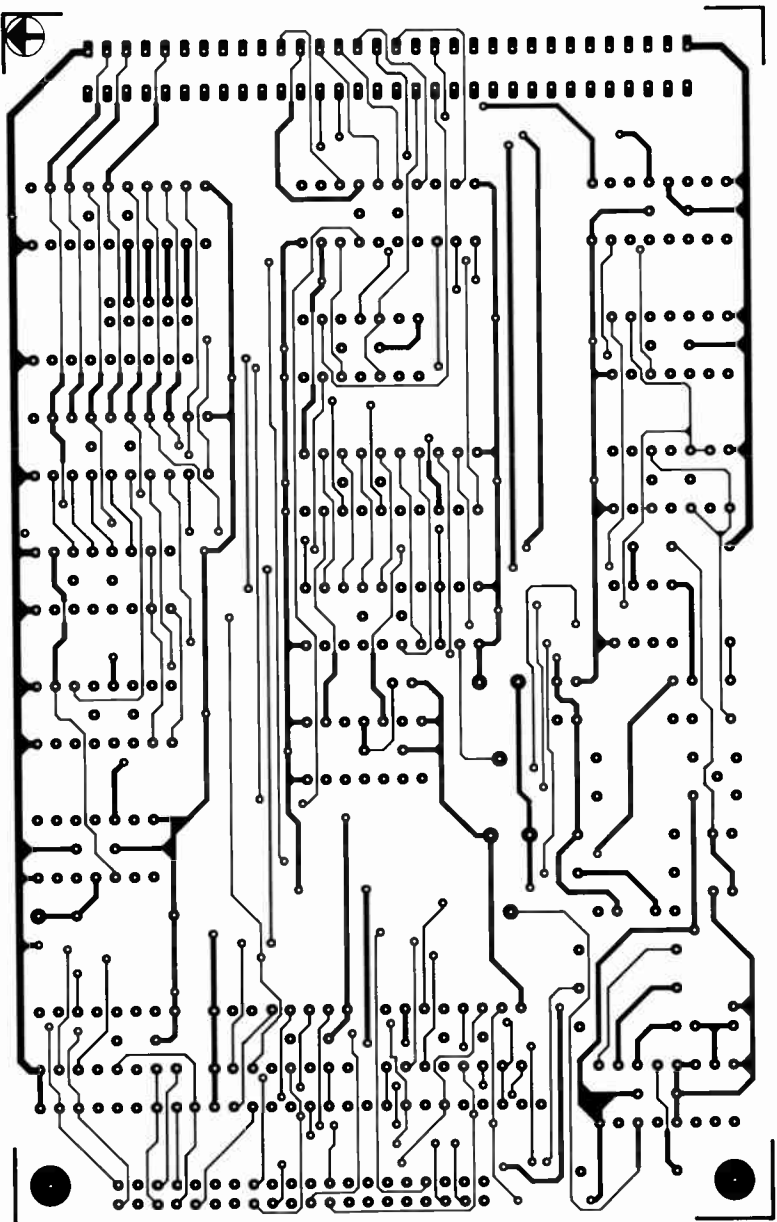
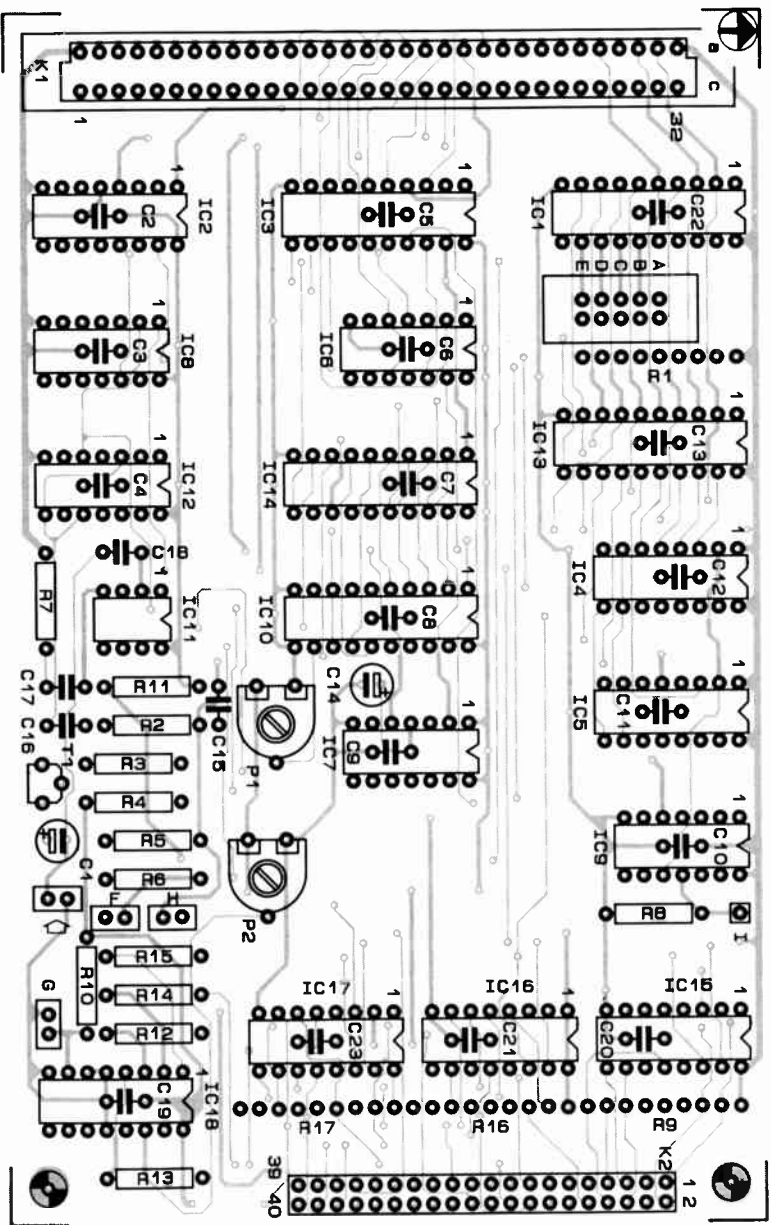


Fig. 3a. Component side (above) and solder side (below) track layout of the printed-circuit board.

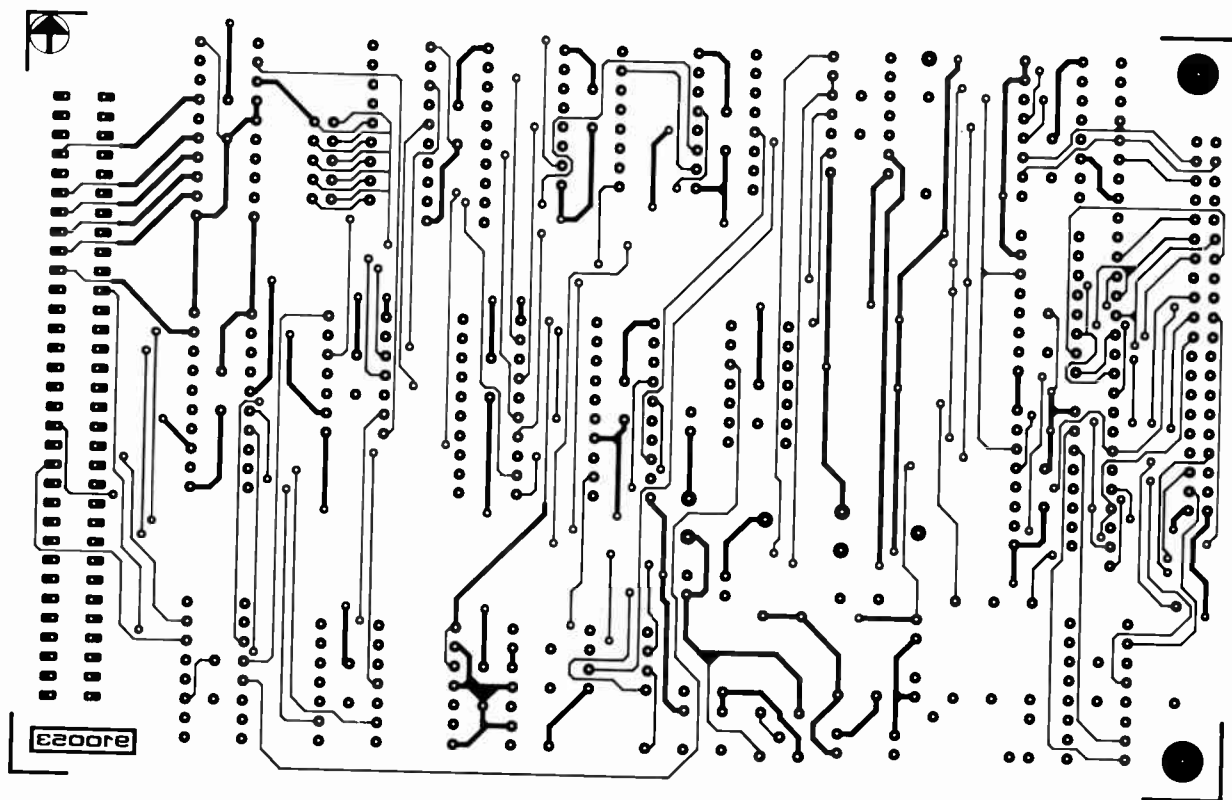


Fig. 3b. Component side traces.

this jumper is fitted on pins 1 and 2 of plug 3 (Model 300), or plug 4 (Model 400). The jumper already fitted is removed.

Users of a video enhancer should note that this unit works with a clock of 36 MHz on pin 2 of plug 3 or plug 4. This means that the digitizer clock lead must be connected to pin 1 only, which carries the 24-MHz clock signal.

After fitting the video digitizer in a free podule slot, and connecting the clock lead to the motherboard, set the jumpers to hexadecimal value 'E'. This is done by fitting jumpers in positions 'A' and 'B' only. Jumpers 'G' and 'H' may be used to change the base address of the ICs on the I<sup>2</sup>C bus. These jumpers are normally not fitted, enabling the I<sup>2</sup>C devices to be accessed at their default base address. Lastly, jumper 'F' is fitted only when the video source requires to be terminated in 75 Ω. This will be the case for most video equipment. When the source is not properly terminated, several errors may occur, even including a 'no video signal' prompt on the screen. If all is well so far, close the computer, and concentrate on the software.

Switch on the computer, and type 'podules' to get an overview of active podules. The video digitizer should report as 'simple podule \$E'. If this is so, it is recognized by the system, and likely to be functional.

The best setting of the brightness (sensi-

## COMPONENTS LIST

### Resistors:

4	8-way 4kΩ7 array	R1;R9*;R16*;R17*
2	220Ω	R2;R3
1	22kΩ	R4
1	27kΩ	R5
1	75Ω	R6
1	680kΩ	R7
7	4kΩ7	R8;R10-R15
1	1kΩ potentiometer	P1*
1	5kΩ preset H	P2*

### Capacitors:

2	47μF 16V radial	C1;C14
21	100nF	C2-C13;C15-C18; C19-C23*

### Semiconductors:

2	74HCT245	IC1;IC3
1	74HCT138	IC2
2	74HCT163	IC4;IC5
1	74HCT32	IC6
1	74HCT74	IC7
1	74HCT4024	IC8
1	74HCT14	IC9
1	ADC0820	IC10
1	LM1881	IC11
1	74HCT4066	IC12
2	74HCT574	IC13;IC14
3	PCF8574*	IC15;IC16;IC17
1	PCF8591*	IC18

### Miscellaneous:

1	64-way a-c row male bus connector (DIN)	K1
1	40-way PCB header, angled, with eject handles	K2
1	BNC socket	
1	jumper block	
9	jumper	
1	aluminium fixing plate 25x129mm	
2	angled bracket	
1	printed-circuit board	910053
1	software on disk; order code ESS 1591	

\* required for optional I/O ports and automatic brightness control.

tivity) potentiometer on the digitizer must be determined empirically. The grey scale in the standard TV test chart may come in handy here, and will result in a good calibration. When the automatic brightness control is used (with the PCF8591), the adjustment is made with P2 rather than P1 (which is then not used). After adjusting P2, the software is used as a 'fine' control to set the optimum brightness.

## The control software: powerful and flexible

The control software for the video digitizer is supplied on an Archimedes-format 3½-inch diskette, which contains a number of utilities that support the interface.

To begin with, we have !VideoDigi, a complex piece of multi-tasking software that arranges the digitizing of the video signals and their subsequent processing and storing

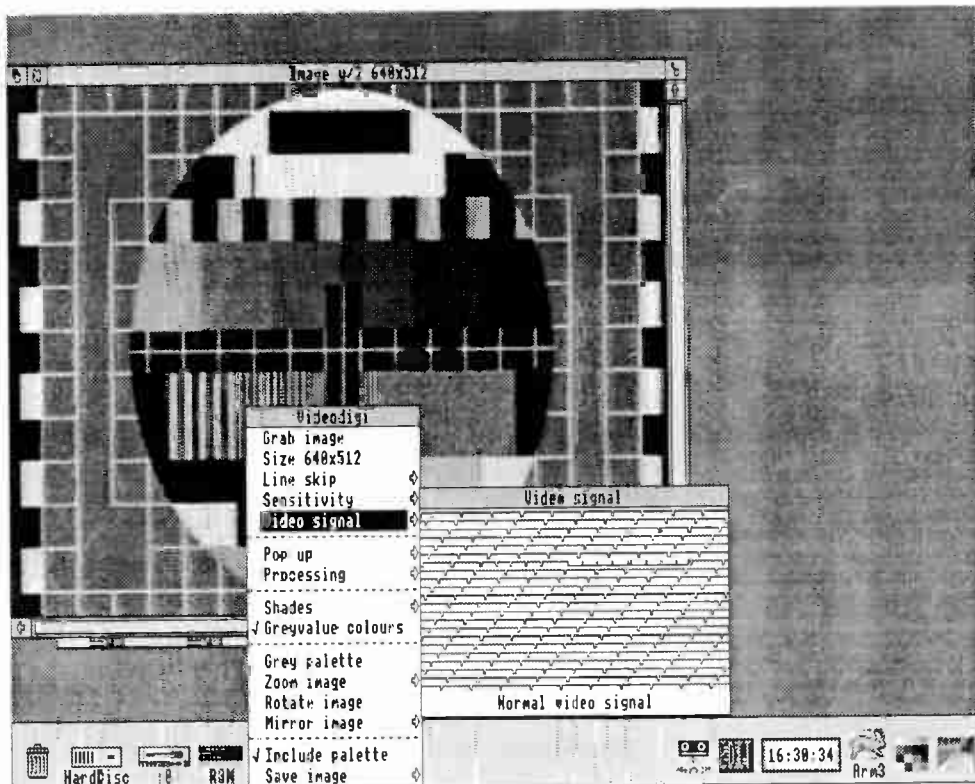


Fig. 4. The powerful RiscOS software allows the digitizer to operate in a multi-tasking environment. A number of routines are available to enhance the 'frozen' samples.

Table 2. Podule address functions

Address 0:	read only bits 0-7: podule ident
Address 4:	read only bits 0-7: digitized video information bits 8-15: status bits of IC3 bit 8: HSYNC bit 9: VSYNC bit 10: Odd/even bit 11: 5.33- $\mu$ s signal bits 12-15: sample counter
Address 8:	write only bits 0-7: start value of 8-bit counter IC13
Address 12:	write only bit 0: bistable IC7a (enable/disable free counting)

### I/O components accessed via the internal I<sup>2</sup>C bus:

PCF8574-based I/O port:

IC15 = 0100 - x00\*

IC16 = 0100 - x01\*

IC17 = 0100 - x10\*

x = 1 when jumper H is not fitted

x = 0 when jumper H is fitted

PCF8591 ADC/DAC:

IC18 = 100-1x00\*

x = 1 when jumper G is not fitted

x = 0 when jumper G is fitted

The level of the LSB, \*, depends on whether a read or a write operation follows: \* = 1 indicates a read operation, \* = 0 a write operation.

Jumpers G and H may be fitted to avoid conflicts with other hardware extensions. Jumper G must not be fitted when the automatic brightness control is used.



Fig. 5. Linked to !AIM, the digitizer podule and the associated software turn the Archimedes into a near-professional image processing system.

in memory. It should be noted that the program !VideoDigi works only with the digitizer podule fitted in the computer. The module called !Videodigi.VideoDigi used by this application may also be used in your own programs, whence the extensive documentation file included on the diskette. In this doc file you not only find details on the operation of the program, but also a discussion of the built-in SWI modules.

The programs !AnimDigi and DigiAnim

enable the digitized pictures to be used for video animations as used in, for instance, an electronic photoshow.

File standard conversion, file compression, and file exporting, are achieved with the routines !MakeGif, !MakeTiff and FulltoAIM.

### Reference:

1. Inter-IC communications", *Elektronics* September 1990.

# WOULD YOU BE AN INVENTOR?

by C.C. Whitehead, ACGI, AMIRE

**M**OST of us have misconceptions about other people's jobs, particularly if those jobs, such as those of the scientist, the surgeon, the detective, the inventor, have a certain amount of (generally false) 'glamour' attached to them in the popular eye.

I am an inventor. It is not for me to say that my job is more misunderstood than most, but I often get that impression. The general public has a lot of erroneous ideas in popular circulation about inventors and inventions.

How and why did I become an inventor? The answer is simple: I was just built that way. Born with the insatiable curiosity of a monkey, I simply *had* to know how a thing worked and, having found out, worried and worried as to how it could be made to work better. That is the nature and background of practically all inventors.

You may be surprised if I say that I do not think that there is anybody in the world today who enjoys fame or fortune solely by reason of being an inventor, or who makes a good living out of it. I am writing, of course, about *real inventors* and, in order to understand what a real inventor is, one must first understand what is meant by a real invention.

A real invention is quite strictly defined by the Law and is the subject of a 'Patent Specification' in one or more of the world's Patent Offices. Unless this is so, the device, whatever it may be, has no status as an invention, and consequently the inventor or his representative can obtain no redress for 'infringement'.

Patent Law lays down without ambiguity what may or may not constitute an invention, defined legally as a 'patent'. For all practical purposes, the terms 'patent' and 'invention' are synonymous.

You may not patent a device which is obviously intended to be used for an improper (illegal) purpose.

There are peculiar restrictions relating to the patenting of devices that may be used for war purposes.

You may not patent a 'fundamental principle'. This is very important and requires some explanation. The fact is not so stated in patent law, but is inherent in its operation. Thus, if you have invented, say, a new cooking vessel, you may not describe your invention (in the patent specification) as a 'vessel for containing and cooking foodstuffs', since this would make every saucepan and casserole in the world an infringement of your patent! You would be patenting a fundamental principle—that of a hollow container.

You may not, of course, patent a device that has been 'covered' by a previous patent specification or which has been published previously elsewhere.

So much for the 'mustn'ts'. Now for the 'musts'.

Your invention must be novel. That is to say that your device must contain some relevant feature which has not been described elsewhere. Thus, your new cooking vessel *may* be described as 'a vessel for containing and cooking foodstuffs with an automatic self-raising cover (or lid)'. The novel part of your invention (which also absolves you from the charge of seeking to patent a fundamental principle) is the 'automatic self-raising lid'.

Your invention must be practical. You must describe exactly how your device is to be made or constructed, and how it is intended to work. It must be made clear to the examiner at the patent office that your device *can* be made and *will* work as you have described it, otherwise he may refuse to grant the patent. This is obviously necessary for two reasons. Firstly, a patent to a certain extent constitutes an official guarantee, and it is undesirable that impractical patents should be foisted upon the public. Secondly, if these rules were not enforced, the world's patent offices would soon be cluttered up with useless patents.

Patent laws were originally devised 'for the encouragement of invention and the furtherance of trade'. The idea was that an inventor would be protected, at least for a time, against those who might steal his ideas and rob him of credit and reward for his work. This was the *intention* at the inception of Patent Law.

The real inventor then is the originator of a patent or patents. This does not necessarily mean that he has a knowledge of patent law, though most experienced inventors do require such knowledge. Modern conditions make it almost essential for him to employ a Patent Agent, a sort of cross between a lawyer and a scientist (mostly lawyer), who is competent to draft patent specifications and conduct business with the Patent Office. This relieves the inventor of a mass of essential but routine work that need not concern him in detail. Patent agents' fees may be a serious embarrassment to an amateur or 'free-lance' inventor.

No invention is ever entirely novel in its conception (before you invented your new cooking vessel, you were obviously familiar with such devices, some of which probably came very close to your own idea). The inventor then endeavours to obtain what in patent law jargon is known as 'knowledge of prior art'. This means an extensive search and reading of the literature and previously published patent specifications (the services of the Patent Agent are invaluable here) relating to the device in which he is interested.

It may be that (so far as you are aware) the device which you have 'invented' is so far unknown and of a highly specialized nature. When you (or your patent agent) start digging into 'prior art', you will be astonished to find how many previous attempts, more or less successful, have been made to produce a similar device. That is to say, if you are new to the game. If you succeed where the others failed, it will probably be because you have the advantage of more up-to-date materials and techniques. Thus, the German Nipkow was the real inventor (in the year 1880) of our present system of television. He understood clearly the principles involved, and produced the essential device (the 'Nipkow disc'), but we had to wait for the 'electronic' techniques of the 20th century before the system as a whole could become a practical proposition. That led in its turn to the outmoding of the 'Nipkow disc'.

Having made himself familiar with 'prior art' and thereby (let us hope) assured himself that *his* invention has novel features, the inventor must make a 'model' or 'prototype' to prove that in practice the thing does really work just as he intended, and so that he can describe accurately in his patent specification exactly how it *is* made and how it *does* succeed in doing what he claims that it will do.

With the size and complication of modern devices, all of this naturally costs a lot of money. The successful birth of even a simple invention may set the inventor back £100 or so. If he is a 'free-lance' inventor, and he wishes to get credit and money for his invention, this is the point where his troubles *start*, after the successful issue of his patent!

Let us assume that he has or has acquired manufacturing facilities for his invention. If it is a commercial success, there will be imitators, almost certainly infringing his patent, some of them unknowingly perhaps, others deliberately. The onus is upon *him* to fight them in the courts. This can be a frightfully expensive business. Big business organizations have been known to infringe patents owned by smaller firms or individuals deliberately and without compunction, secure in the knowledge of their ability to ruin the patent-owner with the cost of an action for infringement, and so forcing him to abandon the action. The private or small-time inventor is always and completely at the mercy of these people. Remember, the onus lies upon *him* both to *discover* (not always easy) and to *fight* the infringement.

Consequently, we seldom hear of a successful small-time or free-lance inventor nowadays.

The inventor of today is generally the employee of a business organization. For

the free-lance inventor, the risks are too great and the rewards (if collected) are too small. Yet, invention still goes on, albeit mainly in the laboratories of the big industrial organizations.

Does the employee-inventor fare any better? Let us look into this.

Though there are many successful inventors in industry, there are no 'inventors' in industry. That is to say, nobody (as far as I am aware) is employed in industry as an 'inventor'.

The extent and sophistication of modern products and production processes offer an astronomically extensive field for invention. Employees who are brought into close contact with these products and processes may frequently see the need for improvements. It may be the need and possibility of a new product or process, or a small but important change in an existing product or process. It will depend on the skill, knowledge and enterprise of an individual who may thereby become an inventor. If he does so, what will be his prospects, and what may happen to his invention?

If he is an employee, and certainly if he is an employee of an organization of any considerable size, there is a certain answer to both these questions. If he is a scientist, technician or any person holding a position that enables him to exercise judgement in his employment, he will have been required *as a condition of his employment* to sign a legally valid document binding him to assign *any* invention that he may make whilst in that employment, to his employer, and *to waive all rights to benefit from the invention or inventions*. He will be required to do all the work that is necessary (apart from the routine work of the patent agent) to secure valid 'Letters Patent', apart from his normal routine. Furthermore, when he leaves that employment, he may be called upon to make an assignment of 'his' patent to associate companies (usually abroad) of his former employers. This may be months, or even years, after leaving that employment, and he can claim no recompense for the trouble and inconvenience, except in some cases for out-of-pocket expenses.

It would seem that this practice started with government organizations concerned with patents in relation to armaments, where it was deemed necessary in the interest of national security to have the maximum possible hold on the inventor, after which it spread to industry in general.

Some employers do not trouble to make the employee sign the document I have mentioned. Can the employee then claim benefit from his invention. Not at all. Unless his employer is unusually generous and has made some legal provision to that end, he (the inventor) will be compelled (if he is foolish and ignorant enough to do so) to go to law to claim what he considers to be his 'rights'. He will be involved in expense which he can not afford, and will lose his case—and his reputation among employers who might have use of his services. He will lose his case because the Court will be bound to de-

cide that (if it decides to hear the case at all) it is an established principle that employees' inventions belong to the employer.

Is there any other possible benefit to the inventor?

There is. The employer may, out of gratitude or the expectation of further inventions, give him an increase in salary, or promotion, but this is unusual. Owing to pressure over many years by organizations seeking to act in the interests of the inventor, a slight extra benefit has been gained for him. It was until a few years ago the practice of employers to have the name of the inventor omitted from the Patent Specification, so that he did not even receive the benefit (for what it might be worth) of official acknowledgment of his invention. This has been amended, and the inventor's name *must* now appear in the specification. This may sometimes improve his prospects of further employment.

There is another somewhat unsavoury practice among employers that may affect the inventor. Patent law requires that 'the name of the first and true inventor' should appear in the prologue of the patent specification. Since the specification is drawn up on behalf of the employer, and the inventor is under his control as an employee, what is to prevent him putting a name other than that of *the first and true inventor* in the specification? The answer is usually that, owing to his intimate and detailed knowledge of his invention, the inventor's co-operation is necessary in developing the invention and drawing up the specification. However, if the invention is of any great importance, the employer will often include in the specification the names (as 'co-inventors') of other people who have had little or nothing to do with the invention. These are usually the names of the inventor's superiors in the firm' hierarchy, which appear on the specification in precedence to his own. When I look at a patent specification containing a list of co-inventors, I assume (unless I happen to know the people concerned) that the *last* name to appear on the list is that of the 'true and first inventor'. Of course, co-inventors do exist, and some specifications are honest in this respect.

So much for the prognosis as far as the inventor is concerned. What about his invention? I have indicated what may ensue as far as the private inventor (who is not an employee) is concerned. Let's see how the employed inventor gets on with 'his' invention. Unless the firm that employs him has a member of the technical staff specifically assigned to this task, he will have to draw up a 'provisional specification', minutely describing his invention. In any case, he will have to assist in this task. That's where his co-operation is essential.

The work involved in drawing up the 'provisional specification' will be in addition to his other duties for his employer. If his employer is one of the less scrupulous kind, he may be put under pressure to allow somebody else's name to appear as a 'co-inventor', even though the person in question (generally the head of the department in which the

inventor is employed) may have had little or nothing to do with the invention. To be fair to employers in general, I don't think that outright substitution of the inventor's name occurs very often, but the adding of 'co-inventors' is quite a common practice—though as I have said earlier, genuine co-inventors do sometimes exist.

If the real inventor is faced with this problem, there is nothing he can do about it, other than to resign his job, and *even that doesn't get him off the hook* if the invention is of any great importance. If his erstwhile employer thinks that it is economically worthwhile, he can without much trouble or expense compel his former employee by law to complete the job. There is a somewhat Gilbertian situation here when there is a lack of trust between the parties. The real inventor may so arrange things that essential information is withheld, or even false information substituted, and then having resigned his post go abroad, so that the employer has to 'start from scratch', perhaps hampered by false information, if he wants to pursue the invention. Since it is not a *criminal* offence on the part of the inventor, and false information can be passed off as 'mistakes', there is no extradition. But it must be rare for an inventor to be prepared or able to go to such lengths, though such cases are known.

Having drawn up his 'provisional specification' (according to strict rules laid down by the Patent Office), the inventor sends it to his employer's patent agent (who might be another employee or private agent under contract) who then searches Patent Office files for any information that may be relevant to the proposed patent. The result may often be that there is a crop of 'citations', that is, former patents and extracts from such patents that may seem to cast doubt on the validity of the proposed patent. It may so happen that somebody else has already filed a specification or published an article or 'paper' in a technical journal, covering the idea, (though this is unlikely *if the inventor knows his job*), in which case the invention will have to be abandoned.

The patent agent will have been competent to deal with many of the 'citations', but some may be referred back to the inventor, who will then have to show that they are not really relevant, or, if they are relevant, he will have to modify his specification in order to 'dodge' their implications. Meanwhile, time will be passing, and somebody else (perhaps in some other part of the world) may also be working on the idea. Everything then depends on the date when the inventor finally satisfies the patent office that his invention is valid and the final specification is accepted. It may still happen that somebody else (generally abroad) has filed a similar specification in which case there will be an expensive brawl between lawyers to decide which specification was filed first, and thus ousts the other. The inventor as an employee will not be involved in this, nor in any subsequent actions for 'infringement'. But the only reward that he can expect for his work is to see his name on the final specification.

Having filed the final specification, the inventor will often be required to make 'assignments' on behalf of his employer, if the invention is at all important. There is a big 'trade' in these inventions, firms selling or 'swapping' specifications with other firms, usually associates or subsidiaries abroad. Patent Law has laid down that in such cases the 'assent' of the inventor must be obtained by signature on an 'assignment' form to carry out the transaction. Only in the case of assignments to the USA does the inventor receive a 'fee' for his signature: *one dollar!*

There has been some grumbling amongst employers about this. It not infrequently happens that the inventor has left his employment, and has to be found to make the assignment, which has to be made before a Notary Public under oath. In some other countries—notably the USA—the employer can dodge this difficulty. I sometimes wonder how many assignments have been forged. One firm I worked for chased me for assignments up to two years after I had left their employment! My relations with that firm were such that I would have dearly loved to have refused—but that is impossible under current law.

Such is the life of an inventor. As a private inventor he is at the mercy of anybody with more money. As an employee-inventor, he exists only in name, whatever the importance of his inventions. The employer is under no legal obligation to make other than *ex gratia* payments, and only if these are written into the inventor's contract of employment. Organizations claimed to be acting on behalf of inventors have struggled for years to obtain a better deal, but so far without success. Almost invariably, the inventor's only reward is the strictly private sense of achievement, which is unsubstantial.

To Karl Marx is attributed the aphorism

(profoundly true) that 'nothing is understandable apart from its history'. Long ago in pre-patent days, the ease with which an inventor could be robbed of all benefit and credit for his invention(s) gave rise to the (illusory) fear that inventors, realizing the situation, would become an extinct breed. Some sort of protection seemed to be called for. Hence the Patent Laws (in the UK). Perhaps in early days these laws did give some measure of protection to the inventor, but that soon came to be illusory. Patent laws give protection only to the *owner* of the patent, who nowadays is seldom the inventor.

Taking the ethical point of view, it would seem that the private inventor is entitled to the full fruits of his invention(s). There seems to be no valid argument to the contrary. It is when the inventor is an employee that the issues become controversial. The employer points out (quite rightly) that he has facilitated his employee's invention, and is therefore entitled to at least a share of the benefit—but 99.9%? Those who are advocates for the inventor point out that the invention could not have come about but for the employee's *insight*. It is this *insight* that is the real stock-in-trade of the inventor, and is an essentially personal attribute. To which the employer replies that it is merely an exercise of initiative—for which the employee is paid.

The issue is further complicated by the fact that the employee may also be (and not infrequently is) a private inventor. The specific issue that arises here is whether in view of his contract of employment (actual or implied) he can function as a private inventor. It would seem that he can do so only in a specific case, where his employer has no interest in the invention, and *has given well attested permission* for him to proceed. If the invention is of any commercial value, such

permission is not likely to be given. The employee might argue that the invention was not developed in his employers' time or with the use of any of his employers' facilities and was not in any way technically related to his employers' business.

There are two possible attitudes which the law might take in this case. It might take the view that *all* inventions of the employee, irrespective of circumstances, are the property of the employer. Or it might take the view that if the circumstances were such as the employee claims, that he was entitled to proceed, but *he would have to prove such circumstances to the satisfaction of the court*. This could be a lengthy, harrowing and expensive business. In the mean time, the employee, in view of his dispute in the matter with his employer, would have lost his employment!

Suppose now that, being unemployed, you decide to become 'self-employed' as a freelance inventor. Your best chances of success will be to make use of the experience you have obtained during the course of your employment. That would seem to be obvious. So you present your patent agent with a provisional specification (a preliminary draft) which you have drawn up. He will naturally want to know what qualifications you have in that particular line, and you tell him that in the course of your previous employment you became familiar with the subject. He will then warn you that if any of the subject matter or 'claims' in the specification bear any relation to the business of your former employer, he may involve you in (probably successful) litigation to obtain ownership of the patent.

Heads I lose, tails you win! But invention, like some other forms of occupation can be intellectually attractive and some find that reward sufficient. (910085)

**DOWN EAST MICROWAVE**

**MICROWAVE ANTENNAS AND EQUIPMENT**  
 • Loop Yagis • Power Dividers • Dish Feeds • Complete Antenna Arrays • Linear Amps • Microwave Transverters & Kits • GaAs FET Preamps and Kits • Microwave Components • Tropo • EME • Weak Signal • OSCAR • FM • Packet • ATV • 902 • 1269 • 1296 • 1691 • 2304 • 2400 • 3456 • 5760 • 10.386MHz •

**ANTENNAS**

2345 LYK	45 el	Loop Yagi Kit	1296MHz	\$95	1844 LY	44 el	Loop Yagi Assembled	1691MHz	\$105
1345 LYK	45 el	Loop Yagi Kit	2304MHz	\$79	3B Feed Tri Band Dish Feed	2.3, 3.4, 5.7GHz			\$15
3333 LYK	33 el	Loop Yagi Kit	902MHz	\$95					

Many others and assembled versions available. Shipping extra.

**LINEAR AMPS AND PREAMPS**

2303 PA	1.2 to 1.3GHz	3W out	13.8V DC \$130	13 LNA	2.3 to 2.4GHz	preamp	8dB NF \$140
2318 PAM	1.24 to 1.3GHz	20W out	13.8V DC \$205	23 LNA	1.2 to 1.3GHz	preamp	8dB NF \$95
2335 PA	1.24 to 1.3GHz	35W out	13.8V DC \$325	33 LNA	900 to 930MHz	preamp	8dB NF \$95
2340 PA	1.24 to 1.3GHz	high gain 35W out	13.8V DC \$355	1691 LNA WP	1691MHz	mast mounted preamp	8dB NF \$140
2370 PA	1.2 to 1.3GHz	70w out	13.8V DC \$695				

Kits, Weatherproof Versions and other Frequencies Available

**NO-TUNE TRANSVERTERS AND TRANSVERTER KITS**

SHF 902K	902MHz	Transverter 40mW, 2m IF Kit \$139	SHF 3456K	3456MHz	Transverter 10mW, 2m IF Kit \$205
SHF 1296K	1296MHz	Transverter 10mW, 2m IF Kit \$149	SHF 5760K	5760MHz	Transverter 0.5mW, 1296 IF Kit \$170
SHF 2304K	2304MHz	Transverter 10mW, 2m IF Kit \$205			

OSCAR and other frequencies available, also Amps and package versions wired and tested. Write for more information. Free catalog available.

**DOWN EAST MICROWAVE**

Bill Olson, W3HOT, RR1 Box 2310, Troy, ME 04987, U.S.A. (207) 948-3741 FAX (207) 948-5157

In 1988, Madisound Speaker Components processed 20,000 orders.

- |         |          |              |
|---------|----------|--------------|
| VIFA    | DYNAUDIO | PERFECT LAY  |
| FOCAL   | MB QUART | SIDEWINDER   |
| PHILIPS | AUDAX    | ELECTROVOICE |
| EUROPA  | PEERLESS | SLEDGEHAMMER |
| MOREL   | SOLEN    |              |
| KEF     | ETON     |              |

Doesn't your hobby deserve these fine product lines?

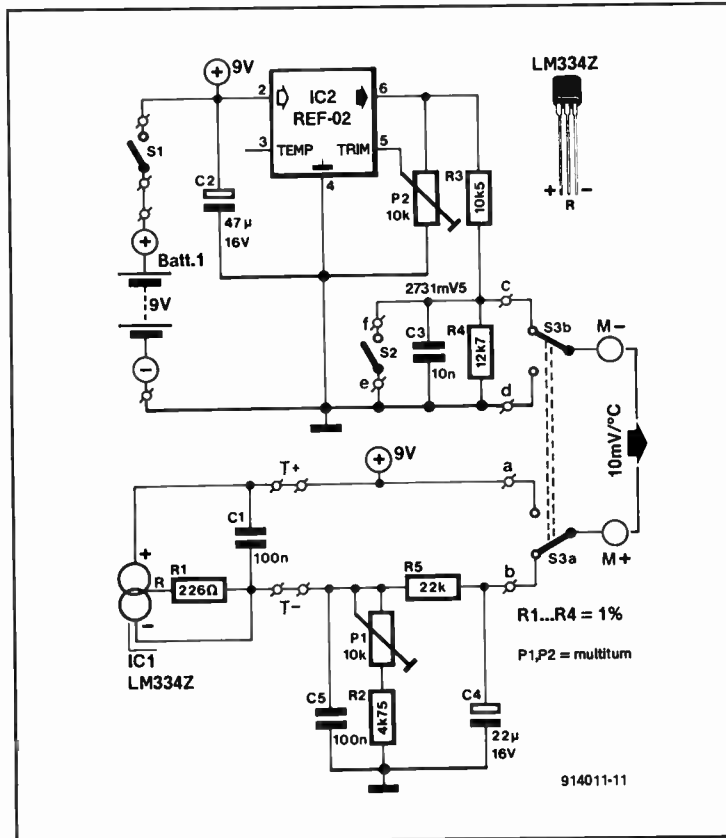
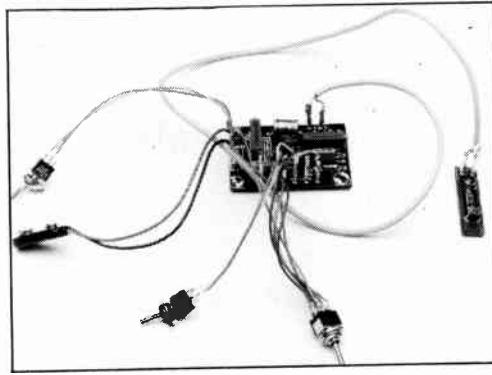


**MADISOUND SPEAKER COMPONENTS**  
 8608 University Green  
 Box 4283, Madison, WI 53711  
 Phone (608) 831-3433 FAX: (608) 831-3771

# REMOTE TEMPERATURE MODULE FOR DIGITAL MULTIMETERS

NATIONAL Semiconductor's LM334Z is a temperature-dependent adjustable current source supplied in a plastic TO-92 package. In Fig. 1, a 226  $\Omega$  resistor,  $R_1$ , is used to set a current gradient of  $1 \mu\text{A K}^{-1}$ .

The remote temperature sensor is formed by  $IC_1$ ,  $R_1$  and  $C_1$ . Since its output is a temperature-dependent current, a simple two-wire connection may be used between the sensor and the DVM interface. Constant current drive as applied here eliminates problems with voltage drop and expensive low-loss wiring associated with voltage drive. Also, remember that the voltage drop across a relatively long cable is temperature dependent, which calls for a fairly complex compensation circuit. By contrast, when the sensor is a constant current source, the length and the total resistance of the wire between it and the interface at the DVM side has virtually no effect on the output signal. This obviates a compensation circuit, and allows you to fit the sensor at quite some distance (up to 25 m = 80 ft) from the DVM using inexpensive wiring.



## PARTS LIST

### Resistors:

(1% types; E96 series)  
 $R_1 = 226 \Omega$   
 $R_2 = 4.75 \text{ k}\Omega$   
 $R_3 = 10.5 \text{ k}\Omega$   
 $R_4 = 12.7 \text{ k}\Omega$   
 $R_5 = 22 \text{ k}\Omega$

### Capacitors:

$C_1 = 100 \text{ nF SMA}^*$   
 $C_2 = 47 \mu\text{F}, 16 \text{ V}, \text{ radial}$   
 $C_3 = 10 \text{ nF}$   
 $C_4 = 22 \mu\text{F}, 16 \text{ V}, \text{ radial}$   
 $C_5 = 100 \text{ nF}$

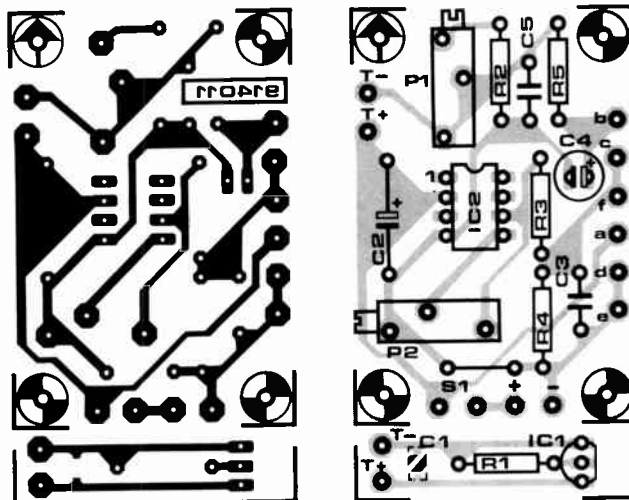
\* SMA = surface mount assembly

### Semiconductors:

$IC_1 = \text{LM334Z}$   
 $IC_2 = \text{REF-02}$

### Miscellaneous:

$S_1, S_2 = \text{on/off switch}$   
 $S_3 = \text{DPDT switch}$   
 9-V battery with clip



Components  $P_1$  and  $R_2$  convert the current supplied by the sensor into a voltage with a gradient of  $10 \text{ mV K}^{-1}$ . Capacitor  $C_1$  suppresses high-frequency interference which may be picked up on the cable.

To prevent problems with ground levels, the current source must be powered by a separate 9-V battery as shown in the diagram. To allow temperature readings in degrees Celsius ( $^{\circ}\text{C}$ ), an adjustable high-stability voltage regulator Type REF-02 from Precision Monolithics Inc. is used to subtract a fixed amount of 2731.5 mV from the converter output voltage. This is achieved by 'lifting' the converter ground by 2731.5 mV (the REF-02 output voltage) when switch  $S_2$  is opened. When  $S_2$  is closed, the converter produces a temperature reading in kelvin.

The circuit is switched on and off by  $S_1$ . A quick battery condition check is available by switching  $S_{3a}$  to position 'a', and  $S_{3b}$  to position 'd'. Replace the battery if the DVM indicates less than 7.1 V.

Calibration of the converter is fairly simple. First, adjust multiturn preset  $P_2$  until a voltage of 2731.5 mV is obtained across  $R_4$  (open  $S_2$ ). Next, adjust the temperature gradient (preset  $P_1$ ) by comparing the DVM reading to that produced by a calibrated thermometer. Set the DVM to the 2 V range for degrees celsius readings. An indication of, say, 0.217 V (on a  $3\frac{1}{2}$  digit instrument) then corresponds to a measured temperature of  $21.7^{\circ}\text{C}$ . Properly adjusted, the temperature sensor achieves a resolution of 0.1 kelvin. Finally, the current drain is about 2 mA.

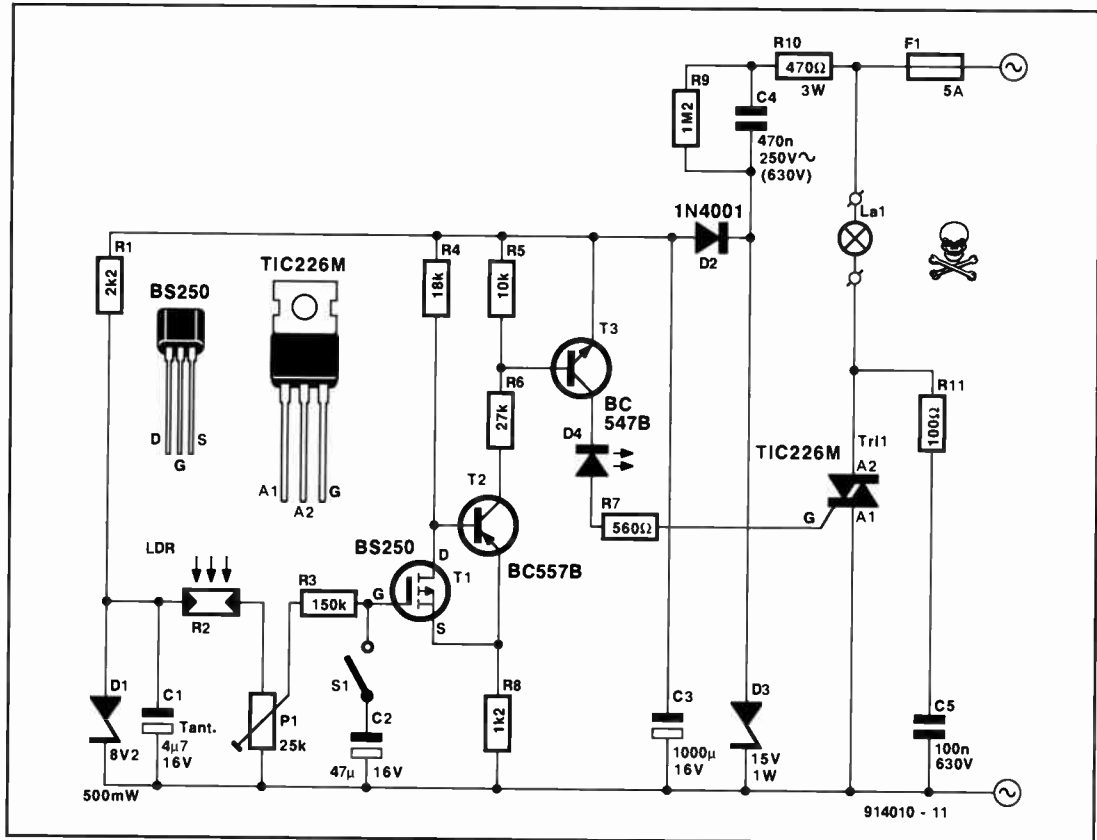
[J. Ruffell 914011]

# SOLID-STATE LIGHT-SENSITIVE SWITCH

**T**HIS electronic switch is designed to be connected direct to the mains, which obviates a low-voltage supply and so keeps the cost and space requirement to a minimum. The circuit switches a lamp on when it gets dark, and off again when it gets light. The switching is done without a relay, avoiding problems with sparks and mains pollution caused by the contacts and the coil inductance.

The switch is powered by the mains via  $R_{10}$ ,  $C_4$ ,  $D_3$ ,  $D_2$  and  $C_3$ . A voltage reference,  $D_1$ , supplies 8.2 V to a light measuring network,  $R_2$ - $P_1$ . As the light intensity drops, the resistance of the LDR (light-dependent resistor),  $R_2$ , increases. Consequently, the voltage across  $P_1$  drops, so that the gate-source voltage of FET  $T_1$  drops also. When switch  $S_1$  is closed, time constant  $R_3$ - $C_2$  causes the gate voltage of  $T_1$  to change more slowly than the resistance of  $R_2$ . This is necessary to prevent the circuit responding to quick changes in the ambient light intensity.

Components  $T_1$ ,  $T_2$ ,  $R_4$ ,  $R_5$ ,  $R_6$ , and  $R_8$  form a Schmitt trigger. Normally,  $T_1$  conducts so that  $T_2$  is off. When the gate voltage of the FET drops below a certain level,  $T_2$  is switched on. Consequently,  $T_3$  starts to con-



duct, and supplies the gate current necessary to trigger triac  $Tri_1$ . The load, lamp  $La_1$ , is then switched on. When the light intensity increases above the level set with  $P_1$ ,  $T_1$  is switched off, so that the load is switched off. Switch  $S_1$  is included to disable the time constant during

adjustment. Resistor  $R_9$  serves to discharge  $C_4$  after the circuit has been disconnected from the mains.

**WARNING.** Since the circuit carries dangerous voltages at a number of points, it is essential that

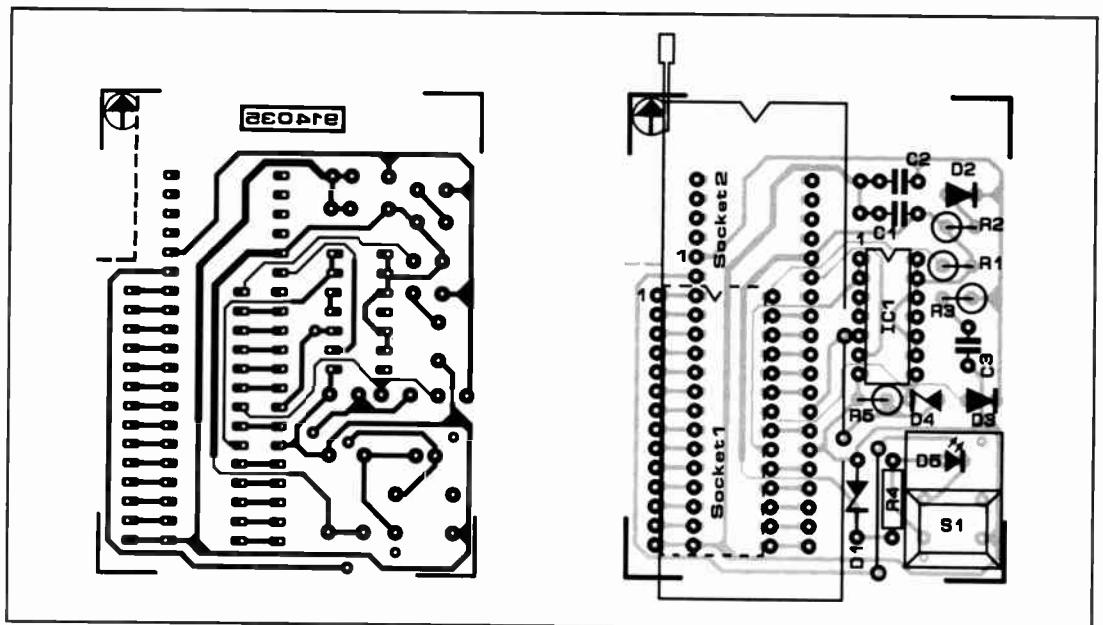
proper electrical insulation is applied. Never work on the circuit when the mains is connected to it. Make sure that no part of the circuit can be touched when it is being set, adjusted or used.

(L. Rikard 914010)

# 1-MBIT ADAPTER FOR EPROM PROGRAMMER

**T**HE ADAPTER allows you to program the 27C1001 EPROM which has a capacity of 1 Mbit organised as 128 Kbyte  $\times$  8. To be able to use the present adapter, your EPROM programmer must be capable of programming 512 Kbit EPROMs such as the 27512 or 27C512 (64 Kbyte  $\times$  8). The adapter programs the 27C1001 in two steps of 64 Kbyte each, and is simply plugged into the 28-way (or 40-way) ZIF socket on your EPROM programmer. The 64 Kbyte block selection is effected manually with the aid of a switch.

The circuit of the adapter has few surprises. Socket 1 connects the adapter to the EPROM programmer, while socket 2 accepts the 27C1001. The PGM input





# PARTS LIST

**Resistors:**

- R1 = 10 Ω
- R2 = 10 kΩ
- R3 = 100 Ω
- R4 = 1 kΩ
- R5 = 100 kΩ

**Capacitors:**

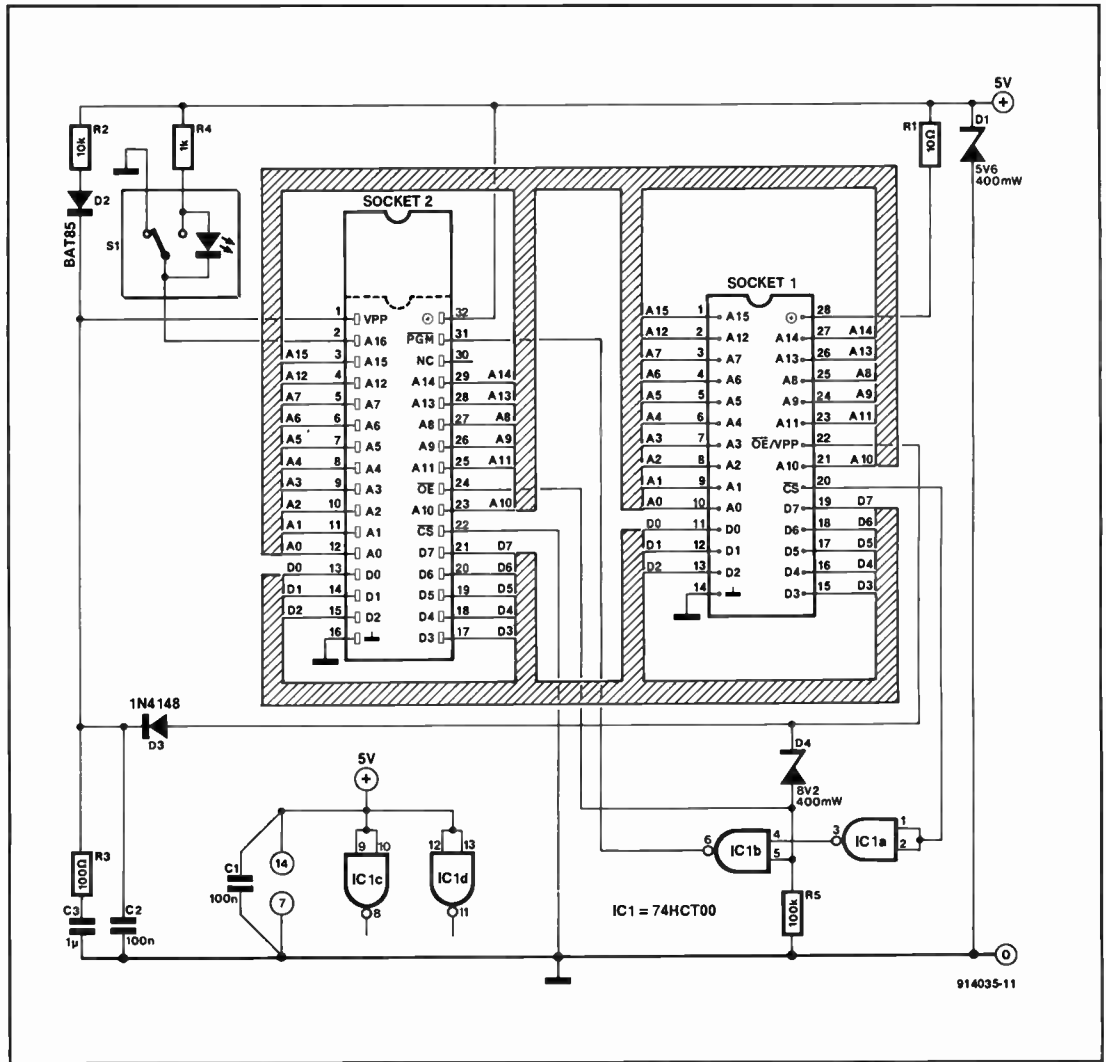
- C1, C2 = 100 nF
- C3 = 1 μF

**Semiconductors:**

- D1 = zener, 5.6 V, 400 mW
- D2 = BAT85
- D3 = 1N4148
- D4 = zener, 8.2 V, 400 mW
- D5 = LED, 3 mm
- IC1 = 74HCT00

**Miscellaneous:**

- S1 = self-locking push-button with integral LED, ITW Type 61-2030401
- 2 off 14-way strips of PCB pins (long pins at one side)
- 32-way or 40-way ZIF socket



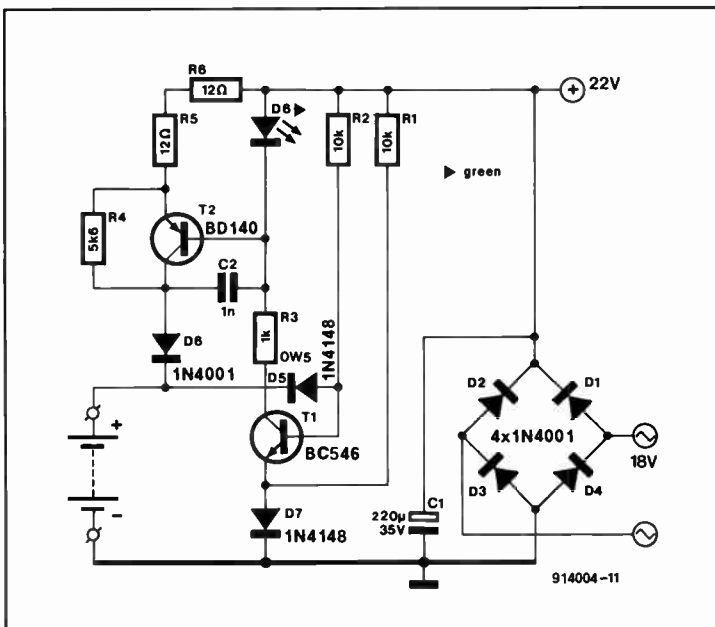
of the 27C1001 is actuated (i.e., made logic low) when the programming voltage,  $V_{pp}$ , on socket 1 exceeds the zener voltage of  $D_4$ , and  $CS$  on socket 1 is held low by the programmer. The zener diode also enable the programming voltage,  $12.5_V$ , to pull the  $OE$  terminal of the 27C1001 high, which allows the device to be programmed. The  $V_{pp}$  input of the 27C1001 is held either at +5 V (during read operations) or at about +12 V (during programming). To ensure that the 27C1001 is supplied with a sufficiently high operat-

ing voltage (nominally 5 V), a Schottky diode type BAT85 is used in position  $D_2$ . This diode is marked by a forward drop of 0.2 V only. Switch  $S_1$  takes the highest address input,  $A_{16}$ , of the 27C1001 low or high to effect the selection between the lower and higher

64 Kbyte block in the device ( $A_{16} = \text{low}$ , and  $A_{16} = \text{high}$ , respectively). Diode  $D_5$  lights when the lower block is addressed. The construction of the adapter is apparent from the PCB layout. Start by fitting the single wire link on the board. Socket 1 is fitted at the track side of the

board, and consists of two 14-pin PCB pin headers. Switch  $S_1$  is a self-locking push-button from ITW with a built-in LED indicator. The PCB accommodates both 28-way and 40-way ZIF sockets.

(G. Rubel 914035)



## BATTERY CHARGER

THE BATTERY charger shown in the diagram may be used to charge a battery or batteries with a total nominal voltage of 12 V (that is, ten NiCd batteries or six 2-V lead-acid batteries). It is small enough to be built into a mains adapter case. Misuse is virtually impossible: batteries connected with wrong polarity, a short-circuit of the output terminals, or a mains failure have no effect on either the charger or the batteries.

Power is derived from the mains via a transformer with an 18-V secondary. The output of the transformer is rectified by

diodes  $D_1$ - $D_4$  and smoothed by  $C_1$ , whereupon a direct voltage of 22 V is available across  $C_1$ .

Completely discharged batteries are first charged by a current of some 6 mA via  $R_2$ - $D_5$  and  $R_4$ - $R_6$ - $D_8$ . Once the battery to be charged has an e.m.f. of 0.3-0.5 V, the base-emitter voltage of  $T_1$  becomes high enough to switch the transistor on. Charging indicator  $D_6$  then lights and  $T_2$  is also switched on. A charging current of some 60 mA then flows via  $R_5$ - $R_6$ . This means that 500 mAh NiCd batteries will be charged in about twelve hours.

If the battery is connected with wrong polarity or the charging terminals are short-circuited,

power transistor  $T_2$  remains off and the charging current cannot become higher than 6–12 mA.

The current drawn by the circuit in full operation is about 80 mA.

(H. Döpfner 914004)

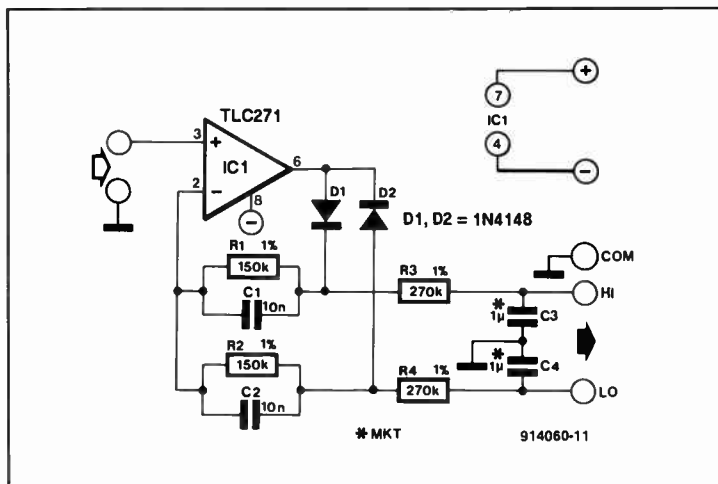
## PRECISION RECTIFIER FOR DIGITAL VOLTMETERS

**T**HIS SIMPLE circuit, based on a single opamp in non-inverting mode, is a precision rectifier extension for digital voltmeters. The circuit can be connected to a high-impedance voltage divider without the need of an additional buffer stage that increases the cost and, more importantly, the power consumption. Another advantage of this circuit is that the accuracy is not affected by the offset voltage of the opamp. The output of the rectifier is differential to allow ready connection to the IN-LO and IN-HI inputs of DVM ICs like the familiar 7106 and similar types.

Circuit  $IC_1$  is a LinCMOS operational amplifier operating in the high-bias mode. The TLC271 used here achieves a good high frequency response at a low cur-

rent consumption of about 1 mA. For all practical purposes, the gain of the opamp is  $2R_1/R_2$ , where  $R_1=R_3$  and  $R_2=R_4$ . With the values shown, the gain is nearly equal to 1.1107, which is the r.m.s. (root-mean-square) shape factor for sinusoidal waveforms. Capacitors  $C_1$  and  $C_2$  are optional. They improve the response and stability of the rectifier at high frequencies.

Any d.c. component at the input, as well as the off-set voltage of  $IC_1$ , appears as a common-mode voltage across  $C_3$  and  $C_4$ , and is therefore rejected. The low-frequency response of the rectifier is determined by the time constant  $R_2C_3$  (or  $R_4C_4$ ). With the component values shown, the 1%-accuracy bandwidth extends from 25 Hz to about 20 kHz.



The circuit is powered by the 9-V battery used for the DVM module. The ground of the rectifier is connected to the COM terminal of the module, which

is at a potential of about 2.8 V below the positive supply. The DVM should be set to a full-scale input voltage of 200 mV. (R. Shankar 914060)

## PULSE GENERATOR WITH ONE 4066

**T**HE DIAGRAM shows how the inexpensive and widely available 4066 quad bilateral analogue switch can be used to build a pulse generator with adjustable 'high' and 'low' times of the output waveform.

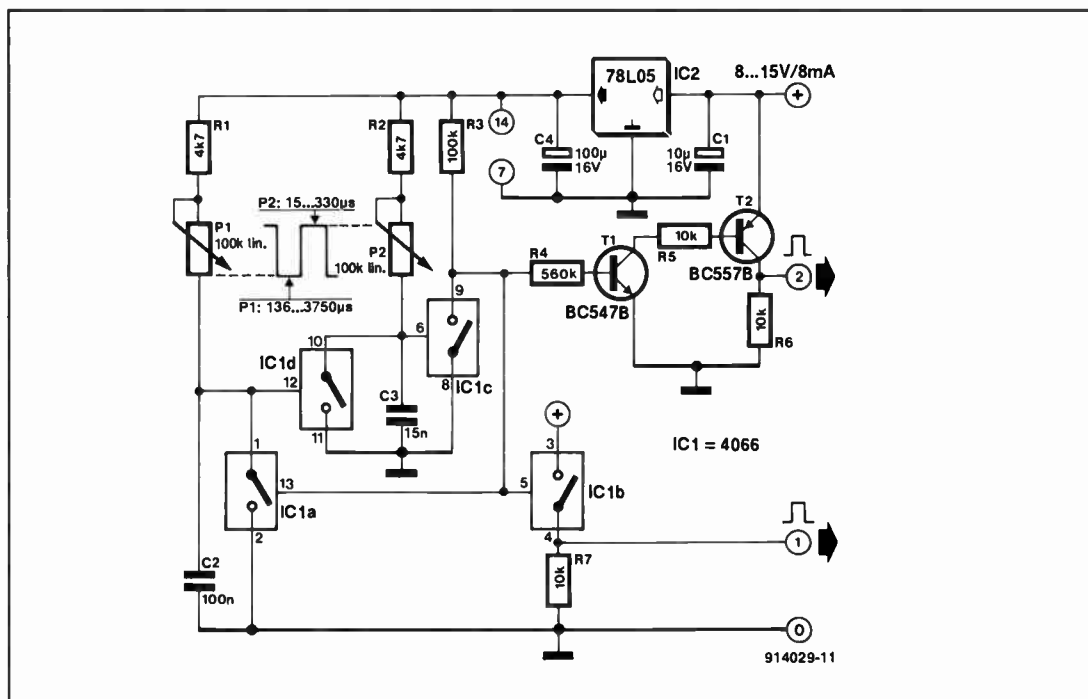
Assuming that switch  $IC_{1a}$  is open, the control input of  $IC_{1b}$  is logic high, and this switch is therefore closed. This results in low levels at the control inputs of  $IC_{1c}$  and  $IC_{1d}$ . Capacitor  $C_2$  is allowed to charge via preset  $P_1$ , and  $C_3$  via preset  $P_2$ . When the voltage across  $C_2$  reaches a certain level,  $IC_{1a}$  is closed so that the control input of  $IC_{1b}$  is pulled low. The outputs of the circuit, OUT1 and OUT2, are then logic high. OUT1 has a swing of 5 V, and OUT2 a swing virtually equal to the supply voltage (max. 15 V). Meanwhile, switch  $IC_{1c}$  is closed, so that  $C_2$  is discharged. Switch  $IC_{1a}$  is opened, and  $C_3$  is charged via  $P_2$ . When the voltage across  $C_3$  has reached a certain level,  $IC_{1b}$

is closed, and the outputs of the circuit change to logic low.

The 'low' and 'high' times of

the output waveform are adjusted with  $P_1$  and  $P_2$  respectively. With the given compo-

nent values, the 'low' time can be set between 136  $\mu$ s and 3.75 ms, and the 'high' time between 15  $\mu$ s



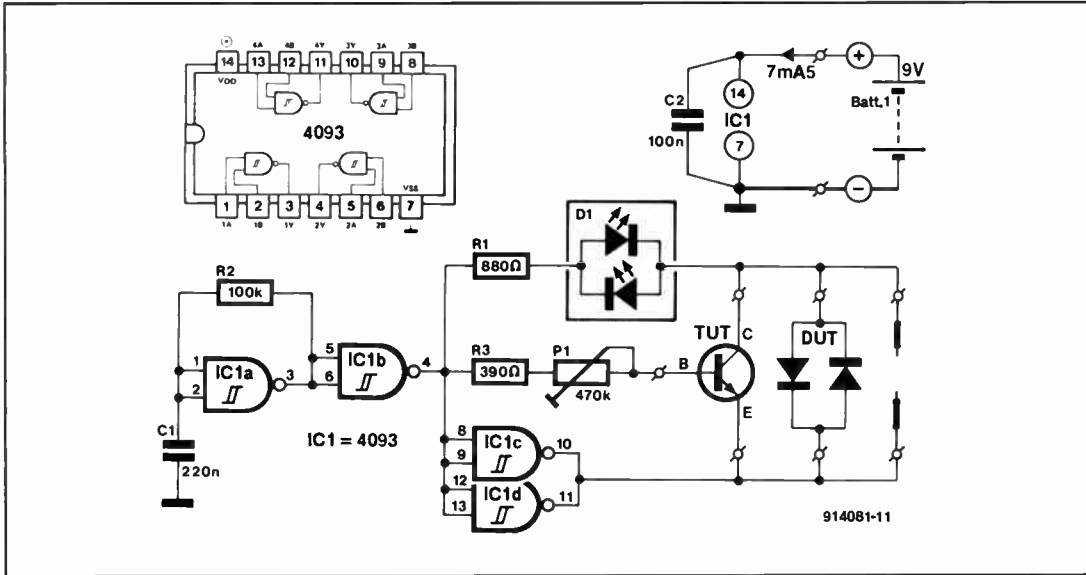
and 330  $\mu$ s. Other on and off times can be created by changing  $C_2$  and  $C_3$ .

The circuit draws a current of about 8 mA at a supply voltage of 10 V. Note that OUT1

produces a less than perfect waveform, and has a low fan-out. The other output, OUT2, is

buffered and should be used for most applications.  
(P. Sicherman 914029)

## SEMICONDUCTOR TESTER



**T**HE TESTER in the diagram can be used to test virtually any kind of semiconductor device, ranging from switching diodes to power transistors. In addition, it provides a rough gain indication of bipolar transistors, and, more generally, can be a useful aid in finding functional, short-circuited and in-

ternally open devices in semiconductor batches.

The tester is based on a single CMOS IC and a bi-colour LED as a visual indication. Gate IC<sub>1a</sub> forms an R-C oscillator. The oscillator signal is buffered and made available in true and inverted form by the three remaining gates in the IC.

The bi-colour (red/green) LED indicates the direction of the current that is allowed to pass through the test probes or the device under test. Resistor R<sub>1</sub> functions as a current limiter.

The signals at the input and the output of gate IC<sub>1c</sub> are applied to a pair of test probes, a two-terminal test socket for

diodes, and a three-terminal transistor socket. The base current for the transistor under test (TUT) can be set with preset P<sub>1</sub>. The preset may be calibrated with the aid of known, functional transistors to give an approximate gain scale.

Only one LED lights when a semiconductor is functional. The LED colour then indicates the polarity (n-p-n or p-n-p, or cathode/anode). When the component is internally open, no LED lights. A semiconductor with an internal short-circuit is easily recognized by the green and red LEDs lighting simultaneously at about equal intensity. Transistors must be connected with the base, collector and emitter pins to the indicated socket terminals, so check the pinout before running the test!

The circuit may also be used as a simple continuity tester. It draws a current of about 300  $\mu$ A without a DUT or TUT connected, and about 7.5 mA with the probes short-circuited.

(Amrit Bir Tirwana 914081)

## VIDEO ENHANCEMENT FOR ACORN ARCHIMEDES

**T**HE ACORN Archimedes, well-known for its speed and good graphics facilities, has a

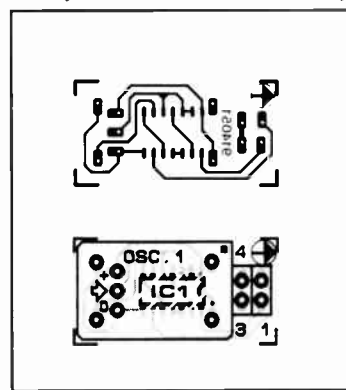
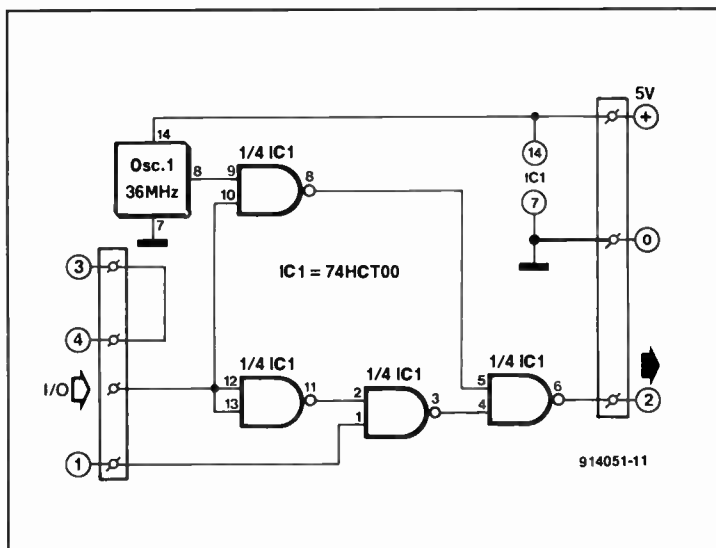
video interface that allows programmers to design a variety of screen modes with the aid

of a programmable controller. As so often, this versatility has a drawback: since the controller uses a fixed clock of 24 MHz, the frame frequency decreases the more pixels are used in the screen image. As a result, high-resolution screen modes have a tendency to cause flicker. Fortunately,

this drawback may be eliminated or nearly so by increasing the clock to 36 MHz: this has already been incorporated in the new A540 computers.

All that is necessary to increase the clock is an integrated crystal oscillator and a Type 7400 IC. To ensure that the circuit in the diagram is at all times compatible with the existing software, it may be arranged to be switched on (by software) only when the screen mode requires a higher clock.

The design allows the circuit to be fitted simply to the existing connectors in the computer. The TTL oscillator and two small connectors are fitted at one side of the board (not available ready-made), while the other side houses a surface-



mount version of the 74HCT00.

The board itself is fitted to the four pins of PL<sub>3</sub> in A300 computers or PL<sub>4</sub> in A400 computers.

The connection with the I/O line that arranges the switching between the two clock frequencies is made with a short length of circuit wire soldered

to pin 3 of PL<sub>10</sub> on the mother board.

The supply for the board is obtained by soldering two short lengths of circuit wire to the

supply lines on the back plane (the card with the extension connectors).

(H. Stenhouse 914051)

## VOLTAGE-CONTROLLED CURRENT SOURCE

**T**HE SOURCE, based on a Type TL084 quadruple opamp, is intended to convert an input signal of 0–5 V into a current of 0–20 mA. This type of circuit is used, for instance, to transfer measurands (quantities being measured) over long leads. Since the resistance of the leads is part of the current loop, it is of no consequence and can not affect the measurement.

Opamp IC<sub>1a</sub> is a straightforward input amplifier. Opamp IC<sub>1b</sub> adjusts the direct voltage component of the amplified input signal: the operating point may be shifted with P<sub>2</sub>. It is, for example, possible to arrange an output current of 4 mA for an input voltage of 0 V. The output current range is then 4–20 mA.

Opamp IC<sub>1c</sub> and T<sub>1</sub> convert the output of IC<sub>1b</sub> to a signal of

15 V. This makes it possible for IC<sub>1d</sub> and T<sub>2</sub> to function as a voltage-to-current converter. The output current flows to earth via load resistance R<sub>L</sub>.

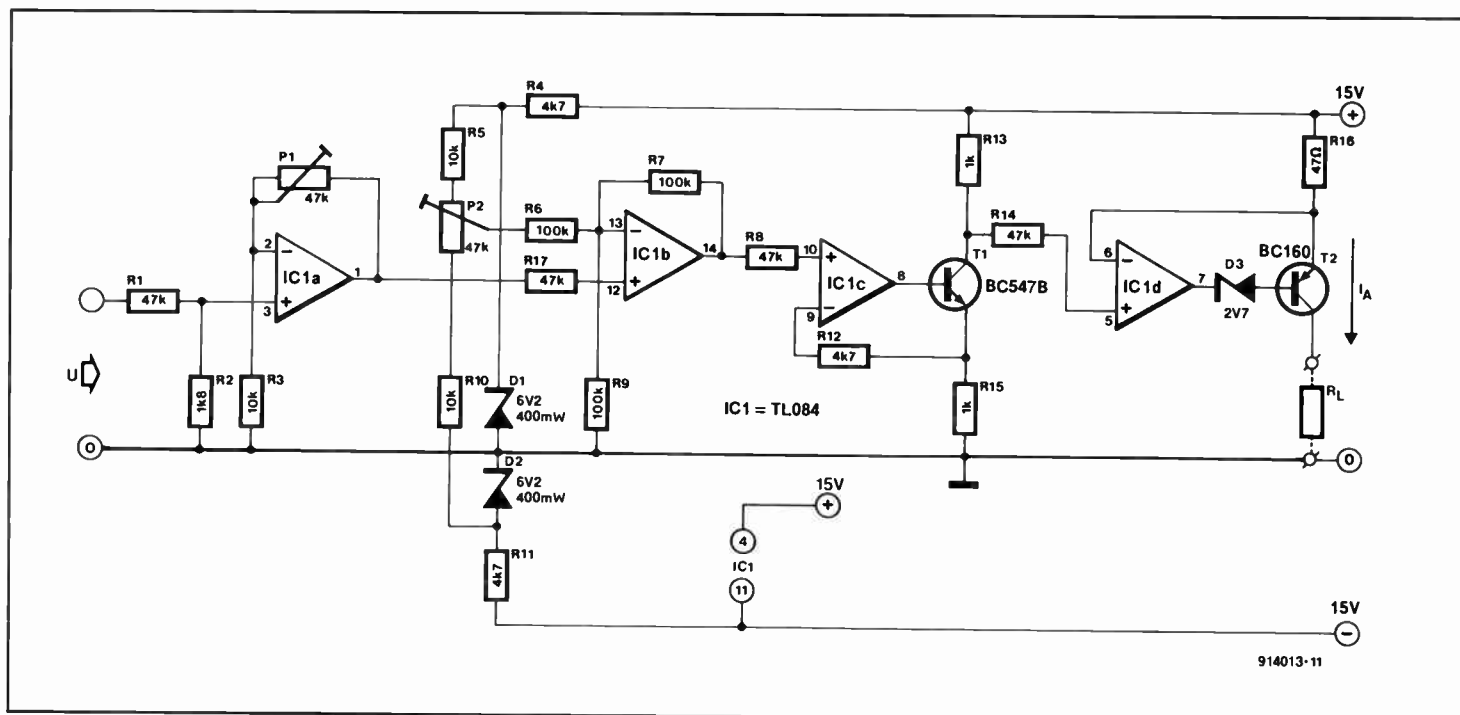
Varying the values of R<sub>2</sub> and P<sub>1</sub> allows the amplification to be altered as required.

The circuit may also be used as a temperature-to-current converter by making the potential divider at the input consist of

a fixed resistance and one with a negative temperature coefficient.

When the requirements are exacting, the two zener diodes should be temperature compensated.

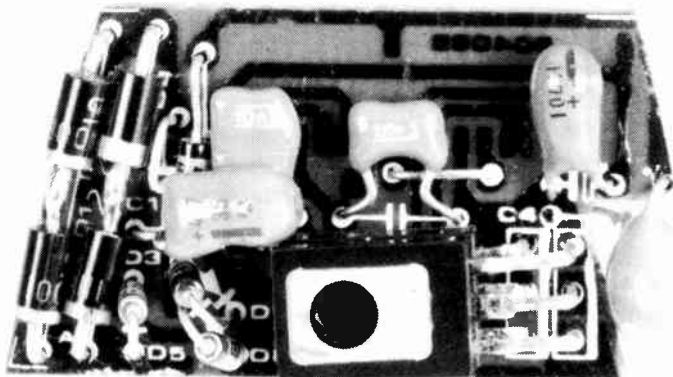
(Dr Elrich Kunz 914013)

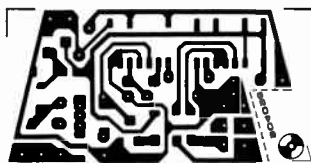
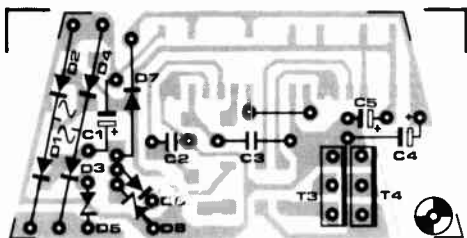
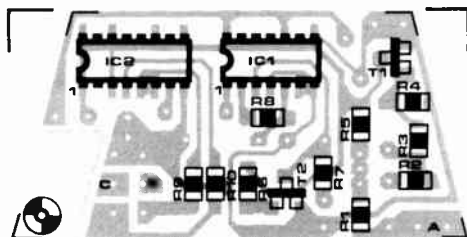
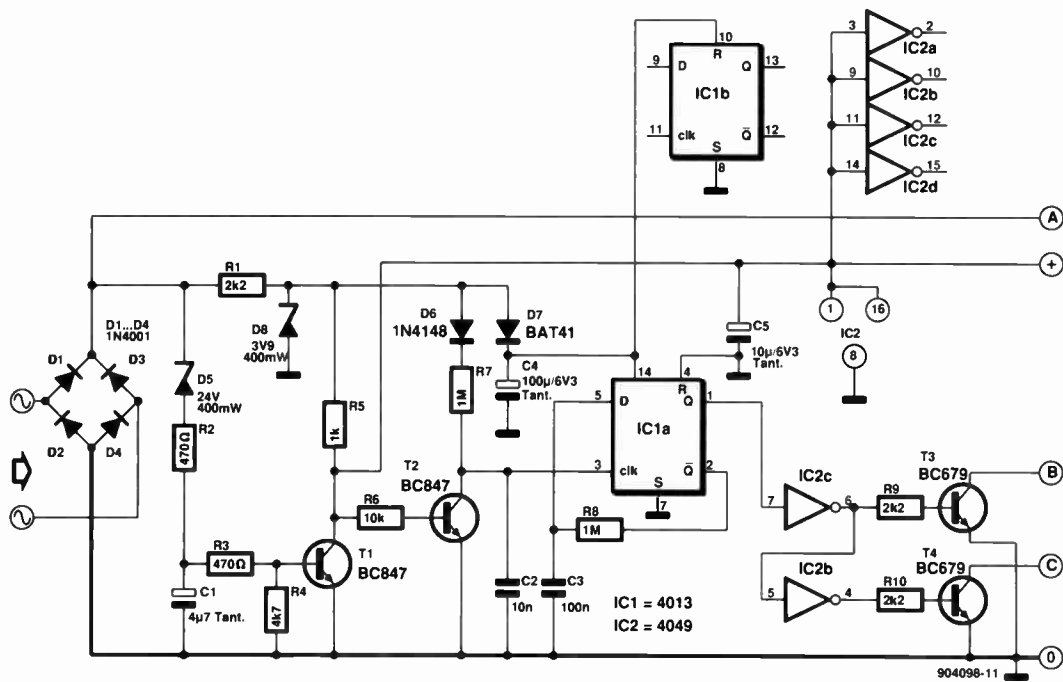


## ELECTRONIC REVERSING CIRCUIT FOR MODEL TRAINS

**M**ANY model train enthusiasts find the mechanical reversing system for trains in the H0 series from Märklin and other manufacturers primitive and unreliable. The system is based on a.c. motors and a mechanical reversing assembly operated by a small electromagnet. The motor speed is determined by the track voltage, which can lie between 4 V and about 16 V. When the knob on the

speed controller is turned fully anti-clockwise, the a.c. voltage on the track is briefly increased to 24 V. Ideally, this causes the electromagnet in the loco to be actuated and overcome the counterforce of a small spring. In practice, this way of changing the direction of a model train is fraught with difficulties as the tension of the spring is a very critical factor. In not a few cases, the voltage pulse fails to actu-





## PARTS LIST

### Resistors (all SMA):

R1, R9, R10 = 2.2 k $\Omega$   
 R2, R3 = 470  $\Omega$   
 R4 = 4.7 k $\Omega$   
 R5 = 1 k $\Omega$   
 R6 = 10 k $\Omega$   
 R7, R8 = 1 M $\Omega$

### Capacitors:

C1 = 4.7  $\mu$ F, 16 V  
 C2 = 10 nF, tantalum  
 C3 = 100 nF, ceramic  
 C4 = 100  $\mu$ F, 6.3 V, tantalum

### Semiconductors:

IC1 = 4013 (SMA)  
 IC2 = 4049 (SMA)  
 T1, T2 = BC846B (SMA)  
 T3, T4 = BD679  
 D1-D4 = 1N4001  
 D5 = zener, 24 V, 400 mW  
 D6 = 1N4148  
 D7 = BAT41  
 D8 = zener, 3.9 V, 400 mW

### Miscellaneous:

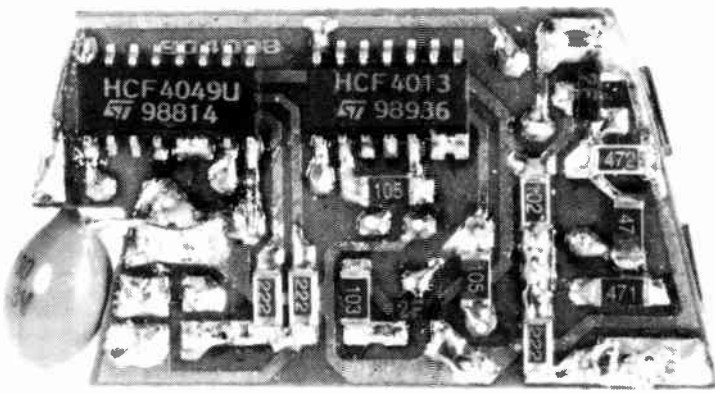
PCB 904098  
 (for 5 reversing circuits)

ate the reversing mechanism, and instead cause the loco to hurl itself at a turnout where it is derailed. When the spring is too loose, it may happen that a loco, running at full speed, reverses suddenly with 'disastrous' results.

Some ten years ago Märklin recognized the disadvantages of the voltage-operated reversing system, and came up with an electronic alternative in the form of a zener diode and two transistors. Unfortunately, this upgrade proved expensive and difficult to fit in existing locos, which many modellers would be loathe to give up.

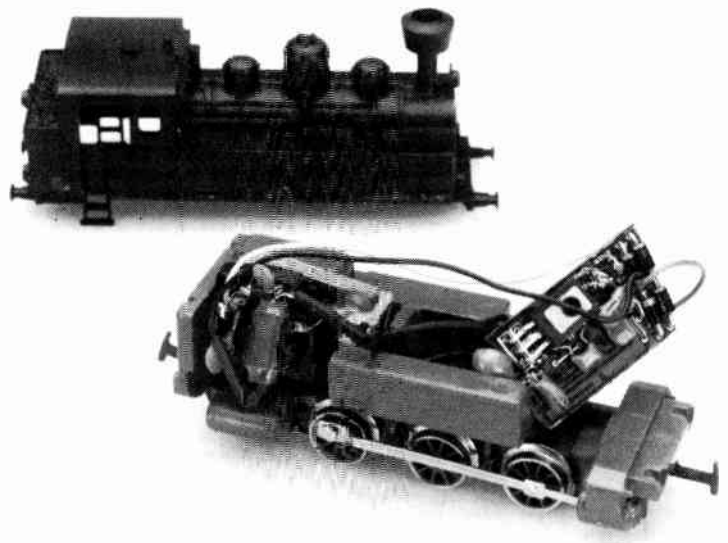
In all-electronic reversing systems developed a few years ago, the direction of the loco is 'stored' in a small button cell. This is necessary to prevent the information being lost as there is no supply voltage when the loco stands still. The present circuit uses a 100  $\mu$ F tantalum capacitor to keep the control circuit powered for up to 8 hours. The capacitor, in the author's opinion, is more elegant and environmentally safer than the battery. The circuit described below is based partly on SMA (surface-mount assembly) components, and is designed to be as economical as possible as regards power consumption.

When the circuit is not actuated, transistors T<sub>1</sub> and T<sub>2</sub> are off, and the inputs of IC<sub>1</sub>, a bistable Type 4013, are effectively not connected. The last direction of the loco is stored in the bistable. When the loco runs, D<sub>5</sub> blocks and keeps T<sub>1</sub> off. The 4049 (IC<sub>2</sub>) is supplied with about 3.5 V via R<sub>5</sub>, so that the motor driver



transistors,  $T_3$  and  $T_4$ , can be controlled. Transistor  $T_2$  conducts and supplies  $IC_{1a}$  with a clock pulse. When the track voltage rises to 24 V,  $T_1$  is turned on and removes the supply voltage from  $IC_2$ .  $T_2$  is switched off and supplies the bistable with another clock pulse via  $D_6$  and  $R_7$ . The active transistor,  $T_3$  or

$T_4$ , is changed, and the motor changes direction in a reliable manner. Since the loco motor is powered with d.c. after installing the circuit, you may avail yourself of the opportunity to isolate the loco lights from the chassis and fit diodes to couple the lighting to the direction control.



The construction of the circuit is illustrated in the photographs. The dimensions of the circuit board are such that it can take the place of the relay, which is carefully removed from the loco. No part of the circuit may touch the metal chassis. The points marked 'B' and 'C' on the PCB are connected to the

field terminals of the motor, and point 'A' to the terminal previously connected to the slide contact. The slide contact and the loco chassis are connected to the bridge rectifier inputs. Finally, note that the printed-circuit board allows you to build five reversing circuits.

(C. Wolff 904098)

## ANGLED BUS EXTENSION FOR PCS

**T**HIS 8-bit bus extension card for IBM PCs and compatibles allows you to connect and test insertion cards without having to open the computer. The printed-circuit board shown here is angled, and has a 62-way slot connector to accept external boards.

The pins of the bus connector are soldered straight to the copper tracks at the edge of the board.

Since the tracks on the extension card pass through the metal frame at the rear of the PC, it is recommended to insulate them locally with PVC tape. Also, for mechanical stability

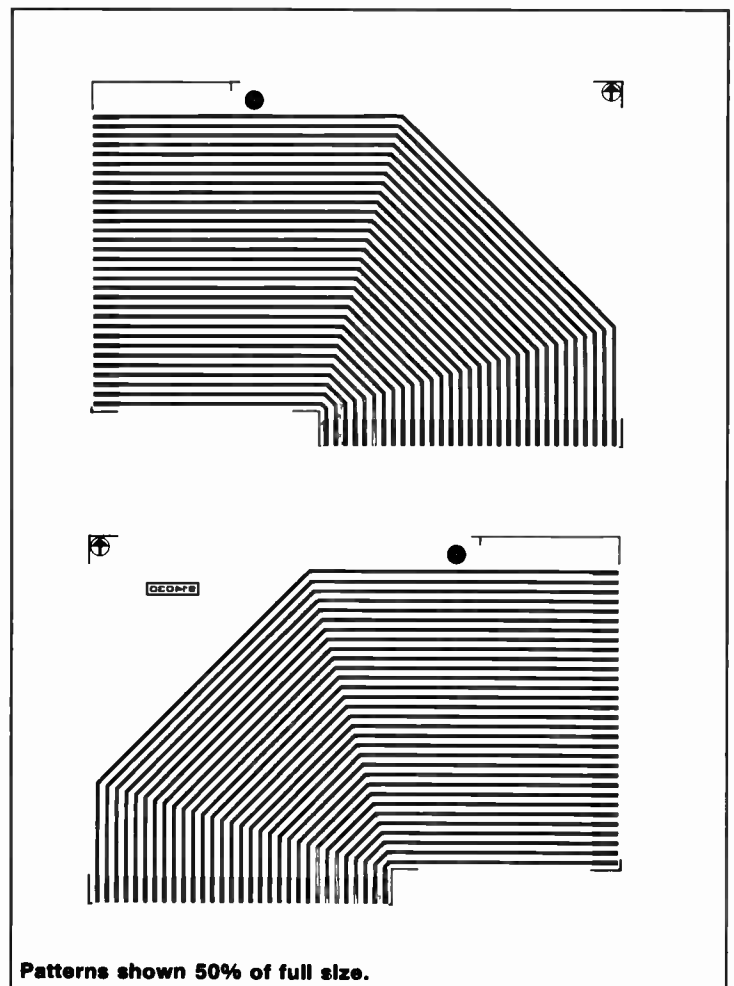
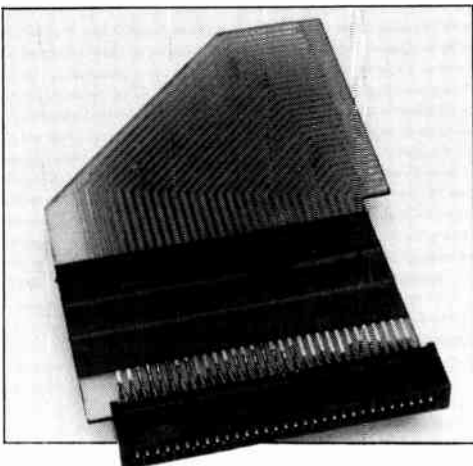
### PARTS LIST

K1 = 62-way IBM bus slot connector  
PCB 914030

the extension card must be secured to the frame with the aid of a support bracket.

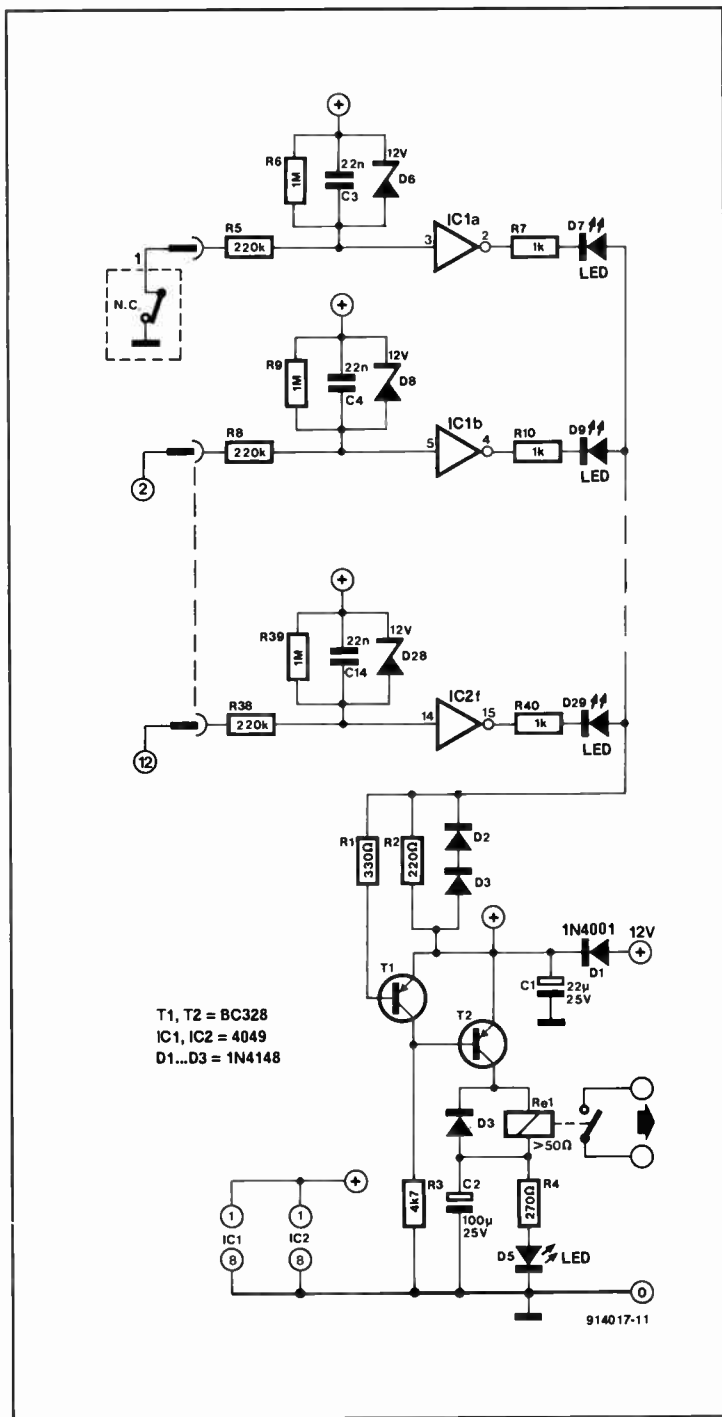
Finally, take care to fit insertion cards the right way around in the slot connector of the extension card. If necessary, put the PC on a couple of books to create room at the underside.

(A. Rigby 914030)



Patterns shown 50% of full size.

# FAULT SIGNALLING CIRCUIT



THE present circuit was developed to make it possible for different sensors to be added to an existing alarm installation. These sensors may be gas or smoke detectors, doorswitches, infra-red detectors, and others.

In quiescent operation, the level at all inputs must be zero. When the relevant sensor is actuated, pin 3 of IC<sub>1a</sub> is made high via R<sub>5</sub>. Since this opamp inverts, its output, and thus the cathode of D<sub>9</sub>, is at 0 V. Since the anode of D<sub>9</sub> is at +12 V, the diode lights to indicate an alarm condition.

Across both D<sub>2</sub> and D<sub>3</sub> a potential drop of about 1.2 V then occurs and this results in T<sub>1</sub> being switched on and T<sub>2</sub> being switched off. Relay Re<sub>1</sub> is then deenergized and opens the contact via which the alarm installation is controlled. Since that contact is closed in quiescent operation, a supply failure is also signalled.

When the cause of the alarm has been removed and the installation has been reset, all inputs return to zero volts, T<sub>1</sub> is switched off, T<sub>2</sub> is switched on, and the relay is re-energized. This condition is indicated by the lighting of D<sub>5</sub>. Since D<sub>5</sub> and R<sub>4</sub> are in series with the relay coil, the load on the relay is then slightly less, so that the relay draws a smaller current. Capacitor C<sub>2</sub> ensures that at switch-on R<sub>4</sub> and D<sub>5</sub> are short-circuited, guaranteeing that the relay is energized.

Where the current must be kept low, the standard LEDs may be replaced by low-current types. The value of the relevant bias resistors (R<sub>7</sub>, R<sub>10</sub>, R<sub>40</sub>)

must then be increased to 8.2 kΩ.

Networks C<sub>3</sub>-R<sub>5</sub>, C<sub>4</sub>-R<sub>8</sub>, and C<sub>14</sub>-R<sub>38</sub>, form low-pass filters that prevent noise voltages actuating the alarm. That is important, because the cables between sensors and inputs may be very long.

The circuit is protected against voltage peaks by zener diodes D<sub>6</sub>, D<sub>8</sub> and D<sub>28</sub>. This makes it possible for the control voltage to be higher than 12 V, although regulations prohibit the use of voltages above 42 V.

Diode D<sub>1</sub> protects the circuit against polarity reversal.

Capacitor C<sub>1</sub> decouples the supply voltage.

The current drawn, dependent on the relay, is about 200 mA.

Type 4050 ICs may be used in the IC<sub>1</sub> and IC<sub>2</sub> positions, but it should be noted that these are non-inverting devices, so that part of the circuit action is then reversed.

(M. Haas 914017)

# DIGITAL LED VOLTMETER

IN THIS somewhat unusual digital voltmeter, the measurand (voltage to be measured) is digitized in an analogue-to-digital (A-D) converter and then displayed in three decimal digits. The display is not the usual seven-segment type, but consists of three groups of ten LEDs. Although this type of display is a little unusual, the measured

value can be read without problem after only a short familiarization period: even voltage changes can be readily interpreted. Note that the meter can only be used for measuring direct voltages.

The A-D converter is based on a CA3162, which can process direct voltage up to 999 mV (1 V full-scale deflection—f.s.d.).

The f.s.d. is extended to 10 V with the aid of potential divider R<sub>1</sub>-R<sub>2</sub>-R<sub>3</sub>. Other ranges are possible by altering the values of the resistors.

The measured value is read from three bars of LEDs: the first one of these, D<sub>1</sub>-D<sub>10</sub>, shows units; the second, D<sub>11</sub>-D<sub>20</sub> tens; and the third, D<sub>21</sub>-D<sub>30</sub>, hundreds.

The circuit is nulled with P<sub>1</sub>

when the input is open circuit. Zero here means that diodes D<sub>1</sub>, D<sub>11</sub>, and D<sub>21</sub>, light. Diodes D<sub>10</sub>, D<sub>20</sub>, and D<sub>30</sub>, represent the figure 9.

Next, a known voltage is applied to the input and P<sub>2</sub> adjusted till the LEDs read the correct value.

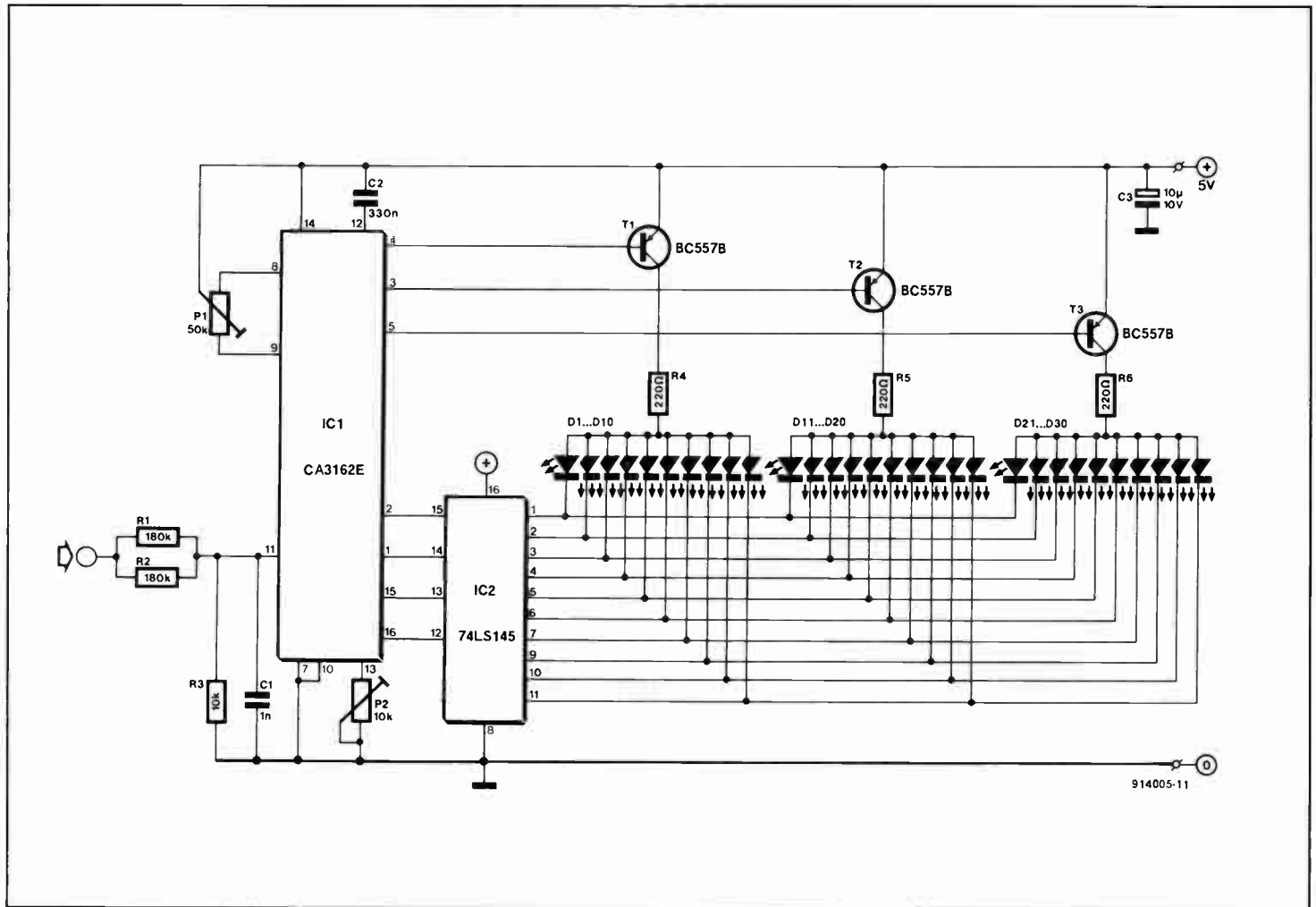
Some people may find it helpful to use a different colour for

each of the three groups of LEDs. When the input voltage is too high, the display goes out. When the input is negative, the

'unit LEDs' do not light. Note that variations in the supply voltage affect the measurement adversely; it is, there-

fore, advisable to use a regulated source, for instance, a 9-V PP3 battery and a Type 7805 regulator. Since only three LEDs can

light at any one time, the current drawn by the circuit does not exceed about 30 mA. (A. Matthiesen 914005)



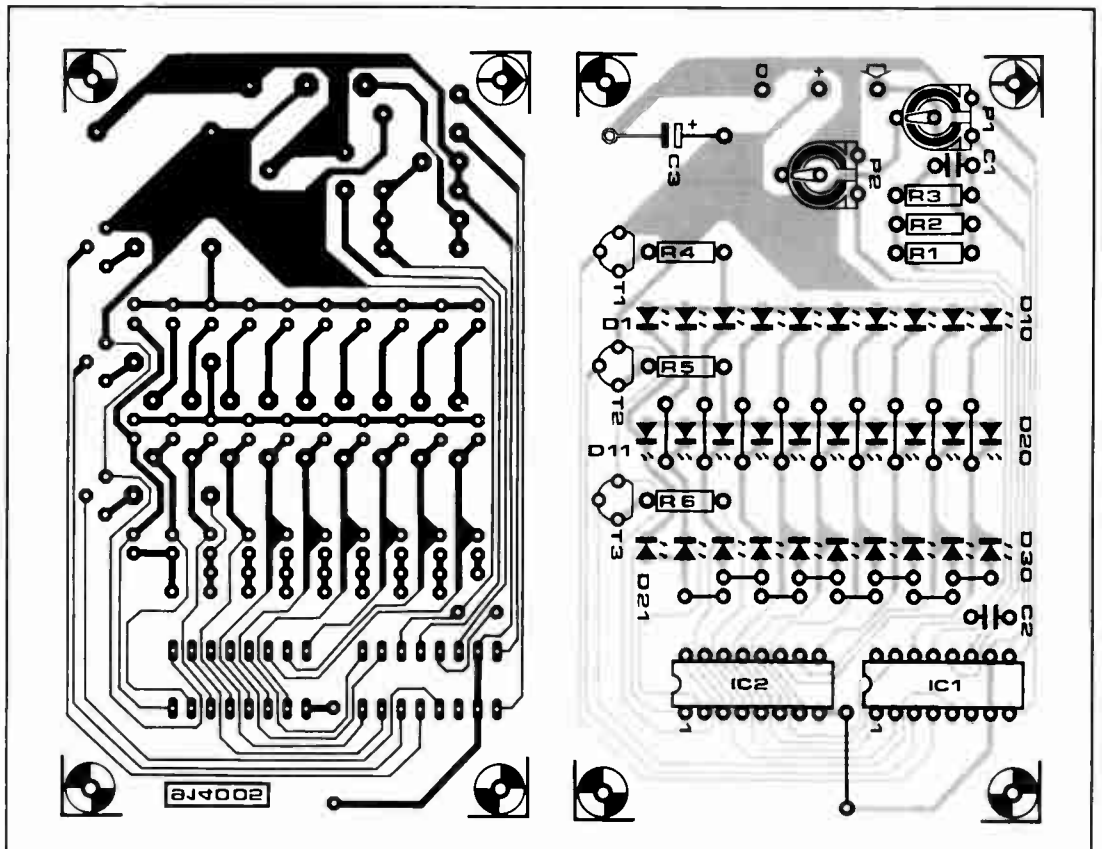
### PARTS LIST

**Resistors:**  
 R1, R2 = 180 kΩ  
 R3 = 10 kΩ  
 R4, R5, R6 = 220 Ω  
 P1 = 50 kΩ preset  
 P2 = 10 kΩ preset

**Capacitors:**  
 C1 = 1 nF  
 C2 = 330 nF  
 C3 = 10 μF, 10 V

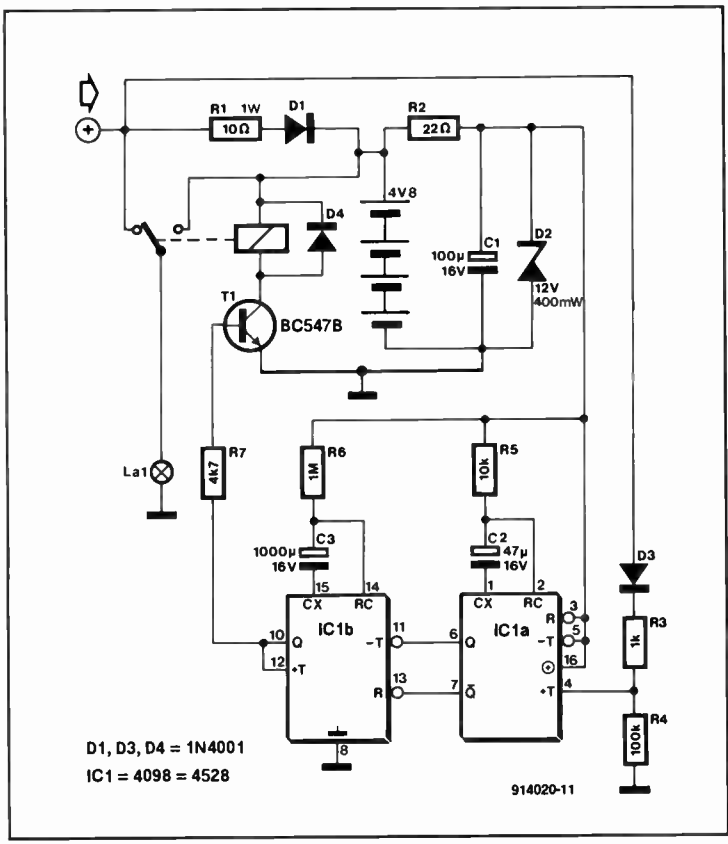
**Semiconductors:**  
 IC1 = CA3162E  
 IC2 = 74LS145  
 D1-D10 = LED, red  
 D11-D20 = LED, yellow  
 D21-D30 = LED, green

**Miscellaneous:**  
 Enclosure 70×125×48 mm





# AUTOMATIC CYCLE LIGHTS



**T**O PREVENT the dynamo-driven lights of your bicycle going out when you stop in the dark for, say, traffic lights, the simple circuit here may offer help.

The circuit uses four NiCd batteries with a capacity of between 0.25 Ah and 1.25 Ah, which are constantly charged when the dynamo is driven via R<sub>1</sub> and D<sub>1</sub>. Since the battery voltage is rather less than the dynamo output, the lights are dimmed to a small extent when the cycle is stopped, but in practice that is hardly noticeable.

Monostable IC<sub>1a</sub>, which has a mono time of 1 s (R<sub>5</sub>-C<sub>2</sub>), is used to detect whether the dynamo generates a voltage with the aid of D<sub>3</sub>, R<sub>3</sub> and R<sub>4</sub>. As long as there is a voltage, the monostable holds IC<sub>1b</sub>, also a monostable, in the reset state. The relay is not energized and the lights are powered

by the dynamo. When the dynamo voltage drops, IC<sub>1a</sub> is no longer triggered so that its outputs change level. This causes the reset state of IC<sub>1b</sub> to be removed, whereupon its T input is actuated and remains so for two minutes, during which time the relay is energized and the cycle lights are powered by the batteries.

Strictly speaking, IC<sub>1b</sub> is not essential, but it does ensure that the lights are switched and that the battery can not be discharged completely.

The relay should be a type that operates faultlessly when its supply voltage reaches 4.8 V.

It is advisable to build the circuit in a watertight, or at least waterproof, enclosure.

(U. Kunz 914020)

# BOUNCE-FREE SWITCH

**S**WITCHES with change-over contacts with traditional debouncing circuits are not always usable or economical. Keyboard switches, for instance, seldom have change-over contacts. Furthermore, change-over switches have one extra connection, which can not always

be accommodated in the construction.

The small circuit here operates with one make contact or one break contact. Which one does not matter in practice, because the Q or  $\bar{Q}$  output may be chosen to invert the switch action.

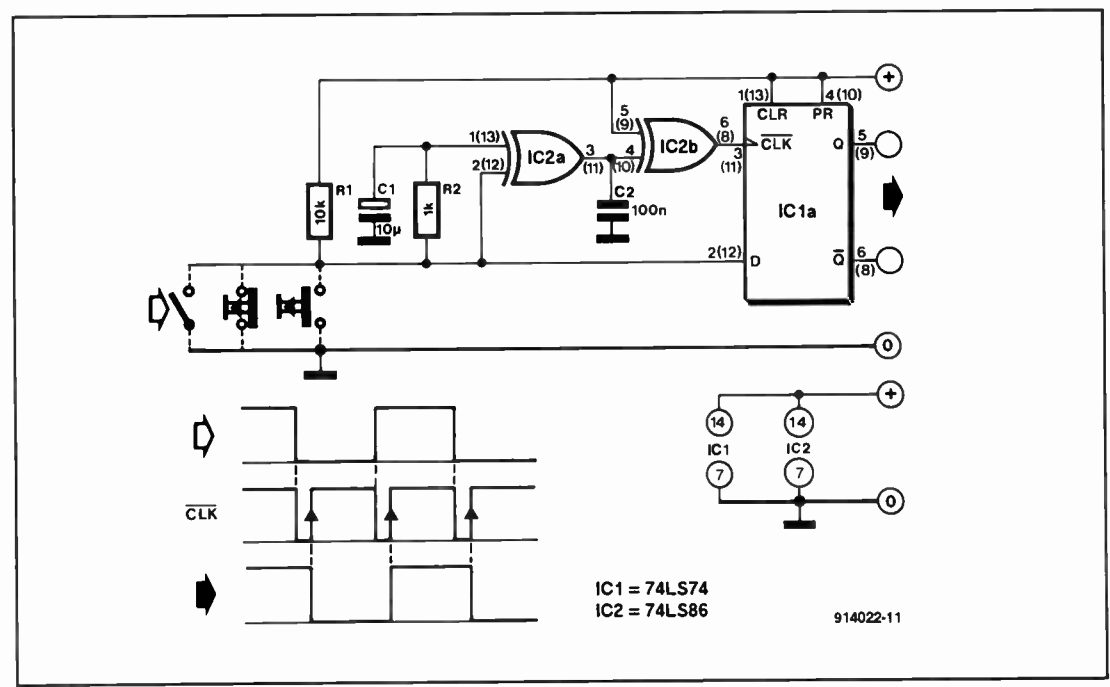
The logic level at the input of the circuit is determined by pull-up resistor R<sub>1</sub> and the position of S<sub>1</sub>. The input signal goes straight to the data input of bistable (US: flip-flop) IC<sub>1a</sub>, where it is clocked as soon as the contact bounce has disappeared (after 0.5-10 ms).

The clock is generated by IC<sub>2a</sub>, an XOR gate. Every time its input level alters, this gate generates a pulse, whose width is determined by R<sub>2</sub> and C<sub>1</sub>. That pulse is, however, not devoid of contact bounce, which is, therefore, filtered out by C<sub>2</sub> and the output resistance of IC<sub>2a</sub>. The potential across C<sub>2</sub> is smoothed and inverted by IC<sub>2b</sub> before the pulse is applied to the clock input of the bistable. The result of all this is that the output signal is clean, albeit delayed by a few milliseconds.

Since the bounce filter uses the output resistance of IC<sub>2a</sub>, this circuit can not be replaced by just any other type. When replacing is unavoidable, the value of C<sub>2</sub> must be adapted to the new circumstances, or a resistor connected in series with the output of IC<sub>2a</sub>.

The current drain of the circuit is 3 mA.

(S. Jeukendrup 914022).



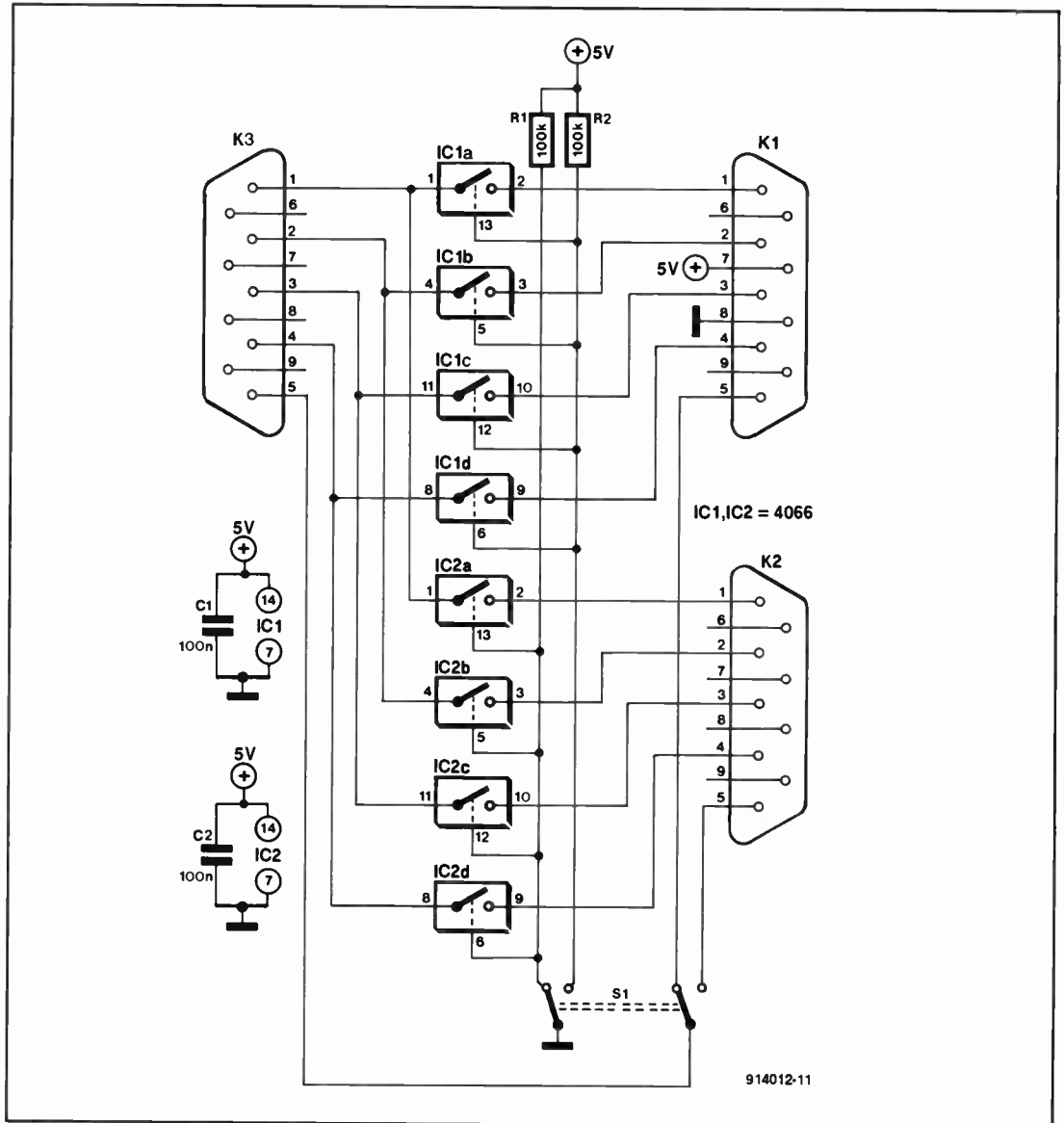
# CHANGE-OVER SWITCH FOR C64 CONTROL PORT

MANY PEOPLE still use the old C64 computer to play games on, but get frequently annoyed by the constant need of changing over the joystick connectors. This is because normally only one joystick is available, while some games are controlled via port 1 and others via port 2.

The cause of the annoyance may be removed by the circuit shown here, which uses eight analogue switches packaged in two Type 4066 ICs. Switch S<sub>1</sub> enables pins JOY0-JOY3 to be connected to either port 1 or port 2.

The +5 V supply is derived from the C64.

(A. Rigby 914012)



# WIEN BRIDGE WITH ASYMMETRICAL POWER SUPPLY

NORMALLY, a Wien bridge oscillator contains two identical capacitors and two identical (variable) resistors. That being the case, the transfer factor of the bridge in Fig. 1 is 1:3. For example, when a potential of 1 V is applied to the non-inverting input of the opamp, the output voltage of the amplifier will be 3 V.

In many cases, a smaller transfer factor is required. With reference to Fig. 2,

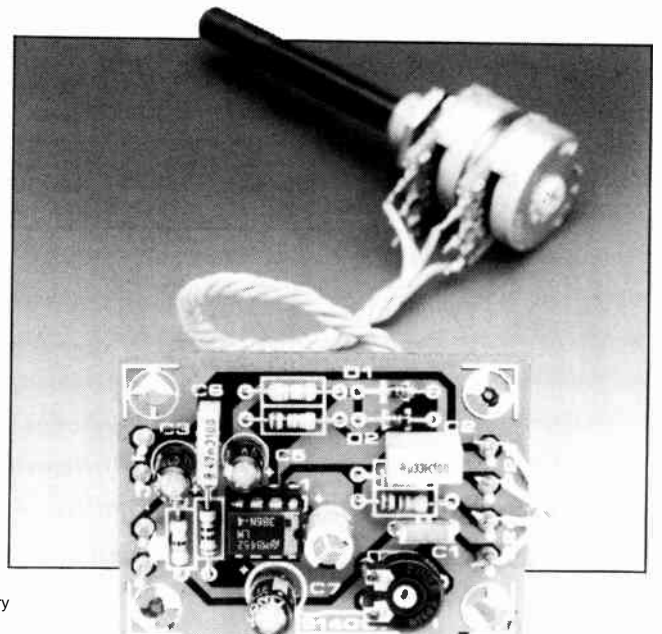
$$U_p/U_o = 1/(1+R_1/R_2+C_2/C_1)$$

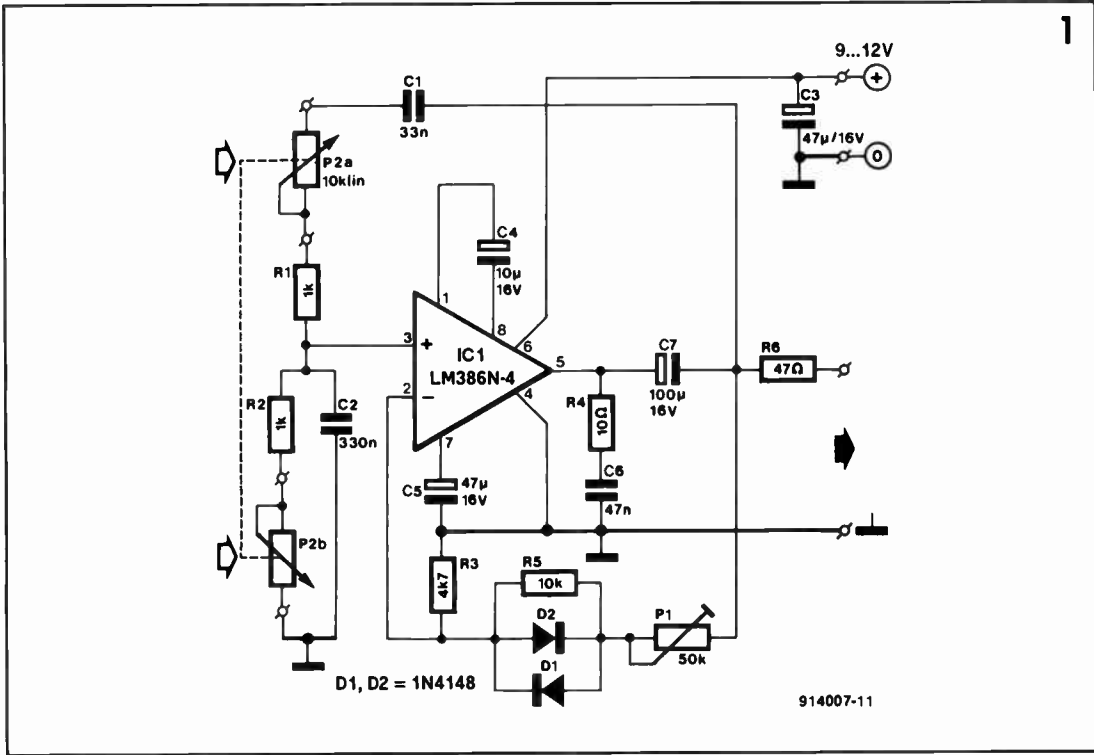
from which it follows that the factor becomes smaller if the

value of R<sub>1</sub> or C<sub>2</sub> is increased.

The frequency is altered when the value of both capacitors or of both resistors is changed. That makes it possible to vary the frequency by using a dual-gang potentiometer in place of the two resistors. Since the two resistances are then always identical, the ratio U<sub>p</sub>/U<sub>o</sub> will be 1:12 when C<sub>2</sub>=10C<sub>1</sub>. To ensure sufficient positive feedback for the oscillator to start, the amplification of the opamp must be >12. With values as shown in Fig. 1, the amplification is

$$A=1+(R_5+P_1)/R_3=13.8.$$





Stability of the output voltage is ensured in the traditional manner by two anti-parallel connected diodes in the feedback loop. Preset P<sub>1</sub> is adjusted so that the sinusoidal output voltage is just not clipped by the supply voltage.

The frequency of the output signal may be set between 150 Hz and 1500 Hz with P<sub>2</sub>; higher frequencies may be obtained by altering the values of C<sub>1</sub> and C<sub>2</sub>.

The supply voltage, which must be regulated, may lie between 9 V and 12 V. When the oscillator is not loaded, it draws a current of about 6 mA.

(J. Ruffell 914007)

### PARTS LIST

**Resistors:**

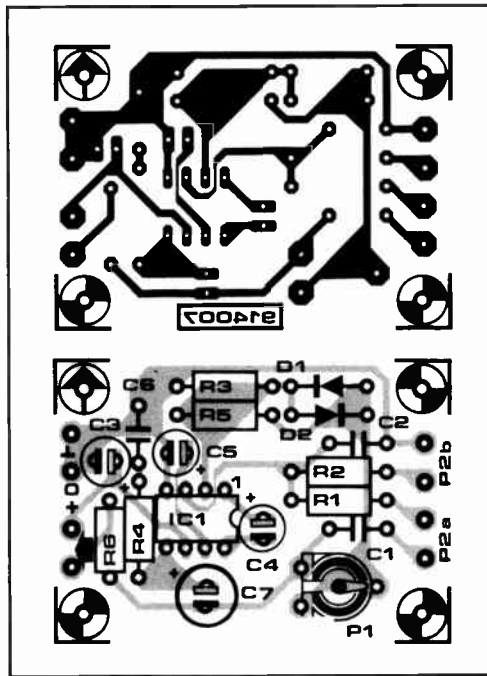
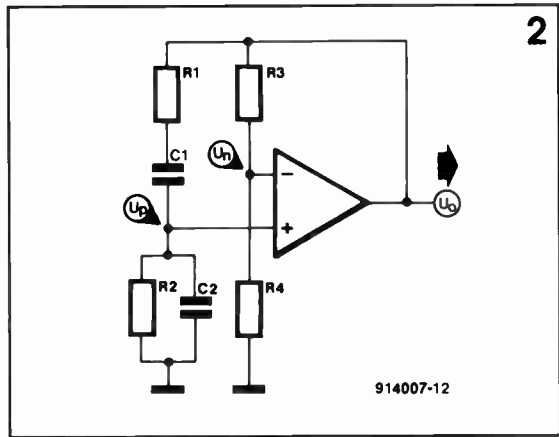
- R1, R2 = 1 kΩ
- R3 = 4.7 kΩ
- R4 = 10 Ω
- R5 = 10 kΩ
- R6 = 47 Ω
- P1 = 47 kΩ preset
- P2 = 10 kΩ, dual-gang linear preset

**Capacitors:**

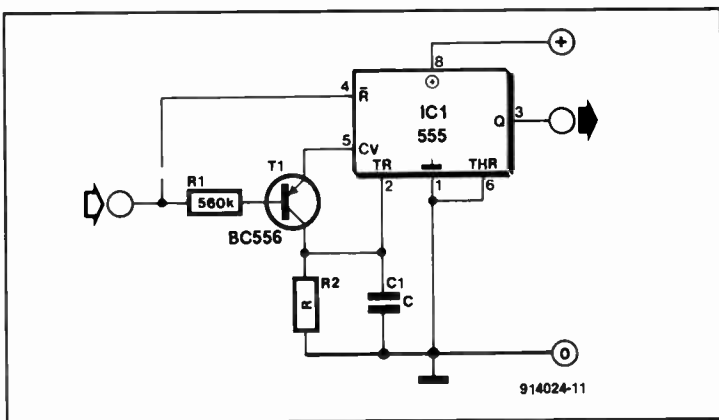
- C1 = 33 nF
- C2 = 330 nF
- C3, C5 = 47 µF, 16 V, radial
- C4 = 10 µF, 16 V, radial
- C6 = 47 nF
- C7 = 100 µF, 16 V, radial

**Semiconductors:**

- D1, D2 = 1N4148
- IC1 = LM386N-4



## TIME DELAY WITH ONE 555



MANY electronic circuits frequently require the brief delay of a pulse. Such a delay, here between 100 µs and 100 s, is easily provided by a simple circuit based on the popular 555. That is more than adequate for most applications.

The output of the 555 can go high only if the potential at pin 2 drops below a third of the level of the supply voltage, provided that the level at pin 4 is high. In quiescent operation, the level at pin 4 is low and C<sub>1</sub>

is charged via T<sub>1</sub>, so that the output is low.

When the input goes high, T<sub>1</sub> is switched off and C<sub>1</sub> is discharged via R<sub>1</sub>. In that condition, the reset state is cancelled, and after a time delay that depends on the state of discharge of C<sub>1</sub> the output of the 555 goes high. The time delay in seconds is calculated from  $\tau = 0.69R_1C_1$ , where R<sub>1</sub> must be greater than or equal to 10 kΩ.

(S. Bolt 914024)

# SWITCH FOR CENTRAL-HEATING PUMP

THE PUMP in some central-heating systems has two or even three speeds. At the lowest speed, not much hot water is pumped around the circuit and this may result in the boiler overheating. The switch circuit proposed here prevents that happening.

The electrics of the pump are as shown in the diagram. The main winding is normally  $175\ \Omega$  and the auxiliary windings  $135\ \Omega$ ; these values may, however, be different in certain pumps and this should, of course, be checked. The capacitor in series with the windings provides the necessary phase shift that enables the motor of the pump to rotate. In positions *a* and *b*, the impedance is increased and this results in a weaker field so that the motor runs more slowly and the pump displaces less water.

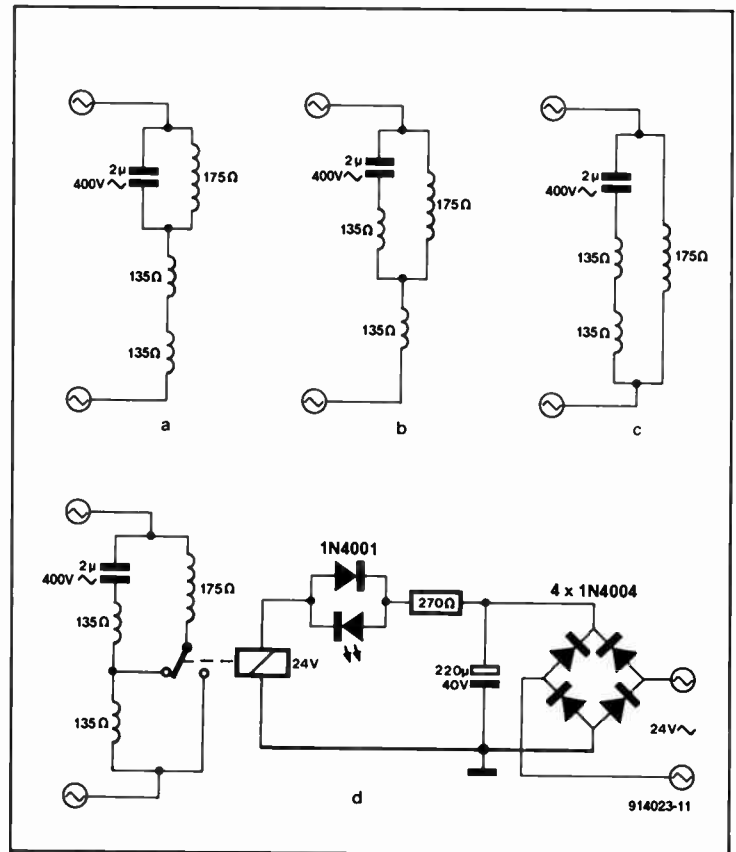
A simple circuit enables the automatic switching between *a* and *b* or between *b* and *c*. Its 24-V input is parallel with the

drive of the gas valve of the main burner. When that valve closes, the speed of the pump increases and the boiler can not overheat.

If the installation uses a 240 V drive for the gas valve, a small transformer may be used to obtain the 24 V.

On a safety note, bear in mind that the 24 V supply, which reaches the thermostats in various rooms, is insulated from the mains only by the relay. Therefore, that relay should be a heavy-duty type that provides adequate insulation

[K. Walters 914023]



# KEYBOARD CHANGE-OVER SWITCH

IF YOU have a non-qwerty keyboard and would like to use this with your computer without having to relearn where the deviating keys are, this simple circuit will help. It receives two keyboards on  $K_2$  and  $K_3$  respectively and connects these via switch  $S_1$  and connector  $K_1$  to the computer. Check the keyboard connections at your computer, because some PC compatibles have a slightly different pin layout. The connection between the circuit and the computer is via a standard 5-way DIN cable; you can, of course, make your own cable as shown at the bottom of the diagram ( $K_4$  and  $K_5$ ).

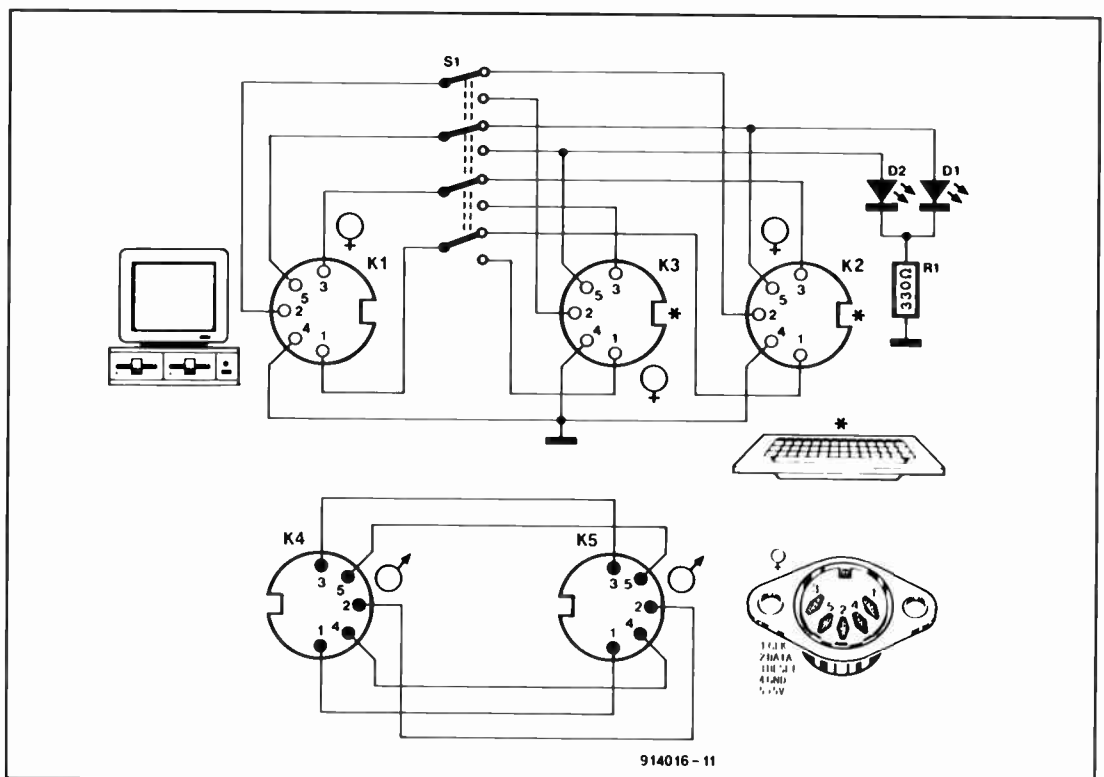
Switch  $S_1$  is a four-pole change-over type, either rotary or toggle. Since the supply line is switched also, the additional keyboard does not increase the load. The additional LEDs that indicate which keyboard is in circuit increase the current drain by about 10 mA.

So much for the hardware; now for the software. Whatever

keyboard you connect, the codes it generates do not change. Advising the computer that a

different keyboard layout is used is the task of the keyboard driver. In MSDOS versions up to 3.2,

this driver is called KEYB???.COM, where in place of the question marks an abbreviation for the



relevant country is given. Normally, the correct version of this program is executed in AU-TOEXEC.BAT, after the change-over you have to start the pro-

gram manually. From version 3.3 onwards, there is the file KEYBOARD.SYS (and in some old versions), KEYB??.SYS), and then you have no choice but to

restart (alt-ctrl-del) the computer every time the keyboard has been changed with a system disk in drive A on which you have stored the relevant data

in CONFIG.SYS and pass these to KEYBOARD.SYS. Alternatively, you can install the correct KEYB??.SYS.

(J. Ruffell - 914016)

## PRESETTABLE SHUNT REGULATOR

DEPENDING on its location, linear voltage regulators are arranged traditionally into two sub-groups: series and shunt (or parallel) regulators.

In practical circuits, series regulators, particularly the pop-

ular integrated types in the 78xx family, are normally used, since these give good regulation and allow a reasonable output current.

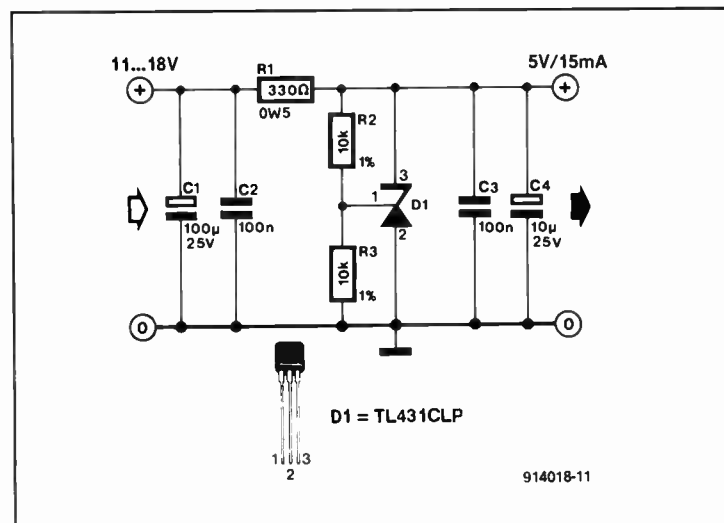
Nevertheless, good shunt regulators are also becoming avail-

able, for example, Texas Instruments' Type TL431. The commercial version of this, the TL431C, offers excellent temperature stability and very low dynamic impedance (see table). Although shunt regulators usually function in the same way as a zener diode, the TL431C offers a facility that no zener diode does: the zener voltage may be set anywhere between 2.5 V and 36 V with the aid of two fixed resistors. To function

properly, the device needs a cathode current of not less than 1 mA. The voltage across the IC is then  $U_{cat} = 2.5(1 + R_2/R_3)$ . If the values of  $R_2$  and  $R_3$  are not too high, the current through this reference network is negligible ( $<4 \mu\text{A}$ ).

A possible application of the device is the compact 5 V power supply shown in the diagram.

(J. Ruffell 914018)



### SOME TECHNICAL DATA

Cathode voltage, $U_{cat}$	2.5 V–36 V
Cathode current, $I_{cat}$	150 mA (1 mA min)
Power dissipation (at 25 °C)	775 mW
Dynamic impedance	0.5 Ω (typical 0.2 Ω)
Temperature coefficient	30 ppm K <sup>-1</sup>

## COMMUNICATION BUSES

THERE ARE nowadays so many different standards for buses and networks that it was thought useful to present an overview of the most current types. Note that each bus needs suitable software to transmit data. For instance, the well-known Ethernet network operates with Novell and Lantastic.

Ethernet and Thin-Ethernet buses are intended for use as a LAN (Local Area Network) between computers and computers or between computers and peripheral equipment like printers and plotters.

The Integrated Service Terminal (IST) bus is used in LANs for offices. It complies with the ISDN norm. It is intended for communication with telephones, view phones, computers, and alarm systems.

The Domestic Digital Bus (D<sup>2</sup>B) bus is intended for inter-

connecting audio and video equipment. It is found on most up-to-date radio tuners and television receivers.

The Controller Area Network (CAN) bus is intended primar-

ily for use in control system in a noisy environment (it is, for instance, standard in the new Mercedes-Benz S-class of cars). It needs only two wires for the distribution of power and in-

formation.

The Futurebus is a new standard for parallel processing of data within a computer. Path widths vary from 32 bits to 256 bits. A number of processors can exchange data at very high clock speeds along these paths.

The Inter IC Sound (I<sup>2</sup>S) bus is designed for the exchange over short distances only of digital audio (16-bit stereo) between ICs in a digital audio system. The data are transmitted serially.

The Inter IC (I<sup>2</sup>C) bus is also designed for communication between ICs. It handles not only data, but also commands. In contrast to the I<sup>2</sup>S bus, the I<sup>2</sup>C bus is fairly slow and not suitable for the rapid transmission of large quantities of data.

(A.N.Other 914025)

name of network	max. length in metres	kind of information	data format	type of connection
Ethernet	2500	data	serial	1 coax cable
Thin "	925	data	serial	1 coax cable
IST	300	data	serial	2 wires
D <sup>2</sup> B	150	control	serial	3 wires
CAN	100	control	serial	2 wires
Future	systemlevel	data	parallel	
I <sup>2</sup> S	boards	data	serial	
I <sup>2</sup> C	boards	data/ control	serial	2 wires

# MEASURING ELECTROLYTIC CAPACITORS

**M**OST capacitance meters have no facility for measuring large electrolytic capacitors. The circuit described here makes it possible for such capacitors to be measured with some degree of accuracy, in spite of the large tolerances these components normally have.

Opamp IC<sub>1a</sub> is arranged as an astable. Capacitor C<sub>2</sub> is charged via R<sub>2</sub>; as soon as the potential across it reaches the level of that at the non-inverting input of IC<sub>1a</sub>, which is determined by voltage divider R<sub>1</sub>-R<sub>3</sub>-R<sub>4</sub>, the opamp toggles and C<sub>2</sub> is discharged till the voltage across it reaches the new level at the + input of IC<sub>1a</sub>.

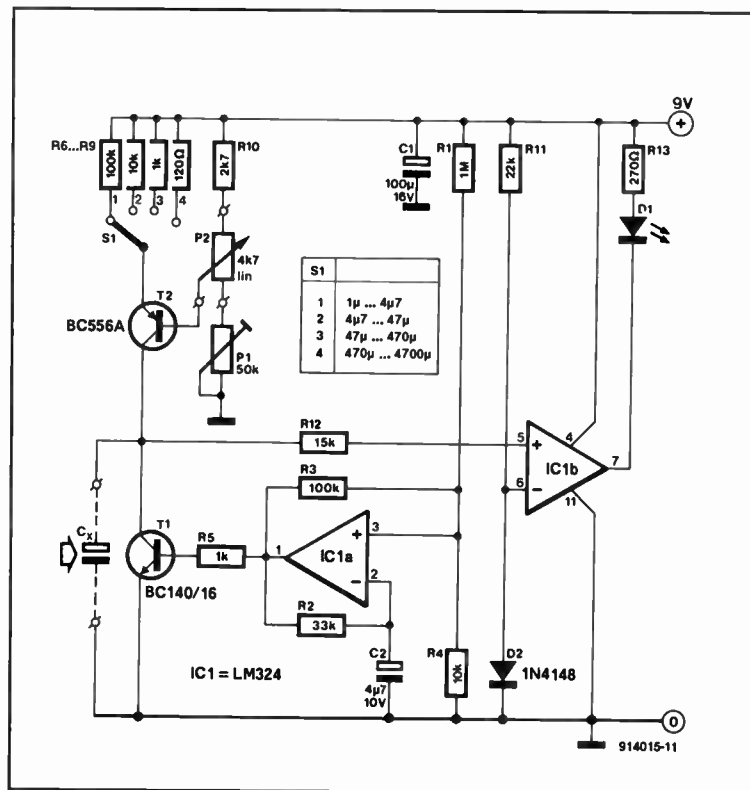
The measuring circuit consists of switched resistors R<sub>6</sub>-R<sub>9</sub>, and S<sub>1</sub>, R<sub>10</sub>, P<sub>1</sub> and P<sub>2</sub>. The capacitor on test is charged via T<sub>2</sub> and discharged rapidly via T<sub>1</sub>.

Comparator IC<sub>1b</sub> compares

the level (0.65 V) at its non-inverting input with that at its inverting input. When the capacitor on test is connected across the input terminals, P<sub>2</sub> is adjusted till the LED just lights. The potentiometer must be given a scale to enable the value of the electrolytic capacitor to be read directly. The scale can be calibrated with the aid of a capacitor of known value for each range (1-4.7 μF; 4.7-47 μF; 47-470 μF; and 470-4700 μF). Basically, it is linear, but it may be necessary to make a scale for range 1 empirically.

To ensure the best possible accuracy, it is advisable to use a regulated power supply. The circuit draws a current of about 20 mA (almost all of it through the LED).

(P. Essek 914015)



# HOUSE TELEPHONE

**T**ELEPHONES are now readily and cheaply available: two identical ones and a handful of components enable a simple house telephone to be set up.

Since the two telephones are connected in series as shown in the diagram, half the supply voltage exists across either of them. Neither buzzer will sound, since the potential across zener diodes D<sub>1</sub> and D<sub>3</sub> is below their breakdown voltage.

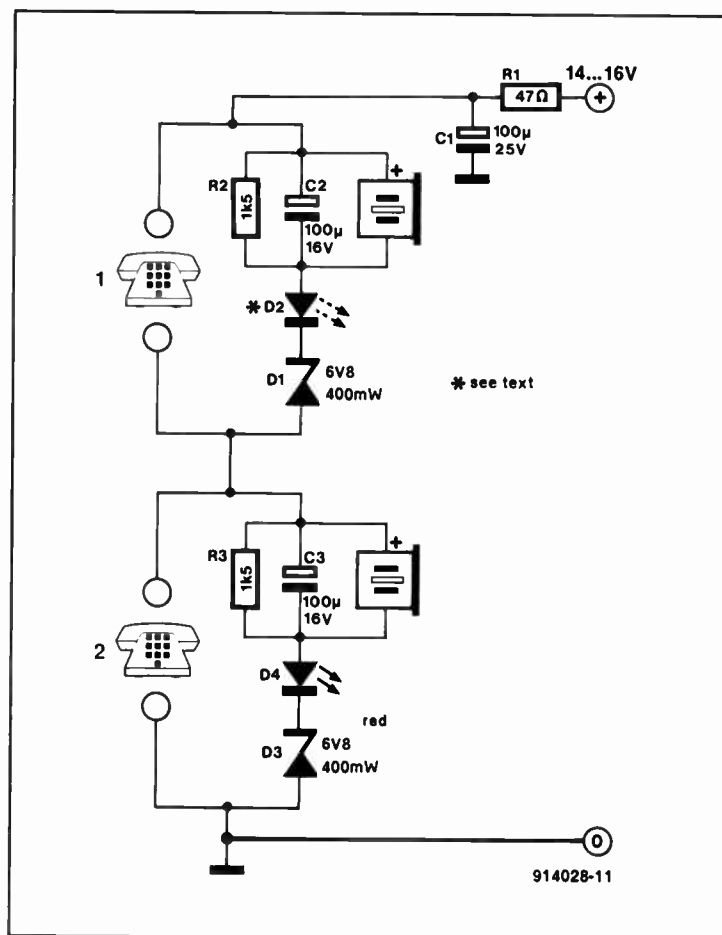
If, say, the handset of telephone 2 is lifted, a virtual short circuit ensues across this telephone. The potential across telephone 1 then rises to almost the supply voltage. Breakdown then occurs in D<sub>1</sub>, which causes a sharp increase in the reverse current through the diode. The buzzer will then sound and the LED light. If then the handset of telephone 1 is lifted, the supply voltage is again divided symmetrically across the two telephones, which is sufficient for carrying out a conversation.

The buzzers may be continuous-tone or intermittent-tone types to personal preference. Similarly, the LEDs may be stan-

dard or flashing types.

The power supply may be a standard 12-V mains adapter. When the supply voltage is too high, the buzzers will sound even when both handsets are lifted. If dissimilar telephones are used, one or both zener diodes need to be replaced by different types to ensure that during quiescent operation the voltage drops across the telephones are identical.

(A. Jödicke 914028)



# DARKNESS-SENSITIVE SWITCH

**T**HE CIRCUIT presented here enables the automatic switching on of outside lighting when it gets dark and, what's more, it does so for a predetermined period. A new period can be begun only when it has been light again.

The switch is a solid-state relay. From the instant that  $T_4$

and  $T_5$  are on, the LED in the relay lights and lamp  $L_1$  is powered. As soon as one of the transistors switches off, the lamp will go out.

Whether  $T_5$  is on depends on phototransistor  $T_3$ . If light falls on to this, it is switched on and removes the base current from  $T_5$ . In other words,  $T_5$  can

be on only when it is dark.

The base-emitter junction of transistor  $T_2$  is also connected in parallel with  $T_3$  and it, too, will therefore be off when it is light. This causes a constant reset on  $IC_1$ , all of whose counter outputs are then low.

As soon as it gets dark, base current for  $T_2$  is provided by

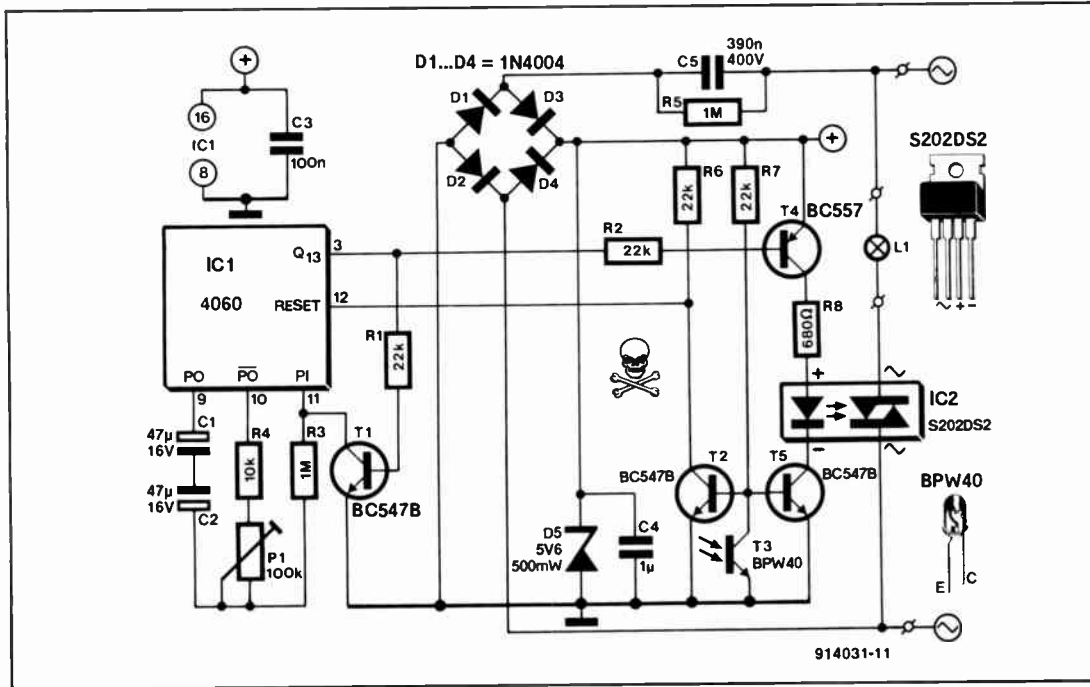
$R_7$  and the transistor switches on. The counter can then count the pulses of its internal oscillator, while the lamp remains on. When, after a short time, output  $Q_{13}$  goes high, transistor  $T_4$  switches off. This causes the LED in the solid-state relay to quench and the lamp goes out. Since at the same time the oscillator is stopped via  $T_1$ ,  $Q_{13}$  remains high. This state is maintained until it gets light again and  $IC_1$  is reset, whereupon a new cycle can be started.

The period the lamp is on may be set to between 1 and 5 hours with  $P_1$ .

No special transformer is needed for the power supply, which may be derived direct from the mains. Diodes  $D_1$ - $D_5$  rectify the mains voltage and the result is smoothed by  $C_4$ . Capacitor  $C_5$  operates as a resistance, and it should, therefore, have a working voltage rating of not less than 400 V, although 630 V is preferred.

Note that mains voltage exists at several points in the circuit: great care should be taken to insulate the switch unit adequately

(A. Rigby 914031)



# SWITCH-OFF DELAY FOR BATTERY SUPPLY

**A** FREQUENT annoyance with battery-operated equipment is that just after you switch it on you notice that the battery

is flat. Quite probably, the last user (you?) has forgotten to switch it off. The circuit described here makes sure that this will never happen again. A touch on the button,  $S_1$ , is sufficient to let the equipment work for a predetermined period only.

An interesting feature of the circuit is that its quiescent current is 0.00 mA, because  $T_1$  switches the timer off completely at the end of the cycle. Switching on is effected by the energy contained in the power-on pulse. When  $S_1$  is pressed, the supply voltage is available immediately across  $C_2$ . Because of the differentiating action of  $R_2$ - $C_2$ , the supply voltage is briefly connected to the  $V+$  input of  $IC_1$  via  $D_1$ . This energy is sufficient to enable the IC and start the timer, whereupon  $T_1$  is switched on. This transistor provides energy to the IC for the remainder of

the cycle. At the end of the cycle,  $T_1$  is switched off and provides no more energy.

The on-time,  $t$ , is determined by:

$$t = (P_1 + R_4)C_3 \text{ seconds.}$$

The maximum current switched by  $T_2$  must not exceed 350 mA.

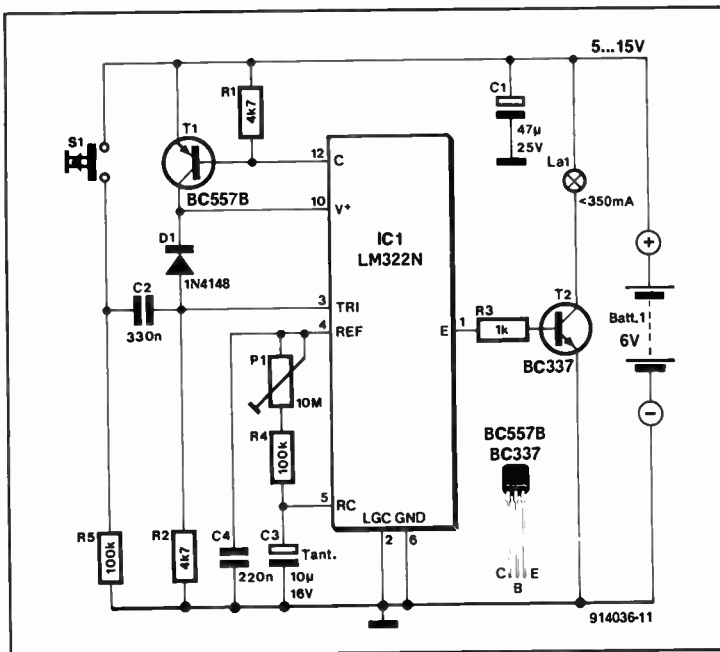
The supply voltage may lie between 5 V and 15 V.

The minimum trigger amplitude is 5 V.

The switch-off time with component values shown in the diagram is 1-100 seconds.

The current drawn by the circuit during the switching interval is about 4 mA when the supply voltage is 6 V.

(J. Ruffell 914036)



# AUTOMATIC BATTERY CHARGER

THE CHARGER described switches off the charging voltage when the battery reaches its full nominal voltage and switches it on again when the battery voltage drops below a predetermined level.

Part of the battery voltage is taken from across potential divider  $R_1$ - $R_2$ - $R_3$ - $R_4$  and compared with a reference voltage in  $IC_{2b}$ . As long as the battery voltage is 0 V, only a small voltage drop is caused across  $R_5$  by the input current of the opamp, so that  $IC_{2c}$  toggles at 0 V. The

relay therefore remains de-energized. At the same time, the output of  $IC_{2b}$  is high, but this has no effect whatsoever owing to AND gate  $D_4$ - $D_5$ .

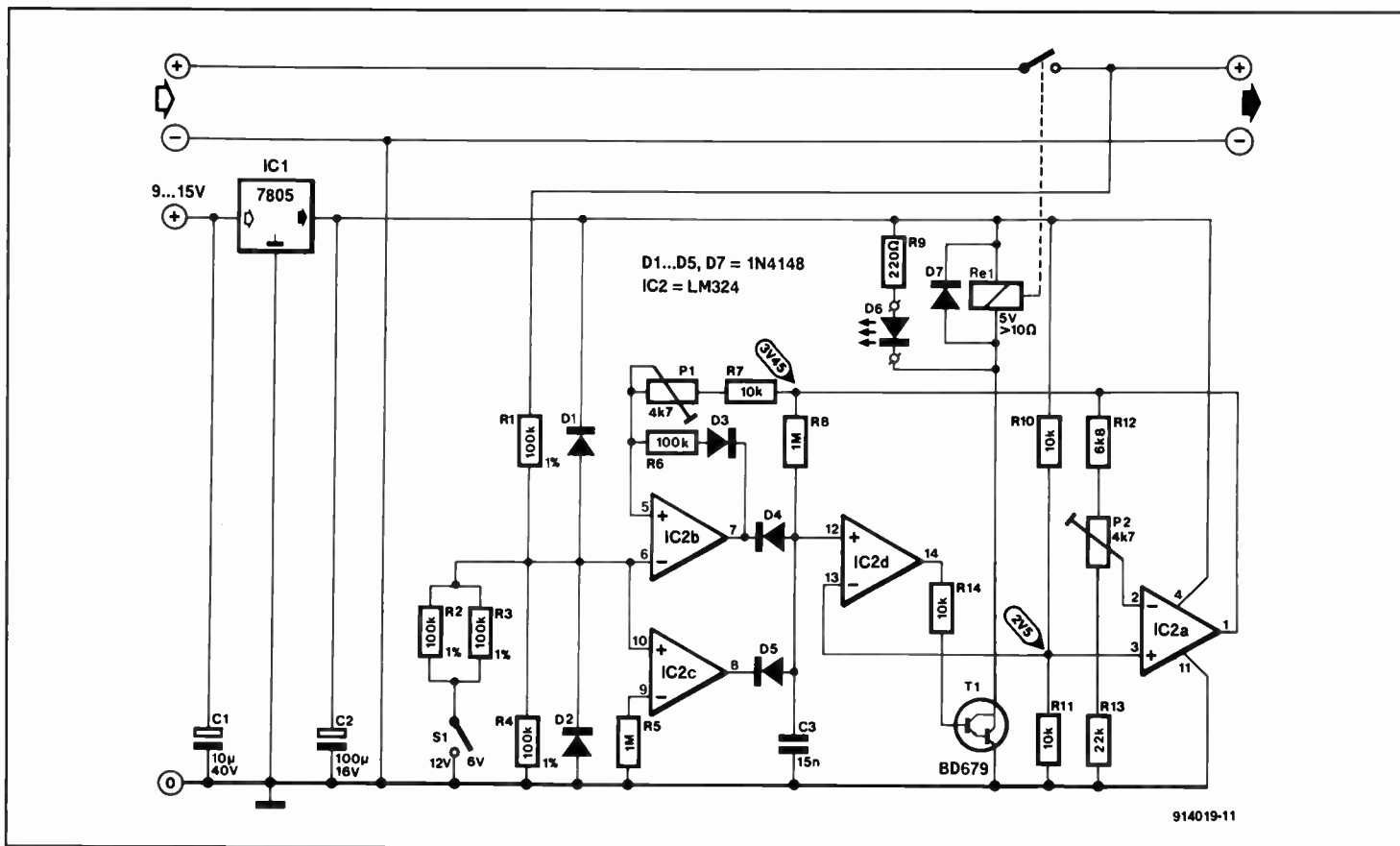
When a battery is connected, its small remaining voltage ensures that  $IC_{2c}$  toggles, diodes  $D_4$  and  $D_5$  are reverse-biased, a reference voltage is applied to the non-inverting input of  $IC_{2d}$ , and the relay is energized. The battery is then charged until its voltage has reached the nominal level. Because of potential divider  $R_1$ - $R_2$ - $R_3$ - $R_4$ , there is a

voltage of more than 3.45 V at the inverting input of  $IC_{2b}$ , which causes this opamp to toggle so that its output becomes low (0), the relay is de-energized, and the charging voltage is removed from the battery.

The (reference) voltage at the output of  $IC_{1a}$  is set to 3.45 V. Potential divider  $D_3$ - $R_6$ - $R_7$ - $P_1$  provides a certain hysteresis to comparator  $IC_{2b}$ . When the battery voltage drops below the level set with  $P_1$ ,  $IC_{2b}$  toggles again and the charging voltage will be reapplied to the battery.

Calibration is carried out with a voltmeter connected to the output of  $IC_{2a}$ , after which  $P_2$  should be adjusted for a reading of 3.45 V. Next, turn  $P_1$  to full resistance. Replace the battery by a regulated, variable power supply and set its output to 6.2–6.4 V ( $S_1$  in position 6 V) or 12.4–12.8 V ( $S_1$  in position 12 V), that is, the voltage at which charging should commence. Adjust  $P_1$  till the relay is energized.

(K. Walters 914019)



# AUTOPOWER OFF FOR AUDIO EQUIPMENT

THIS LITTLE circuit switches off the equipment in your audio rack when this has not produced sound for some time.

The circuit is actuated by pressing  $S_1$ , which causes capacitor  $C_1$  to be charged. Next, the output of opamp  $IC_{1B}$  goes high, and the audio equipment is powered from the mains via solid-state relay  $ISO_1$ .

The LINE OUT signal from

the audio power amplifier is fed to the input of the circuit via connector  $K_1$ . Opamp  $IC_{1A}$  is set up to function as a signal detector with a trigger threshold of about 50 mV. Note that the ground potential of the audio amplifier is raised to about +4.5 V in the auto-power off circuit by means of  $R_1$ - $R_2$ - $R_3$ .

When the audio signal is greater than 50 mV (i.e., 4.05 V with re-

spect to the circuit ground), the output of  $IC_{1A}$  goes high, and transistor  $T_1$  starts to conduct. Consequently,  $C_1$  is charged rapidly, so that  $ISO_1$  continues to conduct and power the equipment.

In the absence of an audio input signal,  $C_1$  is discharged slowly via  $R_5$  and  $R_6$ . Opamp  $IC_{1B}$  toggles, and the equipment is switched off via  $ISO_1$  when

the capacitor voltage drops below the voltage set with  $P_1$  at the inverting input. It should be noted that the solid-state relay specified here has a maximum current rating of 1.5 A. When heavier loads are to be switched, it is recommended to use a conventional relay.

Since the relay outputs and the transformer primary are connected to the mains, great care



should be taken to ensure the required electrical insulation. For reasons of safety, the circuit is best fitted in a mains adapter enclosure with a moulded mains plug. The two mains connections in the enclosure must be made with properly rated and

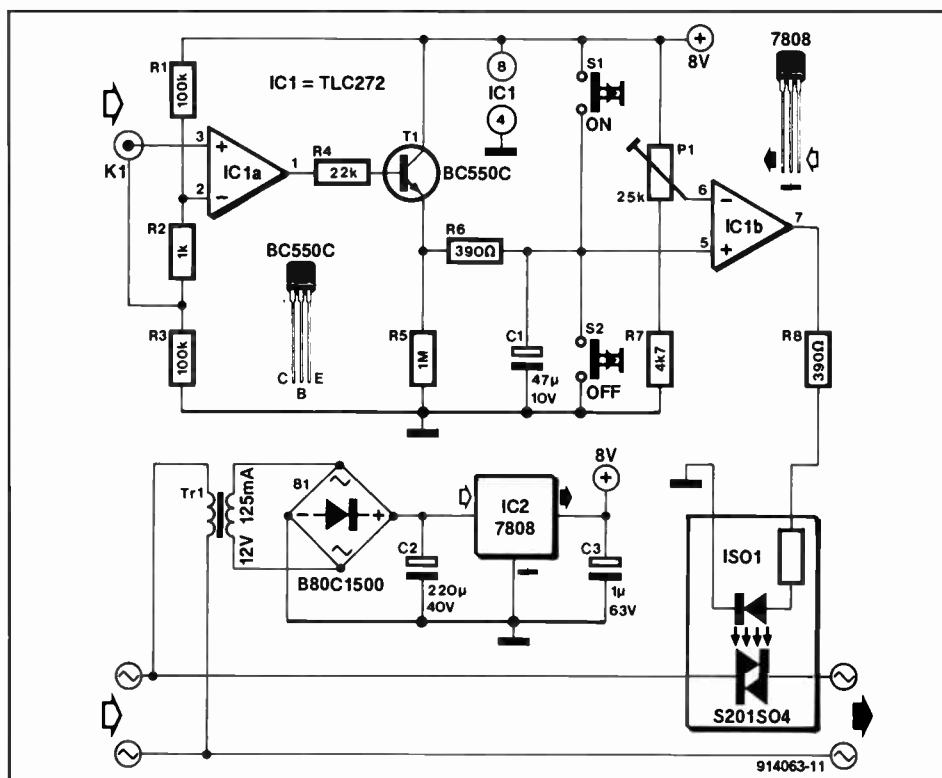
secured screw terminal blocks. The output is connected to a mains cable with a 4- or 5-way distribution board.

The delay before the equipment is switched off will depend on the time needed to rewind a tape, change a com-

compact disc or record, etc. To adjust the delay, connect a 100 k $\Omega$  resistor across  $R_5$ . This reduces the actual delay by a factor of about 10. Turn  $P_1$  fully in the direction of  $R_7$ , press the START button, and wait for the desired delay (divided by 10) to elapse,

whereupon  $P_1$  must be adjusted until the output of  $IC_{1B}$  goes high. Then remove the 100 k $\Omega$  resistor, press START again and time the actual delay. If necessary, re-adjust the preset.

(T.P. Thomas 914063)



## WINDSCREEN WASH-WIPE CIRCUIT

### PARTS LIST

#### Resistors:

R1 = 220  $\Omega$   
R2 = 120 k $\Omega$   
R3 = 100 k $\Omega$   
R4 = 3.3 k $\Omega$   
R5 = 10 k $\Omega$

#### Capacitors:

C1 = 100 nF  
C2 = 19  $\mu$ F, 63 V  
C3 = 10 nF  
C4 = 100  $\mu$ F, 25 V

#### Semiconductors:

D1, D2, D3 = 1N4148  
T1 = BC550C  
T2 = BC560C  
T3 = BD140

#### Miscellaneous:

Re1 = 12 V relay for PCB mounting,  $Z > 90 \Omega$ , contact rating  $> 10$  A

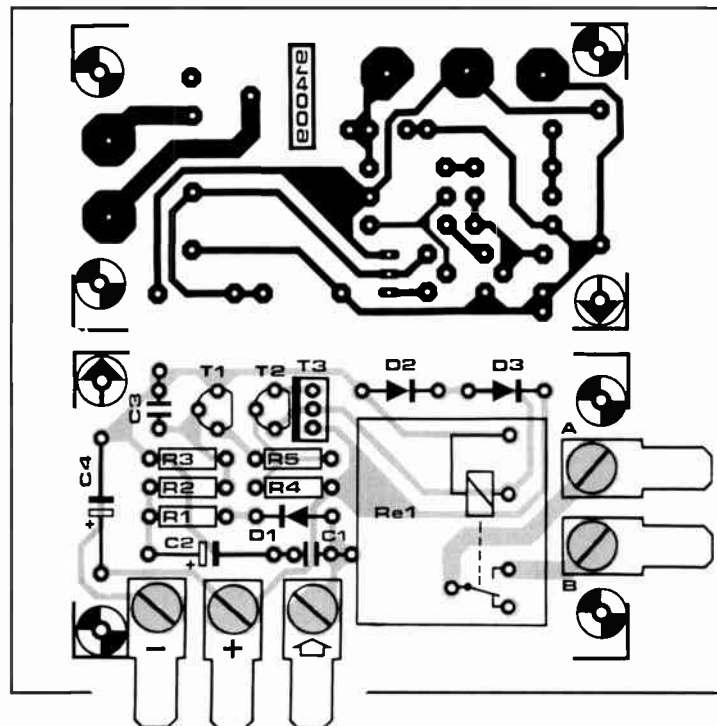
IN MANY older cars the windscreen wash pump is not coupled to the windscreen wipe

function. This circuit switches on the wiper motor for a predetermined time each time the

pump is actuated. The wipers start to work when the pump switch is pressed, and keep on working a while after the switch is released.

The anode of diode  $D_1$  is normally taken to ground via the wash pump motor. When the pump is powered,  $C_1$  charges rapidly via  $D_1$  and  $R_1$ . Consequently,  $T_1$ ,  $T_2$  and  $T_3$  are switched on, and relay  $Re_1$  is energized.  $C_1$  is charged as long as the pump motor and the wipers operate. When the pump switch is released, the washing stops, but the wiping continues for a time determined by  $R_2$ - $C_2$ . Diode  $D_1$  prevents  $C_2$  being discharged via the pump motor. Diodes  $D_2$  and  $D_3$  protect the circuit against back e.m.f. from the relay coil.

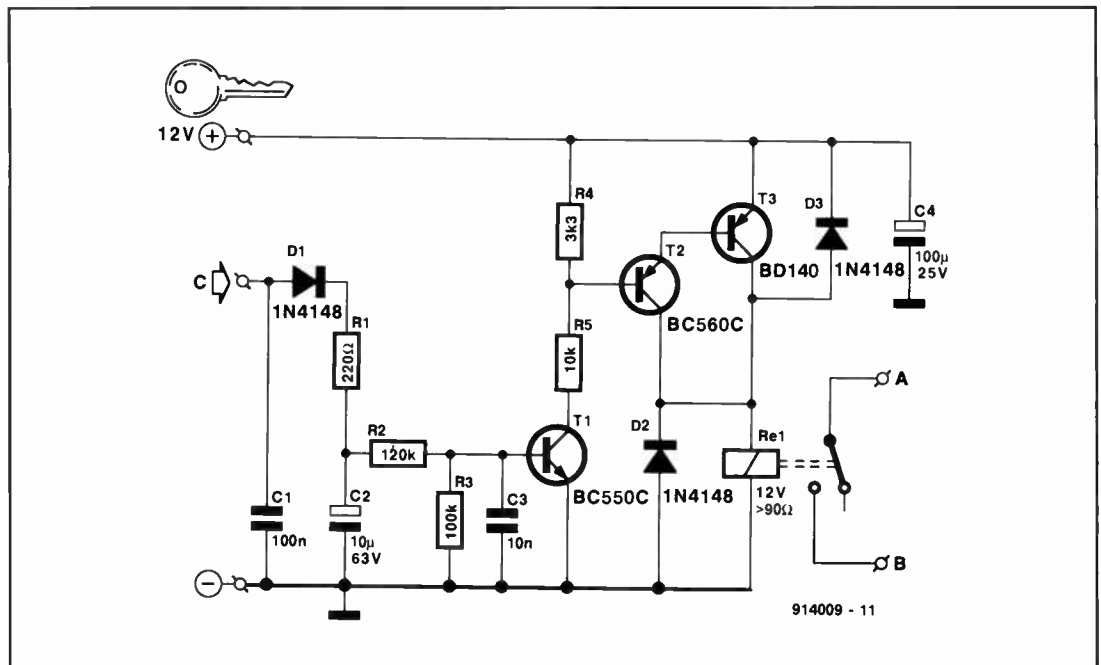
Installing the circuit in a car should be easy as there are only three connecting points (apart from the supply voltage). Note, though, that the circuit is designed to work with a pump



motor that has a fixed contact to ground, while its positive contact is taken to the washswitch.

The relay on the board is capable of switching 10–20 A. Its contacts are connected across the wiper switch via terminals 'A' and 'B' by means of heavy-duty wiring. The connections to the board are made via spade terminals and mating sockets as used in car electrical systems. The spade terminals are screwed direct to the board, and soldered to minimize the contact resistance. Finally, the relay may be an Omron Type G2L-113P-4S-SV or a Bosch Type 0332 016 101. The omron type fits on the PCB, the Bosch type does not.

(L. Rikard 914009)



## TELEPHONE EXTENSION

IN MANY countries, unlike most of the UK, it is still not possible to parallel two or more telephones easily. The circuit described here may either be connected in parallel to an existing telephone or be used as a stand-alone unit, when it will energize a relay on receipt of an incoming call. The relay may be used to operate an optical or an aural indicator, or cause a trigger pulse to be generated that actuates an interface, which in turn operates a suitable telephone.

The incoming a.c. signal is applied to terminals *a* and *b* and from there fed to optocoupler IC<sub>1</sub> via C<sub>1</sub> and R<sub>1</sub>. The negative half-waves are returned via D<sub>1</sub>, while the positive half-waves are returned via the LED in the optocoupler. The resulting pulsating d.c. output of the phototransistor in the optocoupler is applied to inverter IC<sub>2a</sub>. This (call) signal is smoothed by D<sub>2</sub>, R<sub>4</sub>, C<sub>2</sub> and R<sub>5</sub>, and this results in a direct voltage at the input of IC<sub>2c</sub> during the pulse spacing. The consequent low-level, short-duration pulses at pin 6 of IC<sub>2</sub> are passed to inverters IC<sub>2d</sub>–IC<sub>2f</sub> that serve as relay drivers, and which energize the relay (preferably a high-resistance type). Diode D<sub>8</sub> indicates the state of the relay. The circuit thus functions as a monos-

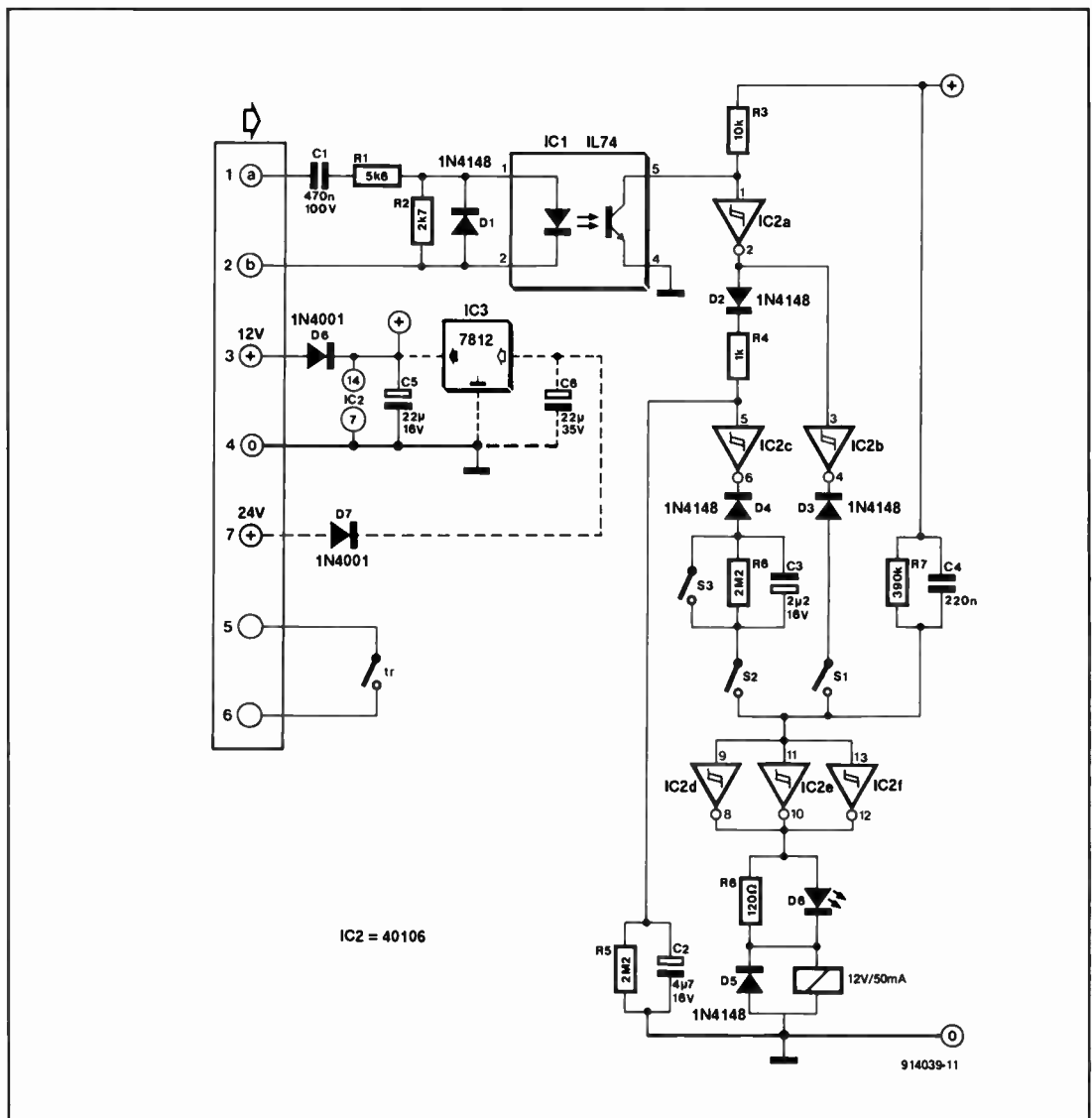


table whose time constant is formed by R<sub>7</sub>-C<sub>3</sub>.

When both S<sub>2</sub> and S<sub>3</sub> are closed, C<sub>3</sub> does not produce a pulse from the direct voltage output of IC<sub>2</sub>. The low-level potential then remains at the inputs of the relay drivers to ensure that the

relays stay energized in this condition.

When S<sub>1</sub> is closed instead of S<sub>2</sub>, the relay is energized during the pulse widths and de-energized during the pulse spacing. This mode of operation is best for optical call indicators.

The power supply may be a simple 12-V mains adapter. Diode D<sub>6</sub> protects the circuit against incorrect polarity. Higher supply voltages make a 12-V regulator (IC<sub>3</sub>) and an additional electrolytic capacitor (C<sub>6</sub>) necessary. The current drawn by the

circuit is only a few mA.

It is advisable to check with your telecommunications authorities whether the circuit is allowed in your locality before building it.

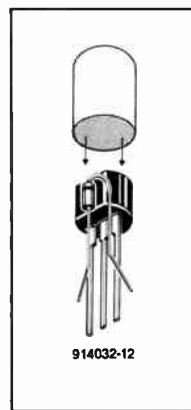
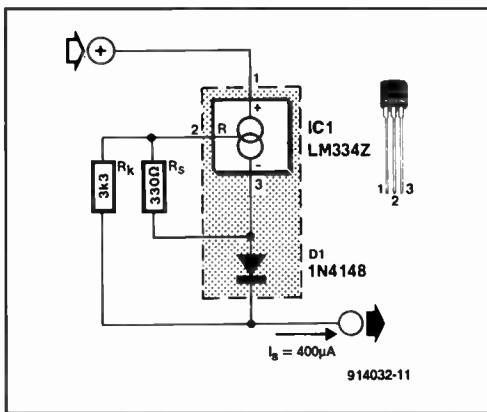
(M. Haas 914039)

## TEMPERATURE-COMPENSATED CURRENT SOURCE

NATIONAL Semiconductors' LM334Z is a three-pin pre-settable current source, whose output may be set to between 1 μA and 10 mA. It may be also be used floating.

In principle, just one resistor is needed for setting the current. However, the current is then strongly dependent on temperature: about +0.33% °C<sup>-1</sup>. (This would enable the device to be used as a temperature sensor). Therefore, to obtain a stable current source, an additional resistor and a diode are needed.

For good stability, the diode must be coupled thermally to the IC (the self-heating of the source



is then compensated). This is best done by squeezing the IC and the diode, separated by heat paste, into a piece of insulating sleeve-

ing shown in Fig. 2.

Although the current source may be set between 1 μA and 10 mA with the aid of R<sub>s</sub>, it is most

accurate between 10 μA and 1 mA.

The current provided by the source may be calculated from

$$I_s = 2/15R_s$$

Resistor R<sub>k</sub> should have a value of 10R<sub>s</sub>.

Set as described and with good thermal coupling between D<sub>1</sub> and IC<sub>1</sub>, the prototype showed a temperature drift of not greater than 0.02% °C<sup>-1</sup> with I<sub>s</sub> < 1 mA. The largest drift measured, 0.08% °C<sup>-1</sup>, occurred at I<sub>s</sub> = 5 mA. All measurements were carried out with a supply voltage of 9 V.

(J. Ruffell 914032)

## S-METER FOR SHORT-WAVE RECEIVERS

SOME radio amateurs are very keen on accurate RST reports, others (mostly the VHF/UHF fraternity) never look at the S-meter on the receiver, and are satisfied as long as they can hear the other station. This circuit is

for the first group.

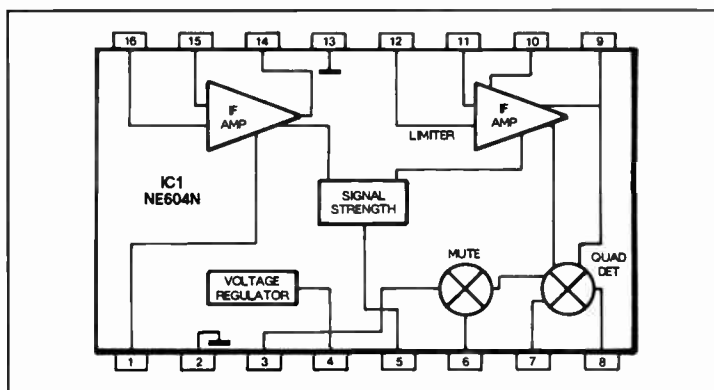
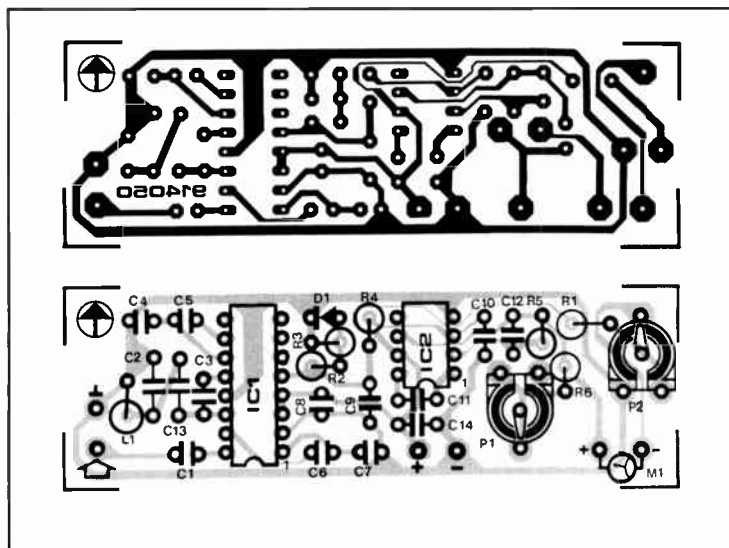
Traditionally, one S-point corresponds to a 6-dB increase in signal strength, while 'S9' is defined as 50 μV into 50 Ω. Unfortunately, very few receivers these days have a calibrated S-

meter, hence the confusion among radio amateurs about the interpretation of the signal strength reports they exchange and write on QSL cards.

The logarithmic-to-linear converter contained in the NE604 from Valvo (Philips Components) is used here to build an accurate S- (signal strength) meter for short-wave receivers. The amplifier in the NE604 is tuned to

the intermediate frequency (IF) of the receiver with the aid of L1 and C<sub>2</sub>. Here, the circuit is dimensioned for an IF of 455 kHz, which is applied to input capacitor C<sub>1</sub>.

The output of the field strength detector in the NE604 supplies a current of 0 to 50 μA at pin 5. This current is converted into a voltage of 0-5 V by a 100 kΩ resistance, R<sub>2</sub>+R<sub>3</sub>. Note that two



E96-series 1% resistors are used here, plus a diode,  $D_1$ , instead of a single 100 k $\Omega$  resistor. This is done to compensate temperature effects which would cause derating of the linear output voltage. If the specified E96 resistors can not be obtained,  $R_2$  may be replaced by a parallel combination of two 120 k $\Omega$  1% resistors, and  $R_3$  by a parallel combination of a 39 k $\Omega$  1% resistor, and a 1 k $\Omega$  1% resistor. It should be noted that the usable range of the log-to-lin converter in the NE604 is roughly from 5  $\mu$ A to about 40  $\mu$ A of output current, corresponding about 70 dB, or 0.5 V to 4 V at pin 6 of  $IC_2$ . The lower level is caused by background noise of the IF amplifier in the NE604, and the upper level by limiting and saturation effects. Fortunately, the effective range of the converter is large enough for the present applications, bearing in mind that S-meter readings lower than  $S_3$  are rare and of little meaning in the short-wave bands.

Components  $R_4$ ,  $C_9$  and  $C_{10}$  suppress ripple and noise. Opamp  $IC_2$  is set to provide unity gain, i.e., its output voltage is 0 to 5 V. The moving-coil meter is connected between two presets.  $P_1$  is adjusted until the meter reaches full deflection at a voltage of 4.5 V measured at pin 6

of  $IC_2$ . Next, adjust it for an indication of  $S_3$  with an RF test signal of 50  $\mu$ V applied to the receiver input.

As usual with S-meters, the meter is supplied with a com-

penation current that prevents any needle activity below  $S_3$  or so. Here, this compensation current is set with preset  $P_2$ . The buffer opamp,  $IC_2$ , is not used for this purpose to keep the cir-

cuit as simple as possible. On-off push-button  $S_1$  is optional and intended to save battery power in portable receivers.

(A. Heinrich 914050)

## PARTS LIST

### Resistors:

$R_1 = 5.6$  k $\Omega$   
 $R_2 = 60.4$  k $\Omega$  (E96 - see text)  
 $R_3 = 40.2$  k $\Omega$  (E96, see text)  
 $R_4, R_5 = 1$  M $\Omega$   
 $R_6 = 2.2$  k $\Omega$   
 $P_1 = 10$  k $\Omega$  preset H  
 $P_2 = 500$   $\Omega$  preset H

### Capacitors:

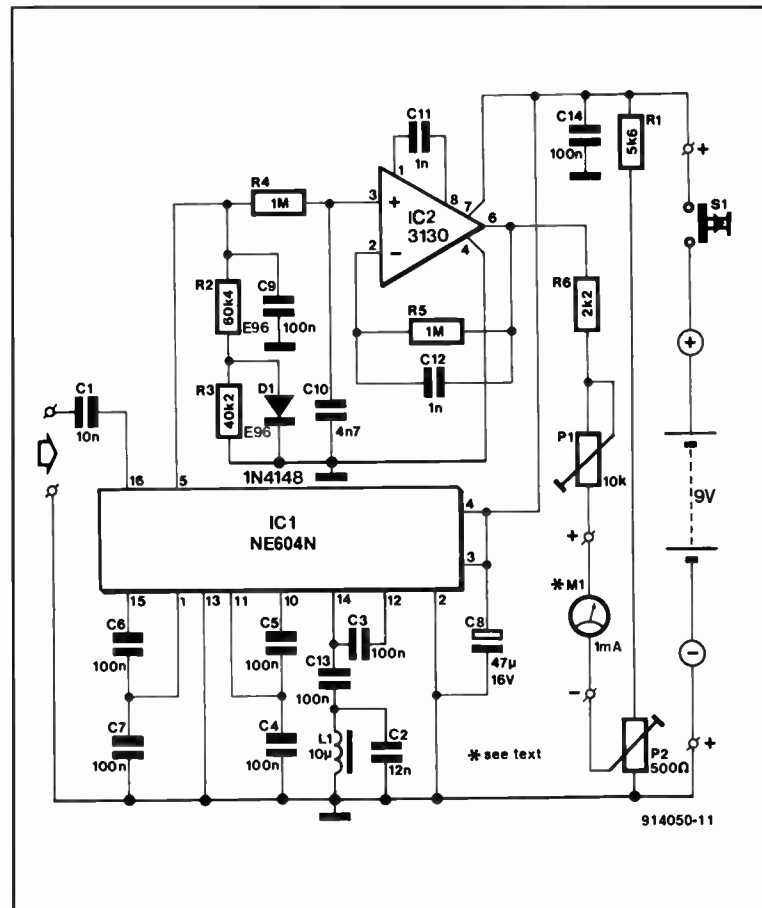
$C_1 = 10$  nF  
 $C_2 = 12$  nF  
 $C_3, C_4-C_7, C_9, C_{13}, C_{14} = 100$  nF  
 $C_8 = 47$   $\mu$ F, 16 V, radial  
 $C_{10} = 4.7$  nF  
 $C_{11}, C_{12} = 1$  nF

### Semiconductors:

$D_1 = 1N4148$   
 $IC_1 = NE604A$   
 $IC_2 = CA3130E$

### Miscellaneous:

$S_1 =$  on-off push-button  
 $L_1 = 10$   $\mu$ H choke, axial  
 $M_1 =$  MC meter, 1 mA

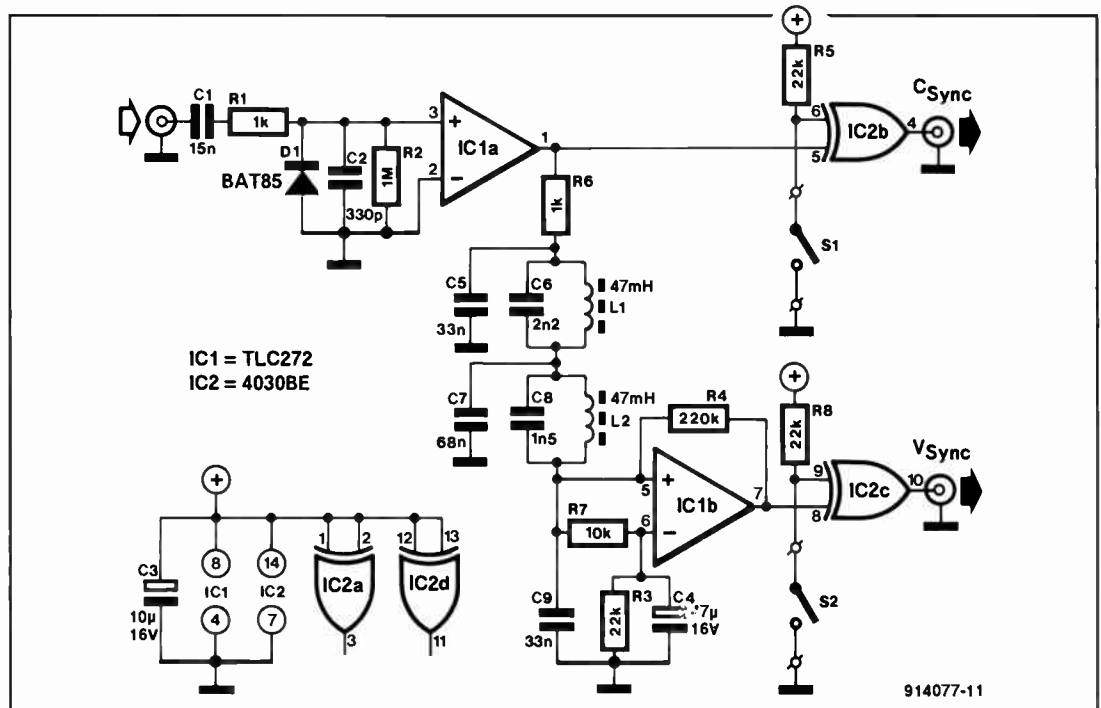


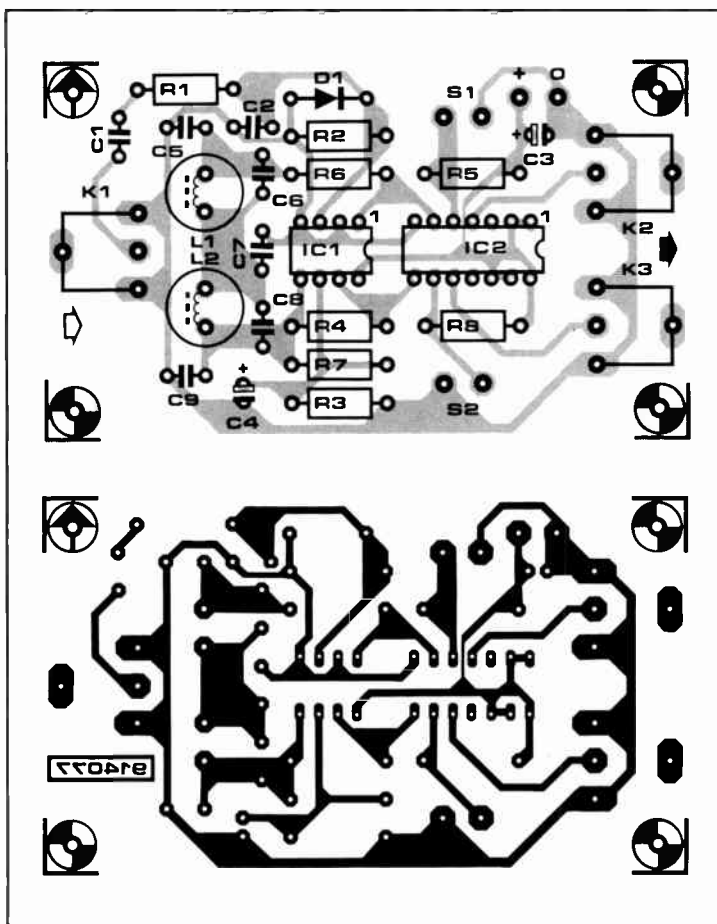
## SYNCHRONIZATION SEPARATOR

This circuit forms the missing link between various video sources and, say, a multisync monitor. Based on discrete parts only, it extracts the composite synchronization (i.e., a mix of the horizontal and the vertical component) and the vertical synchronization from a composite video signal with an amplitude of about 1 V<sub>pp</sub>. The output sync signals are available in true as well as inverted form to suit your monitor.

The positive composite video signal is filtered by  $R_1-C_2$  and clamped by a Schottky diode,  $D_1$ , to extract the sync components. The CSYNC signal is fed to XOR gate  $N_2$  which functions as an inverter when  $S_1$  is closed.

The CSYNC signal is also fed to a two-stage L-C filter which suppresses the line sync com-





## PARTS LIST

### Resistors:

R1, R6 = 1 k $\Omega$   
 R2 = 1 M $\Omega$   
 R3, R5, R8 = 22 k $\Omega$   
 R4 = 220 k $\Omega$   
 R7 = 10 k $\Omega$

### Capacitors:

C1 = 15 nF  
 C2 = 330 pF  
 C3 = 10  $\mu$ F, 16 V, radial  
 C4 = 47  $\mu$ F, 16 V, radial  
 C5 = 33 nF  
 C6 = 2.2 nF  
 C7 = 68 nF  
 C8 = 1.5 nF  
 C9 = 33 nF

### Semiconductors:

D1 = BAT85  
 IC1 = TLC272  
 IC2 = 4030BE

### Miscellaneous:

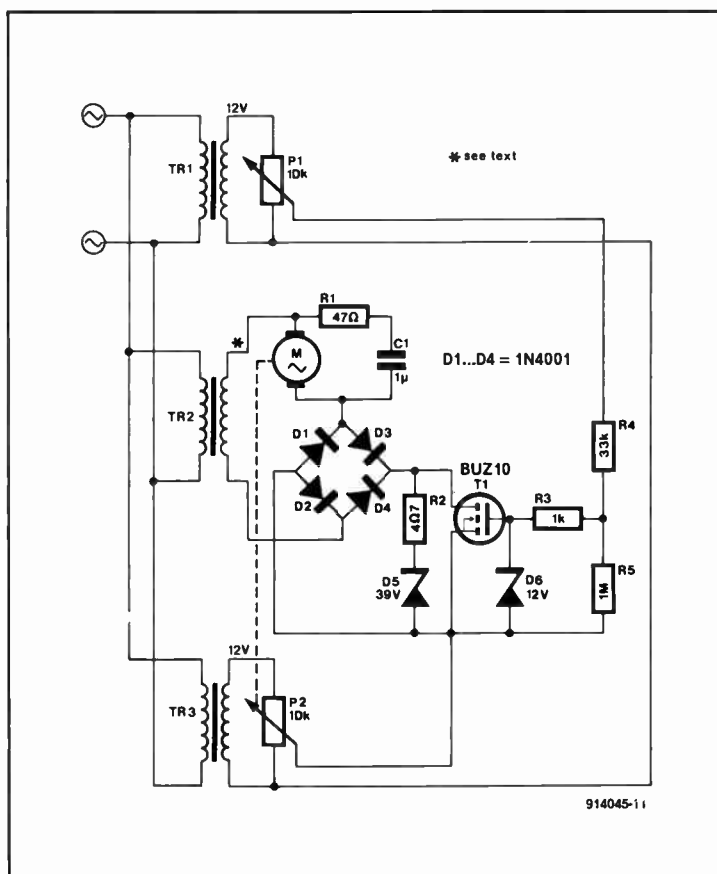
L1, L2 = 47 mH choke, radial  
 K1, K2, K3 = phono socket for  
 PCB mounting  
 S1, S2 = miniature on-off  
 PCB Type 914077

ponent and leaves the raster sync, VSYNC, at the inputs of opamp IC1b. Like CSYNC, VSYNC is available in true or inverted form.

The circuit draws about 200  $\mu$ A at a supply voltage of 5\_V. The output signals are TTL compatible.

(J. Bareford 914077)

## SEQUENTIAL CONTROL



Sequential controls are used where continuous remote control of mechanical installations, such as rotating antennas or valves, is required. That shown in the diagram offers a setting accuracy of 2.5%, although it has only a few components.

The control motor is in series with a bridge rectifier across the secondary of mains transformer Tr<sub>2</sub>. The rating of the transformer must accord with that of the motor. The other two mains transformers are light-duty, 12-V types from across whose secondary a small alternating voltage may be taken by means of P<sub>1</sub> and P<sub>2</sub>.

The wiper of P<sub>1</sub> is connected to the gate of T<sub>1</sub> via resistive network R<sub>3</sub>-R<sub>5</sub>. The wiper of P<sub>2</sub> is connected to the source of T<sub>1</sub>. The source-gate junction of the transistor serves as a null-point detector. When the circuit is balanced, the potential difference between the two wipers is zero, so that T<sub>1</sub> is switched off. No current can flow through the motor since the current loop

through the rectifier bridge is broken for each half cycle. When one of the potentiometers is adjusted, the circuit is no longer balanced and T<sub>1</sub> is switched on during either the positive or the negative half cycles, depending on which of the potentiometers was adjusted. Current then flows through the motor, D<sub>4</sub>, T<sub>1</sub> and D<sub>1</sub>, or through the motor, D<sub>3</sub>, T<sub>1</sub> and D<sub>2</sub>. In other words, the motor can rotate in either direction. If the motor is coupled mechanically with P<sub>2</sub>, P<sub>1</sub> may be used for remote control of the motor.

The circuit as shown is intended for 12 V motors; if different motors are to be used, bear in mind that they are operated from half-wave rectified voltages, which means that the transformer must be rated at 1.52 times the motor voltage.

(G. Peltz 914045)

# LED VU METER

ALTHOUGH there are a number of ICs on the market with which it is quite simple to construct an LED VU meter, there is still interest in building such a meter from discrete components.

The meter shown in the diagram is based on eight opamps, contained in two Type LM324 chips, that function as comparators.

The inverting input of each of the opamps is provided with a reference voltage derived from potential divider R<sub>3</sub>-R<sub>10</sub>. The values of these resistors are chosen to give a 5 dB step between adjacent resistors. Resistors R<sub>1</sub> and R<sub>12</sub> ensure that the reference voltages are higher than half the supply voltage.

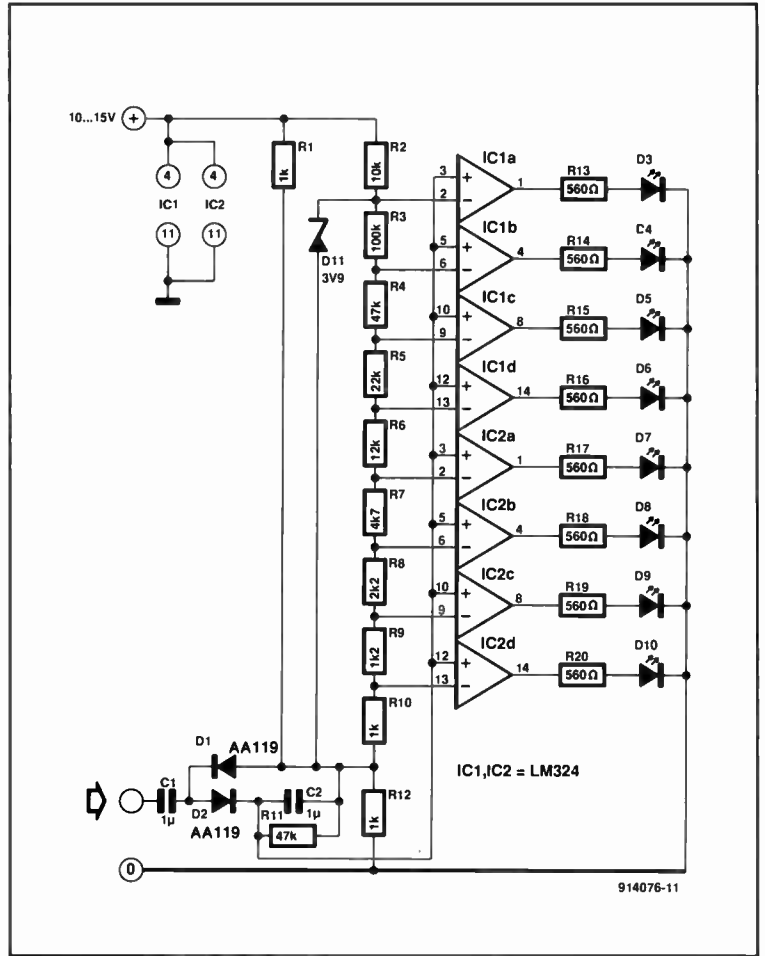
The non-inverting input of each opamp is supplied with the rectified input signal (D<sub>1</sub> and D<sub>2</sub>), which is also superimposed on to half the supply voltage.

When the voltage level at the positive input of an opamp rises above that at the inverting input, the output of that opamp goes high and the associated LED lights. The higher

the input signal, the more LEDs will light. If D<sub>3</sub> and D<sub>4</sub> are red, the circuit may be used as a simple peak indicator, showing when the input signal exceeds a certain value.

The supply may be between 10 V and 15 V. The current drawn from it depends largely on the number of LEDs that light; it is not more than 160 mA at 10 V and 110 mA at 15 V.

(M. Stehouwer 914076)

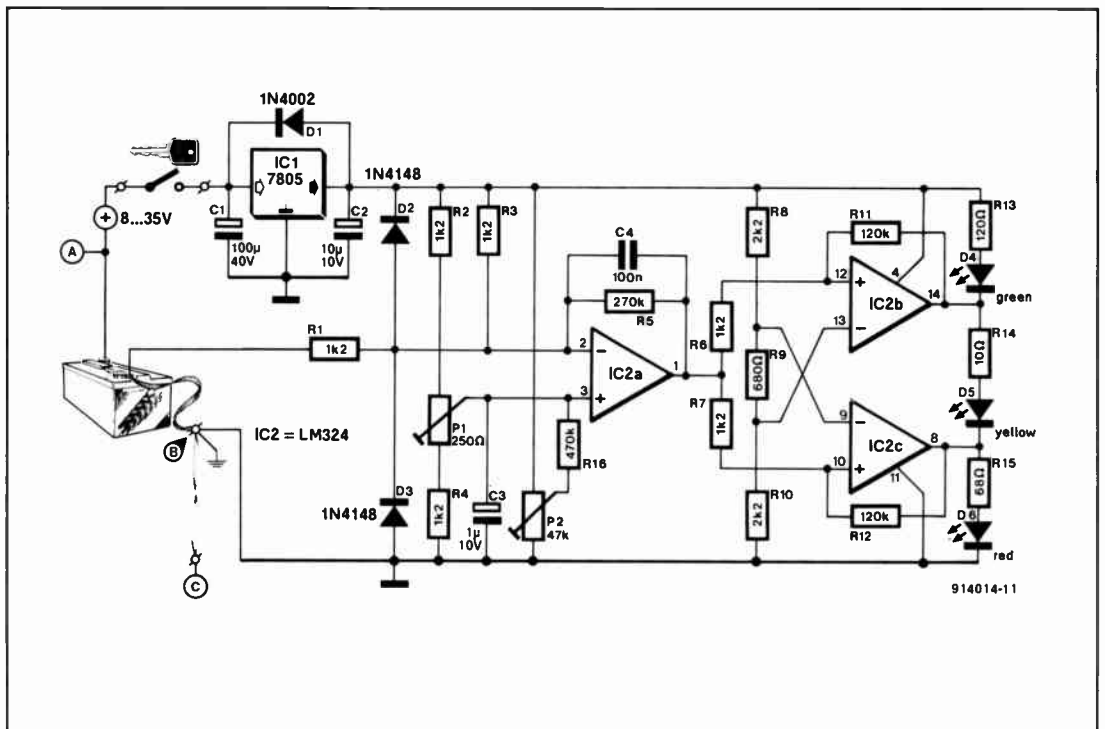


# CAR BATTERY MONITOR

THE charge-discharge-idle (C-D-I) monitor described here is suitable for all vehicles with a 12-V or 24-V battery of which the negative terminal is connected to the chassis (point B in the drawing)

The current drawn from the battery is measured by monitoring the voltage drop across the heavy cable between the negative terminal of the battery, and the chassis. Usually, this cable is extended to the engine (point C). The positive terminal is usually connected to two cables, a solid one to the starter motor (point A) and a thinner one to the ignition switch.

Two LEDs fitted in the car interior indicate whether the battery is charged or discharged with a significant current, providing a reassuring check on the generator function. A third LED is provided to indicate a



kind of neutral area in which the battery is only lightly charged or discharged.

The circuit is essentially a window comparator based on opamps. The voltage drop that exists across the chassis cable of the battery is fed to resistor  $R_1$ , which forms part of a measuring bridge consisting of  $R_1$ - $R_2$ - $R_3$ - $R_4$ - $P_1$ . The small voltage

unbalances the bridge, and is amplified 100 times by opamp  $IC_{2a}$  which is wired as a non-inverting amplifier. In practice, input voltages as small as +2.5 mV or -2.5 mV are detected reliably by the balanced bridge.

The output voltage of  $IC_{2a}$  controls a window comparator built around  $IC_{2b}$  and  $IC_{2c}$ . The LEDs at the opamp outputs in-

dicate whether the battery is charged ( $D_4$  lights), discharged ( $D_6$  lights), or is in a 'neutral' state ( $D_5$  lights).

The two positive feedback networks associated with  $IC_{2b}$  and  $IC_{2c}$  are decoupled at the output of  $IC_{2a}$  by  $R_6$  and  $R_7$  to ensure that the hysteresis of the window comparator does not affect the reference voltages supplied by  $R_8$ - $R_9$ - $R_{10}$ . If necessary,  $R_9$  may be made smaller to make

the 'idle' (neutral) range smaller.

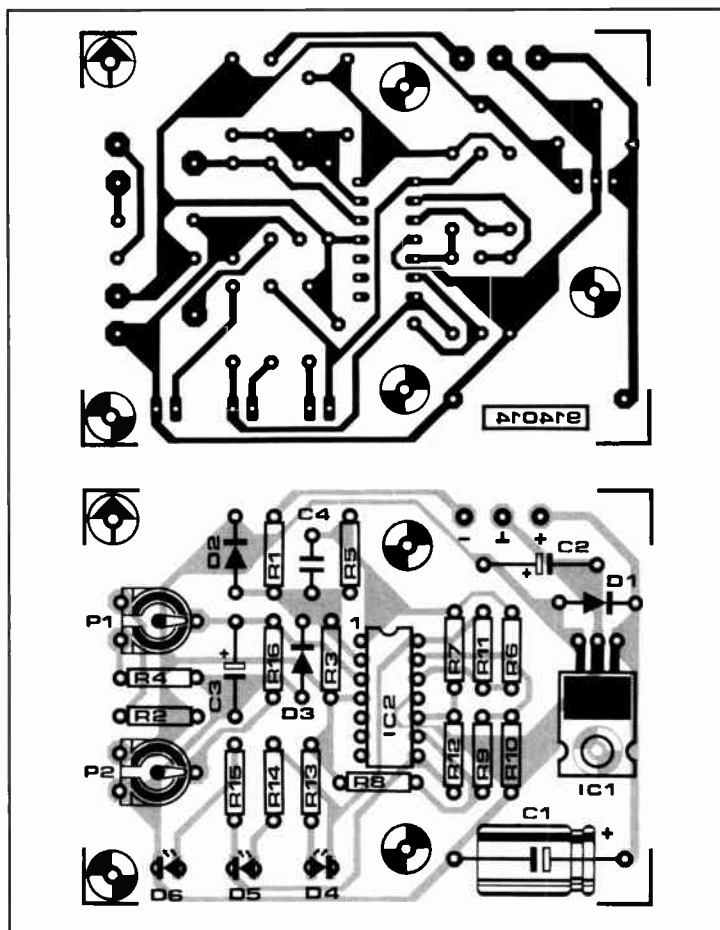
The fixed resistors in the bridge must be close tolerance types mounted such that they are in thermal contact with each other.

The circuit has an internal power supply based on the ubiquitous 7805 three-terminal voltage regulator. The regulator requires a heat-sink only when the circuit is installed in a vehicle with a battery voltage higher than 12 V.

Adjusting the circuit is straightforward. Start the engine and let it idle. Set preset  $P_2$  to mid-travel. Next, adjust  $P_1$  until the 'idle' LED,  $D_5$ , lights. Carefully readjust  $P_2$  until  $IC_{2a}$  supplies an output voltage of 2.5 V. Rev up and check that the 'charge' LED,  $D_4$ , lights.

With the component values shown here, the circuit will indicate a charge or discharge current greater than about 1.5 A, which corresponds to 18 W at a battery voltage of 12 V. Suggested colours for the LEDs are green for  $D_4$  (charge), red for  $D_6$  (discharge) and yellow for  $D_5$  (idle). Alternatively, the charge and discharge LEDs may be triangular types which can be fitted to point up and down respectively. The 'idle' LED is then a rectangular type fitted in between. Finally, the circuit draws about 30 mA when connected to a 12-V system.

(L. Rikard 914014)



## PARTS LIST

### Resistors:

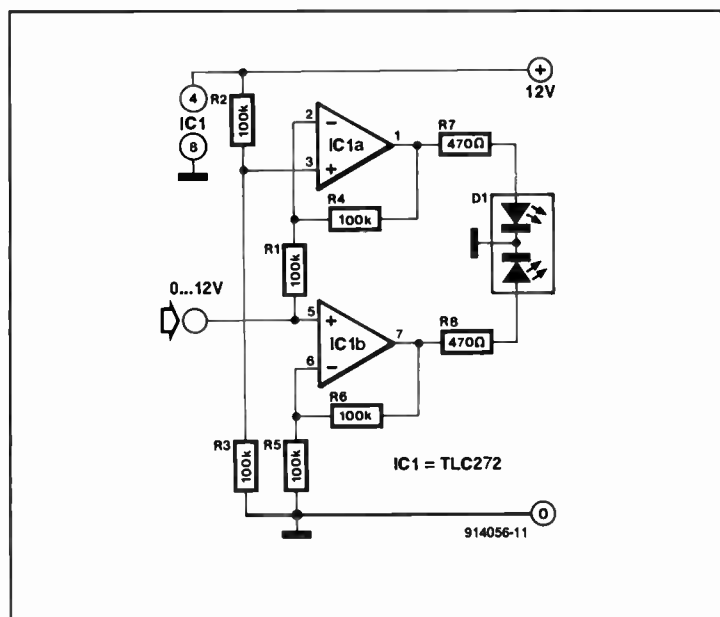
$R_1$ - $R_4$ ,  $R_6$ ,  $R_7$  = 1.2 k $\Omega$   
 $R_5$  = 270 k $\Omega$   
 $R_8$ ,  $R_{10}$  = 2.2 k $\Omega$   
 $R_9$  = 680  $\Omega$   
 $R_{11}$ ,  $R_{12}$  = 120 k $\Omega$   
 $R_{13}$  = 120  $\Omega$   
 $R_{14}$  = 10  $\Omega$   
 $R_{15}$  = 68  $\Omega$   
 $R_{16}$  = 470 k $\Omega$   
 $P_1$  = 250  $\Omega$  preset H  
 $P_2$  = 47 k $\Omega$  preset H

### Capacitors:

$C_1$  = 100  $\mu$ F, 40 V  
 $C_2$  = 10  $\mu$ F, 10 V  
 $C_3$  = 1  $\mu$ F, 10 V  
 $C_4$  = 100 nF

### Semiconductors:

$IC_1$  = 7805  
 $IC_2$  = LM324  
 $D_1$  = 1N4002  
 $D_2$ ,  $D_3$  = 1N4148  
 $D_4$  = LED, green  
 $D_5$  = LED, yellow  
 $D_6$  = LED, red



## VARIEGATED LED

WHEN the control voltage at the input of the circuit is varied from 0 V to +12 V, the LED will first light up green and then gradually, via orange and yellow, turn to red.

The two sections of the bi-colour (red and green) LED are driven separately: the green one by  $IC_{1a}$  via  $R_7$ , and the red one by  $IC_{1b}$  via  $R_8$ .

Opamp  $IC_{1b}$  has an amplification of  $\times 2$ , which results in the red LED lighting from input voltages of about 0.5 V. This section lights at maximum brightness when  $U_{in} > U_b/2$ .

Opamp  $IC_{1a}$  is an inverting amplifier with an amplification

of  $\times 2$ . Moreover, its non-inverting input is at a level of  $U_b/2$ . When the input voltage  $< U_b/2$ , its output is high. When the input rises above  $U_b/2$ , the green section of the LED will gradually become less bright until it goes out completely when  $U_{in} = U_b$ .

The supply voltage should not exceed 30 V: when it is higher than 12 V, the value of resistors  $R_7$  and  $R_8$  should be altered accordingly.

The current drawn by the circuit depends mainly on the LED: with a 34 mcd type and a supply voltage of 12 V, it is about 35 mA.

(R. Kühn 914056)

# MICROPROCESSOR SUPPLY REGULATOR

MOTOROLA's TCA5600 is a versatile supply chip for battery-operated microprocessors; its internal circuit diagram is given in Fig. 1.

Diodes  $D_1$  and  $D_2$  protect the circuit against reverse polarity of the supply voltage and voltage peaks respectively.

The 2.5 V reference is powered independently to enable it remaining switched on while the remainder of the circuit is on stand-by.

The d.c.-d.c. converter and presettable voltage regulator, A2, form one entity. The converter arranges for the input voltage of A2 to be of a level that ensures correct and stable operation of the regulator. The level depends on the level of the signals at INH1 and INH2 that control the regulator. Six modes are possible as shown in the table.

Potential  $V_{out2}$  is used, for instance, as the programming voltage for an (E)EPROM and is set with the aid of resistors

$R_4$  and  $R_5$ . Since the converter is on until the level at pin 9 reaches 33 V, it is possible, for example, prior to programming an (E)EPROM, to set the input potential to A2 to the required level in advance of the programming pulse, so that the switching from 5 V to the required level is not subject to any delays. This may also be seen from the timing diagram in Fig. 2.

The 5-V regulator is of conventional design. A differential amplifier, A1, compares the output level via a voltage divider with the reference; the difference drives an external power transistor, T1.

Current limiting is provided by a series resistor in the emitter circuit of the output transistor.

The output of the 5-V regulator is also applied to a Schmitt trigger that functions as an under-voltage detector. If the output drops below 5 V, the delay circuit is actuated to make the reset

### TRUTH TABLE

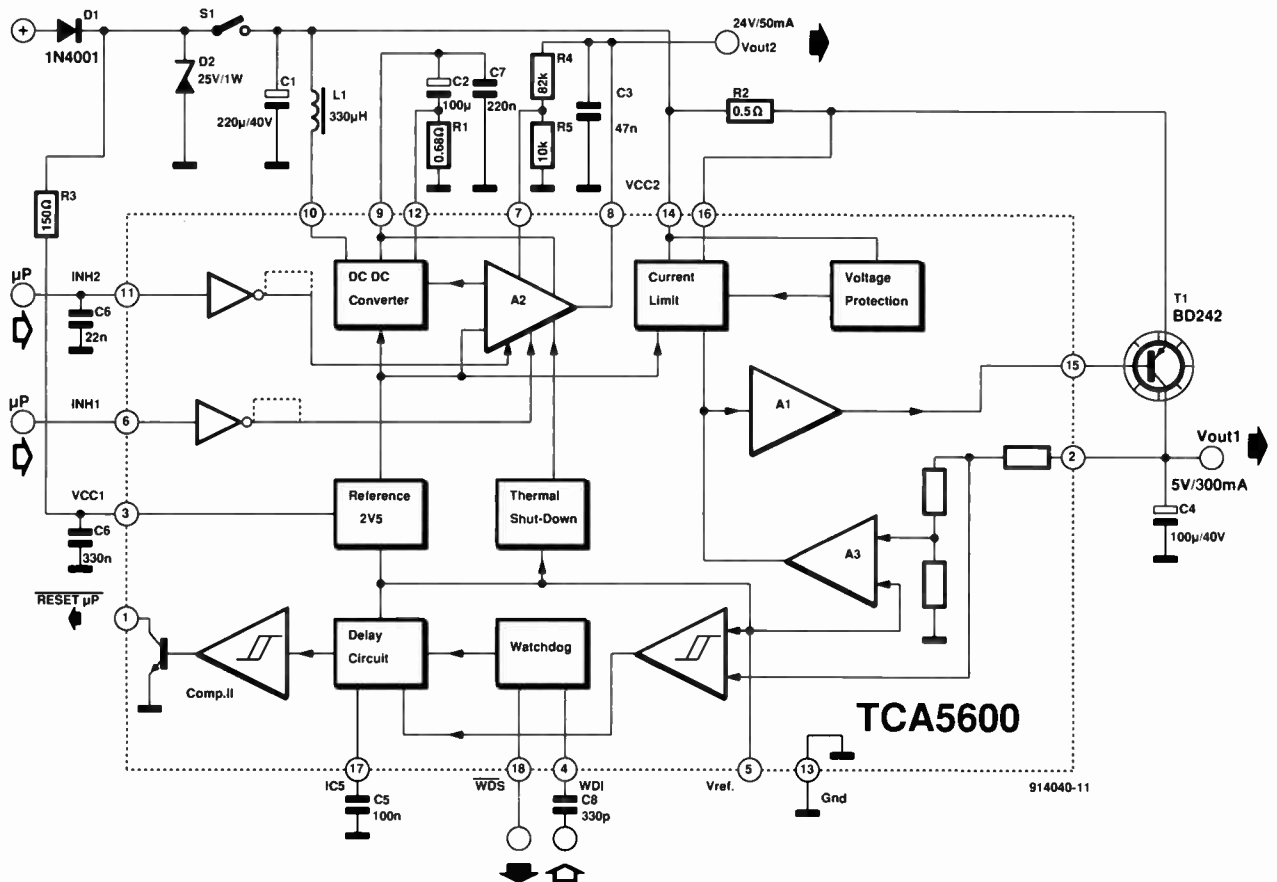
Mode	INH1	INH2	$V_{out2}$	d.c./d.c.
1	0	0	off	int
2	0	high Z	$V_{out2}$	on
3	0	1	$V_{out2}$	int
4	1	0	off	int
5	1	high Z	5.0 V	on
6	1	1	5.0 V	int

int: intermittent operation of the converter means that the converter operates only if  $V_{CC2} < V_{out2} + 2.5$  V.

on: the converter loads the storage capacitor to its full charge ( $V_g = 33$  V), allowing fast response time of the regulator  $V_{out2}$  when addressed by the control software.

off: high impedance (internal 10 k $\Omega$  resistor to ground).

1





output of the IC low. This is intended to prevent spurious operation of the microprocessor at too low a supply voltage. Such operation is also monitored by the watchdog. By programming the processor to emanate regu-

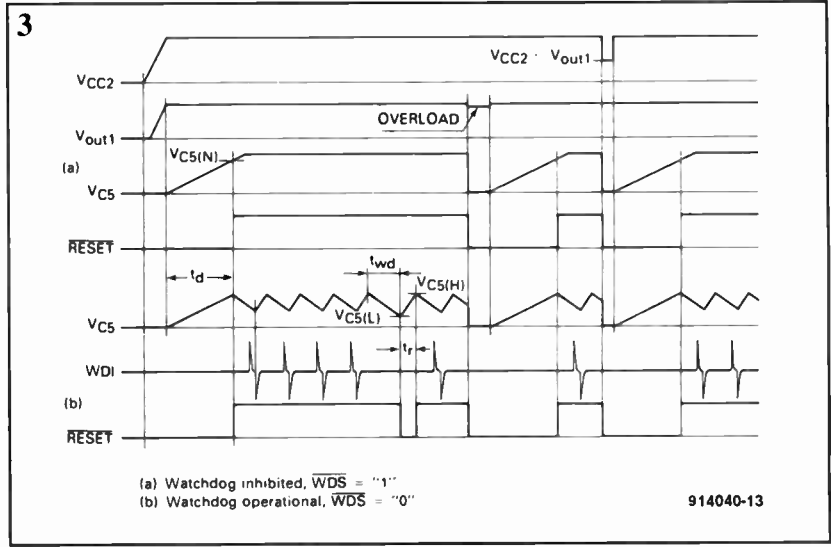
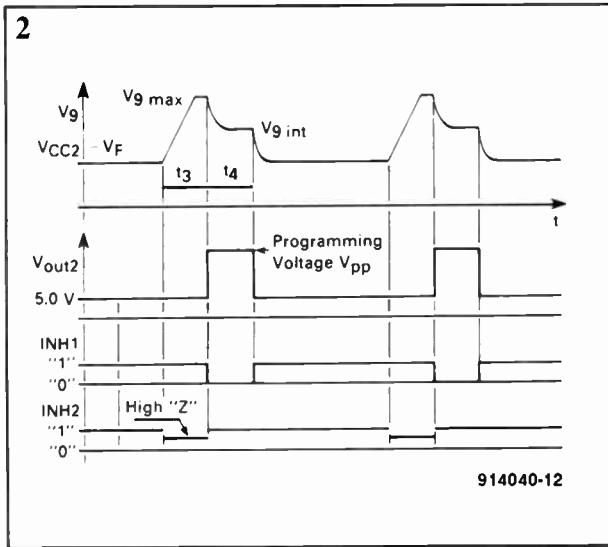
lar pulses and provide these to the WDI (watchdog inhibit) pin, the watchdog can monitor whether the program is running normally. As soon as a pulse is delayed, the watchdog actuates the delay circuit, which in

turn resets the processor. The watchdog function may be switched on and off via the logic level at pin 18 (WDS); if this level is low, the watchdog is enabled.

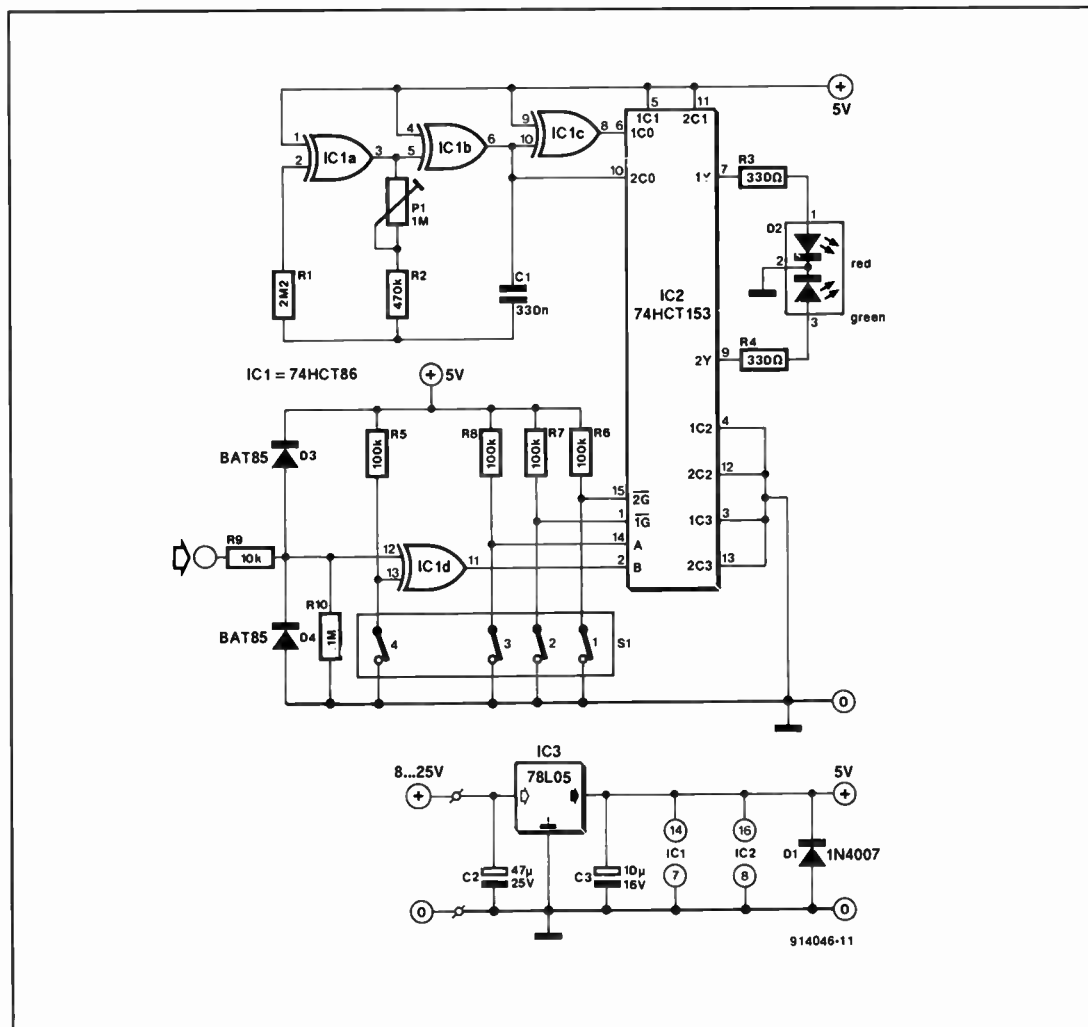
vides a power-on reset, so that the processor will always start at the correct point in the program at power-on.

(L. Lemon 914040)

The delay circuit also pro-



## PROGRAMMABLE LED INDICATOR



THE most popular current indicator in electronics is almost certainly the light-emitting diode (LED) which is available in a number of colours (red, green, blue, yellow, as well as dual colours) and variations (round, square, flashing). Unfortunately, these virtually indestructible devices are often abused: terminals cut too short, current too high, burnt by a soldering iron, and many others. Most of these abuses may be prevented by the circuit described here: it enables the LED indication to be adapted to the circuit you are working on (flashing or not flashing, red, green, and so on).

The heart of the indicator is dual-colour diode  $D_2$ . The manner in which this will light when the input of the indicator is actuated depends on the settings of  $S_1$ - $S_3$ . Switch  $S_1$ - $S_4$  enables the setting of a high or low level to which the input reacts. Components  $R_9$ ,  $D_3$  and  $D_4$  protect the input from damage should the input voltage become too high.

An oscillator formed by  $IC_{1a}$  and  $IC_{1b}$  provides a flash frequency that is set by  $P_1$ .

Depending on the setting of switches  $S_1$ - $3$ , the oscillator signal is applied in a certain manner to the dual-colour LED

via multiplexer  $IC_2$ . For convenience's sake, the positions of switches  $S_1$ - $3$  and the consequent actions of the LED are

summarized in Table 1 and those of  $S_1$ - $4$  and the status of the LED in Table 2.

The indicator needs a supply

of 8-25 V. The current drawn from a supply of 25 V in normal operation is 30 mA.

(J. Ruffell 914046)

$S_1$ -1	$S_1$ -2	$S_1$ -3	LED action
on	on	on	flashing red/green
on	on	off	red/green
on	off	on	flashing green
on	off	off	green
off	on	on	flashing red
off	on	off	red
off	off	on	off
off	off	off	off

$S_1$ -4	CTRL input	LED status
off	L	disable
off	H	enable
on	L	enable
on	H	disable

## TRIGGERED SAWTOOTH GENERATOR

THE sawtooth generator shown in the diagram may be used with an oscilloscope. It is linear, retriggerable, and is enabled automatically in the

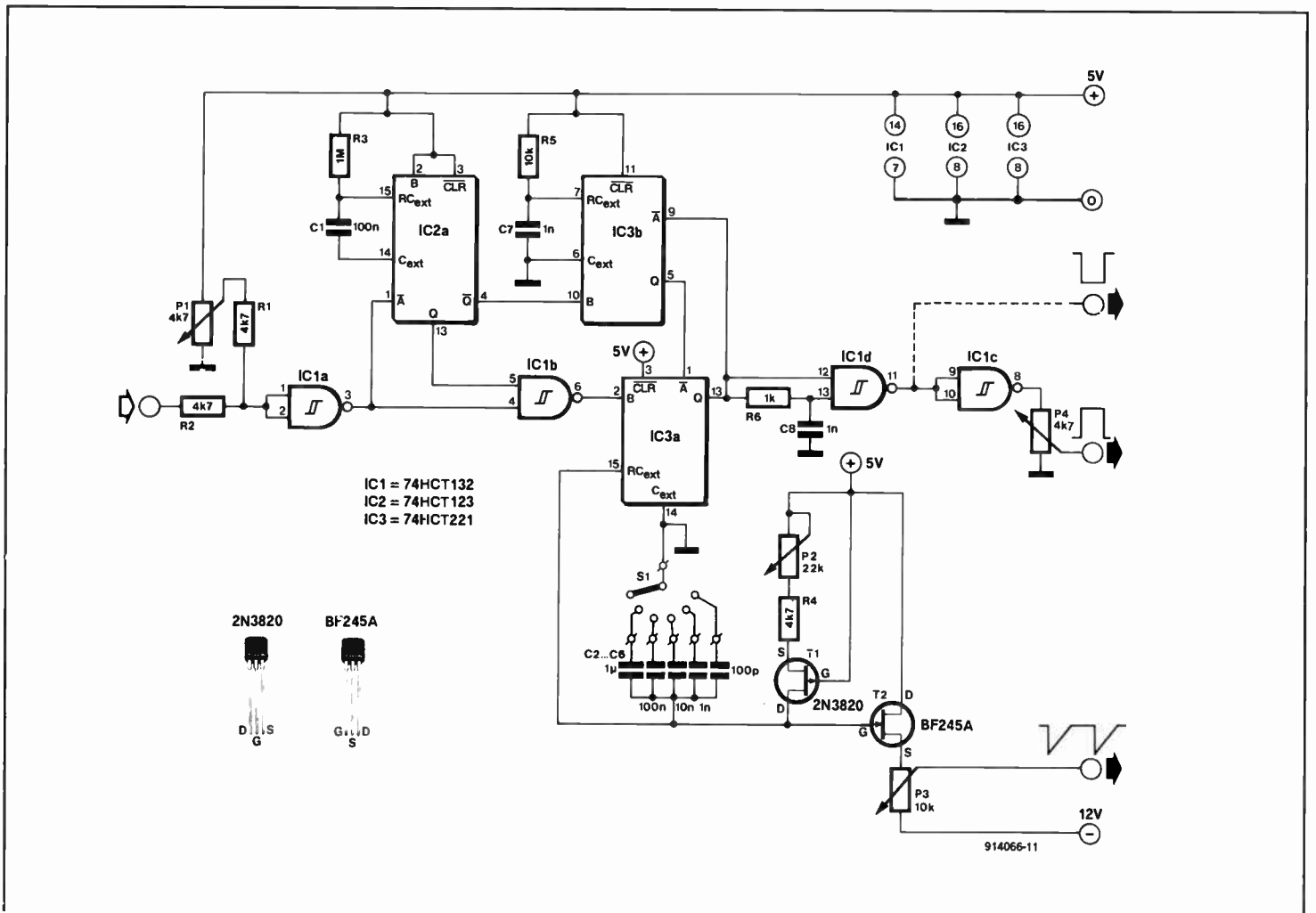
absence of a trigger signal.

When a positive pulse is applied to its input B, monostable  $IC_{3a}$  generates a sawtooth, which, owing to the 'standard' RC net-

work, is not linear. If, however, the resistor in that network is replaced by a current source, here  $T_1$ ,  $R_4$ ,  $P_2$ , linearity returns. The period of the sawtooth depends

on the settings of  $S_1$  and  $P_2$ .

The sawtooth signal is buffered by  $T_2$  to prevent its quality being affected adversely. The voltage level at the gate of  $T_2$  is 0-3.5 V,



that at the source is slightly lower.

The rectangular signal at the Q output of IC<sub>3a</sub> is used to suppress the electron beam during the flyback.

The trigger signal is provided by Schmitt trigger IC<sub>1a</sub>, which has the small drawback that the input signal must be at least 1 V r.m.s. Preset P<sub>1</sub> provides compensation for the d.c. level at the input. Some experimentation with the values of R<sub>1</sub> and R<sub>2</sub> is advisable since these resistors determine the operating range of P<sub>1</sub>.

As long as trigger signals are input, IC<sub>3a</sub> generates sawtooth

signals. Since IC<sub>2a</sub> receives the same trigger signals, it is enabled continuously. There is, however, a fundamental difference between the two circuits: the 74HCT123 is retriggerable, whereas the 74HCT221 is not; it is enabled only after the current period has been processed; all intermediate trigger pulses are ignored.

In practice, the Q output of IC<sub>2a</sub> is high as long as trigger pulses are input. When these pulses cease, the Q output goes low, which results in IC<sub>3b</sub> being started via the Q output. After its mono time has elapsed, IC<sub>3b</sub>

enables IC<sub>3a</sub> and this in its turn reactuates IC<sub>3b</sub>, so that, even in the absence of input trigger signals, the sawtooth generator continues to operate.

The flyback is suppressed by IC<sub>3a</sub>; network R<sub>6</sub>-C<sub>8</sub> provides a slight delay to ensure that the beam is suppressed at the right moment. Since these components have a fixed value, it may happen at very low frequencies that small portions of the sawtooth are not suppressed. This may be obviated by switching capacitors of different values in the C<sub>8</sub> position via a second wafer on S1.

The range of the generator may be refined by adding capacitors in the time base whose ratio is 1:2:5; the capacitors in the diagram, C<sub>2</sub>-C<sub>6</sub>, have a ratio of 1:10. With values as shown, the period of the sawtooth in the upper position of the switch can be set between 1 μs and 6 μs; periods below 1 μs can not be obtained.

The circuit as shown draws a current of about 7.5 mA from the 5-V supply. The negative supply is not critical and may be between 5 V and 12 V.

(G.J. Knopper 914066)

## UNIVERSAL TEST PROBE

THE COMPACT test probe is made from five transis-

tors, three LEDs, a zener diode, and three resistors. It enables

rapid 'measurement' of voltage levels at digital gates, fuses, diodes, batteries, and others. Of course, it does not provide absolute values, but rather a good indication of correct operation or otherwise.

Measurements are carried out with pins A and B. If the potential difference between A (the reference pin) and B is 1.9-2.0V, D<sub>2</sub> will light. If the voltage at B is ≤1.4 V higher than that at A, D<sub>3</sub> will light. Finally, if the potential at B is ≥11 V with respect to that at A, D<sub>1</sub> will light.

Transistor T<sub>5</sub> is used as a zener diode, which keeps the total current drawn down (since tran-

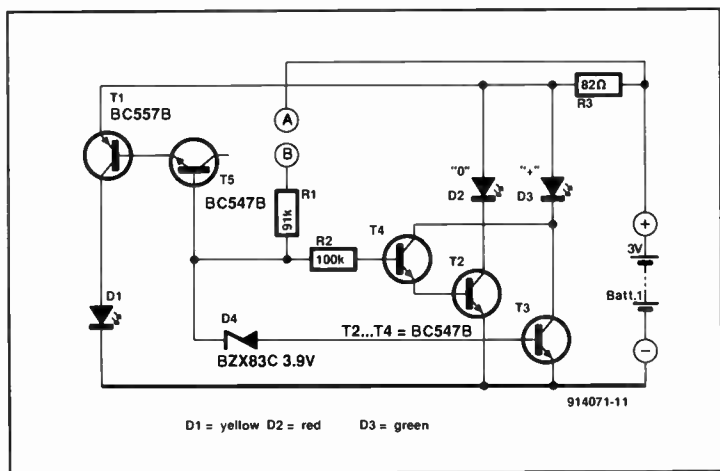
sistors 'break down' in a stable manner at a lower current than zener diodes).

The probe allows measurement of alternating voltage.

The maximum input voltage is highly dependent on the dissipation allowed in R<sub>1</sub>. For example, when this resistor is a 0.5 W type, the input voltage may be as high as 200 V r.m.s.

The current drawn by the circuit depends on the number of lighting LEDs: it is not more than 10 mA at a supply voltage of 3 V. In quiescent operation, the current is so low (about 5 μA) that an on/off switch is not necessary.

(T. Giffard 914071)



D1 = yellow D2 = red D3 = green

914071-11

## SLAVE FLASH TRIGGER

THE circuit in the diagram is intended for synchronous, wireless triggering of one or more slave flash units when the mother flash is triggered, so as to obtain better lighting of the photographic object.

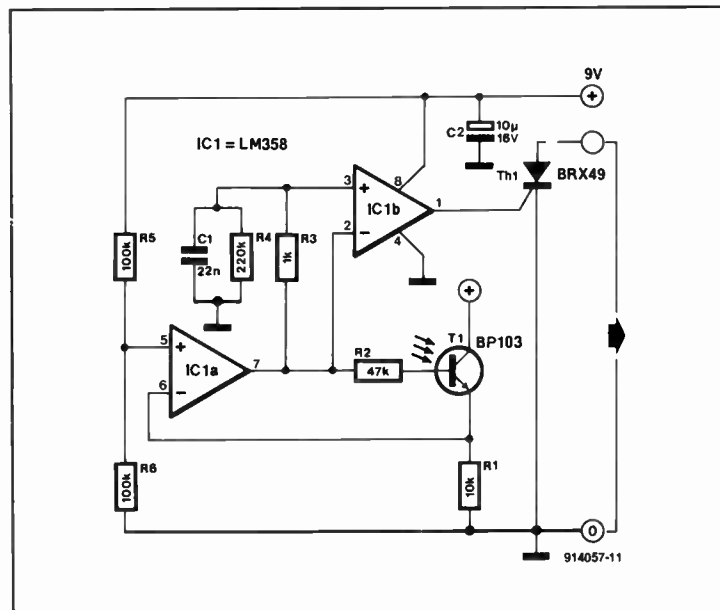
Phototransistor T<sub>1</sub> is switched on upon the receipt of the light of the mother flash unit. The potential at the inverting input of comparator IC<sub>1a</sub> rises, the comparator toggles and for a brief instant, determined by the value of C<sub>1</sub>, the voltage level at the inverting input of IC<sub>1b</sub> is lower than that at the non-inverting input. This causes IC<sub>1b</sub> to toggle momentarily, which

results in the thyristor being triggered and the flash contacts to be closed.

The circuit may be used in dark as well as in brightly lit places. The operating range depends on the mother flash and will normally be 5-15 m (15-50 ft). The sensitivity depends primarily on the base resistance of the phototransistor and this may be modified according to circumstances. Any tendency to instability may be cured by shunting R<sub>2</sub> with a 100 pF capacitor.

Power is supplied by a 9-V (PP3) battery.

(H. Döpfner 914057)



914057-11

# BINARY LOGARITHMIC LADDER NETWORK

THE network provides an attenuation between 0 dB and 78.75 dB that is presettable in 64 steps with the aid of a 6-bit code.

Six independent, relay switched attenuator sections may be connected in series in accordance with the input code. Since the sections have identical 1 k $\Omega$  impedances, they do not affect each other and can, therefore, be interchanged with-

out any problem. The only requirement is that the network is terminated correctly, here by R<sub>20</sub>. The fairly low characteristic resistance of 1 k $\Omega$  was chosen to keep the noise generated by the attenuator low.

Buffering of the attenuator is effected by a Type NE5532, an IC that operates effortlessly with a 1 k input impedance.

The use of relays in the various sections ensures that there

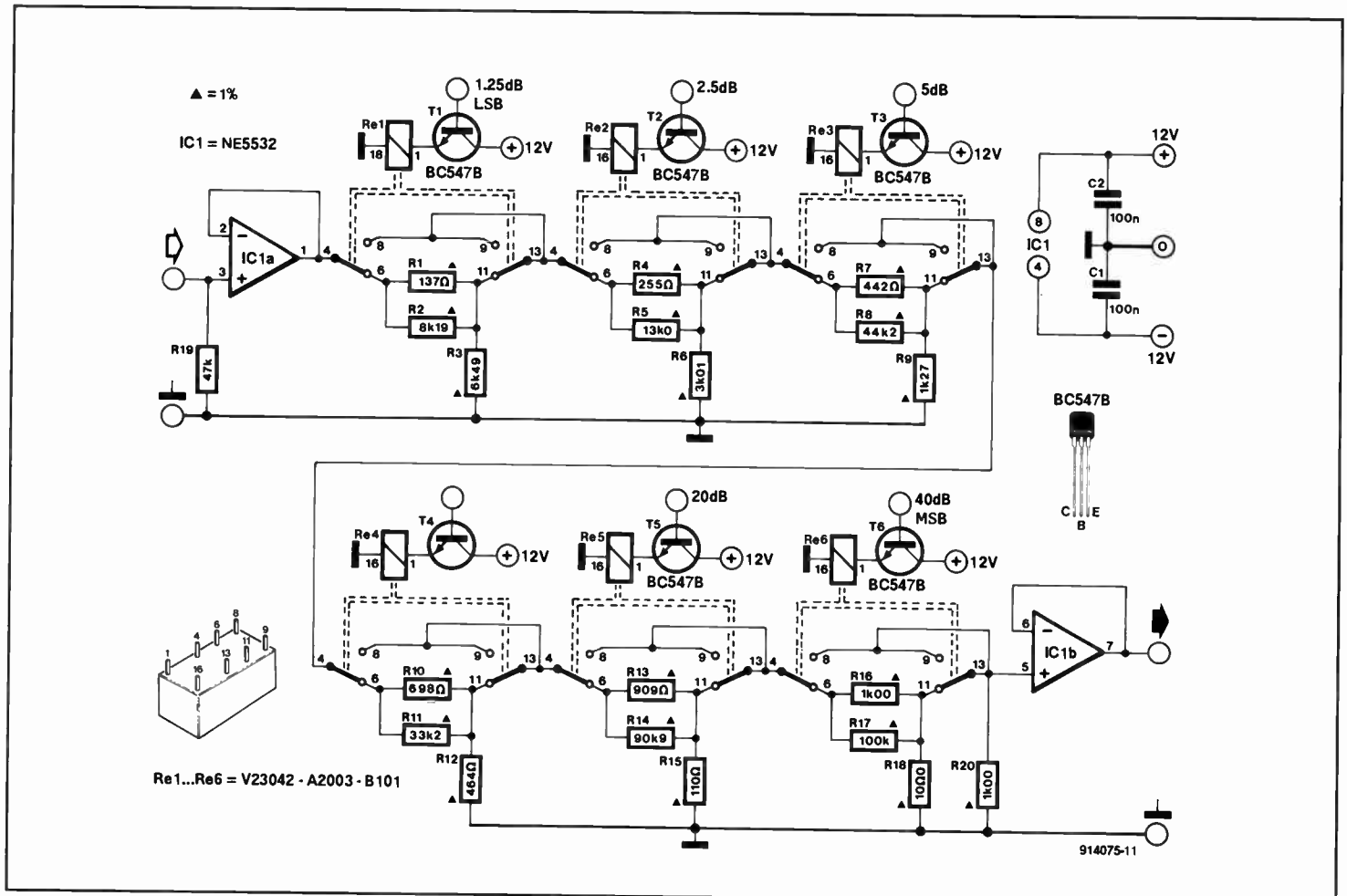
are no linearity problems with switching elements. Furthermore, relays make it possible for the control circuits and the attenuator to be electrically isolated.

The relays are driven by a transistor, so that the control inputs require relatively little energy: even a simple logic circuit (TTL or CMOS) can switch the relays in this manner.

The signal-to-noise ratio of the attenuator, with component

values as shown in the diagram, is 92 dB (A-weighted even 107 dB), provided the input signal is not smaller than 1 V r.m.s. The maximum input voltage is 7 V r.m.s. Total harmonic distortion at frequencies up to 20 kHz is not greater than 0.003%. The current drawn by the circuit depends primarily on the relays: in the prototype it was about 120 mA.

(T. Giffard 914075)



# UNIVERSAL TIMER

THE timer is intended to actuate an apparatus for a predetermined period of time, for instance, an ultra-violet exposure unit or a photographic enlarger. Periods may be set between 0.1 s and 999.9 s.

The periods are set with the aid of thumb wheel switches and stored in four Type 74HCT190 counters, IC<sub>4</sub>-IC<sub>7</sub>. Setting is facilitated by the set times being

displayed instantly on the LED display. After the start button has been pressed, the inputs of the counters are disabled and the count down starts. At the same time, relay Re<sub>1</sub> is energized.

In quiescent operation, the contacts of K<sub>2</sub> are linked to those of K<sub>1</sub>. Since K<sub>1</sub> is connected to the mains, the load connected across K<sub>2</sub> is supplied with mains

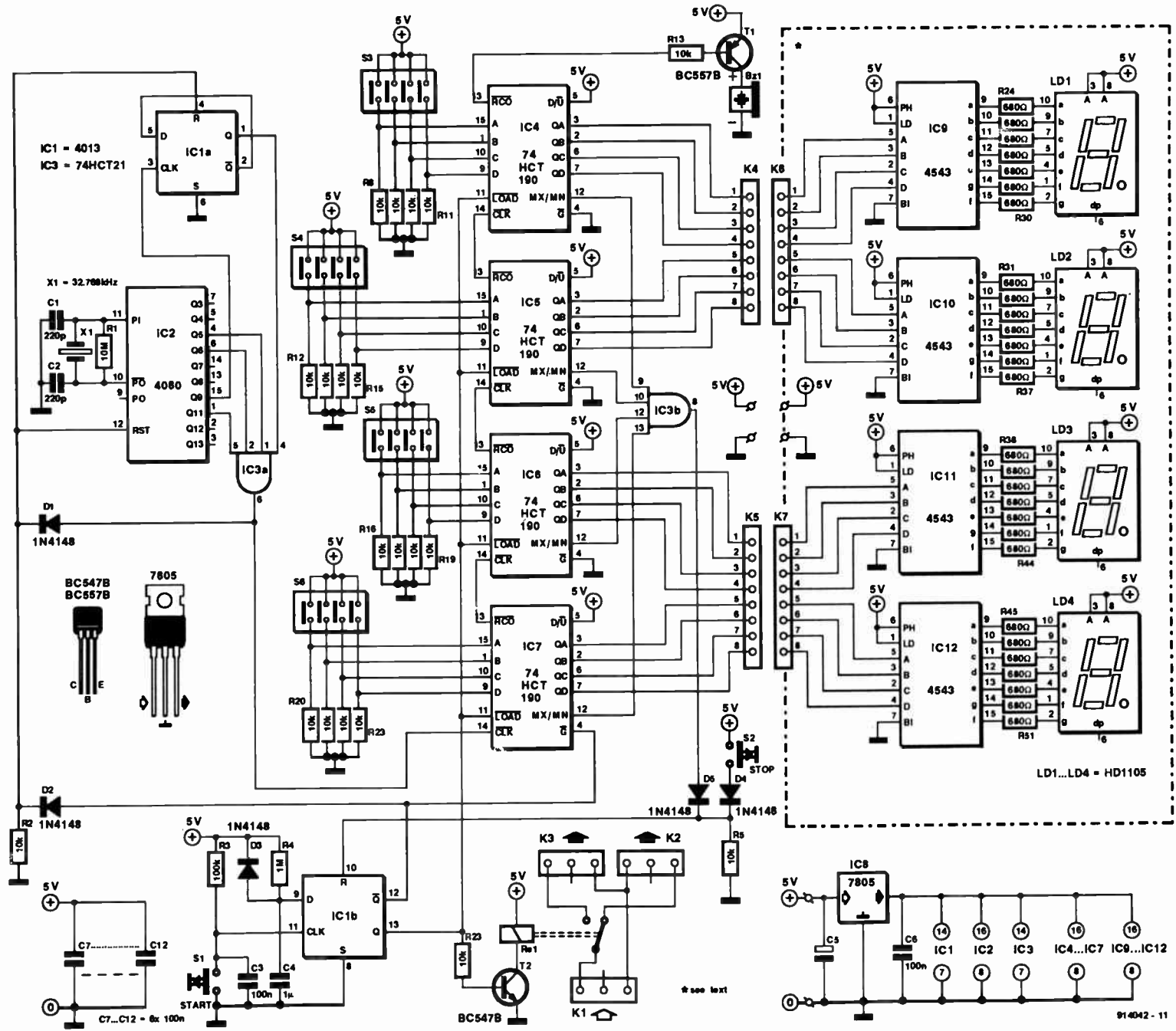
voltage; there is no voltage supplied to the load connected across K<sub>3</sub>. When Re<sub>1</sub> is energized, that is, during the switch-on period, the mains voltage is switched from K<sub>2</sub> to K<sub>3</sub>. At the end of the switch-on period, a buzzer in the collector circuit of T<sub>1</sub> sounds. In an emergency, the switch-on period may be prematurely terminated with the aid of the stop button.

When the switch-on period is over, oscillator IC<sub>2</sub> is disabled and the relay is de-energized. The preset period is then shown on the LED display again.

Power for the clock may be provided by a simple 300 mA mains adapter combined with a Type 7805 regulator.

(A. Rigby 914042)





## 50 HZ BAND-STOP FILTER

MOTOROLA's Type TLC2201 low-noise precision opamp is probably not the best-known amplifier made in LinCMOS technology, but it is certainly a very interesting and useful device. Apart from a noise figure of  $18 \text{ nV } \sqrt{\text{Hz}}^{-1}$ , which is low for opamps, the chip also has very good d.c. characteristics. The JFET inputs have an offset of only  $100 \text{ } \mu\text{V}$ , while the temperature coefficient is  $0.5 \text{ } \mu\text{V } \text{K}^{-1}$ . Until not so long ago, such specifications were possible only in amplifiers with bipolar inputs.

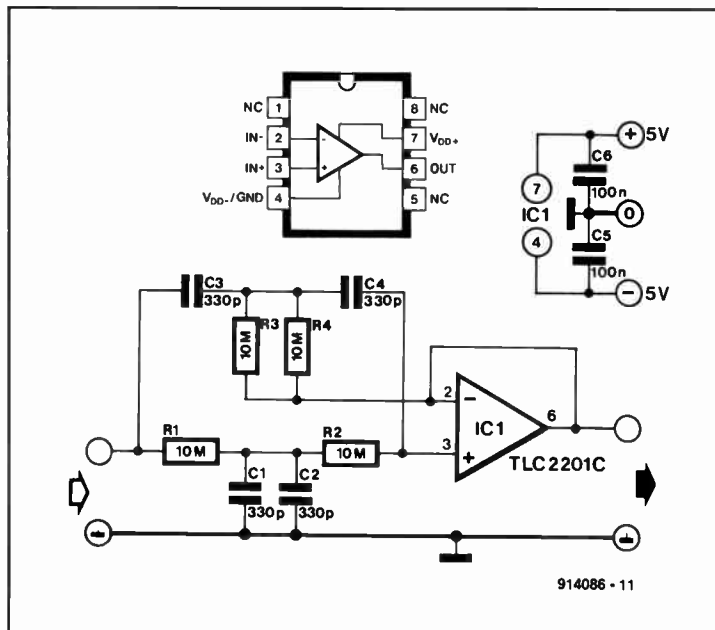
The combination of low noise, good static characteristics and a common-mode range that extends to the negative supply voltage, make the TLC2201 very

suitable for applications where signal conditioning with a high source impedance is a prime requirement.

An example of this is the 50 Hz band-stop filter shown in the diagram, which provides an attenuation of some 40 dB. Because of the high input impedance, the filter can use relatively small capacitances and large resistances. Owing to its excellent d.c. properties, the circuit is also suitable as a buffer for d.c. or low-frequency signals.

The circuit requires a  $\pm 5 \text{ V}$  supply, from which it draws about 1.5 mA.

(J. Ruffell 914086)



## FIELD STRENGTH METER

THE UNIT discussed here indicates, by means of a chain of LEDs, in logarithmic ratios the strength of an electric field

surrounding the unit. The input signal across the conducting discs is applied to the non-inverting input of IC<sub>1</sub>. The amplification

of IC<sub>1</sub>,  $A=R_4/P_1$ . In the prototype,  $P_1$  was set at about  $210 \text{ k}\Omega$  to give an amplification of about  $\times 50$ .

Opamp IC<sub>2</sub> functions as a rectifier: during the negative halves of the input signal, its output goes high and D<sub>1</sub> conducts.

### PARTS LIST

#### Resistors:

R1, R2 = 470 k $\Omega$   
 R3 = 22 M $\Omega$   
 R4 = 10 M $\Omega$   
 R5, R6, R10 = 100 k $\Omega$   
 R7 = 150 k $\Omega$   
 R8, R9 = 1 k $\Omega$   
 P1 = 470 k $\Omega$  (or 500 k $\Omega$ ) multi-turn preset

#### Capacitors:

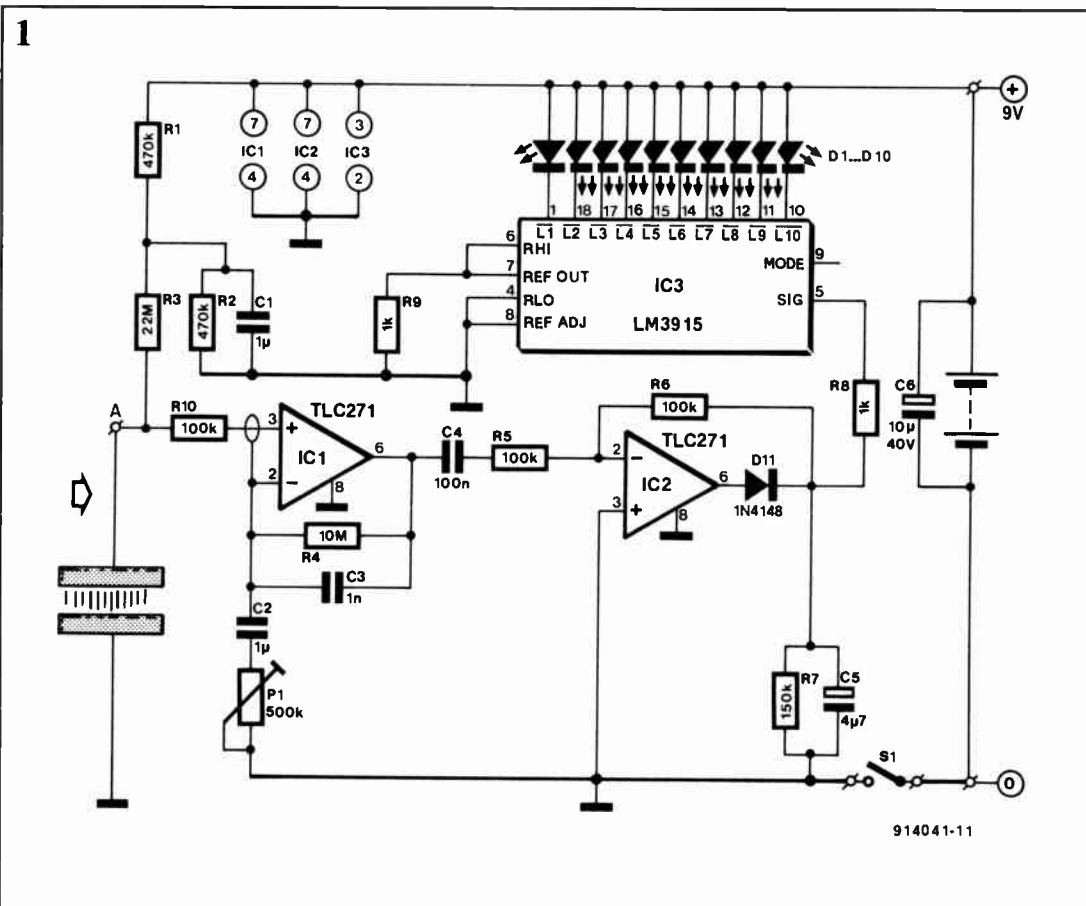
C1, C2 = 1  $\mu\text{F}$   
 C3 = 1 nF ceramic  
 C4 = 100 nF  
 C5 = 4.7  $\mu\text{F}$ , 25 V, radial  
 C6 = 10  $\mu\text{F}$ , 40 V, radial

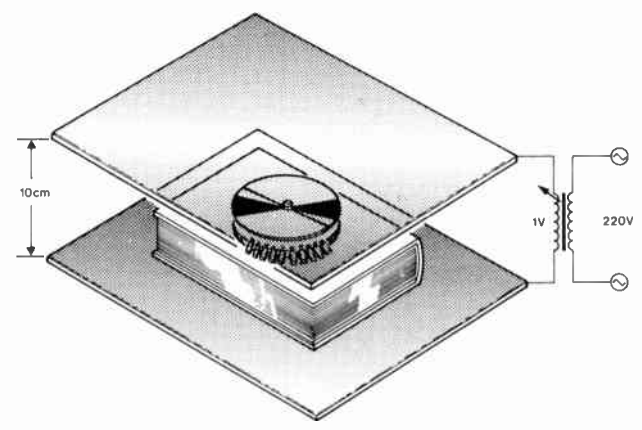
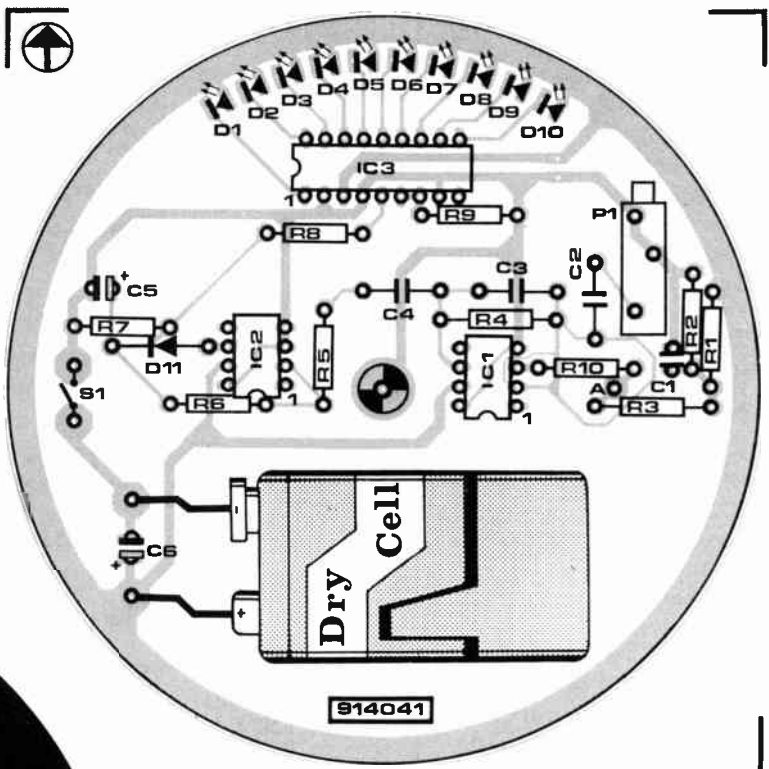
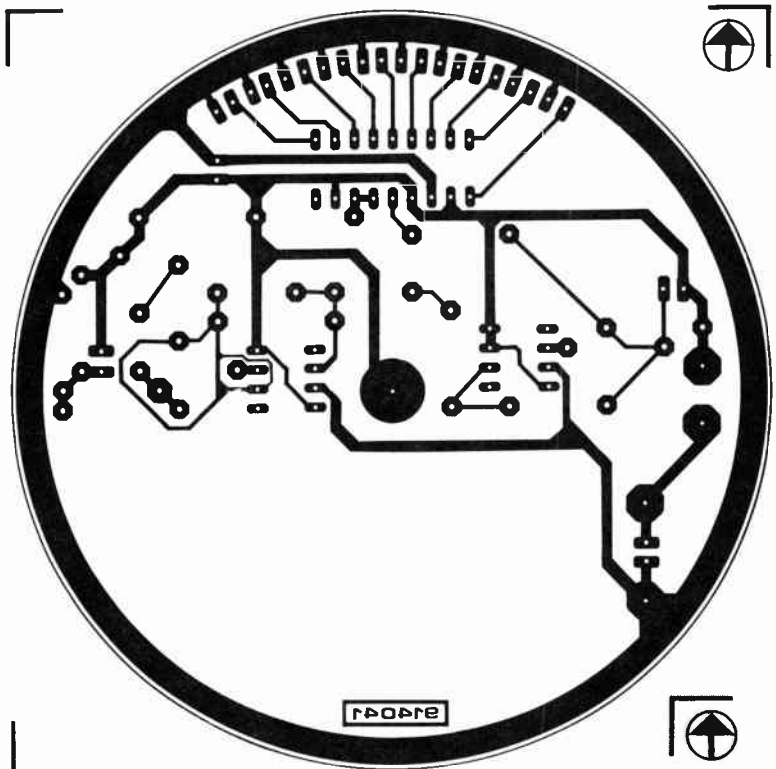
#### Semiconductors:

D1 = 1N4148  
 D2-D4 = LED, 3 mm, green  
 D5 = LED, 3 mm, yellow  
 D6-D10 = LED, 3 mm, red  
 IC1, IC2 = TLC271  
 IC3 = LM3915

#### Miscellaneous:

S1 = SPST switch  
 9 V battery





During the positive halves, the signal is applied direct to the output via  $R_5$  and  $R_6$ . Diode  $D_1$  is then reverse biased and  $IC_2$  does not function.

The level of the output voltage across  $C_5$  is monitored by diode chain  $D_1$ – $D_{10}$  via  $IC_3$ . The

capacitor is discharged slowly via  $R_7$  when the signal ceases.

The conducting discs are formed by two round, double-sided PCBs as shown in Fig. 2. The components are mounted at the track side of one of the boards. Carefully bend the ter-

minals of the components about 2 mm from their ends to make better contact and strengthen the solder joints. Note that  $C_6$ ,  $S_1$  and the LEDs must be fitted lying down, all the others upright.

The two boards are fixed to-

gether with the aid of non-metallic screws and 20 mm spacers.

The indicator is calibrated by turning  $P_1$  until the LED associated with a field strength of  $10 \text{ V m}^{-1}$  just lights.

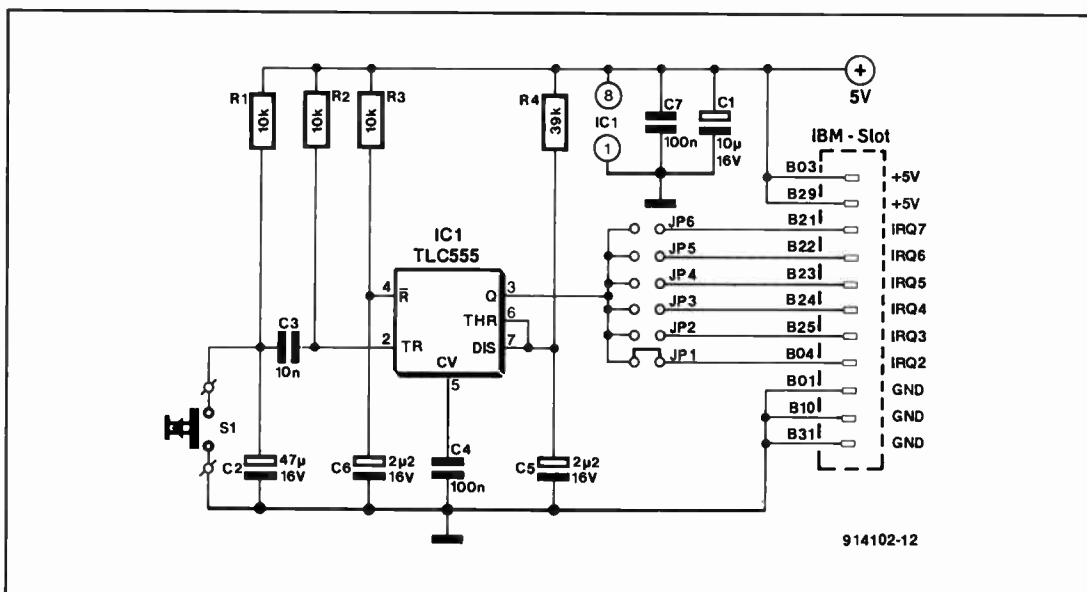
(Dipl. Ing. H. Moser 914041)

## PC INTERRUPT HANDLER

THE program and the circuit presented here are an introduction into practical interrupt handling in IBM PCs and compatibles, a subject fraught with pitfalls to the average PC user. The program (shown in the listing) is a memory-resident utility that monitors one of the PC's interrupt request lines, IRQ2 through IRQ7. It produces a short beep on the PC's loudspeaker when a request occurs. Interrupt requests may originate from insertion cards, and serve to inform the PC that a particular event has occurred that requires the action of a servicing routine, which interrupts the currently running program. Interrupts may be used to signal the activity of, for example, a telephone ringing circuit, a temperature monitor, a voltage level monitor, or a watchdog. To help you understand the use and basic operation of interrupts, a simple circuit is given that generates an interrupt when a push-button is pressed. Taking good care to avoid conflicts with cards already installed in the PC, set the push-button interrupt line with the aid of a jumper, JP<sub>1</sub> through JP<sub>6</sub>. In the program, this interrupt line should be defined accordingly by assigning the correct value to the constant 'IRQ' (see the listing).

When the push-button is pressed the TLC555 supplies a 100-ms long interrupt request pulse, which is transferred to the 8259 interrupt controller in the PC via an extension bus slot. Components  $R_1$  and  $C_2$  form a switch debouncing network. The circuit is readily built on the prototyping board for computer extensions described in Ref. 1.

At the end of the listing are two comment lines that serve to prevent the uninstall routine being called. If you intend to make changes to the program, we recommend that you do not attempt to make it resident straight



```

PROCEDURE UNINSTALL_INTERRUPTHANDLER;
(*****)

(* Restore original mask and vector *)

BEGIN
  PORT[Controller+1]:=OriginalMask;
  CLI;
  SETINTVEC(IntNumber,OriginalVector);
  STI;
END;

BEGIN (* MAIN *)
  CASE IRQ OF
    0: IntNumber:= $08; (* SYSTEM CLOCK TICK *)
    1: IntNumber:= $09; (* KEYBOARD INTERRUPT *)
    2: IntNumber:= $0A; (* RESERVED *)
    3: IntNumber:= $0B; (* SECOND SERIAL PORT COM2 *)
    4: IntNumber:= $0C; (* FIRST SERIAL PORT COM1 *)
    5: IntNumber:= $0D; (* HARDDISK INTERRUPT *)
    6: IntNumber:= $0E; (* FLOPPYDISK INTERRUPT *)
    7: IntNumber:= $0F; (* PRINTER INTERRUPT *)
  END;
  End Of Int:=SpecificEOI+IRQ;
  INSTALL_INTERRUPTHANDLER;

  { REPEAT UNTIL KEYPRESSED;
    UNINSTALL_INTERRUPTHANDLER; }

  KEEP (0);
END. (* MAIN *)

```

914102-11



```

PROGRAM PcAlarm;
(*****)

(* Elektor V1.0/JR *)

{$M 2000,0,0}

{$R-,S-,I-,F-,O-,A-,V+,B-,N-,E+,D-,L-}

USES CRT,DOS;

CONST IRQ=3;          (* Select hardware interrupt (0...7) *)
      Controller=$20; (* Base address of 8259 interrupt controller *)
      SpecificEOI=$60;

VAR End_Of_Int       :BYTE; (* End Of Interrupt command 8259 *)
    OriginalVector   :POINTER;
    OriginalMask     :BYTE;
    IntNumber        :$08..$0F;

PROCEDURE STI;
(*****)

(* Set processor interrupt enable flag *)

BEGIN;
  INLINE($FB);
END;

PROCEDURE CLI;
(*****)

(* Clear processor interrupt enable flag *)

BEGIN
  INLINE($FA);
END;

{$F+}
PROCEDURE INTERRUPTHANDLER; INTERRUPT;
(*****)

BEGIN
  SOUND(800); DELAY(200); SOUND(1200); DELAY(300); NOSOUND;
  PORT[Controller]:=End_Of_Int;
END;
{$F-}

PROCEDURE INSTALL_INTERRUPTHANDLER;
(*****)

VAR EnablePattern: BYTE;

BEGIN
  (* Save original vector *)
  GETINTVEC(IntNumber,OriginalVector);

  (* Install new vector *)
  CLI;
  SETINTVEC(IntNumber,@INTERRUPTHANDLER);
  STI;

  (* SAVE ORIGINAL MASK *)
  OriginalMask:=PORT[Controller+1];

  (* Enable IRQ *)
  EnablePattern:=$01;
  EnablePattern:=EnablePattern SHL IRQ;
  EnablePattern:=NOT(EnablePattern);
  PORT[Controller+1]:=(OriginalMask AND EnablePattern);
END;

```

away since the utility can then be removed from memory only by rebooting the computer. Therefore place the KEEP instruction in between braces, and

temporarily add REPEAT UNTIL KEYPRESSED and UNINSTALL INTERRUPTHANDLER. This will save you a lot of time and trouble debugging your own

application.

(J. Ruffell 914102)

Reference:

1. Prototyping board for computer extensions". *Elektor Electronics* July/August 1988, supplement p. 4.

## SUPER VOLTAGE REGULATOR

A VOLTAGE regulator with properties like low voltage drop, 1 A current, protected against reversal and voltage peaks up to 60 V, inexpensive, and simple to design in, is indeed a super device. It concerns here National Semiconductor's LM2941C, which is an integrated device with five pins. Three pins are for the usual connections; the fourth (GND) is required for the low voltage drop; and the fifth provides an additional on-off switching function.

In the diagram,  $C_1$  is required only if the distance to the smoothing capacitor is fairly long. Its value needs to be somewhat larger than is usual with 78xx regulators. This is also the case with  $C_2$ . It is advisable to place that capacitor as close to the regulator as possible.

Although it is normal for the quiescent current through low-drop regulators to be rather larger than required by traditional regulators, the LM2941C needs this only at voltage differences of be-

tween 0.5 V and 5 V.

The output of the circuit shown is designed to be set between 5 V and 20 V. Since the internal reference voltage is 1.275 V, it should in practice be possible to set it below 5 V. Note, however, that the makers do not guarantee satisfactory operation at such low levels.

The value of resistor  $R_1$  must not be smaller than 1 k $\Omega$ . The value of  $R_2$  may be calculated

from

$$R_2 = R_1(U_{out}/1.2751-1) \Omega$$

where  $U_{out}$  is the required output voltage.

Although many three-pin regulators require an electrolytic capacitor at the ADJ output to improve stability, that is not permitted with the LM2941C: in fact, it might lead to oscillations.

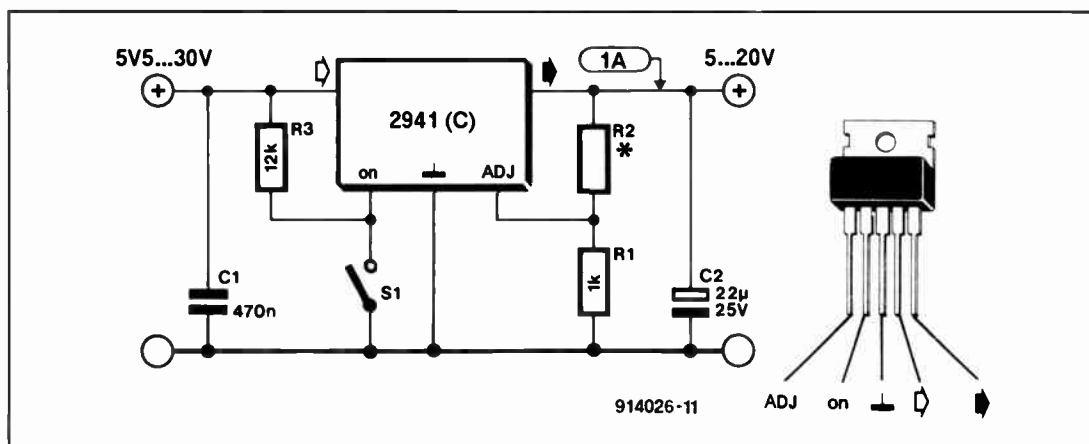
A voltage difference of only 0.5 V is sufficient for an out-

put current of 1 A. This difference may be even smaller if the current is smaller.

The input must be actuated by a positive voltage and then requires a current of about 300  $\mu$ A.

Since the IC toggles with a control voltage as low as 2 V, it may be switched with either CMOS or TTL logic.

(NS application 914026)



## MOMENTARY ACTION PUSH BUTTON

THE circuit described here is a kind of remote control for all sorts of equipment that must be started or switched on with the aid of a trigger pulse. The author actuates it with a flash of the headlights to switch on the garage lights

When light falls on to the six series-connected solar cells,  $T_1$  is switched on, which results in  $T_2$  being switched off. Capacitor  $C_2$  is then charged.

When the light is removed from the solar cells,  $T_1$  is switched off and  $T_2$  is switched on. Capacitor  $C_2$  will then be discharged through the LED of the electronic relay, which is con-

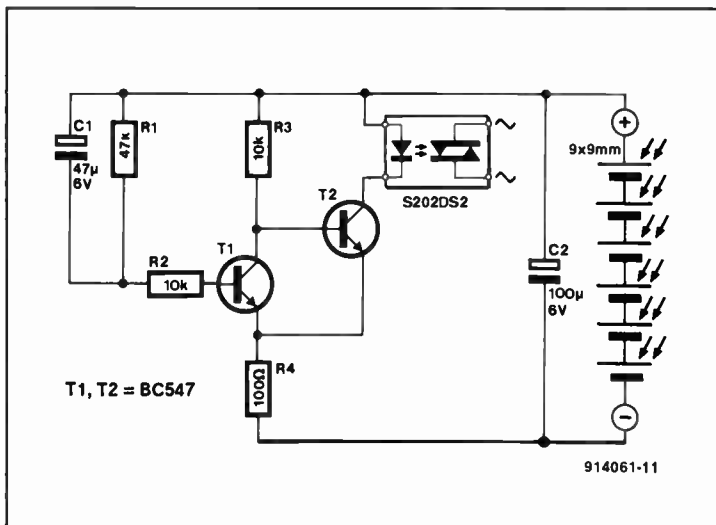
sequently energized for an instant. In that way a trigger pulse is generated for electrically isolated equipment without the need of an additional power supply.

In the diagram,  $C_1$ ,  $R_1$  and  $R_2$  ensure a stable switching operation.

The solar cells used in the prototype gave an effective range of 2-3 m (7-10 ft).

The circuit is intended as a momentary action push button, not as a locking switch. The latter function may be obtained by adding, for example, a latching relay

(Carin Mieslinger 914061)



# AUTOMATIC BATTERY CHARGER

**K**EEPING your car battery constantly charged when the car is not in use appreciably increases the life of the battery. Charging is, of course, normally only possible in your garage. The charger described here provides a constant charging current that may, for example, be fed to the battery via the cigarette lighter.

The charger consists of a mains transformer,  $Tr_1$ , bridge rectifier  $B_1$  and smoothing capacitor  $C_1$ . The charging current through the regulator,  $IC_1$ , and the

switched series resistors is 107 mA (47  $\Omega$ ); 230 mA (22  $\Omega$ ); 500 mA (10  $\Omega$ ); or 1 A (5  $\Omega$ ).

Diodes  $D_1$ – $D_4$  indicate the position of the switch. Transistor  $T_1$ ,  $R_1$  and  $D_5$  ensure constant brightness of the diodes.

When the battery is not connected, the relay is not energized and the mains is switched off.

When the battery is connected,  $C_3$  gets charged,  $T_4$  is switched on and the relay is energized. The mains is then switched on and the battery is charged via

$D_7$ . The consequent voltage drop across  $D_7$  causes  $T_3$  and  $T_2$  to be switched on, so that the relay remains energized although, since its collector is at +12 V, transistor  $T_4$  is switched off. Resistor  $R_5$  ensures that  $C_1$  is kept charged so that  $T_4$  remains off.

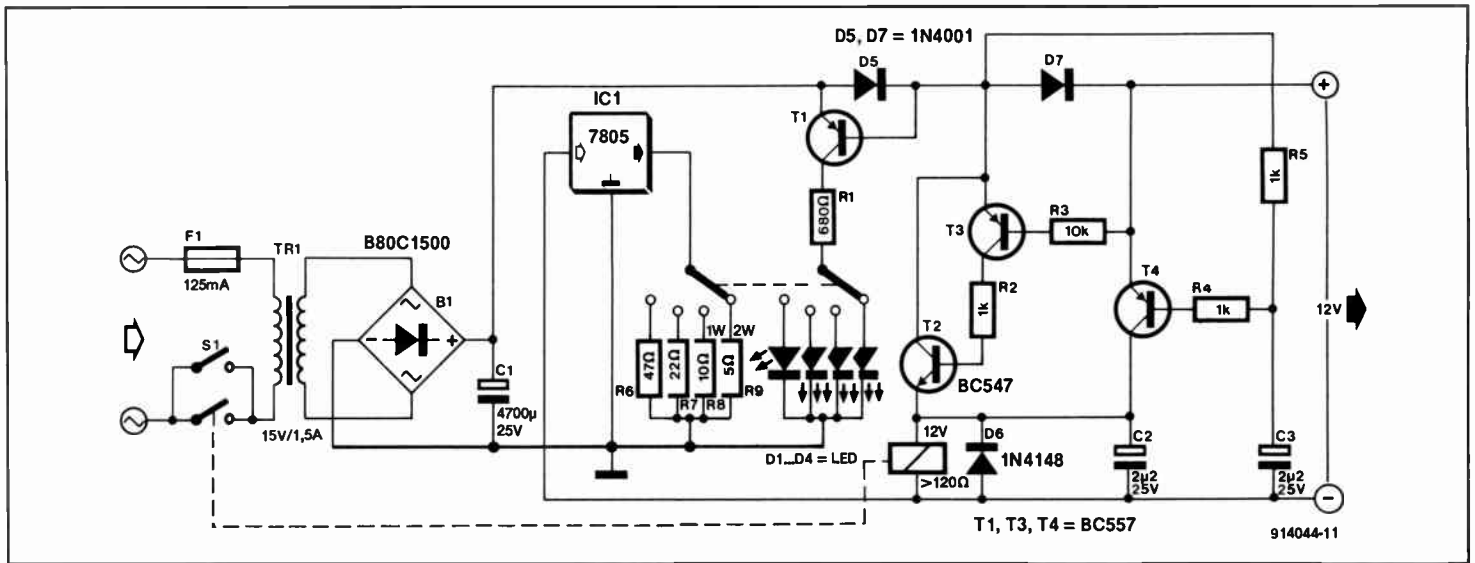
To ensure that the charger works with flat batteries, the relay contact may be bypassed by  $S_1$  which enables the charger to be switched on manually.

Note that during constant charging of lead-acid batteries

there is the risk that the water dissolves into hydrogen and oxygen and this will reduce the liquid in the battery. Since sealed batteries can not be topped up, the present charger is not suitable for these types of battery.

Also, do not use a current higher than necessary; in most cases 100 mA is ample. The larger currents are intended for charging large NiCd batteries.

(R. Kambach 914044)



# TEETH-CLEANING TIMER

**E**VERYONE should clean his teeth at least a couple of times a day. Dental research shows that cleaning one's teeth for three minutes at a time is best: longer periods may damage the gums,

whereas the gums may not be massaged sufficiently, nor the plaque removed adequately, if the period is shorter. Some manufacturers have therefore started to build in timers in their elec-

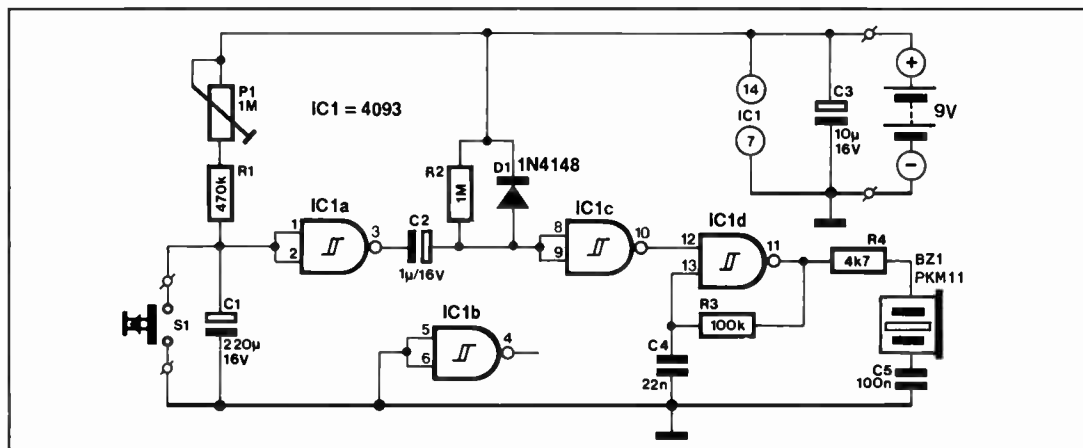
tric toothbrushes that give a signal after three minutes.

If you do not (yet) have an electric toothbrush, the timer presented here may help. When push-button switch  $S_1$  is pressed,

the potential at the inputs of  $IC_{1a}$  goes low. After  $S_1$  has been released,  $C_1$  is charged slowly via  $P_1$  and  $R_1$ , so that the voltage at the inputs of  $IC_{1a}$  rises again. When the potential across  $C_1$  has reached a certain level, the output of  $IC_{1a}$  toggles from a high to a low level. The consequent leading edge of the negative pulse briefly actuates the oscillator based on  $IC_{1d}$ . For a time determined primarily by the time constant  $R_2$ – $C_2$  the buzzer then sounds to indicate that brushing time is over. The time may be set at exactly three minutes with  $P_1$ .

Since the current drawn by the circuit is minute, an on/off switch has not been provided.

(J. Ruffell 914065)



# ONE-SHOT SOLID-STATE RELAY TIMER

by Dr K.A. Nigim

The solid-state relay timer described in this article is well suited to the on/off switching, at predetermined times, of a.c. loads rated at up to 5 kW. The electronic circuitry is optically isolated from the a.c. mains and incorporates a zero-crossing voltage-switching technique.

THE advantages of a solid-state relay over the conventional mechanical types are:

- it has no mechanical or moving parts that wear out;
- it gives no audible noise;
- it is resistant to shock and vibration;
- it exhibits no contact bounce
- it responds fast which reduces electro-magnetic interference (EMI).

The block diagram of the timer is shown in Fig. 1. The output of the timer changes state (from low to high potential) a very short time after the start button is pressed. The time interval is determined by the time constant,  $\tau$ , of the series combination preset-C.

The output signal of the timer is applied to a solid-state bidirectional switch, a triac. The a.c. load is connected to the mains via the triac. When the preset time elapses, the output of the timer drops to a low level and the triac is switched off, thereby disconnecting the load.

## Circuit description

The complete circuit is shown in Fig. 2. The timer section is based on the well-known 555 in the IC<sub>1</sub> position. The timing period is initiated by pressing briefly push button S<sub>3</sub>. If, however, this switch is kept depressed, restarting does not occur since C<sub>3</sub> will main-

tain a high potential at pin 2 of IC<sub>1</sub>. The capacitor discharges through R<sub>4</sub> when S<sub>3</sub> is released. The timer may be reset at any instant by pressing push button S<sub>2</sub>.

The output signal at pin 3 of IC<sub>1</sub> is high after S<sub>3</sub> has been pressed, which causes D<sub>1</sub> to light, indicating that an active time period has begun.

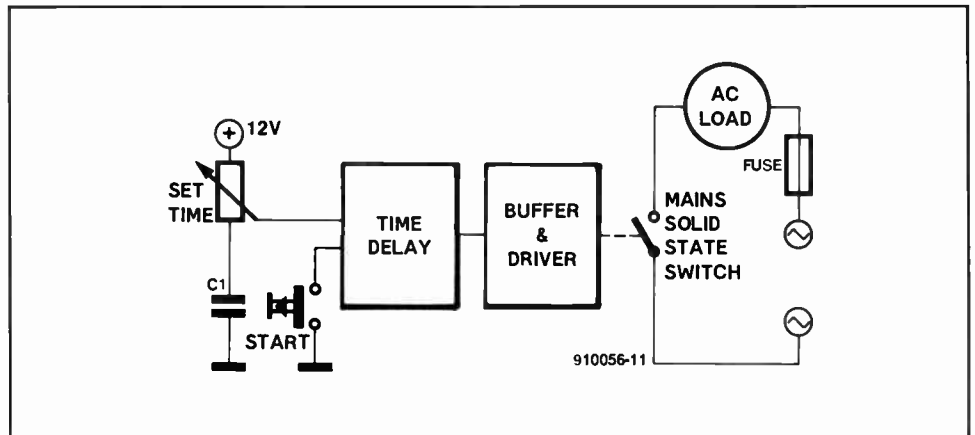


Fig. 1. Block diagram of the timer.

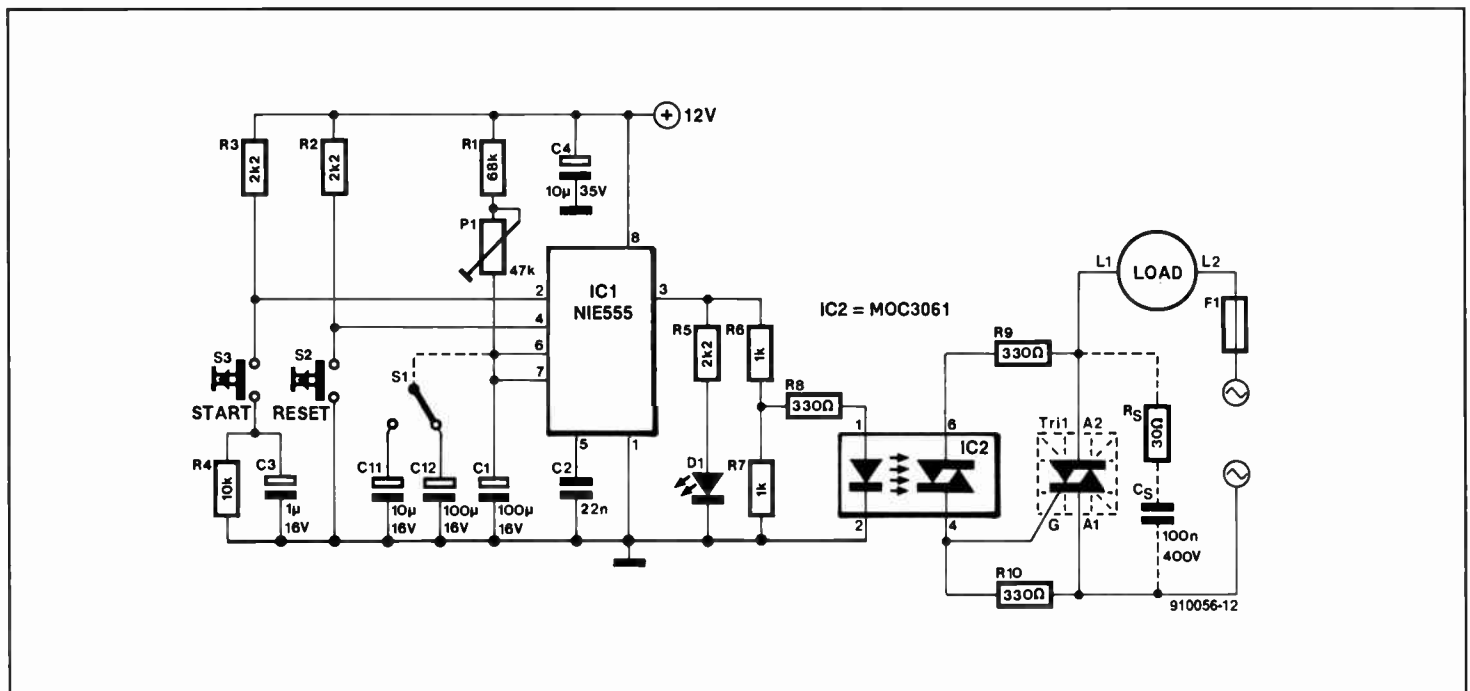


Fig. 2. Circuit diagram of the solid-state relay timer.

The period, in seconds, during which the output at pin 3 is held high is determined by the time constant,

$$\tau_{on} = 1.1C_1(R_1 + P_1)$$

where  $R_1$  and  $P_1$  are in  $k\Omega$  and  $C_1$  in  $\mu F$ . With the component values indicated, time periods from 10 to 20 seconds may be obtained. That range can be extended by replacing  $C_1$  by a switch that can select between two capacitors,  $C_{11}$  and  $C_{12}$ . When the range is in minutes, both  $R_1$  and  $P_1$  must be at least 100  $k\Omega$ .

The timer circuit and the triac driver are powered by a simple +12 V d.c. source, for which a suitable circuit is shown in Fig. 3.

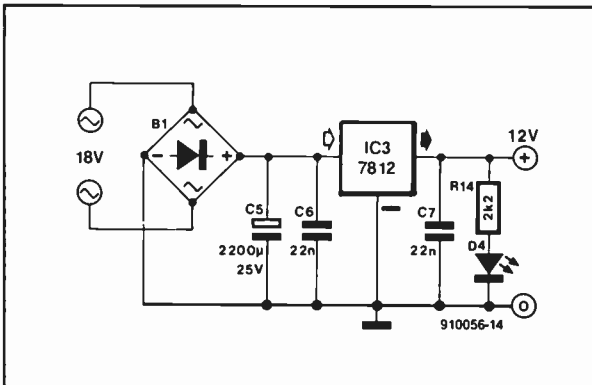


Fig. 3. Circuit of a suitable d.c. power source for the timer.

## PARTS LIST

### Resistors:

R1 = 68  $k\Omega$   
 R2, R3, R5, R14 = 2.2  $k\Omega$   
 R4 = 10  $k\Omega$   
 R6, R7 = 1  $k\Omega$   
 R8, R9, R10, R11, R12, R13 = 330  $\Omega$   
 R<sub>s</sub> = 30  $\Omega$ , 3 W  
 P1 = 47  $k\Omega$

### Capacitors:

C1, C12 = 100  $\mu F$ , 16 V  
 C11 = 10  $\mu F$ , 16 V  
 C2, C6, C7 = 22 nF, ceramic  
 C3 = 1  $\mu F$ , 16 V  
 C<sub>s</sub> = 0.1  $\mu F$ , 400 V, polypropylene  
 C5 = 2200  $\mu F$ , 25 V  
 C4 = 10  $\mu F$ , 35 V, tantalum

### Semiconductors:

IC1 = NIE555 P  
 IC2 = MOC 3061  
 IC3 = 7812  
 B1 = WO4M rectifier  
 D1 = LED, red  
 D2, D3 = 1N4007  
 D4 = LED, green  
 Tri1 = specified by load  
 Thy1, Thy2 = specified by load

## AC supply isolation

To isolate the timer circuit from the high voltage of the mains, an opto-isolator triac, IC<sub>2</sub>, with zero-crossing level trigger drives the main power triac, Tri<sub>1</sub>.

The current flowing into pin 1 of IC<sub>2</sub> is limited by potential divider R<sub>6</sub>–R<sub>7</sub>–R<sub>8</sub> to 15 mA in accordance with the manufacturer's relevant data sheet (Ref. 1).

Surge currents at the output, pin 6, are limited by R<sub>9</sub>. The minimum value of this resistor for 240 V mains is given by:

$$R_{9(\min)} = U_{in(\text{peak})} / 1.2 = 330 \Omega.$$

The a.c. load is connected to the mains via Tri<sub>1</sub>. The type of triac used depends on the r.m.s. load current rating plus a 50% safety design factor. The triac must be mounted on a suitable heat sink, particularly with large loads. For large inductive loads, such as universal motors, a snubber network consisting of R<sub>s</sub> and C<sub>s</sub> is connected across the triac to minimize the rate of rising voltage (commutating  $dv/dt$ ). Good practical values of these components are: R<sub>s</sub> = 30  $\Omega$ , 3 W and C<sub>s</sub> = 0.1  $\mu F$ , 1000 V.

The circuit performance with high  $dv/dt$  is improved considerably when the triac is replaced by two thyristors connected in anti-parallel: this modification also reduces the power dissipation. The modified section of the circuit is shown in Fig. 4.

## Construction

Since part of the circuit is connected to the mains, great care must be taken in handling the triac and the load. It is strongly advised to assemble and position the triac on its heat sink away from the timer circuit during initial testing.

The timer is constructed on a prototyping or vero board. Start by mounting the IC sockets and timer components.

The minimum and maximum time periods can be ascertained with the aid of a stopwatch or good wrist-watch with second-hand

and setting P<sub>1</sub> to its maximum and minimum values. A number of settings may be marked in terms of seconds or minutes as required.

Diode D<sub>1</sub> should light every time S<sub>3</sub> is pressed and stay on until the specified time has elapsed.

After the timer circuit has been tested,

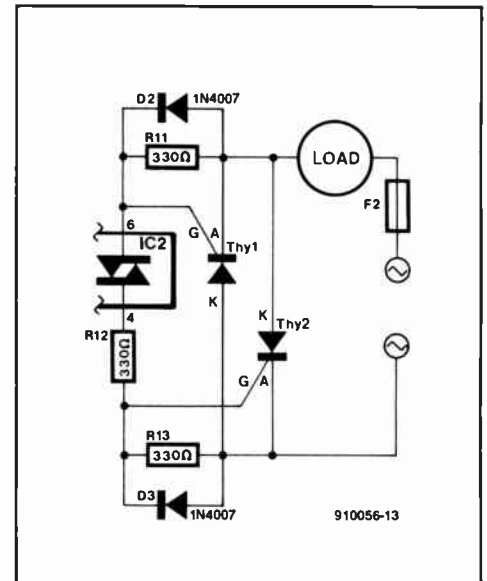


Fig. 4. When the timer is used with large inductive loads, it is advantageous to replace the triac by two thyristors connected in anti-parallel.

assemble the triac driver circuit. Connect terminal A2 of Tri<sub>1</sub> with suitably rated wire to the a.c. mains and the load. Start by loading the triac with a 40–60 W light bulb. If the results are satisfactory, connect the actual load.

## Applications

The circuit may replace any mechanical timer relay. Two examples for use in the home are the hot-water tank and an electric oven. In the workshop, it could be applied to impulse sealers, as on/off control of electric motors, and in spot welding control. ■

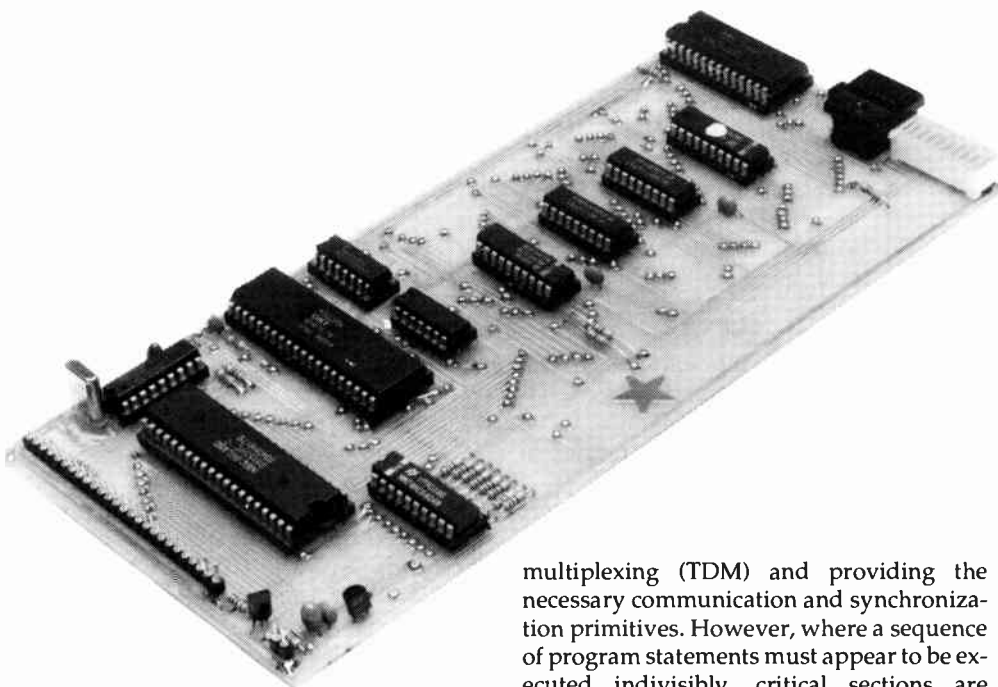
## References

Motorola Thyristor Data Book, 2nd printing, 1988.

# 8088 SINGLE BOARD COMPUTER

A low-cost computer system is described that forms the perfect introduction into programming Intel's 8088 CPU. The system is complete with a serial interface and a small, PROM-resident, operating system that enables the SBC to download 1-Kbyte large chunks of object code sent by a PC running a communication program.

R. Grodzik



**T**HE first IBM PCs were based on the 8088 microprocessor, which has a 16-bit internal architecture and an external 8-bit data bus. Today, IBM PCs proliferate the world with more powerful microprocessors — the 8086, 80286, 80386 and 80486. Their ability to keep going is mainly due to upward compatibility (the original instruction set for the 8088 has been maintained and enhanced). Hence, machine code software originally written for the 8088 continues to function on the more enhanced processors.

This design, based on the Intel 8088, connects to the RS232 port of any IBM PC configured for 9600 baud, 8 data bits, 1 stop bit, and no parity. It provides two eight-bit user ports, five auxiliary control lines and two interrupt lines. The single-board computer is externally powered, thus offering considerable protection to your costly PC, which functions as terminal.

## Concurrent programming

The simultaneous execution of two or more programs by a single processor is now achievable in the domains of real-time electronics. This is achieved by time division

multiplexing (TDM) and providing the necessary communication and synchronization primitives. However, where a sequence of program statements must appear to be executed indivisibly, critical sections are formed, and need to be protected. This is achieved with the aid of 'busy' functions implemented by wait loops and flags. Further measures have to be taken to prevent deadlock and guarantee liveness, i.e., the program must not crash under any circumstances. The fulfillment of this last requirement is a formidable feat of software engineering.

The problem is solved by utilizing a multi-processor environment, in which each individual processor executes its own program, and asynchronously communicates with the other processor via a serial link. This principle is adopted here, and has taken the practical shape of an 8088 single-board computer. Simply upload program data from the PC to the 8088 SBC (1 Kbyte max.), and you have your PC free to run any other program. The use of the second processor (the one on the SBC) brings concurrent programming within easy reach.

One of the features of this project is an attempt to investigate virtual memory. By using virtual memory techniques, whereby program code is downloaded in packets of 1 KBytes each, the seemingly small on-board memory of the SBC does not prohibit the execution of a substantial program which is

resident in the host.

The 8088 SBC is equally at home in an educational environment, allowing the user to control external devices from a PC. Of course, all programs for the card have to be written in assembler. If the program has a bug, try again — it only takes a second to reload the new version to the board. No emulators or EPROM burning are needed here.

## Operation and system architecture

The present circuit (Fig. 2) uses a multiplex/demultiplex system. The 8088 CPU has a multiplexed low-order data/address bus which needs to be demultiplexed to access the RAM and PROM in the system. Circuit IC7, a 74HC373 octal latch, provides this function. The 8155 PIO (IC3) has internal demultiplexing, and is connected directly to the 8088's lower data/address bus, with the ALE pin controlling the flow of data or address information. In addition, IC4a and IC4b provide a qualifying signal from the DEN pin of the 8088 to prevent bus contention when RAM or PROM is enabled.

Circuit IC1, a 8284, is a clock generator and driver for the 8088 microprocessor, providing all the source clocks needed by the system. The 11.0592 MHz master oscillator frequency is divided by three by the clock generator to give a 33% duty factor 3.6864-MHz signal to the CLK input of IC2. This frequency is further divided by two to present a frequency of 1.8432 MHz to IC3 pin 3, a PIO with internal timer, where it is again divided down by three to output a 614.4 KHz square wave signal at pin 6. This signal feeds IC6, a 8251 UART. An internal divider in the UART (divisor 64) finally produces the baud rate of 9,600 required for asynchronous communications with the host PC.

## The operating system

The control software required to boot up the system resides in a bipolar PROM, IC10, which is mapped into the system memory as

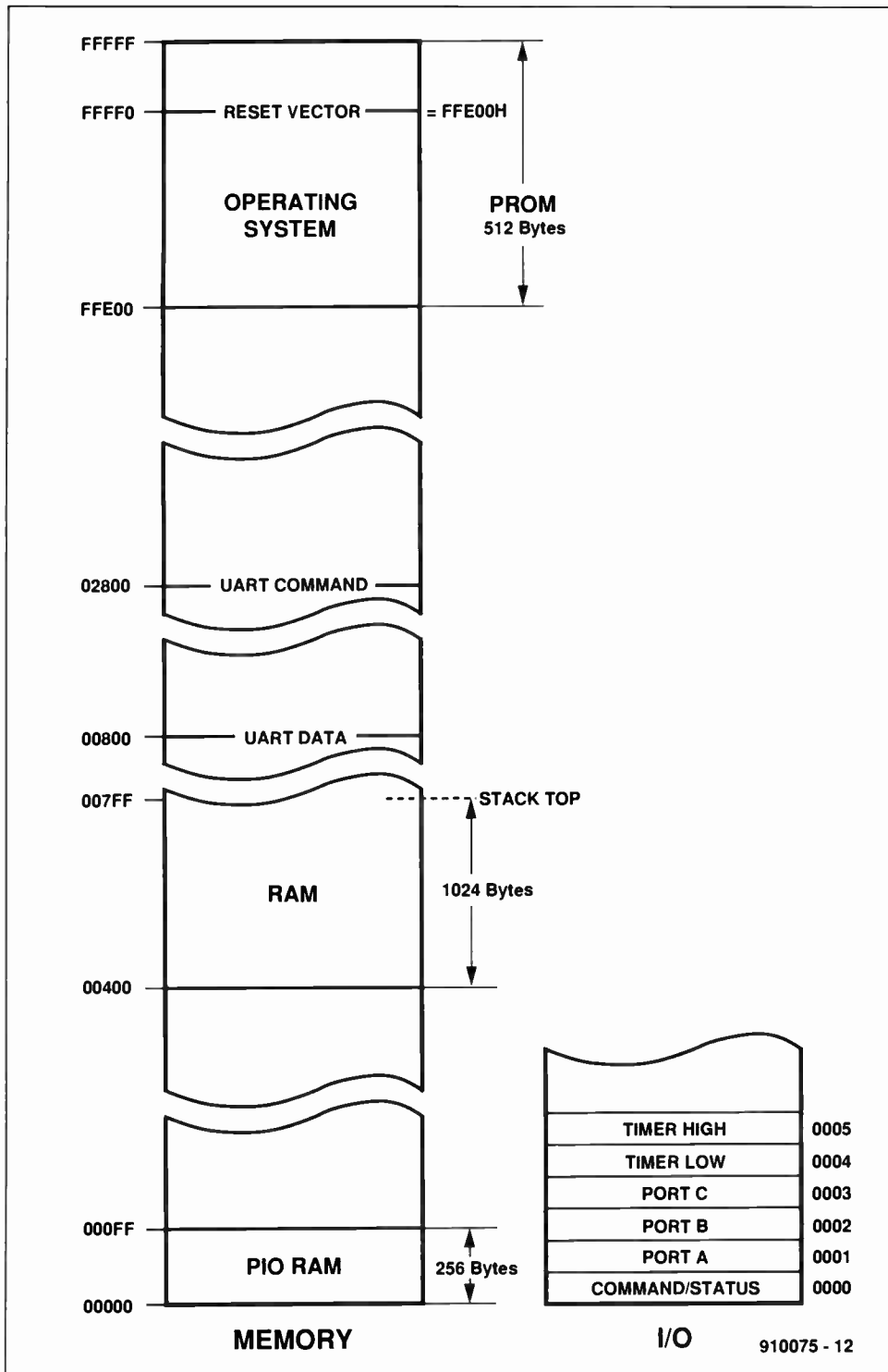


Fig. 1. Memory structure of the 8088 single-board computer.

shown in Fig. 1. The code burned in the PROM performs the following functions:

- provide the reset vector address (FFE0:0000) - FFE00<sub>H</sub> PROM start address;
- initialize data, stack and extra segments to zero;
- initialize the stack pointer to RAM top (007FF<sub>H</sub>);
- initialize ports A, B, and C to outputs;
- configure the on-board timer of IC<sub>3</sub>;
- initialize the UART (9600 baud, 1 stop bit, 8 data bits, no parity);
- load binary data received from the host PC to the RAM (00400-007FF).

Once the SBC has received 1 KBytes of data, execution of the program starts automat-

ically from address (0000:0400) - 00400<sub>H</sub> (RAM start; see Fig. 1).

For those of you with access to a PROM programmer, the contents of the system PROM, a 74S472, are given in Fig. 3.

### Construction and connecting up

This should be relatively straightforward using the ready-made double-sided and through-plated board, and the component mounting plan, supplied by the author. Just use a hot iron, ensuring at all times that the bit is clean and tinned. Dry solder joints should really be a thing of the past. Watch

## COMPONENTS LIST

### Resistors:

(all 0.25W 5%)

5	7kΩ	R1,R2,R3,R5,R6
12	220Ω	R4,R7-R14,R17, R18,R19
2	4kΩ	R15,R20
2	47kΩ	R16,R18

### Capacitors:

1	10pF	C1
2	10μF tantalum bead	C2,C3
12	10nF	decoupling C

### Semiconductors:

2	BC548	T1,T2
1	1N4148	D1
1	1N4002	D2
3	LED	D4;D5;D6
1	8284	IC1
1	8088	IC2
1	8155	IC3
1	74HC32	IC4
1	74HC138	IC5
1	8251	IC6
1	74HC373	IC7
2	2114	IC8,IC9
1	PROM *	IC10
1	74HC640	IC11

### Miscellaneous:

1	n.o press switch	S1
1	11.0592MHz quartz crystal	X1
1	26-way pin header	K1

\* Pre-programmed PROMs and printed-circuit boards for this project are available from the author:

R. Grodzik, 53 Chelmsford Road, Bradford BD3 8QN, ENGLAND. The price of the PROM is £15.00 including P&P.

out for solder bridges and missed connections.

All port lines and data connections are brought out on connector K1, a single-in-line 26-way pin header. The 5-V supply is connected to a separate 2-way header. On the host computer, connect a dual screened lead to the 0V, RxD and TxD pins of the serial port. Also tie the RTS and CTS pins together (see the insert in the main schematic diagram).

### Programming

The MSDOS operating system for any IBM PC contains a machine code debugging facility named DEBUG.COM, in which assembly code can be written, assembled, and saved to disk. To start DEBUG, simply type the following:

```
DEBUG FILENAME.BIN <CR>
```

Adjust the maximum number of bytes to be saved to disc (1 K). Type

```
RCX <CR>
```

and then

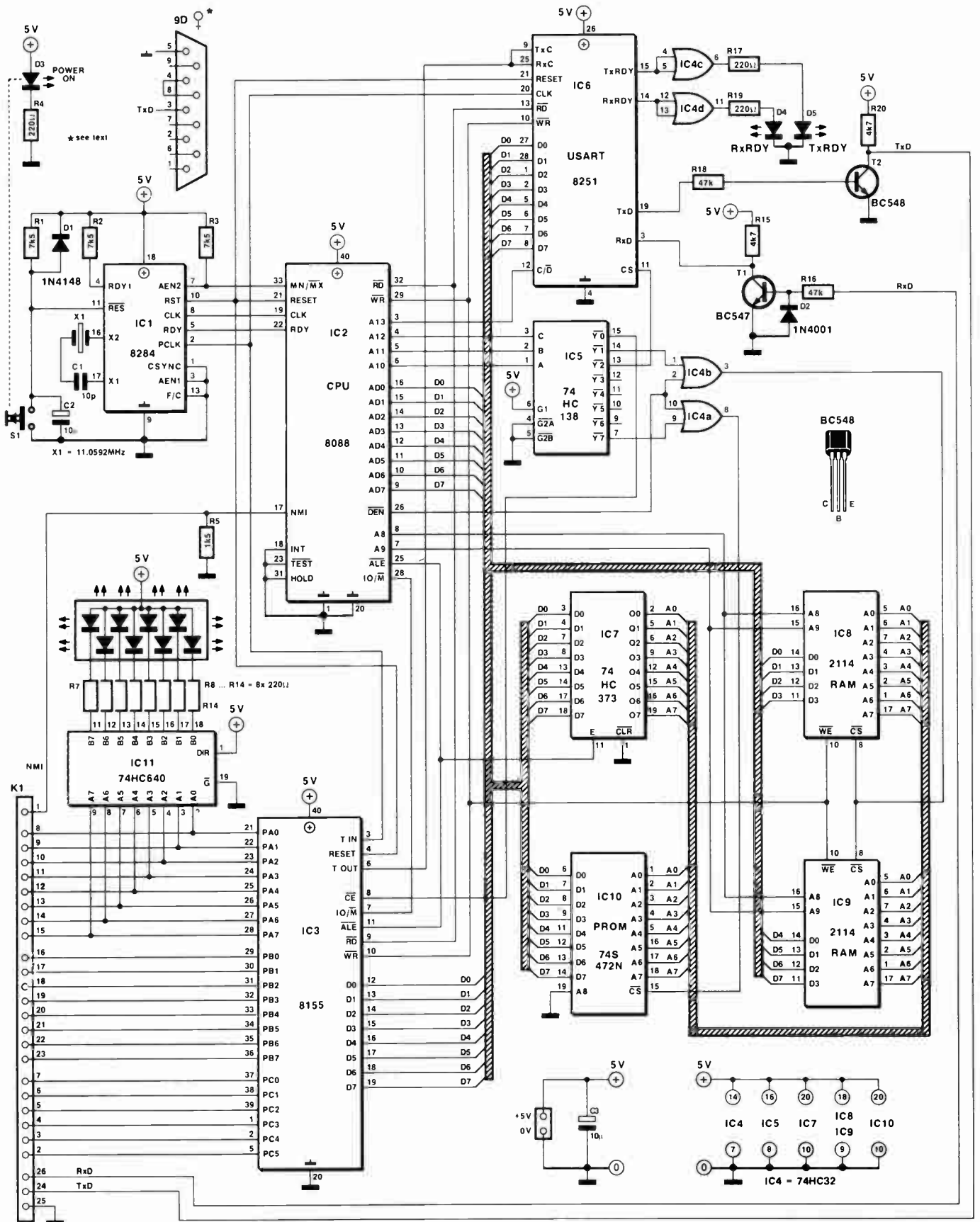


Fig. 2. Circuit diagram of the SBC.



## National Semi DM74S472

```

00000: B8 00 00 8E D8 8E D0 8E C0 BC FF 07 FA BA 00 00
00010: B0 0F EE BA 01 00 B0 00 EE BA 02 00 B0 00 EE BA
00020: 05 00 B0 40 EE BA 04 00 B0 03 EE BA 00 00 B0 CF
00030: EE BD 00 04 BF 00 00 B4 00 B0 4F A2 00 28 B0 06
00040: A2 00 28 90 90 90 90 90 A0 00 28 24 02 3C 02 75
00050: F7 A0 00 08 90 90 90 90 90 90 90 90 88 03 47 81
00060: FF FF 03 75 D9 EA 00 04 00 00 00 00 00 00 00
00070: 00 00 00 00 00 00 00 00 00 00 00 00 00 00 00
00080: 00 00 00 00 00 00 00 00 00 00 00 00 00 00 00
00090: 00 00 00 00 00 00 00 00 00 00 00 00 00 00 00
000A0: 00 00 00 00 00 00 00 00 00 00 00 00 00 00 00
000B0: 00 00 00 00 00 00 00 00 00 00 00 00 00 00 00
000C0: 00 00 00 00 00 00 00 00 00 00 00 00 00 00 00
000D0: 00 00 00 00 00 00 00 00 00 00 00 00 00 00 00
000E0: 00 00 00 00 00 00 00 00 00 00 00 00 00 00 00
000F0: EA 00 00 E0 FF 00 00 00 00 00 00 00 00 00 00
00100: 00 00 00 00 00 00 00 00 00 00 00 00 00 00 00
00110: 00 00 00 00 00 00 00 00 00 00 00 00 00 00 00
00120: 00 00 00 00 00 00 00 00 00 00 00 00 00 00 00
00130: 00 00 00 00 00 00 00 00 00 00 00 00 00 00 00
00140: 00 00 00 00 00 00 00 00 00 00 00 00 00 00 00
00150: 00 00 00 00 00 00 00 00 00 00 00 00 00 00 00
00160: 00 00 00 00 00 00 00 00 00 00 00 00 00 00 00
00170: 00 00 00 00 00 00 00 00 00 00 00 00 00 00 00
00180: 00 00 00 00 00 00 00 00 00 00 00 00 00 00 00
00190: 00 00 00 00 00 00 00 00 00 00 00 00 00 00 00
001A0: 00 00 00 00 00 00 00 00 00 00 00 00 00 00 00
001B0: 00 00 00 00 00 00 00 00 00 00 00 00 00 00 00
001C0: 00 00 00 00 00 00 00 00 00 00 00 00 00 00 00
001D0: 00 00 00 00 00 00 00 00 00 00 00 00 00 00 00
001E0: 00 00 00 00 00 00 00 00 00 00 00 00 00 00 00
0C1F0: EA 00 00 E0 FF 00 00 00 00 00 00 00 00 00 00

```

Fig. 3. Contents of the system PROM, a 256-byte large 74S472.

```
400 <CR>
```

Next, invoke the resident assembler by typing

```
A 100 <CR>
```

followed by the lines of assembly code, e.g.:

```
MOV DX,0000 ;(all ports output)
MOV AL,0F
OUT DX,AL
MOV DX,0001 ;(send 55H to port A)
MOV AL,55
OUT DX,AL
; (wait)
```

Press the carriage return key twice to exit the

assembler. Next, type

```
W <CR>
```

1 Kbytes are written to disk as 'filename.bin'.  
Next, Enter

```
Q <CR>
```

to leave DEBUG. The binary file contents of 'filename.bin' can now be sent to the 8088 SBC via the RS232 port using any communications software utility.

Three ports are available on the 8155: ports A and B are 8-bit wide, and port C 6 bits. The direction of data flow is controlled by the command register of the 8155 (at address 00000), and is programmed as follows:

```
MOV DX,0000
MOV AL,X
OUT DX,AL
```

where X is the value to configure the ports, taken from Table 1.

Once the command register is programmed, it is a simple matter to send or receive data to or from port A (address 0001), port B (address 0002), or port C (address 0003). For example:

```
MOV DX,0000 ;port command register
MOV AL,02 ;port C input, port B
; output, port A input
OUT DX,AL
MOV AL,A5 ;data
```

```
MOV DX,0002 ;port B address
OUT DX,AL ;A5 sent to port B
MOV DX,0003 ;port C address
IN AL,DX ;read port C
MOV DX,0001 ;port A address
IN AH,DX ;read port A
```

To provide a virtual memory facility, whereby the 8088 board may request a further 1 Kbytes of program or data from the host PC, the following routine is used:

```
MOV DI,00
MOV BP,0400 ;(RAM start)
JMP FFE0:0045 ;(operating system
; routine)
```

Running this three-line program will clear the RAM, preparing it for another 1 Kbytes of program. ■

Note:

Various publications are available from Intel, detailing the programming of the 8088:

- *8086/8088 Assembler Language Programming*, by L.A. Leventhal. RS Components order code 904-851.
- *8086/8088 16 bit Microprocessor Primer*, by Morgan & Waite. RS Components order code 904-845.
- Data sheets on the 8088 available from Intel at: Intel Corporation (UK) Ltd., Pipers Way, Swindon, Wilts. SN3 1RJ. Telephone: (0793) 696000.

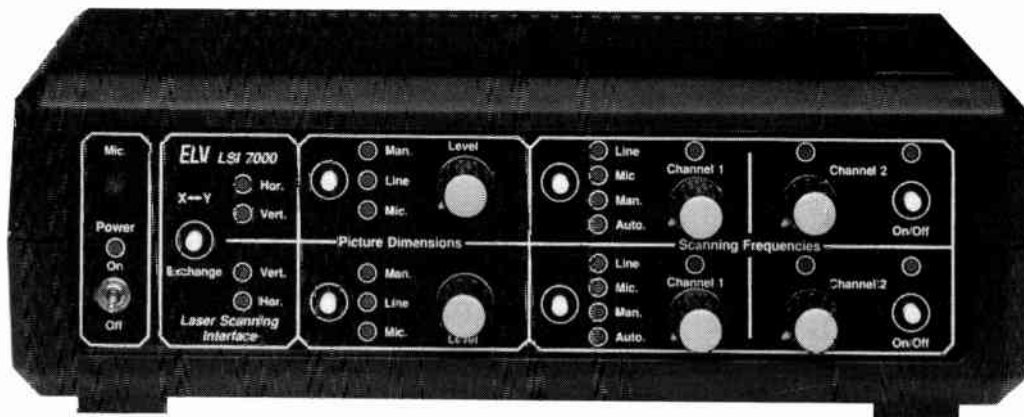
Table 1. 8155 port programming

Port C	Port B	Port A	X
output	output	output	0F
output	output	input	0E
output	input	output	0D
output	input	input	0C
input	output	output	03
input	output	input	02
input	input	output	01
input	input	input	00

# LASER

## PART 3: OPERATION AND CONSTRUCTION

In this third and last instalment on the show laser we tackle the construction and practical use of the LSI7000 control unit.



*Continued from the June 1991 issue*

The electronic switches in the user interface of the laser control unit are controlled by small push-buttons fitted on a printed-circuit board. Figure 13 shows the circuit diagram of the control interface and the power supply, which consists of two 10-V fixed voltage regulators. Regulator IC306 powers the coil drivers, and must be fitted with a heat-sink. The rest of the circuit is powered by IC305. Diode D307 protects the circuit against reverse input voltages supplied by the mains adaptor (here, a 12-15 V d.c. type is used).

Depending on their function, the switches take the form of bistables built from two inverters (for electronic switches with two positions), or counters (for electronic switches with 3 or 4 positions).

The counters are types with an internal binary coded decimal (BCD) to decimal decoder of which one output is active at a time, controlling an electronic switch. Each of the counters is incremented by a clock pulse supplied by an R-C debouncing network associated with a particular switch. If the counter is at the last state we want to use, it will still advance to the next higher (non-used) state on receiving a clock pulse. An R-C network, however, translates the decoded output state into a reset pulse, which returns the switch to its first function. The same R-C network also resets the switch to the first function when the laser control unit is switched on.

The switches with two positions consist of two inverters with a feedback arrangement that results in a change of the logic output level any time the push-button at the input is pressed. This creates a simple toggle function. The remaining inverters are used as buffers to drive the LEDs that indicate the position of the electronic switches.

### Controls on the front panel

The front panel of the laser control unit (Fig. 14) has a fair number of switches and push-buttons. Describing the function of these controls, we feel, is more useful than analyzing in detail the position of each individual electronic switch on selection of a particular function.

At the left of the front panel we find the on/off switch and the associated LED. The internal microphone of the control unit is fitted behind a small hole in the front panel, straight above the on/off LED. The larger part of the front panel is divided into two identical, horizontal, sections. The upper section is for the left channel, the lower section for the right channel. The area to the right of the on/off switch contains the 'exchange' switch that allows you to swap the drive signals for the horizontal and vertical output amplifier. The next area on the front panel is marked 'picture dimensions'. When the laser control unit is switched on, it is automatically set to manual control, with the size of the laser pattern determined by the position of the 'level' control. When the push-button is pressed, the switch is set to the 'line' position. This enables the audio signal applied to the LINE or LS input to control the size of the laser pattern. The maximum size of the pattern, however, is set with the 'level' control. This also applies when the next switch function, microphone input, is selected.

The front panel area marked 'scanning frequencies' is used for the control of the frequency components that determine the shape of the laser pattern. On power-up, the two source selections are set to manual. In this, and the automatic, mode, one or both generators are switched on. The manual mode allows the generator output frequency to be set by the front panel controls, whose

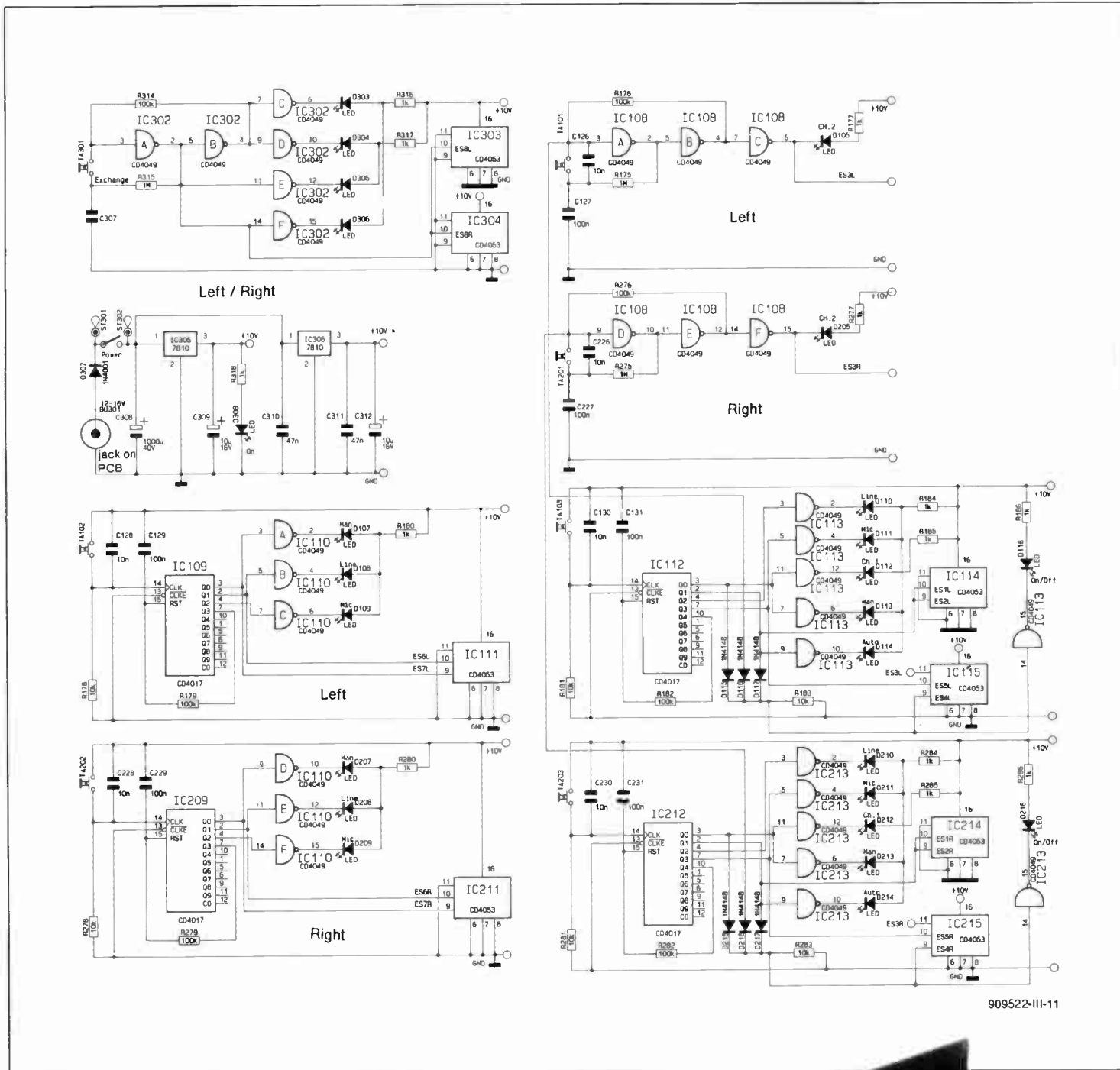
activity is indicated by the LEDs fitted above them. For example, the LED above the 'channel 2' (generator 2) knob is off when the generator has been switched off with the push-button to the right of the knob. In 'automatic' mode, both controls are disabled, and the associated LEDs are off. You may switch on the second generator, however, by pressing the on/off switch for channel 2.

That concludes the description of the position and the basic function of the controls on the front panel of the LSI7000. To get started with the system, however, you will need to know the order in which the knobs and switches are controlled, as well as the best position of the laser exciter.

The size of the laser pattern increases at about 30 cm per meter of distance between the exciter and the projection surface. This means that a distance of 3.3 metres (10 ft. 9 in.) gives you a maximum pattern size of about 1 metre (3 ft. 3 in.). At distances greater than 10 m (34 ft.) or so the projected image will lose sharpness owing to beam divergence. To increase the sharpness over larger distances, you may want to fit a lens between the beam aperture on the exciter and the mirrors. However, even without a lens the laser is capable of covering distances of 20-30 metres (65-98 ft.).

Initially, it is best to position the exciter such that the beam hits the centre of the projection surface at right angles when the mirrors are not driven. Once you have acquired more experience in setting up the system, you may want to see what happens when the beam is not at right angles with the projection surface, or when a projection surface is used that is not flat.

The simplest settings of the control unit are 'manual' for the picture dimensions, and 'auto' for the scanning frequencies. These settings still allow you to switch channel 2 on

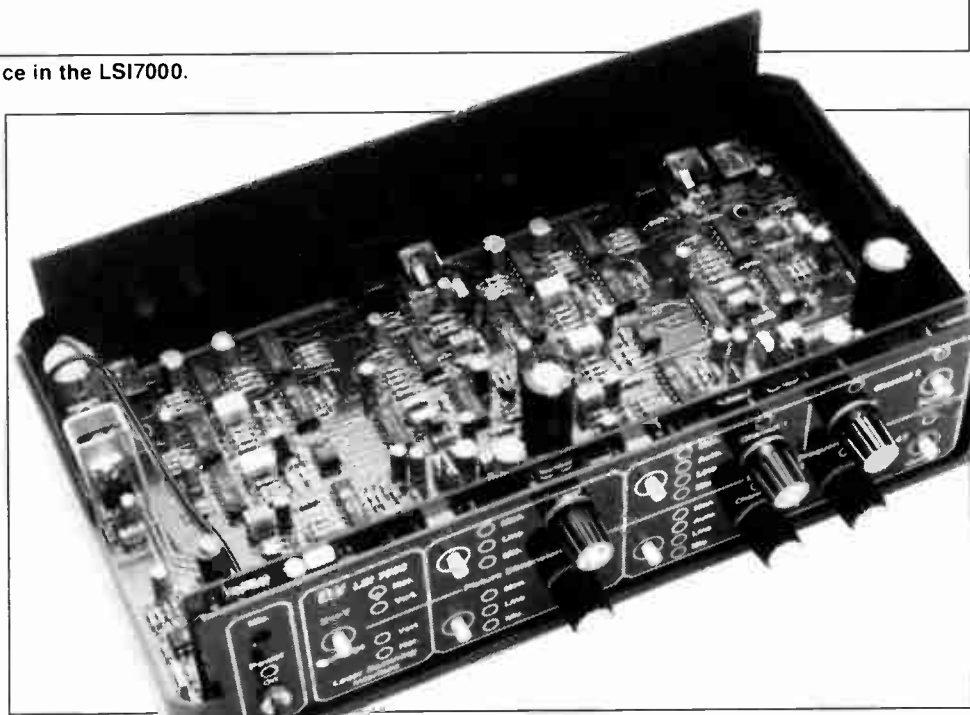


909522-III-11

Fig. 13. Circuit diagram of the control interface in the LSI7000.

or off. The size of the projected pattern is set with the 'level' controls.

With 'scanning frequencies' set to 'manual' on the left and right channel, have a first go at projecting a decent pattern. Switch off both 'channel 2' generators. Turn one of the 'channel 1' controls to about 3/4 of the maximum frequency. Next, operate the other control until a suitable pattern is produced. The best setting is that where a pattern is not repeated for a second or so. Faster changes will result in an unsteady image, which makes further adjustments difficult. Once a stable pattern is obtained, switch on one additional generator (channel 2), and stabilize the pattern again by turning the associated control. If this works, switch on the fourth generator, or set one of the other controls to a different function. The thing to remember about the initial settings is that you must work from one stable pattern to an-



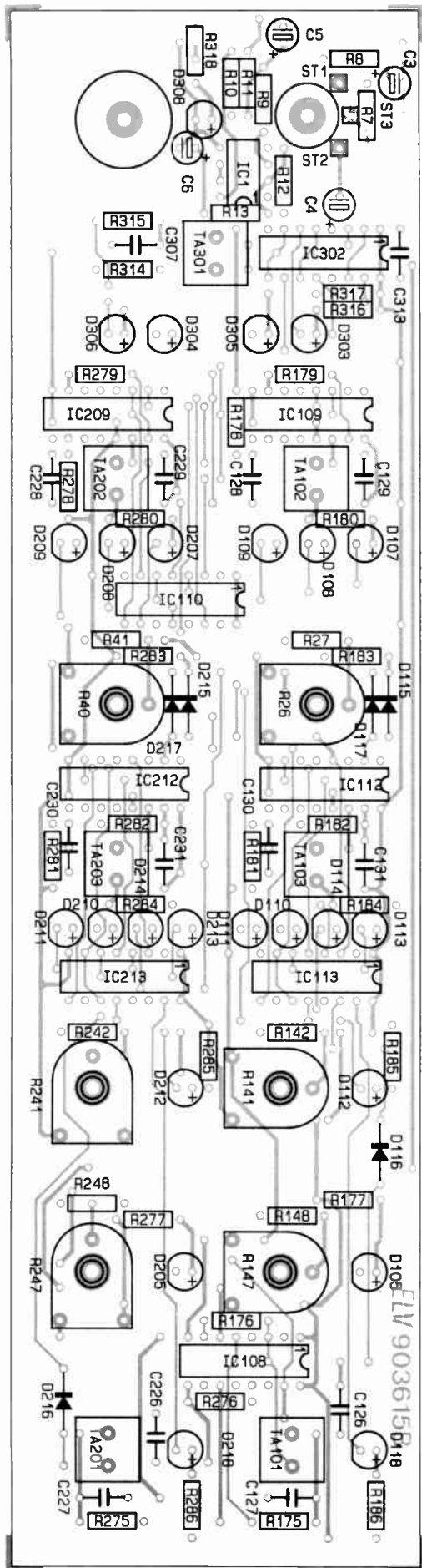


Fig. 14. Component overlay of the controls board.

other by operating one control at a time. If you do not follow this procedure, the pattern will become so unsteady that the effect of operating a control is hard to trace.

Having acquired the feel of the static control of the laser beam, you are ready to examine the possibilities of the audio interfaces and the internal microphone. While experimenting, bear in mind the potential hazard of the laser beam. Always make sure that the laser spot is moving (a straight line is all right as a kind of minimum pattern). Therefore, in the interest of your audience's safety, make sure there is always at least one modulation signal for the laser. Never select audio drive of the picture size on both channels — when one signal fails, the stationary laser beam creates a possibly hazardous situation.

## Construction

As already noted, the laser control unit is a complex project that will keep you busy soldering for several hours. The layouts of the two double-sided through-plated printed-circuit boards used to build the LSI7000 are shown in Figs. 15 and 16. The smaller PCB (Fig. 16) containing all controls and the LEDs is fitted vertically behind the front panel.

Take your time to assemble the two boards. Look carefully at the component overlay, and make sure you do not insert a component wire in a hole that serves as a through-contact between the tracks at the component side and the solder side.

Start the construction by fitting the 100-k $\Omega$  resistors, followed by those of 10 k $\Omega$  and 1 M $\Omega$ . This clears the bulk of the resistors. The remaining resistors are best fitted in order of ascending value, according to the components list.

Proceed with the diodes, the solid capacitors, the electrolytic capacitors (those on the controls board are fitted horizontally), the transistors, switches and connectors. Since transistor T301 is fitted directly under the on/off switch, it must be pushed as far as possible towards the PCB before it is soldered.

Before soldering the connectors, make sure they align with the rear panel of the enclosure. The same goes for the presets on the controls board, which must be positioned such that they are straight behind the holes provided in the front panel. The plastic shafts are cut to a length of 20 mm (excluding the clamps) before they are press-fitted into the presets.

The integrated circuits are fitted on the board last. Start with IC306, and fit it to the heat-sink supplied with the kit. Check and double-check the orientation of each IC on the boards.

The microphone element is inserted from the solder side, so that its front side is at about 8 mm ( $\frac{3}{8}$ ") above the component side of the board. The connecting pins for the microphone, ST1, ST2 and ST3, are fitted at the solder side. The microphone housing connection (a small copper track) is soldered to the centre PCB pin, ST3. The wire marked

## COMPONENTS LIST

## Content of kit supplied by ELV

## Resistors:

18 1M $\Omega$	R1;R4;R104;R105;R108;R149;R151; R175;R204;R205;R208;R249;R251; R275;R304;R305;R308;R315
4 33k $\Omega$	R2;R5;R158;R258
40 10k $\Omega$	R3;R6;R7;R8;R14;R15;R16;R24;R25; R28;R29;R30;R38;R39;R42;R43;R46; R47;R65;R67;R109;R110;R159;R160; R164;R165;R178;R181;R183;R209; R210;R259;R260;R264;R265;R278;R281; R283;R309;R310
72 100k $\Omega$	R9;R10;R11;R21;R35;R50-R53;R64;R66; R68;R89;R101;R103;R106;R107;R114; R115;R116;R120;R123;R125;R126;R132; R136;R137;R138;R143;R144;R154;R156; R157;R169-R172;R176;R179;R182;R201; R203;R206;R207;R214;R215;R216;R220; R223;R225;R226;R232;R236;R237;R238; R243;R244;R254;R256;R257;R269-R272; R276;R279;R282;R301;R303;R306;R307; R314
1 470k $\Omega$	R12
1 4k $\Omega$	R13
4 2k $\Omega$	R17;R31;R135;R235
8 47k $\Omega$	R18;R19;R32;R33;R121;R174;R221;R274
20 1k $\Omega$	R20;R34;R48;R49;R111;R177;R180;R184; R185;R186;R211;R277;R280;R284;R285; R286;R311;R316;R317;R318
2 68k $\Omega$	R22;R36
15 22k $\Omega$	R23;R27;R37;R41;R112;R128;R130;R139; R145;R212;R228;R230;R239;R245;R312
2 10k $\Omega$ preset H	R40;R26
5 220k $\Omega$	R44;R45;R133;R233;R246
2 390 $\Omega$	R54;R58
2 220 $\Omega$	R55;R59
2 4 $\Omega$	R56;R60
1 1 $\Omega$	R57;R61
6 15k $\Omega$	R62;R63;R119;R173;R219;R273
3 470 $\Omega$	R102;R202;R302
3 5k $\Omega$	R113;R213;R313
2 120k $\Omega$	R124;R224
7 330k $\Omega$	R127;R142;R148;R227;R240;R242;R248
2 150k $\Omega$	R129;R229
2 8k $\Omega$	R131;R231
3 270k $\Omega$	R134;R146;R234
5 390k $\Omega$	R140;R153;R155;R253;R255
4 100k $\Omega$ preset H	R141;R147;R241;R247
4 820k $\Omega$	R150;R152;R250;R252
8 100k $\Omega$	R161;R162;R166;R167;R261;R262;R266; R267
4 3k $\Omega$	R163;R168;R263;R268
4 680k $\Omega$	R187;R188;R287;R288

## Capacitors:

10 47nF	C1;C2;C116;C117;C118;C216;C217;C218; C310;C311
3 47 $\mu$ F 16V	C3;C11;C16
24 10 $\mu$ F 16V	C4;C5;C6;C12;C17;C22;C29;C105;C107; C108;C111;C112;C114;C123;C205;C207;

2 180nF	C208;C211;C212;C214;C223;C305;C309; C312
2 220nF	C8;C13
2 15nF	C9;C14
7 100 $\mu$ F 16V	C10;C15
12 1 $\mu$ F 16V	C18;C24;C31;C119;C120;C219;C220 C19;C21;C104;C106;C122;C125;C204;C206; C222;C225;C304;C306
20 100nF	C20;C25;C26;C28;C32;C34;C36;C101;C103; C127;C129;C131;C201;C203;C227;C229; C231;C301;C303;C307
2 470 $\mu$ F 16V	C23;C30
2 4700 $\mu$ F 16V	C27;C35
5 2nF2	C102;C113;C202;C213;C302
2 470nF	C110;C210
4 1 $\mu$ F solid	C121;C124;C221;C224
7 10nF	C126;C128;C130;C226;C228;C230;C313
1 1000 $\mu$ F 40V	C308

## Semiconductors:

16 1N4148	D1-D4;D101;D102;D115;D116;D117;D201; D202;D15;D216;D217;D301;D302
4 DX400 *	D103;D104;D203;D204
25 LED red 3mm	D105;D107-D114;D118;D205;D207-D214; D218;D303-D306;D308
1 1N4001	D307
6 BC548	T1-T4;T102;T202
3 BF245B	T101;T201;T301
5 LM358	IC1;IC2;IC107;IC207
1 TDA1074A	IC4
2 TDA2003	IC5;IC6
9 LM324	IC101-IC104;IC201-IC204;IC301
4 XR2206	IC105;IC106;IC205;IC206
5 4049	IC108;IC110;IC113;IC213;IC302
4 4017	IC109;IC112;IC209;IC212
8 4053	IC111;IC114;IC115;IC211;IC214;IC215; IC303;IC304
2 7810	IC305;IC306

\* changed w.r.t. circuit diagram.

## Miscellaneous:

7 PCB mount press key	TA101;TA102;TA103;TA201;TA202; TA203;TA301
2 DIN type LS socket	BU1;BU3
2 PCB mount RCA socket	BU2;BU4
1 PCB mount 3.5mm jack socket	BU301
1 PCB mount 3.5mm jack socket, stereo	BU5
1 miniature on/off switch	
1 electret microphone	
1 heat-sink for IC306	
1 printed circuit board (main circuit)	
1 printed circuit board (controls circuit)	
1 ABS enclosure	

**Note:** owing to space restrictions the track layouts of the two double-sided printed circuit boards are not included here. Readers wishing to make their own PCBs for this project may obtain the necessary artwork from our editorial offices, quoting 'ELV laser control LSI7000'.

with a small '+' sign is connected to ST1, and the wire marked with a '-' sign to ST2. Although not strictly necessary, you want to secure the microphone element with a drop of glue.

Perform a thorough visual check on the completed PCBs. With over 500 components handled during the construction, small mistakes occur easily, and can force you to spend hours of precious time faultfinding.

For example, on our own prototype, we forgot to solder two of the eight pins of an IC. Fortunately, this error was detected during a careful visual inspection.

The lower half of the enclosure serves as a kind of template for the fitting of the main board. The front side is the side with the air slots. Remove the small protruding parts at the inside of the slot in the rear side. These parts normally serve to keep the rear panel

in place, and must be removed here because the PCB reaches up to the rear panel. Slide the main board into the enclosure, and place the controls board and the front panel in front of it. Adjust the position of the main board such that the connecting copper pads on it and the controls board align. Make sure that the controls board is at right angles with the main board. First, join the connections at the far sides of the boards with a small

A complete kit of parts for the laser control unit (LSI7000) is available from the designers' exclusive world-wide distributors:

#### ELV France

B.P. 40  
F-57480 Sierck-les-Bains  
FRANCE

Telephone: +33 82837213  
Facsimile: +33 82838180

amount of solder. If necessary adjust the position of the boards before joining the connecting pads with solder.

Remove the PCB assembly from the enclosure, and fit the remaining connections between the main board and the controls board. Finally, connect the lower two terminals of the on/off switch to PCB terminals ST301 and 302.

The circuit is electrically functional at this point, and ready for testing. To prevent short circuits caused by stray component wires left on the workbench, fit the PCB assembly in the lower half of the enclosure. Do not connect the mirror galvanometers as yet, and insert an ammeter in the input supply line. Switch off immediately and investigate for construction errors if the unit draws more than 300 mA.

The following LEDs should be on after then unit is switched on: D107, D112, D113, D118, D207, D212, D213, D218, D303, D304 and D308. Check the selection functions by pressing the push-buttons. Each action must cause the next LED to light. If this does not work, investigate the relevant part of the circuit.

If the above tests check out, the laser exciter may be connected to the control unit. If you do not want to use the exciter at this stage, connect an oscilloscope set to X-Y mode to the mirror coil outputs.

The final assembly of the laser unit is fairly simple: place the PCB assembly, together with the front and rear panel, in the lower enclosure half. Next, insert the four bolts from the underside, and fit a washer and a PCB pillar on each of them. Place the top half of the enclosure on the lower half. If necessary, use a small screwdriver to align the PCB pillars until the end of the bolt passes through the hole in the mounting boss in the top half of the enclosure. Next, fit the nut in the mounting boss, and tighten the bolt. Finally, fit the feet on the lower half of the cabinet, and the cover caps on the top cover.

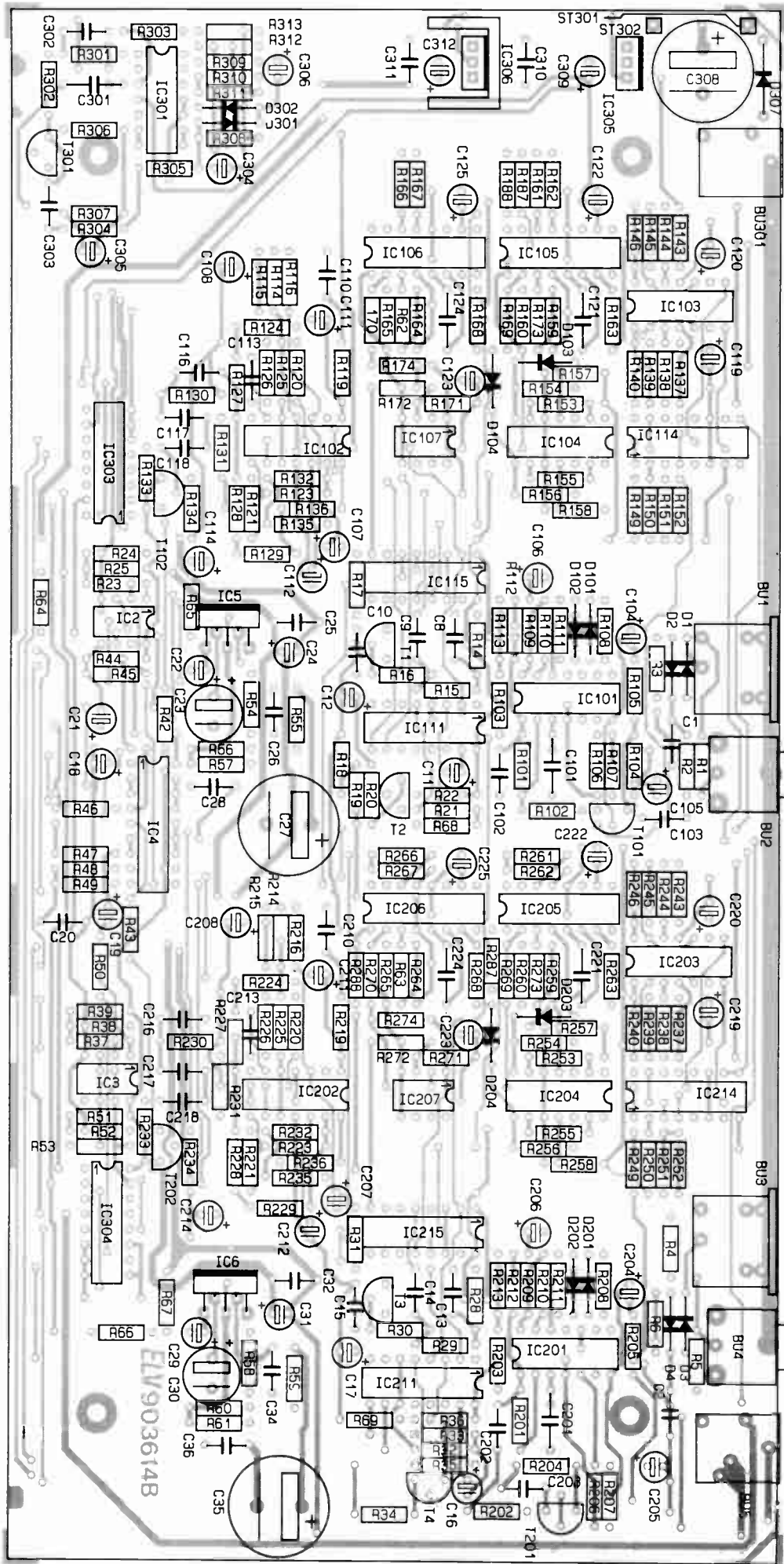


Fig. 15. Component overlay of the double-sided, through-plated, main board in the LSI7000.

# STEPPER MOTOR BOARD

## PART 2: THE POWER DRIVER BOARD

In this second and final instalment of the article we discuss the power driver board that sits between the PC interface described last month, and the stepper motors. Although designed to work with the PC interface, the power driver card can be connected to any other type of computer that provides a 16-bit wide I/O port.

H. Kolter

*Continued from the June 1991 issue.*

Tables 1 and 2, which could not be included in part 1 of this article, are given here.

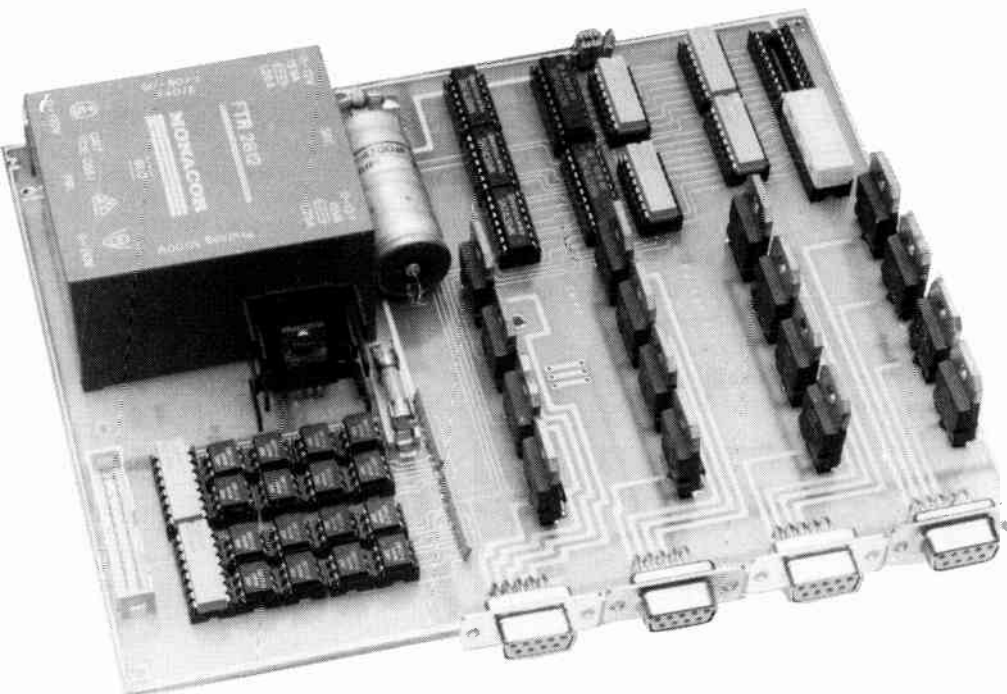
### TTL-to-current converter

The function of the power driver board is quite simple: it converts 16 TTL-level signals into an equal number of outputs with a drive capability of 2 A each. Provided a separate transformer is used, the same board can be used to power loads up to 3 A at 23 V.

An application example of the stepper motor control was discussed last month: a CNC-controlled fraise machine weighing no less than 250 kg. If you do not have such a weighty application in mind, rest assured that the control described is suitable for any other project where up to four unipolar stepper motors are to be driven.

### The circuit

The operation of the circuit shown in Fig. 5 is identical for all 16 channels. At the input we find a double-row pin header, K2. This connector forms the **only** point where the ground of the PC interface card or any other TTL-compatible port is connected to the power driver card. Each TTL input signal controls a LED in an optocoupler (IC2-IC17) via a series resistor. Note that the cathodes of the LEDs are taken to a common input ground connection. The series resistors are



contained in two DIL (dual-in-line) arrays of 8 resistors each. The arrays are fitted in IC sockets, which enables the resistor value to be changed as required when optocouplers other than the CNY17-2 are used. The emitters of the transistors in the optocouplers are also commoned and taken to the ground connection of the board. Each collector is connected to a pull-up resistor to the +5-V supply line. Like the LED series resistors, the pull-up resistors are contained in 8-way arrays (AR3; AR4). Note, however, that these are SIL (single-in-line) arrays rather than DIL arrays. Each optocoupler transistor is followed by an inverter (IC18; IC19), which passes the signal to a driver contained in a 74LS245 (IC21; IC22). This LS-TTL IC is capable of supplying the necessary base current for the power transistors, T1-T16.

The logic level applied to the DIR input (pin 1) of the 74LS245 defines the data direction. Since DIR is tied permanently to +5 V, the bit pattern supplied by the inverters is fed direct to the power transistors and the two LED arrays, LED1 and LED2. The active-low ENABLE ( $\bar{G}$ ) inputs of the bus drivers are taken logic high by pull-up resistors, but can be made low by fitting a jumper (J1; J2). When J1 or J2 is removed, the relevant 74LS245 is switched to its high-impedance output mode (three-state), so that all eight power transistors driven by it are switched off. When required, the jumpers may be replaced by a double on/off switch that acts as an emergency stop control.

The base currents of the 16 TIP3055s are limited by 100- $\Omega$  resistors contained in arrays AR5 and AR6. When a transistor is

### MAIN SPECIFICATIONS

- Power driver board for 4 unipolar stepper motors
- Handles loads up to 24 V at 3 A
- May be used for any 1-16 channel driver application
- Electrically isolated TTL-compatible inputs
- Functional indication based on LED bars
- On-board power supply
- Optional external power supply

switched on, the associated LED in array LED1 or LED2 lights. Each LED in these arrays is driven by a 74LS245 output via a 1-k $\Omega$  series resistor. The LED arrays are intended mainly to assist you while running an initial test on the stepper motor control. The LED bars show the status of all 16 motors at a glance, and will be found much more handy than a TTL probe, a multimeter or an oscilloscope.

Each collector-emitter junction of the power transistors is shunted by a diode Type 1N4007, which suppress back-e.m.f. pulses generated when inductive loads are switched. The collectors of the power transistors are taken to a connector pin in groups of four. The connectors used are 9-way sub-D types (K3-K6). Besides the collector voltage, each connector carries the unregulated motor supply voltage, and ground.

The supply circuit of the power driver board is conventional. The 12-V secondary windings of the mains transformer, Tr1, are

connected in parallel. The rectified and smoothed voltage is fed to connectors K3-K6, and to the input of voltage regulator IC1, whose 5-V output voltage is used for the 74LS ICs on the board only.

### Construction

The printed-circuit board used to build the power driver is shown in Fig. 6. It is recommended to use of sockets to fit the ICs, optocouplers, resistor arrays and LED arrays. The latter may taken from their sockets on the board and mounted on the front panel of the enclosure. This requires two lengths of flatcable and a handful of IDC-style plugs and sockets.

The four rectifier diodes, D1-D4, may run fairly hot and must be fitted at a distance of 1-2 mm above the board. The voltage regula-

**Table 2. Overview of port lines and control functions.**

- Port A:** bit 0 - 3 = Motor 1 (X)  
bit 4 - 7 = Motor 2 (Y)
- Port B:** bit 0 - 3 = Motor 3 (Z)  
bit 4 - 7 = Motor 4 (reserved)
- Port C:** C0 = Timer 0  
C1 = Timer 1  
C2 = Timer 2  
C3 = emergency switch  
C4 = output

**Input port (IC4):**

- Bit 0: end switch X0
- Bit 1: end switch X1
- Bit 2: end switch Y0
- Bit 3: end switch Y1
- Bit 4: end switch Z0
- Bit 5: end switch Z1
- Bit 6: end switch W0
- Bit 7: end switch W1

**Table 1. Register addresses.**

**Base address: 0DE0H**

**PPI 8255 (IC1)**

- Port A: base + 0
- Port B: base + 1
- Port C: base + 2
- Status: base + 3

**PIT 8253 (IC5):**

- Timer 0: base + 4
- Timer 1: base + 5
- Timer 2: base + 6
- Timer 3: base + 7

**Input port (IC4):**

- Read at: base + 8

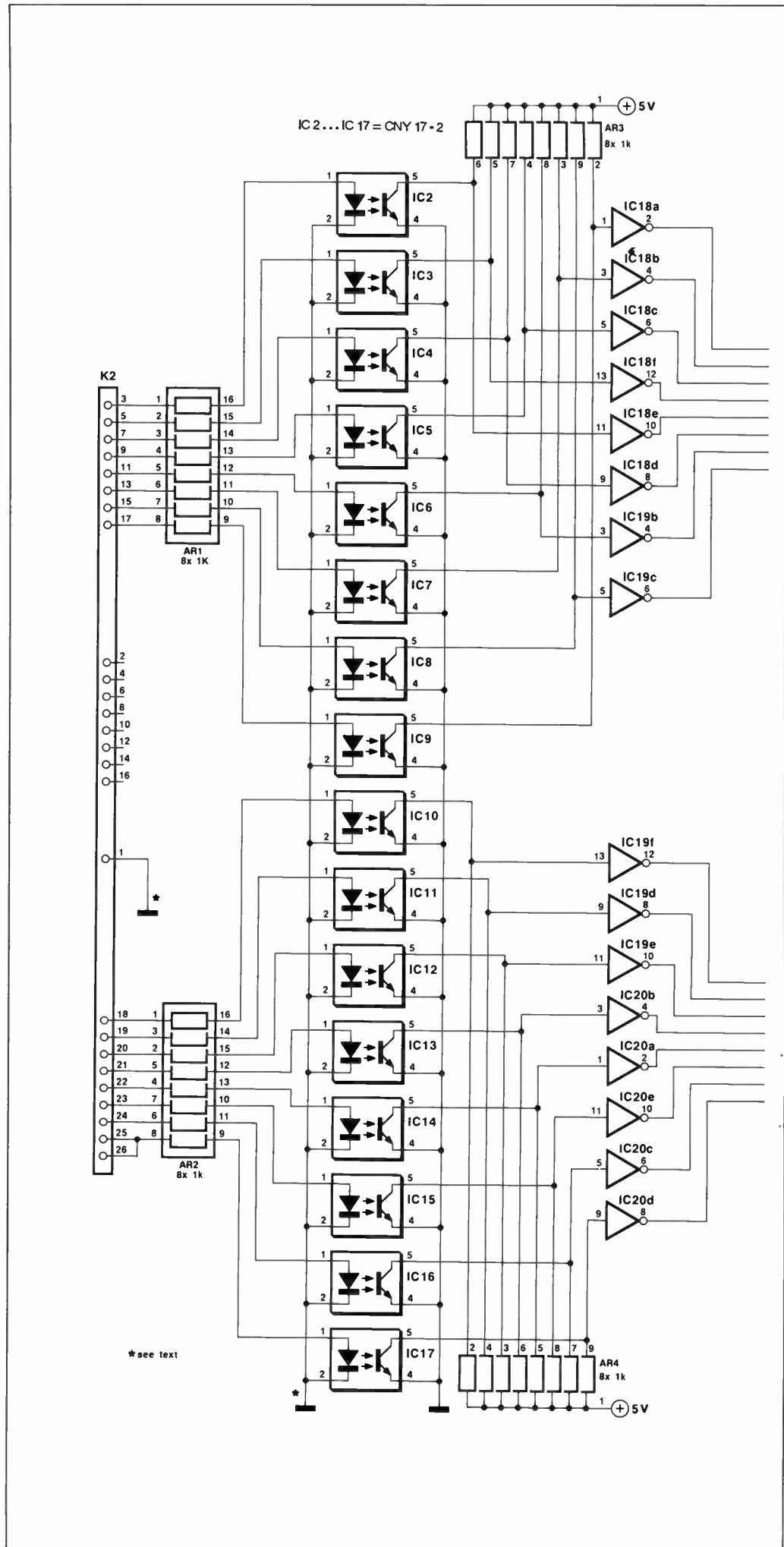
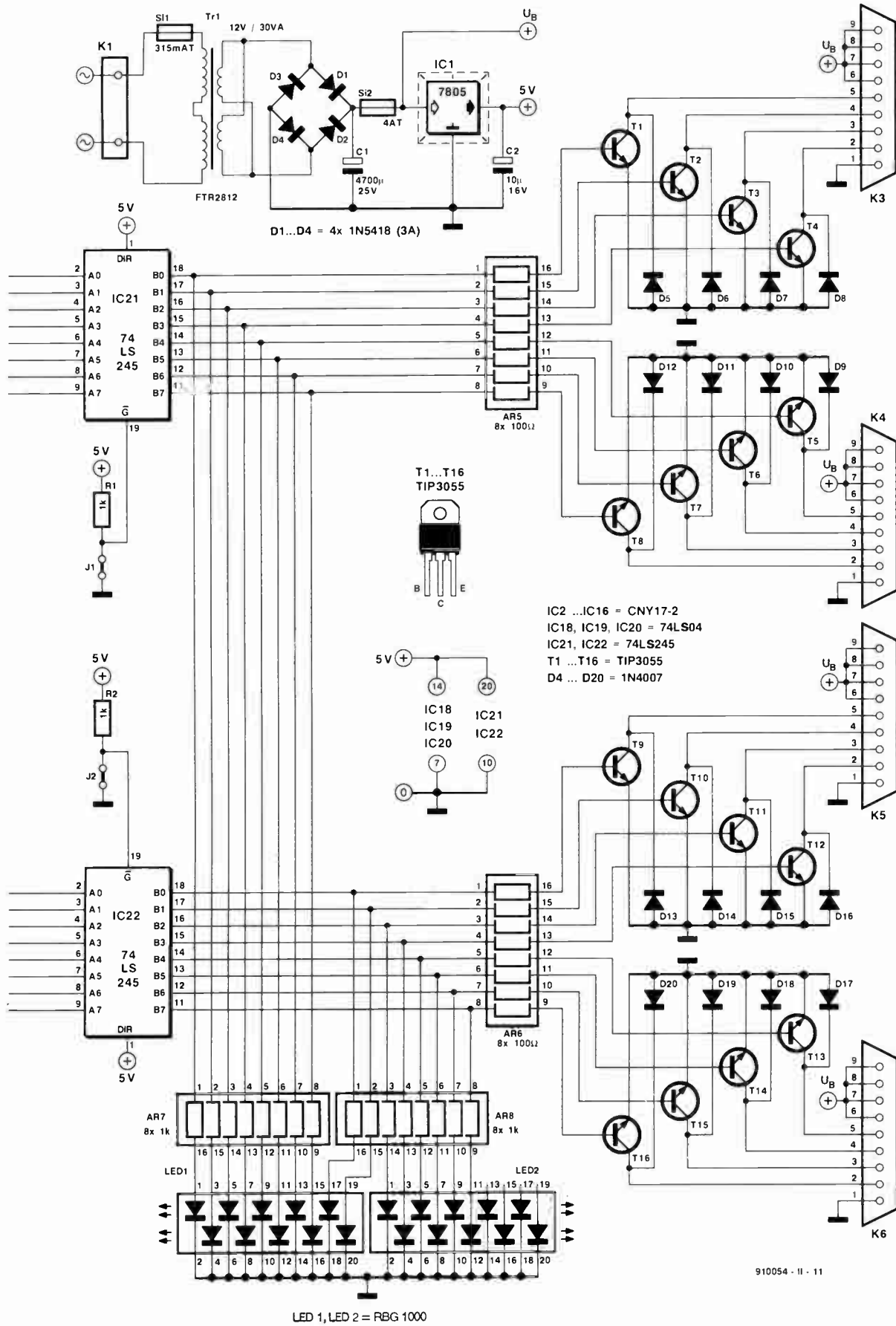


Fig. 5. Circuit diagram of the 16-channel booster for stepper motors. The circuit accepts TTL-





910054 - II - 11

level input signals, and is capable of powering loads up to 3A when an external power supply is used. The on-board supply is good for 2 A.



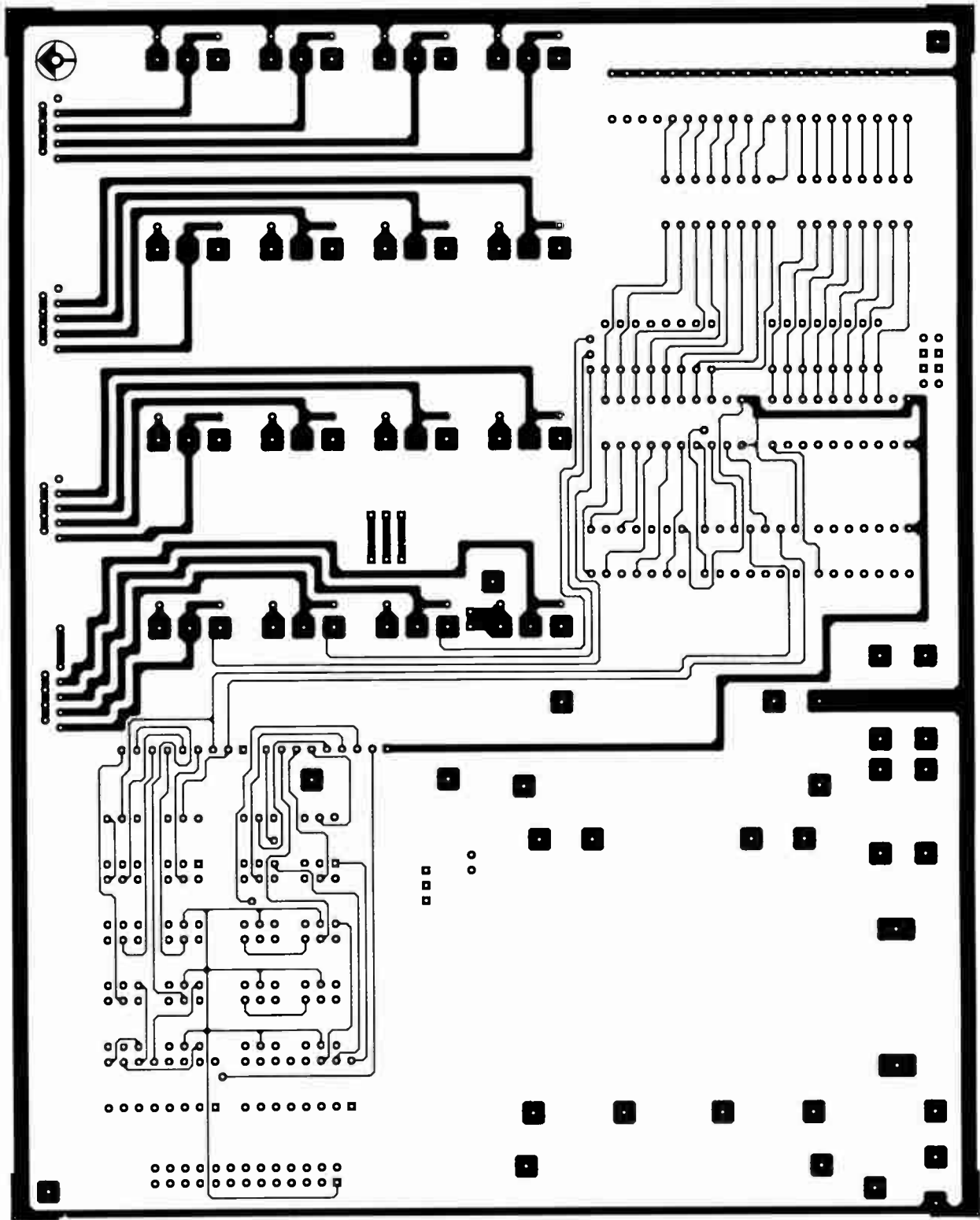


Fig. 6b. Component side track layout (mirror image).

1	315mA slow fuse with PCB-mount holder	Si1
1	4A slow fuse with PCB-mount holder	Si2
1	12V/30VA mains transformer, e.g. Monacor/Monarch type FTR 2812	Tr1
1	TO-220 style heatsink for IC1	
2	2-way pin header plus jumpers	
1	printed-circuit board	910054-2

tor and the power transistors do not require heat-sinks when the indicated 12-V transformer is used. However, if you use a higher motor supply voltage (which is possible by using an external transformer), the TIP3055s will require additional cooling. The layout of the PCB allows ready use of a common heat-sink for groups of four transistors. Note that the transistors must be electrically isolated from another by means of mica washers and plastic bushes.

The 9-way sub-D connectors on the PCB

are types with angled solder pins. This enables them to be fitted horizontally and protrude from the enclosure rear panel.

To ensure proper earthing, the enclosure for the power driver board is preferably a metal type. The earth line is then connected to the bottom as well as to the front plate.

### A simple test program

The source code of a small Turbo-Pascal program given in Listing 1 allows you to run a

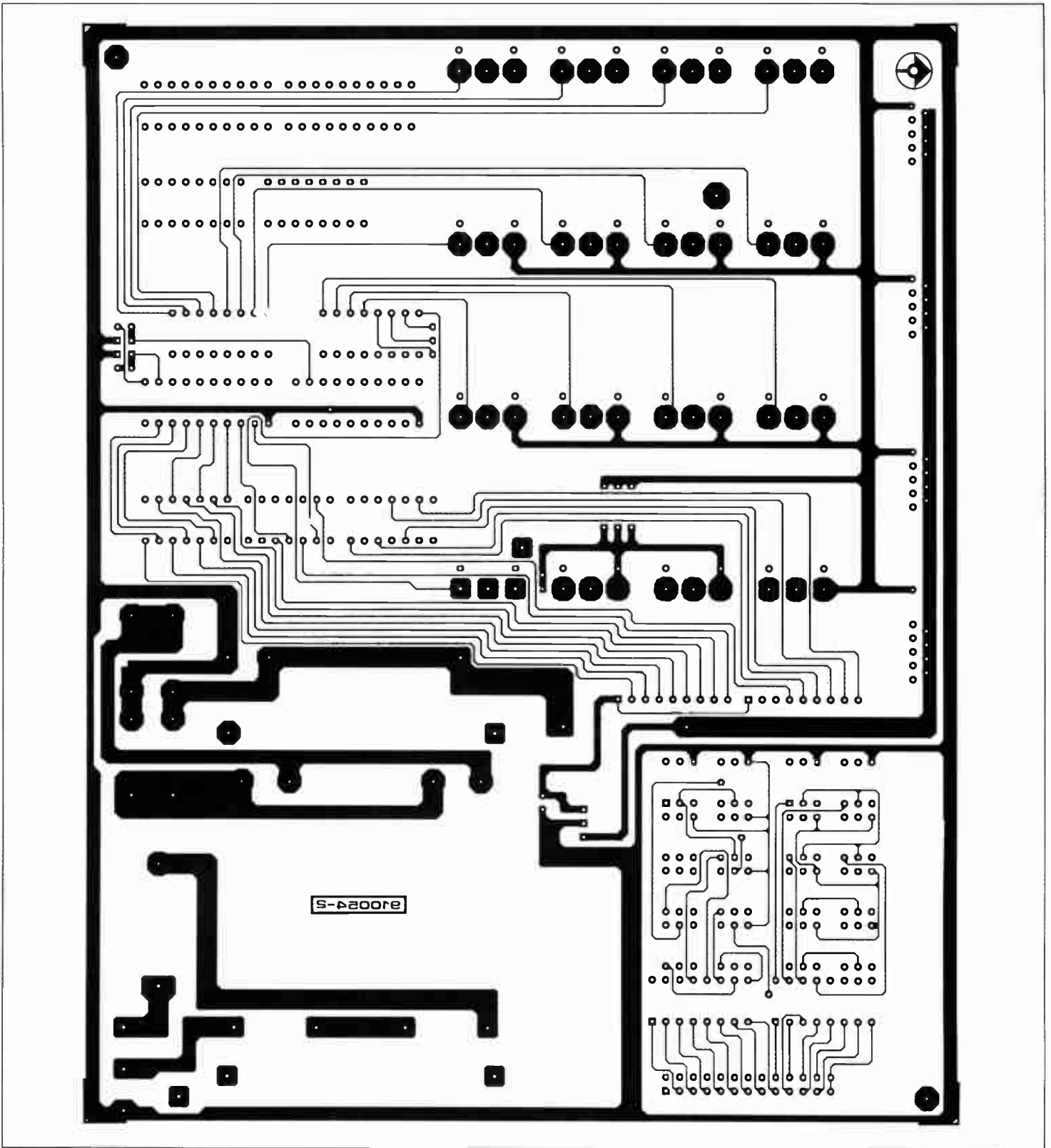


Fig. 6c. Solder side track layout (mirror image).

quick test on the complete stepper motor control system.

When the two PCBs (PC insertion card and power driver card) are complete, connect them with a length of flatcable via K2 at the PC side, and K2 at side of the power driver board. The flatcable simply connects all pins with the same numbers at either side.

Connect a unipolar stepper motor to K3. Unipolar motors usually have four windings (phases), but only six connecting wires since pairs of two windings each are interconnected in the motor. This means that you will have to find the common connection first

with the aid of an ohmmeter, and then connect it to the +Ub pins on the 9-way connector (see the pinning of K3). The four remaining wires belong with two windings. Identify the windings with an ohmmeter, and connect the associated wires to two adjacent transistors on the power driver board. For instance, winding 1 is connected to T1-T2, and winding 2 to T3-T4.

After connecting the stepper motor, load the test program, compile it and start it. The software slowly increases the speed of the motor to the maximum, and then reduces the speed. The programming steps responsible

for this speed control are readily traced in the listing. You may find the ramp-based delay routine in the test program useful for your own applications. If so, simply copy the relevant routine, adapt it (if necessary), and insert it in your own software. After changing the port addresses the same program may be used to test the other three motor channels.

## Tuning

In many cases, the stepper motors used will be too slow. Also, the maximum step fre-

this mode, the stepper motors are operated at two times their nominal supply voltage of 12 V, which, according to the datasheets supplied by Oriental Motors, does not exceed their specifications, since the maximum step rate is achieved at 24 V. The software developed by the author programs motor channel 4 (K6) such that it supports the 'turbo' function. Transistor T13 is connected to a relay that switches the supply voltage of the stepper motors between 12 V and 24 V. The 'turbo' mode results in much higher motor speeds, which can be quite useful in a number of applications. Interestingly, the motors used do not run hot even when running at the maximum speed for long periods. It should be noted, though, that a doubling the supply voltage is not possible on all stepper motors. To find out whether a particular type is suitable for the 'turbo' mode, consult the datasheets, or simply try it out. ■

## CONTROL SEQUENCES FOR UNIPOLAR STEPPER MOTORS

Four-phase unipolar stepper motors are controlled by switching windings (phases) on and off as shown below. The control word sequences given result in clock-wise rotation of the motor spindle. The motor reverses when the order of the sequences is reversed.

### Full-step mode

Step	T1	T2	T3	T4
1	1	0	1	0
2	1	0	0	1
3	0	1	0	1
4	0	1	1	0
1	1	0	1	0

### Half-step mode

Step	T1	T2	T3	T4
1	1	0	1	0
2	1	0	0	0
3	1	0	0	1
4	0	0	0	1
5	0	1	0	1
6	0	1	0	0
7	0	1	1	0
8	0	0	1	0
1	1	0	1	0

1 = transistor on  
0 = transistor off

Note that although the minimum step distance of a mechanical device operated by a stepper motor is halved by using the motor in half-step mode, this results in a reduction of the maximum rotational torque and maximum step rate. The cause of this degraded performance in half-step mode is that only one motor winding is actuated during the intermediate steps (2, 4, 6 and 8). By contrast, in full-step mode two phases are always actuated.

## PREVIEW SPEAKER BUILDER

Issue 4, 1991

- Integrite: A lesson in rational speaker design
- Optimizing TL line lengths
- A Bronco sound system upgrade
- An easier crossover design
- Another Minimus 7 modification
- Simplifying cabinet assembly

```

{ Test program for 4-Phase/unipolar motor. }
{ 8253 Timer and end switches are not read. }
{ Programmed with TURBO-PASCAL 5.5 from Borland }
uses crt,dos,graph;

const
  sk = $0DE0; { Port addresses on card (PPI 8255) }
  ay = $0DE1; { PA = 0de0, PB = 0de1, PC = 0de2 }
  st = $0DE2; { Status port = 0de3, see INIT. }

  A = 1; { Motor : Phases on Port 8255 (const) }
  B = 2;
  C = 4;
  D = 8;
  AB = 3;
  BC = 6;
  CD = 12;
  DA = 9;

  I = 16;
  E = 32;
  G = 64;
  H = 128;
  EF = 48;
  FG = 96;
  GH = 192;
  HE = 144;

type parms = record
  driver : integer;
  mode : integer;
end;

var
  i : integer;
  w : char;
  param : parms;
  v1,v2 : integer;

procedure init; { Initialize via status port. }
begin
  port [$0de3] := 178; { set all Ports to output }
  sound (2000);
  delay (50);
  nosound;
end;

procedure Verz; { Delay Ramp for start/stop }
begin
  for v2 := 0 to v1 do
  begin
    { relative delay, depends on PC speed }
    end;
    v1 := v1 - 1;
    if v1 < 450 then v1 := 450;
    if i > 250 then v1 := v1 * 2;
  end;

procedure test1; { test turbo mode with T key. }
begin
  v1 := 850; { value of start ramp in VL }

  port [$0DE1] := 16; { Init TURBO-MODE }
  for i := 1 to 300 do
  begin
    port [sk] := A : verz; { full delay }
    port [sk] := AB : verz; { motor runs clockwise }
    port [sk] := B : verz;
    port [sk] := BC : verz;
    port [sk] := C : verz;
    port [sk] := CD : verz;
    port [sk] := D : verz;
    port [sk] := DA : verz;

  end;
  port [sk] := 0; { switch off phases }
  v1 := 850;
  for i := 1 to 300 do
  begin
    port [sk] := DA : verz; { full delay }
    port [sk] := D : verz; { motor runs anti-clockwise }
    port [sk] := CD : verz;
    port [sk] := C : verz;
    port [sk] := BC : verz;
    port [sk] := B : verz;
    port [sk] := AB : verz;
    port [sk] := A : verz;

  end;
  port [sk] := 0; { switch off phases }
  port [$0de1] := 0; { IMPORTANT !!! }
  v1 := 850;
end;

begin { MAIN PROGRAM }
  W := 'A';
  init;
  detectgraph(param,driver ,param,mode); { Graphics card }
  initgraph(param,driver ,param,mode, ' ');

  setfillstyle(1,0); { screen init }
  BAR (0,0,748,348);
  setfillstyle(0,0);
  setcolor(0);
  setBKColor(1);
  BAR (2,203,468,347);

  setcolor(15);
  repeat;
  outtextXY ( 10, 10, 'T - Test run X-axis' );
  outtextXY ( 10, 30, 'Q - Quit' );
  until keypressed;
  w := readkey;
  case w of
    't','T' : test1;
  end;
  until w = 'q';
  clrScr;
  writeLn('End');
  TextMode($0);
end;

```

**Listing 1.** This Turbo-Pascal program controls the X-axis motor with the aid of a start/stop ramp, which is one of the most important functions required for smooth operation of a stepper motor.

frequency is often difficult to ascertain from the motor's data sheets. In practice, the value stated must be divided by the number of phases (windings) of the motor. This leaves you with a much lower frequency, which is, however, a more realistic indication of the maximum speed of the motor. So, do not suspect the hardware or the software when your motor fails to run as fast as promised in the datasheet — you may well have achieved the real maximum already.

The author has implemented a 'turbo' mode for the control of the CNC fraise machine mentioned in part 1 of this article. In



Now Available by Popular Demand!

# BULLOCK ON BOXES

BY ROBERT M. BULLOCK III

with Robert White

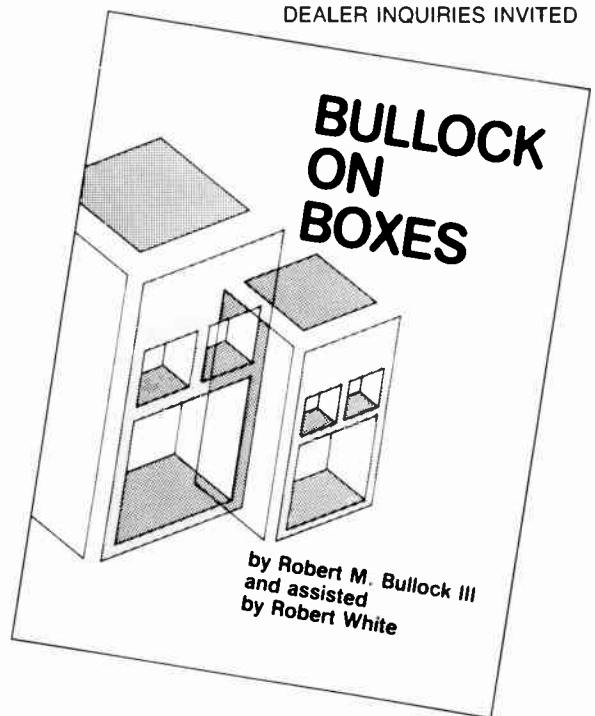
Since 1980, readers of *Speaker Builder* magazine have delighted in the scope and clarity of Bob Bullock's explanations of vented-box loudspeaker systems. Now, for the first time, these articles have been collected into a single invaluable volume: *BULLOCK ON BOXES*.

This book is an easy-to-read guide to designing and building vented-box systems based on Thiele/Small models. And in addition to the background theory and descriptions of the models, *BULLOCK ON BOXES* carefully covers a host of related information drawn from numerous resources. Computer modeling, as demonstrated by the authors' BOXRESPONSE and BOXMODEL programs, is also explained in clear detail.

A professor of applied mathematics at Miami University (Ohio) since 1966 and long-time hands-on speaker buff, Dr. Bullock brings an unparalleled range of experience to the pages of *BULLOCK ON BOXES*. Fully indexed and referenced, with glossary, bibliography, and more than 100 illustrations, *BULLOCK ON BOXES* is a practical handbook and lasting reference indispensable to every serious speaker builder. Order yours today!

#### CHAPTERS:

- Thiele, Small, and Vented Loudspeaker Design
- Determining Design Parameters for Your Loudspeaker
- Fine Points of Vented Speaker Design
- Alternative Alignments (incl. Fourth Order)
- T/S Calculator Programs (TI-58/59, HP-67/97)
- BOXRESPONSE: An Apple Program for the Thiele/Small Models
- Realizing BOXRESPONSE's Potential
- BOXMODEL: An Aid to Woofer System Design
- Correspondence & Updates



BKAA8 1990, 8½" × 11"

\$10.95

**SPECIAL OFFER:** For a limited time only, purchase *BULLOCK ON BOXES* and receive your choice of software package below at \$5 off the regular retail price. Order BKAA8/S.\*

\*Because of taxation requirements, software not available to residents of CT.

#### SOFTWARE PACKAGES AVAILABLE (Sale Prices Shown):

##### BOXRESPONSE \$20

Apple (not Mac) #BOX1A5 Commodore #BOX1C5  
IBM #BOX1B5 Comm. Cassette #BOX3CC

##### BOXRESPONSE WITH GRAPHICS \$45

IBM only #BOX2B5G

##### BOXMODEL WITH GRAPHICS \$45

IBM only #MOD3B5G

[NOTE: In general, BOXRESPONSE automatically generates alignments for a given driver. BOXMODEL does not do this, but instead compares up to four given alignments simultaneously. Both programs display various performance aspects of passive-radiator or vented-box systems.]

CK  MO  MC/VISA

NAME \_\_\_\_\_

STREET & NO. \_\_\_\_\_

CITY \_\_\_\_\_ STATE \_\_\_\_\_ ZIP \_\_\_\_\_

MC/VISA \_\_\_\_\_ EXP. \_\_\_\_\_

**YES!** Please send me      *BULLOCK ON BOXES* at \$10.95 each! BKAA8 \$ \_\_\_\_\_

**SOFTWARE, TOO!** Please send me one *BULLOCK ON BOXES* at \$10.95 BKAA8/S \_\_\_\_\_

PLUS my choice of software package # \_\_\_\_\_ at only \$ \_\_\_\_\_! BKAA8/S \_\_\_\_\_

POSTAGE AND HANDLING (see below) \_\_\_\_\_

TOTAL ORDER \$ \_\_\_\_\_



#### OLD COLONY SOUND LAB

PO Box 243, Dept. E91  
Peterborough, NH 03458-0243  
(603) 924-6371 / 924-6526  
FAX: (603) 924-9467

Answering machine for credit card orders only  
before 9:00 a.m., after 4:00 p.m. and weekends.  
Have all information plus MC/VISA available

#### POSTAGE AND HANDLING:

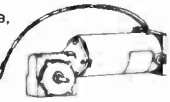

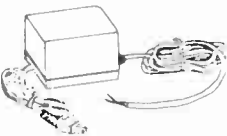





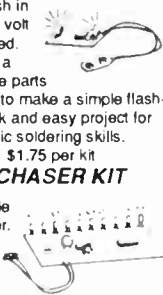



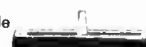





U.S.—Book only: \$2.00 first book, 75¢ each additional.  
Book plus software: \$2.75.

Canada—Book only: \$4.50 first book, 75¢ each additional.  
Book plus software: \$5.25.

Other—Add 20% to order.

We Have **QUALITY PARTS** • We Have **DISCOUNT PRICES** • We **SHIP FAST**

# ALL ELECTRONICS CORP.

<h3>GEAR MOTOR</h3> <p>Everest &amp; Jennings 24 W series High torque, permanent magnet gearhead motor with replaceable brushes. Rated for 24 Vdc; operates fine on 12 Vdc. We think these were originally built for wheelchairs. 1/2" dual shaft on final drive. Ratings: 12 Vdc 1.7 amps 220-290 rpm 24 Vdc 2.0 amps 445-470 rpm Motor is 5 3/4" long X 3" diameter with 3.125" square mounting bracket. Gear box is 3.37" long X 3.2" wide. Shafts extend 0.75" to either side of gear box. 9.5 lbs. <b>CAT# MOTG-16 \$25.00 each</b></p> 	<h3>TOUCH DIMMER</h3> <p>The "brain" part of the "LITE TOUCH" touch dimmer. when connected to any lamp, will turn it on and off and change the brightness level when any metal part is touched. We don't have the wiring harness that originally connected this to the lamp, but we can provide a simple hook-up diagram and instruction sheet. The solid-state circuitry is contained in a thermo-plastic box 1.91" X 3.11" X 0.835". <b>CAT# DMR-1 \$3.50 each</b></p> 	<h3>12 Vdc POWER PACK</h3> <p>12 Vdc 1 Amp. power pack. 8 ft, 2 conductor power cord on input. 22" cord with stripped and tinned pigtail leads on output. 3.2" X 2.3" X 1.9". <b>CAT# DCTX-121 \$5.75 each</b></p> 	<h3>FLOURESCENT FIXTURE</h3> <p>Fixture for single mini bi-pin 6". 4 watt fluorescent lamp. Starter switch, sockets and ballast are mounted on 7 1/4" X 3 1/4" metal plate. Includes 8 foot power cord with strain relief. Use with standard fluorescent lamp for display lighting or with ultraviolet lamp for special effects or EPROM erasure. U.L. listed. <b>CAT# FLX-1 \$3.00 each</b></p> 			
<h3>SWITCHES</h3> <h4>Dip P.C. Pushbutton</h4> <p>ITT Shadow Digitast Series SE S.P.D.T. momentary pushbutton. Mounts in 14 pin DIP configuration. Designed for low current switching applications. Grey keycap is 0.68" X 0.67". <b>CAT# PB-28 \$1.00 each</b> 10 for \$9.50 • 100 for \$85.00</p> <h4>Pushbutton Switch</h4> <p>SMK Manufacturing 0.47" square black pushbutton, SPST normally open, 4 p.c. pins for mounting. Ideal for low current switching applications. <b>CAT# PB-29 \$1.00 • 100 for \$15.00</b></p> <h4>Rotary BCD Switch</h4> <p>EECO # 2310-02G BCD 10 position rotary switch. DIP configuration fits in standard 8 pin I.C. socket. Right angle style. Screwdriver actuation. 0.42" cube. <b>CAT# RDIP-2 \$1.75 each</b> 10 for \$16.00 • 100 for \$145.00</p> <h4>Miniature Toggles</h4> <p>Rated: 3 amps @ 120 Vac S.P.D.T. (ON-ON) P.C. mount <b>CAT# MTS-4PC \$1.00 each</b> 10 for \$9.00 - 100 for \$80.00 S.P.D.T. (ON-ON) solder lugs <b>CAT# MTS-4 \$1.35 each</b> 10 for \$12.50 - 100 for \$110.00 D.P.D.T. (ON-ON) solder lugs <b>CAT# MTS-8 \$1.75 ea.</b> 10 for \$15.00 D.P.D.T. (ON-ON) P.C. mount <b>CAT# MTS-8PC \$2.00 ea.</b> 10 for \$17.50</p>	<h3>PHOTOFLASH CAPACITOR</h3> <p>Rubicon CE 210 Mid 330 Volt photoflash capacitor. 0.79" dia. X 1.1" high. These are new capacitors that have been prepped with 1.4" black and red wire leads soldered to the terminals. <b>CAT# PPC-210 \$1.25 each • 10 for \$11.00</b> 100 for \$100.00 Large quantities available. Call for pricing.</p> 	<h3>HALL EFFECT SENSOR</h3> <p>Microswitch #SS41 Tiny, solid state switch reacts instantly to proximity of magnetic field. Operates at extremely high speeds, up to 100 khz. Case size: 0.12" X 0.17" X 0.06" thick. 4.5 Vdc to 24 Vdc supply voltage. 10 ma. sink type digital output. Operating gauss - 15 to 40. P.C. leads. <b>CAT# HESW-2 75c each • 10 for \$6.50</b> 100 for \$60.00 • 1000 for \$500.00</p> 	<h3>P.C. RELAYS</h3> <p>The following relays all have p.c. pins for both input and output as well as quick-connect terminals on the output. 1.5" X 1.05" X 1.08". UL &amp; CSA listed.</p> <p>12 Vdc, SPDT Potter &amp; Brumfield # T91R5D22-12-02 12 Vdc, 155 ohm coil. Normally open contacts rated 20 amps. Normally closed contacts rated 10 amps. <b>CAT# RLY-31 \$2.50 each</b> 10 for \$22.50</p> <p>12 Vdc, SPST N. O. Potter &amp; Brumfield # T91R5D22-12-01 12 Vdc, 155 ohm coil, S.P.S.T. normally open contacts rated 30 amps. <b>CAT# RLY-32 \$2.00 each</b> 10 for \$18.00</p>	<h3>RECHARGEABLE BATTERIES</h3> <h4>6 Volt 1 Amp/Hour</h4> <p>Japan Storage Battery Co. Portalac # PE6V1 6 Volt 1 Ah rechargeable sealed lead-acid (gell cell). 2" X 1.635" X 2" ht. Batteries are prepped with 5" black and red leads terminated with 2 pin connector. <b>CAT# GC-61 \$4.75 each</b> 10 for \$42.50</p> 	<h3>3 1/2" DISKETTES</h3> <p>Quality, double-sided 3 1/2" diskettes. These diskettes were recorded, but never used. Flip the write-protect tab to off position and use for your own data storage at a fraction of the cost of new diskettes. <b>CAT# DTS-1 \$1.00 each • 10 for \$9.00</b></p> 	<h3>KITS</h3> <h4>L.E.D. FLASHER KIT</h4> <p>Two L.E.D.'s flash in unison when a 9 volt battery is attached. This kit includes a p.c. board, all the parts and instructions to make a simple flasher circuit. A quick and easy project for anyone with basic soldering skills. <b>CAT# LEDKIT \$1.75 per kit</b></p> <h4>L.E.D. CHASER KIT</h4> <p>Build this variable speed led chaser. 10 leds flash sequentially at whatever speed you set them for. Easy to build kit includes pc board, parts and instructions. Ideal for special lighting effects, costumes, etc. Operates on 3 to 9 volts. PC board is 5" X 2.25". A great one hour project. <b>CAT# AEC \$6.50 each</b></p> 
<h3>TELEPHONE KEYPAD</h3> <p>12 button telephone keypad. Ivory finish. 2.83" x 2.2" x 0.58" thick. Matrix encoded. Ideal for telephone or security keypad. <b>CAT# KPT-1 \$1.00 each • 10 for \$9.00</b></p>  <h3>OPTO-SENSOR</h3> <p>TRW/Optron # OPB5447-2 IR emitter/sensor pair in Rectangular package with 28" color coded leads. <b>CAT# OSR-4 2 for \$1.00</b></p> 	<h3>Nickel-Cad</h3> <p>AAA SIZE \$1.50 each 1.2 volts 180 mAh <b>CAT# NCB-AAA</b></p> <p>AA SIZE \$2.00 each 1.25 volts 500 mAh <b>CAT# NCB-AA</b></p> <p>AA SIZE \$2.20 each WITH SOLDER TABS <b>CAT# NCB-SAA</b></p> <p>C SIZE \$4.25 each 1.2 volts 1200 mAh <b>CAT# NCB-C</b></p> <p>D SIZE \$4.50 each 1.2 volts 1200 mAh <b>CAT# NCB-D</b></p> 	<h3>AUDIO SLIDE POT</h3> <p>Dual 1K audio. 3 1/2" long, 2 1/2" slide <b>CAT# ASP-1KD</b> Reduced to 50c each 100 for \$40.00</p>  <h3>I.E.C. POWER CORD</h3> <p>6 foot BLACK, SPH-386 jack to 3 prong molded A.C. plug. Fits most computers, computer terminals and test equipment. <b>CAT# LCAC-C6 \$3.00 each</b></p>  <h3>FLASH ASSEMBLY</h3> <p>New compact flash assembly from a U.S. manufacturer of cameras. Operates on 3 Vdc and measures 2 1/2" x 1 1/4". Ideal for use as a strobe, warning light or attention getter. Includes hook-up diagram. <b>CAT# FSH-1 \$3.75 each</b> 10 for \$35.00 • 100 for \$325.00</p> 	<h3>L.E.D.'s</h3> <h4>Standard JUMBO</h4> <p>Diffused T 1-3/4 size (5 mm)</p> <p>RED <b>CAT# LED-1</b> 10 for \$1.50 • 100 for \$13.00</p> <p>GREEN <b>CAT# LED-2</b> 10 for \$2.00 • 100 for \$17.00</p> <p>YELLOW <b>CAT# LED-3</b> 10 for \$2.00 • 100 for \$17.00</p> <h4>FLASHING LED</h4> <p>W/ built in flashing circuit 5 volt operation. T 1-3/4 (5mm)</p> <p>RED \$1.00 each <b>CAT# LED-4</b> 10 for \$9.50</p> <p>GREEN \$1.00 each <b>CAT# LED-4G</b> 10 for \$9.50</p> <p>YELLOW \$1.00 each <b>CAT# LED-4Y</b> 10 for \$9.50</p> <h4>LED HOLDER</h4> <p>Two piece holder. <b>CAT# HLED</b> 10 for 65c</p>	<h3>STEPPING MOTOR CONTROLLER KIT</h3> <p>Learn about stepping motors while building this simple circuit. Includes circuit board, stepping motor and all parts except 12 Vdc power supply. <b>CAT# SMKIT \$18.00 each</b></p>  <h3>METRONOME KIT</h3> <p>This simple device can be set to click from 20 to 1,000 beats per minute. Easy to build, includes circuit board, all components and instructions. Operates on a 9 volt battery (not included). <b>CAT# METRO \$3.75 each</b></p>  <h3>PHOTO RESISTOR</h3> <p>1,000 ohms bright light. 16K ohms dark. 0.182" dia. X .08" high. 0.18" long leads. <b>CAT# PRE-7 2 for \$1.00</b> 100 for \$45.00 • 1000 for \$400.00</p> 		

## ORDER TOLL FREE 1-800-826-5432

FAX (818) 781-2653 • INFORMATION (818) 904-0524

Call Or Write For Our Free 64 Page Catalog

Outside the U.S.A. send \$2.00 postage for a catalog.

Minimum Order \$10.00 • All Orders Can Be Charged To Visa, Mastercard Or Discovercard • Checks and Money Orders Accepted By Mail • California, Add Sales Tax • Shipping And Handling \$3.50 for the 48 Continental United States - All Others Including Alaska, Hawaii, P.R. And Canada Must Pay Full Shipping • Quantities Limited • No C.O.D. • Prices Subject to change without notice.

DISCOVER

VISA

MasterCard

MAIL ORDERS TO: ALL ELECTRONICS CORP • P.O. BOX 567 • VAN NUYS, CA 91408

# LOGIC ANALYSER - PART 5

by K. Nischalke and H.J. Schulz

ALTHOUGH the software described in this final part of the article was developed for the Atari ST and TT series, it has been adapted for use on all personal computers using an MS-DOS. The respective floppy disks are available through our Readers' services. The software for the Atari consists of the compiled program only, whereas that for other MS-DOS computers embraces the program proper and the source code in Turbo C.

Note that the description in this article is based on the Atari program. However, both programs are so accessible as to make detailed user instructions superfluous. All matters that are concerned directly with the measurements are shown on the screen. All supported functions, such as reading, storing of data, and printing, are accessible via pop-up menus (Atari) or certain keys on the keyboard.

## Display

Distinction is made between physical and logic channels. The former, of which there are up to 64, are inputs of the analyser stored on the RAM card(s), whereas the latter are outputs of the analyser, of which there are also up to 64. Since the space on the screen is limited, only 16 logic channels are shown at any one time.

When the program is started, the physical and logic channels are linked directly, that is, input 1 of card 1 corresponds to logic channel 1, and so on. However, the software makes it possible to link the channels in any way the user wants. It is even possible to link one physical channel, for example, the one connected to the clock, to several logic channels. The clock will then appear at several locations in the timing diagram on the screen. The relation between that signal and associated signals is then very evident.

So as not to lose track of the various signals, the column alongside the timing diagram—see Fig. 5—shows which channel belongs to which trace and vice versa. What is shown in this column depends on the selections made via the options menu. A choice may be made, for instance, between text or the number of the physical channel. When the program is started, the numbers of the logic channels are shown in the column. A click with the mouse in the relevant channel box will produce a box on the screen, in which may be indicated which physical channel is required to be associated with the chosen logic channel, and which text belongs to it. This text may contain up to six characters. If a physical channel is linked to a second (or third) logic channel, the text associated with that channel is copied automatically. Furthermore, alterations in the text, irrespective of in which logic channel these are effected, are copied

automatically to any other logic channels that may be associated with the particular physical channel.

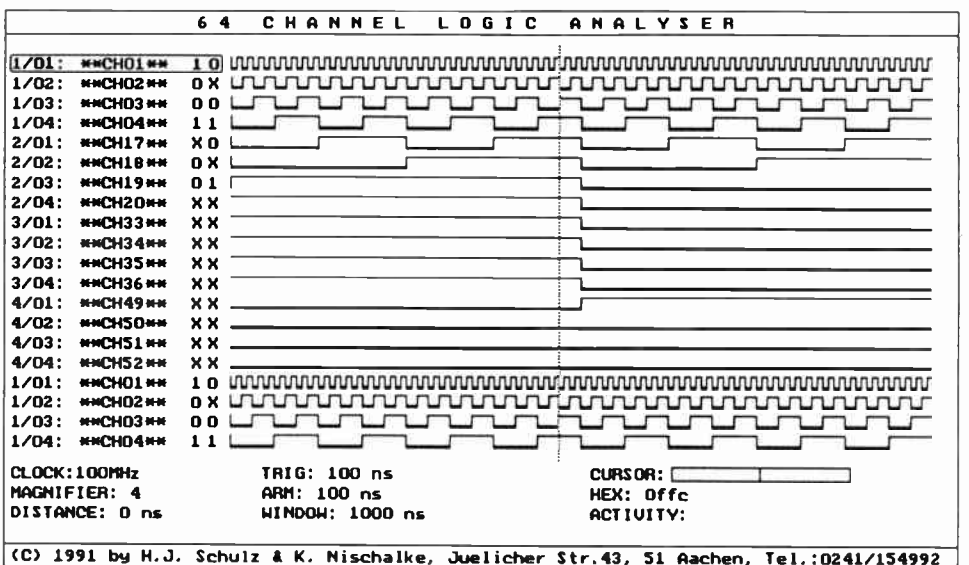
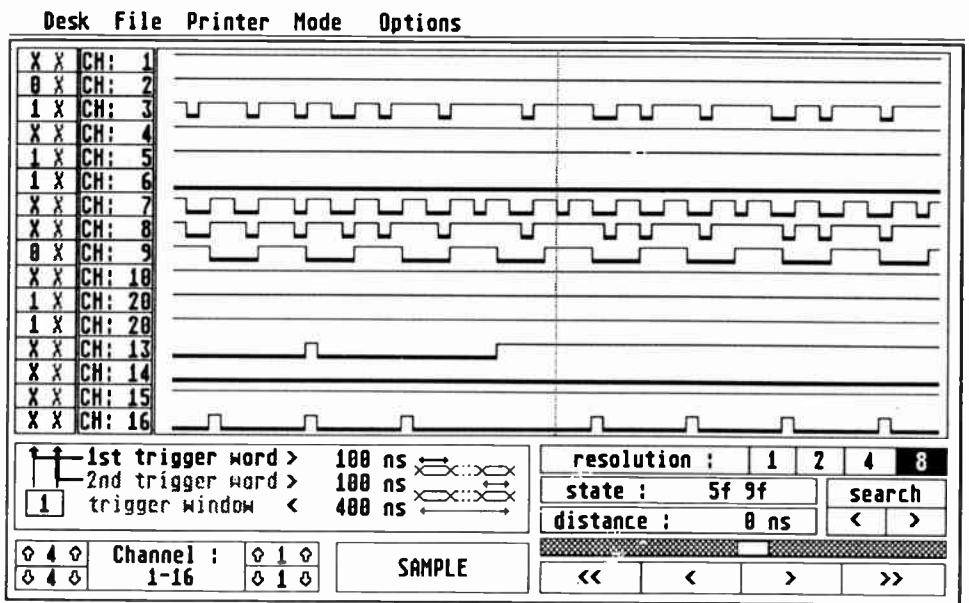
## Triggering

The trigger word is linked to physical channels. If a physical channel is associated with more than one logic channel, the software ensures that alterations in the triggering are copied to all the associated logic channels.

The trigger word is shown at the left of

the timing diagram on the screen. By clicking with the mouse on an appropriate bit, the trigger bit may be set to 1, 0, or X (don't care). In the 100 MHz mode, the second trigger word is set in a similar manner.

Other aspects of the triggering are shown in the window at the bottom left-hand side of the screen. The number in the small rectangle indicates which trigger words have been chosen; note that during measurements up to four trigger words may be used. Clicking with the mouse suffices to select another





word. Also shown are the times that indicate the required width of the trigger pulses. Click on the number to choose the correct time. The computer will select the nearest value that may be set on the analyser.

When the pulse width of trigger word 2 is set, the program ensures that the trigger window is always wider than the trigger pulse to prevent a situation in which the analyser can not be triggered. That situation may, of course, arise also if the trigger condition is not contained in the measurand (quantity to be measured). In that case, the analyser should be stopped by pressing any key on the keyboard. The analyser is started again by clicking on SAMPLE.

## Screen functions

It is not possible to place all recorded data legibly and simultaneously on to the screen; therefore, only 16 channels are shown at any one time. The remainder of the channels may, of course, be scrolled into view, one or four channels at a time. The scroll function is shown at the bottom lefthand side of the screen. Number and direction are selected by clicking with the mouse.

In the same window is shown which logic channels are shown in the timing diagram. These may be shifted by moving the diagram horizontally with the cursor shift (<<

<, >, >>), at the bottom right-hand side of the screen: the mouse is pointed, clicked (and held) at the blank box in the shaded bar, after which the box can be moved as required.

There is also a search facility, for which the first trigger word serves as the search pattern. Click the mouse on the desired direction and the search is started. The cursor then stops at the sought sample, which is to the right of the cursor. In the status window is shown hexadecimally what data are shown at the cursor position.

The distance window enables the distance between two points to be measured. Point the mouse at the starting point and click on the left-hand button, hold this, and point at the stop position; when the button is released, the window will show the distance in nanoseconds.

Clicking on the numbers following "resolution" makes the computer portray the sample in 1, 2, 4, or 8, pixels.

## Menus

A number of functions that are not related directly to the measurements and their display are enabled via a number of menus.

File/SAVE enables the recorded data to be stored in a file on disk. These data may be used at a later stage for comparison with newly recorded data. The data so stored may

be read again via File/LOAD. The program is terminated by clicking File/EXIT.

Hard copy may be obtained in two ways: Printer/SCREEN allows the printing of only those data that are displayed on the screen, while Printer/ALL allows the printing of all recorded data.

The clock is set via Mode. If an external clock is used, the qualifier inputs may be set via CLOCK SET.

With Options/TEXT selected, a text is shown together with the channels; the default text is the number of the logic channel.

With Options/NUMBER selected, the number of the physical channel is shown (card plus input).

With Options/SAVE TEXT selected, the set links between the physical and logic channels are stored, together with the associated text and trigger words. The data so stored may be selected again with Options/LOAD TEXT.

With Options/COLOR selected, the background colour of the image is selected. If that is black, the colour changes to white and vice versa. (900094-VI)

## Correction

It is regretted that in Part 4, under "Overview", it was stated erroneously that a 10 k $\Omega$  resistor must be soldered between pins 11 and 16 of IC<sub>29</sub>' on the RAM card; the value of the resistor should have read 330  $\Omega$ .

## Announcing Old Colony Sound Lab's

# SUPER "SAVE YOUR INVOICE" SALE!

That's right! When you order from Old Colony from now through June 30, be sure to save the invoice which comes with your shipment! **It's worth cash!** In July or August, you may subtract **10%** of the invoice's bottom line from any order of double or greater value—in addition to any other discount which may apply!

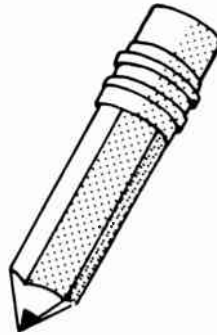
For example, if you placed an order for \$50 worth of products now, in July or August you would be eligible for a \$5 credit (10% of your earlier order) on any order of \$10 or more (double or greater the amount of your credit)! *Plus any other discount!*

### **BUT PLEASE REMEMBER:**

**YOU MUST SUBMIT YOUR ACTUAL PREVIOUS INVOICE WITH YOUR NEW JULY OR AUGUST ORDER, SO BE SURE TO SAVE IT!**



**SEE OUR ADS ELSEWHERE IN THIS ISSUE  
AND ORDER TODAY!  
START YOUR SUMMER SAVINGS NOW!**



# Subscriber Services

Complete the applicable section(s) below and mail to:  
 Elektor Electronics USA  
 PO Box 876  
 Peterborough, NH  
 03458-0876

## WOULD YOU LIKE TO . . . SUBSCRIBE?

YES! Just check the appropriate boxes in the "renew" section and fill in name and address.

### RENEW?

Fill in the appropriate sections below. For faster service use your mailing label and subscriber number.

- 1 year at \$28
- 2 years at \$50
- Check/MO enclosed
- Charge MC/VISA

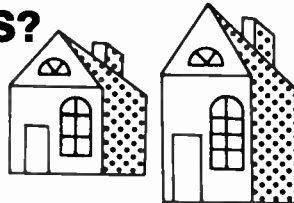
Canada add \$8 per year postage  
 Remit in US \$ only.

SUBSCRIBER NUMBER

NAME \_\_\_\_\_  
 STREET & NO \_\_\_\_\_  
 CITY \_\_\_\_\_ ST \_\_\_\_\_ ZIP \_\_\_\_\_  
 MC/VISA \_\_\_\_\_ EXP \_\_\_\_\_

### CHANGE YOUR ADDRESS?

Fill in your new address to the right and old address and subscriber number above.



#### MY NEW ADDRESS:

NAME \_\_\_\_\_  
 STREET & NO \_\_\_\_\_  
 CITY \_\_\_\_\_ ST \_\_\_\_\_ ZIP \_\_\_\_\_

### GIVE A GIFT?

What a thoughtful idea! Fill out your name and address above, the recipient's name and address to the right. We'll even send a gift card announcing your gift.



NAME \_\_\_\_\_  
 STREET & NO \_\_\_\_\_  
 CITY \_\_\_\_\_ ST \_\_\_\_\_ ZIP \_\_\_\_\_

### TELL YOUR FRIENDS ABOUT US?

Print their names and addresses below or photocopy this form for them. We'll take care of the rest.

NAME _____	NAME _____
STREET & NO _____	STREET & NO _____
CITY _____ ST _____ ZIP _____	CITY _____ ST _____ ZIP _____

### COMPLAIN ABOUT YOUR SUBSCRIPTION?

Yes, it sometimes happens. We try to avoid it at all costs, but if you have a problem, we want to know. Call or write with all pertinent information.



#### YOU CAN CALL US

**(603) 924-9464**  
 Subscription Department  
 9-4 Business Days  
 Answering Machine  
 All Other Hours  
 FAX: (603) 924-9467  
 24 Hours

# FOR SALE

Two VIC-20 computers, needs power supply, \$40; 115 vacuum tubes tested, \$75; spectrum analyzer needs power supply and oscilloscope, \$80; surplus electronic parts, \$50. Postage not included. Peter, 3924 NW 5th St., Miami, FL 33126. (305) 649-1857.

# TRADE

**WE SELL MORE HIGH PERFORMANCE SPEAKER KITS** than anyone in the US. Complete line of raw drivers, crossover components, etc. Free catalog. **AUDIO CONCEPTS, INC.** 901 S. 4th St., La Crosse, WI 54601, (800) 346-9183. T7/91

**ELECTRONIC SUPERMARKET GREAT BUYS!** Surplus prices, ICs, DC motors, vacuum pump, transformers, power supplies, stepping motors, builders, engineers, experimenters. **LSASE. FERTIK's** 5400-A Ella, Philadelphia, PA 19120. T7/91

# CLUBS

**THE ATLANTA AUDIO SOCIETY** is dedicated to furnish pleasure and education for people with a common interest in fine music and audio equipment. Monthly meetings often feature guest speakers from the audio manufacturing and recording industry. Members receive a monthly newsletter. Call: Chuck Bruce, (404) 876-5659, or Denny Meeker, (404) 872-0428, or write: PO Box 361, Marietta, GA 30061.

**AUDIOPHILES IN THE DAYTON/SPRINGFIELD OHIO AREA:** We are forming an audio club. Please contact me if you're interested in construction, modifications, testing, recording or just plain listening to music. Ken Beers, 1756 Hilt Rd., Yellow Springs, OH 45387, (513) 767-1457.

**MEMPHIS AREA AUDIO SOCIETY** being formed. Serious audiophiles contact J.J. McBride, 8182 Wind Valley Cove, Memphis, TN 38125, (901) 756-6831.

**THE BOSTON AUDIO SOCIETY** invites you to join and receive the bi-monthly *B.A.S. SPEAKER* with reviews, debates, scientific analyses, and summaries of lectures by major engineers. Read about Apogee, Nyal, Conrad-Johnson, dbx digital, Snell, music criticism and other topics. Rates on request. PO Box 211, Boston, MA 02126.

# CLASSIFIEDS

**NEW JERSEY AUDIO SOCIETY** meets monthly. Emphasis is on construction and modification of electronics and speakers. Dues includes monthly newsletter with high-end news, construction articles, analysis of commercial circuits, etc. Meetings are devoted to listening to records and CDs, comparing and A-B-ing equipment. New members welcome. Contact Bill Donnally, (201) 334-9412, RD2, Box 69D, Miller Dr., Boonton, NJ 07005; or contact Bob Young, (201) 381-6269.

**IF YOU ARE** an "Organ Music Lover" and like to test your audio system, **SFORZANDO** has room for a few more members. We have about three thousand "Live", on-the-spot, cassette tapes that are not available in the stores. We are happy to lend them to you via the mail. Just ask EA Rawlings, 5411 Bocage St., Montreal, Canada, H4J 1A2.

**PACIFICNORTHWEST AUDIO SOCIETY (PAS)** consists of 60 audio enthusiasts meeting monthly, second Wednesdays, 7:30 to 9:30 p.m. at 4545 Island Crest Way, Mercer Island, Washington. Be our guest, write Box 435, Mercer Island, WA 98040 or call Bob McDonald, (206) 232-8130.

**PIEDMONT AUDIO SOCIETY** Audio club in the Raleigh-Durham-Chapel Hill area is meeting monthly to listen to music, demonstrate owner-built and modified equipment, and exchange views and ideas on electronics and speaker construction. Tube and solid state electronics are of interest and all levels of experience are welcome. Kevin Carter, 1004 Olive Chapel Rd., Apex, NC 27502, (919) 387-0911.

**RESISTORS 5% 1/4 WATT**

OVER 1000 RESISTORS  
5 OF EACH VALUE IN ITS OWN LABELED ENVELOPE ALL IN A NEAT FILE BOX

1 OHM TO 4.7 MEG THE COMPLETE SERIES  
161 VALUES  
ONLY \$19.95

11 MORE OF THE MORE POPULAR VALUES. LARGER ASSORTMENTS AVAILABLE

VISA AND M.C. ACCEPTED  
1 (800) 234-4196  
DELTA DISTRIBUTORS - BOX 87R EAST DERRY, N.H. 03041

**THE CATSKILL AND ADIRONDACK AUDIO SOCIETY** invites you to our informal meeting. Join our friendly group of audio enthusiasts as we discuss life, the universe and everything! Toobers, Tranzzeestors, vinyl canyons or digital dots. No matter what your level of interest, experience, or preferences, you are welcome. Contact CAAS at (518) 756-9894 (leave message), or write CAAS, PO Box 144, Hannacroix, NY 12087. See you soon!

**CHICAGO AREA ENTHUSIASTS WANTED** for audio construction club. Call Tom, (312) 558-3377 or (708) 516-0170 evenings for details.

### INDEX OF ADVERTISERS

All Electronics Corporation	95
Audio Amateur Publications	
Audio Amateur Publications	4
Elektron Electronics	98
Borbely Audio	104
Down East Microwave	38
Information Unlimited	107
Kelvin Electronics	CV II
Madisound Speaker Components	38
Midland Technologies	104
MIT-Finch & Marsh	105
New Sensor	101
Old Colony Sound Lab	
Books	5-10, 103
Bullock on Boxes	94
EPROMs, etc.	102
Front Panel Foils	102
Meek It Kits	108, 109
New Kits	100
Printed Circuit Boards	102
"Save Your Invoice" Sale	97
Software	102, 110
Optoelectronics	CV IV
Paleo Systems	106
PC Boards	104, 106
Sescom Incorporated	CV III
SMPTE	106
Thomson Consumer Electronics	104
E.H. Yost and Company	106

# ELEKTOR ELECTRONICS CLASSIFIED ORDER FORM

PLEASE FILL OUT IN CLEAR BLOCK LETTERS OR TYPE. PLEASE SPELL OUT ENTIRE WORD.

1	2	3	4	5	6	7	8	9	10
11	12	13	14	15	16	17	18	19	20
21	22	23	24	25	26	27	28	29	30
31	32	33	34	35	36	37	38	39	40
41	42	43	44	45	46	47	48	49	50

Private For Sale     
  Private Wanted     
  Trade     
 If Trade, please indicate # of insertions \_\_\_\_\_

Private ads are on a one time insertion basis. Must be resubmitted for renewal. **Ads cannot be taken over the phone.**

**Definition of a word:** A series of letters with a space before and after. Count words, not letters. Any words over 50, 20¢ per word. Trade ads are 75¢ per word and indicate number of insertions. Deduct 10% for a 6 x contract; deduct 15% for a 11 x (year) contract in *Elektron Electronics USA*. **Payment MUST accompany first ad.**

Please remember to include your name, address and telephone number when making calculations. In order for Private For Sale and Want ads to be **free**, you must be a current subscriber. **Ten dollar minimum charge for charge card orders and Trade ads.**

Check/Money Order Enclosed

Please charge to my MasterCard/Visa:

NAME \_\_\_\_\_

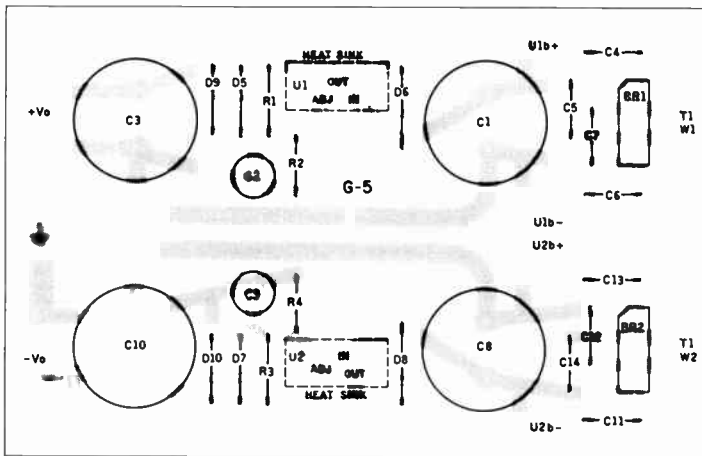
COMPANY \_\_\_\_\_

STREET & NO \_\_\_\_\_

CITY \_\_\_\_\_ ST \_\_\_\_\_ ZIP \_\_\_\_\_

CARD NUMBER \_\_\_\_\_ EXP. DATE \_\_\_\_\_ CITY \_\_\_\_\_ ST \_\_\_\_\_ ZIP \_\_\_\_\_

# KIT SPECIALS FOR SUMMER!



### PREAMP POWER SUPPLY

Gary Galo/Linear Technology

**KG-5**  
**\$195**

This low-impedance, dual-polarity power supply uses the excellent Linear Technology LT1033CT and LT1085CT 3-Amp IC regulators. The regulators feature low dropout voltage, which helps maintain regulation even in situations where line voltage is low. Although the parts supplied provide  $\pm 15$  volts, the output can be varied from  $\pm 12$  to  $\pm 18$  volts by changing two resistors. An oversized Avel-Lindberg 120VA toroidal transformer will operate many KG-5 regulator boards, allowing separate regulation of the left and right channel circuitry, or separate regulation of a phono preamp and line level stages. The printed circuit board has heavy traces on the input and output lines to minimize resistance. Case not included.

The KG-5 is ideal for many low-level applications, including preamplifiers and electronic crossovers. Gary Galo also uses the KG-5 to power the analog circuitry of his CD player. From TAA 4/90.

Purchasing options available:

- PCBG-5 Printed Circuit Board Only \$ 15.00
- PCB and Parts Only (less Transformer) \$134.95
- Transformer Only \$ 84.95
- Complete Kit \$195.00

### ADCOM POWER SUPPLY REGULATOR

Kit Ryan

**KY-2**  
**\$99 per chan.**

This popular mod was designed for taming Adcom's GFA-555, but it adds sweetness and definition to just about any amp in the 80V-in, 60V-out, 10A-regulated family. Mounts in existing case; complete with PCB, custom heatsink, and Japanese transistors. Two usually needed. From TAA 4/89.



Yes! Please send me

\_\_\_\_\_ # \_\_\_\_\_ @ \$ \_\_\_\_\_ = \$ \_\_\_\_\_

\_\_\_\_\_ # \_\_\_\_\_ @ \$ \_\_\_\_\_ = \_\_\_\_\_

\_\_\_\_\_ # \_\_\_\_\_ @ \$ \_\_\_\_\_ = \_\_\_\_\_

SHIPPING \_\_\_\_\_

TOTAL \$ \_\_\_\_\_

SHIPPING: Postpaid in U.S. In Canada, please add 10% for surface; others, 20% for surface. Airmail: Please inquire.



### OLD COLONY SOUND LAB

PO Box 243, Dept. E91  
Peterborough, NH 03458 USA  
24-hour telephone: (603) 924-9464  
24-hour FAX: (603) 924-9467

MITEY MIKE SPECIFICATIONS	
Response (rel. 1kHz)	$\pm 1$ dB, 20Hz-10kHz $\pm 2$ dB, 10kHz-20kHz -3dB @ 3Hz and 25kHz
Sensitivity	39mV/Pa, $\pm 2$ dB
Max Undistorted SPL	> 120dBA
Wideband Noise Level	< 42dBA
Power Consumption	5mW typ. / 7mW max.

### MITEY MIKE TEST MICROPHONE

Joseph D'Appolito

**KD-2**  
**\$149**

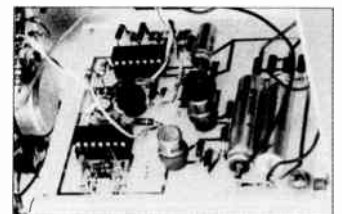
At long last, a top-quality test mike at a great price! Mitey Mike is the answer to many an audiophile's loudspeaker testing dreams, providing flat free-field frequency response; high, undistorted SPL capability; good measurement repeatability; and guaranteed long-term stability. Plus, it's a snap to build! Complete with PCB, mike cartridge, custom brass wand, all components, and (undrilled) blue case. Typical specs are shown in the inset. For greater accuracy, a mike calibration service is available. Tripod, 9V battery not included. From SB 6/90.

### THE WARBLER OSCILLATOR

Richard Crawford

**KK-3**  
**\$69**

The Warbler produces a swept signal covering any  $\frac{1}{3}$  octave between 16Hz and 20kHz. With a mike, it's a pink noise source to evaluate speaker system performance and the effects of reflection and absorption. Comes with PCB, transformer, all parts. Case not included. From TAA 1/79.



### MITEY MIKE/WARBLER SET

D'Appolito/Crawford

**KMW-1**  
**\$199**

Both of the above, at a special savings of \$19!

NAME \_\_\_\_\_ MAGIC NO \_\_\_\_\_

STREET \_\_\_\_\_

CITY \_\_\_\_\_ STATE \_\_\_\_\_ ZIP \_\_\_\_\_

MCVISA \_\_\_\_\_ EXP DATE \_\_\_\_\_

**CALL OR WRITE FOR YOUR FREE CATALOG!**  
**DEALER INQUIRIES INVITED.**

## VACUUM TUBE DEALER PRICE LIST (MAY 1991)



<b>SOVTEK, USSR</b>				
EL84/6BQ5	\$2.60 each	12 at \$2.25 each	25 at \$1.75 each	
6V6GT	3.90	3.35	2.95	
6L6GC	4.50	3.95	3.65	50 CALL FOR SPOT QUOTE
5881/6L6WGC	6.75	6.20	5.75	100 CALL FOR SPOT QUOTE

The 5881 is Russia's selected military 6L6WGC and regarded as the very best 6L6 type in the world. Eric Clapton recently replaced the Philips/Sylvania 6L6 STR's in his custom Soldano amp which he uses live, with SOVTEK 5881's because of their milky smooth sound. Discriminating musicians thruout the world are retubing with the SOVTEK 5881/6L6WGC.

<b>SINO, CHINA</b>				
5U4G	\$4.60 each	10 at \$4.15 each	25 at \$3.75 each	100 CALL FOR SPOT QUOTE
EL34	5.70	4.80	4.25	" " " " "
6L6GC	4.70	4.20	3.95	" " " " "
12AX7a	3.85	3.35	3.15	" " " " "
12AT7	3.90	3.40	3.30	" " " " "
6146B	12.50	11.50	10.50	" " " " "
6550	9.40	8.95	8.50	" " " " "
KT88	13.50	12.25	10.95	" " " " "

<b>EI, YUGOSLAVIA</b>				
EL34/6CA7	\$5.10 each	10 at \$4.65 each	25 at \$4.10 each	100 CALL FOR SPOT QUOTE
6DJ8	3.25	2.95	2.65	" " " " "
12AU7/ECC82	3.15	2.80	2.35	" " " " "
12AX7/ECC83	3.15	2.75	2.35	" " " " "

<b>SIEMENS, GERMANY</b>				
EL34	\$7.25 each	10 at \$6.75 each	25 at \$6.20 each	100 CALL FOR SPOT QUOTE

<b>GE</b>					
5U4GB	\$11.85 each	10 at \$11.25 each	6550a	\$17.95 each	10 at \$16.50 each
6CA7	14.95	13.50	7025	14.75	13.25
6L6GC	14.95	13.50	7027a	16.95	16.25
6LF6	19.50	17.95	7591a	14.75	13.50
12BH7	9.95	9.50	7868	16.95	16.25
12AT7	6.85	6.40	8417	15.75	14.25
12AX7a	4.95	4.40			

### SOLID STATE RECTIFIER

Built into tube socket. Direct plug-in replacement for all 5Y3, 5U4 and 5AR4 types. \$6.25 each 10 at \$5.90

<b>ODD BALL TUBES (MOSTLY USA STOCK)</b>									
5AR4	\$7.95 each	6BA6	\$2.25 each	6J5	\$4.50 each	6X5	\$3.90 each	6189W	3.80 each
5BC3/9	1.95	6BK11	7.90	6J7	5.50	6X8	2.25	(12AU7W industrial)	
5V4GT	5.50	6C4	2.50	6K11	6.90	12AY7	5.95	6973	11.90
5Y3GT	4.95	6C56T	2.75	6SC7	6.90	12AZ7	3.90	7189	7.90
6AL5	2.75	6C10	4.50	6SG7	3.50	12DT8	4.95	7199	17.80
6AN8	4.95	6CA4	3.50	6SJ7	4.45	12DW7	12.95	7247	11.95
6AQ5a	4.25	6CG7	6.90	6SK7	3.15	12FQ8	4.75	OA2	2.75
6AT6	3.25	6EU7	11.80	6SL7	4.35	57	1.50	OA3	1.95
6AU6	2.50	6FH8	10.90	6SN7	5.45	5749	4.75	OB2	1.50
6AV6	2.50	6GT5	14.75	6U10	4.90	(6BA6W industrial)		OC3	4.75
6AX5	4.90	6GW8	6.90	6X4	3.75	5879	\$6.50	4CX350A	139.00

**GIVE US A CALL ON ANY TOUGH-TO-GET TUBE. WE'LL FIND IT FOR YOU!**

**ALL TUBES GUARANTEED! QUANTITY DISCOUNTS AVAILABLE!**

MINIMUM ORDER \$50.00

ADD \$5.00 SHIPPING (\$10.00 OUTSIDE UNITED STATES)

SEND CHECK OR MONEY ORDER TO:

## NEW SENSOR CORPORATION

245 EAST 63RD STREET, SUITE 526, NEW YORK, NY 10021

CONTACT: MIKE MATTHEWS

TELEPHONE: (212) 980-6748

TOLL FREE: 1-800-633-5477

FAX: (212) 753-7340



# TERMS OF BUSINESS

## PRICING

Prices, except as noted, include shipping in the continental USA. The minimum order is \$10. A \$2 service charge will be added to orders of less than \$10. Prices are subject to change as our costs change. **WE RESERVE THE RIGHT TO MAKE PRICE CHANGES WITHOUT NOTICE.**

## TELEPHONE ORDERS

Telephone orders are welcome between the hours of 9:00 a.m. and 4:00 p.m. EDT, Monday-Friday. Orders for parts are to be made on the ORDER FORM provided. Payment for telephone orders is by MC/VISA only. Our TELEPHONE ORDER NUMBER IS (603) 924-6371 or 924-6526. Our answering machine for MC/VISA orders during non-business hours is (603) 924-6371. FAX: (603) 924-9467 (24 hours).

## PAYMENT

All remittances **MUST BE IN US FUNDS DRAWN ON A US BANK.** Payment for telephone orders must be made by MasterCard or VISA. Mail order payment may be made by MC/VISA, money order, cashier's check or personal check. If payment is made by personal check, allow up to 2 weeks for clearance before order is shipped. Should check be returned for any reason, there will be a \$10 charge.

## SHIPPING

Unless noted, **freight is prepaid by Old Colony.** All orders shipped USPS first class mail or by UPS.

Allow two to three weeks for delivery. Please inquire about appropriate funds for special handling (UPS next day or second day). UPS requires a street address. If you cannot receive UPS delivery, please include an extra \$2 for insured service via Parcel Post. We cannot accept responsibility for safety or delivery of uninsured Parcel Post shipments. **Absolutely no COD shipments.**

## BOOKS, RECORDINGS, CDs, and SOFTWARE

The shipping/handling charge for the US is \$2.00, plus 75¢ each additional item. In Canada, please add \$4.50 for the first item, 75¢ each additional. **No returns.** According to the Connecticut Dept. of Revenue Services, Regulation #27, Section 12-426-27, in order to sell software to residents of Connecticut, we must register with the department as well as collect taxes for the state from the purchaser. We regret to inform our customers that we will not sell software to anyone from Connecticut, as it will prove to be too costly and burdensome.

## OVERSEAS ORDERS

For orders to be shipped outside North America, add 20% to the total order to cover shipping.

## RETURNS

If you wish to return all or part of an order for any reason, please call or write first. If we are in error, correction will be made promptly, without charge.

## WARRANTY

We warrant that all items sold conform to the qual-

ity and specifications set forth. We make no representations. We accept no responsibility whatever for further use by the customer. We accept no monetary liability in excess of the original cost or replacement of the material if originally defective or damaged in transit.

## COPYRIGHT

All drawings, photographs, articles, printed circuit boards, EPROMs, software, and cassettes published in our books or magazines (other than in third-party advertisements) are copyright and may not be reproduced or transmitted in any form or by any means, including photocopying and recording, in whole or in part, without the prior permission of *Elektor Electronics USA* in writing. Such written permission must also be obtained before any part of these publications is stored in a retrieval system of any nature.

Notwithstanding the above, printed circuit boards may be produced for private and personal use without prior permission.

## LIMITATION OF LIABILITY

*Elektor Electronics USA* shall not be liable in contract, tort, or otherwise, for any loss or damage suffered by the purchaser whatsoever or howsoever arising out of, or in connection with, the supply of goods or services by *Elektor Electronics USA* other than to supply goods as described, or at the option of *Elektor Electronics USA*, to refund the purchaser any money paid in respect of the goods. ■

## BOOKS FROM ELEKTOR ELECTRONICS USA

### 301 CIRCUITS

This book follows the theme of the first in this series, *300 Circuits* (now out of print). It contains over 300 assorted circuits first published in the 1979, 1980, 1981 summer issues of *Elektor Electronics*.

The circuits range from the simple to the more complex and are described and explained in straightforward language. The book is a comprehensive source of ideas and construction projects for anyone interested in electronics.

ISBN 0-905705-12-2  
BKAA11 Price \$12.50

### 302 CIRCUITS

The popularity of this book is shown by its having been reprinted no fewer than three times. It offers a selection of the most interesting articles from the 1982, 1983, 1984 summer issues of *Elektor Electronics*.

In it you will find circuits for audio and video; car, cycle, and motorcycle; home and garden; receivers and aeriels; hobbies and games; measuring and testing; oscillators and generators; current sources and power supplies; microcomputers and music electronics; and a miscellany of other interesting subjects.

ISBN 0-905705-25-4  
BKAA12 Price \$12.50

### 303 CIRCUITS

Like its predecessors, *303 CIRCUITS* offers a comprehensive collection of practical ideas, concepts, and developments in the gamut of electronics. Unlike its predecessors, the book is arranged in 11 subject sections to make it easier for the reader to find that long-sought circuit.

In well over 300 pages, the book offers 32 Audio and Hi-Fi projects; 14 circuits for Car and Bicycles; 43 Computer & Microprocessor circuits; 11 Electrophone projects; 24 HF and VHF circuits; 16 circuits for a number of hobbies and pastimes; 54 projects for Home and Garden; 29 Power Supply circuits; 29 circuits for Test and Measurement equipment; nine TV and Video projects; as well as 42 Design Ideas.

ISBN 0-905705-62-2  
BKAA13 Price \$15.90

### DATA SHEET BOOK 2

Like its predecessor (now out of print), this book offers concise, relevant, and rapidly accessible information, which is both practical (e.g., the pin-out of a device) and informative.

The book contains data on integrated circuits as well as on discrete transistors and diodes. Moreover, it gives an introduction to fast (HCMOS) devices and a review of the new symbolic logic as laid down in British Standard BS3939:Section 21 (IEC Standard 617-12).

The final part of the book deals with a number of computer chips, such as memory devices (including programming information for these) and I/O circuits. This section also includes data on a number of non-digital discrete and integrated devices, such as op amps, as well as on some microprocessor peripherals (e.g., the 6522 VIA, the 6580 ACIA, and the 8355A PPI).

ISBN 0-905705-27-0  
BKAA14 Price \$16.50

### DATABOOK 3: PERIPHERAL CHIPS

This book lists the most important design data of peripheral chips whose type numbers and functions relate them unambiguously to a microprocessor in the same family. All listed devices form part of families based on widely used microprocessors or microcontrollers. Their most evident application will therefore be in conjunction with the associated microprocessor. This should, however, not be taken to mean that a peripheral cannot be used in another ap-

plication. Far from it, as witness the familiar type MC146818A real-time clock and the type MC6845 cathode-ray tube controller. It deserves a place on the bookshelf of anyone concerned with the design, maintenance and servicing of microprocessor-controlled electronic equipment.

ISBN 0-905705-30-0  
BKAA15 Price \$17.95

### MICROPROCESSOR DATA BOOK

This book has come about because of a need by *Elektor Electronics* engineers, technicians, and editorial staff of a ready reference work on the most important microprocessors. This implies that it does not only contain information on the latest devices, such as the transputer, but also on older, well-established types, such as the Z80 and the 6800.

A general description, hardware block schematic, software structure, DC characteristics, and instruction sets are given for over 70 microprocessors. To prevent the book from becoming unwieldy (and to keep costs down), timing diagrams and AC characteristics have, however, been omitted. The detailed information on all manufacturers mentioned will, however, enable any additional information to be obtained quite readily.

Included in the book are, among others, the 68000 series; the 6502 family; the Z80, 8080, and 8085; Intel's 8086, 80186, 80188, 80286, and 80386; the NS32XXX series, and the INMOS transputers.

ISBN 0-905705-28-9  
BKAA16 Price \$17.90

### DATABOOK 4: PERIPHERAL CHIPS II

This final volume in *Elektor Electronics' Microprocessor Data Book* series deals with general peripheral chips that, at least as far as their type-coding is concerned, do not belong to a specific family of microprocessors. There are so many of these, however, that only a portion of them can be dealt with in one book. Those contained in this collection have been chosen carefully on the basis of their practical application and frequency of use. Complete data are given for coprocessors from the 80 series (AMD, Cyrix, ITT, Intel, Weitek); real-time clocks from MEM, OKI, Statek, National Semiconductor, and Dallas Semiconductor; transmitters and receivers of serial interfaces RS232, 422, 423, 485 from Motorola, Newport Components, Maxim, Texas Instruments, National Semiconductor, Dallas Semiconductor, and Linear Technology; UARTS, DUARTS, and QUARTS (i.e., programmable ICs intended for data transfer); and the CS8221 set of ICs from Chips & Technology that are used in a great number of PC mother boards (also included is the data sheet of associated software LIM 4.0 for the management of the Extended Memory System).

Apart from the actual data, the book contains much other useful information, such as comparisons between and second sources for all important IC families; addresses of manufacturers and their representatives; and overviews of all peripheral chips (including many that could not be included in this book) that are available from various manufacturers.

ISBN 0-905705-32-7  
BKAA17 Price \$17.95

### SPECIALS!

BKAAZ/1 BKAA11, 12, 13: all 3 for \$35 (Save \$5.95!)  
BKAAZ/2 BKAA14, 15, 16, or 17: ANY THREE for \$45 (Save \$7.35!)  
(SEE SURE TO SPECIFY)  
BKAAZ/S Complete *Elektor* library: all 7 for \$85 (Save \$26.20!)

These books are all available direct from *Elektor Electronics USA* through the Readers Services, from a number of bookshops and electronics retailers in the US and Canada, and from selected bookshops throughout the world. Special prices are those of *EEUSA* only.

# Acoustic Engineer

**Amplify your success  
with a global leader.**

Make yourself heard taking on dynamic engineering challenges with a multi-billion dollar competitor in worldwide consumer electronics. We're the Home Audio Systems Division of Thomson Consumer Electronics. Our innovative strengths have expanded our global reach, creating exceptional opportunity for an ambitious, take-charge Acoustic Engineer to provide technical leadership to our Hi-Fi team.

Interacting directly with the Manager of Hi-Fi Engineering, you will develop loudspeaker product concepts, design acoustic systems to meet business needs, negotiate with suppliers/manufacturers of speaker drivers and enclosures, and maintain high quality products.

This multi-faceted position requires at least 3-5 years' experience in acoustic/speaker design, including analytical design to production. Strong knowledge in the areas of acoustic properties, parameters and performance, as well as speaker measurement/test/evaluation/assembly/construction is essential. In addition, you must be a self-starter able to motivate others. A Bachelor's degree in Electrical Engineering or Physics is required; previous project leadership and planning skills desired. Involves domestic and international travel.

For prompt consideration, please call (315) 452-4213 or send resume/letter to: **Mary A. Jaworski, Dept. EE, Thomson Consumer Electronics, 6225 Running Ridge Road, Syracuse, NY 13212.** An equal opportunity employer.

 **THOMSON CONSUMER ELECTRONICS**

# BORBELY AUDIO

*of Germany*

can supply all the "HARD-TO-FIND" European components for your ELEKTOR projects. We have good access to all major manufacturers of semiconductors, resistors, capacitors and mechanical components. We also stock a large number of semiconductors and other components from Japan.

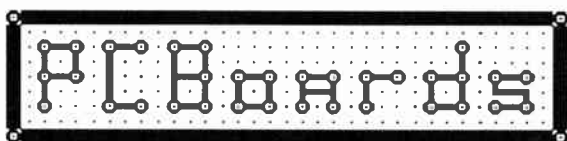
Write or FAX your specific requirements to us, or if you don't have any specific project in mind, just ask for our general price list. Please send two IPCs (available from your post office) for the postage.

## BORBELY AUDIO

**Melchior Fanger Strasse 34A ■ 8031 Gliching ■ Germany**

Tel. INT + 49/8105/5291  
(From US: 011/49/8105/5291)

FAX INT + 49/8105/24605  
(From US: 011/49/8105/24605) 24 Hours



**P-C-B ARTWORK MADE EASY !**  
Create and Revise PCB's in a Flash

- \* HERC, CGA, EGA, VGA, SUPER-VGA
- \* HELP SCREENS
- \* ADVANCED FEATURES
- \* EXTREMELY USER FRIENDLY
- \* AUTO GROUND PLANES
- \* DOT- MATRIX, LASER and PLOTTER ART
- \* CREATE YOUR OWN FILMS with 1X ART
- \* LIBRARIES
- \* DOWNLOAD DEMOS from 24 hr. BBS!

REQUIREMENTS: IBM PC or Compatible, 384 K RAM  
DOS 3.0 or later. IBM compatible printers.

**PCBoards - layout program 99.00**

(PCBoards HP or HI PEN PLOTTER DRIVER 49.00)

**PCRoute - auto-router 99.00**

**SuperCAD - schematic pgm. 99.00**

Demo Pkg. - (includes all 3 programs) 10.00

Call or write for more information

**PCBoards**

2110 14th Ave. South, Birmingham, AL 35205

1-800-473-PCBS / (205)933-1122

BBS / FAX (205)933-2954

# Printed Circuit Boards



*Working for you!*

*Time • Quality • Service*

- Prototype Specialists
- Printed Circuit Board Design
  - CAD or Hand Generated Design Layout
  - RF, Digital, Analog Capabilities
- Modem Transfer

*Single double sided board fabrication  
Multi-layer design services*

**Midland Technologies**



Orders: 1-800-726-8871  
Inquiries: (406) 586-1190  
FAX: (406) 586-0300

*Large or small...you'll find us surprisingly affordable!*

**34374 E. Frontage Rd. • Bozeman, MT 59715**



# All Capacitors Are NOT Created Equal

In 1980, Richard Marsh co-authored the groundbreaking article on capacitors for Audio Magazine. His point: Caps, like all audio components, have different sonic characteristics—even film and foil caps differ. Their quality depends on materials, construction techniques, and design concepts.

In the wake of this article, a number of new brands entered the market and claimed sonic improvements—though most simply used different lead materials (which get cut off and thrown out anyway). Not one offered anything new in basic design. Not one solved the sonic problems Marsh described.

Richard Marsh wasn't satisfied. So he put his years of research experience at a National Laboratory into his own creation—the MIT MultiCap™:

\* A superior multi-sectioned capacitor that **is new in concept**. So new, Marsh has a patent on its design.

\* A superior capacitor that **does improve sound**. Audibly. Listeners report that the MultiCap provides extraordinary transparency and neutrality, from the most delicate musical note to the most vigorous and demanding full ensemble tuttis. The closest to no capacitor at all.

*"We search the world over for the very finest components for our designs. The MultiCap is—unconditionally—the best capacitor going—the next-best doesn't even come close. . .*

—David Manley, Designer, VTL

*"We spent countless hours auditioning the MultiCaps against all the alternatives, regardless of price, in our analog and digital chains . . . the improvements leap right out at you—undeniably."*

—Ed Wong, Chief Engineer  
Jackson Browne Studios  
Santa Monica, California

*"In my system, the MultiCap brought a greater improvement than upgrading my cables. Once you try them in your equipment, you just won't want to take them out."*

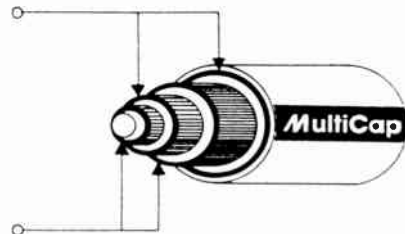
—Leland Pratt,  
Ancaster Audio, Canada

## Measurements also reveal the MultiCap's superiority, showing:

- \* the lowest ESR
- \* the lowest phase deviations
- \* the most stable phase characteristics
- \* the greatest transient performance

## What makes the MultiCap so much better than other capacitors?

- \* Not only the selection of the best polystyrene and polypropylene films.
- \* And not only the selection of the best foils available.
- \* But in each MultiCap, you get ten precision, paralleled capacitors wound into one compact, optimized unit—that is, the MultiCaps are internally bypassed.



This cross-sectional drawing shows the coaxial construction of a Multicap. For simplicity's sake, only two of the ten sections are included.

And thanks to proprietary top-quality construction techniques, the MultiCap will not degrade over time, as so many others have done.

MIT now offers the **new metallized MultiCap**, using the same patented design, for low-current usage. Smaller in size, lower in cost—same great clarity of sound.

Call or fax for values, prices, and dimensions. And for white papers by Richard Marsh on capacitor design.

Music Interface Technologies, 3037 Grass Valley Highway, Suite 8212, Auburn, CA 95603.  
Phone: 916.823.1186. Fax: 916.823.0180



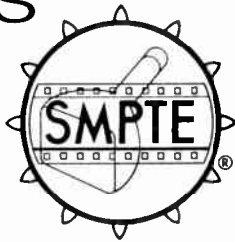
**MIT MultiCap™: "The most advanced capacitor in the world."**

★ ANNOUNCING ★  
★ 133rd SMPTE ★  
★ Technical Conference ★  
★ and Equipment Exhibit ★

The Conference That Defines Motion Picture  
and Television Technologies

October 26, 27, 28, 29, 1991  
Los Angeles Convention Center

**S**eminars  
**M**eetings  
**P**apers  
**T**utorials  
**E**xhibits



Friday ..... Tutorial  
Weekend ..... Workshops  
Daily ..... Technical Papers  
Daily ..... Equipment Exhibits  
Daily ..... Social Events

#### Who Will Attend?

- Presidents, CEOs Owners
- Sales & Marketing VPs
- Consultants
- Directors of Operations
- Students
- Cameramen
- Designers
- Producers
- Marketing Managers
- Publishers
- Chief Engineers
- A/V Technicians
- Systems Engineers
- Technical Supervisors
- TV Maintenance Supervisors
- Production Managers
- Graphic Artists
- Tape Editors
- Video Editors
- Digital Effects Designers

#### For More Information, Mail To:

Society of Motion Picture and Television Engineers  
595 W. Hartsdale Ave., White Plains, NY 10607  
(914) 761-1100 • Fax # 914-761-3115

#### PLEASE RUSH THE FOLLOWING INFORMATION:

- Exhibitor                       Full Conference Registration  
 Exhibit Only                     Tutorial                       Seminar/Workshop

Name \_\_\_\_\_ Title \_\_\_\_\_  
Co. \_\_\_\_\_  
Street \_\_\_\_\_ City \_\_\_\_\_  
State \_\_\_\_\_ Zip \_\_\_\_\_ Country \_\_\_\_\_  
Tel. \_\_\_\_\_ Fax \_\_\_\_\_

## BATTERIES

BATTERIES FOR ALL YOUR POWER REQUIREMENTS

NICKEL CADMIUM  
SEALED LEAD ACID  
GEL CELLS  
MERCURY  
ALKALINE  
LITHIUM



**E.H. YOST & COMPANY**

7344 TETIVA ROAD  
SAUK CITY, WISCONSIN 53583  
TELEPHONE (608) 643-3194  
FAX # (608) 643-4439

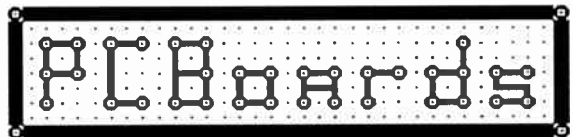
**RED LASERS** - New Diode Lasers and Puled Helium-Neon Lasers. **DANGER:** All lasers are retinal damage hazards. He-Ne lasers are high-voltage hazards. User's finished product must comply with DHFW Radiological Health requirements. Purchaser agrees to assume all responsibility for damages.

**NFW 670nm 3.5mw SUB-MINIATURE LASER DIODE POINTERS WITH COATED GLASS OPTICS.** MODULE only without case \$229. BRASS 7/16d x 5 3/16 w/2 AAAs \$279. TITANIUM 3/8d x 5 9/16 w/2 AAAAs \$329. STATE-OF-THE-ART!

**PULLED HE-NE LASERS WITH ENCAPSULATED POWER SUPPLIES.** 1mw 24vdc, 5vdc enable, cylindrical \$60; with 115vac to 24vdc kit \$80. 1mw 12vdc or 115vac, always enabled, cylindrical \$100. 2.5mw 115vac, always enabled, 5vdc enabled, or open circuit enabled, exposed tube \$150.

Illustrated catalog \$2. First Class Insured Postage free. 10-day satisfaction guaranteed. 1-year guarantee on new, 30-day on pulled items. California residents add 7%. VISA and MASTR CARD accepted.

**PALEOSYSTEMS**, 11152 Lucerne Avenue, Culver City, CA 90230.  
Voice (be prepared to leave message) or FAX (213)-559-6661.



### P-C-B ARTWORK MADE EASY ! Create and Revise PCB's in a Flash

- \* HERC, CGA, EGA, VGA, SUPER-VGA
- \* HELP SCREENS
- \* ADVANCED FEATURES
- \* EXTREMELY USER FRIENDLY
- \* AUTO GROUND PLANES
- \* DOT- MATRIX, LASER and PLOTTER ART
- \* CREATE YOUR OWN FILMS with 1X ART
- \* LIBRARIES
- \* DOWNLOAD DEMOS from 24 hr. BBS!

REQUIREMENTS: IBM PC or Compatible, 384K RAM  
DOS 3.0 or later. IBM compatible printers.

**PCBoards** - layout program **99.00**  
(PCBoards HP or HI PEN PLOTTER DRIVER 49.00)  
**PCRoute** - auto-router **99.00**  
**SuperCAD** - schematic pgm. **99.00**  
Demo Pkg. - (includes all 3 programs) **10.00**

Call or write for more information  
**PCBoards**

2110 14th Ave. South, Birmingham, AL 35205  
1-800-473-PCBS / (205)933-1122  
BBS / FAX (205)933-2954

# AMAZING ELECTRONIC PRODUCTS and KITS

## 100,000 VOLT STUN GUN INTIMIDATOR

Construct your own high energy personal protection unit.

- Intimidating effect up to 20 feet away
- Research into muscle building

STG2K Kit & Plans .....\$69.50  
STG20 Assembled tested .....\$129.50

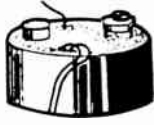


## Miniature FM WIRELESS MIKE (3 Mi)

Construct a device that transmits sound to your FM radio, over considerable distances (up to 3 miles)

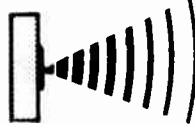
- Be a neighborhood disc jockey
- Monitor children/invalids
- Build a security system

FMV1 Plans .....\$6.00  
FMV1K Kit & Plans .....\$39.50



## Invisible PAIN FIELD GENERATOR

Shirt pocket sized electronic device produces *time variant* complex shock waves of intense directional acoustic energy capable of warding off aggressive animals, etc.



IP67 Plans .....\$8.00  
IP67K Kit & Plans .....\$49.50  
IP670 Assembled tested .....\$74.50

## SEE IN THE DARK VIEWING

Device uses invisible infra red illumination for seeing in total darkness. Excellent application of night vision, along with observing lasers and other IR sources. Functional unit. Has many useful applications.

- Excellent science fair project
- Featured front cover "Radio Electronics" August 1985

SD5 Plans .....\$10.00  
SD5K Kit & Plans .....\$299.50

## TELEPHONE TRANSMITTER (3 Mi)

Automatically transmits both sides of a telephone conversation to an FM radio.

- Tunable frequency
- Easy to build & use
- Undetectable on phone
- Up to 3 mile range
- Only transmits when phone is used

VWPM7 Plans .....\$6.00  
VWPM7K Kit & Plans .....\$39.50

## AUTOMATIC TELEPHONE RECORDER DEVICE

Automatically records both sides of a telephone conversation onto a tape recorder.

- Requires no power
- Easy to use
- Sub miniature
- Extends normal tape time

TAT3K Kit & Plans .....\$14.50  
TAT30 Assembled .....\$24.50

## ELECTRIC MAN/ION RAY GUN

Become an electric man! Construct a novel device that transforms your body into a walking power source.

- Energize lights, objects and "other people."
- Demonstrate feats of magic and mystery.
- Enhances "apparent" telekinetic motion.

EMA1K Kit & Plans .....\$69.50  
IOG3K Kit & Plans (Gun Configuration) .....\$69.50



## SEE IN THE DARK IMAGE CONVERTER TUBES

Full Spec RCA 6032A  
6032A & System Plans .....\$99.50

## LASER LISTENER

Hi-tech space age listening device that allows you to hear sounds from a source requiring no access. Data shows how to use our LLR1 Laser Lite Detector and VRL2 Laser Lite Gun described on this sheet. **CAUTION** - this data is for educational science projects only. Check local and state laws before implementing. **Advanced science project.**

LLIS1K Kit & Plans includes LLRI/VRL2 .....\$199.50

## GIANT SOLAR CELL

Demonstrates free energy from the sun. Shows how to make a solar battery capable of doing actual useful work.

- Includes Plans to a Solar Battery
- SOL1 Giant Solar Cells 4" 2 amps & Plans .....\$7.50
- SOLM1 6" x 12" 14.5V Solar Cell & Motor .....\$14.50



## 5mw VISIBLE RED LASER DIODE SYSTEM

All new up to 5mw Highly Visible Red Laser utilizes some of our unique circuit tricks that allows switchless operation and non contact charging of the internal nicad batteries. Shirt pocket sized system proved up to 5mw output and includes collimating lens. Circuitry is being featured on front cover of Radio Electronics magazine November 1990. This laser is a real performer.

VRL2 Plans .....\$10.00  
VRL2K Kit & Plans (3mw diode) .....\$158.50  
VRL20 Assembled (3mw diode) .....\$249.50

## TABLETOP TESLA COIL

- Spectacular and Fascinating
- A real attention getter!
- Energy passes through windows!
- Great for science projects, displays, stores advertising.
- Featured in Spring '84 Special Projects by Radio Electronics

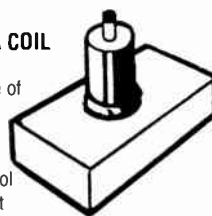


Highly spectacular device produces visible audible bolts of lightning appearing to flash into the air. Cause certain materials to burn from within and glow, lights bulbs without wires, produces induction fields, St. Elmo fire corona. Clearly demonstrates high frequency, high voltages yet terminal may be touched by user during operation with a metal object. 115VAC operation only.

BTC3 Plans .....\$10.00  
BTC3K Kit & Plans .....\$249.50  
BTC30 Assembled .....\$349.50

## WORLDS SMALLEST TESLA COIL

Produces 50 to 75,000 volts of lightning-like discharges capable of generating "plasma in a jar", St. Elmo's Fire, Corona or being just an excellent conversation piece. Unit contains power control and discharge terminal. Excellent lab or science project.



BTC1 Plans .....\$7.00  
BTC1K Kit & Plans .....\$49.50  
BTC10 Assembled & tested 115 VAC powered unit, requires caution .....\$69.50

## ELECTRO MAGNETIC LAUNCHER

This device clearly demonstrates the magnetic and mechanical reaction produced by the "Lorentz" force. This is the basis of present research being done on rail and coil guns, weapons, or vehicle launching. Great research and controlled science fair project. Propels object to considerable distance using a discharge of 160 joules. Caution required. unit operates on 115VAC.



EML2K Kit & Plans .....\$69.50  
EML20 Assembled .....\$99.50

## PLASMA FIRE SABER

Produces the spectacular effect that captured the fantasy of millions of movie fans. Visible plasma field is controlled by grip pressure & adjusts saber length. Active energy field produces weird & bizarre effects. Excellent for special effects. Available in photon blue/neon red/phosor green/starfire purple

PFS2 Plans .....\$8.00  
PFS2K Kit & Plans .....\$49.50  
PFS20 Assembled .....\$69.50

## DECOR HI LITE NEON

26" display length. Available in choice of fire red, phosor green, photon blue. Operates from 12VDC or 115VAC. Produces a bizarre strobing effect when light is in motion.

DNE10 Assembled .....\$49.50

## MUSICAL NEON DANCING PLASMA FIRE-RHAPSODY IN LITE

Highly visible plasma length varies with the volume of sounds and music.

- Supplement to home stereo
- Amusement for bars & entertainment areas
- Attention getting for point of sales
- Available in fire red, proton blue or phosor green

DPL1 Plans .....\$8.00  
DPL1K Kit & Plans .....\$59.50  
DPL10 Assembled .....\$79.50

## - HARD TO FIND PARTS -

- VG20 - High Voltage 20KV Avalanche Diode .....\$3.50
- VG4 - High Voltage Sub Mini 4 KV Avalanche Diode .....\$1.50
- .001/15KV - High Voltage .001 AT 15KV Capacitor .....\$3.50
- TUD1 - Special Tunnel Diode & Plans for the Famous Martini Olive Voice Transmitter .....\$29.50
- 10K/25 - High Voltage 10KV 25MA 60HZ 115 AC Transformer .....\$69.50
- CO25B - High Voltage 50KV Mini Pulse Transformer .....\$16.50
- TO8 - High Voltage 8" High Toroidal Terminal .....\$69.50
- Fans - Muffin Fans 115 VAC, 3 x 3" .....\$6.50
- XL0660 - 15 WATT Laser Diode with Plans .....\$19.50

## VISIBLE RED LASER DIODES

670NM Toshiba all new full spec  
VRD1 3 MW Laser Diode & Plans to Build a Complete System .....\$74.50



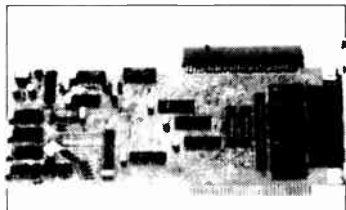
## INFORMATION UNLIMITED

DEPT ELK1, BOX 716, AMHERST, N.H. 03031

WE ACCEPT MC, VISA, COD, CHK. PLEASE AD \$5.00 SHIPPING & HANDLING

ORDERS: MAIL YOUR ORDER, OR  
CALL TOLL FREE, 24 HRS. A DAY 1-800-221-1705  
OR FAX 24 HRS A DAY 1-603-672-5406

FREE CATALOG OF MANY MORE ITEMS AVAILABLE ON REQUEST.

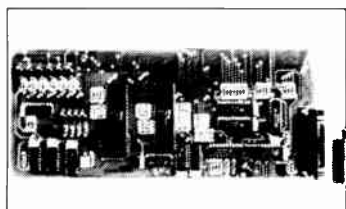


**IBM PC SERVICE CARD**

This card was developed for assistance in the field of service, development and test. The card is used as a bus-extension to reach the measurement points very easy. It is also possible to change cards without having a "hanging computer".

Ready Assembled Module

**\$145**

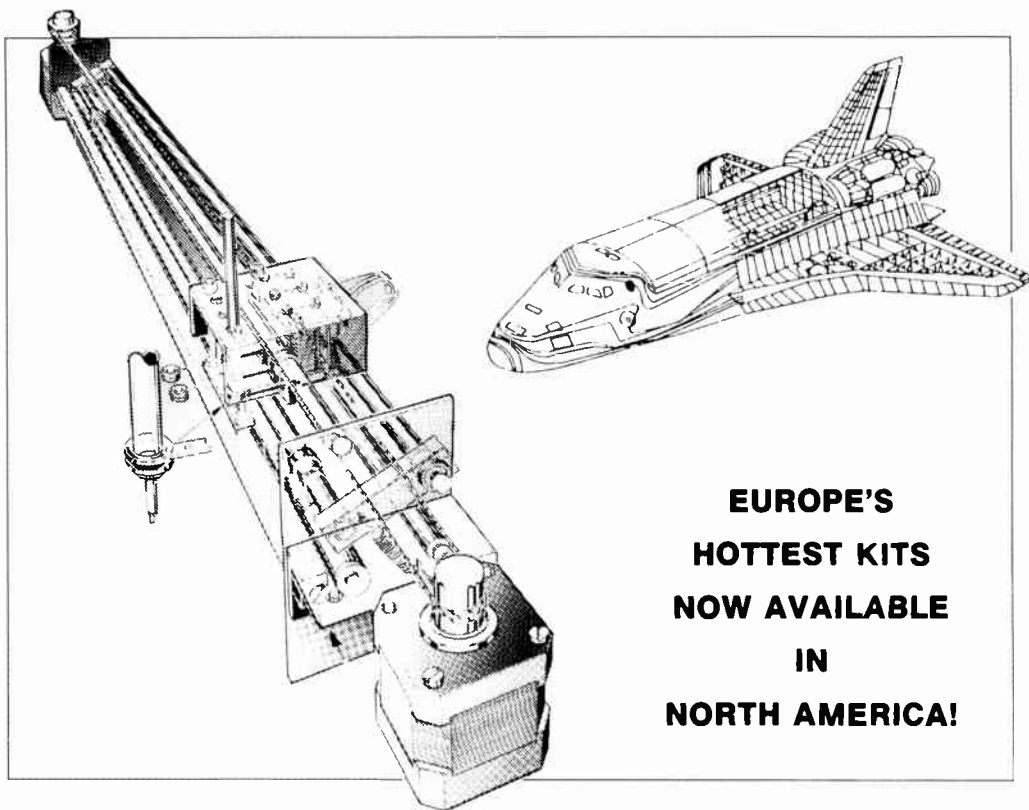


**IC TESTER FOR IBM-PC-XT/AT**

With the ELV IC tester logic function tests can be carried out on nearly all CMOS and TTL standard components, accommodated in DIL packages up to 20 pin. The tester is designed as an insertion card for IBM-PC-XT/AT and compatibles. A small ZIF test socket PCB is connected via a flat band cable. Over 500 standard components can be tested using the accompanying comprehensive test software. Complete Kit including Textool socket, connectors, sockets, Flat band cable, PCB, Software.

Ready Assembled Module

**\$200**



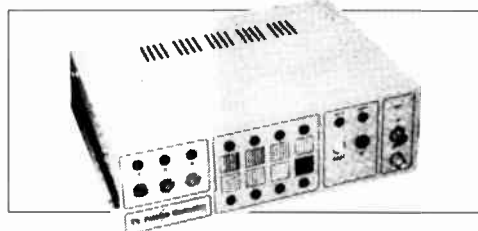
**EUROPE'S HOTTEST KITS NOW AVAILABLE IN NORTH AMERICA!**

**PLOTTER MARK-II**

completely reworked version: see **Elektor Electronics** March 1990.

- Max. width 50 cm.
- All mechanical parts supplied ready-drilled, filed and tapped, so get going at once.
- Complete kit, including 2 stepper motors, 3 pen lift solenoids, HPGL software on disk (IBM), stepper motor control board

100.100 **\$275**



**COLOUR TEST PATTERN GENERATOR**

A PAL-compatible colour video source that supplies a number of test patterns for aligning television sets.

A test pattern generator is virtually indispensable for troubleshooting in television sets because it supplies a video signal that is known to be stable, and thus easily displayed and synchronized on an oscilloscope.

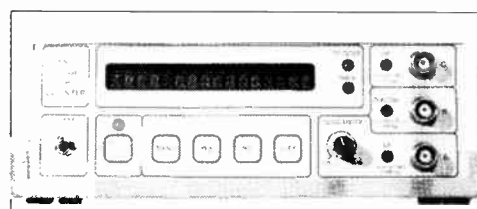
Inc. case and front

100.111 **\$175**



**ELEKTOR P.C. i/o card**

• 220.007 **\$175**



**MICROPROCESSOR-CONTROLLED FREQUENCY METER**

A professional grade multi-purpose frequency meter, designed by Elektor Electronics, that can be built by many at affordable cost. Described in *Elektor Electronics* December 1984, January & February 1985. U665B-based prescaler.

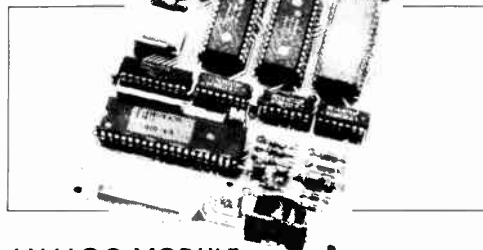
- Frequency meter: 0.01 Hz to 1.2 Ghz.
- Pulse duration meter: 0.1 to 100 s.
- Pulse counter: 0 to 10<sup>9</sup> pulses
- Period meter: 10 ns to 100 ns
- Sensitivity: Input A: 10 mV<sub>rms</sub> (Z<sub>in</sub> = 2 MΩ); Input B: TTL or CMOS compatible (Z<sub>in</sub> = 25 kΩ); Input C: prescaler input: 10 mV<sub>rms</sub> (Z<sub>in</sub> = 50 Ω).
- Auto-ranging and completely menu-driven.
- 6 or 7 digit accuracy.

Kit includes power supply, prescaler and enclosure.....100.112 **\$300**

## BASIC COMPUTER

With Intel 8052AH-BASIC

100.117

**\$160**

### ANALOG MODULE

eps 880162

100.113 **\$80**

### DIGITAL MODULE

eps 880163

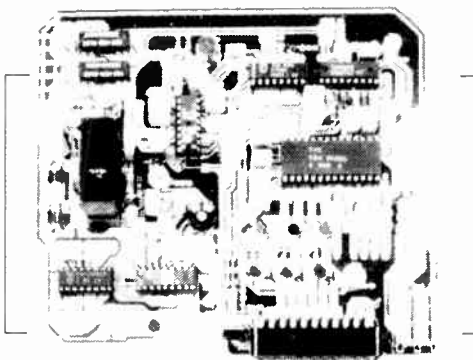
100.114 **\$55**

### ADRESSDECODER

eps 880159

100.115 **\$45**

## S-VHS/CVBS-TO-RGB CONVERTER



Following last month's introduction into the main characteristics of the Super-VHS system, we close off the article with details of a practical converter circuit that allows an S-VHS-VRC or camcorder to be connected to the RGB inputs of a colour TV or monitor. The circuit presented here forms a state-of-the-art approach to all-analogue picture standard conversion, and is based on the latest in IC technology available for this purpose.

220.039 **\$150**

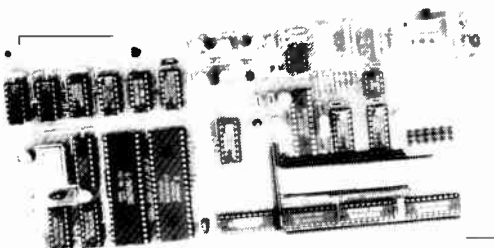
AVAILABLE FROM:

## OLD COLONY SOUND LAB

PO Box 243, Dept E91  
Peterborough, NH 03458 USA  
24-Hour Lines:

Tel. (603) 924-6371 FAX (603) 924-9467

- Check, money order, MC/VISA accepted.
- Please allow 6-8 weeks for delivery.
- **SHIPPING:** Airmail shipping to USA included in price. Others: Please inquire.
- **CUSTOMS:** USA residents may be required to pay 5-10% customs duty. Others may vary.



## MULTIFUNCTION MEASUREMENT CARDS FOR PCs

The high-performance insertion card described in this article allows your IBM PC-XT, PC-AT or 100% compatible to measure direct voltage at 12-bit accuracy, as well as frequency and a host of other parameters related to pulse-shaped signals. The accuracy and versatility afforded by the card are of a level associated with much more expensive, industrially rated products. The menu-driven control software developed for this exciting project allows you to keep tabs on up to eight voltages quasi-simultaneously, while up to eight remaining inputs can be used for time-related measurements including frequency, duty factor and pulse duration, not forgetting the event counter. Connected to the sensors and timing devices of your choice, this card turns a PC into a powerful central controller in a complex measurement and control system.

220.040 **\$225**

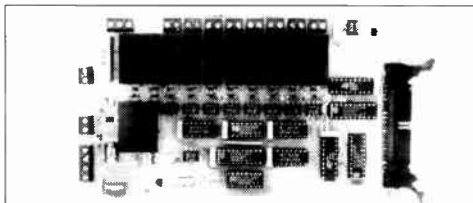
### SPECIAL PARTS SERVICE

We are the no. 1 suppliers of hard-to-find components for Elektor Electronics projects. Always contact us first if you see an unfamiliar component. Items include analogue & digital ICs (HCT, SMD), precision resistors (1%, 0.1%), capacitors (MKT/styroflex), inductors (Neosid, Toko), transducers, enclosures (Telet, OKW) and quartz crystals.

FOR FURTHER INFORMATION,  
PLEASE SEND A BUSINESS-SIZE  
SASE TO OLD COLONY SOUND LAB  
(ADDRESS ABOVE), ATTN: MEEK IT.

## MICROPROCESSOR-CONTROLLED TELEPHONE EXCHANGE

The telephone exchange presented here allows up to eight pulse-dialling telephone sets to be connected, and has an option for connecting calls to or from an external (trunk) telephone line. The unit is controlled by the popular 8052-based BASIC computer we introduced a few years ago.

220.057 **\$190**

### MAIN FEATURES

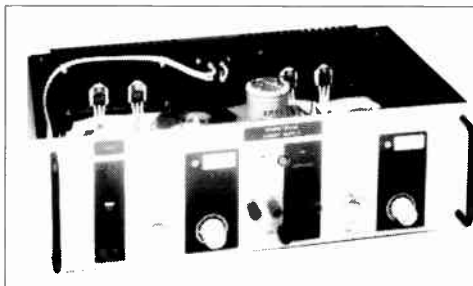
- 8 internal lines
- 1 external line
- memory for 10 numbers
- internal through connections
- versatile computer control
- automatic hold for external line
- simple-to-extend
- can be interfaced to a PC
- selective external call acceptance
- shortcut dial codes for external number
- works with pulse-dialling telephone sets
- one optional relay for extra switching function

### MAIN SPECIFICATIONS

- **Mode: Single**  
one adjustable power supply with current and voltage controls  
- Output 0 - 40 V at 0 - 5 A
- **Mode: independent**  
two identical, electrically separated power supplies  
Outputs  
2 x 0 - 40 V at 2 x 0 - 5 A
- **Mode: Tracking**  
two identical, series connected power supplies  
- Outputs  $\pm 0 - \pm 40$  V at 0 - 5 A  
0 - 80 V at 0 - 5 A  
- Voltage and current of slave follow master
- **Mode: parallel**  
two identical, parallel connected power supplies  
- Outputs 0.6 - 39.4 V at 0 - 10 A
- **Maximum output voltage:**  
0 - 40 V (of full load)  
48 V (no load)
- **Maximum output current:** 5 A
- **Ripple:** 10 mV (no load)  
50 mV (of full load)
- **Voltage difference in tracking mode:** 50 mV

## 400-WATT LABORATORY POWER SUPPLY

Here is an all-purpose d.c. power supply for symmetrical as well as asymmetrical use, and capable of supplying high output currents and voltages. An all-analogue design based on discrete parts only, this 400-watt PSU deserves a prominent place on your work bench.

ex. case 220.036 **\$525**

# OLD COLONY'S USER-FRIENDLY SOFTWARE

## BULLOCK & WHITE

### Speaker Designer™

Release 1.2 by Stuart E. Bonney

A loudspeaker system design aid and modeling tool for use with both closed and vented systems over the frequency range from 10 to 300Hz. Computes and displays system frequency response, power handling capabilities, and relative sound pressure level (SPL) outputs for each of 26 discrete frequencies over this range. Includes one year support by the author when the user registers this Shareware product.

Each **\$19.50**

IBM 5¼" 360K DS/DD

SPD-1B5

### Loudspeaker Modeling Program by Ralph Gonzalez (SB 1, 2, 3/87)

LMP produces a full-range frequency response prediction for multi-way loudspeakers, including the effect of the crossover, driver rolloffs, interdriver time delay, "diffraction loss," etc. (Includes author support.)

Each **\$17.50**

#### Specify:

Apple II 5¼" SS/DD (DOS 3.3)

LMP-1A5

Apple Macintosh 3¼" SS/DD

LMP-2M3G

IBM PC/XT/AT 5¼" DS/DD

LMP-2B5G

Commodore 64 5¼" DS/DD

LMP-1C5

"Sounded-Up" LMP provides professional-quality graphics and a fast, friendly, user interface. Remains compatible with LMP data files and is available for IBM PC (CGA, EGA, VGA, or Hercules graphics) and Macintosh computers. The Macintosh version also provides square wave analysis with audible output.

Each **\$49.50** (upgrade price: \$39.50\*)

#### Specify:

IBM PC/XT/AT 5¼" DS/DD

LMP-3B5G

Apple Macintosh 3¼" SS/DD

LMP-3M3G

\*Original LMP disk or sales receipt must be included w/ order.

### Driver Evaluation and Crossover Design

by G. R. Koonce (SB 5/88)

Disk 1 evaluates the suitability of drivers for closed, vented and passive radiator enclosures, and allows detailed designs of vented boxes.

Disk 2, in addition to driver evaluations, allows the design of first-, second-, and third-order crossovers. 5¼" IBM: 360K, DS/DD. Each **\$12.50**

#### Specify:

Driver Evaluations

DRI-1B5

Crossover Design

CRS-1B5

### Active Filter Design

by Fernando Garcia Viesca (SB 4/88)

Calculates component values for Butterworth filters in four configurations: High- and low-pass in second- and third-order. (Includes author support.)

Each **\$17.50**

IBM 5¼" 360K DS/DD

ACT-1B5

### Two-Way Active Crossover Design

by Gary Galo (SB 5/88)

Performs the calculations for the eight two-way active crossover designs described by Bob Bullock using formulas exactly as given in the articles; plus a program to calculate  $V_{TH}$ . (Includes one year support.)

Each **\$20**

#### Specify:

IBM 5¼" 360K DS/DD

TWO-1B5

IBM 3¼" 720K DS/DD

TWO-1B3

### Stepped Volume Controls

by Joseph O'Connell (TAA 4/88)

These ready-to-run Mac programs come on a 3¼-inch SS/DD disk initialized as a 400K disk for compatibility with all machines. Also included are the Pascal source codes, should you wish to customize them for your own use. Program A. Precisely matches the resistor values to the measured or estimated source and load impedances, yielding great accuracy. Your volume control can have 3 to 99 positions. The program will ask you how many dB each step should be attenuated and has provisions for a standard audio taper or any other taper you devise. Program B. Calculates the taper that will result with your actual resistor values, because you are limited to standard values or with series and parallel combinations. It can also show the effects of different source and load impedances on the taper. Both programs (contained on the same disk) allow you to save their output to a text file and include author support via mail.

Each **\$25**

Apple Macintosh 3¼" SS/DD

SVC-1M3

### BOXRESPONSE

Model-based performance data for either closed-box or vented-box loudspeakers with or without a first- or second-order electrical high pass filter as an active equalizer (SB 1/84). The program disk also contains seven additional programs as follows:

**Air Core:** This program was written as a quick way of evaluating the resistance effects of different gauge wire on a given value inductor. The basis for the program is an article in *Speaker Builder* (1/83, pp. 13-14) by Max Knittel. The program asks for the inductor value in millihenries (mH) and the gauge wire to be used. (NOTE: only gauges 16-38.)

**Series Notch:** Developed to study the effects of notch filters in the schematics of some manufacturers. Enter the components of the network in whole numbers (i.e., 10 for 10µF and 1.5 for 1.5mH) and indicate whether you want one or two octaves on either side of resonance. Output is frequency, phase angle and dB loss.

**Stabilizer 1:** Calculates the resistor-capacitor values needed to compensate for a known voice coil inductance and driver DC resistance.

**Optimum Box:** A quick program based on Thiele/Small to predict the proper vented box size, tuning and -3dB down point. It is based only on small signal parameters, therefore, it is only an estimate of the response at low power (i.e., limited excursion).

**Response Function:** Calculates the small signal response curve of a given box/driver combination after inputting the free-air resonance of the driver ( $f_s$ ), the overall "Q" of the driver ( $Q_{TS}$ ), the equivalent volume of air equal to the suspension ( $V_{AS}$ ), the box tuning frequency ( $f_B$ ), and the box volume ( $V_B$ ). Output is the frequency and relative output at that frequency.

**L-Pad Program** by Glenn Phillips: Appeared in *Speaker Builder* (2/83, pp. 20-22). It is useful for padding down a tweeter or midrange while still retaining the same load as the driver itself.

**Vent Computation** by Glenn Phillips: Calculates the needed vent length for 1, 2 or 4 ports of the same diameter. Input box volume in cubic feet and required tuning frequency ( $f_B$ ), output is vent length and vent area for each case.

Medium: 5¼" SS/DD Disk. Price, **\$25**.

#### Specify:

#### BOXRESPONSE

Apple ..... BOX-1A5

Commodore 64 (Disk) ..... BOX-1C5

Commodore 64 (Cassette) ..... BOX-3CC

IBM ..... BOX-1B5

#### IBM Plus Graphics

BOXRESPONSE ..... BOX-2B5G **\$50**

### PASSIVE CROSSOVER

This disk is a result of Mr. Bullock's extensive research concerning first-, second-, third-, and fourth-order passive crossovers in *Speaker Builder* 1, 2 & 3/85; **\$25**

#### Specify:

#### PASSIVE CROSSOVER CAD

Apple ..... PAS-1A5

Commodore 64 (Disk) ..... PAS-1C5

IBM ..... PAS-1B5

#### IBM Plus Graphics

CROSSOVER CAD 5¼" demo PXO-3B5GD **\$ 5**

CROSSOVER CAD ..... PXO-3B5G **\$50**

# CALSOD

## Computer-Aided Loudspeaker System Optimization and Design

by Witold Waldman

CALSOD is a new entry into the field of crossover network optimizing software available for the IBM PC desktop computer. It combines the transfer function of an LC network with the acoustic transfer function of the loudspeaker, by using some form of iterative analysis. CALSOD creates, through the process of trial-and-error curve fitting, a suitable transfer function model which it can then optimize. The program is the subject of CALSOD author Witold Waldman's research paper "Simulation and Optimization of Multiway Loudspeaker Systems Using a Personal Computer" which appeared in the *Audio Engineering Society Journal* for September 1988, pp. 651-663. CALSOD differs considerably from other software since it models the entire loudspeaker output of a multiway system, including the low-end response, and the summed responses of each system driver.

The program performs a lot of tricks. One of the more spectacular of these allows the designer to specify the location of the driver acoustic centers using an XYZ coordinate system. Thus, if the designer ex-

pects to mount a driver combination on a flat baffle, the summed response can be optimized to compensate for rearward displacement of a woofer's acoustic center with respect to a tweeter. CALSOD can model up to seven drivers at a time in a four-way system giving the summed response and acoustic phase response of the entire system.

The CALSOD program comes on a single 360K floppy, and requires one directory and two subdirectories in installation, plus access to the DOS GRAPH-TABL file, which it uses for a couple of special symbols. The 133-page User Manual, provided on a second disk, is well written, adequately describes the various program functions, and contains an excellent tutorial example, which demonstrates the use of the program.

#### Specify:

IBM 5¼" DEMO ..... CAL-2B6D **\$ 5.00\***

IBM 3¼" DEMO ..... CAL-2B4D **\$ 6.00\***

IBM 2 x 5¼" 360K DS/DD .. CAL-2B6 **\$65.00**

IBM 3¼" 720K DS/DD ..... CAL-2B4 **\$67.50**

\* Usable as credit toward later purchase of full CALSOD.

**NOTE: OLD COLONY SOFTWARE SHOWN ON THIS PAGE IS NOT RETURNABLE FOR REFUND OR CREDIT. ALSO, BECAUSE OF UNREASONABLE TAXATION REQUIREMENTS BY THEIR STATE, WE REGRETFULLY ARE UNABLE TO SELL SOFTWARE TO RESIDENTS OF CONNECTICUT.**

POSTAGE & HANDLING: In US, please add \$2.00 for first disk and 75¢ each additional disk. In Canada, please add \$4.50 for first disk, 75¢ each additional. Overseas, please include 20% of total order for shipping.

DEALER INQUIRIES INVITED  
CALL OR WRITE FOR YOUR FREE CATALOG!



## OLD COLONY SOUND LAB

PO Box 243, Dept. E91, Peterborough, New Hampshire 03458 USA  
(603) 924-6371 / FAX: (603) 924-9467

Answering machine for credit card orders only: (603) 924-6371  
before 9:00 a.m., after 4:00 p.m. and weekends.  
Have information plus MC/VISA available.

## NEW HAND-HELD TEST EQUIPMENT

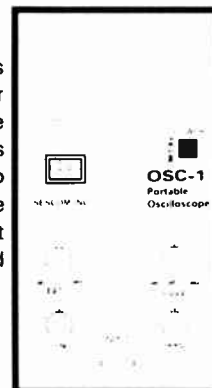


*"the audio source"*

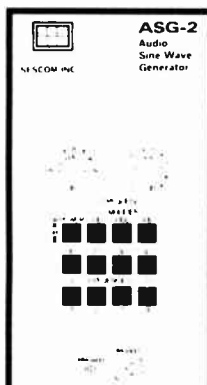
2100 WARD DRIVE  
HENDERSON, NV 89015

### OSC-1 FLAT OSCILLOSCOPE 699.00

The OSC-1 is a hand-held battery-operated oscilloscope. It is designed for field use. The batteries are housed in a trap-door housing for easy field replacement. The heart of the portable oscilloscope is a Sony flat screen 2" black and white screen. There is added circuitry to take the analog signal and display it on the video screen. The unit works as a sampling oscilloscope by comparing the input wave-form with the horizontal timebase. The unit has an input gain control and sweep control. The unit is perfect for field use and small labs where space is at a premium.



### ASG-2 LOW DISTORTION AUDIO GENERATOR 255.00



The ASG-2 is a hand-held battery-operated sine-wave audio generator. It is designed for field use and is housed in a rugged aluminum case. The battery is in a slide-lock compartment that requires no tools for change. The sine-wave generator is a typical wien-bridge with a FET for thermal stabilization. The unit has low distortion, typically under 0.05% across the band. The unit will generate frequencies from 20-20kHz. The ASG-2 has three-decade switching plus eight switches to determine the exact operating frequency. There is a push-button on-off switch.

The output level has a range of +10dBm to -60dBm and has both balanced and unbalanced outputs. The balanced output is electronically done. The output levels are determined by two rotary switches. One switch is for the decades in 10dB increments and the other rotary switch is in 1dB increments. The unit will drive 600 ohm loads.

### AVM-2 PORTABLE AUDIO VOLTMETER 259.00

The AVM-2 Audio Volt Meter is designed to read audio type signals from a low of 1 mv (-60 dB) full scale to a high of 100 volts (+40 dB) from a low frequency of 10 Hz to 100 KHz. The scale of the analog meter is calibrated in both scales of volts/millivolts and dB's. The accuracy of this instrument is about 2-3%. The input impedance is 1M ohms/ 10pf which means it will not load the typical circuit it is measuring. The unit operates with a single nine-volt battery with a current drain of 7.5 ma. The unit will operate with a low battery voltage of 7.5 volts. The unit is factory calibrated so that is very accurate in the field.



### THD-2 DISTORTION ANALYZER 495.00



The THD-2 is a hand-held battery-operated distortion analyzer. It is designed for field use and is housed in a rugged aluminum case. The battery is in a slide-lock compartment that requires no tools for change. The distortion analyzer is a typical state-variable filter type. The unit is easy to use. Place the input signal into banana jacks, and set the input level control and range switch to obtain a 100% reading. Then set the frequency multiplier switch to the proper range. The frequency can be set by the decades and units frequencies. The fine adjust pot can make up for small differences in the correct frequency. The final step is to depress the proper range switch to read the distortion in %. This number is read on the analog meter in % THD+N. There is a low frequency filter switch to eliminate any hum components.

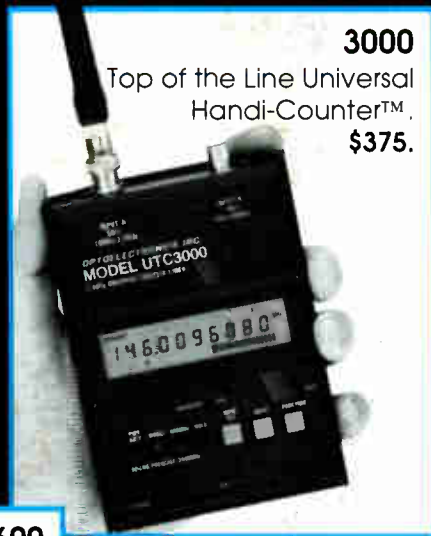
THERE ARE FOUR MORE INSTRUMENTS: LOUDSPEAKER IMPEADANCE METER,  
FREQUENCY METER, AUDIO TESTER, SWEEP FUNCTION GENERATOR  
CONTACT FACTORY FOR MORE DETAILS  
800-634-345 - 702-565-3400 - FAX 702-565-4828

# OFF THE BENCH AND RUNNING

When **OPTOELECTRONICS** took frequency counters off the bench we created a whole new dimension - Frequency Finding.

Our Handi-Counters™ make Frequency Finding a reality by allowing you to pick-up radio transmitters at the maximum possible distance.

Monitoring Enthusiast, Security Specialists, Broadcast and Design Engineers, Two Way and Amateur Radio Operators and Service Technicians have all made the move. *Shouldn't you?*



**3000**

Top of the Line Universal Handi-Counter™. **\$375.**



**2600**

Super Sensitive RF Frequency Finder. **\$325.**



**2210A**

Full Range Pocket Size LED. **\$239.**



**8030**

Bench Portable (Fits in an attache case) with ALL the Handi-Counter™ Features plus More. **\$579.**



**1300H/A**

Low Cost Ultra Sensitive (HF, UHF, VHF). **\$179.**

Model	Range Low High	Display 8 Digit LED	Display 10 Digit LCD	Signal Strength Bargraph	Universal Counter	TCXO Option
8030	10Hz 2.4GHz		•	•	•	± .1ppm add \$125.
3000	10Hz 2.4GHz		•	•	•	± .2ppm add \$ 80.
2600	1MHz 2.4GHz		•	•	•	± .2ppm add \$ 80.
2210A	10Hz 2.4GHz	•				± .5ppm add \$ 75.
1300H/A	1MHz 1.3GHz	•				± .5ppm add \$ 75.

Sensitivity: <1 to <10mV typical. NICads & AC Charger/Adapter included. Carry Case, Antennas and Probes extra. One year parts & labor warranty on all products.

## OPTOELECTRONICS

Toll Free Order Line:

**1-800-327-5912**

In Florida call **(305)771-2050**

**FAX (305)771-2052**

5821 NE 14th Avenue • Ft. Lauderdale, FL 33334  
 Visa, MC, COD, Cash, M.O. accepted. Personal  
 Check allow 3 weeks. 5% Shipping, Handling,  
 (Maximum \$10) U.S. & Canada. 15% outside  
 continental U.S.A.