

DX News

Serving DX'ers since 1933



Volume 70, No. 1 - September 30, 2002 (ISSN 0737-1659)

Inside ...

2 .. DDXD	15 .. Target DX
8 .. IDXD	17 .. TRM-1
14 .. Confirmed DX'er	20 .. NRC 2002

partial DXN Publishing Schedule, Volume 70

Iss.	Deadline	Pub. Date	Iss.	Deadline	Pub. Date
2.	Oct. 4	Oct. 14	5.	Oct. 25	Nov. 4
3.	Oct. 11	Oct. 21	6.	Nov. 11	Nov. 11
4.	Oct. 18	Oct. 28	7.	Nov. 8	Nov. 18

CPC Test Calendar

WLCR	KY	1470	Oct. 21	0300-0400
KNOM	AK	780	Oct. 26	0400-0500
WDFB	KY	1170	Nov. 2	0000-????

DX Time Machine

From the pages of DX News:

50 years ago ... from the September 10, 1952 DXN: There were many favorable comments about the NRC Convention that was held over the Labor Day weekend at the home of Joe and Marty Brauner in Williamsville, NY (a buffalo suburb). Two pages of "Buffalo Bull" reported on the lighter side of the annual get-together ... from the September 20 DXN: Len Kruse, Dubuque, IA submitted a list of the 117 construction permits issued by the FCC that were outstanding as of 9-15-52. Ray Moore, Rowley, MA, reported nightly reception of YVMD-1168, YVMP-1285, and YVMF-1119.

25 years ago ... from the September 12, 1977 DXN: Glenn Hauser, nominated by the NRC, was chosen as ANARC's DX'er of the year; Glenn also started a newsletter named "Review of International Broadcasting" ... Ernie Cooper was made an "Admiral" in the Nebraska Navy during the NRC convention in Lincoln.

10 years ago ... from the August 31, 1992 DXN: The Superadio was priced at \$39.95 at some outlets ... The NRC Convention was set to return to Nebraska, specifically to Omaha ... from the September 28 DXN: Digital broadcasting tests were being aired on 1650 kHz.

From the Publisher ... John Malicky's fine convention report caps off this first issue of a new volume, as the DX season gets off once again. I predict surprises ahead this year. I dunno what; I'm just predicting surprises! But they won't happen unless YOU have your radio on!

In case you missed it, you can now purchase online, with a credit card, anything from the NRC from subscriptions to the Log (#23 will ship very soon, according to Crazy Ken) to any reprints. Via PayPal, the NRC is once again able to accept credit card payments. Just browse to www.nrcdxas.org and follow the links. Please be aware that the per-order charge that PayPal adds to all orders will be added to your total; if you don't mind a slight extra charge for the convenience of paying via credit card, though, this is the way to go, especially for overseas members who've had to send cash to avoid exorbitant exchange fees.

DX News Index to Volume 69

If you're reading this, you're probably not DX'ing, right? Periodic/weekly columns are not indexed; titles are generic; errors are regretted. Numbers after titles refer to the number of the issue plus the page -pls.)

Station Lists	
Art Bell	Bill Hale 21-18
Here's Help	Doug Smith 25-11, 26-28
Performance Racing Network	Mike Battagliano 24-33
Silent Stations	26-28
SW Utah TIS List	Tim Hall 28-18
Texaco Metro Opera Net	Barry S. Finkel 9-2
TSN Affiliates	Bill Hale 27-40
Technical	
CCRadio Display Fix	Gerry Thomas 10-20
CCRadio Tuneup	Gerry Thomas 6-20
FCA-1 Feedline Coupler	Mark Connelly 29-21
Antennas	
Edek MW Loop	Russ Johnson 13-58
Flag Antenna	Mark Connelly 30-37
Loop Shootout	Mark Connelly 6-17
Products/Publications	
Australia/NZ MW Guide	22-15
Best DX Radios	Gerry Thomas 11-18
CCRadio	Kevin Redding 3-17
Kiwa 3.7 kHz filter for CCRadio	Harry Helms 8-19

Radio Shack Portables	Gerry Thomas 6-16
The Early Days of Radio Broadcasting	Richard D'Angelo 20-1

Propagation

Wilmington Bandscan	Michael Battagliano 14-21
Domestic	
Broadcast Pioneers By State	Thomas White 13-68
KKSU/WIBW	Howard Richman 30-40
KRKO	Angela Lo 21-21
WSM	Tom Bryant 17-22

Columns/NRC

2002 Catalog	Wayne Heinen 1-23
College Sports Neis	Dave Braun 3-22, 4-22, 6-20, 8-20, 9-16
Confirmed DX'er	Greg Myers 3-9, 7-22, 12-12, 15-22, 23-38, 25-27, 27-19, 28-18, 29-22
DDXA	Paul Swearingin 13-65, 26-29, 30-42
DX'er's Notebook	Dave Braun 1-44, 3-16, 4-12, 7-17, 8-15, 10-18, 12-18, 13-52, 18-18, 20-17, 23-30, 24-26, 25-29, 26-21, 27-11, 30-28
Formats	Wayne Heinen 20-16, 23-39, 27-18
Geomagnetic Summary	Phil Bytheway 4-16, 5-23, 6-23, 11-20, 21-20, 26-30
GYDXA-1400	Bill Hale 4-17
GYDXA-1490	Bill Hale 13-60

GYDXA-1490	Bill Hale 25-34
GYDXT	Bill Hale 30-35
IDXA	Paul Swearingin 13-66, 25-39, 30-41
Loco the DX Cat	Bruce Conti 23-45, 24-1, 25-1, 26-34, 28-11, 29-1
NRC Financial Statement	Dick Truax 9-23
NRC-Lima 2002 in Photos	John Callarman 30-44
Pittsburgh 2001	John Malicky 1-36
Pro Sports Neis	Barry S. Finkel 1-46, 2-23, 4-20, 9-17, 13-59, 17-21, 24-32, 25-18, 26-27, 27-38, 28-3, 29-23, 30-32
Target DX	R. J. Edmunds 5-13, 7-15, 8-13, 10-21, 11-16, 12-21, 19-21, 20-21, 24-25
V68 DXN Index	Paul Swearingin 1-3
CPC Tests	Bruce Conti 6-14
Miscellaneous	
Ernest Cooper	26-1, 26-21
How Far Contest	Stanley P. Bernik 28-22
Interference	18-23
Midwest DX Trek	Pete Taylor 9-18
NBC Cjimes	28-20
Newfoundland DXPD	XJean Bunnell 13-31
Northern NJ Radio Museum	Carl van Order 26-1
Polar Bear Expedition	John Sampson 6-15
Spring Grayland DXPD	Guy Atkins 27-25
The Pingzauer	11-21

Domestic DX Digest

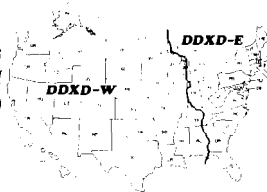
West: Bill Hale phantom2@eaze.net

6124 Roaring Springs Drive - North Richland Hills, TX 76180-5552

East: Ginnie Lupi ginnie@nrcdxas.org

PO Box 4014, Clifton Park, New York 12065

(Division line is between East and Central time zones)



DX Catches in the U. S. and Canada, with 24-hr. ELT

DDXD-West

MEDIUM WAVE RAMBLINGS

- Welcome to DDXD-West for Issue One of Volume 70!!
- HOT ITEM: DDXD columns are for DX. That means a timely exchange of your DX loggings and tips which may be of use to other DXers. Loggings should include some "meat", meaning that simply stating you heard a station won't cut it. And date and time are a must. There are other columns specializing in formats, juicy station news, etc, whose editors are waiting to hear from you. Keep them busy, too. [Reprinted from Volume 63, Issue 16, with permission from the editor.]
- According to friendly sources, as of October 21, 2002 the official two-letter postal abbreviation for Newfoundland and Labrador will change from NF to NL. And . . . I have learned that the newest Canadian province, Nunavut uses THREE time zones, Eastern, Central, and Mountain. So all you reporters from there be careful when converting times to ELT when reporting DX. And yes, Dxers, there is an AM station in Nunavut - 1230 CFFB Iqalulit, located on Baffin Island.
- Deadlines are "All Thursdays - All The Time" until the end of the year when we take our Holiday break. Good DX to all.



KDMI-AM 1460

REPORTERS

5,000 Watts • Full Time • Iowa's Strongest AM Commercial Religious Station

- RA-NV Rene Auvray Henderson Yacht Boy 400 PE
- PG-CO Patrick Griffith Westminster Drake R-8 and Kiwa loop <AM-DXER@webtv.net>
- GJ-CA Gary Jackson Sacramento FRG-8800 + Kiwa Loop
- EL-IL Eric Loy Champaign Drake R8 and Quantum QX or Superadio II
- JJR-WI John J. Rieger South Milwaukee Icom IC-R75, Kiwa loop, MFJ-959B tuner/preamp or GE Superadio III w/Terk AM 1000 loop <http://DX-midAMerica.com and http://DXMW.com>
- KR-AZ Kevin Redding Mesa Sony ICF-2010 barefoot; Kenwood R-1000, Gerry Thomas antenna matcher, and Space Magnet 2 antenna <amfntvdx@qwest.net>
- BW-OK Bruce Winkelman, AA5CO Tulsa R8, Quantum Phaser, 2-130 foot wires <bdwink@cox.net>
- Ed.-TX Editor North Richland Hills DX-398 barefoot

STATION NEWS & NOTES

- ✓ 540 XEBACH BCN Tijuana - Changes calls to XESUR. [I saw it on the 'Net - Ed.]
- 585 WDJD AS Tafuna - Changes calls to KJAL, reflecting the loose nature of the K/W line halfway around the world. (10000watts dot com)
- ✓ 600 CKBD BC Vancouver - 9/11 - Is back on in Stereo fulltime. (Northwest Broadcasters)
- ✓ 620 KGTL AK Homer - Format is now C&W // KPEN-FM 101.7 Soldotna. Ex: standards. (10000watts.com)
- ✓ 940 KPSZ IA Des Moines - 9/6 - Has changed to these calls (I imagine the slogan is K-Praise), as part of their format switch to REL. Ex: sports, and KXTK. (All Access)
- ✓ 1000 KCEO CA Vista - Adds standards at night. Remains biz news during the day. (All Access)
- ✓ 1000 KOMO WA Seattle - 9/10 - Is now an all-news format; ex: talk. (Northwest Broadcasters)
- ✓ 1040 WHO IA Des Moines - Is operating from a short stick for the next month or so as technicians analyze and repair the famed WHO modified Franklin antenna. The WHO modified-Franklin is a one-of-a-kind and is the electrically tallest AM antenna in the country. It is 780 feet high. Look for pictures of the repair operation on DesMoinesBroadcasting.com.

- ✓ 1080 WVOK AL Oxford - 9/6 - Goes oldies. Ex: urban oldies. (10000watts.com)
- ✓ 1360 KAHZ TX Hurst - 9/15 - 10000watts dot com reports this new city-of-license for this Radio Unica outlet. They also say the station has gone to 50000 Watts days and 890 Watts nights. Although I have not noted an increase in their signal here, they have had an application for this upgrade on file for some time. Wally Wawro reports he has 'visited' the new 2x3 site. [Ed.-TX]
- ✓ 1400 WDWS IL Champaign - Is now ABC Entertainment network for top-of-hour news, AP News net for filler hours. Runs Rush, Hannity, Bohannon, Drudge shows, some Coast-to-Coast on weekends. No more CBS or ESPN. Was CBS for about 60 years. (EL-IL)
- ✓ 1460 WJCI IL Rantoul - Now ESPN and all sports as of 8/16; drops music. No old Bill Hale tapes, hi! (EL-IL) [They're all locked in the treasure vault, hi! - Ed.]
- ✓ 1500 WPJX IL Zion - Reported on again, simulcasting WRDZ-1300 La Grange with Radio Disney. (Radio/DX Information from Wisconsin: <http://www.angelfire.com/wi/dxing/#head>)
- 1630 KNAX TX Fort Worth - QSL address is: 5787 S. Hampton Rd. Suite 340 Dallas, TX 75232 Attn: Jose Castillo. (GJ-CA)

UNIDs and UNID HELP

- 1380 UNID ?? - 9/16 0723 - Poor, with old C&W music and Real Country AM 1380 mentions. Jock: Debbie Conners. Live, not off bird. Format flip for someone? Not K-G Country in Minnesota. (JJR-WI)
- 1600 UNID ?? - 9/11 0615-0636 tuneout - Fair at times, with lively SS music and male/female chatter taking phone calls. Looped SW. Needed KRVA-TX? (JJR-WI)



REGULAR DX LOGGINGS (times in ELT)

- 580 CKPR ON Thunder Bay - 9/16 0646 - Poor, with local ads, weather and calls. Over weaker CKY. (JJR-WI)
- 590 KBHS AR Hot Springs - 9/11 0700 - Fair, with ID and weather. Old C&W. (JJR-WI)
- 600 CKAT ON North Bay - 9/15 0306 - Poor, though clear, with calls. Way over WMT. C&W. (JJR-WI)
- 630 KVMA AR Magnolia - 8/20 0807 - With ad for South Arkansas College, quick KVMA Magnolia, Arkansas to 0809 weather report, ad for local bank and another CL ID at 0810. (BW-OK)
- 700 WGZS AL Dothan - 9/12 0645 - Very good signal, even with WLW at times, with Christian AC songs, mentions of 94.3. New here. (EL-IL)
- 700 WGZS AL Dothan - 9/12 0702 - All Joy 94.3 WIZB to promo for Turning Point program. . . right here on 94.3 WIZB on top of phased WLW, into REL program. (BW-OK) [Looks like a pattern developing here . . . - Ed.]
- 700 KSEV TX Tomball - 9/12 0800 - KSEV Tomball-Houston into news. No sign of WGZS or WLW at this time. Unneeded, but rare here. (BW-OK)
- 790 KGHL MT Billings - 9/15 1940 - Playing The Ballad of Billie Jo (Tallahatchie Bridge). Slogan: Classic Country then several short cuts and AM 790 KGHL. (KR-AZ) [With apologies to Bobbie Gentry, the name of that tune is Ode to Billie Jo - Ed.]
- 800 KDFO CA Bakersfield - 9/6 0935 - IDing as Fox Sports 800 with the Tony Bruno Show, local ID mentioning local Bakersfield economy with a sports update to follow. (RA-NV)
- 800 WSHO LA New Orleans - 9/4 0100 - Praise in the Night will continue after station identification: This is WSHO New Orleans, mixing with XEROK Radio Canon. (BW-OK)
- 800 WSHO LA New Orleans - 9/12 0700 - Fair and alone, with ID between REL shows. (JJR-WI)
- 830 WFNO LA Norco - 9/12 0659 - Very good, @ 30/9, and no WCCO at all. New Orleans, La Fabulosa jingle. (JJR-WI)
- 850 KEYH TX Houston - 9/11 0500 - Good, @ 20/9, with EE ID and SS chatter/music. (JJR-WI)
- 870 WINU IL Shelbyville - 9/12 1100+ - All alone on new frequency; ex: 1560. Running REL-based programs. (EL-IL)
- 890 KVOZ TX Laredo - 9/14 0700 - Fair, in WLS null, with SS chatter about network and

- 900 CKBI SK McAllen, Texas address. Best heard in a long time. (JJR-WI)
 910 WAVL PA Prince Albert - 9/16 0657 - Fair, on top, with *Country 900 CKBI*. (JJR-WI)
 930 WKY OK Apollo - 9/16 0637 - Poor, with jock chatter and calls in fade up. (JJR-WI)
 970 WZAM MI Oklahoma City - 9/12 0708 - Very loud and alone. Rarely heard anymore and never at this level. News-talk and full call ID. (EL-IL)
 970 WDAY ND Ishpeming - 9/15 0300 - Poor, with legal ID. AP News format. 62 Watts! (JJR-WI)
 1010 CFRB ON Fargo - 9/15 0606 - Poor, with calls heard twice in promo. (JJR-WI)
 1020 KINF NM Toronto - 8/20 2335 - Ad for Chevy dealer, then *The Big One CFRB*. (BW-OK)
 1030 WEBS GA Roswell - 9/15 2215 - With David J. Smith and *Commentary and Analysis of the News*. (KR-AZ)
 1040 WJHR NJ Calhoun - 9/14 0652 - Poor, with WBZ nulled, with *Oldies 1030 WEBS* after ads. (JJR-WI)
 1080 KSCO CA Flemington - 9/16 0630 - Fair @ 30/9! *Delaware Valley* mentions, ID between REL shows. WHO weak. New Jersey #5 and 1040 #1 1. NEW! (JJR-WI)
 1190 KEX OR Santa Cruz - 9/15 2225 - With *For the People* and Chuck Harder. (KR-AZ)
 1210 KGYN OK Portland - 9/6 0400 - Fair, with Call ID, sand saying the weather would follow ABC News. (RA-NV)
 1210 KUBR TX Guymon - 9/11 0547 - Fair, on peaks, over WPHT with calls, weather, C&W. (JJR-WI)
 1220 KSFB CA San Juan - 9/16 0015 - Playing SS REL music. (KR-AZ)
 1240 WSDR IL Palo Alto - 8/8 0610 - With REL music program. Last time heard this it was business or personal enrichment or some such. (KR-AZ)
 1250 KHIL AZ Sterling - 9/5 0030 - Poor, though clear, with calls in slush. (JJR-WI)
 1250 KEYT CA Willcox - 9/16 0016 - With ad for *Trading Post*, on Monday through Fridays at 0830. (KR-AZ)
 1260 KWYR SD Santa Barbara - 9/6 0408 - KEYT 1250, then station announcements. Suddenly, they were drowned out by an unID C&W station. (RA-NV)
 1260 KSML TX Winner - 8/25 2330-2335 - In KSML null, *Real Country* slogan, C&W music, nice CL ID in weather for South Central South Dakota and North Nebraska. (BW-OK)
 1270 WLIK TN Diboll - 8/23 2357 - Vocal SS music through ToH to 0004 *La Maquina* slogan, then quick *KSML Diboll-Lufkin* in SS announcement. Well over the Springfield, Missouri station. Unneeded, but nice to hear. (BW-OK)
 1280 WODT LA Newport - 9/14 0643 - Poor, with *Morning Devotion* and *WLIK Bulletin Board*. (JJR-WI)
 1280 KLSI TX New Orleans - 8/26 2340 - With *Blues 1280 WODT*, then quick fade. (BW-OK)
 1370 WLTC NC Abilene - 8/26 0024 - NOS music, quick CL ID between songs. New here. (BW-OK)
 1410 KOOQ NE Gastonia - 9/14 0641 - Poor, but clear, with *Rejoice 1370, 1490 and 94.7*. (JJR-WI)
 1420 WOC NE North Platte - 9/15 0100 - Weak, with a few deep fades, but mostly solid. *Good Time, Great Oldies* format. ToH ID was 1410 AM, *K Double O Q, North Platte* then into AP Network News. (PG-CO)
 1450 WFMB IA Davenport - 8/9 0625-0630 - Surprisingly good, with several WOC mentions within Iowa and Davenport news. A real surprise on a 'northerly morning'; new here. [Ed.-TX]
 1460 KKCS CO Springfield - 9/12 0711 - Poor, though clear promo for *Rams* on 96.7 *WCVS-FM*. Rare here. (JJR-WI)
 1550 WLOR AL Colorado Springs - 8/8 0640 - Playing all-50s music with slogan *Hot Talk 1460*. Ad mentioning Highway 24 and Peterson AFB. Was expecting sports from Vegas and got this. (KR-AZ)
 1630 KNAXt TX Huntsville - 9/11 0636 - Fair, with *Jammin' 1550* non-ID after local ads. (JJR-WI)
 1630 KNAXt TX Fort Worth - 9/11 0611 - Fair, way over KCJJ, with *Ranchera* music. Tuned out after 10 minutes. Tentative. (JJR-WI)



GRAVEYARD DX UPDATE

Remember all the GY DX records are on line at: www.angelfire.com/tx2/phantom2/index.html

Totals:	1230	1240	1340	1400	1450	1490	Total
Fred Norquist Clay, NY	13	15	6	9	15	11	69
John Vervoort Brooklyn, NY	3	3	1	3	3	2	15

DDXD-East

Perry Crabill (PC-VA) writes: "On 09/12 at 2130 I heard a station on 540 kHz identifying as WFLA several times. I had taped it, and the playback was clear enough that there was no mistake. The station specifically said it was "Weather Channel 5-40 WFLA". The NRC AM Log showed the call WFLF in Pine Hills, FL, assigned to this frequency, and I thought that there might have been a CL swap with WFLA-970 in Tampa, FL. I checked the FCC's Data Base listings for both stations and found no changes on record. I called the station's telephone number several days later and got a Clear Channel office that transferred me to their station in Pine Hills, FL. This gave me an answering machine announcement that said "You have reached Tom Benson, Program Director of News Radio 5-40, WFLA, and Program Director for the Florida Radio Network". I left him a message saying that I was confused as to whether the station's ID was WFLF or WFLA, and asked him to call me. I heard from him the next day, when he explained that his station's call letters were still WFLF. He went on to explain that they were using WFLA as a promotional announcement to emphasize that the station was in Florida. Not only that, he said that a number of other Florida stations in their network were also using WFLA in their announcements for the same reason. He confirmed that the real WFLA was on 970 kHz, and was one of their stations. I didn't argue with Tom about the possible illegal nature of what they were doing, but I wondered what the FCC would say about it."

REPORTERS

- SC-IN Steve Chappell, McCordsville - Bearcat DX-1000; 3 terminated loops.
- EC-ON Eric Conchie, Tweed - Canadian Format Changes.
- BC-NH Bruce Conti, Nashua - R8B, MWDX-5, 50/75/50-ft Ewe antennas east and southwest.
- PC-VA Perry Crabill, Winchester - Drake R8, Kiwa Loop, 100' wire.
- RE-PA Russ Edmunds, Blue Bell - TIS/HAR Info.
- RWK-CT Rick Kenneally, Wilton - Drake R8B, Sony 2010, 1100' South wire, 900' East wire, Quantum QX Loop, Quantum phaser.
- WM-MD William McGuire, Cherverly - DX-398.
- AR-ON Andy Rugg, Route 138, north of Cornwall - car radio in 1996 Buick Regal.
- JV-NY John Vervoort, Brooklyn - Yacht Boy 400PE.

CANADIAN FORMAT CHANGES

- 960 CFFX ON Kingston - Still oldies, but now ID'ing as "fun oldies". Had been "GTO 960". (EC-ON)
- 1050 CHUM ON Toronto - Oldies as of August 27th. Had been "The Team 1050" (sports). (EC-ON)
- 1380 CKLC ON Kingston - Oldies/MOYL as of August 27. Had been "The Team 1380" (sports). All but three of "The Team" network flipped from Sports to oldies as of August 27 (CKKW-1090, Kitchener; CJCH-920, Halifax). The remaining members of "The Team" network remain as sports (CHGO-1200, Ottawa; CKGM-990 Montreal; CKST-1040). Not sure if they are still using "The Team" moniker. (EC-ON)
- 1420 CKPT ON Peterborough - Oldies/MOYL, ID'ing as "Memories 1420" as of July 1. (EC-ON)

PRESUMED AND UNID

- 790 UNID - 9/2 2000 - CBS news heard under talk. (WM-MD)
- 980 WTEmp DC Washington - 9/1 2152 - Mention of Orioles and 410 area code. (JV-NY)
- 1360 WNJCp NJ Washington Township - 8/6 2035 - ad for pawn shop in Philadelphia. (WM-MD)

STATION LOGGINGS

- 540 WFLF FL Pine Hills - 9/12 2130 - "9:30 - WFLA weather channel forecast; scattered evening showers and thunderstorms ... heavy at times will diminish as the sun goes down." Later, "... Weather Channel 5-40 WFLA." A phone call to

- the station verified that call letters are still WFLF; WFLA is a "Promotional ID". I wonder if the FCC knows about this; the real WFLA is on 970 kHz. (PC-VA)
- 560 **WGAN ME** **Portland** - 9/8 0400 - Very good with commercial featuring Joan Rivers hawking a dietary supplement, then recorded ID and CBS News. New. (RWK-CT)
- 580 **WHP PA** **Harrisburg** - 7/15 2300 - various ads, ID, time check, ABC news. (WM-MD)
- 600 **CKAT ON** **North Bay** - 9/2 2223 - "hot new country... today's country, AM-six-hundred CKAT." Mixing with semi-local WICC with Jim Bohannon. (JV-NY)
- 620 **WSNR NJ** **Jersey City** - 9/6 0103 - Very weak: "The James Brown Show weekday mornings at 10 on 620 WSNR Sporting News Radio." (SC-IN)
- 700 **WCAT MA** **Orange** - 8/23 0015 - On tip from NRC list caught this one strong on day power with 70s songs & "Oldies 99.9" IDs. New. (RWK-CT)
- 730 **KWOA MN** **Worthington** - 9/4 0300 - "Weekday afternoons at 4:15 on the Tristate's information source AM 730 KWOA Worthington" into CBS News about Iraq. (SC-IN)
- 800 **WNNW MA** **Lawrence** - 9/14 1600 - In Spanish with *Power 800, el poder de la radio* IDs, contemporary tropical music, ex-WCCM. (BC-NH)
- 820 **WWLZ NY** **Horseheads** - 9/2 2205 - ID by male voice. (WM-MD)
+ 9/10 0402 - Fair: "This is Bill O'Reilly the host of The Radio Factor right here on 820 WWLZ." (SC-IN)
- 850 **WYLF NY** **Penn Yan** - 7/16 2300 - ID after Carpenters song. (WM-MD)
- WPSO PA** **Johnstown** - 8/31 2240 - Briefly overrode WEEL with joint ID for WSPO-850 and WVSC-990, ad, PSA and Fox sports programming. Joint ID heard again at 2300. (AR-ON)
- WKNR OH** **Cleveland** - 8/31 2307 - Overrode WEEL for 8 minutes with station ID, "Sports Radio 850" slogan and "Beer Talk" call-in program. (AR-ON)
- 920 **CKNX ON** **Wingham** - 7/11 2104 - News report, local ad, weather forecast, "country 920", ID. (WM-MD)
- 990 **WJEH OH** **Gallipolis** - 9/3 0205 - Good: "A time to relax, a time to enjoy and a time to remember. This is your music and memory station AM 990 WJEH." (SC-IN)
- 1020 **WRIX SC** **Homeland Park** - 9/16 1900 - Over KDKA at sign off. Mentions of Homeland Park, South Carolina, WRIX, 10,000 watts. "Tune to WRIX 103.1 FM." (SC-IN)
- 1110 **WCEC NH** **Salem** - 9/14 1602 - WCEC Salem-Lawrence ID in English, then telephone talk in Spanish with mention of WHAV, bachata music, not parallel 1490, ex-WNNW. (BC-NH)
- 1140 **WXLZ VA** **St. Paul** - 7/4 0100 - Just squeezed in a faint ID during WRVA pause before going to network news "11-40 WXLZ St. Paul". Relog. (RWK-CT)
- 1160 **WOBM NJ** **Lakewood Township** - 9/3 2100 - ID, "the entertainer". (WM-MD)
- WYNS PA** **Lehighton** - 9/3 2100 - "great oldies all the time", ID, AP news. (WM-MD)
- 1180 **WVLZ TN** **Knoxville** - 9/12 2055 - On full power late for high school football game between Admirals & Bulldogs. Quite good at peaks in WHAM null. New. Thanks to Steve Francis for DXtip. (RWK-CT)
- 1220 **WFWL TN** **Camden** - 9/6 0300 - Weak: "AM 1220 WFWL Camden." (SC-IN)
- 1400 **WHUB TN** **Cookeville** - 9/15 0500 - Heard a "WHUB" in the ball of confusion." (SC-IN)
- WKAV VA** **Charlottesville** - 9/15 0505 - "WKAV" in the noise. (SC-IN)
- 1460 **WIFI NJ** **Florence** - 7/31 2200 - Buried under WBET-MA with man "... Delaware Valley's ?? radio, WIFI. New. 5 to go for NJ. (RWK-CT)
- WDEY NY** **Albany** - 8/1 0000 - Good at peak with usual Disney stuff with recorded ID on hour: "Albany - WDEY, Albany". Relog for calls. (RWK-CT)
- 1470 **WLMC SC** **Georgetown** - 9/12 2250 - Very weak: "WLMC" by female announcer in what sounded like review of up coming events." (SC-IN)
- WLQR OH** **Toledo** - 9/13 0100 - Fair: "Your place for the best in high school sports, Sports Radio 1470 The Ticket WLQR Toledo a Cumulus Broadcasting Station." (SC-IN)
- WBFC KY** **Stanton** - 9/13 0625 - "Gospel music station 1470 WBFC." (SC-IN)
- 1490 **WBAE ME** **Portland** - 7/27 0400 - Fighting & losing against strong



- WIKE-VT.** Top of hour ID "WBAE Portland." New. (RWK-CT)
- WMRC MA** **Milford** - 7/27 0500 - Up on top for excellent ID: "14-90 WMRC Milford, a First Class Radio Station" then into Journey song. New. (RWK-CT)
- WHAV MA** **Haverhill** - 7/27 0501 - Right on heels of WMRC ID with clear "14-90 WHAV Haverhill" then Spanish ID mentioning "catorce noventa" then Spanish programming. New. (RWK-CT)
- WUSS NJ** **Pleasantville** - 8/3 2200 - Gospel music rising above mush "Hi... this is ... station for the best variety... contemporary gospel music, 1490 WUSS, Pleasantville, Atlantic City." Into song. (RWK-CT)
- 1500 **WGHT NJ** **Pompton Lakes** - 8/20 0600 - Very good mixing with WTOP with s/on, bit of flute music, rooster crow, then man: "Good morning, this is WGHT Pompton Lakes at the start of our broadcast day." Soon covered by WFIF-CT sign on. Only 3 to go in NJ. (RWK-CT)
- 1560 **WMRO TN** **Gallatin** - 9/12 0100 - "Good times and great oldies 1560 WMRO Gallatin." (SC-IN)
- WMBH MO** **Joplin** - 9/12 0404 - Very weak: "1560 AM WMBH Joplin." (SC-IN)
- WSQR IL** **Sycamore** - 9/12 0500 - Extremely weak: "1560 WSQR." (SC-IN)
- 1580 **WAHI TN** **Knoxville** - 8/13 0100 - On tip from Barry McLarnon, heard this playing repeated pop medley loop and giving Cool 105 IDs. Station identified by research by Les Rayburn. Weak, mixing with WLIM-NY. New. (RWK-CT)
- 1610 **CJWI PQ** **Montreal** - 8/8 2100 - Strong with Spanish (yes, Latin Spanish) music, talk, and what sounded like calls at top of hour. New. (RWK-CT)
- 1630 **KCJJ IA** **Iowa City** - 9/5 2253 - "...eastern Iowa - sixteen-thirty KCJJ." (JV-NY)
- 1640 **WKSH WI** **Sussex** - 9/5 2233 - mention of "WKSH information center." (JV-NY)

TIS, HAR

- 530 **WPGX842** The former HAR which mostly boasted NOAA weather radio and operated by the Delaware River Port Authority under the calls is now operating more along the lines of a TIS with recorded announcements of events, not dissimilar to the type broadcast over the City of Philadelphia TIS on 1700. 530 appears to be using a new call, which doesn't yet appear on the FCC's Inquiry, WPIC697. (RE-PA)
- 1670 A new TIS is testing from the John Heinz National Wildlife Refuge south of the Philadelphia International Airport. It is currently running a continuous loop: "This is a test broadcast from the John Heinz National Wildlife Refuge, broadcasting on 1670 kiloHertz. Test 1, 2, 3." Signal here is a bit weaker than the Philadelphia International Airport TIS on 1630, as might be expected. (RE-PA)
- 1700 **MD** **Cambridge** - 5/23 0032 - Good with recorded announcements by man "Welcome to Dorchester County, the heart of Chesapeake Country and home of Blackwater NWR." New. (RWK-CT)



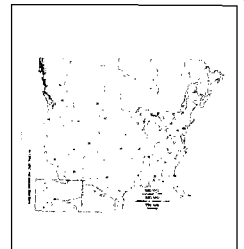
It may not be perfect ...

but the NRC AM Log is, simply, the best there is because of your contributions. Why not make the next edition even better? Send all corrections and changes to

Wayne Heinen - 4131 S. Andes Way - Aurora, CO 80013-3831, or nrclog@aol.com. Thanks!

NRC Station Location Map Book

7th edition - \$13.00 postpaid to members (\$17.95 non-members; outside N. A., contact Pub Center)
The 7th Edition is revised through September 1st 2002 and will ship after October 9, 2002. Edited by Bill Hale, it contains maps for all frequencies with locations noted for every station in the USA and Canada. 8 1/2 X 11 format, three hole punched. Includes latitudes & longitudes for every station. Large type with formula and instructions by NRC'er Dave Sundius. Designed for use with the AM RADIO LOG and the NIGHT PATTERN BOOK. Order "SLM" from NRC Publications - Box 164 - Mannsville, NY 13661. NY orders, please add sales tax.



International DX Digest

Foreign DX Catches. Times are UTC; for ELT, subtract 5 hrs.

Congratulations to the National Radio Club for 70 years of DXing excellence! Here's to 70 more, beginning with the outstanding efforts of these fine DXers as the unprecedented third peak of sunspot cycle 23 continues. Mark Connelly reports, "Recent auroral activity has provided for some interesting DX, especially during the 10-11 SEP session at the Rowley, MA salt-marsh site." The logs tell the story.

Transatlantic DX

- 153 ALGERIA *Chaîne 1* Bechar SEP 10 2323 - Man and woman with Arabic talk; at low audio level on massive carrier. [Connelly*rw-MA]
- 162 FRANCE *France-Inter* Allouis SEP 10 2322 - French teletalk; good. [Connelly*rw-MA]
- 171 MOROCCO *R.Mediterranee Internationale* Nador SEP 10 2321 - Bongo drum and flute, male Arabic vocal; huge! [Connelly*rw-MA]
- 189 ICELAND *Ríkisútvarpið* Gufuskálar SEP 10 2320 - Man and woman in Icelandic; fair to good. [Connelly*rw-MA]
- 198 UNITED KINGDOM *BBC R.4* Droitwich et al. SEP 10 2323 - BBC talk; under a big carrier that was probably the Algerian. [Connelly*rw-MA]
- 207 MOROCCO *RTM Azilal* SEP 10 2317 - Female Arabic vocal; over QI and MJ beacons. [Connelly*rw-MA]
- 252 ALGERIA *Tipaza* SEP 10 2325 - Talk by woman with children's voices in the background; atop SKR and MVM beacons. [Connelly*rw-MA]
- 531 SPAIN *RNE R.5* sychros SEP 11 0140 - Parallel 585 with Elton John song; poor. [Connelly*rw-MA]
- 549 ALGERIA *Chaîne 1* Les Trembles SEP 10 2329 - Parallel 153 with Arabic talk by man; poor to fair. [Connelly*rw-MA]
- 567 IRELAND *RTE R.1* Tullamore AUG 9 0353 - country vocal, English talk; fair. [Connelly*B-MA]
- 576 CANARY ISLANDS // SPAIN *RNE R.5* sychros SEP 11 0139 - Parallel 585 with Elton John; fair. [Connelly*rw-MA]
- 585 SPAIN *RNE R.1* Madrid SEP 11 0139 - Parallel 621 with "Candle in the Wind" by Elton John; fair to good with WEZE phased. [Connelly*rw-MA]
- 603 MADEIRA *RDP Pico de Arieiro* SEP 11 0137 - Tentative; possibly this with music not parallel to France or Spain; poor. [Connelly*rw-MA]
- 612 MOROCCO *RTM A Sebba-Aioum* SEP 10 2330 - Parallel 207 with moaning a cappella vocal. + SEP 11 0125 - Parallel 819 with Arabic vocal; huge! [Connelly*rw-MA]
- 621 CANARY ISLANDS // SPAIN *RNE R.1* sychros, Santa Cruz de Tenerife et al. SEP 10 2332 - Bits of Spanish newstalk; in tough WZON slop. + SEP 11 0136 - Spanish talk about the US President; local-like. [Connelly*rw-MA]
- 639 SPAIN *RNE R.1* La Coruña SEP 11 0133 - Spanish teletalk; to fair peak. [Connelly*rw-MA] SEP 20 0115 - Strong het against WNNZ and unID 640 domestics. [Conti-NH]
- 684 SPAIN *RNE R.1* Sevilla SEP 10 2337 - Music, then man and woman in Spanish; to fair peak with WRKO phased. [Connelly*rw-MA]
- 702 MOROCCO *RTM Sebba-Aioum* SEP 11 0132 - Arabic music; poor, in static. [Connelly*rw-MA]
- 711.05 WESTERN SAHARA *RTM Laayoune* SEP 11 0130 - Fat carrier but weak audio on Arabic music. [Connelly*rw-MA]
- 774 SPAIN *RNE R.1* sychros SEP 11 0126 - Man in Spanish; fair. [Connelly*rw-MA]
- 783 MAURITANIA *R.Mauritanie*, Nouakchott SEP 10 2255 - Parallel 4845 with Arabic discussion program (at least three people in studio); fading up over CFDR slop. [Connelly*rw-MA]
- 819 MOROCCO *RTM Rabat* SEP 11 0125 - Parallel 612 with almost-operatic Arabic vocal; fair. [Connelly*rw-MA]
- 882 CANARY ISLANDS // SPAIN *COPE* sychros SEP 10 2340 - Fast Spanish talk; fair. [Connelly*rw-MA]

RADIO GRANADA
VOZ Y CULTURA DE GRANADA
Y.N.-R.P.S. ONDA LARGA 1,295 Kc.
1,295 KCG.
ROBERTO PORTILLO SANCHEZ
Gerente-Propietario
GRANADA, NICARAGUA, C. A.

- 891 ALGERIA *Chaîne 1*, Algiers SEP 11 0119 - Bits of Arabic music; poor. [Connelly*rw-MA]
- 999 SPAIN *COPE* Madrid AUG 31 0402 - Spanish news about political parties and the city of Cádiz; good. [Connelly*B-MA]
- 1088 ANGOLA *R.Nacional*, Mulenvos SEP 11 0050 - Rhythmic music; over weak 1089/1090 hets. [Connelly*rw-MA]
- 1089 UNITED KINGDOM *TalkSport* sychros AUG 9 0408 - Talk about travel Web sites, then news about recent kidnapping case in the UK; good strength. [Connelly*B-MA]
- 1098 SPAIN *RNE R.5* sychros SEP 11 0051 - Woman in Spanish; fair, over other. [Connelly*rw-MA]
- 1179 CANARY ISLANDS // SPAIN *SER* sychros SEP 10 2354 - Spanish teletalk; just fair, but better than the 1180 jumble. [Connelly*rw-MA]
- 1206 FRANCE *France Bleu*, Bordeaux SEP 11 0137 - Man and woman in French; good. [Connelly*rw-MA] SEP 20 0045 - Tentative; woman in French and music, this was supposed to switch to the *France Info* news/talk network. [Conti-NH] See International News.
- 1467 FRANCE *TransWorld Radio*, Roumoules SEP 8 0348-0359 - Fair with religious music (hymns) and woman in unID language. Interesting that this was one of a very small group of TA's that made it just before the major aurora later the same day. [DeLorenzo-MA]
- 1503 SPAIN *RNE R.5* sychros SEP 11 0033 - Woman in Spanish; poor to fair. [Connelly*rw-MA]
- 1521 SPAIN *SER* Castellón SEP 8 0419-0431 - Tentative; fair with male DJ in Spanish and variety of pop music including Van Morrison's "Brown Eyed Girl." [DeLorenzo-MA]

Ben speaks: On September 18, I had a number of TA signals after 2200 EDST. About 22. I had fair signals from Croatia-1134, Lille-1377, Bordeaux-1206, Saudi-1521 and a mix on 1575. Very little on the lower end of the band. Plus a possible on 1314, which might be a good sign. Eastern DXers, take a look.

Pan-American DX

- 530 TURKS & CAICOS *R.Visión Cristiana Internacional*, South Caicos AUG 31 0741 - "Maddona" religious song, male Spanish singer, loud signal. [Stromsted-MA] SEP 6 0257 - "Renovación Carismatica" program, mentioned "PO Box 202, New York City," then into *Radio Visión Cristiana* ID; local-like. [Connelly*Y-MA] SEP 16 0718 - With woman speaking for a long time in Spanish. [Redding-AZ]
- 535 GRENADA *GBC* St. George's SEP 06 0710 - BBC news relay, European news items, Yugoslavian reports that Serbia and Montenegro may have trouble operating in a single market, and in Israel, another terrorist attack. [Stromsted-MA]
- 540 MEXICO *XEWA La Voz de la América Latina*, San Luis Potosí SEP 08 0834 - ID as "W Radio, 900," then Mexican music. + SEP 12 1006 - Teletalk, dominant signal. [Stromsted-MA]
- 540 unID SEP 15 0101 - "You are listening to BBC Radio 1," clear signal but unknown station. Does anyone know who this could be? CBT (CBC) Newfoundland? [Stromsted-MA] WWCS once upon a time carried the BBC, now it's *R.Disney*. So I would guess that it was indeed the CBC overnight relay of the WRN.
- 550 JAMAICA *RJR AM Service*, Westmoreland SEP 10 0358 - "Rockin' on Jamaican Radio," island music, male English singer, "What a Lovely Day," parallel 700 and 720, mixed in 550 kHz jumble. [Stromsted-MA]
- 555 ST. KITTS & NEVIS *R. ZIZ* Basseterre AUG 31 0741 - Caribbean music, male English lyrics, poor. + Sep 06 0748 - BBC news (also carried on 820 by WNYC), talking about English reaction to unilateral US Iraq action, alarm by Russians, etc. + Sep 11 0036 - BBC news, male and female presenters talking about the Taliban. [Stromsted-MA] SEP 8 0501 - BBC news; poor. [Connelly*B-MA]
- 580 PUERTO RICO *WKAQ R.Reloj*, San Juan SEP 10 0914-0930 - Well atop channel with news by man in Spanish, frequent IDs and jingles using both the slogan and the call letters. WTAG phase-nulls. [DeLorenzo-MA]
- 590 MEXICO *XEE* Durango SEP 16 0023 - With three girls singing "mucho, mucho más," all off key and seemed to be having fun announcing. They played gruperia and dance music with English and Spanish lyrics on the different songs. Escucha primera vez. [Redding-AZ]
- 600 CUBA *CMKV R.Rebelde*, Urbano Noris SEP 5 0314 - Parallel 1180 with old style operatic male Spanish vocal, then Spanish talk by

RS
Radio
Sucumbios
195.345 MHz
130.000 MHz



- woman; good. [Connelly*Y-MA] SEP 10 0435 - Parallel 1180. News, female /male Spanish presenters, over other Latin stations. [Stromsted-MA]
- 640 BRAZIL *R.Bandeirantes*, Porto Alegre SEP 09 0225 - Tentative; replaced *R.Guadeloupe* in a fade in with Brazilian non-stop music and several Portuguese male announcements but faded five minutes before -on hour- break, with *R.Guadeloupe* fading in. This is a long shot, as the only high powered Brazilian station on the frequency, could also be Venezuela, Cuba or Guadeloupe? [Stromsted-MA]
- 640 GUADELOUPE *R.Guadeloupe*, Pointe-à-Pitre SEP 5 0301 - French teletalk; over Venezuela. [Connelly*Y-MA] SEP 8 2316-2352 - Loud and clear with male DJ in French and French Caribbean pop music. Way over WNNZ with no trace of Cuba at this time. [DeLorenzo-MA] SEP 10 0253 - Male French call in, loud. [Stromsted-MA] SEP 11 0135 - Woman in French; mixed with CBN Newfoundland. [Connelly*rw-MA]
- 640 VENEZUELA *YVQO Unión R.*, Puerto La Cruz SEP 5 0303 - "Unión Radio Noticias" ID, news, fanfare music, news ticker sound effect; loud, rising over Guadeloupe. [Connelly*Y-MA]
- 670 VENEZUELA *R.Rumbos*, Caracas SEP 10 0036 - Male Spanish newscast, three or four bells between items, alone on channel. [Stromsted-MA]
- 690 ANGUILLA *Caribbean Beacon*, The Valley SEP 9 0005-0008 - Fair atop channel with announcement "Visit Dr. Scott's website at www.doctorgenescott.com" followed by bridge of saxophone music. Then into sermon by Dr Scott before a live audience at 0007. CINF beginning to compete by 0008. [DeLorenzo-MA] SEP 10 0758 - Under CINF; male English preaching non-stop. [Stromsted-MA]
- 690 unID SEP 11 1017 - Presumably México; slow ranchera music, male Spanish vocal with tuba accompaniment, dominant over CINF. [Stromsted-MA] *R.Recuerdos*, Colombia is another possibility with a nostalgia format.
- 699.65 VENEZUELA *YVPQ R.Sur*, Puerto Ordaz SEP 11 0131 - Tentative; believed this (because of Burnell's earlier log) off channel a bit with weak-audio Spanish talk. [Connelly*rw-MA]
- 700 JAMAICA *RJR Montego Bay* SEP 08 0858 - Slow and romantic soul music female English vocal with chorus, good signal with low frequency het over WLW, parallel 720. + SEP 10 0301 - Advert, "Let's get ready to roll," at local Ford agency, over WLW. [Stromsted-MA]
- 710 CUBA *R.Rebelde*, La Julia and others, SEP 06 - Call in, male and female Spanish, under WOR, parallel 670, 1180, 5025, etc. [Stromsted-MA]
- 720 JAMAICA *RJR AM Service*, Innswood SEP 08 0858 - Parallel 700, under WGN then rising to dominance, better modulation than RJR on 700 kHz. Female Caribbean English accented emcee. At 0913, talk show and call in. [Stromsted-MA]
- 720 VENEZUELA *YVQE R.Oriente*, Porlamar SEP 09 0135 - Over WGN, with ID, then tropical music, Mexican male Spanish vocal, then male/female talk hosts, alone on the channel. [Stromsted-MA]
- 730 MEXICO *XEX La Nueva X*, México SEP 10 0054 - Mexican ranchera style music, male Spanish vocal, over CKAC. + SEP 11 1008 - Ranchera music, trumpets, etc. alone on channel, no CKAC or WGN (720), all music, no break. Good signal. [Stromsted-MA]
- 750 VENEZUELA *YVKS RCR* Caracas SEP 5 0323 - Spanish talk about Venezuelan workers, politics; good, over WSB. [Connelly*Y-MA]
- 760 BRAZIL *ZYH588 R.Uirapuru*, Fortaleza SEP 11 0127 - Portuguese preaching; loud, well over two or three Spanish-language stations. [Connelly*rw-MA]
- 760 COLOMBIA *HJAJ RCN Barranquilla* SEP 5 0118 - RCN news about an event happening "domingo, en Cali." [Connelly*Y-MA] SEP 10 0008-0012 - Loud and clear with news by man in Spanish and references to "RCN" and "RCN Bogota." Cuban *R.Rehoy* noted weakly under with news and code "RR" IDs. Was trying to get Brazil but no luck. [DeLorenzo-MA]
- 760 CUBA *CMCD R.Rehoy*, Las Mercedes SEP 5 0146 - Rehoy news and time-ticks show; mixed with *HJA/WJR*. [Connelly*Y-MA] SEP 10 0337 - News, with clock ticks and RR code, loud. [Stromsted-MA]
- 770 VENEZUELA *YVKK R.Nacional de Venezuela*, Valencia SEP 11 0128 - *R.Nacional de Venezuela* ID; over Colombia and WABC. [Connelly*rw-MA]
- 780 BRITISH VIRGIN ISLANDS *ZBVI Roadtown*, Tortola SEP 5 0144 - Caribbean English announcer, then "I'm Not a Girl" by Britney Spears; slightly over *R.Coro* and *CFDR*. [Connelly*Y-MA]
- 780 VENEZUELA *YVMN R.Coro*, Coro SEP 8 0458 -



- High-speed (soca-influenced) tropical dance-party music, then Coro jingle and *Radio Coro* spoken ID; over *WBBM/CFDR*. [Connelly*B-MA] SEP 09 0219 - Salsa music, alone on channel, excellent signal. [Stromsted-MA]
- 800 NETHERLANDS ANTILLES *PJB TransWorld Radio*, Bonaire SEP 5 0133 - Spanish preaching and Transmundial mention; good, over jumble. [Connelly*Y-MA]
- 810 PUERTO RICO *WKVM* San Juan SEP 11 0125 - Spanish religion; over others. [Connelly*rw-MA]
- 820 ST. KITTS & NEVIS *Trinity Broadcast Network*, Charlestown SEP 5 0251 - US preacher mentioned "God's plans for us", "bringing you out into the light," and "supporting our worldwide ministry." Good, over rumble from probable Cuban. [Connelly*Y-MA] + SEP 11 0123 - Emotional preacher and crowd sounds; way over WNYC. [Connelly*rw-MA]
- 830 CUBA *R.Rehoy*, Holguín SEP 5 0135 - Rehoy program with ticker, RR beeps; under WCRN. [Connelly*Y-MA]
- 840 CUBA unID SEP 13 - News in Spanish, mentions Guantánamo. Dominant signal. [Stromsted-MA] Likely *DobleVé*, Santa Clara.
- 840 HAITI *4VEH Cap Haitien* SEP 5 0245 - Accented French man implored audience to listen ("Écoutez !"), then a sermon followed; good, over Cuba. [Connelly*Y-MA] SEP 09 0216 - Tentative; religious preaching, loud by male French preacher. [Stromsted-MA]
- 890 CUBA *CMDZ R.Progreso*, Santiago de Cuba SEP 5 0146 - Old-fashioned Cuban jazz / cocktail music, then talk "Ritmo de Radio Progreso de Habana"; local-like. [Connelly*Y-MA]
- 895 ST. KITTS & NEVIS *VON Bath Village* SEP 11 0011-0015 - Fair with talk program in Caribbean-accented English. The host was interviewing two representatives of a railway on St. Kitts. [DeLorenzo-MA] SEP 11 0117 - Reggae music, then talk by man mentioning *VON* and a Web address. [Connelly*rw-MA]
- 900 VENEZUELA *YVMD Mara Ritmo 900*, Maracaibo SEP 12 2358 - Excellent in early auroral opening. Upbeat instrumental and very clear "Mara Ritmo 900" ID with mentions of Venezuela. New. [Kenneally-CT]
- 920.55 COLOMBIA t *HJAA Emisora Fuentes*, Cartagena SEP 11 0114 - Emotional male Spanish vocal and Colombian style accordions; dumping all over WHJJ. [Connelly*rw-MA]
- 930 MEXICO *XEQS Fresnillo*, Zacatecas SEP 16 0500 - With Mexican national anthem then ID and into a banda song. Primera vez, #669. [Redding-AZ]
- 940 CUBA *R.Rehoy*, various stations SEP 11 0948 - Clock ticks and RR code, male Spanish reading news above/below CINW. [Stromsted-MA]
- 940 MEXICO *XEQ Enamorada 940*, México SEP 11 1012 - ID then slow romantic Mexican song, "señora" in lyrics, male Spanish vocal, then voice over during segue to new song. Loud! CINW was not heard. + Sep 12 0915 - More romantic Mexican music, "Enamorada radio." [Stromsted-MA]
- 940 PUERTO RICO *WIPR* San Juan SEP 11 0111 - Fast Spanish newstalk about preparedness at US military bases in Puerto Rico, then item mentioning Caguas; slightly over a huge pile of others. [Connelly*rw-MA]
- 970 VENEZUELA *R.Mundial Oriental*, Barcelona SEP 09 0240 - Lively tropical music, then ID. Female Spanish, up over domestics then quickly faded into a jumble of stations. + Sep 10 0159 - Religious sermon, male Spanish, over/under other Spanish stations. [Stromsted-MA]
- 980 COLOMBIA *HJES RCN* Cali SEP 08 0225 - Presumed; news in Spanish, mentioned Medellín and Colombia, Spanish advert. Briefly over domestics. [Stromsted-MA]
- 1000 COLOMBIA *HJAJ RCN* Cartagena SEP 5 0158 - RCN, "Suceso," and "la radio de Colombia" slogans, mention of romantic music program "Viva el Amor," then local ID, "en Cartagena, HJAJ, mil kilohertz"; excellent, alone on channel. [Connelly*Y-MA]
- 1000 MEXICO *XEOY R.Mil*, México SEP 14 0935 - Mexican music, over *WMVP* Chicago, parallel *XEOI* 6010 (weak). [Stromsted-MA]
- 1010 BRAZIL *ZYH625 R.CBN* Fortaleza SEP 10 2342 - Upbeat religious-sounding Portuguese female vocal; fair with WINS phased. [Connelly*rw-MA]
- 1020 VENEZUELA *YVRS Mundial Margarita*, La Asunción SEP 5 0205 - Promo for Venezuelan "fútbol" teams; atop *KDKA*. [Connelly*Y-MA]
- 1050 MEXICO *XEQOO R.Pirata*, Cancún AUG 3 0702 - Mixing with *CHUM*, assumed *XEG* and others during *WEVD* silent period - playing long



- Spanish studio dance music selections. At 0700 jingling electronic chimes, *R.Pirata* ID, more chimes, and Spanish talk by man. New. Thanks to Ron Gitchier for help on ID. [Kenneally-CT]
- 1050 MEXICO XEG *La Ranchera de Monterrey*, Monterrey SEP 11 1018 - Tentative; ranchera music under WEVD (with sports talk). [Stromsted-MA]
- 1060 MEXICO XEEP *R.Educación*, México SEP 03 0958 - Sounded like national anthem, a march with trumpets, then flattened by local station sign-on at 1000. + SEP 14 0922 - Traditional Mexican music interval, good signal over KYW, parallel 6185. [Stromsted-MA]
- 1080 VENEZUELA YVQJ *R.Barcelona*, Barcelona AUG 13 0203 - WTIC off for scheduled maintenance, leaving fairly lousy conditions. Heard contemporary Latin ballads and lively announcer. *Radio Barcelona* ID just after top of hour. New. [Kenneally-CT]
- 1100 BRAZIL ZYK694 *R.Globo*, São Paulo SEP 10 2351 - Portuguese talk by man; now dominant, fair strength. + SEP 11 0054 - Now LOUD (!) with reverberated Portuguese talk by man. [Connelly*rw-MA]
- 1100.07 unID SEP 11 0052 - Brassy music, Spanish vocal; briefly over Brazil-1100.00. [Connelly*rw-MA]
- 1110 VENEZUELA YVQT *R.Carúpano*, Carúpano SEP 5 0209 - Carúpano ID, Venezuelan political talk with mentions of cities including Cumaná; local-like, wasting WBT. [Connelly*Y-MA] + SEP 11 0055 - Modern dance-club music; huge. [Connelly*rw-MA]
- 1130 BRAZIL ZYJ460 *R.Nacional*, Rio de Janeiro SEP 11 0101 - Likely this with Portuguese talk under WBBR. [Connelly*rw-MA]
- 1160 ANTIGUA *Caribbean R. Lighthouse*, St. John's SEP 11 0047 - Old-style country religious vocal; over Bermuda. + SEP 11 0059-0100 - Good with conclusion of People's Gospel Hour with mailing addresses in Halifax, NS and Boston, MA. This was followed by a thickly-accented ID mentioning Antigua. My best-ever reception of this. [Connelly*rw-MA]
- 1160 BERMUDA VSB3 Hamilton SEP 10 2352 - Parallel 5975 with BBC talk about religion, atheism; excellent, over WOBM and Antigua. [Connelly*Y-MA]
- 1170 COLOMBIA HJNW *CARACOL* Cartagena SEP 5 0240 - News with *CARACOL* mention; loud / dominant. [Connelly*Y-MA]
- 1170 MEXICO XEIB Caborca, Sonora SEP 16 0658 - With ID, slogan "Super Banda" and then playing cumbias. Primera vez, #670. [Redding-AZ]
- 1180 CUBA *R.Rebelde*, Villa Maria SEP 5 0314- Parallel 600 with old style operatic male Spanish vocal, then Spanish talk by woman; local-like. [Connelly*Y-MA]
- 1200 VENEZUELA YVOZ *R.Tiempo*, Caracas SEP 5 0229 - Fast Spanish talk, *Radio Tiempo* ID; over WKOX/WTLA/others. [Connelly*Y-MA] + SEP 11 0046 - Woman read phone numbers for legal assistance in Caracas; good in tight null of WKOX's Spanish religious program. [Connelly*rw-MA]
- 1280 BERMUDA VSB2 Hamilton SEP 10 2359 - Religious choral music, announcer mentioned "Bible Broadcasting Network"; over WEIM/WFAU/WADO. [Connelly*rw-MA]
- 1350 unID SEP 11 0041 - Likely Puerto Rico (WEGA) here with Spanish-language sporting event; momentarily atop CKAD/WGPL/LA's pile-up. [Connelly*rw-MA]
- 1420 VENEZUELA YVNZ *R.Marabina*, Maracaibo SEP 11 0040 - Marabina mention; over/under WBSM and second Spanish talker. [Connelly*rw-MA]
- 1470 VENEZUELA unID SEP 11 0038 - Either *R.Vibración* (Carúpano) or *R.Latina* (Valencia) here with fast Spanish talk and Venezuela mentions / adverts; mixed with WLAM-ME, all other domestics were in the cardioid array null. [Connelly*rw-MA]
- 1480 PUERTO RICO WMDD *Sonido 1480*, Fajardo SEP 11 0005 - Puerto Rican adverts; over/under WSAR. [Connelly*rw-MA]
- 1520 unID SEP 11 0032 - Probably *R.Minuto*, Colombia here with Spanish preaching; strongly dominant for a few minutes, then it faded into a big jumble of Latin Americans. [Connelly*rw-MA]
- 1540 BAHAMAS ZNS1 Nassau SEP 9 - In the car this morning 20 miles southwest of St. Augustine, Florida. I usually don't hear ZNS-1 at night. I've heard them in the past during the day in Jacksonville, FL when WOBS 1530 was dark - this was several years ago. [Gitschier-FL] SEP 11 0009 - Caribbean English man mentioning local stores, then a report about the 2001 Bahamas government budget statistics; briefly atop WPTR. [Connelly*rw-MA]
- 1620 US VIRGIN ISLANDS WDHP Fredriksted, St. Croix SEP 5 0125 - 1950's era country & western, soft-spoken Caribbean English D); good. [Connelly*Y-MA]
- 1660 PUERTO RICO WGIT Canóvanas SEP 11



- 0012 - Spanish newstalk; to good peak over presumed FL station with NJ totally phased. [Connelly*rw-MA]
- 1699.5 unID SEP 10 2232 - Probably a domestic pirate here with Afro-Caribbean music (Haitian?); over growl. [Connelly*rw-MA]

Erik speaks: Finding more DX on my N/S wire as winter approaches. There are several stations that seem to be regulars here in central Massachusetts; XEWA, *R.Guadeloupe*, Jamaica, Venezuela (750), and XEQ *R.Enamorada* (940). I soon will repair my European wire to enjoy the approaching winter TA DX season!

Contributors

- Mark Connelly WA1ION, Billerica MA [*B-MA], and DXing from Parker River-Nelson Island wildlife refuge salt-marsh, Rowley, MA [*rw-MA], and Pier 7 Resort, South Yarmouth, Cape Cod, MA [*Y-MA]; Drake R8A (home and Rowley); Sony ICF-SW7600G (S.Yarmouth); Flag antenna and sloper (home); two active whips spaced 60 m, FCA-1 feedline coupler, Superphaser-2 phasing unit (Rowley).
- Bruce Conti, Nashua NH; R8B, MWDX-5, 15/23/15-m east/west Double-Ewe.
- Ben Dangerfield, Wallingford PA. <ben-dangerfield@worldnet.att.net>
- Marc DeLorenzo, Marstons Mills MA; JRC NRD-525, two 80-ft noise-reduced slopers, Mini-DXP-3 phasing unit. <MarstonsMarc@aol.com>
- Ron Gitschier, Jacksonville-St. Augustine-Palm Coast-Palaska FL; car radio, on the road. <RGITSCHIER@doyle.navy.mil>
- Rick Kenneally, Wilton, CT; Drake R8B, Sony 2010, 1100-ft south wire, 900-ft east wire, Quantum QX Loop, Quantum phaser. <woodlandview@yahoo.com>
- Kevin Redding, Mesa AZ; Chris Cuff Delco AM Stereo modified radio, Kenwood R-1000, Gerry Thomas antenna matcher, and Space Magnet 2 antenna. <amfmdx@fastq.com>
- Erik Stromsted W1ZBT, Pepperell MA; Yaesu 1000MP, terminated NE long wire and unterminated N/S long wire. <microwaveadvances@charter.net>

International News

- FRANCE: September 2nd, Radio France will give up the network *France Bleu* in AM. It will be replaced by the program *France Info*, a non-stop information radio, already broadcast everywhere in France in FM. [Herman Boel/EMWG, *Frekvensnytt*, FSDXF]
- GERMANY: SWR (Suedwestrundfunk) has changed its MW programs on July 1st. The new word program is called *Suedwestrundfunk Content-Radio* with the official abbreviation *SWR Cont.Ra*. This new program is actually created as a value added DAB program but it is also used for the MW transmitters. All evening programs for immigrants are now included in *SWR Cont.Ra* and thus valid for all SWR frequencies. [Herman Boel/EMWG, *Frekvensnytt*, FSDXF] According to the German *Kontakter* magazine, VIVA TV now confirmed that the *VIVA-Radio* project is dead, at least for the time being. This concerns Jülich 702 and Nordkirchen 855, both 5 kW. Reportedly the transmitters were already installed (at the shortwave site and the existing 549 kHz site, respectively) and at least 855 was already on air with 1 kHz tone. It is uncertain so far what will happen with these frequencies now. [Kai Ludwig, SEP 16, *DX Listening Digest*]
- MEXICO: XEPET *La Voz de los Mayas*, Peto, Yucatán, changed frequency from 740 to 730 kHz in January 2001, but is still listed as 740 on all the Mexican lists! And XEDD *El Doble-D*, Montemorelos, Nuevo León, has changed frequency from 1560 to 800 kHz, with 100 kW in AM stereo. [Steven Wiseblood, *Corazón DX*]
- PARAGUAY: There is something new from Radio América, Paraguay. Mr. Adán Mur, technical assistant of the station, told me in a private mail, that there are plans to reactivate 7740 kHz. He points out, that the station already used this frequency some time ago with good results. Here now an overview concerning all relevant frequencies of Radio América: 1480 normal outlet; 1610 testing, omnidirectional; 7300 directed to Buenos Aires; 7740 planned, directed to La Paz; and 15185 planned, omnidirectional. [Michael Schnitzer, Germany, *www.DXing.info*]

73 and Good DX!

Need more information about AM DX'ing?
Mail a First-Class stamp to NRC Publications - P. O. Box 164 - Mannsville,
NY 13661-0164 and ask for the **NRC Publications Catalog**.

Confirmed DX'er

Greg Myers tmyers01@tampabay.rr.com, gmyers1@juno.com
P. O. Box 20112
St. Petersburg, FL 33742-0112

Your successes in obtaining QSL's and other station items

590	WDIZ	Panama City FL, f/d letter in 6 days. V/s Charles Wooten, DoE. (Myers—FL)
660	XEEY	Aguascalientes, AGS Mexico, n/d letter, p/d prepared card in 3 wks after 2 nd follow-up and SASE. V/s Iana G. Moreno Ochoa, Gerente Administrativo. (Myers—FL)
690	KORL	Honolulu HI, certificate, sticker in 8 days for tape. V/s Mahlon Moore, PD. (Martin—OR)
860	KKOW	Pittsburg KS, verie form, coverage map, station profile in 90 days for tape. V/s Lisa A. Butler, Promotions Director. (Martin—OR)
920	XEHQ	Cd. Obregon, SON Mexico, p/d e-mail in 48 days after 2 nd written follow-up. V/S Antelmo Palafox Peralta, Productor, Grupo Uniradio Hermosillo. (Wilkins—CO)
960	WFIR	Roanoke VA, p/d letter, program sheet in 10 days. V/s Pamela L. Hopkins, Admin. Assistant. (Myers—FL)
970	WDAY	Fargo ND, p/d letter in 11 days. V/s Lori Baker. (Griffith—CO)
1220	KSFB	Palo Alto CA, form letter, stickers in 184 days. 2 nd QSL from them. No v/s. (Martin—OR)
	XEB	Mexico, DF Mexico, n/d letter, f/d prepared card in 15 days after 3 rd Spanish follow-up. Sent via FedEx. V/s Sra. Guadalupe Hurtado, Gerente. TNX to J. Wilkins' contribution to this column that made this verie possible. (Myers—FL) letter in 21 days for taped report sent registered. (Martin—OR)
1270	KDJI	Holbrook AZ, f/d letter in 45 days. Confirmed they were on emergency operations during wildfires. V/s Floyd L. Simmons, GM. (Griffith—CO)
1290	WPCF	Panama City Beach FL, confirmation on report in 14 days after a follow-up. V/s Dylan ?, PD. (Myers—FL)
1300	WMTM	Moultrie GA, p/d letter, coverage maps, sticker in 13 days. V/s Jim Turner, Mgr. (Myers—FL)
1350	WSMB	New Orleans LA, f/d letter in 37 days. V/s Jeff Greve, Promotions. (Myers—FL)
1380	KXCA	Lawton OK, pfc in 31 days after 4 th try. V/s Dale Weakley (W0DKW). (Wilkins—CO)
1410	WHBT	Tallahassee FL, confirmation on report in 7 days. No v/s. (Myers—FL)
1490	WTTB	Vero Beach FL, p/d letter, photos of transmitter and tower in 12 days after a follow-up. V/s Chris Myers (KF4DQX), CE and Hamp Elliot, PD. (Myers—FL)
1510	KTTT	Columbus NE, n/d letter, "Polka Power" sticker in 6 days after a follow-up. V/s Jim Dolezal, Morning Show Host. (Wilkins—CO)
1610	WPAC848	St. Augustine FL, Anastasia State Park TIS, p/d letter in 9 days. V/s Michael S. Hensley, Park Services Specialist. (Myers—FL)
1650	WPUJ289	Kent WA, WA DOT TIS, letter in 14 days. V/s Terry C. Miller, Elec. Engr. Manager. (Martin—OR)
1680	WTTM	Princeton NJ, QSL certificate, EBC posters, business card, sample of previous QSL cards issued by station in 110 days. V/s Neal Newman (KA2CAF), CE. (Griffith—CO)

Contributors: Patrick Griffith, Westminster, CO; Patrick Martin, Seaside, OR; Greg Myers, Clearwater, FL; John Wilkins, Wheat Ridge, CO

NRC Publications Guide

Available online at <<<http://nrcdxas.org/articles/Pubguide/index.html>>>, the *Guide* is a must-study for editors or anyone wishing to publish an article in *DX News* or write a longer publication for sale via NRC Publications. Can't get online? Send an SASE (#10 envelope, please) to the Publisher (address on the back cover) and request the hard copy. Save yourself time and effort: study the *Guide* before submitting! We who publish will appreciate it.

Target DX

R. J. Edmunds

753 Valley Rd. wb2bjh@nrcdxas.org
Blue Bell, PA 19422-2052

DX'ing 'smart', with shared tips and requests by NRC members

Internet Websites for DX'ers

Two years ago, this column listed a number of Internet Websites which were valuable to DX'ers. Over the time since, the list has grown and continues to do so. Owing to the volatility of Internet websites generally, a listing was created which can be periodically updated and included as a part of *Target DX*. Each address listed has been recently checked out to ensure to the degree possible that addresses are current and that only active sites are included. The following list is not a complete listing of all potentially useful sites, but rather contains those which have been determined to be either the most useful and/or of the widest interest based on comments in *DX News* and also on the listserv. This listing is valid as of 09/20/02.

FCC Info:

AM Query - Technical Info on US AM Stations: <http://www.fcc.gov/mb/audio/amq.html>
FM Query - Technical Info on US FM Stations: <http://www.fcc.gov/mb/audio/fmq.html>
TV Query - Technical Info on US TV Stations: <http://www.fcc.gov/mb/video/tvq.html>
US Broadcast Station Mailing Address Query: <http://www.fcc.gov/mb/audio/bickel/mailaddr.html>
CDBS Public Access (FCC Station Database): http://svartifoss2.fcc.gov/prod/cdbs/pubacc/prod/cdbs_pa.htm
FCC General Menu - Table of Contents: <http://gullfoss2.fcc.gov/cgi-bin/ws.exe/genmen/index.htm>
FCC Index of Call Sign Changes (biweekly - in .pdf or .txt format): http://www.fcc.gov/fcc-bin/audio2?x=2002_Callsign_Changes
FCC Travellers' Information Stations by Frequency: <http://www.fcc.gov/mb/audio/bickel/tis.html>
FCC Callsign Reservation Inquiry: <http://gullfoss2.fcc.gov/prod/callsign/prod/main.html>

FCC 'Silent Stations List' : <http://www.fcc.gov/mb/audio/status/silent.html>

U. S. / Canada Station Info:

Canada-US AM Info Lookup (Barry McLarnon) <http://hydra.carleton.ca/ambc/aminfo.html>
Elliott Broadcast Services Radio Station Info Page <http://www.radiostation.com>
Arbitron Station Information Profiles: http://www.arbitron.com/radio_stations/home.htm
Broadcast Band DX Logbook (Lee Freshwater) : <http://www.geocities.com/amlogbook/main.htm>
CRTC (Canada) What's New: <http://www.crtc.gc.ca/eng/whatsnew.htm>
Longwave beacons list www.airnav.com
Station news: <http://100kwatts.tmi.net/>

Propagation / Space Conditions:

NOAA Radio Users Page (Geomagnetic Info) : <http://www.sec.noaa.gov/radio/radio.html>
Space Weather Bureau (NASA) : <http://www.spaceweather.com>
Sunrise/Sunset Monthly Calendar: <http://www.sunrisesunset.com/calendar.asp>
Today's Space Weather: <http://www.sel.noaa.gov/today.html>
Space Weather Now: <http://www.sec.noaa.gov/SWN>
Charts of Cycles 21-23: <http://www.dxl.com/solar/solcycle.html>
Propagation: <http://www.dxl.com/solar/>
View Sunrise/Sunset Terminator: <http://www.time.gov/timezone.cgi?Central/d/-6/java>

Foreign Station Info:

AM/FM Station list for Panama (in Spanish) : <http://www.enteregulador.gob.pa/radiotv/frecuencias/default.asp> If you input 0.53 after the word Desde and 1.7 after the word Hastait gives you a list of all the stations in Panama from 530kHz to 1.7MHz.

Colombian government AM and FM station lists: <http://www.mincomunicaciones.gov.co/>
(Look under Planes Técnicos de Radiodifusión Sonora AM – FM. They are .zip files that convert to doc files.)

Euro MW Guide: <http://users.pandora.be/hermanb/Einwg/>
Mexican Government (SCT) Lists: <http://www.sct.gob.mx/satelital/am/>
Mexico Radio-TV (Fred Cantu) <http://www.fredcantu.com/mexicoradiotv.htm>
Mexico Radio List (CIRT) www.cirt.com.mx/directorional.htm
RCN network list (Colombia) <http://www.rcn.com.co/emisoras/frecuencias.html>
Guatemala Station list <http://espectro.sit.gtm.tripod.com/radiodifusion/radiodifusion.htm>
Barry McLarnon's Central America DX Page <http://hydra.carleton.ca/ambc/amdx-ca.html>
Costa Rican station Directory <http://www.canara.org/radio/directorio.asp>
Cuba: Radio Cadena Habana www.cadenahabana.islagrande.cu
Cuba: Radio Reloj (select "Contactenos") www.radioreloj.cu
Cuba: Radio Progreso(select "Programcion") www.radioprogreso.cu

Locations, Mapping & Distance:

Great Circle Distance Calculator: www.mercury.demon.co.uk/dist/dodist.html
MIT Radio-Locator: www.radio-locator.com/cgi-bin/home
Topographic maps online: <http://www.topozone.com>
Great Circle Maps, etc: <http://www.wm7d.net/azproj.shtml>
USGS Mapping Info: http://geonames.usgs.gov/pls/gnis/web_query.gnis_web_query_form
Broadcast Station Location Page (John Kodis) : <http://www.radiostation.com/kodis>
"How Far Is It?" Distance calculator: <http://www.indo.com/distance>
Census Mapping <http://tiger.census.gov>
Great Circle Distance calculator: <http://jan.ucc.nau.edu/~cvm/latlongdist.html>
Distance & Great Circle bearing calculator www.wcrlars.usda.gov/cec/java/lat-long.htm

Religious program sites:

Pastor Adrian Rogers : Love Worth Finding : <http://www.lwf.org/grycustompg.asp?name=Stations>
Calvary Satellite Network: <http://www.calvarychapel.com/csn/>
"Back to the Bible" schedules/lists: <http://www.backtothebible.org/radio/wheretolisten/bbus.html>
Pastor Chuck Smith: "The Word for Today" .. www.thewordfortoday.org/radio/stations_nav.htm
Christian Hit Music, Air One <http://www.air1.com/stations>

Misc. Station/Network Lists:

Texas AM-FM-TV Info: <http://www.governor.state.tx.us/music/radio.htm>
Motor Racing Network Affiliates <http://www.mnrradio.com/>
Master List of Part 15 Radio Stations <http://home.att.net/~weatheradio/part15.htm>
of North America
Art Bell Network List <http://www.artbell.com/stations.html>

Club & Info sites:

The Hard-Core DX site <http://www.hard-core-dx.com/nordicdx/antenna/loop/k9ay/index.html>
International Radio Club of America (IRCA) <http://www.ircaonline.org/>
Longwave Club of America (LWCA) <http://www.lwca.org>
Corazon DX (Mexico & Central America) <http://www.amfmdx.net/amdx/corazonDX.html>

Other:

Interval Signals Archive – audio clips: <http://www.intervalsignals.net/>
Listings of frequencies for all sorts of interference sources (TV's, cell phones): <http://www.strongsignals.net/access/content/faf.html>
Area Code Maps: <http://www.lincmad.com/areacodemap.html>
U. S. Governors Information: <http://www.nga.org/governors/1,1169,,00.html>
Latin Music Samples: <http://www.davidgleason.com/Latin%20Music.htm>
Acronym Finder <http://www.acronymfinder.com>
Gerry Thomas's Radio Plus+ Electronics – Quantum series amplified ferrite-core loops <http://www.dx-tools.com>
The World Clock <http://www.timeanddate.com/worldclock/full.html?sort=1>

TMB-1 Tri-Mode Buffer Amplifier Box

By Mark Connelly

The TMB-1 is an RF amplifier unit / receiving accessory that can be used with a low-impedance **broadband loop**, a high-impedance **terminated loop** (such as a Pennant, Flag, or Kaz Delta), and whip (telescoping rod) antennas. This particular design is optimized for 0.5 to 2.0 MHz operation (medium wave broadcast and 160-m amateur). Sensitivity is slightly less, though still usable, in the 150-500 kHz and 2-6 MHz ranges for longwave, tropical band, and 80-m amateur operation. Circuit changes, mostly with regards to the RF transformers, would be necessary for better performance on other frequency ranges.

The accompanying schematic drawing shows the TMB-1 circuit. The buffer amplifier is considered as a "generic" building-block assembly having an input, an output, DC power, and ground. The schematic of this amplifier card follows the main TMB-1 drawing. A table of suitable integrated circuit buffers is also presented.

The antenna element (loop or whip) and TMB-1 box are often situated somewhere other than at the receiving position. Typical sites include the roof of a building or vehicle, the top of a mast, or out in a field. Sometimes two or more antennas are deployed a considerable distance (over 30 m) apart to form a phased array. DC power is transferred to, and RF output from, connector J9 of the TMB-1 through the 50-ohm coaxial cable. At the receiving position, DC is split off through an inductor and RF through a capacitor (the classic "bias tee" arrangement). This would normally be built into the phasing unit or preselector ahead of the receiver. A few receivers may themselves have a built-in DC-biased RF port. If the TMB-1 is used close to the receiving position, you can supply DC power (+12 V to +15 V typically) to J7 and take DC-blocked RF out to the receiver (or phaser) at J10.

Current drain is typically about 35 mA, so the unit can be operated – at least for short-term DXpeditions – from two 9-volt batteries in series.

In March of 2002, I put the TMB-1 and several other competing antenna amplifier designs through a series of tests at home in Billerica, MA and also at East Harwich, MA (Cape Cod) and out at the Rowley, MA salt-marsh DXpedition site. All three types of antennas (broadband loop, terminated loop, whip) were evaluated.

1. Operation with Low-Impedance Broadband Loops

A "low-impedance broadband loop", for the purposes of this article, is usually comprised of a single turn of wire between 1/40 to 1/10 wavelength in total length. This would equate to a total length of 4.17 to 16.67 meters at 1.8 MHz. If this wire is formed into a square, each side will be one quarter the total length. If it is formed into a circle, the diameter will be the total length divided by pi (3.1416).

I have done most of my testing with a single-turn square loop, 8 m (26.25 ft.) total wire length or 2 m (6.56 ft.) per side. With the broadband loop winding connected at J1 and J2, switch S1 is set to BBLoop and S2 is set to Loop. The 1:36 step-up transformer (T2) multiplies the input voltage to be presented to the high-impedance buffer amplifier card input. This card performs unity voltage gain but considerable current gain in taking an input signal of a very high impedance down to an output impedance compatible with 50-ohm coaxial feedline and receiver input. The buffer amplifier has a low noise floor and it can handle signals with a peak-to-peak amplitude of as much as half the supply voltage with reasonably low harmonic and intermodulation distortion. With a +12 VDC supply, signals up to 6 Vp-p (2.12 Vrms or +19.5 dBm) can be amplified cleanly with most buffer IC's. If the wire loop has an input impedance of 50 ohms, the T2 transformer to A1 buffer card combination gives a gain of approximately 17 dB.

2. Operation with High-Impedance Terminated Loops

I have had very good luck recently with a Flag antenna. The antenna is rectangular and measures 10.36 m (34 ft.) horizontally and 4.88 m (16 ft.) on the two vertical sides. The distance of the lower horizontal section above the ground was approximately 2.44 m (8 ft.) in the Billerica and East Harwich tests.

Normally the Flag antenna is fed halfway up one side (through a 16:1 transformer) and terminated with approximately 1000 ohms halfway up the opposite side. A suitable transformer is a Mini-Circuits T16-6T-X65 in "small signal" areas or, in bigger signal areas, an Amidon FT-114-43 toroidal core with 11 turns for a low-Z winding (for the coaxial feedline) and 44 turns on the opposite side of the core for the high-Z (antenna side) winding. The directional pattern of a terminated loop style antenna is a cardioid with a null towards the end where the terminating resistor is sited. A null depth of about 20 dB is common without fine adjustment of the termination resistor value. If a Vactrol (or, presumably, a motor-driven potentiometer) can be installed for the termination, the null – at least on daytime groundwave stations – can be deepened to 35 or 40 dB. This is an improved set-up but it still gives only one directional pattern.

The termination can be replaced by another feedline and 16:1 transformer: this non-ideal termina-

tion scheme gives each pattern about 15 dB of cardioid depth. Now you have two feedlines and two opposite-nulling patterns resulting. The two feedlines can be presented to the two inputs of a phasing unit to affect a much deeper null: up to 45 dB depth on groundwave is achievable this way.

The ultimate approach is to feed and terminate both sides of the Flag (or Pennant, Kaz, etc.) simultaneously. The amplifier must present a load significantly higher than the approximately 1000 ohm termination so it does not prevent a normal range of Vactrol termination resistance adjustment values. This goal is achieved by using T1, a 36:1 transformer. Even if its low-impedance winding were playing into 50 ohms, the load at the input of the transformer would be about 1800 ohms. In reality, it is more like 3000 ohms; therefore, a full range of useful termination values can be achieved. Note that the Vactrol being used to terminate one side actually has its effect on the signal coming from the amplifier on the other side. If your Flag antenna is on an east-west axis, the Vactrol in the west side TMB-1 amplifier creates the null that you monitor on the feedline coming from the east side's TMB-1.

S1 is set to TermLoop, S2 to Loop, and S3 to Vactrol. A control voltage (0 to 10 V through an "in shack" series choke and resistor of about 120 ohms) is fed out to J6 on a wire from the controller. The resulting control voltage at J6 is about 0 to +5.8 V and it's about 0 to +2.1 V across the Vactrol's LED. The equivalent Vactrol LED current range is about 0 to 30 mA for a photo-resistor range of over 10K (at 0 mA) down to 54 ohms (at 30 mA). Resistors R1 and R2 in series with the Vactrol resistance make the adjustment smoother in the important 500 to 1500 ohm range. D1, D2, D3 protect the Vactrol by clamping the LED voltage to about +2.1 VDC. Usually I keep the Vactrol control cable next to the coaxial RF/+12V line that goes to J9. The two cables are brought along the ground and then travel up to the TMB-1 box at about a 45 degree angle so as not to exert much influence on the pick-up patterns.

Optimally adjusting the termination on each side of the Flag antenna and then phasing the two feedlines to cancel out the last remnants of unwanted-direction signal yields cardioid nulls of very impressive depth: better than 50 dB in many cases!

The TMB-1 can be used simply as a Vactrol terminator without using the amplifier. The easiest way to do this is to connect the two antenna leads (or antenna and ground leads in the case of a Beverage) to J4 and J5. Set S1 to BBLoop and S3 to Open to take T1 out of the path. The Vactrol control voltage entering J6 will adjust a resistance which can be measured easily with an ohmmeter connected between J4 and J5. No other connections to the TMB-1 are required (besides J4, J5, and J6) for this passive-termination mode to work.

3. Whip Antenna

A vertical whip antenna of moderate length (1 to 5 m / 3.3 to 16 ft.) can be connected to J8. I use a Radio Shack 1.8 m (6 ft.) whip bolted to a small plastic box with a BNC male chassis mount connector on its bottom. This works quite well. Two or more whip-mode TMB-1's can be spaced about 50 m apart to form compact phased arrays (in similar fashion to two or more broadband loops). My car "mini-DXpedition" set-up consists of an east-west broadband loop phased against an active whip. Considering that this whole set-up fits on the roof of the car, it is surprisingly effective for nulling. I must admit that the seaside locations usually chosen for these DX outings deliver much stronger signals "right out of the box" than average "wimpy" inland locations can. You could call these coastal sites "geographical preamplifiers".

Whip antenna operation is very simple. The RF/power cable connects to J9 and the whip goes to J8. S2 is set to Whip; positions of S1 and S3 are irrelevant.

Construction of the TMB-1

Exhaustive construction / layout details are not being presented here. The first thing to do is to assemble a working buffer amplifier card. This card's size will affect the placement of the rest of the components. The buffer card could be a BUF-E (reference 1), BUF-F (reference 2), or even the AMRAD high-performance active whip amplifier (reference 3). The AMRAD amplifier, partially designed by IMD-suppression stickler Dallas Lankford, needs +24 VDC so it isn't a likely candidate for car-based antenna applications. An appendix to this article discusses a "generic" buffer amplifier design. Over the years I have successfully used a number of IC's including BUF634T, LH0033CG, LH0063CK, LM6221N, and HA3-5002-5. These all have reasonably-low noise floors, good stability (low tendency to oscillate), and acceptably low distortion. Devices with too high a bandwidth, such as the AD9630AN, may depend more critically on layout not to oscillate. Too much buffer bandwidth also means that strong TV and FM signals can mix down into the lower frequency range of interest, clearly something that is not desirable.

The size of the chassis box to be used is left up to the builder. My TMB-1 design was housed in a Radio Shack 270-238 chassis measuring 13.3 x 7.6 x 5.4 cm (5.25 x 3 x 2.125 in.). This is probably as small an enclosure as you'd want to use. J1, J2, J3, J4, and J5 are mounted on the left side of the box. J8, S1, S2, and S3 are mounted on the top of the box (as are the internal standoffs for the buffer amplifier card). J6, J7, J9, and J10 are mounted on the right side of the box. Switches are typical miniature toggle types: DPDT (S1), SPDT (S2), and SPDT center-off (S3). The RF transformers (T1, T2) are Mini-Circuits T36-1-X65 (or homebrew equivalents). The VTL5C4 Vactrol (reference 4) is available from Allied Elec-

tronics (stock number 980-0715) and from Newark Electronics (stock number 43F888): see their Web sites. The banana jacks (J1 through J5) are Radio Shack 274-662, RCA jacks (J6, J7) are Radio Shack 274-852, and BNC jacks (J8, J9, J10) are Radio Shack 278-105. The 2.2 mH RF chokes (RFC1, RFC2) should be rated for 100 mA DC or higher: Mouser part number 434-01-222J will work.

I maintain a parts vendors' Web links page at "<http://members.aol.com/MarkWALION/vendors.htm>" and an RF Circuits page at "<http://www.qsl.net/walion/index.html>". These should be useful to electronics project builders.

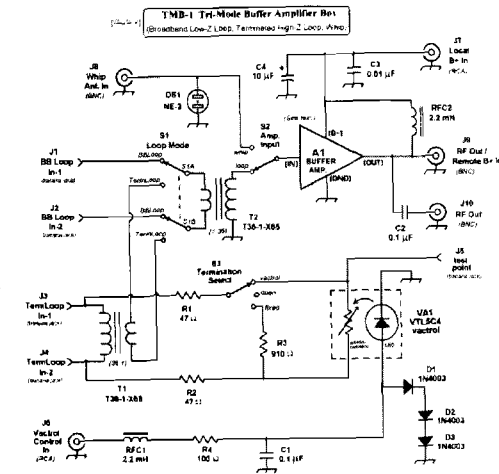


Figure 1: TMB-1 Schematic Drawing

References

1. BUF-E Amplifier at "<http://www.qsl.net/walion/buf-e/buf-e.htm>"
2. BUF-F Amplifier at "<http://www.qsl.net/walion/buf-f/buf-f.htm>"
3. Figure 6 of "The AMRAD Active LF Antenna" by Frank Gentges, K0BRA QST Magazine, September 2001 On-line for ARRL members at "<http://www.arrrl.org/members-only/tis/info/pdf/0109031.pdf>"
4. Vactrol specification sheet at "<http://www.qsl.net/walion/vactrol/vactrol.pdf>"

APPENDIX: Generic Buffer Amplifier Card

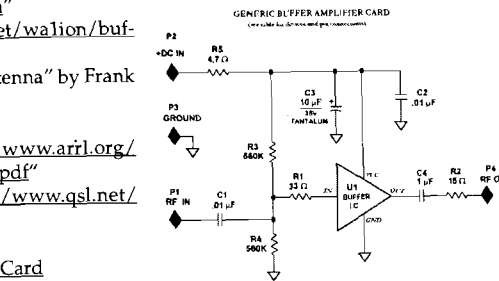


Figure 2: Generic Buffer Amplifier Schematic Drawing

I/O Pin List for Selected Buffer Amplifiers (Single Supply, AC-Coupled In & Out, Input Biased at VCC/2)

Manufacturer	Device	Note	Package	In	Out	VCC (V+)	GND (V-)	Other
Analog Devices	AD9630AN		DIP8	4	8	1, 2	5, 6	
Analog Devices	BUF04P (Z)		DIP8	3	6	7	4	
Burr-Brown (TI)	BB3553AM	1	8-lead TO-3	4	3	2	7	
Burr-Brown (TI)	BUF634T		5-lead TO-220	2	4	5	3	pin 1: ~ 33 ohm to GND
Elantec	EL2008C	3	5-lead TO-220	4	2	5	1	
Intersil-Harris	HA3-5002-5		DIP8	4	8	1, 7	2, 5	
Intersil-Harris	HA3-5033-5		DIP8	4	8	1	5	
Linear Tech.	LT1010CN8	1	DIP8	8	3	1	6	
Maxim	MAX460IGC		12-lead TO-8	5	11	1, 12	9, 10	connect 6 to 7
National	LH0002CH	1	8-lead TO-99	8	4	1, 2	6, 7	
National	LH0033CG	1	12-lead TO-8	5	11	1, 12	9, 10	connect 6 to 7
National	LH0063CK	1	8-lead TO-3	4	3	1, 2	7, 8	connect 5 to 6
National	LM6221N	2	DIP8	2	7	6	1, 4, 5, 8	
National (Comlinear)	CLC111AJP		DIP8	4	8	1	5	

- Note 1: possibly obsolete part; may be available via surplus
 Note 2: LM6121 and LM6321 parts also usable
 Note 3: EL2009C part also usable

National Radio Club, Lima Ohio 2002

by John R. Malicky

The National Radio Club and the DX Audio Service has returned to Lima! Why? Because there was nothing fina'!

Following NRC 2000, we returned to the seat of Allen County, Ohio. Lima was named, in word though phonetically different, after Lima, Peru, the source of "quinine bark" used for the treatment of "swamp fever" or malaria in pioneer days. However, the only fever this Labor Day weekend was a pleasurable 'high' provided by WNRC 1710 and 100.1 FM, and on the world wide web, smiles, kisses (Hershey kisses that is), food and beverages, WIMA-1150 tours, the expanded continental breakfast, luxurious suites and sweets, the National Radio Club banquet at the "Old Barn Out Back", the National Radio Club auction and quiz, the DX Audio Service Travelog, and most important, seeing our good friends again. Just another fun convention made possible by the host and DX Audio Service editor Fred Vobbe and capable assistant Phil Wayne, the "Lone Ranger and Tonto" live, "Hi Ho Silver"!

Also assisting, as they do each year, were John and Linda Bowker of the Bowker Travel Agency! They provided helpful experience registering guests and tallying financial totals at the National Radio Club's auction. Also helping were Debbie Vobbe, sponsoring a ladies day out, and son Jonathan Vobbe, whose exuberance was shown throughout the weekend. In other words, he was enjoying himself and so did we! Thanks to everyone from the National Radio Club!

Over the past three days beginning Thursday, August 29th, 48 members and guests registered at Lima's Hampton's Inn, the same hotel from two years ago. The Hampton, on the east side of town, is located at 1933 Roschmann Avenue near the junction of I-75 and State Routes 309 and 117. The regular and familiar faces and voices were here all along with two new attendees, one a longtime member from 24 conventions past, somebody named "El Kabong" on the WNRC, and even Crazy Ken, too!

The two new faces were John Adams of Seaside, Oregon, and Frank Styron of Cary, North Carolina. Making his first appearance since the 1978 Atlanta Convention was the National Radio Club's Latin America connection, César Objio of Santo Domingo, Dominican Republic. With Don Trelford of Runaway Bay Jamaica, the two gentlemen represented our international guests.

We were also glad to see the National Radio Club's publication manager and longtime member, Ken Chatterton of Mannsville, New York. Along with taking part in the N.R.C.'s business meeting, Ken was taking orders for the 2002/2003 National Radio Club AM Log that was due out Sept. 10. We'll get to "El Kabong" shortly but for now, thanks for coming, in Pittsburghese, 'yunez guys'!

During today and throughout the first full day of Friday, August 30, members were at their best listening and playing the hits on "The Convention Station, WNRC". The station was built by Fred and Phil and housed in Room 104, the National Radio Club's hospitality room in the Hampton Inn. The talent included Dave Marthouse and Larry Stoler, or "Larry Steele", a dynamic duo as good as any



Convention hosts Phil Wayne and Fred Vobbe share headphones during the broadcast of WNRC.



Rick Dau puts in his time and talent as a deejay during WNRC's weekend airtime.

team on radio anywhere! Along with the "Dave and Larry Show" on WNRC were Mike Lantz playing "the blasts from the past" and Chad Stevens, a k a Chris Cuomo. Now residing in Birmingham, Alabama, Chris was here with his wife Stephanie! Finally, convention radio was in high gear Friday night when that "D. J. In P.J." and "King of Swing", El Kabong, a k a Clarke Ingram, drove us crazy spinning the hits on the WNRC. It was a real treat to hear El Kabong, or Clark at his zaniest and best! Clark's over 20-year resume included successful stints at B94 in Pittsburgh, KZZP in Phoenix, 98PXY in Rochester New York, KRQQ in Tucson Arizona, Z-One-hundred in New York, and WEGX in Philadelphia. Along with the delicious Friday picnic dinner of Kewpee Hamburgers, fries, and shakes rattle and roll, plus listening to WNRC, life could have gotten any better!, Kabong! Even QSLs were provided for National Radio Club members by of our host with the most. WNRC even had weather updates from Lima's TV 35 meteorologist!

Now some interesting facts about convention radio WNRC-1710 a.m. WNRC broadcast using a 30-watt LPB Carrier Current transmitter and a single 25 foot guide tower just outside the hotel. The FM at 100.1 transmitted at 50 milliwatts, or roughly one tenth of a watt, into a circular polarized antenna in the hospitality room. Our host also built a system playing the music which consisted of a computer running "WireReady32" for playback of all audio material. The board was a Mackie VLZ-Pro1202 with two vintage Shure model 55 microphones used by the "talent" on WNRC. When there were no "live" personalities, the station ran entertainment provided by Dallas' WFAA TV 8 and NRC member

Wally "Weekend Wally" Wawro! The webcast for the convention was beamed out of the Hampton Inn on an RPU frequency of 450.925 mhz to Lima's WLIO TV 35, where Fred Vobbe is Vice President and Chief Engineer. From there it was relayed via 26.410 mhz to 706 MacKenzie Drive (Fred's home) where it was put onto the web server for everyone to hear. Logs from the web server indicated over 2,000 connections throughout the weekend as people listened to the station. In addition, WNRC sported new jingles that were graciously donated by Dave Graupner, CEO of TM/Century of Dallas, TX. TM/Century provides jingles for many stations all over the U.S. Anyway, the new package replaced jingles purchased in 1988 for WNRC. Dave also donated a package of jingles for the DX Audio Service! Would it be possible to make Dave an "honorary" member of the NRC and DXAS for a year?! With Fred's effort going to Dallas at the end of July, 2002 to work on the new jingles with Wally and Dave, "Convention Radio" never sounded better! Thanks



Fred sizes up a WOW shirt with son Jon during the Saturday-night auction.

Fred, Phil, Wally, and Dave for a first class operation! Long live WNRC! A most interesting and second day began Saturday morning, August 31, with "Breakfast at Tiffany's" in the Hampton with the NRC Editors at various points in time! Like a run-on sentence or freight train, most members soon steamed into action listening to WNRC, exchanging pleasantries and whistles, or talkin' baseball and DX!

Just like yesterday, we all came to an agreement! With Fred securing permission, at noon several members visited Clear Channel Lima at 667 West Market Street downtown. Having toured the 4 stations two years ago, we found an additional station here. The 5 station group now is sports and "Newsradio 1150-WIMA", "Buckeye Country T-102", WIMT-102.1, adult contemporary WMLX "Mix 103.3", and two stations having recently switched frequencies, "The Big Buck" oldies WBUK now at 106.3, and the new station, WZRX-107.5 "X 107.5" playing new rock. The group will soon add another new station at 93.9, licensed to Columbus Grove, Ohio. Since two years ago, it has been addition by subtraction with the stations adding WZRX, and the ABN (Agriculture Broadcast Network) in February, 2002 while losing a longtime 5-minute daily sermon on WIMA by the Rev. Ronald Cannon. Along with their 3 stations in Findlay, Ohio, the 8-station group is overseen by CE Mark Gierhart. Unable to be here today, Mark's replacement for our tours was a very DXer-friendly WIMA PD Dave Woodward who passed along most of this information; thanks, Dave! Not passing out at our sight, but welcoming us also, was ABN Farm Director Gary Jackson.

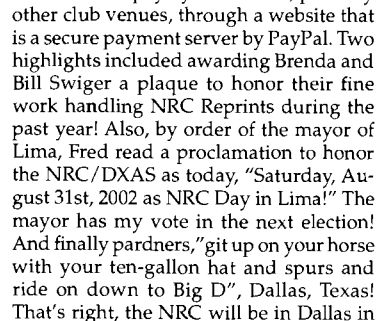
A small poster of the ABN Network lists 56 stations in Ohio and 2 in West Virginia that Gary oversees. The network is based here in Lima and provides daily farm news updates to the 58 stations.

Our warm Saturday late afternoon and evening was fantastic, fulfilling (literally!), and photogenic! At 5 PM promptly, all members assembled in front of the Hampton Inn for several group photos and drills! Very soon we organized again, but did NOT board an air-conditioned Greyhound motorcoach for the trip across town! Instead we carpoled for a short trip to Lima's west side at West Elm Street. Here in the "Pig Pen", we had a very fine NRC Banquet in "The Old Barn Out Back", a very reasonable

and popular "country style" restaurant." Like the call letters of WNRC, their motto was, "We never really care how much or little you eat as long as you can walk out the front door so we don't have to carry you!"

Returning to the Hampton at 7:30 PM, Fred, Ken, and *DX News* publisher Paul Swearingen conducted the NRC Business Meeting. However, before the meeting began, Fred led our group in tribute with one minute of silence to honor longtime member and friend, Ernest Cooper, who passed away April 28, 2002. Over 60 years as member and 36 years as Musings Editor, Ernie is gone, but his spirit and enthusiasm for radio and helping other members will always be remembered.

Next, a series of topics were presented. First, the club is in good financial shape with a \$5,000-plus balance in our treasury; second, membership is holding steady at 690 for the NRC and 150 for DXAS; third, the special mention and thank you to Dave Graupner of TM/Century for donating the jingle package to WNRC, and fourth, that Ken was taking orders for the new NRC AM Log Book, as members can now pay by credit card, plus any other club venues, through a website that is a secure payment server by PayPal. Two highlights included awarding Brenda and Bill Swiger a plaque to honor their fine work handling NRC Reprints during the past year! Also, by order of the mayor of Lima, Fred read a proclamation to honor the NRC/DXAS as today, "Saturday, August 31st, 2002 as NRC Day in Lima!" The mayor has my vote in the next election! And finally pardners, "git up on your horse with your ten-gallon hat and spurs and ride on down to Big D", Dallas, Texas! That's right, the NRC will be in Dallas in 2003! "It's the NRC in Big D in '03!!" And while we're at it, the NRC will return to the northeast U. S. in 2004 to Rochester, New York, "the NRC in New York (state) in '04!" Securing the bid for Dallas was one of the three hosts, 36-year-member and good friend, John Callarman! He'll be assisted by DDXD-West Editor Bill Hale and Wally Wawro. John's background in radio included 11 years as News Director at WMIX-940 from 1970-1981. His service to the club was that of Executive Secretary from April 1967 to August, 1968 and briefly in September, 1959, IDXD Editor from 1964-1966, and the typist for the very first NRC AM Logbook in 1968 put out by the Boston Publishing Committee! Best of success celebrating the NRC's 70th anniversary by the Big 3 in '03!



Caribbean DX'ers César Objío, Dominican Republic, and Don Trelford, Jamaica (and sometimes Canada), compare DX notes, while Canadian DXAS member Wayne Ryan (background) tunes in stations on his ever-present Superadio III.

Interesting to note that John mentioned Irving, TX being the site smack in the middle where I-35 splits with I-35W (west) passing through Ft. Worth while I-35E east passes through Dallas. Adding the two 35's together and you get the 70th NRC anniversary site!

After a short break, the NRC Auction commenced around 8:20 PM. Bidding was fierce on a GE Superadio II going at \$60 and a 1950 Broadcast Yearbook topping off at \$55. Otherwise, a various assortment of radios, shirts, caps, cups, shirts, and CRAP were auctioned off! A warning was issued that no dial frequencies be yelled out, otherwise an additional \$1 was added to that bid! The final tally was a surprising \$494.00, and we were done before 10 PM! The rest of the night saw WNRC in tune again, a DX session outside the Hampton Inn parking lot, and bargaining over unwanted auction items which included a pair of extra large plaid shorts! If Bruce Conti was here, they would be great for a summer DXpedition at the shore!

Another beautiful morning and a new month, Sunday, September 1, 2002 kicked off the third day of NRC '02. First, it was "Guess Who's Coming to Breakfast with the NRC Editors?!" Then at 10 AM, John Bowker and Fred Vobbe recorded another DXAS Travelog for October on WNRC! John's entertaining style completed IDs on 740 kilohertz. The ad for John's travel agency was just as entertaining, contact Fred for details!

Next, the hospitality room was divided into two groups to play NRC Trivial Pursuit. The game was a verbal quiz on the calls, frequencies, and locations of AM stations in Ohio. Then at 11 AM, the favorite part of the convention was here, the NRC Quiz! The quiz was a 40-question multiple choice test of the past DX year and some history of radio. Two prizes were awarded, either a one year free membership in the NRC or DXAS. And the winners in a tie with 27 correct were George Greene and Frank Merrill! A Kewpee hamburger was flipped to determine who got which prize! In third place with 24 correct was John Adams, and he won the plaid pair of shorts! Look for those to be an auction item in 2003! "El Kabong" would have probably won, but he was kabonked, zzz!

The rest of the day on Sunday saw some members depart while others hung out at a department store in Lima. A few even conducted their own trivial pursuits in the hospitality room, in and around Lima, and Ohio! At 3 PM, WNRC, like all good things must come to and end, signed off the air but will hopefully return to Dallas in 2003. The station signed off early so that the equipment and tower could be dismantled while there was still daylight!

Finally, as the convention began to wind down Sunday night, there was one more highlight to end NRC Lima 2002! Nearing midnight, Monday, September 2, 2002, several members tuned into "The Spirit of New England" 1030-WBZ Boston. Covering 38 states and several provinces in Canada, we



Newlyweds Stephanie and Chris Cuomo pause for a quick "snap" during the convention. Reports indicate that Stephanie is recovering nicely after being exposed to the NRC Convention at its full force.

heard the Steve Lvelli Show. On Steve's show this morning, his guest was the voice of the NRC, Scott Fybush, to talk about radio! As writer, consultant, and historian, Scott's various topics included his business, "Northeast Radio Watch", his website at www.fybush.com, satellite radio, DXing, and the state of radio in general. It helped that Mr. Livelli was a big fan of Scott's career and the hobby. About ten years ago, Scott was a writer and producer for WBZ-1030 and even led some of us on a great tour of the station's transmitter site at Hull, Massachusetts during NRC Nashua 1994! Anyway, at 12:40 AM, the second caller from here in Lima was our own Dave Marthouse! Publicizing the convention and Dave's ownership of WODI-1230, listeners heard Scott give Dave glowing tributes (like old vacuum tubes!) about the NRC/DXAS and WODI! Later, while some members retired, I became more active, called, and finally got through well past 4 AM as the last caller as it turned out to congratulate Steve and Scott on a great show! Likewise, it's the end of our convention report as we congratulate Fred, Phil, Debbie, and everyone for a great show here at NRC Lima 2002! A final note to Clarence Cordrey to stay well!

So, stay tuned and be well to all as Lima 2002 is through! Hope to see y'all at NRC Dallas 2003, the club's 70th anniversary, when it's the, "Big D in '03!!"

The attendees: John Adams, Jerry Bond, Linda and John Bowker, John Callarman, Ken Chatterton, Clarence Cordrey, Stephanie and Chris Cuomo, Dorothy and Ben Dangerfield, Rick Dau, Mike Dunn, George Greene, Clarke Ingram, David Jones, Mike Lantz and Lexie, John Malicky, Dave Marthouse, Frank Merrill, Alan Merriman, Cesar Objio, Wayne Ryan, Bob Smolarek, Bonnie and Jerry Starr, Larry Stoler, Frank Styron, Paul Swearingen, Brenda and Bill Swiger, Don Trelford, Debbie, Jonathon, and Fred Vobbe, Phil Wayne, Ernie Wesolowski, Dave Whatmough, and Curt White.

Thanks, Fred and Phil, for making my 20th NRC Convention possible.

The NRC AM Radio Log, 22nd Edition,
including cross-referenced listings from 530-1700 kHz of lis a



Place your order for the 23rd edition at the same and late price as the 22nd; the new Log will ship very soon. ailard

binders. \$19.95 to U. S. members; \$25.95 to U. S. non-NRC members; to Canadian members, \$23.00 (\$29.00 to non-NRC members). Airmail to members in western Europe (except Italy) and Australia, New Zealand, and Japan: \$29.00. All others contact us for exact prices. Order from: NRC Publications - Box 164 - Mannsville, NY 13661 (NY residents, please add sales tax).