

DX News

Serving DXers since 1933

Volume 62, No. 22 - March 20, 1995 (ISSN 0737-1659)



Inside...

2 AM Switch

4 DDX

23 Pro Sports Nets

24 IDXD

35 Formats

37 Tom Snyder Network

38 GYDXA-1450

42 Geomagnetic Indices

43 RA6790GM Noise Blanker

45 Mustangs of the Members

47 On to Denver!

CPC Test Calendar

KSIM	1400	March 20, 1995	0100-0130
WZEP	1460	March 20, 1995	0400-0445
KVAK (RVC)	1230	March 25, 1995	0430-0500
KWEY	532v	April 1, 1995	0200-0400
WWOL	1590	April 3, 1995	0100-0130
WNRK	780	April 8, 1995	0300-0400
WNCG	1260	April 9, 1995	0000-0200
WCGW	770	April 9, 1995	0100-0130
KGYN	1210	April 10, 1995	0200-0230

WWOL-780 - 1263 West Main - Forest City, NC 28043 will conduct a rescheduled DX test between 3:00 and 4:00 am EST on Saturday, April 8, 1995. The test will include voice ID's, Morse code ID's, and march music at 10kW, non-directional. Reception reports may be sent to Mr. Julius Blanton, Engineer. Arranged by J. D. Stephens for the IRCA CPC.

WNRC-1260 Newark, DE will conduct a DX test between 0000-0200 EDT Sunday, April 9. The test will include tones, Morse code ID's, and music, at various power levels between 1000 and 42 watts. Reception reports may be sent to Dave Schmidt, CE, at P. O. Box 11502 - Wilmington, DE 19850; pre-paid phone calls will be accepted at 302-737-9675. Arranged by Dave Schmidt

WCGW-770 - Nicholasville, KY, will conduct a DX test on Sunday morning, April 9, from 0100 to 0130 Eastern Daylight Time. The test will include "special" identifiable music and Morse code ID's. Tom, who will be conducting the test, will accept (pre-paid only) phone calls during the test at 606-245-1770. Reception reports may be sent to Tom Mulvaney - c/o WCGW-770 AM - 3950 Lexington Road - Versailles, KY 40383. Arranged by Tom Mulvaney

KGYN-1210 - P. O. Box 130 - Guymon, OK 73942 will conduct a rescheduled DX test between 2:00 and 2:30 am EDT on Monday, April 10. The test will include voice ID's and Morse code ID's at 10 kW. Reception reports may be sent to Mr. Bill Weldon. Arranged by J. D. Stephens for the IRCA CPC.

From the publisher... From Ernie Cooper: "Long-time NRC'er Peter Clarius passed away on or about February 12. He had a member of the National Radio Club for about 57 years. Peter had

been to several NRC conventions, and he was prominent in the '50's when New York area members had get-togethers. He brought the late Bernie Duffy, also a Staten Islander, to many of these gatherings; Bernie was confined to a wheelchair. Pete was at last year's NRC convention in Merrimack, NH and thoroughly enjoyed himself. His vast collection of verifications were brought to my home in Provincetown, from which they will be sent to the Committee to Preserve Radio Verifications. Pete died of a heart attack suffered when he was shoveling snow from his walkway. He was 80. He was a very religious person, donating to several churches, including the Pillar of Fire, and their radio stations KPOF - Denver and WAWZ - Zarephath, NJ. May he rest in peace."

Ken Chatterton informs us that any DX'er who had not received a verie from the KDLA-1010 CPC test of January 15, 1994, by mid-April should send a copy of their verie request to him for forwarding. Seems that the new engineer found a box full of verie requests and contacted the NRC for help. Ken is designing QSL cards which were to be forwarded to KDLA. He adds that verie requests should not be sent to the station.

DXN Publishing Schedule, Volume 62

#	Deadline	Pub. Date			
27.	June 9	June 19			
24.	Mar. 31	Apr. 10	28.	July 7	July 17
25.	Apr. 14	Apr. 24	29.	Aug. 4	Aug. 14
26.	May 12	May 22	30.	Sept. 8	Sept. 18

DX Time Machine

From the pages of DX News:

50 years ago ... from the March 10, 1945 DXN: Many DX'ers throughout the east heard CFGP-1350 and KONP-1450 on their .DX programs for the NRC; S/Sgt AJ Maley, Highland Falls, NY, heard four Montana stations Feb. 4: KGIR, KPPA, KRBM, and KFBB ... from March 17: Ralph Johannsd in the 1944-'45 contest with 273,626 points, and Frank Wheeler was second with 262,481 points. Armed Forces radio WKLD-660, 1000 watts, began broadcasting from Saipan on March 1.

25 years ago ... from the March 7, 1970 DXN: Ron Schatz's article, "Portuguese for DX'ers", appeared.

10 years ago ... from the March 11, 1985 DXN: Brian Vernon, Elsa, Yukon bagged 1314-Yerevan, USSR on January 26.

AM Switch

Jerry Starr
c/o WHOT Radio
4040 Simon Road
Youngstown, OH 44512-1320

Status changes in AM stations, supplied by the FCC and listeners

CALL LETTER CHANGES

Old call	New call				
950	KYGO	CO	Denver	KKFN	
1260	WRDZ	OH	Cleveland	WMIH	
1390	KMIX	CA	Turlock	KCDR	
1550	KQWB	ND	West Fargo	KQFN	

*A press release from WRDZ last month claimed their new call would be WIMH (for Immaculate Heart of Mary) and we reported it thus. For whatever reason it is actually WMIH which has been confirmed by monitoring here. They seem to have a SS format.

APPLICATIONS/GRANTS TO NEW STATIONS

None

APPLICATIONS FROM EXISTING FACILITIES

700	WGZS	AL	Dothan: reduce power to 1600 watts (new station not yet on the air)
1010	WXTL	FL	Jacksonville: modify CP for Baldwin, FL to 50000/19000 U4 (we heard this station in February and their legal ID now gives Jacksonville, not Jacksonville BEACH as their city of license? FCC records still show Jacksonville Beach)
1310	KEZM	LA	Sulphur: synchronous transmitter with -/40 N1in Lake Charles, LA
1390	WFIW	IL	Fairfield: powers to 710/73
1420	CJVR	SK	Melfort: to 750 kHz (listed in error in Issue 18 not indicating new frequency, CRTC info fails to give proposed power/antenna information)
1460	WHBK	NC	Marshall: day power to 5000 watts
1550	WJRZ	NJ	Toms River: powers to 1000/9 U1 (new station not yet on the air)

GRANTS TO EXISTING FACILITIES

730	KKDA	TX	Grand Prairie: synchronous transmitter with -/9 N3 (night, directional) in Forest Hill, TX
830	KPLS	CA	Orange: change 50000/2300 AP from U4 to U2
900	WEAS	GA	Savannah: powers to 4350/152 U1, relocate transmitter site
1000	KOTD	NE	Plattsmouth: to 1020 kHz with 1000 D1
1030	WYSL	NY	Avon: to 1040 kHz with 2500/500 U4
1230	WFAI	NC	Fayetteville: relocate transmitter site
1420	WKSR	TN	Pulaski: night power to 950 watts, relocate transmitter site
1520	WTLN	FL	Apopka: add 350 watts nights, relocate transmitter site

OTHERNESS

570	CJEM	NB	Edmunston: request move to FM (no freq given)
590	WWLX	TN	Lawrenceburg: CP for 600/133 is on
590	CJCL	ON	Toronto: has moved here from 1430 kHz as CJCL and CKYC swap facilities
600	CFQC	SK	Saskatoon: station moved to 92.9 FM
700	KSUR	CA	Soledad: silent station is ON THE AIR
730	KKBSU	ID	Boise: CP for 15000/500 U4 is on
750	CJWW	SK	Saskatoon: has moved to 600 kHz taking over the CFQC facilities, leaving 750 kHz vacant
780	WWOL	NC	Forest City: CP for 10000 D1 is on
850	KGKO	AR	Benton: station is SILENT
900	WEAS	GA	Savannah: CP for 4350/152 U1 is on
980	WMEK	VA	Chase City: station is SILENT
1020	KOTD	NE	Plattsmouth station is now here, ex-1000 kHz
1070	WSCP	NY	Sandy Creek-Pulaski: has new owners who plan to return it to the air
1090	WXBK	AL	Albertville: station indeed appears to be SILENT once again, had returned to the air for just a few weeks evidently



1100	WCGA	GA	Woodbine: new station is not yet on the air but owner Wesley Cox is advertising in trade papers to buy a transmitter and associated equipment, so this CP which was granted back in 1986 is still alive. QTH will be: Route 9 Box 280A, St. Simon Island 31522
1160	WODY	VA	Fieldale: QTH for this new station: PO Box 192, Martinsville, VA 24114 (703) 638-5235
1170	WKFL	FL	Bushnell: has dropped simulcast with WTRR/WKIQ, now running High Country REL/GOS satellite service
1230	WSJR	ME	Madawaska: station is SILENT
1230	WQDW	NC	Kinston: silent station is ON THE AIR
1290	WTMC	FL	Ocala: silent station is ON THE AIR
1340	WMDR	ME	Augusta: silent station is ON THE AIR
1340	WYCK	PA	Wikkes-Barre: silent station plans to return to the air from new transmitter site in "mid-1995"
1390	KCDR	CA	Turlock: (ex-KMIX) now carries programming from KCVR-1570 Lodi, CA
1400	WTXQ	AL	Andalusia: station is SILENT
1400	KPAG	CO	Pagosa Springs: silent station is ON THE AIR (they tell David Lewis they were never off)
1430	CKYC	ON	Toronto: moves here from 590 kHz as CJCL and CKCY swap facilities
1450	KIOV	ID	Payette: silent station is ON THE AIR (again) this time as an Oldies station
1460	WTMP	WI	Tomah: silent station is ON THE AIR, presently operating with 1000 D1 but expects to become 1000/42 U1 soon
1470	KDEW	AR	DeWitt: silent station is ON THE AIR
1490	WWPR	FL	Bradenton: silent station is ON THE AIR
1500	KJIM	TX	Sherman: silent station is ON THE AIR
1520	WARR	NC	Warrenton: silent station is ON THE AIR
1520	WJMP	OH	Kent: letter from station confirms they are now simulcasting audio from their LPTV station WAI29 which they call "WAI Channel 29" on the air. Monitoring here reveals they also have some local high school sports on the weekend that is not aTV audio simulcast
1530	KLRA	AR	England: silent station is ON THE AIR
1590	WMIM	PA	Mount Carmel: silent station is ON THE AIR (this station reportedly sold all their equipment including the tower and were said to have turned in their license, but they're back with an Oldies format)
1660	----	NV	Las Vegas: once again this year, during the NAB Convention, USA Digital will be running a station here to demonstrate digital radio. They are going to use a Harris DX10 transmitter which, if run at full power, will pump out 10 kilowatts. This frequency might be worth watching from April 10th through the 13th. Since they expect to be able to demonstrate a comparison between conventional and digital AM signals we assume this means there will be analog information on this frequency which you can receive with conventional equipment.

THANKS: David Lewis, Ed Krejny, Wayne Heinen, Shawn Axelrod, Neil Perdue, Dick Truax, Bill Andres, John Baumgarten, Bruce Reynolds, Bill Hale, Dana Scully and MSJ

73 and Good DX.

Jerry Starr & BKE

Jerry Starr & Buffalo K. Foonman

From NRC's DX Audio Service ...

'After Dark 5'

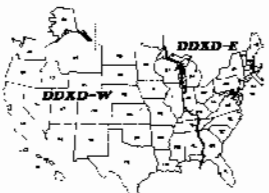
You wanted receiver reviews ... graveyard station Travellogs ... airchecks ... Harry Caray, Clark Weber, Shotgun Tom Kelly, and Fred Richards ... paging cows ... DX techniques ... eclipse DX ... and a round-table discussion? Then order "After Dark 5" today! 12 C-90 tapes in a holder: \$19.95 postpaid from NRC Publications - Box 164 - Mannsville, NY 13661. NY orders, please add sales tax.

4 Domestic DX Digest

West: Bill Hale MTFH12A@Prodigy.com
495 Creekview Drive - Meridian, ID 83642-3241

East: Dave Braun 73520,657@compuserve.com
11 Mill Bend Acres - Wyoming, DE 19934-9523

(Division line is between East and Central time zones)



DX Catches in the U. S. and Canada, with 24-br. FLT

DDXD-West MEDIUM WAVE RAMBLINGS

✓ We welcome new reporter **Craig Rathbone** of Denver, who, with **KKFN** still off, is cleaning up on 950. **Shawn** sez: "Lots of snow. Had to do the 1500-1600 foot walk in ankle-to-knee deep snow. Builds character, they say. Should get some of you Southerners up for a real DXpedition some time. You all do have woolies and big old warm boots, don't you?" Na. Don't need those wimpie things, really. So, I vote for Winnipeg for the '96 convention!!! The first week of September is still snow-free there, isn't it? Thanks to **Mike Sanburn** for enclosing some circa-1970 KHJ music surveys. Great stuff. U gottem more? Word off the Internet is that **WGN-720** has acquired 100% of Interstate Radio Network's stock. The company said "the Interstate Radio Network will be a subsidiary of Tribune Radio Networks, a division of **WGN-AM Radio**, which is owned and operated by Tribune Broadcasting. Interstate Radio is a syndicated radio program targeted to cross-country truckers. Tribune said the network, launched in 1988, now has more than 50 affiliate stations nationwide. The network broadcasts five hours of programming a night, seven nights a week, the company said."

✪ Lots of E-Mail reports in this time. Please format just as you see here. Then it's just a cut-n-paste for me. Thanks. Good to hear from **Gerry Thomas**, via the Internet, back from vacation in the middle-east. Right. No report, just a check-in. And **Doug Smith** relayed an E-Mail report he received from **Elliott Forrest** with a station list for *The Late Late Radio Show with Tom Snyder and Elliott Forrest*. Does **TS** do a radio show in addition to his post-Letterman CBS gabber? Just in case, the list is being forwarded to Topeka.

✧ Setting a good example for all GY chasers, **Richard Turner** updates his totals . . . plus bags a record for himself. And **Carl Dabelstein** claims a few more GY records, plus a few ties.

✕ Deadlines for DDXD-West for the remainder of Volume 62: Issue 24 - March 25; Issue 25 - April 8; Issue 26 - May 6; Issue 27 - June 3; Issue 28 - July 1; Issue 29 - July 29; Issue 30 - September 2. These are all Saturday deadlines, for postal delivery. E-Mail reports as late as the following Sunday morning will be picked up, too.

REPORTERS

- BK-CA **Bob Karchevski Sunnysvale** (karchev@ntmtv.com) National NC-183D with SM-1 ferrite loop
- JW-OR **Jack Woods Waldport** Lowe HF-225 Europa; Martens Loop, ANL-1 outdoor untuned loop
- KO-IL **Ken Onyschuk Steger Superadio II**
- FA-ID **Frank Aden Boise** modified FRG-7, modified TRF, SRF-42 AM \$ Walkman + 45' lw, 180' L-longwire, 4' box loop
- HH-CA **Harry Helms, AA6FW San Diego** (hightext@delphi.com) Stuff: Drake R8, Hammarlund HQ150, two-foot Sanserino loop
- MBDXP **Shawn Axelrod & Wayne McRae Valhalla Beach** 2-ICOM R-70s w/filter mods and PLAM boards + 9 longwires or Beverages
- RO-AK **Rod O'Connor Kodiak** very trusty Superadio I + 4' loop
- JJR-WI **John Rieger South Milwaukee** FRG-100 w/MFJ-959B filter + KIWA Loop
- GS-TN **George Smith Decherd** Superadio II barefoot
- BBMcc-TX **BB McClurkin Irving** R-2000 + KIWA Loop
- BR-CA **Bruce Reynolds San Jose** [ereynold@sparts.sjsu.edu] GE Superadio II
- NAP-AL **Neal Perdue Madison** ICF-SW30, McClintock Black Box Loop Antenna
- RH-CA **Rich Hackett Palo Alto** ICF-2010 + KIWA Loop; *Phillips DC-777 caradio
- RM-WA **Roy Millar Marysville** ICF-2010 + SM-2
- MS-CA **Mike Sanburn Bellflower** GE Superadio or * at Palm Springs
- DE-MO **Dennis Elya Jefferson City** (76472.2246@compuserve.com) Superadio III barefoot or Delco ETR

- RD-IA **Rick Dau Iowa City** (rdau@blue.weeg.uiowa.edu) Kenwood R-1000 + Radio West loop // 1214 heard here
- CR-CO **Craig Rathbone, N0BSA Denver** (av568@freenet.hsc.colorado.edu) Hammarlund HQ-140X + 4' box loop
- GC-NY **Greg Coniglio Williamsville** UNID help
- Ed-ID **Editor Meridian Delco AM\$/FM\$ ETR**



SPECIAL

- 560 KFSO CA San Francisco - Has been purchased by Cap Cities/ABC (KGO). [Internet]
- 620 KOTK OR Portland - 2/22 2300 - After noting call change (ex-KINK) in AM Switch, heard with *Super Talk 620*. Had local talk with ABC News on the hour. (BR-CA)
- 710 KMPC CA Los Angeles . . . and its sister FM (KLIT-Glendale) has been fined \$20,000 by the FCC for violation of EEO rules and policies. [Internet]
- 820 WSCR IL Chicago - Group W Radio, has signed an agreement to acquire this sports outlet, as well as WXRT-FM. The sale is subject to FCC approval. [Internet]
- 830 KOTC MO Kennett - 2/14 0655-0710 - C&W music & slogan: "Cotton Country". Change yo' Logs. (DE-MO)
- 950 WJEM IL Chicago - 2/19 0105 - Fair signal, with rap music [oxymoron #304, hi - Ed.] and 106 jams IDs. Under WWJ and CFAM. New calls. New for both of us!! (MBDXP)
- 1000 WDJL AL Huntsville - 2/20 - Format is now NOS. *The Memories Station*. Local slogan after ID is 1000, *Memories*. (NAP-AL)
- 1020 KFFR AK Anchorage - Still silent. Follow-up to report of last Nov-Dec time frame. (RO-AK)
- KOTD NE Plattsouth - 2/18 1735 - Fair, with **John Denver** and other MOR-type music. // KXEL-1540 [same bird feed - Ed.]. IDs as AM 1020 KOTD. Ex: 1000. New for both of us!! (MBDXP)
- 1250 KQYN CA Twenty-Nine Palms - 2/11 1305 - Ex: KDHL. Rock music by **Eagles**, **Aerosmith**, **Doobie Bros.** & **Eric Clapton**. Ads for **Sears** and **Plaza Market**. 1328 ID: *The Morongo Basin's only quality rock, Q-Rock 1250 AM*. (MS-CA *)
- 1290 KLEH IA Anamosa - Per visit with Rick Sellers at WMT, this station went silent for good at 1200 CST on 2/21. Apparently, the owner was having big money problems (i.e., lack of sponsors), and indicated as much during an emotional final sign-off. DXer Neil Griffin told me KLEH was on "life-support", running satellite C&W, so its demise isn't too surprising. 1290 here in the daytime is now ruled by WIRL and nobody else. (RD-IA)
- 1410 WHLN KY Harlan - My letter to the 110 N. First St. #300 address in de Log was returned. Per phone chat with secretary, all letters to WHLN should be mailed to P.O. Box 898. Zip remains the same. (RD-IA)
- 1450 WBUY LA New Orleans - Has been purchased by EZ Communications, Inc, bringing their radio station total to twenty-one. [Internet]

UNIDs and UNID HELP

- 540 UNID ?? - 2/19 0215 - Very poor, under XEWA, with *American Talk Program*. Maybe WWZN. (MBDXP)
- 910 UNID ?? - 2/27 0619 - With WSUI nulled as much as possible, I caught a weak signal of black GOS and a DJ's mention of CLs that sounded like . . . VIS. Only thing that comes close is KBIS in Miami, OK, towards which my RW loop was pointing, but de Log sez KBIS doesn't sign on until 0700. (RD-IA)
- 1400 UNID ?? - 2/11 0015-0030 - Native singing in unknown ?Asian/Pacific/ Native American? language. This was not local KVTO, which I had nulled. No recognizable ID. Loop oriented NE/SW to null KVTO. (RH-CA)
- 1500 UNID ?? - 2/18 1820 - Fair, with **Notre Dame** basketball network. Over/under KSTP. (MBDXP)
- 1550 KQFN ND West Fargo - **M Street** of 2/2/95, confirms that this is the correct call on this station. (GC-NY)
- 1580 WHLY IN South Bend - Confirmation on Rocky Stone's unID solved. I was recently in South Bend, and indeed did note WHLY with the *Radio Hollywood* slogan, and NOS. (GC-NY)

1700 KQRS MN Golden Valley - 2/18 2315 & 2/19 0813 - Poor-to-fair signal with AOR music and lots of ads for Minneapolis Motorcycle Show and a Ford dealer. 92 KQRS IDs. This is the mystery station from a prior report [IDed last issue by Jon Ellis - Ed.] and must be the first in the new band. (MBDXP) [No. Just sloppy engineering - Ed.]



DX AND EQUIPMENT TESTS

- 730 KWRE- MO Warrenton - 2/18 0100-0130 - Not a sign. KCBS-740 slop very bad. Managed to detect very faint C&W music in noise. Later detected what sounded like two different SS stations. (BK-CA) No chance! WBBI here in Hometown, USA is too much. (NAP-AL)
- 750 KERR+ MT Polson - 2/20 0200-0230 - Heard loud & clear at start. Later faded back into noise and could hear Morse code and CW Mx. KCBS-740 slop bad, also KXL & a sports talk station heard. (BK-CA)
- KERR+ MT Polson - 2/20 0200-0230 - Clearly heard CIDs and VIDs. Mentioned 1-800# and called at end of test. Good signal; about equal to KXL. (FA-ID)
- KERR+ MT Polson - 2/20 - Heard with CID @ 0203, another CID and VID @ 0210. Good signals on peaks, but QRM from usually dominant KOAL and unID SS. Thanks J.D. Stephens and Tom Bryant! (HH-CA)
- KERR+ MT Polson - 2/20 0208-0220 - CID at 0208, then fade. Back with CID at 0215, then VID including location. WSB nulled. (BBMcC-TX)
- KERR+ MT Polson - 2/20 0200-0230 - Logged and taped, over KOAL and KAMA, with numerous voice and code IDs. Some C&W songs heard also. Called 1-800-750-5377 to say "thanks for the test." (MS-CA)
- KERR+ MT Polson - 2/20 0200-0230 - Very strong with CIDs and VIDs with C&W music. Gave an 800 number to call if you are hearing this test. (CR-CO)
- KERR+ MT Polson - 2/20 0100-0110 - Weak, with CIDs and C&W during this stretch; signal was constantly getting skewed by WSB, so no report sent. (RD-IA)
- KERR+ MT Polcat - 2/20 0200-0230 - KFQD taking charge of frequency for the most part at 0200, but KXL in very tight SE null. 0202-0203 very weak tones, "R R" copied a couple of times. Way underneath KXL. 0221 very weak unID female vocal selection, way under KXL. Recheck at 0230, with only KFQD/KXL. Since I'm a stickler for full VID/CID, I'm not claiming total victory. In the "tentative" category. (RO-AK)
- 780 WWOL- NC Forest City - 2/11 0100-0140 - Not heard. Not even a trace. Only local WBBM (KO-IL) Nothing heard, and did not expect to. (FA-ID)
- 910 KIYU- AK Galena - 2/6 0500-0530 - Nothing heard. Had high hopes for this one. (FA-ID)
- 1100 KNZZ- CO Grand Junction - 2/12 0300-0330 - Nothing heard that sounded like a test. This is usually a regular, so am a little surprised. Was it on? (FA-ID)
- 1210 KGYN+ OK Guymon - 2/13 0200-0230 - Heard at good level with usual IRN programming, but no test announcements, TTs or code noted. (MS-CA)
- KGYN? OK Guymon - 2/13 0200-0230 - Heard some tones, but no CIDs. This station is usually a regular. Was the test on? (FA-ID) [One prior report indicated hearing "regular programming", unlike a "real test", so...? - Ed.]
- 1250 WREN+ KS Topeka - 2/14 0100-0200 - Clearly heard CIDs in a mess. Fair signal. (FA-ID)
- 1330 WPPI+ GA Carrollton - 3/4 0502-0556 - Weak-to-fair, under WFBC/KFH/KWLO with CIDs in varying pitches. At 0517, called Bill Alisaukas, who was glad to hear from me. (RD-IA)
- 1330 WPPI- GA Carrollton - 3/4 0550-0600 - Not heard. KUPL dominant. (FA-ID)
- 1340 KTCR+ WA Kennewick - 2/26 0430-0500 - Heard running tones and weak VIDs. (FA-ID)
- KTCR- WA Kennewick - 2/26 0400-0500 - Not heard. I thought I heard bits of tone a couple of times, but no code IDs or anything else I could latch on to. KTIK and the Spanish-language station from Reno were best on the channel. (BR-CA) 0424-0431 - Not heard. Just typical Graveyard jumble. Maybe a tone once. (BK-CA)
- 1410 WHLN KY Harlan - 2/7 0459-0504 - Fair-to-good, with TTs and announcement by male during monthly frequency check. (RD-IA)
- 1420 KUJ+ WA Walla Walla - 2/26 0400-0505 - Some voice IDs and varied tones were heard, from poor-to-fair, with interference from the Mexican and lots of KNFA splatter. I heard them better on regular schedule a week ago. (BR-CA)
- KUJ+ WA Walla Walla - 2/26 0401-0423 - Heard poorly at first, then by 0412 got very loud. Talk, tones and music. (BK-CA)

- KUJ+ WA Walla Walla - 2/26 0509-0600 - Dominant. Taped and reported. IDs mentioned Talkradio KTCR and KUJ conducting a DX test sponsored by the IRCA. Narrated tone progression and address given. (MS-CA)
- KUJ+ WA Walla Walla - 2/26 0400-0430 - Announcement that they were running the test for IRCA (simulcast with KTCR). Even with everybody else. Gave address several times. Asking for reports. Tape sent. (FA-ID)
- 1420 KUJ+ WA Walla Walla - 2/26 0400-0430 - Weak, with tones heard four times during this stretch, the strongest of those coming at 0420, when it changed pitch several times. Thanks to Frank Aden, Jr. (through Ye Editor) for confirming this. WA #3 here. (RD-IA)
- 1580 KFDF- AR Ft. Smith - 3/4 0200-0300 - Tried, but nothing heard. (FA-ID)
- KAMI NE Cozad - 2/9 0110-0119 - Good, with TTs and several announcements male DJ during monthly frequency check. (RD-IA)

NDBs

- 1641 MIN or MF ?? - 2/18 1820 - Good, stayed around almost all night. Not sure of call because break between letters was short. (MBDXP)
- 1672 9W252 ?? - 2/18 2040 - Poor signal. Fishing beacon. (MBDXP)
- 1680 IH ?? - 2/18 2254 - Poor, with CID. (MBDXP)



Box 7248, Spencer, Iowa 51301

TIS & OTHER STUFF

- 1610 TIS IL Chicago - 2/18 1914 - Fair, in and out all the time we were at the site, with Illinois Department of Transport info. Have heard this on every DXpedition, except one in the past three years!! (MBDXP)
- TIS ?? - 2/18 2345 - Poor, with information on "Overville" or "Operville". IDed as Operville Information Radio on 929 and 1610 on your AM dial. Who is this on 929 and 1610?? (MBDXP)
- 1620 WNWZ9IL Bensenville - 2/18 2258 - Good signal, back again this trip, with all those 350-xxxx phone numbers. (MBDXP)
- WPAM217 TX Galveston - 2/19 0139 - Poor, under WNWZ9, with man and woman doing coastal weather reports for Texas towns such as Galveston and Corpus Christi. New for both of us, and our best TIS to date!! (MBDXP)

MIDNIGHT TO 0800 HOURS ELT

- 550 KLLV CO Breen - 2/9 0753-0759 - Fair, with instrumental medley of Christian hymns, then talk by female DJ, but the modulation was so bad that all I could pick out were two mentions of "Colorado", which, in effect, nailed this one (thanks to Ye Editor again for help). Station went to USA News at 0800. (RD-IA)
- WCKY OH Cincinnati - 2/10 0734 - Good with mention of UC Bearcats and 55 WCKY Sports. Never did log WKRC. (RD-IA)
- 590 WKZO MI Kalamazoo - 2/19 0205 - Good, with local ads and a lot of WKZO IDs. Not signed off, as per Log. May be 24 hours now? (MBDXP)
- 620 CKCK SK Regina - 2/24 0605 - local weather conditions. CL's then OLD music. Over many others. (DE-MO)
- 630 WMAL DC Washington - 2/21 0429 - Poor, with sports talk, ad for IDS Financial Planner, then faded completely. (GS-TN)
- 740 WMIN WI Hudson - 2/19 0717 - Good, on top of all, with EZL/MOR-type music and ID as Original Hits WMIN. New for us both!! (MBDXP)
- 770 CHQR AB Calgary - 2/16 0520 - weak under KLOB, with weather. Slogan: QR77. (CR-CO)
- 780 WZZX AL Lineville - 2/11 0204-0206 - A real surprise while trying for the WWOL test. Station came out of national news at :04 with male DJ, who announced that the emergency broadcast of this station was ending because the Flash Flood Warning for Clay County had been cancelled. Sign-off with SSB heard shortly thereafter. (RD-IA)
- 860 KVVA AZ Phoenix - 3/3 0300 - Spanish, mixing with an unID SS, with EE ID as KVVA, Radio Viva. Lite SS music, maybe GOS. (CR-CO)
- 870 WWL LA New Orleans - 2/18 0600-0610 - News, followed by call-in show on fishing, Newstalk 870 Sports Radio. Strong for 10-15 minutes before fading to KIEV. (RH-CA)
- 950 KXJK AR Forrest City - 2/16 0700 - Good signal, with sign on with SSB and station info and into local weather. Local KKFN still off at night. (CR-CO)

- KPRC TX Houston - 2/16 0500 - Fair with ABC news, then into local news. (CR-CO)
- 970 KDWG? MT Billings - 2/20 0615 - C&W music, fading up in XEJ programming loss. Ex: KOOK. (MS-CA)
- 980 KUPI ID Ammon - 2/23 0005 - Ads for car dealers in Southeast Idaho, and for a TV station in Pocatello. Slogan: 98 *Keewee*. (CR-CO)
- 990 WGSO LA New Orleans - 2/19 0614 - Fair, mixing with XET, doing the weather and CNN News. IDs as WGSO *New Orleans News Team*. New for us both, and a major surprise! (MBDXP)
- CBTD? BC Kispiox - 2/22 0300-0510 - CBC Stereo at quite a good level, after XECL sign-off. I don't think CBW. CBTD is the only BC CBU relay that I know of. Nice distance for 40 watts, if correctly IDed! Will see what CBC/Vancouver thinks. (RM-WA) [According to my computer, you're 561 miles from Kispiox, or about 14.2 miles/watt. You're in "The Club", hi - Ed.]
- 1020 KASR OK Perry - 2/16 0330 - *Your All Star Radio*, KASR Perry. (CR-CO)
- 1090 WBAL MD Baltimore - 2/20 0701 - With . . . and from the WBAL *Newsroom* . . . My records don't show having heard this, but I thought I had. Were they on another frequency in the early 80s? Was checking for WXBK for Jerry Starr but no aqui [?? - Ed.] and the phone is broke, too. New, I guess. (NAP-AL) [Although they have been on 1220, 1050, 1060, and 760 kc in the early days, they've been on 1090 since December 4, 1941. That, according to FCC micro-fiche data which appeared on Fido-Net - Ed.]
- 1190 KORG CA Anaheim - 2/1 0025 - Mixing with others, with Long Beach State basketball. (CR-CO)
- 1270 KTFI ID Twin Falls - 2/18 0355-0410 - NOS. Patti Page signing *Old Cape Cod*, into news. VID: *News, weather, sports on KTFI Twin Falls*. (RH-CA)
- 1310 WDOC KY Prestonburg - 2/23 0606 - Very good with ID: *From Reba to Randy Travis, Hot Country IS WDOC*. (RD-IA)
- 1340 KQIL CO Grand Junction - 2/26 0724 - Fairly regular here since logging in January. Often over KTKK & KKTR, with C&W music. Recently verified. Nice signal. (MS-CA)
- 1340 WNBS KY Murray - 2/7 0522 - Atop, with ID: You're listening to *Kickin' Country*, 1340 WNBS. (RD-IA)
- 1360 KMRN MO Cameron - 2/10 0749 - Fair, with weather and "KMRN" ID into local stock market report. (RD-IA)
- 1400 WFTG KY London - 2/23 0537 - Atop, with mentions of *Hey, Southeastern Kentucky and Country 104*. (RD-IA)
- WMMZ SC Spartanburg - 2/9 0128 - Atop, with ID during NOS mx as *Musical Memories*, WMMZ. First ever Gyer from SC, and, I believe, a GYDXA distance record for this station. (RD-IA) [Yup. See page 7 of this column - Ed]
- 1460 KKOY KS Chanute - 2/23 0709 - Good with ID: *KKOY Newstime is nine minutes past six*. (RD-IA)
- KIRL MO St. Charles - 3/2 0547 - Fair with *AM 1460*, KIRL ID before weather. (RD-IA)
- 1490 WBST TX Big Spring - 2/11 0152 - Fair with ID: *If you like country, you've found the right place* . . . KBST. My 1200th logging at this QTH. (RD-IA)
- KAPE MO Cape Girardeau - 2/18 0600 - Legal ID and into unID net news. New. (NAP-AL)
- 1550 WCVL IN Crawfordsville - 3/2 0558 - Fair in KCJ] splatter with SSB by male a capella chorus, then sign-on info. (RD-IA)
- WOOO IN Shelbyville - 3/3 0459 - Must have been them with mention of *The Road Gang*, and CLs that started with "WO..." before KCJ] splash set in. CNN News heard at :00, and de Log sez WOOO is the only one on 1550 that carries CNN. The strange part about all this was that WOOO was scheduled to have a frequency check at this time, maybe they're NSP now? (RD-IA)
- 1580 KCWW AZ Tempe - 2/22 0015 - C&W music, VID: *KCW, Real Country, Tempe-Phoenix*. Fading in and out, under KBLA. (RH-CA)
- WBCP IL Urbana - 2/18 0155 & 0330 - UC, rap, four CL IDs, mention of *FM 95.5*. 10 watts. In and out with, presumed, 5-watt WAMW, with several ads for Washington (IN) businesses. A real power struggle, hi. New. (NAP-AL)

0800 TO 1600 HOURS ELT

- 550 KOAC OR Corvallis - 3/3 0901-0905 - NPR News. Oregon news and notes followed. Clear as a bell. [Ed. - ID]

- 880 KHAC NM Tse Bonito - 2/28 0925 - GOS music and weather for the Window Rock, Arizona region. Then *Coaches Corner* at 0935. Much stronger than KRVN. (CR-CO)
- 940 KBRE UT Cedar City - 3/1 0904 - GTO and *Pure Gold 94* slogans. (CR-CO)
- 950 KDCB NM Espanola - 3/1 0900 - Spanish program with EE ID at the top of the hour. Local KKFN off. (CR-CO)
- 960 KNDN NM Farmington - 3/1 1030 - Ads and weather for the area in both English and Navaho. (CR-CO)
- 1040 KGGP TX Dallas - 2/23 0817 - Fair in null of you-know-WHO, with ID as *Great Gospel Radio*, into traffic check for the Dallas-Ft. Worth metroplex. (RD-IA)
- 1160 WKCM KY Hawesville - 2/10 0824 - Good with ID: *We're 105.7 WKCM*, then mentions of Davis County and Tell City, IN during school cancellations. (RD-IA)
- 1180 KERI CA Wasco - 3/2 1000 - CLs and weather for the Bakersfield area and into a REL program. Good signal. (CR-CO)
- 1260 KICN ID Idaho Falls - 3/3 0950 - Good signal, ranch news. ID as *KECN Blackfoot and KICN Idaho Falls and Rexburg* and then CNN news at 1000. (CR-CO)
- KTTS MO Springfield - 2/7 0930 - CLs, news, weather and traffic. (CR-CO)
- 1600 KYGO CO Lakewood - 2/26 0800 - Good, in KMNY SP, with IDs and classic C&W songs (*Harper Valley PTA* and *Tennessee Waltz*). Ex: *KWMX-1600* and *KYGO-950* for me. (MS-CA)

1600 TO 2400 HOURS ELT

- 540 KNOE LA Monroe - 2/15 1859 - NOS music from bird, CLs, faded into XEWA and unID UC-GOS (probably KDFI). (DE-MO)
- KNMX NM Las Vegas - 2/12 1945 - Good with sign-off: *This is radio station KNMX in Las Vegas, New Mexico* . . . (RD-IA)
- 560 KPQ WA Wenatchee - 2/16 1945 - Fair, with area weather, Cascade Mountains road conditions. No usually-dominant KSFO yet. (JW-OR)
- 620 WKNI AL Lexington - 2/19 1822 - Fair with ads for businesses in Killen and Florence. (RD-IA)
- WIMJ WI Milwaukee - 2/10 1752 - *WTMJ newstime 4:52* after weather/traffic. (DE-MO)
- 880 WMEQ WI Menomonie - 2/21 1815 - CW music, lots of CLs, local ads. (DE-MO)
- 990 CKIS PQ Montreal - 2/21 2147 - Fair with *Oidies 990* ID. Unsure of who this was until DJ mentioned a hockey game at the Forum. Thinking an opening was in progress, I tried in vain for WVMT-620. (RD-IA)
- 1020 KCKN NM Roswell - 2/11 2230 - VID into news. Under KTNQ. (RH-CA*)
- 1060 WNOE LA New Orleans - 2/16 2158 - Good, with ID 101.1 WNOE. Ad for Automotive World, and into C&W. Steady signal. First time. (GS-TN)
- 1130 WSJP KY Murray - 2/8 2025 - Fair, with call-in-talk. UPI News and Sports update. With SS and other QRM. (GS-TN)
- 1150 WSPZ AL Tuscaloosa - 2/4 1830 - Fair, with ID *WSPZ Sports Radio Network* with call-in sports, and basketball game. (GS-TN)
- 1200 CKDA BC Victoria - 2/6 2230 - Oldies. VID: *The Greatest Hits of the 70s*, 1200 CKDA. (RH-CA*)
- 1220 WFWL TN Camden - 2/5 2224 - Faded up after C&W song, with clear "WFWL" ID. (RD-IA)
- 1260 WNDE IN Indianapolis - 2/17 2107 - Poor, with CLs and ads for local bank and a natural gas furnace. (GS-TN)
- 1310 KMBS LA West Monroe - 2/15 2100 - Poor, with ID *KMBS, The People's Network*, then UPI News. Ad for video tape and mention of several talk shows coming up tomorrow. (GS-TN)
- KEIN MT Great Falls - 2/11 2230 - C&W. 1310 AM, *Pure Country*. (RH-CA)
- 1340 WLBC IN Muncie - 2/13 2200 - Poor, in mess, with full ID into CBS News. C&W satellite programming. Local WLZR off. (JJR-WD)
- 1360 KRKK WY Rock Springs - 2/23 2340 - OLD. *Good Time Rock and Roll*. Weak, fading in and out between KFIV, KKMO and KOHU. (RH-CA)
- 1390 KLGW UT Logan - 2/11 2335 - C&W. Ad for concert by Little Texas, *Cache Valley Radio*, KLGW. Struggling to be heard under, and in partial null of, "semi-local" KMIX. (RH-CA)
- 1400 WIEL KY Elizabethtown - 2/18 2153 & 2200 - CLs, then legal ID at :00. Always nice to log a new GY. (NAP-AL) [And a new record - Ed.]

- 1420 KXOW AR Hot Springs - 2/12 2150 - Poor, with ID at 2200, then news and back to NOS music. (GS-TN)
- 1420 KPOC AR Pochontas - 2/28 1659 - Ten minutes of local ads and dual ID with FM. Cool 103.9. Never did hear any music! (DE-MO) [At least they're paying the bills, hi. Then again, maybe it's a new format, All ads, all the time, hi hi - Ed.]
- KGIM SD Aberdeen - 2/9 1845 - Fair, with CLs heard at end of weather report. (RD-IA)
- 1460 KKPR NE Kearney - 3/1 1940 - Ads for Kearney and area, talk show about Nebraska basketball on the "Nebraska Sports Network" and then gone at 1945, must have cut power. (CR-CO)
- 1490 KEYG WA Grand Coulee - 2/11 2057 - Fair, with C&W. Mentioned FM 98.3. ID at :00 and into news. 1st-timer. (JW-OR)
- 1510 KIFG IA Iowa Falls - 2/18 1653 - Fair, with KIFG IDs and local ads. In a mess of signals. (MBDXP)
- KCTE MO Independence - 2/6 1841 - Well over WLAC, with ID as Kansas City's Team. (RD-IA)
- 1540 KNGL KS McPherson - 2/18 1740 - Good, with C&W music and dual AM/FM IDs. (MBDXP)
- KLKC KS Parsons - 2/18 1745 - Fair-to-good, mixing with KNGL, with Jay Hawks basketball. New for Wayne. (MBDXP)
- 1560 KZIZ WA Sumner - 2/16 2025 - Good, with UC music. Sign-off message at 2030. (JW-OR)
- 1570 WBEE IL Harvey - 2/19 2059 - Promo for Illinois vs Minnesota basketball game. BEE 1570 slogan (new for Log). New. Also 2/20 0330 with black GOS and WBEE Harvey-Chicago ID. (NAP-AL)
- 1580 WDAB SC Travellers Rest - 2/9 1745 - Fair, with PSA for Marine Corps, several ads and ID at 1752. (GS-TN)
- 1590 WZRZ MS Jackson 2/9 2030 - Fair, with mention of Black History Month, ID and into GOS music. (GS-TN)
- 1600 KTTN MO Trenton - 2/18 1709 - Fair, with two KTTN IDs and C&W music. New for Wayne. (MBDXP)
- WTZQ NC Hendersonville - 2/12 2150 - Fair, along with many others, with ID as Thank you for making WTZQ your radio station. Ads for BC [pain medicine - Ed.] and a free vacation, into NOS music. (GS-TN)
- KCXB UT Centerville - 2/14 1740 - Fair-to-good, with AC, area ads. ID at 1758 as KCXB Centerville and another at 1804 as KNXB FM 107.5. (JW-OR)

GRAVEYARD DX UPDATE

* indicates North American record



1400 kHz:										
WIEL	KY	Elizabethtown	Neal Perdue	Madison, AL			414			
WMMZ	SC	Spartanburg	Rick Dau	Iowa City, IA			694			
1450 kHz:										
KENA	AR	Mena	Carl Dabelstein	Overland Park, KS			307			
WCEV	IL	Cicero	Carl Dabelstein	Lincoln, NE			472			
WVON		Cicero	Carl Dabelstein	Lincoln			472			
KWPM	MO	West Plains	Carl Dabelstein	Omaha, NE		(Tie)	382			
WMAJ	PA	State College	Richard Turner	South Dartmouth, MA			357			
WHSC	SC	Hartsville	Carl Dabelstein	Lincoln			1012			
WMOC	TN	Chattanooga	Carl Dabelstein	Omaha		(Tie)	720			
KAYC	TX	Beaumont	Carl Dabelstein	Omaha		(Tie)	*781			
KNET		Palestine	Carl Dabelstein	Lincoln			627			
KBBS	WY	Buffalo	Carl Dabelstein	Omaha		(Tie)	587			
Totals:				1230	1240	1340	1400	1450	1490	Total
Richard Turner North Dartmouth, MA				6	4	2	3	6	3	24

See ya in three weeks!!!

ABBREVIATIONS USED IN DDXD

/ / :parallel to :00: on the hour AC:Adult contemporary AP:Associated Press BBD:big band BRN:Business Radio Net C&W:country & western CCR:contemporary Christian radio CHR:contemporary hit radio CID:code ID CL:call letter EZL:easy listening EE:English FF:French GOS:gospel IRN:Interstate Radio Net LSR:local sunrise LSS:local sunset NBA:National Basketball Assn NFL: National Football League NPR:National Public Radio OC:open carrier POL: political PRI: Public Radio International PSRA:pre-sunrise authority PSSA:post-sunset authority QRM:man-made interference QRN:natural interference QTH:location PRI:Public Radio International REL:religious ROK:rock 'n' roll RS:regular schedule \$:stereo SID:singing ID SRS:sunrise skip SS:Spanish SSB:Star Spangled Banner SSS:sunset skip TC:time check TT:test tones UC:urban contemporary UPI:United Press International



DDXD-East

NEWS AND VIEWS

Another good batch of new reporters, as we welcome Steven Paradies from Charlottesville, VA, Matt Sittel from Asheville, NC, Aaron Reed from Brockton, MA, and some UNID help from Edward Soule of Owens Cross Roads, AL. Steve says he has been an NRC member for almost 15 years and has recently been hit by the "bug" big time despite the noise in his apartment building. Matt is a new member, just invested in a Superadio III and is very impressed. Matt lives on the ground floor of his apartment building, but is on a hill at elevation 2,080!

Denis Picard contributes his first report since obtaining a new Quantum Loop, and says he is very impressed by its performance. In response to a question posed by Russ Horton, yes both WGMP-1210 and WIP-610 are sports talk in Philadelphia. Thanks to Dale Patterson for the sticker. Morris Sorenson sends along some logs from the ODXA DXpedition to Don Trelford's resort villa at Runaway Bay, Jamiaca. I guess it's one of those things they really had to be talked into!

And from Greg Coniglio: On 3/1 at 2325 tuned in to WWWE to just hear the end of a conversation with a caller from Finland who was picking them up! I heard the tail end of a sentence where the caller said that he can receive quite a few U.S. and Canadian stations in Finland in the winter, interesting! Wonder if it was an NRC member, or a prospective one! Too bad I tuned in at the end.

Sorry to all affected, but I had to edit a little more than usual due to the length of this column. If you submitted something that didn't show up, and you think it should, let me know and I will include it next time. Upcoming deadlines are March 25, April 8 and May 6.

SPECIAL

- 530 CIAO ON Brampton - Still on 530, and won't be moving to 1430, although the 1995 WRTH has them on 1430! Either the CRTC vetoed their application to move to 530 or they just like the great groundwave on 530! (MB-ON)
- 790 WETB TN Johnson City - 2/18 2210 - GOS, young sounding DJ stating "that they were staying on till 11:00 pm sign-off". Sounded a bit loud for 72 watts, but could have been auroral conditions, since no WTAR. (JK-VA)
- 890 WBMA MA Wellesley - 2/22 1020-1115 - Sports orientated news and talk; slogans of "Boston's Prime Sports" and "You are listening to Prime Sports Radio"; ID "WBMA, Dedham-Boston" noted at 1115. (RWT-MA)
- 890 WBPS MA Dedham - Ex-WBMA, now all sports talk. "BPS" is supposed to stand for "Boston's Prime Sports". (AR-MA)
- 980 WMEK VA Chase City - Now runs Peoples Radio Network (same as WFLO) and a very small amount of local programming. Is also turning transmitter off at 1715 without any kind of sign-off message. (JK-VA)
- 1070 WKOK PA Sunbury - 2/27 1739 - Good with Carly Simon's You're So Vain dropping to fair under CBA at songs end with more AC until 1744 when announcer informed listeners of need to reduce power with mention that the station can also be heard on 107.3. FM simulcast must be new, as it's not listed in the Log. (AR-MA)
- 1200 WAGE VA Leesburg - 2/16 2151 - In with CW, seemed to be on day power, and "WAGE, for Leesburg and Loudoun Counties - your sound choice". (JK-VA) (My brother in Northern Virginia says they are now CW fulltime - db)
- 1280 WECY DE Seaford - 2/22 1400 - Is now on the air running simulcast of WJDY-1470 with UC. No mentions of WECY heard except inserted ID at :00. (DB-DE)
- 1360 WNJC NJ Washington Township - 2/22 1000 - Is indeed the one with SS programming, at least in the 0900-1100 time frame. EE ID heard then back to what sounded like a

taped or satellite program. (DB-DE)

- 1390 CHOO ON Ajax - 2/20 1803 - After 27 years at this frequency this station is finally silent as tape loop announcing move to FM disappears. WDCW will be regular here. (DP-ON)
- 1460 CJOY ON Guelph - 2/4 2059 - Noted running *Good Time Oldies*, using the term "Royal City" in their ID. (RH-ON)
- 1540 WARD PA Pittston - Now with a strange mix of rock oldies and MYL-type music, pretty much a mix of music from the 40's, 50's and 60's. (RJE-PA)
- 1570 WPGM PA Danville - 2/6 0740 - *Turning Point* program ending, ID at 0742 "WPGM 15-70 AM, 96.7 FM and in *Williamsport* at 101.7 FM". 3 degrees in Danville, list of closed schools. Fair. (DP-PQ)
- 1580 WNZT PA Columbia - Hasn't been noted here since 2/26 - had been off frequency for years (never fixed it when contacted), just WONZ noted 2/26 1100. (DS-DE)

DX TESTS

- 730 KWRE MO Warrenton - 2/18 0100-0130 - May have heard faint code at 0124, 0125 and 0126 under strong WPAL (103 watts HA!) and fair XEX, along with a "One on One Sports" UNID. (JK-VA) ...Not heard looking under CKAC and Mexican. (RA-MA) ...No sign of them. (SF-TN) ...Nothing heard. (RT-NC)
- 750 KERR MT Polson - 2/20 0200-0230 - Yes! Two periods of code ID heard, one at 0226 and another around 0234. There was some CW heard beginning at 0216 and continued to 0315-...don't know who this was since an ID was never heard. I doubt it was KERR, but it fits...also present was Nicaragua with SS. MT #2. (RT-NC) ...Not heard looking for at least some TT or code, but no luck, just WSB and UNID CW music possibly from CKGB. Thought this had a good chance of making it. (RA-MA) ...Not heard, I don't think. There were bits of country music in there under WSB, but probably Timmuns? (GC-NY) ...Somebody way under WSB with CW and EE regular-schedule style announcing, but nothing resembling a test noted. (SF-TN) ...Not heard, just Timmons, ON and JBC in WSB null. (DS-DE) ...A no show, too much WSB. (WPT-DC)
- 780 WWOL NC Forest City - 2/11 0200-0400 - Nop sign of them, although WZZX was on for a flood emergency until 0207. (SF-TN) ...Nothing heard except WBBM. (JL-OH) ...Not heard, WBBM rules the roost. (WPT-DC)
- 910 KIYU AK Galena - 2/6 0500-0530 - Possibly heard a 1 kHz TT at 0503 lasting for 3 or 4 minutes, hard to say with a very crowded frequency. (JL-OH)
- 920 CFRY MB Portage la Prairie - 1/30 0100-0130 - Poor in mess under dominant WHJJ with code IDs noted at 0122 and 0131. No CW music noted except from WMNL. (MB-ON) ...Not heard. (WPT-DC)
- 1100 KNZZ CO Grand Junction - 2/12 0300-0330 - Not heard, tuned out early at 0312 to escape WWWE programming. KNZZ's code came in OK here on their 12/92 test. (SF-TN) ...Not heard, only WWWE with satellite drivel about kiddie cartoons. And the clears wonder why the FCC wants to take away their protected status. (JL-OH)
- 1210 KGYN OK Guyton - 2/13 0200-0230 - Not a trace. (SF-TN) ...Not heard, only WGMP. (JL-OH) ...No show, only WGMP. (WPT-DC)
- 1250 WREN KS Topeka - 2/14 0100-0200 - Faint but crisp code IDs heard under WTAE at 0113, 0117 and 0122. (SF-TN) ...Blasting in on top of the channel with code, religious music, "This is 1250 WREN", mentions of IRCA and what sounded like "Todd Brandenburg on the air live", station manager (ex-NRC member?), address, phone number for the fax machine, etc. WTAE totally wiped out! KS #2 in VA. (JK-VA) ...Not heard, only two UNIDs, a talker and NOS. (JL-OH)
- 1320 WAMR FL Venice - 1/30 0130-0200 - A no show, only WJAS. (WPT-DC)
- 1420 KUJ WA Walla Walla - 2/26 0400-0600 - Not heard, just WHK and a stew of others. (SF-TN)
- 1580 KFDF AR Van Buren - 3/4 0200-0300 - Not heard. Didn't wake up till 0250 so that could be part of it! I did hear some weak EE stations but no tones or anything, and a station that went into CBS *News* at 0300, but doubt it was them. (GC-NY)

UNID AND UNID HELP

- 690 UNID 3/2 1917-1930 - Strong at times but some trouble from CBF (even though it was auroral, some groundwave sneaking in), and skywave overload. A station with "Hot Talk Radio" slogan. The talk show host may have been named C.C. Cooper, heard that name mentioned a few times. Phone # sounded like 267-9848 or something like that. Another clue may be that the host mentioned being Hispanic-American. Strongly suspect wanted WTI, help! (GC-NY)

- 730 UNID 2/28 2329-0010 - Surprised to find not FF CKAC, and not SS XEX, but strong EE with the *Sports Byline* program, with an interview with a rookie from the *Sacramento Kings*. Went through 2330 with no local ad or ID. At 0000 the program ended, and the station just started beeping (beep beep beep etc.) with no local insert of ID. Listened until 0010 and gave up, as the beeping got old real fast! This was probably not that far as it was peaking fairly strongly, possibly E-W. What is going on here?! (GC-NY)
- 970 UNID 2/16 2040-2050 - Heard with SS music and talk format over/under the WWSW, WWDJ and WNED mess. Nothing listed which is even remotely possible. (RJE*PA)
- 970 UNID 2/20 1230-1300 - While NW of Newport, probably WESO-MA with hit music, fair signal. (JD-RI)
- 1000 WDJL AL Huntsville - UNIDs from both DB and DY are this station, ex-WTAK. After going black Gospel for awhile and a short stunt back simulcasting AOR with their FM (WTAK) they went NOS around the end of December. They are using *Westwood 1* (an occasional closed circuit comment slips through) and the phrase "One thousand memories". (Clever...) They are //WPAD and WSAI when they are all using the satellite. I kept meaning to send the format change in and kept letting it slip by. Hope this clears up the confusion. (ES-AL) (Thanks for the help, Ed - db)
- 1050 UNID 3/2 1748 - Two calls sounded like WFBN, or WSV?, and/or a hundred other phonetic obstacles, satellite standards with "Great songs, great memories". Atop at sunset. Is WSEN standards? (BA-PA) (Yep, that's them - db)
- 1120 UNID 3/2 1759 - Beautifully fragile and weak but isolated SSB. Tuned in a minute too late. Made a nice tape. I will hunt this down with every resource in my system. (BA-PA)
- 1160 WYNS PA Lehighton - Was my UNID of 2/5 in Issue 21 with NASCAR. Now if I could figure out who the 1600 one was... (RJE-PA)
- 1200 WKRL NY North Syracuse - Probably R.J. Edmunds' UNID, as they just moved to this frequency and they are NOS (parallel to WTLB 1310 Utica). Not sure about calls but they are NOS I know. (GC-NY)
- 1290 WNBF NY Binghamton - Dave Evans' "WLDF" UNID I bet is this one. Calls sound the same and talk format fits, plus they get out well. (GC-NY)
- 1330 WADJ PA Somerset - 2/7 1736 - Was my UNID of 2/5, heard at this time with "Somerset County's racing station, WADJ" and mention of the 2/5 race. (RJE*PA)
- 1430 UNID 2/17 0039-0040 - Weak with NOS music, ID. Calls sounded like WMYF. I have a 12 year old *Log* so I have no idea about this one. (SP-VA) (How about WNAV? - db)
- 1510 WNOP? 2/3 1556 - Last letter of call either P or C, weather at 1558 "This is meteorologist Bob Cox for News Radio WNOP". I don't have this one in my 14th Edition *Log*. QRM from WNRB (ex-WSSH), fair. (DP-PQ) (Maybe WNLC-CT? - db)
- 1550 UNID 2/6 0410 - *Sport Tomorrow* talk program, 1-800-365-PLAY to call them, ad for *Metrics* performance food, ad for *NFL Video*, humming sound at 0448 (probably CBE's OC) and at 0458 CBE took over with the national anthem. I think the host mentioned that this program was only broadcast the morning after Saturday and Sunday. Poor-good, looped E-W. (DP-PQ)
- 1550 UNID 2/17 0645-0650 - Heard with SS music and talk format and several "Cinqueto cinquenta"s. While this doesn't literally translate, I've heard LAs use a similarsort of slang for the frequency. WNTN or WRDM? (RJE*PA) (Yes! - db)
- 1570 UNID 2/6 0730 - "Real Country News" slogan at 0733 into CW songs. Poor. (DP-PQ)
- 1570 UNID 2230+ - UNID FF music program with male announcer faded in over WPEP, then gone after a minute of talk with FF song at 2234. Could this be a new PQ station? (AR-MA)
- 1570 WBUX PA Doylestown - This could be DY's UNID from 2/7, now IDs as "The Bucks County Connection" and has basically dropped the 70's format for local talk and some AC/oldies music. (DS-DE)
- 1570 WBUX PA Doylestown - DY's UNID item in No. 21 is not WBUX. Maybe a parallel somewhere? (RJE-PA)
- 1590 WETT MD Ocean City - As of 2/23 this station is still silent. Suspect DY's UNID of 1/22 is WKTP (simulcast of WKPT-1400). (DS-DE) (Stole my thunder! I was in OC on 2/22 and they were indeed off - like you needed me to tell you that now! - db)
- 1600 UNID 2/6 1745 - CW weak under Wbfd, WJQI and WPDC when disappeared. (RJE*PA)
- 1600 UNID 2/6 1730-1745 - With "Southern Gospel" (or perhaps "Solid Gospel") bird-fed program over/under Wbfd, WJQI WPDC and UNID CW. Not WHOL nor WJSA, both already "gone". (RJE*PA)

1600 UNID 2/28 1812-1816 - With NOS, the "Unforgettable music for the...Valley W...", sounded phonetically close to "WFTK" but, of course, nothing matches. Does that wording ID it for anybody? (RJE-PA) (Probably, but I'm not one of them! - db)

0000 to 0800 ELT

540 WWCS PA Canonsburg - 2/14 0550-0601 - Fair in mix with SS UNID talk station and UNID CBC FF station with EE woman hosting program with accordian music. Time pips heard at top of hour, followed by "WWCS" call letters in cultured voice in place of GMT announcement. (AR-MA)

550 KUSA MO St. Louis - 2/27 0215-0245 - Intermittent but strong at times just under strong local WGR. This one shocked me. Satellite adult standards music, ads, slogan that sounded like "from St. Charles to St. Louis". Calls sounded like KUSA, not KSD, call change? Still on day pattern? Ice on the towers? New. (GC-NY)

WCKY OH Cincinnati - 2/20 0459 - Very poor, interview with either nutrition or diet author, finally heard on this frequency. (JH-NJ)

600 WICC CT Bridgeport - 1/31 0000 - ABC News, ID at 0006, CIQC QRM. (DP-PQ)

680 CKXG NF Grand Falls - 2/3 0054 - CW music, news, Travis Tritt song at 0119, "This is Kix Country" slogan at 0121. Weak under CFTR in WRKO null. NF #2. (DP-PQ)

690 WTX LA New Orleans - 2/14 0105 - Good with NBC News, "WTX" mentions and then talk. (JK-VA)

740 WVLN IL Olney - 2/27 0153 - In decently this AM over CHCM with CBL off with promo for "Man or Woman of the Year" in Olney, sponsored by WVLN/WSEL, into country music, new. (GC-NY)

CHCM NF Marystown - 2/20 0245 - With good NE conditions this evening-some jingles, contest promo, and hot adult contemporary music, alone on the channel with CBL off, weak but steady. New, and if I am not mistaken I think this completes the Canadian provinces for me (I think I heard CBU and CBX before, can't remember now) (GC-NY) (Congrats! - db)

760 WVNE MA Leicester - 2/9 0430 - In with talk show and ID "Life changing radio, AM 760". (LW-NY)

850 KOA CO Denver - 2/12 0145 - In with talk, under/over WRMR. First time heard in a while. (LW-NY)

WRMR OH Cleveland - 2/12 0200 - Fair signal, "Music of Your Life" IDs and winter travelers advisory forecast for area. (LW-NY)

890 WHNC NC Henderson - 3/3 0724 - Lunch menus for Vance and Warren Counties into spiel about how good school lunches are, then calls. (MS-NC)

910 CHRL PQ Roberval - 2/20 1130-0230 - VERY strong tonight, have heard this before weakly, but sounded like a local tonight. (GC-NY)

920 WMNI OH Columbus - 1/30 0107 - Fair over WHJJ, noted while looking for CFRY test, with AM 920 WMNI Top Ten Country Countdown promo into CW music. (MB-ON)

CJCH NS Halifax - 2/20 1130-0230 - Tentative, strong Canadian sounding AC station peaking all night but at the wrong times. (GC-NY)

940 WKGM VA Smithfield - 2/27 0130 - Atop channel with taped religious preaching emanating from a Nanuet, NY address, no sign of CBM or WMIX, only Radio Reloj. (BA-PA)

970 WZAN ME Portland - 2/1 0138 - Talk with Jennifer Gould, US Savings Bond ad, Marines ad, "WZAN Portland" at 0200, news, "Hot Talk Radio 9-70", good. (DP-PQ)

990 WVSC PA Somerset - 3/3 0740 - Mention of local high school basketball teams followed by "hear all the action beginning at 2:45 pm on WVSC". (MS-NC)

1000 CFLP PQ Rimouski - 2/20 0215 - WMVP was off (but this was heard in there earlier with WVMP on, good conditions to the NE tonight), dominating the channel with a SS far under, and very briefly, an EE talker that seemed to be WNW/ESE, KOMO? I'll never know... (GC-NY)

1030 WQSE TN White Bluff - 2/13 0712 - Briefly over KCTA with call letters, then gone. (MB-IN)

1070 WINA VA Charlottesville - 3/2 0107 - just ID heard. (CRB-NY)

1100 WYKR VT Wells River - 2/6 0705 - VT and NH news, *Frigidare* ad, temperatures for St. Johnsbury, Lebanon, Montpelier, ID at 0713, fair. (DP-PQ)

WYKR VT Wells River - 3/3 0633 - Good with the *Early Bird Show*, weather sponsored by *True Auto Parts* in Bradford into auction notices. Thanks to Bruce Conti for the tip on this station as I needed the Y for the IRCA Letterama contest! (TB-MA)

1160 WODY VA Fieldale - 2/21 0505 - Atop ending USA News, then "WPTX, Salem and the Roanoke Valley. WPIN, Dublin and the New River Valley. WODY, Fieldale, Martinsville, Danville. This is the P-A-R FM network, your Christian connection." 1160 #20. (SF-TN)

1170 WKPE MA Orleans - 2/8 0653-0655 - With Kinks record, then promo mixing with WDIS, WCTF and WWVA. (RJE*PA)

1210 WSBI TN Static - 2/28 0706 - Ad for *Lee's Chicken* in Albany on Highway 127 South. (MS-NC)

1230 WIGS NY Gouverneur - 2/11 0714 - Fair with promo for *Winter Blast* winter carnival in Gouverneur into local news with lead story being the number of deportable aliens caught attempting to cross the border in Ogdensburg and Massena thus far in 1995. (MB-MA)

1240 WIOV PA Reading - 3/1 0607 - Heard with CW music. (CRB-NY)

1250 CBGA PQ Matane - 2/11 0718 - Fair over WARE with FF talk about Celine Dion into song from her *Colour of My Love* album. (MB-MA)

1260 CIHI NB Fredericton - 2/11 0728 - Fair-good with *Walking on Sunshine* by Katrina and the Waves followed by "See-High" ID, local weather, promo for advertising on CIHI. (MB-MA)

1270 WKZT KY Fulton - 2/16 0715 - Fair with ID as "we're playing more of your favorite country hits, WKZT", CW music. (MB-IN)

WXYT MI Detroit - 2/16 0430 - In briefly with promo for *Rush Limbaugh*, "WXYT's nonstop weather watch forecast", *Cellular One* spot, *Sleep Disorder Institute* spot and yet another *Rush* plug "weekdays at noon on News Radio 1270 WXYT". Gone after 6 minutes, a lot of static this morning. (RH-ON)

1280 WADO NY New York - 2/3 0141 - SS music, talk between two men, EE ID at 0200, fair. (DP-PQ)

1290 WHIO OH Dayton - 2/15 0456 - Heard call letters through CJBK's *Good Time Oldies*, very weak behind them. (RH-ON)

WFBG PA Altoona - 2/15 0510 - Very weak behind CJBK but fairing better than WHIO, "America's favorite standards" was one of the slogans, morning guy there has great pipes, maybe network? (RH-ON)

1350 WTOU OH Akron - 2/17 0036-0038 - Fair with spots, promo for "The new Touch 1350" concert. (SP-VA)

CKDO ON Oshawa - 2/25 0540 - Good with ID as "Oldies 1350, CKDO", oldies. (MB-IN)

1360 WNJC NJ Washington Township - 3/1 0630 - Heard with CW music. (CRB-NY)

WAOZ OH Cincinnati - 2/11 0430 - *Radio Aahs* programming, child with ID at :30 "Oh boy...it's the weekend...Radio Aahs", promo for upcoming *Cyclones* game that evening with Indianapolis, "1360 Radio Aahs, voice of the Cyclones". A wonderful format for children but surely their dayparts are limited! (RH-ON)

1420 WHK OH Cleveland - 1/8 0635 - Fair, in-out with ID, ad for *GTE Cordless Phones*, local news. (MB-IN)

1450 WCTC NJ New Brunswick - 2/15 0215 - Strong above pile for about 30 seconds with advertisements. "WCTC, your News Talk leader in central Jersey." (BF-MA)

1480 WHBC OH Canton - 2/24 0722 - Very weak, call letters heard. (MS-NC)

1510 WJIC NJ Salem - 2/15 0659 - Noted with sign-on into *ABC Network News*. (JH-NJ)

WPUT NY Brewster - 2/14 0658-0700 - With CW, then "1510, WPUT, Brewster" and into news. (RJE*PA)

1550 WNTN MA Newton - 2/6 0759 - SS music, "7 degrees in Boston", ID at 0808, poor-fair. (DP-PQ)

WRTP NC Chapel Hill - 2/20 0714-0716 - Mixing with WSAI with Christian Contemporary format, holiday closings into *Focus on the Family*. (SP-VA)

1560 KCJJ IA Iowa City - 2/6 0328 - Songs by Mariah Carey, Tears for Fears, ID at 0344 "This is 15-60 KCJJ...the place for much more music at today's choice", other ID at 0400. Poor-fair in WQEW silent period. IA #2. (DP-PQ)

WPAD KY Paducah - 2/10 0640-0644 - With NOS and ID over/under WQEW and over UNID CW, likely sunrise pet WTNS. (RJE*PA)

WPAD KY Paducah - 2/20 0314 - In mix with station broadcasting "Good times, great oldies", recorded announcement "You're on the right track" followed by ID. Fair. (AR-MA)

WMRO TN Gallatin - 2/20 0220 - WQXR was off. Surprised to find this channel sounding like a regional! This was in there well with what sounded like oldies and "Magic 1560" slogan with calls, and I believe some *CNN Headline News* around 0250. In with UNID's, one with adult standards, and another a top 40/dance station, no news/talk heard (KNZR). Is WMRO on all night now? (GC-NY)

- WMRO TN Gallatin - 2/27 0200 - Very good over tentative WPAD with legal ID "Sumner County's Good Time Oldies Station, WMRO Gallatin is Magic 1560". Second straight Monday AM this daytimer was heard? (GC-NY)
- WMRO TN Gallatin - 2/27 0205 - Ad for business on "Nashville Pike", then "Magic 1560 WMRO Gallatin". (MS-NC)
- 1570 WANR OH Warren - 2/6 0459 - ID "...on WANR, metro station 1-57, this is WANR, Warren" into news. Fair, fading shortly after. (DP-PQ)
- 1580 WDAB SC Travelers Rest - 2/14 0615 - Fair signal with CNN *Headline News* and many "AM 1580" IDs. SC #10. (LW-NY)
- CBJ PQ Chicoutimi - 2/14 0540 - Fair signal with sign-on and Canadian anthem beginning day's broadcast. (LW-NY)
- 1590 WAKR OH Akron - 3/2 0658 - Surprise, wasn't expecting to hear them, calls. (MS-NC)
- 1600 WUNR MA Brookline - 2/3 0214 - SS music, EE ID at 0300 over/under CHNR. (DP-PQ)

0800 to 1600 ELT

- 740 CBL ON Toronto - 2/10 1104 - Fair on daytime groundwave with CBC *News*. (MB-MA)
- 920 WIRD NY Lake Placid - 2/3 1209 - Rush Limbaugh program, ad for *The Club* with Johnny Bench, "Radio Lake Placid, WIRD" ID at 1300, fair but noisy. (DP-PQ)
- 930 WPAT NJ Paterson - 2/20 1300 - Lite music. Good signal. (JD-RI)
- 970 WZAN ME Portland - 2/20 1247 - Weather report, "Portlands talk station". Loop aimed N-NE. Fair signal. (JD-RI)
- WWDJ NJ Hackensack - 2/20 1230 - Religious programing, fair signal. Loop aimed to the general west. (JD-RI)
- 1020 WIBG NJ Ocean City - 2/20 1300 - Christian singing. Good signal. (JD-RI)
- 1070 CBA NB Moncton - 2/10 1345 - Show on folk music, ID as "CBC Moncton". Coming in extremely well for early afternoon. Usually doesn't come in this well until about 1600. (BF-MA)
- 1140 CBI NS Sydney - 2/10 1445-1450 - Same programming as CBA. Coming in weak but not often heard here, especially so early in the day. (BF-MA)
- 1160 WOBM NJ Lakehurst - 2/20 1300 - Oldies and ID, good signal. (JD-RI)
- 1250 WIPS NY Ticonderoga - 1/30 1340 - CW songs, ID at 1400, *ABC News*, *Elvis' Don't Be Cruel* at 1408, weak and noisy. (DP-PQ)
- 1330 WWRV NY New York - 2/20 1302 - *Radio Christiana International*, fair signal. (JD-RI)
- 1340 WMID NJ Atlantic City - 2/20 1318 - Oldies "Great Songs Great Memories". Fair signal. WNBH was interfering. WMID stood out pretty good. (JD-RI)
- 1380 WKDM NY New York - 2/20 1304 - SS, *New York Foundation for Senior Citizens* ad and English ID. Good signal, WNRI nulled. (JD-RI)
- 1400 WOND NJ Pleasantville - 2/20 12:15 - *Paul Harvey* and ID. Good signal. WHTB partly nulled. (JD-RI)
- 1420 WWSR VT St. Albans - 2/3 1440 - Talk program about homosexuality, *VISA* and *Lens Crafters* ads, news, ID "AM 14-20 WWSR ST. Albans, Franklin County" at 1520 in CKTL null, poor. (DP-PQ)
- 1450 WFPG NJ Atlantic City - 2/20 1307 - Atlantic City Weather Report. Good Signal. A strong UNID was nulled. (JD-RI)
- 1500 WTOP DC Washington - 2/10 1440-1445 - Coming in as well as it does at night, doesn't usually come in until just before sunset. (BF-MA)
- 1580 WNZT PA Columbia - 2/15 1200 - News talk, IDs with hesitant last letter, as in "WNZ...T". mixing with rap music station, perhaps WPGC. (BA-PA)

1600 TO 2400 ELT

- 540 WLIX NY Islip - 3/3 1830-1850 - ID noted at 1840 and 1848; slogan "Christian 54" and mention of Johnny Peacock song; no sign of WWZN; thought they were a 250 watt daytimer. (RWT-MA) (15th Edition of the Log shows them as U1 250/204 - db)
- CBT NF Grand Falls - 2/20 1710-1715 - Loud atop jumble with CBC's *The News at Six*. (MD-MA)
- 560 WQAM FL Miami - 2/14 2156 - Good with "Sports Radio 560 WQAM". Is the Log correct? Seems to me WSUN and WQAM have special authorizations to run higher power to combat Cuban interference. I thought both were 10 kw like WIOD is? (JK-VA)
- 580 WHP PA Harrisburg - 2/15 1725-1735 - Fair with news, traffic, weather, *Dr. Laura S.* and plenty of IDs. PA #52. This could be semi-regular now that CJCL is on 590, making adjacent frequencies 580 and 600 easier to copy due to talk instead of music. (DP-ON)

- 590 WMBS PA Uniontown - 3/2 2159 - Just caught the legal ID, tough under nearby mega-pest 570 WWNC. (MS-NC)
- 610 WRFX NC Charlotte - 2/16 2138 - Good with sports and "The Fox, WRFX". (JK-VA)
- 620 WVMT VT Burlington - 2/13 2033 - Way atop channel with news, ID, PSA, ad and more news. (RJE-PA)
- 630 WPRO RI Providence - 2/1 2118 - *New England Chrysler-Dodge Dealers* ad, sports results, ID at 2122 under CHLT. (DP-PQ)
- CHLT PQ Sherbrooke - 2/5 2115 - FF music, way atop the frequency. (TF-CT)
- 640 WGST GA Atlanta - 2/10 1741-1744 - Fighting it out with WFNC with regional news. (RJE*PA)
- CBN NF St. John's - 2/20 1750-1755 - Loud and clear way atop channel with *CBC News // CBT-540* and *CBGY-750*. (MD-MA)
- 660 KSKY TX Balch Springs - 2/15 1845 - Very good with promo for upcoming interview with Phyllis Schafly. (RT-NC)
- 670 WIEZ PA Lewistown - 2/5 1740 - Oldies music, "Weather every fifteen minutes on AM 670 WIEZ" gone under WFAN interference. (TF-CT)
- WIEZ PA Lewistown - 3/1 1747 - Strong but needed, an oversight since I started AM again (ex-1490), promo for Mifflin County volunteers, etc. into *ABC News* at 1749, odd time for that. No WMAQ, new. (GC-NY)
- 680 WCNN GA Atlanta - 2/10 1738-1740 - Atop channel with traffic, PSA. (RJE*PA)
- WPTF NC Raleigh - 2/10 1646 - Ad for a *Buick-Pontiac-VW-Saab* dealer on Chapel Hill Boulevard in Durham, ad for *The Aluminum Company of North Carolina*, advertising a religious program "...this Sunday on 9:30 AM here on WPTF". Fair in WRKO null, heard 20-25 minutes before LSS. (DP-PQ)
- WPTF NC Raleigh - 2/22 2215 - Fair-good, *Wolfpack* basketball ending, mention of "Capitol Sports Network", and "back to control center in Raleigh". Mentioned that next broadcast would be from Raleigh. (MS-JAM)
- WPTF NC Raleigh - 2/17 1747 - Heard with traffic report for area and sports talk. Good signal. (LW-NY)
- 690 WOKV FL Jacksonville - 2/10 1715 - Poor under CBF with announcement "WOKV news time is 5:15" into local traffic report. My 27th state heard from Kripalu. (MB-MA)
- 720 CHTN PI Charlottetown - 2/13 2040 - Atop channel with *Good Time Oldies* satellite program and local ID. (RJE-PA)
- 730 WPAL SC Charleston - 2/14 2044 - Loud at times with UC "...and you thought radio could never sound so good...the power's on, Power 73". The power switch always sounds like the high power position even at night! (JK-VA)
- 750 WSB GA Atlanta - 2/22 2248 - Fair over RJR-Jamaica with ID as "News Talk 750 WSB". (MS-JAM)
- CBGY NF Bonavista Bay - 2/20 1738-1745 - Fair over CKGB with *CBC News // CBT-540*. CKGB had CW music and call letter IDs. (MD-MA)
- 770 WVNN AL Athens - 3/3 1900 - Weak, call letters heard. (MS-NC)
- WLWL NC Rockingham - 2/15 1745-1750 - Fair with ad for *Mike's Bike Shop* and legal ID followed by discussion show. Southern accents and nature of commercials quickly led to believe this wasn't WABC and thus my second catch on 770. NC #8. (DP-ON)
- KPBC TX Garland - 2/15 1808-1813:15 - Fair-good with Christian country music, many "Christian Country 77" slogans to sign-off or power drop. New. (RT-NC)
- 790 WTSK AL Tuscaloosa - 2/14 2145 - Doing real well with 36 watts during auroral conditions with UC and "WTSK 790 Gold...the Deep South's Gold". WTAR completely absorbed by the aurora. (JK-VA)
- WTSK AL Tuscaloosa - 3/2 1920+ - In very strong at times over normal CIGM with soul oldies, "Your soul station, 790 Gold" slogan heard at 1922, with calls heard later and what sounded like an ad mentioning their FM station WTUG. Must have stayed on late. New. (GC-NY)
- 840 WRYM CT New Britain - 2/26 1800 - Strong atop WHAS with SS talk legal ID given at top of hour in SS with "ocho-cuarenta" slogan still in strong after 6pm, late? New. (GC-NY)
- 850 WEEI MA Boston - 2/7 1730-1735 - With weather, then phone talk program over/under WEEU and WRMR. Weird hearing both a WEEI and a WEEU right on top of one another. (RJE*PA)
- WYLF NY Penn Yan - 2/7 1738 - Tentatively with PSA, ad and ID weak under the mess. Music sounded more like a REL or GOS format unless there was still another station in there. (RJE*PA)

- KEYH TX Houston - 2/14 1847-1816-07** - Excellent with SS programming to power drop, many "La Ranchera" slogans. (RT-NC)
- WNIS VA Norfolk - 2/10 1734** - Fair over WEEI with local weather, right-wing talk show slamming *Gay Pride* festival in Norfolk. Phone number given as 640-8585. (MB-MA)
- 860 WSON KY Henderson - 2/23 1904** - Ad for *Ohio Valley Bank* and then back into high school basketball, calls mentioned. (MS-NC)
- WFMO NC Fairmont - 2/17 1800** - Fair signal with brief weather-cast for area then sign-off. #19 heard from NC. (LW-NY)
- 880 WRFD OH Worthington - 3/1 1800** - Clobbering WCBS with legal ID. (GC-NY)
- 890 WFKJ PA Cashtown - 2/19 1740** - Gospel music, abruptly cut off by vocal SSB, most of sign-off message cut off by WCBS splash, not heard here before. (TF-CT)
- WFKJ PA Cashtown - 3/1 1730-1800** - I had to wait that long to hear an ID, in the form of a sign-off. Southern Gospel, new. (GC-NY)
- 900 WLSI KY Pikeville - 2/14 2047** - "For the best in Gospel music stay tuned to AM 900 WLSI." Not bad for 159 watts. (JK-VA)
- WINF VA Staunton - 2/10 1700** - Fair in CKTS null with ID as "News 900 WINF Charlottesville-Staunton, news all the time" into *AP Network News*. (MB-MA)
- CHML ON Hamilton - 1/28 1803** - Local newscast, accents dead giveaway! (MS-NC)
- 910 WRKL NY New City - 2/16 1827-1830** - Atop channel quite unexpectedly with stock report "from the offices of Prudential-Bache in New City", then ID. (RJE*PA)
- WSBA PA York - 2/8 1711** - Good, "Talk Radio 910 WSBA" from male announcer with news about a contest, followed by female announcer. Faded out before power cut at 1713. (AR-MA)
- WEFG TN South Pittsburg - 2/14 2027** - In well during auroral conditions with a commercial for the *J.B. Davis Restaurant*, and WEPG mentions. Good at 95 watts. (JK-VA)
- CKLY ON Lindsay - 2/13 2045-2055** - With *Maple Leafs vs. Black Hawks* hockey over/under the mess. (RJE-PA)
- 920 WIRD NY Lake Placid - 1/26 1745-1750** - Fair in dogfight with WHJJ, slogan "Radio Lake Placid, the Voice of the Adirondacks", ads for *Tangier Furniture* and *Tri-Lakes Ford/Mercury* in Lake Placid, promo for dance at the *Lake Placid Hilton*, promo for *Rush Limbaugh Show*, asking for sponsorship and listener support. Urged listeners to send \$5 to Radio Lake Placid, Box 821, Lake Placid, NY, 12946 to help keep Rush on the air! Signal lost to WHJJ by 1750 but not before I got a lot of good local stuff for a report and an address to boot. (MB-ON)
- WYMB SC Manning - 2/18 2239** - They are indeed "Wheels 92.5, eastern South Carolina's best country, WHLZ-FM", no AM call letters heard. (JK-VA)
- 930 WRRF NC Washington - 2/10 1730** - Poor over WZNN with *Ad Council* PSA against drunk driving, slogan "Full service radio" followed by "WRRF" jingle. (MB-MA)
- 940 WKGM VA Smithfield - 2/8 1703** - Good, "WKGM Smithfield, Virginia" ID heard during momentary CBM fadeout, then lost to the Quebecker. (AR-MA) (Or is that "Quebecois?" - db)
- 950 WROL MA Boston - 2/26 2230** - Dominating the channel with contemporary Christian music, and then a legal ID mentioning another simulcasting station that I didn't catch, rare, usually WWJ here. (GC-NY)
- WWJ MI Detroit - 3/2 2059** - Weak, but calls clearly heard. (MS-NC)
- 980 WCAP MA Lowell - 2/11 1800** - Poor in WTRY null with PSA for planting trees, ID as "Talk Radio 980 WCAP, it's 6 o'clock". (MB-MA)
- 990 WNTY CT Southington - 2/14 1826-1845** - Fair with fades and mixing with WZZD. AC songs, woman DJ J.J. McKay(?), ads for *Veggie World*, *Millville Car and Truck Wash*. New. (JH-NJ)
- 990 CBW MB Winnipeg - 2/22 2230-2310** - Poor-fair, CBC programming on CST schedule with talk on Algonquin Indians, 10pm western edition of *CBC news* at 2300 with feature on grain prices, probably my best mainland NA catch on DXpedition. (MS-JAM)
- 1000 WRNJ NJ Hackettstown - 2/18 1725** - Atop with AC music, "RJ 1000", noted on air that address is P.O. Box 1000, not heard here before. (TF-CT)
- WIOO PA Caslisle - 2/19 1803-1812** - Way atop frequency with *ABC News*, local bulletin board, "Your hometown favorite, 100 AM, WIOO", *ABC Sports*, promo for *Tradio* to buy, sell and swap each weekday noon on WIOO, lost to WMVP, not heard here before, hope they veriel (TF-CT)

- 1010 WGUN GA Atlanta - 2/10 1720-1729** - With pre-recorded religious program from Conyers, GA then ID, smashing WINS. (RJE*PA)
- CFRB ON Toronto - 2/12 2045-2050** - Good with NBA All-Star Game, spots, ID. Generally better than WINS. (SP-VA)
- 1040 KAIN LA Vidalia - 2/15 1859-1900** - Fair with several "K-Ten" slogans. (RT-NC)
- 1060 WGSB NC Mebane - 2/10 1720** - Over KYW with church community calendar, funeral schedules, faded. (TF-CT)
- WCOK NC Sparta - 2/10 1707** - Farm prices, country music, commercials, weak signal over KYW, call to station's receptionist ("You are hearing us WHERE?") verified that it was indeed they, lost to WGSB. (TF-CT)
- 1070 WNCT NC Greenville - 2/13 1706** - In with local-like signal with pop music and ID "Wherever you're going take us along with you, AM 1070". (LW-NY)
- 1080 WEEP PA Pittsburgh - 2/19 1746** - CW under local WTIC's talk about the *UConn Huskies* basketball team (what else?), ID by female at 1755, some commercials, gone by 1802. (TF-CT)
- WKBY VA Chatham - 3/1 1745** - Pedantic and somewhat stilted woman with ID mentioning "The Voice of Inspiration" following REL music. Nothing else IDable with them. On top of channel for quite a while. (BA-PA)
- 1090 KAAY AR Little Rock - 3/2 1910** - Tentative, very strong station over pests WBAL and CKKW with religion, was gone soon afterwards. (GC-NY)
- 1120 WADN CT Concord - 2/19 1720** - Folk music, female announcer, commercial for *Carmen's Veranda* in Sudbury, way atop frequency. (TF-CT)
- 1130 WLBA GA Gainesville - 2/10 1715-1720 & 1730-1735** - Believe this to be the SS talker mostly over WBBR as conditions ducting that way. No ID, though. (RJE*PA)
- KWKH LA Shreveport - 3/2 1915** - Best I have ever heard them, with no sign of NYC or Detroit, local ads, 43 degrees in Shreveport in the "Weathervane" forecast, lost suddenly as in pattern change. Darn, discovered this opening too late! (GC-NY)
- 1160 WPIE NY Trumansburg - 2/10 2250** - Weakly above other stations very briefly, "Country WPIE". (BF-MA)
- WAMB TN Donelson - 3/2 1900** - Strong with legal ID mentioning serving Nashville and middle Tennessee, into *Mutual News*. Not new, but rare, not much gets through WJJD and WCCS that late in the night. (GC-NY)
- 1170 WKPE MA Orleans - 2/17 1755** - Oldies music, "Oldies 104" ID, promo for a Platters concert, way over WWVA. (TF-CT)
- 1180 VOA FL Marathon - 2/22 1856** - Fair with SS talk, news about USA, ID as "La Voz de los Estados Unidos de America", music. (MS-JAM)
- 1200 WKRL NY North Syracuse - 2/23 1915-1933** - Oldies/easy listening music; 1917 ID "1310, WTLB". Announcement at 1933: "New York now has a new radio station, 1310 Utica and 1200 Syracuse." (RWT-MA)
- 1220 WFAX VA Falls Church - 2/16 1931** - Near local strength, apparently on day power/pattern with REL, "Dr. Ford" and many WFAX mentions. (JK-VA)
- 1230 WJNO FL West Palm Beach - 2/21 1814** - Poor-fair with ID, traffic report, only US graveyarder positively identified. (MS-JAM)
- 1250 CHWO ON Welland - 3/2 1905** - Alone and clear with weather, "Your Hit Parade Station" ID and *Cocktails for Two* by Nat King Cole. (BA-PA)
- 1290 WJBR DE Wilmington - 2/13 1745** - Fair signal with Wilmington area forecast and NOS music. (LW-NY)
- WBZT FL West Palm Beach - 2/21 2302** - Good with news, message from *Children's International*, auto repair ad, phone 848-1023, ID as "AM 1290 and Talk 1290", mention of "Miami Heat basketball on AM 1290 WBZT, ?? Country's sports leader". (MS-JAM)
- 1300 WXRL NY Lancaster - 2/13 1924** - Country gold of the Hank Williams genre (Hank St.). Springville and Arcade, NY mentioned, "WXRL" call letters and address given as part of a dance promo coming up in March. Weather report with snow warning in effect. Cleveland in behind them, WXRL gone at 1936. (RH-ON)
- 1310 WJLK NJ Asbury Park - /1 1845** - Heard with CW music with WSSJ. (CRB-NY)
- WSLW WV White Sulphur Springs - 3/1 1840** - Popped up between the two NJ stations. (CRB-NY)
- 1320 WARA MA Attleboro - 2/17 1817** - *BRN Financial Hour*, promo for *Health Talk* each morning on 1320 WARA, sponsored by the *Rhode Island Memorial Hospital*, way atop for 20 minutes, lost to regular WATR, hope that this holdout veriel! (TF-CT)
- WARA MA Attleboro - 3/1 2048** - Girls high school basketball game between *Red Rocketeers* and ?? (CRB-NY)

- 1330 WVCV FL Tallahassee - 2/25 2021 - Major surprise!! In car on way home from store and I hear dead air, then "WVCV Tallahassee" then more dead air. It's even more special since I lived less than a mile from their studios for 2 1/2 years before moving to Asheville! (MS-NC)
- WASA MD Havre de Grace - 3/1 1739 - "Classic Country" slogan. (CRB-NY)
- WADJ PA Somerset - 3/1 1733 - Just ID heard. (CRB-NY)
- 1340 WMSA NY Massena - 2/10 2235 - Some sort of sporting event, coming in too weak to really tell. Seconds earlier easily heard several mentions of downtown Massena in advertisements. (BF-MA)
- 1350 WOYK PA York - 2/23 2252 - Ad for car dealer mentioning "York City" poor under others. No ID picked up, but assumed by the mention in heard advertisement. (AR-MA)
- CKDO ON Oshawa - 2/10 1802 - Fair with announcement "CKDO news time is 6:02" into Toronto Stock Exchange report. (MB-MA)
- CKDO ON Oshawa - 2/12 2136 - "GTO Good Time Oldies" with local "1350 CKDO" positioners between songs. Local spots for Dairy Queen in Oshawa and a sex video. Believe it or not around this end of Lake Ontario this is DX, they must be protecting someone at night west of their broadcast area. (RH-ON)
- 1370 WELV NY Ellenville - 2/26 1832 - Good with ID for talk, sports on "1370 WELV", then lost a minute later to the New England "NOS sisters" FEA and DEA. (AR-MA)
- 1380 WYNK LA Baton Rouge - 3/2 1914 - Noted strong country station with UNID sports talk (WIZO?) which caught my attention as being unusual. Interrupted a song by John & Audrey Wiggins with a legal ID and sign-off, advising listeners to tune to WYNK 101.5. Can't believe how strong this was at times, I take it conditions were quite good this evening! New! (GC-NY)
- CKLC ON Kingston - 2/8 2000 - Very, very weak back in null of CKPC, had to wait a long time for a break of silence in CKPC's broadcast to finally hear a female state "AM 1380 CKLC". (RH-ON)
- CFDA PQ Victoriaville - 2/27 2325 - Strong with talk about hockey in FF, tentative but this is only logical possibility. (GC-NY)
- 1390 WHMA AL Anniston - 2/22 2100 - Good with ID at :00, CW music. (MB-IN)
- WGCI IL Chicago - 2/20 2150-2200 - Good with "Dusty Radio" ID and *When Will I See You Again* by the Three Degrees. First new catch on 1390 since local CHOO went off the air hours earlier. IL #9 and career catch 421. (DP-ON)
- WDCW NY Syracuse - 2/6 2249 - ID, downtown Syracuse temperature given, spot for *Northside Auto*, Pastor Lee Simmons mentioned into Gospel music. Probably Youngstown, OH in null. Is this the old 14-FBL? (RH-ON) (Yep, it's them - db)
- WDCW NY Syracuse - 3/1 2023 - Gospel rock. (CRB-NY)
- 1410 WLWV AL Mobile - 3/1 0000 - "This is the sound of Love" atop frequency for a few UNID nights previous with REL services. Not an especially generous aurora, either. When they were WUNI in the 60's they were loud AN in NYC for a spell of weeks. (BA-PA)
- CKSL ON London - 2/5 2121 - Spider Jones taking calls on "The Fan" // CJCL. ID heard "London's news station, AM 1410". Two stations UNID in null of CKSL, one running CBS' Pro Bowl coverage with Jack Buck and the other running continuous soft AC/Oldies. (RH-ON)
- 1420 WVJS KY Owensboro - 2/27 2003 - Weak, call letters given. (MS-NC)
- WHK OH Cleveland - 2301-2305 - With NBC News, ID. (SP-VA) (No date given - db)
- WHK OH Cleveland - 2/25 2349 - In well with syndicated *Sports Fan Radio Network*. (TB-MA)
- CKPT ON Peterborough - 2/25 2300 - In good with ID "A variety of music. The best of both worlds. Your favorites of the 50s through the 90s. From 1420 CKPT Peterborough." Into *Dancing In The Dark* by Bruce Springsteen. (TB-MA)
- 1440 WMKM MI Inkster - 2/4 2200 - Alone briefly with male giving ID "This is Detroit's only 24 hour Gospel radio station, WMKM Inkster-Detroit" then into Gospel music with male host. Over/under WRRO with CJCL slop. (RH-ON)
- WRRO OH Warren - 2/4 2159 - Verbal ID heard with "This is Warren's radio station WRRO" then EZL music (instrumental) over/under WMKM but this was the dominant station...not surprising with 5 times more power than WMKM. (RH-ON)
- 1500 KSTP MN St. Paul - 2/12 2053 - Weak with ad by James Earl Jones for musical *Showboat* coming to Minneapolis. Phoned station for confirmation. Under WTOP and mess. (SP-VA)
- 1520 WGAM MA Greenfield - 2/3 1704 - Weather forecast, "Greenfield, WGAM 15-20" ID at 1705 into NOS music. Fair. (DP-PQ)

- 1530 WCRJ FL Jacksonville - 2/17 1801 - Good with ID mentioning "WCRJ, 5900 Picketville Road", *Options Radio Network* and "WCRJ Buyers Club". (MS-JAM)
- 1540 WMYF NH Exeter - 2/5 1707 - In like a local, "AM 1540 WMYF". Mark Avery is SMN DJ, adult standards including Anne Murray record, gone at 1715. I understand that this one is difficult to verify? (TF-CT)
- 1550 WCSJ IL Morris - 1/5 2017 - Good at tune-in with ID as "WCSJ Morris", NOS music. Log says 6 watts at night. Lost by 2020. IL #50. (MB-IN)
- WBSC SC Bennettsville - 2/10 1745 - Poor with promo for local high school basketball game to be aired on WBSC into local weather. (MB-MA)
- WKBA VA Vinton - 2/11 1757 - Fair over CBE with country Gospel music, local weather and "that's going to do it for this broadcasting day on WKBA". (MB-MA)
- 1560 WAGL SC Lancaster - 2/9 1728-1730 - With weather, promo, ID over/under WQEW. (RJE*PA)
- WAGL SC Lancaster - 2/17 1756 - Good with country music song *My Kind of Girl*, mentioned as the #1 song on *American Country Countdown*, ID as "WAGL Lancaster", news at 1800. (MS-JAM)
- 1570 WBUG NY Amsterdam - 2/15 1620-1630 - Poor-fair with "WLFH-WBUG" ID, "Real Country" slogan and community bulletin board. Phoned station and they admitted they were still on day power (1000 watts). Said I didn't mind. NY #65. (DP-ON)
- 1580 WSRF FL Fort Lauderdale - 2/11 1900 - Good signal with Indian type music, frequent IDs. Regular at sunset here. (LW-NY)
- WDAB SC Travelers Rest - 2/18 1829 - In with mentions of Greenville, and *CNN Headline News* format. (JK-VA)
- 1590 WPSL FL Port St. Lucie - 2/17 1724 - Fair with ad for auto insurance, mention of Palm City, program *Money Matters* continues, time check "it's 5:26 here on WPSL". (MS-JAM)
- WAKR OH Akron - 1/31 2246 - *Jimbo Adam*(?) show, *Kodak Film* ad, *ABC News*, double ID at 2306. Poor, QRM by 2-3 UNID. (DP-PQ)
- WPWA PA Chester - 2/11 1754 - Fair-good with "Unforgettable 1590 WPWA" ID into *Volare* by Frankie Avalon. (MB-MA)
- 1600 WPOM FL Riviera Beach - 2/17 1731 - Good with ads for Riviera Beach and West Palm Beach, mention of *JFK Middle School* in Riviera Beach, something about *Gospel Productions*, other church announcements, prom mentioning "Nonstop on POM Radio". (MS-JAM)
- WOKB FL Winter Garden - 2/14 1938 - With UC/REL, Valentine's greetings by listeners to their loved ones. First time here with new calls. (JK-VA)
- WARU IN Peru - 2/28 1756-1801 - With oldies, then ID and into news. Atop all, then quickly lost to WWRL. (RJE*PA)
- KLEB LA Golden Meadow - 2/22 1959 - "Country 94" ID then calls, with Golden Meadow being first mentioned and not Galliano, home of the FM which I received more than once in Tallahassee. (MS-NC)
- WAAM MI Ann Arbor - 1/5 2100 - Fair with ID, NBC News. (MB-IN)
- WWRL NY New York - 2/5 1800 - Good over usual dominant pest CHNR with promo for *Drive Time Dialogue* AM drive program on "Radio WWRL" into *USA Radio News*. (MB-ON)
- WBLY OH Springfield - 2/18 1907 - Good with "1600 WBLY" IDs and sports. Surely they don't run more than 34 watts at night? (JK-VA)
- WBLY OH Springfield - 2/24 2000 - Fairly strong over mess with calls heard, talk radio mention and an ad mentioning the Miami Valley. New logging, CHNR and WWRL usually dominate at night. (GC-NY)
- WBFD PA Bedford - 2/6 1735-1745 - With ad for religious supplier with several locations in the area, then faded until fragmented sign-off announcement mentioned power and full ID. (RJE*PA)

OTHER STUFF

- 530 WPBN697 PA Philadelphia - Noted for the last couple of weeks (since mid-February) with mostly NOAA weather radio (KIH28), strong here at 30 miles away! Transmitter is located at the Walt Whitman Bridge Toll Booth area/offices per contact with friend who works there. This corrects RJE's last report/calls. (DS-DE)
- 1610 UNID 2/20 0210+ - Station occasionally peaking over our local NYS *Thruway* TIS. Minute or so loop of jazzy music followed by a short announcement that mentioned a \$18 area code 240 exchange, and also a 1-800# - 1-800-338-3030. Later I thought I

- heard preaching, could this have been that Carribean Beacon thing? (GC-NY) (I'm sure the preaching was... - db)
- 1620 UNID 2/27 0240 - Not sure on exact frequency but it was above the local 1610 NYS Thruway TIS. A very weak TIS sounding station occasionally in weak with what sounded like tips on car pooling. I was shocked when I heard something like "This message brought to you by the Connecticut Department of Transportation". Any idea on this? (GC-NY) (KPD581 - Windsor, CT seems to be reported throughout the east - db)
- 1639 PX MD Berlin - 2/3 1909 - Medfer beacon, weak-fair. (HH-MD)
- 1641 MPK NY Chittenango - 2/13 0623 - Medfer beacon, nil-very weak, just barely making it with QRM from "SC" at times. (HH-MD)
- 1641 SC SC Greer - 2/6 0611 - Medfer beacon, weak, in and out. (HH-MD)
- 1643 ABC SC Hilton Head - 2/6 0541 - Medfer beacon, peaked with fairly good signals! (HH-MD)
- 1656 VA VA Smith Mountain Lake - 2/8 0628 - Medfer beacon, fairly good signals through moderate static. (HH-MD)
- 1659 WI SC Pickens - 2/9 0525 - Medfer beacon, pretty good report, weak-fair. (HH-MD)
- 1660 UNID 2/16-2/20 0300-0500 - Digital trash, poor-fair, also heard on 3320. Experimental station out in Chicago? Also been hearing someone's harmonic of 830 mixing on 1660, 2490 and 3320. (JH-NJ)
- 1703 LC PA Berwick - 2/13 0652 - Medfer beacon,, weak, peaking with fair strength. (HH-MD)

REPORTERS

KWOS
AM 1240

- BA-PA Bill Andres, Frackville, PA: 1954 Zenith table radio
- RA-MA Ray Arruda, Acushnet, MA: SX-122, HQ-180A, Loops
- TB-MA Tom Beaton, Manchester, MA: Drake R-8, 2-100' slopers into Mini-MWDX-5X phasing unit
- CRB-NY C.R. Bernth, Eastport, NY: GE Superadio III
- MB-MA Mike Brooker, DXing at the Kripalu Center for Yoga and Health, Lenox, MA: Panasonic RFB-45
- MB-ON Mike Brooker, Toronto, ON: Panasonics RF-2200, RFB-45
- MB-IN Mark Burns, Terre Haute, IN: Drake R-8, Quantum Loop, 80' longwire
- GC-NY Greg Coniglio, Williamsville, NY: GE Superadio III, experimenting with 500' LW running E-W, but only about 350-400' or so strung out, the rest still on the spool on the other end
- MD-MA Marc DeLorenzo, DXing at Salisbury Beach, MA:
- JD-RI John Dunn, dunn@world.std.com, DXing in Newport RI: DX 440, AOR Loop Antenna
- RJE-PA R.J. Edmunds, Blue Bell, PA: HQ-150 with 4' FET Altaz Loop
- RJE*PA R.J. Edmunds, Blue Bell, PA: Nissan auto radio and whip
- TF-CT Tony Fitzherbert, Fairfield, CT: Sangean ATS-803A atop a Lazy Susan for instant nulling
- BF-MA Bill Fortier, Worcester, MA: Sangean ATS-803A, Delco car radio
- SF-TN Steve Francis, Alcoa, TN: Realistic TRF
- JH-NJ John Hanz, Old Bridge, NJ: NRD525 with longwire, ICF-2010, Panasonic RQ-V60
- HH-MD Hank Holbrook, Dunkirk, MD: Drake R8, 120' random wire
- RH-ON Russ Horton, Mississauga, ON: Sony CFS-710S
- JK-VA Jeff Kitze, Boydton, VA: Panasonic RQ-V60
- JL-OH Jeffrey Less, Toledo, OH: Panasonic RF-5000A
- SP-VA Steven Paradies, Charlottesville, VA: TRF 12-655, Radio Shack DX-380
- DP-ON Dale Patterson, Ajax, ON:
- DP-PQ Denis Picard, Trois-Rivieres-Ouest, PQ: R-5000, Quantum Loop
- AR-MA Aaron Reed, Brockton, MA: GE Super stereo with useless, random speaker wire
- DS-DE Dave Schmidt, New Castle, DE:
- MS-NC Matt Sittel, Asheville, NC: GE Superadio III, 75' wire looped into a square with each side about 20", "armstrong" radio rotor for improved signals
- MS-JAM Morris Sorensen, DXing at ODXA DXpedition, Runaway Bay, Jamaica: RF-865
- ES-AL Edward Soule, Owens Cross Roads, AL:
- RT-NC Robert J. Tiara, Hendersonville, NC: R-5000, many longwires, 24" amplified ferrite loop
- RWT-MA Richard W. Turner, North Dartmouth, MA: Realistic STA-785, Select-A-Tenna Loop

WPT-DC Bill Townshend, Washington, DC: Sony ICF-2010
 LW-NY Leslie Wood, N. Merrick, L.I., NY: Sony 2010 *Dave*
 DB-DE Dave Braun, Wyoming, DE: R-5000, Quantum Loop
 Publisher's comment: I count 51 reporters in DDXD this week. Is this a new record, or what?!

Professional Sports Networks

Barry S. Finkel BSFINKEL@ANL.gov
 10314 S. Oakley
 Chicago, IL 60643-2409
 Network listings for team sports stations

Here is MLB flagship information from a baseball magazine via Lynn Gillis (e-mail). Please send me any network lists that you may have. Thanks.

Atlanta Braves	750 WSB -GA	Skip Caray, Pete Van Wieren, Joe Simpson, Don Sutton
Baltimore Orioles	1090 WBAL-MD	Jon Miller, Fred Manfra, Chuck Thompson
Boston Red Sox	680 WRKO-MA	Joe Castiglione, Jerry Trupiano
California Angels	710 KMPC-CA	Bob Starr, Mario Impemba (EE)
Chicago Cubs	720 WGN -IL	TBA (SS)
Chicago White Sox	670 WMAQ-IL	Harry Caray, Thom Brennaman, Steve Stone
Cincinnati Reds	560 WIND-IL	John Rooney, Ed Farmer (EE)
Cleveland Indians	700 WLW -OH	Hector Molina, Chico Carrasquel (SS)
Colorado Rockies	1220 WKNR-OH	Joe Nuxhall, Marty Brennaman
Detroit Tigers	850 KOA -CO	Tom Hamilton, Herb Score
Florida Marlins	760 WJR -MI	Wayne Hagin, Jeff Kingery
Houston Astros	560 WQAM-FL	Frank Beckman, TBA
Kansas City Royals	1210 WCMQ-FL	Joe Angel, Dave O'Brien (EE)
Los Angeles Dodgers	940 KPRC-TX	Felo Ramirez, Manolo Alvarez (SS)
Milwaukee Brewers	1320 KXYZ-CA	Milo Hamilton, Larry Dierker, Bill Brown, Vince Cotroneo (EE)
Minnesota Twins	580 WIBW-KS	Francisco Ernesto Ruiz, Danny Gonzalez (SS)
Montreal Expos	790 KABC-CA	Denny Matthews, Fred White
New York Mets	1330 KWKW-CA	Vin Scully, Rick Monday, Ross Porter (EE)
New York Yankees	620 WTMJ-WI	Jaime Jarrin, Rene Cardenas (SS)
Oakland Athletics	830 WCCO-MN	Bob Eucker, Pat Hughes
Philadelphia Phillies	600 CICQ-PQ	Herb Carneal, John Gordon
Pittsburgh Pirates	730 CKAC-PQ	Dave VanHorne, Ken Singleton, Rich Griffin, Elliott Price (EE)
San Diego Padres	660 WFAN-NY	Rodger Brulotte, Jacques Doucet, Alain Chantelois (FF)
San Francisco Giants	770 WABC-NY	Gary Cohen, Bob Murphy
Seattle Mariners	770 WABC-NY	John Sterling, Michael Kay
St. Louis Cardinals	610 KFRC-CA	John Simmons, Bill King, Ray Fosse (EE)
Texas Rangers	1430 KNTA-CA	Amaury Pi-Gonzales, Erwin Higueros (SS)
Toronto Blue Jays *	1210 WOGL-PA	Harry Kalas, Richie Ashburn, Chris Wheeler, Andy Musser
	1020 KDKA-PA	Lanny Frattare, Steve Blass, Greg Brown, Bob Walk
	760 KFMB-CA	Jerry Coleman, Bob Chandler, Ted Leitner (EE)
	680 KNBR-CA	TBA (SS)
	1010 KIQI-CA	Hank Greenwald, Ted Robinson (EE)
	710 KIRO-WA	Julio Gonzales, Edgard Martinez
	1120 KMOX-CA	Dave Niehaus, Ron Fairly
	820 WBAP-TX	Jack Buck, Mike Shannon, Joe Buck
	910 KXEB-TX	Eric Nadel, TBA (EE)
	590 ___-ON	Mario Diaz, Luis Mayoral (SS)
		Tom Cheek, Jerry Howarth

* -- See the 3/6/95 issue of DDXD-East for information on the 590/1430 "mixup".

International Jim Renfrew JimRenfrew@AOL.com

DX Digest 61 Wilcox Street Rochester, NY 14607-3832

Foreign DX Catches. Times are UTC; for ELL, subtract 5 hrs.

Up-coming IDXD deadlines: Sundays MAR 26, APR 9, MAY 7, and JUN 4. Material received after these dates may be held until the next edition. As I type up the first round of this column, we've already got one of the biggest of the year, and we still have another week before deadline! So DX News may slow down in the spring, but DX is still going strong.

Abbreviations are confusing to non-English speakers who read this column, so I try to limit my use of them. I will print your e-mail address if you request it with each submission.

Welcome to new reporter Matt Sittel, known to many for his FM/TV contributions in the Worldwide FM-TV DX Associations' *VUID Digest*. The secret is hereby revealed to the world that Matt likes AM! And with Greg Coniglio reporting here too, we wonder if we are witnessing the beginnings of a widespread defection from FM to AM?

Morris Sorenson sends loggings from his recent visit to Jamaica, and has an answer for those who've been wondering where Caribbean Radio Lighthouse is ... it's moved to 1160 from 1165 kHz!

TRANS-ATLANTIC DX

183 UNID FEB 19 0620 - Very poor signals with just traces of audio, but I could not make out the language. This is not a normal frequency. Maybe an image or something? [Axelrod & McRae-MB] (see UNIDs below - Jim)

549 ALGERIA Les Trembles, MAR 5 0455 - AA talk by man; poor to fair. [Connelly*H-MA]

567 SPAIN RNE5 Murcia & others, FEB 28 0222 - Fair signal with woman giving a monologue in SS, // to 576 and seemingly to 585 RNE1. [Dangerfield-PA]

576 SPAIN RNE5 Barcelona, FEB 28 0222 - Good signals with woman in SS, // to 567 and seemingly to 585 RNE1. [Dangerfield-PA]

585 SPAIN RNE1 Madrid, FEB 28 0222 - Strong with woman giving monologue in SS. Seemed // to 567 & 576, both RNE5 stations. [Dangerfield-PA] MAR 4 0443-0504 - tentative, with light music program, with male and female announcers, definitely SS ("la gente" heard), but heavy noise made it impossible to hear pips or ID at 0500, woman with news followed. [Renfrew- NY] MAR 5 0241 - // 684 with Enya song, then SS talk; poor in slop. [Connelly*H-MA]

603 SPAIN Sevilla/Palencia, MAR 5 0251 - fast SS talk; fair. [Connelly*H-MA]

612 MOROCCO Sebaa-Aioun, MAR 5 0503 - a cappella male AA vocal; good. [Connelly*H-MA]

621 CANARY ISLANDS Santa Cruz de Tenerife, FEB 19 0508 - traditional Spanish guitar music; good on peaks. [Connelly-MA] MAR 5 0250 - man in SS; to good peaks over WSKQ - 620 slop. [Connelly*H-MA]

666 PORTUGAL Lisbon, FEB 26 0253 - Very good with fem pop singer and // to 720. [Dangerfield-PA] MAR 5 0614 - man in PP; fair. [Connelly*H-MA]

675 FRANCE Marseille, FEB 28 0212 - Very strong with amn in FF and at 0217, a woman in FF. Pop music below was probably Lopik. [Dangerfield-PA]

684 SPAIN Sevilla, MAR 5 0154 - SS teletalk; good with WRKO looped. MAR 5 0240 - // 585 with "Orinoco Flow" by Enya; good to excellent. [Connelly*H-MA]

693 ENGLAND BBC, FEB 26 0550 - Poor, just bits of English heard through slop from CBF-690 Montreal. [Conti-NH] FEB 28 0428 - Good with man and woman in EE, discussing current events. [Dangerfield-PA]

720 PORTUGAL Porto, FEB 26 0253 - Heard clearly below WGN with fem pop singer, // to 666. [Dangerfield-PA]

738 SPAIN Barcelona, MAR 5 0445 - SS talk, in slop. [Connelly*H-MA]

756 SPAIN Bilbao, FEB 19 0457 - oldies show with "Easier Said Than Done" by the Essex (1963), man in SS, then "Ya Ya" by Lee Dorsey (1961); fair to good. [Connelly-MA]

765 SWITZERLAND Sottens, FEB 19 0025 - woman in FF, then classical music; very good. [Connelly-MA] FEB 26 0002 - Fair, classical music, announcement in French, in heavy slop from WABC-770 New York. [Conti-NH]

774 SPAIN synchron., FEB 19 0256 - SS talk; good. FEB 26 0020 - // 855 with "Satisfaction" by the Rolling Stones (1965), then SS talk; good, atop unID AA music station, WABC - 770 phased. [Connelly-MA] MAR 5 0442 - Brian Hyland oldie // 684, 855; fair. [Connelly*H-MA]

792 SPAIN SER, Sevilla, FEB 26 0320 - Good, talk in Spanish, much stronger than the normally good signal of // on 873. [Conti-NH]

828 SPAIN OCR Barcelona, FEB 28 0231 - Fair with man speaking in SS. Station behind it had music of some sort. Morocco maybe. [Dangerfield-PA]

846 ITALY Rome, FEB 19 0252 - classical music; to good peaks. [Connelly-MA] FEB 21 0115 - Very good with man in IT, then an operatic type tenor, and next a Viennese waltz. [Dangerfield-PA] FEB 26 0240 - Fair, classical music and announcement in Italian // 6060. [Conti-NH]

855 SPAIN Murcia et al., FEB 19 0251 - man in SS; excellent. S9+20. FEB 26 0020 - // 774 with "Satisfaction" by the Rolling Stones, then SS talk; good with WEEI - 850 nulled. [Connelly-MA] FEB 26 0015 - Good, talk in Spanish and Rolling Stones song // 774 & 864, over an unID station (possibly Romania). [Conti-NH] MAR 3 0409 - light music, probably Spain. [Renfrew-NY] MAR 5 0442 - Brian Hyland oldie "Sealed with a Kiss"; fair, was // stronger 684. [Connelly*H-MA]

864t FRANCE Paris, FEB 26 0030 & 0140 - Good for brief periods with jazz instrumentals and nostalgic French vocals, over RNE1-Spain. [Conti-NH]

864 EGYPT (t), FEB 26 0016 - AA male vocal; poor to fair. [Connelly-MA]

873 SPAIN Zaragoza, FEB 26 0013 - man & woman in SS; fair over WLAM -870 slop. [Connelly-MA]

891 ALGERIA Algiers, FEB 19 0248 - drum, violin, & flute music; loud. FEB 26 0005 - news by woman in AA; good. [Connelly-MA] MAR 5 0205 - man in AA; good. [Connelly*H-MA]

918 SPAIN Madrid, FEB 28 0525 - Good with man in SS, and then at 0535, a woman in SS. No station below. [Dangerfield-PA] FEB 28 0543 - woman in SS; fair. [Connelly-MA]

936 MOROCCO Agadir, MAR 4 0510 - Good with Berber type music, fast singing and instrumental pieces. [Dangerfield-PA]

936 UKRAINE Lvov, MAR 5 0055 & 0100 - Fair with man, and then a woman talking in Ukrainian. [Dangerfield-PA]

954 SPAIN Madrid, FEB 26 0047 - fast SS talk in WROL - 950 slop. [Connelly-MA]

963 PORTUGAL Seixal, FEB 28 0540 - soft music, PP talk; to fair peak. [Connelly-MA]

972 SPAIN Cabra / Monforte de Lemos, FEB 28 0537 - man & woman in SS over low growl. [Connelly-MA]

972 UKRAINE Kopani, MAR 1 0240 - Fair signal with soft orchestra music like harps and piano and // to 1377 but with a stronger signal. Didn't seem to last much beyond 0300 although the het remained. MAR 5 0037 to 0100 - Instrumental music with harps and piano, then singing by a woman, then a man. I.S. and chimes at the hour. Signal was not too bad, but disappeared shortly thereafter. [Dangerfield-PA]

999 SPAIN COPE Madrid, FEB 28 0530 - Very good with men talking in SS. [Dangerfield-PA] FEB 28 0535 - SS news; very good. [Connelly-MA]

1008 SPAIN SER stations, FEB 28 0530 - Fair signal with man and woman talking in SS I say Spain, not the Canary Islands, because the small mainland stations were so strong at the time, and the Canary stations were weak. [Dangerfield-PA]

1017 SPAIN RNE5 Granada & Burgos, FEB 28 0528 - Atop frequency with man in SS. There was someone else, German or Turkey perhaps. [Dangerfield-PA]

1026 SPAIN SER stations, FEB 28 0435 - Good to very good with men talking in SS. [Dangerfield-PA]

1044 MOROCCO Sebaa-Aioun, FEB 19 0237 - AA vocal, flutes; good. [Connelly-MA] FEB 27 2330 & FEB 28 0050 - Strong at both times with fem singer doing something like soul music at the earlier time, but typical Moroccan music later, // to SW 9575. Often better signal than WHO-1040. Must be on a different pattern than the previous 1044 station. [Dangerfield-PA]



How to place mail orders ...

Write to NRC Publications - P. O. Box 164 - Mannsville, NY 13661-0164. Enclose check or money order; NY residents, please add state and local taxes. Please allow 3-6 weeks for shipping.



UNION RADIO

GUATEMALA CA

TGU 1330 kHz 105.7 MHz FM
5980 kHz Onda Corta (49 mts.)

- 1044 MOROCCO / SPAIN, FEB 26 0050 - AA violin music over SS talk by man; SAH about 5 Hz. [Connelly-MA]
- 1044 SPAIN SER stations, FEB 28 0435 - Man in SS with fair signal. [Dangerfield-PA] MAR 4 0446 - SS teletalk; to good peaks. [Connelly-MA]
- 1053 ENGLAND synchros., FEB 19 0047 - "Talk Radio" ID, EE talk; briefly good. [Connelly-MA]
- 1089 ENGLAND synchros., FEB 19 0618 - EE teletalk show; to good peaks with WBAL phased. [Connelly-MA] FEB 28 0410 - Super signal from Talk Radio UK. Back to back talk with WBAL-1090 and stronger at times, though the British accents are harder to make out. // to much weaker 1053. [Dangerfield-PA] MAR 4 0449 - man in EE; fair. Other station, maybe Albania, under; SAH about 5 Hz. [Connelly-MA]
- 1098 SPAIN // CANARY ISLANDS, FEB 28 0531 - SS teletalk, over growl. [Connelly-MA] MAR 5 0524 - SS talk in raucous het growl; poor. MAR 5 0413 - monotone SS talk by man, over growl. [Connelly*H-MA]
- 1098 SPAIN RNE5 stations, FEB 28 0520 - Very good signal with woman in SS. Again, I think this was mainland Spain, not the Canary Islands. [Dangerfield-PA]
- 1107 SPAIN, FEB 28 0530 - HUGE with SS talk. [Connelly-MA] MAR 5 0525 - bits of SS talk. [Connelly*H-MA]
- 1116 SPAIN, FEB 28 0528 - fast SS talk (SER news); good peak. [Connelly-MA]
- 1125 SPAIN, FEB 28 0527 - SS talk; good. [Connelly-MA] FEB 28 0445 - Armchair listening with Spanish music and fem vocals. Still top volume an hour later. [Dangerfield-PA] MAR 4 0500 - Atop with Radio Cinco ID, then woman with the news. Someone quite strong just behind. [Dangerfield-PA]
- 1125 UNID, MAR 4 0357 - Piano music, poor with noise. [Renfrew-NY]
- 1125 CROATIA Deanovic, MAR 4 0515 - Suddenly very strong with a woman singing a pop song. // to 1134. Spain in background. [Dangerfield-PA]
- 1134 CROATIA Zadar, FEB 21 0135 - Strong and steady signal with romantic pop songs and vocals by a man and woman, anncs in Croat by a man. MAR 4 0510 - Pop songs by a woman. Very good signal over Spanish stations, and // to 1125. [Dangerfield-PA]
- 1134 SPAIN COPE stations, FEB 28 0450 - Very strong with 2 men in SS, and // to 1143. [Dangerfield-PA] FEB 28 0526 - SS talk // 1143; very good. [Connelly-MA]
- 1143 SPAIN COPE stations, FEB 28 0450 - Very good with men in SS. // to 1134 etc. [Dangerfield-PA] FEB 28 0525 - SS talk // 1134; fair. [Connelly-MA]
- 1152 SPAIN RNE5 stations, FEB 28 0445 - Good signal with Spanish music and fem vocals. // to 1125 and others. [Dangerfield-PA] FEB 28 0516 - man & woman in SS; through growl and WMEX - 1150 slop. [Connelly-MA]
- 1179 CANARY ISLANDS // SPAIN, FEB 28 0518 - SER SS news; to good peaks with only minor Cuba/WHAM - 1180 slop. [Connelly-MA]
- 1197 SPAIN EI Vitorio, FEB 28 0515 - Fair to good with woman in SS reading news, then into pop music. By this time the Moroccans had faded. [Dangerfield-PA]
- 1206 FRANCE Bordeaux, FEB 19 0651 - FF talk; poor in slop. [Connelly-MA]
- 1215 SPAIN / ENGLAND, FEB 28 0517 - fast SS talk, well atop Virgin Radio's rock music. [Connelly-MA]
- 1215 ENGLAND VIRGIN RADIO, FEB 28 0422 - Strong signal with pop music and male vocals and EE announcements. [Dangerfield-PA] MAR 5 0634 - "Mr. Jones" by Counting Crows; fair to good. This was one of the few good northern-route TA's. [Connelly*H-MA]
- 1224 SPAIN COPE stations, FEB 28 0510 - Talk program. Fair with man in SS, and undoubtedly // to all the other COPEs I was hearing. [Dangerfield-PA] FEB 28 0516 - fast SS talk by man; atop music station and low het growl. [Connelly-MA]
- 1242 UKRAINE Kiev etc., MAR 1 0235 - Weak signal with woman in soft spoken Ukrainian and // to 1404 and 1377. [Dangerfield-PA]
- 1251 LIBYA Tripoli, FEB 26 0106 - AA male vocal with flutes & drums; loud, badly trashing WKBR - 1250. [Connelly-MA]
- 1269 SPAIN COPE stations, FEB 28 0506 - Very good with man talking in SS. No other stations appeared on the frequency. [Dangerfield-PA] FEB 28 0514 - COPE synchros with man & woman in SS, slight audio delay echo noted; peaking above the WTSN/CFGT/CJCB - 1270 slop - no sign of the German. [Connelly-MA]

- 1287 CZECH REPUBLIC RFE Synch., FEB 27 0525 - Signal up with man speaking in what sounded like Czech. Next night I heard a Spanish station during the early part of the evening, but it was very weak. [Dangerfield-PA]
- 1287 SPAIN / PORTUGAL, FEB 28 0512 - echoey SS talk over apparent PP talk. [Connelly-MA]
- 1296 SPAIN Valencia, FEB 26 0634 - man in SS; poor to fair, over others. [Connelly-MA]
- 1296 ENGLAND Orfordness, MAR 4 0535 to 0545 - BBC European Service in well with woman and man in Hungarian. Then after the familiar BBC I.S. at 0545, a woman began speaking in Slovak. [Dangerfield-PA]
- 1296 SUDAN Rebia, MAR 5 0312 - AA vocal; poor (over Spain); in slop. [Connelly*H-MA]
- 1305 SPAIN, FEB 27 0522 - echoey SS talk over others. FEB 28 0510 - SS interview // 1314; fair to good. [Connelly-MA]
- 1314 SPAIN, FEB 26 0033 - bits of SS talk over growl; hammered by slop from CKEC - 1320. Norway not noted. FEB 28 0508 - SS political speech & news interview; very good, dominant over others. [Connelly-MA] FEB 28 0502 - Very good with woman talking in SS. Someone in background, presumably Norway. [Dangerfield-PA]
- 1323 GERMANY Wachenbrun, FEB 26 0412 - Very strong signal. Man speaking in accented EE and talking about Americans. A Radio Russia relay. [Dangerfield-PA]
- 1359 SPAIN Arganda, FEB 27 0455 - operatic SS female vocal; fair. FEB 28 0507 - SS news by man; very good, almost even with local WLYN - 1360. [Connelly-MA] FEB 28 0256 - Very strong for a change, with man in SS. Perhaps they are on an irregular schedule. [Dangerfield-PA]
- 1377 FRANCE Lille, FEB 26 0631 - FF station over others; slopped by St. Pierre - 1375 and domestics - 1380. [Connelly-MA]
- 1377 UKRAINE Chernivetsi/Lutsck etc., MAR 1 0234 - Fair signal with woman in soft spoken Ukrainian, then into easy listening type orchestra music. Was // to 1242 and 1404 as well as 972. This may be the station I've been hearing recently in the middle of the evening as I was pretty sure it wasn't Lille on early. [Dangerfield-PA]
- 1395 ALBANIA Filake, FEB 20 2215 - Very clear with religious talk in EE by a man. Their signal seems to be in early and gone early. [Dangerfield-PA] MAR 1 0453 - talk by man & woman; in slop. [Connelly-MA]
- 1404 UKRAINE Lvov etc., MAR 1 0237 - Weak signal with woman in Ukrainian. Was // to 1242 and 1377. The WRTH info certainly comes in handy. [Dangerfield-PA]
- 1413 SPAIN, FEB 28 0506 - news by woman in SS; fair over growl. [Connelly-MA] FEB 28 0545 - Very strong with man and woman in SS. [Dangerfield-PA]
- 1422 GERMANY Heusweiler, MAR 5 0227 - classical piano music; poor to fair with fast, erratic fades. Something else (Algeria?) under. MAR 5 0532 - rock music, then GG talk; fair to good. [Connelly*H-MA]
- 1431 UKRAINE Kopani, MAR 1 0300 - Good at sign on with deep voiced man speaking slowly in Ukrainian or Mayak. Is off from 0200 to 0300. [Dangerfield-PA]
- 1449 unID's, FEB 27 0519 - two stations, seemingly II talk over/under AA music, but slop was too heavy to tell for sure. [Connelly-MA]
- 1467 FRANCE Roumoules, FEB 27 0508 - GG talk by man; fair in slop. FEB 28 0452 - religious choral music; excellent, S9+30. FEB 28 0504 - music, woman in GG. [Connelly-MA] FEB 28 0455 - Very strong signal with man singing hymn in GG. Uses FF in regular daytime programs. Often good in AA during late afternoon. [Dangerfield-PA] MAR 1 0448 - choral music; to good peak. [Connelly-MA]
- 1476 unID, MAR 5 0230 - bits of talk, maybe a Middle East station (Iran?) on dawn enhancement. [Connelly*H-MA] (Iran would be a great logging - Jim)
- 1485 SPAIN, FEB 28 0451 - SS teletalk over jumble; good to EXCELLENT! [Connelly-MA] SER or OCR station, FEB 28 0458 - Fair with man singing pop song, announcements in SS. [Dangerfield-PA]
- 1503 SPAIN, FEB 28 0450 - growl, SS talk; in WNRB - 1510 slop. This was apparently off the air when Dangerfield was in Mallorca. [Connelly-MA]
- 1512 BELGIUM Wolverton, MAR 4 0555 - Strong with fem pop singer. [Dangerfield-PA]
- 1521 SAUDI ARABIA Duba, FEB 26 0110 - Koranic vocal recitation, then AA sermon by man; loud. [Connelly-MA] MAR 5 0302 - Koranic AA vocal; to very strong peaks, jumpy fades. At 0230 UTC (as an open carrier that totally flattened WWKB) it was, by far, the strongest medium wave signal coming across the Atlantic. [Connelly*H-MA]



LIETUVOS RADIJAS IR TELEVIZIJĄ

082074 Vilnius, Karmavos str. nr. 222024, tel. 061118000
Sąsėdė 061131 LUTV, tel. 06132 02171
Ašv. mėnuoio nr. 06121730 Str. Karmavos m. Lėmėio alykė

- 1521 SPAIN Manresa, FEB 28 0444 - fast SS talk by 2 men; to good peak with WWKB - 1520 phased. [Connelly-MA]
- 1530 VATICAN, FEB 26 0114 - mellow music program (// 5882) with instrumental version of Broadway hit "I've Grown Accustomed to Her Face"; good, over/under WSAI. MAR 1 0441 - talk in unID language, then classical music; demolishing WSAI. [Connelly-MA] MAR 4 0430 - Very clear over and under WSAI with man in Slovak. [Dangerfield-PA]
- 1530 SAO TOME & PRINCIPE, MAR 6 0358 - VOA Special EE program "This is America" with closing theme "Simple Gifts" on trumpets. The music really sliced through WSAI at the close of the show. Was // 7405. Third station (likely Vatican) way behind. [Connelly-MA]
- 1539 SPAIN Elche-Elx, FEB 28 0446 - bits of SS talk; poor to fair in WPTR - 1540 slop. [Connelly-MA]
- 1539 UNID, either MOROCCO Melilla, or SPAIN Elche-Elx, FEB 12 0250 & FEB 28 0250 - Bits of SS talk. Melilla is 4 kw and is on the coast. [Dangerfield-PA]
- 1548 MOLDAVA Grigoriopoi? MAR 1 0030 to 0230 - Heard some spoken audio at times that I think was the Radio Russia relay. I did hear this station ID in EE while vacationing in Mallorca in Jan. and on Mar 1 signals were coming through at this time from Ukraine. Not a positive ID, of course, but something to look for. I note that others have reported talk in EE on this frequency. [Dangerfield-PA]
- 1557 MALTA DW Cyclops, FEB 27 0402 - Very strong signal with man in AA. I think it just signed on. [Dangerfield-PA] MAR 1 0445 - AA talk; very good (but faded before 0500). [Connelly-MA]
- 1557 FRANCE Nice, FEB 26 0626 - FF talk; poor to fair through WQEW-1560 slop. [Connelly-MA] FEB 28 0547 - Solid signal with hard rock music. [Dangerfield-PA]
- 1575 SPAIN, FEB 26 0625 - man & woman in SS // 1584; very good. FEB 28 0500 - SS talk; excellent. [Connelly-MA] FEB 28 0250 - Very strong with man in SS, then a song. The others on the frequency were right behind. [Dangerfield-PA] MAR 6 0402 - echoey SS talk; in CBJ - 1580 slop. [Connelly-MA]
- 1575 ITALY Genoa et al., MAR 1 0505 - man & woman in II w/ news; atop Spain. [Connelly-MA]
- 1584 SPAIN, FEB 26 0625 - man & woman in SS // 1575; very good. FEB 28 0500 - SS talk; excellent. [Connelly-MA] MAR 1 0434 - echoey SS talk. [Connelly-MA]
- 1585.2 unID (Ceuta drifting again?), MAR 1 0434 - het against Spain. [Connelly-MA]
- 1593 GERMANY RFE/VOA Holzkirchen, FEB 28 0415 - Fair to good with man talking in Serbo-Croat, or similar. [Dangerfield-PA] MAR 1 0432 - Slavic talk by woman; poor. [Connelly-MA]
- 1602 SPAIN, FEB 28 0500 - SS talk; very good, slight WUNR - 1600 slop. [Connelly-MA]
- 1611 VATICAN R. Vatican, FEB 1 0416 - Talk by woman, ID at 0419 with characteristic carillon, followed by man talking in Byelorussian (per WRTH 95), // 5882. Fair signal, my first TA, and country #8. [Picard-PQ] (The first of many, we hope! Jim) FEB 27 0507 - piano music, then eastern European language talk by woman; excellent. MAR 1 0430 - very good (20 dB better than Anguilla-1610). Russian-sounding talk by man & woman // weaker 5882. News items mentioned Beirut and other cities. There was some sort of transmitter trouble: the carrier dropped out occasionally (as if by a protection relay). [Connelly-MA] MAR 4 0351 - Male operatic-type vocal // 5882 kHz, good through noise. [Renfrew-NY]
- 1698 CANARY ISLANDS EAL Las Palmas, JAN 30 0051 - Call to all ships on 2182 kHz, good 100% copy. Traffic tune 1698 kHz, fair signal broken by static and poor EE. 2182 often heard but first time on 1698. Don't know if the signal difference was due to frequency or power. [Holbrook-MD]
- Greg speaks: "I hear more hets though no audio, that 891 is there almost every night, but just can't get any audio."
- Mark speaks: Conditions for high-band Spaniards have been superb from 0400 to 0600 UTC the last few nights. On (UTC) 28 FEB at 0500, the graveyarders on frequencies such as 1485, 1575, 1584, and 1602 were in at such phenomenal strengths that reception clear across Canada & the USA should have been likely. Uncommon frequencies such as 1521 and 1539 had Spanish talk at surprisingly good strengths. I hope that you guys can take advantage of this latest run of great TA DX."

PAN-AMERICAN DX

- 523 USA, MAR 5 0456 - "JH" beacon; fair. [Connelly*H-MA] (This is a beacon located in Jamestown NY on 521 kHz - Jim)
- 526 BAHAMAS Stella Mans, MAR 5 0457 - "ZLS" beacon; fair to good. [Connelly*H-MA]

- 530 TURKS AND CAICOS, FEB 25 1908 - I'm in the car about to run errands and find this booming in with religious talk in Spanish, I wait long enough for 'Radio Visión Cristiana International' mention and then later discover what it is when looking in the 1994 WRTH! [Sittel-NC] (recent reports note that this one is on 532a kHz, but this might not be obvious on a car radio - Jim)
- 532 TURKS & CAICOS, FEB 20 1328 - Very good in SS acknowledging letters from listeners, gave ID and mailing address at 1330. [Sorenson*JAM] MAR 2 0245- 0400 - SS music, EE ID at 0300 "Radio Visión Cristiana" and "WWRV Patterson NJ", SS talk til 0400. Slight CBEF splash, better in LSB mode on the 2010. Strong in the car on 530, equal to WBBM and WMAQ. Thought it was CIAO at first, new. [Sanders-MI] MAR 5 0458 - SS religious sermon before crowd; local-like. [Connelly*H-MA]
- 540 COLOMBIA, HJKA Bogotá, MAR 5 0458 - good with booming ID "R. Auténtica de Colombia". [Connelly*H-MA]
- 550 JAMAICA RJR Montego Bay, FEB 17 1320 - good, // 580 below. [Sorenson-JAM]
- 555 ST. KITTS & NEVIS, ZIZ Basseterre, MAR 5 0254 - Caribbean EE talk by man mentioning local politics; excellent. [Connelly*H-MA]
- 560 JAMAICA JBC Kingston, FEB 20 2142 - good with birthday greetings, giving address for JBC Birthday Bash. [Sorenson*JAM]
- 570 CUBA R. Reloj, FEB 22 0310 - Good with ID and mention of Santiago de Cuba, listed as Rebelde. [Sorenson*JAM]
- 580 PUERTO RICO, WKAQ San Juan, MAR 5 0459 - fast SS newstalk, Puerto Rico mentions; under WTAG. [Connelly*H-MA]
- 580 JAMAICA RJR Galina, FEB 17 1320 - good with news, Kingston ads, traffic reports. [Sorenson*JAM]
- 582 CUBA (t), MAR 5 0453 - This was running unmodulated carrier, rather than usual Progreso programming. Strong signal. [Connelly*H-MA]
- 600 CUBA Urbano Noris, MAR 5 0502 - female SS vocal // 670. [Connelly*H-MA]
- 610 CUBA R. Reloj, Trinidad, FEB 17 2230 - Fair with ticking clock, ID "Transmite R. Reloj". [Sorenson*JAM]
- 620 JAMAICA JBC Mendeville, FEB 20 2143 - Good with Birthday Bash // 560. [Sorenson*JAM]
- 640 CUBA R. Reloj, FEB 19 1047 - Good signals with usual format of news and RR morse code beeps. [Axelrod & McRae-MB]
- 640 CUBA Guanabacoa et al., MAR 5 0505 - SS talk about Cuban sports teams. MAR 5 0623 - // 740 with SS romantic vocal, then "Silly Love Songs" by Paul McCartney; good over other SS station, EE station, and strong Spain - 639 het. [Connelly*H-MA]
- 640 MEXICO XEQY Fresnillo, FEB 19 0420 - Fair signals with lots of Mexican fast-paced music and many mentions of Fresnillo, new for both of us. [Axelrod & McRae-MB]
- 650 COLOMBIA Antena 2 RCN Bogotá HJKH, FEB 23 1943 - no sign of WSM at all - this was in the clear. Quick segments separated by jazzy music, most of the segments did seem sports related. Quite a few mentions of Colombia. Was confused by something that sounded like "La Classical, AM y FM" they said but then heard what sounded like "Antena Dos" later. [Coniglio-NY] MAR 5 0507 - festive music, "Antena Dos" ID; huge. [Connelly*H-MA]
- 660 HONDURAS HRNNI La Ceiba, FEB 22 1130-1200 - Good with morning news block. Frequent "HRN" mentions and jingles. Mixing with XEAR's ranchera music after WFAN fade-out. [Francis-TN]
- 670 VENEZUELA YVLL Caracas, FEB 4 0200 - Double ID as "Radio Rumbos" at 0203, into music, fair. [Picard-PQ] MAR 5 0248 - Rumbos doorbells, SS talk, Rumbos mentions; signal popped up over Cuba. Most of the time, it was audible with Cuba looped. [Connelly*H-MA]
- 670 CUBA Arroyo Arenas, FEB 23 0008 - SS talk by man, Rebelde mention. [Sorenson*JAM] MAR 5 0247 - SS news // 710; dominant over YVLL; no domestics audible. [Connelly*H-MA]
- 690 ANGUILLA Caribbean Beacon, FEB 20 0358 - "Tune your receiver to Galaxy 6, Tapesponder 9", something about University Network, musical bridge, offer of Dr. Scott's magazine, mention of service in Los Angeles, ID for "The World University Network, this is Dr. Gene Scott" at 0400, very good. [Sorenson*JAM]
- 690 UNID, MAR 3 0420 - Strong SS station coming, at times coming through CBF and Anguilla, lots of places mentioned during a series of announcements, including a promo for an ESPN program, making me think that it was Bogotá. Played a few non-pop children-like songs which made me think HCJB, but they were probably ads. [Renfrew-NY]
- 700 COLOMBIA CARACOL, Cali, FEB 26 0530 - Good, promo for futbol Colombiano, "Caracol, primera cadena radial Colombiana" ID, and Amanecer en America program, // 5075, over JBC R.One-Jamaica. [Conti-NH] MAR 4 0422 - Very strong with CARACOL

- 30 program, slight delay compared to 5075 kHz. [Renfrew-NY] MAR 5 0347 - CARACOL ID & Colombia mentions; good ver CHSJ & Venezuelans with WLW looped. [Connelly*H-MA]
- 700 JAMAICA JBC Montego Bay, FEB 17 2315 - JBC/Radio One mentions, cricket scores, Scotia Bank ad, promo for live cricket coverage, very good. [Sorenson*JAM]
- 710 CUBA La Julia et al., MAR 5 0247 - SS news // 670; under WOR. [Connelly*H-MA]
- 720 MEXICO XEDE Saltillo COAH, FEB 14 0222 - Local spots, woman DJ with time and temp check, musica popular. "Audio Digital" and "Setecientos Veinte" slogans. Pretty regular here - am able to conveniently null both KDOWN and WGN with loop pointed basically due south. [Wilkins-CO]
- 720 VENEZUELA, YVQE Portamar, MAR 5 0246 - steel-band-influenced SS music, then ID "R. Oriente, la primera de Venezuela"; loud, way over usual CHTN. [Connelly*H-MA]
- 720 JAMAICA RJR Kingston, FEB 20 2135 - Good with "Sports Call" promo, sponsors Kingston auto parts etc., timecheck for 25 to 5 into oldies, // 550. [Sorenson*JAM]
- 720.04t NICARAGUA Managua, FEB 14 0310 - Poor with QRM partially nulled. Man and woman announcers with mentions of "Nicaragua", "nicaraguense", and "Managua", couldn't determine subject matter. Last heard in NOV 1993 on 720.15. They still haven't verified !@#&. [Wilkins-CO]
- 740 MEXICO XEHS?, Los Mochis SIN, FEB 1 0300 - News from local "Noti-Sistema" network; ID and hype for "Audio A", then "Noti-Sistema es su ... información más completa del norte de Sinaloa ... transmite desde Los Mochis, Sinaloa, Blvd. Antonio Rosales 223 norte, AP. Postal 182 ..." and into music. This apparently is XEHS, ex-1280, based on slogan and address. XEZA used to be here but moved to 770 a few years ago. Report sent, so maybe they can clear things up. [Wilkins-CO]
- 740 CUBA, R. Progreso, MAR 5 0623 - // 640 with SS romantic vocal, then "Silly Love Songs" by Paul McCartney; fair over/under CHCM. [Connelly*H-MA]
- 750 JAMAICA JBC Port Maria, FEB 17 2317 - Good sports // JBC 700. [Sorenson*JAM]
- 750 VENEZUELA, YVKS Caracas, MAR 5 0350 - R. Caracas R. ID, SS newstalk; in jumble with CBGY/WSB/other LA's. [Connelly*H-MA]
- 760 CUBA, CMDE Las Mercedes, FEB 24 2302 - The oh-so-familiar ticking and beeps of Radio Reloj, something I never got enough of in Tallahassee FL, hi. Very weak under WJR Detroit, but at 4-5 seconds after the minute that string of beeps is unmistakable [Sittel-NC] CMCD Guanabacoa, MAR 3 0047 - what sounded like that unmistakable Reloj beeping weak under WJR. Don't think I have heard this specific one before. Lots of SS this auroral night, but nothing international IDed, sadly. [Coniglio-NY] La Mercedes/Guanabacoa, MAR 5 0352 - Reloj program, mentions of "territorio libre"; over others. [Connelly*H-MA] FEB 20 0356 - Excellent in SS with news, ID. [Sorenson*JAM] (Both outlets are listed on 760 in the 1994 WRTH, one with 5 kW, the other with 20 kW, hard to tell apart - Jim)
- 770 MEXICO XEZA Los Mochis SIN, FEB 14 1237 - Pop music 127-1300, largely uninterrupted; then news, call ID at 1303 and slogan "La Sesenta y Siete". Fair-poor, generally under KKOB. New, XE #132, SIN #11. [Wilkins-CO]
- 770 MEXICO XEIH Fresnillo, FEB 19 0540 - Fair to good signals, no sign of the Colombian at all this night, with ranchera music and lots of laser bursts between songs and SS talk, new for both of us. [Axelrod & McRae-MB]
- 770 JAMAICA RJR Spur Tree, FEB 20 2139 - Good with nostalgia music, // 550, 720 etc., ID at 2141 "This is RJR Marketplace". [Sorenson*JAM]
- 780 VENEZUELA, YVOD San Cristobal, MAR 5 0357-0400 - sign-off with Venezuelan anthem atop channel; CFDR and another SS (probably R. Coro) were left behind after 0400. [Connelly*H-MA]
- 790 CUBA, CMAQ Pinar Del Rio, MAR 2 2204 - Tick-tock, tick-tock... [Sittel-NC]
- 800 NETHERLANDS ANTILLES, PJB Bonaire, JAN 30 2100 - Radio Transmundial ID. [Sittel-NC] FEB 20 0130 - Good ID in SS, mention of Neth. Antilles. [Sorenson*JAM]
- 810 COLOMBIA, HJCY Bogotá, MAR 5 0607 - CARACOL, Bogotá mentions; good, atop WGY/CJVA. [Connelly*H-MA]
- 840 CUBA Santa Clara, MAR 5 0437 - festive SS music; huge, annihilating WHAS. [Connelly*H-MA]
- 840 CUBA R. Revolucion, Santiago de Cuba, FEB 22 2359 - Good, instrumental music, ID by man at 0000, Santiago de Cuba mention, SS talk. [Sorenson*JAM]
- 850 JAMAICA JBC Savanna-la-mar, FEB 20 2145 - Fair, beginning JBC reggae program called "Master Mix" // 700, 750 etc. [Sorenson*JAM]
- 930 MONTSERRAT R. Antilles, FEB 20 0306 - Good with BBC News, "this news comes to you in the World Service of the BBC". [Sorenson*JAM]
- 930 CUBA R. Reloj (multiple sites), FEB 21 1340 - Fair to good with R. Reloj ID and ticking clock over an unID also in SS. [Sorenson*JAM]
- 940 VENEZUELA YVNN Punto Fijo, FEB 20 0922 - Music, ID at 0924 as "Radio Punto Fijo", fair. [Picard-PQ]
- 940 CUBA, CMKD Holguín, FEB 17 2223 - ID and "RR" in Morse code, fair. [Sorenson*JAM] FEB 25 2305 - Yes, more Radio Reloj, in very weak. [Sittel-NC]
- 950 MEXICO XEORF El Fuerte SIN, FEB 13 1305 - Poor in QRM with "la hora correcta ... en La Poderosa O-R-F", then music; same slogan again at 1308. No sign of XEPB, but they appeared a few minutes later and picked up steam. New, XE #130. Have bagged seven "newies" on 950 since local KKFN has been signing off at midnight local (normally 24 hours). [Wilkins-CO]
- 950 MEXICO XEPB Hermosillo SON, FEB 13 1311 - Musica romantica, then "Radio Amor, XEPB ... 950 Amplitud Modulada ...", then in and out of QRM with more music and slogans. AT 1345, a religious program entitled something like "Apocalipsis Tres Veinte"; soon faded under KDCE. New, XE #131, SON #24. [Wilkins-CO]
- 950 CUBA R. Reloj Sancti Spiritus, FEB 17 2223 - Good with ticking clock, R. Reloj ID, mention of Cuba. [Sorenson*JAM]
- 957 CUBA R. Reloj, Cienfuegos, FEB 25 0455 - Good, usual syncopated clock, RR code IDs, news, and Radio Reloj TCs, off nominal frequency of 960. [Conti-NH] MAR 5 0517 - SS talk, R. Reloj program; fair to good. [Connelly*H-MA]
- 960 MEXICO XEK Nuevo Laredo TAM, FEB 14 0332 - Ad for El Diario newspaper (looking for sales reps); PSAs for Army Day (FEB 19) and Flag Day (FEB 24); rock music, ID 0346 "Esta es XEK, la estación grande de Nuevo Laredo". Generally dominant, though not strong, in semi-auroral conditions. Finally got enough for a report. [Wilkins-CO]
- 960 CUBA R. Reloj (multiple sites including Guantánamo), FEB 20 1336 - Excellent news in SS, ticking clock, time check, Morse code. [Sorenson*JAM]
- 1000 COLOMBIA, HJAJ Cartagena, FEB 20 2334 - SS talk and RCN ID. [Sorenson*JAM] FEB 28 2147 - SS talk with numerous Colombia mentions. [Sittel-NC]
- 1000 BRAZIL, ZYK522 São Paulo, MAR 5 0210 - bits of PP talk; briefly audible through Colombia. Usual CKBW/CFLP/W MVP knocked out. Early part of evening seemed a bit auroral, especially on the lower half of the band. Same conditions the next night. [Connelly*H-MA]
- 1000 US VIRGIN ISLANDS WVWI, FEB 20 2315 - Fair with talk about bank loans, ID at 2335 mentioning Radio One and public service programs for the Virgin and Leeward Islands. [Sorenson*JAM]
- 1020 TURKS & CAICOS, Caribbean Christian R., FEB 13 0355 - Poor to fair in partial KDKA null and some CFRB splatter, in EE with absolutely fanatical preacher. [Sorenson-ON] MAR 5 0212 - energetic southern-US-accented preacher; loud/totally dominant. [Connelly*H-MA]
- 1040 DOMINICAN REPUBLIC HION Santo Domingo, MAR 3 0331-0358* - Heard through noise with male DJ and music program, news at 0350, then full ID sign-off announcement at 0356, anthem (piano and chorus), then off at 0358 (1994 WRTH says they are 24 hours). Haven't heard this one in a while, and on those occasions it was a heavy aurora. [Renfrew-NY]
- 1060 MEXICO XEEP Mexico DF, FEB 19 0541 - Good signals on top of all stations with classical music and SS talk. [Axelrod & McRae-MB]
- 1100 COLOMBIA HJAT Barranquilla, FEB 23 0350 - Goos with news by man, Caracol ID // 5075. [Sorenson*JAM]
- 1140 CUBA R. Enciclopedia, Loma de Cruz, FEB 17 2228 - Good with crowing rooster, talk mentioning Santa Clara. [Sorenson*JAM]
- 1160 BERMUDA, VSB3 Hamilton, FEB 22 2302 - Fair, BBC World Service news. [Sorenson*JAM] MAR 6 0410 - good/dominant with BBC eastern European news feature // 5975. [Connelly-MA]
- 1160 ANTIGUA Caribbean Radio Lighthouse, FEB 21 2357 - With Christian religious message, Phone number in Chicago, "right here on your good news station, our time is eight o'clock" (AST). Now here ex-1165, which explains why we're not hearing it in Ontario and elsewhere. [Sorenson*JAM] (thanks, Morris, for clearing this up - Jim)



Caribbean Radio Lighthouse
PO Box 1057 - St John's Antigua, West Indies

- 1170 COLOMBIA HJNW Cartagena, FEB 13 0244 - Poor with almost classical sounding ballad // 5075 kHz, into discussion with several people in SS, WWVA partially nulled. [Sorenson-ON] FEB 20 0305 - Good in SS with Caracol ID. [Sorenson*]JAM
- 1180 CUBA Villa María, MAR 5 0317 - R. Tafno in at monster level with Cuban conga music; no trace of anyone else on channel. [Connelly*]H-MA
- 1240 BEHAMAS ZNS-2 Nassau, FEB 21 2351 - Poor to fair with scores, seemed // 1540 at this time. [Sorenson*]JAM
- 1240 HAITI 4VSJ R. Antilles, Port-au-Prince, FEB 22 2300 - Good with ID "Vous écoutez R. Antilles Internationales", FF talk by man mentioned "L'émission de Haiti". [Sorenson*]JAM
- 1270 CUBA R. Reloj, Camaguey, FEB 21 1334 - Good with ID, news, ticking clock and Morse code ID. [Sorenson*]JAM
- 1280 CUBA R. Mambi, Santiago de Cuba, FEB 22 2201 - Good with R. Mambi ID and talk by a woman. [Sorenson*]JAM
- 1340 GUANTANAMO WGBY, FEB 17 2138 - Good with talk about US military memorial in Iwo Jima, talk about mission by Central Command in Persian Gulf, CNN News, ID at 2200 "This is the American Forces Radio and Television Network". [Sorenson*]JAM
- 1540 BAHAMAS ZNS Nassau, FEB 17 2220 - Good, interview with a Bahamian poet and author (Robert Johnson), mentioned that his works are part of local school curriculum and that a book about him is available at Nassau studios. [Sorenson*]JAM
- 1580 BELIZE VOA, FEB 22 0313 - Fair in EE, news by female, talk about Middle East peace talks, mention of "VOA News, Cairo". [Sorenson*]JAM
- 1610 ANGUILLA The Valley, FEB 20 0330 - Excellent with beginning of Full Gospel Hour broadcast. [Sorenson*]JAM FEB 28 0256 - Poor to fair in EE with gospel music, ID mentioning Island of Anguilla, another ID at 0300, weaker than in past years with interference from a unID TIS station. [Sorenson-ON] MAR 5 0638 - preacher; good. [Connelly*]H-MA
- 1700 BRAZIL CRJ Maraba, JAN 31 0236 - Beacon IDs. Good signal with occasional deep fading for periods less than a minute. [Holbrook-MD]

Dems speaks: "I received my Quantum loop 3 weeks ago and am very pleased by its performance ..."

Greg speaks some more: "FEB 23 also brought a SS all alone on 780, likely Radio Coro, Venezuela, if past experience serves. And surprisingly, 1120 was a weak SS station all alone without KMOX. Couldn't figure this out with all the CKTY slop - must have been something good as I have never heard SS on that frequency before! Strange night - Sounded auroral, but yet some stations to the NE, like Montreal, CFLP 1000, CHTN 720, etc. were blasting in, so who knows? MARCH 2nd was an excellent auroral night, strong enough to knock all the northerners out, but not to strong to keep everything out. Was an amazing domestic night, with perhaps the pinnacle being WYNK-1380-LA. Plenty of SS where it is not often heard (2 of them on 690, 830, 1130 after GA sign off, etc.), but I couldn't pull out IDs on any of them. Hope people did well that night! (I have heard Venezuela and Puerto Rico on 1120, there is also a SS Florida station there too - Jim)

QUERIES AND ANSWERS

Though not directly resolving Rick Dau's question about Radio Tafno frequencies, the following are selected observations as personally monitored here. Note that I was the first to hear this station from nearly the first day of broadcast. 1180 continues to come in local level daytime here, with much EE programing mixed in.

11/5/85: I was the first to hear/discover Tafno as a result of a Radio Havana Cuba news item, announcing the opening of the station for tourists. Sked was announced as 1200-2300 GMT on 1160, as this was promptly confirmed. 6/18/88: began announcing 760, 1040, 1160 (but 760 unheard). 7/27/88: 830/1040/1160 now in use and all three heard for the first time in parallel. 1988-1989: R Moscow World Service irregularly appears on 1040. 10/15/89: 1100 noted for the first time, alone. 3/24/90: 1040/1100/1160 noted all in parallel. 3/27/90: TV Marti begins broadcasting from a balloon over Saddlebunch Key. 4/22/90: 1180 first appears, but initially only in use when TV Marti is on, switching back to 1160 other times. Soon after, 1180 becomes more regular. 4/7/92: 830/1100 heard by Krueger and Crawford relaying RHC in English this night, while 1180 continued with Tafno. 2/27/95: 1180 continues as the regular Tafno frequency, but 1100 is occasionally reported still active in parallel as well.

Tafno 1180 remains local level daytime here with much EE programming. I QSLed R. Tafno several years ago, and presume they'll still reply. Most of the Tafno announcers are actually the RHC SS and EE staffers. The name Tafno is derived from the native (related to Arawakan) peoples that lived in Cuba and Hispaniola. Does anyone out there have a complete listing of the Tafno FM

frequencies? I've never fully copied the irregular Spanish cart, which gives four or five-ish channels. Would like to have these on hand for E-skip and tropo DX openings. [Terry Krueger/DX South Florida via Rick Dau and direct]

UNIDS

Olle Alm sent a list of European frequencies in use. The 183 kHz signal that some have reported is probably Europe 1, with 2000 kW, 0400-2200 M-F, 24 hours SaSu. It is listed for 180 kHz, but operates on 183 kHz. It is the very last listing under Germany in the 1994 WRTH, shown as 183 kHz, although the back of the book shows it operating on 180 (177). George McLachlan also pointed out the discrepancy in the listings.

CORRECTIONS

Re Bruce Conti's 1053 Talkradio noted in the last column, phone number should be 0345-105389 (not 8345) - an 0345 call in the UK is a call charged at local rate irrespective of where the call originates. [Whitt-UK]

STATION NEWS

BELGIUM: RTBF has reactivated two of their MW transmitters which have been silent since JUN 1993. From FEB 20 RTBF Radio 2, now known as Frequence Wallonie, reappeared on 1125 kHz from La Louviere and on 1233 from Liege. These are test transmissions on low power. RTBF are checking the equipment in view of possible use by other operators, French notably. [Frederick Gordts via Steve Whitt e-mail FEB 28]

BELGIUM: Deutsche Welle are to use Wolveterm 151.2kHz for broadcasts possibly in Dutch. [Remy Fries via Steve Whitt e-mail]

COLOMBIA: R. Ideal, Umbita (Boyaca) 1623.5 is a new pirate heard quite well regularly in early January. They announce their frequency as 1650. [HK in SWB in ARC FEB 17] (the reporter lives in Colombia - Jim)

GUATEMALA: "There is now a network relaying TGRT 670 Guatemala City. The network name is "Emisoras Unidas" (United Stations) and they mention a long list of stations throughout the country that carry the network but I never copied it. Other news: TGRV R. 560 is actually on 550; they continue to announce themselves as "Radio 5-60" however (noted as such in 94 WRTH - Jim). TGW 640 was not heard at all during my 17 days in Guatemala, not heard either during my trips to Guatemala for the last 4 years so obviously gone. TGHV 760, TGO 790, TGX 850, TGWC 1000 (relay), TGRR 1150, TGTL 1310 (listed as inactive on 1300 in 94 WRTH), TGRP 1410 (1420 in 94 WRTH), and TGWC 1600 (inactive in 94 WRTH) were not heard at all. TGVA 1060 was parallel to R. Sonora 1180 every time I listened. TGTU 1270 was heard with the slogan "La Voz de Los Altos" (shown as 1310 in 94 WRTH). TGLK 1360 was heard with the slogan "La Tic Tac" (as in 94 WRTH). TGGH Quetzaltenango has moved to 1460 with the same "Radio Xelaju" slogan (shown as 1410 in 94 WRTH). TG?? 1490 La Voz de Atitlan, Santiago Atitlan (new station) was heard in both Tzutuhil and Spanish (announcer says each sentence in both languages); mention was made of shortwave frequency so I assume they are parallel. TGDX 1510 was heard announcing 24 hour service but I did not care to verify this personally." [Hutton-SPAIN] (Chuck notes that he only had the 1993 WRTH as a reference).

MEXICO: Radio Formula network station list: 650 XEVG Merida, 720 XEAVR Veracruz, 740 XEBAI Cancun, 780 XEMTS Tampico, 810 XEAGR Acapulco, 880 XEV Chihuahua, 950 XEKAM Tijuana, 970 XEDF Mexico, 1000 XENLT Nuevo Laredo, 1060 XEFNA El Paso, 1070 XESP Guadaluajara, 1150 XERM Mexicali, 1200 XEYF Hermosillo, 1370 XEMON Monterrey, 1370 XEHF Nogales, 1470 XEACE Mazatlan. There are 15 other stations (not listed by network) which carry some Radio Formula programming. Stations which air Radio Formula's all night talk show read the above list over the air a few times per night, often around 0800 or 0900 UTC. Best chance for a local ID is around 0600 or 0700 UTC (+/- 5 minutes). [ARC FEB 17] (they credit NRC for the item, but it wasn't from here! Jim) (I think I heard this network give the list at 0600 on Mexicali 1150 while in San Diego during Christmas - Jim)

NORWAY: The Norwegian Fishery Minister stated on FEB 17 that a new MW transmitter will be built on Bear Island (Björnøya), south of Spitzbergen to increase coverage for fishermen in the Barents Sea. No Norwegian MW transmitters are able to cover this area, and fishermen complain that weather reports and messages from the fishery authorities are impossible to obtain. No further details so don't expect transmissions until next year. [Bjarne Mjelde via Steve Whitt e-mail]

UNITED KINGDOM: Mystery signal on 2404.5kHz is G9CDF, a test & development station experimenting with LF antennas - NOT a pirate harmonic! It is located in Chapel Green near Sheffield. Reception reports will be welcomed by Bessemer Broadcasting, 52 Hampton Road, Fir Vale, Sheffield, S5 7AN. Comparison of reception when different transmitting antennae are in use

would be useful. Future tests will use 1413kHz & eventually a LW frequency. [Besemer Broadcasting via Steve Whitt]

VENEZUELA: "Radio Nacional de Venezuela. Again they have plans to reactivate one of 500 kW transmitter located in Punta Tumatey, Falcon State, broadcasting RNV light channel programming. According with personal conversation with Lic. Pablo Carreto Ydrogo, current general director, they are waiting only the appropriate electric energy in the area to sign on the transmitter on 1240 kHz. The other 500 kW transmitter is installed yet in Punta Tumatey but they have plans to move, probably to Santa Elena de Uairen in Bolivar State." [Manuel Rodriguez Lanza in *Tropical Tuning* #38]

CONTRIBUTORS

- Shawn Axelrod and Wayne McRae, DXing from Valhalla Beach MB; 2 ICOM ICR-70s with filter mods and plam board, 9 longwires or beverages.
- @Greg Coniglio, Williamsville NY; GE Superradio III, experimenting with 500' plain copper longwire, strung E-W but only about 350' to 400' of room so the rest is still on the spool in a tree. Is mostly elevated off the ground. For now a strand off the wire also serves as the ground, will have to get another wire for GND.
- @Mark Connelly, Billerica MA; Drake R8, two noise-reduced slopers (approx. 37 m each) with 50 m single-turn horizontal loop used as floating ground for noise reduction; antennas are phased with DL-2 prototype phasing unit to MWT-3 regenerative tuner/preamp. Also DXing from Harwich, Cape Cod, MA; Sony ICF-2010 (with filter mod.), RTL-2 remotely-tuned loop with MWT-3 regenerative tuner/controller. [MarkW11ION@aol.com]
- @Bruce Conti, Nashua, NH; ICF-2010 with Kiwa filters, regen tuner, MWDX-5, 30-m east sloper, 30-m longwire. [bc@lexicon.com]
- @Ben Dangerfield, Wallingford PA; HQ-180 and Kiwa Loop.
Steve Francis, Alcoa TN; Realistic TRF 12-675.
Hank Holbrook, Dunkirk MD; Drake R8 and 120' random wire.
Chuck Hutton, Madrid, SPAIN.
Terry Krueger, Clearwater FL.
Denis Picard, Trois-Rivieres-Ouest PQ; Kenwood R-5000, Quantum loop.
Jim Renfrew, Rochester NY; HQ-180 & Radio West Loop. [JimRenfrew@AOL.com]
- Tom Sanders, Davison MI; Sony 2010 and Pioneer car radio.
- @Matt Sittel, Asheville NC; GE Superadio III, 75' of wire wrapped around 4 nails to make a 20" loop.
Morris Sorenson, Scarborough ON; Sony ICF 2010 with McKay-Dymek DA-9 ferrite loop, Hammarlund HQ-150 with SM-2 "Space Magnet". Also DXing from Runaway Bay, Jamaica (Don Trelford's place); Panasonic RF-B65 with built-in antenna.
- John Wilkins, Wheat Ridge CO; Drake R-8, 4' Box Loop.

The **NRC AM Radio Log, 15th Edition**, is the standard listing of AM radio stations in the U. S. and Canada. Cross-referenced, 3-hole punched for standard binders. Only \$16.95 to U. S. and Canadian members; \$19.95 to U. S. non-NRC members; \$20.95 Canadian non-NRC members. Airmail: to Latin America, \$21.00; Europe, \$24.00; rest of the world: \$28.00.

Order from: NRC Publications - Box 164 - Mannsville, NY 13661 (NY residents, please add sales tax)

The DX'pedition Handbook...

is simply all you need to plan your next DX'pedition. \$8.95 to NRC members, \$12.95 to non-members. Order from NRC Publications - Box 164 - Mannsville, NY 13661. NY orders, please add sales tax.

THE
DX'PEDITION
HANDBOOK

Formats

Tony Fitzherbert

356 Jackman Avenue

Fairfield, CT 06430-1728

Changes in programming status; reported by listeners

A flurry of format changes...from Pete Taylor, KFSO-560, San Francisco, "560 Hot Talk" has dropped its liberal talk show hosts in favor of a conservative talk format, thus ceasing to insult one group of people in favor of irritating another entire population. And while DX'ing, your editor has discovered that WVAM-1430, Altoona, now offers all talk with local news blocks including morning drive "AM Altoona" and for PM drive, "Altoona's Afternoon Edition". This was confirmed by a nice verber from the CE who "loves reception reports", after seven tries by me in the past decade. WPGC-1580 "Flava" has dumped business news in favor of rap (should have done the business news IN rap to be the ultimate in obnoxiousness!). Additional DX'ing reveals that WPUV-1580 is now southern gospel, and WNRB (ex-WSSH)-1510 has dropped Spanish for contemporary Christian and is "Boston's Blessing" (yeuch!). Local WNLK-1350 has dropped its adult standards for talk "The New Talk of Fairfield Country".

While en route to New Hampshire, I checked out WJIB in time to again hear "Let's Talk About Radio" on 2-26, to hear a group of you doing just that. Of interest for this column, from LTAR is that WKNE-1290, Keene, NH, has dropped the talk format for oldies and WBMA-890 is now WBPS for Boston Prime Sports - the Spanish religion has gone, replaced by automated sports talk, only four dial positions from powerhouse WEEL-850, Beantown's real sports station. WBPS is moving its license to Wellesley Hills, although the studio reportedly is still on Commonwealth Avenue, in Boston, and the station uses the old WBIV five tower array near Framingham. George Greene, visiting the area from Ohio, was on the program, fresh from a trip to Australia, where he noted that the broadcast consultants that have brought "Q", "Z", "Zoo", "Kiss", "Foxes" and "Hot 100's" to the US must be working down under, where the dial sounds the same as it does here. Some stations in the Alice Springs area are owned by Aborigines, although the formats of these stations are of the variety nature. This program is VERY interesting, and it is too bad that we can not hear it.

The column is primarily from the *M Street Journal*, and from Dave Schmidt. Note all of the changes to adult standards, sports, religion....and automation!

540	WGTO	FL	Pine Hill	- JSN Team Sports.
550	KSD	MO	St. Louis	- SMN Adult standards.
550	WJMW	PA	Bloomsburg	- Talk.
570	WAAX	AL	Gadsden	- Talk.
580	CKWW	ON	Windsor	- WW-I standards (Westwood One).
580	WKTY	WI	La Crosse	- WW-I standards.
610	KAVL	CA	Lancaster	- JSN Oldies.
610	KTRA	OR	Medford	- Regional Mexican.
760	WENO	TN	Nashville	- MSG Christian Country.
770	KULL	WA	Seattle	- Country music//KRPN.
800	KSOS	UT	Brigham City	- SMN Real Country.
810	WSYW	IN	Indianapolis	- CSN Childrens - hope they do better than did WYIC-1110 here years ago.
810	WMTS	TN	Murfreesboro	- Talk.
850	KWOF	IA	Waterloo	- Contemporary Christian.
900	WLSI	KY	Pikeville	- Southern gospel.
920	KQLO	NV	Reno	- CHR//FM.
950	WOMX	FL	Orlando	- CSN Childrens.
950	KMTX	MT	Helena	- SMN Country.
950	KNFT	MN	Bayard	- Adult standards.
970	WCHN	NY	Norwich	- SMN Adult standards.
980	KEYQ	CA	Fresno	- Talk and sports.
1000	WDJL	AL	Huntsville	- WW-I adult standards.
1010	KDLA	LA	De Ridder	- JSN Team sports.
1010	KXYQ	OR	Milwaukie	- Talk "the Voice".
1070	WNCT	NC	Greenville	- SMN and live assist adult standards.
1080	WFIV	FL	Kissimmee	- Spanish.
1090	WXBK	AL	Albertsville	- Classic country.

Covering Arizona
like the sun



KOY RADIO 56

1090	WNVY	FL	Pine Hills	- JSN Team Sports.
1110	KRCX	CA	Roseville	- Regional Mexican.
1120	WBNM	GA	Gordon	- PRN News and talk.
1130	WFXH	SC	Hilton Head	- Prime Sports.
1140	KCXL	MO	Liberty	- JSN Oldies.
1170	KCBQ	CA	San Diego	- WW-I Oldies.
1170	WKLF	FL	Bushnell	- MSG Christian Country.
1180	WSAF	GA	Trion	- WW-I Country.
1190	WMRE	PA	Hughsville	- News and talk//WRAC.
1200	CKDA	BC	Victoria	- 70's oldies.
1200	WTLA	NY	North Syracuse	- SMN adult standards//WTLB, Utica, 1310, ID's as both stations (TF).
1220	KCGQ	MO	Cape Girardeau	- Prime Sports.
1220	KMVL	TX	Madisonville	- SMN Adult Standards.
1230	WGRY	MI	Grayling	- Oldies.
1230	WUBE	OH	Cincinnati	- Sports "The Score".
1240	KAMQ	NM	Carlsbad	- Contemporary Christian.
1240	WBBW	OH	Youngstown	- Standards//WHOT.
1250	KQYN	CA	Twenty Nine Pines	- Classic rock, rock.
1260	WCHV	VA	Charlottesville	- SMN Urban AC.
1270	KAJO	OR	Grants Pass	- SMN Adult Standards.
1280	KDKD	MO	Clinton	- Talk and sports.
1300	WNEA	GA	Newman	- Southern Gospel.
1310	WTLB	NY	Utica	- SMN adult standards, see 1200 (TF).
1320	KGDC	WA	Walla Walla	- MSG Christian Country.
1330	WZCT	AZ	Scottsboro	- MSG Christian Country.
1330	WPPI	GA	Carrollton	- Oldies and talk.
1340	WMID	NJ	Atlantic City	- Is now ABC (I), drops NBC, still adult standards "AM Only" (DS).
1360	WNIC	NJ	Washington Twsp.	- Brokered Spanish and religion 9 am to 9 pm seven days a week, Branson CWM 9 pm to 9 am (DS). Some combination!
1390	KCRC	OK	Enid	- JSN Oldies.
1390	WLAN	PA	Lancaster	- Drops contemporary Christian for BBD and standards (DS).
1400	WAJQ	GA	Alma	- Southern gospel in March.
1400	WGTN	SC	Georgetown	- Religion and southern gospel.
1420	KESY	NE	Omaha	- SMN Urban gold.
1430	WNWZ	TN	Germantown	- SMN adult contemporary.
1440	WPRD	FL	Winter Pass - News and talk//WTRR.	
1440	WVMG	GA	Cochran	- Southern gospel.
1440	WJBS	SC	Holly Hill	- Southern gospel.
1450	KIOV	ID	Payette	- Drops Mexican for rock//FM.
1450	WRKD	ME	Rockland	- WW-I standards.
1460	KBZO	TX	Lubbock	- Regional Mexican.
1460	WACO	TX	Waco	- Prime sports.
1460	WTMB	WI	Tomah	- JSN Team sports.
1480	WKGf	FL	Arcadia	- MSG Christian country.
1480	KRXX	ID	Gooding	- JSN Oldies.
1490	KMET	CA	Banning	- News and travel information.
1490	WEFG	MI	Marathon	- Travel information.
1490	WFLB	NC	Fayetteville	- WW-I adult standards.
1500	WBZI	OH	Xenia	- Southern gospel.
1560	WSQR	IL	Sycamore	- New station, full service soft AC.
1570	WBUX	PA	Doylestown	- Full service adult contemporary.
1570	WONA	MS	Winona	- SMN urban adult contemporary.
1580	WPKY	KY	Princeton	- Country//FM.
1580	WDMF	TN	Knoxville	- Black gospel.
1590	WCBG	PA	Ghambersburg	- Adult standards, noted while DX'ing (TF).
1590	WDBL	TN	Springfield	- Southern gospel.
1590	WYOK	TX	Houston	- Black gospel and talk.
1600	KYGO	CO	Lakewood	- Classic country.



1600	WKEN	DE	Dover
1600	KNCY	NE	Nebraska City
1600	WXYM	VA	Saltville
1600	WNST	WV	Milton

- Now JSN "Good Time Oldies" (DS).
- Country//FM.
- Southern gospel.
- Prime Sports.

All for now, with thanks to our contributors. "Let's Talk about Radio" raised a provocative question...if you could receive ONLY three radio stations in your area, and three alone, what three stations would you most want to hear? So, in Formats, let us adopt the question in a little reader survey. Please send on a card to me, your three favorite local stations. I will publish the results in a later formats column. By the way, my three selections in NYC are WCBS-880, news, WYNY-103.5, country, and WMXV-105.1, hits of the 70's thru 90's. In Boston, my home away from home, they would be WBZ-1030, news, WBOS-96.9, country music, and WJIB-740, easy listening. WADN-1120, folk and BBC, and WCLB-105.7, country would be runners up. And, in Fairfield, WICC-600, news and info, WWYZ-92.5, country, and WEBE-107.9, mix of 1970's thru '90's. Conversely, electronic purgatory would be the three stations airing business news, rap, and motivational talk - what a thought! And what are YOUR favorites? 73's!

Tom Snyder Show Stations -- via Doug Smith

The Late Late Radio Show with Tom Snyder and Elliott Forrest
Monday Through Friday from 11pm/eastern - 2am

Allentown, PA	WTKZ-930	Los Angeles, CA	KGRB-900
Appleton, WI	WHBY-1150	Madison, WI	WTSO-1070
Burlington, VT	WVMT-620	Minneapolis, MN	WCCO-830
Canton, OH	WHBC-1480	Odessa-Midland	KRIL-1410
Chillicothe, OH	WBEX-1490	Orlando, FL	WDBO-580
Dayton, OH	WING-1410	Palm Springs, CA	KSPI-1450
Dubuque, IA	KDTH-1370	Portland, OR	KEX-1190
Ephrata, WA	KULE-730	Prescott, AZ	KYCA-1490
Flint, MI	WFNT-1470	Roseburg, OR	KRNR-1490
Fresno, CA	KKTR-1340	San Diego, CA	KFMB-760
Ft. Meyers, FL	WNOG-1270	Sandusky, OH	WLEC-1450
Gainsville, GA	WGGA-1240	Springfield, MA	WNNZ-640
Harrisburg, PA	WCMB-1460	Sterling, IL	WSDR-1240
Hopkinsville, KY	WHOP-1230	Wilmington, DE	WDEL-1150
Kansas City, MO	KCMO-810	Yakima, WA	KIT-1280
Klamath Falls, OR	KAGO-1150	Youngstown, OH	WKBN-570

A DX'ers Technical Guide

Now in its 2nd edition, this 120-page book answers questions on receiver and antenna theory (how to improve their performance), how audio filters and loop antennas can improve DX (and hints on their construction), how to build a beverage and phasing unit, and much more. Only \$5.50 for NRC/IRCA members, \$6.50 for non-members (overseas airmail add \$2.50). Order your copy today from
IRCA Bookstore - 9705 Mary Ave. NW - Seattle, WA 98117-2334

IRCA Mexican Log, 3rd Edition

The 1994 edition of the IRCA Mexican Log lists all AM stations in Mexico by frequency, giving call letters, state, city, day power, night power, slogans, schedule in UTC/GMT, formats, networks, and notes. Stations that have changed frequency since 1990 are cross-referenced on the old frequency.

The call letter index gives call, frequency, city and state. The city index (listed by state, then city) gives frequency, call, day and night power. There is even a guide to the Spanish alphabet and numbers.

The log has been completely updated from the 1990 edition and carefully cross-checked by IRCA members in Mexico and the U.S. This will be an indispensable reference for anyone who hears Mexican radio stations.

The price, payable to IRCA in U.S. funds: IRCA/NRC Member: \$6 U.S./Canada/Mexico/airmail, \$7 rest of the Americas airmail, \$7.50 Europe/Asia airmail, \$8 Australia/New Zealand airmail. Non-Member: \$8 U.S./Canada/Mexico/airmail, \$9 rest of the Americas airmail, \$9.50 Europe/Asia airmail, \$10 Australia/New Zealand airmail.

Order from Phil Bytheway - IRCA Bookstore - 9705 Mary N.W. - Seattle, WA 98117-2334

Graveyard Achievements

Distance records for stations logged on graveyard frequencies

Bill Hale MTFH12A@Prodigy.com
495 Creekview Drive
Meridian, ID 83642-3241

1450 kHz

Logged from Jan 1, 1960 to Present

Date of Last Update: February 13, 1995

* indicates North American record-holder

WDNG	AL	Anniston	Carl Dabelstein	Overland Park, KS	615	WAFX	IN	Fort Wayne	Niel Wolfish	Winnipeg	39
WSMQ		Bessemer	Mike Hawk	Omaha, NE	732	WLYV			Shawn Axelrod	Winnipeg	831
WDLK		Dadeville	Jim Renfrew	Rochester, NY	837	WXVW		Jeffersonville	Niel Wolfish	Winnipeg	(Tie) 831
WDIG		Dothan	Ernie Wesolowski	Omaha, NE	909	WASK		Lafayette	Niel Wolfish	Winnipeg	1021
WFIK		Huntsville	Carl Dabelstein	Lincoln, NE	698	KCDR	IA	Cedar Rapids	John Wilkins	Winnipeg	857
WLAY		Muscle Shoals	Tim Kerfoot	Weston, ON	780	KWBW	KS	Hutchinson	Shawn Axelrod	Winnipeg, MB	715
KLAM	AK	Cordova	Esa Hänninen	Lemmenjoki, Finland	3491	WTCO	KY	Campbellsville	Russ Edmunds	Little Silver, NJ	818
KAWT	AZ	Douglas	Ernie Wesolowski	Omaha, NE	1022	WWXL		Manchester	Jeff Falconer	Clinton, ON	652
KNOT		Prescott	Bruce Reynolds	Warrensburg, MO	1076	WPAD		Paducah	Shawn Axelrod	Winnipeg	471
KVSL		Show Low	Robert Kramer	Chicago, IL	1328	WLKS		West Liberty	Charles Reh	Winnipeg	970
KOPO		Tucson	Mike Hardester	Modesto, CA	674	KSIG	LA	Crowley	Roy Millar	Leamington	286
KENA	AR	Mena	Stephen Ponder	Ft. Smith, AR	59	KNOC		Natchitoches	Frank Merrill	Marysville, WA	2000
KYOR	CA	Blythe	Mike Sanburn	Bellflower, CA	214	WNPS		New Orleans	Charles Reh	Milan	883
KAVA		Burney	Mike Hardester	Modesto, CA	224	WLKN	ME	Lincoln	Don Lynch	Leamington	933
KOWN		Escondido	Mike Sanburn	Bellflower	92	WRKD		Rockland	Marc DeLorenzo	Wakefield, MA	246
KTIP		Porterville	Frank Merrill	Bellflower	92	WKTQ		South Paris	Don Voorhies	Hyannis, MA	179
KEST		San Francisco	Esa Hänninen	Bellflower	92	WTHU	MD	Thurmont	Charles Reh	Oswego, NY	303
KSOL			Dave Whatmough	Bellflower	92	WCEA	MA	Newburyport	Don Lynch	Leamington	317
KVML		Sonora	Bruce Reynolds	Bellflower	92	WMAS		Springfield	Marc DeLorenzo	Wilbraham, MA	88
KVEN		Ventura	Dale Park	Bellflower	92	WATZ	MI	Alpena	MB DXpedition &	Hyannis	125
			Bruce Reynolds	Bellflower	92	WHTC		Holland	Carl Dabelstein	Valhalla Beach, MB	735
			Dale Park	Bellflower	92				Ernie Wesolowski	Omaha, NE	514
			Esa Hänninen	Bellflower	92	WMIQ		Iron Mountain	Niel Wolfish	Omaha	(Tie) 514
			Pete Taylor	Bellflower	92				Shawn Axelrod	Winnipeg	503
			Frank Merrill	Bellflower	92	WIBM		Jackson	Ron Musco	Winnipeg	(Tie) 503
			Jeff Tynan	Bellflower	92	WKLA		Ludington	Jeff Falconer	Windsor	580
			Olle Alm	Bellflower	92	WNBY		Newberry	Russ Edmunds	Clinton	243
			Jim Boehm	Bellflower	92	WNBY		Port Huron	Steve Francis	Parsippany	679
			Niel Wolfish	Bellflower	92	WHLS		Port Huron	Steve Francis	Alcoa, TN	503
			Frank Wheeler	Bellflower	92	KATE	MN	Albert Lea	Niel Wolfish	Winnipeg	512
			Marc DeLorenzo	Bellflower	92	KBUN		Bemidji	Shawn Axelrod	Winnipeg	(Tie) 512
			Marc DeLorenzo	Bellflower	92	KBMW		Breckenridge	Gary Atkins	Louisville, KY	805
			Jerry Starr	Bellflower	92				Esa Hänninen	Lemmenjoki	3968
			Andy Rugg	Bellflower	92	KCLD		St. Cloud	Morris Sorensen	Leaf Rapids, MB	*755
			Carl Dabelstein	Bellflower	92	WROX	MS	Clarksdale	Don Trelford	Scarborough, ON	736
			Dave Whatmough	Bellflower	92	WCJU		Columbia	Andy Rugg	Waterloo, ON	820
			Don Trelford	Bellflower	92	WJXN		Jackson	Charles Reh	Leamington	847
			Charles Reh	Bellflower	92	WMGP		Meridian	Charles Reh	Leamington	790
			Don Trelford	Bellflower	92	WROB		West Point	Don Trelford	Scarborough	927
			Ron Bailey	Bellflower	92	KFTW	M O	Fredericktown	Jerry Starr	Youngstown	685
			Carl Dabelstein	Bellflower	92	WMBH		Joplin	Jim Boehm	San Antonio	736
			Don Trelford	Bellflower	92				Niel Wolfish	Winnipeg	905
			Charles Reh	Bellflower	92	KIRX		Kirksville	Shawn Axelrod	Winnipeg	(Tie) 905
			Don Trelford	Bellflower	92				Niel Wolfish	Winnipeg	730
			Ron Bailey	Bellflower	92	KOKO		Warrensburg	Shawn Axelrod	Winnipeg	(Tie) 730
			Carl Dabelstein	Bellflower	92	KWPM		West Plains	Paul Mount	Teaneck, NJ	1055
			Don Trelford	Bellflower	92	KXXL	MT	Bozeman	Ernie Wesolowski	Omaha	382
			Russ Edmunds	Bellflower	92	KUDI		Great Falls	Ernie Wesolowski	Omaha	818
			John Wilkins	Bellflower	92				Esa Hänninen	Lemmenjoki	4114
			Shawn Axelrod	Bellflower	92	KTXX		Whitefish	Ernie Wesolowski	Omaha	*873
			Les Carpenter	Bellflower	92	KVCK		Wolf Point	Roy Millar	Marysville	375
			Esa Hänninen	Bellflower	92				Niel Wolfish	Winnipeg	402
			Roy Millar	Bellflower	92	KWBE	NE	Beatrice	Shawn Axelrod	Winnipeg	(Tie) 402
			Olle Alm	Bellflower	92	KCSR		Chadron	Shawn Axelrod	Winnipeg	668
			Ernie Wesolowski	Bellflower	92	KONE	NV	Reno	Ernie Wesolowski	Omaha	381
			Russ Edmunds	Bellflower	92	WKXL	NH	Concord	Frank Merrill	Nenana	2086
				Bellflower	92	WIIN	NJ	Atlantic City	Jeff Falconer	Clinton	504
				Bellflower	92				Esa Hänninen	Lemmenjoki	3962
				Bellflower	92	WCTC		New Brunswick	Steve Francis	Alcoa	*574
				Bellflower	92				Morris Sorensen	Scarborough	349
				Bellflower	92	KLOS	NM	Albuquerque	Don Trelford	Scarborough	(Tie) 349
				Bellflower	92	KLMX		Clayton	Roy Millar	Marysville	1179
				Bellflower	92				Frank Merrill	Milan	1109

KOBE		Las Cruces	John Wilkins	Wheat Ridge	526	KEYY		Provo	Shawn Axelrod	Winnipeg	41
KSEL		Portales	Shawn Axelrod	Winnipeg	1115	KDXU		St. George	Ernie Wesolowski	Winnipeg	961
WCLI	NY	Corning	Don Lynch	Lynn, MA	309	WSNO	VT	Barre	Marc DeLorenzo	Omaha	988
WWSC		Glens Falls	Charles Reh	Leamington	463	WTSA		Brattleboro	Jeff Falconer	Clinton	209
WHDL		Olean	Charles Reh	Leamington	209	WFTR	VA	Front Royal	Ernie Wesolowski	Omaha	452
WKIP		Poughkeepsie	Marc DeLorenzo	Hyannis	186	WENZ		Highland Springs	Marc DeLorenzo	Hyannis	950
WKAL		Rome	Jeff Falconer	Clinton	307	WREL		Lexington	Bob McCoy	Lincoln, NE	470
WATA	NC	Boone	Robert Kramer	Chicago	519	WMVA		Martinsville	Don Voorhies	Oswego	949
WGNC		Gastonia	Charles Reh	Leamington	472	KAYO	WA	Aberdeen	Esa Hänninen	Lemmenjoki	422
WHVH		Henderson	Andy Rugg	Montreal	695	KBKW			Jack Woods	Douglas, AK	4291
WHKP		Hendersonville	Frank Merrill	Milan	469	KCLX			Bill Hardy	Aberdeen	*895
WNOS		New Bern	Don Lynch	Chelmsford, MA	601	KONP		Colfax	Esa Hänninen	Lemmenjoki	306
KGCA	NC	Rugby	Roy Millar	Marysville	1034			Port Angeles	Jack Woods	Lemmenjoki	4212
WJER	OH	Dover	Jeff Falconer	Clinton	214	KAYE			Pete Taylor	Waldport, OR	*258
WMOH		Hamilton	Niel Wolfish	Winnipeg	1003	WWBB	WV	Puyallup	Frank Merrill	San Francisco, CA	650
			Shawn Axelrod	Winnipeg	(Tie) 1003	WPAR		Madison	Jim Renfrew	Holland, OH	272
WLEC		Sandusky	Don Trelford	Scarborough	227	KFIZ	WI	Parkersburg	Morris Sorensen	Rochester	318
KWHW	OK	Ahtus	Niel Wolfish	Winnipeg	1055	WHRY		Fond du Lac	Niel Wolfish	Leaf Rapids	1055
			Shawn Axelrod	Winnipeg	(Tie) 1055			Hurley	Shawn Axelrod	Winnipeg	442
KGFF		Shawnee	John Wilkins	Wheat Ridge	543	WDLB		Marshfield	Don Trelford	Scarborough	(Tie) 442
KSIW		Woodward	Niel Wolfish	Winnipeg	927	WRCO		Richland Center	Niel Wolfish	Winnipeg	538
KXOX	OR	Eugene	Esa Hänninen	Lemmenjoki	4479				Shawn Axelrod	Winnipeg	593
			Mike Hardester	Modesto	*457	KBBS	W Y	Buffalo	Ernie Wesolowski	Omaha	(Tie) 593
KFLS		Klamath Falls	Esa Hänninen	Lemmenjoki	4591	KVOW		Riverton	Mike Sanburn	Bellflower	587
			Roy Millar	Marysville	*373	CFHC	AB	Canmore	Roy Millar	Marysville	820
KBLM		LaGrande	Esa Hänninen	Lemmenjoki	4340	CBXC		Coleman	Roy Millar	Marysville	392
KBPS		Portland	Tim Hall	Vancouver, WA	8	CKYR		Jasper	Shawn Axelrod	Winnipeg	458
WWGO	PA	Erie	Marc Delorenzo	Hyannis	504	CBKS	BC	Cache Creek	Tim Hall	Winnipeg	1244
WFRA		Franklin	UK DXPedition £	Sheigra, Scotland	3326	CHET		Chetwynd	Frank Merrill	(near) Ashcroft, BC	15
			Marc Delorenzo	Hyannis	*493	CBXH		Cooper Creek	Roy Millar	Nenana	1110
WDAD		Indiana	Steve Francis	Alcoa	423	CHBV		Houston	Esa Hänninen	Marysville	413
WPAM		Pottsville	Ron Musco	Windsor	202	CKSP		Summerland	Tim Hall	Lemmenjoki	3813
WMPT		South Williamsport	Frank Merrill	Toledo, OH	357	CBG	NF	Gander	Olle Alm	Barff, AB	207
WMAJ		State College	Ron Musco	Windsor	280	CFAB	NS	Windsor	UK DXPedition £	Göteborg, Sweden	2694
WJPA		Washington	Steve Francis	Alcoa	364	CFJR	ON	Brockville	Charles Reh	Sheigra	2604
WKRI	RI	West Warwick	Don Voorhies	Oswego	282	CHUC		Cobourg	MB DXPedition &	Leamington	386
WQSN	SC	Charleston	Andy Rugg	Montreal	930				Marc DeLorenzo	Vaihalla Beach	1027
WHSC		Hartsville	Dave Whatmough	Hamilton	615	CKDR4		Ear Falls	Niel Wolfish	Hyannis	*437
WCRS		Greenwood	Frank Merrill	Milan	545	CJBM	PQ	Causapscal	Andy Rugg	Winnipeg	227
WMYB		Myrtle Beach	Marc DeLorenzo	Hyannis	721	CHEF		Granby	Esa Hänninen	Montreal	240
KBFS	SD	Belle Fourche	Carl Dabelstein	Omaha	463				Charles Reh	Lemmenjoki	3549
KYNT		Yankton	Niel Wolfish	Winnipeg	485	CBMA		Noranda	Morris Sorensen	Leamington	*545
			Shawn Axelrod	Winnipeg	(Tie) 485	CHRT		St. Eleuthere	Joe Kureth	Kirkland Lake, ON	78
			Tim Hall	Winnipeg, MB	(Tie) 485	XEYZ	AGU	Aguascalientes	Tim Hall	Uniontown, MD	665
WLAR	TN	Athens	Ernie Wesolowski	Omaha	732	XEARE	CHIH	Ojunga	Jim Boehm	20mi W of Puerto Vallarta, JAL	227
WMOC		Chattanooga	Ernie Wesolowski	Omaha	720	XETD	NAY	Tecuala	Pete Taylor	San Antonio	358
WDSG		Dyersburg	Don Trelford	Scarborough	744	XEJM	NL	Monterrey	John Wilkins	Cabo San Lucas, BCS	285
WSMG		Greeneville	Carl Dabelstein	Lincoln	821	XECB	SON	San Luis Rio Colorado	Jim Boehm	San Antonio, TX	282
WLAF		La Follette	Steve Francis	Alcoa	43	XECM	TAMS	Ciudad Mante	Jim Boehm	Wheat Ridge	736
WGNS		Murfreesboro	Don Trelford	Scarborough	660	XEVH		Matamoros	Jim Boehm	San Antonio	468
KAYC	TX	Beaumont	Eric McIntosh	Invercargill	8026	VSB1	BER	Hamilton	Esa Hänninen	San Antonio	263
			Michael Hawk	Omaha	*781	CMJF	CUB	C Amancio R	Shawn Axelrod	Lemmenjoki	4179
			Ernie Wesolowski	Omaha	(Tie) 781	BED48	Taiwan	Kaohsiung	Pete Taylor	Orleans, ON	1500
KBEN		Carrizo Springs	Carl Dabelstein	Lincoln	865					Hong Kong	391
KCTI		Gonzales	Steve Ponder	Houston, TX	126						
KMBL		Junction	Roy Millar	Marysville	1680						
KCYL		Lampasas	Steve Ponder	Ft. Worth, TX	123						
KMHT		Marshall	Steve Ponder	Bossier City, LA	37						
KNET		Palestine	Rich Eddie	St. Louis	620						
KSNY		Snyder	Brett Hanavan	Chula Vista, CA	942						
KCNY	UT	Moab	Carl Dabelstein	Omaha	747						
KURA			Ernie Wesolowski	Omaha	(Tie) 747						

£ = UK DXPedition [Steve Whitt, Mark Hattam, Clive Rooms]
 & = Manitoba DXPedition [Shawn Axelrod & Wayne McRae]

The Challenging Crystal Set

For those who demand the ultimate DX challenge, Ray Cole's publication detailing step-by-step procedures in building a crystal set is for you! Only \$39.95. Order from NRC Publications. (NY residents, add sales tax)

42 **Geomagnetic Summary** Phil Bytheway bytheway@ATK.com
 9705 Mary NW
 Seattle, WA 98117-2334

High "A" values indicate possible auroral conditions

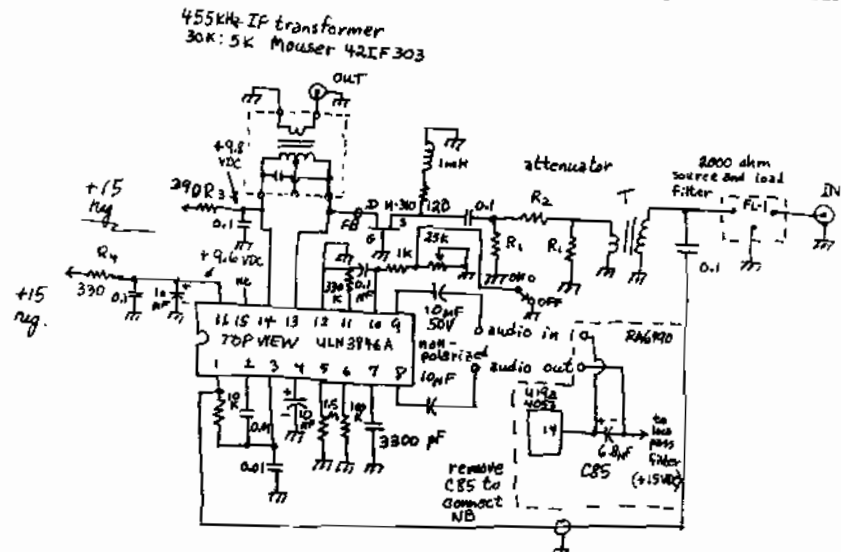
Geomagnetic Summary January 6 1995 through March 1 1995

GEO - Geomagnetic activity pca - polar cap absorption
 maf - major flare SA - Solar Activity
 mas - major storm spe - satellite proton event
 mis - minor storm ss - severe storm

Date	FLUX	A	K	SA	GEO	OTHER
1/ 6	74	15	1	very low	quiet-unsettled	swa
7	75	8	2	very low	quiet-active	-
8	74	3	3	very low	quiet	-
9	74	6	0	very low	quiet-active	-
10	73	4	3	very low	quiet-unsettled	-
11	75	14	0	very low	quiet-mis	-
12	76	2	3	very low	quiet	-
13	75	8	0	very low	quiet	-
14	77	2	0	very low	quiet	-
15	81	1	2	very low	quiet	-
16	83	19	2	very low	quiet-mis	-
17	84	16	5	very low	quiet-mis	-
18	87	21	1	low	quiet-mis	-
19	90	4	1	low	quiet-unsettled	-
20	93	3	2	low	quiet	-
21	96	4	1	low	quiet	-
22	96	6	2	very low	quiet-unsettled	-
23	96	5	1	low	quiet-unsettled	-
24	97	3	3	low	quiet	-
25	90	5	0	low	quiet-unsettled	-
26	86	2	1	low	quiet	swa
27	88	2	1	low	quiet	swa
28	83	2	4	very low	quiet-active	swa
29	85	21	5	low	quiet-mis	swa
30	86	27	4	low	unsettled-mis	mis 2100/swa
1/31	87	21	3	low	quiet-mis	swa
2/ 1	87	10	3	moderate	quiet-unsettled	swa
2	86	20	4	moderate	unsettled	swa
2	86	20	4	moderate	unsettled-mis	swa
3	83	21	4	low	unsettled-mis	swa
4	86	20	1	moderate	quiet-active	swa
5	81	5	2	low	quiet-unsettled	swa
6	84	5	3	low	quiet-unsettled	swa
7	84	9	5	very low	quiet-mis	swa
8	86	25	3	very low	quiet-mis	-
9	84	3	0	very low	quiet-unsettled	swa
10	81	0	2	very low	quiet	swa
11	81	18	4	very low	quiet-mis	swa
12	81	21	3	very low	unsettled-mis	swa
13	86	33	4	very low	unsettled-mas	mis/swa
14	82	29	4	very low	unsettled-mis	mis end/swa
15	85	12	1	very low	quiet-active	swa
16	86	4	1	very low	quiet-unsettled	swa end
17	89	4	3	very low	quiet-unsettled	-
18	89	10	3	low	quiet-unsettled	-
19	95	4	1	moderate	quiet-unsettled	-
20	91	3	0	moderate	quiet	-
21	89	2	1	low	quiet	-

22	85	2	1	very low	quiet	-
23	85	4	0	very low	quiet	-
24	83	1	0	very low	quiet	-
25	83	0	4	very low	quiet-active	-
26	86	14	3	very low	quiet-active	-
27	88	15	3	very low	quiet-active	-
2/28	91	22	4	very low	unsettled-active	-
3/ 1	90	18	4	very low	unsettled-active	-

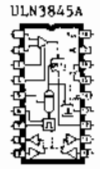
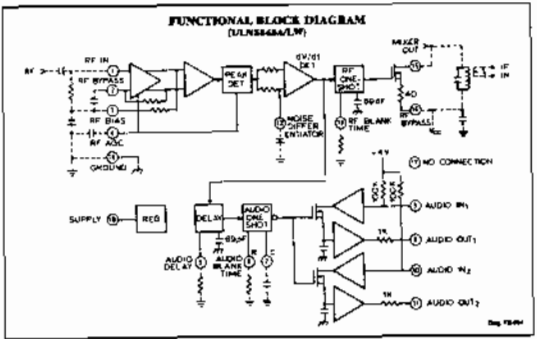
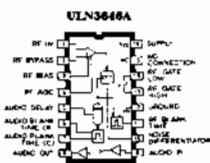
RA6790GM (R-2174[P]/URR) Noise Blanker - by Dallas Lankford



The Allegro MicroSystems, Inc. (115 Northeast Cutoff, Box 15036, Worcester, MA 01615, phone 508-853-5000) ULN3846A noise blanker chip appears to offer the prospect of a high performance, narrow bandwidth noise blanker. My attention was drawn to the ULN3846A because the two channel audio (stereo) version, ULN3845A, is used in the Drake R8 receiver, and is one of the most effective noise blankers I have ever used in a communications receiver. In the R8, the 45 mhz crystal filter ahead of the 3845 chip (which is in the R8 50 kHz IF) establishes a 12.5 kHz (nominal) bandwidth for the noise blanker. This is considerably narrower than the bandwidth for any other noise blanker I have seen, which motivated me to develop the above narrow bandwidth noise blanker for a Racal RA6790GM (R-2174(P)/URR) receiver. Currently, I am using an NTK LF-H6S ceramic filter with about an 8.5 kHz bandwidth for FL-1 above. The noise blanker has worked about equally well with a 6.5 kHz bandwidth LF-R45 and a 5.9 kHz bandwidth Collins torsion filter, part number 526 8636 010. I opted for an 8.5 kHz BW FL-1 filter so that any filter up to 8.5 kHz BW can be used in the RA6790GM plug-in filter array, including the 6.8 kHz BW (nominal) Racal filter which is often found in the 6790, and generally measures 8 kHz or wider BW.

In some places in the Allegro literature the mono chip is referred to as the ULN3646A. However, the chip itself is marked ULN3846A. A block diagram of the stereo 3845A chip is given below together with pin outs of the 3845A and 3846A chips. The two chips are identical except for the 3845A having two audio blanking channels, and slightly different pin out; see the diagram and pin outs below.

For the mono 3846A chip, the audio delay time is determined by the resistor at pin 5 (R5), the audio blank time is determined by the resistor at pin 6 (R6) and the capacitor at pin 7 (C7), the RF blank time is determined by the resistor at pin 11 (R11), and the noise differentiator capacitor at pin 10 (C10) "is selected so that audio signals do not cause triggering," according to the Allegro data sheets. No other information is given about C10, except that a value of 1000 pF is given by Allegro in a sample circuit illustrating an AM/FM tuner noise blanker. In the R8, C10 is 1.0 uF. So I chose 0.1 uF as a compromise between those two values. In an initial implementation I used a 10 uF electrolytic for C10, and noticed nothing unusual except when



I attempted to increase the RF blank time by raising R11 to 1 Meg ohm (in which case the circuit "died," tho I am not sure why). The RF blank time is given by the equation $T(RF) = 157 \times 10^{-12} \times R13$ microseconds. For the 330 K ohms I used, $T(RF) = 51.8$ microseconds. This is a bit longer than the 33 microseconds used in the RB NARROW noise blander mode. The audio delay time T(D) is given by $T(D) = 143 \times 10^{-12} \times R5$ microseconds. With 1.5 Meg ohms used, $T(D) = 214.5$ microseconds. The audio blank time T(AUD) is given by $T(AUD) = 2.2 \times R6 \times C7$ seconds. With 100 K ohms and 3300 pF, $T(AUD) = 726$ microseconds. These delay and audio blank times are about what are used in the RS.

The noise blander was built on a 4 1/2 by 4 11/16 inch PC board which was mounted on four metal standoffs tapped for 6-32 screws, between the 6790 IF board and the rear panel. SMB connectors were used at the input and output to preserve the appearance of the 6790, and small pins and connectors were used to make the audio connections and +15 VDC connection. To make the +15 VDC connection, L4 was removed from the 6790 IF board, and a small PC board adapter was made which contained L4, and a pin for +15 VDC, and which mounted in the holes vacated by L4. After C85 was removed, small pins were mounted in the vacated 6790 PC board holes (for quick connect and disconnect of the noise blander). The mini-coax from the output of the 2nd mixer board to the input of the IF board was re-routed to the vicinity of the four standoffs, which required the 6790 power supply subchassis to be moved (but not removed). And an appropriate length of mini-coax with right angle SMB connectors was fabricated to connect the output of the noise blander to the input of the IF PC board. A rectangular metal plate on the 6790 rear panel was removed, and another metal plate fabricated and used to mount a miniature toggle switch on the rear panel for turning the noise blander on and off. The original 6790 metal plate was saved in case I decide to restore the 6790 to original. With this approach, the noise blander can be removed in about 30 seconds without any unsoldering.

The 25 K ohm pot is a threshold adjustment, and is set to 25 K for the 6790. The attenuator (R1 and R2) was not needed, so the two resistors R1 were omitted, and R2 was merely a solid wire jumper. The broadband matching transformer T is an Amidon FT-50-75 with 31 turns and 5 turns of #26 enameled copper wire, close wound, with the 5 turns at the center of the 31 turns. The ULN3846A was socketed.

It is believed that a similar circuit can be used to provide noise blankers for many top-of-the-line DX receivers, such as the R-390A, 51J-4, and NRD-525.

Testing of the circuit is not complete, but preliminary results are very encouraging. As yet, I have not experienced any episodes of bad pulse type noise which occasionally occur at my location, so it has not been possible to give the noise blander a thorough testing. However, the noise blander has been found effective against fluorescent lights (when I turn them on and can find the noise at sporadic frequencies on my noise reducing vertical antenna) and against the usual pops and clicks at lower frequencies. Fluorescent light noise is not completely eliminated, but on weak AM signals it is greatly reduced. The Allegro data sheet mentions that the 3845A and 3846A chips are also effective against ignition noise and light dimmers. I have not tried the noise blander on either of these two types of noise.

Musings of the Members

Dave Schmidt
P. O. Box 11502
Wilmington, DE 19850-1502

*Times are local per Muse; submit double-spaced only.
Thoughts from NRC members ... the opinions expressed in this column are those of the individual writer
and do not necessarily reflect those of the editors, publishers, or the National Radio Club, Inc.*

MATT SITTEL - BEAR CREEK LANE, APT A4 - ASHEVILLE, NC 28806
***** Hi! I'm a new NRC member, and I thought I should introduce myself to the club. I've been active on the AM band on/off through the years, most recently, my foray into the joy of AM DX came when I was living in Tallahassee, FL and about a month before leaving decided I should give the AM band a try so if anyone asked I could tell them what AM DX was like there. Well, in a month I racked up just over 200 stations, with enough Radio ReLoj loggings to last me a lifetime! A couple have followed me N though, which is fine since now I'm working on a new log, already over 100 in the 2 months I've lived here, which isn't bad considering most of it came during about 10 days of DX. I've just purchased a GE Superadio III which I'm very impressed with, it runs rings around the Panasonic boom box I was using. The car stereo in my 91 Ford Tempo gets used sometimes on the drive to/from work. I guess I should introduce myself from that standpoint, too. I'm 24, & I work for a contractor as a meteorologist for the National Climatic Data Center, which suits me perfectly since I majored in meteorology and minored in statistics, so there's plenty of number crunching to do. I just got a home computer and being on Compuserve where I can do some Email at home instead of work, plus I can send in reports, too! It's great to see the technology already in use in the NRC! I've been a member of WFTDA for almost 10 years now and the technology is just starting to be used for reports and other information. My 1st loves will always be TV & FM but with the Superadio, I'm hooked for the time being on AM and hope to have some good catches to report to DDXD-E in the near future. 73s (And a very big welcome to you, Matt, to the NRC. We will look forward to your contributions!-DWS)

RUSS HORTON - UNIT 73, 2145 SHEROBBE ROAD - MISSAUSAUGA, ON L5A 3G8
***** Greetings from the Great White North, home of the Maple Leafs, Blue Jays & a whole host of static & noise, both known & unknown! Its been a season well worth the DX as I have been away from it for 18 years but the noise has increased 5 times over since the 70's, or maybe it is my new location next to the transmitters of CFRB, CHUM & CBL! As planned, CJCL (The Fan) moved down the dial to 590 khz at exactly 12 noon 2/6, CKYC-590 pulled the plug 2 hours earlier when a certain newscaster was just about to go on the air! No goodbyes, no thanks for supporting the station for all of these decades. Someone in management just pulled the plug! This according to a source from CKYC working there during the last week of preparation for the change. CJCL-590 now calls itself "Canada's Sports Superstation" a vast improvement from 1430 to 590, the signal is booming in as far N as Sudbury and as far S as N PA. Maybe I'm too sentimental but CKYC/CKYC but a decent, proper burial was called for here for a former 50000 watt giant, but nothing, not even a newspaper write up! That's it, 73s & good DX til next time!

SHAWN AXELROD - WAYNE MCRAE - WINNIPEG, MB
***** Well another successful DXpedition to Valhalla Beach has been completed. We had a great time once again and with the improved insulation of our still being converted school bus, we were warm even with temps dropping to -20 or so. A couple of other trips were cancelled due to temps around the -30 range making leaving the car outside for 12 hours no advisable. The walk of about 1500-1600 feet was a bit of a hike due to snow that was ankle to keep deep. Of course, the snow was waist deep by the bus just to insure we had a good work out. We did manage to get a few new ones and ended up with some mystery stations, such as 2 beacons on 1641 & 1680. Then there was the logging of QRS on 1700 which still has us scratching our heads, we figured we had gotten the 1st new station in the expanded band until we found out they had not asked to move. Its loggings like that which keep us going. That's it for now. We have to get some of you S DXers up here one winter for a DXpedition, bring your warm clothes and we will let the DX flow, teh colder it is, the better the DX will be! 73

TONY FITZHERBERT - 356 JACKMAN AVENUE - FAIRFIELD, CT 06432
***** Greetings, time for another Muse. DX at sunset has been great here with some new catches, in this land of local stations all around you! Heard for the 1st time have been WFKJ-890, W100-1000 (in like one of the area locals!), WMYF-1540, WRNJ-1000, WEIZ-670, and rolling in over KYW-1060 was a weak signal from WCOK. A call to WCOK prompted amazement from Jaylene Warden. She was surprised that the signal made it out "over the mountains", let alone to CT, as they are only 800 watts & "have to go off the air at 6PM because of some big station in Philadelphia". Ah, the surprises of this hobby! Verles are rolling in from WRDM-1550, and a detailed letter from WCOG-640, whose signal came in here very weakly.

The verie of the season so far is from WVAM-1430, after 7 tries over the years. Their FM's call letters fascinate me, WPRR, for the old Pennsylvania Railroad, as Altoona was the location of their primary maintenance facility. The USPO returned my report to WETH-1590, another chronic non-verifier. I hope DX holds up for all! Here, FAirfield County's former big full service station, WICC-600, is advertising during AM/PM drive for people to buy blocks of time for their own shows. At one time, WICC was THE top station in FAirfield County. Several of you have written to say how much you are enjoying the Station Profiles. Thank you very much for the notes, which I hope to answer in the near future (like a CE with reception reports!). I appreciate them greatly. 73's

BILL ANDRES - 719 W. JOHN STREET - FRACKVILLE, PA 17931
 * * * * * House remodeling and extra hours at work have cut into the dial time, and with me getting home near 3AM, that swell DX TEST calendar has really fled by like an unopened gift with a time expiration. I missed enough of them to get left back come renewal time! Really nice job, that schedule was, with pretty faithful results as evidenced by the DDXD contributions. Even when the TESTS aren't heard, some valuable facts emerge via the formats of the 'pests' and 'unn's' in the way. It'd be good to see a column based on a club-wide tune in to a specific frequency every so often, Test or no, to see what emerges. 1400 might not be a good choice but maybe some of the regionals or the class II clears. Semi-local WMTM-1590 (and I avail of the term in the broadest sense of usage) was noted back on 2/7, well past sunset. The format, a live but liberally segued drone, purports to be easy-rock of the 70's sort, with Glen Campbell lauded as the core artist. (special on cut-outs this week!-DWS)Despite this reappearance, they've been off the air more often than on. Tuesdays seem to be when the station is heard most frequently. In any case, since the totals started at 0/0/0 with the new location here, it is quite rewarding to tune in some broad-daylight midday and hear 6 new ones in a half hour. The furthest was an ID from WNRK-1260 with oldies under WBUD 2/24 1:30PM. The stock Zenith is all that's hooked up for now, temporarily no loop beacuse of - ahem - space management, so nulling has become once more the black art it'd been long ago. It's often a matter of waiting for a satellite station in front to trip over its shoelaces and provide vast expanses of dead air. ID's from WVAM & WENE 2/25 7AM completed the domestic frequencies. UNID Radio Reloj on 890 with what sounded like an 889 het 2/27 1:18AM. Later and all night seemingly, was WKGM-940 "The Ministry Station" atop 940 very well. An elusive but loud religious station on 1410 I've been trying to flag down turns out to be WLTV "The Sound of Love" with an ID 12AM 3/1, 1st AL from here, but their pattern in the book doesn't warrant these levels not with WPOP/WDOV and a half-dozen others in the way. Perhaps the heavens look after the religious U2's who forget to throw the switch? 73

DAVE SCHMIDT - P O BOX 11502 - WILMINGTON, DE 19850
 * * * * * We should have a report on the Kulpsville doings next report. Again, it looks like a pretty good group of NRCers will be on hand. The DX TEST from WKBR-1250 on 3/6 made it, weak to fair at times, between 1 till 1:20 AM, code and even a few voice ID's. Strange feeling to walk around a station transmitter sight, having not heard it in the past, then have it show up through some mode of operation. The test from WPPI-1330 was also copied 3/4 between 5 & 5:45 AM. Once WFBC faded about 5:35AM, WPPI was pretty much alone. Bill reports he ran a total of 40 minutes worth of code ID's during the time he was on! Yes, a verie arrived from the WNQM-1300, which I believe is #1090 for me. I received a copy of the new book on the Zenith Trans-Oceanic, written in part by Harold Cones (ANARC), of which we may write up a short review. That's it for this time, CUN14 & 73's *DJE*

Are you expiring?

We hope not! To avoid expiration, mail your remittance to the *DX News* Membership Center early. Allow at least three weeks after mailing your check or money order for new renewal data to appear on your mailing label. Please provide full nine-digit ZIP numbers, too.

Facts About NRC's DX Audio Service

The DX Audio Service provides the ONLY monthly broadcast news cassette service to the DX community. Available to anyone, anywhere, it is designed to inform the radio listener in a pleasing and informative manner. Many of the announcers on the service are professional broadcasters giving their free time to give the listener the finest service available.

DXAS was started to provide broadcast information, both AM and FM, to the visually-handicapped DX listener. It has evolved into a service which provides useful material to all types of listeners. Many subscribers listen to the tape to and from their place of work while driving. Features include not only news about DX, but also airchecks from radio markets, dialscans, frequency scans, and other items.

A one-year subscription is only \$25. Sample 45-minute copy: \$2.00; back issues of DXAS: \$3.

Cassettes are mailed by First Class mail, on or about the 20th of the month. For information, subscriptions, renewals, back and sample copies: write to DX Audio Service - P. O. Box 164 - Mannsville, NY 13661-0164

September 1st thru 4th
 Labor Day Weekend!

NRConvention '95 AURORA COLORFUL COLORADO

The 1984 Colorado Springs Convention received great reviews. Why not come to the 1994 Aurora Convention and find out WHY? A large variety of attractions both man made and natural await you. A fun filled weekend of mountains and plains awaits you. Imagine driving Trail Ridge Road through Rocky Mountain National Park, over 12,000 feet above sea level or drive to the top of Mount Evans over 14,000 feet. Black Hawk and Central City offer limited stakes gambling. See the Garden of the Gods, Pike's Peak or take a drive to Cripple Creek or the World's highest suspension bridge over the Royal Gorge. All this within two hours of the Hotel. Come and Join the FUN September 1st thru 4th, 1995!



BY CAR?

Just take I-70 straight to the Denver Metropolitan Area. Take I-225 south to the Mississippi Ave exit. Go East to S. Ablene St. and your on your way to a weekend of fun and excitement!



BY TRAIN?

Yes, I said train! AMTRACK service the Denver area! Union Station is a short distance from the Hotel. If you are coming that way Let Us Know...



BY PLANE?

DIA! (The butt of many Jokes!) It's open and its easy to use. Only minutes from our Aurora Convention Hotel. Make your flight reservations today...

Make your Reservations Now \$52 per night (plus tax) Single or Double occupancy...

(Convention Registration fee will be \$40 or less)

**The Hampton Inn
 Call (303) 369-8400 Specify The National Radio
 Club Convention!**