

DX NEWS

•Setting DXers since 1933•

Volume 61, No. 16 - January 24, 1994 (ISSN 0737-1659)



Inside...

2. *At Switch*
3. *Now and Then*
4. *BDX*

17. *BDX*
26. *AWT-3*
31. *RL-2*
44. *Pro Sports News*
46. *Musings*

CPC Test Calendar

WJIB	740	Jan. 24, 1994	0130-0200
WADY	940	Jan. 29, 1994	0230-0300
WFRM	600	Jan. 31, 1994	0030-0100
WTRN	1340	Jan. 31, 1994	0030-0100
WFRB	560	Jan. 31, 1994	0100-0130
WVWV	940	Jan. 31, 1994	0200-0300
KBLG	910	Jan. 31, 1994	0200-0230
WYNI	930	Feb. 1, 1994	0200-0230
WROB	1400	Feb. 3, 1994	0300-0330
WVWV	950	Feb. 7, 1994	0000-0030
WDMJ	1320	Feb. 7, 1994	0100-0200
WLAN	1260	Feb. 7, 1994	0100-0200
WGTO	540	Feb. 14, 1994	0200-0300
KEEZ	540	Feb. 14, 1994	0330-0400
KLER	1300	Feb. 20, 1994	0201-0230
WDLB	1450	Feb. 21, 1994	0230-0300
WHND	560	Feb. 28, 1994	0000-0030
WXIN	1460	Feb. 28, 1994	0130-0200
KOVO	960	Feb. 28, 1994	0200-0300

KBLG-C-910 - 2075 Central Avenue - Billings, MT
59102 will conduct a DX test on Monday, January 31, between 2:00 and 2:30 am EST. The test will include Morse code and voice ID's. Reception reports may be sent to Mr. Lewis Munn, CE. Arranged by J. D. Stephens for the IRCA CPC.

WRAW-940 - P. O. Box 94 - Fort Atkinson, WI
53538-0094 will conduct a DX test on Monday, January 31, between 2:00 and 3:00 am EST. The test will include Morse code and voice ID's. Reception reports may be sent to Mr. Clifford J. Groth, Director of Engineering. Arranged by J. D. Stephens for the IRCA CPC.

WRDB-1400 - Reedsburg, WI will conduct a DX test between 3:00 and 3:30 am EST Thursday, February 3. The test will include Morse code and voice ID's. Reception reports may be sent to Mr. Clifford J. Groth, Director of Engineering, c/o WFAW Radio - P. O. Box 94 - Fort Atkinson, WI 53538-0094. Arranged by J. D. Stephens for the IRCA CPC.

From the Publisher ... The 7th annual Winter SWL fest March 11-13 will be held in Kulpsville, PA again, and we're looking for someone, again, to represent the NRC at this meet. Send a note to Topekaf if you're interested, and an SASE to Winter SWL Festival - P. O. Box 591 - Colmar, PA 18915 for more information on the GTG.

DXChange ... Bill Switzer - Rt. 1, Box 142A - Bridgeport, WV 26330, (304) 842-4635 is looking for a Heath HD11 Q-Multiplier, an RME DP22 or DP22A preselector; a manual or copy for Central Electronics Sideband Slicer Model B ... Bill also forwards a copy of the *Classic Ham Radio Shopper and Newsletter*, which features hollow-state merchandise. A nice addition is the "TIPS for the Restorer" section. Rates are \$12.00 per year to the U.S., \$14 to Canada, \$20 all others (airmail). Free ads to any non-commercial advertiser are offered, and a "limited" number of non-subscriber ads will be published. Contact David A. Kriepner, W3BJZ - Box 34 - Sidman, PA 15955, (814) 487-7468, and be sure to tell him that you saw it in *DX News*.

Welcome to these new members ... Gil Morgan, Stockton, MO (rejoins); John H Brandel, Roxboro, NC; Dave Markson, Merrimack, NH.

DX Time Machine

From the pages of DX News:

50 years ago ... from the Jan. 15, 1944 DXN: Joe Lippincott, Celo, NC defended his comments on the effect of the full moon on DX by stating that two prominent New England DX'ers he knew, who frowned exclusively to TX, TP, and SA stations, confessed their listening to about 10 days before the full moon and a week or less afterward. Each had heard about 160 DX's, verified after 20 Japanese, and one had a write from a 50-watt South Australian.

25 years ago ... from the Jan. 25, 1969 DXN: CPC Chairman Jerry Starr reported an increase in the number of tests ... congratulations poured in for the "new" *DX News* and its appearance.

10 years ago ... from the January 23, 1984 DXN: The Tip Traders' List appeared, courtesy of Paul Mount.

AM Switch

Status changes in AM stations, supplied by the FCC and listeners

Jerry Starr
c/o WHOT Radio
4040 Simon Road
Youngstown, OH 44512-1320

CALL LETTER CHANGES	Old call:	New call:
1230 WKDH	MD	Baltimore
1260 WTKL	LA	Baton Rouge
		WTTT* KBRH*

*Notes on calls: WTTT-1230 has set aside their proposed change to WKDH, they remain WTTT while potential ownership changes continue. WTKL-1260 call change was first reported by the FCC and MSJ as "WBRH", the call of the FM station which purchased this facility. However, local monitoring seems to confirm the new call as "KBRH". Since Baton Rouge is on the banks of the Mississippi, a transmitter site west of the river could qualify this station for a "K" call. We believe that non-commercial WBRH (FM) is using KBRH for their commercial AM station's call. Watch this space.

APPLICATIONS/GRANTS FOR NEW/EXISTING FACILITIES
No activity in any of these categories, reflecting the FCC's holiday vacation.



OTHERNESS
810 KCHG TX
990 WNRV VA

Somerset: U4 250/250 is on
Narrows: as noted previously this silent station is again on the air but now they appear to be operating fulltime, this confirmed by direct monitoring. The station seems to claim to have a STA (Special Temporary Authority) to operate U1 5000/5000 which we find hard to understand. An STA is normally granted to modify an existing facility mode (ie: non-directional reduced power operation to a directional station rebuilding or moving a transmitter site, operation of a daytime pattern at night for a station already licensed as fulltime) but we know of no situation where an STA can authorize fulltime operation to a station with a daytime license. The only exception we know of is the granting of fulltime operations during an EMERGENCY such as a post-hurricane, earthquake or other disaster where local communications are disrupted but those are granted only for the duration of the emergency. The "T" in STA stands for TEMPORARY. Perhaps there is some situation in Narrows we are not familiar with. Do we have a member in that area who can find out what the situation is?

1160 WYNI NJ
1230 WMAF FL
1240 WTDQ MS

Oakland: new station is ON THE AIR
Madison: station is ON THE AIR, although reported to be silent in MSJ the station claims they were never off the air
WAZF MS
Yazoo City: silent station is ON THE AIR
Marion: delete license and call letters
KPMO MO
Flat River: the town of Flat River has evidently been consolidated along with Estler, Elvins and Rivemines, MO into a new entity called Park Hills, MO. This may eventually lead to a change in city of license for KPMO. No word about what the Zip Code is for Park, Hills, MO.

1250 KWSU WA
1270 WWCA IN
1350 KRHD OK
1390 WHOT OH
1400 WELI MI

Pullman: is operating 5000/2500 U1 according to the station.
Gary: is now 2500/2500 U3, city of license East Chicago, IN although mailing address remains the same in Gary, IN.
Duncan: this is correct call, Log lists station as "KRHD" which I believe was a typo on this end, sorry about that. (Call stands for owner's name, R. H. Dewry) Youngstown: 9500 watt day power is on (presently operating 9500/1000 U1 until new night transmitter site is built this summer)
Battle Creek: silent station is ON THE AIR
WALZ ME
Machias: this station was listed in the 6/9/93 MSJ as having its license renewal dismissed and call letters deleted" which we reported in AMS. The station appears to have been dropped from the FCC Database and the MSJ Directory. Now we find them being assigned new calls (WALZ, see last issue) as the thought-to-be-deleted WMAFS call moves to 1290 kHz in Greenfield, WI....HUH????? Our official Mystery of the Week.

1400 *App NH
Marborough: delete this from the Log

1470 KBCW MN
Brooklyn Park: station is SILENT
WLMC SC
Georgetown: station is SILENT (ex-WVVBX) and has been so for over a year, recently assigned new call to new owner indicates this station may return to the air soon.

1490 WUSS NJ
Atlantic City: this on again/off again station is again ON THE AIR

1500 KCLF LA
New Roads: station has been monitored operating at night although no fulltime authorization is indicated in any of our data bases, ideas?

1590 WETT MD
Ocean City: station continues to operate with 1000/25 U1 since one of its towers collapsed but erection of a replacement tower and a return to 1000/500 U4 is expected "soon"

THANKS: Dave Schmidt, Wayne Heinen, David Lewis, Ed Krejny, Al Merriman, Ron Musco & MSJ
73 and Good Dxy Gary & BK Jerry Starr & Buffalo K. Frooman

Now and Then John D. Bowker

Dial changes in AM markets, from 1930 to 1948 to 1992

NEW YORK CITY MARKET NOTE USE OF SHARED FREQUENCIES

Year	Station	Freq	Station	Freq	Station	Freq
1930	WMCA	570	WEAF	660	WJZ	760
	WNYC	600	WOR	710	WPCH	810
	WABC	860	WJZ	760	WABC	860
	WAAT	940	WPAT	930	WAAT	970
	WRNY	970	WAAT	970	WINS	1010
	WPAP	1010	WLN	1050	WHN	1050
	WOP	1100	WHLI	1100	WHLI	1100
	WVO	1130	WNEW	1130	WNEW	1130
	WHRJ	1210	WLIB	1190	WLIB	1190
	WGCP	1250	WFAS	1230	WFAS	1230
WAB	1300	WOV	1260	WOV	1260	
WEVD	1300	WHBI	1280	WHBI	1280	
WCCU	1350	WEVD	1330	WEVD	1330	
WMSG	1400	WBNX	1380	WBNX	1380	
WBNY	1450	WNJR	1430	WNJR	1430	
WLTH	1450	WHOM	1480	WHOM	1480	
WBBC	1500	WQXR	1560	WQXR	1560	
WHOM		WWRL	1600	WWRL	1600	
WNJ						
WWRL						
WMBG						
WLBX						
1948	WMCA	570	WNBC	660	WOR	710
	WNYC	600	WJZ	760	WPAT	930
	WABC	860	WLIB	1190	WFAS	1230
	WAAT	970	WOV	1260	WHBI	1280
	WINS	1010	WEVD	1330	WBNX	1380
	WHN	1050	WHLI	1100	WNJR	1430
	WHLI	1100	WNEW	1130	WHOM	1480
	WNEW	1130	WLIB	1190	WQXR	1560
	WLIB	1190	WFAS	1230	WWRL	1600
	WFAS	1230	WOV	1260		
WOV	1260	WHBI	1280			
WHBI	1280	WEVD	1330			
WEVD	1330	WBNX	1380			
WBNX	1380	WNJR	1430			
WNJR	1430	WHOM	1480			
WHOM	1480	WQXR	1560			
WQXR	1560	WWRL	1600			
WWRL	1600					
1992	WMCA	570	WSKQ	620	WFAN	660
	WNYC	820	WOR	710	WABC	770
	WABC	770	WJZ	770	WNYC	820
	WLIB	1190	WHLI	1100	WLIB	1190
	WFAS	1230	WNEW	1130	WFAS	1230
	WADO	1280	WHLI	1100	WOV	1260
	WWRV	1330	WNEW	1130	WHBI	1280
	WKDM	1380	WLIB	1190	WEVD	1330
	WNJR	1430	WFAS	1230	WBNX	1380
	WZRC	1480	WOV	1260	WNJR	1430
WJDM	1530	WHBI	1280	WHOM	1480	
WQXR	1560	WEVD	1330	WQXR	1560	
WWRL	1600	WBNX	1380	WWRL	1600	

Official NRC Stationery
Professionally-printed with a new design... just what you need for those verie requests, or for any correspondence. Sold in 100-sheet packs for \$5.00. Order from NRC Publications - Box 164 - Mannsville, NY 13661 NY orders, please add sales tax.

1460 WCEI MD Eastern - 12/12 0100-0200 - Only thing heard for sure was CID call letters three times at 0109 in brief break between songs on WYOK (which managed to render 1460 almost useless). NEW. (TB-TN)

1480 WDAS PA Philadelphia - 12/12 0100-0129 - Poor in multi station stew. CIDs heard at 0102-0104, 0109-0110, 0115-0116 + several more. Rest of test was tones (no sweeps, but some frequency changes). Last CID at 0128-0129 then gone. Not needed, previously logged. (TB-TN)

MIDNIGHT TO 0800 HOURS ELT

530 CIAO ON Brampton - 12/29 0054-0117 - With what sounded like ethnic stuff 'til 0101, then brief *chore* ID into progressive rock. I've heard this one before but not nearly as well. Some QRM from semi-local TS in Albertville, and more from ever-present electrical buzz. (S-MN)

540 WWCBS PA Canonsburg - 1/7 0345 - Fair-to-poor, with CBEF in XEWA null, with Classical music. (EB-MO)

CBEF ON Windsor - 1/7 0345 - Fair-to-poor, with WWCBS in XEWA null, with traditional jazz and talk in French. (EB-MO)

CBK SK Regina - 1/3 0208 - Good-to-fair in XEWA null, while looking for WSTH test, with Saskatchewan weather, sign-off mentioning CBS Stereo stations in Regina and Saskatoon, into *O Canada*. KSD-550 splash. (EB-MO)

570 WNAX SD Yankton - 12/12 0241 - Very weak under WVN/C/WAAX with *Fire state forecast*, calls, C&W music *Rocky Top* (did they know a Yols fan was tuned in?). This was a 'most-wanted'. New for SD #2. (TB-TN)

590 KPNS IL Wood River - 12/28 0059 - With CL ID in talk, to full, legal ID at 0100 into news. In WOW null (BW-OK)

600 WKTV KY Paintsville - 12/18 0624 - Promo and local ads. New. (TB-TN)

610 WPLO GA Grayson - 12/18 0629 - Call only. New. (TB-TN)

620 KPFA HI Hilo - 1/1 0400 - First Hawaiian I've heard in Victoria. Time pip, NBC news. High fire hazard on certain islands mentioned at 0405. KPFA ID at 0406, then music. Fast fade, but pretty steady audio. Probably hearing both synchros. No Hawaiians audible on other frequencies up to 0500. (GS-BC)

KMANS IA Sioux City - 12/28 0105 - With 62 Country slogan, CL ID into C&W music. (BW-OK)

660 WFAN(N)NY New York - 12/28 0120-0135 - Presumed with sports talk, scores, sports call-in show @ 0130 with no ID at 30. Mixing with unID Sser. (BW-OK)

690 WJOX(O) AL Birmingham - 12/28 0140 - Presumed with ads, national call-in show. KGGF sked off. (BW-OK)

770 KPBC TX Garland - 12/28 0420 - With Christian Country format and slogan: *Christian Country Seventy-seven*. KCOB null. (TB-TX)

790 KOQO CA Clovis - 1/1 0030 - With SS music. Fresno mentioned in local ads, ID at 0101 as *KOQO AM and FM*. Could null KGM fairly easily. (GS-BC)

880 CKLQ MB Brandon - 12/21 0230 - Fair in WCBSS null with many mentions of Brandon, weather (snow ending by noon), ... in Brandon at this hour it's partly cloudy, wind Northwest of 19, temperature <7?>. New for MB #2. (TB-TN)

CKLQ MB Brandon - 12/28 0013-0029 - With recap of Brandon Wheat Kings hockey game that had just ended, followed by live broadcast of C&W music from local night spot. Excellent signal, way over normally dominant WCBSS. (S-MN)

900 WATV AL Birmingham - 1/4 0346 - Good-to-fair with intermittent \$, in XEW null, with U/C/OLD, U.S. Savings Bonds and U.S. Marines PSAs, national news, legal ID at 0400. (EB-MO)

910 WAL(T)MS Meridian - 1/1 0028 - Presumed with U/C music 0028, ads for stores in Meridian. Weather at 0030, but no ID. (BW-OK)

930 WTAD IL Quincy - 1/2 0339 - Good-to-poor with WAUR/WKY/WNZZ, with AC, CLS, weather forecast, morning show promo at 0400 into CBS News. On 24-hour schedule now. Thought I had WPAT(N) at first! (EB-MO)

990 WNRV VA Narrows-Petersburg - 12/12 0305-0400 - No IDs during almost continuous music. Strict *KOOL 100* and *KOOL Country 100.7*. Ads for Radford and Christiansburg. Over/under both WNOX and WYAT. New. (TB-TN)

1020 KASK OK Perry - 1/3 0545 - Good on peaks with *Hot Country* syndicated program. *Star Country, All-Star Country* and *Star Country 1030* slogans inserted. Good on peaks with KTVW on regular MM silent period. (JW-CO)

1060 WKNG CA Tallapoosa - 12/18 0700 - ID as *Talapoosa-Carrollton*. New. (TB-TN)

1070 CHOK ON Sarnia - 12/29 0041 - With local ads, *Oldies 1070 CHOK* slogan. Fair in KNX null. New, for ON #12. Pleased with this, since loop was painted north in order to null KNEW, and since CHOK has NS lobes, nowhere near Colorado! (JW-CO)

1080 WTIC CT Hartford - 12/29 0032-0042 - With end of UConn-Jexas-Arlington BKB game, local ads and into news. Strong until fade at 0042. In KRLD null. (S-MN)

1150 CKX MB Brandon - 1/6 0125-0226 - Fairly steady under KEZX talk show, with rarely interrupted C&W, CKX-1150 and *All Hit, Country-1150* IDs at 0146 and 0223, respectively. (GS-BC)

1160 WBNB KY Florence - 12/20 0035 - Fair with NOS music, CI ID. Under KSL. No longer daytime?? New. (SA-MB)

KSL UT Salt Lake City - 1/3 0020 - Poor under WJJD, with a story on the Supreme Court. (TR-IL)

1230 WJBC IL Bloomington - 12/13 0207 - Up, out of the grave, for good copy on end of news, weather and ID. NEW. (TB-TN)

1260 WJTH GA East Point - 1/8 0130 - Good-to-poor through WJBY, with U.C.COS, legal ID at 0200. Atlanta #9 from this QTH. (EB-MO)

1290 KPHB OR Lake Oswego - 1/1 0348-0355 - On top with several IDs and a New Years show introducing the staff of the station. (GS-BC)

1320 KELO SD Sioux Falls - 12/26 0255 - Tentative ID with male announcer. 0322 positive ID with female announcer - slow, precise call K E L O. No program content readable. NEW for SD #3. (TB-TN)

1340 KAND TX Corsicana - 12/20 0700 - With ID 1340 KAND Corsicana into ABC News and back to jumble. (TB-TX)

1390 KRFO MN Owatonna - 12/18 0900 - Good with KRFO, your hometown station. It's 8:30 (announcer needed a new watch). (SA-MB)

1400 KFRU MO Columbia - 1/8 0330 - Good-to-poor, topping channel with *News/Talk 1400 KFRU* Columbia legal ID and local ads. (EB-MO)

KBYG TX Big Spring - 12/11 0756-0758 - With *if you have the information, give us a call at 263-5294 or send the information to the KBYG studios between 10 and 11:00 AM, Monday through Friday, or mail it to P.O. Box 1713 for 117711*. (TB-TX)

1440 WGMF IL Quincy - 12/28 0317 - With Talknet. Station promo at 0329 with call ID. Faded then and two minutes later, Talknet faded back up, only it was KM(A) this time. IL #24. (JW-CO)

1480 CKER AB Edmonton - 12/22 0635 - Good, running Moody Broadcast Network, *Radio for the Bible* and *Christian Financial Concepts* programs. (SA-MB)

1490 WEST IL East St. Louis - 1/7 0218 - Fair-to-poor, with intermittent \$, topping channel with U.C.COS, *The Ultimate 1490 WEST* ID, mention of DJ *Brother Tony Cosby*. No more *Power 14.9*. Rare at night. (EB-MO)

1530 KFBK CA Sacramento - 1/7 0200 - Fair-to-poor, over KGBT in WCKY null, with legal ID and ABC News. (EB-MO)

KGBT TX Harlingen - 12/18 0729 - SS music and ads mentioning Harlingen and Brownsville. NEW. (TB-TN)

KGBT TX Harlingen - 1/7 0141 - Fair-to-poor, over KFBK in WCKY null, with Tejano music in SS. (EB-MO)

0800 TO 1600 HOURS ELT

560 CHTK BC Prince Rupert - 12/30 1030 - Mention of British Columbia weather and news. Heard phone number given as xxx-9111. Fading under KPQ, who announced changing their antenna to daytime pattern at 1045, and their signal weakened after the momentary break. By then, CHTK station was gone. I'll keep checking. (On TRF). (GS-BC)

680 KOMW WA Omak - 1/2 1100-1105 - Very weak signal under KNBR. ID as *Hometown Radio*, *KOMW in Omak* and then easy listening vocal music. (GS-BC)

700 KFAM UT North Salt Lake City - 1/3 0945-0955 - Heard for the first time. Signal was as strong as KIRO-710! News items at 0948, then several IDs and into elevator music. Soon totally gone. In again on 1/4 but weaker. Full ID at 1000 and news at 1005. (GS-BC)

800 KPDD OR Portland - 1/3 1045-1100 - With *KyLife Ministries* program, with *KPDD Portland* ID at 1058, mention of National Religious Broadcasters, then a *KPDD Portland-Vancouver* ID on the hour. Not very strong, and fading under (GS-BC)

830 KUYO WY Evansville - 1/6 1059-1103 - Local ads, including Casper Monuments (near the cemetery) and a religious supply store. ID as Casper Radio, KUYO on the hour, USA Network News to 1103, then REL program. (GS-BC)

840 KSBW OR Seaside - 1/6 1103-1124 - Weak, but almost alone, with very traditional C&W. ID heard at 1123: *You're listening to KSBW, the most delicious country and western songs in the whole world.* (GS-BC)

950 KOEL IA Oelwein - 12/30 1300-1320 - Was able to effectively null local KJJO (transmitter about 5 miles southwest of me with major lobe right at me) and hear KOEL with oldies and local ads. Slight sideband splatter from local KRXX-980 (loop points right at them when nulling KJJO and they tend to be sloppy at times). (JS-MN)

1020 KYXE WA Selah - 12/31 1545 - Radio Centro heard with IDs at 0345 (near midday here). Must be the NSF SS station heard at night here. Do they relay the XEQR-1030 signal at night? Sounds very Mexican then. (GS-BC)

1180 KOIL NE Bellevue - 12/28 0828 - Poor, with EZL/oldies music, 1180 KOIL IDs. New. (SA-MB)

1220 KDRC CA Palo Alto - 1/3 0930-0935 - Heard weakly under CIOC with classical flute music, ID with mention of call, town, and FM frequency at 0934. (GS-BC)

1230 KINO AZ Winslow - 12/31 0937 - News from Arizona News radio Network. 0940 ad for New Years Eve dance at Elks Lodge. Briefly dominant with loop NE-SW. Haven't heard for a few years. (W-CO)

1240 WJMC WI Janesville - 12/26 0820 - Fair, with TC, local ads and WCCO ID in a mess. Under KTRB. New. (SA-MB) [And a new mileage record - Ed.]

WY Rice Lake - 12/30 1534-1550 - In null of WJON with oldies and many ads. Weak station underneath. Probably KICD. (JS-MN)

1330 KENU WA Enumclaw - 12/31 1350 - Weak with C&W. *Pugot Sound Power* ad and then ID of 5-station country network at 1400. (GS-BC)

1410 KBNP OR Portland - 1/7 1120-1128 - Countrywide weather report, then business news. AM 1410, KBNP Portland ID at 1123. With, and under CPUN. (GS-BC)

1450 KMSL MT Missoula - 12/18 0845 - Good with oldies and CL ID. (SA-MB)

1500 WLWQ MI Detroit - 12/25 0840 - Fair, with Christmas music, KLOV ID. Under KSTP. (SA-MB)

KSTP MN St. Paul - 12/28 1529-1534 - Noted strong during mid-afternoon in car while checking 1500 for signs of silent KYVQ. State and local news, AM-1500 KSTP IDs. Fading by 1535 but still audible. Best daytime reception ever of KSTP. (BW-OK)

1600 TO 2400 HOURS ELT

570 WKBN OH Youngstown - 12/29 1657-1703 - With ads and into news. Very weak in null of powerhouse WNAX. Disappeared at 1703, probably at pattern change. Last heard in the Midwest was in Omaha in Summer of 1958. (JS-MN)

580 CKPR ON Thunder Bay - 12/29 1642-1656 - With local ads, then into *Earth, Wind and Fire* song. Surfaced briefly in WKTY null and over KKSU, who re-appeared after CKPR's 1646 fade. Last time logged was in Fall of 60 in Hutchinson, Kansas. (JS-MN)

680 WCAW WY Charleston - 12/25 1630 - Poor in WPTF & WCNN hash w/CHS-680 (11 WCHS). NEW. (TR-TN)

710 WFNR VA Blacksburg - 12/25 1630 - ID & ad for Christiansburg, NEW. (TR-TN)

730 KKDA TX Grand Prairie - 12/18 2235 - Good with local ads for Dallas, oldies, CL ID. In CKDM null. (SA-MB)

760 KTLK CO Thornton - 12/27 1813-1829 - With sports talk, including interview and phone-in. Departed abruptly at 1829 (probably pattern change). Strong in WJR null. (JS-MN)

780 WJAG NE Norfolk - 12/29 1757-1800 - Strong in WBBM null with weather and sign-off announcement. (JS-MN)

790 KURM AR Rogers - 12/23 1900 - With a Christmas carol into a female announcer: *This is 112711 inviting you to be with us each weekday afternoon at 1225 for USDA and Poultry Marketing right here on the 112711 KURM. KURM Bentonville-Springdale into another Christmas carol. Log indicates Rogers as city-of-license. (B-1X)*

KFGO ND Fargo - 12/28 1647-1700 - With music, local ads and announcements. Generally very strong and way over WEAQ, who normally dominates 790 here this time of day. Excellent opening to the north on the 28th. (JS-MN)

WEAQ WI Eau Claire - 12/28 1635 - Fair, with NOS music, weather, WEAQ IDs. Under KFGO. New. (SA-MB)

810 WJSC(M) MS Magee - 12/28 1754-1800 - REL talk, in KCMO null. Quite fadey. Think I heard...C into SSB @ 1800, which is FCC sunset for Magee in December. But listed as U2. Now a daytimer? (BW-OK)

840 CJXX AB Grande Prairie - 12/31 1902 - Playing the Top 100 for 1993, with the Rankin Family. Several deep fades. Country CJXX ID at 1916. Not too hard, in KVEG null. (GS-BC)

860 KTRB CA Modesto - 1/2 1922 - With record promo. *Esta Ud escuchando in nueva Radio Latria, Ocho Sesenta KTRB* (CLs given with BE pronunciation) and into SS talk. First log with format. Slogan translates *Radio Lp 1* (W-CO)

870 KAAN MO Bethany - 12/29 1734-1744 - With news and weather ending, local ads, C&W song, then info about local girls' basketball team. Pretty strong at start, but became progressively weaker as WWL became progressively stronger. KAAN was totally gone by 1745. (JS-MN)

900 KSGI KS Wichita - 12/26 1703 - Good, on top briefly, with USA Radio Network News. New. (SA-MB)

920 KYFR IA Shenandoah - 1/1 2000 - Religious program ending. Legal ID. *Family Radio* slogan, then more REL. 1st new station in 1994! IA #31. Poor in QRM. (W-CO)

940 WMIX IL Mount Vernon - 1/1 2249 - First noted with loop to north! New Years greetings from several local merchants. Program note for KUSH Lambaugh (M-F 1-4 PM), then into music (either AC or oldies, as heard both). Listed as AC, but a recent DDXD logging had them with oldies. Too much QRM to figure out which station was playing which music. New, for station #1240. (W-CO)

950 QJGX SK Yorkton - 1/1 2204 - With weather & sports, then *Saturday Night Get-together* with mostly polka music 1st half-hour, then mixed bag of fiddle music and old-time C&W hits. Rough QRM from strong KXZ/others. GX-94 slogans. New, for SK #19. (W-CO)

970 KBBT OR Portland - 12/30 2300 - *Alternative Rock* slogan and similar music heard weakly. ID at 2300. Much weaker than previous call KOIN used to be in Vancouver. (GS-BC)

980 KMIN NM Grants - 1/2 2200 - Out of C&W hit with ID: *Central (?) County's Big Country Station, KMIN Grants*, then more C&W. Haven't heard in a couple of years. (W-CO)

990 CBW MB Winnipeg - 12/30 2346 - Fair. That time of the night - classical music. (TR-IL) [Don't quite understand what you're getting at here - Ed.]

1010 KTUR UT Tooele - 1/3 and 1/4 - 1855-1934 - SS heard until 1934 s/off. Heard CNV. *Radio Notices* news on the hour. Overtime ad after the news. The accented EE sign-off announcement was short, with no city in EE announcement. Weak rock and moderate CBR left after sign-off. (GS-BC)

1020 KDKA PA Pittsburgh - 12/31 1731 - Fair with KDKA News. (TR-IL)

1040 WHO IA Des Moines - 12/31 1737 - Fair with weather for surrounding states. (TR-IL)

1050 WEVD NY New York - 12/30 2347 - Poor with talk about a cafe in Lower Manhattan. New. (TR-IL)

1080 WTTG CT Hartford - 12/30 2110 - Fair with talk about Massachusetts seat belt law veto. Rare. (TR-IL)

1090 WRCV IN Fort Wayne - 12/27 1710 - Poor, in brief fade up, with religious program. New. (SA-MB)

1110 WGNZ OH Fairborn - 12/26 1644 - Fair, with religious programs by churches in Fairborn area. New. (SA-MB)

1130 KWKH LA Shreveport - 12/31 1753 - Fair with ad for car dealer in Marshall, Texas. (TR-IL)

WBRR NY New York - 12/30 2340 - Fair with story on broadcast dealing with Michael Jackson coverage. (TR-IL)

KBMR ND Bismarck - 12/28 1703-1800 - With C&W music with many local ads. By continually tweaking the loop's direction and tilt, was able to put an unusually good null on local 50 kw'er KFAN, and hear this one. KFAN, due to their pattern, shoves a lot more than that my way. (JS-MN) [Yes, I've heard some pretty scary stories about KFAN's pattern. Some of them, true, hi - Ed.]

- 1130 WISN WI Milwaukee - 12/30 1701-1710 - Used same process as for KBMR's reception, and this time got another much-wanted one. With news, local ads and call-ins. Signal only peaked a few seconds at a time, so had to replay the tape a number of times to get enough details for a reception report. (GS-MN)
- 1140 WSAO MS Senabotia (Charley Fide's Hometown) - 12/24 1759 - ID only in heavy WRYA QRM. (In car on my way home from work.) NEW. (TB-TN)
- WRVA VA Richmond - 12/30 2300 - Good with WRVA Truckstop and Big John Trimble. (TR-IL)
- QTR PQ Trois Rivières - 12/30 2355 - Fair with call-in show in FF, mention of Quebec. WRVA QRM. New. (TR-IL)
- 1170 KVOO OK Tulsa - 1/1 1725 - Good-to-fair mono and \$ signals over KIOX, with C&W, elongated (60-second) jingle, local news update, ad for Start's Grill, weather forecast, C&W music, CST TCs. (EB-MO)
- WVVA WV Wheeling - 12/30 1630-1645 - Weak in KOWO null at tune in, gradually strengthened and was powerhouse by 1640. First time heard here at this time of day (but never tried before, so may be more common than I think). Usual mix of news, C&W music and ads. (GS-MN)
- 1270 KAJO OR Grants Pass - 1/1 2012-2020 - Heard amongst four stations with Oregon local news, AM-1270 KAJO ID, and then sports. (GS-BC)
- 1360 WSAI OH Cincinnati - 12/30 2130 - Fair with ads for a car leasing firm and a sports bar. New. (TR-IL)
- 1420 WENI IL Murphysboro - 12/23 1817 - Barely audible in pileup with Carbondale ad and promo with call. NEW. (TB-TN)
- 1440 WRBE MS Lucedale - 12/27 1700 - Poor, with ID in fade up. In a big mess. New. (SA-MB)
- 1460 WBRN MI Big Rapids - 12/30 2135 - Poor with C&W music. (TR-IL)
- 1580 KWYD CO Colorado Springs - 12/18 1810 - Good, saying they would be off the air for awhile to make technical adjustments, but ? PM would stay on. Left KOKB alone on frequency. (SA-MB)

REPORTERS



- EB-MO Eric Bueneman, NUH Hazelwood, MO DX-200, TM-152, SMZ
- BW-OK Bruce Winkelman, AA5CO Tulsa OK R390A, KIVA loop, Super MWDX-5, 2 LWS GS-BC Gray Scrimgeour Victoria, BC HQ-180A and an unamplified loop or brand new Sony ICF-2010
- SA-MB Shawn Axelrod Winnipeg, MB ICOM R-70 w/PLAM board & filter mods + 4' box loop or 100' lw
- JB-TX Jim Boehm San Antonio, TX Superadio II + MFI Tunable Audio Filter + infamous downspout antenna
- JS-MN John Sampson Minneapolis, MN Collins R388 + Sanserno Loop
- HIL-CA Harry Helms San Diego, CA Drake R-8, Hammarlund HQ-160 and -150, Sanserno Loop, Radio West Loop
- TB-TN Tom Bryant K4CDL Nashville, TN
- BK-CA Bob Karchewski Sunnyvale, CA radio Shack 12-655 TRF barefoot
- TR-IL Thomas J. Reiser Chicago, IL ICF-2003 barefoot
- JW-CO John Wilkins Wheat Germ, CO Drake R-8 + 4' Box Loop

GRAVEYARD DX UPDATE

* indicates North American record

- 1230 kHz WCIO WI Janesville Shawn Axelrod Winnipeg, MB 619
- 1240 kHz KBYG TX Big Spring Jim Boehm San Antonio, TX 263

ABBREVIATIONS AND SPECIAL SYMBOLS USED IN DDXD

|| : parallel with/ to → : to or into :00: on the hour A.C. : Adult contemporary AP : Associated Press BAID : big band BRN : Business Radio Net C&W : country & western CCR : contemporary Christian radio CHR : contemporary hit radio CID : code ID CL : call letter EZL : easy listening EE : English FF : French GOS : gospel IRN : Interstate Radio Net LSR : local sunrise LSS : local sunset NBA : National Basketball Assn NFL : National Football League NHL : National Hockey League NPR : National Public Radio OC : open carrier POL : political PSRA : pre-sunrise authority PSSA : post-sunset authority QRM : man-made interference ORN : natural interference QTH : location REL : religious ROK : rock n' roll RS : regular schedule \$: stereo SID : singing ID SKS : sunrise skip SS : Spanish SSS : star Spangled Banner SSS : sunset skip TC : time check TT : test tones UC : urban contemporary UPI : United Press International

DDXD-E

NEWS AND VIEWS

Welcome to Fred Vobbe with his first report to the new DDXD-East. Ron Bailey became the first to submit his report on a disk - seems to have worked ok, and did save me some time!

Mike Hardester and Dave Schmidt both confirm that WTMR-900 has NSF for years, add this to your logs.

I am trying to balance the information included in the reports of DX tests between giving information to help others determine if they heard the test and not giving information that could be used to send in false reports. Let me know your opinions on this matter.

SPECIAL

- 780 **CPDR? NS Dartmouth - 12/21 1727-1739** - Good with new modern country music format (formerly adult contemporary), slogans "the all new 780 Kicks country", Halifax-Dartmouth weather at 1738 followed by ad for Maritime Campus Store in Halifax, call letters not given so I'm not sure if they have changed. (MS-ON)
- 1130 **KAAB AR Batesville - 12/26 1912** - "We're someone to turn to, AM 1130 KAAB, Batesville, King of the Good News. KAAB now heard 24 hours a day." (RB-NC)
- 1160 **WVNI NJ Oakland - Per Tony Fitzherbert** tip, it's indeed on. First day 12/13. Address 1086 Teaneck Road, Teaneck, NJ 07666. Telephone 201-405-1160. Leonard Mirelson, GM. Non-satellite EZL days & Gospel nights, some jazz in the offing. (RM-CT)
- WPIE NY Trumansburg - 12/18 0806** - Heard scores of previous night's high school basketball games with mentions of Elmira, Elmira Heights, etc. under strong WCCS QRM. Tom Varatian, PD, returned my answering machine message - calling back while he was on the air to verify this one! During our chat he confirmed they were on 5000 watt day power, but were still working on their night time pattern. (RB-NC)
- 1480 **WADR? NY Renssen - 12/29 1600** - Actually heard on WRNY-1350 with dual ID but call for Renssen-1480 didn't sound anything like WADR. Were my ears deceiving me or has there been a call change? (REH-ON)
- 1490 **WOP1 TN or VA? Bristol - 12/23 0505** - On top with NOS and "This is the WKPT Radio Network" generic ID. 1993 BYB says it's licensed to Bristol, VA, the Log says it's in TN. Who's night? (REH-ON)
- 1510 **WWSM PA Annville-Cleona - 12/26 1257** - Unusual early afternoon reception found this one with CW music and local DJ saying "Country gold, old and new on WSM Lebanon". No legal ID on the hour. Ex-WAHT. (REH-ON)
- 1530 **WWID? PA North East - 12/25 1300** - Definitely a call change but not positive of new one. Heard with NOS via the bird and legal ID "The original hits station bringing back great memories. WWID? North East-Erie." Ex-WHELP. (REH-ON)(AM Switch had the change shown to WEVZ, which would be a trade of calls with WFLP - db)
- 1570 **WKDB MD Towson - 12/28 1524** - On top with Radio Aids and weather for "The Radio Zone, 1050 AM, 1460 AM and now 1570 AM in Baltimore". Many thanks to Bob Gilfert for his 12/28 phone call IDing my 11/25 UNID (issue 12). (REH-ON)(Hey Bob, haven't heard from you yet this season! - db)
- 1599.5 **WXT0 FL Winter Garden - 12/23 0009** - After two weeks of trying finally pulled an ID from this one that's been hitting 1600. Had Christmas music 'til 0014 then legal ID "You are listening to WXT0 Winter Garden-Orlando 1600 AM". Then into on-air Alcoholics Anonymous meeting giving a 298-1600 phone number. Log says a SS format but whenever I could split it off from 1600 it was EE. (REH-ON)

DX TESTS

- 540 **WSTH GA Columbus - 1/3 0200-0230** - Nothing heard but C/ISB/WGTO. Wanted this one too, as it has not been heard here yet. (DB-DE)
- 700 **KÖKE CA Soledad - 12/27 0330-0400** - Not heard. (JL-OH) ..Nope, only WI W and JBC. (REH-ON)
- 740 **KBOE IA Oskaloosa - 11/21 0100-0200** - Heard and verified. (JR-NY)
- 1110 **WJSM PA Martinsburg - 12/11 0000-0100** - Heard with code IDs. (JR-NY)
- 1270 **WMAIT NJ Vineland - 1/2 0000-0220** - Poor with code ID over mess at 0104, didn't listen further since not needed. (DB-DE). Poor, only Dave Schmidt's patented alternating tones heard under WXYT/WSPR/CFGT and an UNID CW music station, report sent. (BC-NH) ... Loud and clear atop everything, strong, in studio! (DS-DE) ... Under WXYT with several code IDs and also "stren-like" test tones, confirmed by call to Dave Schmidt at station. (NW-ON)

WCCG NC Belmont - 12/20 0000-0030 - Good with voice ID 0000, code ID at 0000, dead air at 0001, more code to 0005. Station promo, additional code to 0010 and weather. (RR-ON)...Several code IDs heard, no voice IDs, possibly a little country music, a talk station, possibly WXYT, was dominant. (MS-ON)...Doing quite nicely with code IDs at 0015, 0020, 0029 and 0030. Also station promos at 0021, fair with WKMT. (NJW-ON)

1440 KVOX CA Napa - 12/27 0300-0330 - Possible code ID at 0313 but was probably just wishful thinking. (REH-ON)...Not heard. (JL-OH)

1460 WDA5 PA Philadelphia - 12/20 0100-0200 - Fair, tone heard 0102-03, code ID 0103, voice ID at 0110, gospel music segments, more code and tone 0115. Heard until 0130 at 5 kw and after 0130 at 1 kw. Code IDs again at 0146 and 0153. (RR-ON)

UNID AND UNID HELP

540 UNID 12/16 1620-1635 - Fair with BBC news in EE by woman, man with ID as "BBC World Service" at 1628, more talk 1629-35. Does any domestic station on 540 carry BBC news at this time? In CBEF null. (RR-ON)(This is WWCS-PA - db)

540 UNID 12/22 0429-0441 - Fair-good, CBEF off, man with spot for gospel record by the McInholts, called *Testimony Time*. "Send \$12.98 to Box 37207, Nashville, Tennessee", spot for gospel video from same address. PSAs, only ID was "Gospel classics through the night", CBEF back on 0441 creaming everything. Who is this? Any help? (RR-ON)

550 WLUN? 12/5 0310 - Reference: Vol. 61, No. 13 UNID of Mike Hardester. My guess would be WDUJ which is usually one of the regulars here in Shelby. (RR-NC)

600 UNID 11/12 2206 - With gospel music and slogan "The new Heaven 600", looped SE. I figured someone would have reported this, but nothing yet in DXN. (JRN-V)(WCAO-MD-db)

630 UNID 12/31 2300 - Heard tentative "KFAW" or "KSAN" Mix 97.1" in WMAL, null, looped E/W, then UC/AC. (JK-VA)

670 UNID 12/25 1627 - Somebody with an oldie by The Four Seasons, lost to WMAQ. WIEZ?? (NJW-ON)(Probably - db)

690 UNID 11/25 1605 - With BBC World Service //shortwave. WADS, Argulla? (JRN-V)

900 UNID 12/10 2345 - With Cleveland State vs. U of Cincinnati basketball, no IDs. (JRN-V)

1000 UNID 1/6 1728 - Fair on peaks with "Solid Gospel 1000", funeral announcements and weather, but never heard any mention of locations. (DB-DE)

1190 UNID 12/21 1856 - Classic oldies rock mix (60s?) with original (EE) artists, but D/s speaking Spanish. SW from here and nearly 2 hours after 1SS (@1713). Probably about right for KXKS (my first NM?) but too early for Guadalajara. (RR-NC)

1400 UNID 1/3 2259 - Spanish talk over/under WSTC and others. (DB-DE)

1570 UNID 12/24 1642 - With *Radio Aahs* format. Is this Towson, MD by any chance? (JRN-V)(Yep - db)

0000 to 0800 ELT

540 WWCS PA Canonsburg - 12/25 0744 - In with good signal most mornings lately, blocking needed CJB. (RB-NC)

550 KTSA TX San Antonio - 1/1 0721 - Call letters heard along with ad for San Antonio Toyota dealer. Overriding WDUJ on their 500 watt psra. (RB-NC)

560 KLVI TX Beaumont - 12/29 0724 - It's 6:24 at Newstalk Radio. KLVI? then news of President Clinton's visit to Arkansas Razorback basketball game. (RB-NC)

600 WMT IA Cedar Rapids - 1/1 0735 - Mention of "The Hawkeye State", "WMT Cedar Rapids" and "WMT news". Fair just before WKIEW power increase. (RB-NC)

620 WYMT VT Burlington - 12/27 0250 - News, features, "Radio 620", your official weather station, weather 100 times a day, "Radio 620 WYMT". (ES-NJ)

640 KFI CA Los Angeles - 12/31 0215-0235 - "Topping up occasionally with weak talk and mentions of KFI and Los Angeles. No sign of usual *Radio Progreso*/WFNC/WGOC/WGSI. Tentative WHLO religious QRM. (JK-VA)

770 KICB LA Lafayette - 12/31 0659 - News of state interest and scores of Friday's high school basketball games. Weather predicting a high of 65 degrees and "temperature at the Lafayette Regional Airport is 33 degrees". (RB-NC)

800 WTMR NJ Camden - 12/19 0630 - End of church service then Christmas wishes from "staff and management of WTMR, Camden-Philadelphia". (RB-NC)

WVS VA Crewe - 12/29 0011 - With CW music, Ding as "Real Country 900 WVS" and "What sets us apart from other country stations is that we're the ones playing real country, 800 WVS", fair with CKLW and CBO. (NW-ON)

1120 WUST DC Washington - 12/22 0157-0305 - Fair-very good with continuous lively SS music. Lots of bongos drums and trumpets, only talk was ID at 0201 by man in EE as "WUST", back to lively SS music. (RR-ON)

1140 WSAO MS Senatobia - 12/21 0733 - Male voice with "6:33 here at WSAO in Senatobia". (RB-NC)

1160 WBNB KY Florence - 12/22 0255-0300 - Testing. Fair with ID by man over WOBM as "WBND Florence, Kentucky, 1160 AM...?", no other audio until same ID given again at 0300. 850th station BCB station logged. (RR-ON)

1400 WOBM NJ Lakewood Township - 12/22 0249-0259 - Very good with MOR old standards music. ID by man as "We're at 1160 WOBM". Mentioned several cities they served including Candlewood. (RR-ON)

1270 WMKT MI Charlevoix - 12/20 0026 - With BRN programming, IDs at 0030 and 0100 as "WMKT serves the Northwest Michigan business community", fair with WCCG test. No sign of WXYT. (NJW-ON)

1400 WTCY PA Harrisburg - 12/21 0422 - With slogan drop-in by male "Harrisburg's new station, The Touch". Then to female DJ with "More continuous music on a Tuesday morning". Format seemed to be SOL or UC. (REH-ON)

1500 KSTP MN Saint Paul - 12/28 0659 - In weakly under WTOP with talk show. Heard "Let's take a break" then different man's voice with "This is KSTP AM 1500. We have open line 646-TALK". (RB-NC)

0800 to 1600 ELT

540 WWCS PA Canonsburg - 12/26 1140 - Christmas music with ID as "The new 5-40 AM, WWCS AM Radio", CBEF looped out 80% of the time. (FV-OH)

570 WMCA NY New York - 12/19 0900 - In briefly (and weakly) under WWNC) with end of sermon then station announcer welcoming listeners and giving calls. (RB-NC)

660 WESC SC Greenville - 12/23 0858 - Good with ad for country music concert New Year's Eve in Greenville auditorium, ad for *Rodgers Stereo* in Spartanburg, ad for *Shelley's Laundry* with three area locations including Henderson, CW music, faded under WFAN. (MS-ON)

700 CHSJ NB St. John - 12/24 0905 - Loud and clear at 0900 "CHSJ Country 700", CW music. (ES-NJ)

720 CHTN PI Charlotte - 12/20 1558 - Good with oldie by Supremes, time check for 5 o'clock, "Ken Kingston, CHTN local news for Mark's Work Warehouse", lead item on new Atlantic fisheries quotas. (MS-ON)

790 WSGW MI Saginaw - 12/26 1220 - Rush Limbaugh show. ID as "WSGW" over top of Limbaugh's segment close music, then into news update. Weather given as 6, with wind chill of -15. (FV-OH)

1040 WSKE PA Everett - 12/21 1859 - Fair with local weather cancellations given by female announcer, ABC Information news, IGA *Foodliner* ad, "WSKE weather forecast". (MS-ON)

1130 KFAN MN Minneapolis - 1/2 1455 - Was in Vikings football game. Gave ID as the "voice of the Vikings" 2 minutes before the hour. (FV-OH)

1240 WGVV VA Geneva - 12/27 1549 - Fair, "1240 WGVV" ID into *California Girls* by the Beach Boys. (MS-ON)

1270 WTSN NH Dover - 12/20 1555 - Good with ad for *Smiley's Discount and Deli*, promo for WTSN Cash Key contest. (MS-ON)

1280 WHTK NY Rochester - 12/17 1550 - Excellent with *Gene Burns* tele-talk and promo "The home of Imus in the Morning, Hot Talk 1280, WHTK". Ex-WPXY. NY #200. (REH-ON)

1330 WFLP PA Erie - 1/2 1233 - Noted with "Flagship 1330" ID, local spots and Pittsburgh Steelers football pre-game show. This station is also on the Pittsburgh Penguins NHL network. (NJW-ON)

1360 CKBC NB Bathurst - 12/24 1557 - Fair, Christmas music, "CKBC news" read by man at 1600, local temperature minus 11 C. (MS-ON)

1450 WKXL NH Concord - 12/27 1558 - Fair with New England ski report, WKXL mention. (MS-ON)

1460 WWVG NY Rochester - 12/27 - Fair, ad for Christian financial planning, then "Join 3W's joy in the Morning". (MS-ON)

1510 WAUK WI Waukesha - 12/24 1522 - All by itself with "K Country 1510 WAUK" IDs after every other song. Unusually early reception. (JRN-V)

CKOT ON Tillsonburg - 12/26 0930 - Quite good over WVIC with no WLAC QRM present. "Northwest wind at 42 km/hr, diminishing, at 9:33 the temperature sits at minus 16 degrees Celsius and that's 3 degrees Fahrenheit. Those are the CKOT news headlines presented by the Craft Shop in the Tillsonburg Sector." (RB-NC)

1570 WPGM PA Danville - 12/26 1000 - Dual AM/FM ID into AP network news, fair over CHLO. (N/W-ON)

1600 TO 2400 ELT

- 530 CIAO ON Brampton - 12/25 2200 - Armchair copy of Oriental (Indian?) sounding music/programming on request show with woman DJ, then in EE "you've been listening to Radio (Joltun?)". Be sure to tune in next Saturday between 8 and 10 p.m. right here on 530 AM. Radio AM 530, CIAO, Brampton." (RR-NC)
- 540 WWCBS PA Canonsburg - 12/25 1633 - Caught tail end of ID and a phone number that began with "745", poor under CBER. (N/W-ON)
- CFGO ON Ottawa - 12/31 2115 - Calls correct, loud, sounding like 50 kw. with AC/DC's *He'll's Bells* and "54 Rock" IDs. Thought this station was off the air to FM2(RK-VA). Apparently, the Canadians stay on and simulcast their new FM for a while - db)
- 560 CJKL ON Kirtland Lake - 1/1 2351 - Good, ID mentioning CJKL now on community channel 11, *Oldies Const-40-Cost*, over WPHY. (BC-NH)
- 590 WEEI MA Boston - 12/24 1630 - Fair with talk show, male host gave phone number as "242-WEEI". (MS-ON)
- 600 WTCC CT Bridgeport - 12/21 2057 - Poor with spot for WTCC traffic reports with phone number to call in observations, high noise level. (MS-ON)
- 620 WVMT VT Burlington - 12/28 1626 - Good with local ad, ID. (DS-DE)
- 640 WNNZ MA Westfield - 12/20 1608 - Good with talk show on a variety of topics, host said "Jason, you're on WNNZ". (MS-ON)
- WGOC TN Blountville - 12/3 1634 - "Top Gun Country" IDs, local sports, call letters, strong. (R-NY)
- CHOG ON Richmond Hill - 12/23 2040 - Promo for New Year's program, "AM-640" ID, rock music, very rarely heard! (DS-DE)
- 670 WVEE FL Miami - 12/22 1705 - News in SS, "Radio Fe" IDs, ads, good with WMAQ. (ES-NJ)
- WIEZ PA Lewistown - 12/19 1619-1637 - Fair with Oldies music, IDs as "WIEZ, Oldies 670". Music, jingles "Great oldies, WIEZ 670". (RR-ON)
- WTLX LA New Orleans - 12/25 1800 - "The Mighty 690 - WTLX, New Orleans" with *Critie Strike* talk show. (RB-NC)
- WZAP VA Bristol - 12/25 1639-1700 - With the *Standy Valley Trademark Hour* with Brother Paul Brown, ID at 1700 into another gospel program. Fair over CBF with some CFTR splatter. (N/W-ON)
- WENR VA Blacksburg - 12/25 1700 - Music with ads for local area. ID as "7-10 WENR". No CHYR for a change <shr>. (FV-OH)
- 720 CHTN PI Charlotte - 12/31 2030 - Fair-good in WGN null with OLD and live female announcer playing ROK/OLD, "720 CHTN" IDs. (JK-VA)
- WVNN AL Athens - 12/28 1758 - Spot for *Howard Johnson's*, PSA for *The American Red Cross*. 1800 ID "Lock in your radio dial to AM 770. We're the talk of the valley, WVNN Athens-Huntsville-Decatur", ABC news. Fair with WABC. (N/W-ON)
- WVNN AL Athens - 12/31 2118 - On day power/pattern, heavy QRM to WABC all night with *The Jim Belamion Show*. Kats, no KKOBI (JK-VA)
- KUOM MN Minneapolis - 12/14 1731 - Suddenly off with STL calls WLL-275 and "770 Radio K" slogans. Incredibly strong though never heard before after many attempts. (R-NY)
- WALS OH Buchtel - 12/27 1613 - ID, weather forecast, local newscast and lottery numbers heard under WABC. Poor. (N/W-ON)
- 800 WCHA PA Chambersburg - 12/25 1617 - ID and a string of national spots (e.g. *Hooked on Phonics*), 1619 spot for a local mini-mart into a children's program. Fair with CKLW. (N/W-ON)
- WKEE WV Huntington - 12/25 1606 - Presumed the one with a *Sears* spot and then slogan "The Mountaineers play here on Unforgettable 800". Poor with CKLW. (N/W-ON)
- 830 WWMO NC Eden - 12/22 1656-1701 - Good with old Christmas carols, male D) said "Coming up - USA Radio news" and ID as "WWMO Greensboro" at 1659 into news at 1700 and ads. (RR-ON)
- 840 WHGH GA Thomasville - 12/20 1659-1703 - Poor-fair muxing with WHAS. Male D) with station promo "777 and WHGH" at 1659, then local ads or promos, but under WHAS. Man still talking 1700-03, but too much QRM. (RR-ON)
- 850 WRFD OH Columbus - 12/21 1645 - Religious talk, ads, "Make it your life and a whole lot more, AM 880 WRFD Columbus", fair in WCBS null. (ES-NJ)

- WLAS NC Jacksonville - 12/23 1618-1622 - Fair with man hosting sports talk at 1618, ID given as "The Big 910 WLAS". Phone-in sports show at 1620-22. (RR-ON)
- WAVL PA Apollo - 12/22 1657 - Good ending religious program *Echoes of Faith*, gave phone number 327-5454 and mentioned "heard here on WAVL, your friendly spot in Christian radio". ID "This is WAVL Apollo, Pennsylvania", weather mentioning temperature "at studios atop Orchard Hill". (MS-ON)
- WEPG TN South Pittsburg - 1/7 1748 - CW music atop channel, man with Central time check, *HeR Block* ad, another ad for store with locations in Jasper and South Pittsburg. (DB-DE)
- WICW TN Johnson City - 12/22 1705-1712 - Good with ads, short weather report by man, sports at 1706, mention of "Buccaneer basketball time" on WICW, T-shirt promo, talk about Tennessee State troopers. (RR-ON)
- 920 WPTX MD Lexington Park - 1/7 1752 - Poor with two IDs over WTTM then gone, first time heard here though tried for often. (DB-DE)
- 930 CJCH NS Halifax - 12/22 1900 - Fair, ad for hockey game in Halifax between Canadian and Russian Olympic teams sponsored by *Maxwell House*, ID with slogan "Classic Rock 92 JCH" into rock music. (MS-ON)
- CJCH NS Halifax - 12/28 2025 - Atop again with rock music, ID. (DS-DE)
- WZNN NH Rochester - 12/26 2215 - Good with sports, ad break, ID. (DS-DE)
- 970 CFBC NB St. John - 12/19 1724 - Fair, ad for *McAllister's ?? Place*, time check in AST, promo for upcoming hockey game between St. John Flames and St. John's (NF) Maple Leafs of AHL. "93 CFBC" ID, AC music. (MS-ON)
- 950 WROL MA Boston - 12/22 1600 - Good, mention of the "Yankee Kitchen Network", ID as "AM 950 WROL Boston", brief weather, ad for an investment group, another ID into program from *Foundation of Human Understanding*. I recall hearing a great NRC test from this one in the late 1960s (calls then were WRYT) with call-ins from far and wide. (MS-ON)
- 970 CBZ NB Fredericton - 12/20 1603 - Poor-fair with CBC regional news and weather mixed with partially null local CKCH. (MS-ON)
- 1010 WPMH VA Portsmouth - 1/6 1653 - After hearing WCOMS-1050 checked for this long wanted one and here it was over WINS ending a religious program, then a man with promo for "Christian Financial Update next on WFMH" before fading. (DB-DE)
- 1070 CBA NB Moncton - 12/23 1633 - With NB news, ASJ time check, Christmas concert. (ES-NJ)
- WUST DC Washington - 12/20 1615 - Fair mixing with WADN in Spanish with ads mentioning various MD location, e.g. *Custom Furniture* in Hyattsville. (MS-ON)
- WADN MA Concord - 12/20 1611 - Fair with folk music, ID by man as "Walden 1120", "Walden Notebook". (MS-ON)
- 1150 CKOC ON Hamilton - 12/19 2048 - Fair in partial null of local CJRC with local ads including an eyeglass recycling center and *Wright's Cleaners*, "Oldies 1150" slogan. (MS-ON)
- 1160 WWMON MI Fenton - 11/24 1745 - ID drifted in over mess. (R-NY)
- WMMV NY Mechanicville - 12/22 1613-1626 - Fair with Christmas music, ID by man at 1617 as "AM 1160 WMMV". Old standards music, more IDs as "WMMV". (RR-ON)
- 1190 WBSL MS Bay Saint Louis - 12/21 1903 - Sign off with usual info plus an either new or additional phone number of 467-1190. (RB-NC)
- KGBS TX Dallas - 12/29 1757 - Good several afternoons with call-in (214 988-1190) sports talk program discussing Ranger's trades, Cowboy's play-off chances, etc. Power decrease noted at 1816. (RB-NC)
- 1240 WNBZ NY Saranac Lake - 12/19 1700 - Fair with ID by female as "1240 AM WNBZ Saranac Lake" into news. (MS-ON)
- WEZE MA Boston - 12/20 1629 - Good, program announcements, spot for *World Vision* at 1-800-531-7777, wishes for a "Christ-centered Christmas from everyone at WEZE". (MS-ON)
- 1270 WLBR PA Lebanon - 12/19 1600 - Fair with ID by man "First in news, first in sports, first in the Lebanon Valley, WLBR". (MS-ON)
- CFGT PQ Alma - 12/30 1640 - Dominating frequency with FF talk, Quebec mentions, ads. (ES-NJ)
- 1290 WKNE NH Keene - 12/21 1606 - Fair with ID "WKNE News 1290", regional news read by a man, lead item about Vermont. (MS-ON)
- WKUJ WI Sparta - 12/29 1705 - Good with weather forecast and promo for "The K-1290 Want Ad Column" giving address as in the *Log*. Into CW music saying "Your home for classic country, K-1290". (REH-ON)
- 1300 W1BR LA Baton Rouge - 12/17 2300 - Sports talk with Ron Barnes "right here on AM 1300 W1BR, Baton Rouge". (RB-NC)

- WOOD MI Grand Rapids - 12/19 2015 - "Wood [has a word] AM 1300" with Eagles/Cols NFL game. Break with promo for Central Michigan/Michigan college basketball game Monday night. (RB-NC)
- 1330 WESR VA Onley - 12/22 1603 - Fair on top briefly with weather by a female, "currently 41 degrees here at WESR", then fade. (MS-ON)
- 1350 WINY CT Putnam - 12/21 1612 - Fair with Christmas greetings from downtown Putnam merchants including *Caroline's Flower and Gift Shop*, asking residents to shop locally, into remote from newly opened *McDonald's* in Putnam. (MS-ON)
- 1450 WLNH NH Laconia - 12/27 1608 - Fair with ad for a car dealership in Laconia, ad for a New Year's Eve "beach bash" at a local restaurant, "WLNH" ID jingle. (MS-ON)
- WTBO MD Cumberland - 1/5 1753 - Poor with "WTBO AM Stereo" ID over mess, later another ID during what sounded like news. (DB-DE)
- WMAJ PA State College - 1/5 1731 - Poor with ID during news with item on local hospital and mentions of the University (Penn State). Possibly also a mention of Rush Township, is there such a place in the area? (DB-DE)
- 1540 WMDOMD Wheaton - 12/29 1705 - Many "Radio Mundo" IDs, news and world news in SS, time checks. (ES-NJ)
- CHIN ON Toronto - 12/26 1850 - Christmas music. ID at 1901 as "You're listening to 15-40 AM, CHIN, Toronto" then back to music. Music had a lot of flutter on it like tape was going bad. Can hear stuff on 1540 now since WADM-IN is gone. (FV-OH)
- 1570 WRUG NY Amsterdam - 12/23 2030 - Heard ID during local sports broadcast. Sure nice to have CHOR off. (JR-NY)
- WANR OH Warren - 12/23 1722 - Many IDs as "Cool Mix 15" with UC format ads for Warren, thought I heard WNRB-Niles ID in mess. (JR-NY)

OTHER STUFF

- 1610 WPAN997 NY - Are the correct calls for this *New York State Thruway Authority* operation. The same call letters are assigned to stations in Blasdell, Bowmansville and Buffalo. This per a government listing. (MH-NC)
- 1610 WPCD802 PA Philadelphia - 12/29 2100-2115 - Woman's voice with Philadelphia International Airport info - "For more information call 215 927-6800; to report an emergency, call 215-492-3111" in null of The Caribbean Beacon. (RB-NC)
- 1620 KCC68 Reported in the 12/13 *DX News* (Bill's section). There is a KCC68 National Weather Service (NOAA) station in the Houston area, and this may have been the station heard relayed by an as yet UNID TTS. The NWS is aware that their broadcasts are often rebroadcast by TTS, but have no idea which TTS is broadcasting what. (MH-NC)
- 1663a GDI VA Elliston - 12/28 0530 - MedFER with ID in code. Also seemed to include a short message but couldn't make it out. (REH-ON) The *Top End* column in LWCA's *The London* shows this on 1662.5 - db)
- 1700 CRJ 12/27 0050 - Unknown NDB with ID in code every 8 seconds. Looped NW/SE. (REH-ON) TTS in Maraba, Brazil per the *Baton Updater*, a log of it by Mike Hardester on 10/24 was included in the December *London* - GREAT CATCH! - db)

REPORTERS

- RB-NC Ron Bailey(AAS), Shelby, NC: Icom IC-765, 7 beverages
- BC-NH Bruce Conti, Nashua, NH: R70, ICF-2010, MWDX-5, (2) 25-in wires
- MH-NC Mike Hardester, Jacksonville, NC:
- JK-VA Jeff Kitz, Charlottesville, VA: Grand Prix GPX A2833 AM/FM Walkman
- JL-OH Jeffrey Lees, 223 Pasadena, Toledo, OH 43612: Panasonic KF5000A
- RM-CT Ron Musco, Poquonock, CT:
- REH-ON Chuck Reh, Leanington, ON: R-390A, Sanserino Loop, Realistic TR-3000 open reel tape deck
- JR-NY Jim Kenfrew, Rochester, NY: Sony ICF-2010, HQ-180, Radio West Loop, Alpha Delta sloper
- RR-ON Robert S. Ross, London, ON: Collins 6515-1, Hammarlund SP-600, dipoles, longwires, vertical, homebrew diamond loop
- DS-DE Dave Schmidt, New Castle, DE: HQ180A, SM-2, Superadio II
- MS-ON Morris Sorensen, DXing in Kempsville, ON: Panasonic RF-865
- ES-NJ Elliot Straus, Toms River, NJ: R-390A, Kiwa/Quantum Loops, MFJ-959B
- FV-OH Fred Vobbe, Lima, OH: Sony ICF-2010, SuperLoop-900
- NW-ON Niel Wolfisch, Toronto, ON: ICF-2010, Radio West Loop
- DB-DE Dave Braun, Wyoming, DE: R-5000, Palomar Loop

International DX Digest

Foreign DX Catches. Times are UTC, for FLT, subtract 5 hrs.

Jim Renfrew

61 Wilcox Street

Rochester, NY 14607-3832

Let's get right to it this week! (This edition of IDXD somehow got lost in the shuffle. We're caught up now, I think -jls)

TRANS-ATLANTIC DX

- 171 SPANISH MOROCCO R. Mediterranean Internationale, DEC 11 2232-2316 - With soft pop vocals and French language talk by man until 2259 ID as "Medi-Ur" and news in Arabic. Noted running // 9575 kHz. Poor to fair reception on DEC 11/93. [D'Angelo*PA]
- 183 GERMAN/ANY SaarLouis, DEC 26 0400 - "Please Forgive Me" by Bryan Adams, then man in FF; LOUD, best 1W TA. [Connely*MA]
- 198 ENGLAND Droitwich et al., DEC 26 0401 - woman in EE; fair to good; regen. reduced QRM from local TUK-194. [Connely*MA]
- 216 FRANCE Roumoules, DEC 26 0403 - man in FF over CLUB & BID beacons. [Connely*MA]
- 234 LUXEMBOURG Junglinster, DEC 26 0404 - news by man in FF; good. [Connely*MA]
- 531 SPAIN/unID's, DEC 25 0440 - bits of SS talk over probable Algeria/Germany. [Connely*MA]
- 549 ALGERIA Les Trembles, DEC 24 2230 - EXCELLENT with female AA vocal and violins. [Connely*MA]
- 558 unID's, DEC 24 2231 - jumble of signals, possibly SS & others, getting by looped WGAN-560. [Connely*MA]
- 585 SPAIN Madrid, DEC 24 2233 - SS pop-jazz // 684; good with WEHI looped. [Connely*MA]
- 594 PORTUGAL Muge, DEC 25 0125 - woman in PP // 963; poor to fair over others (Morocco/Germany ?) & WEHI/VOOCM/Cuba-590 slop. [Connely*MA]
- 603 SPAIN Sevilla et al., DEC 25 0132 - R. National Espana ID; good over rumble of other TAs. [Connely*MA]
- 612 MOROCCO Sebaa-Aioun, DEC 25 2046 - female AA vocal; fair over presumed Ireland. [Connely*MA]
- 621 CANARY ISLANDS Santa Cruz, DEC 25 0128 - "Tears in Heaven" by Eric Clapton; EXCELLENT signal // 738, 774. [Connely*MA]
- 684 SPAIN Sevilla, DEC 24 2234 - SS pop-jazz // 585; good with WRRKO-680 looped. [Connely*MA]
- 693 AZORES Terceira, DEC 24 2245 - PP talk in slop. DEC 25 0200 - LOUD with PP religious service / gospel reading. [Connely*MA]
- 738 SPAIN Barcelona, DEC 25 0128 - Eric Clapton song // 621 & 774; fair through CHCN/CBI-740 QRM. [Connely*MA]
- 774 SPAIN, DEC 24 2249 - man in SS, DEC 25 0128 - Eric Clapton song // 621, 738; very good. [Connely*MA]
- 828 MOROCCO Oujda, DEC 24 2251 - wild AA/Berber-sounding music over probable Azores & Spain. [Connely*MA]
- 837 CANARY ISLANDS, DEC 24 2252 - woman in SS, over Azores/others. [Connely*MA]
- 855 SPAIN, DEC 24 2253 - pop SS mix; good with WHDH-850 nulled. [Connely*MA]
- 891 ALGERIA Algiers, DEC 24 1929 - AA talk by 2 announcers; good on daytime DX. DEC 25 2040 - LOCAL-LIKE with AA mx. [Connely*MA]
- 908.5a AZORES Angra do Heroismo, DEC 25 2041 - This one is still off-channel, hearing BBC-909 & WABI/CHRL-910. Audio only fragmentary, badly dited by slop. [Connely*MA]
- 954 SPAIN Madrid, DEC 25 2039 - Christmas SS vocal to good peak in very tight loop null of WROL-950 (which was still on its extremely-loud daytime power). [Connely*MA]
- 963 PORTUGAL Seixal, DEC 24 2255 - PP talk; poor. DEC 25 0124 - woman in PP // 594; to fair peak. [Connely*MA]
- 981 ALGERIA Algiers, DEC 25 2037 - woman in fast FF; potent, killing, WCAP. [Connely*MA]
- 1026 SPAIN Reus, DEC 25 0115 - bits of SS mx over feeble Costa Rica, 1024 het; poor with WBZ splash. [Connely*MA]
- 1035 PORTUGAL Lisboa, DEC 24 2300 - PP talk; fair with WBZ-1030 nulled. [Connely*MA]
- 1044 MOROCCO Sebaa-Aioun, DEC 24 1930 - AA music very good despite low

RADIO e BANDEIRANTES

SÃO PAULO - BRASL

- modulation percentage. Massive carrier coming in way before sunset. DEC 24 2301 - LIKE A LOCAL with AA news by man. // 1053. [Connolly*MA]
- 1053 MOROCCO Tanger. DEC 24 2302 - AA news // 1044; good to excellent. [Connolly*MA]
- 1098 CANARY ISLANDS // SPAIN, DEC 25 0113 - fast SS talk & interspersed music // 1107. [Connolly*MA]
- 1107 SPAIN, DEC 24 2306 - Christmas music // 1134; fair over Egypt. DEC 25 0114 - SS talk // 1098; strong over others. Audio sounded as if the announcer was inside a cardboard box. [Connolly*MA]
- 1134 SPAIN, DEC 24 2306 - Christmas music // 1107; good over others. [Connolly*MA]
- 1251 LIBYA Tripoli, DEC 24 1933 - woman in AA; good over others; slight splash from local WUOK-1240. [Connolly*MA]
- 1296 UNID's, DEC 25 0448 - quite a strong pile-up here with bits of apparent SS, AA, other audios. [Connolly*MA]
- 1375 ST. PIERRE ET MIQUELON, DEC 25 1700-1706 - fair signal at HIGH NOON local time at receiver - man in FF. [Connolly*MA]
- 1521 SAUDI ARABIA Daba, DEC 24 1910 - AA male chant already good two hours before sunset [Connolly*MA]
- 1566 AZORES/TUNISIA, DEC 25 2030 - strong PR & AA signals battling here. [Connolly*MA]
- PAN-AMERICAN DX**
- 535 GRENADA St. George's, DEC 25 0437 - Christmas sermon by man in Caribbean BE; good. [Connolly*MA]
- 555 ST. KITTS & NEVIS Basseterre ZIZ, DEC 25 0439 - Christmas hymns. [Connolly*MA]
- 595 DOMINICA DBS, DEC 11 2338-0008 - With reading entitled "Hail Africa" by male announcer, ID as DBS Radio. The timecheck at 0006 as "6 minutes past 8 o'clock on this Saturday night." Fair reception. [D'Angelo*PA]
- 650 UNID, DEC 19 0215-0255 - in WSM null, 2 SS stations here, one rapid-fire SS dominant likely of-reported HJKH, no idea on the other, no IDs heard. Also reported on Internet rec.radio.shortwave posting same evening [Winkelman-OK]
- 670 CUBA, DEC 25 0135 - R. Reloj news & time service atop WMAQ & others; DEC 26 0005 - over WMAQ/LA's with Cuban news, but not Reloj service at the time. [Connolly*MA]
- 700 JAMAICA Rik Kingston, DEC 27 0845 - good way over KOKE Test in WJW null with Urban Contemporary music and

talk by accented EE DJ. [Buene-man-MO]

- 720 MEXICO Saltillo COAH, DEC 17 0200 - Call may be XEYP or phonetically similar, WH's taped ID. SLoegan is simply "La Siete Veinte AM"; call IDs almost never given. Heard again on this date with program "La Hora Cochulla" (XE music). Good on peaks, with loop SSE, KDWN and WGN are pretty well null'd. [Wilkins-CO]
- 750 VENEZUELA Caracas YVKS, DEC 25 0157 - ID "R. Caracas R. Red Nacional de Noticias", then announcer wished all a "Feliz Navidad". [Connolly*MA]
- 800 PB NETHERLANDS ANTILLES, DEC 2 0230 - strong with religion (what else?), Family Life Radio and Transworld Radio-Bonaire ID 0230, first time heard from Tulsa [Winkelman-OK]
- 885 MONTSERAT Plymouth ZIB, DEC 11, 2317-2336 - Man with ID "This is ZIB Radio, the Voice of Montserrat." Community Digest program, and timechecks "It is now 26 minutes past the hour of seven o'clock", poor to fair signal. [D'Angelo*PA] DEC 25 0445 - on late for Christmas; good signal with Caribbean BE talk. [Connolly*MA]
- 895 ST. KITTS & NEVIS Voice of Nevis, DEC 11-12 2344-0007 - Man with music by request program, DBs "This is 895 Radio Nevis Island", fair to good signal. [D'Angelo*PA]
- 1130 MEXICO Toluca MEX, DEC 17 0034 - Another one that I don't see listed anywhere. Call give as "X-E-tol", canned ID at 0034: "Desde Toluca, XE-tol, R. Lobo, 11-30 AM, con la mayor de la musica popular ..." gave street address as Av. Independencia 406, which matches that listed in WRTH for XEQY-1200. Into program of ranchera music, many local spots, news at 0103. Quite strong on peaks, but suddenly cut out at 0113. Suspect a very late sunset power cut. XE #121, first ever from Mexico State. [Wilkins-CO]
- 1230 UNID, DEC 19 0802 - With R. Exitos slogans and heard phone number of 458- 6933. Suspect US station, but could possibly be an XE. Looped SSE. [Wilkins-CO]

HARMONICS

- 2010 MEXICO "XEUB" - Harmonic (presumably 3x670) heard here several mornings in late November/early December with UTC-6 TCs, numerous Mexican-content announcements, and IDs sounding like "XEUB" but nothing similar listed in WRTH on 670 or even 1010-1020 (if an off-freq fundamental). Perhaps a new one getting on the air & having transmitter trouble? Not heard in past two or three weeks. [Moore-LA]
- 2020 MEXICO Radio Lobo, Chihuahua - Noted with poor signals in AMs & PMs since late November. Since 12/22 noted with STRONG signals, with sign-on varying +/- 1200 UTC in AMs. Also noted in eves to past 0300. Mostly rock music. Usually on the hard side, but one morning played over an hour of Paul McCartney tunes, even repeating some! Lots of ads. IDs usually simply as "Lobo". Still heard with strong signal again this morning 12/31. Considering the strength of this one, I would think it could be heard rather widely. Oh yes, 2x1010 harmonic. [Moore-LA]

COMMENTS FROM OLLE ALM

Re John Bryant's tentative 1215 *Albania/Slovenia logging*: Estonia off the air. Bolshakovo active at that time. Re Mark Connolly's 1386 RUSSIA (KALININGRAD) logging: Bolshakovo is off daily 2200-0400. Ohinsk (5 kW) between Moscow and Kaluga has nominal transmission time 0200-0000, but often stays on 24 hrs. Has the Yunost program, which is mainly a rock program with uptempo music and talk. Monday mornings Athens is 24 hrs on 1386 with a MOR/folk music format. Weak signal in Sweden (screened towards Bolshakovo?). Olle also reports hearing many Mexican stations from Finland this year, including XEQN-740 and XEQF-1510. Thanks, Olle, for the info.

QSL INFORMATION

ANTIGUA: Caribbean Radio Lighthouse-1165 kHz St. John's, postcard, letter and program schedule, signed by Jerry Baker, Engineer, received in two weeks for two 29-cent stamps. [Buene-man-MO]

COLOMBIA: Radio Cadena Nacional (RCN) HIJX-770 Santa Fe de Bogota (name lengthened from Bogota prior to the publication of the 1992 WRTH) QSL card and letter in Spanish, signed by Antonio Pardo Garcia, Gerente de Nacional de Produccion y Programacion, received in two weeks for two 29-cent stamps. [Buene-man-MO]

CONTRIBUTORS

- [Winkelman-OK] Bruce Winkelman, Tulsa OK
- [Wilkins-CO] John Wilkins, Wheat Ridge CO
- Kenwood R-1000, 4 Box Loop. [Connolly*MA] Mark Connolly WALLON Christmas Weekend DX from Harwich (Cape Cod) MA. Realistic DX-440, 28 ft wire and RTL-2 Remotely-Tuned Loop to MWT-3 Regenerative Tuner [D'Angelo*PA] Rich D'Angelo, DXing from Gifford Pinchot State Park PA; Drake R 8 and various long wires. [Buene-man-MO] Eric Buene-man, Hazlewood MO. [Moore-LA] Don Moore Davenport IA; Kenwood R-5000, 2 400' min beverages.

Apologies to Hank Holbrook for misplacing his letter. His loggings appear below.

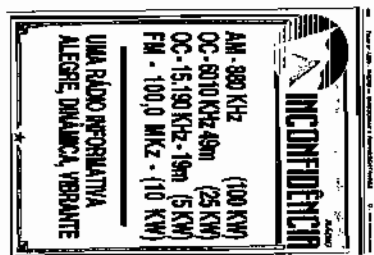
Because of difficulties encountered in sending e-mail files that include non-English words with accents, I will cease using accent in DXD. (No sweat; I'll add them in! Fd Spanish, that is. -pls)

TRANS-ATLANTIC DX

- 162 FRANCE Allouis, DEC 18 0723 - Fair good with man and woman in FF; QRM'd at times by the pest GWEN stations! [Holbrook-MD]
- 171 MOROCCO R. Mediteranee Internationala DEC 18 0620 - Fairly good and 0721 in FF, popular US tunes from the 40's Strong QRM from GWEN at times. [Holbrook-MD]
- Hank speaks: "153 and 162 kHz were a one time easy channels on LW but some type or carrier is on these frequencies 24 hours day" part of GWEN system?"
- 184 GERMANY ERF Saarouis, DEC 18 0610 Fair, man and woman seemed to be in FF, torn up by GWEN at times. [Holbrook-MD]
- 198 ENGLAND BBC Droitwich, DEC 18 0666 - Good and still good at later chace around 0715, mostly talk, newsw [Holbrook-MD]
- 216 FRANCE Roumoules, DEC 18 0628 - Man and woman in FF [Holbrook-MD] JA 1, 0330 - Poor to fair among beacore with man and woman in FF, various musical selections. [Prcho-OH]
- 531 GERMANY Leipzig, DEC 23 0459-0500 Alpine music, GG talk; very good



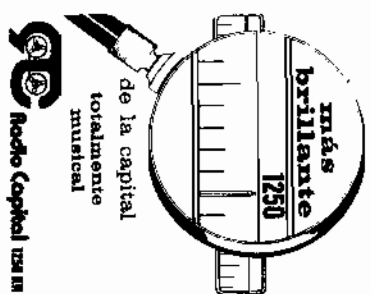
- surprisingly way atop the channel. Usually Spain & Algeria dominate here. Residual CIAO - 530 hat was phased to nothing. [Connely-MA]
- 531 SPAIN/unID's, DEC 28 0449 - SS vocal over 2 or 3 others; some "F9" beacon QRM, CIAO phased. [Connely-MA]
- 531 SPAIN/ALGERIA, DEC 29 2349 - SS talk by man over AA female vocal. [Connely-MA]
- 549 ALGERIA Les Trembles, DEC 29 0410 - Big signal dwarfing 550 kHz with woman announcer and Algerian pop music. [Dangerfield-PA] DEC 29 2350 - AA talk by man; to good peaks through CFRB slop. [Connely-MA]
- 558 SPAIN, DEC 29 2355 - man in SS // 738; poor over others including possible PP & AA stations. [Connely-MA]
- 585 SPAIN Madrid, DEC 31 0132 - Strong and clear with Glen Miller's "In the Mood", and of // of course to 684 whose signal was twice as good. [Dangerfield-PA]
- 612 MOROCCO Sebba-Aiou, DEC 29 2157 - AA music at low audio level on big carrier. [Connely-MA]
- 621 CANARY ISLANDS Santa Cruz, DEC 28 0452 - operatic SS male vocal; very good. DEC 29 0533 - EXCELLENT with man & woman in SS. [Connely-MA]
- 639 SPAIN La Coruna et al., DEC 29 2154 - SS talk; poor. [Connely-MA]
- 666 UNID DEC 29 0321 - Barely audible with Spanish guitar type music. Spain or Portugal suspected. [Frcho-OH]
- 675 NETHERLANDS Lopik / FRANCE Mantesville, DEC 30 0030 - Fair with man in FF, while the new Lopik commercial station was just under it with C&W music. First I've heard the Dutch station since mid-October. I noted that it was logged by the NF DXpedition. [Dangerfield-PA]
- 684 SPAIN RNE Sevilla, DEC 30 0230 - Barely audible through heavy slop at first, but faded up to reveal male and female SS talk. Loop direction perfect for this. DEC 31 0235 - Much stronger this time with SS talk interspersed with short musical selections. Sounded like a musical (or musician's) profile. JAN 1 0227 - In again, very good, with SS talk and the song "Guantanamero". Spain #1 for me! [Frcho-OH]
- 693 ENGLAND Droitwich etc., DEC 31 0320 - Good with man and woman in a discussion. Two days previous the AZORES station was in control with soft music. [Dangerfield-PA]
- 711 UNID's, DEC 30 0000 - cacophonous growl (approx. 60 Hz) occasionally yielded AA & other audio. Morocco /



- Libya most likely; I'm not sure who's off frequency. [Connely-MA]
- 738 SPAIN Barcelona, DEC 29 2356 - SS talk to good peaks. [Connely-MA]
- 747 HOLLAND Flevoland, DEC 30 0005 - pop music (Phil Collins) over Spain. DEC 30 0432 - man in DD; good. [Connely-MA]
- 756 SPAIN Bilbao, DEC 28 0500 - SS news; good (way over others) with WJR phased. [Connely-MA]
- 756 GERMANYS Braunschweig / Ravensburg, DEC 29 0530 - rock instrumental, pips, man in GG; good. [Connely-MA]
- 765 UNID, DEC 28 0504 - sounded SS instead of expected FF (Switzerland); lost to slop. [Connely-MA]
- 765 SWITZERLAND Sothens, DEC 29 0535 - good with woman in FF; + DEC 30 0434 - classical music; very good. [Connely-MA]
- 765 SENEGAL Dakar, DEC 29 2148 - African-accented FF talk, African music; EXCELLENT. DEC 30 0007 - Koran chant, talk, African shouting / drumming LIKE A LOCAL, way over the Swiss station's classical music. [Connely-MA]
- 774 SPAIN, DEC 23 0450 - male/female duet on SS Christmas song; good. DEC 28 0505 - news by man & woman in SS; good. DEC 29 2147 - man & woman in SS; good with WABC phased. [Connely-MA]
- 783 PORTUGAL Miramar, DEC 30 0009 - bits of PP in heavy slop from new C&W format on CFRB-780. [Connely-MA]
- 783 PORTUGAL / SYRIA (I), DEC 30 0438 - man in PP over apparent AA station. [Connely-MA]
- 819 MOROCCO Rabat, DEC 30 0115 - Fair with AA pop music and vocals by a woman. Seemed to be // to weak signals on 864 and 1044. I don't think it was Batra, and Santah-864 doesn't

- sign-on until 0200 (with the Koran). [Dangerfield-PA]
- 819 UNID (MOROCCO or EGYPT), DEC 30 0439 - fragments of AA talk. [Connely-MA]
- 837 CANARY ISLANDS // SPAIN, DEC 30 0011 - SS tele-talk, slightly over a pile of others. [Connely-MA]
- 855 SPAIN Murcia et al., DEC 23 0447 - man in SS, then vocal music; fair with local WHDH phased. [Connely-MA]
- 873 SPAIN Zaragoza, DEC 29 0537 - fair with man in SS. DEC 30 @ 0440 - SS talk; poor to fair over others. [Connely-MA]
- 882 ENGLAND Washford, DEC 23 0445 - EE talk in WCBS slop. DEC 30 0442 - male EE DJ, oldie "United We Stand" by Brotherhood of Man; good. [Connely-MA]
- 882 CANARY ISLANDS La Laguna, DEC 28 0445 - man in SS; good over others with WCBS phased. [Connely-MA]
- 882 CANARY ISLANDS / ENGLAND, DEC 30 @ 0013 - SS talk over EE rock; signals just about even in strength. [Connely-MA]
- 891 ALGERIA Algiers, DEC 23 0442 - AA female a cappella vocal; EXCELLENT. DEC 28 0446 - AA vocal, then talk; good. DEC 29 2143 - AA talk by man & woman at good level; SAH of about 4 Hz present, presumably from co-channel Portugal. [Connely-MA]
- 927 BELGIUM Wolvetem, DEC 23 0503 - GG-sounding talk; poor with heavy slop from 4+ station pig-pile on 930. [Connely-MA]
- 954 SPAIN Madrid, DEC 30 0015 - man in SS using "50s-type reverb"; good. [Connely-MA]
- 972 UKRAINE Mykolajiv, DEC 24 0200 - Man and, later, woman talking in Eastern European language followed by soft instrumental music. Long fades. Hamburg not coming in. Program like others heard from the former Soviet republics. [Dangerfield]
- 981 ALGERIA Algiers, DEC 23 0505 - male AA Koran chanting; EXCELLENT - just as loud as the 891 powerhouse. DEC 29 2203 - man talking, probably FF; strong, but in heavy WTRY / CBV slop w/ semi-local WCAP phased. [Connely-MA]
- 999 SPAIN Madrid, DEC 29 2204 - news by man in SS; loud, slicing by CKBW/CFEP - 1000. [Connely-MA]
- 1008 CANARY ISLANDS // SPAIN, DEC 29 2205 - SS over others in CFRB slop with WINS phased. [Connely-MA]
- 1017 GERMANY Rheinsender, DEC 29 2207 - "Help" by the Beatles, then GG talk; good peaks over Spain & others. [Connely-MA]
- 1044 MOROCCO Sebba-Aiou, DEC 23 0507 - AA Koran chant EXCELLENT; Spain (SS talk) audible way under. DEC 29 2208 - AA talk LOUD - certainly one of the "big gun" TAs here. DEC 30 0017 - AA music well over Spain. DEC 31 0623 - festive style AA music; LOUD. [Connely-MA]
- 1053 MOROCCO Tanger, DEC 23 0508 - AA chant // 1044; fair to good. DEC 29 2209 - AA talk // 1044; way over England. [Connely-MA]
- 1053 ENGLAND, DEC 29 2209 - modern progressive rock song // 1089; under Morocco. [Connely-MA]
- 1062 DENMARK Kalundborg, DEC 23 0509 - good with man in Danish, then dance-rock. DEC 29 2209 - rock music; Danish talk; over others. [Connely-MA]
- 1071 FRANCE Lille et al., DEC 29 2210 - bits of FF occasionally getting by potent CBA-1070. [Connely-MA]
- 1089 ENGLAND, DEC 19 0726 - female pop vocal. DEC 29 2215 - modern progressive rock music; EE talk // 1053; EXCELLENT with WBAL phased. [Connely-MA]
- 1098 SLOVAKIA/CANARY ISLANDS, DEC 23 0512 - Slav & SS audios battling it out here at even strength. DEC 29 2216 - Slavic talk over SS music. [Connely-MA] DEC 30 0325 Nice signal with soft piano music and woman announcer. Later what I would call Slovak folk music. [Dangerfield-PA]
- 1107 SPAIN, DEC 23 0513 - woman in SS // 1098; EXCELLENT. [Connely-MA]
- 1107 EGYPT Batra, DEC 30 0018 - AA pop female vocal atop Spain. [Connely-MA]
- 1125 UNID's, DEC 23 0514 - immense growl with little intelligible audio. [Connely-MA]

EL SONIDO



- 1134 CROATIA Zadar, DEC 29 2218 - Slavic talk; fair to good, atop Spain. [Connely-MA]
- 1170a PORTUGAL, DEC 29 2220 - apparent PP vocal; over others with WWVA phased. [Connely-MA]
- 1179 CANARY ISLANDS // SPAIN, DEC 23 0517 - man in SS, fair to good. DEC 28 0517 - man & woman in SS; fair to good w/ WHAM phased. DEC 29 2223 - SS just slightly over Sweden. [Connely-MA]
- 1188a MOROCCO, DEC 29 2224 - messy low-pitched growl of carriers, then female AA vocal floated to the top. [Connely-MA]
- 1197 ENGLAND, DEC 19 0718 - Virgin R. with EE DJ // 1215; poor. [Connely-MA]
- 1197 MOROCCO Agadir, DEC 24 0030 - I think this is the one heard with pop music and female vocals. Haven't spotted VOA Munich in ages. Used to be a regular here. Very directional, I suppose. Nor anything as yet that I could ID as Lesotho. [Dangerfield-PA]
- 1206 FRANCE Bordeaux, DEC 31 0620 - FF talk; poor in WOGL sloop. [Connely-MA]
- 1215 ENGLAND, DEC 19 0708 - Virgin R. to good peak with "Slip Slidin' Away" by Paul Simon. [Connely-MA] DEC 29 0515 - Nice signal with rock music and an American-accented DJ. Someone below, either Spain or Albania. DEC 31 0617 - metal version of "The Cat's in the Hatle"; over Spain. [Connely-MA]
- 1215 SPAIN, DEC 29 2230 - SS talkshow slightly over England. [Connely-MA]
- 1251 LIBYA Tripoli, DEC 29 2232 - AA chant in heavy sloop from FF Canadian on 1250. [Connely-MA]
- 1314 SPAIN/NORWAY, DEC 23 0522 - SS talk & NN talk about equal in strength. [Connely-MA]
- 1314 NORWAY Krvitoy, DEC 30 0448 - NN talk; fair. [Connely-MA]
- 1395 ALBANIA Lushnje, DEC 29 2237 - EE religious program; very good. This was running 59+40 (?) on peaks and it was stronger than adjacent WLLH-1400 (12 miles distant). [Connely-MA]
- 1503 SPAIN / unID, DEC 29 2245 - bits over SS over folk music station (Poland ?); poor with hets from 1502 Afro & 1505 Angulla and sloop from WSSH-1510; WTOP was phased out. [Connely-MA]
- 1503 POLAND Stargard, DEC 30 2140 - Strong signal, woman speaking. WRTH has Esperanto sked at this time, but you couldn't prove it by me. Sounded Polish. Followed by operatic arias sung

- by a baritone and soprano. Was indeed // to SW 6135 so no doubt about station. Can't understand why not logged by the group at the NF DXPedition. [Dangerfield-PA]
- 1512 SAUDI ARABIA Jeddah, DEC 29 2010 - Man in AA. One hour and 44 minutes before sunset here! Audio also on 1521 at same time. [Dangerfield-PA] (This proves that you don't necessarily have to be on the beach to hear these early TAs - Jim)
- 1512 BELGIUM Wolventen, DEC 29 2334 - woman in GG slipped through during 10 sec. pause in local WSSH audio. [Connely-MA] DEC 30 2209 - Good signal with woman speaking in EE. Jeddah wasn't heard at this time. [Dangerfield-PA]
- 1521 SAUDI ARABIA Duba, DEC 30 2150 - Very strong with man in AA. All over 1520. Wonder how the frequency sounded in Buffalo? [Dangerfield-PA] (Let me check ... hmmm ... yes, its WWKB! - Jim)
- 1530 VATICAN, DEC 29 2337 - classical music // 5882; good, atop WCKY. [Connely-MA] DEC 30 2200 - Heard the 6 time pipe over and under WCKY, then looped the latter a bit to bring in the Vatican station atop the frequency with man in Italian. Maybe they could hear him in Cincy? [Dangerfield-PA] (The locals figure it's a WKRP spur! - Jim)
- 1544 MOROCCO? VO the Sahara, DEC 23 2358 - In briefly with man in AA. Station was hear much better and often last season. [Dangerfield-PA]
- 1548 ENGLAND, DEC 19 0713 - rock music; poor. [Connely-MA]
- 1584 SPAIN, DEC 19 0714 - woman in SS to good peak; very echoey, however. DEC 22 0515 - fair to good with SS talk by man & woman. [Connely-MA]
- 1593 GERMANY Langenberg, DEC 21 0510 - female pop vocal. GG talk DEC 29 2345 - bounce GG female group pop vocal; fair to good. [Connely-MA] Has this one changed its sked or power? Over 100 TA signals logged the past 10 days, but not this station. [Dangerfield-PA] (Has shifted to FM - Jim)

BELGISCHE RADIO en TELEVISIE
Reynstalen 52
-1000 Brussel



- 1611 VATICAN, DEC 29 2342 - talk by man (not sure of lang.); carrier strong, but audio weak & blending with that pesky "LGB TLX" beacon. [Connely-MA]
- 1620 UNID JAN 1 0309 - Very weak, very rough copy in noise, looped ENE/WSW indicating a lower-latitude European (or maybe a domestic harmonic or spur?) with occasional bits of what sounded like SS or Italian-like talk. Signal briefly rose up to 59 at 0328 with what reminded me of French or Italian music with accordians. I'd like to think this was Italy, but at only 5 kW I dunno. [Frbo-OH] (Might also be a SW image - Jim)
- Rich spurs: "The last week of December has netted the best TA conditions so far this season. However, all that means is far inland is mostly just a lot of hets. I could hear at least a carrier ever 9 kHz from 531 up through 891, with lesser amounts up through 1134."
- And these tips from Steve Whitt (via e-mail from Jean Burrell):
- 873 AFN Frankfurt SILENT 4-24 January for tx maintenance & upgrade I tried to phone AFN to discuss this but AFN's phone number is ex-directory (unlisted)! So no luck.
- 1458 London; Sunrise Radio is on with Asian programs; EE news & some ads.
- 1476 ORFI Austria; OPF during days noted s/on at 1700; s/off at 2300.
- 1566 Switzerland still off despite reported tests with new antenna.
- 1593 Langenberg SILENT 4, 5 & 6 Jan; don't know why. (Going to FM - Jim)
- PAN-AMERICAN DX
- 600 CUBA R.Rebelde, Urbano Noctis, JAN 2 0830 - good, Spanish music // 710. [Cont-NH]
- 640 CUBA R. Progreso (site unknown), JAN 1 0645 - Fair-good with what appeared to be a "1993 in review program", ID noted amid talk about Michael Jackson's problems. [Brooker*MA]
- 650 HONDURAS HRVW LV de Centroamerica, San Pedro Sula, DEC 21 1153 - Covering WSM with time check and ID. [Francis-TN]
- 650 COLOMBIA RCN Antena 2, Bogota, DEC 31 0540 - Fair over WSM with typical RCN jingle and promo. [Brooker*MA] JAN 2 0311 - excellent, "En Colombia, RCN Antena Dos" ID, merengue music, my most consistent Colombian this season, can be heard on any given night. [Cont-NH]
- 660 CUBA R.Relep, JAN 2 0838 - poor, definite RR code IDs and syncopated clock with
- Spanish news heard under WFAN, a new Cuban for my logbook. [Cont-NH]
- 670 CUBA R.Rebelde, JAN 2 0440 - good, Spanish music // 710 & 5025, over WMAQ. [Cont-NH]
- 690 MEXICO UNID, DEC 20 1201 - Out of nowhere with Beatles "Good Morning, Good Morning" in its entirety, followed by XE anthem, unreadable sign-on and 70s style AOR. [Francis-TN]
- 700 JAMAICA JBC-1, Montego Bay, DEC 12 0741 - Over WJW with program of "Thoughts and Inspiration". [Bryant-TN] JAN 1 0605 - Fair in WJW null with news; ID as "This is the Radio One service of the Jamaican Broadcasting Corporation", into a listing of obituaries at 0609. [Brooker*MA]
- 710 CUBA R. Rebelde, JAN 2 0437 - xint, Spanish music // 5025, WOR phased. [BC-NH]
- 720 MEXICO UNID, JAN 4 1100 - 1100 sign-on and 0600 s/off (both with choral anthem) heard repeatedly since early December. It's a five letter call, and the slogan sounds like the SS "Radio" followed by the English "Formula". [Francis-TN]
- 730 MEXICO XEX, Mexico, DE, JAN 2 0705 - good. "Equis" jingle ID and Mexican music over CKAC. [Cont-NH]
- 750 JAMAICA JBC-1, Port Maria, DEC 12 0745 - Poor under WSB // 700, new. [Bryant-TN]
- 750 VENEZUELA VVKS R. Caracas, DEC 20 0111-0200 - Fair-good in WSB null with two women talking in SS, apparently about politics, mentioned "el presidente", etc., possible ads, faded around 0130, but 0155 with woman mentioning "Radio Caracas", brief musical selection, possible ad, man said "buenos noches", and gave redundant "Radio Caracas Radio" ID which other have mentioned in IDXD. [Sorenson-ON]
- 760 MEXICO XEDGO Durango DUR, DEC 16 1216 - Calls shouted clearly at direction speed before and after "Feliz Navidad" jingle, over another SS with WJR barely there. [Francis-TN]

 RADIO QUITO

- 770 MEXICO XEQRV Cd. Cardel VER, DEC 15 120-2 - Fair under WABC with choral anthem and sign-on mentioning calls and "Radio Costera" slogan. [Francis-TN]
- 770 COLOMBIA Bogota HJIX, DEC 23 0451- RCN ID, SS talk; atop WABC. [Connelly-MA]
- 780 VENEZUELA YVMN R. Coro, DEC 22 0349 - Good in WBBM null with LA pop music (fairly sedate for them), talk in SS by man at 0352 mentioning Habana Cuba, possibly a brief news item or commentary, Radio Coro ID at 0353, then back to music. [Sorenson-ON]
- 790 MEXICO XERC Mexico DF, DEC 15 0200 - Surely the one that was briefly atop with "O-R-CI, Radio Centro presenta ..." That matches their owner's name in WRTH. If they, first new one from Mexico City in 15 years! [Francis-TN]
- 790 MEXICO XEVA Villahermosa TAB, DEC 16 & 28 1100 - Fair with full ID, power given as 10 kW instead of listed 5 kW. [Francis-TN]
- 820 COLOMBIA CARACOL Cali, DEC 17 0900 - Fair in WBAP null // 810 Bogota, new. [Bryant-TN]
- 830 MEXICO XELK Zacatecas ZAC, DEC 21 0301 - Fair in WCCO null with full ID, slogan now apparently "La LK" instead of listed "Onda Juvenil". Mexico #75 and third new state this month! [Francis-TN] (Nothing like a good hot streak! - Jim)
- 880 MEXICO XETC Torreon COAH, DEC 16 1202 - Atop WCCS on peaks with choral anthem and sign-on by soft-spoken woman. [Francis-TN]
- 940 CUBA R.Reloj, JAN 2 0845 - fair, synopsized clock and Spanish news, // 660. [Cont-NH]
- 940 VENEZUELA R.Punto Fijo, JAN 2 0848 - Good, Super Radio Punto Fijo ID with TC, merengue and salsa music, over R.Reloj-Cuba. [Cont-NH]
- 960 unID, JAN 2 0905 - briefly up with end of news, "Esta fue la informacion de las cuatro", then "Gran hora, ahora..." into Spanish music, UTC-5 TC, over/under R. Reloj-Cuba. [Cont-NH]
- 1000 VENEZUELA YVNM Moran, JAN 1 0633 - Fair over WMVP with "Radio Mil" ID following long New Year's greetings. Not to be confused with CHLP, which also uses "Radio Mil" slogan but in FF. This one is seldom heard in Toronto because of CFRB-1010 slot. [Brooker-MA] (I only hear R. Mil, Mexico City here, and 0600 is midnight in Mexico City; are you sure it was Venezuela? - Jim)
- 1020 TURKS & CAICOS ISLANDS CCR, JAN 3 0445 - Good, preaching, Gospel music, sign-off routine says 20 kW. [Reiser-IL]
- 1170 COLOMBIA Cartagena HINW, NOV 29 0730-0737 - Caracol mention, news, female announcer, rooster crowing, BBD number, fair. [Trelford-JAM] DEC 28 0515 - CARACOL network ID; knocking down WYVA. [Connelly-MA]
- 1180 MEXICO XEFM, DEC 17 1200 - Poor under Cubans with choral anthem and sign-on by woman. I taped four mentions of what sounds each time like "XEFM-AM", maybe a move from 1010? [Francis-TN]
- 1180 MEXICO XEBB Jalapa VER, DEC 26 1201 - Good under WOGL with full ID, including calls and R Centro slogan. [Francis-TN]
- 1205 CAYMAN ISLANDS Radio Cayman, Georgetown, DEC 12 0625-0633 - Sign-off, Lord's Prayer-mixed chorus (probably anthem), "God Save the Queen", new. Also DEC 21 0629-0700 with BBC WS News with local content at 0659, ID wiped out by WQAI splash. BBC time beeps on hour-back to news. [Bryant-TN] (Tom also includes a copy of a letter he sent to Radio Cayman seeking information about their continuing operations on 1205, since they had previously announced this would go silent in July. - Jim)
- 1267 45 unID DOMESTIC, DEC 31 0610 - syndicated / satellite show of '80s era Top 40 hits; no local ID's given - strong at times. [Connelly-MA]
- 1320 PUERTO RICO WUNO San Juan, DEC 2 0706-0800 - Talk show with callers in

SS, PR mentioned, and ID as "...uno..." poor, unidentified interference.

- [Trelford-JAM]
- 1350 MEXICO XEKAUV Cd. Victoria, DEC 3 0250-0311 - LA music, ranchera, ID "La Victoria", interference from unID EE station, poor. [Trelford-JAM]
- 1370 PUERTO RICO WIVV Vieques - My NOV 6 logging was not them, as per letter back from them. So who was giving chat in SS (same phrases over and over, like a "Hail Mary" program. Any idea? [Trelford-JAM]
- 1375 ST. PIERRE ET MIQUELON RFO, DEC 19 0510 - With news and discussion of the news in FF. The signal was relatively clear but with some QRM slot from 1370 and 1380 and some fade. The Kiwa Loop pulled this one out as I've been trying to get this one for years. [Kearley-ON] JAN 1 0240 - Good, as strong as I've ever heard it with FF talk. Is it just me, or do these guys always seem to have low modulation? [Frcho-OH] (Seemed that way the two times I've heard them - Jim)
- 1610 ANGUILLA Caribbean Beacon, DEC 27 0858 - Religious program (from USA) with an 1-800 number for ordering religious materials. [Finkel-IL]
- Steve speaks:* "The XEs being legally required to play their national anthems at 6:00 AM is providing some great opportunities at 1200 UTC. It should really get interesting from late January to about the third week in February when the sunrise will start eliminating some of the QRM from the northeastern clears at 1200."
- STATION NEWS
- BAHAMAS: Recent verification says they will be on 50 kW as of NOV 22, 1993. [Trelford-JAM] (May answer Tom Bryant's suggestion that they were using a non-directional pattern for a few weeks this fall - Jim)
- PUERTO RICO: WIVV 1370 program schedule: daily 5:30 am - 10:00 pm, Sat. 0830 am - 10:00 pm, Sunday 6:05 am to 10:00 pm. Religion format. Janet Lutrel is Station Manager, Calvary Evangelistic Mission, Inc., PO Box 367000, San Juan PR 00936-7000. [Trelford-JAM] (These are AST times [UTC-4]. I have actually been on this island, and have seen their antenna; no local presence except for this - Jim)

BEACONS

"Those annoying beacons? (IDX 12/13) Man, that's real DX. These are not beacons, but radiotelex. On 1615 I have GCCI Cullercoats QSLed ... GKRI on 16125 ... PCH 1620 is Scheveningen, Netherlands ... LGB is Rogaland Radio in Norway." [Holbrook-MD]

QSL INFORMATION

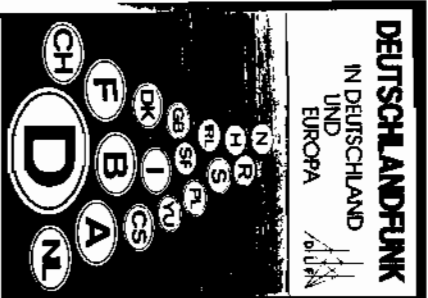
The Austrian DX Club, ADXB-OE, is conveying reports to HRTV-Croatian Radio on behalf of DXers until January 31, 1994 at the following address: Harald Suss, Albert-Severstr 2-28/12, A-2231 Strasshof-Siebrwald, Austria. Please include 1 RC. QSLs will be sent directly from Zagreb. Croatian Radio, for your information, is heard on these frequencies: 774, 783, 1125, 1134, 5920, 9830, 13830 kHz. [Harald Suss in Play DX #766]

CONTRIBUTORS

[Connelly-MA] Mark Connelly WALLON, Billerica MA; Drake R8, two slopers (approx. 37 m. each) via noise-reducing transformers to Super-MWDX-5 Phasing Unit & MW7-3-Regen, Tuner [Kearley-ON] Laurence Kearley, Orleans ON; Drake R-8, Kiwa Loop [Cont-NH] Bruce Conit, Nashua, NH; ICF-2010, R70, MWDX-5, (2) 25-m wires. [Finkel-IL] Barry Finkel, Chicago IL; Yaesu FRG-7700, McKay-Dynnek DA-5 ferrite antenna [Bryant-TN] Tom Bryant, Nashville TN. [Frcho-OH] Rich Frcho, Willoughby OH; Drake R8, longwire, Kiwa Loop (MW), Interceptor LA-36 loop (LW) [Sorenson-ON] Morris Sorenson, DXing from Kempville ON; Panasonic RF-865, built-in antenna. [Holbrook-MD] Hank Holbrook, Fair Haven Cliffs MD; Hammarlund SP-400 with 50' longwire. [Reiser-IL] Thomas J. Reiser, Chicago IL; ICF 2003 with built-in antenna. [Brooker-MA] Mike Brooker, DXing from Lenox MA; Panasonic RPB-45. [Francis-TN] Steve Francis, Alcoa TN; Realistic TRF. [Trelford-JAM] Don Trelford, St. Ann's Bay, Jamaica. [Dangierfeld-PA] Ben Dangierfeld, Wallingford PA; HQ-180, Radio West Loop.



GREENVILLE RADIO LTD.
P.O. BOX 1100
ST. JOHN'S, ANTIGUA
10,000 WATTS
1100 KHz A.M.



The MWT-3 Regenerative Tuner / Controller

by Mark Connelly - WA1ION

(continued from DX News, December 27, 1993)

FIGURE 2: MWT-3 REGEN. TUNER / CONTROLLER (TUNER / AMPLIFIER / OUTPUT SECTION)

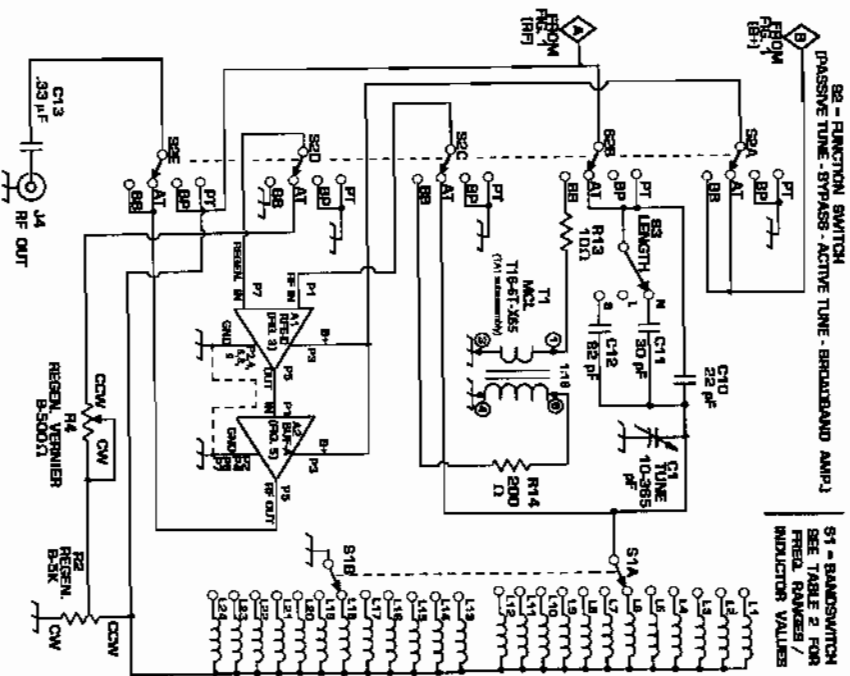


FIGURE 3: MWT-3 REGEN. TUNER / CONTROLLER (SCHEMATIC: RFE-D REGEN. FRONT-END CARD)

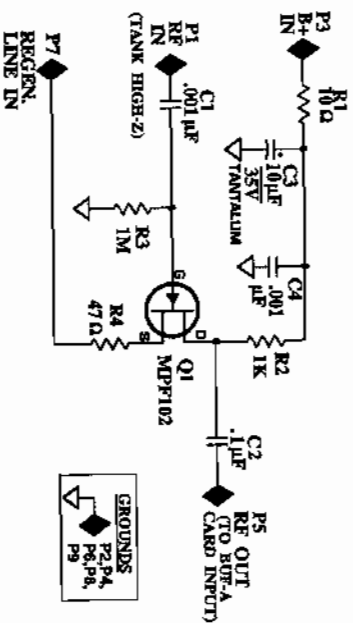


FIGURE 4: MWT-3 REGEN. TUNER / CONTROLLER (ASSEMBLY: RFE-D REGEN. FRONT-END CARD)

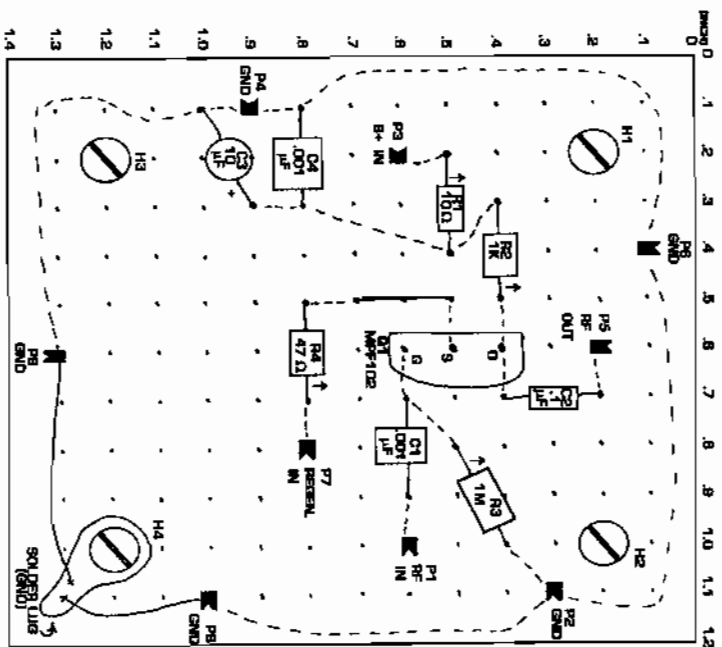


FIGURE 5: MWT-3 REGEN. TUNER / CONTROLLER (SCHEMATIC: BUFA BUFFER AMPLIFIER CARD)

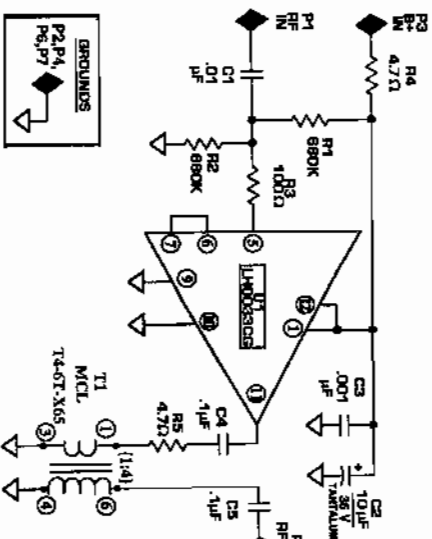
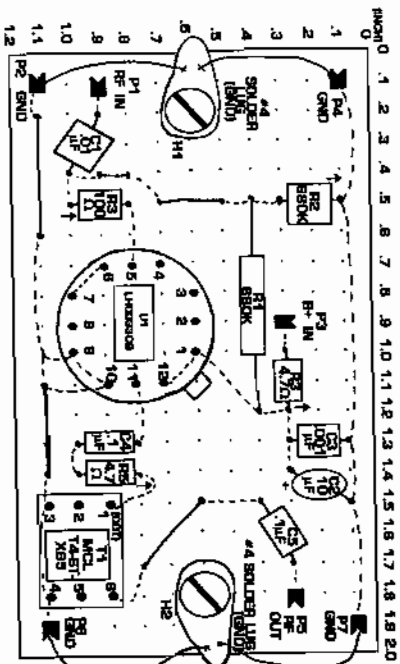
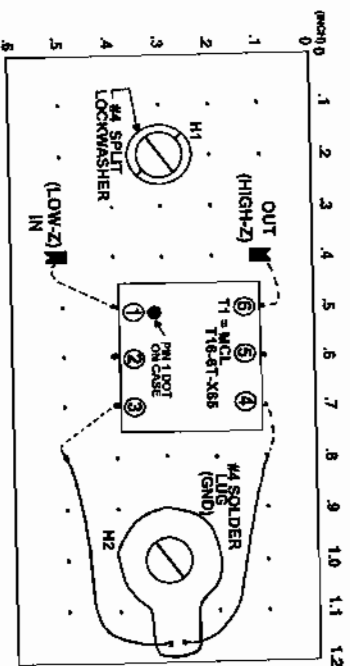


FIGURE 8: MW-T-3 REGEN. TUNER / CONTROLLER (ASSEMBLY: BUFA-BUFFER AMPLIFIER CARD)



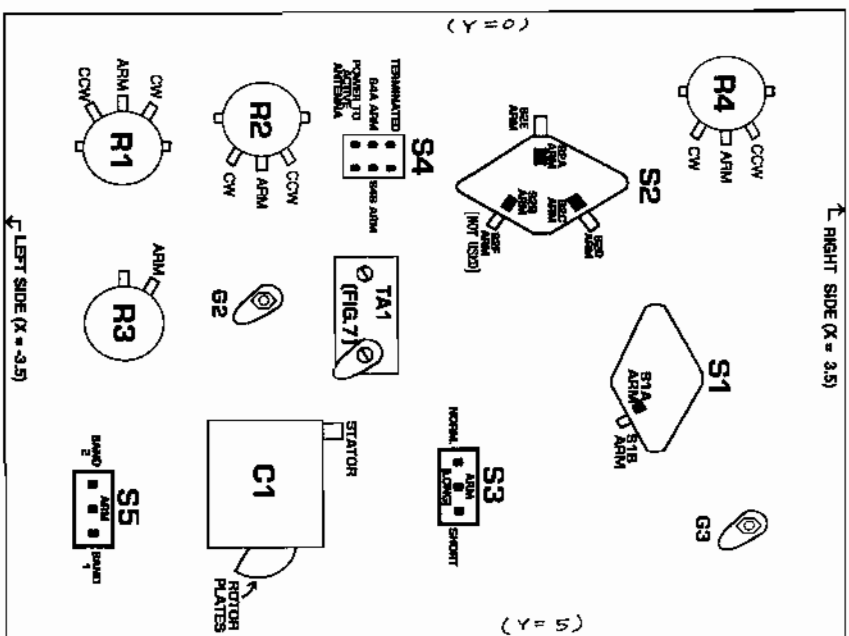
Notes:
 For schematics, see Figure 5.
 For part list, see Table B.
 Long leads of vertically-mounted component.
 Bus wires on solder side of board.
 Bus wires on component side of board.
 Prior strip terminal pin.
 OPEN SIDE

FIGURE 7: MW-T-3 REGEN. TUNER / CONTROLLER (ASSEMBLY: TA1 IMPEDANCE TRANSFORMER CARD)



Notes:
 For connections, see Figure 2.
 For part list, see Table B.
 Each screw mates to a 4-40 X 0.5" spacer on reverse of board.
 Bus wires on solder side of board.
 Bus wires on component side of board.
 Prior strip terminal pin.
 OPEN SIDE
 MCL T36-1-X86 or TTZ4-1-X86 may be substituted for T1.

FIGURE 8: MW-T-3 REGEN. TUNER / CONTROLLER (SWITCH DETAILS: SKETCH OF INTERIOR VIEW OF COMPONENTS, BOTTOM COVER REMOVED)
 NOTE: POSITIONS, SIZES ARE APPROXIMATE; NOT TO SCALE
 RIGHT, LEFT SIDE CONNECTORS / CONTROLS NOT SHOWN



Nine-ounce size ... with NRC emblem printed in black on both sides. It's oven-proof and microwaveable. Makes a great gift \$5 to U. S. addresses, \$5.75 to Canada. Order from NRC Publications. (NY residents, add sales tax).

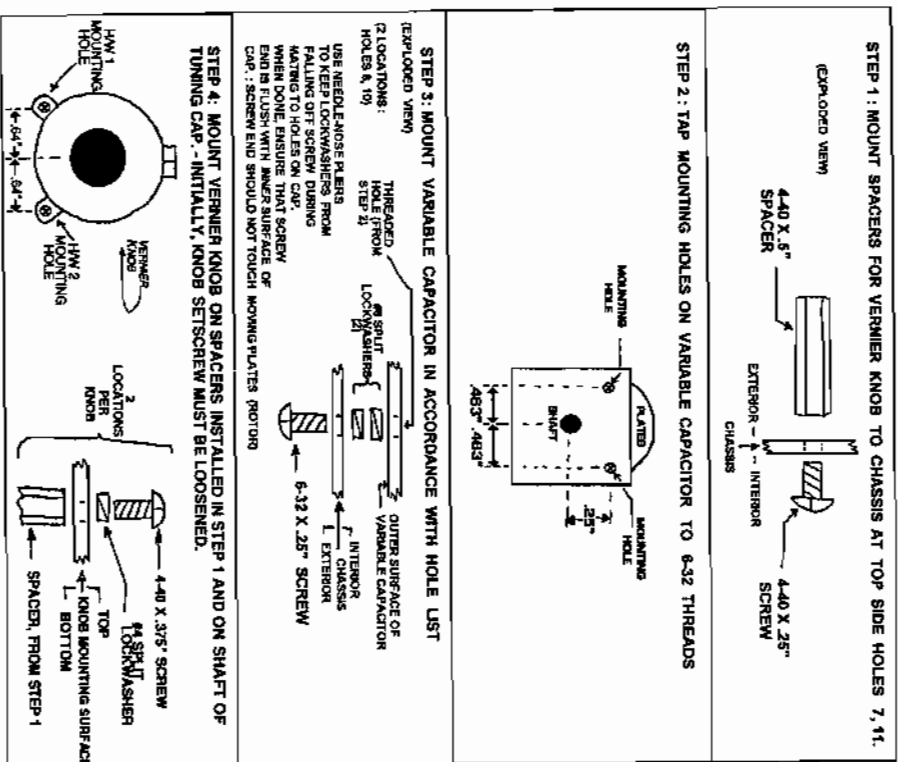
NRC Coffee Mug



Put some fun into your DX'ing - enter a contest!

- #1. CPC Log** the most NRC or IRECA CPC tests. 1 point per station. Runs Oct. 1, 1993 to Mar. 31, 1994. Prize: \$5 certificate toward any NRC product or subscription.
 - #2. Alphabet Log** calls in in order: the last letter must run from A to Z. First alphabet run must be complete before second run will count. 1 point for each station. Runs Oct. 1, 1993 to Jan. 15, 1994. Prize: \$4 certificate.
 - #3. Alphabet** Same as #2 except: Runs Jan. 16, 1994 to Mar. 31, 1994, and you cannot use any station in contest #3 used in #2. Prize: \$4 certificate.
 - #4. Ten-Day Spree** Choose any ten (10) consecutive days during the month of October, 1993. Loggings count 1 point for a clear channel station, 2 points for a regional channel station, 3 points for a local channel station. You pick the days; loggings on all ten days not necessary. Prize: \$3 certificate.
 - #5** Same as #4 except during December 1993.
 - #6** Same as #4 except during January 1994.
 - #7** Same as #4 except during March 1994.
 - #8. Canadian Special** (Canadian members only). Log U. S. stations only, but stations in any state bordering your province cannot count. A clear channel station counts 1 point, regional channel station counts 2 points, and a local channel station counts 3 points. Runs: Oct. 1, 1993 to Jan. 31, 1994. Prize: \$5 certificate.
- General Rules:** Entrants, please send a postcard of intent to enter. All correspondence goes to Ken Charleston, P.O. Box 164, Mannsville, NY 13661-0164 ten days after the closing date of that particular contest, or postmarked within seven days of closing. To count a station: list call, city, frequency, date, time of logging; plus enough material to ID station if asked.

FIGURE 9: MW-3 REGEN. TUNER / CONTROLLER (C1 VARIABLE CAPACITOR / VERNIER KNOB MOUNTING)



What a Time-saver - the County Cross Reference

A complete list of counties, parishes, and similar political divisions in the U.S. and Canada. Two lists excluded: alpha by county and by state. Compiled by Bill Hale and designed and produced by Wayne and Jean Helmen. \$4.95 for members, \$8.95, non-member. Order from CCR from the NRC Publications center NY residents, please include sales tax.

Logsheets - By Frequency

10 sheets, 25 entries possible per sheet with space available to add your own columns. Punched for three-ring binders, all size 8.5 x 11 inches, on heavy paper. US\$5.00 (25 sheets for US\$1.25). Order from NRC Publications (NY residents, add sales tax).



The RTL-2 Remotely-Tuned Loop

by Mark Connelly - WA1IION

The RTL-2 is a remotely-tunable balanced loop antenna system with improved performance over the previously-released RTL-1 and RTL-1A. The RTL-2 amplifier box accommodates Quantum and Palomar loop heads as well as homemade ferrite or air-core heads fitted with the necessary stereo phone plug. The RTL-2's remote-tuning capability is compatible with control by the DCP-1 Dual Controller / Phasor and by the MW-3 Regenerative Preset selector. The controller couples DC power to the RF (coaxial) line and provides varactor and relay control voltages. The loop head / loop amplifier assembly may be placed a considerable distance (e.g. 100 ft. / 30 m.) from the controller / receiver "shack" position with little degradation of performance. The RTL-2 can also be used for remotely-tuned whip / wire operation.

The major work of the RTL-2 is done by three subassembly cards M1 (the VRLY-A Varactor & Relay Card), A1 (the BEE-C Balanced Front-End card), and A2 (the BUF-A (or BUF-B) output buffer amplifier). This modularity of design allows the builder to try out other subassemblies for improvements to performance at a later time without having to rebuild the entire RTL-2 box. Customizations could be done for even better dynamic range or higher sensitivity or lower power consumption.

The frequency range covered by a given medium wave loop head can be extended downwards by enabling the relay K1 on the M1 (VRLY-A) card. This parallels the main varactor with an additional varactor shunted by a 270 pF fixed capacitor. The normal varactor capacitance range is approximately 50 to 440 pF, with the shunt pulled in, a second range of about 370 to 1150 pF becomes available. As varactor diodes have a lower (maximum C / minimum C) ratio than air variable capacitors have, use of the relay is sometimes necessary for full medium wave band coverage. The relay control voltage at J2-B is typically 0 VDC (ground or open) for high-band / open-contacts and +12 VDC for low-band / closed-contacts. Varactor tuning voltages, supplied from a low to medium impedance source to J2-A, should be 0 VDC for maximum capacitance (minimum frequency) and about +9.1 VDC for minimum capacitance (maximum frequency). Controllers such as MW-1-3 and DCP-1 supply these voltages.

Because a remotely-sited loop is generally set up in one position and not constantly moved about for nulling, head stability (and critical balancing of the front-end card) is not nearly as important as on an in-shack loop. Tilting and rotating of Quantum and Palomar heads is, of course, possible; mobility of larger heads (e.g. air-core) is left up to the ingenuity of the builder.

An obvious question, at this point, would be "How can I null anything with a remotely-sited loop?" Short of employing tilting and rotating servo-motors (a project not for the faint of heart), nulls are most readily obtained by phasing the remote loop against a varactor-tuned whip or against a second remote loop. The ideal set-up would be two remote loops at right angles and a remote whip. The DXer could then pick the pair of

remote antennae that would throw the stiffest null on the "pest" station (or noise) while simultaneously passing the greatest amount of desired DX station signal.

Remote loop versus remote whip phasing is done here regularly; it works quite well, providing a nulling scheme better suited to DX'ing from "field" sites (beaches, piers, etc.) than longwires that can get in the way of vehicular and pedestrian traffic. My standard beach DX set-up is a Sony ICS2010 or Realistic DX440 receiver connected to the DCP-1 Dual Controller / Phasor running one RTL-2 with a Quantum loop head and another RTL-2 with a whip of approximately 3 ft. height. The resultant cardioid pattern works well for nulling stations to the west, thereby improving Trans-Atlantic (TA) reception from the east. One RTL-2 box sits on the roof of the car, the other on the hood.

A two-loop phasing scheme can generate a cardioid pattern, as well. One loop should be aligned 45 degrees clockwise of the axis of interest and the other loop should be aligned 45 degrees counterclockwise of this axis. For example, if two Quantum-head-equipped RTL-2's are being used to null stations to the west and receive stations from the east, a perpendicular line (direction of maximum pick-up) off the first Quantum head would be on the 45 / 225 degree (NE / SW) bearing and the perpendicular line from the other head would be on the 135 / 315 degree (SE / NW) bearing. If two loops not separated by a substantial distance are to be phased, there should be at least a 45 degree absolute angle between the two. Otherwise, stations from all directions tend to null together during the phasing process. Two-whip phasing at medium-wave requires at least a 100-ft. / 30-m. separation between the whips. Also, it helps if a bearing line from one whip to the other extends towards the station to be nulled or towards the DX to be received.

RTL-2 Control Usage

Although the RTL-2 is a remotely-controlled antenna system in most respects, three switches reside on the RTL-2 box. These controls are, in typical circumstances, rarely adjusted from the operator's "normal" set-ups. If necessary, the RTL-2 box could be overhauled for completely automated operation; of course this would require a considerable increase in the complexity of both the RTL-2 and the controller unit. This article does not address that scenario.

51 (Whip Bandswitch). This switch selects one of three frequency ranges for Whip / Wire operation by selecting an inductor to place in parallel with the capacitance developed by the VRLY-A card. Bands covered are Longwave (130 - 475 kHz), Medium Wave (475 - 1720 kHz), and Tropical Bands (1720 - 5500 kHz). These ranges are approximate; use of short whips (e.g. less than 1 m. / 3.3 ft.) will increase the high-frequency end of each range above that stated. Each range is divided into two sub-ranges controlled by the relay on the VRLY-A card. LW-low = 130 - 220, LW-high = 220 - 475, MW-low = 475 - 830, MW-high = 830 - 1720, TB-low = 1720 - 2700, TB-high =

2700 - 5500 (up to ~7500 KHz w/ short whips). It should be noted that with S2 in the Loop mode, a Quantum head will tune about 450 - 850 KHz (low band) and 750 KHz to 2000 KHz (high band), again depending upon the relay setting. Physical orientation of S1: TB = up, LW = center, MW = down.

S2 (Function Switch). This switch selects one of the two operating modes: Loop or Whip / Wire. In the Loop mode, a loophead coil is plugged into RTL-2 J1. The signal across the tank circuit formed by this coil and the varactors on the VRLY-A cards amplified by the A1 (BFE-C) card in a balanced-in / unbalanced-out configuration. The BFE-C's output is given a further boost by the T1 transformer / A2 (BUF-A or BUF-B) buffer amplifier card combination. In the Whip / Wire mode, a whip or wire antenna installed at J4 is coupled to a tank circuit comprised of the VRLY-A

Building the RTL-2 Remotely-Tuned Loop

The documentation (schematics, assembly drawings, parts lists, hole lists, etc.) serves as the starting point. The following procedure should serve as an outline for the builder.

1. Gather all necessary parts (see parts lists to follow). Prepare work area with appropriate tools.
2. Drill out chassis box, in accordance with Table 1.
3. Assemble each of the circuit card subassemblies - these are:
 - * VRLY-A Varactor & Relay Card (Fig's 3 & 4; Table 3)
 - * BFE-C Balanced Front End Card (Fig's 5 & 6; Table 4)
 - * BUF-A or BUF-B Buffer Amplifier Card (Fig's 8-11; Tables 5 & 6)
4. Mount each of the circuit cards at the hole locations noted in Table 1.
5. Install jacks, pots, and switches. Solder inductors onto S1 per Figure 1 and Table 8.
6. Install wiring and other components per Figures 1 & 2 and Tables 1, 2, 7, & 8. Place labels near controls and jacks.
7. Connect controller (e.g. MW-T-3 or DCP-1) to the RTL-2, control cable to J2, RF/power cable to J3, Connected power to the controller and connect the controller's RF output to the receiver.
8. Install Quantum, Palomar, or homebrew loop head at RTL-2 J1, or a whip or wire to J4. The RTL-2 may now be tested and operated.

Table 1: RTL-2 hole-drilling list

X = Horizontal distance, in inches, from the vertical centerline (VCL) on the side observed. Negative values of X are left of VCL, positive values of X are right of VCL.
 Y = Vertical distance, in inches, from the bottom horizontal edge of the slide observed.
 D = Hole diameter in inches.

Hole loci are first marked on the box with a scriber and are then drilled with a .125" bit. Subsequently, as required, the holes are enlarged to the proper size by using progressively larger bits up to that corresponding to the final desired diameter.

Chassis Box = Mouser 537-TF-779 (metal); 5" X 4" X 3"

L	R	F	T	S	I	D	E
Hole #	Comp.	Design.	Description	X	Y	D	
1	S1	Whip Freq. Range sw. - tab	-1.375	2.25	0.125		
2	S1	Whip Freq. Range sw. - shaft	-1.375	2.0	0.25		
3	S3	Q switch - tab	-0.625	2.25	0.125		
4	S3	Q switch - shaft	-0.625	2.0	0.25		
5	S2	Loop / Whip switch - tab	-1.0	1.0	0.125		
6	S2	Loop / Whip switch - shaft	-1.0	0.75	0.25		
7	M1	VRLY-A card - E/W 4	0.25	1.5	0.125		
8	M1	VRLY-A card - E/W 3	0.25	0.5	0.125		
9	M1	VRLY-A card - E/W 2	1.25	1.5	0.125		
10	M1	VRLY-A card - E/W 1	1.25	0.5	0.125		

card varactors and an inductor selected by bandswitch S1. The signal thus developed is amplified by the A1 and A2 cards in an unbalanced in / out configuration. Physical orientation of S2: Loop = up, Whip / Wire = down.

S3 (Q Switch). This switch selects Normal Q or Low Q. Normal Q is generally used because it provides the best sensitivity and selectivity. Low Q may be usable in some phasing applications to ensure more thorough nulling of a "pest" station's sidebands as well as its carrier. Physical orientation of S3: Normal Q = up, Low Q = down.
 For simplicity, the attenuation pot. of the older RTL-1 / RTL-1A designs was deleted. Those living in urban areas may find that installing a similar potentiometer between J4 and C1 may help to prevent overloading when longer wires are being used.

Table 2: "upper level" parts list

Hole #	Comp. Design.	Description	X	Y	D
1	G1	Internal ground lug hardware	-1.375	3.0	0.125
2	J4	Whip / Wire In - BNC jack	0.0	3.25	0.375
3	J1	Loop Head In-stereo phone jk	0.0	2.125	0.375
4	A1	BFE-C front-end card - E/W 2	-1.125	1.5	0.125
5	A1	BFE-C front-end card - E/W 4	-1.125	0.5	0.125
6	A1	BFE-C front-end card - E/W 1	0.375	1.5	0.125
7	A1	BFE-C front-end card - E/W 3	0.375	0.5	0.125
8a	A2	BUF-A buffer amp. card-E/W 2	1.375	3.5	0.125
9a	A2	BUF-A buffer amp. card-E/W 1	1.375	1.9	0.125
8b	A2	BUF-B buffer amp. card-E/W 2	1.375	3.625	0.125
9b	A2	BUF-B buffer amp. card-E/W 1	1.375	1.625	0.125

NOTES: Use holes 8a & 9a if using the BUF-A card as the output amplifier; use holes 8b & 9b if using the BUF-B card instead.

RIGHT SIDE

Hole #	Comp. Design.	Description	X	Y	D
1	J2	Control/Cable-stereo phone jk	-1.125	0.625	0.375
2	G2	Internal ground lug hardware	0.0	1.25	0.125
3	J3	RF out / DC In - BNC Jack	0.0	0.5	0.375

*: Note follows parts list.

Vendor codes for this and subsequent parts lists:

DC = DC Electronics	/P. O. Box 3203	/Scottsdale, AZ 85271	/Tel. 1-800-467-7736
DK = Digi-Key	/P. O. Box 677	/Thief River Falls, MN 56701-0677	/Tel. 1-800-344-4539
GER = Gerber Electronics	/128 Carnegie Row	/Norwood, MA 02062	/Tel. 1-617-769-4852, 769-6000
MCI = Mini-Circuits Lab.	/P. O. Box 350166	/Brooklyn, NY 11235-0003	/Tel. 1-800-654-7949
MOU = Mouser Electronics	/11433 Woodside Ave.	/San Jose, CA 92071	/Tel. 1-800-346-6873

RS = Radio Shack / Many locations worldwide

Schematic = Figures 1 & 2.

Item	Designator	Description/Value	Vendor	Vendor Stock #	QTY
1	-	Chassis box 5X4X3	MOU	537-TF-779	1
2	A1	BFE-C front-end	MOU	(see Table 4)	1
3*	A2	BUF-A buffer amp.	MOU	(see Table 5)	1
4	M1	VRLY-A var./relay	MOU	(see Table 3)	1
5	C1	capacitor, 43 pF	MOU	21C0043	1
6	C2,5	capacitor, 10 uF	MOU	581-10K35	2
7	C3,6	capacitor, 0.001uF	MOU	539-CR05102K	2
8	C4	capacitor, 0.1 uF	MOU	539-CR05104K	1
9	DS1	NE-2 neon bulb	MOU	36NE002	1
10	J1,2	stereo phone jack	MOU	10R090	2
11	J3,4	BNC jack	MOU	523-51-221	2
12	L1	inductor, 1.5 uH	MOU	434-1120-153K	1
13	L2	inductor, 82 uH	MOU	43LR825	1
14	L3	inductor, 6.8 uH	MOU	43LR686	1

(Table 2 - continued)

Item Designator	Description/Value	Vendor	Vendor Stock #	QTY
15	R1,2 resistor, 270 ohm	MOU	298J250-270	2
16	R3,4 resistor, 15K	MOU	298J250-15K	2
17	R5 resistor, 470 ohm	MOU	298J250-470	2
18	RFC1,2 inductor, 4.7 mH	MOU	434-1120-473K	1
19	RFC3 switch, SPDT, on/off/on	MOU	434-05-222J	1
20	S1 switch, DPDT, on/on	MOU	107A555	1
21	S2 switch, SPDT, on/on	MOU	107A560	1
22	S3 RF transformer, 1:36	MCL	936-1-X65	1
23	T1			1

Table 3: (M1) VRT-X Varactor & Relay Card parts list
See Table 2 for vendor codes.

Schematic = Figure 3 / Assembly = Figure 4.

Item Designator	Description/Value	Vendor	Vendor Stock #	QTY
1	-	RS	276-1396 (cont)	1
2	C1,2,4 perfbboard:1.4"x1.4"	MOU	539-CR05104K	1
3	C3 capacitor, 0.1 uF	MOU	232-1900-270	1
4*	D1,2 varactor, NVAM109	DC	NVAM109	1
5	D3 rener, 1M5733 (5-1V)	RS	276-955	2
6	R1,2,3,4 screw, 4-40 X .25"	MOU	572-01880	4
7	H1,2,3,4 spacer, 4-40 X .5"	MOU	534-1450C	4
8	H1,2 split lockwasher, #4	MOU	572-00649	2
9	H3,4 solder lug, #4	MOU	534-7311	2
10	(for K1) relay (5V DIP SP8T)	MOU	433-031A311	1
11	DIP socket, 14 pin	RS	276-1999	1
12	P1-6 file-clip/.042"hole	MOU	574-742-1/100	6
13	R1 resistor, 1K	RS	271-1321	1
14	R2 resistor, 270 ohm	MOU	298J250-270	1
15	RFC1,2 inductor, 4.7 mH	MOU	434-1120-473K	2

+ buss wire, solder - as required
* Item 4: Motorola NVAM109 or Siemens BR112 may be substituted directly. MTR618 may be substituted if the maximum control voltage is raised from +9.1 VDC to approximately +11 VDC.

Table 4: (A1) BRF-C Balanced Front-End Card parts list
See Table 2 for vendor codes.

Schematic = Figure 5 / Assembly = Figure 6.

Item Designator	Description/Value	Vendor	Vendor Stock #	QTY
1	BD perfbboard:1.9"x1.4"	RS	276-1396 (cont)	1
2	C1,2,3,4 capacitor, 0.1 uF	MOU	539-CR05104K	4
3	H1,2,3,4 screw, 4-40 X .25"	MOU	572-01880	4
4	H1,2,3,4 spacer, 4-40 X .5"	MOU	534-1450C	4
5	H1,2,3 split lockwasher, #4	MOU	572-00649	3
6	H4 solder lug, #4	MOU	534-7311	1
7	I1,2 inductor, 100 uH	MOU	433L104	2
8	I3,4 inductor, 1 uH	MOU	433L106	2
9	P1-P19 file-clip/.042"hole	MOU	574-742-1/100	19
10	Q1,2,3,4* RET, NPF102	RS	276-2062	4
11	R1 resistor, 1K	RS	271-1321	1
12	R2 resistor, 47 ohm	MOU	298J500-47	1
13	R3,4,5,6 resistor, 2.21K, 1K	DK	2.21KX	2
14	R1 balun transformer	MCL	74-6T-X65	1

+ buss wire, solder - as required
* Item 10: Q1 should be matched to Q2; Q3 should be matched to Q4. See Figure 7.

Table 5: (A2) BUF-B Buffer Amplifier card parts list
Vendor codes per Table 2.
Schematic = Figure 8 / Assembly = Figure 9.

Item Designator	Description/Value	Vendor	Vendor Stock #	QTY
1	BD perfbboard:1.2"x2.0"	RS	276-1396 (cont)	1
2	C1 capacitor, 0.01 uF	MOU	539-CR05103K	1
3	C2 capacitor, 10uF tant	MOU	581-10K35	1
4	C3 capacitor, 0.001 uF	MOU	539-CR05102K	1
5	C4,5 capacitor, 0.1 uF	MOU	539-CR05104K	2
6	screw, 4-40 X .25"	MOU	572-01880	2
7	spacer, 4-40 X .5"	MOU	534-1450C	2
8	H1,2 solder lug, #4	MOU	534-7311	2
9	H1,2 file-clip/.042"hole	MOU	574-742-1/100	2
10	R1,2 resistor, 680K	MOU	271-680K	2
11	R3 resistor, 100 ohm	MOU	271-100	2
12	R4,5 resistor, 4.7 ohm	MOU	295-4.7	1
13	T1 RF transformer, 4:1	MCL	74-6T-X65	1
14	U1 buffer amplifier IC	GR	(National)LM0033CG	1

Table 6: (A2) BUF-B Buffer Amplifier card parts list
BUF-B may be substituted for BUF-X for more gain at rural locations.
Vendor codes per Table 2.
Schematic = Figure 10 / Assembly = Figure 11.

Item Designator	Description/Value	Vendor	Vendor Stock #	QTY
1	BD perfbboard:1.4"x2.4"	RS	276-1396 (cont)	1
2	C1,5,9 capacitor, 0.01 uF	MOU	539-CR05103K	3
3	C2,3,4,7,8 capacitor, 0.1 uF	MOU	539-CR05104K	5
4	C6,10 capacitor, 10uF tant	MOU	581-10K35	2
5	H1,2 screw, 4-40 X .25"	MOU	572-01880	2
6	spacer, 4-40 X .5"	MOU	534-1450C	2
7	solder lug, #4	MOU	534-7311	2
8	H1,2 file-clip/.042"hole	MOU	574-742-1/100	2
9*	P1-9 MOSFET, MTR222	MOU	511-2M5109	1
10	Q2 HRF, 2M5109	MOU	298J250-330K	1
11	R1 resistor, 330K	MOU	298J500-330K	1
12	R2 resistor, 51 ohm	MOU	298J500-51	1
13	R3,8 resistor, 270 ohm	MOU	298J250-270	2
14	R4 resistor, 100K	RS	271-1347	1
15	R5 resistor, 47K	RS	271-1342	1
16	R6 resistor, 680 ohm	RS	271-021	1
17	R7 resistor, 1K	RS	271-1321	1
18	R9,11,12 resistor, 4.7 ohm	MOU	295-4.7	3
19	R10 resistor, 39 ohm	MOU	298J500-39	1
20	RFC1 inductor, 2.2 mH	MOU	434-05-222J	1
21	T1 RF transformer, 4:1	MCL	74-6T-X65	1

+ buss wire, solder - as required
* Item 9 - 3M201, 40673, or MTR654 may be substituted (Q1).

Table 7: small hardware parts list, comprised of tables 7A - 7D
See Table 2 for vendor codes.

Note: Mounting hardware is supplied with the following components: J1, J2, J3, J4, S1, S2, S3.

*** Table 7A = M1 mounting hardware (excluding Table 3 items) ***

Item Designator	Description/Value	Vendor	Vendor Stock #	QTY
1	screw, 4-40 X .25"	MOU	572-01880	4
2	split lockwasher, #4	MOU	572-00649	4

*** Table 7B = A1 mounting hardware (excluding Table 4 items) ***

Item Designator	Description/Value	Vendor	Vendor Stock #	QTY
1	screw, 4-40 X .25"	MOU	572-01880	4
2	split lockwasher, #4	MOU	572-00649	4

*** Table 7C = A2 mounting hardware (excluding Table 5/6 items) ***

Item	Designator	Description/Value	Vendor	Vendor Stock #	QTY
1	-	screw, 4-40 X.25"	MOU	572-01880	2
2	-	split lockwasher, #4	MOU	572-00649	2

*** Table 7D = grounding hardware ***

Item	Designator	Description/Value	Vendor	Vendor Stock #	QTY
1	G1, G2	screw, 4-40 X.375"	MOU	572-01881	2
2	G1, G2	solder lug, #4	MOU	534-7311	2
3	G1, G2	hex nut, 4-40	MOU	572-00484	2

See Table 1 for M1, A1, A2, G1, G2 locations.
 Locate screw heads & lockwashers for M1, A1, & A2 on exterior surface of the chassis box.
 Locate G1 & G2 screw heads on exterior surface of chassis box and locate G1 & G2 lugs and nuts inside the box.

Table 8: wiring / component connections

- Notes:
 1. Wire types: D = direct connection using component's own lead
 I = insulated wire, approx. #22 AWG
 B = bare solid (bus) wire

2. Lengths specified are the maximum amount typically required; in actual practice, use the shortest length possible to minimize stray coupling.

3. J1-C and J2-C (of Figure 1) are tied to chassis ground via direct mechanical connection. On J1 and J2, the following convention applies to the making of stereo headphone plugs to these jacks:
 A = tip of plug
 B = center section of plug
 C = remaining (base) section of plug (= ground)

Wire #	From	To	Description
1	J3	A2-P5	3" I
-	J3	RFC3 side 1/R5 side 1	D
-	RFC3 side 2/R5 side 2	C5 "+"/C6 side 1	D
-	C3 "-"/C6 side 2	G2	D
2	RFC3 side 2/R5 side 2	A1-P4	3.5" I
3	RFC3 side 2/R5 side 2	A2-P3	1.5" I
-	J2-A	RFC1 side 1	D
-	RFC1 side 2	R1 side 1	D
-	R1 side 2	C2 "+"/C3 side 1	D
4	J2-B	G2	4" I
-	R1 side 2	M1-P3	D
-	RFC2 side 2	RFC2 side 1	D
-	R2 side 2	R2 side 1	D
-	R2 side 2	C4 side 1	D
5	J2-C	M1-P4	4" I
-	R2 side 2	A2-P2	D
-	T1 pin 4	A2-P1	D
-	T1 pin 6	A1-P6	1" I
6	T1 pin 1	A1-P7	1" B
7	T1 pin 3	M1-P1	3" I
8	A1-P1	M1-P2	3" I
9	A1-P2	M1-P1	2" I
10	S2A arm	M1-P2	2" I
11	S2B arm	M1-P2	2" I
12	R3 side 1	S3 "Low Q"	D
13	R4 side 2	S3 arm	0.5" B
14	S2A "Loop"	J1-A	3.5" I
15	S2B "Loop"	J1-B	3.5" I
16	S2A "Whip"	S1 arm	2" I
17	S2B "Whip"	L1/L2/L3 side 1 jct's	2" I

Table 8 (continued)

18	L1/L2/L3 side 1 jct's	G1	1" B
-	L1 side 2	S1 arm	D
-	L2 side 2	S1 "M"	D
-	L3 side 2	S1 "B"	D
19	S1 arm	C1 side 1	D
-	C1 side 2	C1 side 1	2" I
-	J4	J4	D
20	DS1 slide 2	DS1 slide 1	D

Conclusion

The RTL-2 can provide remotely-tuned loop, whip, and wire operation that can allow dining from apartments, parked vehicles, underground rooms, and other locations at which a loop or other antenna located right at the receiving position would not function due to excessive shielding and/or electrical noise. Two RTL-2's can be phased to produce a cardioid pattern to null interference from the direction opposite that of desired DX stations. Such dual RTL-2 operation is done with a PCP-1 Dual Controller / Phaser, or with an equivalent device. Regeneration provided by a controller such as the MWT-3 can make an RTL-2 with Quantum head comparable in performance to regeneration-equipped loops made by Riva, Martens, and Ken Cornelli. Both the MWT-3 (regen.) / single RTL-2 and the DCP-1 (phaser) / dual RTL-2's configurations have served me very well on Expedition trips to beaches and other choice DX sites not offering sufficient space or privacy for large wire antennas.

The modular design of the RTL-2 makes it a good platform for further enhancements as DXers play with various circuit card designs. It is the author's intention that others will freely "tweak" the design and present their findings in the pages of the major DX journals.

For a treatment of an air-core remotely-tuned loop (for shortwave use), see Joe Farley's excellent article "A Remotely Tuned Loop Antenna" in *Fine Tuning's Proceedings* 1989.
 NRC Reprint A30, "A Remotely Tuned Directional Loop Antenna" by E. L. Cummins, is also a worthwhile article.

Broadcasters' Guides to DX

Four different tri-fold guides for use with reception reports explaining DX'ing how the NRC was formed, and the importance of QSL's to DX'ers. AM editions in English, Spanish, and French. FM editions in English. US\$11.50 for 20¢ from NRC Publications. (NY residents, add sales tax)

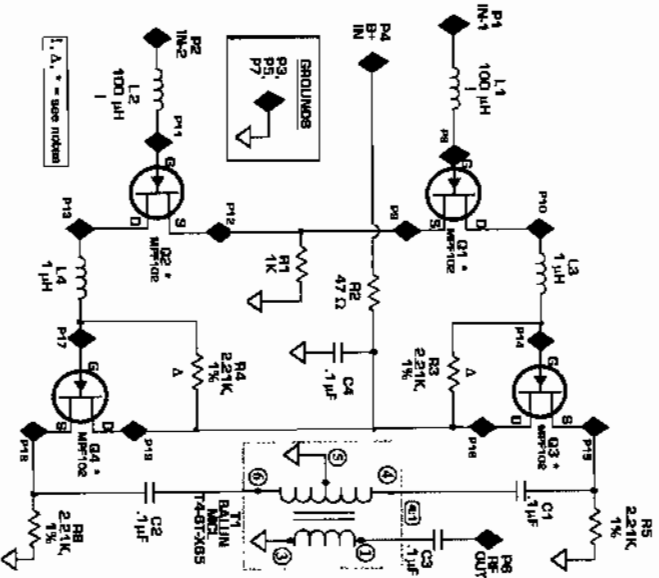


AM Radio Log
 Fourteenth Edition

The improved NRC AM Radio Log, 14th Edition, is the most accurate listing of AM radio stations in the U. S. and Canada, with cross reference listings. 3-hole punched for standard binders. Only \$16.95 to U. S. and Canadian members; \$19.95 to U. S. non-NRC member; \$20.95 Canadian non-NRC member. Airmail: to Latin America, \$21.00; Europe, \$24.00; rest of the world: \$28.00.

Order from: NRC Publications - Box 164 - Mansville, NY 13661 (NY residents, please add sales tax)

FIGURE 5: RTL-2 REMOTELY-TUNED LOOP
(SCHEMATIC: BFE-C BALANCED FRONT-END CARD)
WATSON DX Lab version of Dallas Lanford loop amplifier



NOTES
 A = R3, R4 can be increased to 4.75K, 1% for higher gain.
 * - Q1 should be matched to Q2. (See Figure 7.)
 Q3 should be matched to Q4.
 1 = Inductor values of L1, L2 (% to 22 µH) or replace by jumpers (shown).
 If SHOOTER SCHEMATIC NOT A PROBLEM.

Not sure about renewing?

Consider these benefits of a membership in the National Radio Club: 720+ pages per year of varied and comprehensive DX and radio information ... reduced prices for publications ... responsive editors ... and the friendliest bunch of DX'ers in the world! Why not send that renewal check to Ron Musco at the membership center today!

Facts About NRC's DX Audio Service

The DX Audio Service provides the ONLY monthly broadcast news cassette service to the DX community. Available to anyone, anywhere, it is designed to inform the radio listener in a pleasing and informative manner. Many of the announcers on the service are professional broadcasters giving their free time to give the listener the finest service available. DXAS was started to provide broadcast information, both AM and FM, to the visually-handicapped DX listener. It has evolved into a service which provides useful material to all types of listeners. Many subscribers listen to the tape to and from their place of work while driving. Features include not only news about DX, but also airchecks from radio markets, dialcasts, frequency scans, and other items.

A one-year subscription is only \$25. Sample 45-minute copy: \$2.00; back issues of DXAS: \$3. Cassettes are mailed by First Class mail, on or about the 20th of the month. For information, subscriptions, renewals, back and sample copies: write to DX Audio Service - P. O. Box 164 - Mansville, NY 13661-0164

Join the Target DX revolution!

Become a better DX'er by targeting. Help yourself by making requests for information, and help others by sharing your experiences through Bruce Conitt's Target DX column. There's strength in numbers and shared information ... and what better way to DX than by DX'ing "smart." Send your requests and tips to Bruce Conitt - 46 Ridgely Drive - Nashua, NH 03062-1174.

FIGURE 6: RTL-2 REMOTELY-TUNED LOOP
(ASSEMBLY: BFE-C BALANCED FRONT-END CARD)

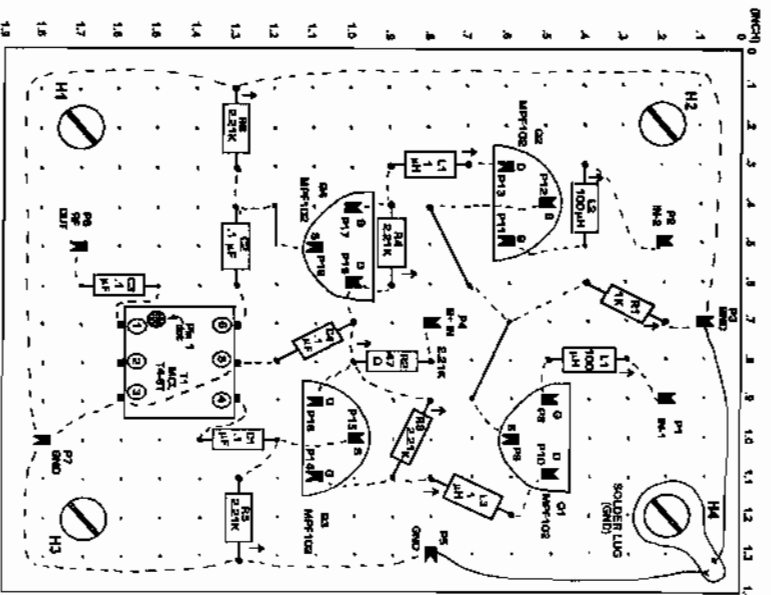
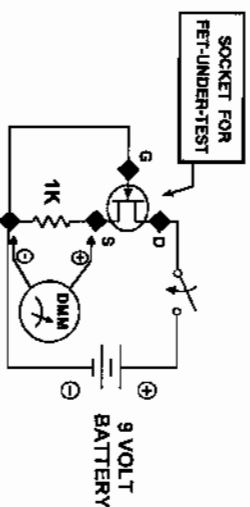


FIGURE 7: RTL-2 REMOTELY-TUNED LOOP
FET-MATCHING TEST CIRCUIT FOR BFE-C CARD



NOTES
 Two transistors having voltage readings within 3% can be considered to be matched.
 Keep lengths of test jig leads short to prevent oscillations.

Are you expiring?

We hope not! To avoid expiration, mail your remittance to the *DX News* Membership Center early. Allow at least three weeks after mailing your check or money order for new renewal data to appear on your mailing label. Please provide full nine-digit ZIP numbers, too.

FIGURE 8: RTL-2 REMOTELY-TUNED LOOP
(SCHEMATIC: BUF-A BUFFER AMPLIFIER CARD)

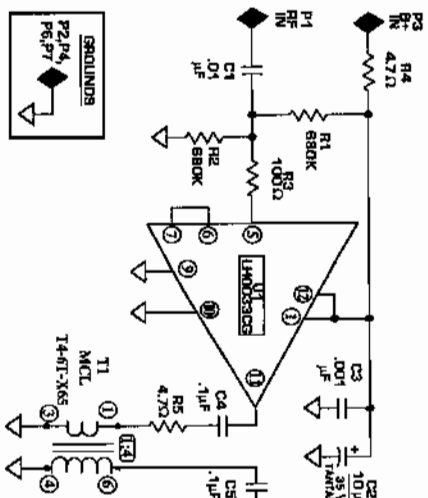
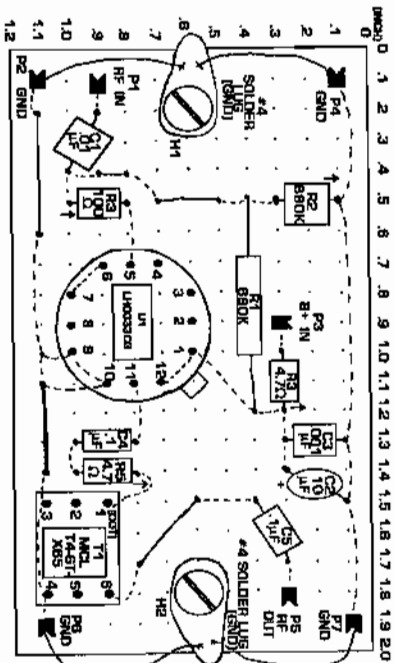


FIGURE 9: RTL-2 REMOTELY-TUNED LOOP
(ASSEMBLY: BUF-A BUFFER AMPLIFIER CARD)



- Notes
- For schematic, see Figure 8
 - For parts list, see Table B
 - Long lead side of vertically-mounted component
 - Bus wires on outside side of board
 - Bus wires on component side of board
 - These slip terminals pin
 - OPEN SIDE

FIGURE 10: RTL-2 REMOTELY-TUNED LOOP
(SCHEMATIC: BUF-B BUFFER AMPLIFIER CARD)
BUF-B may be used instead of BUF-A for more gain at rural locations.

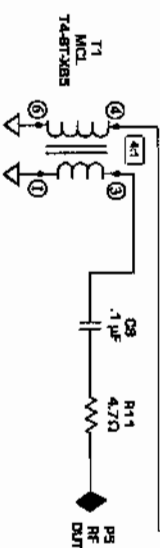
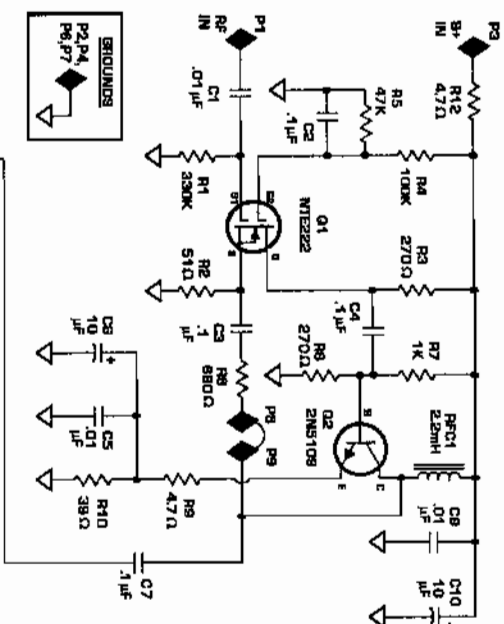
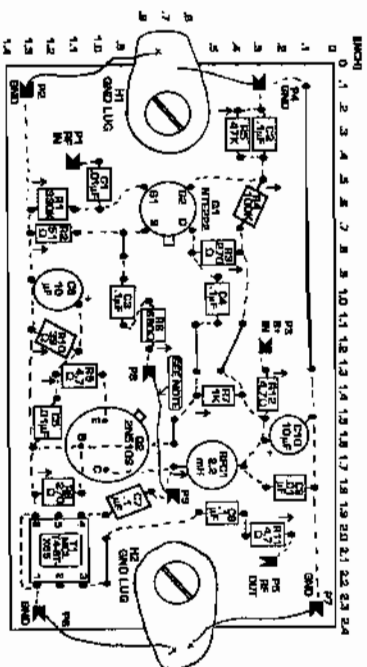


FIGURE 11: RTL-2 REMOTELY-TUNED LOOP
(ASSEMBLY: BUF-B BUFFER AMPLIFIER CARD)
BUF-B may be used instead of BUF-A for more gain at rural locations.



- Notes
- For schematic, see Figure 10.
 - For parts list, see Table B.
 - Long lead side of vertically-mounted component
 - Bus wires on outside side of board
 - Bus wires on component side of board
 - Wires from P8 to P9 should be insulated.
 - These slip terminals pin
 - OPEN SIDE

AM Station Map Book, 2nd ed.

\$8.00, postpaid.

Edited by DIXIE editor Bill Hale, this book of station location maps is a companion to the *AM Radio Log*. Now easier to read than ever, the 76-page book is three-hole punched for a ring binder. Order from NRC Publications - Box 164 - Manassas, VA 13661. NY orders, please add sales tax.



Professional Sports Networks

Barry S. Finkel
10314 S. Oakley
Chicago, IL 60643-2409
Network listings for team sports stations

One NBA network list this week, and some NHL flagship and network information. I still need lots of NBA and NHL networks. Send them to me at the address above or via Internet at address bsfinkel@aol.gov. Thanks.

Seattle SuperSonics (NBA) 1993-94 (from Bill Hardy via Internet)

550 KENI-AK	850 KTCY-AK	950 KJR-WA	1450 KOMP-WA
100.1 KYKD-AK	580 KRSA-AK	870 KORD-WA	1240 KXLE-WA
1470 KELA-WA	680 KOMN-WA	920 KCPL-WA	1280 KIT-WA
1490 KVAC-WA	730 KULE-WA		KXLY-WA
1340 KLXI-WA	790 KGMJ-WA	940 KGRL-OR	1450 KMSL-MT
97.1 KNSN-WA			

National Hockey League 1993/1994 - From Media Guides (via Bob Galerstein)
The announcers listed are those from last year; I do not know if any has changed. "*" signifies no network.

Anheim Mighty Ducks
570 KLAC-CA v
95.9 KEZY-CA v

Boston Bruins
590 WEEL-MA
550 WGR-NY

Buffalo Sabres
Bucyk (a)

Calgary Flames
Chicago Black Hawks
Pang
1000 MWVP-IL

Dallas Stars
Detroit Red Wings
Edmonton Oilers
Smith, Dave

Hartford Whalers
Los Angeles Kings
Montreal Canadiens

New Jersey Devils
New York Islanders
New York Rangers
Rose

Ottawa Senators
1150 CJRC-ON
1250 WIP-PA

Philadelphia Flyers
Pittsburgh Penguins
Quebec Nordiques
Saint Louis Blues
San Jose Sharks
Tampa Bay Lightning
Kelly

Toronto Maple Leafs
Stellick

570 KLIIF-TX v
760 WJR-MI
790 CFCW-AB
Semenko Florida Panthers
560 WQAM-FL
1210 WCMQ-FL
1080 WTIC-CT
690 XETRA-BC v
690 CBF-PQ
800 CJAD-PQ
770 WABC-NY v
930 WPAT-NJ v
660 WFAN-NY

Bruce Martyn, Paul Woods
Rod Phillips, Morley Scott, Syd
(EE)
(SS)
Chuck Kaiton, Arnold Dean
Nick Nelson, Brian Engblom
(FF) Rene Pothier
(EE) Dick Irvin, Ron Francis
Chris Moore, Sherry Ross
Barry Landers, Bob Nystrom (b)
Marv Albert, Sal Messina, Howie
1050 WEVD-NY

(many games switched from WFAN)
580 CERA-ON
1150 CJRC-ON
1250 WIP-PA
1020 KDKA-PA
1060 CJRP-PQ
1120 KMOX-MO v
610 KFRC-CA
910 WFNS-FL

(EE) Dean Brown, Dave Schreiber
(FF)
Gene Hart, Bobby Taylor
Mike Longe, Paul Steigerwald
Alain Crete, Jean Perron
Bruce Affleck, Ken Wilson
Dan Rusanowsky, Chris Collins
Dan Gare, Larry Hirsch, John

Joe Bowen, Ken Daniels, Gordy

Vancouver Canucks 980 CKNW-BC
Washington Capitals 630 WMAJ-DC
Winnipeg Jets 680 CJOB-MB
Irving, Les Lazaruk
Jim Robson, Tom Larscheid
Ron Webber, Shawn Simpson
Curt Keilback, Don Wittman, Bob

(a) Does John Bucyk broadcast the games of both teams?

Detroit Red Wings (NHL)
Bob Galerstein)
600 WCHT-MI 1230 WCJZ-MI
101.1 WGRY-MI BG list has 850 (probably a typo) 760 WJR-MI
*WGRY-MI 1440 WMAX-MI 850 WKBZ-MI
W500-MI 1450 WNBZ-MI 95.3 WMIJZ-MI

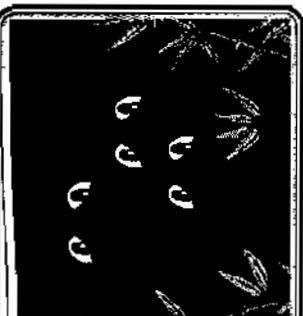
1993-94 (from Media Guide via

Pittsburgh Penguins (NHL) 1993-94 (from Media Guide via Bob Galerstein)
580 WCHS-WV 1250 WTAE-PA * 1330 WASN-OH b 1430 WYAM-PA
850 WJAC-PA 1280 WKST-PA 940 WESA-PA 1290 WFBG-PA
1440 WAJR-WV --- WEEP-PA 1470 WRDQ-PA 990 WWSG-PA
1340 WCVI-PA 1300 WL CY-?? d 1480 WCNS-PA --- WFOR-PA
1230 WBYV-PA 1330 WWSG-PA 1480 WCNS-PA --- WFOR-PA
1580 WANB-PA 1420 WCED-PA

San Jose Sharks (NHL)
Bob Galerstein)
600 KNRO-CA e 1270 KPLY-NV 1360 KFIV-CA 1400 KUKT-CA
1540 KMBY-?? f 610 KFRC-CA * 1340 KATA-CA 1380 KSMJ-CA
1490 KOWL-CA

Tampa Bay Lightning (NHL) 1993-94 (from Media Guide via Bob Galerstein)
540 WGTQ-FL 910 WFNS-FL * 1220 WQSA-FL 106.3 WLVI-FL

- a The BG handwritten list has 850, probably a miscopy.
- b A recent call change from WZKC
- c A recent call change from WEYZ
- d There is no WL CY at 1300 in my "NRC Log".
- e The BG handwritten list has "KNR", probably a miscopy.
- f There is no KMBY at 1540 in my "NRC Log".



From NRC's DX Audio Service ...
'After Dark 3'
Four CD's tapes in a holder now available for only \$9.50 per set. Listen to interviews with Jonathan Marks, Bruce Bivins and with Fred White answering your questions ... and features including profiles of WQD-FM, the kids format, and Pete Kemp's "Radio Roundup" and more! "After Dark #2" is also still available at the same price. Order from NRC Publications-Box 164, Mannsville, NY 13661. A \$3.00 shipping and sales tax.

Musings

Dave Schmidt
P. O. Box 11502
Wilmington, DE 19850-1502

Times are local per MUSE; submit double-spaced only. Thoughts from NRC members... the opinions expressed in this column are those of the individual writer and do not necessarily reflect those of the editors, publishers, or the National Radio Club, Inc.

ELLIOT R. STAUS - 980 COOPER DRIVE - TOMS RIVER, NJ 08753
Hi gang! I've been DXing quite a bit but really nothing too extraordinary to report. Verles have been coming in OK, including recently: MARB, WOND, WGNB, WMLA, WPNB, WZAP, WREI, WNZT, WGNZ, WMMW, WMTG, WISL & WPGR. ERC: on card with the old calls letters on it, WXT. I've had better success with follow ups this year by sending a prepared card with the follow up and just addressing it to the station in general. No specific file, that way maybe whoever opens the mail will sign the card and return it, it seems to work better than sending the follow up to the pd, GM or whoever. I'm glad to see your associated with WMTZ, Dave, now I'll be able to send the report to you. I didn't hear anything on the morning of the test however, was it on? (Yep, 12midnight till 2:20AM-DWS). Best of DX to you all & as always, best 73's from the Big E!

GERRY THOMAS - 3635 CHASTAIN WAY - PENSACOLA, FL 32504

First of all, thanks to those who sent letters saying that they enjoyed the article on the high end receivers. It was fun to do! I want to point out that some of the performance shortcomings of some of the receivers can be offset with a good antenna like a loop or phasing unit. As an example, CHARLIE BARR-LEID, my local DXing buddy, can log 17 stations on a simple crystal set and a 50' longwire during the day but can increase the number to 57 by using the Quantum Loop! So, as we all know, the antenna is just as important as the receiver. Speaking of the Quantum Loop, I've got about 6 Quantum Loop bases with fairly cosmetics (eg: imperfect silkcreening, dappled clear coat, etc.). Because I can't sell these as perfect for \$145, I'll let these blemished ones go for \$99 (+\$5 shipping US, \$10 Canada) if you can live with the blemishes, everything else is perfect on them. I'm still trying to get over the DX heard on the St. John's Expedition... incredible! Finally, I hope everyone had a good holiday season, the file bag accompanied Santa to this locale which wasn't all bad because I spent most of the time in bed with a Sony 2010 on my chest! 73's

ERNIE WESOLOWSKI - 13312 WESTWOOD LANE - ONAHA, NE 68144-3543

December DXing continues strong with the logging of some of the newer stations on the once clear channels. The 1410 net continues from KGNB, so far a letter from myself & JOHN WIDEMHAM has seemed no interest to their GM, maybe a letter from the FCC might! On my trip to Chicago, I enjoyed the visit at ROBERT KRAMMER's den, seeing his new TV antenna mounted 60' above ground, his ICOM R7100 sure pulls in the TV audio even when there is no sign of video on the TV! It was then that I learned of the sudden death from a heart attack of a very dear friend and a member of the Rig O' Team for the 92 convention, CURNE CHADWICK. Plans were changed and returned home a day earlier for his funeral on the 17th. CURNE was 73 & had WPCS, active of 2 meters. We will miss him greatly! The end of January DXpedition is on schedule at Cayin Crest, SW of Fremont, NE using a 1000' LW at 300 degrees and a 2000' beverage at 185 degrees. 73's.

RAY ARRUDA - 47 BURT STREET - ACUSHNET, MA 02743

The 2 scheduled 1/7/77 TESTS from CA were not tried for. SM 1/7 I missed a chance to log needed WMTZ-1270 as I overstepped...ARRRROH! (There will be more!) MM 1/3 WSTH-540 TEST tried for from 2-2:45AM but no luck, only WMOG/WMOS I believe, playing classical music. Verle returns, especially those of DX TESTS have been slow with the following back: CIQC-600, KDAL-610-TEST, WYLS-670-TEST, WJTB-740 & WYFX-1040. Thanks to all who sent year end cards & letters. We enjoyed a peaceful low key Christmas waking up to a light snowfall on the morning of the 25th here in E New England. Best wishes for a Happy New Year!

RON MUSCO - BOX 118 - FOUNTAIN ROCK, CT 06064

Well, another year is in the record books with 17 new stations heard & 16 verles received. Verles: WYA-516, ZLS-526, WASH-1590, KROE-740, & WDFB-1170. In the 1/1/94 DX MONITOR, J D STEPHENS says about the WDFB TEST "not needed but nice to see an NRC TEST actually run." Hey J D, I have to tell you how much side-ep I've lost waiting for some of your TESTS to run! I listened a half hour for WDB, got curious, and called the station to see if the TEST had been run. The woman who answered the phone, I assume her husband owns the station, said she forgot but would put the station on the air. A simple phone call accomplished that, phone calls are cheap that hour of the morning. I did the same thing with the KROE-740 TEST. Moral, if you arrange a TEST, perhaps a follow-up phone call or letter before the test is to air would aid a lot of us. I can get back on the soup box but on to what was heard: 11/27 Crazy Ken's semi-local WRRL-

1200 with 'K-Rock' IDs covering the Channel for over an hour starting at 10:15pm, 12/5 the WDFB-1170 TEST 12:43-1AM. 12/12 WCEI-1460's TEST hosted by the Rig Banna in with code ID's. 12/20 WDAJ-1480 TEST with a voice ID's, now all of Philly is heard here. 12/29 per TONY FITZGERBERT tip, WRNJ-1160 heard almost like a local at 9:55AM with easy listening music (not satellite). Tuned in early in the evening and there they are, with a 'Gospel'! Up the next AM and with the Collins still on 1660, WPIE pops up with a 'Slice of the Pie' at 5:38AM & country music for another new one. The manager and part-owner is ex-NRCer JOE LOVERRO from the Philly area. He knows SCHMIDT-poor guy! I need help on this one: on 1050, who signs on at 5:56AM +/- 1 minute playing the Star Spangled Banner? WEVD makes things tough. TV's not Conway, NH, a call to them says they sign on at 5AM each day at low power, I assume equal to their FM. Ken doesn't believe it's WPL so who? Someone from the Carolinas? To start the New Year: 1/2 WMTZ-1270-TEST with my good buddy at the keyboard (to use a Ken Squier stock car term) noted 12:30-1:04AM. He said the directional pattern was on at the time I heard him. The AL MERRIMAN phasing unit took local WSPR out leaving WYRT with a talk program. Code ID's ala MERRIMAN's first noted. My MARK COMMUNITY phasing unit is sitting on top of DWS's refrigerator! 73 (Wrong, it's still in the box, on top of the refrigerator!-DWS)

RICH FRCHO - 5105 STRAMBERY LANE - WILLOUGHBY, OH 44094-4379

Hello DX-heads! Conditions so far this season have been OK! My favorites catches thus far have been CKLD-880, Morocco-1044, CRX-1150, KIX-940, WML-640, CQGX-940, ZJB-885, Sev111a-684, Roumoules-216 & beacon YSR-208 NW. I really enjoyed GERRY THOMAS' 'Receiver Showdown' in DXN#12. Being a Drake R8 owner, I agree with most of Gerry's findings, especially the horrible ergonomics. Even after using the R8 for over a year, the various function selections drive me crazy. I don't know how many times I've accidentally put the thing in 'lock' mode, and I didn't realize it because there is no indicator that tells you when the lock mode is in effect. With the R8, you have to stop, look at the display too see if it's in primary or alternate function mode, think, then slowly make your selection. If you go to test, you might pass up the desired function and will have to go through the functions again, ARRRRGH! However, I do not find the display color annoying. In fact, I find it very non-fatiguing to the eyes and easy to read. Gerry notes that the R8's audio through the Drake MSB speaker is not that good. True, but it is the speaker's fault, not the R8's. In fact, the R8's audio (especially in the synchronous detector mode) through good stereo headphones or a good hi-fi out-board speaker (say a RS Minimus 7) is excellent, the best I've ever heard from a communications receiver. Despite its lousy ergonomics and ei-cheapo cabinet & knobs, inside resides one of the hottest receivers around. For me, the R8's performance is well worth its operating annoyances. Now if Drake would take the R8 functions and package them in a tank (like the JRC NR015 was), put more single function controls on it and keep the price competitive, they could probably make ICOM, JRC, & KERWOOD start to sweat a bit! Hope you all have a great DX season!

DAVE SCHMIDT - P O BOX 11502 - WILMINGTON, DE 19850

I guess all have read about the 1/7 Ice Storm which blasted through this area. During the bulk of the storm on the 7th, the only station which was noted off seemed to be WGNB-1590 but for just a short period around 1PM. But the morning of 1/8 was when the fun started (rain continued during the evening of 1/7 with a wind chill of about 25 degrees), about 250,000 people were without electric in SE PA. Found off the air: WYCH-740, WNRK-1260, WNYC-1360, WHEE-1520, WYGR-1540, & WGNB-1590, and WTRB-1290 dropped out later in the day due to power going out at the AM sight. Prior to WNRK returning at 9AM, I was very surprised to ID CHH1-1260 again, atop the channel at 8:40AM. Kinda late for them. 740 had WOSM in all day, 1590 was a hodge-podge of WOSG/WISZ & I believe WERA (oldies but no ID), at one point even WRPP have been in there at 10AM with their easy listening music. Makes for some very interesting listening! Thanks to all who were tuned into the WMTZ TEST on 1/2, it appears that we hit a pretty decent morning conditions wise and it was heard over a good area. As RON MUSCO noted, AL MERRIMAN supplied us with the code ID's which really lit up the tubes when they were on! We'll have a full report (al la WCEI) in a few issues (let's see some results from some of the ICA TESTS boys!). Has anyone gotten a verle from KATL yet? I SURE HOPE that one doesn't get away! CUN71



Bruce Ewing's FIM ARIAS... 15th Edition

The world-famous guide which has helped millions of DXers for over 20 years is available from NRC for only \$16.00. NY orders, please.