



DX NEWS

The magazine of the
National Radio Club

— SINCE 1933 —

Volume 57, No. 27 - July 2, 1990 (ISSN 0737-1659)

Inside ...

- 2 .. AM Switch
- 4 .. DDXD-E
- 8 .. DDXD-W
Sparky
- 9 .. IDX
- 12 .. Veries
- 13 .. WFMT suit
- 14 .. Profile: WADN

- 19 .. Formats
- 24 .. Sports Nets
- 25 .. In the Beginning
- 26 .. The Answer Man
- 28 .. GYDXA - 1450
- 32 .. Contests
Radio Roundup
- 33 .. FM DXD
- 35 .. FM Pirate Off
KLIM

- 36 .. Phasing Unit Design
- 40 .. KJLA off
- 41 .. Realistic 12-625
- 42 .. Bandscans
- 44 .. Musings
- 46 .. Sign up for Pittsburgh!

Volume 57 Publishing Schedule

| Issue # | Deadline | Publ. |
|---------|----------|----------|
| 28 | July 21 | July 30 |
| 29 | Aug. 18 | Aug. 27 |
| 30 | Sept. 15 | Sept. 24 |

From the editor ... We took a long, hard look at the budget and decided that we could easily afford a 48-pager this time ... so inside these covers is a wealth of DX information for your summer-time enjoyment. I've survived wall-to-wall static, near-misses from tornadoes and lightning, torrential rains, and 80-mile-per-hour winds so far this month in Topeka to be able to log a new station (KJEM-1190), so DX isn't quite dead!

Four editors have forwarded information as to their word-processing equipment (thanks, Wayne, Dave, Bill and Jerry), and I've succeeded in getting my Commodore 64 to talk directly to my Mac, although the Commodore terminal program (VIP Terminal) translates my word-processing program (Mirage) in all caps, so I have some experimenting to do yet. I would appreciate receiving sample ASCII and other text documents for the C64 on 5.25" diskettes so I can experiment with them; I'll send a replacement diskette, of course. My goal for September 15 is to be able to receive via modem or diskette all columns and articles so that they can be formatted into a more uniform appearance (except for those editors who do not have word processors; and I'm certainly not pressuring you to rush out and buy expensive systems). The standard column width will become 3.75", so those who will continue sending hard copy should be making necessary adjustments. Why the emphasis on appearance? Three reasons ... as *DX News* goes out to many professionals, it should take on a professional appearance; many members cannot easily read some of the present copy; and electronic copy can be fitted more easily so that more of it can be placed in the bulletin.

Chuck quits! After thirteen years as the

longest-reigning editor of one column, Chuck Hutton has resigned and is on his way to Spain, presumably to sample that international DX firsthand. NRC owes you a giant debt of gratitude, Chuck, not only for pounding out the column all those years but for providing a high level of common sense when the NRC needed to make important decisions through those years. Applications for this editorship are now being accepted, and until we are able to choose a successor, send your IDX to Topeka.

DXChange ... Denis Orlando - 68 Koenig Lane - Freehold, NJ 07728, (201) 462-9089, is looking for a service manual for the Sony ICF-5900W; order of preference for which he'd pay: an original, loan of an original for copies, or copies ... Andre Tatter - Kurt-Schumacher-Str. 270 - D-3500 Kassel - GERMANY (West) is looking for a copy of *Build Your Own Satellite Dish Antenna* by Gordon L. Williams, W511T.

They joined ... Anthony M. Frosino - Rochester, NY; Don Niccum - Roswell, NM; and Gary Stear, Indianapolis, IN. Welcome, gentlemen! Members: don't forget that we're always happy to send a sample copy of DXN to a prospective member; send names and addresses to Topeka (no need to send postage).

Pittsburgh! ... Yep, it's that time again. Check the inside back pages for complete details of the 1990 NRC annual convention. Convention host John Malicky has been hard at work arranging activities in anticipation of a record gathering. Why not make plans now to join us for a week-end of fun?

AM Switch

Jerry Starr
c/o WHOT Radio
4040 Simon Road
Youngstown, OH 44512-1320

Status changes in AM stations, supplied by the FCC and NRC members

CALL LETTER CHANGES

| Old call: | New call: | Old call: | New call: |
|---------------------------|-----------|---------------------------|-----------|
| 580 KRIB TX Lubbock | KJBX+ | 1380 WVIN NY Bath | WABH |
| 740 KWMN WA Buckley | KWNT+ | 1400 WZNJ AL Demopolis | WXAL+ |
| 770 WCGO KY Nicholasville | WCGW+ | WNSI FL Sanford | WTRR |
| 870 *New CT Poquonock | WSAG | 1410 WRBN AL Prattville | WRNB+ |
| 890 WGLP PA Bethel Park | WGPL+ | WBYL GA McRae | WDAX+ |
| 930 WKOS NH Rochester | WZNN | WRTH MI Grand Rapids | WGRD |
| 960 WTRZ TN McMinnville | WBMG+ | 1450 WTRX ME Lincoln | WTOX+ |
| 990 WJSH OH Gallipolis | WCTR | 1460 KZXR CA Salinas | KDON |
| 1080 KFXZ AZ Green Valley | KGVY+ | 1490 WNNH FL Winter Haven | WSIR+ |
| WNCR NC St. Pauls | WKKE | WAGP SC Beaufort | WVGB+ |
| WALD SC Walterboro | WFOC | WXPT WV Charleston | WCZR |
| 1230 KPMX AZ Phoenix | KAMI | 1510 WHST MI Jackson | WJCO |
| WEGZ FL Gainesville | WEGG | 1520 WHPZ GA Douglasville | WDCY |
| WQDW NC Kinston | WQDW | 1530 KGTN TX Goodmore | KQWB |
| 1250 KCTS OR Florence | KCTP+ | 1600 WBYB ME Brewer | WRTH |
| 1290 KWGN TX Big Lake | KWGH | | |

*Notes on calls: WQDW-1230 was set aside and never used, station remains WISF. All "changes" indicated with a + above are corrections or changes to the NRC Log which have popped up during a research of the new FCC Database on hand here. While a few are only typos, many seem to be changes or set asides which never made it into the FCC Public Notices. Some of these changes may be up to 6 months old but they are reported here in the interest of keeping your copy of the Log as accurate as possible.

APPLICATIONS FOR NEW STATIONS

880 TX Hamby: 2500/1000 U4 (reapplication)
930 CA Salinas: 2500/2500 U4 (reapplication)
1520 WA Oak Harbor: 1000 D1

P.O. Box 3174
Tempe, AZ
85281



FM 102.5
AM 1580

GRANT FOR NEW STATION

810 HE Princeville: 10000/10000 U3 (corrects frequency from last issue)

APPLICATIONS FROM EXISTING FACILITIES

660 KDDP CA Orcutt: day power to 20000 watts
870 KHEV CA Glendale: day power to 15000 watts
980 KBYQ CA Fresno: add 250 watts nights, antenna to U1
1240 WULA AL Eufaula: reduce day power to 600 watts
1270 WNOG FL Naples: night power to 1900 watts
1360 WHBG VA Bridgewater: reduce day power to 2000 watts
1520 KFYE MO Camdenton: power to 10000 (5000 CH)
1580 WPGC MD Morningside: night power to 270 watts
WMTI PR Morovis: day power to 10000 watts

GRANTS TO EXISTING FACILITIES

740 WLVG MA Cambridge: city of license to Needham, MA, power to 2500 watts, antenna to D3
1130 KSDO CA San Diego: changes in antenna system
1450 WELY MN Ely: changes in antenna system
1510 WWHN IL Joliet: power to 1000 watts
1560 KZIZ WA Sumner: power to 5000 (3000 CH)
1590 KELP TX El Paso: add 900 watts nights, antenna to U4, relocate XR

OTHERNESS

550 WCBI MS Columbus: station is SILENT
610 KYJC OR Medford: station is SILENT pending sale
650 KMCE CA Rancho Cordova: new station has been testing ON THE AIR
800 WSUZ FL Palatka: silent station has been sold, expected back on soon
810 WCEC NC Rocky Mount: station is SILENT
830 WHBE SC Saint Andrews: station has been DELETED from the FCC Data Base. There are a number of long-standing CPs for new stations which have been deleted from the new Database even though no formal announcement of these deletions has appeared. Others will follow here in Otherness

860 CBH NS Halifax: station is SILENT and has been replaced by an FM
880 WMEQ WI Menomonie: station is now here ex-1360 kHz
900 WDDT MS Greenville: station is SILENT
910 WFVR GA Valdosta: station is SILENT
980 WAZS SC Summerville: station is SILENT

KVNA

1000 KGRI TX Henderson: has been DELETED from FCC Database
1020 WIBG NJ Ocean City: silent on 1520, expects to return to the air in July on this frequency
1060 KKVV NV Las Vegas: new station is ON THE AIR with Christian talk
1080 KASH AK Anchorage: studios were destroyed by fire but station is back on the air from a studio borrowed from KFQD
WKKE NC St. Pauls: silent station is back ON THE AIR
1110 KGSF ID Kellogg: station has been DELETED from FCC Database
1150 KVIL TX Highland Park: station is SILENT due to XR damage from recent flooding in the Dallas area
1210 KLIT ID Meridian: station has been DELETED from FCC Database
1230 WKCE TN Harriman: station is SILENT
1290 WTNX VA Lynchburg: station is SILENT
1330 KLID MO Poplar Bluff: silent station is back ON THE AIR
1340 KPDM TX Pampa: station is SILENT
1350 KBAD CA Bakersfield: station is SILENT
WDAR SC Darlington: silent station is back ON THE AIR
1380 KIPO HI Pearl City: silent station is back ON THE AIR
1400 WPBW MI Sault Ste. Marie: new station expected ON THE AIR 7-1-90
WKDY SC Spartanburg: station is SILENT
KVRP TX Stamford: station is SILENT
1430 WOIR FL Homestead: silent station is back ON THE AIR
1440 KKIP AR Lowell: silent station is back ON THE AIR
1470 KAPS WA Mount Vernon: expects to move to 660 kHz by the time this reaches you, will operate 1000 D1 until the new PARAN site construction is finished (see Otherness last issue)

1510 WPSC SC Pageland: station is SILENT
1550 KVKG CA Solvang: station has been DELETED from FCC Database
KQPM MN Glencoe: station has been DELETED from FCC Database
1560 KJUW CO Colorado City: station has been DELETED from FCC Database
1590 WLUM WI West Allis: station has been DELETED from FCC Database
1600 WRNC NC Reidsville: station is SILENT
KZUN WA West Richland: station and CP to move to Priest River, ID have both been DELETED from FCC Database

THANKS to the following for making Otherness possible: JACK PARKS, TIM HENDEL, JOHN BOWKER and M STREET JOURNAL.

73 and Good DX, *Jerry & BK* Jerry Starr & Buffalo K. Foonman

Need more information about MW DX?
Mail \$1.00 to the NRC Pub Center;
ask for the Reprints Catalog

Domestic DX Digest - East

William Hale

734 Burleson
San Marcos, TX 78666

DX Catches in the Eastern U. S. and Canada, with 24-hr. ELT

MEDIUM WAVE AMBLINGS

- Further digging on **Steve Whitt's** 1580 UNID (see Issue 26) from the tape include a mention of "Country Connection" and what was thought to be a reference to "Idea" was in fact "Akies". There is some more data to try to ID this 'bad boy'...! It's a 24 hour station. NEXT time check at 0305 after ABC Information News; 3YL, it's a 24 hr. day that morning from your country connection, I'm Debbie Demming(?), it's 5 minutes after three o'clock, then into weather. I don't think it's a satellite feed, due to the mention of a specific hour. Behind the UNID at 0309 was a male announcer with a 90 TH mention, which sounds like WKNN Pascagoula as previous reports have included a "K 99 FM" reference. C'mon NRC UNID sleuths, let's help Steve with this one!!
- 'Welcome' to Jerry Coslaworth of Meilin, Ontario, who passes along some interesting data from what he's received this past season...all from DX Taste. See WJMD INFO below.
- For those of you who'd like a list of Major League Baseball stations, Timothy Hall reports a list is available from Baseball America, Dept. "C", P. O. Box 2099, Durham, NC 27702. For \$4.95 you get the 1990 TV/Radio lists for all major and most of the other league teams. Ask for the 1990 Radio-TV-Cable Directory. The also plays the upcoming ROA Almanac, which will have lots of 1989 & 1990 baseball data. If you order either of these publications, say you saw it in DX News!!
- Here's an interesting challenge for YOU that can be done this Summer while waiting for your Sun Tea to brew!! With the advent of the 70th anniversary of the licensing of what is accepted as the first commercial AM radio station in America (KDKA, in November 1920), thus the birth of DXing, here's the deal. Send in your ONE best DX catch of all time on the Medium Wave band... and why you consider it to be your 'bragging piece'. The date of logging is especially important here, as I anticipate those will be quite interesting to both young and old alike. Spanning the decades, and across state, provincial, and international borders we go. The deadline for this SPECIAL is October 15th, for publication in November. Here's hoping to hear from a lot of 'silent' members along with the 'regulars', so we'll have a column to be proud of. This idea, by the way, was spawned by Rick Dau.
- My thanks to **Ernie Wasolowski**, **Bill Swiger**, and **Jim Snowberger** for phone calls this past month. Good to hear from you guys. Last-minute tips and loggings may be phoned in at 512-392-0082 nightly before 9 PM CT. Some loggings in this issue were received 1-3 days after last month's deadline. The San Marcos deadline for Issue 28's DDXD-E is July 14. You don't have much time!!

SPECIAL

- 640 WHI IA AMES Just a followup to the report of them relaying the B&C; it's apparently done every morning, exact hours unknown (DS-WI)
- 710 CHYR ON LEAMINGTON If you haven't logged this split frequency operation, looks like you've still got plenty of time; recent application to move both stations to 96.7 mhz has been denied by the CRTC because stations didn't put forth effort to find a single AM frequency; by the way, CHYR and CHYK/ are licensed as separate stations, one a daytime and the other a nighttime, so each can represent a different logging even if you don't count frequency changes (REH)
- 790 CIGM ON SUDBURY - 6/4 0420 ending promo for Blue Jays BB on 290 AM CIGM+C&W from the Star Country net; lots of 290 AM CIGM call-IDs so not like their FM at this time of day; went to local DJ @ 0530; this one recently reported as changing to CKCR, however, per NRC Log, that CL is already taken by Revelstoke BC on 1340; **ex:CK50 & CHR** (REH)
- 1280 WECY DE SEAFORD - 5/5 1034-1057 with fairly good signal, some QRM from WHVR-PA; wx, olden, adn **ex:W5UX**, FM station with CL change noted later in day with **STRONG SIGNAL** on 98.3; on low power (200 watts) according to USA; they just replaced old 200' tower with a new 350' one. (CHH MD)
- 1370 KFON TX AUSTIN - now simulcasts the 5:00 PM news from KVUE, channel 24 Monday thru Friday (Ed. TX)
- 1520 WDCY GA DOUGLASVILLE - now noted with these CLs, format is Southern Gospel; CLs stand for Douglas County, address is as in Log; v/s is **Fred Brewer**, News Director; 2.5 kw CP expected on by at least late summer; **ex:WSPZ** (EB-GA)



- 1530 KGGW TX CREEDMORE - has indeed returned to the air (Jun 1) using old facilities from Georgetown, with ABC Talkradio and Business Radio News networks and IDing as Georgetown-Austin; they are planning to build 4-164' towers in Creedmore (a wide place in the road 10 miles south of Austin) with target date of 1 Oct for their new facilities (the key word here is planning, as spade one of dirt has not yet been turned; **ex:KGTN** [ED-TX])
- 1550 WORL TN OAK RIDGE - 6/10 silent again (SF-TN)
- 1580 WMRE TN KNOXVILLE - 6/4 back on the air again after a 17-month silence; with **B:GOS** (SF-TN)

UNIDS AND UNID HELP

- 1060 UNID ?? - (no date) 2015 with **John Wathan Show** [Royals manager-Ed.], then **K.C. Royals BB** (MH-NE)
- 1070 UNID ?? - 5/9 2140 with **Blue Jays** vs **White Sox** BB; ads for places in Canada; **CHOK?** (MH-NE)
- 1090 KYBG CO AURORA - is probably **Mike Hawk's** UNID "K-Big"; hrd with this slogan a few weeks ago (DS-WI)
- 1180 UNID ?? - re: **WPF's** SS station... both Marti and Cuba have been logged here; Marti is more likely-they've expanded their schedule; I believe the Cuban is an easy-to-spot Reloj affiliate (TH-CA)
- 1210 WJM? ?? - 5/8 0645 appeared over **KOKK** in mid-announcement (probably power increase/pattern change) with "...new WJM? serving Lexington, ?? and the Tri-Cities, then some talk lost to fading, then *More memories on the Bill Anders program*, into NOS; faded back to **KOKK** during mx; **WKNX?** (DS-WI)
- 1250 UNID ?? - 5/28 fair with AOR from **Rush**, **The Moody Blues**, **ZZ Top**, **Little Feat**, **The Who**, etc (UGH-Ed.); female DJ gave 104 K-2ip ID @ 2252; looped NNE-SSW; help, anyone? (RD-IA1) [How 'bout me?? hi 'Twas **KZEP** San Antonio which simulcasts with **FMer** (104.7) except when they carry **Larry King** overnight; **K-2gp 104** is one of their slogans-Ed.]
- 1300 UNID ?? - 6/1 0028 with **Houston Astros** vs **San Francisco Giants** BB; I think it was **KVET**...any other ideas? (MH-NE) [KVET does carry the **Astros**, so...maybe?-Ed.]
- 1430 KSKS OK TULSA - is **MH-NE's Texas rangers** station (TH-CA)
- 1450 W ?? - 5/30 2344-2355 with **Boston** vs **Texas** BB (DT-ON)
- 1490 WOHI OH, WESB PA, WJNL PA or WMGW PA could be **DT-ON's Pirates** station (TH-CA)
- W ?? - 5/13 2145 with wx (special storm report) from International Airport; **WARC**, then return to **REL PGM**; NO WARC on 1490!?! (DT-ON)
- 1570 WRJQ WI APPLETON - **MH-NE's** tentative on this one is likely correct; Appleton is located near Lake Winnebago, and not too far from Lake Michigan (DS-WI)

TIS & OTHER

- 530 CIRS ON SAULT STE MARIE - 5/12 0900 with 5-minute loop tape of upcoming events in the Soo, ON and tourist info (metric conversion/currency exchange tips); also gave CLs and frequency of all Soo, ON commercial stns; legal ID: You're listening to **CIRS Radio**, **Soo Ste Marie**, bringing tourist information on 530 kHz; owned by Telemidia, owners of CGYN-1050 and CHAS-100.5; hrd it over 15 miles from town; greater range makes longer message possible (TIS-MI)
- 1610 OH TOLEDO - 5/20 1015 with 2-minute loop of upcoming events; no CLs given; XR may be at the Toledo Tourist Info Offices on Huron street downtown; limited range of about 3 miles; signs on I-475 indicate "END RADIO TOURIST INFO" (TIS-OH)



VERIE INFO

- 590 KHTO CA SOUTH LAKE TAHOE - 3/12 0400-0430 verified in 55 days by letter which listed 6 other DXers who heard test; v/s: **Howard Cadot**, CE (JC-ON)
- 720 WGR NC PISGAH FOREST - 4/9 0430-0500 verified in 15 days by **Randy C. Barton**, GM (JC-ON)
- 1010 WYST MD BALTIMORE - 11/6 0330-0400 verified in 61 days; v/s: **Lang Sturgeon** (JC-ON)
- 1090 WILD MA BOSTON - 1/22 0200-0230 verified in 70 days by **Michael Klein** (JC-ON)
- 1210 WBIU LA DENHAM SPRINGS - 2/26 0530-0600 verified in 23 days by **Sam North**, pgm dir (JC-ON)

1300 KWCK AR SEARCY - 3/4 0300-0330 addressed to Arizona instead of Arkansas!! still verified in 21 days; v/s: Ken Simmons, Ops Dir (JC-ON)

1360 WLBK IL DEKALB - 2/5 0100-0130 tough to hear under WSAI; VID:... in process of testing transmitters-experimental operation; no reply as of 5/18 (JC-ON)

1400 WFIW IL FAIRFIELD - 1/21 0600-0630 verified in 38 days by Gil Wallace (JC-ON)

1410 WUHD IL DEARBURG - 3/18 0400-0430 verified in 25 days by Donald Connolly, GM (JC-ON)

1400 WICW IN WASHINGTON 2/4 0530-0600 verified in 24 days by James L. Dueninger (JC-ON)

1600 WRIN DE DOVER 1/15 0200-0230 called station during test, talked to Dave Schmidt (Who? Ed.) (JC-ON)

MIDNIGHT TO 0800 ELT

800 WDFW MO BELLON 7/28 0210 poor to good with WC; had lots of dead air and no side wave info; finally got nice clear ID @ 0300:8 hundred, WDFW, Bellon, South Carolina over PWB alignment CKLW was off (OH)

950 KYGO CO DENVER 6/6 0411 with IRN on, local ads, local wx (MH-NE)

WWJ MI DETROIT 6/4 0115 with all news format; ID: The Pistons' Playoff Station, WWJ (MH-NE)

960 CFAC AB CALGARY 5/28 0521 0500 KINF and alone for about 5 minutes, then in & out with Bob Hastings, C&W, several 960 CFAC call-IDs; AB #1 (DR WI)

CFAC AB CALGARY - 6/3 with ID: 960 CFAC, the home of country music; good signal (MH-NE)

1050 CKSB MB WINNIPEG - 5/8 0606 good in PE (DS WI)

1070 CHOK ON SARNIA - 6/6 0152 with weak ID behind KFDI; C&W mx (MH-NE)

1190 KOKK SD HURON - 5/8 0639 good with C&W, call ID, ABC Information Nx (DS-WI)

1220 WSLM IN SALEM - 6/3 0044 DJ said they were asked to be on the air by the sheriff because of severe wx in the area; between the listings of tornado sightings and touchdowns was C&W mx (MH-NE)

1340 WHAT PA PHILADELPHIA - 5/25 0115-0200 with SS REL pgm, GOS, REL mx in EE; poor to medium poor, int [??-Ed.] unID with Larry King (DT-ON)

WLOK TN MEMPHIS - 6/11 0101 good with ID and many mentions of Memphis; 1st time heard since this past February 12th (RD-IA1)

WHAR WV CLARKSBURG - 5/25 2359-2400 poor with This is WHAR Clarksburg, WV, transmitter coordinates of 92°--; studio location, SSB (DT-ON)

1370 KLBA IA ALBIA - 6/6 0004 with ID: KLBA, Albia, Iowa; new (MH-NE)

KDTH IA DUBUQUE - 6/6 0020 good signal with ID: The News Leader (MH-NE)

KSUM MN FAIRMONT - 6/6 0016 id: KSUM, ???, Fairmont, and ??? (MH-NE)

1380 KSWO OK LAWTON - 6/3 0100 weak ID, UPI Radio Nx (MH-NE)

1410 CKSL ON LONDON - 5/24 0115-0130 poor with CHR, London mention, under WPOP; 1st timer heard and so close! (DT-ON)

1430 WIL MO ST LOUIS - 6/3 0112 with ID: WIL, nothing but number ones, AM 1430, WIL; DJ: Mark Langston; C&W mx; very good signal lately (MH-NE)

1440 WGRM IL QUINCY 6/3 0007 local wx, ID, then Talknet (MH-NE)

WLPZ ME WESTBROOK 6/4 0250 with SMN's Z-Rock from orbit; legal ID @ 0300; Nothing rocks like Z-Rock. 1440, WLPZ, Westbrook-Portland; often hrd as WWLT and is probably the easiest Mainer at this locale (REH)

1490 WABJ MI ADRIAN - 5/30 2351 0005 with Larry King show, AM 1490 WABJ, wx, nx; poor (DT-ON)

KBIX OK MUSKOGEE - 6/7 0215 fair with KBIX Radio ID and C&W mx (RD-IA1)

0800 TO 1600 ELT

I didn't forget this section. Nothing was reported!!



P.O. BOX 1406 327-9032
620-831 PARKWAY
CONWAY, ARKANSAS 72022

1600 TO MIDNIGHT ELT

800 KQAD MN LUVERNE - 5/21 1713-1722 good with mx by Ronnie Milsap and Billy Joe Royal; ads for DeBoers Chevrolet and Jasper State Bank; promo for the Fred Sanders Show nightly on K-101; another IRN affiliate for your Log (RD-IA2)

860 KNUJ MN NEW ULM - 5/21 1656-1700 good with ad for Manderfelt Lumber; Kentucky Rain by Elvis; ID: Over 4 decades of serving the area, Eight Sixty KNUJ, New Ulm (RD-IA2)

990 KAYL IA STORM LAKE - 5/11 1907 with local nx and local ads (MH-NE)

1080 KOAK IA RED OAK - 6/13 2329 very good in heavy static; on the air late because of severe wx warnings in area; surprisingly, nearby KSIB-1520 wasn't on (RD-IA1)

1190 KKOJ MN JACKSON - 5/10 2134 with ad for places in Fairmont & Jackson (MH-NE)

KKOJ MN JACKSON - 5/21 1744-1806 good with ads for Iowa Great Lakes Nursery in Spirit Lake and Belmont Manor in Jackson; wx, closing markets, & extensive nx and sports reports from CNN, Minnesota 6 Iowa; didn't play a single record 'til Roll On by Alabama @ 1809; not my kinda station, hi (RD-IA2)

1200 CF60 ON OTTAWA - 5/16 1955-2035 with CHR, ads for Air Canada, Mushrooms (restaurant?) in downtown Ottawa opening soon; medium poor (DT-ON)

1210 WCAU PA PHILADELPHIA - 5/8 2128 with Phillies vs Astros BB (MH-NE)

KOKK SD HURON - 5/8 2008 with ID & current temperature; C&W mx (MH-NE)

1220 KTRT OK CLAREMORE - 5/31 2223 with Tulsa vs El Paso minor (Texas) league BB (MH-NE)

1230 KHAS NE HASTINGS - 5/8 2006 with CBS Nx, ad for a CBS-TV show, light mx; ID: Information Radio, KHAS (MH-NE)

WCNC NJ WILMODORE - 5/25 2303-2400 with oldies; very poor under WBVP; 2400 female announcer... WCMC... (DT-ON)

1240 WVKZ NY SCHENECTADY - 5/28 2100-2200 with Yankees vs Chicago BB, local ads for hardware store, etc; Yankees Baseball Network, WVKZ; poor under WJTN (DT-ON)

1250 KBRF MN FERGUS FALLS - 5/11 2247 with end of Twins vs Brewers BB game; QSL'd (MH-NE)

1260 KTTS MO SPRINGFIELD - 5/11 2237 with ID: The Ozark's 24 hour information station is AM 1260, KTTS (MH-NE)

1300 KAKC OK TULSA - 5/31 2309 Tulsa vs El Paso minor league BB (MH-NE)

1340 WHPA PA WILLIAMSPORT - 5/28 2225-2300 with oldies, WHPA-Cy Zettner; poor under unID with talk on Sun? Radio Net (DT-ON)

1380 KUVR NE HOLDREGE - 6/6 2205 with wxm contemporary mx (MH-NE)

1400 KVFD IA FORT DODGE - 5/21 1811-1821 very good with promo for KVFD's coverage of the Indy 500; northwest Iowa nx and wx+mx by Billy Joel and The Carpenters; rebroadcast of WOI-TV's 5:00 newscast @ 1731 (RD-IA2)

WHGB PA HARRISBURG - 5/24 2033 with Phillies BB; CL ID @ 2040; poor under 2 others (DT-ON)

1410 WIZM WI LA CROSSE - 6/3 2205 with ID: NewsRadio 1410, WIZM (MH-NE)

1450 WDAD PA INDIANA - 5/30 2200-2300 with oldies or MoYL; IDWAD, Indiana; poor under/over unID with L. King (DT-ON)

1460 WEMR PA TUNKAHONOCK - 5/21 2349-2400 with talk & sign-off... WEMR Radio-5000 watts, no SSB; poor under unID (DT-ON)

1490 WIKE VT NEWPORT - 5/13 2040 with ad: Take it to King Randy Hutchinson, Newport Hills; mention of Riverside; poor (DT-ON)

1500 WPGC MD MORNINGSIDES - 5/16 1824-1900 with business nx, stox, wx, etc; BRN; medium (DT-ON)

1550 KFST MO ST JOSEPH - 5/10 2125 very weak with C&W mx, fighting KLNG splash (MH-NE)

1590 KTCH NE WAYNE - 5/8 1900 with ID: You're listening to KTCH-AM and FM in Wayne (MH-NE)

1600 KNCY NE NEBRASKA CITY - 5/8 1902 with local talk show on subject of local people in high school (MH-NE)

REPORTERS:

JC-ON JERRY COATSWORTH//Merlin, ON//JRC-525, 50' LW, Realistic CTR 73 taper

MH-NE MIKE HAWK//Omaha, NE//ATS-803 + 2' loop

HH-MD HANK HOLBROOK//Dunkirk, MD//SP-600 w/Colegrove Loop

DT-ON DON TRELFOED//Scarborough, ON//DX-440 + LW

MH-NE MIKE HAWK//Omaha, NE//HQ-140-X, ATS-803 + 2' coax loop

DS-WI DOUG SMITH//Madison, WI//Superadio II (will unpack my loop soon)

REH CHARLES REH//Leamington, ON//R-390A, Sanserino loop, Realistic TR-3000 open reel

EB-GA ERIC BUENEMAN//Woodstock, GA//

SF-TN STEVE FRANCIS//Alcoa, TN//TRF

TH-CA TIM HALL//Chula Vista, CA//UNID help

RD-IA1 RICK DAU//Oakland, IA//R-1000 + RW Loop + Bill Lamber voodoo doll

RD-IA2 RICK DAU//at an Ida Grove, IA park//Ford caradio

TS-ON TOM SANDERS//on Trans-Canada Hwy north of Soo Ste Marie, ON//

TS-OH TOM SANDERS//Toledo, OH, attending the Michigan Antique Radio Club swap meet

KDKA RADIO 1020



73, Bill

Domestic DX Digest - West

DX Catches in the Western U. S. and Canada, with 24-hr. ELT

I needed to drop a few oldies from Dale; sorry, your letter got here the day AFTER I mailed the column. Attn George Sherman: give DP points for s/ on l/s/off/s KMVI, KAIM, KOHO, KZOO. Thanks to all for the cards and kind words during my recent bereavement.

SPECIAL

- 790 KKON HI Kealakakua
4/23 Per GM now NSP and is // KOAS 92.1
0000-1200 & weekends (DP-HI)
- 850 KHLO HI Hilo
3/19 Per PD as of this date is now NSP and
using Satellite feed C&W from Drake-C'h-
enault. (DP-HI)
- 1100 KNZZ CO Grand Junction
6/1 0000 CBS Nx, "Grand Valley Weather" &
Tom Snyder show. (ex-KJYE) (0W-CO)
- 1250 "WMEX" ?? Pirat
6/11 0145 Pirate ? OLD format w/old Pepsi &
Alka Seltzer Spots etc. WMEX jingles occ BOS-
TON spots. Live WMEX-1250 ID's. This was
1510 in Boston years ago. s/off 0304 w/Amer-
ica the Beautiful. Strong maybe Denver Metro
area. Address/ location Anyone? (0W-CO)
- 1380 KIPO HI Pearl City
4/24 0530 Noted w/ Lcl prgms // KIPO 89.3.
Began OPs on 4/23 and uses same two tower
array as former KLNI. (NEW ON AIR)(DP-HI)

Wayne Heinen

4131 S. Andew Way
Aurora, CO 80013
FIDO NET 104/108
(303) 699-6335 (prepaid only)

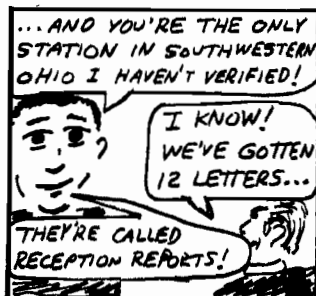
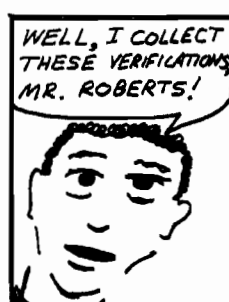
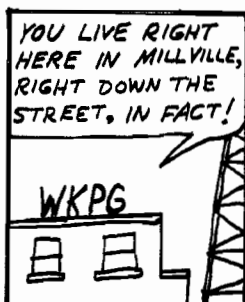
1409.7 KOQQ NE North Platte
6/4 0210 This putting a nasty het on 1410 w/
PSA's, lcl ads, "K-Double O-Q" slogan, sepa-
rable on LSB. (0W-CO)

Midnight to Midday

- 790 KABC CA Los Angeles
5/12 0702 5/12 Under KKON w/ABC Nx &
into presumed Ray Briem Show. 1st log from
new QTH (DP-HI)
- 970 KNUU NV Paradise
6/6 0159 ID: "Serving Metro Las Vegas from
the Magna Executive Center, this is KNUU
Paradise, Nevada" & CBS Nx. Good w/QRM
(0W-CO)
- 1150 CKX MB Brandon
6/4 0200 BCN Nx & Sx. 0205 "Coast to Coast"
net Mx Prgm, Fair w/KSAL nulled. (0W-CO)
- 1190 KRDS AZ Tolleson
6/5 0712 Good w/Contemp. Christian Mx,
Slogan "Eagle 11-90". (0W-CO)

CONTRIBUTORS!

- (0W-CO) John Wilkins - Wheat Aphids, CO - R-
1000, 2'6" loop
- (DP-HI) Dale Park - Honolulu, HI - Sangan ATS-
803A



International DX Digest

Temporary Editor:

Paul Swearingen
2840 SE Illinois Avenue
Topeka, KS 66605-1427

Foreign DX Catches. Times are UTC; for ELT, subtract 5 hours

- 567 NEW ZEALAND 2YA Wellington 5/25 1030 man with talk in British accent; not // 9855 which had cricket (via RNZ Commercial net presumably). Very poor; big slop de KQNC 570. (Park)
- 580 MEXICO XEYI Cancun 06/02 R. Festival 2303 with many R. Festival ID's, good ID at 2310 "XEYI Radio Festival 580... 1000 Watts AM..Cancun, Quintana Roo". (Ponder)
- 600 CUBA CMKV Urbano Norris 06/05 Radio Rebelde 0510 with Rebelde ID, SS version of "I Could Have Danced All Night", many ballads. (Ponder)
- 612 AUSTRALIA 4QR Brisbane 5/30 1056 cutaway from match for ABC news brief // 9660 1548; segue of Tina Turner's "The Best"; back to NSW vs. Queensland soccer or rugby. Very poor to poor; QRM KSSK-590/KERC-610/KIPA-620. (Park)
- 630 NEW ZEALAND 2YZ Napier (t) 5/30 1106 man with NZ or cultured US accent mentioned 6 past eleven, into Spanish guitar music; seemingly // 720 also. Very poor; 4QN underneath, QRM KIPA/Fiji 639. (Park)
- 639 FIJI Radio One, Lautoka 5/25 1026 island mx w/guitars and xylophone; woman dj with talk; giving way to KFI. Poor to very poor; loud het. (Park)
- 756 NEW ZEALAND 1YA Auckland 6/06 1106 Gordon Lightfoot song; DJ backannouncing the records; other light mx // 630 and 567. Fair to very poor; KGU 760 off for repairs until 1150; darn. (Park)
- 760 COLOMBIA HUAJ Barranquilla 06/06 Radio Cadena Nacional 0504 with "RCN La Radio Colombiana" ID and many spots for the World Cup finals "Italia Noventa". (Ponder)
- 810 FIJI Radio Two, Labasa (t) 5/25 1018 Hindi pop mx w/man and woman. Poor; o/u presumed KGO. (Park)
- 810 MEXICO XERB Cozumel 06/05 new frequency ex 1170 with "RB" ID at 2217, spots for "Mr. Papa's Restaurant" in Cancun and Cozumel; good ID at 2228 "En Cozumel, RB". (Ponder)
- 870 COLOMBIA HJSB Barranquilla 06/06 CARACOL 0442 with news program, good ID at 0453 "Desde Barranquilla, Emisora CARACOL" then National anthem and off at 0456. (Ponder)
- 880 MEXICO XE?? Cancun 06/05 Radio Caribe 2302 with spot for Bodegas Blanco "Lo Mas Barato de Cancun" at 2330, then ID at 2400 "Radio Caribe, XE?? 880 AM" -- could not make out final letters of call. (Ponder) Maybe you oughtta get closer to the stn - Chuck
- 891 FIJI Radio Three (t) 5/30 1117 male DJ w/whip sounding Hindi talk; into modern Hindi mx w/ska beat by man and woman; not // 810. Poor; QRM KNUI-900. (Park)
- 891 NEW ZEALAND 2XW Wellington (t) 6/06 1013 woman interviewing man by phone, before slipping underneath Fiji. Very poor; QRM KNUI. (Park)
- 900 CUBA CMKP Cacocum 6/08 tentative at 1342 with Milli Vanilli song, then TC for 3:53 with many mentions of Cuba and Centro America. (Ponder)
- 1098 MARSHALL ISLES WSZO Majuro 5/29 1009 man in accented EE w/national news, mentions of "RMI" and "Mahjro", headlines, mention "WS-zed-Oh news"; man DJ in Marshallese w/c&w mx plus Chieftains, Supertramp, Elvis, Simon and Garfunkel. Poor to very poor; KWAJ 1080 off; constantly battling KFAK-1100. (Park)
- 1107 AUSTRALIA 2UW Sydney/Neutral Bay 6/6 1019 Billy Ocean and Beatles songs; DJ saying "2UW 11-oh-7 on your radio dial, I'm Freddy ..." taking phone call from listener. Poor then very poor; QRM KFAK-1100 + locally. (Park)
- 1251 NEW ZEALAND 1ZM Auckland (t) 5/31 1011 NZ accented man w/pgm of AC inspirational mx and plugs for Christian counseling giving phone numbers in Hamilton, Auckland, etc. Poor to very poor; local QRM. (Park)
- 1270 CUBA CMBN Nueva Gerona 6/08 Radio Caribe 1924 with TC at 1929, then ID at 1930 "Cuba, en la territorio libre en America, Radio Caribe". (Ponder)
- 1314 AUSTRALIA 2WL Wollongong 6/2 1110 Gloria Estefan's "Here We Are"; man DJ w/ID "2WL...", mention of Melbourne Hawks basketball game score. Poor to very poor; KDIA 1310 QRM. (Park)
- 1420 PANAMA AFRTS Fort Davis 6/5 tentative 0010 with ABC news, then NBC news at 0012, ID at 0025 "AFRTS... For the best music all day" and another ID at 0030 "This is the Armed Forces Radio and Television

- Service". No other station on 1420 is listed as being AFRTS. (Ponder) You just don't know how many nights I tried to hear this Chuck
- 1430 CUBA CMJY Moron 06/06 Radio Surcos 0522 with TC on 1:23 and ballad style music, good ID at 0600 "Radio Moron..en Cuba, territorio libre en America", parallel to 1440 also. (Ponder)
- 1440 CUBA CMJP Ciego de Avila 06/06 parallel to 1430 Radio Surcos at 0530, ID at 0539 "Radio Surcos". (Ponder)
- 1458 NEW ZEALAND 3YW Westport 6/1 1218 very weak but // 2Y% 630 w/classical mx. Very poor; local QRM. (Park)
- 1530 NEW ZEALAND 2XP New Plymouth 6/1 1215 woman w/folk song; anncr w/NZ accent saying this was Sunday morning (still Saturday night in Australia); song "She's On Fire", more light and EZL mx // 630, 612; was expecting KFBK. Very poor; o/u unid; ripple fading. (Park)
- 1548 AUSTRALIA 4QD Emerald Isle (t) 5/25 1033 just started playing c&w song when signal faded out; back in; DJ talk 1036 then faded out again. Very poor; local QRM. (Park)

And surprise, surprise..... This is my last IDXD column for a long, long time. Maybe forever even. Yes I am doing an Al Muick and moving to the other side of the world. Almost, at least. Madrid to be exact, and I expect to be gone before the next issue. So this is good bye. I wish to thank the faithful reporters (there have been more than I deserve over the last 5 years of travel-induced missed deadlines and no DX'ing) over the years (13 if I remember right) and in particular the multi-faceted, lasts a long time Mark (Mister NRC) Connelly. Close on his heels come an awful lot of others who I will miss contact with, particularly Alfonso Bedoya. Remember not to call him Al. Stay out of the lake Mikee. I now officially start a "Log Spanish MW stations" contest, hi. Time to say goodbye now, lest a small tear stain this important NRC document and render it unprintable..... "Goodbye Now"

Chuck Hutton - Atlanta, GA memories
Steve Ponder - Cancun, Mexico Toshiba RP-F11
Dale Park - Honolulu, HI Sangean ATS830A, SelecATenna

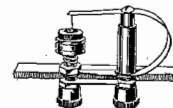
And now, the last of Ben Dangerfield's nighttime bandscan from Malta...

- 666 WEST GERMANY Rohrdorf and GREECE Athens
675 LIBYA Benghazi and FRANCE Marseilles
684 YUGOSLAVIA Beograd very strong
693 ITALY Potenza
702 CZECHOSLOVAKIA synch stns/MONACO, also a jammer here
711 LIBYAN(?) /MOROCCO Laayoune
720 TUNISIA Sfax
729 GREECE Athens
738 SPAIN Barcelona/ ISRAEL Tel Aviv
747 BULGARIA Petric
756 ROMANIA Lugoj (often // 855) /WEST GERMANY Brunswick
765 SWITZERLAND Sottens late evening/TURKEY Gaziantep 1600-1700
774 SPAIN synchros/EGYPT Abis
783 SYRIA Tartus/EAST GERMANY Burg
792 GREECE VOA Kavalla good mid-afternoon on
801 WEST GERMANY Munich/JORDAN Ajiun
819 EGYPT Batra
828 BULGARIA Sumen/LIBYA Sebha/SYRIA Deir-Ez-zoor
837 SPAIN various/France Nancy before 8 AM
840 CHAD N'djamena (just barely heard)
846 ITALY Rome good all the time
855 ROMANIA Bucharest super signal with cl mx/SPAIN murcia etc.
864 FRANCE Paris good before 8 AM/EGYPT Santah/BULGARIA
873 WEST GERMANY Frankfurt AFN/LEBANON Beirut talk shows
882 YUGOSLAVIA Titograd
891 ALGERIA Algiers/TURKEY Antalya late afternoon
900 ITALY Milan all alone here
909 SPAIN Palma de Majorca/ROMANIA Cluj/LIBYA Ghaqhboub
918 YUGOSLAVIA Ljubljana another super signal/SYRIA Al-Hassake
927 TURKEY Izmir/GREECE Zakynthos
936 ITALY Trapani/MOROCCO Agadir/WEST GERMANY Bremen
945 YUGOSLAVIA Sarajevo/France Toulouse
954 CZECHOSLOVAKIA Brno
963 TUNISIA Tunis in FF/BULGARIA Sofia
972 USSR Nikolayev (international)/ALBANIA Puke (?)
981 GREECE Megara/ALGERIA Algiers FF
990 ITALY various
999 MALTA Delimara (2200 s/off)/ITALY Torino/USSR
1008 YUGOSLAVIA/GREECE Kerkyra
1017 TURKEY Istanbul/WEST GERMANY Rheinsender both good
1026 AUSTRIA Graz, couldn't ID the others



- 1035 ITALY Milan
1044 EAST GERMANY Burg
1053 LIBYA Tripoli/ROMANIA Iasi
1062 ITALY Catania & Cagliari
1071 CZECHOSLOVAKIA Prague/CZECHOSLOVAKIA
1080 POLAND Katowice/SPAIN Palma etc.
1089 ALBANIA Durres
1098 CZECHOSLOVAKIA Nitra
1107 EGYPT Batra/WEST GERMANY AFN Munich etc./YUGOSLAVIA Novi Sad
1116 ITALY Palermo, Bari
1125 YUGOSLAVIA Tovarnik/LIBYA El Beida/BULGARIA Stara Zagora
1134 YUGOSLAVIA Zadar one of the strongest
1143 YUGOSLAVIA Deanovac-Zagreb/ITALY Messina
1152 ROMANIA Cluj very strong/SPAIN various
1161 BULGARIA Stara Zagora/France Ajaccio
1170 YUGOSLAVIA Beli Kriz
1179 ROMANIA Bacau
1188 HUNGARY Szolnok heard an interesting talk show in which a caller in EE phoned from Egypt, also a constant jammer here (Iran?)
WEST GERMANY VOA Munich good when pattern was our direction
1197 POLAND Wroclaw etc./ALBANIA Korce
1206 ALBANIA Lushnje/MALTA listed here is silent
1215 BULGARIA Vidin
1224 CZECHOSLOVAKIA Melnik etc. very strong
1233 USSR Ukraine/France Marseille
1242 LIBYA Tripoli/HUNGARY Nyiregyhaza
1251 GREECE VOA Rhodes/SPAIN several/POLAND Szczecin
1260 YUGOSLAVIA Novi Sad another very strong signal
1269 GREECE Florina/USSR various
1278 CZECHOSLOVAKIA Prague foreign service
1287 ENGLAND Orfordness Polish service/BULGARIA Kardzali
1296 ALGERIA Constantine/POLAND several
1305 YUGOSLAVIA Skopje/NORWAY Kvitsoy
1314 EAST GERMANY Wachenbrun mostly in FF; also relays R. Moscow
1323 ITALY Rome, Palermo and others
1332 HUNGARY Lakhagy/YUGOSLAVIA Zajecar
1341 FRANCE Nice, het from 1349 (Mauritania)
1350 EAST GERMANY Berlin International/ALBANIA Tirana
1359 ITALY Catania-Messina
1368 FRANCE Lille
1377 GREECE Athens/USSR Kaliningrad
1386 ALBANIA Lushnje
1395 LIBYA Tripoli/GREECE Komotimi
1414 WEST GERMANY Heusweiler-Saar/ALGERIA Algiers
1422 EAST GERMANY Dresden/USSR Odessa
1431 SAUDI ARABIA Dammam
1440 ITALY Catania etc./LIBYA Misurata
1449 ALBANIA Lushnje
1458 FRANCE Monte Carlo TWR/USSR Ukraine?
1467 AUSTRIA Vienna very strong, much cl mx
1476 hets, little else, Malta is silent
1485 FRANCE various/USSR Leningrad
1494 POLAND Stargard Szczecinski strong signal
1503 ITALY Palermo
1512 SAUDI ARABIA Daba/CZECHOSLOVAKIA Cizatic etc. both strong
1530 VATICAN excellent signal
1539 WEST GERMANY Mainflingen
1548 USSR Ukraine
1557 MALTA local mostly GG relay at night; EE 0600 to 0700
1566 TUNISIA Sfax s/on 1600, very strong stn
1575 ITALY various
1584 nothing I was sure of
1593 WEST GERMANY Langenberg
1602 another graveyard freq
1611 VATICAN weak sig; heard better over here.

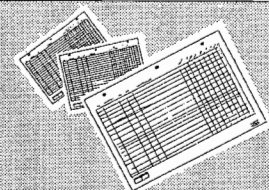
CRYSTAL DETECTOR
This crystal detector, submitted by the C. D. Tanner Co., 538 W. Washington Street, Los Angeles, Calif., to the Radio News Laboratories for test, is very well made and offers the advantage of very sensitive adjustment of the crystal contact. The detector is shown in the illustration.



AWARDED THE RADIO NEWS LABORATORIES CERTIFICATE OF MERIT NO. 847.

Logsheets - By Frequency

110 sheets, 25 entries possible per sheet with space available to add your own columns. Punched for three-ring binders, full-size 8.5 x 11 inches, on heavy paper. **US\$5.00 (25 sheets for US\$1.25).**
Order from the Pub Center.



Verification Signers

A listing of verification letter signers, contributed by NRC members

Wayne Heinen

4131 S. Andes Way
Aurora, CO 80013
(303) 699-6335 (prepaid only)

| Freq. | Call | Verie Signer | Contributer | 930 | WTADI | Jeff Dorsey OpM | JC |
|-------|--|---------------------------|-------------|------|----------|-------------------------|-------|
| 171 | R.Medqbu | C. Thuret | HH | 940 | CBMq | U/U | HF |
| 530 | WNQI579p | Philip R. Ulrich PaFD | HH | 940 | WIDGlbmz | Travis Lee A | HF |
| | MD Dept of Trans. State Hwy Amn, Box 717, Baltimore, MD 21203-0717 | | | 940 | WMAZq | William D. Sowell CE | BW |
| | | | | 940 | WYLDbl | Jim Stanford CE | MH2 |
| 540 | CBKq | U/U | MH2 | 950 | CFAM | Ed Siemans E | MH |
| 540 | WSTHrb | U/U | RT | 950 | CHER | Eric Morrison GM | MH |
| 550 | KCRSpU | U/U CE | WH | 960 | CFXb | Lee W. Sterry VP/Pgm | BW |
| 550 | WGRr | J. Wolf | HF | 960 | WLWVpu | U/U | HH |
| 560 | KLVLmbz | David J. Cunningham TD | RT | 960 | WRFCBz | Hugh Christian GM | BW |
| 560 | WJLSq | Charlie Morlow CE | HF/BW | 970 | WAVGI | Mark Stahr OpM | HF |
| 560 | WOOFIb | Michael D. Holderfield CE | RT | 970 | WKHMI | U/U VP | HF |
| 580 | CKWWIm | Jim Valvasori CE | HF | 980 | CFPLI | Barry Rutledge PM | DT |
| 580 | WIBWq | U/U | BW | 980 | WLUSqlh | Tim McGuire CE | RT |
| 600 | WSJSq | Sam N. Monney CE | BW | 990 | WIVKI | Milton Jones CE | DT |
| 610 | CKXJ | Rose Bungay Secy | MH | 1010 | CFXD | Mark S. Roberts A | MH |
| 610 | KSKEpl | Joel Davis BoardOP | OW | 1010 | KBISl | Norm Laramee CE | RT/JC |
| 610 | WPII | William J. Rinier CE | BW | 1010 | KCHIlb | Chris Beyer GM | OW |
| 630 | VVWVI | Robert Eddy P (NRC) | RA | 1010 | KINDI | Nelson Rupard M | OW |
| 640 | WGSTlqz | Milton C. Thurlow CE | RV/RT | 1010 | WGUNI | William L. McKissick GM | BW |
| 650 | WKKQp | U/U CE | BW | 1020 | KTNQpu | U/U | OW |
| 660 | KTNNImb | Michael D. Moore PD | RT | 1020 | WJEPImz | Logan Birdsong MediaD | BW/ |
| 680 | CFTRLmz | Cynthia Gordon ESecy | HF | 1030 | WBZq | U/U | HF/BW |
| 680 | KFEQmq | Donald E. Moss CE | MH2 | 1030 | WFTKpu | U/U | HH |
| 680 | WCBMlz | J. Weller DoE | HF | 1030 | WUFLIb | Steve Wright M | HF |
| 690 | WPIIbpu | U/U | HH | 1040 | WQBBq | U/U | RV |
| 700 | CHISJ | Eugene Boles TM | MH | 1060 | KLMOI | Jerry L. Steffen NxD | OW |
| 720 | WCKRblm | Suzanne M. Horton OfM | BW | 1060 | WHFBlh | Randy Kaeding CE | HF |
| 720 | WCKRI | Randy C. Barton GM | LOTS | 1070 | CHOKInz | Paul McKee | HF |
| 730 | KWRUqzsh | Steven D. Rotz E | WH | 1080 | CKSA | Erynn Fischer PromoD | MH |
| 790 | KPYOlB | Chuck Kenny CE | OW | 1080 | KJJIu | Jeff Davis OpM | TH |
| 800 | CKLWI | Wally Dowhan CE | HF | 1090 | WMYDI | Marge Norwick TrfM | HF |
| 800 | PJBqlmz | Salley Korh | MH2 | 1110 | WNAPIm | David C. McCrork EM | RV |
| 810 | WJPWrm | Jack Payne GM | HF | 1120 | WADNqh | Miichael Klein | RA |
| 810 | WSJCq | U/U CE | JC | 1140 | KLUCI | Steven J. Boucher CE | OW |
| 820 | WBAPlb | Charles W. Staples CE | RV | 1150 | WYNEplu | Steven Griesbach CE | OW |
| 820 | WNYCq | U/U | HH | 1160 | WACYr | Martha J. Day GM | HF |
| 830 | WKTXI | Ron Wasilchak Cop | HH | 1160 | WJJJdq | U/U CE | HF |
| 830 | WMMII | James Hughes Nx | HF | 1160 | WOBMI | Rick St. James EA | RV |
| 830 | WWMOI | V.C. Stone GM | RA | 1180 | WJNTfub | C.R. Grammar CE | LOTS |
| 850 | KOAq | Jan Chadwell CE | MH2 | 1180 | WXLAI | Joan Sutberry OfM | HF |
| 850 | WWJCrz | Roger Elm ExD | HF | 1180 | WXLAI | Alexa Alston TrfD | BW |
| 860 | KTRBl | Stephen E. Minshall CE | JC | 1190 | CFSLq | Jim Hutchings CE | MH/OW |
| 870 | WKARlm | John Hawkins CE | MH2 | 1200 | CHMG | Susan O'Connor PRCoD | MH |
| 870 | WWLqhbz | Robert L. Dunn E | DT/HF | 1200 | WAGEfb | Todd James PD | HF |
| 880 | KGHTI | Harvey Fritts P | BW | 1200 | WCHBI | Janice Zavistoski OfM | BW/HF |
| 880 | WCBSq | U/U | MI 12 | 1210 | WBIUI | Sam North PD | LOTS |
| 890 | KVOZlb | Art Trevino E | RT | 1210 | WCAUlu | John P. Howard Tech | DT |
| 910 | WZDFI | Dan Greer E | 111' | 1220 | CFX'hub | Kris Rodts CE | WH |
| 910 | WLASpubz | Hoarold Foster GM | HH | 1230 | CFGN | George N. Critchell M | MH |
| 910 | WROLI | Jeff Baker CE | HH | 1230 | CHIC' | Hope Dyson | MH |
| 920 | KQLOlubz | Michael F. Weaver CE | WH | 1230 | KEXOpU | U/U | OW |
| 920 | WMNIlz | Chris R. Lufitz AE | HF | 1230 | WBVPIb | Concetta Berry | BW |
| 920 | WOKYlb | Phillip Klinger TD | HF | 1230 | WJNO | Richard Lucas CE | MH |
| 930 | WJBYc | Joyce Henderson M | JC | 1230 | WMP'Clbz | Robert Wolfe CE | HF |
| 930 | WSEVlz | Adrian B. Charles OpM | RT | 1240 | WMMB | Larry T. Brewer PD | MH |

| | | | | | | | |
|------|----------|----------------------------|-------|--|-------------------------------|-----------------------|-------|
| 1250 | CHSMluz | Laverne Siemens CE | OW | 1460 | WBRNI | Mark Robbins | HF |
| 1250 | KTFJpu | Donald A. Swanson | OW | 1460 | WHBKlz | Karen Buff GM | RT |
| 1250 | WKBLlb | Bonnie | WH | 1470 | KNTSlz | Royse Kerr | OW |
| 1250 | WTAEf | Kurt J. Haase CE | HF/DT | 1470 | WMBDI | Lindsay Davis M | HF |
| 1250 | WXKUlzb | Joyce McSherry | HH | 1480 | WCINP | U/U P/GM | BW |
| 1260 | WNDEI | Danial J. Mettler CE | HF | 1480 | WHBC | Bill Glasser DoE | MH |
| 1270 | WSPRlBmh | Charles Dube CE | DT | 1480 | WSAYrmbu | U/U M | RV |
| 1290 | WNRSl | John Grevers CE | HF | 1480 | WTDY | Tim Morrissey PD | MH |
| 1300 | KWCKI | Ken Simmons OpD | WH/OW | 1490 | KBIXlb | Sue Harris OpM | OW |
| 1300 | WOODfmez | Donald Missad CE | HF | 1490 | KGOSlupz | Dona Anderson | WH |
| 1310 | CIWwIb | Stan Harrison CE | RV | 1490 | WBTAU | Tom Brown M | DT |
| 1310 | WMTGrz | Bob Kucken PA | HF | 1500 | KSTP | Robert C. Fransen GM | MH |
| 1320 | CJMRlqm | Peter Dyck E | RV | 1510 | WAHTIz | Roger D. Clifford CE | BW |
| 1320 | KHRTIb | Craig Cerkowniak GM | OW | 1510 | WAUKI | Michael S. Saxton M | BW |
| 1330 | KLBOlb | Jane Martin | OW | 1521 | Duba q | Suliman A. Al Samnan | HH |
| 1340 | WEPMLz | Charles McArcce | DT | 1540 | WWKMr | David A. Carmine O | HF |
| 1340 | WLEWl | Jack Thomas CE | HF | 1550 | CBEq | S.J. Herbert XmtrT | HF |
| 1340 | WRAWI | Gerhard Klemm E | DT | 1550 | CBEq | Dan Kennedy SuT | HF |
| 1350 | KGHFI | Ace Ball COP | WH/OW | 1550 | WBSCr | U/U | HF |
| 1360 | WKMIr | Dave Hicks GM | BW | 1550 | WKBArzu | U/U | RV/DT |
| 1370 | WSPDq | Ben Solomon ACE | DT/HF | 1560 | KEGGpu | U/U GM | WH |
| 1380 | KGLD | James Jackson CE | MH | 1560 | WCNWI | Vernon R. Baldwin P | BW |
| 1380 | WFCL | Tim Arrowood OpM | MH | 1560 | WPADI | Kirk Harnack CtrE | HF |
| 1380 | WPHMf | Eric Hanson CE | HF | 1570 | CFEZlu | Steve Armstrong PD | OW |
| 1380 | WQHKI | James Eberhart CE | HF | 1570 | CKMW | Dave Funk E | MH |
| 1390 | KJYlu | Beverlee Brannigan DoPopWH | 1580 | KCWWIb | Robert A. Van Buhler MoEWH/OW | | |
| 1390 | WADAAlzb | Bob Davis PD | RT | 1580 | KFDFlub | James Domerese GM | OW |
| 1390 | WFBLm | Lee Sorocu CE | DT | 1580 | WPGC | Thomas R. McGinley CE | MH/BW |
| 1390 | WFIWIm | Gil Wallace CE | LOTS | 1580 | WTTNlmbz | Dave Imlah OpM | BW |
| 1390 | WGCiq | Cicero Miller | HF | 1590 | WAKRF | Glenn R. Foldessy CE | HF/MH |
| 1390 | WRIG | Dave Arrowood PD | MH | 1590 | WJBQ | Herbert Wiles COP | MH |
| 1400 | KTUCIzu | Bill Croghan ActingCE | OW | 1600 | KMNYc | Rob Halvaks OpM | JC |
| 1400 | WIRA | Ed Burchfield OpM | MH | 1600 | KSSAlbu | George Whiakker CE | OW |
| 1400 | WRAKlz | Jim Linn CE | DT | 1600 | WAXClm | John H. Cessna GM | DT |
| 1410 | CFUNf | Dave Youell CE | JC | 1620 | '30HH'q | Herbert D. Balfour Op | HH |
| 1410 | KQVI | Stephen L. Conti CE | DT | c/o the v/s 91 Elgin Miis Road West, Richmond Hill, ON L4C 4M1 | | | |
| 1410 | KRWB | Jack McDonald SlsM | MH | Contributors | | | |
| 1410 | WPOpq | A.Z. Sanburg CE | DT | 0W | John Wilkins | CO | |
| 1410 | WQBQI | Donald Connelly | LOTS | BW | Bob Walker | MI | |
| 1420 | WLETlmbz | Gene Bollinger PD | RT | DT | Don Trelford | ON | |
| 1420 | WOCImzh | Jon Book DoE | HF/MH | HF | Harold Frodge | MI | |
| 1430 | WENEFbz | Sherman Clapman CE | DT | HH | Hank Holbrook | MD | |
| 1430 | WXXSl | Fran Carnes DOp/PD | DT/RT | JC | John Campbell | UK | |
| 1430 | WXTZq | U/U | HF | OW | Mark Hattam | UK | |
| 1440 | KOTApub | Michele K. Flick | RV | MH2 | Mike Hawk | NE | |
| 1440 | WAJRImbu | Dave Harman PD | OW | RA | Ray Arruda | MA | |
| 1440 | WFTQ | Steve LeVeille OpM | MH | DT | Robert J. Tiara | NC | |
| 1440 | WRROlmbu | James Georgiades CE | DT | RT | Robert Vance | VA | |
| 1450 | KUUBlu | Larry Heinrich | OW | TH | Tim Hall | CA | |
| 1450 | WCtCI | Mark Simpson ACE | DT | WH | Wayne Heinen | CO | |
| 1460 | KGGOlbu | Rich H. Chalfant CE | OW | | | | |

Suit involves radio format

CHICAGO (AP) — Most radio stations can hire and fire, switch ad policies and conduct programming experiments without creating an uproar. But not WFMT.

WFMT has friends, and the Friends of WFMT won't stand for any tinkering with the venerable fine arts station.

The Friends are suing to protect WFMT's international reputation, says Herbert Kraus, president of the 400-member citizens' group that was rebuffed in the first round of its court fight to prevent tampering with the station's "unique character."

But the FM station may have to give up some traditions to survive, say officials of WFMT,

whose owners are under fire for staff cutbacks, a revised ad policy and alleged mismanagement.

WFMT, which turns 40 next year, has carved out a special niche in broadcasting.

The nation's first radio "superstation" in the late 1970s, WFMT is heard across the country and around the world through syndication and satellite relay.

It produces broadcasts of the Chicago Symphony Orchestra, the city's Lyric Opera and live performances elsewhere, as well as in-studio concerts, talk shows and radio dramas. It has won numerous awards, including more Peabody awards than any other station.

It also has a weekday talk show by Studs Terkel, Peabody and Pulitzer Prize-winning author and broadcaster, who's been at the station for 27 years.

"It is really the best fine arts-classical music station in the country, probably in the Western world," said Leon Despres, head of the Friend's legal team.

But WFMT's not for everybody.

Local columnist Dennis Byrne says "you can search the world over and not find another station as stuffy."

Why does WFMT "find it necessary to bore its listeners with a Saturday afternoon of news from the BBC?"

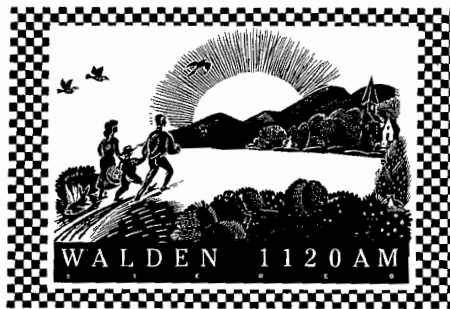
Dubue Telegraph-Herald
-via Len Kruse

Station Profile

Tony Fitzherbert

356 Jackman Avenue
Fairfield, CT 06430

A special feature concerning a unique station



On the bank of the Assabet River in West Concord, MA, at the site of a dam once harnessing water power for its textile manufacturing operation, sits the brick Damon Mill. For decades this mill was one of countless small manufacturing facilities

in towns clustered along New England's tumbling, rocky streams. Today, Damon Mill has been resurrected from ruins in the late 1970's, and has found new life as a glistening, glass enclosed office park. And its most prominent tenant is WADN - 1120, America's only AM folk music station - and perhaps one of the most creative voices anywhere on the AM dial.

Folk music as a format is not new to the Boston AM dial. In the mid 1970's, 250 watt WCAS-740, Cambridge programmed folk music to a tiny, fiercely loyal audience in its city of license, home to both Harvard University and MIT. However, because of a lack of programming and marketing knowledge, the folk music failed to sell time, and the format succumbed to album - oriented rock. The station was then sold, and is now Black gospel WLVG (for "We Love Gospel Music").

Today WADN-1120's signal cumulates a thirteen year dream of several folk music devotees, envisioning a station devoted to this mellow sound, as well as alternative information programming. The area's most interesting news and talk, as well as delightful music is carried on 1120 from 5:00am to midnight.

In 1977, Lloyd Simon, a Newton native, radio, and folk music enthusiast, and associate with a Boston market research consulting firm, applied for the frequency, with an eye toward an all folk music station. To the quest, he brought startup experience from two area radio stations, including WATD-FM, in Mansfield, another folk formatted station. Lloyd attributes his love of radio to listening to Arnie "Woo Woo" Ginsburg, WMEX-1510 deejay in the 1950's, and his ham radio operation (W1FGK). He majored in Broadcasting Management and Public Opinion Research at Boston University.



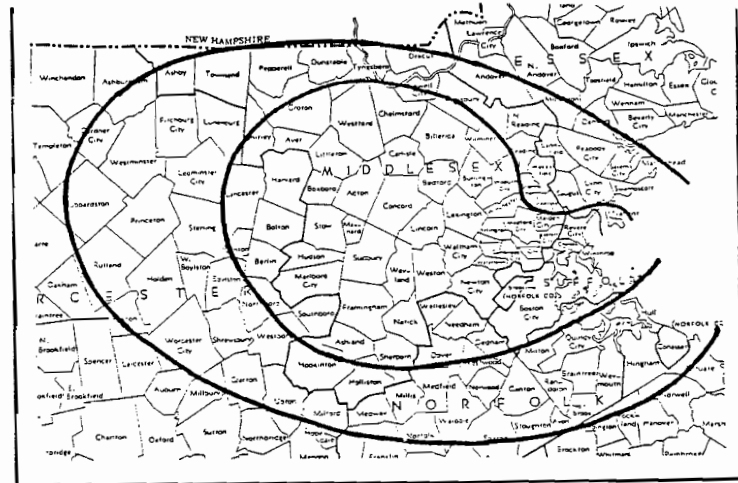
The FCC would not consider Lloyd's application until 1980 when the clear channel protection clause was eliminated, and the Concord application was competing with WBIS-1440, Bristol, CT, a Sherbrook, QU station, and WVNH-1110, Salem, NH, also seeking a frequency move. The FCC froze all applications until a treaty was renegotiated with the Canadian Government in 1982. WBIS and WADN

then got permission to broadcast on the newly available frequency, and money starved WVNH remained on 1110 khz.

Transmitter Site - An Environmental Preserve

Another barrier was a location for the station's transmitter. Concord is a beautiful, woody, rustic home to many of Boston's business and academic leaders, an influential group of folks who value nature and the care of the environment. The town is known to generations of school children for its proximity to Paul Revere's ride, and the events which transpired here during the Revolutionary War. A series of radio towers deters from the natural ambience of the area - so Lloyd Simon faced much local skepticism from those not wishing an unsightly array near their property. He spent two years negotiating with the zoning and water resource boards in nearby Acton to locate his four tower array in a wetland off Route 62, on land shared with the Acton Water District. Fortunately, Lloyd Simon's choice of land for the transmitter was owned in part by lifetime Concordite Dean Comeau, who died in 1986. Comeau's family assigned Simon the option on this land. Today, WADN's 199 foot towers (towers under 200 feet in height require neither lights nor paint) in a former gravel quarry inconspicuously blend in with the woodscape, and WADN is restoring the 23 acre area as an environmental preserve, to be named after Dean Comeau. Students from Lincoln's Carroll School will be invited to paint the wooden fence around the site. Thought Forms, a local architectural firm, volunteered to build the transmitter house for only the cost of the materials.

With the quest for a license for 1120 khz ended, and the transmitter issue resolved, space for the studios and offices were acquired in the unique Damonmill Square complex - a site which intrigued Simon. When he first saw the building, it housed a winery - which has since moved to Bolton. Today, the building houses a fitness center, an Assabet River cleanup group, various offices, and it will eventually have a restaurant. Plans are in the works to generate hydro-electricity from the river flowing



1120 khz
High Fidelity Stereo
5,000 Watts (1,000 nighttime)

Walden 1120 AM Stereo
Damonmill Square
Concord, MA 01742
(508) 371-3200

under the building. The building's developer, Bill Sullivan, who began restoration of the mill in 1977, was, like many Concord residents, totally behind the WADN idea. Until 1982, Damon Mill was a pile of rubble, bordered by shattered brick walls. Sullivan's vision restored the six story building into attractive office space. The centerpiece of contemporary Damonmill Square is a glass cylinder soaring skyward - housing the building's elevator. Mr. Sullivan, the chairman of Concord's Board of Selectmen, his wife, and two children presently live in the penthouse capping the imaginative structure.

The Call "WADN"

The call letters WADN take root in the station's deep commitment to environmental preservation. Concord is perhaps most noted for Henry David Thoreau's pristine Walden Pond, a deep, refreshingly cold body of water surrounded by evergreen trees. For decades, this pond, which provided inspiration for Thoreau's writings, has been a mecca for sweating local residents in the heat of summer. Thoreau's writings provided a mission statement for WADN "Walden 1120", owned by Walden Communications, Inc. To Program Director Dick Pleasants, the name Walden reflects "independence of spirit, integrity, honesty, and something worthwhile for the community".

On the Air - Finally

The results of thirteen years' of planning, hoping, dreaming, and selling were realized on August 28, when WADN - 1120 joined Boston's highly competitive, unusually diverse AM dial. A Boston radio listener can today enjoy a plethora of formats from all show music to country to talk, to big band, to Black and Spanish programming, and even some jazz, and a Sunday children's program on WBZ. But WADN is perhaps the most unique and satisfying station to thousands of listeners, stimulated by the talk, and entertained throughout the day by the folk and acoustical music.

Dick Pleasants - Folk Music Expert Supreme

WADN's success will be due in great part to Simon's partner, 43 year old Dick Pleasants. Dick has hosted WGBH-FM's Folk Heritage program on weekends for over 11 years. Considered to be the authoritative voice of folk music in New England, Dick serves as PD and morning man for WADN. His radio career goes back to his Emerson College years, and he met Lloyd Simon during the startup of Marshfield's all folk WATD-FM. He has also managed a record store and folklore center, as well as broadcasting on a Falmouth (Cape Cod) radio station.

WADN's 11 full time and three part time employees also include on air personality Kate Borger, ex of non commercial WNYC and WBAL, in New York, and Lindsey Ellison, former producer and voice of on - air promotion at WGBH.

Walden World Service

WADN's folk music is augmented by BBC and CBC feed the only radio station in New England which carries programming from these renowned sources, fed by satellite. The weekday broadcast day begins at 5:00am with an hour of international news, and from 6am to 6pm, Dick, Kate, and Lindsey offer folk and acoustical fare, information, and Walden World News from NPR on the hour. The folk music, according to Mr Pleasants is targeted toward a listening audience of 35 - 54. The music is mostly light ballad, broad based, romantic, issue - oriented, with lyrics about politics and relationships for a generation that has put music aside to build a career and who wants to recapture the idealism of its youth.

At 6:00pm, Walden World Service begins six hours of news with the BBC News Hour, fed from London. Christian Science Monitor's Monitoradio follows, and at 7:30pm, CBC's "As it Happens" (format provided the model for NPR's "All Things Considered", and "As It Happens" is heard around the world) airs, and at 8:30pm, different BBC features are carried. From 9:00pm to midnight, Walden World Service is rebroadcast, to make this unique programming as available to as many listeners as possible.

Saturday at WADN features folk and acoustical music, with a locally produced children's show at 4:00pm, and the BBC Newshour at 6:00pm. Sunday brings additional acoustical music, international news programs, including a three hour block from CBC featuring commentary, sports, and arts. Also featured are a story telling hour (for local story tellers), and folk tunes.

WADN plans to develop local in depth programming, aspiring to be a good local cultural arts station for the thirteen communities served by the very directional east-west 5000 watt signal, and the even more restricting 1000 watt night signal directional into Concord, Lexington, Cambridge, and Boston. The towns served, including Concord, Lexington, Lincoln, Stow, Bedford, Carlisle, Weston, Wayland, Sudbury, Wellesley, Natick, and Maynard are perhaps the wealthiest suburbs for Boston, and are indeed an area where WADN programming will be appreciated.

The WADN Studios

WADN occupies parts of the first two floors of the renovated Damonmill. The station's control room, with the mill's original brick walls, is one of the most spacious and attractive control rooms to be found anywhere. A production studio, a news studio, a huge live performance studio for talk, live performances by local musician and kids' shows, and office space makes up the Walden Communications complex. WADN's satellite dish is found on a rise behind Damonmill, and the transmitter site is located a couple of miles west of the studios. Besides the array, an unpainted building houses the station's Nautal Transmitter.

WADN Open House

Walden 1120's open house, on October 1, 1989, attracted over 4000 listeners to a celebration in Damonmill's parking lot. Included were a BBC reporter, and portions of the open house were carried internationally by the CBC's short wave service. Noted folk artists Patty Larkin, Tom Rush, Shawn Colvin, Christine Lavin, and Northern Lights performed at the low key four hour festival, liberally covered in the Boston press. WADN's programming will be very environmentally oriented. Many special programs are planned for Earth Day. Mr. Simon is planning an environmental awareness program on Sunday mornings. Local people involved with environmental concerns will be featured. 1990 is the International Year of the Environment, and the station will devote its first year to these concerns.

Many local events are promoted in Walden Date Book. Dick Pleasants and Lloyd Simons envision local artists and photographers being invited to display their talent in gallery space in the WADN studios. The station's goal is to provide its listeners with local news and distinctive community service emphasizing arts and cultural events coverage.

The Broadcaster's Guide to DX

A tri-fold guide for use with reception reports explaining DX'ing, how the NRC was formed, and the importance of QSL's to DX'ers. Versions also available in Spanish and French. US\$1.50 for 20. Available from the Pub Center.

In the minds of its creators, Walden 1120's being is tied in with its association to Walden Pond. As Dick Pleasants says "When you think of Walden, you think of ...thoughtfulness, peacefulness. It is a historic link between nature and literature...a strong link to the environment". The Walden 1120 mission, as quoted from Thoreau on a print on the wall of his office "I learned this, from my experiment, that if one advances confidently in the direction of my dreams, and endeavors to live the life he has imagined, he will meet with a success unexpected in common life". Will WADN go to the top of the Boston Arbitrons? Probably not. However, Walden 1120 is attracting a large, devoted audience with its entertaining, creative programs and in depth news and commentary. The station is a tribute to its founders who have succeeded in bringing an imaginative new format to Boston.

IN SHORT...WADN SOUNDS GREAT!!!

Thanks are due to Dick Pleasants and Lloyd Simon for their help in providing information for this profile on WADN. We hope that their venture realizes unparalleled success. And when around Boston, put your car radio dial on 1120...you will be delightfully surprised. And thanks to WADN for the DX test, which was heard in many parts of the eastern USA.

Boston Sunday Herald

Telephone (617) 426-3000

★★★★

\$1.25

1120 OUTSIDE NEW ENGLAND

September 3 1989

A4, The Boston Herald, Sunday, September 3, 1989

ENTERTAINMENT PLUS / ARTS & MOVIES

In Concord, folk radio is blown' in the wind

MUSIC

Daniel Gewertz

A RADIO station devoted solely to folk music. At first, the idea seems outlandish. Until last week, it was impossible to hear a single folk song on the AM Boston radio dial. But as of last Thursday, Concord's ADN-AM (known as Walden 1120), went on the air devoted to folk.

ADN-AM is a radical idea in the conservative world of commercial radio. It may have just arrived on the airwaves, but it's the result of 12 exhausting years of planning and negotiation.

"It's our opinion that radio has hit a goal, and new concepts are being looked for," says Dick Pleasants, program director and morning deejay. He continues to be the weekend folk-music deejay at WGBH-FM.

"Right now AM is an incredible opportunity to try out new formats. If folk music can get on AM around the country, it would grow enormously."

Walden 1120 is the only folk-music commercial station in the country on either the AM or FM frequency.

It is New England's only regular outlet for BBC and CBC English and Canadian newscasts. It is the first AM station in America built from the ground up as a stereo carrier. And, true to its

Walden Pond heritage, it may be the country's only station so environmentally concerned it plans to turn its transmitter site into a wildlife habitat.

The radio dial in Boston has been filled to the brim for many years, and the concept of a new station has come to mean merely a change in ownership, format or call letters for the same old frequency. WADN is an entirely new station, a new spot on the AM dial created by a 1980 FCC decision that allowed a handful of new frequencies by changing the rules for clear-channel stations.

Building a new AM station is far more expensive than an FM. In WADN's case, four grounded radio towers had to be built instead of an FM station's one, each one 199 feet tall. But this project is still far cheaper than buying an existing spot on the radio dial.

The dream of Walden 1120 officially began with Lloyd Simon's first application with the Federal Communications Commission in 1977. The area of Concord was as central a part of the plan as the choice of folk music. Newton-born Simon, the station's president and part owner, calls the Concord area "a primer of creative, cultural and community spirit."

Folk music has long been looked at as one of the least commercially acceptable forms of music in America. The record

and radio industries are so afraid of folk that when an obvious folkie such as Tracy Chapman becomes successful, the word folk is not mentioned. Are commerce and folk music natural enemies?

The idea of a commercial folk station can work, Pleasants believes, but only if carefully approached. Over the past year, extensive research and surveying was done, a course that WADN was equipped for, because their three owners — Simon, John Martilla and Tom Kiley — operate a Boston-based research firm. Four kinds of surveys were completed, ranging from random telephone surveys to a group of 60 people from the Concord/Aston area who sat in a room for almost four hours last summer and rated 48 selected songs.

All the research pointed to one factor: As the radio industry has always believed, people like already familiar music. Most of the folk music Pleasants plays on his WGBH-FM weekend show "Folk Heritage" was utterly unknown to the survey group.

The Walden 1120 musical mix that hit the airwaves Aug. 28 has been heavily influenced by the surveys. Featured will be such well-known, quasi-folk names as James Taylor, Jackson Browne, Jimmy Buffett and Judy Collins, anchoring the sound with some familiarity. Classics from the '60s will find a home as well.



JUST FOLKS: In the Walden 1120 studio area, from left, Dick Pleasants, Lloyd Simon and Kate Berger. (Staff photo by George Munk)

Given equal time will be the best-known material of such younger, less-famous singer-songwriters as Greg Brown, Patty Larkin, Shawn Colvin, Cheryl Wheeler, Charlene Lavin, Ferron and Nanci Griffith. "We're looking for a rich, interesting mix of the familiar and the new," says Pleasants, who will continue to offer his more eclectic blend of rootsy folk music weekends on WGBH-FM. With no enormous advertising budget, and a spot on an AM dial that now features more talk than music, Pleasants realizes most of his future listeners will discover the station by a disturbing accident.

"That's why we have to sound attractive, and be very sharp, all the time," he notes.

Formats

Tony Fitzherbert

356 Jackman Avenue
Fairfield, CT 06430

Changes in programming status, reported by NRC members and others

Time for another Formats column. Dialscan seems to have gone over with you well. Courtesy of Mike Hawk we will tune into Omaha radio, John Lovegren will update us on what we can hear around Sacramento, (and what we on the East Coast would like to hear from Sacramento), and both Russ Edmunds and Al Holtz update us on the Philly market.

A note from Pete Taylor corrects us (and the WRCP management), advising that KLBS-1330, Los Baños, CA, has carried the Portuguese format since the early 1970's.....so, the Providence station is not the sole all Portuguese station in the USA on the AM dial.

Geov Parrish, who edits a similar column for IRCA and Gary Houdek (another first time contributor!!!) bring us Formats this time. Here we go...

W S V S
A R
A D I O

| | | | | |
|-----|------|----|--------------|---|
| 550 | KFRM | KS | Salina | - Rock oldies (GH). |
| 560 | WJLS | WV | Beckley | - Religion (GP). |
| 610 | WCEH | GA | Hawkinville | - Rock oldies (GP). |
| 730 | WJTO | ME | Bath | - Silent (GP). |
| 740 | WSVQ | TN | Harrrogate | - Rock oldies (GP). |
| 760 | WEND | FL | Brandon | - Flagship for Sun Net talk (GP). |
| 790 | WEAQ | WI | Eau Claire | - Country (GP). |
| 850 | WAIT | IL | Crystal Lake | - Now Easy listeing (GP). |
| 870 | WKZN | ME | Gorham | - News/Talk for Portland, ex 1590 (GP). |

| | | | | |
|------|------|----|------------|--|
| 880 | WBKZ | GA | Jefferson | - News/talk (GP). |
| 910 | KINA | KS | Salina | - Oldies (GH). |
| 920 | WMMN | WV | Fairmont | - AC/Oldies (GP). |
| 950 | WBBF | NY | Rochester | - Adult standards (GP). |
| 970 | WYNZ | ME | Portland | - Rock oldies //FM (GP). |
| 990 | WRMM | NY | Rochester | - AC//FM (GP). |
| 1110 | KFAB | NE | Omaha | - Talk (GH). |
| 1150 | WKPA | PA | Kensington | - EZL//FM (GP). |
| 1180 | WJUN | IN | Newburgh | - Oldies (GP). |
| 1200 | WCHB | MI | Taylor | - Moved here from 1440, UC and Gospel format and all (GP). |

| | | | | |
|------|------|----|-----------------|--|
| 1210 | WKNX | MI | Frankenmuth | - Adult standards (GP). |
| 1230 | KPRL | CA | Paso Robles | - Full service and oldies (GP). |
| 1240 | KJOP | CA | Conover | - Silent (GP). |
| 1240 | WATN | NY | Watertown | - Rock oldies (GP). |
| 1250 | KZEP | TX | San Antonio | - Classic rock//FM (GP). |
| 1290 | WQMC | SC | Sumter | - Religion (GP). |
| 1310 | KXAM | AZ | Mesa | - Satellite adult standards (GP). |
| 1310 | KEIN | MT | Great Falls | - satellite Rock oldies (GP). |
| 1340 | KVOY | CA | Mojave | - CWM oldies (GP). |
| 1340 | KATY | CA | San Luis Obispo | - News/Talk //KUHC-1440 (GP). |
| 1390 | KNCK | KS | Concordia | - Country music (GH). |
| 1430 | WHKN | TN | Madison | - Traditional CWM "W-Hank" (GP). |
| 1440 | KEWI | KS | Topeka | - Talk (GH). |
| 1440 | WRKM | MI | Inkster | - The stone studio building and twelve towers of WCHB have gone to this new broadcaster, who will, according to GP, format gospel programming. (TF). |

| | | | | |
|------|------|----|----------|--|
| 1440 | KPUR | TX | Amarillo | - Spanish (GP). |
| 1460 | WACO | TX | Waco | - CWM//FM (GP). |
| 1480 | KZSN | KS | Wichita | - CWM//FM (GP). |
| 1510 | KLLB | UT | Jordan | - Ex-KZZI, to be adult standards (GP). |

| | | | | |
|------|------|----|--------------|-------------------------|
| 1520 | WBHT | TN | Brownsville | - CNN News (GP). |
| 1560 | KEGG | TX | Daingerfield | - SMN Pure oldies (GP). |
| 1570 | WFLR | NY | Dundee | - Satellite CWM (GP). |
| 1600 | KUSH | OK | Cushing | - Soft AC/oldies (GP). |

And, from John Lovegren, here is Sacramento, CA., radio.

710 KFIA Carmichael - Christian.
 770 KPLA Riverbank - Christian.
 830 KNCO Grass Valley - Middle of the road.
 950 KAH1 Auburn - Adult Contemporary.
 1110 KRCX Reservoir - Spanish.
 1140 KRAK Sacramento - Country.
 1210 KEBR Rocklin - Christian.
 1240 KSAC Sacramento - Classical Music.
 1320 KCTC Sacramento - Easy listening.
 1380 KSMJ "Heart of Rock and Roll".
 1410 KRFD Marysville - Contemporary hits.
 1430 KJAY Sacramento - Urban/Religion.
 1470 KXOA Sacramento - Business news.
 1530 KFBK Sacramento - News/talk.
 1570 KCVR Lodi - Spanish.

From Omaha, via Mike Hawk...

590 WOW NE Omaha - Country music.
 660 WCRO NE Omaha - Religion.
 920 KYFR IA Shenandoah - Religion.
 960 KMA IA Shenandoah - Country, talk.
 1110 KFAB NE Omaha - News/Talk.
 1180 KKAR NE Omaha - News/Talk.
 1290 KOZL NE OMAHA - Oldies.
 1340 KHUB NE Fremont - Talk.
 1420 KESY NE Omaha - Easy listening.
 1490 KEZO NE Omaha - Rock.
 1540 KXEL IA Waterloo - Country music, religion.
 1560 KCJJ IA Council Bluffs - Religion.

From Philadelphia via Russ Edmunds and Al Holtz....

560 WEAZ PA Philadelphia - Soft rock//FM.
 610 WIP PA Philadelphia - Sports.
 690 WPHC PA Phoenixville - Spanish, Religion.
 740 WVCH PA Chester - Religion.
 800 WTMR NJ Camden - Religion.
 860 WTEL PA Philadelphia - Latin CHR, Ethnic on weekends.
 900 WURD PA Philadelphia - Gospel.
 950 WPEN PA Philadelphia - Big band, nostalgia.
 990 WZZD PA Philadelphia - Religion, contemporary Christian.
 1060 KYW PA Philadelphia - All news.
 1110 WNAP PA Norristown - Gospel music.
 1210 WCAU PA Philadelphia - CBS, News, Talk.
 1310 WSSJ NJ Camden - Oldies, CHR, urban.
 1340 WHAT PA Philadelphia - Black adult stanmdards.
 1370 WPAZ PA Pottstown - Big band.
 1480 WDAS PA Philadelphia - Urban, gospel, talk.
 1540 WPGR PA Philadelphia - Philadelphia golden oldies.
 1590 WCZN PA Chester - Country music.

This issue of Formats is being brought to you by Geov Parrish, Jerry Starr, Phil Boersma, of Spring Lake, MI, Bob Curtis, of Colchester in the Green Mountain State, and first time contributors Ron Musco and M. Hattan, the latter hailing from Hereford, England, whom I would hope has heard all of the stations about which he submits information. If so, that is a great piece of DX'ing!!! We don't even hear many of those stations here. Folks, thanks for all of the information!

M. Hattan verified WBIV-1060, and sends along the following information about this station. Its 25000/2500 watt U-4 signal is pushed NE by a five tower array in Ashland, MA. Interesting in that all Spanish WBIV (since May, 1988) "Radio Continental" covers the most affluent Boston suburbs with its primary lobe. I would imagine that the folks in Concord, Wellesley, Weston, Lexington, Wayland, Acton, and Bedford listen to WBIV in droves. The station gets a relatively poor signal into the Boston Hispanic areas. The station that DOES a tremendous job in catering to listeners in these wealthy, well educated suburbs will be featured in a profile very shortly. So stay tuned.

And here is the show for this time.....

560 WHBQ TN Memphis - Urban, rock at night (GP).
 590 WLVA VA Lynchburg - Contemporary religion (GP).
 610 CKYQ NF Grand Bank - CWM "Kix Country" (Hattan).
 640 KTIB LA Thibodaux - MYL (GP).



670 CHYQ NF Musgraveton - // CKYQ (H).
 680 CIYQ NF Grand Falls - // CKYQ and CHYQ (H).
 800 WPJM SC Greer - Gospel (GP).
 830 KBUC TX Cibold - New, Spanish (Geov Parrish).
 840 KVEG NV North Las Vegas - Now BRN Business News (GP).
 870 WKZN ME Gorham - Will be MYL here (GP).
 900 WCLZ ME Brunswick - Drops New Age music for BRN Business News (GP). Started as WCME in the late '50's and was a rock outlet (TF).
 900 WEXT OH Canton - Silent (GP).
 910 KECR CA El Cajon - Now Family Radio, Religion (GP).
 910 KVVQ CA Hesperia - New, AC/Talk (GP).
 910 WNEZ CT Farmington - Satellite "Kool Gold" oldies (Ron
 910 KINA KS Salina - Satellite adult standards (GP).
 910 WBNI VA Roanoke - Was Black, now BRN Bus. News (GP).
 920 KQLO NV Reno - "Kool Gold" Oldies (GP).
 930 CJYQ NF St. Johns - //610, 670, and 680 (H).
 930 WRVC WV Huntington - Talk (GP).
 940 KTFW TX Texarkana - Southern Gospel (GP).
 950 KJJO MN St. Louis Park - Business News (GP).
 950 CHER NS Sydney - Hits 60's-80's (H).
 960 CFAC AB Calgary - CWM (H).
 990 WBTE NC Windsor - SMN Standards (GP).
 1010 CFYQ NF Gander - CWM//610, 670, 680, 930 (H).
 1040 KEZF OR Tigard - New, Religion (GP).
 1050 WASY AL Alexander City - Rock oldies (GP).
 1060 WGSB NC Mebane - New, to be religion (GP).
 1130 WDGY MN Minneapolis - Drops its long time CWM for news/talk(GP).
 1190 KORG CA Anaheim- Satellite Adult standards (GP).
 1190 CFSL SK Weyburn - CWM (H).
 1200 CHMG AB Albert - Classic Gold (H).
 1200 WKOX MA Framingham - SMN Pure oldies (GP).
 1220 WKBK NH Keene - Talk, Talknet evenings (GP).
 1230 WJNO FL West Palm Beach - News/Talk (H).
 1230 CPGN NF Port aux Basques - 0700-1800 variety, 1801-0659 //CFCB 570 (H).
 1230 WUBE OH Cincinnati - CWM//FM (GP).
 1240 WMMB FL Melbourne - Music 40's - 70's (H).
 1240 WGGG GA Gainesville - Soft AC//FM(GP).
 1260 CFRN AB Edmonton - Rock oldies(GP).
 1270 KTFI ID Twin Falls - SMN Standards (GP).
 1280 WECY DE Seaford - Satellite soft AC//FM (GP).
 1290 CIFX MB Winnipeg - Hits 60's-80's "12-90 Fox"(H).
 1320 WQIK FL Jacksonville - Satellite CWM oldies (GP).
 1320 WSCR PA Scranton - Religion AND Business news (GP).
 1330 WZCT AL Scottsboro - Satellite Rock oldies (GP).
 1330 WVBR OH Campbell - WHOT was here, new station will be business news (Jerry Starr).
 1330 WESR VA Olney - Network talk (GP).
 1340 WBCR PA Wilkes Barre - Religion, business news // WSCR (GP).
 1340 WCDT TN Winchester - CWM (GP).
 1340 KTEO TX San Angelo - To be religion upon sale (GP).
 1350 WNKL CT Norwalk - Hits 40's to 60's, will remain full service for Fairfield County (TF).
 1360 KBVO LA Tallulah- CWM//FM (GP).
 1360 WHBG VA Harrisonburg - CWM (GP).
 1380 KHJJ CA Lancaster - News/ talk (GP).
 1380 WPNW CT Naugatuck - Sold, to be Portuguese (GP).
 1380 KGLD MO St Louis - "1380 Gold" (H). Heard in England?? (TF).
 1390 WDOT VT Burlington - Rock oldies, drops CWM (Bob
 1400 WIRA FL Fort Pierce - Ballads 60's - 80's (H).
 1400 WIKY IN Evansville - Satellite Rock oldies (GP).
 1410 WMSX MA Brockton - Local talk (GP).
 1410 WMML AL Mobile - Silent (GP).
 1420 WOC IA Davenport - News/talk (H).
 1440 WPRD FL Winter Park - Children's radio (GP).
 1440 WLPZ ME Westbrook - Satellite hard rock (GP).
 1450 WFRA PA Franklin - Adult standards (GP).
 1450 KTYZ MT Wolf Point - SMN AC (GP).
 1470 WMMW CT Meridan - Satellite adult standards (TF).

WJAS
 1320 AM
 The Music of Your Life

1480 WTOY VA Salem - Was WSAY, will be UC(GP).
 1480 WTDY WI Madison - News/talk (H).
 1480 WCNT NC Charlotte - Satellite news/talk(GP).
 1500 KSTP MN St. Paul - News/sports/talk(H).
 1510 KVOG AR Greenwood - Headline news (GP).
 1510 KIDZ MO Independence - Was kids radio, now silent, will be urban contemporary(GP).
 1520 WQWQ MI Muskeyon Heights - Easy listening format has shifted from FM 101.7 (Phil Boersma).
 1530 WEHN PA North East - CNN Headline News (GP).
 1530 KHPY CA Moreno Valley - New, adult standards "K-Happy".
 1560 KPMC CA Bakersfield - CNN News talk. (GP).
 1560 KZIZ WA Sumner - Black //KRIZ-1420 (GP)
 1570 CKMW MB Winkler - CWM Star Country (H).
 1580 WBCP IL Urbana - Black AC (GP).
 1580 WEBG PA Ebensburg - Religion (GP).
 1600 WKWF FL Key West - Sun talk (GP).
 1600 WLXY MA East Longmeadow - Satellite Adult standards (GP).
 1600 WNST WV Milton - Business news (GP).

WXCL
 1350 Radio

LATE NEWS...WJIT-1480, New York, a Spanish station since 1960 is dropping its Spanish talk format as of Friday, 4/26, for SMN Z-Rock. The reason that the sales manager gave to me is that with five Spanish stations in the market, and no increase in advertising dollars, it was time for a change. WJIT has competed with three other Spanish stations on the AM dial plus an FM outlet.

The large number of stations going to satellite programming reveals that AM broadcasting is not exactly a wise choice of career. Many on air staffs are looking for work, in a highly competitive, low paying industry.

In response to constructive criticism, abbreviations such as MYL and CWM are quite accepted for Music of Your Life and Country and Western Music. And, in response to "Is the announced format the sole format or in addition to other formats, this column endeavors to identify the primary format. However, if a CWM station in Casper, WY digresses from the basic format to air the service of the Podunk Baptist Church at 0700 Sunday, or an interview with the mayor on a talk show at 2100, these events are common, and the station still airs CWM most of the time. Thus, it is a CWM station. So this column tries to pass on the primary programming.

Our contributors.....Phil Boersma, of Spring Lake, MI, Mark Hattam, of Hereford, UK, Eric Bueneman of Woodstock, GA, new musings editor Dave Schmidt (welcome back to an editorial position, Dave), a denizen of Newcastle, DE, and Geov Parrish. Additionally, Jerry Starr brings a dial scan from Los Angeles. Thank you, gentlemen. And, here we go...

560 WHBQ TN Memphis - Black days, heavy metal nights (GP).
 580 KCMX OR Ashland - ABC Talk (GP).
 590 WLVA VA Lynchburg - Contemporary Christian (GP).
 600 WCHQ AL Enterprise - Classic rock // FM (GP).
 640 KTIB LA Thibodaux - MLY (GP).
 640 WBMX MI Zeeland - New, Urban Contemporary to Grand Rapids "Power 640" (Phil Boersma).
 720 WRZN FL Hernando - SMN Standards (GP).
 730 WCPT VA Alexandria - Sold to Group W, drops Urban oldies. (GP).
 740 WMBG VA Williamsburg - MYL (GP).
 750 WWAX PA Olyphant - All oldies (GP).
 810 WJXL AL Jacksonville - Drops AC/CHR for CWM (Eric Bueneman).
 810 WEKG KY Jackson - CWM (GP).
 810 WEDO PA McKeesport - Adds business news to adult standards and religion (GP).
 850 WAIT IL Crystal lake - Back to AC//FM (GP).
 860 CBH NS Halifax - Silent as of 10/1/89 (M. Hattam).
 880 KDXA NV Lovelock - New to be religion (GP).
 910 WBRJ OH Marietta - News/talk (GP).
 910 WJCW TN Johnson City - AC/News/Sports (GP).
 910 WSBA PA York - Now AC and talk (GP).
 930 KNSA AK Unalakleet - New non-profit station, variety (GP).
 960 WFRG GA Athens - CHR, "Stereo One" (EB).
 960 WBEU SC Hardeeville - SMN Rock oldies (GP).
 970 WRCS NC Ahoskie - Black gospel (GP).
 970 KESI OR Portland - Ex-KYTE, Classical, now EZL(GP).
 1070 WLSW WV Beckley - Now all travellers' info (GP).
 1080 CKSA AB Lloydminster - CHR, Classic Rock (MH).
 1100 KNZZ CO Grand Junction - Now all news (GP).
 1110 WTBQ NY Warwick - Satellite Adult standards (GP).
 1130 KIKY AZ Prescott - Satellite Adult Standards (GP).
 1130 WDGY MN Minneapolis - Drops CWM for news/talk(GP).
 1130 WHHR SC Hilton Head Island - Drops EZL for travellers' info (GP).

1160 WVNJ NJ Oakland - Will be 50's rock oldies (GP). SMN Kool Oldies - Starts off with no announcing staff (TF).
 1230 KAMJ AZ Phoenix - Sports/talk (GP).
 1230 KYVA NM Gallup - Satellite Rock oldies (GP).
 1230 WCOL OH Columbus - Satellite rock oldies (GP).
 1240 WKVZ NY Schenectady - Now news/talk, was AOR (GP).
 1270 KTFI ID Twin Falls - Satellite adult standards (GP).
 1300 WLXG KY Lexington - News/talk (GP).
 1310 KNOX ND Grand Forks - Satellite rock oldies (GP).
 1330 WPRN AL Butler - CHR//FM(GP).
 1340 WSBM AL Florence - Black (GP).
 1340 WHUB NE Fremont - Talk (GP).
 1340 KWWN WA Wenatchee - Business news (GP).
 1350 WNLK CT Norwalk - Satellite adult standards (and some of the very competent announcing staff is gone) (TF).
 1380 WAMS DE Wilmington - "Pure Gold" at night (Dave Schmidt).
 1400 KRPL ID Moscow - Satellite rock oldies (GP).
 1400 WOND NJ Pleasantville - Drops oldies for talk (DS).
 1400 WPAY OH Portsmouth - Satellite adult standards. (GP).
 1400 WHGB PA Harrisburg - Religion "Joy 1400 AM" (GP).
 1410 WBGW FL Tallahassee - AC//FM "Light Rock 91" (EB).
 1410 KBAL TX San Saba - Silent (GP).
 1410 WGRD MI Grand Rapids - Ex-WKTH, BRN Bus. news, drops SMN Z-Rock(PB). Will listeners note the change? Middle button on my car radio! (TF).
 1410 KRWB MN Roseau - Modern CWM (MH).
 1420 WACT AL Tuscaloosa - Gospel (GP).
 1430 WAVO GA Decatur - BBN (not BRN) Religion (EB).
 1430 WXTX IN Indianapolis - Drops EZL for satellite adult standards (GP).
 1450 WFPG NJ Atlantic City - Now EZL, moved from FM, which is now AC (DS).
 1470 KXDA CA Sacramento - Drops BRN Bus. news for oldies (GP).
 1470 WLAM ME Lewiston - Bounces on air staff for satellite AC (TF from GP).
 1490 WTUP MS Tupelo - News/ talk (GP).
 1490 WUSS NJ Atlantic City - Black/soul "Jams 1490" (Yech-DS).
 1490 WGMF NY Watkins Glen - Rock oldies (GP).
 1490 WCRZ WV Charleston - Ex-WXIT, now Z-Rock (GP).
 1490 WIKV VT Newport - Satellite CWM (GP).
 1500 WKAX AL Russellville - Southern Gospel (GP).
 1510 KVOG AR Greenwood - All news (GP).
 1510 WNLK CT New London - Was oldies, now news (GP).
 1520 KNWB TX Creedmore - Business news (GP).
 1550 WCXJ PA Braddock - Black (GP).
 1550 KZQQ UT West Valley City - Spanish (GP).
 1560 WSLA LA Slidell - Sports, EZL days (GP).

And now a Los Angeles dial scan from Jerry Starr...

540 KKJZ Hesperia - Jazz (Station has an LA address).
 570 KLAC Burbank - CWM.
 640 KFI Los Angeles - Talk.
 710 KMPC Los Angeles - Nostalgia.
 740 KBRT Costa Mesa - Religion.
 790 KABC Los Angeles - Talk.
 870 KIEV Glendale - Talk, ethnic.
 900 KGRB City of Industry - Big bands.
 930 KKHJ Los Angeles - Spanish.
 980 KFNB Los Angeles - News.
 1020 KTNQ Hollywood - Spanish.
 1070 KNX Los Angeles - News.
 1110 KRLA Pasadena - Rock oldies.
 1150 KIIS Los Angeles - CHR.
 1230 KGFJ Los Angeles - Urban contemporary.
 1260 KGIL San Fernando - Talk.
 1300 KAZN Pasadena - Asian programming.
 1340 KWKW Hollywood - Spanish.
 1430 KALI Hollywood - Spanish.
 1460 KTYM Inglewood - Religion.
 1540 KSKQ Los Angeles - Spanish.
 1580 KDAY Pasadena - Urban contemporary (Station has an LA address).

And that is another formats column...please get your format changes in, and help all of us keep current.

NEWS·TALK·1250
WTAE

Sports Networks

Network listings for stations programming team sports

Barry S. Finkel

10314 S. Oakley
Chicago, IL 60643

Here is information regarding Major League Baseball for 1990. This information comes from "Broadcasting" 3/5/90, Jim Renfrew, Gayle Yeager, Tom Sanders, and WGN. CBS radio will carry 26 Saturday doubleheaders and 20 Sunday evening games. There will be four holiday specials on opening day, Memorial Day, Independence Day, and Labor Day. The Sunday evening announcers are John Rooney and Jerry Coleman; I do not know the Saturday announcers. (The outlet in Chicago is 890 WLS-IL, not CBS-affiliate WBBM). After flagship stations (and network sizes) come all of the network lists that I have to date. Please send me any lists that you have.

| | | | |
|-----------------------|--------------|-------|--|
| Atlanta Braves | 750 WSB -GA | 106 | |
| Baltimore Orioles | 1090 WBAL-MD | 40 | |
| Boston Red Sox | 680 WRKO-MA | 65 | |
| California Angels | 710 KMPC-CA | 22 | EE Allan Conin, Ken Brett |
| | 1090 XPRS-BN | | SS Ulpiano Cos Villa |
| Chicago Cubs | 720 WGN -IL | 71 | EE Thom Brennaman, Harry Caray, Ron Santo, Bob Brenly |
| | 1200 WOPA-IL | 0 | SS Leon Martinez, John Morales (selected games only) |
| Chicago White Sox | 670 WMAQ-IL | | EE John Rooney, Wayne Hagin |
| | 1300 WTAQ-IL | 0 | SS (40 games) |
| Cincinnati Redlegs | 700 WLW -OH | 80 | Marty Brennaman, Joe Nuxhall |
| Cleveland Indians | 1110 WWVE-OH | 30 | |
| Detroit Tigers | 760 WJR -MI | 48 | Ernie Harwell, Paul Carey |
| Houston Astros | 740 KTRH-TX | 40+EE | Milo Hamilton, Larry Dierker, Bruce Gietzen |
| | | | SS Rolando Becceria, Orlando Sanchez Diago |
| Kansas City Royals | 580 WIBW-MO | 135 | Denny Mathews, Fred White |
| Los Angeles Dodgers | 790 KABC-CA | 30 | EE Vin Scully, Don Drysdale, Ross Porter |
| | 1330 KWKW-CA | 5 | SS Jaime Jarrin, Rene Cardinas |
| Milwaukee Brewers | 620 WTMJ-WI | 63 | Bob Uecker, Pat Hughes |
| Minnesota Twins | 830 WCCO-MN | 80 | |
| Montreal Expos | 800 CJAD-PQ | 21 | EE (+ Armed Forces Radio in Germany) |
| | 730 CKAC-PQ | 42 | FF |
| New York Mets | 660 WFAN-NY | | EE Bob Murphy, Gary Cohen |
| | | | SS Billy Berroa, Armando Talavera, Juan Alicea |
| New York Yankees | 770 WABC-NY | | |
| Oakland Athletics | 560 KSFO-CA | 22 | |
| Philadelphia Phillies | 1210 WCAU-PA | 26 | |
| Pittsburgh Pirates | 1020 KDKA-PA | 42 | Lanny Frattare, Jim Rooker, Steve Blass, Kent Derdivanis |
| Saint Louis Cardinals | 1120 KMOX-MO | 130 | |
| San Diego Padres | 760 KFMB-CA | | EE |
| | 1420 XEXX-BN | | SS |
| San Francisco Giants | 680 KNBR-CA | 14 | |
| Seattle Mariners | 710 KIRO-WA | 30+ | |
| Texas Rangers | 820 WBAP-TX | 25 | |
| Toronto Blue Jays | 1430 CJCL-ON | 50+ | |



Los Angeles Dodgers 1990 Media Guide - Vin Scully, Don Drysdale, Ross Porter (English)
Jaime Jarrin, Rene Cardinas (Spanish)

| | | | | | | |
|-------------|--------------|-----------------|----------------|------------------|--------------|----|
| 550 KOY -AZ | 810 WKRM-PR | 1230 KBOV-CA | 1290 KMEN-CA | 1340 WSPF-CA | 1480 KSBQ-CA | SP |
| 610 KAVL-CA | 910 KVVA-CA | 1300 KROF-CA | 1300 KROF-CA | 1400 WSPA-VI | 1490 KYCA-AZ | |
| 690 KVNA-AZ | KOMR-CA | SP 1240 RLOA-CA | 1310 KIQQQ-CA | 1400 RTUC-AZ | 1400 KMET-CA | |
| 720 KDWV-NV | 920 KVPC-CA | 1250 KTMCS-CA | 1320 KHSJ-CA | KEYX-CA | 1510 KNSE-CA | SP |
| 790 KABC-CA | 940 KDEO-HI | a 1270 WAXE-FL | a 1330 KWKW-CA | *SP 1440 KUHJ-CA | 1560 KPMC-CA | |
| 800 KNNK-UT | 1140 KCMJ-CA | 1280 KREL-NV | SP KLOM-CA | 1450 KVEN-CA | | |

a) Selected broadcasts

Pittsburgh Pirates - Lanny Frattare, Jim Rooker, Steve Blass, Kent Derdivanis
(From Post-Gazette 4/9/90 (via G.Y.) and 1990 Media Guide (via J.R.))

| | | | | | |
|--------------|-----------------|---------------|--------------|----------------|-----------------|
| 550 WGR -NY | c 1020 KDKA-PA* | 1340 WCVT-PA* | 1440 WRRO-OH | c 1470 WZGO-PA | 100.9 WRAX-PA |
| 590 WMBB-PA | 1150 WHUN-PA | WTRN-PA | 1480 WJAX-WV | 1480 WCNS-PA | 102.1 WWOQ-PA |
| 600 WFRM-PA | 1160 WCCS-PA | 1400 WAMQ-PA | 1450 WJPA-PA | 1490 WJNL-PA | c 107.1 WEXC-PA |
| 920 WMMN-WV | 1270 WCBZ-MD | WKWK-WV | WMAJ-PA | WOHI-OH | |
| 940 WESA-PA | c 1280 WKST-PA | WKBI-PA | WFRM-PA | WGMG-PA | |
| 990 WVSC-PA | 1310 WFBF-PA | 1420 WBRD-FL | WPSE-PA | b WESB-PA | |
| 1000 WLOO-PA | 1330 WFTZ-WV | 1430 WVAW-PA | WEYZ-PA | b 1580 WANB-PA | |
| 1010 WIOI-OH | d 1340 WHAR-WV | c WEIR-WV | 1460 WMBM-PA | | |

b) The P-G list has calls WPSE; the MG list has calls WEYZ. I do not know which call is correct or whether the frequency has changed from 1450.

c) These stations are in the MG list but not in the P-G list.

d) This station is in the P-G list but not in the MG list.

Chicago Cubs 1990 - Thom Brennaman, Harry Caray, Ron Santo, Bob Brenly (via WGN)
Leon Martinez, John Morales (SP)

| | | | | | |
|--------------|--------------|-----------------|--------------|---------------|---------------|
| 560 WQAM-FL | 1060 WRHL-IL | 1370 KDTH-IA | 1470 WQSN-MI | 1590 KWBG-IA | 97.7 WFRX-IL |
| 590 WJMS-MI | 1090 KYBG-CO | KLBA-IA | WHUT-IN | WPOC-IN | 98.3 KZBA-IA |
| 640 WJYZ-TN | 1110 WYIC-IN | WERC-IL | 1480 WRSW-IN | 1600 KCRG-IA | KEMB-IA |
| 720 WGN -IL* | 1150 KCKY-AZ | 1380 KCIM-IA | 1490 WDMN-IL | WCRC-WI | 100.7 WKBM-IL |
| 740 WLWT-AB | 1200 WOPA-IL | SP 1390 KLNT-IA | WPBR-MI | 100.1 WBSZ-IL | |
| 770 KRQL-NV | 1230 KCGR-OR | 1400 WBAI-IN | 1510 WENU-IL | 94.3 WYSE-IN | 102.3 WRHL-IL |
| 810 WRKO-IL | 1250 WTJZ-IL | 1420 WOC -IA | 1540 WSNL-TN | WJNZ-IN | 104.7 WATL-IL |
| 920 WMOK-IL | 1310 KOXK-IA | 1440 WMLA-IL | 1550 WJIL-IL | WBZM-IL | 104.9 WAXI-IN |
| 930 WHON-IN | 1320 WNGO-KY | WGEM-IL | KAPE-MO | 95.9 WKUZ-IN | 105.5 KIWA-IA |
| 1010 WCSI-IN | 1330 WRAM-IL | 1450 WEZR-IN | KIWA-IA | 96.9 WLBH-IL | 107.3 WRSW-IN |
| 1020 WCIL-IL | 1340 WLAV-MI | WASK-IN | 1570 WIFF-IN | 96.7 WRVI-IL | 107.5 WCOE-IN |
| 1050 WTCM-IL | WLAN-FL | 1460 WKAM-IN | WFRJ-IL | 96.7 WMOI-IL | |
| WDZ -IL | 1350 KRNT-IA | WRIL-IL | 1580 WAMJ-IN | | |

Toronto Blue Jays 1990 Media Guide (via J.R.)

| | | | | | |
|-------------|--------------|--------------|---------------|--------------|---------------|
| 560 CFOS-ON | 900 CHML-ON | 1190 CFSL-SK | 1340 CKNR-ON | 1490 CFPB-ON | 100.9 CFBG-ON |
| 680 CJOB-ME | 910 CKLY-ON | 1230 CKMP-ON | 1350 CKAR-ON | 1570 CFOR-ON | 101.9 CKAT-ON |
| 710 CJRN-ON | 930 CKNS-ON | 1240 CJCS-ON | 1400 CKCB-ON | | |
| 730 CJNR-ON | 950 CKBB-ON | 1270 CJTN-ON | 1430 CJCL-ON* | 92.7 CIGM-ON | |
| CHYR-ON | 1050 CFYN-ON | 1280 CJSL-SK | 1450 CHUC-ON | 96.3 CFMK-ON | |
| 750 CKGB-ON | 1070 CHOK-ON | 1320 CJMR-ON | 1480 CKAN-ON | 96.7 CKGL-ON | |



Detroit Tigers 1990 Pocket Card (via D.S.) - Ernie Harwell, Paul Carey

| | | | | | |
|--------------|--------------|--------------|--------------|---------------|---------------|
| 580 WTCM-MI | 1150 WCEN-MI | 1340 WCSR-MI | 1490 WMPX-MI | 95.9 WKZC-MI | 101.1 WGRY-MI |
| 590 WKZO-MI | 1230 WSOO-MI | 1350 WGDN-MI | WTIQ-MI | 96.3 WMJZ-MI | 103.1 WGDN-MI |
| 760 WJR -MI* | WOMN-FL | 1380 WFLB-MI | 1590 WGRY-MI | 97.7 WTGV-MI | 104.7 WKUC-MI |
| 790 WSGM-MI | WCZD-MI | 1400 WOCY-MI | | 98.3 WCSY-MI | 104.9 WELI-MI |
| 850 WRBZ-MI | 1240 WCBY-MI | WQXO-MI | 92.9 WKJF-MI | WQXO-MI | 104.7 WYRX-MI |
| 900 WJWZ-MI | 1260 WALM-MI | 1430 WION-MI | 92.7 WMMQ-MI | WONT-MI | 104.9 WFYC-MI |
| 930 WBCK-MI | 1280 WFCY-MI | 1450 WNBV-MI | 93.5 WNBV-MI | 99.3 WATZ-MI | |
| 940 WCSY-MI | 1320 WDMJ-MI | WHCT-MI | 94.5 WCEN-MI | 100.9 WBRN-MI | |
| 1050 WPEA-MI | 1340 WWPZ-MI | 1460 WBRN-MI | 95.3 WRBZ-MI | 100.1 WSHN-MI | |

Milwaukee Brewers 1990 Media Guide - Bob Uecker, Pat Hughes (via J.R.)

| | | | | | |
|--------------|--------------|--------------|--------------|---------------|---------------|
| 550 WSAU-WI | 980 WPRE-WI | 1260 WUIS-WI | 1400 WRDS-WI | 1590 WTOQ-WI | 96.3 WJML-WI |
| 570 WMAW-WI | 1010 WSPQ-WI | 1430 WBCV-WI | WRDN-WI | 96.7 WATW-WI | |
| 580 WKTY-WI | 1050 WLIP-WI | 1270 WRJC-WI | WRDN-WI | 92.1 WRLS-WI | 97.1 WCOV-WI |
| 590 WJMS-MI | 1090 WISS-WI | 1290 WCOV-WI | 1440 WNFJ-WI | 92.3 WJPD-MI | 98.3 WNBH-WI |
| 620 WTMJ-WI* | 1230 WHBY-WI | 1310 WIBA-WI | 1450 KFIZ-WI | 92.7 WDXI-WI | 99.3 WIKB-MI |
| 680 WDBC-MI | WCLD-WI | 1320 WFRH-WI | WDLB-WI | WLDY-WI | WIGM-WI |
| 800 WDRX-WI | WUXB-WI | 1330 WHBL-WI | WRLO-WI | 93.7 WKZV-WI | 100.1 WDDC-WI |
| 910 WDDR-WI | 1240 WJPD-MI | 1340 WLDY-WI | 1490 WIGM-WI | 93.9 WDCR-WI | 100.9 WPCQ-WI |
| 960 WTCH-WI | WDMT-WI | 1380 WBEL-WI | 1550 WMRJ-WI | 94.3 WERE-WI | 102.3 WISS-WI |
| 970 KXTP-WI | 1400 WATW-WI | WEUR-WI | 95.9 WMMH-WI | 105.3 WRLO-WI | |
| 980 WNBH-WI | WJML-WI | WEUZ-WI | 1580 WTTN-WI | WRDN-WI | 106.3 WEVV-WI |

Chicago White Sox 1990 - John Rooney, Wayne Hagin (via CWS)

| | | | | | |
|--------------|--------------|--------------|--------------|--------------|---------------|
| 670 WMAQ-IL* | 1220 WSGA-FL | 1450 WEZR-IN | 1580 KCHA-IA | 94.3 WRCR-IN | 98.3 WIEN-IN |
| 860 WSGM-IN | 1240 WSDR-IL | 1490 WZOE-IL | | 96.7 WKXQ-IL | WBYS-IL |
| 950 WKLW-IN | WHBU-IN | 1520 WLUV-IL | 92.7 KCZY-IA | WLUV-IL | 100.1 WCCI-IL |
| 980 WITY-IL | 1320 WKAN-IL | 1570 WTAY-IL | 92.1 WROI-IN | 97.7 WFRX-IL | 105.5 WMDL-IL |
| 1170 WLBH-IL | 1400 WGLL-IL | WIFF-IN | 93.5 WITT-IL | WLQI-IN | 107.7 WRSW-IN |

IN THE BEGINNING

BY JOHN D. BOWKER

HERE IS PART OF THE FINAL LIST OF U.S. BROADCAST STATIONS PUBLISHED BY THE FEDERAL RADIO COMMISSION JUST BEFORE THE FCC TOOK OVER IN 1934. "S" MEANS SHARED; "SH" MEANS SPECIFIED HOURS; "D" IS DAYTIME; "U" IS UNLIMITED TIME, AND "T" SHOWS TRANSMITTER LOCATION.

| Frequency (kc) | Call letters | Main studio and transmitter location | Power | Time designation |
|----------------|--------------|--------------------------------------|-------|------------------|
| 610, regional | WJAY | Cleveland, Ohio | 500 w | D. |
| | WIP | Philadelphia, Pa. | 500 w | U. |
| | WDAF | Kansas City, Mo. | 1 kw | U. |
| | KFRG | San Francisco, Calif. | 1 kw | U. |

NRC Coffee Mug

Nine-ounce size ... white glass ... with NRC emblem printed in black on both sides. It's oven-proof and microwavable. Makes a great gift for a fellow DX'er or for yourself. \$6 to U. S. addresses \$6.75 Canadian. Order from the Pub Center.



The Answer Man**"No Question Is A Dumb Question"****Answers to members' questions, from the basic to the technical****R. J. Edmunds**753 Valley Road
Blue Bell, PA 19422-2052

Once again, the ANSWERMAN cometh! And, once again, a correction, hi. Last time, I said that as of about 3/1, I had nothing pending. I do have one letter with a group of questions regarding AM Stereo, which I've asked a couple of people on, but so far no success. If you're up on some of the technical and regulatory aspects of AM Stereo and would like to try to answer those, let me know, and I'll forward a copy on to you.

A few issues ago, we had a question regarding two HQ-180's which were behaving somewhat strangely. For clarity, I've elected to reprint the question along with the answer which I've just received from another member, which supplements my prior comments:

QUESTION: Both of my HQ-180A's have a similar problem. One goes dead at frequencies above 13 MHz. The other is dead on the top frequency range (15.35 - 30 MHz.). Why is this? Is there an easy fix?

ANSWER: In both cases, the problems may be traceable to bad tubes. The most likely culprits are 1) the 6BE6 first mixer, 2) the 6C4 first oscillator, and 3) the 6BZ6 first RF amp. If the cause is 1) and/or 3), a quick fix would be to switch the 6BE6 first mixer and the 6BE6 third mixer (455-60 Hz. converter), and/or switch the 6BZ6 RF amp and the 6BZ6 crystal oscillator tubes. If either problem goes away, then the first of the two like tubes mentioned in each sequence probably needs replacement. Although there are not two 6C4's in one receiver, switching those tubes from one receiver to the other will tell you if one is bad if a problem goes from one receiver to another, while the first is "cured" or if both are bad if the problems "exchange receivers".

If neither my suggestions earlier nor these work out, then either someone else may yet have some ideas, or, there may not be an easy way out.

On the more general subject of availability of tubes, don't overlook Radio Shack or something similar as a source. My preference, which I know several other members share, is amateur flea markets. If you've got the time, go early, and scoop up those tubes you really need, then go back near the end, and you may well be able to get reduced prices on others (or more of the same), or maybe even a bulk price for the lot.

QUESTION: When DX'ing on my car radio with the engine running, I often get various sorts of noises. What are they, and can I get rid of them?

ANSWER: If the noises you're hearing sound like a buzz or a popping which is directly related to the engine RPM's, then the substitution of a set of suppressor spark plugs for the standard issue ones should help. There are also suppressor kits available from various auto parts suppliers which may help. If you have a much higher-pitched noise, also directly related to engine speed (not to actual vehicle speed), then you may have either alternator whine or electronic ignition noise. I'm not certain how much of an improvement you may derive from either of the above remedies, but they're both inexpensive and worth a try. Alternator whine may also be suppressed by means of a line filter, which is familiar to radio amateurs. There may be available from Radio Shack, and would probably be available from amateur suppliers. This would have to be inserted into the power wires supplying the radio.

QUESTION: I've found that on older cars, the noise is much worse than on newer cars. I've tried every gimmick marketed to reduce noise, without much success. Moving the antenna to the back of the car, further from the engine seems to be best. Is it usually the alternator? Is the use of rebuilt or repaired alternators as opposed to new ones an issue?

ANSWER: Your initial observation about older cars generating more noise is valid, but there may be several causes. Electrical noise can come from the alternator, as well as from the distributor, the sparkplugs, or from any electrically-powered accessory. As any of these age, they can, through wear or failure, generate noise. Failure to keep the car in proper tune can contribute, too. If a part is a true, factory rebuilt, it should not be significantly noisier than new, but for dealer or other rebuilds, anything

goes. It's also possible that the radio itself may suffer from age or component failure or dust or dirt and be less resistive to noise. The only way to fairly test that is with a direct replacement unit. Finally, it pays to remember that man-made electrical noise not generated in the car is always increasing, and that newer cars and car radios must have better suppression capabilities to resist it. That, too, may account for some of the difference you see.

Speaking of moving the antenna to the back of the car, that's always preferable for AM reception. Your best mounting position for AM would be on top of either fender, as near to the tail as possible given the mechanical considerations involved. Of course, if you're concerned about picking up someone else's engine noise, maybe a mounting on the center of the trunk lid would be preferable, but the tradeoff is reduced reception from the front, due to proximity to the metal of the roof.

QUESTION: I live in an apartment, and I haven't room for a loop, and I can't string a wire antenna. Other than a used Space Magnet, what options do I have?

ANSWER: There are several. In a prior column, I discussed the concept of the spiral loop, which may be an alternative. Another alternative might be (subject to the availability of ferrite rods) to wind your own ferrite-core antenna, experimenting for wire length, using a rod length of about a foot and experimenting downward from there (thus, perhaps necessitating two rods), and amplifying it with a broadband amplifier such as the International Crystal BAX-1.

Still another might be to run an "invisible antenna" indoors. You can create a spiral loop effect by creating a spiral of fine wire taped to the glass of a window, behind a mirror, or behind a picture. You can also rig up an indoor open loop by running fine stranded wire around the baseboard of a room, starting and ending at your receiver location. If the room has a dropped acoustical ceiling (many dormitory rooms do), you can run it around the perimeter of the ceiling, using clear push pins. In all of these cases, the use of an antenna tuner [refer to the NRC Antenna Reference Manual, Vol. 1] will materially improve reception. You may choose to opt for a vertical, using a replacement car antenna, adjusting its height to suit. This, too, may be tuned.

OTHERNESS: I've received some additional information on the prior question about the Radiola III and its WD-11 tube. A reader writes that an excellent source of antique parts is Antique Electronic Supply, 688 West First St., Tempe, AZ 85281 [(602) 874-9503]. Their current catalog (available for \$2.00, which may be refundable on subsequent order) lists the WD-11 at \$35.00 and a WD-11S at \$15.00. Neither my informant nor I know what the difference between the two is, hi. They also carry all sorts of other accessories, including Radiola lamp hoods and Burgess batteries. I'd completely forgotten about them - I've received some of their catalogs before.

If you'd rather substitute for the WD-11, another reader relates that the radio will probably function as well with a type 01 or 01A, which are electrically similar, and may be more affordable, as the WD-11 was only used in production for about 3 years. Should the batteries available from the above source not be adequate, these old tubes can be powered by alkaline cells or transistor or lantern batteries, if you know the values. For the WD-11, the filament requires about 1.1 volts at 0.25 amperes; the plate requires about 45 volts, the anode 22.5 volts. (9-volt transistor batteries stacked together should suffice).

Still another option for others is a similar situation might be Antique Radio Classified, P. O. Box 802, Carlisle, MA 01741. A subscription is \$20 per year (\$30 first class). I don't know the ad rates, but you might either see something available there, or place an ad for what you might need.

Guess that should close this edition. See you next time!

73,


NRC Stationery

Now only \$5.00 for 100 sheets ... including the NRC logo and header in black ink. Order today from the Pub. Center.

Graveyard Achievements

Distance records attained on 1230, 1240, 1340, 1400, 1450, and 1490 kHz

William Hale

734 Burlison
San Marcos, TX 78666

1450 kc

Prior to Jan 1, 1960

Date of last update: Dec 8, 1989

| | | | | | |
|------|----|----------------|----------------|-------------------------|------|
| WHMA | AL | Anniston | Gene Allen | Vallejo, CA | 2062 |
| WBVO | | Bessemer | Gene Allen | Vallejo | 2011 |
| WDIG | | Dothan | Roy Miller | Bellevue, WA | 2273 |
| WFUN | | Huntsville | Roy Miller | Bellevue | 2061 |
| WLAY | | Muscle Shoals | Roy Miller | Bellevue | 2012 |
| WFDW | | Talladega | Charles Martin | Springfield Gardens, NY | 835 |
| KLAH | AK | Cordova | Roy Miller | Bellevue | 1305 |
| KAWT | AZ | Douglas | Laurie Boyer | Dunedin, NZ | 2085 |
| KFXV | | Flagstaff | Charles Martin | Springfield Gardens | 1038 |
| KNOT | | Prescott | Roy Miller | Bellevue | 7386 |
| KOLD | | Tucson | Laurie Boyer | Invercargill, NZ | 7306 |
| KUCB | CA | Blythe | Eric McIntosh | Invercargill, NZ | 1038 |
| KOWN | | Escondido | Roy Miller | Bellevue | 82 |
| KNYC | | Marysville | Gene Allen | Vallejo | 7296 |
| KPAL | | Palm Springs | Laurie Boyer | Dunedin | 7151 |
| KTIP | | Porterville | Gene Allen | Vallejo | 468 |
| KFMB | | San Diego | Laurie Boyer | Dunedin | 7115 |
| KSAN | | San Francisco | Eric McIntosh | Invercargill | 7813 |
| KDB | | Santa Barbara | Gene Allen | Vallejo | 243 |
| KSMA | | Santa Maria | Laurie Boyer | Dunedin | 7157 |
| KROG | | Sonora | Eric McIntosh | Invercargill | 586 |
| KVEN | | Yuba City | Roy Miller | Bellevue | 7736 |
| KAGR | CO | Alamosa | Laurie Boyer | Dunedin | 7918 |
| KGIW | | Greeley | Charles Martin | Springfield Gardens | 1657 |
| KYOU | CT | Trinidad | Charles Martin | Brooklyn, NY | 54 |
| WNAB | DE | Bridgeport | Gene Allen | Vallejo | 2510 |
| WILM | DC | Washington | Don Trelford | Scarborough, ON | 350 |
| WOL | FL | Daytona Beach | Gene Allen | Vallejo | 2448 |
| WNEF | | Live Oak | Gene Allen | Vallejo | 2320 |
| WMPB | | Miami | Laurie Boyer | Dunedin | 8321 |
| WBSP | | Pensacola | Laurie Boyer | Dunedin | 8358 |
| WHT | | Sarasota | Laurie Boyer | Dunedin | 8334 |
| WGPC | GA | Tallahassee | Gene Allen | Vallejo | 2227 |
| WRDU | | Albany | Charles Martin | Brooklyn | 852 |
| WBHF | | Augusta | Laurie Boyer | Dunedin | 8613 |
| WCQN | | Cartersville | Frank Wheeler | Erie | 600 |
| WKUE | | Cornelia | Frank Wheeler | Erie | 527 |
| WCCP | | Griffin | Gene Allen | Vallejo | 2160 |
| WRWC | | Hilledgeville | Laurie Boyer | Dunedin | 8546 |
| KTOH | HI | Savannah | Don Trelford | Scarborough | 801 |
| KFXD | ID | Tocconah | Gene Allen | Vallejo | 2185 |
| KPID | | Lihue | Eric McIntosh | Invercargill | 5138 |
| KKXK | | Nampa | Charles Martin | Springfield Gardens | 2185 |
| KEEP | | Payette | Gene Allen | Vallejo | 492 |
| KWAL | | Sandpoint | Charles Martin | Springfield Gardens | 2164 |
| WEHS | IL | Twin Falls | Roy Miller | Bellevue | 521 |
| WHFC | | Wallace | Gene Allen | Vallejo | 730 |
| WKEI | | Evanston | Charles Martin | Springfield Gardens | 715 |
| WCVS | | Chicago | Charles Martin | Springfield Gardens | 711 |
| WASK | IN | Keweenaw | Pete Taylor | Durham, NC | 770 |
| WAOV | | Springfield | Frank Wheeler | Erie | 513 |
| KWCR | IA | Vincennes | Laurie Boyer | Dunedin | 8016 |
| WIAS | | Cedar Rapids | Charles Martin | Springfield Gardens | 733 |
| KICK | | Ottumwa | Laurie Boyer | Dunedin | 8521 |
| KWAI | KS | Red Oak | Charles Martin | Springfield Gardens | 963 |
| WLBK | | Atchison | Gene Allen | Vallejo | 1109 |
| KWBW | | Gardene City | Gene Allen | Vallejo | 1470 |
| WLCK | KY | Hutchinson | Gene Allen | Bellevue | 1170 |
| WWXL | | Campbellsville | Roy Miller | Bellevue | 1404 |
| WPAD | | Manchester | Gene Allen | Vallejo | 2008 |
| KSIG | LA | Paducah | Frank Wheeler | Erie | 395 |
| WTKX | | Crowley | Gene Allen | Vallejo | 1834 |
| WGUU | ME | Orleans | Laurie Boyer | Dunedin | 7994 |
| WRKD | | Bangor | Eric McIntosh | Invercargill | 8210 |
| WTBO | MD | Rockland | Don Trelford | Scarborough | 528 |
| WMAS | | Baltimore | Frank Wheeler | Erie | 564 |
| WATZ | MA | Cumberland | Charles Martin | Brooklyn | 185 |
| WELZ | MI | Springfield | Don Trelford | Scarborough | 280 |
| WMBC | | Alpena | Frank Wheeler | Erie | 369 |
| WMIG | | Battle Creek | Gene Allen | Vallejo | 2056 |
| WKLA | | Detroit | Charles Martin | Springfield Gardens | 591 |
| WHLS | | Iron Mountain | Charles Martin | Springfield Gardens | 484 |
| KATZ | | Jackson | Frank Wheeler | Erie | 461 |
| KBUN | | Ludington | Frank Wheeler | Erie | 236 |
| WELY | | Port Huron | Gene Allen | Vallejo | 1832 |
| KFAM | MN | Albert Lea | Don Trelford | Scarborough | 166 |
| WLOX | | Blomdji | Frank Wheeler | Erie | 687 |
| WROX | MS | St Cloud | Gene Allen | Vallejo | 1580 |
| | | Biloxi | Gene Allen | Vallejo | 1677 |
| | | Clarksdale | Frank Wheeler | Erie | 738 |
| | | | Eric McIntosh | Invercargill | 8280 |
| | | | Laurie Boyer | Dunedin | 8259 |

KERI
AM1180

| | | | | | |
|------|----|------------------|----------------|---------------------|-----------|
| WJXN | | Jackson | Frank Wheeler | Erie | 871 |
| WTOK | | Meridian | Gene Allen | Vallejo | 1903 |
| WYAT | | Natchez | Gene Allen | Vallejo | 1810 |
| WROB | | West Point | Gene Allen | Bellevue | 2033 |
| WNBH | MO | Joplin | Gene Allen | Vallejo | 1519 |
| KOKO | | Warrensburg | Frank Wheeler | Erie | 743 |
| KRBM | MT | Bozeman | Laurie Boyer | Dunedin | 7913 |
| KUDI | | Great Falls | Eric McIntosh | Invercargill | 8095 |
| KILL | | Missoula | Gene Allen | Vallejo | 736 |
| NE | | Mt Rainier | Charles Martin | Springfield Gardens | 1338 |
| KBNE | NV | Boulder City | Gene Allen | Vallejo | 415 |
| KGIX | | Las Vegas | Charles Martin | Springfield Gardens | 2250 |
| KONE | | Reno | Roy Miller | Bellevue | 562 |
| WKXL | NH | Concord | Frank Wheeler | Erie | 430 |
| WFPG | NJ | Atlantic City | Charles Martin | Springfield Gardens | 96 |
| WCTC | | New Brunswick | Roy Miller | Bellevue | 2427 |
| KOAT | NM | Albuquerque | Eric McIntosh | Invercargill | 1707 |
| KSVP | | Artesia | Gene Allen | Vallejo | 1064 |
| KLMX | | Clayton | Ron Schiller | Monmouth Beach, NJ | 1599 |
| KOBE | | Las Cruces | Don Trelford | Espanola, ON | 1681 |
| KENM | | Portales | Roy Miller | Bellevue | 1357 |
| WWSW | NY | Glens Falls | Don Trelford | Espanola | 289 |
| WHLN | | Glens Falls | Frank Wheeler | Erie | 86 |
| WKIP | | Poughkeepsie | Charles Martin | Springfield Gardens | 6 |
| WNBZ | | Saranac Lake | Don Trelford | Scarborough | 262 |
| WHDL | | Tupper Lake | Charles Martin | Springfield Gardens | 243 |
| WGNC | NC | Gastonia | Gene Allen | Vallejo | 2286 |
| WHQP | | Hendersonville | Gene Allen | Vallejo | 2212 |
| WBUP | | Lexington | Gene Allen | Vallejo | 2340 |
| WHLY | | Newark | Frank Wheeler | Erie | 249 |
| WEED | | Rocky Mount | Gene Allen | Vallejo | 2455 |
| KLPM | ND | Minot | Charles Martin | Springfield Gardens | 1442 |
| KWMB | | Williston | Ralph Perry | Fairfield, CT | 1450 |
| WJER | OH | Dover | Frank Wheeler | Erie | 123 |
| WHDH | | Hamilton | Gene Allen | Vallejo | 2041 |
| WJBR | | Steubenville | Charles Martin | Springfield Gardens | 348 |
| KWHW | OK | Altus | Charles Martin | Springfield Gardens | 1442 |
| KGFF | | Shawnee | Charles Martin | Springfield Gardens | 1233 |
| KWRO | OR | Coquille | Don Kaskey | Omaha, NE | 1440 |
| KORE | | Eugene | Laurie Boyer | Dunedin | 7414 |
| KFLW | | Klamath Falls | Roy Miller | Bellevue | 378 |
| KLEB | | La Grande | Frank Wheeler | Erie | 1886 |
| KSRV | | Ontario | Gene Allen | Vallejo | 1886 |
| KXL | | Portland | Charles Martin | Springfield Gardens | 2445 |
| WEDH | PA | Erie | Charles Martin | Springfield Gardens | 328 |
| WFRA | | Franklin | Frank Wheeler | Erie | 50 |
| WDAD | | Indiana | Charles Martin | Springfield Gardens | 271 |
| WPAM | | Pottsville | Gene Allen | Vallejo | 2463 |
| WHAJ | | State College | Don Trelford | Scarborough | 211 |
| WKPK | | Wilkes-Barre | Don Trelford | Scarborough | 249 |
| WUSN | SC | Charleston | Eric McIntosh | Invercargill | 8798 |
| WCRS | | Greenwood | Gene Allen | Vallejo | 2255 |
| WHSC | | Hartsville | Laurie Boyer | Dunedin | 8752 |
| WSPA | | Spartanburg | Charles Martin | Springfield Gardens | 591 |
| WLAR | TN | Athens | Roy Miller | Bellevue | 2074 |
| WGTN | | Chattanooga | Gene Allen | Vallejo | 2070 |
| WRET | | Canton | Charles Martin | Springfield Gardens | 1733 |
| WDSG | | Dyersburg | Gene Allen | Vallejo | 1816 |
| WCRK | | Morristown | Gene Allen | Vallejo | 2160 |
| WGNS | | Murfreesboro | Gene Allen | Vallejo | 1981 |
| KRBC | TX | Abilene | Charles Martin | Springfield Gardens | 1535 |
| KRBC | | Beaumont | Laurie Boyer | Dunedin | 1535 |
| KBEN | | Carroll Springs | Roy Miller | Vallejo | 1791 |
| KDNT | | Denton | Gene Allen | Vallejo | 1460 |
| KCTI | | Gonzales | Roy Miller | Bellevue | 1822 |
| KSAM | | Huntsville | Gene Allen | Vallejo | 1602 |
| KMBL | | Junction | Gene Allen | Vallejo | 1380 |
| KCYL | | Lampasas | Laurie Boyer | Dunedin | 7781 |
| RNNT | | Marshall | Gene Allen | Vallejo | 1440 |
| KOSA | | Odesa | Don Trelford | Scarborough | 1479 |
| KNET | | Palestine | Charles Martin | Springfield Gardens | 1357 |
| KTAP | | San Antonio | Charles Martin | Springfield Gardens | 1583 |
| KSNY | | Snyder | Gene Allen | Vallejo | 1257 |
| KTFS | | Texarkana | Gene Allen | Vallejo | 1616 |
| KWOU | | Uvalde | Gene Allen | Vallejo | 1428 |
| KURA | UT | Moab | Gene Allen | Vallejo | 878 |
| KEUB | | Price | Gene Allen | Vallejo | 617 |
| KEYY | | Provo | Laurie Boyer | Dunedin | 7633 |
| KDXU | | St George | Laurie Boyer | Dunedin | 7410 |
| WFSR | VT | Brattleboro | Frank Wheeler | Erie | 379 |
| WTPA | VA | Front Royal | Gene Allen | Vallejo | 2379 |
| WENZ | | Highland Springs | Frank Wheeler | Erie | 381 |
| WREL | | Lexington | Niel Wolfish | Toronto, ON | 419 |
| | | | Don Trelford | Scarborough | (tie) 419 |
| WQVA | | Martinsville | Frank Wheeler | Erie | 374 |
| KBKW | WA | Aberdeen | Gene Allen | Vallejo | 630 |
| KBRO | | Bremerton | Eric McIntosh | Invercargill | 7710 |
| KCLX | | Colfax | Gene Allen | Vallejo | 1616 |
| KSEM | | Moses Lake | Laurie Boyer | Dunedin | 7695 |
| KRSC | | Othello | Roy Miller | Bellevue | 163 |
| KONP | | Port Angeles | Charles Martin | Springfield Gardens | 2491 |
| KPUY | | Puyallup | Charles Martin | Springfield Gardens | 2444 |
| KUJ | | Walla Walla | Charles Martin | Springfield Gardens | 2253 |
| WHIS | WV | Bluefield | Charles Martin | Springfield Gardens | 451 |
| WPHO | | Dartmouth | Don Trelford | Scarborough | 299 |
| WKKS | | Parkersburg | Charles Martin | Springfield Gardens | 399 |
| WQBC | | Weirton | Charles Martin | Springfield Gardens | 348 |
| WHAW | | Weston | Don Trelford | Scarborough | 329 |
| KFIZ | WI | Fond du Lac | Charles Martin | Springfield Gardens | 769 |
| WDLB | | Marshfield | Gene Allen | Vallejo | 1721 |
| WRCO | | Richland Center | Laurie Boyer | Dunedin | 8659 |
| WKRL | WY | Riverton | Laurie Boyer | Dunedin | 7890 |
| WPBP | | Mayaguez | Gene Allen | Vallejo | 3690 |
| CKOK | BC | Penicton | Gene Allen | Vallejo | 810 |

KDZA
AM 1230

CFJR ON Brockville
XESS BCN Eneenada
XECEB SON Sen Luis Rio Colorado

Frank Wheeler 164
Gene Allen 585
Roy Millar 1118
Erie 164
Vallejo 585
Bellevue 1118

1450 KHZ

Jan. 1, 1960 to present

Date of last update: Mar 17, 1990

| | | | | | |
|------|----|----------------|-----------------|-----------------------|-----------|
| WDNM | AL | Anniston | Carl Dabelstein | Overland Park, KS | 615 |
| WYAG | | Bessemer | Brian Bursack | Columbus, OH | 450 |
| WDLK | | Dadeville | Jim Renfrew | Rochester, NY | 837 |
| WDIG | | Dothan | Alan Imprescia | New York, NY | 914 |
| WFXH | | Huntsville | Carl Dabelstein | Lincoln, NE | 698 |
| W4Y | | Myrtle Shoals | Tim Kerfoot | Weston, ON | 780 |
| KLAM | AK | Cordova | Esa Hanninen | Lemmenjoki, Finland | 3491 |
| KNAP | AZ | Douglas | Gene Allen | Vallejo, CA | 870 |
| KNOT | | Prescott | Jim Hilliker | Anaheim, CA | 319 |
| KVSL | | Show Low | Robert Kramer | Chicago, IL | 1328 |
| KOLD | | Tucson | Laurie Boyer | Invercargill, NZ | 7348 |
| AR | | Mesa | Stephen Ponder | Ft Smith, AR | 59 |
| KYDR | CA | Blythe | Jim Hilliker | Anaheim, CA | 184 |
| KAVA | | Burney | Mike Hardester | NAS Miramar, CA | 631 |
| KOWN | | Escondido | Jim Hilliker | Anaheim, CA | 67 |
| KPAL | | Palm Springs | Laurie Boyer | Invercargill | 7403 |
| KTIP | | Porterville | Frank Merrill | Nenana | 2375 |
| KEST | | San Francisco | Esa Hanninen | Lemmenjoki | 4897 |
| KVNL | | Sonora | Don Keskey | San Francisco, CA | 107 |
| KVEN | | Ventura | Dale Park | Kaneohe, HI | 2538 |
| KOBO | | Yuba City | Esa Hanninen | Lemmenjoki | 4799 |
| KGW | CO | Alamosa | Frank Merrill | Milan, MI | 1222 |
| KDNN | | Buena Vista | John Wilkins | Wheat Ridge, CO | 84 |
| WGRE | | Greeley | Frank Merrill | Nenana | 2483 |
| KDRA | | Silverton | Niel Wolfish | Winnipeg | 459 |
| WNA | CT | Bridgeport | Frank Wheeler | Erie, PA | 423 |
| WRJM | | Poquonock | Steve Goozovat | Binghamton, NY | 167 |
| WILM | DE | Wilmingon | Rodney Valdron | Petit Rocher, NB | 740 |
| WOL | DC | Washington | Rodney Valdron | Petit Rocher | 835 |
| WJTB | FL | Brooksville | Jerry Starr | Youngstown, OH | 860 |
| WMT | | Daytona Beach | Andy Rugg | Montreal, PA | 1200 |
| WKSP | | Miami | Chris Lucas | Fairfield, CT | 1130 |
| WBSR | | Pensacola | Carl Dabelstein | Lincoln | 897 |
| WSPB | | Sarasota | Alan Imprescia | New York | 1042 |
| WTAL | | Tallahassee | Charles Reh | Leamington, ON | 810 |
| WCQN | GA | Cornelia | Carl Dabelstein | Lincoln | 859 |
| WHVG | | Hilledgeville | Ron Musco | Windsor, CT | 850 |
| WQGT | | Savannah | Mike Csorbay | Canfield, ON | 755 |
| WVLD | | Valdosta | John Wilkins | West Des Moines | 946 |
| KBFI | ID | Bonnera Ferry | Gene Allen | Vallejo | 860 |
| KVSI | | Montpellier | Les Carpenter | Sandy, UT | 157 |
| KORI | | Payette | Esa Hanninen | Lemmenjoki | 4416 |
| KE2J | | Twin Falls | Shawn Axelrod | Winnipeg | 928 |
| WVON | IL | Cicero | Chris Lucas | Fairfield, NC | 755 |
| WKEL | | Pease | Pete Taylor | Durham, NC | 700 |
| WCVS | | Springfield | Russ Edmunds | Petersburg, VA | 818 |
| WAFX | IN | Fort Wayne | Niel Wolfish | Winnipeg | 884 |
| WXVW | | Jeffersonville | Niel Wolfish | Winnipeg | 1021 |
| WASK | | Lafayette | Niel Wolfish | Winnipeg | 857 |
| WACO | | Vincennes | Charles Reh | Leamington | 349 |
| KCDR | IA | Cedar Rapids | Laurie Boyer | Invercargill | 8630 |
| KQWB | KS | Hutchinson | Shawn Axelrod | Winnipeg | 818 |
| WTCO | KY | Campbellsville | Russ Edmunds | Little Silver, NJ | 652 |
| WXCL | | Manchester | Jeff Falconer | Clinton, ON | 471 |
| WPAD | | Paducah | Russ Edmunds | Parsippany | 825 |
| WLKS | | West Liberty | Jerry Starr | Youngstown | 245 |
| KSJC | LA | Crowley | Roy Millar | Marysville, WA | 2000 |
| KNGC | | Natchitoches | Frank Merrill | Milan | 883 |
| WNPS | | New Orleans | Charles Reh | Leamington | 934 |
| WLKN | ME | Lincoln | Don Lynch | Wakefield, MA | 246 |
| WRKD | | Rockland | Steve Whitt | Anglesey, North Wales | 3013 |
| WXIV | | South Paris | Rodney Valdron | Petit Rocher | 340 |
| WTRB | MD | Cumberland | Rodney Valdron | Petit Rocher | 860 |
| WTHU | | Chesmont | Charles Reh | Leamington | 318 |
| WCEA | MA | Newburyport | Don Lynch | Windsor, MA | 80 |
| WMAS | | Springfield | George Walton | Easton, VA | 180 |
| WATZ | MI | Alpena | Rich Eddie | St Louis | 570 |
| WHTC | | Holland | Carl Dabelstein | Omaha, NE | 514 |
| WHIQ | | Iron Mountain | Niel Wolfish | Winnipeg | 548 |
| WIBH | | Jackson | Ron Musco | Windsor | 580 |
| WNB | | Neussary | Russ Edmunds | Parsippany | 679 |
| WHLS | | Port Huron | Ron Musco | Windsor | 605 |
| KATE | MN | Albert Lea | Niel Wolfish | Winnipeg | 512 |
| | | | Shawn Axelrod | Winnipeg | (Tie) 512 |
| | | | Gary Atkins | Louisville, KY | 805 |
| KBUN | | Bimidji | Morris Sorensen | Leaf Rapids | 755 |
| KBNW | | Brackenridge | Mike Csorbay | Canfield | 682 |
| WELY | | Ely | Morris Sorensen | Leaf Rapids | 682 |
| KCLD | | St Cloud | Andy Rugg | Waterloo, ON | 820 |
| WROX | MS | Clarksdale | Charles Reh | Leamington | 845 |
| WCJU | | Columbia | Charles Reh | Leamington | 779 |
| WJXN | | Jackson | Carl Dabelstein | Omaha | 660 |
| WOKK | | Meridian | Bill Lackey | Kingsville | 455 |
| WNT | | Natchez | Jerry Starr | Cougenstown | 388 |
| WROB | | West Point | Carl Dabelstein | Omaha | 388 |
| KFTW | MO | Fredericktown | Niel Wolfish | Winnipeg | 902 |
| WMBH | | Joplin | Niel Wolfish | Winnipeg | 730 |
| KIRX | | Kirksville | Shawn Axelrod | Winnipeg | (Tie) 730 |
| KOKO | | Warrensburg | Paul Mount | Teaneck, NJ | 1055 |



| | | | | | |
|------|----|--------------------|--------------------|-------------------|------------|
| KWPM | | West Plains | Tom Sundstrom | Willingboro, NJ | 960 |
| KXXL | MT | Bozeman | Laurie Boyer | Invercargill | 8016 |
| KUDI | | Great Falls | Esa Hanninen | Lemmenjoki | 4113 |
| KGYM | | Missoula | Gene Allen | Vallejo | 745 |
| KRBM | | Red Lodge | Gene Allen | Vallejo | 840 |
| KTXS | | Whitefish | Roy Millar | Marysville | 382 |
| KVCR | | Wolf Point | Niel Wolfish | Winnipeg | 327 |
| | | | Shawn Axelrod | Winnipeg | (Tie) 357 |
| KWBE | NE | Beatrice | Shawn Axelrod | Winnipeg | 668 |
| KONE | NH | Reno | Frank Merrill | Nenana | 2110 |
| KXXL | NH | Concord | Jeff Falconer | Clinton | 504 |
| WIIW | NJ | Atlantic City | Esa Hanninen | Lemmenjoki | 3962 |
| WCTD | | New Brunswick | Rodney Valdron | Petit Rocher | 665 |
| KLOS | NH | Albuquerque | Laurie Boyer | Invercargill | 1703 |
| KLMX | | Clayton | Frank Merrill | Milan | 681 |
| KOBE | | Las Cruces | Tim Hall | Chula Vista | 593 |
| KSEL | | Portales | John Wilkins | Wheat Ridge | 393 |
| WCLI | NY | Corning | Lynn, MA | Lynn, MA | 312 |
| WWSC | | Glens Falls | Charles Reh | Leamington | 532 |
| WHDJ | | Olean | Charles Reh | Leamington | 282 |
| WKIP | | Poughkeepsie | Rodney Valdron | Petit Rocher | 580 |
| WKAL | | Rome | Nike Csorbay | Canfield | 220 |
| WATA | NC | Boone | Robert Kramer | Chicago | 519 |
| WGNC | | Gastonia | Charles Reh | Leamington | 463 |
| WHVH | | Henderson | Andy Rugg | Montreal | 695 |
| WHKP | | Hendersonville | Frank Merrill | Milan | 469 |
| WGS | | Hillsboro | Don Lynch | Chelmsford, MA | 601 |
| WFBS | | Spring Lake | Nike Csorbay | Canfield | 585 |
| KGCA | ND | Rugby | Roy Millar | Marysville | 1034 |
| KBMW | | Wahpeton | Esa Hanninen | Lemmenjoki | 3969 |
| WJER | OH | Dover | Jeff Falconer | Clinton | 214 |
| WMOH | | Hamilton | Niel Wolfish | Winnipeg | 1003 |
| | | | Shawn Axelrod | Winnipeg | (Tie) 1003 |
| WLEC | | Sandusky | Mike Csorbay | Canfield | 184 |
| KHHW | OK | Altus | Niel Wolfish | Winnipeg | 1055 |
| | | | Shawn Axelrod | Winnipeg | (Tie) 1055 |
| KGFF | | Shawnee | John Wilkins | Wheat Ridge | 526 |
| KSIW | | Woodward | Niel Wolfish | Winnipeg | 927 |
| KXIX | OR | Eugene | Esa Hanninen | Lemmenjoki | 4479 |
| KLH | | Laath Falls | Esa Hanninen | Lemmenjoki | 4536 |
| KBPS | PA | Portland | Tim Hall | Poughkeepsie, WA | 181 |
| WGGG | | Erie | Don Lynch | Boston, MA | 460 |
| WFR | | Franklin | Chris Lucas | Troy, NY | 330 |
| WDAD | | Indiana | Don Lynch | Chelmsford | 427 |
| WMA | | Pottsville | Mike Csorbay | Canfield | 245 |
| WHPT | | South Williamsport | Frank Merrill | Toledo, OH | 357 |
| WMAJ | | State College | Rodney Valdron | Petit Rocher | 770 |
| WJPA | | Washington | Morris Sorensen | Port Carling, ON | 337 |
| WKRI | RI | West Warwick | Derek Taylor | Preston, England | 3163 |
| WQSN | SC | Charleston | Andy Rugg | Montreal | 930 |
| WCRS | | Greenwood | Frank Merrill | Milan | 545 |
| WHSC | | Hartsville | Carl Dabelstein | Omaha | 973 |
| WQDK | | Myrtle Beach | Jim Renfrew | Rochester | 655 |
| KBFS | SD | Belle Fourche | Carl Dabelstein | Omaha | 973 |
| KYNT | | Yankton | Niel Wolfish | Winnipeg | 485 |
| | | | Shawn Axelrod | Winnipeg | (Tie) 485 |
| | | | Tim Hall | Canfield | (Tie) 485 |
| WJAR | TN | Athens | Mike Csorbay | Austin | 802 |
| WDSG | | Chatanooga | Rick Carr | Milan | 531 |
| WSMG | | Greenville | Frank Merrill | Milan | 521 |
| WGNS | | Murfreesboro | Carl Dabelstein | Lincoln | 656 |
| KAYC | TX | Beaumont | Eric McIntosh | Invercargill | 8026 |
| KBN | | Carrizo Springs | Carl Dabelstein | Lincoln | 865 |
| KCTI | | Gonzales | Bill Hale | Converse, TX | 47 |
| KMBL | | Kerrville | Roy Millar | Marysville | 1680 |
| KCVL | | Lampasas | Stephen Ponder | Ft Worth | 149 |
| KNET | | Leaustine | Rich Eddie | St Louis | 620 |
| KSNY | | Snyder | Brett Hanavan | Chula Vista, CA | 942 |
| KURA | UT | Moab | Carl Dabelstein | Omaha | 761 |
| KEY | | Provo | Jim Hilliker | Anaheim | 558 |
| KDXU | | St George | Bill & Nancy Hardy | Aberdeen | 860 |
| WSDO | VT | Warren | Rodney Valdron | Petit Rocher | 410 |
| WESA | | Brattleboro | Jeff Falconer | Petit Rocher | 482 |
| WTR | VA | Front Royal | Rich Eddie | St Louis | 645 |
| WENZ | | Highland Springs | Frank Merrill | Milan | 461 |
| WREL | | Lexington | Niel Wolfish | Winnipeg | 1260 |
| WHVA | | Hartinsville | Greg Coniglio | Clarence | 439 |
| WFOG | | Suffolk | Chris Lucas | Ithaca | 400 |
| KAYO | WA | Junction | Esa Hanninen | Lemmenjoki | 431 |
| KCLX | | Colefax | Bill Hardy | Aberdeen | 306 |
| KONP | | Port Angeles | Esa Hanninen | Lemmenjoki | 4209 |
| KAYE | WV | Puyallup | Pete Taylor | San Francisco, CA | 653 |
| WBB | | Madison | Frank Merrill | Holland, OH | 272 |
| WPAR | | Parkersburg | Jim Renfrew | Rochester | 318 |
| KFLZ | WI | Fond du Lac | Morris Sorensen | Leaf Rapids | 1055 |
| WHRV | | Hurley | Niel Wolfish | Winnipeg | 441 |
| | | | Shawn Axelrod | Winnipeg | (Tie) 442 |
| | | | Niel Wolfish | Winnipeg | 525 |
| WDLB | | Marshfield | Niel Wolfish | Winnipeg | 593 |
| WRCO | | Richland Center | Shawn Axelrod | Winnipeg | (Tie) 593 |
| | | | Gene Allen | Vallejo | 915 |
| KBBS | WY | Buffalo | Carl Dabelstein | Lincoln | 620 |
| KVOW | | Riverton | Roy Millar | Marysville | 329 |
| CFCH | AB | Canmore | Roy Millar | Marysville | 458 |
| CBXC | | Coleman | Roy Millar | Marysville | 413 |
| KYVR | | Jasper | Roy Millar | Marysville | 413 |
| CBKS | BC | Cache Creek | Tim Hall | Near Ashcroft, BC | 15 |
| CHET | | Chetwynd | Frank Merrill | Nenana | 1107 |
| CBHI | | Cooper Creek | Roy Millar | Marysville | 413 |
| CHBV | | Houston | Esa Hanninen | Lemmenjoki | 381 |
| CBSP | | Sumnerland | Tim Hall | Banff, AB | 207 |
| CBG | NF | Gander | Olle Alm | Goteborg, Sweden | 2693 |
| CFAB | NS | Windsor | DXPediton* | Sheigra, Scotland | 2604 |
| CFJR | ON | Brockville | Charles Reh | Leamington | 387 |



32

| | | | |
|--------------------------------|-----------------|-------------------|------|
| CHUC Port Hope | Rodney Valdron | Petit Rocher | 660 |
| CJBM PQ Causapscal | Andy Rugg | Montreal | 240 |
| CHEF Granby | Esa Hänninen | Lemmenjoki | 3549 |
| CBMA Noranda | Morris Sorensen | Kirkland Lake, ON | 78 |
| CHRT St Eleuthere | Rodney Valdron | Petit Rocher | 153 |
| XESS BCN Ensenada | Richard E. Wood | Hilo | 3129 |
| XECB SON San Luis Rio Colorado | John Wilkins | Wheat Ridge | 739 |
| VSL BER Hamilton | Esa Hänninen | Lemmenjoki | 4179 |
| R. Antilles St Vincent | Steve Whitt | Anglesey | 4135 |

* - DXpedition: Steve Whitt, Mark Hattam, Clive Rooms

76AM KJIM
A New Kind of Talk in Denver

GRAVEYARD DX ACHIEVEMENTS UPDATE

| | | | | | |
|------------------------|----------|--------------------|-------|--|--|
| 1340: | | | | | |
| KQIL CO Grand Junction | Olle Alm | Abisko, Sweden | 4535# | | |
| ZBM BER Hamilton | Olle Alm | Göteborg, Sweden | 4740 | | |
| 1400: | | | | | |
| KAYS KS Hays | Olle Alm | Karesuando, Sweden | 4443# | | |
| KITZ WA Silverdale | Olle Alm | Abisko, Sweden | 4196 | | |

- Recalculations

Contests **George Sherman**
104 Pinewood Circle
Apple Valley, MN 55124
Promotion of the DX hobby through competitive listening.

Final Contest Standings - April 30th

| | A | B | C | D | E | F-I |
|-------------------------------------|-------------|-------------|-------------|------------|-------------|-----------|
| Robert Kramer, Chicago, Illinois | <u>5258</u> | <u>1718</u> | <u>3000</u> | 75 | 440 | 35 |
| Rick Dau, Oakland, Iowa | 4980 | 1680 | 1560 | <u>200</u> | <u>1490</u> | <u>50</u> |
| Robert Vance, Ft. Belvoir, Virginia | 2433 | 1258 | 220 | 175 | 780 | 0 |
| Dave Hascall, Fortville, Indiana | 1755 | 780 | 230 | 25 | 570 | <u>50</u> |
| Dave Johnson, Gainesville, Florida | 1135 | 670 | 0 | 75 | 390 | 0 |
| Nancy Hardy, Aberdeen, Washington | 1042 | 907 | 40 | 75 | 20 | 0 |
| Bill Hardy, " " | 710 | 645 | 30 | 25 | 10 | 0 |
| Dale Park, " | 564 | 294 | 170 | 0 | 50 | <u>50</u> |
| Mike Hogan, Burnham, Illinois | 0 | 0 | 0 | 0 | 0 | 0 |

A= total points B= state & province points C= s/oms & s/offers reported to DDXD; D="Most Likely" stations; E= other new logs; F= 1st rpt of new stn G= 2nd H= 3rd I= return

Winners are underlined. All columns are points, not number of stations. Thanks to all who participated. All contestants combined logged over 400 new stations AND provided good info to fellow DXers: new stns, schedules, formats, etc. Hope everyone had fun. I think HQ will issue prize certificates to winners. Of course, everyone who heard more stations as a result of the contest knows that this is the main reward.

Radio Roundup ... by Pete Kemp

Greetings all...Garrison Keillor is Public Radio, Hawaii's KIPO is now on the saying "Good-bye" AGAIN. His 4th Farewell air with 5,000 watts...Rudy Miller has appearance will be June 16th, over surfaced on the air in Baltimore as host National Public Radio...Dick Clark, Paul of the WCBM's 9 to noon talk-Harvey, Charles Osgood, and Frank Stanton entertainment show. Miller has are some of the personality being previously been a news anchor on WBAL-ducted into the Emerson Radio Hall of TV...The NHL's St. Louis Blues has Fame...WWWE-AM has admitted paying the decided to produce its own radio and F.C.C. \$8,000 for on-air indecent remarks television shows next season, purchasing made by former DJ Rick Dees...WTKN in airtime and overseeing all aspects of Tampa has added St. Petersburg Times production...1180 KHz. is quite a mess sports columnist Hubert Mizell to its on-air staff for 90-second sports commentaries...The University of Cuba, took to the airwaves last April Maryland, College Park, will be the politics of radio...On the future home of the Public Broadcasting international side, May 22nd marked a NEW Archives. It will house information from the Corporation for Public Broadcasting, signed a treaty to merge into one single National Association of Public Television country to be called the Yemani Stations, National Public Radio and the Republic... Speaking of Public Broadcasting Service...Speaking of

FM DX Digest **Eric Bueneman**
5002 Cross Ridge Ct.
Woodstock, GA 30188-4380
DX on the FM band, from April through September

Did support increase, or what? The E-Skip opening of May 29-June 1 was nothing short of INCREDIT-BULL, to borrow a term from Bull Information Systems, hi! It comes to show you what patience can do! Without further trumpet fanfare, on to the DX!

Todd Brandenburg-KAOKAN, 9720 N.W. 31st, Silver Lake, KS 66539: Here are my most recent catches. My receiver is a Radio Shack STA-780, vintage 1986, with 180 kHz filters, fed by an Antennacraft FM-10 up about 28 feet. Silver Lake is about 15 miles NW of Topeka, with Downtown Kansas City about 75 miles. (It's the same distance from here to Chattanooga, TN-eb.) Thursday May 31 between 2045 and 2245 CDT I logged (not in order) WJWJ-89.9 Beaufort, SC, WYFG-91.1 Gaffney, SC, WZGC-92.9 (Z-93) Atlanta, GA, 95.1 WSSX Charleston, SC (oh, my aching Charleston-ing feet, hi-eb), WAVF-96.1 Hanahan, SC, WKLS-96.1 (96 Rock) Atlanta, GA, WZZL-103.5 Charleston, SC (Contrary to the calls, the station is CWM-eb) and WPLN-90.3 Nashville, TN-all via E-Skip, and KPTS-FM 94.7 Springfield, MO which, due to a semi-local in Kansas City (KCPW-94.9-eb), I hadn't logged before. (It'll be a bigger challenge logging KSHE-94.7! My big problem is also on 94.9, named WPCB-eb) The next evening (June 1) provided another E-Skip opening yielded KDKB-93.3 Mesa, AZ (thank goodness that someone named Jessica Hahn got canned there-eb), KKFR-92.3 Phoenix, AZ and KRBM-90.5 Pendleton, OR (simulcasting KOAC-550-eb). Two meters was also open to southern Idaho, but no FM catches from there. KSRT-95.3 Wamego, KS has been silent since January 1, and I doubt that they will return to the air. I can't sneeze at four new states in two days, hi. I'll let you know what else comes up. 73's, Todd.

Paul Swearingen, P.O. Box 5711, Topeka, KS 66605-0711: I managed to acquire, at my local pawn shop, a Panasonic RF-2200 (at \$59) and a Panasonic RF-2800 (at \$69), both with hot FM sections, and neither as prone to overloading as my Sharp FV-610 or even my Kenwood KR-720 with dipole, so you may get an FM report or two from me (The new equipment is enough for this FMDXD-eb) if I get a chance to DX. 225-plus mile openings to Des Moines and other points are not uncommon, as long as I can keep the mixing products of the locals under control. Cordially, Paul Swearingen.

Bill Nienajadly, 98 Highland Ave., Clifton, NJ 07011 (two reports): April 28 trop: 0902 WNET-104.5 Wellsboro, PA with "B-104" slogan; 0952 WVOR-100.5 Rochester, NY with ID and jingle; WHOM-94.9 Mount Washington, NH with ID, new state! at 1733; April 29 trop: 0942 WJWJ-103.3 Vestal, NY with ID. May 1 trop: 2302 WRZZ-101.7 Pittsfield, MA with ID and "Z-101.7" slogan. May 6 meteor scatter DX: 1053 KFMH-99.7 Mascatine, IA with "Gates open at...Thousands in cash, there's a custom car show", mentions of the Miss Heartland Beauty Pageant, getting tickets at all Iowa and Illinois Ticketmaster outlets, an 800 number, and "A Heartland Thunderbird Memorial Day Weekend". May 5 trop: 1944 WCMS-FM 100.5 Norfolk, VA with ID; May 13 trop: 1700 WSHH-99.7 Pittsburgh, PA with "Wish 100" slogan, in for ten minutes; 1845 WXYC-103.7 Havre De Grace, MD with ID and WGMG at low power; May 7 ground wave: 0039 WZ44AS-96.7 Oakhurst, NJ relaying WHTZ-100.3, with WJAZ off. May 14 trop: 2000 WOIC-102.5 in all evening, plus Norfolk and the Del-Mar-Va peninsula; 2310 WRSP-105.7 Columbia, NC. May 18 E-Skip: 1940 WBNK-92.1 Brookhaven, MS with "B-92.1" and "B-92" slogans and local mentions; 1943 WQST-FM-92.5 Forest, MS with local mentions. May 20 trop above average all day: 2236 WMHR-102.9 Syracuse, NY and WJVE-96.1 Buffalo, NY. May 27 E-Skip: 0915 WCTQ-92.1 Venice, FL with ID; 2305 KKEG-92.1 Fayetteville, AR with ID; 2316 KCTP-FM 97.7 Yellowville, AR with ID; 2326 KNYD-90.5 Broken Arrow, OK with ID; 2345 KBEZ-92.9 Tulsa, OK with ID; 2348 WQUE-FM 93.3 New Orleans, LA with ID. May 28 E-Skip: 0000 WQID-93.7 Biloxi, MS with ID; 0005 WVMZ-95.7 New Orleans, LA with "New Mix" slogans (When will the "Mix" stations realize that WMIX is in Mount Vernon, IL [940 kHz/94.1 MHz]?-eb); 0010 WKVZ-101.7 Collins, MS with ID; 0020 KHOM-104.1 Houma, LA with ID and "K-Home" slogans; 0022 WAKH-105.7 McComb, MS (Finally, a different way to spell "Maccomb"!-eb) with ID; 0024 KRPF-FM 104.9 Abbeville, LA with ID; 0033 KBIU-103.7 Lake Charles, LA with "Bayou 104" slogans; 0047 WJTD-FM 101.3 Meridian, MS with "Q-101.3" slogans; 0101 KNTU-88.1 Denton, TX with ID, TX finally!; 0111 KTUX-98.9 Carthage, TX with ID. Trop: on the same day: 2230 Norfolk, Princess Anne, Salisbury, MD all super; 2300 Outstanding trop to the northeast yielded: 2316 WOCE-94.9 Yamouth, MA with ID and NEC TalkNet (some FMs are even doing that Bruce, Neil and Meg kind of thing, like wow, man!-eb), 2330 WPYX-106.5 Albany, NY with ID; WAAF-107.3 Worcester, MA with ID and a solid signal at 2335; 2340 WVPF-105.7 Framingham, MA with ID and a solid signal; 2350 WBOS-92.9 Brookline, MA with ID and New Age music, ex-Oldies, good signal; 2358 WJFD-97.3 New Bedford, MA with ID; May 29 Super Trop continues: 0001 WSRS-96.1 Worcester, MA with ID, solid signal; 0103 WROR-98.5 Boston, MA with ID, long wanted; 0110 WBCN-104.1 Boston, MA same as WROR;

FM Station Address Book, 3rd Edition

ONLY \$9.95 (Canada, US\$10.45) to the Pub Center (Foreign orders, please write for price)
• Listed by state, city • Includes Canadian Stations • 8.5x11 inches, 3-hole punched • Full-size type

0112 WCRB-102.5 Waltham, MA with ID; 0115 WAQY-102.1 Springfield, MA with ID; 0131 WFCR-88.5 Amherst, MA with a super strong signal; 0142 WOKQ-97.5 Dover, NH with ID over WALK-FM; 0145 WPLR-99.1 New Haven, CT way over WAWZ; 0149 WODS-103.3 Boston, MA with ID; 0248 WCGY-93.7 Lawrence, MA over WLWH with ID; 0250 WXXS-FM 107.9 Boston, MA with ID cutting into WEBS; 0300 WDST-100.9 Woodstock, NY with a strong signal. Same day E-Skip: 1900 KVTY-91.7 Dallas, TX with ID; 1903 KCBI-FM 90.9 Dallas, TX with ID; 1909 KITT-93.7 Shreveport, LA with ID; 1911 KIXK-95.9 El Dorado, AR with "Kix 96" slogan and local mention; 1915 KUTY-94.1 Fort Worth, TX with ID, ex-KOJO; NOT 94.9 as I mentioned in Sept. (Nienajadly, continued): '89 FMDXD, a mistake on your editor's part; 1919 KZPS-92.5 Dallas, TX with ID, in over one hour; 1925 KAEZ-95.3 Gilmer, TX with ID and mention of Longview; 1929 WCVU-94.5 Naples, FL with mentions of Southwest Florida and local area; 1931 WLRN-91.3 Miami, FL with ID; WAQI-FM 95.7 Homestead, FL with SS mentions of Miami at 1942 (Bill, this and WXDJ swap frequencies for certain periods during the day, you caught them at a time when WXDJ is on 98.3 in Goulds, FL, at other times, WXDJ is on 95.7 and WAQI-FM is on 98.3, and when WXDJ is on 98.3, the station calls itself "Whisper 98.3"-eb); 1946 WKZY-92.1 La Belle, FL with ID and "Cozy 92" slogans; 1957 WPOW-96.5 Miami, FL with ID and "Power 96.5" slogans; 1959 WRXK-96.1 Bonita Springs, FL with ID; 2000 KHLS-96.3 Blytheville, AR or KHEY-FM 96.3 El Paso, TX through local WQXR-FM (These are just possibilities, Bill, you do the rest-eb); 2022 KKBQ-FM 92.9 Pasadena, TX with "Q-93" and local mentions, //KKBQ-790 Houston, TX; 2018 KTSR-92.1 College Station, TX with "Star 92" mentions, ex-KTAW, WIAW-FM; WYLD-FM 98.5 New Orleans, LA with ID; 2059 KVKI-96.5 Shreveport, LA with ID; 2100 KRVS-88.7 Lafayette, LA with ID; 2101 WUSM-88.5 Hattiesburg, MS with ID; 2108 KLBQ-99.3 El Dorado, AR with mentions of Southern Arkansas and El Dorado; 2115 WCGZ-98.1 Baton Rouge, LA with local mentions and "Z-98" slogans. (Bill, at least ONE-QUARTER of the stations that you have received have been heard via trop here in Woodstock or in Hazelwood, MO!-eb) WOW! Three days of prime DX! This isn't May, by the look of things, one would figure it was mid- or late-June. May 29 goes down in my book as the best skip I have ever seen here in Clifton. That May 29 trop was almost, if not on par with the one I saw in 1983, in fact, it was better! Yes, the season is here! If this is a sample of what's ahead, I can't wait! May 6 KFMM's longest meteor burst at 16 seconds! I put more selective filters in the Sony, 110 KHZ bandwidth types, still better! Note: I'm only 12 miles from New York City FMs and only 8 miles from WFME-94.7 NJ, I get no adjacent channel interference (ACI, or splatter) with the setup I use. Good DXing, Bill.

Harry J. Hayes, 9 Henry St., Wilkes-Barre, PA 18702: The early part of May was really slow for FM DX, at least in this region. This may explain why response has been poor to your column so far, Eric. (We missed two editions of FMDXD because of poor DX conditions, not only in the Poconos, but all over the United States-eb.) Conditions really exploded after May 27, with several E-Skip openings experienced in the FM range. I am using a General Electric Superadio with a Jerrold nine-element antenna in my attic for DX. I noted some FM skip on the evening of May 27 but was visiting my family in the Pocono Mountains for the Memorial Day holiday, so I had no time to see what was coming in. Other DX: May 29 saw an opening to Southeast Texas and Southwest Louisiana: 2000 KWTC-107.9 Beaumont, TX with AC or CHR; 2005 WSHE-103.5 Fort Lauderdale, FL was in with "103-She" slogans, all Floridians faded out shortly thereafter. 2006 KHLA-99.5 Lake Charles, LA with "LA-99" slogan; 2015 KMMY-104.5 Orange, TX (call sounded like KKMZ on my tape); 2036 WEXB-97.1 New Orleans, LA with local ads; 2122 WRNO-FM 99.5 New Orleans, LA with AOR and IDs, //WRNO Worldwide. May 31 E-Skip: 2010 KOZY-105.3 Dallas/Fort Worth, TX with "Star 105.3" slogans and KOAI-106.1 Denton, TX with "The Oasis" slogan in at the same time, both were super strong, weaker than on previous occasions when Dallas/Fort Worth had opened up here was KVIL-FM 103.7 Dallas, TX at 2020. 2021 KUEZ-99.3 Lufkin, TX with AC and IDs (This became a Class C2 station last year when they increased ERP to 50 kW-eb); 2022 KPLX-99.5 Fort Worth, TX with "K-Plex" slogans; 2022 KEGL-97.1 Dallas, TX with CHR, "The Eagle" slogan; 2029 KMGC-102.9 Dallas, TX with "Magic 102.9" slogans, squeezing between Williamsport-102.7 and Freeland-103.1. I tried for 102.1, but no sign of them through my sideband from 102.3 in Pittston; 2034 KHYI-94.9 Arlington, TX with "Y-95" slogan; 2051 KLAZ-105.9 Hot Springs, AR (calls from 120/98.5-eb). June 1 E-Skip: 1940 WZTA-94.9 Miami Beach, FL with "Zeta-94" slogans and AOR; 2012 WCVU-97.5 Winter Haven, FL with "97-Country" slogans; 2025 WOLZ-95.3 from the same area, very strong with Oldies. I'm still investigating as to where this one is. (It may be in Homosassa Springs, FL-eb.) Some FM ship to the ND area experienced at 1215, but no IDs. So far, I'm happy with the skip season, but I was somewhat dismayed by the slow start this season. The past week has made up for this. Some fine TV DX has been received also. With no nearby locals on Channels 2 through 6, E-Skip DXing is a breeze here. I am still waiting for some tropes to happen That's all from the FM side.

Hank Holbrook, 407 Arundel Rd., Fair Haven Cliffs, Dunkirk, MD 20754: This log was taken with a Pioneer SX-50 and a Winegard CS-6065 with a heavy duty Channel Master rotor: May 5 (trop): WBCY-FM 98.3 Seaford, DE with Oldies, ads and local weather, ex-WXUJ. Puts in a good signal on both FM and AM, but not near as good here on 1280 kHz. (1280 is also in Seaford, with 1000/189 UI, according to the NRC AM Radio Log-eb.) Heard at 1839 ELT. This one was taken on a Realistic DX-400 with a busted whip, which outpulls the SX-50: May 20 trop: WRKE-101.7 Ocean View, DE with Oldies, ads and "101.7 Kiss-FM" slogan, ex-WOVU. These were pulled in on a Toyota AM/FM car radio: May 29 E-Skip: KUTY-94.1 Fort Worth, TX with Contemporary Christian music and ID at 2057; KQXY-94.1 Beaumont, TX with AC and ID at 2059; 2043 KHLT-94.1 Little Rock, AR with one "K-Lite" slogan, but not enough for a report; 2000 unneeded WARG-90.3 Fort Lauderdale, FL with ID. However, we're having trouble with the new system (the one with the Pioneer-eb). Apparently, trouble with the booster or lead-in. Anyway, we used to hear the Philadelphia (or, as Al Muick put it, Philthydelphia, hi!-cb) FMs daily, now I don't even hear it on a good trop opening (120 miles away). Also, this tuner

is digital and has broad tuning, so it's got to be modified for DXing. The Scott 310E was modified and has very sharp tuning. Ten days ago, we purchased a new Toyota Corolla station wagon, and it (like the old Toyota) has a fine car radio. I was going to by a Blaupunkt for the car, but this set seems to be doing fine, so we'll save \$328! (If you get another car, get a Chrysler product next time! AM Stereo/FM Stereo is standard features in all their North ~~hollbrook~~ (continued): American-built cars-eb). The Toyota used a standard whip antenna.

Eric Buenema, 5002 Cross Ridge Ct., Woodstock, GA 30188-4380: Who says FM DXing is risqué, Bill! Some info received at the FMDXD Desk: Perry Crabill (Winchester, VA) reports that WTRM-91.3 Winchester, VA has increased its power from 500 to 50,000 watts. WTRM has a REL format. WAZR-93.7 Woodstock, VA has moved here from 95.9, and has increased to 6,000 watts. WTK-95.5 Broadway, VA has moved its light Contemporary Christian programming to 96.1. WJMA-FM Orange, VA has moved to 98.9 from 96.7, and WSIG-FM 96.9 Mount Jackson, VA has applied to increase power. WSGM-FM in Staunton, VA will be moving from 93.5 to 93.1, but keep the same facilities. FM DXers should be on the lookout for these changes. Bill Alimuskas (Douglasville, GA) reports that WKFN-97.9 Oxford, AL has come on the air with an AC format. Their address is 1606 South Hale, Oxford, AL 35160. Your editor has also noted a new station on the air, WSSY-97.5 Anniston, AL, with an AC format. I have also managed to report some FM DX as of late. May 31 E-Skip: 2159 KLINE-FM 88.7 Lexington, NE with Nebraska Public Radio ID, and IDs for each station on the network; 2214 KPNY-102.1 Alliance, NE with ads for Alliance and Scottsbluff, and Oldies; June 1 (E-Skip): 1613 KWYR-FM 93.7 Winner, SD with local ads and AC/CHR, over WFBC-FM; 1620 KEWS-102.9 Sisseton, SD with local ads and an Oldies format; 1630 KPLO-94.5 Reliance, SD with ID and CWM mixing with WMOU-FM. FM totals from Woodstock now at 107. A reminder to reporters: If an FM station has a known AM, TV or SW affiliate with the same call letters, the suffix "-FM" must be used, with absolutely no exceptions. The E-Skip on Memorial Day week (May 27-June 2) shot up contributions, as well as yours truly cleaning up on VHF-TV Channel 4 in NE/CO/NM. 73 and good DX from KDX@STL/4.

Eric Buenema

PIRATE BROADCAST STATION SHUT DOWN

The FCC's Field Operations Bureau, in a coordinated effort with its monitoring network and engineers from the Chicago Office, shut down an unlicensed Illinois pirate broadcast station. Eric B. Hultgren of Rockford, Illinois, was fined \$1000 for illegally operating on 88.1 MHz, on the FM band, Hultgren's station was used to retransmit the signal of Chicago radio station WBBM-FM.

Unlicensed operation of a radio transmitter is a violation of Section 301 of the Communications Act of 1934, as amended. Sanctions may include administrative fines of up to \$10,000 and/or criminal penalties of up to \$100,000 and/or imprisonment for up to one year. Such misuse of radio frequencies is a serious offense because of its potential for interfering with safety-of-life services such as aviation, marine and law enforcement.

Station KLIM had inside story

Coverage of last week's Limon tornado has been branded with numerous electronic initials.

KCNC, KUSA, KMGH, KWGN, CNN, NBC. Name a station or a network -- nearly all have been there.

So has KLIM.

KLIM? Obviously not a big hitter in the high-powered world of initiated broadcasting.

KLIM (milk spelled backward) is a 250-watt daytime station that has served Limon (note the call letters) and the surrounding community since 1984 at 1120 on the dial.

Until last week's tornado, KLIM's sunrise-to-sunset broadcasts were highlighted by country-western music, occasional local news notes ("Nothing much happened out here," says general manager Ramona Richers) and national and international reports from the USA radio network.

But disaster in Limon changed the perception of KLIM.

Like many local business entities, KLIM was ravaged by the June 6 tornado, which knocked the station off the air and damaged its facilities. KLIM's microwave equipment was destroyed and its satellite dish "became a Frisbee."

"We found part of the dish about three blocks away from the station," says Richers.



Dusty Saunders

But KLIM, using an emergency generator, returned to the air at 3 p.m. June 7, the day after the disaster. Since that time, the station has become a voice of information and consolation for Limon area residents.

For a while, KLIM was the only electronic contact Limon residents had. Telephone lines were down and television signals weren't being transmitted. But the 250-watt station continually broadcast information about the aftermath of the tornado.

Most of the station's power has been restored, although the satellite dish still offers a good impression of a battered Frisbee.

But the station's format no longer features only music. It is continuing its regular reports from town leaders, the American Red Cross, Salvation Army and other agencies regarding what is happening in the community.

While KLIM is considered small-town radio, it does have a big-city connection: Channel 4 weatherman/anchor Larry Green.

In the aftermath of the tornado, Green says he believes Richers and the station's seven full- and part-time employees have learned important broadcasting lessons. Radio stations, no matter how small, can -- and must -- connect with the community on an emotional and informational basis during crisis.

The Rocky Mountain News via Wayne Heinen

Phasing Unit Designs: Simple to Complex ...by Mark Connelly

The use of a phasing unit to null out a dominant station (allowing other stations to be heard) can often be of considerable benefit to the DXer. By using two wire antennae and such a unit, the DXer may enjoy effects comparable to those obtained by rotating a loop. Many DXers have used phasing with great success in the last 25 years or so. Situations where a loop cannot be used (e. g. when the operating position is inside a steel-frame building, mobile home, or vehicle) are those for which phasing is most highly recommended.

Numerous articles on the construction and use of phasing units have appeared in the medium-wave DX press. This article will draw references from these previous works:

- Micro-MWDX-4A Loop-vs.-Wire Phaser (15 MAR 1989)
- MWDX-4 and Mini-MWDX-4 series Phasing Units (11 OCT 1985)

These articles give parts lists, phaser operating techniques, and construction methods useful to the phasing unit builder / user. Copies of these articles may be obtained from the reprints services of NRC and IRCA.

The purpose of this article is not to go into a point-by-point description and construction plan for a specific type of unit, but to give some design outlines that, coupled with the other articles mentioned, will allow a DXer having little technical experience to get a simple unit up and running in short order. The first design to be presented represents the bare minimum in terms of component-count and design complexity for a 2-wire phasing unit that can be realistically expected to produce nulls of "pest" stations or electrical noises in an adequate number of situations to be worthwhile. Figure 1 shows the schematic of this basic medium-wave unit. Table 1 lists the principal parts required.

Table 1: Parts List for the Basic Phaser

Vendor codes [some of these represent updates]:

- RS = Radio Shack / Many locations worldwide
- MOU = Mouser Electronics / 11433 Woodside Ave / Santee, CA 92071
- MCL = Mini-Circuits Lab. / P. O. Box 350166 / Brooklyn, NY 11235-0003
- RK = Radiokit / P. O. Box 973 / Pelham, NH 03076



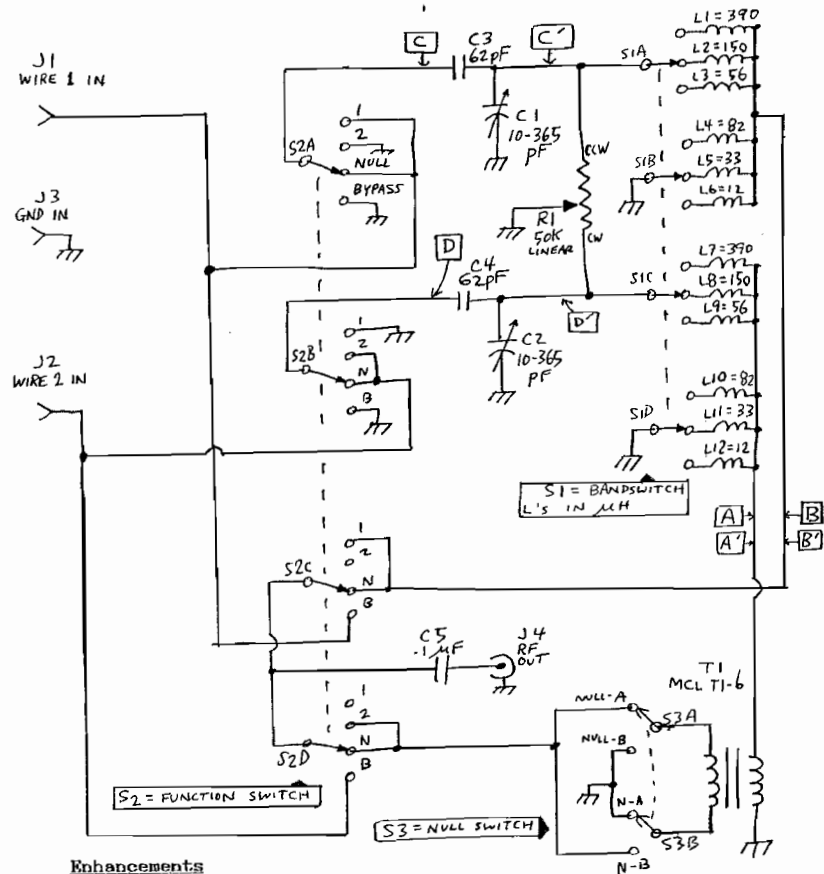
| Item | Designator | Description/Value | Vendor | Vendor Stock # | QTY |
|------|----------------------|----------------------------|--------|--------------------|-----|
| 1 | - | chassis box | MOU | 537-TF-779 | 1 |
| 2 | (for C1,C2,R1,S1,S2) | knob | RS | 274-415(or)274-416 | 5 |
| 3 | T1 | RF transformer(1:1) | MCL | T1-6 | 1 |
| 4 | C1,C2 | variable cap., 10-365pF | RK | BC-01 | 2 |
| 5 | C3,C4 | capacitor, 62 pF | MOU | 21CB062 | 2 |
| 6 | C5 | capacitor, 0.1 uF | RS | 272-109 | 1 |
| 7 | J1,J2 | red banana jack | RS | 274-662 | 2 |
| 8 | J4 | BNC jack | RS | 278-105 | 1 |
| 9 | J3 | black banana jack | RS | 274-662 | 1 |
| 10 | L1,L7 | inductor, 390 uH | MOU | 43LR394 | 2 |
| 11 | L2,L8 | inductor, 150 uH | MOU | 43LR154 | 2 |
| 12 | L3,L9 | inductor, 56 uH | MOU | 43LR565 | 2 |
| 13 | L4,L10 | inductor, 82 uH | MOU | 43LR825 | 2 |
| 14 | L5,L11 | inductor, 33 uH | MOU | 43LR335 | 2 |
| 15 | L6,L12 | inductor, 12 uH | MOU | 43LR125 | 2 |
| 16 | R1 | pot., 50K, linear | MOU | 31CT405 | 1 |
| 17 | S1 | switch/4pole/3pos.rotary | MOU | 10YX043 | 1 |
| 18 | S2 | switch/6pole/4pos.rotary | MOU | 10WR064 | 1 |
| 19 | S3 | switch, DPDT, on-on toggle | RS | 275-663 | 1 |

Miscellaneous: hardware (screws, nuts, washers, lugs, perfboard, etc.) - see MWDX-4 / Mini-MWDX-4A article (Fig's 4/5/5A & Tables 6/6 of that article) for rough estimates.

The hole list of the Mini-MWDX-4 can be used, with the following deletions: left side 1, 5, & 6; top side 12 & 13. In place of the 50K R1, two pots (R1 = 25K shunting C1, R2 = 25K shunting C2) could be used for a bit more flexibility. In that case, Mini-MWDX-4 top side holes 12 & 13 would be used.

FIGURE 1: BASIC PHASER

NOTE: LETTERS IN BLOCKS (E.G. [A]) ARE REFERENCE POINT DESIGNATORS USED IN THE ARTICLE.



Enhancements

The builder may opt for any or all of the following custom improvements:
 1 At the Figure 1 points labelled [A], [A'], [B], and [B'], break the connections and insert potentiometers and fixed resistors according to Figure 2.

FIGURE 2: DUAL LEVEL POTS OPTION

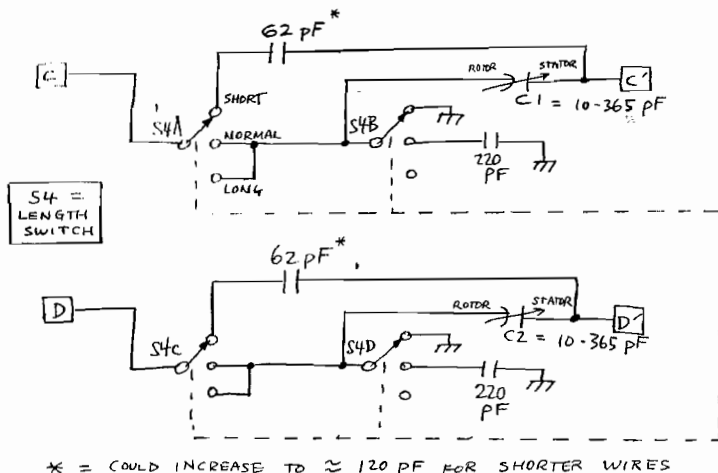


This will give more flexibility in setting up nulls. Note: these added pots control level without greatly influencing Q; therefore, they play a different rôle from that of R1 in Figure 1. They do not replace R1; rather, they supplement it.

2 Replace section [C] - [C'] and [D] - [D'] with the set-up of Figure 3.

FIGURE 3 : LENGTH - SWITCH OPTION

REPLACE SECTIONS BETWEEN FIGURE 1 [C] - [C'] AND [D] - [D'] WITH THE FOLLOWING :



The added 4-pole, 3-position rotary switch is referred to as the "length switch". Its purpose is to allow efficient coupling of longer wire antennae (e. g. over 30-m.) than the Figure 1 scheme can. Signal-to-receiver-noise ratios can be improved in some circumstances. For even a bit more flexibility, use separate length-switches for Line 1 and for Line 2 (probably not a bad idea if vertical-vs.-Beverage phasing is to be done).

Note that the two tuning capacitors "float" from chassis ground in this design variation. This entails using a bit more mechanical ingenuity during the construction process. Use of a plastic, rather than a metal, chassis box could be helpful.

3 Replace the 4-pole, 3-position bandswitch (S1) with a 4-pole, 6-position type [Figure 4A] or with a 2-pole, 12-position type [Figure 4B].

The Figure 4B set-up gives more frequency coverage than that of Figure 4A, but achievable output levels are somewhat less.

4 Add a switch (or two switches) to go from wire operation to external loop operation on one (or both) of the lines feeding the summation point. See the MWDX-4 / Mini-MWDX-4 article for such a set-up (Figure 1B of that article).

FIGURE 4A : 6 - BAND (LWBC, MW) SWITCH

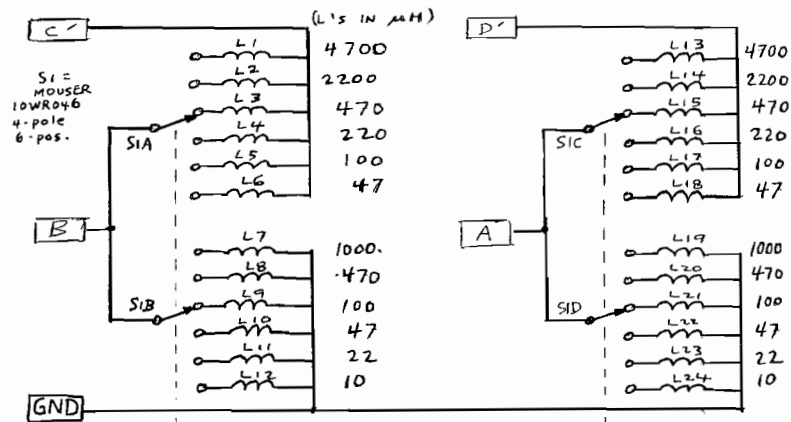
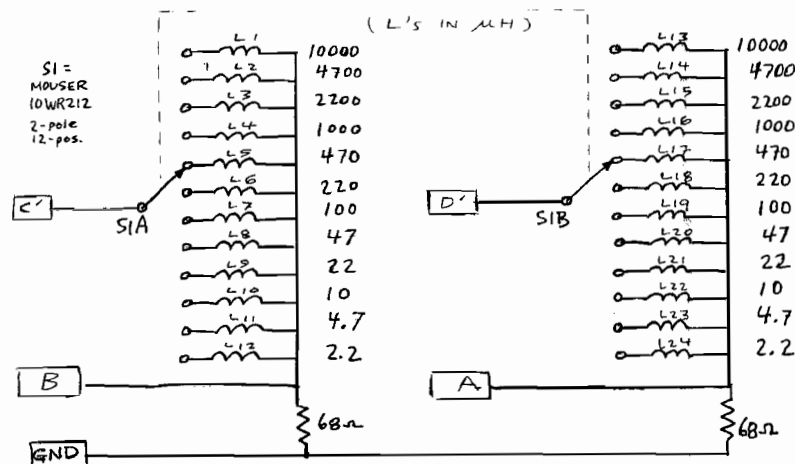


FIGURE 4B : 12 - BAND (140-7000 KHZ) SWITCH



5 Smoother / more precise tuning may be obtained through the use of vernier reduction-drive knobs (e. g. Mouser part number 45KN100) on the two tuning capacitors. The Micro-MWDX-4A article gives a detailed description of how this can be done. Note that extra holes and hardware, and more panel space, will be required. The mechanical layout should be worked out thoroughly before drill meets metal. For an even better set-up, put vernier knobs on any level-balancing and Q-adjusting pots as well.

6 An amplifier could be included in the phasing unit box (as was done with MWDX-4), or in a separate unit between the phaser output and the receiver input. An amplifier input level adjustment pot or stepped attenuator should be provided unless the amplifier module has AGC and/or an unusually high dynamic range figure. My current methodology is to put a small-signal, non-power-hungry 20-dB-gain broadband amplifier inside of the

phasing unit box (see MWDX-4) for rural-locale or shorter-than-normal-wire operation, and to use a more "muscular" (power-gobbling) amplifier, usually of high-Q tuned design, in an external box when off-channel signal levels are too high for the built-in amplifier. One could theoretically build a high-Q tuned (e. g. regenerative) amplifier into the phasing unit box, but this would increase the number of control knobs on the phasing box to the confusion-inducing level. Reduction of DXer operating efficiency would be the inevitable result.

"Active phasing"

Gain can be put between the high-impedance point of each of the two tank circuits (C1 & C2 stators) and the summation point, rather than after the summation. This would mandate the use of two high-impedance-in / low-impedance-out amp. cards (typically referred to as "front-end" or "active probe" cards). Doing this would eliminate the need for the inductive-divider set-up in the S1 bandswitch. This active-phasing concept is probably the only viable means of phasing two very short antennae (e. g. car whips). The 62 pF input coupling capacitors should be increased to over 200 pF for car whip tuning. Active phasing has been tinkered with at WALLION DX Labs, but inter-modulation distortion / crossmodulation / overloading problems have been found to be a serious limitation with typical JFET (2N4416 / MPF102) high-Z input amplifiers. VMOS FET designs and amplifiers built around "buffers" such as the National Semiconductors LH0033 and the Burr-Brown 3553 look more promising in this regard. The crunchproof front-ends, of course, get rather warm and consume much more power than a 9-volt transistor radio battery could ever deliver.

Conclusion

A very simple phasing unit design, as shown in Figure 1, can be used effectively to null out unwanted signals and allow new DX to be heard. The construction of this Basic Phaser is within the capabilities of many DXers.

With a bit more investment in time and materials, phasing units of greater complexity can be assembled. The specific enhancements chosen will tailor the unit to perform better in the ways most important to the end user (e. g. greater frequency coverage, greater sensitivity, better nulls).

DXers are always encouraged to report any research results from phasing unit experimentation. The most meaningful results, in the final analysis, are the new stations put into the logbook.

KJLA-AM goes off the air for good

The Kansas City Star
-via Jeff Lewis

By BARRY GARRON
TV-Radio Critic

Radio station KJLA-AM (1190 on the dial) shut down operations at 5:30 p.m. Friday, a victim of a fire for the property at which the transmitter and antenna are located.

The station, once known as KAYQ, played the "Music of Your Life" format of hits from 1940s, 1950s and 1960s. It adopted the format nine years ago.

The beginning of the end came on the night of May 15, when the station's 5,000-watt transmitter caught fire in the midst of a rainstorm. The transmitter was a total loss.

After more than a week on the air, the station resumed broadcasting with a borrowed 1,000-watt transmitter.

Chip Osborn II, station owner, said he nearly had found a buyer for the property at the time. He had been considering offers between \$500,000 and \$750,000, depending on financing and on the inclusion of 25 acres of land at \$300,000, made the antenna are located.

But the cost of a new transmitter, which would cost \$150,000 to \$300,000, made the proposed sale economically unfeasible, Osborn said. The transmitter caught fire and washed downstream," he said. "With that, a potential buyer also washed downstream."

The station employs 14 persons, all but two of them full time. Employees were told of the decision to go off the air

minutes before the station went black.

"I'm very sad about the thing," he said. "I wish it had come to a better end."

The lease for the studio and offices at 3435 Broadway will expire July 31. By then, all of the furniture and equipment will be sold, Osborn said.

For nearly a year, most of the programming on the station had been supplied by a satellite service from Hollywood. The station's own music library is entirely on huge reels of tape.

In the winter Arbitron survey, KJLA accounted for 2.6 percent of all listening in the area. It is the station's best winter showing in three years.

As licensee, Osborn said, he will control the frequency for at least six more months. At some point after that, he said, if the station is not sold, the frequency will revert

back to the government.

"There were some wonderful times and there were some nightmares," said Osborn, who had owned the station since Dec. 20, 1978. He said he had "the most fabulous audience in the whole wide world."

"It took real management skills to operate," Osborn said. "You couldn't afford mistakes."

"I think radio is a very tough business. You can't play your favorite records and if you play records you don't like, you question why you are playing them."

Osborn said he would keep looking for a buyer for the station. Meanwhile, Osborn will continue his work for Broadcast Marketing Group, the 11-year-old firm he co-owns. The company performs research and places advertising for radio station clients throughout the country.

More on the Realistic 12-625

By César Objío

While not being technically minded on electronics I became quite interested in the 12-625 when I read the information presented by Ray Cole about a "High Performance AM/FM Portable". Why? Because my cousin Franklin was willing to buy a portable receiver comparable to the TRF. Some years ago I ran a request in a MUSING asking to buy either a TRF, a GE Superradio or a similar one for him. Naturally nobody answered as the happy owners would not sell theirs. Perhaps because of that he became more interested on FM as he almost considered that AM was my domain. But when Ray Cole's article appeared in DX NEWS I called my cousin at once and told him about it. And he answered, "That's the receiver I need". With a friend of his who was traveling to New York some days later, he ordered one. In the meantime Paul Swearingen's article about the same AM/FM portable was published. Again I called Franklin, this time disappointed, with the sad news I had just read. But he said "Let's wait for the receiver to arrive and we'll see".

Well, the set arrived and he brought it to my home for me to see. Another disappointment. At first sight I did not think it could be as Ray Cole said and also thought about Paul's research on it. Then we commented about both articles, but we did not come to any conclusion as testing in the city with so many locals on and in a concrete and steel house, as we built them in the tropics because of the hurricanes, we could not reach to a satisfying verdict. So he said, "Next Sunday, April 22nd, we'll go to Salinas in order to make a complete test".

At nine a.m. on that Sunday we started out with the following portable receivers. I took two: my TRF and DX-400, both Realistics. Franklin also took two: an old and small AM/SW (3.8-12MHz) Toshiba 6L-451S and the already famous 12-625. After 85 kms to the southwest of Santo Domingo we arrived at the selected spot at about 11:30am. This is a place about 25 kms southwest of Bani right in front of Ocoa Bay with the Caribbean Sea right south and with the city of Barahona straight to the west, some 55 kms away across the bay.

Our comparison was a side by side test with the three receivers. I only used the DX-400 for checking freqs as I knew this one was not as good as the TRF. The first frequency tuned in was 540KHz with ABC, Santo Domingo, heard as a local (5), on the TRF and Toshiba, the same, 12-625 (3). The same on 550KHz with WPAB, Ponce and YVKE, Caracas, according to my signal strength system of measurement (from SINPO) 550KHz was 4, but on the 12-625 was less than 3. On 560KHz La Voz de la Pampa, Maicao, Colombia, on the TRF and Toshiba a 3, but on the 12-625 extremely weak, almost unintelligible, about a 1. As it was said that on the low side of the band this set is very weak I continued on, skipping several frequencies. On 660KHz, Ondas de los Medanos (with R. Universal on 650KHz as a local (5) but nulled out) on the TRF and Toshiba a 4, on the 12-625, 3. On 680KHz R. Zamba, TRF and Toshiba a 3 and on the 12-625, 1. On 710KHz WKJB, Mayaguez,

Puerto Rico, on the TRF and Toshiba it was heard as a local station, 5 (announcing AM stereo), on the 12-625, was also very good (4), but in the first two sets the nulling effect was very sharp, so much that WKJB could be effectively nulled out, and R. Capital, Caracas, was heard with a straight 3, perfectly understandable and enjoyable, on the 12-625 this one could not be heard and WKJB was always strong, even turning the set around. So far it was expected, the 12-625 was very, very weak on the lower end of the dial.

On 780KHz when tuning in R. Almirante, Maicao, Colombia, on the three receivers the station was very good. As stated in the two previous articles, as the frequency increased so did the sensitivity in this radio. Changing to 830KHz I heard HJJB, Santo Domingo, as a local (5) on the first two sets, when I nulled it I heard R. Sensacion, Venezuela, but I got nothing on the 12-625, the same situation as on 710KHz. It seems that the nulling effect and selectivity on this set are not good. On 1010KHz we noticed a slight improvement in sensitivity, even the nulling effect was a little better. R. Comercial was being received as a local on all receivers (5), and surprise, we could null it on the 12-625 and hear R. Hoyer, Aruba, underneath. Higher up it was not so good. R. Soleil, Port-au-Prince, on 1170KHz heard as 4, in the TRF and Toshiba, on the 12-625 was heard as 2. On 1280KHz R. Metropole was heard with a strength of 3 on the TRF and Toshiba, but almost nothing on the 12-625. We knew the station was there but unintelligible.

At the upper end from 1400 up only three stations were heard on the 12-625, those were: 1410 Barahona; 1550 R. Enriqueillo, Tamayo, and 1580 R. Neiba; on the other receivers we additionally heard: 1420 R. Vision, Maracaibo; 1440 R. San Juan, D.R.; 1450 an unid. Venezuelan; 1480 La Voix du Peuple, Port-au-Prince. We did not seem to find the great improvement mentioned to be noted on the higher side of the band, perhaps we weren't so lucky to buy the best of the 12-625s in stock. On the other hand something strange happened. On the Toshiba we got R. Marti very good on 1470KHz (3), but I could not find it listed in the WRTH; when we tuned on the TRF or the DX-400, nothing was heard despite all efforts. In order to check I tuned the DX-400 to 11930, R. Marti's frequency on short waves at the time, and there they were parallel to 1470KHz on the Toshiba, but I could never catch it on any of the other sets. Why? We are still wondering. Can anyone explain? R.J. Edmunds? I could not understand this, but as the Toshiba as AM/SW I thought there might be something internally that could tune R. Marti on that frequency so strong, and I could not get it on the TRF.

Oh, yes, on the FM band we compared the 12-625 to the DX-400 as I did not have another receiver at hand with this band, but it was always behind, very weak in every station it happened to tune in. Even in the DX-400 we heard stations that we could not get on the 12-625. All the tuning done on the 12-625 was with the volume knob all the way up while on the

other sets it had to be reduced very often. The quality of the sound is acceptable for a home receiver to be used as background music entertainment.

As to the state of the batteries, the ones in the TRF were Duracell bought last year, used very often, at home during blackouts and in the countryside on our trips; the same with the DX-400, they were about one year old; in the Toshiba they were also used, not new; but the ones in the 12-625 were new, bought with

the set in New York, just received.

Summing up we thought we had wasted a day with this set. But no, we had discovered something we were not looking for - that the old Toshiba was really as sensitive and selective as the TRF, on the nulling aspect it was as sharp as the TRF. The 12-625 was neither selective, sensitive or had any nulling capacity. So, I think our effort was worthwhile; while the 12-625 was not what we expected, the Toshiba was a treasure just discovered.

Bandscans

Chris Cuomo

670 Third Avenue
Verona, PA 15147-1349

Audible stations from a DX'er's location at given times.

BILL ALISAUSKAS HACKETTSTOWN, NJ CHRISTMAS WEEK 1989

| | | | |
|---------------------------|---|-----------------------------|---|
| 540 WLIX Islip, NY | 1 | 960 WPCN Mt. Pocono, PA | 2 |
| 550 WMLM Bloomsburg, PA | 1 | 970 WVDJ Hackensack | 3 |
| 560 WEAZ Philadelphia, PA | 3 | 980 | |
| 570 WMEA New York, NY | 3 | 990 | |
| 580 WHP Harrisburg, PA | 2 | 1000 WRNJ HACKETTSTOWN | 5 |
| 590 WARM Scranton, PA | 3 | 1010 | |
| 600 WICC Bridgeport, CT | 1 | 1020 | |
| 610 WIP Philadelphia, PA | 3 | 1030 | |
| 620 WSKQ Newark | 4 | 1040 | |
| 630 WEJL Scranton, PA | 2 | 1050 WEVD New York, NY | 4 |
| 640 | | 1060 KYW Philadelphia, PA | 2 |
| 650 | | 1070 WKMB Stirling | 3 |
| 660 WFAN New York, NY | 4 | 1080 WTIC Hartford, CT | 1 |
| 670 | | 1090 WBAL Baltimore, MD | 2 |
| 680 | | 1100 WGPA Bethlehem, PA | 1 |
| 690 WYIS Phoenixville, PA | 1 | 1110 WTQJ Warwick, NY | 1 |
| 700 | | 1120 | |
| 710 WUR New York, NY | 4 | 1130 WNEW New York, NY | 4 |
| 720 | | 1140 | |
| 730 | | 1150 | |
| 740 WVCH Chester, PA | 2 | 1160 WYNS Lehighton, PA | 2 |
| WGSM Huntington, NY | 1 | 1170 WBRW Bridgewater | 3 |
| 750 WMAX Olyphant, PA | 4 | 1180 | |
| 760 | | 1190 WLIB New York, NY | 3 |
| 770 WABC New York, NY | 4 | WANN Annapolis, MD | 1 |
| 780 | | 1200 | |
| 790 WAEB Allentown, PA | 3 | 1210 WCAU Philadelphia, PA | 3 |
| 800 WIPR Camden | 2 | 1220 WGNV Newburgh, NY | 1 |
| 810 WGY Schenectady, NY | 2 | 1230 WEGX Easton, PA | 3 |
| 820 WZYQ Frederick, MD | 1 | WFAS White Plains, NY | 1 |
| 830 WNYC New York, NY | 2 | 1240 | |
| 840 WYPO Stroudsburg, PA | 3 | 1250 WMTR Morristown | 3 |
| 850 WEEU Reading, PA | 2 | 1260 WHUD Trenton | 2 |
| WREF Ridgefield, CT | 1 | 1270 WDLA Walton, NY | 1 |
| 860 WTEL Philadelphia, PA | 2 | 1280 WADO New York, NY | 3 |
| 870 | | 1290 WJBR Wilmington, DE | 1 |
| 880 WCBS New York, NY | 4 | 1300 WLIR Spring Valley, NY | 1 |
| 890 | | WDMG Ewing | |
| 900 WQVI Philadelphia, PA | 1 | 1310 WZMC Parsippany | 3 |
| 910 WKGL New City, NY | 1 | 1320 WKAP Allentown, PA | 3 |
| 920 WTTM Trenton | 2 | 1330 WNYM New York, NY | 2 |
| 930 WPAI Patterson | 3 | 1340 WALL Middletown, NY | 1 |
| 940 | | 1350 WHWH Princeton | 2 |
| 950 WPEN Philadelphia, PA | 1 | 1360 WNNJ Newton | 4 |
| | | 1370 WPAZ Pottstown, PA | 2 |
| | | 1380 WKDM New York, NY | 2 |
| | | 1390 WEPK Poughkeepsie, NY | 1 |
| | | 1400 WEST Easton, PA | 3 |
| | | 1410 WLSH Lansford, PA | 2 |

42

| | |
|---------------------------|---|
| 1420 WEOJ Coatesville, PA | 2 |
| 1430 WNJR Newark | 3 |
| 1440 WNPV Lansdale, PA | 3 |
| WEDL Carbondale, PA | 1 |
| 1450 WCTC New Brunswick | 2 |
| 1460 | |
| 1470 WZKW Allentown, PA | 3 |
| 1480 WJIT New York, NY | 2 |
| 1490 WBCB Levittown, PA | 2 |
| WILC Port Jervis, NY | 1 |
| 1500 WKER Pompton Lakes | 1 |
| 1510 WAHT Amrville, PA | 1 |
| 1520 | |
| 1530 WJDM Elizabeth | 2 |

FRANK DeMINO PITTSBURGH, PA GE SUPERADIO February 20, 1990 7:00 am - 5:00 pm

| | |
|---------------------------|--|
| 540 WWCS CANONSBURG | |
| 560 WFRB Frostburg, MD | |
| 570 WKBN Youngstown, OH | |
| 590 WBBS Uniontown | |
| 600 WSOM Salem, OH | |
| 610 WTVN Columbus, OH | |
| 620 WHJB Greensburg | |
| 640 WULO Akron, OH | |
| 680 WISR Butler | |
| 690 WELD Fisher, WV | |
| 700 WLW Cincinnati, OH | |
| 730 WPIT PITTSBURGH, PA | |
| 760 WJR Detroit, MI | |
| 790 WPIC Sharon | |
| 810 WEDO MCKEESPORT | |
| 830 WKTX Cortland, OH | |
| 860 WYJZ PITTSBURGH | |
| 880 WRFD Columbus, OH | |
| 900 WHXT Canton, OH | |
| 910 WAVL Apollo | |
| 920 WMTI Columbus, OH | |
| 940 WESA CHARLEROI | |
| 950 WDIG Steubenville, OH | |
| 970 WWSW PITTSBURGH | |
| 990 WVSC Somerset, PA | |
| 1020 KJKA PITTSBURGH | |
| 1040 WSKE Everett | |
| 1050 WBTJ Butler | |
| 1060 WRCW Canton, OH | |
| 1080 WEEP PITTSBURGH | |
| 1100 WWVE Cleveland, OH | |
| 1110 WKEG Washington | |
| 1130 WASP BROWNSVILLE | |
| 1150 WKPA NEW KENSINGTON | |
| 1170 WQVA Wheeling, WV | |
| 1200 WBZY New Castle | |
| 1220 WGAR Cleveland | |
| 1230 WBPV BEAVER FALLS | |
| 1250 WTAE PITTSBURGH | |
| 1280 WKST New Castle | |
| 1290 WOMP Bellaire, OH | |
| 1300 WCLG Morgantown, WV | |
| 1320 WJAS PITTSBURGH | |
| 1340 WCVI CONNELLSVILLE | |
| 1360 WIZZ MCKEESPORT | |

| | |
|------------------------------|--|
| 1380 WACB KITTANING | |
| 1390 WFMJ Youngstown, OH | |
| 1400 WKWK Wheeling, WV | |
| 1410 KQV PITTSBURGH | |
| 1420 WHK Cleveland, OH | |
| 1430 WEIR Weirton, WV | |
| 1440 WRRD Warren, OH | |
| 1450 WJPA WASHINGTON | |
| 1460 WQBA AMBRIDGE | |
| 1470 WJYJ Farrel | |
| 1480 WCNS Latrobe | |
| 1490 WHOI East Liverpool, OH | |
| 1510 WCVX MONROEVILLE | |
| 1530 WBCW Jeanette | |
| 1550 WCLJ BRADDOCK | |
| 1570 WQTV Latrobe | |
| 1580 WPLW CARNEGIE | |
| 1600 WBBQ Wheeling, WV | |

As you may notice, this edition of Bandscans is in yet another different typestyle. This column was printed on First Publisher. I'm not sure that I like this new word processor as I can not set tabs on it, thus the signal strength column in Bill Alisaukas' scan is crooked. If anyone knows how to set tabs on this particular word processor, please let me know. I must again state: PLEASE INDICATE ALL LOCAL STATIONS (WITHIN 30 MILES/50 KM). I also would like to state that Bandscans is not a weekly column like ODX or Musings. Bandscans is printed whenever space permits. Recently, space has been limited due to the CPC tests and address changes. I make an effort to send in my column as soon as possible, usually within two weeks or whenever I get enough scans for a sizeable column. In short, a delay is expected between the time your scan is sent to me and when it gets published, especially now when OX News is not published weekly. In case anyone is wondering, no one complained. I just wanted to make this point known. Keep those scans a'comin'. 73s



Need to renew? Expired? The mailing label will tell you.

Musings

of the Members

Thoughts from NRC members ... the opinions expressed in this column are those of the individual writer and do not necessarily reflect those of the editors, publishers, or the National Radio Club, Inc.

Dave Schmidt

P. O. Box 11502

Wilmington, DE 19850

Times are local per Muse.

PETE KEMP (KZ1Z) - BOX 73 - BETHEL CT 06801

Greetings all. In a quick move, Jeffery B. Williams, son of the legendary William B. Williams, has been axed at WNEW. The station claims he was uncooperative. Williams and his mother claim it was over royalties over William B. Williams Encore shows on Westwood One. After months of searching for Lynn Samuels replacement on WABC, Joy Behar has been selected. Joy has been on the road doing comedy clubs for a while and had a series on the Lifetime Cable network for a while. Paul Harvey has been selected to be the keynote speaker at the Boston NAB Convention in Sept. St. Louis fans of Tom Snyder can now hear him live on KMOX 9P-1A. Dave Dawson is back on in the morning at KCMO. Also in Kansas City, KJLA is back on the air using a 1000 watt auxiliary transmitter located in a trailer. The stations main 5000 watt transmitter staged an unscheduled cookout 5/15.73's

MIKE HAWK - (KBØGXE) - 10212 P St. - OMAHA NE 68127

Time to muse again. Today, I've gotten assigned my novice license, KBØGXE. Had a talk with Ernie Wesolowski, local Omaha member. He gave me the local transmitter locations and some TV DX tips, and told me member Rick Dau works a block from where I live. Recent veries are from WKKD & KBRF, reports in the mail to WSLM, KJCK, CHOW, WWJ & CFAC. A few days ago, EZL was noted on 1220 at about 2330, stayed with it and it was ID'ed as WSLM on at the request of the local sheriff because of severe weather in the area. Ever since my 500th station, DX has been great with CHOW, KKOJ, WJUY, KBRF, KWLO, KULY, KJCK, KSWO, WSLM, CFAC, WSPD & KDTH as some of my new logs. 73's.

BILLY SAMPSON - 285 CHESTNUT ST. - HAMMONTON NJ 08037

It's now time for the NRC's newest silent member to become UNSilent. Today (6/7) marks my 5th year as a DX'er. It's time to report on my past, present and future in the wonderful hobby. Everything is always more fun when you're just starting out and AM DX is no exception. I sat out most of last season. Last December, all of my neighbors must have had humidifiers on at once or something, the noise level between 530-1180 was horrible. Only the very strongest could be heard above the noise. Take note, the 1220-1500 jungle was in the clear. If I can't solve my noise problem by next October, I'll be confining my DX to 1180 and above. Harmonics of local WTYO-1580 are my other problem, closing 570, 670 & 1420. Back in the glory days of '87, WMAQ would override the WTYO harmonic on some nights. I can live with the harmonic but the noise just about made my throw in the towel (Sounds like the transmitter may be close to your house?-DWS) Even though I haven't sent anything in to DDXD-E, I still enjoy reading and knowing how far the South Jersey/Philly locals were getting so far out. DX NEWS & the DX AUDIO SERVICE are excellent sources of radio info. I usually switch to TV DX in the summer months. Time to go, I'll muse again later. (Welcome Billy, will look forward to your reports!-DWS)

CHRIS CUOMO - 670 THIRD AVE. VERONA PA 15147-1349

Greetings to all once again and especially to our new Musings editor. DX here has been sluggish to say the least. WOXN-1590 is about the only new thing to report on AM. Does anyone have any shows taped of the CBS radio MYSTERY THEATRE from the 70's? I recently found a full page ad while looking through some 70's magazines. Look for a second TIS list to appear soon. All requests for information are appreciated. Bandscans are also welcomed over the summer but may be delayed due to the crowd DX NEWS's lately. Several area stations have gone all-night or extended schedules ruining some once great frequencies. WKPA-1150 is now on 24 hours. Weekends, they program variety/oldies days, simulcast their FM, WEZE 104.7 'Easy 104' at night. They simulcast 24 hours weekdays. What is confusing, the WKPA call is NEVER given during the simulcast, and the WEZE call is on 1260, this may be confusing. To Don Trelford & Bill Hale, WQTW-1570 simulcasts it's FM, WQTW-103.9, ex-WLSW. KKVV-1060 Las Vegas is apparently on the air with religion, anyone have an address? 73's & C U in Pittsburgh! (Had to cut out the shortwave stuff, Chris, don't belong in here-DWS)

ERIC BUENEMAN - 5002 CROSS RIDGE CT - WOODSTOCK, GA 30188-4380

It has certainly been a rough time, but for now it is over. On 6/5, the proposed deal to purchase KXEN-1010 fell through due to lack of investor interest. We worked hard, it was a noble effort, which didn't pay off.

The good thing in DX is that Radio Taino is off 1160. Now WJJD is very loud and KPHM is heard in their null. The bad thing is that it is on 1180, messing up reception of WOWO-1190, which I listen to for oldies, as well as meaning up WJNT/WHAM on 1180. And a hearty welcome back to Dave as Musings editor, I still have those DX NEWS's when I sent in some hot DX from my days in Hazelwood, MO, trips to San Diego in '83 and the Mid Atlantic States in '84. 73's. (Eric, we had to do some editing of your report, as true as it may be about first time buyers on radio stations (I've been in that boat also), space limitations just didn't permit it to be printed. May I suggest that you channel your efforts to-ward publications such as BROADCASTING and RADIO WORLD and RADIO ONLY, where a true editorial could be put together. DWS)

ED MITKUS - RT 2 BOX A 108 - ZIONVILLE NC 28098

Thought I'd send in a Musings to welcome Dave as editor! (Don't let that be the only reason-hi!-DWS) Did indeed reach my goal of 576 heard at this location (up to #583), with WROV-1240 being the one heard 4/24 9:40 pm. Also heard WMTY-1090 on nights with 25 watt other high lites, WBVY-930 4/24 10:50 pm, WOBM-1160 5/18 10:10 pm very strong with Mets baseball. Called and talked with news department, report off. Conditions very strange on 5/18, allowing WBVP-1230 to slide in with local news at 11:05 pm before Tom Snyder. Called and spoke with the "Person on Duty" for 25 minutes about radio and mentioned the NRC! One of my best graveyarders here in NC. With summer here, DX takes a backseat to baseball listening, Phillies on WCAU! Also have worked on the outside antenna system, I now run the wire up to the metal "hog wire fence", 660' worth! Really does help. 73's.

PAUL MOUNT - BOX 126 - LINCROFT NJ 07036

I became aware of WWRV-1330's lower site change in a recent Muse from Staten Island's PETE CLARIUS. I decided to challenge myself to find it. There were several ways to go about it, I could call them and see if they would tell or ask JERRY STARR to tell me their listed coordinates. But that wasn't scientific enough, I prefer to use the direction finding techniques like I used to find WNRV's new site about 3 years ago. All I needed was my car radio (with the antenna down), my Realistic TRF and a north Jersey map. Through various areas, signals were checked and DF'ed, and the signal improved greatly as I approached my parents house in Teaneck. At times, music was noted behind the WWRV signal (WWRV was in Spanish). What is this? In utilizing the scan mode and memory of the car radio, it appears the WWRV signal is coming from the WWDJ-970 sight. It was WWDJ's music I was hearing with WWRV's talk! Perhaps WWRV had to move quickly and there was a makeshift antenna sharing arrangement set up and put on before all the hump were worked out. Luckily, they aren't a pest, I no longer live in Teaneck. A few months back, I speculated on what happens of AT&T and I parted company. Well, the bad news is no dream driving trip around the country. The good news is that I got a new job at a different site within the company and now live in Monmouth County. The nearest stations that are on at night at WJLK-1310 (12 mi.) and WCTC-1450 (17 mi.). Daytime WPTG-1410 is 11 mi., but has a bad signal (they don't get out very well). Coincidentally, the close local I would have gained in Teaneck is the nearest one I lose, in moving the OLD WWRV site would have been 9 mi. FM is equally joyous with mostly class A's as my nearest local, NY/Philly are listenable also. Of course I will keep separate logs as the move was about 50 miles SSW of Teaneck. Not quite far enough east for the salt water effect. I plan to see old friends and make new ones in Pittsburgh this September. In case no one answered this, the DDXD UNIT mentioned WPIL on 1360 is WIXZ, as I heard a similar promo for the Western Pennsylvania Interscholastic League (ie: high school sports). Russ Edmunds: Cities in Question (#24, p22), the closest I could find to Green Valley WV was the Green Valley Inn located on WV-25 near Mt. Clair and both Creek. Their phone never answered. No luck on Homeland Park, NC. Cannonsburg, KY is in the Ashland/Huntington market near US60/164. Mint Hill NC is a large suburb of Charlotte. 73's. (Paul's new location in Monmouth County was a very hot spot for DX back in the 60's, it'll be interesting to see just what hits his wire this season! Would you be interested in an R390A?-hi!-DWS)

STEPHEN H. PONDER - 273 Sellers Park Drive - Shreveport, LA 71115

Greetings once more from sunny, sultry Louisiana! Yes, contrary to what you may have read or heard, I am still alive and kicking, hi. It's been YEARS since my last Muse so I thought I'd give it a whirl once more. My wife and I had the opportunity to vacation for a week in the Mexican tourist-trap known as Cancun recently. I have never seen a place like that before! Beautiful beaches, gorgeous aqua blue water, and hundreds of persons trying to sell you anything and everything! Don't believe what you heard about Cancun being dead from being hit by Hurricane Hugo. While we were there, we

counted seven new resorts being built just down from where we were staying. Any, to the DX: I heard 3 Mexican stations - XEYI-580 in Cancn, XERB-810 in Cozumel (new frequency, ex-1170), and another Cancn station on 880 (I never got a clear ID to determine the last letters in their call, drats). I heard 5 Cubans - CMKV-600 Rebelde, CMKP-900, CMBN-1270 Radio Caribe, CMJY-1430//CMJP-1440 Radio Surcos. Also, I heard the Radio Mart outlet from Florida on 1180; they boomed in all day and all night! There was an AFRTS outlet on 1420 that came in at night; I surmised that this could be AFRTS-Fort Davis, Panama (if so, my 1st Panama station). I heard 2 Colombians - HJAJ-760 RCN-Barranquilla, and HJSB-870 CARACOL Barranquilla. Plus, I hear 2 stateside stations - KWKH-1130 Shreveport, LA, and KYOK-1590 Houston, TX. This will be my last Musing from this address. I will be moving in a few days to Houston, TX, where I will be working for a NASA sub-contractor on the new Space Station FREEDOM. I hope to be able to DX and Muse more often down there, hi! CU Later, and Good DX.

DAVE SCHMIDT - BOX 11502 - WILMINGTON DE 19850

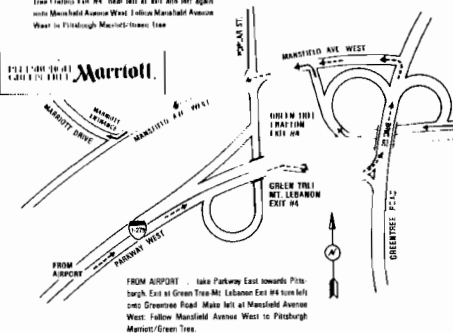
That's everything thru 6/19, going out on the last call collection at the Wilmington PO (8 PM). While looking for the WINX-1600 f/c on 6/18, Spanish was noted way atop the frequency right after midnight, could this be PLANO, TX or a format change for someone else? It was at a strong level, way over WWRL. The sideband narrowing NRSC-1 is suppose to be in and operational for ALL AM's by 6/30/7/1. If you note a drastic drop in sideband noise from your locals and a little more of a "muffled" sound, it's likely in. If they're hooked up right, sideband splash (as we know it) should be drastically cut. 73's

Join the Target DX revolution!

What's the best time to hear that elusive station...can you actually still hear a station from the opposite coast...if you hear one station in a city, can you expect to hear another? Help yourself by making requests for information...help others by sharing your experiences through Jim Renfrew's "Target DX" column. There's strength in numbers and shared information...and what better way to DX than by DX'ing "smart"? Send your requests and tips to Jim at 61 Wilcox St. - Rochester, NY 14604-3832.

Convention-goers...if interested, please write "bus tour" after your name on the registration form below and send \$5 in a separate check or money order from the registration fee for a bus tour of Pittsburgh, tentative station tour, and KDKA XR tour (bus departs Marriott at 11 am Saturday and returns at 4 pm). You may obtain your ticket when you arrive at the hotel. Refunds only if tour is cancelled; no refunds if you cancel while at convention. Send your \$5 check made payable to "NRC".

FROM PITTSBURGH: Take Parkway West to Green Tree (Exit 46). Turn left at exit and left again onto Mansfield Avenue (West). Follow Mansfield Avenue West to Pittsburgh Marriott's Home Base.



NATIONAL RADIO CLUB 1990 CONVENTION REGISTRATION FORM (please print)

NAME _____
 ADDRESS _____
 CITY _____ STATE/PROVINCE _____
 ZIP/POSTAL CODE _____ PHONE _____
 ARRIVAL DATE/TIME _____ DEPART DATE/TIME _____
 MODE OF TRANSPORTATION _____



Pittsburgh!

NATIONAL RADIO CLUB 1990 CONVENTION
 Friday August 31 Monday September 3



Rated in 1985 as America's "Most Livable City" (#3 in 1989), the "Steel City", for the first time ever in club history, is proud to host the National Radio Club's 1990 Convention! Besides being home to the "Pioneer Broadcast Station of the World-KDKA", here are some of the many places our city has to offer: the spectacular view of the city from Mt. Washington, riding the Monongahela & Duquesne Inclines, shopping/browsing in Station Square, the Buhl Science Center, Heinz Hall for the Performing Arts, the Carnegie Museum, Pittsburgh Zoo, our 3 major universities: Carnegie-Mellon, Duquesne, and Pittsburgh(Pitt), the Pittsburgh Playhouse, Point State Park, Pitt Stadium(Pitt vs. Ohio U. Saturday), 3 Rivers Stadium (Steelers vs. Eagles 8 PM Saturday/ Pirates vs. Phillies 1:35 PM Monday)...

Our convention will be held at the 4 star Greentree Marriott just outside the city off I-279(Parkway West). The Marriott features 2 night clubs (Cahoots, with oddies!, & the relaxing Chats), plus 2 swimming pools, tennis courts, weight room, and whirlpool! Greater Pitt services major airlines while the Marriott offers free transportation to and from the airport (courtesy phones in the baggage area). Also, arrangements will be made for anyone coming by bus or train. Those coming from the eastern U.S. by auto please note that rush hour traffic begins to get heavy by 2-3 PM to 7 PM on I-376(through the city) on weekdays(Friday). An alternate route is the Turnpike, I-70 west, to I-79 north, then I-279 north Pittsburgh exit -or- the Turnpike to I-79 to south Perry Hwy exit, to I-79 south, bypass-do not exit onto the I-279 south Pittsburgh exit, but again exit at I-279 north Pittsburgh.

All reservations (\$40.00 single room/ \$55.00 doubles plus 9% tax) must be made directly with the Greentree Marriott no later than August 10th, 1990. You may use the motel's toll free number: 1-800-525-5902. Mention the "National Radio Club" for this special rate. After August 10th, reservations will be accepted only if rooms are available. Check in time is 3 PM Friday and checkout by 1 PM Monday. Please note that any roommate pairings are up to the individuals. Reservations will be held until 6 PM Friday, then to guarantee a reservation for arrival after 6, a one night deposit or major credit card will be required. Also, the Marriott will have 4 handicapped rooms available.

The registration fee is \$30.00 U.S. and must also be sent by August 10, 1990. To pre-register, send a check payable to the "National Radio Club" to John R. Malicky, 995 Shadycrest Road, Pittsburgh, PA 15216-3023 and please mark "NRC 1990 Convention". Also, for Visa/Mastercard users, you may use the NRC Credit Card Service either by phone at 608-423-4159 7-11 PM Eastern Local Time (no collect calls) or by mail to NRC, P.O. Box 24, Cambridge, WI 53523-0024. Please remember to state card type (Visa/Mastercard), card number, expiration date, name as it appears on the card, and evening phone # (in case of a question or two). Do not call the NRC Credit Card Service for hotel reservations, only registrations.

The registration will include the Saturday night Banquet, Sunday morning Brunch, snacks, pop, beer, morning donuts and coffee, and a special "Pittsburgh" spread of sandwiches on Friday! Tentatively, the convention will also include a slide show, a speaker, trivia quiz, displays, tech talks, free "goodies", a bumper sticker contest, the business meeting, and the ever famous NRC Auction! At present, we are hoping to line up a station and bus tour of the city with a small fee charged. More details when they become available. Any auction items and general items (radios, etc.), UPS or US mail, may be sent to 995 Shadycrest Road, Pittsburgh, PA 15216-3023, please mark on box if for auction, "NRC Auction Items".

SEE YOU IN PITTSBURGH!!!



**"Most Livable City"-Rand McNally

Pitt