



# DX NEWS

*the magazine of the  
National Radio Club*

— SINCE 1933 —

VOLUME 53    ISSUE 15    January 20, 1986

**DDXD Column Change** Effective with the next issue, DDXD column will be split into two smaller columns. DDXD - East will be headed up by Dave Schmidt. DDXD - West will be headed up by Nancy Hardy. The imaginary division line will be as follows. DDXD - East will consist of reports from members living in the Central, Eastern, Atlantic time zones. DDXD - West will consist of reports from members living in the Mountain, Pacific and points west. For those of you living in the center of the U.S. you may report to the one that serves your area better. Nancy Hardy's address is: 2301 Pacific Ave., Aberdeen, WA 98520-4527. Dave Schmidt's address can be found on Page 5. I'd like to welcome Nancy on board, and now lets put her to work!! And now Dave, can take a slight breather each week with a somewhat lighter workload. Right Dave? (Quit laughing, Dave)

Page 14 starts the first part of an article by Mark Connelly, "The MWT-1 : A Medium Wave Tuner / Preselector with Regeneration Capability". Part 2 to this article will be in next weeks issue.

#### CPC TESTS --- Times listed are EASTERN Local Time

Jan 28 WIFX-1000 Jenkins, KY 0130 - ??? Program will consist of tones, music,  
Tuesday IDs. Last tested w/NRC on 10/18/71 !! Reports to: Don Mussell, CE, Box 312,  
Jenkins, KY 41537. Arranged by John R. Malicky for the NRC.

Feb 10 WDCT-1310 Fairfax, VA 0100-0200 Program will consist of tones, IDs and music.  
Monday 1000w ND 0100-0130, 5000w DA 0130-0200. Reports to: Dave Schweikart, WDCT Radio,  
Box 1310, Fairfax, VA 22030-1310. Arranged by Dave Schweikart himself. (Thanks  
Dave - HQ)

Feb 10 KURL-730 Billings, MT 0200 - ??? Test will be run with Proof of Performance  
Monday test. Reports to KURL, Box 31038, Billings, MT 59107 Arranged by Wayne  
Heinen and Ken Chatterton for the NRC.

Feb 11 WIFX-1000 Jenkins, KY 0130 - ??? Program will be same as Jan 28th test.  
Tuesday Reports go to the same as listed above.

Mar 31 KPCR-1530 Bowling Green, MO 0300 - ???, Voice, Code ID's, and music will be  
Monday used. Reports to: J. Paul Salois, President, KPCR Radio, Box 1, Bowling Green  
MO 63334 Arranged by Wayne Heinen and Dan Bartek for the NRC.

#### LOOK INSIDE:

- |                 |                                     |                        |
|-----------------|-------------------------------------|------------------------|
| 2.....AM Switch | 3.....Kanadian Korner               | 4.....Formats          |
| 5.....DDXD      | 8.....IDXD                          | 10.....Top End         |
| 11.....Bandscan | 13.....Sports Networks              | 14.....The MWT-1 Tuner |
| 20.....Musings  | 24.....NRC Addresses and Your Name! |                        |

Issue	Masthead Date	Pub Session Date	Issue	Masthead Date	Pub Session Date
16	January 27	January 19	23	March 17	March 9
17	February 3	January 26	24	March 31	March 16
18	February 10	February 2	25	April 14	April 6
19	February 17	February 9	26	May 5	April 27
20	February 24	February 16	27	June 9	June 1
21	March 3	February 23	28	July 14	July 6
22	March 10	March 2	29	August 18	August 10
			30	September 22	September 14

# AM SWITCH

Jerry Starr, c/o WHOT Radio, 401 N. Blaine Ave., Youngstown, OH 44505

### CALL LETTER CHANGES

Old call:	New call:	Old call:	New call:
1030 WBDX TN	White Bluff WHRD	1360 WISV WI	Viroqua WVRQ
1230 WNHX NH	Berlin WAXC	1380 WSFL NC	Trent Woods WWMG
1250 KXET TX	San Antonio KUKA	1530 WRXV ME	Auburn WTME
1270 WQSI TN	Portland WHRP		

### APPLICATIONS FOR NEW STATIONS

- 900 NM Santa Fe: 2500 D1
- 1020 SC Blythewood: 2500 D3 (reapplication)
- 1570 SC Quinby: 2500 D1

### GRANTS FOR NEW STATIONS

- 1250 CO Fraser: 5000/5000 U4

### APPLICATIONS FROM EXISTING FACILITIES

- 710 WKRG AL Mobile: night power to 1000
- 860 WSBS MA Great Barrington: power to 2200
- 1130 KRDU CA Dinuba: 5000/10000 U4 (higher power at night is correct)
- 1220 KLPW MO Union: power to 740 D1
- 1410 KCAL CA Redlands: night power to 4000
- 1530 WKDC IL Elmhurst: power to 400

### GRANTS TO EXISTING FACILITIES

- 1580 WEYY AL Talladega: city-of-license to Oxford, AL; relocate XR

### OTHERNESS

As noted previously, we now have access to the FCC's AM Database and have begun the slow task of crosschecking every Log entry with this information. As we unearth Log corrections they will appear here, not necessarily in any specific order. Otherness entries from the Database will be noted with a "u".

- 570 \*App AZ Munds Park: application for new station returned
- 610 WRUS KY Russellville: fulltime CP is 2500/500 U2+
- 620 WRND CT Windsor: CP here is 500/1000 U4+
- 640 \*New GA Atlanta: antenna is U4+
- KGWV MT Belgrade: antenna is U4+
- WFNC NC Fayetteville: CP here is U5+
- WNOW TN Blountville: CP is for 5000/1000 U4+
- WMSO TN Collierville: power is 10000/250 U2+
- 660 WMOO CA Fairhope: antenna is U4+
- KGDP CA Orcutt: antenna is U4+
- WVAL MN Sauk Rapids: power of CP is 10000/250+
- KSKY TX Balch Springs: fulltime CP is for 10000/500+
- 670 \*New CO Commerce City: antenna is U2+
- WWE FL Miami: power is 50000/1000+
- 700 KRMW CO Silt: antenna is U4+
- 720 KSAH TX Universal City: power is 10000/1000+
- 740 WLWI AL Montgomery: power is 50000 D3+
- 750 WYHV NY Canton: power is 5000/1000+
- WRGE PA Olyphant: antenna is D3+
- KAMA TX El Paso: antenna is U4+
- KOAL UT Price: antenna is U2+
- 760 KJIM CO Thornton: antenna is U4+
- WJEA FL Palm City: 2500/250 U4+
- \*New FL Brandon: power is 5000/1000+
- 770 KPLA CA Riverbank: power is 50000/1000+
- KATL MT Miles City: antenna is U2+
- 820 WRFA FL Largo: antenna for CP is U4+
- 830 KNCO CA Grass Valley: 5000/1000 U2+
- 990 KRKS CO Denver: application for 500 watts nights returned
- 1070 WAPI AL Birmingham: application for 10000 nights returned
- 1210 KASY VA Auburn: application for 50000 watts daytime returned
- 1270 WWES VA Hot Springs: station is silent
- 1500 KBJC AR Jacksonville: formerly silent as KIEL, is back w/oldies/black
- 1530 WTME ME Auburn: formerly silent as WRXV is back on with REL format

**FOR SALE:**  
 Mobilization \$442 incl. \$100 Collins  
 #105 shortwave covrs Q1, 530 bph. T  
 O'Laughlin, WERN, 821 University Ave.  
 Madison WI 53704, 608 266 6667

73 and Good DX,  
*JMS & BKF*  
 Jerry Starr & Buffalo K. Fooneman

# KANADIAN KORNER

John Oldfield, 7135 129A Street, Surrey, BC V3W 6T4

### AM Station News from Canada

- 560 BC CHTK Prince Rupert will part-twin CPTK-590 Terrace (twin is CKTK-1230).
  - 610 BC CJAT Trail ID: Kootenay Broadcasting Service
  - 740 NF CBMB St. Fintan's 1prt is OFF. CBC service now via CBNC-FM.
  - 740 NF CBNM Marystown is OFF as of Oct. 31. CBC told CRTC re public notice #1985-250
  - 840 BC CKBK 100 Mile House granted CP(ex 1240) & 500w. nights.
  - 870 BC CFEV Smithers granted CP(ex 1230) & 500w. nights.
  - 850 NF CCHO again denied freq. switch with 560-CHCM.
  - 1210 AB CB.. Elk Island National Park 20w. U1 TIS in French.
  - 1230 BC CB.. Yoho National Park 20w. U1 TIS in French.
  - 1230 BC CFEV Smithers moves to 870.
  - 1240 BC CKBK 100 Mile House moves to 840.
  - 1340 NF CPGB Goose Bay(Happy Valley) is off! See 740(CBNM). Same notice. Both 740 & 1340 are now on FM only. Will the locals miss them?
  - 1490 ON CKOA Arnprior is on (NS-NRC) twinning CKOB-1400 Renfrew. "Ottawa Valley Radio"
  - 1490 BC CB.. TIS in English at Yoho Nat. Park...another easy one! 20w. U1
  - 1540 AB CB.. TIS in English at Elk Island Nat. Pk. 20w. U1...just east of Edmonton.
- Not much happening 'way up here, but we must keep the rumors flowing.

NHL Toronto Maple Leafs: CJCL-1430 Toronto, CKBB/CKCB 950/1400 Barrie/Collingwood, CFXR-830 Brockville, CHUC-1450 Port Hope, CJNR/CKNR/CKNS 730/1340/930 Blind River/Elliott Lake/Esplanola.

Stuff: CJCB-1240 Yellowknife gets a twin, but aaah, it's on FM at Hay River. Westcom Radio Group bought CPGM-1320/CILQ-FM. These are the nice people who bring you stuff like: CKNV/CPMI, CHQR, CJOB/CKIS, CHML/CKDS, & the NHL Canucks.

### High-Powered Cuban Action On 710, 1160 kHz

Within the past two weeks, Cuba has put out new high-powered AM signals on 710 and 1160 kHz, although there's still been no attempt to interfere with Radio Marti on another channel.

The 710 kHz action is an apparent attempt to jam the signal of WAGU-Miami. Formerly WQBS, the station launched a Spanish format three weeks ago that reportedly takes a hard anti-Castro stance. In response, Cuba has started simulcasting **Radio Rebelde** from Santa Clara Island on 710 at power the FCC says may be as high as 100 kw. An annoying buzzing tone is aired on the channel in Havana proper. Despite reports of a new 100 kw signal on 1160, three of the four U.S. stations on the channel — KSUS/Lake City, WJDI/Chicago, and WKCM/Hawesville, KY — told RAR they were unaware of any problem and have had no new interference complaints in recent days.

### Overplay gets DJ suspended

BETTER HEARING NEWS 19 DECEMBER

DAVENPORT, Iowa (AP) The morning announcer at a radio station was placed on an indefinite suspension with pay Tuesday after playing the song "Grandma Got Run Over By A Train" 27 times in less than 3 1/2 hours.

WLIH station manager Larry Rosmilso said Jack Daniels had continued to play the song in defiance of program director Ray Randall's orders. Rosmilso said the disc jockey had been suspended indefinitely "pending a review of the situation between myself and management." Daniels said he'd been "kind of depressed" on Monday, and wanted to change the pace of Tuesday show. "That (Monday) was the worst pro-

from I'd ever done and I wanted to do something different to get me and everybody else in the Christmas spirit. So I decided to play this song during my whole show," Daniels said. The song, by the duet of Elmo and Patsy, is about a grandmother who, after having a little too much eggnog, goes out her door and is run over by Santa Claus and his reindeer.



JOHN F. EHRHART

### John F. Ehrhart, former WSUN newscaster

By **ROMAINE KOSHARSKY**  
 St. Petersburg Times Staff Writer

John F. Ehrhart, a newscaster who worked as a reporter for WSUN in 1961, died of complications from a stroke Sunday (Jan. 5, 1986) at St. Anthony's Hospital. He was 65 and lived at 3890 49th Ave. S.

Before coming here in 1961, Mr. Ehrhart was the news director for radio station KTLN in Denver, where he was responsible for placing the first "news cruiser" on the streets for on-the-spot reporting and special events.

His reporting background included covering former presidents Harry S. Truman and Richard Nixon, and he was also given regular assignments from United Press International for special features.

After leaving WSUN in 1962, Mr. Ehrhart accepted a

position as news director for WMTV in Madison, Wis. He retired to St. Petersburg in 1967 from Murfreesboro, Tenn., where he was general manager and president of WMTS-AM and FM radio stations.

A native of Altoona, Pa., he was educated at Tulane University in New Orleans and at the University of Georgia.

He served during World War II in the Armed Forces Radio Service and after the war was employed by the Armed Services Radio Station KFG as a civilian.

Survivors include his wife Joyce; two daughters, Teresa and Eileen, and two sons, John and Jay, all of St. Petersburg; his stepmother Viola Ehrhart, and two grandsons.

International Association of Mortuary Services is in charge of arrangements.

VA FOR TOMLIN'S

# FORMATS

Tony Fitzherbert, 356 Jackman Avenue, Fairfield, CT 06430

Welcome to the first Formats column of the new year. We are grateful to Dave Braun, of Dover DE., for his update, while listening on a trip through the Danville, VA., area. Also, I add a few of mine, discovered while on a visit to Boston, and a couple of northern Metro Boston stations while gathering information for two profiles. One new owner complained for an hour about his station, its pattern, and its physical facilities, until I asked him how much he wanted for the place! It takes all kinds for the broadcasting profession to function... and that is what makes it interesting. Wonder what I would have done if he quoted a price.....And now for the show.

- 540 WETC NC Wendell - CWM(DB).
- 550 WDRV NC Statesville - Ad. Con(DB). (TP)
- WICE RI Pawtucket - Ex-WJMG, with oldies, call came from 1290.
- WSVA VA Harrisonburg - MOR(DB).
- 580 WLES VA Lawrenceville - CWM(DB).
- 590 WOTM NC Wilson - CWM(DB).
- 600 WFST ME Caribou - REL(TP).
- 630 WIRC NC Hickory - CWM(DB).
- 710 WZOO NC Asheboro - CWM(DB).
- 770 WLWL NC Rockingham - T40/Oldies(DB).
- 780 WCBK NC Dunn - CWM(DB).
- 790 WTNC NC Thomasville - CWM(DB).
- 800 WCCM MA Lawrence - CNN feed, magazine format(TP).
- 900 WODY VA Bassett - CWM(DB).
- 1050 WBRG VA Lynchburg - CWM(DB).
- 1070 WGOS NC High Point - Ad. Con.(DB).
- 1110 WVNH NH Salem - UPI News, Nostalgia, BBD, last reported CHR format lasted but a few weeks, is a restoration of the prior format, ID'd as "Timeless Radio"(TP).
- 1150 WBAG NC Burlington - MYL(DB).
- 1190 WSNL NC Burlington - REL(DB).
- 1320 WARA MA Attleboro - MOR, CNN News(TP).
- WDER NH Derry - CHR, Talk from 0600 to 1800 weekdays, (TP). Christian programming from 1800 to 2300 sign off and all day Saturday and Sunday.
- 1370 WHEE VA Martinsville - MOR(DB).
- 1380 WTOB NC Winston-Salem - MOR "Stardust Stereo"(DB).
- 1420 WMYN NC Mayodan - CWM(DB).
- 1450 WJBX CT Bridgeport - Mix of CHR and oldies, and a great old rock show from 1900 to 2400 on Sunday, PD told me that as long as he is there, there will be no silent period(TP).
- 1490 WLOE NC Eden - T40(DB).
- 1540 WYNC NC Yanceyville - CWM(DB).
- 1550 WARD PA Pittston - Observed on this frequency, on 1-1-86, is "News Talk for the Great Northeast", in well at my location(TP).
- 1590 WARV RI West Warwick - Rel, now operating from new 3 tower array right next to I95 in Warwick, must be fulltime(TP).
- 1600 WRNC NC Reidville - CHR(DB).

And, that is it for now. If you have any changes for the formats column, do get them in. It has been sort of quiet lately. But if you tune into 1160 in Salt Lake and hear disco on the "Hot K, the West's Official Dance Music Station", send it in - we would all like to know.

73's.

**1986 World Radio TV Handbook** The 1986 WRTH is now available for prompt shipment. The retail price is \$19.95 in the USA. Until further notice, you may order copies at \$20 each plus \$1 Book Rate shipping and handling regardless of the number of copies. For First Class Mail, enclose \$23 for the first copy and \$21 for each additional copy. Orders, with check or money order payable to **CENTURY PRINT SHOP**, should be mailed to: Century Print Shop, Don Erickson, 6059 Essex St., Riverside, CA 92504-1599. Inquiries welcome at (714) 687-5910. Back copies of WRTH, 1981 through 1985, may be ordered at \$12 ea., 2/\$20, postpaid, mix or match years. California residents, please add 6% sales tax to ALL orders.

# DOMESTIC DX DIGEST

Dave Schmidt, 42 Chelwynne Road, Castle Hills, New Castle, DE 19720

Here is the NRC column which has always moved ahead in time, until today, we're back to using a manual typer as our monitor has given up on the computer. Life in the big time, folks. When sending your items in, please type or neatly write, use one side of the paper, EST, skip a line between items, nothing over a month old. Here we go:

- \*\*DX TESTS\*\*
- 1370 KPJM ND GRAND FORKS - 12/16 0109-0135 various TT, believe heard male chorus version of America the Beautiful about 0123 but that was tentative. (KVJ-GA).....Not heard due to strong WSPD. (WPT-LC)
- \*\*SPECIAL\*\*
- 790 W7ZX AL LINEVILLE - 12/26 1727-1730 noted here ex-1540 w/female anc'r, AL weather summary, full data s/off. Loud o/loop-ed WBBM, thru splash from local WPIC-790 on PSSA.(JS-OH)
- 1360 WRSR NY BINGHAMTON - Now on these calls w/rock oldies format, ex-WKOP. (SG-NY)
- 1520 WWKB NY BU-FALO - 1/3 2311 noted on new calls, ex-WKBN. Still makes many 'KB-15' ID's. (DS-DE, VIC-PA)
- \*\*MIDDAY - MIDNIGHT\*\*
- 630 CFCO ON CHATHAM - 12/17 1630 very strong w/ID, rock music, ID, accident report. (SG-NY)
- 640 WMSO TN COLLIERVILLE - 12/30 1740 w/Love 64 ID's, no Cuba. (ED-NC)
- 690 WZAP VA BRISTOL - 12/21 1710 poor u/noise w/weather, temp. in 'Downtown Bristol'. (LM-NY)
- 730 WLIL TN LENOIR CITY - 12/29 1718-1734 ID w/beautiful S9 signal.(JS)
- 760 KMTL AR SHERWOOD - 12/30 1730 gospel music, ID, PSA, no WJR, way o/Cuban. (ED-NC)
- 770 WLWL NC ROCKINGHAM - 12/26 1638 Top 40 music, NC Net. news, so loud, no need to null WABC. (JS-OH)
- WJMW AL ATHENS - 12/26 1708 atop looped WABC w/weather, CW music, after WLWL fade, getting to be a regular, OC still noted on at 1753 check. (JS-OH)
- 790 WRUM ME RUMFORD - 12/17 1820 good, briefly o/u WEAN/CKSO w/promo, CW music. (LM-NY)
- 810 WQIZ SC ST GEORGE - 12/28 1700 o/WGY w/s/off. (SG-NY)
- CJVA NB CARAQUET - 12/29 2145-2215 strong o/u WGY w/French & English music, news/weather in French on hour. (SG-NY)
- 820 KBOA MO KENNETT - 12/26 1737-1744 strong w/Top 40 type music til s/off, mentioned 10kw power in s/off. (JS-OH)
- 860 WRFL OH WORTHINGTON - 12/19 good o/WCBS w/Yule concert promo, weather report. (WPT-LC)
- KRVN NE LEXINGTON - 12/30 1600 o/Cuban w/ID, no WCRS. (ED-NC)
- 890 WHNC NC HENDERSON - 12/14 1715 weak but readable w/s/off giving power as 1000 watts w/55.3 watt PSSA. (SG-NY) Maybe a PSA, if this was a PSSA, they'd be on at least til 1800.(DS)
- 910 WRNL VA RICHMOND - 12/18 2238 atop jumble w/Christmas music, and IL. (MD-WA)
- 940 WKGM VA SMITHFIELD - 12/21 1605-1611 ID w/mention of Newport News, spiritual type music. (SG-NY)
- WECO TN WARTBURG - 12/30 1720 long wanted, booming in w/ads, CW music, IL. (ED-NC) Speaking of WECO, wonder what has happened w/TOM C. lately? A VAPOR SYNDROM candidate?
- 950 WXGI VA RICHMOND - 12/21 1616-1621 sports, ID as 'The All New WXGI, I-95' then clustered ads. (SG-NY)
- 960 WYGR TN LAFOLLETTE - 12/30 1718 atop w/gospel music, ID. (ED-NC)
- WFLI CT NEW HAVEN - 12/26 1608 fair/good w/IL. (WPT-LC)
- 990 CBW MB WINNIPEG - 12/17 2255-2315 generic CBC IL, news, regional weather, battling w/WNYR then losing. (SG-NY)
- WVSC PA SOMERSET - 12/21 1550-1556 good w/many ads, end of Steelers game. (LM-NY).....12/28 1430 atop usually loud WT16 w/American Country Countdown. (JS-OH)

**WFEN**  
1160 AM  
Fenton, Michigan

MAILING ADDRESS  
P.O. Box 391  
Fenton, MI 48430  
Donald Christ. General Manager

1020 UNIL 12/26 1800 w/talk, news, call sounded like it began w/a K so obviously something from the west coast, very strong, any ideas? (Pooneman) Here's a bus ticket, take a ride and find out, you tryin' to get me in trouble?

1030 KHOG AR FARMINGTON - 12/30 1755 o/WBZ/WXSS w/CW music, ID. (ED-NC)

1150 WCMR ME SKOWHEGAN - 12/23 1612-1616 ID as Country CMR, promo for local church christmas program featuring real sheep playing their own parts! (SG-NY) No comment....(DS)

1160 WAMB TN LONELSON - 12/30 1630 long sought, w/news, ID. (ED-NC)

1170 KVOO OK TULSA - 12/30 1815 way o/WTTVA w/mention of losing listeners to east of Tulsa. (ED-NC)

1190 CHTN PEI CHARLOTTETOWN - 12/17 1915-1930 fair/good w/several ID's, ads, sports, 'Music of Today & Yesterday'. (SG-NY)

1200 WAGE VA LEESBURG - 12/27 1722-1733 atop w/news, ads, 'Skyscan weather' and Top 40 music. (LM-NY)

WBCE KY WICKLIFFE - 12/30 1700 in clear w/ID. (ED-NC) (LM-NJ)

1260 WYLC LC WASHINGTON - 12/26 1742 very good w/ads, PSA, standards.

1300 WKCY VA HARRISONBURG - 12/28 fair in WGRG null w/CW music w/ female anc'r, 1642. (LM-NJ)

1310 WSLW WV WHITE SULPHUR SPRINGS - 12/26 1620 up briefly thru WVIP w/ad, jingle/ID. (LM-NJ)

1320 WKAP PA ALLENTOWN - 12/27 1528 fair w/WNYM-1330 splash w/weather, MYL music, 'Galaxy of Stars' promo. (LM-NJ)

1350 WNIS VA PORTSMOUTH - 12/27 1539 fair/good w/WNLK w/net. ads, promo, Talkradio in Tidewater ID. (LM-NJ)

1360 WIXZ PA MCKEESPORT - 12/27 1544 fair u/noise/WNNJ w/CW music, female anc'r, Country & Proud of It ID. (LM-NJ)

1370 WKMC PA ROARING SPRINGS - 12/27 1558 poor u/noise/WKDM-1380 splash w/standards, jock chatter. (LM-NJ)

1390 WRSC PA STATE COLLEGE - 12/26 1710-1716 fair o/u WCSC/WFBL w/ad, Lions football news, Sportline promo. (LM-NJ)

1400 WDNV NY DANVILLE - 12/26 1700 fair w/ID, ABC news. (LM-NJ)

1410 WHTG NJ PATONSTOWN - 12/27 1214 fair w/WPCP w/MoR music, ID. (LM-NJ)

1450 WWSO NY GLEN FALLS - 12/27 1651 poor thru noise w/ID, holiday music. (LM-NJ) Which holiday, easter?

1470 WFSR KY HARLAN - 12/30 1625 clear w/ID, CW music. (ED-NC) (SG-NY)

1510 CKOT ON TILSONBURG - 12/17 1600 up briefly w/ID, temp. then gone.

1550 WCCZ FL NE SMYRNA BEACH - 12/22 1731 poor but alone w/message for church services. (MD-VA)

1570 WBUX PA DOYLESTOWN - 12/28 1607-1610 fair u/noise w/ads, weather. (LM-NJ) The noise MAY have been WBUX! (DS)

1580 WJIK NC CAMP LEJEUNE - 12/22 1715 good, well stop w/partial data s/off, 15 minutes late. (MD-VA)

WSRF FL FORT LAUDERDALE - 12/22 1725 good, well stop w/gospel music and ads, new format? (MD-VA) Likely....

WPGC MD MORNINGSIDE - 12/26 1642 good w/rock music, ID. (LM-NJ)

WKVO OH COLUMBUS - 12/27 1628 fair w/B/Sol music, 'Rhythm of the City ID, cash giveaway promo. (LM-NJ)

1600 WUNI WV WHEELING - 12/29 1740-1802 good on 50.5 watt PSSA til s/off, usual MoR/MYL stuff. (JS-OH)

\*\*MIDNIGHT - MIDDAY\*\*

750 WSB GA ATLANTA - 12/23 0118 noted off this AM. (KVJ-GA)

890 WLS IL CHICAGO - 12/23 0155 noted off this AM. (KVJ-GA)

960 WJPC IL CHICAGO - 12/30 0355 PSAs, B/Sol music, ID. (KVJ-GA)

1240 WENK TN UNION CITY - 12/30 0120 weather, ID, Top 40 music. (KVJ-GA)

1270 UNID 12/28 0050 very weak s/off w/SSB, who? (LM-NJ)

1350 WXCL IL PEORIA - 12/30 0309-0336 w/ID, CW music, weather, ad. (KVJ)

KRNT IA DES MOINES - 12/30 0315 Top 40 music, promo for Best Newstip (win a big \$13.50), ID. (KVJ-GA)

WSLR OH AKRON - 12/23 0038 fair w/CKAR w/CW music, ID as Whistler. (LM-NY) (WPT-DC)

1370 WXXI NY ROCHESTER - 12/16 0108 xlnt w/s/off w/America the Beautiful

1390 WCSC SC CHARLESTON - 12/23 0110 fair u/WFBL w/Top 40 music, FM mention. (LM-NY)

1400 WROZ IN EVANSVILLE - 12/30 0144 CW music, jingle/ID. (KVJ-GA)

1450 UNID 12/30 0251-0300 News in Spanish, read Radio Reloj style, w/time pips, pips between stories, ideas? (KVJ-GA)

WMPJ FL DAYTONA BEACH - 12/23 0103 s/off w/Sunshine Radio mention, religious format. (KVJ-GA)

WSPB FL SARASOTA - 12/30 0300 ID mentioning Weeks Broadcasting and 24 hour service, CBS news. (KVJ-GA)

1470 WRBD FL POMPANO BEACH - 12/23 0624 B/Sol music, ID. (KVJ-GA) Remember what their calls stood for? Hockin' Big Daddy many years back? (DS)

\*\*OUR GANG\*\*

JS-OH/Jerry Starr, Hubbard, OH/HQ180, Loop, LV  
 LM-NJ/Laura McCusker, Hillsdale, NJ/Superadio  
 LM-NY/Laura McCusker, Kingston, NY/Superadio trio  
 SG-NY/Steve Goozovet, Binghamton, NY/RP2600  
 WPT-DC/Bill Townshend, Washington, DC/Fortevision, DX160  
 MD-MA/Marc DeLorenzo, Holliston, MA/Ge World Monitor, LW  
 KVJ-GA/Karl Jeter, Stone Mountain, GA/HQ150, TRF, Assort. Bev's  
 ED-NC/Ed Mitkus, Zionsville, NC/RP2600, LW  
 IS-DE/Yer Editor!

That's it for this week, and we'll see you in 73 '73's *Joe*

RADIO, TV OWNERS

# Objections Filed With FCC Against WJET's Bid To Acquire FM Station

By JERRY TRAMBLEY  
 Times-News Staff Writer

Three owners of Erie television and radio stations have filed petitions with the Federal Communications Commission asking the FCC to deny Jet Broadcasting Company's bid to buy the license of WSEG-FM on Friday, Jet filed its own response to those petitions to deny.

Jet Broadcasting owns WJET-AM and WJET-TV and said in its application it would get rid of the AM station if allowed to purchase the FM license that now is owned by the Seggi Broadcasting Company.

SCS Communications (WSEE-TV), K & K Radio Broadcasting Limited Partnership (WLKK-AM and WXKC-FM) and Burbach Broadcasting Company (WEYZ-AM and WCKC-FM) all asked the FCC to reject the application.

The dispute over whether Jet should be able to, in effect, exchange its AM station for an FM station centers around the FCC's "multiple ownership" rules which essentially forbid one owner from owning both a television and a radio license in the same market.

Since Jet owned a TV-Radio combination before the rules went into effect, the FCC allowed the combination to continue under what are referred to as "pre-existing" or "grandfather" rules.

The petitions to deny also argue that the transfer of WSEG's license to Jet is not in the public interest.

Jet Broadcasting's response includes 42 pages arguing the points raised in the petitions to deny and another 68 pages of attachments in support of the company's position.

Jet claims that in exchanging its AM license for the FM license, little would change, except that a financially troubled FM station would be saved for Erie and, according to Jet's filing, it would apply to become the Emergency Broadcast System station for the Erie area and do a better job than is now being done.

The WJET-AM license would apparently be transferred to either Mercyhurst College or Gannon University, both of which have expressed an interest in acquiring the AM station, according to Jet's president, Myron Jones. His declaration is attached to the company's response. Jet

argues that the big loser, if its petition were denied, would not be Jet, but the local educational community, which would not get the AM license.

The stations which asked the FCC to turn down Jet's application for the WSEG license have five days to respond to the latest Jet filing, then the FCC will decide the case.

It is unlikely that the commission will make any decision on the matter until sometime in January 1986.

VIA MARSHALL LIGLIE

Denver is talking about an escalating on-air feud between two local radio talk personalities, Kent Hamblin of KOA-AM and Peter Boyle of KNUS-AM. In fact one local TV-radio writer has gone so far as to urge both men to tone down the rhetoric, suggesting such on-air hysteria contributed to the shooting death last year of Denver talk host Alan Berg.

ERIE TIMES-NEWS 12/23/85

Pirate hunt. FCC announced it has shut down pirate radio station, "ksmr" Minneapolis, which was operating on 105.1 mhz, unassigned FM frequency. FCC also said it had information indicating other pirate stations operating in Newark, Del.; Hollywood, Fla.; Pierce, Ala.; Lake City, S.C.; Green Bay, Wis.; Cincinnati; Waterbury, Conn.; Long Beach, Calif.; Ponca City, Okla.; San Francisco; Waynesboro, Va.; Gorham, Me., and Minneapolis. Anyone with information that would help FCC locate pirates should contact engineer in charge, FCC, Box 1588, Grand Island, Neb. 68802-1588; (308) 382-4296.

## INTERNATIONAL DX DIGEST

Chuck Hutton, 437 Hardendorf Ave., Atlanta, GA 30307

Times are GMT

For ELT subtract 5 hours.

Deadline: Monday

- 164 FRANCE Allouis 12/29 0225 through dimmer noise with FF talk and pop mx. (Connelly)
- 535 GRENADA Morne Rouge 12/29 0137 calypso mx; a great signal and a fun pgm. (Connelly)
- 540 VENEZUELA Villa del Rosario YUOV 12/29 0142 TC, Maracaibo mentions. YUOV was dogfighting with another LA believed to be HICM. (Connelly)
- 550 VENEZUELA Caracas YUKE 12/29 0136 Caracas mentions and SS ads; big signal, dominating channel. (Connelly)
- 555 ST. KITTS Basseterre 12/20 0147 Caribbean EE talk by woman, fair to good signal (audio level was low). (Connelly)
- 570 CUBA 12/29 0612 Reloj pgm Killing WMCA. (Connelly)
- 580 PUERTO RICO San Juan WKAQ 12/29 0125 SID, SS talk at local-like level. (Connelly)
- 630 PUERTO RICO San Juan 12/29 0127 fast, spirited SS LA mx, "Cadena GBS" ID. Loud and totally dominant. (Connelly)
- 655 EL SALVADOR San Salvador YSS 12/29 0529 SS pop mx then SS talk by man. (Connelly)
- 670 VENEZUELA Caracas YULL 12/29 0132 SS ads, including one for a Chevrolet dealer in Maracay. Low pitched het noted from something on approximately 670.3 KHz. (Connelly)
- 705 ST. VINCENT Kingstown 12/29 0233 calypso mx fair to good, regenerative tuner used. (Connelly)
- 738 SPAIN Barcelona 12/29 0555 noted w/bits of SS talk. (Connelly)
- 770 COLOMBIA Bogota HJKH 12/29 0243 uptempo SS mx and RCN ID's atop WABC. (Connelly)
- 780 SPAIN synchros 12/29 0525 SS talk, then Bing Crosby doing "Silver Bells". Loud signal. (Connelly)
- 780 VENEZUELA San Cristobal YUOD 12/29 0248 ID "Transmitiendo Ecos del Torbes" then other SS talk. Booming signal, clearly atop channel. Murmurs noted underneath included calypso (probably ZBVI), SS reverberated screaming (Radio Sonorama) and a BKB game on WBBM. (Connelly)
- 783 PORTUGAL Miramar 12/29 0600-0601 4 pips, pause then a fifth pip. This followed by march (anthem?) then PP talk. Apparent s/on - to good peaks. (Connelly)
- 790 CUBA 12/29 0557 station w/Reloj pgm demolishing WEAN. (Connelly)
- 825 ST. KITTS Basseterre 12/29 0253 R. Paradise like a local w/EE preaching. (Connelly)
- 855 SPAIN Murcia et al 12/29 0602 SS talk o/fast SAH. (Connelly)
- 864 FRANCE Paris 12/29 0608 US jazz and Broadway mx then FF show tune vocals. (Connelly)
- 873 SPAIN Zaragoza 12/29 0609 poor w/SS vocal. (Connelly)
- 880 BRAZIL Belo Horizonte R. Inconfidencia ZYL250 11/25 0430 "Two Lovely Black Eyes" interval signal, full ID, list all freqs including FM. Most other regular Brazilians in then. (Wood)
- 882 ENGLAND Washford et al 12/29 0553 BBC good w/Drifters oldie "Save the Last Dance For Me" // 909. (Connelly)
- 891 ALGERIA Algiers 12/28 2054 AA mx; 12/29 0202 good w/AA talk. (Connelly)
- 895 COLOMBIA Santa Marta HJPM 12/29 0255 good w/R. Galeon ID then brassy jazz w/SS vocal. (Connelly)
- 909 ENGLAND Brookman's Park et al 12/29 0553 BBC good w/Drifters record // 882. (Connelly)
- 945 FRANCE Toulouse 12/29 0607 woman in FF. (Connelly)
- 950 MEXICO Nueva Rosita XEYJ 12/29 0955 PSA for Movimiento Jovenes de Nueva Laredo, spots for N.L., Coahuila and Tamaulipas states. Dominant. (Wood)
- 960 COLOMBIA Magangué HJHN 12/29 0207 festive SS party mx, Sutatenza ID. This was superloud and must have been clobbering the Bermudan in its own backyard. (Connelly)
- 999 MOROCCO Ad-Daklah 12/29 0412 poor w/AA male vocal. WCFL was phased (leaving SS LA QRM from 1000); MWT1 tuner was tweaked to improve selectivity. (Connelly)
- 1020 VENEZUELA La Asuncion YURS 12/29 0421 Mundial Margarita ID, SS talk including ad for store in Porlamar. Good signal, crushing KOKA. (Connelly)
- 1035 PORTUGAL Lisboa 12/29 0427 fair to good w/PP folk vocal. (Connelly)
- 1040 COLOMBIA Barranquilla HJAI 12/29 0212 SS talk, bank ad, CARACOL ID. (Connelly)
- 1044 MOROCCO Sebbaa Aioun 12/29 0630 xInt w/AA flute and violin mx // 1053. (Connelly)

- 1053 MOROCCO Tangier 12/29 0630 fair to good w/AA flutes and violins // 1044. (Connelly)
- 1089 ENGLAND synchros 12/29 0620 BBC fair w/rock mx; WBAL phased. (Connelly)
- 1100 ANTIGUA St. John's ZDK 12/29 0336 soul ballad clobbering HJAT/WJWE. (Connelly)
- 1110 VENEZUELA Carupano YVOT 12/29 0334 fast SS talk, Carupano ID way o/WBT/CBD. (Connelly)
- 1127 UNID 12/29 0459 poor w/Sinatra mx; WNEW phased. (Connelly)
- 1134t SPAIN 12/29 0632 bits of SS-sounding song in WNEW slop. (Connelly)
- 1224 MARSHALL ISLANDS Kwajalein AFRTS WXLG 12/19 1635 on automated relay from AFRTS Los Angeles as per sked. PSA's, 5 minute news blocks. Quite good; not often heard this year. (Wood)
- 1323 CHINA R. Beijing external services 12/12 1635 Urdu talk on Soviet troops in Afghanistan. Good. (Wood)
- 1349 MAURITANIA Nouakchott 12/29 0635 FF-sounding talk, huge het against 1350 domestics. (Connelly)
- 1512 SAUDI ARABIA Jeddah 12/12 1630 AA ID for Mecca, Qur'an reading. New, and better than usually dominant 1440 this morning. Duba 1521, apparently directional west, still unheard here. (Wood)
- 1555 GUYMAN ISLANDS George Town 12/29 0516 MoR vocals at fair to good level. (Connelly)
- 1557 MALTA DW relay Cyclops 12/19 0445 AA political commentary, alternate male/female voices. Finally an opening to Europe, late this season. Just fair. (Wood)
- 1570 MEXICO Ciudad Acuna XERF 12/12 0858 s/off wording in SS, still used term kilociclos, gave announcer's license number, 0859 anthem, 0900 off. Note that XERF carries Bishop S. McDowell Shelton of Philadelphia preaching in FF, so FF heard on 1570 is not necessarily CKLM. (Wood)
- 1593 WEST GERMANY Langenberg 12/19 0459 GG talk, 0500 time signal, ID, mx. Fair. (Wood) 12/28 2127 poor to fair w/GG talk. (Connelly)
- 1610 ANGUILLA The Valley 12/29 0308 xInt w/EE preaching. (Connelly)

Mark Connelly-W. Yarmouth, MA R600, MWT1 phaser, 2 30 meter LW's  
Richard Wood-Hilo, HI R1000, 4 Beverages, amp

## Cuban Interference Increasing

by David Hughes

Miami FL ... South Florida broadcasters report increased Cuban interference on the AM band, including some instances of jamming, since a 50 kW Spanish-language station signed on in Miami in late October.

Though the interference is also affecting some stations across the continent at night, there appears to be little chance of talks with Cuban authorities to reduce the problem.

The latest round of interference coincided, broadcasters said, with the arrival of WAQI, a 50 kW Spanish-language station on 710 kHz. On 23 October, WAQI replaced Miami's WGBS, an English-language news/talk station, which merged operations with another Miami station, WNWS, on 790 kHz.

Jefferson-Pilot Broadcasting Company sold WGBS to the Mambisa Broadcasting Corporation and, in turn, purchased WNWS. Jefferson-Pilot merged its WGBS staff with the existing WNWS staff to continue the English news/talk format there.

### "Radio Mambi"

WAQI, which calls itself "Radio Mambi," is apparently drawing electromagnetic scorn from Cuban authorities because it not only has the strongest signal in the state, but also reports on news events in Cuba, said WAQI VP Charles Fernandez.

In the first few days after its launch, before jamming began, WAQI's 710 kHz signal could reach well into Cuba, Fernandez said, even better than the Voice of America's (VOA) Radio Marti service.

WAQI programs a mix of news, talk and entertainment. While it is not "anti-Castro" per se, Fernandez said that the Castro regime would not be too pleased with the content of some of the programming.

According to former WGBS CE John Morris (now with WNWS), WGBS' English-language programming had not been subject to Cuban interference.

"Most Cuban people don't speak English, so Cuba wasn't worried about WGBS," Fernandez added.

By 27 October, however, Cuba began a powerful broadcast of its Radio Rebelde program—which is found elsewhere on the AM band—on WAQI's 710 kHz frequency. According to several broadcast engineers in South Florida, the island nation has also been broadcasting a noisy jamming signal at times on the frequency.

An area broadcaster who did not want to be identified said the FCC told him that it speculates that two transmitters in Cuba are pumping about 100 kW on 710 kHz toward the US to jam WAQI.

Both Fernandez and Morris complained that the Cuban station has been using WAQI's calls to further confuse the

situation. "They are trying to get us in trouble with the FCC," Fernandez added.

Fernandez said that, during the day, WAQI can be heard in the Miami area, but listeners in the Florida Keys can only hear Cuba's Rebelde. At night the problem is more severe, compounded by the fact that WAQI has been operating at only 18 kW while it makes equipment repairs, he added.

The Cuban interference on 710 kHz has even affected New York City's 50 kW WOR, which operates on the same frequency. Listeners in the mid-Atlantic states who previously received WOR at night with no problem report a rather strong Spanish-language signal underneath it.

FCC Field Operations Bureau Deputy Chief Arlan Van Doorn said the Commission will investigate an interference complaint it received in early December from WOR.

### Not Radio Marti backlash

The issue of Cuban interference is nothing new to South Florida broadcasters. Many feared they would be subject to massive interference after the VOA started its "Radio Marti" service on 20 May 1985.

Aimed directly at the Cuban population, Radio Marti broadcasts with at least

Cont Page 10 →

Craig Healy, 66 Cove Street, Pawtucket, RI 02861

1600-1800 KHz Range Times are GMT Deadline: Last Sat. of Month

January 1986....

- 1609.5 ??? 0526 12/28 Cubic Argo, fair.
1617.5 ??? 0524 12/28 Cubic Argo, good.
1628 ??? 0523 12/28 Cubic Argo, fair.
1632 ??? 0523 12/28 Cubic Argo, fair.
1638.8 ??? 0521 12/28 Series of close-spaced carriers. Elements of this seem to fade unevenly, sometimes leaving only a pure tone.
1645 ??? 0520 12/28 Cubic Argo, fair.
1655.8 ??? 0518 12/28 Series of close-spaced carriers. Makes a droning sound. Probably Teledyne in the Chesapeake Bay area.
1679 ??? 0515 12/28 Cubic Argo, fair.
1682 ??? 0515 12/28 Cubic Argo, good.
1694.5 ??? 0510 12/28 Modulated pulses, about 140/minute. Very loud and broad. Thought it was a cordless phone off-hook, but deep fades nix that idea.
1705 ??? 0340 8/28 Cubic Argo, good.
1714 ??? 0508 12/28 Cubic Argo, fair. Also 0342 8/28.
1716 ??? 0508 12/28 Cubic Argo, fair. Also 0343 8/28.
1721.5 ??? 0508 12/28 Cubic Argo, excellent.
1725 ??? 0344 8/28 Cubic Argo, fair.
1728.5 ??? 0507 12/28 Cubic Argo, excellent.
1735 ??? 0346-0347 8/28 Unid RTTY, poor.
1746 ??? 0505 12/28 Decca HiFix, good. Also 0348 8/28.
1747 ??? 0505 12/28 Decca HiFix, good. Also 0348 8/28.
1748 ??? 0505 12/28 Decca HiFix, good. Also 0349 8/28.
1750 ??? 0504 12/28 Cubic Argo, good. Also 0351 8/28.
1759 ??? 0502 12/28 Cubic Argo, good. Also 0352 8/28.
1762.5 ??? 0501 12/28 Another 30 pip/minute station, very good.
1762.5 ??? 0343 8/28 Cubic Argo, good.
1763.9 ??? 0354 8/28 Cubic Argo, good. Odd timing on this one.
1764.9 ??? 0355 8/28 Cubic Argo, good. Odd timing here, too.
1765.5 ??? 0500 12/28 Cubic Argo, good.
1768 ??? 0357 8/28 Unid RTTY, fair.
1771 ??? 0458 12/28 Cubic Argo, good. Also 0400 8/28.
1775 ??? 0457 12/28 Unid RTTY, poor. Also 0402 8/28.
1777 ??? 0402 8/28 Series of related carriers about 400 Hz apart.
1779.5 ??? 0404 8/28 Cubic Argo, good.
1782 ??? 0404 8/28 Cubic Argo, good.
1783 ??? 0455 12/28 Both long and short 30 pip/minute stations, good. There is an occasional 1 second long pulse heard from both.

All loggings mine, R7A, 125' longwire or 25' vertical.

Other than a nice letter from Brian Vernon, that's all there is.

From Page 9

50 kW on 1180 kHz from a transmitter in the Florida Keys. Previously the VOA used the frequency to relay its general Spanish programming to Central America and the Caribbean.

Radio Marti's programming apparently did not bother the Cuban authorities, and most South Florida broadcasters did not report any major increase in interference after Marti signed on, even though Havana has experimented with high-powered AM band interference on occasion.

Other frequencies affected

Besides increased interference on 710 kHz, stations on other frequencies are reporting higher levels of Cuban interference. Fernandez said it appears that Cuba is striking hardest at Spanish-language stations in South Florida.

Ralph Chambers, CE at WCMQ, a Spanish-language station on 1210 kHz, said he had noticed a significant increase in interference on 1210 kHz within one week after WAQI signed on. He said

Cuba has been running Radio Rebelde on other frequencies besides 710 and 1210 kHz.

Chambers confirmed that Cuba has been broadcasting noise jamming, in addition to Radio Rebelde, on 710 kHz.

While he has always noted a Cuban station on WCMQ's frequency before WAQI signed on, he said the level of interference on 1210 kHz has doubled since last year. "We have listeners in the fringe area of CMQ that can't get us anymore," Chambers said.

WCMQ operates at night with 2850 W under special temporary authority, instead of its normal 2500 W. But the night power is no longer enough to counteract the Cuban interference, Chambers said.

CE John Morris said the level of Cuban interference to English-language WNW5 on 790 kHz also seems to be getting stronger. "We are getting more complaints," he said.

Other stations are reporting interference. NAB Engineer Mike Rau said his organization received a recent Cuban interference complaint from KSL, Salt Lake City, Utah, a 50 kW station operating on

1160 kHz. KSL Assistant CE Randy Finch confirmed that the station has received complaints, particularly from listeners in Southern Utah who hear Spanish language programming underneath KSL's Brigham Young University sports events. Finch said he even got a complaint from a listener in Hawaii who said a Cuban station was interfering with reception of KSL.

Finch said that two years ago Cuba violated an agreement it had to respect KSL's clear channel status, and many complaints were received.

He added that there would be a greater number of recent complaints if there were not a period of such low sunspot activity now, which tends to reduce the ionospheric skywave "skip" of distant stations.

Cuba has reportedly been operating a station for tourists on 1160 kHz that has been broadcasting, at times, in English. Though the station normally signs off at local sunset, it has occasionally been

Cont Page 23

John R. Malicky, 995 Shadycrest Rd., Pittsburgh, PA 15216

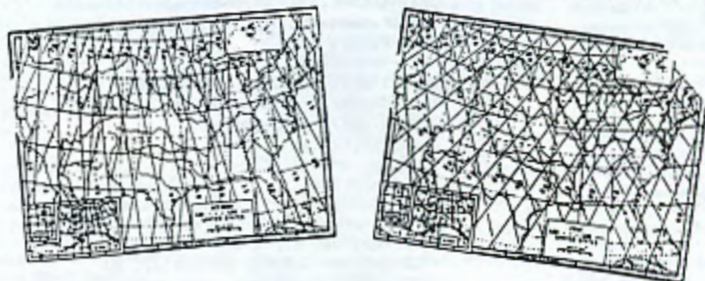
Back again! This week the scanning dial travels to the wide open spaces of Manitoba and to the great Canadian city of Winnipeg, home of the Blue Bombers(CFL) and the Jets(NHL)! It is also the temporary home of our contributor, Niel Wolfish, relocated from Toronto and attending the university in Winnipeg. I do remember you Niel, but your letter is all that I have as I could not find your name(if there was one) in a past DX News mentioning your relocation. Anyway, I've listed Niel's equipment here since this is one scan(day and night) which includes a DX-400 and Superadio receivers and a 65 foot long wire antenna. Thank you Niel...remember, please list the date, time, frequency, updated calls(if known), city state-province, equipment, and your LOCALS in CAPS. Now, off we go...

Table with columns: FREQ, (NW-MB) Day (Nov-Dec, 1985) 61 total, (NW-MB) Night (Nov-Dec, 1985), 163 total. Lists various radio frequencies and station call letters.

FREQ	(NW-MB) Day	61 t	(NW-MB) Night	163 t
1150	CKX-Brandon, MB		CKX-Brandon, MB/ ASAL-Salina, AS	
1160	.....		KSL-Salt Lake City, UT	
1170	.....		KVCO-Tulsa, OK/ KXZX-Davenport, IA	
1180	.....		WHAM-Rochester, NY	
1190	CFSL-Weyburn, SA		WOWO-Fort Wayne, IN/ KLIF-Dallas	
1200	KPNW-West Fargo, ND		WOAI-San Antonio	
1210	.....		WCAU-Philadelphia/ KGYN-Guymon, OK	
1220	CJRB-Boissevain, MB/ CJRL-Kenora, ON		CJRB-Boissevain, MB/ CJCO-Lethbridge, AB	
1230	KTRF-Thief River Falls, MN		KTRF-Thief River Falls, MN	
1240	KDLR-Devils Lake, ND		KDLR-Devils Lake, ND	
1250	CHSM-STEINBACH, MB		CHSM-STEINBACH, MB	
1260	.....		CFRM-Edmonton/ WNDZ-Indianapolis	
1270	.....		KMWC-Sioux Falls, SD/ WHBF-Rock Island, IL/ CHAT-Medicine Hat, AB	
1280	.....		KBRQ-Denver	
1290	CFRW-WINNIPEG		CFRW-WINNIPEG	
1300	.....		KGLO-Mason City, IA	
1310	KNOX-Grand Forks, ND		KNOX-Grand Forks, ND/ WIBA-Madison, WI	
1320	KELO-Sioux Falls, SD		KELO-Sioux Falls, SD/ KCZY-Grand Rapids, MN	
1330	.....		KSNJ-St. Paul, MN/ KFH-Wichita, KS	
1340	KXFO-Grafton, ND		KXFO-Grafton, ND	
1350	WCMP-Fine City, MN		KRNT-Des Moines, IA/ WSLR-Akron, OH/ KIDN-Pueblo, CO	
1360	KKBJ-Bemidji, MN		KKBJ-Bemidji, MN/ KEYZ-Williston, ND/ KSCJ-Sioux City, IA	
1370	KFUM-Grand Forks, MN		KDTH-Dubuque, IA/ CPOK-Westlock, AB	
1380	KOTA-Rapid City, SD		KOTA-Rapid City, SD/ WGHK-Fort Wayne, IN	
1390	KKOA-Minot, ND		WGCI-Chicago/ CJCY-Medicine Hat, AB	
1400	.....		KLBB-St. Paul, MN	
1410	KRWB-Roseau, MN		CFUN-Vancouver/ CKSL-London, ON/ WIZM-LaCrosse, WI	
1420	KGIM-Aberdeen, SD		KTOE-Mankato, MN/ CJVR-Melfort, SA	
1430	KTYN-Minot, ND		WIL-St. Louis/ WIRE-Indianapolis	
1440	KKXL-Grand Forks, ND		KKXL-Grand Forks, ND/ CJOI-Wetaskiwin, AB	
1450	KZZJ-Rugby, ND		KBMW-Wahpeton, ND/ KVOK-Wolf Point, MT	
1460	KAAQ-Thief River Falls, MN		KLTC-Dickinson, ND/ CJMH-Medicine Hat, AB	
1470	KHND-Harvey, ND		KWSL-Sioux City, IA/ WMSD-Feoria, IL	
1480	KKCG-Fosston, MN		KLMS-Lincoln, NE/ WTDY-Madison, WI	
1490	KQVC-Valley City, ND		KQVC-Valley City, ND	
1500	KSTF-St. Paul, MN		KSTF-St. Paul, MN	
1510	KMSD-Millbank, SD		KDKO-Littleton, CO/ WLAC-Nashville, TN	
1520	KMAV-Mayville, ND		KOMA-Oklahoma City, OK	
1530	CISV-Winkler, MB		CISV-Winkler, MB/ WCKY-Cincinnati	
1540	KXEL-Waterloo, IA		KXEL-Waterloo, IA	
1550	KQWB-West Fargo, ND		KQWB-West Fargo, ND/ KRGO-West Valley City, UT	
1560	KKAA-Aberdeen, SD		KKAA-Aberdeen, SD/ WPAD-Paducah, KY	
1570	CKTA-Taber, AB		CKTA-Taber, AB/ XERF-Villa Acuna, MEX	
1580	KDCM-Windom, MN		CBJ-Chicoutimi, PQ/ XEDM-Hermosillo, MEX	
1590	KRRK-East Grand Forks, MN		KRRK-East Grand Forks, MN/ KVGB-Great Bend, KS	
1600	KLGA-Algona, IA		KORG-Cedar Rapids, IA/ KRXY-Lakewood, CO	

Fitt(er) Fatter....by the way Niel, how's your grades? Hey, we didn't send you out there just to do a bandscan-hi! Fill in the blank, and the Super Bowl winner is \_\_\_\_\_. Poor Attitude Department/Award-goes to WMOB-Fairmont, WV as my cousin was down there on business and I asked if he could call the station about an unanswered report. The Station Manager was very rude and mentioned something like, that Pittsburgh isn't far enough for a reply...okay Sweet Team, get the bomb ready! Next week, we'll travel to Hamilton, Ontario, until then, 73e to all!

*Jim*



SUNRISE/SUNSET MAPS. A set of 12 maps (5 1/2" x 11") with instruction sheet showing the monthly average sunrise/sunset times for the United States. An invaluable aid to the sunrise or sunset lover. \$1.00

# SPORTS NETWORKS

Barry S. Finkel, 10314 S. Oakley Ave., Chicago, IL 60643

A long time waiting for someone to send me some NBA or NHL network lists. All I have this time is the NBA flagship station list. I have no information concerning the size of NBA radio networks, so if you know that a flagship station does not send the broadcasts to other stations, please let me know.

Atlanta Hawks	680 WCNN-GA John Sterling, Charles Criss
Boston Celtics	680 WRKO-MA John Most, Glenn Ordway
Chicago Bulls	670 WMAQ-IL Jim Durham (no network)
Cleveland Cavaliers	1100 WWWE-OH Joe Tait
Dallas Mavericks	820 WBAP-TX Dave Barnett, Allan Stone
Denver Nuggets	850 KOA -CO Jeff Kingery, Bob Martin
Detroit Pistons	950 WWJ -MI George Blaha
Golden State Warriors	
Houston Rockets	740 KTRH-TX Gene Peterson
Indianapolis Pacers	1430 WIRE-IN Ken Double, Greg Papa, John Minko
Los Angeles Clippers	Eddie Doucette, Ted Green
Los Angeles Lakers	570 KLAC-CA Chick Hearn, Keith Erikson
Milwaukee Bucks	620 WTMJ-WI Jon Glocklin, Jim Irwin
New Jersey Nets	660 WNBC-NY Mel Proctor
New York Knicks	660 WNBC-NY Marv Albert, John Andariese, Bob Wolff
Philadelphia 76'ers	560 WFIL-PA
Phoenix Suns	620 KTAR-AZ Al McCoy, Dick Van Arsdale
Portland Trailblazers	620 KGW -OR Bill Schonely
Sacramento Kings	1530 KFBK-CA Gary Gerould
San Antonio Spurs	1200 WDAI-TX Sam Smith
Seattle Superonics	710 KIRO-WA Bob Blackburn
Utah Jazz	Ron Hundley
Washington Bullets	1500 WTOP-DC Frank Daly

Texaco Metropolitan Opera Radio Network 1985/1986 (as of October 21, 1985)

The Metropolitan Opera radio broadcasts occur Saturday afternoons from November 30, 1985 through April 19, 1986. Most broadcasts begin at 2:00 PM (EST), but some begin earlier. The majority of the network is comprised of FM stations; here are the AM stations. This list comes from "Opera News", December 7, 1985.

550 WCBI-MS	870 WHCU-NY	1150 WKWY-IA	1340 KSKI-ID	1420 WRCG-GA	1550 KHFI-CA
KOAC-OR	900 KBIF-CA	1230 WSBB-FL	WBRK-MA	KULY-KS	KHBJ-TX
570 WGHM-MD	920 WKYD-AL	KSEY-TX	WDOB-OH	1430 KMRC-LA	1560 KPMC-CA
WACL-GA	WBAA-IN	1250 KWSU-WA	WDEK-SC	1450 K8PS-OR	WRIN-IN
690 KGGF-KS	930 KIUP-CO	1260 KQSA-TX	WRHI-SC	KBAS-WY	WQXR-NY
KUSD-SD	WRRF-NC	1270 WCBC-MD	1350 KMAN-KS	1470 KILS-KS	1580 KZIA-MN
730 WPIT-PA	WLBL-WI	WCGC-NC	1370 KXLT-MT	1490 KDB -CA	
740 KTOX-ID <sup>a</sup>	940 WIPR-PR <sup>c</sup>	1320 KAWC-AZ	1390 WJCD-IN	WFLB-NC <sup>e</sup>	+ additional
790 KXXX-KS	950 WIBX-NY	1330 KFAC-CA	1400 WNEX-GA	MKVT-VT	CBC stns
800 WSST-FL <sup>b</sup>	970 KHYV-CA	1340 WGAU-GA	1420 WDBF-FL	1520 WTLN-FL	+ 376 FM

<sup>a</sup> Log #7 shows KTOX on 730; Log #6 shows CP: 740 to 730. I don't know which is correct.

<sup>b</sup> WSST has a CP to move to 820.

<sup>c</sup> WIPR carries the broadcasts on a two-week Sunday delay.

<sup>d</sup> The "Opera News" list has KXLT.

<sup>e</sup> The "Opera News" list has 1495.

Barry Finkel

The MWT-1: A Medium-Wave Tuner / Pre-selector with Regeneration Capability  
 =====

Mark Connelly      --      WA1ION DX Labs      --      18 DEC 1985

Introduction  
 -----

Several problems are encountered today by medium-wave DXers in the quest to hear new stations.

The first is the mediocre ability of reasonably-priced receivers to deal with strong stations. Spurious mixing responses caused by overloading of a receiver's front end by several local stations are a problem most of us have experienced. Overloading is most severe at urban locations when an outdoor wire antenna of considerable length is connected directly to the receiver input. The most common remedies are (1) use a (tuned) loop antenna or (2) attenuate the signal from the longwire. Solution (1), using the loop approach, is of considerable merit if the building in which the loop resides is not made of an RF-absorptive material and if the RF noise level within that building is low. Shielded, balanced loops offer reduction of some types of electrical noise. Of course there are many cases that rule out successful loop operation - e. g. a steel-frame building with numerous SCR light-dimmers and TV sets. Common-remedy (2), using a potentiometer or resistive-divider to attenuate the signals from a longwire antenna, will often give the desired results of a low manmade-noise level and freedom from overloading-caused spurious responses, but the penalty may well be that a DX station's weak signal level may be lower than that which the receiver can detect.

A second problem is that the same receivers that are readily overloaded by strong stations in the city may not be sensitive enough to receive weak signals when operated in the country. A DXer may not always be able to solve the low-sensitivity problem by casually strolling outside with a 2000-foot roll of Beverage wire: the land required may simply not be available. Some car receivers yield impressive sensitivity with short whip aerials, so a DXer would expect that a \$ 300 to \$ 500 communications receiver should pull tremendous signals from a 50'/15 m. longwire. Such is often not the case, however.

The third problem to be considered is the insufficient selectivity of some receivers. This is especially notable with the many moderately-priced digital-readout portables now in common use - e. g. the Sony ICF-2001, Uniden CR-2021, Realistic DX-400. Mediocre selectivity is also a "feature" of the Kenwood R-600 and R-1000: the so-called "narrow" selectivity position provided by these receivers just can't "cut the mustard" on foreign splits like the more expensive rigs (R-71, etc.) or like the old-timers (R-390A, HQ-180A).

The MWT-1: a DX problem-solver  
 -----

The MWT-1 Medium Wave Tuner can be placed between an antenna lead and the receiver's input. This tuner can perform four distinct functions which allow the DXer to get optimum results for the given receiver / antenna / location combination. These functions are summarized as follows:

- (1) Direct antenna to receiver connection: The antenna may be connected through the tuner directly to the receiver's input. An attenuator pot (R1) allows reduction in the signal levels provided by the antenna (thereby combatting front-end overload problems).
- (2) Passive tuning (no amplification): Overloading / spurs from unwanted -frequency stations may be reduced or eliminated with little or no loss of desired-frequency DX station signal strength. The L-C tank circuit in the tuner is adjusted to peak the desired frequency; stations on other frequencies are attenuated. Those using sizable longwires and mediocre receivers at strong-signal urban locations benefit the most from the passive tuning approach.

- (3) Simple Active tuning (amplified, no regeneration): The desirable features of passive tuning are coupled with the added benefit of amplification. Thunderous signal levels may be obtained from wires as short as 20'/ 6 m.; even a car whip provides worthwhile DX. High-impedance shortwires which perform poorly into 50-ohm receiver inputs "come to life" when active tuning is used. Even a Beverage's output can be improved, at least at sites without strong local stations.

- (4) Regenerative tuning: Reception improvements made by simple active tuning are taken even further by regenerative tuning. Much more gain is achievable. Furthermore, previously-listed Problem # 3 (insufficient receiver selectivity) can now be attacked. A regenerative tuner, when peaked and on the verge of oscillating, tightens the received passband to the point that audio can be successfully extracted from a station on 999 kHz that is 10 dB weaker than a station on 1000 kHz. This selectivity-enhancement works like a Q-Multiplier circuit and is somewhat independent of the receiver's own selectivity. This gives car radios and other broad-selectivity receivers split-catching capabilities normally associated with mid-priced communications receivers. A Q-Multiplier differs from the MWT-1 in that the Q-Multiplier works on the IF (usually 455 kHz) and has to be wired to the receiver's innards while the MWT-1 works on the RF input and does not require any wiring to the receiver other than to its signal-input jack. Regenerative tuning is more complicated (adjustment-wise) than passive or simple active tuning are, but the results are frequently worth the effort. Using regenerative tuners of various types between my car whip and car radio has been most gratifying, especially when parked at Waterfront Park in Boston at sunset when the Trans-Atlantics are rolling in.

Before getting into the particulars of initiation and performance of each mode, the operator of the unit should become familiar with the unit's controls and its input / output connectors as identified in Table 1 and in the schematic drawing (Figure 1). Figure 1 appears in the "Building the MWT-1 Tuner" section of this article. It should be noted that S2 is a 3-position function switch which selects Mode 2 (passive tuning) at its fully counterclockwise position, Mode 1 ("off / bypass" - i. e. direct antenna to receiver feed) at its centre position, and "active" (to be explained more) at its fully clockwise position. The "active" function switch setting actually comprises both the Mode 3 (simple active tuning) and Mode 4 (regenerative tuning) functions: Mode 3 is obtained by setting R3 to fully clockwise (R3's wiper arm to ground); Mode 4 is obtained by adjusting R3's wiper arm to be not at zero ohms to ground.

Table 1: MWT-1 Controls and Input / Output Connectors

Controls			
location	designation	operational description	
left side	R1	input attenuator pot	
top	C1	main tuning capacitor	
"	R3	regeneration threshold / output level pot	
"	S3	antenna length (coupling compensation) switch	
"	S2	function switch (passive, off/bypass, active)	
"	C2	vernier (fine) tuning capacitor	
"	S1	frequency range (tank coil) switch	
"	R2	Q pot / regeneration level vernier pot	
Input / Output Connectors			
location	designation	operational description	connector type
left side	J2	car antenna cable input	Motorola jack
"	J4	earth ground input	banana jack
"	J3	wire antenna input	banana jack
"	J1	RF source (e. g. phaser) input	BNC jack
right side	J7	9V battery holder	Keystone 1290
"	J6	RF output to car radio	Motorola jack
"	J5	RF output	BNC jack



The tuned modes of a standard MWT-1 provide coverage of 140 - 300 kHz (European / African / Asian longwave broadcasts) and 450 - 2000 kHz (ship traffic, standard AM broadcast band, and 160-metre ham band). A longwave-only unit (LWT-1) could be made to cover 90 - 700 kHz, thereby providing full beacon-band coverage, by using the following tank inductors on S1: (L in uH) L1=15000, L2=6800, L3=3300, L4=1500, L5=680, L6=330, L7=3300, L8=1500, L9=680, L10=330, L11=150, and L12=68.

#### Operating the MWT-1

Before operating any of the four modes, connections to/from the MWT-1 must be made. The antenna or other signal source may be connected to J1, J2, or J3. Earth ground should be connected to J4 if the cable to the receiver will be longer than 10<sup>1</sup>/<sub>3</sub> m. or if the receiver is not grounded. Earth ground may be a ground rod, a cold water pipe, a 3-prong AC outlet's centre-pin, or even a "dummy ground" such as a Beverage antenna not being used at the time for reception. Grounding helps to reduce interference from locally-generated manmade RF noise. A 9-volt battery should be connected to J7. The RF-output coaxial cable (to the receiver input) may be connected to J5 or J6. A shielded receiver (e. g. communications receiver or a car radio) should be used; successful tuner operation with receivers having coupling coils on ferrite rod aerials is not always possible because of the inherent stray pickup of ferrite rods.

Mode (1) direct feed of antenna to receiver  
 =====

#### Initialisation

The following controls are not used in Mode (1): C1, R3, S3, C2, S1, R2. Their positions are irrelevant.

Set R1 initially to fully CCW (the switch on R1 takes this attenuation pot out of the line).

Set S2 to centre (off / bypass function).

#### Operation

With receiver on desired frequency, check that the wanted signal is of sufficient strength and has no spurious mixing signals or images from strong local stations. If spurs / images are present, adjust R1 until they go away. If the wanted station is now too weak, a different operating mode (2, 3, or 4) is suggested.

Mode (2) passive tuning

Minimum suggested wire length for passive tuning is 50<sup>1</sup>/<sub>15</sub> m. at frequencies below 500 kHz; 26<sup>1</sup>/<sub>8</sub> m. at frequencies above 500 kHz.

#### Initialisation

C1 is to be adjusted later.

Set R1 to fully CCW (attenuator out of line).

Set R3 to fully CCW = maximum output level.

Set S3 to right = "Normal" length position.

Set S2 fully CCW = passive tuning position.

Set C2 at 12 o'clock pointer position = minimum capacitance.

Set R2 fully CCW = maximum Q.

Set S1 for operating frequency range desired, in accordance with Table 2.

Table 2: S1 Frequency Range Switch Settings Chart

=====							
S1 Position #	S1 Knob Pointer "o'clock"	Min. Freq. kHz	Max. Freq. kHz	Tank Inductor Values			
				"Main" L #	L uH	"Tap" L #	L uH
-----							
1	9:30	140	180	L1	4700	L7	1000
2	10:30	180	300	L2	2200	L8	470
3	11:30	450	620	L3	390	L9	82
4	12:30	620	850	L4	180	L10	39
5	1:30	850	1300	L5	82	L11	18
6	2:30	1300	2000	L6	39	L12	8.2

#### Operation

Adjust C1 for maximum desired-frequency signal.

If overloading-caused spurious responses QRM the desired signal when C1 is properly peaked, set S3 to "Long" (middle) and re-peak C1. If, after having done that, spurs still exist: adjust R3 to make the spurs go away. Slight re-peaking of C1 may then be necessary.

Mode (3) simple active tuning

=====

#### Initialisation

C1 is to be adjusted later.

Set R1 to fully CCW (attenuator out of line).

Set R3 to fully CW = wiper arm at GND.

Set S3 to right = "Normal" length position (wire length greater than 10<sup>1</sup>/<sub>3</sub> m.) or to left = "Short" length position (antenna shorter than 10<sup>1</sup>/<sub>3</sub> m.).

Set S2 fully CW = active tuning position.

Set C2 at 12 o'clock pointer position = minimum capacitance.

Set R2 fully CCW = maximum Q.

Set S1 for operating frequency range desired, in accordance with Table 2.

#### Operation

Adjust C1 for maximum desired-frequency signal.

If spurs occur & S3 is on "Short", set S3 to "Normal" & re-peak C1.

If spurs occur & S3 is on "Normal", set S3 to "Long" & re-peak C1. At that point, use R3 to eliminate any residual overloading-caused spurious responses that may be present. Slight re-peaking of C1 may be required.

Mode (4) regenerative tuning

=====

Perform all Mode 3 steps above except, during initialisation, set C2 to half-meshed (= 3 o'clock) and R2 at half-resistance (= 12 o'clock).

Bring R3 gradually CCW in small steps; after each step, re-peak C1. An increase in signal level and tuning sharpness should be readily apparent. At the "regeneration threshold" the received audio gets muddy; beyond that threshold, oscillation occurs. Once R3 & C1 have been adjusted to the threshold as closely as possible, fine-tuning may be accomplished by successive adjustments of vernier controls R2 & C2.

Occasionally it may be necessary to set length switch S3 to the "next longest" position (e. g. to "Normal" if it had been on "Short") to get a high enough Q for regeneration. Doing this also reduces the likelihood of spurs.

## Building the MWT-1 tuner

\*\*\*\*\*

For the sake of brevity, I am keeping construction data to a bare minimum. The MWT-1 system schematic (Figure 1), the RFE-A front-end card subassembly schematic (Figure 2), and the RFE-A "roadmap" (Figure 3) are the principal construction drawings. Remaining construction documentation includes Table 3 (Hole Drilling List), Tables 4/5/6 (Parts Lists), Table 7 (Wiring List), and Table 8 (Control Conventions). Experienced builders who want to build an MWT-1 should have no trouble. Much of the construction information in the recent MWDX-4 / Mini-MWDX-4 Phasing Unit article (available from IRCA / NRC as a reprint) is directly applicable to the MWT-1 project. For instance, C1 must have its two mounting holes tapped to 6-32 threads: it is then mounted in the same fashion as C1 of the MWDX-4 series of phasers. Ground lugs, the battery holder, and the Motorola jacks use the same hardware as their corresponding components in the MWDX-4 article. The RFE-A circuit card (M1 of MWT-1) is mounted with the same type of hardware as the BBA-B circuit card (A1 of the MWDX-4). Those who need parts to build the MWT-1 tuner should first consult the vendors on the parts list. I can arrange to supply constructed subassemblies (S1 with all inductors, M1 front-end card, drilled chassis boxes) as well as completed MWT-1's.

\*\*\*\*\*  
 \*\* For a price / time estimate, please write to: \*\*  
 \*\* Mark Connelly - 30 William Road - Billerica, MA 01866 USA. \*\*  
 \*\*\*\*\*

Figure 1: MWT-1 system schematic

\*\*\*\*\*

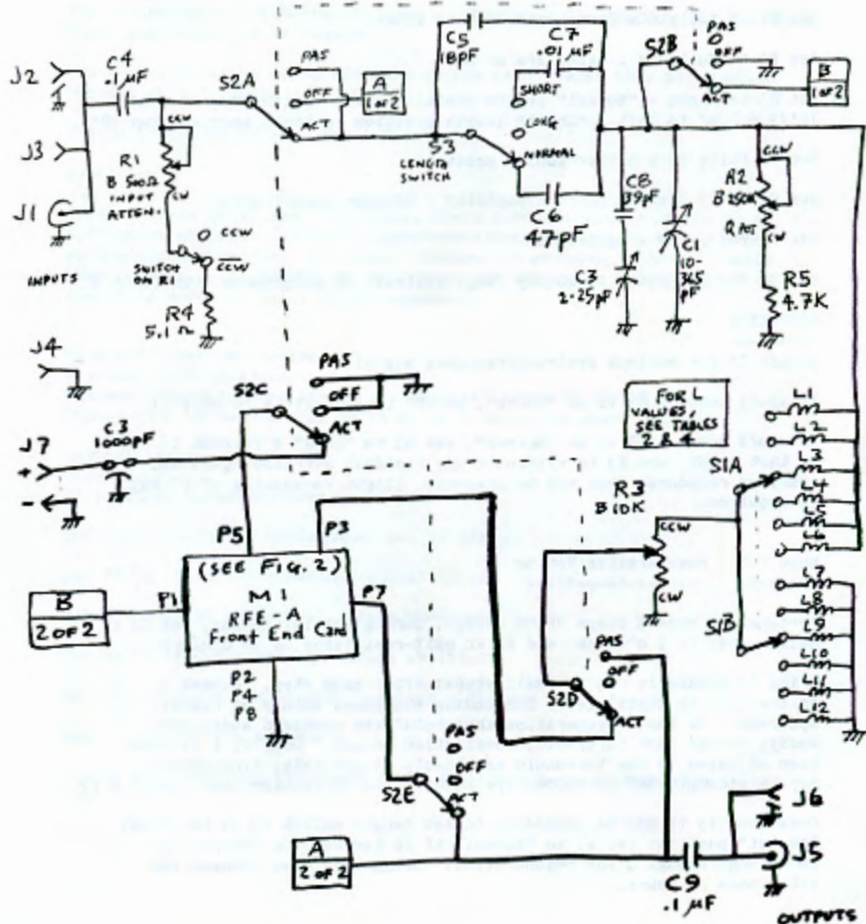


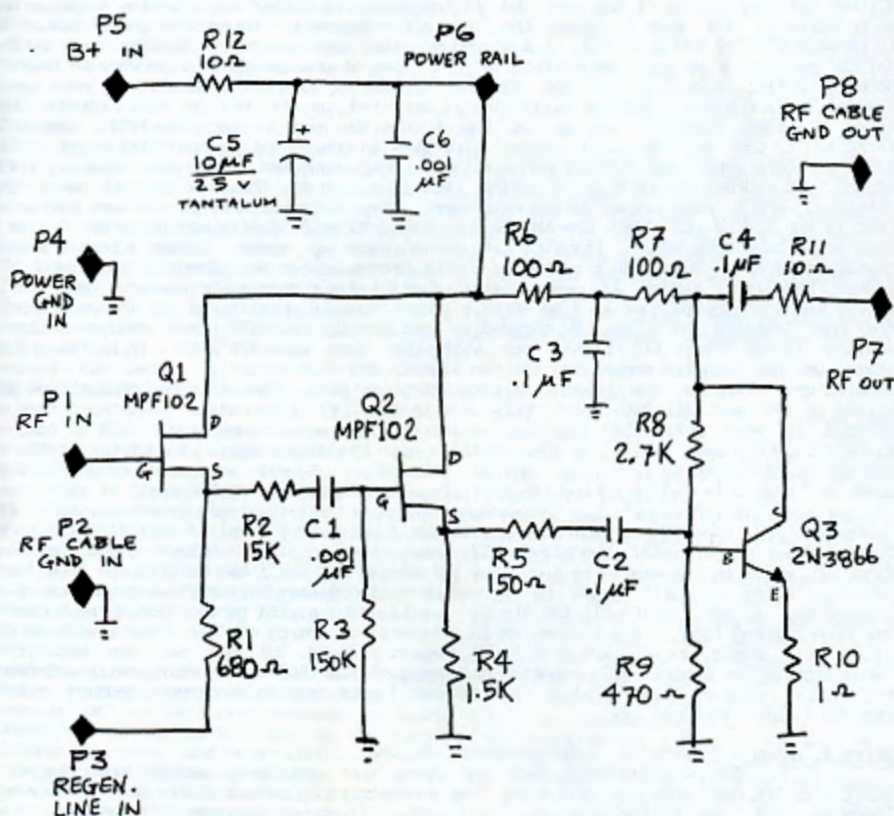
Figure 2: RFE-A Regenerative Front-End Card subassembly schematic

\*\*\*\*\*  
 Notes: This is M1 of the MWT-1. The designations of components in this subassembly are a completely separate entity from the designations of components shown on Figure 1.

RFE - A

## REGENERATIVE FRONT-END CARD

WALTON DX LABS / REV 2 10 DEC 1985



CONTINUED NEXT ISSUE

The opinions expressed in this column are those of the individual writer and do not necessarily reflect those of the Editors, Publishers, or the National Radio Club, Inc., or its subsidiaries.  
Times are local per Muse.

Once again, NRC Musers have come through with excellent participation in this week's theme, "The ones that did/didn't get away", although the mid-winter blues apparently have decreased the total number of Muses. Remember that #18 (deadline: Jan. 24) will include your DX achievements; #19 (Jan. 31) will be dedicated to first-time Musers; #20 (Feb. 7) is the issue for 20-year+ members (continuous or not); and #21 (Feb. 14) will contain comments from present or past employees of broadcast media. #22 Feb. 21: Story time! And now, on with it...

**Andy Rugg** - 669 de Gaspé, Apt. 218 - Nans Island, PQ H3E 1J1

Happy 1986! In the last 6 weeks of 1985, DX was negligible because of travelling and Christmas. Veries did dribble in from WCCS-1160 and CHOW-1470. I'll save all the chatter on BCB and social DX'ing for my next Muse. Instead, I'll fulminate about the ones that did (and didn't) get away. Starting on the positive side, I still have the fondest memories of three good ones that I more or less stumbled across accidentally. First and foremost, there was the Feb. 12, 1962 DX test from CB73-730 in Valparaiso, Chile. On paper, it faced insurmountable QRM from Bogota's NSP'er HJCU-730. On top of that, there was a modest amount of noise that morning, which would have drowned out CB73 in the unlikely event that HJCU were silent. Luckily for everyone, we got the best of both worlds. HJCU was on, but with a lot of dead air. Their carrier sheltered CB73 from the static and the dead air allowed bits and pieces of the test to filter thru. My number two all-time surprise has to be on March 8, 1964, when I scanned the dial after dinner and found strong but unusual music in between WJR-760 and WABC-770. I listened to the music for 15 minutes and my father joined me in the DX den. We collectively fell out of our chairs at 7 pm when we heard the booming ID "Ici Dakar". In the sunspot trough of 1964-65, Dakar-764 may have been the easiest 7A in Montreal, but the first time it sprouted up it was a real thrill. Number three all-time surprise has to be the WJOB-1230 test on Dec. 26, 1977. With bulldog tenacity I sat on the 1230 channel for over an hour, lusting for that test. Their telephone-tone rendition of "Mary Had a Little Lamb" squeaked thru the mush at 1:43 am, adding yet another conquest to my totals. Now it's time for the ones that got away! In my totals, I don't have either Hawaii or Oregon. They could be there if I'd been faster on my feet in the spring of 1963. One MM I had a weak UNID on 1190 with ads for a car dealer that only could have been KEX. Figuring it would show up again, I didn't bother sending a tentative report. They didn't reappear; former Oregon member Neil Gregory confirmed 'twas indeed KEX-1190; almost 23 years later I still don't have an Orygunner. On 3-3-63, Jim Warner and I staggered home at 4 am after a boozy monthly meeting of the Toronto Chapter of the old Canadian DX Club. We decided to look for the KAIM-870 that everyone else was hearing. It was there, all right, but with QRM from WHOR-870's BT. In our Basochanlian state we had troubles separating the two signals and KAIM abruptly signed off before we sobered up. That's how Hawaii slipped thru my ears. The other one that I blew in the spring of 1963 was KALL-910, which could have been my #2 from Utah. I heard them once, decided to wait until they showed up again, and they never reappeared. It's a long time since I logged a new K-call or even anything near the Mississippi. In October, 1973, there was an unexpected MM SP from local NSP'er CRGM-980. I was so preoccupied in logging WONE-980 that I failed to notice the s/off from Minneapolis' WOOO-980 until it had "gone in one ear and out the other". In the sunspot trough of 1964-65, I got greedy during the first tremendous SSS opening to Europe. I couldn't believe my ears! I kept flipping back and forth between Bulgaria-827, Yugoslavia-917, and Algeria-1142. Before I could make up my mind on which one I wanted to log, they all signed off and I had nothing to show for my efforts. After a solid month of persistence, I did snag Sofia-827, but the others never reappeared. In addition to all the above, I still have a wild fantasy about the Zedder that may have slipped from my grasp. One MM in February or March of 1962 I had a weak EE signal with choir music on 1000 kHz that faded away at 3:28 am. I had no idea who it was. Subsequently, Ben Dangerfield reported a logging of 12D-1000 that morning, with a fadeout of their choir music at 3:28. That's the closest I ever came to snagging a Zedder! That's it for the fishing stories. 73.

**Harry J. Hayes** - 9 Henry St. - Wilkes-Barre, PA 18702

For my experiences about the ones that got away and the ones bagged, I'll start with the ones that got away since I am a pessimist by nature. For several evenings in December, 1976 I was following up on a very weak s/off announcement on 1580 at 5:45 pm which I was about 95% sure was 250-watter WHEM from Henderson, TN. Reception was heard about 3 or 4 times and always was dreadfully weak. I never have actually logged this one to this day. More recently, last season, on the same channel I almost added WJTX, Urbana, IL to the log, a typical case of knowing that it was there but not getting a satisfactory call ID. Now for the other side of the coin. This one is such easier because the date November 27, 1982 still sticks in my mind. This date was your typical lazy Saturday after Thanksgiving. I was departing to myself about settling down to some sunset DX'ing. When I turned the radio on I checked the upper regionals (1250 to 1480) and found the channels "dead" except for several strong stations on certain channels. 1380 was loud with a news station and turned

out to be St. Petersburg, FL. I soon realized that the other strong stations were all "sitting ducks" of several station I needed from Florida. In one hour I then proceeded to add new to the log WDLF-1310 Deland, WAKE-1370 Ocala, WNGI-1390 Gainesville, WZST-1410 Leesburg, WAZA-1360 Bainbridge, GA, and WCOA-1370 Pensacola after WAKE went off. The stations stood out like absolute beacons with no QRM at all. I've never noted an opening like this before or since. On to the present: the band is plagued with the typical December yeech cx. The 22nd was interesting in that the lower band became all Spanish this evening. Cx were very strong to central Latin America. Nicaragua was loud on 750 and San Salvador showed up with a fair signal on 655. Also St. Vincent on 705 was almost audible, throwing a significant het on WIAW. When St. Vincent shows I know cx must be good. I hope everyone enjoyed nice holidays. More next time.

**Laura M. McCasker** - 23 John St. - Kingston, NY 12401

Hello again, DX fans! Kind of busy these days with the holidays and other assorted stuff, but there's always time to Muse, right? A few stations have "fallen into my lap" over the years, and it's certainly fun to reminisce about them, so I thought I'd whip up a "quickie". My most recent experience with this lovely phenomenon (I'm not talking about quickies now) occurred just a couple of weeks ago, on Dec. 17, when I tuned in 790, expecting to hear the usual WEAN/WNEB/CKSO/WINY prize fight that usually rages in this area. Instead, csw mx was atop the channel, for the first time. WRUM, Rumford, ME had floated in for a visit, making its presence very clear for about 5 mins. before fading into the sunset. (Typical, huh?) Haven't heard them before or since. On a few occasions in the past year or so I've flicked on the radio not really to DX, but just for some friendly static for company while doing something else. Twice new stations have caught me by surprise this way - WBRK-1340 jumped up from the graveyard and got my attention in Oct. '84, and April of this year brought WBBX-1380, another one never gotten before or since. One of my all-time favorite "mistake" pick-ups came back in Feb. while listening to WKOK on 1070. For about 10 mins. they were taken over by WFLI, booming in o/all, then fading back into oblivion, never to be heard again (by me, anyway). These are my most memorable, wacky, "out of nowhere" pick-ups. I'd just as soon forget the ones that "got away." I don't keep very extensive records of my DX failures, as they're not much fun to go through in the following years and months, not like all those fun success stories. Back in the present, conditions have been holding on reasonably well here up north. The aforementioned WRUM is my favorite trophy of late. Had another first-timer on 12-21 with WZAP-690 in very weak with wx "for downtown Bristol." Unfortunately, they didn't "fall into my lap"; (if they had, I'd have told them not to be so rude). These guys had to be dug out of a big mess. Also had a visit from WCSC-1390 on 12-23; they were common when I lived in PA, but very rare here in the hinterlands of NY. A verie from WPCP Houston, MS arrived recently, with v/1 and a nice coverage map. I got very discouraged with my return rate, so haven't been sending out many reception reports lately, but at least those courteous southerners answered me. Have more to say, but will save it for next time. Good DX to all.

**Greg Hardison** - 14435 Plummer St., #11 - Panorama City, CA 91402

After a hiatus of only two years - it's finally time for yet another Muse. Time for an ID: I'm in the waning days of my 27th year, married to a beautiful and very DX-tolerant lady named Lynn, and toiling away my youth at KABC-790, as a Program Coordinator and Producer for the Dennis Prager, Ira Fistell, and Ray Briem shows - the latter of which, of course, is the home of the annual "DX Special", as heard on Saturday 12-7-85. I also work there as a Newswriter for the Ken And Bob Company, our contribution to morning drivetime - clever initials for that show, no?? These and other activities have put a crimp in DX'ing, coupled with a very noisy Panorama City location, less than one mile from (KABC competitor) KGIL-1260. Luckily, KGIL has fairly clean audio - but their collection of spurs tends to hurt everything between 1200 kHz or so, and 3 MHz, give or take a few. I did recently get hold of a Sony AM stereo/FM stereo unit - and I cannot say enough about the high quality of AM-S audio - it really is just as good as FM. Now, what we need to see is more effort on the part of receiver manufacturers to promote this technology. While broadcasters are lamenting the much-exaggerated "death" of AM radio - and the FCC is clumsily attempting to regulate an industry which it obviously knows nothing about - the formation of an "AM Stereo Broadcasters Association" on a nationwide basis would certainly counteract some of the harm done to the images of AM broadcasters. Those of you who work at AM stereo stations, and other interested parties, please take note! I welcome your thoughts on the matter at the above address, or write me c/o KABC. One of the questions recently raised in the IRCA bulletin deals with whether IRCA should endorse the Motorola or the Kahn system. Frankly, the approach is wrong - my own unit automatically decodes all four systems - and the existence of such an animal makes the IRCA question moot. All it takes is for the manufacturers, primarily, to get their collective act together and give the public some clear info on AM stereo - not a bunch of bull about the "death of AM radio". Off the soapbox: after receiving a great response to the DX Special, we're definitely planning to do it again late in '86. Other program notes: Arthur Cushen, Tom Meyer (of Radio Netherlands), and H. D. Norman (founder of the ambitious shortwaveer NDXE in Alabama) are all planning visits to L. A. during the new year - and we're gonna be scheduling each of them

for in-studio guest shots on Ray's show. Stay tuned - I'll try to give out as much advance notice as possible. In keeping with the theme, the one(s) that did (or didn't) get away: the year was 1971. I was living with my folks in Granada Hills, in the north end of the San Fernando Valley - and being a moneyless lad of 13, had plenty of time to DX back then. I was using an SM-2, hooked to my trusty SX-110, on a daily basis. Out of all, my best freq. turned out to be 1180 kHz - in the summer, no less! I don't recall the exact dates, but one hot July morning in '71, at about 3:30 am PLT, I tuned in a strong SS on 1180 - which after a few minutes of listening I realized obviously was not from Mexico. After a half-hour of solid reception, the ID finally came across - Radio Diego Portales in Santiago, de Chile. After I picked myself up off the floor, I ran to the typewriter to peck off a reception report. The verie came in about two months. Unfortunately, I lost track of all my QSL's in a cross-country move in '79 - and have collected none since. The other one on 1180 came about a month later - again, no recollection of the date, but at about 2:30 am PLT one day, I tuned into rapid PP talk - which revealed itself as the venerable Radio Globo in Rio de Janeiro. Globo didn't verie, and they've since moved to 1220 - and of course, 1180 now sounds something like 1240 nowadays. But, those were the two that did NOT get away - plenty more did! By the way, I also hear the het on 1210 - my money's on KRVS as the culprit. So much for now - a great '86 to all! '73's.

**Paul Swearingen - Canoga Park, CA**

DX'ing from the center of the continent, in Kansas, has its advantages ... I can claim both TP's and TA's as the ones that got away! Perhaps the most significant was HIAZ-1566 Korea which one evening in January, 1981, produced a screaming het on XERF-1570. I still have a half-hour tape of het with occasional piano music breaking through. A few weeks earlier Rick Carr in Austin, TX had reported the same station, but I could hear no ID's on my HQ-180 and northwest beverage. I've also heard hets on several European split frequencies as well as 1404 from Africa (curiously, never 765) but never any audio. One that didn't get away (and is captured on tape) is R. Honduras-880, Tegucigalpa, which I picked up on July 6, 1976, with no KWVN or WCBS in the background as usual, and KCBGL-735 Quito, Ecuador, also captured on tape on December 13, 1979. And if it's any consolation to Andy Rugg, I never even HEARD Oregon or Hawaii in Kansas! '73.

**Radio Roundup**

**Pete Kemp, KZLZ - P. O. Box 73 - Bethel, Ct 06801**

Greetings all ... After 58 years, WIND, in Chicago, has pulled the plug, as of 1:00 pm CST December 12 ... Then on December 16, at 5:00 am CST, returned to the air as an all-Spanish station ... If I had a nickel for every station programming a countdown show during the New Year's transition, I would really be a rich man ... Larry King will be expanding his nighttime hours on Mutual. H will be starting one hour earlier, with the last two-hour segment a tape replay of the first two hours ... KMPC, in IA, has become an affiliate of the NBC radio network ... Dick Puritan, a popular Detroit broadcaster, who has done stints at WXYZ, CKLW, and WCZY, has released a record album of his best on-air comedy bits. All profits are going toward the local Children's Hospital ... Cub members who are into telecommunicating might want to check in to HamNet (GO HOM-11) on CompuServe. They have a host of files covering a wide range of topics on both technical and general in nature. One file has Radio Sweden's newsletter and operator's guides for DX listeners. Another special interest group (SIG) is the Professional Broadcasters SIG, hit SFP-35. They have a number of libraries from which to choose. The PC data library has call letter changes, rule changes, and the like, while other library files deal with programming, technical evaluations, and other topics of interest to commercial broadcasters. While I am on the subject of telecomputing, another system has recently come on line which may be of interest to NRC'ers. It is called American People Link (PLINK). One of the clubs is called HAM LINK. Obviously aimed toward radio amateur operators, there are many general interest files available. Both systems offer radiophiles a wealth of reference material covering the entire RF spectrum. Individuals interested in American People Link can call 1-800-524-0100 or CompuServe 1-800-848-8990 for membership details. Both systems offer Electronic Mail services ... So much for now.

**Ronald Purdue - Route #1, Box 224 - Byron, MN 55920**

I have just rejoined the club. It has been about 2 years since I Mused last. Just got my new Yaesu FRG-8800 on the 26th; boy, what a radio! It has quickly replaced the DX-300 as a favorite. Finally, no more severe overload problems. Last November, don't remember what day it was, a moderat het was heard against WLS-890. I suspect Algiers on 891. The A-index was only 2. I also caught HJPM-895 from Colombia a few times earlier this month. I am planning to send in my first report to the editors of the IDXD and DDXD columns in about 15 days. I hope that my next Muse will have a lot of TA and TP news.

**Bill Townshend - 4500 Conn. Ave. NW #901 - Washington, DC 20008 (202)-966-8046**

Time for another Musing. WILC-900 (ex-WLMD) is now SS as of 12-17-85 (Laurel, MD). There are now SS stations in the DC-Balt. area. The other is WMD0-1540

Wheaton, MD (ex-WDON). Pat O'Leary, the PD and midday jock on old WLMD got the heave-ho along with the rest of the crew. The Israel Lopez Corporation (whence the new call) bought the station from the Mid-Maryland Corporation for \$720,000 (freq. of WGN in Hertz). WILC is Radio Boringuen, but still has ethnic format on Sundays (Greek, Slavic, etc.). However, the s/off is bilingual, EE, then SS. KOKA-1020 Pittsburgh PA is the first commercial broadcast station to attain "senior citizen" status, turning 65 on 2 Nov. The first program it put out was the election returns on 2 Nov. 1920. It is a pest on that channel but has been "aurorated out" at times, especially in the fall of 1978. I have logged only two other stations on that channel (Cuba and Venezuela). I never heard KBCQ nor KTNQ (like WILC, KTNQ is SS). With only three sets, all from Radio Shack, I now have access to any frequency from 150 kHz thru 400 kHz, 520 kHz thru 216 mhz (except 50-58 mhz) and 450 mhz thru 890 mhz, the three rx's being the DX-160, Patrolman SW-60, and the Portavision-55. On Saturday 12-7, a WADXA gtg was held at Greg Monti's pad in South Arlington, VA, 2 km west of the Pentagon. Fourteen guests, including Tom White and yours truly, attended. Enough for now, so I'll s/off. CUN14 or 21. '73's.

**Cont. From Pgs 10**

monitored operating at night, when it then interferes with KSL's signal.

**Severity questioned**

Despite complaints from some broadcasters, the FCC said it is not convinced that the level of Cuban interference is significantly higher than in the past.

While he said he was familiar with the WAQI situation, the FCC's Van Doorn said he had not received many complaints from broadcasters. In fact, the only recent Cuban interference complaint he has received was from WOR.

"We normally get calls, but it has been quiet," he added.

However, WAQI's Fernandez said he has already filed an interference complaint with the FCC and plans to file another.

The FCC, Van Doorn said, regularly monitors Cuban medium wave activity and releases reports. The last Cuban broadcast list was made available in mid-October, before WAQI signed on.

**Talks stalemated**

State Department and FCC officials said they have tried to resolve the on-going problem of Cuban interference. Both organizations blame Cuba for unwillingness to negotiate.

At a fall meeting of the Radio Advisory Committee (RAC), which was attended by broadcasting representatives and officials from the NAB and FCC, there was talk that the US and Cuba might meet to discuss more critical communications involving aircraft, weather and telephone links.

However, US State Department International Radio Communications Office Deputy Director Bill Jahn doubted that the talks would take place in the near future.

A matter of primary importance, he added, was the replacement of an aging telephone cable between Miami and Havana. Therefore, he said, negotiations may emphasize common carriers as opposed to broadcasters.

"We met with Cuba in August 1983, in San Jose, Costa Rica, and again in October 1983 in Mexico City. But Cuba walked out of the talks at the last minute," Jahn said. "The US has a standing offer to (reopen) the talks."

FCC Attorney Louis Stephens, who also serves as chairman of the RAC, said "We are seeking opportunities to develop

understandings with Cuba. However, previous efforts have failed," because Cuba has sought "trade-offs" in non-broadcasting areas.

Officials at the Cuban Interest Section office at the Czech Embassy in Washington, DC could not be reached for comment on the matter.

**Financial compensation**

The FCC is continuing to administer its program to provide monetary compensation to stations that have made costly improvements in their transmission systems to battle increased Cuban interference, according to FCC Audio Services Division Assistant Chief Dennis Williams.

However, he reported that financial compensation has not yet been sent to broadcasters.

Williams said the FCC previously approved \$12,265 in compensation to WSUN, St. Petersburg. Under the plan, the FCC's recommendation was sent to the US Information Agency (USIA), which is to distribute the money. However, Williams said that Congress has not yet appropriated the money to USIA.

However, some stations are not as interested in financial compensation.

"We are not angry at the FCC," said Ralph Chambers of WCMQ, which did not file for compensation.

"We just want a power level to overcome the interference," he added.

VIA RADIO WORLD 5★+++

**WDCB-AM 1510**

Washington's ONLY 24 Hour Religious Two Way Talk Station and Prayer Needs

- Washington's ONLY 24 Hour Religious Two Way Talk Station
- Programming that inspires... informs... and comforts
- Local & National Ministries
- Jesus Edition - Hot Line - Love Letter
- Check National & D. James Network
- Local & National Two-Way Talk...
- Bible Testimonies & Testimonies
- The Lifeline - Ask Jesus
- Local & National News...
- International Music Service
- Daily Broadcasting Network

REACHING OUT TO THE NATION'S CAPITAL 24 HOURS A DAY

UNIVERSAL BROADCASTING CORPORATION  
For More Information, Call: Steve Kucharski, General Manager (703) 273-4000

Free Computer Advice (W3C) for Members & Licensees  
Via Wendell Forster

WELCOME TO RACINZ!!

**WRJN**  
AM 1400  
RACINE ON THE LAKE

3000 White day and night  
1400 KHZ Non directional antenna

Broadcast Day  
8:00 AM to Midnight Monday through Sunday  
7:00 AM to Midnight Sunday

Monday - Friday

6:00 - 8:00 am  
8:00 - 12:00 pm  
12:00 - 2:00 pm  
2:00 - 4:00 pm  
4:00 - 6:00 pm

Specialty Programs

11:00 am - 12:00 pm  
1:00 - 2:00 pm  
2:00 - 4:00 pm  
4:00 - 6:00 pm  
6:00 - 8:00 pm  
8:00 - 10:00 pm  
10:00 - 12:00 am

Call Radio Shows  
Book Manager  
Radio Manager  
Book Store  
Live Radio Shows  
International Shows  
Home Song Shows  
Pop and more programs  
Call-in Talk Shows  
Local News and  
Local Shows

See us at  
Sun - 10:00 am - 1:00 pm  
Sun - 4:00 pm - 7:00 pm  
Sun - 10:00 am - 12:00 pm  
Sun - 1:00 pm - 4:00 pm

830am

**KABN**  
830am

Your voice is the power

**KGIR**  
AM 1450  
Northern Colorado's Star Station