



# DX NEWS



*the magazine of the National Radio Club*  
9 DECEMBER 1974

VOLUME 42

NUMBER 8

"Though I'm inactive of late, I've determined that DX NEWS is a luxury I'm not yet prepared to sacrifice. DX NEWS is probably the best publication bargain in all of broadcasting." (Bill Caldwell, MA)

## ON THE INSIDE.....

- Review of the Heath SB-620 Spectrum Analyser (Conclusion) - Bob Foxworth
- Still another NRC Night Pattern Book Updater - Wes Boyd

## NEW MEMBERS

- \* Eric Fader, 25-35 Bell Blvd., Bayside, NY, 11360
- \* Mike Anderson, 10008 Normie Lane, Louisville, KY 40229
- \* Doug Kowalski, 2035 S. 58th St., West Allis, WI 53219
- \* Warren Powis, 3 Warrington Grove, Wellington 4, NEW ZEALAND
- \* Harley E. Steward, 4220 French St., Erie, PA 16504
- \* Mike Ramirez, 5218 Round Table, San Antonio, TX 78218
- \* Frank Oswald, Jr., 94 Harris Rd., Princeton, NJ 08540

## RENEWALS

M. DeLorenzo, C. Riddick, P. Bergen, W. Caldwell, L. Brodsky, K. Geary, S. Brainerd, R. Truax, W. Krakow, Wm. Murphy, J. Tull, J. Sloan, S. Kennedy, C. Territo, F. Nordquist, B. Pitman, H. DuRant, H. Gustafson.

## FLASH TIPS & SUCHLIKE

KMEO-740, WCSJ-1550, WTKM-1540 hrd by Schmidt 11/11. KRMO-990 hrd by Schmidt 11/18. WREY-1290 hrd not by PT, TRS, Shaftan on 12/1. None of 11/25 TESTS hrd by Shaftan, Davenport, Starr, ELK. WFIA-900 & WHBN-1420 hrd 12/2 by RJE. WHBN also hrd by TRS. TU AM 12/3 was almost a good TA nite in NJ, w/ 1586, 1602, 1578, 1562, 1554, 1502, 1394, 1466, 1385, 1376 all yielding readable audio. Hets noted also on 1439, 1421, all by RJE. PT noted several low-band Spaniards in. Could it be things are looki ng up ?? Tune in next week.....

## NOTES &c FROM NJPC

RE THE FBIS LOG, 26th ed.: "Doc" Hardester reports that apparently FBIS is preparing it, but the Supt. of Documents doesn't know it. FBIS advised him of a completion date about now, but apparently it is delayed....

ANYONE HAVE A SOURCE FOR A TUNEABLE ANTENNA COIL FOR A DX-150B ?? If so, contact Weldon Childers, Box 188, Carbon Hill, AL 35549, as he is unable to obtain one to replace his ferrite bar, which is now missing.

WE BLEW IT AGAIN DEPT.: Last issue we credited Brian Vernon with October's centerfold from the Vancouver Province. We wuz wrong, as it was Dave Bennett, to whom we will shortly return the original, hi.

Don Jensen (5204 70th St., Kenosha, WI 53140) is looking for intact copies of WRTH from 1947 to 1950. If anyone has one, please contact him. By the way, he has an extensive "DX History" collection, so if you ever need to check any old station data, check with Don.

Robert Harper (Rosengasschen 1, RHEINFELDEN / AG, Switzerland, 4310) is looking for tapes (good quality) of US Commercial R&R or R&B stations or MOR's. Cassette or Reel only. Contact him re exchanges, etc.

## C. P. C. TEST SCHEDULE

THURSDAY	09	0100-0130 * KRNH- 930	Aitkin, MI	1000 D	NRBC
		0300-0330 * WTGA-1050	Plymouth, MI	250 D	NRBC
		0330-0600 * KBJT-1340	Jackson, WY	1000/250 U	NRBC
FRIDAY	16	0230-0300 * KRNH-1500	Blue Earth, MN	1000 D	NRBC
		0300- * WJLT-1520	Ocean City-Somer's Point, NJ	1000 D	NRBC
		0130-0100 * KPOC-1120	Pocahontas, AR	1000 D	NRBC
		0300-0120 * WJAN- 560	Walt Beach, FL	5000/1000 U	NRBC
		0100-0500 * KRNH- 570	Alturas, CA	5000 D	NRBC
		0500-0600 * KJFT- 550	Bakersfield, CA	1000 U	NRBC
MONDAY	30	0330-0400 * KJUS-1120	Hobart, OK	1000 D	NRBC
TUESDAY	31	0300-0400 * WJAC- 580	Augusta, GA	5000/1000 U	NRBC
WEDNESDAY	06	0100- * WJLO-1570	Beverly, MA	500 D	NRBC
		0200-0400 * WJNB-1120	Michigan City, IN	5000/500 U	NRBC
		0200-0550 * WJCB- 730	Chicopee, MA	5000 D	NRBC
		0245-0315 * WJOT- 860	Marion, IN	250 D	NRBC
		0300- * WJAB-1140	Worcester, MA	5000 U	NRBC
		0330-0400 * KJBT- 860	Ft. Stockton, TX	250 D	NRBC
THURSDAY	13	0000-0300 * WJAN-1140	Morgantown, WV	5000/500 U	NRBC
		0200-0300 * WJTY- 980	Danville, IL	1000 U	NRBC
		0105-0150 * WJBT-1010	Columbus, IN	500 D	NRBC
		0200-0300 * WJLL- 500	Urbana, IL	5000 D	NRBC
TUESDAY	14	0300-0315 * KJAB-1550	Fargo, ND	5000 D	NRBC
TUESDAY	14	0100- * WJED- 970	Southridge, IA	1000 D	NRBC
WEDNESDAY	20	0130-0200 * WJAP-1170	Farrrell, PA	1000/500 U	NRBC
THURSDAY	27	0300-0400 * WJCC-1190	LaCrosse, WI	1000/250 U	NRBC
FRIDAY	03	0230-0300 * WJUS- 590	Uniontown, PA	1000 U	NRBC
MONDAY	10	0100-0200 * WJIT-1100	Galesburg, IL	1000/250 U	NRBC
WEDNESDAY	17	0100-0500 * KJBT- 780	Reno, NV	5000 U	NRBC
THURSDAY	24	0230- * WJTT-1110	Watertown, NY	5000/1000 U	NRBC
WEDNESDAY	26	0030-0100 * WJMT-1550	W. Hartford, CT	1000 D	NRBC

## DETAILS:

- KJIN - Will have TT, nx, IDs. V/s: Todd, Bart, Richard Patek, NRC
- WTGA - No program details. V/s: Kenneth Kunze, DT & CE, 112 W. Washington St., 46563. Arr. Dabelstein.
- KBJT - No program details. V/s: Lt. L. Hoffman, CE, Box 100, 63001. Arr. Dabelstein.
- KRNH - No program details. V/s: John Salawka, Box 360, Blue Earth, 56013. Arr. Dabelstein, NRC.
- WJLT - No program details. V/s: Ray Kibitowski, 10th St., & Asbury Ave., Ocean City, 08226. Arr. John Eckerd, Jr., NRC.
- KPOC - No program details. V/s: Jim Cathey, Box 508, Pocahontas, 72455. Arr. Dabelstein, NRC.

## Radio San Cristóbal

CARRERA 9 No. 8-16 - APARTADO 374  
SAN CRISTOBAL - EDO. TACHIRA - VENEZUELA

editor: Alan Merriman  
P. O. Box 8  
Fairfax, Va. 22030

## international dx digest

\* Phone 703-354-2135 before 2200 EST \* All Times are GMT \* Deadlines are Saturday \*

lots of material this time, so we'll start right off with what is being heard . . .

- 525 COSTA RICA R. Ambros fair at times, 11/14 0445-0506. Had tropical mx w/ID between selections, very shallow audio. Faded around 0450 leaving only a het. Returned in time to hear end of s/off and NA. Carrier cut at 0506. Must be more than 250 watts. (Falconer)
- 540 COLOMBIA Very interesting situation here. Long established R. Mundial in Bogota, HJXX on 1370 w/1 kw, NRP since the early 60's when they used to battle JORD in Texas after KERN and EAST signed off on MW's, may have purchased the HJWA-Horizonte facilities. At any rate, on 11/11 after KBLT test s/off at 0800, the dominant Latin w/MOR modern latin recordings, made such mentions of R. Mundial and RCN. At 0803, production ID: "Esta es la señal internacional de RCN, la Radio de Colombia". At 0817, "Radio Mundial presentan Musicales RCN." At 0841, "R. Mundial, frecuencia Musical de RCN", etc. No commercials were heard. Another latin, w/Tropical mx and some w/an Andean Indian flavor, had more frequent aunts by both man and woman, but could not be IDed, likely Tropicana, I guess. (Callarman)
- MICAGAGA Tape on 11/11 from 1047-1147 found R. Corporacion in Maragua dominant over another latin, a US stn singing on w/ESB and Dixie at 1055, and a FF stn. The YH had lots of commercials at 1055 and again at 1123, w/a dramatic program, lots of dialogue, beginning at 1100. At 1130, 2 male aunts had rapid-fire mx and commercials. Time checks in EST. (Callarman)
- 550 UNID Might have been WJAB Fonce, F.R. at 0100 11/18 w/rapid talk in seemingly FR dialect of SS. WJAC-580 and WJAP-680 were excellent at same time. Just missed hourly ID. (Foxworth)
- UNID Probably TV at 0750 11/18 w/10s for AS7 spoken slowly and little speech between each record, faded at hour. Heard later, around time of KJBC DX but no ID again, seems AN. Definitely not any Cuban format. (Foxworth)
- 579.6 MEXICO Het on WJWB earlier on car radio led to checking 11/16 from 0243; freq varied slightly. 0247 comedy dialog, SS; 0248 TC "...de la popularidad en la frontera, Radio/Mascota!"; 0253, CST TC, 0259, ID as "R. Variedades" mil watts, "musica moderna"; 0303 ad for the 24h Distribuidora Corona en la Carretera Oaxaca/Queretaro y Avenida Lopez Mateos..."; ad string, weaker by 0341. The R. Variedades known is XEHP, Ciudad Victoria but this isn't on the border; maybe a change for XEPU, Piedras Negras? Tried subsequent nights, but couldn't pull it thru. (Hauser) Full freq given as 579.63.
- 580 EL SALVADOR Selena reported before midnight, 11/16 managed to call WJWB, 0359 giving net stns on other frogs: "...1080, para la zona oriental, en San Miguel ...220 (?) , Santa Ana, Zona Occidental..." However, Radiocadena Central, YSRR Santa Ana, is listed on this freq. 2 spaced chimes. (Hauser)
- 580.5 UNID Flanking 580 on this side, a het noted 0341 11/16; no audio. (Hauser)
- 584 KJPSR Presuned Svobodnyi, foreign service outlet w/GC program 11/18 1152-1202. At 1200, Kremlin belle and GC talk similar to 047. S7 carrier at best, weak audio w/NOGO slop. No HFO on listed Chinese-585. (Seaver)
- 595 COLOMBIA Surprisingly strong 11/16 0210 slow mx w/talkover; 0215 back after fade; mostly lo-key; 0230 exactly, ID as Radio Iminica, devotional, s/off, amateurish anthem, 0233:35 GC, rock steady; still on at 0238 tho gradually fading. (Hauser) \*\* Finally, due to my inactivity past year, logged this one on this channel w/vy shallow audio 0157 11/16. Caribbean EE talk program, w/ local mentions. (Brimms) 112 (ED)
- 625 COSTA RICA/PERU? TIKE R. Omega way on top here w/WJWB slop 0310 11/16. SS readable w/then, looping Peru, only likely other to be heard here so tentatively that. (Brimms) 124 (ED)
- 630 MEXICO XEPR Monterrey, NL 11/15 1226-1230 w/local nx, ads, ID at 1230 by call letters, then lost. Also 11/16 same time and programs. (Gleason)
- A MOMENT OF SILENCE FOR OUR NEW ZEALAND FRIENDS-THEY NOW HAVE 26 AMERS TO WORRY ABOUT. GEE, FELLOWS, WE'VE GOT SOME FREQUENCIES UP HERE WITH THAT MANY AMERS ON THEM !!!

04

- 640 -GUADELOUPE ORTF was atop w/girl FF speaker 2300 11/15, some mx at times. Never stays in very long and always heard early in the evening here. Soon lost to YVQO-CMQ. (Foxworth)
- SURINAM Radika atop the freq w/lots of company 0015 11/18 (Sun evening here) w/typical Hindi program. (Foxworth)
- 645 -PARAGUAY ZP19, R. Caaguazu, Coronel Oviedo, 11/18 t/in 0445 w/mostly mx, some amnts. Splash from CMQ-640 and WSM-650. Sig w/fades into noise level, at times good level. No flutter, long slow fading. Super ID w/super sig strength taped 0547 for tape file, no question about it, including mentioning "...republica de Paraguay..." and TC including "...cuatro hora..." More than 2 minutes amnts also taped 0558-0600. Better than Brazilians on 860 & 1180 and Argentina on 1030 which have been heard last season and this season. New country. Is this just 5 kw? (Sundstrom) You may get a visit from Captain Glotz for not reading your DXN. Power increase to 10 kw was reported in DXN Vol. 41, #26. (ED) \*\* Not noted again despite several checkbacks. (Foxworth) You obviously aren't checking at the right time. (ED)
- UNID A het of about 250 hz noted 0850 11/18; Paraguay and ?? (Hauser)
- 647 -UNITED KINGDOM BBS FS, Daventry noted 11/7 in passing w/electronic piano ...- IS 0345; nice clear sig, about S7. (Taylor) Glad to see you escaped from the basement. Did RS ID this for you? (ED)
- 650 -CUBA CMKU Santiago, 11/18, tentative, only typical IS (//630,640) hrd 0500, thru WSM, no other audio. Part of R. Liberacion network? Only Cuban listed here to my knowledge. (Sundstrom) \* \* Radio Liberacion noted here for first w/mentions of "...en Cuba" 11/4 0935. (Shaftan)
- MEXICO XEZM Zamora, Mich. 11/14 1245-1305. Soap opera 1245-1256, spots to 1300, then ranchera mx. ID clearly as "En Zamora, escuchan a X-E-Z-M" w/echo on the 4 call letters. At times 100% readable, totally cover ring XETNT who is on same bearing. Mich #3. (Gleason)
- VENEZUELA Radio Girardot 11/4 noted here 0926 w/AST TCs w/HJX (who I'ded previously). Also ran some IA mx. O/u Cuban. (Shaftan)
- 670 -VENEZUELA 0328 11/18, 5:26 TC, "hora Rumbos-la hora de Venezuela" u/WMAQ CC. Looks like Venezuela needs a better hora-like Cagigal. (Hauser) \*\* Tentative Venezuelan noted here ripping up usual mess of WMAQ/CMKP here w/WI-SA mx also some Surinam wailing and some Calypso. Assumed per power. 11/16 0312.
- 675 -COSTA RICA Radio Sonora noted here 0332 11/16 tnx to PT tip. Ran/(Shaftan) some IA mx, frequent IDs as "Esta es--Radio Sonora". Bombing in at S9 here. No QRM from domestics here (cause none existed on sidebands, hi). This is contrary to AM's observations in Foreign Log which says no IDs as R. Sonora heard. Here no other IDs noted. Beautiful tape. (Shaftan) 116 (ED)
- 680 -PUERTO RICO WAPA San Juan noted w/a very nice ID clear atop at 0100 11/18 and was in from about a half hour before to 15 or 20 mins after that, then nice PR opening died out. Checked quite a few other freqs, 740,810,870, etc. w/negative results and likewise nothing on 780 or 1000 so seemed just a bottom of band opening (see 550 tent). (Foxworth) \*\* Poor/fair w/s/on 11/4 0901 w/what sounded like s/on w/mention of their freq and the FCC. Is this their s/on time? (Forth) Thought this was AN but I may be wrong. (ED)
- 690 -MEXICO XERG Monterrey, NL 11/23 1208-1220 w/SS rock, lots of ads and PSA's. XETRA off. One ad for "Discotecas Estrella de Oro" which is part of the same company. (Gleason)
- 700 -COSTA RICA Radio Reloj finally definitely I'ded w/"Radio Reloj en Costa Rica" 0852 about even w/WLW. Good tape 11/11. (Shaftan)
- VENEZUELA Radio Popular, YVMH on top in WLW null w/up tempo mx. 11/13 2315-2330 finally giving way to the TI w/someone else u/them. (Falconer)
- 712 -SOUTH KOREA HLKA Seoul, 11/18 1027-1032, 1051-1102, typical KBS program, talk at 1030, into a play or soap opera w/singing and 2 YL's talking to 1058; at 1100 a probable "KBS...HLKA" ID by YL, followed by KBS pips ---, then OM talk. Faded some at ID time (Marley's law). KMPG was off until after 1230.
- 713 -CHINA Foochow, Fukien regional stn (I BELIEVE) heard very well / (Seaver) w/man and woman alternating in speaking some strange language (not CC) on MM 11/18 at 1005. Faded out at 1102 but heard again after 1215. Have good tape, but no definite ID. (D. Reynolds) HLKA seems likely. (ED)
- 725 -SURINAM SRS 11/23 0029-0033 w/drama in what seemed to be Hindi. 100% readable, het from someone else on channel. (Gleason)
- 730 -MEXICO (Tentative) XEX Mexico, DF noted here w/piano mx, MoR inst 11/4 0807. SS talk. (Shaftan) 129 (ED)

- 760 -MEXICO XEZZ Guadalajara, Jal. 11/23 1309-1315 w/ads, instrumental mx, ID as "Zeta" quickly covered by KFSD, much XEDGO also. (Gleason)
- 775 -UNID 11/15 0525 w/SS soft rock. Too much KOB for ID. Is TIW now here? No HC's noted that night, so doubt Guayaquil. Also, signals probably TI's hrd on 650,675,1548 and others that night. (Gleason)
- 780 -BRITISH VIRGIN ISLANDS ZBVI Roadtown, Tortola 11/16 at 0123; male ancr with strong NN accent during Calypso mx prgm; call 20616 for Auto Repair Service; Mobile Home Sales for St. John's, St. Croix, phone 773-4615, Heinicken's spot: "Penny for penny, it's Heinickens, #1 best flavour all over the VI".
- 783 -CUBA Radio Rebelde noted here on new freq w/LA mx, ID 0520 11/16. (Taylor) First time have noted audio from this new outlet tho I have gotten hets against WBEM before. No sign of WBEM tonight tho. Was bombing in at S9.
- 800 -MEXICO XEROK Ciudad Juarez finally noted for first time w/new / (Shaftan) call 11/10 at 0440 in null of PJB/CKIW remnants during La Hora Nacional and // XEM. Nice way to log XE's, hi. (Taylor)
- NETHERLANDS ANTILLES ■ Nederland noted for first time as rarely fades in before 0200. Hrd w/SS program very weak in CKIW, etc. mess 2342. 0010 ran DD mx, 11/11-12. Is this one directional? (Yes, ED) (Shaftan)
- 810 -MEXICO XEUX Tuxpen, Nayarit 11/24 1301-1307 when XERSU signed on late. Hrd string of local ads, plus one for movie house in Vallarta, Jal., and Bullfight in Mazatlan, Sin. Was completely in clear, like a local. #2 from this new state. (Gleason)
- MEXICO XERSU Ciudad Obregon, Son. Address I have is Apartado Postal 75, and street address is Blvd. Rodolfo Elias Calles y Durango. Is owned by one of the newspapers. Telephone information probably had them as "R. Variedades" and not as XERSU. If you want to call, its 3-78-10. (I haven't gotten a verie after 4 f/ups). (Gleason)
- UNID'S At least one IA and probably more u/pest HJCY here w/LA mx. Freq sounded like a LA graveyard w/HJCY dominant in mess. 1004 11/11. (Shaftan)
- 820 -UNID UFO (Unid Foreign Oriental), likely PDR Korean outlet at Najin (WRTH list), w/what sounded like 2nd net program in KK, martial mx, strident talk, etc. Seemed // Wonsan-877. 11/18 1210 and on. Severe WBP QRM. (Seaver)
- 837.5 -UNID 11/3 het noted on this odd freq. Probably some local spur but anyone have any ideas who? 0542. (Shaftan)
- 840 -HAITI 4VEF noted here for first time on null of super pest WNYC. Had FF rel program, very strong w/no sign of WHAS. S/off 0154 w/Amazing Grace. Beautiful tape of s/off mx. No mention of freqs like 1035 w/off with. 11/10.
- ST LUCIA R. Caribbean Internacional noted here after 4VEF s/off w/FF rel program, ID 0203, s/off w/what was presumed NA 0204. (Shaftan, last 2)
- 845 -UNID 11/15 0450-0510 w/soft SS MoR vocals. Opening best seen to Honduras, Nicaragua and C.R. at time. Seemed to have rx at 0500. (Gleason)
- 850 -COLOMBIA HJKC Emisora Nuevo Mundo, Bogota 11/14 0140 w/some type of live event, feeding CARACOL. Heard 2 nights previous same time w/elimination round of a beauty contest. Well o/ROA, some one on channel about 100 hz off. (Gleason) Stn off freq likely the TG. (ED)
- 854 -PERU OAX4H R. Nacional del Peru, Lima fairly well 0325 on 11/16 w/woman singing native songs and long talk by man in SS. Haven't heard this one for a long time. Verified many years ago. (D. Reynolds)
- 870 -UNID SS W/a very interesting sig in the old "Go West After Sunrise" syndrome. In fact, it was toward the end of the Mt. Vernon Critical Hours when I found ranchera mx, both slow and fast, on the channel at 1504. Heard short amnt by both man and woman, but could not dig them out. Looped toward Central Mexico but there wasn't enough of an angle to get rid of WWL, which took over at 1516. (Callarman)
- 875 -UNID W/SS rock 0516-0520 11/15, heard mention of "Costa Rica" once, had 2 min fast CST time, plus jingle before each record. (Gleason)
- 890 -SOUTH KOREA HLLS Pusan well on top of JOHK at 1300 pips but then o/u w/hard to tell JJ from KK. This on MM 11/18. Other S. Koreans noted this morning also. (D. Reynolds)
- 910 -HAITI 4VRNM, R. Nouveau Monde tentatively the one here 11/16 in FF w/5 cuckoos, mx in FF by male ancr 2200, including frequent Haitien items. Sounded like they? (Taylor) ■ \* W/ID 0300 11/16 in/out w/R. Aeropuerto and domestics in seve re aurora. Taped, new. (Edmunds)
- UNID Trying for Haiti here, a girl singing at 0120 11/18, seemed cuts from an album of archaic slow ballads, commentary by deep voiced man, (Cont)

06

910

944

954

958

980

1010

1016

1020

1035

1045

1070

1075

1080

1088

1100

-UNID (Cont) a few words about the mx between each cut. No ID noted at half hour. Generally clear and atop but by 0140 started to get some signal from 91-Q (WRCQ Conn) though signal was still in there at times. At 0200 I heard definite Radio Canada mx on the hour which almost certainly was CHRL (who has been heard several evenings here this year). I also had a definite Radio Canada ID at 0300 11/15 here, though much weaker then. I tried 910 after talking to RJE who says that 4VRNM had been heard. I don't know if I had the 4V or CHRL, or both, but much of the reception is on tape for analysis. Cx certainly would have favored Haiti at 0100-0200 11/18 as Haiti on 840 and 1035 were very loud then. If R. Canada mx not from CHRL, then a real mystery.

-HONDURAS HRYW Tegucigalpa 11/4 0315 strong w/mostly easy lis- / (Foxworth) tening mx, ID by YL as Radio Panamericana. (Forth)

-HAITI 4VCD R. Carillon hrd 11/16 0034-0039 w/fem talker in FF, sounded re-ligion. Fair sig (S7) but SB splash killed possible taping. (Taylor)

-UNID A tantalizing one here in AA, quite strong w/male Quoranic chanting at 2330, sig at S9 even on 11/4. Bearings skewed, so no help from DF. Help?

-MEXICO XELC La Piedad, Michoacan 11/15 1202-1210 w/ID as "L-C" / (Taylor) and into "Mexico, creo en ti" PSA program at 1203. Very good signal, slowly faded out. (Gleason)

-JAPAN JONR Osaka at S6-7 level at 1118 on 11/25. They have fine varied programming. (Wilkinson) / (Seaver)

-UNID Likely JONR, heard 11/11 1054-1102. OM & YL talk in JJ, a very quick set of tones, then 3 tones and a longer tone on the hour. Could be 2 UFO's and domestic and Mexicans. JONR reportedly has long tone on the hour.

-TURKEY New TRT outlet finally heard here 11/7 from 0230-0300 w/up tempo mx, some MoR in Turkish; Eastern flavour to mx, very unlike AA fare hrd on Moroccans, Egypt, etc. No speaking noted through the half hour, but hugh gaps of dead air between cuts. First speech came at 0300, w/female ancr and ID, f/by mx. Fair tape, likewise new country, whatever that means. (Taylor)

-GUATEMALA TCOM Pajapita, "R. Frontera" 11/4 1213 w/wake-up greeting program, light SS rock. 1st time this season. (Gleason) / (Gleason)

-MEXICO XEXL Patzcuaro, Mich. 11/16 1255-1258. Good u/KSWS carrier w/local spots for Patzcuaro and Uruapan, plus the ancrs opening remarks. Roswell on at 1258 ended log. XEXL must s/on at about 1255 daily, rather than 1300.

-VENEZUELA YVRS Radio Margarita, La Asuncion w/fair sigs on 11/25 at 0620 w/KDKA off. Cuckoo clock IS then R. Margarita ID. IA mx. (Fogue) / (Hauser)

-VENEZUELA The stn reported last time w/0800 s/on, is R. Calendario; better 11/26 0800 w/an unfamiliar march, which turned out to be "El Himno del Estado Zulia"; AST TC; s/on mentioned 9520 SW; 0804, "Amanecer Zuliano".

-UNID This one is driving me cuckoo...nothing much readable but those chirps, again 11/26 0714, 0729, 0744. Usually 3 at a time; KDKA carefully nulled. (Hauser) Looks like this is YVRS, see above. (ED)

-HAITI 4VEC noted here w/armchair copy 1025 11/11 playing SS rel program. 100% readable. (Shaftan)

-UNID An IA noted here 11/7 at 0215 tune-in, distinct from Las Tablas on 1047; peaked to 10 db over S9 to a low of 5 in 45 second fades. Slow paced male ancr; SS male vocals e.g. "H ernando's Hideaway" 0225, a Dutch vocal 0227; short anmt by male ancr 0228 (unreadable, sounded like DD, not SS), f/by "Waterloo" in EE 0230. Not another new PJ?? (Taylor) According to RFS in DXM Las Tablas is now back on 1045, but don't know date they returned. (ED)

-COLOMBIA Radio Santa Fe nice and atop at 0724 11/19, in as well as SW // 4965. Soon faded completely and was replaced by R. Atlantico fairly strong. All the while 4965 stayed the same, hi. (Foxworth)

-COSTA RICA TIFC San Jose 11/5 0455 end of religious program, ID in EE by YL, weak but no QRX. (Forth)

-UNID Someone noted here w/Surinam type wailing, IA mx, mentions of Bogota thru WTIC. No positive ID on 1/2 hour but ran mx 0136 11/16. (Shaftan)

-ENGLAND BBC Crowborough in fair at 0000-0100 on 11/13. At 0300 "Transmission to Europe on 3.9525 mhz is now closing...1088.5 (?) is available until 0430 GMT." Then in to classical mx. (Krakow)

-COLOMBIA (Tent) R. Reloj noted here w/slow IA mx and some US MoR such as "Stop and Smell the Roses" 11/11 1005. Tentative ID per format. (Shaftan)

-ANTIGUA ZDK was in fairly well at 2330 10/26 w/their usual rock-calypto pgn for the next hour. They were not heard at all during the period 11/15-18 however, even though Paradise-1265 was often strong. (Foxworth)

1124 -YUGOSLAVIA Positive ID on this one 11/7 0330 w/usual IS and s/on, for sure // 1133, also potent at this time. Must have been power increase, as listed 10 kw couldn't give the 1125 TI fits the way this thing was, hi. Another weaker stn way under, but no clues. (Taylor)

1130 -MEXICO XEEF Campostela, Nayarit 11/24 1235-1256 w/SS boleros and tropical as well as Mariachi mx. Several local ads for "beisbol" games, ID as "XEEF en su canal 113". Time 2 min slow. At most times 100% readable. New state, #19. (Gleason)

-MEXICO (Unid) 1220-1230 w/Laboratorios Mayob program. Since this is usually on high power stns, suspect XEZZ Jalapa, Ver. 11/14. (Gleason)

1170 -COLOMBIA Cartagena new stn first hrd 10/26 0457, noted many times since w/ID mentioning freq, Cartagena, and ID that sounded like "La Voz de Louica" followed by band mx mostly u/KVCO. (Forth) \*\* H J noted briefly atop here while checking freqs at 2307 10/26, ads and commercials. Did not stay for ID but had a strong signal. Not definitely noted since. (Foxworth)

-SOUTH KOREA HLCS Sokcho logged from 1251 to 1300 on 11/25 at which time KLOK came on and spoiled it. First time. Will follow up on this one. (Wilkinson)

1180 -BRAZIL R. Globo, Rio finally w/romantic ballads and PP anmts between. Several R. Globo SIDs noted. Strong at times 0715-0730 11/3. Also noted during WHAM SP of 11/10. (Falconer)

-MEXICO XEYU Huatusco, Ver. 11/14 1155-1210 w/ranchera mx about 70% readable at best. Had about 6 local spots after each record, most done in 2 voice male-female style. Many ads for stores in Cordova, Ver. Said on air w/ requests since 5:30, so s/on may be 1130 GMT. 1st Ver for me. (Gleason)

1187 -GUATEMALA TGT "Sonora" is back here...at least it was 11/17 between 0340 and 0411. Not superstrong that night, w/a lot of 1190 splash. Hasn't been hrd since Spring of 73 when it operated on 1174 for awhile, but has previously operated on 1187. At tune-in, there was a very rapid two-voice conversation that continued for 15 mins, broken only by one production commercial. Information and commercials appeared to be the programming matter, and at 0354 1/2, the show was identified as "Radio Periodico en el Aire." After a fanfare, there was an ID, but all I could pick out was "Diez Mil Watios". Mx, both modern popular MoR Latin and US tunes, continued, w/"En Sonora" TCs. Such selections as "Yo Quiero Llegar Enamorado" and The Night Chicago Died were heard. (Callarman) \*\* TGT measured on 1187.2 11/15 0200. (Edmunds)

1190 -VENEZUELA (Tent) R. Barinas? Some IA hrd here w/WOWO out in aurora. Ran SS yaks, mx, had some RR like "Carefree Highway" mentions of YV were basis for tentative ID. 0158 11/12. Help?? (Shaftan)

-UNID Some IA w/SS yaks u/tent YV above. No mx, just talk. Ideas? (Shaftan)

1196 -WEST GERMANY VOA Munich noted 11/12 0000 w/s/off - good signal. (Long)

1198.4 -COSTA RICA TIBB, R. BB, San Jose noted now on this freq; first noted 11/10 0425 w/"Radio BB" ID by fem ancr as a voice over during male vocal MoR. 0427 "Radio BB, San Jose" ID by male ancr, f/by strange promo sounding like "B-B, Veintiseis", which doesn't make a lot of sense, at least to me. Gave phone #, sounded like 26-26-15. Can anyone confirm details? (Taylor) ex-1225. \*TIBB hrd here all eve 11/15,16. Sounds on RS. (Edmunds)

1200 -VENEZUELA YVOZ Radio Tiempo, Caracas in w/exlnt sig 11/25 at 0813. ID, TC, then US tunes. WQAI off. (Fogue)

1205A -CUBA Reloj Nacional noted here in like a bomb on new freq tnx to PT tip. Usual mx, gongs, btwn items. No ticks in background though. 0640 11/16. PT told me freq was 1204.6. A lot of static though. (Shaftan)

1210 -COLOMBIA (Tent) la Voz Amiga noted here ripping up WCAU w/IA mx, fairly reg here during aurora. 11/16 0105. (Shaftan)

1214 -ALBANIA Tirana noted 11/7 0350 w/male ancr in usual AA, peak 10/S9. (Taylor)

-UNITED KINGDOM Very good copy 11/13 2321 w/folk rock mx and male and female ancr together. Still noted at 0000 w/nx. (Long) \*\* (Tent) Noted here w/ various RR songs. Played "Back Home Again" by J. Denver which is rather new and I wonder if BBC would be playing it yet tho I don't know. Format fits them. 11/3 0643. Help? (Shaftan) 143 (ED)

1215A -CUBA? This is probably the het here giving WCAU the rough time. Noted almost nightly from 0000-0400+ in the past 2 weeks. No audio yet, tho. (Falconer)

1230 -BERMUDA ZEM-1 noted here for first time 0527 11/9. IDed only by FM plug which consists of a "corrupted" version of the song "Love's Theme" and mentions of the new sound of radio or something similar. Note they are not NSP they run a SP SM 0000-0700 Local time (GMT-3 summer, -4 winter). (Cont)



- 1230 -BERMUDA (Cont) Often they run OC or TT for the first 15 mins or so. Xmtr in Devonshire. Their ground wave is pretty bad. At night one can null them and pick off many number of domestics or the 10 kw TT (Shaftan) 104 (ED)
- 1241.5 -DOMINICAN REPUBLIC LV de la Libertad w/nice taped in clear after jingle and TC 0233 11/16. Strongest ever heard. (Edmunds)
- 1250 -COLOMBIA R. ABC, HJOK, Barranquilla hrd 11/16 w/short "Emisora ABC" promo among local spots 0107; dominant among weaker other IAs. Common catch here during high A. (Taylor)
- 1259 -UNID SS stn 11/19 1140-1150 w/local ads done live, and soft semi-classical piano mx. Probably a CA. (Gleason)
- 1260 -CUBA CMAX Radio Reloj Nacional hrd w/typical mx, pips and Reloj ID for newie, atop channel 0215 11/16. (Edmunds) 129 (LB)
- 1270 -MEXICO (Harmonic) RFS's unid on 2540 I know not; XENX Mazatlan, MST is only 2540 I hrd; like 11/23 1256 "R. 12-70" ID, Tres Equis ad; 1300 6 AM TG, Majestic, TV de Mazatlan ads; some intermittent QM from coastal ringer on 2358. However, 11/22 at 0050 I detected SS, mx on 2540, perhaps RFS's "R. Caravana". HNL prevented further monitoring in evening. (Hauser)
- 1280 -MEXICO XEAW Monterrey, NL was my unid of last week w/4 note IS after every record. ID made 11/24 1130-1150 w/MoR SS mx. (Gleason)
- 1330 -MEXICO XEEO Leon, Cto. 11/21 1130-1150 w/program of mx w/dedications and "saludos". Hrd several "X-E-B-O, Sensacional" IDs, but very rough under assorted domestics. Agn 11/23 1133-1140 better, w/local ads. (Gleason)
- UNID XE 11/17 1132-1136 w/nortena mx. Loop towards Monterrey, Tamps, etc. Very poor w/REAC. (Gleason)
- 1360 -VENEZUELA TVTI Maracaibo noted 0030 11/16 w/plentiful local spots and alone on channel for new logging. (Taylor)
- 1376 -RFSER FES Vladivostok at S5-9 level at 1008 on 11/25. Normal signal has been S5-6. (Wilkinson)
- 1385 -CANTON ISLAND WXLE was at S7-9 level at 0948 and after on 11/25. Best sig since last early September. (Wilkinson)
- 1390 -MEXICO XEOR Reynosa, Tamps 11/17 1122-1132 w/nortena mx, IDs as R. Gallito and "13-90". 100% readable. (Gleason)
- 1410 -MEXICO (Harmonic) XEAS, exceptionally strong 11/14 on 2420 at 0405 w/romantic mx, SID, 0407 rock; strong amid FSK; 0450 check, gone. SINPO 44544. (Hauser)
- 1435 -CHINA (?) 11/14, fair, het heard many times came through w/male and female ancrs alternating w/items 0921-0924, then light orchestral mx briefly. 0925 same ancrs alternating w/definite mx items, Callahan and Rockefeller names hrd clearly, language Russian. Faded 0956 and lost, never picked up since. Strange so early, no? (Vernon)
- NETHERLANDS ANTILLES radio Kelkboom in briefly w/EE RR 11/15 2350. Clear ID at 2357. (Long)
- 1438 -EL SALVADOR YSHF Cojutepeque s/on 11/19 1200 w/call letters, location and freq (1430) plus mentioned was member of E.S. Broadcasters Assn, then faded. Carrier was on at least 15 min previous to s/on. (Gleason)
- 1445 -NETHERLANDS WEST INDIES PJF1 Saba quasi-regular here, extremely fine on 11/6 0105 w/SS vocal, female ancr in EE at 0108 w/ID, s/off immediately. (Taylor)
- 1470 -MEXICO XE??, Mexico, DF. Ranchera format of XE?? -1500 is now here, heard 11/16 1130-1145, no call letter mention. May have switched calls. Monitored 1500 for about 4 hours and no call letters given. (Gleason)
- 1475 -CONGO/DAHOMEY Brazzaville, 11/21 2221 w/male talk in vernacular //4795,4765. This talk surfaced about 6 times until co-channel Dahomey took over at 2251. In interim the 2 stns were fighting it out and resulted mostly in a big het. Dahomey still uses that march which sounds like a Drum & Bagle Corps selection just prior to s/off. (Bailey) Very, very nice! I would caution anyone looking for this combo to be aware of the Haitien on the freq which would be in FF and might play African style mx. (ED) / (D. Reynolds)
- NICARAGUA YNAG Chinandega hrd at 0300 on 11/22 w/romantic mx and vocalists. ID mentioned Nicaragua and Centro America. Lots of 1470/1480 splash.
- SAH, MALAYSIA R. Malaysia, Kota Kinabalu has been heard 11/11 and 11/18 after previous 1200 w/off. Probably a sked change. Program is MoR mx, some in EE (e.g. J C Superstar cuts). At 1230 11/11 man in nx w/"Suara Malaysia" ID. (Seaver) \* Was very strong and steady at 1245 on 11/25. They play some vy good mx at times. (Wilkinson) Hrd extremely well before 1200 on 11/25 which has been their usual s/on time. Man and woman in Tagalog plus some cl orch mx. Best ever by far. Condx very erratic. (D. Reynolds)
- 1500 -MEXICO XE?? R. Fiesta is now here, replacing R. Tricolor, which may have switched the 1500-1470 frequencies w/each other. In any case, now plays tropical mx instead of Ranchera. Mexico, DF. (Both are Grupo Oro stns, plus 660,710,970,1220). In trying 11/18 for a call letter ID, heard at 0108 a definite power cut. Carrier was off for about 8 seconds, then back w/about 1/2 previous strength. (Gleason) \*\* Probably the one running ranchera mx here 0847, 11/10. (Shaftan) XERH R. Fiesta, ex-Tricolor. (Edmunds/Hauser)
- 1505 -ANGUILLA R. Anguilla the one here on 11/15 2311 w/EE female ancr giving long list of local food and clothing prices. Gave time as "7:15". Tarzan movie ad at 2324. Very strong when first tuned. Faded out at 2326 and noted again at 2335 w/Caribbean News. Tape replay showed barely audible Radio Anguilla ID. (Long)
- 1510.7 -UNID IA looping Dominican Republic. Likely HIBL w/10 kw which has been known to vary in freq. 0120 11/15 and lately reported on 1512. (Baumans) \*IA noted here 11/16 w/slow inst mx 0050; bearing suggests NL. Any help? (Taylor, who gave freq as 1510.8) \*\* 11/14 0015-0030 fade out, strong het w/bite of audio looping NS-34. Het just about wiped out 1510, unfortunately no conclusive audio...never had signal on this freq before. Definitely TA however. (Sundstrom) All 3 likely HIBL, which was noted w/strong signals here several evenings. (ED)
- 1525 -CHINA Urunchi noted w/feeble audio, much carrier, in passing between 2300-0000 on eves of 11/15,16,17 during severe auroral disturbance. (Taylor)\*\* 11/13, Matt Zahner of NNRK called 2325 but before I could get set warmed up a NA was played and carrier off 2330. Both Zahner and I could hear (see on SB-620) a second weak carrier w/weak het on freq, definitely not ITV, faded by 2345. Had it over phone..Zahner has tape of a very strong and clear signal. Not hrd since. (Sundstrom) Per phone call from Zahner, this was definitely Urunchi, ID on tape "Govorit Peking". (ED)
- COSTA RICA TIEBA: Turrialba probably the one noted here w/talk program. 11/12 2300-2315. Fair sig w/WCKY splash. (Falconer)
- 1540 -MEXICO XE?? noted here tentatively 0050 11/16 w/EE rel program. MTR/XE?? wiped out by severe aurora. No clears were audible. Even XE??, super post here was making it all the way up to S6. Back to normal by 0600. (Shaftan)
- 1550 -ANGUILLA (tentative) R. Emerald, Qld. Conversation between man and woman w/EE accents on a travelogue from 0951-0959:30 on 11/25 before 50 kw WOLW in Miss blasted on. Will try again and earlier. (Wilkinson)
- 1555 -BRASIA RFS returned w/tape of R. Juventud-1570 w/a tape of La Voz del Guabo on back. Good ID including frequency. I guess I'll have to believe they're really here, hi. (Schatt)
- 1560 -CUBA CMGB Reloj Nacional, Cardenas good w/talk and time pips 11/25. ID at 0900. (Fogee)
- MEXICO XE?? Ciudad Juarez, Chh. now IAs as "R. Inolvidable" as per reception 11/16 1215-1218. Also mentions of "J-1-4" on air. (Gleason)
- 1561.2 -UNID tentatively HIFZ, R. Federnales as has been reported here frequently, and loop bearing fits. Too much WQR to tell, tho. 11/15 0100. (Edmunds)
- 1570 -DOMINICAN REPUBLIC by unid here is HIBL Radio Juventud, La Romana. Trx to RFS who says is 250 watts. (ED)
- 1580 -MEXICO XE?? Zamora, Mich. 11/17 1209-1226 w/ranchera mx, many local ads, most directed at farmers. At 1220 had someone behind him w/"Las Mananitas" and a stn jingle that seemed to say "NQC", so may be Tulancingo, Hgo.
- MEXICO XENQ-make that definite at 1220 w/jingle and call letters twice, then fade. (Heard after 25 times relistening to tape). New state. (Gleason)
- 1588 -WEST GERMANY Langenburg 11/13 in GG. 2345-0000 popular European mx, 0000 bell, then mx. (Krakow)
- 1590 -UNID Probably Mexican 11/15 1130-1148 w/old SS rock songs (1961-1964 era). Too poor to pick up anything except mx. Does anyone know what XE?? does now? Are they on air at that time? 11/16 1227-1309 w/romantic and MoR SS mx. Very polished ancr gave CST time each record, ID as "El Fabulosa 15-90" and had jingle that said 15-90 also. Looped S by SE. Covered at 1309 by s/on of XE?? Ciudad Delicias, which was a little to the east of the unid stns peak bearing. (Gleason)
- 1595A -UNID weak, fady, PILING SS CA hrd here 0030-0100 and later 11/15. Though YNES reported here, thought I heard mention of Qastewala. Almost unreadable though. (Baumans)

Phenomena such as lightning bursts will produce unexpected patterns. Since lightning is broadband radiation, it will produce the same pip height across the entire frequency range, and since it is present on every frequency at all instants that the strike lasts, it will cause the pip to stay up as long as the strike lasts. This results in a rectangularly shaped displacement with a jagged top. The width of the displacement depends on the length of the lightning strike.

Pulse radiation causes a series of spikes which may appear to drift slowly across the screen depending on the PRF (pulse repetition freq.), and its ratio to the SB-620 sweep speed. LORAN-A which can be heard in the Northeast U.S. on 1900 and 1950 khz makes a pattern like the teeth of a wood saw. Periodic buzzing interference from appliances with brush-commutator motors that arc does pretty much the same thing. This distortion of the pulse shape is apparently due to shock excitation of the SB-620 crystal filter, with ringing causing pulse stretching.

Commercial spectrum analyzers have adjustable bandwidths in contrast to the fixed bandwidth of the SB-620. Since commercial units are often used at microwave frequencies, their bandwidth can often be several megahertz, contrasting to the 0.15 kilohertz SB-620 bandwidth. Such units will give a more accurate rendition of rapid transient phenomena, such as noise spikes and pulses, though this is not of very great practical importance to the MW DX'er.

This is a good place to look at "images" as they can be classified as "unknown signals". Images generated in the receiver are unavoidable byproducts of the superhetrodyning process. They aren't a great problem on MW due to the wide frequency ratios in the receiver's tuned circuits, and the high-Q front-end selectivity used by DX'ers. On shortwave, this is a more serious problem due to reduced ratios between desired/undesired signals, and the wideband antennas used by most SW DX'ers. When the DX'er tunes across part of the SW band and listens, it is not apparent which of the signals he hears drifting past belong there, and which are alien. The SB-620 dramatically answers this question. Use a moderately wide sweep width (20 to 30 khz) and operate "sweep width" in "variable" to give a fast response time. This is to allow the eye to track the pips as they move past. Look for pips going past in the opposite direction than the stream flowing past. These are the images (being heard at 2 x IF freq. or, 910 khz away from input frequency). Look also for pips which may appear to drift past in the same direction, but at half or twice the rate of the stream of pips flowing past. These are also bogus signals, which may be mixes generated in the receiver itself, and which often aren't audible as a signal or true image would be. A true image will cause a birdie or whistle as it crosses a signal pip moving the other direction, in the receiver passband. The cure is better antenna selectivity and/or set realignment.

Since it is not possible to predict what sort of unusual signals may be encountered by the reader from time to time, we can't say too much more. This is of main interest to the SB-620 who DXes other than the MW band. The Heath instruction manual has some comments and sample drawings dealing with AM, CW and SSB signals as found in the amateur bands. The experienced user will soon be able to get a feel for what comprises a signal by its sound and appearance. DX'ers interested in pursuing this further may find Hewlett-Packard Application Notes<sup>12</sup> helpful, especially Nos. AN 150-1, AN 150-2 along with AN 150-4 and AN 150. Since this material deals almost exclusively with operation of Hewlett-Packard equipment, they are mainly of interest to the DX'er wishing to augment his technical knowledge and increase basic understanding of principles of operation. AN 150-2 (Pulsed RF analysis) helps the reader understand how a spectrum analyzer responds to impulse radiation, which we discussed above. See also the reading list at the end of the article.

List of Spurious Responses and Images encountered in Author's Unit.

1. Weak pip, travels across screen at half the speed of real signal pips as the receiver is tuned (hereafter called "half speed"). Centers on screen when rx is tuned to 575. Pip is seen with receiver RF Gain all the way down.
2. Strong pip, travels across screen at "full speed". Appears at 700 khz. This

- is obviously the 2nd harmonic of the signal in the SB-620 IF chain getting back into the input. This behaves just like a real signal pip at 700 khz, although nothing is heard in the receiver.
3. A fairly strong pip appears to move at half-speed, centers on the SB-620 when receiver is tuned to 802; coincides with the 800 khz pip when receiver is tuned to 795 khz. This pip remains on the screen with the RF Gain on the receiver all the way down. Like #1, this one disappears when receiver is placed on "standby".
4. Sweep oscillator in the SB-620 (350 + 455) appears at about 805 khz and radiates from the SB-620, and can be heard in the receiver as a "weep-weep" sound. This is more apparent if the DX'er is using a loop close to the SB-620.
5. A weak pip appears that stays stationary on the SB-620 screen as the receiver is tuned. It is only seen in the 1140 to 1170 khz range and appears slightly to the high side (to the left of center). It rises up and then fades down as the receiver is tuned through the range. It moves in and out with adjustment of the "vrb1 sweep width" pot. It disappears with the antenna switched off. No audible signal in the receiver is associated with it. It appears strongest at the 1155 position on the baseline when the receiver is tuned to 1150.
6. Same kind as above; stays stationary as receiver is tuned. Appears 10 kc to the left (higher) as the receiver is tuned from 1240 to 1280.
7. Pip appears at center screen when receiver is tuned to 1505 khz. This is perhaps the most objectionable spur in the whole list. It travels across the SB-620 screen at half-speed and is strong enough that it could be confused with weak DX. With the receiver tuned to 1496, the spur pip appears at 1500. With the receiver tuned to 1500, the spur appears at 1502 on the screen. Tuned to 1505, the spur appears there (center screen) and tuning the receiver up to 1515 makes the spur pip move up to 1510.
8. A weak pip moving at "half speed" appears at center screen with the receiver is tuned to 1610; RF gain has no effect on it. It is usually buried in the noise.
9. A weak pip, barely visible, appears, moving at half speed, when receiver is tuned to 2310 and RF gain has no effect on it.
10. RF leakage at various points in the SW spectrum, and to a lesser extent, causes image energy to be created at 350 khz at the SB-620 input. This can cause the entire baseline to lift up. Refer to Heath manual for more on this. We have found slight evidence of this when the HQ-150 is tuned to 797 khz, the height of the baseline varies with the setting of the receiver RF gain control.

It is likely that a fussier alignment, and a bandpass filter in the SB-620 input would eliminate much if not all of these problems, or reduce them to the level at which they would not be readily noticeable. Only items 2, 3 and 7, above, have been of any real annoyance to the author. Readers who own HP-45 calculators are invited to calculate which mixing mechanisms are responsible for the above pips. Readers whose receivers' IF differs from 455 khz will probably find their own completely new and different set of image pips.

Connection to the Receiver.

The recommended Heath procedure is of course entirely satisfactory, and is recommended to the DX'er not thoroughly versed in electronic fundamentals. A permanent connection may be made by running a co-ax lead from under the receiver chassis, through the isolating capacitor supplied with the kit, installed on the mixer tube plate pin, and out the side or back of the cabinet, and to the SB-620 input. This is the procedure described in the Heath manual, as shown in Figure 15:

This is a simple procedure for single-conversion receivers with no first IF in the 2 or 3 mhz range; that is, with only a single mixer at 455 khz. There is no confusion, then, as to which tube to connect to.

Fig. 15.

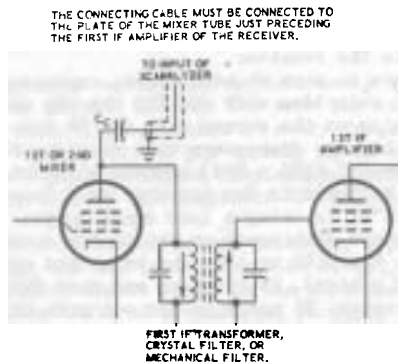


Fig. 15. Assembly manual description of interconnection with the receiver.

Many DX'ers own HQ-180 series receivers, and it is possible to use the SB-620 with this receiver, especially if we keep our interest limited to scanning a relatively narrow band of frequencies such as 20 or 30 khz. (Preselection in the first IF of the receiver might cause roll-off of gain farther out than that). The following are comments kindly provided by Eugene Vonderembse regarding his experiences with the HQ-180 receiver, used with the SB-620 and the Heath HD-11 Q-M.

"Just a note to say that I'm delighted with the SB-620. With the FMS-3 to calibrate it, the Scanalyzer is a superb device for any serious DX'er. I already have located several stations that I would have never noted without it. **No serious problems in construction.** When I turned on the SB-620 I did find that the pilot light refused to go on in the "linear" position, but quickly discovered that reheating the proper solder joint would solve that trouble. And I found that the recommended 3/4-inch screws were too long when I put the device into its cabinet. One screw shorted out the pip gain control. That quickly was corrected by using 1/2 inch screws. Otherwise everything went perfectly.

"I do get a spurious pip at 805 khz, courtesy of the sweep oscillator, and I also get a whishing sound there. I'm using the SB-620 on my HQ-180A. To avoid the need of digging into the guts of the receiver, I bought a test socket and made the connection to it. That works very well. I've grounded it carefully, and I have a well-grounded shield over the tube. Actually, I used this system before in experimenting with the Q-multiplier and found it satisfactory, so anticipated that I could use it.

"There is a problem with the HQ-180A. The first 455 IF becomes a 3035 IF stage on the two highest bands, and with the SB-620 wired for 455, it did not function on those two bands. A possible answer would be to construct two pre-mixer stages for the Scanalyzer, and switch them in and out as needed. As far as that goes, though, that's not a serious problem. I don't use the two bands very much ...for a SWL, that would be a serious difficulty. Note: A single IF can have the coils for the first IF for both stages, 455 and 3035, so both can easily be adjusted to compensate for the Scanalyzer. The low IF coil is tuned from the top, and I've made that adjustment. But since I must take the receiver out of the cabinet to get to the 3035 coil, I haven't bothered to correct it yet.

(later) "I've attempted the hook-up that you suggested, but I tied into the plate circuit of the First Converter, V3. Eventually I will probably try V4 as you suggested. I decided, however, that V3 was a logical place to start my experimentation. One advantage of using the test-socket system is

that I can easily switch from tube to tube. It simply is a matter of plugging in the socket and plugging the tube into it.

"The SB-620 now does work on all receiver bands, and I've lost a couple of unwanted pips. While it may be there, I've been unable to find the 805 pip in my preliminary examination. I did locate that pip at 1502 that you mentioned with the old system. It still is around, though it's lost some of its amplitude. And the sound of the oscillator, around 805, seems to have gone.

"My tests to date suggest that the signal already has narrowed in bandwidth at V3. Tests so far seem to show much less splash from strong locals that I could see when I had the SB-620 hooked into the V2 mixer tube. One problem I did note with the old setup was an odd sort of drift in which the signal pip moved up or down and back again. That happened with the FMS-3 and with stations. It even happened on WWV. It doesn't always happen; sometimes the pip would be rock-steady for long periods of time. At this point I'm not certain whether the drift is in the SB-620 or in the receiver.

(later) "I've finally settled on V3, the first converter tube in the HQ-180A to make a more or less permanent connection. I've been trying out the Heathkit HD-11 Q-multiplier. And I've found it a definite aid in locating and isolating splits, most of all, used in conjunction with the Scanalyzer. Originally I connected the HD-11 to V2, the plate of the mixer. Now I have it at the plate of V3 with the SB-620. It works very well at both locations. But, I get somewhat better reception on the high bands with the Q-Multiplier at V3. And of course, the Q-mult is then usable on those bands.

"My set-up .. I've used a test socket<sup>13</sup> and a length of RG-62/U co-ax to make the connection to the receiver. The braid of the cable is grounded, with an alligator clip, to the nearby frame of the bandspread capacitor. I use a shield on the 6BE6 tube which is also grounded by a wire and clip to the capacitor frame. Then, the cable goes through the lift-hole in the receiver's cover to a small cabinet. The box provides connections to the SB-620 and the HD-11 and I have switches to switch either or both out of the circuit should I so desire. This seems to work very well now and I've found no problems with it.

"The HD-11 adds a new dimension to the receiver. I've experimented with it before and found it very useful; with the SB-620, that usefulness has been enhanced a hundredfold. It's fascinating to watch the Q-multiplier isolate a signal and clean up the garbage around it. I've been able to locate some splits just a couple of khz away from fairly strong stations, and with the HD-11, separate them from these stations. Before I got the Scanalyzer, quite frankly, I didn't know that these splits existed. Now I can add some of them to the log, with some luck and the Q-multiplier.

"One more thought .. I did a realignment on the SB-620, and I was able to improve some of the unwanted pips. That at 805 has been reduced considerably, and that at about 1505 has almost disappeared. Another thing I noted - before, I could tune harmonics of 805 well into the shortwave bands and now I can't find them. So it seemed worth the effort to refine the calibration, etc. That's the story, then. I'm very pleased with the results of the equipment and think that it's worth every penny and hour that I've invested ...this system is particularly valuable to me because of my local station and noise problems. They don't solve the problem by any means but they certainly lessen it."

-Eugene Vonderembse.

Note that the slot-filter and selectivity portions of the HQ-180 come after the V3 stage, as we remarked in section (e) previously. Thus the value of adding the Q-multiplier to the HQ-180 should be evident. Our thanks to Gene for his detailed remarks, which should be of interest to the many HQ-180 owners in the DX community.

Fig. 15.

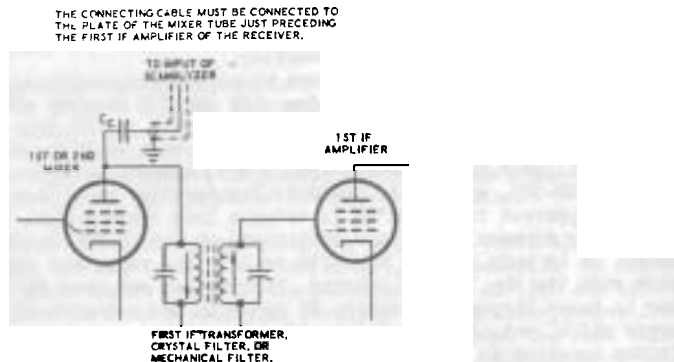


Fig. 15. Assembly manual description of interconnection with the receiver.

Many DX'ers own HQ-180 series receivers, and it is possible to use the SB-620 with this receiver, especially if we keep our interest limited to scanning a relatively narrow band of frequencies such as 20 or 30 khz. (Preselection in the first IF of the receiver might cause roll-off of gain farther out than that). The following are comments kindly provided by Eugene Vonderembse regarding his experiences with the HQ-180 receiver, used with the SB-620 and the Heath HD-11 Q-M.

"Just a note to say that I'm delighted with the SB-620. With the FMS-3 to calibrate it, the Scanalyzer is a superb device for any serious DX'er. I already have located several stations that I would have never noted without it. No serious problems in construction. When I turned on the SB-620 I did find that the pilot light refused to go on in the "linear" position, but quickly discovered that reheating the proper solder joint would solve that trouble. And I found that the recommended 3/4-inch screws were too long when I put the device into its cabinet. One screw shorted out the pip gain control. That quickly was corrected by using 1/2 inch screws. Otherwise everything went perfectly.

"I do get a spurious pip at 805 khz, courtesy of the sweep oscillator, and I also get a whishing sound there. I'm using the SB-620 on my HQ-180A. To avoid the need of digging into the guts of the receiver, I bought a test socket and made the connection to it. That works very well. I've grounded it carefully, and I have a well-grounded shield over the tube. Actually, I used this system before in experimenting with the Q-multiplier and found it satisfactory, so anticipated that I could use it.

"There is a problem with the HQ-180A. The first 455 IF becomes a 3035 IF stage on the two highest bands, and with the SB-620 wired for 455, it did not function on those two bands. A possible answer would be to construct two pre-mixer stages for the Scanalyzer, and switch them in and out as needed. As far as that goes, though, that's not a serious problem. I don't use the two bands very much ...for a SWL, that would be a serious difficulty. Note: A single IF can have the coils for the first IF for both stages, 455 and 3035, so both can easily be adjusted to compensate for the Scanalyzer. The low IF coil is tuned from the top, and I've made that adjustment. But since I must take the receiver out of the cabinet to get to the 3035 coil, I haven't bothered to correct it yet.

(later) "I've attempted the hook-up that you suggested, but I tied into the plate circuit of the First Converter, V3. Eventually I will probably try V4 as you suggested. I decided, however, that V3 was a logical place to start my experimentation. One advantage of using the test-socket system is

that I can easily switch from tube to tube. It simply is a matter of plugging in the socket and plugging the tube into it.

"The SB-620 now does work on all receiver bands, and I've lost a couple of unwanted pips. While it may be there, I've been unable to find the 805 pip in my preliminary examination. I did locate that pip at 1502 that you mentioned with the old system. It still is around, though it's lost some of its amplitude. And the sound of the oscillator, around 805, seems to have gone.

"My tests to date suggest that the signal already has narrowed in bandwidth at V3. Tests so far seem to show much less splash from strong locals that I could see when I had the SB-620 hooked into the V2 mixer tube. One problem I did note with the old setup was an odd sort of drift in which the signal pip moved up or down and back again. That happened with the FMS-3 and with stations. It even happened on WWV. It doesn't always happen; sometimes the pip would be rock-steady for long periods of time. At this point I'm not certain whether the drift is in the SB-620 or in the receiver.

(later) "I've finally settled on V3, the first converter tube in the HQ-180A to make a more or less permanent connection. I've been trying out the Heathkit HD-11 Q-multiplier. And I've found it a definite aid in locating and isolating splits, most of all, used in conjunction with the Scanalyzer. Originally I connected the HD-11 to V2, the plate of the mixer. Now I have it at the plate of V3 with the SB-620. It works very well at both locations. But, I get somewhat better reception on the high bands with the Q-Multiplier at V3. And of course, the Q-mult is then usable on those bands.

"My set-up .. I've used a test socket <sup>13</sup> and a length of RG-62/U co-ax to make the connection to the receiver. The braid of the cable is grounded, with an alligator clip, to the nearby frame of the bandspread capacitor. I use a shield on the 6BE6 tube which is also grounded by a wire and clip to the capacitor frame. Then, the cable goes through the lift-hole in the receiver's cover to a small cabinet. The box provides connections to the SB-620 and the HD-11 and I have switches to switch either or both out of the circuit should I so desire. This seems to work very well now and I've found no problems with it.

"The HD-11 adds a new dimension to the receiver. I've experimented with it before and found it very useful; with the SB-620, that usefulness has been enhanced a hundredfold. It's fascinating to watch the Q-multiplier isolate a signal and clean up the garbage around it. I've been able to locate some splits just a couple of khz away from fairly strong stations, and with the HD-11, separate them from these stations. Before I got the Scanalyzer, quite frankly, I didn't know that these splits existed. Now I can add some of them to the log, with some luck and the Q-multiplier.

"One more thought .. I did a realignment on the SB-620, and I was able to improve some of the unwanted pips. That at 805 has been reduced considerably, and that at about 1505 has almost disappeared. Another thing I noted - before, I could tune harmonics of 805 well into the shortwave bands and now I can't find them. So it seemed worth the effort to refine the calibration, etc. That's the story, then. I'm very pleased with the results of the equipment and think that it's worth every penny and hour that I've invested ...this system is particularly valuable to me because of my local station and noise problems. They don't solve the problem by any means but they certainly lessen it."

-Eugene Vonderembse.

Note that the slot-filter and selectivity portions of the HQ-180 come after the V3 stage, as we remarked in section (e) previously. Thus the value of adding the Q-multiplier to the HQ-180 should be evident. Our thanks to Gene for his detailed remarks, which should be of interest to the many HQ-180 owners in the DX community.

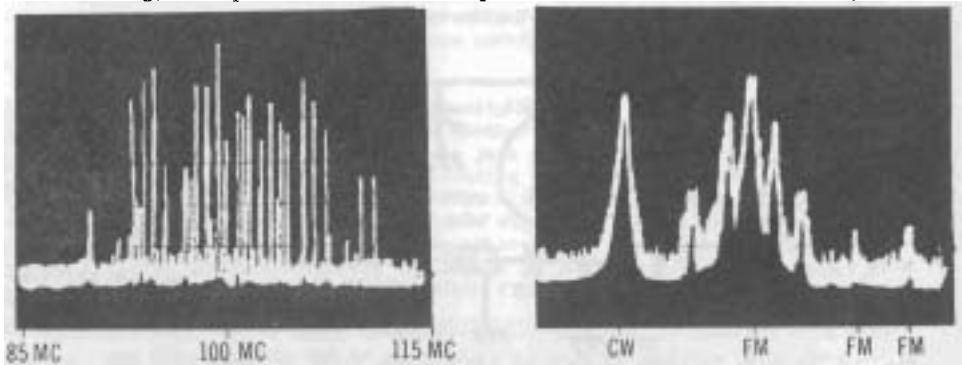




Tom Sundstrom's unit evidently was supplied with a power transformer that had either a shorted turn, or an inter-winding short, as it did not supply rated power, and his kit did not sweep properly. Heath replaced the transformer, and the kit, which had been wired properly to begin with, now works fine. A couple of units have turned up on the resale market with incorrect wiring that had to be traced out and fixed. (Probably the cause of the original owner selling in the first place). The author's unit worked fine from initial turn-on for over 16 months until one of the high voltage diodes (p/n 57-44) shorted. This drew heavy current and popped a winding on the transformer, resulting in no high-voltage for the CRT and no trace. The diodes (list \$1.40 in 1972 but \$2.10 now) were replaced, and a substitute transformer run outboard to replace the open winding. A new transformer (\$6.90 in 1972 but \$13.05 today) has been ordered. My substitute transformer is a Triad R3-A rated at 500vCT at 20 ma. The CT is left floating and the sec'y ends go where the yellow and blue original leads went. If you ever lose high-voltage in your unit, this can get you back in operation. The primary runs off 110vAC. Also, the push-in speedup switch was erratic. That can be paralleled with another switch, but isn't the most important thing on the kit, although handy at times. Heath is very helpful in getting kits to work. If your kit doesn't work, go back to where it was bought and check with them.

Other considerations. An interesting aspect of using the SB-620 in surveillance applications is in monitoring the local CB activity in one's particular area. You can set the unit up to monitor as many as a dozen adjacent CB channels in one sweep, and still be able to resolve each one. If you have a nearby CB operator using an illegal linear, putting garbage all over the MW and TV bands (as many cheap linears seem to do) you can zero in on him pretty rapidly. Once you pinpoint the errant CB operator, bring the "Citizen's Band Alignment Aid"<sup>24</sup> into play and your troubles should soon end. It was this type of surveillance, locating brief Axis radio signal, that led to development of the panoramic receiver in World War II.

FM DXers in isolated ("White") areas with no FM locals would find a VHF Spectrum analyzer invaluable in detecting FM skip openings. The SB-620 can NOT be used for this application, unfortunately, but the DX'er with the scratch for a really professional-grade lab unit can have capability to sweep the entire FM band at one sweep, with a dynamic range of 70 db or greater. A FM band opening could be immediately spotted. The capabilities of visual signal detection are fascinating; we hope this article will spur further research and effort by DXers.



FM Broadcast Band

88 - 108 Mc 3 Mc/cm

Typical FM Stations

100 kc/cm

Photos from Hewlett-Packard AN-63A, retouched for clarity.

The pictures are from Hewlett-Packard AN-63.<sup>12</sup> They illustrate a sweep of the complete FM BCB in the San Francisco area. These pictures are very similar to results obtainable from the SB-620, although resolution is sharper. The pictures were retouched for greater white/black contrast, but the geometry of the trace is still apparent.

It is interesting to note that a commercially available FM Tuner, the Sequerra Model One<sup>16</sup> comes with a built-in spectrum analyzer for the FM band, as well as allowing the oscilloscope section to function as a multipath indicator and stereo separation monitor. Perhaps the advantages of spectrum analysis are being more apparent to more people.

One last comment. It's often difficult to see the trace in a brightly lit room. One of the most helpful things we know of is to use a goose-neck or elbow-arm artists lamp to illuminate the operating table, and run the bulb off a Variac<sup>17</sup> or autotransformer circuit. Putting anywhere from 50 to 90 volts onto the bulb, which burns brightly at 115v, gives a mellow light that is entirely adequate for note-taking but is not hard on the eyes during a long all-night DX session, and more importantly, does not drown out the CRT screen with backlighting, making visibility of small pips much easier. We use a small rotary autotransformer to vary the lamp brightness, and often run it way down, at about 50 volts, and it really helps reduce glare-induced eyestrain. And, the SB-620 is clearly viewable without having to use excessive trace brightness. Obviously a SCR light dimmer cannot be used in this application because of the switching spike noise it causes at RF. The autotransformer is completely non-RFI generating, and quiet.

#### References and Reading List.

1. Classified ads appear primarily in the monthly magazines CQ (Cowan Publ. Corp., Port Washington, N. Y. 11050) and QST (American Radio Relay League, Newington, CT 06111). Also highly recommended is the Ham Trader (A. L. Brand, P.O. Box 311, Sycamore, Ill. 60178) issued every 2 weeks; 5 issues for \$1.00
2. Heath manuals are ordered by Part Number. Presumably price changes generate a new number. Obtain information from Heath dealer, or corporate HQ in Mich.
3. Ungar, div. of Eldon Ind., Compton, CA 90220.
4. A complete list of Heathkit service centers is available on their catalog. A copy of the latest catalog will be sent free by the company, Benton Harbor, MI.
5. Heathkit SB-620 Scanalyzer review, Recent Equipment, p. 50, QST, April 1968.
6. CQ Reviews the Heathkit SB-620 Scanalyzer, Scherer, p. 26, CQ, February 1968.
7. Singer Application Bulletin SA-12 (1969) Singer Instrumentation Co., Bridge-
8. Resolution Charts for Singer MF5-UR3A appear later. / -port, CT 06608
9. The Tracking Problem (and how to cure it), Holmes and Nelson, DX News, January 6, 1968. (available from NRC Reprint Service)
10. The FMS-3 Frequency Marker Standard, Foxworth, DX News, 9 January 1974 (available from NRC Reprint Service)
11. Understanding Spectrum Analyzers, Hall, p. 50, Ham Radio, June 1974.
12. Hewlett Packard Application Note series, H-P Co., Palo Alto CA. 94303.
13. Test sockets are manufactured by Pomona Electronics (a subsidiary of ITT), Pomona CA 91766, and by Vector Electronic Co. Inc., Sylmar CA 91342 who sell their products through distributors throughout the country.
14. Simplified antenna switching, Foxworth, DX News (in preparation, T.B.A.)
15. Greenlee Tool Co., Rockford, ILL 61101.
16. Sequerra Model 1 FM Tuner, Equipment Profiles, Audio, page 54, August 1974.
17. Getting Better AM Sound: A Mike-thru-Antenna Job, Bryan, p. 32, Broadcast Management/Engineering, October 1974.
18. The Curse of the Superhetrodyne, Worcester, DX Monitor, p. 7, 27 March 1971.
19. An Investigation of Super Modulation, Seinton, p. 44, Broadcast Engineering, March 1972.

20. An Update on Super Modulation, Merrell, p. 62 Broadcast Engineering, March, 1971. See also Letters column, A. Roycroft, Broadcast Engineering Dec. 1970.
21. Subaudible Hetrodynes on the MW BCE, Nelson, DX News, 1965. (Available through the NRC Reprint Service, or via author). Much of this material also appeared in the 1969 issue of How to Listen to the World, 1969 edition.
22. How to Tune In A.M. Phone, Grammer, p. 41, QST, December 1955.
23. Housecleaning the Low Frequency Phone Bands, Grammer, p. 24, QST, May 1947.
24. The Citizens Band Alignment Aid, Lawrence, p. 87, 73 Magazine, April 1973.

Hewlett-Packard Application Note series:

### SUBJECT INDEX

#### SPECTRUM ANALYSIS

AN 63	Spectrum Analysis	AN 140-4	Digital Auto-Power Spectrum Measurements
AN 63A	More on Spectrum Analysis	AN 142	EMI Measurement Procedure
AN 63D	Accurate Frequency Measurement - An Application of Spectrum Analysis	AN 150	Spectrum Analysis... Spectrum Analyzer Basics
AN 63E	Modern EMI Measurements	AN 150A	Spectrum Analysis... Using the 8558B Spectrum Analyzer
AN 126	Theory and Applications of Wave Analyzers		Spectrum Analysis... AM and FM
AN 134	Audio Frequency Measurements with the 8556A-8552B Spectrum Analyzer	AN 150-1	Spectrum Analysis... Pulsed RF
		AN 150-2	Spectrum Analysis... Tracking Generators
AN 136	Understanding and Operating the 8555A Spectrum Analyzer and 8445B Automatic Preselector	AN 150-3	Spectrum Analysis... Noise Measurements
		AN 150-4	Spectrum Analysis... CRT Photography and X-Y Recording Techniques
		AN 150-5	
AN 139	Stabilizing Gamma-Ray Spectrometer Systems with the HP 5586A Spectrum Stabilizer		

#### Supplemental Reading:

- H-P 8558B, New Products, Electronics, p. 105, 29 March 1973.
- AILtech 707, New Products, Electronics, p. 102, 23 Nov 1970.
- A Panoramic Receiver for VHF, Lovisolo, p. 88, 73, Feb. 1970.
- Panadaptor or Spectrum Analyzer, Davis, p. 44, 73, Jan 1969.
- Squires-Sanders SS-1V Video Bands scanner, Recent Equipment, QST, p. 37, June 1966 (also advertising in QST in 1966, d.n.a.)
- Heathkit HO-13 Panadaptor (obsolete), Recent Equipment, QST, p. 54, Nov. 1964.
- Radiophone Bands scanner, Recent Equipment, QST, p. 52, March 1962.
- Singer-Metrics Panadaptor, Recent Equipment, QST, p. 70, Jan. 1966.
- Basic Spectrum Analysis (parts I, II and III), Rand and Whitmore, CQ, Aug., Sept., and Oct., 1961.
- Panoramic Spectrum Analyzer, Frederickson, 73, p. 52, May 1963.
- A simple Panoramic Reception Method, Schultz, Ham Radio, p. 14, Oct. 1968.
- Application Bulletins SA-10, SA 11-1 and SA-12, Singer Instrumentation, Bridgeport CT 06608. (Deals with SSB50 series, SPA microwave series, and Universal MF2 and MF5 series. Probably no longer available)
- Article appearing in Broadcast Engineering in late 1969 dealing with spectrum analyzers, unable to locate by author, assistance requested.
- See it, Measure it. (staff) Broadcast Mgmt/Eng, p. 34, Dec. 1972.
- Spectrum Analysis of the TV and FM signal, Gumm and Engelson, Broadcast Mgmt/Eng, p. 24, April 1973.
- Sideband Analysis of TV Transmitters with a Spectrum Analyzer, (staff), Broadcast Mgmt/Eng., p. 40, April 1974.
- Panadaptor IF input converter, Hints and Kinks, A.R.R.L. 8th Edn. p.21; Fig.2-11.

"Title and Rights to Contents and Ideas Herein Remain with Author. Publication Conveys no License to any Third Party. ©1974. All Rights Reserved"

#### Footnote:

Heath is introducing an entirely new line of SB-series amateur-oriented gear, including the SB-104 HF transceiver and SB-614 monitor oscilloscope. This brings up the question of whether the company is planning a new spectrum analyzer to be a part of this new series, which incidentally is solid-state. In the event the company does introduce a new spectrum analyzer, it would likely replace the SB-620. In that event, the definitive remarks concerning the assembly manual and procedure would no longer apply, but all the theory and basics of operation, including control functions and designations should still all remain valid and still be applicable. It is probable, in the author's opinion, that the SB-300 series kit will be offered for a while longer, alongside the newly-introduced units, and that the SB-620 thus will continue to be available in the coming months, as it is at this writing. (A parallel situation exists with their line of Digital Clocks; while an improved version is now available, the original model continues to also be offered). Nonetheless, even if the SB-620 is withdrawn from sale in future months, the resale market for completed units should expand somewhat, as amateurs trade-in for the newer equipment. Any reader of this article contemplating purchasing the SB-620 kit should not wait too long to check with the dealer - especially as the price is always subject to change.

-30-

## Workhorse Spectrum Analyzer...

# 100Hz to 25MHz

The new Nelson Ross Model 236 is a multi-purpose, easy to use, workhorse Spectrum Analyzer with outstanding performance features and an exceptionally low price of \$3275.



- Preset 0-25MHz quick-look scan and 0-10MHz adjustable scan widths
- 100Hz resolution, automatic and adjustable modes
- -105 dbm (1.25µV) sensitivity
- >80 db dynamic range for IM and Harmonic Distortion analysis
- Self-checking Crystal frequency marker comb at 1MHz and 100KHz intervals. Absolute level reference

Numerous other versatile HF Spectrum Analyzers are available from sub-audio through microwave, 0.5Hz to 6.5GHz; complete free standing analyzers with interchangeable plugins, or just the plugin analyzers for your TEK and HF scopes.

Call or write to the "Specialists"; complete specifications are yours for the asking; or, circle the reader service number.

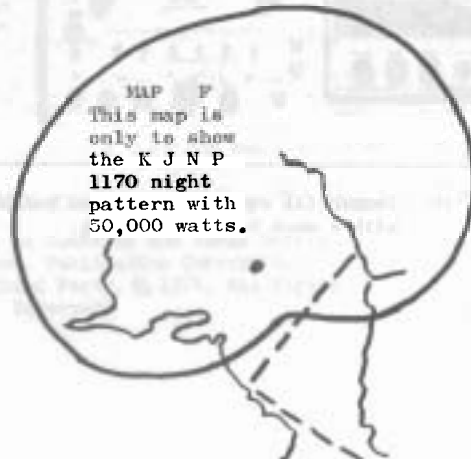
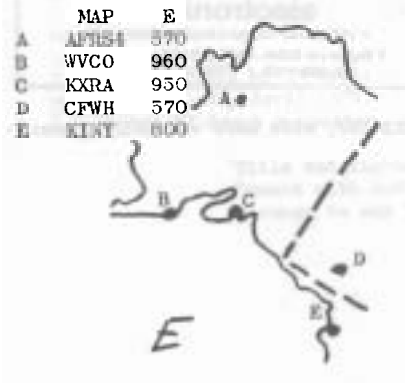
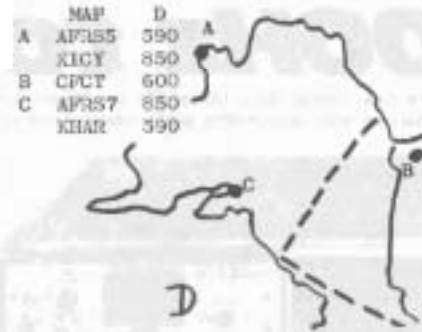
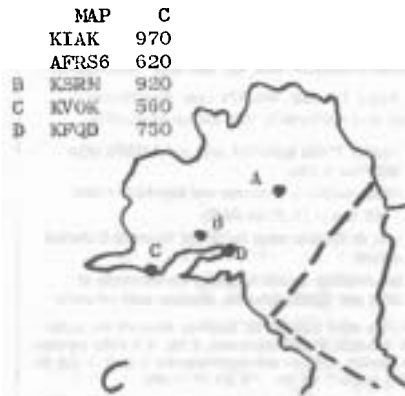
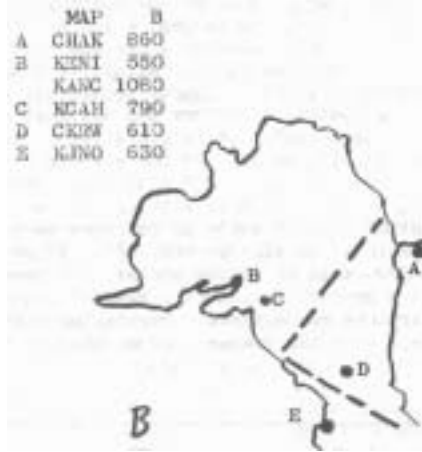
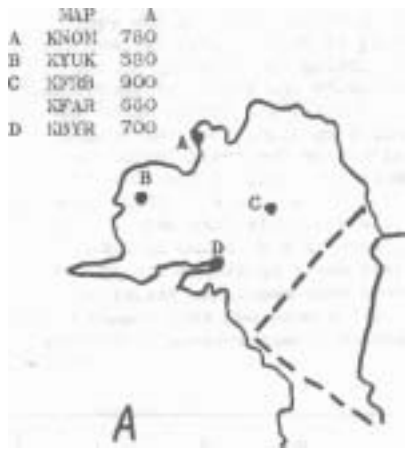
**nelson • ross**  
**electronics**

A DIVISION OF POLAROID ELECTRONICS CORP.  
5 Delaware Drive, Lake Success, N.Y. 11040  
516-226-1100 • TWR: 510-223-0414

Fig. 20. Commercial equivalents of the Heath SB-620, with more versatility and with a much higher price tag.

"STILL ANOTHER NRC PATTERN BOOK UPDATER"---H.W.Boyd

OK gang, time for another (ho-hum) NRC Pattern Book Updater. First off I'll do a rather massive updater on ALASKA::



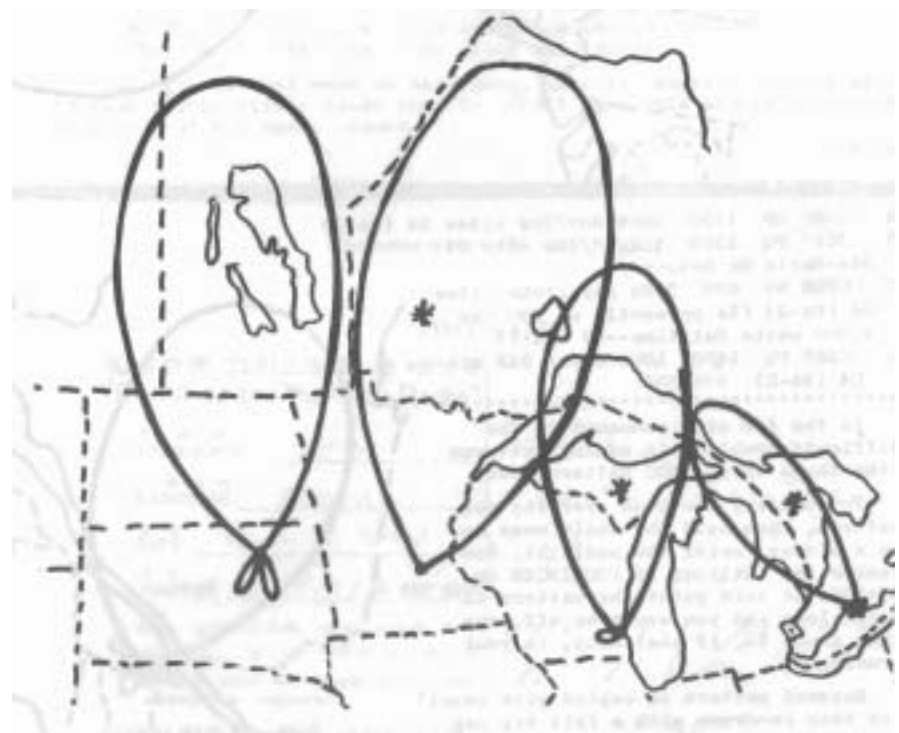
Still more patterns...

C K L G 730 New 50Kw Pattern (Scale--900 mv/m)

K A T Z 1600 New 5Kw Pattern



The patterns below are (left to right):: K K A A 1560, W D G Y 1130, W I S N 1130, & C H L O 1570. (WDGY-WISN-&CHLO are all at 900mv/m scale)



K K A A is 5Kw U4 (DA-2)      W D G Y is 50 Kw U4 (DA-2)  
 C H L O is 10Kw U4 (DA-2)      W I S N is 50Kw days/25KW nite U4 (DA-2)  
 \*\*\*WISN never got the 50Kw nite to work right, so went with 25Kw instead.\*\*\*



These are for K P N W 1120 and C H N L 610. The K P N W pattern is at the 900 mv/m scale, while C H N L is the regular 300 mv/m scale.  
 1120 KPNW OR 50Kw days/ 50Kw nites U4 (DA-2)  
 610 CHNL BC 10Kw days/ 5Kw nites U2 (DA-N)

Still got several more on hand gang, so still another updater will be in your grubby little hands shortly. Until then this should be enough to keep most of you outta trouble.

H.W.Boyd

- A CJRC ON 1150 50kw day/5kw nites U4 (DA-2)
- B \*CP\* PQ 1360 10Kw "/5Kw nite U4
- Ste-Marie De Beauce
- C CFDR NS 680 50Kw days/10Kw nites U4 (DA-2) (Is presently on 790 Khz 5,000 watts fulltime--U3 (DA-1)
- D CHEF PQ 1450 10Kw days/ 5KW nites U4 (DA-2)

To the few with comments on the difficult problems in adding patterns like these to the NRC Pattern Book.

Try holding the book over the new pattern. Then hold the whole mess up to a window facing the sunlight. Now center the outlines of PROVINCES or STATES. At this point the pattern is very close and you won't be off more than about 5%, if that much, in your tracing.

Suggest pattern is copied with pencil and then re-drawn with a felt tip pen into the pattern book.



Submitted by Hank Wilkinson

POST CARD

방송으로 그리스도를 온 세계에  
 "Christ to the World by Radio"

REMARKS

주파수 FREQUENCY: 1570 KHz  
 사용언어 LANGUAGE: Korean  
 날짜 DATE: Nov. 5, 1964  
 시간 TIME: 5:03 - 8:51/4 KST GMT

*Thank you for  
 some interesting  
 & detailed recep-  
 tion report -  
 our first from  
 the U.S.A.!!*

위와 같이 귀하의 수신 보고를 확인  
 합니다. 회신해 주셔서 감사합니다.  
 Thank you so much for your  
 reception report.

아세아 방송국, 제주 사서함 44호  
 FAR EAST BROADCASTING CO.  
 BOX 44 Cheju City Cheju Do Korea.





# DOMESTIC X DIGEST



editor.. Wes Boyd  
960 W. Liberty  
Girard, Ohio 44420  
WES BOYD 216-545-4543  
JERRY STARR 216-534-1394

Hello there DX types. Here we go again, this edition coming to you almost live from Starr Acres, Inc.

r c's

OCTOBER:

4th MM: WCCR-1580 w/1kTT; WGOE-1590 w/MX & TT; KROX-1260 w/TT (TRS & DAB)

3rd MM: KGMF-1450; KVOW-1450 both picked off tape replay, no times, anybody have times for these, both unlisted (DAB)

NOVEMBER:

2nd MM: WCAZ-990 w/1kTT (WM)

2nd SA: WSHN-1550 (Shaft)

3rd MM: WGAN-1340 w/TT; WKIG-1580 w/"Caberet" (DS)

4th MM: WNGA-1600 w/TT; WJDY-1470 w/TT; WGOE-1590 w/mx; WCCR-1580 (DS)  
KAMA-1060 w/TT (Eik) WHMT-1190 w/TT & phoenetic calls e/min. (JS)

changes

AM APPLICATIONS:

1170 Port Gibson, MS seeks 250 D

1170 San Jose, CA seeks 50000 50000 (Application for existing facility)

1390 Redsville, GA seeks 500 D

1470 Stanton, KY GRANTED 500 D

740 Martinsburg, WV GRANTED 250 D

1470 KAZM Sedona, AZ start authorized STEREO 97 FM / RADIO 74 AM

LICENSE DELETED:

KAVE Carlsbad, NM 1240, license forfeited, calls deleted, renewal not filed

CALL LETTERS:

1140 -CP- McComb, MS granted WAKK

1060 -CP- Tallapoosa, GA granted WTLG

1240 KCYN Williams, AZ granted KNYN

940 KATQ Texarkana, TX granted KADO

FACILITY CHANGES:

600 WCVP NC seeks to remove SHORT WAVE antenna (?) from existing ant.

640 WHLO OH seeks to change to unlimited hours, 500 watts

920 WOKY WI granted move XR/ANT/STUDIO to 12100 W. Howard Avenue

950 KLER ID seeks increase day power to 5000

1080 WVCG FL granted nite power boost to 10000

1190 WAMB TN seeks increase power from 250 D to 360 D Foo

OTHERNESS:

710 WQBX VA address per v/1 is Box 2288 Christiansburg, VA 24073 (JS)

1270 WTNT FL announcing 24 hours, Log change (DEF)

1430 WLCB KY (new Buffalo) now on RS w/ C&W, ID as "W-1-4-3" (Truax)

710 KIRO WA now also running KSL Nitecap Show, another HI Net in the making? Just what we need! (JS)

sunset & evening

540 WGTO FL 11/25 s/off 1730, specifies 250 watts during CR HRS, not 10KW as in Log (DS)

WDAK GA 10/28 fair to poor 1805 w/RR (HJH) Now has C&W 0000-0600

WYLO WI 11/5 o/WDXN/KVMT w/C&W 1725-1730 s/off (WM)

580 WKTY WI 11/10 w/spot for lumber yard, live polka remote 1930, into Luthern Hour (LB)

+590 KBHS AR 11/14 noted s/off 1815, Log sez has night power (WM)

WEEL MA 10/28 weak but clear 1745, had CBS Nx, local nx (HJH)

600 KROD TX 11/10 w/promo for "world's smallest radio" 1938 and local spots (LB) Call "dm" the world's smallest head(JS)

600 WMT IA 11/5 at last heard w/state election returns and CBS feeds

2241-2310 in WICC null, JRM from WTAC, Canada (RM)

610 WIOD FL 11/17 in WIP null 2130-2210 w/Oral Roberts, NBC Nx (DEF)

W5GN AL 11/13 w/local spots 2143 (LB)

620 WGNR WV 11/14 o/u WETE 2156 w/local ads, format seemed RR (HJH)

630 WSAU GA 11/3 w/NBC Monitor and "world's most beautiful mx" 1715 (WM)

710 WTPR TN 11/3 fair o/WOR w/local nx/wx 1733-1738 (WM)

WQBX VA 11/7 fair w/RR and "7-Q" IDs 1700-1716 (WM)

730 WARB LA 11/7 o/mess 1745+ w/religious stuff (WM)

YULMPH

WOHS NC 11/10 w/RR, AM-FM ID 1710+ (WM)

KKDA TX 11/6 fair w/soul mx 1821-1827+ (WM)

770 WCAL MN 11/3 a surprise w/1745 s/off after WEW s/off, no SSB (WM)

800 WSVS VA 11/14 good w/RR 1648 after WTMR s/off (DS) Angst! (JS)

850 KFUO MO 11/5 o/WHAS slop w/nx and PSAs 1756-1805+ (WM) Too bad the DX didn't do as well, if it existed at all (JS)

860 WDMG GA 11/10 w/RR, promo 1733-1738 o/KOAM (WH)

CBH NS 11/25 w/stock report, local nx and CBC Nx in CJBC null 1650-1702 fadeout (DS) Fust! (JS)

870 WHCU NY 11/23 w/Cornell FB talk, then scores 1615-1620+ (GD) 11/5 u/WWL w/nx and features 1740-1756+ (WM)

WGFL NC 11/7 killing WFL w/RR 1700-1712 s/off, then Lords Prayer by Bing Crosby (WM)

900 WMOP FL 11/15 noted w/ s/off 1729, then prayer, weak (DS) The signal or the prayer? (JS)

WEAS GA 11/15 noted 1725 w/C&W on the "Bumper to Bumper Club" show (DS) I never saw anybody bump to C&W (JS)

K5JK NE 11/5 weak w/nx, national wx to 1845 s/off, FM promo, no SSB (WM)

920 KPNF IA 11/10 w/detailed wx and C&W mx 1820-1823+ (WM)

930 WITN NC 11/14 on top 1657 w/NC Nx Net (DS)

950 WWJ MI 11/10 dominant w/MoR 1833-1836+, this usually blocked by pest WKAZ who was unheard (WM)

960 KMA IA 11/3 w/Hour of Decision 2250-2300, then ID, local nx, wx (WM)

1000 WRAR VA 11/10 weak s/off 1730 u/WCFL, FM promo (JF)

WXTN MS 11/7 w/inspirational programs 1759, then 1800 s/off, SSB (HJH)

WQTY AL 11/10 w/MoR and promo "WFMI Stereo 99" 1725-1745 s/off (JF)

WKYB SC 11/10 s/off 1712 w/WKDE, no SSB (JF)

CKBW NS 11/10 tent. w/CBC sports 1719, quickly gone to WKDE (JF)

1010 WNOX MS 11/8 w/Ac Nx 1755, then annet of power drop (WM)

1040 KPBC TX 11/15 good w/e-z mx 1822-1825, then nx (WM)

+1050 WADC WV 11/22 in clear 1650 w/e-z mx for call change (GG) ex-WCEF (JS)

WAUG GA 11/6 w/RR and concert promo 1720-1723+ calling themselves "the station w/all the concerts" (WM) Clever wording (JS)

CKSB MB 11/5 tent. w/FF u/CHUM/XEG 1810-1820+ (WM)

1070 WNCT NC 11/10 w/C&W 1655, full ID 1700, then pattern change (JF)

1100 WLBB GA 11/6 w/Ae Nx 1730, then six min of ads 1738-1744, s/off, promos "The Big 11 Hundred" and "No. 1 in west GA" (WM)

+1110 WJML MI 11/12 noted 1700 w/Ai Nx, net not in Log (JF)

1140 KSOO SD 11/6 way u/WRVA 1800 w/AM-FM ID (WM)

1150 WTMP FL 11/20 s/off 1728 after soul mx (JS)

WRUN NY 11/10 w/religious program and ID 2246 o/mess (Shaft)

1180 VOA FL 11/11 on top w/Press Review // shortwave o/u WHAM 2110 (Shaft)

1190 CJMR ON 11/22 topping freq w/Canadian nx, wx 1630-1700 s/off w/full ID and mentions of CHWO (JWB)

WAVS FL 11/13 on top 1700-1729, mostly nx/sports, no WOWO (JWB)

11/16 w/contest promo 1720, then e-z mx in WOWO null (GG)

WPUP MS 11/24 in WOWO null 1730 w/ez mx, spots e/record (GG) 11/23

w/sports 1745, clear to 1800 s/off (JWB) 11/24 way o/WOWO w/"WPUP gives you the bird" contest 1743-1801 s/off w/SSB (JS)

1240 WVOS NY 11/15 during severe aurora 2135 w/ID atop freq (RjE) Who? (JS)

1250 WYSR VA 11/25 w/nx to 1800 s/off, no SSB u/WDVA (RjE) He DXed!! (JS)

1270 WCMR IN 11/9 alone w/AP Nx 1705-1715, then MoR (JF)

1280 WIVY FL 11/17 w/RR 1715-1730 s/off, no SSB, FM stereo 103 plug (DEF)

WYND FL 11/17 w/RR, airline spot, ripoff promo 1733-1745 s/off, no SSB (DEF)

28

1200 WFTC MI 11/20 finally way o/CHAM w/local & state nx 1705-1715 (JF)  
 1300 WOOD MI 11/12 local events 2115, ID, wx, lost, back 2129 w/NBC  
 Nx, local nx, etc (LB)  
 WFLN TN 11/27 for tape, occasionally atop WFSR to 1730 s/off (RJE)  
 WRBC MS 11/15 o/ WEEZ w/RR, local nx/wx 1845-1900, in aurora (JF)  
 1320 WKIN TN 11/3 weak w/134 to 1715 s/off w/SSB (JF)  
 KQYZ TX 11/19 ending nx 1835 into RR oldies using "13-K" IDs (G G)  
 1330 WETH VA 11/19 w/local nx 1704, then wx (DS)  
 KMWL IA 11/12 w/female high school reporter 2148, then RR (LB)  
 1340 WPKY KY 11/12 fair in mess 1737-1742 w/RR (JH)  
 WENT NY 11/18 w/inst mx 1858, ID 1859, promo for CBS MT (HWB)  
 1360 WJAT FL 11/15 w/CBS Nx 1300 weak but clear, no ADRC in aurora (HJH)  
 Unid ?? 11/2 hrd two stations o/u WDRG/WJAI, one w/many C&W songs,  
 other with MoR instrumentals and call sounding like "WPEC"  
 2555+ (Shaft) Well, best bets would be WJAY for C&W and  
 WIXZ for MoR (JS)  
 1370 WDEF TN 11/12 w/wx, promo for Turkey Shoot 2225+, then schmaltz mx  
 WOLF MT 11/6 fair and alone in WSPD null 1915 w/sports, ID 1930,  
 then NBC Nx (JF) Used to be MI regular before WSPD NSF (JS)  
 WJWS VA 11/27 w/end of s/off u/WFEE 1700 (RJE)  
 WRGS TN 11/27 w/ s/off 1727 to SSB off 1729 (RJE) Big deal! (JS)  
 Unid ?? 11/27 w/UPI Nx 1702 u/WFEE, lost carrier at possible s/off  
 1715, loop sez WGOH or WHEE (RJE)  
 WAKX FL 11/18 w/local events, sports 1710-1730 s/off (DLP)  
 WTAB NC 11/18 weak w/end of nx/wx 1705-1710 and plug for Monday  
 Night Football on WFSM-FM (DEF) (DEF)  
 WABC PA 11/18 w/ C&W o/WJHI, many spots, s/off 1700 w/SSB & FM plug/  
 1380 WTVR VA 11/19 w/C&W 1753-1800 thru mess, concert promo & contest (DL)  
 WTOB NC 11/23 w/RR 1710-1715, local ads, also weak WLIZ s/off (DLP)  
 WJSE NC 11/23 local spots, activities, RR and LB Net 1652-1700  
 s/off w/vocal SSB (DEF)  
 WYMK LA 11/23 w/nx/sports/ wx 1800-1815, local ads, Fl. plug to  
 1815 s/off, no SSB (DLP)  
 1410 WONS FL 11/4 w/NBC logo 1731 into local nx (JF) *Linda Lydecker*  
 KCLO KS 11/18 w/reli programs 1725-1730+ (HJ)  
 1420 WJAY VA 11/26 w/ s/off 1702 after WJCV SSB (RJE)  
 1430 WQPD FL 11/15 w/RR 1748-1802, lotsa spots, uses "Q-Radio" (DS)  
 1440 KOKY AR 11/9 fair 1733-1800 s/off w/soul nx (JH)  
 1470 WSAF PA 11/10 w/RBC Nx 1700 and local sports w/WJMO to 1745 (JF)  
 WFAF PA 11/14 w/RR 1930-1940+ way o/OHIO, etc (WH) Josh, wish I  
 could hear them here (JS)  
 1490 WJEL PA 11/2 in for one min, 1728, w/RR and jingle (HJH)  
 WLEB NJ 11/20 w/soul mx 1710, addr as 1459 Atlantic Ave (Ds) (JF)  
 1500 WJME IN 11/20 u/ DLS w/ s/off 1750 and Porter County mention, no SSB  
 Unid ?? 11/20 w/ s/off 1730 w/WJME using "I Saw the Lite" *WJH* Hank  
 Williams (JF) I'll bet he did! (JS)  
 WJMV OH 11/20 s/off 1717 w/request that listeners write FCC and say  
 they want WJMV to be allowed to broadcast 24-hrs, no SSB (JS)  
 WJAX NC 11/19 w/RR 1854, s/off 1700 w/SSB o/"TEB" (DS)  
 WJNP FL 11/17 during aurora w/reli on almost clear freq to 1745  
 s/off, no SSB (RJE)  
 1530 WJNG FL 11/13 on top 1720 w/ID, gone 1739 (DS)  
 WJAC AL 11/13 s/off 1745, announcer gave call as "WJAC" (DS) Hmmm..must  
 be proving his own (JS)  
 1540 WJPC VA 11/19 w/ID thru mess 1701 (JH) *GRN*  
 WJON MD 11/20 in clear 1859 w/ s/off, SSB (DS)  
 WJCN OH 11/2 in well 1638 s/off, then SSJ (HJH)  
 WJLI IL 11/20 o/SSB w/local wx, s/off 1745, plug for Stereo 106 (JF)  
 WJBC IN 11/15 alone in JNS null 1825 w/Big Bands 1831 ID to nx, 1835  
 sports, 1837 detailed wx, 1858 more BB, no WJEL/WJTR (HWB)  
 WBUY TX 11/16 w/ C&W 1820-1831, local spots/promos for "K-Buy" (HJ)  
 Unid ?? 11/19 w/C&W 1724 weak w/aurora, loop sez KY/TN, WJKE? (RJE)  
 1541 WJWV NY 11/19 NY spurs as strong at 1530 signals on 1579, no FMing  
 noticed, audio best on 1579, also noted only 1705, gone  
 by 1950 (RJE) I didn't know you were DXing in 1950, sound  
 like 19 kHz spurs from Ph feed a'la my article few years ago

1550 WRIC FL 11/11 w/SS 1702, weak but clear (HJH)  
 KUAT AZ 11/4 poor 1930 w/ s/off, TV promo, much KKJO/CBE (WM)  
 WFOO AL 11/26 xltnt signal w/nx 1755, 1759 s/off for tape (RJE\*)  
 WYXN GA 11/15 topping freak w/s/off 1729 (JTB)  
 WSAO MS 11/15 on top after WOKI off, also noted in mess (JWB)  
 1560 KTUI MO 11/21 strong w/WQXR w/spots for St Clair 1724 (JF)  
 KDDA AR 11/21 weak u/WQXR 1800 w/"KDDA Dumas, AR" and off (JF)  
 KQYX MO 11/21 on top of WQXR w/MoR, local wx, s/off w/SSB, mentions  
 ten kilowatts, Log still sez 250 (JF)  
 1570 WCZN MI 11/19 s/off 1715, mentions 250 watt PSA and FM promo for  
 Stereo 105, into FM programming, carrier cut 1717 right  
 in middle of record (JS)  
 WGLX OH 11/19 s/off w/SSB a bit late at 1718 (JS)  
 WFLR NY 11/9 noted on late 1659-1717+ w/wx, IDs, etc, should be  
 off 1645 (Shaft)  
 WTJX AL 11/15 w/RBB 1733-1744, really bad production (DS)  
 WFWB FL 11/20 noted w/nx/wx 1703, weak (DS)  
 KWQC IA 11/4 w/political ads, many Webster City mentions (WM)  
 KTER TX 11/13 w/Bible reading 1840-1845 s/off (JH)  
 1580 KESM MO 11/10 weak w/ s/off 1801, mention 500 watts and FM (DEF)  
 WCCR IL 11/10 weak 1735 and faded, only heard C&W and ID (DEF)  
 KTFUF AZ 11/9 w/AM-FM simulcast, mentions KNIX Stereo 102, fair  
 to 1932 s/off for state #35 (WM) *WJCV - HJH*  
 WCLS GA 11/10 w/RR 2112, local ads and events (LB)  
 KAMI NE 11/8 ending sports 1812, bank ad, then s/off (PLB)  
 1590 WETT MD 11/12 o/WAKR w/M Nx, 1829-1835, then local wx (WM)  
 1600 KLEB LA 11/18 s/off 1758, gives S.T.L. call KCQ??? followed  
 by SSB, female soloist, off 1800 o/WAKR/TVI QRM (JS)  
 WNST WV 11/22 w/stock report on phone 1710-1714 s/off, no SSB (JS)  
 WKDL MS 11/4 s/off 1759 mentions "the best in ABC Nx" (WM)  
 CHNR ON 11/12 fair w/WAAM/WNEU o/WJRL about 1500 w/MoR, Nx on the  
 hour, sked 0600-0100 per verie, daily (JF)  
 WKVF FL 11/16 o/CHNR, no WJRL 1805 w/CBS Nx, 1806 detailed wx,  
 1807 local wx, cable TV spot 1809 (WHB)  
 midnight to sunrise  
 540 KDLT UT 11/11 TEST:: W/ C&W & IDs 0233-0259+, 50 o/ S-9 (DAB) Couple  
 IDs 0249-0300 off, mixed w/ R. Mundial (JAC) Very weak, only  
 real copy was TT 0239, ID, then mx (WH) Fair 0230 w/ TT-IDs-  
 C&W, lost to KSD 550 ET 0239 (LB) Not Hrd. (RJE) Ditto (HWB)  
 Me too (SHAFT) *FRUMP (ELK)*  
 550 WJRC OH 11/11 Noted for 1st. time 0219 w/ RR (SHAFT)  
 590 WKZO MI 11/25 o/ WJES w/ CBS nx 0804-local nx to 0813, then wx to Big  
 Band mx 0815 (HWB)  
 610 WSWG CT 11/20 S/on w/ SSB 0545, used to be 0535. Will check!!(RM)  
 620 WETE TN 11/25 Noted s/off 0128 w/ SSB (DS) 11/11 noted s/off 0009(SHAFT)  
 630 KHOW CO 11/11 Fair 0240 o/ others w/ RR, PSA, Jx. (PLB)  
 680 CFTF ON 11/18 Noted strong in WCBM null w/ RR, was classical last seas-  
 on on RMs (DS)  
 WPTF NC 11/16 w/ C&W 0021, ID 0130 in WMAQ null (KO)  
 690 KGBS KS 11/6 Fair o/u CBF/CNBC w/ Ac nx, then local nx 0000 (WM)  
 710 WHB MO 11/11 Poor 0232 w/ RR, ID, WOR off, but no KIRO (PLB)  
 WOR NY 11/18 Off past 0429 (DS) 11/18 Off 0030-0453 (JS) Ditto(SHAFT)  
 730 WLOR GA 11/4 TEST: Good 0300 w/ IDs, Piano mx, etc. (LB) Poor thru CKAC  
 w/ IDs 0306 & 0308, TT 0309 (TRS)  
 +740 KTRH TX 11/18 S/on w/ ISSB 0458, into CBS nx--CHANGE (JS)  
 KMEM AZ 11/11 TEST: Not hrd. (SHAFT) To much WOR 737 parasitic (RJE)  
 WKIS FL 11/23 W/ wx, temps., 0245, then soft MOR (GG) Tentative 0300 w/  
 mx, & "all Hit Bx" IDs (SHAFT)  
 790 WJAN RI 11/23 In WTAR null w/ RR & oldies, 0038-0050.. "WEEEN" (GG)  
 800 CHAB SA 11/5 W/ RR 0547, ID, nx, wx, etc. in CKLY null (LB)  
 850 WHDH MA 11/17 W/ intermittent TT, ID 0530. Someone u/ w/ SACRED HEART  
 pgm. folo by OVERSEA ASSIGNMENT-This WJW (RM) (No-WJW off or  
 in MOR then, dunno who--HWB) 11/25 Nx-Sx-Wx thru WJJC ET-OC  
 0301-0305+ (ELK)

30  
 850 WJJC WI 11/25 ET w/ OC, mx following KQA s/off 0206, ET past 0225, but killed KFUO test (DS) ET-TT-OC 0209-0220+ killing chances for KFUO test (ELK)

890  
 900 13BYE OK 11/4 Wx, PSA, 0750, more wx, & choir mx, ID hrd. 0751 thru CJVI slop (BV)

900  
 WYNN NC 11/18 Briefly thru WTRO 0604 1/2 ending nx, then wx & temp. (JAC)

WTRC OH 11/18 Atop briefly 0500 s/on, mention 375 wt. PSA pwr. until 0719, then "DAY BY DAY WITH JESUS". Lotsa FARM MX for next half hr. (JAC)

WSAN FL 11/15 ET w/ TT & JX, freq. sweep record, anncd. as 52 watt PSA pwr.-no CHML --not listed f/c (JS)

910  
 WOPD SC 11/23 Atop in W53A null in KGLC SP-Talk shows 0520-0530 ID, then more discussion stuff (HNB)

\*920  
 CFRY MB 11/24 S/off 0207, gave s/on 0200. Dunno why was on late on Mon. of 11/4 (ELK) Now be AN on ME ONLY!!-HNB

WEST GA 11/24 W/ Sx 0222-0224, then RR--NSP now?(ELK) Seems so-HNB

WOKY MI 11/11 ET 0342 w/ RR, OC, anncd. as 5Kw (JG)

WVBN AR 11/5 Bank spot 0624, Wx, & RR (LB) 11/15 FB scores 0047, then NGR net (EG) (LB)

930  
 WSLI MS 11/5 Appliance Store spot 0649, and several other local ADs.

TKY OK 11/5 Up for ID 0709, after WSLI dropped out (LB)

940  
 KFCN TX 11/5 Wx, promo, 0709, local spots, etc.-one quickly (LB)

950  
 W200 VA 11/18 HELPS on ET w/ C&V 0530-0534. Verie sez RS 12/2 (JS)

960  
 KLIK MO 11/7 Local nx 0111-0112 then s/off 0104 1/2-said s/on was 0200, so log is right for a change (ELK) Yuh-Yuh!!-HNB

970  
 WZAC TX 11/25 MGR & WX 0157-0159 s/off, 0200 vocal SSB (ELK)

+  
 WJXK NY 11/2 Noted w/ S/on 0453 & SSB--Local signal (ELK)

+980  
 WBAV NY 11/18 Noted AN w/ RR, log sez 0000 off-many oldies (JS)

SPAC AB 11/13 Alone w/ C&V all AN in WBAV null--LRC weak (HNB)

WHYL PA 11/5 S/on 0559, Mutual nx, 0635 sx, then wx--(LB)

990  
 WAVE KY 11/6 Bx 0612, wx, local ADs, lost to WBY s/on (LB)

WANV VA 11/11 Poor w/ 0005 s/off after WAVE s/off--no SSB (HNB)

WDAY ND 11/24 This w/ ux, wx, 0131-0132--also on 0230 w/ annct. as 24 hrs. (ELK) No wonder I can't hear 0200 s/off anymore!-HNB

1000  
 KRNO MO 11/18 TEST: W/ MK, TT, IDs 0501-0520+ (JS) TT got thru WNOX & SSer, WJBC OC ET 0501-0502, 0505-0506 (DS) Bits of audio 0515, most TT made it, Best copy 0323, then good! 0334-0336 on the extended test (HNB) Thru severe WNOX QRM, only fair at best & that wasn't often (ELK) Fair/excellent w/ IDs, TT, mx, most QRM by WNOX & SSer (LB) Mostly u/ WNOX to 0337 s/off (JAC)

CBY NF 11/4 Tentative w/ RR, MOR, & sports 0610. Will someone be able to confirm? Also why so rough if 10Kw ND (SHLFT) Well, from your log I wouldn't count it!, also is rough due to it's location..I'm still digging for it!-HNB

1010  
 1020  
 1030  
 1040  
 1050  
 1060  
 1070  
 1080  
 1090  
 1100  
 1110  
 1120  
 1130  
 1140  
 1150

CJJC ON 11/18 Unusually loud 0530-0550+ w/ MER & Female DJ (JS)

WJOC LA 11/24 Seems NSP now, noted RS w/ talk shows 0440-0459+ (HNB)

WJBC IN 11/4 Noted off for 1st. time since 3/26-KRX dominated (W)

CHOK ON 11/24 Killing all w/ C&V & promos, said RS 0535+ (HNB)

WTRC OH 11/25 ET-TT-OC, IDs 0335-0405, on a SAT morn. (JS)

KFAB NE 11/10 NBC nx 0400, 0405 into mx show of good music (FD)

KKOK MO 11/18 Off this AM, a 3rd. RR SP ? (JS) That's 3 in a row, 11/4-11/11-& 11/13 (HNB)

WDGY MN 11/11 O/WCAR w/ ET-OC 0200-0245+, ID 0250 (PLB)

KRAK CA 11/11 Pair w/ S/off 0230, after relig. (PLB)

WLEY PA 11/5 Good o/ WVA w/ RR, ID 0631 (PLB)

W307 TN 11/11 R, LD, K, 0200, fair in CKOC se-i-null (LB)

CKOC ON 11/11 W/ RR mx, 0205, ID, & AD for "fried Chicken" place (LB)

1150 WJBO LA 11/7 Wx, promo for Bi-Centennial in Baton Rouge 0622, nx, in fight w/ WIMA (LB)

\*1170 KSTT IA 11/24 W/ UPI nx 0459, KV00 QRM-WVA off, new SP??-(ELK)

1190 WIKR NC 11/25 ET/OC/TT/MK 0320-0350+, anncd. as PoP (JS) 11/25 Strong on ET/PoP--w/ Tr, some C&V 0215-0345+ (DS)

WKOX MA 11/7 Way u/ WOWO w/ RR & similar call 0642-0655 (PLB)

KEXX OR 11/18 Almost a pest, on top all morn. but only peaked a bit o/ S-9 & had couple fades u/ KLIF (HNB)

1210 WILY IL 11/13 Lost of local ADs 0705 after Ai nx, wx, ID, then MOR (LB)

1220 WSMR ME 11/20 The GM does s/on 0601, u/ WGAR/WCDJ but uses SSB (RM)

1240 WQVA NY 11/11 Local nx, possible s/on 0525 before nx 0527, WRTA s/on @ 0530 hammered it--NY #114 (RM) Gee Ron, only 6 more and you can put brown sugar on your oatmeal!!-HNB

WIST NC 11/18 Atop most of AM-CBS nx-promos "AM Alternative" (DS)

WSNJ NJ 11/12 ET 0028 w/ TT, off 0051-no IDs (DS)

WVCO CT 11/11 Atop w/ segway album RR stuff, Only 2 "Music on CO" at 0020 & 0040, no break 0030 (RM)

WVNS GA 11/18 On ET atop freq., ID 0151 for tape-last hrd 11/19/62 (TRS)

WFOY FL 11/15 Ending f/c w/ TT (800Hz.) 0024, thru looped WBBW (JS)

1250 CKJD ON 11/15 Bits u/ WTAE/CHWO 0156 w/ local nx, lost 0157 in spot (HNB)

WXOX MI 11/25 On top 0620-0635+ w/ C&V-local ADs, Tri-City wx, etc. (HNB)

WREN KS 11/3 W/ KTW off, 0616 w/ local events, RR, regional nx (BV)

WEMP WI 11/8 Nx, wx, ID, soft RR 0635, "On This Date" feature 0637 (LB)

WBYA VA 11/10 Local nx 0230, AD, 0235 "BIG D COUNTRY" wx, o/ WTAE/WTMA (FD)

WLEM PA 11/18 Way u/ WTAE/etc. w/ nx & local spots 0635. Back again 0714 w/ local events for TRI-CITIES, lotsa C&V (HNB) NOTE: Don't confuse this one w/ WXOX, similar format & stuff...HNB

1260 WNDK IN 11/8 AD 0646, Nx heads, ID, & RR oldies (LB)

WHBF IL 11/8 Nx 0703, did Local, State, Natl. & World, each separated by a TC) then WX, funeral notices, "HBF" jx, MOR (LB)

\* WTNT FL 11/11 O/ KFJZ 0350-0425 w/ MOR, CBS nx 0400 (DEF) 11/18 AN on MMs now, formerly off MMs, NSP now??(DS) Bye-Bye 1270--HNB

1280 KTKL CO 11/18 TEST: W/ Voice IDs, TT, QRM form another Tfer (LB) Short TT thru HET & U/ WGSO 0405-seemed 730 Hz., nuttin' else (DS) Rough thru Het/mess w/ CHAM in Alt-az null & still on top, Most TT got in, bits of IDs 0425 & 0429 (HNB) Not hrd. to 0421 on 1Kw ND, anncd. TT as 800Hz & 75% mod., weak u/ even to mess but readable (JS)

WFIG SC 11/7 SSB 0458 1/2, then s/on AM-FM WFDN 101.3, studio as 45 N. Main St.-Annct. by Pres. & GM (FD)

1310 KDIA CA 11/3 OC-ID 0538 mentioned aux. xmtr. test (BV)

1330 WCRB MA 11/18 ET 0156-0200+, on top 0238, ID 0202 (RM)

1340 WLAV MI 11/4 W/ RR, 0400 ID, In a short while after KHUB DX (LB)

KHUB NE 11/4 TEST: Fair to good w/ CW IDs, March mx 0330-0400 (LB) Test 0330, TT-CW IDs, Voice IDs, March mx (DAB)

WNHC CT 11/7 Surfaced w/ nx 0105, then WNHC Classic Gold Weekend, seemed automated--(HJH)

1350 WKLX VA 11/9 R&B-RR, ID 0200, others as "X-135", Nx at :15 & :45 (FD)

1360 KRYS TX 11/11 W/ Ai nx 0100, then local wx & EL mx (VM) ex:RR?--HNB

1380 WAOK GA 11/25 Noted ANing, log change (JS)

1400 WSGA GA 11/19 Nx, Sx, 0025-0030, then RR (DEF)

CKCB ON 11/17 Nx, Sx 0035-0045, many ments. of Barrie, Canadian Anthem at 0045. Supposed to // CK3B, but no calls hrd. (ELK)

1420 WVJS KY 11/12 C&V 0649, ID, PSA, etc. (LB)

WHK OH 11/25 ET-TT-OC 0340-0410+ (JS) 11/25 Back to RS 0501 (HNB)

CKPT ON 11/25 W/ nx 0400, Mx 0407, NSP now (JS) About 6 weeks-HNB

1450 WSNO VT 11/20 Is this C&V?? Someone 0507-0533 (WMAS s/on) w/ local AD or is this WJSC even thou looped N/S..HELP!! (RM)

WMAS MA 11/22 ET w/ C&V till 0506 & "WMAS concludes ETs" & off (RM)

1460 KYSN CO 11/4 This noted just after 0000 w/ RR & much KSO JRM (LB)

1470 TWML PA 11/17 After SSB & s/on 0600, Nx, PSAs, & MOR to 0623 in WSAN Sunday SP (DEF)

UNID ?? 10/28 On top 0528-0532 w/ OC-TT, ID 0530 & I'm 100% sure he said W-S-A-S, only thing listed is WSAC. Called, but CE not in...HELP (TRS)

1480 WYZE GA 11/12 Lifeline 0625, ID, C&W, NX from Ga. News Net., ID at 0635 as "Atlanta Country" (LB)

WSAR MA 10/28 Stronger of 2 TTs on ET/TT/OC 0127-0135 ID, Both were o/WDAS. Did anyone ID the other TTer?? (TRS)

1490 KPUB CO 11/25 TEST: No show-WISM/WLEE/WKDW in battle (DS) No show(JS)

1500 WOSH WI 11/18 Faded up 0130 for "Smallest Radio" promo, ID, local wx, and into teletalk (HWB)

1510 KSTP MN 11/10 Tentative w/ MOR instrs., JX ID 0347-WDEE/TTOP gone(SHAFT)

1520 UNID ?? 11/11 ET-TT-OC u/ WLAC to it's 0200 s/off & u/ WMEX OC/ET. Hrd ID 0135 & 0205-phonetically W-(L, M or N)-?(R or O). Might be WKLM-WKLO-WKAO..DF of 250° but skewed by WMEX (RJE)

1530 WKJR MI 11/4 ET w/ RR 0235 noted w/ WKBW off (SHAFT)

1540 WTKM WI 11/11 TEST: W/ TT-March Mx, ID 0223 (33) Good w/ voice IDs-TT-Mx & POLKAS?? 0310 (LB) 0301-0346 off-fair/good w/ POLKAS-IDS & OC (DAB) Not hrd. due WPTR (RJE) Not Hrd. (TRS)

1550 KQXI CO 11/18 TEST: On early, started before 0432, long IDs & yak about DX, etc. Said would be on about 1 Hr.-CBE on OC 0444 (JS) Got there 0501 & about equal to CBE, on top 0502 till 0506 w/ C&W lotsa long IDs, etc.-By 0509 way u/ CBE (HWB) Got end of test 0456-0500 w/ long IDs & "10Kw Gospel Voice" mentions (DEF) IDs C&W relig. mx, mixed w/ WOKJ/CBE (LB)

WCSJ IL 11/11 TEST: Thru TT-OC of WYNA, IDs 0306-09-15, some TT (TRS) w/ Instr. mx, IDs, 0300-0330 (DAB) Excellent w/ IDs-TT-promos-mx, etc. (LB) Fair 0307-0329 thru UNID ETer (DEF) Not hrd. due to unid ETer (RJE) was WYNA on ET that gave trouble-HWB (LB)

WAAY AL 11/11 Got promo for WAAY TV, nx, ID, etc. while looking for WCSJ

WYNA NC 11/11 S/on for ET-TT-OC 0115, at times dominating (TRS)

WCTW IN 11/13 Mx, ID, local ADs, C&W 0630 in KKJO null (LB)

1560 KKJC MO 11/25 On quickie ET-OC-RR 0157-0200 (DS)

WDLR OH 11/18 ET w/ Jx-OC-TT-promos-long IDs 0105-0130+ (JS) 11/25 ET w/ non stop IDs 0254-0330+ (DS) Ya' eripe when they ID, and if they ID to much!--EGAD!-HWB...11/18 ET-TT 0121-0123 (ELK) ET 11/18 0122-0135+ w/ lotsa IDs (HWB) 11/25 ET-OC-TT 0330-0410+ (JS) 11/3 ET w/ IDs & PSAs, DA must be at me (SHAFT) Sorry, but you be off to the side, goes SOUTH-HWB..11/25 ET-0330 Jx ID then only OC (GG)

WKOT NY 11/18 ET w/ non stop RR 0115-0145+, IDs 0129-0134 (DS)

WRHC FL 11/18 Mini-ET 0341-0343, back 0345 w/ TT-ID as Coral Gables/ Miami (DS)

1570 WBOL TN 11/17 ET w/ mx 0141-0154, much KCAA QRM (ELK)

KCAA SD 11/16 Finally 0447, very fadey w/ C&W (BV) 11/4 Fadey & weak 0123-0132 w/ C&W (DAB)

1580 CKTA AB 11/4 In RS // CHEC 1090 @ 0230-0300 s/off-no GSQ.(DAB) Just what is the reason for this station. Taber close enuf to CHEC and CKTA extra coverage can't help that much??--HWB

1590 WKIG GA 11/18 As usual, loud, on f/c w/ DIXIELAND (JS)

WCCR IL 11/26 ET TT OC, 0148 ending same- not the f/c (JS)

KDAY CA 11/10 Tentative w/ RR o/u WCLS 0304 w/ RR (SHAFT) Not hrd. in here yet this season, betcha' was KLOU-HWB

1600 WERA NJ 11/15 TEST: Not hrd., 0003-0030 had TT, & breaks for possible IDs-none hrd. Called CE & sez was they. Gave ID 0028 & in a WQQW hole hrd. call only. (RM) No IDs hrd. in breaks of TT 0003 on (TRS)

KGVB KS 11/15 Net nx 0000, s/off 0015 (KO)

UNID ?? 11/15 Noted Sinatra tunes in sked WERA DX 0015-0031, this WERA or WETT?? (KO) Betcha' was WETT--HWB

WGOE VA 11/22 ET w/ female annrc. 0415 o/ WSIZ, on top by 0425. (JS)

WSIZ MD 11/22 O/ all 0400-0415+, first time on AN-RS, good at SSS(JS)

1600 WNST WV 11/25 On top 0714-0735+ w/ C&W-lotsa local spots (HWB)

Before the list of this issues strange people some CRIC info:: Finally got notice they approved 710 Clarencille, NFLD. w/ 10Kw and 670 Musgravetown NFLD w/ 10Kw-same pwr. day & nite. Interesting as the 710 was hrd. ETing a few weeks back using CKZO call. Also Sussex, NB granted 500 wt. days-250 watts nite--DA-1 (U3) on 590...All are to be English language.

- Reporterz (& others):: (Excluding those I forget to list!!)
- JWB Joe Brauner Punxsutawney, Pa SX99 & LW, A2515 & SM2
  - LB Lou Buehler St. Charles, Mo SX100 & loop
  - DAB Darryl Belanger Swan River, MB TR 109 R59 & SM2
  - PLB Philip Boersma Spring Lake, Mi (I lost list of equipt-sorry!!)
  - JAC John Callerman Mt. Vernon, Ill. HJ180 & SM2
  - RJE Ronald Efgmouky Wayne, NJ HQ150-4' preamped loop/HQ145 & 2'RJE loop
  - DEF David Fox Reading, PA SPR4/SX110 SM2
  - JF Jeff Falconer Clinton, ON 9R59DS--SM1
  - GG George Green Akron, OH HQ140 & Loop
  - HJH Harry Hayes Baltimore, MD TransOceanic Portable
  - WM Wayne Murphy Louisville, KY Astro 8 & SM2
  - SHAFT Rich Shafton New York, NY Phillips IC portable
  - TRS Tom Sundstrom Willingboro, NJ HQ150 SM2 & lotsa other stuff.
  - DT Dick Truax Jeffersonville, KY
  - BV Brian Vernon Pt. Hardy, BC DX150-SM2-LW
  - JS Jerome Stark Hubbard, OH HQ139 & loop of sorts
  - HWB Wes Boyd Girardski, OH HQ104 & semi-looped



P.O. BOX 340  
CAMPBELLTON, N.B.

Others::

- DS Davie Schmidt Nou Kastle, DE HQ180 & antenna
- ELK Waldo Lydecker PARMA, OH HQ112 & antenna
- dm dAN mYERS Toledo, OH receiver & loop

DEADLINES FOR THE NEXT 15 or so issues will be:::(+ or - 2 weeks)

12/10	1/21	3/4	
BREAK	1/28	3/11	....BREAK indicates the break here for HQ break the following week for a holiday.
12/23*	BREAK	3/18	
12/31*	2/11	4/1	.... "*" indicates a deadline very near holidays and typical mail foul ups. If possible ship info a day or so early for these issues.
1/7	2/18	4/15	
1/14	2/25	5/6	

# WDLR 1550

Later you gypsy devils,  
HWB  
Too & Past  
WERY  
-Shir



Gents & ladies, that concludes still another DDXD. I appreciate the great support. Should you notice some contributions have been edited/dropped it's due to the size-these 7 pagers are a bit much. Comments by editors are now at an all time low, kinda hard to feel silly looking at the project we have grown to call DDXD. Remember: N.R.C. cures FUST!!



editor.. Ernest R. Cooper  
438 E. 21st St.  
Carrier Route 52  
Brooklyn, N. Y. 11226

## musings of the members

The opinions expressed in this column are those of the individual members, and do not necessarily reflect those of the editors, the publishers, or the National Radio Club

DON'T FORGET TO MAKE NOTE OF THE NEW ADDRESS FOR MUSINGS, BEGINNING WITH THE ISSUE TO BE DATED JANUARY 6, 1975, WITH BROOKLYN DEADLINE, THURSDAY, DECEMBER 12. AFTER THAT, AND FOR THE REST OF THE SEASON - AND THEN SOME - THIS IS THE ADDRESS TO BE USED:

ERNEST R. COOPER  
7-A WASHINGTON AVENUE  
PROVINCETOWN, MASSACHUSETTS - 02657.

PLEASE DO NOT USE "MUSINGS EDITOR" OR "NATIONAL RADIO CLUB" OR ANYTHING IN THAT VEIN AS I AM NOT KNOWN IN THE AREA AND SO MUST BE ADDRESSED AS ABOVE. FIRST PROVINCETOWN DEADLINE WILL BE THURSDAY, DECEMBER 26 - DAY AFTER CHRISTMAS.

HANK WILKINSON Jr. - 384 Rockgreen Place - Santa Rosa, California - 95405  
CX in the Asian-Pacific area improved in the past eight days starting on 11/3. I finally logged HLDA-1570, Cheju City, South Korea, on 11/4. They have abbreviated broadcasting hours with their religious programming. They have a very healthy signal when they are on the air. Also, I finally caught The Voice of Free Asia-1580, Thailand, after many fruitless tries in the past two months. They put in a good signal here on morning of 11/11. And finally, I caught my first Aussie at this location on morning of 11/11 - I didn't expect to hear 2NR-700 so strong & loud. Reports out to all three. I am experimenting with reports to F.E.S. U.S.S.R. stations. I'm sending them direct to stations instead of R. Moscow. This is how I verified Kuzhno-Sakhalinsk-973 years ago. I will advise on how well I make out with this procedure. The NRC bulletins are sure healthy looking of late. A lot of guys are contributing but the real work is being done by those guys who put it into the bulletins for US MEMBERS. I don't know you follows personally but MANY MANY THANKS TO EACH AND EVERY ONE OF YOU. I will answer all mail from DXers in the W who are interested in Asian-Pacific DXing.

ALBERT S. LOBEL - 247 North First Street - Apt. 27 - El Cajon, California - 92021  
This must be some sort of a record for me. In the past few months between reporting to IRCA's WDXF & NRC's MUSINGS I must have written at least ten reports. That's pretty good! Considering I have my own column in IRCA to do! X here has been great. I just logged my 15th country this past MM 11/11, USSR-647. I hope the DX season is treating all of you just as well. Let me be among the first, if not THE first, to wish everyone a Merry Christmas and/or a Happy Hannukkah and a Prosperous New Year. I might be a little early, but 1975 is almost upon us & will be here before we know it. 73s and good DX to all! San Diego Padres - World Series Champs in '76!)

JEFF FALCONER - Box 63 - Clinton, Ontario - NCM 1L0  
Hi. CX has picked up considerably through October. DX so far this season has been mostly Auroral w/no TAs making it this far as yet. Some recent DX: 1p/21, an Auroral evening. 6:36pm, I found WJTT-1540 on top w/several IDs. 6:58, WAGL-1560 in clear w/s/off. 7:05, WAAV-1550 u/CBE w/concert oromos. 7/17, KMP1-1520 w/World Today program w/KOMA, no WKWB at all. 7:27, an ID from WSGW-1540 possibly on s/off. 7:30, KBSM-1540 w/short spff announcement, then SSB. 7:39, WPNX-1460 poor w/KSO w/c/w. 10/17- The new HJ on 1170 noted fair w/WVA nulled partially. 9:04, I was surprised to find WNDB-1150 in clear w/Chicago-Green Bay FB. I found them on top again the next night, 10/22, even stronger. 10/22, 1:25pm, WPAR-1470 in mess w/rr 6:59pm. Long sought-after WYFC-1520 w/s/off along w/WKBW. 10/23- @ 12:05am, WGBF-1280 in CHAM null w/WX. 10/24- FF on 1270 @ 10:22pm, must have been CFTG. 11/3- R. Globo w/blockbuster signal w/many SIDs & EL mx, 2:15-2:30am, for Brazil #1. WHAM on regular SP of course. 5:15pm, WKIN-1320 s/off way down in mud. 5:25, CJLM-1350 u/CKLB w/MoR. 11/6- A real surprise - while sitting on 1370 listening to a station giving FB scores for New England states, hoping for WDEA-1370 Me., @ 7:30pm, I got a perfect

(Falconer)  
ID from KOLF for Mont. #1. 11/9- 4:35pm, WFOB-1430 in w/rr, no sign of usual XAFFH or WBRB, excellent signal - I should have heard 'em long before this. 5:10 WCMR-1270 only thing on channel ending AP NX, then into MoR. That's about it for DX. A few recent veries: v/q- WGBF WNDB KMP1. v/f- CHAM. CU later.

ROGER GIANNINI - 1111 Forest Hills Drive - Belleville, Illinois - 62221  
I shouldn't have exaggerated too much about my new loop experiment being better than the SM-2 but I would say it's pretty effective. I was able to become acquainted with a Colonel at Scott AFB who was kind enough to lend me an R-390A. I mentioned the beverage antenna to him in regards to the possibility of finding someone in Hawaii to experiment with it on a deserted beach & he told me that this was possible & I included the Jerry Conrad Florida Beverage article along with White's Radio Log & will be most interested to see what comes of it. Doing some 11/9 afternoon DXing & finding what the score of the Ohio State/Mich. State game was & had to see the rest of it on the tube & then finding out Baylor was leading Texas w/seven minutes left I was able to pick up WQAI @ 5:15 to hear the last of that exciting game. I had spent five years in Waco & was most enjoyable 11 years later to finally hear Baylor beat Texas. It took them 18 years to do it. (Wow - long game -ERC) I wouldn't have heard it on the SM-2 if I didn't have my GPN Loop working right. DX for the entire season has been nearly all Aurora except for the second time of experiencing weird high band TA opening on 11/11 PM w/WDR-1586 in @ 8:40 & DLF-1538 8:45, reports sent. Low end had TRES o/WSM-650 9:05. HJCK-700 without WLW 9:10. HJHN-960 strong 9:20. Veries in from KGA & KOOL for 10/14 reception brings my VAS to 37. On the local scene, KXOK and KATZ were noted on 10/14 NSP & with this bit of sad news I will be adios. 73.

HARRY J. HAYES - 1418 West Mount Royal Avenue - Apt. 2 - Baltimore, Maryland  
A few nice things have been sliding down my antenna the past week. Unfortunately I haven't had that much time to DX. 11/7- 1:20am, WAJR-1440 W. Va. in fair. 5:31pm, WCPC-940 Miss. in good to excellent. 5:34, WVOV-1000 Ala. in well w/rr & SID. 5:35, tentative, WRFC-960 Ga. 5:40, WERC-960 Birmingham in very good @ solid level w/rr, still slightly audible after pattern switch @ 5:45. They call themselves at times "ERC." 5:59, WXTN-1000 Miss. in at armchair level w/inspirational programs, then s/off - no WCFI this evening. So far it's my best catch on 1000. 11/10- WQCK-1440 Greenville S.C. in w/rr & full ID @ 12:30am. 1:03, WOLF-1490 Syracuse in at a fairly steady level w/rr & slowly pronounced W-O-L-F IDs following each song. 1:23, tentative, WFLB-1490 N.C. w/rr & "Super FLE" IDs heard. That's it for now - Baltimore total now up to 239 heard & two verified. 73s.

GARY ATKINS - 2200 West Burnett Avenue - Louisville, Kentucky - 40210  
New catches since last Musing: 10/21- WORV-1580 r/c w/organ mx @ 3:15. 10/22- WHYD-1270 7:15pm, KNEY-1280 7:30pm. 10/25- WAVS-1190 s/off 7pm, WHMT-1190 s/off 7:15. 10/27- XEFW-810 8:25pm, HJAQ-1000 8:40pm, presumed to be the one w/many RCN IDs. 10/29- WFLD-1280 6:05pm, WZOB-1250 s/off 6:15, KVSA-1220 6:28 s/off, WUP-1190 6:30 s/off, WSUI-910 w/TT 1: 3 & XEJ-970 1:20am, both on 11/11. Log total now at 1,278. With 62 new ones in '74 so far I feel my chances of reaching 1,300 heard this season are good. The local group is still hoping to erect a beverage (or is it beverage) antenna this season. I'm so optimistic I've already started scrounging the wood for the stakes. A point to ponder: If the Boston area DXers are BAD, would that make us Louisville DXers mere IADS? 73.

PEPE KEMP - 13-B Fleetwood Avenue - Bethel, Connecticut - 06801  
DXing has picked up quite a bit since the local power company fixed some of the cables & transformers in the area. It's still not acceptable, but -. While listening to CHOK-1070 @ 6:30pm on 11/2 I almost went crazy. It seems that during this half-hour time block they program a show produced by a local college's speech & theater department. The problem is they constantly refer to themselves as CJLC. Those call letters bring attention to Lambert College. IDs on the hour rectify everything. QSLs received this week from WFLI, CJRP, WEDV & WHOT (with my special thanks to Jerry Starr. My school held an open house last week for parents. This gave me a perfect opportunity to talk about DXing. Maybe we can get some more members out of the Bethel area. I hope to make it down to New Jersey for the Thanksgiving get-together if I can get up a group. So much for this time, good luck in your upcoming retirement, Ernie. 73.



ALAN IMPRESCIA - 201 East 17 Street - New York, New York - 10003 212-OR3-3645  
 Getting back to work has really curtailed my DXing but I still have managed a few. 11/4- WHAW-980, o/all w/c/w after 6am s/on, CJFP-1400 w/FF rr @ 5:24pm. 11/5- WKLP-1390 s/on, NX, c/w @ 6am. 11/7- YVKE-550 @ 8-9 @ 2:25 w/SS-rr & many IDs as R. Mundial. 11/8- WEBB-1360 o/WDRS w/Soul-rr @ 6:15am. 11/12 saw a really unusual event here - WRAI-1520 o/WKRW for a spell @ 12:15am w/EE-rr & IDs as "The new WRAI." After seeing this, I thought I'd try other PRS. And sure enough, WBWJ was logged w/SS talk & EE & SS rr w/many IDs u/WOWO at 12:34am. WDSL-1520 @ 5:03pm w/NX, ad for lumber co., selling mart & job opportunities into s/off @ 5:15, again, no trace of WKRW. S/off of WSLT-1520 @ 5:28, regular s/off procedures, w/location "On U.S. Hwy. 80 in Ocean City N.J.", then SSB. Recent veries: v/c- WPNO WOHQ WNRI WLOR. (not v/q? -ERC) v/l- finally, KAGN - CE says KAGN was struck by two tornadoes since my report so this was the reason for the delay. Other v/l from WWOK WMID WTUU WORC WIAN (my 11th try) WHAW & WYNA. Not a trace of any of the sked TESTS on MM 11/11 - I did note, however, Switzerland on 1562 @ 1:05am 11/9 w/commentary, then GG-style mx, a nice signal - too mad it's unnn here. Back to 11/11, all unnn: ET from WTTT-1530 @ 2:10-2:15 w/rr. KFI-640 knocking the heck out of Cuba w/religious programming from 3-3:30 w/a pause @ 3:15 for ID. I also noted a "het" on 1440 - guess it was Luxembourg, but no audio possible - drat, I still need him. Speaking of "hets" Rich Shaftan's het on 683 is here too - 24 hours a day. I believe it's a spur from WOR- no audio at all here from Spain, & my first logging of RNE here was about this time last year & no het then either - just poor audio - I get the WOR spur on 680 to about 740 - nice, huh? Also a bad spur from WQXR-1560 from 1540 to 1580, all the time from about 6-11pm. Rick, don't log 'em unless you're sure, no offense intended. I had a nice phone chat w/ERC last week, & thanks to John Anderson for his note on the SM-2 (I still haven't gotten it - three weeks waiting - thanks, postal service!) & thanks to Chris Lucas for verie from PUT. MUSE - that's what it's all about! Good DX to all.

CHARLES REH - 34 Garrison Avenue - Leamington, Ontario - N8H 2P2

A long overdue report from a half-fast DXer. What with the cruddy CX, nothing spectacular to report but here is what's been heard since the end of September. 10/6- WADC-1050 W. Va. ex-WCEF 1:46pm even w/CHUM /WPAG looped. 10/7- CMJY-860 Cuba 1am s/off // -1030. 10/8- WCSJ-1550 Ill. ending ET @ 1:45am. 10/14- KLUF-1420 Tex. s/off 1:11am w/2001 theme w/WHK off; CJMR-1190 Ont. a real surprise w/NX @ 1:15pm w/WOWO looped; HJCR-590 8:105pm & HJGJ-1010 8:12pm both // -960. 10/20- WSCP-1070 N.Y. 6:31 s/on w/PSA; KHM-1430 Ark. f/c-TT ending 6:55 am; WVOG-600 Ia. 7:01am s/on w/PSA, has all religious programs per announcer. KPAL-1110 Ia. w/NX 7:25am on PSA. 10/21- KLFJ-1550 Mo. ET 1:16am o/u WPFJ/KGMO also on Ts; no sign of KGHG-1500 on either date w/Geomag storms on both dates. 10/24- WKAX-1500 Ala. f/c-TT 1:45am o/u WDEE. 10/27- WKJK-900 N.C. s/on 6:05am. 11/3- WPWC-1530 Va. ex-WQVA s/on 6:15am about 1/2 hour too early; WOKE-1340 S.C. 5amm s/on; CHNR-1600 Ont. ex-CFRS-1560 11:40pm, had s/off @ 1:05am. 11/4- CMAX-1260 R.N. 1:20am w/WIXY off; WLOR-730 Ca. TEST @ 3am, the other one testing w/TT & OC was CHR Ont. testing new 500w rig; KHUB-1340 TEST Neb. heard atop the frequency about 50% of the time w/voice IDs better than the code; CJAN-1340 P.Q. 4:17am // -1380. 11/9- WQEX-710 Va. w/rr 7:08am, calls itself "7Q". 11/10- WARR-1520 N.C. 6:47am s/on; WCBX-1130 N.C. 7:02 s/on. 11/11- WSKW-1150 Me. ET/TT/OC 1:36 am; WMAW-1150 TEST not heard either date; KDLT-540 Utah TEST in @ 2:31 o/u HNL; WTKM & WCSJ, both unnn were heard. WTKM u/TT from KXEL I think & WCSJ mixing w/WYNA ET; KDS-1290 Ark. ET/mx o/WHIO @ 3:54am. That about does it. Till next time, best DX & 73.

JIM HAGAN - 891 Port Malabar Boulevard - Palm Bay, Florida - 32905

My A-A loop has been completed for quite some time now. I am really amazed at its ability to null local signals. I haven't been able to evaluate it fully for nulling of sky-wave signals on MM due to continuing rather NHL. I hope to null HJUX for a shot at KCRJ-650, but so far too noisy. SRS-725 is proving to be a good regular most nights, with very strong signal. Results of CPC TESTS continue to be disappointing, with only WLOR-730 being heard. It was quite strong, completely covered R. Melodia on same channel. WMOP-900 was heard also CX have really worsened since the late 50s when I copied the KDDD TEST easily while in the Bahamas. The recent KDDD TEST was a complete washout. All these 24 hour stations make DXing a chore. Low power stations as far as Cq1. were easily logged & verified while today even the big ones like KFI & KIX are rough. I

(Hagan)

got a nice card back for an EE report to R. Europe #1-180k in a little over a year. It was accompanied by nice tri-lingual folder giving all details. Not signed, however. MM 11/4- 3:41am, WMID-1340 atop channel quite a bit of the time, as is WGBB-1240 many MMs - not bad for graveyard operations. So far, loop has failed to snatch KKA-1560 from under super-pest Cuban Minute Man. I had a nice afternoon visit w/RJE in August while on vacation. I had hoped to visit some others, but time just did not permit. Shortly after returning home I had a visit with Dick Clark. It was interesting comparing notes with the only other Florida DXer I have ever met, especially our KW logs. I hope to catch him again in Miami in a few weeks. Incidentally, that darn loop takes up my whole shack!

CARL W. LABELSTEIN - 3300 North 56th Street - Lincoln, Nebraska - 68507

CX have been more than adequate lately. The ET from WMOP-900 Ocala Fla. was heard very well on 10/20. The CE told me he was leaving the station on 10/30 so I made a plea that he get out all the veries for this TEST before he left. I think he did. Also heard 10/20 was WJSO & KPRT (ex-KPRS), both 1590, @ 7. Only new one of MM 10/21 was WTUP-1490 Miss. @ 3:30. On 10/22 I logged the new KJEM-1530 Waggoner, Okla. before local KECK s/on @ 8. 10/23 brought KODE-1230 Joplin w/CBS NX & s/off @ 1:05. KMOH-560 was heard ETing w/TT @ 4:30 on 10/28. The s/off of KFEL-970 Pueblo was heard on 10/29 @ 7:15pm. 10/30 brought the s/on of WEIS-990 Centre, Ala. @ 6:45. MM 11/4 brought several goodies. S/off of KRDO-1240 unnn @ 1:59. R/c of unnn KGHK-790 heard @ 2:49. DX TESTS from KHUB & WLOR both heard quite well. KCMC-740 Texarkana w/c/w @ 4:15. /s/on from CHNM-740 Maryville, Nfld. heard good @ 4:30 folo w/Marine WX. Log taken on KEEL-710 w/rr @ 4:50. 11/5 brought s/ons from WKUN-1580 Monroe, Ga. @ 6:59 & WAXU/WSKT/WCIJ all 1580, @ 7:15. On 11/8 unnn WJLJ-1060 s/on @ 7 & finally picked out KBUG-1060 w/NX @ 8. MM 11/11 was very good as the TESTS from KDLT, WTKM, KMEC, WCSJ, all heard very well though KMEC unnn here. While checking the frequency just prior to the KDLT TEST I found HCFA2 coming in fairly good so a log was taken. I hope CX continue to improve. Good DX to all & support the efforts of the CPC with reports or thank-yous to all stations testing.

ERNEST J. WESOLOWSKI - 1416 Pasadena Avenue - Omaha, Nebraska - 68107

Domestic DX getting much better now. 11/2- KZEE-1220 Tex. s/off @ 6:30pm w/SSB. 11/3- WEOU-930 RS @ 6am SM w/WKY on low power. That evening, I caught WPRC-1370 Lincoln, Ill. on 1 1/2 hours past s/off as announcer forgot to shut down AM XR. They finally went off @ 7:03pm. 11/4- r/c from KXU & KVSL-1450 per list. Also the WLOR-730-TEST in the best during the last 15 minutes. 11/5- KDDR-1220 Oakes, N.D. s/off @ 6. Remember their TEST in 1967 as KEYD? 11/7- KVMM-970 Show Low, Ariz. s/off @ 7:15. Good signal for 20 minutes. 11/9- KRKK-1360 ex-KVRS w/r/c 2:10-2:20, second Wed. 11/10- KVSA-1220 McGehee, Ark. s/off-SSB @ 6:01. 11/11- KDLT-730-TEST heard 100%, WTKM-1540 TEST heard 98% w/KXEL OC at times. KMEC-740-TEST 100% readable w/unck tester N/S from Omaha. Thanks to Skip Labelstein, KOYY-1360 El Dorado, Kansas heard on 11/12 s/on @ 7 & into NX. I will leave Thanksgiving morning on an 11-day trip to N.M. & Texas including Juarez, Mexico. I will get Mexican Air Mail stamps, so if you need some send SASE. 10¢ each. Send U.S. postage - limit - five per DXer, please. This will be Air Mail postage. Veries: v/q- WLOR WISM. v/f- WCOA. v/l- WEEB KAKE CKJD WJZM KXILW KPBC WTAW & KIKZ.

RICHARD ECKMAN - 1611 East Mount Pleasant Avenue - Philadelphia, Penna. 19150

Greetings. I'm a new member so here's a quick intro. I'm 16 & a high school junior. I've been a member of the IRCA for about a year & have been DXing on MW since 1973. I got into the hobby after reading articles about it in HYL. I've been DXing SW for o/four years now. My RX is a Grundig Satel-lit 210. Antennas are Sanserino Loop & an SM-1. My main interest is TA DXing. I really find it to be a challenge. MM 11/11 was a real washout from the TA standpoint w/not one heard. 11/12- somewhat better. WDR finally was back to its old self w/good signal around 3:45am. Nice & Monaco also in around 4am- Monaco w/only an OC at that time. (At 10 a.m. there? -ERC) I disagree w/Rich Shaftan's opinion that Morocco-818 is only 25kw - must be much more. It was heard w/best signal ever on 11/10 SSS, much better than Agadir's 100kw signal at the same time, which was just barely splittable from domestics. I'm in the process of purchasing a new RX - more on that later. 73s & good DX. (Welcome to the NRC, Richard - we hope you will Muse often & have much good DX. -ERC)

38

R. HILL, 25038E - Handicapped Aid Program - 5145 Portland Avenue (rear) - Beloit, Wisconsin - 53511  
This is my first Musing & I really don't know what to say. I am the former Asst. Director of the

Handicapped Aid Program. I'm 46 years old, live alone, & totally disabled/handicapped. I had to resign from HAP for health reasons. I try to live on a small Veterans Disability Pension each month which is rough these days. As for my BCB DXing accomplishments, I'm afraid I have nothing "super" to report. I am predominantly an SWBC DXer, but just recently took up serious BCB DXing for a diversion & to help comfort me in the lonely hours I now have. I did some BCB DXing back in 1971 but it was not serious. Now, since Sept. '74 I have logged all 107 MW frequencies that are listed & am now going for the in-betweeners, e.g.: Surinam on 725, etc. I am ashamed to list my "poor" score of what stations I have heard when I see others with 1,900-plus stations, hi. However, time will tell. I am somewhat stalemated though as I do not have a proper antenna system for BCB DXing. I use a home-brew Joystick & 75' LW plus a Joystick (full coverage) ATU along with my Galaxy R-530 RX. I have wished for an SM-2 but am not able to afford one with my small Disability Pension. I had written in to DX-Change for a "WANTED" for an SM, but so far it has not been printed. I pray that Santa Claus may be able to help me obtain an SM-2 so that I may be able to receive more stations & be able to "hull" out these pests that are so abundant on omnidirectional antennas. Here I wish to thank those at NRC HQ for their kindness in helping me, plus Tom Sandstrom & Karl Forth for their welcome aid in inquiries I have made of them. For SW I have 122 countries & 248 SWBC stations. I rather doubt such good country reception on BCB up in this neck of the woods. Best regards to all. 73. (Welcome to the NRC, Bill! I hope Santa fills your stocking with that SM-2! -ERC)

DAVE KREINBERG - 517 Letshmere Drive - Harrisburg, Pennsylvania - 17109

Top of the DX Season to all! I hope your DXing is as good as mine. I'm so glad we're weekly so that DX NEWS will come that much faster. CX have been excellent here. So on to the DX: 9/29- 6:53-7:11pm - WANN-1190 Md. pretty good signal, QSB, WKSL prf - 7:11. 7:11-7:30pm - WQWO-1190 Ind. came on when WANN s/off, rr, bad signal. 10/21- 7:53-8pm, KMOX-1120 Mo., signal good, much QRM, CBX NX & local NX. 10/23- 7:0907:25pm - WNEW-1130 N.Y. some QRM, pretty good signal, MoR. 7:27-7:46pm, WRVA-1140 Va. signal good, some mx, Joe Garagiola World Series Quotes. 7:56-8pm, WDEL-1150 Del. signal fair, splatter from WRVA, WX, mx, & promos. 10/24- 9:25-9:47pm, WTOP-1500 Washington, signal fair, NX, WX. 10-10:16, WTIC-1080 Conn. signal fair to good, NX, WX, mx. 11/2- 11:10-11:30pm, WCFL-1000 Chicago had WX & rr. 11:45-midnight, WWSW-970 Pa. had MoR o/w/ID Canadian station, CBS NX. 12:03-12:20am, CEM-940 Que. had NX, WX, SX (? -ERC) then mx, some SSB noted, also TBM. Note to Ray Arruda who wanted to know if aluminum siding had any effect on reception - yep! It blocks off signal quite a bit. Well, I gotta go now, 73 & best DX to all.

KEN CHICHEK - 14031 Stewart - Riverdale, Illinois - 60627

Welcome from a DXer in NW Illinois. New stations: WOKI-1550 Tenn. 10/3 w/s/off in mess @ 5:45, & CKIM-1570 Que. w/ID, NX in FF @ 6 in very good. Minor listening on 11/9, CKVN-710 Que. @ midnight w/ID in FF, NX w/WOR good. WAAX-570 Ala. w/c/w & ID, 12:40-1. WLBW-580 Kans. w/CBS NX @ 1. Funny thing heard in network NX - a special report from KGGM Albuquerque. I thought it was KRKE - was repeated - KGGM. Maybe they ought to notify CBS of the call change. Total now is 557, Canada 42. Bad mostly due to "power towers" to W of apartment. THE NESS #4 was one day too late - I missed 11/6 WICH TEST. Next one to look for in three days is WERA-1590 N.J. Say, howdya get rid of WANN for one hour, huh? A one hour SP - don't think I'll hear it, but I'll try. My future #1 N.J.er, screwed by an Ohio regular pest. 73 till Thanksgiving.

JAMES T. FOGUE - 11 University Street - Apt. 2 - West Lafayette, Indiana - 47906

I guess it is about time for a contribution to this column since I only make it about once a year. DX has been pretty good, w/SSB yielding some good results. 10/7- CJIC WTCO KRLD WDOB. SSS on 11/7- KXKA. 11/8- KELY. 11/10- KQYX KLER. TEST's heard this season include CJFD WNOP KIRP. Local noise blocked KDDO & too much KJW for KEDM. Other DX included 9/27- WIBC on ET @ 1:32. 10/21- KLEW on ET @ 12:32am. 11/4- WPR on RS @ 4:45am for new state capital & 11/11- KJHR on RS @ 4:48a. Varies in, v/11 WBCO CJIC WTCO CJFD KJFV WNOP. v/q- KRLD. I finally got hold of Jim Meyerson, a BCB DXer from St. Louis, now attending Purdue U. Looks like we will be spending M\$ together this winter. 73 & good DX to all.

BILL ALISAURKAS Jr. - 6 Lawrence Avenue - Hopatcong, New Jersey - 07843

Hi gang! After a long period of isolation I've finally come around & am getting back in the swing. To all correspondents - I'm still alive and trying! (Oh, you're not THAT trying, Bill! -ERC) Some DX to report: 11/11- WQIS-740 3am ID w/KRMB's CC which I'd @ 3:02; WBRG-960 3:57am, & s/on of Maracaibo-740 @ 4am. No sign of shed TESTs. 11/15- Strong Aurora; news in WBRG @ 6:03pm, & WJHL-1590 6:03. Then 11/17, really weird Aurora w/nothing audible above Central Florida - WBRG/WYDU-1590 up just after 4:30pm & WBRF there alone soon as WCRV s/off @ 4:45. Newsies that night, aforementioned WYDU 4:47pm, WAXE/WBUN-1440 5pm, WAXE-1370 alone 5:25pm, WBOE-1300 5:30pm s/off all alone, WAXE-1110 amazingly alone @ 5:30 s/off, & WCRJ-1270 also alone 5:32pm s/off. No doubt there were more, but time & color TV ended it - amazing CX! Well, I guess that's enough for now - ERC, best of luck in your new home & with pending retirement! 73.

JOSEPH MELIA - 150 Robert Place - South Plainfield, New Jersey - 07080

Varies since last report are a v/1 from WERI-1480 & a v/r from WERI-1410, both for SSB reception. Recent DX: 11/10, one of those SSS sessions that didn't produce anything: 5:06pm, WBRG-1470 strong ending CBS NX, ID, local ads. 5:14 s/off WBRG-960 topping WTH. 5:29, WBRG-1290 doing surprisingly well w/ID & then FB scores. 11/11- 3:07am, WCRJ-1590 weakly on its TEST w/OC & TTR. Nothing else of interest heard except someone mentioning N.C. on 1230 - TTR. We have a MIA there now? (I think it's WPAI, Joe - they were AN MIA last Season -ERC) 11/15- 12:01am, Yes, WERA-1590 was on w/OC/TTR/ID, well heard here (they are one mile away!) 11/17- SUPER-AURORA - even N.C., S.C. & Northern Fla. blanked out - 4:40pm, local daytimers not off yet but WQBN-1340, R. Paradise-1265, & WLYJ-1390 (murdering WBRX) were all in. 4:47 to past 5:13, WAXE-1370 all by itself but generally weak. Usually WAXE (on Aurora, that is) just far enough N to be blanked! 5:10, WBRG-1290 once again ending Mutual NX, ID, etc. This one's proving to be a pest. 5:15, WQOC-1080 o/WIC w/ID, time, temperature etc., ads. 5:19, WQYK-1110 Tampa doing very very nice!, 8-9, w/c/w. No WBRF at all although some SS QRM. 5:29 s/off WBOE-1300 after religious program. 5:31 s/off, WACY-1220. 5:31, WQMA-1220!! - that's what it sounds like on tape w/SS w/ID, then about 15 seconds of what may be an SS jingle. Does that sound like then? 5:43, WBRG-1290 all by itself at only a weak 5-3. Lotsa SSS this evening, like one chopping up WWDJ-970, two on 980, another on 1300, etc. Unfortunately the CX didn't save W the sunset. No sign of anything from Alabama or Mississippi. 73.

21217

HARRY J. HAYES - 1418 West Mount Royal Avenue - Apt. 2 - Baltimore, Maryland

Sorry I was late in mailing last week's report but I misplaced my book of stamps, and that's what happened. There seems to have been quite a bit of Auroral activity on 11/14-15 as a lot of rarely heard Southerners dominated the channels. 11/11- WCRB-1530 Md. w/s/off @ 4:45pm - their s/off's are really unique in their humorous presentation. 11/12- TTR heard on 1480 @ 5:35pm, who? 11/13- KJCY-810 Bogota @ 6:30pm w/Osmonds ID kn at fair level. 11/14- Beginning my fifth year of BCB-ing tonight! Hoopy doo. Auroral CX tonight. 9:52pm, WERE-620 Tenn. dominating w/"Turkey in the Straw" contest, mixing w/WBR-620 Beckley, W.Va., no WERI/WVWJ. 11/15- 5:23pm, WCHI-1360 N.C. in well with numerous mentions of Chapel Hill. 6:15, WQBT-1360 Fla. all alone w/fair signal w/IX. 11/17- 1:05am, WBRG-1340 Conn. w/"Classic Gold Weekend" oldies show, in/out with strong signal. 1:35, WBRG-1490 Kingston N.Y. w/rr in very nice for a few seconds for ID, "Music 1490." 1:38, WGLB-1490 Syracuse alternating w/WNY w/rr. 73.

PHILIP BOSEMAN - 15570 Cleveland Street - Spring Lake, Michigan - 49456

Hi there, I just joined the NRC so I guess I may as well introduce myself. I'm 17, go to Spring Lake HS, & am also a member of IRCA & CAIX. I have been DXing for a year on BCB, two sporadic years on TV. Equipment is a Panasonic RF-1500, & a 60' LW that must have a curse on it, hi. The things about ready to kick off, I think. Totals: 470/37 stations heard/verified & right now I'm too lazy to count how many states/provinces I've heard/verified, so that'll have to wait, hi. I occasionally go down to Holland, Mich. to visit my grandparents, who live only about two miles from WERT-1490. Whilst there, I noticed a station w/WICF playing mx - this @ 3pm! That just sorta goes to show I guess how crowded these local channels are. Anyone interested in responding please write. 73. (Welcome, Philip & please Mase often - but please DOUBLE-SPACE - pleaseTREC)

ERIC HAVEMANN - 71 Madison Street - Pequannock, New Jersey - 07440

I sure am looking forward to the NJPC Convention. I am bringing my faithful Metz with me (Let's Go, Metz! -ERC) along w/a Hallicrafters SX-71 that's been gathering dust in the basement. I am three weeks late writing this Musing & will have to go back on my promise to relate all recent DX w/26 newies since my last Muse. My total verie collection has soared to two w/v/1 from WKIG for 10/21 test & v/q from KUPK for their TT & ID @ 2:25 MM 10/7. All I had was the time of their ID & that they were using TT but they sent me one anyway. Didn't anyone else hear them? I haven't seen any mention of them in DX NEWS. To-tals now stand at 242 non-locals in 37 states & five provinces & six countries. DX: With WVNJ off every MM @ 12-5 or so I heard TMJ for the first time w/s/off @ 12:04 MM & Wis. #1. Next afternoon 10/18 @ 5:48m WYDE was in like a local w/c/w & "Wide Radio" promo for State #37. 10/19- WHEB in u/WABC QRM w/local spots @ 5:15pm. I was in Atlantic City area for the 10/26-27 weekend w/my brother's portable Panasonic eight-bander. N.Y.C. pests were much quieter down there, but all you South Jersey area DXers must have a fit with Atlantic City stations on three of your graveyards! (Four, Eric, counting WQND-1400 -ERC) I heard these newies while there: WKEN-1600 in weakly s/off @ 12:04am 10/26. They gave powees of 500w day and 1,000w night - weird! WCLS-1580 @ 12:06am w/rr & ID; WWCK @ 12:56am on 1260 & WNRK @ 2:24pm 10/27. I ave since tried making one of NRC's antenna tuners for my LW & it works! KONO came in without any trouble w/rr & ID @ 11:58pm 11/4 for my furthest 5kw. yet. Several since then, but ERC won't give me more than 30 lines, hi. For his & everyone else's peace of mind, WEED Rocky Mount, N.C. & WHCU Ithaca, N.Y. I use White's Radio Log, if that helps any. I expect everybody within the range of WABC will attend the Rockaway gobble-gobble, so see you there. I'm about 15 miles away - maybe some of you will stop over! 73.

PAUL MOUNT 471 Emerson Avenue - Teaneck, New Jersey - 07666

Well, long time (for me) no Muse so here I is. Here I have some comments & notes from past DX NEWSes for your eyes. Re DX Ratings, I think one shouldn't be allowed to list all the stations heard all over in one list, because in the case of people in travelling around the U.S. can get a great total in one year. You gotta mention that it's a lot of QTHs. And whatever the limit for "Home" it should be from your house, not in the middle or the river or such. Enough. HJH says 1290 is easy there. Amidst WADO & WFBP, 1290 is here. No stations heard at night yet. In the new member lists I notice a lot of familiar names from IRCA. ERC: QTH is location in radio. (Ham radio, no? -ERC) WRC took about 360 days to verie me. Looking at membership list I did forget some in those I met: Perry Ferrell & FJ Kleppick. TRS mentioned short s/offers. Last time I heard WMBG-740, their s/off was "WMBG, Williamsburg." WAIL v/s Yerger says he's not there any more, so he does a Sunday show at WRKL. Looking at Pat-tern Updaters. I wonder if the patterns for CPTP, CKFH, & CPGM are right? They all get in here awful good. More to come. C U L.

CHARLES ZIPSER - 39 Wickford Road - New Rochelle, New York - 10801

Hello there, this is my first Musing. I hope you can understand it fully. I've been DXing since I was 12 years old - I will be 23 in December. I didn't try to get any QSLs until last Summer ('73). I have close to 40 of them. None really so hot except for WROK because of its low power. I use four Lws w/a switch box connecting 1, 2, or all in any combination. This is done w/four on/off switches. One of the wires is connected to a telephone & gives good vertical pickup. One is connected to a neighbor's fence & works well, also one is connected to an old TV antenna, & the last is connected to the pipe in my laundry room. I own a Grundig Portable TR305 & two other Grundigs - they are a table radio (quite big though) & a console. The serial numbers are respectively the 4192 & the 50-151 U.S. The 4192 is currently not working but is the best when it does. I am anxious to get an R390, R388, or R392 if anyone has info on the sensitivity of these sets please write me a postcard or letter. Also has anyone dealt w/the Fair Radio Sales Co. in Lima, O.? Or the Space Electronic Co. in N.J. I just got my SM-2 but hoped for even better results than the good ones I did get. Once you null out a station it's tough letting go with your finger & changing the geo-magnetic field. Dad owns a Sony TFM-8000W (BCB is as good as Grundig). Take care for now - "Z" is my nickname. (Welcome, Z! We hope you'll Muse often & log many goodies as an NRCer! -ERC)

BRUCE REYNOLDS - Route 2 - Warrensburg, Missouri - 64093

Hi. First a couple of corrections for previous typos committed either by ERC or me. In the 11/11 Muse WROA was heard AN w/rr & WKYK-1380 was the one heard testing. In 11/18 the verie was KSYL, unfortunately not KATL. DX: 11/9- WYLS-1350 w/c/w @ 8:14am folo by KGAR-1350 @ 8:26. On SSS, KFRA-1390 in briefly @ 5:32pm w/WK. MM 11/11 was a fine one thanks to our one-man CPC. KDLT-540 in beautifully on their TEST as were WCSJ & WTKM. 11/16- WYMK-1380 @ 5:57pm w/Paul Harvey & c/w to 6:15 s/off & KEDD-1550 w/rr @ 6:25pm. 11/17- KWKC -1340 atop @ 11pm after Texas Net nx. MM 11/18- CFUN-1410 surprised the heck out of me; in really well in WING null. Never heard before, but best signal ever from B.C. WSAU-550 AN-rr w/umn KOY. Both KSD & KPSA off. KTIK-1280-DX was heard, though only TT w/250w. Test appreciated but following SP was even more so as I was able to get WNAM AN/rr, a taped report on CUMS, & WFYC s/on-SSB @ 5:57. I wish pest KTIK would make that a habit! WROC was also heard, but as before, not enough for a report. SSS brought more Aurora w/KANI & XERH on 1500 7-8pm w/no sign of KSTP. XEZM-650 @ 8:50pm w/Costa Rican & no WGM. 11/20, I had an Auroral morning w/XEU-930 unbelievably all alone atop @ 7:10am. KROB & unu KYKR s/on-SSB @ 7:30am on 1510. 11/21- Weird SSS w/the band rather dead up to sunset, then an early evening Aurora that seemed to affect mainly Twin Cities stations. Again no KSTP, & KWFA in weakly @ 6:45pm s/off-SSB. S/off in EE, but I believe they were in SS before that. 1500 was so open I had visions of Calif. on SSS, but KSTP was booming in when I tuned back @ 7:30. Weird! Veries: v/1- KGBC WJAM WHMA WYLS WCIW WOCH KOYY WPLB KTTN KPFA WMPA WEKR KDEP (a nice two-pager) KGAR KALM KKTN KLLA KVLG. v/r- KLOV. v/q- WJW WMBI JBC-700. v/c- KTIAT. v/f- WDLA KKYX KDLT. Also v/1 CHWO (seven months), CKAY (on f/up) CKLK & TIBS-650. 73.

JEFF ROBERTS - 945 East Moore - Decatur, Illinois - 62521

CX not great around these parts, but a few are being heard. I finally entered everything I've heard into a logbook & though it's crude, I feel much more organized. Totals: 811 heard, approximately 250 taped, & only two veries. U.S. heard: 719. Most by states: Illinois 84, Mo. 57, Texas 54, Tenn. 45, & Ark. 40. I still need Alaska, Hawaii, Maine, N.H., N.J., Ore. & R.I. & Vt. Total foreign: 92, w/Canada contributing 33 of these. Total countries, 16, counting the U.S. Most stations on a frequency: 1580 - 25; 1570 - 18, 1590 & 1280 - 17. More important than statistics is recent DX. 11/10- KVPI-1050 Ia in w/a fair s/off @ 6:15pm. MM 11/11 KNX noted unusually strong. If the KDLT TEST was on, just too much noise here. WTKM-1540 Wis. noted w/a good ID begin-ning TEST @ 3am. I didn't listen very long on that one. 11/15- KGBC-1540 Tex alone & strong @ 6:20pm. No KXEL! 11/19- WEAS-900 Ga. alone @ 2:15am w/ID concluding their r/c. Mx noted right before the ID - f/c list says TT. 11/21- WNES-1050 Ky. w/fair s/off @ 5:45pm. 11/22 SSS, band sounded great. KBOK-1310 Ark. atop WRR & others w/s/off @ 6:01pm. KLCO-1280 Okla. very weak @ 6:11 w/ID & mentions of Oklahoma. 73s.

PAT HARTIAGE - 9200 Wendell Way - Jeffersonton, Kentucky - 40299

11/18. I have had to limit DXing to SSS & early PM lately. Excellent CX have helped add 54 stations since my 10/21 Muse. Better catches include WHEX-1580 w/test 10/26 @ midnight u/CBJ. HJHJ-600 was heard w/R. Liber-tate ID @ 1:44am, 10/28. Later WPTT-1530 @ 2:35, WDRN-1500 @ 3:47 & WG0E-1590 @ 3:56 were all heard testing. 11/4- I missed WLOR-730 TEST but caught their 5:45 pm s/off for report 11/9. My first Arizona station KTUP-1580 aas heard just be-fore their 7:30 s/off. I have heard them fairly regularly since. 11/10- Very good CX brought six new stations on 1580. WBEA @ 5:43 s/off, KTGR @ 5:59 s/off, KESM @ 6 s/off, KLUW @ 6:01 s/off, KIUR @ 6:22 & KPJK @ 6:27. I'm glad several of the above don't check the time too closely. 11/12- KMCP-900 @ 6:02 in very well w/NX, sports, s/off @ 6:30. The strongest Texas signal ever heard here was 11/13 from 6:22 to 6:45 s/off of KTER-1570 in Terrell. With only 250w are they directional E? My second Ariz. station KUAT-1550 was heard 11/15 for 7:30 s/off during brief KKJO fade. Signal was very weak & barely audible but I managed to tape an ID. KVLG-1570 heard 11/17 w/s/off @ 6:30 u/KTER. I added Roseau, Dom-inica same evening @ 7:40 on 595 for new country. Veries: v/1- KIUR, WERE, WG0E, WMBI, WRNG. v/c- WAAM, WONE, KCRG, WLOR. (Not v/q, Pat? -ERC) Report to KATZ returned with rubber stamp confirmation. 73.

THIS IS A TREMENDOUS MUSINGS ISSUE! WE CAN DO THIS REGULARLY! IT'S UP TO YOU!



RICHARD K. SHAFTAN - 60 Gramercy Park - New York, New York - 10010

Hi folk, lotsa happenings of late. First, re CBU/XETRA - I heard CBC mention last year & got verie but I am scrapping it. 11/1- PRM and George Greene came over & we talked, DXed, etc. Next day, PRM & I DXed in famous Gramercy Park. 11/3- I got a call from TRS who had an HQ-140-X for sale. I looked it over 11/10 & decided I'd buy it. I have heard around ten newies on it so far. Latest newies: WDLR BBC-1214 WKJR WLOR-TEST YVLH CMKU CEY. CMJN het noted but not counted, ZBM-1 for country #33. WJAR WGFA WFLR (heard 22 minutes after November s/off time!), 4VEF KLRA w/WJMS off 11/10. KDAY w/rr 11/10 3:38, KSPF, WERA in car in Carteret. Is it legal to count it within 25 miles but out of NYC? ERC? (No law against it unless you're in a contest -ERC) Most wanted WRUN, WOR off MM 10/28m 11/4, 11/11, regular now? HJCN-1100, WRVT, WBFJ, R. Netherlands-800, VQA-1180, UniDs of week. 11/3- 2:32, MoR @/HJHJ u/CMKU-600? 3:04, ditto u/WFLL, BE nx 11/10 3:38am on 1500 u/XERH/KSRP. UnID SS u/HJCY 4:58 11/11, WKVM? RR-670, daytime, also ethnic wx, carrier current? MoR in WMTW null days, who is SS-1265? 8:46pm 11/11, 8:58, 1190k SS talk, U.S. rr mentions of Venezuela, YVRE? O/unID Sser, see IDXD/DDXD/DXWW for details. Any help on above would be appreciated & replied w/WABC/WWRW SCs. Totals 534/286, 33/19, 38d/31d, 6/6. 73s.

TIM KERFOOT - 34 Cross Street - Weston, Ontario - M8N 2B9

CX have not been very good lately, but a number of new catches have been made nevertheless. 11/4- CFTS-1240, 12:36-1:35am, in the clear most of the time except for some trouble from CJWA. Only one ID was heard in all that time. 11/8- WCEM-1240, 6:29-6:45pm, good signal. 11/9- WIIA-1580, incredibly strong 7:01 s/on to 7:38am. They had as many as four commercials (five counting short ones) in a row at times so a lot of verifiable info was copied, hi. Of course that is no real criterion for verification: in fact, it has been my experience that the very best reports are often the ones that go unanswered. MM 11/11 was a day off work for some DXers at least as was Remembrance Day. CMJN-782 was noted 12:24-12:30am. WEMD-750 testing w/c/w 1:14-1:23am. WGST-920, 2:21-2:43 w/interference from another new catch, CFPY-920. Also on 920, SS was noted off & on, w/a guy yelling "quito" five times at 2:30. Veries received: WAIT-820, WSOO-1230, WMSA-1340, and KQWB-1550. 73.

JOHN OLDFIELD, 18-10940 83 Street - Edmonton, Alberta - T5H 1M1

CX have been poor whenever I get the chance to DX. I did get a bit of the KGHO-1560 TEST o/u the new KKAH which is regular here. Those in the Midwest should watch for the new CKTA-1570 //-CHECK-1090 using 99% "CHECK" Lethbridge IDs. They are AN too. Re my last report I meant to say: These new mini-LPRTs in Canada's National Parks (CBPA, CBPB, etc.) reach about 800 feet! Forget it as DX. CJVB-1470 applies for an AN-NSP twin on 850 (vacated by CJJC) w/10kw. The new CKMK-1240 twin is on now AN //-CKPG-550 Prince George. CJK or Frack wanted to know how I get the new calls since the CRTC rarely publishes them. I simply dial DDD info & ask for the new listing for the new station in said city. If they have a phone installed, they're also on the air. Thus the calls: CKTA, CKMK, CKGR, etc. CHAK-860 (ERC's semi-local) gets another LPRT on 1230, Fort Franklin, NWT. Many of these LPRTs are on the air before the CRTC OKs them. It's just the formalities as the CFFB-1210 NWT move from 1200. They were there four months before the CRTC OKed it. The CBC has been told to build a local LPRT network for the Eskimos (Inuits) in N. Quebec near CFFB-land, at times relaying CFFB-1210. Greenland is still alive & well on 1425, Thule heard on 11/10. 73 from CHEdmonton.

JIM MEYERSON - Owen Hall - Box 207 - West Lafayette, Indiana - 47906

Hello fellow NRC members. I suppose a brief introduction is in order. I'm 18 and have been DXing for 2½ years now. I'm currently at Purdue University majoring in EE; but my hometown remains St. Louis, Mo. Total from St. Louis: 639/420 (heard/veried) stations, 37D/37D states. Totals in Indiana are 145 stations from 30 stat s & P.R. Only verie thus far is v/q from WKRC, Cincy. I met with Jim Pogue last MM & had a great time. KDLT TEST was heard good 2:45-2:53am w/1,000Hz TT & c/w. I guess that's all from here. 73s & good DX to all. (Welcome to the Club, Jim, and we hope you'll Muse often and get great DX - but - please - DOUBLE SPACE! -ERC) IF YOUR MUSINGS WILL REACH BROOKLYN BY DECEMBER 12, SEND THEM THERE - IF NOT, THEN USE THE NEW ADDRESS, ERNEST R. COOPER - 7A WASHINGTON AVENUE, PROVINCETOWN, MASS. 12657. REMEMBER CHRISTMAS MAIL TIME IS SLOW MAIL TIME! DOUBLE SPACE! -ERC

DAVE SCHMIDT - 42 Chelwyne Road - Castle Hills - New Castle, Delaware - 19720

Congrats, ERC, on your up-coming retirement! Ph 11/13, I had to take new hours at work, so now I'm working 11pm to 7am Mon-Fri. That shouldn't make too much of a change, just a little more SSS DX will be done & other restricted to SM & MM. To DX: 11/11- KMEO-740 -TEST showed u/KRMG OC/TT 3:19-3:29 w/c/w. WCSJ-1550-TEST w/mx 3:03-3:17am, I believe WYNA was the strong OC/TT there during that time. WTKM-1540-TEST weak o/u WPTW/ZNS/KXEL-ET 3:03-3:49 w/mx, I believe they went off @ 3:45. WVIK-590 3:54-4am ET OC, strong. 11/13- WENG-1530 5:29-5:39pm then faded, WAAO-1530 s/off noted 5:45, announcer gave call as WAOA even. 11/15- WQX-1570 5:33-5:44pm w/Soul mx, WQPD-1430 in the clear 5:48-6:02 w/commercial format (six in 15 minutes, all one minute!) 11/18- KRMO-990-TEST u/WIBG ET/WNOX/SS, TT made it 3:01:45-3:23 off/on, I called station and ran audio over line, & CE said twas indeed they. WIST-1240 holding down frequency this AM w/underground mx, CBX NX, noy d 1:58-2:10am, very strong. 11/20- Much-wanted WDCN-1540 in clear following WRFC s/off 4:46-4:59pm. Report taken on WLDB-1490 on new Soul format 5:10-5:25pm, plugging new studios at 1430 Atlantic Avenue. I had wind of this change a few months back from friend at WMD. WLDB will probably go AN soon - they'll make a lot of cash with that type of format in that area. Veries: v/1- WISL-1480 WDLR-1550 WKOT-1550. V/pp- WECO-940. Still had, but better than nothing, hi! The Jerry Starr air check went to Shaftan in NYC. He called me on that one even! If I can dig up a few more of these goodies, maybe I might be able to start my own business on the side, hi! 73s.

De GHOTI - Hickory, N.C.

A big welcome to Nawth Kayroliner goes to Paul Hart, Ace Tape DX Champ from Fort Worth. PKH now lives 0.31 miles @ 224° from Ghoti Manor. Dial twirling has dropped off quite a lot these past two or three months due to job here. Dunno if things will improve or not. PKH & I flew N.C. to Fla. by private plane & DXed the ECB on the plane's ADF. Some interesting results were noted on bearings under somewhat Auroral CX. Cubans had most clear channels locked up all the way into S.C. Also KXEL held 1540. I got bearing tracking on 764 but no decent audio. Cuban on 782 really boomed in. If anyone hears C88KRN E of Mississippi River these days, please report it in Musings, DXWW, or drop a post-card to me with details. You can provide KRVN with some valuable data if you'll take the time & effort to do so! More to come. (Spacing fine, de G.! -erc)

DAVE BURNS - 2137 Sunningham Drive #102 - Hampton, Virginia - 23666

Since my last report to these pages two major developments have arisen. First, I've managed to damage my eardrum and am sked for an operation in January which will bring me DXing to a temporary halt and second, I'll be transferred up to Alexandria, Va. next Summer, which will be the tenth assignment I've had in nine years with the USAF. Lately I've been concentrating on TA activity during SSS & results have been so-so with many IDs via Alan Merriman who I've been bugging over the phone. Just wait till I get up to Alexandria, Alan - hi! Meanwhile, back at the dials: 10/24- WLOP-1370, Ga. on top @ 6:50pm w/c/w & WAVS-1190, Fla. clear @ s/off @ 6:59. 10/25- WFLI-1070, good w/rr @ 6:45pm. 10/27- WKAQ-580 alone @ 1:45am w/many IDs, pop mx, WLCY-1380 @ 5:55pm w/NX WX & ads, and WQPD-1430 @ 6:15pm w/"Q-143" IES & rr. 10/28- CFCB-930, surprisingly good @ 12:20 am w/rr & mention of a "Top 500" contest. This should be a good bet for anyone in this area needing N.B. Um KONO-860 better than usual @ s/off @ 1 & then back again w/ET @ 1:30w/rr. Also WITI-1530, Ga. poor w/ET @ 2:40 w/pop mx. 11/4- I was surprised to find KCMC-740 alone @ 2:50am w/c/w while waiting for WLOR TEST. The latter made it L&C for the duration & v/c back in only four days. Later, at SSS a real fine TA opening from 5:30-8pm w/Albania-1394 & 1457, Monaco-1466, Czech-1286, England-1214, Spain-1223 & best of all, Turkey-1016 all audible w/many other hets noted but no time for copy. 11/6- KLCN-910 on top @ 6pm s/off mentioning KHLS-FM & ORFF-640 Martinique o/the Cuban @ 6:15pm until buried by WHL0 @ 6:30. 11/9- WDRC-1360 @ 5:45pm w/rr & ads & Portugal-665 audible around 6:15. 11/10- Spain-683 L&C around 6:30pm. That's it for now. 73s.

JACK HATHAWAY - 2109 Tamarack Court - Champaign, Illinois - 61820

Greetings! 11/15- WAKR-1590 12:01am. 11/18- WNOX-990 3:02am while looking for KRMO TEST. KRMO-990 3:06, #704, sent report. XET-990 interfering w/KRMO TEST. KTLK-1280 DX 4:04 #705, sent report. KQXI-1550 TEST #706, sent report. Veries: KDLT Xerox letter, HRYW PP/c filled in frequency as 950 & stationery says 950 but heard around 945; KHVM v/1; WMOP v/Xerox. Best 73 & DX.

BOB FOXWORTH - GPO - Box 2111 - New York, New York - 10001

It seems to me there's been a gr at deal of solar activity this year. European DX h s been far below expectations, especially w/the good beginning noted in late August & early Sept. It'd be nice if our propagation experts in the Club in the Boston area would take a few minutes to share with us their opinion of what's happening to the BCB this year & why CX are so bad for Europeans, & what the outlook is. I know many NRCers would appreciate this, & it would be a help to all of us. For those waiting for the SB-620 review, it may be in this issue, or it may be a week ahead or behind this. I understand Domestic Log printing took up much time at the printer's, & I revised it a bit. An interesting note - a major BCB DX Club on the Coast recently sent out within the past month, a flyer & order form for the WRIVH. The only problem was the order form was for the '74 issue. I'll bet they get a lot of orders, hi. In the meantime, Gilfer has already sent out order forms for the '75 issue, & the price is "right again, hi. I've been doing some experimenting w/'active antennas" which are physically small whip antennas with matching & amplification in the support base, before feeding the RX. I don't expect anything in this line to equal the SM-2 however, so don't hold your breath. They are interesting on SW, though. Recent DX, a pirate heard Sat. 11/16 on 1615.5k. On an Auroral Friday eve 11/15 I heard WJOR-730, WATV & WGOK-900 @ s/off & a few other UNIDs. Sunday I had an excellent signal from WQBA-1140 to 5:30 pattern change, otherwise bands dead. Russ heard WGNP-1520 at the same time. I tried the KRMO-990 Monett Mo. TEST 11/18, a weak TT @ WIEG-ET (presumed; strong, & they ET a lot) & WNOX RS heard 3:16-3:22 or so. At 3:27 an SS in briefly, no ID heard, but there was a real weak station there which may have been they, or another Rser. I have heard NO DXes so far. I tried for WERA TEST while coming home from train station on hand portable, a weak TT heard u/WQW @ 12:45, but home @ 12:50 & nothing noted; Auroral CX. 73. (WERA is only a MYTH, Bob, didn't you know? -ERC)

RAY ARRUDA - 6 Wilbur Avenue - North Dartmouth, Massachusetts - 02747

Short report this time. New stations heard: CPPL-980, KRMO-990 (tentative on TEST) WERA-1590 on TEST. Only one verie in this week: v/1 from WPHB-1260. Recent DX: 11/15- WERA TEST heard u/WQW/WETT w/ID & s/on @ midnight & TT to 12:16. Further copy spoiled by untimely WQW ET to 12:45 tune-out; reported. MM 11/18- KRMO TEST very tentative @ 3 w/s/on & voice ID & some TT to 3:15; much QRM from WNOX on RS & later WIEG's untimely ET. Normally NSP WPRO-630 noted off & testing OC @ 3:30 w/WMAL way under w/MoR & "radio 63" ID. KPLK tried but not heard 4-4:15 tuneout, too much CHAM. 4:10, WRHC-1550 on ET w/ID & TT through 4:21 tune-out, voice ID in E @ 4:10. KQXI TEST covered by 4:58 s/ on of CBE, not heard. Tentative DX report sent to KRMO. 73.

SCOTT STRENTZSCH - 5206 Round Table - San Antonio, Texas - 78218

The DX season is here & I thought I'd give an intro. I'm 13, a member of the Club for a month, & a DXer for a couple of months. I use a stereo RX & a short longwire, but by the 26th I'll probably be using a DX-160. Totals come to 136 stations, 25 states, & three countries. I logged my third country just yesterday, Bonaire-800 PJB came through almost local X-ROC (Ciudad Juarez). I wasn't using an antenna then & I must have jumped out of my earphones. I guess compared to some of the big guys it's small fry but it's a start. Well, 73s & good DX. (And good DX to you too, Scott, and Welcome to the NRC! -ERC)

GENE ALLEN - 134 Bret Harte Way - Vallejo, California - 94590

Congratulations to both ERC & Mort Meehan on their retirements. We've been retired here for four years. After 31 years as Electrical District Engineer for PG&E Co. Recent veries in from KSPD-790 & KDLT-540. KSPD is an all-NX station operating in the smallest city in the USA for this type operation. At 3pm 11/15 on 1570 KKEE Salinas, 250w was copied for 15 minutes & IDed using the SML (Salinas is 105 miles distant). Using the Sanserino Loop or the 4' air loop this signal could NOT be heard. The reason was that neither loop could cut out KQVR (5k in Lodi & 55 miles distant). However, on distant DX the larger loops give a better signal-t-noise ratio but do not have the pinpoint selectivity of the SM-1. KKA-1560 S.D. reported 8/31 & a f/up to Kallestad on 10/21 have produced no veri - guess they aren't interested in RX reports. The Specials of 11/18 were obliterated by an S-9 QRM created by a heating pad in the neighborhood. This noise came on on 11/7 so I hope it doesn't cause me to give up DXing. TEST from WCSI-1550 was heard on the 11th before the QRM came on. 73 for now.

GEORGE C GREENE - 1527 Sunset Avenue - Akron, Ohio - 44301

Hi all. In spite of the mostly Auroral CX that seem to be prevalent, I have managed to log a number of new stations: 11/16- WAVS w/soft mx & a contest promo @ 5:20pm w/WOWO easily nulled; KXYZ-1320, who now uses "13K" ex- cept on the hour, heard at the end of NX, & then into oldies during SSS on 11/19, no sign of 13Q for some reason. WEAN-790 w/rr & rr-oldies, also Providence WX & SIDs @ 12:38am; semi-local WADC-1050 logged for call change on 11/22 w/EZ mx at 4:50pm on the car RX. 11/23- WKIS-740 w/soft rr & WX @ 2:45am, temperature was only 45° there at the time! 11/24 had WFUP-1190 in WOWO null w/EZ mx & commercials between each selection. Other catches of interest, though unnn, included WHCU-870 w/Cornell FB talk & the FB scores during SSS on 11/23, & WDLR-1550 on the 25th with what apparently was the end of an ET. I dialed onto 1550 just in time to hear a WDLR jingle, then nothing. WWWE noted during the past week or so w/OC many early mornings, so they must be readying their new ND antenna set-up. WHBC-1480 now carrying AT40 during Sunday evenings, 7-10pm. I am interested in hearing from anyone who wants to trade air checks, CMs, or SCs - just write! 73.

KEN QNYSCHUK - 14031 Stewart - Riverdale, Illinois - 60627

Another action-packed Musing! Hi frequency freaks! I am DXing now just on weekends because of snooze hours, local electrical QRM is murder here. I called up newie local WKDC-1530 Elmhurst Sunday afternoon. Phone number is 312-530-1530; mail address is 130 North York Road, 60126. Hours are 7:15 am-5:30pm. XR on Butterfield Road, Elmhurst. Girl who answered said their s/on date was 10/16/74. A friend of my uncle mentioned to me Sunday night they've been trying to get on the air for 13 years! They were listed in Sat. 10/16 Chicago Sun-Times as carrying local FB game, heard good 10/17 from 1:59-2:20pm w/EL mx. That makes Ill. station #122. I've heard 83. 73.

RICH RICHMAN - WLFH - 341 South Second Street - Little Falls, New York - 13365

It's been quite a while since I appeared in these pages, so I thought I'd remedy that with these few lines. I'm still doing the Midnight-6 c/w shift at WLFH-1230, six nights a week - SP is MM. Our station's "claim to fame" is that we're "The only 24-hour-a-day station in Herkimer County!" But then, there's only one other station in the county - and it's a daytimer, hi. I've been at WLFH since 7/73; MxD since 11/73. I enjoyed attending the 1973 & 1974 D.J. Conventions in Nashville, and the Fan Fair, down there, this year. Good to hear by phone from NRCer Joe Lovenzo, of WGNA-FM, Albany a while back. DX report received by WLFH D.J. Chris Miller from NRCer Ron Masco & verified by Chris. I enjoy DX NEWS each week, although I'm not actively DXing at present. Best of luck to ERC in his new Bay State DX site. 73s.

JEFF FALCONER - Box 63 - Clinton, Ontario - NCM 1L0

Hi! DX of late has been somewhat curtailed due to lots of over-time & ever-present TVI. Fantastic Auroral CX still prevail. Some recent DX: 11/10- CHNR-1600 (ex-CFRS-1560) on top w/MoR all afternoon. They've been on since 11/1 per veri. 4:58pm, WNCT-1070 fair in CHOK null w/sports. 5:12pm, WKYB weak u/WKDE w/s/off. 5:22pm, WQTY-1000 strong o/WCFL w/MoR. TIEAW-1525 fair w/some WCKY splat w/speech by male announcer in SS. 11/13- 6:20pm YVMH-700 strong in WLW null o/the usual TI. 11:45pm, I was surprised to hear TICAL-525 in the clear w/up-tempo dance mx. They faded @ 11:50 & returned in time to catch s/off w/NA @ 12:06am. 11/15- 5:30pm, s/off from WRAR-1000 weak u/WCFL. Seems late for this still to be on. 6:46pm, WRBC-1300 o/WERE w/rr. YVTI-1360 on top w/the HJ 7:30pm, to 9pm, w/MoR & spots for businesses in Maracaibo. This was one of the most fantastic Auroral openings I've ever seen w/SSars on top of nearly every frequency. 11/20- One I've been after for years, WFYC-1280 w/local NX alone on frequency @ 5:02pm. WAKE-1500 s/off @ 5:30 cut up badly by WDEE. 5:43pm, WSMI-1540 s/off o/KXEL. WDIR-1430 ending NX @ 9:07pm in mess. 11/21- I decided to sit on 1560 for some SSS. 5:42pm, KTUI on top of WQXR w/spots for St. Clair businesses. 6pm, an ID from KDDA which then disappeared, probably its s/off. KQYX noted on top w/s/off @ 6:13pm, very strong, w/SSB. So three new ones for me on 1560. Recent veries: CHNR WDBC WNCT v/1; WSAN, WFOB v/q. 73s.

THIS HAS BEEN A GREAT ISSUE FOR MINDING! OF COURSE, IT IS A TWO-WEEK-ER, BUT WE CAN HAVE THIS SORT OF VOLUME REGULARLY IF YOU GUYS AND GALS WILL COLLABORATE BY SENDING IN THOSE DOUBLE-SPACED MEMOS. MAKE THEM FULL OF BK BY DATE/FREQ.



46

KARL [REDACTED] - 2816 Frontier Trail N. E. - Atlanta, Georgia - 30341  
 I've been DXing more lately, but CX haven't been that good. I got finals coming up 12/1, so DX will be curtailed then also - but over the holidays I am planning a DX BLITZ! There's been a few changes around stations in Atlanta I thought I'd mention: WQXI-790 has a new P.D., Scott Shannon from WMAK Nashville - no format changes so far. WGST-920 is no longer owned by Georgia Tech, but by the Meredith Corp. of Des Moines - still has MoR & oldies mx, & have brought back "Skinny" Bobby Harper (who was at WIIN-970 two years ago) from WDAK Kansas City. I was glad to hear of that! Speaking of WIIN-970, strange sounds continue to issue forth from them: the latest is their new "Bar-witness NX". On to recent DX: 11/4- WOHO-1470 Toledo 6:47-6:50pm u/WBIG, w/political announcement & talk. 11/5- WKUN-1580 Monroe Ga. 10:37-11:10am before going to polls; that night, CJBC-860 in w/excellent signal & no WDMG @ 12:25am w/FF talk & mx. 11/6- WTOP-1500 Washington @ 5:30pm w/sports, NX, ads; KVSA-1220 McGehee, Ark. for a newbie, long WX report, then s/off @ 6. Lo & behold, KGYN-1210 actually heard from here, although poor, u/WCAU @ 6:18pm w/farm ads & c/w. 11/8- WDMT-1280 Dayton Tenn. w/NX & very short s/off @ 5:27pm. 11/9- KGBX-1260 WNBC NX lan, s/off @ 1:05 w/sung SSB; KOKA-1550 s/off 1:30, mentions long list of trustees & other names, & a 4am s/on. KSL-1160 w/great signal & Nitecap @ 2:05am. That eve, KOKY-1440 heard @ 5:57pm w/s/off o/WHYH. 11/13- WENC-1220 Whiteville N.C. w/NX & s/off @ 5:15 on car RX while driving back from Carrollton. 11/19- WWUN-1590 Jackson Miss. w/ID "W-1" during NX @ 5:55 folo @ 6pm by "Drive-Time" show, c/w & "The Great American" slogan; KOLS-1570, Pryor, Okla. unnn w/6:15 s/off; KTUI-1560 Sullivan Mo. unnn, w/6:16 s/off, no SSB. 11/21 brought KLOU-1580 Lake Charles way o/WCLS w/rr 4:38am. Veries in" v/1- WORD-910 & WCOH-1400. v/PP- WGAC-580 WKUN-1580 WVJS-1420 KOKY-1440 WBEF-1450 & WIAW-1360. 73s!

ANDY RUGG - 146 Francis - Apt. 212 - Ile des Soeurs, Quebec - H3E 1G3  
 My only new verie is HIBE-1480, after 2½ years. In August, I moved to Nun's Island, which is near downtown Montreal. My apartment is not a very good DX location. Anyway, I will DX from time to time at my old location at my parents' place in Pointe Claire. In September I spent three weeks in England, Scotland, France & Spain. It was a pleasant change of scene. From mid-November to mid-December, I will spend a month way up North in Dolbeau, Que. - that is a different change of scene! (How about a DX TEST from there, Andy? -ERC) I may DX around Christmastime and send in another Muse. (3)

JOHN D. HATHAWAY - 2100 Tamarack Court - Champaign, Illinois - 61820  
 11/25- KQA-850 1:29am, s/off 1:08, following prayer & SSB. WFAA-570 1:52. WWJC-850 for #707, sent report. I was looking for KFUO TEST but couldn't hear it if on. I thought sure I would pick them up as I have heard them on ES before. KPUB-1480 #708, sent report, heard very poorly due to lots of interference on the frequency but I did get several IDs. I could not hear KDUN TEST although I listened theentire half hour & couldn't ID any of the several stations on the frequency - interference very bad here. Best 73.

ERNEST R. COOPER - 438 East 21 St. - Carrier Route 52 - Brooklyn, N. Y. - 11226  
 Well of all things, Olde Erne finally came up with some new loggings, and four reports went out this week! I had almost forgotten how to write them. SM 11/17- I got up at the ungodly hour of 5:30 to look for the WRMT-1490 r/c-TT, but again, no show. At 5:33, WARK-1490 s/on to dominate the channel. MM 11/18- WDLR-1550 unnn, w/another ET/TT @ 1:50 - I sure hope this isn't their projected nighttime pattern - if it is, good-bye 1550! Unnn WCRB-1330 ET/TT most of AM; they'll be my #1 listening local when I move as they are strictly classical mx! (C/w is next choice, & that's WCOF-1150). WINT-1270, also unnn, dominating on AN-RS @ 2:13. HIJB-830 is definitely N MMs, & were rocking WCCO who was rolling from the punch. CKCY-920 atop there, & WOR-710 on ET/TT & wrecking the whole area on the dial. I tried KRMO-990 but only about one minute's worth of IT Noted except for WNOX-AN & WIRG-ET. 11/23- Tillight session got me two at once on 1140 w/WNEW-1130 doing FB instead of playing MoR - WCJW-1140 logged 3:59-4:33pm & WEZY-1140 then 4:30-4:45 with, of all things, Souza marches! Probably as an aftermath to local FB as a guess. "Greenville" dominated 1070 - either needed WHYZ or unnn WNCT, I think the latter as no s/off heard, so it must have been a pattern change. Then, CHOK/CBA about even @ 5pm on. The other two were logged MM 11/25 but there isn't room to tell you about that here, so please do me a favor, folks? Can you possibly wait till next week? C U N 7!

**KWANGJU MUNWHA BROADCASTING CO. LTD.**

18 GUNG DONG - FWAIRGJU - CHUNRANAMDO - KOREA  
 TELEPHONE: KWANGJU 2 9223 (4 LINES)

Radio & TV

YOUR TV

OUR REF.

DATE  
 October 17, 1974

Mr. Henry J. Wilkinson, Jr.  
 384 Rockgreen Place  
 Santa Rosa, California 95405

For the personal attention of Mr. Henry J. Wilkinson, Jr.

Dear Henry J. Wilkinson, Jr.,

Thank you for your wonderful reception report of HLCN dated on October 6, 1974.

Kwangju MBC (Munwha Broadcasting Co. Ltd) which has 20KW RF transmitting power of AM broadcasting system and 5KW video power and 1KW sound power of black and white television broadcasting system, founded in 1964.

Our medium wave frequency, 820KHz, is on the air 21 hours in a day and 8½ hours in a day with channel 9 for TV.

Verifying that you were listening our program "Key of Happiness", weekly documentary drama, for unhappy people.

Please find our penant and International Reply Coupon are enclosed.

Good luck to your future growth.

Sincerely yours,

*Eun-Sub Lee*  
 Eun-Sub Lee (Mr.)  
 Chief Engineer  
 Kwangju MBC Ltd.

thru: Admin. Dept.