

one dollar

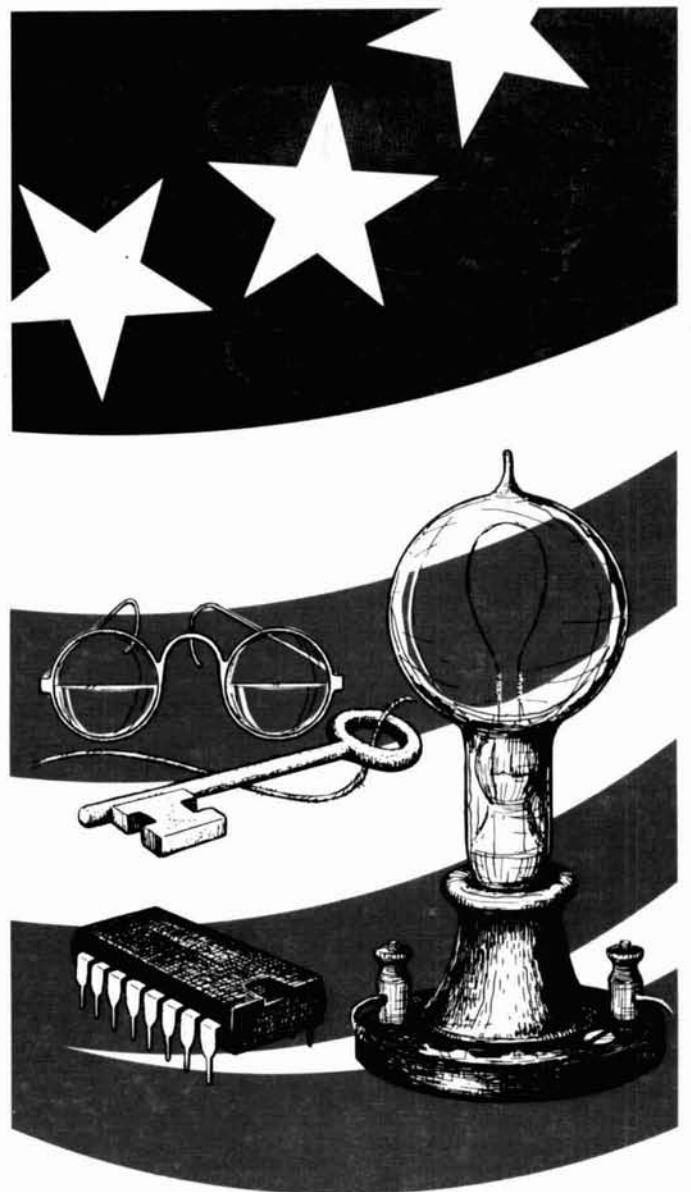
ham radio

magazine

hr 

JULY 1976

- * frequency synthesizer design 10
- * www receiver 36
- * transistor tester 40
- * vhf/uhf antenna matching techniques 50
- * carrier-operated relay 57
- * microprocessors 62
- * and much more . . .



Now...more than ever--- the TEMPO line means solid value

Tempo VHF/ONE

the "ONE" you've been waiting for

No need to wait any longer — this is it! Whether you are already on 2-meter and want something better or you're just thinking of getting into it, the VHF/ONE is the way to go.

- Full 2-meter band coverage (144 to 148 MHz for transmit and receive. • Full phase lock synthesized (PLL) so no channel crystals are required. • Compact and lightweight — 9.5" long x 7" wide x 2.25" high. Weight — About 4.5 lbs. • Provisions for an accessory SSB adaptor. • 5-digit LED receive frequency display. • 5 KHz frequency selection for FM operation. • Automatic repeater split — selectable up or down for normal or reverse operation. • Microphone, power cord and mounting bracket included. • Two built-in programmable channels. • All solid state. • 10 watts output. • Super selectivity with a crystal filter at the first IF and E type ceramic filter at the second IF. • 800 Selectable receive frequencies. • Accessory 9-pin socket. • \$495.00

TEMPO SSB/ONE

SSB adapter for the Tempo VHF/One

- Selectable upper or lower sideband. • Plugs directly into the VHF/One with no modification. • Noise blanker built-in. • RIT and VXO for full frequency coverage. • \$225.00



TEMPO/fmh

So much for so little! 2 watt VHF/FM hand held 6 Channel capability, solid state, 12 VDC. 144-148 MHz (any two MHz), includes 2 pair of crystals, built-in charging terminals for nicad cells, S-meter, battery level meter, telescoping whip antenna, internal speaker & microphone.



FMH MC for Marine & Commercial service also available.

\$199.00

TEMPO/CL 146A



... a VHF/FM mobile transceiver for the 2 meter amateur band. It is compact, ruggedly built and completely solid state. One channel supplied plus two channels of your choice FREE

144 to 148 MHz coverage • Multifrequency spread of 2 MHz • 12 channel possible • Metering of output and receive • Internal speaker, dynamic microphone, mounting bracket and power cord supplied. A Tempo "best buy" at \$239.00.

TEMPO CL 220



As new as tomorrow! The superb CL-220 embodies the same general specifications as the CL-146A, but operates in the frequency range of 220-225 MHz (any two MHz without retuning). At \$299.00 it is undoubtedly the best value available today.

TEMPO SOLID STATE VHF LINEAR AMPLIFIER. 144-148 MHz. Power output 100AL10 of 100 watts (nom) with only 10 watts (nom) in. Reliable and compact.



TEMPO VHF/UHF AMPLIFIERS

Solid state power amplifiers for use in most land mobile applications. Increase the range, clarity, reliability and speed of two-way communications.

VHF (135 to 175 MHz)				UHF (400 to 512 MHz)			
Drive Power	Output	Model No.	Price	Drive Power	Output	Model No.	Price
2W	130W	130A02	\$199	10W	70W	70D02	\$270
10W	130W	130A10	\$179	30W	70W	70D30	\$210
30W	130W	130A30	\$189	2W	40W	40D02	\$180
2W	80W	80A02	\$169	10W	40W	40D10	\$145
10W	80W	80A10	\$149	2W	10W	10D02	\$125
30W	80W	80A30	\$159				

FCC Type accepted models also available.

Most of the above products are available at dealers throughout the U.S.

Henry Radio

11240 W. Olympic Blvd., Los Angeles, Calif. 90064 213/477-6701
931 N. Euclid, Anaheim, Calif. 92801 714/772-9200
Butler, Missouri 64730 816/679-3127

Prices subject to change without notice.

From INFO-TECH's Advanced Technology in Digital Electronic Systems:



New Model 90 RTTY Terminal Unit

Features Tunable Active Filter Mark and Space Selection allowing any frequency shift combination. Dual meters allow easy tuning. Limiter & Autostart are standard features of this receive-only TU.

Priced at only.....\$259.50



Model 10 Morse Keyboard

(Shown with optional Buffer Capacity Meter)
Lowest priced, full feature C.W. Keyboard on the market today. Designed for the newcomer and advanced operator alike. 8-80 W.P.M. speed range with 64 character running buffer memory. (Options include dual message memory and buffer capacity meter)

Priced at only.....\$239.50



Model 30 — Morse to Video Converter

The most complete morse to video converter on the market today. Simply connect to your receiver's audio output and your video monitor and enjoy C.W. copy from 8 to over 80 W.P.M. Features word spacing control and automatic speed adjustment.

Priced at only.....\$324.95



Model 60 RTTY To Video Converter

Converts the output from the Model 90 or similar TU into Video for inexpensive, quiet RTTY reception on your video monitor. Features selectable speeds of 60, 66, 75 & 100 W.P.M.

Priced at only.....\$324.95

- All systems include prepaid UPS delivery in continental USA
- Master Charge Welcome
- Send for Data Sheets on any of these products as well as the Model 66C ASCII Computer Terminal

INFO-TECH

INCORPORATED

Specializing in Digital Electronic Systems

20 Worthington Drive,

St. Louis, Missouri 63043

Phone: 314-576-5489

Stay tuned for future programs.



The HAL ST-6000 demodulator/keyer and the DS-3000 and DS-4000 KSR/RO series of communications terminals are designed to give you superlative TTY performance today—and in the future. DS series terminals, for example, are re-programmable, assuring you freedom from obsolescence. Sophisticated systems all, these HAL products are attractively priced—for industry, government and serious amateur radio operators.

The HAL ST-6000 operates at standard shifts of 850, 425, and 170 Hz. The tone keyer is crystal-controlled. Loop supply is internal. Active filters allow flexibility in estab-

lishing different tone pairs. You can select AM or hard-limiting FM modes of operation to accommodate different operating conditions. An internal monitor scope (shown on model above) allows fast, accurate tuning. The ST-6000 has an outstandingly high dynamic range of operation. Data I/O can be RS-232C, MIL-188C or current loop.

The DS-3000 and DS-4000 series of KSR and RO terminals provide silent, reliable, all-electronic TTY transmission and reception, or read-only (RO) operation of different combinations

of codes, including Baudot, ASCII and Morse. The powerful, programmable 8080A microprocessor is included in the circuitry to assure maximum flexibility for your present needs—and for the future. The KSR models offer you full editing capability. The video display is a convenient 16-line format, of 72 characters per line.

These are some of the highlights. The full range of features and specifications for the ST-6000 and the DS series of KSR and RO terminals is covered in comprehensive data sheets available on request. Write for them now—and tune in to the most sophisticated TTY operation you can have today... or in the future.



HAL Communications Corp., Box 365, 807 E. Green Street
 Urbana, Illinois 61801 • Telephone: (217) 367-7373

ham radio

magazine

JULY 1976
volume 9, number 7

editorial staff

James R. Fisk, W1DTY
editor-in-chief

Patricia A. Hawes, WN1WPM
Alfred Wilson, W6NIF
assistant editors

J. Jay O'Brien, W6GO
fm editor

Joseph J. Schroeder, W9JUV
associate editor

Wayne T. Pierce, K3SUK
cover

publishing staff

T. H. Tenney, Jr., W1NLB
publisher

Harold P. Kent, WN1WPP
assistant publisher

Fred D. Moller, Jr., WN1USO
advertising manager

Cynthia M. Schlosser
assistant advertising manager

Therese R. Bourgault
circulation manager

ham radio magazine is published monthly by
Communications Technology, Inc
Greenville, New Hampshire 03048
Telephone: 603-878-1441

subscription rates

U.S. and Canada: one year, \$10.00
three years, \$20.00
Worldwide: one year, \$12.00
three years, \$24.00

foreign subscription agents

Ham Radio Canada
Box 114, Goderich
Ontario, Canada, N7A 3Y5

Ham Radio Europe
Box 444
194 04 Upplands Vasby, Sweden

Ham Radio France
20 bis, Avenue des Clarions
89000 Auxerre, France

Ham Radio Holland
Postbus 3051
Delft 2200, Holland

Ham Radio Italy
STE, Via Maniago 15
I-20134 Milano, Italy

Ham Radio UK
Post Office Box 64, Harrow
Middlesex HA3 6HS, England

Holland Radio, 143 Greenway
Greenside, Johannesburg
Republic of South Africa

Copyright 1976 by
Communications Technology, Inc
Title registered at U.S. Patent Office

Microfilm copies
are available from
University Microfilms
Ann Arbor, Michigan 48103

Second-class postage
paid at Greenville, N.H. 03048
and at additional mailing offices



contents

10 frequency synthesizer design

Ulrich L. Rohde, DJ2LR

**24 wind-generator characteristics
and installation**

Edward M. Noll, W3FQJ

32 inverted-vee installation

Edward W. Sleight, K4DJC

36 five-frequency WWV receiver

Henry D. Olson, W6GXN

40 transistor tester

David C. Cheney, W0MAY

44 IC base-step generator

Henry Wurzburg, WB4YDZ

47 frequency display for digital synthesizers

Garry M. Poirier, WB4TZE

50 vhf/uhf antenna matching techniques

Joseph H. Reisert, W1JAA

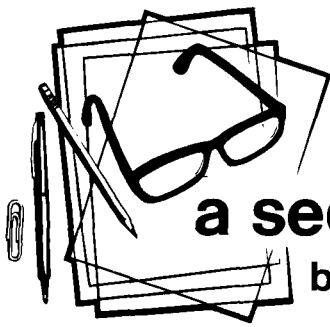
57 carrier-operated relay

Robert C. Heptig, K0PHF
Robert D. Shriner, WA0UZO

62 microprocessors

David G. Larsen, WB4HYJ
Peter R. Rony
Jonathan A. Titus

- | | |
|------------------------------|------------------------------------|
| 4 a second look | 40 novice reading |
| 118 advertisers index | 118 reader service |
| 95 fleamarket | 6 stop press |
| 110 ham mart | 76 1976 sweepstakes winners |
| 68 ham notebook | 50 vhf/uhf techniques |
| 88 new products | 40 weekender |



a second look

by Jim Fisk

Although many of the great discoveries in the natural sciences occurred in the 18th century, when the Declaration of Independence was signed in Philadelphia 200 years ago, little was known about electricity — most of the great scientific minds of the day were focusing their attention in other areas. However, one of the signers of the document that proclaimed the independence of men as individuals, Ben Franklin, had flown his famous kite some twenty years earlier, thus proving the connection between lightning and electricity.

When Franklin first became interested in electricity in 1746, science — or natural philosophy, as it was then called — was practically nonexistent in America. Americans were forbidden by the British to engage in arts and crafts based on natural phenomena, the Puritan ethic persisted, and men were still cautious about new notions that ran counter to popular belief. Until Franklin's time all that was known about electricity was that when certain substances — such as sulfur or glass — were rubbed, they attracted other light substances, such as bits of paper. No one knew why. Sparks could also be made to jump from the rubbed material to a finger tip, and experimenters noted that the accompanying smell and cracking noise were similar to that produced by lightning. In 1749 Franklin first suggested the "sameness of lightning with electricity," but it was two years later before his paper was published in Paris. The experiment was immediately carried out by two Frenchmen, carefully following Franklin's instructions, one month *before* Franklin's kite flying episode.

Although many others tried the same experiment, not all were as lucky as Franklin. George Richmann, a Swede working in Russia, failed to ground his apparatus — as Franklin had suggested — and paid the consequences: a foot-long spark jumped from the rod to Richmann's head and made him the first martyr to the new science.

Although it was the lightning rod that made Franklin a demigod to his contemporaries (the French thought he was the reincarnation of Socrates and slept with his portrait under their pillows), his contributions were much more profound: he unified the disorderly body of existing knowledge that provided a basis for all subsequent advances. Lacking terminology, Franklin invented words as he went along, providing a lexicon of electricity that is still used today. His condenser (or "battery" as he called it) formed an evolutionary link between the short-time sparks of the Leyden jar and the continuous current of the later voltaic cell. He established the positive-negative nature of electricity, hinted at the existence of a basic charge and his single-fluid theory led directly to the concept of electrons moving through conductors. In barely ten years, by trial and error, using simple tools, he had moved a primitive science into the modern world of the 18th century.

After Franklin, the focus of electrical discovery shifted back to Europe, where it would remain for nearly 100 years; Americans were much too involved in the progress of their fast developing country to spend much time or money in nebulous scientific pursuits. It wasn't until 1840, when Samuel B. Morse patented his telegraph, that attention again focused on America.

Morse, a successful portrait painter who knew next to nothing about the basic principles of electricity, had seen some experiments dealing with electromagnetism in Europe in the 1830s and wondered if the effect could be used to send messages over a wire. He made some sketches during his voyage back from Europe, and spent the next three years trying to build the device he had sketched, but nothing came of his work. Lack of knowledge didn't stop him. When Congress offered a \$30,000 prize for a 1000-mile system, Morse plunged headlong into the search for a practical telegraph. When one of his colleagues, Leonard Gale, saw one of Morse's unsuccessful machines he pointed out the need for insulation on the windings of the electromagnets, and showed Morse how to arrange the battery circuit. A backer, Stephen Vail, agreed to put up \$2000 if Morse would take on his son Alfred. Morse agreed, and it was Alfred Vail who worked out the final form of Morse's code, introduced the key, and reduced the equipment to its final, compact form. It was also Vail who invented the printing telegraph that was patented in Morse's name.

Before 1838, when the patent law was enacted by Congress, only about 500 patents had been granted, but within three years after the patent law more than 10,000 patents were issued. Soon to come were the telephone, the incandescent lamp, the electrical generator, the transatlantic cable and the wireless telegraph. Each of these would lead to thousands of by-products, to major new industries, and to the rapidly advancing electronic technology of the 20th century.

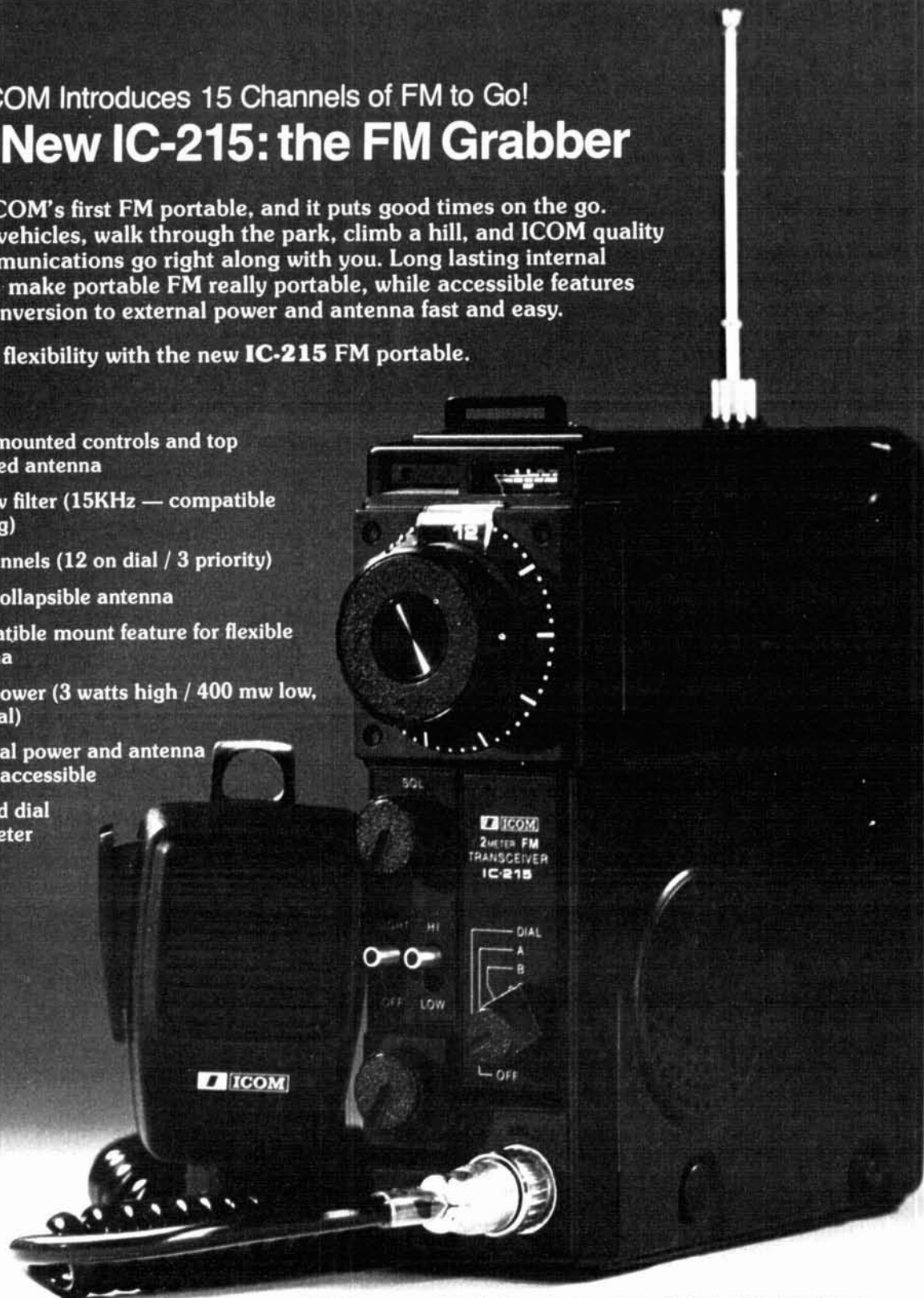
Jim Fisk, W1DTY
editor-in-chief

Now ICOM Introduces 15 Channels of FM to Go! **The New IC-215: the FM Grabber**

This is ICOM's first FM portable, and it puts good times on the go. Change vehicles, walk through the park, climb a hill, and ICOM quality FM communications go right along with you. Long lasting internal batteries make portable FM really portable, while accessible features make conversion to external power and antenna fast and easy.

Grab for flexibility with the new **IC-215** FM portable.

- Front mounted controls and top mounted antenna
- Narrow filter (15KHz — compatible spacing)
- 15 channels (12 on dial / 3 priority)
- Fully collapsible antenna
- Compatible mount feature for flexible antenna
- Dual power (3 watts high / 400 mw low, nominal)
- External power and antenna easily accessible
- Lighted dial and meter



Your new **IC-215** comes supplied with: 5 popular channels; handheld mic, with protective case; shoulder strap; connectors for external power and speaker; 9 long-life C batteries.

VHF/UHF AMATEUR AND MARINE COMMUNICATION EQUIPMENT

Distributed by:



ICOM

ICOM WEST, INC.
Suite 3
13256 Northrup Way
Bellevue, Wash. 98005
(206) 747-9020

ICOM EAST, INC.
Suite 307
3331 Towerwood Drive
Dallas, Texas 75234
(214) 620-2780



MOST NEW AMATEUR HF receivers and transceivers would have to be certified that they meet FCC Part 15 radiation limits under a Notice of Proposed Rule Making recently released by the Commission. Docket 20746 would limit conducted radiation (at the antenna terminals) of receivers capable of tuning in the 26- to 30-MHz region to 100 microvolts from 450 kHz through 25 MHz, with additional radiation limits extending to 3 GHz.

Receiver Radiation Problem came to a head when one popular synthesized CB receiver was found to be radiating sufficient RF in the 37-MHz area that it was interfering with mobile communications in the Power Radio Service.

FCC'S BANDWIDTH DOCKET, 20777, steps on a number of toes and their owners are not at all happy about it. Fast-scan TVers were quickest and most vehement in their reaction to their suggested exile to above 1215 MHz, but the many AM users on 160 meters are also starting to become aware of their jeopardy.

Less Obvious Problems beginning to be discussed are potential conflicts between 850-Hz RTTY, facsimile, slow-scan TV and phone operators on all the present phone bands and the use of modulated CW in the CW segments.

FCC APPROVED ARRL'S TRAINING CONCEPT in mid May, to be tried as an experimental one-year program. The League has proposed a carefully monitored training course of 10 to 12 lessons to be conducted by qualified, certified instructors. Upon satisfactory completion of the course the student would be certified "qualified for Novice license" to the FCC, which would then issue him a license without further exam. By the time you read this approximately 40 clubs and organizations will be teaching courses under this program on a trial basis.

Three Key Stipulations in the FCC's decision favoring the ARRL proposal are an insistence that the integrity of any examinations used in the course be absolute, the instructors must be adequately qualified, and administration of the program must not be restricted to a single organization. Though the FCC is apparently willing to delegate responsibility for determining instructor qualifications to the League, it does not (and probably legally cannot) give the ARRL an exclusive claim on what will surely become a lucrative marketplace.

CHARLOTTE REID RESIGNED from the FCC and will be leaving the Commission on June 30. In the letter of resignation she submitted to President Ford, Commissioner Reid stated that she had just married H. Ashley Barber of Aurora, Illinois and would be returning to Illinois to live later this summer.

Commissioner Reid was also very active in matters affecting Amateur Radio and showed herself to be a real friend of the Amateur service on numerous occasions. She was also an honorary member of AFAR, the Aurora (Illinois) repeater group. Her presence on the Commission will be missed by the Amateur Community.

220-MHZ CLASS-E CB was dealt another blow by a submission filed with the Commission May 3 by the Association of Maximum Service Telecasters, a TV broadcasters' group. Heart of the submission was an April 20 report from A.D. Ring & Associates, a Washington consulting radio engineering firm, stating that severe interference could occur to channel 13 TV reception in an urban area from a 25-watt, 220-MHz mobile at a distance up to 300 feet, while areas where channels 11 and 13 are both in use could experience similar problems out to 1000 feet.

AMATEUR AND CB RADIO RULES have finally been split into separate volumes by the Government Printing Office. First out is the CB volume - Part 95 - which is now available from the GPO or one of its stores in major cities for \$1.50 (stock number 004-000-00324-1). Part 97, Rules for the Amateur Radio Service, will become available this summer and also costs \$1.50 (stock number 004-000-00325-0). Part 99 for the disaster Communications Service, stock number 004-000-00326-8, is due out momentarily and will cost 75¢. Any or all can be ordered now from the Superintendent of Documents, GPO, Washington D.C. 20402 or the Public Documents Distribution Center, Pueblo, Colorado 81009.

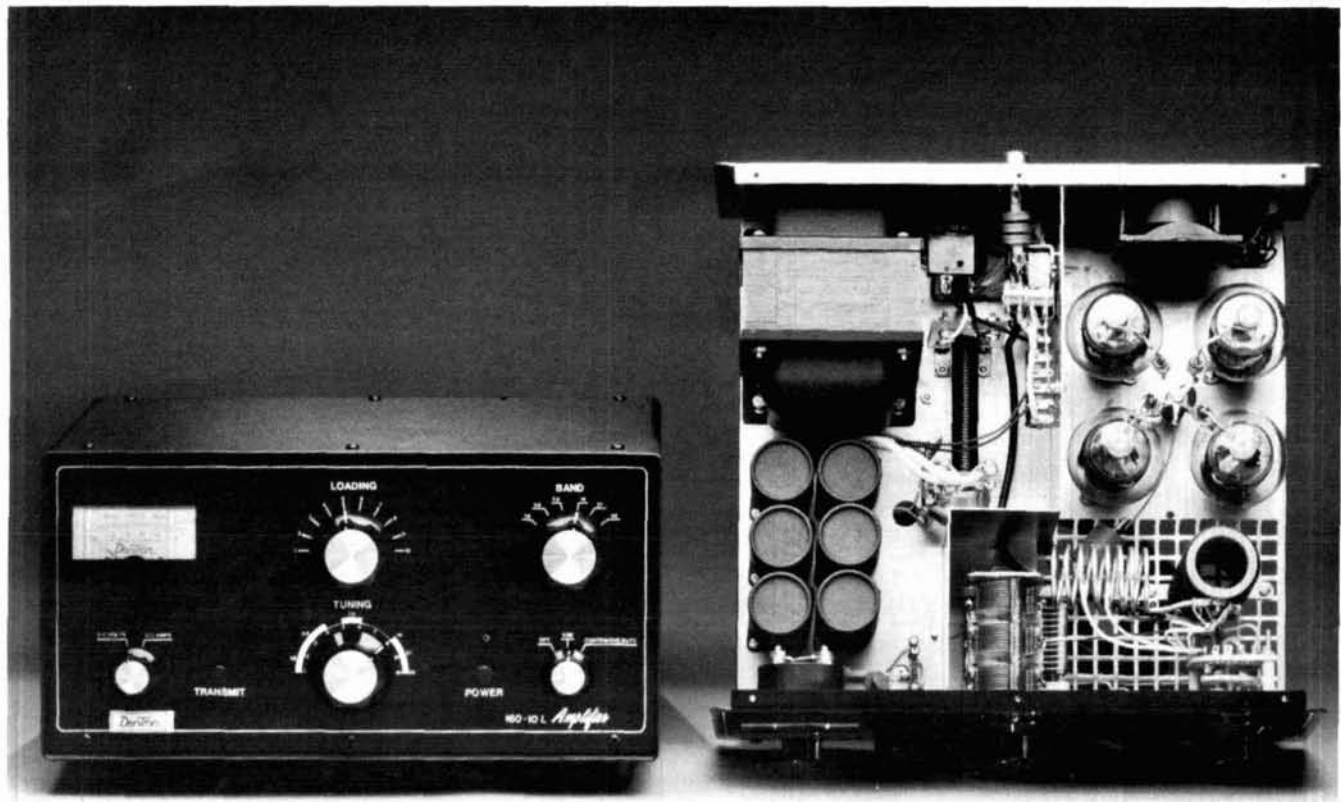
NASA HAS APPROVED AMSAT'S request to "piggy back" OSCAR 8 into orbit on a launch sometime in 1977 or 1978. At this time mid 1977 looks likely, leaving the various contributors to the new Amateur satellite precious little preparation time.

OSCAR 8 Frequencies were proposed at the command station operator's meeting. Tentative choices are: 435.15-435.29 in and 145.850-145.990 out for one mode; 145.850-145.990 in, 435.150-435.290 out for the alternate mode. Beacon frequencies proposed are 435.300, 435.145, 145.995 and 145.845. User comments on all these choices are solicited.

SOUTH AMERICA'S FIRST 432 MOONBOUNCE will be available this summer thanks to Mount Airy VHF Club (the Pack Rats) and the Colombian government. Three Pack Rats, W3HQT, K3BPP and W3HMU, will accompany a complete EME station to Barranquilla, Colombia in time for early August operation. They plan to be active for about two weeks on 432.040 MHz using high power and a portable 16 Yagi array.

Stateside Liaison will be handled through W3KKN and W3NTP at Callbook address or 215 659-3485; HK1BYM will handle the Colombian end. The group plans to field test the complete setup in the June 15-16 VHF QSO party from a portable location.

Dentron Proudly Reveals the Secret of the New \$499.50 Super Amp



If the amplifier you're thinking of buying doesn't deliver at least 1000 to 1200 watts **output**, to the antenna, you're buying the wrong amplifier.

Our New Super Amp is sweeping the country because hams have realized that the Dentron Amplifier will deliver to the antenna, (output power), what other manufacturers rate as input power.

The Super Amp runs a full 2000 watts P.E.P. input on SSB, and 1000 watts DC on CW, RTTY or SSTV 160 - 10 meters, the maximum legal power.

The Super Amp is compact, low profile, has a solid, one-piece cabinet assuring maximum TVI shielding.

The heart of our amplifier, the power supply, is a continuous duty, self-contained supply built for contest performance.

We mounted the 4 - 811 A's, industrial workhorse tubes, in a cooling chamber featuring the on demand variable cooling system.

The hams at Dentron pride themselves on quality work and we fight to keep prices down. That's why the dynamic Dentron Linear Amplifier beats them all at **\$499.50**.

The No-nonsense Amplifier at a No-Nonsense Price \$499.50.

Dentron

Radio Co., Inc.

2100 Enterprise Parkway
Twinsburg, Ohio 44087
(216)425-3173

**either way is the
right way**

**...they're both
KENWOOD**



the TR-2200A

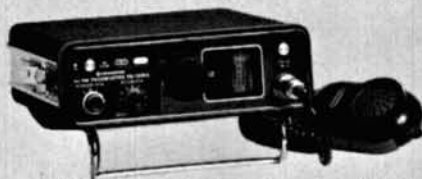
Kenwood's high performance portable 2-meter FM transceiver... completely transistorized, rugged and compact.

12 channel capacity. Built in telescoping antenna can be easily replaced, or stored in carrying case. Connector for external antenna also. External 12 VDC or internal ni-cad batteries, complete with 120 VAC battery charger. 146-148 MHz frequency coverage. 12 channels, 6 supplied. Battery saving 'light off' position. Hi-Lo power switch (2 watts -400 mW). Sensitivity: 0.5 uV or less/26 dB S+N/N. Built-in speaker. Size: 5-3/8" x 2-5/16" x 7-1/8", 3-3/4 lbs. Complete with Dynamic mike, O-T-S carrying case, all cables, speaker/headphone plug and 10 Ni-Cad batteries. Amateur net... \$229.00.



the TR-7200A

Kenwood's superb 2-meter FM mobile transceiver. Designed to withstand the most severe punishment while providing consistently excellent performance.



Packed with features like the PRIORITY function... Put your favorite crystals in channel 7, and the

7200A switches there with the push of a button... no matter what channel you are on. 146-148 MHz coverage, 22 channels, 6 supplied. Completely solid state. Voltage required: 13.8 VDC. Antenna impedance: 50 ohms. Frequency adjusting trimmers on every crystal. RF output power: 10 watts (or 1 watt at low power). Adjustable frequency deviation (factory set at ± 5 kHz). Automatic VSWR protection. Receiver sensitivity less than .5 uV for 27 dB. Selectivity: 12 kHz/-6 dB and 24 kHz/-70 dB. Size: 7-1/16" W x 2-3/8" H x 9-7/16" D, 5-1/2 lbs.

Complete with dynamic mike, DC power cord, mobile mount, mike hanger, auxiliary connector and external speaker plug. Amateur net... \$249.00.

The perfect companion to the TR-7200A is the PS-5 AC/DC power supply. Together they provide an efficient and handsome base station. The PS-5 is complete with a digital clock and automatic time control feature built in. Amateur net... \$79.00.

When you get tired of compromises...

TS-700A Specifications

TRANSMIT/RECEIVE FREQUENCY RANGE:
144-148 MHz
MODE: SSB, FM, CW, AM
RF OUTPUT: CW, FM: more than 10W output.
AM: more than 3W output. SSB: more
than 20W DC input.
ANTENNA IMPEDANCE: 50Ω (unbalanced)
CARRIER SUPPRESSION: Better than 40 dB
SIDE-BAND SUPPRESSION: Better than 40 dB
SPURIOUS RADIATION: Less than -60 db



KENWOOD'S TS-700A finally fulfills the promise of 2-meters... more channels, more versatility, tunable VFO, SSB-CW and, best of all, the type of quality that has placed the Kenwood name out front.

- Operates all modes: SSB (upper & lower), FM, AM, and CW
- Completely solid state circuitry provides stable, long lasting, trouble-free operation
- AC and DC capability. Can operate from your car, boat, or as a base station through its built-in power supply
- 4 MHz band coverage (144 to 148 MHz) instead of the usual 2
- Automatically switches transmit frequency 600 KHz for repeater operation. Just dial in your receive frequency and the radio does the rest... Simplex repeater reverse
- Or do the same thing by plugging a single crystal into one of the 11 crystal positions for

your favorite channel

- Outstanding frequency stability provided through the use of FET-VFO
- Zero center discriminator meter
- Transmit/Receive capability on 44 channels with 11 crystals
- Complete with microphone and built-in speaker
- The TS-700A has been thoroughly field-tested. Thousands of units are in operation throughout Japan and Europe

The TS-700A is available at select Kenwood dealers throughout the U.S. For the name of your nearest dealer, please write.

MAX. FREQUENCY DEVIATION (FM): ± 5 kHz
REPEATER FREQUENCY SHIFT WIDTH:
600 kHz
TONE BURST TIME: 0.5-1.0 sec.
MODULATION: Balanced modulation for SSB.
Variable reactance frequency shift for FM.
Low power modulation for AM.
MICROPHONE: Dynamic microphone, 500Ω
AUDIO FREQUENCY RESPONSE: 400-2600 Hz,
within -9 db
RECEIVING SYSTEM: SSB, CW, AM: Single-
superheterodyne. FM: Double-
superheterodyne.
INTERMEDIATE FREQUENCY: SSB, CW, AM:
10.7 MHz. FM: 1st IF: 10.7 MHz. 2nd IF:
455 kHz.
RECEIVING SENSITIVITY: SSB, CW: S/N = 10
dB or better at 0.25μV. 20 dB noise
quieting = Less than 0.4μV. AM: S/N =
10 dB or better at 1μV.
IMAGE RATIO: Better than 60 dB
IF REJECTION: Better than 60dB
PASS-BANDWIDTH: SSB, CW, AM: More than
2.4 kHz at -6 dB. FM: More than 12 kHz at
-6 dB.
RECEIVER SELECTIVITY: SSB, CW, AM: Less
than 4.8 kHz at -60 dB. FM: Less than
24 kHz at -60 dB.
SQUELCH SENSITIVITY: 0.25μV
AUDIO OUTPUT: More than 2W at 8Ω load
(10% distortion)
RECEIVER LOAD IMPEDANCE: 8Ω
FREQUENCY STABILITY: Within ± 2 kHz during
one hour after one minute of warm-up,
and within 150 Hz during any 30 minute
period thereafter.
POWER CONSUMPTION: Transmit mode: 95W
(AC 120/220V), 4A (DC 13.8V), max.
Receive mode (no signal): 45W (AC 120/
220V), 0.8A (DC 13.8V).
POWER REQUIREMENTS: AC 120/220V,
50/60 Hz. DC 12-16V (13.8V as reference).
DIMENSIONS: 278 (W) x 124 (H) x 320 (D) mm
WEIGHT: 11 kg
SUGGESTED PRICE: \$700.00

modern design of frequency synthesizers

A design review
of today's synthesizers
including a practical circuit
for 41-71 MHz
that provides
low-noise output
in 1-kHz steps

All frequency synthesizers use one of two methods to generate output frequencies for use in communications equipment: direct frequency synthesis and synthesis using the phase-lock technique. Direct frequency synthesis has been extensively used in the past and has more or less been responsible for the word "synthesizer," which describes generators that provide accurate and stable frequencies derived from one frequency standard.

This article presents a survey of existing synthesizer technology. The major circuit elements comprising the frequency synthesizer are analyzed, with emphasis on recent design techniques of the phase-locked-loop method to achieve fast switching, low-noise, relatively spurious-free output at high frequencies. Special emphasis has been placed on the analysis of frequency dividers using TTL or CMOS logic devices as synchronous counters, as well as phase discriminators using CMOS logic. A practical synthesizer circuit for use in the 41 to 71 MHz range is also included, which employs most of the techniques described in the circuit analyses.

direct frequency synthesis

A typical arrangement of this method is shown in fig. 1, in which the desired output frequencies are created by

mixing various individual frequencies. The output frequencies are not derived from one oscillator only but are obtained by mixing various frequency components, which are filtered out of a spectrum of frequencies.

Spectral purity. Spectral purity is a basic characteristic that defines synthesizer quality. It's important to distinguish between wide-band performance (that is, performance with sideband noise, which appears symmetrically about the carrier as modulation) and performance with spurious frequencies.

The selective filters used in the direct method determine the spurious-frequency response, and the sideband noise depends on the wideband-mixer power level and crystal-oscillator performance. The signal-to-noise performance of a direct synthesizer, up to 10 kHz off the carrier, is better than that of a free-running LC oscillator. Further off this carrier frequency, LC oscillators are better by definition because these oscillators can't produce wideband noise. Using direct synthesizers, 80 to 100 dB freedom from spurious response is obtainable, and the sideband noise is typically 130 dB/Hz at frequencies more than 20 kHz off the carrier.^{1,2}

Switching Speed. Frequency change in direct synthesizers is achieved by switching filters. Switching times with only a few microseconds delay are obtainable; however, phase-coherent switching is not possible.

Disadvantages. The basic disadvantage of a system of this nature is the huge number of components and the requirement of expensive bandpass filters. It is hardly possible to build direct synthesizers above 1 GHz, because the intermediate frequencies will be so much higher that filters having the required performance are not feasible.

frequency analysis

Frequency analysis using phase-locked-loop techniques is a comparatively inexpensive method of obtaining multichannel frequency generators with high stability. For this method the following is important:

The output voltage is determined only from the voltage-controlled oscillator (one), and the exact frequency of this oscillator is determined by the loop. The low-pass filters used in this technique limit the bandwidth of the system where unwanted transients may cause frequency

By Ulrich L. Rohde, DJ2LR, 52 Hillcrest Drive, Upper Saddle River, New Jersey 07458

shift. To compare and synchronize the voltage controlled oscillator, which is at a different frequency than that of the reference-frequency oscillator, a mixing and dividing scheme is used for frequencies above 500 MHz, while phase-locked loops using only synchronous counters as dividers are used up to this frequency. This cutoff frequency is determined by the availability of an integrated-circuit divider. Fig 2 is a block diagram of such a synthesizer.

Spectral purity. An ideal phase-locked loop, which does not produce its own noise and spurious frequencies, will synchronize and transfer the performance of the crystal oscillator used as a reference to the voltage-controlled oscillator (vco). If the crystal oscillator noise performance is sufficient, the signal-to-noise performance of the vco can be improved, while a noisy reference can degrade the performance of the vco (i.e., an LC or voltage-controlled crystal oscillator). A typical application where the sideband noise and spurious frequencies of an oscillator can be reduced is in the synchronization of microwave oscillators (klystrons, microwave tubes, microwave transistor oscillators). A phase-locked loop or synchronizing circuit can improve the performance dramatically. However, there is a limit to the possible improvement because the mixer and phase discriminator will produce noise or spikes.

In addition, the phase-locked-loop circuit acts as an integrating device, and good compensation is possible only when the loop gain is high enough. Because of the lowpass performance, close to the cutoff frequency, no noise or spurious frequency improvement can be achieved. Fig. 3 shows the sideband noise performance of an LC oscillator, a vco synchronized with low loop bandwidth, a vco synchronized with wide loop bandwidth, a standard-quality crystal oscillator, and a high-performance crystal oscillator.

With respect to spurious frequencies, the phase-locked-loop circuit in its pure form (no frequency conversion involved) performs better than direct synthesis

because the oscillator does not create any spurious frequencies. Complete freedom from spurious frequencies is impossible, because the loop reference frequency cannot be suppressed to values significantly better than 100 dB.

It is important to understand the following fact: If a frequency is divided, its value is reduced by the factor of the division. At the same time, the amplitude of the fm

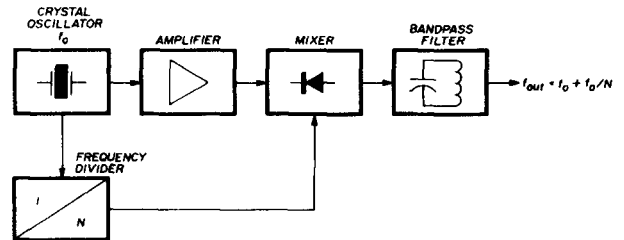


fig. 1. Direct synthesis method in which the output frequency, f_{out} , is equal to the crystal frequency, $f_0 + f_0/n$ (division ratio), where n may be changed by using a switch.

spurious frequencies is reduced by the same amount; however, the value of the discrete frequency of the fm spectral line remains the same. For example, two discrete spurious sidebands are located ± 100 kHz with respect to a 100-MHz carrier, and the carrier-frequency is divided by 100. The two sidebands are reduced by, say, 40 dB. The modulation index will be reduced by the division ratio, but the modulation frequency will remain constant.

The consequence of this action is that, in the case of a phase-locked-loop system with wide bandwidth, the sideband noise of the reference oscillator will be multiplied up; therefore, the crystal oscillator must be carefully designed in terms of noise performance. This disadvantage can be reduced by using filters of very narrow bandwidth. By doing so, it is possible to build an absolutely spurious-free generator that has the sideband noise response of the LC oscillator (vco). In a circuit such as

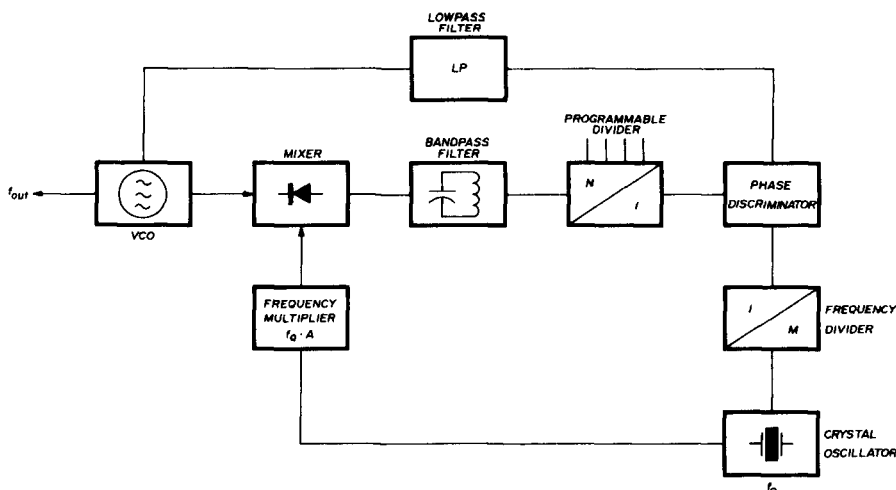


fig. 2. Phase-locked-loop arrangement with a reference frequency oscillator, f_Q . The vco frequency is mixed down, using A 's harmonics of f_Q as an auxiliary frequency to decrease the frequency to a value where integrated circuits are usable. If f_{out} equals 2 GHz and f_Q equals 10 MHz, then A might be 180. The bandpass frequency would then be 200 MHz.

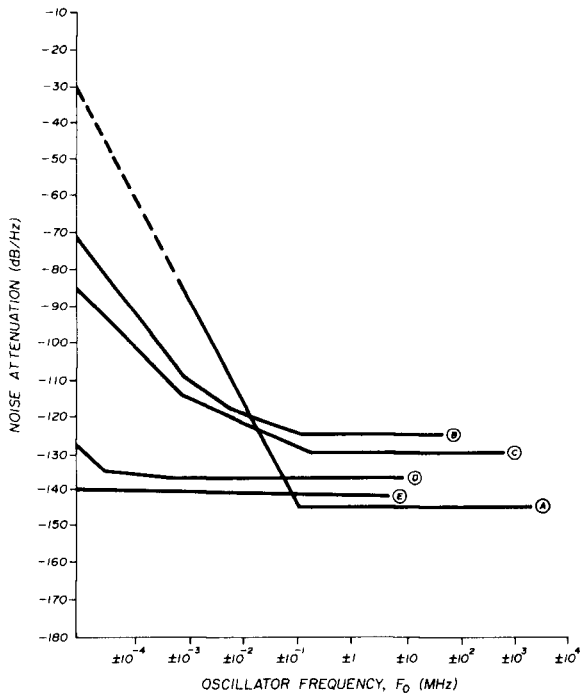


fig. 3. Noise sideband performance of various oscillators. Curve A represents a high-Q LC oscillator; B and C a vco synchronized with narrow and wide loop bandwidth, respectively. D shows the performance of a standard-quality crystal oscillator; E represents a high-performance crystal oscillator.

this, no noise improvement through the phase-locked-loop circuit will be achieved. It is also important to understand that, where extremely low-noise sidebands are required, loop bandwidths between 100 kHz and several MHz must be chosen.

Switching speed. The switching speed is determined by the loop cutoff frequency, depending upon the type of

circuit used. In general, switching speed is almost 100 times slower than that of direct synthesizers. An advantage is that phase-coherent frequency switching is possible, which enables digital sweeping. This type of switching is much more accurate and is easily remote-controllable.

Advantages. Phase-locked loop synthesizers have the great advantage that very little filtering is required. In addition, most of the stages can be integrated and very little alignment is required.^{3,4} Including harmonic synchronization (sampling techniques), synthesizers up to 10 GHz can be built.

voltage-controlled oscillators

To build low-noise voltage-controlled oscillators, a few design techniques must be considered. Up to 500 MHz, field-effect transistor oscillators show very little noise due to the reduced load they present to the LC circuit. They are superior to bipolar transistors. Since agc is required in some cases, and agc introduces some noise into the system, the performance of some bipolar transistor circuits nearly equals the performance of fets.

In some instances it is desirable to preset the vco to certain frequency bands; eg., 1 MHz wide. This is referred to as "coarse tuning" and is accomplished by using a digital-to-analog converter with sufficient filtering to avoid noise. This technique has the advantage that sample-and-hold discriminators, which are explained later, can be handled somewhat more easily.

Above 500 MHz only bipolar transistors or gallium-arsenide fets can be used. Fig. 4 shows a typical field effect transistor vco, and fig. 5 shows a typical bipolar vco. In some rare cases, voltage-controlled crystal oscillators are used; however, time constants of a few seconds will result, and circuits of this nature are used only where the lock time is of no concern. Fig. 6 shows such an oscillator.

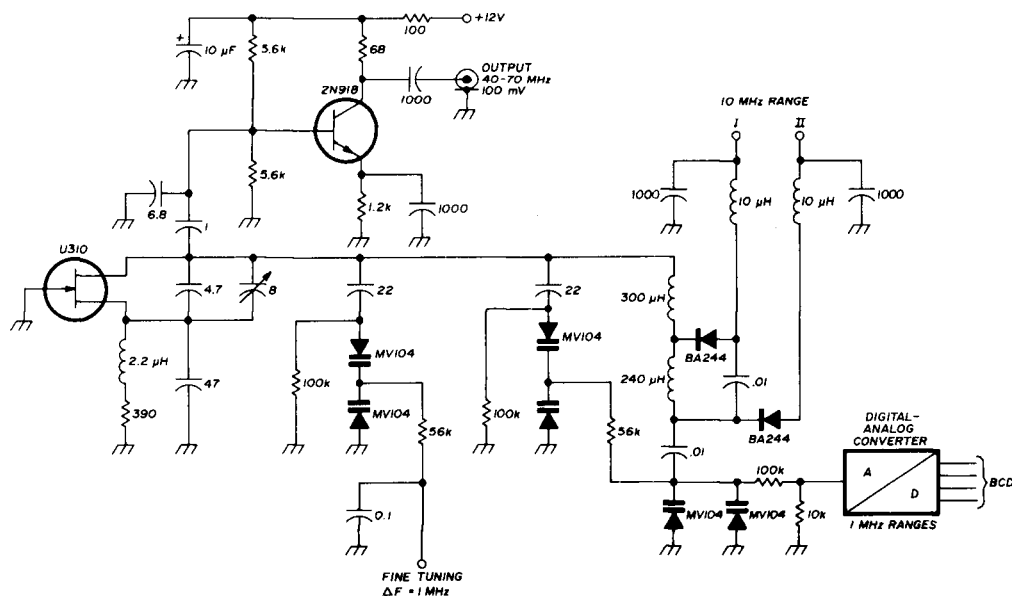


fig. 4. Field-effect transistor vco with coarse and fine tuning, using a digital-to-analog (D/A) converter for presetting.

frequency dividers

TTL or cmos integrated circuits can be used as synchronous counters. Typical ICs are 74192 (TTL), 74C192 and CD4018 (cmos). To extend the frequency range to 500 MHz, so-called "swallow counters" are being used. The most popular swallow counters are the 95H90 made by Fairchild* and the Plessey SP8640. The division ratio of a swallow counter is controlled by two inputs. The counter will divide by 10 when either input

mable divider is required to control the 10/11 division ratio and that a minimum limit is set on the decision ratio possible — although this is not a serious problem in a practical loop. Fig. 7 uses a division ratio of $P/P+1$, which is set to 10/11. The A counter counts the units, and the B counter counts the 10s.

Consider the system shown in fig. 7. If the $P/P+1$ is a 10/11 divider, the A counter counts the units and the M counter counts the tens. The mode of operation depends

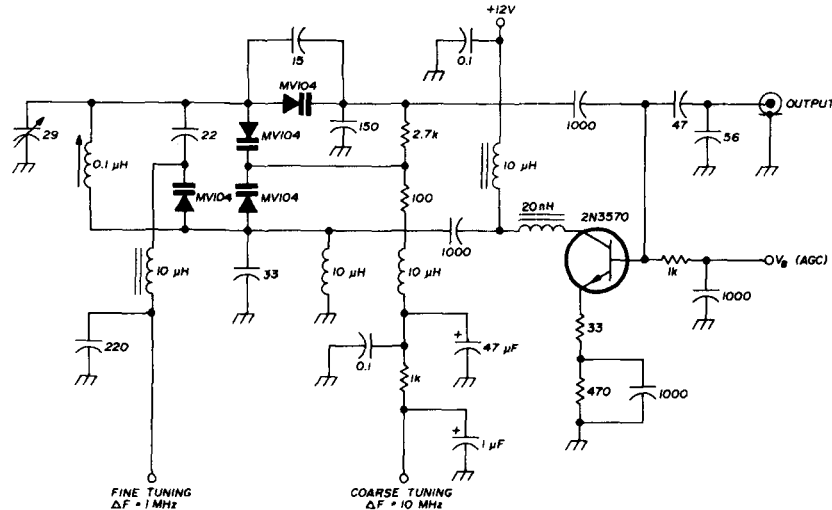


fig. 5. Bipolar vco with fine and coarse tuning.

is in the high state and by 11 when both inputs are in the low state.

This 10/11 division ratio enables you to build fully programmable dividers to 500 MHz. The switch counting principle means that high-frequency prescaling occurs without any reduction in comparison frequency. The disadvantage of this technique is that a fully program-

*The Fairchild 95H90, which is recommended for operation up to 350 MHz, has recently been superseded by the 11C90 which has a top frequency rating of 520 MHz at room temperature.

on the type of programmable counter used, but the system might operate as follows. If the number loaded into A is greater than zero, then the $P/P+1$ divider is set to divide by $P+1$ at the start of the cycle. The output from the $P/P+1$ divider clocks both A and M. When A is full, it ceases counting and sets the $P/P+1$ divider into the P mode. Only M is then clocked, and when it is full, it resets both A and M and the cycle repeats.

The divider chain therefore divides by:

$$(M-A) P+A (P+1) = MP + A \quad (1)$$

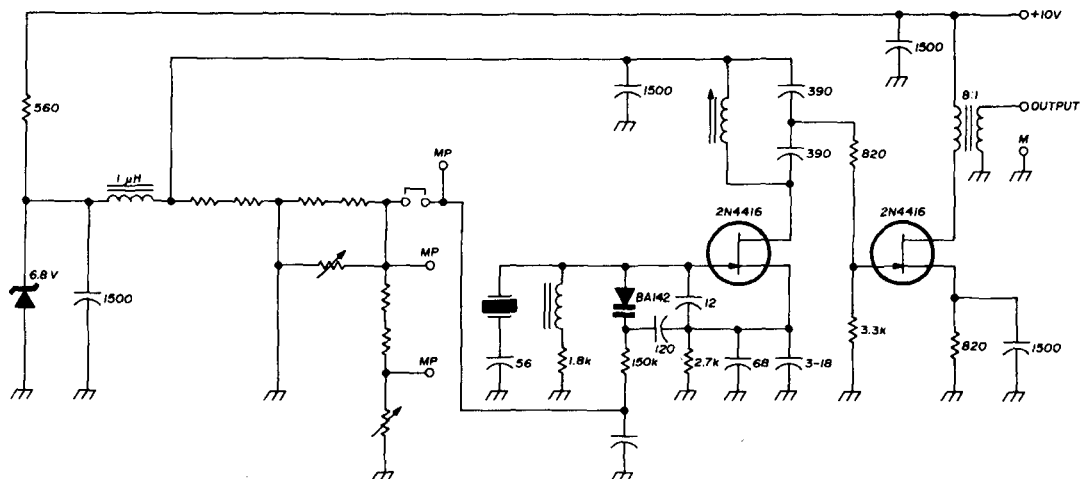


fig. 6. Vcxo circuit with a temperature-compensating network. Instead of using this circuit, a dc voltage may be applied to shift the frequency to desired values. Third- or fifth-overtone crystal oscillators are required for extremely low sideband noise.

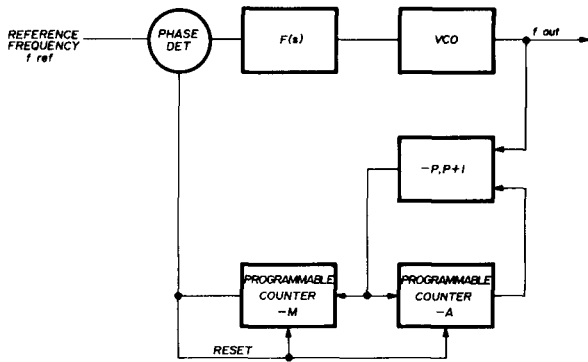


fig. 7. Simplified block diagram of a synthesizer using a programmable prescaler.

therefore

$$f_{out} = (MP + A) f_{ref} \quad (2)$$

If A is incremented by one, the output frequency changes by f_{ref} . In other words, the channel spacing is equal to f_{ref} . This is the channel spacing that would be obtained with a fully programmable divider operating at the same frequency as the $P/P+1$ divider.

For this system to work, the A counter must fill before the M counter does, otherwise $P/P+1$ will remain permanently in the $P+1$ mode. There is therefore a minimum system division ratio, M_{min} , below which the $P/P+1$ system will not function. To find that minimum ratio, consider the following

The A counter must be capable of counting all numbers up to and including $P-1$ if every division ratio is to be possible, or:

$$A_{max} = P - 1 \quad (3)$$

$$M_{min} = P, \text{ since } M > A \quad (4)$$

The divider chain divides by $MP+A$, therefore the minimum system division ratio is:

$$M_{min} = M_{min} (P + A_{min}) \\ = P (P + 0) = P^2 \quad (5)$$

Using a 10/11 ratio, the minimum practical division ratio of this system is 100.

In the system shown in fig. 7, the fully programmable counter, A , must be quite fast. With a 350-MHz clock to the 10/11 divider, only about 23 ns are available for counter A to control the 10/11 divider. For cost reasons

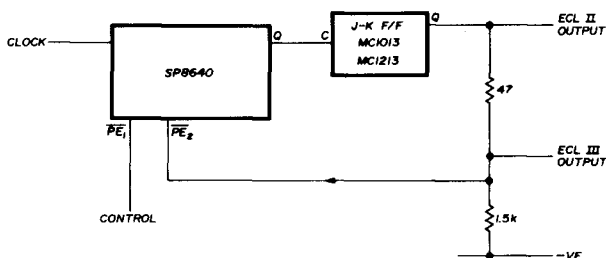


fig. 8. Prescaler with a 20/21 division ratio.

it would be desirable to use a TTL fully-programmable counter, but when the delays through the ECL-to-TTL translators have been taken into account, very little time remains for the fully-programmable counter. The 10/11 function can be extended easily, however, to give a $+N/N+1$ counter with a longer control time for a given input frequency, as shown in figs. 8 and 9. Using the 20/21 system shown in fig. 8, the time available to control 20/21 is typically 87 ns at 200 MHz and 44 ns at 350 MHz. The time available to control the 40/41 (fig. 9) is approximately 180 ns at 200 MHz and 95 ns at 350 MHz.

This frequency division technique can, of course, be extended to give 80/81, which would allow the control to be implemented with cmos, but which would increase the minimum division ratio to 6400 (80^2). This ratio is too large for many synthesizer applications, but it can be reduced to 3200 by making the counter a 80/81/81. Similarly, a 40/41 can be extended to 40/41/42, as

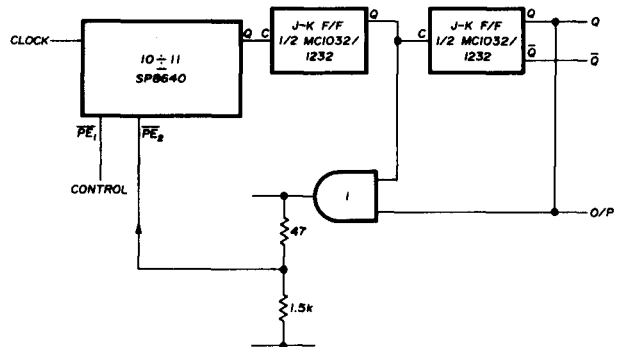


fig. 9. Prescaler system with a 40/41 division ratio.

shown in fig. 10, to reduce the minimum division ratio from 1600 to 800. The time available to control the 40/41/42 is a full 40 clock pulses; i.e., 200 ns with a 200-MHz input clock or 110 ns at 350 MHz. The principle of operation is:

Minimum division ratio

$$800 = (20 \times 40) + (0 \times 41) + (0 \times 42) \\ 801 = (19 \times 40) + (1 \times 41) \\ 802 = (19 \times 40) + (2 \times 42)$$

More information can be found in reference 5.

In most cases the oscillator must drive an ECL divider. Fig. 11 shows a simple method using two transistors in a differential amplifier to achieve the nonsaturated voltage swing.

In dealing with counters it must be remembered that, because of the switching action, the counter input represents a high and a low impedance as a function of the status. This means loading the oscillator output stage. Especially when using swallow counters, or so-called variable-modulus counters where unsymmetrical loading occurs, the input signal will show phase modulation. This phase modulation will appear at the counter chain output as excessive sideband noise much larger in magnitude than that contributed by the vco.

To avoid this problem, a low-impedance stage should

be used between the buffer amplifier and the prescaler input; A suitable buffer amplifier is the SN72733, made by Texas Instruments, which has a cutoff frequency of 200 MHz. A common-emitter stage with a 50-ohm load resistor following is a suitable decoupling scheme. Fig 12 shows such an arrangement. Slightly better noise performance is obtained by using the Plessey SP8690 prescaler. This device has a substantially higher input impedance and needs less surrounding circuitry.

lowpass filter is required. Suitable formulas for designing these filters can be found in reference 6. To the best of my knowledge, that book is the best collection of filter tables on the market.

phase discriminators

Various forms of phase discriminators are available. The simplest uses a double-balanced mixer in which two identical frequencies applied to the rf port and local-

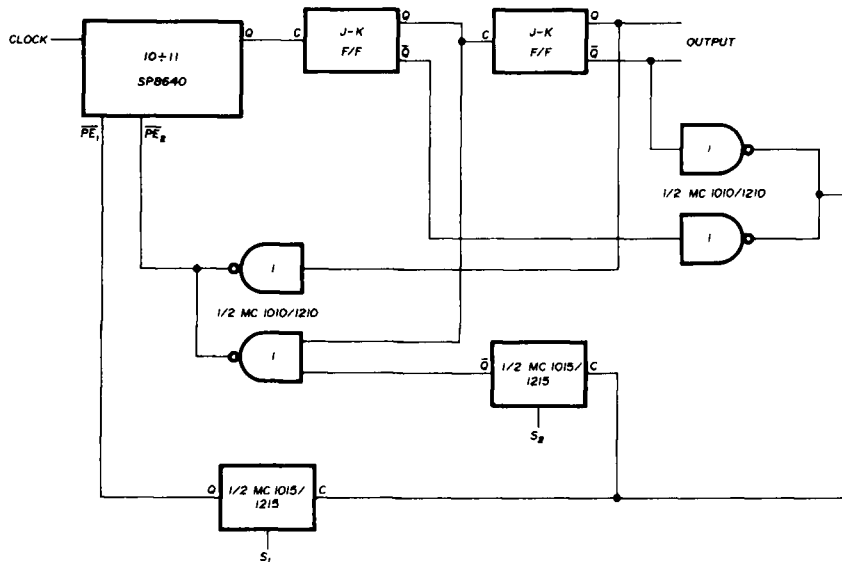


fig. 10. A 40/41 prescaler extended to a 40/41/42 system to reduce the minimum division ratio.

In cases where the synthesizer must be modulated, mixing schemes are used, and the frequency that represents the auxiliary frequency is modulated. Careful selection of the proper mixer and filtering techniques is required to avoid spurious frequencies in the synthesizer. In addition, well-shielded cabinets are required to avoid radiation problems. Fig 13 shows a typical mixing arrangement with adequate filtering. The harmonics of the oscillator frequency to be converted down may produce spurious frequencies, which means that an expensive

oscillator port result in a dc output voltage, which must be filtered. Flip-flop discriminators have recently become very popular. The Motorola phase-locked-loop handbook refers to this type of discriminator only because of the ease of its design.⁷ However, conventional flip-flop discriminators have significant disadvantages because of the permanent ripple at the output. Therefore, the loop filter cutoff frequency has a tendency of being only 1% or less of the reference frequency so this technique, in practice, does not take advantage of the

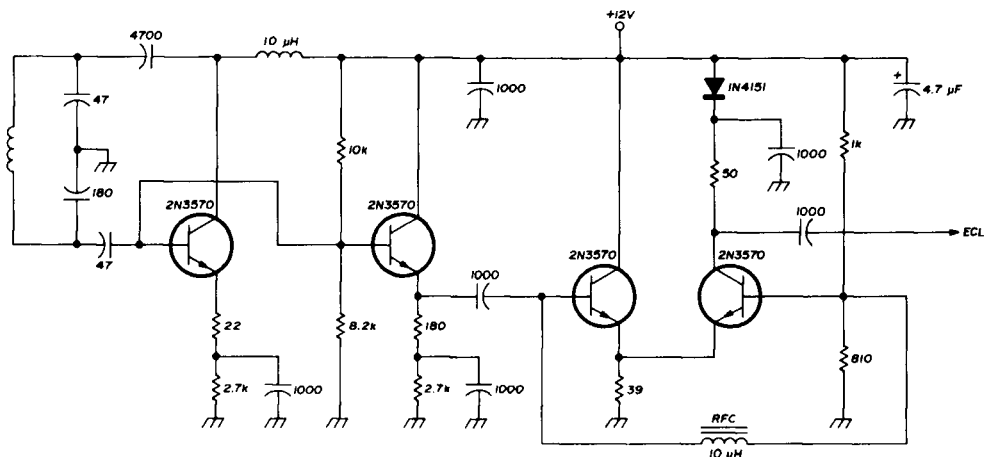


fig. 11. Oscillator circuit with a buffer stage and an ECL voltage translator, using two transistors as a differential amplifier.

possibilities of improving vco noise performance.

Because of the additional introduction of a bipolar transistor as a current charge pump, the sideband noise performance is almost degraded, so the flip-flop technique is seldom used in high-performance synthesizers. Complete information on flip-flop discriminators is given in the Motorola handbook previously mentioned.⁷

The introduction of the RCA CD4046A integrated circuit containing a new type of phase comparator repre-

the same, but the signal input leads the comparator input in phase, the p-mos output driver will be *on* for the time corresponding to the phase difference. The capacitor voltage of the lowpass filter connected to this type of phase comparator must be adjusted until the signal and comparator input are equal in both phase and frequency. At this stable operating point, both p- and n-mos output drivers will remain *off*, and thus the phase-comparator output will become an open circuit

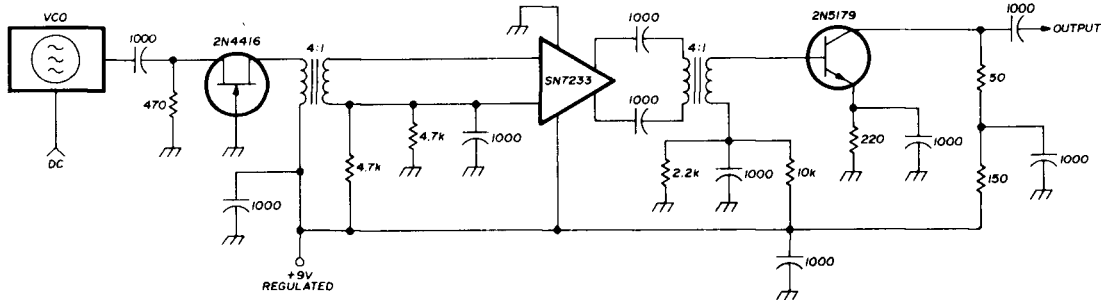


fig. 12. Suitable decoupler arrangement with high gain and low impedance to drive medium-impedance prescalers.

sents a big step forward. Fig. 14 shows a schematic of this cos/mos phase comparator, which is an edge-controlled digital memory network. It consists of four flip-flop stages, control gating, and a three-stage output circuit comprising p- and n-type field-effect transistors. When the p-mos and n-mos drivers are on, they pull the output up to V_{DD} or down to V_{SS} , respectively. This type of phase comparator acts only on the positive edges of the signal and comparator-input signals.

The duty cycles of the signal and comparator inputs are not important, since positive transitions control the PLL system. If the signal-input frequency is higher than that of the comparator input, the p-mos output driver will be *on* continuously. If the signal-input frequency is lower than that of the comparator input, the n-mos output driver will be *on* continuously. If the signal and comparator-input frequencies are the same, but the signal input lags the comparator input in phase, the n-mos output driver will be *on* for a time corresponding to the phase difference.

If the signal- and comparator-input frequencies are

and will hold the voltage constant on the capacitor of the lowpass filter.

Moreover, the signal at the "phase pulses" output will be at a high level and can be used for indicating a locked condition. Thus, for phase comparator II, no phase difference will exist between signal and comparator input over the full vco frequency range. In addition, the power dissipation due to the lowpass filter will be reduced when this type of phase comparator is used, because both the p- and n-mos output drivers will be *off* for most of the signal-input cycle. It should be noted that the PLL lock range for this type of phase comparator will be equal to the capture range, independent of the lowpass filter. With no signal present at the signal input, the vco is adjusted to its lowest frequency for phase comparator II. Fig. 15 shows typical waveforms for a cos/mos phase-locked loop employing phase comparator II in a locked condition.

Fig. 16 shows the state diagram for phase comparator II; each circle represents a state of the comparator. The number at the top of each circle represents the state of

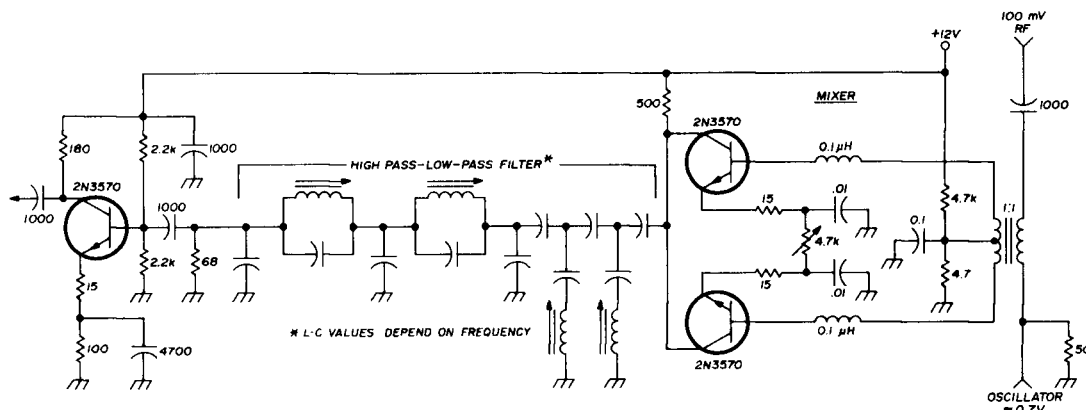


fig. 13. Active mixer for synthesizers requiring 700 mV drive level, together with a highpass-lowpass filter and proper termination.

the comparator, while the logic state of signal and comparator inputs, represented by a 0 or a 1, are given by the left- and right-hand numbers, respectively, at the bottom of each circle.

The transitions from one state to another result from either a logic change on the signal input (1) or the comparator input (C). A positive transition and a negative transition are shown by an arrow pointing up or down, respectively. In the state diagram, it is assumed that only one transition on either the signal input or the

positive transition first, which brings phase comparator II to state 3. State 3 corresponds to the condition of the comparator in which the signal input is a 1, the comparator input is a 0, and the output p-device is *on*. The comparator input goes high next while the signal input is high, bringing the comparator to state 6, a high-impedance output condition. The signal input goes to zero next while the comparator input is high, which corresponds to state 7. The comparator input then goes low, bringing phase comparator II back to state 1.

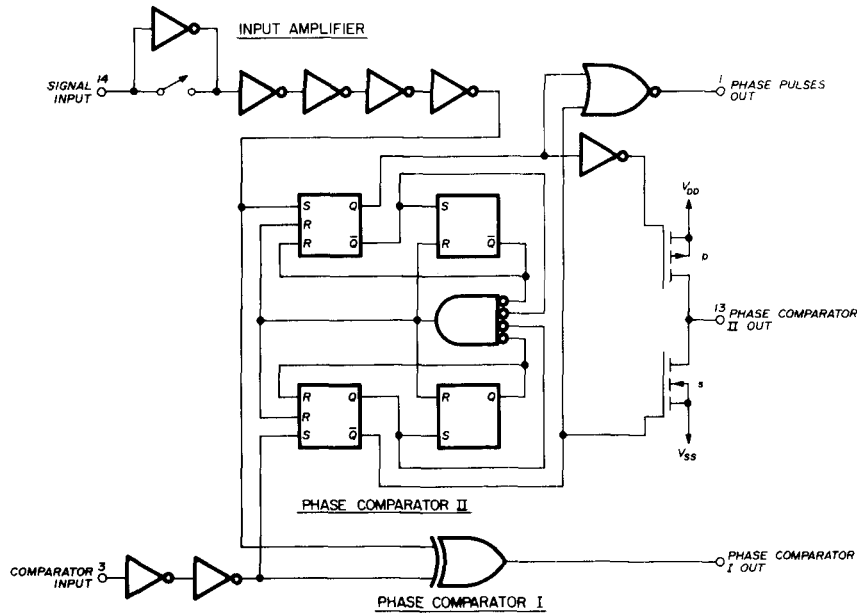


fig. 14. Phase comparator portions of the RCA CD4046A.

comparator input occurs at any instant. States 3, 5, 9, and 11 represent the condition at the output of phase comparator II when the p-mos driver is *on*, while states 2, 4, 10, and 12 determine the condition when the n-mos driver is *on*. States 1, 6, 7, and 8 represent the condition when the output of phase comparator II is in its high-impedance state; i.e., both p- and n- devices are *off*, and the phase-pulses output (terminal 1) is high. The condition at the phase-pulses output for all other states is low.

As an example of how you can use the state diagram shown in fig. 16, consider the operation of phase comparator II in the locked condition as shown in fig. 15. The waveforms in fig. 15 are shown in three parts. Part I corresponds to the condition in which the signal input leads the comparator input in phase, while part II corresponds to a finite phase difference. Part III depicts the condition when the comparator input leads the signal input in phase. These three parts correspond to a locked condition for the cos/mos phase-locked loop; i.e., both signal- and comparator-input signals are of the same frequency but differ slightly in phase.

Assume that both the signal inputs begin in the 0 state, and that phase comparator II is initially in its high-impedance output condition (state 1), as shown in figs. 16 and 15, respectively. The signal input makes a

As shown for part I of fig. 15, the p-device stays on for a time corresponding to the phase difference between the signal input and the comparator input. Starting in state 1 at the beginning of part III, the comparator input goes high first while the signal input is low, bringing the comparator to state 2. Following the example given for part I, the comparator proceeds from state 2 to states 6 and 8, then back to 1. The output of phase comparator II for part II corresponds to the n-device being on for a time equal to the phase difference

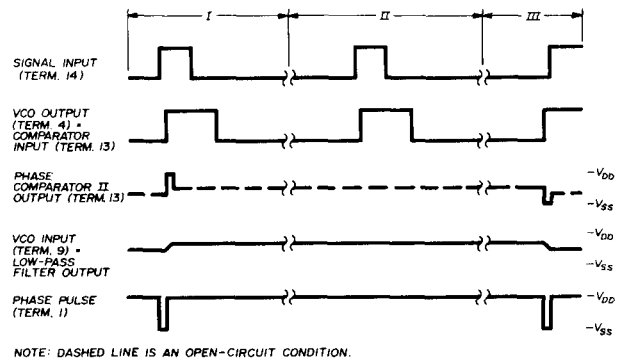


fig. 15. Typical waveforms for the CMOS phase comparator in locked condition.

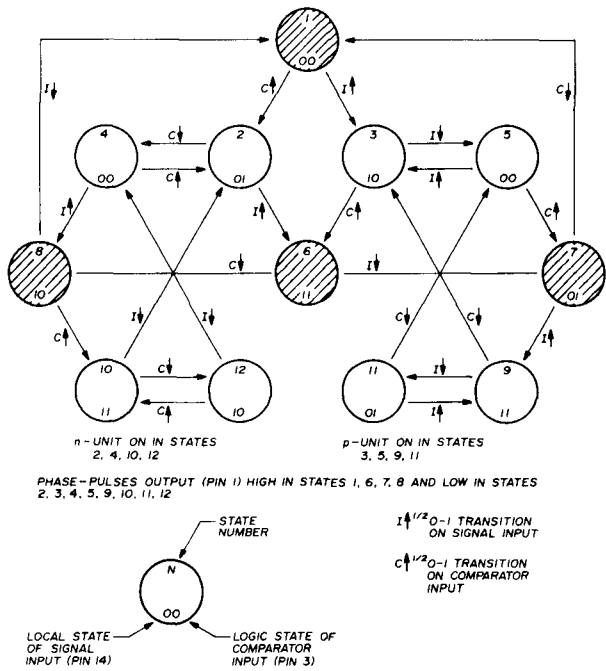


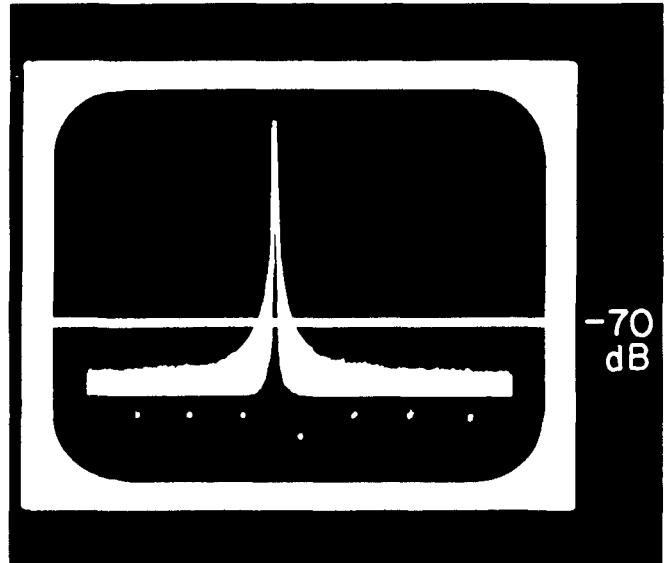
fig. 16. State diagram of phase comparator II in the CD4046 IC.

between the signal and comparator inputs. The state diagram of phase comparator II completely describes all modes of operation of the comparator for any input condition in a phase-locked loop.⁸

As can be seen from fig. 15, the phase comparator II output voltage is a dc voltage, a big advantage over the discriminators used by Motorola. The other important feature is that it uses low-current cmos devices. Building very clean synthesizers can become difficult and expensive because of the shielding involved. Radio-frequency noise created from switching, using TTL

devices, will contain much more energy than that from mos devices. In addition, using cmos, the power supply is much simpler. Therefore, it is strongly recommended that cmos be used where possible to take advantage of the inherent good properties of the RCA CD4046 discriminator. This type of circuit comes very close to the sample-hold discriminator, which has been known for quite some time. The sample-hold discriminator requires somewhat more circuitry; however, it offers the best possible reference noise suppression.

The divider-chain output (square wave) is converted into a sawtooth voltage, which is sampled using a switch



Example of a 145-MHz carrier signal. The reference line is 70 dB down; frequency markers are spaced 10 kHz. Excessive noise starts about 60 dB down, which does not fall off completely.

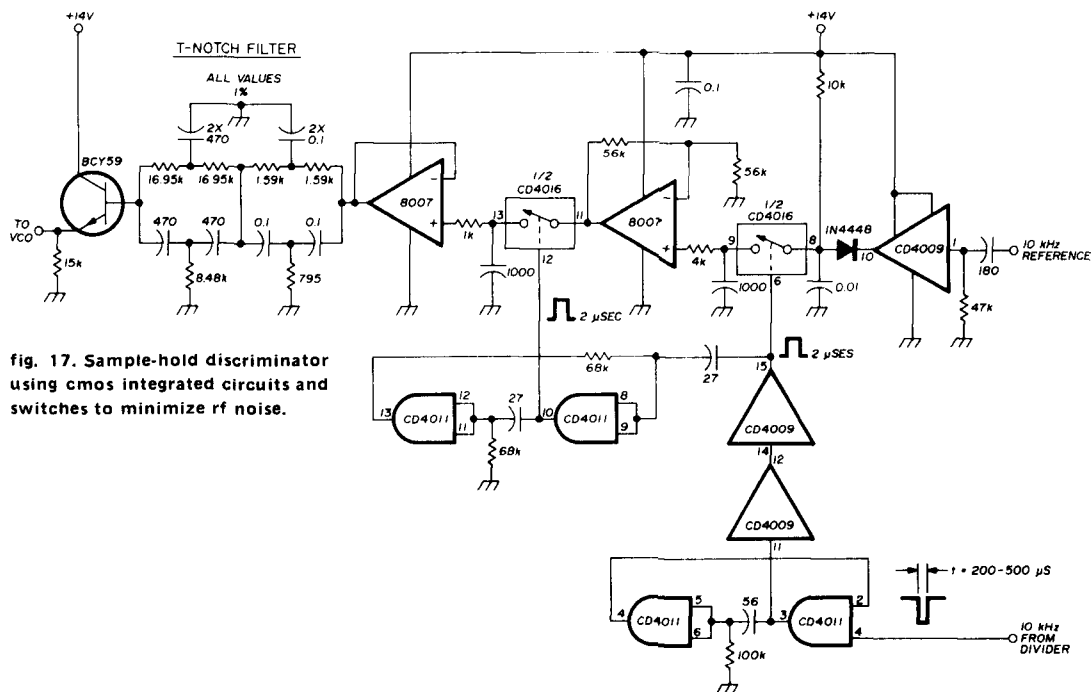


fig. 17. Sample-hold discriminator using cmos integrated circuits and switches to minimize rf noise.

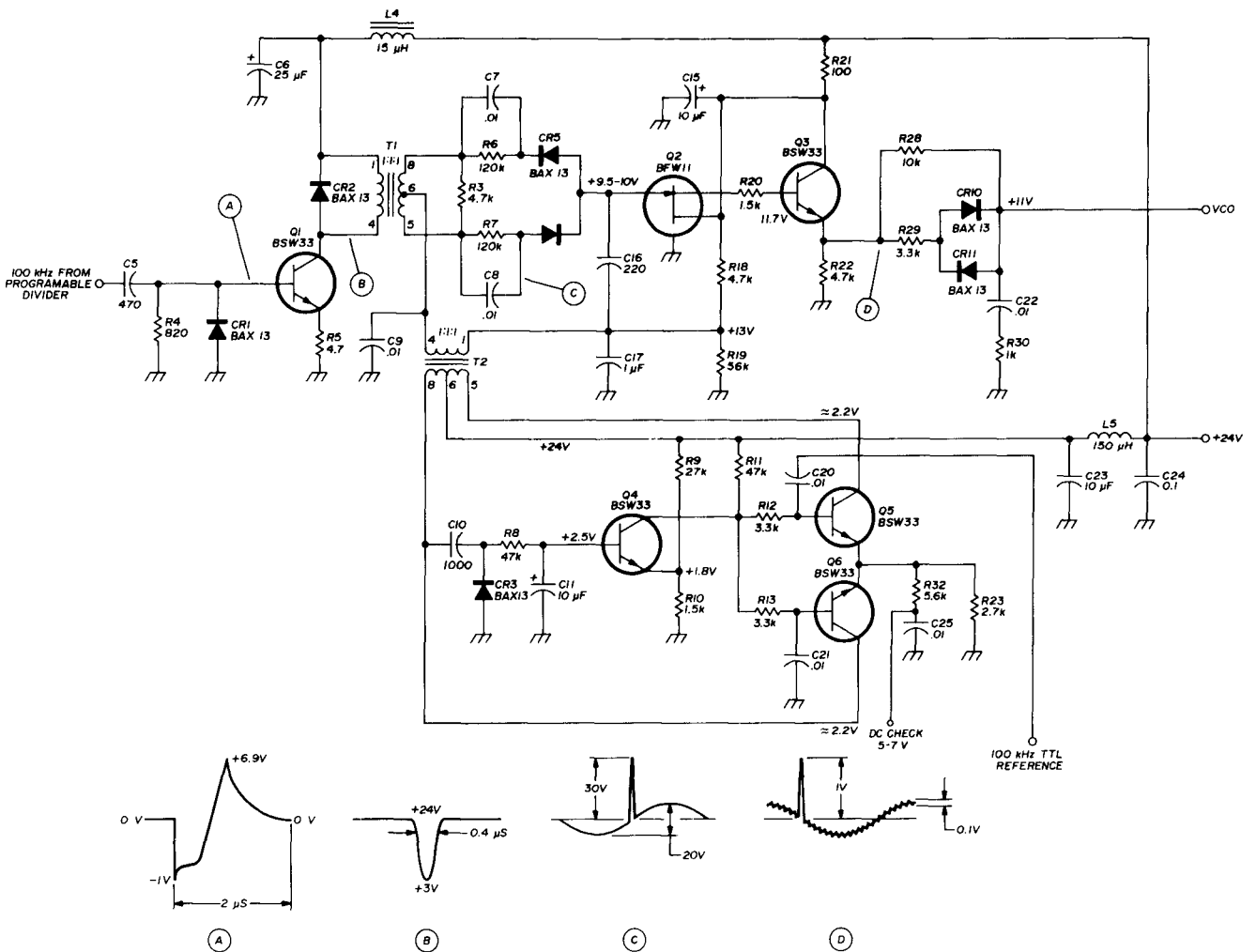


fig. 18. Balanced modulator circuit in a switching arrangement for superior sideband noise performance as a phase comparator.

(sample-hold discriminator). This output voltage is used to charge a capacitor, and the discriminator holds the charge as long as phase and frequency remain the same. If the phase changes, this switch will charge or discharge the capacitor, so that the dc control voltage will also change. Crosstalk or feedthrough is extremely small; the reference noise can be suppressed by 60 dB. However, the fast switching creates spikes, which will produce spurious output.

To reduce spurious output, two sample-hold discriminators are cascaded as in fig. 17, which shows a typical arrangement including the waveform-changing stages. The input from the reference divider, which in our arbitrary case is 10 kHz, is used to trigger gate CD4009, and the arrangement with the diode and the RC combination produces a sawtooth waveform (fast charge-slow discharge). The cmos CD4016 receives its input from the reference divider. This input frequency is exactly 10 kHz.

Since the input signal pulse may be a bit too narrow, a one-shot with two gates is used, and the signal now is 2 microseconds wide. The input of the first switch charges a 1000 pF capacitor, and the following Intersil 8007 mos operational amplifier is the low-impedance source

for the second CD4016 switch. The input signal to this switch, which is derived from a second one-shot, is delayed; therefore unwanted spikes are suppressed.

The second 8007 operational amplifier drives a T-notch filter. One leg has a 10-kHz resonant frequency; the other 20 kHz. A notch depth of 60 dB can be achieved. The BCY59 transistor is an emitter follower, which drives the vco.

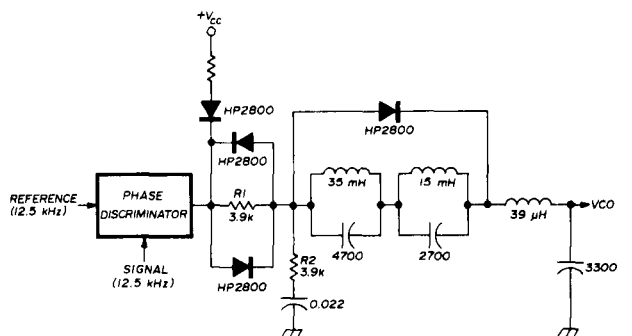
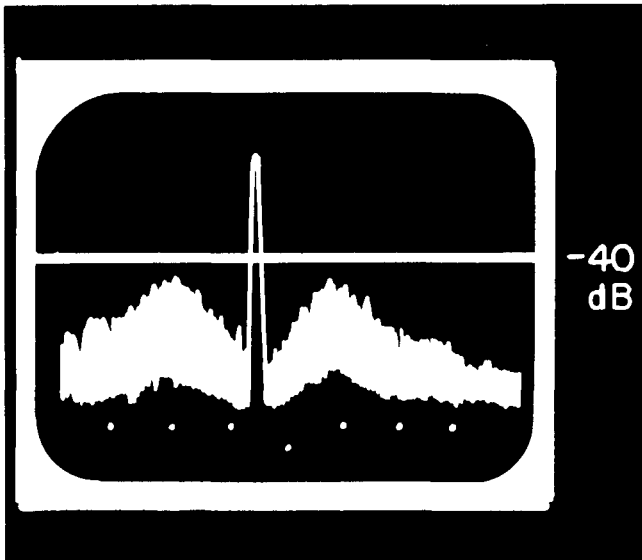


fig. 19. Frequency response filter for synthesizers using a lag filter, two LC tuned circuits as notch filters, and diodes for automatic selection of wider search bandwidth.



Phase-locked loop with a very noisy vco. Loop bandwidth is about 15 kHz within which the sideband noise is improved, as described in the text. Outside the loop bandwidth, noise increases then decreases; however, sideband noise remains at about 90 dB/Hz. Reference line is 40 dB; frequency markers are spaced 10 kHz.

For synthesizers with extremely low sideband noise, an improved version of a circuit similar to a balanced mixer is used. This circuit avoids spikes (in the order of 1 mV in magnitude) which are found in cascaded sample-hold discriminators. To minimize the influence of these spikes, a coarse presetting of the vco is often used, which results in a 20 dB improvement. However, if sideband noise suppression greater than 130 dB/Hz is required, this circuit is still not sufficient.

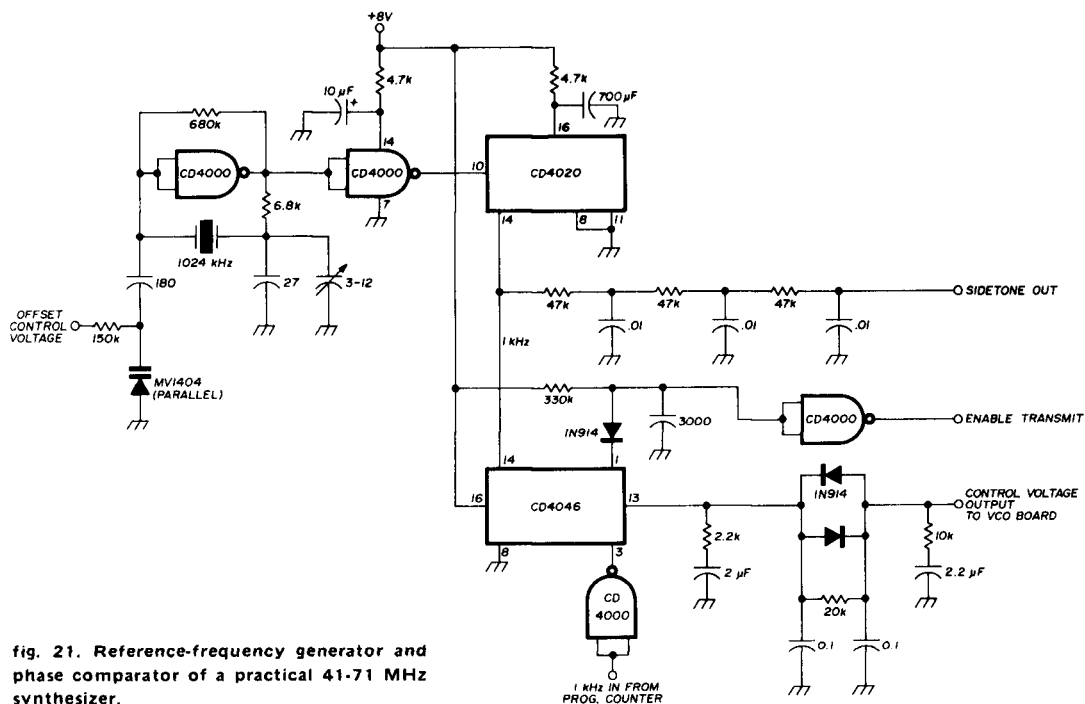


fig. 21. Reference-frequency generator and phase comparator of a practical 41-71 MHz synthesizer.

Fig. 18 shows an arrangement that requires a substantially larger number of components but which provides superior performance. The programmable-divider output (using 100-kHz channel spacing) is differentiated and amplified in transistor Q1. Diode CR2 across the unbalanced-to-balanced transformer provides a voltage similar to a sawtooth waveform. The RC combination R6, C7 and R7, C8 permits the dc voltage to rise to 30

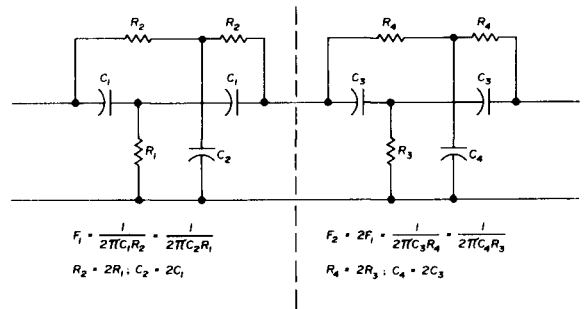


fig. 20. RC twin T-notch filter and the formulas for calculating frequencies.

volts maximum. The 100-kHz TTL reference triggers the one-shot formed by transistors Q4, Q5, and Q6.

The output of this circuit is fed into the center of the bridge of the "balanced mixer," represented by transformer T2. Voltage divider R18, R19 supplies a starting dc voltage, which is brought into the center of this bridge circuit. Transistor Q2 acts as a high-impedance source follower, and transistor Q3 acts as a low-impedance driver for the lag filter. The two back-to-back diodes, CR10 and CR11, are speed-up diodes; their function has been explained earlier. The dc output voltage for the vco contains substantially fewer spikes, and

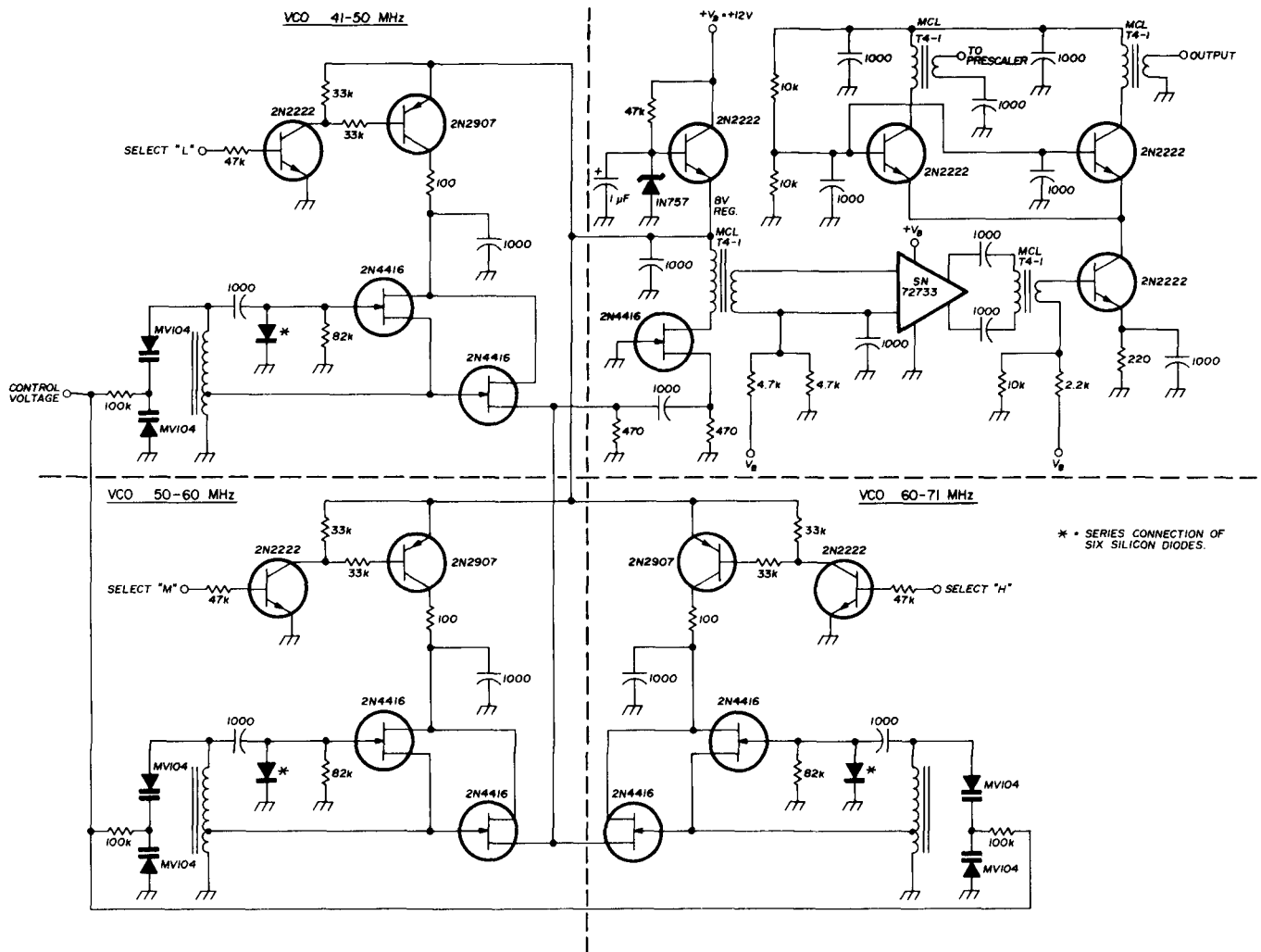


fig. 22. Three independent, low-noise vcos for the 41-71 MHz synthesizer.

the overall loop bandwidth can be made roughly 50% of the reference frequency and still support reference noise suppression. Most high-performance synthesizers on the market use a similar circuit.

response filters

Lowpass filters are required in phase-locked-loop circuits to limit system bandwidth for stable operation. A mathematical treatment of loop stability, as it can be done with the Nyquist diagram, is found in reference 9.

Lag filters are required to set the frequency performance. These lag filters depend upon the type of discriminator used. The Motorola handbook refers to active filter designs where the cutoff frequency is about 1% of the reference frequency. Let's assume that the reference frequency is 10 kHz. The flip-flop discriminator would require a bandwidth of 1% (100 Hz) for 3-dB cutoff. This means that the noise performance of the oscillator can be improved at best between 0 and 10 Hz. All microphonic effects, or sideband noise of the oscillator as such, will remain. In mobile equipment this is most undesirable, because all mechanical resonances will not be compensated.

When analyzing the circuits described in the Motorola handbook, it can be seen that not only are cutoff frequencies down to a few Hz used, but also that the additional transistors used as charge pumps will add noise to the system. Especially the so-called "flicker noise," which appears below 1 kHz, is a very unpleasant effect.

A sample-and-hold discriminator and the RCA edge-controlled digital memory do not give an output ripple when locked and no shift occurs; therefore, the loop bandwidth can be 20 times wider. In this case, compensation of microphonic effects up to several kHz is available.

As mentioned earlier, in some cases for signal generators, it is only required to synchronize them rather than improve them. The switching speed will then be very slow; e.g., 100 milliseconds. In some cases, as with digital sweeping, this is much too slow. To increase the speed, the filter bandwidth can be increased until the loop has settled. An easy way of doing this is to use two back-to-back diodes across the lag filter. This technique was suggested by Rohde & Schwarz many years ago; however, it is rarely found in the literature.

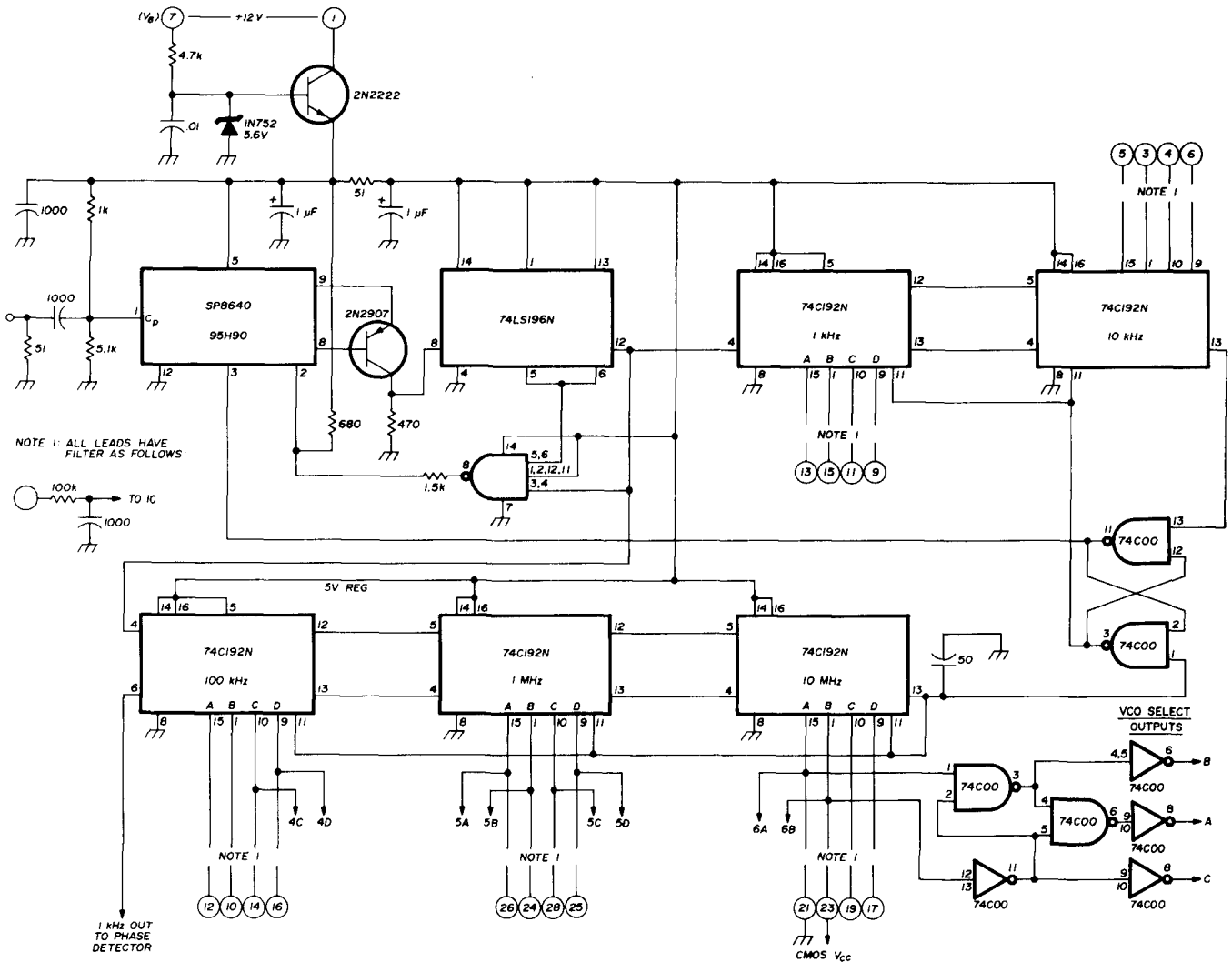


fig. 23. Programmable counter for the 41-71 MHz synthesizer.

If the phase/frequency comparator is in the search mode, the output is a dc voltage with an ac component. This ac component opens both diodes and short circuits resistor R1, which determines the low-frequency time constant. After the loop has settled, the diodes will no longer conduct.

An additional means of suppressing the undesirable reference noise is by using notch filters. Fig. 19 shows a notch filter with two back-to-back diodes with a series resistor for automatic change of time constants.

A modified Wien-bridge arrangement acting as a T-notch filter can be used to suppress the reference frequency. Together with the RCA integrated circuit or with the sample-hold discriminator, the T-notch filter provides an additional 40 dB suppression. It is highly recommended that two T-notch filters be used, one for the fundamental frequency and one for the first harmonic (10+20 kHz). Fig. 20 shows such an arrangement. It is also possible to use an LC notch filter for selective suppression, as shown in fig. 19.

practical circuit

Figs. 21 through 23 show a complete 41-71 MHz

synthesizer that produces steps of 1 kHz. (Using a D/A converter, or better yet, a simple microprocessor, linear resolution can be gained, e.g., the reference frequency can be pulled in such a way that additional resolution, such as 100 Hz, 10 Hz, or 1 Hz, can be achieved).

Fig. 21 shows the reference oscillator and phase detector. A 1024-kHz series-resonant crystal is used, which can be set right on frequency with the variable capacitor. The gate circuit acts as an amplifier to produce an oscillator circuit that is decoupled from the reference divider, CD4020, by a gate. The MV1404 diode can be used for additional crystal-oscillator frequency pulling.

The RCA CD4020 IC divides the crystal frequency to 1 kHz, and the input is fed to the CD4046 phase comparator, which was described earlier. In addition, sidetone output is provided and a lock-condition indication is available. The phase-comparator output, which drives the vcocs (fig. 22), uses a lag filter with back-to-back diodes, as discussed earlier. The 1-kHz signal from the programmable counter is decoupled by a gate and fed to the phase comparator.

Fig. 22 shows the three independent, low-noise vcocs

whose outputs are selected by setting appropriate digits on a selector switch. The Texas Instruments SN72733 wideband amplifier is used for decoupling, and a cascade arrangement is used to provide two independent outputs at low impedance.

Fig. 23 shows the programmable counter. The 5 volts required for operation is derived from a simple regulator circuit. The input prescaler uses either the Plessey SP8640 or the Fairchild 95H90, which are pin compatible. The 2N2907 transistor is the ECL-to-TTL transverter. The gate between the 74LS196 and the 95H90, together with the 74C00 at the lower right-hand corner of the schematic, determine the count rate. All other integrated circuits are CMOS to keep the power consumption low.

This synthesizer uses most of the techniques described earlier. Because of the back-to-back diodes, the lockup time is 6 milliseconds, and the loop bandwidth after the loop has settled is about 10 Hz. The 1-kHz reference noise is suppressed more than 80 dB and is therefore hardly detectable. This loop bandwidth cannot counteract any microphonics; however, because of its extremely good noise performance and fast switching time this synthesizer is ideally suited for use in a receiver with a first i-f at 41 MHz. Because it's a so-called one-loop synthesizer, it's basically spurious free and the reference noise, as mentioned earlier, is almost totally suppressed.

The total power consumption is in the order of 100 mA at 12 volts dc, and the synthesizer can be built on one PC board, requiring less space than half the size of a

Comparison of two phase-locked-loop synthesizers with the same reference frequency. Output from balanced-mixer phase detector is shown at left, while the signal at right is from a loop using the technique suggested in the Motorola Phase-Locked-Loop Handbook. All other circuit details are the same. Reference is 0 dB, marker-frequency spacing is 10 kHz, and the carrier is about 150 MHz. Instrumentation used for all photos was the Rohde & Schwarz model EZF/EZFU spectrum analyzer.

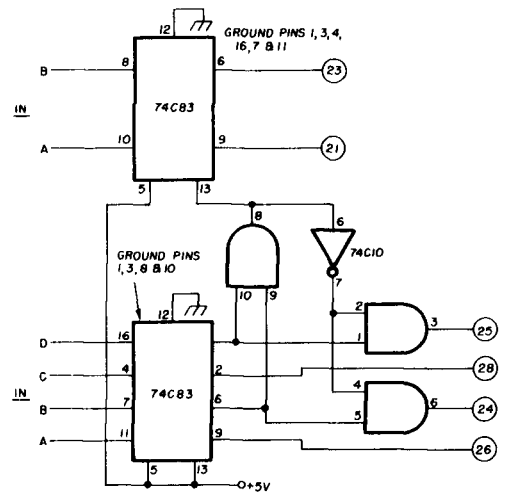
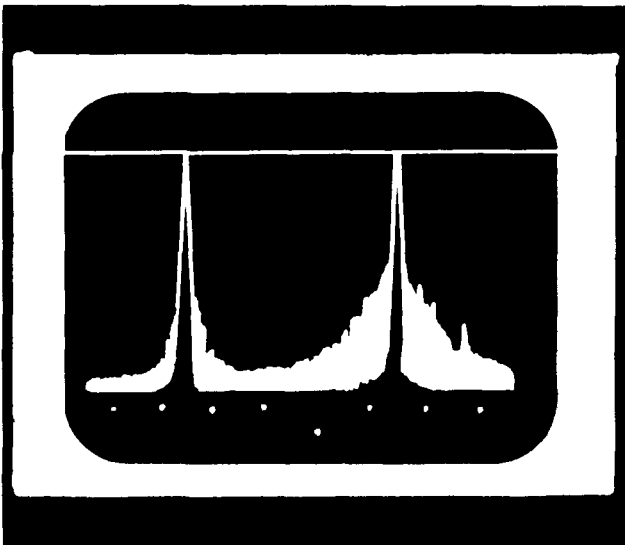


fig. 24. Simple circuit for subtracting 41 MHz from the synthesizer reading so the thumbwheel switches can be directly calibrated to the receiver input frequency.

normal picture postcard. A very simple circuit, requiring only a few gates, can be built to subtract 41 MHz from the reading; the thumbwheel switches can then be directly calibrated to the receiver input frequency (see fig. 24). In this circuit the upper 74C83 receives the 10-MHz input which must be connected to pins 21 and 23 of the synthesizer input command. The lower 74C83 receives the 1-MHz steps and is connected to pins 24, 25, 26, and 28 of the synthesizer input command.

It has been shown that today's technology permits building fast-switching synthesizers with low-noise and essentially spurious-free output at high frequencies. With new techniques and integrated circuits, these synthesizers consume little power, are physically small, and have high reliability. Especially, if CMOS ICs are used, rf noise will be very low and almost no shielding will be required. A shortwave transceiver using a synthesizer based on these techniques will be described in a future article.

references

1. U.L. Rohde, DJ2LR, "Aufbau und Anwendung Digitaler Synthesizer," *Funkschau*, Vol. 9, 1973, page 325.
2. T. Fruehauf, "Die Technik der Frequenzsynthese," *Elektronik*, Vol. 4, 1973, page 133.
3. Alan B. Grebene, "The Monolithic Phase-Locked Loop — a Versatile Building Block," *IEEE Spectrum*, March, 1971, page 38.
4. "A New Generation of Avionic Synthesizers," *Motorola Application Note AN553*, Motorola Semiconductor Products, Inc., Technical Information Center, P.O. Box 20924, Phoenix, Arizona 85036.
5. *Integrated Circuit Data Book*, Plessey Semiconductor Products, page 141.
6. A. Saal, "The Design of Filters Using the Catalogue of Normalized Lowpass Filters," *AEG-Telefunken*, 1968.
7. *Motorola Phase-Locked-Loop Systems Data Book*, Second Edition, August, 1973.
8. D.K. Morgan, "The RCA COS/MOS Phase-Locked Loop, A Versatile Building Block for Micro-Power Digital and Analog Applications," *RCA Application Report ICAN-6101*.
9. F.M. Gardner, *Phase Lock Techniques*, John Wiley & Sons, New York, 1966

ham radio

wind-generator

characteristics and installation techniques

Windblades and rotors
are reviewed and
an example is given
of an amateur
200-watt electrical
generating system

Many experiments have been made over the years with windmills and wind-rotating mechanisms. Several have been adapted as electrical-power generators. The theoretical maximum efficiency in converting wind power to torque at the rotor of a windmill is 59.3 per cent. Many rotating blades and other wind-driven configurations come rather close to this theoretical limit: within 5 to 8 per cent. The present direction of development involves economy in the support structure, gearing, generator, and other accessories. The objective has been to develop a strong, reliable, safe, lightweight, and economical support. Types of blades and rotors are significant in attaining these goals for a specific application.

Air is composed of gas molecules that have mass. Motion of these molecules is called wind. Upon striking a windblade, sail, or similar device, the wind imparts energy of motion. The efficiency of conversion depends on the design of the wind device. The force of such mechanical motion or torque made available at the rotor of a windmill depends on wind velocity, blade size and blade aerodynamics. Power made available varies as the square of the blade radius and the cube of the wind speed. For example, to quadruple the power output, it's necessary to double the blade radius. Doubling the wind speed results in an eight-fold power increase.

The equation that determines wind force in watts that impinges on a slim two-blade propeller is given by*

$$P = 0.005AV^3 \text{ watts}$$

*When the blade rotational area, A , is in square meters, and wind velocity, V , is in kilometers per hour, the correct formula is:

$$P = 0.0129AV^3 \text{ watts}$$

By Ed Noll, W3FQJ, Box 75, Chalfont, Pennsylvania 18914

where:

- A = Area covered by the blade as it rotates (equivalent to πr^2), square feet
- V = Wind velocity, mph
- P = Power, watts

Table 1 presents as approximation of the useful power that can be derived from an efficient two-blade windmill in terms of wind velocity in mph (km/hr) and blade diameter in feet (m). An approximate overall efficiency

table 1. Output in watts for efficient two-blader.

blade diameter, ft(m)	wind velocity			
	10 (16)	15(24)	20(32)	25(40)
6 (1.8)	40	140	340	660
12 (3.7)	170	570	1350	2650
15 (4.6)	265	895	2120	4140
20 (6.1)	470	1590	3770	7360

of 30 per cent has been assumed, which includes gearing and generator. Not considered are additional losses in parts of the electrical system such as the charger, battery, distribution system, and inverter (if used). Shown is the relationship between power increases and blade diameter and wind speed.

windmill characteristics

Several characteristics describe the performance of windmills; here they are discussed in terms of two- and three-blade propellers. A simple two-blade arrangement, **fig. 1**, consists of blades, hub, and vane. Two blades are attached to a hub, which is fastened to the windmill rotor. The vane assembly keeps the blades pointed into the wind. To derive maximum benefit from wind power,

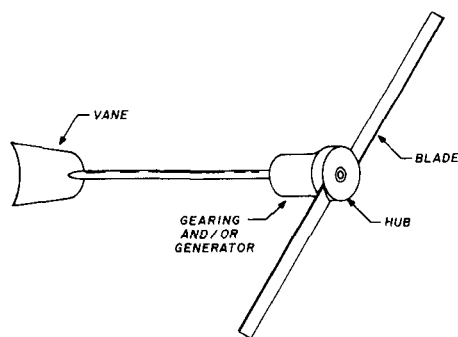


fig. 1. Basic elements of a wind generator.

the deviation from true orientation into the wind should not exceed ± 12 degrees.

Another important factor is the blade pitch angle (**fig. 2A**), which refers to the angle of the blade relative to the wind direction. When the relative wind velocity is in line with the blade element, no transfer of wind energy to torque occurs at the axle. For low-speed rotation of a multi-blade windmill, pitch angles of 30°

and higher are used. For high-speed rotation, angles are substantially smaller. Small angles are required because the airfoils of many high-speed blades stall in the range of 12° to 14° . However, optimum pitch angle depends on application, desired operating conditions, type of

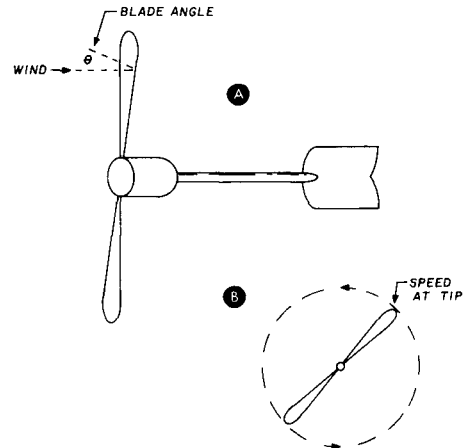


fig. 2. Pitch angle (A) and tip speed (B) of a wind-driven propeller.

blade, preferred angle of attack for blade air-foils, and the use of the wind-rotating system based on wind-speed limits at the site.

Windmills are sometimes classed as either low or high speed. In general a multiblade windmill rotates at low speed and is usually a heavy affair that develops high torque even in a light wind. It is widely used to convert wind energy to some sort of mechanical action such as running a water pump. The high-speed windmill employs as few as two blades. It is lightweight and more adaptable to converting wind energy to electricity. Its high rotation speed is adaptable to low-ratio gearing of electrical generators.

Another factor of concern is tip-speed ratio. The tip-speed ratio, **fig. 2B**, is the ratio of wind velocity to tip rotational velocity. It is, in a practical sense, the ratio of wind speed to the speed of motion of the very tip of the blade. Tip speed is often stated as a whole number that compares the blade-tip velocity with the wind

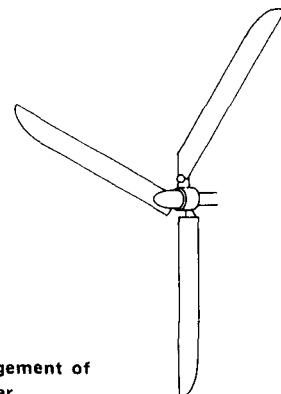


fig. 3. General arrangement of a three-blade propeller.

speed. A ratio of 4 indicates the propeller tip has a velocity four times faster than the wind speed. For electrical power generation, tip speed ratios under 4 are not recommended.

Lift-to-drag (L/D) ratio, another characteristic of concern, is an indication of how well the blade is turned by the wind relative to the torque or opposition offered

the size of a two-blade propeller. A three-blade propeller, **fig. 3**, provides additional power output as compared with a two-blade propeller and reduces periods of vibration with changes in wind direction as well. When the windmill orientation follows the tail vane, the resistance to orientation shift made by a two-blade propeller is in accordance with its position. When in a horizontal

table 2. Power output of spoked-wheel as a function of wind velocity.

wheel dia., ft.(m)	wind speed, mph(km/hr) 10(16) 20(32) 30(48) horsepower			wind speed, mph(km/hr) 10(16) 20(32) 30(48) kilowatts			wind speed, mph(km/hr) 10(16) 20(32) 30(48) kW per month		
	7.64(2.3)	0.147	1.18	3.98	0.077	0.615	2.08	55	443
15.28(4.7)	0.589	4.71	15.91	0.307	2.460	8.31	221	1772	5979
30.56(9.3)	2.360	18.86	63.64	1.230	9.840	33.22	886	7087	23,919

by the propeller to being set into motion by a light wind. This ratio is related to blade construction, size and airfoil. Airfoil refers to the geometric shape of the blade. As in aircraft design, airfoil has a great influence on how well the blade can be turned by the impinging wind. A high-lift airfoil can increase the power output but also increases drag. Nonetheless, a high L/D ratio does permit higher output at a lower wind speed. Compromises must be made in establishing the preferred L/D ratio in terms of desired power output, weight, and wind-speed range over which the assembly is to operate at high efficiency.

For many low-powered applications a two-blade propeller is effective and efficient. However, in terms of weight and blade diameter, there is a practical limit to

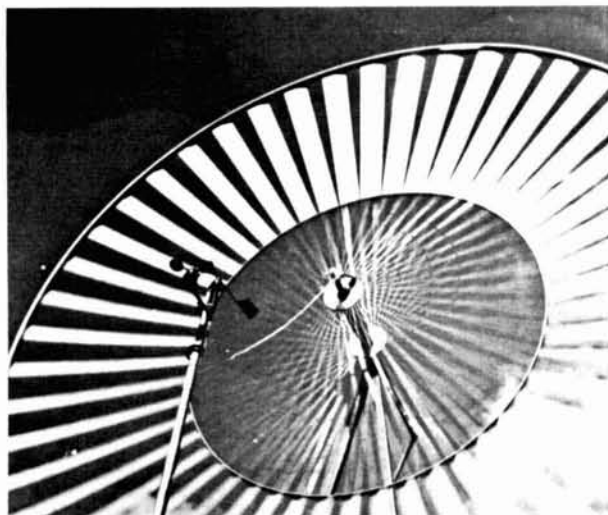
position this resistance is maximum. The net result is a jerking movement of the windmill as it follows a wind direction change. This action produces an undesirable stress when the blade is heavy or too large in diameter. Three- and four-blade arrangements present a steady resistance as the tail vane responds to a wind-direction change.

Two lightweight rotators

The Chalk rotator, **fig. 4**, is unique, effective, lightweight, and starts easily in a light breeze. Early measurements indicate that it can reach an efficiency in the 50 per cent region (recall that theoretical maximum is 59.3 per cent). The Chalk rotator consists of a spoked wire wheel. The structure supports lightweight sheet-aluminum blades shaped in an appropriate airfoil section. The spoked wheel construction provides great strength despite its low weight. For example, a 15-foot (4.6m) diameter wheel weighs about 70 pounds (32kg).

An important advantage of the Chalk construction is that it simplifies gearing to a generator. As an option, it's possible to extract power at the rim. Since the wheel rim speed (comparable with the tip speed of a conventional blade) is high, it may be used to drive a generator directly or may use a very simple gearing system. In fact,

fig. 4. The Chalk rotator.



it's conceivable that the generator field poles themselves can be made part of the rim assembly. Table 2 shows power output for spoked-wheel wind turbines at various wind speeds. Note that for a small (less than 8 feet, or 2.4m) diameter wheel, 77 watts are generated at a 10 mph (16 km/hr) wind velocity.

An advanced sail wing developed by Princeton University was conceived initially for boat application and eventually as an aircraft wing. Its structure is simple, lightweight, and efficient. Materials are inexpensive and permit a more simplified support structure than conventional blades. A sailwing consists of a rigid leading edge, fig. 5. The root section is attached to the rotor hub. Both tip and root are connected by a trailing-edge wire cable, which is fastened to a wraparound sail. The sail is cut in such a manner that its trailing-edge shape is set by the tension of the trailing-edge cable. A taut wing results, with a simple structure. However, the wing deforms and responds to loads in accordance with the wind velocity and angle, developing an effective aerodynamic characteristic. Of importance is its high lift-to-drag ratio. A lift coefficient and gentle stall characteristic compare favorably with the conventional hard wing and blade; it has the same load carrying capability. Furthermore it has the high efficiency of a sophisticated hard blade despite the favorable economics of its structure and support tower. In fact, its weight is such that a two-blade, 25-foot (7.6m) diameter blade is possible before dynamic effects become troublesome. For windmills larger than this diameter, three or more blades are advisable.

A study of wind conditions in the contiguous United States indicates that the maximum ratio between maximum and average wind is approximately 6. Since dynamic pressure increases as the square of the velocity (factor of 36), it's understandable that a windmill must

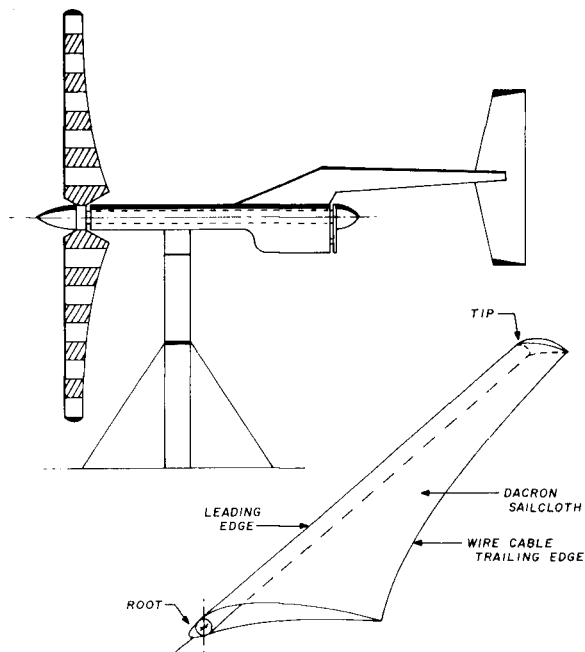


fig. 5. Sailwing generator developed by Princeton University.

be designed to withstand pressures many times greater than that exerted by the average wind at a given site. The effect of strong winds is reduced by braking the windmill or by using a pitch-control system. The fact that the sail blade of the Princeton design is readily deformable results in a twisting component in high wind, which holds the rpm to a safe value.

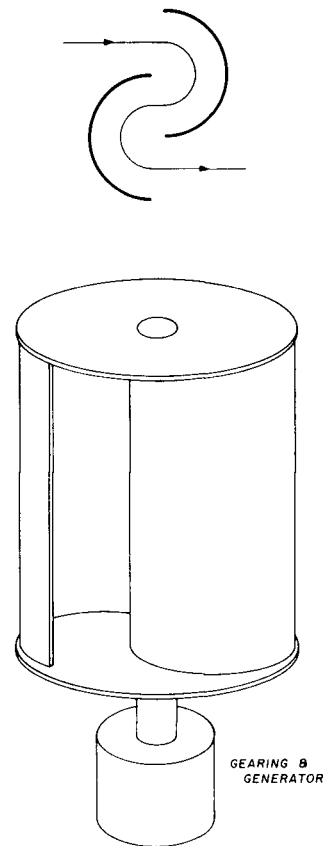


fig. 6. Savonius vertical S-rotor.

The windmills described previously employ structures that rotate about a horizontal axis. Two plans that involve rotation about a vertical axis, although developed many years ago by Savonius and Darrius (fig. 6 and 7), are being studied and experimented with today. Such rotors respond to wind pressure regardless of wind direction. No vane assembly is needed to orient them into the wind. In general complexity and maintenance are reduced using such a structure. Efficiency is good, and in an area subject to gusting and changing wind direction, output is steadier compared with the horizontal-axis rotor, which encounters loss time during intervals when it's being reoriented by the vane system to accommodate change in wind direction.

The Savonius or S-rotor is a drum-like configuration.* Air striking one of the concave sides of a two-blade arrangement is pressed through the rotor center vent to the back of the convex side, setting up the rotational

*A modified version of the Savonius rotator is sometimes seen on top of buildings where it's used as a ventilator. Editor.

pattern. It is a successful wind rotor but much is still to be learned about its characteristics. What is the most efficient and/or effective aspect ratio (ratio of height to diameter)? How does the shape, number of blades, and venting system affect operation?

Every indication shows that the Savonius has a high starting torque, which means that for a general applica-

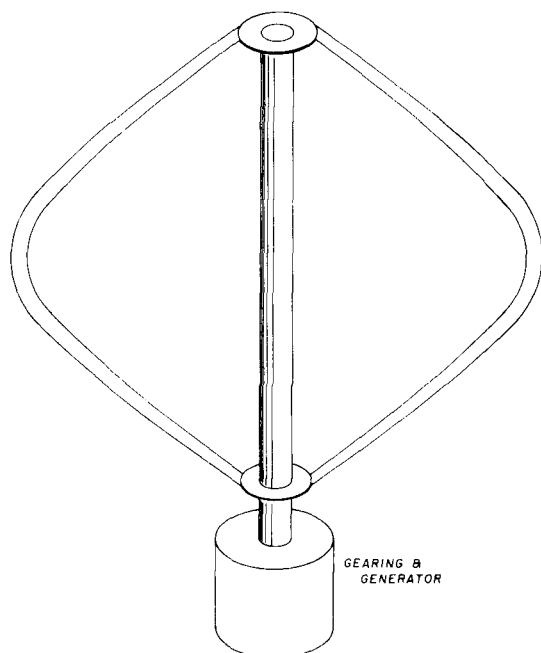


fig. 7. Catenary vertical rotator by Darrieus.

tion it will begin to rotate and generate energy at a lower wind speed. Rotation speed is slower but more power can be made available. The slow speed requires a higher gear ratio if the Savonius is to be used as a wind electric generator. However, the mechanical structure can be simplified because the generator can be mounted at the base using a long vertical shaft, fig. 6.

A primitive but very effective S-rotor can be made from discarded oil drums. These are halved and positioned off center. In its simplest form the drum is not reshaped and the venting system remains as is. However, higher starting torque and efficiency may be obtained by making changes to obtain a more ideal vent.

Considerable experimentation is being done with the Darrieus or catenary vertical-axis rotor, fig. 7. Tests with both two- and three-blade types are underway. Flexible airfoil blades are used in this construction. Under centrifugal and aerodynamic forces, the blades assume a catenary configuration (bulging at the equator and flattening at the poles). Extensive bracing is not needed and the supporting structure can be quite simple. Bearings at top and bottom and base-mounted gear and generator systems complete the basic structure. A guy-wire system provides additional support for the entire structure. In one experimental unit a 15-foot (4.6m) diameter blade generated 1 kilowatt at a wind speed of 15 mph (24 km/hr). At a wind speed of 30 mph (48 km/hr) the

output increased to 8 kilowatts. As an aid during manufacture the blades were made of consecutive straight sections. Fastened together, a reasonable catenary shape can be synthesized. The catenary vertical axis rotor is not self starting. A starting vane or other arrangement starts the initial rotation of the catenary blades.

The vertical-axis wind generator, developed by Sandia Laboratory, combines the Savonius and Darrieus concepts to obtain self starting using a catenary vertical. Two three-bladed Savonius cups (starter buckets) at top and bottom of the power-generating catenary section, fig. 8, provide the high torque needed to start the rotating system in a light wind.

wind-generator installation

A 200-watt Winco* wind generator was installed at W3FQJ, fig. 9. The specifications of table 3 indicate that in an area with a yearly average wind speed of 10 mph (16 km/hr) you can expect an average output from the generator of about 20 kilowatt-hours per month. This figure can be somewhat more or less depending on the season. Ten-year average monthly wind speed figures in mph (km/hr) for Philadelphia, Pennsylvania are:

Jan	10.3	(16.6)	July	8.3	(13.4)
Feb	10.8	(17.4)	Aug	7.7	(12.4)
Mar	11.8	(19.0)	Sept	8.0	(12.9)
Apr	11.1	(17.9)	Oct	9.0	(14.5)
May	9.6	(15.5)	Nov	9.2	(14.8)
June	9.0	(14.5)	Dec	9.6	(15.5)

In this area active winds occur in late fall, winter and early spring. Summer wind speeds are lower. Solar panel augmentation is advisable in planning a self-sufficient system. For most amateurs on-the-air activities are limited during the summer months. A 20-kWh-per-month rating at an average wind speed of 10 mph (16 km/hr) provides about 650 watts per day. Not too much power, but enough to run a 100-watt PEP solid-state transceiver almost continuously. Presently amateur radio station self-sufficiency in terms of power is no financial bargain, but it's a pioneering effort and encourages individualism.

As indicated in the specifications, the propeller is a wooden two-blade type, 6 feet (1.8m) in diameter. The propeller hub drives the generator directly; no belts or gear train are used. Generator rpm falls between 270-900 over a wind speed range of 7-23 mph (11-37 km/h).

The site for the wind generator at W3FQJ is on a small rise, reasonably in the clear, at the back of the house. The first step in the installation was the erection of the bottom section of the two-section 15-foot (4.6m) tower. Each leg is supported by a concrete base constructed by pouring concrete into a 2-foot (0.6m) hole dug with a posthole digger. Sixteen 2-foot-long (0.6m) threaded rods, 5/16-inch (8mm) in diameter, support the four base brackets of the tower.

The next step was to attach the wind generator to the top mast section. The top mast section houses a slip-ring

*Winco, Box 3263, Sioux City, Iowa 51102.

assembly that mounts on a platform, **fig. 10**. Hence the slip-ring and generator assembly rotate as the vane keeps moving the propeller into the wind. Slip-ring and contacts can be seen by opening the slip-ring case, **fig. 11**.

The generator bracket is between two small knobs on the top of the collector-ring cover. This entire assembly was placed atop the lower mast section. Blade and brake

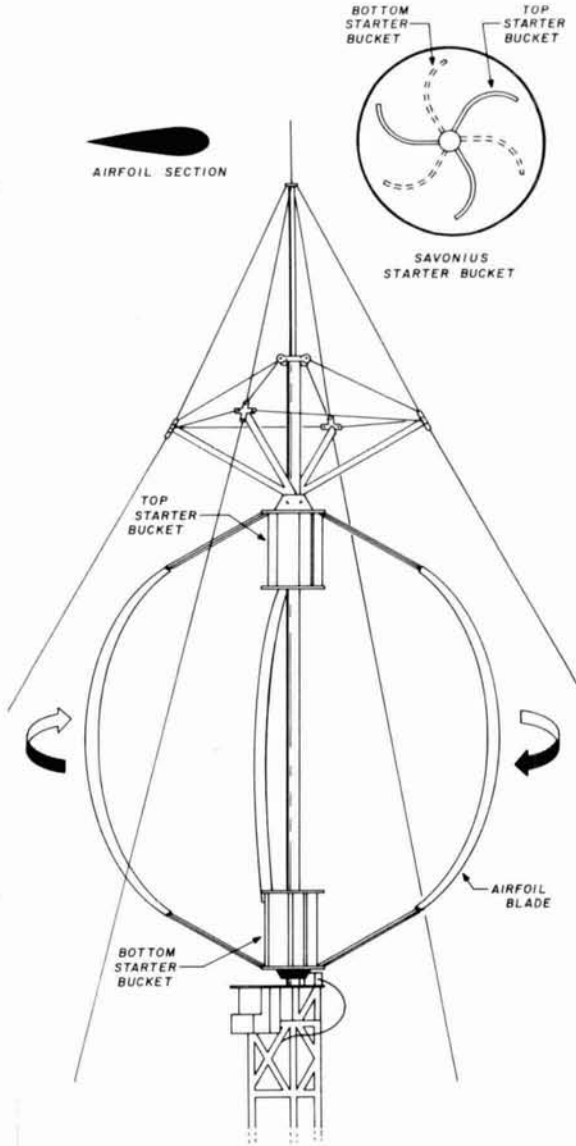


fig. 8. Vertical-axis rotator developed by Sandia Laboratories.

drum were then attached to the generator hub and the vane bolted to the rear generator bracket, **fig. 12**.

A mechanical governor controls rpm when the wind speed is greater than 28 mph (45 km/h), **fig. 12**. In normal winds the governor end plates follow a nonresistive circular path as the blades rotate in the wind. At high rpm the centrifugal force opens the end plates, and the resultant resistance holds down blade rotational speed.

A brake rod extends down through the slip-ring

table 3. Specifications for the 200-watt Winco wind generator.

Tower height	15 ft (4.6m)
Propeller type	2 blade
size	6 ft (1.8m)
material	wood
Gear ratio	direct
Generator	7½" (19cm) diameter
	4 pole
Capacity	200 watts
Approximate maximum amps	14
Approximate maximum volts	15
Generator	
Generator speed range	270/900 rpm
Governor type	22" (56cm) air brake
Propeller speed range	270/900 rpm
Wind speed range	7/23 mph (11/37 km/h)
Average usable kwh per month	
10 mph (16 km/h) average	20
12 mph (19 km/h) average	26
14 mph (22 km/h) average	30
Charge rates	
Revolutions per minute	Amperes
270	0
350	2½
440	6
570	10
700	12
900	14

assembly, and an extension of this rod can be used to brake the generator when desired. Pulling down on the rod causes the brake shoe to engage the brake drum. Braking is recommended when there is a possibility of winds higher than 75 mph (120 km/h). However, to minimize wear, the wind generator can be shut down when it's not being used to charge batteries. In fact, the wind generator should never be operated into an open



fig. 9. Winco generator and Solarex panel installation at W3FQJ.

circuit. A properly placed short circuit at the control box, **fig. 13**, can eliminate this possibility.

The generator can be used to charge lead-acid batteries, and with suitable circuitry, other types of batteries. One technique is to keep a high-capacity lead-acid battery under full charge and use it, in turn, to charge batteries of lower ratings. The manufacturer of the Winco generator recommends using a 230-ampere-hour battery, which can take good advantage of a sustained high-wind period to accumulate a full charge. If lower-rating batteries are used, care must be taken not to overcharge and you must be ready to change over among batteries.

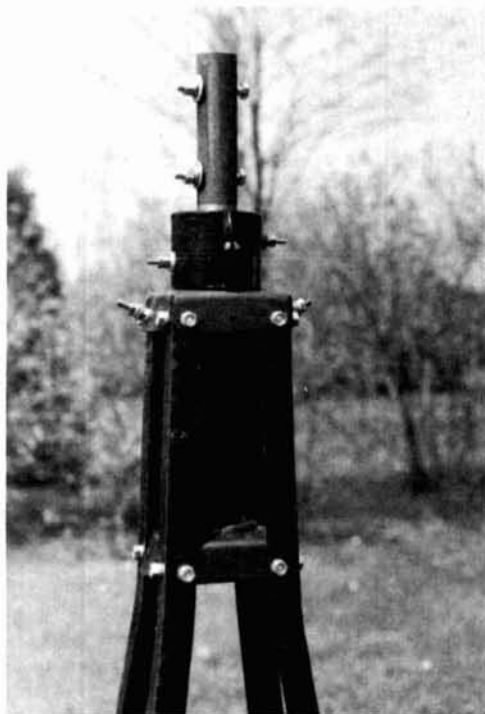


fig. 10. Top of tower section showing slip-ring assembly and platform.

In my installation, the generator is about 500 feet (152m) from the area where the batteries are located and my operating position. I use a small coaster wagon to carry batteries between generator and operating position. From the battery operating location a heavy-duty line runs into my office and electronics bench.

The new 6-volt Gel/Cel 20-ampere-hour batteries are ideal for operating small transceivers such as the Ten-Tec, **fig. 14**. These batteries are lightweight and can be right in the operating room or can be transported easily when portable operation is desired.

circuit description

The generator- and control-box schematic is shown in **fig. 15**. The generator is a brush type with a fixed field winding and a rotating armature. When the armature is turning, current flows from brush I through field coils D and C and back to brush H. Current is removed by the

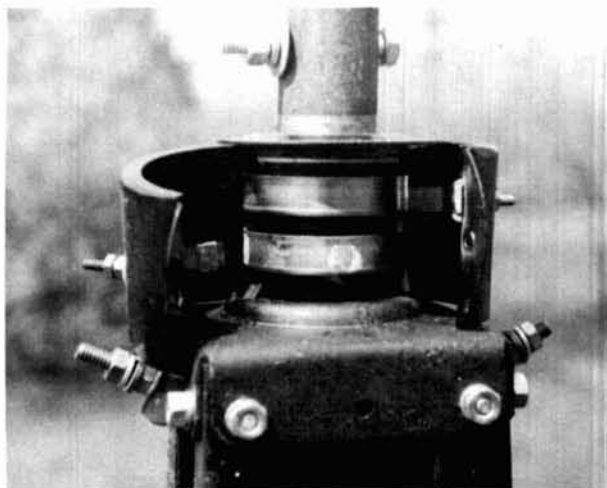


fig. 11. Open case showing slip rings and contacts.

pair of collector rings. Wires connect between the generator and the two terminals of the collector ring cover. These terminals can be seen in **fig. 10**. Internal connections are made between the collector rings and the two terminals fastened to the top of the tower. From these two terminals, wires are run to the control box. Two no. 10 AWG (2.6mm) wires are used for this connection because, in my case, the control box was attached to the

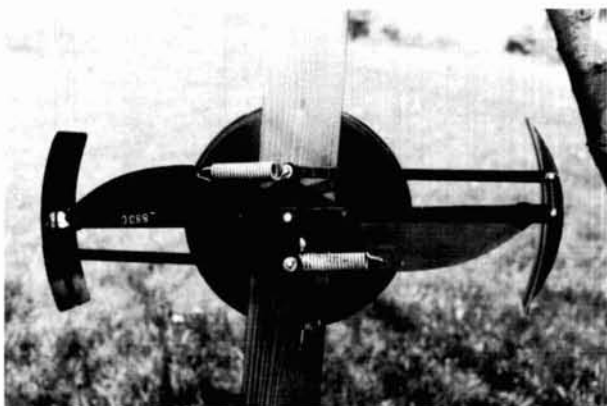


fig. 12. Completed wind-generator (top) and details of propeller-blade, brake-drum, and vane connections (bottom).

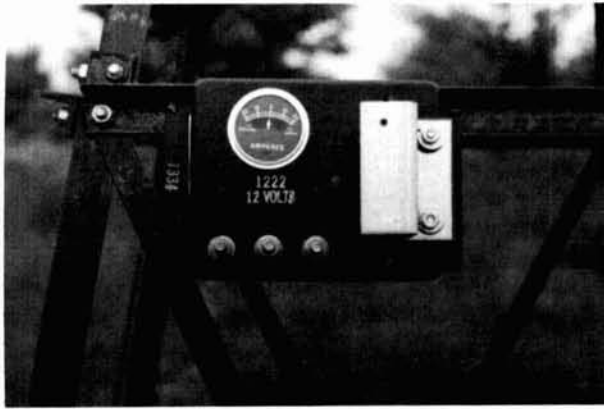


fig. 13. Control box attached to tower. Short circuit (right) is used to prevent system from operating into an open circuit with no load.

mast. If the control box is well separated from the mast, no. 6 AWG (4.1mm) wire is recommended for distances up to 50 feet (15m) and no. 4 AWG (5.2mm) wire for distances between 50-100 feet (15-30.5m). Longer distances require larger-diameter wire. You're working with low voltage and high current; therefore, wire resistance is a very important factor.

The control box houses a charge-discharge ammeter, diode and terminals. The diode prevents the battery from discharging through the generator. However, its polarization is such that charge current from the generator passes with no significant attenuation. The generator is, of course, a dc machine using rectification by brush and commutator. A scheduled-maintenance inspection of the brushes is recommended. Brushes should be replaced when worn.

Note from fig. 15 that the plus side of the generator output connects to the *A-Gen* terminal of the control box. From here the path is through the diode and the ammeter to the control box *+Bat* terminal. The generator negative terminal connects to the control box *F-Gen* terminal. This is the negative side of the battery-charging circuit.

When checking out the wind generator a discharged battery should be connected between the *-Bat* and *+Bat*

fig. 14. Ten-Tec transceiver installation with 6-volt Gel/Cel dry electrolyte batteries.



terminals. The brake can be released and the blade allowed to rotate in the wind. The charging current will be indicated on the meter. In no wind, the circuit can be checked by "monitoring" the generator. In this operation the battery is connected and a short circuit is connected between points B and G (across the diode). This allows the battery current to flow in the generator, which operates as a motor and rotates the blade. In this case the ammeter will read on the discharge side

If the blade is to be rotated without any battery load, a short circuit must be connected between the control box *F-Gen* and *A-Gen* terminals. An open circuit is to be avoided because it results in high voltages appearing in

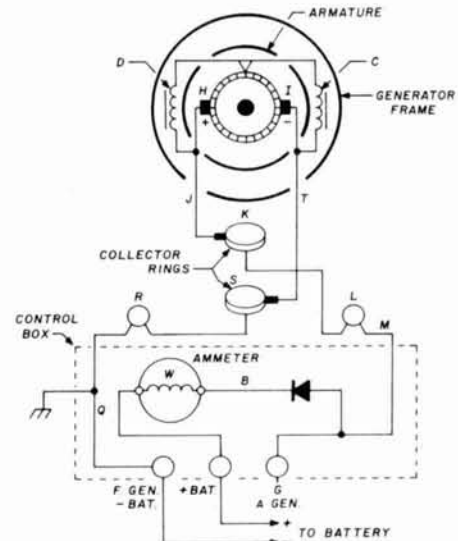


fig. 15. Wind-generator power-supply schematic. Wire size between generator, control box and batteries is important (see text).

the generator and arcing among commutators and brushes. The generator produces a charging current at 7 mph (11 km/h), reaching a maximum in a wind speed of 23 mph (37 km/h). Governing action begins at 28 mph (45 km/h).

Charging current varies with the wind, so it's difficult to keep a charge record unless an ampere-hour meter is inserted in the charging circuit. Therefore a hydrometer is essential in determining when a given battery is fully charged.

As shown in fig. 9 a Solarex* solar panel has been attached to the south side of the tower. This is a 6-watt unit that provides a 1/2-ampere trickle-charge current. Thus during periods of daylight no-wind conditions a trickle charge can be maintained. A separate control box is being constructed for this panel.

A "much obliged" is extended to Richy Atkinson WA3KHM, Bob Bucher WA3KMW, (now deceased), Heinz Frey, WA3DNZ, Harry Mullen, WA3RLI and Dick Wagner, who aided in the wind generator project.

ham radio

*Solarex, Corporation, 1335 Piccard Drive, Rockville, Maryland 20850.

how to add an inverted V or delta loop to your tower

An easy way to
obtain low-angle coverage
for 40, 80 or 160 meters
using a simple
mast extension
on your high-frequency
beam antenna installation

Over the past few years, and especially since the introduction of the 5BDXCC and 5BWAS awards, numerous articles on antenna systems for 80 and 40 meters have appeared in the amateur magazines. These systems were basically trying to accomplish one purpose: a lower radiation angle on these bands. All too often, however, impractical heights or a considerable amount of real estate were involved.

Presented here is an inexpensive means of extending the height of your tower so you can mount one of the popular inverted-vee or "drooping dipole" antennas for the lower frequencies. The only requirement is a tower

of some height with the antenna rotor installed inside the tower.

description

The basic idea is a mast extension at the top of your tower. To this extension a swivel joint is affixed. Above the swivel joint, another 6 to 12 inch (15-30 cm) length of identical mast is mounted, which acts as a mounting base for a low-frequency antenna. A typical setup is shown in fig. 1. When erected as shown, everything below the swivel rotates when you rotate your beam. Antennas for 80 and 40 meters, or for that matter, any bands you wish, then serve to guy the installation and keep the short section of mast above the swivel from rotating. Simple? You bet! The cost for the entire assembly, not including antennas, will be less than \$20.

design considerations

The upper mast extension is needed so your beam element ends will clear the low-frequency antenna (or antennas) as the beam antenna is rotated. The mast extension length depends on the size of your beam antenna. A typical tribander, such as the Classic 36 or TH6DXX, will require a minimum extension of about 22 feet (6.6m) above the plane of the elements. This is the minimum extension. In practice, about a foot (30cm) should be added to allow for ample clearance. Dimension X in fig. 2 is the minimum value that will allow the beam antenna to turn freely under a low-frequency wire antenna drooped 45 degrees from the horizontal. Dimension X is determined by simple geometry:

$$X = \sqrt{Y^2 + Z^2} \quad (1)$$

where X is the clearance height, Y is the distance from the rotator mast midpoint to the end of the boom, and Z is the distance from the boom end to the end of the longest element. Remember that dimension X is the

By Ed Sleight, K4DJC, 4165 Williamsburg Drive, College Park, Georgia 30337

minimum value needed to clear your beam antenna; it's not the maximum value for the mast extension.

construction

The mast extension was made of ordinary *heavy-duty* TV mast, available in 5- and 10-foot (1.5 and 3m) sections. The longer sections are easier to work with and are recommended for the main part of the extension. A 5-foot (1.5m) mast section is best for building the swivel-joint portion. If three 10-foot (3m) sections and one 5-foot (1.5m) section are used, the extension gained will be about 30 feet (9m) above the plane of the beam elements. This will allow about 5 feet (1.5m) of the extension to be enclosed by the rotator mast. While probably feasible, extensions longer than 35 feet (10.6m) have not been tried here.

The swivel joint is the key to the whole system. It may be as simple or as elaborate as you wish. My first one was made with parts from an old tricycle. The latest model was made from a 0.75-inch (19mm) water pipe union joint (Sears part no. 42G 12673) and two short pieces of water pipe screwed into the union joint. The union was tightened snugly, while allowing it to still rotate, then it was secured with a sheetmetal screw to prevent further movement. The water pipe sections, each about 1 foot (30cm) long, were then built up with pieces of aluminum scrap tubing until a force fit was obtained inside the 5-foot (1.5m) mast section.

installation

My low-frequency antennas are fed with baluns. I

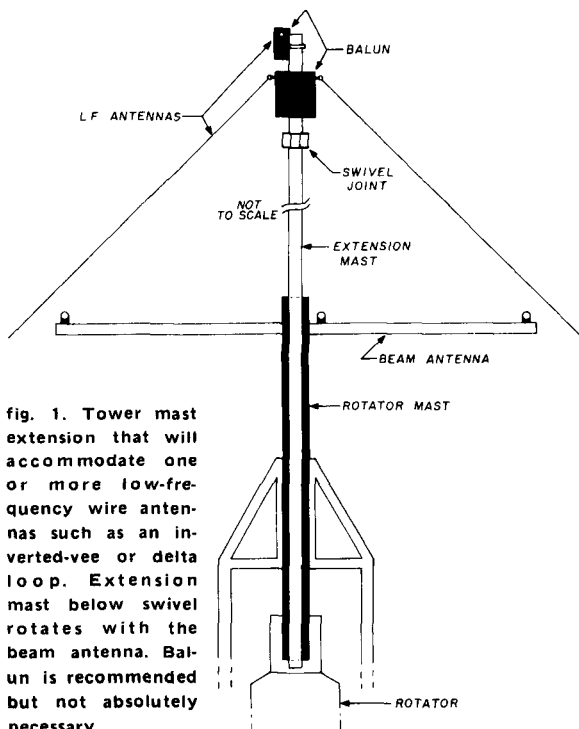


fig. 1. Tower mast extension that will accommodate one or more low-frequency wire antennas such as an inverted-vee or delta loop. Extension mast below swivel rotates with the beam antenna. Balun is recommended but not absolutely necessary.

believe in feeding a balanced antenna with a balanced feed system. The baluns are easily attached to the short section of the swivel and serve nicely as attachment points for the antenna wires. They will also keep the low-frequency antennas separated at the top of the extension. Tape the feedline securely to the sides of the

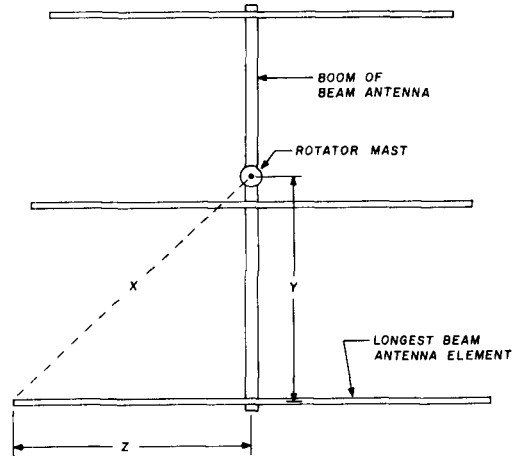


fig. 2. Geometry for determining minimum (see text) clearance of wire antenna that will allow beam antenna to turn freely.

mast extension. This will keep the weight of the feedline more along the centerline axis of the mast and prevent excessive bowing as the mast is raised.

The assembly is easiest to erect if all masting is placed inside the tower, then joined in proper order and fed out the top of the rotator masting. This will usually require removing the rotator. Since the swivel joint will most likely not pass through the rotator mast, it should be fitted in place (with all antennas attached) as the next lower section of masting is pushed upward. Continue feeding the mast extension out the top. When fully extended, secure the base of the extension. I do this by just slipping the rotator back into place.

Tie off the ends of the antennas to obtain the best vertical positioning of the extension mast. Don't worry if the mast leans or bends over slightly while it's being extended. When fully erected, the wire antennas do double duty as guys.

performance

If your tower is in the 50 to 60 foot (15-18m) range, you'll probably have a couple of inverted-vee antennas tied off below the top. With this mast extension, the high-current portion of your antennas will be about 80 to 90 feet above ground (24-27m). On 40 meters, this will lower your radiation angle from about 35 to around 20 degrees.

If your present system is in the 50 to 60 foot (15-18m) range, most of your 80-meter signal will radiate straight up. The system described here will lower that radiation angle to around 45 degrees.

ham radio



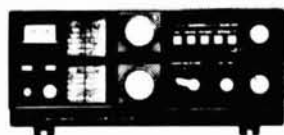
JULY 22-24
BEN FRANKLIN HOTEL

THE HIGHLIGHT OF

BICENTENNIAL AMATEUR

WILL BE YOUR VISIT TO HAMTRONICS BICENTENNIAL

\$10,000 in Ham C



Just register --- you don't have to be present to win! All prizes will be awarded. YAESU 101E, KENWOOD QR666, DRAKE TR-22C, STANDARD SRC-851T, MIDLAND 13-509, HI GAIN H-1 QUAD CUBICAL QUAD, HALLICRAFTERS HA-20, JOHNSON 275 WATT MATCH BOX, ATLAS 210X, GALAXY RV 550, CLEGG HT-146, CDR HAM/II, and many, many more prizes.

- EXTRA --- hourly drawings. More fabulous goodies will be given away at the Hamtronics Show Room every hour on the hour! We'll just keep pulling names until somebody present wins!
- FREE BUS SERVICE from Ben Franklin Hotel to our door --- with a stop for the ladies (if they so desire) at the magnificent, all-enclosed NESHAMINY MALL, just a few minutes away from Hamtronics.
- FREE REFRESHMENTS, FUN, PRIZE AND FREE GIFTS FOR EVERYONE who comes to Hamtronics during our Bicentennial Convention/25th Anniversary Jamboree.

HOURS:

Thursday, July 22, 1976 --- 9 AM to 9 PM

Friday, July 23, 1976 --- 9 AM to 9 PM

Saturday, July 24, 1976 --- 9 AM to 6 PM

HAMTRONICS

IC
n
ion

4, 25
PHILADELPHIA, PA.

YOUR TRIP TO THE

ARRL RADIO CONVENTION

L CONVENTION/SILVER ANNIVERSARY JAMBOREE!

Goodies as Prizes!

- MORE HAM EQUIPMENT than you can see on display anywhere in the world! (\$1,000,000 inventory.)
- NO BICENTENNIAL TRIP TO PHILADELPHIA is complete without a trip to Historic Bucks County. (Washington crossed the Delaware to surprise the Hessians at Trenton, from a point not far from Hamtronics Showroom.)

WHY ISN'T HAMTRONICS EXHIBITING AT THIS ARRL CONVENTION?

With our air conditioned showroom only a scant 10 air miles from Center City, we felt it would be easier for you to come to us. After all, we could display only a small fraction of our million dollar inventory on the convention floor. Besides, we are eager for all hams to see our showroom and get acquainted with all of our people.

HERE'S
HOW
TO GET TO
HAMTRONICS
BY
AUTOMOBILE

FREE PARKING
(our lot
holds 200 cars)



DIVISION OF TREVOSE ELECTRONICS
4033 Brownsville Road • Trevoose, Pa. 19047
(215) 357-1400 / (215) 757-5300

five-frequency receiver for WWV

Design and construction of a frequency-standard receiver using a modified transistor broadcast set and an fet converter

For those amateurs whose receivers lack WWV reception, a separate frequency-standard receiver is a useful addition. The special-purpose receiver described here receives WWV on 2.5, 5, 10, 15, and 20 MHz which covers all WWV transmissions except 25 MHz. The receiver gets all of WWVH's transmissions, since WWVH doesn't transmit on 25 MHz.

A block diagram of the receiver is shown in fig. 1. The system consists of a modified transistor broadcast receiver and a converter. The transistor radio operates "straight through" for 2.5-MHz reception and serves as an i-f amplifier for the converter, which tunes the higher WWV frequencies. Two crystal oscillators are required, one at 7.5 and one at 17.5 MHz. Each local-oscillator frequency allows dual-frequency reception of WWV, because 10 MHz and 20 MHz are the respective image frequencies when receiving 5 and 15 MHz.

broadcast receiver

The 2.5-MHz section, consisting of a transistor broadcast radio, requires a slight modification to the antenna tuned circuit to make it a fixed-tuned 2.5-MHz amplifier. The modification is simple, because almost all transistor broadcast sets use high-side mixing; i.e., the local oscillator is 455 kHz higher than the received frequency.

This means that when the radio is tuned to 1590 kHz, its local oscillator is at 2045 kHz, and the image frequency is 2.5 MHz. Thus 2.5 MHz is easily received by retuning the broadcast radio's antenna tuned circuits to 2.5 MHz. I didn't want the loopstick to function as a 2.5-MHz antenna when receiving other frequencies, so the loopstick was replaced with a small slug-tuned coil. Modification of the broadcast transistor radio is the first step, so it will be treated first.

The broadcast set I used was sold by Magnavox, uses six pnp germanium transistors, and was apparently made in Japan. Newer sets may use npn silicon transistors, and some older GE sets may use npn germanium transistors; however, the conversion will be similar. A typical six-transistor receiver is shown in fig. 2.

Tune the receiver to 1590 kHz, remove power, then replace the loopstick antenna (L7 in fig. 2) with a slug-tuned coil (L6 in fig. 3). Note that the new coil has both primary and secondary windings, so problems of dc isolation are simplified between the broadcast receiver and the rest of the system.

receiver front end

The WWV receiver front end is shown in fig. 3. Note the use of field-effect transistors. Dual-gate mosfets are used in the rf and mixer stages, while a jfet is used for the crystal-controlled local oscillator. Using dual-gate mosfets as rf and mixer stages simplifies matters, because in each case one gate can be used as a signal-input port and the other for gain control or local oscillator input.

The jfet makes a simpler crystal oscillator than a mosfet because it has a built-in gate-to-source diode, which rectifies oscillator rf voltage and acts much the same as the grid-cathode diode in a vacuum-tube oscillator in establishing grid-leak bias.

The band switch is a five-pole, five-position wafer switch. In the 2.5-MHz position, S1 disables the crystal oscillator and mixer so that only the rf amplifier and the transistor radio are used. Note that L6 is part of a 2.5-MHz parallel-tuned circuit, which is the load for the drain of the mixer fet when the receiver is tuned to 5, 10, 15, or 20 MHz. When the receiver is on 2.5 MHz, L6 becomes the load for the amplifier drain (by means of S1D and S1E). It is for this reason that L1B does not exist.

Rf gain may be adjusted by a 10k pot that varies the voltage on gate 2 of Q1 from zero to +3 volts through a

By **Hank Olson, W6GXX**, Stanford Research Institute, Menlo Park, California 94025

100k resistor. If agc is desired (not included here because it's not known what transistor radio the reader may start with), it would be fed into gate 2 of Q1 through the 100k resistor. The agc would vary this voltage from zero (minimum gain) to about +3 volts (maximum gain), with variations in signal level.

power supply

A regulated power supply for the WWV receiver is shown in fig 4. A three-terminal IC regulator provides +12 volts for the front-end section, and a simple emitter-follower regulator provides +9 volts for the converted broadcast receiver. Some transistor broadcast radios operate on 4 volts (a mercury battery) or even on 6 volts (four penlight cells); it's possible to accommodate these by using a different voltage-breakdown zener in place of CR3. The zener voltage should be close to 0.6 volt more than the desired output voltage of the emitter-follower regulator. A 4.7-volt (HEP Z0405) zener for 4-volt output and a 6.8-volt (HEP Z0409) zener for 6-volt output would be appropriate.

construction

The receiver was built in an LMB W1A box. Looking at the front panel, the power transformer and modified broadcast radio are on the top side of the subchassis at the left. The transformer is the only part of the power supply on top of the subchassis; the rectifier and regulator are on the underside of this subchassis. The broadcast radio (actually its PC board without plastic case) is mounted on the top side of the subchassis. Three or four 1/4-inch (6.4mm) fiber or plastic spacers were used in mounting to avoid shorting out PC-board traces. The speaker was remounted on the W1A box front panel (using an appropriate hole size and a piece of perforated metal grille material). Also mounted on this front panel is a volume-control of the same value as that contained in the transistor radio. This control was wired into the radio in place of the original, which was left undis-

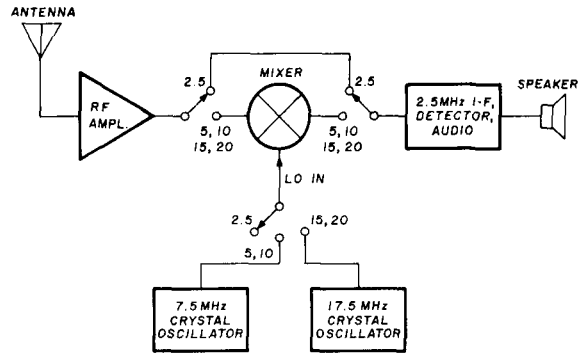


fig. 1. Block diagram of the five-frequency WWV receiver. A transistor broadcast radio operates as a fixed-tuned receiver for 2.5 MHz and as an i-f amplifier for the higher WWV frequencies.

turbed. The original volume control could have been used but wasn't suitable for panel mounting.

On the right side of the subchassis, a 3/4 x 4/4-inch (82.6x108mm) hole was cut, and a 3-3/4 x 4-7/8-inch (95.3x124mm) piece of dual-sided copper laminate PC material fitted over it. This piece of PC material was secured to the subchassis by six 4-40 (M3) screws. It's far easier to construct rf circuitry on the PC laminate than on the aluminum subchassis, as grounds can be made easily and directly by soldering.

Most front-end circuitry is located on top of this piece of PC board. The main exceptions are the two crystals and coils L2B, L3B, L4B, L5B. These coils should be mounted on the opposite side of the board from L2A, L3A, L4A, L5A to avoid inadvertent coupling and possible oscillation in the rf stages. Because of this simple inductance-isolation method, no further shielding partitions were needed.

The front-end bandswitch was made from a Centralab type PA301 wafer switch with three PA3 sections spaced 1 1/4-inches (31.8mm). The rf amplifier is located next to the rearmost switch section, the mixer next to the center

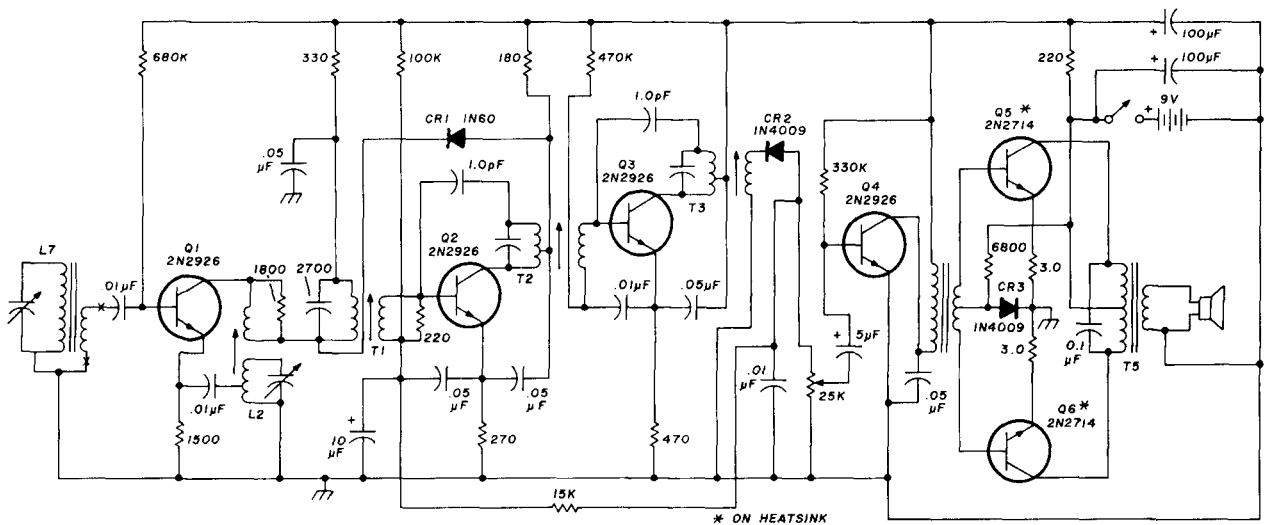
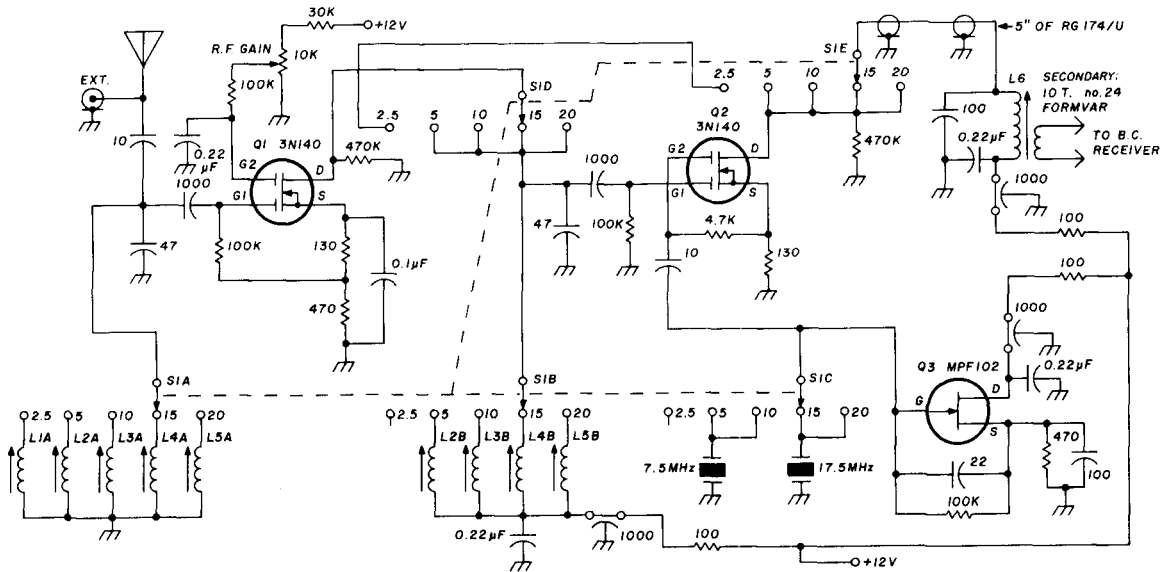


fig. 2. Schematic of a typical six-transistor broadcast receiver used in the WWV receiver design. Coil L7 was replaced by rf transformer L6 in fig. 3.



- | | | | |
|----|---|--------|--|
| L1 | 61 - 122 μH (Cambion X2060-7) | L5 | 0.83 - 1.6 μH (Delevan 4000-10) |
| L2 | 10 - 18 μH (Cambion X2060-4) | L6 | 28 - 63 μH (Cambion X2060-6), 10 turn secondary |
| L3 | 2 - 3.7 μH (Cambion X2060-1) | Q1, Q2 | 3N140, MFE3006, HEP F2004, RCA 40673 |
| L4 | 1.3 - 2.5 μH (Delevan 4000-12) | Q3 | MPF102, HEP802, HEP F0015 |

fig. 3. Converter for the WWV receiver. Dual-gate mosfets are used for the rf and mixer stages; the local oscillator uses a jfet, which has a built-in gate-to-source diode that rectifies rf voltage.

switch section, and the oscillator next to the front section. Coil L6 is on top of the laminate immediately behind the volume control and to the side of the mixer.

The three +12 volt lines (one each for rf, mixer, and crystal oscillator) emerge through the copper laminate through small 1000 pF feedthrough capacitors, with the 0.22 μF bypass capacitors on the top side. The 100-ohm decoupling resistors are located on the bottom. I strongly recommend that all bypass and coupling capacitors (1000 pF, 0.1 μF , and 0.22 μF) be ceramic disc or Erie Redcap types. These have both high capacitance

and low inductance for broadband rf use. The smaller capacitors (10 pF - 100 pF) should be silver-mica.

If the older types of dual-gate mosfets such as 3N140 or MFE3006 are used (which have no gate-protection diodes), the transistors must be handled with the usual precautions. That is, a small no. 32 AWG (0.2mm) bare wire must short all four leads until they are soldered into the circuit. The 470k resistor from each drain of Q1 and Q2 ensures that, during band switching, some dc resistance is always between all elements of each mosfet.

tune up

Tuning the receiver is simple, especially if you have a good signal generator. With the broadcast radio tuned to 1590 kHz, inject a 2.5-MHz signal into the WWV receiver (bandswitch on 2.5 MHz) and maximize the broadcast receiver output near 1590 kHz. Then adjust L1A and L6 for maximum output. Next switch to 5 MHz and peak L2A and L2B; in a similar manner, maximize L3A and L3B on 10 MHz, L4A and L4B on 15 MHz, and L5A and L5B on 20 MHz.

The receiver is designed to use a short piece of wire as an antenna. With a standard 50-ohm generator connected (mismatched) to this antenna, signals of 1 microvolt (1000 Hz, 50% modulated) could be easily detected on all five bands.

references

1. Jim Ashe, W1E2T, "WWV Receiver for \$5," 73, November, 1966, page 20.
2. C. Caringella, "Build a Three-Channel Time Receiver," *Popular Electronics*, December, 1970, page 33.

ham radio

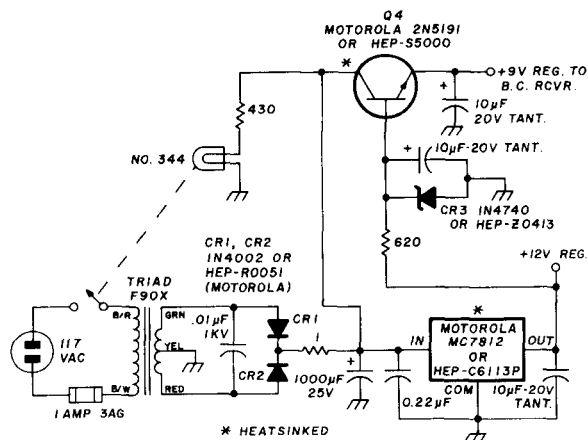


fig. 4. Regulated power supply for the WWV receiver, which provides +12 volts for the converter and +9 volts for the converted broadcast radio. Other transistor radios can be accommodated by using a different zener in place of CR1. The MC7812 voltage regulator IC is heatsinked directly to the chassis. Transistor Q4 is mounted on chassis with mica washer and silicone grease.

Clegg

FM-DX

UNEQUALLED
FOR
2 METER FM



\$ 645.00 FACTORY DIRECT PRICE INCLUDES:

- DYNAMIC PTT MICROPHONE
- MOBILE MOUNTING BRACKET
- DOMESTIC SHIPPING
- 2 POWER CABLES, ACCESSORY PLUG etc.

- 35 WATTS OUTPUT • .25 MICROVOLT RECEIVER
- 6-DIGIT LED FREQUENCY DISPLAY
- 143.5 to 148.5 MHz SYNTHESIZED

MATCHING BASE STATION POWER SUPPLY/ SPEAKER#031A
ONLY \$98.00

NOW IN STOCK FOR SAME DAY SHIPPING – NO WAITING

Call Clegg TOLL FREE Today and start enjoying your FM-DX

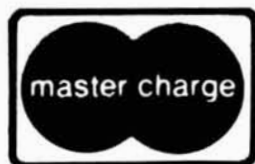
Charge It! With MASTERCHARGE or BANKAMERICARD or we will ship it COD

PHONE CLEGG TODAY FOR DETAILS ON THE **FM-DX** AND

THE NEW 12 CHANNEL **FM-76** FOR 220

PLUS THE 12 CHANNEL, 15 WATT 2 METER **MARK 3.**

THESE CLEGG ECONOMY LINE UNITS PUT YOU ON VHF FM FOR LESS THAN \$190.00!



Clegg
208 Centerville Road Lancaster, Pa. 17603
Toll free sales & services phone (800) 233-0250
In Pa. call (717) 299-7221 (collect)



the weekender



shirt pocket transistor tester

The transistor tester described here is useful when troubleshooting circuits. It's also great to take along while shopping the surplus stores for checking unknown devices. Large quantities of older transistors are available at low cost in surplus outlets, many of which are entirely suitable for many projects.

This tester will allow you to grade devices into npn/pnp and good/bad categories. It will also give you a pretty good idea as to whether the transistor is germanium or silicon. The best way to illustrate what the tester can do is to go through a typical test routine. The following procedure is based on the fact that the loaded terminal voltage of the battery in the tester is at least 7.5 volts.

using the tester

Suppose you wish to test a small-signal transistor that has no recognizable markings. Before plugging it into the tester, make sure the function switch is at the *short* position. This test must *always* be made first. Since nothing is known about the device, either npn or pnp can be chosen on the toggle switch. If the meter shows any reading at all, you'd normally reject the transistor without making any further tests. In this case however, if the toggle switch were set to npn and the device under test was a pnp (or vice versa), the meter would indicate a short circuit. (More about this later.)

Move the toggle switch to its other position and check for a meter reading. If the meter still deflects, we no longer care what the device is because it's definitely bad. Do not attempt to make any other tests on a bad device; it's bad for the meter! If the meter reads zero, then we've determined the device type and the fact that

*A complete parts kit for this transistor tester is being made available in conjunction with this article. For ordering information and prices, write to G.R. Whitehouse & Co., 10 Newbury Drive, Amherst, New Hampshire 03031.

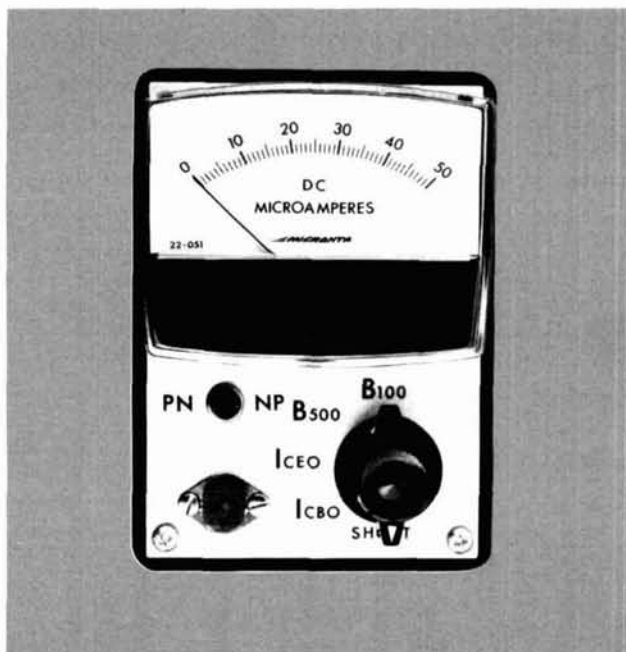
it's probably usable. The second step is to determine the quality of the device.

Turn the knob to test for I_{cbo} (collector-to-base current, emitter open). Most modern small-signal transistors exhibit nanoamperes of I_{cbo} . Many older types have microamperes of I_{cbo} . The former will give little or no reading on this meter, while the latter will produce small to moderate readings. We'd normally relegate a transistor with a high I_{cbo} reading to the trash can or give it to some curious youngster, so further testing at this point is really academic. In any case, a transistor that produces a moderate-to-high meter reading is probably a germanium device. Germanium devices typically have I_{cbo} values 10 to 100 times that of silicon devices, which is one reason why most transistors made today are silicon. Since I_{cbo} will increase with temperature and effectively increase the forward bias on the device in a circuit, a condition known as thermal runaway ensues. And if the I_{cbo} reading is moderate to high, be prepared for a high I_{ceo} (collector-to-emitter current, base open) reading on the next test. I_{ceo} always will be greater than I_{cbo} by a factor approximately equal to the current gain (beta) of the device. The modern silicon devices may not show an indication on the meter on this test either.

The final test is for beta. The switch selects a high beta range of 500 and a low range of 100. You won't find transistors with a beta of 500 very often, but they do exist. A transistor I like to use is a 2N3391, which typically gives beta readings between 300 and 400. The more usual case for the older types is a beta of 100 or less, and many of the types made for switching applications read quite low.

Having finished this test sequence, we've obtained some pretty useful information about the device under

Simple shirt-pocket transistor tester is packaged in small instrument box only 2½" (66mm) wide and 4" (85mm) high.



By Dave Cheney, W0MAY, 4808 N. Monroe, Loveland, Colorado 80537

test. Of course, the most important aspect of these tests is to determine if the device is suitable for our needs. Admittedly the tests don't tell us anything about frequency response, but this requires an entirely different tester. If you really must know whether a device is germanium or silicon, an additional test can be made. Set a volt-ohmmeter or vacuum-tube voltmeter to the one-volt

The I_{cbo} test circuit is shown in fig. 1B. The meter reads $50 \mu A$ full-scale, as no meter shunt is used. This value of current seems to be a good compromise for checking the collector-to-base leakage of most transistors. The same current range was used for the I_{ceo} test. Some transistors, especially germanium types with high I_{cbo} and beta, will pin the meter. Fortunately, this

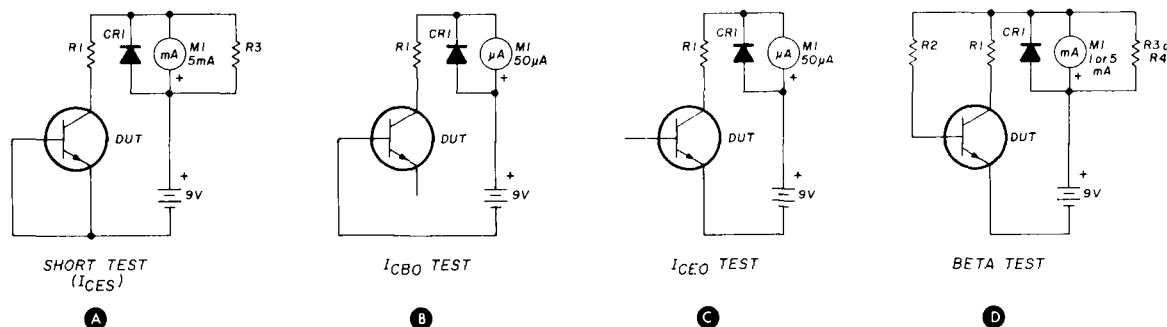


fig. 1. Circuits demonstrating the transistor tester operating principles. R1 is a current-limiting resistor and is in the circuit at all times. R2 sets the base current value for beta tests, and R3 is a meter shunt resistor, which is discussed in the text.

range, and connect the meter test probes between base and emitter with the device plugged into the tester. Select npn or pnp, depending on the device type, and set the function switch to the *B500* position. A germanium device will read 0.2 to 0.3 volt while a silicon will read 0.6 to 0.7 volt.

The short test is really an I_{ces} test, as shown in fig. 1A. In this test the full-scale meter reading is 5 mA. Resistor R1 limits the current to about 6 mA, depending on battery condition. This resistor provides some meter protection and limits battery current drain during short

doesn't happen very often. If you desire a higher current range for this test and still wish to retain the meter calibration, a meter shunt resistor could be connected to set the full-scale value to $500 \mu A$. The I_{ceo} test circuit is shown in fig. 1C.

The *B500* and *B100* test positions use the same circuit, except that different meter-shunt values are used. The *B500* test uses the same meter shunt used in the *short* test. On the *B100* test, a meter shunt resistor sets the full-scale current to 1 mA. The basic circuit is shown in fig. 1D, but only one shunt resistor is shown.

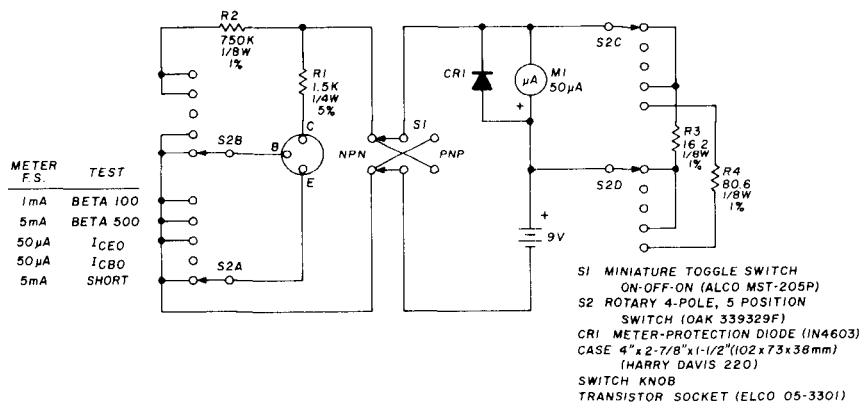


fig. 2. Transistor-tester schematic. Most of the parts are available from Allied Radio Shack stores.

tests. A meter reading will be obtained if the device has a collector-to-base or a collector-to-emitter short. To see why an npn device will show a short when the toggle switch is set to pnp (or vice versa), visualize the collector-base junction as a reversed-biased diode in normal operation. If the battery polarity is reversed, the collector-base junction becomes forward biased, which is the case when the toggle switch is in the wrong position.

The complete test circuit is shown in fig. 2. Note that collector resistor R1 is connected at all times. Its purpose has already been explained. Note, however, that this scheme does not adversely affect the test readings.

The diode across the meter is for over-current protection. Any small-signal germanium unit is suitable. The meter tracking accuracy doesn't compare with that of more costly units but is entirely satisfactory for this use.

The meter that maintains its zero position while in use has good damping. At the present price of about \$7.95 it's a good choice for this kind of project. The meter isn't supplied with electrical data on either meter resistance or full-scale terminal voltage. Information such as this seems to be missing from many of Radio Shack's products. I suspect that the low price and lack of information means that the specifications aren't held to close tolerances.

The shunt resistors can't be calculated without having one or the other of the above specifications, so I measured mine. I applied current until the meter read full scale then measured the terminal voltage, which was 80 mV. (I didn't carry the test to its conclusion to see if the full-scale current was truly 50 μ A.) Assuming the proper current value, an Ohms law calculation shows that my meter should have an armature resistance of 1600 ohms. If you're so inclined, you can measure your meter terminal voltage and recalculate the shunt resistor values for R3 and R4 using

$$R_s = \frac{I_m}{I_s} \times R_m$$

where: R_s = shunt resistance
 R_m = meter resistance
 I_m = meter current
 I_s = shunt current

Note that I_s = circuit current minus meter current (I_m).

construction notes

The transistor tester is very compact and the battery is a tight fit. My original intention was to use an 8.4 volt mercury battery (E-146X), which is almost the same size as the common carbon-zinc 9-volt transistor radio battery. The problem is that the two batteries are not exactly the same size. The mercury battery is just slightly thicker and will not allow the front panel to fully close. I mention this because the mercury battery is the most suitable for this application. The mercury bat-

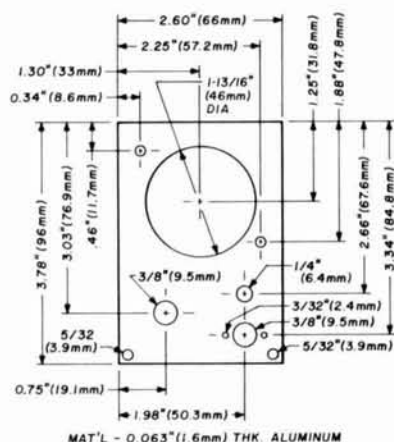
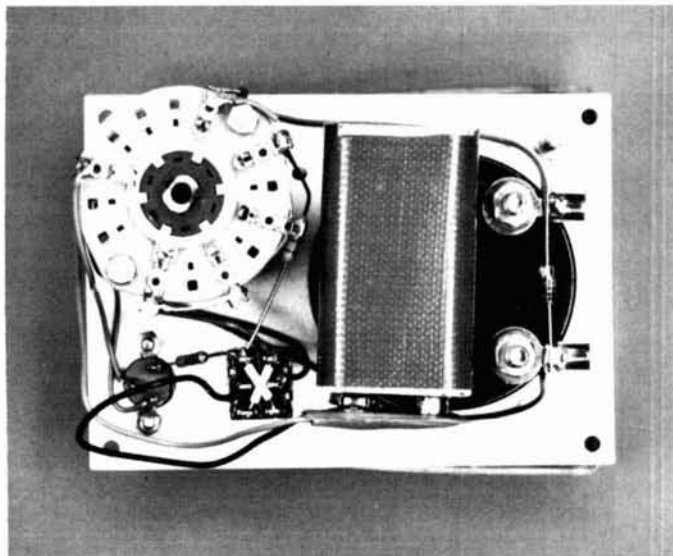


fig. 3. Front-panel layout viewed from the rear. The two 5/32-inch (3.9mm) holes at bottom are located 0.156 inch (3.9mm) in from each side and are for panel-to-case mounting screws.



Transistor tester parts layout. A slightly larger case than used here (see fig. 3) may be used to accommodate a type E-146X 8.4-volt mercury battery, which will improve the long-term accuracy of the tester.

tery has a relatively flat discharge characteristic, so that the terminal voltage remains fairly constant until the end of its life. Such a battery will improve the long-term accuracy of the tester. I didn't realize the physical differences between the two batteries until it was too late, and the carbon-zinc cell is used at present. The battery is positioned between the bottom of the case and the back of the meter. The rotary switch in my tester was a junk box item and it's not as suitable as the one in the parts list. The recommended switch uses only two wafers, which provide more room inside.

Those who wish to use my layout may refer to fig. 3 for the front panel dimensions. Note that this is the rear view of the panel, and that the meter-mounting screws are not symmetrically displaced from the center of the meter cutout.

alignment and test

No alignment is needed other than adjusting the meter mechanical zero. The battery should be replaced when its loaded terminal voltage reaches 7.5 V. If the voltage falls below that value, the B500 test will read low. A simple battery check may be performed as follows:

1. Set the function switch to *short*.
2. Set the toggle switch to either position.
3. Insert a small bare wire in the test socket between the collector and emitter pins.
4. If the meter reads less than 50, replace the battery.

There you have it: a handy-dandy transistor tester you can take to the surplus store in your pocket. If you've read this far, you probably need one too.

ham radio

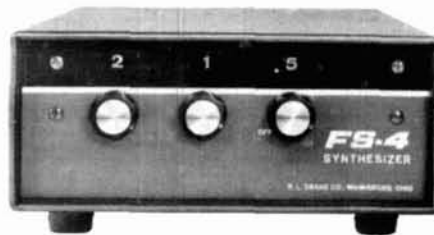
Open the door to a new world...



of continuous-tuning short wave!

Combine synthesized general coverage flexibility...

...with the selectivity, stability, frequency readout and reliability of the world-famous Drake R-4C or SPR-4 Receivers, and you're on your way... the new solid state Drake FS-4 Synthesizer writes your ticket...



**DRAKE FS-4
GENERAL COVERAGE
FREQUENCY SYNTHESIZER**

- Interfaces with all R-4 series receivers and T-4X series transmitters: (R-4, R-4A, R-4B, R-4C, SPR-4, T-4, T-4X, T-4XB and T-4XC), without modification.
- MHz range is set on FS-4, with kHz readout taken from receiver dial.
- Complete general coverage—no range crystals to buy.
- T-4/T-4X series transmitters transceive on any FS-4 frequency, when used with R-4 series receivers.
- For use with SPR-4, order Interface Kit Model 1523.
- **Model FS-4 Amateur Net... \$250.00**



R-4C/FS-4

Continuous coverage from 1.5 MHz through 30 MHz with Passband Tuning, Notch Filter, optional Selectable 8-pole Crystal Filter for optimum selectivity, and 1 kHz readout from the famous Drake PTO.



SPR-4/FS-4

Continuous coverage 150 kHz-30 MHz. • Built-in L/C Filter for selectivity on AM, CW, USB and LSB. • Versatile combination when your needs include low frequency Marine and Broadcast band coverage. • Readout 1 kHz with Drake PTO • All solid state.

At your Dealer. For free brochure please contact:

R. L. DRAKE COMPANY



540 Richard St., Miamisburg, Ohio 45342
Phone: (513) 866-2421 • Telex: 288-017

integrated circuit base-step generator

A straightforward
circuit
which may be used
in building
a curve tracer

Several articles have appeared recently describing curve tracer adapters for oscilloscopes. These adapters provide a means of measuring and displaying the current-versus-voltage characteristics of two- and three-terminal semiconductors on an oscilloscope. All of these adapters have two basic sections: a collector sweep circuit, and a base-step generator.

The collector sweep circuit generates a sweep voltage which is applied to the collector of the device under test. This voltage is usually derived from stepped-down line voltage which has been halfwave (60 Hz) or full-wave (120 Hz) rectified. The magnitude of the waveform is controlled by either an adjustable resistive divider or by a variable autotransformer. The circuit also usually contains a resistor for sensing collector current, and/or current-limiting load resistors. The design of this portion of the curve tracer adapter is straightforward and has been adequately discussed in previous articles.^{1,2}

base-step generator

To generate a family of curves for three-terminal devices, the adapter must include a base-step generator in addition to the collector sweep circuit. This circuit generates a series of voltage or current steps which are synchronized with the beginning of each collector volt-

age sweep. These steps are then applied to the base or gate of the three-terminal device under test. The accuracy of this portion of the adaptor is a major factor in the overall accuracy of the curve tracer adapter.

To achieve good accuracy and low parts count, the base-step generator circuit of **fig. 1** was designed using a digital-to-analog, integrated circuit approach.

The resulting circuit has the following features:

1. Calibration of the circuit involves only one adjustment.
2. Accuracy of the circuit is determined only by the accuracy of resistor ratios, not absolute resistor values.
3. A true current source supplies base current.
4. The number of current or voltage steps is selectable.
5. Parts count is low and therefore construction is easy.
6. It is easily adapted to the builder's individual requirements.

circuit

The heart of the circuit is Motorola's MC1406L, a six-bit, digital-to-analog (D/A) converter. Before introduction of this device, most D/A converters were too expensive to be used by amateurs in their projects. Now, a D/A converter is available that is within most amateurs' budgets.* The basic configuration of the MC1406L is shown in **fig. 2**.

A reference current, I_{ref} , is established and flows into pin 12. I_{ref} is given by

$$I_{ref} = \frac{V_{ref}}{R_{12}}$$

The output current, I_o , which flows into pin 4, is an accurate fraction of I_{ref} . This fraction is determined by the digital word present at the inputs of the MC1406L, pins 5 through 10. The output current is given by:

$$I_o = I_{ref} \left(\frac{\bar{A}_1}{2} + \frac{\bar{A}_2}{4} + \frac{\bar{A}_3}{8} + \frac{\bar{A}_4}{16} + \frac{\bar{A}_5}{32} + \frac{\bar{A}_6}{64} \right)$$

For example, if the digital inputs ($A_1 - A_6$) are of the

*Single quantities of MC1406L are available at the price of approximately \$5.90.

By Henry Wurzburg, WB4YDZ/7, Motorola Semiconductor Products, Inc., Phoenix, Arizona 85008

form 101100, then \overline{A}_1 through A_6 would be 010011, and the output current, I_o , would be

$$I_o = I_{ref} \left(\frac{0}{2} + \frac{1}{4} + \frac{0}{8} + \frac{0}{16} + \frac{1}{32} + \frac{1}{64} \right)$$

$$= I_{ref} \left(\frac{19}{64} \right)$$

The output current can range from 0/64 to 63/64 of I_{ref} in increments as small as 1/64, depending on the state of the digital inputs. A set of guidelines is given in Appendix 1 on the proper operating conditions for the MC1406L IC.

If the output of a digital counter is connected to the inputs of the MC1406L, a series of current steps result on its output. This is the technique that is used in the base-step generator of fig. 1. Referring to the circuit, a train of clock pulses is derived from rectified line voltage. My curve tracer adapter used full-wave rectification of the line voltage for the collector sweep. Therefore, the ac voltage from which the clock pulses are derived is likewise full-wave rectified. This voltage is applied to Q1 at point A. The pulses from Q1 are inverted by U1A, and its output is applied to the clock inputs of U2 and U3. These J-K flip flops, along with U1B and U1C, form a synchronous divide-by-eight counter.

The outputs of this counter are then applied to the $A_1 - A_3$ inputs of the D/A converter, U5. I_{ref} is adjusted by potentiometer R1 to be 400 μ A and the inputs A_4 through A_6 are tied to +5 volts. With this configuration, the output current into pin 4 is incremented 1/8 I_{ref} or 50 μ A, each time the counter is incremented. Note that the minimum increment of current that can be obtained with this configuration is 1/8 I_{ref} , or 50 μ A. If current increments other than 50 μ A are desired, they can be obtained by appropriate adjustment of R1 and by using inputs $A_2 - A_4$, $A_3 - A_5$, etc. The guidelines for proper MC1406L operation, as set forth in Appendix 1, should always be followed when such a modification is done.

The output of U5 is then fed into a current amplifier composed of U6, Q2, and their associated resistors.

The basic configuration of the current amplifier is shown in fig. 3. The relationship between the input current I_1 and the output current I_2 is given by

$$I_2 = I_1 \left(1 + \frac{R_1}{R_2} \right)$$

An important feature of this configuration is that the output current is constant if the input current is constant, independent of the voltage between the output terminals. Note that the accuracy of the current gain is dependent only upon the ratio of R1 and R2, not on their absolute values. This affords the builder the opportunity of obtaining highly accurate current gains without the use of expensive precision resistors.

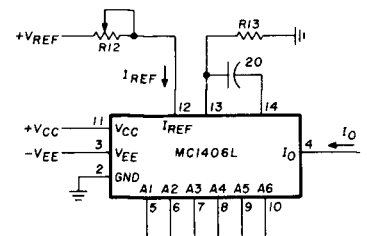


fig. 2. The output current flowing into pin 4 of the MC1406L is an accurate fraction of the reference current flowing into pin 12. The fractional portion of I_{ref} appearing at I_o is determined by the digital word present on inputs $A_1 - A_6$.

This current amplifier configuration is used in the circuit of fig. 1. Transistor Q2 reduces the amount of current U6 must supply by a factor of Q2's beta. Resistor R9 converts the current steps into voltage steps for fet measurements. This resistor is the only precision part necessary in the circuit. U4 and S1 select the number of steps generated by resetting the counter section at the appropriate point in the count sequence. The circuit power supply is shown in fig. 4. At this point two words of caution are in order:

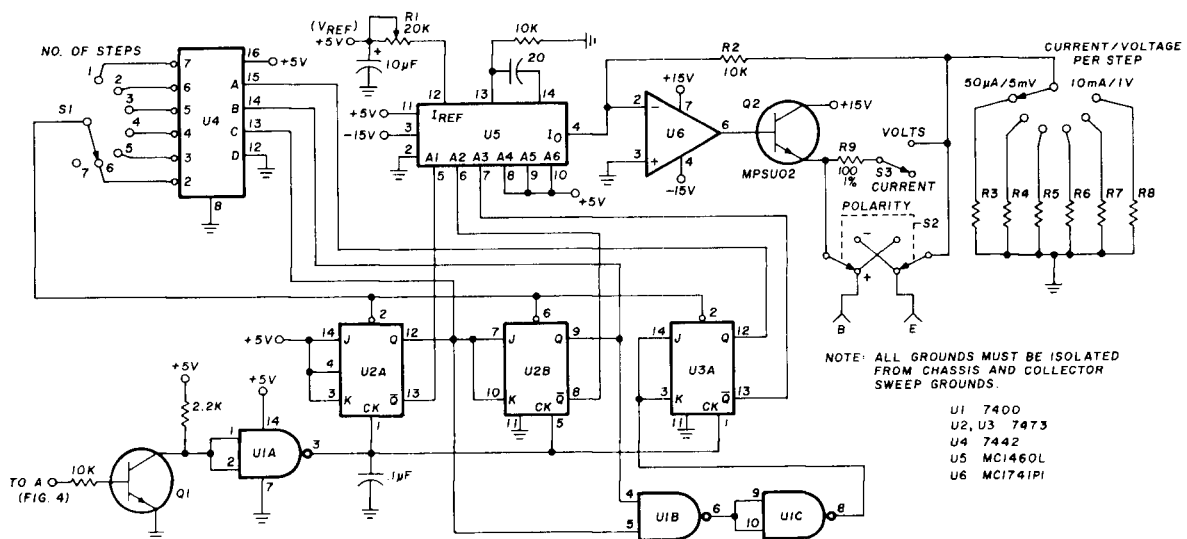


fig. 1. The base-step generator using the MC1406L six-bit, digital-to-analog converter. The values for resistors R2 through R8 are listed in table 1. R1 is a 10-turn 20k potentiometer. Q1 is a general-purpose npn with dc current gain of about 30.

1. Be extremely careful *not* to apply voltage steps to the base of bipolar transistors, or excessive base current will result.

2. The ground for the step generator circuit *must* be isolated from the collector sweep circuit and chassis grounds for proper operation.

construction

Normal construction practices are applicable. However, it is important that the power supply leads be properly bypassed. For the digital portions, a 0.01 μF disc capacitor for every five IC packages is satisfactory. All linear device supply voltages should be bypassed as close to the device as is possible with 0.1 μF disc capacitors.

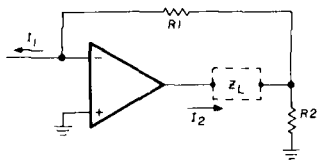
table 1. Values for R3 through R8 are shown in last column as a ratio of R2 for various gains and voltage- and current-step ratios.

current step	voltage step	gain	R
50 μA	5 mV	1	∞
100 μA	10 mV	2	R2
500 μA	50 mV	10	R2/9
1 mA	100 mV	20	R2/19
5 mA	500 mV	100	R2/99
10 mA	1000 mV	200	R2/199

With the exception of the current amplifier's gain determining resistors, circuit components are noncritical and appropriate substitutions can be made. The accuracy of the circuit is directly dependent upon the selection of resistors R2 through R9.

As was previously mentioned, the gain of the current amplifier is determined by the ratio of two resistors. If an accurate digital ohmmeter or resistance bridge is available, it is a simple matter to "bridge" the resistors necessary to obtain the desired gain. For example, if it is desired to obtain a gain of 100, then $R2/R = 99$. Since R2 equals approximately 10k, R should be approximately 110 ohms. R2 would be accurately measured and its value noted. Then resistors of 100 ohm nominal value would be measured and a resistor selected whose measured value is closest to being 1/99 of R2's measured

fig. 3. Current amplifier used to buffer the output of the base-step generator follows the configuration shown here. If input current is constant, then output current will also be constant, independent of voltage changes across Z_L .



value. Highly accurate resistor ratios, and therefore gains, can be obtained in this manner.

Of course, this method can not be used if a digital ohmmeter or resistance bridge is not available, or if you don't have a healthy stock of resistors on hand. In this case, precision (1%) resistors must be obtained and used

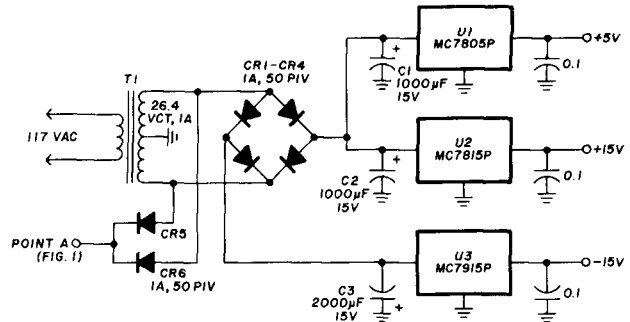


fig. 4. A suitable power supply for the base step generator of fig. 1.

in combinations to obtain the appropriate resistor values.

To calibrate the circuit, set switch S1 to step position 7, switch S3 to the VOLTS position, and switch S4 to a midrange position. Connect an oscilloscope to the B and E output terminals and adjust R1 to obtain the correct voltage steps. The circuit is now ready for use.

conclusion

This circuit offers versatility and adaptability. In addition, its accuracy is limited only by the accuracy of the instruments that are used to select the components and to calibrate the circuit. The inclusion of this base-step generator circuit in a curve tracer adapter provides a highly accurate and extremely useful accessory for an oscilloscope.

appendix

The following are some guidelines for proper circuit operation of the MC1406L six-bit, digital-to-analog converter. They are by no means maximum limits, nor are they intended to define all the possible regions of operation. Instead, they are given as an aid for individual design and are appropriate for most circuit configurations. For more detailed information on the MC1406L's capabilities and applications, see the manufacturer's data sheet.

1. Normal operating voltages:

$$V_{CC} = +5 \text{ volts}, V_{EE} = -15 \text{ volts}$$

2. I_{ref} should be equal to 500 μA to 4 mA

3. V_{ref} should be equal or less than +5 volts and well regulated.

4. If V_{ref} is obtained from a logic supply, it should be heavily bypassed close to R12 (fig. 2).

5. R13 should be approximately equal to R12.

6. Voltage on pin 4 (output pin) should never exceed plus or minus 0.4 volt. This may be accomplished by the use of op amp buffering.

references

- Albert Klappenberger, K3KWX, "An Accurate Solid-State Component Curve Tracer," *CQ*, July, 1974, page 20.
- Daniel Wright, WA9LCX, "Transistor Curve Tracer," *ham radio*, July, 1973, page 52.

ham radio

readout display

for two-meter digital synthesizers

Dress up your transceiver with a 7-segment display for easy-to-read switch settings

The readout display described here is a great convenience when setting up the channel switches on your two-meter transceiver in the dark or while operating mobile. The display shows the decoded BCD count that controls the synthesizer. If the BCD input to your synthesizer is through front-panel switches, the display makes a nice remote switch-position indicator.

My setup consists of a Heathkit HW-202 and a GLB synthesizer built from a kit. The display is intended for use with the GLB; however, it will work with all the homebrew synthesizers I've seen, of which there are many in this area. I built a three-digit display for \$13.00; a two-digit display would be about \$8.00. The three-digit display covers all six switches, while a two-digit display would cover the 100- and 10-kHz positions. Since the decoded BCD count that's loaded into the synthesizer is taken from the switches, no mods are required to the synthesizer.

description

The front-panel switches used for frequency selection

on the GLB are ten-position rotary switches; i.e., each switch has ten positions with binary-decimal-coded outputs that represent the decimal numbers 0-9. Six identical switches are used; three represent the received frequency (RX), and three represent the transmit frequency (TX). The switches are marked 0 through 9.

The three numbers in a three-digit format represent respectively MHz, 100 kHz, and 10 kHz. Thus if the RX switches are set to 694, for example, and the TX switches are set to 634, you'd be receiving on 146.94 MHz and transmitting on 146.34 MHz. A two-digit format would display the 94 only, for 146.94 MHz. Most homebrew synthesizers have ten-position thumbwheel switches (BCD) that are mechanically different but electrically the same as in the GLB synthesizer.

Since the RX/TX count is loaded into the synthesizer at the same point, the display will normally read out the numbers set up on the RX-selected switches. When you activate the PTT line the readout will automatically display the numbers from the TX-selected switches; this allows three digits to read out all six switches, displaying only those in use.

construction

Fig. 1 is the basic circuit and can be used for all three digits. The transistors aren't critical; most any type of npn device will work. The diodes should be silicon switching types. Substitutes for the readouts are MAN-4 or DL-4. You'll need two identical circuits as in fig. 1, each of which will be used for the 100-kHz and 10 kHz readouts. The 7404 IC module has six separate inverters. If you build a three-digit display, sections 5 and 6 from the 100- and 10-kHz 7404 modules provide the four inverter for the MHz readout, using pins 10, 11, 12, and 13.

On some synthesizer models the MHz switch is locked from going below 4 and above 7. If you have this type,

By Garry M. Poirier, WB4TZE, P.O. Box 3871, Gastonia, North Carolina 28052

build the MHz display as shown in fig. 2 using the two unused inverters from the 100-kHz 7404. For the 5 volt supply I used a LM309K regulator (fig. 3). Component layout isn't critical. I mounted everything on perboard except the diodes, which I mounted inside the synthesizer. If you plan to have your display located remotely

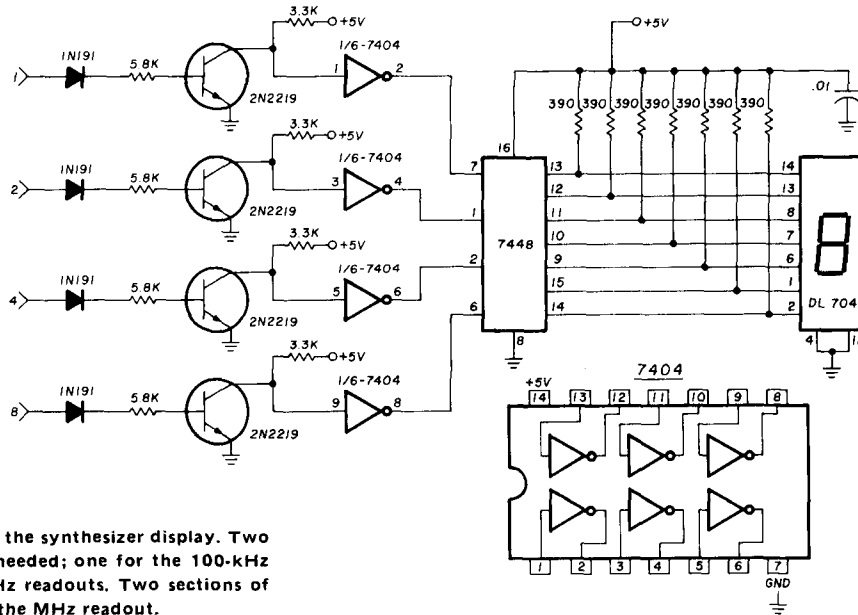


fig. 1. Basic circuit of the synthesizer display. Two identical circuits are needed; one for the 100-kHz and one for the 10-kHz readouts. Two sections of the 7404 are used for the MHz readout.

from the synthesizer, such as dash mounted, small coax should be used for interconnecting wires and you still may have an erratic display while transmitting (this problem is discussed under troubleshooting).

I built my readout into a Minibox, bolted it to the top of the synthesizer, drilled a hole through both, and

10-kHz switch. The point where the diodes connect to each other is the point to make your voltage measurements and to connect the readout diodes.

To find the BCD value of each diode, connect the minus lead of a voltmeter to chassis, turn power on, set both 10-kHz switches to number 1. With the positive

lead measure the four diode connections. One and only one connection will be above +3 volts; this point is BCD 1. Move the 10-kHz switches to position 2 and measure again; also do this with the switches in positions 4 and 8. Now that you've determined the 1-2-4-8 diode positions, solder the respective diodes from the display to these

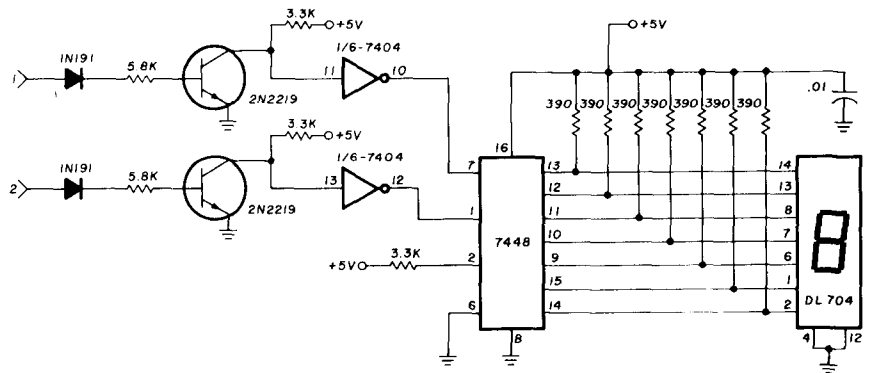


fig. 2. Circuit for limited-range MHz switch. Connect the 2-display diode to the point that measures +4V for both 6 and 7 positions (see text for measurement). The 1-display diode is connected to the other MHz-diode point.

used standard hookup wire. I cut out the front of the Minibox just enough to view the LEDs, then put a polaroid filter over the cutout.

No modification to your synthesizer should be required to connect the display. However, you must connect the readouts to the proper point for a 1-2-4-8 BCD decoding with automatic switching (see fig. 4). Remove the cover from the synthesizer. At the back of the 10-kHz switch you'll see four diodes connected to it, and they in turn connect to four diodes from the lower

points (watch the polarity). Repeat this operation for the 100 kHz and the MHz readouts. If you have only two diodes on the MHz switch, see fig. 2.

test and troubleshooting

When all connections have been made, position the RX switch to use the lower set of switches and turn power on. The display should represent the output from the lower switches. Move the RX switch to the upper switches and the display should change to represent the

upper switches. With the RX switch on the upper set of switches and the TX on the lower set, ground the PTT line and the display should change from upper to lower switches.

If a readout is in error from a switch setting and the rig is on the right frequency, then you have made a wiring error, most likely at the diode 1-2-4-8 connections, or you have used a bad component. If the readout

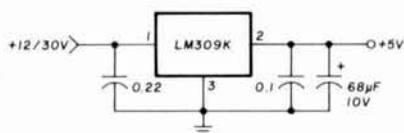


fig. 3. Regulator circuit for obtaining +5 volts. Pin 3 is case ground. The 68- μ F capacitor can be any value between 10 to 100 μ F at 10 volts.

is correct or erratic and the rig is on the wrong frequency, check for a diode connected backward or a shorted diode. If the reading is correct in RX but in error in TX, you have rf leakage from your rig. Check the reading with the rig terminated into a good dummy load. The diodes isolate the readout from the synthesizer, the transistors bring the signal to a TTL level, the 7404 inverts the signal to the correct polarity, and the 7448 decodes the signal to drive the DL704.

If trouble still persists, such as an erratic readout on transmit, check for rf leakage in and around your set. The shields of all leads from the synthesizer to the transceiver should be grounded at the point of entry into the transceiver. Check for poor antenna connections, high vswr, loose hardware in both rigs, a poor microphone connection, or an oscillating power supply. The readout should be correct and steady, even with a 50-watt amplifier sitting on top of it.

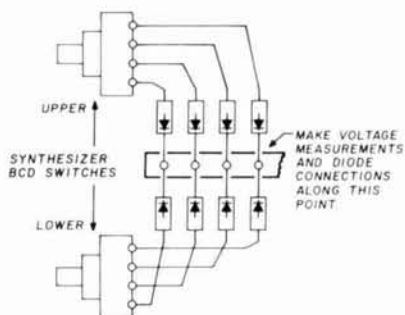


fig. 4. Upper and lower 10-kHz synthesizer BCD switches showing how to connect readout circuit for proper BCD decoding.

The reason for two types of MHz switch hookups is that the GLB has a MHz switch that will not go below 4 (144.00 MHz) or above 7 (147.99 MHz). This prevents out-of-band operation. However, some amateurs wish to use their synthesizer on MARS frequency so they order a band-extended version, which allows the MHz switch to go from zero to 9 (144 to 149 MHz). All homebrew rigs (to my knowledge) will go from 140.00 to 149.99 MHz, or at least the switch is not locked out to prevent it.

ham radio

GREAT PUNCH LINE

Any ALPHA Linear Will Give Your Signal Maximum Legal Power "Punch" . . .



The Ultimate — ALPHA 77D

- Ultra-conservative, super-rugged design
- 1.8 through 30 MHz
- 8877 Eimac Triode
- Full QSK break-in
- Vacuum tuning and T/R
- Whisper quiet
- Full year warranty

\$2995 amateur net.

So Just Choose The Model Best Suited . . .



No-Tune-Up — ALPHA 374

- Bandpass or manual tuning 10-80 meters
- Maximum legal power continuous duty all modes
- Three Eimac 8874's
- Proven dependability
- Full year warranty

Immediate delivery at \$1395.

To YOUR Operating Interests And Budget!



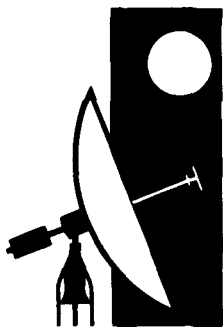
Practically Perfect — ALPHA 76

- 2+ Kilowatts SSB PEP
- Full KW CW/FSK/SSTV
- 10-160M Standard
- Two EIMAC 8874's
- Fully self-contained
- Full year warranty

Now available for prompt factory delivery at a practical \$895.00



EHRHORN TECHNOLOGICAL
OPERATIONS, INC.
BROOKSVILLE, FLORIDA 33512
(904) 796-1428



vhf/uhf techniques

Joe Reisert, W1JAA

matching techniques for vhf/uhf antennas

In my last column, in the May issue¹, I discussed feed systems, feedlines, baluns, matching networks and matching techniques. This month I will concentrate not only on matching techniques but also on easily-built test equipment which can be used to assist in matching and evaluating antenna performance.

More often than not, the station transmitter is used as a signal source to check vhf and uhf antenna performance. This is easy to understand since most stations are equipped with an in-line vswr indicator. However, using the station transmitter for antenna evaluation has several drawbacks. The most obvious problem is that adjustments cannot be readily made with power applied. Another problem which has only recently been mentioned is the possible hazard due to exposure to high-intensity rf fields.²

A better technique for measuring and matching vhf and uhf antennas uses a low-power (1 to 100 mW) amplitude-modulated (usually 1-kHz square wave) signal generator. This generator can be either a standard commercial signal generator (such as the Hewlett-Packard 608) or a small solid-state signal source such as that described later in this column. Low power testing eliminates most of the problems associated with using the station transmitter. It is also much less time consuming because adjustments can be made with rf power applied. Furthermore, construction of such an rf generator is simple and straightforward.

Most in-line vswr meters (such as the *Monimatch*) use a microammeter or milliammeter as an indicator. This requires moderate power (more than 1 watt) to drive the meter. Dc amplifiers can be used to increase sensitivity, but they tend to drift and can be quite complex. If a modulated rf source is used, the detected rf signal is ac (rather than dc) so it can be easily amplified to a suitable level to drive a vswr indicator. A typical test set-up is shown in fig. 1.

A suitable low-power 144-MHz (10-milliwatt) signal source for antenna measurements is shown in fig. 2. It

consists of a 72-MHz crystal oscillator followed by a times-2 multiplier. This design follows the general guidelines of reference 3. Experimental tests have shown that overtone crystal oscillators can be balky starters. Therefore, I recommend that the oscillator be run continuously while keying the doubler. Simple, off-on (square-wave) keying is preferred. I have also used this technique on a 432-MHz signal source which uses a 108-MHz oscillator followed by two-keyed doublers. Over five years of rough treatment have not caused any problems.

There are several requirements for a suitable rf source. Output power should be constant. This can best be controlled by using a regulated power supply. Battery operation is recommended for field use, but the batteries should be checked periodically for signs of discharge. For best performance in the field, a simple 3-terminal, 12-volt, IC voltage regulator following a 16- to 20-volt battery supply is recommended.

Another rf generator requirement is freedom from load variations (such as the antenna, etc.). This can be satisfied by a 3 to 6 dB attenuator between the generator output and the load. All spurious or harmonic outputs should be at least 30 to 40 dB below the output signal. A double-tuned output filter is usually sufficient (see fig. 2). Finally, a shielded box around the generator prevents excessive radiation or signal pickup.

Construction is straightforward. My units are built on a 2- by 4-inch (5x10cm) piece of double-sided epoxy fiberglass PC board which is attached to the inside of the top lid of a Pomona 2901 shielded box. All grounded components are soldered to the copper ground plane. Be sure to remove the paint and protective coating where the box and lid make contact. This insures a well-shielded generator — a must for good measurement.

The 144-MHz rf generator has a CW output of 10 milliwatts and a modulated output of 5 milliwatts. All spurious and harmonic frequencies are 35 to 40 dB

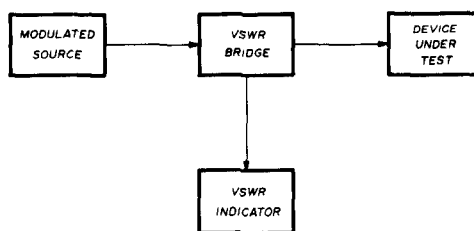


fig. 1. Low-power vswr test set-up. System sensitivity is increased considerably by the use of a modulated rf signal source.

below the output. These characteristics are near optimum for the low-power antenna tests to be described in this article.

You may ask if a separate generator is needed for each band you're interested in. The answer is no. With the exception of 50 and 220 MHz, all major amateur vhf/uhf bands are harmonically related to 144 MHz so it's only necessary to build a 144-MHz generator and

add on amplifiers and multipliers for other bands. Keying the multipliers is not necessary because the 144-MHz source will supply sufficient modulation. Such a scheme is shown in fig. 3. It will be left to the user to provide the circuitry necessary to implement this system.

For several years I have been using a simple multivibrator and series pass transistor as the modulator for my rf generators. At the instistance of K1LOG, I finally updated my circuit to use an NE555 IC. One NE555

ponents, and layout. However, with some care a simple homebrew bridge can be made to work well through 450 MHz. Such a unit is shown in fig. 5. Operation of this bridge is easily understood. If identical loads are placed at J2 and J3, the signals at opposite ends of R3 are equal and in phase, and there will be no output at J4. However, if the impedance of the unit under test at J3 is different from that of the reference load, an output proportional to this difference will be present at J4. The reference load and unit under test can be any convenient

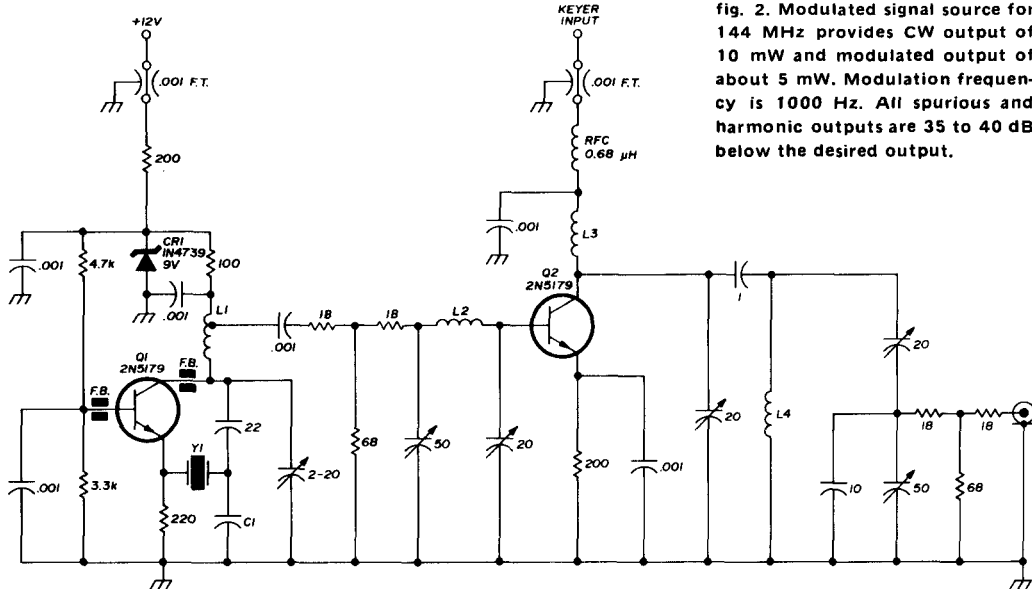


fig. 2. Modulated signal source for 144 MHz provides CW output of 10 mW and modulated output of about 5 mW. Modulation frequency is 1000 Hz. All spurious and harmonic outputs are 35 to 40 dB below the desired output.

- C1 as large as possible, consistent with good oscillator starting (100 pF typical)
- FB ferrite bead
- L1 9 turns no. 24 (0.5mm) on Amidon T-37-12 toroid core; tapped 3 turns from cold end

- L2 15 turns no. 28 (0.3mm) on Amidon T-25-12 toroid core
- L3,L4 4 turns no. 24 (0.5mm), 1/4" (6.5mm) inside diameter, 1/4" (6.5mm) long
- Y1 72-MHz, 5th-overtone, series-mode crystal

timer replaces the multivibrator and its 15 plus components and is easily adjustable from 750 to 1500 Hz. A series pass transistor, while not absolutely necessary, was added since it increased the output by about 2 dB. A complete schematic of the modulator is shown in fig. 4.

This unit is built in a small chassis box with two or more 3- or 4-pin Jones connectors on the output. The output connectors provide ground, +12 volts and keyed 12 volts, thus allowing quick changes or additional units to be plugged in (see fig. 3).

vswr measuring gear

In the May column I mentioned some recommended vswr measuring gear. In this column, I will describe simple homemade equipment that can be used instead of slotted lines, network analyzers and reflectometers. The vswr bridge is a very versatile unit since it can be used to measure various impedances, depending on the reference. Suitable bridges are commercially available from a number of firms including Texscan, Anzac, Telonic and Wiltron. Sometimes these units can be found on the surplus market.

A vswr bridge can be built to work through several GHz, but this requires careful attention to size com-

ponents, and layout. However, with some care a simple homebrew bridge can be made to work well through 450 MHz. Such a unit is shown in fig. 5. Operation of this bridge is easily understood. If identical loads are placed at J2 and J3, the signals at opposite ends of R3 are equal and in phase, and there will be no output at J4. However, if the impedance of the unit under test at J3 is different from that of the reference load, an output proportional to this difference will be present at J4. The reference load and unit under test can be any convenient

impedance value from 25 to 100 ohms. However, the bridge circuit in fig. 4 is designed for optimum performance at 50 ohms.

The values of R1 and R2 are not critical, but both should be the same type and well-matched for best accuracy. This can be easily accomplished by comparing 6 to 10 similar resistors on an ohmmeter and choosing

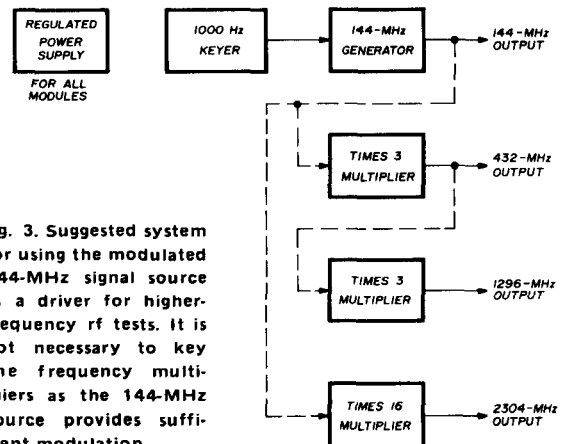


fig. 3. Suggested system for using the modulated 144-MHz signal source as a driver for higher-frequency rf tests. It is not necessary to key the frequency multipliers as the 144-MHz source provides sufficient modulation.

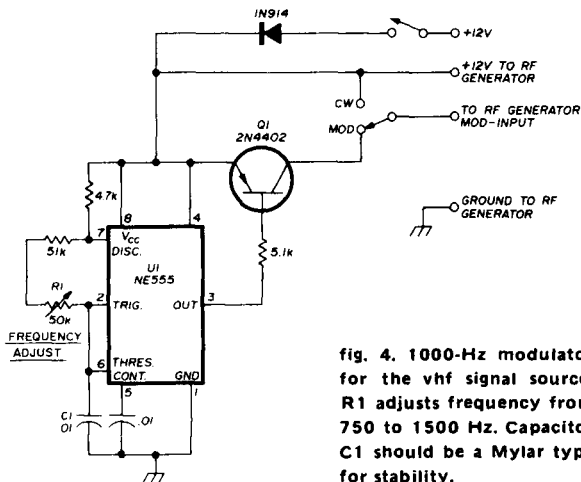
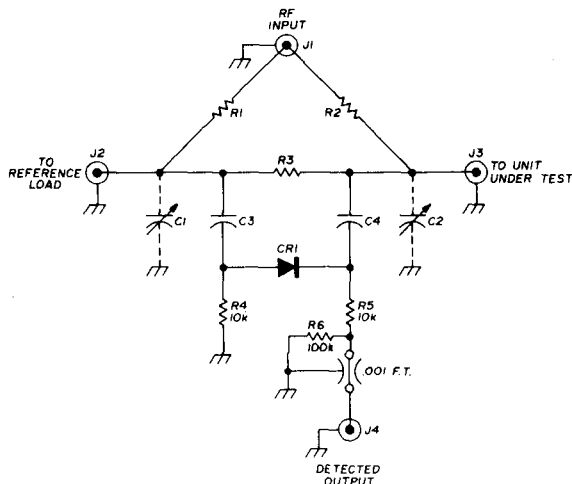


fig. 4. 1000-Hz modulator for the vhf signal source. R1 adjusts frequency from 750 to 1500 Hz. Capacitor C1 should be a Mylar type for stability.

the two which are closest in value. R3 can be one of the rejects since its value is not critical. I would suggest the use of 51-ohm, 1/4-watt, carbon-composition resistors. If the bridge is primarily for use at 70 or 75 ohms, R1, R2, and R3 should be changed accordingly for best match to the device under test, but this is a fine point. Capacitors C1 and C2 are small copper tabs that can be added close to J2 and J3 if the ultimate in balance is desired (more about this later).

When building such a bridge, short leads and symmetry are the prime considerations because any long leads or stray capacitance will cause imbalance. A recom-



- C1, C2 small capacitive tab required for balance (see text)
- C3, C4 0.001 μ F (small disc ceramic or chip capacitor)
- CR1 1N82A or equivalent germanium diode
- J1, J4 UG-290A/U BNC connector
- J2, J3 UG-58/U type-N connector
- R1, R2 47 to 55 ohms, matched (see text)
- R3 51 ohms, 1/4-watt carbon composition
- R4, R5 10k ohms, 1/4-watt carbon composition
- R6 100k ohms, 1/4-watt carbon composition

fig. 5. Homebrew vswr bridge which is suitable for use through 450 MHz. When building the bridge short leads and symmetry are important considerations because of imbalance which can be caused by poor layout. A typical layout is shown in fig. 6.

mended layout is shown in fig. 6. I use a Pomona 2417 shielded box for the enclosure. It is a good choice for the components and type-N connectors.

To test the bridge a modulated rf signal is connected to J1 and an audio detector (described later) is connected to J4. Two identical loads are placed on J2 and J3. The detector output should be extremely low. If not, C1 or C2 can be added to balance out any residual signal. Removing either the load or reference will cause the detected output to rise from 20 to 40 dB or more, indicating proper performance. If two identical loads are swapped from J2 to J3 and vice versa, the detected output should not change.

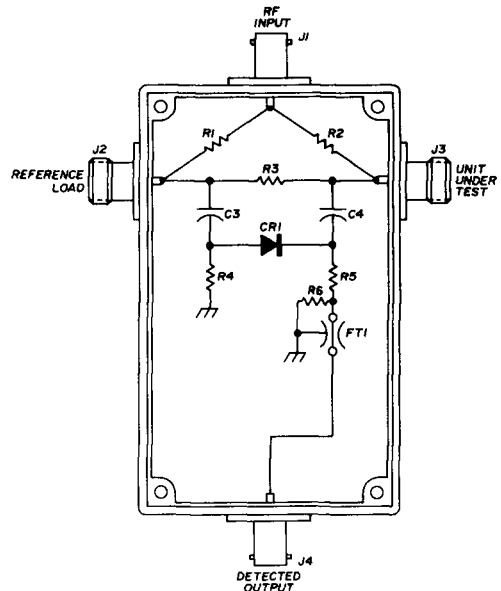


fig. 6. Recommended parts layout for the vswr bridge shown in fig. 5. Enclosure is a Pomona 2417 shielded box. Connectors J2 and J3 are type-N; J1 and J4 are BNC.

Hybrid couplers are also a good choice for vswr measurements and are preferred for operation above 500 MHz where bridges are less accurate. Hybrids are also quite suitable for lower frequencies. Usually quite expensive, recently a low-cost, broad-band, 500 kHz to 400 MHz hybrid coupler became available from Anzac Electronics.* It is mounted in a half-size relay can and is easily adaptable to microstrip circuitry. A schematic and microstrip circuit-board layout for the Anzac hybrid coupler is shown in fig. 7.

If all inputs and outputs of the hybrid coupler are properly terminated, and an rf signal is present at *input 1*, the same signal will be present at *output 1* (less the coupling power) and no signal will be present at *output 2*. The signal level at *input 2* will be below the level at *input 1* by the coupling factor (19.5 dB in this case). However, if the vswr at *output 1* is not 1:1, a signal will

*Anzac model CH137 available from Anzac Electronics, 39 Green Street, Waltham, Massachusetts 02154. Price is \$13.00 plus tax and shipping.

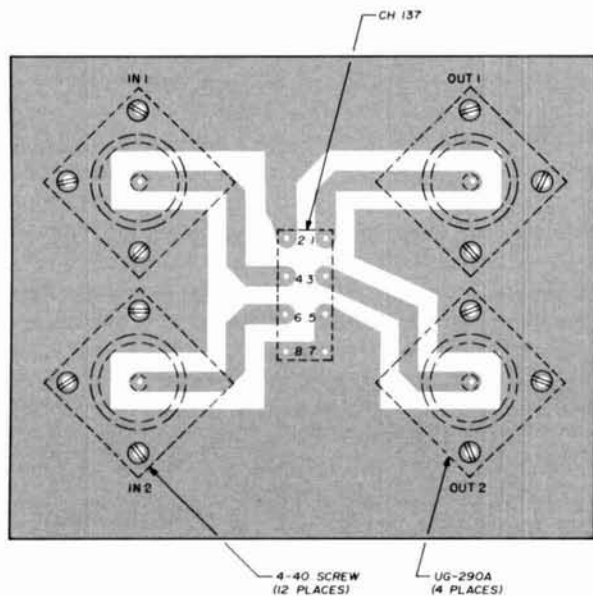
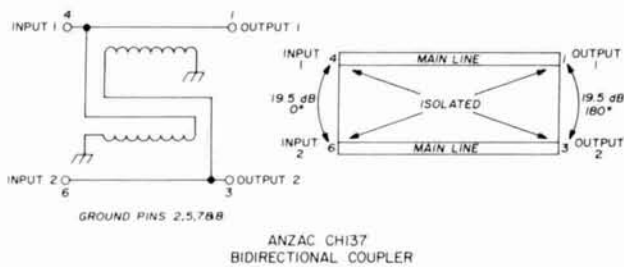


fig. 7. Broadband 19.5 dB directional coupler for use through 500 MHz uses commercially available module (Anzac CH137) and printed-circuit board. The microstrip transmission lines on the 1/16" (1.5mm) double-sided G10 circuit board are 0.1" (2.5mm) wide [clear copper away at least 0.1" (2.5mm) from the microstrip lines]. All connectors are UG-290A/U BNC types; for best performance the shoulder on the rear of the connectors should be removed with a small lathe. Before installing components, on the top side of the board remove copper around pins 1, 3, 4, and 6 of the CH137, as well as around the center conductor of the four connectors.

be present at *output 2* which is proportional to the vswr at *output 1*. The level at *input 2* remains essentially the same.

To perform a vswr test, the signal generator is connected to *input 1*; *output 1* and *output 2* are terminated in good, nonreactive 50-ohm loads. A 50-ohm detector is connected to *input 2* and the level on the detector indicator is noted for reference. The 50-ohm load at *output 2* is now interchanged with the detector on *input 1* and the detected output should drop considerably (at least 20 dB). Next the load on *output 1* is removed and the device under test is connected. All that is necessary to complete a match is to adjust for minimum detected signal at *output 2*.

This coupler works well through 250 MHz. At 432 MHz there is some imbalance so if it is used at 432 MHz is necessary to interchange the inputs and outputs, respectively (they are symmetrical, so operation should be identical), to determine which combination gives the

best null when properly terminated. In my case *input 2* and *output 2* are better at 144 and 432 MHz.

A narrower-bandwidth stripline coupler with a bandwidth of 10% is shown in fig. 8. I have used this type of coupler through 2304 MHz with excellent results. Operation is identical to that of the Anzac unit. When building the stripline coupler be sure to keep any air gaps between the printed circuit boards to a minimum. Placing 1/8 inch (3mm) thick aluminum plates on top and bottom and bolting them together will keep the air gap to a minimum.

loads

Suitable 50- and 70- to 75-ohm loads are commercially available from a number of sources and can sometimes be found on the surplus market. A suitable homebrew load is shown in fig. 9. I have found that ordinary 1/4-watt, carbon-composition resistors to be the least reactive and therefore the most suitable for this application. Half-watt and especially 1-watt units are definitely inferior in this respect. A symmetrical four-resistor load (as shown in fig. 9) has been the best performer — tests have shown this arrangement to work well through 2304 MHz. If a 75-ohm load is desired, the individual resistor values can be changed to 300 ohms.

It is often desirable to have known mismatches to aid in determining the true antenna vswr. A 75-ohm load makes an excellent 1.5:1 vswr reference on a 50 ohm system. Four 100-ohm resistors will make a good 25-ohm load which can be used for 2:1 vswr tests at 50 ohms. In all cases the coaxial connector chosen should be of suitable quality (type-UHF connectors are not recommended above 30 MHz).

Infinite vswr can be tested with a short circuit. Open circuits are not recommended since fringing capacitance will alter the results. A suitable infinite vswr load is also shown in fig. 9.

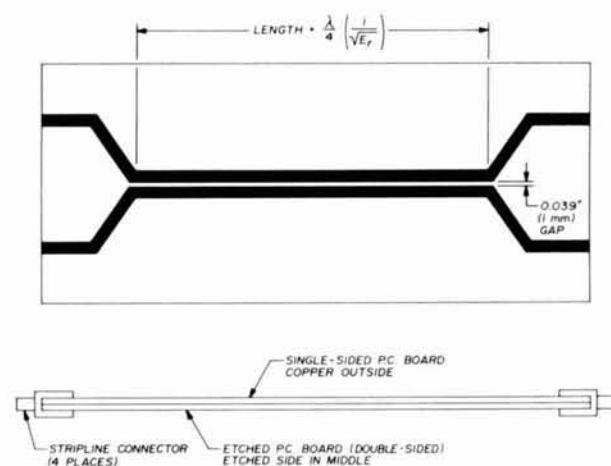


fig. 8. Universal 20-dB stripline directional coupler uses two 1/16" (6.5mm) Teflon-fiberglass circuit boards. Etched board is double copper clad; cover board is single copper clad. The quarter-wavelength of line is shortened by the dielectric constant of the circuit board as shown in the formula (2.5 for Teflon-fiberglass circuit board). Correct length is 4.3" (10.9cm) for 432 MHz, 1.43" (36.5mm) for 1296 MHz, and 1.28" (32.5mm) for 2304 MHz. Bandwidth is about 10%.

detector

A detector is built into the vswr bridge. If a hybrid coupler is used, you must build or purchase your own detector. It should be sensitive and well matched. Point-contact or zero-bias Schottky diodes are preferred because normal Schottky diodes are insensitive at low signal levels unless forward bias is applied. Since the cost of zero-bias Schottky diodes is presently quite high (\$25 or more), low-cost point-contact diodes are preferred.

A schematic for a suitable detector using point-contact diodes is shown in fig. 10. The input is a 50-ohm termination and should be similar to the loads in fig. 9. It provides a dc return for the diode as well as providing a load for the hybrid coupler. Typical output is only 50 microvolts at -40 dBm, 5 millivolts at -20 dBm and 30 millivolts at zero dBm. The output is square law (output

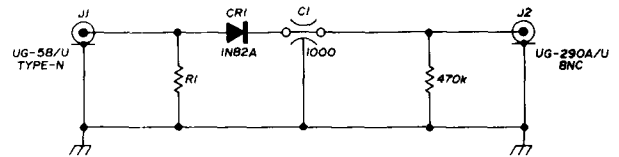


fig. 10. Simple rf detector for 50-ohm systems uses a germanium point-contact diode. Upper frequency range is greater than 2304 MHz. Resistor R1 consists of four parallel-connected, 200-ohm, 1/4-watt resistors (see fig. 9).

meters have become available on the surplus market at reasonable prices (\$25 to \$40). This is an excellent meter to use since it has high gain and is calibrated to match typical detectors. It also has many other uses. A suitable homebrew model has also been described in *ham radio*.⁴

Recently I designed and built a simple, uncalibrated vswr meter that is easily transported and uses a minimum number of components. The circuit, which is shown in fig. 11, consists of a high-gain amplifier, a narrow-bandwidth (100 Hz) selective amplifier tuned to 1000 Hz, and a variable-gain output amplifier which drives a low-cost VU meter. This instrument is ideal for nulling-type vswr measurements, and uses only a single supply voltage. At 9 to 12 volts (not critical) the circuit draws only 5 to 6 mA so an inexpensive 9-volt transistor battery can be used.

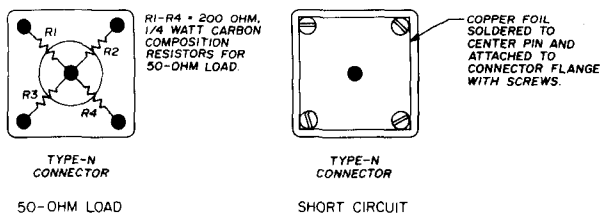


fig. 9. Simple homemade 50-ohm load and short-circuit for use through 2304 MHz. If 75-ohm termination is required, four 300-ohm, 1/4-watt, resistors may be substituted.

voltage doubles each time the input doubles) below -20 dBm and linear above -10 dBm. An amplifier is required at low levels.

The detector should have short leads on R1, CR1 and C1. I built mine in a Pomona 2417 box with the input connector on one end, a shield diagonally across the box for the ground return of the feedthrough capacitor, C1, and the output connector on the opposite end. This type of detector is suitable for use to 1000 MHz or so and can be used in many other applications.

vswr indicator

The output of an rf detector is very low at small signal levels. Therefore, an amplifier is needed to drive an indicator such as a meter, and it should be tuned to 1 kHz to work best with modulated signal sources.

Recently many Hewlett-Packard 415 type square law

matching techniques

Before making any vswr measurements, it pays to set up your vhf or uhf antenna in a clear area, on a tower, or on a wooden ladder pointing toward the sky. The length of the driven element should be set approximately as follows:

$$L = \frac{5500}{f} \quad (\text{inches}) \quad (1)$$

$$L = \frac{13970}{f} \quad (\text{cm}) \quad (2)$$

where L is the driven element length and f is the frequency in MHz. If the driven element passes through a metal boom it should be lengthened by adding approximately 75% of the boom diameter to compensate for the shortening effect. The length of the driven element is

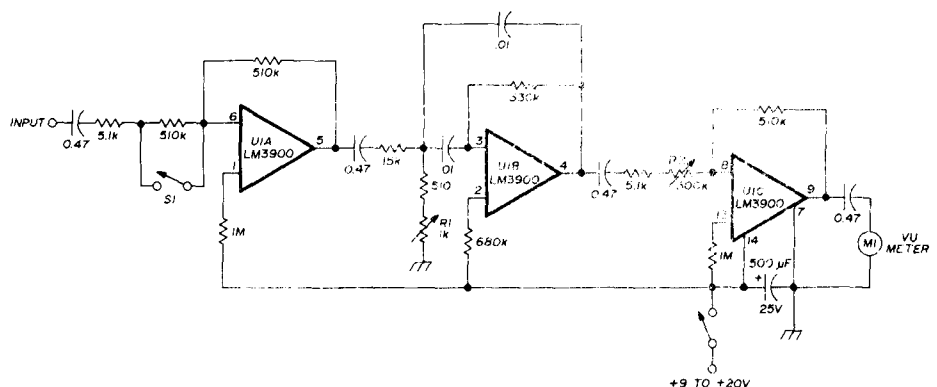


fig. 11. 1000-Hz selective amplifier and vswr indicator. Switch S1, when closed, increases gain approximately 100 times for low-level readings. Potentiometer R1 sets U1B to 1000 Hz, while R2 is used to set the reference on M1, a low-cost VU meter. The 0.01 capacitors should be Mylar types.

not critical for gain purposes and should be tuned for best vswr in conjunction with the matching system.

I have received several inquiries regarding the actual length of a free-space wavelength at vhf and uhf. At the present time authorities are in general agreement that light (and hence radio waves) travels at the rate of 299,792,456 meters per second. Therefore, the correct vhf and uhf formulas for wavelength are as follows:

$$\lambda = \frac{11803}{f} \quad (\text{inches}) \quad (3)$$

$$\lambda = \frac{29980}{f} \quad (\text{cm}) \quad (4)$$

where f is in MHz. These formulas should clear up any questions on the subject.

table 1. Return loss, dB, vs voltage standing-wave ratio.

return loss	vswr	return loss	vswr
40 dB	1.02	8 dB	2.32
35 dB	1.04	6 dB	3.01
30 dB	1.07	4 dB	4.42
25 dB	1.12	3 dB	5.85
20 dB	1.22	2 dB	8.72
15 dB	1.43	1 dB	17.39
10 dB	1.93	0 dB	∞

Now let's assume we want to match an antenna. If the feed system is similar to the ones mentioned in the last column (delta match, gamma match, etc.), it is only necessary to set up the low-power test setup shown in fig. 1 using an appropriate vswr bridge or hybrid coupler. Initially, a 50-ohm load (or appropriate impedance) can be used to test the matching gear for a null. Then the antenna under test can be substituted and adjusted for minimum vswr. If a complete null cannot be obtained, a mismatch reference can be substituted to determine the actual vswr and to see if any further improvement is required.

If a true square-law detector and indicator are used, the vswr can be determined fairly accurately by measuring the return loss or change between an infinite vswr and the unit under test. Typical values are shown in

table 1. If nonlinearities are present (such as would be caused by using the simple indicator in fig. 11), a comparison can be made with known mismatches and the results compared to the test values. It should be noted that coaxial attenuators make excellent mismatches — the return loss is simply two times the attenuation value. An unterminated 3 dB attenuator, for example, yields 6 dB return loss (3.01:1 vswr per table 1).

A 1:1 vswr is a luxury⁵ that you may not be able to afford, especially if you operate over a wide band of frequencies (such as 144 to 145 MHz). In addition, aging and weather can often affect the vswr. Therefore, you

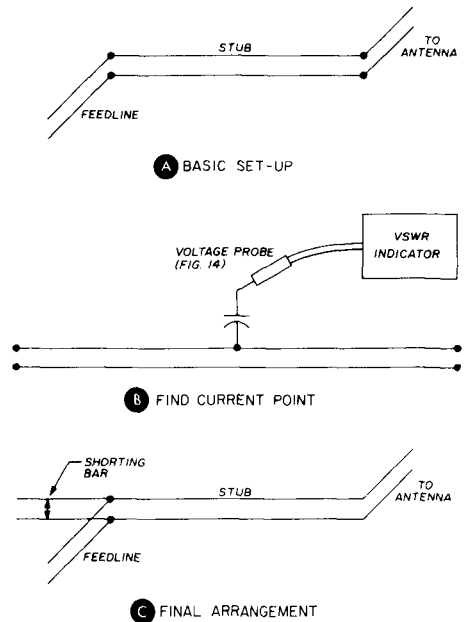


fig. 13. Basic system for matching an antenna to a feedline with a stub. First remove the shorting bar and attach the feedline to the bottom of the stub (A). Feed rf power to the stub and, using a voltage probe, find the voltage minimum (current maximum) which is nearest to the antenna (B). Place the shorting bar at the current maximum point and reconnect the feedline approximately 0.05 wavelength above the shorting bar. Then move the feedline up and down the stub for lowest vswr. When the vswr has been nulled, the null can be enhanced by slightly moving the shorting bar.

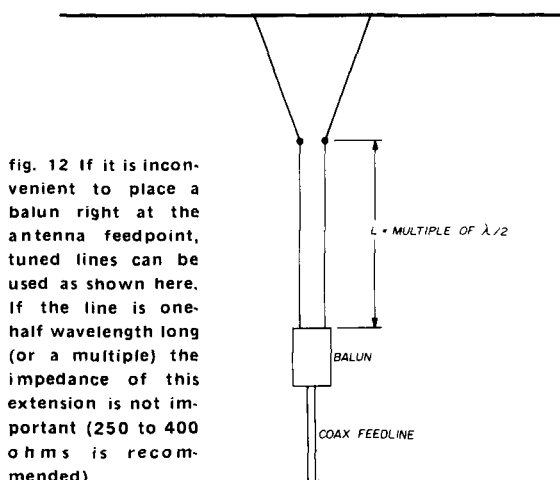


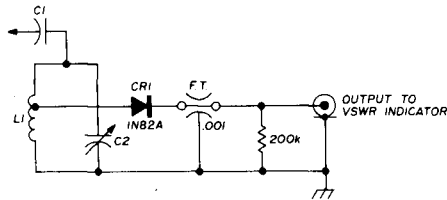
fig. 12 If it is inconvenient to place a balun right at the antenna feedpoint, tuned lines can be used as shown here. If the line is one-half wavelength long (or a multiple) the impedance of this extension is not important (250 to 400 ohms is recommended).

should strive for 1.5:1 vswr as a goal (approximately 14 dB return loss). This is most easily tested by substituting a 75-ohm load in a 50-ohm system. If the return loss of the antenna under test is better than the 75-ohm load (greater than 14 dB) you can stop making adjustments. If return loss is less than 14 dB, more work is required.

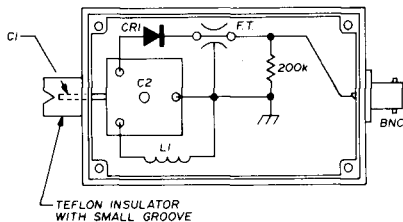
Sometimes it is inconvenient to place a balun right at the antenna feedpoint, especially when using stubs. If this happens, you can use tuned lines between the antenna feedpoint and the balun as shown in fig. 12. The transmission line impedance of this extension is not important (250 to 400 ohms is recommended) if the line length is a one-half wavelength or a multiple thereof, using equations 3 or 4. If open-wire line with only a few insulators is used, a physical length of 95 to 98 per cent of the electrical free-space wavelength is recommended.

This technique should not be stretched beyond one or two wavelengths because errors are additive, so length becomes more critical.

Although many amateurs are somewhat afraid of matching stubs, they are quite versatile and really not that mysterious. Usually a 1.1:1 match can be easily obtained if the right procedures are followed. First, a matching stub should be at least one-half wavelength



CIRCUIT



CONSTRUCTION

- C2 1-6 pF for 432 MHz (value depends on frequency)
- CR1 1N82A or similar detector diode
- L1 2 turns no. 18 (1.0mm), 1/4" (6.5mm) diameter, 1/4" (6.5mm) long, tapped 3/4 turns from ground end.

fig. 14. Circuit for a sensitive rf voltage probe (A) and method of packaging the circuit in a Pomona 2417 shielded chassis box (B). L1-C2 resonate to the frequency of interest. Capacitance at C1, provided by the gap between the probe and the transmission line should be as small as possible

long. However, if the shorting bar does not fall exactly at the lower end, a match may not be possible. Therefore, a full wavelength is recommended. If this is not possible, an appropriate length of line can be placed between the stub and the device to be matched to place the shorting bar at a convenient place on the stub. This is a handy technique for tight spots (such as the middle of an EME array).

Probably one of the biggest reasons amateurs avoid stubs is the cut-and-try approach that is required to find the proper lengths. However, matching time can be greatly reduced if a few simple tests are performed (such as those suggested to me by W6VSV from the late W6GD). The first step is to determine approximately where the shorting bar is to be placed. To find this point, proceed as follows:

1. Remove the shorting bar.
2. Attach the feedline to the bottom of the stub (see fig. 13).
3. Feed rf power to the stub from a modulated signal source.

4. Using a voltage probe, find the minimum point (current maximum) which is nearest to the antenna. If this point is too close to the antenna end, either shorten the feedline to the antenna or move further down the line to the next current maximum point.
5. Place the shorting bar at the current maximum point.

Next, reconnect the feedline approximately 0.05 wavelength above the shorting bar and move the feedline up or down the stub for the lowest vswr. Then move the shorting bar slightly to enhance the vswr null. Repeat these steps until a suitable match is obtained. The entire procedure is quite simple and takes longer to explain than it does to accomplish!

A simple voltage probe is shown in fig 14. It can be easily built into a Pomona 2417 or equivalent shielded box. In this circuit L1-C2 are tuned to the frequency of operation. When used with the low-power test set-up and sensitive vswr indicator, this provides a very sensitive voltage sensor. When using the device make sure that the hot end of the probe does not touch the feedline. The groove in the Teflon insulator maintains the spacing between the probe and the line and facilitates moving the probe along the line.

gain measurements

By now you have probably guessed that the equipment described here can also be used to measure antenna gain. However, that subject is beyond the scope of this month's column, so will have to wait until another time. In the meantime, if you want to read about antenna gain measurements that can be done with the simple test equipment I have described, I recommend that you read references 6 and 7.

summary

It is hoped that this two-part series on vhf/uhf antenna matching techniques will tempt you to do more work on your antennas. The test equipment described here is a *must* for serious-minded vhf and uhf operators — it will more than pay for itself after a few antenna-matching sessions. And, if you use these techniques, you will no longer have to worry about rf burns or the hazards of rf radiation.

references

1. J.H. Reisert, W1JAA, "Feeding and Matching Techniques for VHF/UHF Antennas," *ham radio*, May, 1976, page 54.
2. J.R. Fisk, W1DTY, "RF Radiation Hazards," (*A second look*), *ham radio*, September, 1975, page 4; December, 1975, page 59.
3. J.H. Reisert, W1JAA, "What's Wrong with Our VHF/UHF Receivers," *ham radio*, March, 1976, page 44.
4. R.M. Melvin, W6VSV, "The SWR Meter," *ham radio*, October, 1970, page 6.
5. M.W. Maxwell, W2DU, "Another Look at Reflections," *QST*, April, 1973, page 35.
6. R.H. Turrin, W2IMU, "Antenna Performance Measurements," *QST*, November, 1974, page 35.
7. R.T. Knadle, K2RIW, "UHF Antenna Ratiometry," *QST*, February, 1976, page 22.

ham radio

carrier-operated relay

for repeater linking

An improved COR using ICs with dual-channel options for linking two repeaters

New concepts and new devices have been developed since the original carrier-operated relay article appeared in these pages.¹ The FCC has approved linking of repeaters, so we've included an addition to the COR that will link repeaters or that can be used for other applications as well.

The basic purpose of a COR is to operate a repeater, so the COR must be as simple and reliable as possible. Other uses for the COR are in a guard receiver for repeater input channels and for speaker muting.

The basic COR circuit (fig. 1A) will handle most repeater requirements. The link, or two-channel COR, shown in fig. 1B can be used for linking two repeaters, for a remote base, or for a guard channel for your repeater. Both circuits have a common front end. Circuit boards are available, including a fully adjustable time-out timer and input-sensitivity control.*

circuit description

Referring to fig. 1, transistors Q1, Q2 are connected as a darlington amplifier for negative-going control signals, as found in a vacuum-tube receiver. The high im-

pedance of the darlington amplifier closely matches the impedance of most tube receivers. For positive-going control signals, normally found in transistorized receivers, make the following changes: R1 to 27k, R2 to 100k, and R3 to 47k. Connect R3 to ground, Q1 emitter to ground, and Q2 base to Q1 collector. The circuit will then respond to positive-going control signals.

U1 is a dual Schmitt trigger that provides positive on-off action. When a control signal is received, ST1 will receive a high from Q2 and a low will appear on its output; this action will set the trigger of timer U2. The low from ST1 is passed to the input of ST2, causing a high to appear on its output, which enables the timer. Time-out is controlled by the setting of R8 and the value of C3.

When the timer starts, its output, pin 3, goes high and energizes the relay. If the input is held long enough, the timer will time-out and pin 3 will go low. However, if the input is released before time-out occurs, the timer output is again driven low and the relay will open. Each time the relay is energized, the timer will have been reset through the action of ST1.

applications

Fig. 2A shows how easy it is to connect this circuit into a receiver and transmitter to control a repeater. Fig. 2B illustrates another use for this circuit. Say you'd like to monitor a repeater or simplex channel for any calls, but you don't want to listen to all the yack-yack going on while you're watching your favorite TV show. Set the timer for about five seconds and when a call comes in, the first few words will be at normal volume. Then, in five seconds, the volume will drop to a low level (determined by the setting of the variable resistor). If the call is for you, simply disable the circuit for normal listening level.

If you wish to control two channels, such as a link repeater or a guard receiver for your repeater, merely add the circuitry shown in fig. 1B. In this configuration we will use the same basic carrier-operated relay shown

*Basic COR board: \$4.50; basic COR kit with board: \$12.00; link COR kit with board: \$19.50. Order from Circuit Board Specialists, 3011 Norwich Avenue, Pueblo, Colorado 81008.

By Robert C. Heptig, KØPHF, and Robert D. Shriner, WAØUZO, Box 969, Pueblo, Colorado 81002

in fig. 1A and add a simple search-lock feature constructed from a single SN7400 and a few other components. Note that R4 (fig. 1A) is changed to 100 ohms, 1 watt for this application.

Gates 1 and 2 of the SN7400 are connected as a simple oscillator, and the output is fed through C9, C10 to gates 3 and 4, which are set up as a dual D flip-flop. Transistor Q3 acts as the lock to stop the oscillator. When no signal is applied to the system, ST1 output is

channels of the link repeater A and B (fig. 2C). Channel A will be set up to receive 94 and transmit on 28. Channel B will receive on 88 and transmit on 34.

When a signal out of the 34/94 machine is received by the link, the signal will be retransmitted automatically on 28 into the other repeater and will come out on 88. As soon as the signal drops out, the search feature will start up again, and if an answer comes back from the 28/88 machine, this signal will be retransmitted through

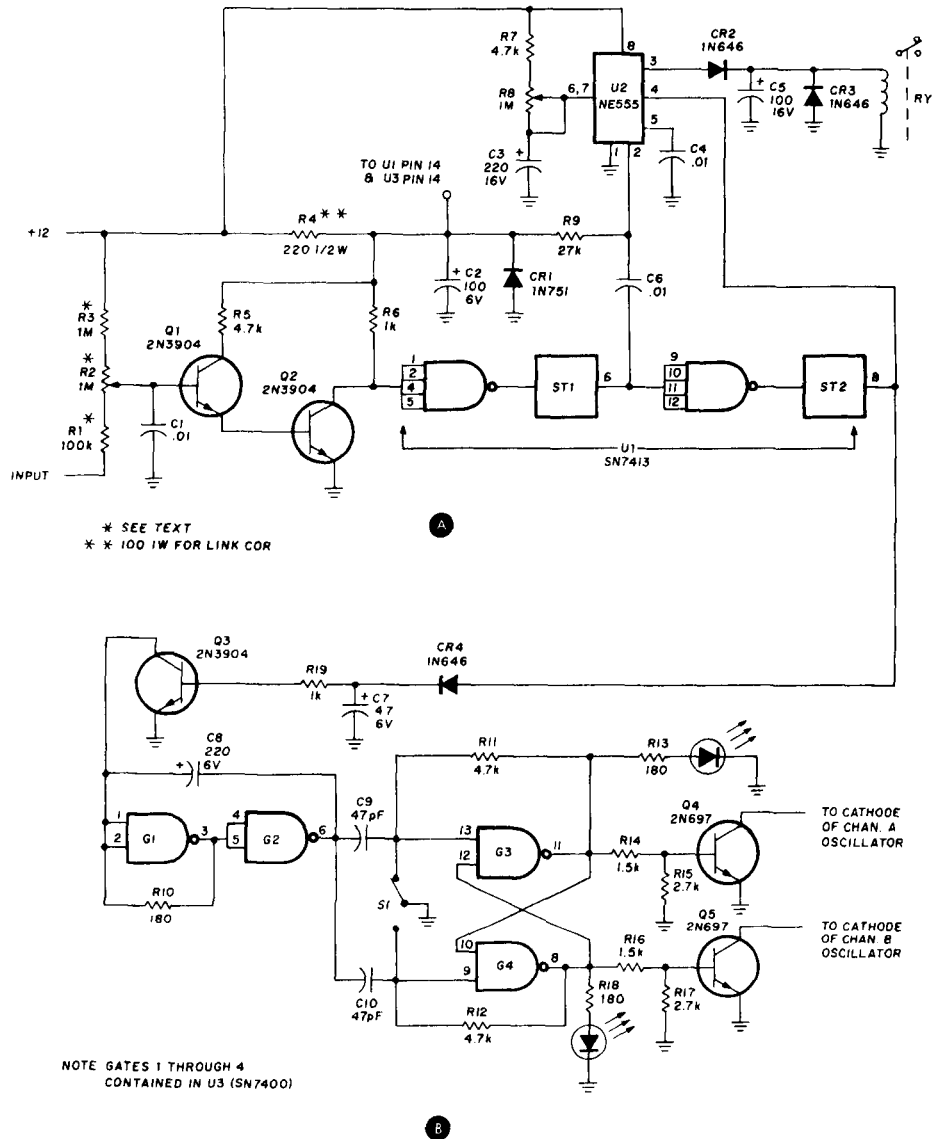


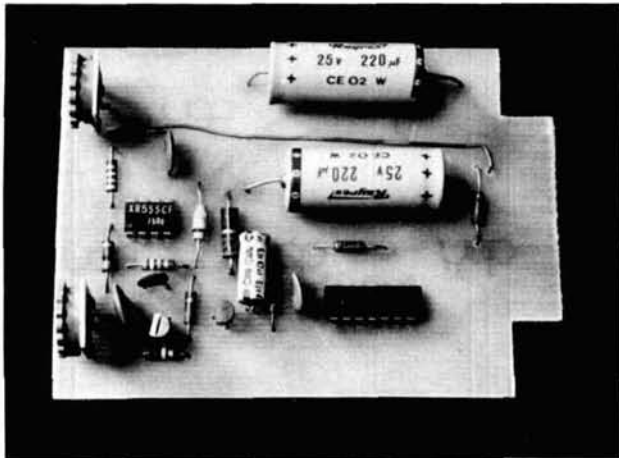
fig. 1. Basic circuit of the COR (A) and simple search-lock feature (B) to control two channels such as a link repeater or guard receiver.

low and Q3 is turned off. This action allows the oscillator to operate and causes transistors Q4, Q5 to conduct and switch on channels A and B respectively.

If a signal is presented to the receiver, the relay will close, causing the repeater transmitter to come up. The oscillator will stop on the channel that was received. As an example, let's say you desire to link a 34/94 repeater into a 28/88 repeater. For simplicity we'll call the two

the 34/94 machine. The action of the basic COR and time-out timer will remain the same as previously described.

How about a guard receiver for your repeater? Refer to fig. 2D. Let's say you have a 34/94 repeater and desire to install a receiver on 94 that won't allow the repeater to come up if the output frequency (94) is in use. Install a second oscillator in your repeater receiver



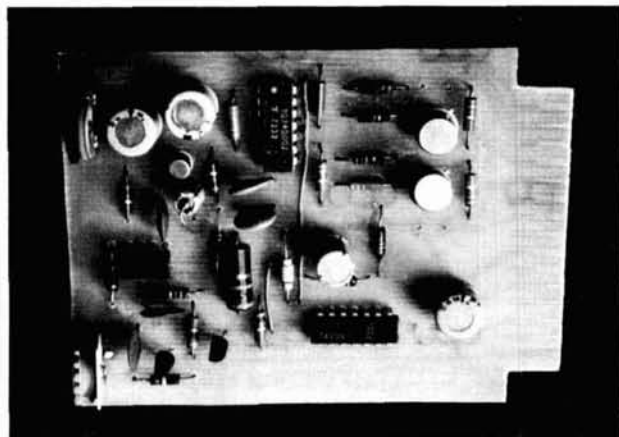
Basic COR component layout. Circuit will handle most repeater requirements. A fully adjustable time-out timer and input-sensitivity adjustment are included.

(channel B) and connect your relay as shown. Diode separation is used to prevent interaction between oscillator and COR. If a signal is not present on 94, the repeater will operate in a normal manner; but if a signal is present then the COR will lock on to channel B and the repeater can't be brought up, simply because the input-channel oscillator (34) is disconnected.

trouble shooting

In the event of trouble use a dc scope or a vtvm to check for the following voltages. (All voltages are given assuming a negative-going signal into the system). First check the supply voltage (+12V) and the voltage to the ICs (+5V). Check Q2 output. It should be close to zero volts with the input open and should rise to near +5 volts with the input grounded and R2 at maximum sensitivity. If not, and Q1 and Q2 are both good, replace Q1, as any slight leakage here will affect the circuit.

To check U1: pins 1, 2, 4, 5 and 8 should be near zero volts with the input open, and pins 6, 9, 10, 11 and 12 should be near +5 volts. These readings should reverse when the input is grounded; if not replace U1.



Added components for a search-lock feature to allow two-channel operation, such as repeater linking.

To check U2: pin 3 should be near zero volts with the input open. Ground the input, and pin 3 should go high (12V); pin 4 will be high (5V). Connect the scope or vtvm to pins 6 and 7. The voltage should rise slowly to about 8 volts, the timer will fire, and pin 3 will go low. If not, replace U2, R7, R8 or C3 in that order.

To check U3: pins 1, 2, 3, 4, 5 and 6 should show a clock pulse of about 2 pulses per second. If not, replace U3, Q3, C8 or R10 in that order until clock is obtained. Probe pins 8 and 11. They should alternately switch from zero to +5 volts. If not replace U3, C9, C10, R11 or R12 in that order until the function is obtained.

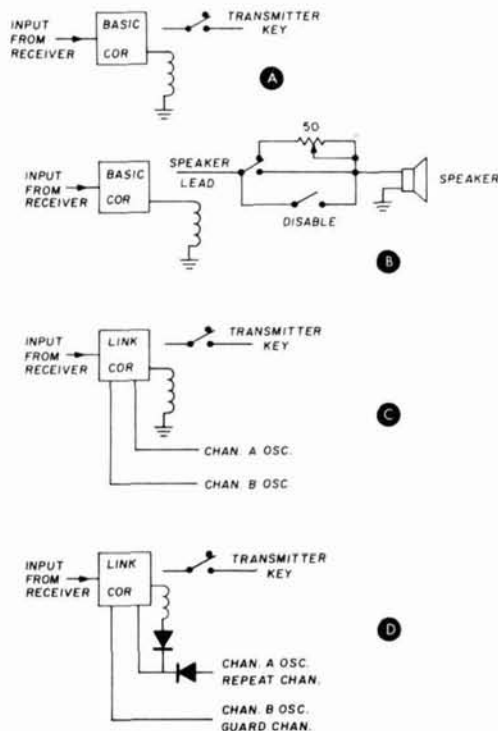


fig. 2. Applications of the COR as a simple repeater (A), for speaker muting (B), as a link repeater (C), and as a guard receiver (D).

By making simple modifications the circuit can be easily tailored to your own requirements. For instance, by increasing the value of C1, a delay activating the system will be noted. Increase the value of C5 to delay the dropout. Decrease the value of C8 to speed up the clock or search rate.

Several of these carrier-operated relays have been constructed and are in use in our area. We've found that others are amazed at the simplicity of the circuit and how well it works for them in their particular application. This circuit is just another example of putting those little plastic centipedes to work for amateur applications.

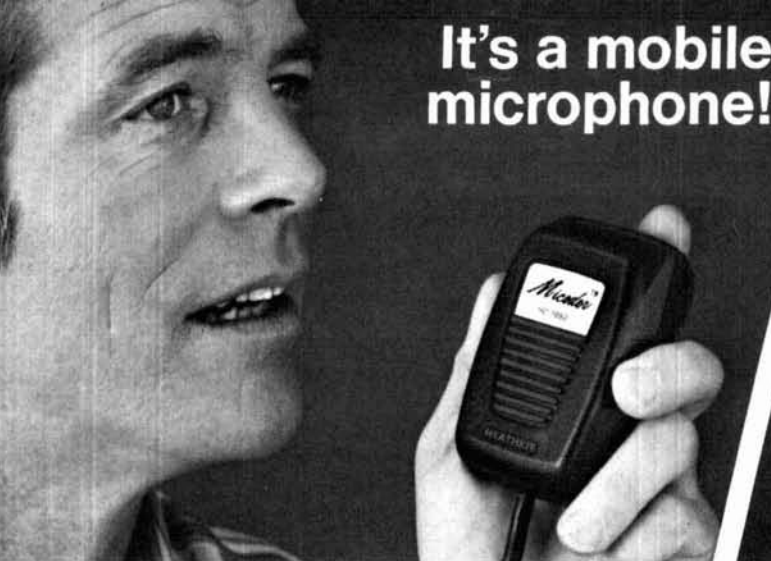
reference

1. Robert C. Heptig, KØPHF, and Robert D. Shriver, WAØUZO, "Carrier-Operated Relay," *ham radio*, November, 1972, page 58.

ham radio

Introducing another "First" from HEATH...





**It's a mobile
microphone!**



**It's a touch-
tone pad!**

The Heathkit MICODER™

For use with any 2-meter rig with high-impedance microphone input

**A real breakthrough
in convenience and
versatility at only**

\$49⁹⁵

plus 95¢ shipping and handling

The Heathkit HD-1982 Micoder gives you two instruments in a single compact package. It is a quality electret condenser mobile microphone with excellent audio characteristics for clean voice transmission and it is also a touch tone auto patch encoder which allows you to place phone

calls through repeaters equipped for touch tone input. This breakthrough in convenience eliminates the messy "haywire" hookups that you get when you use separate pads and microphones. And best of all, it is priced at no more than what you'd pay for a separate pad.

The completely self-contained Micoder™ operates on a standard 9-volt battery (not supplied). It's usable with ANY transceiver having a high-impedance microphone input. An adjustable tone level lets you match the output of the Micoder to various transceivers for real versatility.

The Micoder's compact and rugged case, along with single PC board construction, make it an easy-to-build kit you'll use for years to come. It's just another of the many reasons we say "There's more for the Ham at Heath".

Kit HD-1982, Shpg. wt. 2 lbs. . . 49.95

HD-1982 SPECIFICATIONS

Operating Voltage: 9.0 VDC. **Current Consumption:** 12 mA. **Battery Life:** Approx. 6 months. **Microphone Type:** Electret condenser. **Output Level:** 30 mV rms maximum. **Frequency Response:** 300-3000 Hz. **Output Impedance:** 10k min. **Frequency Tolerance:** 1.5%. **Total Encoder Distortion:** Less than 5% (harmonic plus IM). **Dimensions:** 3¼" H x 2½" W x 1¾" D. **Weight:** 9 oz. (including battery).

**ORDER YOURS TODAY! Mail Coupon/order or,
for fastest service, call our 24-hour Heath Hotline
616/982-3411**

FREE!
HEATHKIT
CATALOG-
Send for it today!

HEATH

Schlumberger

Heath Company, Dept. 122-19
Benton Harbor, Michigan 49022

Please send me _____ Micoders at \$49.95 each (plus 95¢ each for shipping and handling). I enclose check or money order for _____ (Michigan residents add 4% sales tax.)

Charge to my BankAmericard or Mastercharge

Card #:

Expiration Date: _____ Mastercharge Interbank No.

Please send me the new Heathkit Catalog.

Name _____

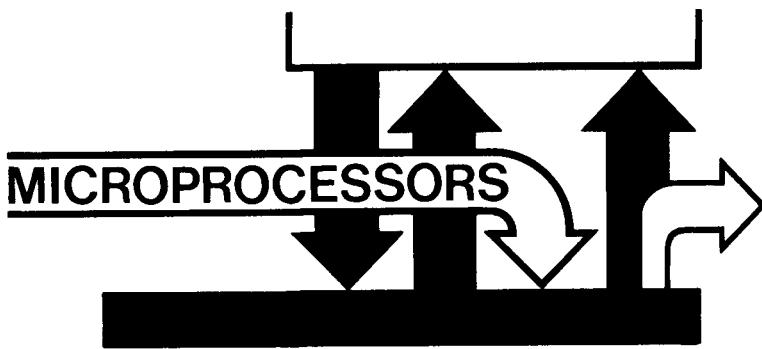
Address _____

City _____ State _____ Zip _____

Prices & specifications subject to change without notice.

AM-330





microcomputer interfacing: substitution of software for hardware

A reader who has followed the current literature on microcomputers will frequently encounter phrases such as "hardware/software tradeoffs" or "substitutions of software for hardware." These phrases are strongly indicative of anticipated applications for microcomputers in the near future and do much to explain why industry is so excited about them. In this month's column we discuss how to substitute microcomputer software for hardware.

hardware	Mechanical, magnetic, electronic, electromechanical, and electrical devices from which a system is fabricated.
software	Totality of programs and routines used to extend the capabilities of computers, such as compilers, assemblers, narrators, routines, and subroutines. ¹

In our specific case, software represents the machine-language program stored within the memory of a microcomputer. Hardware represents the specific devices that store, manipulate, receive, or transmit digital information. The microcomputer itself is included in our definition of hardware. The basic point of this month's column can be simply stated:

Through skillful programming, it is possible to substitute machine-level routines and subroutines for specific hardware devices that store, manipulate, transmit, or receive digital information. This activity is called the substitution of software for hardware.

Typical replaced hardware includes knobs, buttons, pulsers, switches, logic switches, clocks, and small memories as well as TTL integrated circuit chips that perform digital functions such as debouncing, sequencing, shifting, adding subtracting, comparing, and logic operations on multibit digital words. Hardware *not* usually replaced includes simple TTL chips such as inverters, flip-flops, gates, latches, three-state buffers, and counters.

Fig. 1 illustrates the basic tools you would employ in the substitution of software for hardware:

1. Programming.
2. The use of synchronized data appearing on the bi-directional 8-bit data bus, D0 through D7.
3. Input and output synchronization pulses called *device-select pulses*.
4. *Interrupts* to the microcomputer.

In an 8080-based microcomputer, you can generate 256 different input and 256 different output synchronizing pulses. If you need more pulses, you can always employ memory I/O techniques as discussed in last month's column. You therefore have an unlimited number of synchronizing pulses with which to coordinate the behavior of almost any type of digital electronic circuit. As you substitute software for hardware, your main tradeoff will be speed of operation. It is useful to remember the following rule:

In the substitution of software for hardware, the key tradeoff is speed of operation. The execution of any computer instruction takes time; the more instructions used, the longer it will take to execute them.

This tradeoff is not as serious as it may seem. Present 8-bit microcomputers are very fast, and future microcomputers will be at least ten times faster. The majority of existing electromechanical machines are slow by digital electronic standards. The human senses cannot participate in activities that require millisecond time resolutions; i.e., in an input/output sense, we are very slow machines.

Table 1 summarizes some of the more commonly

By Peter R. Rony, Jonathan Titus, and David G. Larsen, WB4HYJ

Mr. Larsen, Department of Chemistry, and Dr. Rony, Department of Chemical Engineering, are with the Virginia Polytechnic Institute and State University, Blacksburg, Virginia. Mr. Jonathan Titus is President of Tychon Inc., Blacksburg, Virginia.

encountered situations where hardware such as debounced pulsers, switches, logic switches, and clocks are replaced by simple wire connections, latches, flip-flops, and inverters. We have provided abbreviated versions of the required software. (See reference 2 or previous columns in *ham radio* for details on the generation of the *out n* pulses, where *n* is an octal number between 000_8 and 377_8).

A timing loop is a short subroutine that generates a precise time delay, typically greater than 100 microseconds. As the table shows, the replacement can be made in most cases by the use of one or two different device-select pulses. A pair of *out n* instructions that bracket a timing loop are sufficient, when applied to a SN7474 flip-flop, to produce a monostable pulse of precise time duration. The addition of a second timing loop and a jump instruction, JMP, changes the flip-flop output to that of a variable duty-cycle clock, the duty cycle being controlled by the relative time delays of the two timing loops.

Of particular interest is entry 6 in the table, in which an eight-position mechanical switch or eight individual mechanical switches are replaced by an 8-bit control word strobed into an 8212 chip from the accumulator with the aid of a device-select pulse. This control word is latched by such an action and can subsequently influence the behavior of a rather sophisticated digital circuit. The 8212 chip therefore functions as a *control register* for the circuit. We have directed your attention to this principle because it is now being widely used in an exciting new generation of *interface chips* that reduce the number of wire connections needed between a microcomputer and an external device. The 8255 programmable peripheral interface chip described in last month's column is included in this category.

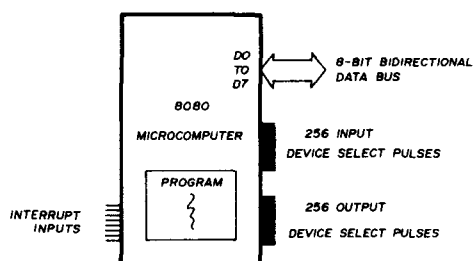


fig. 1. The basic microcomputer tools required for the substitution of hardware by software.

Table 1 provides only a few examples of how hardware can be replaced by simple software with the aid of device-select pulses. Omitted from the table are the more obvious hardware substitutions: arithmetic logic units (SN74181), digital comparators (SN7485), and shift registers (SN74194, SN74198, SN74199). Such chips are

table 1. Some uses for device select pulses in the substitution of hardware by software

SUBSTITUTED HARDWARE FUNCTION	NEW HARDWARE CIRCUIT	SOFTWARE EMPLOYED
1. PULSER, 500 nS MONOSTABLE.	DS 0 → [Circuit diagram showing a single pulse output]	OUT 0
2. LOW DUTY-CYCLE CLOCK (500 nS PULSES).	DS 1 → [Circuit diagram showing a square wave output]	OUT 1 TIMING LOOP JMP
3. DEBOUNCED PULSER, MONOSTABLE. LOGIC SWITCH.	DS 2, DS 3 → [Circuit diagram using SN7474 flip-flop]	OUT 2 TIMING LOOP OUT 3
4. VARIABLE DUTY-CYCLE CLOCK.	DS 4, DS 5 → [Circuit diagram using SN7474 flip-flop]	OUT 4 TIMING LOOP OUT 5 TIMING LOOP JMP
5. ONE BIT OF CONTROL INFORMATION FROM A MECHANICAL SWITCH.	DO, DS 6 → [Circuit diagram using SN7475 flip-flop]	MVI A CTRL OUT 6
6. EIGHT BITS OF CONTROL INFORMATION FROM A SET OF EIGHT MECHANICAL SWITCHES.	D0-D7, DS 7 → [Circuit diagram using 8212 control register]	MVI A CTRL OUT 7

replaced by microcomputer instructions that add, subtract, compare, and shift the 8-bit contents of the accumulator register.

Although the microcomputer is the most revolutionary electronic device since the invention of the transistor, it is not always obvious how a microcomputer can be used in an amateur radio station. To help lead the way we would like to encourage those that are using microcomputers in amateur stations to drop us a note on how they are being used with the idea of writing a guest column in this section of *ham radio*. Alternatively, you may want to submit a full construction article or even a short note that could be included in one of our regular columns.

references

1. Microdata Corporation, *Microprogramming Handbook*, Santa Ana, California, 1971.
2. *Bugbook III. Microcomputer Interfacing Experiments Using the Mark 80^R Microcomputer, an 8080 System*, E&L Instruments, Inc., Derby, Connecticut, 1975 (\$14.95 from Ham Radio Books, Greenville, New Hampshire 03048).

ham radio

Reprinted with permission from *American Laboratory*, February, 1976, copyright © International Scientific Communications, Inc., Fairfield, Connecticut, 1975.

DIGITAL DATA RECORDER

for Computer or Teletype Use

Up to 4800 Baud

Uses the industry standard tape saturation (NRZ) method to beat all FSK systems ten to one. No modems or FSK decoders required. Loads 8K of memory in 17 seconds. This recorder enables you to back up your computer by loading and dumping programs and data fast as you go, thus enabling you to get by with less memory. Great for small business bookkeeping. Imagine! A year's books on one cassette.

Can be software controlled. Comes complete with a software program used to test the units in production (8080). Manual includes software control hook up data and programs for 8080 and 6800.



\$149⁹⁵

SPECIFICATIONS — MODEL CC7:

- A. Recording Mode: Tape saturation binary (NRZ). This is not an FSK or Home type recorder. No voice capability. No Modem. Runs at 2400 baud or less Asynchronous and 4800 baud Synchronous. Runs at 3.1"/sec. Speed mechanically regulated $\pm .5\%$ or better.
- B. Two channels (1) Clock, (2) Data. Or two data channels providing four (4) tracks on the cassette. Can also be used for Bi-Phase, Manchester, etc.
- C. Inputs: Two (2). Will accept TTY, TTL or RS 232 digital.
- D. Outputs: Two (2). Board changeable from TTY, RS232 or TTL digital.
- E. Erase: Erases while recording one track at a time. Record new data on one track and preserve three or record on two and preserve two.
- F. Compatibility: Will interface any computer using a UART or ACIA board. (Altair, Sphere, IMSAI, M6800, etc.)
- G. Other Data: 110-220 V - (50-60) Hz; 3 Watts total; UL listed; three wire line cord; on/off switch; audio, meter and light operation monitors. Remote control of motor optional. Four foot, seven conductor remoting cable provided.
- H. Warrantee: 90 days. All units tested at 300 and 2400 baud before shipment. Test cassette with 8080 software program included.

Also available — MODEL CC7A with variable motor speed which is electronically regulated. Runs 4800 baud Synchronous or Asynchronous. Recommended for quantity users who require tape interchangeability. Comes with speed calibration tape to set exact speed against 60 cycle line.

\$169.95

NEW — 8080 I/O BOARD with ROM

Permanent Relief from "Bootstrap Chafing" This is our new "turnkey" board. Turn on your Altair or Imsai and go (No Bootstrapping). Controls one terminal (CRT or TTY) and one or two cassettes with all programs in ROM. Enables you to turn on and just type in what you want done. Loads, Dumps, Examines, Modifies from the keyboard in Hex. Loads Octal. For the cassettes, it is a fully software controlled Load and Dump at the touch of a key. Even loads MITS Basic. Ends "Bootstrap Chafe" forever. Uses 512 bytes of ROM, one UART for the terminal and one USART for the Cassettes. Our orders are backing up on this one. #2SIO (R)

Kit form \$140.00

Fully assembled and tested \$170.00

Fill out form and send check or money

NATIONAL MULTIPLEX CORPORATION
3474 Rand Avenue, Box 288
South Plainfield, New Jersey 07080 201-561-3600
SHIP TO:

.....
.....
CARD NO. ZIP

EXPIRATION DATE

..... Data Recorder CC-7 @ \$149.95
..... Data Recorder CC-7A @ \$169.95
Please enclose \$2.00 Shipping & Handling
on each Recorder or I/O Board.
..... Operating & Technical Manual
(Schematics) Includes Software
& Hookups for 8080, 6800, and
I/O. \$2.00
N. J. Residents add
5% Sales Tax



Mailing Label — PRINT

COMPARE

Feature	SWT ₂ —6800	Theirs—Your Choice
Processor—	The best "Motorola MC6800". Two accumulators, automatic vectoring, seven addressing modes and complete set of branch instruction. The more powerful instruction set and memory orientated architecture makes programming very straight forward and easy to learn. Operates from a single +5 Volt supply.	Some are almost as good in one respect or another. None can offer all of the features of a real MC6800.
Memory—	Static 2102-1 type memories. Fast enough to allow the processor to run at full speed at all times. No refresh cycles, no problems with glitches and flakey dynamic memories.	Various types available. Often not included in the basic kit, and must be purchased as an extra cost option. (this is an option?)
Power Supply—	10 Amp. Capacity. More than enough to power a fully expanded system. Power supply uses a rugged 25 amp bridge rectifier and a 91,000 mfd computer grade filter. Regulators on the individual plug-in cards.	Some expand more than others with the supply provided. Check carefully.
Expansion—	Seven slots for processor and memory boards. Eight I/O slots. I/O's are programmable type. All decoding and clocking provided from mother board making additional interfaces very inexpensive. Baud rates may be independently selected for each interface card.	Varies from "0" to 16, or more.
Start Up—	Automatic start and reset provided by "Motorola" Mikbug [®] ROM. No fiddling with switches and status lights. Just push the button and go. Use of standard Motorola firmware makes software 100% compatible with Motorola evaluation module programs.	Anything from switch and status light to automatic ROM loading. If ROM is not a standard part, the software may be unique to that machine.
Clock—	Crystal controlled master clock oscillator with high power clock drivers. Insures reliable, consistent operation with no noise problems. Baud rate divider operating from the master clock oscillator provides the various baud rates for the I/O devices with crystal accuracy. No adjustments necessary to lock everything in at the proper frequency.	Anything from cheap dual monostable systems to crystal control. Crystal oscillators are best. Dual one-shots can develop phase overlap problems and are more susceptible to noise problems.
Buffering—	Tri-state bi-directional buffers on all data lines, address lines and clock lines on <u>ALL</u> boards. Insures trouble free noise immune operation.	Various—from full buffering to almost no buffering. Lack of full buffering can lead to noise problems.
Documentation—	Very complete. Our own notebook, plus the "Motorola" Programming Manual and Applications Manual. Detailed instructions along with sample programs help you to understand programming. You will be ready and able to write your own programs after mastering these instructions.	
Price—	\$395.00 For the whole thing. You get the case, power supply, processor 2K word memory and serial interface. No extras to buy. Just connect a terminal and start operating.	As we said—COMPARE.

© Registered Trademark Motorola

COMING ATTRACTIONS

CASSETTE INTERFACE—Our new AC-30 will make it possible to load and dump programs to cassette tape using ordinary inexpensive recorders. Uses the standard "Kansas City" recording format for compatibility.

LINE PRINTER—At last—hard copy at a reasonable price. Our new PR-40 printer will print program listings, or any other material you might want to keep in printed form. A dot matrix printer at a price you are not going to believe.

GRAPHICS TERMINAL—A universal—works with any computer—graphics terminal. With this connected to your computer you can play games in style. May be used with our CT-1024 to put both graphics and alpha-numerics on the screen simultaneously.

PLEASE—Don't call or write. We will have details on these projects in our next ad. Government regulations prevent us from giving prices, or taking orders yet.

SOFTWARE—The flood is near. Editor and assembler now available. BASIC and more games right away. Yours for the cost of copying. **WE DON'T SELL SOFTWARE—WE GIVE IT TO YOU. ENJOY IT, COPY IT, WE WON'T COMPLAIN...**



SWT₂ Southwest Technical Products Corp., Box 32040, San Antonio, Texas 78284

MSI

Wise move



MODULAR SCIENTIFIC INSTRUMENTATION

Now you can build some of the most advanced digital electronic instruments with our new series of low-cost modular scientific kits. These kits will expand the range of your electronic applications enormously—and all at a surprisingly low cost.

The heart of the system is our 4-digit Decade Counter (Kit 012) which features a full 4-digit LED readout (you choose the size best suited to your application). Combine this with a 5-volt regulated power supply (Kit 030) and you have the basis of a wide range of sophisticated electronic instruments, including:

A Digital Voltmeter (DVM) ..Kit 012 + Kit 030 + Kit 017
Frequency Counter..... Kit 012 + Kit 030 + Kit 016 +Time Base
RPM Counter..... Kit 012 + Kit 030 + Kit 020 + Kit 018

KIT 016 FREQ. COUNTER

Features FET input front end with trigger circuit for measuring complex waveforms. Measures from 0.1Hz to 10MHz when used with Kit 015 or 019. Measures from .01Hz to 35MHz when used with Kit 013 and 014. **\$24.50**

KIT 017 DVM

1.999V as basic, with polarity indication, 1 M ohm input impedance and accuracy to 1% if properly adjusted. **\$13.50**

KIT 020 RPM COUNTER

Counts from 1 to 100,000 RPM. RPM counter kit contains components and PC board. **\$8.95**

KIT 030 POWER SUPPLY

*Input voltage: 25V max. *Output current: 1 amp max.
*Load regulation: 50mV. *Output voltage: 5V. *Line regulation: .01%. (requires 8-20V transformer) **\$4.55**
(Contains all parts except transformer)

TIME BASES

1 Mhz crystal chain time base divider. Outputs: 1Mhz-100Khz-10Khz-1Khz-100Hz-10Hz-1Hz-0.1Hz. Accuracy better than .005% with proper adjustment.

Kit 013 complete CMOS with PC board **\$15.75**
Buffer Circuit for TTL Interfacing

Kit 014 Same as Kit 013, but with TTL..... **\$13.75**

Kit 015 50Hz or 60Hz chain time base using line frequency as reference. Accuracy 0.1-0.05%. Outputs 10Hz-1Hz-0.1Hz. Complete with CMOS shaping circuit and PC Board..... **\$9.75**

Kit 019 Same as Kit 015, but with TTL and 60Hz only..... **\$7.75**

Kit 018 60Hz chain time base using line frequency for Kit 020 RPM counter.

*Outputs: .6 sec. = 100th of RPM
6 sec. = 10th of RPM
60 sec. = full revolution

\$9.75



4-DIGIT DECADE COUNTER KIT **\$19.95** KIT 012

One chip 4 digit decade counter kit, with both 7 segment and BCD output.

1. Chip features internal oscillator for scanning speed.
2. Overflow and count extent outputs.
3. Transfer, reset, count, blanking and true compliment control inputs.
4. PC Boards can be cascaded to 8-12-16, etc. digits.
5. Kit includes counter chip, drive circuit for 4 cathode type displays and PC Board. (For read-out board see (FND70-FND503)



MORE TO COME

Watch this space in future issues for additional kits, including Multimeter, Timer, Capacitance Meter, Thermometer and many more. With our kits and your imagination, you'll find dozens of new and exciting applications.

ALTAJ ELECTRONICS

P.O. BOX 38544 Dallas, Texas 75238

TERMS: Check or money order. No COD.

Telephone (214) 278-3561

Texas Residents Add 5%

MSI CLUB

Send for your membership card to the Modular Scientific Instrumentation Club and receive a big **10% off** on future purchases of M.S.I. kits. Send \$3.00 with your name and address. We will promptly send your very own registered membership card. Don't miss out on the savings. Write now.

Memberships valid for one year from date of registration.

NEW MANAGEMENT!

- * Free Postage
- * No Minimum Order
- * 48 Hour Service
- * 24 Hour Phone Service



WE ARE EAGER TO SERVE YOU!

SW-5 — \$87.40



The SW-5 is a remote controlled RF switch with indicator lights telling which antenna is in use. It will handle 4 kW PEP and more. Remote switch is housed in weather tight hinged box. A six wire #18 cable is required to operate the SW-5. Ham M control cable works fine up to 150'. Heavier cable necessary for longer distances. Remote switch operates off 28 VDC built in power supply. No visible effects on SWR. Zero dB insertion loss. Not recommended above 30 MHz. Standard unit is equipped with UHF connectors but BNC, N, HN, C connectors are available at additional charge. Models available are SW3, 4, 5, 6, 7, 8, 9. Also heavy duty 10kW units. Special switching systems are available. Tell us your needs.

Mastercharge &
BankAmericard accepted.

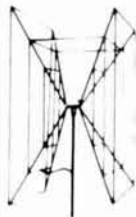
ANTENNA MART

Box 7 • Rippey, Iowa 50235

Phone 515-436-7718

GEM-QUAD FIBRE-GLASS ANTENNA FOR 10, 15, and 20 METERS

Two Elements \$129.00
Extra Elements \$90.00
Price is F.O.B. Transcona
**INCLUDES U.S. Customs
Duty**



KIT COMPLETE WITH
*SPIDER
*ARMS
*WIRE
*BALUN KIT
*BOOM WHERE
NEEDED

WINNER OF MANITOBA
DESIGN INSTITUTE
AWARD OF EXCELLENCE

Buy two elements now — a third and fourth may be added later with little effort.

Enjoy up to 8 db forward gain on DX, with a 25 db back to front ratio and excellent side discrimination.

Get a maximum structural strength with low weight, using our "Tridetic" arms.

GEM QUAD PRODUCTS

Box 53
Transcona, Manitoba
Canada R2C 2Z5
Tel: (204) 866-3338



Aha, the SECRET of PC Board success finally revealed. A perfectly balanced lighting tool combining magnification with cool fluorescence. Excellent for fine detail, component assembly, etc. Lens is precision ground and polished.

Regularly \$70.00. Now, over 30% discount (only **\$49.00**) to all licensed Hams, verified in Callbook. Uses T-9 bulb (not supplied).

Include \$3.00 U.S. postage, or \$4.00 in Canada. \$5.00 elsewhere. California Residents include 6% sales tax. Or send stamped envelope for free brochure of other incandescent or fluorescent lamps suitable for all engineers, architects, students, etc.

Mastercharge and BankAmericard accepted

D-D ENTERPRISES

Dept. A, P. O. Box 7776
San Francisco, CA 94119

HP7730
 .33 in. high red very bright
 25mA per seg. Common anode. **\$1.20**

DL727
 One of our best readouts
 5 in. high, 20mA per segment. Common anode **\$3.75**

FND807 ANODE
FND800 CATHODE

FND503
 \$1.60
 5/\$7.50

TI
 Fully multiplexed common cathode. Goldplated. Idea for mini 6 digit clock. **\$1.30**

LEDs
 Mini red .12
 Jumbo red .15
 Jumbo green .20
 Jumbo yellow .25


BURROUGHS 12 DIGIT
 25 in high orange digit. 160v dc. Free socket. **\$2.50**

DL33
 If you like an array of displays, we have it. Common cathode. **\$1.45**

4 & 6 DIGIT PC BOARDS

PC Board for 4 digit display FND 800 or 807 **\$2.75**
 PC Board for 6 digit display FND 800 or 807 **\$3.50**
 PC Board for 4 digit display MAN series or DL707 **\$1.75**
 PC Board for 6 digit display MAN series or DL707 **\$2.25**
 PC Board for 4 digit display FND503 **\$2.00**
 PC Board for 6 digit display FND503 **\$3.00**
 PC Board for 4 digit display DL747 **\$2.50**
 PC Board for 6 digit display DL747 **\$3.00**
 PC Board for 4 digit display DL727 **\$2.25**
 PC Board for 6 digit display DL727 **\$3.00**
 PC Board for 4 digit display FND70 **\$1.75**

All PC display boards are multiplexed for adding additional digits.



\$\$\$ SAVE! 4-DIGIT ALARM CLOCK

KIT NO.1 \$13.95
 (with PC Board)

FEATURES:
 Direct drive display outputs, * Current control regulation on chip, * Low power brightness control on chip, * RFI eliminating slowup circuitry, * Sleep Radio feature, * 24 hr. snooze alarm, * Independent digit setting, * Non multiplexed output circuitry. 12VAC CT 1/2 amp transformer for Kit No. 1 **\$2.00**

***KIT NO.2**
 Complete kit with components, PC Board, Transformer, wood grain case and filter for display window. Includes .25 in. readouts. **\$21.50**

KIT NO.3
 Complete kit with components, PC Board, Transformer, wood grain case, and filter for display window. Includes .5 inch readouts. **\$22.50**

* Components for Kit No. 2 or Kit No. 3 sleep radio feature, add \$95



LSI INTEGRATION

MM5316 - 4-6 digit alarm clock 40 pin dip w/spec..... **\$ 4.25**
 7002 - 4 digit counter/latch decoder; 7 segment and BCD outputs. 28 pin dip w/spec..... **\$12.50**
 7005 - 4 digit counter/latch decoder; 7 segment output only. 24 pin dip w/spec..... **\$ 9.50**
 7007 - 4 digit counter/latch decoder with BCD output only. 16 pin dip w/spec..... **\$ 7.00**
 70250 - 4-6 digit alarm clock 28 pin dip w/spec..... **\$ 5.50**
 PC Board for 70250..... **\$ 4.25**
 70380 - 4 digit non-multiplexed radio alarm clock featuring direct drive display output 40 pin dip w/spec..... **\$3.50**
 PC Board for 70380..... **\$ 3.75**
 8008 - 8 bit parallel CPU..... **\$19.50**
 2102 - 1K static RAM for 8008..... **\$ 2.25**
 MM5203 - 2K UV erasable PROM..... **\$12.25**
 75491 - segment driver..... **\$ 0.35**
 75492 - digit driver..... **\$ 0.45**
 7020 - 6 function calculator chip with direct segment driver. 8 digit..... **\$ 2.25**

GE TRANSISTOR ASSORTMENT
 T098 cased Darlings., SCRs, NPN, PNP, ect.
 50 for \$0.95
 100 for \$1.75
 300 for \$5.00

TTL BOARDS
 MEMOREX computer boards with TTL's Diodes and Transistors, ect.
 5 Boards containing 150-250 IC's **\$3.95**

GOT A CASE? HERE'S THE CURE!

Ideal for Frequency counter case function generator, ect. Overall height 4", length 12", width 7 1/2".
 (Includes top, bottom, and hardware.)

\$5.95

MASTER II




LIGHTS
 MUSIC 60 WATT COLOR ORGAN

Completely self contained unit with 120 volt power cord included. **\$1.50**

THE KING OF ALTAJ
INTRODUCING: TANYA
 (60 Hz. Crystal Time Base)

ADDITIONAL FEATURES:
 1.) Low Power Consumption
 2.) Directly Interfaces with King MOS Clock Chip.
 3.) 60 Hz output with crystal time base accuracy
 4.) Ideal for Cars, Boats, & Campers.

Kit Includes All Components, P.C. Board, and Instructions for Interfacing with "THE KING" 6-Digit Alarm Clock. **\$5.95**



DELILA APPLIANCE STARTER \$9.95


(Example) Set your alarm for 7: a.m., set timer for 15 min. At exactly 7: a.m., the appliance will start; at 7:15 your clock alarm will wake you.

Kit includes all components, PC Board and instructions for interfacing with THE KING 6-digit alarm clock. Addition Number 2

FATIMA 4-DIGIT TEMP. KIT \$19.95

Features 4-digit temperature display; fahrenheit or centigrade; complete C-Mos application; uses 7002 4-digit counter.

Kit includes all components, PC Board and instructions for interfacing with THE KING 6-digit alarm clock. Addition Number 1




THE KING \$23.50
6-DIGIT ALARM CLOCK

THE KING FEATURES:


- 1) 6 digit, 12 hr. 60 cycle or 24 hr. 50 cycle alarm clock.
- 2) Time sharing capability for display of additional information
- 3) Single 12v. supply and a minimum of interface components.
- 4) AM-PM and automatic power failure indications.
- 5) 10 minute snooze
- 6) Intensity control of LEDs.

Kit No. 70250-1R (Red readouts)
 Kit No. 70250-1G (Green readouts)
 Kit No. 70250-1Y (Yellow readouts)
 Kit No. 70250-2R (DL727 readouts)..... **\$28.50**
 Kit No. 70250-3R (FND807 readouts)..... **\$29.50**

All kits include components, PC Boards, Transformer, case, and construction manual.

TTL 

7400	-.21	7447	-.94	74151	-.80
7402	-.21	7448	-.94	74153	-.94
7404	-.21	7453	-.21	74154	-1.00
7406	-.29	7473	-.42	74163	-1.24
7408	-.21	7474	-.42	74164	-1.94
7410	-.21	7475	-.70	74165	-1.54
7413	-.54	7476	-.44	74174	-1.34
7420	-.21	7483	-.90	74175	-1.44
7427	-.29	7490	-.74	74181	-2.80
7430	-.21	7492	-.80	74192	-1.30
7437	-.44	7493	-.80	74193	-1.30
7438	-.39	7495	-.80	74195	-.84
7440	-.21	7496	-.80	74197	-.84
7442	-.74	74121	-.43	74123	-.80

CMOS 

4000	-.24	4018	-1.49	4035	-1.39
4001	-.24	4019	-.59	4037	-4.50
4002	-.24	4020	-1.59	4040	-1.59
4006	-1.49	4021	-1.49	4041	-.69
4007	-.24	4022	-1.19	4042	-.79
4008	-1.15	4023	-.24	4043	-.80
4009	-.59	4024	-.99	4044	-.59
4010	-.55	4025	-.24	4047	-.59
4011	-.24	4026	-1.49	4049	-.59
4012	-.24	4027	-.59	4050	-.59
4013	-.59	4028	-.99	4066	-.99
4014	-1.49	4029	-1.39	4077	-.39
4015	-1.19	4030	-.49	74C02	-.29
4016	-.59	4032	-.24	74C04	-.29
4017	-1.29	4033	-1.49	74C107	-1.29
		4034	-3.25		

CONTINENTAL SPECIALTIES

THE ONE SOURCE FOR EVERYTHING NEW IN BREAD BOARDING

\$19.95
 (Complete Kit)

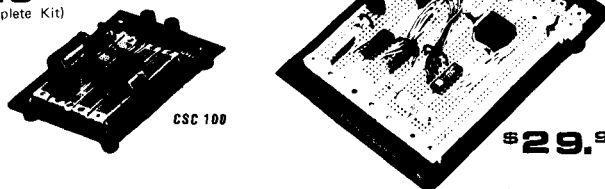
NEW Proto Board

CSC 100

\$29.95

CSC 101

Write for our FREE Brochure



TRANSISTORS-DIODES

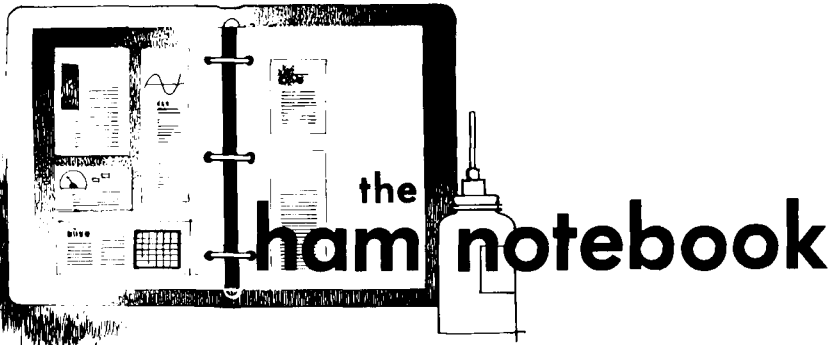
RCA200V	115W T05 NPN	1.25
GE D40C1	NPN Darl.	0.25
2N4443SCR	400v8A T0220	0.65
2N2222	NPN Gen Ampl.	0.20
2N3804	NPN Driver	0.15
2N3906	PNP Compl.	0.15
2N4400	NPN Low level noise	0.20
2N5401	PNP Nixie driver	0.25
1N4004	400PIV	15 for 1.00
1N4007	4000PIV	10 for 1.00
1N746	3.3 Zen.	4 for 1.00
1N4148	Switch	20 for 1.00

LGOK!
 From Altaj to you, a special offer.

Power Supply Kit: 5 Volt 1 Amp. Req.
 Line regulation .005%
 Load regulation 50mV

Kit includes Components, PC Board, Transf., Fuse, Pilot Light **\$5.50**
 Nothing else to buy:

ALTAJ ELECTRONICS
 P.O. BOX 38544 Dallas, Texas 75238
 TERMS: Check or money order. No COD.
 Telephone (214) 278-3561
 Texas Residents Add 5%



micro-TO keyer mods

The schematic of **fig. 1** shows a simplified and improved version of this popular keyer. The three transistors that made up the pulse generator were replaced with an NE555V (U1). Normally a free-running oscillator, the NE555V becomes a switchable dot generator by adding CR1, providing an accurate 1:1 ratio.

vents feedback so that dot/space ratio is always 1:1.

The sidetone generator was replaced by another NE555V (U4), which has a tone range of about three octaves. The output easily drives a 3-watt, 4-ohm speaker (no extra speaker is used for the keyer). Still another NE555V (U5) was added to U4 to provide a two-tone oscillator for ssb tuning. A 16-pin IC socket will simplify construction.

The output section consists of Q1 and Q2. The keying bias of my transmitter (an FL-DX500) is -26 volts at 5 mA, easily handled by Q2. Q1 is an inverter for Q2. The resistor across Q1's emitter-collector junction and the capacitor in the base circuit provide a good-sounding on-the-air signal.

The rotary multiswitch connects the receiver output to a speaker or headset. In either position, sidetone can be

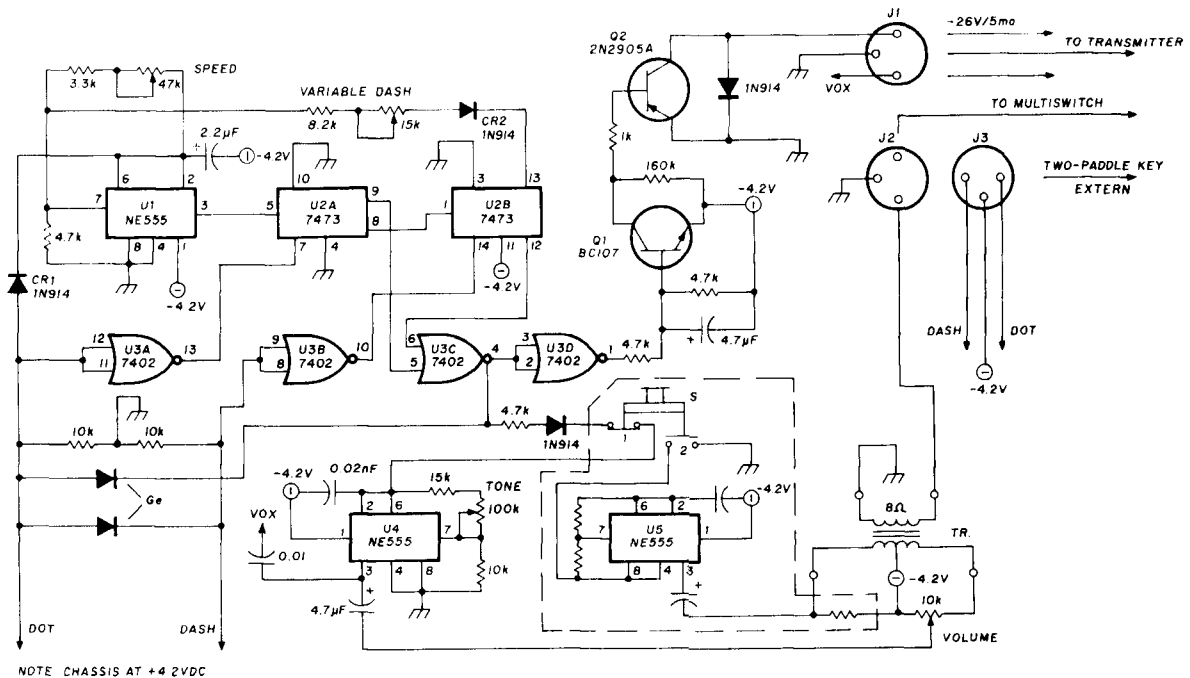


fig. 1. Improved micro-TO keyer. Transformer is a small transistor-radio unit. Keyer speed is about 3-50 wpm; dash ratio can be varied about 5:1. Dot ratio is fixed at 1:1.

A variable dash circuit was added using an SN7473 (U2). When U1-12 is high, forming dashes, U2-13 is low, providing a load for U1-7. Voltage then decreases at U1-2, 6, 7; consequently dash length will be extended and may be controlled by the potentiometer shown. In the dot position, CR2 pre-

vents feedback so that dot/space ratio is always 1:1. External components of U5 may be chosen for a suitable fixed frequency, while U4's tone control may be varied to obtain a suitable second frequency and marked for presetting. If you wish to omit the pushbutton switch and U5, connect the 1N914 directly to U4, pins 2 and 6.

added by adjusting the volume control while listening to a desired signal. Keying speed and ratio are quickly adjusted, the volume control is turned to zero (no tone), and the transmitter is ready for keying.

The keyer circuit is mounted on a 3-3/16 by 1 1/2 inch (80 by 40mm) perf

board, with space remaining for more components. The transformer is mounted at the inside rear of the box near its jack.

Herbert Seeger, DJ9RP

stabilization of the Ten-Tec KR20 keyer

A nagging problem with the Ten-Tec model KR20 keyer during four years of use has been an intermittent dit when the keyed character was a dah. Persistent checking showed no component failure. Finally, by mon-

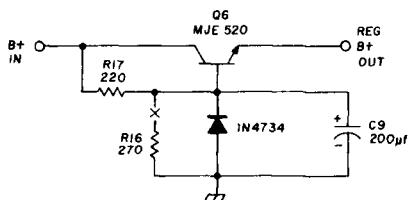


fig. 2. Method for stabilizing the Ten-Tec KR20 keyer.

itoring the output of the power supply, a 0.5-volt shift was discovered in the output voltage while keying. This annoying problem vanished and the shift was eliminated when the 270-ohm resistor between the base and ground of Q6 was replaced with a 5.6-volt zener (fig. 2).

Don Peck, W3CRG

AFSK generator

I recently built the excellent crystal-controlled AFSK generator described in *ham radio** but since I didn't have a +15 volt power supply available, I used the TTL oscillator circuit shown in fig. 3. The crystal is an FT243 that I hand ground to 4589.5 kHz. The 50-pF series capacitor allows the frequency to be trimmed to exactly 4590 kHz.

The output of the TTL oscillator was connected to a divide-by-10 7490 IC and then to pin 1 of U1A in the AFSK circuit.

The output oscillator was connected to a divide-by-10 7490 IC and then to pin 1 of U1A in the AFSK circuit.

I installed two miniature transistor

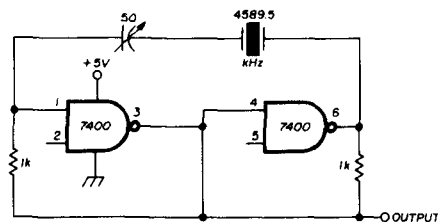


fig. 3. Simple TTL oscillator uses 7400 IC.

transformers at the output of U4B, using the two high-impedance windings connected in series, tuned to 2210 Hz. The output was then connected to the microphone input to my KWM2 through a 22k/100 ohm divider. The output wave-form is very satisfactory and on the air tests were excellent.

Jean Nugues, F8KI

vlf converter

An interesting article appeared in the November, 1974 issue of *ham radio*† describing a very-low-frequency converter with a tuned circuit using magnets and a toroid. The converter shown in fig. 4 uses a lowpass filter instead of the usual tuned circuit so that the only tuning required is with the receiver.

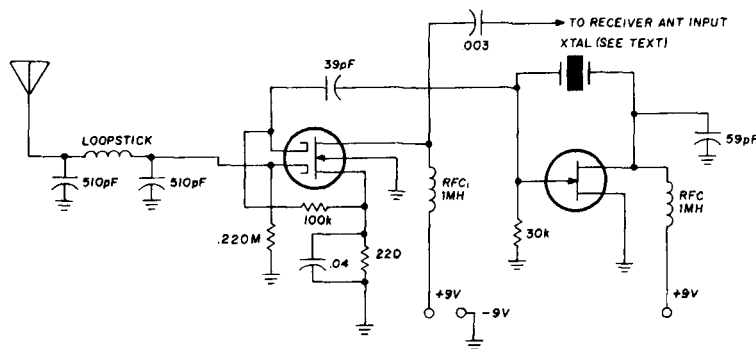


fig. 4. Vlf converter using untuned input.

Despite its simplicity the converter has a measured threshold sensitivity of about 20 microvolts, which is ample for these frequencies. The dual-gate mosfet and fet used in the mixer and oscillator aren't critical. Any crystal having a frequency compatible with the receiver tuning range may be used. For example, I use a 3500 kHz crystal; hence 3500

kHz on the receiver dial corresponds to zero kHz; 3600 to 100 kHz, 3700 to 200 kHz, etc. At 3500 kHz on the receiver all you can hear is the converter oscillator, and vlf signals start to come in about 20 kHz higher.

R. N. Coan, W3CPU

tube shields

Many older pieces of gear, such as my 75A4 receiver, use tube shields to isolate various stages. These shields can cause instability if they no longer make good contact with the tube socket.

While this is easily cured by cleaning and by deforming the shield slightly to insure a tight mechanical connection to the socket, a far better course is to replace the shields with one of the more modern tube shield designs.

The old style shields were ineffective at best in helping cool the tubes and often actually caused envelope temperature to rise in local areas, leading to reduced performance and shortened tube life.

The modern shields are easily identified — they are generally black on the outside and feature fluted spring-metal fingers of one sort or another on the

inside. These shields substantially lower tube temperature while retaining the isolation characteristics. The old style shields, on the other hand, usually have a metallic finish, and lack any form of heat dissipating fingers on the inside.

Replacement of the old style shields with the more modern variety will give a worthwhile improvement in overall tube life, and will help the tube maintain its new specs longer. The investment is a modest one and well worthwhile.

Bob Locher, W9KNI

*Howard Nurse, W6LLO, "Crystal-Controlled AFSK Generator," *ham radio*, December, 1973, page 14.

†Gunter Ruehr, OH2KT, "Tuned Very Low-Frequency Converter," *ham radio*, November, 1974, page 49.

The 280 series.

No-nonsense, no-corrosion 10-80 meter mobile antennas from Hy-Gain.

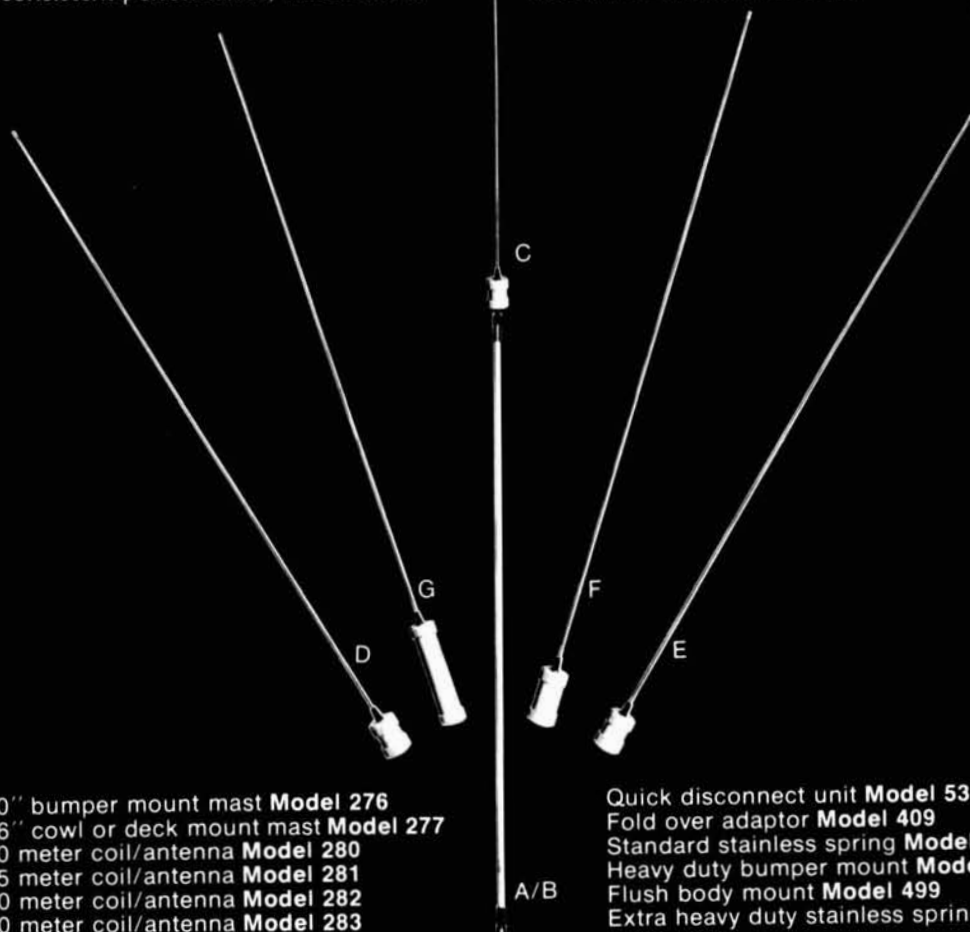
Now from Hy-Gain, a new concept in tip-changing Ham antennas. The 280 series is designed with no-nonsense, one piece fiberglass masts and tough, one piece baked fiberglass coils. You get maximum power handling capability, minimum heat drift, and no loss to corrosion. Yet, it's lighter than aluminum and just as strong.

All five coils are mandrel wound for absolutely consistent performance, imbedded in

fiberglass, then baked to make them impervious to weather. Tough ABS end caps and solid brass coil fittings keep performance in, corrosion out.

Whips are 17-7 ph stainless, the finest antenna steel, and are literally indestructible in normal use.

Nominal 52 ohm impedance on all bands. Any coax length will work. Heavy duty, chrome plated mast and whip fittings. 3/8" x 24 base stud fits all standard mounts.



- (A) 60" bumper mount mast **Model 276**
- (B) 36" cowl or deck mount mast **Model 277**
- (C) 10 meter coil/antenna **Model 280**
- (D) 15 meter coil/antenna **Model 281**
- (E) 20 meter coil/antenna **Model 282**
- (F) 40 meter coil/antenna **Model 283**
- (G) 75/80 meter coil/antenna **Model 284**

- Quick disconnect unit **Model 531**
- Fold over adaptor **Model 409**
- Standard stainless spring **Model 492**
- Heavy duty bumper mount **Model 415**
- Flush body mount **Model 499**
- Extra heavy duty stainless spring **Model 511**

hy-gain®

Hy-Gain Electronics Corporation: 8601 Northeast Highway Six; Lincoln, NE 68505; 402/464-9151; Telex 48-6424
Manufacturers and distributors of more than 300 fine broadcast communications products.

With Hy-Gain's 273 2-meter J-pole all you pay for is performance.

The 273 is a high performance, all driven, stacked dipole array, vertically polarized. It has everything you need for maximum efficiency 2-meter broadcast or repeater use. Everything but a mast.

Because many 2-meter arrays are mounted on existing structures, we've left out the mast and passed the savings on to you.

The 273 mounts easily on 1 1/4" to 2" conductive/non-conductive masts or tower legs for directional or omnidirectional use. Unique center fed phasing and matching harness for perfectly parallel phase relationship and low angle of radiation. Moisture, condensation and corrosion protected.

The entire antenna is at DC ground for static elimination and lightning protection. Perfect 52 ohm coaxial feedpoint. Heavy duty worm gear mounting clamps and high impact styron insulators included.

Power 1 KW P.E.P., 250 watts AM
VSWR at resonance 1.2:1
Impedance 50 ohms
Produces gain over 1/2 wave dipole

**hy-gain**[®]

Hy-Gain Electronics Corporation 8601 Northeast Highway Six;
Lincoln, NE 68505; 402/464-9151; Telex 48-6424
Branch Office and Warehouse 6100 Sepulveda Blvd., #322;
Van Nuys, CA 91401; 213/785-4532; Telex 65-1359
Distributed in Canada by Lectron Radio Sales, Ltd.;
211 Hunter Street West; Peterborough, Ontario





CRYSTAL FILTERS and DISCRIMINATORS



10.7 MHz FILTERS, 8 POLE			
XF107-A	14kHz	NBFM	\$40.60
XF107-B	16kHz	NBFM	\$40.60
XF107-C	32kHz	WBFM	\$40.60
XF107-D	38kHz	WBFM	\$40.60
XF107-E	42kHz	WBFM	\$40.60

10.7 MHz FILTERS, 4 POLE			
XM107-S04	14kHz	NBFM	\$18.95
10.7 MHz FILTERS, 2 POLE			
XF102	14kHz	NBFM	\$7.95
SOCKET (for XM107-S04) type DG1 \$1.50			

10.7 MHz DISCRIMINATORS			
XD107-01	30kHz	NBFM	\$23.20
XD107-02	50kHz	WBFM	\$23.20
<i>Export Inquiries Invited</i>			
Shipping 75¢ per filter			

50 MHz DIGITAL FREQUENCY METER MMd050

MEASURE FREQUENCIES TO 50 MHz
6 DIGIT DIGITAL DISPLAY
HIGH SENSITIVITY 50 mV RMS
INTERNAL CRYSTAL REFERENCE
POWER 12 V D.C.
SIZE 1 1/4" x 2 1/2" x 4 1/2" PLUS CONNECTORS



\$17995 SHIPPING \$2.00



500 MHz ÷ 10 PRESCALER MMd500P

EXTEND YOUR FREQUENCY METER TO 500 MHz MAX.
SENSITIVITY 200 mV RMS
INPUT IMPEDANCE 50 Ω
OUTPUT TTL COMPATIBLE
POWER 12 V D.C.
SIZE 1 1/4" x 2 1/2" x 4 1/2" PLUS CONNECTORS

\$7995 SHIPPING \$2.00

DATA SHEETS AVAILABLE ON REQUEST.



SPECTRUM INTERNATIONAL, INC. P. O. BOX 1084 CONCORD, MASS. 01742 U.S.A.

DON & BOB'S SUPER BUYS

HY GAIN TH6DX	\$192.00
MOSLEY CLASSIC 33	\$179.00
GREAT BUYS ON 204BA, 402BA, 18AVT/WB.	
BN86	\$15.95
CDE HAM-II ROTOR	\$129.00
18HT HY TOWER	\$218.00
TRI-EX W SERIES TOWERS (FOB CALIF.)	
BELDEN 8214 RG-8/U FOAM COAX	23¢/FT.
BELDEN 8237 RG-8/U	19¢/FT.
8 WIRE ROTOR CABLE	14¢/FT.
AMPHENOL PL-259	59¢
CALL FOR QUOTES — TS-520, TS-700A, 210X.	
MORE HY-GAIN SPECIALS (Limited Quantities):	
2BDQ, 40-80M DOUBLET	\$39.00
TH3MK3, 3 ELEMENT BEAM, 20, 15, 10	\$160.00
BOOKS	
TELSTAR 12V, 2 AMP REGULATED SUPPLY	\$30.00
ALL PRICES FOB HOUSTON	

MADISON ELECTRONICS SUPPLY, INC.

1508 MCKINNEY AVENUE
HOUSTON, TEXAS 77002

713/224-2668

Nites 713/497-5683

ME-3 microminiature tone encoder

Compatible with all sub-audible tone systems such as: Private Line, Channel Guard, Quiet Channel, etc.

- Powered by 6-16vdc, unregulated
- Microminiature in size to fit inside all mobile units and most portable units
- Field replaceable, plug-in, frequency determining elements
- Excellent frequency accuracy and temperature stability
- Output level adjustment potentiometer
- Low distortion sinewave output
- Available in all EIA tone frequencies, 67.0 Hz-203.5 Hz
- Complete immunity to RF
- Reverse polarity protection built-in



\$29.95 each

Wired and tested, complete with K-1 element

communication specialists

P. O. BOX 153
BREA, CALIFORNIA 92621
(714) 996-3021

K-1 FIELD REPLACEABLE,
PLUG-IN, FREQUENCY
DETERMINING ELEMENTS
\$3.00 each

Wilson Electronics Corp.

"FACTORY DIRECT ONLY"



WILSON "WE-224" MOBILE

SUMMER SPECIAL

\$199⁹⁵



90
Day
Warranty

10 Day
Money Back
Guarantee

FEATURES

- 24 Channel Operation
- One priority Channel
- Selectable 1 or 10 Watts Out
- 10.7 Monolithic Filter Installed
- 455 KHz Ceramic Filter
- .3 Microvolt Sensitivity for 20 dB Quieting
- Numerical Read-out on each Channel
- Built-in Adjustable "Tone Burst" Generator
- Front Panel "Tone Burst" Control
- Accepts Wilson 1402 & 1405SM Xtals
- Individual Trimmer Capacitors for both TX/RX
- Mosfet Front End
- Helical Resonator
- High VSWR Protection Circuit
- Reverse Polarity Protection Circuit
- NBFM - 15 KHz Channel Separation
- Built-in Speaker
- External Speaker Jack
- Dynamic Microphone Included
- Mobile Mounting Bracket Included
- Quick Disconnect Power Cable
- Frequency Range 144-148 MHz
- 6 7/8" W x 2 1/2" H x 9 1/2" D
- Weight: 5 1/2 lbs.
- Power Requirements:
 - Source: 13.5 VDC \pm 10%
 - Receive: .45A
 - Transmit: 2.6A (10W), .7A (1W)

SPECIAL INCLUDES:

- WILSON "WE-224"
- MOBILE MIKE
- MOUNTING BRACKET
- 146.52/52 SIMPLEX CRYSTALS

SUMMER SPECIAL on Wilson Hand Held 220 and 450

2202 SM

FREQUENCY RANGE 220 - 225 MHz

- 6 Channel Operation
- Individual Trimmers on all TX/RX Crystals
- All Crystals Plug In
- 12 KHz Ceramic Filter
- 10.7 and 455 KC IF
- .3 Microvolt Sensitivity for 20 dB Quieting
- Weight: 1 lb. 14 oz. less Battery
- Battery Indicator
- Size: 8 7/8 x 1 3/4 x 2 7/8
- Switchable 1 & 2.5 Watts Output @ 12 VDC
- Current Drain: RX 14 MA, TX 500 MA
- Microswitch Mike Button
- Unbreakable Lexan® Case

USES SAME ACCESSORIES AS 1405

SUMMER SPECIAL

\$239⁹⁵

INCLUDES

- 2202 SM
- Flex Antenna
- 223.50 Simplex Installed



4502 SM

FREQUENCY RANGE 420 - 450 MHz

- 6 Channel Operation
- Individual Trimmers on all TX/RX Crystals
- All Crystals Plug In
- 12 KHz Ceramic Filter
- 21.4 and 455 KC IF
- .3 Microvolt Sensitivity for 20 dB Quieting
- Weight: 1 lb. 14 oz. less Battery
- Battery Indicator
- Size: 8 7/8 x 1 3/4 x 2 7/8
- Switchable 1 & 1.8 Watts Output @ 12 VDC
- Current Drain: RX 14 MA, TX 500 MA
- Microswitch Mike Button
- Unbreakable Lexan® Case

USES SAME ACCESSORIES AS 1405

SUMMER SPECIAL

\$279⁹⁵

INCLUDES

- 4502 SM
- Flex Antenna
- 446.00 Simplex Installed

ACCESSORY SPECIALS

DESCRIPTION	SPECIAL PRICE
BC1 BATTERY CHARGER	\$34.95
BP1 10 EA. AA GOULD NICAD BATTERIES	14.95
BT1 EXTRA BATTERY TRAY	6.00
LC1 LEATHER CASE 1402	11.95
LC2 LEATHER CASE 1405, 2202, 4502	11.95
SM1 SPEAKER MIKE FOR EARLY MODEL 1402 9 PIN CONNECTOR	24.95
SM2 SPEAKER MIKE FOR ALL NEW HAND HELDS WITH ROUND 6 PIN CONNECTOR	24.95
TE-1 SUB-AUDIBLE TONE ENCODER INSTALLED	34.95
TTP TOUCH-TONE PAD	49.95
INSTALLATION AT TIME OF RADIO PURCHASE	FREE
INSTALLATION AT LATER DATE, ADD	15.00
XF-1 10.7 KC MONOLITHIC XTAL FILTER	9.95
CRYSTALS TX or RX (Common Frequency Only)	3.75



BC-1 BATTERY CHARGER

Wilson Electronics Corp.

FACTORY DIRECT ONLY

SUMMER SPECIAL

1402SM
HAND HELD
2.5 WATT
TRANSCIVER
144-148 MHz
\$164⁹⁵

1405SM
HAND HELD
5 WATT
TRANSCIVER
144-148 MHz
\$239⁹⁵

FEATURES

1402 SM

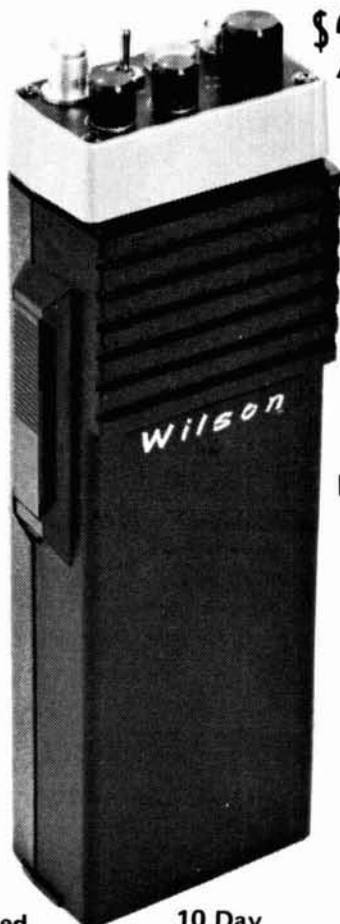
- 6 Channel Operation
- Individual Trimmers on all TX/RX Crystals
- All Crystals Plug In
- 12 KHz Ceramic Filter
- 10.7 IF and 455 KC IF
- .3 Microvolt Sensitivity for 20 dB Quieting
- Weight: 1 lb. 14 oz. less Battery
- S-Meter/Battery Indicator
- Size: 8 7/8 x 1 7/8 x 2 7/8
- 2.5 Watts Minimum Output @ 12 VDC
- Current Drain RX 14 MA TX 500 MA
- Microswitch Mike Button
- High Impact Plastic Case

1405 SM

- 6 Channel Operation
- Individual Trimmers on all TX/RX Crystals
- All Crystals Plug In
- 12 KHz Ceramic Filter
- 10.7 and 455 KC IF
- .3 Microvolt Sensitivity for 20 dB Quieting
- Weight: 1 lb. 14 oz. less Battery
- Battery Indicator
- Size: 8 7/8 x 1 3/4 x 2 7/8
- Switchable 1 & 5 Watts Minimum Output @ 12 VDC
- Current Drain: RX 14 MA TX 400 MA (Iw) 900 MA (5W)
- Microswitch Mike Button
- Unbreakable Lexan® Case



Shown With
Optional
Touch-Tone Pad



SPECIAL ON EACH RADIO INCLUDES:

Flex Antenna
52/52
Simplex Xtal

Can be Modified
for
MARS or CAP

10 Day
Money Back
Guarantee

90
Day
Warranty

TO: WILSON ELECTRONICS CORP., 4288 S. POLARIS AVE., LAS VEGAS, NEVADA 89103, (702) 739-1931

SUMMER SPECIAL DIRECT SALE ORDER BLANK

- ___ 1402SM @ \$164.95
- ___ 1405SM @ \$239.95
- ___ WE224 @ \$199.95
- ___ 2202SM @ \$239.95
- ___ 4502SM @ \$279.95
- ___ TTP @ \$49.95
- ___ XF1 @ \$9.95
- ___ TX or RX XTALS @ \$3.75 ea.
- ___ FACTORY XTAL INSTALLATION/NETTING @ \$7.50/Radio

EQUIP TRANSCIVER AS FOLLOWS:

	XTALS	TX	RX	XTALS	TX	RX
___ BP1 @ \$14.95	A.	52	52	G.		
___ BT1 @ \$6.00	B.			H.		
___ LC1 @ \$11.95	C.			I.		
___ LC2 @ \$11.95	D.			J.		
___ SM1 @ \$24.95	E.			K.		
___ SM2 @ \$24.95	F.			L.		
___ TE1 @ \$34.95						

(SPECIFY FREQUENCY _____)

ENCLOSED IS _____ CHECK MONEY ORDER
 MC BAC

CARD # _____

EXPIRATION DATE _____

NAME _____

ADDRESS _____

CITY _____

STATE _____ ZIP _____

SIGNATURE _____

SHIPPING & HANDLING PREPAID FOR SUMMER SPECIAL
NEVADA RESIDENTS ADD SALES TAX
HR VALID ONLY JULY 1 THRU 31

1976
**ham
 radio**
 Bigger & Better
 with **MORE**
 for everyone



Don Roehrs, President of Signal One, and the CX-11 grand prize.

1976 ham radio sweepstakes winners

WAØQZW is the
 grand prize winner —
 eight others
 win either
 Atlas transceivers
 or Icom IC-230s

Ham Radio's seventh annual Sweepstakes was by far the biggest ever with nine very happy winners and a very tired staff, both here, and at our local Post Office.

Well over 30,000 entries were received this year, along with many questions about the new Signal/One CX-11, the Icom IC-230 and the Atlas 210X transceivers.

Certainly the greatest interest was focused on the grand prize of the new Signal/One transceiver. Just what is there in that magic box to make it cost \$4000? When Don Roehrs, President of Signal/One, personally

delivered this prize we were almost as eager as its winner to see what it was all about. We certainly were not disappointed, to say the least.

The CX-11 represents a complete redesign of the earlier models, from a new front-end design in the receiver to a brand new, solid-state final amplifier. Virtually every stage of this intricate radio is either completely new or extensively revised. When you look inside you find almost nothing that looks familiar. The painstaking care that was put into this package should really pay off in both performance and reliability.

We've talked with Randy Powell, WAØQZW, the winner of the Signal/One after he received it and he could hardly believe what an exciting and complete package he had won.

Next on the winners list were the four lucky recipients of the Icom IC-230 synthesized two-meter transceivers including Glen Galati, WBØAXK; Dave Mitchell, WA3CPC; Bob McCarthy, WA1UVX; and Helen Haynes, WBØHOX.

The IC-230 has really made quite a name for itself in the past couple of years. Using a phase-locked-loop synthesizer it covers all the standard 30-kHz repeater pairs and is easily adapted to the 15-kHz "split" channels.

Perhaps the most exciting part of this radio is its very sensitive receiver which includes a five-section helical resonator type front-end filter to insure an absolute minimum of intermod problems. When all of this is put into a package no larger than most crystal-type rigs you end up with one of the most popular 2-meter fm rigs on the market today.

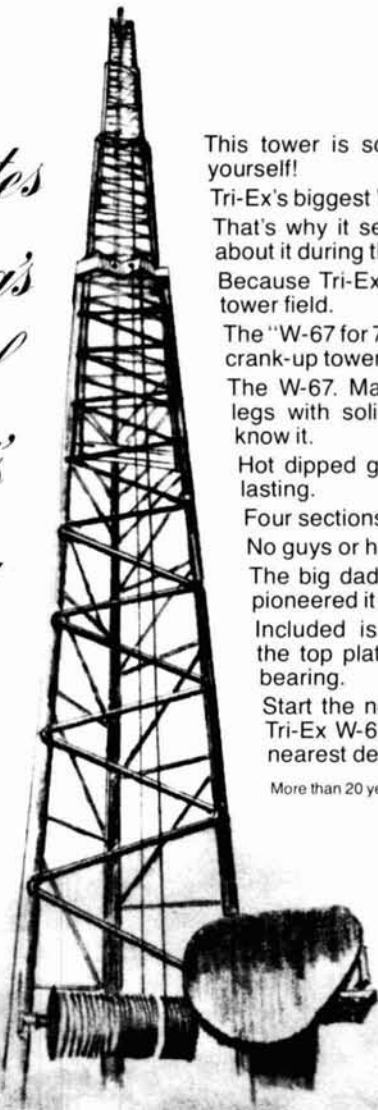
The final group of winners received Atlas 210X transceivers. Included on this list were Chester Koziol, WA2BGS; Robert Trotter, K7VQG; Harry Newport, WØJDP; and Herb Frosell, K2IB.

The versatile Atlas features 200 watts dc input to an all solid-state, broadband, no tune-up final. It operates on 80 through 10 meters and offers one of the best receivers available. Extremely small in size and running on 12 Vdc the Atlas is one of the best mobile rigs around today; with an ac supply it is easily adapted to home-station use.

This year's contest was certainly the most work yet (and the most fun yet) for all of us here at *ham radio*, and we certainly want to thank all of you who gave the time and effort to enter. We'll look for *your entry* next year when we draw the grand prize.

ham radio

*Tri-Ex Salutes
America's
Bicentennial
Year with its
Freestanding
"W-67 for '76"*



This tower is so good you've got to see it for yourself!

Tri-Ex's biggest W-Series free-standing tower.

That's why it seemed so appropriate to tell you about it during the bicentennial year.

Because Tri-Ex is making history. History in the tower field.

The "W-67 for 76" will carry you to new heights. A crank-up tower that you can rely on.

The W-67. Made of high strength steel tubing legs with solid rod "W" bracing. Stable, you know it.

Hot dipped galvanized *after* fabrication. Long lasting.

Four sections.

No guys or house brackets needed.

The big daddy of the very popular W-51 that pioneered it all.

Included is a free rigid base mount. And the top plate is pre-drilled for a TB-2 thrust bearing.

Start the next 200 years right—start with a Tri-Ex W-67 for 76. Write today or see your nearest dealer.

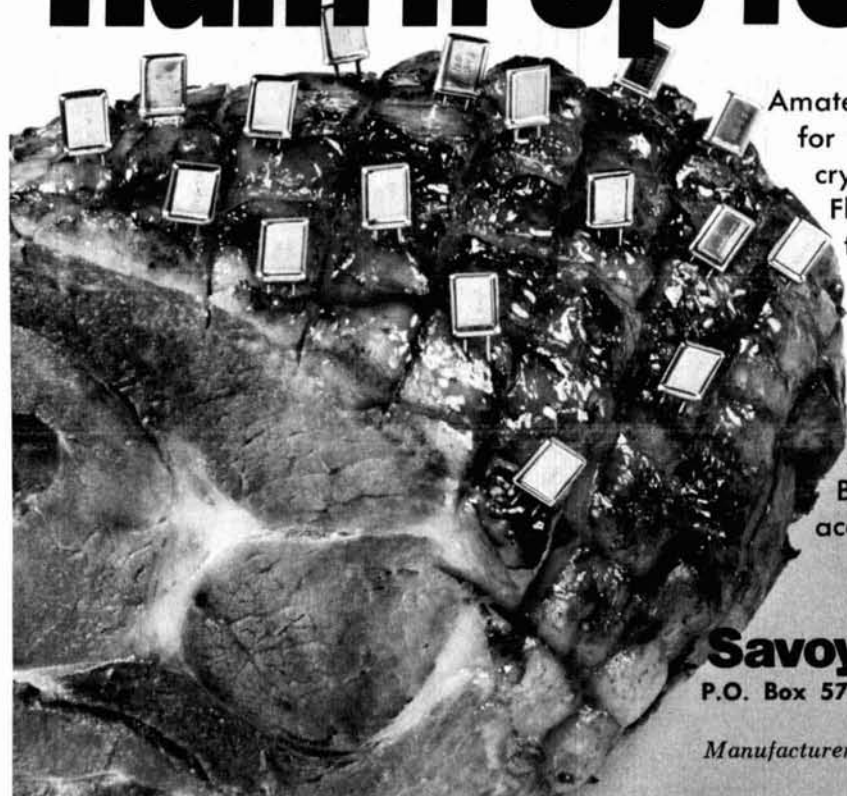
More than 20 years of reliable service to amateur operators.


Tri-Ex
TOWER
CORPORATION
7182 Rasmussen Ave.
Visalia, Calif 93277



Spirit of '76

Ham it up for \$3.95.



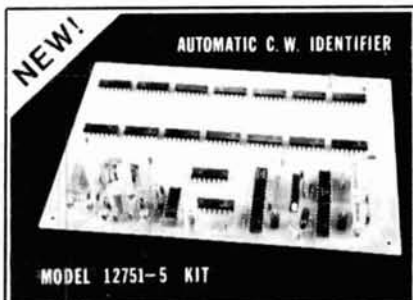
Amateur crystals 144.0-148.00 only for this trim price, plus 25¢ per crystal for handling and postage. Florida residents add 4% sales tax. Send frequencies, make and model when ordering. Our price includes most gear on our free Parts List. For equipment not listed, we'll provide prices on request and slice up something special. Master Charge and BankAmericard telephone orders accepted. No C.O.D.s.



Savoy Electronics Inc.

P.O. Box 5727, Fort Lauderdale, Florida 33310
305/563-1333

Manufacturers of Quality Quartz Crystals Since 1937



Special Introductory Offer, \$4995*

(Reg. \$59.95) Offer ends Oct. 31, 1976

FEATURES:

- CONNECTS IN LINE BETWEEN MIC. AND MIC. JACK, REQUIRING NO MODIFICATION TO TRANSCIVER.
- SOLID STATE RELIABILITY.
- AUTOMATIC TIMER CAN BE SET FROM 1 MIN. TO 10 MIN.
- ADJUSTABLE CODE SPEED FROM 5 TO 40 WPM.
- ADJUSTABLE CODE TONE AND AUDIO LEVEL.
- EASILY PROGRAMMED WITH ANY U.S. CALL SIGN.
- SPECIALLY DESIGNED CIRCUITRY ASSURES CORRECT AND FULL ID. EVERY TIME.
- OPERATES IN AUTOMATIC OR MANUAL MODES.
- IDEAL FOR BASE, MOBILE, OR REPEATER OPERATION.

KIT INCLUDES:

- QUALITY 5 X 7 PRINTED CIRCUIT BOARD, COMPONENTS, AND 20 PAGE INSTRUCTION AND ASSEMBLY MANUAL.
- FULL 90 DAY WARRANTY.

AVAILABLE NOW!

*Calif. res. add 6% tax
Include \$2 shpg./handling
Phone (408) 263-3107

Send check or MO to:

SECURITRON

P. O. Box 24899
San Jose, Ca 95154

TEST EQUIPMENT

All equipment listed is operational and unconditionally guaranteed. Money back if not satisfied—equipment being returned must be shipped prepaid. Include check or money order with order. Prices include UPS or motor freight charges.

BALL VIa TV spec. effects gen \$425
BECKMAN 7570A Counter Freq conv	
10-1000MHz 275
BOONTON 190A Q mtr 30 200MHz 325
BOONTON 202B AM FM sig gen	
54 216mHz 275
DEI TDU 2 30mHz video display 55
GR546C Audio microvoltage 65
GR821A Twin-T imp bridge to 40mHz 165
GR1302A Audio Osc .01-100kHz 75
HP160B (USM105) 15mHz scope with	
norm horiz, dual trace vert plugs 375
HP166B (Mil) Delay sweep for above 130
HP185A Sampling Scope 1 gHz 186B	
xstr rise plug 335
HP202B LF Osc .5Hz-50kHz 10v. out 75
HP205AG Gen .02-20kHz 195
HP212A Pulse Gen .06-5kHzPRR 65
HP430CR Microwave Pwr Mtr 40
HP540B Transfer Osc to 12.4gHz for	
use with HP524 type counters 115
HP571B-561B Digital clock/rcdr 245
HP616 Sig Gen 1.8-4gHz FM CW 385
HP686 Sweep Gen 8.2-12.4gHz Sweep	
range 4.4mHz-4.4gHz 595
HP803A VHF Ant. bridge 50-500mHz 95
HP1750A Vert. amp. for HP175 50mHz 125
SINGER SSB4 Sideband spec anal	
0-40mHz, res. to 10Hz 685
TEK 181 Time mark scope calib. 45
TEK 190 Sig Gen (const ampl) 50mHz 125
TEK 565 Dual beam 10mHz scope	
less plug-ins 525
TS 505 Std VTVM RF to 500mHz 65

For complete list of all test equipment send stamped, self-addressed envelope

GRAY Electronics

P.O. Box 941, Monroe, Mich. 48161

Specializing in used test equipment.



Glade Valley School Radio Session

17th Year — July 31 thru August 13, 1976

Restructuring is coming! Get that license now!

Let the experienced staff from the Glade Valley School Radio Session help you solve that license problem. Whether you are looking for your General, Advanced or Amateur Extra ticket they will help you in every way with their carefully prepared program to get the license you are looking for.

Have a "Vacation with a Purpose" at this beautiful location in the Blue Ridge Mountains. A highly qualified staff and excellent facilities combine to make license study a pleasant memorable experience.

C. L. PETERS, K4DNJ, Director
P. O. Box 458, Glade Valley, N. C. 28627
Please send me the Booklet and Application Blank for the 1976 Glade Valley School Radio Session.

Name _____ Call _____
Address _____
City/State/Zip _____



Great cost cutting ideas we've rejected for 20 years

Unplated hardware. We use a nickel-chrome plating that defies corrosion.

Cheaper stainless steel. Our 17-7PH steel whips bend 180° and return to perfect vertical.

Erratic coil winding. Tight, precisely wound coils are vital to maximum range.

Smaller set screws. Unlike some competitors, ours are rustproof stainless steel that stand up to a wrench.

Cost cutting ideas are fine...until they affect quality and performance. Don't settle for second best. Look for the stripes of quality.



© "Stripes of Quality"

the antenna specialists co.

a member of The Allen Group Inc.
12435 Euclid Avenue, Cleveland, Ohio 44106
Export: 2200 Shames Drive, Westbury, LI NY 11590
Canada: A. C. Simmonds & Sons, Ltd.

SpecComm Introduces THE FIRST 2M FM Synthesized Portable!

Our new CMOS P.L.L. Synthesizer makes it possible to fully synthesize your 5 Wt. Spec Comm 560/512 modular portable! (Or, Drake, Kenwood, or other portables — as well as almost any other mobile/fixed 2M transceiver!) Current draw is only 45 mA — Not the usual 500-900mA. Wt.: 1.3 lbs. Size: 1.4x6x8".

SC1800M 'SPECTRUM CHANALYZER' FEATURES

- 1800 Channel combinations! 145-148 MHz in 5 KHz steps • Automatic ± 600 KHz xmtr. offsets, +2 opt. offsets, + Direct, + Reverse modes • Exclusive Programmable 'Memory Channel' — push a button to "store" your current chan. in the computer-like memory. Flick a switch to return to the 'Memory Channel' later! • Unique '6th' xmit mode — Transmit on the Memory Chan. & Rcve. on a switch-selected freq.! Work any split! • Superclean output • Fast, convenient "Lever-Wheel" switches. Only \$215.00 at your dealer soon.



SEND FOR DATA SHEETS



DEALER INQUIRIES INVITED

... And a 2M REPEATER So Advanced It's Destined To Become An Industry Standard! THE SCR1000.

- Full Metering • Front panel AF Level & Timer controls • Lighted Pushbuttons for control/test functions/status indicators • CMOS control logic & timers • Built-in I.D.R. & AC Supply • Exclusive Hot Carrier Diode Receiver front end • 30 Wts. out • Provisions for Autopatch, Remote Control, Emergency Pwr., etc., etc.

For the group that demands the finest! Introductory price \$799.95 Sold Factory Direct only.

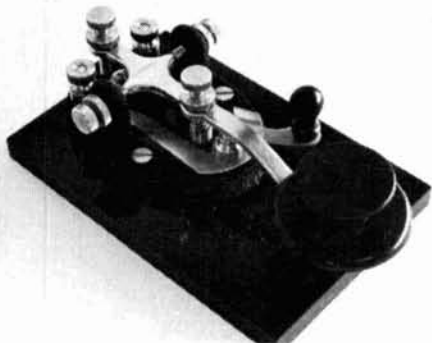


SPECTRUM COMMUNICATIONS

3238 STUMP HALL ROAD, COLLEGEVILLE, PA. 19426

215 - 584 - 6469

GOLD PLATED BI-CENTENNIAL SPECIAL TELEGRAPH KEY



Our standard Nye Viking Speed-X® Model 114-310-004 with all gold plated hardware and key arm on a standard black crackle base mounted on a black plastic sub-base.

A truly beautiful key for the man who has everything. A fine gift for those special occasions.

Model 114-310-104 G.P.

\$50.00 PREPAID IN U.S.A.

ORDER THRU YOUR FAVORITE DEALER OR DIRECT TO



WM. M. NYE COMPANY, INC.

1614 - 130th N.E.

Bellevue, WA. 98005

"MINI-PORTABLE" DIPOLE KIT

Mounts vertical or horizontal - Electrical $\frac{1}{2}$ wave length For mast, windowsill, boat, mobile home, or auto Quick erect - Up to 500 watt PEP. Hi-Q resonators Tuneable tip rod - 15' approximately length 40 or 20 meter band models

\$29.95

MOBILE
* \$8.95
12 ME



* **BASE**
\$6.95
12 BE



ENCLOSURES

* **Wired with clear, easily lighted W.E. pad (ready to use) \$49.95**



16 Digit Min. Encoder
Wired w/Motorola Chip

16MPW	\$39.95
16MPWE (enclosed)	\$49.95

All prices PREPAID shipping Cont'l USA

KING PRODUCTS

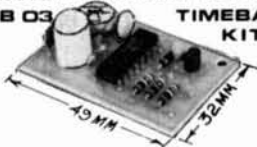
(Dealer Inquiries Invited)

P. O. BOX A, LOMITA, CA 90717 • (213) 534-4402

BULLET ELECTRONICS

PO BOX 1485 LAKE WORTH, FLORIDA 33460

TB 03 TIMEBASE KIT



- ULTRA LOW CURRENT CMOS CIRCUIT
- BUFFERED OUTPUT
- WORKS DIRECTLY WITH 50252, 5314, 5316, 5375 ETC.
- QUALITY DRILLED PLATED GLASS BOARD
- ADJUSTABLE OSC FREQUENCY
- .01% ACCURACY
- LOW COST

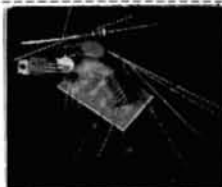
\$5.00 EA.

BULLET WAS THE FIRST ON THE MARKET WITH A 60HZ TIMEBASE FOR LESS THAN \$10.00 (TB-01). THE TB-02 WAS A NEWER MODEL THAT HAD A SMALLER CRYSTAL AND LOWER CURRENT DRAIN. NOW WE ANNOUNCE THE TB-03. AVAILABLE IN 50 OR 60HZ OUTPUT MODELS. PLEASE SPECIFY OUTPUT FREQUENCY DESIRED.

- 10% REFUND ON ALL ORDERS NOT SHIPPED IN 48HRS!
- QUALITY PARTS AND KITS
- POSTAGE PAID ON ALL ORDERS OVER \$10.00 (unless noted)



HAPPY BIRTHDAY AMERICA!



LOUD!
10 WATT WARBLE ALARM KIT
All the components you need to build a dual tone warble alarm but the speaker.
Complete with PC Board
6-15VDC \$2.50 complete

CK07 \$17.76

SPECIAL OFFER!!

MOBILE CLOCK KIT

DRILLED AND PLATED BOARDS

.01% LOW CURRENT TIMEBASE (60HZ)

EVERYTHING YOU NEED BUT THE CASE

3 3/4" wide (2 1/2" for readouts)

+9 to +16 Volts DC

SPECIAL NOISE SUPPRESSION CIRCUITRY

ADJUSTABLE BRIGHTNESS

LARGE .4" LED READOUTS (RED)

CAN BE USED AS A TIMER

SORRY: 12 HOUR FORMAT ONLY.

(FULL 24 HOUR ALARM CAPABILITY FOR CAMPERS, TRUCKS AND VANS)

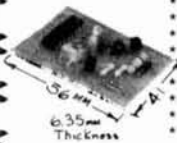
* THIS PRICE GOOD TILL JULY 31, 1976 ONLY!!

TOUCHTONE ENCODER KIT

A Single 18 pin IC chip that locks onto a 560KHz resonator and produces 18 different tone pairs that will work directly with the western Electric Touchtone System. Can be acoustically coupled.

- Low standby current (8ma to 10ma).
- Wide voltage range (6 to 20volts).
- No tuning required.
- Delayed PTT circuit sinks 100MA and holds carrier in between tones.
- Adjustable output level to match most radios.
- Plug compatible with Digitran Keyboards.
- 12 or 16 tone capability.
- Audio drive circuit allows tone monitoring or acoustic coupling (speaker not included).
- Small size.
- Low cost.

TE 01 \$12.00



YOU GET EVERYTHING THAT THE TE-01 HAS, BUT LESS THE PTT CIRCUIT AND AUDIO OUTPUT CIRCUIT. THE EXCLUSION OF THESE FEATURES ALLOWS US TO MAKE THE UNIT SMALLER FOR OPERATION WITH HT'S. CONNECTS DIRECTLY INTO THE MIKE CIRCUIT

TE 02 \$10.00

AIRCRAFT CLOCK-TIMER

NEED TO KNOW REAL TIME AND ELAPSED TIME FROM ONE COMPACT INSTRUMENT? THIS KIT USES TWO MOS CLOCK CHIPS AND A SPECIAL SWITCHING CIRCUIT TO GIVE YOU 24 HOUR ZULU TIME AND A RESETTABLE ELAPSED TIME INDICATOR FOR CHECKPOINTS AND INSTRUMENT APPROACHES. THE TIMEBASE MAKES IT PORTABLE FOR USE ON 9 TO 15 VOLTS. THE WHOLE THING WILL MOUNT UP IN A STANDARD PANEL INSTRUMENT CASE. YOU WILL HAVE TO FURNISH THE SWITCHES AND CASE BUT WE GIVE YOU THE REST.

26.95

MK 03 KIT

FLORIDA RESIDENTS ADD 4%

NO COD- check or MO

ALL ORDERS SHIPPED P.P. ADD 5% For Air Mail

TERMS

FOREIGN ORDERS ADD 10% 20% for Air Mail

ORDERS UNDER \$10.00 ADD 60c HANDLING.

Due to the numerous requests we have decided to offer the various

sections of regulated power supplies as "SEMI KITS" Many of our requests have been from people with transformers that need the other items to build a good bench supply.

PSB-01 BASIC REGULATOR BOARD. GIVES YOU THE REGULATOR SECTION

TO BUILD JUST ABOUT ANY SUPPLY YOU WANT. HAS ADJUSTABLE OUTPUT, ADJUSTABLE CURRENT LIMITING, RIPPLE REJECTION, FIXED OR VARIABLE OPERATION, SHORT CIRCUIT PROTECTION AND 100MY REGULATION! THIS KIT COMES WITH: REGULATOR IC DRILLED AND PLATED PC BOARD, RESISTORS, CAPACITORS AND COMPLETE INSTRUCTIONS TO BUILD SEVERAL TYPES OF POWER SUPPLIES.

\$9.95

PSB-02 20 AMP ADD-ON COMPONENTS. GIVES YOU THE POWER COMPONENTS TO BUILD A 20 AMP SUPPLY WHEN USING THE PSB-01 KIT:

- 2 HIGH CURRENT PASS TRANSISTORS
- 1 MEDIUM POWER DRIVER TRANSISTOR
- LARGE PRE-DRILLED HEATSINK (120Watts)
- TRANSISTOR MOUNTING KITS AND HARDWARE
- #10 INSULATED HOOKUP WIRE
- SPECIAL .032 OHM EMITTER RESISTORS (10Watts)
- COMPLETE CHARTS FOR CURRENT LIMIT AND VOLTAGE OUTPUT SELECTION.

\$7.95

PSB-03 RECTIFIER AND FILTER SECTION (up to 25 amps)

- 2 LARGE 35amp STUD MOUNT DIODES
- DRILLED AND TAPPED HEATSINK
- SPECIAL CERAMIC INSULATORS
- QUALITY COMPUTER GRADE CAP. 40,000MFD @ 35V
- CAP MOUNTING BRACKET

\$7.95

PSB-03 for use with center tapped transformer ONLY

PSB-03B RECTIFIER AND FILTER SECTION (same as PSB-03 but with 4 diodes and insulators to build full wave bridge for use with transformers WITHOUT A CENTER TAPPED SECONDARY.

9.90

PSB-04 LOWER CURRENT POWER SUPPLY KIT. GIVES YOU THE PARTS (less the transformer) TO BUILD A WELL REGULATED, CURRENT LIMITED, SHORT PROOF SUPPLY THAT WILL HANDLE UP TO 5AMPS.

- TO-3 NPN PASS TRANSISTOR
- MEDIUM POWER DRIVER TRANSISTOR
- TRANSISTOR MOUNTING KIT
- CURRENT EMITTER RESISTORS
- 10,000MFD @ 60V COMPUTER GRADE CAP
- COMPLETE INSTRUCTIONS
- FOR USE WITH PSB-01 Basic regulator board

\$5.95

HEATSINK INCLUDED!

A WORD ABOUT TRANSFORMERS: The output of your transformer should be total about five volts greater than the desired output voltage while the transformer is loaded to the maximum load the supply is designed for. Too little output means loss of regulation, while too much means the excess power must be dissipated in the pass transistors. If a center tapped transformer is used the voltage from either leg to the center tap should be five volts greater than desired output. If you are unsure about your transformer, drop us a line with the specifications and we will tell you what kind of supply you can build. We need RMS AC Voltage out of all windings at full operating load.

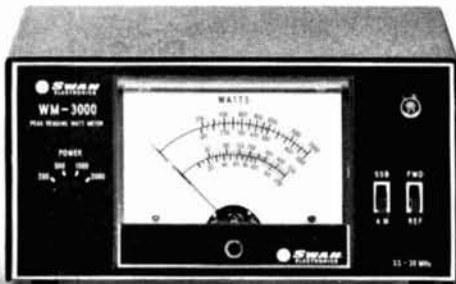
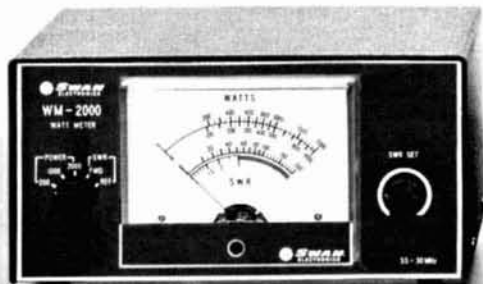
ORDERS OVER \$50 TAKE 10% DISC

SWAN METERS HELP YOU GET IT ALL TOGETHER

These wattmeters tell you what's going on.

With one of these in-line wattmeters you'll know if you're getting it all together all the time. Need high accuracy? High power handling? Peak

power readings? For whatever purpose we've got the wattmeter for you. Use your Swan credit card. Applications by your dealer or write to us.



WM2000 In-Line Wattmeter With Muscle. Scales to 2000 watts. New flat-response directional coupler for maximum accuracy. **\$49.95**

WM3000 Peak-reading Wattmeter. Reads RMS power, then with the flick of a switch, true peak power of your single-sideband signal. That's what counts on SSB. **\$66.95**

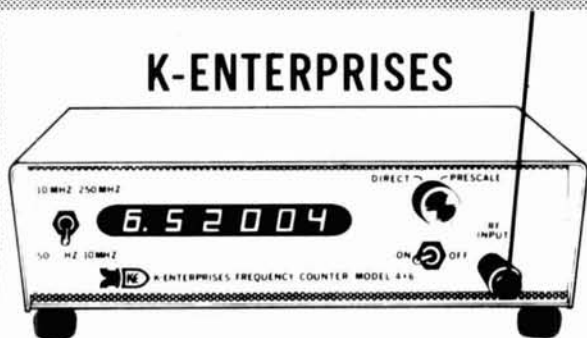
WM1500 High-Accuracy In-Line Wattmeter. 10% full scale accuracy on 5, 50, 500 and 1500 watt scales, 2 to 30 MHz. Forward and reflected power. Use it for trouble-shooting, too. **\$64.95**



SWAN ELECTRONICS
A subsidiary of Cubic Corporation
305 Airport Road, Oceanside, CA 92054
(714) 757-7525

(Prices FOB Oceanside, CA)

K-ENTERPRISES



MODEL 4X6C
50 HZ—250 MHZ **\$270.00**

300 and 500 MHZ PRESCALERS
FREQUENCY STANDARDS
MARKER and PEAKING GENERATORS
POWER SUPPLIES AMPLIFIERS

WRITE FOR FREE CATALOG



Phone:
405-273-9024



K-ENTERPRISES

1401 N. Tucker

Shawnee, Okla. 74801



GREGORY ELECTRONICS
The FM Used Equipment People.

SUMMER SPECIALS



MOTOROLA, SOLID STATE MONITOR RECEIVER MO1CNB

1101A, 30-42 MHz 12 V.D.C. and 110 VAC all transistorized, single freq. receiver with A.C. power cord. May be used as a single tone alerting receiver (decoder presently on 2250 Hz). Can also be used as a mobile (12 volt Neg. GND.) with the addition of D.C. power cable NKN6123A (available from Motorola). **\$98.00**
For tuning from 30-42 MHz, add **\$25.00**

MOTOROLA 450 MHz "MK" I.M.T.S.

12 frequency dial control heads (less mounting bracket) **\$75.00**
Power/Control cable for above unit **\$25.00**



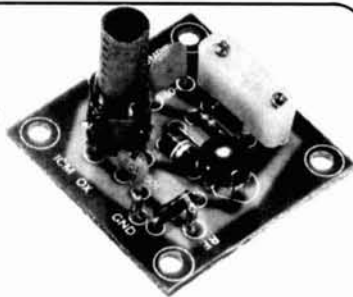
GREGORY ELECTRONICS CORP.

245 Rt. 46, Saddle Brook, N.J. 07662
Phone: (201) 489-9000

for the experimenter!

INTERNATIONAL CRYSTALS & KITS

OSCILLATORS • RF MIXER • RF AMPLIFIER • POWER AMPLIFIER



OX OSCILLATOR

Crystal controlled transistor type. 3 to 20 MHz, OX-Lo, Cat. No. 035100. 20 to 60 MHz, OX-Hi, Cat. No. 035101. Specify when ordering.

\$3.95 ea.



MXX-1 TRANSISTOR RF MIXER

A single tuned circuit intended for signal conversion in the 30 to 170 MHz range. Harmonics of the OX or OF-1 oscillator are used for injection in the 60 to 179 MHz range. 3 to 20 MHz, Lo Kit, Cat. No. 035105. 20 to 170 MHz, Hi Kit, Cat. No. 035106. Specify when ordering.

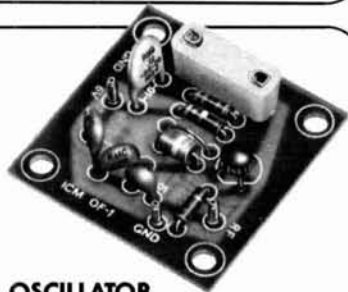
\$4.50 ea.



PAX-1 TRANSISTOR RF POWER AMP

A single tuned output amplifier designed to follow the OX or OF-1 oscillator. Outputs up to 200 mw, depending on frequency and voltage. Amplifier can be amplitude modulated. 3 to 30 MHz, Cat. No. 035104. Specify when ordering.

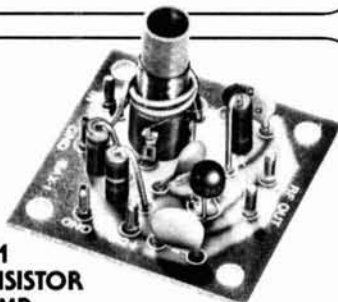
\$4.75 ea.



OF-1 OSCILLATOR

Resistor/capacitor circuit provides osc over a range of freq with the desired crystal. 2 to 22 MHz, OF-1 LO, Cat. No. 035108. 18 to 60 MHz, OF-1 HI, Cat. No. 035109. Specify when ordering.

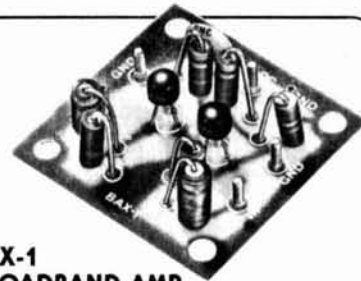
\$3.25 ea.



SAX-1 TRANSISTOR RF AMP

A small signal amplifier to drive the MXX-1 Mixer. Single tuned input and link output. 3 to 20 MHz, Lo Kit, Cat. No. 035102. 20 to 170 MHz, Hi Kit, Cat. No. 035103. Specify when ordering.

\$4.50 ea.



BAX-1 BROADBAND AMP

General purpose amplifier which may be used as a tuned or untuned unit in RF and audio applications. 20 Hz to 150 MHz with 6 to 30 db gain. Cat No. 035107. Specify when ordering.

\$4.75 ea.



.02% Calibration Tolerance EXPERIMENTER CRYSTALS (HC 6/U Holder)

Cat. No.	Specifications	
031080	3 to 20 MHz — for use in OX OSC Lo	\$4.95 ea.
	Specify when ordering	
031081	20 to 60 MHz — For use in OX OSC Hi	\$4.95 ea.
	Specify when ordering	
031300	3 to 20 MHz — For use in OF-1L OSC	\$4.25 ea.
	Specify when ordering	
031310	20 to 60 MHz — For use in OF-1H OSC	\$4.25 ea.
	Specify when ordering.	

Shipping and postage (inside U.S., Canada and Mexico only) will be prepaid by International. Prices quoted for U.S., Canada and Mexico orders only. Orders for shipment to other countries will be quoted on request. Address orders to: M/S Dept., P.O. Box 32497, Oklahoma City, Oklahoma 73132.



International Crystal Mfg. Co., Inc.
10 North Lee
Oklahoma City, Oklahoma 73102

TS-1 MICROMINIATURE ENCODER-DECODER

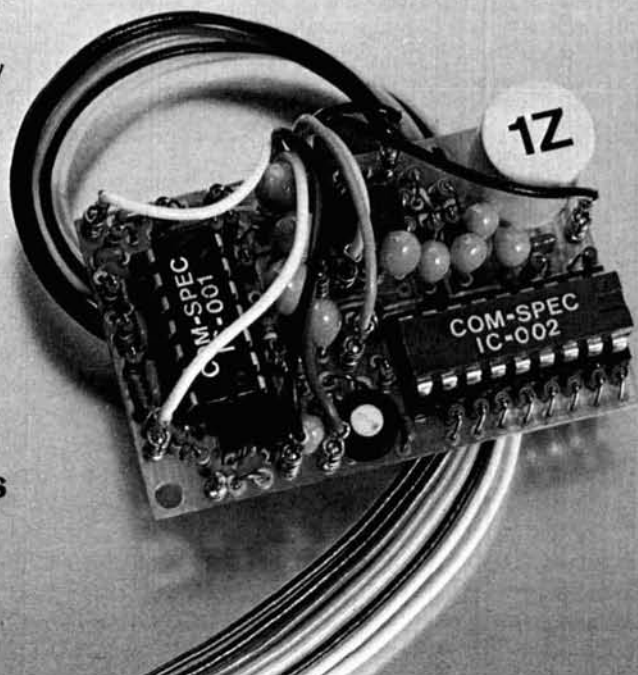
- Available in all EIA standard tones 67.0Hz-203.5Hz
- Microminiature in size, 1.25x2.0x.65" high
- Hi-pass tone rejection filter on board
- Powered by 6-16vdc, unregulated, at 3-9ma.
- Decode sensitivity better than 10mvRMS, bandwidth, ± 2 Hz max., limited
- Low distortion adjustable sinewave output
- Frequency accuracy, ± 25 Hz, frequency stability ± 1 Hz
- Encodes continuously and simultaneously during decode, independent of mike hang-up
- Totally immune to RF

Wired and tested, complete with K-1 element

\$59.95

K-1 field replaceable, plug-in, frequency determining elements

\$3.00 each



COMMUNICATIONS SPECIALISTS

P.O. BOX 153
BREA, CALIFORNIA 92621
(714) 998-3021

talk
power
by **TPL**
Econo-line



- Quality for an Economy Price
- Solid State Construction
- Linear Switch (FM/SSB)
- Broad Band

Model	Input	Output	Typical	Frequency	Price
702	10W-20W	50W-90W	10W in/70W out	143-149MHz	\$139.00
702B	1W- 5W	60W-80W	1W in/70W out	143-149MHz	\$169.00

Now get TPL COMMUNICATIONS quality and reliability at an economy price. The solid state construction, featuring magnetically coupled transistors and a floating ground, gives you an electronically protected amplifier that should last and last.

The Linear Bias Switch allows you to operate on either FM or SSB. The 702 and 702B are exceptionally well suited for 2-meter SSB. Typical power output levels as high as 100W PEP can be achieved with the proper drive.

The broad band frequency range means that your amplifier is immediately ready to use. No tuning is required for the entire 2-meter band and adjacent MARS channels on TPL's new *Econo-line*.

See these great new additions to the TPL COMMUNICATIONS product line at your favorite radio dealer.

TPL

Call or write for prices and information on TPL's complete line of amateur and commercial amplifiers.

COMMUNICATIONS INC.

1324 W. 135TH ST., GARDENA, CA 90247 • (213) 538-9814

Canada: A.C. Simmonds & Sons Ltd., 285 Yorkland Blvd., Willowdale, Ontario M2J 1S8
Export: EMEC Inc., 2350 South 30th Avenue, Hallandale, Fla. 33009

We Are New

to HAM RADIO mag, but not to electronics mail order. Try us out with:

MM
5312

MM 5312 CLOCK CHIP — 4 digit, seven segment multiplexed, BCD output, & 1 PPS output, 11-19 v.d.c. supply range. GET TO KNOW US SPECIAL — \$1.95 ppd. with data.

MM
5320

MM 5320 TV CAMERA SYNC GENERATOR — this LSI chip supplies the basic sync functions for either color or monochrome 525 line/60 Hz. camera and video applications. The price is \$4.95 ppd. and includes the data sheet.

OSC
KIT.

CMOS CRYSTAL TIMEBASE KITS with .01 percent accuracy. 5-15 v.d.c. operation. Draws only 3 mA at 12 volts. Single I.C. — very small size — the P.C. board is 7/8" x 1-5/8". Choose a main output of 50 or 100 Hz., 60 Hz., 500 or 1000 Hz., or 1 Hz. Several related frequencies are also available on each board, in addition to the main ones listed above. Be sure to specify the Frequency you want. All kits are \$10.95 ppd.

Our other kits include a pong game, a car clock, a two-time clock, and a giant nixie clock.

Flyer available —

NEXUS
TRADING CO.

Box 3357 San Leandro, Ca 94578

ATLAS TRANSCEIVERS



MADE IN U.S.A.

WE ARE PROUD THAT EVERY ATLAS TRANSCEIVER AND ATLAS ACCESSORY IS MADE IN AMERICA! We think the American worker, and our employees in particular, are the most talented, hardest working people in the world. The quality of Atlas transceivers and our very competitive prices are the proof of this.

OUR PHENOMENAL 8 POLE LADDER FILTER that gives Atlas transceivers such superior selectivity was designed by Bob Crawford, an American engineer, and is manufactured exclusively for us in Phoenix, Arizona.

OUR PRINTED CIRCUIT BOARDS, and R.F., I.F., and A.F. plug-in boards that make servicing your Atlas transceiver fast, easy and inexpensive are made right here in Southern California.

THE SOLID STATE CIRCUITRY of our transceivers is based on designs by Les Ernshaw formerly ZL1AAX, widely recognized as one of the foremost solid state radio engineers in the world, and founder of Southcom International located in Southern California. Southcom is one of the leading manufacturers of commercial and military radio equipment sold throughout the world. Atlas transceivers' immunity to overload and cross modulation from strong signals is



nothing short of fantastic, and is a result of the advanced state-of-the-art designs by Les, and licensed to Atlas by Southcom.

WITH ALL DUE RESPECT TO THE FOREIGN ORIGIN OF A FEW OF THE COMPONENTS, every Atlas transceiver is designed and manufactured right here in our plant at Oceanside, California, U.S.A.

We think it is fitting that in this year, 1976, the 200th birthday of our nation, that each of us give at least equal consideration to products **MADE IN AMERICA**. Not only because they are Made in America, but because, like our Atlas products, they are simply a much better value!



SEE YOU AT
SAROC KULIMA
IN AUGUST

ATLAS AMATEUR RADIO EQUIPMENT:

210x or 215x	\$649.
(With noise blanker installed \$689.)	
AC Console 110/220V	\$139.
Portable AC Supply 110/220V	\$ 95.
Model DD6 Digital Dial	\$199.
Plug-in Mobile kit	\$ 44.
10x Osc. less crystals	\$ 55.
Noise Blanker, for plug-in installation	\$ 48.

For complete details see your Atlas dealer, or drop us a card and we'll mail you a brochure with dealer list.



ATLAS RADIO INC.



Ask the ham who owns one!

417 Via Del Monte • Oceanside, CA 92054 • Phone (714) 433-1983

SAROC™

HAWAII WEEK

INCLUDING SAROC'S SECOND HAWAIIAN CONVENTION
August 24 to 31, 1976

SPEND 8 FABULOUS DAYS IN EXCITING HAWAII ON SAROC'S HAWAII WEEK

Your holiday includes:

- Attendance at the SAROC Hawaiian Convention, Saturday, August 28.
- Seven nights at Del Webb's fabulous KUILIMA RESORT HOTEL and COUNTRY CLUB On Oahu's North Shore.
- Roundtrip air transportation, double occupancy in hotel room and SAROC Advance Registration just \$300 per person. Limit 2 pieces of luggage per person. Tax and gratuity included.
- Departs Los Angeles August 24, 1976 — Returns August 31, 1976.
- \$100 deposit by June 1, 1976, full payment by July 10, 1976.
- SAROC Advance Registration \$3.00, with Saturday Banquet \$10 per person.

Write for further details

SAROC™

BOX 945, BOULDER CITY, NEVADA 89005

STEP UP TO TELREX

Professionally Engineered Antenna Systems

Single transmission line "TRI-BAND" ARRAY

MONARCH
TB5EM/4KWP

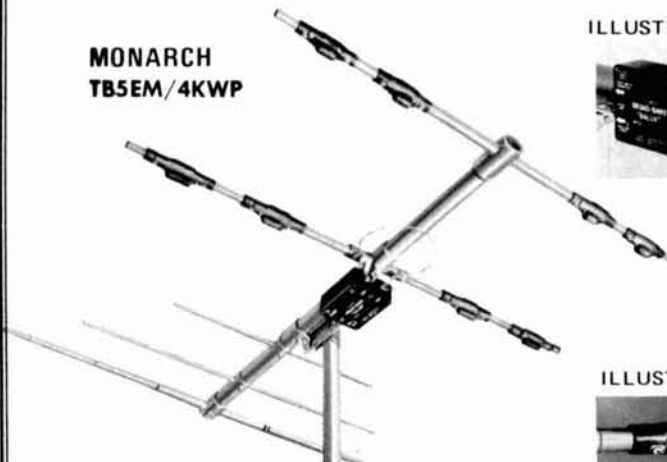


ILLUSTRATION BALUN



ILLUSTRATION TRAP



By the only test that means anything... on the air comparison... this array continues to outperform all competition... and has for two decades. Here's why... Telrex uses a unique trap design employing 20 HiQ 7500V ceramic condensers per antenna. Telrex uses 3 optimum-spaced, optimum-tuned reflectors to provide maximum gain and true F/B Tri-band performance.

For technical data and prices on complete Telrex line, write for Catalog PL 7.

COMMUNICATION SYSTEMS SINCE 1921 **telrex** Laboratories
 ASBURY PARK, NEW JERSEY 07712, U.S.A.



**CURTIS KEYSER
CHIP \$24.95**

8043: IC only, 50-up group rate \$ 7.95
 8043-1: IC, PCB, Manual \$ 24.95
 8043-2: Semi-kit \$ 49.95
 Add for air postage and handling ... \$ 1.50
 (See Feb 75 CQ, Apr 75 HR, Feb 76 QST, Radio Handbook 75)
 KB4200 Keyboard Keyer (Oct 74 QST) ... \$549.95
 EK420/KM420 Keyer/Memory (Oct 73 QST) \$439.90
 EK430 CMOS Keyer (Feb 76 QST) \$124.95
 IK440 Instructokeyer (Mar 76 QST) \$224.95

Curtis Electro Devices Inc.
 (415) 964 3136

Box 4090, Mountain View, CA 94040



NEW



COMPACT VHF RCVR PREAMP

- ONLY 1/2 x 2 3/8 INCHES
- STABLE, ADJUSTABLE CIRCUIT
- USES 2 LOW-NOISE FET'S
- EASY TO BUILD AND INSTALL
- KIT \$7.95, WIRED \$16.95

ALSO FM RCVR, XMTR, AND CONVERTER KITS. SEND SASE FOR CAT.

hamtronics, inc.

182 BELMONT RD., ROCHESTER, NY 14612

“They don’t make ’em like they used to..”

(lucky for you, if your next HF transceiver is a TRITON)

The new ultra-modern fully solid-state TRITON makes operating easier and a lot more fun, without the limitations of vacuum tubes.

For one thing, you can change bands with the flick of a switch and no danger of off-resonance damage. And no deterioration of performance with age.

But that’s not all. A superlative 8-pole i-f filter and less than 2% audio distortion, transmitting and receiving, makes it the smoothest and cleanest signal on the air.

The TRITON IV specifications are impeccable. For selectivity, stability and receiver sensitivity. And it has features such as *full* CW break-in, pre-selectable ALC, off-set tuning, separate AC power supply, 12 VDC operation, perfectly shaped CW wave form, built-in SWR bridge and on and on.

For new standards of SSB and CW communication, write for full details or talk it over with your TEN-TEC dealer. We’d like to tell you why “They Don’t Make ’Em Like They Used To” makes Ham Radio even more fun.

PRICE \$699.00



TEN-TEC
SEVIERVILLE, TENNESSEE 37862
EXPORT: 5715 LINCOLN AVE.
CHICAGO, ILLINOIS, 60646



laboratory-grade test instruments



Continental Specialties Corporation has developed three new test instruments to aid the professional engineer, student, or hobbyist in solving electronic design problems. Called Design Mates, these instruments are not kits but are completely wired, fully tested, and ready to use. They are available for immediate delivery from local distributors or from the manufacturer.

Design Mate 1 allows you to build any circuit using no. 22 AWG (0.6mm) solid hookup wire for connecting discrete components, including transistors and ICs in TO-5 or dual in-line packages from 8 - 40 pins or more. No solder is needed for connections because components fit into an appropriate socket and bus strips. Easy in, easy out for circuit testing. Also included is a regulated power supply (5 - 15 volts dc up to 600 mA). You can monitor supply voltage with a built-in voltmeter or use the meter to monitor voltage on the circuit under test. Design Mate 1, wired, tested, and ready to use sells for \$49.95.

Design Mate 2 is a full function gen-

erator designed for troubleshooting and circuit-design testing. It features three waveforms and a short-proof output amplifier, which provides variable signal amplitudes and constant output impedance. It can be used to test audio amplifiers, operational amplifiers, and prototype circuit designs. It's versatile enough to handle complex industrial electronic design problems. Complete with instruction and operating manual, Design Mate 2 is priced at \$64.95.

Third in Continental's new instrumentation series is Design Mate 3, a low-cost R/C bridge. Takes the guesswork out of deciphering component values with unreadable markings. You can measure component values to an accuracy of better than 5 per cent using only two controls and a unique solid-state null detector. Null-detector output is determined by two high-intensity LEDs. Design Mate 3 completely wired, tested, and calibrated, with technical data, is priced at \$54.95.

Also available from Continental is a matching blank utility box. You can use it to house instruments of your own design whose appearance will match the Design Mate family. The utility box is the same size and shape as the Design Mate instruments. It's made of durable, high-impact, high-temperature plastic and is furnished with predrilled metal bottom plate and mounting hardware. The utility box sells for only \$5.50.

For comprehensive specifications on the three Design Mate instruments, a 20-page illustrated catalog is yours for no charge. Write Continental Specialties Corporation, 44 Kendall Street, Box 1942, New Haven, Connecticut 06509, or Box 7809, San Francisco, California 94110, or use *check-off* on page 118.

125 Hz crystal filter for Drake R-4C

Sherwood Engineering has recently announced the availability of a crystal filter, 125 Hz wide at the 6 dB points, designed specifically for the Drake R-4C communications receiver. The new filter is completely compatible with the standard accessory filters offered by the R.L. Drake Company, and is being marketed as an adjunct to those with more standard bandwidths.

The new 8-pole crystal filter, the Sherwood model CF-125/8, has a 2.5

shape factor at the 6 and 60 dB points (bandwidth of about 325 Hz at -60dB), and exhibits less than 1 dB passband ripple. The input and output impedances are 50 ohms. Ultimate attenuation is greater than 100 dB. The 11 dB insertion loss of the CF-125/8 is similar to that of the Drake accessory filters.

For the CW operator who is looking for maximum selectivity, particularly during CW contests, this filter offers a significant improvement in receiving capabilities under adverse operating conditions. Due to careful design, the crystal filter does not display excessive ringing, even with strong signals. One well-known 160-meter operator, who used a CF-125/8 filter during a recent 160-meter CW contest, reported excellent results and concluded that it was one of the finest CW filters ever offered to the amateur community.

The new CF-125/8 carries a full money-back guarantee if you're not satisfied, and is priced at \$125 from Sherwood Engineering, 1268 South Ogden Street, Denver, Colorado 80210.

Morse-code reader

The Atronics code reader is a compact, solid-state instrument that decodes Morse directly from your speaker and displays the resultant message in alphanumeric form on the front panel. A choice of readout size is available. The model CR-101 characters are 0.65 inch high by 0.42 inch wide (16.5 by 10.7 mm); model CR-101A characters are 0.2 inch high by 0.15 inch wide (5 by 3.8mm).

All characters, including punctuation, are displayed one at a time. Code speed, on-off, and audio level are set by front-panel controls. The speed control, with settings between 0-10, is used as an indicator only. For any setting, code speeds between 70-140 percent of that setting can be decoded. For example, if the code reader is set for 14 wpm, it will display any code speed between 10-20 wpm.

A light-emitting diode above the speed control indicates the expected length of a received dot. Another light-emitting diode above the level control indicates mark (*on*) and space (*off*). The only connection required is a line between a phone jack on the code reader rear apron and your receiver speaker

terminals. Input impedance of the code reader is 1000 ohms.

A radio teletype interface module (model TU-102) is available as an optional accessory. The TU-102 accepts 5-level code (start, five data bits, two stop bits). Teletype speed can be selected for 60, 75, or 100 wpm. Auto features CR, LF, FIG and letters are provided automatically.

The model CR-101 and CR-101A are priced at \$225 and \$195 respectively; the model TU-102 RTTY interface module is \$85.00 (a \$10.00 installation charge is made if the TU-102 is purchased separately). For more information write Atronics, P.O. Box 77, Escondido, California 92025, or use *check-off* on page 118.

hand-held scanning monitor



A hand-held scanner is a real convenience when you're walking around and want to keep on top of the action on the vhf and uhf bands. The Electra Company announces an addition to its product line called the Bearcat Hand-Held Scanners. Two models are available, a two-band version covering the low- and high-vhf bands, and a single-band version that covers uhf. Both models feature four-channel operation including LED channel indicators and individual channel lockout switches. Also included are an auto-manual selector switch and a volume and squelch control.

The Bearcats come equipped with a telescoping antenna, but provision for an optional loaded (rubberized) flexible short stub antenna has been included.

you're carefree when you know you've got the very best!



Larsen Kūlrod[®] antennas

Repeater or simplex, home station or mobile, 1 watt or 50 . . . what really counts is the intelligence that gets radiated. Jim Larsen, W7DZL found that out years ago when he was both hamming and running a two-way commercial shop. That's when he started working with mobile antennas . . . gain antennas that didn't waste power in useless heat. Today, thousands and thousands of Larsen Antennas are being used. We call it the Larsen Kūlrod[®] Antenna.

Amateurs using them on 2 meters, on 450 and six call them **the antenna that lets you hear the difference.**

Larsen Kūlrod Antennas are available for every popular type of

mount. For those using a 3/4" hole in their vehicle we suggest the LM mount for fastest, easiest and most efficient attachment.

For the 3/8" hole advocates there's the JM mount . . . fully patented and the first real improvement in antenna attaching in 25 years.

And for the "no holes" gang there's the unbeatable MM-LM . . . the magnetic mount that defies all road speeds.

Send today for data sheets that give the full story on Larsen Kūlrod Antennas that let you hear the difference and give you carefree communications.

Illustrated . . . Larsen JM-150-K Kūlrod Antenna and mount for 2 meter band. Comes complete with coax, plug and all mounting hardware. Easy to follow instructions. Handles full 200 watts.



* Kūlrod . . . a registered trademark of Larsen Electronics.

Larsen Antennas

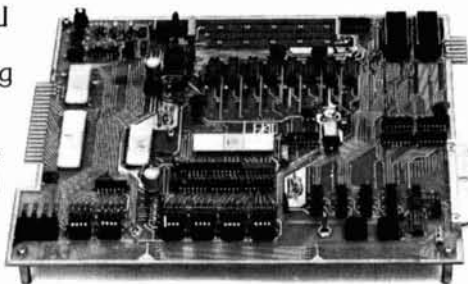
11611 N.E. 50th Ave. • P.O. Box 1686 • Vancouver, WA 98663 • Phone: 206/573-2722
In Canada write to: Canadian Larsen Electronics, Ltd.
1340 Clark Drive • Vancouver, B.C. V5L 3K9 • Phone: 604/254-4936

If you want a microcomputer with all of these standard features...

- 8080 MPU (The one with growing software support)
- 1024 Byte ROM (With maximum capacity of 4K Bytes)
- 1024

Byte RAM (With maximum capacity of 2K Bytes)

- TTY Serial I/O
- EIA Serial I/O
- 3 parallel I/O's
- ASCII/Baudot terminal compatibility with TTY machines or video units
- Monitor having load, dump, display, insert and go functions



- Complete with card connectors
- Comprehensive User's Manual, plus Intel 8080 User's Manual
- Complete-

ly factory assembled and tested —not a kit

• Optional accessories: keyboard/video display, audio cassette modem interface, power supply, ROM programmer, and attractive cabinetry... plus more options to follow.

The HAL MCEM-8080. \$375

...then let us send you our card.

HAL Communications Corp. has been a leader in digital communications for over half a decade. The MCEM-8080 microcomputer shows just how far this leadership has taken us... and how far it can take you in your applications. That's why we'd like to send you our card — one PC board that we feel is the best-valued, most complete



microcomputer you can buy. For details on the MCEM-8080, write today. We'll also include comprehensive information on the HAL DS-3000 KSR microprocessor-based terminal, the terminal that gives you multi-code compatibility, flexibility for future changes, editing, and a convenient, large video display format.

HAL Communications Corp.

Box 365, 807 E. Green Street, Urbana, Illinois 61801
Telephone (217) 367-7373

Weight is only 11 ounces (312g); size is 6¼ x 1½ x 2¾ inches (16x4x7cm). Four AA type dry cells are used for power. Sensitivity on vhf is 0.6 microvolts; on uhf, it's 1.2 microvolts. Audio output is 250 milliwatts. Scan rate is eight channels per second. Convenience features include a built-in belt clip and jacks for optional external antenna, earphone, battery charger, and ac adapter.

Both Bearcat models are priced at \$129.95 (crystals not included). For more information, write The Electra Company, 300 South on East County Line Road, Cumberland, Indiana 46229, or use *check-off* on page 118.

automatic voice identifier



Newly introduced by Racom, Incorporated, is the Series 1500 voice identifier. Featuring high-reliability, all-solid-state circuitry, the Series 1500 uses the patented Racom disc principle (no tape loops) in conjunction with an electric timer that can be programmed in the field. No relays are used, although an option is available for those who might desire a "dry closure."

The Series 1500 can be field programmed to identify after each programmed time period, identify once after the last transmission, or identify after each transmission. Dual transmissions are prevented by a built-in channel monitor that can sense either audio or dc voltages. Operational status can be checked by illuminated indicators on the front panel. You can record any message, such as your dispatcher's voice. An erase interlock circuit ensures against accidental erasure of the recorded message. The Series 1500 automatic voice identifier can be mounted in a rack or on your desk.

Delivery from Racom is 4-6 weeks after receipt of order. For more information write Racom, Incorporated, 5504 State Road, Cleveland, Ohio 44134, or use *check-off* on page 118.

TTC BRITISH TELEVISION TRAINING CENTRE

T.V. DIRECTION/PRODUCTION

Government Grants are available from Institutes/Foundations/Governments in your own country. Enquiries must be accompanied by two written character references and photo-stat copies of all educational qualifications.

Courses commence every two months, where students join a production unit. Full time courses are available at the centre for one or two years.

41-43 Fouberts Place, Carnaby Street, London W1. Tel. 01-439 2517

miniature hole saws



There is an awkward range of hole sizes for electronic sheet metal and PC board material for which a series of miniature hole saws work very well. The Blair Equipment Company offers a set of seven hole saws in steps from one-quarter to five-eighths inch (6.5 - 16mm) with an interchangeable common arbor that obviates any need for drilling a pilot hole first. The arbor has a spring-loaded pilot which recesses into the arbor as the hole saw blade approaches the work, so you don't need a pilot hole for the arbor pilot to pass through. The blades, which are precision made, cut clean continuous chips through metals, shim stock, wood plastics, rubber, cardboard and other materials, leaving almost burrless holes. Each high-speed cutter is good for over 3000 holes in sheet steel and may be used with any 1/4-inch (6.5mm) electric drill. The arbor has a high-speed steel automatic center point to avoid the need to center punch. a depth rod adjusts depth of cut up to 3/16 inch (5mm).

Blair specializes in automobile body equipment and markets these saws through stores catering to the auto body repair trade, but they are also available from Brookstone Company, Peterborough, New Hampshire 03458 for \$20.95.

IC op amp cookbook

This new book by Walter Jung not only explains the basic theory of the IC op amp in a down-to-earth and easy to read manner, it also shows by example how to effectively use op amps in useful circuit applications. Fully illustrated, this practical book is bound to appeal not just to amateurs, but to anyone who has an interest in modern, linear design techniques — including amateurs, technical and engineering students, and practicing technicians and engineers.

6 Digit LED Clock Kit - 12/24 hr.

\$950 IN QUANTITIES
ea. OF 1 TO 5

\$850 IN QUANTITIES
ea. OF 6 OR MORE

KIT INCLUDES:

- INSTRUCTIONS
- QUALITY COMPONENTS
- MONEY BACK GUARANTEE
- 50 or 60 Hz OPERATION
- 12 or 24 HR OPERATION

- 6 — LED Readouts (FND-70 .25 in. Red, com. cathode)
- 1 — MM5314 Clock Chip (24 pin)
- 13 — Transistors
- 3 — Switches
- 5 — Capacitors
- 5 — Diodes
- 9 — Resistors
- 24 — Molex pins for IC socket

ORDER KIT #850

AN INCREDIBLE VALUE!

"Kit #850 will furnish a complete set of clock components as listed. The only additional items required are a 7-11 VAC transformer, a circuit board and a cabinet, if desired."

Printed Circuit Board for Kit #850 or #850-4 (etched & drilled Fiberglass)	\$2.95
Standard Transformer 115VAC/8VAC	\$1.50
Molded Plug Transformer 115VAC/10VAC (With Cord)	\$2.50
Plexiglas Cabinet II Red Chassis, White Case (see below)	\$5.95
"Mini-brite" discrete LED's (for colon in clock display)	pkg. of 5 for \$1.00

KIT #850-4 SAME AS #850 BUT .4" LED's **\$11.95**

60 HZ XTAL TIME BASE KIT — Use your digital clock from any 12 Volt DC source: Car—Boat—Etc. **\$5.95 ea.**

Power req: 5-15 VDC/2.5 mA @ 12 VDC
Accuracy: (adjustable) 2 PPM/3.6 MHz xtal
Size: PC board approx. 1" x 2"
Complete - Single IC kit with info for easy hook-up to most IC clock.

\$4.95 purchased with any clock kit

JUMBO DIGIT CONVERSION KIT — For LED Clocks. Kit provides a multiplex display PC board and six .5" brite LED's, (FND-503's or FND-510's). LED's require only 5 mA/seg and can be driven by most any LED clock circuit. Data for displays and hook-up included. (This PC board will mate point to point with kit #850 circuit board) specify Common Cathode or Anode **\$9.95**

JUMBO DIGIT CLOCK KIT COMPLETE — Kit features six .5" red LED's, all components, PC boards, plug transformer, line cord, etc. 50/60 HZ op., 12 or 24 hr, MM5314 IC. (Will fit Cab. I) **Kit #5314-5 Complete Less Case \$19.95**

6 Digit LED Clock-Calendar-Alarm Kit

● 12/24 HR TIME ● JUMBO DIGITS (MAN-64) ● 28-30-31 DAY CALENDAR ● AC FAILURE/BATTERY BACK-UP ● 24 HR ALARM — 10 MIN. SNOOZE ● ALTERNATES TIME (8 SEC) and DATE (2 SEC) OR DISPLAYS TIME ONLY and DATE ON DEMAND ● 50/60 Hz OP. ● THIS KIT USES THE FANTASTIC CT-7001 CHIP. FOR THE PERSON THAT WANTS A SUPER CLOCK KIT (TOO MANY FEATURES TO LIST)! THIS IS A COMPLETE KIT (LESS CASE) including Power Supply, Line Cord, Drilled PC Boards, etc. **39.95** ORDER KIT #7001B (CASE NOT INCLUDED)

KIT #7001-C SAME AS #7001-B BUT HAS DIFFERENT LED'S. USES 4 DL-747 .63" DIGITS & 2 MAN-7 .3" DIGITS FOR SECONDS. COMPLETE KIT, Less Case. **\$42.95**

PRINTED CIRCUIT BOARDS for CT-7001 Kits sold separately with assembly info. PC Boards are drilled Fiberglass, solder plated and screened with component layout. Specify for #7001B or #7001C. (Set of 2) **\$7.95**

CABINET I
3" HIGH
6 1/4" WIDE
5 1/2" DEEP
GREAT FOR CLOCK & Clock-Calendar Kits
White Plexiglas Case
Specify RED or GRAY
Plexiglas Chassis
Chassis Serves As Bezel To Increase Contrast of Digital Displays. Use Gray With Any Color — Red With Red Displays Only (Red LED's with Red Chassis Brightest)
\$6.95 ea.

CABINET II
2 1/2" HIGH
4 1/2" WIDE
5 1/2" DEEP
GREAT FOR SMALLER CLOCK KITS. (Ideal for Kit #850 or #850-4 above)
All Plexiglas Red Chassis, White Case.
Red Chassis Serves As Bezel To Increase Contrast of LED Displays
\$5.95 ea.

PLEXIGLAS FOR DIGITAL BEZELS

Gray or Red Filter **95¢ ea.**
3" x 6" x 1/8" Approx. Size **4/\$3.00**

CT-7001 — CLOCK-CAL-I.C. **\$7.95**
MM5314 — CLOCK I.C. **\$3.95**
MM5239 — 5x7 Dot Char. Gen. **\$1.95**
MM5369 — Xtal TB I.C. **\$2.95**

JUMBO RED LED'S **12/\$1 100/\$7.50**

7-SEG LED READOUTS

95¢ ea. or 10/\$8.50

MAN-7	Red	CA	.3"
MAN-8	Yellow	CA	.3"
DL-707	Red	CA	.3"
FND-359	Red	CC	.4"

Your Choice — Guaranteed Good

LM-309K 5V. REG. **\$1.25**

IN914 25/\$1.00
IN4148 25/\$1.00
IN4007 12/\$1.00
25 AMP FULL WAVE BRIDGE 100 PIV
\$1.95 ea.
3/\$5.00

Fairchild Super Digit **FND-359**
4" Char. Ht. 7 segment LED RED Com. Cath. Direct pin replacement for popular FND-70.
95¢ ea, 10/\$8.50 100/\$79.00

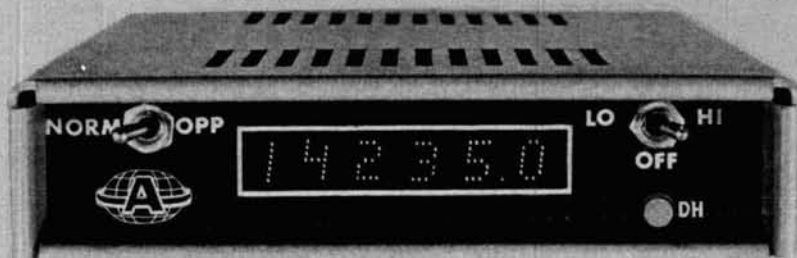
OPTOELECTRONICS, inc.

BOX 219 • HOLLYWOOD, FLA. 33022 • (305) 921-2056



BankAmericard, Mastercharge or C.O.D. orders accepted by phone day or evening. We Pay All Shipping in Continental U.S.A. Orders under \$15 add \$1 handling. Fla. res. add 4%.

Here is the all new ATLAS DIGITAL DIAL Model DD-6B



with built-in FREQUENCY COUNTER CAPABILITY

In addition to being a digital dial, the DD-6B will also function as a sensitive frequency counter from 100 Hz to 40 MHz, for general use around the ham shack or lab. Input terminals and selector switch for this function are located on the rear panel.

DIGITAL HOLD provides frequency memory which holds the digital display. This allows you to tune to other frequencies while retaining the frequency reading you expect to return to.

Another new feature now provides for correct reading on opposite sideband, as well as the normally used sideband.

Other features include:

- All L.E.D. Dot Matrix 6 digit display reads within 100 Hz (just 1 / 10 kHz) of your actual operating frequency.
- Bright display clearly visible under high ambient light.
- Reads on both Receive and Transmit.
- Measures 1 3/8" high x 5 3/8" wide x 5 7/8" deep.

ATTENTION SWAN OWNERS

In addition to operating with all Atlas transceivers, the DD-6B can be made to operate with Swan models 350C, 500C, 500CX, 700CX, 270, 270B, 300B, 600R, and 600T.

ATTENTION DRAKE R4 AND EARLIER MODEL SWAN OWNERS

The DD-6C model is the same in all respects as the DD-6B, except that it is modified to operate with the Drake R4 series as well as the earlier Swan models 350, 400, and 500.

Instructions furnished with both models of the Digital Dial give complete information on the minor modifications required for use with Swan and Drake units. **DD6-B or DD-6C \$229.**

For complete details see your Atlas dealer, or drop us a card and we'll mail you a brochure with dealer list.

ATLAS
RADIO INC.
417 Via Del Monte
Oceanside, CA 92054
Phone (714) 433-1983

FREE — DURING JULY 1976

CFP will give away a custom molded magnetically mounted plastic sign with YOUR CALL with every purchase of \$150 or more. Here are some of our new lines. Don't forget our good supply of used equipment also.



Mail Orders accepted. N. Y. residents add sales tax. See us for all your Amateur Radio needs. SASE will get our list of used Amateur Equipment.

Jim Beckett WA2KTJ
Manager
Bryant Hozempa, WB2LVW
Sales
Dave Flinn, W2CFP
Owner

CFP COMMUNICATIONS

211 NORTH MAIN STREET
HORSEHEADS, N. Y. 14845
PHONE: 607-739-0187

Expanded Store Hours
Tues.-Thurs. 10:00-7:00 p.m.
Fri. 10:00-9:00 p.m.
Sat. 10:00-7:00 p.m.
Fri. & Sat. subject to
Hamfest weekends
Closed Sun. & Mon.

The book is organized into three parts; Part I introduces the IC op amp and discusses general considerations, Part II covers practical circuit applications, and Part III consists of two appendixes of manufacturers' reference material.

Chapter 1 covers basic theory, which includes the ideal and nonideal op amp, with detailed analysis of error sources and dynamic characteristics. Chapter 2 describes early IC innovations, and discusses in detail the circuitry of such popular general-purpose types as the 709, 101, and 741.

Specialized units are also introduced and their general uses discussed. Chapter 3 covers general operating procedures, such as nulling, frequency compensation, and protection against abuses and failures.

The remaining 5 chapters of the book discuss the application of op amps in such circuits as voltage and current regulators, precision rectifiers, limiters, comparators, logarithmic amplifiers, instrumentation amplifiers, analog multipliers, low-level preamps, active filters and equalization circuits, power booster stages, sine-wave oscillators, multi-vibrators, function generators, and voltage-controlled oscillators.

Unique IC op amps are also treated, such as programmable op amps, operational transconductance amplifiers, and quad current-differencing amplifiers.

This book is quite a departure from previous works of its subject and style. In terms of depth and content on applications of IC op amps, it is a virtual *tour-de-force*; 591 pages with over 250 circuit diagrams to pick from. And, unlike too many other applications handbooks, the circuits are clearly annotated, with the governing design equations given as well as the particular component values. Throughout the book emphasis is given to selecting the optimum IC for the job.

The book is not a textbook, nor is it a cookbook in the true sense of the word. It is really a "how to" cookbook that reaches the real-world level and approaches design problems as they actually occur. For this reason it is probably the single most valuable book available on IC op amps. If you now use op amps, or would like to, you'll find this book worthwhile. \$12.95 from Ham Radio Books, Greenville, New Hampshire 03048.

TBC DIGITONE ENCODER

FEATURES:

- Crystal Controlled - Digitally Synthesized Tones.
- Low Current Drain CMOS Logic.
- RFI Immune
- 16-Button Tactile Feedback Keyboard.
- Will Interface to Transceivers Using Dynamic Microphones with Only Two Wires.
- Provisions for Three Wire Interface Are Provided.
- Gold-Plated Keyboard Contacts Provided for Maximum Reliability.
- Operating Voltage Range 9-18VDC.
- Size; 2.1" x 2.1" x .250" Without Case. 2.1" x 2.1" x .312" With Case.
- 2" Square Velcro Available for Convenient Mounting - Dashboard - Sun Visor - Radio - etc.



Digitone Encoder \$34.50
 Case \$ 2.00
 Velcro \$.50

• 12-Button Digitone Encoder (Case and Velcro not Available) \$34.50

Ohio Residents Add 4.5% Sales Tax

Send Check or Money Order To:

The Barber Corporation

P. O. Box 271

Waynesville, Ohio 45068 • 513-897-2926

We're Fighting Inflation No Price Rise for '76



FOR FREQUENCY STABILITY

Depend on JAN Crystals. Our large stock of quartz crystal materials and components assures Fast Delivery from us!



CRYSTAL SPECIALS

Frequency Standards
 100 KH₂ (HC 13/U) \$4.50
 1000 KH₂ (HC 6/U) 4.50
 Almost all CB sets, TR or Rec \$2.50
 (CB Synthesizer Crystal on request)
 Amateur Band in FT-243 ea. \$1.50
 4/\$5.00
 80-Meter- \$3.00 (160-meter not avail.)

For 1st class mail, add 20¢ per crystal. For Airmail, add 25¢. Send check or money order. No dealers, please.



Div. of
 Bob Whan & Son Electronics, Inc.
 2400 Crystal Dr.,
 Ft. Myers, Fla. 33901
 All Phones: (813) 936-2397
 Send 10¢ for new catalog



THE FM LEADER



2 METER 

220 MHz 

6 METER 

440 MHz 

FEATURING THE ...

HR-2B



12 Channels
 15 Watts
 \$229.00 Amateur Net

The Master in 2 Meter FM

Positive performance at a practical price makes our HR-2B tops on 2 meters. Individual trimmer capacitors give bull's-eye accuracy for working repeaters or point-to-point. The .35µV sensitivity and Hi/Lo power switch insure your hearing and being heard . . . clearly and reliably . . . the Regency way.

... AND THE

HR-440



12 Channels
 10 Watts
 \$349.00 Amateur Net

UHF—The Ultimate in FM

440 is fresh . . . it's new . . . and with our HR 440 you can use UHF without using-up your budget. So, pioneer some new ground! Put a compact HR 440 under your dash or at your desk. It's the best way to usher yourself into UHF.



© 1976

ELECTRONICS, INC.

7707 Records Street

Indianapolis, Indiana 46226

FORUMS
with **JOHN JOHNSTON**, Chief
Amateur & Citizens Div.,
FCC and many others.
DISPLAYS by major manufacturers.
\$5000 in door prizes.
Luncheon, Ladies' programs,
All-weather **FLEA MARKET** &
CAMP AREA open Friday
for set-up. **QCWA**

Chicago's 6th annual RADIO EXPO

SEPT. 18-19 '76

Don't miss it!

FOR INFO & TICKETS WRITE: EXPO, BOX 1014, ARLINGTON HEIGHTS, IL 60006

Govt. SURPLUS ELECTRONIC EQUIPMENT CATALOG

New ITEMS . . . New BARGAINS!
FREE UPON REQUEST!

If you haven't received our new Catalog, write for free copy today. Address: Dept. HR

FAIR RADIO SALES
1016 E. EUREKA • Box 1105 • LIMA, OHIO • 45802

SYNTHESIZERS

We have the worlds largest selection of synthesizers for receivers, transmitters and transceivers. For complete details see our 1/3 page ad in the April 1976 issue of this magazine or call or write for additional information. Phone orders accepted between 9 AM and 4 PM EDT. (212) 468-2720

VANGUARD LABS
196-23 JAMAICA AVENUE
HOLLIS, N. Y. 11423

BUILD YOUR OWN TV CAMERA!

Ideal for home & business



GREAT FOR AMATEUR TV, INDUSTRIAL SURVEILLANCE, HOME ENTERTAINMENT & MONITORING PLUS HUNDREDS OF OTHER USES. MODEL KIT #A SERIES 0 - KIT \$195. FACTORY ASSEMBLED \$269. SOLID STATE. CONNECTS TO ANY TV SET. OPTIONAL SOUND KIT \$299. PHONE OR WRITE FOR FREE CATALOG. DIAL 402 987 3771

1301 BROADWAY N.W. • ATV Research DAKOTA CITY NEAR 68731

Shortwave Listening

1976 World Radio TV Handbook - \$10.95
Gated 1000/100/50/25/10 kHz Calibrator - \$54.00
Barlow Wadley & R.L. Drake Receivers
1976 "Confidential" Frequency List - \$5.45
GILFER, Box 239, Park Ridge, NJ 07656

Now At Prices You Can Afford!



300 MHZ PRESCALER NEW!
Model EPC-300

- Built-in 117 VAC 60HZ power supply
- Size 3 3/4" W x 2 3/4" H x 4" L
- BNC input, output connectors
- Input impedance = 50 ohms
- Output TTL compatible, fan out of 1
- Sensitivity 14 mv @ 150 MHz, 150 mv @ 300 MHz

ALL UNITS FULLY ASSEMBLED, TESTED AND WARRANTED. PRICES INCLUDE ALL POSTAGE FEES WITHIN THE U.S.A.



FAST BECOMING POPULAR
EPC 144-B 2 Meter FM Transmitter

- 2 Channels • 144-148 MHZ
- Power Output 2 Watts Typ, 1 Watt Min @ 12.5 VDC
- 50 Ohm Output Impedance • Narrow Band FM ± 5 KHZ
- Rugged Balanced Emitter Output Transistor
- Small Size - 1 7/8" W x 1" H x 3 3/4" L

Elprocon

Send Self-Addressed Stamped Envelope for more information

ELECTRONIC PROTOTYPE CONSULTANTS
1907 W. Campbell / Phoenix, Arizona 85015

Arizona Residents Add 5% Sales Tax

DON'T BOTHER To Read This

Unless — you want to know about the 7' 6" World Record (1,000,000 miles per watt certificate) awarded by the QRP A.R.C. to Art Child W6TYP who won the award from a hotel room at the foot of San Francisco's famous Nob Hill — using a JOYSTICK SIX BAND OMNI-DIRECTIONAL ANTENNA SYSTEM — and, quite recently — in the last A.R.R.L. W/VF contest G4DJY worked no less than 68 North Americans at incredible speed, using just 120 watts input and a 7' 6" WORLD RECORD JOYSTICK V.F.A. (variable frequency ant.) 160 thru 10 - & full S.W. and B.C. coverage receive.

SYSTEM 'A' \$69.90 250W P.E.P. &/or Receiving Only
SYSTEM 'J' \$91.33 500W P.E.P. &/or Improved Q Factor Receive
By Air Mail

(Each system consists of three screw-together sections & matching A.T.U.) The Sterling/Dollar exchange rate reflects these low prices and by buying direct from the British manufacturer you save \$\$. You got space problems? I guess we have the answer!! Rush your order — send Mastercharge number or check or ask for brochure.

PARTRIDGE (HR) ELECTRONICS LTD.
BROADSTAIRS, KENT, ENGLAND
G3CED TEL. THANET 62525 G3VFA

flea market



RATES Non-commercial ads 10¢ per word; commercial ads 40¢ per word both payable in advance. No cash discounts or agency commissions allowed.

HAMFESTS Sponsored by non-profit organizations receive one free Flea Market ad (subject to our editing). Repeat insertions of hamfest ads pay the non-commercial rate.

COPY No special layout or arrangements available. Material should be typewritten or clearly printed and must include full name and address. We reserve the right to reject unsuitable copy. **Ham Radio** can not check each advertiser and thus cannot be held responsible for claims made. Liability for correctness of material limited to corrected ad in next available issue.

DEADLINE 15th of second preceding month.

SEND MATERIAL TO: Flea Market, Ham Radio, Greenville, N. H. 03048.

QRP AMPLIFIER — Designed for you QRP operators. High quality amplifier, 3-30 MHz, 3W input nom. (15W PEP), output 100 W nom. (25-250W PEP). Power requirements 16-20A @ 13.6 VDC pos or neg grnd. Class AB operation to insure proper linearity and low distortion. Built-in low pass filter cuts off at 35 MHz, for bands below 15 meters you must supply & use additional low pass filters to reduce in-band harmonics. Normally \$219.95, Special July offer is \$177.60 for direct orders to: Specialty Communications Systems, Inc., 8160 Miramar Rd., San Diego, CA 92126.

STOP don't junk that television set. ASE manufactures the world's most complete line of television picture tubes. Over 1700 types. Most types immediate delivery. Tubes for Old or New TV's, black & white and color. 2 year factory warranty. Lowest prices anywhere. Allied Sales & Engineering, Inc., Dept. 22, Pimento, IN 47866. Telephone 812-495-6555.

SIGNAL CORPS Audio Signal Generator, TS-382/D, like new condx. \$20.00. Local pickup only, this is why low price. Too lazy to ship. T. North, 2016 N. Adams St., #208, Arlington, Virginia 22201.

WYOMING RANCH LAND. Wild horses, antelope, deer, elk, 10 acres \$30 down, \$30 month. Owner - K6ICS, Mike Gauthier, 9550K Gallatin, Downey, CA. 90240.

COLLINS LINEAR. 208U-3 with 310V-1 exciter. 2-30 MHz autotune, 3 kW peak/average. USB, LSB, ISB, AM, 230, 3-phase. \$6000.00 FOB Dallas. Miscellaneous transmitter components used in development. SASE. Husbands, 3814 Marquis, Suite 107, Garland, Texas 75042.

VERY in-ter-est-ing! Next 4 big issues \$1. "The Ham Trader," Sycamore, IL 60178.

FREE CATALOG. LEDs, Strobe lights, UARTS, memories, RF transistors, microphones, IC's, relays, ultrasonic devices, precision trimmer capacitors, digital thermometers, unique components. Chaney's, Box 15431, Lakewood, Colo. 80215.

TEKTRONIX 531 with CA dual trace and L wide band plug-ins. Two 10X probes, one 1X probe, and complete manuals. Just calibrated, in perfect condition. \$495.00. General Radio 1001A Standard Signal Generator, 5 kHz-50 MHz, calibrated attenuator, with GR adapters, and manuals. Mint condition. \$445.00. Drake TR-4 with NB and manuals. Meets all specs. Excellent condition. \$425.00. Rob Sherwood, WBØJGP, 1268 South Ogden Street, Denver, Colorado 80210.

RECONDITIONED TEST EQUIPMENT for sale. Catalog \$50. Walter, 2697 Nickel, San Pablo, Ca. 94806.

WANTED: HyGain 400 Roto Brake Rotor or heavier duty rotor. K4EKJ, 1206 E. Lee Rd., Sterling, Va. 22170.

GOVERNMENT SURPLUS Communication Equipment, FREE catalog. Colonel Russell, 9410 Walhampton, Louisville, KY 40222.

AMATEUR CALL SIGN PINS \$1.00. 1" x 3", 1 or 2 lines engraved. Blue, black, red, green. Guaranteed. Holly, Box 3926-S, Hollywood, Florida 33023.

KLM PRODUCTS, Larsen ants., Icom, police and fire scanners. Send for prices. Not given over phone. Narwid Electronics, 61 Bellot Road, Ringwood, N. J. 07456.

WANTED small prop pitch motor. Will pay cash or trade large prop pitch motor. Call collect to Al Hart, 313-585-0600.

SAVE! Bomar FM, xtals \$4.00 pfd. Dentron, Hustler, CushCraft, W. M. Nye, Ameco. Used gear. Complete catalog - write Ferris Radio, 308 E. Harry, Hazel Park, Mich. 48030.

ETCHED CIRCUITS glass epoxy, drilled and plated. \$.25/square inch. Send artwork to Ready Circuits, P. O. Box 34, Pinesdale, Montana 59841.

CLASSICAL LP RECORDS, unscratched, Bought - Sold. R. Junker, 583 6th Ave., San Francisco, Ca. 94118.

CLEGG FM27B w/mbl mount, \$275. M. Sedlak, Montgomery, Pa., 717-547-1213.

COMPUTER HOBBYISTS! Bargain hunt and sell via ON LINE. 18 issues/year - \$3.75. Free sample issue from: ON LINE, 24695 Santa Cruz Hwy., Los Gatos, CA 95030.

MANUFACTURERS, DISTRIBUTORS, DEALERS! The Memphis Hamfest had 3,500 registrations last year — even more expected this year! Saturday and Sunday, October 2 & 3, at State Technical Institute, Interstate 40 at Macon Road. Security, motels, restaurants — a great location for a great event! Contact Harry Simpson W4SCF, Box 27015, Memphis, TN 38127. Telephone 901 358-5707.

MOTRAC, U43MHT, 40 watts, 4 frequency, with GLB synthesizer, 5kHz split, illuminated dials, touch-tone, shock mounting, all accessories & manuals. Like new in excellent condition. All for \$420 or best offer. Bob Graf, WB9QYX, 218 Rebecca Lane, Normal, Ill. 61761. (309) 452-0329.

CANADIAN JUMBO SURPLUS and Parts Catalogs. Bargains Galore. Send \$1. ETCO-HR, Box 741, Montreal "A" H3c 2V2.

FREQUENCY COUNTER BOARDS, Jan. 76 HR, double sided glass epoxy includes 500 MHz prescaler circuitry and LED board. Instructions and parts source listing \$15.00 complete. Popular Electronic Keyer Board \$2.00. CSJ Electronics, 5201 Cameron Court, Lincoln, NE 68512.

PORTA-PAK the accessory that makes your mobile really portable. \$59.95 and \$39.95. Dealer inquiries invited. P. O. Box 67, Somers, Wisc. 53171.

AUDIBLE I.D. TIMER KIT, P.C. board, instructions, less batt. & case, \$8.50 pfd. J. Isenagle, Box 636, Port Hueneme, CA. 93041.

RTTY TERMINAL UNIT: PLL decoder, AFSK generator, loop supply, handsome cabinet, wired and tested, \$169.95. Save, separate boards & kits available. Com Tech Electronics, P. O. Box 73, Rensselaer, N. Y. 12144.

B&K TEST EQUIPMENT. 15% discount. Free shipping. Free catalog. Spacetron, Box 84D, Broadview, IL 60153.

WANTED: Old radio show transcription discs, any size, any speed. Also wire recordings. Billy Stricklin, 118 Coburn Drive, Chattanooga, Tenn. 37415.

TS520, NEVER USED with CW filter and external VFO. AC only. \$675. Heath SB300/401 combo with VFO switching, all filters, Heath desk microphone mint \$400. Linear \$175. W6TC, 415-584-4649.

TRAVEL-PAK QSL KIT — Send call and 25¢; receive your call sample kit in return. Samco, Box 203, Wynantskill, N. Y. 12198.

DIRECT CONVERSION RECEIVER KITS for AM or CW. Write WB9MBH, 3132 North Lowell Avenue, Chicago, Illinois 60641.

FREE Electronics Surplus Catalog. Electronic Specialties, 1659 Wetmore, Tucson, AZ 85705.

TOUCH TONE PADS, used A.E. \$5.00 each. Sam Cowan, WØOAJ, Box 118, Elmwood, NE. 68349.

NEW CANADIAN MAGAZINE. "Electronics Work Shop". \$5.00 yearly, sample \$1.00. ETCOB, Box 741, Montreal, H3C 2V2.

NEW! IC KEYS

The World's Greatest Sending Device



Adjustable to Any Desired Speed

Now available from Palomar Engineers - the new Electronic IC KEYS. Highly prized by professional operators because it is EASIER, QUICKER, and MORE ACCURATE.

It transmits with amazing ease CLEAR, CLEAN-CUT signals at any desired speed. Saves the arm. Prevents cramp, and enables anyone to send with the skill of an expert.



Equipped with large specially constructed contact points. Keys any amateur transmitter with ease. Sends Manual, Semi-Automatic, Full Automatic, Dot Memory, Squeeze, and Iambic - MORE FEATURES than any other keyer. Has built-in sidetone, speaker, speed and volume controls, BATTERY OPERATED, heavy shielded die-cast metal case. FULLY ADJUSTABLE contact spacing and paddle tension. The perfect paddle touch will AMAZE you.

Every amateur and licensed operator should know how to send with the IC KEYS. EASY TO LEARN. Sent anywhere on receipt of price. Free brochure sent on request.

Send check or money order. IC KEYS \$87.50 postpaid in U.S. and Canada. IC KEYS LESS PADDLE \$67.50. Add 6% sales tax in California.

Italy write i2VTT, P.O. Box 37, 22063 Cantu. Elsewhere send \$92.00 (U.S.) for IC KEYS or \$72.00 (U.S.) for IC KEYS LESS PADDLE for air parcel post delivery worldwide.

Fully guaranteed by the world's oldest manufacturer of electronic keys. ORDER YOURS NOW!

PALOMAR ENGINEERS
BOX 455, ESCONDIDO, CA 92025
Phone: (714) 747-3343

TRANSFORMER RIOT

American made, 115V Primarys:
6.3 V, 1 Amp, Shielded \$1.75 Ea. ppd.
12V — 250 mils — for P.C. Board. Size:
1 1/2" x 1 1/8" x 1 1/2", 3.5 OZ.
1.40 ea. ppd.
12 volt 1/2 amp. \$1.68 ppd.
12V 1.2 Amp \$2.57 ppd.
12V, 3 Amp \$4.15 ppd.



NEW NEW NEW

Dual Secondarys: 18-0-18V @ 1.2 Amp and 7-0-7V @ 400 MA, 1 lb. 5 oz., Shielded, 2 3/8" x 2" x 2 1/4" (3 1/4" MTG) — \$3.85 ppd.
22-0-22V — 1 Amp, 6.3V, Tap 1/4 Amp — 2" x 2 1/4" x 2 3/8" (MTG 2 3/8") Leads from top of shield, 1 lb. 4 oz. \$3.20 ppd.
24-0-24 @ 1 amp with tap at 6.3 volt for pilot light. \$3.15 ea. ppd.

TRANSISTOR OUTPUT TRANSFORMER — One watt rating 200 ohm Center-tapped primary, 8 ohm secondary 85¢ Each ppd.

NEW

Transistor and Relay Assembly — consists of (2) MJE3055 and (2) MJE2955 transistors (10 amp, 90W, 60V complementary pairs) mounted in "U" channel heat sink 2 1/2" x 1 1/2" x 1 1/2". (2) XTAL CAN RELAYS, DPDT, 28V, 8000Ω, 5.8 ma DC, 1 amp contacts mounted on PC board with resistors. \$2.85 ea. ppd.

NEW SIZES — VERTICAL MOUNT PC BOARD POTENTIOMETERS

American made (CRL) Cermet sizes: 25K, 100K ohms. 5/\$1.30 ppd. CTS Blue wheel. Values: 750, 1K, 1.5K, 50K, 300K ohms. 5/\$1.20 ppd.

NEW MINI Imported vertical pots (1/2"H, 3/8"W, 1/16"D) Values: 1000, 2.5K, 5K, 50K ohms. Slot adj. Price: 5 for \$1.20 ppd.

NEW CAPACITORS

BACK IN STOCK ONCE AGAIN

3000 MFD @ 30 Volt Capacitors. Size 1" Diameter x 3" Long. 90¢ each or 3 For \$2.25 ppd.

3000 MFD @ 20V Capacitors. Same size as above. 80¢ ea. or 3 for \$2.00 ppd.

ALSO 3000 MFD @ 50V 95¢ ea. or 3/\$2.65 ppd

ELECTROLYTIC CAPACITOR — PHILCO

Quad section 100x150 MFD @ 400V and at 350V D.C. and 20x50 MFD @ 250V — TWISTAB MTG. A very nice unit for Transceiver Power Supplies etc. Price is only \$1.10 ea. or 3/\$2.95 ppd.

DUAL Electrolytic 1000 & 500 MFD. 15V, long leads. 3/4" dia. x 2 1/4" long. 55¢ each 3/\$1.50 ppd.

Dual Electrolytic 1000 MFD @ 16V, 500 MFD @ 12V. 3/4" dia. x 2 1/4" long. 60¢ ea. or 3/\$1.55 ppd.

1 1/4 inch miniature alligator clips. Bright vinyl red or black. Nickel plated 9 for \$1.00

UNPOTTED TOROIDS — center tapped 88MHY Limited Qty's 44 MHY 5/\$2.95 5/\$3.95 ppd.

CRL DISC CAPACITORS .1 MFD, 10V 3/8" dia., long leads. 10 for \$1.00 ppd.

Red 6 foot #18-2 line cord with flanged safety plug — 55¢ ea. or 3/\$1.45 ppd. Gray 6 foot, 7A, plugs into auto liter socket — 95¢ ea. or 3/\$2.55

General Purpose Germanium Diodes. Similar to 1N34a etc. All Cathode banded Full leads. 16 for \$1.00 ppd.

Small, glass, silicon diodes. Fairchild FD-type. Full leads and guaranteed. Price: 16 for \$1.00 ppd.

SEND STAMP FOR BARGAIN LIST PENNSYLVANIA RESIDENTS - ADD 6% ALL ITEMS PPD. USA

Canadian orders for less than \$5.00 add \$1.00 to cover additional mailing costs. UPS requires your street address.

flea market

COLLINS R-390, \$375. Excellent operating condition and appearance, lab checked, with manual. B. Rowan, 55 Runnymede Road, Berkeley Heights, N. J. 07922. (201) 464-5090.

WANTED: Heath HW-100 with AC supply and a 3 to 10 element 10 meter beam in good condition. WAØRIO, George Peck, Jr., P. O. Box 243, Caldwell, KS 67022.

FOR SALE: Genave GTX-200T, factory tone pad, 4 channels, mint condx. \$240. Heathkit SB-102 A-1 shape, make offer. WAØNZQ, Curtis R. Olson, P. O. Box 215, Regent, N. Dak. 58650.

MANUALS for most ham gear made 1940/65, some earlier. Send SASE for specific quote. Hobby Industry, WØJJK, Box H-864, Council Bluffs, Iowa 51501.

MODERN 60 MIN. CODE CASSETTES. Novice 0-5 wpm, Progressive 5-13 wpm, General 13-15 wpm, Extra 20-22 wpm. \$3 each, 4/\$10. Royal, Box 2174, Sandusky, Ohio 44870.

ANTIQUES: Meters, 10 MA to 500 MA, \$3.00 each; Cardwell & National Variables, \$2.00 each; ARRL License Manual, 2nd Edition, \$2.00; B & W plug-in coil set, TVL, \$10.00; ARC 5 receiver, 50 KC, \$10.00; Tubes, 1920 to 1940 SASE for list. W2LWO, #311 48 States Park, Pleasantville, N. J.

QRP TRANSMATCH for HW7, Ten-Tec, and others. Send stamp for details to Peter Meacham Associates, 19 Loretta Road, Waltham, Mass. 02154.

WANTED: May 1975 Ham Radio magazine. Advise price, MO will follow. W6WJC, Ken, 536 West Hillsdale, Inglewood, Calif. 90302.

MOBILE IGNITION SHIELDING provides more range with no noise. Available most engines. Many other suppression accessories. Literature, Estes Engineering, 930 Marine Dr., Port Angeles, WA 93862.

VHF TRANSCEIVERS FOR SALE. Knight TR106 six meters \$65. TR108 two meters \$70. W8TYX, 614-268-7797.

SIDESWIPER only \$13. Airmailed USA. Kungsimport, Box 257, Kungsbacka, Sweden.

ALTAIR 8800 OWNERS, add output registers with LED displays at few dollars. For complete, easy-to-build plans; checkout program; and demonstration, computer-game program; forward \$5.00 (postpaid continental U.S.) to Computer Research, Inc., 1600 Pennwood Drive, Hampton, Va. 23666. Satisfaction Guaranteed.

MOTOROLA HT220, HT200, Pageboy, and other popular 2M FM transceiver (Standard, Regency, etc.) service and modifications performed at reasonable rates. WA4FRV, (804) 272-8403.

DEFLECTION YOKES — For 1" Vidicon with transistor deflection circuits. New precision yokes, \$10.00 each while they last. Add 50¢ each for shipping. Aprlon Laboratories, P. O. Box 323, Bloomington, IN. 47401.

SILVER MICAS, one percent, short leads, pulls from boards. 6 assorted values for \$1. KP40SD, Box 297, Sabana Seca, P.R. 00749.

MANUALS for Govt. surplus gear, \$6.50 each: URM-25D, SP-600JX, TT-63A/FGC, TS-497B/URR, TS-382D/U, ALR-5. Thousands more available. Send 50¢ (coin) for 22-page catalog. W3IHD, 7218 Roanoke Drive, Washington, D. C. 20021.

BAZOOKA. DIPOLE — Ready to use, with fiberglass center SO239, end insulator 80M, \$29.50; 40M, \$26.50; 20-15-10M, \$23.50. Fiberglass central insulator with SO239, 1000 pound test, \$5.95. Trap 2 KW 80/40, 40/20, \$18.50, ppd. Jac-Tenna, 13850 Victorin, Tracy, P. Que., Canada.

MANUALS for most ham gear, 1939/70. List \$1.00. Send SASE (or 25¢) for one specific model quote. Hobby Industry, WØJJK, Box H864, Council Bluffs, Iowa 51501.

MOTOROLA HT220, HT200, Pageboy, and other popular 2M FM transceiver (Standard, Regency, etc.) service and modifications performed at reasonable rates. WA4FRV, (804) 272-8403 evenings.

IC APPLICATIONS MANUAL — Analog/Digital \$3.95. Digital IC manual - latest edition-3000 latest types/pinout diagrams/cross references \$6.95. Electronics-HRM, P. O. Box 127, Hopedale, MA. 01747.

RADIO MUSEUM now open. Free admission. 15,000 pieces of equipment from 1850 telegraph instruments to amateur and commercial transmitters of the 1920's. Amateur station W2AN. Write for information. Antique Wireless Assn., Main St., Holcomb, N. Y. 14469.



THE TIGER

15% Savings on Gas

A Capacitive Discharge Ignition system absolutely guaranteed NOT to interfere with your radios & equally guaranteed to improve your auto's operation and gas mileage.

No rewiring necessary. Engine cannot be damaged by improper installation. Either of three models fits any vehicle or stationary engine with 12 volt negative ground, alternator or generator system. Uses standard coil & distributor now on your engine. Dual switch permits motor work or tune-up with any standard test equipment.

Write for free booklet that not only is the BEST description of CDIs, but also explains the need for such a system. Current prices assured til July 1, '76.

D-D ENTERPRISES

P. O. Box 7776

San Francisco, CA 94119



Simple as A.B.C.

SE-2 KIT CONTAINS

- 10 CONNECTION POINTS
- 10 PIN ROUND (10-10) SOCKET
- 10 PIN ROUND (10-10) SOCKET
- 10 PIN ROUND (10-10) SOCKET
- 10 PIN ROUND (10-10) SOCKET
- 10 PIN ROUND (10-10) SOCKET
- 10 PIN ROUND (10-10) SOCKET
- 10 PIN ROUND (10-10) SOCKET
- 10 PIN ROUND (10-10) SOCKET
- 10 PIN ROUND (10-10) SOCKET

ADDITIONAL STAMPS

1. 10 PIN ROUND (10-10) SOCKET

2. 10 PIN ROUND (10-10) SOCKET

3. 10 PIN ROUND (10-10) SOCKET

4. 10 PIN ROUND (10-10) SOCKET

5. 10 PIN ROUND (10-10) SOCKET

6. 10 PIN ROUND (10-10) SOCKET

7. 10 PIN ROUND (10-10) SOCKET

8. 10 PIN ROUND (10-10) SOCKET

9. 10 PIN ROUND (10-10) SOCKET

10. 10 PIN ROUND (10-10) SOCKET

M-TECH
ENGINEERING, INC.
BOX C
SPRINGFIELD, VIRGINIA 22151
703/354-0573

\$9.95 PLUS 75¢ Postage & Handling

IRON POWDER TOROIDS

Chart showing uH per 100 turns

CORE SIZE	MIX 2 5-30MHz u=10	MIX 6 10-90MHz u=8.5	MIX 12 60-200MHz u=4	SIZE OD (in.)	PRICE USA
T-200	120			2.00	3.25
T-106	135			1.06	1.50
T-80	55			.80	.80
T-68	57	47		.68	.65
T-50	51	40		.50	.55
T-25	34	27	12	.25	.40

Ferrite beads 20-500 MHz \$2.00 Doz.
Wideband chokes 20-500MHz 95¢ Ea.
Specify core size and mix. Pack and ship 50¢ USA & Canada. Air parcel post delivery worldwide \$2.00. 6 percent tax in Calif. Send for free brochure.

PALOMAR ENGINEERS
BOX 455 ESCONDIDO CA 92025

m. weinschenker
electronic specialties-BOX 353, IRWIN, PA 15642

KENWOOD GIVES YOU A CHOICE FOR 2-METER SSB



KENWOOD'S TV-502 TRANSVERTER PUTS YOUR TS-520 OR TS-820 ON THE 2-METER BAND...SSB AND CW. SIMPLY PLUG IT IN AND YOU'RE ON THE AIR



OR GO ALL THE WAY WITH THE BEST...THE TS-700A

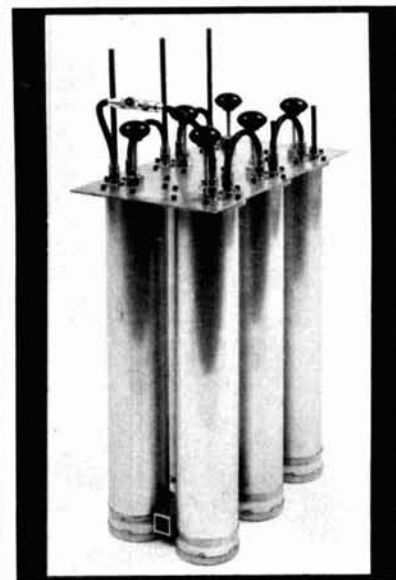
Ever tried 2 meter SSB or CW? How about the OSCAR satellite? Tune the band with a VFO instead of fixed channel crystals and experience DX-ing on VHF. In fact, there's a VHF QSO party coming up on September 4 and 5. FMers improve your scores...beginners try it for the first time. You don't need a big antenna to do it either...anything from a coat hanger to - - - ? The OSCAR satellites (6 & 7) are waiting for you too! Or go exotic with meteor scatter or tropospheric ducting. The "Sky is the limit" on VHF SSB and CW.

TRIO-KENWOOD COMMUNICATIONS INC.
116 EAST ALONDRA/GARDENA, CA 90248

 **KENWOOD**
...pacesetter in amateur radio

DUPLEXER & CAVITY KITS

NOW Temperature Compensated
...with Invar®!



• Easier than ever to assemble and tune • Rugged Construction • Easy maintenance • Low Cost

Mod. 62-3...6 cav., 2 mtr., insertion loss 0.6 db with isolation 100 db typical. pwr. 350 w \$349 ea.

Mod. 4220-3...4 cav. 220 MHz insertion loss 0.6 db with 80 db isolation typical. pwr. 350 w \$249 ea.

Mod. 4440-3...4 cav. 440 MHz, insertion loss 0.6 db with 80 db isolation typical. pwr. 350 w \$249 ea.

Mod...30 Cavity Kits 2 mtr. \$65 ea., 220 MHz \$65. ea., 440 MHz \$65 ea.; 6 mtr. \$115 ea.

Also available: 6 mtr., 4 cav. \$399, 2 mtr. 4 cav. \$249, 440 MHz TV Repeater Duplexer

Only hand tools are necessary to assemble Kits!

All of our Kits are available assembled and tuned. Call or write for prices to Distributor: **TUFTS RADIO**, 386 Main St., Medford, Mass. 02155. Phone (617) 395-8280.

(Prices F.O.B. Medford, Mass. All units can be shipped U.P.S.-C.O.D. orders require \$50 deposit. —Mass. residents add 5% sales tax.)

flea market

YAESU FT-101 OWNERS. Add Fast-Slow-NO AGC easily. For complete details send dollar (creditable toward dues) for April issue of Newsletter. International Fox-Tango Club, 248 Lake Dora Drive, W. Palm Beach, FL 33411.

PC's, Send large S.A.S.E. for list. Semtronics, Rt. #3, Box 1, Bellaire, Ohio 43906.

YAESU OWNERS — Send a dollar (creditable towards dues) for June issue of widely acclaimed FT Newsletter. International Fox-Tango Club, 248 Lake Dora Drive, W. Palm Beach, FL 33411.

FIGHT TVI with the RSO Low Pass Filter. For brochure write: Taylor Communications Manufacturing Company, Box 126, Agincourt, Ontario, Canada. MIS 3B4.

RTTY — **NS-1A PLL TU** (RTTY Journal 1/76) FSK/AFSK. Wired/tested \$29.95 ppd. Boards, parts kits available. Stamp for info. Nat Stinnette Electronics, Tavares, FL 32778.

FREE flyer of unusual surplus equipment and components: military, RF, semiconductors, coils, capacitors, etc. Free gift with first order. Gold Electronics Company, Dept. H, Box 1814, Rochester, NY 14603.

NAMEBADGES \$1.25, name and call sign \$1.75. Engraved plastic with pin or clutches. Black, white, red, blue, green, woodgrain. Include payment with order. Club emblem and hamfest badges. SASE for catalog. Donan's Engraving, P. O. Box 07155, Lakewood, Ohio 44107.

ENGRAVED RADIO LICENSE. Exact reproduction in solid brass. Permanent identification. Send good Xerox copy, with \$5.00, to Metal Art Graphics, 1136 Potomac Ave., Hagerstown, Md. 21740.

EMPIRE NF 105 Field Strength Meter, 4 tuners \$1100, HP-302A wave analyzer \$550, Lampkin 205 deviation meter \$75, HP-410B VTVM \$75, Boonton 85C RF millivoltmeter/distortion analyzer \$175, AN/TRM-1 signal generator .19-400 MHz \$250, HP-612A signal generator \$550. James Walter, 2697 Nickel, San Pablo, Ca. 94806.

VARIABLE CONDENSORS, Johnson 154-3, 19-488pF, 2 KV, used, excellent condition, \$12 each or 3 for \$30, postpaid. Box 297, Sabana Seca, P. R. 00749.

ADD A TOUCH OF CLASS. Mod-U-Line cabinets, ST-6 style MCP 3-17-12 gray \$27.97. 500 styles available. Many other electronic parts stocked. Stamp brings info. NuData Electronics, 104 N. Emerson St., Mt. Prospect, IL 60056.

TELETYPE EQUIPMENT FOR SALE for beginners and experienced operators. RTTY machines, parts, supplies. Special beginners package consists of Model 15 page printer and TH5-TG demodulator, \$125.00. Atlantic Surplus Sales, 3730 Nautilus Ave., Brooklyn, N. Y. 11224. Tel: (212) 372-0349.

TELETYPE MACHINES, Model 33, \$650.00. Model 35, \$2100.00, model 37, \$1100.00 Perfect condition including modems for computer time share. Tony, K9HJU, 312-349-9002, after 6 p.m.

TELETYPEWRITER PARTS, gears, manuals, supplies, tape, toroids. SASE list. Typetronics, Box 8873, Ft. Lauderdale, Fl. 33310. Buy parts, late machines.

CIRCUIT BOARDS. Artwork, negatives, etching. SASE for details. Karl Raup, WB40XG, Box 498, Springfield, Virginia 22150.

VHF EQUIPMENT, Clegg Venus and power supply, 6 meter SSB transceiver, \$140. Interceptor 6 and 2 meter receiver, \$120. Tom Hamilton, 392 W. Lincoln, Birmingham, MI. 48009.

NEW POWERFUL THREE OUTPUT Regulated Power Supply, Plus 900 parts worth \$400.00 list. Solid state TV recorder electronic unit. Schematics, parts cross reference. Free brochure. \$17.95 plus \$3.50 S & H, USA. Master Charge, BankAmericard. Madison Electronics Company, Inc., Box 369, Madison, AL 35758.

QSL'S — **BROWNIE W3CJI** — 3035B Lehigh. Allentown, Pa. 18103. Samples with cut catalog 50c.

500 MHz PRESCALER divide by 10 or 100, input 50 ohms — 100 MV sensitivity \$59.95. Plans & parts list \$5.00. CBS Enterprises, P. O. Box 1356, Cocoa Beach, Florida 32931.

BUY — SELL — TRADE. Write for free mailer. Give name, address, call letters. Complete stock of major brands, new and reconditioned equipment. Call us for best deals. We buy Collins, Drake, Swan, etc. SSB & FM. Associated Radio, 8012 Conser, Overland Park, Ks. 66204, 913-381-5901.

ALDELCO SEMI-CONDUCTOR SUPERMARKET

RF DEVICES

2N3375 3W 400 MHz.....	5.50	2N6080 4W 175 MHz.....	5.40
2N3866 1W 400 MHz.....	.99	2N6081 15W 175 MHz.....	7.95
2N5589 3W 175 MHz.....	4.75	2N6082 25W 175 MHz.....	10.95
2N5590 10W 175 MHz.....	7.80	2N6083 30W 175 MHz.....	12.30
2N5591 25W 175 MHz.....	10.95	2N6084 40W 175 MHz.....	14.30

HEAVY DUTY RECTIFIERS

200 Volt 100 Amp D08.....	5.50
200 Volt 250 Amp D09.....	8.50
400 Volt 2 Amp Silicon Rectifier RCA.....	15 for 99
1000 Volt 2 Amp Silicon Rectifier RCA.....	10 for 99
10,000 Volt Silicon Rectifier Erie, 65 mA.....	2.95

ALDELCO REPLACEMENTS

GE FET 1.....	\$1.95	GE T0.....	54
GE I2.....	1.45	GE 48.....	62

MONEY BACK GUARANTEE

STUD RECTIFIERS

50 Volt 40 Amp.....	.99	100 Volt.....	25
100 Volt 40 Amp.....	1.39	200 Volt.....	35
200 Volt 40 Amp.....	1.59	400 Volt.....	45
400 Volt 40 Amp.....	1.79	600 Volt.....	55

2 AMP EPOXY BRIDGE RECT.

50 Volt 40 Amp.....	.99	100 Volt.....	25
100 Volt 40 Amp.....	1.39	200 Volt.....	35
200 Volt 40 Amp.....	1.59	400 Volt.....	45
400 Volt 40 Amp.....	1.79	600 Volt.....	55

ZENERS

1N746 to 1N759 400 Mw ea. 25.....	25	1N4728 to 1N4764 1 w.....	35
10 assorted zener diodes unmarked.....	1.98		

1N2069.....	25	TTL's.....	
2N4403.....	55	7400.....	20
2N3713.....	45	7401.....	20
2N2926 NPN.....	10/99	7403.....	20
2N3904 or 2N3906.....	10/99	7404.....	25
2N5496 or 2N6108.....	35	7405.....	25
FT0601 FET.....	99	7406.....	45
2N4401.....	55	7407.....	45
741 or 709 14 Pin DIP.....	25	7411.....	30
555 Timer.....	75	7413.....	85
556 (Dual 555).....	1.75	7430.....	20
200 Volt 25 Amp Bridge.....	1.00	7437.....	50
1N914 - 1N4148.....	10 for 99	7442.....	1.10
1N34 - 1N60 - 1N64.....	10 for 99	we have others	

We quote on any device at any quantity. All items postpaid. \$5.00 min. order. Send stamp for catalog. NYS add tax.

ALDELCO

P.O. Box 341H, Lynbrook NY 11563

REPROGRAMMABLE MEMORY KEYS



ONLY \$169.95

The MK-1 Memory Keyer features a reprogrammable 1024 bit MOS memory for storing up to 80 characters. Automatic stop allows manual insertion between messages stacked in memory. Messages can be interrupted and continued. Perfect character and word spacing. Iambic keyer with dot and dash memories. 120 VAC and 12 VDC operation.

Write for more information

Add \$1.50 for postage, Wis. res. add 4% sales tax

DGM ELECTRONICS

787 BRIAR LANE, BELOIT, WIS. 53511

★ COIL KITS ★

SEND S.A.S.E. FOR LIST 2A
INCLUDES ALMOST ALL COILS FOR
HAM GEAR IN ARRL HANDBOOK

★ Balun for Transmatch . . . Handbook p. 585	Postpaid
1 kW.....	\$11.00
2 kW.....	\$13.50
★ SSB Transceiver for 80 M, L1-22, Ham Radio, Apr. 76, p. 48.....	\$18.75
★ Transmatch QRP, L1-4, Handbook, p. 350.....	\$6.00
★ 2-M FM Transmitter-Receiver, L1, RFC1-3, T1, L1-5, RFC1-2, Z1 Handbook, p. 453-4.....	\$11.35

SEND SUGGESTIONS FOR OTHER COIL KITS

COIL WINDING QUICK QUOTES STOCK COILS
SEND SPECS OR SAMPLE

COIL PARTS COIL FORMS & TOROIDS

CADELL COIL CORP.

POULTNEY, VT 05764 802-287-4055

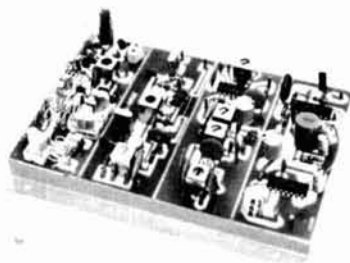
We like to wind coils — Try us

Build a 2 meter or 220 MHz Transceiver.

10 Channel Scanning . . . 15 Watt

You can put it all together for only \$219.95

RX144C or RX220C Receiver Kit

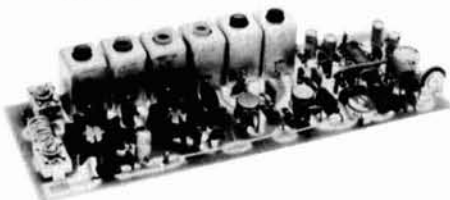


PA144/15 - 15 Watt Power Amplifier



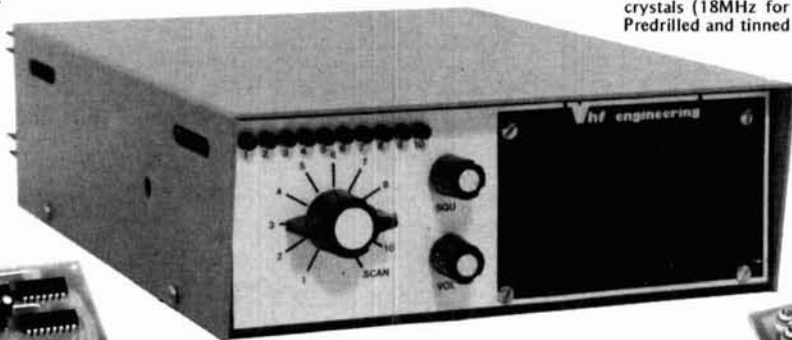
POWER GAIN; 12 db nominal, INPUT POWER; 2 watts max., INPUT VOLTAGE; 12 to 14 volts DC negative ground, INPUT CURRENT; 4 amps max., STANDBY CURRENT; virtually insignificant, INSERTION LOSS; less than 1 db on receive, DUTY CYCLE; 50% or less. Consists of drilled glass PC Board, heat sink and all components.

TX 144B or TX220B Transmitter Kit



A one watt exciter using four RF transistors, two diodes, and one integrated circuit. The RF transistors are operating well below their ratings allowing long keying periods without damage. • Nominal output 1½ watts • Deviation adjusted to 10KHz • IC audio with clipping and active filter • All spurious outputs down 30db or more • Temperature compensation crystal trimmer • Zener regulated oscillator • Uses readily available 12 or 18 MHz crystals (18MHz for 220) • All tuning coils prewound • Pre drilled and tinned G-10 Circuit board

SENSITIVITY .3uV for 20db quieting. SQUELCH THRESHOLD .2uV. AUDIO OUTPUT 2 watts. STABILITY better than -.002. IMAGE REJECTION 60db. SPURIOUS REJECTION greater than 60db. IF REJECTION 80db. FIRST IF 10.7 Mhz. SECOND IF 455 KHz. BANDWIDTH 15 KHz at 3db, 60 KHz at 30db (40 KHz with optional 4 pole filter). CRYSTAL 45 Mhz parallel at 20pf (HC/25U holder).



SC-3 Scanner



Capable of scanning up to 10 channels. Scan delay allows both sides of a conversation to be monitored without the scan starting each time the carrier drops. The priority feature allows the user to program the scanner to return to his favorite channel whenever it is active.

CD-2 Crystal Deck



Designed to provide multi-channel operation for the TX-series transmitters. It features an extra set of contacts that may be wired to the CD-1 crystal deck for 10 channel transceiver. The extra contacts may also be used to switch L.E.D. indicators. The switch has 11 positions.

CD-1 Crystal Deck



A ten channel receiver crystal deck which utilizes diode switching to select the crystal position required.

Complete with cabinet, speaker, hardware, L.E.D.'s, all accessories and full assembly instructions.

(Crystals and microphone not included.)

ORDER FORM

Item	Price Each	Quantity	Total Price
Transceiver TRX 144 Kit	\$219.95		
Transceiver TRX 220 Kit	\$219.95		

Name _____ Total _____

Address _____ Shipping _____

City _____ NYS Resident _____

State _____ Zip _____ Sales Tax _____

Master Charge or BankAmericard No. _____ Total _____

Bank No. _____ Expiration Date _____ Enclosed _____

SHIPPING INFORMATION: All shipments are F.O.B. Binghamton, N.Y. 13902. Shipments will be made by the most convenient method. Please include sufficient funds to cover shipping and handling. Figure shipping charges on a weight of 6 pounds. Allow 3 to 4 weeks for delivery.

TERMS: C.O.D., cash or check with order. We also accept BankAmericard and Master Charge.

CLAIMS: Notify VHF and the carrier of damage within seven (7) days of receipt of shipment.

RETURNS: Obtain authorization from VHF before returning any merchandise.

PRICES AND SPECIFICATIONS: Subject to change without notice. Export prices are slightly higher.

THE WORLD'S MOST COMPLETE LINE

OF

VHF - FM KITS AND EQUIPMENT

Vhf engineering

DIVISION OF BROWNIAN ELECTRONICS CORP.

320 WATER ST. • P.O. BOX 1921
BINGHAMTON, N.Y. 13902 • 607-723-9574



This Month's Specials

NEW Fairchild VHF Prescaler Chips

Type	Description	Price
11C01FC	High Speed Dual 5-4 Input	OR/NOR \$15.40
11C05DC	1 GHZ Counter Divide By 4	\$74.35
11C05DM	1 GHZ Counter Divide By 4	\$110.50
11C06DC	UHF Prescaler 750 MHz	D Type \$12.30
11C24DC	Dual TTL VCM	\$2.60
11C44DC	Phase Freq. Detector	\$2.60
11C58DC	ECL VCM	\$4.53
11C70DC	600 MHz Flip/Flop With Reset	\$12.30
11C83DC	1 GHZ 248/256 Prescaler	\$29.90
11C90DC	650 MHz ECL/TTL Prescaler	\$16.00
11C90DM	650 MHz ECL/TTL Prescaler	\$24.60
11C91DC	650 MHz ECL/TTL Prescaler	\$16.00
11C91DM	650 MHz ECL/TTL Prescaler	\$24.60
95H90DC	250 MHz Prescaler	\$9.50
95H90DM	250 MHz Prescaler	\$16.55
95H91DC	250 MHz Prescaler	\$9.50
95H91DM	250 MHz Prescaler	\$16.50

RF TRANSISTORS

New

RCA 40290	12.5v, Ft. Typ. 500MHz 2 watts		
	min. at p. in 0.5 watts		\$2.48
2N2857	\$1.85	2N6080	\$5.45
2N3375	\$7.00	2N6081	\$8.60
2N3866	\$1.08	2N6082	\$11.25
2N4072	\$1.50	2N6083	\$12.95
2N4427	\$1.20	2N6084	\$13.75
2N5179	\$6.80	2N6166	\$85.00
2N5589	\$4.60	MRF511	\$8.60
2N5590	\$6.30	MCM918	\$2.50
2N5591	\$10.35	MMT2857	\$2.50
2N5637	\$20.70		

TUBES

IP21	\$19.95	6146B/8298A	\$5.50
2E26	\$4.00	6360	\$5.50
4X150C	\$18.00	6661	\$1.00
4X150A	\$15.00	6680	\$1.00
4X250B	\$24.00	6681	\$1.00
4X250F	\$22.00	6939	\$5.50
DX415	\$25.00	7984	\$3.95
572B/T160L	\$22.00	8072	\$32.00
811A	\$7.95	8106	\$1.95
813	\$19.00	8156	\$3.95
931A	\$9.95	8950	\$5.50
4652/8042	\$6.95	6L06	\$3.95
5894	\$32.00	7289/2C39A 10/	\$12.50
6146A	\$4.25		

JUST ARRIVED! These radios have just been pulled out of service. Set up for approx. 150 MHz. Clean. All tubes included. No accessories. Prices FOB Phoenix.

Motorola U43 GGT	\$49.95
GE TPL	\$99.95
GE MT-33	\$39.95

Collins KWI Transmitter, Mint, extra set of tubes plus manual \$499.95

We have all types of test equipment.

MHz electronics

2543 N. 32ND STREET
PHOENIX, ARIZONA 85008
PH. 602-957-0786

flea market

PC BOARD negatives made photographically from your magazine's artwork. Now obtain professional results quickly, simply. 4 x 5, \$3.00 or SASE for information. WA4FRV, 10139 Apache Road, Richmond, Virginia 23235. 804-272-8403.

NEED HELP holding your PC board while you solder the components? My fixture will sit on your kitchen table and adjusts to fit PC boards up to 6 3/4" wide (length unlimited). Order now. Only \$7.95 ppd in USA (Mo. residents add 25¢). W. N. Wellman Co., Box 722A, 451 Saline Rd., Fenton, Mo. 63026.

EXCLUSIVELY HAM TELETYPE 21st year, RTTY Journal, articles, news, DX, VHF, classified ads. Sample 35¢. \$3.50 per year. Box 837, Royal Oak, Michigan 48068.

OSCAR 7, SSB-CW TRANSMIT CONVERTERS. For 28 or 50 MHz input at 20 mw. 432 MHz output at 1 watt. Solid state, for 12 volt supply. 35 watt solid state amplifier available for this converter. Units designed and built by W0ENC. Write for information, UHF-VHF Communications, 53 St. Andrew, Rapid City, S. D. 57701.

Coming Events

QSO PARTY. Amateurs the world over are invited to take part in the 17th Annual New Jersey QSO Party sponsored by the Englewood Amateur Radio Association. Saturday, August 21 and Sunday, August 22. Send SASE to Englewood Amateur Radio Association, Inc., 303 Tenafly Road, Englewood, NJ 07631 for rules.

MISSOURI: Antique Aircraft and Amateur Radio Show, July 24 and 25, 1976. Slater Memorial Airport. Registration \$1.00 in advance: \$1.50 at the door. Buffalo burger feed Saturday night and Sunday noon. Talk-in 3963 kHz, 146.94 and 146.28/.88. Information, advance tickets, Dale Beilsmith, W0KNF, 807 North Broadway, Slater, Missouri 65349, (816) 529-2173.

MEMPHIS IS BEAUTIFUL IN OCTOBER! The Memphis Hamfest, bigger and better than the 3,500 who attended last year, will be held at State Technical Institute, Interstate 40 at Macon Road, on Saturday and Sunday, October 2 and 3. Demonstrations, displays, MARS meetings, flea market, ladies' flea market, too! Hospitality room, informal dinners, XYL entertainment, many outstanding prizes. Dealers and distributors welcome, too! Contact Harry Simpson, W4SCF, Box 27015, Memphis, TN 38127, phone 901 358-5707.

AMERICAN-TASMANIAN CONTEST to celebrate America's Bicentennial. Amateurs in all U.S. call areas to contact amateurs in the VK7 (Tasmania) call area from 1400 hours GMT, 3rd July to 1400 hours GMT, 4th July. There shall be two (2) sections. Single band, transmitting open and multi band, transmitting open (both single operator). Stations may be fixed, portable or mobile. All modes and cross mode contacts are permitted. All amateur bands may be used but cross band contacts are not permitted. All logs and questions to Contest Manager, P. O. Box 1010 Launceston Tasmania 7250, Australia before 1st November 1976.

OWOSSO, MICHIGAN Buzzards Roost and Emergency Nets Picnic and SARA Swap and Shop at Mc Crudy Park, Corunna, Michigan. Early bird get together Saturday evening, July 17, Swap and Shop, picnic on Sunday, 8 a.m.-5 p.m., July 18. Free admission, tables for swap and shop \$2.00, tickets available for drawings, overnight trailer & camping space available. Talk-in on 3930 kHz, 146.52 MHz with repeaters on 147.63/.03 and 449.30/442.10 MHz. For further information, write SARA, 1302 W. Main St., Owosso, Mich. 48867.

SPECIAL "VIKING" LANDING COMMEMORATIVE. Jet Propulsion Laboratory Amateur Radio Club (JPL-ARC) will be making contacts with amateurs all over the U.S. and many foreign countries in conjunction with the bicentennial project of landing on Mars. JPL-ARC will be active "on the air" with a special commemorative program during the Mars encounter by the Viking I and Viking II spacecraft using the special call of N6V, operating from Pasadena, Calif. Will operate on the following approximate frequencies: CW — 3530, 7030, 14030, 21030, 28030, kHz. SSB — 3810, 3930, 7230, 14225, 14325, 21360, 28630 kHz. Novice CW — 3730, 7130, 21130, 28130 kHz. Exact time/dates of operation not yet determined as they are dependent on Viking spacecraft schedules. Closest approximation is: June 18 to 23, July 3 to 18, Aug. 6 to 12, Aug. 31 to Sept. 15. Viking status reports may be secured by calling (213) 354-4213.

WHAT'S HAPPENING TONIGHT?



~~\$179.95~~ now \$132.50

The BEARCAT IV. The ultimate scanning monitor. Hear any eight channels of action, excitement and information from the nation's four public service frequency bands!

Please send me..... Bearcat IVs @ \$132.50 ea.

Please send me..... Crystal Certificates @ \$3.25 ea.

(Minimum order \$10.00)

COD's require 20% deposit)

Send check or money order to:

BETA ELECTRONICS

P. O. BOX 5869

PITTSBURGH, PA. 15209

Name.....

Address.....

City..... State..... Zip.....

HELP WANTED

CREATIVE YOUNG MAN TO WORK IN DESIGN OF TWO-WAY RADIO ANTENNAS. MUST HAVE KNOWLEDGE OF HAM ANTENNAS, BE VERY WELL ACQUAINTED WITH INFORMATION IN ARRL ANTENNA HANDBOOK, AND BE ACQUAINTED WITH MACHINE SHOP PRACTICE. COMPANY IN CHICAGO SUBURBS. WRITE OR CALL HERB BLAESE, 340 STEWART AVENUE, ADDISON, ILLINOIS 60101, (312) 543-9350.

BARRY ELECTRONICS HAM HEADQUARTERS

Stocking Distr. for: Bird Wattmeters, Collins, Drake, ICOM, VHF Eng., EBC, Venus, B & W, Millen, Antenna Specialists, Hy-Gain, Mosley, CushCraft, DX Engineering, Savoy, Ten-Tec, Tri-Ex, Vibroplex — THOUSANDS OF TUBES & SOCKETS IN STOCK — HAM II ROTORS IN STOCK! Eimac 8877, KLM Multi 2000, CD 44, Bird 43 Wattmeters, Cetrone 572B. In Stock for immediate delivery: ICOM IC-230, IC-22A, IC-502 and IC-506. Top Trades given on your used Collins gear!

Fair Dealing since 1938! Write for best deals! Export inquiries expertly handled. Hours: Mon.-Fri. 9:00-6:00, Sat. 10:00-5:00

Barry Electronics

512 BROADWAY, NY, NY 10012
212-925-7000

MIDLAND INTERNATIONAL®

Tops on both ends in 220-MHz service



Midland's Popular
10-Watt, 12-Channel
"220" Mobile...

Spectronics' Price Only

With crystals
for 223.5 simplex,
microphone, mounting bracket **179⁹⁵**

Not only is Midland's Model 13-509 one of the most popular "220" mobiles around, it's the basis of more repeater stations around the country than any other chassis. The reasons are easy to spot: It's rugged. It's reliable. It's easy to work, and work with. As it comes, Midland's "220" mobile delivers full 10-watt RF output, switches to 1-watt, and uses an ADL circuit preset at 5 KHz, but adjustable 3 to 16 KHz. The receiver section has a complete multiple FET front end coupled with a high Q resonator filter and ceramic filters in both IF stages. There's an instantaneous final protection circuit monitoring VSWR and accessory connector for tone burst or discriminator meter.

CHECK THE SPECS:

Frequency Coverage: 220-225 MHz • **Circuitry:** 30 transistors, 2 FET'S, one IC, 12 diodes • **Modulation Type:** F3 • **Power Source:** 13.8 VDC, negative ground • **Current Drain:** Transmit high 3.1 amps, transmit low 1.1 amps, receive 220 MA • **Antenna Input:** 52 ohms • **Size:** 2 1/4" h. x 6 3/4" w. x 8 7/8" d. • **Weight:** 4 1/2 lbs. • **RF output Power:** 10.0 watts/1.0 watts • **Frequency Deviation:** Adjustable 3-15 KHz • **Audio Input:** 10K ohms • **Modulation System:** Variable reactance phase modulation • **FM Hum & Noise Level:** -56 db • **Frequency Stability:** ±10 PPM at -10 to +50 C • **Receiver Type:** dual conversion superheterodyne with FET'S, cavity resonator filter, ceramic filter • **I.F. Frequencies:** 1st, 10.7 MHz; 2nd, 455 KHz • **Sensitivity:** Nominal 0.5 uV for 20 db • **Spurious Response:** -60 db • **Squelch Threshold:** 0.3 uV • **Adjacent Channel Sensitivity:** -60 db • **Modulation Acceptance Bandwidth:** ±15 KHz/-6 db point, ±25 KHz/-50 db point • **Audio Output:** 2.0 watts at 10% distortion, 4.0 watts maximum • **Audio Impedance:** 8 ohms • **Hum and Noise Ratio:** -60 db

Try Midland 2-Meter too

15-Watt/1-Watt Output Power • 12 Channel Capability

Complete multiple FET front end with high Q resonator filter, ceramic filters in both IF stages. ADL circuit. Individual frequency trimmers for each crystal position. Connector for tone burst and discriminator meter.

With crystals for
.16/.76, .34/.94 and
.94/.94, microphone
and mounting bracket

185⁹⁵



Midland's extra-value
added ingredient

R.S.V.P.

Positive, practical support
for your repeater service
when you buy any Midland



SPECTRONICS, INC.

1009 GARFIELD
OAK PARK, IL. 60304
312-848-6778
TELEX 72:8310

HOURS

STORE HOURS:

Mon-Thurs 9:30-6:00, Fri. 9:30-8:00
Sat. 9:30-3:00, Closed Sun. & Holidays.





flea market

LOGIC PROBE KIT—Use with CMOS, TTL, DTL, RTL, HTL, HINIL and most MOS IC's. Built in protection against polarity reversal and overvoltage. Draws only a few mA from circuit under test. Dual LED readout. Complete kit includes case and clip leads. \$8.95

VARIABLE REGULATED POWER SUPPLY KIT—Continuously variable from 3 to over 15 Volts. Short-circuit proof with electronic current limiting at 300 mA. Compact size and typical regulation of 0.1% make this a great bench or lab power supply. \$11.95

FIXED REGULATED POWER SUPPLY KITS—Short-circuit proof with thermal current limiting. Compact size and typical regulation of 0.05% make these ideal for most electronic projects. Available for 5V @ 500mA, 6V @ 500mA, 9V @ 500mA, 12V @ 400mA, 15V @ 300mA. Specify voltage when ordering. \$8.95 ea.

These easy-to-assemble kits include all components, complete detailed instructions and plated fiberglass PC boards. Power supply kits do not include case or meters. Add \$1.25 per kit for postage and handling.

TRANSISTORS (NPN)	
2N918 TYPE RF Amp & Oscillator to 1 GHz	3/51.00
2N3563 TYPE RF Amp & Osc to 1 GHz (pl. 2N918)	6/51.00
2N3565 TYPE Gen. Purpose Gain (TO-92/106)	6/51.00
2N3866 TYPE RF Power Amp 1.5 W @ 450 MHz	\$0.75
2N3904 TYPE GP Amp & Sw to 100 mA HF 100	6/51.00
Assort. NPN GP TYPES, e.g. 2N3694, 2N3903, etc. (15)	\$2.00
2N3638 TYPE (PNP) GP Amp & Sw to 300 mA	6/51.00
2N3906 TYPE (PNP) GP Amp & Sw to 30 MHz	6/51.00
FET's:	
N CHANNEL (LOW NOISE)	
2N4091 TYPE RF Amp & Switch (TO 18/106)	3/51.00
2N4416 TYPE RF Amplifier to 450 MHz (TO 18)	2/51.00
2N5183 TYPE Gen. Purpose Amp & Sw (TO 106)	3/51.00
2N5486 TYPE RF Amp to 450 MHz (plastic 2N4416)	2/51.00
E100 TYPE Low-Cost Audio Amplifier	4/51.00
ITE4858 TYPE Ultra-Low Noise Audio Amp	2/51.00
IS174 TYPE High-Speed Switch 40!	3/51.00
Assort. RF & GP FET's, e.g. 2N5163, MPP102, etc. (8)	\$2.00
P CHANNEL:	
2N4360 TYPE Gen. Purpose Amp & Sw (TO 106)	3/51.00
E175 TYPE High-Speed Switch 125! (TO 106)	3/51.00

SUPER SPECIALS:

2N2222 NPN TRANSISTOR GP Amp & Switch	6/51.00
2N2907 PNP TRANSISTOR GP Amp & Switch	6/51.00
2N3553 RF Power Amp 5 W @ 150 MHz, 7 W @ 50 MHz	\$1.50
MPP102 N CHANNEL FET RF Amp 200 MHz	3/51.00
556 DUAL 555 TIMER 1 μ sec to 1 hour (DIP)	\$0.90
723 VOLT. REGULATOR 3-30 V @ 1-200 mA (DIP/TO-5)	3/51.00
2740 FET Op Amp, Like NE536 and μ A740 (TO-5)	\$1.95
μ A7805 VOLTAGE REGULATOR 5 V @ 1 A (TO 220)	\$1.25
8038 WAVEFORM GENERATOR $\frac{1}{2}$ μ Wave w/ckts	\$4.50
1N4154 DIODE 30 V/10mA 1N914 except 30 V	25/51.00
BR1 BRIDGE RECTIFIER 50 V PIV, 500 mA (DIP)	4/51.00
MMS314 DIGITAL CLOCK CHIP With Specs/Schematics	\$4.95

LINEAR IC's:	
308 Micro Power Op Amp (TO 5/MINI DIP)	\$1.00
309K Voltage Regulator 5 V @ 1 A (TO 3)	\$1.25
324 Quad 741 Op Amp, Compensated (DIP)	\$1.50
340T Volt. Reg. 1 Amp-Specify 5, 6, 12, 15 or 24 V-w/ckts	\$1.75
380 2.5 Watt Audio Amplifier 34 dB (DIP)	\$1.29
555 Timer 1 μ s to 1 hr, NE555, LM555, etc. (MINI DIP)	\$0.29
709 Popular Op Amp (DIP/TO-5)	\$0.90
739 Dual Low Noise Audio Preamp/Op Amp (DIP)	\$1.00
1458 Dual 741 Op Amp (MINI DIP)	2/51.00
741 Freq. Comp. Op Amp (DIP/TO 5/MINI DIP)	4/51.00
DIODES:	
ZENER'S—Specify Voltage 3.3, 3.9, 4.3, 5.1, 6.8, 8.2	400mW 4/51.00
1, 10, 12, 15, 16, 18, 20, 22, 24, 27, or 33V (10%)	1 Watt 3/51.00
1N914 or 1N4148 TYPE General Purpose 100V/10mA	15/51.00
1N3893 TYPE RECTIFIER Stud Mount 400 V/12 A	2/51.00
05 VARACTOR 5-50 W Output @ 30-250 MHz, 7-30 pF	\$5.00
F7 VARACTOR 1-3 W Output @ 100-500 MHz, 5-30 pF	\$1.00

*MAIL NOW! FREE DATA SHEETS supplied with every item from this ad. FREE ON REQUEST—741 Op Amp with every order of \$5 or more—749 Dual Op Amp or two E100 FET's with every order of \$10 or more, postmarked prior to 8/31/76. One free item per order.

ORDER TODAY! All items subject to prior sale and prices subject to change without notice. All items are new surplus parts—100% functionally tested. WRITE FOR FREE CATALOG #7510 offering over 350 semiconductor cards in stock. Send 13¢ stamp.

TERMS: Send check or money order (U.S. funds) with order. We pay 1st Class postage to U.S., Canada and Mexico (except on kits) \$1.00 handling charge on orders under \$10. Calif. residents add 6% sales tax. Foreign orders add postage. COD orders—add \$1.00 service charge.

ADVA ELECTRONICS
BOX 4181 X, WOODSIDE, CA 94062
Tel. (415) 851-0455

600 mhz PRESCALER

\$75.00



■ Divide by 10 or 100

■ 100 millivolt sensitivity

■ TTL Output, drives any counter

■ Completely assembled and tested

To order, specify *10 or *100 and send check or M.O. to:

ramsey electronics

P.O. BOX 4072 • ROCHESTER, NEW YORK 14610

RADIO EXPO '76, September 18, 19, near Chicago. Exhibits, seminars, giant flea market open Friday night. Campers welcome. Advance ticket \$1.50. Box 1014, Arlington Heights, Ill. 60006.

MELBOURNE, FL., SEPT. 11-12. The 11th Annual Melbourne, Florida Hamfest will be held Saturday and Sunday, September 11-12, 1976, from 9 a.m. to 5 p.m. each day in the air conditioned Melbourne Civic Auditorium located on Hibiscus Boulevard. Donation is \$2.50 per adult. Full program includes forums, meetings, auction, swap tables, commercial exhibits, awards, prizes, etc. Talk in on 25/85 and 52/52. Sponsored by Platinum Coast Amateur Radio Society. For more info write P. O. Box 1004, Melbourne, FL 32901.

KENTUCKY. Lake Cumberland A.R.C. Hamfest Sunday, July 11, 1976, 10:00 a.m. 'til Somerset's Outdoorsmen's Club, Somerset, KY.

DANVILLE HAMFEST at Douglas Park, Danville, Ill. Sept. 5. Downstate Illinois' largest. Great prizes. Advance tickets \$1.75 ea., 3/\$5 with SASE to Jim Wilson, 308 First, Ridgefarm, IL. 61870. Talk-in 22/82, 3910.

PITTSBURG, KANSAS REPEATER ORGANIZATION hamfest and watermelon feed, Sunday, July 25, 1976 at the Lincoln Park shelters in Pittsburg, at the 10th Street and Bypass 69 intersection. There will be a covered-dish picnic, transmitter hunts, swap meet, and lots of prizes including many for the YL's and harmonics. Talk-in will be on WRØADZ 34/94 and 52/52.

WESTERN PENNSYLVANIA—The 39th Annual Hamfest of the South Hills Brass Pounders and Modulators will be held on August 1st, from noon till dusk, at St. Clair Beach, Upper St. Clair Township, 5 miles south of Mt. Lebanon, on Route 19. Swap and shop, picnic space and swimming. Talk in on 29.0 and 146.52. Information and pre-registration at \$1.50 per ticket (\$2.00 at door) from K3FIW, 181 County Line Road, Bridgeville, Pa. 15017. Vendors must register.

PENNSYLVANIA Skyview Radio Society's Swap & Shop will be held on Sept. 19, 1976 at Skyview Radio Club, New Kensington, Pa. Registration \$1. Check ins on 52-52 and 04-64.

WARREN, OHIO HAMFEST, August 22, 1976, moved to Trumbull Expo Center, north of city; bigger flea market, plenty of close-in parking. Displays, talk-ins, \$2 door prize registration. Family recreation, state park nearby. Arrow signs lead from Interstates 80, 90, Ohio Rtes. 5, 11, 305. Details? QSL: WARA, Box 809, Warren, Ohio 44482.

NORTH ALABAMA HAMFEST—Sunday, August 15 at The Mall in Huntsville, Ala. Hamfest supper on Saturday night. Prizes, flea market, and displays. ARRL forum, MARS meetings, and XYL programs. Talk-in on 146.94 and 3965. For more information: N.A. H.A., P. O. Box 423, Huntsville, AL 35804.

THE OKLAHOMA HAM HOLIDAY and State ARRL Convention will be held Saturday and Sunday, August 7 and 8 in Oklahoma City, Oklahoma. The largest flea market in the Southwest, special programs, technical seminars, equipment displays, and activities for the ladies. For information and advance registration write Oklahoma Ham Holiday, Box 20567, Oklahoma City, Oklahoma 73120.

BICENTENNIAL SPECIAL EVENTS STATION (NSØDAK) operated by the Black Hills A.R.C. at Mt. Rushmore National Memorial (in the Black Hills of South Dakota). July 3, 4, & 5. SSB and CW on general and advanced portions of 80-10 M and 2 M FM. Special QSL cards available. QSL with SASE to KØCXL, 715 San Marco, Rapid City, SD 57701. Authorization good through September 6. Watch for us on other weekends and holidays.

13TH ANNUAL INTERNATIONAL HAMFEST will be held July 10 and 11, 1976 at the International Peace Garden between Dunsieith, North Dakota and Boissevain, Manitoba. This year it will be held in the Canadian Pavilion. Excellent camping, contests, prizes, party & dance, Sunday breakfast, and meetings. For more info contact WBØGFZ or VE4OD.

NEW JERSEY: The 550 Amateur Radio Club and Oakland Repeater Association annual Hamfest/Picnic, Westbrook Park Kamgrounds, West Milford, N. J., July 31 and August 1. All amateurs, their families and guests are invited. Talk in via club repeater WR2AHD 147.49 MHz/146.49 MHz and 223.34 MHz/224.94 MHz. For additional information, contact WA2HLE, 73 Page Drive, Oakland, N. J. 07436. Phone: (201) 337-0316.

ARIZONA: Ft. Tuthill Hamfest, July 30-31 and August 1 at Flagstaff, Arizona (Coconino County Fair Ground - Across I-17 from Airport). R.V. and tent camping. Three days in the tall cool pines. Swap meet, tech sessions, contests, prizes, pot luck, exhibits. Talk in 146.22/82, 146.34/94, 146.52 and 3992 kHz.

ZERO-BEATERS ARC hamfest, Sunday, August 1, at Washington, Mo. city park. Free parking, auction, bingo for XYL's. No admission fee, no fee for traders row. Many prizes. Info or tickets, Al Lanwerfeyer, WNØQBS, or Zero-Beaters ARC, WAØFYA, Box 24, Dutzow, Mo. 63342.

STRAITS AREA RADIO CLUB Swap and Shop, 8:00-4:00, Aug. 14, 1976 at Emmet County fairgrounds on US 31, 1/2 mile west of southern junction of US 31 and US 131, in Petoskey, Michigan. All amateurs, CBRs, SWLs, \$1.00 admission, 50¢ per table, door prizes, lunch counter, free parking. Talk-in on 3.920 MHz., Channel 1, 146.52 MHz.

MINNESOTA: St. Cloud Radio Club Hamfest, August 8, 1976, 10:00 a.m. till closing, at the Sauk Rapids Municipal Park. Free parking and overnight parking. Hot dogs and pop available. Swapfest and ham gear sale. Talk in on 34/94 and 3925. Hope to see you all there. For further info, contact Bill Zins, WAØOTO, St. Cloud Radio Club, P. O. Box 752, St. Cloud, MN. 56301.

SHANGRI-LA '76—ARRL Hudson Division Convention, November 13-14. Great Gorge Resort Hotel, McAfee, New Jersey. Exhibits, flea market, FCC and ARRL forums, Special YL programs, technical sessions and a Saturday night banquet with Jean Shepherd, K2ORS, world traveler, columnist and famed radio personality of WOR. For information write to Al Peddington, WA2FAK, 4 Acorn Drive, East Northport, N. Y. 11733.

THE ANNUAL FORT WAYNE Repeater Association FM Picnic will be held at the Steuben County Fair Grounds, near Angola, Indiana on August 1, 1976. Flea market, special events, and fun and prizes. \$1.50 for all, unless you are under 12 years of age. All in frequencies are .16-.76, .28-.88, .52 and .94.

Stolen Equipment

GENAVE GTX 200, SN22-03, SS number 031-28-9354. BNC on back for duplex operation. Early vintage set. Stolen from Gus McKinney, WBØOPR, 303-473-1397, 807 Holmes Drive, Colorado Springs, Colo. 80909.

REGENCY HR2A, SN04-10422. Has bracket attached and cigarette lighter plug on power cord. Stolen from: Don Billings, WØG0H, 303-636-1661, 2838 N. Prospect St., Colorado Springs, Colo. 80907.

REGENCY HR2B, SN unknown. Stolen from: Glenda Butler, WBØOCH, 303-544-7777, 1509 E. 12th St., Pueblo, Colo. 81001.

MOTOROLA TWO FREQ., control head, Motorola T-power mike, Moto. speaker, 16 button TT pad with light, mounted in Bud box. Stolen from: Jim Best, WAØRZI, 303-471-1486, 1923 Alpine Drive, Colorado Springs, Colo. 80907.

REGENCY HR2, SN unknown. Owners name inside. Stolen from: Dwane Barber, WAØWVO, 303-352-4711, RFD 3, Box 353, Greeley, Colo. 80631.

EBC 144JR, SN 50108, synthesized rig. Stolen from: Dick Sucher, WAØZLY, 303-471-1696, 27 Leaming Rd., Colorado Springs, Colo. 80906.

ICOM IC22A, SN3401802. Call engraved on back, accessory plug wired for TT, PTT, and 455KC output. Stolen from: Bill Croghan, WBØKSW, 303-471-7504, 1030 W. Colorado, Colorado Springs, Colo. 80905.

HEATH HW 202, Series 00316 Transceiver. Modified: BNC antenna connector, scanner w/LEDs over top (extra) barswitch, 3 switches to left not connected. Right switch turns scanner off/on. Wires were cut at back panel. Stolen from: Dick Ellis, W5YCK, 104 West Ave. A., Alpine, TX 79830. Phone: 915-837-3728.

REGENCY HR-2A, SN04-07989. Chassis engraved K3NVO, 495-38-8556. Has scanner board mounted over rcv xtals and 4 red LEDs mounted vertically on front panel for channels 1-4. Stolen from: Ronald Kaulen, 6326 Blue Flag Ave., Harrisburg, PA 17112.

GENAVE GTX-1T Handheld Transceiver, SN 13-07. Stolen from: Genave's display booth at Dayton Hamvention. Contact Genave, 4141 Kingman Dr., Indianapolis 46226.

FIRST

Make this comparison:

The GTX-1 gives the high quality performance that compares with Motorola, GE, RCA or any other hand-helds that sell for \$700 or more.

THEN

Check these features:

Small: only 8"x2.6"x1.28" . . . **Appearance:** slim silhouette all black metal . . . **Serviceable:** easy access to separate receive and transmit circuit boards . . . **PLUS:** 6 pole xtal filter for superlative receiver operation . . . **and:** trimmers on receive and transmit xtals: standard 10.7 MHz 1st IF.

and specs:

Rec. Sens.: .2 μ v for 12 db SINAD . . . **Adjacent channel rejection:** \pm 30 kHz 55 db . . . **Spur. Resp.:** more than 65 db . . . **Audio Output:** 500 mw . . . **Power output:** Hi 3 w, Lo 1 w . . . **Audio Quality:** Distortion free, crisp, clear receive and transmit.

NOW

Look at the Price:

GTX-1
2 Meter 6 channel
Hand-Held
(without encoder)
\$249⁹⁵
(Bat. Not Incl.)

GTX-1T
with Built-In
Tone Encoder
\$299⁹⁵
(Bat. Not Incl.)

GENAVE stocks most common 2-M Xtals for immediate delivery



MADE IN
US

GTX-200-T

2-meter FM, 100 channel combinations, 30 watts with factory installed tone encoder (Incl. 146.94 MHz)



\$249⁹⁵

GTX-200

2-meter FM, 100 channel combinations, 30 watts (Incl. 146.94 MHz)



\$199⁹⁵

GTX-10-S

2-meter FM, 10 channels, 10 watts (Xtals not included)



\$149⁹⁵

GTX-2

2-meter FM, 10 channels, 30 watts with pushbutton frequency selector (Incl. 146.94 MHz)



\$189⁹⁵

GTX-I

2-meter FM, 6-channel, 3.5 watts Hand-Held

\$249⁹⁵
(Bat. not incl.)

GTX-IT

Same as GTX-I, plus Factory Installed Tone Encoder

Operate Auto Patch
\$299⁹⁵
(Bat. not incl.)



Ringo Ranger ARX-2 6 db 2-M Base Antenna @ \$29.95 \$ _____

Lambda/4 2-M and 6-M Trunk Antenna @ \$29.95 \$ _____

TE-I Tone Encoder Pad for plug-in installation on most amateur transceivers @ \$59.95 \$ _____

TE-II Tone Encoder Pad for installation on most Hand-Helds @ \$49.95 \$ _____

PS-1 AC Power Supply for use with all makes of transceivers 14 VDC-6 amps @ \$69.95 \$ _____

and the following **standard crystals** @ \$4.50 each \$ _____
Non-standard crystals @ \$6.50 each: \$ _____



ACCESSORIES FOR GTX-1 and GTX-1T

PSI-18 Optional Nicad battery pack \$29.95 \$ _____

PS-2 Charger for GTX-1(T) battery pack \$39.95 \$ _____

GLC-1 Leather carrying case\$12.95 \$ _____

TE-III Tone Encoder (for use with GTX-1) \$49.95 \$ _____

Add \$4 per Radio for Shipping, Handling, and Crystal Netting.

Payment by:

Certified Check/Money Order Personal Check
 C.O.D. Include 20% Down

Note: Orders accompanied by personal checks will require about two weeks to process.
20% Down Payment Enclosed. Charge Balance To:

BankAmericard # _____ Expires _____
 Master Charge # _____ Expires _____
 Interbank # _____ Expires _____

IN residents add 4% sales tax:} \$ _____
CA residents add 6% sales tax:} \$ _____
All orders shipped post-paid within continental U.S.
(allow 8 weeks delivery.)

HAM
6
7
6

Use This Handy Order Form

4141 Kingman Dr., Indianapolis, IN 46226
Phone-in orders accepted (317+546-1111)

NAME _____

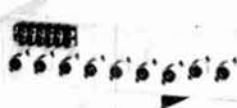
ADDRESS _____ CITY _____

STATE & ZIP _____ AMATEUR CALL _____

CLIP OUT AND ORDER NOW

CLIP OUT AND ORDER NOW

Introducing:



THE OMEGA-T 2000C BEAM STEERING COMBINER

The exciting performance of broadband, steerable HF phased array antennas can now be yours. This product offers a means of combining two or four antennas into a phased array with 360-degree beam steering in 30 azimuth steps. Applicable to any type antennas, the device is frequency-independent and can be used to phase multiband verticals. Write direct to the factory for details, or see your local amateur radio dealer.



ELECTROSPACE

SYSTEMS, INC. P. O. BOX 1359, RICHARDSON, TEXAS 75080 (214) 231-9303



6:1
BALUN
\$ 22.95

- Matches 300Ω Folded Dipole to 50Ω Coax.
- 2KW Rating

Also 1:1 and 4:1 Baluns available — 2KW Rating / \$16.95

59+

five nine plus

3402 Campus Avenue
Claremont, CA 91711
[714] 621-1658

Antenna Products for the Amateur

All Prices Postpaid
[California residents add 6% Sales Tax]

Dealer Inquiries Invited

SUB-AUDIBLE GENERATOR for FM

THE CUBE



- Inexpensive multi tone system
- Compatible with PL-CG-QC
- Low distortion sine-wave
- Adjustable frequency (98-250 Hz), Lower available
- Rugged, plastic encased with leads, easy to mount
- Input 8-18 VDC unregulated
- Excellent stability

.5 x .6 x .8 in.

Lyle Products
P.O. Box 2083
Santa Clara Calif.
95051

Price \$19.95

Calif. res. add 6%

Freq. set at factory \$5.00 extra

Send for more information

EXTRA'S

TRYING TO PICK OUT YOUR
NEW 2 LETTER CALL?

Let the folks at the CALLBOOK help with their special listing of all the 2 letter calls already issued in your call area.

WRITE FOR FULL DETAILS

RADIO AMATEUR **callbook** INC



Dept. E 925 Sherwood Drive
Lake Bluff, Ill. 60044



FOR SALE

USED 18" FACSIMILE RECORDERS

Recent upgrade of Air Force network makes a quantity of working recorders available. Can be used with suitable frequency shift converter to record weather charts and radio photos. Uses ordinary white bond paper with carbon overlay. FOR INFORMATION CALL



DATALOG

Litton

1770 Walt Whitman Road
Melville, N.Y. 11746

516-694-8300 att. H. Israel

MATCH
MAKER
\$ 19.95



- Matches 50Ω Coax to Center Loaded Mobile Antennas 3.5-22 MHz
- Broadband 1.5:1 maximum S.W.R. on all bands [typically 1.1:1 at Resonance]
- 1KW Rating

INTRODUCING THE CR-276 DIGITAL AMATEUR TRANSCEIVER



4" x 8" x 10.5"

\$895.00
AMATEUR NET

Solid.

CR ELECTRONICS IS PROUD TO INTRODUCE THE WORLD'S MOST ADVANCED COMMUNICATIONS TRANSCEIVER AVAILABLE FOR AMATEUR USE

THE CR-276 TRANSCEIVER utilizes the same state-of-the-art technology we build into our military and commercial communications systems, but with a package and price for the amateur market.

OUR EXCLUSIVE DIGITAL LOCK CIRCUIT enables the operator to extend the 100 Hz resolution of the 6-digit LED display to an incredible rock-Solid 10 Hz and then use this resolution to control the tunable oscillator.

THE RECEIVER SECTION of the CR-276 incorporates *three* 6-pole crystal filters to provide unparalleled selectivity and ultimate rejection throughout the entire 6-band frequency range and in all modes.

THE TRANSMITTER SECTION employs the latest solid-state broadband design, a feature that eliminates the need for transmitter loading and tuning controls.

- | | | |
|------------------------|---|---|
| Solid STATE | — | 200 Watts PEP input |
| Solid STABILITY | — | Counter accuracy. $\pm .002\%$ at 0° to 50° C |
| Solid COVERAGE | — | 10, 15, 20, 40, 80 and 160 meters and WWV |
| Solid SERVICE | — | Before and after the sale |

Never heard of us?

Write us and we'll tell you how the CR name has become known world-wide . . . from the jungles of Malaysia, to the plains of Nigeria to the peaks of Nepal.

For complete details write:

CR ELECTRONICS

1155 TRITON DRIVE, FOSTER CITY, CA. 94404
(415) 574-3571 / TELEX 349334

NEW 500/50 MHz FREQUENCY COUNTER



MODEL CTR-2

FEATURES

- 8 Digit Display
- Large .3" LED Readouts
- Automatic Dp Placement
- Resolution to 1 Hz
- High Input Sensitivity
- Automatic Input Limiting
- Input Diode Protected
- Selectable Gate Times, 1 ms and 1 sec. Provision for 10 sec.
- High Stability 10 MHz Crystal Time Base
- Plug-in Time Base
- Plug-in Prescaler

SPECIFICATIONS

	BASIC	WITH PRESCALER
Frequency	50 MHz	500 MHz
Input Z	1 Meg/20pf	50 ohm
Sensitivity	30 mv @ 50 MHz 10 mv @ 25 MHz	150mv @ 500 MHz
Range	10 Hz to 50 MHz	10 MHz to 500 MHz
Max. Input Voltage	120v RMS to 10 MHz	2.5V
Time Base	10 MHz XTAL ± 2 ppm 15° to 55°C	
Power	117V 50/60HZ 15W	
Size	8.8" x 8" x 2.8" (223.5 x 203.2 x 71.12 mm)	
Weight	3 lbs., 10 oz. (1.64 k.g.)	

Kits include all parts, drilled and plated PC boards, cabinet, switches, hardware and a complete instruction manual including calibration instructions. Factory assembled units are tested and calibrated to specifications.

PRICES

	MODEL	
50 MHz Kit	CTR-2-50K	\$199.95
500 MHz Kit	CTR-2-500K	249.95
50 MHz Factory Assembled	CTR-2-50	289.95
500 MHz Factory Assembled	CTR-2-500	349.95



DAVIS ELECTRONICS

636 Sheridan Drive, Tonawanda, N. Y. 14150
(716) 874-5848

FREE — THE BIG LIST
CHECK OFF #329

BUYERS & SELLERS

P. O. BOX 73 617-536-8777
KENMORE STATION, BOSTON, MA 02215

OM, WANT A SUPER BUY?
MADISON ELECTRONICS
has 'em in this issue!

NEW! ATRONICS Visual Code Reader Kit \$149



Model KCR101
Ready Made Model CR101 \$225

USE YOUR BANKAMERICARD

Now you can have the famous Atronic Code Reader, that displays decoded Morse Code signals visually, in kit form. Assembly is simple, and can be completed in as little as 5 hours. Complete, step by step, illustrated instructions are included.

The Atronic Code Reader:

- Displays letters, numbers, and commonly used punctuation visually as Morse Code signal is received.
- Operating speed 5 to 50 WPM at selected speed.
- All Solid State
- Make code learning faster and easier
- One single connection to your speaker receiver or transceiver puts it into operation
- Hard copy read out of CW available with TU-102 TTY Interface Module accessory.

Buy Factory Direct & Save! Send for Free Literature Today.

ATRONICS P.O. Box 77, Escondido, CA 92025 Call (714) 745-1971

SPECIAL PURCHASE

TOUCH PADS, 2m mobile. Brand new in heavy stainless steel case. Ready for mounting. Automatic electric \$17.50. Used pads, checked out, w/o case \$12.50.

TWO METER TRANSCEIVERS, Gonset AM tunable rcvr, 4 xtal xmtrs. Less xtals, used, very clean. With microphone \$64.95.

TRENDLINE TELEPHONE SETS with touch pad, desk or wall less ringer. New Only \$39.95 each. Available in white, turquoise, blue & orange.

TRENDLINE ROTARY DIAL less ringer, refurbished Only \$30 each.

STANDARD DESK PHONE type 2500 with touch pad. Available in green, black & blue, less ringer, new \$26.95.

DESK PHONE type 500 or 80 rotary dial. Available in yellow, green, grey. Less ringer, new \$19.95 each. Checked out, less ringer, used \$8.95 each.

SPACE MAKER WALL PHONE rotary dial. Available in turquoise, black, beige, white. Less ringer, New \$17.50 each.

"MINI WALL" PHONES (ITT) WITH TOUCH PAD available in pink, beige, green, black, blue, ivory and yellow. New \$27.50 each.

2 VOLT STORAGE BATTERY Polystyrene encased 2 volt rechargeable battery rated at 20 amp hours. Each \$2.50.

FACSIMILE UNIT Transmitter and receiver. 12" x 12" x 6". Used in many offices, sends 2-way message complete with 60 cy. power supply, with conversion sheets. All for \$14.95 ea.

FAX PAPER 350 ft. roll \$10.00.

5 LEVEL TELEPRINTER TAPE READER Western Union Model 8C, 5 level tape reader. Magnet tape advance good for high speeds. Excellent for use with Electronics. Parallel-to-serial converter (transmitting dist.) Each \$7.95.

FOR RTTY HAMS 88 MH COILS - 5 for \$1.25

CV-89A/URA-8 CONVERTERS \$99.50.

CV591 CONVERTERS - Used with R390A/URR for single side band reception \$75.00.

NOTE: Trendline and Miniwall Phones with ringers \$5.00 additional, others \$3.50. (List 1st, 2nd and 3rd choices in colors for all above phones.)

Terms

Remittance in full or 25% deposit on COD orders. All prices FOB Los Angeles, California warehouse. Minimum order \$5.00. 6% tax for California residents.

J. J. GLASS ELECTRONICS CO.

1624 South Main Street
Los Angeles, CA 90015
213-749-1179 213-749-1170

NEW MULTI-BAND ANTENNA

The UR "TRIPOLE"™

Guaranteed. Pat. Pend.
80 to 6 Meters plus 160! 5 SWL Bands.
Built-in balun. 1 KW ICAS rating.
80 to 120 ft inverted-V or horizontal.
Available in kit form or assembled.
Kit 80K \$54.95 cash PPD in USA.
Kit 80KHF with 100 ft B/U foam cable and two PL259 \$82.95 cash PPD in USA.
Universal Radio Co. Dept H1
Box 26041 El Paso, TX 79926
Telephone (915) 592-1910

Texas residents add 5% sales tax.
Order direct. Master Charge accepted.
Send stamped envelope for information.

LEARN RADIO CODE

REVOLUTIONARY NEW WORD METHOD TO LEARN RADIO CODE
By
Ruk Farknouth
\$9.95

THE EASY WAY!

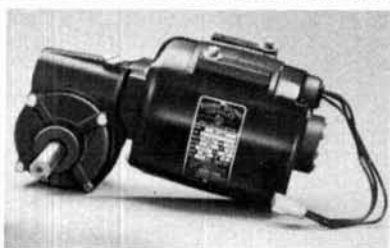
Based on modern psychological techniques — This course will take you beyond 13 w.p.m. in LESS THAN HALF THE TIME!

Album contains three 12" LP's
2½ hr. instruction

Available in Cassette also for only \$10.95.

EPSILON RECORDS

508 East Washington St., Arcola, IL 61910



HIGH QUALITY HEAVY DUTY GEAR-MOTORS — made by **BODINE** as used by Xerox — surplus but guaranteed perfect.

Gear Input 1650 RPM — Output 28 RPM — Shaft 5/8" steel with 1/8" Key and Keyway — capacity 44 Inch/lbs.

115 V 60 Cycle 1/15 HP Complete with Capacitor.

Price \$16. F.O.B. Dallas, Shipping Weight 20#. Send Cash with order — shipped UPS or advise.



5626 DYER ST., DALLAS, 75206

DE-120 Speech Compressor provides over 10db of compression \$59.95
 12 VDC CW & SSB filters with AF power amplifiers. \$39.95
 DE-102B SSB filter \$39.95
 DE-103B CW & SSB \$48.95
 DE-104B CW filter \$37.95
 Add \$2 shipping.
 Dealer Inquiries
 DYNAMIC ELECTRONICS, Box 896, Hartselle, AL 35640

MILITARY SURPLUS WANTED

Space buys more and pays more. Highest prices ever on U.S. Military surplus, especially on Collins equipment or parts. We pay freight. Call collect now for our high offer. 201 440-8787.

SPACE ELECTRONICS CO.

div. of Military Electronics Corp.

35 Ruta Court, S. Hackensack, N.J. 07606

! HELP !



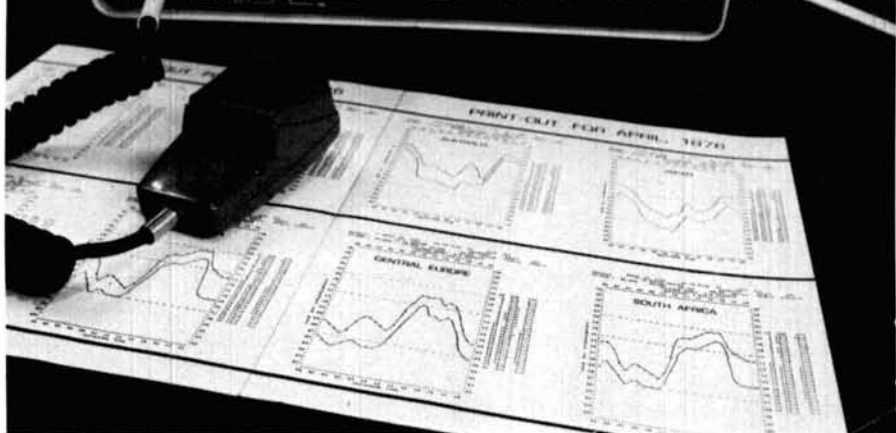
MIXED VALUES. DISC CERAMIC CAPACITORS \$5.00/LB. PPD. IN U.S.A.

If you don't like the pound you get — call or write and we'll send another pound FREE. (And you keep the first pound.)

SPECIAL — JFD Piston Trimmers, Type VC1G (.7-9pf) 1 to 9 @ \$2.25 ea. 10 up @ \$1.75 ea.

DISC-CAP, 19075 BRAEMORE RD. NORTHRIDGE, CA. 91326 213-360-3387

CAN A COMPUTER PREDICT DX?



Yes indeed!

It's been doing it for years. Trouble is, only big corporations and government communicators could afford it. Not anymore.

May we introduce you to Compu/Prop . . . computerized DX predictions.

Now you can have computer print-outs of precise times of band openings to your favorite parts of the world. Plan your operating for maximum DX. Know what hours of the day that "rare one" will come thru. These are just a few ways Compu/Prop can increase your enjoyment of ham radio.

Compu/Prop is a monthly computer print-out to 8 major DX areas of the world. And it's 90% accurate. The computer program was originally developed over many years by the government Office of Telecommunications. This multi-million dollar data base is now available to you via Compu/Prop.

Main Electronics is making these monthly computer predictions available on a special introductory offer.



You can receive a FREE print-out to any one of eight DX areas of the world by simply filling out and mailing the coupon below. You will also receive full details on how to obtain a subscription to Compu/Prop.

Start planning your DX NOW!



ELECTRONICS, INC. / EDC Division / 225 Ida / Wichita, Ks. 67211

Yes, I would like a FREE print-out for my area to the point checked below. (check only ONE)

- Japan Central Europe S.E. Asia S. Central Asia
 Central S. America Australia Mideast S. Africa

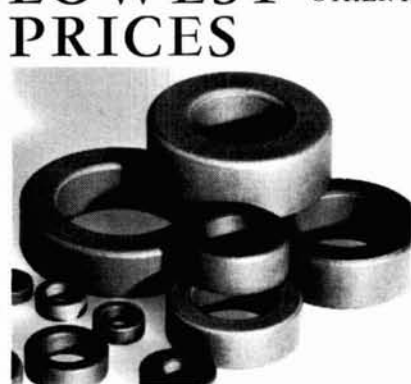
NAME _____ CALL _____

STREET _____

CITY _____ STATE _____ ZIP _____

LOWEST PRICES

WE OFFER THE IDENTICAL PRODUCT AS THE OTHER HOUSE AT ABOUT ONE HALF THE COST



Iron Powder Toroidal Cores		Ferrite Toroidal Cores	
Size	Price	Size	Price
T-200-2	\$1.60	FT-50-61	.35
T-80-3	.40	FT-82-61	.40
T-80-2	.40	Ferrite Shielding Beads	
T-68-2	.35	Size	Price
T-68-6	.35	FB-73-101	\$1.00 Doz.
T-50-2	.30	FB-43-101	1.00 Doz.
T-50-6	.30	FB-73-801	1.50 Doz.
T-37-2	.25	FB-43-801	1.50 Doz.
T-37-6	.25		

G.R. WHITEHOUSE & CO.

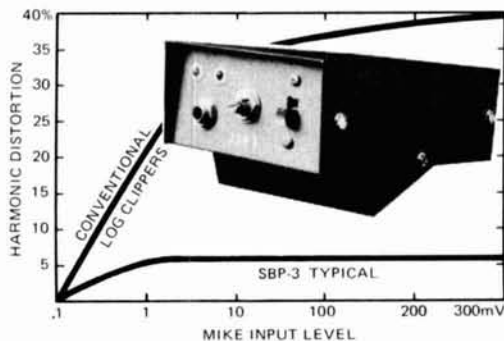
Packing & shipping in U.S.A. — 50¢.
 SEND FIRST CLASS STAMP FOR PARTS FLYER.

Other sizes and mixes available at comparable savings.

NEW Technical Approach SBP-3 Split Band Processor

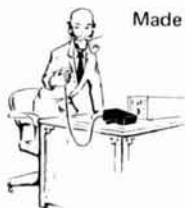
SPEECH PROCESSOR FEATURES:

- Low Distortion (typically 5%)
- SSB Compatible
- Integrated Circuits
- Speech Enhancement
- Adaptive Filtering Technique
- Impervious to RF Feedback
- Automated Level Control
- Visual Level Indicators
- Optimized Speech Band Width
- Mobile or Base Station Installation
- Dynamic Range 60-dB (virtually overload-proof)
- One Year Warranty-Money Back Guarantee



HARMONIC DISTORTION
At Optimum Clipping Levels

Made in U.S.A. with Computer-Grade Boards and Components \$179.50



MAXIMILIAN ASSOCIATES

BOX 223

SWAMPSCOTT, MA 01907

IC DISCOUNTS

50% DISCOUNTS ON ORDERS OF \$100.00 OR MORE

OTHER ORDERS: \$10+ Orders take 5% Discount; \$30+ Orders take 10% Discount

7400 Series	7439 .45	7496 .25	74100 1.50	74174 1.90	74197 1.00	MH 2.00	0028CN 2.00	MEMORIES	MM1101N 2.10
	7440 .17	74107 1.00	74175 .45	74175 1.90	74198 2.20	0026H 2.75	1000 Series	1103N 4.00	
	7401 .17	7442 1.00	74122 .50	74177 .90	74200 7.00	0026CG 4.00	10102 .75	2602N 3.95	
	7402 .17	7445 1.00	74123 1.00	74180 .95	74500 Series		10105 .75	7489N 2.50	
	7403 .17	7446 1.10	74141 1.10	74181 3.55	AH		10106 .75	8223N 3.00	
	7406 .45	7448 1.15	74145 1.10	74182 .95	74574 1.00	0014D 9.00	10107 .75	8225N 2.50	
	7410 .17	7454 .35	74151 1.25	74184 2.25	74586 1.75	0014CD 4.00	10109 .75	5260N 3.85	
	7413 .75	7460 .25	74153 1.40	74185 2.25	745112 1.95	0151CD 4.50	10110 .75	5230N 4.50	
	7417 .45	7472 .40	74155 1.25	74189 3.00	745113 1.50	0126CD 4.50	10111 .75	5725N 3.95	
	7425 .35	7473 .40	74157 1.40	74190 1.50	745151 1.50		10112 .75	5736N 4.95	
	7426 .35	7474 .45	74161 1.55	74191 1.50	745153 2.25	DH	10117 .75	5738N 4.25	
	7430 .25	7475 .80	74162 1.45	74192 1.25	745157 1.95	0008CH 3.50	10118 .75		
	7432 .25	7476 .45	74163 2.40	74193 1.25	745200 7.95	0011H 7.00	10119 .75	BT20 1.75	
	7437 .45	7483 1.10	74164 2.40	74195 1.00		0016CN 2.75	10121 .75		
	7438 .45	7492 .90	74170 2.90	74196 1.25		0017N 2.50			

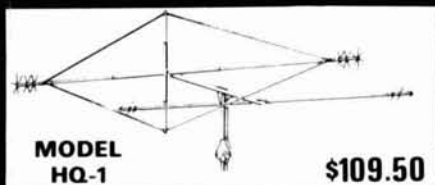
WEIRNU

P.O. Box 942, Colton, CA 92324

1. Add 50¢ for postage & handling on orders under \$10.
2. All items guaranteed.
3. Send SASE for Bargain Flyer.
4. SEND YOUR ORDER ALONG WITH CHECK OR MONEY ORDER TO: WEIRNU, P. O. Box 942, Colton, CA 92324 (Calif. residents include 6% tax).

WANT SOMETHING REALLY SMALL AND EFFICIENT?

Then you want the antenna that's known around the world for its small size and superior performance...
The Mini-Products Multiband HYBRID QUAD



MODEL
HQ-1

\$109.50

- ELEMENT LENGTH - 11 ft.
- BOOM LENGTH - 54 INCHES
- WEIGHT - 15 POUNDS
- WIND SURVIVAL - 75 MPH
- BANDS COVERED - 6, 10, 15 & 20
- 1200 WATTS P.E.P.
- FEED LINE - 50 OHMS

Mini-Products, Inc.

1001 W. 18th St. Erie, Pa. 16502

If not stocked by your dealer order direct. We pay shipping in USA. Send for free catalog of other models and more data.

FACTORY MAIL-ORDER CATALOG

ELECTRONIC EQUIPMENT & KITS

- Standard-Time Receiver
- Digital Wall Clock
- BCD Calendar Clock
- Digital Desk Clocks
- Panel Mount Clocks
- Digital Stop Clocks
- Audio Compressors
- Security Alarms
- Transistor Curve Generator

The unique 36-page CEI factory-direct catalog completely describes each product with technical specifications, photo, schematic diagram, and detailed "how-it-works" information. For a free copy (Outside U.S. send \$1) write to:



CARINGELLA ELECTRONICS, INC.
P.O. Box 727 □ Upland, Calif. 91786
Phone 714 985-1540

CASH FOR 2-WAY FM RADIO

MOTOROLA, GE, RCA, ETC. EQUIPMENT
MOBILES, BASES, PORTABLES, MOBILE-TELEPHONES, REPEATERS, REMOTE CONTROLS, TONE EQUIPMENT, 2-WAY TEST EQUIPMENT
Operational Units Only
Commissions/Finders Fees
CAL-COM SYSTEMS, INC.
701-51A KINGS ROW, SAN JOSE, CALIF. 95112
Telephone 24 Hours 408/998-4444

MODSET: precision modulation measurements for AM-SSB, 0.2 to 300 MHz, \$29.50 (Kit: \$19.50)

D. R. CORBIN MFG. CO.

P. O. Box 44, North Bend, Ore. 97459

VHF/UHF CONVERTERS PREAMPS

Ten meters through 432 MHz. A post card will bring our full 1976 Catalog.



JANEL laboratories
3312 S.E. VAN BUREN BLVD.
CORVALLIS, OREGON 97330
Telephone: 503-757-1134

FREE CATALOG

HARD-TO-FIND PRECISION TOOLS

Lists more than 2800 items: pliers, tweezers, wire strippers, vacuum systems, relay tools, optical equipment, tool kits and cases. Also includes ten pages of useful "Tool Tips" to aid in tool selection.



JENSEN TOOLS
4117 N. 44th Street, Phoenix, Ariz. 85018



BIG, BIG SELLER AT DAYTON!



LOW
PROFILE
YET
ALMOST
1/16" STROKE

This very popular item at the 1976 Dayton Hamvention is **NOW OFFERED TO YOU** at these low prices. Incorporates the ideal "tactile feel" leaving no doubt that contact has been made. These **NEW** keyboards, manufactured by **THE DIGITRAN COMPANY**, are furnished with instructions for combining with a **MOSTEK** or **MOTOROLA** chip and a crystal (plus several small components) to become a Tone Encoder.

12 Key (2 of 7 Matrix) 2" x 2.7" x 5/16" \$8.00
16 Key (2 of 8 Matrix) 2.8" x 2.7" x 5/16" \$10.00

Please add 75¢ Shipping/Handling.

ORDER TODAY FROM:



SPECTRONICS INC.
1009 GARFIELD STREET
OAK PARK, ILL. 60304
(312) 848-6778



NEW

from the
RSGB

VHF-UHF MANUAL

3rd Edition

by D. S. Evans, G3RPE & G. R. Jessop, G6JP



Here is the most comprehensive and up-to-date book on VHF & UHF ever prepared for the Radio Amateur.

In over 400 pages it thoroughly covers such topics as receivers, transmitters, space communications, filters, antennas and FM. Included is a major new section on Microwave work.

This latest edition is a handsome hardbound book and is sure to become the standard reference for anyone involved in the world above 30 MHz.

Order your copy today

ONLY \$12.95

HAM RADIO

GREENVILLE, N. H. 03048

TIRED?

Of Not Knowing Who You're
Picking Up On Your Scanner?

ANGRY?

When You Don't Understand
The Lingo?

FRUSTRATED?

Because You Keep Buying
The Wrong Crystals

SMILE!

ACTION FREQUENCIES

IS HERE!

Yes, the all-new, all up-to-date directory of emergency frequencies, **ACTION FREQUENCIES**, is available *now* to get you out of those monitoring blues, and back enjoying hours of real life excitement.

WHAT'S DIFFERENT ABOUT OUR BOOK?

ACTION FREQUENCIES—

- Contains the most accurate, up-to-date data on Police, Fire, Special Emergency and Local Government radio licenses available on the market.
- Has simple, easy-to-read instructions which will make you an expert *in minutes*.
- Includes a list of the lingo and the codes most widely used by emergency radio licensees and CB'ers—with *their* definitions.

SO, GET INTO THE ACTION.

Available at your dealer or write to: Action Radio, 817 Silver Spring Ave., Silver Spring, Md. 20910. PRICE: \$5.45 each plus \$1.00 each for postage and handling. (Maryland residents add \$.25 each to cover sales tax). Please refer to section number when ordering.

Section

1. Maine, N. Hamp., Conn., Vt., Mass., R.I., N.J.
2. N.Y., Penn.
3. Del., Md., D.C., W. Va., Ohio
4. Va., N.C., Ky., Tenn.
5. S.C., Ga., Ala., Fla.
6. La., Miss., Ark., Mo., Okla., Kan.
7. Mich., Ill., Ind.
8. Wisc., Ia., Minn., N. Dak., S. Dak., Neb.
9. Tex., N. Mex., Ariz.
10. Wash., Ore., Idaho, Utah, Mont., Colo., Nev., Wy.
11. Calif.

HAM MART

Ham Radio's guide to help you find your local

California

HENRY RADIO

931 N. EUCLID AVE.
ANAHEIM, CA 92801
714-772-9200

The world's largest distributor of
Amateur Radio equipment.

HENRY RADIO CO., INC.

11240 W. OLYMPIC BLVD.
LOS ANGELES, CA 90064
213-477-6701

The world's largest distributor of
Amateur Radio equipment

HAM RADIO OUTLET

999 HOWARD AVENUE
BURLINGAME, CA 94010
415-342-5757

Northern California's largest
new and used ham inventory.

M-TRON

2811 TELEGRAPH AVENUE
OAKLAND, CA 94609
415-763-6262

We service what we sell.

QUEMENT ELECTRONICS

1000 SO. BASCOM AVENUE
SAN JOSE, CA 95128
408-998-5900

Serving the world's Radio Amateurs
since 1933.

Colorado

C W ELECTRONIC SALES CO.

1401 BLAKE ST.
DENVER, CO 80202
303-573-1386

Rocky Mountain area's complete
ham radio distributor.

Florida

GRICE ELECTRONICS

320 EAST GREGORY
PENSACOLA, FL 32502
904-434-2481

Your Gulf Coast Drake & Kenwood
dealer.

Illinois

ERICKSON COMMUNICATIONS, INC.

5935 NORTH MILWAUKEE AVE.
CHICAGO, IL 60646
312-631-5181

Headquarters for all your Amateur
Radio needs.

KLAUS RADIO, INC.

8400 NORTH PIONEER PARKWAY
PEORIA, IL 61614
309-691-4840

Let us quote your Amateur needs.

SPECTRONICS, INC.

1009 GARFIELD STREET
OAK PARK, IL 60304
312-848-6778

Chicagoland's Amateur Radio
leader.

Indiana

HOOSIER ELECTRONICS

P. O. BOX 2001
TERRE HAUTE, IN 47802
812-238-1456

Ham Headquarters of the Midwest.
Store in Meadow Shopping Center.

Kansas

ASSOCIATED RADIO

8012 CONSER P.O.B. 4327
OVERLAND PARK, KS 66204
913-381-5901

Amateur Radio's Top Dealer.
Buy — Sell — Trade.

Kentucky

COHOON AMATEUR SUPPLY

HIGHWAY 475
TRENTON, KY 42286
502-886-4535

Ten-Tec dealer — Call 24 hours
for best deal

Massachusetts

TUFTS RADIO ELECTRONICS

386 MAIN STREET
MEDFORD, MA 02155
617-395-8280

New England's friendliest
ham store.

Michigan

AUDIOLAND

36633 SOUTH GRATIOT
MT. CLEMENS, MI 48043
313-791-1400

All major brands, new/used
equipment & accessories.

PURCHASE RADIO SUPPLY

327 E. HOOVER
ANN ARBOR, MI 48104
313-668-8696 or 668-8262
We still sell Ham parts!

RADIO SUPPLY & ENGINEERING

1203 WEST 14 MILE ROAD
CLAWSON, MI 48017
313-435-5660

10001 Chalmers, Detroit, MI
48213, 313-371-9050.

Minnesota

ELECTRONIC CENTER, INC.

127 THIRD AVENUE NORTH
MINNEAPOLIS, MN 55401
612-338-5881

ECI is still your best buy.

Missouri

HAM RADIO CENTER, INC.

8342 OLIVE BLVD.
P. O. BOX 28271
ST. LOUIS, MO 63132
800-325-3636
Call toll free.

New Jersey

ATKINSON & SMITH, INC.

17 LEWIS ST.
EATONTOWN, NJ 07724
201-542-2447
Ham supplies since "55".

New York

ADIRONDACK RADIO SUPPLY, INC.

185 W. MAIN STREET
AMSTERDAM, NY 12010
518-842-8350

Yaesu dealer for the Northeast.

CFP COMMUNICATIONS

211 NORTH MAIN STREET
HORSEHEADS, NY 14845
607-739-0187

Jim Beckett, WA2KTJ, Manager
Dave Flinn, W2CFP, Owner

GRAND CENTRAL RADIO

124 EAST 44 STREET
NEW YORK, NY 10017
212-682-3869

Drake, Atlas, Ten-Tec, Midland,
Hy-Gain, Mosley in stock

Dealers - You should be here too! Contact Ham Radio today for complete details.

Amateur Radio Dealer

HARRISON
"HAM HEADQUARTERS, USA"
ROUTE 110 & SMITH STREET
FARMINGDALE, L. I., N. Y. 11735
516-293-7990
Since 1925 . . . Service, Satisfaction,
Savings. Try Us!

Ohio

UNIVERSAL SERVICE
114 N. THIRD STREET
COLUMBUS, OH 43215
614-221-2335
Give U.S. a try when ready to buy.

Oklahoma

RADIO STORE, INC.
2102 SOUTHWEST 59th ST.
(AT 59th & S. PENNSYLVANIA)
OKLAHOMA CITY, OK 73119
405-682-2929
New and used equipment —
parts and supply.

Oregon

OREGON HAM SALES
409 WEST FIRST AVENUE
ALBANY, OR 97321
503-926-4591
Yaesu dealer for the Northwest.

Pennsylvania

ARTCO ELECTRONICS
302 WYOMING AVE.
KINGSTON, PA 18704
717-288-8585
The largest variety of crystals
in N. E. Penn.

ELECTRONIC EXCHANGE
136 N. MAIN STREET
SOUDERTON, PA 18964
215-723-1200
New & Used Amateur Radio
sales and service.

"HAM" **BUERGER, INC.**
68 N. YORK ROAD
WILLOW GROVE, PA 19090
215-659-5900
Communications specialists.
Sales and service.

HAMTRONICS, INC.
4033 BROWNSVILLE ROAD
TREVISOE, PA 19047
215-357-1400
Same location for 25 years.

South Dakota

BURGHARDT AMATEUR CENTER
124 FIRST AVE. N.W. P.O. BOX 73
WATERTOWN, SD 57201
605-886-7314
America's most reliable Amateur
Radio Dealer — Nationwide!

Texas

ALTEC COMMUNICATIONS
1800 S. GREEN STREET
LONGVIEW, TX 75601
214-757-2831
Specializing in ham equipment for
the Ark-La-Tex.

TECO ELECTRONICS SUPER STORE
1717 S. JUPITER ROAD
GARLAND, TX 75040
800-527-4642
Call Toll Free for Service Today!

Virginia

ARCADE ELECTRONICS
7048 COLUMBIA PIKE
ANNANDALE, VA 22003
703-256-4610
Serving Maryland, D.C., and Virginia
area since 1962.

Washington

AMATEUR RADIO SUPPLY CO.
6213 13TH AVE. SO.
SEATTLE, WA 98108
206-767-3222
Amateur center of the
Northwest.

Wisconsin

**AMATEUR
ELECTRONIC SUPPLY, INC.**
4828 WEST FOND du LAC AVENUE
MILWAUKEE, WI 53216
414-442-4200
Open Mon & Fri 9-9, Tues, Wed,
Thurs, 9-5:30, Sat, 9-3.



The popular CUA 64-12 by Heights

Light,
permanently
beautiful
ALUMINUM
towers

**THE MOST IMPORTANT
FEATURE OF
YOUR ANTENNA
IS PUTTING
IT UP WHERE
IT CAN DO
WHAT YOU EXPECT.
RELIABLE DX —
SIGNALS EARLIEST IN
AND LAST OUT.**

ALUMINUM

Complete Telescoping
and Fold-Over
Series available
Self-Supporting
Easy to Assemble
and Erect
All towers mounted
on hinged bases

And now, with motorized options, you
can crank it up or down, or fold it
over, from the operating position in
the house.

Write for 12 page brochure giving doz-
ens of combinations of height, weight
and wind load.

ALSO TOWERS FOR WINDMILLS

HEIGHTS MANUFACTURING CO.

In Almont Heights Industrial Park
Almont, Michigan 48003

2 IN 1 FREQUENCY COUNTER DIGITAL MULTIMETER \$179.95 KIT



FREQUENCY COUNTER —
6 Digit .33 inch 7 seg. LED Latched Display (Can be expanded to 8 digit) Crystal Oscillator Timebase .001% \pm 1 count. Readout MHZ or KHZ to over 40 MHZ.

MULTIMETER —
11 Megohm Input Impedance. 100% Overrange except 1 amp range. AC-DCV 0-1,000, 10.00, 100.0, 1000. AC-DCMA 0-1,000, 10.00, 100.0, 1000. OHMS 0-100, 0-10K, 0-1Megohm. Input protection, auto polarity, overrange and negative sign indication.

Add \$3.00 Shipping/Handling
Allow 5 Weeks for delivery



FOR THE EXPERIMENTER
ASSEMBLED — TESTED
MODULES

1. Crystal Timebase, 1MHZ with six divide by 10 Outputs 1HZ to 1MHZ (size 3" x 5") \$21.95
2. Freq. Counter Gate Module includes 100 MHZ \div 10 Schottky (Size 3" x 5") \$16.95
3. Four digit 7 seg. .33 inch LED Latched Display (Size 4" x 5" x 2 1/4" high) (Above Require 5 VDC) \$34.95
4. Function Generator Module Sine, Saw, and Squarewave Outputs 1HZ - 100KHZ to 10 Volt output. Requires Switches & Pots. \$19.95
5. Function Generator Kit Includes assembled/tested module, Switches, Case, Hardware, (Requires two 9 Volt Batteries.) \$39.95

Add \$1.00 Shipping Any Above
Allow 3 Week Delivery



NEW

AT A PRICE
THE HOBBYIST
CAN AFFORD

\$59.95

DIGITAL CAPACITANCE COUNTER

4 Digit LED Display
6 ranges to 1000 MFD.
 \pm 1% (\pm 1 PFD Below 100 PFD)

Assembled - Tested \$79.95

Add \$2.00 Shipping/Handling
Allow 4 Weeks Delivery

California Residents add 6% Sales Tax
Send Check or Money Order to
LIN CORPORATION
15311 S. Broadway Gardena, Ca. 90248
(213) 532-8809



the indispensable BIRD 43
THRULINE® WATTMETER

Read RF Watts Directly.

0.45-2300 MHz, 1-10,000 watts \pm 5%, Low Insertion VSWR — 1.05.

Unequaled economy and flexibility: Buy only the element(s) covering your present frequency and power needs, add extra ranges later if your requirements expand.

AUTHORIZED

BIRD DISTRIBUTOR

WEBSTER COMMUNICATIONS

115 BELLARMINE

ROCHESTER, MICHIGAN 48063

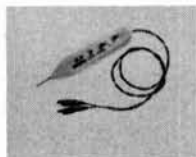
(313) 375-0420

*T.M. of BIRD ELECTRONIC CORP.

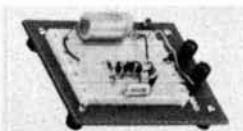
INTRODUCING THE LOGIC MONITOR, LM-2



LM-2 available
"off the shelf" . . . \$125.00



LP-1 Immediate
delivery . . . \$44.95



Proto Board 100
In Stock . . . \$19.95

These Continental Specialties' products shipped postpaid continental USA. Use "Check-Off" for complete product catalog.

HOSFELT
ELECTRONICS

224 OPAL BLVD.
STEUBENVILLE, OHIO 43925
Phone 614 264-6464



BINAURAL SYNTHESIZER FOR CW AND



BI-SYN 400 - USES 2 EA 9 VOLT BATTERIES, MATES SUPPLIED WITH RCA CONNECTORS (LESS BATTERIES) \$29.95

ASSEMBLED AND TESTED PC BOARD \$17.95

PC BOARD + 8 .01MFD MYLAR-FILM CAPS \$6.95

ALL UNITS WITH INSTRUCTIONS

- AND WITH POSTAGE PAID

MANY OTHER AUDIO SIGNALS. USE ON VOICE AND MUSIC. . . MAKE STEREO INTO SIMULATED QUAD WITH A BI-SYN 400 IN EACH CHANNEL.

REDUCE INTERMODULATION DISTORTION IN HI-FI SYSTEMS. FORM A-F DISCRIMINATORS - SEPARATE BRAIN-WAVE FREQUENCIES WITH LF UNITS - AND MORE.

WRITE FOR BROCHURES AND SPECIAL REQUIREMENT QUOTES

HILDRETH ENGINEERING

P.O. BOX 3, SUNNYVALE, CA 94088



BOOKS BY PHONE

CALL TOLL FREE

800-258-5353

Almost all popular
Amateur Radio Books
available for immediate
shipment.

HAM RADIO
GREENVILLE, NH 03048



Dentron's 160-10AT-SUPER TUNER

Here's an antenna tuner that will match everything between 160 & 10 meters through balanced line, coax line and random line and pump out the full legal limit.

JUST \$129.50
Prepaid

Many other models available.
Request Catalog today!

Communication Specialists

Electronic Distributors, Inc.

1960 Peck Muskegon, MI 49441
Tel: 616-726-3196 TELEX: 22-8411

2 METER CRYSTALS IN STOCK

FOR THESE RADIOS ON STANDARD ARRL REPEATER FREQUENCIES:

- DRAKE — TR-22
- GENAVE
- ICOM/VHF ENGINEERING
- KEN/WILSON
- REGENCY HR-2A/HR-212
- HEATHKIT HW-202
- REGENCY HR-2B
- S.B.E.
- STANDARD 146/826
- STANDARD HORIZON

Send for free frequency list and order blank to:

KENSCO COMMUNICATIONS INC.

DEPT. 10776
BOX 469, QUINCY, MA. 02169
PHONE: (617) 471-6427

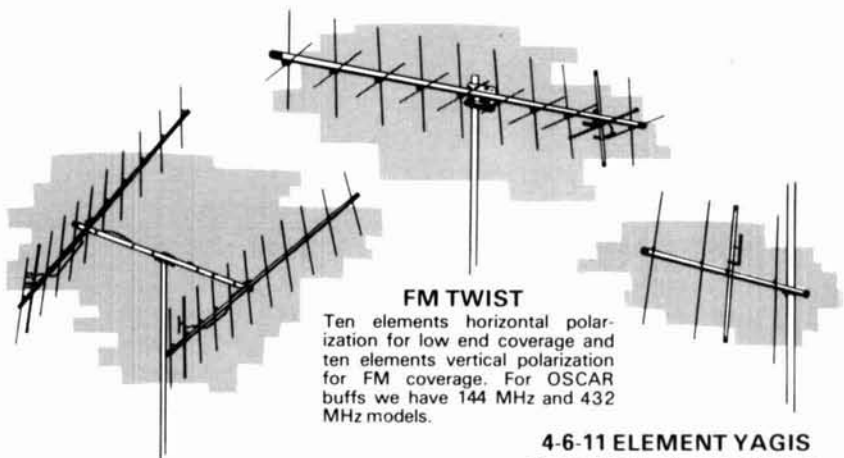


QUALITY & PRICE

CUSHCRAFT ANTENNAS OFFER YOU BOTH

Don't be misled by our prices . . . they are based on experience, large quantity buying of materials, great engineering and efficient office personnel. We are happy hams trying to hold the line on prices for you. So . . . why pay more when you can get the best for less!

FM 2 METER ANTENNAS



FM TWIST

Ten elements horizontal polarization for low end coverage and ten elements vertical polarization for FM coverage. For OSCAR buffs we have 144 MHz and 432 MHz models.

4-6-11 ELEMENT YAGIS

The standard of comparison in VHF-UHF communications, now cut for FM and vertical polarization. There are models covering the 450 MHz, 220 MHz and 147 MHz bands. All are rated at 1000 watts with direct 52 ohm feed and PL-259 connectors.

POWER PACK

The big signal (22 element array) for 2 meter FM uses two A147-11 yagis with a horizontal mounting boom, coaxial harness and all hardware.

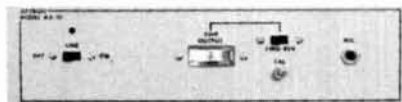
IN STOCK WITH YOUR LOCAL DISTRIBUTOR



621 HAYWARD ST., MANCHESTER, N.H. 03103

FAST SCAN AMATEUR TELEVISION EQUIPMENT

- SOLID STATE
- BROADCAST QUALITY PERFORMANCE
- FOR TECHNICAL DATA AND PRICING, WRITE TO:



AX-10 TRANSMITTER



AM-1A RCVR MODEM

APTRON LABORATORIES BOX 323, BLOOMINGTON, IN 47401

Regulated Dual Protected Power Supplies



Model #12CB4
 115 VAC \pm 10%
 13.6 \pm 0.2 VDC typ.
 2.5 A maximum regulated
 1.5 A CCS rated ambient
 0.1 A short circuit limit
 10 mV
 20 mV typ.
 7.6 x 10.2 x 13.3 cm
 1.3 kg
 \$39.95

V in
 V out
 I out

Ripple/Noise
 Line/Load Reg.
 Size
 Weight
 Price



Model #104R
 115 VAC \pm 10%
 13.6 VDC \pm 0.2 VDC typ.
 6 Amp max regulated
 4 A CCS rated
 2 Amp short circuit limit
 2 mV RMS typ.
 20 mV typ.
 14.0 x 16.5 x 8.9 cm
 2.8 kg
 \$59.95



Model #108 RM
 115 VAC \pm 10%
 13.6 V \pm 0.2 VDC typ.
 12 A maximum regulated
 8 A CCS rated ambient
 2.5 A short circuit limit
 2 mV RMS
 20 mV typ.
 11.7 x 19.0 x 14.00 cm
 4.3 kg
 \$99.95

V in
 V out
 I out

Ripple/Noise
 Line/Load Reg.
 Size
 Weight
 Price



Model #109 R
 115 VAC \pm 10%
 13.6 \pm 0.2 VDC typ.
 25 A maximum regulated
 10 A CCS rated ambient
 5 A short circuit limit
 2 mV RMS
 20 mV typ.
 21.6 x 22.9 x 12.1 cm
 6.8 kg
 \$149.95

All power supplies feature short circuit, current overload, over voltage and thermal overload protection circuitry. Thermal overload re-set is automatic. Excellent Line/Load regulations especially useful for Field Day operations (lousy generator regulation). Standard one year warranty applies.

SEE YOUR FAVORITE DEALER OR ORDER DIRECT FROM:



SPECIALTY COMMUNICATIONS SYSTEMS, INC.

8160 Miramar Rd., San Diego, CA 92126 • Louis N. Anciaux, WB6NMT, (714) 271-6310



Radio Amateurs Reference Library of Maps and Atlas

WORLD PREFIX MAP — Full color, 40" x 28", shows prefixes on each country . . . DX zones, time zones, cities, cross referenced tables

\$1.25

RADIO AMATEURS GREAT CIRCLE CHART OF THE WORLD — from the center of the United States! Full color, 30" x 25", listing Great Circle bearings in degrees for six major U.S. cities; Boston, Washington, D.C., Miami, Seattle, San Francisco & Los Angeles.

\$1.25

RADIO AMATEURS MAP OF NORTH AMERICA! Full color, 30" x 25" — includes Central America and the Caribbean to the equator, showing call areas, zone boundaries, prefixes and time zones, FCC frequency chart, plus useful information on each of the 50 United States and other Countries

\$1.25

WORLD ATLAS — Only atlas compiled for radio amateurs. Packed with world-wide information — includes 11 maps, in 4 colors with zone boundaries and country prefixes on each map. Also includes a polar projection map of the world plus a map of the Antarctica — a complete set of maps of the world. 20 pages. Size 8 3/4" x 12"

\$2.50

Complete reference library of maps — set of 4 as listed above

\$3.75

See your favorite dealer or order direct.

Mail orders please include 75¢ per order for postage and handling.

RADIO AMATEUR

callbook INC.

WRITE FOR FREE BROCHURE!



Dept. E 925 Sherwood Drive
 Lake Bluff, Ill. 60044

YOUR BEST BUY IN KITS



ANALOG-DIGI-LAB
 Features 3 Regulated power Supplies. 3 Output wave forms. 8 digital level switches. 2 no bounce pulser switches. 8 LEDs with drivers. 1 AP Super strip. Easily constructed. Designed by RETS Electronic Schools.

Ist time offer \$139.00
 Clock Kit (complete less case) \$12.95
 Function Generator Kit \$10.95

Please add \$1.00 Shipping/Handling on any order under \$15.00
 Send SASE for flyer. Featuring Electronic components and kits available.

HAL-TRONIX

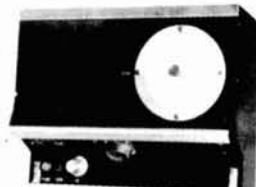
P. O. Box 1101 • Southgate, Mich. 48195
 (313) 285-1782

FREQUENCY COUNTER

7 Digit 0-300 MHz Freq. Counter \$99.00
 7 Digit 0-500 MHz Freq. Counter \$139.00
 8 Digit 0-30 MHz Counter
 with Options \$109.00
 0-300 MHz Prescaler \$19.95
 for 8 Digit Counter \$19.95
 0-600 MHz Prescaler \$39.95
 for 8 Digit Counter \$39.95
 Cabinet accessory package available for all of the above \$24.95
 Digital Alarm Clock complete with case \$24.95



WANTED FOR CASH



490-T Ant. Tuning Unit
 (Also known as CU1658 and CU1669)

Highest price paid for these units. Parts purchased. Phone Ted, W2KUW collect. We will trade for new amateur gear. GRC106 and PRC74 also required. See HR last issue for other equipment required.



ARC-51 Transceiver



ARC-51 Control Box



R1051 or T827



618-T Transceiver
 (also known as MRC95, ARC94, ARC102, or VC102)

THE TED DAMES CO.

308 Hickory Street
 (201) 998-4246

Arlington, N. J. 07032
 Evening (201) 998-6475

SST T-1 RANDOM WIRE ANTENNA TUNER



All band operation (160-10 meters) with most any random length wire. 200 watt power capability. Ideal for portable or home operation. A must for Field Day. Size 2 x 4 1/2 x 2 3/8. Built-in neon tune-up indicator. Guaranteed for 90 days. Compact — easy to use . . . only \$29.95 postpaid. (Add Sales Tax in Calif.)

SST ELECTRONICS, P.O. BOX 1, LAWNSDALE, CA. 90260

DIPOLE ANTENNA CONNECTOR



HYE-QUE (HQ-1) dipole connector has coax SO-239 socket molded into glass filled plastic body to accept coax PL-259 plug on feedline. Drip-cap keeps coax fittings dry. Instructions included. Guaranteed. At your dealers or \$3.95 postpaid. Companion insulators 2/\$.99.

BUDWIG MFG. Co. PO Box 97H, Ramona, CA 92065

BICENTENNIAL EDITION

GOLDEN SPREAD HAMFEST

QUALITY INN MOTEL
 AMARILLO, TEXAS

AUGUST 14 - 15, 1976

TECHNICAL SESSIONS
 DOOR PRIZES - SWAPPING
 COMMERCIAL EXHIBITS

FOR FULL INFORMATION:
 4408 MESA CIRCLE AMARILLO, TEXAS 79109

**COMPARE SPECS...COMPARE PRICES
NO COMPARISON!**

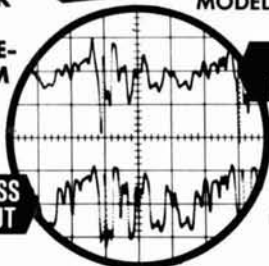
Hey! We started it all — with the Amazing Logarithmic **SPEECH PROCESSOR**



CHECK THIS WAVE-FORM

MODEL 60A

MIC INPUT



PHOTOCOPY OF SCOPE WAVEFORM

PROCESS OUTPUT

- Average To Peak Audio Ratio Increased up to 8 db.
- Frequency Response: $\pm 1\frac{1}{2}$ db., 300-3000 Hz.
- Process Level Control and In/Out Switch
- Requires: 2, 9V. Internal Batteries, 1.5ma Drain

MODEL 60AW (WIRED) — \$29.95
MODEL 60AK (KIT) — \$23.95
P.C. BOARD KIT (200-15AK) — \$14.95

ADD \$1.00 POSTAGE TO DIRECT ORDER. PA. RES. ADD 6% TAX.
ORDER DIRECT or write for FREE brochure and name of nearest dealer.



PHONE: (814) 432-3647
BOX 185A • FRANKLIN, PA. 16323

NEW from NRI

Home training in AMATEUR RADIO

NRI, leader in Communications, Television, Electronics and TV-Radio home training, now offers the first in Amateur Radio courses, designed to prepare you for the FCC Amateur License you want or need.

Don't lose your favorite frequency

The FCC has said "either-or" on licensing, but to pass Advanced and Extra Class exams, you need the technical guidance as offered by NRI. NRI Advanced Amateur Radio is for the ham who already has a General, Conditional or Tech Class ticket. Basic Amateur Radio is for the beginner and includes transmitter, 3-band receiver, code practice equipment. Three training plans offered. Get all the facts. Mail coupon. No obligation. No salesman will call on you. NATIONAL RADIO INSTITUTE, Washington, D.C. 20016.



MAIL NOW

NATIONAL RADIO INSTITUTE 46-016
Washington, D.C. 20016

Please send me information on Amateur Radio training.

Name _____ Age _____

Address _____

City _____ State _____ Zip _____

ACCREDITED MEMBER NATIONAL HOME STUDY COUNCIL

The HAL RVD-1005 video TTY unit puts all these features in the picture.



Picture the HAL RVD-1005 video TTY unit in your station. And start enjoying silent, trouble-free TTY reception.

The RVD-1005 converts the output of any TU into a clear, easy-to-read TTY video readout. The output signal can be fed to a TV monitor—like the RVD-2110 monitor shown—or, with slight modification, any standard TV receiver. The features speak for themselves. We've included everything the serious amateur requires for TTY receiving at its best.

Best yet, the RVD-1005 is built to commercial standards, yet is priced at a level the amateur TTY enthusiast will find very affordable.

For an in-depth picture, write today for complete information.



HAL Communications Corp., Box 365, 807 E. Green St.
Urbana, Illinois 61801 • Telephone: (217) 367-7373

ANTENNA SUPERMARKET - PO Box 338, Dept. H, Chambersburg, PA 17201

DIPOLES AND WIRE ANTENNAS, complete with 100' Mil. Spec. Coax, Balun, Connector, 100' Rope, Copper Ant. Wire, Insulators:

80/40/15 parallel dipole	\$36.95	160 short, 130' length	\$36.95
40/20/15 parallel dipole	\$30.95	80 short, 63' length	\$31.95
80/40 trap dipole	\$41.95	40 short, 33' length	\$28.95
40/20 trap dipole	\$36.95	Single band models from	\$24.95

VERTICALS — complete with Universal Mounting Base, Folds to 5' for Easy Transport. Hvy Duty Aluminum Tubing.

20/15 trap, 13' hgt.	\$29.95	160 compact 23' hgt.	\$44.95
40/20/15 trap 22' hgt.	\$44.95	80 compact 20' hgt.	\$39.95
80/40/20 trap 30' hgt.	\$69.95	40 compact 15' hgt.	\$34.95
80/40/15 trap 20' hgt.	\$59.95	20/15/10 full size vertical	\$29.95
10 meter cov. for above add	\$9.95		

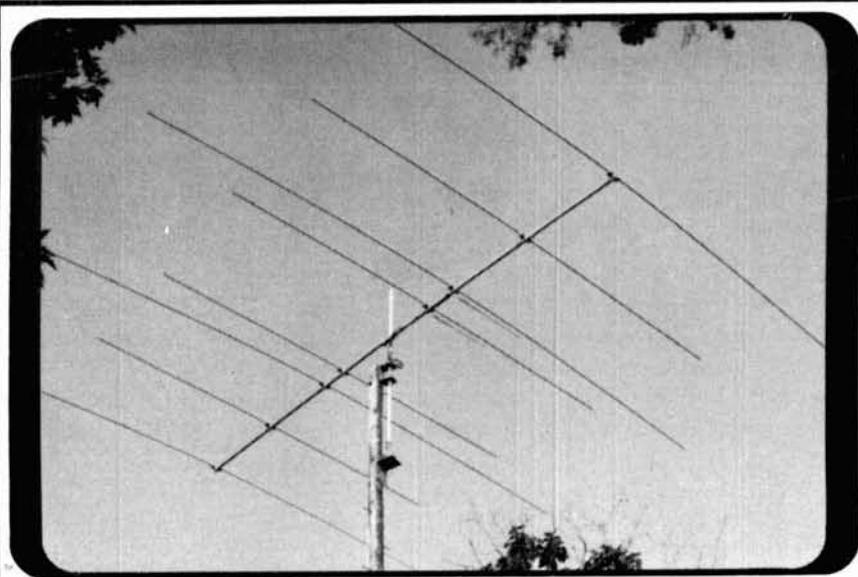
NEW Apartment/Portable

Apt. roof or patio, camper, trailer, motor home. All bands 80-10, folds to 5' easily, 13' height.

80-40-20-15-10 \$49.95

TO ORDER — Include \$1.95 shipping (\$2.95 West Coast) 24 hour shipment. 30 day guarantee. For Info: SASE or 1st Class Stamp.





**QUALITY
CONSTRUCTION
IS THE
DIFFERENCE**

**PERFORMANCE-ENGINEERED
MONO & DUOBANDERS BY**
antech labs INC.
 8144 Big Bend St. Louis, Mo. 63119 (314) 822-7720

For More Information Write Or Call
For Antech Specpak

MASTER CHARGE & BANK AMERICARD WELCOME



CW Sendin' Machine

IAMBIC MEMORY KEYSER WITH DOT AND DASH MEMORIES STORES UP TO EIGHT DIFFERENT MESSAGES IN 2048 BITS OF MEMORY.

\$137.00 Prepaid Shipping USA

H. ALAN HARP WA4SVH
 718 MAGNOLIA DR.
 LAKE PARK, FLA. 33403

**AN OUTSTANDING
OPPORTUNITY!**

Radio Communication is certainly one of the finest foreign Amateur Radio magazines. Published monthly by the Radio Society of Great Britain it is very much "The Magazine" to British Amateurs and to many others around the world.

This magazine covers the whole Amateur Radio scene in Great Britain offering both a wide range of technical information and a description of many activities both on and off the air.

Of particular interest is the monthly column **Technical Topics** by Pat Hawker, G3VA. Here is a great rundown on new technical ideas from around the world. It touches on virtually all phases of Amateur Radio and is sure to have just the hint you need.

To: **Radio Communication**
 Greenville, NH 03048

Enclosed is \$14.00. Please sign me up for a one year subscription.

Name _____ Call _____

Address _____

City _____ State _____ Zip _____

Allow 60-90 days to begin receiving issues

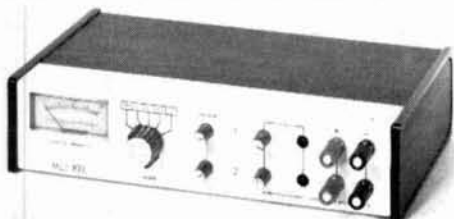
Webster
radio

Write today for brochure on:
CTC UHF/VHF HIGH POWER TRANSISTORS

Everything from Set to Signal!
 2602 E. Ashlan, Dept. H
 Fresno, Calif. 93726
 (209) 224-5111

WOW! Look for Madison
 Electronic's **SUPER BUYS**
 in this issue!

Mcc103 REGULATED DUAL POWER SUPPLY

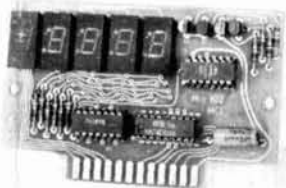


Whether in the lab or workshop the Mcc103 beats the rest with the following features:

- Two independent 0-25 volt, 250 MA regulated power supplies in one enclosure.
- Both variable voltage and current limit controls for each individual section.
- LED type current limit indicators.
- Backlighted meter displays either voltage or current for each section.
- Assembled only \$99.95.

If you need a larger supply, up to 2 amps, then build your own using the Mcc101 regulator board. Just \$19.50.

Mcc102 DIGITAL COUNTER BOARD



Want to build a digital voltmeter or counter? Then use the Mcc102 Digital Event Counter Board and save time and money. The board consists of a four digit counter and latch IC driving .30 inch LED displays. The counter will typically count to 3 MHz and the counter board will operate from a single 5 volt supply. Assembled board is \$35.00. Postage and handling not included in prices.

MID-CONTINENT COMMUNICATIONS CO.
 Mail Station 701A • P. O. Box 4407
 Kansas City, Mo. 64127

ARRL

**ROANOKE DIVISION CONVENTION / HAMFEST
 JULY 31—AUG. 1, "SCOPE", NORFOLK, VIRGINIA**

NORFOLK SCOPE CULTURAL & CONVENTION CENTER

ADV. TICKETS \$2.50
 TIDEWATER RADIO CONVENTIONS, INC. BOX 9371
 NORFOLK, VIRGINIA 23505

- ★ FAMILY VACATION AREA BANQUET
- ★ YL-YXL PROGRAMS
- ★ INDOOR, AIR COND. FLEA MARKET
- ★ ARRL, FCC, MARS, OTHER PROGRAMS

**CALL
FREE**

OMNI INTERNATIONAL HOTEL 1-800-241-5500

HOLIDAY INN "SCOPE" 1-800-238-5400

OR CALL LOCAL H. I. FOR RESERVATIONS
 ★ MENTION ARRL CONVENTION AND HAMFEST ★

FM YOUR GONSET

(for your Clegg 22'er, Ameco TX-42, Polycam 2 or PC-42, Johnson 6N2, Heath Seneca VHF-1, Hallicrafters 5R-34)



● Plug-in modulator puts the Communicator transmitter on FM.

● No modification or rewiring on your Communicator. Just plug into mike jack and crystal socket.

● For 2-meter band only.

- Works with Communicator I, II, III, IV and GC-105 and other rigs listed.
- Frequency adjust for netting built in.
- FM at a tenth the cost of a new rig.
- Sharp, clean FM.
- In daily use by MARS and Civil Defense nets nationwide.
- Free brochure on request.
- Order direct. \$37.50 postpaid U.S. & Canada. Specify transmitter model. California residents add 6 percent sales tax. (HC-6 / U crystal and 9-volt transistor battery not supplied).

PALOMAR ENGINEERS

BOX 455, ESCONDIDO, CA 92025
Phone: (714) 747-3343



For A Very Clear Translation

We Want You To See MOCO II, The Morse Code Translator That Really Works

- Decodes up to 90 WPM
- One switch calibration
- Automatic character spacing
- Parallel ASCII and Baudot outputs for use with peripheral displays
- Internal AC power supply

MOCO II's computer programmed firmware contains more than 8K bits of memory, which permits MOCO II to translate standard alpha-numeric Morse Code automatically.

MOCO II is the commercial translator that really works. Ask the ham who owns one.

PRICE: \$199.00

Order from Howard Microsystems, Inc.

6950 France Avenue South, Minneapolis, MN 55435 (612) 925-2474

DISPLAY OPTIONS

- | | | |
|--|-------|----------|
| A. Baudot Driver/Interface for TTY | | \$75.00 |
| B. Video Character Display—connects with your TV | | \$200.00 |
| (Kit) | | \$125.00 |

All orders — add \$2.75 shipping/handling
Allow 4-6 weeks delivery.



HOWARD MICROSYSTEMS, INC.

SUPER CRYSTAL THE DELUXE DIGITAL SYNTHESIZER!!



MFA-22 DUAL VERSION

- Transmit and Receive Operation: All units have both Simplex and Repeater Modes
- Accurate Frequency Control: .0005% accuracy
- Stable Low Drift Outputs: 20 Hz per degree C typical
- Full 2 Meter Band Coverage: 144.00 to 147.99 MHz. in 10KC steps
- Fast Acting Circuit: 0.15 second typical settling time
- Low Impedance (50 ohm) Outputs: Allow long cable runs for mobiles
- Low Spurious Output Level: similar to crystal output

Prices MFA-22 \$325.00
Shipping \$3.00 extra

SEND FOR FREE DETAILS

R_p Electronics
BOX 1201H
CHAMPAIGN, ILL.
61820

SPECIAL INTRODUCTORY OFFER

TECO CODE TRAINING SYSTEM

SPECIAL TECO NOVICE CLASS PACKAGE \$9.95

A complete course designed for the code beginner. "Learning the Radio Telegraph Code" by the ARRL covers the basics on up to high speed "copy", a 90 minute code introduction tape based on proven training methods, two 1 hour practice tapes of coded groups at 5 WPM & 7 WPM.

TECO GENERAL CLASS PACKAGE \$9.95

Three one hour practice tapes of coded groups at 10 WPM, 13 WPM, and 15 WPM.

TECO EXTRA CLASS PACKAGE \$9.95

Three one hour practice tapes of coded groups at 17 WPM, 20 WPM, and 22 WPM.

TECO HIGH SPEED PACKAGE \$6.95

Two one hour practice tapes of coded groups — 30 minutes each side at 25 WPM, 30 WPM, 35 WPM and 40 WPM.

INDIVIDUAL TAPES DESCRIBED ABOVE..... \$3.95 EACH

NYE CODE PRACTICE SET \$17.95

Standard transmitting key, oscillator, and amplifier with built-in speaker on a heavy duty aluminum base with non-skid feet. Operates on 9V transistor battery (not included).



\$17.95

SANKYO CASSETTE RECORDER \$34.95

A high quality cassette player/recorder featuring ALC, automatic recording level control, 2 way power supply (115V, 60 Hz AC or 4 "C" size batteries), and built-in condenser mike. Comes complete with AC power cord and earphone (batteries not included).



\$34.95

ENTIRE TECO CODE TRAINING SYSTEM \$84.95
Includes all tapes, code practice set, and cassette recorder. SAVE \$4.75.

CALL TOLL-FREE 800-527-4642 (IN TEXAS CALL 214-348-1560).

WE ACCEPT BANKAMERICARD, MASTER CHARGE, AND AMERICAN EXPRESS.
WRITE IN TODAY FOR YOUR FREE COPY OF THE 1976 TECO HAM CATALOG.

TECO ELECTRONICS SUPERSTORE

P.O. Box 1050 Garland, Texas 75040

Advertisers check-off

... for literature, in a hurry — we'll rush your name to the companies whose names you "check-off"

Place your check mark in the space between name and number. Ex: Ham Radio 234

INDEX

ATV * _____	Icom _____ 065
Action Radio _____ 417	Info-Tech _____ 351
Adva _____ 265	Int'l Xtal _____ 066
Aldelco _____ 347	James _____ 333
Altaj _____ 426	Jan _____ 067
Antech _____ 257	Janel _____ 068
Antenna Mart _____ 009	Jensen _____ 293
Antenna Spec. _____ 010	K-Enterprises _____ 071
Supermarket _____ 404	KLM _____ 073
Apron _____ 380	Kenso _____ 394
Ashcraft * _____	Kenwood _____ 341
Atlas _____ 198	King _____ 077
Atronics _____ 382	Larsen _____ 078
Barber _____ 383	Lin _____ 451
Barry * _____	Lyle _____ 373
Beta _____ 447	MFJ _____ 082
B. T. C. * _____	MHz _____ 415
Brookstone * _____	Madison _____ 431
Budwig _____ 233	Main _____ 452
Bullet _____ 328	Matric _____ 084
Buyers-Sellers _____ 329	Maximilian _____ 438
CFP _____ 022	Mid-Continent _____ 453
C R _____ 457	Mini-Products _____ 395
Caddell _____ 244	M-Tech _____ 357
Cal-Com _____ 282	National Multi _____ 396
Callbook _____ 100	N. R. I. _____ 397
Caringella _____ 024	Nexus _____ 454
Clegg _____ 027	Northshore RF _____ 296
Comm. Spec. _____ 330	Wm. M. Nye _____ 214
Cont. Spec. _____ 348	Optoelectronics _____ 352
Corbin _____ 349	Palomar _____ 093
Curtis _____ 034	Partridge _____ 439
Cush Craft _____ 035	RP _____ 098
D-D _____ 269	Racom _____ 097
DGM _____ 458	Radio Expo _____ 147
Dames _____ 324	Ramsey _____ 442
Datalog _____ 459	Regency _____ 102
Davis _____ 332	Roanoke * _____
Dentron _____ 259	SST _____ 375
Disc-Cap _____ 449	SAROC * _____
Drake _____ 039	Savoy _____ 105
Dynamic _____ 041	Securitron _____ 461
Ehrhorn _____ 042	Sherwood _____ 435
Electra _____ 385	Southwest _____
Elect. Dist. _____ 044	Tech. _____ 263
Electrospace _____ 407	Space _____ 107
ELPROCON _____ 301	Spec. Comm. _____
Epsilon 046 _____	Sys. _____ 318
Fair _____ 048	Spectronics _____ 191
59+ _____ 429	Spec. Comm. _____ 366
Gem-Quad _____ 295	Spec. Int. _____ 108
Genave _____ 168	Swan _____ 111
Gilfer _____ 207	TPL _____ 240
Glade Valley _____ 213	Teco _____ 113
J. J. Glass _____ 389	Telrex _____ 377
Golden Spread * _____	Ten-Tec * _____
Gray _____ 055	Trevose _____ 437
Gregory _____ 201	Tri-Ex _____ 116
Hal _____ 057	Universal _____ 444
Hal-Tronix _____ 254	VHF _____ 121
Ham Radio _____ 150	Vanguard * _____
Hamtronics _____ 246	Varian _____ 043
Harp _____ 460	Webster Comm. _____ 423
Heath _____ 060	Webster Radio _____ 255
Heights _____ 061	Weinschenker _____ 122
Henry _____ 062	Weirnu _____ 379
Hildreth _____ 283	Whitehouse _____ 378
Hosfelt _____ 390	Wilson _____ 123
Howard Micro _____ 361	Yaesu _____ 127
Hy-Gain _____ 064	

*Please contact this advertiser directly.
Limit 15 inquiries per request.

July 1976

Please use before August 31, 1976

Tear off and mail to
HAM RADIO MAGAZINE — "check off"
Greenville, N. H. 03048

NAME _____

CALL _____

STREET _____

CITY _____

STATE _____ ZIP _____

NOW is the time to order YOUR 1976 callbook

If you don't already have your 1976 Callbooks there is no better time than right now to go to your local dealer (or mail direct to the publisher) and get the most up to date QSL information available anywhere.

The new 1976 U. S. Callbook has over 300,000 W & K listings. It has calls, license classes, names and addresses plus the many valuable back-up charts and references you have come to expect from the Callbook.

Specialize in DX? Then you're looking for the new, larger than ever 1976 Foreign Callbook with over 225,000 calls, names and addresses of amateurs outside of the USA.

On dealer shelves NOW!



RADIO AMATEUR
callbook INC
Dept. E 925 Sherwood Drive
Lake Bluff, Ill. 60044

Order from your favorite electronics dealer or direct from the publisher. All direct orders add \$1.00 shipping and handling per Callbook.

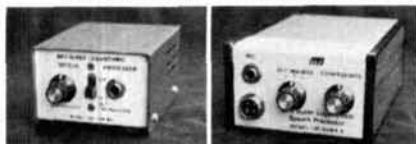
Advertisers iNdex

ARRL Roanoke Div. Hamfest _____	116
ATV Research _____	94
Action Radio _____	109
Adva Electronics _____	102
Aldelco _____	98
Altaj Electronics _____	66, 67
Antech Labs _____	116
Antenna Mart _____	66
Antenna Specialists Co. _____	79
Antenna Supermarket _____	115
Apron _____	113
J. P. Ashcraft Co. _____	107
Atlas Radio _____	85, 92
Atronics _____	106
Barber Corp. _____	93
Barry _____	100
Beta Electronics _____	100
British Television Training Centre _____	90
Budwig Mfg. Co. _____	114
Bullet _____	81
Buyers & Sellers _____	106
CFP Communications _____	92
C R Electronics _____	105
Caddell Coil Corp. _____	98
Cal-Com Systems, Inc. _____	108
Caringella Electronics _____	108
Clegg, Div. of ISC _____	39
Communications Specialists _____	72, 84
D. R. Corbin Mfg. Co. _____	108
Curtis Electro Devices _____	86
Cush Craft _____	113
Drake Enterprises _____	66, 96
DGM Electronics _____	98
Dames, Ted _____	114
Datalog _____	104
Davis Electronics _____	106
Dentron Radio Co. _____	106
Disc-Cap _____	107
Drake Co., R. L. _____	94
Dynamic Electronics _____	107
Ehrhorn Technological Operations _____	49
Electronic Distributors _____	113
Electrospace _____	104
ELPROCON _____	94
Epsilon Records _____	106
Fair Radio Sales _____	94
Five Nine Plus _____	104
Gem-Quad Products _____	66
General Aviation _____	103
Gilfer Associates _____	94
Glade Valley Radio Session _____	78
J. J. Glass Co. _____	106
Golden Spread Hamfest _____	114
Gray Electronics _____	78
Gregory Electronics _____	82
Hal Communications Corp. _____	2, 90, 115
Hal-Tronix _____	114
Ham Radio _____	109, 112, 116
Hamtronics, Inc. _____	86
H. Alan Harp _____	116
Health Company _____	60, 61
Heights Mfg. Co. _____	111
Henry Radio Stores _____	Cover II
Hildreth Engineering _____	112
Hosfelt Electronics _____	112
Howard Micro Systems, Inc. _____	117
Hy-Gain Electronics Corp. _____	70, 71
Icom _____	5
Info-Tech _____	1
International Crystal _____	83
James Electronics _____	73
Jan Crystals _____	93
Janel Labs _____	108
Jensen Tools _____	108
K-Enterprises _____	82
KLM Electronics, Inc. _____	120
Kenso Communications, Inc. _____	113
Trio-Kenwood Communications, Inc. _____	8, 9, 97
King Products _____	80
Larsen Electronics _____	89
Lin Corp. _____	112
Lyle Products _____	104
MFJ Enterprises _____	119
MHz Electronics _____	100
Madison Electronics Supply _____	72
Main Electronics, Inc. _____	107
Matric _____	115
Maximilian Associates _____	108
Mid-Continent Communications _____	116
Mini-Products _____	108
M-Tech _____	96
National Multiplex Corp. _____	64
National Radio Institute _____	115
Nexus Trading Co. _____	84
Northshore RF Technology _____	98
Wm. M. Nye Co., Inc. _____	80
Optoelectronics _____	91
Palomar Engineers _____	95, 96, 117
Partridge (HR) Electronics _____	94
RP Electronics _____	117
Radio Amateur Callbook _____	100, 114, 118
Radio Expo _____	94
Ramsey Electronics _____	102
Regency Electronics _____	114
SST Electronics _____	86
SAROC Hawaii _____	78
Savoy Electronics _____	78
Securitron _____	78
Southwest Technical Products _____	65
Space Electronics Corp. _____	107
Specialty Communications Systems _____	114
Spectronics _____	101, 109
Spectrum Communications _____	80
Spectrum International _____	72
Swan Electronics _____	82
TPL Communications _____	84
Teco Electronics _____	117
Telrex Labs _____	86
Ten-Tec _____	87
Trevose, Hamtronics Div. _____	34, 35
Tri-Ex Tower Corp. _____	77
Universal Radio _____	106
VHF Engineering, Div. of Brownian _____	99
Vanguard Labs _____	94
Varian, Eimac Division _____	Cover IV
Webster Communications _____	112
Webster Radio _____	116
Weinschenker _____	96
Weirnu _____	108
G. R. Whitehouse & Co. _____	107
Wilson Electronics _____	74, 75
Yaesu Musen USA _____	Cover III

WOULDN'T YOUR STATION BE BETTER WITH THESE *EXCITING* **MFJ** PRODUCTS?

NEW

SUPER LOGARITHMIC SPEECH PROCESSOR



Up To 400% More RF Power is yours with this plug-in unit. Simply plug the LSP-520BX into the circuit between your microphone and transmitter and your voice suddenly is transformed from a whisper to a **Dynamic Output**.

Look what happens to the RF power output on our NCX-3. It was tuned for normal SSB operation and then left untouched for these "before" and "after" oscillograms.

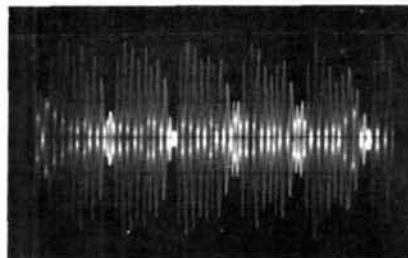


Fig. 1. SSB signal before processing. See the high peaks and the low valleys. Our NCX-3 is putting out only 25 watts average power.



Fig. 2. SSB signal after processing with LSP-520BX. The once weak valleys are now strong peaks. Our NCX-3 now puts out 100 watts of average power.

Three active filters concentrate power on those frequencies that yield maximum intelligence. Adds strength in weak valleys of normal speech patterns. This is accomplished through use of an IC logarithmic amplifier with a dynamic range of 30 db for clean audio with **minimum distortion**.

This unit is practically distortion-free and produces **crisp, clear audio** even at 30 db compression! The input to the LSP-520BX is completely filtered for RF protection. A 9 volt transistor battery provides months of operation. Standard 3 conductor quarter inch phone jacks are used for input and output. 3-3/16 x 3-1/4 x 4 inches.

LSP-520BX, assembled \$49.95
LSP-520BX II, assembled \$59.95
LSP-520PC, wired PC board \$37.95

The LSP-520BX II includes all the features of the LSP-520BX and, in addition, includes an uncommitted 4 pin mic jack, a rotary function switch, an output mic cable and a beautiful Ten-Tec enclosure, 2-1/8 x 3-5/8 x 5-9/16 inches.

IMPROVED

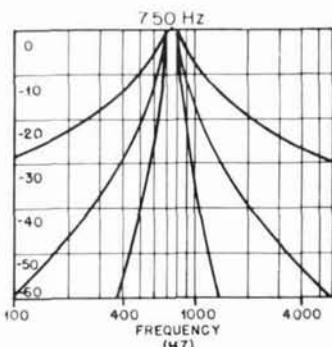


CW FILTER

The **Original** high performance, non-ringing CW filter, CWF-2BX, is by far the leader. Over 5000 In Use. You get **razor sharp** selectivity from its 80 Hz Bandwidth and extremely steep sided skirts (see response curves). Even the weakest and most battered signal stand out.

Plugs into any receiver or transceiver. Drives phones or connect between receiver audio stage for speaker operation.

- No ringing • Bandwidth: 80 Hz, 110 Hz, 180 Hz (selectable) • Skirt rejection: at least 60 db down one octave from center frequency for 80 Hz bandwidth • Center frequency: 750 Hz • Drastically reduces all background noise (up to 15 db improvement in S/N ratio) • Provides gain • No impedance matching • 8 pole active filter uses ICs • 9 volt transistor battery provides months of operation • 400 Hz or 1000 Hz center frequency optional. Add \$3.00 • Size: 3-3/16 x 3-1/4 x 4 inches.



CWF-2BX, assembled \$27.95
CWF-2P, wired PC board \$18.95
CWF-2PCK, kit PC board \$15.95

WARRANTY

All products manufactured by MFJ Enterprises are **UNCONDITIONALLY GUARANTEED** for a period of one year from the date of purchase. This means we will repair or replace free of charge any of our products which are defective for any reason.

MFJ Enterprises

P. O. BOX 494(H)
MISSISSIPPI STATE
MISSISSIPPI 39762
601-323-5869



NEW



CMOS ELECTRONIC KEYSER

THE BEST KEYSER BUY IN THE WORLD **BAR NONE!**

- State of the art design uses CURTIS-8043 keyer-on-a-chip • Built in key with adjustable contact travel • Dot memory • Iambic operation with external squeeze key • Instant start with keyed time base • Self completing dots and dashes • Jam proof spacing • Variable weight control • 8 to 50 WPM • Sidetone and speaker with adjustable volume and tone • Ultra reliable solid state keying: gridblock -300 V max, 10 ma. max; cathode and solid state transmitter, +300 V max, 200 ma. max. • Phono jacks for external key and keying outputs • 4 position switch for TUNE, OFF, ON, SIDETONE OFF • Completely self contained for portability • Uses 4 penlight cells (not included) • Size: 3-3/16 x 3-1/4 x 4 inches.

CMOS-8043, assembled \$39.95
CMOS-8043PC, wired PC board \$24.95

FREE CATALOG AVAILABLE.
DEALER INQUIRIES INVITED.

Date _____

Qty.	Model #	Item Description	Amount

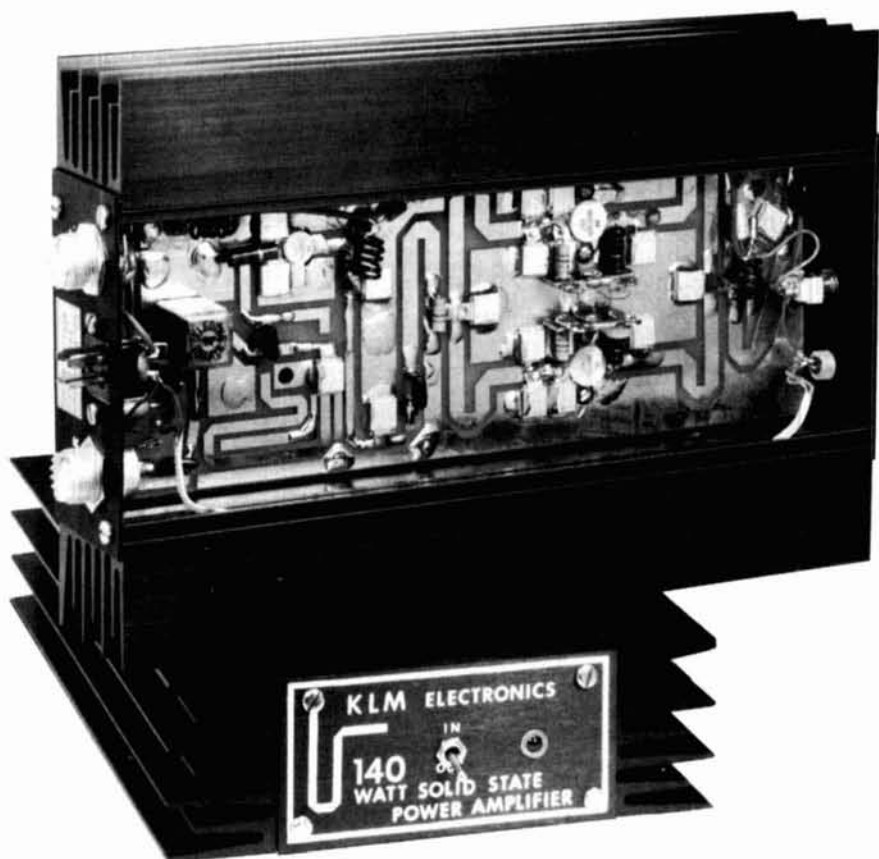
"ORDER TODAY - MONEY BACK IF NOT DELIGHTED!"

Open and shut case...

KLM

solid state rf power ampli- fiers

talk farther...
sound better...
cost less!



FREQ. (MHz)	MODEL NUMBER	PWR INP. (watts)	NOM. PWR OUTPUT (watts)	NOM. CUR. (amps.)†	SIZE	PRICE
144-148	PA2-12B	1-4	12	2	A*	44.95
"	PA2-70B	1-4	70	10	C*	149.95
"	PA2-70BL◇	1-4	70	10	C*	159.95
"	PA2-140B◇	1-4	140	20	D*	219.95
"	PA10-40B	5-15	40	5	B*	79.95
"	PA10-40BL◇	5-15	40	5	B*	89.50
"	PA10-70B	5-15	70	8	C*	129.95
"	PA10-70BL◇	5-15	70	8	C*	139.95
"	PA10-80BL◇	5-15	80	10	C*	149.95
"	PA10-140B	5-15	140	18	D*	189.95
"	PA10-140BL◇	5-15	140	18	D*	199.95
"	PA10-160BL◇	5-15	160	22	D*	209.95
"	PA30-140B	15-45	140	15	D*	169.95
"	PA30-140BL◇	15-45	140	15	D*	179.95
219-226	PA2-70BC	1-4	70	10	C*	169.95
"	PA10-60BC	5-15	60	8	C*	149.95
"	PA30-120BC	15-45	120	15	D*	189.95
400-470	PA2-40C	1-4	40	7	C*	149.95
"	PA10-35C	5-15	35	6	B*	119.95
"	PA10-35CL◇	5-15	35	6	B*	139.95
"	PA10-70C	5-15	70	13	D*	225.95
"	PA10-70CL◇	5-15	70	18	D*	245.95

SIZES: Inches: **A**. 2.25×5×2. **B**. 6.5×5×2. **C**. 6.5×7.5×2. **D**. 6.5×10×2.
MM: 57×127×50.8 165×127×50.8 165×190×50.8 165×254×50.8
◇LINEAR AMPLIFIER †At 13.8VDC.

Choose an amplifier from this big line that exactly meets the requirements of your particular transceiver. Boost power a mere 4 or 5 times... or 20 times... or more! Select a Class C amplifier for FM/CW or one of the versatile "linears" that operate on SSB plus FM and CW.

These fine amplifiers are All-American, lock, stock and barrel! The all-important RF power transistors are highest quality, "brand" types for utmost reliability and years of service. They are emitter balanced and protected against high VSWR, short and open circuits. For your added assurance, every amplifier carries a 90 day warranty on all parts and labor.

KLM engineering advances include microstrip circuitry for **no-tuning**, broad band operation, 144-148MHz (plus MARS) for VHF amplifiers, 400-470MHz for UHF models. Circuitry is rugged, stable, ideal for tough mobile use. Drive requirements (column 3 on the accompanying chart) are easily met by most transceivers.

Simple to install. Just co-ax connect between antenna and transceiver and to 13.8VDC power source. No internal connections or alterations. The internal RF sensing or remote amplifier keying circuitry provides the automatic or manual T/R function. Put the amplifier on automatic standby or out of the circuit with the panel switch.

At your dealer. Write for descriptive brochure.

KLM electronics, inc.

17025 Laurel Road, Morgan Hill, CA 95037 (408) 779-7363

FRG-7

COMMUNICATIONS RECEIVER



SYNTHESIZED ALL SOLID STATE HI-PERFORMANCE GENERAL COVERAGE RECEIVER

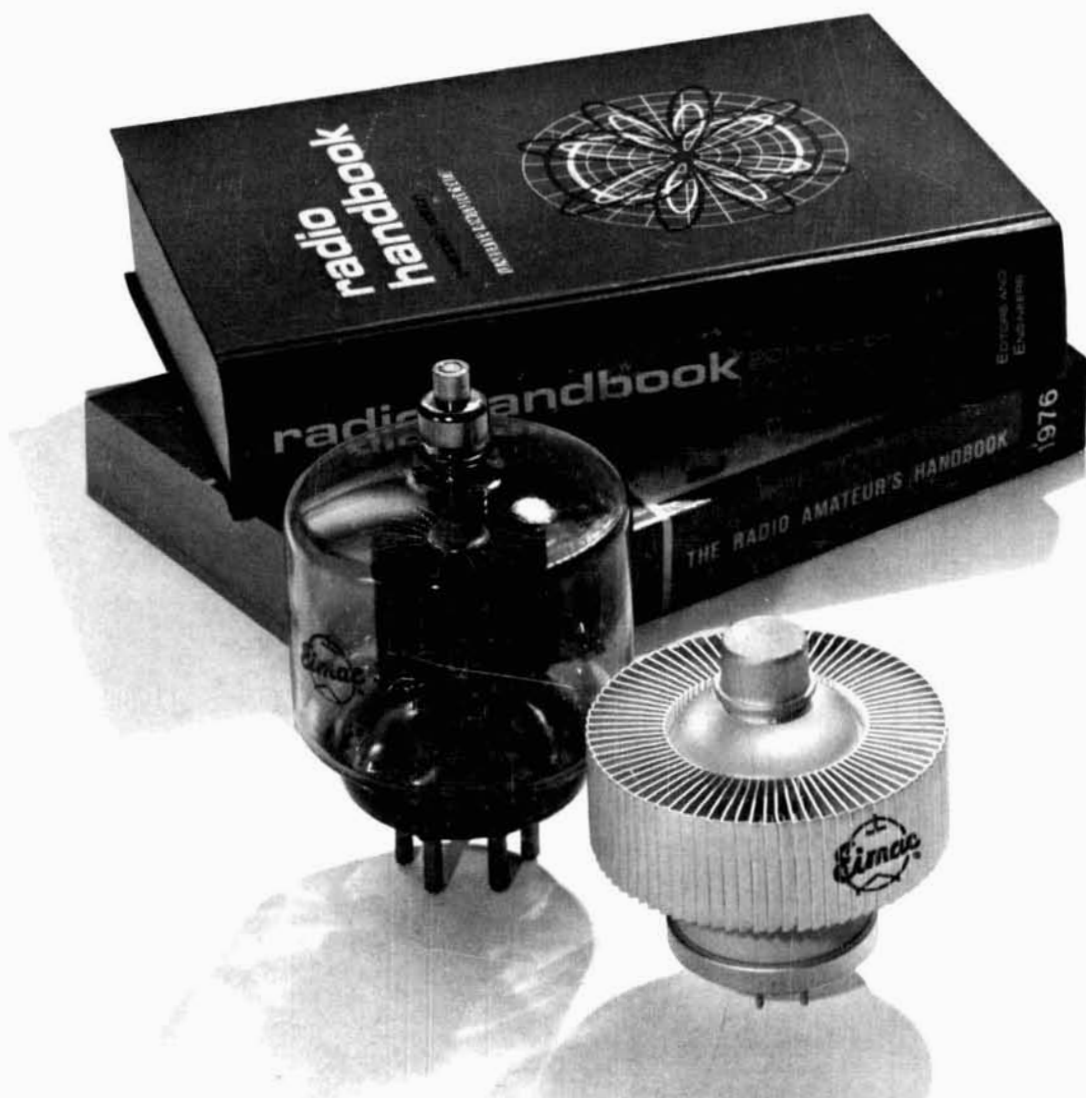
The Model FRG-7 is a precision-built communications receiver with continuous coverage (500 kHz to 29.99 MHz) featuring:

- Drift Canceling Circuit
- RF Attenuator
- Noise Suppression Circuit
- 5 kHz Direct Dial Readout
- Ceramic IF Filters
- AC-DC or Internal Battery
- Hi Sensitivity
- Excellent Stability
- USB/LSB/AM/CW
- Triple Conversion

Completely Solid State Circuitry for Stable Trouble-Free Operation ■ Built-in Front Mounted Speaker ■ RF Attenuator for Reception of Local or High Powered Stations ■ Outstanding Frequency Stability through the use of Drift Cancellation Circuit (Wadley Loop) ■ Recording Output Jack provides Constant Output Level Regardless of Audio Volume Control Settings ■ 3-Position Audio Range Selector 1. Normal (Broad) 2. Narrow (Hi & Low Cut Off) 3. Low (Hi Cut Off) ■ Excellent IF Receiver for VHF/UHF Converters.

YAESU
The radio.

Yaesu Musen USA Inc., 7625 E. Rosecrans, No. 29, Paramount, California 90723
Yaesu Musen USA Inc., Eastern Service Center • 613 Redna Terrace, Cincinnati, OH 45215



Amateurs who build their own equipment go EIMAC.

Building HF or VHF power amplifiers? You'll find them described in detail in both the *ARRL Handbook* and the *Radio Handbook*. And you'll find that EIMAC tubes are the overwhelming choice of expert equipment designers for 1.8 to 1296 MHz service.

The *Radio Handbook* features a deluxe amplifier using the 3-1000Z for HF service plus other HF or VHF designs built around the 3-500Z, 4CX1500B, 8877 and the 8874. The *ARRL Handbook* describes a multiband HF amplifier using the 8877, plus other designs featur-

ing the 3-500Z, 8873, 4CX250B and 3CX100A5. And there's plenty of information about design and construction of transmitting equipment using EIMAC power tubes in both handbooks.

For tube information, contact Varian, EIMAC Division, 301 Industrial Way, San Carlos, California 94070. Or contact any of the more than 30 Varian Electron Device Group Sales Offices throughout the world.

