

75 cents

*hcr*

focus  
on  
communications  
technology ...

# ham radio

magazine

JULY 1972

conduction-cooled  
five-band  
linear  
amplifier



## *this month*

- AFSK generator 13
- audio oscillators 18
- low-power vfo transmitter 39
- using Y-parameters 46

# In a time when transceivers are a dime a dozen,



## ours costs an arm and a leg.

The signal/one CX7A will set you back \$2,195 — but set you way ahead in amateur radio operation.

That's because the CX7A has just about every feature you can think of. Including the most sensitive receiver made, the most "talk-powered" 300 watts of power you ever heard, and much more. Like an extra receiver, an RF clipper, a built-in power supply and an electronic keyer.

Suddenly, \$2,195 sounds more like a bargain than a bundle. Because you're getting, in effect, a room full of gear in one compact desk-top unit. A unit that features the industry's highest quality control standards, the

finest components obtainable, the most features, the best performance . . . we could go on.

Better yet, you go on over to your signal/one dealer and see the rig for yourself. Or write us for a detailed brochure. Once you see the CX7A, you'll be willing to give up an arm and a leg for it. Or at least \$2,195.

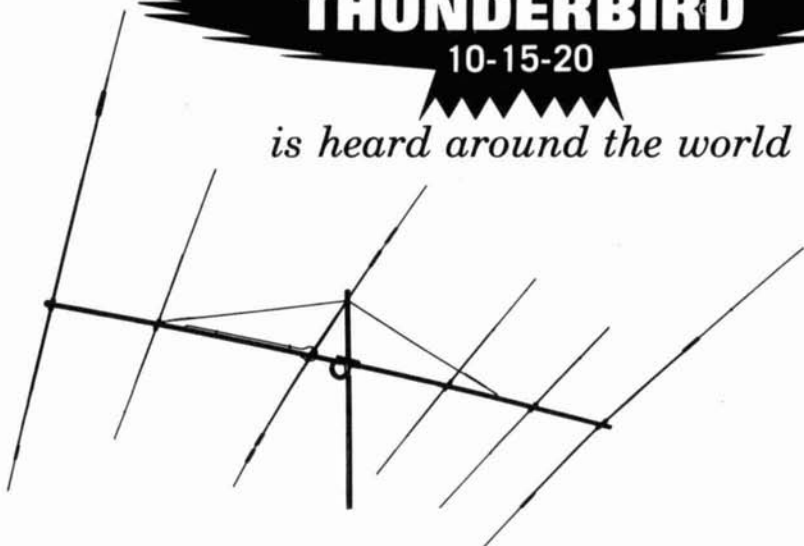
 **signal/one**

a subsidiary of  
**Computer Measurements, Inc.**  
1645 West 135th Street  
Gardena, California 90249  
Phone: (213) 532-9754

The voice of



is heard around the world



## Here's why Thunderbirds outperform all other tri-banders:



- **Thunderbird's "Hy-Q" traps** provide separate traps for each band. "Hy-Q" traps are electronically tuned at the factory to perform better at any frequency in the band—either phone or CW. **And** you can tune the antenna, using charts supplied in the manual, to **substantially** outperform any other antennas made.

- **Thunderbird's superior construction** includes a new, cast aluminum, tilt-head universal boom-to-mast bracket that accommodates masts from 1 1/4" x 2 1/2". Allows easy tilting for installation, maintenance and tuning and provides mast feed-thru for beam stacking.

Taper swaged, slotted tubing on all elements allows easy adjustment and readjustment. Taper swaged to permit larger diameter tubing where it counts! And less wind loading. Full circumference compression clamps are mechanically and electrically superior to self-tapping metal screws.

- **Thunderbird's exclusive Beta Match** achieves balanced input, optimum matching on all 3 bands and provides DC ground to eliminate precipitation static.

- 25 db front-to-back ratio.

- SWR less than 1.5 to 1 on all bands.

- 24-foot boom... none longer in the industry.

- Extra heavy gauge, machine formed, element to boom brackets, with plastic sleeves used only for insulation. Bracket design allows full mechanical support.

- Interlaced, optimum spaced elements for higher gain and better pattern control.

- 3 active elements on 20 and 15 meters. 4 active elements on 10 meters.

### New 6-Element Super Thunderbird

Model 389

Suggested retail price, \$179.95

### Improved 3-Element Thunderbird

Model 388

Suggested retail price, \$144.95

### Fabulous 3-Element Thunderbird, Jr.

Model 221

Suggested retail price, \$99.95

### Popular 2-Element Thunderbird

Model 390

Suggested retail price, \$99.95

Buy one today at your favorite Hy-Gain distributor!

## HY-GAIN ELECTRONICS CORPORATION

P. O. Box 5407-WG, Lincoln, Nebraska 68505



Complete packaged Multi-Band Antenna Systems employing the famous Bassett Sealed Resonators and a special Balun. Air has been evacuated from both and replaced with pure helium at one atmosphere.

Highly efficient system packages including all hardware, insulation, coax cable, and copperweld elements assembled at the factory. Complete installation instructions included.

Multi-frequency models available for all amateur bands and for commercial use, point to point, ground to air, military and government.

**MODEL DGA-4075 — \$59.50**

A complete system package for primary use in the 40 and 75 meter bands at power levels up to 4KW-PEP with secondary operation in other bands at reduced power levels.

**MODEL DGA-152040 — \$79.50**

A complete system package for primary use in the 15, 20, and 40 meter bands at power levels up to 4KW-PEP with secondary operation in other bands at reduced power levels.

**MODEL DGA-2040 — \$59.50**

A complete system package for primary use in the 20 and 40 meter bands at power levels up to 4KW-PEP with secondary operation in other bands at reduced power levels.

**MODEL DGA-204075 — \$79.50**

A complete system package for primary use in the 20, 40, and 75 meter bands at power levels up to 4KW-PEP with secondary operation in other bands at reduced power levels.

CONTACT YOUR DISTRIBUTOR OR WRITE FOR DATA



**Savoy Electronics, Inc.**

**P.O. Box 7127 - Fort Lauderdale, Florida - 33304**

**Tel: 305-566-8416 or 305-947-1191**

July, 1972  
volume 5, number 7

**staff**

James R. Fisk, W1DTY  
editor

Douglas S. Stivison, WA1KWJ  
assistant editor

Nicholas D. Skeer, K1PSR  
vhf editor

J. Jay O'Brien, W6GDO  
fm editor

Alfred Wilson, W6NIF  
James A. Harvey, WA6IAK  
associate editors

Curt J. Witt  
art director

Wayne T. Pierce, K3SUK  
cover

T. H. Tenney, Jr. W1NLB  
publisher

Hilda M. Wetherbee  
advertising manager

**offices**

Greenville, New Hampshire 03048  
Telephone: 603-878-1441

**ham radio** magazine is  
published monthly by  
Communications Technology, Inc  
Greenville, New Hampshire 03048

Subscription rates, world wide  
one year, \$6.00, three years, \$12.00  
Second class postage  
paid at Greenville, N. H. 03048  
and at additional mailing offices

Foreign subscription agents  
United Kingdom  
Radio Society of Great Britain  
35 Doughty Street, London WC1, England

All European countries  
Eskil Persson, SM5CJP, Frotunagrand 1  
19400 Upplands Vasby, Sweden

African continent  
Holland Radio, 143 Greenway  
Greenside, Johannesburg  
Republic of South Africa

Copyright 1972 by  
Communications Technology, Inc  
Title registered at U. S. Patent Office  
Printed by Wellesley Press, Inc  
Wellesley, Massachusetts 02181, USA

**ham radio** is available to the blind  
and physically handicapped on magnetic tape  
from Science for the Blind  
221 Rock Hill Road, Bala Cynwyd  
Pennsylvania 19440  
Microfilm copies of current  
and back issues are available  
from University Microfilms  
Ann Arbor, Michigan 48103

Postmaster: Please send form 3579 to  
**ham radio** magazine, Greenville  
New Hampshire 03048

hr

**ham**  
**radio**  
magazine

# contents

**6 conduction-cooled linear amplifier**  
Richard I. Bain, W9KIT

**13 crystal-controlled AFSK generator**  
Charles R. Barrows, K7BVT

**18 resistance-capacitance oscillators**  
Henry D. Olson, W6GXN

**26 converting the Motorola Dispatcher  
to 12 volts**  
John C. Darjany, WB6HXU

**32 optimizing the superregenerative  
detector**  
Charles L. Ring

**36 cooled preamplifier for vhf-uhf**  
James L. Dietrich, WAØRDX

**39 vfo-controlled low-power transmitter**  
Adrian B. Weiss, K8EEG

**46 y-parameters in rf amplifier design**  
Julian M. Pike, WAØTCU

**58 1972 sweepstakes winners**  
T. H. Tenney, Jr., W1NLB

**60 integrated-circuit flip-flops**  
Edward M. Noll, W3FQJ

|                                   |                           |
|-----------------------------------|---------------------------|
| <b>4 a second look</b>            | <b>99 flea market</b>     |
| <b>110 advertisers index</b>      | <b>66 ham notebook</b>    |
| <b>60 circuits and techniques</b> | <b>76 new products</b>    |
| <b>72 comments</b>                | <b>110 reader service</b> |



## a second look

by Jim  
Fisk

Our society is a very mobile one, and when it comes to traveling long distances, most of us fly with one of the commercial airlines. It's only natural for the fm'er, with his portable fm rig, to question the possibility of using his equipment on commercial flights.

It is popularly believed that all we have to do is obtain the Captain's permission to operate; surely our little two-watt fm rig is not going to cause any interference with the high-powered radio equipment used on board the aircraft. However, this is not the case — according to the Federal Air Regulations, approval must be obtained from the air carrier (airline) and *not* the pilot in command. However, once approved by the air carrier, the permission of the Captain in command must also be obtained to operate equipment aboard a particular flight.

Shortly after World War II, portable Japanese fm broadcast receivers started appearing on the market, and passengers started using them aboard commercial flights. At the same time, aircraft navigation radios started doing funny things, and it didn't take long to determine that the interference was being caused by rf radiation from the portable fm receivers. The aircraft radios literally went wild, and at least two aircraft accidents have been attributed to interference of this type.

When it was determined that this interference was present, the FAA pro-

mulgated new regulations, paragraph 91.19 of the Federal Air Regulations. This paragraph states that *no* electronic device may be operated aboard a commercial airliner *except* heart pacemakers, voice recorders, hearing aids, electric shavers and electric watches, unless the device has been approved by the air carrier or operator. The regulation further states that *the captain of the aircraft does not have the authority to authorize such operation.*

Consider, for a moment, what might happen if such operation were allowed. Suppose you have been operating all across the country, and your plane is about to land. A passenger with a briefcase telephone sitting across from you has been watching you operate. About 10 minutes before landing, he decides to call his wife. Unfortunately, his telephone operates on a frequency right in the middle of the glide slope spectrum. As soon as his transmitter is keyed, the glide slope indicator cross pointer goes up or down, and the autopilot follows it. This could be disastrous.

As an airliner flies across the country, the pilot changes frequency every 5 minutes or so. If several fm operators are on the same flight, only one can talk at a time, so some may decide to switch to other frequencies. When you start to figure out all of the i-f and carrier frequencies of the aircraft radios, plus the

(continued on page 86)

Don't be misled by:  
**"WHAT YOU SEE IS WHAT YOU GET,"**

when buying 2 meter FM equipment (or any other Ham gear, for that matter).

**SWAN ELECTRONICS**  
 gives you much more  
 —a lot of which you can't see!



INVESTIGATE BEFORE YOU BUY! Compare Swan's FM-1210A for, example, to other 2 meter FM transceivers with a rated RF output of 10 watts. The FM-1210A gives you:

- 144 channel combinations through independent switching of 12 transmit and 12 receive frequencies from 144 to 148 mHz.
- Eight crystals (not just 3) . . . TRANSMIT: 146.22, 146.34, 146.76 & 146.94 mHz; RECEIVE: 146.28, 146.76, 146.88 & 146.94 mHz.
- A 16.9 mHz crystal lattice filter for adjacent channel rejection of —55 db providing greatly improved selectivity.
- A fully solid state transmitter with automatic protection of the output transistor from improper-load damage.

- A crystal oven for superior stability of  $\pm .001\%$  from  $-30^{\circ}$  to  $+50^{\circ}$  C. (Who else gives you this for 2 meters?)
- A squelch threshold of less than 0.3 mv with 2 watts of clear reception at less than 10% distortion.

**PLUS:** A heavy-duty pedestal type AC power supply, dynamic microphone, antenna connector plug, spare fuses and lamps, DC power cord, and mobile mounting bracket.

FM-1210A Transceiver . . . **\$329.00**

Write for your free copy of Swan's 1972 Spring catalog containing complete details and specifications on the full line of Swan products.



2 Meter FM Economy is available with the SWAN FM-2X . . . everything you need for AC or DC operation is included at one low price, just hook up your antenna and you're on the air. Frequency coverage extends from 144 to 148 mHz over 12 channels. Crystals are installed for Channel 1 to transmit and receive on 146.94 mHz; Channel 2 to transmit on 146.34 and receive on 146.94 mHz; Channel 3 to transmit on 146.34 and receive on 146.76 mHz. 10 watt RF output. Microphone, AC power supply, DC power cord and mobile mounting bracket furnished.

FM-2X Transceiver . . . . . **\$259.00**



When reaching out for long range contacts, Swan's VHF-150 Linear Amplifier is a perfect companion to the FM-1210A or the FM-2X. Operates class "C" at 150 watts DC input on CW or FM with a frequency range of 143 to 149 mHz. A flip of a switch gives you 180 watts of P.E.P. when working SSB class "B". Its self-contained AC power supply is designed for continuous operation, and a DC converter is available for mobile installations.

VHF-150 Linear Amplifier . . . . . **\$279.00**

14C DC Converter . . . . . **\$ 65.00**

USE YOUR SWAN REVOLVING CREDIT SERVICE ACCOUNT AT 10% DOWN



305 Airport Road • Oceanside, CA 92054 • Phone (714) 757-7525

# five-band conduction-cooled linear amplifier

A high performance  
table-top linear  
that provides  
noiseless operation  
on all bands  
from 3.5 to 28 MHz

Richard L. Bain, W9KIT, 4915 Ridgedale Drive, Fort Wayne, Indiana 46815

The idea of adding a linear amplifier to your station becomes quite attractive after fighting the DX dog-piles on 20, foreign broadcast QRM on 40, or QRN on 80. When I started planning a high-power linear amplifier for my station, I wanted a table-top unit that was quiet, lightweight, stable and efficient, and that would dissipate very little power on standby. I also wanted an amplifier as uncomplicated as possible; the fewer parts there are, the fewer there are to fail.

The conduction-cooled linear shown in fig. 1 nicely fills all of these requirements. The conduction-cooled Eimac 8873 power tubes provide up to 1500 watt PEP input without a blower, so the amplifier is absolutely quiet.

The amplifier is housed in a table-top sized cabinet 24 inches long and 12 inches high. The unit dissipates little power on standby, and power output on 80, 40, 20 and 15 meters is 600 watts; on 10 meters power output is slightly less.

## circuit

In the complete amplifier circuit shown in fig. 1, two vacuum relays are used to switch the linear in and out of the circuit. These two relays are controlled by a third, smaller relay which also shorts out the protective-bias resistor. The use of input and output switching allows use of the linear with transceivers. The relay can be energized only when the high voltage power supply is turned on.

The parasitic choke is located in the



cathode input circuit, and seems to be just as effective as if it were placed in the plate circuit.<sup>1</sup> The cathode and filaments are isolated from rf ground by a 3-winding rf choke wound on a ½- by 5-inch ferrite rod. The winding, consisting of two no. 16 wires for the filaments and one no. 20 for the cathode, fills the full length of the ferrite rod.

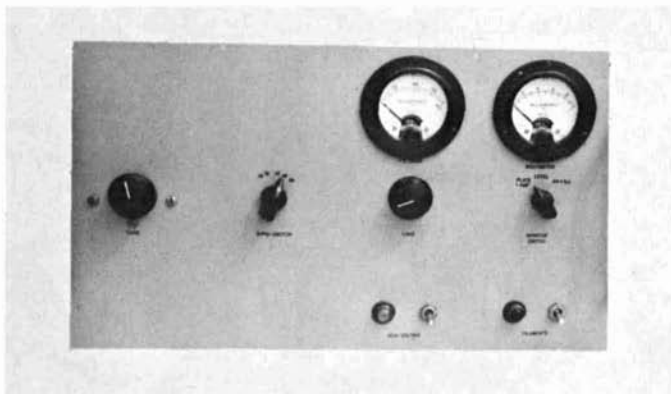
The 8.2-volt zener diode provides cathode bias to hold the two tubes to a total cathode current of approximately 50 mA. I used a 10-watt diode, which should be sufficient for up to 1500 watts input; for 2-kW operation, a 50-watt zener would be preferable. The resistor in

the 28-MHz band.

I wanted to run 1500 watts PEP on ssb, but this raised the question of obtaining reasonable tuned-circuit Q at both 1000 and 1500 watts input. However, I found that, by selecting a Q of 15 at 1000 watts, the Q was still 10 at 1500 watts; both fall within a satisfactory range. If you want to run 2000 watts PEP for ssb, the tank coil should have separate taps for CW and ssb.<sup>1</sup>

A second problem that had to be considered was the high fixed capacitance in the plate circuit due to tube output capacitance and stray capacitance to the heat sinks. Unfortunately, the total of

The simple front panel of the conduction-cooled linear. The front panel of the finished amplifier has handles, facilitating moving, handling and servicing the unit.



parallel with the zener provides insurance against damage due to a floating ground in case the zener opens up. The 10k resistor in series with the zener diode provides cut-off bias during standby.

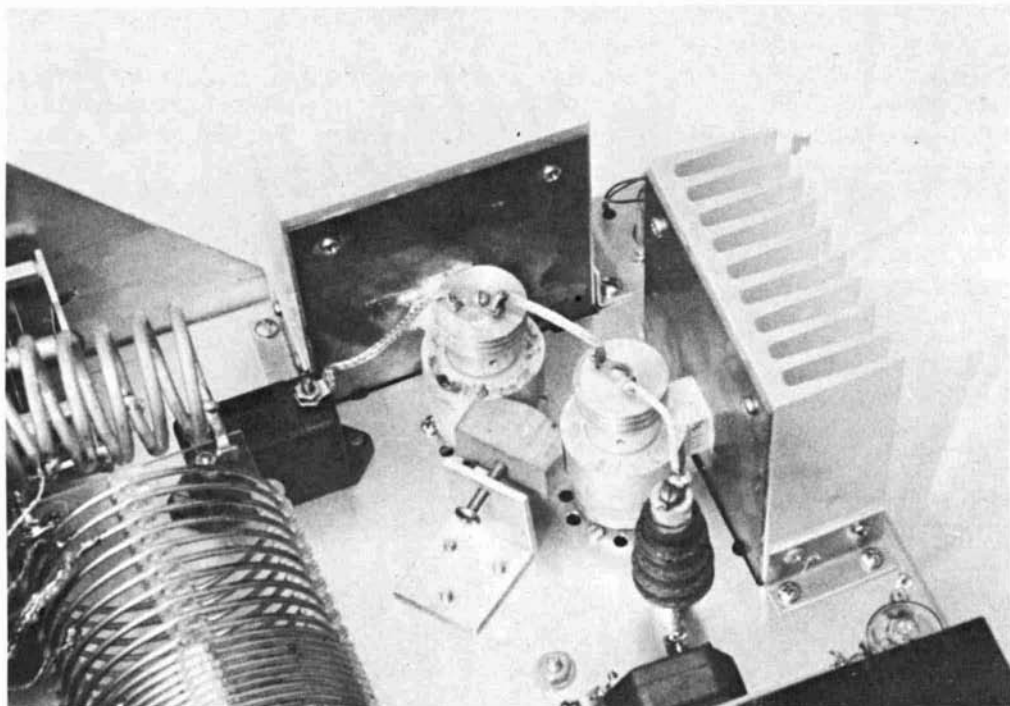
The rf plate choke I used is a surplus pie-wound unit. The National R-175A or B&W 800 are suitable substitutes. The plate switch has three sections, but only two are used. One switch section selects taps on the coil and adds extra loading capacitance on 3.5 MHz. The other section adds capacitance in the plate side in the 3.5-MHz position.

The plate-tuning capacitor is tapped down on the ten-meter coil. This reduces the effective minimum capacitance of the plate-tuning capacitor so more inductance is placed in the circuit when operating on

this stray capacitance is sufficient to resonate the desired tank inductance on 10 meters. Therefore, I had to settle for a smaller coil, and consequently, higher Q. The sacrifice is small, however, and the 10-meter coil does not heat excessively during normal operation.

I debated about adding tuned circuits for cathode matching to gain the 1 or 2 dB advantage in intermodulation distortion, but decided to try the amplifier without them and see how it worked out. The cathode input impedance is in the 60- to 70-ohm region, a reasonable match for most exciters. A problem that popped up while using the linear was that exciter drive dropped off as a transmission progressed. I added a power-dropping attenuator pad so the exciter could be operated





Close-up photograph shows the details of the final-tube mounting. Careful alignment of the tubes, heat sinks and clamping block is necessary to assure efficient and equal cooling of both tubes. To assure adequate ventilation of the heat sinks, drill plenty of holes in the equipment cabinet.

centered. Slots on the chassis sides beside the heat sinks allow free air movement up through the cooling fins.

The tube socket mounting holes are elongated to allow alignment of the flat face on the tubes with the heat sink surfaces. Also, the mounting holes in the aluminum angle brackets that hold the heat sinks in place are oversized — this allows some tilt adjustment of the heat sinks.

The alignment of the tubes and sinks must be nearly perfect, or the thermal link blocks will not sit flat on the sink, and heat transfer from the tubes to the heat sinks will be impaired. Thermal compound should be used liberally between the tubes and thermal links, between the thermal link and copper plate, and the copper facing.

The 8873s are held tightly against the heat sinks by a semicircular piece of diallyl phthalate, which is clamped in place by a number-10 screw through a

hole tapped in a piece of aluminum angle bracket. The material used for the clamping block must be a good electrical insulator and be able to take temperatures up to 200° C. A tapered ceramic insulator might be used for this purpose. The chassis holes for the angle bracket are slotted so the bracket can be rotated to properly align the clamping block to

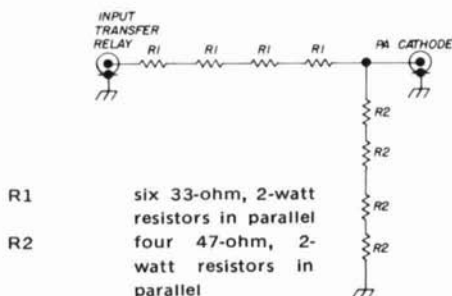


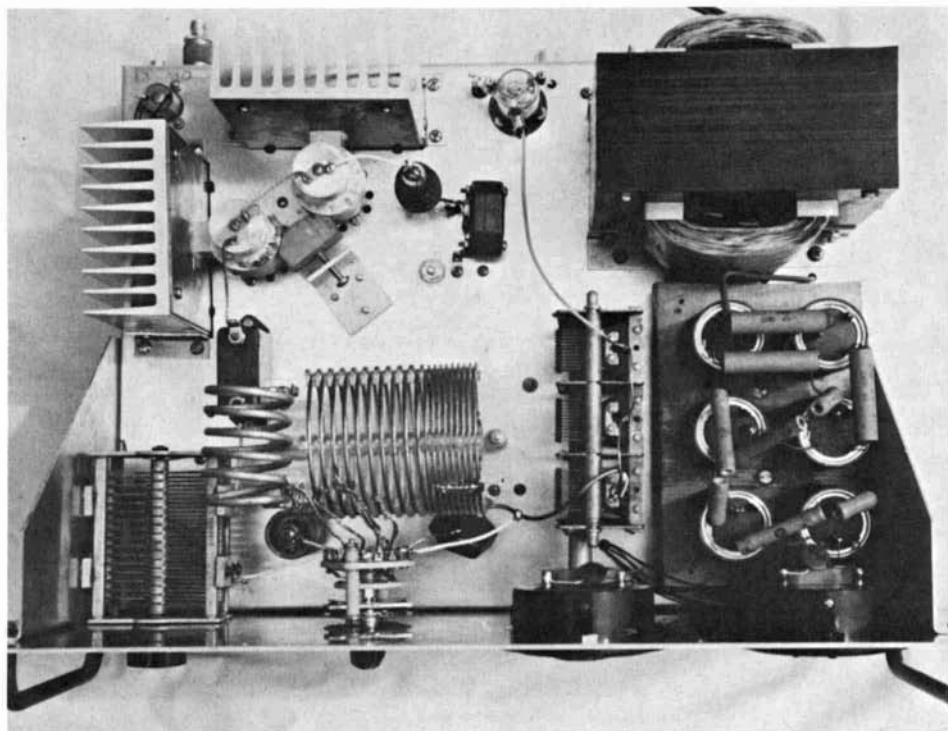
fig. 2. Power attenuator for use with high-power excitors. The amplifier requires only 16 watts drive for 1500 watts PEP input.

insure equal pressure on the two tubes.

It would, of course, be possible to mount the heat sinks in-line and clamp each tube individually with a toggle clamp.<sup>2</sup> However, regardless of the mounting you use, external air must be able to enter the cabinet, pass through

the transformer. The high voltage drops about 400 volts with a 500-mA load when operating from 117 Vac. Operation from 220 Vac should result in better regulation due to reduced primary current.

My diode rectifiers generate a small



Overview of the complete amplifier and power supply show the clean layout and overall simplicity.

the heat sinks and exhaust, all with ease. I put several rows of  $\frac{1}{4}$  inch holes in the cabinet above and below each heat sink. The cabinet must be mounted on at least  $\frac{3}{4}$  inch feet to allow air to enter through the bottom.

### power supply

The high-voltage power supply has six series-connected capacitors for a total of 21  $\mu$ F. This amount of filtering is adequate for up to 1500 watts PEP, but if you want to run 2000 watts input, more capacitance should be used. The rectifiers are 5000-volt bridges connected to give a 10 kV PIV diode array on each side of

amount of hash, probably due to switching transients. Capacitors on the primary and secondary side of the power transformer keep most of the hash out of the 117-Vac line. Filter chokes may be needed for tougher cases.

The bypass capacitors also protect the diodes from large amplitude, narrow spikes which may be present on the ac line. The 28-volt supply provides power to the high-voltage indicator and the relays (see **fig. 3**).

The high-voltage supply is metered by tapping off the top of the bottom bleeder resistor. Since the bleeder resistors are not precision types, the actual value of

the high voltage should be measured by a more accurate means to obtain a correction factor; alternately, the value of the series-dropping resistor may be selected to make the meter read correctly.

The five-ohm resistor and S5 were

and efficiency will be poor.

There is some problem in determining just what the grid current should be under normal conditions. This depends upon the percentage of grid intercept. The manufacturer says that this is nominally 10%, but may be somewhat lower, or as

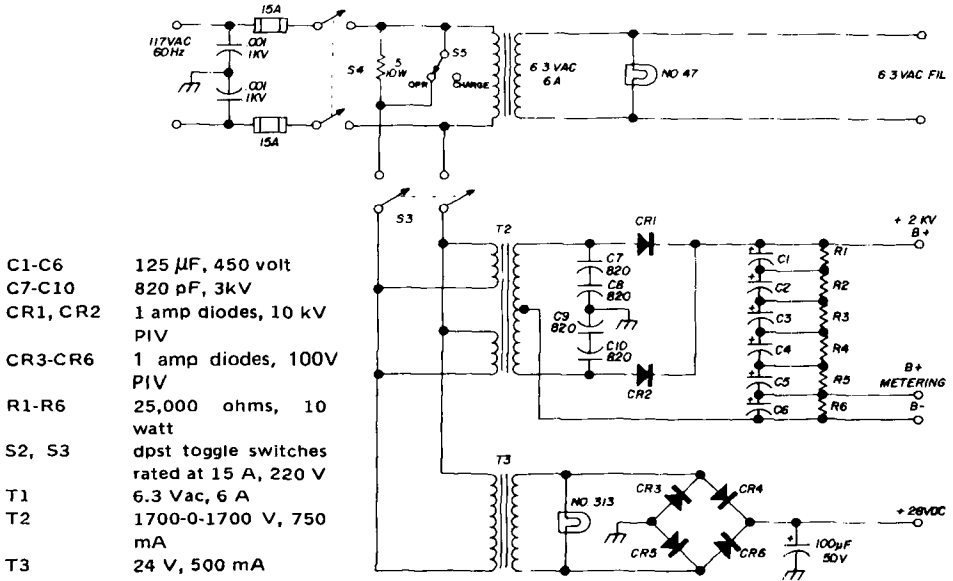


fig. 3. Power supply for the five-band linear amplifier.

added after six months of operation. I found that the surge current through S3 caused the switch contacts to stick closed. Closing S5 after S3 protects S3 and the high-voltage diodes.

### tuning and adjustment

The amplifier should be tuned to achieve maximum output at a given plate-current level while insuring that grid current does not exceed the normal operating value. When you have determined the normal settings for the tuning controls, it is easy to use these as starting points when changing bands. The amount of grid current at a given amount of plate current is determined by the setting of the loading control. With light loading, grid current will be excessive, while with heavy loading, grid current will be small,

high as 15%. This means that the grid current could run a bit higher than that listed on the manufacturers data sheet, and still not be excessive.

The best way to determine the correct grid current for a given power input is to check power output. My linear delivers 600 watts output on all bands except ten meters where it is a bit less. Allowing more than minimum grid current to achieve this power level does not result in more output, so this minimum grid current is my operating value. It is, of course, desirable to use a scope when operating and tuning up on ssb.

### heat tests

Heat tests were run to determine the temperatures that the tubes and heat sinks reach during normal operation. The

temperatures were checked with temperature-sensitive compound sticks known as *Tempilstiks*.<sup>\*</sup> The heat sinks were allowed to stabilize with just the filaments running before the heat-test runs were started. Static dissipation tests were made by reducing the bias on the tubes until each tube was dissipating 200 watts.

The anode temperature (on the side of the tube away from the sink) reached 200° C in 8 to 10 minutes. There was a 50° C drop from the tubes to the heat sinks. The tubes must not be operated above 250° C, so a limit of 200° C under normal operating conditions is reasonable.

Tube temperature seemed to slowly increase beyond 200° C. This indicates that key-down operation for periods longer than ten minutes would require some additional cooling measures, such as a thermostat on the heat sink to turn on a fan. The thermal link blocks used on my tubes are 3/8-inch thick, but thinner blocks are available for improved heat transfer. However, thinner blocks add more stray capacitance to the plate circuit.

Since the heat sinks are attached to the chassis, it receives conducted heat. Therefore it is wise to avoid mounting parts that could be damaged by the elevated temperatures close to the heat sinks. The hottest spot on the chassis is in the area around the tubes.

It was noted while running the static heat tests that one tube drew about 10 mA more than the other, so it was running much hotter. Diodes were added as shown in fig. 4 to place more bias on the higher current tube. The reverse diode provides a current path during the negative half of the rf cycle. This simple addition seemed to achieve balance between the two tubes.

Tube operating temperatures were also checked during operation. Under extended operating times, such as a CW ragchew, tube temperatures did not reach

200° C. Likewise, ssb operation at 1500 watts PEP did not result in excessive tube temperatures. Even hot and heavy contest operation doesn't overheat the tubes.

## operation

The linear should be placed so air can freely enter and leave the cabinet since cooling relies primarily on air moving by convection upward through the cooling fins. The cabinet should be mounted on feet, 3/4 inch or higher, to allow free entry of air into the bottom of the cabinet.

The thermal links should be checked from time to time to insure that they have not changed position. It might be possible to place a ridge of solder or

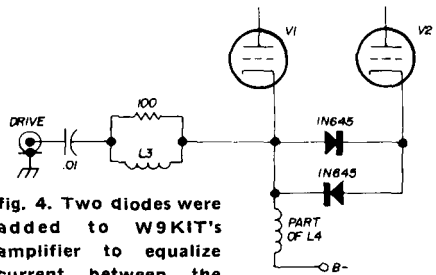


fig. 4. Two diodes were added to W9KIT's amplifier to equalize current between the two final-amplifier tubes (see text).

epoxy on the heat sinks around the location of the blocks to prevent creeping.

I have found this linear amplifier to be quite stable. The only problem I had was my homebrew exciter taking off on 80 meters. This was due to a poor ground connection between the exciter and the linear, and was cured with a ground strap between the units. I am well satisfied with the amplifier, and find that it fulfills all my operating requirements.

## references

1. Douglas A. Blakeslee, W1KLLK, Carl E. Smith, W1ETU, "Some Notes on the Design and Construction of Grounded-Grid Linear Amplifiers," *QST*, December, 1970, page 22.
2. Robert I. Sutherland, W6UOV, "Using the Eimac 8873 Zero-Bias Triode," *ham radio*, January, 1971, page 32.

ham radio

<sup>\*</sup>*Tempilstiks* are manufactured by the Tempil Company, 132 West 22nd Street, New York, New York 10011.

# crystal- controlled AFSK generator

Using one oscillator  
with a variable  
frequency divider,  
allows  
crystal-controlled  
AFSK without  
envelope aberrations

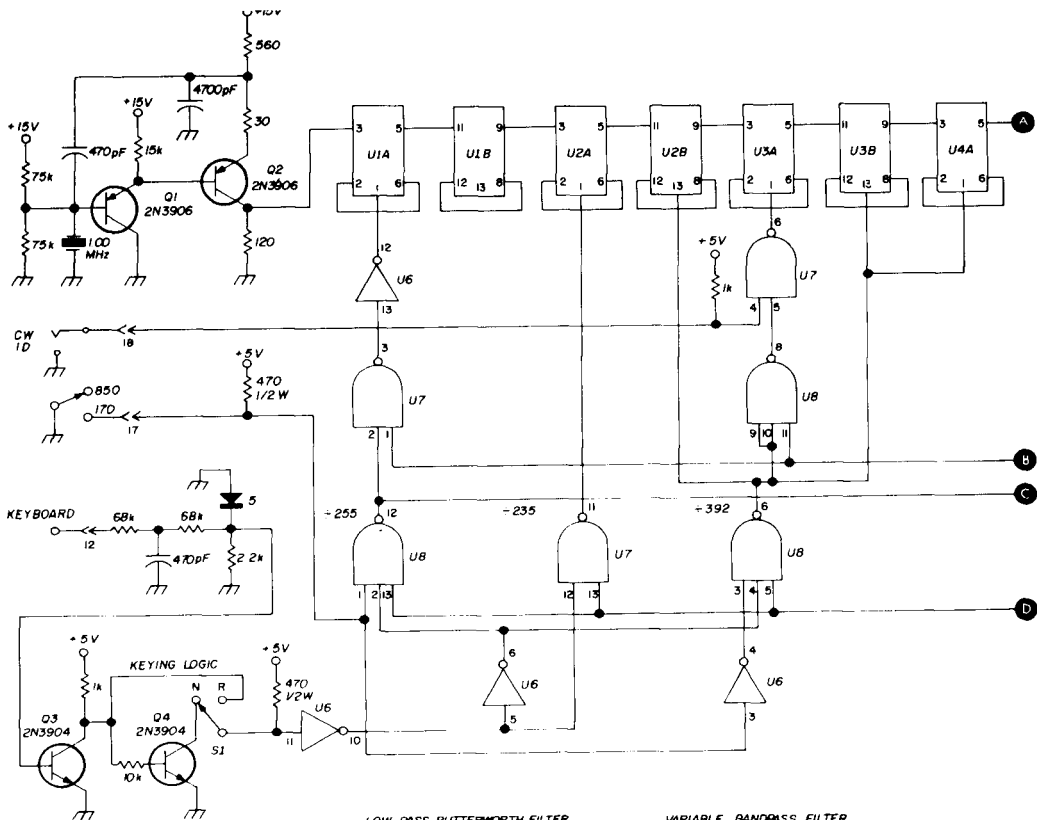
Several crystal-controlled AFSK circuits have been described using two separate oscillators and a common digital dividing circuit.<sup>1</sup> The circuit presented here is unique in that it uses a single oscillator and varies the division factor of the counter circuit. This has the inherent advantage that transitions between tones always occur at zero crossings, thus eliminating envelope aberrations often generated when switching between two non-synchronous tones.

Chuck Barrows, K7BVT, 5541 SW Miles Court, Portland, Oregon 97219

I used a 1-MHz crystal because these crystals are readily available on the surplus market. Dividing 1 MHz by 2.125 kHz yields a ratio of 470.59. Since the counter can only divide by an integer I use a compromise ratio of 470, resulting in a output tone of 2.1277 kHz; 2.7 Hz higher than the standard mark frequency. Starting with a 100-MHz oscillator and dividing by 4,706 would give a 2.12504-kHz output, but the cost of ICs operating over 10 MHz and the problems of 100-MHz circuitry would not justify the added accuracy.

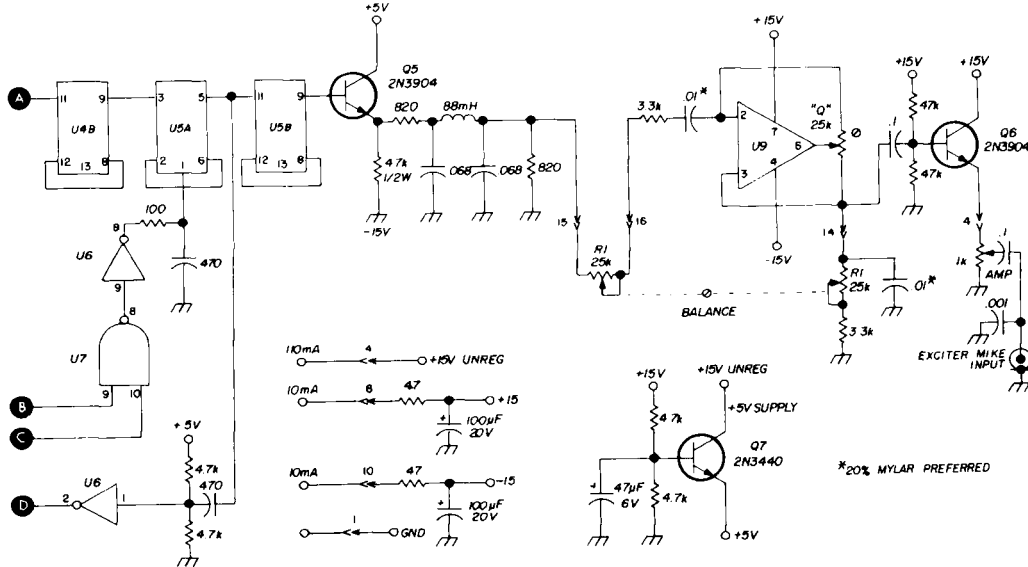
I used a standard ripple counter for the frequency-divider circuit (see fig. 1). These counters give an output with a non-symmetrical period when dividing by ratios other than two, four, eight and so forth. Since a non-symmetrical period represents even harmonics, the filtering requirements are eased by designing the basic counter to yield twice the desired frequency and then dividing again by two in a simple toggle circuit.

The output at pin 5 of U5 is differentiated through the RC network at pin 2 of U6 providing a *clear* pulse for the appropriate stages to provide the different ratios. For instance, when 2.127 kHz is required each time pin 5 of U5 goes negative, a pulse is coupled through the NAND gate logic scheme to the 1, 4, 16 and 256 stages. The counter will start each cycle with a count of



LOW-PASS BUTTERWORTH FILTER

VARIABLE BANDPASS FILTER



- Q7 2N3440, TO-5 case, 1W  
 R1 dual 25k potentiometer, single shaft  
 U1,U2, SN7474 Dual D-type edge-triggered  
 U3,U4,U5 flip-flop

- U6 SN7404 Hex inverter  
 U7 SN7400 Quad 2-input NAND gate  
 U8 SN7410 Triple 3-input NAND gate  
 U9  $\mu$ A741 Operational amplifier

\*20% MYLAR PREFERRED



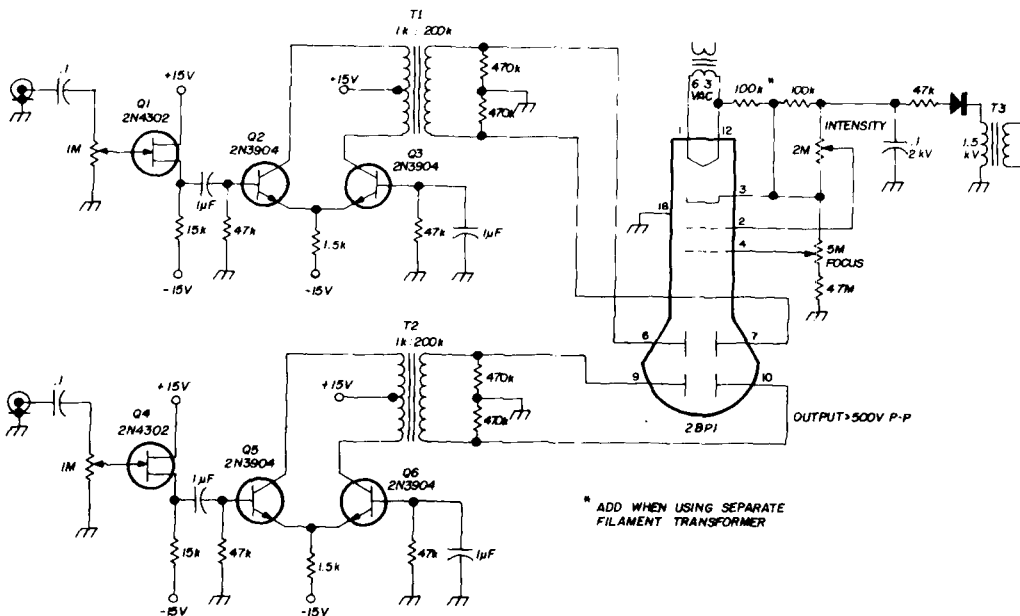


fig. 2. Transistorized, transformer-coupled deflection amplifier. The coupling transformers, T1 and T2, are inexpensive imported audio interstage types. T3 is a high-voltage scope transformer.

$1+4+16+256=277$ , thus pin 5 of U5 will go negative at an actual count of  $511-277=234$ . The output of U5 will be a non-symmetrical square wave with a frequency of 4.154 kHz providing a 2.127 symmetrical square wave at pin 9 of U6. Since the clear pulse is derived from the 256 stage, an RC network is placed ahead of the 256 clear input to insure enough delay for proper self-clearing action.

When a keying transition appears at the input (the network connected to the base of Q3), the counter ratio cannot change until the cycle in progress is completed.

The output of the counter is fed to a 3-pole Butterworth low-pass filter with a -3 dB point of 2.5 kHz. The low-pass filter is followed by an active variable

band-pass filter.<sup>2</sup> Tuning this filter between the mark and space tones provides amplitude compensation to counteract unequal attenuation of the two tones in the low-pass filter and the filter in the ssb exciter.

### construction

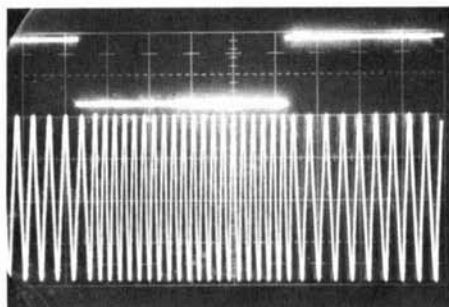
The entire circuit was built on a 22-pin plug-in Vectorbord. I used a BC-929 cabinet to enclose the AFSK circuit as well as a version of the ST-6 demodulator.<sup>3</sup> The ST-6  $\pm 15$  V supply provides enough current for the AFSK, ST-6 and a transistorized transformer-coupled deflection amplifier (see fig. 2) that drives the original BC-929 3-inch CRT.

The circuit is fairly complex for the average amateur with nine ICs and seven transistors. The new Motorola frequency-synthesizer ICs (MC4318) would simplify the design, but at least two would be required at \$7.50 each versus less than \$10 for all of the TTL ICs through surplus outlets. The total cost of components through surplus houses is around \$25. The 5-volt supply is marginal and

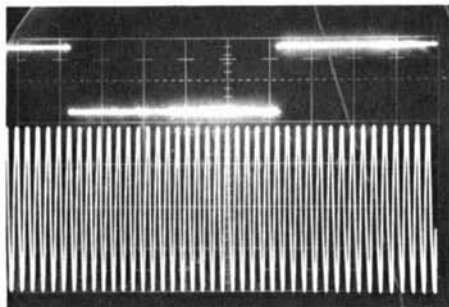
was used for economy. An independent rectifier running from a 6-Vac filament transformer with a Zener diode controlling Q7 would be a definite improvement.

lator with a single switch.

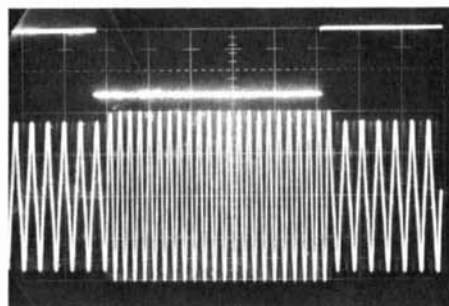
The low-pass filter does not remove the third harmonic of the 1.275 kHz tone completely, and this is compounded when the band-pass filter is aligned to



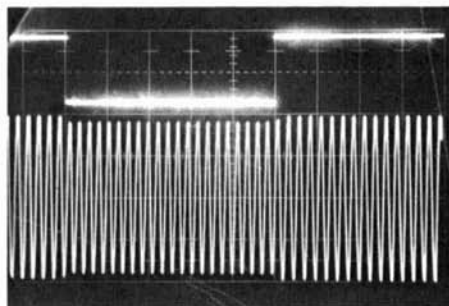
Wide shift adjusted for equal tone amplitude.



Narrow shift adjusted for equal tone amplitude.



Wide shift adjusted to boost high-frequency tone.



Narrow shift adjusted to boost low-frequency tone.

fig. 3. Performance of the AFSK generator. An electronic pulse generator was used to key the AFSK unit for these photos. All photographs were taken from a Tektronix type 547/1A4 50 MHz oscilloscope.

### summary and criticism

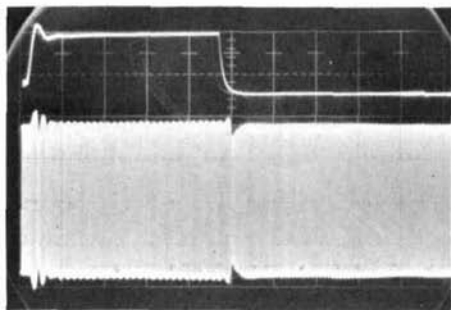
The AFSK unit has been used to drive a HeathKit HW-100 for several months with very satisfactory results. While the output tones are not exact, they are more accurate and stable than typical LC or RC oscillators. For normal operation, I use upper sideband and I adjust my ST-6 tuned circuits to match the tones I use: mark—2125, space—1275, for 850 Hz shift; mark—2125, space—1955, for 170-Hz shift. The CW identification shift is 132 Hz. Since the change between narrow and wide shift requires only a ground closure, it is simple to control the AFSK shift and the shift of the demodu-

boost the 2.125 kHz tone. An additional 88 mH toroid would provide a 5-pole filter which would reduce the third harmonic, but the ssb exciter filter seems to prevent radiation of the third harmonic.

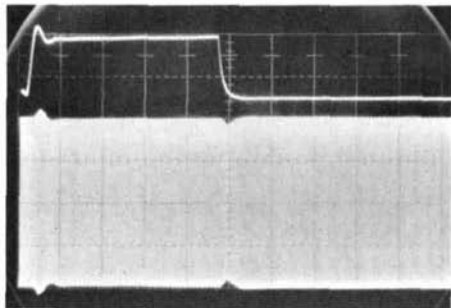
While the audio envelope does not have any aberrations and tone transitions occur at zero crossings, there is some ripple on the rf envelope during transitions. This is probably due to attenuation of audio sidebands in the sharp ssb filter.

The speed of transitions between tones could be slowed, using an RC oscillator with a damping network in the frequency determining voltage loop for instance,

thus reducing the audio sidebands and the rf envelope aberrations. This would increase the rise and fall times of the demodulated waveform, thus reducing the effective width of the mark and space



Rf envelope using wide shift.



Rf envelope using narrow shift.

fig. 4. Rf envelope pictures taken with HW-100 driving a Cantenna, 75 W at 3.6 MHz.

pulses, resulting in less immunity to noise, particularly on 100-wpm signals.

Thanks to W7GNI for many helpful circuit design suggestions, and to K7TBQ and WB6BZW/7 for help in evaluating the circuit.

#### references

1. B. Stuecker, "Crystal Controlled AFSK Generator," *RTTY Journal*, June, 1970.
2. "Active RC Filters," Burr-Brown, Tucson, Arizona.
3. Irvin M. Hoff, W6FFC, "The Mainline ST-6 RTTY Demodulator," *ham radio*, January, 1971, page 6.

ham radio

# SAVE \$50 to \$500...

## ON HENRY RADIO'S BIG NEW DESIGN-IT-YOURSELF ANTENNA PACKAGE

FOR FIVE YEARS HENRY RADIO HAS BEEN PROVIDING A BEAM-ANTENNA TOWER PROGRAM FOR AMATEURS WHO WANTED AN EFFICIENT BUT ECONOMICAL PACKAGE. THOUSANDS HAVE BENEFITED FROM THIS OFFER IN THE PAST. NOW HENRY RADIO HAS RESTYLED AND UPDATED ITS PROGRAM TO ALLOW THE AMATEUR TO DESIGN HIS OWN PACKAGE AT SAVINGS EVEN GREATER THAN IN THE PAST! JUST FILL IN THE COUPON BELOW, MAIL, AND BY RETURN MAIL WE WILL SEND YOU OUR UNBELIEVABLY LOW PACKAGE PRICE.

DO IT NOW!!!

Please send full information as advertised  
in Ham Radio

NAME \_\_\_\_\_

STREET \_\_\_\_\_

CITY \_\_\_\_\_

STATE \_\_\_\_\_ ZIP \_\_\_\_\_

MAIL TO YOUR NEAREST

### HENRY RADIO

11240 W. Olympic Blvd., Los Angeles, Calif. 90064

931 N. Euclid, Anaheim, Calif. 92801

Butler, Missouri 64730

# resistance-capacitance oscillators

Replacing  
the large inductors  
of the traditional  
L-C circuit  
with resistors  
and capacitors  
for today's miniature  
audio oscillators

The trend to microcircuits and its resultant reduction in size of electronic equipment has been accompanied by a move to eliminate inductors. This is not only because inductors (at least those with henries of inductance) are large and heavy, but because the inductor is one component that will apparently not be put on a silicon chip. (At vhf and uhf where very small inductances are useful, inductances *can* and *are* being made using etched circuit and metal-deposited-on-substrate techniques.)

Because of the engineering drive to get rid of the iron, new ideas for circuits using resistances and capacitances instead of inductances and capacitances are rapidly coming to the fore. One of the areas where R-C replaces L-C is in filtering. The techniques for systematic multiple-pole low-pass, high-pass, and bandpass filters using only resistances, capacitances and IC operational amplifiers are pretty well established.<sup>1</sup> Tuned transformers associated with ratio detectors and discriminators are also on their way out, having been designed around by IC phase-locked loops and other IC circuits for fm demodulation.

Another area wherein R-C circuits are widely used is oscillators; unlike the circuit designs mentioned above, R-C oscillators are not new technology. R-C oscillators have been with us for decades, at least for audio frequencies.<sup>2</sup> The

Hank Olson, W6GXN, Box 339, Menlo Park, California 94025

phase-shift oscillator, bridged-tee oscillator, twin-tee oscillator, and Wien Bridge oscillator (with vacuum tubes) are good examples. Circuits of these are shown in **fig. 1** as they were originally used, with vacuum tubes as the gain blocks. Only the equivalent ac circuits are shown; that is, no blocking capacitors or biasing resistors are included.

### basic circuits

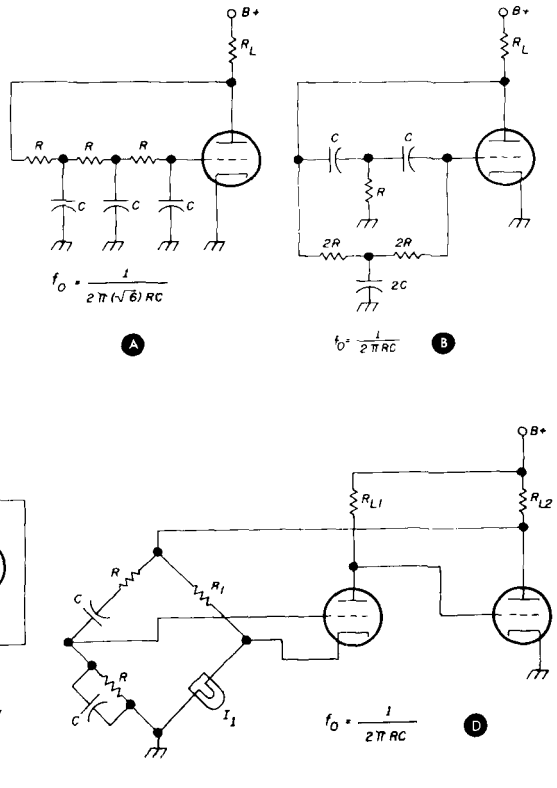
The circuits presented in **fig. 1** have only one thing in common—all are R-C types. These circuits differ significantly in details. The phase-shift oscillator and the twin-tee oscillator shown in **figs. 1A** and **1B** have no amplitude control system, and require their R-C networks to shift  $180^\circ$  at the oscillation frequency. The bridged-tee oscillator shown in **fig. 1C**, however, uses the R-C network as a null

in the negative feedback path to increase the loop gain at the oscillation frequency. Positive feedback is *broadband* and provided by the resistance of **I1** in **fig. 1C**.<sup>3</sup> The phase shift of the bridged-tee network is  $0^\circ$  at the null frequency. Like the bridged-tee oscillator, the Wien Bridge oscillator has an R-C network which provides  $0^\circ$  phase shift at the oscillation frequency. The R-C network, however, provides a peak instead of a null at the oscillation frequency, and so is placed in the *positive* feedback loop.

In **figs. 1A** and **1B** no attempt is made to automatically control the amplitude of oscillation. For this reason, these two circuits will generally produce a somewhat distorted sine-wave output.

The circuits of **figs. 1C** and **1D**, however, have a non-linear resistance (**I1**) which increases its resistance with an

**fig. 1.** Some basic R-C oscillators: phase-shift (A), twin-tee (B), bridged-tee (C) and Wien Bridge (D). The bridged-tee and the Wien Bridge both contain non-linear resistances which result in a more pure sine wave than that produced by the phase-shift or twin-tee oscillators shown.



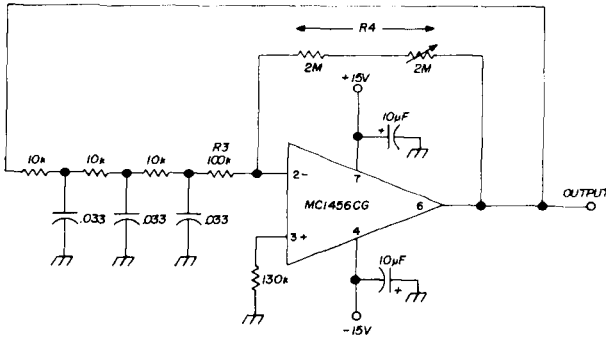


fig. 2 Phase-shift oscillator using monolithic IC op amp. The phase-shift section is composed of the three 10k resistors and the three 0.033  $\mu$ F capacitors at left. All pin numbers refer to the TO-5 package.

increase in output level. The series position of I1 in fig. 1C assures that if the output level increases the effect will be to *decrease* the positive feedback factor. The parallel position of I1 in fig. 1D has the effect of increasing the negative-feedback factor upon an increase in output. In both cases the effect of I1, in increasing resistance with an increase in level, is to restore the operating condition that existed before the change.

The two oscillator circuits, with a nonlinear resistance for feedback control, produce very nearly sinusoidal waveforms, since the automatic feature holds them in the linear operating region. For this reason, these circuits have been widely used as laboratory audio generators; the famous Hewlett Packard 200 series is based on the Wien-Bridge circuit. Similarly, the bridged-tee is used in the Heathkit IG72 audio generator. It is also feasible, however, to apply amplitude control to the circuits of figs. 1A or 1B.

### op amps

Let us now redraw the four R-C oscillators using operational amplifiers as the gain-blocks. These are shown in figs. 2, 3, 4 and 5. The resistor R3 establishes the input impedance into which the R-C network must operate. Also, in *all* of these circuits, the ratio R4/R3 determines the closed-loop gain of the amplifier.

In the basic phase-shift oscillator, there are three R-C sections, each with  $60^\circ$  of phase shift at the operating fre-

quency. These phase shifts all add up to  $180^\circ$ , causing the input and output to be  $360^\circ$  out of phase so that oscillation will start if the gain of the amplifier is adequate.

The twin-tee oscillator operates in much the same fashion as does the phase-shift oscillator. At the frequency of oscillation, there is  $180^\circ$  phase shift through the R-C network. The twin-tee network will be remembered by some readers as a notch network, which was often used in a-m radios to suppress the 10 kHz interstation whistle in early hi-fi tuners. In the oscillator use, however, it never quite operates in the notch, or no positive feedback could occur.

In the bridged-tee oscillator of fig. 4, the amplifier has an all-pass network (resistive voltage divider) in the positive-feedback path; so that except for the presence of negative feedback, it could oscillate at *any* frequency. However, the bridge-tee network is a *null* network, and so gives *minimum* negative feedback at its *null* frequency. This minimum negative feedback at the null frequency means that the amplifier has its maximum gain at that frequency, and so that's where the oscillations occur.

The Wien Bridge as shown in fig. 5 is quite different in that the R-C network does not control the negative feedback but rather the *positive* feedback. The negative feedback is controlled by R3 and R4.

All the circuits of figs. 2, 3, 4 and 5

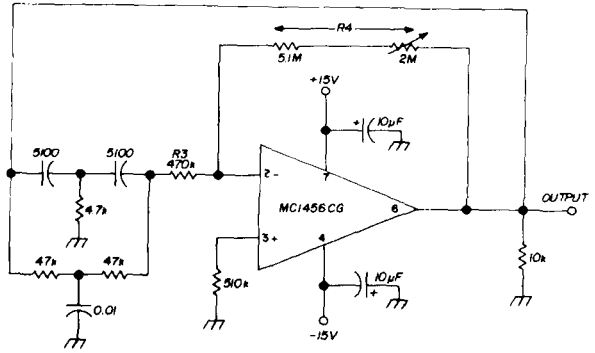


fig. 3. Twin-tee oscillator using an IC op amp.

use relatively low impedance values in their R-C frequency-controlling networks because of the low input impedances of the monolithic IC op amps they use. By using op amps with higher input impedances (such as the fet-input types), it is possible to make the C values smaller. This seemingly tiny advantage is really quite significant; it allows some important circuit possibilities: use of 15 to 468 pF dual- or triple-section variable capacitors for tuning, use of varactors for tuning, and use of on-chip capacitors. A few of the things that can then be constructed are: a capacitively-tuned continuously variable R-C oscillator, a voltage-variable R-C oscillator (for generating fm) and an R-C oscillator entirely built on a silicon chip.

### variations

There are also some important variations on the basic oscillators that are worth looking at. The phase-shift oscillator, for instance, need not have the simple form of fig. 1, wherein all the Rs and Cs have equal values. A useful variation is that of tapering the R-C network.<sup>4</sup> This method uses a larger value of R and a smaller C in each successive R-C section. In this manner, the C of the first section is not loaded by the R of the following section (see fig. 6A). If R3 is much larger than R2, R2 is much larger than R1, C1 is much larger than C2, and C2 is much larger than C3, true tapering results. By "much larger than," I usually mean ten times as large. However, five times as

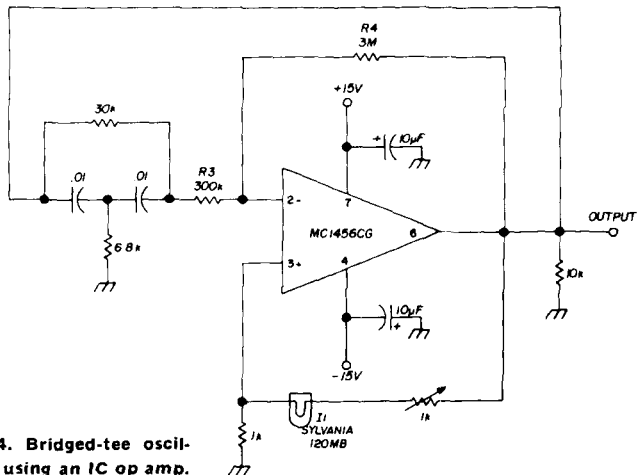


fig. 4. Bridged-tee oscillator using an IC op amp.

large is adequate for tapering in a phase-shift oscillator.

Fig. 6B shows another variation of the phase-shift oscillator network, using four sections. This variation can be extended to as many sections as desired.

Finally in fig. 6C, the Rs and Cs are exchanged in the circuit, and the phase-shift oscillator still operates. This works because it doesn't matter whether there is 180° lead or lag for oscillations to take place. This network may have some advantages in some circuits since it makes coupling capacitors and the amplifier input resistor part of the network. A concrete example of this is shown in fig. 7.

Fig. 7 also combines the techniques of multiple sections (more than 3), and tapering, to show that these several variations are all compatible. Tapering and increasing the number of sections both have the effect of reducing the loss in the R-C network, allowing us to use less amplifier voltage gain to sustain oscillation.

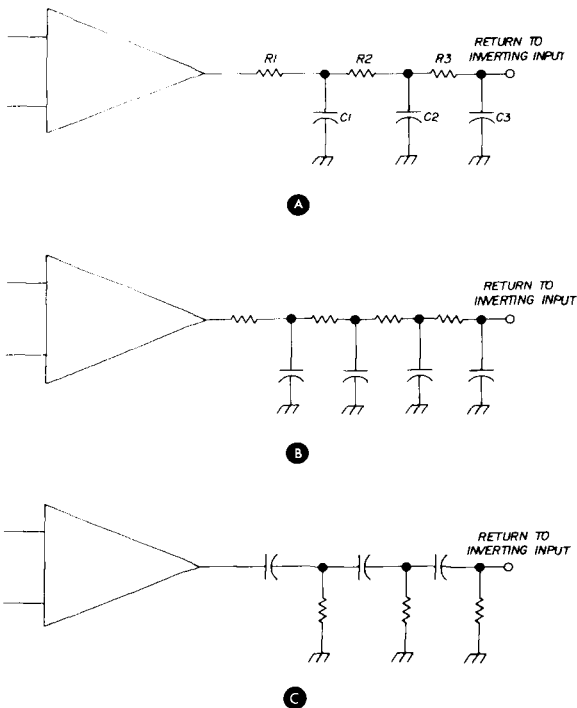


fig. 6. Variations of the basic oscillator. The tapered network is shown in A.  $C_1$  is much greater than  $C_2$  which is larger than  $C_3$ . Similarly,  $R_3$  is greater than  $R_2$  which is greater than  $R_1$ . B shows an extra section added to the R-C network. Any number of extra sections could be added. The usual location of the resistors and the capacitors has been switched in the oscillator in C.

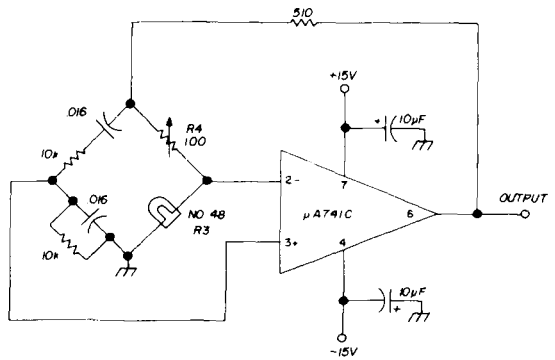


fig. 5. Wien-Bridge oscillator using an IC op amp. All pin connections refer to the TO5 case.

A simple, three-section, equal R and C phase-shift oscillator takes a minimum voltage gain of 29 to make it oscillate. A four-section tapered network may require a voltage gain of less than 5 to oscillate.

A rather interesting modification of the phase-shift oscillator uses a distributed R-C line as the network.<sup>5</sup> This



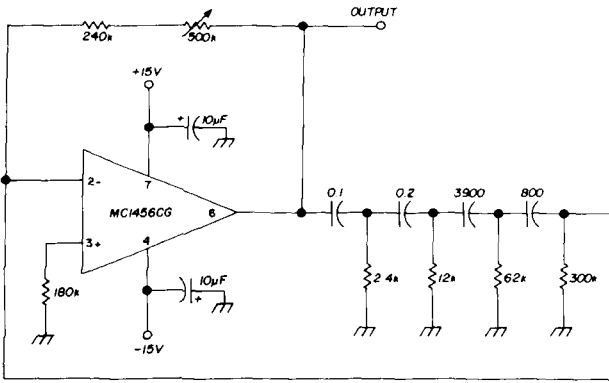


fig. 7. Phase-shift oscillator with series C and shunt R, multiple sections (more than three), and tapering.

could be thought of as a piece of coax cable with a high-resistance center conductor. It is then effectively a multi-section R-C network with its shunt capacity to ground continuously in effect along the length of the line. Such a distributed R-C line phase-shift oscillator was actually built and tested as shown in fig. 8. The R-C line was made up of a deposited-carbon resistor (40K) of the older non-encapsulated style. A layer of ordinary kitchen-type aluminum foil was wrapped around its body and taped in place. This foil served as the outer conductor of the line, and the paint on the resistor formed the dielectric. The circuit oscillated at about 200 kHz, so it was necessary to use an IC op amp which had a high slew rate; I chose the Signetics NE531T because its slew rate is uniform at about 30 V/ $\mu$ sec regardless of the

closed-loop gain. The NE531T is not internally compensated, however, and requires a single external capacitor for this purpose (100 pF between pins 8 and 6).

There are some other interesting ways of modifying the phase-shift oscillator. Combining tapering with a distributed line suggests itself, but is a bit difficult to implement using standard components. However, this is the sort of thing that may be very easy to do on a silicon chip in ICs of the future.

### Wien Bridge variations

The Wien-Bridge oscillator has been well worked over; many variations have appeared. Early efforts to make a Wien-Bridge oscillator using bipolar transistors were inevitably tuned by a dual variable resistor, or used switched Rs and Cs. This,

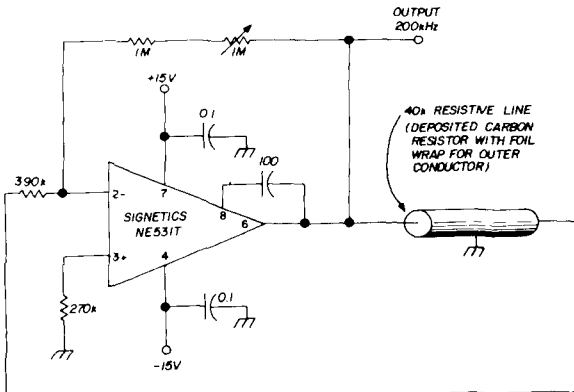


fig. 8. Phase-shift oscillator using distributed R-C line as the phase-shift network.

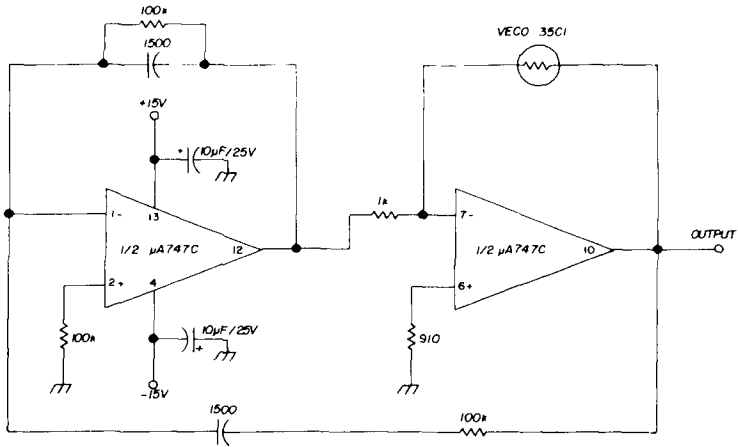


fig. 9. Baxandall version of the Wien Bridge. Notice the use of a thermistor as the nonlinear resistor in the feedback control circuit.

of course, was simply due to the low input impedance of the base of a bipolar transistor. An interesting variation of the Wien Bridge is the Baxandall modified Wien Bridge circuit as shown in fig. 9.<sup>6</sup> The main reason for using the Baxandall version of the Wien Bridge is to prevent the op amp input impedance from loading the parallel R-C branch of the bridge. A practical circuit before op amps used four 2N404s.<sup>7</sup>

Fig. 9 also demonstrates the use of a thermistor as the nonlinear resistor in the feedback control. Unlike the lamp bulb, the thermistor *decreases* resistance as it is

heated; so it is placed in the position shown to increase negative feedback as it heats. This type of feedback control element is used in at least one laboratory audio oscillator, the General Radio 1311A.<sup>8</sup>

It is also possible to rectify the output of the oscillator and apply the filtered dc to some form of agc element. The agc element can be any one of a number of devices such as a diode, transistor or fet.<sup>9</sup>

An fet can also be used as a voltage-controlled resistance, and so is sometimes used in the negative-feedback voltage divider of the Wien Bridge oscil-

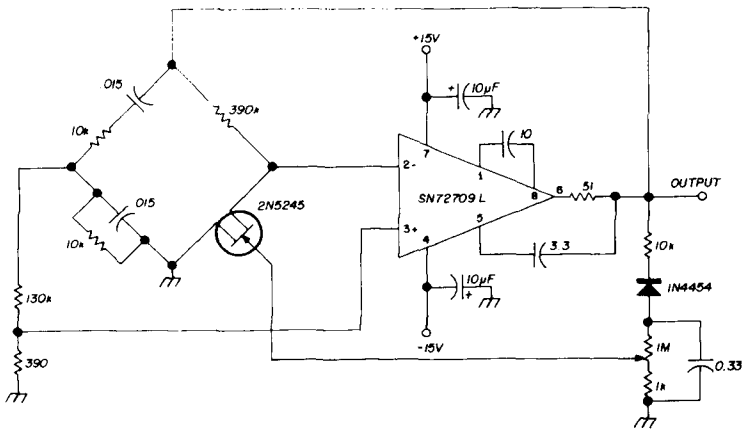


fig. 10. Wien Bridge using an op amp for gain and a fet for feedback control.

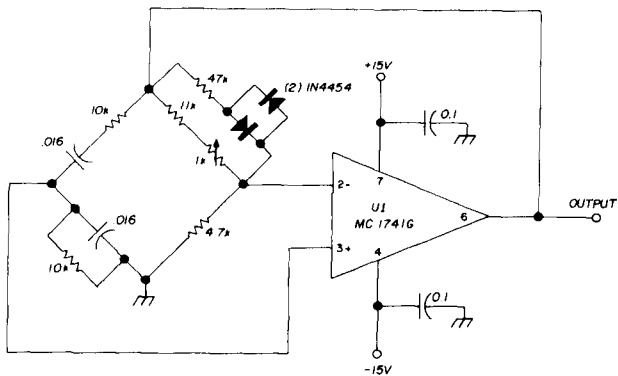


fig. 11. Wien Bridge oscillator using diodes for non-linear control element.

lator.<sup>11,12</sup> The source and drain terminals of the fet are treated as the two terminals of a resistor, and the control voltage is applied between source and gate. The fet used as a voltage-variable resistor should be operated with zero dc from source to drain and with very small ac voltage across it. Special fets characterized as voltage-controlled resistors are Siliconix.<sup>13</sup> An actual example of a Wien Bridge oscillator using an fet for feedback-control and an IC op amp as the gain stage is shown in fig. 10.<sup>12</sup>

There is one version of the Wien-Bridge oscillator that has no time constant inherent in the negative feedback control element.<sup>14</sup> This circuit is shown in fig. 11. As the nonlinear element is a pair of back-to-back diodes essentially operating instantaneously, there is no time constant to them. In fact, the negative feedback portion is very much like an operational voltage clipper. The 47-kilohm resistor in series with the diode pair and the fact that the diodes go into conduction symmetrically, however, allow this oscillator to produce fairly pure sine-wave output.

Of course, there are many other types of R-C oscillators besides the four basic circuits covered here. The ones which produce non-sinusoidal waveforms, such as astable multi-vibrators, would provide enough subject material for another article. Even in the restricted area of sinusoidal oscillators there are a couple more types that have not been covered

here. These types are rarely used, and in some the reasons for their invention (low mu limitations of early tubes) no longer exist.

#### references

1. "Handbook of Active R-C Filters," Burr-Brown, Tucson, Arizona.
2. E. Ginzton and L. Hollingsworth, "Phase Shift Oscillators," *Proceedings of the IRE*, February, 1941, p. 43.
3. P. Sulzer, "Wide Range R-C Oscillator," *Electronics*, September, 1950, p. 88.
4. P. Sulzer, "Tapered Phase Shift Oscillator," *Proceedings of the IRE*, October, 1948, p. 1302.
5. R. Johnson, "Extending the Frequency Range of the Phase-Shift Oscillator," *Proceedings of the IRE*, September, 1945, p. 597.
6. P. Baxandall, *Royal Radar Establishment Journal*, October, 1960.
7. I. C. Zero, "Solid State Wien Bridge Audio Oscillator," *Audio*, July, 1965, p. 19.
8. R. Fulks, "High Performance Low Cost Audio Oscillator with Solid State Circuitry," *GR Experimenter*, August-September, 1962, p. 15.
9. G. Estep, "Wien Bridge Oscillator Has Wide Frequency Range," *EDN*, August, 1968, p. 70.
10. "Wien Bridge Oscillator," Siliconix FET Ideas, May 20, 1966, p. 3.
11. J. Giles, "Fairchild Semiconductor Linear Integrated Circuits Applications Handbook," p. 158, Mountain View, California, 1967.
12. "FET Design Ideas," Texas Instruments Design Bulletin CB-101, June, 1969, p. 10.
13. Siliconix Specifications Sheet for VCR2N-VCR7N, October 17, 1967.
14. R. Botos, "Breadboard Techniques for Low Frequency Integrated Circuit Feedback Amplifiers," Motorola Application Note AN271, October, 1966.

ham radio

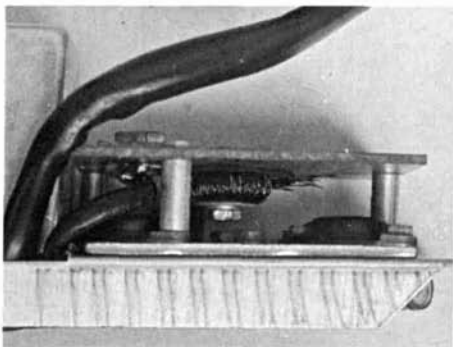
# converting the Motorola Dispatcher to 12 v operation

Using an inexpensive  
homemade toroid  
to convert these  
surplus bargains  
from 6 V to 12 V  
operation

There are a lot of Motorola Dispatcher 6- and 2-meter transceivers just waiting to be put into service by amateurs. These partially transistorized radios started becoming available several years ago as police departments decided to replace their old equipment. Sometimes called motorcycle radios, the units are reliable,

small, easy to tune to amateur frequencies and are relatively inexpensive. They are priced as low as \$30.00, including accessories, mainly because of their not-so-popular 6 V power supply. Dispatchers with 12 V supplies are available, but not as readily or inexpensively.

The 6 V supplies can be modified for 12 V operation the conventional way, but the expense can easily equal the cost of the entire radio. The 12 V transformer alone is priced in the tens of dollars. For this reason, many hams resort to a series regulator to drop their 12 V system to 6 V for the radio. But this method is terribly inefficient, and the cost is about



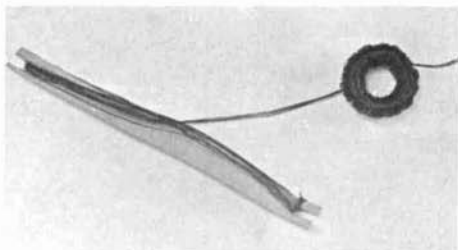
The new toroid is mounted on the phenolic platform when working with a newer model dispatcher.

John Darjany, WB6HXU, 2347 Angela, Suite 4, Pomona, California 91766

the same as the method described here.\*

## theory

The principle behind the conversion is simple. In the original circuit, the transformer primary is a 6-0-6 V winding, **fig. 1A**. The switching transistors alternately connect the 6 V battery between the center tap and one 6 V winding, and the center tap and the other 6 V winding, **figs. 1B and 1C**. The alternating field then induces various voltages into the other windings of the transformer. While Q1 and Q2 are conducting, **fig. 1B**, winding W2 is open and has a voltage induced in it. Likewise, while Q3 and Q4 are conducting, **fig. 1C**, W1 is open and has a



The home-wound toroid and the cardboard bobbin.

aiding, the two 6 V potentials add to 12 V between A and C. During one half of the cycle, A is positive 12 V with respect to C, and during the other half, A is negative 12 V with respect to C. So, as it turns out, switching the 6 V battery in

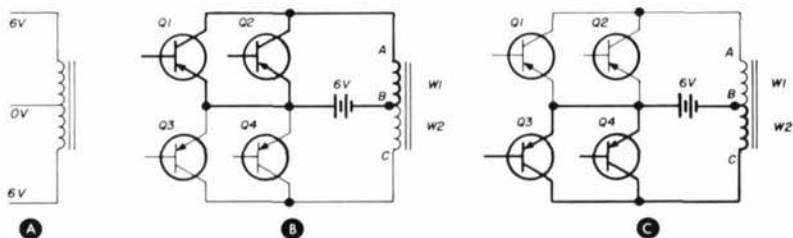


fig. 1. Original circuit for the Dispatcher power supply. B and C show current flow during alternate half cycles.

voltage induced in it. Since W1 contains the same number of turns as W2, when 6V is switched across either winding, then 6 V is induced into the other. Furthermore, because the windings are in series

this fashion is equivalent to switching a 12 V battery across the entire winding (A-to-C). This is precisely what is accomplished by the modification described here.

The original supply consists of four transistors wired in push-pull-parallel. Their configuration is changed to that of a quasi-complimentary bridge for the 12 V supply. During one half of the cycle, Q1 and Q4 conduct, connecting the 12 V battery between A and C with positive on A (**fig. 2A**). During the other half of the cycle, the polarity is reversed by the action of Q1 and Q4 turning off as Q2 and Q3 turn on (**fig. 2B**).

Drive is obtained by the addition of a

\*A complete parts kit, including a wound toroid, is available for \$6.50 postpaid from John Darjany, WB6HXU, 2347 Angela, Suite 4, Pomona, California 91766.

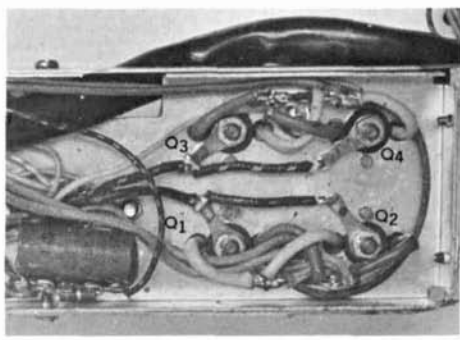


Photo of the power supply shows transistor location and chassis orientation for best parts access.

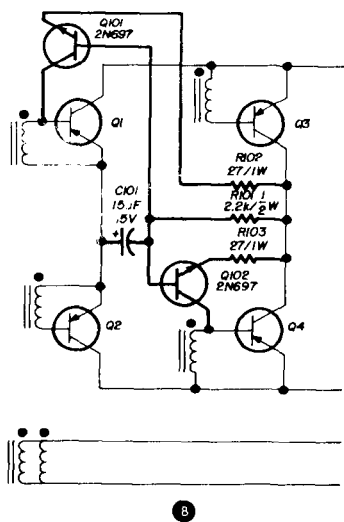
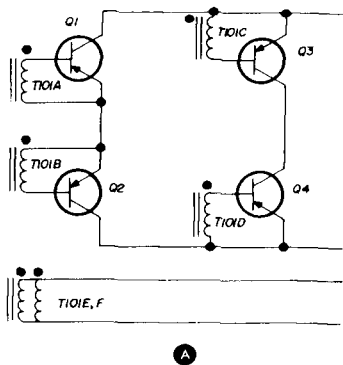


fig. 3. Drive circuit of the modified power supply uses resistance of the toroid windings for base-current limiting and balancing (A). The starting circuit is shown in B.

small home-wound toroidal transformer which utilizes the dc resistance of its windings for base-current limiting and balancing (fig. 3A). The start circuit, fig. 3B, generates a pulse rather than a continuous level so that receive current drain is held to a minimum (about 500 mA). The original 6 V circuit may be compared with the complete modified 12 V circuit for further clarification (figs. 4 and 5).

### modification procedure

The first step in the modification is to

wind the driver transformer. Cut a bobbin out of stiff cardboard and wind around it about 9 feet of six strands of number 30 enameled copper wire. Then, using the bobbin as a sewing needle, thread 80 turns of the six-strand bunch onto a Magnetics 55206-A2 toroid core, leaving about six inches of wire at each end.\* Set the transformer aside until later.

Remove the power supply chassis from the bottom compartment and position it upside down in front of you, oriented as in the photographs. Note that there are several versions of this supply, and some may appear somewhat different than the ones shown. For example, one later version uses TO-3 transistors rather than TO-36 as pictured here.

Unsolder Q2 (see the photo for transistor locations) and remove it from the chassis. Install a mica washer with some thermal joint compound, reinstall and rewire Q2. Next, remove the jumper between the collector of Q1 and Q2. Remove the black and yellow wire from the transformer at the collector of Q3. Remove the emitter wires from Q3 and Q4 at the terminal strip. Connect the emitter of Q3 to the collector of Q1. Connect the emitter of Q4 to the collec-

\*Magnetics Component Division, Butler, Pennsylvania 16001.

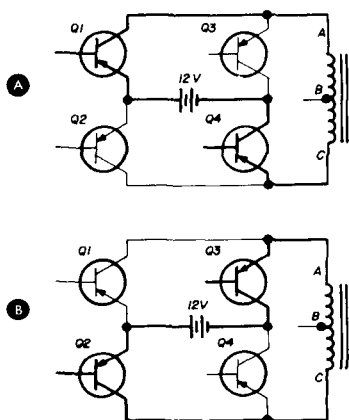


fig. 2. Basic operation of the circuit modified for 12 V operation. Again, A and B show current flow during alternate half cycles.

tor of Q2. Extend the black and yellow wire from the transformer with some number 16 wire, and connect to the collector of Q2. Remove all four base wires from the transistors at the terminal strips and remove the jumpers between adjacent terminals. Remove the yellow and white and the red and white wires coming from the transformer at the terminal strip. Connect the base wires of the four transistors individually to the four empty terminal lugs. Disconnect the black and brown wire from the transformer and tape it so that it will not short to something.

The phenolic mounting platform for the toroid is part of the newer supplies. Avoid short circuits by mounting it so that no sharp or hard edges or surfaces contact the wires. Connect a wire from the collectors of Q3 and Q4 to the negative supply (heavy green wires coming from terminals 2, 3, 4 and 5 on the power connector). If an earlier version supply is being converted, mount the toroid below the chassis, held in place by its leads and the green wires.

Remove the 330 ohm, 1/2 W resistor. Remove the white and brown wire from the transformer and tape the free end. Remove the positive supply wire from the 25 ohm, 10 W adjustable resistor and connect the resistor to the white and red wire from the transformer. Change the 220 ohm, 1/2 W resistor to a 220 ohm 1 W resistor.

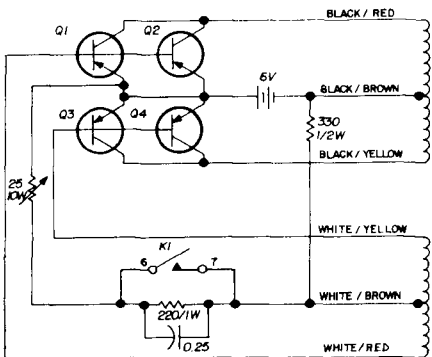


fig. 4. The original power supply circuit set up for 6 V operation.

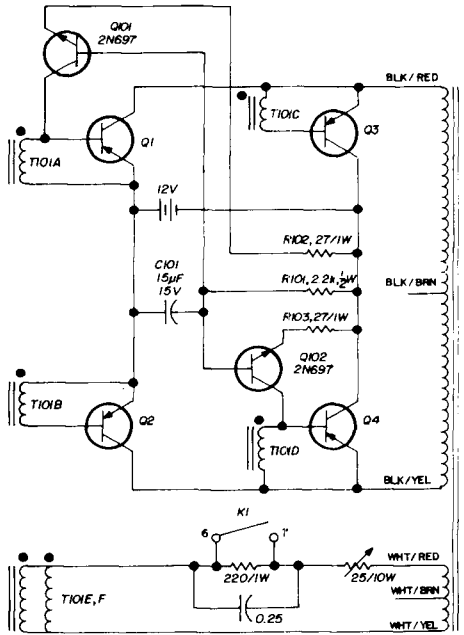


fig. 5. The completely modified power supply set up for 12 V operation. T101 is 80 turns, six strands no. 30 magnet wire on a Magnetics 55206-A2 toroid core. It is described in the text.

## toroid wiring

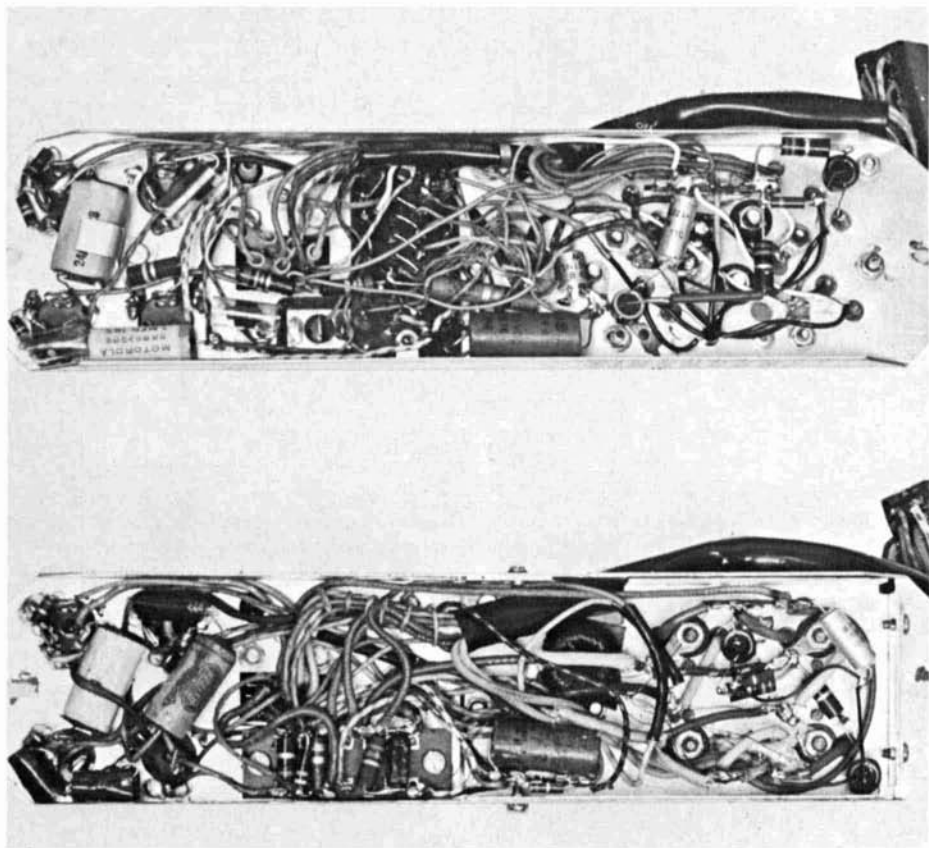
For clarification, the six wires leaving the center of the toroid nearest the chassis will be called positive, and those leaving the center of the toroid away from the chassis will be called negative. This will help in connecting the windings in proper phases.

Connect any two positive toroid wires to the 220 ohm, 1 W resistor at the side not connected to the 25 ohm, 10 W adjustable resistor. Find the two corresponding negative wires with an ohmmeter, and connect them to the white and yellow wire coming from the original transformer. Connect any one remaining positive wire to the base of Q1, and its corresponding negative wire to the emitter of Q1.

Connect another positive wire to the base of Q4 and its corresponding negative wire to the emitter of Q4. Connect a remaining negative wire to the base of Q2

and its corresponding positive wire to the emitter of Q2. Connect the last negative wire to the base of Q3 and the last positive wire to the emitter of Q3. The wiring of the starting circuit is straight-

available in the average junk box. The 2N697 transistors can be replaced with any silicon npn switching transistor with similar characteristics. There are surplus toroids available which can replace the



Underchassis view of the completed modification. The later model Dispatchers is shown in A, while B shows the earlier model. Notice on the earlier units how the toroid is mounted under the chassis, held in place by the surrounding wires. Tape under the toroid protects the enameled wires from the steel chassis.

forward and can be done by following the diagram of fig. 3B and the photos.

### operation

The modification is now complete and should require no adjustments. If, however, the transmit voltages are low, careful adjustment of the 25 ohm, 10 W resistor should help. Of course, it is advisable to disconnect power while making adjustments.

Most of the parts used should be

one called for — but the new, single-unit price is much less than a dollar, so surplus store hunting may not be worth the effort.

The results have been excellent. One unit has been in 12 V operation for nearly three years, and has not given any trouble at all. Another was completed along with this article, and looks as good as the first. Inquiries accompanied by a return envelope will be answered gladly.

ham radio



# AMATEUR ELECTRONIC SUPPLY

## UNCONDITIONED HAM EQUIPMENT

★ 10 Day Free Trial (Lose only Shipping Charges) ★ 30 Day Guarantee ★ Full Credit Within 6 Months on Higher Priced New Equipment ★ EZ Terms—Convenient REVOLVING CHARGE Payment Plan ★ Order Direct from this Ad!

|  |  |  |  |   |   |   |
|--|--|--|--|---|---|---|
| <b>AMECO</b><br>CB-6 6M conv. \$ 19<br>CN-50 6M conv. 29<br>CN-144 2M conv. 29<br>PCLP preamp/sup. 24<br>TX-62 VHF Xmt'r 95  | <b>EICO</b><br>722 VFO \$ 34<br>753 SSB Xcvr \$ 129<br>751 AC supply 49<br>752 DC supply 49  | <b>SR-500 Xcvr</b> 199<br>P-5000 AC supply 89<br>P-5000 DC supply 109<br>MR-400 rack 39<br>HA-20 SR-400 VFO 129<br>HA-2 Transverter 99<br>P-26 AC supply 45<br>SR-42 2m Xcvr 89<br>SR-42A 2m Xcvr 119<br>HA-4 Keyer 39   | <b>JOHNSON</b><br>Challenger \$ 59<br>122 VFO 29<br>Ranger I 89<br>Vanguard II 189<br>SSB Adaptor 175<br>Invader 200 495<br>Courier Linear 139<br>Thunderbolt Linear 275<br>6N2 VHF Xmt'r 89<br>6N2 VFO 29 | <b>NC-303 Receiver</b> 199<br>HRO-60 Receiver 199<br>XCU-27 Calibrator 19<br>NCX-3 Xcvr 169<br>NCX-5 Xcvr 329<br>NCX-5 Mk II Xcvr 379<br>NCXA AC Supply 75<br>VX-501 rem. VFO 125<br>200 Xcvr 239<br>AC-200 AC supply 59<br>NCL-2000 Linear 375 | <b>SWAN</b><br>TCU Control unit \$ 75<br>117AC AC supply 59<br>406 Mobile VFO 59<br>410 VFO 95<br>410C VFO 95<br>350 Xcvr (late) 289<br>500C Xcvr 369<br>117XC AC supply 80<br>14-117 DC supply 95<br>147C DC module 45<br>510X MARS osc 39<br>219 VFO adaptor 19<br>TV-2 2m Xverter 189<br>250 6m Xcvr 239<br>210 VFO 95<br>508 VFO 109<br>Mark 6B Lin./sup. 449 |   |
| <b>B &amp; W</b><br>5100B Xmt'r \$119<br>6100 SSB Xmt'r 275<br>515B-B SSB adaptor 109  | <b>ELMAC</b><br>AF-67 Transmitter \$ 49<br>PMR-8 Receiver 79<br>PSR-612 DC supply 19   | <b>HAMMARLUUD</b><br>HQ-100C Receiver \$109<br>HQ-100A Receiver 139<br>HQ-110 Receiver 119<br>HQ-110A Receiver 159<br>HQ-110AC Rec 169<br>HQ-129X Receiver 79<br>HQ-145C Receiver 149<br>HQ-170C Receiver 169<br>HQ-170AC Rec 219<br>HQ-170AC/VHF 269<br>HQ-180A Receiver 329<br>HQ-180AC Rec. 339<br>HQ-215 Receiver 249<br>HQ-205 Receiver 139<br>HX-50 Xmt'r 159<br>HX-500 Xmt'r 225  | <b>KENWOOD (Henry)</b><br>R-599 Receiver \$239<br>T-599 Xmt'r 289<br>TS-511 Xcvr 299<br>PS-11 AC supply 80   | <b>P &amp; H</b><br>LA-400C Linear \$ 79<br>2-150 SSB conv. 139<br>6-150 SSB conv. 119  | <b>TRIO</b><br>JR-310 Receiver \$139  |   |
| <b>CENTRAL ELECT.</b><br>200 Exciter (table) \$ 95<br>QT-1 Anti-trip 6   | <b>CLEGG</b><br><b>SQUIRES-SANDERS</b><br>22'er 2m AM Xcvr \$159<br>42'er 6m AM Xcvr 149<br>99'er 6m Xcvr 59<br>Thor 6R (only) 85<br>417 AC sup./mod. 65<br>418 DC sup./mod. 65<br>Zeus VHF Xmt'r 289<br>Interceptor Rec. 229<br>Interceptor B Rec. 289<br>Allbander HF tuner 75<br>22'er Mk II 2m AM 289<br>22'er FM 2m Xcvr 289  | <b>HEATH</b><br>GR-78 Receiver \$ 39<br>MR-1 Receiver 49<br>HR-20 Receiver 79<br>SB-300 Receiver 219<br>SB-301 Receiver 239<br>SB-310 SWL Rec. 229<br>SB-310 SWL Rec. 225<br>SBA-400 6m conv. 59<br>DX-60 Xmt'r 69<br>DX-60B Xmt'r 69<br>TX-1 Xmt'r 99<br>SB-110 SSB adaptor 75<br>HX-20 Transmitter 125<br>HX-30 6m Xcvr 149<br>HA-20 6m Linear 89<br>HW-12 75m Xcvr 85<br>HW-32 20m Xcvr 95<br>HW-100 249<br>HW-16 Xcvr 375<br>SB-100 Xcvr 375<br>SB-200 Linear 219<br>SB-220 Linear 349<br>HP-14 DC supply 49<br>SB-620 Sc analyzer 119<br>SB-630 cont./monitor 79<br>HG-10B VFO 34<br>HW-20 (Star) 34<br>HW-30 (Two'er) 39<br>VHF-1 (Seneca) 139<br>HP-13 DC supply 49<br>HP-20 AC supply 29<br>HP-23A AC supply 49<br>HRA-101 calibrator 8<br>10-42 lab generator 49<br>HW-17A 2m Xcvr 125<br>HW-17-2 FM adaptor 24 | <b>KNIGHT</b><br>T-150A Xmt'r \$ 69<br>TR-106 6m Xcvr 79<br>V-107 VHF VFO 19   | <b>LAFAYETTE</b><br>HE-45A 6m Xcvr \$ 69<br>HA-90 80-10m VFO 24<br>HE-30 Receiver 39<br>390 Starlite Xmt'r 59<br>HA-250 6m Linear 49<br>HA-410 10m Xcvr 49  | <b>PIERCE-SIMPSON</b><br>Gladding 25 2m FM Transceiver \$179  | <b>POLYTRONICS</b><br>PC-2 2m Xcvr \$139<br>PC-6 6m Xcvr 99 |
| <b>COLLINS</b><br>75A-2 Receiver \$199<br>75A-3 Receiver 269<br>75A-4 (ser.#601) 325<br>75B-1 Receiver 325<br>75B-3 Receiver 449<br>R-390 Receiver 995<br>32S-1 Transmitter 349<br>32S-3 Transmitter 595<br>30S-1 Linear 995<br>312B-5 PTO cons. 249<br>351D-2 mount.(new) 125<br>516F-2 AC supply 115<br>MP-1 DC supply 119   | <b>CONSET</b><br>Comm 1 2m \$ 75<br>Comm 1 6m 59<br>Comm III 2m 109<br>Comm III 6m 169<br>Comm IV 6m 149<br>1 1/2, 2, 6m VFO 39<br>G-50 Xcvr 149<br>900A 2m Xcvr 199<br>Comm IV 2m 199<br>902A AC supply 39<br>902A DC supply 39<br>911A AC supply 189<br>GSB-201 Linear 199<br>GC-105 2m Xcvr 129<br>972-A 2m 180w 12v amplifier 189  | <b>NATIONAL</b><br>NC-66 Receiver \$ 39<br>NC-155 Receiver 99<br>NC-300 Receiver 125   | <b>REGENCY</b><br>4300 Receiver \$ 89<br>4350A Receiver 109<br>HR-2 2m FM Xcvr \$169   | <b>SIDEAM ENGINEERS</b><br>SBI-LA Linear \$139<br>SB-34 Xcvr 269<br>SB2-LA Linear 175   | <b>RME</b><br>4300 Receiver \$ 89<br>4350A Receiver 109   |   |
| <b>R. L. DRAKE</b><br>2A Receiver \$159<br>2A0 Spkr./Q.mut. 29<br>21Q Spkr./Q.mut. 24<br>2AC Calibrator 9<br>2B Receiver 189<br>2C Receiver 189<br>2CS Speaker 9<br>2D Spkr./Q.mut. 29<br>2NB Noise Blanker 15<br>SW-4A Receiver 225<br>5NB Noise Blanker for SPR-4 49<br>R-4 Receiver 275<br>R-4A Receiver 299<br>SC-2 2m conv. 59<br>SCC-1 VHF Calib. 19<br>SCC-4 SPR-4 Calib. 19<br>TR-3 Transceiver 369<br>AC-3 AC supply 65<br>TR-4 Transceiver 439<br>AC-4 AC supply 75<br>FF-1 Novice adaptor 35<br>L-4B Linear 595<br>W-4 Wattmeter 39<br>TC-6 6m xmt./conv. 179<br>phone patch 19 | <b>HALLICRAFTERS</b><br>S-40B Receiver \$ 49<br>S-62 Receiver 175<br>S-85 Receiver 69<br>SX-101 Mk III Rec. 139<br>SX-101A Receiver 189<br>SX-111 Receiver 99<br>SX-115 Receiver 289<br>S-120 Receiver 49<br>SX-146 Receiver 175<br>S-200 Receiver 69<br>R-47 Speaker 9<br>HT-32 Transmitter 209<br>HT-32A Xmt'r 229<br>HT-37 Transmitter 189<br>HT-40 Transmitter 59<br>HT-44 Transmitter 199<br>HT-46 Transmitter 225<br>HT-45 Linear/sup. 289<br>SR-150 Xcvr 289<br>SR-160 Xcvr 169<br>PS-150-120 AC sup. 75<br>PS-150-12 DC sup. 75<br>MR-150 rack 59<br>SR-400 Xcvr 159 | <b>UNION</b><br>U-100 2m FM Amplifier \$149 \$ 49<br>AC-210 AC supply/booster 49 39<br>MMB-210 mtg. bracket 6 5<br>SC-550 Speaker console 29 22<br>G-35 DC supply 99 79  | <b>ETO</b><br>PA-70V Linear (Demo) \$1775 \$195  | <b>ETO</b><br>SBE \$ 89<br>SBE \$ 23<br>SBE-MB Mobile Mtg. Bracket 12 7<br>SBE-MIC Mike (dynamic) 16 12<br>SBE-DCP Mob.sup./SB2-LA 249 149<br>W-72 cable for SB3-DCP 8 6  | <b>REGENCY</b><br>HR-2 2m FM Xcvr \$169   |   |
| <b>DYCOM</b><br>500E Brick Booster \$ 59<br>(1-3w in/10-30w out)<br>500C FM Booster 49<br>(4-12w in/12-30 out)   |  | <b>HUNTER</b><br>22 Station control \$ 89<br>ICE (INOUE) \$ 89<br>FDAM-3 6m FM/AM \$99<br>FDAM-3 6m FM/AM \$99   | <b>HUNTER</b><br>22 Station control \$ 89<br>ICE (INOUE) \$ 89<br>FDAM-3 6m FM/AM \$99   | <b>REGENCY</b><br>HR-2 2m FM Xcvr \$169   | <b>REGENCY</b><br>HR-2 2m FM Xcvr \$169   |   |

### NEW EQUIPMENT SPECIALS & CLOSEOUTS

|  |  |
|--|--|
| <b>B.T.I.</b> (mfgd. by Halstrom) reg. NOW<br>LK-2000HD table-top RF section & PS-3000 supply \$916 \$732  | <b>Regency Monitor Receivers</b> reg. NOW<br>M-40 30-50Mc 12v Receiver \$150 \$ 49<br>M-160 152-174Mc 12v Rec. 150 49<br>DR-200 HI/Low Rec. 110v 200 149<br>DRS-1A Spkr. for above 16 9<br>AR-136 Aircraft Receiver 99 89  |
| <b>CLEGG</b> reg. NOW<br>22'er FM series 25 \$384 \$284  | <b>SBE</b> reg. NOW<br>SB2-VDX Accessory unit \$ 38 \$ 23<br>SB2-MB Mobile Mtg. Bracket 12 7<br>SB2-MIC Mike (dynamic) 16 12<br>SB3-DCP Mob.sup./SB2-LA 249 149<br>W-72 cable for SB3-DCP 8 6  |
| <b>ETO</b> reg. NOW<br>PA-70V Linear (Demo) \$1775 \$195   | <b>SONAR</b> reg. NOW<br>25-50 Mc Tunable FM Receivers \$ 89 \$ 69<br>FR-101D (110 & 12v) \$114 \$ 59<br>FR-101DX plus 1 xtal ch. 134 69   |
| <b>GALAXY</b> reg. NOW<br>PA-210 2m FM Amplifier \$149 \$ 49<br>AC-210 AC supply/booster 49 39<br>MMB-210 mtg. bracket 6 5<br>SC-550 Speaker console 29 22<br>G-35 DC supply 99 79 | <b>SWAN</b> reg. NOW<br>TV-2 2m Transverter \$295 \$225<br>410C VFO 120 95<br>2B Adaptor 32 25<br>VARITRONICS reg. NOW<br>FDFM-2 and 8P-1 \$262 \$159<br>FM-20M Mobile Amp. 150 59<br>FM-20BM Base Amp./supply 235 89<br>PA-50A 2m FM Amp. 12v 129 99<br>FDFM-25 (mod. for MARS) 310 189 |
| <b>CONSET</b> reg. NOW<br>GSB-201 Mk IV Linear \$525 \$389<br>902A DC sup. for 900A 2m 62 44   | <b>SWAN</b> reg. NOW<br>TV-2 2m Transverter \$295 \$225<br>410C VFO 120 95<br>2B Adaptor 32 25   |
| <b>HY-GAIN</b> reg. NOW<br>203BA 3 el. 20m Beam (shipped in or to a customer) \$139 \$ 99<br>HB252 stacked 2m halos 26 14<br>S1252 2 el. 1/2, 2m j-pole 33 19                      | <b>VARITRONICS</b> reg. NOW<br>FDFM-2 and 8P-1 \$262 \$159<br>FM-20M Mobile Amp. 150 59<br>FM-20BM Base Amp./supply 235 89<br>PA-50A 2m FM Amp. 12v 129 99<br>FDFM-25 (mod. for MARS) 310 189  |
| <b>LAFAYETTE</b> reg. NOW<br>HA-260 2m Amplifier 12v \$ 99 \$ 49   | <b>RAYTRACK</b> reg. NOW<br>DX-2000L 80-10m Linear \$699 \$599   |

**TO: AMATEUR ELECTRONIC SUPPLY**  
4828 W. Fond du Lac Ave. Milwaukee, Wisconsin 53216

Ship me: \_\_\_\_\_

I Enclose \$ \_\_\_\_\_ I will pay balance (if any):  
 COD (20% Deposit)  GECC Revolving Charge Plan  
 Master Charge\*  BankAmericard  American Express

Account Number: \_\_\_\_\_

\* Master Charge Interbank Number \_\_\_\_\_ (4 small digits)

Name: \_\_\_\_\_

Address: \_\_\_\_\_

City & State: \_\_\_\_\_

## AMATEUR ELECTRONIC SUPPLY

4828 West Fond du Lac Ave. Milwaukee, Wis. 53216  
Phone (414) 442-4200

HOURS: Mon & Fri 9-9; Tues, Wed & Thurs 9-5:30; Sat 9-3  
CLEVELAND Area Hams may wish to visit our Branch store located at: 17929 Euclid Avenue, Cleveland, Ohio, Ph. 486-7330, Pete Smith, Mgr.  
ALL Mail Orders and Inquiries should be sent to our Milwaukee store.

More Details? CHECK-OFF Page 110

# optimizing the superregenerative detector

Hangover and  
receiver radiation  
can be minimized  
with these  
circuit  
refinements

The superregenerative detector, known since the early 1920's, has seen limited commercial application but has appealed to radio amateurs and radio-control enthusiasts. Few circuits are capable of providing such high gain from a minimum of conventional parts, not to mention additional advantages such as low power requirements and good high-frequency performance.

The superregen circuit has been described in previous issues of *ham radio*.<sup>1,2</sup> The problems of hangover (blocking that limits sensitivity) and receiver radiation were shown to be minimized by adding a diode across part of the tank inductance.<sup>3</sup>

While many subtleties are involved in circuit operation, I've found that two simple factors are outstanding in achieving optimum efficiency: time constant and applied bias, which influence the blocking-voltage waveform.

The superregenerative circuit is a blocking oscillator<sup>4</sup> operating at radio frequency. The circuit contains an RC network with a time constant long with respect to the natural frequency of the circuit. After a few cycles of oscillation, a reverse bias develops on the RC network. The reverse bias becomes sufficiently large to cause circuit losses to exceed circuit gain. Residual oscillation then decays, and the remaining dc bias bleeds off until the conduction point of the circuit active device is reached; then the process repeats. The process is illustrated in **fig. 1**, a typical blocking-oscillator waveform developed at the input.

The rate at which the circuit goes into and out of oscillation is the quench frequency, which is made to occur at a supersonic rate so as not to interfere with the received signal. Detection occurs because any rf signal (or other electrical disturbance) will cause the bias slope to encounter the conduction point ahead of its natural time, thus increasing the quench frequency. Since a higher quench frequency means a higher average current through the circuit, a replica of the signal modulation is available.

Charles L. Ring, 294 Boulevard, Pompton Plains, New Jersey 07444

The key to successful operation of the circuit is in the quenching voltage waveform, which influences circuit performance in two major ways. It determines:

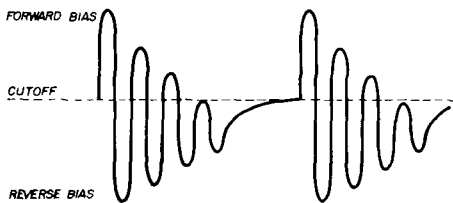


fig. 1. Typical blocking-oscillator wave-form developed at input of superregenerative circuit.

- a. The amount of audio that will be developed from a given input signal.
- b. The degree of regeneration a given signal will experience prior to the actual circuit oscillation burst.

It is this latter factor which controls circuit selectivity and sensitivity.

Consider now the effect of the quenching voltage waveform on circuit audio response, as illustrated in fig. 2. (In this figure the initial oscillation burst has been eliminated since it doesn't directly pertain to the following discussion.) In fig. 2A a relatively long time constant is used with a large value of forward bias. The forward bias increases the quench frequency by eliminating the shallow portion of the decay slope. The remaining portion of the slope crosses the circuit firing point (approximately equal to cutoff in the case of transistors) at a steep angle. If a signal having an instantaneous amplitude represented by the line A-B is applied to the slope, the circuit fires at T2 rather than at T1. The increase in quench frequency is small, resulting in a relatively low audio output.

The circuit conditions for fig. 2B are the same except that forward bias has been greatly reduced, preserving the shallow portion of the decay slope. If the same signal represented by line A-B is applied to this slope, a much greater change in quench frequency is produced,

resulting in a much higher audio output. Unfortunately, the reduction in forward bias also results in a normal quench frequency well within the audio range, which destroys the usefulness of the circuit. What is important here is that (a) slope *shape* rather than quench frequency *per se* influences circuit efficiency, and (b) a shallow slope depends on the application of minimum forward bias.

Having established one condition for optimum performance, the second problem is to eliminate the low quench frequency. This condition can be achieved by reducing the value of the time-constant network: if the time-constant is made as short as possible, the net effect will be a usable, supersonic quench frequency with a shallow slope.

### selectivity and sensitivity

The most significant advantage of the

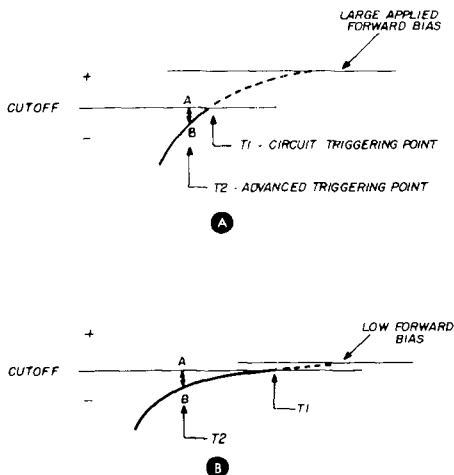


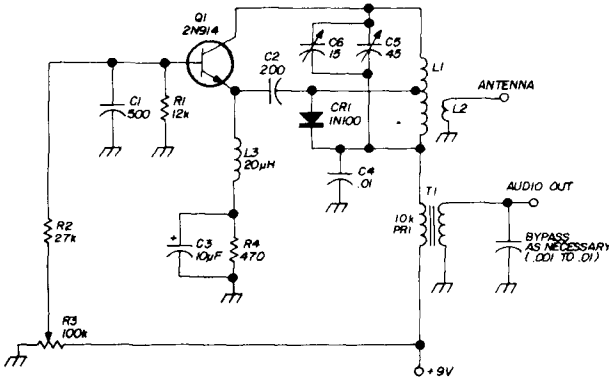
fig. 2. Triggering-point slope and quench frequency. In A a signal of amplitude A-B advances triggering time from T1 to T2. Increase in quench frequency is small since shallow portion of blocking waveform is lost due to large forward bias. Reduced forward bias, B, preserves shallow portion of slope and signal A-B causes a large change in quench frequency.

low forward bias, short time-constant combination is not the production of high amplitude audio but its influence with regard to circuit selectivity and

sensitivity, which is related to the amount of pure regeneration present in the circuit. It is well known that simple regenerative receivers achieve a Q multiplying effect by operating close to the unity gain or oscillation point.

The superregenerative circuit is also regenerative when the decay slope is near

tained only at excessively low quench frequencies, which allow time for natural tank damping. Furthermore, attempts at constructing a truly narrowband circuit, such as using a quartz crystal in conjunction with the tank, are doomed to failure unless some method of damping is developed.



- L1 14 turns no. 24 on 5/16" diameter form, tap 5 turns from ground end
- L2 4 turns no. 24 around cold end of L1

fig. 3. 28 MHz superregenerator.

the unity-gain bias level. Here, the advantage of a shallow slope, as compared to a steep slope, is that the shallow slope permits the signal to dwell in the threshold region for a longer period. This action allows a greater regenerative buildup with a resultant increase in gain and decrease in bandwidth. Since circuit losses are compensated by regeneration, the Q of the tank circuit doesn't greatly influence selectivity as it is sometimes believed. In fact, an excessively high Q tank is not permissible in the circuit.

### hangover

In the superregenerative circuit, it is essential that no oscillations remain in the tank circuit after oscillation has terminated. Such persistent oscillation, sometimes referred to as hangover, can create spurious responses that block detection by forcing the receiver to listen to its own residual rf signal.

Hangover, which results from the large reactances involved, prevents efficient operation in the lower frequency ranges. In this case efficient operation can be ob-

The performance of conventional superregen circuits can be improved by adding a damping diode across a portion of the tank inductance. The diode is connected so that it doesn't prevent positive feedback. The diode dissipates energy immediately after the circuit oscillation burst, thus hangover is eliminated. Since the barrier potential (approximately 0.2 volt in the case of germanium diodes) exceeds any normal signal input, no tank loading will occur. The advantages resulting from diode inclusion are:

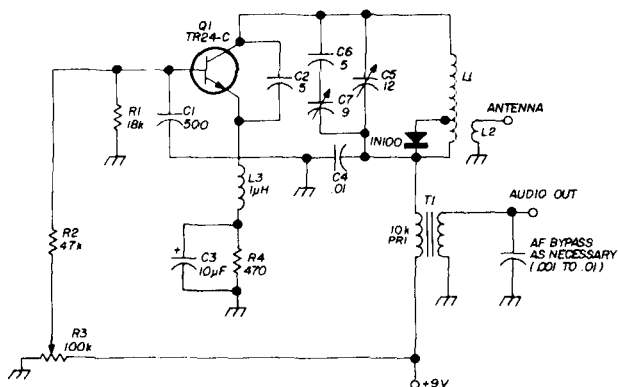
1. Residual oscillations are eliminated from the sensitive portion of the decay slope.
2. A more highly regenerative (shallow) slope can be employed since the tendency of the circuit to lapse into cw oscillation will be reduced.
3. Receiver radiation is greatly reduced: Diode damping lowers the amplitude and shortens the duration of the radiated pulse. (Preliminary measurements indicated a 12:1 reduction of radiated noise in the case of the 28-MHz circuit described below.)

## practical circuits

Two circuits are presented, which exemplify the superregen operational principles. The first (fig. 3) covers the 28-MHz band and tunes from approximately 21 to 40 MHz. The second circuit, fig. 4, covers the 144-MHz band.

- L1 3 turns no. 19 on 5/16" diameter form, tap at 1 turn from ground end
- L2 2 turns no. 19 around cold end of L1

fig. 4. 144-MHz super-regenerator.



The difference between these circuits in the use of a Colpitts oscillator in the 144-MHz range to compensate for shunt capacitance.

In both circuits, the time-constant network consists of R1, C1. As a general rule, the time constant of R1, C1 should be as short as possible, the limiting factor being the point at which the circuit tends to lapse into cw oscillation. In this regard, one variable requiring compensation will be the beta spread within given transistor types, with high-gain units requiring a longer time constant. Here, the best method of adjustment consisted of holding C1 at 500 pF and adjusting the value of R1. When making this change isolating resistor R2 should have a value at least twice that of R1. Potentiometer R3 controls the forward bias and acts as a quench-frequency control. The most sensitive setting will correspond to the minimum bias consistent with a usable quench frequency — usually in the order of 20 kHz. Occasionally, this sensitive setting of R3 will result in oscillator pulling from strong local signals. If this

occurs, the control should be advanced to a slightly less sensitive setting.

A simple resonant circuit and diode detector were placed near the antenna of the 28-MHz receiver to detect receiver radiation. The output was fed to a scope and displayed as a vertical line. When the diode was inserted, the radiation-pulse

amplitude fell to 20 percent of its former value. The pulse width (scope sweep on) also decreased to about 70 percent of its former value.

The net effect on a nearby linearized receiver (no avc; no rf overload) was to reduce the audio noise voltage measured at the receiver output to 1/12th of its former value. This reduction amounts to about 21 dB. The 144-MHz circuit demonstrated the same effect; thus the principles appear to apply to every superregenerative circuit, allowing operation beyond the point at which a conventional circuit would be limited.

### references

1. R. Brown, K2ZSQ, "No-radiation, No-hang-over 28-MHz Superregen Receiver," *ham radio*, November, 1968, p. 70.
2. Atuyuki Iwakami, JA1BHG, "Improved Superregenerative Receiver," *ham radio*, December, 1970, pp. 48-49.
3. Charles L. Ring, "Diode Improves Performance in Superregenerative Circuit," *Electronic Design*, March 14, 1968, p. 230.
4. Hank Olson, W6GXN, "Enter the Strange but Useful Blocking Oscillator," *ham radio*, April, 1969, pp. 45-49.

ham radio

# cooled preamplifier for vhf-uhf reception

An experiment  
into lowering  
solid-state  
device noise figure  
by cooling  
the unit  
hundreds of degrees

One of the ingredients necessary for weak-signal reception at uhf is a receiver with the lowest possible noise figure. A lower noise rf amplifier in your frontend can make weak, fading stations easily readable as well as bring new signals up, out of the noise.

As a result of improved solid-state devices, noise figures have dropped substantially in the last few years. Today, a common-gate fet amplifier will readily provide a noise figure of 1.5 dB or better at 144 MHz. With this kind of performance from such a simple circuit, any improvement would be more or less academic. At 432 MHz, where low noise figures really begin to pay off, you can use a transistor with a possible noise figure of 1 dB. Fets are slightly inferior at this frequency but can give a 2 dB noise figure. Performance at 1296 MHz is similar, with state-of-the-art noise figures being approximately 2 dB for transistors and 3 dB for fets. In spite of all this, the parametric amplifier is still king. At 432 MHz, 0.5 dB can be achieved, and 1 dB is possible up to 2.3 GHz. However, the paramp represents a rather formidable project; at least it does to all of us who have never built one.

## theory

In order to see how much these low noise figures can help your receiving setup, we'll review briefly a few expressions. These are:

$$(S/N)_o \propto 1/T_n \quad (1)$$

$$T_n = T_s + T_e \quad (2)$$

Jim Dietrich, WAØRDX, 14741 Lakeview, Wichita, Kansas 67230

Where  $T_s$  = source noise temperature  
 $T_e$  = effective receiver noise temperature  
 $T_n$  = system noise temperature  
 $(S/N)_o$  = output signal to noise ratio

The equations tell us that the output signal-to-noise ratio is inversely proportional to the system noise temperature. Further, noise figure is related to receiver noise temperature by

$$T_e = (F - 1)290^\circ\text{K} \quad (3)$$

Noise performance, therefore, is specified by either. It should be pointed out that  $F$  in equation 3 is the ratio noise figure, not in dB. These are related by equation 4.

$$F_{\text{db}} = 10 \log F \quad (4)$$

Now,  $T_s$  depends on several factors, but if everything is right, can be as low as  $200^\circ\text{K}$  at 144 MHz and  $20^\circ\text{K}$  at 432 MHz for a moonbounce link. If you're not familiar with this noise figure business, try reading K6MIO's article, and then plug in a few numbers and see what happens.<sup>1</sup> It shouldn't take long to convince yourself of the value of a low noise figure.

The approach to a low-noise amplifier used here is based on the fact that most noise added to the amplified input by an fet is thermal noise and proportional to

the physical temperature of the device. Thus we should find that equation 5 is true.

$$T_e \propto T_{\text{device}} \quad (5)$$

## test procedure

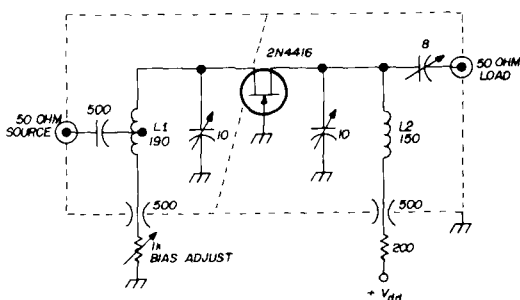
To test this hypothesis, I built the circuit of fig. 1. You may wonder why the common-gate configuration was used instead of the common-source. This is simply because a common-gate amplifier will give just as low a noise figure as a common-source circuit. This is so even though the device noise figure is lower in common-source. The input tuned circuit has a higher loaded  $Q$  and hence more loss than the corresponding circuit in the common-gate amplifier. Also remember that as we get rid of device noise, the lossy components preceding the fet become important. Therefore, it is desirable to use the common-gate configuration with its low- $Q$  input.

Before cooling the amplifier, I adjusted the circuit for best noise figure at room temperature. I adjusted the supply voltage, drain current, input coil tap, output coupling capacitor and input and output tuning capacitors. I found that the output coupling capacitor had little effect on noise figure. I finally set it at about 2 pF. The position of the input-coil tap was not critical, but a minimum was obtained with it about 30% up from ground.

Input tuning was broad. Again, however, there was no question that a dip in noise figure did exist. With the output tuning I obtained best noise figure at approximately the position of the capacitor that gave maximum gain. This point was, however, with the circuit tuned slightly on the high side of the signal frequency.

The results of varying the supply voltage and drain current differ somewhat from what is usually recommended as optimum. Most amplifiers use a supply voltage of 10 to 15 Vdc and a drain current of approximately 5 mA. I found with this amplifier that the best noise figure occurred at  $V_{gs} = 0$  and  $V_{ds} = 5$  Vdc.

To clarify this somewhat, if  $V_{gs} = 0$ , a



L1 6 turns, no. 16 enamelled copper wire, 3/8-inch inner diameter, input tapped  $1\frac{3}{4}$  turns from ground

L2 5 turns, no. 16 enamelled copper wire, 3/8-inch inner diameter

fig. 1. 144 MHz common-gate fet test circuit. The inductances are in nanohenries.

table 1. Tabulated results of cooling a 144 MHz common-gate, fet preamplifier.

| device temperature<br>$T_{\text{device}}$ ( $^{\circ}\text{K}$ ) | noise figure<br>$F$ (dB) | drain current<br>$I_{\text{ds}}$ (mA) | supply voltage<br>$V_{\text{dd}}$ (Vdc) |
|--|--------------------------|---------------------------------------|---|
| 300  | 1.5                      | 7.9                                   | 6                                       |
| 200  | 1.2                      | 9.8                                   | 8                                       |
| 77   | 0.8                      | 16.                                   | 12                                      |

rather high drain current results, which requires that the supply voltage be low so that power dissipation and hence noise figure stay down. Turning things around, if we start with a high supply voltage, then drain current must be low for the same reason. Even with  $I_{\text{ds}} = 7.9$  mA ( $V_{\text{gs}} = 0$ ) and  $V_{\text{ds}} = 5$  Vdc, you would see an increase in noise figure as the device rose to operating temperature.

All the adjustments mentioned lowered the initial noise figure from 2.0 dB to 1.5 dB, and although there was no guarantee that the amplifier would remain optimized upon cooling, this seemed the best way to start.

## results

The results of cooling the preamp are tabulated in table 1 and the data plotted in fig. 2. The 200 $^{\circ}\text{K}$  temperature was achieved by holding a small cube of dry ice directly on the case of the 2N4416 with a pair of small tweezers. Some slight retuning was necessary to minimize the noise figure. Liquid nitrogen at 77 $^{\circ}\text{K}$  was used to get the lowest point in fig. 2. The amplifier was carefully lowered about a half inch into a Dewar containing the liquid nitrogen.

The three noise-figure readings are plotted in fig. 2 and may be connected by a straight line. This shows that the noise temperature of the amplifier is proportional to the physical temperature of the fet. It is seen that at  $T_{\text{device}} = 0$ ,  $T_e$  is greater than zero. This is due to circuit and transmission-line loss preceding the fet and noise added by receiver stages following the cooled preamp. In this case the preamp was followed by two common-gate amplifiers and a transistor mixer into the noise-figure meter.

Because of the relatively high antenna noise temperature at 144 MHz, the low receiver noise temperature at 144 MHz, the low receiver noise temperature obtained cannot be fully appreciated in actual use. However, at 432 MHz this is not so, and if similar device behavior at this frequency is assumed, then a noise figure of 1.2 dB should be possible upon cooling with liquid nitrogen. This number is obtained by drawing a graph similar to fig. 2 and taking the noise figure at 300 $^{\circ}\text{K}$  to be 2.5 dB. While this is good, a parametric amplifier and some transistor amplifiers can do better.

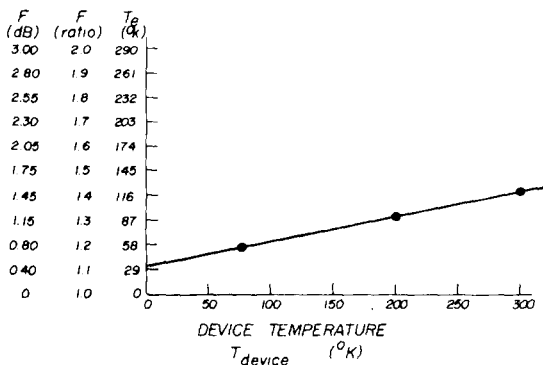


fig. 2. Noise figure and noise temperature are plotted against device temperature for the 144-MHz preamplifier shown in fig. 1. The results are tabulated in table 1.

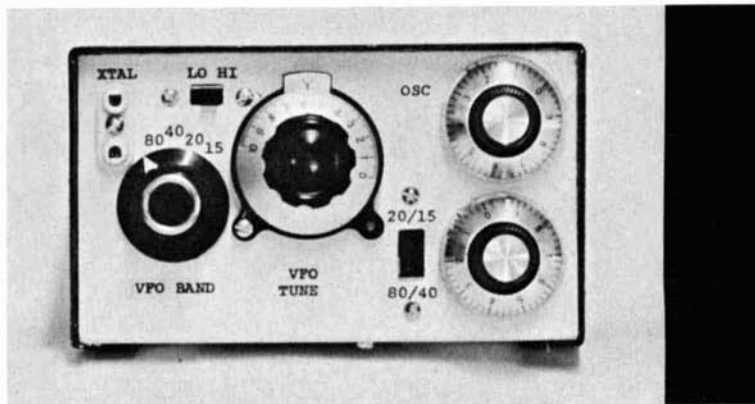
The possibility of improvement with further experimentation should be evident. Barring some physical change in the operation of the device, cooling with liquid helium at about 4 $^{\circ}\text{K}$  would give an extremely low noise temperature. Also, the possibility of operation above 1 GHz should not be overlooked since low-noise microwave fets may be just around the corner. I'd be very interested in hearing results from anyone who might try something along these lines.

## reference

1. James Kennedy, K6MIO, "The Real Meaning of Noise Figure," *ham radio*, March, 1969, pages 26-32.

ham radio





## a multiband fet vfo QRPP transmitter

For the real  
low-power newcomer  
this rig covers  
the 80- through  
15-meter bands  
with an inexpensive  
rf module and  
a versatile vfo

Ade Weiss, K8EEG, 213 Forest Street, Vermillion, South Dakota

Operating with less than five watts of power is lots of fun, but the newcomer to the sport of QRPP often faces many unexpected problems. This is particularly true when the newcomer chooses to build his own solid-state gear.

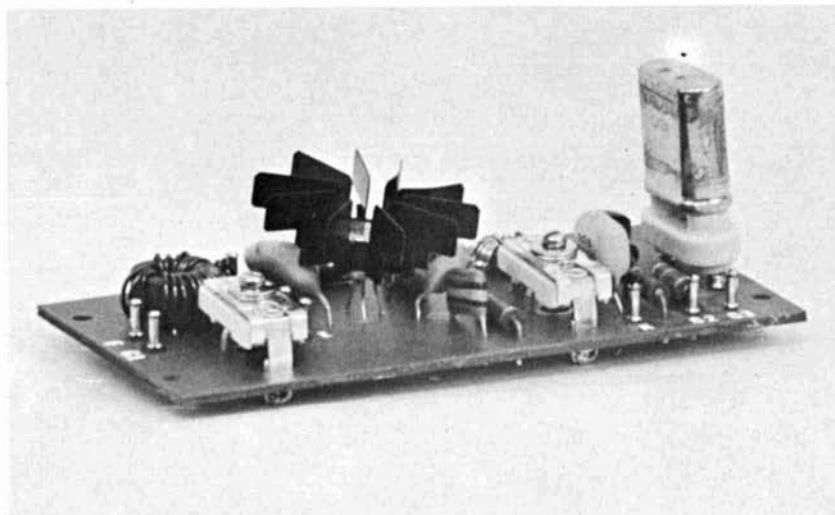
First, most of the published designs for solid-state gear are exclusively for crystal control. This is a serious drawback in actual QRPP operation where the weaker QRPP signal is often smothered by the higher-powered interference. The ability to change frequency to dodge interference is essential to successful operation. Also, the weak QRPP signal is less likely to work stations by calling CQ than by answering another station's CQ on the other station's frequency.

Second, most solid-state gear is designed for the 80- or 40-meter bands or vhf, totally overlooking the bands which provide the greatest opportunity for consistent success — 20 through 10 meters. This is unfortunate because the propagation and lower atmospheric loss factors of these bands foster low-power operation. For example, during the past year I have worked about 40 states including Hawaii and the Commonwealth of Puerto Rico



rf chokes in the B+ leads to the oscillator and final buffer. Zener-diode regulation of the oscillator voltage insures frequency stability regardless of wide excursions in supply voltage. Although operation of the vfo and final on the same frequency frequently causes chirp, the buffering and

The circuit board is designed for standard size components. The trimmer capacitors are subminiature Elmenco 404 types (since some stores carry only 30- or 40-pF size of this type, these may be substituted if the size of C2 is increased accordingly); the coils are wound



The TX-1 board before any modification or installation.

isolation features of this design result in a chirp-free vfo. In fact, you can key the entire transmitter and vfo by breaking the B+ leads without any chirp at all! It is wiser, however, to allow the vfo to run continuously while keying the driver and final stages. Since the vfo emits a healthy signal, you will want to turn off the vfo while receiving by flipping the vfo band-switch to the crystal position.

I change bands with a two-pole five-position rotary switch. I use four positions, while the fifth shuts off the oscillator for crystal operation or stand-by. The circuit board has provision for five bands if you wish to use it. You can get bandspread of about 125 kHz by placing a small 33-pF mica capacitor in series with the 30-pF APC vfo tuning capacitor; on 20 and 15 meters, an 18-pF mica is switched into the series circuit for more useful bandspread.

on Amidon toroid cores making for extremely compact high-Q tank circuits.

It can be an interesting task to design and make your own circuit board, as I have done. Besides actually etching a board there are many other construction techniques you can use like no-etch stick-on copper foil patterns, using copper-clad board with insulated stand-offs or insulated islands and the simple technique of using plain epoxy board, drilling holes for component leads and wiring the circuit with short insulated jumpers and the protruding component leads.<sup>1,2,3</sup>

Regardless of the construction method chosen, use care in soldering component leads and use a heat sink when soldering the semiconductors. A no. 60 drill\*—the

\*Available for 50c from America's Hobby Center, 146 West 22nd Street, New York, New York 10011.

right size for drilling holes for component leads—is invaluable.

To tune and calibrate the vfo, work on one band at a time. After installing the proper L/C combination, temporarily connect the tank to the proper oscillator ports with *short* wires. Find the vfo signal

At that time, cement the toroids to the circuit board. Finally, make an aluminum shield for the vfo and move on to the transmitter module.

### transmitter module

The two-stage TX-1 (fig. 2) uses high  $f_T$  high-gain devices (MPS6514, 2N4427,

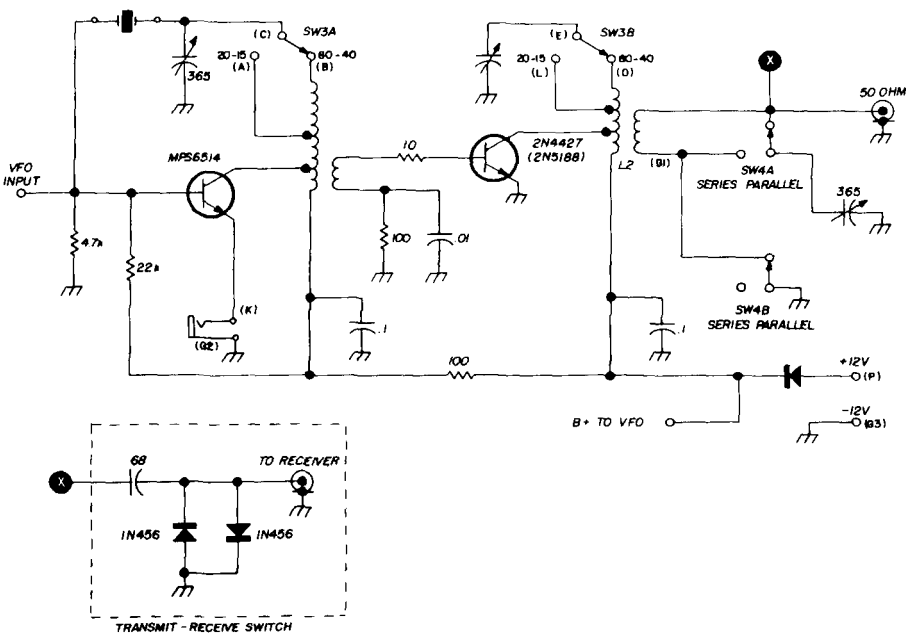


fig. 2. Schematic of the Ten-Tec TX-1 transmitter module. The letters given in parenthesis correspond to the proper port on the TX-1 circuit board.

by listening on the station receiver while adjusting C1. The best way to tune a toroid is to use a variable capacitor, but an adequate compromise tuning method would be to squeeze the turns closer together or spread them further apart. Remember though, this type of adjustment will upset the symmetry of the toroid and can lead to some slight losses and stray radiation. However, some coil tuning will probably be necessary on 20 and 15 meters.

Once you initially calibrate all bands, mount the board, connect the B+, the driver base and the tuning capacitor. Calibrate the vfo for final bandspread *only* after the transmitter is completed.

which can be replaced by the cheaper 2N5188 at 60c), with their collectors tapped down on toroids for proper impedance matching. Preparation of the TX-1 requires two minor modifications. First, remove the trimmer capacitors used in the two tank circuits. To do this, insert a knife blade between the board and one end of the capacitor, melt the solder, and twist the knife blade until the capacitor lead is clear of the board. Second, if you wish crystal control capability, remove the crystal socket from the board and mount it on a panel. A third possible modification is the addition of an antenna tuning capacitor across the output link (see schematic). Simply break the

common (ground) copper strip at the bottom of the circuit board before it reaches the ground side port (G1) of the antenna link. Attach the antenna link directly to the dpdt switch, thus allowing you to shift between series and parallel tuning to accommodate any inductive or capacitive reactances your feedline may present. However, this luxury is not essential and may be omitted without limiting the rig's effectiveness.

To mount the TX-1, simply connect the key leads, B+, vfo output, crystal socket and bandswitch. A word of caution about the bandswitch. Keep the bandswitch leads as short as possible. The capacitance added by four inches of leads, for example, will make it impossible to peak the driver on 15 meters. I recommend mounting the TX-1 flush against the panel where the switch is to be mounted. Two spdt switches instead of a single dpdt will insure the shortest possible leads.

## tuning

If you haven't worked with a solid-state transmitter before, a few words of advice are in order. First and foremost, *do not attempt to operate the transmitter without a proper load!* To do so is the easiest way to zap transistors. Further, if your swr is over 3:1, do not hold the key down for long periods — three seconds on is a good rule of thumb. Mismatch can cause thermal runaway — the puncturing of internal transistor junctions because of the heat resulting from the excessive current. Normally the 2N4427 should be comfortably warm. Also watch for self-oscillation, shown by the transmitter continuing to put out rf after the key has been opened. If you encounter this problem, immediately remove the B+. It is usually caused by improper final tuning. Transistors can be tricky devices and they have suicidal tendencies; self-oscillation inevitably leads to self-destruction in the transistor world.

Become familiar with the tuning of the TX-1 before making modifications. Install a crystal and jumper wires for the proper band, and tune the driver trimmer until

table 2. Measured outputs from finished rig: (R = 49 ohms)

| band | voltage | watts |
|------|---------|-------|
| 80   | 13      | 1.87  |
| 40   | 12      | 1.4   |
| 20   | 10      | 1.02  |
| 15   | 7.5     | 0.56  |

Measured using the circuit of figure 3; R = 49 ohms.  $P = V^2/2R$

the crystal breaks into oscillation. Peak tuning is accompanied by pulling of the crystal frequency. With a 50-ohm non-inductive load and rf indicator (fig. 3) connected across the output posts, close the key and tune for an output indication. Retuning the driver and final will be necessary for peak output. Remember the 2N4427 is not a 4-1000; it should be

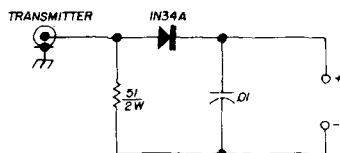


fig. 3. Simple rf output indicator for use with almost any QRP transmitter. Voltmeter should read at least 15 volts full scale for use with this rig.

respected and not pushed unnecessarily. Tuning with the vfo is about the same as with a crystal. The final tuning with the vfo will result in pulling the vfo frequency several hundred hertz when the key is closed. This is normal, and peak output should occur with a pulling of about 500 hertz.

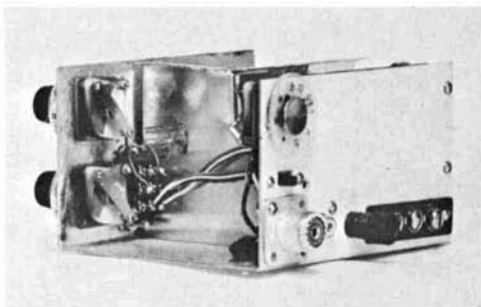
## construction

The photos show my approach to construction. I housed the transmitter in a 3 x 4 x 5-inch box, making for some tight fits. The only critical aspect of mounting is the drive/final bandswitch. I used cheap mica-dielectric variable capacitors, and they work well. The switch used to insert series capacitance to the vfo tuning capacitor should be a good toggle

switch — slide switches usually exhibit intermittent contact, a detriment to vfo stability. A small vernier and 30-pF APC capacitor provide smooth tuning on all bands. Since all critical parts are mounted on the circuit boards, you can work out your own mounting setup.

## operation

It is hard to define what is so fascinating about QRPP. I suspect it is accepting the challenges of QRM and propagation, and with a dry cell and a transmitter that



Rear view of the completed transmitter shows use of inexpensive bc type capacitors and the shield around the vfo compartment.

fits into a lunchbox, working the world. In a sense, it is getting back to the basics that characterized most of our Novice experiences. The story told by converted appliance operators is always the same: the KWS-1 gathers dust while the QRPP rig is worked to death providing all the excitement that ham radio can offer. And the thrill never seems to leave — you can work a KH6 on 40 meters three nights in a row (as I did this spring) with a couple hundred milliwatts, and you still tremble as he comes back to your call, you still feel the exhilaration of man stripped to the bare essentials confronting and overcoming nature. It's a great experience!

Let me try to give you a realistic idea of what to expect from QRPP operation and how to go about it. QRPP operation requires skill, patience and an understanding of how everything in the transmitting system works together. Propaga-

tion is important — what to expect of your rig and antenna in terms of distance and signal strength during a given season at a particular time of day on a particular band. Likewise, the QRPP operator attempts to be as efficient as possible in his overall system — good matching, efficient feedline, accurately cut antenna, clean signal. In short, he attempts to offset his power disadvantage by knowledge, skill, and above all, patience.

Every newcomer to QRPP is amazed at what can be done with a few hundred milliwatts; for example, newcomer WA8WWS, during the first ten days of operation at 2.5-watts input, managed to work 54 stations in 18 states on 40 meters. Some guys turn into fanatics upon seeing what QRPP can do — WA8DDI was so excited that after six months he has WAS and over 50 countries with his 1-watt output rig! But for most of us, QRPP is just the way we approach ham radio for daily enjoyment of the hobby — ragchews, casual contacts and the like. Here are some brief suggestions to help you master QRPP operating skills.

You can assume that most stations will be running high power, and if a station calling CQ is weak, it is very likely that propagation between his location and yours is bad. Instead of calling him, find a stronger signal that you can copy well. Experience has shown that calling CQ with QRPP is futile — although, it doesn't hurt to try as long as you don't expect a logjam of answers! Third, select your transmitting frequency carefully. Many hams use transceivers with  $\pm 1$ -kHz offset tuning, so this is normally the limit of deviation for a calling station. But even in a crowded situation, this is usually enough to put your signal into the open. If interference appears after making contact, suggest changing frequency, but let him call you so you can zero beat him. Cultivate a good clean fist and send at medium speed until asked to speed up — it is easier to copy a slow signal than a fast one. Don't be afraid to repeat things two or three times if the going is


rough — the other guy will appreciate it. Inform the other station that you are QRPP immediately upon making contact — this inevitably causes him to turn up the rf gain and notch the filter a bit deeper. Most amateurs find it exciting to work a milliwatt station; take advantage of it. Similarly, always affix QRP to your beginning and concluding signature, at the end of a contact, give a short QRZ — it's amazing how many fellows will read the mail when they hear someone sign QRP, and will gladly come back to a QRZ to give you a report. Don't waste all night calling the same station — if he hasn't come back on the third call, he probably has the rf gain turned back waiting for a blockbuster to shake his shack. Don't be shy — usually a station calling CQ DX will gladly accommodate a milliwatt station, and the psychology is perfect — he's tuning for weak signals in the first place, and that's you! Above all, be *patient* and know what to expect from your gear and propagation phenomenon. You will find that after getting the hang of it, it will be possible to do almost as much with QRPP as with high power. In populous areas of the country, QRPP stations have as high as an 85% call-to-contact ratio. The main point is the QRPP operator voluntarily imposes upon himself a power limitation, but after getting the hang of operating QRPP, wonders why he ever thought he needed the kW amplifier in the first place.

Whether you are a newcomer or old-timer, this is a good rig for the investment of time and money, and it has performed flawlessly for me. Give yourself a break — try QRPP.

#### reference

1. Roy C. Corderman, W4ZG, "Printed-Circuit Boards Without Printing," *ham radio*, November, 1970, page 62.
2. Ted Swift, W6CMQ, "Low-Cost Instant Printed-Circuit Boards," *ham radio*, August, 1971, page 44.
3. Larry Hutchinson, "Practical Photofabrication of Printed-Circuit Boards," *ham radio*, September, 1971, page 6.
4. Douglas DeMaw, W1CER, "Hints for Successful QRPP Operation," *The Milliwatt*, October, 1970, page 4.

ham radio



# new MW SERIES BY TRI-EX

**Pound for pound the strongest self-supporting steel towers available.**

The new economy MW Series towers are designed to support up to 9½ sq. ft. of antenna area. Featuring Tri-Ex's extra strong torsional twist resistant "W" bracing, the all steel MW crank-up towers come in three sizes, each fully galvanized for carefree maintenance. Models available, by height, are: MW-35', MW-50', and MW-65'. Nested height is between 21' and 22'. Hinged base and wall bracket included with MW tower order! See your local dealer or write for free catalog today. Prices start as low as:

**\$157<sup>35</sup>**

**Tri-Ex TOWER CORP.**  
7182 RASMUSSEN AVE.  
VISALIA, CA. 93277

**Stocking Dealers:**  
Madison Electronics Supply  
Houston  
Electronic Center · Dallas  
L. A. Electronix Sales  
Torrance  
Henry Radio, Inc. · Los Angeles, Anaheim and  
Butler, Missouri



# using Y parameters in rf amplifier design

By using Y parameters  
in rf circuit design,  
the designer  
can determine stability  
and gain  
before building  
a breadboard

Julian Pike, WAØTCU, NCAR, Box 1470, Boulder, Colorado

On the data sheet for the RCA 40673, a dual-gate mosfet, is the statement, "The reduced capacitance allows operation at maximum gain *without neutralization*." This is a comforting thought when looking for a suitable rf amplifier. But then you stumble onto a circuit in the 1970 ARRL *Radio Amateur's Handbook* for a dual-gate mosfet rf amplifier, and it is pointed out that neutralization is usually required.

The truth is, both assertions may be correct. The secret of the stability or instability of a device is locked up in its *y parameters*; the purpose of this article is to give some explanation of them and practical instruction in their use. Let's define some basic notions.

The quantities resistance,  $r$ , reactance,  $x$ , and impedance,  $z$ , should be generally familiar. If not, there is a good primer in the ARRL *Handbook*. The reciprocals of these quantities are very useful and have the following nomenclature and symbology:



$$\text{Conductance} = g = 1/r \quad (1)$$

$$\text{Susceptance} = b = 1/x \quad (2)$$

$$\text{Admittance} = y = 1/z \quad (3)$$

Note that these quantities are measured in mhos, derived from ohm spelled backwards!

Understanding the relationships between these six quantities is not too difficult, however. The standard way of handling them mathematically is to use the complex plane and complex algebra. It's not too much fun on a slide rule, but quite necessary to get the answers. Since the  $y$  parameters are all complex, and the stability calculations involving them must be carried out using complex arithmetic, I have added an appendix on complex numbers with an example or two. Don't let the word "complex" scare you. High-school math books should have additional information on them.

### y parameters

In this discussion, I will not deal with all the *whys* and *wherefores* that design engineers use in the rf amplifier problem. Suffice it to say, that although impedance could be directly used in design, and although other parameters (like the  $s$  and  $h$  parameters) could be used, the  $y$  parameters make the work the easiest, and are commonly found on device spec sheets. Let's begin by defining them.

Assume for discussion that the transistor is a "black box" sketched in fig. 1 to which is connected an rf signal source and an output load. In a real circuit you must apply power and bias, etc., but these are ignored for this simple analysis. Likewise, you might, in real life, have an antenna for the signal source, or generator, and an output tuned circuit coupled to a mixer for the load. But let's be completely general and simply specify that at the input of the black box there is a generator of voltage  $e_1$ , which sends a current  $i_1$  into the box.

Seemingly a bit strange at first, the load is also viewed as a *generator*. Why

not? A voltage  $e_2$  appears across it with its associated current  $i_2$ . To a design engineer, the "generator" of voltage  $e_2$  producing a current  $i_2$  is a perfectly logical analysis tool. You may get a bit more feeling for this view if you remember that coupling energy from the load to the input (the load now becomes a signal

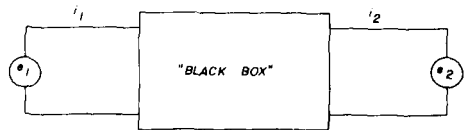


fig. 1.  $y$  parameters of a transistor are defined in terms of the input and output voltages and currents.

source or generator) is precisely what is needed to make an *oscillator*. The truth is, there *are* coupling paths through the transistor itself — completely divorced from your external circuit layout — which will make your rf amplifier an *oscillator*, and that's precisely what this article is trying to help you avoid!

Let us now simply state some results which can be derived mathematically from ac circuit theory, namely

$$i_1 = P_{11}e_1 + P_{12}e_2, \text{ and} \quad (4)$$

$$i_2 = P_{21}e_1 + P_{22}e_2 \quad (5)$$

The mathematical coefficients or "P" parameters in these equations are characteristic of what's in the black box (i. e., the transistor) and are constant except for changes in bias, temperature or signal frequency.

Let's explore the first equation a little. Suppose we *short circuit* the output. The voltage  $e_2$  must then be zero. (Would you hear that VU2 with a jumper across your rf stage output?) The equation then reduces to  $i_1 = P_{11}e_1$  under these circumstances. We could also write this as  $e_1 = i_1(1/P_{11})$  which is nothing more than Ohm's law in slight disguise. What usually goes in place of the  $(1/P_{11})$  is

be measured in *mhos*, and it is one of four similar parameters (including  $P_{12}$ ,  $P_{21}$  and  $P_{22}$ ) in the equations.

Since the parameters are all in *mhos* — that is units of admittance — they are called admittance parameters or *y* parameters. Having thus identified them the equations may be written:

$$i_1 = y_{11}e_1 + y_{12}e_2 \quad (6)$$

$$i_2 = y_{21}e_1 + y_{22}e_2 \quad (7)$$

When a spec sheet gives you a number value for a *y* parameter, it must also specify the operating point, frequency, etc. Curves of the *y* parameters against frequency or bias are often given.

How does the transistor manufacturer get values for the *y* parameters published on the spec sheets? Several manufacturers make admittance bridges which do the job and are capable of measuring over a wide range of frequencies — even into the GHz region. Some use capacitors for output ac short circuit, others use tuned lines. Neither short upsets the dc operating point, and, of course, a large number of devices must be measured to get the so-called typical values.

Why should the *y* parameter be measured by shorting the device? Mathematically, either *e* must be eliminated by short circuit, or *i* by open circuit to make the equations solvable. At radio frequencies a true rf short-circuit is easier to make than a true open-circuit, so making measurements becomes more practical this way. As hinted before, there are other parameters such as *z* parameters for impedance, *h* for hybrid, etc. However, if you have a complete set of one kind of parameter, it can be mathematically transformed into any other kind.

Therefore, the definitions for the *y* parameters can be written using eqs. 6 and 7

$$y_{11} = \frac{i_1}{e_1} \text{ when } e_2 = 0 \text{ (output shorted)} \quad (8)$$

$$y_{12} = \frac{i_1}{e_2} \text{ when } e_1 = 0 \text{ (input shorted)} \quad (9)$$

$$y_{21} = \frac{i_2}{e_1} \text{ when } e_2 = 0 \quad (10)$$

$$y_{22} = \frac{i_2}{e_2} \text{ when } e_1 = 0 \quad (11)$$

These equations apply to any "linear active two-port (that is, input and output) network," (LAN) and are good for bipolar transistors as well as fets and IC rf amplifiers. However, when applied to fets, the number subscripts have yielded to descriptive letters which I will use since the example design will use an fet. **Table 1** cross references and names the parameters. The *s* in all the designations refers to a common-source configuration.

Note that the *y* parameters are complex quantities, that is,  $y_{is} = g_{is} + b_{is}$  or, input admittance is the sum of input conductance and input susceptance.

Let's see what we can make of these. Looking into the fet amplifier (i.e. gate) you would see both resistance and capacitance. The same would hold true for a circuit looking into the fet output (i.e. drain). These impedances (resistances and capacitive reactances) can be expressed as admittance according to eq. 3 and are exactly what  $y_{is}$  and  $y_{rs}$  are when appropriate short circuits are made as outlined before.

$Y_{fs}$  is similar except that it relates to output current and input voltage and is therefore transadmittance. Remember transconductance in vacuum tubes?  $Y_{fs}$  is essentially the same but includes the reactive part too.

$Y_{rs}$  involves output voltage and input current and is the path for signals back through the device. Remember plate-grid capacitance and neutralization of your rf amplifier?  $Y_{rs}$  is much the same but includes the non-reactive (i.e. conductive) part of the feedback path as well.

You see, a properly designed vacuum tube normally has no conductive path for

electrons from plate to grid, only capacitance. But a transistor does have a conductive path back through the semiconductor material, although it is negligible for many purposes.  $Y_{rs}$  then includes both the resistance and capacitance, expressed in terms of conductance and susceptance.

### stability

Several years back, J. G. Linvill<sup>1</sup> devised a method of determining the stability of a device using the  $y$  parameters. The Linvill stability factor  $C$  is given as

$$C = \frac{|y_{12}y_{21}|}{2g_{11}g_{22} - \text{Re}(y_{12}y_{21})} \quad (12)$$

Absolute values and real parts are discussed in the appendix ( $g_{11}$  is the real part of  $y_{11}$ , etc.). When  $C$  is less than 1, the device is unconditionally stable. If it is greater than 1, it is potentially unstable.

Since the Linvill stability is taken for the worst possible case, that of infinitely large source and load resistances (i. e. open circuit), there arises the possibility of rendering the potentially unstable device tractable. Note that I say *device*. This stability refers to signal paths through the transistor, not to paths due to stray circuit capacitance, etc. A. P. Stern<sup>2</sup> has defined the Stern stability factor  $K$  which includes the effects of input and output loads as

$$K = \frac{2(g_{11} + G_S)(g_{22} + G_L)}{|y_{12}y_{21}| + \text{Re}(y_{12}y_{21})} \quad (13)$$

$G_S$  and  $G_L$  are the conductances of the source and load impedance respectively. If the value of  $K$  is less than 1, the amplifier is unstable. Values of  $K$  around 2 to 4 should be satisfactory for a well laid out amplifier to be stable. For some devices at some loads  $K$  values over 100 appear.

The first step in amplifier design then, is to compute  $C$ . If it is less than 1, stable

table 1.  $Y$  parameters for field-effect transistors. The subscript  $s$  indicates a common-source configuration.

|                   |                         |
|-------------------|-------------------------|
| $y_{11} = y_{is}$ | input admittance        |
| $y_{12} = y_{rs}$ | reverse transadmittance |
| $y_{21} = y_{fs}$ | forward transadmittance |
| $y_{22} = y_{os}$ | output admittance       |

design in easy, and only external feedback paths must be eliminated by proper layout. If  $C$  is greater than one, you must compute  $K$ , adding in the source and load conductances which are frequently derived from the resonant impedance of a parallel tuned circuit.

The tuned circuit is designed for inductance, capacitance and loaded  $Q$  values compatible with the selected goals in impedance matching, bandwidth, etc. The tuned circuit design may lead you into conflict, however. Maximum gain occurs when the source and load are matched to the transistor. However, for many purposes quite wide mismatching affects the gain by few enough dB that gain can be sacrificed to achieve other objectives.

Indeed, deliberate mismatching is one way to achieve a large  $K$  and a stable amplifier. You can see in eq. 13 that as the source and load resistances decrease,  $G_S$  and  $G_L$  increase, and, being in the numerator, increase  $K$ . So, smaller source and load impedances make for a more stable amplifier.

To see how badly mismatching affects gain, you can compute the gain from the  $y$  parameters:

$$\text{Gain} = \quad (14)$$

$$\frac{|y_{21}|^2 G_L}{|Y_L + y_{22}|^2 \text{Re}(y_{11} - (y_{12}y_{21}/(y_{22} + Y_L))}$$

For a tuned circuit at resonance  $Y_L$  equals  $G_L$ .

### feedback

A second method may be used to achieve stability — feedback. There are two kinds provided by proper feedback networks. The first is unilateralization

which reduces  $y_{12}$  to zero. Since there is then no input/output communication, the amplifier is stable if well laid out, and a bonus is that tuning the output can't detune the input (good input/output isolation).

The second feedback scheme is neutralization which reduces  $y_{12}$  to some value other than zero. The common circuit with a neutralization capacitor wipes out the reverse transsusceptance, but not the reverse transconductance, so  $y_{12}$  is not zero. Maximum input/output isolation is not achieved, but perfectly sufficient stability may be.

In summary then, mismatching is the easiest way to achieve stability since it requires no additional circuitry, but is achieved at the expense of gain. This loss may be small, and quite tolerable, however. You have seen reference to detuning to make an rf amplifier stable; this is pretty crude mismatching. It is likely to be quite costly in gain, and is no substitute for selection of optimum resonant circuit impedances which will meet the various stability, bandwidth and other criteria.

Finally, before some examples, there are several other useful expressions which involve  $y$  parameters and are used by the sophisticated design engineer. I will mention only two in passing, the input and output admittance equations:

$$Y_{in} = y_{11} - \frac{y_{12}y_{21}}{y_{22} + Y_L} \quad (15)$$

$$Y_{out} = y_{22} - \frac{y_{12}y_{21}}{y_{11} + Y_S} \quad (16)$$

Normally, in a tuned rf amplifier, the reactive (imaginary) parts of  $Y_{in}$  and  $Y_{out}$  simply become part of the tuned circuit reactances and disappear when tuning for peak response. The real parts  $G_{in}$  and  $G_{out}$  load the tuned circuits and enter into their design for proper bandwidth; that is, they contribute to the value of loaded  $Q$ . They are expressed as equivalent resistances which appear in

parallel with the tuned circuit and figure into the calculations for circuit  $Q$ .

### practical design

I will now give a design example with some numerical values with which you may check your understanding of complex calculations. A set of  $y$  parameter curves is given for the MPF121 dual-gate mosfet in fig. 2. The values are in millimhos; the answers will be also. Let's try the design of converters for 2 and 6 meters with a 10- to 14-MHz tunable i-f provided by the station receiver. Reading off the values at 50 and 150 MHz, for 6 meters we get:

$$y_{is} = 0.08 + j1.2$$

$$y_{rs} = 0 - j.0065$$

$$y_{fs} = 12.9 - j1.4$$

$$y_{os} = .08 + j.7$$

and for 2 meters:

$$y_{is} = .69 + j4.5$$

$$y_{rs} = 0 - j.023$$

$$y_{fs} = 12.1 - j4.7$$

$$y_{os} = .28 + j2.1$$

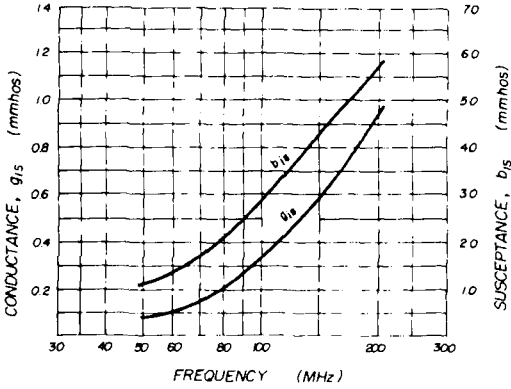
First compute the Linvill stability for these two cases. It turns out to be 0.60 for 2 meters and 3.9 at 6 meters. Thus, the MPF121 is unconditionally stable at 144 MHz and conditionally unstable at 50 MHz. Let's proceed with the simpler design first, for 2 meters.

### two-meter design

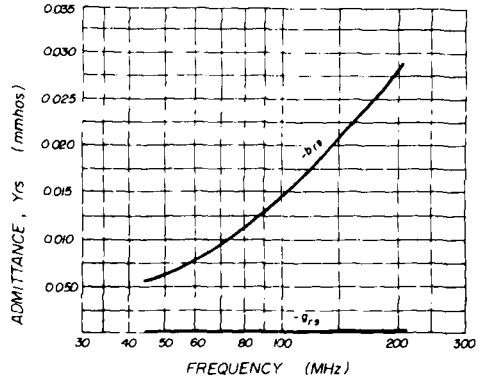
Using normalized tuned-circuit response curves such as those in the *Radio Amateur's Handbook*, and starting somewhat arbitrarily with a reactance of 150 ohms, you find that the required inductance is 0.16  $\mu$ H, with a capacitance of 7.3 pF. For a response across the 144-148 MHz band within 1 dB down, the required loaded  $Q$  is 16, and the parallel resonant impedance of the tuned circuit is 2400 ohms.

This last fact means that the total effective parallel resistance across the tank must be 2400 ohms if our criterion of 1 dB response is to hold. This resistance includes that contributed by the

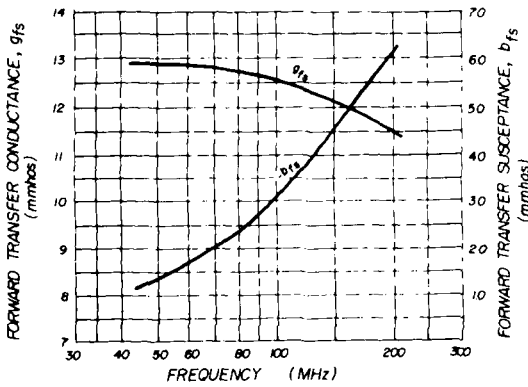
input resistance, while the reciprocal of the susceptance yields the input capacitive reactance. (Remember that millimhos yield answers in kilohms.) The susceptance may be converted to a capacitance



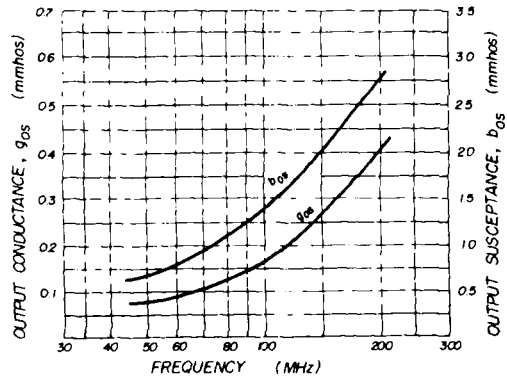
Input admittance



Reverse transfer admittance



Forward transfer admittance



Output admittance

fig. 2. MPF121 dual-gate mosfet common-source admittance parameters ( $V_{DS} = 15$  Vdc,  $V_{G2S} = 4.0$  Vdc,  $I_D = 6.0$  mA dc).

circuit components, that transformed from the antenna, and that due to the input resistance of the fet. The latter may be computed from the y parameters according to the formula for  $Y_{in}$ .

$Y_{in}$  of course consists of a real part, the input conductance, and an imaginary part, the input susceptance. Taking the reciprocal of the conductance gives the

using  $C = 1/(2\pi fX_C)$ , and turns out to be 4.9 pF. This is part of the 7.3-pF tank capacitance, a goodly part indeed; you may need to recalculate for a higher C circuit.

The input resistance is quite low at this frequency, only 1200 ohms. Suddenly you realize that this will degrade the Q if the fet is connected across the whole tank. This may not hurt; however,

you should look for possible poor image response.

At  $Q = 16$ , the response curves show that an image at 122 MHz would be 15 dB down. Using a second identical tuned circuit at the output would yield a  $\pm 1$  dB response across the band and image response of -30 dB. You would most likely want to tap the fet input down on the tank to preserve the  $Q$  under these circumstances.

Similar procedures apply to the output circuit with fet output resistance of 2900 ohms and output capacitance of 2.3 pF. Incidentally, the Stern stability for 2400 ohms source and load resistances turns out to be 8.1 and the calculated gain 12.4 dB. The fet is thus very stable, but it is up to the builder to avoid external feedback paths in his layout.

### six-meter design

Let's look at the 6-meter case next. Starting with a reactance of 150 ohms, and  $\pm \frac{1}{2}$  dB response across 50 to 51 MHz (i. e., 1 dB down at the band edges), you find that  $L = 0.47 \mu\text{H}$ ,  $C = 21.0 \text{ pF}$  and loaded  $Q$  must be 22.2. This gives a resonant impedance of 3333 ohms, and an image response at 30 MHz of -25 dB for the single circuit. If you use identical input and output tanks, the response across the band segment would be  $\pm 2$  dB and the Stern stability 3.8, which is adequate. The calculated gain is 26.5 dB. Suppose the slug-tuned coils had unloaded  $Q_s$  of 80.  $R = QX = 80(150) = 12\text{k}$  which is the resistance contribution of the coil alone. The input resistance of the MPF121 is 5620 ohms, so the following parallel resistance relationship must hold:

$$\frac{1}{5620} + \frac{1}{12\text{K}} + \frac{1}{R_{\text{ant}}} = \frac{1}{3333} \quad (17)$$

Solving,  $R_{\text{ant}}$  must be 26k. Thus, the antenna (perhaps 50 ohms) must be transformed to 26k by the input circuit in order to preserve the loaded  $Q$  of 22.2. Frankly, this makes an antenna coupling of rather poor efficiency.

The design has several alternatives at this point, some of limited usefulness,

including: tap the fet down on the tank; use a higher  $Q$  coil; accept a lower  $Q$  through tighter antenna coupling with its wider bandwidth and poorer image rejection; use a coupled circuit to gain selectivity and largely separate the fet and antenna loadings. Choices like these must be weighed to arrive at a final good design.

Suppose you wish to use a transistor for a high-frequency receiver, but no  $y$  values are given below 30 MHz? After inspecting a number of data sheets, a few of which had values for lower frequencies, and assuming that dual-gate mosfets have similar general characteristics, even though they are advertised for a given frequency range, I conclude that the following rules-of-thumb would be better than using single values for the high-frequency region:

1.  $g_{rs}$ ,  $g_{fs}$  and  $g_{os}$  are constant throughout the hf region.
2. The four susceptances may be approximated assuming they are proportional to frequency. That is, a  $b_{is}$  of 1.1 at 40 MHz would be close to 0.4 at 14 MHz. Use the parameter value at the lowest frequency given on the spec sheet as a starting point.
3.  $g_{is}$  appears to fall off by a factor of four per octave. For instance, a value of 0.24 for 10 meters would reduce to 0.06 for 20 meters, 0.015 for 40 meters, etc.

Note that  $y_{is}$  means *input* admittance in the common-source configuration. What about common-gate and common-drain? Formulas to convert the common-source parameters to the other configurations,  $Y_{ig}$ ,  $Y_{id}$ , etc., have been worked out and are given in reference 4. All equations for stability, gain, etc. are applicable to the common-gate and common-drain configurations as they stand, simply by using the appropriate  $y$  parameters for the configuration of interest.

### summary

I may summarize then, with some

rules-of-thumb which may prove beneficial even if you make no calculations:

1. A typical dual-gate mosfet will be unconditionally stable if the frequency is high enough.
2. A potentially unstable device may be stabilized by feedback or mismatching.
3. Mismatching may be preferable for stabilization since it requires no extra components, no adjustment, is not frequency sensitive, and the cost in gain is usually tolerably small for amateur work.
4. The smaller the source and load impedances, the greater will be the stability. Thus, at parallel resonance, smaller values of both reactance and Q give smaller parallel impedance and greater stability.

In conclusion, I must point out that there are techniques in rf amplifier design used by the professional design engineer which have not been mentioned here. Some of these methods require access to a computer since the number of computations may be vast. In addition, I have not pursued the design examples through to final optimization, but rather pointed out procedures and design choices. As you can easily see, there are tradeoffs between many factors such as selectivity, high gain, optimum noise figure and reasonable cost which a designer must evaluate.

Ultimately, the stability criteria are of key importance since no one can accept an unstable oscillating rf amplifier! Although I was privileged to program and run my calculations on a computer, I hope that someone may be brave enough to tackle the calculations and possibly avoid generating his own input signals in that new receiving system!

## appendix

### complex numbers

The square roots of negative numbers are designated *imaginary numbers* and

there are definite algebraic rules for dealing with them. The square root of minus one is the basis for complex operations, and it is generally given the symbol  $i$  in mathematics while engineers use  $j$ . Thus,  $i = j = \sqrt{-1}$ , and from the rules governing square roots, you can verify that  $j^2 = -1$ ,  $j^3 = \sqrt{-1}$ ,  $j^4 = 1$  and so forth. Ordinary algebraic rules also apply such as  $(j)(j) = j^2$ ,  $j^3/j = j^2$ , etc. Any nonimaginary number is a *real* number.

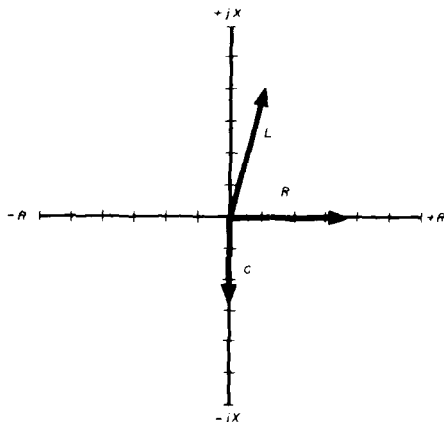


fig. 3. Circuit elements L, R and C plotted on a complex coordinate system. Each division is 100 ohms.

A *complex number* is the sum of two numbers, the first real and the second imaginary, such as  $3 + j2$ ,  $2.5 - j7$ , or in general,  $a + jb$ . The properties of  $j$  and complex numbers make them suitable for describing the characteristics of resistors, capacitors and inductors plotted on coordinate axes on the *complex plane*. These plots make it easy to visualize the behavior of these circuit elements, and the associated complex algebra makes it possible to determine their behavior with slide rule or computer.

The basic reason that the complex plane is needed is that the voltage is  $90^\circ$  out of phase with the current in any pure reactive element. Thus, in fig. 3, the complex coordinate system is shown with three circuit elements plotted thereon, all

at a frequency of 60 Hz. A pure 350 ohm resistor is shown at R. It lies on the R axis and has no component along the  $jX$  axis. A pure  $10 \mu\text{F}$  capacitance is labeled C and since  $X_c = 1/(2\pi fC)$ , it has 270 ohms capacitive reactance at 60 Hz. The voltage across the capacitor is  $90^\circ$  behind the current, and the capacitive reactance is along the negative  $jX$  axis.

The 1.06-henry inductor is not pure since the wire has a resistance of 100 ohms. (Any real capacitor has *some* resistance associated with it too!) The inductive reactance is  $+jX = +j(2\pi fL)$  (positive since the applied voltage leads the current by  $90^\circ$ ) and has a value of 400 ohms. The inductor then has two components, 400 ohms of pure inductive reactance and 100 ohms of pure resistance (plus some stray

vector sum) has a magnitude obtainable by the Pythagorean theorem as follows:

$$\sqrt{100^2 + 400^2} = \sqrt{170,000} = 412.3 \text{ ohms}$$

It also has a phase angle  $\theta$  which is  $75.5^\circ$ .

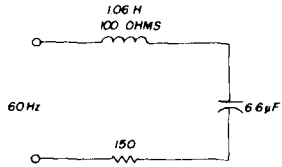


fig. 5. Simple RLC circuit. Complex characteristics of this circuit are plotted in fig. 6.

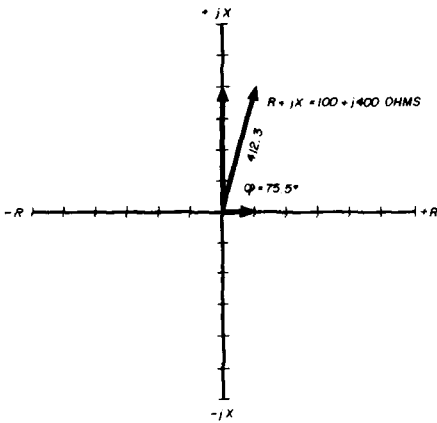


fig. 4.  $R + jX$  characteristics of 1.06-H inductor discussed in text. Each division is 100 ohms.

capacitance in any real inductor which we ignore). These two quantities have the properties of vectors, and are shown plotted in fig. 4.

The two components R and  $jX$  lie along the axes while the representation of the inductor  $R + jX = 100 + j400$  ohms is the resultant of the two, and is a complex number. We say that the device has 100 ohms resistance plus 400 ohms inductive reactance. The sum of these (and it is a

Both the complex representation  $100 + j400$  ohms and the vector form  $412.3 + \angle 75.5^\circ$  ohms are equivalent and are simply different ways of stating the *impedance* of the inductor  $Z_L$ . We may then state the general relationship that  $Z = R + jX$ .

As an example of how the behavior of a circuit can be visualized, plot the characteristics of the circuit in fig. 5 on the complex plane. The capacitor has a reactance of  $-j400$  ohms. All components are shown in fig. 6A. All components are added vectorially together to find the result; you can see that  $-j400$  cancels  $+j400$  while  $150 + 100 = 250$  ohms. This can be done by computation alone as follows:

$$\begin{aligned} Z_{\text{total}} &= Z_R + Z_C + Z_L \\ &= 150 - j400 + 100 + j400 \end{aligned}$$

Real and imaginary parts are grouped together giving

$$\begin{aligned} Z_{\text{total}} &= (150 + 100) + (j400 - j400) = \\ &250 \text{ Ohms} \end{aligned}$$

If you change the frequency to 120 Hz,

$$\begin{aligned} Z_{\text{total}} &= Z_R + Z_C + Z_L \\ &= 150 - j200 + 100 + j800 \\ &= 250 + j600 \text{ ohms} \end{aligned}$$

and at 30 Hz

$$Z_{\text{total}} = 250 - j600 \text{ ohms}$$



These values of L and C are series resonant at 60 Hz since the inductive and capacitive reactance cancel at series resonance; the current is determined only by the resistor and the resistance in the inductor. Incidentally, you may relate the negative R axis to *amplification*.

In the preceding manipulation of complex numbers, no special techniques were required. But multiplication and division must be added to the list. Let's try an example by multiplying the following complex numbers:

$$(2 + j3)(3 - j5)$$

This operation is carried out just as the algebraic multiplication of two binomials:

$$\begin{aligned} (a+b)(c+d) &= ac+ad+bc+bd \\ (2)(3) &= 6 \\ (2)(-j5) &= -j10 \\ (+j3)(3) &= +j9 \\ (+j3)(-j5) &= (+j)(-j)(+3)(+5) = -(-1)(15) \end{aligned}$$

Adding all terms, we get (21 - j1)

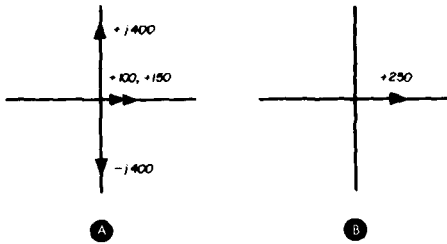


fig. 6. Complex characteristics of the circuit in fig. 5.

Division of complex numbers requires the use of the *complex conjugate* to get rid of the imaginary parts in the denominator. For any complex number (a + jb) its complex conjugate is defined as (a - jb), and vice versa. Let's see what happens when a number is multiplied by its conjugate, remembering that (a + b)(a - b) = a<sup>2</sup> - b<sup>2</sup>:

$$\begin{aligned} (a + jb)(a - jb) &= a^2 - (jb)^2 \\ &= a^2 + b^2 \end{aligned}$$

The j's drop out. Division is performed by

multiplying the denominator by its complex conjugate, and also multiplying the numerator by the same quantity so that the value of the fraction remains unchanged as follows:

$$\begin{aligned} \frac{4 + j8}{2 + j6} &= \frac{(4 + j8)(2 - j6)}{(2 + j6)(2 - j6)} \\ &= \frac{8 - j24 + j16 + 48}{4 + 36} \\ &= \frac{56 - j8}{40} = 1.4 - j0.2 \end{aligned}$$

You thus get rid of j's in the denominator and can easily get a simple answer.

Two additional complex manipulations will be necessary. The first is commonly designated Re(a + jb), and means the real part of (a + jb), or just a. Thus Re(5 - j2) = 5. Secondly, a + jb designates the absolute value. It is always positive, and by definition, is the magnitude of the quantity when expressed in vector form. Thus

$$|5 - j2| = \sqrt{5^2 + 2^2} = \sqrt{29} = 5.4$$

For the inductor in fig. 4, (100 + j400) ohms, you may write Re(100 + j400) = 100 and |100 + j400| = 412.3

In summary, addition, subtraction, multiplication, division and the evaluation of real and absolute values just about covers the needed techniques to get started with complex numbers in a useful way.

#### references

1. J. G. Linville, J. F. Gibbons, "Transistors and Active Circuits," McGraw-Hill Book Company, New York, 1961.
2. A. P. Stern, "Stability and Power Gain of Tuned Transistor Amplifiers," *Proceedings of the IRE*, March, 1957.
3. C. Tatom, "Whats and Whys About Y-Parameters," Motorola Applications Note AN-158.
4. R. Hejhall, "RF Small-Signal Design using Admittance Parameters," Motorola Applications Note AN-215.
5. R. Hejhall, "Field-Effect Transistor RF Amplifier Design Techniques," Motorola Applications Note AN-423.
6. B. Trout, "Small-Signal RF Design with Dual-Gate MOSFETs," Motorola Application Note AN-478.

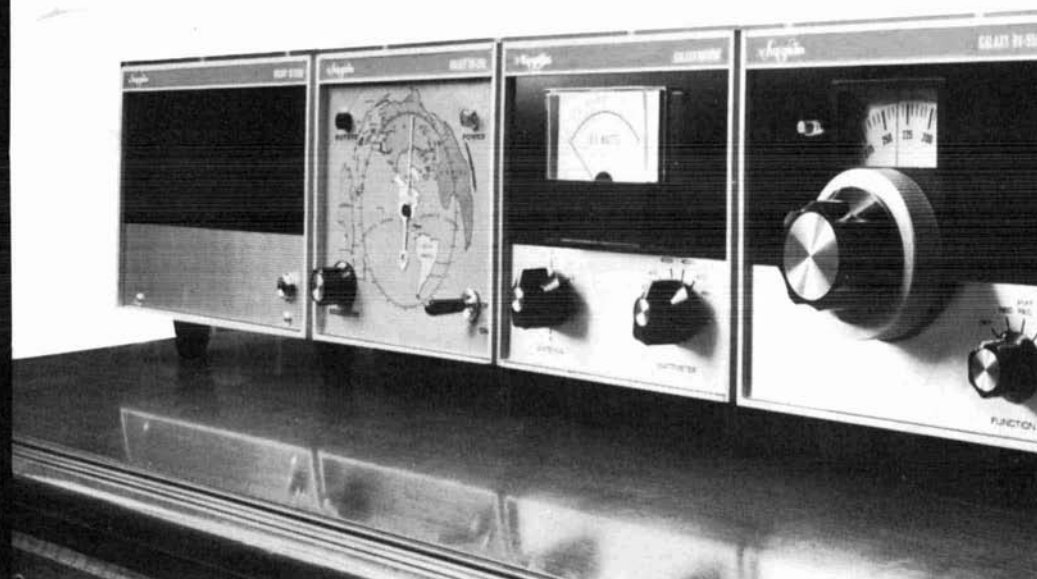
ham radio

The most powerful signals under the sun!



**Hy-gain**

**550A**



The Hy-Gain 550A is more than precision, professional-quality HAM equipment...it's a complete communications system. Each separate piece is an integral part of a matched system, precision designed and engineered toward one goal...ultimate efficiency.

#### **GT-550A Transceiver**

Top power, runs 550 watts PEP input / Unmatched dependability, flexibility either fixed station or mobile / Low cost / Upper and lower SB selectable without frequency jump / Frequency calibration and read-out accurate to 1 kc using interpolation / Fast attack—slow release AVC for no-pop signal control / Automatic ALC prevents over-driving and adjacent channel splatter / Constant output through high end of 10 meters / Hybrid construction for low-temperature operation and reliability / Standard of the industry in frequency stability / Outstanding receiver sensitivity and selectivity.

**Order No. 855**

**Ham Net \$595.00**

#### **RV-550A Remote VFO**

Solid-state construction / Complete with plug-in cables / Function switch controls Receive-Transceive-Transmit frequency independently.

**Order No. 856**

**Ham Net \$95.00**

#### **RF-550A R.F. Console**

Contains precision wattmeter with top accuracy in range of 3.5/30.0 MHz / Switch select forward or reflected power—calibrated scales are 400 and 4,000 watts full scale / 6-position switch selects 5 antennas or a dummy load.

**Order No. 857**

**Ham Net \$75.00**

#### **SC-550A Speaker Console**

Matching speaker with headphone jack for the transceiver, complete with cable / AC-400 power supply mounts inside console.

**Order No. 858**

**Ham Net \$29.95**

# The Sound System



Phone Patch PR-550 Order No. 812

Crystal Controlled Adaptor XO-550 Order No. 811

AC Supply AC-400 Order No. 801

Mobile Supply G-1000DC Order No. 802

CW Filter F-3 Order No. 808

Calibrator CAL-250 Order No. 806

VOX Accessory VOX-35C Order No. 807

Mobile Dashboard Mounting Bracket—GTM Order No. 809

Floorboard Adaptor—ZZM (Not Shown) Order No. 810

Ham Net \$ 49.00

Ham Net \$ 49.00

Ham Net \$ 99.95

Ham Net \$129.95

Ham Net \$ 37.50

Ham Net \$ 25.00

Ham Net \$ 29.95

Ham Net \$ 8.95

Ham Net \$ 6.00

Get the complete Sound System...550 from Hy-Gain  
**HY-GAIN ELECTRONICS CORPORATION**

P. O. Box 5407- WG Lincoln, Nebraska 68505



## ham radio sweepstakes winners

W3PTG wins  
grand prize,  
puts all new  
Drake station  
on the air;  
WAØKKC proudly using  
new Standard  
fm station  
on two meters

Skip Tenney, W1NLB, Publisher, Ham Radio Magazine

Ham Radio Magazine's 1972 Sweepstakes is now history, and it was a busy bit of history at that. After many months of hard work by our staff here in Greenville (have you ever tried to open and read over a thousand pieces of mail in one day?), the big drawing finally took place as scheduled on May 18th. As you can see, we had quite a box full of entries. In fact, it was a large job just to mix them up thoroughly so that everyone had an even chance.



Many of the people who bring you HAM RADIO each month gathered to watch Pat Hawes draw the name of this year's Sweepstakes winner—Gus Haak, W3PTG.

winner of  
**Radio Communications Handbook**

|         |          |        |
|---------|----------|--------|
| W1VLD   | W5BL     | W9IQN  |
| WA1FXA  | W5RDE    | W9JQY  |
| WA1MFI  | K5SZH    | W9JYY  |
| W2PKY   | WA5OQR   | K9ALD  |
| W2VLS   | W6CTY    | K9GET  |
| WB2QKQ  | K6CMV    | K9RYW  |
| W3BSE   | K6SEQ    | WA9GAY |
| W3GWM/1 | WA6PQG   | WA9SCD |
| W3MCL   | WA6TMQ   | WB9ADL |
| W3TOL   | W7MUG    | WN9FIJ |
| W3UZN   | WA7BKW   | W0COE  |
| WA3PJL  | W8WRJ    | W0ZLO  |
| W4KQK   | W8YBM    | K0KKK  |
| K4EHP   | K8ZPR    | K0OJR  |
| K4SHJ   | WA8ODV   | WA0NUG |
| WB4VGR  | WB8BOT   | WA0UEN |
| WN4ZCF  | WB8LAT/9 |        |

The winner of the grand prize was Gus Haak, W3PTG, who by now has had his new Drake TR-4, RV-4 and L-4-B in operation for over a month. Gus was a perfect choice for this gear as he is active on 10, 15 and 20 meter sideband and was running a considerably more modest station before now.

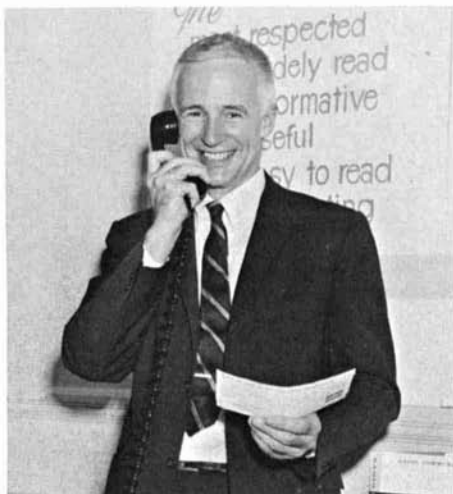
This new station provides him with an outstanding signal on all the hf bands. The Drake TR-4 is one of the most respected ssb transceivers on the market while the RV-4 allows split frequency operation. The L-4-B linear permits 2 kW



Assistant editor Doug Stivison, WA1KWJ, enjoys a contact before sending off Standard's versatile SR-C146 handheld fm transceiver to this year's winner.

PEP ssb operation and 1 kW a-m, CW and RTTY on a continuous-duty basis.

Our second prize went to Dick Mollentine, WA0KKK. Again, the prize was ideally suited to it's winner's needs. Dick has primarily been active on 6-meter a-m until now, and he had been eyeing 2-meter fm with great interest.



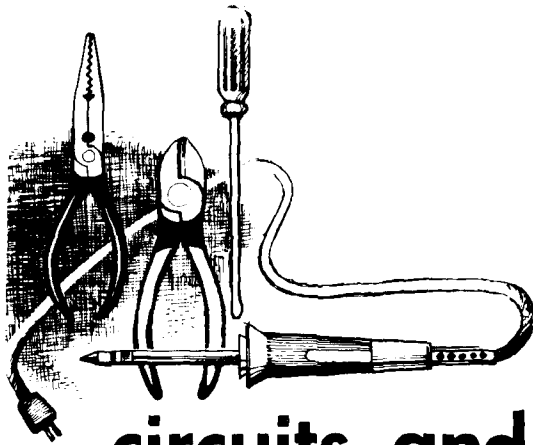
Ham Radio publisher Skip Tenney, W1NLB, telephoning W3PTG to tell him he has just won the 1972 GRAND PRIZE.

With his Standard trio consisting of a SR-C146 hand-held 2-meter fm transceiver, SR-C826M mobile rig and the all-new SR-C14 base station, he can claim to have the perfect piece of fm gear for every operating requirement. Of particular interest is the base station. When the prize was awarded it was one of the first of this model to arrive in this country!

The 50 third prizes of Radio Communications Handbooks pretty well covered the whole country as you can see from the list of winners. We were glad to find that the list included three YLs and two novices, along with a wide variety of calls, both old and new.

Again, we would like to thank the many thousands of you who entered. Someday we hope to figure out a way so that everyone can win.

ham radio



# circuits and techniques

ed noll, W3FQJ

## ic flip-flops

Last month this column contained a series of experiments that permit you to observe the operational characteristics of various gates and a basic flip-flop multivibrator. Data on the construction of a 100-kHz calibrator oscillator and the use of a universal flip-flop as a two-to-one counter was presented. In this month's column, specific experiments permit you to take a more detailed look at the operational characteristics of a universal (JK, R-S and clocked) digital multivibrator.

### universal flip-flop logic

The very simple circuit arrangement of **fig. 1** is appropriate for checking the logic voltages at the various terminals of the SN7472 J-K master-slave flip-flop. Use Fahnestock clips or binding posts as a convenience in making circuit changes. The unit has three sets of J and K inputs; only one set need be used. Other inputs are R, S (clear and set) and clock. At each of these inputs, logic 1 is the no-connection condition. Logic 0 is established by shorting any one of the inputs to ground. This simple procedure permits

you to check out the dc logic 0 and logic 1 operating conditions.

The R and S inputs are overriding. When they are used the unit operates as a simple R-S flip-flop. A basic flip-flop logic diagram is given in **fig. 2**. Generally when the set input is logic 1, the Q output is logic 1 and the  $\bar{Q}$  is logic 0. In the case of the SN7472, there is an inversion in the S and R line as indicated by small circles in the logic diagram, **fig. 2B**. This means that with input S set to logic 1, the Q output is logic 0 and the  $\bar{Q}$  output is logic 1.

### step 1:

Connect a voltmeter to the Q output. Leave the S terminal at logic 1 (no connection) and set the R terminal to logic 0 by connecting a short between the R terminal and ground. The Q output is zero and the  $\bar{Q}$  output is positive logic 1 voltage (positive logic device). Reverse the logics of inputs R and S. Note the output logics flip over. What are the output logics with both the R and S terminals at logic 0? Do the same with both the R and S inputs at logic 1. The output logic for the latter condition can be 1,0 or 0,1 depending upon the previous logic of the R and S inputs. The above logic conditions hold regardless of the logic at the J, K and C inputs; R and S are overriding.

### step 2:

Momentarily apply logic 0 to the R input and logic 1 to the S input to

establish the *set* state of the Q and  $\bar{Q}$  outputs with  $\bar{Q}$  at logic 1. Keep the R and S inputs on logic 1 (no connections). Set the K input on logic 0 and the J input on logic 1. Momentarily apply logic 0 to the clock input. Note that the output logic changes and holds whether the clock input is kept on zero or one. Momentarily apply logic 0 to the R input. This returns the output logic to its set state.

Now connect logic 0 to J and logic 1 to K. Again, momentarily apply logic 0 to the clock input. Note that the output logic again flips and holds. Momentarily apply logic 0 to the S input. Note that the output logic goes back to its reset state.

### signal operation

Additional understanding of the operation of the universal flip-flop can be gained by using a signal from an audio sine- or square-wave generator and the 100-kHz crystal calibrator detailed in last month's column.

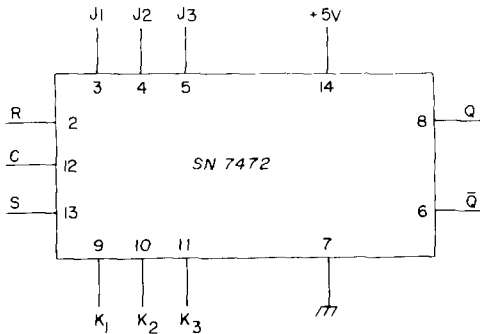


fig. 1. Connection diagram for SN7471.

### step 3:

Set all inputs to logic 1 (no connection). Apply the 100-kHz output of the crystal calibrator to the clock input. Observe the signal at the Q and  $\bar{Q}$  outputs. Compare the input and output frequencies. The unit is operating as a two-to-one counter. Disconnect the 100-kHz clock.

### step 4:

Apply the output of the audio generator across the R-S inputs. To activate the unit it may be necessary to increase the audio gain above that required at the clock input. Output and input fre-

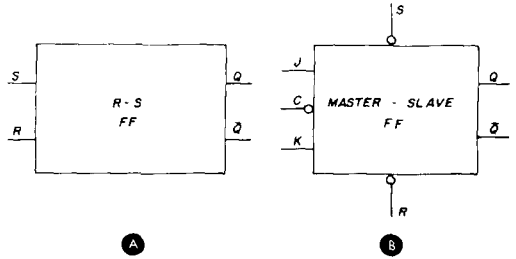


fig. 2. Basic and universal flip-flop.

quencies are now the same, but the waveform has been improved and the output is steep-sided compared to the input signal.

### step 5:

Disconnect the audio generator. Connect the output of the 100-kHz crystal calibrator to the clock input. Observe the output waveforms at Q and  $\bar{Q}$ .

Connect the output of the audio oscillator to the J input of the flip-flop. Set the audio oscillator frequency to 1000 Hz. Display one cycle of the 1000-Hz repetition rate on the oscilloscope screen. During approximately one-half of its period, the clock signal appears in the output while the second alternation contains no clock component. Momentarily connect Q logic to the R input. Output is removed and the flip-flop is returned to the set state.

### inhibiting

In an inhibiting circuit a certain logic at one of the input circuits prevents or inhibits the transfer of logic information between another input and the output. A basic inhibiting circuit is shown in fig. 3.

The transistor is normally non-conducting because the emitter junction is

not forward biased. This represents logic zero condition at the base. When a positive pulse of sufficient magnitude (logic 1 level) is applied to the base, the transistor conducts, and its inversion produces a logic 0 output. This is true provided no logic 1 voltage is applied to the emitter.

If a logic 1 pulse arrives at the emitter at the same time a logic 1 pulse is applied to the base, the transistor remains non-conducting. Therefore, the output of the transistor remains normal at logic 1 potential.

Likewise, the two other possible conditions of X and Y both being at logic 0 or both being at logic 1 result in a logic 1 output. The truth chart for the circuit is given with fig. 3.

In considering the universal flip-flop you learned that the R and S inputs were overriding. One might state that these inputs inhibit the clock's, J and K inputs just as input Y in fig. 3 is able to inhibit input X. The inhibiting process is used to advantage in counters because they permit a binary counter chain (all even count) to also function in an odd-count manner. In our next experiment a divide-by-eight counter consisting of three binary 2-to-1 counters in series is made to divide by 5. This is done by feeding back inhibiting information from the output.

### even and odd counting

The final construction experiment last

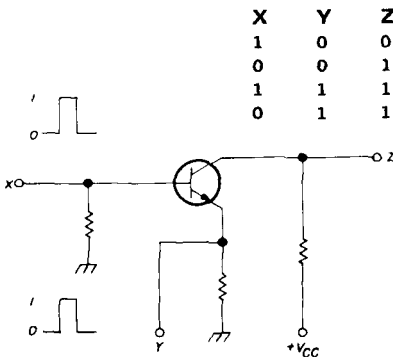


fig. 3. A basic inhibitor circuit and its truth table.

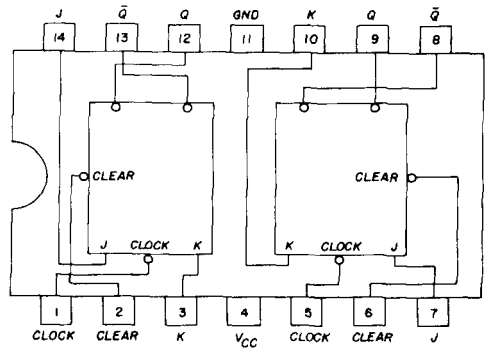


fig. 4. The basic 7473 dual flip-flop containing two binary counters.

month consisted of a crystal-controlled multivibrator and a 7472 two-to-one counter. The versatility of this calibrator can be extended with the addition of still another integrated circuit. In this case it is the inexpensive 7473 dual J-K master-slave flip-flop. Two binary counters are included in the same case with separate inputs, outputs and clear terminals, fig. 4. They can be operated separately or joined together to obtain an overall count of four-to-one. Combined with the previous counter, a total division of eight ( $2 \times 2 \times 2$ ) can be obtained.

### step 1:

Connect the circuit as shown in fig. 5. The output of the previous counter is joined to the new dual flip-flop by connecting its  $\bar{Q}$  output to the clock input, pin 1. The two counters in the 7473 are joined by tying together the  $\bar{Q}$  output at pin 13 to the second clock input at pin 5. A divide-by-eight output is made available at either pin 8 or pin 9.

### step 2:

Turn on the calibrator circuit, connect the oscilloscope to the output of the crystal oscillator and display eight cycles on the scope screen. Now connect the oscilloscope to the output of the last counter. Note that only a single waveform is displayed, indicating a division by eight. Two cycles will be seen at the junction between the two dual counters and four cycles at the output of the first



counter. Waveforms will be those of fig. 5.

### step 3:

Now connect the circuit of fig. 6. A 2000-pF capacitor is used to connect the Q output of the last counter to the reset or clear inputs of the first and second counters. Capacitor C1 provides a feedback path for a reset pulse. Pulse polarity is such that it cancels out or inhibits the activities of the first two counters at the proper time to start a new five-pulse sequence.

Note in fig. 5 (divide-by-eight counter) that the edges of all five waveforms are coincident at the leading edge of the fifth clock pulse. Furthermore, the trailing edge of the Q output of the last counter is swinging from logic 1 to logic 0, a polarity which can be used to clear and reset the first two counters. This very activity is shown as coinciding with the leading edge of the fifth clock pulse in fig. 6. The leading edge of the sixth clock pulse will now switch all three counters just as the leading edge of clock pulse one at the very beginning. The counters see everything as starting anew and they go off to try and count eight again only to

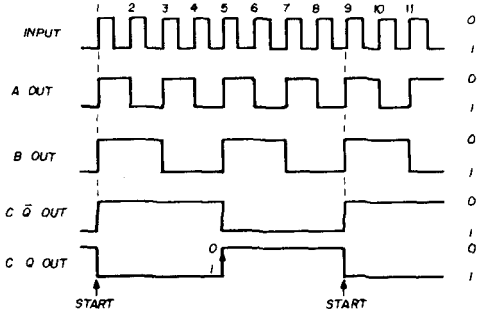
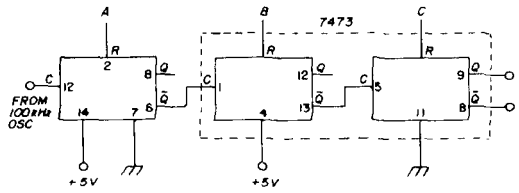


fig. 5. An 8-to-1 divider and corresponding waveforms.

be met by another reset pulse coincident with the leading edge of clock pulse ten.

The feedback spikes shown in the counter 1 and counter 2 outputs coincide with the leading edge of the fifth clock pulse. Observe these spikes on the oscilloscope. Note how the entire cycle of events repeats itself. Actually, the counter chain is never permitted to go through its eight-count cycle but is interrupted in a manner that continues a five-count sequence.

### step 4:

Turn on the counter and observe the waveforms at the outputs of each counter. Look for the inhibiting spike in the outputs of the first and second counters, exactly as shown in the waveforms of fig. 6.

### step 5:

Attach the oscilloscope to the output of the last counter and adjust it until eight cycles are displayed. Note also that the output is now asymmetrical (pulse of shorter duration than the intervening spacing). Recall that the outputs for the even-count activity were symmetrical square waves. Momentarily disconnect

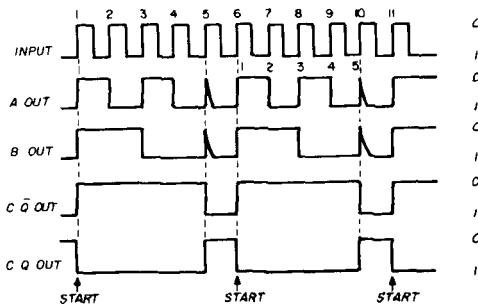
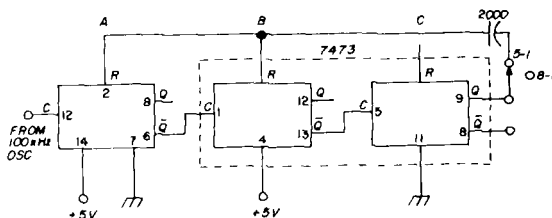


fig. 6. A 5-to-1 divider and corresponding waveforms.



CA3020 QRP unit described in the August, 1971 issue of *ham radio*. His stable and clean keying circuit is shown in fig. 7. His description is as follows:

"... as you can see, I used a slug-tuned coil for L1 with the slug attached to a shaft for tuning from the front panel. Grounding the slug was important to eliminate hand-capacitance effects. The shaft is fitted with a little bearing near the panel, and this tuning arrangement works out to be very stable even though it's not calibrated.

"The main drawback of the oscillator at first was that it drifted quite badly every time it was turned on. Putting a soldering iron on the IC seemed to indicate that it was pulling the frequency as it warmed up. Attempts to let it run all the time and open the emitter lead of the oscillator transistor to shut off the oscillator really didn't seem to help much, and this doesn't provide good keying for CW either. So, I came up with the diode-keying circuit shown. This allows everything to be on all the time to level out the temperature of the IC. With the key open, oscillation is prevented by the fact that there is no capacitance (or 100 pF as in my circuit) from emitter to ground on the oscillator. Oscillations can be stopped in this way, or the oscillator can be shifted off the oscillating frequency by moving about 100 kHz during standby. The frequency shift can be varied by the amount of capacitance switched in and out of the circuit. For CW keying, of course, it would be necessary to completely stop the oscillator. Frequency-shift keying for RTTY can be obtained by the same sort of circuit with smaller values of shift capacitance.

"My output transformer is a toroid coil with bifilar primary. The secondary is matched to about 50 ohms, and I did not get as much output as I expected. However, this is a secondary consideration for a vfo, anyway. With the keying circuit shown and the zener regulator, the keying is now really stable and after all, stability was what I was after."

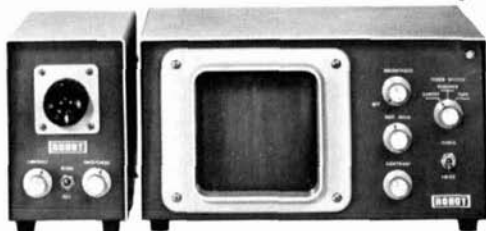
ham radio

# AMATEUR ELECTRONIC SUPPLY

- has -

## ROBOT

*In Stock for  
Immediate Delivery*



ROBOT MODEL 70 MONITOR.. \$495  
 ROBOT MODEL 80 CAMERA .. \$465  
 25mm, f1.9 lens ..... \$ 30  
 25mm, f1.4 lens ..... \$ 40  
 25mm, f1.4 Macro lens ..... \$ 60

## AMATEUR ELECTRONIC SUPPLY

4828 West Fond du Lac Ave. Milwaukee, Wis. 53216  
 Phone (414) 442-4200

HOURS: Mon & Fri 9-9; Tues, Wed & Thurs 9-5:30; Sat 9-3  
 CLEVELAND Area Hams may wish to visit our Branch store located at:  
 17929 Euclid Avenue, Cleveland, Ohio. Ph. 486-7330. Pete Smith, Mgr.  
 ALL Mail Orders and Inquiries should be sent to our Milwaukee store.

### To: AMATEUR ELECTRONIC SUPPLY

4828 W. Fond du Lac Ave. Milwaukee, Wis. 53216

I am interested in the following new equipment:

I have the following to trade: (what's your deal?)

Ship me: \_\_\_\_\_

I Enclose \$ \_\_\_\_\_; I will pay balance (if any):

COD (20% Deposit)  GECC Revolving Charge Plan  
 Master Charge\*  BankAmericard  American Express

Account Number: \_\_\_\_\_

Expiration DATE \_\_\_\_\_ \*Master Charge Interbank number \_\_\_\_\_ (4 digits)

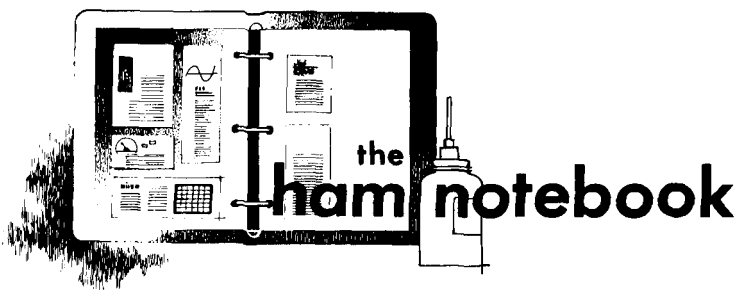
Name: \_\_\_\_\_

Address: \_\_\_\_\_

City & State: \_\_\_\_\_

Send used gear list

Send Robot literature



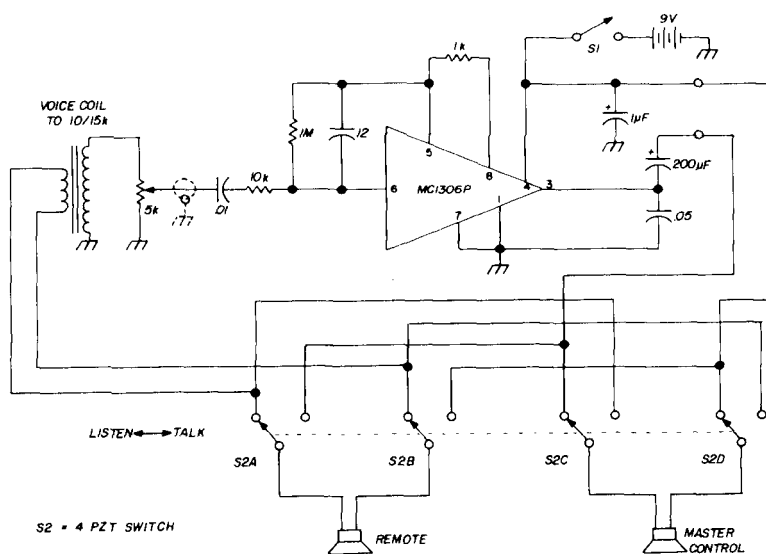
# the ham notebook

## simple intercom

Here's a simple intercom that can be put together in a couple of nights and is guaranteed to pacify the wife when you're in the basement and dinner is waiting on the table. It uses a half-watt

usually have a high-impedance output, this IC was made with a high-impedance input. The output, however, is low impedance and will work directly into an 8-ohm speaker without the usual output transformer.

The circuit, shown in **fig. 1**, is very



**fig. 1.** Schematic of the simple intercom.

audio IC, Motorola MC 1306P (\$1.10). This IC was designed for use in portable a-m/fm radios and tape recorders and takes a regular 9-V transistor radio battery for power. Since these circuits

simple. I made a small etched-circuit board for the IC and associated components. For the master control, I used an old ac-dc radio, with all parts removed except the speaker and its output trans-

former. The output transformer is necessary to step up the input (talking) speaker to a high impedance. The etched-circuit board and battery were mounted inside and the *talk* switch (Burstein Applebee 18A1309) was mounted in the dial hole with the volume control in the regular volume control hole. Shielded cable from the volume control to the input may be necessary. The remote can be any 8-ohm speaker in whatever enclosure is available.

Once installed, the remote is on all the time and any activity or talk can be heard by the control. By pushing the switch to the *talk* position, the master control can talk to the remote. In my setup the remote picked up so much noise from machinery that it was distracting. To remedy this I ran a 4-wire cable instead of the usual 2-wire. I used the two extra wires for a buzzer at the control end and a push-button switch at the remote end. I

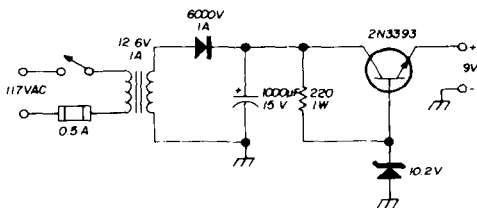


fig. 2. Power supply to operate the intercom from a 117 Vac source.

now leave the unit off (unless I want to listen in or call the remote) and the remote can buzz when someone wants to talk. Since there are no tubes to heat up, the unit will work as soon as it is turned on. This also conserves battery power. An ac supply can be used, and one is shown in fig. 2. This will probably have to be mounted outboard to avoid hum pickup from proximity to the circuit board.

When this unit was first turned on it picked up the local broadcasting station, but a 0.002 bypass capacitor from one side of the remote line to ground cured the trouble. In extreme cases of this type, try different values of capacitors on either or

both sides of the line to ground. Perhaps chokes in both lines would help.

The IC will take up to 12 Vdc, but more than 9 V will make it run hot and

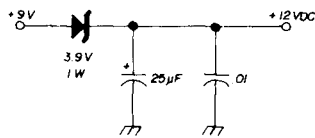


fig. 3. Voltage dropping and regulating circuit to operate the intercom on 12 Vdc.

high voltage isn't really necessary. If you have 12 Vdc available and want to get 9 V, try the circuit in fig. 3 using a 3 V, 1 W zener. A dropping resistor will not work as the current varies with speech input and a stable 9 V would not result. Also note that neither side of the remote line is grounded because the positive voltage is on the line for the output speaker.

Nat Stinnette, W4AYV

## miniature power supply transformers

When powering really compact equipment such as electronic keyers and digital devices, obtaining a suitable tiny power transformer may prove difficult and expensive. This fact came to light while I was designing a sixteen IC keyer which was to be no larger than a conventional bug, yet completely self-contained including *squeeze paddles*, *monitor* and power supply.

The requirement for a miniature power transformer was met by using an audio output transformer intended for service in pocket transistor radios. A bridge rectifier of small glass diodes across the voice coil winding and a simple resistor-capacitor filter provided a full 3 V at 200 mA. The compact keyer, made possible by the tiny transformer, has been in service for four years without failure.

Gene Brizendine, W4ATE

## meter safety

Amateurs often overlook the fact that high-voltage meter multipliers are dependent upon the meter coil for their return to ground. Should this coil open, the entire high voltage will appear at one terminal of the meter! To preclude this risk, a very high value resistor,  $R_x$ , is connected across the meter as shown in fig. 1. This resistor must be large enough to introduce only a small error in the meter reading, which may be compensated by a

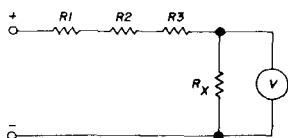


fig. 4. Use of a shunt resistor for safety.

corresponding decrease in the value of  $R_2$  to correct the meter.

As a further note of safety, the multipliers,  $R_1$  through  $R_3$ , generally should be 2 W or larger, because a 500 V maximum drop across each resistor is an acceptable value. Otherwise, the resistor drift due to heating may be excessive and the voltage breakdown of the multipliers will be exceeded.

M. H. Gonsior, W6VFR

## electronic fence interference

I live in a built-up area which permits keeping horses. I have had very strong noise interference on one bearing on the higher bands, and on all 3.5- and 7-MHz signals when I use a nondirectional antenna. I found the source of the noise very quickly with an inexpensive vhf aircraft-band portable a-m radio.

The interference consists of about one buzz per second, somewhat more regular than thermostatic devices. It is caused by the less expensive *Sears weed and stock-control charger with pulser timer*, which is described more extensively in the *Suburban and Farm Catalog* than in the general catalog.

Bill Nelson, the radio interference expert with The Southern California Edison Company and author of a very good article on the subject several years ago in *QST*, says that some electric fences produce only a series of clicks, while others have the buzzes.

During a 21-MHz contact with VK3AKB, Bill turned on the charger that was located near his ssb equipment and heard no interference at all.

The Sears general catalog did not mention any radio interference filter in the lower-priced charger, but did for the more expensive one. The farm catalog, in addition to mentioning the filter in the \$40 unit, says that the \$24 unit will not interfere with radio and tv. The noisy one here puts intermittent show on a tv screen near the noise source, and can be heard a hundred yards away on 140 MHz.

Sears has written extensively to assist in eliminating the radio interference and has provided factory comment. They say that both of their chargers are shielded and filtered to prevent radio, tv and telephone interference. When the interference is present, it is usually caused by one or both of the following conditions:

First: A current leak to ground somewhere along the fence line. This could be caused by very dirty or broken insulators, the wire touching against the side of a post, tree or building or heavy vegetation growing up against the wire.

Second: A loose connection somewhere along the fence line. This could be due to poor splices (usually just twisted connections in a rusting wire), a gate opening or very badly rusted spots in the wire.

Either of the two conditions above would cause a gap across which sparks could jump, exciting the fence wire as an antenna, thus resulting in very broad interference to radio, television or telephone. A careful check of the fence line should disclose the trouble — and may require some soldering for permanent connections.

Sears also says that you can determine definitely whether the controller (charger) itself is at fault by disconnecting it

# Why won't Don Wallace listen to anyone else?

W6AM doesn't have to, since he began using our professional quality VHF-FM 2 meter transceiver with exclusive *Astropoint*. The precise and powerful *Astropoint* system actually blocks out all interference. So when one of the nation's number one hams is having a 2-way conversation he won't have unwanted interference.

*Astropoint* is featured on all standard transceivers including the rugged, 12 channel SR-C826M.

It's not only a compact mobile but even fully portable with the addition of a battery pack. And there's a lot more that appeals to Don about the SR-C826M

than just *Astropoint*. All silicon semi-conductors with solid state circuitry. Ten watts of R.F. output power combined with low power consumption. MOSFET R.F. Amplifiers and mixers. And the list of features goes on.

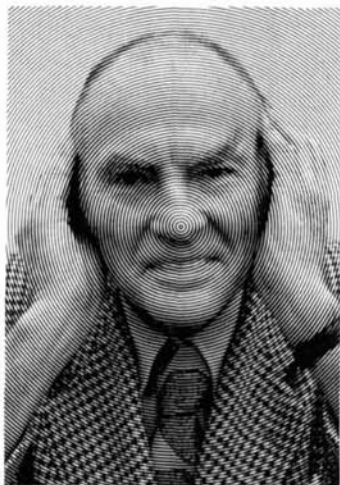
Which is why Don Wallace hasn't been listening to anyone else lately. Not that he's choosy about who he listens to. Just whose equipment he listens on.

For complete specifications and the name of your nearest dealer, write:



**STANDARD  
COMMUNICATIONS  
CORP.**

639 North Marine Ave.,  
Wilmington, Calif. 90744  
(213) 775-6284



from the fence and allowing it to operate. Of course, the removal of the antenna will reduce the interference markedly in any event. However, if a nearby receiver shows that the interference disappears entirely, the fence rather than the charger is at fault.

If the noise continues, the charger unit — possibly due to an open filter condenser — is at fault and may be returned to a service station for repair. First, however, you may try a new pulser in the charger, as this possibly could be the source of the difficulty.

E.H. Conklin, K6KA

## low-band vertical antenna

The 4BTV four-band vertical antenna requires frequent readjustment when you are changing frequency and using the 75-meter resonator or loading coil. The same problem is present when using base loading. If a remote motor drive is used, additional cabling is required. There is a solution available that allows the operator to tune the 4BTV over the entire 80- and 75-meter band from his station location and still maintain a reasonable bandwidth. The technique uses a coaxial quarter wave transformer tuned to 3.750 MHz (43.3 feet long) and a broadcast type ganged variable capacitor connected at the remote end as shown in fig. 1.

In my case, the tap on L2 for proper impedance matching occurs at the top of the coil. L1 requires exactly half of the 30 available turns when C1 is half meshed. The vswr is 1:1 at the mid-band resonance frequency of 3.750 MHz. The inductive loading for quarter-wave resonance and a near 50-ohm resistive impedance is found by varying the tap on L2 while L1 is varied for quarter-wave resonance (L1 and L2 are mounted with zero mutual coupling).

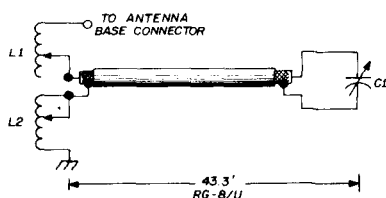
After L1 and L2 are adjusted for a minimum vswr at 3.750 MHz with C1 at half mesh, then C1 need only be adjusted at any other frequency in the 80-meter band for a vswr better than 1.3:1.

The arrangement and components

used have been exposed to a 300-watt power output level. At 500-watts output, the base antenna connection of the 4BTV arced across to ground. Therefore, 30-watts output is used with the 4BTV on 80 meters with this arrangement.

The stub may lie on the ground since it is connected at the low-impedance point (shield of coax to top of L2 and center conductor to bottom of L1). Negligible loss and capacitance-to-ground effects are experienced and the quarter-wave transformer inversion properties present a variable series inductance and capacitance between L1 and L2. The coils, once set at 3.750 MHz, require no further adjustment over the band.

A 4BTV can be replaced by a full quarter-wavelength 40-meter vertical or an all-band vertical with equally good



- L1 30 turns, no. 12 wire, 8 tpi, 2.5-inch diameter
- L2 6 turns, no. 12 wire, 2.5-inch diameter. Turns spaced approx. 5/8-inch apart
- C1 five gang broadcast type, 365 pF per section

fig. 5. Remote antenna tuning arrangement.

performance on the 80- and 75-meter bands.

One word of caution: When using base loading of a quarter wavelength 40-meter vertical antenna on 80 meters, a healthy rf voltage will appear at the base of the antenna, a hazard to unsuspecting people or animals.

The values of L1 and L2 may vary at different installations and must be determined experimentally. Those given in fig. 1 should be about right for those installations using one ground rod and mounting pipe with the 4BTV.

Fred M. Griffee, W4IYB



CW or RTTY, whichever way you go,  
**HAL HAS TOP QUALITY  
 YOU CAN AFFORD!**



**TOP QUALITY RTTY... WITH THE HAL MAINLINE ST-6 TU.** Only 7 HAL circuit boards (drilled G10 glass) for all features, plug-in IC sockets, and custom Thordarson transformer for both supplies, 115/230 V, 50-60 Hz. Kit without cabinet, only \$135.00; screened, punched cabinet with pre-drilled connector rails, \$35.00; boards and complete manual, \$19.50; wired and tested units, only \$280.00 (with AK-1, \$320.00).\*



**TOP QUALITY... WITH THE HAL 1550 ELECTRONIC KEYSER.** Designed for easy operation; perfectly timed CW with optional automatic ID for sending call letters, great for DX and RTTY; TTL circuitry, transistor switching for grid block, cathode keying. Handsome rugged crackle cabinet with brushed aluminum panel. With ID, only \$90.00; without ID, \$65.00.\*

**OTHER HAL PRODUCTS INCLUDE:**

|  |           |
|--|-----------|
| ID-1 Repeater Identifier (wired circuit board)     | \$ 75.00* |
| ID-1 (completely assembled in 1 1/2" rack cabinet) | \$115.00* |
| HAL ARRL FM Transmitter Kit                        | \$ 50.00* |
| W3FFG SSTV Converter Kit                           | \$ 55.00* |
| Mainline ST-5 TU Kit                               | \$ 50.00* |
| Mainline AK-1 AFSK Kit                             | \$ 27.50* |
| HAL RT-1 TU/AFSK Kit                               | \$ 51.50* |



**TOP QUALITY... WITH THE HAL MKB-1 MORSE KEYBOARD.**

As easy as typing a letter—you get automatic CW with variable speed and weight, internal audio oscillator with volume and tone controls, internal speaker, and audio output jack. Smooth operation; completely solid-state, TTL circuitry using G10 glass boards, regulated power supplies, and high voltage transistor switch. Optional automatic ID available. Assembled MKB-1, \$275.00; in kit form, \$175.00.\*



**NEW FROM HAL—TOP QUALITY RVD-1002 RTTY VIDEO DISPLAY UNIT.**

Revolutionary approach to amateur RTTY... provides visual display of received RTTY signal from any TU, at four speeds (60, 66, 75, and 100 WPM), using a TV receiver modified for video monitoring. Panasonic solid-state TV receiver/monitor, or monitor only, available. Complete, \$525.00; Panasonic TV receiver/monitor, \$160.00; monitor only, \$140.00.\*

**TOP QUALITY... WITH THE HAL RKB-1 TTY KEYBOARD.**

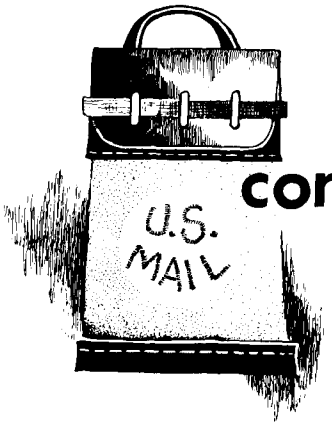
Gives you typewriter-easy operation with automatic letter/number shift at four speeds (60, 66, 75, and 100 WPM). Use with RVD-1002 video display system, or insert in loop of any teleprinter, for fast and easy RTTY. Completely solid state, TTL circuitry using G10 glass boards, regulated power supplies, and transistor loop switch. Optional automatic ID available. RKB-1 assembled, only \$275.00; in kit form, only \$175.00.\*



HAL provides a complete line of components, semi-conductors, and IC's to fill practically any construction need. Send 24¢ to cover postage for catalog with info and photos on all HAL products available.

\*Above prices do not include shipping costs. Please add 75¢ on parts orders, \$2.00 on larger kits. Shipping via UPS whenever possible; therefore, street address required.

**HAL COMMUNICATIONS CORP.,** Box 365 H, Urbana, Illinois 61801



## comments

### speech clipping

Dear HR:

I write this letter to question the general understanding and use of rf clipping circuits as given in many schematic diagrams; namely, I question the conventional explanation given for clipping at an intermediate frequency such as 9 MHz.

Squires and Bedrosian ("The Computation of Single-Sideband Peak Power," *Proceedings of the IRE*, page 123, January, 1960) have used a Fourier analysis, coupled with the concept of "frequency incommensurability" to show that audio clipping results in an *increase* in ssb peak amplitude rather than the expected reduction. This, of course, arises because a single-sideband signal does not preserve relative phase information; hence, there always exists a point in the ssb envelope where all frequency components add for an instant to produce a peak (the more frequency components present, the higher the peak). Thus, because audio clipping produces additional frequency components, the rf peaks become more intense, contrary to expectations.

However, the mathematics of the subject article also appear to be applicable to

a situation where one clipped rf wave modulates another rf sine wave (heterodyning), and one of the sidebands (say, the difference frequency) is rejected. In this case, as in the audio case (which is not really a special one), phase information is lost, and one can use Squires' and Bedrosian's mathematics to show that the final signal should be degraded too. I therefore feel that this is a matter which ought to be clarified, because this particular article has become the *raison d'etre* for rf clipping.

It appears that if Squires' and Bedrosian's analysis is correct, then rf clipping can only be expected to produce optimum results when it is used at the *operating* frequency. If that is true, as my own brief inspection seems to indicate, then someone who has the time to pursue it further should discuss in detail this apparent negation of rf clipping. After all, how do you filter the out-of-passband products at the operating frequency?

Furthermore, if my interpretation of the mathematics is correct, clipped dsb should be far more effective than unclipped dsb, whereas clipped ssb will supposedly be a disappointment.

Oscillograms appearing in the 1969 "Radio Amateur's Handbook" appear to support the notion that rf clipping at intermediate frequencies works, but one can again take note that "spikes" (many

of them) appear in the output of a clipped and heterodyned, ssb waveform, and that they do not follow the i-f envelope faithfully, all in accord with the subject article's predictions. Perhaps clipping at the i-f is effective, but if it is, someone must look more closely for the reasons and, perhaps, determine if Squires and Bedrosian produced an analysis that was too simplified. (It never really concerned itself with speech — merely distorted "sine" waves — and it totally ignored filtering.) As a matter of fact, I suspect that the analysis is over-simplified and that amateurs may have succeeded in regions not really covered by theory. Perhaps there are later papers which clarify the situation, and one of your readers who keeps up with IEEE's journals can help out. I hope so, because in my mind the case for conventional rf clipping does not seem to be on solid ground.

**Richard R. Slater, W3EJD**

**Dear HR:**

*I was pleased to get the reference to the Proceedings of the IRE note by Squires and Bedrosian, since it nicely supports my simplified explanation of why speech clipping and the ssb mode are incompatible. (See my article in HR for February, 1971) I was not aware of the material though I have the Proceedings issue in my collection!*

*Let me start by assuring you that rf (or i-f) clipping is indeed well understood. I believe your difficulty arises from the fact that in the IRE article an infinite bandwidth is assumed. This is why the authors get even worse results for clipped speech in a ssb system than I, because I assumed practical limits for bandwidth (3 kHz) and the lowest audio frequency (400 Hz). An infinite, or to be more practical, a large bandwidth, is a purely relative term and must be viewed against the signal frequency. A 3-kHz bandwidth is indeed nearly infinite when you consider the distortion products or har-*

*monics of a clipped 300-Hz tone. However, a 3-kHz or even a 30-kHz bandwidth is small when you consider a 100-kHz (or 9-MHz) clipped signal.*

*Since the distortion products or harmonics (multiples of the frequency of the clipped signal) are sufficiently filtered out by a single i-f transformer after the i-f clipper, the problem which is causing your concern does not arise. The subsequent mixers and amplifiers are dealing with an amplitude-limited signal without the distortion components.*

*Some time ago, there was a widespread belief that when you filtered a clipped signal so that all harmonics were removed, you got back the unclipped original. This of course is a fallacy; inspection of the Fourier series for a square wave shows that the output variation is 2 dB for inputs between 1 (the clipping level) and infinity!*

*Within the context of your letter, clipping at audio is a special case, since the lower harmonics generated by the clipper fall into the band of interest. Clipping at i-f or rf avoids this through the selectivity inherent in most designs so that there is no phase information to lose. (I agree of course that later mixers are in effect ssb mixers.) For example, when clipping a 300-Hz tone, the distortion products are at 900, 1500, 2100, 2700 Hz etc. When you clip a 100-kHz ssb signal, the distortion terms show up at 300 kHz, 500 kHz etc. Obviously, it is no major task to get rid of these, as the band of interest is still only 3 kHz wide.*

**Walter Schreuer, K1YZW**  
Ipswich, Massachusetts

## **mosfets maligned**

**Dear HR:**

An article in the March, 1972 issue, Gerald Vogt's writeup on a two-meter preamplifier, inspires this missive, since I am of the opinion that he leaves some misrepresentations in his article.

I am pleased to see that Mr. Vogt

recognizes the ease with which the classic cascode amplifier circuit can be directly implemented with fet devices. The excellent results that may be obtained with this circuit arrangement without the need for neutralization are recognized advantages of the cascode amplifier. The 2N4416 or other jfets can produce a fine two-meter preamplifier.

However, I do feel that the author has been inclined to dismiss the dual-gate mosfet devices in much too casual a manner, and without a sufficient understanding of their true virtues. The argument that the mos junctions are subject to destruction by electrostatic discharges is archaic in this day of the diode-protected device. Certainly the use of dual-gate mosfets in the Heath SB-303 shows the practicality of the protected device. I am presently involved with a receiver design which is in production, using RCA dual-gate 40822 fets, and we have used some 4000 devices on the assembly floor without a failure due to electrostatic problems. Incidentally, I am using this type fet for rf, mixer, i-f, audio and oscillator stages and find it admirably suited for all applications.

The inherent cascode internal connection of the dual-gate mosfet makes it ideally suited for cascode preamplifiers, and it is regrettable that its superiority was not recognized.

The dual-gate device offers better intermod and crossmod performance than any other device in the solid state museum, and permits the introduction of an rf gain control or agc function that actually *increases* the signal handling capabilities as the gain is reduced. This is even better performance than that offered by the pentode variable-mu vacuum tube!

I would suggest that Mr. Vogt read over some of the informative application notes produced by Motorola and RCA, for example, on the use of dual-gate mosfets in rf applications. Data on the RCA 40673, RCA 40822, or Motorola MFE121, for instance, will reveal that these devices will give noise figures in the

2- to 5-dB range at two meters with stage gains near 20 dB as cascode amplifiers at 150 MHz.

RCA application notes give particular insight into uses of these fets. RCA publication ST-3233 on small-signal rf amplification of mos devices; AN-3435 on cross modulation effects; ST-3486 on receiver applications of dual gate mosfets and AN-4431 on rf applications of the dual-gate mosfet up to 500 MHz should be particularly informative.

Finally, I am surprised that Vogt's circuit does not include any local feedback, such as a source resistor with suitable rf-bypass capacity. Since the parameters of fets vary considerably from device to device, it is very important to incorporate dc feedback to make the circuit less critical of device parameter controls. Since  $I_{dss}$  varies from device to device, and  $G_m$  does also, it is better to smooth out these variables with feedback than to accept large performance variations in the circuit as devices are changed.

I fear that the circuit given by Mr. Vogt will function best only with low-level signals, since nothing is done to optimize the large-signal capability. Further, an rf gain control can be readily introduced to a dual-gate cascode circuit by controlling the voltage applied to gate number 2. If this gate is biased initially at say 30 to 40 percent of the (drain) supply voltage, rf gain can be easily reduced by merely lowering this gate number 2 voltage, which at the same time actually *increases* the signal-handling ability while reducing the stage gain. Certainly this is a virtue not to be so lightly dismissed.

The above comments are not intended to be hyper-critical of Mr. Vogt's article, as certainly the use of fets as a cascode rf amplifier is far superior to usual bipolar circuits. However, I do feel that the mosfet, especially in the diode-protected dual-gate form, should not be overlooked as the best of the solid-state devices for small-signal circuit designs.

**Maurice P. Johnson, W3TRR**  
**Randallstown, Maryland**

# for the EXPERIMENTER!

**INTERNATIONAL EX CRYSTAL & EX KITS**  
 OSCILLATOR • RF MIXER • RF AMPLIFIER • POWER AMPLIFIER



### 1. MXX-1 TRANSISTOR RF MIXER

A single tuned circuit intended for signal conversion in the 3 to 170 MHz range. Harmonics of the OX oscillator are used for injection in the 60 to 170 MHz range. Lo Kit 3 to 20 MHz, Hi Kit 20 to 170 MHz (Specify when ordering).....\$3.50



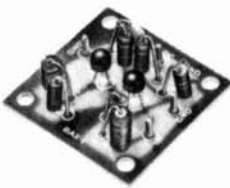
### 2. SAX-1 TRANSISTOR RF AMP

A small signal amplifier to drive MXX-1 mixer. Single tuned input and link output. Lo Kit 3 to 20 MHz, Hi Kit 20 to 170 MHz (Specify when ordering).....\$3.50



### 3. PAX-1 TRANSISTOR RF POWER AMP

A single tuned output amplifier designed to follow the OX oscillator. Outputs up to 200 mw, depending on the frequency and voltage. Amplifier can be amplitude modulated. Frequency 3,000 to 30,000 KHz.....\$3.75



### 4. BAX-1 BROADBAND AMP

General purpose unit which may be used as a tuned or untuned amplifier in RF and audio applications 20 Hz to 150 MHz. Provides 6 to 30 db gain. Ideal for SWL, Experimenter or Amateur .....\$3.75



### 5. OX OSCILLATOR

Crystal controlled transistor type. Lo Kit 3,000 to 19,999 KHz, Hi Kit 20,000 to 60,000 KHz. (Specify when ordering).....\$2.95



### 6. TYPE EX CRYSTAL

Available from 3,000 to 60,000 KHz. Supplied only in HC 6/U holder. Calibration is  $\pm .02\%$  when operated in International OX circuit or its equivalent. (Specify frequency) .....\$3.95

## for the COMMERCIAL user...

### INTERNATIONAL PRECISION RADIO CRYSTALS

International Crystals are available from 70 KHz to 160 MHz in a wide variety of holders. Crystals for use in military equipment can be supplied to meet specifications MIL-C-3098E.

**CRYSTAL TYPES:** (GP) for "General Purpose" applications  
 (CS) for "Commercial Standard"  
 (HA) for "High Accuracy" close temperature tolerance requirements.



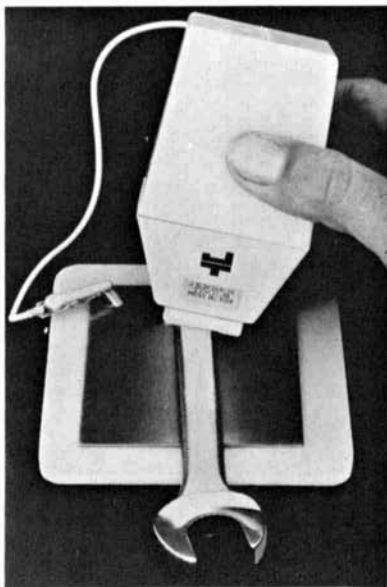
write for  
CATALOG



**CRYSTAL MFG. CO., INC.**  
 10 NO. LEE • OKLA. CITY, OKLA. 73102

# new products

## metal-etching tool



You can mark tools, metal components, chassis as well as camping gear and household items with a new metal-etching instrument from Jensen Tools. The Model 17 Marking system can electronically etch flat or round metal surfaces and can make two-color metal labels. The tool is safe, silent, vibration free and powered by ordinary 117 Vac.

Simple to use, all that is required is to type, write or draw the mark to be etched on the special stencil included in the kit.

A wetting solution is applied to the head of the marker, stencil attached, and the tool is ready for impression making. Chrome plated and solid brass labels with strong adhesive backing are available for etching with a black, copper, or brass-colored mark for a striking two-tone effect.

Model 17 is packaged in an economical kit which includes the marking tool, electrical cord, ground plate, electrolyte solution in plastic bottle, an adapter clip for deep etching and full instructions. The kit includes supplies sufficient for marking up to 2000 items. It is priced at \$24.95. Refill supplies are readily available.

Further information is available by using *check-off* on page 110 or by writing to the manufacturer and requesting the descriptive folder on the Model 17 Marking system from Jensen Tools and Alloys, 4117 North 44th Street, Phoenix, Arizona 85018.

## great circle map

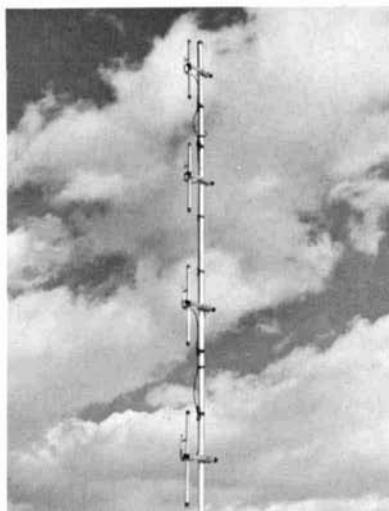
A new edition of the Radio Amateur's Great Circle Chart of the World has just been published by the Radio Amateur Call-book. Measuring 29" by 25", the six-color map is centered on the geographical center of the United States and includes a chart giving great circle bearings to all parts of the world from Boston, Miami, Seattle, Los Angeles, San Francisco and Washington, DC. The chart, an azimuthal equidistant projection, shows the great circle course from its center point to any other point on the earth as a straight line. Additionally, distances along the straight line can be

measured accurately against one standard scale.

The chart, besides dressing up a radio shack, is helpful for orienting antennas and comparing long and short paths to distant spots. The map amazes visitors to the station as it shows some interesting facts such as the shortest path to Singapore, Vietnam or Burma from Greenville, New Hampshire right over the North Pole.

The map is available for \$1.25 from Comtec Books, Greenville, New Hampshire 03048.

## four pole antenna



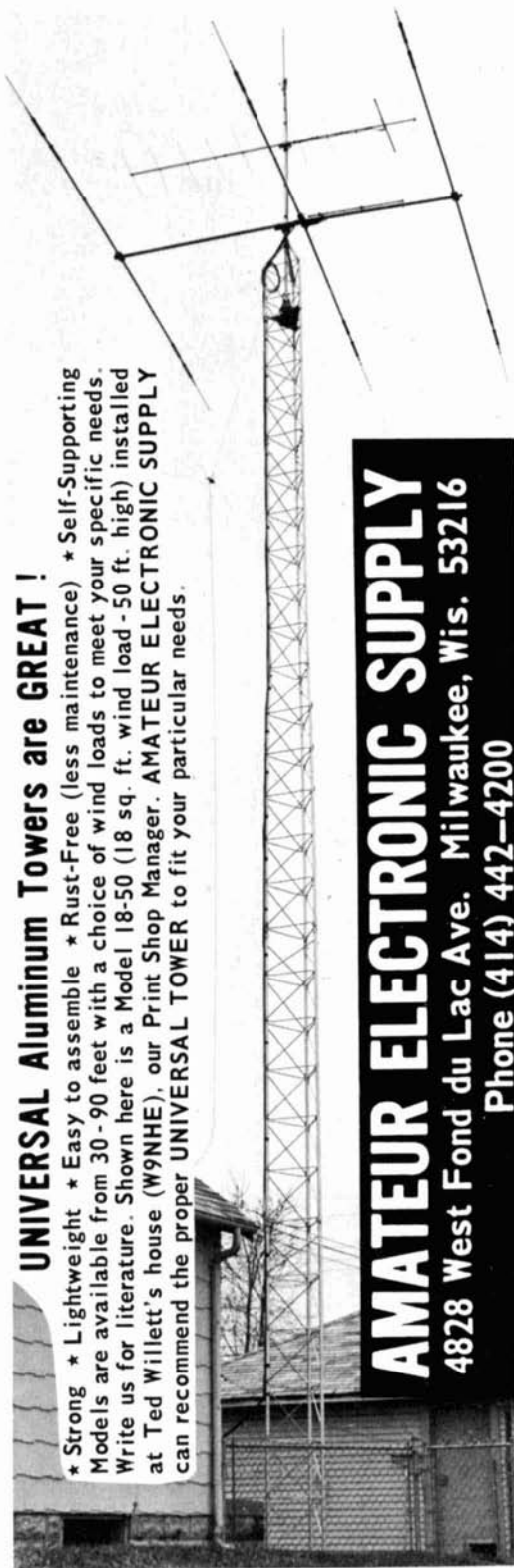
Cush Craft announced the addition of two new models to their Four Pole antenna design. The Four Pole is a series of four stacked dipoles for amateur fm and commercial use.

Four Poles are supplied with the dipoles, mounting booms, harness and all hardware. The center support mast is not supplied, allowing the user to custom select a mast for his installation or to tower mount the antenna.

Gain figures for the antennas show 6-dB omnidirectional and 9-dB semi-directional pattern. The three models now available are the AFM-4D, 144 - 150 MHz, \$42.50; the AFM-24D, 220 - 225 MHz, \$40.50 and the AFM-44D, 435 - 450 MHz, \$38.50.

## UNIVERSAL Aluminum Towers are GREAT !

★ Strong ★ Lightweight ★ Easy to assemble ★ Rust-Free (less maintenance) ★ Self-Supporting Models are available from 30 - 90 feet with a choice of wind loads to meet your specific needs. Write us for literature. Shown here is a Model 18-50 (18 sq. ft. wind load - 50 ft. high) installed at Ted Willett's house (W9NHE), our Print Shop Manager. AMATEUR ELECTRONIC SUPPLY can recommend the proper UNIVERSAL TOWER to fit your particular needs.



**AMATEUR ELECTRONIC SUPPLY**  
4828 West Fond du Lac Ave. Milwaukee, Wis. 53216  
Phone (414) 442-4200

# 2 Rigs in one!

THE **COMCRAFT** CTR-144



MADE IN U.S.A.

## The First AM-FM Solid-State Transceiver For Two Meters

No longer is it necessary to choose between AM and FM on two meters. Now you can have both in one compact unit. Join the gang on the new FM repeaters yet still be able to "rag chew" with old friends either AM or FM anywhere in the two meter band.

### COMPARE THESE FEATURES

#### TRANSMITTER:

- Built-in VFO (Frequency converted for stability)
- AM and FM both crystal and VFO
- Four transmit crystal positions (8 MHz)
- 12 watt input AM and FM
- High level transmitter modulation on AM
- Bandpass coupled transmitter requiring only final tune and load
- Three internal transmit crystal sockets with trimmers for netting
- One transmitter crystal socket on the front panel
- Deviation limiting
- 146.94 MHz crystal included

#### RECEIVER:

- Double conversion
- Crystal controlled first conversion
- MOS FET receiver front-end
- Integrated circuit limiter and discriminator for FM
- Envelope detector and series gate noise clipper for AM
- Built-in squelch for both AM and FM

#### GENERAL:

- Separate transmitter and receiver tuning
- Built-in 115VAC power supply
- Direct 12VDC operation for mobile or portable operation
- Optional portable rechargeable snap-on battery pack available
- "S" Meter also used for transmitter tune up
- Military style glass epoxy circuit boards
- Anodized lettering and front panel
- Baked epoxy finish on the cabinet
- 47 transistors, 22 diodes, 1 integrated circuit
- Dimensions: 10 1/4" W x 6 1/4" H x 7 1/2" D

**Warranty—90 Days Parts and Labor**

The CTR-144 is available at your  
DEALER or order **FACTORY DIRECT**  
**\$459.95**



**COMCRAFT COMPANY**  
P.O. BOX 266—GOLETA, CALIF. 93017

Write for more information or  
use **READER SERVICE**

More information is available from Cush Craft Corporation, 621 Hayward Street, Manchester, New Hampshire 03103 or from *check-off* on page 110.

## circuit zaps

Circuit Zaps, copper component patterns and accessories used to produce instant printed-circuit boards, have been developed for the hobbyist. International Rectifier Corporation recently introduced its complete line of Circuit Zaps for custom and prototype production of printed-circuit boards.

Circuit Zaps, which will retail for as low as 9 cents per pattern, enable the hobbyist or design engineer to eliminate the artwork, photography, photoprinting, touchup, etching, stripping and other time consuming and costly steps previously required in prototype and test circuit development and in home electronics projects.

Circuit Zaps are available in four design groups, and each card contains three to twelve of one pattern. Each pattern is precision-etched on a 5-mil glass-epoxy base material and backed with a special pressure-sensitive adhesive.

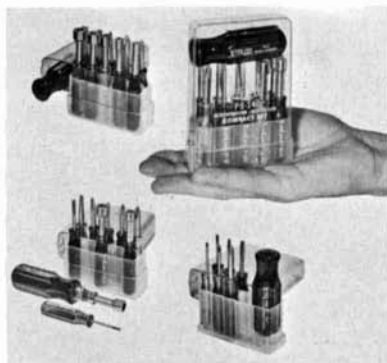
In actual use, the Circuit Zaps are placed on a pre-punched or unpunched circuit board in any desired layout. The Circuit Zaps can be removed and repositioned without damage to the adhesive.

The board is then ready for testing, drilling (for unpunched boards) and positioning of conductor paths. The final step is the mounting of components with standard hand-soldering techniques.

Specific Circuit Zap patterns available include: TO-type patterns with 3, 4, 6, 8, 10 and 12 leads; dual in-line with 14 and 16 leads; resistor/diode types, conductor path and both single-and dual-component pads. Also available from the Semiconductor Division of International Rectifier are: unpunched XXXP laminates, pre-punched with 0.1 x 1.0-inch centers and printed-circuit board terminals. Available at your local dealer. For more information use *check-off* on page 110.



## compact driver sets



Xcelite has just added three new all-purpose screwdriver and nutdriver sets to its family of "compact convertibles." Each set consists of an assortment of color-coded midget tools and a unique "piggyback" torque amplifier handle which enlarges gripping surface, extends reach and increases driving power. The new units bring to nine the number of "compact convertible" sets now available, with various assortments of drivers for slotted, Phillips, Allen, Scrulox, hex and clutch head screws, plus hex nuts.

Featured is a new transparent container with a positive snap-lock. Optically clear for easy set identification, the tough, injection-molded cover stays closed even when tossed into a tool box. The case is also designed to hold tools upright on a bench for easy selection. All nine members of the "compact convertible" family are now housed in these transparent, "show case" cases.

Contents of the three new sets are: PS-6 Screwdriver Set — miniature drivers for No. 00, 0 and 1 Phillips; 3/32", 1/8" and 5/32" slotted screws.

PS-140 Screwdriver and Nutdriver Set — popular assortment includes drivers for No. 0, 1, and 2 Phillips screws; 3/32", 1/8", 3/16" and 1/4" slotted screws; and 1/4", 5/16" and 3/8" hex nuts.

PS-130 Screwdriver and Nutdriver Set — similar to PS-140 with larger assortment of nutdrivers, 3/16", 1/4", 5/16", 11/32" and 3/8" hex sizes; plus drivers for No. 1 and 2 Phillips screws, and 1/8",

# INCREASE YOUR TALK POWER!

PROVEN ON-THE-AIR PERFORMANCE



MODEL ACA-1

\$49.95 KIT

ASSEMBLED

\$69.95

MODEL ACA-1 AUDIO COMPRESSOR features 45 DB compression range ■ Flat 20-20,000 Hz response ■ Extremely low distortion ■ Front panel compression meter and in/out switch ■ Accepts both high and low-impedance mikes ■ Easily installed in mike line ■ 110-volt a.c. or 12-volt d.c. operation ■ Only 5" W x 2 1/4" H x 4 1/2" D.

MODEL ACP-1

\$24.95 KIT

ASSEMBLED

\$34.95



MODEL ACP-1 COMPRESSOR-PREAMP has 30 DB compression range ■ Flat 20-20,000 Hz response and low distortion ■ Designed for high-impedance mikes ■ Easily installed in mike line ■ 9-volt battery operation ■ Only 4" W x 2 1/2" H x 3 1/2" D.

### IDEAL FOR TAPE RECORDERS!

Try one of these compressors as an automatic recording-level control. Used by recording studios, schools, and radio-tv stations. Great for p.a. systems, too!

### 3-CHANNEL WVW RECEIVER

(5, 10, and 15 MHz)



\$74.95 KIT

ASSEMBLED

\$99.95

0.25 microvolt sensitivity ■ Crystal controlled ■ 110-volt a.c. or 12-volt d.c. operation ■ Compact size only 4 1/2" W x 2 1/2" H x 5 1/2" D.

Send check or money order, plus \$1.50 for shipping anywhere in U.S.A. California residents add 5% sales tax.

DEALER INQUIRIES INVITED



CARINGELLA ELECTRONICS, INC.

P.O. Box 327 □ Upland, California 91786

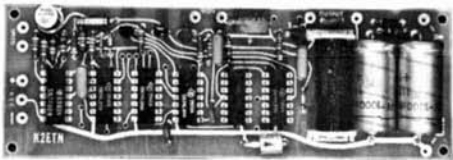
Phone 714-985-1540

## THE K2-KEYER

Now, a Keyer with every feature of the most expensive units without the unnecessary frills. Berkshire Inst. has designed a complete ready to use Keyer on a single printed circuit board. Use your own Key and incorporate it in your station console or power supply. Built-in regulated power supply operates from 6.3 VAC or 7½ VDC and only requires 60 Ma.

- Self Completing Dots & Dashes.
- Dot & Dash Memory.
- Automatic Character Spacing.
- Automatic Output.
- Dot or Dash Injection.
- Built-in Variable Pitch Side Tone.
- 6 to 80 WPM.
- Reed Relay Output for Compatibility With any Rig.

**\$34.95**



**ALSO AVAILABLE:**

**K2 12/24 HOUR CLOCK**

**K2 AGC AMPLIFIER**

**WOERNER ENTERPRISES, INC.**

170 Chestnut St.

Ridgewood, N. J.



**CAMP ALBERT BUTLER INVITES  
HAM RADIO ENTHUSIASTS OF ALL AGES**

*TO TRY FOR YOUR*

**GENERAL CLASS TICKET**

*This Summer! Our 13th Season*

**STUDY INSTRUCTION  
LEADING TO GENERAL ADVANCE  
and AMATEUR EXTRA LICENSE**

This co-ed Amateur Radio Camp, Y.M.C.A. owned and operated, can accommodate 60 campers. There is no age limit. We have had campers from 7 through 74 years of age. It is very helpful if you can copy 5wpm or have a Novice or Technician ticket but it is not necessary. Time is divided between radio classes in code and theory and usual camp activities, such as swimming, archery, riflery, hiking, etc. Golf privileges are included at the beautiful New River Country Club course.

Entire staff consists of licensed hams who are instructors in electrical engineering in some of our finest colleges and universities. Camp opens July 29th and closes August 12th. Tuition of \$200.00 includes all camp expenses: room, meals, notebooks, textbooks, and insurance. Send for our brochure.

**C. L. Peters, K4DNJ**

General Secretary

**Gilvin Roth Y.M.C.A., Elkin, N. C. 28621**

Please send me the Booklet and Application Blank for the Camp Albert Butler Radio Session.

NAME .....

CALL .....

ADDRESS .....

CITY ..... STATE ..... ZIP .....

3/16" and 1/4" slotted screws. Both this set and PS-140 are expansions of the very popular PS-7.

Complete details are given in the new Catalog 171 available without charge from Xcelite Incorporated, Orchard Park, New York 14127 or by using *check-off* on page 110.

## current-controlled resistors

Radiation Devices has introduced two new current-controlled resistor (CCR) pairs. CCR pairs and quads may be used in tuning, switching, attenuating or isolating functions in electronic equipment or systems. They consist of a light-emitting diode optically coupled to a pair or quad of cadmium selenide photo-resistors, selected and adjusted so that their resistance values track over a thousand-to-one range. The control current through the LED required to cover this range varies from a few tens of microamperes at one megohm to 20 milliamperes maximum at one kilohm. Fourteen pin DIP packaging, combined with carefully considered pin assignment, provides convenience in utilization, compatibility with modern circuit-board technique and maximum signal isolation.

The model 500-104 is a resistor pair selling for \$18, and the model 500-105 is a resistor quad selling for \$24. Complete specifications are available by using *check-off* on page 110 or by writing to Radiation Devices Company, Box 8450, Baltimore, Maryland 21234.

## logic tester

Requiring no visual observation, the model 95 logic tester gives a high audio tone to indicate logic 1 state and a low audio tone to indicate a logic 0 state when checking normal 5 V digital logic circuits. The unit sells for \$19.95. More information is available from Production Devices, 7857 Raytheon Road, San Diego, California 92111 or by using *check-off* on page 110.

## high-current logic driver

High-current loads can now be driven by logic circuitry, using the Motorola MCH2890, dual power driver rather than using more complex discrete circuitry. This new device translates logic voltage levels to high-power outputs. Either DTL or TTL logic levels may be used to control the device, and loads can be either resistive or inductive.

Many applications such as RTTY magnet drivers and tape punches, hammer-drivers, relay drivers, stepping motors and lamp drivers require high current pulses that are digitally controlled. The new device provides this interface in a single package replacing an IC and two Darlington transistor packages.

The MCH 2890 combines a dual 2-input MTTL AND gate similar to the MC3101 and a pair of Darlington power transistors in a hybrid design to provide up to 6 amps at 10% duty cycle and 25 ms pulse width. Continuous output current is 1 ampere maximum. The output Darlington transistors have 120 V minimum breakdown voltage ratings which is desirable for driving inductive loads at high current.

A factor which has hampered IC drivers in the past was package power dissipation. A new 10-pin aluminum package similar to the popular TO-3 was designed for the MCH2890. Besides the power handling capabilities of the TO-3 package, it was also chosen because of its longtime popularity as the standard industrial power package.

For further information contact the Technical Information Center, Motorola Inc., Semiconductor Products Division, P.O. Box 20924, Phoenix, Arizona 85036 or by using *check-off* on page 110.

## itu lists available

Formerly available only from Geneva, Switzerland; International Telecommunications Union publications are now avail-

## NEW



### ILLUMINATED ROCKER SWITCH

American made UL approved 125 Volt 3 A ac Illuminated S.P.D.T. rocker switch. Separate built-in S.P.D.T. switch operates built-in 115 VAC lamp. 75¢ ea. 3 for \$2.00

## CAPACITORS

### DIPPED MICA CAPACITORS

ALL 5% 500 VOLTS

|    |    |     |     |     |
|----|----|-----|-----|-----|
| 12 | 36 | 82  | 240 | 510 |
| 18 | 39 | 91  | 270 | 560 |
| 20 | 43 | 100 | 300 | 620 |
| 22 | 47 | 120 | 330 | 680 |
| 24 | 56 | 150 | 360 |     |
| 27 | 62 | 180 | 390 |     |
| 30 | 68 | 200 | 430 |     |
| 33 | 75 | 220 | 500 |     |



YOUR  
CHOICE

16 for  
\$1.00 ppd.

all mmfd

## RESISTORS

The Following Resistors Are All American Made 1/2 Watt Carbons With Full Leads, Completely Standard. Some 5% Some 10% Some 20%

|      |      |      |          |
|------|------|------|----------|
| 6.8  | 1300 | 24K  | 1 Meg.   |
| 22   | 1500 | 33K  | 1.5 Meg. |
| 27   | 1800 | 51K  | 1.8 Meg. |
| 39   | 2200 | 68K  | 2.2 Meg. |
| 47   | 2400 | 75K  | 2.7 Meg. |
| 82   | 2700 | 100K | 4.7 Meg. |
| 100  | 3300 | 120K | 5.6 Meg. |
| 270  | 4700 | 180K | 9.1 Meg. |
| 330  | 5600 | 220K | 10 Meg.  |
| 390  | 6800 | 330K |          |
| 470  | 8200 | 390K |          |
| 620  | 10K  | 470K |          |
| 750  | 18K  | 680K |          |
| 1000 | 22K  | 910K |          |

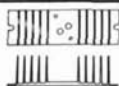
33 for  
\$1.00 ppd.

## ZENERS

All Units Tested And Guaranteed

500 MILLIWATT UNITS — 3, 3.3, 3.6, 3.9, 4.3, 4.7, 5.6, 6.2, 6.8, 7.5, 8.2, 9.1, 18, 22, 24, 27, Volts.

1 WATT UNITS — 10, 11, 12, 13, 15, 16, 18, 20, 22, 27, 30, 33, 39, 43, 47, 51, 56, 62, 68, 75, 82, 91, 100, 110, 120, 130, 150, 160, 180, Volts. ALL UNITS 10% — 4 for \$1.00 ppd. 5% — 3 for \$1.00 ppd.



Part #7277151.

Black, Aluminum, Anodized, Heat Sink. Size Approximately 4 1/4" x 1 3/8" h. x 1 1/2" w. Predrilled For TO-3 Transistors. Delco Factory New. 75¢ Each 3 for \$2.00 ppd.

Rectangular 0 to 1 Mil. Meter. Panel Size Approximately 1 3/8" x 3/4" x 1 1/4" Deep. Basic Movement 0-1 ma. Easily Adjusted For 0 Center. With Instructions supplied. Ideal meter For RTTY Use, Etc. American Made. Price: \$1.00 Each ppd.



SEND STAMP FOR BARGAIN LIST  
Pa. Residents add 6% State sales tax  
ALL ITEMS PPD. USA

**m. weinschenker**  
K 3DPJ BOX 353 · IRWIN, PA. 15642

## PRICES SLASHED!

7-SEGMENT READOUT Plug-in, 5V-60 ma. per segment. \$3.85, 10/2.85, 100/2.49. Mating socket, .40.  
**REED KEYBOARD SWITCHES** 2-Gang, \$1.95, 10/1.35, 3-Gang, \$2.85, 10/1.95.  
**REV. DC MOTOR** 1/2-3V. Reversible. .49, 10/29, 100/24.  
**T-1 LAMPS** Choice, 5V-60 ma. or 30 ma. .45, 10/39, 100/35.  
**DYNAMIC MICROPHONE** with stand. \$3.95.  
**MALE CABLE PLUGS** with covers. Fit miniature 7 or 9 pin tube sockets. Choice. .29, 10/19, 100/12.  
**T-1 LED FIL.** .208, .95, 10/70, 100/60.  
**RCA 7-SEGMENT DECODER-DRIVERS**  
 CD2500E or CD2501E \$4.95, 10/3.95.  
 CD2502E or CD2503E \$6.85, 10/4.95.  
**POWER SWITCH** 6A-250V. GOST. Fits 1" hole. Momentary or ON-OFF-ON. \$1.49, 10/99, 100/85.  
**49 DIODE BCD TO 7 SEGMENT MATRIX** \$3.95, 10/3.29.  
**LEAD BENDER** for 1/8" & 1/4" wire resistors. \$2.95, 10/2.49.  
**200 AMP SCR G.E. & WEST.** 250 PIV \$8.95, 50 PIV \$3.95.  
**NEON READOUT** 9 Segment \$3.49, 10/2.89, 100/1.99.  
**PRIME 35 AMP SCR G.E. or WESTINGHOUSE**  
 250 PIV \$2.95, 10/1.99, 100 PIV \$1.89, 10/1.29.  
**DPDT REVERSIBLE SWITCH** Choice of momentary or ON-ON. .39, 10/29, 100/19.  
**1" DC MILLIAMMETER** Choice of 1 ma., 5 ma., 20 ma. or 5-Meter. \$2.95, 10/1.95 (mix).  
**1" DC VOLTMETERS** 0-20 or 0-300 \$2.95, 10/1.89.  
**1" DC MICROAMMETER** Choice of 0-100, 0-200 or 100-0-100  $\mu$ a. \$3.95, 10/2.29 (mix).  
**NEON PILOT** w/series res. For 115V. .39, 10/29, 100/26.  
**SS SHAFT COLLARS** for 1/4" shaft. .29, 10/19, 100/12.  
**REED SWITCH** Choice of 1/4" or 1" long. .59, 10/39, 100/29.  
**GENUINE DYMO TAPE** All 12' long.  
 1/4" Reg. \$1.00, 10/55, 100/45.  
 3/8" Reg. \$1.25, 10/65, 100/55.  
 1/2" Reg. \$1.55, 10/85, 100/70.  
**MAGNET SWITCH** For doors & alarm circuits. SPST-N.O. (apart) \$2.85 pr. 10/2.45, 25/1.90.  
**TOP HAT SILICON RECTIFIER** 400 PIV .29, 10/19, 100/12.  
**SYMBOL READOUT** Choice of 6, 14 or 24 volts. Shows +, -, 11, V, %, \$2.95, 10/1.95.  
**SUB-MINI TOGGLE SWITCH** Highest quality SPDT 6 Amp rating. \$1.89, 10/1.49, 100/1.19.  
**LONG TOGGLE SUB-MINI SWITCH, BLACK** SPDT, ON-ON or Center-OFF. \$1.39, 10/99, 100/79.  
**MINI-ROTARY SWITCH** 1/2" Dia. 10-positions. 1/8" shaft. \$1.89, 10/1.69, 100/1.29.

Prepaid on cash orders — \$5.00 Minimum.

# AE ELECTRONICS

BOX 1348H, LAWRENCE, MASS. 01842

## ... THE BEST 2 METER CONVERTER



Model 407  
\$42.95  
ppd.

144-146 MHz in. 28-30 MHz out  
or 146-148 MHz with a second crystal  
available for \$5.95 each

A full description of this fantastic converter would fill this page, but you can take our word for it (or those of thousands of satisfied users) that it's the best. The reason is simple — we use three RCA dual gate MOSFETs, one bipolar, and 3 diodes in the best circuit ever. Still not convinced? Then send for our free catalog and get the full description, plus photos and even the schematic.

Can't wait? Then send us a postal money order for \$42.95 and we'll rush the 407 out to you. NOTE: The Model 407 is also available in any frequency combination up to 450 MHz (some at higher prices) as listed in our catalog. New York City and State residents add local sales tax.

## VANGUARD LABS

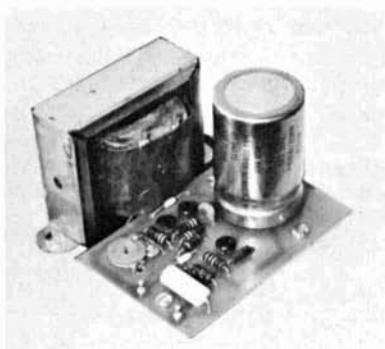
Dept. R, 196-23 Jamaica Ave., Hollis, N.Y. 11423

able in this country from Gilfer Associates. The ITU, world-wide treaty registration center for all radio stations and frequencies, maintains computerized lists of the hundreds of thousands of radio stations. The lists are updated quarterly.

Typical lists and prices are: "List of Ship Stations" (\$5.25); "List of Coast Stations" (\$6.60); "List of Fixed Stations" (\$22.00); "List of Broadcasting Stations Operating Below 5950 kHz" (\$11.50) and "Alphabetical List of Call Signs" (\$7.70). Gilfer will also accept subscriptions to the ITU monthly magazine, "Telecommunications Journal."

A list of ITU publications and prices is available from *check-off* on page 110 or directly from Gilfer Associates, Inc., Box 239, Park Ridge, New Jersey 07656.

## ic power supplies



Viking Electronics has introduced a line of low-cost power supplies for logic and linear-system applications. Priced from \$17 to \$24 in single quantities, the OEM 70 series provides typical outputs of 3.5 to 6 V at 3 A and 8 to 15 V at 1.2 A with regulation of 0.5 to 0.1 percent and ripple of 1 to 2 mV, dependent on models.

Features include electronic current limiting, floating output, stable differential amplifier circuitry, silicon transistors and computer grade capacitors. For more information contact Viking Electronics, Inc., 721 Saint Croix, Hudson, Wisconsin 54016 or use *check-off* on page 110.

## BROADBAND AMPLIFIERS at a price you can afford

The BBA-1 series offers high gain over the HF to UHF region with low noise figures. BBA-1PA, a remotely powered unit for mounting near the antenna, covers 30 to 400 MHz with a  $20 \pm 1$  dB gain dropping to 17 dB at 500 MHz. Maximum NF is 3.5dB. BBA-1PB has the same specs as the BBA-1PA but is locally powered. BBA-1P covers 3 to 500 MHz. with gain between 15 and 30dB. Maximum NF is 3.0dB. For less critical use order BBA-1 with same coverage as the BBA-1P, but reduced UHF gain and higher NF.

BBA-1PA - \$50.00; Adapter Kit, KT-1 - \$5.00  
BBA-1PB, BBA-1P - \$45.00; BBA-1 - \$30.00

Please include \$1.00 for shipping.

**RADIATION DEVICES CO.**  
P. O. Box 8450, Baltimore, Md. 21234



## SUMMER IN VERMONT

is a beautiful thing.

Come see for yourself while  
you attend

## 1972 INTERNATIONAL FIELD DAY

Charlotte, Vermont

SUNDAY, AUGUST 13, 1972

Details from Bob Hall, W1DQO  
General Greene Rd., Shelburne, Vt. 05482

## WORLDS ONLY WEEKLY DX MAGAZINE

CURRENT DX NEWS - COMING EVENTS - DATES - FREQUENCIES - TIMES - ALL THE NEWS IN DEPTH - 160 METERS THROUGH 10 METERS - DX CONTEST INFO & CLAIMED SCORES - MONTHLY PROPAGATION PREDICTIONS - DX HONOR ROLLS - and a very SPECIAL "FLASH CARD" SERVICE to both SUBSCRIBERS and NON-SUBSCRIBERS - 10¢ PER CARD FOR SUBSCRIBERS & 25¢ PER card from NON-SUBSCRIBERS. YOU FURNISH STAMPED AND SELF ADDRESSED CARD (CAN BE EITHER AIR MAIL OR REGULAR FIRST CLASS POST CARD. JUST PUT PREFIX ON LOWER LEFT, BOTTOM ON FRONT OF YOUR CARD (WE ONLY FILE BY PREFIXES) ANY GOOD DX NEWS FROM THE PREFIXES ON YOUR CARDS SENT TO YOU IMMEDIATELY! DXING EASY!!

DX NEWS IS OUR BUSINESS

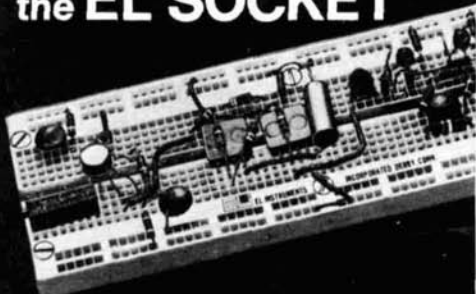
**THE DX'ERS MAGAZINE**  
(Gus M. Browning, W4BPD)

Drawer "DX"

CORDOVA, S. C. 29039

WE ALSO PRINT QSL CARDS - FREE SAMPLES & PRICE LIST UPON REQUEST - WE PRINT ALMOST ANYTHING ELSE YOU NEED TOO - PRICES RIGHT

## the EL SOCKET



Test new circuit ideas...  
I.C. circuits...  
discreet components...  
at no risk!  
Money back guarantee!

**\$17<sup>25</sup>**

All you need are #4 mounting screws . . . just plug-in components . . . like 1/4 watt resistors, ceramic capacitors, diodes, I.C.s, transistors and more . . . and your circuit's built! No special patch cords needed! Components interconnected with any solid No. 22-26 gauge wire.

And you can try it with absolutely no risk for 5 days. If not satisfied, just return your EL Socket and receive a full refund. Trying is believing. How can you go wrong? Order your EL Socket now!

- Nickel/silver plated terminals — very low contact resistance
- Low insertion force
- Mounts with #4 screws
- Initial contact characteristics beyond 10,000 insertions
- Vertical, horizontal interconnecting matrices
- Accommodates wide range of wire and component leads from .015"-.032"

Send check or M.O. today!



**EL INSTRUMENTS, INC**  
61 First St., Derby, Conn. 06418  
Telephone: 203/735-8774

Call Dick Vuillequez, W1FB8

# RADIO EXPO '72

LAKE COUNTY ILLINOIS  
FAIR GROUNDS  
JULY 8, 9, 1972  
FLEA MARKET  
6 a.m.-6 p.m.  
EXHIBITION HALL  
9 a.m.-6 p.m.

*The  
Largest Meeting  
of Radio and  
Electronic  
Enthusiasts  
in the Midwest*

Indoor Manufacturers  
Displays — Under Roof  
Giant Flea Market —  
Many Door Prizes  
— Camp Area —  
Refreshments —  
Unlimited Free Parking  
— Technical Movies  
and Seminars

**\$2.00 for both days**  
Children under 12 free

## TICKETS

**RADIO EXPO '72**  
Box WA90RC  
230 East Ontario Street  
Chicago, Illinois 60611

Gentlemen: Enclosed is \$..... (Check or  
Money Order) in payment for ..... tickets  
at \$2.00 each.

Send tickets to:

Name.....

Address.....

Town.....

State..... Zip.....

Make checks payable to: Radio Expo '72



## 220 MHz

Join the action on 220MHz with the JANEL deluxe receiving converters and preamps. Extremely sensitive with freedom from spurious responses.

**220CA Converter**, 28-32 MHz i-f. \$69.95 ppd  
**220PA Preamp**, 2.5 dB NF, \$19.95 ppd

Write for full details. Other models available for 50, 144, and 432 MHz.

**JANEL  
LABORATORIES**

P. O. BOX 112  
SUCCASUNNA, N. J.  
07876  
(201) 584-6521

K2DEL

KNIGHT RAIDERS VHF CLUB INC.  
SIXTH ANNUAL HAMFEST

PASSAIC-CLIFTON YM-YWHA DAY CAMP  
West Paterson, N. J.

SATURDAY, AUGUST 12, 1972  
10:00 A.M. TIL DUSK

Gigantic Flea Market, Equipment Displays, Contests, Door Prizes, Swimming, Boating and Play Area.

Talk-in station on 50.2, 145.71 and 146.94 FM • Tables and Cooking area • Come early — Stay late!

ADULTS — \$1.00 IN ADVANCE  
\$1.25 AT THE DOOR  
CHILDREN UNDER 12 — FREE

Many thousands of you have become very familiar with the various Radio Society of Great Britain books and handbooks, but very few of you are familiar with their excellent magazine, **Radio Communication**.

It includes numerous technical and construction articles in addition to a complete rundown on the month's events in amateur radio. Surely a most interesting addition to your amateur radio activities.

We can now offer this fine magazine to you along with the other advantages of membership in the RSGB (such as use of their outgoing QSL Bureau) for \$9.95 a year.

**comtec**

Greenville, New Hampshire 03048

the most powerful antennas under the sun!



## The Best Vertical There IS! 80 through 10 meters

# Hy-gain 18AVT/WB

### New, from the inventors of wideband verticals.

Pack some punch! All the omnidirectional performance of Hy-Gain's famous 14AVQ/WB...plus 80 meter capability! Unrivalled performance, rugged extra heavy duty construction, and the price you want...all in one powerful package!

- Automatic switching on all five bands through the use of three beefed-up Hy-Q traps...featuring extra large diameter coils for exceptional L/C ratio and extremely high Q.
- Recessed coax connector furnished.
- Top loading coil and four element static hat.
- Constructed of extra heavy wall high tensile aluminum.
- Hot performance all the way across the band with just one setting (10 through 40).
- Hy-Q traps effectively isolate antenna sections for full 1/4 wave resonance on all bands.
- No dissimilar metals to cause noise.
- SWR 2:1 or less at band edges.
- Maximum legal power with low frequency drift.
- Exceedingly low radiation angle makes DX and long haul contacts a cinch...whether roof or ground mounted.
- Very low RF absorption from insulating materials.

The 18AVT/WB is constructed of extra heavy duty, taper swaged, seamless aircraft aluminum with full circumference, corrosion resistant compression clamps at all tubing joints. This antenna is so rigid, so rugged...that its full 25' height may be mounted using only a 12" double grip mast bracket...no guy wires, no extra support...the 18AVT/WB just stands up and dishes it out!

Order No. 386

\$59.95



Get the strength, the performance and the price you want...from the man who sells the complete line of quality Hy-Gain equipment.

## HY-GAIN ELECTRONICS CORPORATION

P. O. Box 5407-WG, Lincoln, Nebraska 68505



**FOUR POLE  
VHF/UHF  
OMNIDIRECTIONAL  
GAIN ANTENNAS  
FOR AMATEUR FM  
REPEATER OR  
COMMERCIAL SERVICE**

AFM-4D 146-148 MHz \$42.50

AFM-24D 220-225 MHz \$40.50

AFM-44D 435-450 MHz \$38.50

IN STOCK AT YOUR  
LOCAL DEALER

(continued from page 4)

amateur gear, plus all the possible mixes of sums and differences, you can appreciate the magnitude of the problem.

Recently, a well known fm'er prevailed upon an airline to test his Motorola HT in one of their aircraft so he could operate during a flight he planned to take. After months of correspondence and personal appearances at airline headquarters, and meetings with communications department people, many of whom are amateurs, the airline agreed to run the necessary tests.

The fm'er tweaked and peaked his trusty HT and checked it thoroughly with a spectrum analyzer; it was clean. On the appointed day the aircraft was removed from line operation and the test began. The test required three hours and four men to complete. The HT caused absolutely no interference, and the fm'er received a letter authorizing the operation of *that* HT on *that* particular trip in only *that* type of aircraft. It is easy to understand why the airlines, who are trying to cut costs, would prefer not to get involved in testing each amateur's fm rig.

Unfortunately for the fm'er who went to all this trouble, the aircraft on which the tests were conducted is to be phased out of operation soon, and he's right back with the rest of us — speechless while aboard an airliner.

Many fm'ers continue to ask the Captain's permission to operate, and he may give it, not realizing the position he is putting himself in. He could have his license suspended or he could be fined. Don't put him in that position, and don't subject yourself and other passengers to a situation which could be hazardous to all on board, and perhaps to someone on the ground.

Remember, you may not cause any interference all across the country, but the ILS glide slope receiver is used only during the last few minutes of flight, and interference to these units may not be noticed until it is too late.

**Cush**  
**Craft**  
CORPORATION

621 HAYWARD STREET  
MANCHESTER, N. H. 03103

**Jim Fisk, W1DTY**  
editor





# feature after feature after feature

There's a new enjoyment horizon waiting on 420-450MHz, an amateur band 7½ times wider than 144-148MHz! Here's wide open space for the ragchewer—paradise for the antenna experimenter. With half-wave antennas only about a foot in length, "dream beams"—the kind that literally drip with gain—become practical realities.

The highly knowledgeable repeater group has, of course, had equipment operating in this band for years. However, SB-450, SBE's exclusive, all-new FM transceiver gives the amateur something he has long needed, equipment with small size, convenience and performance characteristics considered to be indigenous to the "DC" bands. It is certain that repeater and 450MHz band activity will be given a big boost with this fine unit.

Beautifully constructed, book size, the SB-450 has 12 channel capability, delivers 5 watts FM output. It's all solid-state—no warmup—low drain from 12V car battery (operates on 115VAC for base station use with available accessory supply). Two sets of crystals are supplied for repeater and simplex operation.

Try UHF! Try SB-450! Enjoy!

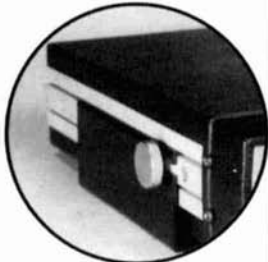
## SB-450 UHF/FM TRANSCEIVER



All solid state,  
1-SCR, 4-IC's,  
29 transistors



Panel meter  
shows relative  
response on  
receive — power  
output on  
transmit



Housing slides in  
and out of fixed  
bracket, taper  
locks with  
knurledge  
thumb screws.



Two sets of  
crystals are  
supplied.  
Transmit and  
receive  
crystals have  
individual  
trimmers for  
exact frequency  
centering



Uses exclusive  
SBE Super Shape  
crystal lattice  
BP filter



Silver plated  
brass shielded  
construction.



LINEAR  
SYSTEMS INC.,  
220 Airport Blvd.,  
Watsonville, CA  
95076

# LOOK

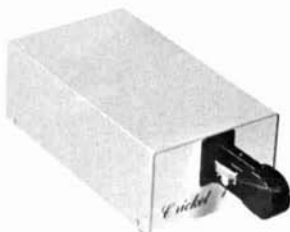
The CRICKET is here —  
and it has the jump on all the others in its field!

This low cost keyer has more features for your dollar than all others in its price range. Even some in a higher price range! Go ahead — look around — compare the rest! Then buy the BEST — Data Engineering's new CRICKET I.

- Jam-proof spacing
- Self-completing dots and dashes
- Sidetone osc. and speaker
- Built-in key
- Relay keys 300 V at 1 amp
- Keyed time base. Instant start
- 3.5 to 50 w.p.m.
- "Full-control" weight ratio
- Speed, volume and tone controls
- Transmitter tune switch
- Auto/semi-auto. switch
- AC powered. Can also operate from 12V battery.

**\$49.95**

Why don't you get the jump on all the others — too?



## AT LAST —

### A FREQUENCY STANDARD DESIGNED SPECIFICALLY FOR THE FM'ER!

Now, for the first time, you can be exact with your channel spacing and deviation.

This deluxe marker allows you to check your receive and transmit spacing for channels in the 10, 6, 2, and 1 1/4 meter FM bands. Markers are at 5, 10, 15, 20, 30, 40, 60 and 120 KHz. Precision 12 MHz crystal. Osc. and output buffered. No unwanted markers. Rich harmonics beyond 220 MHz.

**\$44.50** (Less batteries)



### MEMORY-MATIC 500 KEYS

Today's newest and most advanced keyer. 500 bit/40 character Read-Write memory. Stores any message instantly. Near-Full and overload alarms. Includes all Space-Matic 21 features.

**\$198.50**



### FREQUENCY MARKER STANDARD

Markers at 5, 10, 25, 50, 100, 200 and 400 kHz. 400 kHz crystal. No unwanted markers. Latest low power ICs. Buffered osc. and output.

**\$32.95** (Less Batteries)



### SPACE-MATIC 21 KEYS

Instant self-starting, self-completing dots, dashes, and associated dot, dash, character and word spacing. Adjustable weighting, 3.5-85 wpm. Built-in sidetone and speaker. Iambic. Dot and dash memories. Suitable for use with all standard keys.

**\$89.50**



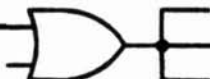
### ELECTRONIC FEATHER TOUCH KEY

The solid-state design detects the mere touch of your finger and eliminates such problems as contact bounce, proper adjustments and dirty contacts. Operates with all keyers. Weighted.

**\$22.95, \$25.95** (with SPDT Switch Option)



5-year guarantees • PPD USA • Send for brochures



**DATA ENGINEERING INC.**

Box 1245 · Springfield, Va. 22151

**RTTY  
FACSIMILE SUPPLIES**

**60 SPEED GEARS**  
for model 15-19  
(74912-74913)  
\$3.50 set—postpaid



**FRESH TAPE**  
11/16 wide / red or yellow  
\$8.00 case—40 rolls



**FRESH NYLON RIBBONS**  
for 14-15-19-28-32 mite mach.  
All black or red-black  
\$3.50 box—postpaid



**TOROIDS**  
88 or 44 mhy: unpotted  
30—\$10.00 postpaid  
(5—\$2.50) no Canadian



**MINIATURE MITE**  
Page Printer  
Ready to use, with cables  
Reconditioned—60 or 100 wpm  
\$200.00



**14 TYPING REPERFORATOR**  
Clean—reconditioned  
RO \$35.00 (no KB)  
KSR \$50.00 (with KB)



**Reconditioned Model 32's**  
Excellent—Complete  
KSR \$250.00 ASR \$375.00



**TXC1 Facsimile Transceiver**  
Fun to copy weather maps, etc.  
Excellent—with manual.  
\$100.00



**28 TYPING UNIT**  
Late LP6/LP9  
Reconditioned \$95.00



**DESKFAX 6500**  
(As in QST—May, 1972)  
As-is, working, comp.  
\$15.00—2/\$25.00



**FAX PAPER**  
Pkg. 250 sheets, \$3.00 / case (5 pkg.) \$12.00



• Immediate shipment on small items. • Good work takes time . . . we recondition machines to order, allow 3-4 weeks . . . SASE for more info.



send stamp for picture catalog

**VAN'S W2DLT ELECTRONICS**  
302 Passaic Ave., STIRLING, N. J. 07980  
Phone: 201-647-3639  
Div. of Teletypewriter Communication Specialists





**communication/navigation electronics  
MAGAZINE**

*This monthly technical magazine fills a "communication gap" within the electronic communication and navigation equipment industry. Its function is to provide comprehensive and authentic information not available in any other single publication. The types of feature articles include the following:*

**SYSTEM DESIGN**

The planning of radio communication and electronic navigation systems, as well as CCTV and electronic security systems.

**EQUIPMENT DESIGN**

State-of-the-art design techniques—analysis of newly developed equipment.

**TECHNOLOGY**

Reports on technical developments—looking into the future—measurement techniques.

**FCC REPORTS**

Comprehensive reports on FCC petitions, proposed rulemaking and newly adopted rules changes—long before they are published in FCC Rules and Regulations.

**SERVICING**

The latest techniques for maintaining equipment—troubleshooting—analysis and use of test equipment.

**INSTALLATION**

Solutions to unique installation problems—local and national codes—interference and interface problems.

**APPLICATIONS**

Utilization of system components—scope of equipment applications—interface requirements.

**CASE HISTORIES**

Economic and operational aspects of unique systems—examples of how problems were solved.

Subscription rate \$12 per year, \$20 for two years. When Check or Money Order accompanies subscription request, special rate is \$10 for one year or \$16 for two years. Advertising rate card sent on request.

**COMMUNICATION AND NAVIGATION, INC.**  
250 PARK AVE., NEW YORK, NY 10017

## BONUS ANTENNA PACKAGE



**HY-GAIN**

**LAE MW35 "STANDARD" Package**  
(Free Standing Crank-Up Tower  
9.5 Sq. Ft. - 50 MPH) (35 FT.)  
CDR AR-22R Rotator\*  
100 ft. RG-58/U Coax & Control Cable  
Substitute 50 ft. free standing, add \$100  
Complete with one of the following  
antennas:

|                          |       |
|--------------------------|-------|
| HY-GAIN TH2MK3           | \$275 |
| HY-GAIN TH3JR            | \$275 |
| HY-GAIN DB10-15A         | \$285 |
| HY-GAIN HY QUAD          | \$285 |
| HY-GAIN TH3MK3           | \$295 |
| TR-44 rotor w/cable add: | \$ 35 |
| HAM-M rotor w/cable add: | \$ 65 |

**LAE W51 "DELUXE" Package (51 Ft.)**  
(Free Standing, 9 Sq. Ft. - 50 MPH)  
CDR TR-44 rotor\*  
100 ft. RG58/U Coax & Control Cable  
Substitute 67 ft. free standing, add \$400  
Complete with one of the following  
antennas:

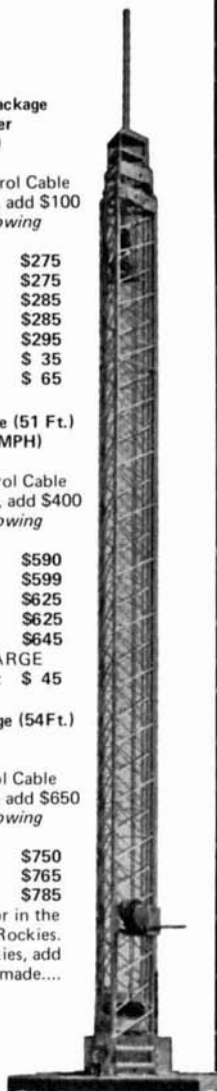
|                                  |       |
|----------------------------------|-------|
| HY-GAIN DB 10-15A                | \$590 |
| HY-GAIN HY QUAD                  | \$599 |
| HY-GAIN 204BA                    | \$625 |
| HY-GAIN TH3MK3                   | \$625 |
| HY-GAIN TH6DXX                   | \$645 |
| Free stdg. base incld. NO/CHARGE |       |
| *HAM-M rotor w/RG8/U add:        | \$ 45 |

**LAE LM354 "SUPER" Package (54 Ft.)**  
(16 Sq. Ft. - 60 MPH)  
CDR HAM-M Rotor  
100 ft. RG8/U Coax & Control Cable  
Substitute 70 ft. free standing, add \$650  
Complete with one of the following  
antennas:

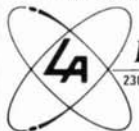
|                |       |
|----------------|-------|
| HY-GAIN TH3MK3 | \$750 |
| HY-GAIN 204BA  | \$765 |
| HY-GAIN TH6DXX | \$785 |

Freight PREPAID to your door in the  
Continental USA west of the Rockies.  
For shipment east of the Rockies, add  
\$15.00. Substitutions may be made....  
write for prices.

W51 SHOWN



"WEST COAST'S FASTEST GROWING AMATEUR RADIO DISTRIBUTOR"  
"WE SELL ONLY THE BEST"



**Electronix Sales**

23044 S. CRENSHAW BLVD., TORRANCE, CALIF. 90505  
Phone: (213) 534-4456 or (213) 534-4402  
HOME OF THE AMATEUR RADIO SALES

## CRYSTAL BARGAINS

Depend on . . .

We supply crystals from  
16 KHz to 100 MHz in  
many types of holders.  
Over 6 million crystals  
in stock. We manufacture  
crystals for almost  
all model SCANNERS,  
MONITORS, 2-WAY  
RADIO, REPEATERS, ETC.  
Inquire about special  
quantity prices. Order  
direct with check or  
money order.

For first class mail add 15¢ per  
crystal...for airmail add 20¢ ea.

# JAN

CRYSTALS

DIVISION OF BOB  
WHAN & SON  
ELECTRONICS, INC.

2400 Crystal Dr.  
Fort Myers  
Florida 33901  
(813) 936-2397

Send 10¢ for new  
catalog with  
oscillator circuits  
and lists of  
thousands of  
frequencies in  
stock.

### SPECIALS! CRYSTALS FOR:

|   |                    |
|---|--------------------|
| Frequency Standards   |                    |
| 100 KHz (HC13/U)  | \$4.50             |
| 1000 KHz (HC6/U)  | 4.50               |
| Almost All CB Sets, Trans. or Rec.<br>(CB Synthesizer Crystal on request) | 2.50               |
| Any Amateur Band in FT-243<br>(Except 80 meters)                          | 1.50<br>4 for 5.00 |
| 80 Meter Range in FT-243  | 2.50               |
| Color TV 3579.545 KHz (wire leads)  | 1.60<br>4 for 5.00 |

## F.C.C. EXAM MANUAL

The Original Test-Answers exam manual  
that prepares you at home for FCC First  
and Second class licenses. Includes Up-  
dated multiple choice tests and key  
Schematic diagrams. PLUS - "Self-Study  
Ability Test." -- ONLY: \$9.95 Postpaid.



COMMAND PRODUCTIONS P.O. BOX 26348-K  
RADIO ENGINEERING DIVISION SAN FRANCISCO, CALIF. 94126

### NEW SB-144

**FM TRANSCIVER**, 12 channels complete with xtals  
for 146.16/146.76, 146.34/146.94, and 146.94/  
146.94, dynamic mic., "S" and output meter,  
ceramic filter, back lighted dial, FET front end,  
double conversion, tiltable mobile bracket, 12V  
DC built in. (amateur net \$239.95) **OUR LOW  
INTRODUCTORY PRICE \$203.50** with AC supply  
(reg. \$259.90) \$223.45. Write for literature.

**AMATEUR-WHOLESALE ELECTRONICS**

8817 S.W. 129 Terrace, Miami, FL 33156 305-233-3631

## NEW 2M PREAMPLIFIER

12 vdc powered

27 db gain (approximately)

noise figure 2.5

will bring most receivers

to .1  $\mu$ V sensitivity

without appreciable noise.

Metal case. **ONLY \$17.95 ppd.**

**CRAWFORD ELECTRONICS**

302 West Main, Genoa, IL 60135

# G&G CATALOG MILITARY ELECTRONICS

24 PAGES, crammed with Gov't Surplus Electronic Gear - the biggest Bargain Buys in America! It will pay you to **SEND 25¢** for your copy - Refunded with your first order.

## BRAND NEW BC-645 TRANSCEIVER

EASILY CONVERTED FOR 420 MC. OPERATION



FOR FIXED OR MOBILE USE BRAND NEW, complete with 15 tubes, less dynamotor and accessories, in original factory carton **\$16.95** DEPENDABLE TWO WAY COMMUNICATION MORE THAN 15 MILES!

FREQUENCY RANGE: About 435 to 500 Mc.  
TRANSMITTER has 4 tubes: WE-316A, 2-6F6, 7F7  
RECEIVER has 11 tubes: 2-955, 4-7H7, 2-7E6, 3-7F7  
RECEIVER I.F.: 40 Mc.  
SIZE: 10 1/2" x 13 1/2" x 4 1/2". Shpg Wt 25 lbs.

Superb quality components and circuitry, ideal for the technician experimenter. Many fabulous experiments, for example: you can construct a Yagi antenna for the 420 Mc band that will produce a gain of 10 db and yet fit on your operating desk!

### ACCESSORIES FOR BC-645

|   |        |
|---|--------|
| MOUNTING for BC-645 Transceiver .....                               | \$1.50 |
| PE-101C DYNAMOTOR, 12-24 Volts, (easily converted to 6 volts) ..... | 7.95   |
| MOUNTING for PE-101C Dynamotor .....                                | 1.00   |
| UHF ANTENNA ASSEMBLIES (set of 2), per set .....                    | 2.95   |
| COMPLETE SET OF 11 CONNECTORS .....                                 | 5.95   |
| CONTROL BOX BC-646 .....  | 2.95   |
| MOUNTING for BC-646 Control Box .....                               | 1.00   |

### SPECIAL "PACKAGE" OFFER:

SPECIAL PACKAGE OFFER:  
BC-645 Transceiver, Dynamotor and all accessories above, COMPLETE, BRAND NEW, While Stocks Last....

**\$26.95**

### MN-26Y RECEIVER

Designed for Marine & Aircraft Installation. Also fine for home use. Continuous tuning from MN-28C Control box. Complete with 24 volt DC Dynamotor. MN-26B Radio Receiver, 150-325 KC; 325-695 KC; 3-4.7 Mc. Complete with tubes and dynamotor.

Like New **\$13.50**  
New **\$15.25**



Remote control commercial type navigational receiver

MN-26 LB Compass & Communications Receiver, 200-410 Kc 550-1200 Kc; 2.9-6.0 Mc. Works on 24 VDC. Complete with Tubes and Dynamotor. Excellent Used **\$17.95**

ACCESSORIES FOR ABOVE AVAILABLE FROM STOCK.



CATHODE RAY TUBES - STANDARD MAKE  
All New in Original Carton

|         |         |         |          |         |      |
|---------|---------|---------|----------|---------|------|
| 3FP7*.. | .98 ea. | 3JP7*.. | 1.75 ea. | 5MP1 .. | 2.75 |
| 3CP1*.. | .98 ea. | 3AP1*.. | 1.95 ea. |         |      |

\* Sold in Lots of 3 only

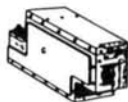
APN-1 FM TRANSCEIVER 400-450 Mc. Freq. modulated by moving coil transducer. Easily converted for radio control or 70 cms. Complete with 14 tubes, dyn. BRAND NEW..... **\$9.95**



TERMS: F.O.B. NYC, 25% deposit with order, balance COD or remittance, in full. MINIMUM ORDER \$5.00. Subject to prior sale and price change

**G&G RADIO ELECTRONICS COMPANY**  
45-47 Warren St. (2nd Fl) New York, N.Y. 10007 Ph. 212-267-4605

**ARC-5 VHF RECEIVER, TRANSMITTER, MODULATOR 100-156 Mhz**  
R-28 RECEIVER with tubes and crystal, Excellent Used..... **\$19.50**  
T-23 TRANSMITTER with tubes and crystals, Brand New in Original Carton.... **\$23.50**  
MD-7 MODULATOR with tubes, Excellent Used..... **\$10.50**  
Set of Plugs for MD-7..... \$ 8.50



### AN/ART-13 TRANSMITTER

Makes fine Ham transmitter for 80, 40, 20 and 10 meters. Power output 100 watts on AM, CW, MCW. 10 preset channels, Complete with all tubes, crystal.  
Exc. Used.... **\$49.50** LIKE NEW. **\$59.50**  
Accessories Available: Prices Upon Request



**HEADSET** Low impedance. With large chamois ear cushions. 4-ft cord and plug. Reg. \$12.50. Our Special Price **\$2.95**  
Less ear cushions..... \$1.95  
High impedance adaptor for above... \$ .69



### SCR-274-N, ARC-5 COMMAND SET HQ!

| Freq. Range RECEIVERS.            | Type Complete with Tubes | Exc. Used | Like New | BRAND NEW |
|-----------------------------------|--------------------------|-----------|----------|-----------|
| 190 - 450 Kc                      | BC-450                   | \$16.95   | \$23.50  | \$27.50   |
| 6 - 9.1 Mc                        | BC-455                   | —         | —        | \$22.50   |
| 1.5 - 3 Mc                        | R-25                     | —         | \$19.50  | \$21.50   |
| TRANSMITTERS. Complete with Tubes |                          |           |          |           |
| 4 - 5.3 Mc                        | BC-457                   | \$8.95    | —        | \$11.95   |
| 5.3 - 7 Mc                        | BC-458                   | \$8.95    | —        | \$11.95   |

**TG-34A CODE KEYS**, self-contained, automatic, reproduces code practice signals from paper tape. 5 to 12 WPM Built-in speaker. Brand new with tech manual, takeup reel and AC line cord. **\$24.50**  
Code practice tapes for above P.U.R.



**BC-1206-C RECEIVER** Aircraft Beacon Receiver 200 to 400 Kc. Operates from 24V DC 1.5A. Continuous tuning, vol control, on-off switch and phone jack. Very sensitive. Compact. Complete with tubes, NEW..... **\$12.50**



**BC-603 FM RECEIVER**  
Converted for 35-50 Mhz. 10 preset pushbutton channels or manual tuning. Complete with 10 tubes, checked out, like new **\$39.50**  
AC Power Supply, New..... \$14.95  
DM-34 12V Power Supply, New..... \$ 4.45  
DM-36 24V Power Supply, Exc. Used... \$ 2.25  
Technical Manual .....



\$ 2.50  
Set of 10 tubes for BC-603 Receiver... \$ 5.95  
**BC-604 FM TRANSMITTER** 20 to 27.9 Mc. Output approx 30 watts. 10 crystal controlled channels. Complete with tubes. NEW..... **\$12.50**



ARC-R11A Modern Q-5 Receiver 190 - 550 KHz..... **\$10.95**  
ARC-R22 540 - 1600 KHz Receiver with tuning graph..... **\$15.95**  
R-4/ARR-2 Receiver 234-258 KHz, 11 tubes, NEW..... **\$8.95**

BC-605 INTERPHONE AMPLIFIER, NEW \$3.45 EXC. USED.... \$1.95  
TELEPHONE HANDSET, W.E. type..... LIKE NEW \$2.95  
SCR-522 TRANSMITTER-RECEIVER, with 18 tubes, LIKE NEW \$32.50

### HANDMIKE

Rugged, heavy-duty carbon hand mike with press-to-talk switch. Equipped with 4-ft cord & phone plug. SPECIAL NEW, boxed..... Each **\$1.88** 2 for \$3.25



### LM FREQUENCY METER

Fine general purpose Navy unit 125 to 20,000 Hz. Operates on 12 or 24 VDC. Complete with tubes, crystal, calibration book. Checked out, Excellent Used .... **\$59.50**  
As above, less book..... \$22.50



# Get 'RIGHT ON' your REPEATER

with

## CQC

### 2-Meter Crystals

TC-2M — .002% Tolerance  
TC-2MS

Special crystals for frequency stability over widely varying temperatures so you can go mobile in any environment.

If your dealer can't supply, write...

# CRYSTEK

formerly Texas Crystals  
Div. Whitehall Electronics Corp.

1000 Crystal Drive  
Fort Myers, Florida 33901  
4117 W. Jefferson Blvd.  
Los Angeles, California 90016

### KOJO AUDIO FILTERS FOR SSB AND CW

The KOJO audio filters can greatly improve reception on all receivers, even the most sophisticated receivers. Large amounts of high-frequency hiss, background noise and sideband backshot can be removed.

The SSB filter is of a low pass configuration, designed with a sharp cutoff to provide a rejection of better than 30 decibels at all ham band frequencies above approximately 3500 Hz. The filter is specifically designed to be placed in a low-impedance line for earphones or speaker.

The CW filter has a spot frequency of 780 Hz and a passband of 1100 Hz with a reference level, 40 decibels below the signal level at the design frequency. The peak of the passband is 100 Hz wide at the —3 decibel reference points. The CW filter is specifically designed for low-impedance input and high-impedance output. High-impedance crystal earphones are recommended. However, with low impedance earphones a small auxiliary amplifier or impedance matching transformer may be used.

KOJO filters are made up of top grade coils and components and are available in easy to assemble kit form with simplified instructions, or in a deluxe model. The deluxe model is completely built up and ready for use and is enclosed in a Gray cabinet<sup>®</sup> with convenient IN-OUT switch.

Try a KOJO and see what you can hear now and could not clearly hear before.

\*Slight cabinet layout changes subject to take place without notice.

**CW Filter Kit \$ 8.95     Deluxe CW Filter \$16.95**  
**SSB Filter Kit \$12.95     Deluxe SSB Filter \$21.95**

All filters shipped postpaid. Arizona residents add 4% sales tax.

**THE J. LYNCH CO.**  
P. O. Box 7774, Phoenix, Arizona 85011

EK-404 DELUXE KEYS \$124.95

• ALL THE FEATURES YOU'VE ASKED FOR

• 115VAC AND 12VDC

• READ JAN 1972 CO AND MAR.

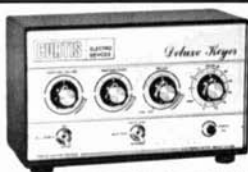
1972 QST FOR REVIEW OF SIMILAR EK-402 PROGRAMMABLE KEYS

WRITE FOR BROCHURES

**GURTS ELECTRO DEVICES**



BOX 6090 • MOUNTAIN VIEW, CALIFORNIA, 94040 • TEL. (415) 964-2136



**WE PAY HIGHEST  
PRICES FOR ELECTRON  
TUBES AND SEMICONDUCTORS**

## H & L ASSOCIATES

ELIZABETHPORT INDUSTRIAL PARK

ELIZABETH, NEW JERSEY 07206

(201) 351-4200

**ROBOT**



**ROBOT**

**ROBOT MODEL 70 MONITOR** — \$495  
**ROBOT MODEL 80 CAMERA** — \$465  
25mm, f1.9 lens — \$ 30  
25mm, f1.4 lens — \$ 40  
25mm, f1.4 Macro lens — \$ 60

**IMMEDIATE DELIVERY**

**NO ONE ANYWHERE BEATS OUR DEAL!**

• EXPORT ORDERS OUR SPECIALTY •

**AMATEUR-WHOLESALE ELECTRONICS**

8817 S.W. 129 Terrace • Miami, FL 33156

Days (305) 233-3631

Nights-Weekends (305) 666-1347



### STATE OF THE ART . . . FM . . .

INOUE IC-20 12 ch., 1 or 10 watts, mobile complete with mike, mount, & 6 Xtal'd ch., module const. \$259.50

INOUE IC-21, mobile/base unit with AC/DC supply, 24 ch., SWR & Disc. meter, RIT, Calib., m.k.e. \$335.00

Customer servicing & warranty inc. Many Xtals avail.

Tone Burst-4 freq. for IC20 & 21, internal mounting. \$29.50

Write or Phone (206-747-8421) for more info. or send cashiers check to: NHE Communications, 15112 S.E. 44th, Bellevue, WA 98006.

**5 VOLT, 1 AMP POWER SUPPLY**  
on a plug-in PC card  
**PERFECT FOR DIGITAL IC'S**

|                         |                      |
|-------------------------|----------------------|
| INPUT                   | 115 VAC 60 HZ        |
| OUTPUT                  | 5V 1 AMP DC          |
| LOAD REGULATION         | 100 mv (NL to FL)    |
| LINE REGULATION         | 50 mv (105-125VAC)   |
| SHORT CIRCUIT PROTECTED | 1 sc = 750 ma. typ.  |
| SIZE                    | 3.6" x 3.2" x 1.7"   |
| MATING CONNECTOR        | 22 pin on .156 ctrs. |

PRICE: \$14.90 ppd. U.S.A.  
Mass. residents add 3% sales tax

**ELCOM Industries, Inc.**

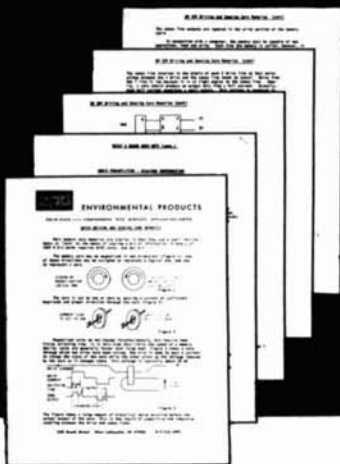
CIVILIAN TERMINAL, HANSCOM FIELD  
BEDFORD, MASS. 01730  
617-274-6696

# THEY SPEAK YOUR LANGUAGE

## USER NOTES

User Notes is applications note series on the latest linear and digital IC's with construction projects such as the Digital Multimeter and Calculator kits. Also included is information on state-of-the-art electronic components. This series is available only on an annual subscription basis from Environmental Products and contains circuits never published elsewhere.

Thousands of beginning and advanced hobbyists have found the series informative and stimulating. The approach is nonmathematical and oriented towards actually building the circuits rather than theorizing about them. Below is a partial list of the current topics. Subscribe now and receive all the back issues FREE.



- UN312 CALCULATOR CIRCUIT - 10 DIGIT
- UN313 TTL DESIGN GUIDE
- UN316 POWER SUPPLIES FOR DIGITAL CIRCUITS
- UN317 DECIMAL COUNTING AND SEVEN-SEGMENT DISPLAYS
- UN319 THE 741 OPERATIONAL AMPLIFIER
- UN321 HIGH SPEED VOLTAGE COMPARATORS
- UN324 INTERFACING RTL WITH TTL AND DTL LOGIC
- UN326 DUAL OUTPUT TRACKING OP-AMP SUPPLY
- UN329 ELECTRONIC DICE GAME
- UN330 HIGH ACCURACY LOW COST DIGITAL MULTIMETER
- UN334 DRIVING AND SENSING CORE MEMORIES
- UN335 DECADE COUNTING AND LED DISPLAY
- UN337 LIGHT EMITTING DIODES
- UN338 DIGITAL STOP WATCH CIRCUITRY
- UN339 A 12-HOUR DIGITAL CLOCK
- UN347 AUTOMATIC TELEPHONE DIALER
- UN350 DECADE COUNTER, LATCH, DECODER/DRIVER AND LED DISPLAY IN ONE PACKAGE
- UN352 A UNIVERSAL PRECISION VOLTAGE REGULATOR

The series is mailed four times per year. Subscription rates are \$5 annually for the US except Alaska and Hawaii which are sent Air Mail at \$6. Canada and Mexico \$6. All other countries \$7.50.

## KEYBOARDS



This keyboard is a must for repeater and relay applications. The recently developed elastomeric process is responsible for both the low cost and very long life. The key characters can not be rubbed or chipped off. All contacts are single pole, normally off with one side of each switch connected to a common buss.

The KB-1 will interface directly with all standard logic. Contacts are rated at 40 mA and 25 volts. The housing measures 3" x 3" and has a maximum depth of 1/2". We supply applications information including a circuit to convert each switch to a BCD output. The KB-1 comes straight from the factory at less than surplus prices.

KB-2 sixteen key calculator keyboard available—same price.

KB-1 Touch-Tone Keyboard . . . . . \$7.95



**ENVIRONMENTAL PRODUCTS**

BOX 1014 Glenwood Springs, CO 81601

# DRAKE ML-2

# EXCEPTIONAL QUALITY... VHF FM Transceiver



Including transceiver, 3 channels supplied, mobile mount, dynamic mike and built-in AC-DC power supply.

**\$299<sup>95</sup>** Amateur Net

Accessory BBLT-144D Antenna:  
Hustler 3.4 db gain \$27.95

**GENERAL** • Freq. coverage: 144-148 MHz • 12 channels, 3 supplied • Push-to-talk Xmit • AC drain: Rcv, 6W; Xmit, 50 W • DC drain: Rcv, 0.5A; Xmit, 4A • Built-in Power Supply: AC, 117V 50-60 Hz; DC, 13.5V±10% • Size: 7-7/8" x 2-3/4" x 10-1/4", 8-1/4 lbs.

**TRANSMITTER:** • Transistorized with 6360 output tube • RF Output: over 10 W • Freq. Dev: Adj. to 15 kHz max. • Freq. Stability: ±.001% or less • Output Imped: 50 ohms.

**RECEIVER:** • Completely transistorized, crystal-controlled superhet • Intermed. Freq: 1st 10.7 MHz, 2nd 455 kHz • Input Imped: 50 to 75 ohms • Sensitivity: 0.5µV or less/20 dB quieting; 1µV or less/30 dB S+N/N at 10 kHz dev., 1 kHz mod. • Audio Output, 0.5 W • Spurious Sens., > -60 dB.

**R. L. DRAKE COMPANY**



**DRAKE**

540 Richard St., Miamisburg, Ohio 45342  
Phone: (513) 866-2421 • Telex: 288-017

## USED TEST EQUIPMENT

All checked and operating unless otherwise noted, FOB Monroe. Money back (less shipping) if not satisfied.

|  |       |
|--|-------|
| GR736A-Wave analyzer 10Hz-16kHz  | \$249 |
| Borg 1526B-Freq stand-.1/1/5mHz out-acc. of 1x10-9 per day               | 395   |
| Dumont 322A-Dual Beam scope-350kHz                                       | 180   |
| HP100D-Freq. stand. w/scope-Acc. 1ppm                                    | 165   |
| HP150A - 10mHz Scope w/152B  | 295   |
| HP160B(USM105)-14mHz dual trace scope                                    | 415   |
| HP175A - 50mHz scope w/dual trace  | 595   |
| HP185B-DC-1gHz samp. scope w/186B  | 595   |
| HP202B-Audio Gen.-5Hz-50kHz-1-10v  | 110   |
| HP212A-Pulse Gen. var. width and rate                                    | 175   |
| HP522B-Freq. Counter-10Hz-120kHz-dig.tal                                 | 165   |
| HP540-B-Trans. Osc. for counter-to 12GHz                                 | 385   |
| HP610B-Sig.Gen-450-1200mHz, calib. attn.                                 | 365   |
| HP686A-Sweep Gen-8.2-12.4gHz   | 795   |
| HP2590B-Precision Trans. osc-synchronizer                                | 1165  |
| Kintel 301-DC standard-null voltmeter                                    | 220   |
| Meas. 80 - Standard Sig. Gen. 2-400mHz                                   | 225   |
| NE 14-20C-Freq.-counter (sim. HP524C)                                    | 209   |
| NE 14-21C-10-100mHz plug-in for above                                    | 65    |
| NE 14-22C-100-220mHz plug-in for above                                   | 80    |
| Nems Clark 1671-FM rcvr. 175-260mHz                                      | 210   |
| Polarad R-microwave rcvr (plug-ins avail)                                | 285   |
| Polarad TSA-spectrum analyzer 10mHz-44gHz (plug-ins available)           | 325   |
| Polarad SA84W-spectrum analyzer, band switching 10mHz-41gHz              | 1260  |
| Rollin 30-Stand.sig.gen.40-400mHz-hi-pwr.                                | 585   |
| Stoddart NM52A-RFI mtr. .375-1gHz, w/acc.                                | 985   |
| Tek RM15-DC-15mHz GP scope   | 325   |
| ME26D/U-(HP410B) VTMV-to 700mHz  | 85    |
| TS-403A-Sig. Gen. (HP616) 1.8-4gHz                                       | 385   |
| USM-16-Stand. Sig. Gen.10-440mHz AM-CW-FM-Pulse-Sweep, Phase-locked osc. | 675   |

(Send SASE for complete list)

**GRAY** Electronics  
P. O. Box 941, Monroe, MI 48161  
Specializing in used test equipment

**New**

## 3 Digit Counter



The model fm-36 3-digit frequency meter has the same features that has made the 2 digit model so popular with Hams — low price, small size (smaller than a QSL card), 35 Mhz top frequency, simple connection to your transmitter, +0 —0.1 KHz readout — PLUS the added convenience of a third digit to provide a 6 digit capability. Kit or Assembled.

Example: 28,649,800 Hz reads 28.6 MHz or 49.8 KHz. (Add the 10 Hz module to read 9.80.)

**FM-36 KIT \$134.50**

**NEW . . . . .**

**300 MHz PRESCALER only \$45.00**  
with fm-36 order

**Micro-Z Co.**

Box 2426 Rolling Hills, Calif. 90274



## 12-DIGIT "CALCULATOR ON A CHIP"

Similar to Mostek 5001. Outperforms Texas 8-digit TMS1802. A 40-pin DIP. Adds, multiplies, subtracts, and divides. Use with 7-segment readouts, Nixies, and LEDs. We include schematics, instructions from factory to build calculator.

Only **24.95**

## NATIONAL VOLTAGE REGULATOR

3 for \$7.50

LM-309K5 volts, 1 amp TO-3 case. Internally set. Overload and short circuit proof. No external components. With spec sheets.

Only **2.75**

## EPOXY FULL WAVE SILICON BRIDGE RECTIFIERS

|      |        |        |
|------|--------|--------|
| PIV  | 2 Amp  | 6 Amp  |
| 50   | \$5.69 | \$8.88 |
| 100  | .79    | .99    |
| 200  | .95    | 1.25   |
| 400  | 1.19   | 1.50   |
| 600  | 1.35   | 1.75   |
| 800  | 1.59   | 1.95   |
| 1000 | 1.79   | 2.25   |

Code: 2 amp TO-5 case  
6 Amp 1/2 x 1/2 x 1/16 sq

## LOWEST PRICES ON "TRIACS"

\* Two SCRs in one case! \* Most complete listing!

|     |        |        |        |        |
|-----|--------|--------|--------|--------|
| PRV | 3 amp  | 10 amp | 15 amp | 25 amp |
| 50  | \$3.22 | \$3.35 | \$4.45 | \$5.85 |
| 100 | .35    | .52    | .64    | .85    |
| 200 | .65    | .72    | .88    | 1.25   |
| 300 | .79    | .89    | 1.10   | 1.45   |
| 400 | .92    | 1.15   | 1.35   | 1.85   |
| 500 | 1.25   | 1.39   | —      | 2.55   |
| 600 | 1.50   | 1.69   | —      | 2.65   |

Code: 3 & 6 amp TO-5, 10 amp TO 66, 15 & 25 amp stud.

Buy Any 3 Take 10% Discount!

## GIANT SALE ON NEW TTL TEXAS & NATIONAL ICs

Factory Guaranteed! Tested! Marked!

| Type     | Circuit Function                      | Sale   |
|----------|---------------------------------------|--------|
| SN7400N  | Quad 2 input NAND gate                | \$0.27 |
| SN7401N  | A SN7400N, with open collector        | 0.27   |
| SN7402N  | Quad 2 input NOR gate                 | 0.27   |
| SN7404N  | Hex inverter                          | 0.29   |
| SN7405N  | Hex inverter, open collector          | 0.29   |
| SN7410N  | Triple 3 input NAND gate              | 0.27   |
| SN7420N  | Dual 4 input NAND gate                | 0.27   |
| SN7430N  | 8 input NAND gate                     | 0.27   |
| SN7440N  | Dual 4 input NAND buffer              | 0.27   |
| SN7441N  | BCD-to-decimal decoder/driver         | 1.15   |
| SN7442N  | BCD-to-decimal decoder                | 1.15   |
| SN7446N  | BCD-to-7-segment decoder/driver       | 1.55   |
| SN7447N  | BCD-to-7-segment decoder/driver       | 1.45   |
| SN7448N  | BCD-to-7-segment decoder/driver       | 1.45   |
| SN7472N  | J-K Master slave flip flop            | 0.59   |
| SN7473N  | Dual J-K Master slave flip flop       | 0.59   |
| SN7474N  | Dual D triggered flip flop            | 0.45   |
| SN7475N  | Quad Latch                            | 1.00   |
| SN7476N  | SN7473N, with preset & clear          | 0.55   |
| SN7481N  | 16 Bit scratch pad MEMORY             | 1.50   |
| SN7483N  | 4 Bit binary FULL ADDER               | 1.35   |
| SN7490N  | Decade counter                        | 0.95   |
| SN7491N  | 8 Bit shift register                  | 1.25   |
| SN7492N  | Divide by 12 counter                  | 1.10   |
| SN7493N  | 4 Bit binary counter                  | 1.10   |
| SN7494N  | 4 Bit shift register                  | 1.25   |
| SN7495N  | 4 Bit right shift left shift reg.     | 1.25   |
| SN7496N  | 5 Bit shift register                  | 1.25   |
| SN74121  | One shot multivibrator                | 1.50   |
| SN74123  | Dual retrigger 1-s/multiv. with clear | 2.00   |
| SN74181N | Arithmetic Logic Unit                 | 5.95   |

100 or more, 25% discount

## EPOXY RECTIFIER SPECIAL 10 for \$1

70 WATT DRIVER AMP Buy 3 — Take 10%  
By Signetics NE540, 30 transistors, class AB of audio, 0.25% distortion, 50 to 20KHz, 22V supply. With diagrams, instructions.

## INTEGRATED CIRCUIT SOCKETS

Buy Any 3 Take 10% Discount!  
14-Pin, dual in line \$4.45  
16-Pin, dual in line \$5.50  
TO-5, 8 or 10 pins \$2.29

Terms: add postage, end's 25%. Rated: net 30  
Phone Orders: Wakefield, Mass. (617) 245-3829  
Retail: 211 Albion St., Wakefield, Mass.  
C.O.D.'S MAY BE PHONED IN

## POLY PAKS

15¢ CATALOG on Fiber Optics, 'ICs', Semi's, Parts  
P.O. BOX 942H, LYNNFIELD, MASS. 01940



# EXCLUSIVE ECONOMY-PACKED DOUBLE BONUS Sale

BONUS #1 **Free \$25** WORTH OF ICs, DIODES TRANSISTORS RECTIFIERS ZENERS RESISTORS CONDENSERS KNORNS, ETC.  
BONUS #2 PLUS CHOOSE ANY ITEM \$1 OR LESS FREE

## WORLD FAMOUS \$1 LINEAR OP AMPS 'DOLLAR STRETCHERS'

- Buy Any 3 PAKS — Take 10% Discount
- 2 — 702C Hi-gain, DC amp TO-5 ..... \$1
  - 1 — 703C RF-IF, amp, 14 ckt's, TO-5 ..... \$1
  - 2 — 709C Operational amp (A) ..... \$1
  - 2 — 710C Differential amp (A) ..... \$1
  - 2 — 711C Dual diff. comp. (A) ..... \$1
  - 1 — 723C Voltage regulator (A) ..... \$1
  - 1 — TVR-2000 Hi-power 7.23 (A) ..... \$1
  - 1 — 747C Dual 741C, TO-5 ..... \$1
  - 2 — 748C Freq. adj. 741C (A) ..... \$1
  - 1 — 741-741 Dual 741C (mini DIP) ..... \$1
  - 1 — 709-709 Dual 709C (DIP) ..... \$1
- (A) Choose TO-5 or DIP (Dual In Line) case

## ALPHA-NUMERIC 7-SEGMENT READOUTS

Buy any 3 for \$6.

Poly Pak exclusive! Fluorescent types, MINI-7 and SLIM-7 tube types by Tung-Sol and G.E. for portable calculators, etc. Compatible to SN7446, 775, 90 and SN74192. Both 0-to-9 with right decimals, with 14 letters. Readout color "blue-green". Filament 1.5 vac/dc 42 mils. Segments, 25 VDC 4 mils.

## MINI-7 — TUNG-SOL DT-1705E

Tube size, 1 1/2" high x .71". Character size: .360 x .570", 10 pins. SOCKET FOR ABOVE — 50c

## SLIM-7 — G.E. Y-4075

Tube size, 1.6" x .375". Character size: .20" x .40". Nine 2" leads. SOCKET FOR ABOVE — 50c

## NIXIE TUBE SALE \$2.50

Burroughs B7971, 0-to-9, A-to-Z, 2 1/2" high characters, 170V. With socket. 3 for \$6.

## COUNTING SYSTEM

Includes SN7490, decade counter, SN7475 latch, SN7441 BCD decoder driver, 0-to-9 Nixie tube, socket & instructions.

## PHASE LOCK LOOPS

565 Phase Lock Loop 4.50  
566 Function Generator 3 for \$12.00  
567 Tone Decoder 3 for \$12.00

## 'OP' AMP & LOGIC POWER SUPPLIES

Buy any 3 Regulated 115 VAC Input  
Take 10% 15 VDC OUTPUT 5 VDC OUTPUT  
Mils Sale Mils Sale  
Epoxy Module 25 \$14.95 500 \$22.95  
50 19.95 1000 34.95  
100 24.95 Size: 3 1/2 x 2 1/2 x 1 1/2"

## ALLEN BRADLEY'S 'TRANSISTOR POTS'

Type F. Screwdriver adjust. 100K Any Ohms 250 1.0K 7.5K 25K 2 Meg 2 for \$1  
100 500 2.5K 10.0K 50.0K 2 Meg 2 for \$1  
200 750 5.0K 20.0K 75.0K 5 Meg \$1

## 'MICRO-POTS'

Type G, 1/2" dia. x 1 1/2" high. Mounts 1-1/4" hole, with shaft. Inert, immersion-proof high temp.  
Ohms 75 2.0K for \$1 7.0K 25.0K  
100 2.5K 10.0K 75.0K  
500 5.0K 20.0K 100.0K 5 Meg  
We stock Locknut Bushing & Screwdriver types at same low prices.

## SILICON TUBES

5U4 \$1.49  
5R4 3.95  
866 7.95

## 'JUMBO' LEDS

Infra-Red "Invisible" Buy Any 2 for \$1  
RED "Visible" Buy Any 2 for \$1



### TRANSKEY (TM)

**\$34.95**

Postpaid

Electronic Keyer  
and Monitor

- Transistorized; relay output.
- Key built-in; wired, ready to operate.
- Continuously variable speeds 5-50 WPM.
- Penlight cells or 6V external source.
- Key contacts adjustable.
- Push switch on back, automatic or semi-automatic operation.
- Dot-space ratio adjustable.
- Variable tone control on monitor.
- Keyer 3 1/2 x 5 1/2 x 1 3/4. Weight 2 lbs.
- Unconditional one year guarantee.

**W6PHA — GLOBAL IMPORT CO.**

BOX 246, EL TORO, CALIF. 92630

10 day return privilege for cash refund — "Dealers wanted"

### NEW GLADDING 25

**FM TRANSCEIVER, 25 WATTS OUTPUT, 6 channels** complete with xtals for 146.34/146.76 and 146.94/146.94, low power position, completely separate xmit-rec xtal switching, built in 12V DC supply (Amateur net \$249.95) **OUR LOW INTRODUCTORY PRICE \$208.50.** With matching AC supply (reg. \$299.95) \$254.00. Write for literature. Ham-M's \$99.00.

**AMATEUR-WHOLESALE ELECTRONICS**

8817 S.W. 129 Terrace, Miami, FL 33156 305-233-3631

### BRAND NEW FREQ-SHIFT TTY MONITOR:

**NAVY OCT-3: FM Receiver** type, freq. range 1 to 26 MHz in 4 bands, cont. tuning. Crystal calib. Reads up to 1500 Hz deviation on built-in VTVM. Cost \$1100.00 each! In original box, with instruc. book & cord, for Mariposa, Cal. Min. signal needed: 25 mv. Shpg wt 110 lbs. 49.50

### HIGH-SENSITIVITY WIDE-BAND RECEIVER

COMMUNICATIONS • BUG DETECTION  
• SPECTRUM STUDIES

**38-1000 MHZ AN/ALR-5:** Consists of brand new tuner/ converter CV-253/ALR in original factory pack and an exc. used, checked OK & grtd main receiver R-444 modified for 120 v. 50/60 hz. The tuner covers the range in 4 bands; each band has its own Type N Ant. input. Packed with each tuner is the factory inspector's checkout sheet. The one we opened showed **SENSITIVITY: 1.1 uv** at 38.4 mhz, 0.9 at 133 mhz, 5 at 538 mhz, 4 1/2 at 778 mhz, 7 at 1 ghz. The receiver is actually a 30 mhz IF ampl. with all that follows, including a diode meter for relative signal strengths; an atten. Calibrated in 6 db steps to -74 db, followed by an AVC position; Pan., Video & AF outputs; switch select pass of  $\pm 200$  khz or  $\pm 2$  mhz; and SELECT AM or FM! With Handbook & pwr. input plug, all only 375.00

CV-253 Converter only, good used, w/book. 99.50

We have SP-600-JX, R390, WRR-2 Receivers. Ask!

### REGUL. PWR SPLY FOR COMMAND, LM, ETC.

**PP-106/U:** Metered. Knob-adjustable 90-270 v up to 80 ma dc; also select an AC of 6.3 v 5A, or 12.6 v 2 1/2 A or 28 v 2 1/2 A. With mating output plug & all tech. data. Shpg. wt. 50 lbs. 19.50

### BARGAINS WHICH THE ABOVE WILL POWER:

**LM-(\*) Freq. Meter: 125-20 MHz, .01%, CW or AM, with serial-matched calib. book, tech. data, mating plug. Shipping wt. 16 lbs. 37.50**

**TS-323 Freq. Meter: 20-480 MHz .001% 49.50**

**R23A/ARC5 Command Q-5'er 190-550 KHz, exc. cond 16.95**

**A.R.C. R15 (MIL R-509) Command, 108-135 MHz, new 17.50**

**NEMS-CLARKE #1670 FM Rcvr 55-260 MHz**

like new. 275.00

**WWV Rcvr/Comparator 2 1/2 — 20 MHz w/scope 250.00**

**Empire Devices NF-114 RFI meter is a red-hot receiver from 150 KHz to 80 MHz. 295.00**

Attention! Buyers, Engineers, Advanced Technicians: We have the best test-equipment & oscilloscope inventory in the country so ask for your needs . . . don't ask for an overall catalog . . . we also buy, so tell us what you have. Price it.

### R. E. GOODHEART CO. INC.

Box 1220-HR, Beverly Hills, Calif. 90213

Phone: Area Code 213, Office 272-5707

When you want  
an authoritative,  
up to date,  
complete,  
reference  
It's the **QTH**  
and  
**you know it**

The U.S. and DX Editions lists licensed radio amateurs throughout the world plus many other valuable features including maps, charts & tables all designed to make your operating more efficient and more fun.

### PLUS

New this year!  
A special subscription service of one basic **CALLBOOK** plus three service editions, one issued every three months to keep you completely up-to-date for less than half of the cost of purchasing four complete **CALLBOOKS** as before. You save money — you stay better informed.

Over 285,000 QTH's in the U.S. edition Complete for 1972 U.S. **CALLBOOK** subscription

just **\$14.95**

U.S. **CALLBOOK** for 1972 (less service editions) **\$8.95**



Over 180,000 QTH's in the DX edition Complete for 1972 DX **CALLBOOK** subscription

just **\$11.45**

**DX CALLBOOK** for 1972 (less service editions)

**\$6.95**

See your favorite dealer or Send today to

(Mail orders add 25¢ per **CALLBOOK** for postage and handling)

WRITE FOR  
FREE  
BROCHURE

RADIO AMATEUR



**callbook** INC.

Dept. E 925 Sherwood Drive  
Lake Bluff, Ill. 60044



# Owning the FT-101 is a very personal thing

If there ever was a personalized amateur rig, this is it . . . the jewel-like FT-101 portable transceiver.

Hardly larger than a portable typewriter, the FT-101 packs 260 watts PEP SSB, 180 watts CW, 80 watts AM input power.

It even includes built-in 117 VAC and 12 VDC power supplies. A noise blanker, so essential for mobile operation. VOX. A built-in speaker. 25 and 100 KHz calibrators. A  $\pm 5$  KHz clarifier. Break-in CW. And much, much more, even a mike.

The compactness of the FT-101 chassis is a marvel of electronic engineering. One look inside and you'll know what we mean. For instance, all critical circuitry is on customer-replaceable PC cards. And, except for the finals and driver, it's all solid state. A complete transceiving package, reduced to a compact, thirty-pound wonder.

There's nothing else like it on the market. Anywhere.

Isn't this the rig you have to have? Whether you're a seasoned amateur, or whether you're just starting out, the FT-101 is the rig you've been waiting for. And it's here right now. For only \$559.95, you can have it.

Owning and using the FT-101 is a very gratifying, very personal thing. You know the feeling.



## SPECTRONICS WEST

Dept. Q, 1491 E. 28th, Signal Hill, Ca. 90806 / (213) 426-2593

## SPECTRONICS EAST

Dept. Q, Box 1457, Stow, Ohio 44224 / (216) 923-4567

Please send detailed information on all Yaesu products.

Enclosed find \$ \_\_\_\_\_

Please send model(s) \_\_\_\_\_

Name \_\_\_\_\_

Address \_\_\_\_\_

City \_\_\_\_\_ State \_\_\_\_\_ Zip \_\_\_\_\_

All prices F.O.B. Signal Hill, Ca.

Master Charge and BankAmericard accepted. "H6"

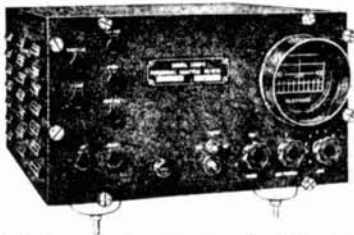


**COMPUTER KEYBOARD W/ENCODER \$35**

Another shipment just received. Alpha-numeric keyboard excellent condition. Once again we expect an early sellout. Price of \$35 includes prepaid shipment in the US and shipment made within 24 hours of receipt of order.

**COMPUTER KEYSWITCHES**

Another fantastic bargain for the builder. We have brand new bounce-less micro switch keys, spares from the above units, less key-tops. Make up your own keyboards. Made for PC mount. Package of 48 brand new key-switches only \$12.00 postpaid.



We still have a few Panoramic Adapters BC 1031 excellent condition, "IF" 450-470 Kc, operate from standard 115 volt 60 cycle. \$45 each complete with schematic, FOB Lynn, Mass. (60 lbs.)

**POWER TUNEABLE VARACTOR \$5.00**

Similar to MA-4060, used in doublers, triplers, amplifiers, etc. Fully guaranteed, with specs and some circuits. \$5 each or 6 for \$25 pp.



**DIGITAL READOUTS**



- GE Y 4075 25V Miniature \$3 ea. 10/\$25
- GE Y 1938 24V Standard \$3 ea. 10/\$25
- RAY CK 1905 Standard \$3 ea. 10/\$25
- MAN-3 1.7V Miniature \$3.50 ea. 10/\$30
- GIANT ALPHA NUMERIC \$3 ea. 10/\$25

**MEMORY CORE STACK**

Complete brand new memory core stack w/diode matrix, 65, 536 core. Appear to be brand new. \$100

**LASER DIODE 3 WATT**

RCA TA-2628 w/specs. \$5

**ROPE MEMORY MODULE**

From APOLLO project \$25

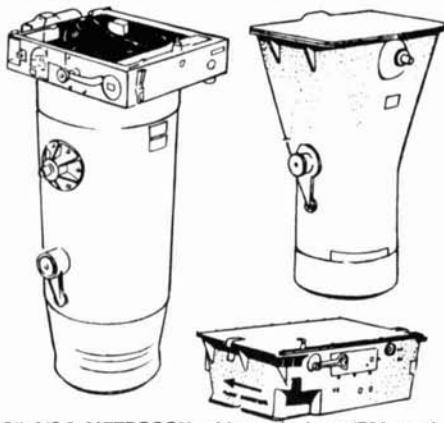
**1,000µF 450V CAPS**

For photo flash or linear power supplies \$1.50 each. 10/\$12

**LASER DISCHARGE CAPS**

Brand new Laser Storage high speed discharge caps. 40µF at 3KV. each \$10

**GOV'T SURPLUS OPTICS**



6" f/6.3 METROGON wide-angle lens (73° angle of view). In cone with shutter; fabric shipping trunk included. \$15.00. Filters, red or yellow, \$3.00 each.

6" f/6.3 METROGON wide-angle lens (73° angle of view). In cone with electric Rapidyne shutter. \$25.00. Filters, red or yellow, \$3.00 each. Fiberglass shipping trunk, 21" by 18" by 13", \$20.00.

24" f/6 lens assembly in K-17 cone with shutter and iris. \$30.00 each. Filters, red or yellow, \$5.00 each. With electric Rapidyne shutter, \$40.00. Fiberglass trunk, 26" by 30", \$25.00.

36" f/8 lens with cone, iris, and shutter, \$39.00. With electric high-speed Rapidyne shutter, \$49.00. Filters, red or yellow, \$5.00 each. Fiberglass trunk, 26" by 20" by 13", \$25.00.

12" f/4 Perkin-Elmer lens with electric high-speed shutter, \$40.00 each. Filters, red or yellow, \$5.00 each. Aluminum trunk, 21" by 18" by 13", \$20.00.

24" f/4 (write for particulars), \$100.00.

12" f/2.5 Aero-Ektar K-37 camera. 41° angle of view. With light-sensitive shutter trip control. Choice of A5A or LA-21 magazine. \$125.00. Fiberglass trunk, 24" by 24" by 21", \$25.00.

On items above, we can remove and ship lens assembly if the cone is not wanted.

**FIBERGLASS shipping trunks.** Lightweight and rugged for protection of equipment on field trips. 21" by 18" by 13", \$20.00. 26" by 20" by 13", \$25.00.

All material f.o.b. Lynn, Mass. Send self-addressed envelope for complete list.

**JOHN MESHNA JR. ELECTRONICS**  
P.O. Box 62 E. Lynn, Mass. 01904

# flea market



■ **RATES** Commercial Ads 25¢ per word; non-commercial ads 10¢ per word payable in advance. No cash discounts or agency commissions allowed.

■ **COPY** No special layout or arrangements available. Material should be typewritten or clearly printed and must include full name and address. We reserve the right to reject unsuitable copy. **Ham Radio** can not check out each advertiser and thus cannot be held responsible for claims made. Liability for correctness of material limited to corrected ad in next available issue. **Deadline** is 15th of second preceding month.

■ **SEND MATERIAL TO:** Flea Market, Ham Radio, Greenville, N. H. 03048.

**GOLDEN JUBILEE HAMFEST** beginning Sept. 15 at Silver Slipper Saloon, Klondike Days Exhibition. Full details Box 5986, Station L, Edmonton, Alberta, Canada.

**NO QRM-QRN** — Wyoming ranch land, Wild Horses, Antelope, Deer. 10 level acres \$20 down, \$20 mo. Owner Mike Gauthier, K6ICS, 9418 East Florence, Downey, CA 90240.

**2 METER FM**, miniature, 16 channel receivers, ARR52 new \$80. Yves Pautard, 514-321-6614, 8740 N. Girard, Montreal 458, Canada.

**READOUT TUBES** — 7 Segment, 5 Volt Incandescent \$3.00. Polarizing filters. SASE complete list. Display Electronics, Box 1044, Littleton, Colo. 80120.

**FIGHT TVI** with the RSO Low Pass Filter — p115 March 73 — write for brochure — Taylor Communications Manufacturing Company, Box 126, Agincourt, Ontario, Canada.

**CLEANING OUT SHACK**, miscellaneous components and 6C21 triodes. Send for list. Clyde Peters, WA70TN, 185 East 550 No., Bountiful, Utah 84010.

**GLASS EPOXY P.C. BOARD.** Type G10 1/16 in. Single sided 1 oz., Double sided 1 oz. or 2 oz. Your choice \$2 sq/ft. P.P.D. WA0TXV, 5331 Cherryview, St. Louis, Mo. 63128.

**MOTOROLA B73MPY-3101AT 120W.** Low split repeater new on skid. Robert Anderson, WA3PVD, 10314 Pierce Drive, Silver Spring, Maryland 20901.

**FOR SALE ROBOT SSTV** monitor, serial #15203 — \$300.00. Fred Muller, WA6LQL, 1133 86th Avenue, Oakland, CA 94621.

**TONE ENCODERS AND DECODERS** — New line of solid state encoders and decoders compatible with any sub-audible continuous tone system. Small in size, usable from 67-250 Hz, \$8.95 to \$14.95. Send for literature. Communications Specialists, Box 153, Brea, Calif. 92621.

**MECHANICAL FILTERS:** 455Khz. 2.1 Khz \$18.95 300Hz \$22.95. J. A. Fredricks, 314 South 13th Avenue, Yakima, Washington 98302.

**AMATEUR SALES & SERVICE.** Discount prices and service after the sale. Such leading names as Clegg, Kenwood, Pearce Simpson, Regency, SBE, Signal/One, and Tempo One. Write or call today. Amateur Sales and Service, 111 Rand Mill Road, Garner, North Carolina 27529. Tel. 1-919-772-6044.

**"DON AND BOB" GUARANTEED BUYS.** Gladding 25, AC supply 255.00; SBE144 199.95; Motorola HEP170 epoxy diode 2.5A/1000PIV 39¢; Ham-M 99.00; TR44 59.95; AR22R 31.95; 8448 Belden 8 wire cable .10/ft; Mosley CL33 114.00; CL 36 134.00; Hy-Gain TH6DX 139.00; Hy-Quad 99.00; 400 rotor 148.00; Belden 8237 RG8 15¢/ft; 8214 foam 16¢/ft; Tri-Ex MW50 229.00; MW65 305.00; W51 339.00; Airdux 2408T coil 5.00; 75A(clean) 345.00; SX115 250.00; Sangamo DCM600MFD/450V 4.95; KY65 code identifier 5.95; 6.3VCT/600MA transformer 1.95; Tempo Kenwood dealer, Prices collect. Write quote now. Mastercharge, BAC. Warranty guaranteed. Madison Electronics, 1508 McKinney, Houston, Texas 77002. (713) 224-2668.

**THE FOURTH ANNUAL DANVILLE HAMFEST** will be held September 3 at Douglas Park. 146.94 will be monitored along with the Danville .22/.82 and the Champaign-Danville .34/.76 machines for talk-in traffic. \$1.00 advance registration and \$1.50 at the gate. For further information write: Alan Woodrum, WA9IAC, 1615 N. Bowman, Danville, Illinois 61832.

**SAVE MONEY** on parts and transmitting-receiving tubes. Foreign-Domestic. Send 25¢ for giant catalog. Refunded first order. United Radio Company, 56-HR Ferry Street, Newark, N.J. 07105.

**NEW JERSEY QSO PARTY** August 19-20. Full details from Englewood Amateur Radio Assoc., 303 Tenaflly Road, Englewood, NJ 07631.

**AUDIO FILTERS:** Knock down that background noise. KOJO SSB, AM and CW filters do the job. Write for free brochure and see how serious DX boys hear them. KOJO, Box 7774, 741 E. Highland Ave., Phoenix, Arizona 85011.

**FOR SALE:** Delco car radios, 12 volts, transistor. Speaker, knobs included. New \$14.50 postpaid. W5RSN, 1826 Cypress, Irving, Texas 75061.

**THE TEXAS VHF-FM SOCIETY** will hold its annual Summer Convention August 11, 12, and 13 at the Villa Capri Motor Hotel in Austin, Texas. Technical sessions, manufacturers' displays, door prizes, ladies activities. Call-in will be through the Austin 34-94 repeater. For more information write Larry Higgins, W5QMU, 2522 Old Hickory Trail, San Antonio, Texas 78230, or Gene Chapline, K5YFL, 2206 La Casa, Austin, Texas 78704.

**WANTED** — M15 and M32 TELEPRINTERS in any quantity in good condition for use by deaf people . . . will accept donations or for fair prices . . . can be picked up anywhere . . . write Lee Brody, New York-New Jersey Phone-TTY for the Deaf, 15-06 Raddburn Rd., Fair Lawn, New Jersey 07410 or call 201-796-5414 evenings.

**WANTED: APRIL 1970 HAM RADIO** any reasonable price. Tom Morrison, WA3GBU, P. O. Box 13442, Austin, TX 78711.

**DISCOUNTS!** Standard, Sonar, Clegg, Robyn, Mosley, Cush Craft, Others. Also Marine Gear. Write stating needs. Arena Communications, Dept. H, 1169 N. Military Hwy., Norfolk, Va. 23502.

**WARREN, OHIO ARA'S Family Hamfest.** Aug. 20. Giant fleamart, swimming, picnicking, all free. Displays, mobile checkin. Camping available. Yankee Lake, Rt. 7 near I-80. Details: QSL WBVTD.

**POPULAR ELECTRONICS.** Complete file. 35 volumes like new. Excellent for library or radio club. Hundreds building projects, etc. \$225.00 cashier's check. Postpaid in USA. Dean Brooks, 5141 Lincoln Avenue, Los Angeles, California 90042.

**WANTED SWAN 420 VFO** in good working condition. Art Orav, 930 Hastings St., Baldwin N. Y. 11510.

**TELL YOUR FRIENDS** about Ham Radio Magazine.

**LOWEST PRICES: ON BRAND NEW FULLY TESTED & GUARANTEED IC'S**  
**BEST SERVICE: 10% DISCOUNT ON ALL ITEMS NOT SHIPPED IN 24 HOURS**  
**MOST CONVENIENT: ORDER DESK 1-800-325-2595 (TOLL FREE)**

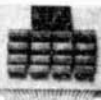
PLEASE NOTE: To qualify for prices in the last three columns, you must order in EXACT Multiples of 10 per item for all IC items on your order.

| Catalog Number | ANY QUANTITY PER ITEM(MIX) |         |         | MULTIPLES OF 10 PER ITEM(MIX) |           |          | Catalog Number | ANY QUANTITY PER ITEM(MIX) |         |           | MULTIPLES OF 10 PER ITEM(MIX) |          |      |
|----------------|----------------------------|---------|---------|-------------------------------|-----------|----------|----------------|----------------------------|---------|-----------|-------------------------------|----------|------|
|                | 1-99                       | 100-999 | 1000-up | 100-999                       | 1000-9999 | 10000-up |                | 1-99                       | 100-999 | 1000-9999 | 1000-9999                     | 10000-up |      |
| 7400           | .26                        | .25     | .23     | .22                           | .21       | .20      | 74122          | .70                        | .67     | .63       | .60                           | .56      | .53  |
| 7401           | .26                        | .25     | .23     | .22                           | .21       | .20      | 74123          | 1.21                       | 1.06    | 1.00      | .94                           | .89      | .83  |
| 7402           | .26                        | .25     | .23     | .22                           | .21       | .20      | 74141          | 1.63                       | 1.55    | 1.46      | 1.38                          | 1.29     | 1.20 |
| 7403           | .26                        | .25     | .23     | .22                           | .21       | .20      | 74145          | 1.41                       | 1.33    | 1.26      | 1.18                          | 1.11     | 1.04 |
| 7404           | .28                        | .27     | .25     | .24                           | .22       | .21      | 74150          | 1.63                       | 1.55    | 1.46      | 1.38                          | 1.29     | 1.20 |
| 7405           | .28                        | .27     | .25     | .24                           | .22       | .21      | 74151          | 1.20                       | 1.13    | 1.07      | 1.01                          | .95      | .88  |
| 7406           | .52                        | .50     | .47     | .44                           | .42       | .39      | 74153          | 1.63                       | 1.55    | 1.46      | 1.38                          | 1.29     | 1.20 |
| 7407           | .52                        | .50     | .47     | .44                           | .42       | .39      | 74154          | 2.43                       | 2.30    | 2.16      | 2.03                          | 1.89     | 1.08 |
| 7408           | .32                        | .30     | .29     | .27                           | .26       | .24      | 74155          | 1.46                       | 1.39    | 1.31      | 1.23                          | 1.16     | 1.08 |
| 7409           | .32                        | .30     | .29     | .27                           | .26       | .24      | 74156          | 1.46                       | 1.39    | 1.31      | 1.23                          | 1.16     | 1.08 |
| 7410           | .26                        | .25     | .23     | .22                           | .21       | .20      | 74157          | 1.56                       | 1.48    | 1.39      | 1.31                          | 1.23     | 1.15 |
| 7411           | .28                        | .27     | .25     | .24                           | .22       | .21      | 74158          | 1.56                       | 1.48    | 1.39      | 1.31                          | 1.23     | 1.15 |
| 7413           | .58                        | .55     | .52     | .49                           | .46       | .44      | 74160          | 1.89                       | 1.79    | 1.68      | 1.58                          | 1.47     | 1.37 |
| 7416           | .52                        | .50     | .47     | .44                           | .42       | .39      | 74161          | 1.89                       | 1.79    | 1.68      | 1.58                          | 1.47     | 1.37 |
| 7417           | .52                        | .50     | .47     | .44                           | .42       | .39      | 74162          | 1.89                       | 1.79    | 1.68      | 1.58                          | 1.47     | 1.37 |
| 7420           | .26                        | .25     | .23     | .22                           | .21       | .20      | 74463          | 1.89                       | 1.79    | 1.68      | 1.58                          | 1.47     | 1.37 |
| 7421           | .26                        | .25     | .23     | .22                           | .21       | .20      | 74180          | 1.20                       | 1.13    | 1.07      | 1.01                          | .95      | .88  |
| 7426           | .34                        | .32     | .31     | .29                           | .27       | .26      | 74181          | 5.20                       | 4.90    | 4.59      | 4.20                          | 3.98     | 3.67 |
| 7430           | .26                        | .25     | .23     | .22                           | .21       | .20      | 74182          | 1.20                       | 1.13    | 1.07      | 1.01                          | .95      | .88  |
| 7437           | .56                        | .53     | .50     | .48                           | .45       | .42      | 74192          | 1.98                       | 1.87    | 1.76      | 1.65                          | 1.54     | 1.43 |
| 7438           | .56                        | .53     | .50     | .48                           | .45       | .42      | 74193          | 1.98                       | 1.87    | 1.76      | 1.65                          | 1.54     | 1.43 |
| 7440           | .26                        | .25     | .23     | .22                           | .21       | .20      | 74198          | 2.81                       | 2.65    | 2.50      | 2.34                          | 2.18     | 2.03 |
| 7441           | 1.73                       | 1.64    | 1.55    | 1.46                          | 1.37      | 1.27     | 74199          | 2.81                       | 2.65    | 2.50      | 2.34                          | 2.18     | 2.03 |
| 7442           | 1.27                       | 1.21    | 1.14    | 1.07                          | 1.01      | .94      |                |                            |         |           |                               |          |      |
| 7443           | 1.27                       | 1.21    | 1.14    | 1.07                          | 1.01      | .94      |                |                            |         |           |                               |          |      |
| 7444           | 1.27                       | 1.21    | 1.14    | 1.07                          | 1.01      | .94      | HE501          | 2.99                       | 2.82    | 2.66      | 2.49                          | 2.32     | 2.16 |
| 7445           | 1.71                       | 1.62    | 1.53    | 1.44                          | 1.35      | 1.26     | HE531          | 3.81                       | 3.58    | 3.36      | 3.14                          | 2.91     | 2.69 |
| 7446           | 1.24                       | 1.17    | 1.11    | 1.04                          | .98       | .91      | HE533          | 3.81                       | 3.58    | 3.36      | 3.14                          | 2.91     | 2.69 |
| 7447           | 1.16                       | 1.10    | 1.04    | .98                           | .92       | .85      | HE536          | 7.31                       | 6.88    | 6.45      | 6.02                          | 5.59     | 5.16 |
| 7448           | 1.44                       | 1.37    | 1.29    | 1.22                          | 1.14      | 1.06     | HE540          | 2.16                       | 2.04    | 1.92      | 1.80                          | 1.68     | 1.56 |
| 7450           | .26                        | .25     | .23     | .22                           | .21       | .20      | HE550          | 1.24                       | 1.17    | 1.11      | 1.04                          | .98      | .91  |
| 7451           | .26                        | .25     | .23     | .22                           | .21       | .20      | HE560          | 3.57                       | 3.36    | 3.15      | 2.94                          | 2.73     | 2.52 |
| 7453           | .26                        | .25     | .23     | .22                           | .21       | .20      | HE561          | 3.57                       | 3.36    | 3.15      | 2.94                          | 2.73     | 2.52 |
| 7454           | .26                        | .25     | .23     | .22                           | .21       | .20      | HE562          | 3.57                       | 3.36    | 3.15      | 2.94                          | 2.73     | 2.52 |
| 7460           | .26                        | .25     | .23     | .22                           | .21       | .20      | HE563          | 3.57                       | 3.36    | 3.15      | 2.94                          | 2.73     | 2.52 |
| 7470           | .42                        | .40     | .38     | .36                           | .34       | .32      | HE566          | 3.57                       | 3.36    | 3.15      | 2.94                          | 2.73     | 2.52 |
| 7472           | .88                        | .86     | .84     | .82                           | .80       | .78      | HE567          | 3.57                       | 3.36    | 3.15      | 2.94                          | 2.73     | 2.52 |
| 7473           | .50                        | .48     | .45     | .43                           | .40       | .38      | HE511          | .90                        | .86     | .81       | .77                           | .72      | .68  |
| 7474           | .50                        | .48     | .45     | .43                           | .40       | .38      | HE554          | 1.87                       | 1.77    | 1.66      | 1.56                          | 1.46     | 1.35 |
| 7475           | .80                        | .76     | .72     | .68                           | .64       | .60      | HE558          | .80                        | .76     | .72       | .68                           | .64      | .60  |
| 7476           | .56                        | .53     | .50     | .48                           | .45       | .42      | HE559          | 3.40                       | 3.20    | 3.00      | 2.80                          | 2.60     | 2.40 |
| 7480           | .76                        | .72     | .68     | .65                           | .61       | .57      | HE594          | 1.87                       | 1.77    | 1.66      | 1.56                          | 1.46     | 1.35 |
| 7483           | 1.63                       | 1.55    | 1.46    | 1.38                          | 1.29      | 1.20     | 709            | .42                        | .40     | .38       | .36                           | .34      | .32  |
| 7486           | .58                        | .55     | .52     | .49                           | .46       | .44      | 710            | .42                        | .40     | .38       | .36                           | .34      | .32  |
| 7489           | 4.25                       | 4.00    | 3.75    | 3.50                          | 3.25      | 3.00     | 711            | .44                        | .42     | .40       | .37                           | .35      | .33  |
| 7490           | .80                        | .76     | .72     | .68                           | .64       | .60      | 723            | 1.00                       | .95     | .90       | .85                           | .80      | .75  |
| 7491           | 1.43                       | 1.35    | 1.28    | 1.20                          | 1.13      | 1.05     | 741            | .44                        | .42     | .40       | .37                           | .35      | .33  |
| 7492           | .80                        | .76     | .72     | .68                           | .64       | .60      | 748            | .48                        | .46     | .43       | .41                           | .38      | .36  |
| 7493           | .80                        | .76     | .72     | .68                           | .64       | .60      |                |                            |         |           |                               |          |      |
| 7494           | 1.18                       | 1.12    | 1.05    | .99                           | .93       | .87      | 1H270          | .15                        | .14     | .13       | .12                           | .11      | .10  |
| 7495           | 1.18                       | 1.12    | 1.05    | .99                           | .93       | .87      | 1H751A         | .10                        | .08     | .08       | .06                           | .05      | .05  |
| 7496           | 1.18                       | 1.12    | 1.05    | .99                           | .93       | .87      | 1H751B         | .10                        | .08     | .08       | .06                           | .05      | .05  |
| 74100          | 1.52                       | 1.44    | 1.36    | 1.28                          | 1.20      | 1.12     | 1H4002         | .15                        | .14     | .13       | .12                           | .11      | .10  |
| 74107          | .52                        | .49     | .47     | .44                           | .42       | .39      | 1H4154         | .15                        | .14     | .13       | .12                           | .11      | .10  |
| 74121          | .56                        | .53     | .50     | .48                           | .45       | .42      | 2N3660         | .25                        | .23     | .21       | .19                           | .17      | .15  |

All IC's are supplied in 8-, 14-, 16-, or 24-pin DIP (Dual-in-Line) plastic package, except for HE536, HE537, HE540, and HE540 which come in TO-5 package. We give FREE data sheets upon request, so ask for these data sheets that you NEED, even for those listed IC's that you are not buying. On orders over \$25.00 we'll send you a new 270-page COMPLETE TTL IC data book FREE. Or, you may obtain a new 240-page LINEAR data book instead. Orders over \$50.00 will receive both books. Orders over \$100.00 will receive a complete LIBRARY OF DIGITAL & LINEAR data & application books totaling 1000 pages FREE. PLEASE NOTE: Data books are shipped separate from your order. Please allow two weeks for delivery.

**UNIVERSAL DECADE COUNTING UNITS**

- Easy to read single plane LED or Filament-type Readout with wide angle viewing.
- ACD Outputs available
- Readout Lamp Test
- Selectable Ripple Blanking
- Selectable Decimal Point
- Counter Reset
- Plug-in Module
- Molex Sockets for all IC's & Readout
- Tin-Plated G-10, 2-oz Copper, Glass Epoxy Board
- Your choice of 1 to 6 decades on one P.C. board.
- Grouping of 2 or more readouts on the same card, for custom designed appearance.
- 5-Volt TTL compatible single supply.
- First in a series of universal plug-in modules to be introduced soon; for frequency counting, time measurements, event counting, DVM, magnitude comparison, etc.
- Well documented application note with step-by-step assembly and hook-up instructions.



Price (Per Decade):  
 Basic Unit consisting of 7490, 7447, Filament-type 7-segment Readout...\$8.00  
 Options:  
 For LED Readouts instead of Filament-type add \$2.00  
 For 7475 Latch add...\$1.25  
 For 74176 instead of 7490 add.....\$0.50  
 For 74192 instead of 7490 add.....\$1.00  
 For 74196 instead of 7490 add.....\$0.75  
 For Fully assembled and tested unit add.....\$2.50

**LED 7-SEGMENT DISPLAY \$4.95 Each**

50-99 \$4.75  
 100-999 \$4.50  
 1000-up \$4.25

Large 7-segment LED readout similar to the popular MAM-1 but with improved brightness. Has left-hand decimal point. Fits in a DIP socket. Expected life: Over 100 Yrs. Regularly \$12.95 in single lots. These are REARM NEW with full data sheet and 4-page MULTIPLEXING Application Note. Needs a 7447 for driver and ONE CURRENT-LIMITING RESISTOR PER SEGMENT. We can supply you with one or ten thousand FROM STOCK. Also available, 8-DIGIT OVERFLOW digit at the same prices. Mixing of Regular & Overflow digit allowed.

Package of 8, 47D, 1/4W limiting R's.....30c

**Incandescent Type of 7-segment display.** With right-hand decimal point. Rated 8mA per segment at TTL supply of 5V. Design life of 50,000 hours. Needs a 7447 as a driver. In DIP Package. Each \$3.25

**MOLEX IC SOCKET PINS:** Use these economical pins instead of soldering your IC's to PC boards. Sold in continuous strips in multiples of 100 pins only.

100 for \$1.00; 200 for \$1.80; 300 for \$2.60  
 400 for \$3.40; 500 for \$4.20; 600 for \$5.00  
 700 for \$5.80; 800 for \$6.60; 900 for \$7.40  
 1000 for \$8.20. Each additional 1000 \$7.50

**ALLEN-BRADLEY MIL-GRADE (5-BAND) RESISTORS.** Any of the 84 STANDARD 104 values from 2.70 to 22MΩ. 1/4 or 1/2 WATT. EACH.....5c

**CERAMIC DISC CAPACITORS.** Type 5GA-1000WVDC.

5, 7.5, 10, 12, 15, 20, 22, 25, 27, 30, 33, 36, 50, 56, 68, 75, 82, 100, 120, 150, 180, 200, 220, 250, 270, 300, 330, 360, 390, 470, 500, 560, 680, 750, 820, 1000, 1200, 1500, 1800, 2000, 2200, 2500, 2700, 3000, 3300, 3900, 4700, 5000µF. EACH.....10c  
 0.01µF. Each.....11c 0.02µF. EACH.....12c

**LOW VOLTAGE DISCS.** Type 2K µF.

1.0 µF, 3V.....25c 2.2 µF, 3V.....30c  
 0.1 µF, 10V.....12c 0.2 µF, 10V.....10c  
 0.47µF, 3V.....25c 0.01µF, 16V.....10c

**ELECTROLYTIC CAPACITORS:** All values are available in both, axial or upright (PC Board) mount. PLEASE INDICATE YOUR CHOICE.

10 µF, 15V.....15c 100 µF, 25V.....25c  
 500 µF, 25V.....30c 1000 µF, 35V.....50c

**VOLTAGE REGULATORS.** Internally-set, overload and short-circuit proof regulators need no external components to set. With data sheet and application notes. TO-3 Package.

LM-335, 5V, 600mA.....\$2.85  
 LM-336, 12V, 500mA.....\$3.85  
 LM-337, 15V, 450mA.....\$4.05  
 20 Watt PC-board Type HEAT SINK.....\$1.20

**STANCOR R-118D, 25.2 VCT, 1-Amp Transformer.** Ideal for use with LM-series. Each.....\$3.00

**SOLID STATE SYSTEMS, INC.**  
 P. O. BOX 773  
 COLUMBIA, MO. 65201  
 PHONE 314-443-3673  
 TWX 910-760-1453

TERMS: RATED FIRMS NET 30 DAYS. Others CHECK or MONEY ORDER with order. Add 3% to orders under \$5.00 for postage & handling. For UPS add 45c and for AIR MAIL add 65c to your order; we pay the balance. If you are served by UPS in your area, we strongly recommend this service with its built-in \$100 insurance. COD orders are FOB Columbia with 65c COD fee additional. Canadian residents please add 50c for INSURANCE.

MISSOURI RESIDENTS: Please add 4% Sales Tax.  
 WRITE OR CIRCLE READER SERVICE CARD FOR OUR CATALOG OF PARTS & SERVICES. IT'S FREE.

**TECH MANUALS** for Govt. surplus gear, only \$6.50 each: R-388/URR, R-390/URR, R-390A/URR, R-220/URR, R-274/FRR, TT-63A/FGC, TS-479B/URR, OS-8C/U. Hundreds more. Send 50¢ (coin) for 20-page list. W3IHD, 4905 Roannde Drive, Washington, DC 20021.

**2 METER FM**, Brand New, Inoue IC-20, 1&10 watts, 12 channels, w/mike, cable, mobile mount \$259.50, Bob Brunkow, 15112 S.E. 44th, Bellevue, Wash. 98006. Phone 206-747-8421.

**FM HAMFEST** — Sunday August 6, Steuben Co. 4-H Fairgrounds near Angola, Indiana. Large flea market, gate prizes — 1st prize an HT220. Picnic grounds, campsites, boating, swimming, food, soft drinks available. Entertainment for XYL. No vendors fee. For more information write FWRA, Box 6022, Fort Wayne, Indiana 46806.

**MORSAVERTER READS HAND-SENT MORSE CODE** off the air and converts it to RTTY code. Connects to station receiver and Teletype. No speed adjustments required 5-40 WPM. Supplies CR, LF, LTRS, FIGS automatically. All on one 8x10 inch circuit board. Kits from \$185, wired and tested \$560. Write for information. Petit Logic Systems, 908 Washington, Wenatchee, Wash. 98801.

**WE BUY ELECTRON TUBES**, diodes, transistors, integrated circuits, semiconductors. ASTRAL ELECTRONICS, 150 Miller Street, Elizabeth, N. J. 07207. (201) 354-2420.

**THE 15th ANNUAL HAMFEST** of the Six Meter Club of Chicago Inc. will be held Sunday, August 6, 1972 at the Picnic Grove on U.S. 45, 1 mile north of U.S. 30, 5 miles South of U.S. 6, Frankfort, Illinois. Food and drinks will be available. Swap and Shop section provided. Advance registration \$1.50, admission at the gate \$2.00. For tickets and further information contact Val Hellwig, K9ZVW, 3420 South 60th Court, Cicero, Ill. 60650. Talk-in frequencies will be on 146.94 MHz FM.

**SELL: HEATH HW-32A** / AC & DC power supply, EV 664 desk mike, Shure 414 mobile mike, HM-11 SWR bridge. No reasonable offer refused. C. Novak, 110-48 72 Ave., Forest Hills, N. Y. 11375.

**STOP** — before you buy FM equipment. Check prices of L. M. Communications, 516 Chapman Parkway, Hamburg, New York 14075.

**SURPLUS MILITARY RADIOS**, Electronics, Radar Parts, tons of material for the ham, free catalogue available. Sabre Industries, 1370 Sargent Avenue, Winnipeg 21, Manitoba, Canada.

**QSL'S — BROWNIE W3CJI** — 3111B Lehigh, Allentown, Pa. 18103. Samples 10¢. Cut catalogue 25¢.

**NU SIGMA ALPHA** International Amateur Radio Fraternity. Memberships available. Handsome Certificate, I.D. card, Newsletter, contests, nets, and more. Send for our free illustrated brochure. Box 310, Dept. R, Boston, Mass. 02101.

**TOROIDS**, iron "E" powder 80-10 meters. .500" 8/\$1.00, .940" 4/\$1.00, 1.437" 75¢ each or 3/\$2.00, 2.310" \$1.50 or 3/\$4.00. Please include 50¢ postage, slightly more on larger orders. Fred Barken, WA2BLE, 274 E. Mt. Pleasant Ave., Livingston, N. J. 07039.

**TONE BURST** . . . Inoue Regency owners, now available, 4 frequency, internally mounted tone burst oscillator . . . \$29.50. NHE Communications, 15112 S.E. 44th Bellevue Wash. 98006. Phone 206 747-8421.

**P.C. BOARD NEGATIVES** made, up to 6" x 6" \$2.25 ppd. Same day service, VAF Photo, 4124 Colebrook Rd., Charlotte, N.C. 28215.

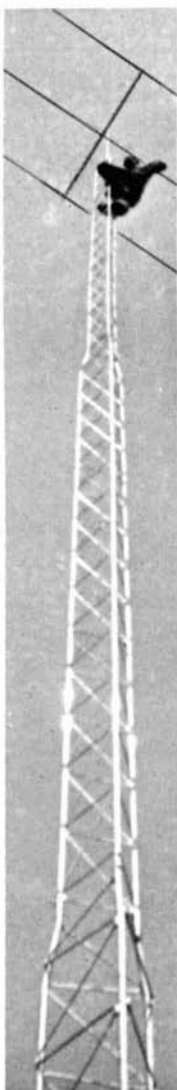
**1000 PIV AT 1 AMP** new epoxy diodes 10 for \$2.50, 1000 PIV at 2½ Amp new epoxy diodes 10 for \$4.50, both include disc bypass and bridging resistors. 490MF at 500 volt electrolytic caps 10 for \$17.50. All above postpaid USA. East Coast Electronics, 123 St. Boniface Rd., Cheektowaga, New York 14225.

**VHF NOISE BLANKER** — See Westcom ad in Dec. '70 and Mar. '71 Ham Radio.

**TV & RADIO TUBES** 36¢. FREE CATALOG. Cornell, 4219 N. University, San Diego, California 92105.

## The "STANDARD"

# 72' ALUMINUM Tower FOR DX'ing



Strong, Light, No Upkeep  
Self-Supporting

Easy to Assemble & Erect

All towers mounted on  
hinged bases

Complete Telescoping and  
Fold-Over Series available

\*so light you can  
put it up all by  
yourself! No  
climbing, no jin  
poles, no heart  
attacks.

And now, with motorized  
options, you can crank it  
up or down, or fold it over,  
from the operating position  
in the house.

See your local distributor, or write for 12  
page brochure giving dozens of combina-  
tions of height, weight and wind load.

## HEIGHTS MANUFACTURING CO.

NOW In New Larger Facilities  
In Almont Heights Industrial Park  
Almont, Michigan 48003



## CRYSTAL FILTERS and DISCRIMINATORS

1 27/64" x 1 3/64" x 3/4"



by  
K.V.G.

### 9.0 MHz FILTERS

|        |         |        |                          |
|--------|---------|--------|--------------------------|
| XF9-A  | 2.5kHz  | SSB TX | \$23.12                  |
| XF9-B  | 2.4kHz  | SSB RX | \$32.85                  |
| XF9-C  | 3.75kHz | AM     | \$35.40                  |
| XF9-D  | 5.0kHz  | AM     | \$35.40                  |
| XF9-E  | 12.0kHz | NBFM   | \$35.40                  |
| XF9-M  | 0.5kHz  | CW     | \$24.49                  |
| XL10-M | 0.5kHz  | CW     | 10 pole Gaussian \$65.64 |

### 9.0 MHz DISCRIMINATORS

|        |       |      |         |
|--------|-------|------|---------|
| XD9-01 | 5kHz  | RTTY | \$17.95 |
| XD9-02 | 10kHz | NBFM | \$17.95 |
| XD9-03 | 12kHz | NBFM | \$17.95 |

Matching HC25/U crystals XF900 9000.0, XF901 8998.5, XF902 9001.5, XF903 8999.0 (CW) all \$2.75 ea.

## VHF CONVERTERS UHF

|                  | MM 50   | MM 144  | MM 220  | MM 432  | MM 1296 |
|------------------|---------|---------|---------|---------|---------|
| RF Freq. (MHz) † | 50-52   | 144-146 | 220-222 | 432-434 |         |
| N.F. (typical)   | 2.5dB   | 2.8dB   | 3.4dB   | 3.8dB   | COMING  |
| Nom. Gain        | 30dB    | 30dB    | 30dB    | 30dB    | SOON    |
|                  | \$49.95 | \$49.95 | \$54.95 | \$59.95 |         |

Standard I.F. 28-30MHz †

Power 12v DC

1 1/4" x 2 3/8" x 4 3/8" + connectors.

† Other ranges available on request

SPECTRUM  
INTERNATIONAL  
BOX 1084 CONCORD  
MASSACHUSETTS 01742

## ADD A LINEAR\* TO MY 2M FM RIG? WHY NOT? YOU DID IT ON 80-40-20-15-& 10! And you did it for a good reason!

You wanted to put out a signal that others could hear — without noise, fade, fatigue, or interference.

A **DYCOMM BOOSTER\*** can do for you what it has for over 3,000 amateurs:

- Provide up to 50 times increase in power.
- Reduce the cost over a higher power rig.
- Is fully transistorized — no tubes to ever replace.
- Provide mobile rig with more variety — car-car, car-base plus more repeaters you can work through.
- Is fully guaranteed to perform with an outstanding warranty program.

A model for virtually EVERY 2M rig!

Model Line Up:

|      |            |              |          |
|------|------------|--------------|----------|
| 10-0 | 10 W input | 100 W output | \$195.00 |
| D    | 10 W input | 40 W output  | 99.95    |
| ES   | 1 W input  | 40 W output  | 99.95    |

Write for a brochure or call your nearest amateur dealer — you hear!

\*A common term for add-on amplifiers.

## DYNAMIC COMMUNICATIONS, INC.

948 AVENUE E, P. O. BOX 10116  
RIVIERA BEACH, FLORIDA 33404  
305-844-1323



**NEW ELECTRONIC PARTS.** Buy-Sell. Free Flyer. Large catalog \$1.00 deposit. Bigelow Electronics, Dept. HR, Bluffton, Ohio 45817.

**QSLs.** Second to none. Same day service. Samples 25¢. Ray, K7HLR, Box 331, Clearfield, Utah 84015.

**MINI-MITTER II TRANSCEIVER** 40 m. S.S.B. walkie talkie with accessory antenna. Brand new — ready & factory checked — less batteries — \$140. Certified check or money order — R. J. Best, 2802 S. Staples, Corpus Christi, Texas 78404.

**WORLD QSL** — See ad page 109.

**WANTED:** tubes, transistors, equipment what have you? Bernard Goldstein, W2MNP, Box 257, Canal Station, New York, N. Y. 10013.

**COPY MORSE CODE** automatically, (Ham Radio November 1971) detailed construction plans \$14.95. VMG Electronics, 2138 West Sunnyside, Phoenix, Arizona 85029.

**VIKING-NAVIGATOR FOR SALE** \$50. Will ship. Excellent condx. Pete Burbank, 409 Granite Circle, Lexington, Kentucky 40503.

**SIERRA HAMFEST** on Saturday, August 5 in California Building in Idlewild Park, Reno, Nev. Write Sierra Hamfest, 1047 Mark Way, Carson City, Nevada 89701.

**THE ZERO-BEATERS AMATEUR RADIO CLUB** will hold their annual Hamfest at Washington, Mo. City Park Sunday, August 6, 1972. \$600.00 in door prizes, free ham gear auction, free bingo for XYL's free candy scramble for kids.

**OMEGA-T NOISE BRIDGE HEADQUARTERS.** 1-100 MHz \$29.95. 1-300 MHz \$39.95 ppd. Miss. add 5% tax. MPQ Industries, P. O. Box 217, Hernando, Miss. 38632.

**HOT AS A FIRECRACKER!** That's the upcoming ARRL Hudson Division Convention, Hilton Motor Inn, Tarrytown, NY. October 21-22 are the happy days. So spend your July 4th weekend anticipating exhibits, lectures, 2-Meter FM, RTTY, contests, gabfests, New York sightseeing, fun. It's a blast! Write Dave Popkin, WA2CCF, 303 Tenafly Road, Englewood, N. J. 07631. He'll fire off the info to you.

**FOR SALE DRAKE TR3 & RV3** \$340.00. Valient 2 xmtr 10-160 meters AM \$135.00. W1ASB, 24 Dundee Rd., Arlington, Mass. 02174. 671-643-5448.

**NOVICE-TECHNICIAN CLASS.** Cassettes for learning code. Voice and code instruction. New system for beginners. Cassettes only. Each \$3.25. Send money order to Brobak Sales, Box 172, Mattapan, Mass. 02126.

**CINCY STAG HAMFEST:** Attention Hams: Mark this date, Sept. 24, for the 1972 Cincinnati 35th Annual STAG Hamfest, the one big STAG Amateur Radio Event of the '72 year. At the ALL New Stricker's Grove, Ross (Venice), Ohio. New location. More details later. Hamfest Secretary, John Bruning, W8DSR, 6307 Fairhurst Avenue, Cincinnati, Ohio 45213.

**QST MAGS OCTOBER 1916** to present. Many others. Best offer. SASE for list. W6AG, 213-786-1214.

**VHF-UHF CONSTRUCTION ARTICLES** and available parts kits described in VHF Communications magazine. Write for free information, complete magazine index and price lists. VHF Communications, Robert R. Eide, WOENC, 53 St. Andrew, Rapid City, SD 57701.

**WANTED: COLLINS 312B-5, K2QDE, S. Martin,** 2011 Ocean Ave., Bklyn, N. Y. 11230. 212-998-2029.

**HELP WANTED. MAN FRIDAY.** Everything from the front office to the shipping room with duties in sales, stockroom, etc. If you are the person who wants to join an exciting, fast moving, ham oriented organization then write Box FM, Ham Radio Magazine, Greenville, NH 03048.

**YOUR AD belongs here too.** Commercial ads 25¢ per word. Non-commercial ads 10¢ per word. Commercial advertisers write for special discounts for standing ads not changed each month.

# TOWER AND ANTENNA HEADQUARTERS

HY-GAIN — A/S — MOSLEY  
TELREX — KIRK  
NEWTRONICS — CUSHCRAFT

UNIVERSAL — HEIGHTS  
SPAULDING — TRISTAO  
ROHN — TRI-EX — E-Z WAY  
ROTATORS BY HY-GAIN & CDE

## Midwest Ham Headquarters

For Over 33 Years

HAMS! Write For Free Catalogs and Wholesale Prices!

## ELECTRONIC DISTRIBUTORS, INC.

1960 Peck Muskegon, MI 49441

Tel: 616-726-3196

# HAVE A BIGGER VOICE IN THE WORLD

## MAGNUM SIX R F SPEECH PROCESSOR

PRICE  
**\$129.95**

Postpaid U.S.  
[Add 5% Tax  
in Washington]



- 4 TIMES THE SSB POWER ON ALL BANDS
- EXTERNAL CONTROLS - PERMITS ADJUSTMENT TO YOUR RIG
- SOLID STATE DESIGN
- REGULATED POWER SUPPLY
- OEM QUALITY FILTER
- ADDED 'PUNCH' FOR PILE-UPS
- FOR HEATH & COLLINS RIGS

Send for FREE Brochure  
Communication Technology Group  
31218 Pacific Highway South  
Federal Way, Washington 98002



A Division of Bico Systems Inc.

# DRAKE TR-22

# Versatility plus!...in a 2 Meter FM Transceiver



### Over-the-shoulder, mobile, or at home

Completely transistorized, compact, portable. Capacity for 6 channels. Built-in telescoping antenna, and connector for external antenna. Use barefoot or with accessory amplifier. External 12 VDC or internal ni-cad batteries, built-in 120 VAC battery charger.

Complete with: Dynamic Mike, O-T-S Carrying Case, 120 VAC and 12 VDC Cords, Speaker/Headphone Plug and 10 Ni-Cad Batteries.

**\$199<sup>95</sup>** Amateur Net

AA-22 Amplifier \$149.95  
MMK-22 Mobile Mount \$6.95  
BBLT-144D Hustler Ant. \$27.95

**GENERAL:** • Freq. coverage: 144-148 MHz • 6 channels, 3 supplied • Push-to-talk Xmit • DC Drain: Rcv, 45 mA; Xmit, 450 mA • Size: 5-3/8" x 2-5/16" x 7-1/8", 3-3/4 lbs.

**RECEIVER:** • Transistorized crystal-controlled superhet • 1st IF: 10.7 MHz, 2nd IF: 455 kHz • Ant. Input Imped: 50 ohms • Sensitivity: 1  $\mu$ V or less/20 dB S+N/N • Audio Output: 0.7 W • Built-in speaker.

**TRANSMITTER** • RF Output over 1 W • Freq. Dev. adj. to 15 kHz max., factory set to 5 kHz.

**R. L. DRAKE COMPANY**



**DRAKE**®

540 Richard St., Miamisburg, Ohio 45342  
Phone: (513) 866-2421 • Telex: 288-017

## Just Printed!

Application Rules FOR  
TTL INTEGRATED CIRCUITS  
INCLUDING Operating  
Instructions FOR ALL  
POPULAR MODELS

send 50¢  
for your copy  
FREE WITH ANY ORDER  
OVER \$5.00



MINITRON 7-SEGMENT  
READOUT \$3.70

Digital Clock  
Semi-kit

15 IC'S & 4 MINITRONS (ONLY)  
120 VAC \$35.00

SEND 25¢ FOR CATALOG



Arizona Semiconductor

PO BOX 112  
GOODYEAR, ARIZONA  
85338

## SAROC

HELD ANNUALLY IN LAS VEGAS, NEVADA



SEE YOUR FAVORITE AMATEUR MAGAZINE FOR FURTHER DETAILS  
OR WRITE

SOUTHERN NEVADA AMATEUR RADIO CLUB, INC.  
P.O. BOX 73, BOULDER CITY, NEVADA 89005

## SUMMER SPECIAL

B & W Model 361 Codax Keyer improve your C. W. operation. The B & W Codax Keyer provides smooth rhythm keying. Automatic spacing and timing of any speed from 5-50 w.p.m. Built in double paddle key (one for dots, one for dashes) readily adjusts to any list. Model 361 has a monitor built in in order to monitor your own keying. Offer expires Aug. 31



Regular Price \$69.95

Summer Special Price \$39.95

See your dealer or write:

Barker & Williamson, Inc.



Canal Street, Bristol, Pa. 19007

## SIGNAL/ONE USA/OVERSEAS HQS.



|   |          |
|---|----------|
| DX Engineering RF speech clipper  | \$ 79.50 |
| (Specify 32S or KWM model)  |          |
| Robot model #80 camera  | \$465.00 |
| Robot model #70 monitor   | \$495.00 |
| Robot macro lens, f 1.4   | \$ 60.00 |
| Robot lens, f 1.9   | \$ 30.00 |
| Johnson Kilowatt Matchbox, new  | \$154.95 |
| Johnson 250 watt Matchbox, new  | \$ 94.95 |
| Hy-Gain BN-86 Balun   | \$ 14.95 |
| AN/SRA-15, 6-18mhz antenna coupler  | \$ 99.95 |
| Dycomm 10-0 FM Amp, 100 watt output   | \$195.00 |
| Gold-Line RF Wattmeter - 1 KW   | \$ 39.95 |
| Boonton 202B AM/FM signal generator with built in calibrated attenuator, covers 54 to 216 mhz, excellent condition  | \$275.00 |
| ZM-3A/U capacitor analyzer, 5pf to 10,000 mf measures capacity, insulation resistance and leakage current at rated voltage  | \$125.00 |
| TS-382B/U audio oscillator, 20hz-200khz with 60/400 hz frequency meter (like new)   | \$ 75.00 |
| Tektronix 105 square wave generator   | \$ 90.00 |
| Tektronix 545 Scope with 53/54 plug in, good condition  | \$775.00 |
| Remote control box for FM transmitter   | \$ 3.95  |
| Optional Handset for above  | \$ 5.95  |
| PRD Broadband Microwave Oscillator, 7" rack mount, less tube and PS, 3.5-7.5ghz   | \$ 19.95 |
| Probescope MD-500 spectrum analyzer main unit, good condition   | \$150.00 |
| Sorenson Nobatron power supply model MR-3630 5-36 VDC at 0-30 Amps regulated output, input 117 VAC at 60hz 10   | \$325.00 |
| Behlman Invertron power supply, 30 400hz output at 0-120 VAC. Frequency, Phase and Voltage are regulated. (250 VA max. out.) Input is 117 VAC 60hz 10   | \$325.00 |
| Electro-Measurements Comparison Bridge, useful to match inductors, resistors and capacitors at 1 khz. Oscillator is built in and the readout sensitivity is .01% for both phase and magnitude | \$ 95.00 |
| TH-3Mk3 tribander, 3 element  | \$144.95 |
| TH-2 tribander, 2 element   | \$ 99.95 |
| Lafayette Stereo 860 tape recorder, four track unit previously in use for SSTV  | \$ 95.00 |
| 2 Meter magnetic mounted ground plane for mobile use, w/coax & PL-259   | \$ 9.95  |

|  |           |
|--|-----------|
| Collins 75A-2; Serial No. 2032 w/book  | \$175.00  |
| Drake SW4-A, xlt   | \$225.00  |
| Drake 2-C xlt  | \$175.00  |
| Hammarlund HQ-215, good condition (HQ-215 includes original speaker)   | \$295.00  |
| Hammarlund HQ-170/clock, fair  | \$145.00  |
| Kenwood TS-511S Transceiver with PS-511S power supply/speaker. Includes optional CW filter #CW-1, mint-like new            | \$525.00  |
| Hallicrafters FPM-300 transceiver with built in universal 110/220 AC and 12 DC power supply. Covers 80-10 meters. 250W PEP | \$595.00  |
| Eico 723 transmitter, 90W CW, new  | \$ 50.00  |
| Lafayette HA-460 6 meter transceiver   | \$ 95.00  |
| Lafayette HA-750 6 meter mobile unit   | \$ 85.00  |
| Ten-Tec PM2B, 80-40-20 CW  | \$ 65.95  |
| Ten-Tec PM3A, 40-20 CW, 5 Watts  | \$ 79.95  |
| Ten-Tec KR40 delux squeeze keyer   | \$ 89.95  |
| Ten-Tec KR20 paddle type keyer   | \$ 59.95  |
| Ten-Tec KR5 basic paddle keyer   | \$ 34.95  |
| Ten-Tec RX10 receiver, 80-15M  | \$ 59.95  |
| Ten-Tec TX100 transmitter, 80-40-15M   | \$109.95  |
| We carry most of the other Ten-Tec units.  |           |
| Drake TR-22, new   | \$199.95  |
| Drake ML-2, new  | \$299.95  |
| Hallicrafters HT-44&PS150-120  | \$250.00  |
| Pearce-Simpson Gladding-25, new  | \$249.95  |
| SBE SB-144 2M FM transceiver   | \$239.95  |
| Icom IC-21 24 channel FM transceiver   | \$389.95  |
| Kaar CH-25 commercial 6 channel SSB/AM transceiver, FCC type accepted  | \$295.00  |
| Inet power supply model RR 120-25, 32-120 volt dc output, input 208 30, max. output current is 25 amps                     | \$275.00  |
| Collins 75S-3/C, unused  | \$850.00  |
| Collins 30S-1, excellent   | \$1400.00 |
| A50-3, 6 meter 3 element beam  | \$ 18.50  |
| A26-9, 6 & 2 meter beam  | \$ 29.95  |
| A144-7, 2 meter 7 element beam   | \$ 13.95  |
| A144-11, 2 meter 11 element beam   | \$ 17.95  |
| AR-2, 5/8 wave 2 meter vertical  | \$ 13.50  |
| 14AVQ/WB, 40-10 meter vertical   | \$ 39.95  |
| 18AVT/WB, 80-10 meter vertical   | \$ 59.95  |
| HAM-M rotator  | \$ 99.95  |
| TR-44 rotator  | \$ 63.95  |

We carry a large inventory of Airdux and James Millen parts.

Come in and look around! Our hours are 9:00 till 7:30 weekdays and 10:00 till 3:00 on Saturday. We stock very large quantities of tubes. Write for a quote or else call us at (212) 925-7000. We are distributors for Eimac, Amperex, Cetron, Westinghouse, etc.

# BARRY 512 Broadway NY, NY 10012

## 212-WA-5-7000 ELECTRONICS

# MINI-MITTER II SSB!

**Portable Transceiver Kit  
Handheld! QRP!**



ALL TRANSISTOR SSB TRANSCIVER KIT DESIGNED EXPRESSLY FOR THE HAM

\* BIG TRANSCIVER SOPHISTICATION \* ALL SOLID STATE \* EASY TO ASSEMBLE \* SIMPLE TO OPERATE \* POWERED BY 8 NI-CAD BATTERIES  
\* RUGGED ALL METAL CASE \* 3 3/8" W X 1 3/4" D X 1 1/2" H \* WEIGHS LESS THAN 1 LBS \* PRINTED CIRCUIT BOARD \* QUALITY COMPONENTS

SSB GEAR THAT GOES WITH YOU! Introducing the new, delightfully wild MINI-MITTER II KIT designed especially for the Ham. Get it together in a few enjoyable hours of creative fun. Carefully engineered using the latest techniques this fully transistorized-solid state transceiver features commercial grade components, diode switching, a Collins Mechanical Filter along with the easy to follow instructions for assembly. The transceiver is powered by 8 Ni-Cad Batteries easily accessible through a hinged door at the rear of the case for recharging. The printed circuit board chassis and the complement of Field Effect Transistors along with Integrated Circuits ensures the highest performance, yet simplifies the circuitry for easy assembly. The tune-up procedure requires no special test equipment since all of the tuned circuits are pre-tuned at the factory and need only minor adjustment. For final setting and performance checks a receiver is recommended.

RECEIVER: Crystal controlled on 40 meters, supplied with 7215 or 7255 (specify). Crystal Tuning Range: Approx. .01% of frequency. Audio Power Output: .2 watts nominal. Sensitivity: Less than 1 uv for 10 db S/N. Selectivity: 2.1 KHz at 6 db. TRANSMITTER: 4 watts P.E.P. Carrier Suppression: -40 db or better. Modulation Freq. Range: 350 to 2450 Hz. Antenna Impedance: 50 ohms resistive.

GET WITH THE QRP FUN!!! ORDER TODAY!!!

MINI-MITTER II KIT \$149.95  7215  7255.  
 ACCESSORY ANTENNA \$ 7.95  
P.O.B. Mtn. View, Calif. 94040 Ca. tax 5%  
Batteries not included.  
Enclosed \$.....  BankAmericard.  
Acc't #.....  Master Charge.  
NAME.....  
ADDRESS.....  
CITY..... STATE.....

**AMERICAN  
STATES  
ELECTRONICS**

1074 WENTWORTH STREET MOUNTAIN VIEW CALIFORNIA 94040

## NEW from RP TONE BURST ENCODERS

- UP to 5 fixed tones (factory set)
- ADJUSTABLE:  
—Duration  
—Output
- NO BATTERIES needed.
- FULLY ADAPTABLE
- EASY INSTALLATION
- CONTINUOUS TONE POSSIBLE
- FULL 1 YEAR RP Warranty



### PRICES:

TB-5 5 tone std. encoder \$37.50  
(1800, 1950, 2100, 2250, 2400 Hz.)

ST-2 Single tone decoder \$37.50  
(Specify 1800, 1950, 2100, 2250, or 2400 Hz.)

Special tones — Inquire

Add \$1.80/unit for shipping (Ill. residents add 5% tax)

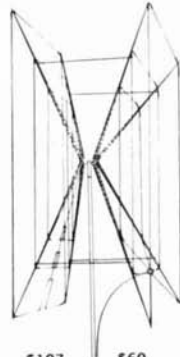
FREE SPEC SHEETS  
NOW AVAILABLE

ORDER DIRECT OR FROM  
AUTHORIZED DEALERS

**RP Electronics**  
BOX 1201H  
CHAMPAIGN, ILL.  
61820

## STRUCTURAL GLASS GEM-QUAD\*

FOR 10, 15 AND 20 METERS



A two element fibre glass quad antenna designed for better signal discrimination & directivity on 10, 15 & 20 meters!

### NEW

- Stronger Arms (closer wound).
- Strong alloy RF wire.
- Improved quality nylon straps.
- UV resistant.
- Low wind resistance (2.4 sq. ft.)

Send for literature

**STRUCTURAL  
GLASS LIMITED**

20 Burnett Ave., Winnipeg 16, Manitoba

\$107 \$60  
Two Element Extra Element  
Quad  
Includes U.S. Customs,  
Import Duty or Canadian  
Federal Sales Tax  
Shipped Collect  
Please include check or  
money order with your order

WORLD-WIDE DEALER  
INQUIRIES INVITED  
except U.S., Canada & Mexico

\*patented

**MORE RANGE . . .  
with NO NOISE**

**FOR ALL  
MOBILE UNITS**

**ENGINEERING  
ESTES  
COMPANY**

CUSTOM SYSTEMS  
KITS • ACCESSORIES

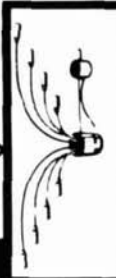
**ELECTRO-  
SHIELD**

ELIMINATE IGNITION NOISE  
**ELECTRO - SHIELD®**  
YOUR ENGINE

FROM \$44.95

**ESTES ENGINEERING CO.**

543A W. 184th St., Gardena, Calif. 90248



**TYMETER®**  
"Time At A Glance"  
DIGITAL CLOCKS



**24  
HOUR  
CLOCK**



#100-24H

**\$16**

Made in  
U.S.A.

At Your Dealer, or  
DIRECT FROM

Walnut or ebony plastic case.  
4" H, 7 3/4" W, 4" D. 110V 60  
cy. Guaranteed One Year.

**PENNWOOD NUMECHRON CO.**

DIVISION OF LCA CORPORATION

7249 FRANKSTOWN AVE

PITTSBURGH PA 15208

Headset-Microphone H-63/U \$5.95. Chest Set AN/GSA-6  
\$3.95. Victoreen Inst. Co. Radiation Survey Meter 740B  
\$7.95. Field Telephone TA43/PT \$24.95 ea. Modification  
Kit #1 Transistors, Diodes, Caps, Resistors, Relay Wire,  
Tie Wraps, Hardware, etc. Gov. Cost \$89.00 Special \$2.95.  
Modification Kit #2 2 .05-400V cap., solderless crimp  
Terminals, Hardware, etc. 25¢ ea. 5/\$1.00. ARC R19  
(R508) rec. 118-148MHz w/schematic \$14.95. Catalogue .10.  
FRANK ELECTRONICS  
407 Ritter Road, Harrisburg, Pa. 17109

the **Incomparable CX7A** by **signal/one**

**Features:**

- **RELIABILITY IS NOW** standard equipment. Every CX7A "burnt-in" and cycled more than 48 hours.
- **QUALITY-PLUS.** Every component is instrument grade, American-made, and individually tested.
- **ALL MODES** 10 thru 160 meters in full 1 MHz bands with overlaps.
- **BROAD-BAND TUNING.** Instant band changes without tuning.
- **TRUE BREAK-IN CW** with T/R switching.
- **IF SHIFT** — deluxe QRM slicer.
- **PRE-IF NOISE-BLANKER** that really works.
- **RF ENVELOPE CLIPPING** — sounds like a Kw.
- **TWO VFO'S.** Transceiver Plus receiver.
- **BUILT-IN:** Spotter, FSK shift, transmit offset, wattmeter, SWR meter, electronic CW Keyer.

*It's Perfection  
for \$2195*



If you want to move up to the **BEST**, give **DON PAYNE, K4ID**, a call for personalized service, a brochure, and a **KING-SIZE** trade-in on any gear you have — one piece — or the whole station.

**PAYNE RADIO**

Box 525

Springfield, Tenn. 37172

Days  
(615) 384-5573

Nites - Sundays  
(615) 384-5643

**Specifications:**

**SENSITIVITY:** Better than 10db signal-plus-noise-to-noise ratio for .25 microvolts at 28MHZ.

**SELECTIVITY:** 2.4 KHz @ -6db 1.8:1 (6:60db) shape factor. (16 pole crystal lattice filters) optional: CW-400 and 250 HZ. FSK-1200 HZ.

**CARRIER** and unwanted sideband suppression: Minimum 60db.

**IMAGE** and **IF REJECTION:** more than 60db.

**POWER LEVEL:** 300 to 500 watts p.e.p. plus, continuous duty cycle.

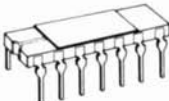
**POWER AMPLIFIER:** 8072 final completely broad-banded driver and final. 150 watt continuous dissipation rating.

# IC PRICES SLASHED

FACTORY FIRSTS

SIGNETICS • NATIONAL RAYTHEON

— SATISFACTION GUARANTEED —



| DIGITAL TTL |     |        |        |
|-------------|-----|--------|--------|
| 7400N       | 27¢ | 7440N  | 27¢    |
| 7401N       | 27¢ | 7441AN | \$1.33 |
| 7402N       | 27¢ | 7442N  | \$1.25 |
| 7403N       | 27¢ | 7447N  | \$1.52 |
| 7404N       | 29¢ | 7451N  | 27¢    |
| 7410N       | 27¢ | 7454N  | 27¢    |
| 7420N       | 27¢ | 7472N  | 50¢    |
| 7430N       | 27¢ | 7473N  | 60¢    |
|             |     | 7474N  | 50¢    |
|             |     | 7475N  | \$1.00 |
|             |     | 7476N  | 62¢    |
|             |     | 7490N  | 95¢    |
|             |     | 7492N  | \$1.18 |
|             |     | 7493N  | \$1.18 |
|             |     | 7495N  | \$1.39 |
|             |     | 74107N | 65¢    |
|             |     | 74121N | 70¢    |

### LINEAR INTEGRATED CIRCUITS

DIP or TO-5 709 45¢ 10/\$4.25 741 50¢ 10/\$4.75  
723C TO-5 \$1.17 NE565A PLL DIP \$6.00

### GENERAL PURPOSE TRANSISTORS

2N5134 Si NPN or 2N5138 Si PNP 15¢ 8/\$1.00

### 1 AMP SILICON SUBMINIATURE RECTIFIERS

1N 4001 50 PIV, 1N4002 100 PIV, 1N4004 400 PIV  
1N4005 600 PIV 10/\$1.00, 100/\$7.50

Free catalog — Large quantity discounts — Orders less than \$10. add 25¢ — others postpaid.

PRICE PACESETTER FOR QUALITY IC'S

DIGI-KEY, Box 126A, Thief River Falls, MN 56701

## ULTRA-BAL 2000

- Advanced design
- No radiation from coax, more power to antenna.
- Less noise on receive.
- Full 2KW — 3 to 30 Mcs., 1:1 or 1:4 ratios.
- Encapsulated ultra weather-proof.
- Mil type 2KV Teflon insulation over silver plated wire for ultra low loss.



Specify ratio desired \$ 8.95 ppd.

K.E. Electronics

Box 1279, Tustin Calif. 92680

## FM YOUR GONSET COMMUNICATOR

- New! Plug-in modulator puts the Communicator transmitter on FM.
- No modification or rewiring on your Communicator. Just plug into mike jack and crystal socket.
- Compact self-contained modulator measures 4" x 3" x 1 1/2".



- Works with Communicator I, II, III, IV and GC-105.
- FM at a tenth the cost of a new rig.
- Frequency adjust for netting built in.
- Built-in tone burst available. Keyed by push-to-talk switch.
- \$34.50 postpaid U.S.A. Built-in tone burst \$10.00. Specify Communicator model and tone-burst frequency. California residents add 5% sales tax. (HC-6/U crystal and 9 volt transistor battery not supplied.)
- Send for free descriptive brochure.

# PALOMAR ENGINEERS

BOX 455, ESCONDIDO, CA 92025

# GATEWAY ELECTRONICS

8123 PAGE AVENUE  
ST. LOUIS, MISSOURI 63130  
413-427-6116

TUENID CAVITY BANDPASS FILTER — Contains two gold-plated tunable cavities. Type N conn. for input & output. Presently tunable from 121-142 Mhz. Ship wt. 7 lbs. \$25.00

2 3/4" SQUIRREL CAGE BLOWER — 115 volt AC. New. Ship. wt. 1 lb. \$7.50

MC-724P — Quad 2-input RTL Gate 15¢ ea. 7/\$1.00

115 VOLT AC TIME DELAY RELAY 9 pin min. tube base — normally open 30 second or 75 second delay. New. \$1.50

RG-8/U FOAM CO-AX CABLE. Ship. wt. 10 lbs. 100'/\$13.50

RG-58C/U CO-AX CABLE. Ship. wt. 6 lbs. 100'/\$4.50

PL-259 CO-AX CONNECTOR. New. Ship. Wt. 1 lb. 10/\$4.50

SO-239 CO-AX CONNECTOR. New. Ship. wt. 1 lb. 10/\$4.00

UG-175 ADAPTER CONNECTOR. New. Ship wt. 1/2 lb. 10/\$1.50

UG-88 C/U BNC CONNECTOR. New. Ship. wt. 1 lb. 10/\$7.50

UG-21D/U TYPE N CO-AX CONNECTOR. New. Ship. wt. 1 lb. 10/\$10.00

\$5.00 Minimum Order  
Visit us when in St. Louis

## TV-7/U ELECTRON TUBE TESTER



PORTABLE DYNAMIC MUTUAL CONDUCTANCE TYPE

Used to test and measure the performance capabilities, and to determine the rejection limits for Electron Tubes used in Receivers, low power Transmitters, and in many other electronic equipment. The tests made are for dynamic mutual conductance, emission, shorts, gas, noise, continuity, pilot lamp, etc. Test sockets are for loctal, octal, 4.5.6, 7 pin, Norval 9, 7 pin miniature, sub-min. rd. & flat, acorn, etc. With special adapters (THAT ARE OPTIONAL) 829, 832, 2C39 and sub-min. tubes with long leads also can be tested. Power required: 115 Volt 50 to 1000 cycles. Tube test data charts, test leads and pin straighteners for 7 & 9 pin are included. Size: 6 1/4 x 8 1/2 x 15 1/4". Wt.: 20 lbs. PRICES: Used, serviceable \$19.95. Checked \$25.00. Adapter for 2C39 \$5.00. For 829/832 \$5.00. For sub-min. Lg. Lead \$3.00. All prices FOB Lima, Ohio.

Dept. HR — SEND FOR NEW CATALOG

FAIR RADIO SALES

P.O. Box 1105 • LIMA, OHIO • 45802

COMPUTER BOARDS, CORE MEMORIES, I.C.'s and EXPERIMENTER'S ELECTRONIC COMPONENTS AT TRUE BARGAIN PRICES. 16 BIT CORE MEMORY WITH DRIVERS & SENSE CIRCUITRY ALL ON PLUG-IN CARDS - \$135.00

7400 Series TTL I.C.'s 25c ea. -\$19.50 HUND. L.E.D.'s 55c - 4 LAYER TRIGGER DIODES 8/\$1.00 . . . WIDE VARIETY OF TOGGLE & MAGNETIC SWITCHES, I.C. RELAYS, I.C. BOARDS, POWER SUPPLY REGULATORS, ELECTRONIC HARDWARE, WIRE & CABLE P.C. SOCKETS, S.C.R.'s, KEYBOARDS, COPPER CLAD P.C. MATERIAL & DOZENS OF OTHER EXPERIMENTER ITEMS.

ALL POSTPAID

SEND 10c FOR CURRENT CATALOG.

TRI-TEK, INC.

P.O. BOX 14206, PHOENIX, ARIZ. 85031

DRAKE  
HENRY  
TEMPO  
KENWOOD  
SONAR  
STANDARD  
CLEGG  
I'COM  
SBE  
CUSHCRAFT  
ANTENNA  
SPECIALISTS  
MOSLEY

New Address!

# BRISTOL RADIO

Route 136  
325 Metacom Avenue  
Bristol, Rhode Island  
02809  
(401-253-7105)

Much Larger  
Quarters!

## SPACE-AGE TV CAMERA KITS & PLANS



BE A PIONEER IN HOME TELECASTING! Build your own TV CAMERA. Model XT-14, Series D, \$16.95 pp. Slide-Stop. Step-by-step construction manual. High quality. Connects to any TV without modification. Ideal for home, experimenters, education, industry, etc.

PHONE or WRITE for CATALOG.  
DIAL 402-967-3771

Many other kits, parts and plans available including starter kits, focus-defl. coils, vidicon tubes, coast plans, etc.

1301 BROADWAY, N.W. **ATV Research** DAKOTA CITY, NEBR. 68731

## SPACE ELECTRONICS division of MILITARY ELECTRONICS CORP. WANTS TO BUY

All types of military electronic equipment and parts. Call collect for cash offer.

76 Brookside Drive, Upper Saddle River  
New Jersey 07458 • (201) 327-7640

# FM Schematic Digest

A COLLECTION OF  
MOTOROLA SCHEMATICS

Alignment, Crystal, and Technical Notes  
covering 1947-1960

136 pages 11½" x 17" ppd \$6.50

**S. Wolf**

P. O. Box 535

Lexington, Massachusetts 02173

This is the Beautiful KW202 Receiver  
that you keep hearing about!



**KW**  
ELECTRONICS  
LIMITED

160-10M, SSB/CW/AM, Q-Multiplier, Xtal Calibrator  
**KW Electronics** ALL for ONLY  
**\$395**  
10 Peru St., Plattsburgh, NY 12901  
In Canada: 222 Newkirk Road,  
Richmond Hill, Ontario  
Matching  
Speaker  
\$28.50

## WORLD QSL BUREAU

THE ONLY QSL BUREAU to handle all of your QSLs to anywhere; next door, the next state, the next country, the whole world. Just bundle them up (please arrange alphabetically) and send them to us with payment of 5¢ each.

5200 Panama Ave., Richmond, CA USA 94804

## INOUE 2 mtr FM

12 chan. IC-20 mob. unit/10 crystals .....\$259.50  
24 channel IC-21, built-in AC supply, RIT, DISC.  
mtr SWR ind. with 10 crystals .....\$339.50  
Extra crystals, w/purchase \$3.50, without \$4.00  
90 day warranty

Send Cashier's Check or Postal M/O to:

Woody W7RC — RC ENGINEERING  
15051 SE 128 St., Renton, Washington 98055  
Area code 206 AL 5-8955

## 2 METER PREAMP

More Gain, Less Noise For The Money!

20 DB GAIN  
NOISE FIGURE 2.5  
12 VDC OPERATION

Small Size: 1¼ x 2¼ x ½ - Only \$12.50  
Kit \$9.50

Option for 150-250 VDC Operation - \$1.00



DATA ENGINEERING INC.  
Box 1245 Springfield, Va. 22151

## signal/one CX7-A



ALPHA SEVENTY

NEW ALPHA 77A — NOW BY CMI • NEW 8877 FINAL • THE LINEAR FOR THE CX7-A.

YOU WILL NEVER KNOW HOW LITTLE IT COSTS TO OWN THE INCOMPARABLE PRESTIGE CX7-A OR ALPHA 77A UNTIL YOU WRITE OR PHONE US THE TRADE IN DEAL YOU WANT • WE USUALLY SAY YES! NO ONE ANYWHERE BEATS OUR DEAL!



AMATEUR-WHOLESALE ELECTRONICS  
8817 S.W. 129 Terrace • Miami, FL 33156  
Days (305) 233-3631  
Nights-Weekends (305) 666-1347

# Advertisers check-off

... for literature, in a hurry —  
we'll rush your name to the companies  
whose names you "check-off"

## INDEX

|                          |                          |
|--------------------------|--------------------------|
| —Alco                    | —International Field Day |
| —American States         | —International Rectifier |
| —Amateur-Wholesale       | —Jan                     |
| —Arizona                 | —Janel                   |
| —Barker-Williamson       | —Jensen                  |
| —Barry                   | —KE                      |
| —Bristol                 | —KW                      |
| —CNE                     | —Knight Raiders          |
| —Camp Butler             | —L.A.                    |
| —Caringella              | —Linear                  |
| —Circuit Specialists     | —Lynch                   |
| —Comcraft                | —Meshna                  |
| —Command                 | —Micro-Z                 |
| —Comtec                  | —NHE                     |
| —Crawford                | —Palomar                 |
| —Crystek                 | —Pennwood                |
| —CTG-Bitcil              | —Poly Paks               |
| —Curtis                  | —Production Devices      |
| —Cushcraft               | —RC                      |
| —DX Magazine             | —RP                      |
| —Data                    | —Radiation               |
| —Digi-Key                | —Callbook                |
| —Drake                   | —SAROC                   |
| —Dycomm                  | —Savoy                   |
| —Eimac                   | —Signal/One              |
| —EI                      | —Solid State             |
| —Elcom                   | —Space-Military          |
| —Electronic Distributors | —Spectronics, Inc.       |
| —Environmental           | —Spectrum                |
| —Estes                   | —Standard                |
| —Expo                    | —Structural Glass        |
| —Fair                    | —Swan                    |
| —Frank                   | —Technical Information   |
| —Gateway                 | —Tri-Ex                  |
| —Gilfer                  | —Tri-Tek                 |
| —Global                  | —Van's                   |
| —Gray                    | —Vanguard                |
| —H & L                   | —Viking                  |
| —HAL                     | —Weinschenker            |
| —Heights                 | —Woerner                 |
| —Henry                   | —Wolf                    |
| —Hy-Gain                 | —World QSL               |
| —International Crystal   | —Xcelite                 |

July 1972

Please use before August 31, 1972

Tear off and mail to  
**HAM RADIO MAGAZINE — "check-off"**  
Greenville, N. H. 03048

NAME.....

CALL.....

STREET.....

CITY.....

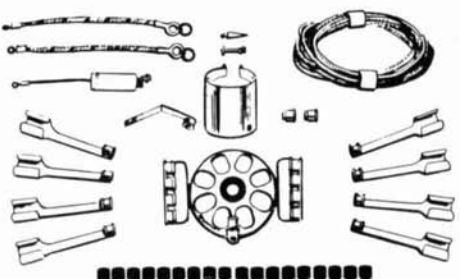
STATE..... ZIP.....

# Advertisers iNdex

|                                      |                 |
|--------------------------------------|-----------------|
| ATV Research                         | 109             |
| Alco Electronic Products, Inc.       | 82              |
| American States Electronics          | 106             |
| Amateur Electronic Supply            | 31, 77, 65      |
| Amateur-Wholesale Electronics        | 90, 92, 96, 109 |
| Arizona Semi-Conductor               | 104             |
| Barker-Williamson, Inc.              | 104             |
| Barry                                | 105             |
| Bristol Radio                        | 109             |
| CNE Magazine                         | 89              |
| CTG-Bitcil Systems, Inc.             | 103             |
| Camp Albert Butler                   | 80              |
| Caringella Electronics               | 79              |
| Circuit Specialists Co.              | 112             |
| Comcraft                             | 78              |
| Command Productions                  | 90              |
| Comtec                               | 84              |
| Crawford Electronics                 | 90              |
| Crystek                              | 92              |
| Curtis Electro Devices               | 92              |
| Cushcraft                            | 86              |
| DX Magazine                          | 83              |
| Data Engineering, Inc.               | 88, 109         |
| Digi-Key                             | 108             |
| Drake Co., R. L.                     | 94, 104         |
| Dycomm                               | 102             |
| Eimac, Div. of Varian Assoc.         | Cover IV        |
| EI Instruments, Inc.                 | 83              |
| Elcom Industries, Inc.               | 92              |
| Electronic Distributor, Inc.         | 103             |
| Environmental Products               | 93              |
| Estes Engineering Co.                | 107             |
| Expo '72                             | 84              |
| Fair Radio Sales                     | 108             |
| Frank Electronics                    | 107             |
| G & G Radio Supply Co.               | 91              |
| Gateway Electronics                  | 108             |
| Global Import Co.                    | 96              |
| Goodheart Co., Inc., R. E.           | 96              |
| Gray Electronics                     | 94              |
| H & L Associates                     | 92              |
| HAL Communications Corp.             | 71              |
| Heights Manufacturing Co.            | 101             |
| Henry Radio Stores                   | 17, Cover III   |
| Hy-Gain Electronics Corp.            | 1, 56, 57, 85   |
| International Crystal Mfg. Co., Inc. | 75              |
| International Field Day              | 83              |
| Jan Crystals                         | 90              |
| Janel Labs                           | 84              |
| KE Electronics                       | 108             |
| KW Electronics                       | 109             |
| Knight Raiders                       | 84              |
| L.A. Electronix Sales                | 90, 111         |
| Linear Systems, Inc.                 | 87              |
| Lynch Co., J.                        | 92              |
| Meshna, John, Jr.                    | 98              |
| Micro-Z Co.                          | 94              |
| NHE Communications                   | 92              |
| Palomar Engineers                    | 108             |
| Payne Radio                          | 107             |
| Pennwood Numechron Co.               | 107             |
| Poly Paks                            | 95              |
| RC Engineering                       | 109             |
| RP Electronics                       | 106             |
| Radiation Devices Co.                | 83              |
| Radio Amateur Callbook               | 96              |
| SAROC                                | 104             |
| Savoy Electronics                    | 2               |
| Signal/One Corporation               | Cover II        |
| Solid State Systems, Inc.            | 100             |
| Space-Military Electronics           | 109             |
| Spectronics, Inc.                    | 97              |
| Spectrum International               | 102             |
| Standard Communication Corp.         | 69              |
| Structural Glass Limited             | 106             |
| Swan Electronics Co.                 | 5               |
| Tri-Ex Tower Corp.                   | 45              |
| Tri-Tek, Inc.                        | 108             |
| Van's W2DLT                          | 89              |
| Vanguard Labs                        | 82              |
| Weinschenker, M.                     | 81              |
| Woerner Enterprises, Inc.            | 80              |
| Wolf, S.                             | 109             |
| World QSL Bureau                     | 109             |



**HALLETT**  
**ELIMINOISE**  
 Ignition Noise Suppression Kit



MODEL 80 - UNIVERSAL KIT FITS ALL 8 CYL. AMERICAN CARS

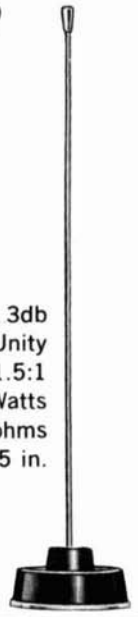
LIMITED

**SPECIAL \$24.95**  
 \$55.00 VALUE

**6 and 2 Meter WHIP**  
**MODEL LA 150**

Sale Priced **15<sup>77</sup>**

- Gain (2 Meters) ..... 3db
- Gain (6 Meters) ..... Unity
- VSWR (At resonance) ..... 1.5:1
- Maximum Power ..... 100 Watts
- Nominal Impedance ..... 52 ohms
- Overall Length ..... 55 in.



**WANTED**

**CLEAN DRAKE GEAR**

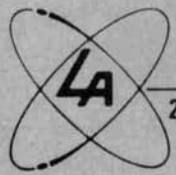
| REWARD FOR        | NEW  | PRICE    |
|-------------------|------|----------|
| \$195.00 2B or 2C | R4B  | \$475.00 |
| \$220.00 R4       | R4B  | \$475.00 |
| \$275.00 R4A      | R4B  | \$475.00 |
| \$200.00 T4       | T4XB | \$495.00 |
| \$125.00 2NT      | T4XB | \$495.00 |
| \$285.00 T4X      | T4XB | \$495.00 |
| \$ 60.00 AC3      | AC4  | \$ 99.95 |
| \$ 70.00 DC3      | DC4  | \$125.00 |

**LA** *Electronix* **LOW PASS**  
 3-30 Mc w/80 dB Atten.



STOP THAT T.V.I.  
 Power 2 KW D.C.  
 3-30 Mc.  
 80 dB Down 42 Mc.

INTRODUCTORY OFFER **\$14.95**



**Electronix Sales**

23044 S. CRENSHAW BLVD., TORRANCE, CALIF. 90505  
 Phone: (213) 534-4456 or (213) 534-4402

CLOSED SUNDAY & MONDAY

# Semiconductor Supermart

• MOTOROLA • RCA • FAIRCHILD • NATIONAL • HEP • PLESSEY •



Actual Size

## DIGITAL READOUT

At a price everyone can afford **\$3.20**

- Operates from 5 VDC
- Same as TTL and DTL
- Will last 250,000 hours.

The MiNITRON readout is a miniature direct viewed incandescent filament (7-

Segment) display in a 16-pin DIP with a hermetically sealed front lens. Size, and appearance are very similar to LED readouts. The big difference is in the price. Any color filter can be used.

## SPECIAL OFFER

- Digital readout
- BCD to 7 — Segment Decoder/driver
- 7490 Decade Counter
- 7475 Latch

Only **\$8.20**

## PLESSEY SL403D

**3.5 W AUDIO AMP IC**  
**HI-FI QUALITY**

**\$3.95**

with 12 pages of construction data

## NATIONAL DEVICES

|   |        |
|---|--------|
| LM370 AGC/Squelch amp   | \$4.85 |
| LM373 AM/FM/SSB IF strip/Det                                    | \$4.85 |
| LM309K 5V 1A regulator. If you are using TTL you need this one. | \$3.00 |

## POPULAR IC's

|         |                             |        |
|---------|-----------------------------|--------|
| MC1550  | Motorola RF amp             | \$1.80 |
| CA3020  | RCA 1/2 W audio             | \$3.07 |
| CA3020A | RCA 1 audio                 | \$3.92 |
| CA3028A | RCA RF amp                  | \$1.77 |
| CA3001  | RCA                         | \$6.66 |
| MC1306P | Motorola 1/2 W audio        | \$1.10 |
| MC1350P | High gain RF amp/IF amp     | \$1.15 |
| MC1357P | FM IF amp Quadrature det    | \$2.25 |
| MC1496  | Hard to find Bal. Mod.      | \$3.25 |
| MFC9020 | Motorola 2-Watt audio       | \$2.50 |
| MFC4010 | Multi-purpose wide-band amp | \$1.25 |
| MFC8040 | Low noise preamp            | \$1.50 |
| MC1303P | Dual Stereo preamp          | \$2.75 |
| MC1304P | FM multiplexer stereo demod | \$4.95 |

## FETs

|               |                           |        |
|---------------|---------------------------|--------|
| MPF102        | JFET                      | \$6.60 |
| MPF105/2N5459 | JFET                      | .96    |
| MPF107/2N5486 | JFET VHF/UHF              | \$1.26 |
| MPF121        | Low-cost dual gate VHF RF | .85    |
| MFE3007       | Dual-gate                 | \$1.98 |
| 40673         |                           | \$1.75 |
| 3N140         | Dual-gate                 | \$1.95 |
| 3N141         | Dual-gate                 | \$1.86 |

## TRANSISTORS & DIODES

|             |                     |        |
|-------------|---------------------|--------|
| MPS6571     |                     | .60    |
| MPS A12 NPN | Darlington gain 20K | .90    |
| 2N706       | packet of 4         | \$1.00 |
| 2N2218      | packet of 2         | \$1.00 |
| 1N4001      | packet of 6         | \$1.00 |
| 1N4002      | packet of 6         | \$1.00 |
| 1N4004      | packet of 6         | \$1.00 |

## SIGNETICS PHASE LOCKED LOOP

|        |                    |        |
|--------|--------------------|--------|
| NE561B | Phase Lock Loop    | \$4.75 |
| NE562B | Phase Lock Loop    | \$4.75 |
| NE566V | Function Generator | \$4.75 |
| NE567V | Tone Decoder       | \$4.75 |
| N5111A | FM/IF Demodulator  | \$1.50 |

## PREMIUM QUALITY TTL IC's

|   |        |
|---|--------|
| 7447 7-seg. decoder/driver for the digital readout. | \$1.65 |
| 7400 gates  | .29    |
| 74H00 high speed gate                               | .96    |
| 7401 same as 7400 except open collector             | .29    |
| 7402 Quad 2-input NOR gate                          | .29    |
| 7404 Hex inverter                                   | .30    |
| 7405 Hex Inverter                                   | .29    |
| 7410 Triple 3-input NAND                            | .29    |
| 7420 Dual 4-input NAND                              | .29    |
| 7441 NIXIE driver                                   | \$1.65 |
| 7490 decade counter                                 | .95    |
| 7475 quad latch                                     | \$1.00 |
| 7495 shift Reg.                                     | \$1.45 |
| 7493 divide by 16                                   | \$1.20 |
| 74121 monostable                                    | \$1.80 |
| 7473 dual flip-flop                                 | .60    |
| 851/951 DTL monostable multivibrator                | \$1.00 |

## MOTOROLA DIGITAL

|         |                        |        |
|---------|------------------------|--------|
| MC724   | Quad 2-input RTL Gate  | \$1.00 |
| MC788P  | Dual Buffer RTL        | \$1.00 |
| MC789P  | Hex Inverter RTL       | \$1.00 |
| MC790P  | Dual J-K Flip-flop     | \$2.00 |
| MC799P  | Dual Buffer RTL        | \$1.00 |
| MC1013P | 85 MHz Flip-flop MECL  | \$3.25 |
| MC1027P | 120 MHz Flip-flop MECL | \$4.50 |
| MC1023  | MECL Clock driver      | \$2.50 |
| MC4024  | Dual VCO               | \$3.00 |
| MC4044  | Freq. Phase Det        | \$3.00 |

Please add 35¢ for shipping

## CIRCUIT SPECIALISTS CO.

Box 3047, Scottsdale, AZ 85257

FACTORY AUTHORIZED  
HEP-CIRCUIT-STIK  
DISTRIBUTOR

THE BEST ENGINEERED ★ THE BEST VALUE ★ THE BEST PERFORMER ★ THE BEST COMPONENTS



# 2K4

The Best!!! No matter how you evaluate it . . . the 2K-4 linear amplifier is the best. It offers engineering, construction and features second to none, and at a price that makes it the best amplifier value ever offered to the amateur. The 2K-4 is constructed with a ruggedness guaranteed to provide a long life of reliable service. Its heavy duty components allow the 2K-4 to loaf along even at full legal power. If you want to put that strong clear signal on the air that you've heard from other 2K users, now is the time. Move up to the best! Two rugged Eimac 3-500Z grounded grid triodes . . . 1000 watts of plate dissipation.  Pi-L plate circuit with silver plated tank coil.  Resonant cathode-pi input circuit for finest linearity, for maximum drive. Plug-in design permits operation from 3.5 to 30 megacycles.  New high efficiency toroidal filament choke.  Built-in SWR bridge and relative RF output

meter.  Electrical re-set overload relay.  Double rugged band change switch with 20 amp contacts and solid straight-through mechanical linkage.  Heavy duty bronze gear drive for resonance and load condensers.  Conservative, heavy-duty 2800 volt DC supply. Resonant choke input filter. Solid state rectifiers. Instantaneous start-stop.  Ultimate simplicity . . . no screen supply . . . no bias supply.  Maximum legal input all modes: 2 KW PEP SSB, 1 KW CW-AM-FSK  A long life 50 amp mercury power relay. Feed around antenna relay. When the power switch is off the exciter feeds around to the antenna. DC relay system for hum-free positive operation.  All aluminum cabinet.  Double RF shielding.  FLOOR CONSOLE 2K-4 \$795.00

## Henry Radio

11240 W. Olympic Blvd., Los Angeles, Calif. 90064 213/477-6701  
 931 N. Euclid, Anaheim, Calif. 92801 714/772-9200  
 Butler, Missouri 64730 816/679-3127

The 2K ULTRA . . . the ultimate! A miniature powerhouse of R.F. energy. The Ultra loafs along at full legal power . . . quiet and cool. Its signal is clean, clear and strong. The 2K ULTRA . . . \$845.



Henry Radio also features a line of superbly engineered and constructed high power linear amplifiers for commercial and military operation. Please write or call.

# Longer Life for an Old Timer

Introduced in 1947, the EIMAC 4-400A quickly became the mainstay for the majority of broadcast, shortwave and FM transmitters. Still popular today, this power tetrode design is now available as the improved long-life 4-400C.

Get an EIMAC 4-400C — the new generation tetrode specifically designed for long-life, high-performance broadcast and FM service. This premium quality tetrode is directly interchangeable with the 4-400A in existing equipment and is recommended for new equipment design.

The EIMAC 4-400C features a low temperature filament structure which retains its initial high level of electron emission for an extended period of time, greatly reducing frequency of tube replacement. This improved filament structure, plus strict processing and quality control, combines with improved current division and low drive requirements to provide a high-quality, long-life product.

Reduce down-time and replacement cost with the EIMAC 4-400C when you re-tube. And use this improved tetrode in your new equipment design. With a maximum plate dissipation of 400 watts, the EIMAC 4-400C provides long-life and consistent performance as an amplifier, oscillator or modulator. Another example of EIMAC's continuing program of quality, reliability and service.

For further information, contact EIMAC, Division of Varian, 301 Industrial Way, San Carlos, Calif. 94070. Or any of the more than 30 Varian/EIMAC Electron Tube and Device Group Sales Offices throughout the world.

