

FIG. 208. Panel Assembly. Left to Right: A.C. Power—D.C. Power—
●scillator-Modulator Unit—Rectifier—Power Amplifier—Tuning Unit.

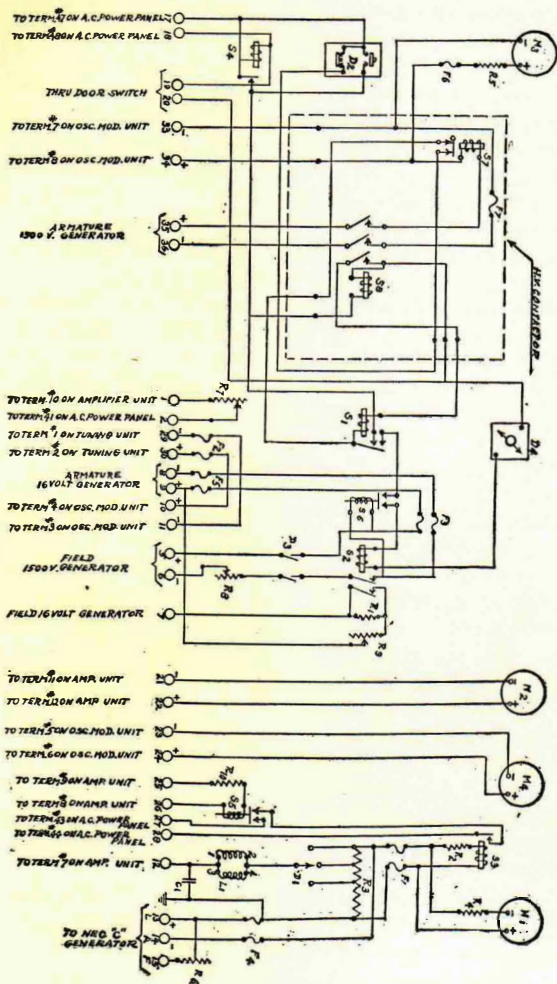


FIG. 198. Schematic of D.C. Power Panel.

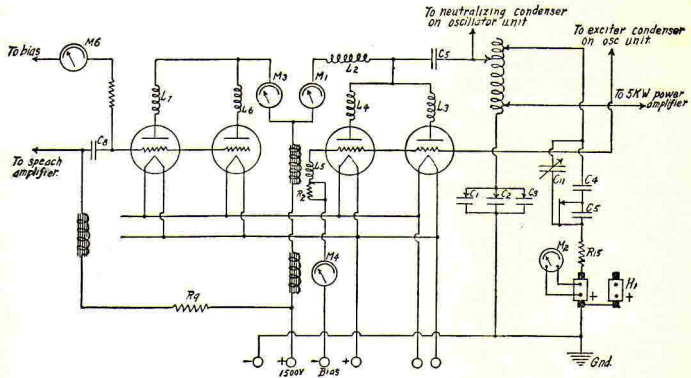


FIG. 221. Oscillator-Modulator Unit (3d Amplifier D-81207 Transmitter).

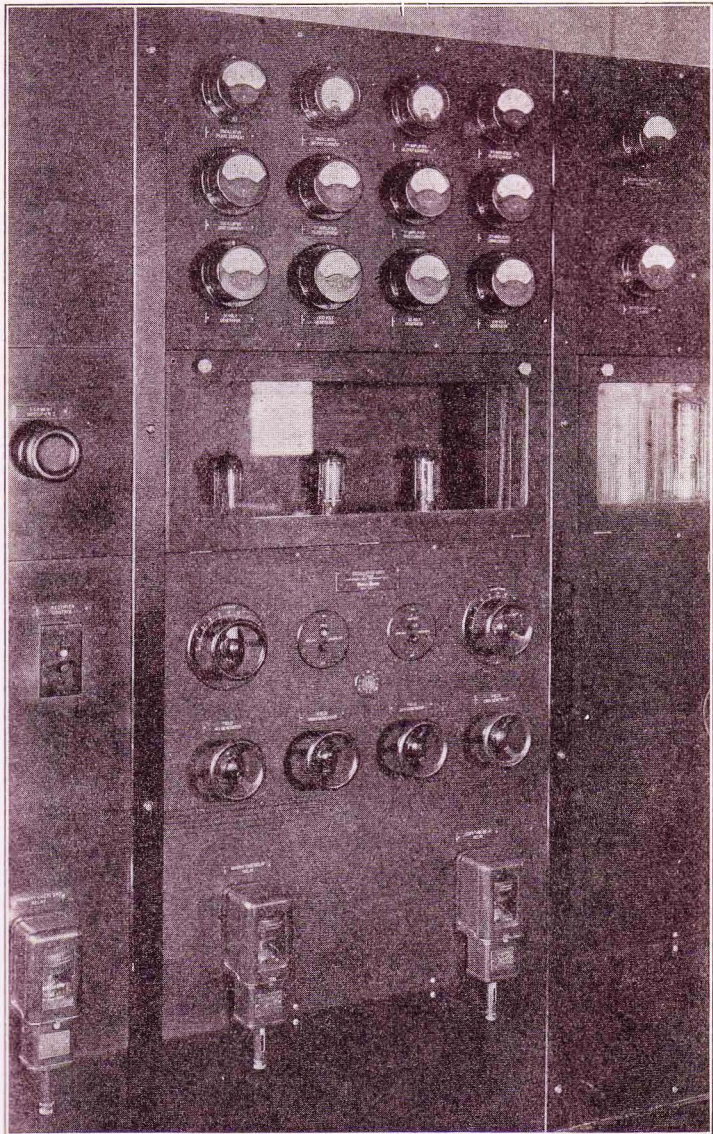


FIG. 222. Master Oscillator Frequency Stabilizer Panel.

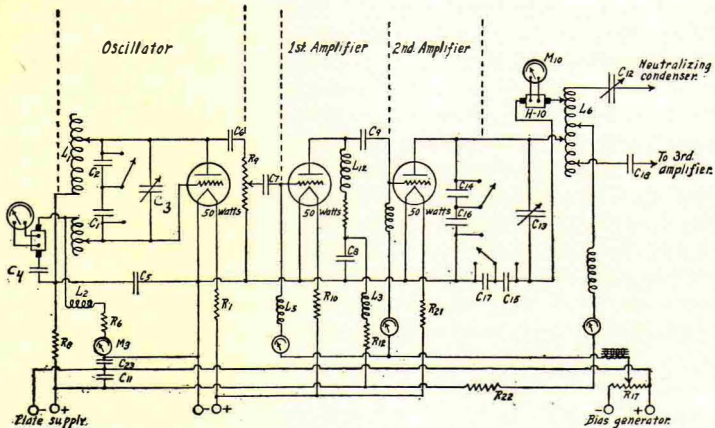


FIG. 220. Modified 5-KW. Transmitter with Master Oscillator, 1st and 2d Amplifier Circuits.

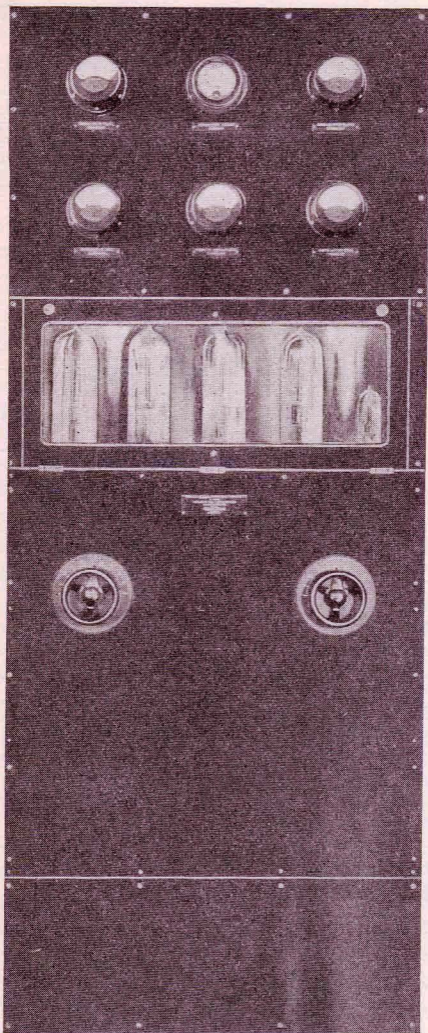


FIG. 203. Modulator Unit.

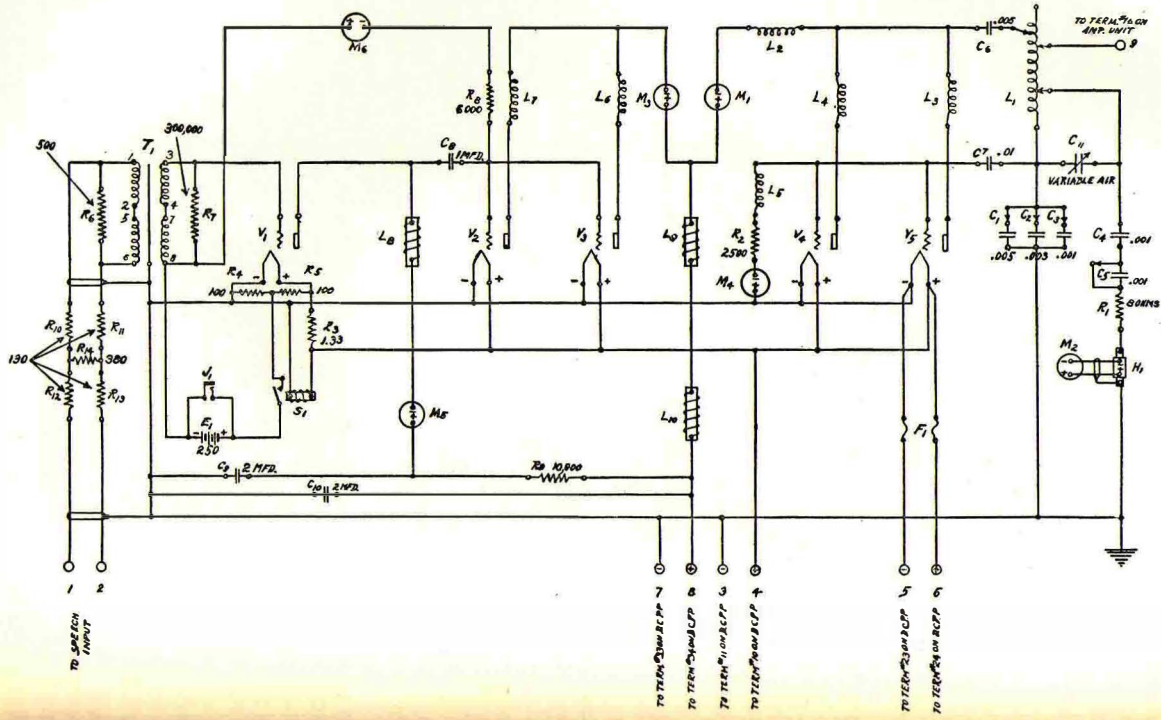


Fig. 202. Schematic of Oscillator-Modulator Circuit.

TO TERM. 13 ON TRANS. Q. FILTER UNIT
 TO TERM. 14 ON POS. MOD. UNIT
 TO TERM. 15 ON D.C. POWER PANEL
 TO TERM. 26 ON D.C. POWER PANEL
 TO TERM. 25 ON D.C. POWER PANEL
 TO TERM. 21 ON D.C. POWER PANEL
 TO TERM. 22 ON D.C. POWER PANEL
 TO TERM. 45 ON A.C. POWER PANEL
 TO TERM. 46 ON A.C. POWER PANEL
 TO TA ON 57 ON A.C. POWER PANEL
 TO TERM. 40 ON A.C. POWER PANEL

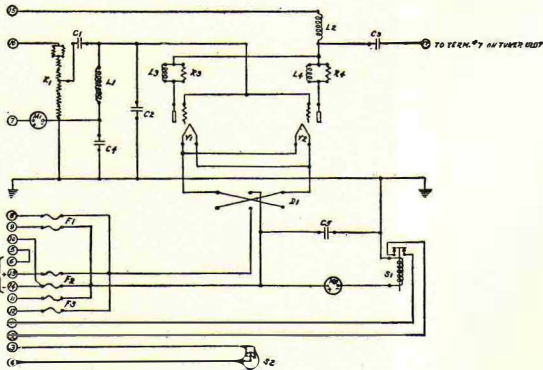


FIG. 204. Power Amplifier Schematic.

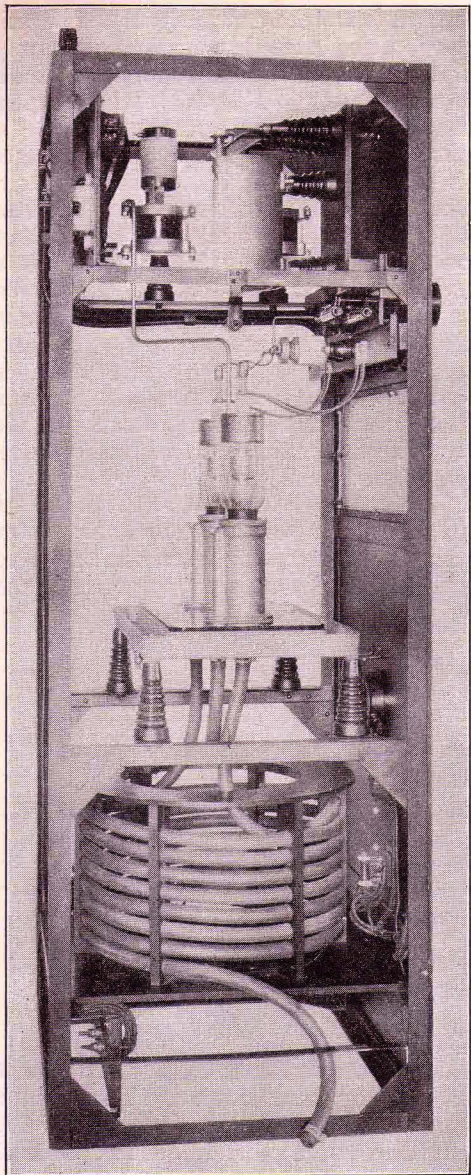
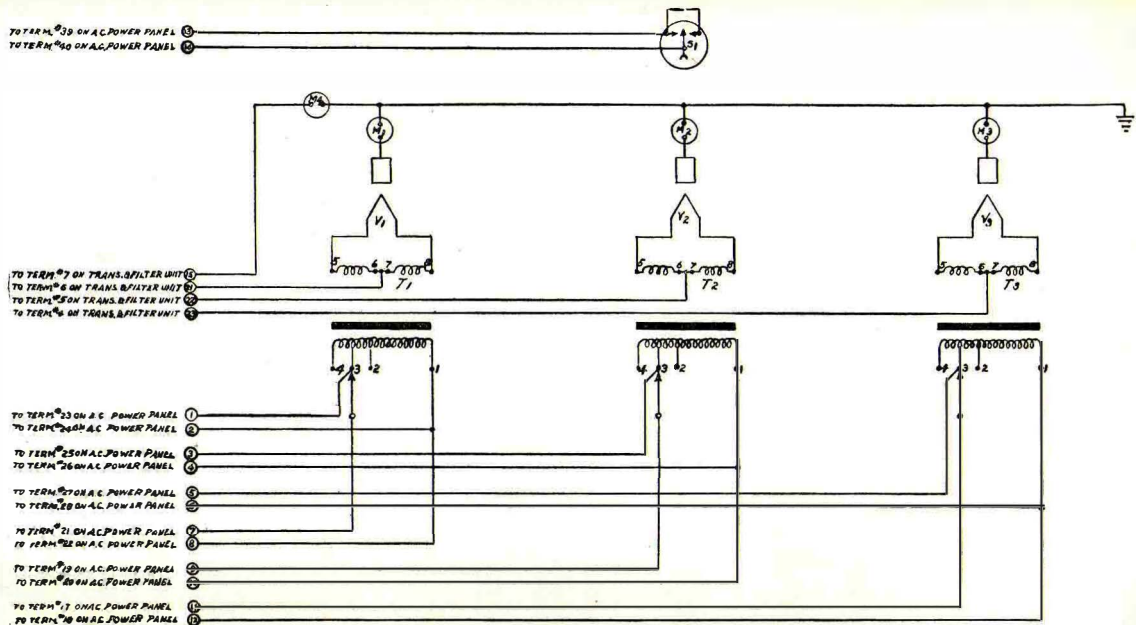


FIG. 205. Side View of Amplifier Unit.



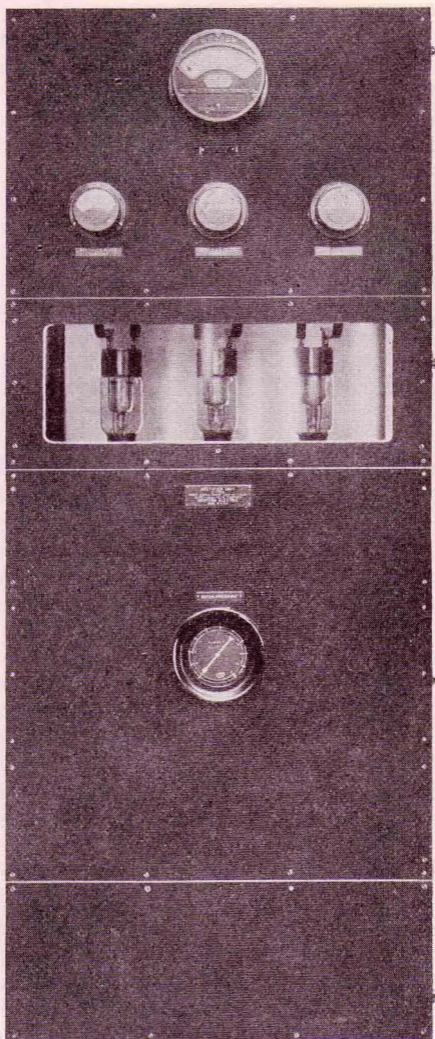


FIG. 201. Rectifier Unit.

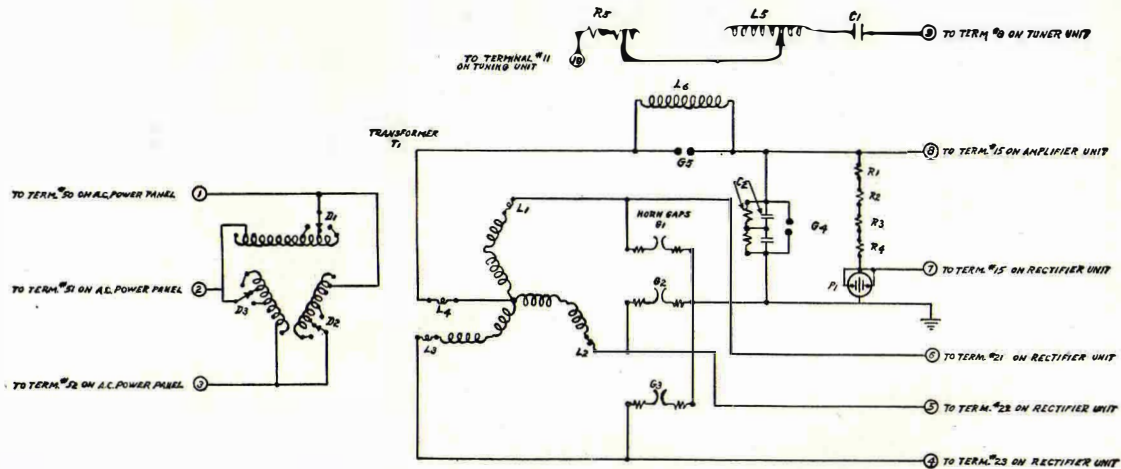


FIG. 199. Schematic of Transformer and Filter Circuit.

POSITION OF KNIFE SWITCHES			SECONDARY VOLTAGE TO NEUTRAL
D ₁	D ₂	D ₃	
4	10	16	4460V.
5	11	17	7000V.
6	12	18	10000V.

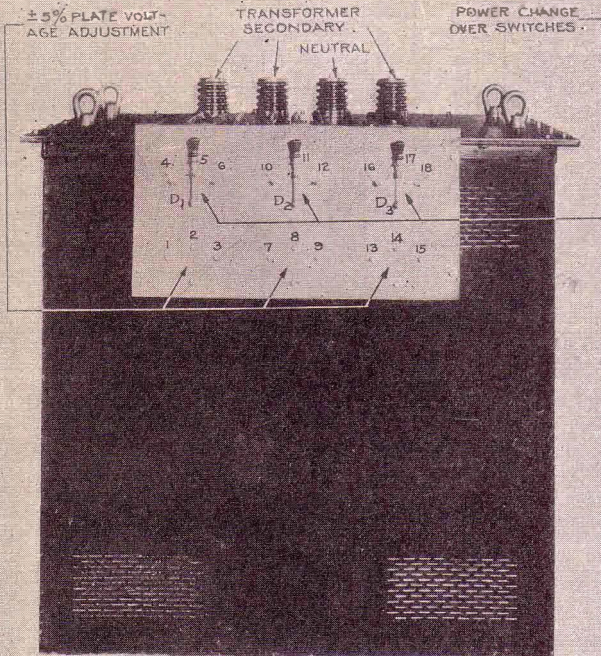


FIG. 200. High Voltage Transformer.

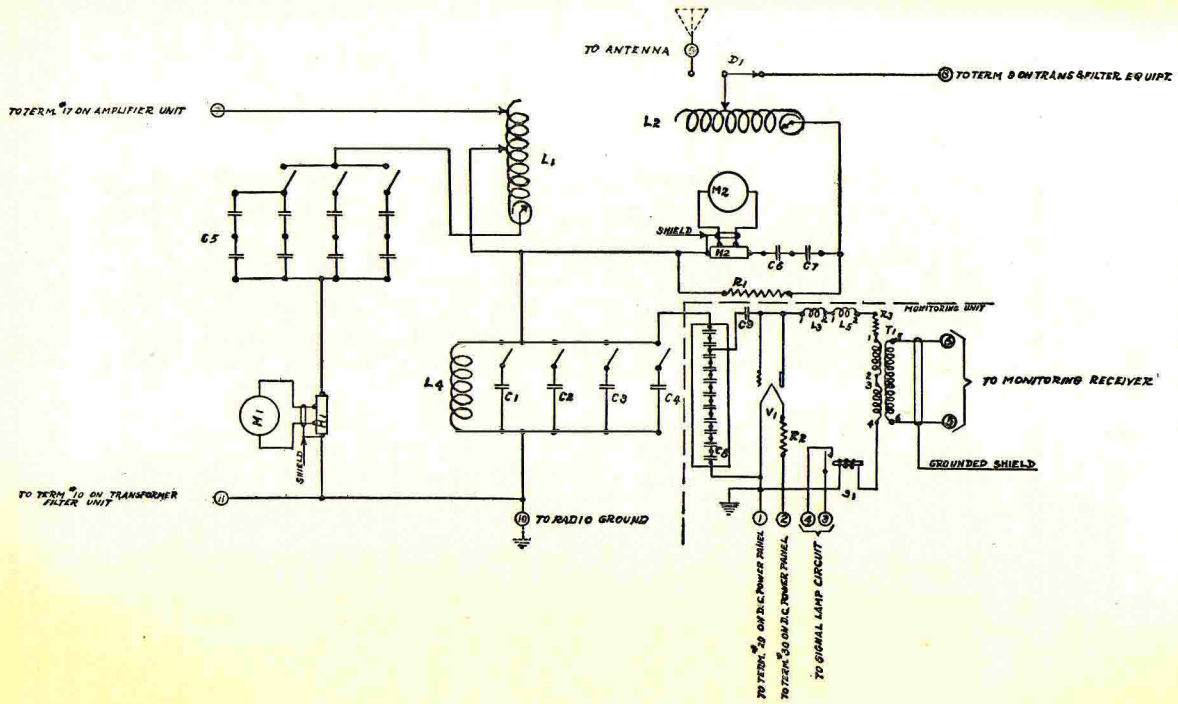


Fig. 206. Tuning Unit Schematic.

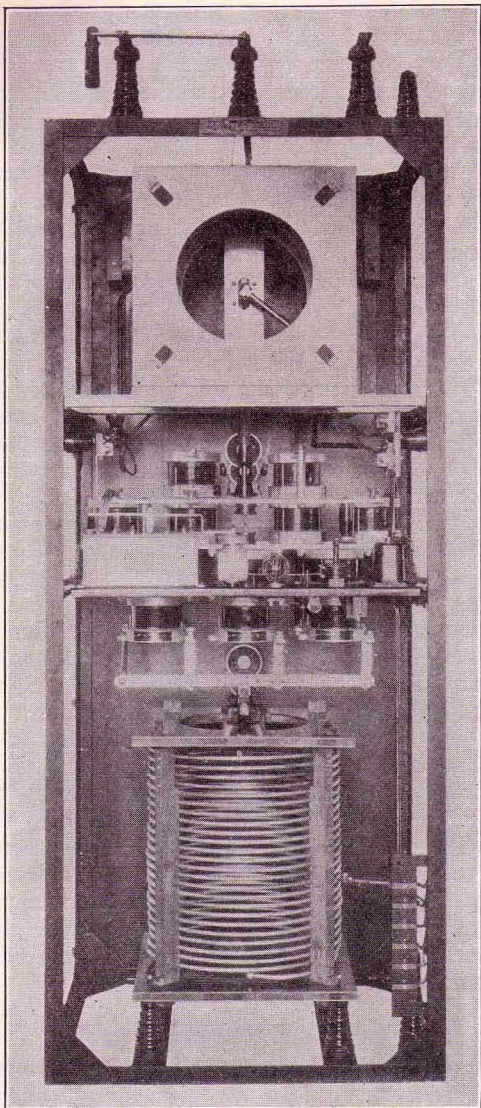


FIG. 207. Rear View of Tuning Unit.

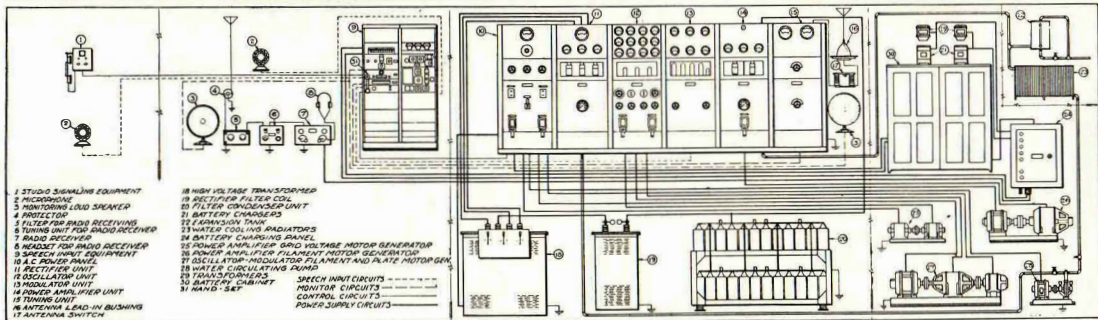
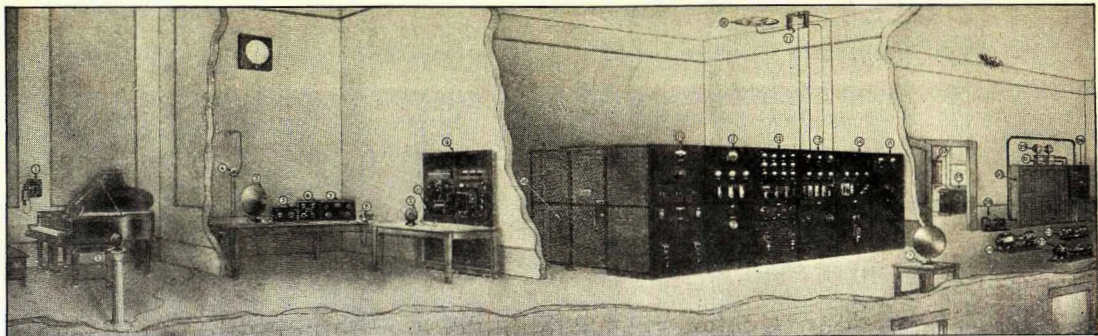


FIG. 194. Western Electric 104-B 5-KW. Radiotelephone Broadcasting Equipment.