

Suggested Price \$1.00



REPLACEMENT SEMICONDUCTOR GUIDE

*with more
cross
references
than ever!*



TUBE PRODUCTS DEPARTMENT
GENERAL ELECTRIC COMPANY
OWENSBORO, KENTUCKY 42301

1975

GENERAL ELECTRIC REPLACEMENT SEMICONDUCTORS

1975

GE celebrates fifteen years as a pioneer in the replacement market for Universal Transistors. This new Entertainment Semiconductor Replacement Guide evidences reaffirmation of the objective to continue adding universal types to the line only as they are needed to service the market.

The increasing number of solid state components used in all types of equipment signals matching growth in the number of types to be replaced. Selective additions since the last edition of this Replacement Guide reflect General Electric commitment to help both electronic distributors and servicing technicians balance the need to meet consumer requirements immediately yet maintain minimum inventory levels.

This 1975 edition of the Entertainment Semiconductor Replacement Guide contains 65% more cross-references than the previous edition, and will assist you in making needed repairs on both domestic and Far East equipment. Semiconductor products are listed in alpha-numeric order for ease in finding replacement numbers.

Although care has been taken in the preparation of this Guide to insure the technical correctness, no responsibility is assumed by the General Electric Company for any consequences of the use of items listed.

The semiconductor devices and arrangements disclosed herein may be covered by patents of General Electric Company or others. Neither the disclosure of any information herein nor the sale of semiconductor devices by General Electric Company conveys any license under patent claims covering combinations of semiconductor devices with other devices or elements. In the absence of an express written agreement to the contrary General Electric Company assumes no liability for patent infringement arising out of any use of the semiconductor devices with other devices or elements by any purchaser of semiconductor devices or others.

GE SEMICONDUCTOR PLANNING GUIDE*THIS IS NOT AN ORDER FORM AND CARDS SHOULD NOT REQUIRE A REPLY*

We invite your comments on items you need, but are unable to locate. Your information will help us evaluate additions to the growing GE line of replacement semiconductors.

Need replacement for part no. _____ Used in equipment _____

Model No. _____ Circuit Function _____

NPN PNP Other Germanium Silicon

Characteristics on this device _____

Other applications where this device is used _____

GE No. _____ does not replace part No. _____ used in equipment _____

_____ Model No. _____ Due to: Case Size

Electrical Characteristics Other _____

Other comments: _____

Name: _____

Address: _____
(Street) (City) (State) (Zip)

Company: _____

GE SEMICONDUCTOR PLANNING GUIDE*THIS IS NOT AN ORDER FORM AND CARDS SHOULD NOT REQUIRE A REPLY*

We invite your comments on items you need, but are unable to locate. Your information will help us evaluate additions to the growing GE line of replacement semiconductors.

Need replacement for part no. _____ Used in equipment _____

Model No. _____ Circuit Function _____

NPN PNP Other Germanium Silicon

Characteristics on this device _____

Other applications where this device is used _____

GE No. _____ does not replace part No. _____ used in equipment _____

_____ Model No. _____ Due to: Case Size

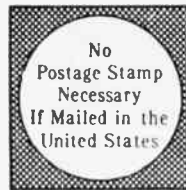
Electrical Characteristics Other _____

Other comments: _____

Name: _____

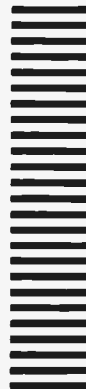
Address: _____
(Street) (City) (State) (Zip)

Company: _____



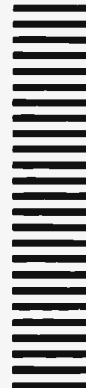
BUSINESS REPLY MAIL
First Class Permit No. 477 Owensboro, Kentucky

**A & SP Replacement Products
General Electric Company
Tube Products Department
316 East Ninth Street
Owensboro, Kentucky 42301**



BUSINESS REPLY MAIL
First Class Permit No. 477 Owensboro, Kentucky

**A & SP Replacement Products
General Electric Company
Tube Products Department
316 East Ninth Street
Owensboro, Kentucky 42301**



Section I—Entertainment Semiconductor Components

Maintenance Industrial Semiconductor Components

Entertainment Semiconductor Components

Meet your repair needs quickly and economically with...

GE REPLACEMENT TRANSISTORS.

APPLICATION: General Electric Replacement Transistors are specifically designed as general replacements for most types of transistors used in radios, TV and other entertainment applications where normal voltages exist. If the application is such that characteristic curves or design ratings are needed on the unit, it is recommended that the exact JEDEC replacement type be used.

TECHNICAL INFORMATION: Remembering a few general rules in the care and handling of solid-state components can very often mean the difference between success and failure in completing a repair job.

1) VOLTAGES: Observe voltage specifications. Watch for stray transient voltages which might come in on the power line, or which could be induced from adjacent circuits such as an automobile ignition system. (Use a thyrector, GE-MOV® or zener diode to protect semiconductors from these stray transients.) Check power-line voltage to make sure it is neither too high (above 120 volts) nor too low (below 110 volts).

No semiconductor should ever be connected or disconnected from a circuit with the power on. High transient currents may cause permanent damage to the semiconductor.

2) CURRENT: Do not overload semiconductors, even momentarily - an "arc-over" destroys them immediately. Double check circuits, polarities, component sizes, and wiring BEFORE closing the switch.

3) HEAT SINKS: Carefully observe the recommended heat sinks for stud-mounted devices. If heat can't get out of a semiconductor, damage is likely to result. Be sure air can circulate around lead mounted devices.

The stud end of a stud-mounted unit normally forms part of the electrical circuitry. Therefore, the heat sink to which the stud is mounted is electrically "live". If a "live" heat sink presents any safety hazard or might conceivably create a short circuit, the unit should be electrically insulated from the heat sink by mica and teflon® washers, or the heat sink itself must be electrically insulated from the chassis.

Lead-mounted devices may be secured by soldering their leads to a terminal strip. This fastening point of the lead should be no less than 1/8 inch away from the body of the device. Avoid bending the lead too near the component body. Do not try to bend the top terminals of stud-mounted devices.

4) SOLDERING: Use a small, hot soldering iron and high quality resincore solder. If a wire is tarnished or enameled, clean it with fine emery paper before soldering. Wrap the clean wire around the other wire or terminal once to hold it in place, then apply the tip of the iron and solder to the joint together.

Solder as quickly as possible, then blow on the joint to cool it quickly. If possible, with lead mounted devices, use pliers to hold the lead between the body and the joint in order to avoid overheating the device. This is particularly important when soldering germanium devices.

Do not use acid flux.

5) MODIFICATIONS: Compare the base or lead arrangement of the GE Replacement Transistor with the base or lead arrangement of the unit being replaced. If these are different it will be necessary to "bend and trim" to match up to the equipment.

6) CIRCUIT CHECKS: Anytime replacement of a transistor is made in equipment (even if it is a so called "exact" replacement), it is always good practice to check out the alignment of the associated tuned circuits to insure proper operation and achieve the required gain without loss of stability. If replacements are made in high power stages, the transistor bias should always be checked and adjusted in order to protect the replacement transistor against excessive dissipation and minimize distortion. If a replacement transistor is installed in one channel of a stereo system it may be necessary to replace that transistor in the other channel to achieve proper balance due to gain difference.

7) GERMANIUM OR SILICON? As an aid to determining whether you are working with a germanium or a silicon unit, a good indication is the bias between base and emitter. Germanium normally has less than .5 volts bias, and silicon normally has .5 volts or more bias between base and emitter.

8) MOSFETS CAUTION: In handling non-gate protected MOSFETS, the following precautions should be observed: (1) Prior to assembly into a circuit, all leads should be kept shorted together. (2) When devices are handled, the hand being used should be at ground potential. (3) Tips of soldering irons should be grounded. (4) Devices should never be inserted into or removed from circuits with power on.

GENERAL INFORMATION: Interchangeability with JEDEC and manufacturers' numbers is based on published electrical specifications. Since manufacturing techniques vary, no representation is made that GE Replacement Transistors are exact replacements for the types listed.

The GE replacement types listed here as substitutes indicate those devices whose parameters are similar to those of a device used in a given circuit, and should function adequately in the same circuits with only minor adjustments of the circuit parts values. However, the behavior of particular circuits may be dependent on parameters not available for use as the basis of selection in this publication, and transistors listed as close equivalents may not prove to be directly interchangeable. When making a power transistor substitution, the bias potential should be adjusted in accordance with the equipment manufacturers' directories in order to insure optimum performance. Many transistors are similar enough electrically for direct interchange, while at the same time are quite different physically. The physical difference in size usually will not present any problem, but an examination of the substitute device should always be made to see if the base is satisfactory and there are no size limitations.

Information contained in these charts is based on the latest available data and is considered to be accurate.



ENTERTAINMENT SEMICONDUCTOR REPLACEMENT GUIDE

TABLE OF CONTENTS

NOTE: Location of Technical data is by type or description and page no.

Type or Description	Page No.
Index by type of GE Replacement Semiconductors	2-4
Replacement Transistors	
GE-1 thru GE-18	5
GE-19 thru GE-32 & GE-35 thru GE-37	6
GE-38 thru GE-40 & GE-43 thru GE-59	7
GE-60 thru GE-67, GE-69, GE-72 thru GE-76 & GE-80 thru GE-86	8
GE-88 thru GE-89, GE-210 thru GE-216, & FET-1 thru FET-4	9
Foreign Exchange Kit	10
Outline Drawings for Replacement Transistors and FET's	11-14
NPN Silicon Transistors - listed in order of decreasing breakdown voltage, BVCEO	15
NPN Silicon RF, IF, Signal - listed in order of decreasing frequency	15
NPN Silicon - listed in order of decreasing I _c	16
NPN Silicon Low Power AF, General Purpose - listed in order of decreasing breakdown voltage, BVCEO	16
NPN Silicon Matched Pairs	17
Complementary Pairs NPN/PNP - listed in order of decreasing Power Dissipation P _D	17
PNP Silicon RF, IF, AF Power - listed in order of decreasing Power Dissipation P _D	17
NPN Germanium RF, IF, AF Power - listed in order of decreasing frequency	17
PNP/NPN Germanium Complementary Pairs	18
PNP Germanium Power Output - listed in order of decreasing Power Dissipation P _D	18
PNP Germanium RF, IF, Signal - listed in order of decreasing frequency	18
PNP Germanium - Matched Pairs	18
Diodes and Rectifiers	19
GE-MOV® Metal Oxide Varistor	19
Zener Diodes	20
High Current, Fast Switching Rectifier	20
Silicon Controlled Rectifier (SCR)	20
Maintenance Ind. Repl. Semiconductors	
GEMR-1 thru 6	20
Outline Drawings	21
Variable Capacitance Diodes	22
Entertainment JEDEC Transistors	22
Germanium & Silicon Diodes	22
Vac-u-Sel® Selenium	
Dual-Diode Rectifiers	22
Selenium High Voltage Rectifiers and Outline Drawings	23
Silicon Stick Rectifier	24
Solid-State Replacements for TV Rectifier Tubes & Outline Drawings	24
High Voltage Triplers with Outline and Circuit Drawings	25
Integrated Circuits (IC's)	26-29
Integrated Circuit Figures	30-31
Hybrid-IC Audio Power Modules	31-32
Outline Drawings	32-33
Replacement Guide for Modules	33
Quartz Crystals GE-41 & GE-42	33
Replacement Guide	33
Accessories	34
Selenium Rectifiers for Color TV	
Replacement Guide	35
Dual-Diode Replacement Guide	35
Cross Referencing	36-169
Experimenter/Hobbyist Components	170-176
Suggested List/User Prices	177
Semiconductor Symbols	178
Kits	Back Cover
Technical Publications	Back Cover

INDEX – GE REPLACEMENT SEMICONDUCTORS

Type	Description	Case	Page No.
GE-1	T PNP, Germanium Mixer/Osc. Converter RF/IF Amp. AM	TO-5	5
GE-2	T PNP, Germanium - AF Amp.	TO-5	5
GE-3	T PNP, Germanium - AF Power Amp.	TO-3	5
GE-4	T PNP, Germanium - AF Power Amp.	TO-36	5
GE-5	T NPN, Germanium - Mixer/Osc. Conv., RF/IF AM	TO-5	5
GE-6	T NPN, Germanium - Mixer/Osc. Conv. RF Amp. AM	OV-5	5
GE-7	T NPN, Germanium - IF Amp. AM	OV-5	5
GE-8	T NPN, Germanium - AF Amp.	TO-5	5
GE-9	Use GE-51		5
GE-10	T NPN, Silicon - Mixer/Osc. Converter, RF/IF Amp. AM	TO-98	5
GE-11	T NPN, Silicon - VHF Tuner, UHF Osc., Mixer/Osc. Converter, RF/IF Amp. FM	TO-98	5
GE-12	T NPN, Silicon - AF Power Amp. for 120V Line Oper. TV, etc.	TO-66	5
GE-13MP	T PNP, Germanium - Matched pair GE-3	TO-3	5
GE-14	T NPN, Silicon - AF Power Amp. - High Power	TO-3	5
GE-15MP	T NPN, Silicon - Matched Pair GE-14	TO-3	5
GE-16	T PNP, Germanium - AF High Power Amp. Switching	TO-3	5
GE-17	T NPN, Silicon - FM/RF Osc. Low Noise	RO-97A	5
GE-18	T NPN, Silicon - AF Amp., Output, Osc.	TO-5	5
GE-19	T NPN, Silicon - High Power AF Amp., Output Osc.	TO-3	6
GE-20	T NPN, Silicon - RF/IF Amp., Osc., AF Amp.	TO-18	6
GE-21	T PNP, Silicon - RF/IF Amp., Osc., AF Amp.	TO-5	6
GE-22	T PNP, Silicon - RF/IF Amp., AF Amp., Osc., AM/FM	RO-110	6
GE-23	T NPN, Silicon - AF Power Amp. - Use in class A & B	TO-66	6
GE-24MP	T NPN, Silicon - Matched Pair GE-23	TO-66	6
GE-25	T PNP, Germanium - TV Sweep Circuits, Horizontal, Vertical	TO-3	6
GE-26	T PNP, Silicon - AF Power Amp.	TO-66	6
GE-27	T NPN, Silicon - Color/BW Video Output Amp.	PlasticPak	6
GE-28	T NPN, Silicon - AF Power Amp.	PlasticPak	6
GE-29	T PNP, Silicon - AF Power Amp.	PlasticPak	6
GE-30	T PNP, Germanium - Audio Power Output	TO-66	6
GE-31MP	T PNP, Germanium - Matched Pair GE-30	TO-66	6
GE-32	T NPN, Silicon - AC Line Oper. AF Amp.	Power Pak	6
GE-35	T NPN, Silicon - Audio Power Amp., Vert. Deflection	TO-3	6
GE-36	T NPN, Silicon - Power Transistor for Horizontal Deflection (100 W)	TO-3	6
GE-37	T NPN, Silicon - Power Transistor for Vertical Deflection	TO-3	6
GE-38	T NPN, Silicon - Power Transistor for Horizontal Deflection (50 W)	TO-3	7
GE-39	T NPN, Silicon - Video IF Amp.	TO-72	7
GE-40	T NPN, Silicon - Video Output Amp.	TO-39	7
GE-41	C Colorburst Filter	-	33
GE-42	C Color Subcarrier Osc.	-	33
GE-43	T NPN, Germanium - Audio Power Amp.	TO-66A	7
GE-44	T PNP, Germanium - Audio Power Output	TO-66A	7
GE-45	T NPN, Silicon - Power Switching	TO-39	7
GE-46	T NPN, Silicon - RF Power Output for CB & Switching Applications (10 W)	Fig. 35	7
GE-47	T NPN, Silicon - Audio Power Amp. & Driver	Fig. 32	7
GE-48	T PNP, Silicon - Audio Power Amp. & Driver	Fig. 32	7
GE-49	T PNP, Germanium - Audio Power Amp.	Fig. 33	7
GE-50	T PNP, Germanium - FM/RF Amp., TV/IF Amp.	R-90	7
GE-51	T PNP, Germanium - AM/RF Amp., IF Amp. AM/FM	TO-72	7
GE-52	T PNP, Germanium - Low Noise AF Amp.	TO-1	7
GE-53	T PNP, Germanium - AF Amp., Output	TO-1	7
GE-54	T PNP/NPN, Germanium - Matched Complementary Pair	TO-1	7
GE-55	T NPN, Silicon - Audio Power Amp., Switching	PlasticPak	7
GE-56	T PNP, Silicon - Audio Power Amp., Switching	PlasticPak	7
GE-57	T NPN, Silicon - Audio Power Amp.	PlasticPak	7
GE-58	T PNP, Silicon - Audio Power Amp.	PlasticPak	7
GE-59	T NPN, Germanium - AF Amp., Output	TO-1	7
GE-60	T NPN, Silicon - RF/IF to 200 MHz, TV 1st/2nd IF Amp	RO-110	8
GE-61	T NPN, Silicon - TV 3rd IF Amp.	TO-92	8
GE-62	T NPN, Silicon - High Gain Low Noise Amp.	TO-98	8
GE-63	T NPN, Silicon - AF Amp., Output	X-28	8
GE-64	T NPN, Silicon - Darlington Amp., High Gain, Low Noise	TO-98	8
GE-65	T PNP, Silicon - High Gain Low Noise Amp.	TO-98	8
GE-66	T NPN, Silicon - AF Power Output	Power Pak	8
GE-67	T PNP, Silicon - AF Amp., Output	X-28	8
GE-69	T PNP, Silicon - AF Power Output	Power Pak	8
GE-72	T NPN, Silicon - Audio Amp. (80 W)	TO-3	8
GE-73	T NPN, Silicon - Audio Amp. (125 W)	TO-3	8
GE-74	T PNP, Silicon - Audio Amp. (200 W)	TO-3	8
GE-75	T NPN, Silicon - Audio Amp. (200 W)	TO-3	8
GE-76	T PNP, Germanium - Audio Amp. (106 W)	TO-3	8
GE-80	T PNP, Germanium - Audio Power Amp.	TO-5	8
GE-81	T NPN, Silicon - Medium Power Driver & Low Power Output	TO-92	8
GE-82	T PNP, Silicon - Medium Power Driver & Low Power Output	TO-92	8
GE-83	T NPN, Silicon - Audio Power Output	Fig. 31	8
GE-84	T PNP, Silicon - Audio Power Output	Fig. 31	8
GE-85	T NPN, Silicon - Low Noise Amplifier	TO-92	8
GE-86	T NPN, Silicon - VHF, RF Mixer Oscillator	Fig. 26	8
GE-88	T NPN, Silicon - Audio Driver & Output	Fig. 23	9
GE-89	T PNP, Silicon - Audio Driver & Output	Fig. 23	9
GE-90	Variable Capacitance Diode	Axial	22
GE-210	T NPN, Silicon - RF, AF Amplifier & Oscillator	TO-92	9
GE-211	T NPN, Silicon - RF, IF Amplifier	TO-92	9
GE-212	T NPN, Silicon - Voltage Amplifier	TO-98	9
GE-213	T NPN, Silicon - 3rd TV IF Amplifier	TO-98	9

INDEX – GE REPLACEMENT SEMICONDUCTORS

Type	Description	Case	Page No.
GE-214	T NPN, Silicon - UHF/VHF RF Amp.	TO-72	9
GE-215	T NPN, Silicon - RF Output & Driver for C.B.	TO-220	9
GE-216	T NPN, Silicon - RF Output & Driver for C.B.	TO-220	9
GE-300	D Silicon - General Purpose, Detection, Switching 200 PRV	Axial	22
GE-305	D Silicon - Damper 5000 PRV	Axial	19
GE-504A	R Silicon - 600 PRV, 1.0A	Axial	19
GE-509	R Silicon - 1000 PRV, 1.0A	Axial	19
GE-510	R Silicon - 1000 PRV, 2.5A	Axial	19
GE-511	R Silicon - Fast Switch, Boost, Damper, Blank, High Current	Axial	20
GE-512	R Silicon - 1000 PRV, 3.0A	Axial	19
GE-513	R Silicon - Stick TV High Voltage, 45 K PIV	—	24
GE-516	R Silicon - High Voltage Tripler, 25 KV	—	25
GE-517	R Silicon - High Voltage Tripler, 25 KV	—	25
GE-518	R Silicon - High Voltage Tripler, 25 KV	—	25
GE-519	R Silicon - High Voltage Tripler, 30 KV	—	25
*GE-520	R Selenium, High Voltage Tripler, 27.5 KV	—	25
GEA-101	A Heat Sink TO-5 Transistor 3 Fin (2/Pkg.)	—	34
GEA-102	A Heat Sink TO-5 Transistor, Single Stack (6/Pkg.)	—	34
GEA-103	A Heat Sink TO-5 Transistor, Double Stack (6/Pkg.)	—	34
GEA-104	A Heat Sink TO-5 Transistor, Flag Type (6/Pkg.)	—	34
GEA-105	A Heat Sink TO-66 Transistor, 2-Piece Sink	—	34
GEA-106	A Heat Sink TO-3 Radiating Surface 22.28 sq. in.	—	34
GEA-107	A Heat Sink for Plastic Power Transistors (2/Pkg.)	—	34
GEA-108	A Heat Sink for TO-1 (1/2" x 1/2" x 3/8")	—	34
GEA-109	A Heat Sink for TO-1 (1" x 1" x 3/8")	—	34
GEA-120	A Low Current Transistor Socket - Flat Saddle Mount	—	34
GEA-121	A Low Current Transistor Socket with Mounting Ring	—	34
GEA-122	A Socket TO-3	—	34
GEA-123	A Socket TO-66	—	34
GEA-124	A IC Socket - 8 Pin, TO-5	—	34
GEA-125	A IC Socket - 10 Pin, TO-5	—	34
GEA-126	A IC Socket - Dual Inline, 14 Pin	—	34
GEA-127	A IC Socket - Dual Inline, 16 Pin	—	34
GEBR-206	R Silicon - Full Wave Bridge, 200 PRV, 6A	—	19
GEBR-425	R Silicon - Full Wave Bridge, 400 PRV, 25 A	—	19
GEBR-600	R Silicon - Full Wave Bridge, 600 PRV, 1.5 A	—	19
GECE-1	R Selenium, Focus 7.2 K PRV	Axial	23
GECE-2	R Selenium, Boost 560 PRV	Axial	23
GECE-3	R Selenium, Convergence	—	23
GECE-4	R Selenium, TV High Voltage 12.4 K PRV	—	23
GECE-5	R Selenium, TV High Voltage 14.4 K PRV	—	23
GECE-6	R Selenium, TV High Voltage 19.5 K PRV	—	23
GECE-7	R Selenium, TV High Voltage 21.4 K PRV	—	23
GE-FET-1	FET - N Channel Silicon General Purpose Amp. to 100 MHz	TO-92	9
GE-FET-2	FET - N Channel Silicon FM TV RF Mixer, VHF to 40 MHz	X-55	9
GE-FET-3	N Channel Silicon - FM, RF Amp. & Mixer Stages	Fig. 28	9
GE-FET-4	N Channel Silicon - Dual Gate MOS FET - VHF RF Amp. in FM & TV	Fig. 27	9
K-934	Specifications of Transistors in Kit	—	10
GEIC-2	IC - TV/FM Sound, IF, Detector	—	26
GEIC-3	IC - Color TV Chroma Demodulator	—	26
GEIC-4	IC - Color TV Subcarrier Regenerator	—	26
GEIC-5	IC - Color TV Chroma Demodulator	—	26
GEIC-6	IC - Gain Controlled IF Amp.	—	26
GEIC-7	IC - FM Stereo Multiplex Decoder	—	26
GEIC-8	IC - FM Stereo Multiplex Decoder	—	26
GEIC-9	IC - FM Stereo Multiplex Decoder	—	26
GEIC-10	IC - FM Detector, Limiter, TV Sound	—	26
GEIC-11	IC - FM - TV Sound IF Detector, Limiter	—	27
GEIC-12	IC - RF/IF Amp.	—	27
GEIC-13	IC - Video Signal Processor - TV	—	27
GEIC-14	IC - Dual Lo-Noise Preamp.	—	27
GEIC-15	IC - FM Rec. Sound System	—	27
GEIC-16	IC - FM Detector, Limiter	—	27
GEIC-17	IC - IF Gain Block with Voltage Regulator	—	27
GEIC-18	IC - Dual Chroma Demodulator	—	27
GEIC-19	IC - Dual Lo-Noise Audio Preamp.	—	27
GEIC-20	IC - TV AFC, 10 Lead Can	—	28
GEIC-21	IC - TV AFC, 14 Pin Dual In-line	—	28
GEIC-22	IC - Chroma Processor	—	28
GEIC-23	IC - Chroma Demodulator	—	28
GEIC-24	IC - AM Radio, RF/IF Amp.	—	28
GEIC-25	IC - Dual Audio Preamp., 8 Lead can	—	28
GEIC-26	IC - TV Sound IF Amp., Lim., Det., Audio Preamp.	—	28
GEIC-27	IC - Dual Audio Amp., 2W/Channel	—	28
GEIC-28	IC - FM - Stereo Multiplex Demodulator	—	28
GEIC-29	IC - Chroma Processor	—	29
GEIC-30	IC - Chroma Demodulator	—	29
GEIC-31	IC - Audio Power Amplifier 2.5 W	—	29
GEIC-32	IC - FM Stereo Phase Locked Loop Decoder	—	29
GEIC-33	IC - TV Chroma Amplifier and Demodulator	—	29
GEIC-34	IC - Four Channel SQ* Decoder (*Trademark of Columbia Broadcasting System)	—	29
GEIC-35	IC - FM Stereo Demodulator - Phase Locked Loop	—	29

*See top of page 4 for GE-700 thru GE-750.

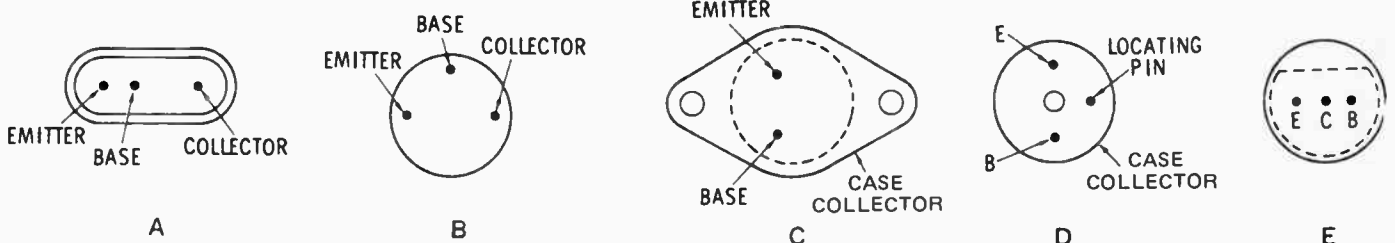
INDEX – GE REPLACEMENT SEMICONDUCTORS

Type	Description	Case	Page No.
GE-700	Silicon Controlled Rectifier	Fig. 34	20
GE-720	Hybrid IC Module - 8 Watts Audio Power Amplifier	—	31
GE-721	Hybrid IC Module - 15 Watts Audio Power Amplifier	—	31
GE-722	Hybrid IC Module - 13 Watts Audio Power Amplifier	—	32
GE-723	Hybrid IC Module - 25 Watts Audio Power Amplifier	—	32
GE-724	Hybrid IC Module - 20 Watts Audio Power Amplifier	—	32
GE-750	GE-MOV® Metal Oxide Varistor	—	19
GEMR-1	R - Silicon - 200 PRV, 12 A	—	20
GEMR-2	R Silicon - 400 PRV, 35 A @ 140°C	—	20
GEMR-3	SCR - Silicon - 400 PRV, 35 A @ 19°C	—	20
GEMR-4	SCR - Silicon - 400 PRV, 7.4 A @ 80°C	—	20
GEMR-5	SCR - Silicon - 200 PRV, 4 A @ 75°C	—	20
GEMR-6	T Silicon - 40V, 8W	—	20
GESS-2AV2	R Replaces TV Rectifier Tube	—	24
GESS-3A3	R Replaces TV Rectifier Tube	—	24
GESS-3AT2	R Replaces TV Rectifier Tube	—	24
GESS-3D83	R Replaces TV Rectifier Tube	—	24
GESS-6DW4	D Replaces TV Damper Tube	—	24
GEZD-10.4	ZD - 10V, 400MW	Axial	20
GEZD-3.6	ZD - 3.6V, 1W	Axial	20
GEZD-4.7	ZD - 4.7V, 1W	Axial	20
GEZD-5.1	ZD - 5.1V, 1W	Axial	20
GEZD-5.6	ZD - 5.6V, 1W	Axial	20
GEZD-6.2	ZD - 6.2V, 1W	Axial	20
GEZD-6.8	ZD - 6.8V, 1W	Axial	20
GEZD-7.5	ZD - 7.5V, 1W	Axial	20
GEZD-8.2	ZD - 8.2V, 1W	Axial	20
GEZD-9.1	ZD - 9.1V, 1W	Axial	20
GEZD-10	ZD - 10V, 1W	Axial	20
GEZD-11	ZD - 11V, 1W	Axial	20
GEZD-12	ZD - 12V, 1W	Axial	20
GEZD-15	ZD - 15V, 1W	Axial	20
GEZD-18	ZD - 18V, 1W	Axial	20
GEZD-20	ZD - 20V, 1W	Axial	20
GEZD-22	ZD - 22V, 1W	Axial	20
GEZD-24	ZD - 24V, 1W	Axial	20
GEZD-27	ZD - 27V, 1W	Axial	20
GEZD-30	ZD - 30V, 1W	Axial	20
GEZD-33	ZD - 33V, 1W	Axial	20
GEZD-39	ZD - 39V, 1W	Axial	20
GEZD-47	ZD - 47V, 1W	Axial	20
GEZD-62	ZD - 62V, 1W	Axial	20
GEZD-82	ZD - 82V, 1W	Axial	20
GEZD-120	ZD - 120V, 1W	Axial	20
GEZD-150	ZD - 150V, 1W	Axial	20
GE-X1	Experimenter/Hobbyist Item		170
GE-X2	Experimenter/Hobbyist Item		170
GE-X3	Experimenter/Hobbyist Item		170
GE-X4	Experimenter/Hobbyist Item		170
GE-X5	Experimenter/Hobbyist Item		171
GE-X6	Experimenter/Hobbyist Item		171
GE-X7	Experimenter/Hobbyist Item		171
GE-X8	Experimenter/Hobbyist Item		171
GE-X9	Experimenter/Hobbyist Item		171
GE-X10	Experimenter/Hobbyist Item		172
GE-X11	Experimenter/Hobbyist Item		172
GE-X12	Experimenter/Hobbyist Item		172
GE-X13	Experimenter/Hobbyist Item		172
GE-X14	Experimenter/Hobbyist Item		172
GE-X15	Experimenter/Hobbyist Item		172
GE-X16	Experimenter/Hobbyist Item		173
GE-X17	Experimenter/Hobbyist Item		173
GE-X18	Experimenter/Hobbyist Item		174
GE-X19	Experimenter/Hobbyist Item		174
K-933	24 Drawer Kit - Contains 33 Units	—	Outside Back Cover
K-934	24-Drawer Kit - Contains 40 Units	—	Outside Back Cover
1N34AS	D Germanium - General Purpose	Axial	19
1N60	D Germanium - Video Detector	Axial	22
1N82A	D Silicon - UHF Mixer	Axial	22
1N91	R Germanium - 100 PIV, 150 MA	Axial	22
1N295	D Germanium - 50 MC Detector	Axial	22
2N107	T PNP, Germanium - AF	—	22
2N170	T NPN, Germanium - IF Amp.	—	22
2N188A	T PNP, Germanium - AF Output	—	22
2N190	T PNP, Germanium - AF	—	22
2N324	T PNP, Germanium - AF	—	22
2N404	T PNP, Germanium - Switching	—	22
2N508	T PNP, Germanium - AF Output	—	22
2N2160	T Unijunction Silicon Osc.	—	22
2N5308A	T NPN, Silicon - Amp.	—	22
6GC1	D Dual, Selenium - Horizontal AFC, Common Cathode	—	22
6GD1	D Dual, Selenium - Horizontal AFC, Series Connected	—	22
6GX1	D Dual, Selenium - Horizontal AFC, Common Anode	—	22

A - Accessories, C - Quartz Crystal, D - Diode, FET - Field Effect Transistor, IC - Integrated Circuit, R - Rectifier, SCR - Silicon Controlled Rectifier, T - Transistor, ZD - Zener Diode.

APPLICATION AND TECHNICAL DATA CHART FOR UNIVERSAL TRANSISTORS

GE Type	Description	Applications	Power Dissipation (Watts)	Max. Collector Current (IC)	Breakdown Voltage			Typical Frequency	Typical Current Gain H _{fe}	Outline Drawing Base Drawing	Suggested List Price
					Collector to Base (BV _{CB0})	Collector to Emitter (BV _{CE0})	Emitter to Base (BV _{EB0})				
GE-1	PNP Germanium	Mixer/Oscillator Converter, RF & IF Amplifier (AM Radio)	150 MW	200 MA	30	12 (CER) Min.	20	5 MHz Min.	70	Fig. 6 TO-5 ** H	\$2.00
GE-2	PNP Germanium	AF Amplifier	200 MW	200 MA	20	20	5	3 MHz	60	Fig. 6 TO-5 ** H	1.70
GE-3	PNP Germanium	AF Power Amplifier	25 W*	3 A	50	40	15	400 KHz	60	Fig. 5 TO-3 C	2.95
GE-4	PNP Germanium	AF High Power Amplifier	50 W*	12 A	50	30	30	500 KHz Min.	55	Fig. 8 TO-36 D	4.90
GE-5	NPN Germanium	Mixer/Oscillator Converter, RF & IF Amplifier (AM Radio)	150 MW	100 MA	25	12	25	5 MHz Min.	165	Fig. 6 TO-5 H	2.80
GE-6	NPN Germanium	Mixer/Oscillator Converter, RF Amplifier (AM Radio)	65 MW	20 MA	20	9 (CER)	10	9 MHz Min.	110	Fig. 1 OV-5 A	3.05
GE-7	NPN Germanium	IF Amplifier (AM Radio)	65 MW	20 MA	15	15 (CER)	10	8 MHz Min.	35	Fig. 1 OV-5 A	2.95
GE-8	NPN Germanium	AF Amplifier	150 MW	200 MA	25	20 (CER)	25	5 MHz Min.	130	Fig. 6 TO-5 H	2.15
GE-9	DISCONTINUED - USE GE-51 (Note different basing)										
GE-10	NPN Silicon	Mixer/Oscillator Converter, RF & IF Amplifier (AM Radio), AF Amplifier	200 MW	100 MA	25	25	5	200 MHz	150	Fig. 12 TO-98 E	2.00
GE-11	NPN Silicon	Mixer/Oscillator Converter, RF & IF Amplifier (FM Radio) VHF Tuner, UHF Oscillator	200 MW	25 MA	30	12	3	700 MHz Min.	75	Fig. 12 TO-98 E	2.55
GE-12	NPN Silicon	AF Power Amplifier for 120V Line Operated Stereo Phonographs, Television, Etc. - High Voltage	10 W*	400 MA	300	300	5	30 MHz Min.	140	Fig. 9 TO-66 C	3.90
GE-13MP	PNP Germanium	Matched Pairs of GE-3, AF Power Amplifier	25 W*	3 A	50	40	15	400 KHz	60	Fig. 5 TO-3 C	5.90
GE-14	NPN Silicon	AF Power Amplifier - High Power	115 W*	15 A	100	60	7	800 KHz	45	Fig. 5 TO-3 C	5.85
GE-15MP	NPN Silicon	Matched Pairs of GE-14 for AF Power Amplifier	115 W*	15 A	100	60	7	800 KHz Min.	45	Fig. 5 TO-3 C	11.70
GE-16	PNP Germanium	AF High Power Amplifiers, Switching	90 W*	10 A	60	45	30	500 KHz Min.	60	Fig. 5 TO-3 C	5.25
GE-17	NPN Silicon	FM RF & Oscillator, TV and Other Low Noise Circuits	500 MW	100 MA	60	30	5	250 MHz Min.	80	Fig. 2 RO-97A 8	2.40
GE-18	NPN Silicon	AF Amplifier, Output or Oscillator	800 MW	500 MA	120	80	7	50 MHz Min.	80	Fig. 6 TO-5 *** H	2.40



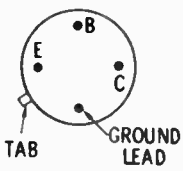
*With heat sink.

**Base tied to case.

***Collector may be tied to case.

APPLICATION AND TECHNICAL DATA CHART FOR UNIVERSAL TRANSISTORS

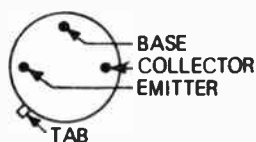
GE Type	Description	Applications	Power Dissipation (Watts)	Max. Collector Current (IC)	Breakdown Voltage			Typical Frequency	Typical Current Gain Hfe	Outline Drawing Base Drawing	Suggested List Price
					Collector to Base (BV _{CB0})	Collector to Emitter (BV _{CE0})	Emitter to Base (BV _{EB0})				
GE-19	NPN Silicon	High Power AF Amplifier, Output Oscillator, Medium Current	90 W*	4 A	50	50	5	800 KHz Min.	40	Fig. 5 TO-3 C	\$5.10
GE-20	NPN Silicon	Medium AF Amplifier, RF & IF Amplifier, Oscillator	500 MW	500 MA	75	40	6	300 MHz Min.	100	Fig. 7 TO-18 H	1.85
GE-21	PNP Silicon	AF Amplifier, RF & IF Amplifier, Oscillator	500 MW	500 MA	60	60	5	200 MHz Min.	65	Fig. 6 TO-5 H	1.90
GE-22	PNP Silicon	AF Amplifier, RF & IF Amplifier, Oscillator (AM & FM)	500 MW	500 MA	25	25	4	200 MHz Min.	50	Fig. 3 RO-110 B	1.70
GE-23	NPN Silicon	AF Power Amplifier for use in class A and B AF Power Amplifiers, Communications, Hi-Fi	15 W*	2 A	60	40	8	50 MHz Min.	125	Fig. 9 TO-66 C	4.20
GE-24MP	NPN Silicon	Matched Pairs of GE-23	15 W*	2 A	60	40	8	50 MHz Min.	125	Fig. 9 TO-66 C	8.40
GE-25	PNP Germanium	Horizontal and Vertical TV Sweep Circuits & Other High Voltage, High Current Amplifier Application	56 W*	10 A	320	320	2	1 MHz Min.	60	Fig. 5 TO-3 C	12.50
GE-26	PNP Silicon	AF Power Amplifier - Stereo Tape Players, Communications and Hi-Fi	20 W*	2 A	60	50	7	10 MHz Min.	100	Fig. 9 TO-66 C	5.20
GE-27	NPN Silicon	Color/BW video output Amplifier, High Voltage	6 W* 1 W	100 MA	300	300 (CER)	5	80 MHz	60	Fig. 15 Plastic Pak GE-27 I	3.65
GE-28	NPN Silicon	AF Power Amplifier	12 W* 2 W	3 A		60 (CES) 45 (CEO)	5	50 MHz	80	Fig. 16 Plastic Pak GE-28 J	3.60
GE-29	PNP Silicon	AF Power Amplifier	12 W* 2 W	3 A		60 (CES) 45 (CEQ)	5	40 MHz	80	Fig. 16 Plastic Pak GE-29 J	4.00
GE-30	PNP Germanium	Audio Power Output for Stereo Tape Players and Radios, Tape Recorders, CB Transceivers, etc.	6 W*	3 A	60	60	12	1 MHz	110	Fig. 9 TO-66 C	3.70
GE-31MP	PNP Germanium	Audio Power Output Matched Pair of GE-30's	6 W*	3 A	60	60	12	1 MHz	110	Fig. 9 TO-66 C	7.40
GE-32	NPN Silicon	AC Line Operated AF Amplifier	30 W* 1.5 W	1 A		500 (CES) 300 (CEO)	5	40 MHz	125	Fig. 17 Power Pac L	4.65
GE-35	NPN Silicon	Vertical Deflection and Audio Power Amplifier	100 W*	15A	500	250 (CER)	8	2 MHz	15 Min.	Fig. 5 TO-3 C	13.00
GE-36	NPN Silicon	Power Transistor for Horizontal Deflection	100 W*	15A	800	400 (CER)	8	2 MHz	15 Min.	Fig. 5 TO-3 C	17.50
GE-37	NPN Silicon	Power Transistor for Vertical Deflection	50 W*	1A	1500	700 (CER)	5	500 KHz	30 Min.	Fig. 5 TO-3 C	13.00



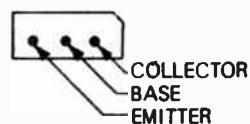
F



G



H



I



J

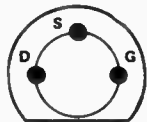
6 *With heat sink

APPLICATION AND TECHNICAL DATA CHART FOR UNIVERSAL TRANSISTORS

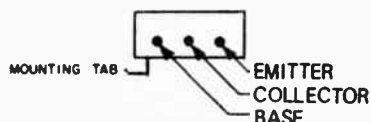
Type	Description	Applications	Power Dissipation Watts P_D	Max. Collector Current I_C	Breakdown Voltage			Typical Freq.	Typical Current Gain H_{fe}	Outline Drawing Base Drawing	Suggested List Price
					Collector to Base BV _{CB0}	Collector to Emitter BV _{CE0}	Emitter to Base BV _{EB0}				
GE-38	NPN Silicon	Power Transistor for Horizontal Deflection	50 W*	5A	1400	600	5	—	5 Min.	Fig. 5 TO-3 C	\$18.95
GE-39	NPN Silicon	Video IF Amplifier	180MW	50MA	45	45	4.5	800MHz	100	Fig. 10 TO-72 F	2.65
GE-40	NPN Silicon	Video Output Amplifier	7W*	50MA	300	300	7	40MHz	100	Fig. 21 TO-39 H***	4.75
GE-43	NPN Germanium	Audio Power Amplifier	6W*	3A (peak)	32	20	10	1.5MHz	110	Fig. 22 TO-66A C	4.15
GE-44	PNP Germanium	Audio Power Output for Stereo Tape Players, Radios, Tape Recorders, etc.	6W*	3A (peak)	32	20	10	1.5MHz	110	Fig. 22 TO-66A C	4.00
GE-45	NPN Silicon	Power Switching	5W*	2A	80	40	4	200MHz	10 Min.	Fig. 21 TO-39 H	5.95
GE-46	NPN Silicon	RF Power Output for CB & Switching Applications	10W*	4A	130	80	6	65 MHz	70	Fig. 35 B	10.70
GE-47	NPN Silicon	Audio Power Amp. & Driver	750MW	1A	60	50	5	200MHz	180	Fig. 32 1B	2.10
GE-48	PNP Silicon	Audio Power Amp. & Driver	750MW	1A	60	50	5	200MHz	180	Fig. 32 1B	2.25
GE-49	PNP Germanium	Audio Power Amp.	12W*	2A	35	35	6	700KHz	100	Fig. 33 1C	3.90
GE-50	PNP Germanium	FM, RF Amplifier TV, IF Amplifier	140MW	15MA	25	25 (CER)	0.3	250MHz	75	Fig. 20 R-90 O	2.15
GE-51	PNP Germanium	AM, RF Amplifier AM, FM, IF Amplifier	60MW	10MA	32	32 (CER)	1.0	75MHz	150	Fig. 10 TO-72 O	1.90
GE-52	PNP Germanium	Low Noise AF Amplifier	150MW	150MA	30	20 (CER)	12	2MHz	125	Fig. 4 TO-1 N-M	1.70
GE-53	PNP Germanium	AF Amplifier, Output	1 W* 220MW	1A	32	32	6	1.4MHz	110	Fig. 4 TO-1 M	1.70
GE-54	PNP, NPN Germanium	Matched complementary pair for audio output or driver applications PNP - Green brand similar to GE-53 NPN - Red brand similar to GE-59	1 W* 220MW	1A	32	32	6	1.4MHz	110	Fig. 4 TO-1 M	5.00
GE-55	NPN Silicon	Audio Power Amplifier & Switching Application	90 W*	10A	80	80	5	2MHz	20 Min.	Fig. 19 Plastic Package Q	5.10
GE-56	PNP Silicon	Audio Power Amplifier & Switching Application	90 W*	10A	80	80	5	2MHz	20 Min.	Fig. 19 Plastic Package Q	7.10
GE-57	NPN Silicon	Audio Power Amplifier	40 W*	4A	60	60	4	2MHz	35 Min.	Fig. 18 Plastic Package R	3.25
GE-58	PNP Silicon	Audio Power Amplifier	40 W*	4A	60	60	4	2MHz	35 Min.	Fig. 18 Plastic Package R	3.70
GE-59	NPN Germanium	AF Amplifier, Output	1 W*	1A	32	32	6	1MHz	90	Fig. 4 TO-1 M	2.10

*With heat sink.

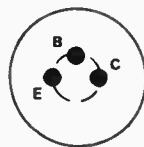
**Collector may be tied to case.



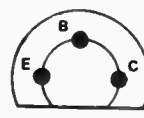
K



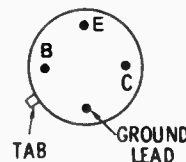
L



M



N



O

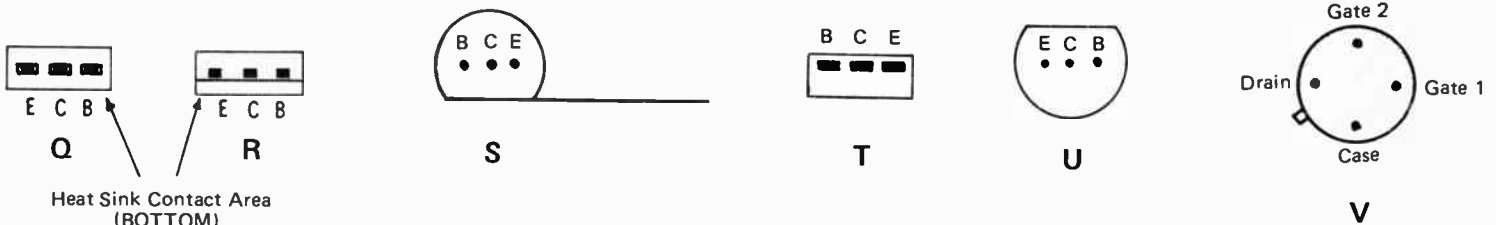


P

APPLICATION AND TECHNICAL DATA CHART FOR UNIVERSAL TRANSISTORS

Type	Description	Applications	Power Dissipation Watts P _D	Max. Collector Current I _C	Breakdown Voltage			Typical Freq.	Typical Current Gain H _{fe}	Outline Drawing Base Drawing	Suggested List Price
					Collector to Base BV _{CB0}	Collector to Emitter BV _{CEO}	Emitter to Base BV _{EB0}				
GE-60	NPN Silicon	RF, IF to 200MHz; TV 1st or 2nd IF Amp.	180MW	25MA	40	40	4	500MHz	70	Fig. 3 RO-110 B	\$2.00
GE-61	NPN Silicon	TV 3rd IF Amplifier	300MW	85MA	50	40	4	500MHz	90	Fig. 11 TO-92 P	2.20
GE-62	NPN Silicon	High Gain, Low Noise Amplifier	360MW	100MA	65	50	5	150MHz	350	Fig. 12 TO-98 E	1.35
GE-63	NPN Silicon	AF Amplifier Output	1 W* 500MW	1A	65	60	5	160MHz	150	Fig. 13 X-28 N	3.00
GE-64	NPN Silicon (Darlington)	Very High Gain, Low Noise Amplifier	360MW	275MA	40	40	12	90MHz	20000	Fig. 12 TO-98 E	1.60
GE-65	PNP Silicon	High Gain, Low Noise Amplifier	350MW	100MA	65	50	5	150MHz	350	Fig. 12 TO-98 E	1.50
GE-66	NPN Silicon	AF Power Output	28W* 1.5W	4A	—	70(CES) 60(CEO)	5	50MHz	70	Fig. 17 Power Pac L	4.15
GE-67	PNP Silicon	AF Amplifier Output	1 W* 500MW	1A	65	60	5	160MHz	150	Fig. 13 X-28 N	3.00
GE-69	PNP Silicon	AF Power Output	28W* 1.3W	4A	—	70(CES) 60(CEO)	5	40MHz	70	Fig. 17 Power Pac L	4.60
GE-72	NPN Silicon	Audio Amplifier	80W*	3.5A	200	200	5	4MHz	30	Fig. 5 TO-3 C	6.95
GE-73	NPN Silicon	Audio Amplifier	125W*	5A	400	400	5	4MHz	30	Fig. 5 TO-3 C	18.30
GE-74	PNP Silicon	Audio Amplifier	200W*	30A	100	100 (CER)	4	2MHz Min.	25 Min.	Fig. 5 TO-3 C	13.50
GE-75	NPN Silicon	Audio Amplifier	200W*	30A	100	100 (CER)	4	2MHz Min.	25 Min.	Fig. 5 TO-3 C	12.00
GE-76	PNP Germanium	Audio Amplifier & High Voltage Switching Applications	106W*	25A	90	90 (sus)	3	350KHz Min.	55 Min.	Fig. 5 TO-3 C	11.50
GE-80	PNP Germanium	Audio Power Amplifier	20W*	3.5A	40	40	20	1MHz	60 Min.	Fig. 6 TO-5 H	7.25
GE-81	NPN Silicon	Med. Power Driver & Low Power Output	625MW	500MA	80	80	4	150MHz	100	Fig. 30 TO-92 Z	1.55
GE-82	PNP Silicon	Med. Power Driver & Low Power Output	625MW	500MA	80	80	4	150MHz	100	Fig. 30 TO-92 Z	1.70
GE-83	NPN Silicon	Audio Power Output	8W*	2A	50	40	5	50MHz	60 Min.	Fig. 31 1A	2.90
GE-84	PNP Silicon	Audio Power Output	8W*	2A	50	40	5	50MHz	60 Min.	Fig. 31 1A	3.05
GE-85	NPN Silicon	Low Noise Amplifier	310MW	50MA	45	45	6.5	140MHz	750 Min.	Fig. 30 TO-92 Z	2.40
GE-86	NPN Silicon	VHF, RF Amp. Mixer Oscillator	200MW	50MA	30	19	2	1000MHz	40 Min.	Fig. 26 V'	1.25

*With heat sink.



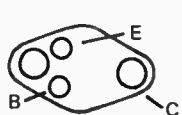
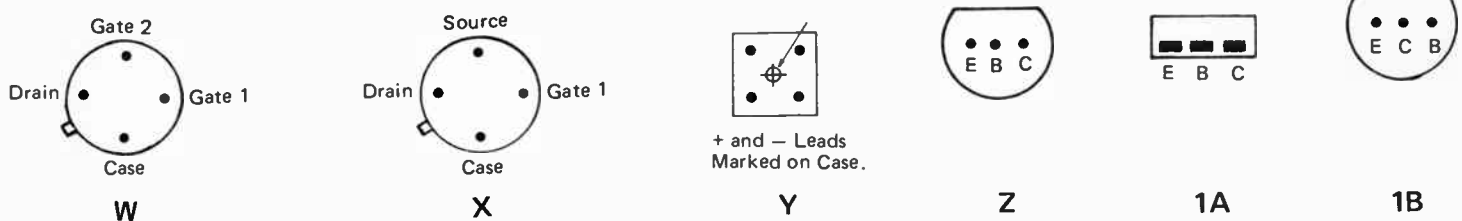
APPLICATION AND TECHNICAL DATA CHART FOR UNIVERSAL TRANSISTORS

Type	Description	Applications	Power Dissipation Watts P _D	Max. Collector Current I _C	Breakdown Voltage			Typical Freq.	Typical Current Gain H _{fe}	Outline Drawing	Suggested List Price
					Collector to Base BVCBO	Collector to Emitter BVCEO	Emitter to Base BVEBO			Base Drawing	
GE-88	NPN Silicon	Audio Driver & Output	1 W*	1A	60	50	5	200MHz	170	Fig. 23 S	\$2.80
GE-89	PNP Silicon	Audio Driver & Output	1 W*	1A	60	50	5	200MHz	170	Fig. 23 S	2.80
GE-210	NPN Silicon	RF, AF Amplifier & Osc.	400MW	500MA	60	50	5	200MHz	175	Fig. 30 TO-92 Z	1.40
GE-211	NPN Silicon	RF, IF Amp.	250MW	30MA	30	20	5	300MHz	100	Fig. 30 TO-92 Z	1.00
GE-212	NPN Silicon	Voltage Amp.	300MW	150MA	60	50	5	150MHz	300	Fig. 12 TO-98 E	1.30
GE-213	NPN Silicon	3rd TV IF Amp.	300MW	50MA	75	40	3	300MHz	40	Fig. 12 TO-98 E	1.85
GE-214	NPN Silicon	UHF/VHF RF Amp.	150MW	20MA	25	20	3	1000MHz	25 Min.	Fig. 10 TO-72 F	3.30
GE-215	NPN Silicon	RF Output & Driver for CB	12W*	3A	65	60	4	300MHz	70	Fig. 24 TO-220 T	7.75
GE-216	NPN Silicon	RF Output & Driver for CB	25W*	8A	70	70	4	150MHz	60	Fig. 24 TO-220 T	14.95

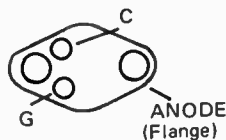
*With Heat Sink

FIELD EFFECT TRANSISTORS			Common Source Forward Transfer Admittance (MMHOS)	Power Dissipation @ 25°C Free Air	Gate Current (IG) (MADC)	Zero Gate Voltage Drain Current (IDSS)	Drain Gate Voltage	Drain Source Voltage V _{DS} (VDC)	Gate Source Breakdown Voltage V(BR) GSS	Case Package	Suggested List Price
GE Type	Description	Applications								Terminal Drawing	
GE-FET-1	N Channel Silicon FET	General Purpose Amplifier to 100MHz	6500 Max.	200MW	10MA	2 to 20MA**	25	25	-25	Fig. 11 TO-92 G	\$3.75
GE-FET-2	N Channel Silicon FET	FM-TV RF Mixer VHF to 400MHz	5500 Typical	350MW	50MA	5 to 15MA**	30	-	-30	Fig. 14 X-55 K	2.40
GE-FET-3	N Channel Silicon FET	FM-AM-RF Amp. & Mixer Stages	7500	200MW	10MA	8 to 20MA**	30	10	-18 Min.	Fig. 28 X	2.50
GE-FET-4	N Channel Dual Gate MOS. FET	VHF-RF Amp. Stages in FM & TV	14,000	330MW	35MA	5 to 17MA**	-	-2 to +22	-7 to +7	Fig. 27 TO-72 W	2.95

**Pulse Test: Pulse width = 100 MSec., Duty Cycle = 10%.



1C



1D

COMPLEMENTARY PAIRS:

- | | |
|-------------|-------------|
| GE-2/GE-8 | GE-62/GE-65 |
| GE-28/GE-29 | GE-63/GE-67 |
| GE-47/GE-48 | GE-66/GE-69 |
| GE-53/GE-59 | GE-74/GE-75 |
| GE-54 | GE-81/GE-82 |
| GE-55/GE-56 | GE-83/GE-84 |
| GE-57/GE-58 | GE-88/GE-89 |

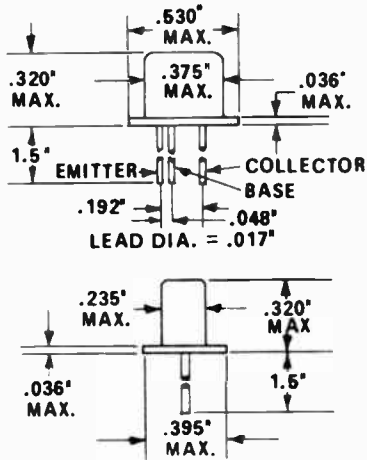
Type	Qty. in Kit	Description †	Application	Power Dissipation Watts P _D	Max. Collector Current I _C	Breakdown Voltage			Typical Freq.	Typical Current Gain H _{fe}	Outline Drawing Base Drawing	Suggested List Price
						Collector to Base BV _{CB0}	Collector to Emitter BV _{CE0}	Emitter to Base BV _{EB0}				
GE-10	2	N/S	Mixer/Osc. Conv. RF & IF Amp.	200MW	100MA	25	25	5	200MHz	150	Fig. 12 TO-98 E	\$2.00
GE-11	1	N/S	Mixer/Osc. Conv. RF, IF Amp., UHF VHF Tuner Osc.	200MW	25MA	30	12	3	700MHz Min.	75	Fig. 12 TO-98 E	2.55
GE-18	1	N/S	AF Amp. Output or Osc.	800MW	500MA	120	80	7	50MHz Min.	80	Fig. 6 TO-5 H	2.40
GE-21	1	P/S	AF Amp., RF, IF Amp. Osc.	500MW	500MA	60	60	5	200MHz	65	Fig. 6 TO-5 H	1.90
GE-28	1	N/S	AF Power Amp.	12W*	3A	60CES 45CEO	5	—	50MHz	80	Fig. 16 Plastic Pak J	3.60
GE-47	3	N/S	AF Amp. & Driver	750MW	1A	60	50	5	200MHz	170	Fig. 32 1B	2.10
GE-48	3	P/S	AF Amp & Driver	750MW	1A	60	50	5	200MHz	170	Fig. 32 1B	2.25
GE-50	1	P/G	FM, RF Amp. TV, IF Amp.	140MW	15MA	25	25 (CER)	—	250MHz	75	Fig. 90 R-90 O	2.15
GE-51	1	P/G	AM, RF Amp. AM, FM, IF Amp.	60MW	10MA	32	32 (CER)	—	75MHz	150	Fig. 10 TO-72 O	1.90
GE-52	2	P/G	Low Noise AF Amp.	150MW	150MA	30	20 (CER)	12	2MHz	125	Fig. 4 TO-1 N-M	1.70
GE-53	1	P/G	AF Amp. Output	1W*	1A	32	32	6	1.4MHz	110	Fig. 4 TO-1 M	1.70
GE-54	1	PNP/NPN Germanium	Matched Comp. for Audio Output or Driver PNP - Green similar to GE-53 NPN - Red similar to GE-59	1W*	1A	32	32	6	1.4MHz	110	Fig. 4 TO-1 M	5.00
GE-59	1	NPN Germanium	AF Amp. & Output	1W*	1A	32	32	6	1MHz	90	Fig. 4 TO-1 M	2.10
GE-62	2	N/S	High Gain, Low Noise Amplifier	350MW	100MA	65	50	5	150MHz	350	Fig. 12 TO-98 E	1.35
GE-65	2	P/S	High Gain, Low Noise Amplifier	350MW	100MA	65	50	5	150MHz	350	Fig. 12 TO-98 E	1.50
GE-66	1	N/S	AF Power Output	28W*	4A	70CES 60CEO	—	5	50MHz	70	Fig. 17 Power Pac L	4.15
GE-86	3	N/S	VHF, RF Amp. Mixer, Osc.	200MW	50MA	30	19	2	1000MHz	40 Min.	Fig. 26 V	1.25
GE-88	1	N/S	Audio Driver and Output	1W*	1A	60	50	5	200MHz	170	Fig. 23 S	2.80
GE-89	1	P/S	Audio Driver and Output	1W*	1A	60	50	5	200MHz	170	Fig. 23 S	2.80
GE-210	3	N/S	AF Amp., RF Amp., Osc.	400MW	500MA	60	50	5	200MHz	175	Fig. 30 TO-92 Z	1.40
GE-211	1	N/S	RF, IF Amp.	250MW	30MA	30	20	5	300MHz	100	Fig. 30 TO-92 Z	1.00
GE-212	3	N/S	Voltage Amp.	300MW	150MA	70	50	5	150MHz	300	Fig. 12 TO-98 E	1.30
GE-213	3	N/S	3rd TV IF Amp.	300MW	50MA	75	40	3	300MHz Min.	40	Fig. 12 TO-98 E	1.85
GE-214	1	N/S	UHF/VHF RF Amp.	150MW	20MA	25	20	3	1000MHz	25 Min.	Fig. 10 TO-72 F	3.30

† N/S is NPN Silicon; PS is PNP Silicon; P/G is PNP Germanium.

* With heat sink.

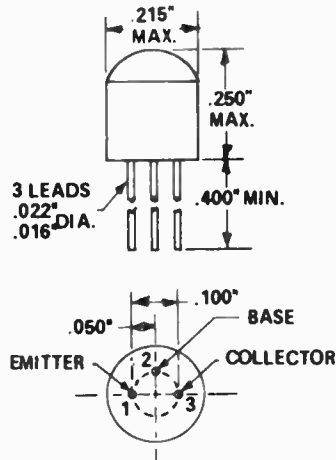
Outline Drawings . . . all dimensions in inches.

FIG. 1



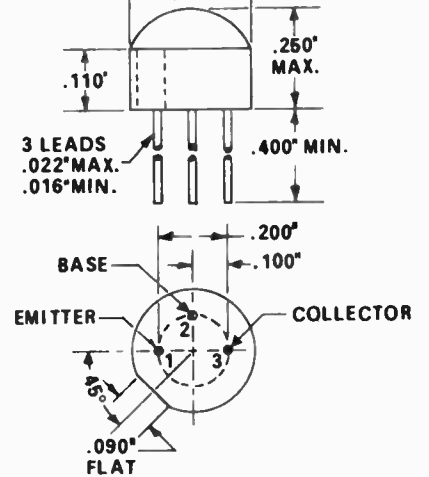
OV-5

FIG. 2



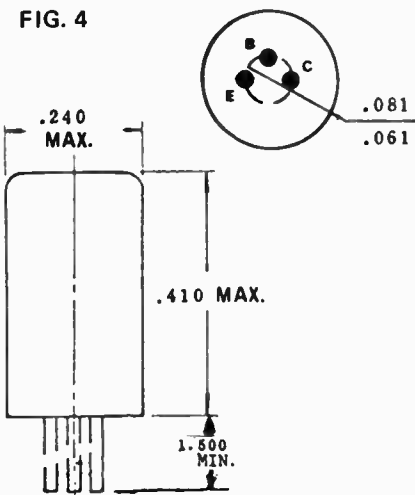
RO-97A

FIG. 3



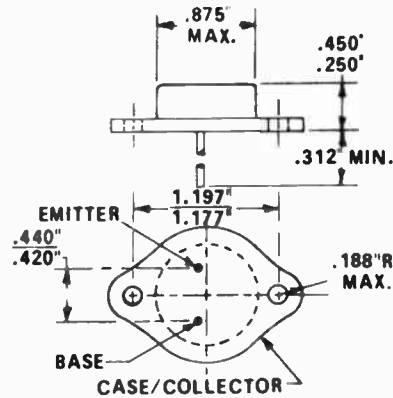
RO-110

FIG. 4



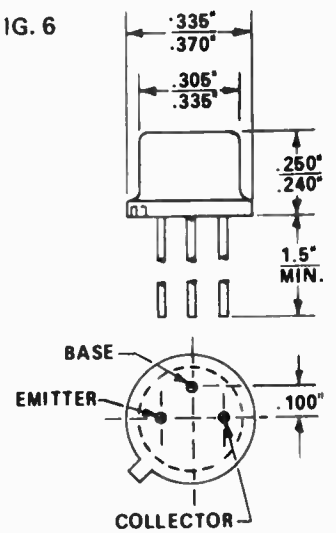
TO-1

FIG. 5



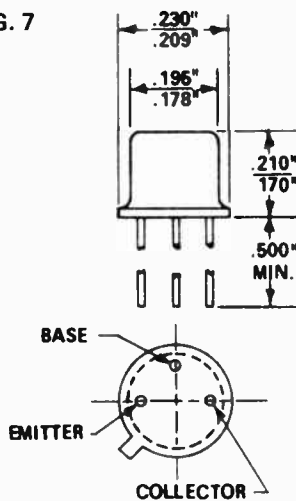
TO-3

FIG. 6



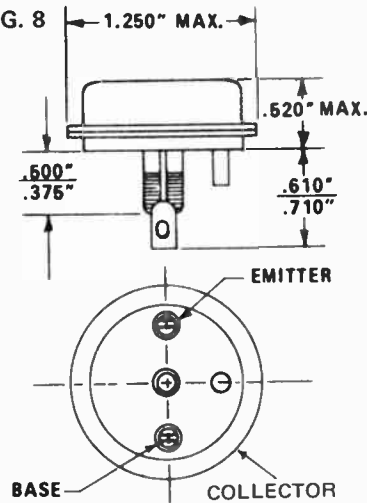
TO-5

FIG. 7



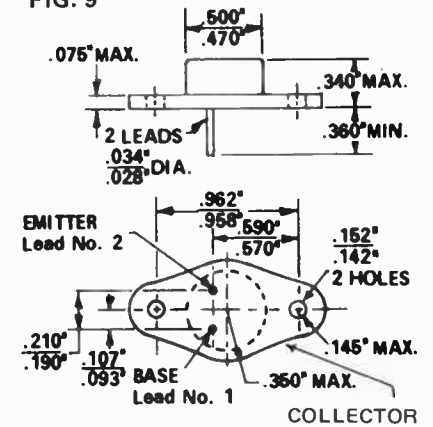
TO-18

FIG. 8



TO-36

FIG. 9



TO-66

Outline Drawings ... all dimensions in inches.

FIG. 10

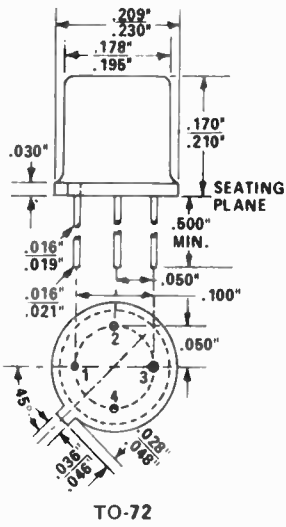


FIG. 11

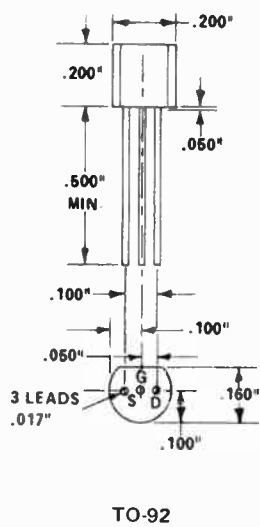


FIG. 12

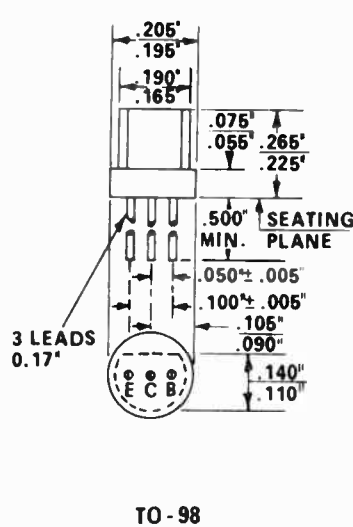


FIG. 13

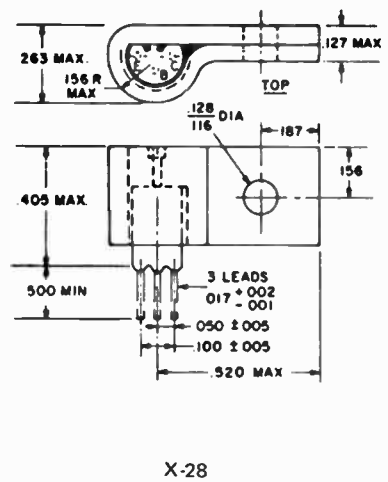


FIG. 14

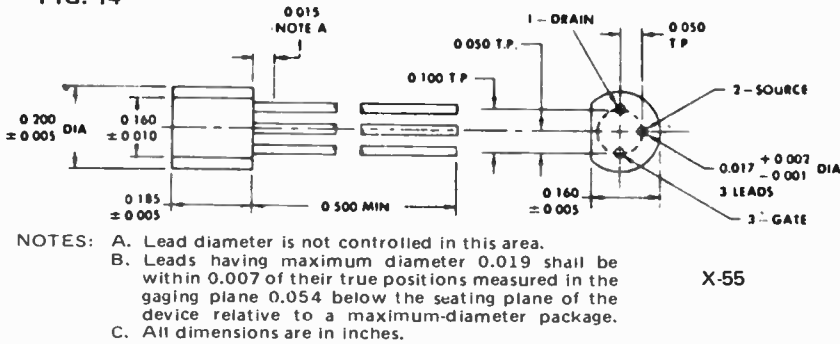


FIG. 17

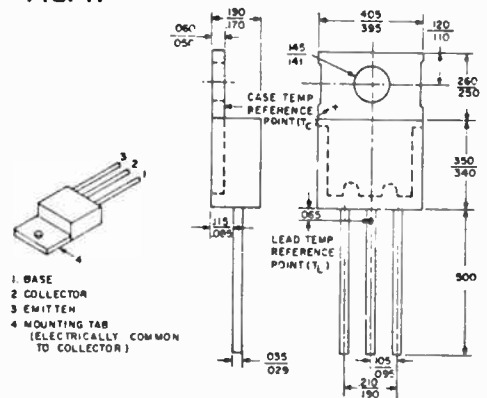


FIG. 15

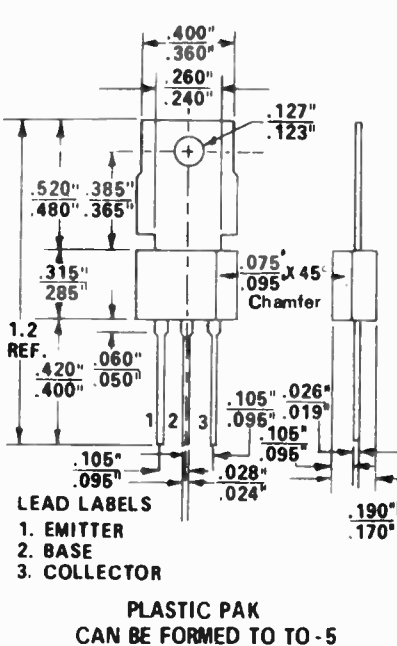
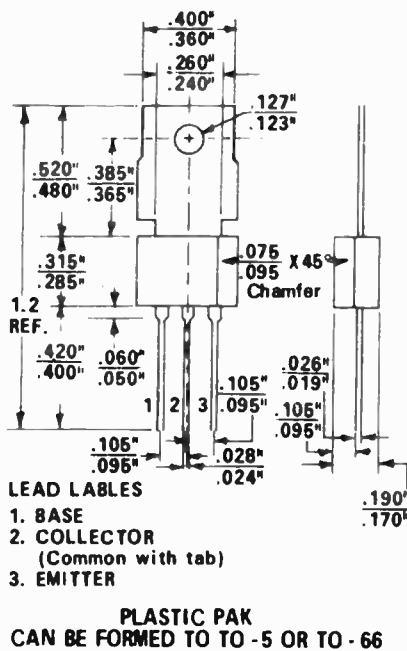
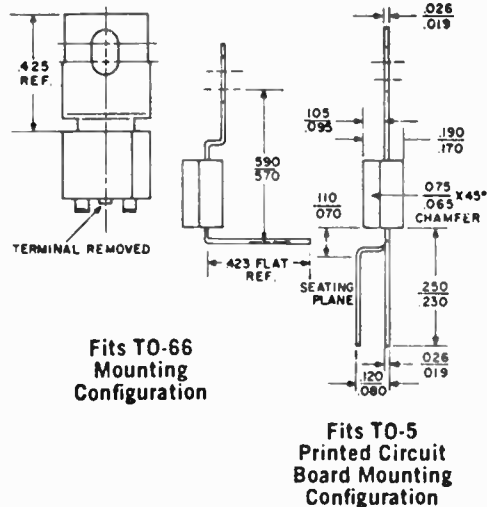


FIG. 16



POWER PAC

Mounting Suggestions for POWER PAC



OUTLINE DRAWINGS . . . all dimensions in inches

FIG. 18

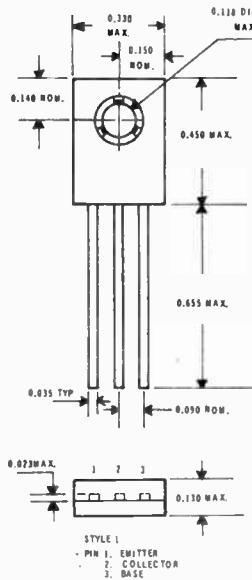


FIG. 19

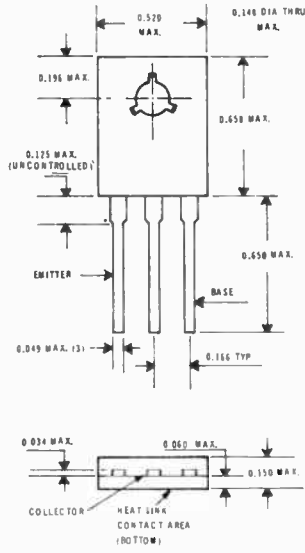


FIG. 20

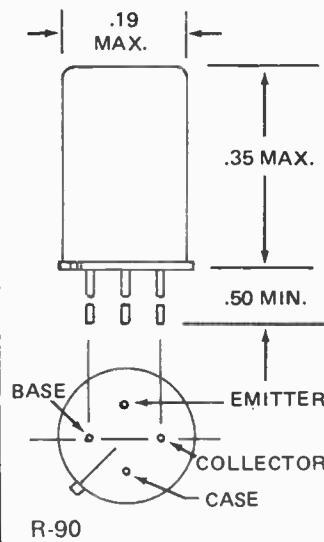


FIG. 21

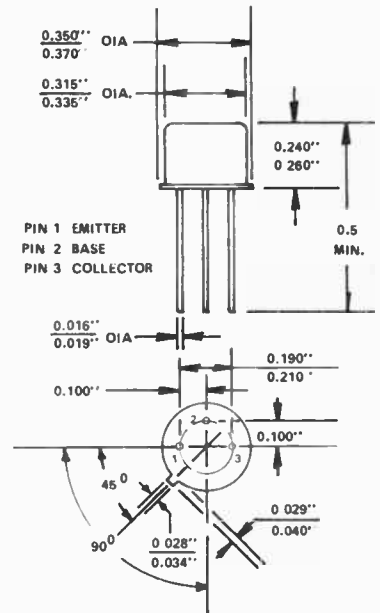


FIG. 22

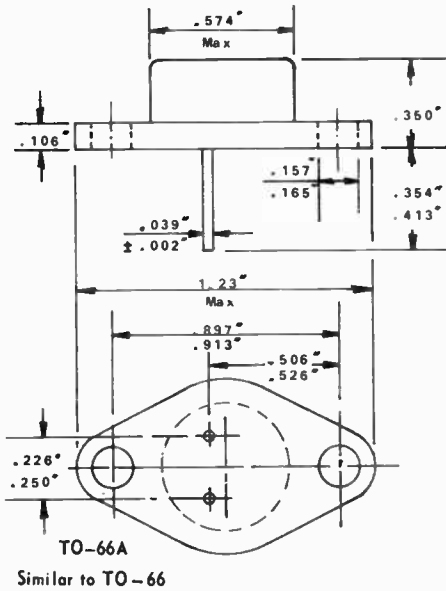


FIG. 23

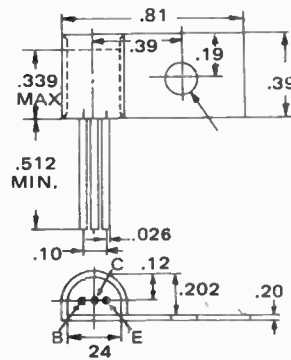


FIG. 24

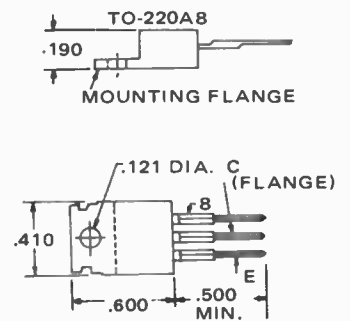


FIG. 26

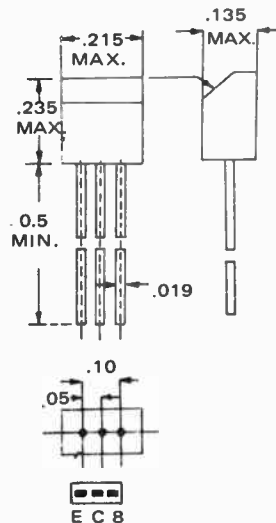


FIG. 27

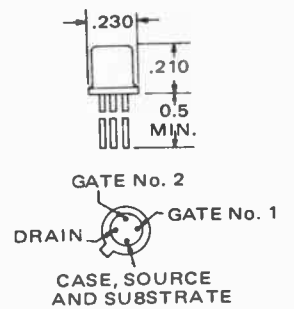
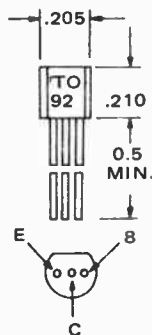


FIG. 25



OUTLINE DRAWINGS . . . all dimensions in inches.

FIG. 28

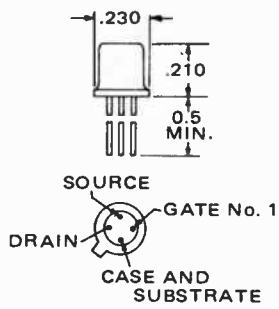


FIG. 29

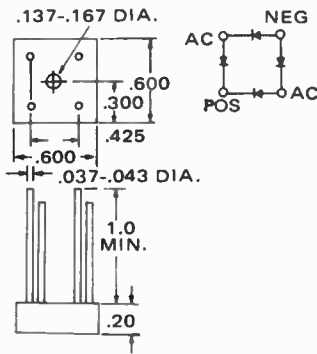


FIG. 30

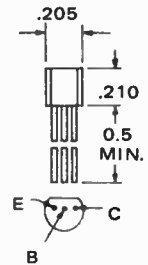


FIG. 31

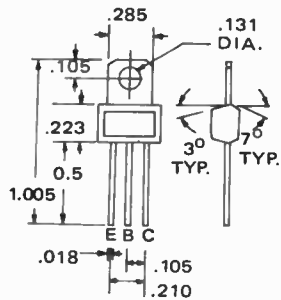


FIG. 32

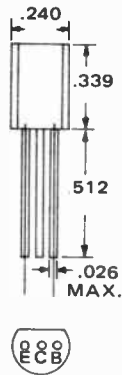


FIG. 33

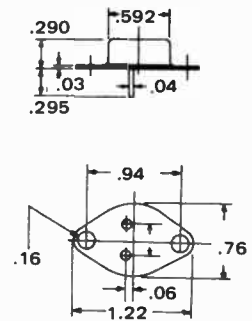


FIG. 34

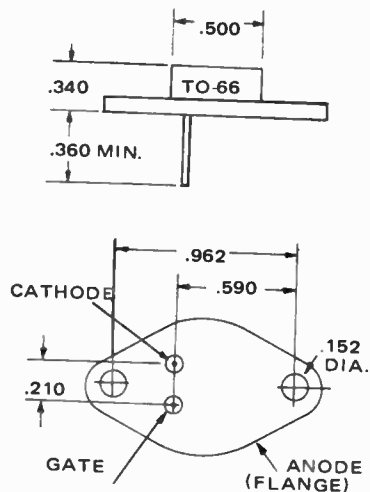
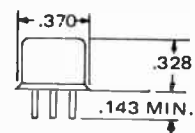
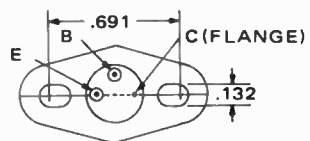


FIG. 35



FLANGE KIT INCLUDED
IF NEEDED FOR INSTALLATION.



NPN SILICON TRANSISTORS — listed in order of decreasing breakdown voltage, BVCEO

Type	Application	Power Dissipation Watts P _D	Max. Collector Current I _C	Breakdown Volts			Typical Freq.	Typical Current Gain H _{fe}	Outline Drawing Fig. No. ()	Base Drawing (See Pages 5-9)
				Collector to Base BV _{CB0}	Collector to Emitter BV _{CEO}	Emitter to Base BV _{EB0}				
GE-37	Vertical Deflection	50 W*	1 A	1500	700CER	5	500 KHz	30 min.	TO-3 (5)	C
GE-38	Horizontal Deflection	50 W*	5 A	1400	600	5	—	5 min.	TO-3 (5)	C
GE-36	Horizontal Deflection	100 W*	15 A	800	400CER	8	2 MHz	15 min.	TO-3 (5)	C
GE-35	Vertical Deflection & Audio	100 W*	15 A	500	250CER	8	2 MHz	15 min.	TO-3 (5)	C
GE-73	Audio Amp.	125 W*	5 A	400	400	5	4 MHz	30	TO-3 (5)	C
GE-27	Video Output Amp.	6 W*	100 MA	300	300CER	5	80 MHz	60	PlasticPak(15)	I
GE-12	AC Line Operated A.F. Power Amp.	10 W*	400 MA	300	300	5	30 MHz†	140	TO-66 (9)	C
GE-40	Video Output Amp.	7 W*	50 MA	300	300	7	40 MHz	100	TO-39 (21)	H***
GE-32	AC Line Operated A.F. Amp.	30 W*	1 A	—	300	5	40 MHz	125	PowerPak(17)	L
GE-72	Audio Amp.	80 W*	3.5 A	200	200	5	4 MHz	30	TO-3 (5)	C
GE-46	Power Switching & RF Power Output for C.B.	10 W*	4 A	130	80	6	65 MHz	70	— (35)	B
GE-18	A.F. Power Output or Osc.	800 MW	500 MA	120	80	7	50 MHz†	80	TO-5 (6)	H***
GE-14	Audio Amplifier	115 W*	15 A	100	60	7	800 KHz	45	TO-3 (5)	C
GE-15	Matched Pair of GE-14	115 W*	15 A	100	60	7	800 KHz	45	TO-3 (5)	C
GE-75	Audio Amplifier	200 W*	30 A	100	100CER	4	2 MHz†	25 min.	TO-3 (5)	C
GE-45	Power Switching	5 W*	2 A	80	40	4	200 MHz	10 min.	TO-39 (21)	H
GE-81	Med. Power Driver & Low Power Output	625 MW	500 MA	80	80	4	150 MHz	100	TO-92 (30)	Z
GE-55	Audio Power & Switching	90 W*	10 A	80	80	5	2 MHz	20 min.	PlasticPkg.(19)	Q
GE-20	Med. A.F. Amp. RF & IF Amp. & Osc.	500 MW	500 MA	75	40	6	300 MHz†	100	TO-18 (7)	H
GE-213	3rd TV IF Amp.	300 MW	50 MA	75	40	3	300 MHz†	40	TO-98 (12)	E
GE-212	Voltage Amp.	300 MW	150 MA	70	50	5	150 MHz	300	TO-98 (12)	E
GE-216	RF Output & Driver for C.B.	25 W*	8 A	70	70	4	150 MHz	60	TO-220(24)	T
GE-62	High Gain, Low Noise Amp.	350 MW	100 MA	65	50	5	150 MHz	350	TO-98 (12)	E
GE-63	A.F. Amp. Output	1 W*	1 A	65	60	5	160 MHz	150	X-28 (13)	N
GE-215	RF-Output & Driver for C.B.	12 W*	3 A	65	60	4	300 MHz	70	TO-220(24)	T
GE-17	FM, RF & Oscillator, TV & other Low Noise Circuits	500 MW	100 MA	60	30	5	250 MHz†	80	RO-97A (2)	B
GE-23	A.F. Power Amp. Class A & B	15 W*	2 A	60	40	8	50 MHz†	125	TO-66 (9)	C
GE-24	Matched Pair GE-23	15 W*	2 A	60	40	8	50 MHz†	125	TO-66 (9)	C
GE-28	A.F. Power	12 W*	3 A	—	45	5	50 MHz	80	PlasticPak(16)	J
GE-47	Audio Power Amp. & Driver	750 MW	1 A	60	50	5	200 MHz	180	— (32)	1B
GE-57	Audio Power	40 W*	4 A	60	60	4	2 MHz	35 min.	PlasticPkg.(18)	R
GE-66	A.F. Power	28 W*	4 A	—	60	5	50 MHz	70	PowerPak(17)	L
GE-88	Audio Driver & Output	1 W*	1 A	60	50	5	200 MHz	170	— (23)	S
GE-210	R.F., A.F. Amp. & Osc.	400 MW	500 MA	60	50	5	200 MHz	175	TO-92 (30)	Z
GE-19	High Power Audio	90 W*	4 A	50	50	5	800 KHz†	40	TO-3 (5)	C
GE-61	TV 3rd IF Amp.	300 MW	85 MA	50	40	4	500 MHz	90	TO-92 (11)	P
GE-83	Audio Power Output	8 W*	2 A	50	40	5	50 MHz	60 min.	— (31)	1A
GE-39	Video IF Amplifier	180 MW	50 MA	45	45	4.5	800 MHz	100	TO-72 (10)	F
GE-85	High Gain & Low Noise Amplifier	310 MW	50 MA	45	45	6.5	140 MHz	750 min.	TO-92 (30)	Z
GE-60	RF, IF to 200 MHz TV 1st or 2nd IF Amplifier	180 MW	25 MA	40	40	4	500 MHz	70	RO-110 (3)	B
GE-11	Mixer/Osc. Converter, RF & IF Amp. (FM Radio), VHF Tuner, UHF Osc.	200 MW	25 MA	30	12	3	700 MHz†	75	TO-98 (12)	E
GE-86	VHF RF Amp., Mixer, Osc.	200 MW	50 MA	30	19	2	1000 MHz	40 min.	— (26)	V
GE-211	RF, IF Amplifier	250 MW	30 MA	30	20	5	300 MHz	100	TO-92 (30)	Z
GE-214	UHF/VHF Amplifier	150 MW	20 MA	25	20	3	1000 MHz	25 min.	TO-72 (10)	F
GE-10	Mixer/Oscillator, Converter RF & IF Amp. (AM Radio) AF Amp.	200 MW	100 MA	25	25	5	200 MHz	150	TO-98 (12)	E

NPN SILICON RF, IF, Signal — listed in order of decreasing frequency

Type	Application	Power Dissipation Watts P _D	Max. Collector Current I _C	Breakdown Voltage			Typical Freq.	Typical Current Gain H _{fe}	Outline Drawing Fig. No. ()	Base Drawing (See Pages 5-9)
				Collector to Base BV _{CB0}	Collector to Emitter BV _{CEO}	Emitter to Base BV _{EB0}				
GE-214	UHF/VHF RF Amplifier	150 MW	20 MA	25	20	3	1000 MHz	25 min.	TO-72 (10)	F
GE-86	VHF RF Amp., Mixer, Osc.	200 MW	50 MA	30	19	2	1000 MHz	40 min.	— (26)	V
GE-39	Video IF Amplifier	180 MW	50 MA	45	45	4.5	800 MHz	100	TO-72 (10)	F
GE-11	RF/IF/Mixer/Osc. UHF-VHF	200 MW	25 MA	30	12	3	700 MHz†	75	TO-98 (12)	E
GE-60	RF/IF to 200 MHz, TV 1st or 2nd IF	180 MW	25 MA	40	40	4	500 MHz	70	RO-110 (3)	B
GE-61	3rd IF Amplifier	300 MW	85 MA	50	40	4	500 MHz	90	TO-92 (11)	P
GE-20	Med. AF Amp. - RF/IF Amp. Osc.	500 MW	500 MA	75	40	6	300 MHz†	100	TO-18 (7)	H
GE-213	3rd TV IF Amp.	300 MW	50 MA	75	40	3	300 MHz†	40	TO-98 (12)	E
GE-211	RF, IF Amp.	250 MW	30 MA	30	20	5	300 MHz	100	TO-92 (30)	Z
GE-17	FM, RF & Osc. TV & Low Noise Cir.	500 MW	100 MA	60	30	5	250 MHz†	80	RO-97A (2)	B
GE-47	Audio Amp.	750 MW	1 A	60	50	5	200 MHz	180	— (32)	1B
GE-210	RF, AF Amp. & Osc.	400 MW	500 MA	60	50	5	200 MHz	175	TO-92 (30)	Z
GE-10	Mixer/Osc. Conv. - RF/IF Amp., AF Amp.	200 MW	100 MA	25	25	5	200 MHz	150	TO-98 (12)	E
GE-63	AF Output	1 W*	1 A	65	60	5	160 MHz	150	X-28 (13)	N
GE-62	High Gain - Low Noise Amp.	350 MW	100 MA	65	50	5	150 MHz	350	TO-98 (12)	E
GE-212	Voltage Amp.	300 MW	150 MA	70	50	5	150 MHz	300	TO-98 (12)	E
GE-81	Med. Power Driver & Low Power Output	625 MW	500 MA	80	80	4	150 MHz	100	TO-92 (30)	Z
GE-85	Low Noise Amp.	310 MW	50 MA	45	45	6.5	140 MHz	750	TO-92 (30)	Z
GE-64	Very High Gain - Low Noise Amp.	360 MW	275 MA	40	40	12	90 MHz	20,000	TO-98 (12)	E
GE-18	AF Amp. - Output Osc.	800 MW	500 MA	120	80	7	50 MHz†	80	TO-5 (6)	H***

* With heat sink.

***Collector may be tied to case.

†Minimum

NPN SILICON — listed in order of decreasing I_C

Type	Application	Power Dissipation Watts P _D	Max. Collector Current I _C	Breakdown Volts			Typical Freq.	Typical Current Gain H _{fe}	Outline Drawing Fig. No. ()	Base Drawing (See Pages 5-9)
				Collector to Base BV _{CB0}	Collector to Emitter BV _{CEO}	Emitter to Base BV _{EB0}				
GE-75	Audio Amplifier	200 W*	30 A	100	100 CER	4	2 MHz†	25 min.	TO-3 (5)	C
GE-35	Vert. Deflection & Audio Power Amp.	100 W*	15 A	500	250 CER	8	2 MHz	15 min.	TO-3 (5)	C
GE-36	Power Transistor for Horiz. Deflection	100 W*	15 A	800	400 CER	8	2 MHz	15 min.	TO-3 (5)	C
GE-14	AF Power Amplifier	115 W*	15 A	100	60	7	800 KHz	45	TO-3 (5)	C
GE-55	Audio Power Amp. & Switching Applications	90 W*	10 A	80	80	5	2 MHz	20 min.	PlasticPkg.(19)	Q
GE-216	RF Output & Driver for C. B.	25 W*	8 A	70	70	4	150 MHz	60	TO-220(24)	T
GE-38	Power Transistor for Horiz. Deflection	50 W*	5 A	1400	600	5	—	5 min.	TO-3 (5)	C
GE-73	Audio Amplifier	125 W*	5 A	400	400	5	4 MHz	30	TO-3 (5)	C
GE-19	High Power AF Amp., Power Osc., Medium Current	90 W*	4 A	50	50	5	800 KHz†	40	TO-3 (5)	C
GE-46	Power Switching & RF Power Output for C. B.	10 W*	4 A	130	80	6	65 MHz	70	— (35)	B
GE-57	Audio Power Amplifier	40 W*	4 A	60	60	4	2 MHz	35 min.	PlasticPkg.(18)	R
GE-66	AF Power Output	28 W*	4 A	—	60	5	50 MHz	70	PowerPac(17)	L
GE-72	Audio Amplifier	80 W*	3.5 A	200	200	5	4 MHz	30	TO-3 (5)	C
GE-28	AF Power Amplifier	12 W*	3 A	—	45	5	50 MHz	80	PlasticPak(16)	J
GE-215	RF Power Output & Driver for C.B.	12 W*	3 A	65	60	4	300 MHz	70	TO-220 (24)	T
GE-23	AF Power Amp. for use in Class A & B, AF Power Amp., Communications, Hi-Fi	15 W*	2 A	60	40	8	50 MHz†	125	TO-66 (9)	C
GE-45	Power Switching	5 W*	2 A	80	40	4	200 MHz	10 min.	TO-39 (21)	H
GE-83	Audio Power Output	8 W*	2 A	50	40	5	50 MHz	60 min.	— (31)	1A
GE-32	AC Line Operated AF Amplifier	30 W*	1 A	—	300	5	40 MHz	125	PowerPac(17)	L
GE-37	Power Transistor for Vertical Deflection	50 W*	1 A	1500	700 CER	5	500 KHz	30 min.	TO-3 (5)	C
GE-63	AF Amplifier Output	1 W*	1 A	65	60	5	160 MHz	150	X-28 (13)	N
GE-88	Audio Driver and Output	1 W*	1 A	60	50	5	200 MHz	170	— (23)	S
GE-47	Audio Power Amplifier & Driver	750 MW	1 A	60	50	5	200 MHz	180	— (32)	1B
GE-18	AF Amp., Output or Oscillator	800 MW	500 MA	120	80	7	50 MHz†	80	TO-5 (6)	H***
GE-20	Medium AF Amplifier, RF & IF Amplifier, Oscillator	500 MW	500 MA	75	40	6	300 MHz†	100	TO-18 (7)	H
GE-81	Med. Power Driver & Low Power Output	625 MW	500 MA	80	80	4	150 MHz	100	TO-92 (30)	Z
GE-210	RF, AF Amplifier	400 MW	500 MA	60	50	5	200 MHz	175	TO-92 (30)	Z
GE-12	AF Amplifier for 120 V Line Operated Stereo, Phono, TV, etc. - High Voltage	10 W*	400 MA	300	300	5	30 MHz†	140	TO-66 (9)	C
GE-17	FM RF & Oscillator, TV and other Low Noise Circuits	500 MW	100 MA	60	30	5	250 MHz†	80	RO-97A (2)	B
GE-212	Voltage Amplifier	300 MW	150 MA	70	50	5	150 MHz	300	TO-98 (12)	E
GE-62	High Gain - Low Noise Amplifier	350 MW	100 MA	65	50	5	150 MHz	350	TO-98 (12)	E
GE-10	Mixer/Oscillator, Converter, RF & IF Amp. (AM Radio)	200 MW	100 MA	25	25	5	200 MHz	150	TO-98 (12)	E
GE-27	Color/BW Video Output Amplifier, High Voltage	6 W*	100 MA	300	300 CER	5	80 MHz	60	PlasticPak(15)	I
GE-61	TV 3rd IF Amplifier	300 MW	85 MA	50	40	4	500 MHz	90	TO-92 (11)	P
GE-11	Mixer/Osc. Converter, RF & IF Amp. (FM Radio), VHF Tuner, UHF Osc.	200 MW	25 MA	30	12	3	700 MHz†	75	TO-98 (12)	E
GE-39	Video IF Amplifier	180 MW	50 MA	45	45	4.5	800 MHz	100	TO-72(10)	F
GE-40	Video Output Amplifier	7 W*	50 MA	300	300	7	40 MHz	100	TO-39 (21)	H***
GE-85	High Gain - Low Noise Amplifier	310 MW	50 MA	45	45	6.5	140 MHz	750 min.	TO-92 (30)	Z
GE-86	VHF RF Amp., Mixer, Oscillator	200 MW	50 MA	30	19	2	1000 MHz	40 min.	— (26)	V
GE-213	TV 3rd IF Amplifier	300 MW	50 MA	75	40	3	300 MHz	40	TO-98 (12)	E
GE-211	RF, IF Amplifier	250 MW	30 MA	30	20	5	300 MHz†	100	TO-92 (30)	Z
GE-60	RF, IF to 200 MHz: TV 1st or 2nd IF Amplifier	180 MW	25 MA	40	40	4	500 MHz	70	RO-110 (3)	B
GE-214	UHF/VHF RF Amplifier	150 MW	20 MA	25	20	3	1000 MHz	25 min.	TO-72 (10)	F

NPN SILICON Low Power AF, General Purpose — listed in order of decreasing breakdown voltage BV_{CB0}

Type	Application	Power Dissipation Watts P _D	Max. Collector Current I _C	Breakdown Volts			Typical Freq.	Typical Current Gain H _{fe}	Outline Drawing Fig. No. ()	Base Drawing (See Pages 5-9)
				Collector to Base BV _{CB0}	Collector to Emitter BV _{CEO}	Emitter to Base BV _{EB0}				
GE-18	AF Amp. - Output Osc.	800 MW	500 MA	120	80	7	50 MHz†	80	TO-5 (6)	H***
GE-81	Med. Power AF Amp.	625 MW	500 MA	80	80	4	150 MHz	100	TO-92 (30)	Z
GE-20	Med. AF Amp., RF & IF Amp., Osc.	500 MW	500 MA	75	40	6	300 MHz†	100	TO-18 (7)	H
GE-212	Voltage Amp.	300 MW	150 MA	70	50	5	150 MHz	300	TO-98 (12)	E
GE-62	High Gain - Low Noise	350 MW	100 MA	65	50	5	150 MHz	350	TO-98 (12)	E
GE-63	AF Output	1 W*	1 A	65	60	5	160 MHz	150	X-28 (13)	N
GE-210	RF, AF Amp. & Osc.	400 MW	500 MA	60	50	5	200 MHz	175	TO-92 (30)	Z
GE-17	FM/RF & Osc. - Low Noise	500 MW	100 MA	60	30	5	250 MHz†	80	RO-97A (2)	B
GE-85	Low Noise - High Gain Amp.	310 MW	50 MA	45	45	6.5	140 MHz	750 min.	TO-92 (30)	Z
GE-64	Very High Gain - Low Noise Amp.	360 MW	275 MA	40	40	12	90 MHz	20,000	TO-98 (12)	E
GE-86	High Freq. Osc. & Amp.	200 MW	50 MA	30	19	2	1000 MHz	40 min.	— (26)	V
GE-211	RF, IF Amp.	250 MW	30 MA	30	20	5	300 MHz	100	TO-92 (30)	Z
GE-214	RF Amp., UHF/VHF	150 MW	20 MA	25	20	3	1000 MHz	25 min.	TO-72 (10)	F
GE-10	AF Amp. Mixer/Osc. Conv. RF/IF Amp.	200 MW	100 MA	25	25	5	200 MHz	150	TO-98 (12)	E

* With Heat Sink.

*** Collector may be tied to case.

†Minimum

NPN SILICON Matched Pairs

Type	Application	Power Dissipation Watts P _D	Max. Collector Current I _C	Breakdown Volts			Typical Freq.	Typical Current Gain H _{fe}	Outline Drawing Fig. No. ()	Base Drawing (See Pages 5-9)
				Collector to Base BV _{CB0}	Collector to Emitter BV _{CE0}	Emitter to Base BV _{EB0}				
GE-15MP	Matched Pair GE-14 Audio Amp.	115 W*	15 A	100	60	7	800 KHz	45	TO-3 (5)	C
GE-24MP	Matched Pair GE-23 AF Power Amp.	15 W*	2 A	60	40	8	50 MHz	125	TO-66 (9)	C

COMPLEMENTARY PAIRS NPN/PNP SILICON — listed in order of decreasing power dissipation P_D

Type	Application	Power Dissipation Watts P _D	Max. Collector Current I _C	Breakdown Volts			Typical Freq.	Typical Current Gain H _{fe}	Outline Drawing Fig. No. ()	Base Drawing (See Pages 5-9)
				Collector to Base BV _{CB0}	Collector to Emitter BV _{CE0}	Emitter to Base BV _{EB0}				
GE-74/GE-75	Audio Power Amp.	200 W*	30 A	100	100 CER	4	2 MHz	25 min.	TO-3 (5)	C
GE-55/GE-56	Audio Power Amp. & Switching	90 W*	10 A	80	80	5	2 MHz	20 min.	Plastic Pkg. (19)	Q
GE-57/GE-58	Audio Power Amp.	40 W*	4 A	60	60	4	2 MHz	35 min.	Plastic Pkg. (18)	R
GE-66/GE-69	Audio Power Amp.	28 W*	4 A	—	60 CEO	5	50 MHz	70	Plastic Pak (17)	L
GE-28/GE-29	AF Power Amp.	12 W*	3 A	—	45 CEO	5	50 MHz	80	Plastic Pak (16)	J
GE-83/GE-84	Audio Power Output	8 W*	2 A	50	40	5	50 MHz	60 min.	— (31)	1A
GE-63/GE-67	A. F. Amp.	1 W*	1 A	65	60	5	160 MHz	150	X-28 (13)	N
GE-88/GE-89	Audio Driver & Output	1 W*	1 A	60	50	5	200 MHz	170	— (23)	S
GE-47/GE-48	Audio Power Amp. & Driver	750 MW	1 A	60	50	5	200 MHz	180	— (32)	1B
GE-81/GE-82	Med. Power Driver & Low Power Output	625 MW	500 MA	60	60	4	150 MHz	100	TO-92 (30)	Z
GE-62/GE-65	High Gain - Low Noise Amp.	350 MW	100 MA	65	50	5	150 MHz	350	TO-98 (12)	E

* With heat sink ** Base tied to case *** Collector may be tied to case

PNP SILICON RF, IF, AF Power — listed in order of decreasing power dissipation P_D

Type	Application	Power Dissipation Watts P _D	Max. Collector Current I _C	Breakdown Volts			Typical Freq.	Typical Current Gain H _{fe}	Outline Drawing Fig. No. ()	Base Drawing (See Pages 5-9)
				Collector to Base BV _{CB0}	Collector to Emitter BV _{CE0}	Emitter to Base BV _{EB0}				
GE-74	Audio Amp.	200 W*	30 A	100	100 CER	4	2 MHz Min.	25 Min.	TO-3 (5)	C
GE-56	Audio Power, Amp. & Switching Appl.	90 W*	10 A	80	80	5	2 MHz	20 Min.	Plastic Pkg. (19)	Q
GE-58	Audio Power Amp.	40 W*	4 A	60	60	4	—	35 Min.	Plastic Pkg. (18)	R
GE-69	A. F. Power Amp.	28 W*	4 A	—	60 CEO	5	40 MHz	70	Power Pac (17)	L
GE-26	AF Power Amp. - Stereo Tape Players, Hi-Fi	20 W*	2 A	60	50	7	10 MHz †	100	TO-66 (9)	C
GE-29	AF Power Amp.	12 W*	3 A	—	45 CEO	5	40 MHz	80	Plastic Pkg. (16)	J
GE-84	Audio Power Output	8 W*	2 A	50	40	5	50 MHz	60 Min.	— (31)	1A
GE-67	AF Amp. Output	1 W*	1 A	65	60	5	160 MHz	150	X-28 (13)	N
GE-89	Audio Driver and Output	1 W*	1 A	60	50	5	200 MHz	170	— (23)	S
GE-48	Audio Power Amp. & Driver	1 W*	1 A	60	50	5	200 MHz	180	— (32)	1B
GE-82	Med. Power Driver & Low Power Output	625 MW	500 MA	80	80	4	150 MHz	100	TO-92 (30)	Z
GE-21	AF Amp. RF/IF Amp. Osc.	500 MW	500 MA	60	60	5	200 MHz	65	TO-5 (6)	H
GE-22	Osc. (AM & FM), AF, Amp., RF & IF Amp.	500 MW	500 MA	25	25	4	200 MHz	50	RO-110 (3)	B

*With Heat Sink. **Base tied to case. ***Collector may be tied to case. †Minimum

NPN GERMANIUM RF, IF, AF POWER — listed in order of decreasing frequency

Type	Application	Power Dissipation Watts P _D	Max. Collector Current I _C	Breakdown Volts			Typical Freq.	Typical Current Gain H _{fe}	Outline Drawing Fig. No. ()	Base Drawing (See Pages 5-9)
				Collector to Base BV _{CB0}	Collector to Emitter BV _{CE0}	Emitter to Base BV _{EB0}				
GE-6	Mixer/Osc. Converter, RF Amp. (AM Radio)	65 MW	20 MA	20	9 CER	10	9 MHz	110	OV-5 (1)	A
GE-7	IF Amp. (AM Radio)	65 MW	20 MA	15	15 CER	10	8 MHz	35	OV-5 (1)	A
GE-8	AF Amp.	150 MW	200 MA	25	20 CER	25	5 MHz	130	TO-5 (6)	H
GE-5	Mixer Osc. Converter, RF/IF Amp. (AM Radio)	150 MW	100 MA	25	12	25	5 MHz	165	TO-5 (6)	H
GE-43	Audio Power Amp.	6 W*	3 A	32	20	10	1.5 MHz	110	TO-66A (9)	C
GE-59	AF Amp. Output	1 W*	1 A	32	32	6	1.0 MHz	90	TO-1 (4)	M

PNP/NPN GERMANIUM COMPLEMENTARY PAIRS

Type	Application	Power Dissipation Watts P _D	Max. Collector Current I _C	Breakdown Volts			Freq.	Typical Current Gain H _{fe}	Outline Drawing Fig. No. ()	Base Drawing (See Pages 5-9)
				Collector to Base BVCBO	Collector to Emitter BVCEO	Emitter to Base BVEBO				
GE-54	NPN-Red Brand, PNP-Green Brand similar to GE-53 Matched Complementary Pair for Audio Output	1 W*	1 A	32	32	6	1.4 MHz	110	TO-1 (4)	M
GE-53/GE-59	AF Amp. Output	1 W*	1 A	32	32	6	1.0 MHz	90	TO-1 (4)	M
GE-2/GE-8	AF Amp.									

May be used as complementary pair — Use charts to determine breakdown voltages.

PNP GERMANIUM Power Output — listed in order of decreasing power dissipation P_D

Type	Application	Power Dissipation Watts P _D	Max. Collector Current I _C	Breakdown Volts			Freq.	Typical Current Gain H _{fe}	Outline Drawing Fig. No. ()	Base Drawing (See Pages 5-9)
				Collector to Base BVCBO	Collector to Emitter BVCEO	Emitter to Base BVEBO				
GE-76	Audio High Power Amp.	106 W*	25 A	90	90-SUS	3	350 KHz Min.	55 Min.	TO-3(5)	C
GE-16	Audio & Switching High Power Amp.	90 W*	10 A	60	45	30	500 KHz Min.	60	TO-3 (5)	C
GE-25	Horizontal & Vertical TV Sweep Circuits - Other H.V. & High Current Amp. Applications	56 W*	10 A	320	320	2	1 MHz Min.	60	TO-3 (5)	C
GE-4	AF High Power Amp.	50 W*	12 A	50	30	30	500 KHz Min.	55	TO-36(8)	D
GE-80	Citizens Band RF Power Output	20 W*	3.5 A	40	30	—	1 MHz	40	TO-5(6)	H
GE-3	AF Power Amp.	25 W*	3 A	50	40	15	400 KHz	60	TO-3(5)	C
GE-49	Audio Power Amp.	12 W*	2 A	35	35	6	700 KHz	100	— (33)	IC
GE-44	Audio Power Output for Stereo Tape - Radio Tape Recorder	6 W*	3 A	32	20	10	1.5 MHz	110	TO-66A(22)	C
GE-30	Audio Power Output	6 W*	3 A	60	60	12	1 MHz	110	TO-66(9)	C
GE-53	AF Amp. Output	1 W*	1 A	32	32	6	1.4 MHz	110	TO-1 (4)	M

PNP GERMANIUM RF, IF, Signal — listed in order of decreasing frequency

Type	Application	Power Dissipation Watts P _D	Max. Collector Current I _C	Breakdown Volts			Freq.	Typical Current Gain H _{fe}	Outline Drawing Fig. No. ()	Base Drawing (See Pages 5-9)
				Collector to Base BVCBO	Collector to Emitter BVCEO	Emitter to Base BVEBO				
GE-50	FM RF Amp., TV IF Amp.	140 MW	15 MA	25	25 CER	—	250 MHz	75	RO-90(20)	O
GE-51	IF Amp. AM RF Amp. AM-FM RF & IF Amp. (AM Radio)	60 MW	10 MA	32	32 CER	—	75 MHz	150	TO-72(10)	O
GE-1	Mixer/Osc. Converter	150 MW	200 MA	30	12 CER Min.	20	5 MHz	70 Min.	TO-5(6)	H**
GE-2	AF Amp.	200 MW	200 MA	20	20	5	3 MHz	60	TO-5(6)	H**
GE-52	Low Noise AF Amp.	150 MW	150 MA	30	20 CER	12	2 MHz	125	TO-1 (4)	N-M

PNP GERMANIUM — MATCHED PAIRS


Type	Application	Power Dissipation Watts P _D	Max. Collector Current I _C	Breakdown Volts			Freq.	Typical Current Gain H _{fe}	Outline Drawing Fig. No. ()	Base Drawing (See Page 5-9)
				Collector to Base BVCBO	Collector to Emitter BVCEO	Emitter to Base BVEBO				
GE-13MP	Matched Pair GE-3	25 W*	3 A	50	40	15	400 KHz	60	TO-3 (5)	C
GE-31MP	Matched Pair GE-30	6 W*	3 A	60	60	12	1 MHz	110	TO-66(9)	C


* With Heat Sink.

**Base tied to case.

DIODES AND RECTIFIERS

Type	Outline Drawing	Description	Suggested List Price
1N91	A	Germanium Rectifier, 100 PRV, 150 mA	\$1.55
GE-305*	B	Silicon Damper Diode, 5000 PRV	9.10
GE-504A	C	Silicon Rectifier, 600 PRV, 1 Amp.	1.10
GE-509	C	Silicon Rectifier, 1000 PRV, 1 Amp.	1.25
GE-510	D or E	Silicon Rectifier, 1000 PRV, 2.5 Amp.	1.30
GE-512	E	Silicon Rectifier, 1000 PRV, 3 Amp.	1.80
GEBR-206	H	Silicon, Single Phase Bridge Rectifier, 200 PRV, 6 Amp.	7.95
GEBR-425	F	Silicon, Single Phase Bridge Rectifier, 400 PRV, 25 Amp.	11.60
GEBR-600	G	Silicon, Single Phase Bridge Rectifier, 600 PRV, 1.5 Amp.	5.10

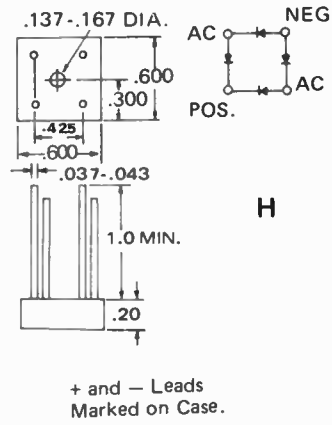
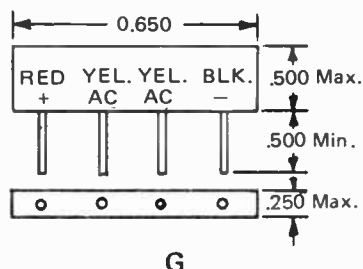
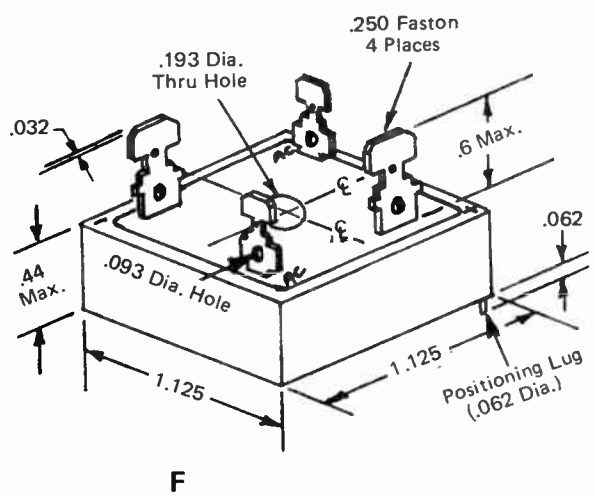
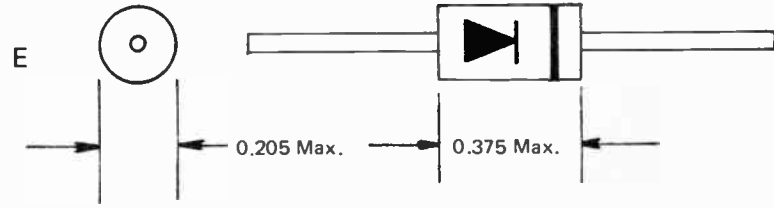
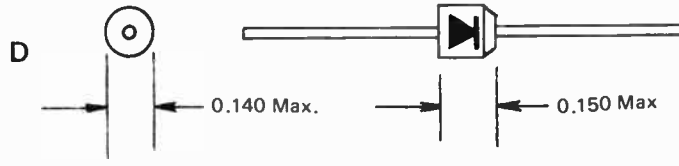
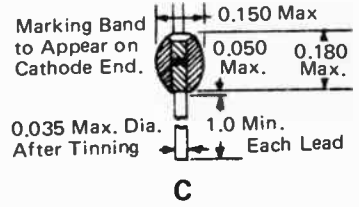
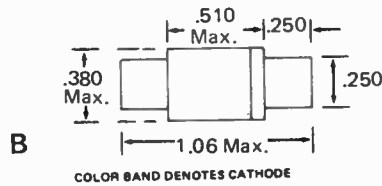
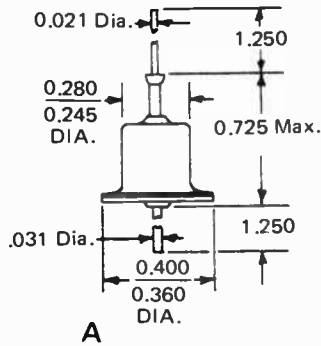
*In applications requiring the use of two of the GE-305's in parallel, use pairing clips, as illustrated  otherwise discard. One pairing clip is packaged with each GE-305.

GE-MOV® METAL OXIDE VARISTOR						Electrical Symbol
Type	RMS Input** Voltage	Recurrent** Peak Voltage	Energy Rating (Joules)	Average Power Dissipation Rating	Peak Current for Pulses less than 7 Microseconds Wide	
GE-750	150 V	212 V	20	0.85 W	1250 A	



** Steady State defined as normal input conditions. If non-sinusoidal wave input is present, peak voltage input values should be used to select model.

ALL DIMENSIONS IN INCHES



+ and - Leads Marked on Case.

ZENER DIODES

ZENER DIODES A Zener diode is a two-layer device that above a certain reverse voltage (the zener value) has a sudden rise in current. If forward-biased, the diode is an ordinary rectifier. But when reversed-biased, the diode exhibits a typical knee, or sharp break, in its current-voltage graph. The voltage across the device remains essentially constant for any further increase of reverse current up to the allowable dissipation rating. The zener diode is a good voltage regulator, over-voltage protector, and voltage reference.

Zener diodes may be connected in a series to achieve desired zener voltage plus or minus tolerances. For best zener performance, specified IZT should be maintained during normal circuit conditions.



GE Type	Material	Power Dissipation @ 25°C (Watts)	Breakdown Voltage V _Z @I _{ZT} (Volts)	Test Current I _{ZT} (mA)	Zener Impedance Z _Z @I _{ZT} (Ohms)	DC Zener Current I _{ZM} (mA)	Case Size	Suggested List Price
GEZD-10-4	Silicon	400 MW	10	20	17	20	59	\$1.55
GEZD-3.6	Silicon	1 Watt	3.6	69	10	253	59	1.99
GEZD-4.7	Silicon	1 Watt	4.7	53	8	193	59	1.99
GEZD-5.1	Silicon	1 Watt	5.1	49	7	178	59	1.99
GEZD-5.6	Silicon	1 Watt	5.6	45	5	162	59	1.99
GEZD-6.2	Silicon	1 Watt	6.2	41	2	146	59	1.99
GEZD-6.8	Silicon	1 Watt	6.8	37	3.5	—	59	1.99
GEZD-7.5	Silicon	1 Watt	7.5	34	4	121	59	1.99
GEZD-8.2	Silicon	1 Watt	8.2	31	4.5	—	59	1.99
GEZD-9.1	Silicon	1 Watt	9.1	28	5	100	59	1.99
GEZD-10	Silicon	1 Watt	10	25	7	91	59	1.99
GEZD-11	Silicon	1 Watt	11	23	8	83	59	1.99
GEZD-12	Silicon	1 Watt	12	21	9	76	59	1.99
GEZD-15	Silicon	1 Watt	15	17	14	61	59	1.99
GEZD-18	Silicon	1 Watt	18	14	20	50	50	1.99
GEZD-20	Silicon	1 Watt	20	12.5	22	46	59	1.99
GEZD-22	Silicon	1 Watt	22	11.5	23	41	59	1.99
GEZD-24	Silicon	1 Watt	24	10.5	25	38	59	1.99
GEZD-27	Silicon	1 Watt	27	9.5	35	34	59	1.99
GEZD-30	Silicon	1 Watt	30	8.5	40	—	59	1.99
GEZD-33	Silicon	1 Watt	33	7.5	45	27	59	1.99
GEZD-39	Silicon	1 Watt	39	6.5	60	23	59	1.99
GEZD-47	Silicon	1 Watt	47	5.5	80	19	59	1.99
GEZD-62	Silicon	1 Watt	62	4.0	125	14	59	1.99
GEZD-82	Silicon	1 Watt	82	3.0	200	11	59	1.99
GEZD-120	Silicon	1 Watt	120	2.0	550	7	59	1.99
GEZD-150	Silicon	1 Watt	150	1.7	—	—	59	1.99

All Zeners ± 10% tolerance in Voltage.
Junction operating and storage temperature — 65° to 200°C.

HIGH CURRENT, FAST SWITCHING RECTIFIER

Type	Diagram	Description	Sugg. List Price
GE-511	At Right	Silicon boost, damper and blanking rectifier. 1400 P. I. V., 1 amp., 1/2 microsecond recovery time	\$1.65



SILICON CONTROLLED RECTIFIER (SCR)

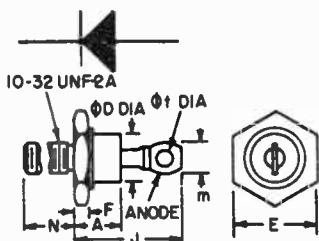
Type	Peak Off-State Volts V _{DRM}	Forward Current	Surge Current	Gate Dissipation P _G W	Outline Drawing	Fig. No.	Base Drawing
GE-700	600 V	5 A	80 A	25 W	TO-66	(34)	1D (See Page 9)

MAINTENANCE INDUSTRIAL REPLACEMENT SEMICONDUCTORS

Catalog No.	Description	Repetitive PRV	Transient PRV	Max. IDC Stud Single Phase	Peak 1 Cycle Surge	Max. Rev. Cur. (Full Cycle Av @ Full Load)	Max. Full Load Voltage Drop	Max. Oper. °C	Out-line Dwg.	Suggested User Price
GEMR-1	Silicon Rectifier	200	350	12 A	240 A	2.0 mA	0.55 V	200°	A	\$ 4.80
GEMR-2	Silicon Rectifier	400	—	35*A	500 A	10*mAdc	0.65*V	200°	B	6.90
			PRV and V(BO)	Max. IDC @ Temp. °C		Max. Temp. °C		Max. Req'd. Gate Signal @ 25°C T _J		
						Oper. Stor.				
GEMR-3	Silicon Controlled Rectifier	400	35 A @ 19°C case			125° 150°	3 V, 40 mA		C	8.60
GEMR-4	Silicon Controlled Rectifier	400	7.4 A @ 80°C case			100° 100°	3 V, 25 mA		D	3.80
GEMR-5	Silicon Controlled Rectifier Economy Flat Pack Design	200	4 A @ 75°C anode tab			110° 150°	0.8 V, 200 uAdc		E	1.40
			hFE V _{CE} = 1V I _C = 1A	V _{CEO} I _C = 1 mA		V _{CE} (sat) I _C = 1A I _B ° = 50 mA		P _T 70° Tab		
*@140°C	GEMR-6	Silicon Power Tab Transistor	20 min.	40 V		1.0 V (Max.)	8 W		F	1.42

MAINTENANCE INDUSTRIAL REPLACEMENT SEMICONDUCTORS Outline Drawings

A

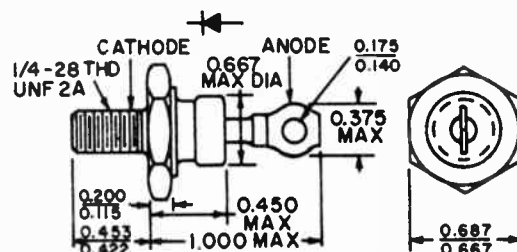


COMPLIES WITH EIA REGISTERED OUTLINE DO-4

SYMBOL	INCHES		MILLIMETERS	
	MIN	MAX	MIN	MAX
A		.405		10.29
ØD		.424		10.77
E	.424	.437	10.77	11.10
F	.075	.175	1.91	4.45
J		.800		20.32
m		.250		6.35
N	.422	.453	10.72	11.51
Øt		.060		1.52
W				

GEMR-1

B

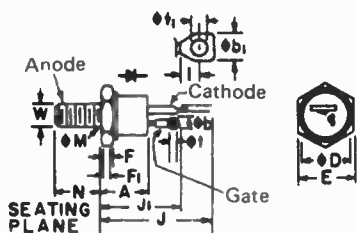


NOTES: 1. COMPLIES WITH EIA REGISTERED OUTLINE DO-5
2. ALL DIMENSIONS IN INCHES

GEMR-2

C

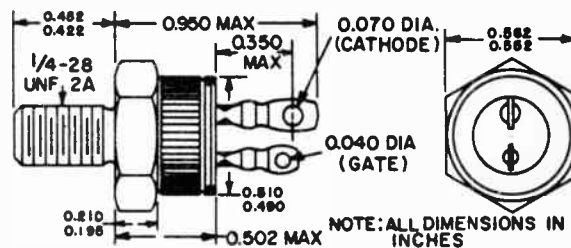
(COMPLIES WITH JEDEC TO-48)



SYMBOL	INCHES		MILLIMETERS	
	MIN	MAX	MIN	MAX
A	.350	.505	8.88	12.83
Øb	.115	.140	2.92	3.56
Øbi	.210	.300	5.33	7.62
ØD	.544	.562	13.82	14.27
F	.113	.200	2.87	5.08
Ji	.060		1.52	
J		1.193		30.30
J1		.873		22.23
I	.120		3.05	
ØM	.422	.453	10.72	11.51
N	.060	.075	1.52	1.91
Øt	.125	.165	3.18	4.19
W				

GEMR-3

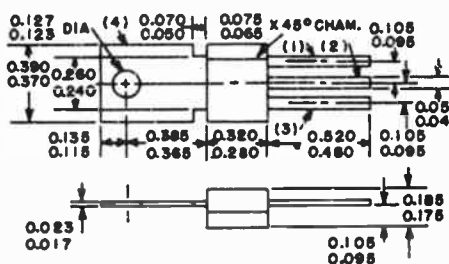
D



NOTE: ALL DIMENSIONS IN INCHES

GEMR-4

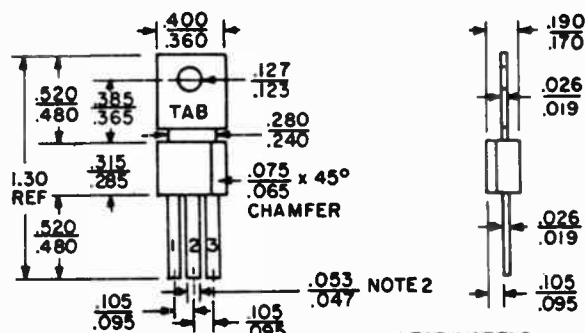
E



NOTES
(1) GATE LEAD IS ADJACENT TO CHAMFER
(2) ANODE
(3) CATHODE
(4) TAB IS DIRECTLY CONNECTED TO CENTER LEAD (ANODE INTERNALLY)

GEMR-5

F



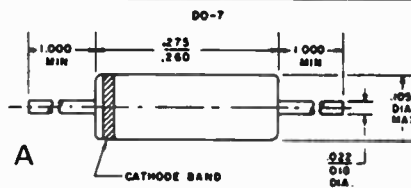
NOTES:
1. ALL DIMENSIONS ARE IN INCHES AND ARE REFERENCE UNLESS TOLERANCED.
2. .043-.053 LEAD WIDTH WITHIN .100 OF BODY.

LEAD LABELS:
1 - BASE
2 - COLLECTOR
(COMMON WITH TAB)
3 - EMITTER

GEMR-6

VARIABLE CAPACITANCE DIODES

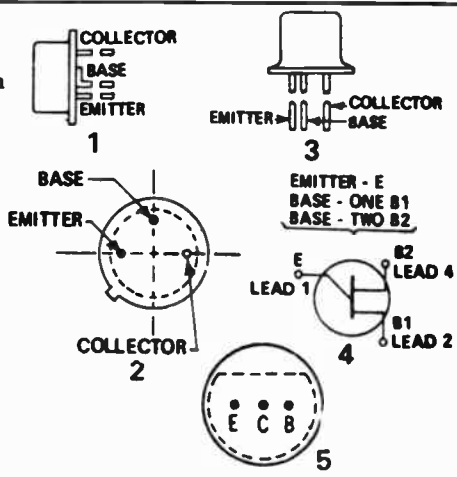
GE Type	Material	Reverse Voltage Vr Volts	Reverse Current I _A	Capacitance AT Vr = 4 V pF	Tuning Ratio	Case
GE-90	Silicon	20	2	30	2.6	A



GE ENTERTAINMENT TRANSISTORS REGISTERED JEDEC TYPES

These types supplement the Universal Line of GE Transistors. Characteristics conform to JEDEC specifications.

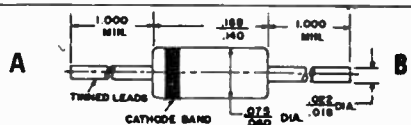
Type or JEDEC No.	Type	Use	Drawing No.	PC MW @25°C	BV _{CE}	I _C ma	T _J °C	Suggested List Price
2N107	PNP	AF	1	50	-6	-10	60	\$1.25
2N170	NPN	IF	3	25	6	20	50	1.70
2N188A	PNP	AF OUT	1	200	-25	-200	85	3.05
2N190	PNP	AF	1	75	-25	-50	85	1.40
2N324	PNP	AF	2	140	-16	-100	60	1.20
2N404	PNP	SW	2	120	-24	-100	85	.90
2N508	PNP	AF OUT	2	140	-16	-100	86	1.30
2N2160	{ SILICON UNIJUNCTION }	OSC	4	450	30	50	85	2.75
2N5308A	NPN	Amplifier	5	350	36	200	100	1.25



GERMANIUM AND SILICON DIODES

MARKING WIDE COLOR BAND ADJACENT TO CATHODE END

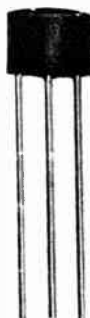
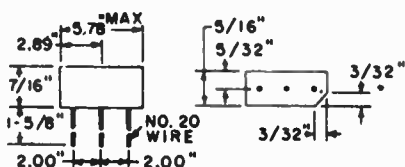
BOTH LEADS 0.021" MAX. DIA. (TINNED)
0.105" MAX. DIA.
1.0" MIN (2 LEADS)
0.285" MAX. DIA.



Type	Description	Out-line (see above)	Temp. Range °C	Reverse Working Voltage (dc-volts)	Recurrent Peak Forward Current (ma)	Average Forward Current (ma)	Surge Current 1 sec.-max. (ma)	Peak Reverse Voltage (Volts)	CHARACTERISTICS		Suggested List Price	
									Forward Current (ma) at +1 volt Min	Max		Reverse Current (µa max)
1N34AS	General Purposes	A	-50 to +90	60	150	50	500	75	5	25	500 at -50V	\$.55
1N60	Video Detector	A	-50 to +90	25	150	50	500	30	-	-	-	.55
1N82A	Silicon UHF Mixer	A	-50 to +120	3	25	-	-	5	5	15 (.5v)	500 at -3v	1.45
1N295	50 MC Detector	A	-59 to +100	40	125	30	300	50	-	-	180 at -10v	.55
GE-300	General Purpose 50 NANO sec	B	-65 to +150	200	-	250	2 A	200	200 Min.	-	1 at -200v	1.35

Vac-u-Sel[®] SELENIUM DUAL-DIODE RECTIFIERS

APPLICATION: The principal application for the Dual-Diode is as a discriminator or phase detector in television receivers. They also can be used in other types of low power circuits where maximum dependability is required at minimum cost.



Catalog No.	Type	Suggested List Price	Symbol
6GC1	Common Cathode	\$.90	AC AC
6GD1	Series Connected	.90	- +
6GX1	Common Anode	.90	AC AC

Forward current (min.) 1.1 ma at 2.5VDC
Reverse current (nominal) .4 ma at 20VDC

SELENIUM HIGH VOLTAGE RECTIFIERS

Type	LIMIT CONDITIONS		OPERATING CONDITIONS				Temp. (Amb.)	Notes	Outline Drawing	Sugg. List Price
	P.R.V. DC No Load	Peak Input Pulse	Output Voltage DC	Peak Input Pulse	Forward Current (MA)					
					Average	Max. 50°C				
GECR-1	7200 V	—	6500 V	8200 V (60Hz)	3	—	85°C	TV High Voltage Focus Rectifier	1	\$3.75
GECR-2	560 V	827V	—	600 V	2	—	85°C	TV Boost Rectifier	2	1.65
GECR-3	35 per Sect.	—	10 per Sect.	—	65 per Sect.	—	85°C	TV Convergence Rectifier	3	1.43
GECR-4	12,400 V	14,500 V	11,000 V	13,200 V	0.3	0.6	50°C	TV High Voltage Rectifier	4	5.25
GECR-5	14,400 V	17,300 V	13,000 V	15,600 V	0.3	0.6	50°C	TV High Voltage Rectifier	5	5.90
GECR-6	19,500 V	23,400 V	18,000 V	21,600 V	0.3	0.6	50°C	TV High Voltage Rectifier	6	6.60
GECR-7	21,400 V	25,400 V	20,000 V	24,000 V	0.3	0.6	50°C	TV High Voltage Rectifier	7	7.60

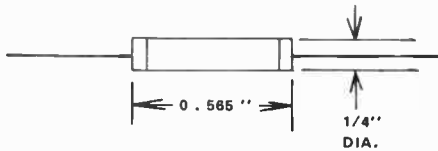
1

POLARITY INDICATED BY THREE (+) PLUS SYMBOLS LOCATED 120° APART.

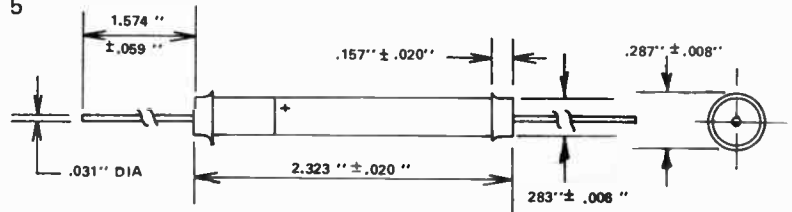


2

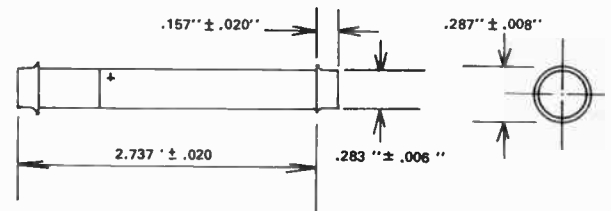
Polarity Marked on Device



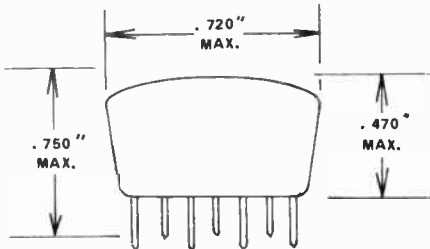
5



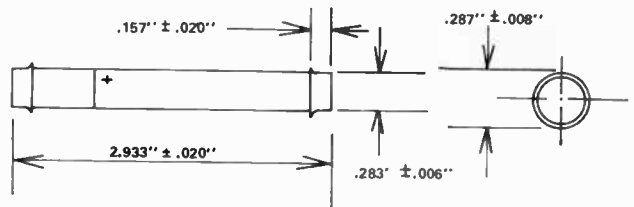
6



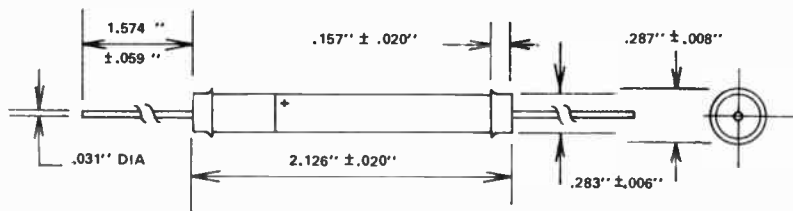
3



7



4



SILICON STICK RECTIFIER

Type	Peak Inverse Voltage	Peak Repetitive Forward Current	Average Forward Current	Forward Voltage "Drop"	Replaces Following Part Numbers	Outline Drawing
GE-513	45,000 V	200 mA	5 mA	75 V at 50 mA	Electrohome 28-31-00 Motorola 48D69723A01 Zenith 103-215 E.D.I. R12C	Fig. 1

SOLID-STATE REPLACEMENTS FOR TV RECTIFIER TUBES

Part Number	Peak Inverse Voltage	Peak Repetitive Forward Current	Average Forward Current	Forward Voltage	Replaces Following Tube Types	Outline Drawing
GESS-3A3	45,000V	110 mA	5 mA	50 V at 5 mA	3A3, 3AW3, 3B2, 3CA3, 3CN3, 3CU3, 3CZ3, 2CN3, 1B3, 1G3, 1K3, 1J3	Fig. 2
GESS-3AT2	45,000V	110 mA	5 mA	50 V at 5 mA	3AT2, 3AW2, 3BL2, 3BM2, 3BN2	Fig. 2
GESS-3DB3	45,000V	110 mA	5 mA	50 V at 5 mA	3DB3, 3DJ3	Fig. 2
GESS-2AV2	9,000V	100 mA	5 mA	20 V at 5 mA	2AV2, 1V2, 2BA2	Fig. 3
GESS-6DW4	6,000V	1300 mA	250 mA	10 V at 350 mA	6DW4, 6CK3, 6CL3, 6BA3	Fig. 4

FIG. 1

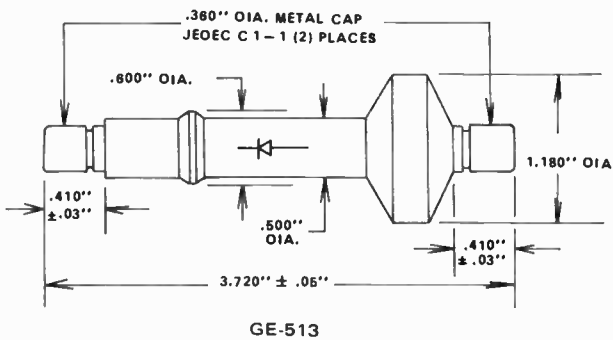


FIG. 2

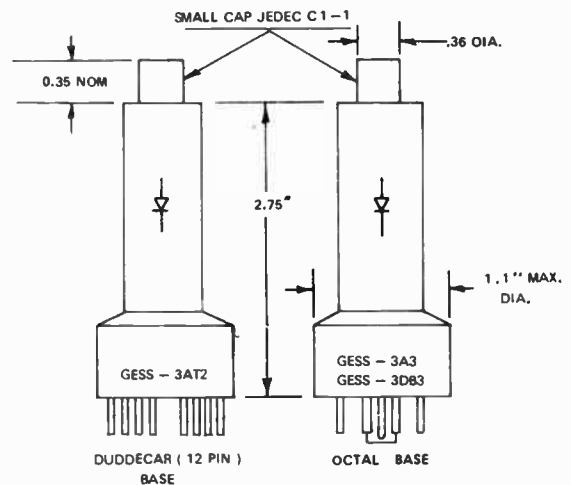


FIG. 3

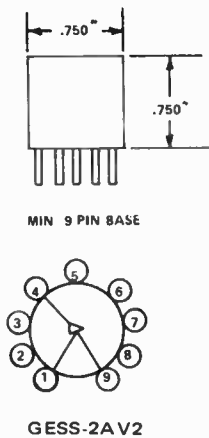
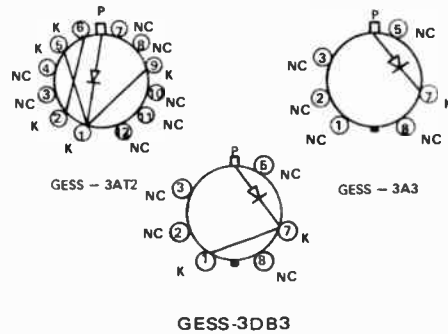
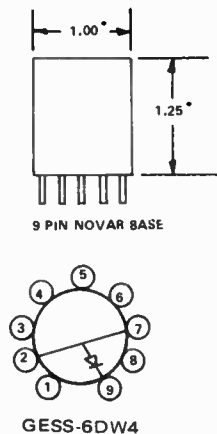


FIG. 4



HIGH VOLTAGE TRIPLERS

SILICON

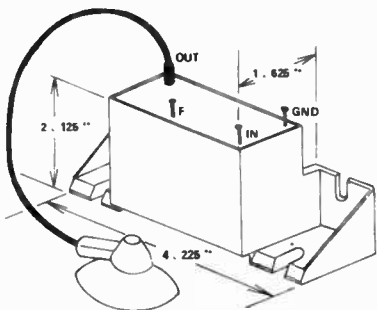
Type	Input kV Peak-to-Peak	Output kV	Case	Output Lead	Drawing No.	Fig. No.
GE-516	10	25 @ 2 mA	Noryl, Universal Tripler	20 GA	B	1*
GE-517	10	25 @ 2 mA	Noryl, Universal Tripler	20 GA	A	1
GE-518	10	25 @ 2 mA	Noryl, Universal Tripler	20 GA	B	2
GE-519	11	30 @ 2.25 mA	Alkyd, Small Upright Anode Connector, 1-3/4"	20 GA	C	3

* Does not have focus tap.

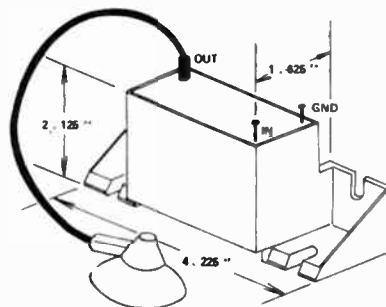
SELENIUM

GE-520	8.6	27.5 No-load	2500 pF External Focus Cap- acitor Included	-	D	4
--------	-----	--------------	--	---	---	---

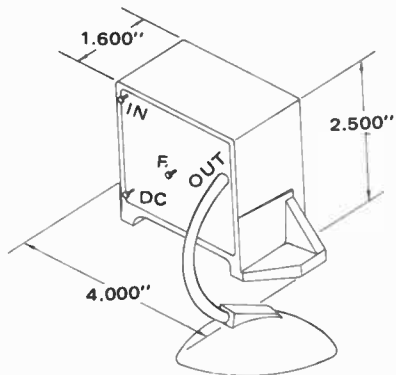
A



B



C



D

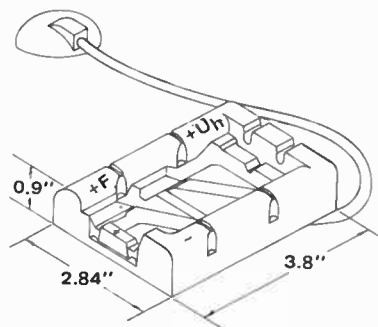
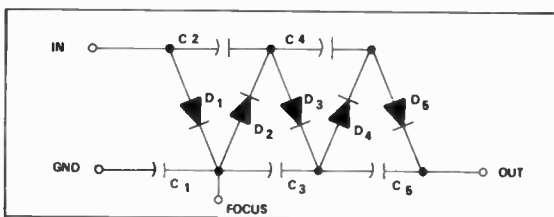
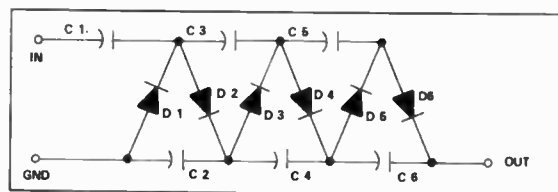


FIG. 1



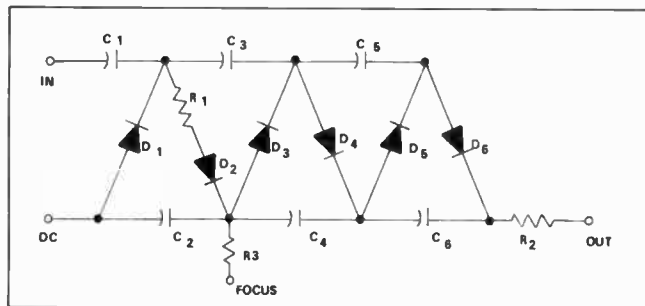
3 times (+) peak, 2 times (-) peak

FIG. 2



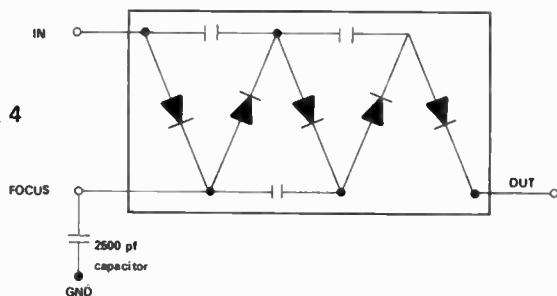
3 times (+) peak, 3 times (-) peak

FIG. 3



3 times (+) peak, 3 times (-) peak

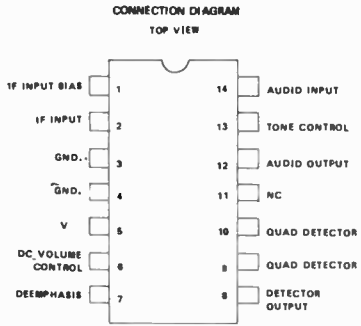
FIG. 4



GEIC-2

TV/FM Sound, IF Detector

Max. supply voltage +9 V. Typical supply current 16 mA @ 9 V.

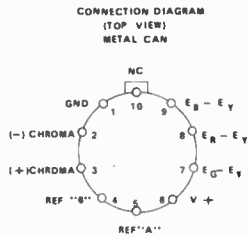


See Fig. 1

GEIC-3

Color TV Chroma Demodulator

Max. supply voltage +28 V DC. Typical supply current 9-22 mA @ 24 V due to circuit variations.

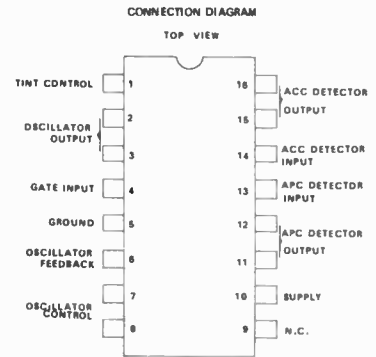


See Fig. 2

GEIC-4

Color TV Subcarrier Regenerator

Typical supply current 22-30 mA

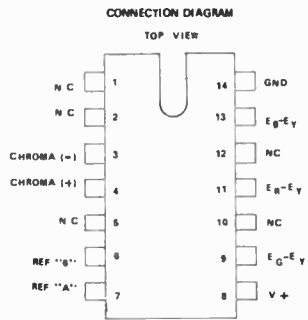


See Fig. 3

GEIC-5

Color TV Chroma Demodulator

Max. supply voltage +28 V DC. Typical supply current 9-22 mA due to circuit variations

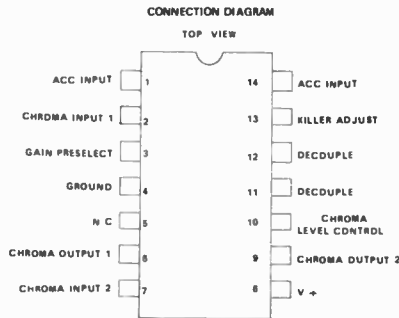


See Fig. 4

GEIC-6

Gain-controlled TV, IF Amplifier

Max. supply voltage +30 V. Typical supply current 24 mA.

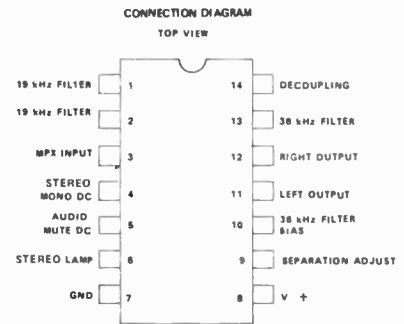


See Fig. 4

GEIC-7

FM Stereo Multiplex Decoder

Max. supply voltage +15 V. Typical supply current 10 mA @ 12 V.

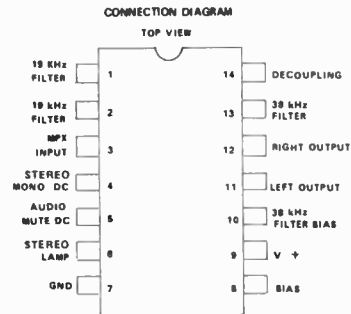


See Fig. 4

GEIC-8

FM Stereo Multiplex Decoder

Max. supply voltage +15 V. Typical supply current 11 mA @ 12 V.

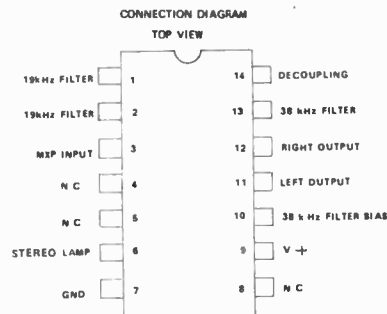


See Fig. 6

GEIC-9

FM Stereo Multiplex Decoder

Max. supply voltage +15 V. Typical supply current 12 mA @ 12 V.

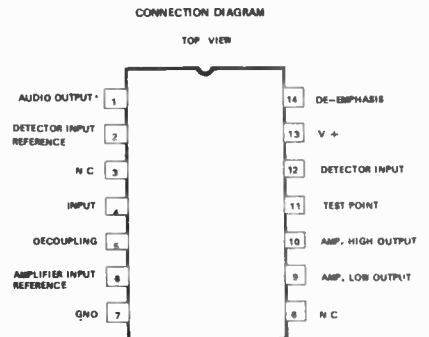


See Fig. 6

GEIC-10

FM Detector Limiter & TV Sound

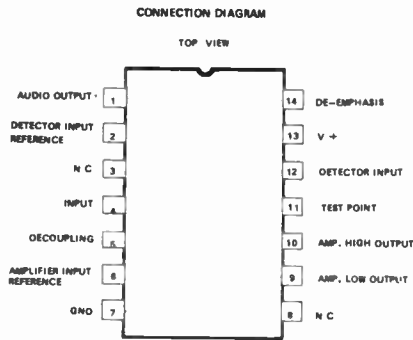
Max. supply voltage +16 V. Typical supply current 15 mA @ 12 V.



See Fig. 5

GEIC-11
FM and TV Sound
IF Detector and Limiter

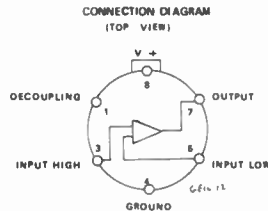
Max. supply voltage +16 V. Typical supply current 12 mA @ 8 V.



See Fig. 1

GEIC-12
RF, IF, Amplifier

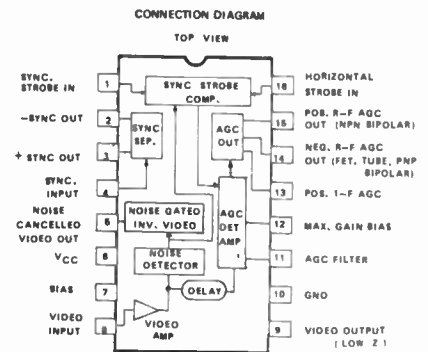
Max. supply voltage +20 V. Typical supply current 2.5 mA @ +12 V.



See Fig. 7

GEIC-13
TV, Video Signal Processors

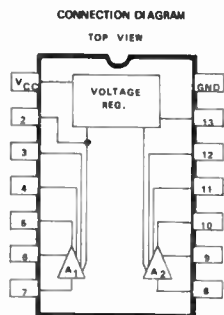
Max. supply voltage +27 V.



See Fig. 8

GEIC-14
Dual Low Noise
Preamp

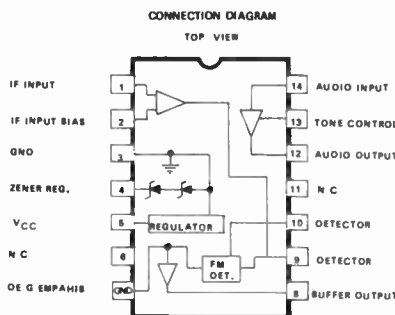
Max. supply voltage +24 V. Typical supply current 16 mA @ +12 V.



See Fig. 9

GEIC-15
FM Receiver
Sound System

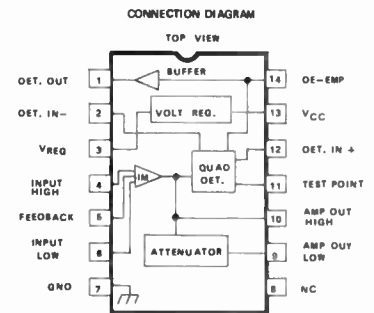
Max. supply voltage +12.5 V. Typical supply current 19 mA.



See Fig. 9

GEIC-16
FM Detector & Limiter

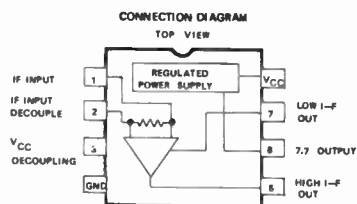
Max. supply voltage +20 V. Typical supply current 17 mA @ +12 V.



See Fig. 9

GEIC-17
IF Gain Block
with Voltage Regulator

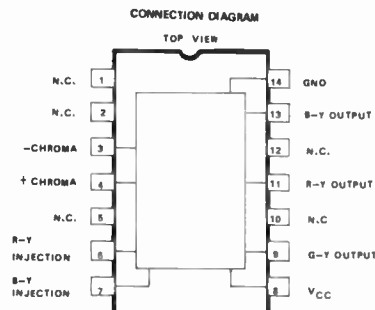
Max. supply voltage +20 V. Typical supply current 18 mA @ +12 V.



See Fig. 10

GEIC-18
Dual Chroma Demodulator

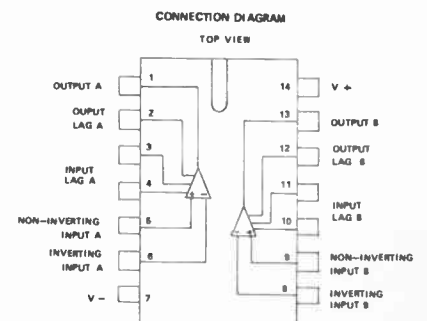
Max. supply voltage +30 V. Typical supply current 19 mA @ +24 V.



See Fig. 8

GEIC-19
Dual Low Noise
Audio Preamp

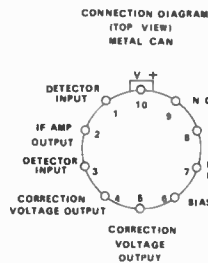
Max. supply voltage ± 18 V. Typical supply current 9 mA @ ± 15 V.



See Fig. 4

**GEIC-20
TV, AFC**

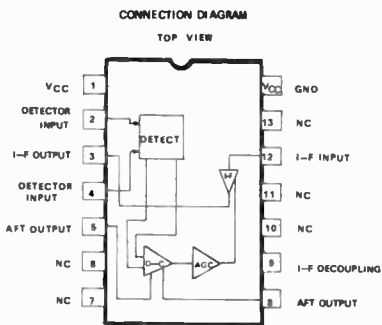
Max. supply voltage +30 V. Typical supply current 6.5 mA @ +10.5 V.



See Fig. 11

**GEIC-21
TV, AFC**

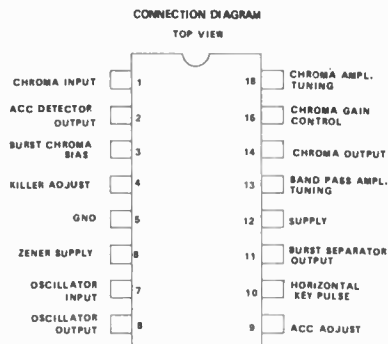
Max. supply voltage +30 V. Typical supply current 6.5 mA @ +10.5 V.



See Fig. 9

**GEIC-22
Chroma Processor**

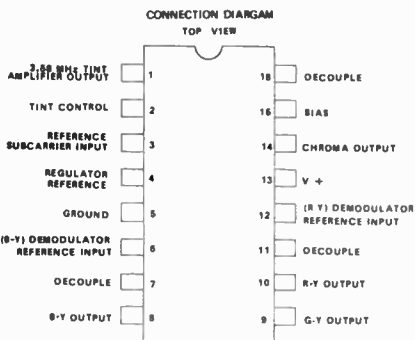
Max. supply voltage +12 V. Typical supply current 24 mA @ 11.2 V.



See Fig. 3

**GEIC-23
Chroma Demodulator**

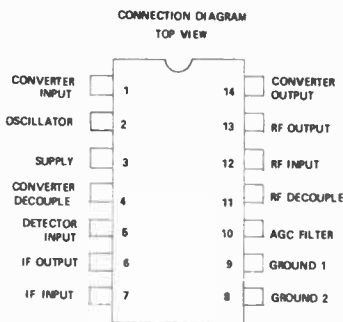
Max. supply voltage +12 V. Typical supply current 24 mA @ 11.2 V.



See Fig. 3

**GEIC-24
AM Radio, RF/IF Amp.**

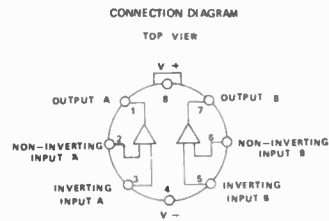
Max. supply voltage +16 V. Typical supply current 6.0 mA @ +12 V.



See Fig. 5

**GEIC-25
Dual Audio Preamp.**

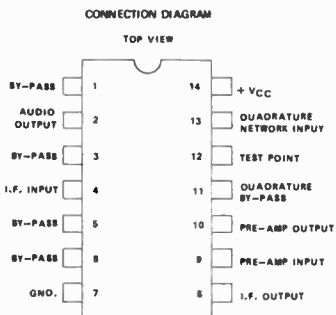
Max. supply voltage ±18 V. Typical supply current 9.0 mA with ±15 V. source through R_L



See Fig. 7

**GEIC-26
TV Sound IF Amp.
Lim. Det. Audio Preamp.**

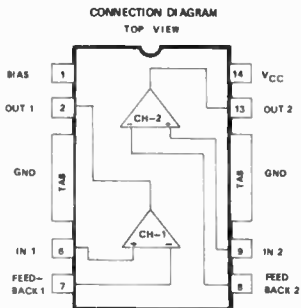
Max. supply voltage +16V. Typical supply current 31 mA @ +12 V.



See Fig. 12

**GEIC-27
Dual Audio Amp.
2 w/channel**

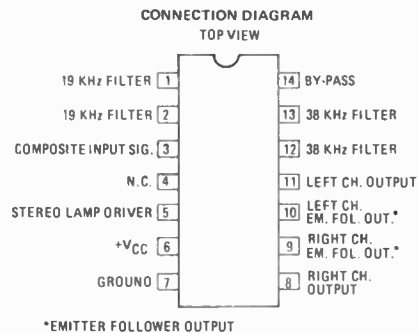
Max. supply voltage +30 V. Typical supply current 21 mA @ +18 V.



See Fig. 13

**GEIC-28
FM-Stereo Multiplex Demodulator
Emitter Follower Outputs**

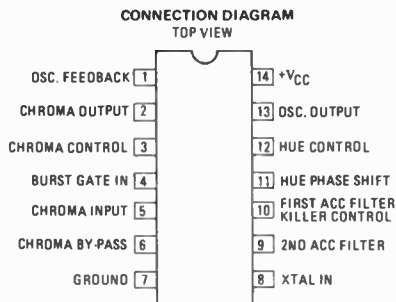
Max. Supply voltage +24V. Typical supply current 14 MA @ 12V.



See Fig. 9

**GEIC-29
Chroma Processor**

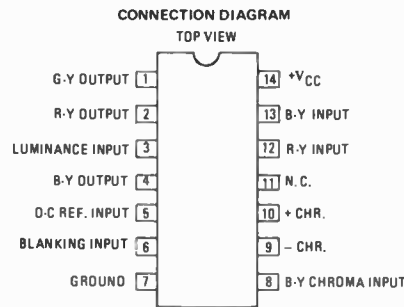
Max. supply voltage +20V. Typical supply current 35 MA @ 9.6V.



See Fig. 9

**GEIC-30
Chroma Demodulator**

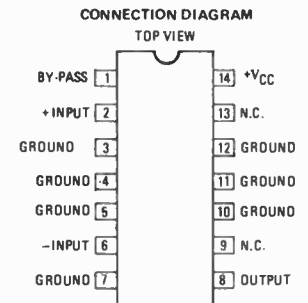
Max. supply voltage +30V. Typical supply current 19 MA @ +34V.



See Fig. 9

**GEIC-31
Audio Power Amplifier
(2.5 Watt)**

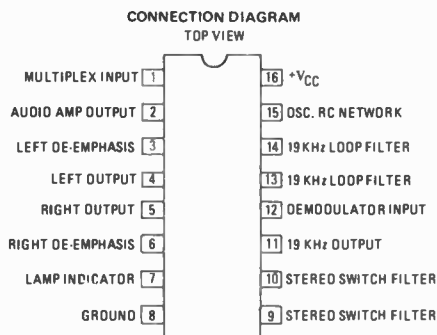
Max. supply voltage +28V. Typical supply current 10 MA @ 9V.



See Fig. 9

**GEIC-32
Phase Locked Loop
Stereo Decoder**

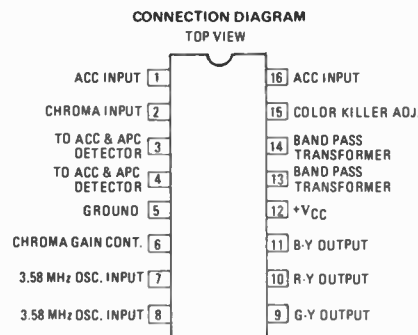
Max. supply voltage +26V. Typical supply current 26 MA @ +12V.



See Fig. 8

**GEIC-33
TV Chroma Amplifier
and Demodulator**

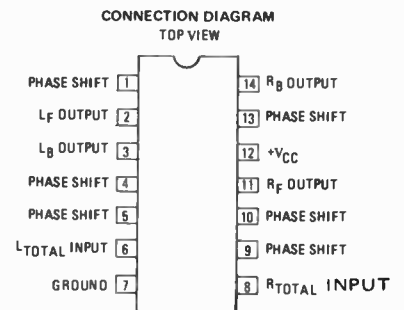
Max. supply voltage +30V. Typical supply current 40 MA @ +24V.



See Fig. 8

**GEIC-34
Four Channel SQ* Decoder**

Max. supply voltage +25VDC. Typical supply current 16 MA, V_{CC} +20VDC. V_{IN} = .5V (RMS)

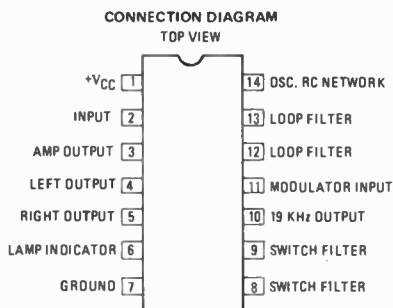


See Fig. 4

*Trademark of Columbia Broadcasting System.

**GEIC-35
FM Stereo Demodulator**

Max. supply voltage +14VDC. Typical supply current 15 MA with input signal present — with indicator lamp off.



See Fig. 4

INTEGRATED CIRCUIT FIGURES

FIGURE 1

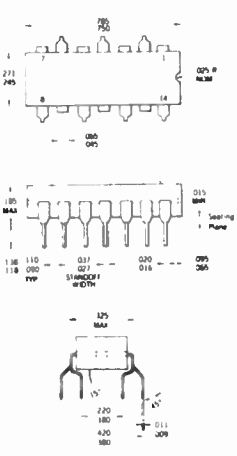


FIGURE 2

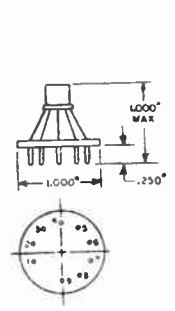


FIGURE 3

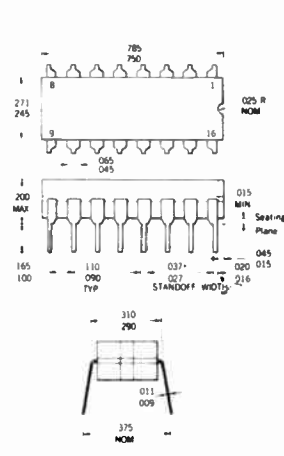


FIGURE 4

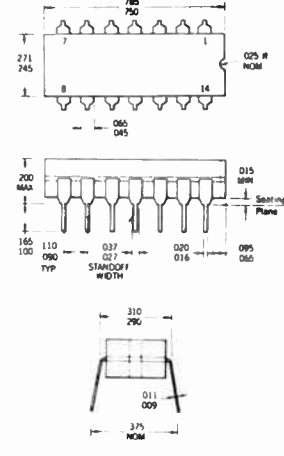


FIGURE 5

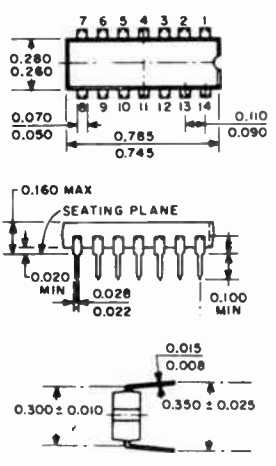


FIGURE 6

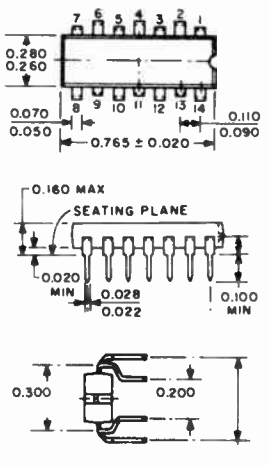


FIGURE 7

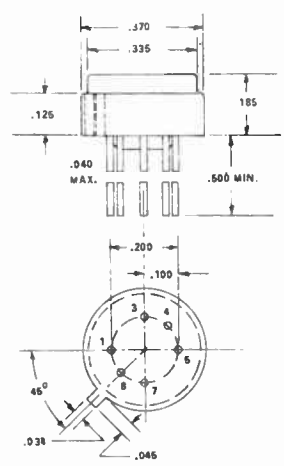


FIGURE 8

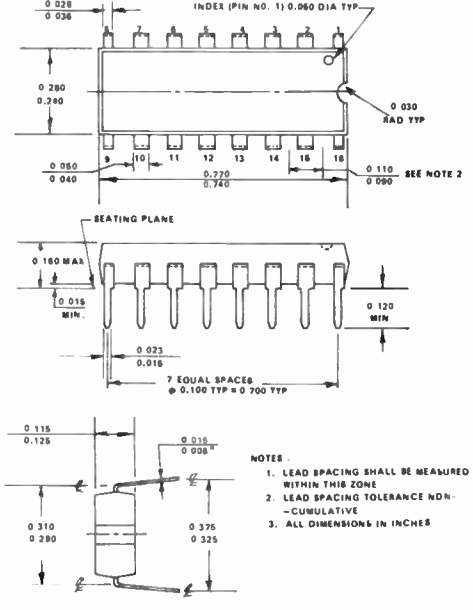


FIGURE 9

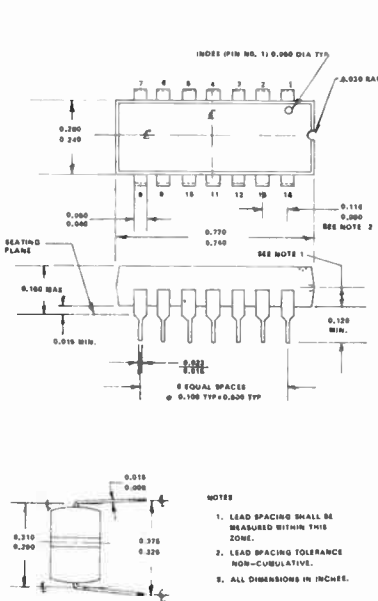


FIGURE 10

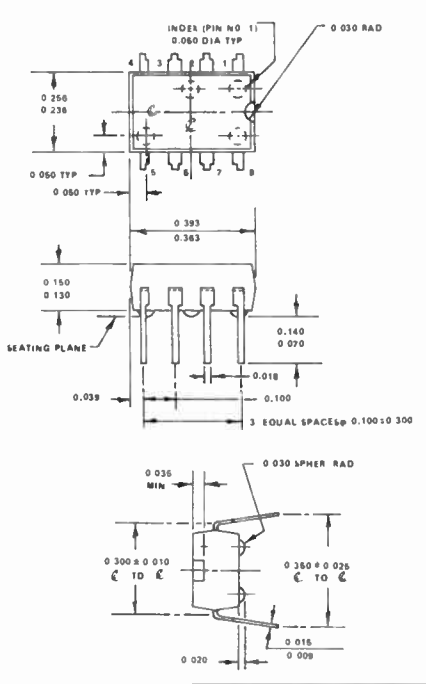
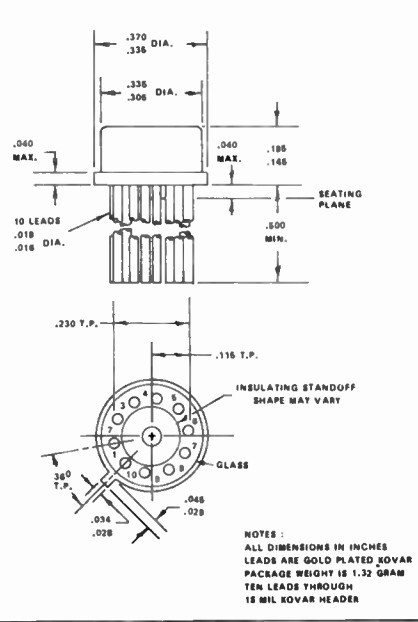
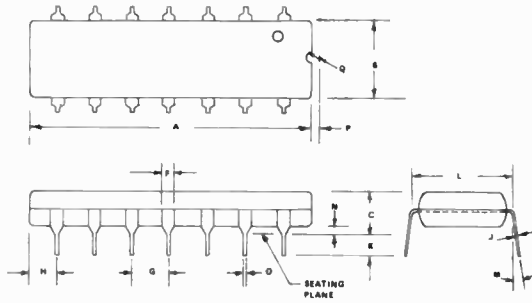


FIGURE 11



INTEGRATED CIRCUIT FIGURES

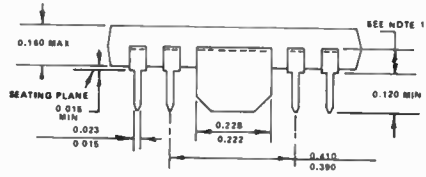
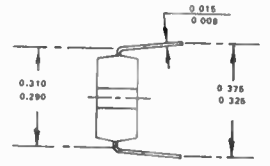
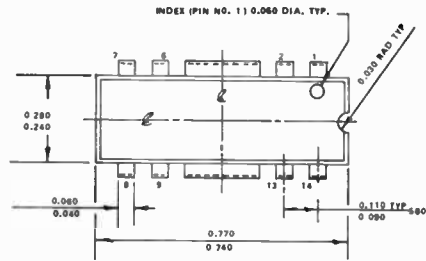
FIGURE 12



DIM.	MILLIMETERS		INCHES	
	MIN.	MAX.	MIN.	MAX.
A	18.18	18.80	0.716	0.740
B	5.10	5.50	0.240	0.260
C	4.00	4.87	0.160	0.190
D	0.38	0.61	0.018	0.020
E	1.62	1.62	0.040	0.060
F	2.54	—	0.100	—
G	1.22	1.83	0.062	0.073
H	0.20	0.30	0.008	0.012
I	3.82	3.43	0.150	0.136
J	7.37	7.87	0.290	0.310
K	—	10°	—	15°
L	0.61	1.02	0.020	0.040
M	0.13	0.38	0.006	0.018
N	0.51	0.76	0.020	0.030

- NOTES:
- LEADS WITHIN 0.13 mm (0.005) RADIUS OF TRUE POSITION AT SEATING PLANE AT MAXIMUM MATERIAL CONDITION.
 - DIMENSION "L" TO CENTER OF LEADS WHEN FORMED PARALLEL.

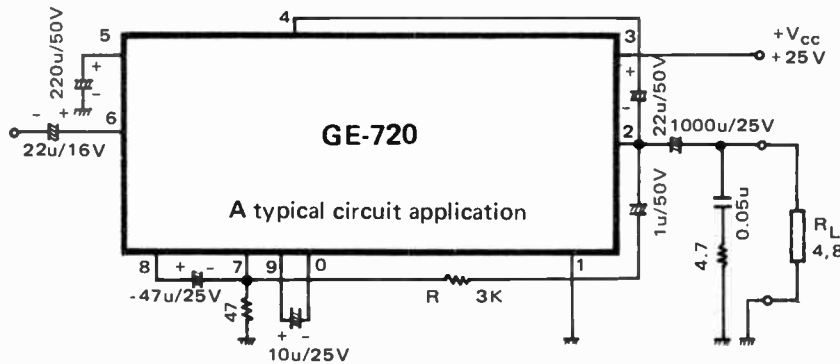
FIGURE 13



- NOTES:
- LEAD SPACING SHALL BE MEASURED WITHIN THIS ZONE.
 - ALL DIMENSIONS IN INCHES.

HYBRID-IC AUDIO POWER MODULES — A TYPICAL CIRCUIT APPLICATION

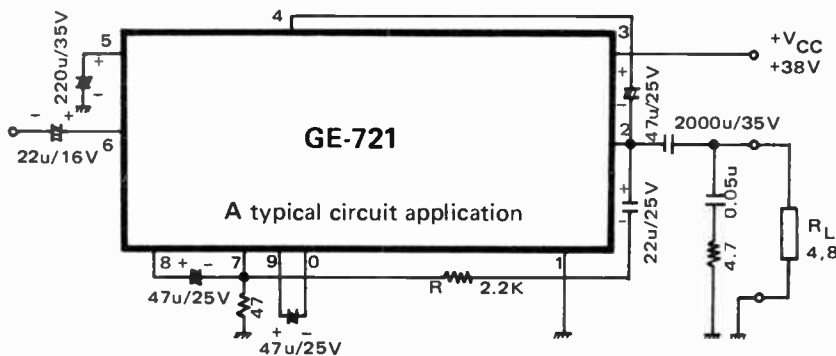
8 WATT AUDIO POWER AMPLIFIER



HYBRID-IC AUDIO POWER MODULE

- Typical Operating Conditions
- $V_{CC} = +25\text{ V}$
 - Voltage Gain 35dB
 - Input Resistance 27 K Ω
 - Voltage Input Signal 30-300MV
 - R_L Output 8 Ω

15 WATT AUDIO POWER AMPLIFIER

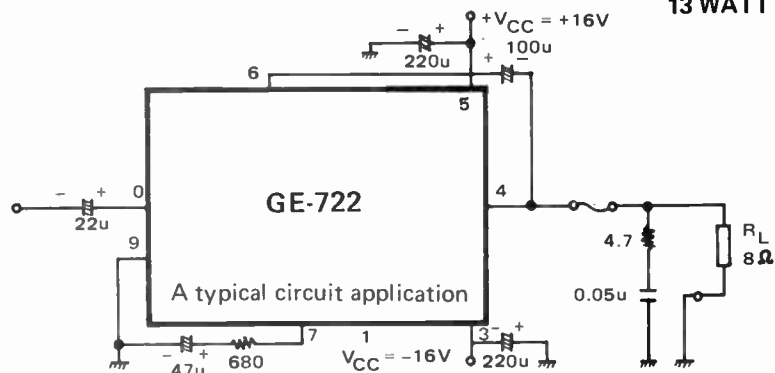


HYBRID-IC AUDIO POWER MODULE

- Typical Operating Conditions
- $V_{CC} = +38\text{ V}$
 - Voltage Gain 33dB
 - Input Resistance 40 K Ω
 - Voltage Input Signal 40-250MV
 - R_L Output 8 Ω

HYBRID-IC AUDIO POWER MODULES — A TYPICAL CIRCUIT APPLICATION

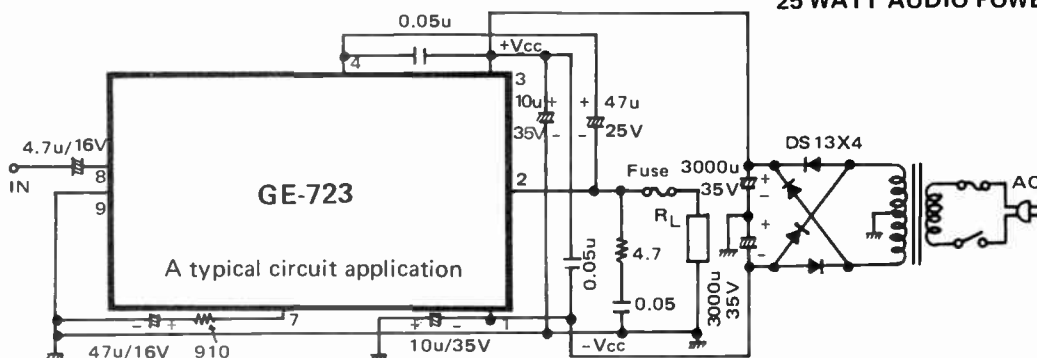
13 WATT AUDIO POWER AMPLIFIER



HYBRID-IC AUDIO POWER MODULE

Typical Operating Conditions
 $V_{CC} = +16\text{ V}$ and -16 V
 Voltage Gain 33dB
 Input Resistance 27 K Ω
 Voltage Input Signal 30-300MV
 R_L Output 8 Ω

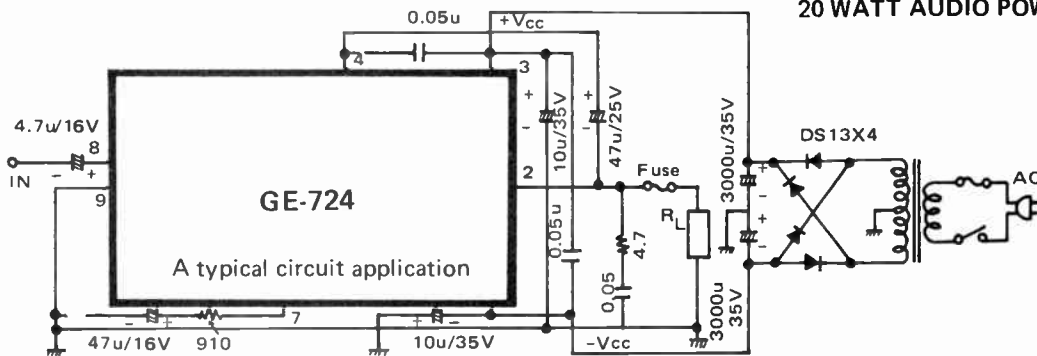
25 WATT AUDIO POWER AMPLIFIER



HYBRID-IC AUDIO POWER MODULE

Typical Operating Conditions
 $V_{CC} = +24\text{ V}$ and -24 V
 Voltage Gain 30dB
 Input Resistance 27 K Ω
 Voltage Input Signal 50-300MV
 R_L Output 8 Ω

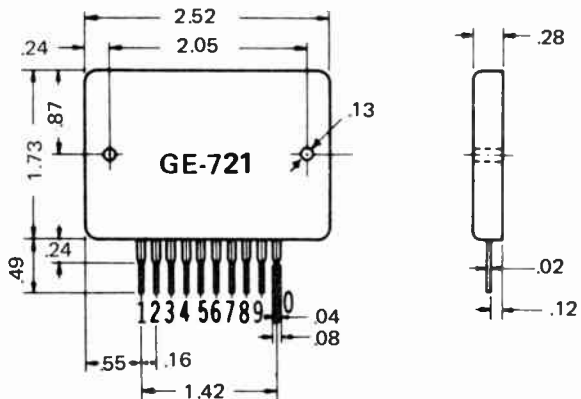
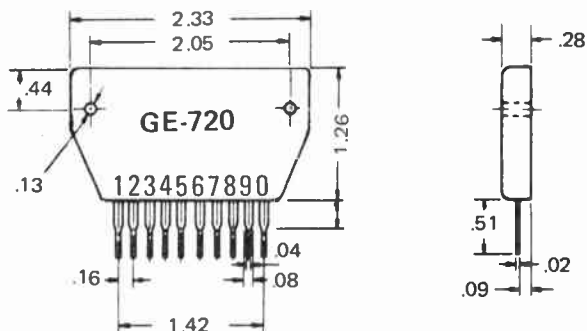
20 WATT AUDIO POWER AMPLIFIER



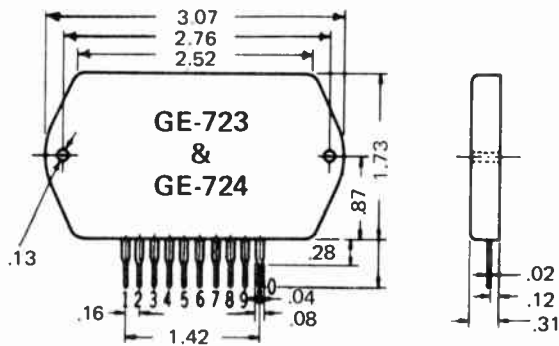
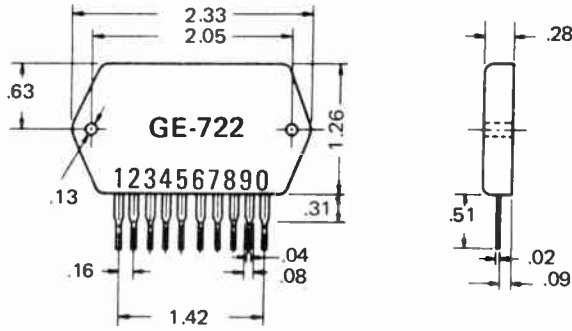
HYBRID-IC AUDIO POWER MODULE

Typical Operating Conditions
 $V_{CC} = +22\text{ V}$ and -22 V
 Voltage Gain 30dB
 Input Resistance 27 K Ω
 Voltage Input Signal 50-300MV
 R_L Output 8 Ω

HYBRID-IC AUDIO POWER MODULES – OUTLINE DRAWINGS



HYBRID-IC AUDIO POWER MODULES OUTLINE DRAWINGS

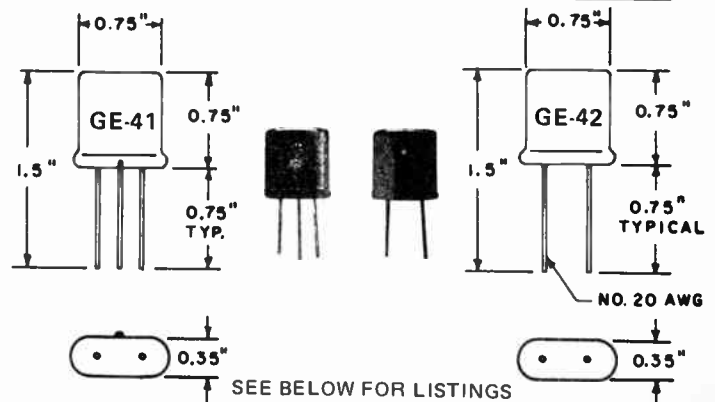


CROSS REFERENCE GUIDE for Hybrid-IC Audio Power Modules

JEDEC or Part No.	GE Replacement	JEDEC or Part No.	GE Replacement	JEDEC or Part No.	GE Replacement
905-5	GE-720	PC-20005	GE-721	STK-020D	GE-722
21M582	GE-720	PC-20006	GE-720	STK-020F	GE-722
24MW997	GE-720	SK3152	GE-720	STK-020K	GE-722
ECG1027	GE-721	SK3153	GE-721	STK-020L	GE-722
ECG1024	GE-720	SK3154	GE-721	STK-025	GE-724
ECG1025	GE-722	SK3155	GE-722	STK-025G	GE-724
ECG1028	GE-724	STK-011	GE-720	STK-032	GE-723
ECG1090	GE-723	STK-015	GE-721	STK-056	GE-724
PA 400	GE-723	STK-016	GE-721	STK-056A	GE-724
PA 401	GE-723	STK-020	GE-722	SVI-ST020F	GE-722
PA 501	GE-723	STK-020B	GE-722		

GE QUARTZ CRYSTALS

Catalog No.	Resonant Frequency	Use	Suggested List Price
GE-41	3579.545 kc	Color burst filter	5.60
GE-42	3579.545 kc	Color subcarrier oscillators	3.80



COLOR 3.5 MC QUARTZ CRYSTAL REPLACEMENT GUIDE

COLOR TV MANUFACTURER AND PART NO.	GE REPLACEMENT PART NO.	COLOR TV MANUFACTURER AND PART NO.	GE REPLACEMENT PART NO.	COLOR TV MANUFACTURER AND PART NO.	GE REPLACEMENT PART NO.	COLOR TV MANUFACTURER AND PART NO.	GE REPLACEMENT PART NO.	COLOR TV MANUFACTURER AND PART NO.	GE REPLACEMENT PART NO.	COLOR TV MANUFACTURER AND PART NO.	GE REPLACEMENT PART NO.
Admiral 93B3-3,4 93B22-3 93C22-1 93C22-3	GE-42 GE-42 GE-42 GE-42	68X0003-001 105330 T-E0137	GE-42 GE-42 GE-42	Dumont 105330 R105330 817129 817147	GE-42 GE-42 GE-42 GE-42 GE-42	Motorola 48B732230 48B732230 48T66544A88 48C66865A01	GE-42 GE-42 GE-42 GE-42	RCA 78896 100449 102249 105330 1107863-1 1107863-2 1107863-3	GE-42 GE-42 GE-42 GE-42 GE-42 GE-42 GE-42	Sylvania 72059 105330 26-16162-1	GE-42 GE-42 GE-42
Airline TV24176 QC-1 136-000100 105330 530089-2	GE-42 GE-42 GE-42 GE-42 GE-42	Capehart 750746A	GE-42	Electrhome 37-8-01 105330	GE-42 GE-42	Muntz CX9000	GE-42	Raytheon 8M-26102	GE-42	Symphonic T-E0317	GE-42
Ambassador R105330 817129 817147 817157	GE-42 GE-42 GE-42 GE-42	Clairtone 80000900	GE-42	Emerson R105330 817036 817129 817147 817175	GE-42 GE-42 GE-42 GE-42 GE-42	Packard Bell 72020 72059	GE-42 GE-42	Setchell-Carlson 3.58 MC X1018	GE-42 GE-42	Toshiba 599995	GE-42
AMC 66X0003-001 68X003-001 105330 817147	GE-42 GE-42 GE-42 GE-42	CBS Columbia 7500061	GE-42	General Electric ET41X27 ET41X47 ET47X27 23B-210067-001 23B-210067-002	GE-41 GE-41 GE-41 GE-41 GE-41	Panasonic TSS-616-1	GE-42	Sentinel 3.5 MC Crystal 20E1114	GE-42 GE-42	Truetone 8M-26102 66X0003-001 68X0003-001 105330	GE-42 GE-42 GE-42 GE-42
Andrea 3.5 MC Crystal A95-5286	GE-42 GE-42	Coronado CX-9000 66X0003-001 68X0003-001 105330	GE-42 GE-42 GE-42 GE-42 GE-42	Hoffman 3.58 MC Crystal 936001 136-000100 136-000200 136-000300	GE-42 GE-42 GE-42 GE-42	Penncrest 66X0003-001 68X0003-001 105330	GE-42 GE-42 GE-42	Sharp 615130	GE-42	TV Mfrs of America CX-9000	GE-42
Aristocrat 3.5 MC Crystal 2001786-169	GE-42 GE-42	Curtis Mathes 3.58 MC 9A1 09A001-00	GE-42 GE-42 GE-42	Magnavox M100449 M105330 530089-2 530128-1	GE-42 GE-42 GE-42 GE-42 GE-42	Philco 34-0012 34-8028 34-8034-4 34-8043-4 324-0012	GE-42 GE-42 GE-42 GE-42 GE-42	(Sears) Silvertone T-E0317 33-4-3 33-4-3A 33-7-3 48-77 3374-3 105330 599995	GE-42 GE-42 GE-42 GE-42 GE-42 GE-42 GE-42	Westinghouse 296V001H01 296V001M01 690V38H25	GE-42 GE-42 GE-42
Bradford 66X0003-001 68X0003	GE-42 GE-42	Del Monico A04021 QC-1	GE-42 GE-42	Pilot 817147	GE-42	Stromberg Carlson 162201	GE-42			Zenith 103-28 103-71 103-89	GE-42 GE-42 GE-42

ACCESSORIES

TRANSISTOR HEAT SINKS

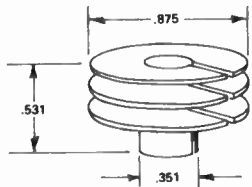
- GEA-101 Black anodized, three fin press on heat sink (2 in package) for TO-5 style transistors.
- GEA-102 Aluminum single stack snap-on heat sink (6 in package) for TO-5 style transistors.
- GEA-103 Aluminum double stack snap-on heat sink (6 in package) for TO-5 style transistors.
- GEA-104 Aluminum flag type slip-on heat sink (6 in package) for TO-5 style transistors.
- GEA-105 Black anodized 2 piece heat sink for TO-66 style transistors.
- GEA-106 Aluminum fin type heat sink for TO-3 style transistors. Radiating surface of 22.28 sq. in.
- GEA-107 Black anodized heat sink (2 in package) for plastic power transistors.
- GEA-108 Black anodized heat sink (1 per package) for TO-1 style transistors. 1/2" x 1/2" x 3/8".
- GEA-109 Black anodized heat sink (1 per package) for TO-1 style transistors. 1" x 1" x 3/8"

TRANSISTOR SOCKETS

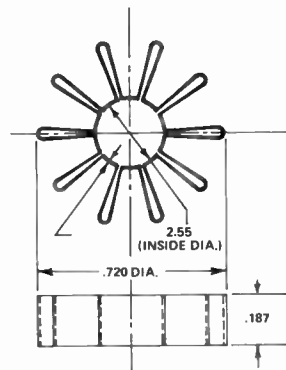
- GEA-120 Low current transistor socket - flat saddle mount.
- GEA-121 Low current transistor socket with mounting ring.
- GEA-122 Socket for TO-3 style power transistor.
- GEA-123 Socket for TO-66 style power transistor.

INTEGRATED CIRCUIT SOCKETS

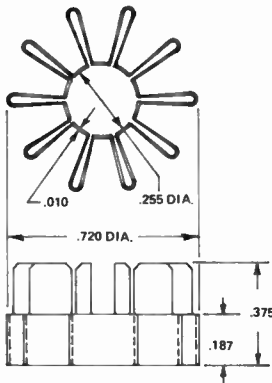
- GEA-124 8-pin integrated circuit socket, TO-5 case.
- GEA-125 10-pin integrated circuit socket, TO-5 case.
- GEA-126 14-pin integrated circuit socket, dual-inline case.
- GEA-127 16-pin integrated circuit socket, dual-inline case.



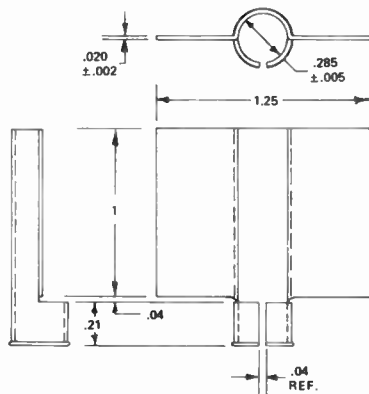
GEA-101



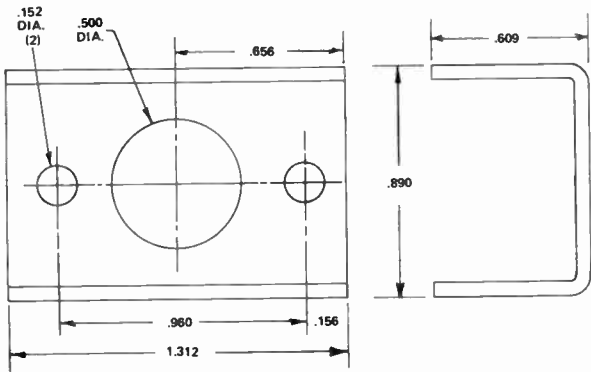
GEA-102



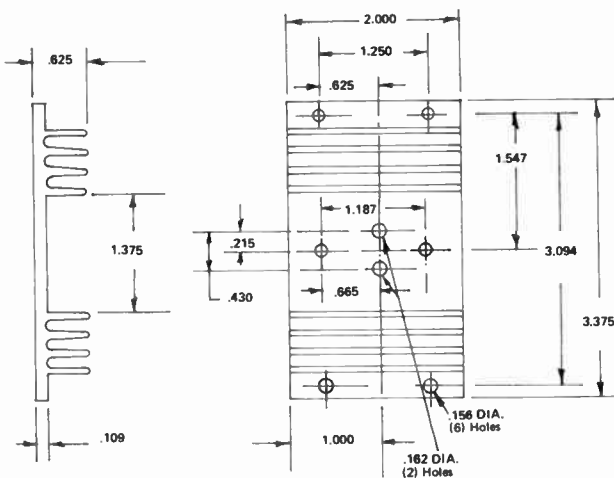
GEA-103



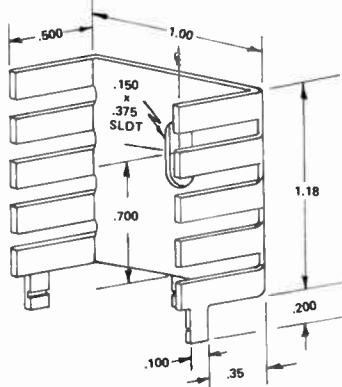
GEA-104



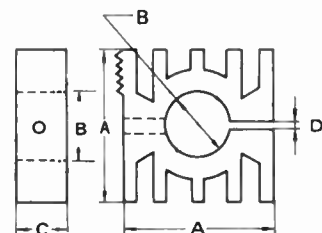
GEA-105



GEA-106



GEA-107



- | | |
|----------------|----------------|
| GEA-108 | GEA-109 |
| A = .50" | A = 1.00" |
| B = .23" | B = .23" |
| C = .38" | C = .38" |
| D = .04" | D = .04" |

NOTE: Both GEA-108 and GEA-109 have serrations on all fins.

Section II

SELENIUM RECTIFIERS FOR COLOR TV REPLACEMENT GUIDE

COLOR TV MANUFACTURER AND PART NO.	GE REPLACE-MENT PART NO.	COLOR TV MANUFACTURER AND PART NO.	GE REPLACE-MENT PART NO.	COLOR TV MANUFACTURER AND PART NO.	GE REPLACE-MENT PART NO.	COLOR TV MANUFACTURER AND PART NO.	GE REPLACE-MENT PART NO.	COLOR TV MANUFACTURER AND PART NO.	GE REPLACE-MENT PART NO.
Admiral 93B19-1 93B53-1 93B53-2 93C1-2021 93C19-1 93C40-1 6846503	GEGR-3 GEGR-3 GEGR-3 GEGR-3 GEGR-3 GEGR-2 GEGR-3	CGE 6RS18PH1108HB1 6RS6PH13BKJ1 R1 R2 R3	GEGR-1 GEGR-2 GEGR-1 GEGR-2 GEGR-3	ET57X31 ET57X32 ET57X33 K122-J176-1 K122-J176-2 K122-J177P1 M128-J422PT.1 M128-J753	GEGR-2 GEGR-1 GEGR-3 GEGR-1 GEGR-1 GEGR-2 GEGR-3 GEGR-3	Packard Bell 7209A 72060 72109 72110 72111	GEGR-3 GEGR-3 GEGR-3 GEGR-1 GEGR-2	Sylvania 13-18105-3 13-18106-1 13-17569-1 105064 72060	GEGR-2 GEGR-1 GEGR-3 GEGR-3 GEGR-3
Airline 004-003000 004-003100 004-003200 105064 34-8053-2 34-8055-2 34-8056-1 530087-2 530096-1 530097-3 866X0035-001 SR-30 SR-31 SR-32 SR-37	GEGR-3 GEGR-2 GEGR-1 GEGR-3 GEGR-1 GEGR-3 GEGR-2 GEGR-3 GEGR-1 GEGR-2 GEGR-1 GEGR-3 GEGR-1 GEGR-2 GEGR-3	Coronado 105064 34-8053-2 34-8055-2 34-8056-1	GEGR-3 GEGR-1 GEGR-3 GEGR-2	Heath 57-36 6RS6PH13BCJ1	GEGR-1 GEGR-1 GEGR-2	Penncrest 34-8053-2 34-8055-2 34-8056-1	GEGR-1 GEGR-3 GEGR-2	Truettone 34-8053-2 34-8055-2 34-8056-1 66X0033-001 66X0035-001 66X0036-001	GEGR-1 GEGR-3 GEGR-2 GEGR-3 GEGR-1 GEGR-2
AMC 113391 113392	GEGR-1 GEGR-2	Curtis Mathes 21A005 21A3 21A4 51GX14	GEGR-3 GEGR-1 GEGR-1 GEGR-3	Hoffman 004-003200 004-003100 004-003700 (SR-37)	GEGR-1 GEGR-2 GEGR-3	Philco 34-8053-2 34-8053-3 34-8053-4 34-8055-2 34-8056-1 34-8058 34-8058-1 (2) 324-0015	GEGR-1 GEGR-1 GEGR-1 GEGR-3 GEGR-2 GEGR-3 GEGR-3	Warwick 86-44-3 86-45-3 86-56-3C (-3F) 87-56-3 6RS18PH1108EB1 6RS7PH1308CB1	GEGR-1 GEGR-2 GEGR-3 GEGR-3 GEGR-1 GEGR-1
Andrea A-95-5295 A-95-5296 6RS18PH1108NB1 6RS6PH13BLJ1	GEGR-2 GEGR-1 GEGR-1 GEGR-2	Dumont 105604 R105064 817123 817124 817149 1440977-1	GEGR-3 GEGR-3 GEGR-1 GEGR-2 GEGR-3 GEGR-1	Magnavox M105064 1440977-1 1470990-1 530087-2 530096 (-1) 530097-2 530097-3 530132	GEGR-3 GEGR-1 GEGR-3 GEGR-3 GEGR-1 GEGR-3 GEGR-2 GEGR-1	RCA 105064	GEGR-3	Wells Gardner (Airline) 866X0035-001 866X0036-001 866X0041-001	GEGR-1 GEGR-2 GEGR-3
Bradford 105064 66X0033-000 66X0035-001 66X0036-001	GEGR-3 GEGR-3 GEGR-1 GEGR-2	Emerson R105064 817123 817124 817127 817149 6RS6PH13BMJ1 6RS51GX12	GEGR-3 GEGR-1 GEGR-2 GEGR-3 GEGR-3 GEGR-2 GEGR-3	Motorola 48C66653A02 48D66653A02 48D66653A PT. 005 48D66653A PT. 001	GEGR-3 GEGR-3 GEGR-1 GEGR-3	Muntz SR9000 SR9001	GEGR-1 GEGR-2	Westinghouse 295V031802 295V034C01 295V0318 690V037H92 690V039H17 690V039H18 690V039H54	GEGR-3 GEGR-2 GEGR-2 GEGR-3 GEGR-2 GEGR-1 GEGR-3
Catalina 66X0033-000 66X0033-001 66X0035-001 66X0036-001	GEGR-3 GEGR-3 GEGR-1 GEGR-2	General Electric 23B210679-1 ET57X26	GEGR-1 GEGR-3	Olympic RF32102R RF32103R 6RS18PH1108MB1 6RS6PH13BJ1 105064 1440977-1	GEGR-2 GEGR-1 GEGR-1 GEGR-2 GEGR-3 GEGR-1	Setchel Carlson FR-1033	GEGR-1	Zenith 212-25 212-48 212-63 212-68	GEGR-3 GEGR-1 GEGR-3 GEGR-2

DUAL-DIODE REPLACEMENT GUIDE

ORIGINAL EQUIP. MFRS. PART NO.	GE REPLACE-MENT PART NO.	ORIGINAL EQUIP. MFRS. PART NO.	GE REPLACE-MENT PART NO.	ORIGINAL EQUIP. MFRS. PART NO.	GE REPLACE-MENT PART NO.	ORIGINAL EQUIP. MFRS. PART NO.	GE REPLACE-MENT PART NO.	ORIGINAL EQUIP. MFRS. PART NO.	GE REPLACE-MENT PART NO.
Admiral 93A5-2 93B5-3, 4, 5, 6, 8, 9 93C26-7, 9	6GD1 6GC1 6GC1	Clairtone 93K2-1	6GC1	K118J966-2 K118J966-3 (WT16X8) K118J966-4 RER-023	6GX1 6GX1 6GX1 6GC1	Muntz SR0004	6GC1	Sharp 616010	6GC1
Airline SC-29 004-002900 66X21 66X25 66X0025-001 296V004H01 109474 530045-3 530093-1 SR-14,15 SR-20, 29	6GC1 6GC1 6GC1 6GC1 6GC1 6GC1 6GD1 6GC1 6GC1 6GD1 6GC1	Coronado 27C226 027-300226 66X21 66X0025-001 109474 SR-13 SR-15	6GC1 6GC1 6GC1 6GC1 6GC1 6GC1 6GD1	Hallcrafters 27-226 27C226 027-300226	6GC1 6GC1 6GC1	Packard Bell 72053	6GC1	Silvertone 48-110 A86-3-1 A86-9-1 86-18-1 27C226 A-86-3-1 8-46-110 100471 109328	6GC1 6GX1 6GC1 6GC1 6GC1 6GD1 6GC1 6GC1 6GC1
Ambassador 27-226 817074 SR-15	6GC1 6GC1 6GD1	Curtis Mathes CM 21A2	6GC1	Hotpoint ET16X7 RER-023 WT16X7	6GC1 6GC1 6GC1 6GC1	Panasonic VM-0.09M	6GC1	Sonora SR-13 SR-15 SR-20	6GC1 6GD1 6GC1
AMC 66X21 66X25 817074 SR-15	6GC1 6GC1 6GC1 6GD1	Dumont 109474 R109328 817074	6GC1 6GC1 6GC1	ITT K-1615 K-1616 K-1617	6GC1 6GX1 6GX1	Penncrest 66X21 66X25 66X0025-001 109474	6GC1 6GC1 6GC1 6GC1	Spartan (Canada) 19AR4-1	6GD1
Andrea A95-5280 A95-5297	6GC1 6GC1	Emerson R109474 109474 817062 817074 317962	6GC1 6GC1 6GD1 6GD1 6GD1	Marconi 817074	6GC1	Philco 34-8037 34-8037-2 34-8037-3 324-0011	6GC1 6GC1 6GC1 6GC1	Sylvania 13-16219-7 13-85943-1 13-85943-2 13-85943-3 624-0005 624-0006 624-0007 109474 ECG-113 ECG-114 ECG-115	6GC1 6GC1 6GC1 6GC1 6GC1 6GC1 6GC1 6GD1 6GX1
Artone 27-226 27C226	6GC1 6GC1	Firestone 27C226 34-8037-1 SR-15 SR-20	6GC1 6GC1 6GD1 6GC1	Meteor 27-226	6GC1	R.C.A. 103872 107268 109328 109474 1107832-6 1107832-7 1107832-9 1107832-10 1107832-11	6GC1 6GX1 6GC1 6GC1 6GX1 6GC1 6GC1 6GC1	Tech-Master Y100	6GD1
Bradford 66X21 66X25 66X0025-000, 001 109474	6GC1 6GC1 6GC1 6GC1	General Electric ET16X7 ET16X10 ET16X11 K115J510-1, 2 (WT16X7) K117J460-1 K117J460-2 K118J966-1 (WT16X9)	6GC1 6GC1 6GC1 6GC1 6GC1 6GC1 6GC1 6GD1	Motorola 48C65831A02 48C751656 48D67120A02 48K741255 48K741752 48K751724 48K742698 48K754153	6GX1 6GC1 6GC1 6GC1 6GD1 6GX1 6GD1 6GD1	Sears Silvertone A86-9-1	6GC1	Trans American 227-200001	6GC1
Catalina 66X25 66X0025-000, 001	6GC1 6GC1					Setchel Carlson 9LR2-1 9LR2-1	6GC1 6GC1	Trav-ler SR-10 SR-13 SR-15 SR-20	6GD1 6GC1 6GD1 6GC1

UNIVERSAL REPLACEMENT SEMICONDUCTORS

0-301004 - 0551029

JEDEC Or Part Nr	GE Replacement	JEDEC Or Part Nr	GE Replacement	JEDEC Or Part Nr	GE Replacement	JEDEC Or Part Nr	GE Replacement	JEDEC Or Part Nr	GE Replacement	JEDEC Or Part Nr	GE Replacement	JEDEC Or Part Nr	GE Replacement
0-301004	GE-52	0002SB405R	GE-53	002-008300	GE-10	0101-0034	GE-50	020-1110-005	GE-21	03-535A	GE-17		
0A70	1N60	0002SC373W	GE-62	002-008400	GE-52	0101-0222	GE-50	020-1110-006	GE-51	03-0018-0	GE-504A		
0A90	1N34AS	0002SC537F	GE-10	002-008800	GE-16	0101-0439	GE-67	020-1110-008	GE-18	03-0020-0	GE-2		
0A90M	1N60	0002SC772C	GE-11	002-009100	GE-12	0101-0448	GE-29	020-1110-009	GE-54	03-0023-0	GE-2		
0A90Z	1N34AS	0002SC828	GE-20	002-009500	GE-20	0101-0448A	GE-29	020-1110-010	GE-20	03-1585/G	GE-10		
0A90ZA	1N60	0002SC828H	GE-20	002-009501	GE-20	0101-0466	GE-29	020-1110-011	GE-20	03-3016	GE-504A		
0A91	1N34AS	0002SC986P	GE-18	002-009502	GE-10	0103-389	GE-20	020-1110-012	GE-20	030010	GE-20		
0A95	1N34AS	00023645	GE-20	002-009600	GE-20	0103-512M	GE-28	020-1110-013	GE-20	030010-1	GE-20		
000000DS17	GE-504A	0004203	GE-44	002-009700	GE-16	0103-0014	GE-20	020-1110-014	GE-27	030011	GE-18		
000000DS18	GE-504A	000546-1	GE-20	002-009701	GE-16	0103-0014S	GE-18	020-1110-016	GE-FET-1	030011-1	GE-18		
00000DS18	GE-504A	001-0020-00	1N60	002-009800	GE-21	0103-0051	GE-63	020-1110-017	GE-20	030011-2	GE-18		
000000DS-38	GE-504A	001-0072-00(MUNTZ)	6GC1	002-009900	GE-20	0103-0060	GE-20	020-1110-018	GE-FET-1	03008-1	GE-20		
0000DS410R	GE-300	001-0077-00	GE-504A	002-010100	GE-16	0103-0060B	GE-20	020-1110-021	GE-FET-1	0302	GE-504A		
0F160	GE-504A	001-0081	1N60	002-010300	GE-21	0103-0088	GE-20	020-1110-025	GE-53	030512-1	GE-20		
0F162	GE-300	001-0081-00	GE-300	002-010400	GE-20	0103-0088H	GE-10	020-1110-027	GE-21	030512-2	GE-20		
0F173	1N34AS	001-0082-00	GE-300	002-010500	GE-21	0103-0088R	GE-62	020-1110-038	GE-20	030515	GE-20		
0000000FR1	GE-504A	001-0099-01	GEZD-6.2	002-010600	GE-21	0103-0088S	GE-62	020-1111-002	GE-14	030515-4	GE-20		
0000000FR2	GE-504A	001-0101-01	GEZD-9.1	002-010700	GE-20	0103-0191	GE-17	020-1111-003	GE-14	030527	GE-20		
000LA1201B	GEIC-2	001-01101-0	GE-6	002-010800	GE-20	0103-0419	GE-28	020-1111-004	GE-69	030531-1	GE-20		
0000000MY4	GE-300	001-01202-1	GE-1	002-010900	GE-21	0103-0419A	GE-28	020-1111-005	GE-66	030536-1	GE-20		
00000MZ206	GEZD-5.6	001-01203-1	GE-1	002-011400	GE-20	0103-0473	GE-20	020-1111-007	GE-14	030536-1	GE-20		
0N271	GE-17	001-01204	GE-4	002-011500	GE-20	0103-0491	GE-17	020-1111-008	GE-35	030537	GE-20		
0000RS1542	GE-504A	001-01204-0	GE-3	002-011600	GE-51	0103-0503	GE-63	020-1112-001	GE-18	030537-1	GE-20		
00000SD1A	GE-504A	001-01205-0	GE-3	002-011700	GE-8	0103-0503S	GE-18	020-1112-002	GE-FET-2	030537-2	GE-20		
00000SD1AB(BOST)	GE-511	001-01205-1	GE-3	002-011800	GE-52	0103-0521	GE-20	020-1112-004	GE-20	030538	GE-20		
0000SD-1AUF	GE-504A	001-01206-0	GE-2	002-011900	GE-52	0103-0521B	GE-17	020-1112-005	GE-FET-1	030539-1	GE-14		
00000SD1Y	GE-504A	001-01250	GE-3	002-012000	GE-20	0103-0531	GE-20	020-1112-006	GE-FET-2	030542	GE-20		
00000SD46	1N60	001-01251	GE-3	002-012100	GE-22	0103-0540	GE-10	020-1112-008	GE-FET-2	030542-1	GE-20		
0SD0033	GEZD-7.5	001-01252	GE-3	002-012200	GE-63	0103-0568	GE-20	020-1114-007	GEIC-12	030543	GE-20		
0SD-0033	GEZD-7.5	001-01253	GE-3	002-012300	GE-21	0103-0607	GE-63	020-1114-008	GEIC-12	030543-1	GE-20		
000WG1010	GE-300	001-01254	GE-3	002-012400	GE-63	0103-0616	GE-63	020-1114-009	GEIC-7	030543-2	GE-20		
00000WZ090	GEZD-9.1	001-01255	GE-3	002-012500	GE-504A	0103-0606B	GE-20	02-3002-2/2221-3	GE-504A	0307	GE-509		
0000010D1	GE-504A	001-01256	GE-3	002-012600	GE-21	0104-0013	GE-63	020-00011	1N60	031033	1N295		
0000001N60	1N60	001-01257	GE-3	002SB435RY	GE-69	0105-0012	GE-FET-2	020-00012	1N60	031034	GE-504A		
0000001S85	GE-300	001-01258	GE-3	002SC203AA	GE-52	0110	GE-504A	020-00023	GE-51	031040	1N34AS		
0000010DC1	GE-504A	001-01259	GE-3	002SC668D	GE-11	0110-0011	GE-504A	020-00024	GE-20	0312	GE-504A		
000001S188	1N60	001-01501-0	1N34AS	002SC7350V	GE-20	0110-0141	GE-504A	020-00025	GE-20	0317	GE-509		
000001S334	GE-X11	001-02101-0	GE-20	002SC1061	GE-28	0110-0209	GE-504A	020-00026	GE-17	0322	GE-504A		
000001S553	GE-90	001-02101-1	GE-20	002SC1209C	GE-63	011H01	GE-1	020-00027	GE-11	0327	GE-509		
000001S990	GE-300	001-02102-0	GE-20	002SC7350Y	GE-20	0111	GE-504A	020-00028	GE-17	0330302	GEZD-12		
000002SB22	GE-53	001-02103-0	GE-20	002SD235RY	GE-28	011103	6GC1	020-00030	1N60	036001	GEIC-12		
00001S155	GE-300	001-02104-0	GE-20	0022481	GE-31MP	0112	GE-504A	020-00031	GE-90	0400	GE-504A		
00001S188	1N34AS	001-02105-0	GE-20	0023645	GE-20	0112-0019	1N60	0227.5A	GEZD-7.5	04-00072-01	GE-54		
00001S330A	GEZD-5.1	001-02106-0	GE-20	0023828	GE-20	0112-0028	1N60	0228.2A	GE-X11	04-00158-03	GE-53		
00001S1210	GE-300	001-02107-0	GE-20	0023829	GE-20	0112-0037	1N34AS	02210A	GEZD-10	04-00480-03	GE-20		
00001S1555	GE-300	001-02108-0	GE-20	003-004200	1N34A	0112-0046	1N34AS	02224A	GEZD-24	04-00461-02	GE-17		
00001S1849	GE-504A	001-02109-0	GE-20	003-006700	1N60	0112-0073	1N60	021154	GE-504A	04-00535-02	GE-20		
00001S2076	GE-300	001-02110-0	GE-20	003-007500	1N60	0113-0027	GE-90	022-3505-910	GE-2	04-00535-06	GE-20		
00001S4460	1N60	001-02111-0	GE-20	003-009000	1N60	0113-0036	GE-90	022-3640-050	GE-18	04-01585-06	GE-10		
0000101	GE-51	001-02111-1	GE-20	003-009100	GEZD-15	0114-0017	GEZD-9.1	022-3640-080	GE-17	04-01585-07	GE-10		
0000102	GE-51	001-02113-2	GE-20	003-009200	1N60	0114-0090	GEZD-9.1	022-3905-001	GE-504A	04-01585-08	GE-20		
0000103	GE-2	001-02113-3	GE-20	003-009400	GE-504A	012-1020-005	GE-300	022-006500	GE-20	0401	GE-504A		
0000104	GE-2	001-02113-4	GE-20	003-009600	1N60	012-1021-001	GE-300	022D	GE-504A	0402	GE-504A		
00002SA101	GE-1	001-02113-5	GE-20	003-009700	GEZD-12	012-1022-002	6GD1	024	GE-26	04049B	GE-504A		
00002SA202	GE-2	001-02114-0	GE-32	003-009900	GE-504A	012-1023-007	GEZD-5.6	025-009600	GE-11	0410	GE-504A		
00002SA550	GE-21	001-02115-0	GE-12	003-010000	1N60	012-1024-001	GE-300	025-100003	GE-17	0411	GE-504A		
00002SB185	GE-53	001-02116-0	GE-12	003H03	GE-2	012-1025-002	GE-512	025-100004	GE-17	0412	GE-504A		
00002SB186	GE-53	001-02117-2	GE-67	004-8000	GE-16	012H01	GE-1	025-100008	1N82A	041200-30110	GE-300		
00002SB187	GE-53	001-02119-0	GE-18	004-03100	GE-18	013-339	GE-504A	025-100009	GE-17	0450	GE-504A		
00002SB303	GE-52	001-02121-0	GE-20	004-03200	GE-20	0131-0028	GE-504A	025-100011	GE-90	0460	GE-504A		
00002SB405	GE-53	001-02201-0	GE-21	004-03300	GE-504A	0131-0044	GE-504A	025-100012	GE-17	0500	GE-300		
00002SB405R	GE-53	001-02303-0	GEZD-5.1	004-03500	GE-504A	0131-0053	GE-504A	025-100013	GE-17	050-0011-00	GE-504A		
00002SB474	GE-30	001-02303-3	GEZD-6.2	004-03600	GE-504A	013339	GE-504A	025-100014	GE-11	05-00000-00	1N34AS		
00002SC373	GE-62	001-02303-4	GEZD-15	004-03700	GE-504A	015-002	GE-504A	025-100015	GE-63	05-00060-00	1N60		
00002SC461	GE-17	001-02405-0	GE-504A	004-002000	GE-504A	015-006	GE-504A	025-100016	GE-504A	05-00085-00	GE-90		
00002SC535	GE-11	001-02405-1	GE-504A	004-002700	GE-504A	0170301	GE-300	025-100017	GE-20	05-00160-01	1N60		
00002SC536	GE-20	001-02405-2	GE-504A	004-002800	GE-504A	018-00001	GE-21	025-100018	GE-20	05-03016-01	GE-504A		
00002SC537	GE-20	001-02406-0	GE-510	004-002900	GE-504A	018-00002	GE-21	025-100026	GE-11	05-89669-01	GEZD-6.2		
00002SC609	GE-22	001-02406-1	GE-510	004-003000	GE-504A	018-00003	GE-20	025-100027	1N60	051-0003	GE-300		
00002SC644	GE-62	001-02601-0	GE-504A	004-003100	GE-20	018-00004	GE-69	025-100028	GE-300	051-0012-00	GEIC-7		
00002SC828	GE-18	001-02603-0	GE-504A	004-003200	GE-18	018-00005							

UNIVERSAL REPLACEMENT SEMICONDUCTORS

0552005 - 1-044/2207

JEDEC Or Part Nr	GE Replacement	JEDEC Or Part Nr	GE Replacement	JEDEC Or Part Nr	GE Replacement	JEDEC Or Part Nr	GE Replacement	JEDEC Or Part Nr	GE Replacement	JEDEC Or Part Nr	GE Replacement	JEDEC Or Part Nr	GE Replacement
0552005	GE-511	0575001H	1N34AS	09-301004	GE-52	09-302156	GE-12	09-306119	GE-504A	09-308008	GEIC-2		
0552006	GE-504A	0575002	1N34AS	09-301005	GE-52	09-302157	GE-37	09-306125	GE-504A	09-308013	GEIC-12		
0552007	GE-511	0575004	1N60	09-301009	GE-2	09-302158	GE-36	09-306126	GE-90	09-308033	GEIC-2		
0552010	GE-504A	0575005	1N60	09-301010	GE-16	09-302159	GE-14	09-306127	GEZD-12	09-308045	GEIC-6		
0563012H	GE-52	0575005H	1N60	09-301014	GE-2	09-302160	GE-12	09-306129	GE-504A	09-308046	GEIC-6		
057005	1N60	0575007	1N60	09-301016	GE-2	09-302161	GE-67	09-306136	GE-504A	09-308047	GEIC-5		
0573001	GE-2	0575010	GE-90	09-301020	GE-2	09-302162	GE-11	09-306141	GE-3R-2	09-308048	GEIC-5		
0573002	GE-52	0575010H	GE-90	09-301022	GE-53	09-302166	GE-46	09-306144	GE-511	09-309006	GE-17		
0573003	GE-52	0575019	1N60	09-301023	GE-52	09-302169	GE-46	09-306149	GE-504A	09-309007	GE-17		
0573003H	GE-52	0575019H	1N60	09-301026	GE-52	09-302170	GE-66	09-306154	GE-300	09-309012	GE-20		
0573004	GE-53	0575024(8)	GE-90	09-301027	GE-2	09-302171	GE-18	09-306157	GE-504A	09-309013	GE-20		
0573005	GE-52	0575024H	GE-90	09-301030	GE-31MP	09-302172	GE-17	09-306158	GEZD-9.1	09-309023	GE-10		
0573005H	GE-52	0575027	GE-90	09-301036	GE-52	09-302172	GE-17	09-306159	GE-300	09-309024	GE-20		
0573011	GE-2	0575047	GE-504A	09-301048	GE-52	09-302173	GE-20	09-306160	GE-504A	09-309027	GE-20		
0573012	GE-2	0575047H	GE-504A	09-301052	GE-3	09-302175	GE-57	09-306161	GE-300	09-309028	GE-20		
0573018	GE-2	0575049	GE-511	09-301054	GE-53	09-302177	GE-73	09-306163	GE-300	09-309030	GE-67		
0573018H	GE-52	0575049H	GE-511	09-301056	GE-52	09-302185	GE-12	09-306165	GEZD-9.1	09-309031	GE-63		
0573023	GE-2	0575050	GE-504A	09-301072	GE-2	09-302186	GE-32	09-306167	GE-90	09-309032	GE-20		
0573024	GE-2	0575051	GE-504A	09-301073	GE-25	09-302187	GE-36	09-306168	GE-300	09-309038	GE-21		
0573030	GE-44	0575066	GE-511	09-301075	GE-30	09-302188	GE-12	09-306169	GE-504A	09-309042	GE-21		
0573031	GE-31MP	0575067	1N60	09-301077	GE-29	09-302189	GE-32	09-306170	GE-300	09-309049	GE-62		
0573036	GE-52	0575099	1N60	09-302002	GE-20	09-302190	GE-20	09-306171	GE-300	09-309050	GE-20		
0573037	GE-6	057524	GE-90	09-302003	GE-17	09-303005	GE-23	09-306172	GE-510	09-309069	GE-20		
0573040	GE-16	0576054	GE-300	09-302004	GE-20	09-303006	GE-59	09-306176	GE-504A	09-309070	GE-18		
0573066	GE-17	059395	1N34A	09-302005	GE-20	09-303012	GE-8	09-306178	GE-504A	09-309071	GE-28		
0573103	GE-62	07-5085-36	GE-90	09-302006	GE-17	09-303013	GE-8	09-306180	GEZD-9.1	09-309072	GE-17		
0573114	GE-2	07-5134-14	1N34AS	09-302007	GE-20	09-303019	GE-10	09-306183	GEZD-6.2	09-309073	GE-20		
0573114H	GE-2	07-5180-15	1N60	09-302009	GE-17	09-303022	GE-28	09-306191	GEZD-5.1	09-310171	GE-25		
0573117	GE-2	07-5331-86	GEZD-5.6	09-302010	GE-11	09-303023	GE-54	09-306192	GE-504A	09-3060111	GE-300		
0573119	GE-2	0727-50	GE-504A	09-302012	GE-11	09-303025	GE-20	09-306193	6GC1	09A001-00	GE-42		
0573131	GE-2	075005	1N60	09-302015	GE-18	09-303028	GE-12	09-306194	GEZD-9.1	09501	GE-63		
0573142	GE-52	078-1696	GE-504A	09-302016	GE-20	09-304012	GE-21	09-306195	GE-300	098-1	GE-504A		
0573142H	GE-2	078-2400	GE-504A	09-302017	GE-20	09-305014	GE-FET-2	09-306197	GEZD-7.5	098G1219	GE-510		
0573152	GE-2	078-5001	GE-504A	09-302020	GE-20	09-305021	GE-FET-1	09-306201	GE-90	1/2Z5.1T5	GEZD-5.1		
0573153	GE-2	08-0040	GE-504A	09-302030	GE-11	09-305024	GE-21	09-306202	GE-300	1/2Z6.2T5	GEZD-6.2		
0573166	GE-16	08-0821	GE-504A	09-302033	GE-20	09-305031	GE-FET-2	09-306205	GE-504A	1/2Z6.5T5	GEZD-5.6		
0573184	GE-53	080003	GE-2	09-302034	GE-10	09-305032	GE-FET-2	09-306209	1N82A	1/2Z12T5	GEZD-12		
0573185	GE-52	080004	GE-2	09-302036	GE-20	09-305033	GE-17	09-306211	GE-300	1/2Z15T5	GEZD-15		
0573187	GE-52	080021	GE-20	09-302036	GE-60	09-305034	GE-20	09-306213	GE-504A	1/2Z27T5	GEZD-27		
0573199	GE-25	080022	GE-20	09-302037	GE-20	09-305069	GE-20	09-306214	GE-504A	1/4A10	GEZD10-4		
0573199H	GE-25	080023	GE-20	09-302037	GE-20	09-305072	GE-20	09-306215	GEZD-7.5	1/4A10A	GEZD10-4		
0573200	GE-52	080073	GE-2	09-302038	GE-20	09-305074	GE-20	09-306216	1N82A	1/4A10B	GEZD10-4		
0573212	GE-25	08050	GE-504A	09-302039	GE-20	09-306002	1N60	09-306220	GE-300	1/4A15	GEZD-15		
0573212H	GE-25	081001	GE-2	09-302040	GE-63	09-306008	GE-90	09-306221	GE-300	1/4A15A	GEZD-15		
0573328	GE-51	081038	GE-2	09-302045	GE-20	09-306009	1N60	09-306222	1N34AS	1/4A15B	GEZD-15		
0573330	GE-50	081048	GE-2	09-302046	GE-28	09-306010	1N60	09-306223	GE-504A	1/4A27	GEZD-27		
0573335	GE-50	081047	GE-2	09-302053	GE-20	09-306012	1N34AS	09-306224	GE-504A	1/4A27A	GEZD-27		
0573366	GE-50	085003	GE-300	09-302054	GE-17	09-306014	GE-90	09-306226	GE-509	1/4A27B	GEZD-27		
0573398	GE-50	089-214	GE-17	09-302058	GE-20	09-306019	1N60	09-306228	GEZD-9.1	1/4A23.6D10	GEZD-5.1		
0573422	GE-52	089-215	GE-17	09-302060	GE-20	09-306020	1N34AS	09-306229	1N60	1/4A23.6D5	GEZD-3.6		
0573422H	GE-1	089-216	GE-20	09-302061	GE-11	09-306021	GE-90	09-306230	GE-90	1/4A25.1D10	GEZD-5.1		
0573427	GE-50	089-220	GE-50	09-302063	GE-11	09-306023	GE-90	09-306231	GE-300	1/4A25.1D5	GEZD-5.1		
0573428	GE-50	089-222	GE-2	09-302072	GE-20	09-306024	1N34AS	09-306233	GE-300	1/4A25.6D	GEZD-5.6		
0573468	GE-25	089-223	GE-62	09-302074(SHARP)	GE-62	09-306028	GE-511	09-306236	GE-300	1/4A25.6D10	GEZD-5.6		
0573469	GE-20	089-226	GE-62	09-302074	GE-20	09-306030	GE-504A	09-306237	GE-511	1/4A25.6D5	GEZD-5.6		
0573469H	GE-18	089-231	GE-53	09-302075	GE-18	09-306031	GE-3R-2	09-306238	GE-X11	1/4LZ3.6D	GEZD-3.6		
0573471	GE-50	089-233	GE-8	09-302078	GE-11	09-306034	GE-504A	09-306239	GEZD-9.1	1/4LZ3.6D5	GEZD-3.6		
0573474	GE-11	089-235	GE-90	09-302083	GE-28	09-306037	1N60	09-306242	GE-X11	1/4LZ5.6D	GEZD-5.6		
0573475	GE-20	089-236	1N60	09-302085	GE-18	09-306039	GE-90	09-306245	GE-504A	1/4LZ5.6D10	GEZD-5.6		
0573479	GE-20	089-241	GE-300	09-302086	GE-62	09-306040	1N60	09-306247	GEZD-9.1	1/4LZ5.6D5	GEZD-5.6		
0573479H	GE-20	089-248	1N60	09-302092	GE-17	09-306042	GE-504A	09-308248	GE-300	1/4LZ6.2D	GEZD-6.2		
0573480	GE-20	089-252	GE-504A	09-302093	GE-62	09-306047	1N60	09-308249	GE-504A	1/4LZ6.2D5	GEZD-6.2		
0573480H	GE-18	089-293	1N60	09-302095	GE-17	09-306049	1N34AS	09-308250	GE-504A	1/4M3.6A210	GEZD-3.6		
0573481	GE-63	09-004	GEIC-8	09-302099	GE-18	09-306050	GE-504A	09-308251	GE-90	1/4M3.6A25	GEZD-3.6		
0573481H	GE-20	09-011	GEIC-7	09-302101	GE-20	09-306054	1N60	09-308253	GE-90	1/4M5.1A225	GEZD-5.1		
0573485	GE-20	09-30012	GE-50	09-302102	GE-28	09-306054	GE-504A	09-308254	GE-504A	1/4M5.6A2	GEZD-5.6		
0573486	GE-20	09-033006	GE-8	09-302106	GE-10	09-306055	GEZD-6.2	09-308255	GE-504A	1/4M5.6A210	GEZD-5.6		
0573486H	GE-20	09-300002	GE-1	09-302107	GE-20	09-306057	1N60	09-308260	GE-504A	1/4M5.6A225	GEZD-5.6		
0573487	GE-20	09-300006	GE-1	09-302113	GE-28	09-306058	1N34AS	09-308261	1N82A	1/4M6.2A25	GEZD-6.2		
0573490	GE-20	09-300011	GE-2	09-302122	GE-19	09-306059	GE-504A	09-308262	1N82A	1/4M10Z	GEZD10-4		
0573491	GE-20	09-300012	GE-50	09-302123	GE-28	09-306060	1N60	09-308263	GE-504A	1/4M10Z10	GEZD10-4		
0573492	GE-10	09-300015	GE-50	09-302124	GE-20	09-306061	1N60	09-308264	GE-504A	1/4M15Z	GEZD-15		
0573506	GE-11	09-300016</											

UNIVERSAL REPLACEMENT SEMICONDUCTORS

1-101 - 1N485B

JEDEC Or Part Nr	GE Replacement	JEDEC Or Part Nr	GE Replacement	JEDEC Or Part Nr	GE Replacement	JEDEC Or Part Nr	GE Replacement	JEDEC Or Part Nr	GE Replacement	JEDEC Or Part Nr	GE Replacement	JEDEC Or Part Nr	GE Replacement
1-101	GE-504A	1AC27B	GEZD-27	1M12Z	GEZD-12	1N124A	1N82A	1N298A	1N295	1N391	GE-300		
1/276.5T5	GEZD-7.5	1B2	GE-504A	1M12Z5	GEZD-12	1N125	1N60,1N295	1N299	1N82A	1N392	GE-300		
1-530-012-11	GE-504A	1B05J20	GE-504A	1M12Z10	GEZD-12	1N126	1N34A	1N300	GE-300	1N393	GE-300		
1-531-027	GE-510	1B05J40	GE-504A	1M12ZS10	GEZD-12	1N126A	1N34AS	1N300A	GE-300	1N394	GE-300		
1-531-036-11	GE-510	1B10J20	GE-504A	1M15Z	GEZD-15	1N132	1N60,1N295	1N300B	GE-300	1N400	GE-504A		
1-531-105	GE-504A	1B527-082	8GC1	1M15Z5	GEZD-15	1N133	1N82A	1N301	GE-300	1N417	GE-300		
1-531-105-11	GE-504A	1B759	GEZD-12	1M15Z10	GEZD-15	1N134	1N295	1N301A	GE-300	1N418	1N34AS		
1-531-105-13	GE-504A	1C2	GE-504A	1M15ZS10	GEZD-15	1N135	1N295	1N301B	GE-300	1N419	1N34AS		
1-531-106-17	GE-504A	1C12Z	GEZD-12	1M18ZS10	GEZD-18	1N136	1N295	1N303	GE-300	1N429	GEZD-6.2		
1-534-108-13	GE-504A	1C12ZA	GEZD-12	1M20ZS10	GEZD-20	1N137	1N295	1N303A	GE-300	1N431	GE-300		
1-801-003	GE-17	1C15Z	GEZD-15	1M22ZS10	GEZD-22	1N137A	GE-300	1N303B	GE-300	1N432	GE-300		
1-801-003-12	GE-20	1C15ZA	GEZD-15	1M24ZS10	GEZD-24	1N137B	GE-300	1N304	1N34AS	1N432A	GE-300		
1-801-003-13	GE-17	1C27Z	GEZD-27	1M27Z	GEZD-27	1N138	GE-504A	1N305	1N34AS	1N432B	GE-300		
1-801-003-14	GE-20	1C27ZA	GEZD-27	1M27Z5	GEZD-27	1N138A	GE-300	1N306	1N34AS	1N433	GE-504A		
1-801-003-15	GE-20	1C91	GEIC-12	1M27Z10	GEZD-27	1N138B	GE-300	1N308	1N34AS	1N433A	GE-300		
1-801-004	GE-82	1C-101	GE-64	1M27ZS10	GEZD-27	1N139	1N34AS	1N309	1N295	1N433B	GE-300		
1-801-004-17	GE-10	1C-502	GEIC-3	1M33ZS10	GEZD-33	1N140	1N34AS	1N315	GE-504A	1N434	GE-504A		
1-801-005	GE-53	1C504	GEIC-10	1M39ZS10	GEZD-39	1N144	1N295	1N316	GE-504A	1N434A	GE-300		
1-801-005-23	GE-2	1C505	GEIC-11	1M47ZS10	GEZD-47	1N145	1N295	1N316A	GE-504A	1N434B	GE-300		
1-801-008	GE-53	1C507	GEIC-2	1M62ZS10	GEZD-82	1N147	1N82A	1N317	GE-504A	1N435	1N34AS		
1-801-008-12	GE-2	1C508	GEIC-5	1M82ZS10	GEZD-82	1N147A	1N82A	1N317A	GE-504A	1N440	GE-504A		
1-801-008-14	GE-2	1C509	GEIC-4	1M120ZS10	GEZD-120	1N148	1N34AS	1N318	GE-504A	1N440B	GE-504A		
1-801-301-13	GE-12	1C510	GEIC-8	1M2088	GE-504A	1N151	GE-504A	1N318A	GE-504A	1N441	GE-504A		
1-801-301-14	GE-12	1C511	GEIC-9	1M8513A	GE-504A	1N152	GE-504A	1N319	GE-504A	1N441B	GE-504A		
1-801-301-15	GE-12	1C513	GEIC-9	1N-22	1N60	1N153	GE-504A	1N319A	GE-504A	1N442	GE-504A		
1-801-304-15	GE-20	1C0009	GE-504A	1N34	1N34AS	1N158	GE-504A	1N320	GE-504A	1N442B	GE-504A		
1-801-305-13	GE-17	1C0017	GE-504A	1N34A	1N34AS	1N169	GE-504A	1N320A	GE-504A	1N443	GE-504A		
1-801-306	GE-17	1C0020	GE-ZD-7.5	1N34A-Z	1N34AS	1N172	1N82A	1N321	GE-509	1N443B	GE-504A		
1-801-308-13	GE-17	1C0029	1N34AS	1N34G	1N34AS	1N173	1N82A	1N321A	GE-509	1N444	GE-504A		
1-801-308-14	GE-17	1C0031	GE-504A	1N34GA	1N34AS	1N173A	GE-300	1N322	1N444B	1N445A	GE-504A		
1-801-308-15	GE-17	1C0038	GEZD-6.2	1N35	1N34AS	1N194A	GE-300	1N322A	GE-509	1N445	GE-504A		
1-801-308-24	GE-52	1D2	GE-504A	1N38	1N34AS	1N195	GE-300	1N323	GE-504A	1N445B	GE-504A		
1-801-314-15	GE-10	1D5.1A	GEZD-5.1	1N40	1N34AS	1N198	1N34AS	1N323A	GE-504A	1N448	GE-504A		
1-801-314-18	GE-10	1D5.1B	GEZD-5.1	1N41	1N34AS	1N198	1N34AS	1N324	GE-504A	1N449	GE-504A		
1A34(R)	GE-83	1D5.8	GEZD-5.8	1N43	1N34AS	1N200	GEZD-7.5	1N324A	GE-504A	1N450	GE-504A		
1A348(R)	GE-83	1D5.8A	GEZD-5.8	1N45	1N34AS	1N201	GEZD-9.1	1N325	GE-504A	1N451	GE-504A		
1A0013	GE-10	1D5.8B	GEZD-5.8	1N48	1N34AS	1N202	GEZD-9.1	1N325A	GE-504A	1N452	GE-504A		
1A0020	GE-20	1D8.2A	GEZD-8.2	1N49	1N34AS,1N295	1N203	1N34AS	1N326	GE-504A	1N453	GE-504A		
1A0021	GE-17	1D6.2B	GEZD-6.2	1N50	1N34AS	1N204	GEZD-15	1N326A	GE-504A	1N454	GE-504A		
1A0022	GE-17	1D6.2SA	GEZD-8.2	1N51	1N34AS,1N60	1N205	GEZD-18	1N327	GE-504A	1N455	GE-504A		
1A0025	GE-17	1D8.29B	GEZD-8.2	1N56	1N34AS	1N207	GEZD-27	1N327A	GE-504A	1N456	GE-504A		
1A0027	GE-28	1D8	GE-509	1N60	1N60	1N210	GE-300	1N328	GE-509	1N456A	GE-504A		
1A0029	GE-20	1D10	GE-509	1N60-5	1N60	1N211	GE-504A	1N328A	GE-509	1N457	GE-504A		
1A0032	GE-17	1D27Z5	GEZD-27	1N60A	1N295	1N212	GE-300	1N329	GE-509	1N457A	GE-504A		
1A0033	GE-17	1DC1	GE-504A	1N60B	1N295	1N213	GE-300	1N329A	GE-509	1N457M	GE-300		
1A0034	GE-20	1DG2	1N60	1N60C	1N60	1N215	GE-300	1N332	GEMR-1	1N458	GE-504A		
1A0035	GE-20	1E2	GE-504A	1N60D	1N60	1N216	GE-300	1N333	GEMR-1	1N458A	GE-504A		
1A0037	GE-17	1E7	GE-509	1N60FMX	1N60	1N217	GE-300	1N334	GEMR-1	1N458M	GE-300		
1A0038	GE-12	1E8	GE-509	1N60G	1N295	1N218	GE-300	1N335	GEMR-1	1N459	GE-504A		
1A0043	GE-20	1E12Z	GEZD-12	1N60-M3	1N34AS	1N225	GEZD-9.1	1N336	GEMR-1	1N459A	GE-504A		
1A0044	GE-17	1E12Z5	GEZD-12	1N60P	1N60	1N226	GEZD-9.1	1N337	GEMR-1	1N459M	GE-300		
1A0045	GE-17	1E12Z10	GEZD-12	1N60S	1N60	1N227	GEZD-12	1N338	GEMR-1	1N460	GE-504A		
1A0048	GE-66	1E15Z	GEZD-15	1N60T	1N60	1N228	GEZD-15	1N339	GEMR-1	1N460A	GE-504A		
1A0048	GE-28	1E15Z5	GEZD-15	1N60-Z	1N60	1N229	GEZD-18	1N340	GEMR-1	1N460B	GE-300		
1A0051	GE-17	1E15Z10	GEZD-15	1N64	1N60,1N295	1N230	GEZD-20	1N341	GEMR-1	1N461	GE-504A		
1A0055	GE-2	1E27Z	GEZD-27	1N64A	1N60,1N295	1N248	GEMR-2	1N342	GEMR-1	1N461A	GE-504A		
1A0056	GE-2	1E27Z10	GEZD-27	1N64P	1N60	1N248A	GEMR-2	1N343	GEMR-1	1N462	GE-504A		
1A0058	GE-66	1E703E	GEIC-12	1N65	1N60	1N248B	GEMR-2	1N344	GEMR-1	1N462A	GE-504A		
1A0059	GE-66	1E77	GE-509	1N66	1N34AS	1N248C	GEMR-2	1N345	GEMR-1	1N463	GE-504A		
1A0063	GE-20	1E78	GE-509	1N67	1N34AS	1N249	GEMR-2	1N346	GEMR-1	1N463A	GE-504A		
1A0068	GE-18	1E710	GE-509	1N87A	1N34A	1N249A	GEMR-2	1N347	GEMR-1	1N464	GE-504A		
1A0087	GE-20	1EZ3.6	GEZD-3.8	1N69	1N34AS	1N249B	GEMR-2	1N348	GEMR-1	1N464A	GE-504A		
1A0070	GE-17	1EZ5.1	GEZD-5.1	1N71	1N295	1N249C	GEMR-2	1N349	GEMR-1	1N468	GEZD-5.1		
1A0076	GE-20	1EZ5.6	GEZD-5.8	1N72	1N82A	1N250	GEMR-2	1N350	GE-504A	1N468A	GEZD-5.1		
1A0077	GE-20	1EZ9.1	GEZD-9.1	1N73	1N34AS	1N250A	GEMR-2	1N351	GE-504A	1N468B	GEZD-5.1		
1A0078	GE-20	1EZ12	GEZD-12	1N74	1N34AS	1N250B	GEMR-2	1N352	GE-504A	1N469	GEZD-7.5		
1A0079	GE-17	1EZ15	GEZD-15	1N78	1N295	1N250C	GEMR-2	1N353	GE-504A	1N470	GEZD-7.5		
1A0080	GE-20	1EZ27	GEZD-27	1N76G	1N295	1N251	GE-300	1N354	GE-504A	1N471	GEZD-3.6		
1A0081	GE-20	1F2	GE-504A	1N82	1N82A	1N251A	GE-300	1N359	GE-504A	1N473	GEZD-5.1		
1A0083	GE-20	1F8	GE-509	1N82A	1N82A	1N252	GE-300	1N359A	GE-504A	1N473A	GEZD-5.1		
1A0084	GE-20	1FM2	GE-504A	1N82AG	1N82A	1N252A	GE-300	1N360	GE-504A	1N473B	GEZD-5.1		
1A10425	GE-504A	1G2C1	GE-504A	1N82G	1N82A	1N253	GEMR-1	1N360A	GE-504A	1N474	GEZD-7.5		
1A11306	1N34AS	1G2Z1	GE-504A	1N84	1N295	1N254	GEMR-1	1N361	GE-504A	1N475	GEZD-7.5		
1A12214	GE-504A	1G8	GE-60	1N88	1N34AS	1N255	GE-504A	1N361A	GE-504A	1N476	GE-504A		
1A12687	GE-90	1G100	GE-4	1N88AG	1N82A	1N256	GE-504A	1N362	GE-504A	1N480	1N34AS		
1A12688	GEZD-9.1	1GD2	1N295	1N87	1N60,1N295	1N287	1N34AS	1N362A	GE-504A	1N482	GE-504A		
1A12689	1N60	1GD4	1N295	1N87A	1N60	1N288	1N34AS	1N363	GE-504A	1N482A	GE-504A		
1A12690	GE-504A	1GD8	1N295	1N87G	1N60,1N295	1N270	1N34AS,1N60	1N363A	GE-50				

UNIVERSAL REPLACEMENT SEMICONDUCTORS

1N485C - 1N1222A

JEDEC Or Part Nr	GE Replacement	JEDEC Or Part Nr	GE Replacement	JEDEC Or Part Nr	GE Replacement	JEDEC Or Part Nr	GE Replacement	JEDEC Or Part Nr	GE Replacement	JEDEC Or Part Nr	GE Replacement	JEDEC Or Part Nr	GE Replacement
1N485C	GE-300	1N609A	GEMR-1	1N718	GEZD-12	1N817	GE-300	1N907/A	GE-300	1N1053	GE-504A		
1N488	GE-504A	1N810	GEMR-1	1N718A	GEZD-12	1N818	GE-300	1N908	GE-300	1N1054	GE-504A		
1N488A	GE-504A	1N810A	GEMR-1	1N717	GEZD-12	1N818M	GE-300	1N908/A	GE-300	1N1055	GE-504A		
1N487	GE-511	1N811	GEMR-1	1N717A	GEZD-12	1N819	GE-504A	1N909	1N34AS	1N1056	GE-504A		
1N487A	GE-511	1N811A	GEMR-1	1N718	GEZD-15	1N821	GEZD-8.2	1N910	1N295	1N1057	GE-504A		
1N487B	GE-511	1N812	GEMR-1	1N718A	GEZD-15	1N821A	GEZD-6.2	1N911	1N295	1N1058	GEMR-1		
1N488	GE-504A	1N812A	GEMR-1	1N719	GEZD-15	1N822	GEZD-6.2	1N914	GE-300	1N1059	GEMR-1		
1N488A	GE-504A	1N813	GE-504A	1N720	GEZD-18	1N823	GEZD-6.2	1N914A	GE-300	1N1060	GEMR-1		
1N488B	GE-511	1N813A	GE-504A	1N721	GEZD-20	1N823A	GEZD-6.2	1N914/A/B	GE-300	1N1061	GEMR-1		
1N492	GEZD-12	1N814	GE-504A	1N722	GEZD-20	1N824	GEZD-6.2	1N914B	GE-300	1N1062	GEMR-1		
1N493	GEZD-12	1N814A	GE-504A	1N723	GEZD-27	1N825	GEZD-6.2	1N916	GE-300	1N1063	GEMR-1		
1N497	1N34AS	1N816	1N34AS	1N724	GEZD-27	1N825A	GEZD-6.2	1N916A	GE-300	1N1064	GEMR-1		
1N498	1N34AS	1N819	GE-300	1N724A	GEZD-27	1N827	GEZD-6.2	1N916B	GE-300	1N1085	GEMR-1		
1N500	1N34AS	1N822	GE-300	1N747	GEZD-3.6	1N827A	GEZD-6.2	1N920	GE-300	1N1066	GEMR-1		
1N503	GE-504A	1N825	GE-300	1N747A	GEZD-3.6	1N829	GEZD-6.2	1N921	GE-300	1N1067	GEMR-1		
1N504	GE-504A	1N825A	GE-300	1N747B	GEZD-3.8	1N829A	GEZD-6.2	1N922	GE-300	1N1068	GEMR-1		
1N505	GE-504A	1N825M	GE-300	1N750	GEZD-5.1	1N835	1N295	1N923	GE-511	1N1069	GEMR-1		
1N506	GE-504A	1N828	GE-300	1N751	GEZD-5.1	1N837	GE-300	1N924	GE-300	1N1081	GE-504A		
1N507	GE-504A	1N826A	GE-300	1N752	GEZD-5.6	1N837A	GE-300	1N925	GE-300	1N1081A	GE-504A		
1N508	GE-504A	1N828M	GE-300	1N752A	GEZD-5.6	1N838	GE-300	1N926	GE-300	1N1082	GE-504A		
1N509	GE-509	1N827	GE-300	1N753	GEZD-6.2	1N839	GE-300	1N927	GE-300	1N1082A	GE-504A		
1N510	GE-509	1N827A	GE-300	1N753A	GEZD-6.2	1N840	GE-300	1N929	GE-300	1N1083	GE-504A		
1N511	GE-504A	1N828	GE-300	1N754	GEZD-7.5	1N840M	GE-300	1N930	GE-300	1N1083A	GE-504A		
1N512	GE-504A	1N828A	GE-300	1N755	GEZD-7.5	1N841	GE-300	1N931	GE-300	1N1084	GE-504A		
1N513	GE-504A	1N829	GE-300	1N756	GEZD-9.1	1N842	GE-300	1N932	GE-300	1N1084A	GE-504A		
1N514	GE-504A	1N829A	GE-300	1N756A	GE-X11	1N843	GE-300	1N933	GE-300	1N1093	1N295		
1N515	GE-504A	1N831	1N34AS	1N757	GEZD-9.1	1N844	GE-300	1N934	GE-300	1N1095	GE-504A		
1N516	GE-504A	1N832	1N34AS	1N757A	GEZD-9.1	1N845	GE-300	1N935	GEZD-9.1	1N1096	GE-504A		
1N517	GE-509	1N833	GE-300	1N758	GEZD-10-4	1N846	GE-504A	1N941	GEZD-12	1N1100	GE-504A		
1N518	GE-509	1N838	1N60	1N758A	GEZD-10-4	1N847	GE-504A	1N942	GEZD-12	1N1101	GE-504A		
1N519	GE-504A	1N843	GE-300	1N759	GEZD-12	1N848	GE-504A	1N945	GEZD-12	1N1102	GE-504A		
1N520	GE-504A	1N843A	GE-504A	1N759A	GEZD-12	1N849	GE-504A	1N946	GEZD-12	1N1103	GE-504A		
1N521	GE-504A	1N845	GE-504A	1N760	1N295	1N850	GE-504A	1N947	GE-504A	1N1104	GE-504A		
1N522	GE-504A	1N845A	GE-504A	1N761	GEZD-5.1	1N851	GE-504A	1N948	GE-300	1N1105	GE-504A		
1N523	GE-504A	1N846	GE-504A	1N781-2	GEZD-5.1	1N852	GE-504A	1N954	GE-90	1N1108	GE-509		
1N524	GE-504A	1N847	GE-504A	1N761A	GEZD-5.1	1N853	GE-509	1N957	GEZD-7.5	1N1115	GEMR-1		
1N525	GE-509	1N848	GE-504A	1N762	GEZD-6.2	1N854	GE-509	1N958	GEZD-7.5	1N1116	GEMR-1		
1N528	GE-509	1N849	GE-504A	1N763	GEZD-7.5	1N855	GE-509	1N959	GEZD-9.1	1N1117	GEMR-1		
1N527	1N295	1N858	GE-504A	1N764	GEZD-9.1	1N856	GE-509	1N960	GEZD-9.1	1N1118	GEMR-1		
1N530	GE-504A	1N858A	GE-300	1N765	GEZD-12	1N857	GE-504A	1N960A	GEZD-9.1	1N1119	GE-504A		
1N531	GE-504A	1N858M	GE-300	1N765-1	GEZD-10-4	1N858	GE-504A	1N960B	GEZD-9.1	1N1120	GE-504A		
1N532	GE-504A	1N859	GE-300	1N766	GEZD-12	1N859	GE-504A	1N961	GEZD-10-4	1N1122A	GE-504A		
1N533	GE-504A	1N859/A	GE-300	1N767	GEZD-15	1N860	GE-504A	1N961A	GEZD-10-4	1N1124	GEMR-1		
1N534	GE-504A	1N860	GE-300	1N768	GEZD-18	1N861	GE-504A	1N961B	GEZD-10-4	1N1124A	GEMR-1		
1N535	GE-504A	1N860A	GE-300	1N769	GEZD-20	1N862	GE-504A	1N962	GEZD-12	1N1125	GEMR-1		
1N536	GE-504A	1N861	GE-300	1N770	1N34AS	1N863	GE-504A	1N963	GEZD-12	1N1125A	GEMR-1		
1N537	GE-504A	1N861A	GE-300	1N774	1N34AS	1N864	GE-509	1N963A	GEZD-12	1N1128	GEMR-1		
1N538	GE-504A	1N862	GE-300	1N775	1N34AS	1N865	GE-509	1N963B	GEZD-12	1N1128A	GEMR-1		
1N539	GE-504A	1N862A	GE-300	1N778	1N295	1N866	GE-509	1N964	GEZD-12	1N1169	GE-504A		
1N540	GE-504A	1N863	GE-300	1N777	1N34AS	1N867	GE-509	1N965	GEZD-15	1N1169A	GE-504A		
1N541	1N295, 1N80	1N863A	GE-300	1N778	GE-300	1N868	GE-504A	1N965A	GEZD-15	1N1183	GEMR-2		
1N542	1N60(2)	1N863M	GE-300	1N779	GE-300	1N869	GE-504A	1N965B	GEZD-15	1N1184	GEMR-2		
1N547	1N60	1N865	GEZD-12	1N781	1N34AS	1N870	GE-504A	1N966	GEZD-15	1N1185	GEMR-2		
1N548	GE-504A	1N866	GEZD-15	1N788	1N34AS	1N871	GE-504A	1N967	GEZD-18	1N1186	GEMR-2		
1N550	GE-504A	1N869	GEZD-27	1N789	GE-300	1N872	GE-504A	1N968	GEZD-20	1N1187	GEMR-2		
1N551	GEMR-1	1N673	GE-504A	1N789M	GE-300	1N873	GE-504A	1N989	GEZD-20	1N1188	GEMR-2		
1N552	GEMR-1	1N675	GEZD-5.8	1N790	GE-300	1N874	GE-504A	1N970	GEZD-27	1N1191	GEMR-2		
1N553	GEMR-1	1N678	GE-504A	1N790M	GE-300	1N875	GE-509	1N971	GEZD-27	1N1192	GEMR-2		
1N554	GE-504A	1N677	GE-504A	1N791	GE-300	1N876	GE-509	1N971A	GEZD-27	1N1193	GEMR-2		
1N555	GE-504A	1N678	GE-504A	1N791M	GE-300	1N877	GE-509	1N971B	GEZD-27	1N1194	GEMR-2		
1N560	GE-509	1N679	GE-504A	1N792	GE-300	1N878	GE-509	1N993	GE-300	1N1195	GEMR-2		
1N561	GE-509	1N681	GE-504A	1N792M	GE-300	1N879	GE-504A	1N994	1N295	1N1196	GEMR-2		
1N562	GE-509	1N682	GE-504A	1N793	GE-300	1N880	GE-504A	1N995	1N295	1N1199	GEMR-1		
1N563	GE-509	1N683	GE-504A	1N793M	GE-300	1N881	GE-504A	1N996	1N295	1N1199A	GEMR-1		
1N564	1N34AS	1N684	GE-504A	1N794	GE-300	1N881B	GE-504A	1N997	GE-300	1N1200	GEBR-425		
1N568	1N34AS	1N685	GE-504A	1N795	GE-300	1N882	GE-504A	1N999	GE-300	1N1200A	GEBR-425		
1N569	1N295	1N686	GE-504A	1N796	GE-300	1N883	GE-504A	1N1008	GE-504A	1N1200B	GEBR-425		
1N571	1N295	1N687	GE-504A	1N797	GE-300	1N884	GE-504A	1N1028	GE-504A	1N1201	GEMR-1		
1N596	GE-504A	1N689	GE-504A	1N798	GE-300	1N885	GE-504A	1N1029	GE-504A	1N1201A	GEMR-1		
1N597	GE-509	1N690	GE-300	1N799	GE-300	1N886	GE-509	1N1030	GE-504A	1N1202	GEMR-1		
1N598	GE-509	1N692	GE-504A	1N800	GE-300	1N887	GE-509	1N1031	GE-504A	1N1202A	GEMR-1		
1N599	GE-504A	1N693	GE-511	1N801	GE-300	1N888	GE-509	1N1032	GE-504A	1N1203	GEMR-1		
1N599A	GE-504A	1N695	1N295	1N802	GE-300	1N889	GE-509	1N1033	GE-504A	1N1203A	GEMR-1		
1N600	GE-504A	1N896	GE-300	1N803	GE-300	1N890	GE-300	1N1034	GEMR-1	1N1204	GEMR-1		
1N600A	GE-504A	1N897	GE-300	1N804	GE-300	1N891	GE-300	1N1035	GEMR-1	1N1204A	GEMR-1		
1N601	GE-504A	1N698	1N295	1N805	1N34AS	1N892	GE-300	1N1036	GEMR-1	1N1217	GE-504A		
1N601A	GE-504A	1N701	GEZD-10-4	1N806	GE-300	1N893	GE-511	1N1037	GEMR-1	1N1217A	GE-504A		
1N602	GE-504A	1N705	GEZD-5.1	1N807	GE-300	1N897	GE-300	1N1038	GEMR-1	1N1217B	GE-504A		
1N602A	GE-504A	1N706	GEZD-6.2	1N808	GE-300	1N898	GE-300	1N1039	GEMR-1	1N1218	GE-504A		
1N603	GE-504A	1N707	GEZD-7.5	1N809	GE-300	1N899	GE-300	1N1040	GEMR-1	1N1218A	GE-504A		
1N603A	GE-504A	1N707A	GE-X11	1N810	GE-300	1N900	GE-300	1N1041	GEMR-1	1N1218B	GE-504A		
1N604	GE-504A	1N708	GEZD-6.2	1N811	GE-300	1N901	GE-300	1N1042	GEMR-1	1N1219	GE-504A		
1N604A	GE-504A	1N708A	GEZD-5.8	1N811M	GE-300	1N902	GE-300	1N1043	GEMR-1	1N1219A	GE-504A		
1N605	GE-504A	1N709	GEZD-6.2	1N812	GE-300	1N903	GE-300	1N1044	GEMR-1	1N1219B	GE-504A		
1N605A	GE-504A	1N709A	GEZD-8.2	1N812M	GE-300	1N903/A	GE-300	1N1045	GEMR-1	1N1220	GE-504A		
1N606	GE-504A	1N710	GEZD-7.5	1N813	GE-300	1N904	GE-300	1N1046	GE-504A	1N1220A	GE-504A		
1N606A	GE-504A	1N711	GEZD-7.5	1N813M	GE-300	1N904/A	GE-300	1N1047	GE-504A	1N1220B	GE-504A		
1N607	GEMR-1	1N712	GEZD-9.1	1N814	GE-300	1N905	GE-300	1N1048	GE-504A	1N1221	GE-504A		
1N607A	GEMR-1	1N713	GEZD-9.1	1N814M	GE-300	1N905/A	GE-300	1N1049	GE-504A	1N1221A	GE-504A		
1N608	GEMR-1	1N714	GEZD-10-4	1N815	GE-300	1N906	GE-300	1N1050	GE-504A	1N1221B	GE-504A		
1N608A	GEMR-1	1N714A	GEZD-10-4	1N815M	GE-300	1N906/A	GE-300	1N1051	GE-504A	1N1222	GE-504A		
1N609	GEMR-1	1N715	GEZD-12	1N818	GE-300	1N907	GE-300	1N1052	GE-504A	1N1222A	GE-504A		

UNIVERSAL REPLACEMENT SEMICONDUCTORS

1N1222B - 1N3249

JEDEC Or Part Nr	GE Replacement	JEDEC Or Part Nr	GE Replacement	JEDEC Or Part Nr	GE Replacement	JEDEC Or Part Nr	GE Replacement	JEDEC Or Part Nr	GE Replacement	JEDEC Or Part Nr	GE Replacement	JEDEC Or Part Nr	GE Replacement
1N1222B	GE-504A	1N1513A	GEZD-12	1N1709	GE-504A	1N2037	GEZD-12	1N2396	GE-504A	1N2882	GE-509		
1N1223	GE-504A	1N1514	GEZD-15	1N1710	GE-504A	1N2037-1	GEZD-12	1N2397	GE-509	1N2883	GE-509		
1N1223A	GE-504A	1N1514A	GEZD-15	1N1711	GE-504A	1N2038	GEZD-15	1N2398	GE-509	1N3016	GEZD-7.5		
1N1223B	GE-504A	1N1517	GEZD-27	1N1712	GE-504A	1N2038-1	GEZD-15	1N2404	GE-504A	1N3019	GEZD-9.1		
1N1224	GE-504A	1N1517A	GEZD-27	1N1713	GEZD-12	1N2041	GEZD-5.1	1N2405	GE-504A	1N3019A	GEZD-9.1		
1N1224A	GE-509	1N1519	GEZD-5.1	1N1730	GE-509	1N2041-2	GEZD-5.1	1N2406	GE-509	1N3019B	GEZD-9.1		
1N1224B	GE-509	1N1520A	GEZD-5.8	1N1735	GEZD-6.2	1N2046	GEZD-12	1N2407	GE-509	1N3020	GEZD-9.1		
1N1225	GE-509	1N1522	GEZD-9.1	1N1783	GE-504A	1N2069	GE-504A	1N2413	GE-504A	1N3022	GEZD-12		
1N1225A	GE-509	1N1523	GEZD-9.1	1N1783A	GE-504A	1N2069A	GE-504A	1N2414	GE-504A	1N3022A	GEZD-12		
1N1225B	GE-509	1N1524	GEZD-12	1N1784	GE-504A	1N2070	GE-504A	1N2415	GE-509	1N3022B	GEZD-12		
1N1228	GE-509	1N1524A	GEZD-12	1N1784A	GE-504A	1N2070A	GE-504A	1N2416	GE-509	1N3024	GEZD-15		
1N1228A	GE-509	1N1525	GEZD-15	1N1785	GEZD-12	1N2071	GE-504A	1N2422	GE-504A	1N3024A	GEZD-15		
1N1228B	GE-509	1N1525A	GEZD-15	1N1785A	GEZD-5.6	1N2071A	GE-504A	1N2423	GE-504A	1N3024B	GEZD-15		
1N1227	GEMR-1	1N1528	GEZD-18	1N1786	GEZD-8.2	1N2072	GE-504A	1N2424	GE-509	1N3027	GEZD-20		
1N1227A	GEMR-1	1N1528	GEZD-27	1N1786A	GEZD-8.2	1N2073	GE-504A	1N2425	GE-509	1N3030	GEZD-27		
1N1228	GEMR-1	1N1528A	GEZD-27	1N1770	GEZD-9.1	1N2074	GE-504A	1N2446	GEMR-2	1N3030A	GEZD-27		
1N1228A	GEMR-1	1N1531A	GEZD-27	1N1770A	GEZD-9.1	1N2075	GE-504A	1N2447	GEMR-2	1N3030B	GEZD-27		
1N1229	GEMR-1	1N1537	GEMR-1	1N1773	GEZD-12	1N2078	GE-504A	1N2448	GEMR-2	1N3047	GEZD-120		
1N1229A	GEMR-1	1N1538	GEMR-1	1N1773A	GEZD-12	1N2077	GE-504A	1N2449	GEMR-2	1N3082	GE-300		
1N1230	GEMR-1	1N1539	GEMR-1	1N1775	GEZD-15	1N2078	GE-504A	1N2450	GEMR-2	1N3083	GE-504A		
1N1230A	GEMR-1	1N1540	GEMR-1	1N1775A	GEZD-15	1N2079	GE-504A	1N2451	GEMR-2	1N3084	GE-300		
1N1231	GEMR-1	1N1541	GEMR-1	1N1780	GEZD-27	1N2080	GE-504A	1N2452	GEMR-2	1N3085	GE-300		
1N1231A	GEMR-1	1N1542	GEMR-1	1N1781	GEZD-27	1N2081	GE-504A	1N2453	GEMR-2	1N3086	GE-300		
1N1232	GEMR-1	1N1543	GE-504A	1N1781A	GEZD-27	1N2082	GE-504A	1N2482	GE-504A	1N3087	GE-300		
1N1232A	GEMR-1	1N1544	GE-504A	1N1820	GEZD-5.8	1N2083	GE-504A	1N2483	GE-504A	1N3088	GE-300		
1N1251	GE-504A	1N1553	GE-504A	1N1831	GEZD-27	1N2084	GE-504A	1N2484	GE-504A	1N3089	GE-300		
1N1252	GE-504A	1N1554	GE-504A	1N1840	GE-300	1N2085	GE-504A	1N2485	GE-504A	1N3070	1N82A		
1N1253	GE-504A	1N1555	GE-504A	1N1841	GE-300	1N2086	GE-504A	1N2486	GE-504A	1N3071	GE-300		
1N1254	GE-504A	1N1558	GE-504A	1N1844	GE-300	1N2088	GE-504A	1N2487	GE-504A	1N3072	GE-504A		
1N1255	GE-504A	1N1557	GE-504A	1N1845	GE-300	1N2089	GE-504A	1N2488	GE-504A	1N3073	GE-504A		
1N1255A	GE-504A	1N1558	GE-504A	1N1846	GE-300	1N2090	GE-504A	1N2489	GE-504A	1N3074	GE-504A		
1N1256	GE-504A	1N1559	GE-504A	1N1877	GEZD-12	1N2091	GE-504A	1N2491	GEMR-1	1N3075	GE-504A		
1N1257	GE-504A	1N1580	GE-504A	1N1877A	GEZD-12	1N2092	GE-504A	1N2492	GEMR-1	1N3076	GE-504A		
1N1258	GE-509	1N1581	1N295	1N1878	GEZD-15	1N2093	GE-504A	1N2493	GEMR-1	1N3077	GE-504A		
1N1259	GE-509	1N1582	1N295	1N1878A	GEZD-15	1N2094	GE-504A	1N2495	GEMR-1	1N3078	GE-504A		
1N1280	GE-509	1N1583	GE-504A	1N1881	GEZD-27	1N2095	GE-504A	1N2501	GE-509	1N3079	GE-504A		
1N1281	GE-509	1N1583A	GE-504A	1N1881A	GE-504A	1N2098	GE-504A	1N2502	GE-509	1N3080	GE-504A		
1N1313	GEZD-9.1	1N1584	GE-504A	1N1907	GE-504A	1N2103	GE-504A	1N2505	GE-509	1N3081	GE-504A		
1N1313A	GEZD-9.1	1N1584A	GE-504A	1N1908	GE-504A	1N2104	GE-504A	1N2506	GE-509	1N3082	GE-504A		
1N1314	GEZD-10.4	1N1585	GE-504A	1N1909	GE-504A	1N2105	GE-504A	1N2513	GEMR-1	1N3083	GE-504A		
1N1314A	GEZD-10.4	1N1585A	GE-504A	1N1910	GE-504A	1N2106	GE-504A	1N2514	GEMR-1	1N3084	GE-504A		
1N1315	GEZD-12	1N1586	GE-504A	1N1911	GE-504A	1N2107	GE-504A	1N2515	GEMR-1	1N3094	GE-504A		
1N1315A	GEZD-12	1N1586A	GE-504A	1N1912	GE-504A	1N2108	GE-504A	1N2809	GE-504A	1N3106	GE-504A		
1N1318	GEZD-15	1N1587	GE-504A	1N1913	GE-504A	1N2115	GE-504A	1N2610	GE-504A	1N3107	GE-509		
1N1317	GEZD-18	1N1587A	GE-504A	1N1914	GE-509	1N2118	GE-504A	1N2811	GE-504A	1N3108	GEZD-9.1		
1N1318	GEZD-20	1N1588	GE-504A	1N1915	GE-509	1N2117	GE-504A	1N2612	GE-504A	1N3110	1N295		
1N1337-5	GE-504A	1N1588A	GE-504A	1N1918	GE-509	1N2135	GEMR-2	1N2613	GE-504A	1N3121	1N34AS		
1N1341	GEBR-425	1N1581	GEMR-1	1N1929	GEZD-5.6	1N2135A	GEMR-2	1N2614	GE-504A	1N3122	1N295		
1N1341A	GEBR-425	1N1582	GEMR-1	1N1929A	GEZD-5.8	1N2154	GEMR-2	1N2615	GE-504A	1N3123	GE-300		
1N1341B	GEBR-425	1N1583	GEMR-1	1N1929B	GEZD-5.8	1N2155	GEMR-2	1N2618	GE-509	1N3124	GE-300		
1N1342	GEMR-1	1N1584	GEMR-1	1N1932	GEZD-10.4	1N2156	GEMR-2	1N2617	GE-509	1N3125	1N34AS		
1N1342A	GEMR-1	1N1585	GEMR-1	1N1932A	GEZD-10.4	1N2157	GEMR-2	1N2638	GE-504A	1N3146	1N295		
1N1342B	GEMR-1	1N1587	GE-509	1N1932B	GEZD-10.4	1N2158	GEMR-2	1N2650	GE-504A	1N3160	GE-504A		
1N1343	GEMR-1	1N1612	GEMR-1	1N1934	GEZD-15	1N2181	GE-504A	1N2653	GE-509	1N3182	GE-90		
1N1343A	GEMR-1	1N1813	GEMR-1	1N1934A	GEZD-15	1N2216	GEMR-1	1N2772	GE-509	1N3183	GE-504A		
1N1343B	GEMR-1	1N1814	GEBR-425	1N1934B	GEZD-15	1N2217	GE-504A	1N2773	GE-509	1N3184	GE-504A		
1N1344	GEMR-1	1N1814A	GEBR-425	1N1937	GEZD-27	1N2218	GE-504A	1N2774	GE-509	1N3185	GE-509		
1N1344A	GEMR-1	1N1814B	GEBR-425	1N1937A	GEZD-27	1N2219	GE-504A	1N2775	GE-509	1N3186	GE-509		
1N1344B	GEMR-1	1N1814R	GEBR-425	1N1937B	GEZD-27	1N2220	GE-504A	1N2793	GEMR-2	1N3189	GE-504A		
1N1345	GEMR-1	1N1815	GEMR-1	1N1959	GEZD-9.1	1N2221	GE-504A	1N2794	GEMR-2	1N3190	GE-504A		
1N1345A	GEMR-1	1N1617	GE-504A	1N1960	GEZD-12	1N2222	GE-509	1N2795	GEMR-2	1N3191	GE-504A		
1N1345B	GEMR-1	1N1618	GE-504A	1N1960A	GEZD-12	1N2222A	GE-509	1N2796	GEMR-2	1N3193	GE-504A		
1N1346	GEMR-1	1N1619	GE-504A	1N1960B	GEZD-12	1N2223	GE-509	1N2797	GEMR-2	1N3194	GE-504A		
1N1346A	GEMR-1	1N1620	GE-504A	1N1964	GEZD-27	1N2223A	GE-509	1N2798	GEMR-2	1N3195	GE-504A		
1N1346B	GEMR-1	1N1621	GEMR-1	1N1964A	GEZD-27	1N2224	GE-509	1N2799	GEMR-2	1N3196	GE-509		
1N1406	GE-504A	1N1622	GEMR-1	1N1964B	GEZD-27	1N2224A	GE-509	1N2800	GEMR-2	1N3197	GE-300		
1N1407	GE-509	1N1623	GEMR-1	1N1983	GEZD-8.2	1N2225	GE-509	1N2801	GE-504A	1N3203	GE-504A		
1N1408	GE-509	1N1624	GEMR-1	1N1983A	GEZD-5.8	1N2225A	GE-509	1N2850	GE-504A	1N3204	1N295		
1N1415	GE-504A	1N1644	GE-504A	1N1983B	GEZD-5.8	1N2228	GEMR-1	1N2851	GE-504A	1N3207	GE-300		
1N1425	GEZD-9.1	1N1645	GE-504A	1N1986	GEZD-10.4	1N2230	GEMR-1	1N2852	GE-509	1N3208	GEMR-2		
1N1426	GEZD-12	1N1646	GE-504A	1N1986A	GEZD-10.4	1N2232	GEMR-1	1N2858	GE-504A	1N3209	GEMR-2		
1N1427	GEZD-15	1N1647	GE-504A	1N1986B	GEZD-10.4	1N2234	GEMR-1	1N2858A	GE-504A	1N3210	GEMR-2		
1N1430	GEZD-27	1N1648	GE-504A	1N1988	GEZD-15	1N2266	GEMR-1	1N2859	GE-504A	1N3211	GEMR-2		
1N1439	GE-504A	1N1649	GE-504A	1N1988A	GEZD-15	1N2267	GE-504A	1N2859A	GE-504A	1N3212	GEMR-2		
1N1440	GE-504A	1N1650	GE-504A	1N1988B	GEZD-15	1N2268	GE-504A	1N2860	GE-504A	1N3221	GE-509		
1N1441	GE-504A	1N1651	GE-504A	1N1991	GEZD-27	1N2269	GE-504A	1N2860A	GE-504A	1N3227	GE-504A		
1N1442	GE-504A	1N1652	GE-504A	1N1991A	GEZD-27	1N2270	GE-504A	1N2861	GE-504A	1N3228	GE-504A		
1N1443	GE-509	1N1653	GE-504A	1N1991B	GEZD-27	1N2271	GE-504A	1N2861A	GE-504A	1N3229	GE-504A		
1N1443A	GE-509	1N1692	GE-504A	1N2013	GE-504A	1N2272	GEMR-1	1N2862	GE-504A	1N3230	GE-504A		
1N1485	GEZD-6.2	1N1693	GE-504A	1N2014	GE-504A	1N2273	GEMR-1	1N2862A	GE-504A	1N3231	GE-509		
1N1486	GE-504A	1N1694	GE-504A	1N2015	GE-504A	1N2274	GEMR-1	1N2863	GE-504A	1N3232	GE-509		
1N1487	GE-504A	1N1695	GE-504A	1N2016	GE-504A	1N2275	GEMR-1	1N2863A	GE-504A	1N3237	GE-504A		
1N1488	GE-504A	1N1696	GE-504A	1N2017	GE-504A	1N2276	GEMR-1	1N2864	GE-504A	1N3238	GE-504A		
1N1489	GE-504A	1N1697	GE-504A	1N2018	GE-504A	1N2289	GE-504A	1N2864A	GE-504A	1N3239	GE-504A		
1N1490	GE-504A	1N1701	GE-504A	1N2019	GE-504A	1N2289A	GE-504A	1N2865	GE-509	1N3240	GE-504A		
1N1491	GE-504A	1N1702	GE-504A	1N2020	GE-504A	1N2290A	GE-504A	1N2866	GE-509	1N3241	GE-504A		
1N1492	GE-504A	1N1703	GE-504A	1N2028	GEMR-1	1N2323	GE-504A	1N2867	GE-509	1N3242	GE-509		
1N1508A	GEZD-5.1	1N1704	GE-504A	1N2027	GEMR-1	1N2326	1N34AS	1N2868	GE-509	1N3243	GE-509		
1N1509	GEZD-5.2	1N1705	GE-504A	1N2028	GEMR-1	1N2372	GE-509	1N2878	GE-509	1N3246	GE-504A		
1N1509A	GEZD												

UNIVERSAL REPLACEMENT SEMICONDUCTORS

1N3250 - 1S12

JEDEC Or Part Nr	GE Replacement	JEDEC Or Part Nr	GE Replacement	JEDEC Or Part Nr	GE Replacement	JEDEC Or Part Nr	GE Replacement	JEDEC Or Part Nr	GE Replacement	JEDEC Or Part Nr	GE Replacement	JEDEC Or Part Nr	GE Replacement
1N3250	GE-504A	1N3657	GE-504A	1N4154	GE-300	1N4531	GE-300	1N4900	GEZD-12	1N5392	GE-504A		
1N3251	GE-509	1N3658	GE-504A	1N4155	GE-511	1N4532	GE-300	1N4901	GEZD-12	1N5393	GE-504A		
1N3252	GE-509	1N3666	GE-300	1N4156	GE-300	1N4533	GE-300	1N4902	GEZD-12	1N5394	GE-504A		
1N3253	GE-504A	1N3668	GE-300	1N4157	GE-300	1N4534	GE-300	1N4903	GEZD-12	1N5395	GE-504A		
1N3254	GE-504A	1N3669	GE-504A	1N4161	GEZD-9.1	1N4536	GE-300	1N4904	GEZD-12	1N5396	GE-504A		
1N3255	GE-504A	1N3678	GEZD-9.1	1N4161A	GEZD-9.1	1N4547	GE-300	1N4905	GEZD-12	1N5397	GE-504A		
1N3258	GE-509	1N3681	GEZD-12	1N4161B	GEZD-9.1	1N4548	GE-300	1N4906	GEZD-12	1N5398	GE-509		
1N3257	GE-504A	1N3681A	GEZD-12	1N4164	GEZD-12	1N4583	GEZD-12	1N4907	GEZD-12	1N5400	GE-504A		
1N3258	GE-504A	1N3681B	GEZD-12	1N4164A	GEZD-12	1N4585	GE-509	1N4908	GEZD-12	1N5401	GE-504A		
1N3277	GE-504A	1N3683	GEZD-15	1N4164B	GEZD-12	1N4586	GE-504A	1N4909	GEZD-12	1N5408	GE-512		
1N3278	GE-504A	1N3683A	GEZD-15	1N4168	GEZD-15	1N4606	GE-300	1N4910	GEZD-12	1N5412	GE-300		
1N3279	GE-504A	1N3683B	GEZD-15	1N4168A	GEZD-15	1N4607	GE-300	1N4911	GEZD-12	1N5413	GE-300		
1N3280	GE-509	1N3689	GEZD-27	1N4168B	GEZD-15	1N4608	GE-300	1N4912	GEZD-12	1N5414	GE-300		
1N3281	GE-509	1N3689A	GEZD-27	1N4172	GEZD-27	1N4610	GE-300	1N4913	GEZD-12	1N5418	GE-511		
1N3282	GE-509	1N3689B	GEZD-27	1N4172A	GEZD-27	1N4620	GEZD-3.6	1N4914	GEZD-12	1N5419	GE-511		
1N3287	1N295	1N3722	GE-300	1N4172B	GEZD-27	1N4624	GEZD-5.1	1N4915	GEZD-12	1N5426	GE-300		
1N3298	GE-504A	1N3723	GE-509	1N4240	GEZD-5.1	1N4625	GEZD-5.1	1N4937	GE-511	1N5433	GE-511		
1N3403	GEZD-12	1N3732	GEZD-5.1	1N4245	GE-504A	1N4626	GEZD-5.6	1N4945	GE-511	1N5434	GE-511		
1N3410	GEZD-12	1N3748	GE-504A	1N4246	GE-504A	1N4634	GEZD-12	1N4946	GE-511	1N5535	GEZD-15		
1N3416	GEZD-12	1N3749	GE-504A	1N4247	GE-504A	1N4636	GEZD-15	1N4947	GE-511	1N5552	GE-511		
1N3465	1N34AS	1N3750	GE-504A	1N4248	GE-509	1N4642	GEZD-27	1N4948	GE-511	1N5553	GE-511		
1N3468	GE-504A	1N3751	GE-509	1N4249	GE-509	1N4653	GEZD-5.1	1N4949	GE-300	1N5554	GE-511		
1N3467	1N295	1N3752	GE-509	1N4250	GE-509	1N4654	GEZD-5.1	1N4950	GE-300	1N5605	GE-300		
1N3468	1N295	1N3753	1N34AS	1N4251	GE-509	1N4655	GEZD-5.6	1N4951	GE-20	1N5607	GE-300		
1N3469	1N34AS	1N3754	GE-504A	1N4295	GEZD-10.4	1N4656	GEZD-6.2	1N4952	GE-20	1N5610	GE-300		
1N3470	1N34AS	1N3755	GE-504A	1N4295A	GEZD-10.4	1N4660	GEZD-9.1	1N5004	GE-504A	1N5616	GE-511		
1N3482	1N295	1N3756	GE-504A	1N4299	GEZD-12	1N4663	GEZD-12	1N5005	GE-504A	1N5617	GE-511		
1N3483	1N295	1N3757	GE-504A	1N4300	GEZD-12	1N4665	GEZD-15	1N5006	GE-504A	1N5618	GE-511		
1N3484	1N34AS	1N3758	GE-504A	1N4303	GEZD-12	1N4671	GEZD-27	1N5007	GE-504A	1N5619	GE-511		
1N3486	GE-509	1N3759	GE-504A	1N4304	GEZD-12	1N4689	GEZD-5.1	1N5052	GE-509	1N5620	GE-511		
1N3493	GE-504A	1N3760	GE-509	1N4305	GE-300	1N4690	GEZD-5.1	1N5053	GE-509	1N5621	GE-511		
1N3496	GEZD-6.2	1N3761	GE-509	1N4306	GE-300	1N4701	GEZD-15	1N5054	GE-509	1N5711	GE-300		
1N3497	GEZD-6.2	1N3773	1N295	1N4307	GE-300	1N4702	GEZD-15	1N5055	GE-504A	1N5712	GE-300		
1N3498	GEZD-6.2	1N3822	GEZD-3.6	1N4308	GE-300	1N4711	GEZD-27	1N5056	GE-504A	1N5713	GE-300		
1N3499	GEZD-6.2	1N3826	GEZD-5.1	1N4309	GE-300	1N4718	GE-504A	1N5057	GE-504A	1N5719	GE-300		
1N3500	GEZD-6.2	1N3826A	GEZD-5.1	1N4311	GE-300	1N4720	GE-504A	1N5058	GE-504A	1N5734	GE-X11		
1N3507	GEZD-3.6	1N3827	GEZD-6.2	1N4318	GE-300	1N4726	GE-300	1N5059	GE-504A	1N5858A	GEZD-12		
1N3511	GEZD-5.1	1N3827A	GEZD-5.6	1N4322	GE-300	1N4727	GE-300	1N5060	GE-504A	1N70980	GE-300		
1N3512	GEZD-5.6	1N3828	GEZD-6.2	1N4326	GEZD-9.1	1N4729	GEZD-3.6	1N5061	GE-504A	1N4A	1N34AS		
1N3513	GEZD-6.2	1N3828A	GEZD-6.2	1N4326A	GEZD-9.1	1N4732	GEZD-4.7	1N5062	GE-509	1N4A4	1N60		
1N3518	GEZD-10.4	1N3855A	GEZD-9.1	1N4326B	GEZD-9.1	1N4733	GEZD-5.1	1N5154B	GEZD-27	1NAG1	1N60, 1N295		
1N3520	GEZD-12	1N3864	GE-300	1N4329	GEZD-12	1N4733A	GEZD-5.6	1N5170	GE-504A	1N6C1684	GE-504A		
1N3522	GEZD-15	1N3866	GE-504A	1N4329A	GEZD-12	1N4734	GEZD-6.2	1N5179	GE-300	1N6J1433	GE-300		
1N3528	GEZD-27	1N3867	GE-504A	1N4329B	GEZD-12	1N4734A	GEZD-5.6	1N5190	GE-511	1N6J1675	1N60		
1N3537	GEZD-12	1N3868	GE-504A	1N4331	GEZD-15	1N4735	GEZD-6.2	1N5194	GE-300	1N6J1676	GE-504A		
1N3544	GE-504A	1N3869	GE-509	1N4331A	GEZD-15	1N4735A	GEZD-6.2	1N5195	GE-300	1N6J1677	GE-300		
1N3545	GE-504A	1N3872	GE-300	1N4331B	GEZD-15	1N4736	GEZD-7.5	1N5196	GE-300	1N6J1725	GE-300		
1N3546	GE-504A	1N3873	GE-300	1N4337	GEZD-27	1N4737	GEZD-7.5	1N5208	GE-300	1N70972	6GC1		
1N3547	GE-504A	1N3895	GE-504A	1N4337A	GEZD-27	1N4738	GE-X11	1N5210	GE-300	1N70973	1N60		
1N3548	GE-504A	1N3915	GE-504A	1N4337B	GEZD-27	1N4739	GEZD-9.1	1N5211	GE-504A	1N70976	GE-504A		
1N3549	GE-504A	1N3929	GE-509	1N4361	GE-509	1N4739A	GEZD-9.1	1N5212	GE-504A	1N70980	GE-504A		
1N3550	GE-300	1N3938	GE-504A	1N4363	GE-300	1N4740	GEZD-10	1N5213	GE-504A	1N71126	GE-504A		
1N3563	GE-509	1N3939	GE-504A	1N4364	GE-504A	1N4741	GEZD-11	1N5214	GE-509	1N71185	1N34AS		
1N3564	1N295	1N3940	GE-504A	1N4365	GE-504A	1N4742	GEZD-12	1N5215	GE-504A	1N71186	GE-504A		
1N3569	GEMR-1	1N3952	GE-504A	1N4368	GE-504A	1N4742A	GEZD-12	1N5216	GE-504A	1N71223	6GC1		
1N3570	GEMR-1	1N3957	GE-509	1N4367	GE-504A	1N4743	GEZD-12	1N5217	GE-504A	1N71224	GE-300		
1N3571	GEMR-1	1N3958	GEMR-1	1N4368	GE-504A	1N4744	GEZD-15	1N5218	GE-509	1R0E	GE-300		
1N3572	GEMR-1	1N3959	GEMR-1	1N4369	GE-504A	1N4744A	GEZD-15	1N5219	GE-300	1R0F	GE-504A		
1N3575	GE-300	1N3960	GEMR-1	1N4375	GE-300	1N4745	GEZD-15	1N5220	GE-300	1R0H	GE-504A		
1N3576	GE-300	1N3961	GEMR-1	1N4376	GE-300	1N4746	GEZD-18	1N5227	GEZD-3.6	1R1D	GE-504A		
1N3577	GE-300	1N3991	1N295	1N4382	GE-300	1N4747	GEZD-20	1N5227A	GEZD-3.6	1R1K	GE-504A		
1N3580	GEZD-12	1N4001	GE-504A	1N4383	GE-504A	1N4748	GEZD-22	1N5227B	GEZD-3.6	1R2	GE-300		
1N3581	GEZD-12	1N4002	GE-504A	1N4384	GE-504A	1N4749	GEZD-24	1N5230	GEZD-5.1	1R2A	GE-504A		
1N3582	GEZD-12	1N4003	GE-504A	1N4385	GE-504A	1N4750	GEZD-27	1N5231	GEZD-5.1	1R2D	GE-504A		
1N3584	GEZD-12	1N4004	GE-504A	1N4392	GE-300	1N4750A	GEZD-27	1N5231A	GEZD-5.1	1R2E	GE-504A		
1N3592	1N295	1N4005	GE-504A	1N4395	GE-300	1N4751	GEZD-33	1N5231B	GEZD-5.1	1R3A	GE-300		
1N3593	GE-300	1N4006	GE-509	1N4395A	GE-300	1N4752	GEZD-33	1N5232	GEZD-6.2	1R3D	GE-504A		
1N3594	GE-300	1N4007	GE-509	1N4403	GEZD-9.1	1N4753	GEZD-39	1N5232A	GEZD-5.6	1R3G	GE-504A		
1N3595	GE-300	1N4009	GE-509	1N4403A	GEZD-9.1	1N4754	GEZD-39	1N5232B	GEZD-5.6	1R3J	GE-504A		
1N3596	GE-300	1N4011	GE-509	1N4403B	GEZD-9.1	1N4756	GEZD-47	1N5234	GEZD-7.5	1R9.1	GEZD-9.1		
1N3598	GE-300	1N4014	GEZD-9.1	1N4406	GEZD-12	1N4759	GEZD-12	1N5235	GEZD-7.5	1R9.1A	GEZD-9.1		
1N3599	GE-300	1N4043	GE-504A	1N4406A	GEZD-12	1N4762	GEZD-82	1N5239	GEZD-9.1	1R9.1B	GEZD-9.1		
1N3600	GE-300	1N4048	GE-300	1N4406B	GEZD-12	1N4816	GE-504A	1N5239A	GEZD-9.1	1R9H	GE-504A		
1N3601	GE-300	1N4087	GE-300	1N4408	GEZD-15	1N4817	GE-504A	1N5239B	GEZD-9.1	1R9J	GE-504A		
1N3602	GE-300	1N4088	1N295	1N4408A	GEZD-15	1N4820	GE-504A	1N5241B	GEZD-11	1R9L	GE-504A		
1N3603	GE-300	1N4089	GE-504A	1N4408B	GEZD-15	1N4821	GE-504A	1N5242	GEZD-12	1R9U	GE-504A		
1N3604	GE-300	1N4092	1N82A	1N4414	GEZD-27	1N4822	GE-504A	1N5242A	GEZD-12	1R01	GE-504A		
1N3605	GE-300	1N4095	GEZD-5.1	1N4414A	GEZD-27	1N4827	GE-300	1N5242B	GEZD-12	1R10D3K	GE-300		
1N3606	GE-300	1N4103	GEZD-9.1	1N4414B	GEZD-27	1N4828	GE-300	1N5244	GEZD-15	1R10D3L	GE-511		
1N3607	GE-300	1N4104	GEZD-10.4	1N4444	GE-300	1N4829	GE-300	1N5245	GEZD-15	1R12	GEZD-12		
1N3608	GE-300	1N4106	GEZD-12	1N4446	GE-300	1N4830	GE-300	1N5245A	GEZD-15	1R12A	GEZD-12		
1N3609	GE-300	1N4108	GEZD-15	1N4447	GE-300	1N4842	GEZD-27	1N5245B	GEZD-15	1R12B	GEZD-12		
1N3612	GE-504A	1N4109	GEZD-15	1N4448	GE-300	1N4842A	GEZD-27	1N5254	GEZD-27	1R15	GEZD-15		
1N3613	GE-504A	1N4118	GEZD-27	1N4449	GE-300	1N4842B	GEZD-27	1N5254A	GEZD-27	1R15A	GEZD-15		
1N3614	GE-504A	1N4139	GE-504A	1N4450	GE-300	1N4861	GE-300	1N5282	GE-300	1R15B	GEZD-15		
1N3615	GE-504A	1N4147	GE-300	1N4451	GE-300	1N4862	GE-300	1N5315	GE-300	1R27	GEZD-27		
1N3625	GE-300	1N4148	1N60	1N4453	GE-300	1N4863	GE-300	1N5316	GE-300	1R27A	GEZD-27		
1N3639	GE-504A	1N4149	GE-300	1N4454	GE-300	1N4864	GE-300	1N5317	GE-300	1R27B	GEZD-27		
1N3640	GE-504A	1N4150	GE-300	1N4455	GE-300	1N4896	GEZD-12	1N5318	GE-300	1R31	GE-511		

UNIVERSAL REPLACEMENT SEMICONDUCTORS

1S17 - 1ZB27

JEDEC Or Part Nr	GE Replacement	JEDEC Or Part Nr	GE Replacement	JEDEC Or Part Nr	GE Replacement	JEDEC Or Part Nr	GE Replacement	JEDEC Or Part Nr	GE Replacement	JEDEC Or Part Nr	GE Replacement	JEDEC Or Part Nr	GE Replacement
1S17	GE-300	1S132	GE-300	1S441	1N34AS	1S1302	GE-300	1S1926K	1N82A	1T23G	1N34AS		
1S18	GE-300	1S135	GEZD-12	1S444	GE-300	1S1303	GE-300	1S1941	GE-504A	1T23S	1N60		
1S20	GE-504A	1S137	GEZD-15	1S448	1N34AS	1S1329B	GE-90	1S1942	GE-504A	1T26	1N34AS, 1N60		
1S32	1N60	1S145	GE-90	1S448D	1N60	1S1341	GE-504A	1S1943	GE-504A	1T26-2	1N60		
1S33	1N60	1S146	GE-504A	1S447	1N34AS	1S1342	GE-504A	1S1944	GE-504A	1T40	GE-300		
1S34	1N34AS	1S147	GE-504A	1S451	1N34AS	1S1343	GE-504A	1S1992	GE-300	1T188	1N295		
1S34S	1N60	1S148	GE-504A	1S454	1N60	1S1344	GE-504A	1S1993	GE-300	1T205A	GE-51		
1S35	GE-504A	1S149	GE-504A	1S456	GE-504A	1S1345	GE-504A	1S1994	GE-300	1T213	1N34AS		
1S37	GEZD-5.6	1S150	GE-504A	1S457	GE-504A	1S1346	GE-504A	1S1995	GE-300	1T231	1N60, 1N295		
1S38	GE-63	1S155-1	GE-300	1S458	GE-504A	1S1347	GE-509	1S2036	GEZD-3.6	1T236	1N34AS, 1N60		
1S40	GE-504A	1S180	GE-504A	1S459	GE-504A	1S1348	GE-509	1S2036A	GEZD-3.6	1T240	1N60		
1S41	GE-504A	1S180/5GB	GE-504A	1S466	1N34AS	1S1420H	GE-300	1S2051	GEZD-5.1	1T240A	1N295		
1S42	GE-504A	1S181	GE-504A	1S474	GEZD-15	1S1472	GE-504A	1S2051A	GEZD-5.1	1T243	GE-504A		
1S43	GE-504A	1S182	GE-300	1S535	GE-90	1S1473	GE-300	1S2051B	GEZD-5.1	1T243M	GE-300		
1S44	GE-504A	1S183	GE-504A	1S535-1	GE-90	1S1501	GE-90	1S2056	GEZD-5.6	1T261	1N60		
1S45	GE-504A	1S188	1N34AS	1S542	1N60	1S1502	GE-90	1S2056A	GEZD-5.6	1T262	1N60		
1S46	GE-504A	1S187	1N34AS	1S543	1N82A	1S1503	GE-90	1S2074H	GE-300	1T263	GEZD-47		
1S47	GE-504A	1S-188	1N60	1S553	GE-90	1S1514	GE-504A	1S2075	GE-300	1T264	GEZD-47		
1S48	GE-90	1S188AM	1N60	1S554	GE-90	1S1515	GE-504A	1S2076	GE-300	1T378	GE-504A		
1S49	GE-90	1S188FM	1N60	1S555	GE-90	1S1516	GE-504A	1S2076A	GE-300	1T495	GE-504A		
1S50	1N295	1S188FMI	1N60	1S557	GE-504A	1S1517	GE-511	1S2091	GE-300	1T502	GE-504A		
1S54	GE-504A	1S188S	1N34AS	1S558	GE-504A	1S1517A	GE-511	1S2092	GE-300	1T503	GE-504A		
1S55	GEZD-9.1	1S189	1N34AS	1S559	GE-504A	1S1532	GE-300	1S2097	GE-300	1T504	GE-504A		
1S58	GE-504A	1S190	GEZD-5.1	1S588	GE-504A	1S1533	GE-90	1S2098	GE-300	1T505	GE-504A		
1S60P	1N60	1S193	GE-X11	1S587	GEZD-15	1S1544	GE-300	1S2100	GEZD-10-4	1T506	GE-504A		
1S71	GE-504A	1S195	GEZD-10-4	1S685	GE-504A	1S1545	GE-300	1S2100A	GEZD-10-4	1T507	GE-509		
1S72	GE-504A	1S197	GEZD-12	1S686	GE-504A	1S1553	GE-300	1S2112A	GEZD-6.2	1T508	GE-509		
1S73	1N34AS	1S198	GEZD-15	1S687	GE-509	1S1554	GE-300	1S2114A	GEZD-7.5	1T509	GE-509		
1S75	1N295	1S199	GEZD-20	1S689	GE-511	1S1555	GE-300	1S2116A	GEZD9.1	1T510	GE-509		
1S77	1N34AS	1S204	GE-504A	1S692	GEZD-5.6	1S1555-1	GE-300	1S2117A	GEZD-10	1T1331	1N82A		
1S79	1N60	1S205	GE-504A	1S696	GEZD-12	1S1555-S	GE-300	1S2118A	GEZD-11	1T2011	GE-504A		
1S80	1N34AS, 1N60	1S206	GE-504A	1S697	GEZD-15	1S-1555-Z	GE-300	1S2120	GEZD-12	1T2012	GE-504A		
1S81	GE-504A	1S207	GE-504A	1S700	GEZD-27	1S1579	6GC1	1S2120A	GEZD-12	1T2013	GE-504A		
1S82	1N60	1S208	GE-504A	1S750	1N82A	1S1585	GE-300	1S2139	GE-90	1T2014	GE-504A		
1S83	GE-504A	1S209	GE-504A	1S750(2)	1N82A	1S1586	GE-300	1S2139A	GE-90	1T2015	GE-504A		
1S84	GE-300	1S210	GE-509	1S755	GEZD-5.1	1S1587	GE-300	1S2139B	GE-90	1T2016	GE-504A		
1S85	GE-90	1S211	GE-509	1S757A	GE-509	1S1588	GE-300	1S2139C	GE-90	1T2017	GEZD-6.2		
1S85(Y)	GE-90	1S213C	GE-90	1S758GS	GEZD-9.1	1S1589	1N34AS	1S-2144Z	GE-300	1TA6.2A	GEZD-6.2		
1S85B0	GE-90	1S239	GEZD-27	1S760	GEZD-12	1S1621	1N60	1S2144Z	GE-300	1TA6.2B	GEZD-6.2		
1S85SW	GE-90	1S306	GE-300	1S788	1N295	1S1622	GE-504A	1S2150	GEZD-15	1TB06	GE-504A		
1S85V	GE-504A	1S307	GE-300	1S844	GE-504A	1S1623	GE-504A	1S2150A	GEZD-15	1TS05	GE-504A		
1S85W	GE-90	1S309	GE-504A	1S846	GE-504A	1S1624	GE-504A	1S2189	GE-90	1TT-410	GE-90		
1S85WR	GE-90	1S310	GE-504A	1S848	GE-509	1S1625	GE-504A	1S2198	1N82A	1TV24237	GE-300		
1S85WT	GE-90	1S311	GE-504A	1S850	GE-509	1S1648	GE-90	1S2230	GE-504A	1TW858	GE-90		
1S85Y	GE-90	1S312	GE-504A	1S851	1N60	1S1650	GE-300	1S2236	GE-90	1W1706	GE-FET-1		
1S86	GE-90	1S313	GE-504A	1S920	GE-300	1S1851	GE-300	1S2268	GE-90	1W9640	GE-21		
1S89	GE-300	1S314	GE-504A	1S921	GE-504A	1S1858	GE-300	1S2367	GE-504A	1W9728	GE-21		
1S90	GE-504A	1S315	GE-504A	1S923	GE-300	1S1660	GEMR-2	1S2371	GE-504A	1W9787	GE-20		
1S91	GE-504A	1S318	1N34AS, 1N60	1S940	GE-504A	1S1664	GE-504A	1S2461	GE-300	1W9810	GE-21		
1S92	GE-504A	1S330	GEZD-5.1	1S941	GE-504A	1S1665	GE-504A	1S-2472	GE-300	1W11700	GE-21		
1S93	GE-504A	1S330A	GEZD-5.1	1S942	GE-504A	1S1666	GE-504A	1S2472	1N60	1W11702	GE-21		
1S94	GE-504A	1S-331	GEZD-6.2	1S951	GE-300	1S1668	GE-504A	1S2473	GE-300	1W11711	GE-21		
1S95	GE-504A	1S332	GEZD-7.5	1S952	GE-300	1S1668F	GE-504A	1S2688C	GE-90	1WM6	GE-504A		
1S98	GE-504A	1S332M	GEZD-7.5	1S953	GE-300	1S1691	GE-504A	1S2711	GE-511	1X9179	GE-300		
1S97	GE-504A	1S333	GE-X11	1S954	GE-300	1S1692	GE-504A	1S3016	GE-504A	1X9805	GE-300		
1S98	GE-509	1S333Y	GE-X11	1S955	GE-300	1S1693	GE-504A	1S3195	GE-504A	1X9809	GE-300		
1S99	GE-509	1S334	GEZD-9.1	1S963	GE-300	1S1894	GE-504A	1S4735	GEZD-5.1	1Z5.1T5	GEZD-5.1		
1S005	GE-504A	1S334M	GEZD-9.1	1S990	GE-300	1S1695	GE-509	1S5351	GE-90	1Z6.2T5	GEZD-6.2		
1S031	GE-504A	1S334N	GEZD-9.1	1S990A	GE-300	1S1697	GE-504A	1S7036	GEZD-3.6	1Z8.2	GE-X11		
1S032	GE-504A	1S335	GEZD-10-4	1S990S	GE-300	1S1698	GE-504A	1S7036A	GEZD-3.6	1Z9.1	GEZD-9.1		
1S100	GE-504A	1S337	GEZD-12	1S994	GEZD-7.5	1S1701	1N34AS	1S7036B	GEZD-3.6	1Z9.1A	GEZD-9.1		
1S101	GE-504A	1S337E	GEZD-12	1S994A	GEZD-10	1S1715	1S7051A	GEZD-6.2	1S7051A	1Z9.1B	GEZD-9.1		
1S102	GE-504A	1S337-Y	GEZD-12	1S994S	GEZD-3.6	1S1717	GEZD-12	1S7056	GEZD-5.6	1Z9.1C	GEZD-9.1		
1S103	GE-504A	1S338	GEZD-15	1S1000	1N82A	1S1718	GEZD-10	1S7056A	GEZD-5.8	1Z9.1D5	GEZD-9.1		
1S104	GE-504A	1S341W1	GE-90	1S1007	1N34-AS	1S1728	GEZD-9.1	1S7056B	GEZD-5.6	1Z9.1D15	GEZD-9.1		
1S105	GE-504A	1S341W2	GE-90	1S1052	GE-300	1S1832	GE-511	1S7100	GEZD-10-4	1Z12	GEZD-12		
1S106	GE-511	1S341W3	GE-90	1S1081	GE-504A	1S1834	GE-504A	1S7100A	GEZD-10-4	1Z12A	GEZD-12		
1S106A	GE-504A	1S351	GE-90	1S1082	GE-504A	1S1835	GE-504A	1S7100B	GEZD-10-4	1Z12B	GEZD-12		
1S107	GE-504A	1S351M	GE-90	1S1083	GE-504A	1S1849	GE-504A	1S7120	GEZD-12	1Z12C	GEZD-12		
1S108	GE-509	1S351R	GE-90	1S1084	GE-504A	1S1849R	GE-504A	1S7120A	GEZD-12	1Z15	GEZD-15		
1S109	GE-509	1S351-S	GE-90	1S1085	GE-509	1S1850	GE-504A	1S7120B	GEZD-12	1Z15A	GEZD-15		
1S110	GE-504A	1S351W	GE-90	1S1086	GE-509	1S1850R	GE-504A	1S7150	GEZD-15	1Z15B	GEZD-15		
1S110A	GE-504A	1S352	GE-90	1S1071	GE-504A	1S1881AM	GE-504A	1S7150A	GEZD-15	1Z15C	GEZD-15		
1S111	GE-504A	1S352M	GE-90	1S1072	GE-504A	1S1882	GE-511	1S7150B	GEZD-15	1Z15D	GEZD-15		
1S112	GE-504A	1S352R	GE-90	1S1096	GE-504A	1S1885	GE-504A	1S849, R	GE-504A	1Z15D5	GEZD-15		
1S113	GE-504A	1S355	1N295	1S1155	GE-300	1S1885-3	GE-504A	1S9413	GE-504A	1Z15D10	GEZD-15		
1S113A	GE-504A	1S358	GE-504A	1S1209	GE-504A	1S1887	GE-504A	1S9908	1N34AS	1Z15T20	GEZD-15		
1S114	GE-504A	1S358S	GE-300	1S1210	GE-504A	1S1888	GE-504A	1SC683	GE-60	1Z18	GEZD-18		
1S115	GE-504A	1S395	GE-504A	1S1211	GE-300	1S1891	GE-504A	1SD2	GE-504A	1Z27	GEZD-27		
1S116	GE-504A	1S396	GE-504A	1S1212	GE-300	1S1895	GE-90	1T9.1	GEZD-9.1	1Z27A	GEZD-27		
1S117	GE-504A	1S397	GE-509	1S1213	GE-300	1S1906	GE-504A	1T9.1A	GEZD-9.1	1Z27B	GEZD-27		
1S119	GE-504A	1S398	GE-509	1S1214	GE-300	1S1920	GE-511	1T9.1B	GEZD-9.1	1Z27C	GEZD-27		
1S120	GE-504A	1S399	GE-504A	1S1215	GE-300	1S1921A	GE-511	1T10	GEZD-9.1	1Z27D	GEZD-27		
1S121	GE-504A	1S400	GE-504A	1S1216	GE-300	1S1921B	GE-511	1T12	GEZD-12	1Z27E	GEZD-27		
1S122	GE-504A	1S401	GE-509	1S1217	GE-300	1S1921C	GE-511	1T12A	GEZD-12	1Z27D10	GEZD-27		
1S123	GE-504A	1S402	GE-509	1S1218	GE-300	1S1921D	GE-511	1T12B	GEZD-12	1Z9.1D10	GEZD-9.1		
1S124	GE-504A	1S426	1N34AS, 1N60	1S1219	GE-300	1S1921E	GE-511	1T13	1N82A	1Z9.1D10	GEZD-9.1		
1S125	GE-504A	1S426G	1N60	1S1220	GE-300	1S1921F	GE-511	1T22	1N60	1Z9.12	GEZD-12		
1S126	GE-504A	1S428	1N60	1S1224	GE-504A	1S1923	GE-90	1T22A	1N34AS	1Z9.12B	GEZD-12		
1S127	1N34AS	1S430	GE-504A	1S1228	GE-511	1S1924	GE-90	1T23	1N34AS, 1N60	1Z9.15	GEZD-15		
1S130	GEZD-9.1	1S431	GE-504A	1S1237	GE-511	1S1925	1N82A	1T23A	1N60	1Z9.15B	GEZD-15		
1S131	GE-300	1S432	GE-504A	1S1238	GE-511	1S1926	1N82A	1T23B	1N60	1Z9			

UNIVERSAL REPLACEMENT SEMICONDUCTORS

1ZB27B - 2N328

JEDEC Or Part Nr	GE Replacement	JEDEC Or Part Nr	GE Replacement	JEDEC Or Part Nr	GE Replacement	JEDEC Or Part Nr	GE Replacement	JEDEC Or Part Nr	GE Replacement	JEDEC Or Part Nr	GE Replacement	JEDEC Or Part Nr	GE Replacement
1ZB27B	GEZD-27	2D020-173	GE-18	2N24	GE-52	2N105	GE-52	2N176	GE-3	2N255A	GE-25		
1ZC3.6	GEZD-3.6	2D020-174	GE-18	2N25	GE-52	2N106	GE-50	2N176-1	GE-16	2N256	GE-3		
1ZC5.1	GEZD-5.1	2D021-8	GE-53	2N26	GE-52	2N107	GE-51	2N176A	GE-16	2N256A	GE-25		
1ZC5.6	GEZD-5.6	2D021-11	GE-53	2N27	GE-2	2N108	GE-50	2N176G	GE-16	2N257	GE-3		
1ZC6.2	GEZD-6.2	2D026	GE-20	2N30	GE-51	2N109	GE-53	2N176W	GE-16	2N257A	GE-16		
1ZC9.1	GEZD-9.1	2D026-274	GE-20	2N31	GE-51	2N109/5	GE-52	2N178	GE-3	2N257B	GE-25		
1ZC12	2D027	2D027	GE-21	2N32	GE-52	2N111	GE-52	2N179	GE-18	2N257-BLK	GE-25		
1ZC15	GEZD-15	2D031	GE-FET-1	2N32A	GE-52	2N111A	GE-1	2N180	GE-53	2N257G	GE-25		
1ZC27	GEZD-27	2D036	GE-53	2N33	GE-51	2N111B	GE-51	2N181	GE-53	2N257-GRN	GE-25		
1ZD6	GEZD-7.5	2D038	GE-20	2N34	GE-80	2N112	GE-1	2N182	GE-5	2N257W	GE-25		
1ZD8.2	GE-X11	2D039	GE-53	2N34A	GE-80	2N113	GE-1	2N183	GE-5	2N257-WHT	GE-76		
1ZD892	GE-X11	2D021-56	GE-53	2N35	GE-8	2N114	GE-1	2N184	GE-6	2N262	GE-2		
1ZF5.1T5	GEZD-5.1	2D023	GE-53	2N36	GE-51	2N115	GE-3	2N185	GE-52	2N263	GE-39		
1ZF5.1T10	GEZD-5.1	2D033	GE-17	2N37	GE-51	2N117	GE-60	2N186	GE-53	2N264	GE-39		
1ZF5.1T20	GEZD-5.1	2E	GE-51	2N38	GE-51	2N116	GE-60	2N186A	GE-53	2N265	GE-53		
1ZF5.6T5	GEZD-5.6	2E1	GE-504A	2N38A	GE-51	2N118A	GE-60	2N187	GE-53	2N266	GE-2		
1ZF5.6T10	GEZD-5.6	2E4	GE-504A	2N39	GE-52	2N119	GE-60	2N187A	GE-53	2N267	GE-52		
1ZFA.1T5	GEZD-9.1	2F	GE-51	2N40	GE-52	2N120	GE-39	2N188	GE-53	2N268	GE-25		
1ZFA.1T10	GEZD-9.1	2F2CN1	GE-509	2N41	GE-52	2N122	GE-32	2N188A	GE-53	2N268A	GE-25		
1ZFA.1T20	GEZD-9.1	2F4	GE-504A	2N42	GE-52	2N123	GE-1	2N189	GE-53	2N269	GE-1		
1ZF12T5	GEZD-12	2F5CN1	GE-509	2N43	GE-2	2N123/5	GE-51	2N190	GE-53	2N270	GE-53		
1ZF12T10	GEZD-12	2G	GE-51	2N43A	GE-2	2N123A	GE-51	2N191	GE-53	2N270A	GE-2		
1ZF12T20	GEZD-12	2G8	GE-504A	2N44	GE-2	2N123A5	GE-51	2N192	GE-53	2N271	GE-1		
1ZF15T5	GEZD-15	2G13	GE-504A	2N44A	GE-2	2N124	GE-5	2N193	GE-5	2N271A	GE-1		
1ZF15T10	GEZD-15	2G101	GE-2	2N45	GE-2	2N125	GE-5	2N194	GE-5	2N272	GE-53		
1ZF15T20	GEZD-15	2G102	GE-2	2N46	GE-52	2N126	GE-5	2N194A	GE-5	2N273	GE-53		
1ZF27T5	GEZD-27	2G108	GE-2	2N47	GE-52	2N127	GE-8	2N195	GE-52	2N274	GE-1		
1ZF27T10	GEZD-27	2G109	GE-2	2N48	GE-52	2N128	GE-51	2N196	GE-53	2N275	GE-53		
1ZF27T20	GEZD-27	2G138	GE-2	2N49	GE-52	2N129	GE-51	2N197	GE-53	2N275W	GE-16		
1ZM3.6T5	GEZD-3.6	2G139	GE-2	2N50	GE-52	2N130	GE-50	2N198	GE-53	2N276	GE-53		
1ZM3.6T10	GEZD-3.6	2G140	GE-2	2N51	GE-52	2N130A	GE-52	2N199	GE-53	2N277	GE-4		
1ZM3.6T20	GEZD-3.6	2G201	GE-52	2N52	GE-53	2N131	GE-50	2N200	GE-2	2N278	GE-4		
1ZM5.1T5	GEZD-5.1	2G202	GE-2	2N53	GE-52	2N131A	GE-52	2N204	GE-2	2N279	GE-52		
1ZM5.1T10	GEZD-5.1	2G270	GE-52	2N54	GE-2	2N132	GE-50	2N205	GE-2	2N280	GE-52		
1ZM5.1T20	GEZD-5.1	2G271	GE-2	2N55	GE-2	2N132A	GE-52	2N206	GE-53	2N281	GE-52		
1ZM5.6T5	GEZD-5.6	2G308	GE-2	2N56	GE-52	2N133	GE-50	2N207	GE-52	2N282	GE-52		
1ZM5.6T10	GEZD-5.6	2G319	GE-2	2N57	GE-16	2N133A	GE-52	2N207A	GE-52	2N283	GE-52		
1ZM5.6T20	GEZD-5.6	2G320	GE-2	2N58	GE-53	2N135	GE-2	2N207B	GE-52	2N284	GE-53		
1ZM6.2T5	GEZD-6.2	2G321	GE-2	2N59	GE-53	2N136	GE-1	2N211	GE-5	2N284A	GE-2		
1ZM6.2T10	GEZD-6.2	2G322	GE-2	2N59A	GE-2	2N137	GE-1	2N212	GE-5	2N285	GE-16		
1ZM6.2T20	GEZD-6.2	2G323	GE-2	2N59B	GE-2	2N138	GE-52	2N213	GE-8	2N285A	GE-3		
1ZM9.1T5	GEZD-9.1	2G324	GE-2	2N59C	GE-2	2N138A	GE-52	2N213A	GE-8	2N285B	GE-3		
1ZM9.1T10	GEZD-9.1	2G339	GE-8	2N59D	GE-52	2N138B	GE-2	2N214	GE-8	2N286	GE-51		
1ZM9.1T20	GEZD-9.1	2G339A	GE-8	2N60	GE-53	2N139	GE-50	2N215	GE-52	2N289	GE-51		
1ZM12T5	GEZD-12	2G344	GE-2	2N60A	GE-2	2N140	GE-50	2N216	GE-5	2N290	GE-4		
1ZM12T10	GEZD-12	2G345	GE-2	2N60B	GE-2	2N141	GE-3	2N217	GE-53	2N291	GE-53		
1ZM12T20	GEZD-12	2G371	GE-2	2N60C	GE-2	2N143	GE-3	2N218	GE-50	2N292	GE-7		
1ZM15T5	GEZD-15	2G371A	GE-1	2N61	GE-53	2N145	GE-7	2N219	GE-50	2N292A	GE-5		
1ZM15T10	GEZD-15	2G374	GE-2	2N61A	GE-80	2N146	GE-7	2N220	GE-51	2N293	GE-7		
1ZM15T20	GEZD-15	2G374A	GE-2	2N61B	GE-2	2N147	GE-10	2N222	GE-51	2N296	GE-25		
1ZT12	GEZD-12	2G381	GE-52	2N61C	GE-2	2N148	GE-7	2N223	GE-53	2N297	GE-25		
1ZT12B	GEZD-12	2G381A	GE-2	2N62	GE-52	2N148A	GE-7	2N224	GE-53	2N297A	GE-25		
1ZT15	GEZD-15	2G384	GE-2	2N63	GE-52	2N148B	GE-8	2N225	GE-53	2N299	GE-51		
1ZT15B	GEZD-15	2G395	GE-2	2N64	GE-52	2N148C/D	GE-10	2N226	GE-53	2N300	GE-51		
1ZT27	GEZD-27	2G396	GE-2	2N65	GE-52	2N149	GE-7	2N227	GE-53	2N301	GE-25		
1ZT27B	GEZD-27	2G397	GE-2	2N66	GE-16	2N149A	GE-7	2N228	GE-8	2N301A	GE-25		
2-0A90	1N60	2G401	GE-52	2N67	GE-16	2N150	GE-7	2N228A	GE-53	2N301B	GE-3		
2A	GE-51	2G402	GE-52	2N68	GE-16	2N150A	GE-7	2N229	GE-59	2N301G	GE-52		
2A12	GE-67	2G403	GE-52	2N71	GE-52	2N151	GE-52	2N230	GE-16	2N301W	GE-52		
2A100	GE-504A	2G404	GE-52	2N72	GE-52	2N155	GE-25	2N231	GE-51	2N302	GE-1		
2A200	GE-510	2G413	GE-52	2N73	GE-52	2N156	GE-3	2N232	GE-51	2N303	GE-2		
2AA119	1N60	2G414	GE-52	2N74	GE-52	2N157	GE-25	2N233	GE-5	2N306	GE-59		
2AC128	GE-52	2G415	GE-52	2N75	GE-51	2N157A	GE-25	2N233A	GE-5	2N306A	GE-8		
2AD140	GE-16	2G416	GE-52	2N78	GE-50	2N158	GE-3	2N234	GE-16	2N307	GE-76		
2B1202	GE-4	2G417	GE-52	2N77	GE-52	2N158A	GE-3	2N234A	GE-3	2N307A	GE-76		
2CS537FC	GE-62	2G508	GE-52	2N78	GE-5	2N159	GE-52	2N235	GE-16	2N307B	GE-3		
2CY30	GE-62	2G509	GE-52	2N78A	GE-5	2N160	GE-60	2N235A	GE-3	2N308	GE-51		
2CY31	GE-82	2G601	GE-2	2N79	GE-52	2N160A	GE-60	2N235B	GE-3	2N309	GE-51		
2CY32	GE-62	2G602	GE-2	2N80	GE-51	2N161	GE-60	2N236	GE-3	2N310	GE-51		
2CY33	GE-65	2G603	GE-2	2N61	GE-80	2N161A	GE-60	2N236A	GE-3	2N311	GE-50		
2CY34	GE-65	2G604	GE-2	2N82	GE-52	2N162	GE-60	2N236B	GE-3	2N312	GE-8		
2CY38	GE-82	2G605	GE-2	2N82AG	1N82A	2N162A	GE-60	2N237	GE-2	2N313	GE-8		
2CY39	GE-62	2G605	GE-504A	2N83	GE-1	2N163	GE-60	2N238	GE-51	2N314	GE-8		
2D002-41	GE-20	2GA	GE-504A	2N84	GE-51	2N163A	GE-60	2N240	GE-50	2N315	GE-1		
2D002-168	GE-20	2H1254	GE-85	2N85	GE-53	2N164	GE-5	2N241	GE-53	2N315A	GE-2		
2D002-169	GE-20	2H1255	GE-65	2N86	GE-53	2N164A	GE-5	2N241A	GE-53	2N315B	GE-53		
2D002-170	GE-20	2H1256	GE-65	2N87	GE-53	2N165	GE-7	2N242	GE-76	2N316	GE-1		
2D002-171	GE-20	2H1257	GE-65	2N88	GE-53	2N166	GE-5	2N243	GE-47	2N316A	GE-2		
2D002-175	GE-20	2H1258	GE-65	2N89	GE-53	2N167	GE-6	2N244	GE-47	2N317	GE-1		
2D004-9	GE-16	2H1259	GE-65	2N90	GE-53	2N167A	GE-6	2N245	GE-63	2N317A	GE-51		
2D010	GE-14	2HR3J	GE-509	2N94	GE-5	2N168	GE-5	2N246	GE-63	2N318	GE-52		
2D013-13	GE-53	2HT-6	GE-509	2N94A	GE-5	2N168A	GE-5	2N247	GE-1	2N319	GE-2		
2D013-54	GE-53	2K02	GE-509	2N96	GE-52	2N169	GE-7	2N248	GE-51	2N320	GE-2		
2D013-109	GE-53	2K48	GE-50	2N97	GE-59	2N169A	GE-5	2N249	GE-53	2N321	GE-2		
2D013-160	GE-53	2M76	GE-13MP	2N97A	GE-8	2N170	GE-7	2N250	GE-49	2N322	GE-2		
2D016	GE-53	2M1303	GE-53	2N96	GE-7	2N171	GE-8	2N250A	GE-76	2N323	GE-2		
2D016-45	GE-53	2M1305	GE-51	2N98A	GE-8	2N172	GE-5	2N251	GE-25	2N324	GE-53		
2D016-54	GE-53	2N2G374	GE-2	2N99	GE-7	2N173	GE-4	2N251A	GE-76	2N325	GE-49		
2D017-185	GE-22	2N2J374	GE-63	2N100	GE-8	2N174	GE-4	2N252	GE-51	2N327	GE-65		
2D017-166	GE-22	2N21	GE-53	2N102	GE-54	2N174A	GE-4	2N253	GE-5	2N327A	GE-65		
2D017-167	GE-22	2N22	GE-53	2N103	GE-59	2N175	GE-51	2N254	GE-5	2N327B	GE-82		
2D017-169	GE-22	2N23	GE-52	2N104	GE-52	2N176	GE-3	2N255	GE-3	2N326	GE-85		

UNIVERSAL REPLACEMENT SEMICONDUCTORS

2N328A - 2N749

JEDEC Or Part Nr	GE Replacement	JEDEC Or Part Nr	GE Replacement	JEDEC Or Part Nr	GE Replacement	JEDEC Or Part Nr	GE Replacement	JEDEC Or Part Nr	GE Replacement	JEDEC Or Part Nr	GE Replacement	JEDEC Or Part Nr	GE Replacement
2N328A	GE-85	2N396	GE-1	2N476	GE-86	2N539A	GE-3	2N623	GE-20	2N699A	GE-18		
2N328B	GE-82	2N396A	GE-1	2N476A	GE-11	2N540	GE-3	2N624	GE-1	2N699B	GE-18		
2N329	GE-85	2N397	GE-2	2N477	GE-60	2N540A	GE-3	2N625	GE-20	2N700	GE-51		
2N329A	GE-85	2N399	GE-3	2N478	GE-86	2N541	GE-60	2N626	GE-21	2N700A	GE-51		
2N329B	GE-82	2N400	GE-25	2N479	GE-60	2N542	GE-60	2N627	GE-76	2N700A/18	GE-51		
2N330	GE-85	2N401	GE-3	2N479A	GE-60	2N542A	GE-60	2N628	GE-76	2N701	GE-53		
2N330A	GE-85	2N402	GE-53	2N480	GE-212	2N543	GE-212	2N629	GE-76	2N702	GE-81		
2N331	GE-53	2N403	GE-53	2N480A	GE-212	2N543A	GE-212	2N630	GE-3	2N703	GE-81		
2N331M	GE-2	2N404	GE-53	2N481	GE-52	2N544	GE-50	2N631	GE-53	2N705	GE-51		
2N332	GE-39	2N404A	GE-2	2N482	GE-52	2N544/33	GE-50	2N632	GE-53	2N705A	GE-51		
2N332A	GE-81	2N405	GE-52	2N483	GE-1	2N545	GE-63	2N633	GE-53	2N706	GE-210		
2N333	GE-39	2N406	GE-52	2N484	GE-1	2N546	GE-63	2N634	GE-8	2N706/46	GE-210		
2N333A	GE-81	2N407	GE-52	2N485	GE-1	2N547	GE-63	2N634A	GE-8	2N706/51	GE-210		
2N334	GE-39	2N408	GE-52	2N486	GE-2	2N548	GE-47	2N635	GE-6	2N706A	GE-210		
2N334A	GE-81	2N409	GE-50	2N487	GE-1	2N549	GE-63	2N635A	GE-6	2N706A/46	GE-210		
2N335	GE-39	2N410	GE-50	2N495	GE-85	2N550	GE-47	2N636	GE-5	2N706A/51	GE-210		
2N335A	GE-81	2N411	GE-50	2N496	GE-85	2N551	GE-81	2N636A	GE-6	2N706B	GE-210		
2N335B	GE-81	2N412	GE-50	2N497	GE-18	2N552	GE-81	2N637	GE-76	2N706B/46	GE-210		
2N336	GE-39	2N413	GE-1	2N497A	GE-63	2N553	GE-3	2N637A	GE-76	2N706B/51	GE-210		
2N336A	GE-81	2N413A	GE-53	2N498	GE-27	2N554	GE-25	2N637B	GE-3	2N706C	GE-210		
2N337	GE-39	2N414	GE-1	2N498A	GE-32	2N555	GE-76	2N638	GE-76	2N706M	GE-63		
2N337A	GE-20	2N414A	GE-1	2N499	GE-51	2N556	GE-8	2N638A	GE-76	2N707	GE-212		
2N338	GE-39	2N414B	GE-1	2N500	GE-51	2N557	GE-6	2N638B	GE-3	2N707A	GE-20		
2N338A	GE-20	2N414C	GE-1	2N501	GE-51	2N558	GE-8	2N639	GE-25	2N708	GE-17		
2N339	GE-63	2N415	GE-1	2N501A	GE-51	2N559	GE-51	2N639A	GE-25	2N708/46	GE-17		
2N339A	GE-63	2N415A	GE-1	2N502	GE-51	2N560	GE-81	2N639B	GE-25	2N708/51	GE-81		
2N340	GE-27	2N416	GE-1	2N502A	GE-51	2N561	GE-25	2N640	GE-51	2N708A	GE-17		
2N340A	GE-27	2N417	GE-1	2N503	GE-51	2N563	GE-53	2N641	GE-1	2N708/TNT	GE-11		
2N341	GE-27	2N418	GE-25	2N504	GE-1	2N564	GE-53	2N642	GE-51	2N709	GE-17		
2N341A	GE-27	2N419	GE-3	2N505	GE-2	2N565	GE-53	2N643	GE-53	2N709/46	GE-63		
2N342	GE-63	2N420	GE-25	2N506	GE-80	2N566	GE-53	2N644	GE-51	2N709/51	GE-63		
2N342A	GE-27	2N420A	GE-25	2N507	GE-8	2N567	GE-53	2N645	GE-51	2N709/52	GE-63		
2N342B	GE-18	2N422	GE-53	2N508	GE-53	2N568	GE-53	2N646	GE-8	2N709A	GE-17		
2N343	GE-63	2N422A	GE-53	2N508A	GE-2	2N569	GE-53	2N647	GE-5	2N709A/46	GE-210		
2N343A	GE-63	2N425	GE-1	2N509	GE-51	2N570	GE-53	2N647/22	GE-8	2N709A/51	GE-63		
2N343B	GE-63	2N426	GE-1	2N511	GE-3	2N571	GE-52	2N648	GE-8	2N709/TNT	GE-11		
2N344	GE-81	2N427	GE-1	2N511A	GE-3	2N572	GE-53	2N649	GE-5	2N710	GE-51		
2N345	GE-51	2N427A	GE-2	2N511B	GE-3	2N573	GE-2	2N649/5	GE-52	2N710A	GE-51		
2N346	GE-51	2N428	GE-1	2N512	GE-3	2N574	GE-4	2N649/22	GE-4	2N711	GE-51		
2N350	GE-3	2N428A	GE-1	2N512A	GE-3	2N574A	GE-4	2N650	GE-2	2N711A	GE-51		
2N350A	GE-25	2N431	GE-11	2N512B	GE-3	2N575	GE-4	2N650A	GE-2	2N711B	GE-51		
2N351	GE-3	2N432	GE-11	2N513	GE-3	2N575A	GE-4	2N651	GE-2	2N715	GE-20		
2N351A	GE-25	2N433	GE-11	2N513A	GE-3	2N576	GE-5	2N651A	GE-2	2N716	GE-20		
2N352	GE-16	2N435	GE-53	2N513B	GE-3	2N576A	GE-5	2N652	GE-2	2N717	GE-210		
2N353	GE-16	2N438	GE-7	2N514	GE-3	2N578	GE-1	2N652A	GE-2	2N717A	GE-17		
2N356	GE-7	2N438A	GE-7	2N514A	GE-3	2N579	GE-1	2N653	GE-53	2N718	GE-210		
2N356A	GE-5	2N439	GE-7	2N514B	GE-3	2N580	GE-1	2N654	GE-2	2N718A	GE-20		
2N357	GE-6	2N439A	GE-7	2N515	GE-5	2N581	GE-1	2N655	GE-2	2N719	GE-18		
2N357A	GE-5	2N440	GE-6	2N516	GE-5	2N582	GE-2	2N656	GE-18	2N719A	GE-18		
2N358	GE-6	2N440A	GE-6	2N517	GE-5	2N583	GE-1	2N656A	GE-18	2N720	GE-18		
2N358A	GE-5	2N441	GE-4	2N518	GE-51	2N584	GE-2	2N657	GE-32	2N720A	GE-18		
2N359	GE-2	2N442	GE-4	2N519	GE-2	2N585	GE-8	2N657A	GE-32	2N721	GE-82		
2N360	GE-2	2N443	GE-4	2N519A	GE-50	2N586	GE-1	2N658	GE-48	2N721A	GE-82		
2N361	GE-2	2N444	GE-59	2N520	GE-2	2N587	GE-5	2N659	GE-48	2N722	GE-82		
2N362	GE-2	2N444A	GE-59	2N520A	GE-50	2N588	GE-51	2N660	GE-1	2N722A	GE-82		
2N363	GE-2	2N445	GE-7	2N521	GE-1	2N589	GE-3	2N661	GE-1	2N723	GE-21		
2N364	GE-59	2N445A	GE-5	2N521A	GE-50	2N591	GE-53	2N662	GE-1	2N725	GE-51		
2N365	GE-59	2N446	GE-64	2N522	GE-2	2N591/5	GE-53	2N663	GE-25	2N726	GE-22		
2N366	GE-59	2N446A	GE-5	2N522A	GE-50	2N591A	GE-50	2N665	GE-25	2N727	GE-65		
2N367	GE-53	2N447	GE-5	2N523	GE-2	2N592	GE-50	2N669	GE-25	2N728	GE-81		
2N368	GE-53	2N447A	GE-8	2N523A	GE-50	2N593	GE-53	2N670	GE-53	2N729	GE-81		
2N369	GE-52	2N448	GE-7	2N524	GE-2	2N594	GE-5	2N671	GE-53	2N730	GE-20		
2N370	GE-50	2N449	GE-7	2N524A	GE-2	2N595	GE-5	2N672	GE-53	2N731	GE-20		
2N370/33	GE-52	2N450	GE-1	2N525	GE-2	2N596	GE-5	2N673	GE-53	2N734	GE-81		
2N370A	GE-52	2N456	GE-25	2N525A	GE-2	2N597	GE-1	2N674	GE-53	2N734A	GE-81		
2N371	GE-50	2N456A	GE-16	2N526	GE-2	2N598	GE-1	2N675	GE-53	2N735	GE-81		
2N371/33	GE-52	2N456B	GE-3	2N526A	GE-2	2N599	GE-1	2N677	GE-76	2N735A	GE-81		
2N372	GE-50	2N457	GE-25	2N527	GE-2	2N600	GE-1	2N677A	GE-76	2N736	GE-81		
2N372/33	GE-52	2N457A	GE-3	2N529	GE-2	2N601	GE-51	2N677B	GE-76	2N736A	GE-81		
2N373	GE-50	2N458	GE-25	2N529/N	GE-5	2N602	GE-50	2N677C	GE-16	2N736B	GE-81		
2N374	GE-50	2N458A	GE-3	2N529/P	GE-50	2N602A	GE-2	2N678	GE-76	2N738	GE-18		
2N375	GE-76	2N458B	GE-3	2N530	GE-1	2N603	GE-51	2N678A	GE-76	2N738A	GE-18		
2N376	GE-76	2N459	GE-76	2N530/N	GE-5	2N603A	GE-51	2N678B	GE-76	2N739	GE-18		
2N376A	GE-25	2N460	GE-2	2N530/P	GE-50	2N604	GE-51	2N678C	GE-16	2N739A	GE-27		
2N377	GE-8	2N461	GE-1	2N531	GE-1	2N605	GE-50	2N679	GE-8	2N740	GE-18		
2N377A	GE-6	2N462	GE-80	2N531/N	GE-5	2N606	GE-50	2N680	GE-52	2N740A	GE-27		
2N378	GE-76	2N464	GE-53	2N531/P	GE-50	2N607	GE-50	2N681	GEMR-3	2N741	GE-51		
2N379	GE-76	2N465	GE-2	2N532	GE-1	2N608	GE-1	2N682	GEMR-3	2N741A	GE-51		
2N380	GE-76	2N466	GE-53	2N532/N	GE-5	2N609	GE-53	2N683	GEMR-3	2N742	GE-17		
2N381	GE-2	2N467	GE-53	2N532/P	GE-50	2N610	GE-53	2N684	GEMR-3	2N742A	GE-81		
2N382	GE-2	2N468	GE-52	2N533	GE-1	2N611	GE-53	2N685	GEMR-3	2N743	GE-20		
2N383	GE-2	2N469	GE-53	2N533/P	GE-5	2N612	GE-53	2N686	GEMR-3	2N743/46	GE-83		
2N384	GE-51	2N470	GE-86	2N533/N	GE-50	2N613	GE-53	2N687	GEMR-3	2N743/51	GE-83		
2N385	GE-8	2N471	GE-60	2N534	GE-51	2N614	GE-52	2N688	GEMR-3	2N743A	GE-17		
2N386	GE-16	2N471A	GE-60	2N535	GE-52	2N615	GE-2	2N694	GE-52	2N744	GE-20		
2N387	GE-16	2N472	GE-212	2N535A	GE-52	2N616	GE-1	2N695	GE-51	2N744/46	GE-63		
2N388	GE-8	2N472A	GE-212	2N535B	GE-52	2N617	GE-1	2N696	GE-81	2N744/51	GE-63		
2N388A	GE-7	2N473	GE-86	2N536	GE-52	2N618	GE-16	2N696A	GE-47	2N745	GE-20		
2N392	GE-16	2N474	GE-61	2N537	GE-2	2N619	GE-81	2N697	GE-81	2N746	GE-20		
2N393	GE-51	2N474A	GE-60	2N538	GE-3	2N620	GE-81	2N697A	GE-47	2N747	GE-20		
2N394	GE-1	2N475	GE-212	2N538A	GE-3	2N621	GE-61	2N698	GE-18	2N748	GE-20		
2N395	GE-1	2N475A	GE-212	2N539	GE-3	2N622	GE-81	2N699	GE-18	2N749	GE-16		

UNIVERSAL REPLACEMENT SEMICONDUCTORS

2N750 - 2N1304

JEDEC Or Part Nr	GE Replacement	JEDEC Or Part Nr	GE Replacement	JEDEC Or Part Nr	GE Replacement	JEDEC Or Part Nr	GE Replacement	JEDEC Or Part Nr	GE Replacement	JEDEC Or Part Nr	GE Replacement	JEDEC Or Part Nr	GE Replacement
2N750	GE-20	2N837	GE-52	2N961	GE-51	2N1043	GE-2	2N1132B	GE-87	2N1204	GE-51		
2N751	GE-18	2N838	GE-53	2N961/48	GE-51	2N1044	GE-2	2N1132B/46	GE-87	2N1205	GE-214		
2N752	GE-17	2N839	GE-212	2N962	GE-51	2N1045	GE-2	2N1132B/51	GE-87	2N1206	GE-63		
2N753	GE-81	2N840	GE-212	2N962/46	GE-51	2N1046	GE-25	2N1136	GE-76	2N1207	GE-27		
2N753/46	GE-210	2N841	GE-212	2N963	GE-51	2N1046A	GE-25	2N1136A	GE-76	2N1213	GE-2		
2N753/51	GE-83	2N841/46	GE-212	2N964	GE-51	2N1046B	GE-25	2N1136B	GE-16	2N1214	GE-2		
2N754	GE-81	2N842	GE-212	2N964/46	GE-51	2N1047	GE-66	2N1136C	GE-16	2N1215	GE-2		
2N755	GE-18	2N843	GE-212	2N964A	GE-2	2N1049	GE-66	2N1137	GE-16	2N1216	GE-2		
2N756	GE-210	2N844	GE-81	2N965	GE-51	2N1050	GE-32	2N1137A	GE-16	2N1217	GE-5		
2N756A	GE-81	2N845	GE-18	2N966	GE-51	2N1051	GE-20	2N1137B	GE-16	2N1219	GE-65		
2N757	GE-210	2N846	GE-52	2N967	GE-51	2N1052	GE-32	2N1138	GE-16	2N1220	GE-65		
2N757A	GE-81	2N846A	GE-51	2N968	GE-51	2N1053	GE-32	2N1138A	GE-16	2N1221	GE-65		
2N758	GE-210	2N846B	GE-2	2N969	GE-51	2N1054	GE-32	2N1138B	GE-16	2N1222	GE-65		
2N758A	GE-81	2N849	GE-81	2N970	GE-51	2N1055	GE-32	2N1139	GE-17	2N1223	GE-65		
2N758B	GE-81	2N850	GE-61	2N971	GE-51	2N1056	GE-2	2N1140	GE-20	2N1224	GE-51		
2N759	GE-81	2N851	GE-20	2N972	GE-51	2N1057	GE-2	2N1144	GE-52	2N1225	GE-51		
2N759A	GE-81	2N852	GE-20	2N973	GE-51	2N1058	GE-5	2N1145	GE-52	2N1226	GE-51		
2N759B	GE-81	2N858	GE-65	2N974	GE-51	2N1059	GE-59	2N1146	GE-76	2N1227	GE-25		
2N760	GE-81	2N859	GE-65	2N975	GE-51	2N1059-1	GE-8	2N1146A	GE-76	2N1227-3	GE-16		
2N760A	GE-81	2N860	GE-65	2N976	GE-51	2N1060	GE-83	2N1146B	GE-76	2N1227-4	GE-16		
2N760B	GE-81	2N861	GE-65	2N977	GE-2	2N1065	GE-51	2N1146C	GE-3	2N1227-4R	GE-16		
2N761	GE-17	2N862	GE-65	2N978	GE-82	2N1066	GE-51	2N1147	GE-76	2N1227A	GE-16		
2N762	GE-17	2N863	GE-65	2N979	GE-1	2N1067	GE-28	2N1147A	GE-76	2N1228	GE-22		
2N766	GE-51	2N864	GE-65	2N980	GE-51	2N1068	GE-28	2N1147B	GE-76	2N1229	GE-22		
2N769	GE-51	2N864A	GE-65	2N981	GE-81	2N1069	GE-77	2N1147C	GE-3	2N1230	GE-82		
2N770	GE-20	2N865	GE-65	2N982	GE-51	2N1070	GE-77	2N1149	GE-39	2N1231	GE-82		
2N771	GE-20	2N865A	GE-65	2N983	GE-51	2N1072	GE-14	2N1150	GE-39	2N1232	GE-82		
2N772	GE-20	2N866	GE-20	2N984	GE-51	2N1073	GE-76	2N1150/904	GE-17	2N1233	GE-82		
2N773	GE-20	2N867	GE-20	2N985	GE-2	2N1073A	GE-76	2N1151	GE-39	2N1238	GE-87		
2N774	GE-20	2N869	GE-65	2N987	GE-51	2N1073B	GE-25	2N1151/904A	GE-17	2N1239	GE-87		
2N775	GE-20	2N870	GE-18	2N988	GE-20	2N1078	GE-54	2N1152	GE-39	2N1240	GE-67		
2N776	GE-20	2N871	GE-18	2N989	GE-20	2N1081	GE-83	2N1153	GE-39	2N1241	GE-67		
2N777	GE-20	2N907	GE-63	2N990	GE-51	2N1082	GE-20	2N1153/910	GE-17	2N1242	GE-67		
2N778	GE-20	2N908	GE-18	2N991	GE-50	2N1084	GE-29	2N1154	GE-47	2N1243	GE-67		
2N779	GE-51	2N909	GE-210	2N992	GE-50	2N1085	GE-46	2N1154/951	GE-47	2N1245	GE-16		
2N779A	GE-51	2N910	GE-18	2N993	GE-51	2N1086	GE-6	2N1155	GE-18	2N1246	GE-16		
2N779B	GE-51	2N911	GE-18	2N994	GE-2	2N1086A	GE-6	2N1155/952	GE-47	2N1247	GE-214		
2N780	GE-212	2N912	GE-18	2N995	GE-65	2N1087	GE-8	2N1156	GE-18	2N1248	GE-214		
2N781	GE-1	2N913	GE-17	2N995A	GE-65	2N1090	GE-6	2N1156/953	GE-18	2N1249	GE-214		
2N782	GE-2	2N914	GE-17	2N996	GE-65	2N1091	GE-6	2N1157	GE-4	2N1251	GE-5		
2N783	GE-210	2N914/46	GE-17	2N1000	GE-6	2N1092	GE-47	2N1157A	GE-4	2N1252	GE-81		
2N784	GE-210	2N914/51	GE-81	2N1003	GE-51	2N1093	GE-53	2N1159	GE-16	2N1253	GE-81		
2N784/51	GE-63	2N915	GE-20	2N1004	GE-51	2N1094	GE-52	2N1160	GE-76	2N1253A	GE-63		
2N784A	GE-20	2N916	GE-17	2N1005	GE-214	2N1095	GE-17	2N1162	GE-76	2N1254	GE-65		
2N784A/46	GE-210	2N918A	GE-17	2N1006	GE-214	2N1096	GE-18	2N1162A	GE-76	2N1255	GE-65		
2N784A/51	GE-210	2N917	GE-60	2N1007	GE-3	2N1097	GE-2	2N1163	GE-76	2N1256	GE-65		
2N789	GE-39	2N917/51	GE-11	2N1008	GE-2	2N1098	GE-2	2N1163A	GE-76	2N1257	GE-65		
2N790	GE-20	2N917A	GE-86	2N1008A	GE-2	2N1099	GE-4	2N1164	GE-76	2N1258	GE-65		
2N791	GE-20	2N918	GE-86	2N1008B	GE-2	2N1100	GE-4	2N1164A	GE-76	2N1259	GE-65		
2N792	GE-20	2N918/46	GE-63	2N1009	GE-52	2N1101	GE-59	2N1165	GE-76	2N1261	GE-4		
2N793	GE-20	2N918/51	GE-86	2N1010	GE-7	2N1102	GE-59	2N1165A	GE-76	2N1262	GE-4		
2N794	GE-51	2N919	GE-47	2N1011	GE-25	2N1103	GE-11	2N1166	GE-3	2N1263	GE-4		
2N795	GE-51	2N920	GE-47	2N1012	GE-8	2N1104	GE-39	2N1166A	GE-16	2N1264	GE-51		
2N796	GE-51	2N921	GE-47	2N1014	GE-25	2N1107	GE-51	2N1167	GE-25	2N1265	GE-52		
2N797	GE-7	2N922	GE-17	2N1017	GE-51	2N1108	GE-51	2N1167A	GE-51	2N1265/5	GE-52		
2N799	GE-1	2N923	GE-65	2N1018	GE-51	2N1109	GE-51	2N1168	GE-16	2N1266	GE-50		
2N800	GE-1	2N924	GE-65	2N1021	GE-3	2N1110	GE-51	2N1169	GE-5	2N1267	GE-212		
2N801	GE-1	2N925	GE-65	2N1021A	GE-3	2N1111	GE-51	2N1170	GE-5	2N1268	GE-212		
2N802	GE-1	2N926	GE-65	2N1022	GE-3	2N1111A	GE-51	2N1171	GE-1	2N1269	GE-212		
2N803	GE-1	2N927	GE-82	2N1022A	GE-3	2N1111B	GE-51	2N1172	GE-3	2N1270	GE-212		
2N804	GE-1	2N928	GE-82	2N1023	GE-51	2N1112	GE-8	2N1173	GE-8	2N1271	GE-212		
2N805	GE-1	2N929	GE-212	2N1024	GE-65	2N1114	GE-8	2N1173W	GE-8	2N1272	GE-212		
2N806	GE-1	2N929/46	GE-210	2N1025	GE-65	2N1115	GE-1	2N1174	GE-2	2N1273	GE-52		
2N807	GE-1	2N929A	GE-81	2N1026	GE-65	2N1115A	GE-2	2N1174W	GE-2	2N1274	GE-53		
2N808	GE-1	2N930	GE-212	2N1026A	GE-65	2N1116	GE-63	2N1175	GE-53	2N1275	GE-21		
2N809	GE-1	2N930/46	GE-210	2N1027	GE-65	2N1117	GE-63	2N1175A	GE-53	2N1276	GE-60		
2N810	GE-1	2N930A	GE-81	2N1028	GE-65	2N1118	GE-65	2N1176	GE-53	2N1277	GE-60		
2N811	GE-1	2N930A/46	GE-210	2N1029	GE-16	2N1118A	GE-65	2N1176A	GE-80	2N1278	GE-60		
2N812	GE-1	2N930B	GE-210	2N1029A	GE-3	2N1119	GE-65	2N1177	GE-51	2N1279	GE-39		
2N813	GE-1	2N930/TNT	GE-17	2N1029B	GE-3	2N1120	GE-76	2N1178	GE-51	2N1280	GE-1		
2N814	GE-1	2N933	GE-60	2N1029C	GE-3	2N1121	GE-7	2N1179	GE-51	2N1281	GE-1		
2N815	GE-8	2N934	GE-2	2N1030	GE-16	2N1122	GE-51	2N1180	GE-51	2N1282	GE-1		
2N816	GE-8	2N935	GE-65	2N1030A	GE-16	2N1122A	GE-51	2N1182	GE-76	2N1284	GE-1		
2N817	GE-6	2N936	GE-65	2N1030B	GE-16	2N1123	GE-53	2N1185	GE-1	2N1285	GE-51		
2N818	GE-6	2N937	GE-65	2N1030C	GE-16	2N1124	GE-80	2N1186	GE-1	2N1287	GE-52		
2N819	GE-6	2N938	GE-65	2N1031	GE-76	2N1125	GE-80	2N1187	GE-1	2N1287A	GE-52		
2N820	GE-8	2N939	GE-21	2N1031A	GE-76	2N1126	GE-53	2N1188	GE-1	2N1288	GE-8		
2N821	GE-6	2N940	GE-65	2N1031B	GE-76	2N1127	GE-53	2N1189	GE-53	2N1289	GE-5		
2N822	GE-6	2N941	GE-65	2N1031C	GE-3	2N1128	GE-53	2N1190	GE-53	2N1291	GE-3		
2N823	GE-5	2N942	GE-65	2N1032	GE-76	2N1129	GE-53	2N1191	GE-2	2N1292	GE-3		
2N824	GE-5	2N943	GE-65	2N1032A	GE-76	2N1130	GE-80	2N1192	GE-2	2N1293	GE-25		
2N825	GE-1	2N944	GE-65	2N1032B	GE-76	2N1131	GE-21	2N1193	GE-53	2N1294	GE-16		
2N826	GE-1	2N945	GE-65	2N1033	GE-16	2N1131/46	GE-21	2N1194	GE-2	2N1295	GE-25		
2N827	GE-53	2N946	GE-82	2N1034	GE-65	2N1131/51	GE-21	2N1195	GE-51	2N1296	GE-3		
2N828	GE-51	2N947	GE-10	2N1035	GE-65	2N1131A	GE-21	2N1196	GE-82	2N1297	GE-25		
2N829	GE-51	2N951	GE-20	2N1036	GE-65	2N1131A/51	GE-21	2N1197	GE-82	2N1298	GE-54		
2N834	GE-20	2N955	GE-11	2N1037	GE-65	2N1132	GE-23	2N1198	GE-5	2N1299	GE-6		
2N834/46	GE-20	2N955A	GE-11	2N1038	GE-2	2N1132/46	GE-21	2N1199	GE-212	2N1300	GE-1		
2N834/51	GE-63	2N958	GE-81	2N1039	GE-3	2N1132/51	GE-21	2N1200	GE-11	2N1301	GE-1		
2N835	GE-20	2N957	GE-61	2N1040	GE-3	2N1132A	GE-21	2N1201	GE-11	2N1302	GE-8		
2N835/46	GE-20	2N960	GE-51	2N1041	GE-3	2N1132A/46	GE-21	2N1202	GE-16	2N1303	GE-1		
2N835/51	GE-63	2N960/46	GE-51	2N1042	GE-2	2N1132A/51	GE-21	2N1203	GE-4	2N1304	GE-8		

UNIVERSAL REPLACEMENT SEMICONDUCTORS

2N1305 - 2N2034

JEDEC Or Part Nr	GE Replacement	JEDEC Or Part Nr	GE Replacement	JEDEC Or Part Nr	GE Replacement	JEDEC Or Part Nr	GE Replacement	JEDEC Or Part Nr	GE Replacement	JEDEC Or Part Nr	GE Replacement	JEDEC Or Part Nr	GE Replacement
2N1305	GE-1	2N1409A	GE-47	2N1528	GE-50	2N1592	GE-60	2N1729	GE-53	2N1907	GE-25		
2N1306	GE-5	2N1410	GE-81	2N1528/33	GE-52	2N1593	GE-60	2N1730	GE-8	2N1908	GE-25		
2N1307	GE-1	2N1410A	GE-47	2N1527	GE-50	2N1594	GE-212	2N1731	GE-53	2N1917	GE-65		
2N1308	GE-5	2N1411	GE-51	2N1528	GE-63	2N1595	GEMR-5	2N1732	GE-54	2N1918	GE-65		
2N1309	GE-1	2N1412	GE-4	2N1529	GE-76	2N1596	GEMR-5	2N1742	GE-51	2N1919	GE-65		
2N1310	GE-5	2N1413	GE-53	2N1529A	GE-76	2N1597	GEMR-5	2N1743	GE-51	2N1920	GE-65		
2N1311	GE-5	2N1414	GE-53	2N1530	GE-78	2N1605	GE-8	2N1744	GE-51	2N1921	GE-65		
2N1312	GE-7	2N1415	GE-53	2N1530A	GE-76	2N1605A	GE-5	2N1745	GE-51	2N1922	GE-82		
2N1313	GE-1	2N1418	GE-53	2N1531	GE-78	2N1609	GE-16	2N1746	GE-51	2N1924	GE-2		
2N1314	GE-25	2N1417	GE-39	2N1531A	GE-76	2N1610	GE-16	2N1747	GE-51	2N1925	GE-2		
2N1314R	GE-18	2N1418	GE-39	2N1532	GE-3	2N1811	GE-3	2N1748	GE-51	2N1926	GE-2		
2N1315	GE-3	2N1419	GE-39	2N1532A	GE-3	2N1812	GE-3	2N1749	GE-51	2N1940	GE-2		
2N1316	GE-1	2N1420	GE-81	2N1533	GE-3	2N1813	GE-216	2N1750	GE-51	2N1941	GE-47		
2N1317	GE-1	2N1420A	GE-47	2N1534	GE-76	2N1813/46	GE-81	2N1752	GE-51	2N1943	GE-18		
2N1318	GE-1	2N1425	GE-50	2N1534A	GE-76	2N1813A	GE-27	2N1753	GE-52	2N1944	GE-47		
2N1319	GE-1	2N1428	GE-50	2N1535	GE-78	2N1813B	GE-27	2N1754	GE-51	2N1945	GE-47		
2N1335	GE-18	2N1427	GE-2	2N1535A	GE-76	2N1614	GE-2	2N1755	GE-3	2N1946	GE-47		
2N1336	GE-18	2N1429	GE-210	2N1538	GE-76	2N1615	GE-32	2N1756	GE-3	2N1947	GE-17		
2N1337	GE-18	2N1430	GE-25	2N1536A	GE-76	2N1622	GE-54	2N1757	GE-3	2N1948	GE-17		
2N1338	GE-18	2N1431	GE-59	2N1537	GE-3	2N1823	GE-65	2N1758	GE-3	2N1949	GE-17		
2N1339	GE-18	2N1432	GE-51	2N1537A	GE-3	2N1824	GE-6	2N1759	GE-3	2N1950	GE-17		
2N1340	GE-18	2N1433	2N1538	2N1538	GE-3	2N1825	GE-50	2N1760	GE-51	2N1951	GE-17		
2N1341	GE-18	2N1434	GE-4	2N1538A	GE-16	2N1831	GE-51	2N1761	GE-3	2N1952	GE-17		
2N1343	GE-1	2N1435	GE-4	2N1539	GE-76	2N1832	GE-51	2N1762	GE-3	2N1953	GE-81		
2N1344	GE-1	2N1436	GE-50	2N1539A	GE-76	2N1833	GE-51	2N1763	GE-18	2N1954	GE-2		
2N1345	GE-1	2N1437	GE-3	2N1540	GE-76	2N1834	GE-51	2N1764	GE-20	2N1955	GE-2		
2N1346	GE-1	2N1438	GE-3	2N1540A	GE-76	2N1835	GE-51	2N1768	GE-66	2N1956	GE-2		
2N1347	GE-1	2N1439	GE-82	2N1541	GE-76	2N1836	GE-51	2N1769	GE-66	2N1957	GE-2		
2N1348	GE-2	2N1440	GE-82	2N1541A	GE-76	2N1837	GE-51	2N1779	GE-6	2N1958	GE-81		
2N1349	GE-1	2N1441	GE-82	2N1542	GE-3	2N1837/33	GE-52	2N1780	GE-5	2N1958/18	GE-210		
2N1350	GE-1	2N1442	GE-82	2N1542A	GE-3	2N1838	GE-51	2N1781	GE-5	2N1958A	GE-47		
2N1351	GE-1	2N1443	GE-82	2N1543	GE-3	2N1838/33	GE-52	2N1782	GE-2	2N1958A/51	GE-47		
2N1352	GE-53	2N1444	GE-63	2N1543A	GE-16	2N1839	GE-51	2N1783	GE-1	2N1959	GE-81		
2N1353	GE-2	2N1445	GE-32	2N1544	GE-76	2N1839/33	GE-52	2N1784	GE-1	2N1959/18	GE-210		
2N1354	GE-1	2N1446	GE-2	2N1544A	GE-76	2N1840	GE-65	2N1785	GE-51	2N1959A	GE-47		
2N1355	GE-1	2N1447	GE-2	2N1545	GE-76	2N1841	GE-65	2N1786	GE-51	2N1959A/51	GE-47		
2N1356	GE-1	2N1448	GE-2	2N1545A	GE-76	2N1842	GE-65	2N1787	GE-51	2N1960	GE-2		
2N1357	GE-1	2N1449	GE-2	2N1546	GE-76	2N1843	GE-210	2N1788	GE-51	2N1960/46	GE-2		
2N1358	GE-4	2N1450	GE-52	2N1546A	GE-76	2N1844	GE-27	2N1789	GE-51	2N1981	GE-2		
2N1358A	GE-4	2N1451	GE-2	2N1547	GE-3	2N1844A	GE-63	2N1790	GE-51	2N1961/46	GE-2		
2N1358M	GE-4	2N1452	GE-2	2N1547A	GE-3	2N1846	GE-51	2N1800	GE-53	2N1962	GE-210		
2N1359	GE-76	2N1459	GE-85	2N1548	GE-3	2N1851	GE-76	2N1808	GE-8	2N1962/46	GE-63		
2N1360	GE-16	2N1470	GE-72	2N1548A	GE-16	2N1852	GE-3	2N1837	GE-81	2N1963	GE-210		
2N1361	GE-2	2N1471	GE-1	2N1549	GE-76	2N1853	GE-3	2N1838	GE-81	2N1964	GE-210		
2N1361A	GE-2	2N1472	GE-212	2N1549A	GE-76	2N1854	GE-18	2N1839	GE-27	2N1964/46	GE-63		
2N1362	GE-16	2N1473	GE-7	2N1550	GE-76	2N1855	GE-27	2N1839A	GE-27	2N1965	GE-210		
2N1363	GE-4	2N1474	GE-82	2N1550A	GE-76	2N1856	GE-27	2N1840	GE-27	2N1965/46	GE-63		
2N1364	GE-16	2N1474A	GE-82	2N1551	GE-78	2N1863	GE-20	2N1842	GEMR-3	2N1969	GE-1		
2N1365	GE-16	2N1475	GE-82	2N1551A	GE-76	2N1864	GE-2	2N1842A	GEMR-3	2N1970	GE-4		
2N1366	GE-5	2N1478	GE-2	2N1552	GE-3	2N1865	GE-52	2N1842B	GEMR-3	2N1971	GE-25		
2N1367	GE-5	2N1479	GE-48	2N1552A	GE-3	2N1866	GE-3	2N1843	GEMR-3	2N1972	GE-81		
2N1370	GE-53	2N1480	GE-28	2N1553	GE-76	2N1867	GE-25	2N1843A	GEMR-3	2N1973	GE-18		
2N1371	GE-2	2N1481	GE-48	2N1553A	GE-76	2N1868	GE-25	2N1843B	GEMR-3	2N1974	GE-18		
2N1372	GE-53	2N1483	2N1554	2N1554	GE-16	2N1869	GE-25	2N1844	GEMR-3	2N1975	GE-18		
2N1373	GE-2	2N1484	GE-66	2N1554A	GE-76	2N1870	GE-1	2N1844A	GEMR-3	2N1980	GE-4		
2N1374	GE-53	2N1485	GE-66	2N1555	GE-76	2N1872	GE-6	2N1844B	GEMR-3	2N1981	GE-4		
2N1375	GE-2	2N1486	GE-66	2N1555A	GE-76	2N1873	GE-1	2N1845	GEMR-3	2N1982	GE-4		
2N1376	GE-53	2N1487	GE-77	2N1556	GE-3	2N1874	GE-212	2N1845A	GEMR-3	2N1983	GE-47		
2N1377	GE-2	2N1488	GE-75	2N1556A	GE-3	2N1876	GE-65	2N1845B	GEMR-3	2N1984	GE-47		
2N1378	GE-53	2N1489	GE-77	2N1557	GE-76	2N1877	GE-65	2N1846	GEMR-3	2N1985	GE-47		
2N1379	GE-53	2N1490	GE-75	2N1557A	GE-76	2N1878	GE-51	2N1846A	GEMR-3	2N1986	GE-81		
2N1380	GE-53	2N1491	GE-17	2N1558	GE-76	2N1881	GE-1	2N1846B	GEMR-3	2N1987	GE-81		
2N1381	GE-53	2N1492	GE-17	2N1558	GE-16	2N1882	GE-17	2N1847	GEMR-3	2N1988	GE-32		
2N1382	GE-2	2N1494	GE-51	2N1558A	GE-76	2N1883	GE-1	2N1847A	GEMR-3	2N1989	GE-32		
2N1383	GE-53	2N1495	GE-61	2N1558A	GE-16	2N1884	GE-1	2N1847B	GEMR-3	2N1990	GE-32		
2N1384	GE-51	2N1499	GE-51	2N1559	GE-76	2N1865	GE-6	2N1848	GEMR-3	2N1990/46	GE-18		
2N1385	GE-51	2N1499A	GE-51	2N1559A	GE-76	2N1891	GE-32	2N1848A	GEMR-3	2N1990R	GE-18		
2N1386	GE-61	2N1499B	GE-51	2N1560	GE-3	2N1894	GE-5	2N1848B	GEMR-3	2N1990S	GE-18		
2N1387	GE-61	2N1500	GE-51	2N1560A	GE-3	2N1899	GE-51	2N1849	GEMR-3	2N1991	GE-82		
2N1388	GE-212	2N1500/18	GE-52	2N1561	GE-51	2N1700	GE-46	2N1849A	GEMR-3	2N1992	GE-82		
2N1389	GE-212	2N1501	GE-4	2N1562	GE-51	2N1701	GE-66	2N1849B	GEMR-3	2N1993	GE-5		
2N1390	GE-61	2N1502	GE-4	2N1564	GE-81	2N1702	GE-77	2N1853	GE-2	2N1994	GE-5		
2N1391	GE-214	2N1505	GE-47	2N1565	GE-81	2N1703	GE-19	2N1853/18	GE-2	2N1995	GE-8		
2N1392	GE-52	2N1506	GE-47	2N1566	GE-81	2N1704	GE-81	2N1854	GE-2	2N1996	GE-5		
2N1393	GE-1	2N1506A	GE-17	2N1566A	GE-81	2N1705	GE-2	2N1858	GE-8	2N1997	GE-2		
2N1394	GE-51	2N1507	GE-81	2N1567	GE-4	2N1706	GE-2	2N1864	GE-51	2N1998	GE-2		
2N1395	GE-51	2N1510	GE-6	2N1568	GE-4	2N1707	GE-2	2N1865	GE-51	2N1999	GE-1		
2N1396	GE-51	2N1515	GE-52	2N1569	GE-4	2N1708	GE-20	2N1866	GE-51	2N2000	GE-1		
2N1397	GE-51	2N1516	GE-2	2N1570	GE-2	2N1708A	GE-20	2N1867	GE-51	2N2001	GE-1		
2N1398	GE-51	2N1517	GE-50	2N1572	GE-18	2N1709	GE-66	2N1866	GE-51	2N2002	GE-65		
2N1399	GE-51	2N1517A	GE-52	2N1573	GE-18	2N1710	GE-28	2N1872	GE-50	2N2003	GE-65		
2N1400	GE-51	2N1518	GE-4	2N1574	GE-18	2N1711	GE-18	2N1873	GE-50	2N2004	GE-65		
2N1401	GE-51	2N1519	GE-4	2N1581	GE-2	2N1711/46	GE-81	2N1874	GE-50	2N2005	GE-65		
2N1401A	GE-51	2N1520	GE-4	2N1583	GE-2	2N1714	GE-63	2N1875	GE-50	2N2006	GE-65		
2N1402	GE-51	2N1521	GE-4	2N1584	GE-2	2N1715	GE-32	2N1886	GE-66	2N2007	GE-65		
2N1403	GE-2	2N1522	GE-4	2N1585	GE-8	2N1716	GE-63	2N1889	GE-18	2N2008	GE-32		
2N1404	GE-2	2N1523	GE-4	2N1586	GE-60	2N1717	GE-32	2N1890	GE-18	2N2009	GE-51		
2N1405	GE-50	2N1524	GE-50	2N1587	GE-60	2N1718	GE-66	2N1891	GE-5	2N2017	GE-43		
2N1406	GE-50	2N1524-1	GE-52	2N1588	GE-212	2N1720	GE-66	2N1892	GE-54	2N2022	GE-52		
2N1407	GE-50	2N1524-2	GE-52	2N1589	GE-60	2N1728	GE-51	2N1893	GE-27	2N2032	GE-14		
2N1408	GE-2	2N1524/33	GE-52	2N1590	GE-60	2N1727	GE-60	2N1905	GE-16	2N2033	GE-66		
2N1409	GE-81	2N1525	GE-50	2N1591	GE-212	2N1728	GE-212	2N1906	GE-25	2N2034	GE-66		

UNIVERSAL REPLACEMENT SEMICONDUCTORS

2N2035 - 2N2860

JEDEC Or Part Nr	GE Replacement	JEDEC Or Part Nr	GE Replacement	JEDEC Or Part Nr	GE Replacement	JEDEC Or Part Nr	GE Replacement	JEDEC Or Part Nr	GE Replacement	JEDEC Or Part Nr	GE Replacement	JEDEC Or Part Nr	GE Replacement
2N2035	GE-68	2N2153	GE-4	2N2243	GE-32	2N2363	GE-51	2N2487	GE-51	2N2644	GE-212		
2N2036	GE-86	2N2153A	GE-4	2N2243A	GE-32	2N2364	GE-18	2N2488	GE-51	2N2645	GE-81		
2N2038	GE-81	2N2154	GE-4	2N2244	GE-17	2N2364A	GE-18	2N2489	GE-51	2N2648	GE-2		
2N2039	GE-81	2N2154A	GE-4	2N2245	GE-17	2N2368	GE-20	2N2489A	GE-81	2N2651	GE-20		
2N2040	GE-81	2N2155	GE-4	2N2246	GE-47	2N2368/51	GE-63	2N2490	GE-4	2N2652	GE-18		
2N2041	GE-81	2N2156	GE-4	2N2247	GE-81	2N2369/51	GE-63	2N2491	GE-4	2N2652A	GE-18		
2N2048	GE-51	2N2156A	GE-4	2N2248	GE-81	2N2370	GE-65	2N2492	GE-4	2N2654	GE-51		
2N2049	GE-18	2N2157	GE-4	2N2249	GE-17	2N2371	GE-65	2N2493	GE-4	2N2655	GE-32		
2N2059	GE-52	2N2157A	GE-4	2N2250	GE-17	2N2372	GE-65	2N2494	GE-51	2N2656	GE-210		
2N2060	GE-18	2N2158	GE-4	2N2251	GE-17	2N2373	GE-65	2N2495	GE-51	2N2657	GE-66		
2N2081	GE-76	2N2158A	GE-4	2N2252	GE-47	2N2374	GE-2	2N2496	GE-51	2N2671	GE-51		
2N2061A	GE-76	2N2159	GE-4	2N2253	GE-81	2N2375	GE-1	2N2501	GE-17	2N2672	GE-51		
2N2062	GE-78	2N2159A	GE-4	2N2254	GE-81	2N2376	GE-53	2N2509	GE-18	2N2673	GE-212		
2N2062A	GE-78	2N2162	GE-65	2N2255	GE-47	2N2377	GE-65	2N2510	GE-20	2N2674	GE-212		
2N2063	GE-76	2N2163	GE-65	2N2256	GE-10	2N2378	GE-65	2N2511	GE-20	2N2675	GE-212		
2N2063A	GE-78	2N2164	GE-65	2N2257	GE-10	2N2379	GE-4	2N2514	GE-81	2N2676	GE-212		
2N2064	GE-78	2N2165	GE-65	2N2258	GE-51	2N2380	GE-81	2N2515	GE-81	2N2677	GE-81		
2N2064A	GE-76	2N2166	GE-65	2N2259	GE-51	2N2380A	GE-81	2N2517	GE-18	2N2678	GE-81		
2N2085	GE-78	2N2187	GE-65	2N2286	GE-4	2N2381	GE-51	2N2520	GE-81	2N2692	GE-212		
2N2065A	GE-78	2N2168	GE-51	2N2287	GE-4	2N2382	GE-51	2N2521	GE-81	2N2693	GE-81		
2N2066	GE-76	2N2169	GE-51	2N2268	GE-4	2N2383	GE-14	2N2522	GE-63	2N2694	GE-61		
2N2066A	GE-76	2N2170	GE-51	2N2269	GE-4	2N2384	GE-14	2N2523	GE-210	2N2695	GE-22		
2N2067	GE-3	2N2171	GE-1	2N2270	GE-63	2N2387	GE-212	2N2524	GE-210	2N2696	GE-22		
2N2067B	GE-18	2N2172	GE-1	2N2271	GE-53	2N2388	GE-212	2N2526	GE-76	2N2699	GE-66		
2N2067G	GE-18	2N2173	GE-2	2N2272	GE-18	2N2389	GE-81	2N2527	GE-25	2N2706	GE-53		
2N2067W	GE-16	2N2175	GE-65	2N2273	GE-51	2N2390	GE-81	2N2528	GE-25	2N2707	GE-8		
2N2069	GE-16	2N2176	GE-65	2N2274	GE-65	2N2393	GE-82	2N2529	GE-39	2N2708	GE-17		
2N2070	GE-16	2N2177	GE-65	2N2275	GE-65	2N2394	GE-82	2N2530	GE-39	2N2709	GE-21		
2N2071	GE-3	2N2178	GE-65	2N2276	GE-65	2N2395	GE-20	2N2531	GE-39	2N2711	GE-10		
2N2072	GE-3	2N2180	GE-52	2N2277	GE-65	2N2396	GE-20	2N2532	GE-39	2N2712	GE-17		
2N2075	GE-4	2N2181	GE-65	2N2278	GE-65	2N2397	GE-210	2N2533	GE-39	2N2713	GE-210		
2N2075A	GE-4	2N2182	GE-65	2N2279	GE-65	2N2398	GE-51	2N2534	GE-39	2N2714	GE-210		
2N2076	GE-4	2N2183	GE-21	2N2279/51	GE-63	2N2399	GE-51	2N2537	GE-47	2N2715	GE-86		
2N2076A	GE-4	2N2184	GE-21	2N2280	GE-65	2N2400	GE-1	2N2538	GE-18	2N2716	GE-211		
2N2077	GE-4	2N2185	GE-65	2N2281	GE-65	2N2401	GE-1	2N2539	GE-20	2N2717	GE-51		
2N2077A	GE-4	2N2186	GE-65	2N2282	GE-3	2N2402	GE-51	2N2540	GE-20	2N2719	GE-20		
2N2078	GE-4	2N2187	GE-65	2N2285	GE-78	2N2403	GE-63	2N2541	GE-53	2N2720	GE-20		
2N2078A	GE-4	2N2188	GE-51	2N2288	GE-18	2N2404	GE-63	2N2551	GE-27	2N2721	GE-20		
2N2079	GE-4	2N2189	GE-51	2N2289	GE-3	2N2405	GE-27	2N2564	GE-80	2N2722	GE-20		
2N2079A	GE-4	2N2190	GE-51	2N2290	GE-3	2N2406	GE-52	2N2564/5	GE-80	2N2726	GE-27		
2N2080	GE-4	2N2191	GE-51	2N2291	GE-25	2N2410	GE-47	2N2565	GE-3	2N2727	GE-27		
2N2080A	GE-4	2N2192	GE-47	2N2292	GE-25	2N2410/51	GE-47	2N2569	GE-212	2N2728	GE-4		
2N2081	GE-4	2N2192A	GE-47	2N2293	GE-25	2N2411	GE-65	2N2570	GE-212	2N2729	GE-61		
2N2081A	GE-4	2N2192B	GE-47	2N2294	GE-25	2N2412	GE-65	2N2571	GE-20	2N2730	GE-4		
2N2082	GE-4	2N2193	GE-32	2N2295	GE-25	2N2413	GE-20	2N2572	GE-20	2N2731	GE-4		
2N2082A	GE-4	2N2193A	GE-32	2N2296	GE-25	2N2415	GE-51	2N2586	GE-212	2N2732	GE-4		
2N2083	GE-52	2N2193B	GE-32	2N2297	GE-27	2N2416	GE-51	2N2587	GE-51	2N2764	GE-17		
2N2084	GE-51	2N2194	GE-47	2N2297/51	GE-213	2N2423	GE-16	2N2588	GE-52	2N2764/52	GE-63		
2N2085	GE-59	2N2194A	GE-47	2N2303	GE-82	2N2424	GE-65	2N2590	GE-21	2N2764/TNT	GE-20		
2N2086	GE-18	2N2194B	GE-47	2N2303/48	GE-21	2N2425	GE-65	2N2591	GE-21	2N2787	GE-20		
2N2087	GE-81	2N2195	GE-47	2N2305	GE-77	2N2426	GE-8	2N2592	GE-21	2N2788	GE-18		
2N2089	GE-50	2N2195A	GE-47	2N2309	GE-81	2N2427	GE-20	2N2593	GE-21	2N2789	GE-18		
2N2090	GE-50	2N2195B	GE-47	2N2310	GE-81	2N2428	GE-52	2N2594	GE-32	2N2790	GE-20		
2N2091	GE-50	2N2196	GE-17	2N2311	GE-27	2N2429	GE-53	2N2595	GE-82	2N2791	GE-20		
2N2092	GE-50	2N2197	GE-17	2N2312	GE-81	2N2430	GE-54R	2N2596	GE-82	2N2792	GE-20		
2N2093	GE-50	2N2198	GE-81	2N2313	GE-27	2N2431	GE-53	2N2597	GE-82	2N2793	GE-4		
2N2094	GE-18	2N2199	GE-51	2N2314	GE-62	2N2431B	GE-52	2N2598	GE-21	2N2795	GE-51		
2N2095	GE-51	2N2200	GE-51	2N2315	GE-62	2N2432	GE-212	2N2599	GE-21	2N2796	GE-51		
2N2096	GE-20	2N2204	GE-12	2N2316	GE-18	2N2432A	GE-212	2N2600	GE-21	2N2797	GE-51		
2N2097	GE-51	2N2205	GE-210	2N2317	GE-81	2N2433	GE-27	2N2601	GE-82	2N2798	GE-51		
2N2098	GE-51	2N2206	GE-210	2N2318	GE-17	2N2435	GE-27	2N2602	GE-82	2N2799	GE-51		
2N2099	GE-51	2N2207	GE-51	2N2319	GE-61	2N2437	GE-27	2N2603	GE-82	2N2800	GE-48		
2N2100	GE-51	2N2208	GE-1	2N2320	GE-215	2N2438	GE-27	2N2604	GE-82	2N2800/46	GE-48		
2N2102	GE-66	2N2209	GE-2	2N2322	GE-2	2N2439	GE-27	2N2605	GE-82	2N2800/51	GE-21		
2N2102A	GE-27	2N2210	GE-4	2N2323	GEMR-5	2N2443	GE-27	2N2605A	GE-48	2N2801	GE-48		
2N2106	GE-63	2N2212	GE-25	2N2324	GEMR-5	2N2446	GE-16	2N2810	GE-39	2N2801/46	GE-48		
2N2107	GE-63	2N2216	GE-27	2N2325	GEMR-5	2N2447	GE-2	2N2611	GE-27	2N2801/51	GE-21		
2N2108	GE-63	2N2217	GE-47	2N2326	GEMR-5	2N2448	GE-2	2N2612	GE-3	2N2802	GE-65		
2N2137	GE-16	2N2217/51	GE-20	2N2330	GE-47	2N2449	GE-53	2N2613	GE-2	2N2803	GE-65		
2N2137A	GE-16	2N2218	GE-47	2N2331	GE-17	2N2450	GE-53	2N2614	GE-2	2N2804	GE-65		
2N2138	GE-3	2N2218/51	GE-20	2N2332	GE-65	2N2451	GE-51	2N2615	GE-61	2N2805	GE-65		
2N2138A	GE-16	2N2219	GE-47	2N2333	GE-65	2N2455	GE-51	2N2616	GE-61	2N2806	GE-65		
2N2139	GE-16	2N2219/51	GE-20	2N2334	GE-65	2N2456	GE-51	2N2617	GE-212	2N2807	GE-65		
2N2139A	GE-16	2N2219A	GE-18	2N2335	GE-65	2N2463	GE-27	2N2618	GE-47	2N2828	GE-66		
2N2140	GE-16	2N2220	GE-20	2N2336	GE-65	2N2465	GE-54	2N2618/46	GE-20	2N2829	GE-66		
2N2140A	GE-16	2N2221	GE-20	2N2337	GE-65	2N2468	GE-51	2N2621	GE-2	2N2831	GE-17		
2N2141	GE-16	2N2221A	GE-20	2N2339	GE-66	2N2469	GE-2	2N2622	GE-2	2N2836	GE-25		
2N2141A	GE-16	2N2222	GE-20	2N2345	GE-8	2N2472	GE-20	2N2623	GE-2	2N2837	GE-48		
2N2142	GE-16	2N2222A	GE-20	2N2349	GE-46	2N2473	GE-20	2N2624	GE-2	2N2838	GE-48		
2N2142A	GE-16	2N2223	GE-18	2N2350	GE-47	2N2474	GE-65	2N2625	GE-2	2N2845	GE-20		
2N2143	GE-16	2N2223A	GE-18	2N2350A	GE-47	2N2475	GE-61	2N2626	GE-2	2N2846	GE-47		
2N2143A	GE-16	2N2224	GE-47	2N2351	GE-18	2N2475/46	GE-61	2N2627	GE-2	2N2847	GE-210		
2N2144	GE-16	2N2225	GE-2	2N2352	GE-17	2N2475/51	GE-61	2N2628	GE-2	2N2848	GE-47		
2N2144A	GE-16	2N2234	GE-20	2N2352A	GE-47	2N2477	GE-47	2N2629	GE-2	2N2853	GE-4		
2N2145	GE-3	2N2235	GE-20	2N2353	GE-47	2N2477	GE-47	2N2630	GE-22	2N2853-1	GE-46		
2N2145A	GE-3	2N2236	GE-81	2N2353A	GE-47	2N2478	GE-18	2N2632	GE-66	2N2854-1	GE-46		
2N2146	GE-3	2N2237	GE-81	2N2354	GE-59	2N2479	GE-81	2N2635	GE-53	2N2855	GE-4		
2N2146A	GE-3	2N2238	GE-52	2N2357	GE-3	2N2481	GE-20	2N2639	GE-212	2N2855-1	GE-46		
2N2147	GE-16	2N2239	GE-63	2N2358	GE-3	2N2482	GE-54	2N2640	GE-212	2N2856	GE-4		
2N2148	GE-16	2N2240	GE-81	2N2360	GE-51	2N2483	GE-81	2N2641	GE-212	2N2856-1	GE-46		
2N2152	GE-4	2N2241	GE-81	2N2361	GE-51	2N2484	GE-81	2N2642	GE-212	2N2857	GE-17		
2N2152A	GE-4	2N2242	GE-210	2N2362	GE-51	2N2484A	GE-63	2N2643	GE-212	2N2860	GE-2		

UNIVERSAL REPLACEMENT SEMICONDUCTORS

2N2861 - 2N3706

JEDEC Or Part Nr	Replacement	JEDEC Or Part Nr	Replacement	JEDEC Or Part Nr	Replacement	JEDEC Or Part Nr	Replacement	JEDEC Or Part Nr	Replacement	JEDEC Or Part Nr	Replacement	JEDEC Or Part Nr	Replacement
2N2861	GE-65	2N2970	GE-65	2N3114	GE-32	2N3285	GE-50	2N3402	GE-81	2N3568	GE-81		
2N2862	GE-65	2N2971	GE-65	2N3115	GE-20	2N3286	GE-50	2N3403	GE-47	2N3569	GE-20		
2N2863	GE-47	2N2974	GE-20	2N3116	GE-20	2N3287	GE-61	2N3404	GE-81	2N3571	GE-86		
2N2864	GE-47	2N2987	GE-32	2N3117	GE-18	2N3288	GE-61	2N3405	GE-47	2N3572	GE-86		
2N2865	GE-86	2N2988	GE-32	2N3118	GE-18	2N3289	GE-86	2N3407	GE-17	2N3576	GE-20		
2N2868	GE-47	2N2989	GE-32	2N3119	GE-27	2N3290	GE-86	2N3409	GE-20	2N3579	GE-82		
2N2869	GE-25	2N2990	GE-32	2N3120	GE-48	2N3291	GE-61	2N3410	GE-20	2N3580	GE-82		
2N2869/2N301	GE-25	2N2996	GE-51	2N3121	GE-82	2N3292	GE-61	2N3411	GE-20	2N3581	GE-82		
2N2870	GE-25	2N2997	GE-51	2N3122	GE-47	2N3293	GE-86	2N3412	GE-51	2N3582	GE-82		
2N2870/2N301A	GE-25	2N2998	GE-51	2N3124	GE-76	2N3294	GE-86	2N3414	GE-210	2N3583	GE-12		
2N2873	GE-52	2N3009	GE-20	2N3125	GE-76	2N3295	GE-63	2N3415	GE-47	2N3584	GE-66		
2N2875	GE-89	2N3010	GE-61	2N3126	GE-3	2N3296	GE-28	2N3416	GE-210	2N3585	GE-66		
2N2876	GE-66	2N3011	GE-20	2N3128	GE-17	2N3297	GE-19	2N3417	GE-47	2N3588	GE-50		
2N2877	GE-66	2N3012	GE-21	2N3129	GE-17	2N3298	GE-10	2N3418	GE-28	2N3589	GE-32		
2N2878	GE-66	2N3013	GE-20	2N3132	GE-16	2N3299	GE-47	2N3420	GE-28	2N3590	GE-32		
2N2883	GE-17	2N3014	GE-20	2N3133	GE-21	2N3300	GE-47	2N3423	GE-20	2N3591	GE-32		
2N2884	GE-17	2N3015	GE-47	2N3134	GE-48	2N3301	GE-210	2N3424	GE-20	2N3592	GE-32		
2N2886	GE-47	2N3019	GE-18	2N3135	GE-21	2N3302	GE-210	2N3426	GE-47	2N3593	GE-32		
2N2890	GE-18	2N3020	GE-27	2N3136	GE-48	2N3304	GE-21	2N3427	GE-53	2N3594	GE-32		
2N2891	GE-18	2N3021	GE-69	2N3137	GE-11	2N3305	GE-82	2N3428	GE-53	2N3600	GE-86		
2N2894	GE-20	2N3022	GE-69	2N3138	GE-66	2N3306	GE-82	2N3435	GE-63	2N3605	GE-20		
2N2897	GE-47	2N3023	GE-89	2N3140	GE-66	2N3307	GE-21	2N3436	GE-FET-1	2N3605A	GE-20		
2N2900	GE-47	2N3024	GE-89	2N3142	GE-66	2N3308	GE-21	2N3437	GE-FET-1	2N3606	GE-20		
2N2901	GE-11	2N3025	GE-69	2N3144	GE-66	2N3309	GE-215	2N3438	GE-FET-1	2N3606A	GE-20		
2N2904	GE-21	2N3026	GE-69	2N3146	GE-3	2N3310	GE-18	2N3439	GE-32	2N3607	GE-20		
2N2904A	GE-21	2N3034	GE-81	2N3147	GE-3	2N3311	GE-4	2N3440	GE-32	2N3608	GE-FET-1		
2N2905	GE-48	2N3035	GE-210	2N3148	GE-52	2N3312	GE-4	2N3443	GE-2	2N3611	GE-76		
2N2905A	GE-67	2N3036	GE-18	2N3153	GE-212	2N3313	GE-4	2N3445	GE-14	2N3612	GE-76		
2N2906	GE-21	2N3037	GE-18	2N3171	GE-74	2N3314	GE-4	2N3446	GE-14	2N3613	GE-76		
2N2906A	GE-21	2N3038	GE-18	2N3172	GE-74	2N3315	GE-4	2N3447	GE-14	2N3614	GE-76		
2N2907	GE-48	2N3039	GE-82	2N3173	GE-74	2N3317	GE-65	2N3448	GE-14	2N3615	GE-76		
2N2907A	GE-67	2N3040	GE-82	2N3174	GE-74	2N3318	GE-65	2N3449	GE-51	2N3616	GE-16		
2N2909	GE-27	2N3043	GE-17	2N3183	GE-74	2N3319	GE-65	2N3451	GE-22	2N3617	GE-76		
2N2910	GE-20	2N3044	GE-17	2N3184	GE-74	2N3320	GE-51	2N3452	GE-FET-1	2N3618	GE-16		
2N2913	GE-20	2N3045	GE-17	2N3185	GE-74	2N3321	GE-51	2N3453	GE-FET-1	2N3619	GE-28		
2N2914	GE-20	2N3046	GE-17	2N3186	GE-74	2N3322	GE-51	2N3454	GE-FET-1	2N3620	GE-28		
2N2917	GE-20	2N3047	GE-17	2N3195	GE-74	2N3323	GE-50	2N3455	GE-FET-1	2N3621	GE-66		
2N2918	GE-20	2N3048	GE-17	2N3196	GE-74	2N3324	GE-51	2N3456	GE-FET-1	2N3622	GE-66		
2N2921	GE-10	2N3049	GE-21	2N3197	GE-74	2N3325	GE-51	2N3457	GE-FET-1	2N3623	GE-28		
2N2922	GE-10	2N3050	GE-21	2N3198	GE-74	2N3326	GE-50	2N3458	GE-FET-1	2N3624	GE-28		
2N2923	GE-212	2N3051	GE-21	2N3199	GE-69	2N3337	GE-61	2N3459	GE-FET-1	2N3625	GE-66		
2N2924	GE-212	2N3052	GE-63	2N3200	GE-69	2N3338	GE-61	2N3460	GE-FET-1	2N3626	GE-66		
2N2925	GE-212	2N3053	GE-83	2N3202	GE-84	2N3339	GE-81	2N3462	GE-20	2N3627	GE-66		
2N2926	GE-212	2N3053/40053	GE-83	2N3205	GE-69	2N3340	GE-210	2N3463	GE-20	2N3628	GE-28		
2N2926-6	GE-17	2N3054	GE-66	2N3206	GE-69	2N3341	GE-82	2N3464	GE-20	2N3629	GE-66		
2N2926-BRN	GE-212	2N3055	GE-14	2N3208	GE-84	2N3342	GE-65	2N3465	GE-FET-1	2N3630	GE-66		
2N2926G	GE-10	2N3055-1	GE-77	2N3209	GE-21	2N3343	GE-65	2N3466	GE-FET-1	2N3632	GE-66		
2N2926-GRN	GE-212	2N3055-2	GE-77	2N3210	GE-20	2N3344	GE-65	2N3467	GE-67	2N3633	GE-66		
2N2926O	GE-63	2N3055-3	GE-75	2N3211	GE-20	2N3345	GE-65	2N3468	GE-67	2N3633/46	GE-11		
2N2926-ORG	GE-212	2N3055-4	GE-77	2N3212	GE-25	2N3346	GE-65	2N3469	GE-28	2N3633/52	GE-63		
2N2926R	GE-83	2N3055-5	GE-77	2N3213	GE-16	2N3365	GE-FET-1	2N3478	GE-86	2N3633/TNT	GE-11		
2N2926-RED	GE-212	2N3055-6	GE-75	2N3214	GE-16	2N3366	GE-FET-1	2N3485	GE-21	2N3638	GE-22		
2N2926Y	GE-10	2N3055-7	GE-75	2N3215	GE-16	2N3367	GE-FET-1	2N3485A	GE-21	2N3638A	GE-82		
2N2926-YEL	GE-212	2N3055-8	GE-75	2N3216	GE-52	2N3368	GE-FET-1	2N3486	GE-48	2N3639	GE-21		
2N2927	GE-48	2N3055-9	GE-77	2N3217	GE-22	2N3369	GE-FET-1	2N3486A	GE-67	2N3640	GE-21		
2N2927/46	GE-22	2N3055-10	GE-77	2N3218	GE-22	2N3370	GE-FET-1	2N3493	GE-60	2N3641	GE-210		
2N2927/51	GE-21	2N3055S	GE-77	2N3219	GE-82	2N3371	GE-51	2N3496	GE-21	2N3642	GE-210		
2N2928	GE-2	2N3056	GE-18	2N3224	GE-21	2N3374	GE-83	2N3498	GE-20	2N3643	GE-210		
2N2930	GE-2	2N3057	GE-18	2N3226	GE-77	2N3375	GE-28	2N3499	GE-18	2N3644	GE-48		
2N2931	GE-11	2N3058	GE-82	2N3228	GEMR-4	2N3388	GE-27	2N3500	GE-32	2N3645	GE-67		
2N2932	GE-11	2N3059	GE-82	2N3229	GE-66	2N3389	GE-27	2N3501	GE-18	2N3646	GE-20		
2N2933	GE-11	2N3060	GE-82	2N3232	GE-77	2N3390	GE-212	2N3502	GE-48	2N3647	GE-20		
2N2934	GE-11	2N3061	GE-82	2N3233	GE-75	2N3390-U29	GE-212	2N3503	GE-67	2N3648	GE-20		
2N2935	GE-11	2N3062	GE-21	2N3235	GE-77	2N3391	GE-212	2N3504	GE-48	2N3659	GE-32		
2N2936	GE-20	2N3063	GE-21	2N3236	GE-75	2N3391A	GE-212	2N3505	GE-67	2N3660	GE-84		
2N2937	GE-20	2N3064	GE-21	2N3237	GE-75	2N3391-U29	GE-212	2N3506	GE-46	2N3662	GE-11		
2N2938	GE-20	2N3065	GE-21	2N3238	GE-75	2N3392	GE-212	2N3507	GE-28	2N3663	GE-11		
2N2942	GE-51	2N3066	GE-FET-1	2N3239	GE-75	2N3392-U29	GE-212	2N3508	GE-210	2N3667	GE-77		
2N2943	GE-51	2N3067	GE-FET-1	2N3241	GE-17	2N3393	GE-212	2N3509	GE-210	2N3671	GE-21		
2N2944	GE-82	2N3069	GE-FET-1	2N3241A	GE-17	2N3393-U29	GE-212	2N3510	GE-20	2N3672	GE-21		
2N2944A	GE-82	2N3070	GE-FET-1	2N3242	GE-20	2N3394	GE-212	2N3511	GE-20	2N3673	GE-21		
2N2945	GE-22	2N3071	GE-FET-1	2N3242A	GE-20	2N3394-U29	GE-212	2N3512	GE-47	2N3675	GE-66		
2N2945A	GE-82	2N3072	GE-67	2N3244	GE-67	2N3395	GE-20	2N3525	GEMR-4	2N3677	GE-82		
2N2946	GE-82	2N3073	GE-82	2N3245	GE-67	2N3395-WHT	GE-212	2N3525A	GE-28	2N3681	GE-11		
2N2946A	GE-82	2N3074	GE-51	2N3246	GE-62	2N3395-YEL	GE-212	2N3526	GE-27	2N3682	GE-20		
2N2947	GE-66	2N3075	GE-51	2N3247	GE-212	2N3396	GE-212	2N3527	GE-82	2N3683	GE-86		
2N2948	GE-19	2N3077	GE-81	2N3248	GE-22	2N3396-ORG	GE-212	2N3528	GEMR-5	2N3684	GE-FET-1		
2N2949	GE-63	2N3078	GE-81	2N3249	GE-21	2N3396-WHT	GE-212	2N3542	GE-20	2N3685	GE-FET-1		
2N2951	GE-63	2N3081	GE-87	2N3250	GE-21	2N3396-YEL	GE-212	2N3545	GE-22	2N3686	GE-FET-1		
2N2952	GE-63	2N3081/48	GE-87	2N3250A	GE-21	2N3397	GE-212	2N3547	GE-67	2N3687	GE-FET-1		
2N2953	GE-51	2N3082	GE-17	2N3251	GE-21	2N3397-ORG	GE-212	2N3548	GE-48	2N3688	GE-60		
2N2954	GE-20	2N3083	GE-17	2N3252	GE-63	2N3397-RED	GE-212	2N3549	GE-21	2N3689	GE-60		
2N2955	GE-51	2N3084	GE-FET-1	2N3253	GE-216	2N3397-WHT	GE-212	2N3550	GE-21	2N3690	GE-60		
2N2956	GE-51	2N3085	GE-FET-1	2N3261	GE-20	2N3397-YEL	GE-212	2N3553	GE-28	2N3691	GE-60		
2N2957	GE-51	2N3086	GE-FET-1	2N3267	GE-51	2N3398	GE-212	2N3554	GE-215	2N3692	GE-210		
2N2958	GE-47	2N3087	GE-FET-1	2N3268	GE-27	2N3398-BLU	GE-212	2N3562	GE-20	2N3693	GE-210		
2N2959	GE-47	2N3088	GE-FET-1	2N3279	GE-51	2N3398-ORG	GE-212	2N3563	GE-86	2N3694	GE-210		
2N2960	GE-18	2N3089	GE-FET-1	2N3280	GE-51	2N3398-RED	GE-212	2N3563-1	GE-11	2N3702	GE-82		
2N2961	GE-18	2N3107	GE-18	2N3281	GE-51	2N3398-WHT	GE-212	2N3564	GE-20	2N3703	GE-82		
2N2966	GE-2	2N3108	GE-18	2N3282	GE-51	2N3399	GE-50	2N3565	GE-210	2N3704	GE-20		
2N2968	GE-65	2N3109	GE-18	2N3283	GE-50	2N3400	GE-2	2N3566	GE-64	2N3705	GE-20		
2N2969	GE-65	2N3110	GE-18	2N3284	GE-50	2N3401	GE-65	2N3567	GE-20	2N3706	GE-47		

UNIVERSAL REPLACEMENT SEMICONDUCTORS

2N3707 - 2N5210

JEDEC Or Part Nr	GE Replacement	JEDEC Or Part Nr	GE Replacement	JEDEC Or Part Nr	GE Replacement	JEDEC Or Part Nr	GE Replacement	JEDEC Or Part Nr	GE Replacement	JEDEC Or Part Nr	GE Replacement	JEDEC Or Part Nr	GE Replacement
2N3707	GE-212	2N3877	GE-81	2N4074	GE-210	2N4245	GE-76	2N4430	GE-28	2N5060	GE-5		
2N3708	GE-62	2N3877A	GE-81	2N4078	GE-30	2N4246	GE-76	2N4432	GE-47	2N5061	GE-5		
2N3708-BLU	GE-212	2N3878	GE-66	2N4080	GE-21	2N4247	GE-76	2N4432A	GE-47	2N5062	GE-5		
2N3708-BRN	GE-61	2N3880	GE-86	2N4081	GE-60	2N4248	GE-65	2N4433	GE-210	2N5063	GE-5		
2N3708-GRN	GE-212	2N3881	GE-47	2N4086	GE-212	2N4249	GE-67	2N4434	GE-39	2N5066	GE-210		
2N3708-ORG	GE-61	2N3885	GE-20	2N4087	GE-212	2N4250	GE-65	2N4435	GE-39	2N5067	GE-73		
2N3708-RED	GE-61	2N3896	GEMR-3	2N4087A	GE-212	2N4250A	GE-63	2N4436	GE-210	2N5068	GE-73		
2N3708-VIO	GE-212	2N3897	GEMR-3	2N4100	GE-210	2N4252	GE-86	2N4437	GE-210	2N5069	GE-73		
2N3708-YEL	GE-61	2N3898	GEMR-3	2N4104	GE-20	2N4253	GE-86	2N4440	GE-28	2N5073	GE-32		
2N3709	GE-61	2N3900	GE-212	2N4105	GE-8	2N4254	GE-86	2N4441	GEMR-4	2N5078	GE-FET-2		
2N3710	GE-61	2N3900A	GE-212	2N4106	GE-2	2N4255	GE-86	2N4443	GEMR-4	2N5078A	GEFET-2		
2N3711	GE-212	2N3901	GE-10	2N4107	GE-54	2N4256	GE-212	2N4450	GE-210	2N5079	GE-28		
2N3712	GE-32	2N3902	GE-73	2N4111	GE-19	2N4259	GE-39	2N4452	GE-48	2N5080	GE-28		
2N3713	GE-14	2N3903	GE-210	2N4112	GE-19	2N4264	GE-20	2N4867	GE-FET-1	2N5081	GE-88		
2N3714	GE-14	2N3904	GE-20	2N4113	GE-19	2N4265	GE-20	2N4868	GE-FET-1	2N5082	GE-88		
2N3715	GE-14	2N3905	GE-21	2N4114	GE-19	2N4269	GE-27	2N4869	GE-FET-1	2N5086	GE-65		
2N3716	GE-14	2N3906	GE-48	2N4117	GE-FET-1	2N4270	GE-27	2N4877	GE-66	2N5086A	GE-89		
2N3719	GE-29	2N3910	GE-82	2N4118	GE-FET-1	2N4271	GE-32	2N4890	GE-67	2N5087	GE-65		
2N3721	GE-62	2N3911	GE-82	2N4119	GE-FET-1	2N4274	GE-20	2N4898	GE-69	2N5087A	GE-89		
2N3723	GE-27	2N3912	GE-82	2N4122	GE-21	2N4275	GE-20	2N4899	GE-69	2N5088	GE-212		
2N3724	GE-47	2N3913	GE-82	2N4123	GE-210	2N4284	GE-65	2N4910	GE-216	2N5089	GE-85		
2N3724A	GE-215	2N3914	GE-82	2N4124	GE-20	2N4285	GE-65	2N4911	GE-216	2N5092	GE-32		
2N3725	GE-18	2N3915	GE-82	2N4125	GE-21	2N4286	GE-212	2N4912	GE-32	2N5095	GE-32		
2N3730	GE-25	2N3916	GE-32	2N4126	GE-48	2N4287	GE-212	2N4913	GE-73	2N5103	GE-17		
2N3731	GE-25	2N3917	GE-19	2N4127	GE-66	2N4288	GE-65	2N4914	GE-73	2N5103A	GEFET-2		
2N3732	GE-25	2N3918	GE-19	2N4128	GE-66	2N4289	GE-65	2N4915	GE-73	2N5104A	GEFET-2		
2N3734	GE-215	2N3919	GE-28	2N4130	GE-14	2N4290	GE-21	2N4916	GE-22	2N5105A	GEFET-2		
2N3736	GE-20	2N3923	GE-27	2N4134	GE-60	2N4291	GE-48	2N4917	GE-21	2N5106	GE-47		
2N3738	GE-32	2N3924	GE-28	2N4135	GE-60	2N4292	GE-86	2N4918	GE-29	2N5107	GE-210		
2N3739	GE-32	2N3925	GE-28	2N4136	GE-54	2N4293	GE-86	2N4919	GE-29	2N5108	GE-18		
2N3740	GE-69	2N3926	GE-28	2N4138	GE-61	2N4294	GE-20	2N4920	GE-69	2N5110	GE-84		
2N3740A	GE-69	2N3927	GE-66	2N4140	GE-210	2N4295	GE-60	2N4921	GE-28	2N5112	GE-69		
2N3742	GE-27	2N3932	GE-86	2N4141	GE-210	2N4296	GE-32	2N4922	GE-28	2N5120	GE-18		
2N3744	GE-66	2N3945	GE-215	2N4142	GE-21	2N4297	GE-32	2N4923	GE-28	2N5126	GE-86		
2N3745	GE-66	2N3946	GE-210	2N4143	GE-48	2N4298	GE-32	2N4924	GE-27	2N5127	GE-212		
2N3747	GE-66	2N3947	GE-20	2N4150	GEMR-4	2N4299	GE-32	2N4925	GE-32	2N5128	GE-210		
2N3748	GE-66	2N3948	GE-28	2N4151	GEMR-4	2N4302	GE-FET-1	2N4926	GE-40	2N5129	GE-210		
2N3762	GE-29	2N3953	GE-86	2N4152	GEMR-4	2N4303	GE-FET-1	2N4927	GE-40	2N5130	GE-86		
2N3770	GE-51	2N3961	GE-28	2N4153	GEMR-4	2N4304	GE-FET-1	2N4937	GE-21	2N5131	GE-64		
2N3771	GE-75	2N3962	GE-67	2N4154	GEMR-4	2N4307	GE-66	2N4938	GE-21	2N5132	GE-60		
2N3772	GE-75	2N3963	GE-21	2N4155	GEMR-4	2N4308	GE-66	2N4940	GE-21	2N5133	GE-212		
2N3774	GE-84	2N3964	GE-48	2N4156	GEMR-4	2N4311	GE-66	2N4941	GE-21	2N5134	GE-20		
2N3778	GE-84	2N3965	GE-21	2N4159	GEMR-4	2N4312	GE-66	2N4944	GE-20	2N5135	GE-64		
2N3782	GE-83	2N3966	GE-FET-1	2N4160	GEMR-4	2N4338	GE-FET-1	2N4945	GE-81	2N5136	GE-210		
2N3783	GE-51	2N3967	GE-FET-1	2N4161	GEMR-4	2N4339	GE-FET-1	2N4946	GE-20	2N5137	GE-210		
2N3784	GE-51	2N3968	GE-FET-1	2N4162	GEMR-4	2N4340	GE-FET-1	2N4950	GE-20	2N5138	GE-65		
2N3785	GE-51	2N3969	GE-FET-1	2N4163	GEMR-4	2N4341	GE-FET-1	2N4951	GE-210	2N5138A	GE-89		
2N3788	GE-36	2N3973	GE-210	2N4164	GEMR-4	2N4346	GE-25	2N4952	GE-210	2N5139	GE-21		
2N3793	GE-210	2N3974	GE-210	2N4167	GEMR-4	2N4347	GE-73	2N4953	GE-210	2N5139A	GE-89		
2N3794	GE-210	2N3975	GE-210	2N4168	GEMR-4	2N4349	GE-215	2N4954	GE-210	2N5140	GE-89		
2N3798	GE-67	2N3976	GE-210	2N4169	GEMR-4	2N4350	GE-28	2N4964	GE-65	2N5141	GE-22		
2N3799	GE-21	2N3977	GE-22	2N4170	GEMR-4	2N4354	GE-82	2N4965	GE-65	2N5142	GE-22		
2N3818	GE-66	2N3978	GE-22	2N4171	GEMR-4	2N4355	GE-82	2N4966	GE-61	2N5142A	GE-89		
2N3819	GE-FET-1	2N3979	GE-82	2N4172	GEMR-4	2N4356	GE-82	2N4967	GE-212	2N5143	GE-22		
2N3822	GE-FET-1	2N3981	GE-63	2N4175	GEMR-4	2N4359	GE-65	2N4968	GE-60	2N5143A	GE-89		
2N3823	GE-FET-1	2N3982	GE-63	2N4176	GEMR-4	2N4383	GE-47	2N4969	GE-210	2N5144	GE-20		
2N3825	GE-210	2N3983	GE-86	2N4177	GEMR-4	2N4384	GE-47	2N4970	GE-210	2N5155	GE-25		
2N3826	GE-210	2N3984	GE-86	2N4178	GEMR-4	2N4385	GE-47	2N4971	GE-21	2N5156	GE-25		
2N3827	GE-210	2N3985	GE-86	2N4179	GEMR-4	2N4386	GE-47	2N4971A	GE-89	2N5160	GE-29		
2N3828	GE-20	2N4000	GE-32	2N4180	GEMR-4	2N4387	GE-69	2N4972	GE-48	2N5161	GE-69		
2N3829	GE-21	2N4001	GE-32	2N4183	GEMR-4	2N4388	GE-69	2N4972A	GE-89	2N5163	GE-FET-1		
2N3831	GE-215	2N4006	GE-22	2N4184	GEMR-4	2N4390	GE-27	2N4976	GE-28	2N5163A	GEFET-2		
2N3832	GE-86	2N4007	GE-22	2N4185	GEMR-4	2N4395	GE-19	2N4980	GE-82	2N5168	GEMR-3		
2N3839	GE-86	2N4008	GE-82	2N4186	GEMR-4	2N4396	GE-19	2N4981	GE-82	2N5169	GEMR-3		
2N3840	GE-82	2N4012	GE-28	2N4187	GEMR-4	2N4397	GE-60	2N4982	GE-82	2N5170	GEMR-3		
2N3843	GE-212	2N4013	GE-20	2N4188	GEMR-4	2N4400	GE-20	2N4982A	GE-89	2N5172	GE-212		
2N3843A	GE-212	2N4014	GE-20	2N4191	GEMR-4	2N4401	GE-20	2N4994	GE-210	2N5174	GE-32		
2N3844	GE-212	2N4026	GE-67	2N4192	GEMR-4	2N4402	GE-21	2N4995	GE-210	2N5175	GE-27		
2N3844A	GE-212	2N4028	GE-67	2N4193	GEMR-4	2N4403	GE-21	2N4996	GE-61	2N5176	GE-32		
2N3845	GE-212	2N4030	GE-67	2N4194	GEMR-4	2N4409	GE-81	2N4997	GE-61	2N5179	GE-86		
2N3845A	GE-212	2N4032	GE-67	2N4195	GEMR-4	2N4410	GE-18	2N5010	GE-32	2N5180	GE-60		
2N3846	GE-17	2N4034	GE-21	2N4196	GEMR-4	2N4412	GE-48	2N5022	GE-67	2N5181	GE-39		
2N3852	GE-28	2N4035	GE-21	2N4209	GE-21	2N4412A	GE-67	2N5023	GE-67	2N5182	GE-39		
2N3853	GE-28	2N4036	GE-29	2N4220	GE-FET-1	2N4413	GE-48	2N5024	GE-86	2N5183	GE-47		
2N3854	GE-212	2N4037	GE-67	2N4221	GE-FET-1	2N4413A	GE-67	2N5027	GE-210	2N5184	GE-27		
2N3854A	GE-212	2N4040	GE-28	2N4222	GE-FET-1	2N4414	GE-48	2N5028	GE-210	2N5185	GE-27		
2N3855	GE-212	2N4041	GE-28	2N4223	GE-FET-2	2N4414A	GE-67	2N5030	GE-20	2N5186	GE-20		
2N3855A	GE-212	2N4046	GE-27	2N4224	GE-FET-1	2N4415	GE-48	2N5031	GE-11	2N5187	GE-20		
2N3856	GE-212	2N4054	GE-27	2N4225	GE-28	2N4415A	GE-67	2N5032	GE-11	2N5188	GE-18		
2N3856A	GE-212	2N4055	GE-27	2N4226	GE-28	2N4416	GE-FET-2	2N5034	GE-14	2N5189	GE-28		
2N3857	GE-82	2N4056	GE-27	2N4227	GE-210	2N4417	GE-FET-2	2N5036	GE-14	2N5190	GE-57		
2N3858	GE-212	2N4057	GE-27	2N4228	GE-21	2N4418	GE-20	2N5040	GE-48	2N5191	GE-57		
2N3858A	GE-81	2N4058	GE-85	2N4231	GE-66	2N4419	GE-20	2N5041	GE-48	2N5192	GE-55		
2N3859	GE-212	2N4059	GE-85	2N4232	GE-66	2N4420	GE-20	2N5042	GE-48	2N5193	GE-58		
2N3859A	GE-81	2N4060	GE-65	2N4234	GE-29	2N4421	GE-20	2N5045	GEFET-1	2N5194	GE-58		
2N3860	GE-212	2N4061	GE-65	2N4237	GE-47	2N4422	GE-20	2N5046	GEFET-1	2N5195	GE-56		
2N3862	GE-20	2N4062	GE-65	2N4238	GE-32	2N4423	GE-21	2N5047	GEFET-1	2N5200	GE-47		
2N3863	GE-77	2N4064	GE-32	2N4239	GE-32	2N4424	GE-20	2N5053	GE-86	2N5201	GE-210		
2N3864	GE-75	2N4066	GE-18	2N4241	GE-16	2N4425	GE-47	2N5054	GE-20	2N5202	GE-12		
2N3866	GE-28	2N4069	GE-32	2N4242	GE-76	2N4427	GE-18	2N5055	GE-89	2N5208	GE-21		
2N3867	GE-29	2N4072	GE-17	2N4243	GE-76	2N4428	GE-28	2N5058	GE-32	2N5209	GE-212		
2N3869	GE-28	2N4073	GE-215	2N4244	GE-76	2N4429	GE-28	2N5059	GE-32	2N5210	GE-212		

UNIVERSAL REPLACEMENT SEMICONDUCTORS

2N5211 - 2SA15E

JEDEC Or Part Nr	GE Replacement	JEDEC Or Part Nr	GE Replacement	JEDEC Or Part Nr	GE Replacement	JEDEC Or Part Nr	GE Replacement	JEDEC Or Part Nr	GE Replacement	JEDEC Or Part Nr	GE Replacement	JEDEC Or Part Nr	GE Replacement
2N5211	GE-18	2N5370	GE-210	2N5644	GE-28	2N5954	GE-56	2S39	GE-52	2S327	GE-65		
2N5219	GE-210	2N5371	GE-210	2N5645	GE-28	2N5955	GE-56	2S40	GE-2	2S327A	GE-89		
2N5220	GE-212	2N5372	GE-82	2N5646	GE-66	2N5956	GE-56	2S41	GE-16	2S363	GE-20		
2N5221	GE-82	2N5372A	GE-89	2N5648	GEFET-1	2N5961	GE-81	2S41A	GE-16	2S471-1	GE-50		
2N5222	GE-11	2N5373	GE-82	2N5649	GEFET-1	2N5998	GE-210	2S42	GE-3	2S494-YE	GE-89		
2N5223	GE-212	2N5373A	GE-89	2N5650	GE-211	2N5999	GE-82	2S43	GE-52	2S501	GE-61		
2N5224	GE-10	2N5374	GE-48	2N5651	GE-211	2N6000	GE-210	2S44	GE-52	2S502	GE-61		
2N5225	GE-210	2N5374A	GE-89	2N5652	GE-86	2N6001	GE-48	2S45	GE-2	2S503	GE-212		
2N5226	GE-82	2N5375	GE-82	2N5655	GE-32	2N6004	GE-210	2S46	GE-52	2S512	GE-210		
2N5226A	GE-89	2N5375A	GE-89	2N5656	GE-32	2N6005	GE-48	2S47	GE-52	2S644(S)	GE-18		
2N5227	GE-212	2N5378	GE-48	2N5660	GE-32	2N6008	GE-210	2S49	GE-2	2S701	GE-60		
2N5227A	GE-89	2N5378A	GE-89	2N5661	GE-32	2N6009	GE-48	2S51	GE-2	2S702	GE-60		
2N5228	GE-65	2N5379	GE-48	2N5662	GE-32	2N6011	GE-48	2S52	GE-2	2S703	GE-60		
2N5229	GE-22	2N5379A	GE-89	2N5663	GE-32	2N6014	GE-63	2S53	GE-2	2S711	GE-81		
2N5230	GE-82	2N5380	GE-210	2N5668	GE-FET-1	2N6015	GE-67	2S54	GE-52	2S712	GE-81		
2N5231	GE-82	2N5381	GE-20	2N5669	GEFET-2	2N6023	GE-69	2S56	GE-52	2S731	GE-210		
2N5232	GE-212	2N5382	GE-21	2N5670	GEFET-2	2N6024	GE-69	2S57	GE-51	2S732	GE-210		
2N5232A	GE-212	2N5382A	GE-89	2N5681	GE-32	2N6025	GE-69	2S58	GE-50	2S733	GE-210		
2N5233	GE-81	2N5383	GE-48	2N5682	GE-32	2N6026	GE-69	2S60	GE-2	2S741	GE-11		
2N5234	GE-18	2N5383A	GE-89	2N5687	GE-28	2N6027	GE-X17	2S91	GE-2	2S741A	GE-61		
2N5235	GE-18	2N5391	GE-FET-1	2N5688	GE-28	2N6029	GE-74	2S92	GE-50	2S742	GE-63		
2N5239	GE-73	2N5392	GE-FET-1	2N5689	GE-66	2N6067	GE-82	2S92A	GE-50	2S742A	GE-81		
2N5240	GE-73	2N5393	GE-FET-1	2N5690	GE-66	2N6076	GE-65	2S93	GE-50	2S743	GE-18		
2N5241	GE-73	2N5394	GE-FET-1	2N5697	GE-28	2N6112	GE-62	2S93A	GE-50	2S743A	GE-27		
2N5242	GE-48	2N5395	GE-FET-1	2N5698	GE-28	2N6175	GE-32	2S95A	GE-20	2S744	GE-11		
2N5243	GE-48	2N5396	GE-FET-1	2N5699	GE-28	2N6176	GE-28	2S96	GE-52	2S744A	GE-61		
2N5245	GE-FET-2	2N5397	GE-FET-2	2N5700	GE-66	2N6177	GE-32	2S97	GE-51	2S745	GE-63		
2N5245A	GEFET-2	2N5398	GE-FET-2	2N5701	GE-66	2N6222	GE-81	2S98	GE-52	2S745A	GE-81		
2N5246	GE-FET-2	2N5399	GE-86	2N5702	GE-18	2N6223	GE-82	2S001	GE-39	2S746	GE-18		
2N5246A	GEFET-2	2N5417	GE-20	2N5703	GE-28	2N6224	GE-81	2S002	GE-39	2S746A	GE-27		
2N5247	GE-FET-2	2N5418	GE-210	2N5704	GE-66	2N6225	GE-82	2S003	GE-39	2S1182D	GE-20		
2N5247A	GEFET-2	2N5419	GE-210	2N5705	GE-66	2N6226	GE-74	2S004	GE-39	2S11760	GE-2		
2N5248	GE-FET-2	2N5420	GE-86	2N5710	GE-28	2N6229	GE-74	2S005	GE-60	2S3010	GE-82		
2N5248A	GEFET-2	2N5421	GE-28	2N5712	GE-66	2N6253	GE-77	2S006	GE-17	2S3020	GE-82		
2N5249	GE-212	2N5422	GE-28	2N5713	GE-66	2N6254	GE-75	2S012	GE-66	2S3020A	GE-89		
2N5249A	GE-212	2N5423	GE-28	2N5716	GEFET-1	2N6257	GE-75	2S014	GE-60	2S3021	GE-22		
2N5252	GE-32	2N5424	GE-66	2N5717	GEFET-1	2N6258	GE-14	2S017	GE-215	2S3021A	GE-89		
2N5253	GE-32	2N5447	GE-67	2N5718	GEFET-1	2N6260	GE-66	2S018	GE-32	2S3030	GE-22		
2N5258	GE-FET-2	2N5447A	GE-89	2N5735	GE-210	2N6261	GE-66	2S019	GE-215	2S3030A	GE-89		
2N5262	GE-66	2N5448	GE-67	2N5736	GE-210	2N6263	GE-12	2S020	GE-32	2S3040	GE-65		
2N5267	GEFET-1	2N5448A	GE-89	2N5750	GE-75	2N6288	GE-28	2S033	GE-75	2S3040A	GE-89		
2N5268	GEFET-1	2N5449	GE-20	2N5763	GE-21	2N6289	GE-28	2S034	GE-75	2S3210	GE-82		
2N5269	GEFET-1	2N5450	GE-20	2N5764	GE-28	2N6290	GE-28	2S095A	GE-20	2S3210A	GE-89		
2N5270	GEFET-1	2N5451	GE-20	2N5765	GE-66	2N6291	GE-28	2S101	GE-81	2S3220	GE-82		
2N5277	GE-FET-1	2N5452	GEFET-1	2N5766	GE-28	2N6292	GE-28	2S102	GE-210	2S3220A	GE-89		
2N5278A	GEFET-2	2N5453	GEFET-1	2N5767	GE-28	2N6293	GE-28	2S103	GE-210	2S3221	GE-22		
2N5279	GE-32	2N5454	GEFET-1	2N5768	GE-66	2N6305	GE-86	2S104	GE-210	2S3221A	GE-89		
2N5293	GE-66	2N5456	GE-20	2N5792	GE-29	2N6326	GE-75	2S109	GE-50	2S3230	GE-22		
2N5294	GE-66	2N5457	GE-FET-1	2N5783	GE-29	2N6327	GE-75	2S110	GE-50	2S3230A	GE-89		
2N5295	GE-66	2N5458	GE-FET-1	2N5784	GE-18	2N6328	GE-75	2S111	GE-54	2S3240	GE-22		
2N5296	GE-28	2N5459	GE-FET-1	2N5785	GE-216	2N6329	GE-74	2S112	GE-50	2S3240A	GE-89		
2N5297	GE-66	2N5481	GE-28	2N5786	GE-46	2N6330	GE-74	2S131	GE-210	2S3370	GE-52		
2N5298	GE-66	2N5482	GE-28	2N5810	GE-20	2N6331	GE-74	2S134	GE-80	2S6856	GE-27		
2N5301	GE-75	2N5483	GE-66	2N5811	GE-48	2N6389	GE-212	2S141	GE-50	2SA12	GE-50		
2N5302	GE-75	2N5484	GE-FET-2	2N5812	GE-47	2N15A	GE-2	2S142	GE-51	2SA12A	GE-1		
2N5303	GE-75	2N5485	GE-FET-2	2N5813	GE-48	2N15D	GE-2	2S143	GE-50	2SA12B	GE-50		
2N5305	GE-64	2N5486	GE-FET-2	2N5814	GE-20	2N16	GE-51	2S144	GE-51	2SA12C	GE-1		
2N5306	GE-64	2N5489	GE-28	2N5815	GE-48	2N18A	GE-2	2S145	GE-50	2SA12D	GE-50		
2N5306A	GE-64	2N5490	GE-66	2N5816	GE-20	2N19A	GE-52	2S146	GE-51	2SA12H	GE-50		
2N5307	GE-64	2N5491	GE-66	2N5817	GE-48	2N19D	GE-52	2S148	GE-51	2SA12V	GE-51		
2N5308	GE-64	2N5492	GE-28	2N5818	GE-47	2N150	GE-51	2S155	GE-2	2SA13	GE-50		
2N5309	GE-62	2N5493	GE-66	2N5819	GE-48	2N151	GE-52	2S159	GE-2	2SA13A	GE-51		
2N5310	GE-62	2N5494	GE-66	2N5820	GE-63	2N152	GE-52	2S160	GE-2	2SA13B	GE-51		
2N5311	GE-212	2N5495	GE-66	2N5821	GE-67	2N153	GE-52	2S163	GE-52	2SA13C	GE-51		
2N5320HS	GE-18	2N5496	GE-28	2N5822	GE-63	2N159D	GE-52	2S167	GE-53	2SA13D	GE-51		
2N5321	GE-28	2N5497	GE-28	2N5823	GE-67	2N148	GE-63	2S174	GE-53	2SA13G	GE-51		
2N5322	GE-28	2N5525	GE-64	2N5824	GE-62	2N32	GE-53	2S175	GE-50	2SA13L	GE-51		
2N5324	GE-25	2N5541	GE-32	2N5825	GE-62	2N5121	GE-53	2S176	GE-2	2SA13M	GE-51		
2N5325	GE-25	2N5543	GEFET-1	2N5826	GE-62	2N19	GE-80	2S178	GE-2	2SA13OR	GE-51		
2N5334	GE-66	2N5544	GEFET-1	2N5827	GE-82	2N19/9	GE-80	2S179	GE-52	2SA130R	GE-51		
2N5354	GE-22	2N5555	GE-FET-2	2N5827A	GE-62	2N19/WHT	GE-80	2S189	GE-53	2SA13X	GE-51		
2N5354A	GE-89	2N5556	GEFET-1	2N5828	GE-62	2N19/YEL	GE-80	2S201	GE-51	2SA13Y	GE-51		
2N5355	GE-48	2N5557	GEFET-1	2N5828A	GE-82	2P8187	GE-53	2S277C	GE-54	2SA14	GE-52		
2N5355A	GE-89	2N5558	GEFET-1	2N5830	GE-20	2S12	GE-2	2S301	GE-82	2SA14A	GE-51		
2N5356	GE-89	2N5561	GEFET-1	2N5830A	GE-61	2S13	GE-2	2S302	GE-82	2SA14B	GE-51		
2N5356A	GE-89	2N5562	GEFET-1	2N5836	GE-73	2S14	GE-52	2S302A	GE-22	2SA14C	GE-51		
2N5358	GE-FET-1	2N5563	GEFET-1	2N5839	GE-73	2S15	GE-52	2S303	GE-22	2SA14D	GE-51		
2N5359	GE-FET-1	2N5561	GE-20	2N5840	GE-73	2S15A	GE-52	2S304	GE-22	2SA14E	GE-51		
2N5360	GE-FET-1	2N5582	GE-20	2N5845	GE-20	2S22	GE-52	2S306	GE-65	2SA14G	GE-51		
2N5360A	GEFET-2	2N5589	GE-28	2N5845A	GE-20	2S24	GE-52	2S307	GE-65	2SA14L	GE-51		
2N5361	GE-FET-1	2N5590	GE-66	2N5855	GE-67	2S25	GE-2	2S307A	GE-89	2SA14M	GE-51		
2N5362	GE-FET-1	2N5592	GEFET-2	2N5856	GE-63	2S26	GE-16	2S321	GE-82	2SA14OR	GE-51		
2N5363	GE-FET-1	2N5593	GEFET-2	2N5881	GE-18	2S26A	GE-16	2S321A	GE-89	2SA14R	GE-51		
2N5364	GE-FET-1	2N5594	GEFET-2	2N5882	GE-18	2S30	GE-52	2S322	GE-65	2SA14X	GE-51		
2N5365	GE-21	2N5597	GE-89	2N5893	GE-49	2S31	GE-52	2S322A	GE-65	2SA14Y	GE-51		
2N5365A	GE-89	2N5598	GE-66	2N5897	GE-30	2S32	GE-52	2S322AB	GE-89	2SA15	GE-50		
2N5366	GE-48	2N5606	GE-66	2N5913	GE-45	2S33	GE-52	2S323	GE-65	2SA15-6	GE-51		
2N5366A	GE-89	2N5614	GE-66	2N5949	GEFET-2	2S34	GE-2	2S323A	GE-89	2SA15A	GE-51		
2N5367	GE-89	2N5629	GE-75	2N5950	GEFET-2	2S35	GE-50	2S324	GE-65	2SA15B	GE-51		
2N5367A	GE-89	2N5632	GE-75	2N5951	GEFET-2	2S36	GE-50	2S324A	GE-89	2SA15C	GE-51		
2N5368	GE-210	2N5637	GE-66	2N5952	GEFET-2	2S37	GE-52	2S326	GE-65	2SA15D	GE-51		
2N5369	GE-210	2N5642	GE-66	2N5953	GEFET-2	2S38	GE-2	2S326A	GE-89	2SA15E	GE-51		

UNIVERSAL REPLACEMENT SEMICONDUCTORS

2SA15F - 2SA70-0B

JEDEC Or Part Nr	GE Replacement	JEDEC Or Part Nr	GE Replacement	JEDEC Or Part Nr	GE Replacement	JEDEC Or Part Nr	GE Replacement	JEDEC Or Part Nr	GE Replacement	JEDEC Or Part Nr	GE Replacement	JEDEC Or Part Nr	GE Replacement
2SA15F	GE-51	2SA21X	GE-53	2SA35D	GE-51	2SA41Y	GE-51	2SA54	GE-52	2SA61A	GE-51	2SA61A	GE-51
2SA15G	GE-51	2SA21Y	GE-53	2SA35E	GE-51	2SA42	GE-51	2SA54A	GE-51	2SA61C	GE-51	2SA61C	GE-51
2SA15H	GE-50	2SA22	GE-51	2SA35F	GE-51	2SA43	GE-51	2SA54B	GE-51	2SA61D	GE-51	2SA61D	GE-51
2SA15L	GE-51	2SA23	GE-51	2SA35G	GE-51	2SA44	GE-51	2SA54C	GE-2	2SA61E	GE-51	2SA61E	GE-51
2SA15M	GE-51	2SA24	GE-50	2SA35L	GE-51	2SA44A	GE-51	2SA54D	GE-51	2SA61G	GE-51	2SA61G	GE-51
2SA15OR	GE-51	2SA25	GE-50	2SA35M	GE-51	2SA44B	GE-51	2SA54E	GE-51	2SA61K	GE-51	2SA61K	GE-51
2SA15R	GE-51	2SA26	GE-52	2SA35	GE-51	2SA44C	GE-51	2SA54F	GE-51	2SA61L	GE-51	2SA61L	GE-51
2SA15V	GE-52	2SA26A	GE-51	2SA35X	GE-51	2SA44D	GE-51	2SA54G	GE-51	2SA61OR	GE-51	2SA61OR	GE-51
2SA15X	GE-51	2SA26B	GE-51	2SA35Y	GE-51	2SA44E	GE-51	2SA54L	GE-51	2SA61R	GE-51	2SA61R	GE-51
2SA15Y	GE-2	2SA26C	GE-51	2SA36	GE-50	2SA44F	GE-50	2SA54M	GE-51	2SA61X	GE-51	2SA61X	GE-51
2SA16	GE-50	2SA28D	GE-51	2SA38A	GE-51	2SA44G	GE-51	2SA54OR	GE-51	2SA61Y	GE-51	2SA61Y	GE-51
2SA16A	GE-51	2SA26E	GE-51	2SA38B	GE-51	2SA44L	GE-51	2SA54R	GE-51	2SA64	GE-51	2SA64	GE-51
2SA16B	GE-51	2SA26F	GE-51	2SA38C	GE-51	2SA44M	GE-51	2SA54X	GE-51	2SA64A	GE-51	2SA64A	GE-53
2SA16C	GE-51	2SA26G	GE-51	2SA38D	GE-51	2SA44	GE-51	2SA54Y	GE-51	2SA64B	GE-51	2SA64B	GE-53
2SA16D	GE-51	2SA26L	GE-51	2SA38E	GE-51	2SA44R	GE-51	2SA55	GE-2	2SA64C	GE-51	2SA64C	GE-53
2SA16E	GE-51	2SA26M	GE-51	2SA38F	GE-51	2SA44X	GE-51	2SA55A	GE-51	2SA64D	GE-53	2SA64D	GE-53
2SA16F	GE-51	2SA26OR	GE-51	2SA38G	GE-51	2SA44Y	GE-51	2SA55B	GE-51	2SA64E	GE-53	2SA64E	GE-53
2SA16L	GE-51	2SA26R	GE-51	2SA38L	GE-51	2SA45	GE-51	2SA55C	GE-51	2SA64F	GE-53	2SA64F	GE-53
2SA16M	GE-51	2SA26X	GE-51	2SA38M	GE-51	2SA45-1	GE-51	2SA55D	GE-51	2SA64G	GE-53	2SA64G	GE-53
2SA16OR	GE-51	2SA26Y	GE-51	2SA38OR	GE-51	2SA45-2	GE-51	2SA55E	GE-51	2SA64GN	GE-53	2SA64GN	GE-53
2SA16R	GE-51	2SA27	GE-51	2SA36R	GE-51	2SA45-3	GE-51	2SA55F	GE-51	2SA64H	GE-53	2SA64H	GE-53
2SA16X	GE-51	2SA28	GE-51	2SA36X	GE-51	2SA48	GE-51	2SA55G	GE-51	2SA64J	GE-53	2SA64J	GE-53
2SA16Y	GE-51	2SA28A	GE-51	2SA36Y	GE-51	2SA49	GE-51	2SA55L	GE-51	2SA64K	GE-53	2SA64K	GE-53
2SA17	GE-50	2SA28B	GE-51	2SA37	GE-51	2SA49A	GE-51	2SA55M	GE-51	2SA64L	GE-53	2SA64L	GE-53
2SA17A	GE-51	2SA28C	GE-51	2SA37A	GE-51	2SA49B	GE-51	2SA55OR	GE-51	2SA64M	GE-53	2SA64M	GE-53
2SA17B	GE-51	2SA28D	GE-51	2SA37B	GE-51	2SA49C	GE-51	2SA55R	GE-51	2SA64OR	GE-53	2SA64OR	GE-53
2SA17C	GE-51	2SA28E	GE-51	2SA37C	GE-51	2SA49D	GE-51	2SA55X	GE-51	2SA64R	GE-53	2SA64R	GE-53
2SA17D	GE-51	2SA28F	GE-51	2SA37D	GE-51	2SA49E	GE-51	2SA55Y	GE-51	2SA64S	GE-53	2SA64S	GE-53
2SA17E	GE-51	2SA28G	GE-51	2SA37E	GE-51	2SA49F	GE-51	2SA56	GE-52	2SA64Y	GE-53	2SA64Y	GE-53
2SA17F	GE-51	2SA28L	GE-51	2SA37F	GE-51	2SA49G	GE-51	2SA56A	GE-22	2SA65	GE-2	2SA65	GE-2
2SA17G	GE-51	2SA28M	GE-51	2SA37G	GE-51	2SA49L	GE-51	2SA57	GE-51	2SA65A	GE-51	2SA65A	GE-51
2SA17H	GE-50	2SA28OR	GE-51	2SA37L	GE-51	2SA49M	GE-51	2SA57A	GE-51	2SA65B	GE-51	2SA65B	GE-51
2SA17L	GE-51	2SA28X	GE-51	2SA37M	GE-51	2SA49OR	GE-51	2SA57B	GE-51	2SA65C	GE-51	2SA65C	GE-51
2SA17OR	GE-51	2SA28Y	GE-51	2SA37OR	GE-51	2SA49R	GE-51	2SA57C	GE-51	2SA65D	GE-51	2SA65D	GE-51
2SA17R	GE-51	2SA29	GE-51	2SA37R	GE-51	2SA49X	GE-51	2SA57D	GE-51	2SA65E	GE-51	2SA65E	GE-51
2SA17X	GE-51	2SA29A	GE-53	2SA37X	GE-51	2SA49Y	GE-51	2SA57E	GE-51	2SA65F	GE-51	2SA65F	GE-51
2SA17Y	GE-51	2SA29B	GE-53	2SA37Y	GE-51	2SA50	GE-53	2SA57F	GE-53	2SA65G	GE-51	2SA65G	GE-51
2SA18	GE-50	2SA29C	GE-53	2SA38	GE-51	2SA50A	GE-51	2SA57G	GE-51	2SA65K	GE-51	2SA65K	GE-51
2SA18A	GE-51	2SA29D	GE-53	2SA38A	GE-51	2SA50B	GE-51	2SA57L	GE-51	2SA65L	GE-51	2SA65L	GE-51
2SA18B	GE-51	2SA29E	GE-53	2SA38B	GE-51	2SA50C	GE-51	2SA57M	GE-51	2SA65M	GE-51	2SA65M	GE-51
2SA18C	GE-51	2SA29F	GE-53	2SA38C	GE-51	2SA50D	GE-51	2SA57OR	GE-51	2SA65OR	GE-51	2SA65OR	GE-51
2SA18D	GE-51	2SA29G	GE-53	2SA38D	GE-51	2SA50E	GE-51	2SA57R	GE-51	2SA65R	GE-51	2SA65R	GE-51
2SA18E	GE-51	2SA29H	GE-53	2SA38E	GE-51	2SA50F	GE-51	2SA57X	GE-51	2SA65X	GE-51	2SA65X	GE-51
2SA18F	GE-51	2SA29I	GE-53	2SA38F	GE-51	2SA50G	GE-51	2SA57Y	GE-51	2SA65Y	GE-51	2SA65Y	GE-51
2SA18G	GE-51	2SA29J	GE-53	2SA38G	GE-51	2SA50L	GE-51	2SA58	GE-51	2SA66	GE-2	2SA66	GE-2
2SA18H	GE-50	2SA29R	GE-53	2SA38L	GE-51	2SA50M	GE-51	2SA58A	GE-51	2SA66A	GE-51	2SA66A	GE-51
2SA18L	GE-51	2SA29X	GE-53	2SA38M	GE-51	2SA50	GE-51	2SA58B	GE-51	2SA66B	GE-51	2SA66B	GE-51
2SA18M	GE-51	2SA29Y	GE-53	2SA38OR	GE-51	2SA50R	GE-51	2SA58C	GE-51	2SA66C	GE-51	2SA66C	GE-51
2SA18OR	GE-51	2SA30	GE-50	2SA38R	GE-51	2SA50X	GE-51	2SA58D	GE-51	2SA66D	GE-51	2SA66D	GE-51
2SA18R	GE-51	2SA30A	GE-51	2SA38X	GE-51	2SA50Y	GE-51	2SA58E	GE-51	2SA66E	GE-51	2SA66E	GE-51
2SA18X	GE-51	2SA30B	GE-51	2SA38Y	GE-51	2SA51	GE-51	2SA58F	GE-51	2SA66F	GE-51	2SA66F	GE-51
2SA18Y	GE-51	2SA30C	GE-51	2SA39	GE-51	2SA51A	GE-51	2SA58G	GE-51	2SA66G	GE-51	2SA66G	GE-51
2SA19	GE-51	2SA30D	GE-51	2SA39A	GE-51	2SA51B	GE-51	2SA58H	GE-51	2SA66K	GE-51	2SA66K	GE-51
2SA19A	GE-53	2SA30E	GE-51	2SA39B	GE-51	2SA51C	GE-51	2SA58J	GE-51	2SA66L	GE-51	2SA66L	GE-51
2SA19B	GE-53	2SA30F	GE-51	2SA39C	GE-51	2SA51D	GE-51	2SA58K	GE-51	2SA66M	GE-51	2SA66M	GE-51
2SA19C	GE-53	2SA30G	GE-51	2SA39D	GE-51	2SA51E	GE-51	2SA58L	GE-51	2SA66OR	GE-51	2SA66OR	GE-51
2SA19D	GE-53	2SA30L	GE-51	2SA39E	GE-51	2SA51F	GE-51	2SA58M	GE-51	2SA66R	GE-51	2SA66R	GE-51
2SA19E	GE-53	2SA30M	GE-51	2SA39F	GE-51	2SA51G	GE-51	2SA58OR	GE-51	2SA66X	GE-51	2SA66X	GE-51
2SA19F	GE-53	2SA30N	GE-51	2SA39G	GE-51	2SA51H	GE-51	2SA58R	GE-51	2SA66Y	GE-51	2SA66Y	GE-51
2SA19G	GE-53	2SA30X	GE-51	2SA39L	GE-51	2SA51M	GE-51	2SA58X	GE-51	2SA67	GE-2	2SA67	GE-2
2SA19L	GE-53	2SA30Y	GE-51	2SA39M	GE-51	2SA51OR	GE-51	2SA58Y	GE-51	2SA67A	GE-51	2SA67A	GE-51
2SA19M	GE-53	2SA31	GE-50	2SA39OR	GE-51	2SA51R	GE-51	2SA59	GE-51	2SA67B	GE-51	2SA67B	GE-51
2SA19OR	GE-53	2SA31A	GE-51	2SA39R	GE-51	2SA51X	GE-51	2SA59A	GE-51	2SA67C	GE-51	2SA67C	GE-51
2SA19R	GE-53	2SA31B	GE-51	2SA39X	GE-51	2SA51Y	GE-51	2SA59B	GE-51	2SA67D	GE-51	2SA67D	GE-51
2SA19X	GE-53	2SA31C	GE-51	2SA39Y	GE-51	2SA52	GE-51	2SA59C	GE-51	2SA67E	GE-51	2SA67E	GE-51
2SA19Y	GE-53	2SA31D	GE-51	2SA40	GE-51	2SA52A	GE-51	2SA59D	GE-51	2SA67F	GE-51	2SA67F	GE-51
2SA20	GE-51	2SA31E	GE-51	2SA40A	GE-51	2SA52B	GE-51	2SA59E	GE-51	2SA67G	GE-51	2SA67G	GE-51
2SA20A	GE-53	2SA31F	GE-51	2SA40B	GE-51	2SA52C	GE-51	2SA59F	GE-51	2SA67H	GE-51	2SA67H	GE-51
2SA20B	GE-53	2SA31G	GE-51	2SA40C	GE-51	2SA52D	GE-51	2SA59G	GE-51	2SA67K	GE-51	2SA67K	GE-51
2SA20C	GE-53	2SA31L	GE-51	2SA40D	GE-51	2SA52E	GE-51	2SA59L	GE-51	2SA67L	GE-51	2SA67L	GE-51
2SA20D	GE-53	2SA31M	GE-51	2SA40E	GE-51	2SA52F	GE-51	2SA59M	GE-51	2SA67OR	GE-51	2SA67OR	GE-51
2SA20E	GE-53	2SA31OR	GE-51	2SA40F	GE-51	2SA52G	GE-51	2SA59OR	GE-51	2SA67R	GE-51	2SA67R	GE-51
2SA20F	GE-53	2SA31X	GE-51	2SA40G	GE-51	2SA52L	GE-51	2SA59R	GE-51	2SA67X	GE-51	2SA67X	GE-51
2SA20G	GE-53	2SA31Y	GE-51	2SA40L	GE-51	2SA52M	GE-51	2SA59X	GE-51	2SA67Y	GE-51	2SA67Y	GE-51
2SA20L	GE-53	2SA32	GE-53	2SA40M	GE-53	2SA52OR	GE-51	2SA59Y	GE-51	2SA69	GE-50	2SA69	GE-50
2SA20M	GE-53	2SA32A	GE-51	2SA40	GE-51	2SA52R	GE-51	2SA60	GE-51	2SA69A	GE-51	2SA69A	GE-51
2SA20OR	GE-53	2SA32B	GE-51	2SA40R	GE-51	2SA52X	GE-51	2SA60A	GE-51	2SA69B	GE-51	2SA69B	GE-51
2SA20R	GE-53	2SA32C	GE-51	2SA40X	GE-51	2SA52Y	GE-51	2SA60B	GE-51	2SA69C	GE-51	2SA69C	GE-51
2SA20X	GE-53	2SA32D	GE-51	2SA40Y	GE-51	2SA53	GE-51	2SA60C	GE-51	2SA69D	GE-51	2SA69D	GE-51
2SA20Y	GE-53	2SA32E	GE-51	2SA41	GE-51	2SA53A	GE-51	2SA60D	GE-51	2SA69E	GE-51	2SA69E	GE-51
2SA21	GE-51	2SA32F	GE-51	2SA41A	GE-51	2SA53B	GE-51	2SA60E	GE-51	2SA69F	GE-51	2SA69F	GE-51
2SA21A	GE-53	2SA32G	GE-51	2SA41B	GE-51	2SA53C	GE-51	2SA60F	GE-51	2SA69G	GE-51	2SA69G	GE-51
2SA21B	GE-53	2SA32H	GE-51	2SA41C	GE-51	2SA53D	GE-51	2SA60G	GE-51	2SA69H	GE-51	2SA69H	GE-51
2SA21C	GE-53	2SA32I	GE-51	2SA41D	GE-51	2SA53E	GE-51	2SA60H	GE-51	2SA69K	GE-51	2SA69K	GE-51
2SA21D	GE-53	2SA32M	GE-51	2SA41E	GE-51	2SA53F	GE-51	2SA60K	GE-51	2SA69L	GE-51	2SA69L	GE-51
2SA21E	GE-53	2SA32N	GE-51	2SA41F	GE-51	2SA53G	GE-51	2SA60L	GE-51	2SA69M	GE-51	2SA69M	GE-51
2SA21F	GE-53	2SA32Y	GE-51	2SA41G	GE-51	2SA53L	GE-51	2SA60M	GE-51	2SA69OR	GE-51	2SA69OR	GE-51
2SA21G	GE-53	2SA33	GE-1	2SA41H	GE-51	2SA53M	GE-51	2SA60OR	GE-51	2SA69R	GE-51	2SA69R	GE-51

UNIVERSAL REPLACEMENT SEMICONDUCTORS

2SA70-08 - 2SA116G

JEDEC Or Part Nr	GE Replacement	JEDEC Or Part Nr	GE Replacement	JEDEC Or Part Nr	GE Replacement	JEDEC Or Part Nr	GE Replacement	JEDEC Or Part Nr	GE Replacement	JEDEC Or Part Nr	GE Replacement	JEDEC Or Part Nr	GE Replacement
2SA70-08	GE-50	2SA76	GE-50	2SA84OR	GE-50	2SA101	GE-51	2SA104Y	GE-50	2SA110X	GE-50		
2SA70A	GE-51	2SA76A	GE-51	2SA84R	GE-50	2SA101A	GE-50	2SA105	GE-51	2SA110Y	GE-50		
2SA70B	GE-51	2SA76B	GE-51	2SA84X	GE-50	2SA101AA	GE-50	2SA105A	GE-53	2SA111	GE-50		
2SA70C	GE-51	2SA76C	GE-51	2SA84Y	GE-50	2SA101AY	GE-1	2SA105B	GE-53	2SA111A	GE-50		
2SA70D	GE-51	2SA76D	GE-51	2SA85	GE-50	2SA101B	GE-50	2SA105C	GE-53	2SA111B	GE-50		
2SA70E	GE-51	2SA76E	GE-51	2SA85L	GE-53	2SA101BA	GE-50	2SA105D	GE-53	2SA111C	GE-50		
2SA70F	GE-50	2SA76F	GE-51	2SA86	GE-51	2SA101BB	GE-50	2SA105E	GE-53	2SA111D	GE-50		
2SA70G	GE-51	2SA76G	GE-51	2SA87	GE-52	2SA101BC	GE-50	2SA105G	GE-53	2SA111E	GE-50		
2SA70H	GE-51	2SA76H	GE-51	2SA87A	GE-51	2SA101BX	GE-51	2SA105H	GE-53	2SA111F	GE-50		
2SA70K	GE-51	2SA76K	GE-51	2SA87B	GE-51	2SA101C	GE-51	2SA105K	GE-53	2SA111G	GE-50		
2SA70L	GE-51	2SA76L	GE-51	2SA87C	GE-51	2SA101C	GE-51	2SA105L	GE-53	2SA111K	GE-50		
2SA70MA	GE-50	2SA76OR	GE-51	2SA87D	GE-51	2SA101CA	GE-50	2SA105M	GE-53	2SA111L	GE-50		
2SA70OA	GE-51	2SA76R	GE-51	2SA87E	GE-51	2SA101CV	GE-51	2SA105OR	GE-53	2SA111M	GE-50		
2SA70-OB	GE-51	2SA76X	GE-51	2SA87F	GE-51	2SA101CX	GE-51	2SA105R	GE-53	2SA111OR	GE-50		
2SA70OR	GE-51	2SA76Y	GE-51	2SA87G	GE-51	2SA101D	GE-50	2SA105X	GE-53	2SA111R	GE-50		
2SA70R	GE-51	2SA77	GE-51	2SA87H	GE-51	2SA101E	GE-50	2SA105Y	GE-53	2SA111X	GE-50		
2SA70X	GE-51	2SA77A	GE-51	2SA87K	GE-51	2SA101F	GE-50	2SA106	GE-51	2SA111Y	GE-50		
2SA70Y	GE-50	2SA77B	GE-50	2SA87L	GE-51	2SA101G	GE-50	2SA106A	GE-53	2SA112	GE-50		
2SA71	GE-50	2SA77C	GE-50	2SA87M	GE-51	2SA101H	GE-50	2SA106B	GE-50	2SA112A	GE-50		
2SA71A	GE-50	2SA77D	GE-50	2SA87OR	GE-51	2SA101K	GE-50	2SA106C	GE-50	2SA112B	GE-50		
2SA71AB	GE-50	2SA77E	GE-51	2SA87R	GE-51	2SA101L	GE-50	2SA106D	GE-50	2SA112C	GE-50		
2SA71AC	GE-50	2SA77F	GE-51	2SA87X	GE-51	2SA101M	GE-50	2SA106E	GE-50	2SA112D	GE-50		
2SA71B	GE-50	2SA77G	GE-51	2SA87Y	GE-51	2SA101OR	GE-50	2SA106F	GE-50	2SA112E	GE-50		
2SA71BS	GE-50	2SA77H	GE-51	2SA88	GE-52	2SA101R	GE-50	2SA106G	GE-50	2SA112F	GE-50		
2SA71C	GE-51	2SA77K	GE-51	2SA89	GE-52	2SA101X	GE-51	2SA106H	GE-50	2SA112G	GE-50		
2SA71D	GE-51	2SA77L	GE-51	2SA90	GE-52	2SA101X	GE-51	2SA106K	GE-50	2SA112GN	GE-50		
2SA71E	GE-51	2SA77M	GE-51	2SA92	GE-51	2SA101XB	GE-51	2SA106L	GE-51	2SA112H	GE-50		
2SA71F	GE-51	2SA77OR	GE-51	2SA92A	GE-50	2SA101Y	GE-51	2SA106M	GE-50	2SA112K	GE-50		
2SA71G	GE-51	2SA77R	GE-51	2SA92B	GE-50	2SA101YA	GE-53	2SA106OR	GE-50	2SA112L	GE-50		
2SA71H	GE-51	2SA77X	GE-51	2SA92C	GE-50	2SA101Z	GE-51	2SA106R	GE-50	2SA112M	GE-50		
2SA71K	GE-51	2SA77Y	GE-51	2SA92D	GE-50	2SA102(BA)	GE-51	2SA106X	GE-50	2SA112OR	GE-50		
2SA71L	GE-51	2SA78	GE-50	2SA92E	GE-50	2SA102	GE-51	2SA106Y	GE-50	2SA112R	GE-50		
2SA71M	GE-51	2SA79	GE-2	2SA92F	GE-50	2SA102A	GE-51	2SA107	GE-51	2SA112X	GE-50		
2SA71OR	GE-51	2SA80	GE-50	2SA92G	GE-50	2SA102AA	GE-51	2SA107A	GE-50	2SA112Y	GE-50		
2SA71R	GE-51	2SA80A	GE-53	2SA92H	GE-50	2SA102AA	GE-53	2SA107B	GE-50	2SA113	GE-51		
2SA71X	GE-51	2SA80B	GE-53	2SA92K	GE-50	2SA102AB	GE-50	2SA107C	GE-50	2SA113A	GE-50		
2SA71Y	GE-50	2SA80D	GE-53	2SA92L	GE-50	2SA102B	GE-51	2SA107D	GE-50	2SA113B	GE-50		
2SA71YA	GE-51	2SA80E	GE-53	2SA92M	GE-50	2SA102BA	GE-50	2SA107E	GE-50	2SA113C	GE-50		
2SA72	GE-51	2SA80F	GE-53	2SA92OR	GE-50	2SA102BA-2	GE-51	2SA107F	GE-50	2SA113D	GE-50		
2SA72BLU	GE-51	2SA80G	GE-53	2SA92R	GE-50	2SA102BN	GE-53	2SA107G	GE-50	2SA113E	GE-50		
2SA72BLU-BLU	GE-51	2SA80H	GE-53	2SA92X	GE-50	2SA102C	GE-51	2SA107H	GE-50	2SA113F	GE-50		
2SA72BRN	GE-51	2SA80K	GE-53	2SA92Y	GE-50	2SA102CA	GE-50	2SA107K	GE-50	2SA113G	GE-50		
2SA72ORN	GE-51	2SA80L	GE-53	2SA93	GE-51	2SA102CA-1	GE-51	2SA107L	GE-50	2SA113GN	GE-50		
2SA72WHT	GE-51	2SA80M	GE-53	2SA93A	GE-50	2SA102D	GE-51	2SA107M	GE-50	2SA113H	GE-50		
2SA73	GE-51	2SA80OR	GE-53	2SA93B	GE-50	2SA102E	GE-51	2SA107OR	GE-50	2SA113J	GE-50		
2SA73A	GE-50	2SA80R	GE-53	2SA93C	GE-50	2SA102F	GE-51	2SA107R	GE-50	2SA113L	GE-50		
2SA73B	GE-50	2SA80X	GE-53	2SA93E	GE-50	2SA102G	GE-51	2SA107X	GE-50	2SA113M	GE-50		
2SA73C	GE-50	2SA80Y	GE-53	2SA93F	GE-50	2SA102H	GE-1	2SA107Y	GE-50	2SA113R	GE-50		
2SA73D	GE-50	2SA81	GE-50	2SA93G	GE-50	2SA102K	GE-51	2SA108	GE-50	2SA113X	GE-50		
2SA73E	GE-50	2SA82	GE-50	2SA93H	GE-50	2SA102L	GE-51	2SA108A	GE-50	2SA113Y	GE-50		
2SA73F	GE-50	2SA82A	GE-53	2SA93K	GE-50	2SA102M	GE-51	2SA108B	GE-50	2SA114	GE-51		
2SA73G	GE-50	2SA82B	GE-53	2SA93L	GE-50	2SA102OR	GE-51	2SA108C	GE-50	2SA114A	GE-50		
2SA73H	GE-50	2SA82C	GE-53	2SA93M	GE-50	2SA102TV-2	GE-53	2SA108D	GE-50	2SA114B	GE-50		
2SA73K	GE-50	2SA82D	GE-53	2SA93OR	GE-50	2SA102X	GE-51	2SA108E	GE-50	2SA114C	GE-50		
2SA73L	GE-50	2SA82E	GE-53	2SA93R	GE-50	2SA102Y	GE-51	2SA108F	GE-50	2SA114D	GE-50		
2SA73M	GE-50	2SA82F	GE-53	2SA93X	GE-50	2SA103	GE-51	2SA108G	GE-50	2SA114E	GE-50		
2SA73OR	GE-50	2SA82G	GE-53	2SA93Y	GE-50	2SA103A	GE-50	2SA108H	GE-50	2SA114F	GE-50		
2SA73R	GE-50	2SA82H	GE-53	2SA94	GE-51	2SA103B	GE-50	2SA108K	GE-50	2SA114G	GE-50		
2SA73X	GE-50	2SA82K	GE-53	2SA94A	GE-53	2SA103C	GE-50	2SA108L	GE-50	2SA114H	GE-50		
2SA73Y	GE-50	2SA82M	GE-53	2SA94C	GE-53	2SA103	GE-51	2SA108M	GE-50	2SA114K	GE-50		
2SA74	GE-2	2SA82OR	GE-53	2SA94D	GE-53	2SA103CA	GE-50	2SA108OR	GE-50	2SA114L	GE-50		
2SA74A	GE-51	2SA82R	GE-53	2SA94E	GE-53	2SA103CAK	GE-50	2SA108R	GE-50	2SA114M	GE-50		
2SA74B	GE-51	2SA82X	GE-53	2SA94F	GE-53	2SA103CG	GE-51	2SA108X	GE-50	2SA114OR	GE-50		
2SA74C	GE-51	2SA82Y	GE-53	2SA94G	GE-53	2SA103D	GE-51	2SA108Y	GE-50	2SA114R	GE-50		
2SA74D	GE-51	2SA83	GE-50	2SA94H	GE-53	2SA103DA	GE-50	2SA109	GE-50	2SA114X	GE-50		
2SA74E	GE-51	2SA83A	GE-50	2SA94K	GE-53	2SA103E	GE-51	2SA109A	GE-50	2SA114Y	GE-50		
2SA74F	GE-51	2SA83B	GE-50	2SA94L	GE-53	2SA103F	GE-51	2SA109B	GE-50	2SA115	GE-51		
2SA74G	GE-51	2SA83C	GE-53	2SA94M	GE-53	2SA103G	GE-51	2SA109C	GE-50	2SA115A	GE-50		
2SA74H	GE-51	2SA83D	GE-50	2SA94OR	GE-53	2SA103GA	GE-51	2SA109D	GE-50	2SA115B	GE-50		
2SA74K	GE-51	2SA83E	GE-50	2SA94R	GE-53	2SA103K	GE-51	2SA109E	GE-50	2SA115C	GE-50		
2SA74L	GE-51	2SA83F	GE-50	2SA94X	GE-53	2SA103L	GE-51	2SA109F	GE-50	2SA115D	GE-50		
2SA74M	GE-51	2SA83G	GE-50	2SA94Y	GE-53	2SA103M	GE-51	2SA109G	GE-50	2SA115E	GE-50		
2SA74OR	GE-51	2SA83H	GE-50	2SA007H	GE-53	2SA103OR	GE-51	2SA109K	GE-50	2SA115F	GE-50		
2SA74R	GE-51	2SA83K	GE-50	2SA076F	GE-51	2SA103R	GE-51	2SA109L	GE-50	2SA115G	GE-50		
2SA74X	GE-51	2SA83L	GE-50	2SA081C	GE-53	2SA103X	GE-50	2SA109M	GE-50	2SA115GN	GE-50		
2SA74Y	GE-51	2SA83M	GE-50	2SA098R	GE-51	2SA103Y	GE-51	2SA109OR	GE-50	2SA115H	GE-50		
2SA75	GE-2	2SA83OR	GE-50	2SA100	GE-51	2SA104	GE-1	2SA109R	GE-50	2SA115J	GE-50		
2SA75A	GE-51	2SA83R	GE-50	2SA100A	GE-53	2SA104A	GE-50	2SA109X	GE-50	2SA115K	GE-50		
2SA75B	GE-51	2SA83X	GE-50	2SA100B	GE-52	2SA104B	GE-50	2SA109Y	GE-50	2SA115L	GE-50		
2SA75C	GE-51	2SA83Y	GE-50	2SA100C	GE-51	2SA104C	GE-50	2SA110	GE-50	2SA115M	GE-50		
2SA75D	GE-51	2SA84	GE-50	2SA100D	GE-51	2SA104D	GE-51	2SA110A	GE-50	2SA115OR	GE-50		
2SA75E	GE-51	2SA84A	GE-50	2SA100E	GE-51	2SA104E	GE-51	2SA110B	GE-50	2SA115R	GE-50		
2SA75F	GE-51	2SA84B	GE-50	2SA100F	GE-51	2SA104F	GE-50	2SA110C	GE-50	2SA115X	GE-50		
2SA75G	GE-51	2SA84C	GE-50	2SA100G	GE-51	2SA104G	GE-50	2SA110D	GE-50	2SA115Y	GE-50		
2SA75H	GE-51	2SA84D	GE-50	2SA100H	GE-51	2SA104H	GE-50	2SA110E	GE-50	2SA116	GE-1		
2SA75K	GE-51	2SA84E	GE-50	2SA100J	GE-51	2SA104K	GE-50	2SA110F	GE-50	2SA116A	GE-51		
2SA75L	GE-51	2SA84F	GE-50	2SA100K	GE-51	2SA104L	GE-50	2SA110G	GE-50	2SA116B	GE-51		
2SA75M	GE-51	2SA84G	GE-50	2SA100M	GE-51	2SA104M	GE-50	2SA110K	GE-50	2SA116C	GE-51		
2SA75OR	GE-51	2SA84H	GE-50	2SA100OR	GE-51	2SA104OR	GE-50	2SA110L	GE-50	2SA116D	GE-51		
2SA75R	GE-51	2SA84K	GE-50	2SA100R	GE-51	2SA104P	GE-50	2SA110M	GE-50	2SA116E	GE-51		
2SA75X	GE-51	2SA84L	GE-50	2SA100X	GE-51	2SA104R	GE-50	2SA110OR	GE-50	2SA116F	GE-51		
2SA75Y	GE-51	2SA84M	GE-50	2SA100Y	GE-51	2SA104X	GE-50	2SA110R	GE-50	2SA116G	GE-51		

UNIVERSAL REPLACEMENT SEMICONDUCTORS

2SA116GN - 2SA153J

JEDEC Or Part Nr	GE Replacement	JEDEC Or Part Nr	GE Replacement	JEDEC Or Part Nr	GE Replacement	JEDEC Or Part Nr	GE Replacement	JEDEC Or Part Nr	GE Replacement	JEDEC Or Part Nr	GE Replacement	JEDEC Or Part Nr	GE Replacement
2SA116GN	GE-51	2SA123K	GE-51	2SA130J	GE-51	2SA135X	GE-51	2SA143A	GE-51	2SA148H	GE-51	2SA148H	GE-51
2SA116H	GE-51	2SA123L	GE-51	2SA130K	GE-51	2SA135Y	GE-51	2SA143B	GE-51	2SA148J	GE-51	2SA148J	GE-51
2SA116J	GE-51	2SA123M	GE-51	2SA130L	GE-51	2SA136	GE-50	2SA143C	GE-51	2SA148K	GE-51	2SA148K	GE-51
2SA116K	GE-51	2SA123OR	GE-51	2SA130M	GE-51	2SA136A	GE-51	2SA143D	GE-51	2SA148L	GE-51	2SA148L	GE-51
2SA116L	GE-51	2SA123R	GE-51	2SA130	GE-50	2SA136B	GE-51	2SA143E	GE-51	2SA148M	GE-51	2SA148M	GE-51
2SA116M	GE-51	2SA123X	GE-51	2SA130R	GE-51	2SA136C	GE-51	2SA143F	GE-51	2SA148OR	GE-51	2SA148OR	GE-51
2SA116OR	GE-51	2SA123Y	GE-51	2SA130X	GE-51	2SA136D	GE-51	2SA143G	GE-51	2SA148R	GE-51	2SA148R	GE-51
2SA116R	GE-51	2SA124	GE-51	2SA130Y	GE-51	2SA136E	GE-51	2SA143GN	GE-51	2SA148S	GE-51	2SA148S	GE-51
2SA118X	GE-51	2SA124A	GE-51	2SA130Z	GE-52	2SA136F	GE-51	2SA143H	GE-51	2SA148T	GE-51	2SA148T	GE-51
2SA118Y	GE-51	2SA124B	GE-51	2SA131A	GE-51	2SA136G	GE-51	2SA143J	GE-51	2SA149	GE-50	2SA149	GE-50
2SA117	GE-1	2SA124C	GE-51	2SA131B	GE-51	2SA136GN	GE-51	2SA143K	GE-51	2SA149A	GE-51	2SA149A	GE-51
2SA117A	GE-51	2SA124D	GE-51	2SA131C	GE-51	2SA136H	GE-51	2SA143L	GE-51	2SA149B	GE-51	2SA149B	GE-51
2SA117B	GE-51	2SA124E	GE-51	2SA131D	GE-51	2SA136I	GE-51	2SA143M	GE-51	2SA149C	GE-51	2SA149C	GE-51
2SA117C	GE-51	2SA124F	GE-51	2SA131E	GE-51	2SA136K	GE-51	2SA143OR	GE-51	2SA149D	GE-51	2SA149D	GE-51
2SA117D	GE-51	2SA124G	GE-51	2SA131F	GE-51	2SA136L	GE-51	2SA143R	GE-51	2SA149E	GE-51	2SA149E	GE-51
2SA117E	GE-51	2SA124GN	GE-51	2SA131G	GE-51	2SA136M	GE-51	2SA143X	GE-51	2SA149F	GE-51	2SA149F	GE-51
2SA117F	GE-51	2SA124H	GE-51	2SA131GN	GE-51	2SA136OR	GE-51	2SA143Y	GE-51	2SA149G	GE-51	2SA149G	GE-51
2SA117G	GE-51	2SA124J	GE-51	2SA131H	GE-51	2SA136R	GE-51	2SA144	GE-50	2SA149GN	GE-51	2SA149GN	GE-51
2SA117GN	GE-51	2SA124K	GE-51	2SA131J	GE-51	2SA136X	GE-51	2SA144A	GE-51	2SA149H	GE-51	2SA149H	GE-51
2SA117H	GE-51	2SA124L	GE-51	2SA131K	GE-51	2SA136Y	GE-51	2SA144B	GE-51	2SA149J	GE-51	2SA149J	GE-51
2SA117J	GE-51	2SA124M	GE-51	2SA131L	GE-51	2SA137	GE-50	2SA144C	GE-2	2SA149K	GE-51	2SA149K	GE-51
2SA117K	GE-51	2SA124OR	GE-51	2SA131M	GE-51	2SA137A	GE-51	2SA144D	GE-51	2SA149L	GE-51	2SA149L	GE-51
2SA117L	GE-51	2SA124R	GE-51	2SA131OR	GE-51	2SA137B	GE-51	2SA144E	GE-51	2SA149M	GE-51	2SA149M	GE-51
2SA117M	GE-51	2SA124X	GE-51	2SA131R	GE-51	2SA137C	GE-51	2SA144F	GE-51	2SA149OR	GE-51	2SA149OR	GE-51
2SA117OR	GE-51	2SA124Y	GE-51	2SA131X	GE-51	2SA137D	GE-51	2SA144G	GE-51	2SA149R	GE-51	2SA149R	GE-51
2SA117R	GE-51	2SA125	GE-50	2SA131Y	GE-51	2SA137E	GE-51	2SA144GN	GE-51	2SA149X	GE-51	2SA149X	GE-51
2SA117X	GE-51	2SA125A	GE-51	2SA132	GE-52	2SA137F	GE-51	2SA144H	GE-51	2SA149Y	GE-51	2SA149Y	GE-51
2SA117Y	GE-51	2SA125B	GE-51	2SA132A	GE-51	2SA137G	GE-51	2SA144I	GE-51	2SA150	GE-50	2SA150	GE-50
2SA118	GE-1	2SA125C	GE-51	2SA132B	GE-51	2SA137H	GE-51	2SA144J	GE-51	2SA150A	GE-53	2SA150A	GE-53
2SA118A	GE-51	2SA125D	GE-51	2SA132C	GE-51	2SA137I	GE-51	2SA144K	GE-51	2SA150B	GE-53	2SA150B	GE-53
2SA118B	GE-51	2SA125E	GE-51	2SA132D	GE-51	2SA137J	GE-51	2SA144M	GE-51	2SA150C	GE-53	2SA150C	GE-53
2SA118C	GE-51	2SA125F	GE-51	2SA132E	GE-51	2SA137K	GE-51	2SA144OR	GE-51	2SA150D	GE-53	2SA150D	GE-53
2SA118D	GE-51	2SA125G	GE-51	2SA132F	GE-51	2SA137L	GE-51	2SA144R	GE-51	2SA150E	GE-53	2SA150E	GE-53
2SA118E	GE-51	2SA125GN	GE-51	2SA132G	GE-51	2SA137M	GE-51	2SA144X	GE-51	2SA150F	GE-53	2SA150F	GE-53
2SA118F	GE-51	2SA125H	GE-51	2SA132H	GE-51	2SA137OR	GE-51	2SA144Y	GE-51	2SA150G	GE-53	2SA150G	GE-53
2SA118G	GE-51	2SA125J	GE-51	2SA132J	GE-51	2SA137R	GE-51	2SA145	GE-50	2SA150GN	GE-53	2SA150GN	GE-53
2SA118GN	GE-51	2SA125K	GE-51	2SA132K	GE-51	2SA137X	GE-51	2SA145A	GE-51	2SA150H	GE-53	2SA150H	GE-53
2SA118H	GE-51	2SA125L	GE-51	2SA132L	GE-51	2SA137Y	GE-51	2SA145B	GE-51	2SA150J	GE-53	2SA150J	GE-53
2SA118J	GE-51	2SA125M	GE-51	2SA132M	GE-51	2SA138	GE-51	2SA145C	GE-2	2SA150K	GE-53	2SA150K	GE-53
2SA118K	GE-51	2SA125OR	GE-51	2SA132OR	GE-51	2SA139	GE-51	2SA145D	GE-51	2SA150L	GE-53	2SA150L	GE-53
2SA118L	GE-51	2SA125R	GE-51	2SA132X	GE-51	2SA139A	GE-51	2SA145E	GE-51	2SA150M	GE-53	2SA150M	GE-53
2SA118M	GE-51	2SA125X	GE-51	2SA132Y	GE-51	2SA139B	GE-51	2SA145G	GE-51	2SA150OR	GE-53	2SA150OR	GE-53
2SA118OR	GE-51	2SA125Y	GE-51	2SA133	GE-51	2SA139C	GE-51	2SA145GN	GE-51	2SA150R	GE-53	2SA150R	GE-53
2SA118R	GE-51	2SA126	GE-52	2SA133A	GE-51	2SA139D	GE-51	2SA145K	GE-51	2SA150X	GE-53	2SA150X	GE-53
2SA118X	GE-51	2SA127	GE-51	2SA133B	GE-51	2SA139E	GE-51	2SA145M	GE-51	2SA150Y	GE-53	2SA150Y	GE-53
2SA118Y	GE-51	2SA128	GE-51	2SA133C	GE-51	2SA139F	GE-51	2SA145OR	GE-51	2SA151	GE-52	2SA151	GE-52
2SA121	GE-51	2SA128A	GE-53	2SA133D	GE-51	2SA139G	GE-51	2SA145R	GE-51	2SA151A	GE-51	2SA151A	GE-51
2SA121A	GE-51	2SA128B	GE-53	2SA133E	GE-51	2SA139GN	GE-51	2SA145X	GE-51	2SA151B	GE-51	2SA151B	GE-51
2SA121B	GE-51	2SA128C	GE-53	2SA133F	GE-51	2SA139J	GE-51	2SA145Y	GE-51	2SA151C	GE-51	2SA151C	GE-51
2SA121C	GE-51	2SA128D	GE-53	2SA133G	GE-51	2SA139K	GE-51	2SA146	GE-50	2SA151D	GE-51	2SA151D	GE-51
2SA121D	GE-51	2SA128E	GE-53	2SA133GN	GE-51	2SA139L	GE-51	2SA146A	GE-51	2SA151E	GE-51	2SA151E	GE-51
2SA121E	GE-51	2SA128F	GE-53	2SA133H	GE-51	2SA139M	GE-51	2SA146B	GE-51	2SA151F	GE-51	2SA151F	GE-51
2SA121F	GE-51	2SA128G	GE-53	2SA133J	GE-51	2SA139OR	GE-51	2SA146C	GE-51	2SA151G	GE-51	2SA151G	GE-51
2SA121G	GE-51	2SA128GN	GE-53	2SA133K	GE-51	2SA139R	GE-51	2SA146D	GE-51	2SA151H	GE-51	2SA151H	GE-51
2SA121GN	GE-51	2SA128H	GE-53	2SA133L	GE-51	2SA139X	GE-51	2SA146E	GE-51	2SA151I	GE-51	2SA151I	GE-51
2SA121H	GE-51	2SA128J	GE-53	2SA133M	GE-51	2SA139Y	GE-51	2SA146F	GE-51	2SA151J	GE-51	2SA151J	GE-51
2SA121J	GE-51	2SA128K	GE-53	2SA133OR	GE-51	2SA141	GE-52	2SA146G	GE-51	2SA151K	GE-51	2SA151K	GE-51
2SA121K	GE-51	2SA128L	GE-53	2SA133R	GE-51	2SA141A	GE-51	2SA146GN	GE-51	2SA151L	GE-51	2SA151L	GE-51
2SA121L	GE-51	2SA128M	GE-53	2SA133X	GE-51	2SA141B	GE-50	2SA146H	GE-51	2SA151M	GE-51	2SA151M	GE-51
2SA121M	GE-51	2SA128OR	GE-53	2SA133Y	GE-51	2SA141C	GE-50	2SA146I	GE-51	2SA151OR	GE-51	2SA151OR	GE-51
2SA121OR	GE-51	2SA128R	GE-53	2SA134	GE-52	2SA141D	GE-51	2SA146K	GE-51	2SA151R	GE-51	2SA151R	GE-51
2SA121R	GE-51	2SA128X	GE-53	2SA134A	GE-51	2SA141E	GE-51	2SA146L	GE-51	2SA151X	GE-51	2SA151X	GE-51
2SA121X	GE-51	2SA128Y	GE-53	2SA134B	GE-51	2SA141F	GE-51	2SA146M	GE-51	2SA151Y	GE-51	2SA151Y	GE-51
2SA121Y	GE-51	2SA129	GE-51	2SA134C	GE-51	2SA141G	GE-51	2SA146OR	GE-51	2SA152	GE-52	2SA152	GE-52
2SA122	GE-51	2SA129A	GE-53	2SA134D	GE-51	2SA141GN	GE-51	2SA146X	GE-51	2SA152A	GE-51	2SA152A	GE-51
2SA122A	GE-51	2SA129B	GE-53	2SA134E	GE-51	2SA141H	GE-51	2SA146Y	GE-51	2SA152B	GE-51	2SA152B	GE-51
2SA122B	GE-51	2SA129C	GE-53	2SA134F	GE-51	2SA141I	GE-51	2SA147	GE-50	2SA152C	GE-51	2SA152C	GE-51
2SA122C	GE-51	2SA129D	GE-53	2SA134G	GE-51	2SA141L	GE-51	2SA147A	GE-51	2SA152D	GE-51	2SA152D	GE-51
2SA122D	GE-51	2SA129E	GE-53	2SA134H	GE-51	2SA141M	GE-51	2SA147B	GE-51	2SA152E	GE-51	2SA152E	GE-51
2SA122E	GE-51	2SA129F	GE-53	2SA134J	GE-51	2SA141OR	GE-51	2SA147C	GE-51	2SA152F	GE-51	2SA152F	GE-51
2SA122F	GE-51	2SA129G	GE-53	2SA134K	GE-51	2SA141R	GE-51	2SA147D	GE-51	2SA152G	GE-51	2SA152G	GE-51
2SA122G	GE-51	2SA129GN	GE-53	2SA134L	GE-51	2SA141X	GE-51	2SA147E	GE-51	2SA152GN	GE-51	2SA152GN	GE-51
2SA122GN	GE-51	2SA129H	GE-53	2SA134OR	GE-51	2SA141Y	GE-51	2SA147F	GE-51	2SA152H	GE-51	2SA152H	GE-51
2SA122H	GE-51	2SA129J	GE-53	2SA134R	GE-51	2SA142	GE-52	2SA147G	GE-51	2SA152J	GE-51	2SA152J	GE-51
2SA122K	GE-51	2SA129K	GE-51	2SA134X	GE-51	2SA142A	GE-51	2SA147H	GE-51	2SA152K	GE-51	2SA152K	GE-51
2SA122L	GE-51	2SA129L	GE-53	2SA134Y	GE-51	2SA142B	GE-50	2SA147J	GE-51	2SA152L	GE-51	2SA152L	GE-51
2SA122M	GE-51	2SA129M	GE-53	2SA135	GE-52	2SA142C	GE-50	2SA147K	GE-51	2SA152M	GE-51	2SA152M	GE-51
2SA122OR	GE-51	2SA129N	GE-53	2SA135A	GE-51	2SA142D	GE-53	2SA147L	GE-51	2SA152OR	GE-51	2SA152OR	GE-51
2SA122R	GE-51	2SA129OR	GE-53	2SA135B	GE-51	2SA142E	GE-53	2SA147M	GE-51	2SA152R	GE-51	2SA152R	GE-51
2SA122X	GE-51	2SA129R	GE-53	2SA135C	GE-51	2SA142F	GE-53	2SA147OR	GE-51	2SA152X	GE-51	2SA152X	GE-51
2SA122Y	GE-51	2SA129X	GE-53	2SA135D	GE-51	2SA142G	GE-53	2SA147R	GE-51	2SA152Y	GE-51	2SA152Y	GE-51
2SA123	GE-51	2SA129Y	GE-53	2SA135E	GE-51	2SA142GN	GE-53	2SA147X	GE-51	2SA153	GE-51	2SA153	GE-51
2SA123A	GE-51	2SA130	GE-52	2SA135F	GE-51	2SA142H	GE-53	2SA147Y	GE-51	2SA153A	GE-51	2SA153A	GE-51
2SA123B	GE-51	2SA130A	GE-51	2SA135G	GE-51	2SA142J	GE-						

UNIVERSAL REPLACEMENT SEMICONDUCTORS

2SA153K - 2SA198L

JEDEC Or Part Nr	GE Replacement	JEDEC Or Part Nr	GE Replacement	JEDEC Or Part Nr	GE Replacement	JEDEC Or Part Nr	GE Replacement	JEDEC Or Part Nr	GE Replacement	JEDEC Or Part Nr	GE Replacement	JEDEC Or Part Nr	GE Replacement
2SA153K	GE-51	2SA159M	GE-51	2SA164R	GE-51	2SA169Y	GE-51	2SA175A	GE-51	2SA183B	GE-51		
2SA153L	GE-51	2SA159OR	GE-51	2SA164X	GE-51	2SA170C	GE-51	2SA175B	GE-51	2SA183C	GE-51		
2SA153M	GE-51	2SA159R	GE-51	2SA164Y	GE-51	2SA170A	GE-51	2SA175C	GE-51	2SA183D	GE-51		
2SA153OR	GE-51	2SA159X	GE-51	2SA165	GE-50	2SA170B	GE-51	2SA175D	GE-51	2SA183E	GE-51		
2SA153R	GE-51	2SA159Y	GE-51	2SA165A	GE-51	2SA170C	GE-51	2SA175E	GE-51	2SA183F	GE-51		
2SA153X	GE-51	2SA160	GE-51	2SA165B	GE-51	2SA170D	GE-51	2SA175F	GE-51	2SA183G	GE-51		
2SA153Y	GE-51	2SA160A	GE-51	2SA165C	GE-51	2SA170E	GE-51	2SA175G	GE-51	2SA183GN	GE-51		
2SA154	GE-51	2SA160B	GE-51	2SA165D	GE-51	2SA170F	GE-51	2SA175GN	GE-51	2SA183H	GE-51		
2SA154A	GE-51	2SA160C	GE-51	2SA165E	GE-51	2SA170G	GE-51	2SA175H	GE-51	2SA183J	GE-51		
2SA154B	GE-51	2SA160D	GE-51	2SA165F	GE-51	2SA170GN	GE-51	2SA175J	GE-51	2SA183K	GE-51		
2SA154C	GE-51	2SA160E	GE-51	2SA165G	GE-51	2SA170H	GE-51	2SA175K	GE-51	2SA183L	GE-51		
2SA154D	GE-51	2SA160F	GE-51	2SA165GN	GE-51	2SA170J	GE-51	2SA175L	GE-51	2SA183M	GE-51		
2SA154E	GE-51	2SA160G	GE-51	2SA165H	GE-51	2SA170K	GE-51	2SA175M	GE-51	2SA183OR	GE-51		
2SA154F	GE-51	2SA160GN	GE-51	2SA165J	GE-51	2SA170L	GE-51	2SA175OR	GE-51	2SA183R	GE-51		
2SA154G	GE-51	2SA160H	GE-51	2SA165K	GE-51	2SA170M	GE-51	2SA175R	GE-51	2SA183X	GE-51		
2SA154GN	GE-51	2SA160J	GE-51	2SA165L	GE-51	2SA170OR	GE-51	2SA175X	GE-51	2SA183Y	GE-51		
2SA154H	GE-51	2SA160K	GE-51	2SA165M	GE-51	2SA170R	GE-51	2SA175Y	GE-51	2SA184	GE-51		
2SA154J	GE-51	2SA160L	GE-51	2SA165OR	GE-51	2SA170X	GE-51	2SA176	GE-52	2SA186	GE-53		
2SA154K	GE-51	2SA160M	GE-51	2SA165R	GE-51	2SA170Y	GE-51	2SA176A	GE-53	2SA186	GE-53		
2SA154L	GE-51	2SA160OR	GE-51	2SA165X	GE-51	2SA171	GE-52	2SA176B	GE-53	2SA186A	GE-51		
2SA154M	GE-51	2SA160R	GE-51	2SA165Y	GE-51	2SA171A	GE-51	2SA176C	GE-53	2SA186B	GE-51		
2SA154OR	GE-51	2SA160X	GE-51	2SA166	GE-51	2SA171B	GE-51	2SA176D	GE-53	2SA186C	GE-51		
2SA154R	GE-51	2SA160Y	GE-51	2SA166A	GE-51	2SA171C	GE-51	2SA176E	GE-53	2SA186D	GE-51		
2SA154X	GE-51	2SA161	GE-51	2SA166B	GE-51	2SA171D	GE-51	2SA176F	GE-53	2SA186E	GE-51		
2SA154Y	GE-51	2SA161A	GE-51	2SA166C	GE-51	2SA171E	GE-51	2SA176G	GE-53	2SA186F	GE-51		
2SA155	GE-51	2SA161B	GE-51	2SA166D	GE-51	2SA171F	GE-51	2SA176GN	GE-53	2SA186G	GE-51		
2SA155A	GE-51	2SA161C	GE-51	2SA166E	GE-51	2SA171G	GE-51	2SA176H	GE-53	2SA186GN	GE-51		
2SA155B	GE-51	2SA161D	GE-51	2SA166F	GE-51	2SA171GN	GE-51	2SA176J	GE-53	2SA186H	GE-51		
2SA155C	GE-51	2SA161E	GE-51	2SA166G	GE-51	2SA171H	GE-51	2SA176K	GE-53	2SA186J	GE-51		
2SA155D	GE-51	2SA161F	GE-51	2SA166GN	GE-51	2SA171J	GE-51	2SA176L	GE-53	2SA186K	GE-51		
2SA155E	GE-51	2SA161G	GE-51	2SA166H	GE-51	2SA171K	GE-51	2SA176M	GE-53	2SA186L	GE-51		
2SA155F	GE-51	2SA161GN	GE-51	2SA166I	GE-51	2SA171L	GE-51	2SA176OR	GE-53	2SA186M	GE-51		
2SA155G	GE-51	2SA161H	GE-51	2SA166K	GE-51	2SA171M	GE-51	2SA176R	GE-53	2SA186OR	GE-51		
2SA155GN	GE-51	2SA161J	GE-51	2SA166L	GE-51	2SA171OR	GE-51	2SA176X	GE-53	2SA186R	GE-51		
2SA155H	GE-51	2SA161K	GE-51	2SA166M	GE-51	2SA171R	GE-51	2SA176Y	GE-53	2SA186X	GE-51		
2SA155J	GE-51	2SA161L	GE-51	2SA166OR	GE-51	2SA171X	GE-51	2SA176	GE-51	2SA186Y	GE-51		
2SA155K	GE-51	2SA161M	GE-51	2SA166R	GE-51	2SA171Y	GE-51	2SA180	GE-52	2SA189	GE-50		
2SA155L	GE-51	2SA161OR	GE-51	2SA166X	GE-51	2SA172	GE-2	2SA180A	GE-51	2SA189A	GE-51		
2SA155M	GE-51	2SA161R	GE-51	2SA166Y	GE-51	2SA172A	GE-2	2SA180B	GE-51	2SA189B	GE-51		
2SA155OR	GE-51	2SA161X	GE-51	2SA167	GE-52	2SA172B	GE-51	2SA180C	GE-51	2SA189C	GE-51		
2SA155R	GE-51	2SA161Y	GE-51	2SA167A	GE-51	2SA172C	GE-51	2SA180D	GE-51	2SA189D	GE-51		
2SA155X	GE-51	2SA162	GE-51	2SA167B	GE-51	2SA172D	GE-51	2SA180E	GE-51	2SA189E	GE-51		
2SA155Y	GE-51	2SA162A	GE-51	2SA167C	GE-51	2SA172E	GE-51	2SA180F	GE-51	2SA189F	GE-51		
2SA156	GE-51	2SA162B	GE-51	2SA167D	GE-51	2SA172F	GE-51	2SA180G	GE-51	2SA189G	GE-51		
2SA156A	GE-51	2SA162C	GE-51	2SA167E	GE-51	2SA172G	GE-51	2SA180GN	GE-51	2SA189GN	GE-51		
2SA156B	GE-51	2SA162D	GE-51	2SA167F	GE-51	2SA172GN	GE-51	2SA180H	GE-51	2SA189H	GE-51		
2SA156C	GE-51	2SA162E	GE-51	2SA167G	GE-51	2SA172H	GE-51	2SA180J	GE-51	2SA189J	GE-51		
2SA156D	GE-51	2SA162F	GE-51	2SA167GN	GE-51	2SA172I	GE-51	2SA180K	GE-51	2SA189K	GE-51		
2SA156E	GE-51	2SA162G	GE-51	2SA167H	GE-51	2SA172J	GE-51	2SA180L	GE-51	2SA189L	GE-51		
2SA156F	GE-51	2SA162GN	GE-51	2SA167J	GE-51	2SA172L	GE-51	2SA180M	GE-51	2SA189M	GE-51		
2SA156G	GE-51	2SA162H	GE-51	2SA167K	GE-51	2SA172M	GE-51	2SA180OR	GE-51	2SA189OR	GE-51		
2SA156GN	GE-51	2SA162J	GE-51	2SA167L	GE-51	2SA172OR	GE-51	2SA180R	GE-51	2SA189R	GE-51		
2SA156H	GE-51	2SA162K	GE-51	2SA167M	GE-51	2SA172R	GE-51	2SA180X	GE-51	2SA189X	GE-51		
2SA156J	GE-51	2SA162L	GE-51	2SA167OR	GE-51	2SA172X	GE-51	2SA180Y	GE-51	2SA189Y	GE-51		
2SA156K	GE-51	2SA162M	GE-51	2SA167R	GE-51	2SA172Y	GE-51	2SA181	GE-52	2SA190	GE-51		
2SA156L	GE-51	2SA162OR	GE-51	2SA167X	GE-51	2SA173	GE-51	2SA181A	GE-51	2SA191	GE-51		
2SA156M	GE-51	2SA162R	GE-51	2SA167Y	GE-51	2SA173A	GE-51	2SA181B	GE-51	2SA192	GE-51		
2SA156OR	GE-51	2SA162X	GE-51	2SA168	GE-52	2SA173B	GE-51	2SA181C	GE-51	2SA193	GE-51		
2SA156R	GE-51	2SA162Y	GE-51	2SA168A	GE-52	2SA173C	GE-51	2SA181D	GE-51	2SA194	GE-51		
2SA156X	GE-51	2SA163	GE-51	2SA168B	GE-51	2SA173D	GE-51	2SA181E	GE-51	2SA195	GE-51		
2SA156Y	GE-51	2SA163A	GE-51	2SA168C	GE-51	2SA173E	GE-51	2SA181F	GE-51	2SA196	GE-51		
2SA157	GE-51	2SA163B	GE-51	2SA168D	GE-51	2SA173F	GE-51	2SA181G	GE-51	2SA197	GE-52		
2SA157A	GE-51	2SA163C	GE-51	2SA168E	GE-51	2SA173G	GE-51	2SA181GN	GE-51	2SA197A	GE-51		
2SA157B	GE-51	2SA163D	GE-51	2SA168F	GE-51	2SA173GN	GE-51	2SA181H	GE-51	2SA197B	GE-51		
2SA157C	GE-51	2SA163E	GE-51	2SA168G	GE-51	2SA173H	GE-51	2SA181J	GE-51	2SA197C	GE-51		
2SA157D	GE-51	2SA163F	GE-51	2SA168GN	GE-51	2SA173J	GE-51	2SA181K	GE-51	2SA197D	GE-51		
2SA157E	GE-51	2SA163G	GE-51	2SA168H	GE-51	2SA173K	GE-51	2SA181L	GE-51	2SA197E	GE-51		
2SA157F	GE-51	2SA163GN	GE-51	2SA168J	GE-51	2SA173L	GE-51	2SA181M	GE-51	2SA197F	GE-51		
2SA157G	GE-51	2SA163H	GE-51	2SA168K	GE-51	2SA173M	GE-51	2SA181OR	GE-51	2SA197G	GE-51		
2SA157GN	GE-51	2SA163J	GE-51	2SA168L	GE-51	2SA173OR	GE-51	2SA181R	GE-51	2SA197GN	GE-51		
2SA157H	GE-51	2SA163K	GE-51	2SA168M	GE-51	2SA173R	GE-51	2SA181X	GE-51	2SA197H	GE-51		
2SA157J	GE-51	2SA163L	GE-51	2SA168OR	GE-51	2SA173X	GE-51	2SA181Y	GE-51	2SA197J	GE-51		
2SA157K	GE-51	2SA163M	GE-51	2SA168R	GE-51	2SA173Y	GE-51	2SA182	GE-1	2SA197K	GE-51		
2SA157L	GE-51	2SA163OR	GE-51	2SA168X	GE-51	2SA174	GE-52	2SA182A	GE-51	2SA197L	GE-51		
2SA157M	GE-51	2SA163R	GE-51	2SA168Y	GE-51	2SA174A	GE-51	2SA182B	GE-51	2SA197M	GE-51		
2SA157OR	GE-51	2SA163X	GE-51	2SA169	GE-52	2SA174B	GE-51	2SA182C	GE-51	2SA197OR	GE-51		
2SA157R	GE-51	2SA163Y	GE-51	2SA169A	GE-51	2SA174C	GE-51	2SA182D	GE-51	2SA197R	GE-51		
2SA157X	GE-51	2SA164	GE-51	2SA169B	GE-51	2SA174D	GE-51	2SA182E	GE-51	2SA197X	GE-51		
2SA157Y	GE-51	2SA164A	GE-51	2SA169C	GE-51	2SA174E	GE-51	2SA182F	GE-51	2SA197Y	GE-51		
2SA159	GE-51	2SA164B	GE-51	2SA169D	GE-51	2SA174F	GE-51	2SA182G	GE-51	2SA198	GE-51		
2SA159A	GE-51	2SA164C	GE-51	2SA169E	GE-51	2SA174G	GE-51	2SA182GN	GE-51	2SA198A	GE-51		
2SA159B	GE-51	2SA164D	GE-51	2SA169F	GE-51	2SA174GN	GE-51	2SA182H	GE-51	2SA198B	GE-51		
2SA159C	GE-51	2SA164E	GE-51	2SA169G	GE-51	2SA174H	GE-51	2SA182J	GE-51	2SA198C	GE-51		
2SA159D	GE-51	2SA164F	GE-51	2SA169GN	GE-51	2SA174J	GE-51	2SA182K	GE-51	2SA198D	GE-51		
2SA159E	GE-51	2SA164G	GE-51	2SA169H	GE-51	2SA174K	GE-51	2SA182L	GE-51	2SA198E	GE-51		
2SA159F	GE-51	2SA164GN	GE-51	2SA169J	GE-51	2SA174L	GE-51	2SA182M	GE-51	2SA198F	GE-51		
2SA159G	GE-51	2SA164H	GE-51	2SA169K	GE-51	2SA174M	GE-51	2SA182OR	GE-51	2SA198G	GE-51		
2SA159GN	GE-51	2SA164J	GE-51	2SA169L	GE-51	2SA174OR	GE-51	2SA182R	GE-51	2SA198GN	GE-51		
2SA159H	GE-51	2SA164K	GE-51	2SA169M	GE-51	2SA174R	GE-51	2SA182X	GE-51	2SA198H	GE-51		
2SA159J	GE-51	2SA164L	GE-51	2SA169OR	GE-51	2SA174X	GE-51	2SA182Y	GE-51	2SA198J	GE-51		
2SA159K	GE-51	2SA164M	GE-51	2SA169R	GE-51	2SA174Y	GE-51	2SA183	GE-52	2SA198K	GE-51		
2SA159L	GE-51	2SA164OR	GE-51	2SA169X	GE-51	2SA175	GE-51	2SA183A	GE-51	2SA198L	GE-51		

UNIVERSAL REPLACEMENT SEMICONDUCTORS

2SA198M - 2SA235M

JEDEC Or Part Nr	GE Replacement	JEDEC Or Part Nr	GE Replacement	JEDEC Or Part Nr	GE Replacement	JEDEC Or Part Nr	GE Replacement	JEDEC Or Part Nr	GE Replacement	JEDEC Or Part Nr	GE Replacement	JEDEC Or Part Nr	GE Replacement
2SA198M	GE-51	2SA208D	GE-51	2SA211F	GE-51	2SA216GN	GE-51	2SA221J	GE-53	2SA227K	GE-51		
2SA198OR	GE-51	2SA208E	GE-51	2SA211G	GE-51	2SA218H	GE-51	2SA221K	GE-53	2SA227L	GE-51		
2SA198R	GE-51	2SA208F	GE-51	2SA211GN	GE-51	2SA216J	GE-51	2SA221L	GE-53	2SA227M	GE-51		
2SA198X	GE-51	2SA208G	GE-51	2SA211H	GE-51	2SA216K	GE-51	2SA221M	GE-53	2SA227OR	GE-51		
2SA198Y	GE-51	2SA208GN	GE-51	2SA211J	GE-51	2SA216L	GE-51	2SA221OR	GE-53	2SA227R	GE-51		
2SA199	GE-51	2SA208H	GE-51	2SA211K	GE-51	2SA216M	GE-51	2SA221R	GE-53	2SA227X	GE-51		
2SA200	GE-53	2SA208J	GE-51	2SA211L	GE-51	2SA216OR	GE-51	2SA221X	GE-53	2SA227Y	GE-51		
2SA201	GE-50	2SA208K	GE-51	2SA211M	GE-51	2SA216R	GE-51	2SA221Y	GE-53	2SA228	GE-51		
2SA201-0	GE-1	2SA208L	GE-51	2SA211OR	GE-51	2SA216X	GE-51	2SA222	GE-50	2SA229	GE-50		
2SA201A	GE-51	2SA208M	GE-51	2SA211R	GE-51	2SA216Y	GE-51	2SA222A	GE-53	2SA229A	GE-51		
2SA201B	GE-51	2SA208OR	GE-51	2SA211X	GE-51	2SA217	GE-51	2SA222B	GE-53	2SA229B	GE-51		
2SA201CL	GE-51	2SA208R	GE-51	2SA211Y	GE-51	2SA217A	GE-51	2SA222C	GE-53	2SA229C	GE-51		
2SA201D	GE-51	2SA208X	GE-51	2SA212	GE-1	2SA217B	GE-51	2SA222D	GE-53	2SA229D	GE-51		
2SA201E	GE-51	2SA208Y	GE-51	2SA212A	GE-51	2SA217C	GE-51	2SA222E	GE-53	2SA229E	GE-51		
2SA201F	GE-51	2SA207	GE-2	2SA212B	GE-51	2SA217D	GE-51	2SA222F	GE-53	2SA229F	GE-51		
2SA201G	GE-51	2SA207A	GE-51	2SA212C	GE-51	2SA217E	GE-51	2SA222G	GE-53	2SA229G	GE-51		
2SA201GN	GE-51	2SA207B	GE-51	2SA212D	GE-51	2SA217F	GE-51	2SA222GN	GE-53	2SA229GN	GE-51		
2SA201H	GE-51	2SA207C	GE-51	2SA212E	GE-51	2SA217G	GE-51	2SA222H	GE-53	2SA229H	GE-51		
2SA201J	GE-51	2SA207D	GE-51	2SA212F	GE-51	2SA217GN	GE-51	2SA222J	GE-53	2SA229J	GE-51		
2SA201K	GE-51	2SA207E	GE-51	2SA212G	GE-51	2SA217H	GE-51	2SA222K	GE-53	2SA229K	GE-51		
2SA201L	GE-51	2SA207F	GE-51	2SA212GN	GE-51	2SA217J	GE-51	2SA222L	GE-53	2SA229L	GE-51		
2SA201M	GE-51	2SA207G	GE-51	2SA212H	GE-51	2SA217K	GE-51	2SA222M	GE-53	2SA229M	GE-51		
2SA201-N	GE-1	2SA207GN	GE-51	2SA212J	GE-51	2SA217L	GE-51	2SA222OR	GE-53	2SA229OR	GE-51		
2SA201O	GE-1	2SA207H	GE-51	2SA212K	GE-51	2SA217M	GE-51	2SA222R	GE-53	2SA229R	GE-51		
2SA201OR	GE-51	2SA207J	GE-51	2SA212L	GE-51	2SA217OR	GE-51	2SA222X	GE-53	2SA229Y	GE-51		
2SA201R	GE-51	2SA207K	GE-51	2SA212M	GE-51	2SA217R	GE-51	2SA222Y	GE-53	2SA230	GE-50		
2SA201TV	GE-50	2SA207L	GE-51	2SA212OR	GE-51	2SA217X	GE-51	2SA223	GE-50	2SA230A	GE-51		
2SA201X	GE-51	2SA207M	GE-51	2SA212R	GE-51	2SA217Y	GE-51	2SA223A	GE-51	2SA230B	GE-51		
2SA201Y	GE-51	2SA207OR	GE-51	2SA212X	GE-51	2SA218	GE-52	2SA223B	GE-51	2SA230C	GE-51		
2SA202	GE-50	2SA207R	GE-51	2SA212Y	GE-51	2SA218A	GE-53	2SA223C	GE-51	2SA230D	GE-51		
2SA202A	GE-51	2SA207X	GE-51	2SA213	GE-51	2SA218B	GE-53	2SA223D	GE-51	2SA230E	GE-51		
2SA202AP	GE-51	2SA207Y	GE-51	2SA213A	GE-51	2SA218C	GE-53	2SA223E	GE-51	2SA230F	GE-51		
2SA202B	GE-51	2SA208	GE-1	2SA213B	GE-51	2SA218D	GE-53	2SA223F	GE-51	2SA230G	GE-51		
2SA202C	GE-51	2SA208A	GE-51	2SA213C	GE-51	2SA218E	GE-53	2SA223G	GE-51	2SA230GN	GE-51		
2SA202D	GE-51	2SA208B	GE-51	2SA213D	GE-51	2SA218F	GE-53	2SA223GN	GE-51	2SA230H	GE-51		
2SA202D-4	GE-53	2SA208C	GE-51	2SA213E	GE-51	2SA218G	GE-53	2SA223H	GE-51	2SA230J	GE-51		
2SA202E	GE-53	2SA208D	GE-51	2SA213F	GE-51	2SA218GN	GE-53	2SA223J	GE-51	2SA230K	GE-51		
2SA202F	GE-53	2SA208E	GE-51	2SA213G	GE-51	2SA218H	GE-53	2SA223K	GE-51	2SA230L	GE-51		
2SA202G	GE-53	2SA208F	GE-51	2SA213GN	GE-51	2SA218J	GE-53	2SA223L	GE-51	2SA230M	GE-51		
2SA202GN	GE-53	2SA208G	GE-51	2SA213H	GE-51	2SA218K	GE-53	2SA223M	GE-51	2SA230	GE-51		
2SA202H	GE-53	2SA208GN	GE-51	2SA213J	GE-51	2SA218L	GE-53	2SA223OR	GE-51	2SA230R	GE-51		
2SA202J	GE-53	2SA208H	GE-51	2SA213K	GE-51	2SA218M	GE-53	2SA223R	GE-51	2SA230X	GE-51		
2SA202K	GE-53	2SA208J	GE-51	2SA213L	GE-51	2SA218OR	GE-53	2SA223X	GE-51	2SA230Y	GE-51		
2SA202L	GE-53	2SA208K	GE-51	2SA213M	GE-51	2SA218R	GE-53	2SA223Y	GE-51	2SA231	GE-50		
2SA202M	GE-53	2SA208L	GE-51	2SA213OR	GE-51	2SA218X	GE-53	2SA224	GE-52	2SA233	GE-50		
2SA202OR	GE-53	2SA208M	GE-51	2SA213R	GE-51	2SA218Y	GE-53	2SA224A	GE-53	2SA233A	GE-50		
2SA202R	GE-53	2SA208OR	GE-51	2SA213X	GE-51	2SA219	GE-50	2SA224B	GE-53	2SA233B	GE-50		
2SA202X	GE-53	2SA208R	GE-51	2SA213Y	GE-51	2SA219A	GE-51	2SA224C	GE-53	2SA233C	GE-50		
2SA202Y	GE-53	2SA208X	GE-51	2SA214	GE-51	2SA219B	GE-51	2SA224D	GE-53	2SA233D	GE-50		
2SA203	GE-50	2SA208Y	GE-51	2SA214A	GE-51	2SA219C	GE-51	2SA224E	GE-53	2SA233E	GE-50		
2SA203AA	GE-1	2SA209	GE-1	2SA214B	GE-51	2SA219D	GE-51	2SA224F	GE-53	2SA233F	GE-50		
2SA203B	GE-51	2SA209A	GE-51	2SA214C	GE-51	2SA219E	GE-51	2SA224G	GE-53	2SA233G	GE-50		
2SA204	GE-2	2SA209B	GE-51	2SA214D	GE-51	2SA219F	GE-51	2SA224GN	GE-53	2SA233GN	GE-50		
2SA204A	GE-51	2SA209C	GE-51	2SA214E	GE-51	2SA219G	GE-51	2SA224H	GE-53	2SA233H	GE-50		
2SA204B	GE-51	2SA209D	GE-51	2SA214F	GE-51	2SA219GN	GE-51	2SA224J	GE-53	2SA233J	GE-50		
2SA204C	GE-51	2SA209E	GE-51	2SA214G	GE-51	2SA219H	GE-51	2SA224K	GE-53	2SA233K	GE-50		
2SA204D	GE-51	2SA209F	GE-51	2SA214GN	GE-51	2SA219J	GE-51	2SA224L	GE-53	2SA233L	GE-50		
2SA204E	GE-51	2SA209G	GE-51	2SA214H	GE-51	2SA219K	GE-51	2SA224M	GE-53	2SA233M	GE-50		
2SA204F	GE-51	2SA209GN	GE-51	2SA214J	GE-51	2SA219L	GE-51	2SA224OR	GE-53	2SA233OR	GE-50		
2SA204G	GE-51	2SA209H	GE-51	2SA214K	GE-51	2SA219M	GE-51	2SA224R	GE-53	2SA233R	GE-50		
2SA204GN	GE-51	2SA209J	GE-51	2SA214L	GE-51	2SA219OR	GE-51	2SA224X	GE-53	2SA233X	GE-50		
2SA204H	GE-51	2SA209K	GE-51	2SA214M	GE-51	2SA219R	GE-51	2SA224Y	GE-53	2SA233Y	GE-50		
2SA204J	GE-51	2SA209L	GE-51	2SA214OR	GE-51	2SA219X	GE-51	2SA225	GE-52	2SA234	GE-50		
2SA204K	GE-51	2SA209M	GE-51	2SA214R	GE-51	2SA219Y	GE-51	2SA225A	GE-51	2SA234A	GE-50		
2SA204L	GE-51	2SA209OR	GE-51	2SA214X	GE-51	2SA220	GE-52	2SA225B	GE-51	2SA234B	GE-50		
2SA204M	GE-51	2SA209R	GE-51	2SA214Y	GE-51	2SA220A	GE-53	2SA225C	GE-53	2SA234C	GE-50		
2SA204OR	GE-51	2SA209X	GE-51	2SA215	GE-51	2SA220B	GE-53	2SA225D	GE-53	2SA234D	GE-51		
2SA204R	GE-51	2SA209Y	GE-51	2SA215A	GE-51	2SA220C	GE-53	2SA225E	GE-53	2SA234E	GE-51		
2SA204X	GE-51	2SA210	GE-1	2SA215B	GE-51	2SA220D	GE-53	2SA225F	GE-53	2SA234F	GE-51		
2SA204Y	GE-51	2SA210A	GE-51	2SA215C	GE-51	2SA220E	GE-53	2SA225G	GE-53	2SA234G	GE-51		
2SA205	GE-2	2SA210B	GE-51	2SA215D	GE-51	2SA220F	GE-53	2SA225GN	GE-53	2SA234GN	GE-51		
2SA205A	GE-51	2SA210C	GE-51	2SA215E	GE-51	2SA220G	GE-53	2SA225H	GE-53	2SA234H	GE-51		
2SA205B	GE-51	2SA210D	GE-51	2SA215F	GE-51	2SA220GN	GE-53	2SA225J	GE-53	2SA234J	GE-51		
2SA205C	GE-51	2SA210E	GE-51	2SA215G	GE-51	2SA220H	GE-53	2SA225K	GE-53	2SA234K	GE-51		
2SA205D	GE-51	2SA210F	GE-51	2SA215GN	GE-51	2SA220J	GE-53	2SA225L	GE-53	2SA234L	GE-51		
2SA205E	GE-51	2SA210G	GE-51	2SA215H	GE-51	2SA220K	GE-53	2SA225M	GE-53	2SA234M	GE-51		
2SA205F	GE-51	2SA210GN	GE-51	2SA215J	GE-51	2SA220L	GE-53	2SA225OR	GE-53	2SA234OR	GE-51		
2SA205G	GE-51	2SA210H	GE-51	2SA215K	GE-51	2SA220M	GE-53	2SA225R	GE-53	2SA234R	GE-51		
2SA205GN	GE-51	2SA210J	GE-51	2SA215L	GE-51	2SA220OR	GE-53	2SA225S	GE-53	2SA234S	GE-51		
2SA205H	GE-51	2SA210K	GE-51	2SA215M	GE-51	2SA220R	GE-53	2SA225Y	GE-53	2SA234Y	GE-51		
2SA205J	GE-51	2SA210L	GE-51	2SA215OR	GE-51	2SA220X	GE-53	2SA226	GE-52	2SA235	GE-50		
2SA205K	GE-51	2SA210M	GE-51	2SA215R	GE-51	2SA220Y	GE-53	2SA227	GE-52	2SA235A	GE-50		
2SA205L	GE-51	2SA210OR	GE-51	2SA215X	GE-51	2SA221	GE-50	2SA227A	GE-50	2SA235B	GE-50		
2SA205M	GE-51	2SA210R	GE-51	2SA215Y	GE-51	2SA221A	GE-53	2SA227B	GE-53	2SA235C	GE-50		
2SA205OR	GE-51	2SA210X	GE-51	2SA216	GE-51	2SA221B	GE-53	2SA227C	GE-53	2SA235D	GE-51		
2SA205R	GE-51	2SA210Y	GE-51	2SA216A	GE-51	2SA221C	GE-53	2SA227D	GE-53	2SA235E	GE-51		
2SA205X	GE-51	2SA211	GE-1	2SA216B	GE-51	2SA221D	GE-53	2SA227E	GE-53	2SA235F	GE-51		
2SA205Y	GE-51	2SA211A	GE-51	2SA216C	GE-51	2SA221E	GE-53	2SA227F	GE-53	2SA235G	GE-51		
2SA206	GE-2	2SA211B	GE-51	2SA216D	GE-51	2SA221F	GE-53	2SA227G	GE-53	2SA235GN	GE-51		
2SA206A	GE-51	2SA211C	GE-51	2SA216E	GE-51	2SA221G	GE-53	2SA227GN	GE-53	2SA235H	GE-50		
2SA206B	GE-51	2SA211D	GE-51	2SA216F	GE-51	2SA221GN	GE-53	2SA227H	GE-53	2SA235K	GE-51		
2SA206C	GE-51	2SA211E	GE-51	2SA216G	GE-51	2SA221H	GE-53	2SA227J	GE-53	2SA235M	GE-51		

UNIVERSAL REPLACEMENT SEMICONDUCTORS

2SA235OR - 2SA272

JEDEC Or Part Nr	GE Replacement	JEDEC Or Part Nr	GE Replacement	JEDEC Or Part Nr	GE Replacement	JEDEC Or Part Nr	GE Replacement	JEDEC Or Part Nr	GE Replacement	JEDEC Or Part Nr	GE Replacement	JEDEC Or Part Nr	GE Replacement
2SA235OR	GE-51	2SA241B	GE-51	2SA251A	GE-51	2SA256F	GE-53	2SA261L	GE-51	2SA266R	GE-53		
2SA235R	GE-51	2SA241C	GE-51	2SA251B	GE-51	2SA256G	GE-53	2SA261M	GE-53	2SA266X	GE-53		
2SA235X	GE-51	2SA241D	GE-51	2SA251C	GE-51	2SA256GN	GE-53	2SA261OR	GE-51	2SA266Y	GE-53		
2SA235Y	GE-51	2SA241E	GE-51	2SA251D	GE-51	2SA256H	GE-53	2SA261R	GE-51	2SA267	GE-50		
2SA236	GE-51	2SA241F	GE-51	2SA251E	GE-51	2SA256J	GE-53	2SA261X	GE-51	2SA267A	GE-51		
2SA236A	GE-50	2SA241G	GE-51	2SA251F	GE-51	2SA256K	GE-53	2SA261Y	GE-51	2SA267B	GE-51		
2SA236B	GE-50	2SA241GN	GE-51	2SA251G	GE-51	2SA256L	GE-53	2SA262	GE-51	2SA267C	GE-51		
2SA236C	GE-50	2SA241H	GE-51	2SA251H	GE-51	2SA256M	GE-53	2SA262A	GE-51	2SA267D	GE-51		
2SA236D	GE-50	2SA241J	GE-51	2SA251J	GE-51	2SA256OR	GE-53	2SA262B	GE-51	2SA267E	GE-51		
2SA236E	GE-50	2SA241K	GE-51	2SA251K	GE-51	2SA256R	GE-53	2SA262C	GE-51	2SA267F	GE-51		
2SA236F	GE-50	2SA241L	GE-51	2SA251L	GE-51	2SA256X	GE-53	2SA262D	GE-51	2SA267G	GE-51		
2SA236G	GE-50	2SA241M	GE-51	2SA251M	GE-51	2SA256Y	GE-53	2SA262E	GE-51	2SA267GN	GE-51		
2SA236GN	GE-50	2SA241OR	GE-51	2SA251OR	GE-51	2SA257	GE-51	2SA262F	GE-51	2SA267H	GE-51		
2SA236H	GE-50	2SA241R	GE-51	2SA251R	GE-51	2SA257A	GE-50	2SA262G	GE-51	2SA267J	GE-51		
2SA236J	GE-50	2SA241X	GE-51	2SA251X	GE-51	2SA257B	GE-50	2SA262GN	GE-51	2SA267K	GE-51		
2SA236K	GE-50	2SA241Y	GE-51	2SA251Y	GE-51	2SA257C	GE-50	2SA262H	GE-51	2SA267L	GE-51		
2SA236L	GE-50	2SA242	GE-51	2SA252	GE-51	2SA257D	GE-50	2SA262J	GE-51	2SA267M	GE-51		
2SA236M	GE-50	2SA243	GE-51	2SA252A	GE-51	2SA257E	GE-50	2SA262K	GE-51	2SA267OR	GE-51		
2SA236OR	GE-50	2SA244	GE-52	2SA252B	GE-51	2SA257F	GE-50	2SA262L	GE-51	2SA267R	GE-51		
2SA236R	GE-50	2SA245	GE-52	2SA252C	GE-51	2SA257G	GE-50	2SA262M	GE-51	2SA267X	GE-51		
2SA236X	GE-50	2SA246	GE-51	2SA252D	GE-51	2SA257GM	GE-50	2SA262OR	GE-51	2SA267Y	GE-51		
2SA236Y	GE-50	2SA246A	GE-51	2SA252E	GE-51	2SA257H	GE-50	2SA262R	GE-51	2SA268	GE-50		
2SA237	GE-51	2SA246B	GE-51	2SA252F	GE-51	2SA257J	GE-50	2SA262X	GE-51	2SA268A	GE-51		
2SA237A	GE-53	2SA246C	GE-51	2SA252G	GE-51	2SA257K	GE-50	2SA262Y	GE-51	2SA268B	GE-51		
2SA237B	GE-53	2SA246D	GE-51	2SA252H	GE-51	2SA257L	GE-50	2SA263	GE-51	2SA268C	GE-51		
2SA237C	GE-53	2SA246E	GE-51	2SA252J	GE-51	2SA257OR	GE-50	2SA263A	GE-51	2SA268D	GE-51		
2SA237D	GE-53	2SA246F	GE-51	2SA252K	GE-51	2SA257R	GE-50	2SA263B	GE-51	2SA268E	GE-51		
2SA237E	GE-53	2SA246G	GE-51	2SA252L	GE-51	2SA257X	GE-50	2SA263C	GE-51	2SA268F	GE-51		
2SA237F	GE-53	2SA246GN	GE-51	2SA252M	GE-51	2SA257Y	GE-50	2SA263D	GE-51	2SA268G	GE-51		
2SA237G	GE-53	2SA246H	GE-51	2SA252OR	GE-51	2SA258	GE-51	2SA263E	GE-51	2SA268GN	GE-51		
2SA237GN	GE-53	2SA246J	GE-51	2SA252R	GE-51	2SA258A	GE-50	2SA263F	GE-51	2SA268H	GE-51		
2SA237H	GE-53	2SA246K	GE-51	2SA252X	GE-51	2SA258B	GE-50	2SA263G	GE-51	2SA268J	GE-51		
2SA237J	GE-53	2SA246L	GE-51	2SA252Y	GE-51	2SA258C	GE-50	2SA263GN	GE-51	2SA268K	GE-51		
2SA237K	GE-53	2SA246M	GE-51	2SA253	GE-52	2SA258D	GE-50	2SA263H	GE-51	2SA268L	GE-51		
2SA237L	GE-53	2SA246OR	GE-51	2SA253A	GE-51	2SA258E	GE-50	2SA263J	GE-51	2SA268M	GE-51		
2SA237M	GE-53	2SA246R	GE-51	2SA253B	GE-51	2SA258F	GE-50	2SA263K	GE-51	2SA268OR	GE-51		
2SA237OR	GE-53	2SA246S	GE-50	2SA253C	GE-51	2SA258G	GE-50	2SA263L	GE-51	2SA268R	GE-51		
2SA237R	GE-53	2SA246X	GE-51	2SA253D	GE-51	2SA258GN	GE-50	2SA263M	GE-51	2SA268X	GE-51		
2SA237X	GE-53	2SA246Y	GE-51	2SA253E	GE-51	2SA258H	GE-50	2SA263OR	GE-51	2SA268Y	GE-51		
2SA237Y	GE-53	2SA247	GE-51	2SA253F	GE-51	2SA258J	GE-50	2SA263R	GE-51	2SA269	GE-50		
2SA238	GE-52	2SA247A	GE-51	2SA253G	GE-51	2SA258K	GE-50	2SA263X	GE-51	2SA269A	GE-53		
2SA238A	GE-51	2SA247B	GE-51	2SA253GN	GE-51	2SA258L	GE-50	2SA263Y	GE-51	2SA269B	GE-53		
2SA238B	GE-51	2SA247C	GE-51	2SA253H	GE-51	2SA258M	GE-50	2SA264	GE-51	2SA269C	GE-53		
2SA238C	GE-51	2SA247D	GE-51	2SA253J	GE-51	2SA258OR	GE-50	2SA264A	GE-51	2SA269D	GE-53		
2SA238D	GE-51	2SA247E	GE-51	2SA253K	GE-51	2SA258R	GE-50	2SA264B	GE-51	2SA269E	GE-53		
2SA238E	GE-51	2SA247F	GE-51	2SA253L	GE-51	2SA258X	GE-50	2SA264C	GE-51	2SA269F	GE-53		
2SA238F	GE-51	2SA247G	GE-51	2SA253M	GE-51	2SA258Y	GE-50	2SA264D	GE-51	2SA269GN	GE-53		
2SA238G	GE-51	2SA247GN	GE-51	2SA253OR	GE-51	2SA259	GE-51	2SA264E	GE-51	2SA269H	GE-53		
2SA238GN	GE-51	2SA247H	GE-51	2SA253R	GE-51	2SA259B	GE-53	2SA264F	GE-51	2SA269J	GE-53		
2SA238H	GE-51	2SA247J	GE-51	2SA253X	GE-51	2SA259C	GE-53	2SA264G	GE-51	2SA269K	GE-53		
2SA238J	GE-51	2SA247K	GE-51	2SA253Y	GE-51	2SA259D	GE-53	2SA264GN	GE-51	2SA269L	GE-53		
2SA238K	GE-51	2SA247L	GE-51	2SA254	GE-51	2SA259E	GE-53	2SA264H	GE-51	2SA269M	GE-53		
2SA238L	GE-51	2SA247M	GE-51	2SA254A	GE-51	2SA259F	GE-53	2SA264K	GE-51	2SA269OR	GE-53		
2SA239	GE-50	2SA247OR	GE-51	2SA254B	GE-51	2SA259G	GE-53	2SA264L	GE-51	2SA269X	GE-53		
2SA239A	GE-51	2SA247R	GE-51	2SA254C	GE-51	2SA259GN	GE-53	2SA264M	GE-51	2SA269Y	GE-53		
2SA239B	GE-51	2SA247X	GE-51	2SA254D	GE-51	2SA259H	GE-53	2SA264OR	GE-51	2SA270	GE-50		
2SA239C	GE-51	2SA247Y	GE-51	2SA254E	GE-51	2SA259J	GE-53	2SA264R	GE-51	2SA270A	GE-50		
2SA239D	GE-51	2SA248	GE-51	2SA254F	GE-51	2SA259L	GE-53	2SA264X	GE-51	2SA270B	GE-50		
2SA239E	GE-51	2SA248A	GE-51	2SA254G	GE-51	2SA259M	GE-53	2SA264Y	GE-51	2SA270C	GE-50		
2SA239F	GE-51	2SA248B	GE-51	2SA254H	GE-51	2SA259OR	GE-53	2SA265	GE-51	2SA270D	GE-50		
2SA239G	GE-51	2SA248C	GE-51	2SA254J	GE-51	2SA259R	GE-53	2SA265A	GE-51	2SA270E	GE-50		
2SA239GN	GE-51	2SA248D	GE-51	2SA254K	GE-51	2SA259X	GE-53	2SA265B	GE-51	2SA270F	GE-50		
2SA239H	GE-51	2SA248E	GE-51	2SA254L	GE-51	2SA259Y	GE-53	2SA265C	GE-51	2SA270G	GE-50		
2SA239J	GE-51	2SA248F	GE-51	2SA254M	GE-51	2SA260	GE-51	2SA265D	GE-51	2SA270GN	GE-50		
2SA239K	GE-51	2SA248G	GE-51	2SA254OR	GE-51	2SA260A	GE-51	2SA265E	GE-51	2SA270H	GE-50		
2SA239L	GE-51	2SA248GN	GE-51	2SA254R	GE-51	2SA260B	GE-51	2SA265F	GE-51	2SA270J	GE-50		
2SA239M	GE-51	2SA248H	GE-51	2SA254X	GE-51	2SA260C	GE-51	2SA265G	GE-51	2SA270K	GE-50		
2SA239OR	GE-51	2SA248J	GE-51	2SA254Y	GE-51	2SA260D	GE-51	2SA265GN	GE-51	2SA270L	GE-50		
2SA239R	GE-51	2SA248K	GE-51	2SA255	GE-51	2SA260E	GE-51	2SA265H	GE-51	2SA270M	GE-50		
2SA239X	GE-51	2SA248L	GE-51	2SA255A	GE-51	2SA260F	GE-51	2SA265J	GE-51	2SA270	GE-50		
2SA239Y	GE-51	2SA248M	GE-51	2SA255B	GE-51	2SA260G	GE-51	2SA265K	GE-51	2SA270R	GE-50		
2SA240	GE-50	2SA248OR	GE-51	2SA255C	GE-51	2SA260GN	GE-51	2SA265L	GE-51	2SA270S	GE-50		
2SA240A	GE-51	2SA248R	GE-51	2SA255D	GE-51	2SA260H	GE-51	2SA265M	GE-51	2SA270T	GE-50		
2SA240B	GE-51	2SA248X	GE-51	2SA255E	GE-51	2SA260J	GE-51	2SA265OR	GE-51	2SA270Y	GE-50		
2SA240B2	GE-50	2SA248Y	GE-51	2SA255F	GE-51	2SA260K	GE-51	2SA265R	GE-51	2SA271A	GE-53		
2SA240C	GE-51	2SA250	GE-2	2SA255G	GE-51	2SA260L	GE-51	2SA265X	GE-51	2SA271B	GE-53		
2SA240D	GE-51	2SA250A	GE-53	2SA255GN	GE-51	2SA260M	GE-51	2SA265Y	GE-51	2SA271C	GE-53		
2SA240E	GE-51	2SA250B	GE-53	2SA255H	GE-51	2SA260N	GE-51	2SA266	GE-50	2SA271D	GE-53		
2SA240F	GE-51	2SA250C	GE-53	2SA255J	GE-51	2SA260O	GE-51	2SA266A	GE-53	2SA271E	GE-53		
2SA240G	GE-51	2SA250D	GE-53	2SA255K	GE-51	2SA260X	GE-51	2SA266B	GE-53	2SA271F	GE-53		
2SA240GN	GE-51	2SA250E	GE-53	2SA255L	GE-51	2SA260Y	GE-51	2SA266C	GE-53	2SA271G	GE-53		
2SA240H	GE-51	2SA250F	GE-53	2SA255M	GE-51	2SA261	GE-51	2SA266D	GE-53	2SA271GN	GE-53		
2SA240J	GE-51	2SA250G	GE-53	2SA255OR	GE-51	2SA261A	GE-51	2SA266E	GE-53	2SA271H	GE-53		
2SA240K	GE-51	2SA250GN	GE-53	2SA255R	GE-51	2SA261B	GE-51	2SA266F	GE-53	2SA271J	GE-53		
2SA240L	GE-51	2SA250H	GE-53	2SA255X	GE-51	2SA261C	GE-51	2SA266G	GE-53	2SA271K	GE-53		
2SA240M	GE-51	2SA250I	GE-53	2SA255Y	GE-51	2SA261D	GE-51	2SA266GN	GE-53	2SA271L	GE-53		
2SA240	GE-51	2SA250L	GE-53	2SA256	GE-51	2SA261E	GE-51	2SA266H	GE-53	2SA271M	GE-53		
2SA240R	GE-51	2SA250M	GE-53	2SA256A	GE-53	2SA261F	GE-51	2SA266J	GE-53	2SA271OR	GE-53		
2SA240X	GE-51	2SA250	GE-53	2SA256B	GE-53	2SA261G	GE-51	2SA266K	GE-53	2SA271R	GE-53		
2SA240Y	GE-51	2SA250X	GE-53	2SA256C	GE-53	2SA261GN	GE-51	2SA266L	GE-53	2SA271X	GE-53		
2SA241	GE-50	2SA250Y	GE-53	2SA256D	GE-53	2SA261H	GE-51	2SA266M	GE-53	2SA271Y	GE-53		
2SA241A	GE-51	2SA251	GE-51	2SA256E	GE-53	2SA261K	GE-51	2SA266OR	GE-53	2SA272	GE-50		

UNIVERSAL REPLACEMENT SEMICONDUCTORS

2SA272A - 2SA309OR

JEDEC Or Part Nr	GE Replacement	JEDEC Or Part Nr	GE Replacement	JEDEC Or Part Nr	GE Replacement	JEDEC Or Part Nr	GE Replacement	JEDEC Or Part Nr	GE Replacement	JEDEC Or Part Nr	GE Replacement	JEDEC Or Part Nr	GE Replacement
2SA272A	GE-53	2SA278E	GE-51	2SA283H	GE-51	2SA289B	GE-51	2SA294E	GE-51	2SA301K	GE-51		
2SA272B	GE-53	2SA278F	GE-51	2SA283J	GE-51	2SA289C	GE-51	2SA294F	GE-51	2SA301L	GE-51		
2SA272C	GE-53	2SA278G	GE-51	2SA283K	GE-51	2SA289D	GE-51	2SA294GN	GE-51	2SA301M	GE-51		
2SA272D	GE-53	2SA278GN	GE-51	2SA283L	GE-51	2SA289E	GE-51	2SA294H	GE-51	2SA301OR	GE-51		
2SA272E	GE-53	2SA278J	GE-51	2SA283M	GE-51	2SA289F	GE-51	2SA294J	GE-51	2SA301R	GE-51		
2SA272F	GE-53	2SA278K	GE-51	2SA283OR	GE-51	2SA289G	GE-51	2SA294K	GE-51	2SA301X	GE-51		
2SA272G	GE-53	2SA278L	GE-51	2SA283R	GE-51	2SA289GN	GE-51	2SA294L	GE-51	2SA301Y	GE-51		
2SA272GN	GE-53	2SA278M	GE-51	2SA283X	GE-51	2SA289H	GE-51	2SA294M	GE-51	2SA304	GE-52		
2SA272H	GE-53	2SA278OR	GE-51	2SA283Y	GE-51	2SA289J	GE-51	2SA294OR	GE-51	2SA304A	GE-80		
2SA272J	GE-53	2SA278R	GE-51	2SA284	GE-1	2SA289K	GE-51	2SA294R	GE-51	2SA304B	GE-80		
2SA272K	GE-53	2SA278X	GE-51	2SA284A	GE-51	2SA289L	GE-51	2SA294X	GE-51	2SA304C	GE-80		
2SA272L	GE-53	2SA278Y	GE-51	2SA284B	GE-51	2SA289M	GE-51	2SA294Y	GE-51	2SA304D	GE-80		
2SA272M	GE-53	2SA279	GE-50	2SA284C	GE-51	2SA289OR	GE-51	2SA295	GE-52	2SA304F	GE-80		
2SA272OR	GE-53	2SA279A	GE-51	2SA284D	GE-51	2SA289R	GE-51	2SA295A	GE-51	2SA304G	GE-80		
2SA272R	GE-53	2SA279B	GE-51	2SA284E	GE-51	2SA289X	GE-51	2SA295B	GE-51	2SA304GN	GE-80		
2SA272X	GE-53	2SA279C	GE-51	2SA284F	GE-51	2SA289Y	GE-51	2SA295C	GE-51	2SA304J	GE-80		
2SA272Y	GE-53	2SA279D	GE-51	2SA284G	GE-51	2SA290	GE-51	2SA295D	GE-51	2SA304K	GE-80		
2SA273	GE-51	2SA279E	GE-51	2SA284GN	GE-51	2SA290A	GE-51	2SA295E	GE-51	2SA304L	GE-80		
2SA273A	GE-53	2SA279F	GE-51	2SA284J	GE-51	2SA290B	GE-51	2SA295F	GE-51	2SA304M	GE-80		
2SA273B	GE-53	2SA279G	GE-51	2SA284K	GE-51	2SA290C	GE-51	2SA295G	GE-51	2SA304OR	GE-80		
2SA273C	GE-53	2SA279GN	GE-51	2SA284L	GE-51	2SA290D	GE-51	2SA295GN	GE-51	2SA304R	GE-80		
2SA273D	GE-53	2SA279H	GE-51	2SA284M	GE-51	2SA290E	GE-51	2SA295H	GE-51	2SA304X	GE-80		
2SA273E	GE-53	2SA279J	GE-51	2SA284OR	GE-51	2SA290F	GE-51	2SA295J	GE-51	2SA304Y	GE-80		
2SA273F	GE-53	2SA279K	GE-51	2SA284R	GE-51	2SA290G	GE-51	2SA295K	GE-51	2SA305	GE-1		
2SA273G	GE-53	2SA279L	GE-51	2SA284X	GE-51	2SA290GN	GE-51	2SA295L	GE-51	2SA305A	GE-51		
2SA273GN	GE-53	2SA279OR	GE-51	2SA284Y	GE-51	2SA290H	GE-51	2SA295OR	GE-51	2SA305B	GE-51		
2SA273H	GE-53	2SA279R	GE-51	2SA285	GE-51	2SA290J	GE-51	2SA295R	GE-51	2SA305C	GE-51		
2SA273J	GE-53	2SA279X	GE-51	2SA285B	GE-53	2SA290K	GE-51	2SA295Y	GE-51	2SA305D	GE-51		
2SA273K	GE-53	2SA279Y	GE-51	2SA285C	GE-53	2SA290L	GE-51	2SA296	GE-51	2SA305E	GE-51		
2SA273L	GE-53	2SA280	GE-51	2SA285E	GE-53	2SA290M	GE-51	2SA296A	GE-51	2SA305F	GE-51		
2SA273M	GE-53	2SA280A	GE-51	2SA285F	GE-53	2SA290	GE-51	2SA296B	GE-51	2SA305G	GE-51		
2SA273OR	GE-53	2SA280B	GE-51	2SA285G	GE-53	2SA290R	GE-51	2SA296C	GE-51	2SA305GN	GE-51		
2SA273X	GE-53	2SA280C	GE-51	2SA285GN	GE-53	2SA290S	GE-51	2SA296D	GE-51	2SA305H	GE-51		
2SA273Y	GE-53	2SA280D	GE-51	2SA285H	GE-53	2SA290Y	GE-51	2SA296E	GE-51	2SA305J	GE-51		
2SA274	GE-51	2SA280E	GE-51	2SA285J	GE-53	2SA291	GE-53	2SA296F	GE-51	2SA305K	GE-51		
2SA274A	GE-53	2SA280F	GE-51	2SA285L	GE-53	2SA291A	GE-51	2SA296G	GE-51	2SA305L	GE-51		
2SA274B	GE-53	2SA280G	GE-51	2SA285M	GE-53	2SA291B	GE-51	2SA296GN	GE-51	2SA305M	GE-51		
2SA274C	GE-53	2SA280GN	GE-51	2SA285OR	GE-53	2SA291C	GE-51	2SA296H	GE-51	2SA305OR	GE-51		
2SA274D	GE-53	2SA280H	GE-51	2SA285R	GE-53	2SA291D	GE-51	2SA296J	GE-51	2SA305R	GE-51		
2SA274E	GE-53	2SA280J	GE-51	2SA285X	GE-53	2SA291E	GE-51	2SA296K	GE-51	2SA305X	GE-51		
2SA274F	GE-53	2SA280K	GE-51	2SA285Y	GE-53	2SA291F	GE-51	2SA296L	GE-51	2SA305Y	GE-51		
2SA274G	GE-53	2SA280L	GE-51	2SA286	GE-51	2SA291G	GE-51	2SA296M	GE-51	2SA306	GE-53		
2SA274GN	GE-53	2SA280M	GE-51	2SA286A	GE-53	2SA291GN	GE-51	2SA296OR	GE-51	2SA307	GE-51		
2SA274H	GE-53	2SA280OR	GE-51	2SA286B	GE-53	2SA291H	GE-51	2SA296R	GE-51	2SA307A	GE-53		
2SA274J	GE-53	2SA280R	GE-51	2SA286C	GE-53	2SA291J	GE-51	2SA296X	GE-51	2SA307B	GE-53		
2SA274K	GE-53	2SA280X	GE-51	2SA286D	GE-53	2SA291K	GE-51	2SA296Y	GE-51	2SA307C	GE-53		
2SA274L	GE-53	2SA280Y	GE-51	2SA286E	GE-53	2SA291L	GE-51	2SA297	GE-51	2SA307D	GE-53		
2SA274M	GE-53	2SA281	GE-51	2SA286F	GE-53	2SA291M	GE-51	2SA297A	GE-51	2SA307E	GE-53		
2SA274OR	GE-53	2SA281A	GE-51	2SA286G	GE-53	2SA291OR	GE-51	2SA297B	GE-51	2SA307F	GE-53		
2SA274R	GE-53	2SA281B	GE-51	2SA286GN	GE-53	2SA291R	GE-51	2SA297C	GE-51	2SA307G	GE-53		
2SA274X	GE-53	2SA281C	GE-10	2SA286H	GE-53	2SA291X	GE-51	2SA297D	GE-51	2SA307GN	GE-53		
2SA274Y	GE-53	2SA281D	GE-51	2SA286K	GE-53	2SA291Y	GE-51	2SA297E	GE-51	2SA307J	GE-53		
2SA275	GE-51	2SA281E	GE-51	2SA286M	GE-53	2SA292	GE-50	2SA297F	GE-51	2SA307K	GE-53		
2SA275A	GE-53	2SA281F	GE-51	2SA286OR	GE-53	2SA292A	GE-51	2SA297G	GE-51	2SA307L	GE-53		
2SA275B	GE-53	2SA281G	GE-51	2SA286R	GE-53	2SA292B	GE-51	2SA297H	GE-51	2SA307M	GE-53		
2SA275C	GE-53	2SA281GN	GE-51	2SA286X	GE-53	2SA292C	GE-51	2SA297J	GE-51	2SA307OR	GE-53		
2SA275D	GE-53	2SA281H	GE-51	2SA286Y	GE-53	2SA292D	GE-51	2SA297K	GE-51	2SA307R	GE-53		
2SA275E	GE-53	2SA281J	GE-51	2SA287	GE-51	2SA292E	GE-51	2SA297L	GE-51	2SA307X	GE-53		
2SA275F	GE-53	2SA281K	GE-51	2SA287A	GE-53	2SA292F	GE-51	2SA297M	GE-51	2SA307Y	GE-53		
2SA275G	GE-53	2SA281L	GE-51	2SA287B	GE-53	2SA292G	GE-51	2SA297OR	GE-51	2SA308	GE-51		
2SA275GN	GE-53	2SA281M	GE-51	2SA287C	GE-53	2SA292GN	GE-51	2SA297R	GE-51	2SA308A	GE-51		
2SA275H	GE-53	2SA281OR	GE-51	2SA287D	GE-53	2SA292H	GE-51	2SA297X	GE-51	2SA308B	GE-51		
2SA275J	GE-53	2SA281R	GE-51	2SA287E	GE-53	2SA292J	GE-51	2SA297Y	GE-51	2SA308C	GE-51		
2SA275L	GE-53	2SA281X	GE-51	2SA287F	GE-53	2SA292K	GE-51	2SA298	GE-51	2SA308D	GE-51		
2SA275M	GE-53	2SA281Y	GE-51	2SA287G	GE-53	2SA292L	GE-51	2SA298A	GE-53	2SA308E	GE-51		
2SA275OR	GE-53	2SA282	GE-1	2SA287GN	GE-53	2SA292M	GE-51	2SA298B	GE-53	2SA308F	GE-51		
2SA275R	GE-53	2SA282A	GE-51	2SA287H	GE-53	2SA292OR	GE-51	2SA298C	GE-53	2SA308G	GE-51		
2SA275X	GE-53	2SA282B	GE-51	2SA287J	GE-53	2SA292R	GE-51	2SA298D	GE-25	2SA308GN	GE-51		
2SA275Y	GE-53	2SA282C	GE-51	2SA287K	GE-53	2SA292X	GE-51	2SA298E	GE-25	2SA308H	GE-51		
2SA276	GE-51	2SA282D	GE-51	2SA287L	GE-53	2SA292Y	GE-51	2SA298F	GE-25	2SA308J	GE-51		
2SA277	GE-1	2SA282E	GE-51	2SA287M	GE-53	2SA293	GE-50	2SA298G	GE-53	2SA308K	GE-51		
2SA277A	GE-51	2SA282F	GE-51	2SA287OR	GE-53	2SA293A	GE-51	2SA298GN	GE-25	2SA308L	GE-51		
2SA277B	GE-51	2SA282G	GE-51	2SA287X	GE-53	2SA293B	GE-51	2SA298H	GE-25	2SA308M	GE-51		
2SA277C	GE-51	2SA282GN	GE-51	2SA287Y	GE-53	2SA293C	GE-51	2SA298J	GE-25	2SA308OR	GE-51		
2SA277D	GE-51	2SA282H	GE-51	2SA288	GE-51	2SA293D	GE-51	2SA298K	GE-25	2SA308R	GE-51		
2SA277E	GE-51	2SA282J	GE-51	2SA288A	GE-17	2SA293E	GE-51	2SA298L	GE-25	2SA308X	GE-51		
2SA277F	GE-51	2SA282K	GE-51	2SA288B	GE-53	2SA293G	GE-51	2SA298M	GE-25	2SA308Y	GE-51		
2SA277G	GE-51	2SA282L	GE-51	2SA288C	GE-53	2SA293GN	GE-51	2SA298OR	GE-53	2SA309	GE-51		
2SA277GN	GE-51	2SA282M	GE-51	2SA288D	GE-53	2SA293H	GE-51	2SA298R	GE-25	2SA309A	GE-51		
2SA277H	GE-51	2SA282OR	GE-51	2SA288E	GE-53	2SA293J	GE-51	2SA298X	GE-53	2SA309B	GE-51		
2SA277J	GE-51	2SA282R	GE-51	2SA288F	GE-53	2SA293K	GE-51	2SA298Y	GE-53	2SA309C	GE-51		
2SA277K	GE-51	2SA282X	GE-51	2SA288G	GE-53	2SA293L	GE-51	2SA301	GE-53	2SA309D	GE-51		
2SA277L	GE-51	2SA282Y	GE-51	2SA288GN	GE-53	2SA293M	GE-51	2SA301A	GE-51	2SA309E	GE-51		
2SA277M	GE-51	2SA283	GE-1	2SA288J	GE-53	2SA293OR	GE-51	2SA301B	GE-51	2SA309F	GE-51		
2SA277OR	GE-51	2SA283A	GE-51	2SA288K	GE-53	2SA293R	GE-51	2SA301C	GE-51	2SA309G	GE-51		
2SA277X	GE-51	2SA283B	GE-51	2SA288L	GE-53	2SA293X	GE-51	2SA301D	GE-51	2SA309GN	GE-51		
2SA277Y	GE-51	2SA283C	GE-51	2SA288M	GE-53	2SA293Y	GE-51	2SA301E	GE-51	2SA309H	GE-51		
2SA278	GE-1	2SA283D	GE-51	2SA288OR	GE-53	2SA294	GE-50	2SA301F	GE-51	2SA309I	GE-51		
2SA278A	GE-51	2SA283E	GE-51	2SA288X	GE-53	2SA294A	GE-51	2SA301G	GE-51	2SA309K	GE-51		
2SA278B	GE-51	2SA283F	GE-51	2SA288Y	GE-53	2SA294B	GE-51	2SA301GN	GE-51	2SA309L	GE-51		
2SA278C	GE-51	2SA283G	GE-51	2SA289	GE-51	2SA294C	GE-51	2SA301H	GE-51	2SA309M	GE-51		
2SA278D	GE-51	2SA283GN	GE-51	2SA289A	GE-51	2SA294D	GE-51	2SA301J	GE-51	2SA309OR	GE-51		

UNIVERSAL REPLACEMENT SEMICONDUCTORS

2SA309R - 2SA354BK

JEDEC Or Part Nr	GE Replacement	JEDEC Or Part Nr	GE Replacement	JEDEC Or Part Nr	GE Replacement	JEDEC Or Part Nr	GE Replacement	JEDEC Or Part Nr	GE Replacement	JEDEC Or Part Nr	GE Replacement	JEDEC Or Part Nr	GE Replacement
2SA309R	GE-51	2SA314Y	GE-53	2SA324D	GE-51	2SA331H	GE-51	2SA339K	GE-53	2SA348J	GE-51		
2SA309X	GE-51	2SA315	GE-51	2SA324E	GE-51	2SA331J	GE-51	2SA339L	GE-53	2SA348K	GE-53		
2SA309Y	GE-51	2SA315A	GE-53	2SA324F	GE-51	2SA331K	GE-51	2SA339M	GE-53	2SA348L	GE-51		
2SA310	GE-51	2SA315B	GE-53	2SA324G	GE-51	2SA331L	GE-51	2SA339OR	GE-53	2SA348M	GE-51		
2SA310A	GE-51	2SA315C	GE-53	2SA324GN	GE-51	2SA331M	GE-51	2SA339R	GE-53	2SA346OR	GE-51		
2SA310B	GE-51	2SA315D	GE-53	2SA324H	GE-51	2SA331OR	GE-51	2SA339X	GE-53	2SA348R	GE-51		
2SA310C	GE-51	2SA315E	GE-53	2SA324K	GE-51	2SA331R	GE-51	2SA339Y	GE-53	2SA348X	GE-51		
2SA310D	GE-51	2SA315F	GE-53	2SA324L	GE-51	2SA331X	GE-51	2SA340	GE-51	2SA348Y	GE-51		
2SA310E	GE-51	2SA315G	GE-53	2SA324M	GE-51	2SA331Y	GE-51	2SA341	GE-51	2SA349	GE-51		
2SA310F	GE-51	2SA315GM	GE-53	2SA324OR	GE-51	2SA332	GE-53	2SA341A	GE-53	2SA350	GE-50		
2SA310G	GE-51	2SA315H	GE-53	2SA324R	GE-51	2SA332A	GE-53	2SA341B	GE-53	2SA350A	GE-50		
2SA310GN	GE-51	2SA315J	GE-53	2SA324X	GE-51	2SA332B	GE-53	2SA341C	GE-53	2SA350B	GE-51		
2SA310H	GE-51	2SA315K	GE-53	2SA324Y	GE-51	2SA332C	GE-53	2SA341D	GE-53	2SA350BK	GE-51		
2SA310J	GE-51	2SA315L	GE-53	2SA325	GE-51	2SA332D	GE-53	2SA341E	GE-53	2SA350C	GE-51		
2SA310K	GE-51	2SA315M	GE-53	2SA325A	GE-51	2SA332E	GE-53	2SA341F	GE-53	2SA350D	GE-51		
2SA310L	GE-51	2SA315OR	GE-53	2SA325B	GE-51	2SA332F	GE-53	2SA341G	GE-53	2SA350E	GE-51		
2SA310M	GE-51	2SA315R	GE-53	2SA325C	GE-51	2SA332G	GE-53	2SA341GN	GE-53	2SA350F	GE-51		
2SA310OR	GE-51	2SA315X	GE-53	2SA325E	GE-51	2SA332GN	GE-53	2SA341H	GE-53	2SA350G	GE-51		
2SA310R	GE-51	2SA315Y	GE-53	2SA325G	GE-51	2SA332H	GE-53	2SA341J	GE-53	2SA350GN	GE-51		
2SA310X	GE-51	2SA318	GE-51	2SA325GN	GE-51	2SA332J	GE-53	2SA341K	GE-53	2SA350H	GE-51		
2SA310Y	GE-51	2SA318A	GE-53	2SA325H	GE-51	2SA332K	GE-53	2SA341L	GE-53	2SA350J	GE-51		
2SA311	GE-51	2SA318B	GE-53	2SA325J	GE-51	2SA332L	GE-53	2SA341M	GE-53	2SA350K	GE-51		
2SA311A	GE-53	2SA318C	GE-53	2SA325K	GE-51	2SA332M	GE-53	2SA341OR	GE-53	2SA350L	GE-51		
2SA311B	GE-53	2SA318D	GE-53	2SA325L	GE-51	2SA332OR	GE-53	2SA341R	GE-53	2SA350M	GE-51		
2SA311C	GE-53	2SA318E	GE-53	2SA325M	GE-51	2SA332R	GE-53	2SA341X	GE-53	2SA350OR	GE-51		
2SA311D	GE-53	2SA318F	GE-53	2SA325OR	GE-51	2SA332X	GE-53	2SA341Y	GE-53	2SA350R	GE-50		
2SA311E	GE-53	2SA318G	GE-53	2SA325R	GE-51	2SA332Y	GE-53	2SA342	GE-50	2SA350T	GE-50		
2SA311F	GE-53	2SA318GN	GE-53	2SA325X	GE-51	2SA335	GE-50	2SA342A	GE-50	2SA350TY	GE-50		
2SA311G	GE-53	2SA318H	GE-53	2SA325Y	GE-51	2SA335A	GE-51	2SA342B	GE-51	2SA350X	GE-51		
2SA311GN	GE-53	2SA318J	GE-53	2SA328	GE-53	2SA335B	GE-51	2SA342C	GE-51	2SA350Y	GE-50		
2SA311H	GE-53	2SA318K	GE-53	2SA328A	GE-51	2SA335C	GE-51	2SA342D	GE-51	2SA351	GE-50		
2SA311J	GE-53	2SA318L	GE-53	2SA328B	GE-51	2SA335D	GE-51	2SA342E	GE-51	2SA351A	GE-51		
2SA311K	GE-53	2SA318M	GE-53	2SA328C	GE-51	2SA335E	GE-51	2SA342F	GE-51	2SA351A-2	GE-50		
2SA311L	GE-53	2SA318OR	GE-53	2SA328D	GE-51	2SA335F	GE-51	2SA342G	GE-51	2SA351B	GE-50		
2SA311M	GE-53	2SA318R	GE-53	2SA328E	GE-51	2SA335G	GE-51	2SA342GN	GE-51	2SA351C	GE-50		
2SA311OR	GE-53	2SA318X	GE-53	2SA328F	GE-51	2SA335GN	GE-51	2SA342H	GE-51	2SA351D	GE-50		
2SA311R	GE-53	2SA318Y	GE-53	2SA328G	GE-51	2SA335H	GE-51	2SA342J	GE-51	2SA351E	GE-50		
2SA311X	GE-53	2SA321	GE-50	2SA328GN	GE-51	2SA335J	GE-51	2SA342K	GE-51	2SA351F	GE-50		
2SA311Y	GE-53	2SA321-1	GE-51	2SA328H	GE-51	2SA335K	GE-51	2SA342L	GE-51	2SA351G	GE-50		
2SA312	GE-51	2SA321A	GE-51	2SA328J	GE-51	2SA335L	GE-51	2SA342M	GE-51	2SA351GN	GE-50		
2SA312A	GE-53	2SA321B	GE-51	2SA328K	GE-51	2SA335M	GE-51	2SA342OR	GE-51	2SA351K	GE-50		
2SA312B	GE-53	2SA321C	GE-51	2SA328L	GE-51	2SA335OR	GE-51	2SA342R	GE-51	2SA351L	GE-50		
2SA312C	GE-53	2SA321D	GE-51	2SA328M	GE-51	2SA335R	GE-51	2SA342S	GE-51	2SA351M	GE-50		
2SA312D	GE-53	2SA321E	GE-51	2SA328OR	GE-51	2SA335X	GE-51	2SA342Y	GE-51	2SA351OR	GE-50		
2SA312E	GE-53	2SA321F	GE-51	2SA328R	GE-51	2SA335Y	GE-51	2SA343	GE-50	2SA351R	GE-50		
2SA312F	GE-53	2SA321G	GE-51	2SA328X	GE-51	2SA337	GE-51	2SA343A	GE-51	2SA351X	GE-50		
2SA312G	GE-53	2SA321GN	GE-51	2SA328Y	GE-51	2SA337A	GE-51	2SA343B	GE-51	2SA351Y	GE-50		
2SA312GN	GE-53	2SA321H	GE-51	2SA327	GE-50	2SA337B	GE-51	2SA343C	GE-51	2SA352	GE-50		
2SA312H	GE-53	2SA321J	GE-51	2SA329	GE-2	2SA337C	GE-51	2SA343D	GE-51	2SA352A	GE-51		
2SA312J	GE-53	2SA321K	GE-51	2SA329A	GE-2	2SA337D	GE-51	2SA343E	GE-51	2SA352B	GE-51		
2SA312K	GE-53	2SA321L	GE-51	2SA329B	GE-2	2SA337E	GE-51	2SA343F	GE-51	2SA352C	GE-51		
2SA312L	GE-53	2SA321M	GE-51	2SA329C	GE-51	2SA337F	GE-51	2SA343G	GE-51	2SA352D	GE-51		
2SA312M	GE-53	2SA321OR	GE-51	2SA329D	GE-51	2SA337G	GE-51	2SA343H	GE-51	2SA352E	GE-51		
2SA312OR	GE-53	2SA321R	GE-51	2SA329E	GE-51	2SA337GN	GE-51	2SA343J	GE-51	2SA352F	GE-51		
2SA312R	GE-53	2SA321X	GE-51	2SA329F	GE-51	2SA337H	GE-51	2SA343K	GE-51	2SA352G	GE-51		
2SA312X	GE-53	2SA321Y	GE-51	2SA329G	GE-51	2SA337J	GE-51	2SA343L	GE-51	2SA352GN	GE-51		
2SA312Y	GE-53	2SA322	GE-50	2SA329GN	GE-51	2SA337K	GE-51	2SA343M	GE-51	2SA352H	GE-51		
2SA313	GE-51	2SA322A	GE-53	2SA329H	GE-51	2SA337L	GE-51	2SA343OR	GE-51	2SA352J	GE-51		
2SA313A	GE-53	2SA322B	GE-53	2SA329J	GE-51	2SA337M	GE-51	2SA343R	GE-51	2SA352K	GE-51		
2SA313B	GE-53	2SA322C	GE-53	2SA329K	GE-51	2SA337OR	GE-51	2SA343X	GE-51	2SA352L	GE-51		
2SA313C	GE-53	2SA322D	GE-53	2SA329L	GE-51	2SA337R	GE-51	2SA343Y	GE-51	2SA352M	GE-51		
2SA313D	GE-53	2SA322E	GE-53	2SA329M	GE-51	2SA337X	GE-51	2SA344	GE-51	2SA352OR	GE-51		
2SA313E	GE-53	2SA322F	GE-53	2SA329OR	GE-51	2SA337Y	GE-51	2SA344A	GE-51	2SA352R	GE-51		
2SA313F	GE-53	2SA322G	GE-53	2SA329R	GE-51	2SA338	GE-51	2SA344B	GE-51	2SA352X	GE-51		
2SA313G	GE-53	2SA322GN	GE-53	2SA329X	GE-51	2SA338A	GE-53	2SA344C	GE-51	2SA352Y	GE-51		
2SA313GN	GE-53	2SA322H	GE-53	2SA329Y	GE-51	2SA338B	GE-53	2SA344D	GE-51	2SA353	GE-50		
2SA313H	GE-53	2SA322L	GE-53	2SA330	GE-50	2SA338C	GE-53	2SA344E	GE-51	2SA353A	GE-51		
2SA313J	GE-53	2SA322M	GE-53	2SA330A	GE-51	2SA338D	GE-53	2SA344F	GE-51	2SA353B	GE-51		
2SA313K	GE-53	2SA322OR	GE-53	2SA330B	GE-51	2SA338E	GE-53	2SA344G	GE-51	2SA353C	GE-51		
2SA313L	GE-53	2SA322R	GE-53	2SA330C	GE-51	2SA338F	GE-53	2SA344GN	GE-51	2SA353D	GE-51		
2SA313M	GE-53	2SA322X	GE-53	2SA330D	GE-51	2SA338G	GE-53	2SA344H	GE-51	2SA353E	GE-51		
2SA313OR	GE-53	2SA322Y	GE-53	2SA330E	GE-51	2SA338GN	GE-53	2SA344J	GE-51	2SA353F	GE-51		
2SA313R	GE-53	2SA323	GE-50	2SA330F	GE-51	2SA338H	GE-53	2SA344K	GE-51	2SA353G	GE-51		
2SA313X	GE-53	2SA323A	GE-53	2SA330G	GE-51	2SA338J	GE-53	2SA344L	GE-51	2SA353H	GE-51		
2SA313Y	GE-53	2SA323B	GE-53	2SA330GN	GE-51	2SA338K	GE-53	2SA344M	GE-51	2SA353I	GE-51		
2SA314	GE-51	2SA323C	GE-53	2SA330H	GE-51	2SA338L	GE-53	2SA344OR	GE-51	2SA353J	GE-51		
2SA314A	GE-53	2SA323D	GE-53	2SA330I	GE-51	2SA338M	GE-53	2SA344R	GE-51	2SA353K	GE-51		
2SA314B	GE-53	2SA323E	GE-53	2SA330K	GE-51	2SA338OR	GE-53	2SA344X	GE-51	2SA353L	GE-51		
2SA314C	GE-53	2SA323F	GE-53	2SA330L	GE-51	2SA338R	GE-53	2SA344Y	GE-51	2SA353M	GE-51		
2SA314D	GE-53	2SA323G	GE-53	2SA330M	GE-51	2SA338X	GE-53	2SA345	GE-51	2SA353N	GE-51		
2SA314E	GE-53	2SA323GN	GE-53	2SA330	GE-51	2SA338Y	GE-53	2SA346	GE-51	2SA353OR	GE-51		
2SA314F	GE-53	2SA323J	GE-53	2SA330X	GE-51	2SA339	GE-51	2SA347	GE-51	2SA353R	GE-51		
2SA314G	GE-53	2SA323K	GE-53	2SA330Y	GE-51	2SA339A	GE-53	2SA348	GE-51	2SA353S	GE-51		
2SA314GN	GE-53	2SA323L	GE-53	2SA331	GE-50	2SA339B	GE-53	2SA348A	GE-51	2SA353T	GE-51		
2SA314H	GE-53	2SA323M	GE-53	2SA331A	GE-51	2SA339C	GE-53	2SA348B	GE-51	2SA353U	GE-51		
2SA314J	GE-53	2SA323R	GE-53	2SA331B	GE-51	2SA339D	GE-53	2SA348C	GE-51	2SA353V	GE-51		
2SA314K	GE-53	2SA323X	GE-53	2SA331C	GE-51	2SA339E	GE-53	2SA348D	GE-51	2SA353W	GE-51		
2SA314L	GE-53	2SA323Y	GE-53	2SA331D	GE-51	2SA339F	GE-53	2SA348E	GE-51	2SA353X	GE-51		
2SA314M	GE-53	2SA324	GE-50	2SA331E	GE-51	2SA339G	GE-53	2SA348F	GE-51	2SA353Y	GE-51		
2SA314OR	GE-53	2SA324A	GE-51	2SA331F	GE-51	2SA339GN	GE-53	2SA348G	GE-51	2SA354A	GE-51		
2SA314R	GE-53	2SA324B	GE-51	2SA331G	GE-51	2SA339H	GE-53	2SA348GN	GE-51	2SA354B	GE-51		
2SA314X	GE-53	2SA324C	GE-51	2SA331GN	GE-51	2SA339J	GE-53	2SA348H	GE-51	2SA354BK	GE-53		

UNIVERSAL REPLACEMENT SEMICONDUCTORS

2SA354C - 2SA403J

JEDEC Or Part Nr	GE Replacement	JEDEC Or Part Nr	GE Replacement	JEDEC Or Part Nr	GE Replacement	JEDEC Or Part Nr	GE Replacement	JEDEC Or Part Nr	GE Replacement	JEDEC Or Part Nr	GE Replacement	JEDEC Or Part Nr	GE Replacement
2SA354C	GE-51	2SA359G	GE-51	2SA366H	GE-51	2SA376F	GE-51	2SA383J	GE-53	2SA394J	GE-51		
2SA354D	GE-51	2SA359GN	GE-51	2SA366J	GE-51	2SA376GN	GE-51	2SA383K	GE-53	2SA394K	GE-51		
2SA354E	GE-51	2SA359H	GE-51	2SA366K	GE-51	2SA376H	GE-51	2SA383L	GE-53	2SA394L	GE-51		
2SA354F	GE-51	2SA359J	GE-51	2SA366L	GE-51	2SA376J	GE-51	2SA383M	GE-53	2SA394M	GE-51		
2SA354G	GE-51	2SA359K	GE-51	2SA366M	GE-51	2SA376K	GE-51	2SA383OR	GE-53	2SA394OR	GE-51		
2SA354GN	GE-51	2SA359L	GE-51	2SA366OR	GE-51	2SA376L	GE-51	2SA383R	GE-53	2SA394R	GE-51		
2SA354H	GE-51	2SA359M	GE-51	2SA366R	GE-51	2SA376OR	GE-51	2SA383X	GE-53	2SA394X	GE-51		
2SA354J	GE-51	2SA359OR	GE-51	2SA366X	GE-51	2SA376R	GE-51	2SA383Y	GE-53	2SA394Y	GE-51		
2SA354K	GE-51	2SA359R	GE-51	2SA366Y	GE-51	2SA376X	GE-51	2SA384	GE-51	2SA395	GE-51		
2SA354L	GE-51	2SA359X	GE-51	2SA367	GE-50	2SA376Y	GE-51	2SA384A	GE-53	2SA395A	GE-51		
2SA354M	GE-51	2SA359Y	GE-51	2SA367A	GE-51	2SA377	GE-50	2SA384B	GE-53	2SA395B	GE-51		
2SA354OR	GE-51	2SA360	GE-50	2SA367B	GE-51	2SA377A	GE-51	2SA384C	GE-53	2SA395C	GE-51		
2SA354R	GE-51	2SA360A	GE-51	2SA367C	GE-51	2SA377B	GE-51	2SA384D	GE-53	2SA395D	GE-51		
2SA354X	GE-51	2SA360B	GE-51	2SA367D	GE-51	2SA377C	GE-51	2SA384E	GE-53	2SA395E	GE-51		
2SA354Y	GE-51	2SA360C	GE-51	2SA367E	GE-51	2SA377D	GE-51	2SA384F	GE-53	2SA395F	GE-51		
2SA355	GE-50	2SA360E	GE-51	2SA367F	GE-51	2SA377E	GE-51	2SA384G	GE-53	2SA395G	GE-51		
2SA355A	GE-51	2SA360F	GE-51	2SA367G	GE-51	2SA377F	GE-51	2SA384GN	GE-53	2SA395GN	GE-51		
2SA355B	GE-51	2SA360G	GE-50	2SA367GN	GE-51	2SA377G	GE-51	2SA384H	GE-25	2SA395H	GE-51		
2SA355C	GE-51	2SA360GN	GE-51	2SA367H	GE-51	2SA377GN	GE-51	2SA384J	GE-25	2SA395J	GE-51		
2SA355D	GE-51	2SA360H	GE-50	2SA367J	GE-51	2SA377H	GE-51	2SA384K	GE-53	2SA395K	GE-51		
2SA355E	GE-51	2SA360J	GE-51	2SA367K	GE-51	2SA377J	GE-51	2SA384L	GE-53	2SA395L	GE-51		
2SA355F	GE-51	2SA360K	GE-50	2SA367L	GE-51	2SA377K	GE-51	2SA384M	GE-53	2SA395M	GE-51		
2SA355G	GE-51	2SA360L	GE-51	2SA367M	GE-51	2SA377L	GE-51	2SA384OR	GE-53	2SA395OR	GE-51		
2SA355H	GE-51	2SA360M	GE-51	2SA367OR	GE-51	2SA377M	GE-51	2SA384R	GE-53	2SA395R	GE-51		
2SA355J	GE-51	2SA360OR	GE-51	2SA367R	GE-51	2SA377OR	GE-51	2SA384X	GE-53	2SA395X	GE-51		
2SA355K	GE-51	2SA360R	GE-51	2SA367X	GE-51	2SA377R	GE-51	2SA384Y	GE-53	2SA395Y	GE-51		
2SA355L	GE-51	2SA360X	GE-51	2SA367Y	GE-51	2SA377X	GE-51	2SA385	GE-50	2SA396	GE-1		
2SA355M	GE-51	2SA360Y	GE-51	2SA368	GE-50	2SA377Y	GE-51	2SA385A	GE-50	2SA397	GE-1		
2SA355OR	GE-51	2SA361	GE-51	2SA368A	GE-50	2SA378	GE-50	2SA385B	GE-51	2SA398	GE-51		
2SA355R	GE-51	2SA361A	GE-50	2SA368B	GE-50	2SA379	GE-50	2SA385C	GE-50	2SA398A	GE-51		
2SA355X	GE-51	2SA361B	GE-50	2SA368C	GE-50	2SA380	GE-51	2SA385D	GE-51	2SA398B	GE-51		
2SA355Y	GE-51	2SA361C	GE-50	2SA368D	GE-50	2SA380A	GE-50	2SA385E	GE-51	2SA398C	GE-51		
2SA356	GE-50	2SA361D	GE-50	2SA368E	GE-50	2SA380B	GE-50	2SA385F	GE-51	2SA398D	GE-51		
2SA356A	GE-53	2SA361E	GE-50	2SA368F	GE-50	2SA380C	GE-50	2SA385G	GE-51	2SA398E	GE-51		
2SA356B	GE-53	2SA361F	GE-50	2SA368G	GE-50	2SA380D	GE-50	2SA385GN	GE-51	2SA398F	GE-51		
2SA356C	GE-53	2SA361G	GE-50	2SA368GN	GE-50	2SA380E	GE-50	2SA385H	GE-51	2SA398G	GE-51		
2SA356D	GE-53	2SA361GN	GE-50	2SA368H	GE-50	2SA380F	GE-50	2SA385J	GE-51	2SA398GN	GE-51		
2SA356E	GE-53	2SA361H	GE-50	2SA368I	GE-50	2SA380G	GE-50	2SA385K	GE-51	2SA398H	GE-51		
2SA356F	GE-53	2SA361I	GE-50	2SA368K	GE-50	2SA380GN	GE-50	2SA385L	GE-52	2SA398J	GE-51		
2SA356G	GE-53	2SA361K	GE-50	2SA368L	GE-50	2SA380H	GE-50	2SA385M	GE-51	2SA398K	GE-51		
2SA356GN	GE-53	2SA361L	GE-50	2SA368M	GE-50	2SA380J	GE-50	2SA385OR	GE-51	2SA398L	GE-51		
2SA356H	GE-53	2SA361M	GE-50	2SA368OR	GE-50	2SA380K	GE-50	2SA385R	GE-51	2SA398M	GE-51		
2SA356J	GE-53	2SA361OR	GE-50	2SA368R	GE-50	2SA380L	GE-50	2SA385X	GE-51	2SA398OR	GE-51		
2SA356K	GE-53	2SA361R	GE-50	2SA368X	GE-50	2SA380M	GE-50	2SA385Y	GE-51	2SA398X	GE-51		
2SA356L	GE-53	2SA361X	GE-50	2SA368Y	GE-50	2SA380OR	GE-50	2SA391	GE-1	2SA398Y	GE-51		
2SA356M	GE-53	2SA361Y	GE-50	2SA369	GE-51	2SA380R	GE-50	2SA391A	GE-51	2SA399	GE-51		
2SA356OR	GE-53	2SA362	GE-51	2SA369A	GE-51	2SA380X	GE-50	2SA391B	GE-51	2SA399A	GE-51		
2SA356R	GE-53	2SA364	GE-51	2SA369B	GE-51	2SA380Y	GE-50	2SA391C	GE-51	2SA399B	GE-51		
2SA357	GE-50	2SA364A	GE-51	2SA369C	GE-51	2SA381	GE-51	2SA391D	GE-51	2SA399C	GE-51		
2SA357A	GE-53	2SA364B	GE-51	2SA369D	GE-51	2SA381A	GE-53	2SA391E	GE-51	2SA399D	GE-51		
2SA357B	GE-53	2SA364C	GE-51	2SA369E	GE-51	2SA381B	GE-53	2SA391F	GE-51	2SA399E	GE-51		
2SA357C	GE-53	2SA364D	GE-51	2SA369F	GE-51	2SA381D	GE-53	2SA391G	GE-51	2SA399F	GE-51		
2SA357D	GE-53	2SA364E	GE-51	2SA369G	GE-51	2SA381E	GE-53	2SA391GN	GE-51	2SA399G	GE-51		
2SA357E	GE-53	2SA364F	GE-51	2SA369GN	GE-51	2SA381F	GE-53	2SA391H	GE-51	2SA399GN	GE-51		
2SA357F	GE-53	2SA364G	GE-51	2SA369H	GE-51	2SA381G	GE-53	2SA391J	GE-51	2SA399H	GE-51		
2SA357G	GE-53	2SA364GN	GE-51	2SA369J	GE-51	2SA381GN	GE-53	2SA391K	GE-51	2SA399J	GE-51		
2SA357GN	GE-53	2SA364H	GE-51	2SA369K	GE-51	2SA381H	GE-53	2SA391L	GE-51	2SA399K	GE-51		
2SA357H	GE-53	2SA364J	GE-51	2SA369L	GE-51	2SA381I	GE-53	2SA391M	GE-51	2SA399L	GE-51		
2SA357J	GE-53	2SA364K	GE-51	2SA369M	GE-51	2SA381L	GE-53	2SA391OR	GE-51	2SA399M	GE-51		
2SA357K	GE-53	2SA364L	GE-51	2SA369OR	GE-51	2SA381M	GE-53	2SA391R	GE-51	2SA399OR	GE-51		
2SA357L	GE-53	2SA364M	GE-51	2SA369R	GE-51	2SA381OR	GE-53	2SA391X	GE-51	2SA399X	GE-51		
2SA357M	GE-53	2SA364OR	GE-51	2SA369X	GE-51	2SA381R	GE-53	2SA391Y	GE-51	2SA399Y	GE-51		
2SA357OR	GE-53	2SA364R	GE-51	2SA369Y	GE-51	2SA381X	GE-53	2SA392	GE-1	2SA400	GE-50		
2SA357R	GE-53	2SA364X	GE-51	2SA370	GE-51	2SA381Y	GE-53	2SA392A	GE-51	2SA400A	GE-53		
2SA357X	GE-53	2SA364Y	GE-51	2SA371	GE-51	2SA382	GE-53	2SA392B	GE-51	2SA400B	GE-53		
2SA357Y	GE-53	2SA365	GE-51	2SA372	GE-51	2SA382A	GE-53	2SA392C	GE-51	2SA400C	GE-53		
2SA358	GE-51	2SA365A	GE-51	2SA373	GE-53	2SA382B	GE-53	2SA392D	GE-51	2SA400D	GE-53		
2SA358-3	GE-51	2SA365B	GE-51	2SA374	GE-51	2SA382C	GE-53	2SA392E	GE-51	2SA400E	GE-53		
2SA358A	GE-51	2SA365C	GE-51	2SA375	GE-80	2SA382D	GE-80	2SA392F	GE-51	2SA400F	GE-53		
2SA358B	GE-51	2SA365D	GE-51	2SA375A	GE-80	2SA382E	GE-80	2SA392G	GE-53	2SA400G	GE-53		
2SA358C	GE-51	2SA365E	GE-51	2SA375B	GE-80	2SA382F	GE-80	2SA392GN	GE-51	2SA400GN	GE-53		
2SA358D	GE-51	2SA365F	GE-51	2SA375C	GE-80	2SA382G	GE-80	2SA392H	GE-51	2SA400H	GE-53		
2SA358E	GE-51	2SA365G	GE-51	2SA375D	GE-80	2SA382GN	GE-80	2SA392I	GE-51	2SA400I	GE-53		
2SA358F	GE-51	2SA365H	GE-51	2SA375E	GE-80	2SA382H	GE-80	2SA392J	GE-51	2SA400J	GE-53		
2SA358G	GE-51	2SA365GN	GE-51	2SA375F	GE-80	2SA382J	GE-80	2SA392K	GE-51	2SA400K	GE-53		
2SA358H	GE-51	2SA365H	GE-51	2SA375F	GE-80	2SA382K	GE-80	2SA392L	GE-51	2SA400L	GE-53		
2SA358GN	GE-51	2SA365J	GE-51	2SA375G	GE-80	2SA382K	GE-80	2SA392M	GE-51	2SA400M	GE-53		
2SA358H	GE-51	2SA365K	GE-51	2SA375GN	GE-80	2SA382L	GE-80	2SA392OR	GE-51	2SA400OR	GE-53		
2SA358J	GE-51	2SA365L	GE-51	2SA375H	GE-80	2SA382M	GE-80	2SA392R	GE-51	2SA400R	GE-53		
2SA358K	GE-51	2SA365M	GE-51	2SA375J	GE-80	2SA382OR	GE-80	2SA392X	GE-51	2SA400X	GE-53		
2SA358L	GE-51	2SA365OR	GE-51	2SA375K	GE-80	2SA382R	GE-80	2SA392Y	GE-51	2SA400Y	GE-53		
2SA358M	GE-51	2SA365R	GE-51	2SA375L	GE-80	2SA382X	GE-80	2SA393	GE-51	2SA401	GE-50		
2SA358OR	GE-51	2SA365X	GE-51	2SA375M	GE-80	2SA382Y	GE-80	2SA393A	GE-51	2SA403	GE-51		
2SA358R	GE-51	2SA365Y	GE-51	2SA375OR	GE-80	2SA383	GE-80	2SA394	GE-51	2SA403A	GE-51		
2SA358X	GE-51	2SA366	GE-52	2SA375R	GE-80	2SA383A	GE-80	2SA394A	GE-51	2SA403B	GE-51		
2SA358Y	GE-51	2SA366A	GE-51	2SA375X	GE-80	2SA383B	GE-80	2SA394B	GE-51	2SA403C	GE-51		
2SA359	GE-53	2SA366B	GE-51	2SA375Y	GE-80	2SA383C	GE-80	2SA394C	GE-51	2SA403D	GE-51		
2SA359A	GE-51	2SA366C	GE-51	2SA376	GE-50	2SA383D	GE-50	2SA394D	GE-51	2SA403E	GE-51		
2SA359B	GE-51	2SA366D	GE-51	2SA376A	GE-51	2SA383E	GE-51	2SA394E	GE-51	2SA403F	GE-51		
2SA359C	GE-51	2SA366E	GE-51	2SA376B	GE-51	2SA383F	GE-51	2SA394F	GE-51	2SA403G	GE-51		
2SA359D	GE-51	2SA366F	GE-51	2SA376C	GE-51	2SA383G	GE-51	2SA394G	GE-51	2SA403GN	GE-51		
2SA359E	GE-51	2SA366G	GE-51	2SA376D	GE-51	2SA383GN	GE-51	2SA394GN	GE-51	2SA403H	GE-51		
2SA359F	GE-51	2SA366GN	GE-51	2SA376E	GE-51	2SA383H	GE-51	2SA394H	GE-51	2SA403J	GE-51		

UNIVERSAL REPLACEMENT SEMICONDUCTORS

2SA403K - 2SA467M

JEDEC Or Part Nr	GE Replacement	JEDEC Or Part Nr	GE Replacement	JEDEC Or Part Nr	GE Replacement	JEDEC Or Part Nr	GE Replacement	JEDEC Or Part Nr	GE Replacement	JEDEC Or Part Nr	GE Replacement	JEDEC Or Part Nr	GE Replacement
2SA403K	GE-51	2SA409R	GE-80	2SA420R	GE-51	2SA433L	GE-51	2SA440B	GE-51	2SA455A	GE-51		
2SA403L	GE-51	2SA409X	GE-80	2SA420X	GE-51	2SA433M	GE-51	2SA440C	GE-51	2SA455B	GE-51		
2SA403M	GE-51	2SA409Y	GE-80	2SA420Y	GE-51	2SA433OR	GE-51	2SA440D	GE-51	2SA455C	GE-51		
2SA403OR	GE-51	2SA410	GE-51	2SA421	GE-51	2SA433R	GE-51	2SA440E	GE-51	2SA455D	GE-51		
2SA403R	GE-51	2SA411	GE-51	2SA422	GE-51	2SA433X	GE-51	2SA440F	GE-51	2SA455E	GE-51		
2SA403X	GE-51	2SA412	GE-51	2SA425	GE-53	2SA433Y	GE-51	2SA440G	GE-51	2SA455F	GE-51		
2SA403Y	GE-51	2SA412A	GE-51	2SA426	GE-53	2SA434	GE-51	2SA440GN	GE-51	2SA455G	GE-51		
2SA404	GE-1	2SA412B	GE-51	2SA426GN	GE-51	2SA434A	GE-51	2SA440H	GE-51	2SA455GN	GE-51		
2SA404A	GE-51	2SA412C	GE-51	2SA427	GE-50	2SA434B	GE-51	2SA440J	GE-51	2SA455H	GE-51		
2SA404B	GE-51	2SA412D	GE-51	2SA427A	GE-51	2SA434C	GE-51	2SA440K	GE-51	2SA455J	GE-51		
2SA404C	GE-51	2SA412E	GE-51	2SA427B	GE-51	2SA434D	GE-51	2SA440L	GE-51	2SA455K	GE-51		
2SA404D	GE-51	2SA412F	GE-51	2SA427C	GE-51	2SA434E	GE-51	2SA440M	GE-51	2SA455L	GE-51		
2SA404E	GE-51	2SA412G	GE-51	2SA427D	GE-51	2SA434F	GE-51	2SA440OR	GE-51	2SA455M	GE-51		
2SA404F	GE-51	2SA412GN	GE-51	2SA427E	GE-51	2SA434G	GE-51	2SA440R	GE-51	2SA455OR	GE-51		
2SA404G	GE-51	2SA412H	GE-51	2SA427F	GE-51	2SA434GN	GE-51	2SA440X	GE-51	2SA455R	GE-51		
2SA404GN	GE-51	2SA412J	GE-51	2SA427G	GE-51	2SA434H	GE-51	2SA440Y	GE-51	2SA455X	GE-51		
2SA404H	GE-51	2SA412K	GE-51	2SA427GN	GE-51	2SA434J	GE-51	2SA446	GE-53	2SA455Y	GE-51		
2SA404K	GE-51	2SA412L	GE-51	2SA427H	GE-51	2SA434K	GE-51	2SA446A	GE-51	2SA456	GE-51		
2SA404L	GE-51	2SA412M	GE-51	2SA427J	GE-51	2SA434L	GE-51	2SA446B	GE-51	2SA456A	GE-51		
2SA404M	GE-51	2SA412OR	GE-51	2SA427K	GE-51	2SA434M	GE-51	2SA446C	GE-51	2SA456B	GE-51		
2SA404OR	GE-51	2SA412R	GE-51	2SA427L	GE-51	2SA434OR	GE-51	2SA446D	GE-51	2SA456C	GE-51		
2SA404R	GE-51	2SA412X	GE-51	2SA427M	GE-51	2SA434R	GE-51	2SA446E	GE-51	2SA456D	GE-51		
2SA404X	GE-51	2SA412Y	GE-51	2SA427OR	GE-51	2SA434S	GE-51	2SA446F	GE-51	2SA456E	GE-51		
2SA404Y	GE-51	2SA413	GE-51	2SA427R	GE-51	2SA434Y	GE-51	2SA446G	GE-51	2SA456F	GE-51		
2SA405	GE-51	2SA414	GE-1	2SA427X	GE-51	2SA435	GE-50	2SA446GN	GE-51	2SA456G	GE-51		
2SA406	GE-1	2SA414A	GE-51	2SA427Y	GE-51	2SA435A	GE-50	2SA446H	GE-51	2SA456GN	GE-51		
2SA406A	GE-51	2SA414B	GE-51	2SA428	GE-50	2SA435B	GE-50	2SA446J	GE-51	2SA456H	GE-51		
2SA406B	GE-51	2SA414C	GE-51	2SA428A	GE-51	2SA435C	GE-51	2SA446K	GE-51	2SA456J	GE-51		
2SA406C	GE-51	2SA414D	GE-51	2SA428B	GE-51	2SA435D	GE-51	2SA446L	GE-51	2SA456K	GE-51		
2SA406D	GE-51	2SA414E	GE-51	2SA428C	GE-51	2SA435E	GE-51	2SA446M	GE-51	2SA456L	GE-51		
2SA406E	GE-51	2SA414F	GE-51	2SA428D	GE-51	2SA435F	GE-51	2SA446OR	GE-51	2SA456M	GE-51		
2SA406F	GE-51	2SA414G	GE-51	2SA428E	GE-51	2SA435G	GE-51	2SA446R	GE-51	2SA456OR	GE-51		
2SA406G	GE-51	2SA414GN	GE-51	2SA428F	GE-51	2SA435GN	GE-51	2SA446S	GE-51	2SA456R	GE-51		
2SA406GN	GE-51	2SA414H	GE-51	2SA428G	GE-51	2SA435H	GE-51	2SA446T	GE-51	2SA456X	GE-51		
2SA406H	GE-51	2SA414J	GE-51	2SA428GN	GE-51	2SA435J	GE-51	2SA447	GE-50	2SA456Y	GE-51		
2SA406J	GE-51	2SA414K	GE-51	2SA428H	GE-51	2SA435L	GE-51	2SA447A	GE-51	2SA457	GE-51		
2SA406K	GE-51	2SA414L	GE-51	2SA428J	GE-51	2SA435M	GE-51	2SA447B	GE-51	2SA457A	GE-51		
2SA406L	GE-51	2SA414M	GE-51	2SA428K	GE-51	2SA435OR	GE-51	2SA447C	GE-51	2SA457B	GE-51		
2SA406M	GE-51	2SA414OR	GE-51	2SA428L	GE-51	2SA435R	GE-51	2SA447D	GE-51	2SA457C	GE-51		
2SA406OR	GE-51	2SA414R	GE-51	2SA428M	GE-51	2SA435X	GE-51	2SA447E	GE-51	2SA457D	GE-51		
2SA406R	GE-51	2SA414X	GE-51	2SA428OR	GE-51	2SA435Y	GE-51	2SA447F	GE-51	2SA457E	GE-51		
2SA406X	GE-51	2SA415	GE-1	2SA428R	GE-51	2SA436	GE-50	2SA447G	GE-51	2SA457F	GE-51		
2SA406Y	GE-51	2SA415A	GE-51	2SA428X	GE-51	2SA436A	GE-51	2SA447GN	GE-51	2SA457G	GE-51		
2SA407	GE-1	2SA415B	GE-51	2SA429	GE-51	2SA436B	GE-51	2SA447H	GE-51	2SA457GN	GE-51		
2SA407A	GE-51	2SA415C	GE-51	2SA429	GE-51	2SA436C	GE-51	2SA447J	GE-51	2SA457H	GE-51		
2SA407B	GE-51	2SA415D	GE-51	2SA429A	GE-89	2SA436D	GE-51	2SA447K	GE-51	2SA457J	GE-51		
2SA407C	GE-51	2SA415E	GE-51	2SA429B	GE-89	2SA436E	GE-51	2SA447L	GE-51	2SA457K	GE-51		
2SA407D	GE-51	2SA415F	GE-51	2SA429C	GE-89	2SA436F	GE-51	2SA447M	GE-51	2SA457L	GE-51		
2SA407E	GE-51	2SA415G	GE-51	2SA429D	GE-89	2SA436G	GE-51	2SA447OR	GE-51	2SA457M	GE-51		
2SA407F	GE-51	2SA415H	GE-51	2SA429E	GE-89	2SA436GN	GE-51	2SA447R	GE-51	2SA457OR	GE-51		
2SA407G	GE-51	2SA415J	GE-51	2SA429F	GE-89	2SA436H	GE-51	2SA447X	GE-51	2SA457R	GE-51		
2SA407GN	GE-51	2SA415K	GE-51	2SA429G	GE-89	2SA436J	GE-51	2SA447Y	GE-51	2SA457X	GE-51		
2SA407H	GE-51	2SA415L	GE-51	2SA429GN	GE-89	2SA436K	GE-51	2SA448	GE-51	2SA457Y	GE-51		
2SA407J	GE-51	2SA415M	GE-51	2SA429H	GE-89	2SA437	GE-50	2SA450	GE-51	2SA463	GE-51		
2SA407K	GE-51	2SA415OR	GE-51	2SA429J	GE-89	2SA437A	GE-51	2SA451	GE-51	2SA465	GE-21		
2SA407L	GE-51	2SA415R	GE-51	2SA429K	GE-89	2SA437B	GE-51	2SA452	GE-51	2SA466	GE-51		
2SA407M	GE-51	2SA415X	GE-51	2SA429L	GE-89	2SA437C	GE-51	2SA453	GE-51	2SA466-2	GE-50		
2SA407OR	GE-51	2SA415Y	GE-51	2SA429M	GE-89	2SA437D	GE-51	2SA453A	GE-51	2SA466-3	GE-50		
2SA407R	GE-51	2SA416	GE-16	2SA429OR	GE-89	2SA437E	GE-51	2SA453B	GE-51	2SA466A	GE-51		
2SA407X	GE-51	2SA416A	GE-3	2SA429R	GE-89	2SA437F	GE-51	2SA453C	GE-51	2SA466B	GE-51		
2SA407Y	GE-51	2SA416B	GE-3	2SA429X	GE-89	2SA437G	GE-51	2SA453D	GE-51	2SA466BLK	GE-51		
2SA408	GE-51	2SA416C	GE-3	2SA429Y	GE-89	2SA437GN	GE-51	2SA453E	GE-51	2SA466BLU	GE-51		
2SA408A	GE-80	2SA416D	GE-3	2SA430	GE-51	2SA437H	GE-51	2SA453F	GE-51	2SA466C	GE-51		
2SA408B	GE-80	2SA416E	GE-3	2SA431	GE-50	2SA437J	GE-51	2SA453G	GE-51	2SA466D	GE-51		
2SA408D	GE-80	2SA416F	GE-3	2SA432	GE-51	2SA437K	GE-51	2SA453GN	GE-51	2SA466E	GE-51		
2SA408E	GE-80	2SA416G	GE-3	2SA432A	GE-51	2SA437L	GE-51	2SA453H	GE-51	2SA466F	GE-51		
2SA408F	GE-80	2SA416GN	GE-3	2SA432B	GE-51	2SA437M	GE-51	2SA453J	GE-51	2SA466G	GE-51		
2SA408GN	GE-80	2SA416H	GE-3	2SA432C	GE-51	2SA437OR	GE-51	2SA453K	GE-51	2SA466GN	GE-51		
2SA408H	GE-80	2SA416J	GE-3	2SA432D	GE-51	2SA437R	GE-51	2SA453L	GE-51	2SA466H	GE-51		
2SA408J	GE-80	2SA416K	GE-3	2SA432E	GE-51	2SA437X	GE-51	2SA453M	GE-51	2SA466J	GE-51		
2SA408K	GE-80	2SA416L	GE-3	2SA432F	GE-51	2SA437Y	GE-51	2SA453OR	GE-51	2SA466K	GE-51		
2SA408L	GE-80	2SA416M	GE-3	2SA432G	GE-51	2SA438	GE-50	2SA453R	GE-51	2SA466L	GE-51		
2SA408M	GE-80	2SA416OR	GE-3	2SA432GN	GE-51	2SA438A	GE-51	2SA453X	GE-51	2SA466M	GE-51		
2SA408OR	GE-80	2SA416R	GE-3	2SA432H	GE-51	2SA438B	GE-51	2SA453Y	GE-51	2SA466OR	GE-51		
2SA408R	GE-80	2SA416X	GE-3	2SA432K	GE-51	2SA438C	GE-51	2SA454	GE-51	2SA466R	GE-51		
2SA408X	GE-80	2SA416Y	GE-3	2SA432L	GE-51	2SA438D	GE-51	2SA454A	GE-51	2SA466X	GE-51		
2SA408Y	GE-80	2SA417	GE-51	2SA432M	GE-51	2SA438E	GE-51	2SA454B	GE-51	2SA466Y	GE-51		
2SA409	GE-51	2SA419	GE-51	2SA432OR	GE-51	2SA438F	GE-51	2SA454C	GE-51	2SA466YEL	GE-51		
2SA409A	GE-80	2SA420	GE-60	2SA432R	GE-51	2SA438G	GE-51	2SA454D	GE-51	2SA467	GE-21		
2SA409B	GE-80	2SA420A	GE-51	2SA432X	GE-51	2SA438GN	GE-51	2SA454E	GE-51	2SA467A	GE-89		
2SA409C	GE-80	2SA420B	GE-51	2SA432Y	GE-51	2SA438H	GE-51	2SA454F	GE-51	2SA467B	GE-89		
2SA409D	GE-80	2SA420C	GE-51	2SA433	GE-51	2SA438J	GE-51	2SA454G	GE-51	2SA467C	GE-89		
2SA409E	GE-80	2SA420D	GE-51	2SA433A	GE-51	2SA438K	GE-51	2SA454GN	GE-51	2SA467D	GE-89		
2SA409F	GE-80	2SA420E	GE-51	2SA433B	GE-51	2SA438L	GE-51	2SA454H	GE-51	2SA467E	GE-89		
2SA409G	GE-80	2SA420F	GE-51	2SA433C	GE-51	2SA438M	GE-51	2SA454J	GE-51	2SA467F	GE-89		
2SA409GN	GE-80	2SA420G	GE-51	2SA433D	GE-51	2SA438OR	GE-51	2SA454K	GE-51	2SA467G	GE-89		
2SA409H	GE-80	2SA420H	GE-51	2SA433E	GE-51	2SA438R	GE-51	2SA454L	GE-51	2SA467GN	GE-89		
2SA409J	GE-80	2SA420J	GE-51	2SA433F	GE-51	2SA438S	GE-51	2SA454OR	GE-51	2SA467H	GE-89		
2SA409K	GE-80	2SA420K	GE-51	2SA433G	GE-51	2SA438T	GE-51	2SA454R	GE-51	2SA467J	GE-89		
2SA409L	GE-80	2SA420L	GE-51	2SA433GN	GE-51	2SA440	GE-51	2SA454X	GE-51	2SA467K	GE-89		
2SA409M	GE-80	2SA420M	GE-51	2SA433H	GE-51	2SA440A	GE-50	2SA454Y	GE-51	2SA467L	GE-89		
2SA409OR	GE-80	2SA420	GE-51	2SA433K	GE-51	2SA440AL	GE-51	2SA455	GE-51	2SA467M	GE-89		

UNIVERSAL REPLACEMENT SEMICONDUCTORS

2SA513H - 2SA666C

JEDEC Or Part Nr	GE Replacement	JEDEC Or Part Nr	GE Replacement	JEDEC Or Part Nr	GE Replacement	JEDEC Or Part Nr	GE Replacement	JEDEC Or Part Nr	GE Replacement	JEDEC Or Part Nr	GE Replacement	JEDEC Or Part Nr	GE Replacement
2SA513H	GE-89	2SA538	GE-53	2SA550AB	GE-89	2SA565M	GE-89	2SA603H	GE-89	2SA628J	GE-89	2SA628J	GE-89
2SA513J	GE-89	2SA539	GE-82	2SA550B	GE-89	2SA565OR	GE-89	2SA603J	GE-89	2SA628K	GE-89	2SA628K	GE-89
2SA513K	GE-89	2SA539(K)	GE-21	2SA550BL	GE-89	2SA565R	GE-89	2SA603K	GE-89	2SA628L	GE-89	2SA628L	GE-89
2SA513L	GE-89	2SA539	GE-21	2SA550C	GE-89	2SA565X	GE-89	2SA603L	GE-89	2SA628M	GE-89	2SA628M	GE-89
2SA513M	GE-89	2SA539(M)	GE-21	2SA550D	GE-89	2SA565Y	GE-89	2SA603M	GE-89	2SA628OR	GE-89	2SA628OR	GE-89
2SA513-O	GE-89	2SA539A	GE-89	2SA550Q	GE-22	2SA567	GE-82	2SA603OR	GE-89	2SA628R	GE-89	2SA628R	GE-89
2SA513-O	GE-89	2SA539B	GE-89	2SA550R	GE-22	2SA567A	GE-89	2SA603R	GE-89	2SA628S	GE-89	2SA628S	GE-89
2SA513-OR	GE-89	2SA539C	GE-89	2SA550S	GE-22	2SA567B	GE-89	2SA603X	GE-89	2SA628Y	GE-89	2SA628Y	GE-89
2SA513OR	GE-89	2SA539D	GE-89	2SA550Y	GE-89	2SA567C	GE-89	2SA603Y	GE-89	2SA629	GE-89	2SA629	GE-89
2SA513-R	GE-89	2SA539E	GE-89	2SA552	GE-21	2SA567D	GE-89	2SA604	GE-27	2SA629A	GE-89	2SA629A	GE-89
2SA513R	GE-89	2SA539F	GE-89	2SA561	GE-82	2SA567E	GE-89	2SA605	GE-27	2SA629B	GE-89	2SA629B	GE-89
2SA513-RD	GE-89	2SA539G	GE-89	2SA561-0	GE-89	2SA567F	GE-89	2SA607	GE-89	2SA629C	GE-89	2SA629C	GE-89
2SA513X	GE-89	2SA539GM	GE-89	2SA561-0	GE-89	2SA567G	GE-89	2SA607A	GE-89	2SA629D	GE-89	2SA629D	GE-89
2SA513Y	GE-89	2SA539H	GE-89	2SA561GR	GE-89	2SA567GN	GE-89	2SA607B	GE-89	2SA629E	GE-89	2SA629E	GE-89
2SA517	GE-89	2SA539J	GE-89	2SA561-GRN	GE-48	2SA567GR	GE-89	2SA607C	GE-89	2SA629F	GE-89	2SA629F	GE-89
2SA518	GE-51	2SA539K	GE-89	2SA561-OR	GE-89	2SA567H	GE-89	2SA607D	GE-89	2SA629G	GE-89	2SA629G	GE-89
2SA518A	GE-51	2SA539	GE-89	2SA561-ORG	GE-82	2SA567J	GE-89	2SA607E	GE-89	2SA629GN	GE-89	2SA629GN	GE-89
2SA518B	GE-51	2SA539L	GE-89	2SA561-R	GE-89	2SA567K	GE-89	2SA607F	GE-89	2SA629H	GE-89	2SA629H	GE-89
2SA518C	GE-51	2SA539	GE-89	2SA561-RD	GE-89	2SA567L	GE-89	2SA607G	GE-89	2SA629J	GE-89	2SA629J	GE-89
2SA518D	GE-51	2SA539M	GE-21	2SA561-RED	GE-82	2SA567M	GE-89	2SA607GM	GE-89	2SA629K	GE-89	2SA629K	GE-89
2SA518E	GE-51	2SA539OR	GE-89	2SA561Y	GE-22	2SA567OR	GE-89	2SA607H	GE-89	2SA629L	GE-89	2SA629L	GE-89
2SA518F	GE-51	2SA539R	GE-89	2SA561-Y	GE-89	2SA567R	GE-89	2SA607J	GE-89	2SA629M	GE-89	2SA629M	GE-89
2SA518-G	GE-51	2SA539X	GE-89	2SA561-YEL	GE-82	2SA567X	GE-89	2SA607K	GE-89	2SA629OR	GE-89	2SA629OR	GE-89
2SA518GN	GE-51	2SA539Y	GE-89	2SA561-YL	GE-89	2SA567Y	GE-89	2SA607L	GE-89	2SA629R	GE-89	2SA629R	GE-89
2SA518H	GE-51	2SA542	GE-65	2SA562	GE-82	2SA568	GE-82	2SA607M	GE-89	2SA629S	GE-89	2SA629S	GE-89
2SA518J	GE-51	2SA542A	GE-89	2SA562	GE-21	2SA568A	GE-89	2SA607OR	GE-89	2SA629Y	GE-89	2SA629Y	GE-89
2SA518K	GE-51	2SA542B	GE-89	2SA562-0	GE-89	2SA568B	GE-89	2SA607R	GE-89	2SA634(M)	GE-29	2SA634(M)	GE-29
2SA518L	GE-51	2SA542C	GE-89	2SA562GR	GE-89	2SA568C	GE-89	2SA607S	GE-89	2SA634(L)	GE-29	2SA634(L)	GE-29
2SA518M	GE-51	2SA542D	GE-89	2SA562-GRN	GE-48	2SA568D	GE-89	2SA607T	GE-89	2SA636(L)	GE-29	2SA636(L)	GE-29
2SA518OR	GE-51	2SA542E	GE-89	2SA562-OR	GE-89	2SA568E	GE-89	2SA608	GE-65	2SA636(M)	GE-29	2SA636(M)	GE-29
2SA518R	GE-51	2SA542F	GE-89	2SA562-ORG	GE-82	2SA568F	GE-89	2SA608(F)	GE-20	2SA636(M)	GE-29	2SA636(M)	GE-29
2SA518X	GE-51	2SA542G	GE-89	2SA562-R	GE-89	2SA568G	GE-89	2SA608(D)	GE-20	2SA636(L)	GE-29	2SA636(L)	GE-29
2SA518Y	GE-51	2SA542GM	GE-89	2SA562-RD	GE-89	2SA568GN	GE-89	2SA608-0	GE-89	2SA636	GE-29	2SA636	GE-29
2SA522	GE-22	2SA542H	GE-89	2SA562-RED	GE-82	2SA568H	GE-89	2SA608A	GE-89	2SA638(F)	GE-22	2SA638(F)	GE-22
2SA522A	GE-21	2SA542J	GE-89	2SA562Y	GE-22	2SA568J	GE-89	2SA608B	GE-89	2SA640(M)	GE-29	2SA640(M)	GE-29
2SA522AL	GE-89	2SA542K	GE-89	2SA562-YE	GE-89	2SA568K	GE-89	2SA608BBL	GE-89	2SA640	GE-65	2SA640	GE-65
2SA522B	GE-89	2SA542L	GE-89	2SA562-YEL	GE-82	2SA568L	GE-89	2SA608-C	GE-89	2SA641	GE-21	2SA641	GE-21
2SA522C	GE-89	2SA542M	GE-89	2SA564(T)	GE-21	2SA568M	GE-89	2SA608C	GE-89	2SA641	GE-65	2SA641	GE-65
2SA522D	GE-89	2SA542OR	GE-89	2SA564(O)	GE-21	2SA568OR	GE-89	2SA608D(F)	GE-22	2SA641	GE-89	2SA641	GE-89
2SA522E	GE-89	2SA542R	GE-89	2SA564(P)	GE-22	2SA568R	GE-89	2SA608E	GE-21	2SA641A	GE-89	2SA641A	GE-89
2SA522F	GE-89	2SA542X	GE-89	2SA564(O)	GE-21	2SA568X	GE-89	2SA608-E	GE-89	2SA641B	GE-89	2SA641B	GE-89
2SA522G	GE-89	2SA542Y	GE-89	2SA564(R)	GE-21	2SA568Y	GE-89	2SA608F	GE-89	2SA641BL	GE-89	2SA641BL	GE-89
2SA522GN	GE-89	2SA543	GE-65	2SA564(Q)	GE-21	2SA569	GE-82	2SA608G	GE-89	2SA641C	GE-89	2SA641C	GE-89
2SA522H	GE-89	2SA544	GE-21	2SA564	GE-85	2SA569A	GE-89	2SA608GN	GE-89	2SA641D	GE-89	2SA641D	GE-89
2SA522J	GE-89	2SA544A	GE-89	2SA564(O)	GE-21	2SA569B	GE-89	2SA608H	GE-89	2SA641E	GE-89	2SA641E	GE-89
2SA522K	GE-89	2SA544B	GE-89	2SA564-0	GE-89	2SA569C	GE-89	2SA608J	GE-89	2SA641GR	GE-89	2SA641GR	GE-89
2SA522L	GE-89	2SA544C	GE-89	2SA564-0	GE-89	2SA569D	GE-89	2SA608K	GE-89	2SA641K	GE-89	2SA641K	GE-89
2SA522M	GE-89	2SA544D	GE-89	2SA564 A	GE-65	2SA569E	GE-89	2SA608L	GE-89	2SA641L	GE-89	2SA641L	GE-89
2SA522OR	GE-89	2SA544E	GE-89	2SA564 A	GE-65	2SA569F	GE-89	2SA608M	GE-89	2SA641M	GE-89	2SA641M	GE-89
2SA522R	GE-89	2SA544F	GE-89	2SA564ABQ	GE-89	2SA569G	GE-89	2SA608OR	GE-89	2SA641OR	GE-89	2SA641OR	GE-89
2SA522X	GE-89	2SA544G	GE-89	2SA564ABQ-1	GE-89	2SA569GN	GE-89	2SA608P	GE-89	2SA641R	GE-89	2SA641R	GE-89
2SA522Y	GE-89	2SA544GN	GE-89	2SA564AL	GE-89	2SA569H	GE-89	2SA608R	GE-89	2SA641S	GE-89	2SA641S	GE-89
2SA525	GE-21	2SA544H	GE-89	2SA564B	GE-89	2SA569I	GE-89	2SA608S	GE-89	2SA642	GE-21	2SA642	GE-21
2SA525A	GE-51	2SA544J	GE-89	2SA564C	GE-89	2SA569K	GE-89	2SA608Y	GE-89	2SA642	GE-82	2SA642	GE-82
2SA525B	GE-51	2SA544K	GE-89	2SA564D	GE-89	2SA569L	GE-89	2SA609	GE-65	2SA642A	GE-89	2SA642A	GE-89
2SA525C	GE-51	2SA544L	GE-89	2SA564E	GE-89	2SA569M	GE-89	2SA609A	GE-89	2SA642B	GE-89	2SA642B	GE-89
2SA525D	GE-51	2SA544M	GE-89	2SA564F	GE-89	2SA569OR	GE-89	2SA609B	GE-89	2SA642C	GE-89	2SA642C	GE-89
2SA525E	GE-51	2SA544OR	GE-89	2SA564FO	GE-89	2SA569R	GE-89	2SA609C	GE-89	2SA642D	GE-89	2SA642D	GE-89
2SA525F	GE-51	2SA544R	GE-89	2SA564FQ-1	GE-89	2SA569X	GE-89	2SA609D	GE-89	2SA642E	GE-89	2SA642E	GE-89
2SA525GN	GE-51	2SA544X	GE-89	2SA564G	GE-89	2SA569Y	GE-89	2SA609E	GE-21	2SA642F	GE-89	2SA642F	GE-89
2SA525H	GE-51	2SA544Y	GE-89	2SA564GN	GE-89	2SA570	GE-82	2SA609G	GE-89	2SA642G	GE-89	2SA642G	GE-89
2SA525J	GE-51	2SA545	GE-82	2SA564H	GE-89	2SA570A	GE-89	2SA609GN	GE-89	2SA642GN	GE-89	2SA642GN	GE-89
2SA525K	GE-51	2SA545A	GE-89	2SA564J	GE-89	2SA570B	GE-89	2SA609J	GE-89	2SA642H	GE-89	2SA642H	GE-89
2SA525L	GE-51	2SA545B	GE-89	2SA564K	GE-89	2SA570C	GE-89	2SA609K	GE-89	2SA642I	GE-89	2SA642I	GE-89
2SA525M	GE-51	2SA545C	GE-89	2SA564L	GE-89	2SA570D	GE-89	2SA609L	GE-89	2SA642K	GE-89	2SA642K	GE-89
2SA525OR	GE-51	2SA545D	GE-89	2SA564M	GE-89	2SA570E	GE-89	2SA609M	GE-89	2SA642L	GE-89	2SA642L	GE-89
2SA525R	GE-51	2SA545E	GE-89	2SA564-OR	GE-89	2SA570F	GE-89	2SA609OR	GE-89	2SA642M	GE-89	2SA642M	GE-89
2SA525X	GE-51	2SA545F	GE-89	2SA564OR	GE-89	2SA570G	GE-89	2SA609R	GE-89	2SA642OR	GE-89	2SA642OR	GE-89
2SA525Y	GE-51	2SA545G	GE-89	2SA564P	GE-21	2SA570GN	GE-21	2SA609S	GE-89	2SA642R	GE-89	2SA642R	GE-89
2SA527	GE-89	2SA545GN	GE-89	2SA564Q	GE-21	2SA570H	GE-89	2SA609Y	GE-89	2SA642S	GE-21	2SA642S	GE-17
2SA528	GE-89	2SA545H	GE-89	2SA564QP	GE-89	2SA570J	GE-89	2SA609A	GE-89	2SA642X	GE-89	2SA642X	GE-89
2SA530	GE-21	2SA545J	GE-89	2SA564R	GE-21	2SA570K	GE-89	2SA611	GE-21	2SA642Y	GE-89	2SA642Y	GE-89
2SA530A	GE-89	2SA545K	GE-21	2SA564S	GE-21	2SA570L	GE-89	2SA612	GE-22	2SA642Z	GE-89	2SA642Z	GE-89
2SA530B	GE-89	2SA545L	GE-21	2SA564T	GE-21	2SA570M	GE-89	2SA613	GE-26	2SA643	GE-82	2SA643	GE-82
2SA530C	GE-89	2SA545LM	GE-21	2SA564X	GE-21	2SA570N	GE-89	2SA614	GE-89	2SA643(W)	GE-67	2SA643(W)	GE-67
		2SA545L	GE-21	2SA564X	GE-89	2SA570OR	GE-89	2SA616(1,2)	GE-26	2SA643(V,R)	GE-67	2SA643(V,R)	GE-67
2SA530D	GE-89	2SA545M	GE-89	2SA564Y	GE-89	2SA570R	GE-89	2SA617K	GE-65	2SA659(E)	GE-21	2SA659(E)	GE-21
2SA530E	GE-89	2SA545OR	GE-89	2SA565(D,C)	GE-21	2SA570X	GE-21	2SA618K	GE-65	2SA659	GE-82	2SA659	GE-82
2SA530F	GE-89	2SA545R	GE-89	2SA565(D,C)	GE-21	2SA570Y	GE-89	2SA623	GE-29	2SA659	GE-21	2SA659	GE-21
2SA530G	GE-89	2SA545S	GE-89	2SA565A	GE-89	2SA572Y	GE-89	2SA624	GE-29	2SA659A	GE-89	2SA659A	GE-89
2SA530GN	GE-89	2SA545Y	GE-89	2SA565AB	GE-89	2SA578	GE-65	2SA628(F)	GE-21	2SA659B	GE-89	2SA659B	GE-89
2SA530GR	GE-89	2SA548	GE-87	2SA565B	GE-21	2SA579	GE-65	2SA628(EF)	GE-21	2SA659F	GE-89	2SA659F	GE-89
2SA530H	GE-21	2SA547	GE-89	2SA565BA	GE-89	2SA584	GE-21	2SA628	GE-65	2SA659G	GE-89	2SA659G	GE-89
2SA530H1	GE-89	2SA548	GE-21	2SA565C	GE-21	2SA587	GE-29	2SA628A					

UNIVERSAL REPLACEMENT SEMICONDUCTORS

2SA666D - 2SB35GN

JEDEC Or Part Nr	GE Replacement	JEDEC Or Part Nr	GE Replacement	JEDEC Or Part Nr	GE Replacement	JEDEC Or Part Nr	GE Replacement	JEDEC Or Part Nr	GE Replacement	JEDEC Or Part Nr	GE Replacement	JEDEC Or Part Nr	GE Replacement
2SA668D	GE-89	2SA699AP	GE-89	2SA5670	GE-89	2SB20H	GE-25	2SB25H	GE-25	2SB30K	GE-25		
2SA668E	GE-89	2SA699P	GE-89	2SA5670R	GE-89	2SB20J	GE-25	2SB25J	GE-25	2SB30L	GE-25		
2SA668H	GE-89	2SA700(B)	GE-29	2SA5680	GE-89	2SB20K	GE-25	2SB20K	GE-25	2SB30M	GE-25		
2SA668QRS	GE-21	2SA700	GE-29	2SA5680R	GE-89	2SB20L	GE-25	2SB25L	GE-25	2SB30OR	GE-25		
2SA668QRS	GE-21	2SA701	GE-65	2SA5690	GE-89	2SB20M	GE-25	2SB25M	GE-25	2SB30R	GE-25		
2SA668R	GE-89	2SA701F	GE-21	2SA5690R	GE-89	2SB20OR	GE-25	2SB25OR	GE-25	2SB30X	GE-25		
2SA668S	GE-21	2SA702	GE-65	2SA6111	GE-21	2SB20R	GE-25	2SB25R	GE-25	2SB30Y	GE-25		
2SA666Y	GE-89	2SA703	GE-20	2SAJ15GN	GE-51	2SB20X	GE-25	2SB25X	GE-25	2SB31	GE-49		
2SA672	GE-82	2SA704	GE-48	2SAU03H	GE-51	2SB20Y	GE-25	2SB25Y	GE-25	2SB31A	GE-25		
2SA673(D)	GE-21	2SA704A	GE-89	2SAUJ	GE-80	2SB21	GE-2	2SB26	GE-16	2SB31B	GE-25		
2SA673(B)	GE-87	2SA704B	GE-89	2SB-F1A	GE-53	2SB21A	GE-25	2SB26A	GE-16	2SB31C	GE-25		
2SA673	GE-48	2SA704C	GE-89	2SB13	GE-7	2SB21B	GE-25	2SB26B	GE-25	2SB31D	GE-25		
2SA673A	GE-48	2SA704D	GE-89	2SB15	GE-53	2SB21C	GE-25	2SB26C	GE-25	2SB31E	GE-25		
2SA673A(C)	GE-21	2SA704E	GE-89	2SB16A	GE-4	2SB21D	GE-25	2SB26D	GE-25	2SB31F	GE-25		
2SA673AK	GE-48	2SA704F	GE-89	2SB16B	GE-4	2SB21E	GE-25	2SB26E	GE-25	2SB31G	GE-25		
2SA673AS(C)	GE-21	2SA704G	GE-89	2SB16C	GE-4	2SB21F	GE-25	2SB26F	GE-25	2SB31GN	GE-25		
2SA673B	GE-87	2SA704GN	GE-89	2SB16D	GE-4	2SB21G	GE-25	2SB26G	GE-25	2SB31H	GE-25		
2SA673C	GE-87	2SA704H	GE-89	2SB16E	GE-4	2SB21GN	GE-25	2SB26GN	GE-25	2SB31J	GE-25		
2SA673D	GE-89	2SA704J	GE-89	2SB16F	GE-4	2SB21H	GE-25	2SB26H	GE-25	2SB31K	GE-25		
2SA673E	GE-89	2SA704K	GE-89	2SB16G	GE-4	2SB21J	GE-25	2SB26J	GE-25	2SB31L	GE-25		
2SA673F	GE-89	2SA704L	GE-89	2SB16GN	GE-4	2SB21K	GE-25	2SB26K	GE-25	2SB31M	GE-25		
2SA673G	GE-89	2SA704M	GE-89	2SB16H	GE-4	2SB21L	GE-25	2SB26L	GE-25	2SB31OR	GE-25		
2SA673GN	GE-89	2SA704OR	GE-89	2SB16J	GE-4	2SB21M	GE-25	2SB26M	GE-25	2SB31R	GE-25		
2SA673H	GE-89	2SA704R	GE-89	2SB16K	GE-4	2SB21OR	GE-25	2SB26OR	GE-25	2SB31X	GE-25		
2SA673J	GE-89	2SA704X	GE-89	2SB16L	GE-4	2SB21R	GE-25	2SB26R	GE-25	2SB31Y	GE-25		
2SA673K	GE-89	2SA704Y	GE-89	2SB16M	GE-4	2SB21X	GE-25	2SB26X	GE-25	2SB32	GE-2		
2SA673L	GE-89	2SA705	GE-48	2SB16OR	GE-4	2SB21Y	GE-25	2SB26Y	GE-25	2SB32-0	GE-2		
2SA673M	GE-89	2SA705A	GE-89	2SB16R	GE-4	2SB22	GE-53	2SB27	GE-49	2SB32-1	GE-2		
2SA673OR	GE-89	2SA705B	GE-89	2SB16X	GE-4	2SB22/09-30100	GE-53	2SB27A	GE-25	2SB32-2	GE-2		
2SA673R	GE-89	2SA705C	GE-89	2SB16Y	GE-4	2SB22A	GE-52	2SB27B	GE-25	2SB32A	GE-53		
2SA673X	GE-89	2SA705D	GE-89	2SB17A	GE-4	2SB22B	GE-52	2SB27C	GE-25	2SB32B	GE-53		
2SA673Y	GE-89	2SA705E	GE-89	2SB17B	GE-4	2SB22C	GE-53	2SB27D	GE-25	2SB32C	GE-53		
2SA675	GE-82	2SA705F	GE-89	2SB17C	GE-4	2SB22D	GE-53	2SB27E	GE-25	2SB32D	GE-53		
2SA677	GE-48	2SA705G	GE-89	2SB17D	GE-4	2SB22E	GE-53	2SB27F	GE-25	2SB32E	GE-53		
2SA677-0	GE-89	2SA705GN	GE-89	2SB17E	GE-4	2SB22F	GE-53	2SB27G	GE-25	2SB32F	GE-53		
2SA677A	GE-89	2SA705H	GE-89	2SB17F	GE-4	2SB22G	GE-53	2SB27GN	GE-25	2SB32G	GE-53		
2SA677B	GE-89	2SA705J	GE-89	2SB17G	GE-4	2SB22GN	GE-53	2SB27H	GE-25	2SB32GN	GE-53		
2SA677C	GE-89	2SA705K	GE-89	2SB17GN	GE-4	2SB22H	GE-53	2SB27J	GE-25	2SB32H	GE-53		
2SA677D	GE-89	2SA705L	GE-89	2SB17H	GE-4	2SB22J	GE-53	2SB27K	GE-25	2SB32J	GE-53		
2SA677E	GE-89	2SA705M	GE-89	2SB17J	GE-4	2SB22K	GE-53	2SB27L	GE-25	2SB32K	GE-53		
2SA677F	GE-89	2SA705OR	GE-89	2SB17K	GE-4	2SB22L	GE-53	2SB27M	GE-25	2SB32M	GE-53		
2SA677G	GE-89	2SA705R	GE-89	2SB17L	GE-4	2SB22M	GE-53	2SB27OR	GE-25	2SB32OR	GE-53		
2SA677GN	GE-89	2SA705X	GE-89	2SB17M	GE-4	2SB22OR	GE-53	2SB27R	GE-25	2SB32R	GE-53		
2SA677H	GE-89	2SA705Y	GE-89	2SB17OR	GE-4	2SB22P	GE-53	2SB27X	GE-25	2SB32X	GE-53		
2SA677J	GE-89	2SA706	GE-89	2SB17R	GE-4	2SB22R	GE-53	2SB27Y	GE-25	2SB32Y	GE-53		
2SA677K	GE-89	2SA707	GE-67	2SB17X	GE-4	2SB22X	GE-53	2SB28	GE-49	2SB33	GE-52		
2SA677L	GE-89	2SA715	GE-58	2SB17Y	GE-4	2SB22Y	GE-53	2SB28A	GE-25	2SB33-4	GE-2		
2SA677M	GE-89	2SA715WT(C,B)	GE-67	2SB18A	GE-4	2SB23	GE-2	2SB28B	GE-25	2SB33A	GE-53		
2SA677OR	GE-89	2SA719	GE-21	2SB18B	GE-4	2SB23A	GE-53	2SB28C	GE-25	2SB33B	GE-53		
2SA677R	GE-89	2SA719(Q)	GE-58	2SB18C	GE-4	2SB23B	GE-53	2SB28D	GE-25	2SB33BK	GE-53		
2SA677X	GE-89	2SA719S	GE-21	2SB18D	GE-4	2SB23C	GE-53	2SB28E	GE-25	2SB33C	GE-52		
2SA677Y	GE-89	2SA720	GE-21	2SB18E	GE-4	2SB23D	GE-53	2SB28F	GE-25	2SB33D	GE-53		
2SA678	GE-48	2SA720A	GE-89	2SB18F	GE-4	2SB23E	GE-53	2SB28G	GE-25	2SB33E	GE-52		
2SA678(C)	GE-22	2SA720B	GE-89	2SB18G	GE-4	2SB23F	GE-53	2SB28GN	GE-25	2SB33F	GE-52		
2SA678A	GE-89	2SA720C	GE-89	2SB18GN	GE-4	2SB23G	GE-53	2SB28H	GE-25	2SB33G	GE-53		
2SA678B	GE-89	2SA720D	GE-89	2SB18H	GE-4	2SB23GN	GE-53	2SB28J	GE-25	2SB33GN	GE-53		
2SA678C	GE-89	2SA720L	GE-89	2SB18J	GE-4	2SB23H	GE-53	2SB28K	GE-25	2SB33H	GE-53		
2SA678D	GE-89	2SA720Q	GE-22	2SB18K	GE-4	2SB23J	GE-53	2SB28L	GE-25	2SB33J	GE-53		
2SA678E	GE-89	2SA720Q,R,S	GE-22	2SB18L	GE-4	2SB23K	GE-53	2SB28M	GE-25	2SB33K	GE-53		
2SA678F	GE-89	2SA720R	GE-21	2SB18LA	GE-53	2SB23L	GE-53	2SB28OR	GE-25	2SB33L	GE-53		
2SA678G	GE-89	2SA720S	GE-22	2SB18M	GE-4	2SB23M	GE-53	2SB28R	GE-25	2SB33M	GE-53		
2SA678GN	GE-89	2SA720Y	GE-89	2SB18OR	GE-4	2SB23OR	GE-53	2SB28X	GE-25	2SB33OR	GE-53		
2SA678H	GE-89	2SA725	GE-65	2SB18R	GE-4	2SB23R	GE-53	2SB28Y	GE-25	2SB33R	GE-53		
2SA678J	GE-89	2SA726	GE-65	2SB18X	GE-4	2SB23X	GE-53	2SB29	GE-49	2SB33X	GE-53		
2SA678K	GE-89	2SA730	GE-21	2SB18Y	GE-4	2SB23Y	GE-53	2SB29A	GE-25	2SB33Y	GE-53		
2SA678L	GE-89	2SA731	GE-21	2SB19	GE-16	2SB24	GE-2	2SB29B	GE-25	2SB34	GE-53		
2SA678M	GE-89	2SA733(P)	GE-22	2SB19A	GE-25	2SB24A	GE-53	2SB29C	GE-25	2SB34A	GE-53		
2SA678OR	GE-89	2SA733	GE-65	2SB19B	GE-25	2SB24B	GE-53	2SB29D	GE-25	2SB34B	GE-53		
2SA678R	GE-89	2SA736	GE-22	2SB19C	GE-25	2SB24C	GE-53	2SB29E	GE-25	2SB34C	GE-53		
2SA678X	GE-89	2SA738(B)	GE-58	2SB19D	GE-25	2SB24D	GE-53	2SB29F	GE-25	2SB34D	GE-53		
2SA678Y	GE-89	2SA741H	GE-65	2SB19E	GE-25	2SB24E	GE-53	2SB29G	GE-25	2SB34E	GE-53		
2SA683	GE-67	2SA742H	GE-21	2SB19F	GE-25	2SB24F	GE-53	2SB29GN	GE-25	2SB34F	GE-53		
2SA683(P,R,Q)	GE-87	2SA751(Q)	GE-67	2SB19G	GE-25	2SB24G	GE-53	2SB29H	GE-25	2SB34G	GE-53		
2SA683(O,R,S)	GE-87	2SA751(P)	GE-67	2SB19GN	GE-25	2SB24GN	GE-53	2SB29J	GE-25	2SB34GN	GE-53		
2SA683(P,R,Q)	GE-87	2SA778AK	GE-65	2SB19H	GE-25	2SB24H	GE-53	2SB29K	GE-25	2SB34H	GE-53		
2SA683S	GE-29	2SA788	GE-65	2SB19J	GE-25	2SB24J	GE-53	2SB29L	GE-25	2SB34J	GE-53		
2SA684(R)	GE-22	2SA787	GE-65	2SB19K	GE-25	2SB24K	GE-53	2SB29M	GE-25	2SB34K	GE-53		
2SA684	GE-58	2SA811	GE-65	2SB19L	GE-25	2SB24L	GE-53	2SB29OR	GE-25	2SB34L	GE-53		
2SA684(R)	GE-22	2SA812	GE-65	2SB19M	GE-25	2SB24M	GE-53	2SB29R	GE-25	2SB34M	GE-53		
2SA685	GE-21	2SA813	GE-21	2SB19OR	GE-25	2SB24OR	GE-53	2SB29X	GE-25	2SB34OR	GE-53		
2SA695	GE-48	2SA1010V	GE-1	2SB19R	GE-25	2SB24R	GE-53	2SB29Y	GE-25	2SB34R	GE-53		
2SA698	GE-82	2SA1018	GE-51	2SB19X	GE-25	2SB24X	GE-53	2SB30	GE-49	2SB34X	GE-53		
2SA697	GE-82	2SA3410A	GE-21	2SB19Y	GE-25	2SB24Y	GE-53	2SB30A	GE-25	2SB34Y	GE-53		
2SA697C	GE-67	2SA3410B	GE-51	2SB20	GE-16	2SB25	GE-16	2SB30B	GE-25	2SB35	GE-52		
2SA699(Q)	GE-29	2SA-4551	GE-51	2SB20A	GE-25	2SB25A	GE-25	2SB30C	GE-25	2SB35A	GE-80		
2SA699	GE-69	2SA-4561	GE-51	2SB20B	GE-25	2SB25B	GE-51	2SB30D	GE-25	2SB35B	GE-80		
2SA699(R)	GE-29	2SA4728	GE-51	2SB20C	GE-25	2SB25C	GE-25	2SB30E	GE-25	2SB35C	GE-80		
2SA699A	GE-69	2SA4930	GE-89	2SB20D	GE-25	2SB25D	GE-25	2SB30F	GE-25	2SB35D	GE-80		
2SA699A(R)	GE-29	2SA4940	GE-89	2SB20E	GE-25	2SB25E	GE-25	2SB30G	GE-25	2SB35E	GE-80		
2SA699A(P)	GE-29	2SA4950	GE-53	2SB20F	GE-25	2SB25F	GE-25	2SB30GN	GE-25	2SB35F	GE-80		
2SA699A(RPQ)	GE-29	2SA4950R	GE-89	2SB20G	GE-25	2SB25G	GE-25	2SB30H	GE-25	2SB35G	GE-80		
2SA699A(RPQ)	GE-29	2SA5620	GE-89	2SB20GN	GE-25	2SB25GN	GE-25	2SB30J	GE-25	2SB35GN	GE-80		

UNIVERSAL REPLACEMENT SEMICONDUCTORS

2SB35H - 2SB69C

JÉDEC Or Part Nr	GE Replacement	JÉDEC Or Part Nr	GE Replacement	JÉDEC Or Part Nr	GE Replacement	JÉDEC Or Part Nr	GE Replacement	JÉDEC Or Part Nr	GE Replacement	JÉDEC Or Part Nr	GE Replacement	JÉDEC Or Part Nr	GE Replacement
2SB35H	GE-80	2SB41K	GE-25	2SB47M	GE-53	2SB52R	GE-53	2SB57R	GE-53	2SB64	GE-25		
2SB35J	GE-80	2SB41L	GE-25	2SB47OR	GE-53	2SB52X	GE-53	2SB57X	GE-53	2SB64A	GE-25		
2SB35K	GE-80	2SB41M	GE-25	2SB47R	GE-53	2SB52Y	GE-53	2SB57Y	GE-53	2SB64B	GE-25		
2SB35L	GE-80	2SB41OR	GE-25	2SB47X	GE-53	2SB53	GE-53	2SB58	GE-53	2SB64C	GE-25		
2SB35M	GE-80	2SB41R	GE-25	2SB47Y	GE-53	2SB53A	GE-53	2SB59	GE-52	2SB64D	GE-25		
2SB35OR	GE-80	2SB41X	GE-25	2SB48	GE-52	2SB53B	GE-53	2SB59A	GE-53	2SB64E	GE-25		
2SB35R	GE-80	2SB41Y	GE-25	2SB48A	GE-53	2SB53C	GE-53	2SB59B	GE-53	2SB64F	GE-25		
2SB35X	GE-80	2SB42	GE-3	2SB48B	GE-53	2SB53D	GE-53	2SB59C	GE-53	2SB64G	GE-25		
2SB35Y	GE-80	2SB42A	GE-25	2SB48C	GE-53	2SB53E	GE-53	2SB59D	GE-53	2SB64H	GE-25		
2SB37	GE-52	2SB42B	GE-25	2SB48D	GE-53	2SB53F	GE-53	2SB59E	GE-53	2SB64J	GE-25		
2SB37A	GE-2	2SB42C	GE-25	2SB48E	GE-53	2SB53G	GE-53	2SB59F	GE-53	2SB64K	GE-25		
2SB37B	GE-2	2SB42D	GE-25	2SB48F	GE-53	2SB53GN	GE-53	2SB59G	GE-53	2SB64L	GE-25		
2SB37C	GE-8	2SB42E	GE-25	2SB48G	GE-53	2SB53H	GE-53	2SB59GN	GE-53	2SB64M	GE-25		
2SB37D	GE-53	2SB42F	GE-25	2SB48GN	GE-53	2SB53J	GE-53	2SB59J	GE-53	2SB64OR	GE-25		
2SB37E	GE-52	2SB42G	GE-25	2SB48H	GE-53	2SB53K	GE-53	2SB59K	GE-53	2SB64R	GE-25		
2SB37F	GE-2	2SB42GN	GE-25	2SB48J	GE-53	2SB53L	GE-53	2SB59L	GE-53	2SB64X	GE-25		
2SB37G	GE-53	2SB42H	GE-25	2SB48K	GE-53	2SB53M	GE-53	2SB59M	GE-53	2SB64Y	GE-25		
2SB37GN	GE-53	2SB42J	GE-25	2SB48L	GE-53	2SB53OR	GE-53	2SB59OR	GE-53	2SB65	GE-52		
2SB37H	GE-53	2SB42K	GE-25	2SB48M	GE-53	2SB53R	GE-53	2SB59R	GE-53	2SB65A	GE-53		
2SB37J	GE-53	2SB42L	GE-25	2SB48OR	GE-53	2SB53X	GE-53	2SB59X	GE-53	2SB65B	GE-53		
2SB37K	GE-53	2SB42M	GE-25	2SB48R	GE-53	2SB53Y	GE-53	2SB59Y	GE-53	2SB65C	GE-53		
2SB37L	GE-53	2SB42OR	GE-25	2SB48X	GE-53	2SB54	GE-52	2SB60	GE-52	2SB65D	GE-53		
2SB37M	GE-53	2SB42R	GE-25	2SB48Y	GE-53	2SB54A	GE-53	2SB60A	GE-52	2SB65F	GE-53		
2SB37OR	GE-53	2SB42X	GE-25	2SB49	GE-52	2SB54B	GE-50	2SB60B	GE-53	2SB65G	GE-53		
2SB37R	GE-53	2SB42Y	GE-25	2SB49A	GE-53	2SB54BA	GE-53	2SB60C	GE-53	2SB65GN	GE-53		
2SB37X	GE-53	2SB43	GE-52	2SB49B	GE-53	2SB54C	GE-53	2SB60D	GE-53	2SB65H	GE-53		
2SB37Y	GE-53	2SB43A	GE-2	2SB49C	GE-53	2SB54D	GE-53	2SB60E	GE-53	2SB65J	GE-53		
2SB38	GE-53	2SB43B	GE-53	2SB49D	GE-53	2SB54E	GE-53	2SB60F	GE-53	2SB65K	GE-53		
2SB38A	GE-53	2SB43C	GE-53	2SB49E	GE-53	2SB54F	GE-53	2SB60G	GE-53	2SB65L	GE-53		
2SB38B	GE-53	2SB43D	GE-53	2SB49F	GE-53	2SB54G	GE-53	2SB60GN	GE-53	2SB65M	GE-53		
2SB38C	GE-53	2SB43E	GE-53	2SB49G	GE-53	2SB54GN	GE-53	2SB60H	GE-53	2SB65OR	GE-53		
2SB38D	GE-53	2SB43F	GE-53	2SB49GN	GE-53	2SB54H	GE-53	2SB60J	GE-53	2SB65R	GE-53		
2SB38E	GE-53	2SB43G	GE-53	2SB49H	GE-53	2SB54J	GE-53	2SB60K	GE-53	2SB65X	GE-53		
2SB38F	GE-53	2SB43GN	GE-53	2SB49J	GE-53	2SB54K	GE-53	2SB60L	GE-53	2SB65Y	GE-53		
2SB38G	GE-53	2SB43H	GE-53	2SB49K	GE-53	2SB54L	GE-53	2SB60M	GE-53	2SB66	GE-52		
2SB38GN	GE-53	2SB43J	GE-53	2SB49L	GE-53	2SB54L1	GE-53	2SB60OR	GE-53	2SB66A	GE-53		
2SB38H	GE-53	2SB43K	GE-53	2SB49M	GE-53	2SB54M	GE-53	2SB60R	GE-53	2SB66B	GE-53		
2SB38J	GE-53	2SB43L	GE-53	2SB49OR	GE-53	2SB54OR	GE-53	2SB60X	GE-53	2SB66C	GE-53		
2SB38K	GE-53	2SB43M	GE-53	2SB49R	GE-53	2SB54R	GE-53	2SB60Y	GE-53	2SB66D	GE-53		
2SB38L	GE-53	2SB43OR	GE-53	2SB49X	GE-53	2SB54X	GE-53	2SB61	GE-52	2SB66E	GE-53		
2SB38M	GE-53	2SB43R	GE-53	2SB49Y	GE-53	2SB54Y	GE-53	2SB61A	GE-53	2SB66F	GE-53		
2SB38OR	GE-53	2SB43X	GE-53	2SB50	GE-52	2SB55	GE-2	2SB61B	GE-53	2SB66G	GE-53		
2SB38R	GE-53	2SB43Y	GE-53	2SB50A	GE-53	2SB55A	GE-53	2SB61C	GE-53	2SB66GN	GE-53		
2SB38X	GE-53	2SB44	GE-52	2SB50B	GE-53	2SB55B	GE-53	2SB61D	GE-53	2SB66H	GE-53		
2SB38Y	GE-53	2SB44A	GE-53	2SB50C	GE-53	2SB55C	GE-53	2SB61E	GE-53	2SB66J	GE-53		
2SB39	GE-51	2SB44B	GE-53	2SB50D	GE-53	2SB55D	GE-53	2SB61F	GE-53	2SB66K	GE-53		
2SB39A	GE-53	2SB44C	GE-53	2SB50E	GE-53	2SB55E	GE-53	2SB61G	GE-53	2SB66L	GE-53		
2SB39B	GE-53	2SB44D	GE-53	2SB50F	GE-53	2SB55F	GE-53	2SB61GN	GE-53	2SB66M	GE-53		
2SB39C	GE-53	2SB44E	GE-53	2SB50G	GE-53	2SB55G	GE-53	2SB61H	GE-53	2SB66OR	GE-53		
2SB39D	GE-53	2SB44F	GE-53	2SB50GN	GE-53	2SB55GN	GE-53	2SB61J	GE-53	2SB66R	GE-53		
2SB39E	GE-53	2SB44G	GE-53	2SB50H	GE-53	2SB55H	GE-53	2SB61K	GE-53	2SB66X	GE-53		
2SB39F	GE-53	2SB44GN	GE-53	2SB50J	GE-53	2SB55J	GE-53	2SB61L	GE-53	2SB66Y	GE-53		
2SB39G	GE-53	2SB44H	GE-53	2SB50K	GE-53	2SB55K	GE-53	2SB61M	GE-53	2SB67	GE-2		
2SB39GN	GE-53	2SB44J	GE-53	2SB50L	GE-53	2SB55L	GE-53	2SB61OR	GE-53	2SB67A	GE-2		
2SB39H	GE-53	2SB44K	GE-53	2SB50M	GE-53	2SB55M	GE-53	2SB61R	GE-53	2SB67B	GE-53		
2SB39J	GE-53	2SB44L	GE-53	2SB50OR	GE-53	2SB55OR	GE-53	2SB61X	GE-53	2SB67C	GE-53		
2SB39K	GE-53	2SB44M	GE-53	2SB50R	GE-53	2SB55R	GE-53	2SB61Y	GE-53	2SB67D	GE-53		
2SB39L	GE-53	2SB44OR	GE-53	2SB50X	GE-53	2SB55X	GE-53	2SB62	GE-16	2SB67E	GE-53		
2SB39M	GE-53	2SB44R	GE-53	2SB50Y	GE-53	2SB55Y	GE-53	2SB62A	GE-25	2SB67F	GE-53		
2SB39OR	GE-53	2SB44X	GE-53	2SB51	GE-53	2SB56	GE-52	2SB62B	GE-25	2SB67G	GE-53		
2SB39R	GE-53	2SB44Y	GE-53	2SB51A	GE-53	2SB56A	GE-2	2SB62C	GE-25	2SB67GN	GE-53		
2SB39X	GE-53	2SB46	GE-52	2SB51B	GE-53	2SB56B	GE-53	2SB62D	GE-25	2SB67H	GE-53		
2SB39Y	GE-53	2SB46A	GE-53	2SB51C	GE-53	2SB56C	GE-52	2SB62E	GE-25	2SB67J	GE-53		
2SB40	GE-2	2SB46B	GE-53	2SB51D	GE-53	2SB56CK	GE-53	2SB62F	GE-25	2SB67K	GE-53		
2SB40A	GE-2	2SB46C	GE-53	2SB51E	GE-53	2SB56D	GE-53	2SB62G	GE-25	2SB67L	GE-53		
2SB40B	GE-53	2SB46D	GE-53	2SB51F	GE-53	2SB56E	GE-53	2SB62GN	GE-25	2SB67M	GE-53		
2SB40C	GE-53	2SB46E	GE-53	2SB51G	GE-53	2SB56F	GE-53	2SB62H	GE-25	2SB67OR	GE-53		
2SB40D	GE-53	2SB46F	GE-53	2SB51GN	GE-53	2SB56G	GE-53	2SB62J	GE-25	2SB67R	GE-53		
2SB40E	GE-53	2SB46G	GE-53	2SB51H	GE-53	2SB56GN	GE-53	2SB62K	GE-25	2SB67X	GE-53		
2SB40F	GE-53	2SB46GN	GE-53	2SB51J	GE-53	2SB56H	GE-53	2SB62L	GE-25	2SB67Y	GE-53		
2SB40G	GE-53	2SB46H	GE-53	2SB51K	GE-53	2SB56J	GE-53	2SB62M	GE-25	2SB68	GE-2		
2SB40GN	GE-53	2SB46J	GE-53	2SB51L	GE-53	2SB56K	GE-53	2SB62OR	GE-25	2SB68A	GE-53		
2SB40H	GE-53	2SB46K	GE-53	2SB51M	GE-53	2SB56L	GE-53	2SB62R	GE-25	2SB68B	GE-53		
2SB40J	GE-53	2SB46L	GE-53	2SB51OR	GE-53	2SB56OR	GE-53	2SB62X	GE-25	2SB68C	GE-53		
2SB40K	GE-53	2SB46M	GE-53	2SB51R	GE-53	2SB56R	GE-53	2SB62Y	GE-25	2SB68D	GE-53		
2SB40L	GE-53	2SB46OR	GE-53	2SB51X	GE-53	2SB56X	GE-53	2SB63	GE-30	2SB68E	GE-53		
2SB40M	GE-53	2SB46R	GE-53	2SB51Y	GE-53	2SB56Y	GE-53	2SB63A	GE-25	2SB68F	GE-53		
2SB40OR	GE-53	2SB46X	GE-53	2SB52	GE-53	2SB57	GE-52	2SB63B	GE-25	2SB68G	GE-53		
2SB40R	GE-53	2SB46Y	GE-53	2SB52A	GE-53	2SB57A	GE-53	2SB63C	GE-25	2SB68GN	GE-53		
2SB40X	GE-53	2SB47	GE-52	2SB52B	GE-53	2SB57B	GE-53	2SB63D	GE-25	2SB68H	GE-53		
2SB40Y	GE-53	2SB47A	GE-53	2SB52C	GE-53	2SB57C	GE-53	2SB63E	GE-25	2SB68J	GE-53		
2SB41	GE-3	2SB47B	GE-53	2SB52D	GE-53	2SB57D	GE-53	2SB63F	GE-25	2SB68K	GE-53		
2SB41A	GE-25	2SB47C	GE-53	2SB52E	GE-53	2SB57E	GE-53	2SB63G	GE-25	2SB68L	GE-53		
2SB41B	GE-25	2SB47D	GE-53	2SB52F	GE-53	2SB57F	GE-53	2SB63GN	GE-25	2SB68M	GE-53		
2SB41C	GE-25	2SB47E	GE-53	2SB52G	GE-53	2SB57G	GE-53	2SB63H	GE-25	2SB68OR	GE-53		
2SB41D	GE-25	2SB47F	GE-53	2SB52GN	GE-53	2SB57GN	GE-53	2SB63K	GE-25	2SB68R	GE-53		
2SB41E	GE-25	2SB47G	GE-53	2SB52H	GE-53	2SB57H	GE-53	2SB63L	GE-25	2SB68X	GE-53		
2SB41F	GE-25	2SB47GN	GE-53	2SB52J	GE-53	2SB57J	GE-53	2SB63M	GE-25	2SB68Y	GE-53		
2SB41G	GE-25	2SB47H	GE-53	2SB52K	GE-53	2SB57K	GE-53	2SB63OR	GE-25	2SB69	GE-25		
2SB41GN	GE-25	2SB47J	GE-53	2SB52L	GE-53	2SB57L	GE-53	2SB63R	GE-25	2SB69A	GE-25		
2SB41H	GE-25	2SB47K	GE-53	2SB52M	GE-53	2SB57M	GE-53	2SB63X	GE-25	2SB69B	GE-25		
2SB41J	GE-25	2SB47L	GE-53	2SB52OR	GE-53	2SB57OR	GE-53	2SB63Y	GE-25	2SB69C	GE-25		

UNIVERSAL REPLACEMENT SEMICONDUCTORS

2SB69D - 2SB104E

JEDEC Or Part Nr	GE Replacement	JEDEC Or Part Nr	GE Replacement	JEDEC Or Part Nr	GE Replacement	JEDEC Or Part Nr	GE Replacement	JEDEC Or Part Nr	GE Replacement	JEDEC Or Part Nr	GE Replacement	JEDEC Or Part Nr	GE Replacement
2SB69D	GE-25	2SB75B	GE-52	2SB79H	GE-53	2SB84L	GE-3	2SB910R	GE-53	2SB99D	GE-53		
2SB69E	GE-25	2SB75C	GE-52	2SB79J	GE-53	2SB84M	GE-3	2SB91R	GE-53	2SB99E	GE-53		
2SB69F	GE-25	2SB75C-4	GE-53	2SB79K	GE-53	2SB84OR	GE-3	2SB91X	GE-53	2SB99F	GE-53		
2SB69G	GE-25	2SB75D	GE-53	2SB79L	GE-53	2SB84R	GE-3	2SB91Y	GE-53	2SB99G	GE-53		
2SB69GN	GE-25	2SB75E	GE-53	2SB79M	GE-53	2SB84X	GE-3	2SB92	GE-52	2SB99GN	GE-53		
2SB69H	GE-25	2SB75F	GE-2	2SB79OR	GE-53	2SB84Y	GE-3	2SB92A	GE-53	2SB99H	GE-53		
2SB69J	GE-25	2SB75G	GE-53	2SB79R	GE-53	2SB85	GE-2	2SB92B	GE-53	2SB99J	GE-53		
2SB69K	GE-25	2SB75GN	GE-53	2SB79X	GE-53	2SB85A	GE-53	2SB92C	GE-53	2SB99K	GE-53		
2SB69L	GE-25	2SB75H	GE-52	2SB79Y	GE-53	2SB85B	GE-53	2SB92D	GE-53	2SB99L	GE-53		
2SB69M	GE-25	2SB75J	GE-53	2SB80	GE-3	2SB85C	GE-53	2SB92E	GE-53	2SB99M	GE-53		
2SB69OR	GE-25	2SB75L	GE-53	2SB80A	GE-25	2SB85D	GE-53	2SB92F	GE-53	2SB99OR	GE-53		
2SB69R	GE-25	2SB75M	GE-53	2SB80B	GE-25	2SB85E	GE-53	2SB92G	GE-53	2SB99R	GE-53		
2SB69X	GE-25	2SB75OR	GE-53	2SB80C	GE-25	2SB85F	GE-53	2SB92GN	GE-53	2SB99X	GE-53		
2SB69Y	GE-25	2SB75R	GE-53	2SB80D	GE-25	2SB85G	GE-53	2SB92H	GE-53	2SB99Y	GE-53		
2SB70	GE-53	2SB75X	GE-53	2SB80E	GE-25	2SB85GN	GE-53	2SB92J	GE-53	2SB100	GE-52		
2SB71	GE-52	2SB75Y	GE-53	2SB80F	GE-25	2SB85H	GE-53	2SB92K	GE-53	2SB100A	GE-53		
2SB71A	GE-53	2SB76	GE-52	2SB80G	GE-25	2SB85J	GE-53	2SB92L	GE-53	2SB100B	GE-53		
2SB71B	GE-53	2SB76A	GE-53	2SB80GN	GE-25	2SB85K	GE-53	2SB92M	GE-53	2SB100C	GE-53		
2SB71C	GE-53	2SB76B	GE-53	2SB80H	GE-25	2SB85L	GE-53	2SB92X	GE-53	2SB100D	GE-53		
2SB71D	GE-53	2SB76C	GE-53	2SB80J	GE-25	2SB85M	GE-53	2SB92Y	GE-53	2SB100E	GE-53		
2SB71E	GE-53	2SB76D	GE-53	2SB80K	GE-25	2SB85OR	GE-53	2SB94	GE-52	2SB100F	GE-53		
2SB71F	GE-53	2SB76E	GE-53	2SB80L	GE-25	2SB85R	GE-53	2SB94A	GE-53	2SB100G	GE-53		
2SB71G	GE-53	2SB76F	GE-53	2SB80M	GE-25	2SB85X	GE-53	2SB94B	GE-53	2SB100GN	GE-53		
2SB71GN	GE-53	2SB76G	GE-53	2SB80OR	GE-25	2SB85Y	GE-53	2SB94C	GE-53	2SB100H	GE-53		
2SB71H	GE-53	2SB76GN	GE-53	2SB80R	GE-25	2SB87	GE-2	2SB94D	GE-53	2SB100J	GE-53		
2SB71J	GE-53	2SB76H	GE-53	2SB80X	GE-25	2SB87A	GE-53	2SB94E	GE-53	2SB100K	GE-53		
2SB71K	GE-53	2SB76J	GE-53	2SB80Y	GE-25	2SB87B	GE-53	2SB94F	GE-53	2SB100L	GE-53		
2SB71L	GE-53	2SB76K	GE-53	2SB81	GE-25	2SB87C	GE-53	2SB94G	GE-53	2SB100M	GE-53		
2SB71M	GE-53	2SB76L	GE-53	2SB81A	GE-25	2SB87D	GE-53	2SB94GN	GE-53	2SB100OR	GE-53		
2SB71OR	GE-53	2SB76M	GE-53	2SB81B	GE-25	2SB87E	GE-53	2SB94H	GE-53	2SB100R	GE-53		
2SB71R	GE-53	2SB76OR	GE-53	2SB81C	GE-25	2SB87F	GE-53	2SB94J	GE-53	2SB100X	GE-53		
2SB71X	GE-53	2SB76R	GE-53	2SB81D	GE-25	2SB87G	GE-53	2SB94K	GE-53	2SB100Y	GE-53		
2SB71Y	GE-53	2SB76X	GE-53	2SB81E	GE-25	2SB87GN	GE-53	2SB94M	GE-53	2SB101	GE-52		
2SB72	GE-2	2SB76Y	GE-53	2SB81F	GE-25	2SB87H	GE-53	2SB94OR	GE-53	2SB101A	GE-53		
2SB72A	GE-53	2SB77	GE-52	2SB81GN	GE-25	2SB87J	GE-53	2SB94R	GE-53	2SB101B	GE-53		
2SB72B	GE-53	2SB77	GE-53	2SB81H	GE-25	2SB87K	GE-53	2SB94X	GE-53	2SB101C	GE-53		
2SB72C	GE-53	2SB77(C)	GE-52	2SB81I	GE-25	2SB87L	GE-53	2SB94Y	GE-53	2SB101D	GE-53		
2SB72D	GE-53	2SB77(C)SHARP	GE-52	2SB81K	GE-25	2SB87M	GE-53	2SB95	GE-52	2SB101E	GE-53		
2SB72E	GE-53	2SB77(V)	GE-2	2SB81L	GE-25	2SB87OR	GE-53	2SB95A	GE-53	2SB101F	GE-53		
2SB72F	GE-53	2SB77A	GE-2	2SB81M	GE-25	2SB87R	GE-53	2SB95B	GE-53	2SB101G	GE-53		
2SB72G	GE-53	2SB77A	GE-53	2SB81OR	GE-25	2SB87X	GE-53	2SB95C	GE-53	2SB101GN	GE-53		
2SB72GN	GE-53	2SB77A/P	GE-52	2SB81R	GE-25	2SB87Y	GE-53	2SB95D	GE-53	2SB101H	GE-53		
2SB72H	GE-53	2SB77AB	GE-53	2SB81X	GE-25	2SB89	GE-53	2SB95E	GE-53	2SB101J	GE-53		
2SB72J	GE-53	2SB77AH	GE-80	2SB81Y	GE-25	2SB89A	GE-2	2SB95F	GE-53	2SB101K	GE-53		
2SB72K	GE-53	2SB77B	GE-53	2SB82	GE-25	2SB89AH	GE-80	2SB95G	GE-53	2SB101L	GE-53		
2SB72L	GE-53	2SB77B	GE-52	2SB82A	GE-25	2SB89C	GE-53	2SB95GN	GE-53	2SB101M	GE-53		
2SB72M	GE-53	2SB77B-11	GE-53	2SB82B	GE-25	2SB89D	GE-53	2SB95H	GE-53	2SB101OR	GE-53		
2SB72OR	GE-53	2SB77-C	GE-53	2SB82C	GE-25	2SB89E	GE-53	2SB95J	GE-53	2SB101R	GE-53		
2SB72R	GE-53	2SB77C	GE-52	2SB82D	GE-25	2SB89F	GE-53	2SB95L	GE-53	2SB101X	GE-53		
2SB72X	GE-53	2SB77D	GE-2	2SB82E	GE-25	2SB89G	GE-53	2SB95M	GE-53	2SB101Y	GE-53		
2SB72Y	GE-53	2SB77E	GE-53	2SB82F	GE-25	2SB89GN	GE-53	2SB95OR	GE-53	2SB102	GE-52		
2SB73	GE-52	2SB77F	GE-53	2SB82G	GE-25	2SB89H	GE-53	2SB95R	GE-53	2SB102A	GE-53		
2SB73A	GE-2	2SB77G	GE-53	2SB82GN	GE-25	2SB89J	GE-53	2SB95X	GE-53	2SB102B	GE-53		
2SB73A-1	GE-53	2SB77GN	GE-53	2SB82H	GE-25	2SB89K	GE-53	2SB95Y	GE-53	2SB102C	GE-53		
2SB73B	GE-2	2SB77H	GE-53	2SB82J	GE-25	2SB89L	GE-53	2SB97	GE-52	2SB102D	GE-53		
2SB73C	GE-53	2SB77K	GE-53	2SB82K	GE-25	2SB89M	GE-53	2SB97A	GE-53	2SB102E	GE-53		
2SB73D	GE-53	2SB77L	GE-53	2SB82L	GE-25	2SB89OR	GE-53	2SB97B	GE-53	2SB102F	GE-53		
2SB73E	GE-53	2SB77M	GE-53	2SB82M	GE-25	2SB89R	GE-53	2SB97C	GE-53	2SB102G	GE-53		
2SB73F	GE-53	2SB77OR	GE-53	2SB82OR	GE-25	2SB89X	GE-53	2SB97D	GE-53	2SB102GN	GE-53		
2SB73G	GE-53	2SB77PD	GE-54	2SB82R	GE-25	2SB89Y	GE-53	2SB97F	GE-53	2SB102H	GE-53		
2SB73GN	GE-53	2SB77R	GE-53	2SB82X	GE-25	2SB90	GE-52	2SB97G	GE-53	2SB102J	GE-53		
2SB73H	GE-53	2SB77V	GE-53	2SB82Y	GE-25	2SB90A	GE-53	2SB97GN	GE-53	2SB102K	GE-53		
2SB73J	GE-53	2SB77X	GE-53	2SB83	GE-3	2SB90B	GE-53	2SB97H	GE-53	2SB102L	GE-53		
2SB73K	GE-53	2SB77Y	GE-53	2SB83A	GE-25	2SB90C	GE-53	2SB97K	GE-53	2SB102M	GE-53		
2SB73L	GE-53	2SB78	GE-52	2SB83B	GE-25	2SB90D	GE-53	2SB97L	GE-53	2SB102OR	GE-53		
2SB73M	GE-53	2SB78A	GE-53	2SB83C	GE-25	2SB90E	GE-53	2SB97M	GE-53	2SB102R	GE-53		
2SB73OR	GE-53	2SB78B	GE-53	2SB83D	GE-25	2SB90F	GE-53	2SB97OR	GE-53	2SB102X	GE-53		
2SB73R	GE-53	2SB78	GE-53	2SB83E	GE-25	2SB90G	GE-53	2SB97R	GE-53	2SB102Y	GE-53		
2SB73X	GE-53	2SB78C	GE-53	2SB83F	GE-25	2SB90GN	GE-53	2SB97X	GE-53	2SB103	GE-2		
2SB73Y	GE-53	2SB78D	GE-53	2SB83G	GE-25	2SB90H	GE-53	2SB97Y	GE-53	2SB103A	GE-53		
2SB74	GE-52	2SB78E	GE-53	2SB83GN	GE-25	2SB90J	GE-53	2SB98	GE-52	2SB103B	GE-53		
2SB74A	GE-53	2SB78F	GE-53	2SB83H	GE-25	2SB90K	GE-53	2SB98A	GE-53	2SB103C	GE-53		
2SB74B	GE-53	2SB78G	GE-53	2SB83J	GE-25	2SB90L	GE-53	2SB98B	GE-53	2SB103D	GE-53		
2SB74C	GE-53	2SB78GN	GE-53	2SB83K	GE-25	2SB90M	GE-53	2SB98C	GE-53	2SB103E	GE-53		
2SB74D	GE-53	2SB78H	GE-53	2SB83L	GE-25	2SB90OR	GE-53	2SB98D	GE-53	2SB103F	GE-53		
2SB74E	GE-53	2SB78J	GE-53	2SB83M	GE-25	2SB90R	GE-53	2SB98E	GE-53	2SB103G	GE-53		
2SB74F	GE-53	2SB78K	GE-53	2SB83OR	GE-25	2SB90X	GE-53	2SB98F	GE-53	2SB103GN	GE-53		
2SB74G	GE-53	2SB78L	GE-53	2SB83R	GE-25	2SB90Y	GE-53	2SB98G	GE-53	2SB103H	GE-53		
2SB74GN	GE-53	2SB78M	GE-53	2SB83X	GE-25	2SB91	GE-52	2SB98GN	GE-53	2SB103J	GE-53		
2SB74H	GE-53	2SB78OR	GE-53	2SB83Y	GE-25	2SB91A	GE-53	2SB98H	GE-53	2SB103K	GE-53		
2SB74J	GE-53	2SB78R	GE-53	2SB84	GE-25	2SB91B	GE-53	2SB98J	GE-53	2SB103L	GE-53		
2SB74K	GE-53	2SB78X	GE-53	2SB84A	GE-3	2SB91C	GE-53	2SB98K	GE-53	2SB103M	GE-53		
2SB74L	GE-53	2SB78Y	GE-53	2SB84B	GE-3	2SB91D	GE-53	2SB98L	GE-53	2SB103OR	GE-53		
2SB74M	GE-53	2SB79	GE-52	2SB84C	GE-3	2SB91E	GE-53	2SB98M	GE-53	2SB103R	GE-53		
2SB74OR	GE-53	2SB79A	GE-53	2SB84D	GE-3	2SB91F	GE-25	2SB98OR	GE-25	2SB103X	GE-53		
2SB74R	GE-53	2SB79B	GE-53	2SB84E	GE-3	2SB91G	GE-53	2SB98R	GE-53	2SB103Y	GE-53		
2SB74X	GE-53	2SB79C	GE-53	2SB84F	GE-3	2SB91GN	GE-53	2SB98X	GE-53	2SB104	GE-2		
2SB74Y	GE-53	2SB79D	GE-53	2SB84G	GE-3	2SB91H	GE-53	2SB98Y	GE-53	2SB104A	GE-53		
2SB75	GE-52	2SB79E	GE-53	2SB84GN	GE-3	2SB91J	GE-53	2SB99	GE-52	2SB104B	GE-53		
2SB75	GE-52	2SB79F	GE-53	2SB84H	GE-3	2SB91K	GE-53	2SB99A	GE-53	2SB104C	GE-53		
2SB75A	GE-2	2SB79G	GE-53	2SB84J	GE-3	2SB91L	GE-53	2SB99B	GE-53	2SB104D	GE-53		
2SB75AH	GE-80	2SB79GN	GE-53	2SB84K	GE-3	2SB91M	GE-53	2SB99C	GE-53	2SB104E	GE-53		

UNIVERSAL REPLACEMENT SEMICONDUCTORS

2SB104F - 2SB142Y

JEDEC Or Part Nr	GE Replacement	JEDEC Or Part Nr	GE Replacement	JEDEC Or Part Nr	GE Replacement	JEDEC Or Part Nr	GE Replacement	JEDEC Or Part Nr	GE Replacement	JEDEC Or Part Nr	GE Replacement	JEDEC Or Part Nr	GE Replacement
2SB104F	GE-53	2SB111GN	GE-53	2SB116K	GE-53	2SB123H	GE-25	2SB129J	GE-25	2SB135M	GE-53		
2SB104G	GE-53	2SB111H	GE-53	2SB116L	GE-53	2SB123J	GE-25	2SB129K	GE-25	2SB135OR	GE-53		
2SB104GN	GE-53	2SB111J	GE-53	2SB116M	GE-53	2SB123K	GE-25	2SB129L	GE-25	2SB135R	GE-53		
2SB104H	GE-53	2SB111K	GE-2	2SB116OR	GE-53	2SB123L	GE-25	2SB129M	GE-25	2SB135X	GE-53		
2SB104J	GE-53	2SB111L	GE-53	2SB116R	GE-53	2SB123M	GE-25	2SB129OR	GE-25	2SB135Y	GE-53		
2SB104K	GE-53	2SB111M	GE-53	2SB116X	GE-53	2SB123OR	GE-25	2SB129R	GE-25	2SB136	GE-53		
2SB104L	GE-53	2SB111OR	GE-53	2SB116Y	GE-53	2SB123R	GE-25	2SB129X	GE-25	2SB136A	GE-80		
2SB104M	GE-53	2SB111R	GE-53	2SB117	GE-52	2SB123X	GE-25	2SB129Y	GE-25	2SB136B	GE-52		
2SB104OR	GE-53	2SB111X	GE-53	2SB117A	GE-53	2SB123Y	GE-25	2SB130	GE-30	2SB136C	GE-52		
2SB104R	GE-53	2SB111Y	GE-53	2SB117B	GE-53	2SB124	GE-3	2SB130A	GE-30	2SB136D	GE-53		
2SB104X	GE-53	2SB112	GE-52	2SB117C	GE-53	2SB124A	GE-25	2SB130B	GE-25	2SB136E	GE-53		
2SB104Y	GE-53	2SB112A	GE-53	2SB117D	GE-53	2SB124B	GE-25	2SB130C	GE-25	2SB136F	GE-53		
2SB105	GE-53	2SB112B	GE-53	2SB117E	GE-53	2SB124C	GE-25	2SB130D	GE-25	2SB136G	GE-53		
2SB105A	GE-80	2SB112C	GE-53	2SB117F	GE-53	2SB124D	GE-25	2SB130E	GE-25	2SB136GN	GE-53		
2SB105B	GE-80	2SB112D	GE-53	2SB117G	GE-53	2SB124E	GE-25	2SB130F	GE-25	2SB136H	GE-53		
2SB105C	GE-80	2SB112E	GE-53	2SB117GN	GE-53	2SB124F	GE-25	2SB130G	GE-25	2SB136J	GE-53		
2SB105D	GE-80	2SB112F	GE-53	2SB117H	GE-53	2SB124G	GE-25	2SB130GN	GE-25	2SB136K	GE-53		
2SB105E	GE-80	2SB112G	GE-53	2SB117J	GE-53	2SB124H	GE-25	2SB130H	GE-25	2SB136L	GE-53		
2SB105F	GE-80	2SB112H	GE-53	2SB117K	GE-2	2SB124J	GE-25	2SB130J	GE-25	2SB136M	GE-53		
2SB105G	GE-80	2SB112J	GE-53	2SB117L	GE-53	2SB124K	GE-25	2SB130K	GE-25	2SB136OR	GE-53		
2SB105GN	GE-80	2SB112K	GE-53	2SB117M	GE-53	2SB124L	GE-25	2SB130L	GE-25	2SB136R	GE-53		
2SB105H	GE-80	2SB112L	GE-53	2SB117OR	GE-53	2SB124M	GE-25	2SB130M	GE-25	2SB136U	GE-2		
2SB105K	GE-80	2SB112M	GE-53	2SB117R	GE-53	2SB124OR	GE-25	2SB130OR	GE-25	2SB136X	GE-53		
2SB105L	GE-80	2SB112OR	GE-53	2SB117X	GE-53	2SB124R	GE-25	2SB130R	GE-25	2SB137	GE-16		
2SB105M	GE-80	2SB112R	GE-53	2SB117Y	GE-53	2SB124X	GE-25	2SB130X	GE-25	2SB137A	GE-25		
2SB105OR	GE-80	2SB112X	GE-53	2SB118	GE-53	2SB124Y	GE-25	2SB130Y	GE-25	2SB137B	GE-25		
2SB105R	GE-80	2SB112Y	GE-53	2SB119	GE-3	2SB126	GE-25	2SB131	GE-3	2SB137C	GE-25		
2SB105X	GE-80	2SB113	GE-52	2SB119A	GE-25	2SB126A	GE-25	2SB131A	GE-25	2SB137D	GE-25		
2SB105Y	GE-80	2SB113A	GE-53	2SB119B	GE-25	2SB126B	GE-25	2SB131B	GE-25	2SB137E	GE-25		
2SB106	GE-53	2SB113B	GE-53	2SB119C	GE-25	2SB126C	GE-25	2SB131C	GE-25	2SB137F	GE-25		
2SB107	GE-52	2SB113C	GE-53	2SB119D	GE-25	2SB126D	GE-25	2SB131D	GE-25	2SB137G	GE-25		
2SB107A	GE-16	2SB113D	GE-53	2SB119E	GE-25	2SB126E	GE-25	2SB131E	GE-25	2SB137GN	GE-25		
2SB107B	GE-25	2SB113E	GE-53	2SB119F	GE-25	2SB126F	GE-16	2SB131F	GE-25	2SB137H	GE-25		
2SB107C	GE-25	2SB113F	GE-53	2SB119G	GE-25	2SB126G	GE-25	2SB131G	GE-25	2SB137K	GE-25		
2SB107D	GE-25	2SB113G	GE-53	2SB119GN	GE-25	2SB126GN	GE-25	2SB131GN	GE-25	2SB137L	GE-25		
2SB107E	GE-25	2SB113GN	GE-53	2SB119GN	GE-53	2SB126H	GE-25	2SB131H	GE-25	2SB137OR	GE-25		
2SB107F	GE-25	2SB113H	GE-53	2SB119H	GE-25	2SB126J	GE-25	2SB131J	GE-25	2SB137R	GE-25		
2SB107G	GE-25	2SB113J	GE-53	2SB119J	GE-25	2SB126K	GE-25	2SB131K	GE-25	2SB137X	GE-25		
2SB107GN	GE-25	2SB113K	GE-53	2SB119K	GE-25	2SB126L	GE-25	2SB131L	GE-25	2SB137Y	GE-25		
2SB107H	GE-25	2SB113L	GE-53	2SB119L	GE-25	2SB126M	GE-25	2SB131M	GE-25	2SB138	GE-16		
2SB107J	GE-25	2SB113M	GE-53	2SB119M	GE-25	2SB126OR	GE-25	2SB131OR	GE-25	2SB138A	GE-16		
2SB107K	GE-25	2SB113OR	GE-53	2SB119M	GE-53	2SB126R	GE-25	2SB131R	GE-25	2SB138B	GE-16		
2SB107L	GE-25	2SB113R	GE-53	2SB119OR	GE-53	2SB126V	GE-25	2SB131X	GE-25	2SB138C	GE-25		
2SB107M	GE-25	2SB113X	GE-53	2SB119OR	GE-25	2SB126X	GE-25	2SB131Y	GE-25	2SB138D	GE-25		
2SB107OR	GE-25	2SB113Y	GE-53	2SB119R	GE-25	2SB126Y	GE-25	2SB132	GE-3	2SB138E	GE-25		
2SB107R	GE-25	2SB114	GE-52	2SB119X	GE-25	2SB127	GE-25	2SB132A	GE-16	2SB138G	GE-25		
2SB107X	GE-25	2SB114A	GE-53	2SB119Y	GE-25	2SB127A	GE-25	2SB132B	GE-25	2SB138GN	GE-25		
2SB107Y	GE-25	2SB114B	GE-53	2SB120	GE-52	2SB127B	GE-25	2SB132C	GE-25	2SB138H	GE-25		
2SB108	GE-53	2SB114C	GE-53	2SB120A	GE-53	2SB127C	GE-25	2SB132D	GE-25	2SB138J	GE-25		
2SB108A	GE-80	2SB114D	GE-53	2SB120B	GE-53	2SB127D	GE-25	2SB132E	GE-25	2SB138K	GE-25		
2SB108B	GE-80	2SB114E	GE-53	2SB120C	GE-53	2SB127E	GE-25	2SB132F	GE-25	2SB138L	GE-25		
2SB108C	GE-80	2SB114F	GE-53	2SB120D	GE-53	2SB127F	GE-25	2SB132G	GE-25	2SB138M	GE-25		
2SB108D	GE-80	2SB114G	GE-53	2SB120E	GE-53	2SB127G	GE-25	2SB132GN	GE-25	2SB138OR	GE-25		
2SB108E	GE-80	2SB114GN	GE-53	2SB120F	GE-53	2SB127GN	GE-25	2SB132H	GE-25	2SB138R	GE-25		
2SB108F	GE-80	2SB114H	GE-53	2SB120G	GE-53	2SB127H	GE-25	2SB132J	GE-25	2SB138X	GE-25		
2SB108G	GE-80	2SB114J	GE-53	2SB120GN	GE-53	2SB127J	GE-25	2SB132L	GE-25	2SB138Y	GE-25		
2SB108GN	GE-80	2SB114K	GE-53	2SB120H	GE-53	2SB127K	GE-25	2SB132M	GE-25	2SB140	GE-3		
2SB108H	GE-80	2SB114L	GE-53	2SB120J	GE-53	2SB127L	GE-25	2SB132OR	GE-25	2SB140A	GE-25		
2SB108J	GE-80	2SB114M	GE-53	2SB120K	GE-53	2SB127M	GE-25	2SB132R	GE-25	2SB140B	GE-25		
2SB108K	GE-80	2SB114OR	GE-53	2SB120L	GE-53	2SB127OR	GE-25	2SB132X	GE-25	2SB140C	GE-25		
2SB108L	GE-80	2SB114R	GE-53	2SB120M	GE-53	2SB127R	GE-25	2SB132Y	GE-25	2SB140D	GE-25		
2SB108M	GE-80	2SB114X	GE-53	2SB120OR	GE-53	2SB127X	GE-25	2SB134	GE-53	2SB140E	GE-25		
2SB108OR	GE-80	2SB114Y	GE-53	2SB120R	GE-53	2SB127Y	GE-25	2SB134A	GE-53	2SB140F	GE-25		
2SB108X	GE-80	2SB115	GE-52	2SB120X	GE-53	2SB128	GE-25	2SB134B	GE-53	2SB140G	GE-25		
2SB108Y	GE-80	2SB115A	GE-53	2SB120Y	GE-53	2SB128A	GE-25	2SB134C	GE-53	2SB140GN	GE-25		
2SB109	GE-53	2SB115B	GE-53	2SB122	GE-2	2SB128B	GE-25	2SB134D	GE-53	2SB140H	GE-25		
2SB110	GE-52	2SB115C	GE-53	2SB122A	GE-25	2SB128C	GE-25	2SB134E	GE-2	2SB140J	GE-25		
2SB110A	GE-53	2SB115D	GE-53	2SB122B	GE-25	2SB128D	GE-25	2SB134F	GE-53	2SB140K	GE-25		
2SB110B	GE-53	2SB115E	GE-53	2SB122C	GE-25	2SB128E	GE-25	2SB134G	GE-53	2SB140L	GE-25		
2SB110C	GE-53	2SB115F	GE-53	2SB122D	GE-25	2SB128F	GE-25	2SB134GN	GE-53	2SB140M	GE-25		
2SB110D	GE-53	2SB115G	GE-53	2SB122E	GE-25	2SB128G	GE-25	2SB134H	GE-53	2SB140	GE-25		
2SB110E	GE-53	2SB115GN	GE-53	2SB122F	GE-25	2SB128GN	GE-25	2SB134J	GE-53	2SB140X	GE-25		
2SB110F	GE-53	2SB115H	GE-53	2SB122G	GE-25	2SB128H	GE-25	2SB134K	GE-53	2SB140Y	GE-25		
2SB110G	GE-53	2SB115J	GE-53	2SB122GN	GE-25	2SB128J	GE-25	2SB134L	GE-53	2SB141	GE-25		
2SB110GN	GE-53	2SB115K	GE-53	2SB122H	GE-25	2SB128K	GE-25	2SB134M	GE-53	2SB142	GE-49		
2SB110H	GE-53	2SB115L	GE-53	2SB122J	GE-25	2SB128L	GE-25	2SB134OR	GE-53	2SB142A	GE-25		
2SB110J	GE-53	2SB115M	GE-53	2SB122K	GE-25	2SB128M	GE-25	2SB134R	GE-25	2SB142B	GE-3		
2SB110K	GE-53	2SB115OR	GE-53	2SB122L	GE-25	2SB128OR	GE-25	2SB134X	GE-25	2SB142C	GE-3		
2SB110L	GE-53	2SB115R	GE-53	2SB122M	GE-25	2SB128R	GE-25	2SB134Y	GE-53	2SB142D	GE-25		
2SB110M	GE-53	2SB115X	GE-53	2SB122OR	GE-25	2SB128V	GE-3	2SB135	GE-53	2SB142E	GE-25		
2SB110OR	GE-53	2SB115Y	GE-53	2SB122R	GE-25	2SB128X	GE-25	2SB135A	GE-52	2SB142F	GE-25		
2SB110R	GE-53	2SB116	GE-52	2SB122X	GE-25	2SB128Y	GE-25	2SB135B	GE-52	2SB142G	GE-25		
2SB110X	GE-53	2SB116A	GE-53	2SB122Y	GE-25	2SB129	GE-25	2SB135C	GE-52	2SB142GN	GE-25		
2SB110Y	GE-53	2SB116B	GE-53	2SB123	GE-3	2SB129A	GE-25	2SB135D	GE-53	2SB142H	GE-25		
2SB111	GE-52	2SB116C	GE-53	2SB123A	GE-3	2SB129B	GE-25	2SB135E	GE-2	2SB142J	GE-25		
2SB111A	GE-53	2SB116D	GE-53	2SB123B	GE-25	2SB129C	GE-25	2SB135F	GE-53	2SB142K	GE-25		
2SB111B	GE-53	2SB116E	GE-53	2SB123C	GE-25	2SB129D	GE-25	2SB135G	GE-53	2SB142L	GE-25		
2SB111C	GE-53	2SB116F	GE-53	2SB123D	GE-25	2SB129E	GE-25	2SB135GN	GE-53	2SB142M	GE-25		
2SB111D	GE-53	2SB116G	GE-53	2SB123E	GE-25	2SB129F	GE-25	2SB135H	GE-53	2SB142OR	GE-25		
2SB111E	GE-53	2SB116GN	GE-53	2SB123F	GE-25	2SB129G	GE-25	2SB135J	GE-53	2SB142R	GE-25		
2SB111F	GE-53	2SB116H	GE-53	2SB123G	GE-25	2SB129GN	GE-25	2SB135K	GE-53	2SB142X	GE-25		
2SB111G	GE-53	2SB116J	GE-53	2SB123GN	GE-25	2SB129H	GE-25	2SB135L	GE-53	2SB142Y	GE-25		

UNIVERSAL REPLACEMENT SEMICONDUCTORS

2SB143 - 2SB174D

JEDEC Or Part Nr	GE Replacement	JEDEC Or Part Nr	GE Replacement	JEDEC Or Part Nr	GE Replacement	JEDEC Or Part Nr	GE Replacement	JEDEC Or Part Nr	GE Replacement	JEDEC Or Part Nr	GE Replacement	JEDEC Or Part Nr	GE Replacement
2SB143	GE-49	2SB149C	GE-25	2SB154E	GE-53	2SB159E	GE-53	2SB164G	GE-53	2SB169J	GE-53		
2SB143A	GE-25	2SB149D	GE-25	2SB154F	GE-53	2SB159F	GE-53	2SB164GN	GE-53	2SB169K	GE-53		
2SB143B	GE-25	2SB149E	GE-25	2SB154G	GE-53	2SB159G	GE-53	2SB164H	GE-53	2SB169L	GE-53		
2SB143C	GE-25	2SB149F	GE-25	2SB154GN	GE-53	2SB159GM	GE-53	2SB164J	GE-53	2SB169M	GE-53		
2SB143D	GE-25	2SB149G	GE-25	2SB154H	GE-53	2SB159H	GE-53	2SB164K	GE-53	2SB169OR	GE-53		
2SB143E	GE-25	2SB149GN	GE-25	2SB154J	GE-53	2SB159J	GE-53	2SB164L	GE-53				
2SB143F	GE-25	2SB149H	GE-25	2SB154K	GE-53	2SB159K	GE-53	2SB164M	GE-53	2SB169R	GE-53		
2SB143G	GE-25	2SB149J	GE-25	2SB154L	GE-53	2SB159L	GE-53	2SB164OR	GE-53	2SB169X	GE-53		
2SB143GN	GE-25	2SB149K	GE-25	2SB154M	GE-53	2SB159M	GE-53	2SB164X	GE-53	2SB169Y	GE-53		
2SB143H	GE-25	2SB149L	GE-25	2SB154OR	GE-53	2SB159OR	GE-53	2SB164Y	GE-53	2SB170A	GE-2		
2SB143J	GE-25	2SB149M	GE-25	2SB154R	GE-53	2SB159R	GE-53	2SB165	GE-2	2SB170B	GE-53		
2SB143K	GE-25	2SB149OR	GE-25	2SB154X	GE-53	2SB159X	GE-53	2SB165A	GE-53	2SB170C	GE-53		
2SB143L	GE-25	2SB149R	GE-25	2SB154Y	GE-53	2SB159Y	GE-53	2SB165B	GE-53	2SB170D	GE-53		
2SB143M	GE-25	2SB149X	GE-25	2SB155	GE-53	2SB160	GE-51	2SB165C	GE-53	2SB170E	GE-53		
2SB143OR	GE-25	2SB149Y	GE-25	2SB155A	GE-52	2SB160A	GE-53	2SB165D	GE-53	2SB170F	GE-53		
2SB143P	GE-52	2SB150	GE-2	2SB155B	GE-53	2SB160B	GE-53	2SB165E	GE-53	2SB170G	GE-53		
2SB143X	GE-25	2SB150A	GE-53	2SB155C	GE-53	2SB160C	GE-53	2SB165F	GE-53	2SB170GN	GE-53		
2SB143Y	GE-25	2SB150B	GE-53	2SB155D	GE-53	2SB160D	GE-53	2SB165G	GE-53	2SB170H	GE-53		
2SB144	GE-49	2SB150C	GE-53	2SB155E	GE-53	2SB160E	GE-53	2SB165GN	GE-53	2SB170J	GE-53		
2SB144A	GE-25	2SB150D	GE-53	2SB155F	GE-53	2SB160F	GE-53	2SB165H	GE-53	2SB170K	GE-53		
2SB144B	GE-25	2SB150E	GE-53	2SB155G	GE-53	2SB160G	GE-53	2SB165J	GE-53	2SB170L	GE-53		
2SB144C	GE-25	2SB150F	GE-53	2SB155GN	GE-53	2SB160GN	GE-53	2SB165K	GE-53	2SB170M	GE-53		
2SB144D	GE-25	2SB150G	GE-53	2SB155H	GE-53	2SB160H	GE-53	2SB165M	GE-53	2SB170N	GE-53		
2SB144E	GE-25	2SB150GN	GE-53	2SB155J	GE-53	2SB160J	GE-53	2SB165OR	GE-53	2SB170R	GE-53		
2SB144F	GE-25	2SB150H	GE-53	2SB155K	GE-53	2SB160K	GE-53	2SB165R	GE-53	2SB170X	GE-53		
2SB144G	GE-25	2SB150J	GE-53	2SB155L	GE-53	2SB160L	GE-53	2SB165X	GE-53	2SB170Y	GE-53		
2SB144GN	GE-25	2SB150K	GE-53	2SB155M	GE-53	2SB160M	GE-53	2SB165Y	GE-53	2SB171	GE-2		
2SB144H	GE-25	2SB150L	GE-53	2SB155OR	GE-53	2SB160OR	GE-53	2SB166	GE-2	2SB171A	GE-52		
2SB144J	GE-25	2SB150M	GE-53	2SB155R	GE-53	2SB160R	GE-53	2SB166A	GE-53	2SB171B	GE-52		
2SB144K	GE-25	2SB150OR	GE-53	2SB155X	GE-53	2SB160X	GE-53	2SB166B	GE-53	2SB171C	GE-53		
2SB144L	GE-25	2SB150R	GE-53	2SB155Y	GE-53	2SB160Y	GE-53	2SB166C	GE-53	2SB171D	GE-53		
2SB144M	GE-25	2SB150X	GE-53	2SB156	GE-53	2SB161	GE-2	2SB166D	GE-53	2SB171E	GE-53		
2SB144OR	GE-25	2SB150Y	GE-53	2SB156A	GE-53	2SB161A	GE-53	2SB166E	GE-53	2SB171F	GE-53		
2SB144P	GE-52	2SB151	GE-25	2SB156AB	GE-53	2SB161B	GE-53	2SB166F	GE-53	2SB171G	GE-53		
2SB144R	GE-25	2SB151A	GE-25	2SB156B	GE-52	2SB161C	GE-53	2SB166G	GE-53	2SB171GN	GE-53		
2SB144X	GE-25	2SB151B	GE-25	2SB156BK	GE-53	2SB161D	GE-53	2SB166GN	GE-53	2SB171H	GE-53		
2SB144Y	GE-25	2SB151C	GE-25	2SB156C	GE-52	2SB161E	GE-53	2SB166H	GE-53	2SB171J	GE-53		
2SB145	GE-49	2SB151D	GE-25	2SB156D	GE-2	2SB161F	GE-53	2SB166I	GE-53	2SB171K	GE-53		
2SB145A	GE-25	2SB151E	GE-25	2SB156E	GE-53	2SB161G	GE-53	2SB166K	GE-53	2SB171L	GE-53		
2SB145B	GE-25	2SB151F	GE-25	2SB156F	GE-53	2SB161GN	GE-53	2SB166L	GE-53	2SB171M	GE-53		
2SB145C	GE-25	2SB151G	GE-25	2SB156G	GE-53	2SB161H	GE-53	2SB166M	GE-53	2SB171OR	GE-53		
2SB145D	GE-25	2SB151GN	GE-25	2SB156GN	GE-53	2SB161J	GE-53	2SB166OR	GE-53	2SB171X	GE-53		
2SB145E	GE-25	2SB151H	GE-25	2SB156H	GE-53	2SB161K	GE-53	2SB166R	GE-53	2SB171Y	GE-53		
2SB145F	GE-25	2SB151J	GE-25	2SB156J	GE-53	2SB161L	GE-53	2SB166X	GE-53	2SB172	GE-2		
2SB145G	GE-25	2SB151K	GE-25	2SB156K	GE-53	2SB161M	GE-53	2SB166Y	GE-53	2SB172A	GE-52		
2SB145GN	GE-25	2SB151L	GE-25	2SB156L	GE-53	2SB161OR	GE-53	2SB167	GE-53	2SB172A-F	GE-52		
2SB145H	GE-25	2SB151M	GE-25	2SB156M	GE-53	2SB161R	GE-53	2SB167A	GE-53	2SB172A-1	GE-53		
2SB145J	GE-25	2SB151OR	GE-25	2SB156OR	GE-53	2SB161X	GE-53	2SB167B	GE-53	2SB172AF	GE-53		
2SB145K	GE-25	2SB151R	GE-25	2SB156R	GE-53	2SB161Y	GE-53	2SB167BK	GE-53	2SB172AL	GE-53		
2SB145L	GE-25	2SB151X	GE-25	2SB156X	GE-53	2SB162	GE-2	2SB167C	GE-53	2SB172B	GE-52		
2SB145M	GE-25	2SB151Y	GE-25	2SB156Y	GE-53	2SB162A	GE-53	2SB167D	GE-53	2SB172C	GE-53		
2SB145OR	GE-25	2SB152	GE-25	2SB157	GE-51	2SB162B	GE-53	2SB167E	GE-53	2SB172D	GE-52		
2SB145R	GE-25	2SB152A	GE-25	2SB157A	GE-53	2SB162C	GE-53	2SB167F	GE-53	2SB172E	GE-52		
2SB145X	GE-25	2SB152B	GE-25	2SB157B	GE-53	2SB162D	GE-53	2SB167G	GE-53	2SB172F	GE-52		
2SB145Y	GE-25	2SB152C	GE-25	2SB157C	GE-53	2SB162E	GE-53	2SB167GN	GE-53	2SB172FN	GE-53		
2SB146	GE-49	2SB152D	GE-25	2SB157D	GE-53	2SB162F	GE-53	2SB167H	GE-53	2SB172G	GE-53		
2SB146A	GE-25	2SB152E	GE-25	2SB157E	GE-53	2SB162G	GE-53	2SB167J	GE-53	2SB172GN	GE-53		
2SB146B	GE-25	2SB152F	GE-25	2SB157F	GE-53	2SB162GN	GE-53	2SB167K	GE-53	2SB172H	GE-52		
2SB146C	GE-25	2SB152G	GE-25	2SB157G	GE-53	2SB162H	GE-53	2SB167L	GE-53	2SB172J	GE-53		
2SB146D	GE-25	2SB152GN	GE-25	2SB157GN	GE-53	2SB162J	GE-53	2SB167M	GE-53	2SB172K	GE-53		
2SB146E	GE-25	2SB152H	GE-25	2SB157H	GE-53	2SB162K	GE-53	2SB167OR	GE-53	2SB172L	GE-53		
2SB146F	GE-25	2SB152J	GE-25	2SB157J	GE-53	2SB162L	GE-53	2SB167R	GE-53	2SB172M	GE-53		
2SB146G	GE-25	2SB152K	GE-25	2SB157K	GE-53	2SB162M	GE-53	2SB167X	GE-53	2SB172OR	GE-53		
2SB146GN	GE-25	2SB152L	GE-25	2SB157L	GE-53	2SB162OR	GE-53	2SB167Y	GE-53	2SB172R	GE-2		
2SB146H	GE-25	2SB152M	GE-25	2SB157M	GE-53	2SB162R	GE-53	2SB168	GE-52	2SB172X	GE-53		
2SB146J	GE-25	2SB152OR	GE-25	2SB157OR	GE-53	2SB162X	GE-53	2SB168A	GE-53	2SB172Y	GE-53		
2SB146K	GE-25	2SB152R	GE-25	2SB157R	GE-53	2SB162Y	GE-53	2SB168B	GE-53	2SB173	GE-50		
2SB146L	GE-25	2SB152X	GE-25	2SB157X	GE-53	2SB163	GE-2	2SB168C	GE-53	2SB173A	GE-52		
2SB146M	GE-25	2SB152Y	GE-25	2SB157Y	GE-53	2SB163A	GE-53	2SB168D	GE-53	2SB173B	GE-52		
2SB146OR	GE-25	2SB153	GE-52	2SB158	GE-51	2SB163B	GE-53	2SB168E	GE-53	2SB173BL	GE-53		
2SB146R	GE-25	2SB153A	GE-53	2SB158A	GE-53	2SB163C	GE-53	2SB168F	GE-53	2SB173C	GE-53		
2SB146X	GE-25	2SB153B	GE-53	2SB158B	GE-53	2SB163D	GE-53	2SB168G	GE-53	2SB173C	GE-52		
2SB146Y	GE-25	2SB153C	GE-53	2SB158C	GE-53	2SB163E	GE-53	2SB168GN	GE-53	2SB173CL	GE-53		
2SB147	GE-52	2SB153D	GE-53	2SB158D	GE-53	2SB163F	GE-53	2SB168H	GE-53	2SB173D	GE-53		
2SB147A	GE-25	2SB153E	GE-53	2SB158E	GE-53	2SB163G	GE-53	2SB168J	GE-53	2SB173E	GE-53		
2SB147B	GE-25	2SB153F	GE-53	2SB158F	GE-53	2SB163GN	GE-53	2SB168K	GE-53	2SB173F	GE-53		
2SB147C	GE-25	2SB153G	GE-53	2SB158G	GE-53	2SB163H	GE-53	2SB168L	GE-53	2SB173G	GE-53		
2SB147D	GE-25	2SB153GN	GE-53	2SB158GN	GE-53	2SB163J	GE-53	2SB168M	GE-53	2SB173GN	GE-53		
2SB147E	GE-25	2SB153H	GE-53	2SB158H	GE-53	2SB163K	GE-53	2SB168OR	GE-53	2SB173H	GE-53		
2SB147F	GE-25	2SB153J	GE-53	2SB158J	GE-53	2SB163L	GE-53	2SB168R	GE-53	2SB173J	GE-53		
2SB147G	GE-25	2SB153K	GE-53	2SB158K	GE-53	2SB163M	GE-53	2SB168X	GE-53	2SB173K	GE-53		
2SB147H	GE-25	2SB153L	GE-53	2SB158L	GE-53	2SB163OR	GE-53	2SB168Y	GE-53	2SB173L	GE-2		
2SB147J	GE-25	2SB153M	GE-53	2SB158M	GE-53	2SB163R	GE-53	2SB169	GE-52	2SB173M	GE-53		
2SB147K	GE-25	2SB153OR	GE-53	2SB158OR	GE-53	2SB163X	GE-53	2SB169A	GE-53	2SB173OR	GE-53		
2SB147L	GE-25	2SB153R	GE-53	2SB158R	GE-53	2SB163Y	GE-53	2SB169B	GE-53	2SB173R	GE-53		
2SB147M	GE-25	2SB153X	GE-53	2SB158X	GE-53	2SB164	GE-2	2SB169C	GE-53	2SB173X	GE-53		
2SB147OR	GE-25	2SB153Y	GE-53	2SB158Y	GE-53	2SB164A	GE-53	2SB169D	GE-53	2SB173Y	GE-53		
2SB147X	GE-25	2SB154	GE-52	2SB159	GE-51	2SB164B	GE-53	2SB169E	GE-53	2SB174	GE-52		
2SB147Y	GE-25	2SB154A	GE-53	2SB159A	GE-53	2SB164C	GE-53	2SB169F	GE-53	2SB174A	GE-53		
2SB149	GE-25	2SB154B	GE-53	2SB159B	GE-53	2SB164D	GE-53	2SB169G	GE-53	2SB174B	GE-53		
2SB149A	GE-25	2SB154C	GE-53	2SB159C	GE-53	2SB164E	GE-53	2SB169GN	GE-53	2SB174C	GE-53		
2SB149B	GE-25	2SB154D	GE-53	2SB159D	GE-53	2SB164F	GE-53	2SB169H	GE-53	2SB174D	GE-53		

UNIVERSAL REPLACEMENT SEMICONDUCTORS

2SB174E - 2SB228L

JEDEC Or Part Nr	GE Replacement	JEDEC Or Part Nr	GE Replacement	JEDEC Or Part Nr	GE Replacement	JEDEC Or Part Nr	GE Replacement	JEDEC Or Part Nr	GE Replacement	JEDEC Or Part Nr	GE Replacement	JEDEC Or Part Nr	GE Replacement
2SB174E	GE-53	2SB178OR	GE-53	2SB186X	GE-53	2SB200G	GE-53	2SB217H	GE-25	2SB222Y	GE-53		
2SB174F	GE-53	2SB178R	GE-53	2SB186Y	GE-52	2SB200GN	GE-53	2SB217K	GE-25	2SB223	GE-2		
2SB174G	GE-53	2SB178S	GE-2	2SB187	GE-53	2SB200H	GE-53	2SB217L	GE-25	2SB223A	GE-53		
2SB174GN	GE-53	2SB178T	GE-52	2SB187(K)	GE-53	2SB200J	GE-53	2SB217M	GE-25	2SB223B	GE-53		
2SB174H	GE-53	2SB178TC	GE-53	2SB187A	GE-53	2SB200K	GE-53	2SB217OR	GE-25	2SB223C	GE-53		
2SB174K	GE-53	2SB178TS	GE-53	2SB187AA	GE-53	2SB200L	GE-53	2SB217R	GE-25	2SB223D	GE-53		
2SB174L	GE-53	2SB178U	GE-2	2SB187B	GE-2	2SB200M	GE-53	2SB217U	GE-16	2SB223E	GE-53		
2SB174M	GE-53	2SB178V	GE-2	2SB187C	GE-53	2SB200OR	GE-53	2SB217X	GE-25	2SB223F	GE-53		
2SB174OR	GE-53	2SB178X	GE-2	2SB187BK	GE-53	2SB200R	GE-53	2SB217Y	GE-25	2SB223G	GE-53		
2SB174R	GE-53	2SB178Y	GE-53	2SB187C	GE-52	2SB200X	GE-53	2SB218	GE-52	2SB223Y	GE-53		
2SB174X	GE-53	2SB179	GE-50	2SB187D	GE-53	2SB200Y	GE-53	2SB218A	GE-53	2SB224	GE-52		
2SB174Y	GE-53	2SB180	GE-3	2SB187E	GE-53	2SB201	GE-53	2SB218B	GE-53	2SB224A	GE-53		
2SB175(A)	GE-1	2SB181	GE-3	2SB187F	GE-53	2SB202	GE-53	2SB218C	GE-53	2SB224B	GE-53		
2SB175	GE-2	2SB182	GE-51	2SB187G	GE-2	2SB202A	GE-53	2SB218D	GE-53	2SB224C	GE-53		
2SB175A	GE-52	2SB183	GE-52	2SB187GN	GE-53	2SB202B	GE-53	2SB218E	GE-53	2SB224D	GE-53		
2SB175B	GE-53	2SB183A	GE-53	2SB187H	GE-53	2SB202C	GE-53	2SB218F	GE-53	2SB224E	GE-53		
2SB175B	GE-52	2SB183B	GE-53	2SB187K	GE-53	2SB202D	GE-53	2SB218G	GE-53	2SB224F	GE-53		
2SB175B-1	GE-53	2SB183C	GE-53	2SB187L	GE-53	2SB202E	GE-53	2SB218GN	GE-53	2SB224G	GE-53		
2SB175BL	GE-53	2SB183D	GE-53	2SB187M	GE-53	2SB202F	GE-53	2SB218H	GE-53	2SB224GN	GE-53		
2SB175C	GE-2	2SB183E	GE-53	2SB187OR	GE-53	2SB202G	GE-53	2SB218J	GE-53	2SB224H	GE-53		
2SB175CL	GE-53	2SB183F	GE-53	2SB187R	GE-2	2SB202GN	GE-53	2SB218K	GE-53	2SB224K	GE-53		
2SB175D	GE-53	2SB183G	GE-53	2SB187S	GE-53	2SB202H	GE-53	2SB218L	GE-53	2SB224L	GE-53		
2SB175E	GE-53	2SB183GN	GE-53	2SB187X	GE-53	2SB202J	GE-53	2SB218M	GE-53	2SB224M	GE-53		
2SB175F	GE-53	2SB183H	GE-53	2SB187Y	GE-53	2SB202L	GE-53	2SB218OR	GE-53	2SB224OR	GE-53		
2SB175G	GE-53	2SB183J	GE-53	2SB188	GE-2	2SB202M	GE-53	2SB218R	GE-53	2SB224R	GE-53		
2SB175GN	GE-53	2SB183K	GE-53	2SB188A	GE-53	2SB202OR	GE-53	2SB218X	GE-53	2SB224X	GE-53		
2SB175H	GE-53	2SB183L	GE-53	2SB188B	GE-53	2SB202R	GE-53	2SB218Y	GE-53	2SB224Y	GE-53		
2SB175L	GE-53	2SB183M	GE-53	2SB188C	GE-53	2SB202X	GE-53	2SB219	GE-2	2SB225	GE-52		
2SB175M	GE-53	2SB183OR	GE-53	2SB188D	GE-53	2SB202Y	GE-53	2SB219A	GE-53	2SB225A	GE-53		
2SB175OR	GE-53	2SB183R	GE-53	2SB188E	GE-53	2SB203A	GE-53	2SB219B	GE-53	2SB225B	GE-53		
2SB175R	GE-53	2SB183X	GE-53	2SB188F	GE-53	2SB203AA	GE-53	2SB219E	GE-53	2SB225C	GE-53		
2SB175X	GE-53	2SB183Y	GE-53	2SB188G	GE-53	2SB203B	GE-53	2SB219F	GE-53	2SB225D	GE-53		
2SB175Y	GE-53	2SB184	GE-52	2SB188GN	GE-53	2SB203C	GE-53	2SB219G	GE-53	2SB225E	GE-53		
2SB176	GE-2	2SB184A	GE-53	2SB188H	GE-53	2SB203D	GE-53	2SB219H	GE-53	2SB225F	GE-53		
2SB176	GE-2	2SB184B	GE-53	2SB188J	GE-53	2SB203E	GE-53	2SB219J	GE-53	2SB225G	GE-53		
2SB176A	GE-53	2SB184C	GE-53	2SB188K	GE-53	2SB203F	GE-53	2SB219K	GE-53	2SB225GN	GE-53		
2SB176B	GE-53	2SB184D	GE-53	2SB188L	GE-53	2SB203G	GE-53	2SB219L	GE-53	2SB225H	GE-53		
2SB176C	GE-53	2SB184E	GE-53	2SB188M	GE-53	2SB203GN	GE-53	2SB219R	GE-53	2SB225K	GE-53		
2SB176D	GE-53	2SB184F	GE-53	2SB188OR	GE-53	2SB203H	GE-53	2SB219X	GE-53	2SB225L	GE-53		
2SB176E	GE-53	2SB184G	GE-53	2SB188R	GE-53	2SB203J	GE-53	2SB219Y	GE-53	2SB225M	GE-53		
2SB176F	GE-53	2SB184GN	GE-53	2SB188X	GE-53	2SB203K	GE-53	2SB220	GE-2	2SB225OR	GE-53		
2SB176G	GE-53	2SB184H	GE-53	2SB188Y	GE-53	2SB203L	GE-53	2SB220A	GE-52	2SB225R	GE-53		
2SB176GN	GE-53	2SB184J	GE-53	2SB189	GE-53	2SB203M	GE-53	2SB220B	GE-53	2SB225X	GE-53		
2SB176H	GE-53	2SB184K	GE-53	2SB189A	GE-53	2SB203OR	GE-53	2SB220C	GE-53	2SB225Y	GE-53		
2SB176J	GE-53	2SB184L	GE-53	2SB189B	GE-53	2SB203R	GE-53	2SB220D	GE-53	2SB226	GE-52		
2SB176K	GE-53	2SB184M	GE-53	2SB189C	GE-53	2SB203X	GE-53	2SB220E	GE-53	2SB226A	GE-53		
2SB176L	GE-53	2SB184OR	GE-53	2SB189D	GE-53	2SB203Y	GE-53	2SB220F	GE-53	2SB226B	GE-53		
2SB176M	GE-52	2SB184R	GE-53	2SB189E	GE-53	2SB215	GE-16	2SB220GN	GE-53	2SB226C	GE-53		
2SB176O	GE-52	2SB184X	GE-53	2SB189F	GE-53	2SB215A	GE-25	2SB220H	GE-53	2SB226D	GE-53		
2SB176OR	GE-53	2SB184Y	GE-53	2SB189G	GE-53	2SB215B	GE-25	2SB220J	GE-53	2SB226E	GE-53		
2SB176P	GE-52	2SB185	GE-2	2SB189GN	GE-53	2SB215C	GE-25	2SB220K	GE-53	2SB226F	GE-53		
2SB176PL	GE-53	2SB185(O)	GE-52	2SB189H	GE-53	2SB215D	GE-25	2SB220L	GE-53	2SB226G	GE-53		
2SB176PR	GE-52	2SB185(P)	GE-52	2SB189J	GE-53	2SB215E	GE-25	2SB220M	GE-53	2SB226GN	GE-53		
2SB176PRC	GE-52	2SB185A	GE-53	2SB189K	GE-53	2SB215F	GE-25	2SB220	GE-53	2SB226J	GE-53		
2SB176R(1)	GE-53	2SB185AA	GE-1	2SB189L	GE-53	2SB215G	GE-25	2SB220R	GE-53	2SB226K	GE-53		
2SB176R	GE-52	2SB185B	GE-53	2SB189M	GE-53	2SB215GN	GE-25	2SB220X	GE-53	2SB226L	GE-53		
2SB176RG	GE-53	2SB185C	GE-53	2SB189OR	GE-53	2SB215H	GE-25	2SB220Y	GE-53	2SB226M	GE-53		
2SB176X	GE-53	2SB185D	GE-53	2SB189P	GE-53	2SB215J	GE-25	2SB221	GE-53	2SB226OR	GE-53		
2SB176Y	GE-53	2SB185E	GE-53	2SB189X	GE-53	2SB215K	GE-25	2SB221A	GE-2	2SB226R	GE-53		
2SB177	GE-2	2SB185F	GE-2	2SB189Y	GE-53	2SB215L	GE-25	2SB221B	GE-53	2SB226X	GE-53		
2SB177A	GE-8	2SB185G	GE-53	2SB190	GE-53	2SB215M	GE-25	2SB221C	GE-53	2SB226Y	GE-53		
2SB177B	GE-53	2SB185GN	GE-53	2SB192	GE-53	2SB215OR	GE-25	2SB221D	GE-53	2SB227	GE-52		
2SB177C	GE-53	2SB185H	GE-53	2SB193	GE-53	2SB215R	GE-25	2SB221E	GE-53	2SB227A	GE-53		
2SB177D	GE-53	2SB185J	GE-53	2SB194	GE-53	2SB215X	GE-25	2SB221F	GE-53	2SB227B	GE-53		
2SB177E	GE-53	2SB185L	GE-53	2SB195	GE-53	2SB215Y	GE-25	2SB221G	GE-53	2SB227C	GE-53		
2SB177F	GE-53	2SB185M	GE-53	2SB196	GE-53	2SB216	GE-52	2SB221GN	GE-53	2SB227D	GE-53		
2SB177G	GE-53	2SB185OR	GE-53	2SB197	GE-53	2SB216A	GE-3	2SB221H	GE-53	2SB227E	GE-53		
2SB177GN	GE-53	2SB185P	GE-2	2SB198	GE-53	2SB216B	GE-25	2SB221J	GE-53	2SB227F	GE-53		
2SB177H	GE-53	2SB185R	GE-53	2SB199	GE-53	2SB216C	GE-25	2SB221K	GE-53	2SB227G	GE-53		
2SB177K	GE-53	2SB185X	GE-53	2SB199A	GE-53	2SB216D	GE-25	2SB221L	GE-53	2SB227GN	GE-53		
2SB177L	GE-53	2SB185Y	GE-53	2SB199B	GE-53	2SB216E	GE-25	2SB221M	GE-53	2SB227H	GE-53		
2SB177M	GE-53	2SB186	GE-53	2SB199C	GE-53	2SB216F	GE-25	2SB221OR	GE-53	2SB227J	GE-53		
2SB177OR	GE-53	2SB186(O)	GE-52	2SB199D	GE-53	2SB216G	GE-25	2SB221R	GE-53	2SB227K	GE-53		
2SB177R	GE-53	2SB186-7	GE-53	2SB199E	GE-53	2SB216GN	GE-25	2SB221X	GE-53	2SB227L	GE-53		
2SB177X	GE-53	2SB186A	GE-52	2SB199F	GE-53	2SB216H	GE-25	2SB221Y	GE-53	2SB227M	GE-53		
2SB177Y	GE-53	2SB186AG	GE-53	2SB199G	GE-53	2SB216J	GE-25	2SB222	GE-2	2SB227OR	GE-53		
2SB178	GE-2	2SB186B	GE-52	2SB199GN	GE-53	2SB216K	GE-25	2SB222A	GE-25	2SB227R	GE-53		
2SB178A	GE-2	2SB186BY	GE-53	2SB199H	GE-53	2SB216L	GE-25	2SB222B	GE-25	2SB227X	GE-53		
2SB178B	GE-53	2SB186C	GE-2	2SB199J	GE-53	2SB216M	GE-25	2SB222C	GE-25	2SB227Y	GE-53		
2SB178C	GE-2	2SB186D	GE-53	2SB199L	GE-53	2SB216OR	GE-25	2SB222D	GE-25	2SB228	GE-25		
2SB178D	GE-2	2SB186E	GE-53	2SB199M	GE-53	2SB216R	GE-25	2SB222E	GE-53	2SB228A	GE-25		
2SB178E	GE-53	2SB186F	GE-53	2SB199OR	GE-53	2SB216X	GE-25	2SB222F	GE-25	2SB228B	GE-25		
2SB178E	GE-53	2SB186G	GE-52	2SB199R	GE-53	2SB216Y	GE-25	2SB222G	GE-25	2SB228C	GE-88		
2SB178F	GE-53	2SB186GN	GE-53	2SB199X	GE-53	2SB217	GE-16	2SB222GN	GE-53	2SB228D	GE-88		
2SB178G	GE-53	2SB186H	GE-53	2SB199Y	GE-53	2SB217A	GE-52	2SB222H	GE-53	2SB228E	GE-25		
2SB178GN	GE-53	2SB186J	GE-53	2SB200	GE-53	2SB217B	GE-25	2SB222J	GE-53	2SB228F	GE-25		
2SB178H	GE-53	2SB186K	GE-53	2SB200A	GE-53	2SB217C	GE-25	2SB222K	GE-53	2SB228G	GE-25		
2SB178J	GE-53	2SB186L	GE-53	2SB200B	GE-53	2SB217D	GE-25	2SB222L	GE-53	2SB228H	GE-25		
2SB178K	GE-53	2SB186M	GE-53	2SB200C	GE-53	2SB217E	GE-25	2SB222M	GE-53	2SB228M	GE-25		
2SB178L	GE-53	2SB186	GE-53	2SB200D	GE-53	2SB217F	GE-25	2SB222OR	GE-53	2SB228J	GE-25		
2SB178M	GE-2	2SB186OR	GE-53	2SB200E	GE-53	2SB217G	GE-53	2SB222R	GE-53	2SB228K	GE-25		
2SB178N	GE-2	2SB186R	GE-53	2SB200F	GE-53								

UNIVERSAL REPLACEMENT SEMICONDUCTORS

2SB228M - 2SB260

JEDEC Or Part Nr	GE Replacement	JEDEC Or Part Nr	GE Replacement	JEDEC Or Part Nr	GE Replacement	JEDEC Or Part Nr	GE Replacement	JEDEC Or Part Nr	GE Replacement	JEDEC Or Part Nr	GE Replacement	JEDEC Or Part Nr	GE Replacement
2SB228M	GE-25	2SB233Y	GE-25	2SB238X	GE-4	2SB244	GE-16	2SB249D	GE-25	2SB254M	GE-25		
2SB228OR	GE-25	2SB234	GE-25	2SB238Y	GE-4	2SB244A	GE-25	2SB249E	GE-25	2SB254OR	GE-25		
2SB228R	GE-25	2SB234A	GE-25	2SB239	GE-16	2SB244B	GE-25	2SB249F	GE-25	2SB254R	GE-25		
2SB228X	GE-25	2SB234B	GE-25	2SB239A	GE-16	2SB244C	GE-25	2SB249G	GE-25	2SB254Y	GE-25		
2SB228Y	GE-25	2SB234C	GE-25	2SB239B	GE-25	2SB244D	GE-25	2SB249GN	GE-25	2SB254Y	GE-25		
2SB229	GE-25	2SB234D	GE-25	2SB239C	GE-25	2SB244E	GE-25	2SB249H	GE-25	2SB255	GE-16		
2SB229A	GE-25	2SB234E	GE-25	2SB239D	GE-25	2SB244F	GE-25	2SB249J	GE-25	2SB255A	GE-25		
2SB229B	GE-25	2SB234F	GE-25	2SB239E	GE-25	2SB244G	GE-25	2SB249K	GE-25	2SB255B	GE-25		
2SB229C	GE-25	2SB234G	GE-25	2SB239F	GE-25	2SB244GN	GE-25	2SB249L	GE-25	2SB255C	GE-25		
2SB229D	GE-25	2SB234GN	GE-25	2SB239G	GE-25	2SB244H	GE-25	2SB249M	GE-25	2SB255D	GE-25		
2SB229E	GE-25	2SB234H	GE-25	2SB239GN	GE-25	2SB244J	GE-25	2SB249OR	GE-25	2SB255E	GE-25		
2SB229F	GE-25	2SB234I	GE-25	2SB239H	GE-25	2SB244K	GE-25	2SB249P	GE-25	2SB255F	GE-25		
2SB229G	GE-25	2SB234J	GE-25	2SB239I	GE-25	2SB244L	GE-25	2SB249Q	GE-25	2SB255G	GE-25		
2SB229H	GE-25	2SB234K	GE-25	2SB239J	GE-25	2SB244M	GE-25	2SB249R	GE-25	2SB255H	GE-25		
2SB229I	GE-25	2SB234L	GE-25	2SB239K	GE-25	2SB244N	GE-25	2SB250	GE-16	2SB255I	GE-25		
2SB229J	GE-25	2SB234M	GE-25	2SB239L	GE-25	2SB244OR	GE-25	2SB250A	GE-16	2SB255J	GE-25		
2SB229K	GE-25	2SB234N	GE-25	2SB239M	GE-25	2SB244R	GE-25	2SB250B	GE-25	2SB255K	GE-25		
2SB229L	GE-25	2SB234OR	GE-25	2SB239OR	GE-25	2SB244S	GE-25	2SB250C	GE-25	2SB255L	GE-25		
2SB229M	GE-25	2SB234R	GE-25	2SB239R	GE-25	2SB244T	GE-25	2SB250D	GE-25	2SB255M	GE-25		
2SB229N	GE-25	2SB234S	GE-25	2SB239S	GE-25	2SB244U	GE-25	2SB250E	GE-25	2SB255N	GE-25		
2SB229OR	GE-25	2SB234T	GE-25	2SB239T	GE-25	2SB244V	GE-25	2SB250F	GE-25	2SB255OR	GE-25		
2SB229R	GE-25	2SB234Y	GE-25	2SB239Y	GE-25	2SB245A	GE-16	2SB250G	GE-25	2SB255P	GE-25		
2SB229X	GE-25	2SB235	GE-4	2SB240	GE-52	2SB245B	GE-25	2SB250GN	GE-25	2SB255R	GE-25		
2SB229Y	GE-25	2SB235A	GE-4	2SB240A	GE-16	2SB245C	GE-25	2SB250H	GE-25	2SB255S	GE-25		
2SB230	GE-25	2SB235B	GE-4	2SB240B	GE-25	2SB245D	GE-25	2SB250I	GE-25	2SB255T	GE-25		
2SB230A	GE-25	2SB235C	GE-4	2SB240C	GE-25	2SB245E	GE-25	2SB250J	GE-25	2SB256	GE-16		
2SB230B	GE-25	2SB235D	GE-4	2SB240D	GE-25	2SB245F	GE-25	2SB250L	GE-25	2SB256A	GE-30		
2SB230C	GE-25	2SB235E	GE-4	2SB240E	GE-25	2SB245G	GE-25	2SB250M	GE-25	2SB256B	GE-30		
2SB230D	GE-25	2SB235F	GE-4	2SB240F	GE-25	2SB245H	GE-25	2SB250N	GE-25	2SB256C	GE-30		
2SB230E	GE-25	2SB235G	GE-4	2SB240GN	GE-25	2SB245I	GE-25	2SB250P	GE-25	2SB256D	GE-30		
2SB230F	GE-25	2SB235GN	GE-4	2SB240H	GE-25	2SB245L	GE-25	2SB251	GE-16	2SB256E	GE-30		
2SB230G	GE-25	2SB235H	GE-4	2SB240J	GE-25	2SB245M	GE-25	2SB251A	GE-16	2SB256F	GE-30		
2SB230GN	GE-25	2SB235L	GE-4	2SB240K	GE-25	2SB245OR	GE-25	2SB251B	GE-25	2SB256G	GE-30		
2SB230H	GE-25	2SB235M	GE-4	2SB240L	GE-25	2SB245R	GE-25	2SB251C	GE-25	2SB256GN	GE-30		
2SB230I	GE-25	2SB235OR	GE-4	2SB240M	GE-25	2SB245S	GE-25	2SB251D	GE-25	2SB256H	GE-30		
2SB230K	GE-25	2SB235R	GE-4	2SB240OR	GE-25	2SB245Y	GE-25	2SB251E	GE-25	2SB256I	GE-30		
2SB230L	GE-25	2SB235X	GE-4	2SB240R	GE-25	2SB246	GE-16	2SB251F	GE-25	2SB256L	GE-30		
2SB230M	GE-25	2SB235Y	GE-4	2SB240X	GE-25	2SB246A	GE-25	2SB251G	GE-25	2SB256M	GE-30		
2SB230	GE-25	2SB236	GE-4	2SB240Y	GE-25	2SB246B	GE-25	2SB251GN	GE-25	2SB256OR	GE-30		
2SB230R	GE-25	2SB236A	GE-4	2SB241	GE-53	2SB246C	GE-25	2SB251H	GE-25	2SB256R	GE-30		
2SB230X	GE-25	2SB236B	GE-4	2SB241A	GE-53	2SB246D	GE-25	2SB251J	GE-25	2SB256S	GE-30		
2SB230Y	GE-25	2SB236C	GE-4	2SB241B	GE-53	2SB246E	GE-25	2SB251K	GE-25	2SB256T	GE-30		
2SB231	GE-25	2SB236D	GE-4	2SB241C	GE-53	2SB246F	GE-25	2SB251L	GE-25	2SB257	GE-1		
2SB231A	GE-25	2SB236E	GE-4	2SB241D	GE-53	2SB246G	GE-25	2SB251M	GE-25	2SB257A	GE-53		
2SB231B	GE-25	2SB236F	GE-4	2SB241E	GE-53	2SB246GN	GE-25	2SB251OR	GE-25	2SB257B	GE-53		
2SB231C	GE-25	2SB236G	GE-4	2SB241F	GE-53	2SB246H	GE-25	2SB251R	GE-25	2SB257C	GE-53		
2SB231D	GE-25	2SB236GN	GE-4	2SB241G	GE-53	2SB246I	GE-25	2SB251X	GE-25	2SB257D	GE-53		
2SB231E	GE-25	2SB236H	GE-4	2SB241GN	GE-53	2SB246K	GE-25	2SB252	GE-16	2SB257E	GE-53		
2SB231F	GE-25	2SB236J	GE-4	2SB241H	GE-53	2SB246L	GE-25	2SB252A	GE-25	2SB257F	GE-53		
2SB231G	GE-25	2SB236K	GE-4	2SB241J	GE-53	2SB246M	GE-25	2SB252B	GE-25	2SB257G	GE-53		
2SB231GN	GE-25	2SB236L	GE-4	2SB241K	GE-53	2SB246OR	GE-25	2SB252C	GE-25	2SB257H	GE-53		
2SB231H	GE-25	2SB236M	GE-4	2SB241L	GE-53	2SB246R	GE-25	2SB252D	GE-25	2SB257I	GE-53		
2SB231J	GE-25	2SB236OR	GE-4	2SB241M	GE-53	2SB246X	GE-25	2SB252E	GE-25	2SB257K	GE-53		
2SB231K	GE-25	2SB236R	GE-4	2SB241OR	GE-53	2SB246Y	GE-25	2SB252F	GE-25	2SB257L	GE-53		
2SB231L	GE-25	2SB236X	GE-4	2SB241R	GE-53	2SB247	GE-16	2SB252G	GE-25	2SB257M	GE-53		
2SB231M	GE-25	2SB236Y	GE-4	2SB241S	GE-25	2SB247A	GE-25	2SB252GN	GE-25	2SB257OR	GE-53		
2SB231OR	GE-25	2SB237	GE-4	2SB241X	GE-53	2SB247B	GE-25	2SB252H	GE-25	2SB257R	GE-53		
2SB231R	GE-25	2SB237-12A	GE-4	2SB241Y	GE-53	2SB247C	GE-25	2SB252J	GE-25	2SB257X	GE-53		
2SB231X	GE-25	2SB237-12B	GE-4	2SB242	GE-52	2SB247D	GE-25	2SB252L	GE-25	2SB257Y	GE-53		
2SB231Y	GE-25	2SB237A	GE-4	2SB242A	GE-16	2SB247E	GE-25	2SB252M	GE-25	2SB258	GE-4		
2SB232	GE-16	2SB237B	GE-4	2SB242B	GE-25	2SB247F	GE-25	2SB252OR	GE-25	2SB258A	GE-4		
2SB232A	GE-25	2SB237C	GE-4	2SB242C	GE-25	2SB247G	GE-25	2SB252R	GE-25	2SB258B	GE-4		
2SB232B	GE-25	2SB237D	GE-4	2SB242D	GE-25	2SB247GN	GE-25	2SB252X	GE-25	2SB258C	GE-4		
2SB232C	GE-25	2SB237E	GE-4	2SB242E	GE-25	2SB247H	GE-25	2SB252Y	GE-25	2SB258D	GE-4		
2SB232D	GE-25	2SB237F	GE-4	2SB242F	GE-25	2SB247I	GE-25	2SB253	GE-16	2SB258E	GE-4		
2SB232E	GE-25	2SB237G	GE-4	2SB242G	GE-25	2SB247K	GE-25	2SB253A	GE-16	2SB258F	GE-4		
2SB232F	GE-25	2SB237GN	GE-4	2SB242GN	GE-25	2SB247L	GE-25	2SB253B	GE-25	2SB258G	GE-4		
2SB232G	GE-25	2SB237H	GE-4	2SB242H	GE-25	2SB247M	GE-25	2SB253C	GE-25	2SB258GN	GE-4		
2SB232GN	GE-25	2SB237J	GE-4	2SB242J	GE-25	2SB247OR	GE-25	2SB253D	GE-25	2SB258H	GE-4		
2SB232H	GE-25	2SB237K	GE-4	2SB242K	GE-25	2SB247R	GE-25	2SB253E	GE-25	2SB258I	GE-4		
2SB232K	GE-25	2SB237L	GE-4	2SB242L	GE-25	2SB247X	GE-25	2SB253F	GE-25	2SB258K	GE-4		
2SB232L	GE-25	2SB237M	GE-4	2SB242M	GE-25	2SB247Y	GE-25	2SB253G	GE-25	2SB258L	GE-4		
2SB232M	GE-25	2SB237OR	GE-4	2SB242OR	GE-25	2SB248	GE-16	2SB253GN	GE-25	2SB258M	GE-4		
2SB232OR	GE-25	2SB237R	GE-4	2SB242R	GE-25	2SB248A	GE-16	2SB253H	GE-25	2SB258OR	GE-4		
2SB232R	GE-25	2SB237X	GE-4	2SB242X	GE-25	2SB248B	GE-25	2SB253I	GE-25	2SB258R	GE-4		
2SB232X	GE-25	2SB237Y	GE-4	2SB242Y	GE-25	2SB248C	GE-25	2SB253L	GE-25	2SB258S	GE-4		
2SB232Y	GE-25	2SB238-12A	GE-4	2SB243	GE-52	2SB248D	GE-25	2SB253M	GE-25	2SB258T	GE-4		
2SB233	GE-16	2SB238-12B	GE-4	2SB243A	GE-16	2SB248E	GE-25	2SB253OR	GE-25	2SB259	GE-4		
2SB233A	GE-25	2SB238-12C	GE-4	2SB243B	GE-25	2SB248F	GE-25	2SB253P	GE-25	2SB259A	GE-4		
2SB233B	GE-25	2SB238A	GE-4	2SB243C	GE-25	2SB248G	GE-25	2SB253Q	GE-25	2SB259B	GE-4		
2SB233C	GE-25	2SB238B	GE-4	2SB243D	GE-25	2SB248GN	GE-25	2SB254(D)	GE-53	2SB259C	GE-4		
2SB233D	GE-25	2SB238C	GE-4	2SB243E	GE-25	2SB248H	GE-25	2SB254	GE-16	2SB259D	GE-4		
2SB233E	GE-25	2SB238D	GE-4	2SB243F	GE-25	2SB248J	GE-25	2SB254A	GE-25	2SB259E	GE-4		
2SB233F	GE-25	2SB238E	GE-4	2SB243G	GE-25	2SB248K	GE-25	2SB254B	GE-25	2SB259F	GE-4		
2SB233G	GE-25	2SB238F	GE-4	2SB243GN	GE-25	2SB248L	GE-25	2SB254C	GE-25	2SB259GN	GE-4		
2SB233GN	GE-53	2SB238G	GE-4	2SB243H	GE-25	2SB248M	GE-25	2SB254D	GE-53	2SB259H	GE-4		
2SB233H	GE-53	2SB238GN	GE-4	2SB243J	GE-25	2SB248OR	GE-25	2SB254E	GE-25	2SB259I	GE-4		
2SB233J	GE-53	2SB238H	GE-4	2SB243K	GE-25	2SB248R	GE-25	2SB254F	GE-25	2SB259K	GE-4		
2SB233K	GE-25	2SB238J	GE-4	2SB243L	GE-25	2SB248S	GE-25	2SB254G	GE-25	2SB259L	GE-4		
2SB233L	GE-25	2SB238K	GE-4	2SB243M	GE-25	2SB248Y	GE-25	2SB254GN	GE-25	2SB259OR	GE-4		
2SB233M	GE-25	2SB238L	GE-4	2SB243OR	GE-25	2SB249	GE-16	2SB254H	GE-25	2SB259R	GE-4		
2SB233OR	GE-25	2SB238M	GE-4	2SB243R	GE-25	2SB249A	GE-3	2SB254J	GE-25	2SB259X	GE-4		
2SB233R	GE-25	2SB238OR	GE-4	2SB243X	GE-25	2SB249B	GE-25	2SB254K	GE-25	2SB259Y	GE-4		
2SB233X	GE-25	2SB238R	GE-4	2SB243Y	GE-25	2SB249C	GE-25	2SB254L	GE-25	2SB260	GE-4		

UNIVERSAL REPLACEMENT SEMICONDUCTORS

2SB260A - 2SB303(O)

JEDEC Or Part Nr	GE Replacement	JEDEC Or Part Nr	GE Replacement	JEDEC Or Part Nr	GE Replacement	JEDEC Or Part Nr	GE Replacement	JEDEC Or Part Nr	GE Replacement	JEDEC Or Part Nr	GE Replacement	JEDEC Or Part Nr	GE Replacement
2SB260A	GE-4	2SB265C	GE-53	2SB270F	GE-53	2SB276H	GE-25	2SB290L	GE-53	2SB295OR	GE-25		
2SB260B	GE-4	2SB265D	GE-53	2SB270G	GE-53	2SB276J	GE-25	2SB290M	GE-53	2SB295R	GE-25		
2SB260C	GE-4	2SB265E	GE-53	2SB270GM	GE-53	2SB276K	GE-25	2SB290OR	GE-53	2SB295X	GE-25		
2SB260D	GE-4	2SB265F	GE-53	2SB270H	GE-53	2SB276L	GE-25	2SB290R	GE-53	2SB295Y	GE-25		
2SB260E	GE-4	2SB265G	GE-53	2SB270J	GE-53	2SB276M	GE-25	2SB290X	GE-53	2SB296	GE-25		
2SB260F	GE-4	2SB265GN	GE-53	2SB270K	GE-53	2SB276OR	GE-25	2SB290Y	GE-53	2SB296A	GE-25		
2SB260G	GE-4	2SB265H	GE-53	2SB270L	GE-53	2SB276P	GE-25	2SB291	GE-52	2SB296B	GE-25		
2SB260GN	GE-4	2SB265J	GE-53	2SB270M	GE-53	2SB276Q	GE-25	2SB291A	GE-53	2SB296C	GE-25		
2SB260H	GE-4	2SB265K	GE-53	2SB270OR	GE-53	2SB276R	GE-25	2SB291B	GE-53	2SB296D	GE-25		
2SB260J	GE-4	2SB265L	GE-53	2SB270R	GE-53	2SB261C	GE-16	2SB291C	GE-53	2SB296E	GE-25		
2SB260K	GE-4	2SB265M	GE-53	2SB270X	GE-53	2SB282	GE-25	2SB291D	GE-53	2SB296F	GE-25		
2SB260L	GE-4	2SB265OR	GE-53	2SB270Y	GE-53	2SB282A	GE-25	2SB291E	GE-53	2SB296G	GE-25		
2SB260M	GE-4	2SB265X	GE-53	2SB271	GE-51	2SB282B	GE-25	2SB291F	GE-53	2SB296GN	GE-25		
2SB260OR	GE-4	2SB265Y	GE-53	2SB272	GE-51	2SB282C	GE-25	2SB291G	GE-53	2SB296H	GE-25		
2SB260R	GE-4	2SB266	GE-2	2SB272A	GE-53	2SB282D	GE-25	2SB291GN	GE-53	2SB296I	GE-25		
2SB260X	GE-4	2SB266A	GE-53	2SB272B	GE-53	2SB282E	GE-25	2SB291H	GE-53	2SB296K	GE-25		
2SB260Y	GE-4	2SB266B	GE-53	2SB272C	GE-53	2SB282G	GE-25	2SB291J	GE-53	2SB296L	GE-25		
2SB261	GE-52	2SB266C	GE-53	2SB272D	GE-53	2SB282GN	GE-25	2SB291K	GE-53	2SB296M	GE-25		
2SB261A	GE-53	2SB266D	GE-53	2SB272E	GE-53	2SB282H	GE-25	2SB291L	GE-53	2SB296OR	GE-25		
2SB261B	GE-53	2SB266E	GE-53	2SB272F	GE-53	2SB282J	GE-25	2SB291M	GE-53	2SB296R	GE-25		
2SB261C	GE-53	2SB266F	GE-53	2SB272G	GE-53	2SB282K	GE-25	2SB291OR	GE-53	2SB296S	GE-25		
2SB261D	GE-53	2SB266G	GE-53	2SB272GM	GE-53	2SB282L	GE-25	2SB291R	GE-53	2SB296T	GE-25		
2SB261E	GE-53	2SB266GN	GE-53	2SB272J	GE-53	2SB282M	GE-25	2SB291X	GE-53	2SB296U	GE-2		
2SB261F	GE-53	2SB266H	GE-53	2SB272K	GE-53	2SB282OR	GE-25	2SB291Y	GE-53	2SB296V	GE-53		
2SB261G	GE-53	2SB266J	GE-53	2SB272L	GE-53	2SB282P	GE-25	2SB292	GE-52	2SB296W	GE-53		
2SB261GN	GE-53	2SB266K	GE-53	2SB272M	GE-53	2SB282X	GE-25	2SB292A	GE-51	2SB296X	GE-53		
2SB261H	GE-53	2SB266L	GE-53	2SB272OR	GE-53	2SB282Y	GE-25	2SB292B	GE-53	2SB296Y	GE-53		
2SB261J	GE-53	2SB266M	GE-53	2SB272R	GE-53	2SB283	GE-25	2SB292C	GE-53	2SB296Z	GE-53		
2SB261K	GE-53	2SB266OR	GE-53	2SB272X	GE-53	2SB283A	GE-25	2SB292D	GE-53	2SB296A	GE-53		
2SB261L	GE-53	2SB266P	GE-52	2SB272Y	GE-53	2SB283B	GE-25	2SB292E	GE-53	2SB296G	GE-53		
2SB261M	GE-53	2SB266Q	GE-52	2SB273	GE-52	2SB283C	GE-25	2SB292F	GE-53	2SB296GN	GE-53		
2SB261OR	GE-53	2SB266R	GE-53	2SB273A	GE-53	2SB283D	GE-25	2SB292G	GE-53	2SB296H	GE-53		
2SB261R	GE-53	2SB266X	GE-53	2SB273B	GE-53	2SB283E	GE-25	2SB292GN	GE-53	2SB296I	GE-53		
2SB261X	GE-53	2SB266Y	GE-53	2SB273C	GE-53	2SB283F	GE-25	2SB292H	GE-53	2SB296K	GE-53		
2SB261Y	GE-53	2SB267	GE-2	2SB273D	GE-53	2SB283G	GE-25	2SB292J	GE-53	2SB296L	GE-53		
2SB262	GE-2	2SB267A	GE-53	2SB273E	GE-53	2SB283GN	GE-25	2SB292K	GE-53	2SB296M	GE-53		
2SB262A	GE-53	2SB267B	GE-53	2SB273F	GE-53	2SB283H	GE-25	2SB292L	GE-53	2SB296OR	GE-53		
2SB262B	GE-53	2SB267C	GE-53	2SB273G	GE-53	2SB283J	GE-25	2SB292M	GE-53	2SB296R	GE-53		
2SB262C	GE-53	2SB267D	GE-53	2SB273GM	GE-53	2SB283K	GE-25	2SB292OR	GE-53	2SB296S	GE-53		
2SB262D	GE-53	2SB267E	GE-53	2SB273H	GE-53	2SB283L	GE-25	2SB292R	GE-53	2SB296T	GE-53		
2SB262E	GE-53	2SB267F	GE-53	2SB273J	GE-53	2SB283M	GE-25	2SB292X	GE-53	2SB300	GE-25		
2SB262F	GE-53	2SB267G	GE-53	2SB273K	GE-53	2SB283OR	GE-25	2SB292Y	GE-53	2SB300A	GE-25		
2SB262G	GE-53	2SB267GM	GE-53	2SB273L	GE-53	2SB283R	GE-25	2SB293	GE-2	2SB300B	GE-25		
2SB262GN	GE-53	2SB267H	GE-53	2SB273M	GE-53	2SB283X	GE-25	2SB293A	GE-53	2SB300C	GE-25		
2SB262H	GE-53	2SB267J	GE-53	2SB273OR	GE-53	2SB283Y	GE-25	2SB293B	GE-53	2SB300D	GE-25		
2SB262J	GE-53	2SB267K	GE-53	2SB273R	GE-53	2SB284	GE-25	2SB293C	GE-53	2SB300E	GE-25		
2SB262K	GE-53	2SB267L	GE-53	2SB273X	GE-53	2SB284A	GE-25	2SB293D	GE-53	2SB300F	GE-25		
2SB262L	GE-53	2SB267M	GE-53	2SB273Y	GE-53	2SB284B	GE-25	2SB293E	GE-53	2SB300G	GE-25		
2SB262M	GE-53	2SB267OR	GE-53	2SB274	GE-25	2SB284C	GE-25	2SB293F	GE-53	2SB300GN	GE-25		
2SB262OR	GE-53	2SB267R	GE-53	2SB274A	GE-25	2SB284D	GE-25	2SB293G	GE-53	2SB300H	GE-25		
2SB262R	GE-53	2SB267X	GE-53	2SB274B	GE-25	2SB284E	GE-25	2SB293GN	GE-53	2SB300J	GE-25		
2SB262X	GE-53	2SB267Y	GE-53	2SB274C	GE-25	2SB284F	GE-25	2SB293H	GE-53	2SB300K	GE-25		
2SB262Y	GE-53	2SB268	GE-2	2SB274D	GE-25	2SB284G	GE-25	2SB293J	GE-53	2SB300L	GE-25		
2SB263	GE-2	2SB268A	GE-53	2SB274E	GE-25	2SB284H	GE-25	2SB293K	GE-53	2SB300M	GE-25		
2SB263A	GE-53	2SB268B	GE-53	2SB274F	GE-25	2SB284J	GE-25	2SB293L	GE-53	2SB300	GE-25		
2SB263B	GE-53	2SB268C	GE-53	2SB274G	GE-25	2SB284K	GE-25	2SB293M	GE-53	2SB300R	GE-25		
2SB263C	GE-53	2SB268D	GE-53	2SB274H	GE-25	2SB284L	GE-25	2SB293OR	GE-53	2SB300X	GE-25		
2SB263D	GE-53	2SB268E	GE-53	2SB274J	GE-25	2SB284M	GE-25	2SB293R	GE-53	2SB300Y	GE-25		
2SB263E	GE-53	2SB268F	GE-53	2SB274K	GE-25	2SB284OR	GE-25	2SB293X	GE-53	2SB301	GE-16		
2SB263F	GE-53	2SB268G	GE-53	2SB274L	GE-25	2SB284R	GE-25	2SB293Y	GE-53	2SB301A	GE-25		
2SB263G	GE-53	2SB268GN	GE-53	2SB274M	GE-25	2SB284X	GE-25	2SB294	GE-2	2SB301B	GE-25		
2SB263GN	GE-53	2SB268H	GE-53	2SB274OR	GE-25	2SB284Y	GE-25	2SB294A	GE-80	2SB301C	GE-25		
2SB263H	GE-53	2SB268J	GE-53	2SB274R	GE-25	2SB265	GE-25	2SB294B	GE-80	2SB301D	GE-25		
2SB263J	GE-53	2SB268K	GE-53	2SB274X	GE-25	2SB265A	GE-25	2SB294C	GE-80	2SB301E	GE-25		
2SB263K	GE-53	2SB268L	GE-53	2SB274Y	GE-25	2SB265B	GE-25	2SB294D	GE-80	2SB301F	GE-25		
2SB263L	GE-53	2SB268M	GE-53	2SB275	GE-25	2SB265C	GE-25	2SB294E	GE-80	2SB301G	GE-25		
2SB263M	GE-53	2SB268OR	GE-53	2SB275A	GE-25	2SB265D	GE-25	2SB294F	GE-80	2SB301H	GE-25		
2SB263OR	GE-53	2SB268R	GE-53	2SB275B	GE-25	2SB265E	GE-25	2SB294G	GE-80	2SB301GM	GE-25		
2SB263R	GE-53	2SB268X	GE-53	2SB275C	GE-25	2SB265F	GE-25	2SB294GN	GE-80	2SB301J	GE-25		
2SB263X	GE-53	2SB268Y	GE-53	2SB275D	GE-25	2SB265G	GE-25	2SB294H	GE-80	2SB301L	GE-25		
2SB263Y	GE-53	2SB269	GE-2	2SB275E	GE-25	2SB265GN	GE-25	2SB294J	GE-80	2SB301M	GE-25		
2SB264	GE-52	2SB269A	GE-53	2SB275F	GE-25	2SB265H	GE-25	2SB294K	GE-80	2SB301	GE-25		
2SB264A	GE-53	2SB269C	GE-53	2SB275G	GE-25	2SB265J	GE-25	2SB294L	GE-80	2SB301R	GE-25		
2SB264B	GE-53	2SB269D	GE-53	2SB275GM	GE-25	2SB265K	GE-25	2SB294M	GE-80	2SB301X	GE-25		
2SB264C	GE-53	2SB269E	GE-53	2SB275H	GE-25	2SB265L	GE-25	2SB294OR	GE-80	2SB301Y	GE-25		
2SB264D	GE-53	2SB269F	GE-53	2SB275J	GE-25	2SB265M	GE-25	2SB294R	GE-80	2SB302	GE-51		
2SB264E	GE-53	2SB269G	GE-53	2SB275K	GE-25	2SB265OR	GE-25	2SB294X	GE-80	2SB302A	GE-53		
2SB264F	GE-53	2SB269GN	GE-53	2SB275L	GE-25	2SB265R	GE-25	2SB294Y	GE-80	2SB302B	GE-53		
2SB264G	GE-53	2SB269J	GE-53	2SB275M	GE-25	2SB265X	GE-25	2SB295	GE-25	2SB302C	GE-53		
2SB264GN	GE-53	2SB269K	GE-53	2SB275OR	GE-25	2SB265Y	GE-25	2SB295A	GE-25	2SB302D	GE-53		
2SB264H	GE-53	2SB269L	GE-53	2SB275R	GE-25	2SB290	GE-1	2SB295B	GE-25	2SB302E	GE-53		
2SB264J	GE-53	2SB269M	GE-53	2SB275X	GE-25	2SB290A	GE-53	2SB295C	GE-25	2SB302F	GE-53		
2SB264K	GE-53	2SB269OR	GE-53	2SB275Y	GE-25	2SB290B	GE-53	2SB295D	GE-25	2SB302G	GE-53		
2SB264L	GE-53	2SB269R	GE-53	2SB276	GE-25	2SB290C	GE-53	2SB295E	GE-25	2SB302J	GE-53		
2SB264M	GE-53	2SB269X	GE-53	2SB276A	GE-25	2SB290D	GE-53	2SB295F	GE-25	2SB302K	GE-53		
2SB264OR	GE-53	2SB269Y	GE-53	2SB276B	GE-25	2SB290E	GE-53	2SB295G	GE-25	2SB302L	GE-53		
2SB264R	GE-53	2SB270	GE-52	2SB276C	GE-25	2SB290F	GE-53	2SB295GN	GE-25	2SB302M	GE-53		
2SB264X	GE-53	2SB270A	GE-53	2SB276D	GE-25	2SB290G	GE-53	2SB295H	GE-25	2SB302OR	GE-53		
2SB264Y	GE-53	2SB270B	GE-2	2SB276E	GE-25	2SB290GN	GE-53	2SB295J	GE-25	2SB302R	GE-53		
2SB265	GE-80	2SB270C	GE-52	2SB276F	GE-25	2SB290H	GE-53	2SB295K	GE-25	2SB302X	GE-53		
2SB265A	GE-53	2SB270D	GE-52	2SB276G	GE-25	2SB290J	GE-53	2SB295L	GE-25	2SB302Y	GE-53		
2SB265B	GE-53	2SB270E	GE-2	2SB276GN	GE-25	2SB290K	GE-53	2SB295M	GE-25	2SB303(O)	GE-52		

UNIVERSAL REPLACEMENT SEMICONDUCTORS

2SB303 - 2SB347M

JEDEC Or Part Nr	GE Replacement	JEDEC Or Part Nr	GE Replacement	JEDEC Or Part Nr	GE Replacement	JEDEC Or Part Nr	GE Replacement	JEDEC Or Part Nr	GE Replacement	JEDEC Or Part Nr	GE Replacement	JEDEC Or Part Nr	GE Replacement
2SB303	GE-52	2SB312B	GE-25	2SB318K	GE-3	2SB327A	GE-53	2SB333D	GE-4	2SB341V(S)	GE-25		
2SB303A	GE-52	2SB312C	GE-25	2SB318L	GE-3	2SB327B	GE-53	2SB333E	GE-4	2SB341V	GE-25		
2SB303B	GE-53	2SB312D	GE-25	2SB318M	GE-3	2SB327C	GE-53	2SB333F	GE-4	2SB341X	GE-25		
2SB303BK	GE-53	2SB312E	GE-25	2SB318OR	GE-3	2SB327D	GE-53	2SB333G	GE-4	2SB341Y	GE-25		
2SB303C	GE-53	2SB312F	GE-25	2SB318R	GE-3	2SB327E	GE-53	2SB333GN	GE-4	2SB342	GE-25		
2SB303D	GE-53	2SB312G	GE-25	2SB318X	GE-3	2SB327F	GE-53	2SB333H	GE-4	2SB342A	GE-25		
2SB303E	GE-53	2SB312H	GE-25	2SB318Y	GE-3	2SB327G	GE-53	2SB333I	GE-4	2SB342B	GE-25		
2SB303F	GE-53	2SB312I	GE-25	2SB319	GE-25	2SB327GN	GE-53	2SB333K	GE-4	2SB342C	GE-25		
2SB303G	GE-53	2SB312J	GE-25	2SB319A	GE-25	2SB327H	GE-53	2SB333L	GE-4	2SB342D	GE-25		
2SB303GN	GE-53	2SB312K	GE-25	2SB319B	GE-25	2SB327I	GE-53	2SB333M	GE-4	2SB342E	GE-25		
2SB303H	GE-52	2SB312L	GE-25	2SB319C	GE-25	2SB327K	GE-53	2SB333OR	GE-4	2SB342F	GE-25		
2SB303J	GE-53	2SB312M	GE-25	2SB319D	GE-25	2SB327L	GE-53	2SB333R	GE-4	2SB342G	GE-25		
2SB303K	GE-53	2SB312N	GE-25	2SB319E	GE-25	2SB327M	GE-53	2SB333S	GE-4	2SB342GN	GE-25		
2SB303L	GE-53	2SB312O	GE-25	2SB319F	GE-25	2SB327N	GE-53	2SB333T	GE-4	2SB342H	GE-25		
2SB303M	GE-53	2SB313	GE-25	2SB319G	GE-25	2SB327OR	GE-53	2SB333U	GE-4	2SB342J	GE-25		
2SB303OR	GE-53	2SB313A	GE-25	2SB319GN	GE-25	2SB327R	GE-53	2SB333V	GE-4	2SB342K	GE-25		
2SB303R	GE-53	2SB313B	GE-25	2SB319H	GE-25	2SB327X	GE-53	2SB334A	GE-4	2SB342L	GE-25		
2SB303X	GE-53	2SB313C	GE-25	2SB319I	GE-25	2SB327Y	GE-53	2SB334B	GE-4	2SB342M	GE-25		
2SB303Y	GE-53	2SB313D	GE-25	2SB319J	GE-25	2SB328	GE-52	2SB334C	GE-4	2SB342N	GE-25		
2SB304	GE-53	2SB313E	GE-25	2SB319K	GE-25	2SB328A	GE-53	2SB334D	GE-4	2SB342OR	GE-25		
		2SB313F	GE-25	2SB319L	GE-25	2SB328B	GE-53	2SB334E	GE-4	2SB342R	GE-25		
2SB304A	GE-80	2SB313G	GE-25	2SB319M	GE-25	2SB328C	GE-53	2SB334F	GE-4	2SB342X	GE-25		
2SB304B	GE-80	2SB313H	GE-25	2SB319OR	GE-25	2SB328D	GE-53	2SB334G	GE-4	2SB342Y	GE-25		
2SB304C	GE-80	2SB313GN	GE-25	2SB319R	GE-25	2SB328E	GE-53	2SB334GN	GE-4	2SB343	GE-25		
2SB304D	GE-80	2SB313I	GE-25	2SB319S	GE-25	2SB328F	GE-53	2SB334H	GE-4	2SB343A	GE-25		
2SB304E	GE-80	2SB313J	GE-25	2SB319T	GE-25	2SB328G	GE-53	2SB334J	GE-4	2SB343B	GE-25		
2SB304F	GE-80	2SB313K	GE-25	2SB320	GE-25	2SB328GN	GE-53	2SB334K	GE-4	2SB343C	GE-25		
2SB304G	GE-80	2SB313L	GE-25	2SB320A	GE-25	2SB328H	GE-53	2SB334L	GE-4	2SB343D	GE-25		
2SB304GN	GE-80	2SB313M	GE-25	2SB320B	GE-25	2SB328I	GE-53	2SB334M	GE-4	2SB343E	GE-25		
2SB304H	GE-80	2SB313N	GE-25	2SB320C	GE-25	2SB328K	GE-53	2SB334OR	GE-4	2SB343F	GE-25		
2SB304J	GE-80	2SB313OR	GE-25	2SB320D	GE-25	2SB328L	GE-53	2SB334R	GE-4	2SB343G	GE-25		
		2SB313P	GE-25	2SB320E	GE-25	2SB328M	GE-53	2SB334S	GE-4	2SB343GN	GE-25		
2SB304K	GE-80	2SB313Q	GE-25	2SB320F	GE-25	2SB328N	GE-53	2SB334T	GE-4	2SB343H	GE-25		
2SB304L	GE-80	2SB313R	GE-25	2SB320G	GE-25	2SB328OR	GE-53	2SB334U	GE-4	2SB343I	GE-25		
2SB304M	GE-80	2SB313S	GE-25	2SB320H	GE-25	2SB328R	GE-53	2SB334V	GE-4	2SB343J	GE-25		
2SB304OR	GE-80	2SB313T	GE-25	2SB320I	GE-25	2SB328S	GE-53	2SB334W	GE-4	2SB343K	GE-25		
2SB304R	GE-80	2SB313U	GE-25	2SB320J	GE-25	2SB328T	GE-53	2SB334X	GE-4	2SB343L	GE-25		
		2SB313V	GE-25	2SB320K	GE-25	2SB328U	GE-53	2SB334Y	GE-4	2SB343M	GE-25		
2SB304X	GE-80	2SB313W	GE-25	2SB320L	GE-25	2SB328V	GE-53	2SB334Z	GE-4	2SB343N	GE-25		
2SB304Y	GE-80	2SB313X	GE-25	2SB320M	GE-25	2SB328W	GE-53	2SB334AA	GE-4	2SB343OR	GE-25		
2SB309	GE-25	2SB313Y	GE-25	2SB320N	GE-25	2SB328X	GE-53	2SB334AB	GE-4	2SB343R	GE-25		
2SB309A	GE-25	2SB313Z	GE-25	2SB320OR	GE-25	2SB328Y	GE-53	2SB334AC	GE-4	2SB343S	GE-25		
2SB309B	GE-25	2SB314	GE-53	2SB320R	GE-25	2SB329	GE-25	2SB334AD	GE-4	2SB343T	GE-25		
		2SB314A	GE-53	2SB320S	GE-25	2SB329C	GE-25	2SB334AE	GE-4	2SB343U	GE-25		
		2SB314B	GE-53	2SB320T	GE-25	2SB329D	GE-25	2SB334AF	GE-4	2SB343V	GE-25		
		2SB314C	GE-53	2SB320U	GE-25	2SB329E	GE-25	2SB334AG	GE-4	2SB343W	GE-25		
2SB309C	GE-25	2SB314D	GE-53	2SB320V	GE-25	2SB329F	GE-25	2SB334AH	GE-4	2SB343X	GE-25		
2SB309D	GE-25	2SB314E	GE-53	2SB320W	GE-25	2SB329G	GE-25	2SB334AI	GE-4	2SB343Y	GE-25		
2SB309E	GE-25	2SB314F	GE-53	2SB320X	GE-25	2SB329H	GE-25	2SB334AJ	GE-4	2SB343Z	GE-25		
2SB309F	GE-25	2SB314G	GE-53	2SB320Y	GE-25	2SB329I	GE-25	2SB334AK	GE-4	2SB344	GE-25		
2SB309G	GE-25	2SB314H	GE-53	2SB320Z	GE-25	2SB329J	GE-25	2SB334AL	GE-4	2SB345	GE-25		
		2SB314I	GE-53	2SB321	GE-52	2SB329K	GE-25	2SB334AM	GE-4	2SB345A	GE-25		
		2SB314J	GE-53	2SB322	GE-52	2SB329L	GE-25	2SB334AN	GE-4	2SB345B	GE-25		
2SB309GN	GE-25	2SB314K	GE-53	2SB323	GE-52	2SB329M	GE-25	2SB334AO	GE-4	2SB345C	GE-25		
2SB309H	GE-25	2SB314L	GE-53	2SB324	GE-2	2SB329N	GE-25	2SB334AP	GE-4	2SB345D	GE-25		
2SB309I	GE-25	2SB314M	GE-53	2SB324(E)	GE-2	2SB329OR	GE-25	2SB334AQ	GE-4	2SB345E	GE-25		
2SB309M	GE-25	2SB314N	GE-53	2SB324(I)	GE-53	2SB329R	GE-25	2SB334AR	GE-4	2SB345F	GE-25		
		2SB314O	GE-53	2SB324(L)	GE-53	2SB329S	GE-25	2SB334AS	GE-4	2SB345G	GE-25		
		2SB314P	GE-53	2SB324(M)	GE-53	2SB329T	GE-25	2SB334AT	GE-4	2SB345H	GE-25		
		2SB314Q	GE-53	2SB324(N)	GE-53	2SB329U	GE-25	2SB334AU	GE-4	2SB345I	GE-25		
2SB309OR	GE-25	2SB315A	GE-53	2SB324(O)	GE-53	2SB329V	GE-25	2SB334AV	GE-4	2SB345J	GE-25		
2SB309R	GE-25	2SB315B	GE-53	2SB324(P)	GE-53	2SB329W	GE-25	2SB334AW	GE-4	2SB345K	GE-25		
2SB309S	GE-25	2SB315C	GE-53	2SB324(Q)	GE-53	2SB329X	GE-25	2SB334AX	GE-4	2SB345L	GE-25		
2SB309T	GE-25	2SB315D	GE-53	2SB324(R)	GE-53	2SB329Y	GE-25	2SB334AY	GE-4	2SB345M	GE-25		
2SB310	GE-25	2SB315E	GE-53	2SB324(S)	GE-53	2SB329Z	GE-25	2SB334AZ	GE-4	2SB345N	GE-25		
		2SB315F	GE-53	2SB324(T)	GE-53	2SB329AA	GE-25	2SB334BA	GE-4	2SB345OR	GE-25		
2SB310A	GE-25	2SB315G	GE-53	2SB324(U)	GE-53	2SB329AB	GE-25	2SB334BB	GE-4	2SB345R	GE-25		
2SB310B	GE-25	2SB315H	GE-53	2SB324(V)	GE-53	2SB329AC	GE-25	2SB334BC	GE-4	2SB345S	GE-25		
2SB310C	GE-25	2SB315I	GE-53	2SB324(W)	GE-53	2SB329AD	GE-25	2SB334BD	GE-4	2SB345T	GE-25		
2SB310D	GE-25	2SB315J	GE-53	2SB324(X)	GE-53	2SB329AE	GE-25	2SB334BE	GE-4	2SB345U	GE-25		
2SB310E	GE-25	2SB315K	GE-53	2SB324(Y)	GE-53	2SB329AF	GE-25	2SB334BF	GE-4	2SB345V	GE-25		
		2SB315L	GE-53	2SB324(Z)	GE-53	2SB329AG	GE-25	2SB334BG	GE-4	2SB345W	GE-25		
2SB310F	GE-25	2SB315M	GE-53	2SB324(A)	GE-53	2SB329AH	GE-25	2SB334BH	GE-4	2SB345X	GE-25		
2SB310G	GE-25	2SB315N	GE-53	2SB324(B)	GE-53	2SB329AI	GE-25	2SB334BI	GE-4	2SB345Y	GE-25		
2SB310GN	GE-25	2SB315OR	GE-53	2SB324(C)	GE-53	2SB329AJ	GE-25	2SB334BJ	GE-4	2SB345Z	GE-25		
2SB310H	GE-25	2SB315P	GE-53	2SB324(D)	GE-53	2SB329AK	GE-25	2SB334BK	GE-4	2SB346	GE-25		
2SB310J	GE-25	2SB315Q	GE-53	2SB324(E)	GE-53	2SB329AL	GE-25	2SB334BL	GE-4	2SB346A	GE-25		
		2SB315R	GE-53	2SB324(F)	GE-53	2SB329AM	GE-25	2SB334BM	GE-4	2SB346B	GE-25		
2SB310K	GE-25	2SB315S	GE-53	2SB324(G)	GE-53	2SB329AN	GE-25	2SB334BN	GE-4	2SB346C	GE-25		
2SB310L	GE-25	2SB315T	GE-53	2SB324(H)	GE-53	2SB329AO	GE-25	2SB334BO	GE-4	2SB346D	GE-25		
2SB310M	GE-25	2SB315U	GE-53	2SB324(I)	GE-53	2SB329AP	GE-25	2SB334BP	GE-4	2SB346E	GE-25		
2SB310N	GE-25	2SB315V	GE-53	2SB324(J)	GE-53	2SB329AQ	GE-25	2SB334BQ	GE-4	2SB346F	GE-25		
2SB310O	GE-25	2SB315W	GE-53	2SB324(K)	GE-53	2SB329AR	GE-25	2SB334BR	GE-4	2SB346G	GE-25		
2SB310P	GE-25	2SB315X	GE-53	2SB324(L)	GE-53	2SB329AS	GE-25	2SB334BS	GE-4	2SB346H	GE-25		
		2SB315Y	GE-53	2SB324(M)	GE-53	2SB329AT	GE-25	2SB334BT	GE-4	2SB346I	GE-25		
2SB310Q	GE-25	2SB315Z	GE-53	2SB324(N)	GE-53	2SB329AU	GE-25	2SB334BU	GE-4	2SB346J	GE-25		
2SB310R	GE-25	2SB316A	GE-53	2SB324(O)	GE-53	2SB329AV	GE-25	2SB334BV	GE-4	2SB346K	GE-25		
2SB310S	GE-25	2SB316B	GE-53	2SB324(P)	GE-53	2SB329AW	GE-25	2SB334BW	GE-4	2SB346L	GE-25		
2SB310T	GE-25	2SB316C	GE-53	2SB324(Q)	GE-53	2SB329AX	GE-25	2SB334BX	GE-4	2SB346M	GE-25		
		2SB316D	GE-53	2SB324(R)	GE-53	2SB329AY	GE-25	2SB334BY	GE-4	2SB346N	GE-25		
2SB310X	GE-25	2SB316E	GE-53	2SB324(S)	GE-53	2SB329AZ	GE-25	2SB334BZ	GE-4	2SB346OR	GE-25		
2SB310Y	GE-25	2SB316F	GE-53	2SB324(T)	GE-53	2SB329BA	GE-25	2SB334CA	GE-4	2SB346O	GE-25		
2SB311	GE-25	2SB316G	GE-53	2SB324(U)	GE-53	2SB329BB	GE-25	2SB334CB	GE-4	2SB346P	GE-25		
2SB311A	GE-25	2SB316H	GE-53	2SB324(V)	GE-53	2SB329BC	GE-25	2SB334CC	GE-4	2SB346Q	GE-25		
2SB311B	GE-25	2SB316I	GE-53	2SB324(W)	GE-53	2SB329BD	GE-25	2SB334CD	GE-4	2SB346R	GE-25		
		2SB316J	GE-53	2SB324(X)	GE-53	2SB329BE	GE-25	2SB334CE	GE-4	2SB346S	GE-25		
2SB311C	GE-25	2SB316K	GE-53	2SB324(Y)	GE-53	2SB329BF	GE-25	2SB334CF	GE-4	2SB346T	GE-25		
2SB311D	GE-25	2SB316L	GE-53	2SB324(Z)	GE-53	2SB329BG	GE-25	2SB334CG	GE-4	2SB346U	GE-25		
2SB311E	GE-25	2SB316M	GE-53	2SB324(A)	GE-53	2SB329BH	GE-25	2SB334CH	GE-4	2SB346V	GE-25		
2SB311F	GE-25	2SB316N	GE-53										

UNIVERSAL REPLACEMENT SEMICONDUCTORS

2SB347OR - 2SB383R

JEDEC Or Part Nr	Replacement	JEDEC Or Part Nr	Replacement	JEDEC Or Part Nr	Replacement	JEDEC Or Part Nr	Replacement	JEDEC Or Part Nr	Replacement	JEDEC Or Part Nr	Replacement	JEDEC Or Part Nr	Replacement
2SB347OR	GE-53	2SB353M	GE-4	2SB358R	GE-25	2SB364Y	GE-53	2SB370R	GE-53	2SB378OR	GE-53		
2SB347R	GE-53	2SB353OR	GE-4	2SB358X	GE-25	2SB365	GE-53	2SB370V	GE-2	2SB378R	GE-53		
2SB347X	GE-53	2SB353R	GE-4	2SB358Y	GE-25	2SB365A	GE-53	2SB370X	GE-53	2SB378X	GE-53		
2SB347Y	GE-53	2SB353X	GE-4	2SB358Z	GE-25	2SB365B	GE-53	2SB370Y	GE-53	2SB378Y	GE-53		
2SB348(Q)	GE-52	2SB353Y	GE-4	2SB359A	GE-25	2SB365C	GE-53	2SB371	GE-1	2SB379	GE-2		
2SB348(Q)	GE-52	2SB354	GE-4	2SB359B	GE-25	2SB365D	GE-53	2SB371A	GE-53	2SB379-2	GE-52		
2SB348A	GE-53	2SB354A	GE-4	2SB359C	GE-25	2SB365E	GE-53	2SB371B	GE-53	2SB379A	GE-52		
2SB348B	GE-53	2SB354B	GE-4	2SB359D	GE-25	2SB365F	GE-53	2SB371C	GE-53	2SB379B	GE-52		
2SB348C	GE-53	2SB354C	GE-4	2SB359E	GE-25	2SB365G	GE-53	2SB371D	GE-53	2SB379C	GE-53		
2SB348D	GE-53	2SB354D	GE-4	2SB359F	GE-25	2SB365GM	GE-53	2SB371E	GE-53	2SB379D	GE-53		
2SB348E	GE-53	2SB354E	GE-4	2SB359G	GE-25	2SB365H	GE-53	2SB371F	GE-53	2SB379E	GE-53		
2SB348F	GE-53	2SB354F	GE-4	2SB359GM	GE-25	2SB365J	GE-53	2SB371G	GE-53	2SB379F	GE-53		
2SB348G	GE-53	2SB354G	GE-4	2SB359H	GE-25	2SB365K	GE-53	2SB371GN	GE-53	2SB379G	GE-53		
2SB348GN	GE-53	2SB354GN	GE-4	2SB359I	GE-25	2SB365L	GE-53	2SB371H	GE-53	2SB379GM	GE-53		
2SB348H	GE-53	2SB354H	GE-4	2SB359K	GE-25	2SB365M	GE-53	2SB371J	GE-53	2SB379H	GE-53		
2SB348J	GE-53	2SB354J	GE-4	2SB359L	GE-25	2SB365OR	GE-53	2SB371K	GE-53	2SB379J	GE-53		
2SB348K	GE-53	2SB354K	GE-4	2SB359M	GE-25	2SB365R	GE-53	2SB371L	GE-53	2SB379K	GE-53		
2SB348L	GE-53	2SB354L	GE-4	2SB359OR	GE-25	2SB365X	GE-53	2SB371M	GE-53	2SB379L	GE-53		
2SB348M	GE-53	2SB354M	GE-4	2SB359R	GE-25	2SB365Y	GE-53	2SB371OR	GE-53	2SB379M	GE-53		
2SB348OR	GE-53	2SB354OR	GE-4	2SB359X	GE-25	2SB366	GE-52	2SB371R	GE-53	2SB379OR	GE-53		
2SB348Q	GE-53	2SB354R	GE-4	2SB359Y	GE-25	2SB366A	GE-80	2SB371X	GE-53	2SB379R	GE-53		
2SB348R	GE-53	2SB354X	GE-4	2SB360	GE-25	2SB366B	GE-80	2SB371Y	GE-53	2SB379Y	GE-53		
2SB348X	GE-53	2SB354Y	GE-4	2SB360A	GE-25	2SB366C	GE-80	2SB372	GE-53	2SB380	GE-53		
2SB348Y	GE-53	2SB355	GE-16	2SB360B	GE-25	2SB366D	GE-80	2SB373	GE-2	2SB380A	GE-52		
2SB349	GE-51	2SB355A	GE-25	2SB360C	GE-25	2SB366E	GE-80	2SB373A	GE-25	2SB380B	GE-53		
2SB350	GE-52	2SB355B	GE-25	2SB360D	GE-25	2SB366F	GE-80	2SB373B	GE-25	2SB380C	GE-53		
2SB350A	GE-53	2SB355C	GE-25	2SB360E	GE-25	2SB366G	GE-80	2SB373C	GE-25	2SB380D	GE-53		
2SB350B	GE-53	2SB355D	GE-25	2SB360F	GE-25	2SB366GM	GE-80	2SB373D	GE-25	2SB380E	GE-53		
2SB350C	GE-53	2SB355E	GE-25	2SB360G	GE-25	2SB366H	GE-80	2SB373E	GE-25	2SB380F	GE-53		
2SB350D	GE-53	2SB355F	GE-25	2SB360GN	GE-25	2SB366J	GE-80	2SB373F	GE-25	2SB380GN	GE-53		
2SB350E	GE-53	2SB355G	GE-25	2SB360H	GE-25	2SB366K	GE-80	2SB373G	GE-25	2SB380J	GE-53		
2SB350F	GE-53	2SB355GN	GE-25	2SB360I	GE-25	2SB366L	GE-80	2SB373GN	GE-25	2SB380K	GE-53		
2SB350G	GE-53	2SB355H	GE-25	2SB360K	GE-25	2SB366M	GE-80	2SB373H	GE-25	2SB380L	GE-53		
2SB350GM	GE-53	2SB355J	GE-25	2SB360L	GE-25	2SB366OR	GE-80	2SB373K	GE-25	2SB380OR	GE-53		
2SB350H	GE-53	2SB355K	GE-25	2SB360M	GE-25	2SB366R	GE-80	2SB373L	GE-25	2SB380R	GE-53		
2SB350J	GE-53	2SB355L	GE-25	2SB360OR	GE-25	2SB366X	GE-80	2SB373M	GE-25	2SB380X	GE-53		
2SB350K	GE-53	2SB355M	GE-25	2SB360R	GE-25	2SB366Y	GE-80	2SB373OR	GE-25	2SB380Y	GE-53		
2SB350L	GE-53	2SB355OR	GE-25	2SB360S	GE-25	2SB367	GE-30	2SB373R	GE-25	2SB381	GE-53		
2SB350M	GE-53	2SB355R	GE-25	2SB360T	GE-25	2SB367-4	GE-30	2SB373X	GE-25	2SB381A	GE-53		
2SB350OR	GE-53	2SB355X	GE-25	2SB361	GE-3	2SB367-5	GE-30	2SB373Y	GE-25	2SB381B	GE-53		
2SB350R	GE-53	2SB355Y	GE-25	2SB361A	GE-25	2SB367A	GE-30	2SB375	GE-25	2SB381C	GE-53		
2SB350X	GE-53	2SB356	GE-16	2SB361B	GE-25	2SB367AL	GE-30	2SB375A	GE-25	2SB381D	GE-53		
2SB350Y	GE-53	2SB356A	GE-25	2SB361C	GE-25	2SB367	GE-30	2SB375A-NB	GE-25	2SB381E	GE-53		
2SB351	GE-4	2SB356B	GE-25	2SB361D	GE-25	2SB367B	GE-30	2SB375A-2B	GE-25	2SB381F	GE-53		
2SB351A	GE-4	2SB356C	GE-25	2SB361E	GE-25	2SB367B-2	GE-30	2SB375A-5B	GE-25	2SB381G	GE-53		
2SB351B	GE-4	2SB356D	GE-25	2SB361F	GE-25	2SB367BL	GE-30	2SB375AL	GE-25	2SB381GN	GE-53		
2SB351C	GE-4	2SB356E	GE-25	2SB361G	GE-25	2SB367C	GE-30	2SB375B	GE-25	2SB381H	GE-53		
2SB351D	GE-4	2SB356F	GE-25	2SB361GN	GE-25	2SB367D	GE-30	2SB375C	GE-25	2SB381I	GE-53		
2SB351E	GE-4	2SB356G	GE-25	2SB361H	GE-25	2SB367E	GE-30	2SB375D	GE-25	2SB381J	GE-53		
2SB351F	GE-4	2SB356GN	GE-25	2SB361J	GE-25	2SB367F	GE-30	2SB375E	GE-25	2SB381L	GE-53		
2SB351G	GE-4	2SB356H	GE-25	2SB361K	GE-25	2SB367G	GE-30	2SB375F	GE-25	2SB381M	GE-53		
2SB351GM	GE-4	2SB356J	GE-25	2SB361L	GE-25	2SB367H	GE-30	2SB375G	GE-25	2SB381OR	GE-53		
2SB351H	GE-4	2SB356K	GE-25	2SB361M	GE-25	2SB367J	GE-30	2SB375GN	GE-25	2SB381R	GE-53		
2SB351J	GE-4	2SB356L	GE-25	2SB361OR	GE-25	2SB367K	GE-30	2SB375H	GE-25	2SB381X	GE-53		
2SB351K	GE-4	2SB356M	GE-25	2SB361R	GE-25	2SB367L	GE-30	2SB375J	GE-25	2SB381Y	GE-53		
2SB351L	GE-4	2SB356OR	GE-25	2SB361X	GE-25	2SB367M	GE-30	2SB375K	GE-25	2SB382	GE-53		
2SB351M	GE-4	2SB356R	GE-25	2SB361Y	GE-25	2SB367OR	GE-30	2SB375L	GE-25	2SB382A	GE-53		
2SB351OR	GE-4	2SB356X	GE-25	2SB362	GE-25	2SB367R	GE-30	2SB375M	GE-25	2SB382B	GE-53		
2SB351R	GE-4	2SB356Y	GE-25	2SB362A	GE-3	2SB367X	GE-30	2SB375OR	GE-25	2SB382BK	GE-17		
2SB351X	GE-4	2SB357	GE-25	2SB362B	GE-3	2SB367Y	GE-30	2SB375R	GE-25	2SB382BN	GE-17		
2SB351Y	GE-4	2SB357A	GE-25	2SB362C	GE-3	2SB368(B)	GE-30	2SB375X	GE-25	2SB382C	GE-53		
2SB352	GE-4	2SB357B	GE-25	2SB362D	GE-3	2SB368A	GE-30	2SB375Y	GE-25	2SB382D	GE-53		
2SB352A	GE-4	2SB357C	GE-25	2SB362E	GE-3	2SB368B	GE-30	2SB376	GE-53	2SB382E	GE-53		
2SB352B	GE-4	2SB357D	GE-25	2SB362F	GE-3	2SB368C	GE-30	2SB376A	GE-53	2SB382F	GE-53		
2SB352C	GE-4	2SB357E	GE-25	2SB362G	GE-3	2SB368D	GE-30	2SB376B	GE-53	2SB382G	GE-53		
2SB352D	GE-4	2SB357F	GE-25	2SB362GN	GE-3	2SB368E	GE-30	2SB376C	GE-53	2SB382GN	GE-53		
2SB352E	GE-4	2SB357G	GE-25	2SB362H	GE-3	2SB368F	GE-30	2SB376D	GE-53	2SB382H	GE-53		
2SB352F	GE-4	2SB357GN	GE-25	2SB362I	GE-3	2SB368G	GE-30	2SB376E	GE-53	2SB382J	GE-53		
2SB352G	GE-4	2SB357H	GE-25	2SB362K	GE-3	2SB368GM	GE-30	2SB376F	GE-53	2SB382K	GE-53		
2SB352GN	GE-4	2SB357J	GE-25	2SB362L	GE-3	2SB368H	GE-30	2SB376G	GE-53	2SB382L	GE-53		
2SB352H	GE-4	2SB357K	GE-25	2SB362M	GE-3	2SB368J	GE-30	2SB376GN	GE-53	2SB382OR	GE-53		
2SB352J	GE-4	2SB357L	GE-25	2SB362OR	GE-3	2SB368K	GE-30	2SB376J	GE-53	2SB382R	GE-53		
2SB352K	GE-4	2SB357M	GE-25	2SB362R	GE-3	2SB368L	GE-30	2SB376K	GE-53	2SB382X	GE-53		
2SB352L	GE-4	2SB357OR	GE-25	2SB362X	GE-3	2SB368M	GE-30	2SB376L	GE-53	2SB382Y	GE-53		
2SB352M	GE-4	2SB357R	GE-25	2SB362Y	GE-3	2SB368OR	GE-30	2SB376M	GE-53	2SB383	GE-53		
2SB352OR	GE-4	2SB357X	GE-25	2SB364	GE-53	2SB368X	GE-30	2SB376OR	GE-53	2SB383-1	GE-52		
2SB352R	GE-4	2SB357Y	GE-25	2SB364A	GE-53	2SB368Y	GE-30	2SB376R	GE-53	2SB383-2	GE-52		
2SB352X	GE-4	2SB358	GE-25	2SB364B	GE-53	2SB370	GE-53	2SB376X	GE-53	2SB383A	GE-53		
2SB352Y	GE-4	2SB358A	GE-25	2SB364C	GE-53	2SB370A	GE-53	2SB376Y	GE-53	2SB383B	GE-53		
2SB353	GE-4	2SB358B	GE-25	2SB364D	GE-53	2SB370B	GE-2	2SB377	GE-53	2SB383C	GE-53		
2SB353A	GE-4	2SB358C	GE-25	2SB364E	GE-53	2SB370C	GE-2	2SB378	GE-2	2SB383D	GE-53		
2SB353B	GE-4	2SB358D	GE-25	2SB364F	GE-53	2SB370D	GE-53	2SB378A	GE-53	2SB383E	GE-53		
2SB353C	GE-4	2SB358E	GE-25	2SB364G	GE-53	2SB370E	GE-53	2SB378B	GE-2	2SB383F	GE-53		
2SB353D	GE-4	2SB358F	GE-25	2SB364GN	GE-53	2SB370F	GE-53	2SB378C	GE-53	2SB383G	GE-53		
2SB353E	GE-4	2SB358G	GE-25	2SB364H	GE-53	2SB370G	GE-53	2SB378D	GE-53	2SB383GN	GE-53		
2SB353F	GE-4	2SB358GN	GE-25	2SB364J	GE-53	2SB370GN	GE-53	2SB378E	GE-53	2SB383H	GE-53		
2SB353G	GE-4	2SB358H	GE-25	2SB364K	GE-53	2SB370H	GE-53	2SB378F	GE-53	2SB383I	GE-53		
2SB353GN	GE-4	2SB358J	GE-25	2SB364L	GE-53	2SB370J	GE-53	2SB378GN	GE-53	2SB383K	GE-53		
2SB353H	GE-4	2SB358K	GE-25	2SB364M	GE-53	2SB370K	GE-53	2SB378J	GE-53	2SB383L	GE-53		
2SB353J	GE-4	2SB358L	GE-25	2SB364OR	GE-53	2SB370L	GE-53	2SB378K	GE-53	2SB383M	GE-53		
2SB353K	GE-4	2SB358M	GE-25	2SB364R	GE-53	2SB370M	GE-53	2SB378L	GE-53	2SB383OR	GE-53		
2SB353L	GE-4	2SB358OR	GE-25	2SB364X	GE-53	2SB370OR	GE-53	2SB378M	GE-53	2SB383R	GE-53		

UNIVERSAL REPLACEMENT SEMICONDUCTORS

2SB383X - 2SB428A

JEDEC Or Part Nr	GE Replacement	JEDEC Or Part Nr	GE Replacement	JEDEC Or Part Nr	GE Replacement	JEDEC Or Part Nr	GE Replacement	JEDEC Or Part Nr	GE Replacement	JEDEC Or Part Nr	GE Replacement	JEDEC Or Part Nr	GE Replacement
2SB383X	GE-53	2SB390A	GE-25	2SB395D	GE-53	2SB403F	GE-53	2SB413L	GE-3	2SB422R	GE-53	2SB423R	GE-53
2SB383Y	GE-53	2SB390B	GE-25	2SB395E	GE-53	2SB403G	GE-53	2SB413M	GE-3	2SB422X	GE-53	2SB423D	GE-53
2SB384	GE-52	2SB390C	GE-25	2SB395F	GE-53	2SB403GN	GE-53	2SB413OR	GE-3	2SB422Y	GE-53	2SB423E	GE-53
2SB384A	GE-53	2SB390D	GE-25	2SB395G	GE-53	2SB403H	GE-53	2SB413R	GE-3	2SB423	GE-53	2SB423A	GE-52
2SB384B	GE-53	2SB390E	GE-25	2SB395GN	GE-53	2SB403J	GE-53	2SB413X	GE-3	2SB423B	GE-53	2SB423F	GE-53
2SB384C	GE-53	2SB390F	GE-25	2SB395H	GE-53	2SB403K	GE-53	2SB413Y	GE-3	2SB423C	GE-53	2SB423G	GE-53
2SB384D	GE-53	2SB390G	GE-25	2SB395J	GE-53	2SB403L	GE-53	2SB414	GE-16	2SB423D	GE-53	2SB423H	GE-53
2SB384E	GE-53	2SB390GN	GE-25	2SB395K	GE-53	2SB403M	GE-53	2SB414B	GE-3	2SB423E	GE-53	2SB423I	GE-53
2SB384F	GE-53	2SB390H	GE-25	2SB395M	GE-53	2SB403OR	GE-53	2SB414C	GE-3	2SB423F	GE-53	2SB423J	GE-53
2SB384G	GE-53	2SB390J	GE-25	2SB395OR	GE-53	2SB403R	GE-53	2SB414D	GE-3	2SB423G	GE-53	2SB423K	GE-53
2SB384GN	GE-53	2SB390K	GE-25	2SB395R	GE-53	2SB403X	GE-53	2SB414E	GE-3	2SB423H	GE-53	2SB423L	GE-53
2SB384H	GE-53	2SB390L	GE-25	2SB395S	GE-53	2SB403Y	GE-53	2SB414F	GE-3	2SB423I	GE-53	2SB423M	GE-53
2SB384J	GE-53	2SB390M	GE-25	2SB395T	GE-53	2SB404	GE-53	2SB414G	GE-3	2SB423J	GE-53	2SB423N	GE-53
2SB384K	GE-53	2SB390OR	GE-25	2SB396	GE-80	2SB405(K)	GE-53	2SB414GN	GE-3	2SB423K	GE-53	2SB423O	GE-53
2SB384L	GE-53	2SB390R	GE-25	2SB396A	GE-53	2SB405-1	GE-53	2SB414H	GE-3	2SB423L	GE-53	2SB423P	GE-53
2SB384M	GE-53	2SB390X	GE-25	2SB396B	GE-53	2SB405-2C	GE-53	2SB414J	GE-3	2SB423M	GE-53	2SB423Q	GE-53
2SB384OR	GE-53	2SB390Y	GE-25	2SB396C	GE-53	2SB405-3C	GE-53	2SB414K	GE-3	2SB423N	GE-53	2SB423R	GE-53
2SB384R	GE-53	2SB391	GE-25	2SB396D	GE-53	2SB405-4C	GE-53	2SB414L	GE-3	2SB423O	GE-53	2SB423S	GE-53
2SB384X	GE-53	2SB391A	GE-25	2SB396E	GE-53	2SB405A	GE-52	2SB414M	GE-3	2SB423P	GE-53	2SB423T	GE-53
2SB384Y	GE-53	2SB391B	GE-25	2SB396F	GE-53	2SB405AG	GE-53	2SB414OR	GE-3	2SB423Q	GE-53	2SB423U	GE-53
2SB385	GE-52	2SB391C	GE-25	2SB396G	GE-53	2SB405B	GE-2	2SB414R	GE-3	2SB423Y	GE-53	2SB423V	GE-53
2SB385A	GE-53	2SB391D	GE-25	2SB396GN	GE-53	2SB405C	GE-2	2SB414X	GE-3	2SB424	GE-25	2SB423W	GE-53
2SB385B	GE-53	2SB391E	GE-25	2SB396H	GE-53	2SB405D	GE-53	2SB414Y	GE-3	2SB424A	GE-25	2SB423X	GE-53
2SB385C	GE-53	2SB391F	GE-25	2SB396J	GE-53	2SB405DK	GE-53	2SB415	GE-53	2SB424B	GE-25	2SB423Z	GE-53
2SB385D	GE-53	2SB391G	GE-25	2SB396K	GE-53	2SB405E	GE-53	2SB415A	GE-53	2SB424C	GE-25	2SB423AA	GE-53
2SB385E	GE-53	2SB391GN	GE-25	2SB396L	GE-53	2SB405EK	GE-53	2SB415B	GE-53	2SB424D	GE-25	2SB423AB	GE-53
2SB385F	GE-53	2SB391H	GE-25	2SB396M	GE-53	2SB405F	GE-53	2SB415C	GE-53	2SB424E	GE-25	2SB423AC	GE-53
2SB385G	GE-53	2SB391I	GE-25	2SB396OR	GE-53	2SB405G	GE-53	2SB415D	GE-53	2SB424F	GE-25	2SB423AD	GE-53
2SB385GN	GE-53	2SB391J	GE-25	2SB396R	GE-53	2SB405H	GE-53	2SB415E	GE-53	2SB424G	GE-25	2SB423AE	GE-53
2SB385H	GE-53	2SB391K	GE-25	2SB396S	GE-53	2SB405GN	GE-53	2SB415F	GE-53	2SB424H	GE-25	2SB423AF	GE-53
2SB385I	GE-53	2SB391L	GE-25	2SB396T	GE-53	2SB405H	GE-53	2SB415G	GE-53	2SB424I	GE-25	2SB423AG	GE-53
2SB385J	GE-53	2SB391M	GE-25	2SB396Y	GE-53	2SB405I	GE-53	2SB415H	GE-53	2SB424J	GE-25	2SB423AH	GE-53
2SB385K	GE-53	2SB391OR	GE-25	2SB396	GE-53	2SB405J	GE-53	2SB415GN	GE-53	2SB424K	GE-25	2SB423AI	GE-53
2SB385L	GE-53	2SB391R	GE-25	2SB400	GE-53	2SB405K	GE-53	2SB415H	GE-53	2SB424L	GE-25	2SB423AJ	GE-53
2SB385M	GE-53	2SB391X	GE-25	2SB400A	GE-53	2SB405L	GE-53	2SB415J	GE-53	2SB424M	GE-25	2SB423AK	GE-53
2SB385OR	GE-53	2SB391Y	GE-25	2SB400B	GE-53	2SB405M	GE-53	2SB415K	GE-53	2SB424N	GE-25	2SB423AL	GE-53
2SB385R	GE-53	2SB392	GE-2	2SB400BK	GE-53	2SB405OR	GE-53	2SB415L	GE-53	2SB424OR	GE-25	2SB423AM	GE-53
2SB385X	GE-53	2SB392A	GE-53	2SB400C	GE-53	2SB405R	GE-53	2SB415M	GE-53	2SB424R	GE-25	2SB423AN	GE-53
2SB385Y	GE-53	2SB392B	GE-53	2SB400D	GE-53	2SB405S	GE-53	2SB415OR	GE-53	2SB424X	GE-25	2SB423AO	GE-53
2SB386	GE-80	2SB392C	GE-53	2SB400E	GE-53	2SB405T	GE-53	2SB415R	GE-53	2SB424Y	GE-25	2SB423AP	GE-53
2SB386A	GE-80	2SB392D	GE-53	2SB400F	GE-53	2SB405Y	GE-53	2SB415X	GE-53	2SB425	GE-25	2SB423AQ	GE-53
2SB386B	GE-80	2SB392E	GE-53	2SB400G	GE-53	2SB407	GE-25	2SB415Y	GE-53	2SB425A	GE-25	2SB423AR	GE-53
2SB386C	GE-80	2SB392F	GE-53	2SB400GN	GE-53	2SB407-0	GE-16	2SB416	GE-53	2SB425B	GE-25	2SB423AS	GE-53
2SB386D	GE-80	2SB392G	GE-53	2SB400H	GE-53	2SB407A	GE-25	2SB416A	GE-53	2SB425C	GE-25	2SB423AT	GE-53
2SB386E	GE-80	2SB392GN	GE-53	2SB400I	GE-53	2SB407B	GE-25	2SB416B	GE-53	2SB425D	GE-25	2SB423AU	GE-53
2SB386F	GE-80	2SB392H	GE-53	2SB400J	GE-53	2SB407BK	GE-13MP	2SB416C	GE-53	2SB425E	GE-25	2SB423AV	GE-53
2SB386G	GE-80	2SB392I	GE-53	2SB400K	GE-53	2SB407C	GE-25	2SB416D	GE-53	2SB425F	GE-25	2SB423AW	GE-53
2SB386GN	GE-80	2SB392J	GE-53	2SB400L	GE-53	2SB407D	GE-25	2SB416E	GE-53	2SB425G	GE-25	2SB423AX	GE-53
2SB386H	GE-80	2SB392K	GE-53	2SB400M	GE-53	2SB407E	GE-25	2SB416F	GE-53	2SB425H	GE-25	2SB423AY	GE-53
2SB386I	GE-80	2SB392L	GE-53	2SB400N	GE-53	2SB407F	GE-25	2SB416G	GE-53	2SB425I	GE-25	2SB423AZ	GE-53
2SB386J	GE-80	2SB392M	GE-53	2SB400O	GE-53	2SB407G	GE-25	2SB416GN	GE-53	2SB425K	GE-25	2SB423BA	GE-53
2SB386L	GE-80	2SB392OR	GE-53	2SB400X	GE-53	2SB407H	GE-25	2SB416H	GE-53	2SB425L	GE-25	2SB423BB	GE-53
2SB386M	GE-80	2SB392R	GE-53	2SB400Y	GE-53	2SB407GN	GE-25	2SB416I	GE-53	2SB425M	GE-25	2SB423BC	GE-53
2SB386OR	GE-80	2SB392S	GE-53	2SB401	GE-80	2SB407H	GE-25	2SB416J	GE-53	2SB425N	GE-25	2SB423BD	GE-53
2SB386R	GE-80	2SB392T	GE-53	2SB401A	GE-53	2SB407J	GE-25	2SB416K	GE-53	2SB425OR	GE-25	2SB423BE	GE-53
2SB386X	GE-80	2SB392Y	GE-53	2SB401B	GE-53	2SB407K	GE-25	2SB416L	GE-53	2SB425X	GE-25	2SB423BF	GE-53
2SB386Y	GE-80	2SB393A	GE-53	2SB401C	GE-53	2SB407M	GE-25	2SB416M	GE-53	2SB425Y	GE-16	2SB423BG	GE-53
2SB387	GE-51	2SB393B	GE-53	2SB401D	GE-53	2SB407OR	GE-25	2SB416OR	GE-53	2SB426	GE-25	2SB423BH	GE-53
2SB387A	GE-53	2SB393C	GE-53	2SB401E	GE-53	2SB407R	GE-25	2SB416R	GE-53	2SB426A	GE-25	2SB423BI	GE-53
2SB387B	GE-53	2SB393D	GE-53	2SB401F	GE-53	2SB407TV-2	GE-25	2SB416S	GE-53	2SB426B	GE-25	2SB423BJ	GE-53
2SB387D	GE-53	2SB393E	GE-53	2SB401G	GE-53	2SB407X	GE-25	2SB416Y	GE-53	2SB426C	GE-25	2SB423BK	GE-53
2SB387E	GE-53	2SB393F	GE-53	2SB401GN	GE-53	2SB407Y	GE-25	2SB417	GE-2	2SB426D	GE-25	2SB423BL	GE-53
2SB387F	GE-53	2SB393G	GE-53	2SB401H	GE-53	2SB408	GE-2	2SB417A	GE-53	2SB426E	GE-25	2SB423BM	GE-53
2SB387G	GE-53	2SB393GN	GE-53	2SB401K	GE-53	2SB408A	GE-53	2SB417B	GE-53	2SB426F	GE-25	2SB423BN	GE-53
2SB387GN	GE-53	2SB393H	GE-53	2SB401L	GE-53	2SB408B	GE-53	2SB417C	GE-53	2SB426G	GE-25	2SB423BO	GE-53
2SB387H	GE-53	2SB393I	GE-53	2SB401M	GE-53	2SB408C	GE-53	2SB417D	GE-53	2SB426GN	GE-25	2SB423BP	GE-53
2SB387J	GE-53	2SB393K	GE-53	2SB401OR	GE-53	2SB408D	GE-53	2SB417E	GE-53	2SB426J	GE-25	2SB423BQ	GE-53
2SB387K	GE-53	2SB393L	GE-53	2SB401R	GE-53	2SB408E	GE-53	2SB417F	GE-53	2SB426K	GE-25	2SB423BR	GE-53
2SB387L	GE-53	2SB393M	GE-53	2SB401X	GE-53	2SB408F	GE-53	2SB417G	GE-53	2SB426L	GE-25	2SB423BS	GE-53
2SB387M	GE-53	2SB393OR	GE-53	2SB401Y	GE-53	2SB408G	GE-53	2SB417GN	GE-53	2SB426M	GE-25	2SB423BT	GE-53
2SB387OR	GE-53	2SB393R	GE-53	2SB402	GE-53	2SB408GN	GE-53	2SB417H	GE-53	2SB426OR	GE-25	2SB423BU	GE-53
2SB387R	GE-53	2SB393X	GE-53	2SB402A	GE-53	2SB408H	GE-53	2SB417J	GE-53	2SB426R	GE-16	2SB423BV	GE-53
2SB387X	GE-53	2SB393Y	GE-53	2SB402B	GE-53	2SB408J	GE-53	2SB417K	GE-53	2SB426X	GE-25	2SB423BW	GE-53
2SB387Y	GE-53	2SB394	GE-53	2SB402C	GE-53	2SB408K	GE-53	2SB417L	GE-53	2SB426Y	GE-16	2SB423BX	GE-53
2SB389	GE-50	2SB394A	GE-53	2SB402D	GE-53	2SB408L	GE-53	2SB417M	GE-53	2SB427	GE-80	2SB423BY	GE-53
2SB389A	GE-53	2SB394B	GE-53	2SB402E	GE-53	2SB408M	GE-53	2SB417OR	GE-53	2SB427A	GE-80	2SB423BZ	GE-53
2SB389B	GE-53	2SB394C	GE-53	2SB402F	GE-53	2SB408OR	GE-53	2SB417R	GE-53	2SB427B	GE-80	2SB423CA	GE-53
2SB389BK	GE-53	2SB394D	GE-53	2SB402G	GE-53	2SB408R	GE-53	2SB417X	GE-53	2SB427C	GE-80	2SB423CB	GE-53
2SB389C	GE-53	2SB394E	GE-53	2SB402GN	GE-53	2SB408S	GE-53	2SB417Y	GE-53	2SB427D	GE-80	2SB423CC	GE-53
2SB389D	GE-53	2SB394F	GE-53	2SB402H	GE-53	2SB408T	GE-53	2SB417Z	GE-52	2SB427E	GE-80	2SB423CD	GE-53
2SB389E	GE-53	2SB394G	GE-53	2SB402I	GE-53	2SB408U	GE-53	2SB417A	GE-76	2SB427F	GE-80	2SB423CE	GE-53
2SB389F	GE-53	2SB394GN	GE-53	2SB402K	GE-53	2SB411TV	GE-25	2SB422B	GE-25	2SB427G	GE-80	2SB423CF	GE-53
2SB389G	GE-53	2SB394H	GE-53	2SB402L	GE-53	2SB413	GE-16	2SB422C	GE-16	2SB427GN	GE-25	2SB423CG	GE-53
2SB389GN	GE-53	2SB394I	GE-53	2SB402M	GE-53	2SB413A	GE-						

UNIVERSAL REPLACEMENT SEMICONDUCTORS

2SB428B - 2SB481A

JEDEC Or Part Nr	GE Replacement	JEDEC Or Part Nr	GE Replacement	JEDEC Or Part Nr	GE Replacement	JEDEC Or Part Nr	GE Replacement	JEDEC Or Part Nr	GE Replacement	JEDEC Or Part Nr	GE Replacement	JEDEC Or Part Nr	GE Replacement
2SB428B	GE-80	2SB444D	GE-53	2SB449GN	GE-25	2SB461F	GE-80	2SB466	GE-16	2SB472C	GE-25		
2SB428C	GE-80	2SB444E	GE-53	2SB449H	GE-25	2SB461G	GE-80	2SB466A	GE-25	2SB472D	GE-25		
2SB428D	GE-80	2SB444F	GE-53	2SB449J	GE-25	2SB461H	GE-80	2SB466B	GE-25	2SB472E	GE-25		
2SB428E	GE-80	2SB444G	GE-53	2SB449K	GE-25	2SB461J	GE-80	2SB466C	GE-25	2SB472F	GE-25		
2SB428F	GE-80	2SB444GN	GE-53	2SB449L	GE-25	2SB461K	GE-80	2SB466D	GE-25	2SB472G	GE-25		
2SB428G	GE-80	2SB444H	GE-53	2SB449M	GE-25	2SB461L	GE-80	2SB466E	GE-25	2SB472H	GE-25		
2SB428GN	GE-80	2SB444I	GE-53	2SB449OR	GE-25	2SB461M	GE-80	2SB466F	GE-25	2SB472I	GE-25		
2SB428H	GE-80	2SB444L	GE-53	2SB449PG	GE-25	2SB461OR	GE-80	2SB466G	GE-25	2SB472J	GE-25		
2SB428J	GE-80	2SB444M	GE-53	2SB449X	GE-25	2SB461R	GE-80	2SB466GN	GE-25	2SB472K	GE-25		
2SB428K	GE-80	2SB444OR	GE-53	2SB449Y	GE-25	2SB461X	GE-80	2SB466H	GE-25	2SB472M	GE-25		
2SB428L	GE-80	2SB444R	GE-53	2SB450	GE-53	2SB461Y	GE-80	2SB466J	GE-25	2SB472OR	GE-25		
2SB428M	GE-80	2SB444X	GE-53	2SB452	GE-52	2SB462	GE-30	2SB466K	GE-25	2SB472P	GE-25		
2SB428OR	GE-80	2SB444Y	GE-53	2SB457	GE-53	2SB462A	GE-30	2SB466L	GE-25	2SB472Q	GE-25		
2SB428R	GE-80	2SB445	GE-16	2SB457A	GE-53	2SB462B	GE-30	2SB466M	GE-25	2SB472R	GE-25		
2SB428X	GE-80	2SB445A	GE-3	2SB457AC	GE-53	2SB462-BLU	GE-30	2SB466OR	GE-25	2SB472S(H)	GE-30		
2SB428Y	GE-80	2SB445B	GE-3	2SB457B	GE-53	2SB462-BLU-G	GE-30	2SB466R	GE-25	2SB473	GE-25		
2SB431	GE-53	2SB445C	GE-3	2SB457C	GE-53	2SB462C	GE-30	2SB466X	GE-25	2SB473A	GE-30		
2SB432	GE-25	2SB445D	GE-3	2SB457D	GE-53	2SB462D	GE-30	2SB466Y	GE-25	2SB473B	GE-30		
2SB432A	GE-25	2SB445E	GE-3	2SB457E	GE-53	2SB462E	GE-30	2SB467	GE-16	2SB473C	GE-30		
2SB432B	GE-25	2SB445F	GE-3	2SB457F	GE-53	2SB462F	GE-30	2SB467A	GE-25	2SB473D	GE-44		
2SB432C	GE-25	2SB445G	GE-3	2SB457G	GE-53	2SB462G	GE-30	2SB467B	GE-25	2SB473E	GE-30		
2SB432D	GE-25	2SB445GN	GE-3	2SB457GN	GE-53	2SB462GN	GE-80	2SB467C	GE-25	2SB473F	GE-44		
2SB432E	GE-25	2SB445H	GE-3	2SB457H	GE-53	2SB462H	GE-30	2SB467D	GE-25	2SB473G	GE-30		
2SB432F	GE-25	2SB445J	GE-3	2SB457J	GE-53	2SB462K	GE-30	2SB467F	GE-25	2SB473H	GE-30		
2SB432G	GE-25	2SB445K	GE-3	2SB457K	GE-53	2SB462L	GE-30	2SB467G	GE-25	2SB473I	GE-30		
2SB432GN	GE-25	2SB445L	GE-3	2SB457L	GE-53	2SB462M	GE-30	2SB467GN	GE-25	2SB473L	GE-30		
2SB432H	GE-25	2SB445M	GE-3	2SB457M	GE-53	2SB462OR	GE-30	2SB467H	GE-25	2SB473M	GE-30		
2SB432J	GE-25	2SB445OR	GE-3	2SB457OR	GE-53	2SB462R	GE-30	2SB467J	GE-25	2SB473N	GE-30		
2SB432K	GE-25	2SB445R	GE-3	2SB457R	GE-53	2SB462-RED	GE-30	2SB467K	GE-25	2SB473O	GE-30		
2SB432L	GE-25	2SB445X	GE-3	2SB457X	GE-53	2SB462-RED-G	GE-30	2SB467L	GE-25	2SB473P	GE-49		
2SB432M	GE-25	2SB445Y	GE-3	2SB457Y	GE-53	2SB462X	GE-30	2SB467M	GE-25	2SB474-2	GE-49		
2SB432OR	GE-25	2SB446	GE-16	2SB458	GE-44	2SB462Y	GE-30	2SB467OR	GE-25	2SB474-3	GE-49		
2SB432R	GE-25	2SB446A	GE-3	2SB458A	GE-16	2SB462-YEL	GE-30	2SB467X	GE-25	2SB474-4	GE-49		
2SB432X	GE-25	2SB446B	GE-3	2SB458B	GE-30	2SB462-YEL-G	GE-30	2SB467Y	GE-25	2SB474-6D	GE-49		
2SB432Y	GE-25	2SB446C	GE-3	2SB458C	GE-30	2SB463	GE-30	2SB468	GE-25	2SB474A	GE-49		
2SB434	GE-80	2SB446D	GE-3	2SB458D	GE-30	2SB463A	GE-49	2SB468A	GE-25	2SB474B	GE-49		
2SB435	GE-80	2SB446E	GE-3	2SB458E	GE-30	2SB463B	GE-49	2SB468B	GE-25	2SB474C	GE-49		
2SB439	GE-52	2SB446F	GE-3	2SB458F	GE-30	2SB463-BLU	GE-30	2SB468B-5	GE-25	2SB474D	GE-49		
2SB439A	GE-52	2SB446G	GE-3	2SB458G	GE-30	2SB463-BLU-G	GE-30	2SB468C	GE-25	2SB474E	GE-49		
2SB439B	GE-53	2SB446GN	GE-3	2SB458GN	GE-30	2SB463C	GE-49	2SB468D	GE-25	2SB474F	GE-49		
2SB439C	GE-53	2SB446H	GE-3	2SB458H	GE-30	2SB463D	GE-49	2SB468E	GE-25	2SB474G	GE-49		
2SB439D	GE-53	2SB446J	GE-3	2SB458J	GE-30	2SB463E	GE-44	2SB468F	GE-25	2SB474GN	GE-49		
2SB439E	GE-53	2SB446K	GE-3	2SB458K	GE-30	2SB463F	GE-49	2SB468G	GE-25	2SB474H	GE-49		
2SB439F	GE-53	2SB446L	GE-3	2SB458L	GE-30	2SB463G	GE-49	2SB468GN	GE-25	2SB474J	GE-49		
2SB439G	GE-53	2SB446M	GE-3	2SB458M	GE-30	2SB463GN	GE-49	2SB468H	GE-25	2SB474K	GE-49		
2SB439GN	GE-53	2SB446OR	GE-3	2SB458OR	GE-30	2SB463H	GE-49	2SB468J	GE-25	2SB474L	GE-49		
2SB439H	GE-53	2SB446R	GE-3	2SB458R	GE-30	2SB463J	GE-49	2SB468K	GE-25	2SB474M	GE-49		
2SB439J	GE-53	2SB446X	GE-3	2SB458X	GE-30	2SB463K	GE-49	2SB468L	GE-25	2SB474MP	GE-49		
2SB439L	GE-53	2SB446Y	GE-3	2SB458Y	GE-30	2SB463L	GE-49	2SB468OR	GE-25	2SB474OR	GE-49		
2SB439M	GE-53	2SB447	GE-25	2SB459	GE-52	2SB463M	GE-49	2SB468X	GE-25	2SB474R	GE-49		
2SB439OR	GE-53	2SB447A	GE-25	2SB459A	GE-53	2SB463OR	GE-49	2SB468Y	GE-25	2SB474V4	GE-49		
2SB439R	GE-53	2SB447B	GE-25	2SB459B	GE-53	2SB463R	GE-30	2SB470	GE-52	2SB474X	GE-49		
2SB439X	GE-53	2SB447C	GE-25	2SB459C	GE-2	2SB463-RED	GE-30	2SB470A	GE-53	2SB474Y	GE-13MP		
2SB439Y	GE-53	2SB447D	GE-25	2SB459C-2	GE-53	2SB463-RED-G	GE-30	2SB470B	GE-53	2SB475	GE-53		
2SB440	GE-52	2SB447E	GE-25	2SB459D	GE-53	2SB463X	GE-49	2SB470C	GE-53	2SB475A	GE-53		
2SB440A	GE-53	2SB447F	GE-25	2SB459E	GE-53	2SB463XL	GE-30	2SB470D	GE-53	2SB475B	GE-2		
2SB440B	GE-53	2SB447G	GE-25	2SB459F	GE-53	2SB463Y	GE-30	2SB470E	GE-53	2SB475C	GE-53		
2SB440C	GE-53	2SB447GN	GE-25	2SB459G	GE-53	2SB463YEL	GE-30	2SB470F	GE-53	2SB475D	GE-52		
2SB440E	GE-53	2SB447H	GE-25	2SB459GN	GE-53	2SB463-YEL-G	GE-30	2SB470G	GE-53	2SB475E	GE-53		
2SB440F	GE-53	2SB447J	GE-25	2SB459H	GE-53	2SB464	GE-25	2SB470GN	GE-53	2SB475F	GE-52		
2SB440G	GE-53	2SB447K	GE-25	2SB459J	GE-53	2SB464A	GE-25	2SB470H	GE-53	2SB475G	GE-53		
2SB440GN	GE-53	2SB447L	GE-25	2SB459K	GE-53	2SB464B	GE-25	2SB470J	GE-53	2SB475GN	GE-53		
2SB440H	GE-53	2SB447OR	GE-25	2SB459L	GE-53	2SB464C	GE-25	2SB470K	GE-53	2SB475H	GE-53		
2SB440K	GE-53	2SB447R	GE-25	2SB459M	GE-53	2SB464D	GE-25	2SB470L	GE-53	2SB475J	GE-53		
2SB440L	GE-53	2SB447X	GE-25	2SB459OR	GE-53	2SB464E	GE-25	2SB470M	GE-53	2SB475K	GE-53		
2SB440M	GE-53	2SB447Y	GE-25	2SB459R	GE-53	2SB464F	GE-25	2SB470OR	GE-53	2SB475L	GE-53		
2SB440	GE-53	2SB448	GE-3	2SB459X	GE-53	2SB464G	GE-25	2SB470	GE-53	2SB475M	GE-53		
2SB440R	GE-53	2SB448A	GE-25	2SB459Y	GE-53	2SB464GN	GE-25	2SB470R	GE-53	2SB475OR	GE-53		
2SB440X	GE-53	2SB448B	GE-25	2SB460	GE-80	2SB464H	GE-25	2SB470X	GE-53	2SB475P	GE-53		
2SB440Y	GE-53	2SB448C	GE-25	2SB460A	GE-80	2SB464J	GE-25	2SB470Y	GE-53	2SB475PL	GE-53		
2SB443	GE-50	2SB448D	GE-25	2SB460B	GE-80	2SB464K	GE-25	2SB471	GE-25	2SB475R	GE-53		
2SB443A	GE-50	2SB448E	GE-25	2SB460C	GE-80	2SB464M	GE-25	2SB471-2	GE-25	2SB475S	GE-53		
2SB443B	GE-50	2SB448F	GE-25	2SB460D	GE-80	2SB464OR	GE-25	2SB471A	GE-25	2SB475Y	GE-53		
2SB443C	GE-53	2SB448G	GE-25	2SB460E	GE-80	2SB464X	GE-25	2SB471B	GE-25	2SB477(C)	GE-2		
2SB443D	GE-53	2SB448GN	GE-25	2SB460F	GE-80	2SB464Y	GE-25	2SB471C	GE-25	2SB477A	GE-80		
2SB443E	GE-53	2SB448H	GE-25	2SB460G	GE-80	2SB465	GE-16	2SB471D	GE-25	2SB477C	GE-52		
2SB443F	GE-53	2SB448K	GE-25	2SB460GN	GE-80	2SB465A	GE-25	2SB471E	GE-25	2SB477D	GE-80		
2SB443G	GE-53	2SB448L	GE-25	2SB460H	GE-80	2SB465B	GE-25	2SB471F	GE-25	2SB477E	GE-80		
2SB443GN	GE-53	2SB448M	GE-25	2SB460J	GE-80	2SB465C	GE-25	2SB471G	GE-25	2SB477F	GE-80		
2SB443H	GE-53	2SB448OR	GE-25	2SB460K	GE-80	2SB465D	GE-25	2SB471GN	GE-25	2SB477G	GE-80		
2SB443J	GE-53	2SB448R	GE-25	2SB460L	GE-80	2SB465E	GE-25	2SB471H	GE-25	2SB477GN	GE-80		
2SB443K	GE-53	2SB448X	GE-25	2SB460M	GE-80	2SB465F	GE-25	2SB471J	GE-25	2SB477H	GE-80		
2SB443L	GE-53	2SB448Y	GE-25	2SB460	GE-80	2SB465G	GE-25	2SB471K	GE-25	2SB477I	GE-80		
2SB443M	GE-53	2SB449	GE-25	2SB460R	GE-80	2SB465GN	GE-25	2SB471L	GE-25	2SB477K	GE-80		
2SB443OR	GE-53	2SB449(F)	GE-16	2SB460X	GE-80	2SB465H	GE-25	2SB471M	GE-25	2SB477L	GE-80		
2SB443R	GE-53	2SB449A	GE-25	2SB460Y	GE-80	2SB465J	GE-25	2SB471OR	GE-25	2SB477M	GE-80		
2SB443X	GE-53	2SB449B	GE-25	2SB461	GE-53	2SB465K	GE-25	2SB471R	GE-25	2SB477OR	GE-80		
2SB443Y	GE-53	2SB449C	GE-25	2SB461A	GE-80	2SB465L	GE-25	2SB471X	GE-25	2SB477R	GE-80		
2SB444	GE-50	2SB449D	GE-25	2SB461B	GE-80	2SB465M	GE-25	2SB471Y	GE-25	2SB477X	GE-80		
2SB444A	GE-50	2SB449E	GE-25	2SB461C	GE-80	2SB465R	GE-25	2SB472	GE-25	2SB477Y	GE-80		
2SB444B	GE-50	2SB449F	GE-25	2SB461D	GE-80	2SB465X	GE-25	2SB472A	GE-25	2SB481	GE-25		
2SB444C	GE-53	2SB449G	GE-25	2SB461E	GE-80	2SB465Y	GE-25	2SB472B	GE-25	2SB481A	GE-49		

UNIVERSAL REPLACEMENT SEMICONDUCTORS

2SB481B - 2SC24E

JEDEC Or Part Nr	GE Replacement	JEDEC Or Part Nr	GE Replacement	JEDEC Or Part Nr	GE Replacement	JEDEC Or Part Nr	GE Replacement	JEDEC Or Part Nr	GE Replacement	JEDEC Or Part Nr	GE Replacement	JEDEC Or Part Nr	GE Replacement
2SB481B	GE-49	2SB498D	GE-53	2SB1780G	GE-53	2SC-F11A	GE-61	2SC14C	GE-59	2SC19B	GE-18		
2SB461C	GE-49	2SB498E	GE-53	2SB1780GN	GE-53	2SC-F11B	GE-61	2SC14D	GE-59	2SC19C	GE-18		
2SB481D	GE-44	2SB498F	GE-53	2SB1780H	GE-53	2SC-F11C	GE-61	2SC14E	GE-59	2SC19D	GE-18		
2SB481E	GE-44	2SB498G	GE-53	2SB1780J	GE-53	2SC-F11D	GE-61	2SC14F	GE-59	2SC19E	GE-18		
2SB481F	GE-49	2SB498GN	GE-53	2SB1780K	GE-53	2SC-F11E	GE-61	2SC14G	GE-59	2SC19F	GE-18		
2SB481G	GE-49	2SB498H	GE-53	2SB1780L	GE-53	2SC-F11F	GE-61	2SC14GN	GE-59	2SC19G	GE-18		
2SB481GN	GE-49	2SB498J	GE-53	2SB1780M	GE-53	2SC-F11G	GE-61	2SC14H	GE-59	2SC19H	GE-18		
2SB481H	GE-49	2SB498K	GE-53	2SB1780N	GE-53	2SC-F11GN	GE-61	2SC14J	GE-59	2SC19GN	GE-18		
2SB481J	GE-49	2SB498L	GE-53	2SB1780O	GE-53	2SC-F11H	GE-61	2SC14K	GE-59	2SC19K	GE-18		
2SB481K	GE-49	2SB498M	GE-53	2SB1780X	GE-53	2SC-F11J	GE-61	2SC14L	GE-59	2SC19J	GE-18		
2SB481L	GE-49	2SB498OR	GE-53	2SB1780Y	GE-53	2SC-F11K	GE-61	2SC14M	GE-59	2SC19L	GE-18		
2SB481M	GE-49	2SB498R	GE-53	2SB3240	GE-53	2SC-F11L	GE-61	2SC14OR	GE-59	2SC19M	GE-18		
2SB481OR	GE-49	2SB498S	GE-53	2SB3240A	GE-53	2SC-F11M	GE-61	2SC14R	GE-59	2SC19OR	GE-18		
2SB481R	GE-49	2SB498T	GE-53	2SB3240B	GE-53	2SC-F11OR	GE-61	2SC14X	GE-59	2SC19R	GE-18		
2SB481X	GE-49	2SB497	GE-2	2SB3240C	GE-53	2SC-F11R	GE-61	2SC14Y	GE-59	2SC19X	GE-18		
2SB482	GE-2	2SB497A	GE-53	2SB3240D	GE-53	2SC-F11X	GE-61	2SC15	GE-21	2SC19Y	GE-18		
2SB482A	GE-53	2SB497B	GE-53	2SB3240E	GE-53	2SC-F11Y	GE-61	2SC15-0	GE-47	2SC20	GE-18		
2SB482B	GE-53	2SB497C	GE-53	2SB3240F	GE-53	2SC-F14	GE-61	2SC15-1	GE-27	2SC20A	GE-18		
2SB482C	GE-53	2SB497D	GE-53	2SB3240G	GE-53	2SC-F14A	GE-61	2SC15-2	GE-27	2SC20B	GE-18		
2SB482D	GE-53	2SB497E	GE-53	2SB3240GN	GE-53	2SC-F14B	GE-61	2SC15-3	GE-27	2SC20C	GE-18		
2SB482E	GE-53	2SB497F	GE-53	2SB3240H	GE-53	2SC-F14C	GE-61	2SC15A	GE-88	2SC20D	GE-18		
2SB482F	GE-53	2SB497G	GE-53	2SB3240J	GE-53	2SC-F14D	GE-61	2SC15B	GE-88	2SC20E	GE-18		
2SB482G	GE-53	2SB497GN	GE-53	2SB3240K	GE-53	2SC-F14E	GE-61	2SC15C	GE-88	2SC20F	GE-18		
2SB482GN	GE-53	2SB497H	GE-53	2SB3240L	GE-53	2SC-F14F	GE-61	2SC15D	GE-88	2SC20G	GE-18		
2SB482H	GE-53	2SB497J	GE-53	2SB3240M	GE-53	2SC-F14G	GE-61	2SC15E	GE-88	2SC20GN	GE-18		
2SB482J	GE-53	2SB497K	GE-53	2SB3240OR	GE-53	2SC-F14GN	GE-61	2SC15F	GE-88	2SC20H	GE-18		
2SB482K	GE-53	2SB497L	GE-53	2SB3240R	GE-53	2SC-F14H	GE-61	2SC15G	GE-88	2SC20J	GE-18		
2SB482L	GE-53	2SB497M	GE-53	2SB3240X	GE-53	2SC-F14J	GE-61	2SC15GN	GE-88	2SC20K	GE-18		
2SB482M	GE-53	2SB497OR	GE-53	2SB3240Y	GE-53	2SC-F14K	GE-61	2SC15H	GE-88	2SC20L	GE-18		
2SB482X	GE-53	2SB497R	GE-53	2SB-3783	GE-53	2SC-F14L	GE-61	2SC15J	GE-88	2SC20M	GE-18		
2SB482Y	GE-53	2SB497X	GE-53	2SB3783A	GE-53	2SC-F14M	GE-61	2SC15K	GE-88	2SC20N	GE-18		
2SB483	GE-76	2SB497Y	GE-53	2SB3783B	GE-53	2SC-F14OR	GE-61	2SC15L	GE-88	2SC20R	GE-18		
2SB486	GE-53	2SB498	GE-53	2SB3783C	GE-53	2SC-F14R	GE-61	2SC15M	GE-88	2SC20S	GE-18		
2SB486A	GE-53	2SB498A	GE-53	2SB3783D	GE-53	2SC-F14X	GE-61	2SC15OR	GE-88	2SC20T	GE-18		
2SB486B	GE-53	2SB498B	GE-53	2SB3783E	GE-53	2SC-F14Y	GE-61	2SC15R	GE-88	2SC20Y	GE-72		
2SB486C	GE-53	2SB498C	GE-53	2SB3783F	GE-53	2SC11	GE-8	2SC15X	GE-88	2SC21A	GE-75		
2SB486D	GE-53	2SB498D	GE-53	2SB3783G	GE-53	2SC11A	GE-59	2SC15Y	GE-88	2SC21B	GE-75		
2SB486E	GE-53	2SB498E	GE-53	2SB3783GN	GE-53	2SC11B	GE-59	2SC16	GE-11	2SC21C	GE-75		
2SB486F	GE-53	2SB498F	GE-53	2SB3783H	GE-53	2SC11C	GE-59	2SC16A	GE-11	2SC21D	GE-75		
2SB486G	GE-53	2SB498G	GE-53	2SB3783J	GE-53	2SC11D	GE-59	2SC16B	GE-88	2SC21E	GE-75		
2SB486GN	GE-53	2SB498GN	GE-53	2SB3783K	GE-53	2SC11E	GE-59	2SC16C	GE-88	2SC21F	GE-75		
2SB486H	GE-53	2SB498H	GE-53	2SB3783L	GE-53	2SC11F	GE-59	2SC16D	GE-88	2SC21G	GE-75		
2SB486J	GE-53	2SB498J	GE-53	2SB3783M	GE-53	2SC11G	GE-59	2SC16E	GE-88	2SC21GN	GE-75		
2SB486K	GE-53	2SB498K	GE-53	2SB3783OR	GE-53	2SC11GN	GE-59	2SC16F	GE-88	2SC21H	GE-75		
2SB486L	GE-53	2SB498L	GE-53	2SB3783R	GE-53	2SC11H	GE-59	2SC16G	GE-88	2SC21J	GE-75		
2SB486M	GE-53	2SB498M	GE-53	2SB3783X	GE-53	2SC11J	GE-59	2SC16GN	GE-88	2SC21K	GE-75		
2SB486OR	GE-53	2SB498OR	GE-53	2SB3783Y	GE-53	2SC11K	GE-59	2SC16H	GE-88	2SC21L	GE-75		
2SB486R	GE-53	2SB498R	GE-53	2SB-3812	GE-53	2SC11L	GE-59	2SC16J	GE-88	2SC21M	GE-75		
2SB486X	GE-53	2SB498X	GE-53	2SB3812A	GE-53	2SC11M	GE-59	2SC16K	GE-88	2SC21OR	GE-75		
2SB486Y	GE-53	2SB498Y	GE-53	2SB3812B	GE-53	2SC11OR	GE-59	2SC16L	GE-88	2SC21R	GE-75		
2SB492	GE-80	2SB511	GE-69	2SB3812C	GE-53	2SC11R	GE-59	2SC16M	GE-88	2SC21X	GE-75		
2SB492A	GE-53	2SB511C	GE-29	2SB3812D	GE-53	2SC11X	GE-59	2SC16OR	GE-88	2SC21Y	GE-75		
2SB492B	GE-53	2SB511D	GE-29	2SB3812F	GE-53	2SC11Y	GE-59	2SC16R	GE-88	2SC22	GE-66		
2SB492C	GE-53	2SB510(D)	GE-52	2SB3812G	GE-53	2SC12	GE-63	2SC16X	GE-88	2SC22A	GE-18		
2SB492D	GE-53	2SB510(C)	GE-52	2SB3812GN	GE-53	2SC12A	GE-18	2SC16Y	GE-88	2SC22B	GE-18		
2SB492E	GE-53	2SB510CD(P)	GE-2	2SB3812H	GE-53	2SC12B	GE-18	2SC17	GE-20	2SC22D	GE-18		
2SB492F	GE-53	2SB518	GE-74	2SB3812J	GE-53	2SC12C	GE-18	2SC17A	GE-20	2SC22E	GE-18		
2SB492G	GE-53	2SB519	GE-74	2SB3812K	GE-53	2SC12D	GE-18	2SC17B	GE-61	2SC22F	GE-18		
2SB492GN	GE-53	2SB525	GE-48	2SB3812L	GE-53	2SC12E	GE-18	2SC17C	GE-61	2SC22G	GE-18		
2SB492H	GE-53	2SB534	GE-53	2SB3812M	GE-53	2SC12F	GE-18	2SC17D	GE-61	2SC22GN	GE-18		
2SB492J	GE-53	2SB535	GE-53	2SB3812OR	GE-53	2SC12G	GE-18	2SC17E	GE-61	2SC22H	GE-18		
2SB492K	GE-53	2SB542	GE-22	2SB3812R	GE-53	2SC12GN	GE-18	2SC17F	GE-61	2SC22J	GE-18		
2SB492L	GE-53	2SB544	GE-48	2SB3812X	GE-53	2SC12H	GE-18	2SC17G	GE-61	2SC22K	GE-18		
2SB492M	GE-53	2SB560	GE-2	2SB3812Y	GE-53	2SC12J	GE-18	2SC17GN	GE-61	2SC22L	GE-18		
2SB492OR	GE-53	2SB565	GE-63	2SB-3813	GE-53	2SC12K	GE-18	2SC17H	GE-61	2SC22M	GE-18		
2SB492	GE-53	2SB565A	GE-53	2SB3813A	GE-53	2SC12L	GE-18	2SC17J	GE-61	2SC22OR	GE-18		
2SB492X	GE-53	2SB565B	GE-53	2SB3813B	GE-53	2SC12M	GE-18	2SC17K	GE-61	2SC22R	GE-18		
2SB492Y	GE-53	2SB565C	GE-53	2SB3813C	GE-53	2SC12OR	GE-18	2SC17L	GE-61	2SC22S	GE-18		
2SB494	GE-53	2SB565D	GE-53	2SB3813D	GE-53	2SC12R	GE-18	2SC17M	GE-61	2SC22T	GE-18		
2SB495	GE-53	2SB565E	GE-53	2SB3813E	GE-53	2SC12X	GE-18	2SC17OR	GE-61	2SC23	GE-66		
2SB495A	GE-53	2SB565F	GE-53	2SB3813F	GE-53	2SC12Y	GE-18	2SC17R	GE-61	2SC23A	GE-18		
2SB495B	GE-53	2SB565G	GE-53	2SB3813G	GE-53	2SC13	GE-5	2SC17X	GE-61	2SC23B	GE-18		
2SB495C	GE-53	2SB565GN	GE-53	2SB3813GN	GE-53	2SC13A	GE-59	2SC17Y	GE-61	2SC23D	GE-18		
2SB495D	GE-53	2SB565H	GE-53	2SB3813OR	GE-53	2SC13B	GE-59	2SC18	GE-17	2SC23E	GE-18		
2SB495E	GE-53	2SB565J	GE-53	2SB3813J	GE-53	2SC13C	GE-59	2SC18A	GE-17	2SC23F	GE-18		
2SB495F	GE-53	2SB565K	GE-53	2SB3813K	GE-53	2SC13D	GE-59	2SC18B	GE-88	2SC23G	GE-18		
2SB495G	GE-53	2SB565L	GE-53	2SB3813L	GE-53	2SC13E	GE-59	2SC18C	GE-88	2SC23GN	GE-18		
2SB495GN	GE-53	2SB565M	GE-53	2SB3813M	GE-53	2SC13F	GE-59	2SC18D	GE-88	2SC23H	GE-18		
2SB495H	GE-53	2SB565OR	GE-53	2SB3813OR	GE-53	2SC13G	GE-59	2SC18E	GE-88	2SC23J	GE-18		
2SB495J	GE-53	2SB565R	GE-53	2SB3813R	GE-53	2SC13GN	GE-59	2SC18F	GE-88	2SC23K	GE-18		
2SB495K	GE-53	2SB565X	GE-53	2SB3813X	GE-53	2SC13H	GE-59	2SC18G	GE-88	2SC23L	GE-18		
2SB495L	GE-53	2SB565Y	GE-53	2SB3813Y	GE-53	2SC13J	GE-59	2SC18GN	GE-88	2SC23M	GE-18		
2SB495M	GE-53	2SB645E	GE-20	2SB4440D	GE-53	2SC13K	GE-59	2SC18H	GE-88	2SC23OR	GE-18		
2SB495OR	GE-53	2SB683	GE-39	2SBF1	GE-2	2SC13L	GE-59	2SC18J	GE-88	2SC23R	GE-18		
2SB495R	GE-53	2SB1080B	GE-55	2SBF1A	GE-52	2SC13M	GE-59	2SC18K	GE-88	2SC23X	GE-18		
2SB495T	GE-53	2SB1780	GE-53	2SBF2	GE-53	2SC13OR	GE-59	2SC18L	GE-88	2SC23Y	GE-18		
2SB495X	GE-53	2SB1780A	GE-53	2SBF2A	GE-53	2SC13R	GE-59	2SC18M	GE-88	2SC24	GE-66		
2SB495Y	GE-53	2SB1780B	GE-53	2SBF5	GE-16	2SC13X	GE-59	2SC18OR	GE-88	2SC24A	GE-18		
2SB496	1/2 GE-54	2SB1780C	GE-53	2SBM77	GE-53	2SC13Y	GE-59	2SC18R	GE-88	2SC24B	GE-18		
2SB496A	GE-53	2SB1780D	GE-53	2SBZ	GE-25	2SC14	GE-6	2SC18X	GE-88	2SC24C	GE-18		
2SB496B	GE-53	2SB1780E	GE-53	2SC-F6	GE-20	2SC14A	GE-20	2SC19	GE-59	2SC24D	GE-18		
2SB496C	GE-53	2SB1780F	GE-53	2SC-F11	GE-61	2SC14B	GE-61	2SC19A	GE-59	2SC24E	GE-18		

UNIVERSAL REPLACEMENT SEMICONDUCTORS

2SC24F - 2SC61A

JEDEC Or Part Nr	GE Replacement	JEDEC Or Part Nr	GE Replacement	JEDEC Or Part Nr	GE Replacement	JEDEC Or Part Nr	GE Replacement	JEDEC Or Part Nr	GE Replacement	JEDEC Or Part Nr	GE Replacement	JEDEC Or Part Nr	GE Replacement
2SC24F	GE-18	2SC30H	GE-18	2SC350R	GE-59	2SC41C	GE-59	2SC49J	GE-18	2SC55	GE-17		
2SC24G	GE-18	2SC30J	GE-18	2SC35R	GE-59	2SC41F	GE-59	2SC49K	GE-18	2SC55A	GE-61		
2SC24GN	GE-18	2SC30L	GE-18	2SC35X	GE-59	2SC41GN	GE-59	2SC49L	GE-18	2SC55B	GE-61		
2SC24H	GE-18	2SC30M	GE-18	2SC35Y	GE-59	2SC41H	GE-59	2SC49M	GE-18	2SC55C	GE-61		
2SC24J	GE-18	2SC30	GE-18	2SC36	GE-8	2SC41J	GE-59	2SC49OR	GE-18	2SC55D	GE-61		
2SC24K	GE-18	2SC30R	GE-18	2SC36B	GE-59	2SC41M	GE-59	2SC49X	GE-18	2SC55E	GE-61		
2SC24L	GE-18	2SC30X	GE-18	2SC36C	GE-59	2SC41OR	GE-59	2SC49Y	GE-18	2SC55F	GE-61		
2SC24M	GE-18	2SC30Y	GE-18	2SC36D	GE-59	2SC41R	GE-59	2SC50	GE-5	2SC55G	GE-61		
2SC24OR	GE-18	2SC31	GE-47	2SC36E	GE-59	2SC41TV	GE-36	2SC50A	GE-5	2SC55GN	GE-61		
2SC24R	GE-18	2SC31A	GE-18	2SC36F	GE-59	2SC41X	GE-59	2SC50B	GE-47	2SC55H	GE-61		
2SC24X	GE-18	2SC31B	GE-18	2SC36G	GE-59	2SC41Y	GE-59	2SC50C	GE-47	2SC55J	GE-61		
2SC24Y	GE-18	2SC31C	GE-18	2SC36GN	GE-59	2SC42	GE-35	2SC50E	GE-47	2SC55K	GE-61		
2SC26	GE-88	2SC31D	GE-18	2SC36H	GE-59	2SC42A	GE-35	2SC50F	GE-47	2SC55L	GE-61		
2SC26A	GE-88	2SC31E	GE-18	2SC36J	GE-59	2SC42B	GE-35	2SC50G	GE-47	2SC55M	GE-61		
2SC26B	GE-88	2SC31F	GE-18	2SC36K	GE-59	2SC42C	GE-35	2SC50GN	GE-47	2SC55OR	GE-61		
2SC26C	GE-88	2SC31G	GE-18	2SC36L	GE-59	2SC42E	GE-35	2SC50H	GE-47	2SC55R	GE-61		
2SC26D	GE-88	2SC31GN	GE-18	2SC36M	GE-59	2SC42F	GE-35	2SC50J	GE-47	2SC55X	GE-61		
2SC26E	GE-88	2SC31H	GE-18	2SC36OR	GE-59	2SC42G	GE-35	2SC50K	GE-47	2SC55Y	GE-61		
2SC26F	GE-88	2SC31J	GE-18	2SC36R	GE-59	2SC42GN	GE-35	2SC50L	GE-47	2SC56	GE-11		
2SC26G	GE-88	2SC31K	GE-18	2SC36X	GE-59	2SC42H	GE-35	2SC50M	GE-47	2SC56A	GE-47		
2SC26GN	GE-88	2SC31L	GE-18	2SC36Y	GE-59	2SC42J	GE-35	2SC50OR	GE-47	2SC56B	GE-47		
2SC26H	GE-88	2SC31M	GE-18	2SC37	GE-11	2SC42K	GE-35	2SC50R	GE-47	2SC56C	GE-47		
2SC26J	GE-88	2SC31OR	GE-18	2SC37A	GE-88	2SC42L	GE-35	2SC50X	GE-47	2SC56D	GE-47		
2SC26K	GE-88	2SC31R	GE-18	2SC37B	GE-88	2SC42M	GE-35	2SC50Y	GE-47	2SC56E	GE-47		
2SC26L	GE-88	2SC31X	GE-18	2SC37C	GE-88	2SC42OR	GE-35	2SC51	GE-63	2SC56F	GE-47		
2SC26M	GE-88	2SC31Y	GE-18	2SC37D	GE-88	2SC42R	GE-35	2SC51A	GE-18	2SC56G	GE-47		
2SC26OR	GE-88	2SC32	GE-47	2SC37E	GE-88	2SC42X	GE-35	2SC51B	GE-18	2SC56GN	GE-47		
2SC26R	GE-88	2SC32A	GE-18	2SC37F	GE-88	2SC42Y	GE-35	2SC51C	GE-18	2SC56H	GE-47		
2SC26X	GE-88	2SC32B	GE-18	2SC37G	GE-88	2SC43	GE-35	2SC51D	GE-18	2SC56J	GE-47		
2SC26Y	GE-88	2SC32C	GE-18	2SC37GN	GE-88	2SC44	GE-35	2SC51E	GE-18	2SC56K	GE-47		
2SC27	GE-17	2SC32D	GE-18	2SC37H	GE-88	2SC45	GE-11	2SC51F	GE-18	2SC56L	GE-47		
2SC27A	GE-18	2SC32E	GE-18	2SC37J	GE-88	2SC46	GE-81	2SC51G	GE-18	2SC56M	GE-47		
2SC27B	GE-18	2SC32F	GE-18	2SC37K	GE-88	2SC46A	GE-18	2SC51GN	GE-18	2SC56OR	GE-47		
2SC27D	GE-18	2SC32G	GE-18	2SC37L	GE-88	2SC46B	GE-18	2SC51H	GE-18	2SC56R	GE-47		
2SC27E	GE-18	2SC32GN	GE-18	2SC37M	GE-88	2SC46C	GE-18	2SC51J	GE-18	2SC56X	GE-47		
2SC27F	GE-18	2SC32H	GE-18	2SC37OR	GE-88	2SC46E	GE-18	2SC51K	GE-18	2SC56Y	GE-47		
2SC27G	GE-18	2SC32J	GE-18	2SC37R	GE-88	2SC46F	GE-18	2SC51L	GE-18	2SC57	GE-63		
2SC27GN	GE-18	2SC32K	GE-18	2SC37X	GE-88	2SC46G	GE-18	2SC51M	GE-18	2SC58	GE-11		
2SC27H	GE-18	2SC32L	GE-18	2SC37Y	GE-88	2SC46GN	GE-18	2SC51OR	GE-18	2SC58A	GE-27		
2SC27J	GE-18	2SC32M	GE-18	2SC38	GE-11	2SC46H	GE-18	2SC51R	GE-18	2SC58B	GE-27		
2SC27K	GE-18	2SC32OR	GE-18	2SC38A	GE-45	2SC46J	GE-18	2SC51X	GE-18	2SC58D	GE-27		
2SC27L	GE-18	2SC32R	GE-18	2SC38B	GE-45	2SC46K	GE-18	2SC51Y	GE-18	2SC58E	GE-27		
2SC27M	GE-18	2SC32X	GE-18	2SC38C	GE-45	2SC46L	GE-18	2SC52	GE-17	2SC58F	GE-27		
2SC27OR	GE-18	2SC32Y	GE-18	2SC38D	GE-45	2SC46M	GE-18	2SC52A	GE-88	2SC58G	GE-27		
2SC27R	GE-18	2SC33	GE-39	2SC38E	GE-45	2SC46OR	GE-18	2SC52B	GE-88	2SC58GN	GE-27		
2SC27X	GE-18	2SC33A	GE-88	2SC38F	GE-45	2SC46X	GE-18	2SC52C	GE-88	2SC58H	GE-27		
2SC27Y	GE-18	2SC33B	GE-88	2SC38G	GE-45	2SC46Y	GE-18	2SC52D	GE-88	2SC58J	GE-27		
2SC28	GE-61	2SC33C	GE-88	2SC38H	GE-45	2SC47	GE-47	2SC52E	GE-88	2SC58K	GE-27		
2SC28A	GE-47	2SC33D	GE-88	2SC38J	GE-45	2SC47A	GE-88	2SC52F	GE-88	2SC58L	GE-27		
2SC28B	GE-47	2SC33E	GE-88	2SC38K	GE-45	2SC47B	GE-88	2SC52G	GE-88	2SC58M	GE-27		
2SC28C	GE-47	2SC33F	GE-88	2SC38L	GE-45	2SC47C	GE-88	2SC52GN	GE-88	2SC58OR	GE-27		
2SC28D	GE-47	2SC33G	GE-88	2SC38M	GE-45	2SC47D	GE-88	2SC52H	GE-88	2SC58R	GE-27		
2SC28E	GE-47	2SC33GN	GE-88	2SC38OR	GE-45	2SC47E	GE-88	2SC52J	GE-88	2SC58X	GE-27		
2SC28F	GE-47	2SC33H	GE-88	2SC38R	GE-45	2SC47G	GE-88	2SC52K	GE-88	2SC58Y	GE-27		
2SC28G	GE-47	2SC33J	GE-88	2SC38X	GE-45	2SC47GN	GE-88	2SC52L	GE-88	2SC59	GE-18		
2SC28GN	GE-47	2SC33K	GE-88	2SC38Y	GE-45	2SC47H	GE-88	2SC52M	GE-88	2SC59A	GE-18		
2SC28H	GE-47	2SC33L	GE-88	2SC39	GE-61	2SC47J	GE-88	2SC52OR	GE-88	2SC59B	GE-18		
2SC28J	GE-47	2SC33M	GE-88	2SC39A	GE-61	2SC47K	GE-88	2SC52X	GE-88	2SC59C	GE-18		
2SC28K	GE-47	2SC33OR	GE-88	2SC39B	GE-88	2SC47L	GE-88	2SC52Y	GE-88	2SC59D	GE-18		
2SC28L	GE-47	2SC33R	GE-88	2SC39C	GE-88	2SC47M	GE-88	2SC53	GE-215	2SC59E	GE-18		
2SC28M	GE-47	2SC33X	GE-88	2SC39D	GE-88	2SC47OR	GE-88	2SC53A	GE-88	2SC59F	GE-18		
2SC28OR	GE-47	2SC33Y	GE-88	2SC39E	GE-88	2SC47R	GE-88	2SC53B	GE-88	2SC59G	GE-18		
2SC28R	GE-47	2SC34	GE-8	2SC39F	GE-88	2SC47X	GE-88	2SC53C	GE-88	2SC59GN	GE-18		
2SC28X	GE-47	2SC34A	GE-59	2SC39G	GE-88	2SC47Y	GE-88	2SC53D	GE-88	2SC59H	GE-18		
2SC28Y	GE-47	2SC34C	GE-59	2SC39GN	GE-88	2SC48	GE-20	2SC53E	GE-88	2SC59J	GE-18		
2SC29	GE-60	2SC34D	GE-59	2SC39H	GE-88	2SC48A	GE-47	2SC53F	GE-88	2SC59K	GE-18		
2SC29A	GE-88	2SC34E	GE-59	2SC39J	GE-88	2SC48B	GE-47	2SC53G	GE-88	2SC59L	GE-18		
2SC29B	GE-88	2SC34F	GE-59	2SC39K	GE-88	2SC48C	GE-47	2SC53QN	GE-88	2SC59M	GE-18		
2SC29C	GE-88	2SC34G	GE-59	2SC39L	GE-88	2SC48D	GE-47	2SC53H	GE-88	2SC59OR	GE-18		
2SC29D	GE-88	2SC34GN	GE-59	2SC39M	GE-88	2SC48E	GE-47	2SC53J	GE-88	2SC59R	GE-18		
2SC29E	GE-88	2SC34H	GE-59	2SC39OR	GE-88	2SC48F	GE-47	2SC53L	GE-88	2SC59X	GE-18		
2SC29F	GE-88	2SC34J	GE-59	2SC39R	GE-88	2SC48G	GE-47	2SC53OR	GE-88	2SC59Y	GE-18		
2SC29G	GE-88	2SC34K	GE-59	2SC39X	GE-88	2SC48GN	GE-47	2SC53R	GE-88	2SC60	GE-8		
2SC29GN	GE-88	2SC34L	GE-59	2SC39Y	GE-88	2SC48H	GE-47	2SC53X	GE-88	2SC60A	GE-59		
2SC29H	GE-88	2SC34M	GE-59	2SC40	GE-17	2SC48J	GE-47	2SC53Y	GE-88	2SC60B	GE-59		
2SC29J	GE-88	2SC34OR	GE-59	2SC40A	GE-88	2SC48K	GE-47	2SC54	GE-20	2SC60C	GE-59		
2SC29K	GE-88	2SC34R	GE-59	2SC40B	GE-88	2SC48L	GE-47	2SC54A	GE-88	2SC60D	GE-59		
2SC29L	GE-88	2SC34X	GE-59	2SC40C	GE-88	2SC48M	GE-47	2SC54B	GE-88	2SC60E	GE-59		
2SC29M	GE-88	2SC34Y	GE-59	2SC40D	GE-88	2SC48OR	GE-47	2SC54C	GE-88	2SC60F	GE-59		
2SC29OR	GE-88	2SC35	GE-8	2SC40E	GE-88	2SC48R	GE-47	2SC54D	GE-88	2SC60G	GE-59		
2SC29R	GE-88	2SC35A	GE-59	2SC40F	GE-88	2SC48X	GE-47	2SC54E	GE-88	2SC60GN	GE-59		
2SC29X	GE-88	2SC35B	GE-59	2SC40G	GE-88	2SC48Y	GE-47	2SC54F	GE-88	2SC60H	GE-59		
2SC29Y	GE-88	2SC35C	GE-59	2SC40GN	GE-88	2SC49	GE-20	2SC54G	GE-88	2SC60J	GE-59		
2SC30	GE-17	2SC35E	GE-59	2SC40H	GE-88	2SC49A	GE-18	2SC54GN	GE-88	2SC60K	GE-59		
2SC30A	GE-18	2SC35F	GE-59	2SC40J	GE-88	2SC49B	GE-18	2SC54H	GE-88	2SC60L	GE-59		
2SC30B	GE-18	2SC35G	GE-59	2SC40K	GE-88	2SC49C	GE-18	2SC54J	GE-88	2SC60M	GE-59		
2SC30C	GE-18	2SC35GN	GE-59	2SC40L	GE-88	2SC49D	GE-18	2SC54K	GE-88	2SC60	GE-59		
2SC30D	GE-18	2SC35H	GE-59	2SC40	GE-88	2SC49E	GE-18	2SC54L	GE-88	2SC60R	GE-59		
2SC30E	GE-18	2SC35J	GE-59	2SC40R	GE-88	2SC49F	GE-18	2SC54M	GE-88	2SC60X	GE-59		
2SC30F	GE-18	2SC35K	GE-59	2SC40X	GE-88	2SC49G	GE-18	2SC54OR	GE-88	2SC60Y	GE-59		
2SC30G	GE-18	2SC35L	GE-59	2SC40Y	GE-88	2SC49GN	GE-18	2SC54X	GE-88	2SC61	GE-20		
2SC30GN	GE-18	2SC35M	GE-59	2SC41B	GE-59	2SC49H	GE-18	2SC54Y	GE-88	2SC61A	GE-18		

UNIVERSAL REPLACEMENT SEMICONDUCTORS

2SC61B - 2SC100R

JEDEC Or Part Nr	GE Replacement	JEDEC Or Part Nr	GE Replacement	JEDEC Or Part Nr	GE Replacement	JEDEC Or Part Nr	GE Replacement	JEDEC Or Part Nr	GE Replacement	JEDEC Or Part Nr	GE Replacement	JEDEC Or Part Nr	GE Replacement
2SC61B	GE-18	2SC86E	GE-32	2SC71F	GE-59	2SC76J	GE-59	2SC81L	GE-47	2SC91R	GE-59	2SC91R	GE-59
2SC61C	GE-18	2SC86F	GE-32	2SC71G	GE-59	2SC76K	GE-59	2SC81M	GE-47	2SC91X	GE-59	2SC91X	GE-59
2SC61D	GE-18	2SC86G	GE-32	2SC71GN	GE-59	2SC76L	GE-59	2SC81OR	GE-47	2SC91Y	GE-59	2SC91Y	GE-59
2SC61E	GE-18	2SC86GN	GE-32	2SC71H	GE-59	2SC76M	GE-59	2SC81R	GE-47	2SC92	GE-66	2SC92	GE-66
2SC61F	GE-18	2SC86H	GE-32	2SC71J	GE-59	2SC76OR	GE-59	2SC83	GE-11	2SC93	GE-66	2SC93	GE-66
2SC61G	GE-18	2SC86J	GE-32	2SC71M	GE-59	2SC76R	GE-59	2SC87		2SC94	GE-66	2SC94	GE-66
2SC61GN	GE-18	2SC86K	GE-32	2SC71OR	GE-59	2SC76X	GE-59	2SC87A	GE-88	2SC95	GE-32	2SC95	GE-32
2SC61H	GE-18	2SC86L	GE-32	2SC71R	GE-59	2SC76Y	GE-59	2SC87B	GE-88	2SC95A	GE-32	2SC95A	GE-32
2SC61J	GE-18	2SC86M	GE-32	2SC71X	GE-59	2SC77	GE-7	2SC87C	GE-88	2SC95B	GE-32	2SC95B	GE-32
2SC61K	GE-18	2SC86OR	GE-32	2SC72	GE-8	2SC77A	GE-59	2SC87D	GE-88	2SC95C	GE-32	2SC95C	GE-32
2SC61L	GE-18	2SC86R	GE-32	2SC72A	GE-59	2SC77B	GE-59	2SC87E	GE-88	2SC95D	GE-32	2SC95D	GE-32
2SC61M	GE-18	2SC86X	GE-32	2SC72B	GE-59	2SC77C	GE-53	2SC87F	GE-88	2SC95E	GE-32	2SC95E	GE-32
2SC61OR	GE-18	2SC86Y	GE-32	2SC72C	GE-59	2SC77D	GE-59	2SC87G	GE-88	2SC95F	GE-32	2SC95F	GE-32
2SC61R	GE-18	2SC87	GE-20	2SC72D	GE-59	2SC77E	GE-59	2SC87GN	GE-88	2SC95G	GE-32	2SC95G	GE-32
2SC61Y	GE-18	2SC87A	GE-88	2SC72E	GE-59	2SC77G	GE-59	2SC87H	GE-88	2SC95GN	GE-32	2SC95GN	GE-32
2SC62	GE-17	2SC87B	GE-88	2SC72F	GE-59	2SC77GN	GE-59	2SC87J	GE-88	2SC95H	GE-32	2SC95H	GE-32
2SC62A	GE-88	2SC87C	GE-88	2SC72G	GE-59	2SC77H	GE-59	2SC87K	GE-88	2SC95J	GE-32	2SC95J	GE-32
2SC62B	GE-88	2SC87D	GE-88	2SC72GN	GE-59	2SC77J	GE-59	2SC87L	GE-88	2SC95K	GE-32	2SC95K	GE-32
2SC62C	GE-88	2SC87E	GE-88	2SC72H	GE-59	2SC77K	GE-59	2SC87M	GE-88	2SC95L	GE-32	2SC95L	GE-32
2SC62D	GE-88	2SC87F	GE-88	2SC72J	GE-59	2SC77L	GE-59	2SC87OR	GE-88	2SC95M	GE-32	2SC95M	GE-32
2SC62E	GE-88	2SC87G	GE-88	2SC72K	GE-59	2SC77M	GE-59	2SC87R	GE-88	2SC95OR	GE-32	2SC95OR	GE-32
2SC62F	GE-88	2SC87GN	GE-88	2SC72L	GE-59	2SC77OR	GE-59	2SC87X	GE-88	2SC95R	GE-32	2SC95R	GE-32
2SC62G	GE-88	2SC87H	GE-88	2SC72M	GE-59	2SC77R	GE-59	2SC87Y	GE-88	2SC95S	GE-32	2SC95S	GE-32
2SC62GN	GE-88	2SC87J	GE-88	2SC72OR	GE-59	2SC77X	GE-59	2SC88	GE-32	2SC95T	GE-32	2SC95T	GE-32
2SC62H	GE-88	2SC87K	GE-88	2SC72R	GE-59	2SC77Y	GE-59	2SC88A	GE-17	2SC95V	GE-47	2SC95V	GE-47
2SC62J	GE-88	2SC87L	GE-88	2SC72X	GE-59	2SC77Z	GE-61	2SC88B	GE-32	2SC97A	GE-18	2SC97A	GE-18
2SC62L	GE-88	2SC87M	GE-88	2SC72Y	GE-59	2SC78	GE-6	2SC88C	GE-32	2SC97B	GE-18	2SC97B	GE-18
2SC62M	GE-88	2SC87OR	GE-88	2SC73	GE-7	2SC78A	GE-59	2SC88D	GE-32	2SC97C	GE-18	2SC97C	GE-18
2SC62OR	GE-88	2SC87R	GE-88	2SC73A	GE-59	2SC78B	GE-59	2SC88E	GE-32	2SC97D	GE-18	2SC97D	GE-18
2SC62R	GE-88	2SC87X	GE-88	2SC73B	GE-59	2SC78C	GE-59	2SC88F	GE-32	2SC97E	GE-18	2SC97E	GE-18
2SC62X	GE-88	2SC87Y	GE-88	2SC73C	GE-59	2SC78D	GE-59	2SC88G	GE-32	2SC97F	GE-18	2SC97F	GE-18
2SC62Y	GE-88	2SC88	GE-20	2SC73D	GE-59	2SC78E	GE-59	2SC88GN	GE-32	2SC97G	GE-18	2SC97G	GE-18
2SC63	GE-20	2SC88A	GE-88	2SC73E	GE-59	2SC78F	GE-59	2SC88H	GE-32	2SC97GN	GE-18	2SC97GN	GE-18
2SC63A	GE-86	2SC88B	GE-88	2SC73F	GE-59	2SC78G	GE-59	2SC88J	GE-32	2SC97H	GE-18	2SC97H	GE-18
2SC63B	GE-86	2SC88C	GE-88	2SC73G	GE-59	2SC78GN	GE-59	2SC88K	GE-32	2SC97J	GE-18	2SC97J	GE-18
2SC63D	GE-86	2SC88D	GE-88	2SC73GN	GE-59	2SC78H	GE-59	2SC88L	GE-32	2SC97K	GE-18	2SC97K	GE-18
2SC63E	GE-86	2SC88E	GE-88	2SC73H	GE-59	2SC78J	GE-59	2SC88M	GE-32	2SC97L	GE-18	2SC97L	GE-18
2SC63F	GE-86	2SC88F	GE-88	2SC73J	GE-59	2SC78K	GE-59	2SC88OR	GE-32	2SC97M	GE-18	2SC97M	GE-18
2SC63G	GE-86	2SC88G	GE-88	2SC73K	GE-59	2SC78L	GE-59	2SC88R	GE-32	2SC97OR	GE-18	2SC97OR	GE-18
2SC63GN	GE-86	2SC88GN	GE-88	2SC73L	GE-59	2SC78M	GE-59	2SC88X	GE-32	2SC97R	GE-18	2SC97R	GE-18
2SC63H	GE-86	2SC88H	GE-88	2SC73M	GE-59	2SC78OR	GE-59	2SC88Y	GE-32	2SC97X	GE-18	2SC97X	GE-18
2SC63J	GE-86	2SC88J	GE-88	2SC73OR	GE-59	2SC78R	GE-59	2SC89	GE-7	2SC97Y	GE-18	2SC97Y	GE-18
2SC63K	GE-86	2SC88K	GE-88	2SC73R	GE-59	2SC78S	GE-59	2SC89A	GE-59	2SC98	GE-17	2SC98	GE-17
2SC63L	GE-86	2SC88L	GE-88	2SC73X	GE-59	2SC78T	GE-59	2SC89B	GE-59	2SC98A	GE-86	2SC98A	GE-86
2SC63M	GE-86	2SC88M	GE-88	2SC73Y	GE-59	2SC78Y	GE-59	2SC89C	GE-59	2SC98B	GE-86	2SC98B	GE-86
2SC63OR	GE-86	2SC88OR	GE-88	2SC74	GE-81	2SC79A	GE-86	2SC89D	GE-59	2SC98C	GE-86	2SC98C	GE-86
2SC63R	GE-86	2SC88R	GE-88	2SC74A	GE-81	2SC79B	GE-86	2SC89E	GE-59	2SC98D	GE-86	2SC98D	GE-86
2SC63X	GE-86	2SC88X	GE-88	2SC74B	GE-81	2SC79C	GE-86	2SC89F	GE-59	2SC98E	GE-86	2SC98E	GE-86
2SC63Y	GE-86	2SC88Y	GE-88	2SC74C	GE-81	2SC79D	GE-86	2SC89G	GE-59	2SC98F	GE-86	2SC98F	GE-86
2SC64	GE-27	2SC89	GE-18	2SC74D	GE-81	2SC79E	GE-86	2SC89GN	GE-59	2SC98G	GE-86	2SC98G	GE-86
2SC64A	GE-20	2SC89A	GE-18	2SC74E	GE-81	2SC79F	GE-86	2SC89H	GE-59	2SC98GN	GE-86	2SC98GN	GE-86
2SC64B	GE-20	2SC89B	GE-18	2SC74F	GE-81	2SC79G	GE-86	2SC89J	GE-59	2SC98H	GE-86	2SC98H	GE-86
2SC64C	GE-32	2SC89C	GE-18	2SC74G	GE-81	2SC79GN	GE-86	2SC89K	GE-59	2SC98J	GE-86	2SC98J	GE-86
2SC64D	GE-32	2SC89D	GE-18	2SC74GN	GE-81	2SC79H	GE-86	2SC89L	GE-59	2SC98K	GE-86	2SC98K	GE-86
2SC64E	GE-32	2SC89E	GE-18	2SC74H	GE-81	2SC79J	GE-86	2SC89M	GE-59	2SC98L	GE-86	2SC98L	GE-86
2SC64F	GE-32	2SC89F	GE-18	2SC74J	GE-81	2SC79K	GE-86	2SC89OR	GE-59	2SC98M	GE-86	2SC98M	GE-86
2SC64G	GE-32	2SC89G	GE-18	2SC74K	GE-81	2SC79L	GE-86	2SC89R	GE-59	2SC98OR	GE-86	2SC98OR	GE-86
2SC64GN	GE-32	2SC89GN	GE-18	2SC74L	GE-81	2SC79M	GE-86	2SC89S	GE-59	2SC98R	GE-86	2SC98R	GE-86
2SC64H	GE-32	2SC89H	GE-18	2SC74M	GE-81	2SC79OR	GE-86	2SC89T	GE-59	2SC98S	GE-86	2SC98S	GE-86
2SC64K	GE-32	2SC89J	GE-18	2SC74	GE-81	2SC79R	GE-86	2SC89U	GE-54	2SC98Y	GE-86	2SC98Y	GE-86
2SC64L	GE-32	2SC89K	GE-18	2SC74R	GE-81	2SC79X	GE-86	2SC90A	GE-59	2SC99	GE-17	2SC99	GE-17
2SC64M	GE-32	2SC89L	GE-18	2SC74X	GE-81	2SC79Y	GE-86	2SC90B	GE-59	2SC99A	GE-86	2SC99A	GE-86
2SC64OR	GE-32	2SC89M	GE-18	2SC74Y	GE-81	2SC79Z	GE-86	2SC90C	GE-59	2SC99B	GE-86	2SC99B	GE-86
2SC64R	GE-32	2SC89OR	GE-18	2SC75	GE-7	2SC80A	GE-86	2SC90D	GE-59	2SC99C	GE-86	2SC99C	GE-86
2SC64X	GE-32	2SC89R	GE-18	2SC75A	GE-59	2SC80B	GE-86	2SC90E	GE-59	2SC99D	GE-86	2SC99D	GE-86
2SC64Y	GE-32	2SC89X	GE-18	2SC75B	GE-59	2SC80C	GE-86	2SC90F	GE-59	2SC99E	GE-86	2SC99E	GE-86
2SC65	GE-27	2SC89Y	GE-18	2SC75B-1	GE-53	2SC80D	GE-86	2SC90G	GE-59	2SC99F	GE-86	2SC99F	GE-86
2SC65A	GE-32	2SC70	GE-27	2SC75C	GE-59	2SC80E	GE-86	2SC90GN	GE-59	2SC99G	GE-86	2SC99G	GE-86
2SC65B	GE-32	2SC70A	GE-32	2SC75E	GE-59	2SC80F	GE-86	2SC90H	GE-59	2SC99GN	GE-86	2SC99GN	GE-86
2SC65C	GE-32	2SC70B	GE-32	2SC75F	GE-59	2SC80G	GE-86	2SC90J	GE-59	2SC99H	GE-86	2SC99H	GE-86
2SC65D	GE-32	2SC70C	GE-32	2SC75G	GE-59	2SC80GN	GE-86	2SC90K	GE-59	2SC99J	GE-86	2SC99J	GE-86
2SC65E	GE-32	2SC70D	GE-32	2SC75GN	GE-59	2SC80H	GE-86	2SC90L	GE-59	2SC99K	GE-86	2SC99K	GE-86
2SC65F	GE-32	2SC70E	GE-32	2SC75H	GE-59	2SC80J	GE-86	2SC90M	GE-59	2SC99L	GE-86	2SC99L	GE-86
2SC65G	GE-32	2SC70F	GE-32	2SC75J	GE-59	2SC80K	GE-86	2SC90	GE-59	2SC99M	GE-86	2SC99M	GE-86
2SC65GN	GE-32	2SC70G	GE-32	2SC75K	GE-59	2SC80L	GE-86	2SC90R	GE-59	2SC99OR	GE-86	2SC99OR	GE-86
2SC65H	GE-32	2SC70GN	GE-32	2SC75L	GE-59	2SC80M	GE-86	2SC90X	GE-59	2SC99R	GE-86	2SC99R	GE-86
2SC65K	GE-32	2SC70H	GE-32	2SC75M	GE-59	2SC80OR	GE-86	2SC90Y	GE-59	2SC99S	GE-86	2SC99S	GE-86
2SC65L	GE-32	2SC70J	GE-32	2SC75OR	GE-59	2SC80R	GE-86	2SC91	GE-54	2SC99Y	GE-86	2SC99Y	GE-86
2SC65M	GE-32	2SC70K	GE-32	2SC75R	GE-59	2SC80X	GE-86	2SC91A	GE-59	2SC100	GE-63	2SC100	GE-63
2SC65OR	GE-32	2SC70L	GE-32	2SC75X	GE-59	2SC80Y	GE-86	2SC91B	GE-59	2SC100A	GE-88	2SC100A	GE-88
2SC65R	GE-32	2SC70M	GE-32	2SC75Y	GE-59	2SC81	GE-20	2SC91C	GE-59	2SC100B	GE-88	2SC100B	GE-88
2SC65X	GE-32	2SC70OR	GE-32	2SC76	GE-7	2SC81A	GE-47	2SC91D	GE-59	2SC100C	GE-88	2SC100C	GE-88
2SC65Y	GE-63	2SC70	GE-32	2SC76	GE-7	2SC81B	GE-47	2SC91E	GE-59	2SC100D	GE-88	2SC100D	GE-88
2SC65Y(B)	GE-18	2SC70R	GE-32	2SC76A	GE-59	2SC81C	GE-47	2SC91F	GE-59	2SC100E	GE-88	2SC100E	GE-88
2SC65YA	GE-32	2SC70X	GE-32	2SC76B	GE-59	2SC81D	GE-47	2SC91G	GE-59	2SC100F	GE-88	2SC100F	GE-88
2SC65YT	GE-32	2SC70Y	GE-32	2SC76C	GE-59	2SC81E	GE-47	2SC91GN	GE-59	2SC100G	GE-88	2SC100G	GE-88
2SC65YTV	GE-32	2SC71	GE-8	2SC76D	GE-59	2SC81F	GE-47	2SC91H	GE-59	2SC100GN	GE-88	2SC100GN	GE-88
2SC66	GE-27	2SC71A	GE-59	2SC76E	GE-59	2SC81G	GE-47	2SC91J	GE-5				

UNIVERSAL REPLACEMENT SEMICONDUCTORS

2SC100X - 2SC138

JEDEC Or Part Nr	GE Replacement	JEDEC Or Part Nr	GE Replacement	JEDEC Or Part Nr	GE Replacement	JEDEC Or Part Nr	GE Replacement	JEDEC Or Part Nr	GE Replacement	JEDEC Or Part Nr	GE Replacement	JEDEC Or Part Nr	GE Replacement
2SC100X	GE-88	2SC109B	GE-18	2SC114E	GE-18	2SC119F	GE-18	2SC124L	GE-18	2SC131R	GE-88		
2SC100Y	GE-88	2SC109C	GE-18	2SC114F	GE-18	2SC119G	GE-18	2SC124M	GE-18	2SC131Y	GE-88		
2SC101	GE-12	2SC109D	GE-18	2SC114G	GE-18	2SC119GN	GE-18	2SC124OR	GE-18	2SC132	GE-20		
2SC101A	GE-12	2SC109E	GE-18	2SC114GN	GE-18	2SC119H	GE-18	2SC124R	GE-18	2SC132A	GE-88		
2SC101B	GE-12	2SC109F	GE-18	2SC114H	GE-18	2SC119J	GE-18	2SC124X	GE-18	2SC132B	GE-88		
2SC101C	GE-12	2SC109G	GE-18	2SC114J	GE-18	2SC119K	GE-18	2SC124Y	GE-18	2SC132C	GE-88		
2SC101D	GE-12	2SC109G1	GE-20	2SC114K	GE-18	2SC119L	GE-18	2SC125	GE-27	2SC132D	GE-88		
2SC101E	GE-12	2SC109GN	GE-18	2SC114L	GE-18	2SC119M	GE-18	2SC128	GE-27	2SC132E	GE-88		
2SC101F	GE-12	2SC109J	GE-18	2SC114M	GE-18	2SC119OR	GE-18	2SC127	GE-17	2SC132F	GE-88		
2SC101G	GE-12	2SC109K	GE-18	2SC114OR	GE-18	2SC119R	GE-18	2SC127A	GE-86	2SC132G	GE-88		
2SC101GN	GE-12	2SC109L	GE-18	2SC114R	GE-18	2SC119X	GE-18	2SC127B	GE-86	2SC132GN	GE-88		
2SC101H	GE-12	2SC109OR	GE-18	2SC114X	GE-18	2SC119Y	GE-18	2SC127C	GE-86	2SC132H	GE-88		
2SC101J	GE-12	2SC109R	GE-18	2SC114Y	GE-18	2SC120	GE-61	2SC127D	GE-86	2SC132J	GE-88		
2SC101K	GE-12	2SC109S	GE-18	2SC115	GE-11	2SC120A	GE-18	2SC127E	GE-86	2SC132K	GE-88		
2SC101L	GE-12	2SC109Y	GE-18	2SC115-1	GE-47	2SC120B	GE-18	2SC127F	GE-88	2SC132L	GE-88		
2SC101M	GE-12	2SC110	GE-18	2SC115-2	GE-47	2SC120C	GE-18	2SC127G	GE-86	2SC132M	GE-88		
2SC101OR	GE-12	2SC110A	GE-88	2SC115A	GE-18	2SC120D	GE-18	2SC127GN	GE-86	2SC132OR	GE-88		
2SC101R	GE-12	2SC110B	GE-88	2SC115B	GE-18	2SC120E	GE-18	2SC127H	GE-86	2SC132R	GE-88		
2SC101X	GE-12	2SC110C	GE-88	2SC115C	GE-18	2SC120F	GE-18	2SC127J	GE-86	2SC132X	GE-88		
2SC101XL	GE-51	2SC110D	GE-88	2SC115D	GE-18	2SC120G	GE-18	2SC127K	GE-86	2SC132Y	GE-88		
2SC101Y	GE-12	2SC110E	GE-88	2SC115E	GE-18	2SC120GN	GE-18	2SC127L	GE-86	2SC133	GE-20		
2SC103	GE-17	2SC110F	GE-88	2SC115F	GE-18	2SC120H	GE-18	2SC127M	GE-88	2SC133A	GE-88		
2SC103A	GE-212	2SC110G	GE-88	2SC115G	GE-18	2SC120J	GE-18	2SC127OR	GE-88	2SC133C	GE-88		
2SC103B	GE-86	2SC110GN	GE-88	2SC115GN	GE-18	2SC120K	GE-18	2SC127R	GE-86	2SC133D	GE-88		
2SC103C	GE-86	2SC110H	GE-88	2SC115H	GE-18	2SC120L	GE-18	2SC127X	GE-86	2SC133E	GE-88		
2SC103D	GE-86	2SC110J	GE-88	2SC115J	GE-18	2SC120M	GE-18	2SC127Y	GE-86	2SC133F	GE-88		
2SC103E	GE-86	2SC110K	GE-88	2SC115K	GE-18	2SC120Y	GE-18	2SC128	GE-54	2SC133G	GE-88		
2SC103F	GE-86	2SC110L	GE-88	2SC115L	GE-18	2SC121	GE-61	2SC128A	GE-59	2SC133GN	GE-88		
2SC103G	GE-86	2SC110M	GE-88	2SC115M	GE-18	2SC121A	GE-18	2SC128B	GE-59	2SC133H	GE-88		
2SC103GN	GE-86	2SC110	GE-88	2SC115OR	GE-18	2SC121B	GE-18	2SC128C	GE-59	2SC133J	GE-88		
2SC103H	GE-86	2SC110R	GE-88	2SC115R	GE-18	2SC121C	GE-18	2SC128D	GE-59	2SC133K	GE-88		
2SC103J	GE-86	2SC110X	GE-88	2SC115X	GE-18	2SC121D	GE-18	2SC128E	GE-59	2SC133L	GE-88		
2SC103K	GE-86	2SC110Y	GE-88	2SC115Y	GE-18	2SC121E	GE-18	2SC128F	GE-59	2SC133M	GE-88		
2SC103L	GE-86	2SC111	GE-18	2SC116	GE-47	2SC121F	GE-18	2SC128G	GE-59	2SC133OR	GE-88		
2SC103M	GE-86	2SC111A	GE-46	2SC116A	GE-46	2SC121G	GE-18	2SC128GN	GE-59	2SC133X	GE-88		
2SC103X	GE-86	2SC111B	GE-46	2SC116B	GE-46	2SC121GN	GE-18	2SC128H	GE-59	2SC133Y	GE-88		
2SC103Y	GE-86	2SC111C	GE-46	2SC116C	GE-46	2SC121H	GE-18	2SC128J	GE-59	2SC134	GE-20		
2SC104	GE-17	2SC111D	GE-46	2SC116D	GE-46	2SC121J	GE-18	2SC128K	GE-59	2SC134A	GE-61		
2SC104A	GE-61	2SC111E	GE-46	2SC116E	GE-46	2SC121L	GE-18	2SC128L	GE-59	2SC134B	GE-88		
2SC104B	GE-86	2SC111F	GE-46	2SC116F	GE-46	2SC121M	GE-18	2SC128M	GE-59	2SC134C	GE-81		
2SC104C	GE-86	2SC111G	GE-46	2SC116G	GE-46	2SC121OR	GE-18	2SC128OR	GE-59	2SC134D	GE-61		
2SC104D	GE-86	2SC111GN	GE-48	2SC116GN	GE-48	2SC121R	GE-18	2SC128R	GE-59	2SC134E	GE-61		
2SC104E	GE-86	2SC111H	GE-46	2SC116H	GE-46	2SC121X	GE-18	2SC128X	GE-59	2SC134F	GE-81		
2SC104F	GE-86	2SC111J	GE-46	2SC116J	GE-46	2SC121Y	GE-18	2SC128Y	GE-59	2SC134G	GE-61		
2SC104G	GE-86	2SC111K	GE-46	2SC116K	GE-46	2SC122	GE-61	2SC129	GE-5	2SC134GN	GE-81		
2SC104GN	GE-86	2SC111L	GE-48	2SC116L	GE-48	2SC122A	GE-18	2SC129A	GE-59	2SC134H	GE-61		
2SC104H	GE-86	2SC111M	GE-46	2SC116M	GE-46	2SC122B	GE-18	2SC129B	GE-59	2SC134I	GE-61		
2SC104J	GE-86	2SC111OR	GE-46	2SC116OR	GE-46	2SC122C	GE-18	2SC129C	GE-59	2SC134K	GE-61		
2SC104K	GE-86	2SC111R	GE-46	2SC116R	GE-46	2SC122D	GE-20	2SC129D	GE-59	2SC134L	GE-81		
2SC104L	GE-86	2SC111X	GE-46	2SC116X	GE-18	2SC122E	GE-18	2SC129E	GE-18	2SC134M	GE-81		
2SC104M	GE-86	2SC111Y	GE-46	2SC116Y	GE-48	2SC122F	GE-18	2SC129F	GE-18	2SC134OR	GE-81		
2SC104OR	GE-86	2SC112	GE-47	2SC118Y	GE-46	2SC122G	GE-18	2SC129GN	GE-18	2SC134R	GE-61		
2SC104R	GE-86	2SC112A	GE-18	2SC117	GE-18	2SC122GN	GE-18	2SC129H	GE-59	2SC134X	GE-61		
2SC104X	GE-86	2SC112B	GE-18	2SC117A	GE-18	2SC122H	GE-18	2SC129J	GE-59	2SC134Y	GE-81		
2SC104Y	GE-86	2SC112C	GE-18	2SC117B	GE-18	2SC122I	GE-18	2SC129K	GE-59	2SC135	GE-20		
2SC105	GE-61	2SC112D	GE-18	2SC117C	GE-18	2SC122K	GE-18	2SC129L	GE-59	2SC135A	GE-81		
2SC108	GE-11	2SC112E	GE-18	2SC117D	GE-18	2SC122L	GE-18	2SC129M	GE-18	2SC135B	GE-61		
2SC108A	GE-48	2SC112F	GE-18	2SC117E	GE-18	2SC122M	GE-18	2SC129OR	GE-18	2SC135C	GE-61		
2SC108B	GE-48	2SC112G	GE-18	2SC117G	GE-18	2SC122OR	GE-18	2SC129R	GE-18	2SC135D	GE-61		
2SC108C	GE-48	2SC112GN	GE-18	2SC117GN	GE-18	2SC122R	GE-18	2SC129X	GE-18	2SC135E	GE-61		
2SC108G	GE-46	2SC112H	GE-18	2SC117H	GE-18	2SC122X	GE-18	2SC129Y	GE-59	2SC135F	GE-81		
2SC108GN	GE-46	2SC112J	GE-18	2SC117J	GE-18	2SC122Y	GE-18	2SC130	GE-18	2SC135G	GE-61		
2SC108H	GE-46	2SC112K	GE-18	2SC117K	GE-18	2SC123	GE-61	2SC130A	GE-18	2SC135GN	GE-81		
2SC108J	GE-46	2SC112L	GE-18	2SC117L	GE-18	2SC123A	GE-18	2SC130B	GE-18	2SC135H	GE-81		
2SC108K	GE-48	2SC112M	GE-18	2SC117M	GE-18	2SC123B	GE-18	2SC130C	GE-18	2SC135J	GE-61		
2SC108L	GE-48	2SC112OR	GE-18	2SC117OR	GE-18	2SC123C	GE-18	2SC130D	GE-18	2SC135L	GE-61		
2SC108M	GE-48	2SC112R	GE-18	2SC117R	GE-18	2SC123D	GE-18	2SC130E	GE-18	2SC135M	GE-81		
2SC108OR	GE-48	2SC112X	GE-18	2SC117X	GE-18	2SC123E	GE-18	2SC130F	GE-18	2SC135OR	GE-61		
2SC108R	GE-46	2SC112Y	GE-18	2SC117Y	GE-18	2SC123F	GE-18	2SC130GN	GE-18	2SC135R	GE-81		
2SC108X	GE-46	2SC113	GE-47	2SC118	GE-18	2SC123G	GE-18	2SC130H	GE-18	2SC135X	GE-81		
2SC108Y	GE-46	2SC113A	GE-18	2SC118A	GE-18	2SC123GN	GE-18	2SC130J	GE-18	2SC135Y	GE-81		
2SC107	GE-66	2SC113B	GE-18	2SC118B	GE-18	2SC123H	GE-18	2SC130K	GE-18	2SC138	GE-17		
2SC108	GE-20	2SC113C	GE-18	2SC118C	GE-18	2SC123J	GE-18	2SC130L	GE-18	2SC136D	GE-11		
2SC108A	GE-18	2SC113D	GE-18	2SC118D	GE-18	2SC123K	GE-18	2SC130M	GE-18	2SC137	GE-20		
2SC108B	GE-18	2SC113E	GE-18	2SC118E	GE-18	2SC123L	GE-18	2SC130OR	GE-18	2SC137A	GE-61		
2SC108C	GE-18	2SC113F	GE-18	2SC118F	GE-18	2SC123M	GE-18	2SC130R	GE-18	2SC137B	GE-61		
2SC108D	GE-18	2SC113G	GE-18	2SC118G	GE-18	2SC123OR	GE-18	2SC130X	GE-18	2SC137C	GE-61		
2SC108E	GE-18	2SC113GN	GE-18	2SC118GN	GE-18	2SC123R	GE-18	2SC130Y	GE-18	2SC137D	GE-61		
2SC108F	GE-18	2SC113H	GE-18	2SC118H	GE-18	2SC123X	GE-18	2SC131	GE-20	2SC137E	GE-81		
2SC108G	GE-18	2SC113J	GE-18	2SC118J	GE-18	2SC123Y	GE-18	2SC131A	GE-88	2SC137F	GE-61		
2SC108GN	GE-18	2SC113K	GE-18	2SC118L	GE-18	2SC124	GE-61	2SC131B	GE-88	2SC137G	GE-61		
2SC108H	GE-18	2SC113L	GE-18	2SC118M	GE-18	2SC124A	GE-18	2SC131C	GE-88	2SC137GN	GE-61		
2SC108J	GE-18	2SC113M	GE-18	2SC118OR	GE-18	2SC124B	GE-18	2SC131D	GE-88	2SC137H	GE-61		
2SC108K	GE-18	2SC113OR	GE-18	2SC118R	GE-18	2SC124C	GE-18	2SC131E	GE-88	2SC137J	GE-61		
2SC108L	GE-18	2SC113R	GE-18	2SC118X	GE-18	2SC124D	GE-18	2SC131F	GE-88	2SC137K	GE-61		
2SC108M	GE-18	2SC113X	GE-18	2SC118Y	GE-18	2SC124E	GE-18	2SC131G	GE-88	2SC137L	GE-61		
2SC108OR	GE-18	2SC113Y	GE-18	2SC119	GE-18	2SC124F	GE-18	2SC131GN	GE-88	2SC137M	GE-81		
2SC108R	GE-18	2SC114	GE-18	2SC119A	GE-18	2SC124G	GE-18	2SC131H	GE-88	2SC137OR	GE-61		
2SC108X	GE-18	2SC114A	GE-18	2SC119B	GE-18	2SC124GN	GE-18	2SC131J	GE-88	2SC137R	GE-61		
2SC108Y	GE-18	2SC114B	GE-18	2SC119C	GE-18	2SC124H	GE-18	2SC131L	GE-88	2SC137X	GE-61		
2SC109	GE-47	2SC114C	GE-18	2SC119D	GE-18	2SC124J	GE-18	2SC131M	GE-88	2SC137Y	GE-61		
2SC109A	GE-18	2SC114D	GE-18	2SC119E	GE-18	2SC124K	GE-18	2SC131OR	GE-88	2SC138	GE-20		

UNIVERSAL REPLACEMENT SEMICONDUCTORS

25C138A - 25C182(Q)

JEDEC Or Part Nr	GE Replacement	JEDEC Or Part Nr	GE Replacement	JEDEC Or Part Nr	GE Replacement	JEDEC Or Part Nr	GE Replacement	JEDEC Or Part Nr	GE Replacement	JEDEC Or Part Nr	GE Replacement	JEDEC Or Part Nr	GE Replacement
25C138A	GE-20	25C150D	GE-61	25C158F	GE-86	25C163J	GE-18	25C171M	GE-86	25C176Y	GE-59	25C182(V)	GE-20
25C138B	GE-88	25C150E	GE-61	25C158G	GE-86	25C163K	GE-18	25C171OR	GE-86	25C177A	GE-8	25C182(Q)	GE-21
25C138C	GE-88	25C150F	GE-61	25C158GN	GE-86	25C163L	GE-18	25C171R	GE-18	25C177B	GE-59		
25C138D	GE-88	25C150G	GE-61	25C158H	GE-86	25C163M	GE-18	25C171X	GE-18	25C177C	GE-59		
25C138E	GE-88	25C150GN	GE-61	25C158J	GE-86	25C163OR	GE-18	25C171Y	GE-18	25C177D	GE-59		
25C138F	GE-88	25C150H	GE-61	25C158K	GE-86	25C163R	GE-18	25C172	GE-17	25C177E	GE-59		
25C138G	GE-88	25C150J	GE-61	25C158L	GE-86	25C163X	GE-18	25C172A	GE-18	25C177F	GE-59		
25C138GN	GE-88	25C150K	GE-61	25C158M	GE-86	25C163Y	GE-18	25C172B	GE-18	25C177G	GE-59		
25C138H	GE-88	25C150L	GE-61	25C158OR	GE-86	25C164	GE-47	25C172C	GE-47	25C177H	GE-59		
25C138J	GE-88	25C150M	GE-61	25C158R	GE-86	25C164A	GE-45	25C172D	GE-45	25C177GN	GE-59		
25C138L	GE-88	25C150OR	GE-61	25C158X	GE-86	25C164B	GE-45	25C172E	GE-45	25C177H	GE-59		
25C138M	GE-88	25C150R	GE-61	25C158Y	GE-86	25C164C	GE-45	25C172F	GE-45	25C177J	GE-59		
25C138OR	GE-88	25C150T	GE-47	25C157	GE-11	25C164D	GE-45	25C172G	GE-45	25C177K	GE-59		
25C138R	GE-88	25C150U	GE-47	25C157A	GE-47	25C164E	GE-45	25C172H	GE-45	25C177L	GE-59		
25C138S	GE-10	25C150Y	GE-61	25C157B	GE-47	25C164E	GE-45	25C172GM	GE-45	25C177M	GE-59		
25C138X	GE-88	25C151	GE-47	25C157C	GE-47	25C164F	GE-45	25C172J	GE-45	25C177OR	GE-59		
25C139	GE-47	25C151A	GE-88	25C157D	GE-47	25C164G	GE-45	25C172K	GE-45	25C177R	GE-59		
25C139A	GE-88	25C151B	GE-88	25C157E	GE-47	25C164GN	GE-45	25C172L	GE-45	25C177X	GE-59		
25C139B	GE-88	25C151C	GE-88	25C157F	GE-47	25C164H	GE-45	25C172M	GE-45	25C177Y	GE-59		
25C139C	GE-88	25C151D	GE-88	25C157G	GE-47	25C164J	GE-45	25C172OR	GE-45	25C178	GE-8		
25C139D	GE-88	25C151E	GE-88	25C157GN	GE-47	25C164K	GE-45	25C172R	GE-45	25C178A	GE-59		
25C139E	GE-88	25C151G	GE-88	25C157J	GE-47	25C164L	GE-45	25C172S	GE-45	25C178B	GE-59		
25C139F	GE-88	25C151GN	GE-88	25C157K	GE-47	25C164OR	GE-45	25C172T	GE-45	25C178C	GE-59		
25C139G	GE-88	25C151H	GE-88	25C157L	GE-47	25C164R	GE-45	25C173A	GE-45	25C178D	GE-59		
25C139GN	GE-88	25C151J	GE-88	25C157M	GE-47	25C164X	GE-45	25C173B	GE-45	25C178E	GE-59		
25C139H	GE-88	25C151K	GE-88	25C157OR	GE-47	25C164Y	GE-45	25C173C	GE-45	25C178F	GE-59		
25C139J	GE-88	25C151L	GE-88	25C157R	GE-47	25C165	GE-88	25C173D	GE-88	25C178G	GE-59		
25C139K	GE-88	25C151M	GE-88	25C157Y	GE-47	25C166	GE-60	25C173E	GE-59	25C178H	GE-59		
25C139M	GE-88	25C151OR	GE-88	25C158	GE-11	25C166A	GE-88	25C173F	GE-59	25C178J	GE-59		
25C139OR	GE-88	25C151R	GE-88	25C158A	GE-47	25C166B	GE-88	25C173G	GE-59	25C178K	GE-59		
25C139R	GE-88	25C151X	GE-88	25C158B	GE-47	25C166C	GE-88	25C173GN	GE-59	25C178L	GE-59		
25C139X	GE-88	25C151Y	GE-88	25C158C	GE-47	25C166D	GE-88	25C173H	GE-59	25C178M	GE-59		
25C139Y	GE-88	25C152	GE-47	25C158D	GE-47	25C166E	GE-88	25C173J	GE-59	25C178OR	GE-59		
25C140	GE-63	25C152A	GE-18	25C158E	GE-47	25C166F	GE-88	25C173K	GE-59	25C178R	GE-59		
25C140A	GE-18	25C152B	GE-18	25C158F	GE-47	25C166G	GE-88	25C173L	GE-59	25C178X	GE-59		
25C140C	GE-18	25C152C	GE-18	25C158G	GE-47	25C166GN	GE-88	25C173M	GE-59	25C178Y	GE-59		
25C140D	GE-18	25C152D	GE-18	25C158GN	GE-47	25C166H	GE-88	25C173OR	GE-59	25C179	GE-8		
25C140E	GE-18	25C152E	GE-18	25C158H	GE-47	25C166J	GE-88	25C173R	GE-59	25C179A	GE-47		
25C140F	GE-18	25C152F	GE-18	25C158J	GE-47	25C166K	GE-88	25C173X	GE-59	25C179B	GE-47		
25C140G	GE-18	25C152G	GE-18	25C158K	GE-47	25C166L	GE-88	25C173Y	GE-59	25C179C	GE-47		
25C140GN	GE-18	25C152GN	GE-18	25C158L	GE-47	25C166M	GE-88	25C174	GE-11	25C179D	GE-47		
25C140H	GE-18	25C152H	GE-18	25C158M	GE-47	25C166OR	GE-88	25C174A	GE-213	25C179E	GE-47		
25C140J	GE-18	25C152J	GE-18	25C158OR	GE-47	25C166R	GE-88	25C174B	GE-86	25C179F	GE-47		
25C140K	GE-18	25C152K	GE-18	25C158R	GE-47	25C166X	GE-88	25C174C	GE-86	25C179G	GE-47		
25C140L	GE-18	25C152L	GE-18	25C158X	GE-47	25C166Y	GE-88	25C174D	GE-86	25C179GN	GE-47		
25C140M	GE-18	25C152M	GE-18	25C158Y	GE-47	25C167	GE-212	25C174E	GE-86	25C179H	GE-47		
25C140OR	GE-18	25C152OR	GE-18	25C159	GE-11	25C167A	GE-88	25C174F	GE-86	25C179J	GE-47		
25C140R	GE-18	25C152R	GE-18	25C159A	GE-61	25C167B	GE-88	25C174G	GE-86	25C179K	GE-47		
25C140X	GE-18	25C152X	GE-18	25C159B	GE-61	25C167C	GE-88	25C174GN	GE-86	25C179L	GE-47		
25C140Y	GE-18	25C152Y	GE-18	25C159C	GE-61	25C167D	GE-88	25C174H	GE-86	25C179M	GE-47		
25C141	GE-210	25C154	GE-27	25C159D	GE-61	25C167E	GE-88	25C174J	GE-86	25C179OR	GE-47		
25C142	GE-210	25C154(C)	GE-40	25C159E	GE-61	25C167F	GE-88	25C174K	GE-86	25C179R	GE-47		
25C143	GE-210	25C154A	GE-32	25C159F	GE-61	25C167G	GE-88	25C174L	GE-86	25C179X	GE-47		
25C144	GE-210	25C154B	GE-27	25C159GN	GE-61	25C167GN	GE-88	25C174M	GE-86	25C179Y	GE-47		
25C144A	GE-210	25C154C	GE-20	25C159H	GE-61	25C167H	GE-88	25C174R	GE-86	25C180	GE-8		
25C147	GE-63	25C154D	GE-32	25C159J	GE-61	25C167K	GE-88	25C174X	GE-86	25C180A	GE-59		
25C147A	GE-47	25C154E	GE-32	25C159K	GE-61	25C167L	GE-88	25C174Y	GE-86	25C180B	GE-59		
25C147B	GE-47	25C154F	GE-32	25C159L	GE-61	25C167M	GE-88	25C175	GE-8	25C180C	GE-59		
25C147C	GE-18	25C154G	GE-32	25C159M	GE-61	25C167OR	GE-88	25C175A	GE-59	25C180D	GE-59		
25C147D	GE-18	25C154GN	GE-32	25C159OR	GE-61	25C167X	GE-88	25C175B	GE-2	25C180E	GE-59		
25C147F	GE-18	25C154H	GE-27	25C159R	GE-61	25C167Y	GE-88	25C175BL	GE-53	25C180F	GE-59		
25C147G	GE-18	25C154J	GE-32	25C159X	GE-61	25C170	GE-39	25C175C	GE-59	25C180G	GE-59		
25C147GM	GE-18	25C154K	GE-32	25C159Y	GE-61	25C170A	GE-86	25C175D	GE-59	25C180GN	GE-59		
25C147H	GE-18	25C154L	GE-32	25C160	GE-11	25C170B	GE-86	25C175E	GE-59	25C180H	GE-59		
25C147J	GE-18	25C154M	GE-32	25C160A	GE-81	25C170C	GE-86	25C175F	GE-86	25C180J	GE-59		
25C147K	GE-18	25C154OR	GE-32	25C160B	GE-61	25C170D	GE-86	25C175G	GE-86	25C180K	GE-59		
25C147L	GE-18	25C154R	GE-32	25C160C	GE-61	25C170E	GE-86	25C175GN	GE-86	25C180L	GE-59		
25C147M	GE-18	25C154X	GE-32	25C160D	GE-61	25C170F	GE-86	25C175H	GE-86	25C180M	GE-59		
25C147R	GE-18	25C154Y	GE-32	25C160E	GE-61	25C170G	GE-86	25C175J	GE-86	25C180	GE-59		
25C147X	GE-18	25C155	GE-60	25C160F	GE-81	25C170GN	GE-86	25C175K	GE-86	25C180R	GE-59		
25C147Y	GE-18	25C155A	GE-86	25C160G	GE-61	25C170H	GE-86	25C175L	GE-86	25C180X	GE-59		
25C148	GE-61	25C155B	GE-86	25C160GN	GE-61	25C170J	GE-86	25C175M	GE-86	25C180Y	GE-59		
25C148A	GE-61	25C155C	GE-86	25C160H	GE-61	25C170K	GE-86	25C175OR	GE-86	25C181	GE-8		
25C148B	GE-61	25C155D	GE-86	25C160J	GE-61	25C170L	GE-86	25C175R	GE-86	25C181A	GE-47		
25C148D	GE-61	25C155E	GE-86	25C160K	GE-61	25C170M	GE-86	25C175X	GE-86	25C181B	GE-47		
25C148E	GE-61	25C155F	GE-86	25C160L	GE-61	25C170	GE-86	25C175Y	GE-86	25C181C	GE-47		
25C148F	GE-61	25C155GN	GE-86	25C160M	GE-61	25C170X	GE-86	25C176	GE-86	25C181D	GE-47		
25C148G	GE-61	25C155H	GE-86	25C160N	GE-61	25C170Y	GE-86	25C176A	GE-86	25C181E	GE-47		
25C148GN	GE-61	25C155J	GE-86	25C160	GE-61	25C170Z	GE-86	25C176B	GE-86	25C181F	GE-47		
25C148H	GE-61	25C155K	GE-86	25C160A	GE-61	25C171	GE-86	25C176C	GE-86	25C181G	GE-47		
25C148J	GE-61	25C155L	GE-86	25C160Y	GE-61	25C171A	GE-86	25C176D	GE-86	25C181GN	GE-47		
25C148K	GE-61	25C155M	GE-86	25C162	GE-81	25C171B	GE-86	25C176E	GE-86	25C181H	GE-47		
25C148L	GE-61	25C155OR	GE-86	25C163	GE-47	25C171C	GE-86	25C176F	GE-86	25C181I	GE-47		
25C148M	GE-61	25C155R	GE-86	25C163A	GE-18	25C171D	GE-86	25C176G	GE-86	25C181J	GE-47		
25C148	GE-61	25C155X	GE-86	25C163B	GE-18	25C171E	GE-86	25C176GN	GE-86	25C181M	GE-47		
25C148R	GE-61	25C155Y	GE-86	25C163C	GE-18	25C171F	GE-86	25C176H	GE-86	25C181OR	GE-47		
25C148X	GE-61	25C156	GE-86	25C163D	GE-18	25C171G	GE-86	25C176J	GE-86	25C181R	GE-47		

UNIVERSAL REPLACEMENT SEMICONDUCTORS

25C182A - 25C215H

JEDEC Or Part Nr	GE Replacement	JEDEC Or Part Nr	GE Replacement	JEDEC Or Part Nr	GE Replacement	JEDEC Or Part Nr	GE Replacement	JEDEC Or Part Nr	GE Replacement	JEDEC Or Part Nr	GE Replacement	JEDEC Or Part Nr	GE Replacement
25C182A	GE-47	25C186K	GE-86	25C191M	GE-88	25C196Y	GE-81	25C203A	GE-88	25C210E	GE-18		
25C182B	GE-47	25C186L	GE-86	25C191OR	GE-88	25C197	GE-81	25C203B	GE-88	25C210F	GE-18		
25C182C	GE-47	25C186M	GE-86	25C191R	GE-88	25C197A	GE-81	25C203C	GE-88	25C210G	GE-18		
25C182D	GE-47	25C186OR	GE-86	25C191X	GE-88	25C197B	GE-81	25C203D	GE-88	25C210GN	GE-18		
25C182E	GE-47	25C186R	GE-86	25C191Y	GE-88	25C197C	GE-81	25C203E	GE-88	25C210H	GE-18		
25C182F	GE-47	25C186X	GE-86	25C192	GE-212	25C197D	GE-81	25C203F	GE-88	25C210J	GE-18		
25C182G	GE-47	25C186Y	GE-86	25C192A	GE-88	25C197E	GE-81	25C203G	GE-88	25C210K	GE-18		
25C182GM	GE-47	25C187(I)	GE-52	25C192B	GE-88	25C197F	GE-81	25C203GN	GE-88	25C210L	GE-18		
25C182H	GE-47	25C187	GE-60	25C192C	GE-88	25C197G	GE-81	25C203H	GE-88	25C210M	GE-18		
25C182J	GE-47	25C187A	GE-86	25C192D	GE-88	25C197GN	GE-81	25C203J	GE-88	25C210	GE-18		
25C182K	GE-47	25C187B	GE-86	25C192E	GE-88	25C197H	GE-81	25C203K	GE-88	25C210R	GE-18		
25C182L	GE-47	25C187C	GE-86	25C192F	GE-88	25C197J	GE-81	25C203L	GE-88	25C210X	GE-18		
25C182M	GE-47	25C187D	GE-86	25C192G	GE-88	25C197K	GE-81	25C203M	GE-88	25C210Y	GE-18		
25C182Q	GE-47	25C187E	GE-86	25C192GN	GE-88	25C197L	GE-81	25C203OR	GE-88	25C211	GE-81		
25C182R	GE-47	25C187F	GE-86	25C192H	GE-88	25C197M	GE-81	25C203R	GE-88	25C211A	GE-18		
25C182X	GE-47	25C187G	GE-86	25C192J	GE-88	25C197OR	GE-81	25C203X	GE-88	25C211B	GE-18		
25C182Y	GE-47	25C187H	GE-86	25C192K	GE-88	25C197R	GE-81	25C203Y	GE-88	25C211C	GE-18		
25C183	GE-39	25C187	GE-53	25C192L	GE-88	25C197S	GE-81	25C204	GE-20	25C211D	GE-18		
25C183-1	GE-47	25C187J	GE-86	25C192M	GE-88	25C197Y	GE-81	25C204A	GE-88	25C211F	GE-18		
25C183A	GE-47	25C187K	GE-86	25C192OR	GE-88	25C198	GE-14	25C204B	GE-88	25C211G	GE-18		
25C183AP	GE-47	25C187L	GE-86	25C192R	GE-88	25C199	GE-81	25C204C	GE-88	25C211GN	GE-18		
25C183B	GE-47	25C187M	GE-86	25C192S	GE-88	25C199A	GE-81	25C204D	GE-88	25C211H	GE-18		
25C183BK	GE-47	25C187OR	GE-86	25C192Y	GE-88	25C199B	GE-81	25C204E	GE-88	25C211J	GE-18		
25C183C	GE-47	25C187R	GE-86	25C193	GE-212	25C199C	GE-81	25C204F	GE-88	25C211K	GE-18		
25C183D	GE-47	25C187X	GE-86	25C193A	GE-88	25C199D	GE-81	25C204G	GE-88	25C211L	GE-18		
25C183E	GE-20	25C187Y	GE-86	25C193B	GE-88	25C199E	GE-81	25C204GN	GE-88	25C211M	GE-18		
25C183F	GE-47	25C188	GE-81	25C193C	GE-88	25C199F	GE-81	25C204H	GE-88	25C211OR	GE-18		
25C183G	GE-47	25C188A	GE-17	25C193D	GE-88	25C199G	GE-81	25C204J	GE-88	25C211R	GE-18		
25C183GN	GE-47	25C188AB	GE-17	25C193E	GE-88	25C199GN	GE-81	25C204K	GE-88	25C211X	GE-18		
25C183H	GE-47	25C188B	GE-18	25C193F	GE-88	25C199H	GE-81	25C204L	GE-88	25C211Y	GE-18		
25C183J	GE-11	25C188C	GE-18	25C193G	GE-88	25C199J	GE-81	25C204M	GE-88	25C212	GE-81		
25C183K	GE-11	25C188D	GE-18	25C193GN	GE-88	25C199K	GE-81	25C204OR	GE-88	25C212A	GE-18		
25C183L	GE-11	25C188E	GE-18	25C193H	GE-88	25C199L	GE-81	25C204R	GE-88	25C212B	GE-18		
25C183M	GE-11	25C188F	GE-18	25C193J	GE-88	25C199M	GE-81	25C204X	GE-88	25C212C	GE-18		
25C183OR	GE-47	25C188G	GE-18	25C193K	GE-88	25C199OR	GE-81	25C204Y	GE-88	25C212D	GE-18		
25C183P	GE-20	25C188GN	GE-18	25C193L	GE-88	25C199R	GE-81	25C205	GE-20	25C212E	GE-18		
25C183Q	GE-20	25C188J	GE-18	25C193M	GE-88	25C199X	GE-81	25C205A	GE-88	25C212F	GE-18		
25C183R	GE-20	25C188K	GE-18	25C193OR	GE-88	25C199Y	GE-81	25C205B	GE-88	25C212G	GE-18		
25C183X	GE-47	25C188L	GE-18	25C193R	GE-88	25C200	GE-215	25C205C	GE-88	25C212GN	GE-18		
25C183Y	GE-47	25C188M	GE-18	25C193X	GE-88	25C200A	GE-88	25C205D	GE-88	25C212H	GE-18		
25C184	GE-39	25C188OR	GE-18	25C194	GE-212	25C200B	GE-88	25C205F	GE-88	25C212J	GE-18		
25C184A	GE-61	25C188R	GE-18	25C194A	GE-88	25C200C	GE-88	25C205G	GE-88	25C212K	GE-18		
25C184AP	GE-61	25C188X	GE-18	25C194B	GE-88	25C200D	GE-88	25C205GN	GE-88	25C212L	GE-18		
25C184B	GE-61	25C188Y	GE-18	25C194C	GE-88	25C200E	GE-88	25C205H	GE-88	25C212M	GE-18		
25C184BK	GE-61	25C189	GE-81	25C194D	GE-88	25C200F	GE-88	25C205J	GE-88	25C212OR	GE-18		
25C184C	GE-61	25C189A	GE-18	25C194E	GE-88	25C200G	GE-88	25C205K	GE-88	25C212R	GE-18		
25C184D	GE-61	25C189B	GE-18	25C194F	GE-88	25C200GN	GE-88	25C205L	GE-88	25C212S	GE-18		
25C184E	GE-20	25C189C	GE-18	25C194G	GE-88	25C200H	GE-88	25C205M	GE-88	25C212Y	GE-18		
25C184F	GE-61	25C189D	GE-18	25C194GN	GE-88	25C200J	GE-88	25C205OR	GE-88	25C213	GE-28		
25C184G	GE-61	25C189E	GE-18	25C194H	GE-88	25C200K	GE-88	25C205R	GE-88	25C213A	GE-18		
25C184GN	GE-61	25C189F	GE-18	25C194J	GE-88	25C200L	GE-88	25C205X	GE-88	25C213R	GE-18		
25C184H	GE-11	25C189G	GE-18	25C194K	GE-88	25C200M	GE-88	25C205Y	GE-88	25C213C	GE-18		
25C184J	GE-11	25C189GN	GE-18	25C194L	GE-88	25C200N	GE-88	25C206	GE-11	25C213D	GE-18		
25C184K	GE-81	25C189H	GE-18	25C194M	GE-88	25C200OR	GE-88	25C206A	GE-61	25C213E	GE-18		
25C184L	GE-11	25C189J	GE-18	25C194OR	GE-88	25C200X	GE-88	25C206B	GE-61	25C213F	GE-18		
25C184M	GE-61	25C189K	GE-18	25C194X	GE-88	25C200Y	GE-88	25C206C	GE-61	25C213G	GE-18		
25C184OR	GE-61	25C189L	GE-18	25C194Y	GE-88	25C201	GE-215	25C206D	GE-61	25C213GN	GE-18		
25C184Q	GE-61	25C189M	GE-18	25C195	GE-61	25C201A	GE-88	25C206E	GE-61	25C213H	GE-18		
25C184R	GE-20	25C189OR	GE-18	25C195A	GE-61	25C201B	GE-88	25C206G	GE-61	25C213J	GE-18		
25C184	GE-61	25C189R	GE-18	25C195B	GE-61	25C201C	GE-88	25C206GN	GE-61	25C213K	GE-18		
25C184X	GE-61	25C189X	GE-18	25C195C	GE-61	25C201D	GE-88	25C206H	GE-61	25C213L	GE-18		
25C184Y	GE-61	25C189Y	GE-18	25C195D	GE-61	25C201E	GE-88	25C206J	GE-61	25C213M	GE-18		
25C185	GE-39	25C190	GE-81	25C195E	GE-61	25C201F	GE-88	25C206K	GE-61	25C213OR	GE-18		
25C185A	GE-86	25C190A	GE-18	25C195F	GE-61	25C201G	GE-88	25C206L	GE-61	25C213R	GE-18		
25C185B	GE-86	25C190B	GE-18	25C195G	GE-61	25C201GN	GE-88	25C206M	GE-61	25C213X	GE-18		
25C185C	GE-86	25C190C	GE-18	25C195GN	GE-61	25C201H	GE-88	25C206OR	GE-61	25C213Y	GE-18		
25C185E	GE-86	25C190D	GE-18	25C195H	GE-61	25C201J	GE-88	25C206R	GE-61	25C214	GE-20		
25C185F	GE-86	25C190E	GE-18	25C195I	GE-61	25C201K	GE-88	25C206S	GE-61	25C214A	GE-18		
25C185G	GE-86	25C190F	GE-18	25C195K	GE-61	25C201L	GE-88	25C206Y	GE-61	25C214B	GE-18		
25C185GN	GE-86	25C190GN	GE-18	25C195L	GE-61	25C201M	GE-88	25C208	GE-11	25C214C	GE-18		
25C185H	GE-86	25C190H	GE-18	25C195M	GE-61	25C201R	GE-88	25C208A	GE-18	25C214D	GE-18		
25C185J	GE-11	25C190J	GE-18	25C195OR	GE-61	25C201X	GE-88	25C208B	GE-18	25C214E	GE-18		
25C185K	GE-86	25C190K	GE-18	25C195R	GE-61	25C201Y	GE-88	25C208C	GE-18	25C214F	GE-18		
25C185L	GE-86	25C190L	GE-18	25C195X	GE-61	25C202	GE-20	25C208D	GE-18	25C214G	GE-18		
25C185M	GE-11	25C190M	GE-18	25C195Y	GE-61	25C202A	GE-88	25C208E	GE-18	25C214GN	GE-18		
25C185	GE-86	25C190	GE-18	25C196	GE-61	25C202B	GE-88	25C208F	GE-18	25C214H	GE-18		
25C185O	GE-20	25C190R	GE-18	25C196A	GE-61	25C202C	GE-88	25C208G	GE-18	25C214J	GE-18		
25C185R	GE-20	25C190X	GE-18	25C196B	GE-61	25C202D	GE-88	25C208GN	GE-18	25C214K	GE-18		
25C185V	GE-11	25C190Y	GE-18	25C196C	GE-61	25C202E	GE-88	25C208H	GE-18	25C214L	GE-18		
25C185X	GE-86	25C191	GE-212	25C196D	GE-61	25C202F	GE-88	25C208J	GE-18	25C214M	GE-18		
25C185Y	GE-86	25C191A	GE-88	25C196E	GE-61	25C202G	GE-88	25C208K	GE-18	25C214OR	GE-18		
25C186	GE-60	25C191B	GE-88	25C196F	GE-61	25C202GN	GE-88	25C208L	GE-18	25C214X	GE-18		
25C186A	GE-86	25C191C	GE-88	25C196G	GE-61	25C202H	GE-88	25C208M	GE-18	25C214Y	GE-18		
25C186B	GE-86	25C191D	GE-88	25C196GN	GE-61	25C202J	GE-88	25C208OR	GE-18	25C215	GE-28		
25C186C	GE-86	25C191E	GE-88	25C196H	GE-61	25C202K	GE-88	25C208R	GE-18	25C215A	GE-18		
25C186D	GE-86	25C191F	GE-88	25C196J	GE-61	25C202L	GE-88	25C208X	GE-18	25C215B	GE-18		
25C186E	GE-86	25C191G	GE-88	25C196K	GE-61	25C202M	GE-88	25C208Y	GE-18	25C215C	GE-18		
25C186F	GE-86	25C191GN	GE-88	25C196L	GE-61	25C202OR	GE-88	25C210	GE-81	25C215E	GE-18		
25C186G	GE-86	25C191H	GE-88	25C196M	GE-61	25C202R	GE-88	25C210A	GE-18	25C215F	GE-18		
25C186GN	GE-86	25C191J	GE-88	25C196OR	GE-61	25C202X	GE-88	25C210B	GE-18	25C215G	GE-18		
25C186H	GE-86	25C191K	GE-88	25C196R	GE-61	25C202Y	GE-88	25C210C	GE-18	25C215GN	GE-18		
25C186J	GE-86	25C191L	GE-88	25C196X	GE-61	25C203	GE-20	25C210D	GE-18	25C215H	GE-18		

UNIVERSAL REPLACEMENT SEMICONDUCTORS

2SC215J - 2SC250M

JEDEC Or Part Nr	GE Replacement	JEDEC Or Part Nr	GE Replacement	JEDEC Or Part Nr	GE Replacement	JEDEC Or Part Nr	GE Replacement	JEDEC Or Part Nr	GE Replacement	JEDEC Or Part Nr	GE Replacement	JEDEC Or Part Nr	GE Replacement
2SC215J	GE-18	2SC2210R	GE-18	2SC227A	GE-18	2SC232C	GE-18	2SC237G	GE-88	2SC242J	GE-75	2SC215L	GE-18
2SC215K	GE-18	2SC2211R	GE-18	2SC227B	GE-18	2SC232D	GE-18	2SC237GN	GE-88	2SC242K	GE-75	2SC215M	GE-18
2SC215L	GE-18	2SC2211X	GE-18	2SC227C	GE-18	2SC232E	GE-18	2SC237H	GE-88	2SC242L	GE-75	2SC215OR	GE-18
2SC215M	GE-18	2SC2211Y	GE-18	2SC227D	GE-18	2SC232F	GE-18	2SC237J	GE-88	2SC242M	GE-75		
2SC215OR	GE-18	2SC222	GE-20	2SC227E	GE-20	2SC232G	GE-18	2SC237K	GE-88	2SC242OR	GE-75		
2SC215R	GE-18	2SC222A	GE-18	2SC227F	GE-18	2SC232GN	GE-18	2SC237L	GE-88	2SC242R	GE-75		
2SC215X	GE-18	2SC222B	GE-18	2SC227G	GE-18	2SC232H	GE-18	2SC237M	GE-88	2SC242X	GE-75		
2SC215Y	GE-18	2SC222C	GE-18	2SC227GN	GE-18	2SC232J	GE-18	2SC237OR	GE-88	2SC242Y	GE-75		
2SC216	GE-81	2SC222D	GE-18	2SC227H	GE-18	2SC232K	GE-18	2SC237R	GE-88	2SC243	GE-35		
2SC216A	GE-18	2SC222E	GE-18	2SC227J	GE-18	2SC232L	GE-18	2SC237X	GE-88	2SC244	GE-14		
2SC216B	GE-18	2SC222F	GE-18	2SC227K	GE-18	2SC232M	GE-18	2SC237Y	GE-88	2SC244A	GE-75		
2SC216C	GE-18	2SC222G	GE-18	2SC227L	GE-18	2SC232OR	GE-18	2SC238	GE-17	2SC244B	GE-75		
2SC216D	GE-18	2SC222GN	GE-18	2SC227M	GE-18	2SC232R	GE-18	2SC238A	GE-18	2SC244C	GE-75		
2SC216E	GE-18	2SC222H	GE-18	2SC227OR	GE-18	2SC232X	GE-18	2SC238B	GE-18	2SC244D	GE-75		
2SC216F	GE-18	2SC222J	GE-18	2SC227R	GE-18	2SC232Y	GE-18	2SC238C	GE-18	2SC244E	GE-75		
2SC216G	GE-18	2SC222L	GE-18	2SC227X	GE-18	2SC233	GE-32	2SC238D	GE-18	2SC244F	GE-75		
2SC216GN	GE-18	2SC222M	GE-18	2SC227Y	GE-18	2SC233A	GE-32	2SC238E	GE-18	2SC244G	GE-75		
2SC216H	GE-18	2SC222OR	GE-18	2SC228	GE-18	2SC233B	GE-18	2SC238F	GE-18	2SC244GN	GE-75		
2SC216J	GE-18	2SC222R	GE-18	2SC228A	GE-18	2SC233C	GE-18	2SC238G	GE-18	2SC244J	GE-75		
2SC216K	GE-18	2SC222X	GE-18	2SC228B	GE-18	2SC233D	GE-18	2SC238GN	GE-18	2SC244K	GE-75		
2SC216L	GE-18	2SC222Y	GE-18	2SC228C	GE-18	2SC233F	GE-18	2SC238H	GE-18	2SC244L	GE-75		
2SC216M	GE-18	2SC223	GE-28	2SC228D	GE-18	2SC233G	GE-18	2SC238J	GE-18	2SC244M	GE-75		
2SC216OR	GE-18	2SC223A	GE-18	2SC228E	GE-18	2SC233GN	GE-18	2SC238K	GE-18	2SC244OR	GE-75		
2SC216R	GE-18	2SC223B	GE-18	2SC228F	GE-18	2SC233H	GE-18	2SC238L	GE-18	2SC244R	GE-75		
2SC216X	GE-18	2SC223C	GE-18	2SC228G	GE-18	2SC233J	GE-18	2SC238M	GE-18	2SC244X	GE-75		
2SC216Y	GE-18	2SC223D	GE-18	2SC228GN	GE-18	2SC233L	GE-18	2SC238OR	GE-18	2SC244Y	GE-75		
2SC217	GE-81	2SC223E	GE-18	2SC228H	GE-18	2SC233M	GE-18	2SC238R	GE-18	2SC245	GE-18		
2SC217A	GE-18	2SC223F	GE-18	2SC228J	GE-18	2SC233OR	GE-18	2SC238X	GE-18	2SC247	GE-18		
2SC217B	GE-18	2SC223G	GE-18	2SC228K	GE-18	2SC233R	GE-18	2SC238Y	GE-18	2SC247A	GE-18		
2SC217C	GE-18	2SC223GN	GE-18	2SC228L	GE-18	2SC233X	GE-18	2SC239	GE-20	2SC247B	GE-18		
2SC217D	GE-18	2SC223H	GE-18	2SC228M	GE-18	2SC233Y	GE-18	2SC239A	GE-88	2SC247C	GE-18		
2SC217E	GE-18	2SC223J	GE-18	2SC228OR	GE-18	2SC234	GE-18	2SC239B	GE-88	2SC247D	GE-18		
2SC217F	GE-18	2SC223L	GE-18	2SC228R	GE-18	2SC234A	GE-18	2SC239C	GE-88	2SC247E	GE-18		
2SC217G	GE-18	2SC223M	GE-18	2SC228X	GE-18	2SC234B	GE-18	2SC239D	GE-88	2SC247F	GE-18		
2SC217GN	GE-18	2SC223OR	GE-18	2SC228Y	GE-18	2SC234C	GE-18	2SC239E	GE-88	2SC247G	GE-18		
2SC217H	GE-18	2SC223R	GE-18	2SC229	GE-20	2SC234D	GE-18	2SC239F	GE-88	2SC247GN	GE-18		
2SC217J	GE-18	2SC223X	GE-18	2SC229A	GE-18	2SC234E	GE-18	2SC239G	GE-88	2SC247H	GE-18		
2SC217K	GE-18	2SC223Y	GE-18	2SC229B	GE-18	2SC234F	GE-18	2SC239GN	GE-88	2SC247J	GE-18		
2SC217L	GE-18	2SC224	GE-28	2SC229C	GE-18	2SC234G	GE-18	2SC239H	GE-88	2SC247L	GE-18		
2SC217M	GE-18	2SC224A	GE-18	2SC229D	GE-18	2SC234GN	GE-18	2SC239J	GE-88	2SC247M	GE-18		
2SC217OR	GE-18	2SC224B	GE-18	2SC229E	GE-18	2SC234H	GE-18	2SC239K	GE-88	2SC247OR	GE-18		
2SC217R	GE-18	2SC224C	GE-18	2SC229F	GE-18	2SC234I	GE-18	2SC239L	GE-88	2SC247R	GE-18		
2SC217X	GE-18	2SC224D	GE-18	2SC229G	GE-18	2SC234K	GE-18	2SC239M	GE-88	2SC247X	GE-18		
2SC217Y	GE-18	2SC224E	GE-18	2SC229GN	GE-18	2SC234L	GE-18	2SC239OR	GE-88	2SC247Y	GE-18		
2SC218	GE-81	2SC224F	GE-18	2SC229H	GE-18	2SC234M	GE-18	2SC239R	GE-88	2SC248	GE-81		
2SC218A	GE-18	2SC224G	GE-18	2SC229J	GE-18	2SC234OR	GE-18	2SC239S	GE-88	2SC248A	GE-18		
2SC218B	GE-47	2SC224GN	GE-18	2SC229K	GE-18	2SC234R	GE-18	2SC239Y	GE-88	2SC248B	GE-18		
2SC218C	GE-18	2SC224H	GE-18	2SC229L	GE-18	2SC234X	GE-18	2SC240	GE-35	2SC248C	GE-18		
2SC218D	GE-18	2SC224J	GE-18	2SC229M	GE-18	2SC234Y	GE-18	2SC240A	GE-75	2SC248D	GE-18		
2SC218E	GE-18	2SC224K	GE-18	2SC229OR	GE-18	2SC235	GE-18	2SC240B	GE-75	2SC248E	GE-18		
2SC218F	GE-18	2SC224L	GE-18	2SC229R	GE-18	2SC235A	GE-18	2SC240C	GE-75	2SC248F	GE-18		
2SC218G	GE-18	2SC224M	GE-18	2SC229S	GE-18	2SC235B	GE-18	2SC240D	GE-75	2SC248G	GE-18		
2SC218GN	GE-18	2SC224OR	GE-18	2SC229Y	GE-18	2SC235C	GE-18	2SC240E	GE-75	2SC248H	GE-18		
2SC218H	GE-18	2SC224R	GE-18	2SC230	GE-20	2SC235D	GE-20	2SC240F	GE-18	2SC248K	GE-18		
2SC218J	GE-18	2SC224X	GE-18	2SC230A	GE-88	2SC235E	GE-88	2SC240G	GE-75	2SC248L	GE-18		
2SC218L	GE-18	2SC224Y	GE-18	2SC230B	GE-88	2SC235F	GE-88	2SC240GN	GE-75	2SC248M	GE-18		
2SC218M	GE-18	2SC225	GE-17	2SC230C	GE-88	2SC235G	GE-88	2SC240H	GE-18	2SC248OR	GE-18		
2SC218OR	GE-18	2SC225A	GE-18	2SC230D	GE-88	2SC235GN	GE-88	2SC240J	GE-18	2SC248R	GE-18		
2SC218R	GE-18	2SC225B	GE-18	2SC230E	GE-88	2SC235H	GE-88	2SC240K	GE-18	2SC248S	GE-18		
2SC218X	GE-18	2SC225C	GE-18	2SC230F	GE-88	2SC235J	GE-88	2SC240L	GE-75	2SC248Y	GE-18		
2SC218Y	GE-18	2SC225D	GE-18	2SC230G	GE-88	2SC235K	GE-88	2SC240M	GE-75	2SC249	GE-81		
2SC220	GE-47	2SC225E	GE-18	2SC230GN	GE-88	2SC235L	GE-88	2SC240OR	GE-18	2SC249A	GE-18		
2SC220A	GE-18	2SC225F	GE-18	2SC230H	GE-88	2SC235M	GE-88	2SC240R	GE-18	2SC249B	GE-18		
2SC220B	GE-18	2SC225G	GE-18	2SC230J	GE-88	2SC235OR	GE-88	2SC240S	GE-18	2SC249C	GE-18		
2SC220C	GE-18	2SC225GN	GE-18	2SC230K	GE-88	2SC235R	GE-88	2SC240Y	GE-75	2SC249D	GE-18		
2SC220D	GE-18	2SC225H	GE-18	2SC230L	GE-88	2SC235X	GE-88	2SC241	GE-35	2SC249E	GE-18		
2SC220E	GE-18	2SC225J	GE-18	2SC230M	GE-88	2SC235Y	GE-88	2SC241A	GE-75	2SC249F	GE-18		
2SC220F	GE-18	2SC225L	GE-18	2SC230OR	GE-88	2SC236	GE-88	2SC241B	GE-75	2SC249G	GE-18		
2SC220G	GE-18	2SC225M	GE-18	2SC230R	GE-88	2SC236A	GE-88	2SC241C	GE-18	2SC249H	GE-18		
2SC220GN	GE-18	2SC225OR	GE-18	2SC230X	GE-88	2SC236B	GE-88	2SC241D	GE-75	2SC249I	GE-18		
2SC220H	GE-18	2SC225R	GE-18	2SC230Y	GE-88	2SC236C	GE-88	2SC241E	GE-75	2SC249J	GE-18		
2SC220K	GE-18	2SC225X	GE-18	2SC231	GE-47	2SC236D	GE-47	2SC241F	GE-18	2SC249K	GE-18		
2SC220L	GE-18	2SC225Y	GE-18	2SC231A	GE-18	2SC236E	GE-18	2SC241G	GE-18	2SC249L	GE-18		
2SC220M	GE-18	2SC226	GE-47	2SC231B	GE-18	2SC236F	GE-18	2SC241GN	GE-18	2SC249M	GE-18		
2SC220	GE-18	2SC226A	GE-18	2SC231C	GE-18	2SC236G	GE-18	2SC241H	GE-75	2SC249OR	GE-18		
2SC220	GE-18	2SC226B	GE-18	2SC231D	GE-18	2SC236GN	GE-18	2SC241K	GE-75	2SC249R	GE-18		
2SC220X	GE-18	2SC226C	GE-18	2SC231E	GE-18	2SC236H	GE-18	2SC241L	GE-18	2SC249S	GE-18		
2SC220Y	GE-18	2SC226D	GE-18	2SC231F	GE-18	2SC236J	GE-18	2SC241M	GE-18	2SC249T	GE-18		
2SC221	GE-47	2SC226E	GE-18	2SC231G	GE-18	2SC236K	GE-18	2SC241OR	GE-18	2SC250	GE-60		
2SC221A	GE-18	2SC226F	GE-18	2SC231GN	GE-18	2SC236L	GE-18	2SC241R	GE-75	2SC250A	GE-86		
2SC221B	GE-18	2SC226G	GE-18	2SC231H	GE-18	2SC236M	GE-18	2SC241X	GE-75	2SC250B	GE-86		
2SC221C	GE-18	2SC226GN	GE-18	2SC231I	GE-18	2SC236OR	GE-18	2SC241Y	GE-18	2SC250C	GE-86		
2SC221D	GE-18	2SC226H	GE-18	2SC231J	GE-18	2SC236R	GE-18	2SC242	GE-35	2SC250D	GE-86		
2SC221E	GE-18	2SC226J	GE-18	2SC231L	GE-18								

UNIVERSAL REPLACEMENT SEMICONDUCTORS

2SC250OR - 2SC308R

JEDEC Or Part Nr	GE Replacement	JEDEC Or Part Nr	GE Replacement	JEDEC Or Part Nr	GE Replacement	JEDEC Or Part Nr	GE Replacement	JEDEC Or Part Nr	GE Replacement	JEDEC Or Part Nr	GE Replacement	JEDEC Or Part Nr	GE Replacement
2SC250OR	GE-86	2SC266OR	GE-86	2SC272R	GE-86	2SC285X	GE-86	2SC291Y	GE-18	2SC301X	GE-88		
2SC250R	GE-86	2SC266R	GE-86	2SC272X	GE-86	2SC285Y	GE-86	2SC292	GE-28	2SC301Y	GE-88		
2SC250X	GE-86	2SC266X	GE-86	2SC272Y	GE-86	2SC286	GE-11	2SC292A	GE-18	2SC302	GE-20		
2SC250Y	GE-86	2SC266Y	GE-86	2SC281	GE-212	2SC286A	GE-86	2SC292B	GE-18	2SC302A	GE-88		
2SC251	GE-86	2SC267	GE-64	2SC281A	GE-86	2SC286B	GE-86	2SC292C	GE-18	2SC302B	GE-88		
2SC251A	GE-86	2SC267A	GE-88	2SC281B	GE-20	2SC286C	GE-86	2SC292D	GE-18	2SC302C	GE-88		
2SC251B	GE-86	2SC267B	GE-88	2SC281BL	GE-86	2SC286D	GE-86	2SC292E	GE-18	2SC302D	GE-88		
2SC251C	GE-86	2SC267C	GE-88	2SC281C	GE-20	2SC286E	GE-86	2SC292F	GE-18	2SC302E	GE-88		
2SC251D	GE-86	2SC267D	GE-88	2SC281D	GE-86	2SC286F	GE-86	2SC292G	GE-18	2SC302F	GE-88		
2SC251E	GE-86	2SC267E	GE-88	2SC281E	GE-86	2SC286G	GE-86	2SC292GM	GE-18	2SC302G	GE-88		
2SC251F	GE-86	2SC267F	GE-88	2SC281F	GE-86	2SC286GM	GE-86	2SC292H	GE-18	2SC302H	GE-88		
2SC251G	GE-86	2SC267G	GE-88	2SC281G	GE-86	2SC286H	GE-86	2SC292J	GE-18	2SC302J	GE-88		
2SC251GN	GE-86	2SC267GN	GE-88	2SC281GN	GE-86	2SC286I	GE-86	2SC292K	GE-18	2SC302K	GE-88		
2SC251H	GE-86	2SC267H	GE-88	2SC281H	GE-212	2SC286J	GE-86	2SC292L	GE-18	2SC302L	GE-88		
2SC251J	GE-86	2SC267J	GE-88	2SC281J	GE-86	2SC286K	GE-86	2SC292M	GE-18	2SC302M	GE-88		
2SC251K	GE-86	2SC267K	GE-88	2SC281K	GE-86	2SC286M	GE-86	2SC292OR	GE-18	2SC302OR	GE-88		
2SC251L	GE-86	2SC267L	GE-88	2SC281L	GE-86	2SC286OR	GE-86	2SC292R	GE-18	2SC302R	GE-88		
2SC251M	GE-86	2SC267M	GE-88	2SC281M	GE-86	2SC286R	GE-86	2SC292X	GE-18	2SC302X	GE-88		
2SC251OR	GE-86	2SC267OR	GE-88	2SC281OR	GE-86	2SC286X	GE-86	2SC292Y	GE-18	2SC302Y	GE-88		
2SC251R	GE-86	2SC267R	GE-88	2SC281R	GE-86	2SC286Y	GE-86	2SC293	GE-18				
2SC251X	GE-86	2SC267X	GE-88	2SC281X	GE-86	2SC287	GE-11	2SC293A	GE-18	2SC303	GE-63		
2SC251Y	GE-86	2SC267Y	GE-88	2SC281Y	GE-86	2SC287A	GE-60	2SC293B	GE-18	2SC303	GE-63		
2SC252	GE-86	2SC268	GE-81	2SC282	GE-62	2SC287B	GE-86	2SC293C	GE-18	2SC305	GE-63		
2SC252A	GE-86	2SC268A	GE-81	2SC282A	GE-66	2SC287C	GE-86	2SC293D	GE-18	2SC305A	GE-32		
2SC252B	GE-86	2SC268B	GE-86	2SC282B	GE-86	2SC287D	GE-86	2SC293E	GE-18	2SC305B	GE-32		
2SC252C	GE-86	2SC268B	GE-86	2SC282C	GE-86	2SC287E	GE-86	2SC293F	GE-18	2SC305C	GE-32		
2SC252D	GE-86	2SC268C	GE-86	2SC282D	GE-86	2SC287F	GE-86	2SC293G	GE-18	2SC305D	GE-32		
2SC252E	GE-86	2SC268D	GE-86	2SC282E	GE-86	2SC287G	GE-86	2SC293GN	GE-18	2SC305E	GE-32		
2SC252F	GE-86	2SC268E	GE-86	2SC282F	GE-86	2SC287GN	GE-86	2SC293H	GE-18	2SC305F	GE-32		
2SC252G	GE-86	2SC268F	GE-86	2SC282G	GE-86	2SC287H	GE-86	2SC293J	GE-18	2SC305G	GE-32		
2SC252GN	GE-86	2SC268G	GE-86	2SC282GN	GE-86	2SC287J	GE-86	2SC293K	GE-18	2SC305GN	GE-32		
2SC252H	GE-86	2SC268GN	GE-86	2SC282H	GE-86	2SC287K	GE-86	2SC293L	GE-18	2SC305H	GE-32		
2SC252J	GE-86	2SC268H	GE-86	2SC282J	GE-86	2SC287L	GE-86	2SC293M	GE-18	2SC305J	GE-32		
2SC252K	GE-86	2SC268J	GE-86	2SC282K	GE-86	2SC287M	GE-86	2SC293OR	GE-18	2SC305K	GE-32		
2SC252L	GE-86	2SC268K	GE-86	2SC282L	GE-86	2SC287OR	GE-86	2SC293R	GE-18	2SC305L	GE-32		
2SC252M	GE-86	2SC268L	GE-86	2SC282M	GE-86	2SC287R	GE-86	2SC293X	GE-18	2SC305M	GE-32		
2SC252OR	GE-86	2SC268M	GE-86	2SC282OR	GE-86	2SC287X	GE-86	2SC293Y	GE-18	2SC305OR	GE-32		
2SC252R	GE-86	2SC268OR	GE-86	2SC282R	GE-86	2SC287Y	GE-86	2SC297	GE-28	2SC305R	GE-32		
2SC252X	GE-86	2SC268R	GE-86	2SC282X	GE-86	2SC288	GE-11	2SC298	GE-10	2SC305X	GE-32		
2SC252Y	GE-86	2SC268X	GE-86	2SC282Y	GE-86	2SC288A	GE-60	2SC298-4	GE-18	2SC305Y	GE-32		
2SC253	GE-86	2SC268Y	GE-86	2SC283	GE-62	2SC288AB	GE-17	2SC299	GE-20	2SC306	GE-47		
2SC253A	GE-86	2SC269	GE-210	2SC283A	GE-98	2SC288B	GE-86	2SC299A	GE-47	2SC306A	GE-18		
2SC253B	GE-86	2SC269A	GE-210	2SC283B	GE-98	2SC288C	GE-86	2SC299B	GE-47	2SC306B	GE-18		
2SC253C	GE-86	2SC269B	GE-86	2SC283C	GE-98	2SC288D	GE-86	2SC299C	GE-47	2SC306C	GE-18		
2SC253D	GE-86	2SC269C	GE-86	2SC283D	GE-98	2SC288E	GE-86	2SC299D	GE-47	2SC306D	GE-18		
2SC253E	GE-86	2SC269D	GE-86	2SC283E	GE-98	2SC288F	GE-86	2SC299E	GE-47	2SC306E	GE-18		
2SC253F	GE-86	2SC269E	GE-86	2SC283F	GE-98	2SC288G	GE-86	2SC299F	GE-47	2SC306F	GE-18		
2SC253G	GE-86	2SC269F	GE-86	2SC283G	GE-98	2SC288GN	GE-86	2SC299G	GE-47	2SC306G	GE-18		
2SC253GN	GE-86	2SC269G	GE-86	2SC283GN	GE-86	2SC288H	GE-86	2SC299GN	GE-47	2SC306GN	GE-18		
2SC253H	GE-86	2SC269GN	GE-86	2SC283H	GE-62	2SC288J	GE-86	2SC299H	GE-47	2SC306H	GE-18		
2SC253J	GE-86	2SC269H	GE-86	2SC283J	GE-86	2SC288K	GE-86	2SC299J	GE-47	2SC306J	GE-18		
2SC253K	GE-86	2SC269J	GE-86	2SC283K	GE-86	2SC288L	GE-86	2SC299K	GE-47	2SC306K	GE-18		
2SC253L	GE-86	2SC269K	GE-86	2SC283L	GE-86	2SC288M	GE-86	2SC299L	GE-47	2SC306L	GE-18		
2SC253M	GE-86	2SC269L	GE-86	2SC283M	GE-86	2SC288OR	GE-86	2SC299M	GE-47	2SC306M	GE-18		
2SC253OR	GE-86	2SC269M	GE-86	2SC283OR	GE-86	2SC288R	GE-86	2SC299OR	GE-47	2SC306OR	GE-18		
2SC253R	GE-86	2SC269OR	GE-86	2SC283R	GE-86	2SC288X	GE-86	2SC299R	GE-47	2SC306R	GE-18		
2SC253X	GE-86	2SC269R	GE-86	2SC283X	GE-86	2SC288Y	GE-86	2SC299X	GE-47	2SC306X	GE-18		
2SC253Y	GE-86	2SC269X	GE-86	2SC283Y	GE-86	2SC289	GE-214	2SC299Y	GE-47	2SC306Y	GE-18		
2SC263	GE-212	2SC269Y	GE-86	2SC284	GE-62	2SC289A	GE-86	2SC300	GE-20	2SC307	GE-18		
2SC263A	GE-86	2SC271	GE-39	2SC284A	GE-88	2SC289B	GE-86	2SC300A	GE-88	2SC307A	GE-18		
2SC263B	GE-86	2SC271A	GE-86	2SC284B	GE-86	2SC289C	GE-86	2SC300B	GE-86	2SC307B	GE-18		
2SC263C	GE-86	2SC271B	GE-86	2SC284C	GE-86	2SC289D	GE-86	2SC300C	GE-86	2SC307C	GE-18		
2SC263D	GE-86	2SC271C	GE-86	2SC284D	GE-86	2SC289E	GE-86	2SC300D	GE-86	2SC307D	GE-18		
2SC263E	GE-86	2SC271D	GE-86	2SC284E	GE-86	2SC289F	GE-86	2SC300E	GE-38	2SC307E	GE-18		
2SC263F	GE-86	2SC271E	GE-86	2SC284F	GE-86	2SC289G	GE-86	2SC300F	GE-38	2SC307F	GE-18		
2SC263G	GE-86	2SC271F	GE-86	2SC284G	GE-86	2SC289GN	GE-86	2SC300G	GE-86	2SC307G	GE-18		
2SC263GN	GE-86	2SC271G	GE-86	2SC284GN	GE-86	2SC289H	GE-86	2SC300GN	GE-86	2SC307GN	GE-18		
2SC263H	GE-86	2SC271GN	GE-86	2SC284H	GE-86	2SC289J	GE-86	2SC300H	GE-86	2SC307H	GE-18		
2SC263J	GE-86	2SC271H	GE-86	2SC284J	GE-86	2SC289K	GE-86	2SC300J	GE-86	2SC307J	GE-18		
2SC263K	GE-86	2SC271J	GE-86	2SC284K	GE-86	2SC289L	GE-86	2SC300K	GE-86	2SC307K	GE-18		
2SC263L	GE-86	2SC271K	GE-86	2SC284L	GE-86	2SC289M	GE-86	2SC300L	GE-86	2SC307L	GE-18		
2SC263M	GE-86	2SC271L	GE-86	2SC284M	GE-86	2SC289OR	GE-86	2SC300M	GE-86	2SC307M	GE-18		
2SC263OR	GE-86	2SC271M	GE-86	2SC284OR	GE-86	2SC289R	GE-86	2SC300OR	GE-86	2SC307OR	GE-18		
2SC263R	GE-86	2SC271OR	GE-86	2SC284R	GE-86	2SC289X	GE-86	2SC300R	GE-86	2SC307R	GE-18		
2SC263X	GE-86	2SC271R	GE-86	2SC284X	GE-86	2SC289Y	GE-86	2SC300X	GE-86	2SC307X	GE-18		
2SC263Y	GE-86	2SC271X	GE-86	2SC284Y	GE-86	2SC291	GE-86	2SC300Y	GE-86	2SC307Y	GE-18		
2SC264	GE-210	2SC271Y	GE-86	2SC285	GE-86	2SC291A	GE-20	2SC301	GE-18	2SC308	GE-63		
2SC265	GE-210	2SC272	GE-214	2SC285A	GE-20	2SC291B	GE-20	2SC301A	GE-18	2SC308A	GE-18		
2SC266	GE-39	2SC272A	GE-86	2SC285B	GE-86	2SC291C	GE-18	2SC301B	GE-18	2SC308B	GE-18		
2SC266A	GE-86	2SC272B	GE-86	2SC285C	GE-86	2SC291D	GE-18	2SC301C	GE-18	2SC308C	GE-18		
2SC266B	GE-86	2SC272C	GE-86	2SC285D	GE-86	2SC291E	GE-18	2SC301D	GE-18	2SC308D	GE-18		
2SC266C	GE-86	2SC272D	GE-86	2SC285E	GE-86	2SC291F	GE-18	2SC301E	GE-18	2SC308E	GE-18		
2SC266D	GE-86	2SC272E	GE-86	2SC285F	GE-86	2SC291G	GE-18	2SC301F	GE-18	2SC308F	GE-18		
2SC266E	GE-86	2SC272F	GE-86	2SC285G	GE-86	2SC291GN	GE-18	2SC301G	GE-18	2SC308G	GE-18		
2SC266F	GE-86	2SC272G	GE-86	2SC285GN	GE-86	2SC291H	GE-18	2SC301GN	GE-18	2SC308GN	GE-18		
2SC266G	GE-86	2SC272GN	GE-86	2SC285H	GE-86	2SC291I	GE-18	2SC301H	GE-18	2SC308H	GE-18		
2SC266GN	GE-86	2SC272H	GE-86	2SC285J	GE-86	2SC291K	GE-18	2SC301I	GE-18	2SC308I	GE-18		
2SC266H	GE-86	2SC272J	GE-86	2SC285K	GE-86	2SC291L	GE-18	2SC301J	GE-18	2SC308J	GE-18		
2SC266J	GE-86	2SC272K	GE-86	2SC285L	GE-86	2SC291M	GE-18	2SC301K	GE-18	2SC308K	GE-18		
2SC266K	GE-86	2SC272L	GE-86	2SC285M	GE-86	2SC291OR	GE-18	2SC301M	GE-18	2SC308L	GE-18		
2SC266L	GE-86	2SC272M	GE-86	2SC285OR	GE-86	2SC291R	GE-18	2SC301OR	GE-18	2SC308OR	GE-18		

UNIVERSAL REPLACEMENT SEMICONDUCTORS

25C308X - 25C371H

JEDEC Or Part Nr	GE Replacement	JEDEC Or Part Nr	GE Replacement	JEDEC Or Part Nr	GE Replacement	JEDEC Or Part Nr	GE Replacement	JEDEC Or Part Nr	GE Replacement	JEDEC Or Part Nr	GE Replacement	JEDEC Or Part Nr	GE Replacement
25C308X	GE-18	25C315	GE-45	25C320A	GE-88	25C350A	GE-20	25C360B	GE-86	25C367B	GE-47		
25C308Y	GE-18	25C315A	GE-45	25C320B	GE-88	25C350B	GE-88	25C360C	GE-86	25C367C	GE-47		
25C309	GE-18	25C315B	GE-45	25C320C	GE-88	25C350C	GE-88	25C360D	GE-86	25C367D	GE-47		
25C309A	GE-18	25C315C	GE-45	25C320D	GE-88	25C350D	GE-88	25C360E	GE-86	25C367E	GE-47		
25C309B	GE-18	25C315D	GE-45	25C320E	GE-88	25C350E	GE-88	25C360F	GE-86	25C367F	GE-47		
25C309C	GE-18	25C315E	GE-45	25C320F	GE-88	25C350F	GE-88	25C360G	GE-86	25C367G	GE-210		
25C309D	GE-18	25C315F	GE-45	25C320G	GE-88	25C350G	GE-88	25C360GN	GE-86	25C367GN	GE-47		
25C309E	GE-18	25C315G	GE-45	25C320GN	GE-88	25C350GN	GE-88	25C360H	GE-86	25C367H	GE-47		
25C309F	GE-18	25C315GN	GE-45	25C320H	GE-88	25C350H	GE-212	25C360J	GE-86	25C367J	GE-47		
25C309G	GE-18	25C315H	GE-45	25C320J	GE-88	25C350J	GE-88	25C360K	GE-86	25C367K	GE-47		
25C309GN	GE-18	25C315J	GE-45	25C320K	GE-88	25C350K	GE-88	25C360L	GE-86	25C367L	GE-47		
25C309H	GE-18	25C315K	GE-45	25C320L	GE-88	25C350L	GE-88	25C360M	GE-86	25C367M	GE-47		
25C309J	GE-18	25C315L	GE-45	25C320M	GE-88	25C350M	GE-88	25C360OR	GE-86	25C367OR	GE-47		
25C309K	GE-18	25C315M	GE-45	25C320OR	GE-88	25C350OR	GE-88	25C360R	GE-86	25C367-ORG-G	GE-210		
25C309L	GE-18	25C315OR	GE-45	25C320R	GE-88	25C350R	GE-88	25C360X	GE-86	25C367X	GE-47		
25C309M	GE-18	25C315R	GE-45	25C320X	GE-88	25C350X	GE-88	25C360Y	GE-86	25C367-RED-G	GE-210		
25C309OR	GE-18	25C315X	GE-45	25C320Y	GE-88	25C350Y	GE-88	25C361	GE-11	25C367Y	GE-47		
25C309R	GE-18	25C315Y	GE-45	25C321	GE-20	25C351	GE-20	25C361A	GE-61	25C367Y	GE-47		
25C309S	GE-18	25C316	GE-12	25C321A	GE-88	25C351A	GE-88	25C361B	GE-61	25C367-YEL-G	GE-210		
25C309Y	GE-18	25C318A	GE-86	25C321B	GE-88	25C351B	GE-86	25C361C	GE-61	25C368	GE-212		
25C310	GE-32	25C318B	GE-88	25C321C	GE-88	25C351C	GE-86	25C361D	GE-61	25C368A	GE-88		
25C310A	GE-18	25C318C	GE-86	25C321D	GE-88	25C351D	GE-86	25C361E	GE-61	25C368B	GE-88		
25C310B	GE-18	25C318D	GE-88	25C321E	GE-88	25C351E	GE-86	25C361F	GE-61	25C368C	GE-88		
25C310C	GE-18	25C318E	GE-88	25C321F	GE-88	25C351F	GE-88	25C361G	GE-61	25C368D	GE-88		
25C310D	GE-18	25C318F	GE-88	25C321G	GE-88	25C351G	GE-86	25C361GN	GE-61	25C368E	GE-88		
25C310E	GE-18	25C318G	GE-88	25C321GN	GE-88	25C351GN	GE-86	25C361H	GE-61	25C368F	GE-88		
25C310F	GE-18	25C318GN	GE-88	25C321H	GE-20	25C351H	GE-86	25C361I	GE-61	25C368G	GE-88		
25C310G	GE-18	25C318H	GE-88	25C321J	GE-88	25C351J	GE-86	25C361K	GE-61	25C368GN	GE-88		
25C310GN	GE-18	25C318J	GE-88	25C321K	GE-88	25C351K	GE-86	25C361L	GE-61	25C368H	GE-88		
25C310H	GE-18	25C318K	GE-88	25C321L	GE-88	25C351L	GE-86	25C361M	GE-61	25C368J	GE-88		
25C310J	GE-18	25C318L	GE-88	25C321M	GE-88	25C351M	GE-86	25C361OR	GE-61	25C368K	GE-88		
25C310K	GE-18	25C318M	GE-88	25C321OR	GE-88	25C351OR	GE-86	25C361R	GE-61	25C368L	GE-88		
25C310L	GE-18	25C318OR	GE-88	25C321R	GE-88	25C351R	GE-86	25C361X	GE-61	25C368M	GE-88		
25C310M	GE-18	25C318R	GE-88	25C321X	GE-88	25C351X	GE-86	25C361Y	GE-61	25C368OR	GE-88		
25C310OR	GE-18	25C318X	GE-88	25C321Y	GE-88	25C351Y	GE-86	25C362	GE-20	25C368R	GE-88		
25C310R	GE-18	25C318Y	GE-88	25C323	GE-212	25C352	GE-47	25C362A	GE-47	25C368X	GE-88		
25C310X	GE-18	25C317	GE-82	25C323A	GE-88	25C352A	GE-47	25C362B	GE-47	25C368Y	GE-88		
25C310Y	GE-18	25C317A	GE-88	25C323B	GE-88	25C352B	GE-18	25C362C	GE-18	25C369	GE-212		
25C311	GE-45	25C317B	GE-88	25C323C	GE-88	25C352C	GE-18	25C362D	GE-18	25C369A	GE-47		
25C311A	GE-45	25C317C	GE-20	25C323D	GE-88	25C352D	GE-18	25C362E	GE-18	25C369B	GE-47		
25C311B	GE-45	25C317D	GE-88	25C323E	GE-88	25C352E	GE-18	25C362F	GE-47	25C369-BLU-G	GE-212		
25C311C	GE-45	25C317E	GE-88	25C323F	GE-88	25C352F	GE-18	25C362G	GE-47	25C369C	GE-47		
25C311D	GE-45	25C317F	GE-88	25C323G	GE-88	25C352G	GE-18	25C362GN	GE-47	25C369D	GE-47		
25C311E	GE-45	25C317G	GE-88	25C323GN	GE-88	25C352GN	GE-18	25C362H	GE-47	25C369E	GE-47		
25C311F	GE-45	25C317GN	GE-88	25C323H	GE-88	25C352H	GE-18	25C362J	GE-47	25C369F	GE-47		
25C311G	GE-45	25C317H	GE-62	25C323J	GE-88	25C352J	GE-18	25C362K	GE-47	25C369G	GE-47		
25C311GN	GE-45	25C317J	GE-88	25C323K	GE-88	25C352K	GE-18	25C362L	GE-47	25C369H/BL	GE-88		
25C311H	GE-45	25C317K	GE-88	25C323L	GE-88	25C352L	GE-18	25C362M	GE-47	25C369G/GR	GE-88		
25C311J	GE-45	25C317L	GE-88	25C323M	GE-88	25C352M	GE-18	25C362OR	GE-47	25C369GN	GE-47		
25C311K	GE-45	25C317M	GE-88	25C323OR	GE-88	25C352OR	GE-18	25C362R	GE-47	25C369GR	GE-20		
25C311L	GE-45	25C317OR	GE-88	25C323R	GE-88	25C352R	GE-18	25C362X	GE-47	25C369-GRN-G	GE-212		
25C311M	GE-45	25C317R	GE-88	25C323X	GE-88	25C352X	GE-18	25C362Y	GE-18	25C369H	GE-47		
25C311OR	GE-45	25C317X	GE-88	25C323Y	GE-88	25C352Y	GE-18	25C363	GE-11	25C369I	GE-47		
25C311R	GE-45	25C317Y	GE-88	25C324	GE-20	25C353	GE-27	25C363A	GE-86	25C369K	GE-47		
25C311X	GE-45	25C317Z	GE-212	25C324A	GE-20	25C353A	GE-18	25C363B	GE-86	25C369L	GE-47		
25C311Y	GE-45	25C318A	GE-212	25C324B	GE-61	25C353B	GE-18	25C363C	GE-86	25C369M	GE-47		
25C312	GE-48	25C318AB	GE-47	25C324C	GE-61	25C353C	GE-18	25C363D	GE-18	25C369OR	GE-47		
25C312A	GE-48	25C318B	GE-88	25C324D	GE-61	25C353D	GE-18	25C363E	GE-18	25C369R	GE-47		
25C312B	GE-48	25C318C	GE-88	25C324E	GE-53	25C353E	GE-18	25C363F	GE-18	25C369S	GE-47		
25C312C	GE-46	25C318D	GE-88	25C324F	GE-61	25C353F	GE-18	25C363G	GE-18	25C369Y	GE-47		
25C312D	GE-46	25C318E	GE-88	25C324G	GE-81	25C353G	GE-18	25C363GN	GE-86	25C370	GE-212		
25C312E	GE-48	25C318F	GE-88	25C324GN	GE-81	25C353GN	GE-18	25C363H	GE-86	25C370-0	GE-61		
25C312F	GE-48	25C318G	GE-88	25C324H	GE-20	25C353H	GE-18	25C363I	GE-86	25C370A	GE-61		
25C312G	GE-48	25C318GN	GE-88	25C324HA	GE-20	25C353J	GE-18	25C363K	GE-86	25C370B	GE-81		
25C312GN	GE-48	25C318H	GE-88	25C324J	GE-61	25C353K	GE-18	25C363L	GE-86	25C370C	GE-81		
25C312H	GE-46	25C318J	GE-88	25C324K	GE-61	25C353L	GE-18	25C363M	GE-86	25C370D	GE-61		
25C312J	GE-48	25C318K	GE-88	25C324L	GE-81	25C353M	GE-18	25C363OR	GE-18	25C370E	GE-81		
25C312K	GE-46	25C318L	GE-88	25C324M	GE-61	25C353OR	GE-18	25C363R	GE-18	25C370F	GE-81		
25C312L	GE-48	25C318M	GE-88	25C324OR	GE-61	25C353R	GE-18	25C363X	GE-18	25C370-G	GE-212		
25C312M	GE-46	25C318OR	GE-88	25C324R	GE-61	25C353X	GE-18	25C363Y	GE-18	25C370GN	GE-61		
25C312OR	GE-48	25C318R	GE-88	25C324X	GE-61	25C353Y	GE-18	25C366	GE-88	25C370H	GE-61		
25C312R	GE-46	25C318X	GE-88	25C324Y	GE-61	25C354	GE-215	25C366A	GE-210	25C370J	GE-81		
25C312X	GE-46	25C318Y	GE-88	25C325C	GE-28	25C356	GE-210	25C366B	GE-88	25C370K	GE-61		
25C312Y	GE-46	25C319	GE-20	25C348	GE-211	25C356A	GE-88	25C366C	GE-88	25C370L	GE-61		
25C313	GE-11	25C319A	GE-88	25C348A	GE-211	25C356B	GE-86	25C366D	GE-88	25C370M	GE-81		
25C313A	GE-88	25C319B	GE-88	25C348B	GE-211	25C356C	GE-86	25C366E	GE-88	25C370OR	GE-81		
25C313B	GE-86	25C319C	GE-88	25C348C	GE-211	25C356D	GE-86	25C366F	GE-88	25C370R	GE-61		
25C313C	GE-211	25C319D	GE-88	25C348D	GE-211	25C356E	GE-211	25C366G	GE-88	25C370-T	GE-212		
25C313D	GE-88	25C319E	GE-88	25C348E	GE-211	25C356F	GE-86	25C366GN	GE-88	25C370X	GE-81		
25C313E	GE-88	25C319F	GE-88	25C348F	GE-211	25C356G	GE-86	25C366H	GE-88	25C370Y	GE-81		
25C313F	GE-88	25C319G	GE-88	25C348G	GE-211	25C356GN	GE-86	25C366J	GE-88	25C371	GE-212		
25C313G	GE-88	25C319GN	GE-88	25C348GN	GE-211	25C356H	GE-86	25C366K	GE-88	25C371	GE-20		
25C313GN	GE-88	25C319H	GE-88	25C348H	GE-211	25C356I	GE-86	25C366L	GE-88	25C371-0	GE-20		
25C313H	GE-211	25C319J	GE-88	25C348J	GE-211	25C356K	GE-86	25C366M	GE-88	25C371A	GE-61		
25C313J	GE-86	25C319K	GE-88	25C348K	GE-211	25C356L	GE-86	25C366OR	GE-88	25C371B	GE-20		
25C313K	GE-86	25C319L	GE-88	25C348L	GE-211	25C356M	GE-86	25C366-ORG-G	GE-210	25C371C	GE-61		
25C313L	GE-88	25C319M	GE-88	25C348M	GE-211	25C356OR	GE-86	25C366R	GE-88	25C371D	GE-61		
25C313M	GE-86	25C319OR	GE-88	25C348OR	GE-211	25C356R	GE-86	25C366-RED-G	GE-210	25C371E	GE-61		
25C313OR	GE-88	25C319R	GE-88	25C348R	GE-211	25C356X	GE-86	25C366X	GE-88	25C371F	GE-61		
25C313R	GE-86	25C319X	GE-88	25C348Y	GE-211	25C356Y	GE-86	25C366Y	GE-88	25C371G	GE-210		
25C313X	GE-86	25C319Y	GE-88	25C349R	GE-20	25C360	GE-11	25C367	GE-210	25C371GN	GE-61		
25C313Y	GE-88	25C320	GE-20	25C350	GE-212	25C360A	GE-212	25C367A	GE-47	25C371H	GE-61		

UNIVERSAL REPLACEMENT SEMICONDUCTORS

2SC371J - 2SC398GN

JEDEC Or Part Nr	GE Replacement	JEDEC Or Part Nr	GE Replacement	JEDEC Or Part Nr	GE Replacement	JEDEC Or Part Nr	GE Replacement	JEDEC Or Part Nr	GE Replacement	JEDEC Or Part Nr	GE Replacement	JEDEC Or Part Nr	GE Replacement
2SC371J	GE-61	2SC375GN	GE-86	2SC380A	GE-20	2SC383E	GE-61	2SC388B	GE-61	2SC394A	GE-61		
2SC371K	GE-61	2SC375H	GE-86	2SC380A(O)	GE-20	2SC383F	GE-61	2SC388C	GE-61	2SC394AP	GE-61		
2SC371L	GE-61	2SC375J	GE-86	2SC380A(R)	GE-61	2SC383G	GE-61	2SC388D	GE-61	2SC394B	GE-61		
2SC371M	GE-61	2SC375K	GE-86	2SC380A-O	GE-61	2SC383GN	GE-61	2SC388E	GE-61	2SC394C	GE-61		
2SC371O	GE-61	2SC375L	GE-86	2SC380A-R	GE-20	2SC383H	GE-61	2SC388F	GE-61	2SC394D	GE-61		
2SC371OR	GE-61	2SC375M	GE-86	2SC380A	GE-61	2SC383J	GE-61	2SC388G	GE-61	2SC394E	GE-61		
2SC371-ORG-G	GE-212	2SC375OR	GE-86	2SC380ATV	GE-20	2SC383K	GE-61	2SC388GN	GE-61	2SC394F	GE-61		
2SC371R	GE-61	2SC375R	GE-86	2SC380B	GE-61	2SC383L	GE-61	2SC388H	GE-61	2SC394G	GE-61		
2SC371-RED-G	GE-212	2SC375X	GE-86	2SC380B-Y	GE-61	2SC383M	GE-61	2SC388J	GE-61	2SC394GN	GE-61		
2SC371-T	GE-212	2SC375-Y	GE-86	2SC380C	GE-61	2SC383OR	GE-61	2SC388K	GE-61	2SC394GR	GE-60		
2SC371X	GE-61	2SC376	GE-212	2SC380C-Y	GE-61	2SC383R	GE-61	2SC388L	GE-61	2SC394-GRN	GE-212		
2SC371Y	GE-61	2SC376A	GE-18	2SC380D	GE-61	2SC383S	GE-61	2SC388M	GE-61	2SC394H	GE-61		
2SC372(O)	GE-20	2SC376B	GE-18	2SC380D-Y	GE-61	2SC383T	GE-61	2SC388N	GE-61	2SC394I	GE-61		
2SC372	GE-20	2SC376C	GE-18	2SC380E	GE-61	2SC383U	GE-61	2SC388OR	GE-61	2SC394J	GE-61		
2SC372(H)	GE-10	2SC376D	GE-18	2SC380E-Y	GE-61	2SC383V	GE-61	2SC388P	GE-61	2SC394K	GE-61		
2SC372	GE-212	2SC376E	GE-18	2SC380F	GE-61	2SC383W	GE-61	2SC388Q	GE-61	2SC394L	GE-61		
2SC372(Y)	GE-20	2SC376F	GE-18	2SC380F-Y	GE-61	2SC383X	GE-61	2SC388R	GE-61	2SC394M	GE-61		
2SC372-0	GE-61	2SC376G	GE-18	2SC380G	GE-61	2SC383Y	GE-61	2SC388S	GE-61	2SC394N	GE-61		
2SC372-2	GE-10	2SC376GN	GE-18	2SC380GN	GE-61	2SC384	GE-61	2SC388T	GE-61	2SC394O	GE-61		
2SC372A	GE-61	2SC376H	GE-18	2SC380H	GE-61	2SC384A	GE-61	2SC388U	GE-61	2SC394OR	GE-61		
2SC372B	GE-61	2SC376J	GE-18	2SC380J	GE-61	2SC384B	GE-61	2SC388V	GE-61	2SC394-ORG	GE-212		
2SC372C	GE-61	2SC376K	GE-18	2SC380K	GE-61	2SC384C	GE-61	2SC388W	GE-61	2SC394R	GE-60		
2SC372D	GE-61	2SC376L	GE-18	2SC380L	GE-61	2SC384D	GE-61	2SC388X	GE-61	2SC394-RED	GE-212		
2SC372E	GE-61	2SC376M	GE-18	2SC380M	GE-61	2SC384E	GE-61	2SC388Y	GE-61	2SC394S	GE-61		
2SC372F	GE-61	2SC376OR	GE-18	2SC380O	GE-61	2SC384GN	GE-61	2SC389	GE-61	2SC394T	GE-61		
2SC372G	GE-210	2SC376R	GE-18	2SC380	GE-61	2SC384H	GE-61	2SC389A	GE-61	2SC394U	GE-61		
2SC372GN	GE-61	2SC376X	GE-18	2SC380OR	GE-61	2SC384I	GE-61	2SC389B	GE-61	2SC394V	GE-61		
2SC372H	GE-61	2SC376Y	GE-18	2SC380-ORG	GE-60	2SC384J	GE-61	2SC389C	GE-61	2SC394W	GE-61		
2SC372J	GE-61	2SC377	GE-17	2SC380R	GE-61	2SC384K	GE-61	2SC389D	GE-61	2SC394X	GE-61		
2SC372K	GE-61	2SC377A	GE-61	2SC380R	GE-61	2SC384L	GE-61	2SC389E	GE-61	2SC394Y	GE-17		
2SC372L	GE-61	2SC377B	GE-61	2SC380-RED	GE-86	2SC384M	GE-61	2SC389F	GE-61	2SC394-ZEL	GE-212		
2SC372M	GE-61	2SC377-BRN	GE-86	2SC380X	GE-61	2SC384N	GE-61	2SC389G	GE-61	2SC394-RED	GE-210		
2SC372O	GE-20	2SC377C	GE-61	2SC380-Y	GE-20	2SC384O	GE-61	2SC389H	GE-61	2SC394-RED	GE-210		
2SC372OR	GE-61	2SC377D	GE-61	2SC380-YEL	GE-211	2SC384P	GE-61	2SC389I	GE-61	2SC394R	GE-61		
2SC372-ORG-G	GE-212	2SC377E	GE-61	2SC381	GE-17	2SC384Q	GE-61	2SC389J	GE-61	2SC394S	GE-61		
2SC372-R	GE-88	2SC377F	GE-61	2SC381(BN)	GE-17	2SC384R	GE-61	2SC389K	GE-61	2SC394T	GE-61		
2SC372R	GE-61	2SC377G	GE-61	2SC381(BN)	GE-17	2SC384S	GE-61	2SC389L	GE-61	2SC394U	GE-61		
2SC372X	GE-61	2SC377GN	GE-61	2SC381-0	GE-20	2SC384T	GE-61	2SC389M	GE-61	2SC394V	GE-61		
2SC372Y	GE-20	2SC377H	GE-61	2SC381A	GE-61	2SC384U	GE-61	2SC389N	GE-61	2SC394W	GE-61		
2SC372-YEL-G	GE-212	2SC377J	GE-61	2SC381B	GE-61	2SC384V	GE-61	2SC389OR	GE-61	2SC394X	GE-61		
2SC373	GE-212	2SC377K	GE-61	2SC381BN	GE-61	2SC384W	GE-61	2SC389P	GE-61	2SC394Y	GE-61		
2SC373-14	GE-47	2SC377L	GE-61	2SC381BN-1	GE-61	2SC384X	GE-61	2SC389Q	GE-61	2SC394-ZEL	GE-212		
2SC373A	GE-47	2SC377M	GE-61	2SC381-BRN	GE-60	2SC384Y	GE-61	2SC389R	GE-61	2SC394-RED	GE-210		
2SC373AL	GE-47	2SC377OR	GE-61	2SC381C	GE-61	2SC384Z	GE-61	2SC389S	GE-61	2SC394R	GE-61		
2SC373B	GE-47	2SC377-ORG	GE-60	2SC381D	GE-61	2SC385	GE-61	2SC389T	GE-61	2SC394S	GE-61		
2SC373C	GE-47	2SC377R	GE-61	2SC381E	GE-61	2SC385A	GE-11	2SC389U	GE-61	2SC394T	GE-61		
2SC373D	GE-47	2SC377-RED	GE-86	2SC381F	GE-61	2SC385B	GE-88	2SC389V	GE-61	2SC394U	GE-61		
2SC373E	GE-47	2SC377X	GE-61	2SC381G	GE-61	2SC385C	GE-88	2SC389W	GE-61	2SC394V	GE-61		
2SC373F	GE-47	2SC377Y	GE-61	2SC381GN	GE-61	2SC385D	GE-88	2SC389X	GE-61	2SC394W	GE-61		
2SC373-G	GE-212	2SC378	GE-212	2SC381H	GE-61	2SC385E	GE-88	2SC389Y	GE-61	2SC394X	GE-61		
2SC373GN	GE-47	2SC378A	GE-61	2SC381J	GE-61	2SC385F	GE-88	2SC390	GE-61	2SC394Y	GE-61		
2SC373H	GE-47	2SC378B	GE-61	2SC381K	GE-61	2SC385G	GE-88	2SC390A	GE-61	2SC394-ZEL	GE-212		
2SC373J	GE-47	2SC378C	GE-61	2SC381L	GE-61	2SC385H	GE-88	2SC390B	GE-61	2SC394-RED	GE-210		
2SC373K	GE-47	2SC378D	GE-61	2SC381M	GE-61	2SC385I	GE-88	2SC390C	GE-61	2SC394R	GE-61		
2SC373L	GE-47	2SC378E	GE-61	2SC381OR	GE-61	2SC385J	GE-88	2SC390D	GE-61	2SC394S	GE-61		
2SC373M	GE-47	2SC378F	GE-61	2SC381-ORG	GE-60	2SC385K	GE-88	2SC390E	GE-61	2SC394T	GE-61		
2SC373OR	GE-47	2SC378G	GE-61	2SC381R	GE-61	2SC385L	GE-88	2SC390F	GE-61	2SC394U	GE-61		
2SC373R	GE-47	2SC378GN	GE-61	2SC381-RED	GE-60	2SC385M	GE-88	2SC390G	GE-61	2SC394V	GE-61		
2SC373W	GE-88	2SC378H	GE-61	2SC381RL	GE-61	2SC385N	GE-88	2SC390GN	GE-61	2SC394W	GE-61		
2SC373X	GE-47	2SC378J	GE-61	2SC381X	GE-61	2SC385O	GE-88	2SC390H	GE-61	2SC394X	GE-61		
2SC373Y	GE-47	2SC378K	GE-61	2SC381Y	GE-61	2SC385OR	GE-88	2SC390I	GE-61	2SC394Y	GE-61		
2SC374(V)	GE-20	2SC378L	GE-61	2SC382	GE-39	2SC385R	GE-88	2SC390J	GE-61	2SC394-ZEL	GE-212		
2SC374	GE-212	2SC378M	GE-61	2SC382A	GE-86	2SC385S	GE-88	2SC390K	GE-61	2SC394-RED	GE-210		
2SC374A	GE-61	2SC378OR	GE-61	2SC382B	GE-86	2SC385T	GE-88	2SC390L	GE-61	2SC394R	GE-61		
2SC374B	GE-61	2SC378-ORG	GE-60	2SC382BK	GE-17	2SC385U	GE-88	2SC390M	GE-61	2SC394S	GE-61		
2SC374BL	GE-62	2SC378R	GE-61	2SC382BL	GE-17	2SC385V	GE-88	2SC390N	GE-61	2SC394T	GE-61		
2SC374BLK	GE-47	2SC378-RED	GE-86	2SC382BR	GE-17	2SC385W	GE-88	2SC390OR	GE-61	2SC394U	GE-61		
2SC374C	GE-61	2SC378X	GE-61	2SC382BN	GE-86	2SC385X	GE-88	2SC390P	GE-61	2SC394V	GE-61		
2SC374D	GE-61	2SC378Y	GE-61	2SC382C	GE-86	2SC385Y	GE-88	2SC390Q	GE-61	2SC394W	GE-61		
2SC374E	GE-61	2SC378-YEL	GE-211	2SC382D	GE-86	2SC386	GE-88	2SC390R	GE-61	2SC394X	GE-61		
2SC374F	GE-61	2SC379	GE-17	2SC382E	GE-86	2SC386A	GE-88	2SC390S	GE-61	2SC394Y	GE-61		
2SC374G	GE-61	2SC379A	GE-88	2SC382F	GE-86	2SC386B	GE-88	2SC390T	GE-61	2SC394-ZEL	GE-212		
2SC374GN	GE-61	2SC379B	GE-88	2SC382G	GE-39	2SC386C	GE-88	2SC390U	GE-61	2SC394-RED	GE-210		
2SC374H	GE-61	2SC379C	GE-88	2SC382GN	GE-86	2SC386D	GE-88	2SC390V	GE-61	2SC394R	GE-61		
2SC374J	GE-61	2SC379D	GE-88	2SC382H	GE-86	2SC386E	GE-88	2SC390W	GE-61	2SC394S	GE-61		
2SC374K	GE-61	2SC379E	GE-88	2SC382I	GE-86	2SC386F	GE-88	2SC390X	GE-61	2SC394T	GE-61		
2SC374L	GE-61	2SC379F	GE-88	2SC382J	GE-86	2SC386G	GE-88	2SC390Y	GE-61	2SC394U	GE-61		
2SC374M	GE-61	2SC379G	GE-88	2SC382K	GE-86	2SC386H	GE-88	2SC390Z	GE-61	2SC394V	GE-61		
2SC374OR	GE-61	2SC379GN	GE-88	2SC382L	GE-86	2SC386I	GE-88	2SC390A	GE-61	2SC394W	GE-61		
2SC374R	GE-61	2SC379H	GE-88	2SC382M	GE-86	2SC386J	GE-88	2SC390B	GE-61	2SC394X	GE-61		
2SC374V	GE-61	2SC379J	GE-88	2SC382OR	GE-86	2SC386K	GE-88	2SC390C	GE-61	2SC394Y	GE-61		
2SC374X	GE-61	2SC379K	GE-88	2SC382R	GE-39	2SC386L	GE-88	2SC390D	GE-61	2SC394-ZEL	GE-212		
2SC374Y	GE-61	2SC379L	GE-88	2SC382S	GE-17	2SC386M	GE-88	2SC390E	GE-61	2SC394-RED	GE-210		
2SC375	GE-86	2SC379M	GE-88	2SC382T	GE-60	2SC386N	GE-88	2SC390F	GE-61	2SC394R	GE-61		
2SC375-0	GE-86	2SC379OR	GE-88	2SC382W	GE-86	2SC386O	GE-88	2SC390G	GE-61	2SC394S	GE-61		
2SC375A	GE-86	2SC379R	GE-88	2SC382Y	GE-86	2SC386P	GE-88	2SC390H	GE-61	2SC394T	GE-61		
2SC375B	GE-86	2SC379X	GE-88	2SC383	GE-61	2SC386Q	GE-88	2SC390I	GE-61	2SC394U	GE-61		
2SC375C	GE-86	2SC379Y	GE-88	2SC383(T)	GE-61	2SC386R	GE-88	2SC390J	GE-61	2SC394V	GE-61		
2SC375D	GE-47	2SC380	GE-60	2SC383A	GE-61	2SC386S	GE-88	2SC390K	GE-61	2SC394W	GE-61		
2SC375E	GE-86	2SC380	GE-60	2SC383B	GE-61	2SC386T	GE-88	2SC390L	GE-61	2SC394X	GE-61		
2SC375F	GE-86	2SC380-0	GE-20	2SC383C	GE-61	2SC386U	GE-88	2SC390M	GE-61	2SC394Y	GE-61		
2SC375G	GE-86	2SC380-0	GE-61	2SC383D	GE-61	2SC386V	GE-88	2SC390N	GE-61	2SC394-ZEL	GE-212		
2SC375H	GE-86	2SC380-0	GE-61	2SC383E	GE-61	2SC386W	GE-88	2SC390OR	GE-61	2SC394-RED	GE-210		
2SC375I	GE-86	2SC380-0	GE-61	2SC383F	GE-61	2SC386X	GE-88	2SC390P	GE-61	2SC394R	GE-61		
2SC375J	GE-86	2SC380-0	GE-61	2SC383G	GE-61	2SC386Y	GE-88	2SC390Q	GE-61	2SC394S	GE-61		
2SC375K	GE-86	2SC380-0	GE-61	2SC383H	GE-61	2SC387	GE-88	2SC390R	GE-61	2SC394T	GE-61		
2SC375L	GE												

UNIVERSAL REPLACEMENT SEMICONDUCTORS

2SC398H - 2SC469H

JEDEC Or Part Nr	GE Replacement	JEDEC Or Part Nr	GE Replacement	JEDEC Or Part Nr	GE Replacement	JEDEC Or Part Nr	GE Replacement	JEDEC Or Part Nr	GE Replacement	JEDEC Or Part Nr	GE Replacement	JEDEC Or Part Nr	GE Replacement
2SC398H	GE-61	2SC403H	GE-61	2SC425K	GE-18	2SC443G	GE-18	2SC458(D)	GE-20	2SC461B	GE-61		
2SC398J	GE-61	2SC403J	GE-61	2SC425L	GE-18	2SC443GN	GE-18	2SC458	GE-210	2SC461BK	GE-61		
2SC398K	GE-61	2SC403K	GE-61	2SC425M	GE-18	2SC443H	GE-18	2SC458-4	GE-47	2SC461BL	GE-61		
2SC398L	GE-61	2SC403L	GE-61	2SC425OR	GE-18	2SC443J	GE-18	2SC458-5	GE-47	2SC461C	GE-20		
2SC398M	GE-61	2SC403M	GE-61	2SC425R	GE-18	2SC443K	GE-18	2SC458A	GE-20	2SC461EP	GE-61		
2SC398OR	GE-61	2SC403OR	GE-61	2SC425X	GE-18	2SC443L	GE-18	2SC458AK	GE-47	2SC461L	GE-17		
2SC398R	GE-61	2SC403R	GE-61	2SC425Y	GE-18	2SC443M	GE-18	2SC458B	GE-20	2SC462	GE-20		
2SC398X	GE-61	2SC403X	GE-61	2SC426	GE-17	2SC443OR	GE-17	2SC458	GE-47	2SC463	GE-60		
2SC398Y	GE-61	2SC403Y	GE-61	2SC427	GE-17	2SC443R	GE-18	2SC458BC	GE-47	2SC463A	GE-86		
2SC399	GE-11	2SC404	GE-61	2SC428	GE-17	2SC443X	GE-18	2SC458BL	GE-47	2SC463B	GE-86		
2SC399A	GE-61	2SC404A	GE-61	2SC429	GE-214	2SC443Y	GE-18	2SC458BM	GE-47	2SC463C	GE-86		
2SC399B	GE-61	2SC404B	GE-61	2SC429A	GE-61	2SC444	GE-63	2SC458C	GE-20	2SC463D	GE-86		
2SC399C	GE-61	2SC404C	GE-61	2SC429B	GE-61	2SC445	GE-63	2SC458	GE-47	2SC463E	GE-86		
2SC399D	GE-61	2SC404D	GE-61	2SC429C	GE-61	2SC445A	GE-32	2SC458C/L6	GE-10	2SC463F	GE-86		
2SC399E	GE-61	2SC404E	GE-61	2SC429D	GE-61	2SC445B	GE-32	2SC458CL	GE-47	2SC463G	GE-86		
2SC399F	GE-61	2SC404F	GE-61	2SC429E	GE-61	2SC445C	GE-32	2SC458CM	GE-47	2SC463GN	GE-86		
2SC399G	GE-61	2SC404G	GE-61	2SC429F	GE-61	2SC445D	GE-32	2SC458D	GE-20	2SC463H	GE-60		
2SC399GN	GE-61	2SC404GN	GE-61	2SC429G	GE-61	2SC445E	GE-32	2SC458E	GE-47	2SC463J	GE-86		
2SC399H	GE-61	2SC404H	GE-61	2SC429GN	GE-61	2SC445F	GE-32	2SC458F	GE-47	2SC463K	GE-86		
2SC399J	GE-61	2SC404J	GE-61	2SC429H	GE-61	2SC445G	GE-32	2SC458G	GE-47	2SC463L	GE-86		
2SC399K	GE-61	2SC404K	GE-61	2SC429J	GE-11	2SC445GN	GE-32	2SC458GN	GE-47	2SC463M	GE-86		
2SC399L	GE-61	2SC404L	GE-61	2SC429K	GE-61	2SC445H	GE-32	2SC458H	GE-47	2SC463OR	GE-86		
2SC399M	GE-61	2SC404M	GE-61	2SC429L	GE-61	2SC445J	GE-32	2SC458J	GE-47	2SC463R	GE-86		
2SC399OR	GE-61	2SC404OR	GE-61	2SC429M	GE-61	2SC445K	GE-32	2SC458K	GE-210	2SC463X	GE-86		
2SC399R	GE-61	2SC404R	GE-61	2SC429OR	GE-61	2SC445L	GE-32	2SC458L	GE-210	2SC463Y	GE-86		
2SC399X	GE-61	2SC404X	GE-61	2SC429R	GE-61	2SC445M	GE-32	2SC458	GE-47	2SC464	GE-86		
2SC399Y	GE-61	2SC404Y	GE-61	2SC429S	GE-61	2SC445OR	GE-32	2SC458L6	GE-47	2SC464A	GE-61		
2SC400	GE-17	2SC405	GE-54	2SC429Y	GE-61	2SC445R	GE-32	2SC458LB	GE-20	2SC464B	GE-61		
2SC400A	GE-88	2SC405A	GE-88	2SC430	GE-214	2SC445X	GE-32	2SC458LC	GE-20	2SC464C	GE-211		
2SC400B	GE-88	2SC405B	GE-88	2SC430A	GE-61	2SC445Y	GE-32	2SC458LD	GE-47	2SC464D	GE-61		
2SC400C	GE-88	2SC405C	GE-88	2SC430B	GE-61	2SC454	GE-210	2SC458LG	GE-210	2SC464E	GE-61		
2SC400D	GE-88	2SC405D	GE-88	2SC430C	GE-61	2SC454(B)	GE-61	2SC458LG(B)	GE-20	2SC464F	GE-61		
2SC400E	GE-88	2SC405E	GE-88	2SC430D	GE-61	2SC454-3	GE-61	2SC458LGC	GE-20	2SC464G	GE-61		
2SC400F	GE-88	2SC405F	GE-88	2SC430E	GE-61	2SC454-5	GE-61	2SC458LGC-6	GE-47	2SC464H	GE-61		
2SC400G	GE-88	2SC405G	GE-88	2SC430F	GE-61	2SC454A	GE-20	2SC458LGD	GE-20	2SC464M	GE-61		
2SC400GN	GE-88	2SC405GN	GE-88	2SC430G	GE-61	2SC454B	GE-61	2SC458LGR	GE-47	2SC464J	GE-61		
2SC400H	GE-88	2SC405H	GE-88	2SC430GN	GE-61	2SC454B-6	GE-20	2SC458M	GE-47	2SC464K	GE-61		
2SC400J	GE-88	2SC405J	GE-88	2SC430H	GE-61	2SC454BL	GE-61	2SC458OR	GE-47	2SC464L	GE-61		
2SC400K	GE-88	2SC405K	GE-88	2SC430J	GE-61	2SC454BL	GE-20	2SC458R	GE-47	2SC464M	GE-61		
2SC400L	GE-88	2SC405L	GE-88	2SC430K	GE-61	2SC454C	GE-20	2SC458X	GE-47	2SC464OR	GE-61		
2SC400M	GE-88	2SC405M	GE-88	2SC430L	GE-61	2SC454D	GE-20	2SC458Y	GE-47	2SC464R	GE-61		
2SC400OR	GE-88	2SC405OR	GE-88	2SC430M	GE-61	2SC454E	GE-61	2SC459	GE-210	2SC464X	GE-61		
2SC400R	GE-88	2SC405R	GE-88	2SC430OR	GE-61	2SC454F	GE-61	2SC459A	GE-61	2SC464Y	GE-61		
2SC400X	GE-88	2SC405X	GE-88	2SC430R	GE-61	2SC454G	GE-61	2SC459C	GE-61	2SC465	GE-86		
2SC400Y	GE-88	2SC405Y	GE-88	2SC430W	GE-61	2SC454GN	GE-61	2SC459D	GE-61	2SC465A	GE-61		
2SC401	GE-212	2SC406	GE-54	2SC430X	GE-61	2SC454H	GE-61	2SC459E	GE-61	2SC465B	GE-61		
2SC401A	GE-61	2SC406A	GE-88	2SC430Y	GE-61	2SC454J	GE-81	2SC459F	GE-61	2SC465C	GE-61		
2SC401B	GE-61	2SC406B	GE-88	2SC433	GE-20	2SC454K	GE-81	2SC459G	GE-61	2SC465D	GE-61		
2SC401C	GE-61	2SC406C	GE-88	2SC440	GE-11	2SC454L	GE-210	2SC459GN	GE-61	2SC465E	GE-61		
2SC401D	GE-61	2SC406D	GE-88	2SC441	GE-11	2SC454LA	GE-20	2SC459H	GE-61	2SC465F	GE-61		
2SC401E	GE-61	2SC406E	GE-88	2SC441A	GE-47	2SC454M	GE-61	2SC459J	GE-61	2SC465G	GE-61		
2SC401F	GE-61	2SC406F	GE-88	2SC441B	GE-47	2SC454OR	GE-61	2SC459K	GE-61	2SC465GN	GE-61		
2SC401G	GE-61	2SC406G	GE-88	2SC441C	GE-47	2SC454R	GE-61	2SC459L	GE-61	2SC465H	GE-61		
2SC401GN	GE-61	2SC406GN	GE-88	2SC441D	GE-47	2SC454X	GE-61	2SC459M	GE-61	2SC465J	GE-61		
2SC401H	GE-61	2SC406H	GE-88	2SC441E	GE-47	2SC454Y	GE-61	2SC459OR	GE-61	2SC465K	GE-61		
2SC401J	GE-61	2SC406J	GE-88	2SC441F	GE-47	2SC455	GE-210	2SC459R	GE-61	2SC465L	GE-61		
2SC401K	GE-61	2SC406K	GE-88	2SC441G	GE-47	2SC455A	GE-61	2SC459X	GE-61	2SC465M	GE-61		
2SC401L	GE-61	2SC406L	GE-88	2SC441GN	GE-47	2SC455B	GE-61	2SC459Y	GE-61	2SC465OR	GE-61		
2SC401M	GE-61	2SC406M	GE-88	2SC441H	GE-47	2SC455C	GE-61	2SC460(A)	GE-61	2SC465R	GE-61		
2SC401OR	GE-61	2SC406OR	GE-88	2SC441J	GE-47	2SC455D	GE-61	2SC460	GE-210	2SC465X	GE-61		
2SC401R	GE-61	2SC406R	GE-88	2SC441K	GE-47	2SC455E	GE-61	2SC460(B)	GE-61	2SC465Y	GE-61		
2SC401X	GE-61	2SC406X	GE-88	2SC441L	GE-47	2SC455F	GE-61	2SC460-5	GE-61	2SC466	GE-86		
2SC401Y	GE-212	2SC406Y	GE-88	2SC441M	GE-47	2SC455G	GE-61	2SC460A	GE-61	2SC466A	GE-61		
2SC402	GE-212	2SC423	GE-20	2SC441OR	GE-47	2SC455GN	GE-61	2SC460A	GE-20	2SC466B	GE-61		
2SC402A	GE-212	2SC423A	GE-18	2SC441R	GE-47	2SC455H	GE-61	2SC460-B	GE-61	2SC466C	GE-61		
2SC402B	GE-47	2SC423B	GE-18	2SC441X	GE-47	2SC455J	GE-61	2SC460B	GE-61	2SC466D	GE-61		
2SC402C	GE-47	2SC423C	GE-18	2SC441Y	GE-47	2SC455K	GE-61	2SC460C	GE-20	2SC466E	GE-61		
2SC402D	GE-47	2SC423D	GE-18	2SC442	GE-11	2SC455L	GE-61	2SC460C	GE-20	2SC466F	GE-61		
2SC402E	GE-47	2SC423E	GE-18	2SC442A	GE-47	2SC455M	GE-61	2SC460C	GE-61	2SC466G	GE-61		
2SC402F	GE-47	2SC423F	GE-20	2SC442B	GE-47	2SC455OR	GE-61	2SC460-C	GE-61	2SC466GN	GE-61		
2SC402G	GE-47	2SC423G	GE-18	2SC442C	GE-47	2SC455R	GE-61	2SC460D	GE-86	2SC466H	GE-211		
2SC402GN	GE-47	2SC423GN	GE-18	2SC442D	GE-47	2SC455S	GE-61	2SC460E	GE-61	2SC466J	GE-61		
2SC402H	GE-47	2SC423H	GE-18	2SC442E	GE-47	2SC455Y	GE-61	2SC460F	GE-61	2SC466K	GE-61		
2SC402J	GE-47	2SC423J	GE-18	2SC442F	GE-47	2SC456	GE-47	2SC460G	GE-61	2SC466L	GE-61		
2SC402K	GE-47	2SC423K	GE-18	2SC442G	GE-47	2SC456A	GE-46	2SC460GN	GE-61	2SC466M	GE-61		
2SC402L	GE-47	2SC423L	GE-18	2SC442GN	GE-47	2SC456B	GE-46	2SC460H	GE-61	2SC466OR	GE-61		
2SC402M	GE-47	2SC423M	GE-18	2SC442H	GE-47	2SC456C	GE-46	2SC460J	GE-61	2SC466R	GE-61		
2SC402OR	GE-47	2SC423OR	GE-18	2SC442J	GE-47	2SC456D	GE-18	2SC460K	GE-86	2SC466X	GE-61		
2SC402R	GE-47	2SC423R	GE-18	2SC442K	GE-47	2SC456E	GE-46	2SC460L	GE-86	2SC466Y	GE-61		
2SC402X	GE-47	2SC423X	GE-18	2SC442L	GE-47	2SC456F	GE-46	2SC460M	GE-61	2SC467	GE-16		
2SC402Y	GE-47	2SC423Y	GE-18	2SC442M	GE-47	2SC456G	GE-46	2SC460OR	GE-61	2SC468	GE-20		
2SC403	GE-212	2SC424	GE-20	2SC442OR	GE-47	2SC456GN	GE-46	2SC460R	GE-61	2SC468H	GE-20		
2SC403A	GE-212	2SC425	GE-20	2SC442R	GE-47	2SC456H	GE-46	2SC460X	GE-61	2SC469	GE-39		
2SC403AL	GE-47	2SC425A	GE-18	2SC442X	GE-47	2SC456J	GE-46	2SC460Y	GE-61	2SC469A	GE-61		
2SC403B	GE-212	2SC425B	GE-18	2SC442Y	GE-47	2SC456K	GE-46	2SC461(8F)	GE-17	2SC469B	GE-61		
2SC403C	GE-20	2SC425C	GE-18	2SC443	GE-83	2SC456L	GE-46	2SC461	GE-210	2SC469C	GE-61		
2SC403CG	GE-47	2SC425D	GE-88	2SC443A	GE-18	2SC456M	GE-46	2SC461A	GE-11	2SC469D	GE-61		
2SC403D	GE-61	2SC425E	GE-88	2SC443B	GE-18	2SC456OR	GE-46	2SC461	GE-61	2SC469E	GE-61		
2SC403E	GE-61	2SC425F	GE-88	2SC443C	GE-18	2SC456R	GE-46	2SC461-A	GE-61	2SC469F	GE-20		
2SC403F	GE-61	2SC425G	GE-20	2SC443D	GE-18	2SC456X	GE-46	2SC461AL	GE-61	2SC469G	GE-61		
2SC403G	GE-61	2SC425GN	GE-18	2SC443E	GE-18	2SC456Y	GE-46	2SC461B	GE-11	2SC469GN	GE-61		
2SC403GN	GE-61	2SC425H	GE-18	2SC443F	GE-18	2SC458(LG)	GE-20	2SC461-B	GE-61	2SC469H	GE-61		

UNIVERSAL REPLACEMENT SEMICONDUCTORS

2SC469J - 2SC506GN

JEDEC Or Part Nr	GE Replacement	JEDEC Or Part Nr	GE Replacement	JEDEC Or Part Nr	GE Replacement	JEDEC Or Part Nr	GE Replacement	JEDEC Or Part Nr	GE Replacement	JEDEC Or Part Nr	GE Replacement	JEDEC Or Part Nr	GE Replacement
2SC469J	GE-61	2SC477G	GE-86	2SC484E	GE-32	2SC492	GE-10	2SC497H	GE-18	2SC501Y	GE-18		
2SC469K	GE-20	2SC477GN	GE-86	2SC484F	GE-32	2SC493	GE-14	2SC497J	GE-18	2SC501Y-YEL	GE-47		
2SC469L	GE-61	2SC477H	GE-86	2SC484G	GE-32	2SC493A	GE-75	2SC497K	GE-18	2SC502	GE-47		
2SC469M	GE-61	2SC477J	GE-86	2SC484GN	GE-32	2SC493B	GE-75	2SC497L	GE-18	2SC502A	GE-18		
2SC469OR	GE-61	2SC477K	GE-86	2SC484H	GE-32	2SC493C	GE-75	2SC497M	GE-18	2SC502B	GE-18		
2SC469Q	GE-61	2SC477L	GE-86	2SC484J	GE-32	2SC493D	GE-75	2SC497OR	GE-18	2SC502C	GE-18		
2SC469R	GE-61	2SC477M	GE-86	2SC484K	GE-32	2SC493E	GE-75	2SC497R	GE-18	2SC502D	GE-18		
2SC469X	GE-61	2SC477OR	GE-86	2SC484L	GE-32	2SC493F	GE-75	2SC497T	GE-18	2SC502E	GE-18		
2SC469Y	GE-61	2SC477R	GE-86	2SC484M	GE-32	2SC493G	GE-75	2SC497Y	GE-18	2SC502F	GE-18		
2SC470	GE-18	2SC477X	GE-86	2SC484OR	GE-32	2SC493GN	GE-75	2SC498	GE-66	2SC502G	GE-18		
2SC470-3	GE-18	2SC477Y	GE-86	2SC484R	GE-32	2SC493H	GE-75	2SC498A	GE-47	2SC502GN	GE-18		
2SC470-4	GE-27	2SC478	GE-212	2SC484X	GE-32	2SC493J	GE-75	2SC498B	GE-18	2SC502H	GE-18		
2SC470-5	GE-27	2SC478-4	GE-45	2SC484Y	GE-32	2SC493K	GE-75	2SC498C	GE-18	2SC502I	GE-18		
2SC470-6	GE-27	2SC478A	GE-45	2SC484Z	GE-32	2SC493L	GE-75	2SC498D	GE-18	2SC502J	GE-18		
2SC470A	GE-32	2SC478B	GE-45	2SC485A	GE-18	2SC493M	GE-75	2SC498E	GE-18	2SC502K	GE-18		
2SC470B	GE-32	2SC478C	GE-45	2SC485B	GE-18	2SC493N	GE-75	2SC498F	GE-18	2SC502L	GE-18		
2SC470C	GE-32	2SC478D	GE-45	2SC485C	GE-18	2SC493OR	GE-75	2SC498G	GE-18	2SC502M	GE-18		
2SC470D	GE-32	2SC478E	GE-45	2SC485D	GE-18	2SC493R	GE-75	2SC498H	GE-18	2SC502N	GE-18		
2SC470E	GE-32	2SC478F	GE-45	2SC485E	GE-18	2SC493S	GE-75	2SC498I	GE-18	2SC502O	GE-18		
2SC470F	GE-32	2SC478G	GE-45	2SC485F	GE-18	2SC493T	GE-75	2SC498J	GE-18	2SC502P	GE-18		
2SC470G	GE-32	2SC478GN	GE-45	2SC485G	GE-18	2SC493U	GE-14	2SC498K	GE-18	2SC502Q	GE-18		
2SC470GN	GE-32	2SC478H	GE-45	2SC485GN	GE-18	2SC494	GE-15MP	2SC498L	GE-18	2SC502R	GE-18		
2SC470H	GE-32	2SC478J	GE-45	2SC485H	GE-18	2SC494A	GE-15MP	2SC498M	GE-18	2SC502S	GE-18		
2SC470I	GE-32	2SC478K	GE-45	2SC485I	GE-18	2SC494B	GE-15MP	2SC498N	GE-18	2SC502T	GE-18		
2SC470J	GE-32	2SC478L	GE-45	2SC485J	GE-18	2SC494C	GE-15MP	2SC498O	GE-18	2SC502U	GE-18		
2SC470L	GE-32	2SC478M	GE-45	2SC485K	GE-18	2SC494D	GE-15MP	2SC498P	GE-18	2SC502V	GE-18		
2SC470M	GE-32	2SC478N	GE-45	2SC485L	GE-18	2SC494E	GE-15MP	2SC498Q	GE-18	2SC502W	GE-18		
2SC470N	GE-32	2SC478OR	GE-45	2SC485M	GE-18	2SC494F	GE-15MP	2SC498R-ORG	GE-47	2SC502X	GE-18		
2SC470OR	GE-32	2SC478R	GE-45	2SC485OR	GE-18	2SC494G	GE-15MP	2SC498S	GE-18	2SC502Y	GE-18		
2SC470R	GE-32	2SC478X	GE-45	2SC485R	GE-18	2SC494H	GE-15MP	2SC498T-RED	GE-47	2SC502Z	GE-18		
2SC470X	GE-32	2SC478Y	GE-45	2SC485S	GE-18	2SC494I	GE-15MP	2SC498U	GE-18	2SC503	GE-18		
2SC470Y	GE-32	2SC479	GE-47	2SC485T	GE-18	2SC494J	GE-15MP	2SC498V	GE-18	2SC503A	GE-47		
2SC472	GE-61	2SC479A	GE-18	2SC485U	GE-18	2SC494K	GE-15MP	2SC498W	GE-18	2SC503B	GE-18		
2SC472A	GE-61	2SC479B	GE-18	2SC485V	GE-18	2SC494L	GE-15MP	2SC498X	GE-18	2SC503C	GE-18		
2SC472B	GE-61	2SC479C	GE-18	2SC485W	GE-18	2SC494M	GE-15MP	2SC498Y	GE-18	2SC503D	GE-18		
2SC472C	GE-61	2SC479D	GE-18	2SC485X	GE-18	2SC494OR	GE-15MP	2SC498Z	GE-18	2SC503E	GE-18		
2SC472D	GE-61	2SC479E	GE-18	2SC485Y	GE-18	2SC494R	GE-15MP	2SC499	GE-18	2SC503F	GE-18		
2SC472E	GE-61	2SC479F	GE-18	2SC485Z	GE-18	2SC494S	GE-15MP	2SC499A	GE-18	2SC503G	GE-18		
2SC472F	GE-61	2SC479G	GE-18	2SC486A	GE-18	2SC494T	GE-15MP	2SC499B	GE-18	2SC503H	GE-18		
2SC472G	GE-61	2SC479GN	GE-18	2SC486B	GE-18	2SC494U	GE-15MP	2SC499C	GE-18	2SC503I	GE-18		
2SC472GN	GE-61	2SC479H	GE-18	2SC486C	GE-18	2SC494V	GE-15MP	2SC499D	GE-18	2SC503J	GE-18		
2SC472H	GE-61	2SC479I	GE-18	2SC486D	GE-18	2SC494W	GE-15MP	2SC499E	GE-18	2SC503K	GE-18		
2SC472J	GE-61	2SC479J	GE-18	2SC486E	GE-18	2SC494X	GE-15MP	2SC499F	GE-18	2SC503L	GE-18		
2SC472L	GE-61	2SC479K	GE-18	2SC486F	GE-18	2SC494Y	GE-15MP	2SC499G	GE-18	2SC503M	GE-18		
2SC472M	GE-61	2SC479OR	GE-18	2SC486G	GE-18	2SC494Z	GE-15MP	2SC499H	GE-18	2SC503N	GE-18		
2SC472OR	GE-61	2SC479R	GE-18	2SC486H	GE-18	2SC495A	GE-55	2SC499I	GE-18	2SC503O	GE-18		
2SC472R	GE-61	2SC479S	GE-18	2SC486I	GE-18	2SC495B	GE-55	2SC499J	GE-18	2SC503P	GE-18		
2SC472X	GE-61	2SC479T	GE-18	2SC486J	GE-18	2SC495C	GE-55	2SC499K	GE-18	2SC503Q	GE-18		
2SC472Y	GE-61	2SC481	GE-47	2SC486K	GE-18	2SC495D	GE-55	2SC499L	GE-18	2SC503R	GE-18		
2SC475	GE-212	2SC481A	GE-45	2SC486L	GE-18	2SC495E	GE-55	2SC499M	GE-18	2SC503S	GE-18		
2SC475A	GE-47	2SC481B	GE-45	2SC486M	GE-18	2SC495F	GE-55	2SC499N	GE-18	2SC503T	GE-18		
2SC475B	GE-47	2SC481C	GE-45	2SC486N	GE-18	2SC495G	GE-55	2SC499OR	GE-18	2SC503U	GE-18		
2SC475C	GE-47	2SC481D	GE-45	2SC486OR	GE-18	2SC495H	GE-55	2SC499A-RED	GE-47	2SC503V	GE-18		
2SC475D	GE-47	2SC481E	GE-45	2SC486P	GE-18	2SC495I	GE-55	2SC499B-RED	GE-47	2SC503W	GE-18		
2SC475E	GE-47	2SC481F	GE-45	2SC486Q	GE-18	2SC495J	GE-55	2SC499C-RED	GE-47	2SC503X	GE-18		
2SC475F	GE-47	2SC481G	GE-45	2SC486R	GE-18	2SC495K	GE-55	2SC499D-RED	GE-47	2SC503Y	GE-18		
2SC475G	GE-47	2SC481GN	GE-45	2SC486S	GE-18	2SC495L	GE-55	2SC499E-RED	GE-47	2SC503Z	GE-18		
2SC475GN	GE-47	2SC481H	GE-45	2SC486T	GE-18	2SC495M	GE-55	2SC499F-RED	GE-47	2SC504	GE-18		
2SC475H	GE-47	2SC481I	GE-45	2SC486U	GE-18	2SC495N	GE-55	2SC499G-RED	GE-47	2SC504A	GE-18		
2SC475J	GE-47	2SC481K	GE-45	2SC486V	GE-18	2SC495OR	GE-55	2SC499H-RED	GE-47	2SC504B	GE-18		
2SC475K	GE-47	2SC481L	GE-45	2SC486W	GE-18	2SC495ORG	GE-55	2SC499I-RED	GE-47	2SC504C	GE-18		
2SC475L	GE-47	2SC481M	GE-45	2SC486X	GE-18	2SC495R	GE-55	2SC499J-RED	GE-47	2SC504D	GE-18		
2SC475M	GE-47	2SC481OR	GE-45	2SC486Y	GE-18	2SC495-RED	GE-55	2SC499K-RED	GE-47	2SC504E	GE-18		
2SC475OR	GE-47	2SC481R	GE-45	2SC486Z	GE-18	2SC495-ORG	GE-55	2SC499L-RED	GE-47	2SC504F	GE-18		
2SC475R	GE-47	2SC481X	GE-45	2SC486A	GE-18	2SC495-R	GE-55	2SC499M-RED	GE-47	2SC504G	GE-18		
2SC475X	GE-47	2SC481Y	GE-45	2SC486B	GE-18	2SC495-RED	GE-55	2SC499N-RED	GE-47	2SC504H	GE-18		
2SC475Y	GE-47	2SC482	GE-45	2SC486C	GE-18	2SC495-RED	GE-55	2SC499OR-RED	GE-47	2SC504I	GE-18		
2SC478	GE-88	2SC482A	GE-45	2SC486D	GE-18	2SC495-RED	GE-55	2SC499A-RED	GE-47	2SC504J	GE-18		
2SC478A	GE-88	2SC482B	GE-45	2SC486E	GE-18	2SC495-RED	GE-55	2SC499B-RED	GE-47	2SC504K	GE-18		
2SC478B	GE-88	2SC482C	GE-45	2SC486F	GE-18	2SC495-RED	GE-55	2SC499C-RED	GE-47	2SC504L	GE-18		
2SC478C	GE-88	2SC482D	GE-45	2SC486G	GE-18	2SC495-RED	GE-55	2SC499D-RED	GE-47	2SC504M	GE-18		
2SC478D	GE-88	2SC482E	GE-45	2SC486H	GE-18	2SC495-RED	GE-55	2SC499E-RED	GE-47	2SC504N	GE-18		
2SC478E	GE-88	2SC482F	GE-45	2SC486I	GE-18	2SC495-RED	GE-55	2SC499F-RED	GE-47	2SC504O	GE-18		
2SC478F	GE-88	2SC482G	GE-45	2SC486J	GE-18	2SC495-RED	GE-55	2SC499G-RED	GE-47	2SC504P	GE-18		
2SC478G	GE-88	2SC482GN	GE-45	2SC486K	GE-18	2SC495-RED	GE-55	2SC499H-RED	GE-47	2SC504Q	GE-18		
2SC478GN	GE-88	2SC482-GRN	GE-45	2SC486L	GE-18	2SC495-RED	GE-55	2SC499I-RED	GE-47	2SC504R	GE-18		
2SC478H	GE-88	2SC482H	GE-45	2SC486M	GE-18	2SC495-RED	GE-55	2SC499J-RED	GE-47	2SC504S	GE-18		
2SC478I	GE-88	2SC482I	GE-45	2SC486N	GE-18	2SC495-RED	GE-55	2SC499K-RED	GE-47	2SC504T	GE-18		
2SC478J	GE-88	2SC482J	GE-45	2SC486OR	GE-18	2SC495-RED	GE-55	2SC499L-RED	GE-47	2SC504U	GE-18		
2SC478K	GE-88	2SC482K	GE-45	2SC486P	GE-18	2SC495-RED	GE-55	2SC499M-RED	GE-47	2SC504V	GE-18		
2SC478L	GE-88	2SC482L	GE-45	2SC486Q	GE-18	2SC495-RED	GE-55	2SC499N-RED	GE-47	2SC504W	GE-18		
2SC478M	GE-88	2SC482M	GE-45	2SC486R	GE-18	2SC495-RED	GE-55	2SC499OR-RED	GE-47	2SC504X	GE-18		
2SC478N	GE-88	2SC482N	GE-45	2SC486S	GE-18	2SC495-RED	GE-55	2SC499A-RED	GE-47	2SC504Y	GE-18		
2SC478OR	GE-88	2SC482OR	GE-45	2SC486T	GE-18	2SC495-RED	GE-55	2SC499B-RED	GE-47	2SC504Z	GE-18		
2SC478R	GE-88	2SC482ORG	GE-45	2SC486U	GE-18	2SC495-RED	GE-55	2SC499C-RED	GE-47	2SC505	GE-18		
2SC478S	GE-88	2SC482R	GE-45	2SC486V	GE-18	2SC495-RED	GE-55	2SC499D-RED	GE-47	2SC505A	GE-18		
2SC478T	GE-88	2SC482S	GE-45	2SC486W	GE-18	2SC495-RED	GE-55	2SC499E-RED	GE-47	2SC505B	GE-18		
2SC478U	GE-88	2SC482T	GE-45	2SC486X	GE-18	2SC495-RED	GE-55	2SC499F-RED	GE-47	2SC505C	GE-18		
2SC478V	GE-88	2SC482X	GE-45	2SC486Y	GE-18	2SC495-RED	GE-55	2SC499G-RED	GE-47	2SC505D	GE-18		
2SC478W	GE-88	2SC482Y	GE-45	2SC486Z	GE-18	2SC495-RED	GE-55	2SC499H-RED	GE-47	2SC505E	GE-18		
2SC478X	GE-88	2SC482Z	GE-45	2SC486A	GE-18	2SC495-RED	GE-55	2SC499I-RED	GE-47	2SC505F	GE-18		
2SC478Y	GE-88	2SC482A	GE-45	2SC486B	GE-18	2SC495-RED	GE-55	2SC499J-RED	GE-47	2SC505G	GE-18		
2SC478Z	GE-88	2SC482B	GE-45	2SC486C	GE-18	2SC495-RED	GE-55	2SC499K-RED	GE-47	2SC505H	GE-18		
2SC478A	GE-88	2SC482C	GE-45	2SC486D	GE-18	2SC495-RED	GE-55	2SC499L-RED	GE-47	2SC505I	GE-18		
2SC478B	GE-88	2SC482D	GE-45	2SC486E	GE-18	2SC495-RED	GE-55	2SC499M-RED	GE-47	2SC505J	GE-18		
2SC478C	GE-88	2SC482E	GE-45	2SC486F									

UNIVERSAL REPLACEMENT SEMICONDUCTORS

2SC506H - 2SC573

JEDEC Or Part Nr	GE Replacement	JEDEC Or Part Nr	GE Replacement	JEDEC Or Part Nr	GE Replacement	JEDEC Or Part Nr	GE Replacement	JEDEC Or Part Nr	GE Replacement	JEDEC Or Part Nr	GE Replacement	JEDEC Or Part Nr	GE Replacement
2SC506H	GE-32	2SC513-0	GE-28	2SC517X	GE-46	2SC536J	GE-47	2SC544D	GE-20	2SC563F	GE-61		
2SC506J	GE-32	2SC513A	GE-18	2SC517Y	GE-46	2SC536K	GE-47	2SC544E	GE-20	2SC563G	GE-61		
2SC506K	GE-32	2SC513B	GE-18	2SC525	GE-28	2SC536L	GE-47	2SC544F	GE-61	2SC563GN	GE-61		
2SC506L	GE-32	2SC513C	GE-18	2SC526	GE-27	2SC536M	GE-47	2SC544G	GE-61	2SC563H	GE-61		
2SC506M	GE-32	2SC513D	GE-18	2SC526A	GE-32	2SC536OR	GE-47	2SC544GN	GE-61	2SC563J	GE-61		
2SC506-O	GE-32	2SC513E	GE-18	2SC526B	GE-32	2SC536R	GE-47	2SC544H	GE-61	2SC563K	GE-61		
2SC506OR	GE-32	2SC513F	GE-18	2SC526C	GE-32	2SC536X	GE-47	2SC544J	GE-61	2SC563L	GE-61		
2SC506-ORG	GE-27	2SC513G	GE-18	2SC526D	GE-32	2SC536XL	GE-47	2SC544K	GE-61	2SC563M	GE-61		
2SC506-R	GE-32	2SC513GN	GE-18	2SC526E	GE-32	2SC536Y	GE-47	2SC544L	GE-61	2SC563OR	GE-61		
2SC506-RED	GE-27	2SC513H	GE-18	2SC526F	GE-32	2SC537	GE-212	2SC544M	GE-61	2SC563R	GE-61		
2SC506X	GE-32	2SC513J	GE-18	2SC526G	GE-32	2SC537BK	GE-47	2SC544OR	GE-61	2SC563X	GE-61		
2SC506Y	GE-32	2SC513K	GE-18	2SC526GN	GE-32	2SC537C	GE-20	2SC544R	GE-61	2SC563Y	GE-61		
2SC507	GE-32	2SC513L	GE-18	2SC526H	GE-32	2SC537D	GE-20	2SC544X	GE-61	2SC564(O)(R)	GE-21		
2SC507A	GE-32	2SC513M	GE-18	2SC526J	GE-32	2SC537E	GE-47	2SC544Y	GE-61	2SC564(Q)	GE-20		
2SC507B	GE-32	2SC513-O	GE-18	2SC526K	GE-32	2SC537F	GE-47	2SC545	GE-39	2SC564A	GE-21		
2SC507C	GE-32	2SC513O	GE-32	2SC526L	GE-32	2SC537G	GE-20	2SC545A	GE-11	2SC564B	GE-18		
2SC507D	GE-32	2SC513OR	GE-18	2SC526M	GE-32	2SC537H	GE-88	2SC545B	GE-11	2SC564C	GE-18		
2SC507E	GE-32	2SC513-R	GE-28	2SC526OR	GE-32	2SC537J	GE-20	2SC545C	GE-11	2SC564D	GE-18		
2SC507F	GE-32	2SC513X	GE-18	2SC526P	GE-32	2SC537K	GE-88	2SC545D	GE-20	2SC564E	GE-18		
2SC507G	GE-32	2SC513Y	GE-18	2SC526X	GE-32	2SC537L	GE-10	2SC545E	GE-20	2SC564F	GE-18		
2SC507GN	GE-32	2SC514	GE-12	2SC526Y	GE-32	2SC537F-C7	GE-62	2SC546	GE-39	2SC564G	GE-18		
2SC507H	GE-32	2SC514A	GE-12	2SC527	GE-60	2SC537F1	GE-20	2SC547	GE-28	2SC564GN	GE-18		
2SC507J	GE-32	2SC514B	GE-12	2SC528	GE-212	2SC537F2	GE-20	2SC548	GE-28	2SC564H	GE-18		
2SC507K	GE-32	2SC514C	GE-12	2SC529A	GE-10	2SC537FC	GE-62	2SC549	GE-28	2SC564J	GE-18		
2SC507L	GE-32	2SC514D	GE-12	2SC529B	GE-20	2SC537FJ	GE-18	2SC550	GE-28	2SC564K	GE-18		
2SC507M	GE-32	2SC514E	GE-12	2SC529C	GE-61	2SC537FK	GE-18	2SC551	GE-66	2SC564L	GE-18		
2SC507OR	GE-32	2SC514F	GE-12	2SC529D	GE-61	2SC537FV	GE-47	2SC552	GE-66	2SC564M	GE-18		
2SC507R	GE-32	2SC514G	GE-12	2SC529E	GE-61	2SC537G	GE-20	2SC553	GE-66	2SC564OR	GE-18		
2SC507X	GE-32	2SC514GN	GE-12	2SC529F	GE-61	2SC537G1	GE-18	2SC554	GE-20	2SC564P	GE-18		
2SC507Y	GE-32	2SC514H	GE-12	2SC529G	GE-61	2SC537G2	GE-18	2SC558	GE-73	2SC564PL	GE-18		
2SC508	GE-45	2SC514J	GE-12	2SC529GN	GE-61	2SC537GFL	GE-61	2SC559	GE-47	2SC564Q	GE-18		
2SC509	GE-81	2SC514K	GE-12	2SC529H	GE-61	2SC537GI	GE-47	2SC560	GE-32	2SC564QC	GE-18		
2SC509(Y)	GE-20	2SC514L	GE-12	2SC529J	GE-61	2SC537H	GE-20	2SC560A	GE-32	2SC564R	GE-18		
2SC509(O)	GE-20	2SC514M	GE-12	2SC529K	GE-61	2SC537WF	GE-47	2SC560B	GE-32	2SC564X	GE-18		
2SC510	GE-32	2SC514OR	GE-12	2SC529L	GE-61	2SC538	GE-61	2SC560C	GE-32	2SC564Y	GE-18		
2SC510A	GE-32	2SC514R	GE-12	2SC529M	GE-61	2SC538	GE-61	2SC560D	GE-32	2SC566	GE-88		
2SC510B	GE-32	2SC514X	GE-12	2SC529OR	GE-61	2SC538A	GE-61	2SC560E	GE-32	2SC566A	GE-88		
2SC510C	GE-32	2SC514Y	GE-12	2SC529R	GE-61	2SC538A(Q)	GE-61	2SC560F	GE-32	2SC566B	GE-88		
2SC510D	GE-32	2SC515	GE-12	2SC529X	GE-61	2SC538AQ	GE-88	2SC560G	GE-32	2SC566C	GE-88		
2SC510E	GE-32	2SC515A(BK)	GE-12	2SC529Y	GE-61	2SC538P	GE-61	2SC560GN	GE-32	2SC566D	GE-88		
2SC510F	GE-32	2SC515A	GE-32	2SC531	GE-20	2SC538Q	GE-11	2SC560H	GE-11	2SC566E	GE-88		
2SC510G	GE-32	2SC515AM	GE-12	2SC535	GE-39	2SC538R	GE-61	2SC560J	GE-32	2SC566F	GE-88		
2SC510GN	GE-32	2SC515B	GE-12	2SC535(LEHR)	GE-20	2SC538S	GE-47	2SC560K	GE-32	2SC566G	GE-88		
2SC510H	GE-32	2SC515C	GE-12	2SC535A	GE-11	2SC538T	GE-18	2SC560L	GE-32	2SC566H	GE-88		
2SC510J	GE-32	2SC515D	GE-12	2SC535	GE-61	2SC539	GE-61	2SC560M	GE-32	2SC566I	GE-88		
2SC510K	GE-32	2SC515E	GE-12	2SC535AL	GE-61	2SC539R	GE-11	2SC560OR	GE-32	2SC566J	GE-88		
2SC510L	GE-32	2SC515F	GE-12	2SC535B	GE-20	2SC539S	GE-47	2SC560R	GE-32	2SC566K	GE-88		
2SC510M	GE-32	2SC515G	GE-12	2SC535C	GE-11	2SC539T	GE-47	2SC560X	GE-32	2SC566L	GE-88		
2SC510OR	GE-32	2SC515GN	GE-12	2SC535D	GE-61	2SC540	GE-212	2SC560Y	GE-32	2SC566M	GE-88		
2SC510R	GE-32	2SC515H	GE-12	2SC535E	GE-61	2SC540A	GE-88	2SC561	GE-11	2SC566OR	GE-88		
2SC510X	GE-32	2SC515J	GE-12	2SC535F	GE-61	2SC540B	GE-88	2SC561A	GE-61	2SC566R	GE-88		
2SC510Y	GE-32	2SC515K	GE-12	2SC535G	GE-86	2SC540C	GE-88	2SC561B	GE-61	2SC566S	GE-88		
2SC511	GE-32	2SC515L	GE-12	2SC535GN	GE-61	2SC540D	GE-88	2SC561C	GE-61	2SC566Y	GE-88		
2SC511A	GE-32	2SC515M	GE-12	2SC535H	GE-61	2SC540E	GE-88	2SC561D	GE-61	2SC567	GE-86		
2SC511B	GE-32	2SC515OR	GE-12	2SC535J	GE-61	2SC540F	GE-88	2SC561E	GE-61	2SC567A	GE-86		
2SC511C	GE-32	2SC515R	GE-12	2SC535K	GE-61	2SC540G	GE-88	2SC561F	GE-61	2SC567B	GE-86		
2SC511D	GE-32	2SC515X	GE-12	2SC535L	GE-61	2SC540GN	GE-88	2SC561G	GE-61	2SC567C	GE-86		
2SC511E	GE-32	2SC515Y	GE-12	2SC535M	GE-61	2SC540H	GE-88	2SC561GN	GE-61	2SC567D	GE-86		
2SC511F	GE-32	2SC516	GE-18	2SC535OR	GE-61	2SC540J	GE-88	2SC561H	GE-61	2SC567E	GE-86		
2SC511G	GE-32	2SC516A	GE-32	2SC535R	GE-61	2SC540K	GE-88	2SC561J	GE-61	2SC567F	GE-86		
2SC511GN	GE-32	2SC516B	GE-18	2SC535X	GE-61	2SC540L	GE-88	2SC561K	GE-61	2SC567G	GE-86		
2SC511H	GE-32	2SC516C	GE-18	2SC535Y	GE-61	2SC540M	GE-88	2SC561L	GE-61	2SC567GN	GE-86		
2SC511J	GE-32	2SC516D	GE-18	2SC536	GE-212	2SC540OR	GE-88	2SC561M	GE-61	2SC567H	GE-86		
2SC511K	GE-32	2SC516E	GE-18	2SC536A	GE-62	2SC540R	GE-88	2SC561OR	GE-61	2SC567J	GE-86		
2SC511L	GE-32	2SC516F	GE-18	2SC536B	GE-20	2SC540S	GE-88	2SC561R	GE-61	2SC567K	GE-86		
2SC511M	GE-32	2SC516G	GE-18	2SC536AG	GE-47	2SC540Y	GE-88	2SC561X	GE-61	2SC567L	GE-86		
2SC511OR	GE-32	2SC516GN	GE-18	2SC536B	GE-20	2SC541	GE-28	2SC561Y	GE-61	2SC567M	GE-86		
2SC511R	GE-32	2SC516H	GE-18	2SC536C	GE-20	2SC542	GE-28	2SC562	GE-60	2SC567OR	GE-86		
2SC511X	GE-32	2SC516J	GE-18	2SC536D	GE-20	2SC543	GE-66	2SC562A	GE-61	2SC567R	GE-86		
2SC511Y	GE-32	2SC516K	GE-18	2SC536DK	GE-47	2SC543A	GE-61	2SC562B	GE-61	2SC567X	GE-86		
2SC512	GE-18	2SC516L	GE-18	2SC536E	GE-20	2SC543B	GE-61	2SC562C	GE-61	2SC567Y	GE-86		
2SC512-0	GE-28	2SC516M	GE-18	2SC536EN	GE-47	2SC543C	GE-61	2SC562D	GE-61	2SC568	GE-86		
2SC512A	GE-18	2SC516OR	GE-18	2SC536EP	GE-47	2SC543D	GE-61	2SC562E	GE-61	2SC568A	GE-86		
2SC512B	GE-18	2SC516R	GE-18	2SC536F	GE-47	2SC543E	GE-61	2SC562F	GE-61	2SC568B	GE-86		
2SC512C	GE-18	2SC516X	GE-18	2SC536F	GE-20	2SC543F	GE-61	2SC562G	GE-61	2SC568C	GE-86		
2SC512D	GE-18	2SC516Y	GE-18	2SC536F1	GE-20	2SC543G	GE-61	2SC562GN	GE-61	2SC568D	GE-86		
2SC512E	GE-18	2SC517	GE-45	2SC536F2	GE-20	2SC543GN	GE-61	2SC562H	GE-61	2SC568E	GE-86		
2SC512F	GE-18	2SC517A	GE-46	2SC536F3	GE-20	2SC543H	GE-61	2SC562J	GE-61	2SC568F	GE-86		
2SC512G	GE-18	2SC517B	GE-46	2SC536F6	GE-47	2SC543J	GE-61	2SC562K	GE-61	2SC568G	GE-86		
2SC512GN	GE-18	2SC517C	GE-46	2SC536G	GE-20	2SC543K	GE-61	2SC562L	GE-61	2SC568GN	GE-86		
2SC512H	GE-18	2SC517D	GE-46	2SC536G-1	GE-47	2SC543L	GE-61	2SC562M	GE-61	2SC568H	GE-86		
2SC512J	GE-18	2SC517E	GE-46	2SC536G2	GE-20	2SC543M	GE-61	2SC562OR	GE-61	2SC568I	GE-86		
2SC512K	GE-18	2SC517F	GE-46	2SC536GJ	GE-20	2SC543OR	GE-61	2SC562R	GE-61	2SC568J	GE-86		
2SC512L	GE-18	2SC517G	GE-46	2SC536GK	GE-47	2SC543R	GE-61	2SC562X	GE-212	2SC568L	GE-86		
2SC512M	GE-18	2SC517GN	GE-46	2SC536GL	GE-47	2SC543X	GE-61	2SC562Y	GE-212	2SC568M	GE-86		
2SC512-O	GE-18	2SC517H	GE-46	2SC536GM	GE-47	2SC543Y	GE-61	2SC563	GE-39	2SC568OR	GE-86		
2SC512O	GE-32	2SC517J	GE-46	2SC536GN	GE-47	2SC544	GE-39	2SC563	GE-60	2SC568R	GE-86		
2SC512OR	GE-18	2SC517K	GE-46	2SC536GP	GE-20	2SC544A	GE-61	2SC563A	GE-20	2SC568X	GE-86		
2SC512-R	GE-28	2SC517L	GE-46	2SC536GT	GE-47	2SC544AG	GE-61	2SC563B	GE-61	2SC568Y	GE-86		
2SC512X	GE-18	2SC517M	GE-46	2SC536GV	GE-47	2SC544B	GE-61	2SC563C	GE-61	2SC571	GE-28		
2SC512Y	GE-18	2SC517OR	GE-46	2SC536GY	GE-88	2SC544C	GE-20	2SC563D	GE-61	2SC572	GE-28		
2SC513	GE-63	2SC517R	GE-46	2SC536H	GE-47	2SC544D(VHF)	GE-11	2SC563E	GE-61	2SC573	GE-66		

UNIVERSAL REPLACEMENT SEMICONDUCTORS

2SC580 - 2SC634H

JEDEC Or Part Nr	GE Replacement	JEDEC Or Part Nr	GE Replacement	JEDEC Or Part Nr	GE Replacement	JEDEC Or Part Nr	GE Replacement	JEDEC Or Part Nr	GE Replacement	JEDEC Or Part Nr	GE Replacement	JEDEC Or Part Nr	GE Replacement
2SC580	GE-63	2SC589L	GE-32	2SC596M	GE-88	2SC610A	GE-18	2SC615C	GE-18	2SC627	GE-18		
2SC580A	GE-32	2SC589M	GE-32	2SC596OR	GE-88	2SC610B	GE-18	2SC615D	GE-18	2SC629	GE-17		
2SC580B	GE-32	2SC589OR	GE-32	2SC596R	GE-88	2SC610C	GE-18	2SC615E	GE-18	2SC629	GE-39		
2SC580C	GE-32	2SC589R	GE-32	2SC596X	GE-88	2SC610D	GE-18	2SC615F	GE-18	2SC629-31	GE-86		
2SC580D	GE-32	2SC589X	GE-32	2SC596Y	GE-88	2SC610E	GE-18	2SC615G	GE-18	2SC629-41	GE-86		
2SC580E	GE-32	2SC589Y	GE-32	2SC597	GE-215	2SC610F	GE-18	2SC615GN	GE-18	2SC629A	GE-61		
2SC580F	GE-32	2SC590	GE-18	2SC598	GE-28	2SC610G	GE-18	2SC615H	GE-18	2SC629B	GE-61		
2SC580G	GE-32	2SC590A	GE-18	2SC599	GE-66	2SC610GN	GE-18	2SC615J	GE-18	2SC629C	GE-61		
2SC580GN	GE-32	2SC590B	GE-18	2SC600	GE-66	2SC610H	GE-18	2SC615K	GE-18	2SC629D	GE-61		
2SC580H	GE-32	2SC590C	GE-18	2SC601	GE-17	2SC610J	GE-18	2SC615L	GE-18	2SC629E	GE-61		
2SC580J	GE-32	2SC590D	GE-18	2SC602	GE-86	2SC610K	GE-18	2SC615M	GE-18	2SC629F	GE-81		
2SC580K	GE-32	2SC590E	GE-18	2SC604	GE-11	2SC610L	GE-18	2SC615OR	GE-18	2SC629G	GE-61		
2SC580L	GE-32	2SC590F	GE-18	2SC605	GE-60	2SC610M	GE-18	2SC615R	GE-18	2SC629GN	GE-61		
2SC580M	GE-32	2SC590G	GE-18	2SC605(L)	GE-60	2SC610OR	GE-18	2SC615X	GE-18	2SC629H	GE-61		
2SC580OR	GE-32	2SC590GN	GE-18	2SC605A	GE-81	2SC610R	GE-18	2SC615Y	GE-18	2SC629J	GE-61		
2SC580R	GE-32	2SC590H	GE-18	2SC605B	GE-61	2SC610X	GE-18	2SC619(B)	GE-20	2SC629K	GE-61		
2SC580T	GE-45	2SC590J	GE-18	2SC605C	GE-61	2SC610Y	GE-18	2SC619	GE-210	2SC629L	GE-81		
2SC580X	GE-32	2SC590K	GE-18	2SC605D	GE-81	2SC611	GE-11	2SC619	GE-10	2SC629M	GE-61		
2SC580Y	GE-32	2SC590L	GE-18	2SC605E	GE-61	2SC611A	GE-86	2SC619(C)	GE-20	2SC629OR	GE-61		
2SC581	GE-39	2SC590M	GE-18	2SC605F	GE-81	2SC611B	GE-86	2SC619A	GE-88	2SC629R	GE-61		
2SC582	GE-12	2SC590OR	GE-18	2SC605G	GE-61	2SC611C	GE-86	2SC619B	GE-88	2SC629X	GE-61		
2SC582A	GE-12	2SC590X	GE-18	2SC605GN	GE-11	2SC611D	GE-86	2SC619C	GE-88	2SC629Y	GE-61		
2SC582B	GE-12	2SC590Y	GE-18	2SC605H	GE-61	2SC611E	GE-86	2SC619D	GE-88	2SC631	GE-212		
2SC582	GE-12	2SC591	GE-66	2SC605J	GE-61	2SC611F	GE-86	2SC619E	GE-88	2SC631A	GE-210		
2SC582	GE-12	2SC591A	GE-32	2SC605K	GE-61	2SC611G	GE-86	2SC619F	GE-88	2SC631B	GE-47		
2SC582C	GE-12	2SC591B	GE-32	2SC605	GE-211	2SC611GN	GE-86	2SC619G	GE-88	2SC631C	GE-47		
2SC582D	GE-12	2SC591C	GE-32	2SC605L	GE-61	2SC611H	GE-86	2SC619GN	GE-88	2SC631D	GE-47		
2SC582E	GE-12	2SC591D	GE-32	2SC605M	GE-61	2SC611J	GE-86	2SC619H	GE-88	2SC631E	GE-47		
2SC582EA	GE-12	2SC591E	GE-32	2SC605OR	GE-61	2SC611K	GE-86	2SC619J	GE-88	2SC631F	GE-47		
2SC582F	GE-12	2SC591F	GE-32	2SC605R	GE-61	2SC611L	GE-86	2SC619K	GE-88	2SC631G	GE-47		
2SC582G	GE-12	2SC591G	GE-32	2SC605TW	GE-86	2SC611M	GE-86	2SC619L	GE-88	2SC631GN	GE-47		
2SC582GN	GE-12	2SC591GN	GE-32	2SC605X	GE-81	2SC611OR	GE-86	2SC619M	GE-88	2SC632	GE-47		
2SC582H	GE-12	2SC591H	GE-32	2SC605Y	GE-61	2SC611R	GE-86	2SC619OR	GE-88	2SC631J	GE-47		
2SC582J	GE-12	2SC591J	GE-32	2SC606(VHF)	GE-11	2SC611X	GE-86	2SC619R	GE-88	2SC631K	GE-47		
2SC582K	GE-12	2SC591K	GE-32	2SC606	GE-60	2SC611Y	GE-86	2SC619X	GE-88	2SC631L	GE-47		
2SC582L	GE-12	2SC591L	GE-32	2SC606A	GE-61	2SC612	GE-39	2SC619Y	GE-88	2SC631M	GE-47		
2SC582M	GE-12	2SC591M	GE-32	2SC606B	GE-61	2SC612A	GE-86	2SC620(D)	GE-20	2SC631OR	GE-47		
2SC582OR	GE-12	2SC591OR	GE-32	2SC606C	GE-61	2SC612B	GE-86	2SC620	GE-210	2SC631R	GE-47		
2SC582R	GE-12	2SC591R	GE-32	2SC606D	GE-61	2SC612C	GE-86	2SC620A	GE-88	2SC631X	GE-47		
2SC582X	GE-12	2SC591X	GE-32	2SC606E	GE-61	2SC612D	GE-86	2SC620B	GE-88	2SC631Y	GE-47		
2SC582Y	GE-12	2SC591Y	GE-32	2SC606F	GE-61	2SC612E	GE-86	2SC620C	GE-20	2SC632	GE-212		
2SC583	GE-39	2SC592	GE-28	2SC606G	GE-61	2SC612F	GE-86	2SC620D	GE-20	2SC632(1)	GE-210		
2SC585	GE-66	2SC593	GE-61	2SC606GN	GE-61	2SC612G	GE-86	2SC620DE	GE-18	2SC632A	GE-210		
2SC586	GE-73	2SC594	GE-47	2SC606H	GE-61	2SC612GN	GE-86	2SC620E	GE-88	2SC632B	GE-47		
2SC587	GE-212	2SC594A	GE-18	2SC606J	GE-61	2SC612H	GE-86	2SC620F	GE-88	2SC632C	GE-47		
2SC587A	GE-212	2SC594B	GE-18	2SC606K	GE-61	2SC612J	GE-86	2SC620G	GE-88	2SC632D	GE-47		
2SC587B	GE-88	2SC594C	GE-18	2SC606L	GE-61	2SC612K	GE-86	2SC620GN	GE-88	2SC632E	GE-47		
2SC587C	GE-88	2SC594D	GE-18	2SC606M	GE-61	2SC612L	GE-86	2SC620H	GE-88	2SC632F	GE-47		
2SC587D	GE-88	2SC594E	GE-18	2SC606OR	GE-61	2SC612M	GE-86	2SC620J	GE-88	2SC632G	GE-47		
2SC587E	GE-88	2SC594F	GE-18	2SC606R	GE-61	2SC612OR	GE-86	2SC620K	GE-88	2SC632GN	GE-47		
2SC587F	GE-88	2SC594G	GE-18	2SC606X	GE-61	2SC612R	GE-86	2SC620L	GE-88	2SC632H	GE-47		
2SC587G	GE-88	2SC594GN	GE-18	2SC606Y	GE-61	2SC612X	GE-86	2SC620M	GE-88	2SC632I	GE-47		
2SC587GN	GE-88	2SC594H	GE-18	2SC608	GE-18	2SC612Y	GE-86	2SC620OR	GE-88	2SC632K	GE-47		
2SC587H	GE-88	2SC594J	GE-18	2SC608A	GE-18	2SC613	GE-63	2SC620R	GE-88	2SC632L	GE-47		
2SC587J	GE-88	2SC594K	GE-18	2SC608AA	GE-18	2SC613A	GE-86	2SC620X	GE-88	2SC632M	GE-47		
2SC587K	GE-88	2SC594L	GE-18	2SC608B	GE-18	2SC613B	GE-86	2SC620Y	GE-88	2SC632OR	GE-47		
2SC587L	GE-88	2SC594M	GE-18	2SC608C	GE-18	2SC613C	GE-86	2SC621	GE-10	2SC632R	GE-47		
2SC587M	GE-88	2SC594OR	GE-18	2SC608D	GE-18	2SC613D	GE-86	2SC621A	GE-88	2SC632X	GE-47		
2SC587OR	GE-88	2SC594R	GE-18	2SC608E	GE-20	2SC613E	GE-86	2SC621B	GE-88	2SC632Y	GE-47		
2SC587R	GE-88	2SC594X	GE-18	2SC608F	GE-88	2SC613F	GE-86	2SC621C	GE-88	2SC633	GE-212		
2SC587X	GE-88	2SC594Y	GE-18	2SC608G	GE-18	2SC613G	GE-86	2SC621D	GE-88	2SC633-7	GE-20		
2SC587Y	GE-88	2SC595	GE-210	2SC608GN	GE-18	2SC613GN	GE-86	2SC621E	GE-88	2SC633A	GE-210		
2SC588	GE-47	2SC595A	GE-88	2SC608H	GE-18	2SC613H	GE-86	2SC621F	GE-88	2SC633B	GE-47		
2SC588A	GE-88	2SC595B	GE-88	2SC608J	GE-18	2SC613J	GE-86	2SC621G	GE-88	2SC633C	GE-47		
2SC588B	GE-88	2SC595C	GE-88	2SC608K	GE-18	2SC613K	GE-86	2SC621GN	GE-88	2SC633D	GE-47		
2SC588C	GE-88	2SC595D	GE-88	2SC608L	GE-18	2SC613L	GE-86	2SC621H	GE-88	2SC633E	GE-47		
2SC588D	GE-88	2SC595E	GE-88	2SC608M	GE-18	2SC613M	GE-86	2SC621J	GE-88	2SC633F	GE-47		
2SC588E	GE-88	2SC595F	GE-88	2SC608OR	GE-18	2SC613OR	GE-86	2SC621K	GE-88	2SC633G	GE-47		
2SC588F	GE-88	2SC595G	GE-88	2SC608R	GE-18	2SC613R	GE-86	2SC621L	GE-88	2SC633GN	GE-47		
2SC588G	GE-88	2SC595GN	GE-88	2SC608T	GE-18	2SC613X	GE-86	2SC621M	GE-88	2SC633H	GE-47		
2SC588GN	GE-88	2SC595H	GE-88	2SC608X	GE-18	2SC613Y	GE-86	2SC621OR	GE-88	2SC633J	GE-47		
2SC588H	GE-88	2SC595J	GE-88	2SC608Y	GE-18	2SC614	GE-20	2SC621R	GE-88	2SC633K	GE-47		
2SC588J	GE-88	2SC595K	GE-88	2SC609	GE-45	2SC614A	GE-18	2SC621X	GE-88	2SC633L	GE-47		
2SC588K	GE-88	2SC595L	GE-88	2SC609A	GE-18	2SC614B	GE-18	2SC621Y	GE-88	2SC633M	GE-47		
2SC588L	GE-88	2SC595M	GE-88	2SC609B	GE-18	2SC614C	GE-18	2SC622	GE-10	2SC633OR	GE-47		
2SC588M	GE-88	2SC595OR	GE-88	2SC609C	GE-18	2SC614D	GE-18	2SC622A	GE-88	2SC633R	GE-47		
2SC588OR	GE-88	2SC595R	GE-88	2SC609D	GE-18	2SC614E	GE-18	2SC622B	GE-88	2SC633X	GE-47		
2SC588R	GE-88	2SC595X	GE-88	2SC609E	GE-18	2SC614F	GE-18	2SC622C	GE-88	2SC633Y	GE-47		
2SC588X	GE-88	2SC595Y	GE-88	2SC609F	GE-22	2SC614G	GE-18	2SC622D	GE-88	2SC634	GE-212		
2SC588Y	GE-88	2SC596	GE-47	2SC609G	GE-18	2SC614GN	GE-18	2SC622E	GE-88	2SC634(2)	GE-210		
2SC589	GE-27	2SC596A	GE-88	2SC609GN	GE-18	2SC614H	GE-18	2SC622F	GE-88	2SC634A	GE-210		
2SC589A	GE-32	2SC596B	GE-88	2SC609H	GE-18	2SC614J	GE-18	2SC622G	GE-88	2SC634AK	GE-47		
2SC589B	GE-32	2SC596C	GE-88	2SC609J	GE-18	2SC614K	GE-18	2SC622GN	GE-88	2SC634AL	GE-47		
2SC589C	GE-32	2SC596D	GE-88	2SC609K	GE-18	2SC614L	GE-18	2SC622H	GE-88	2SC634AXL	GE-47		
2SC589D	GE-32	2SC596E	GE-88	2SC609L	GE-18	2SC614M	GE-18	2SC622J	GE-88	2SC634B	GE-47		
2SC589E	GE-32	2SC596F	GE-88	2SC609M	GE-18	2SC614OR	GE-18	2SC622K	GE-88	2SC634C	GE-47		
2SC589F	GE-32	2SC596G	GE-88	2SC609OR	GE-18	2SC614R	GE-18	2SC622L	GE-88	2SC634D	GE-47		
2SC589G	GE-32	2SC596GN	GE-88	2SC609R	GE-18	2SC614X	GE-18	2SC622M	GE-88	2SC634E	GE-47		
2SC589GN	GE-32	2SC596H	GE-88	2SC609T	GE-18	2SC614Y	GE-18	2SC622OR	GE-88	2SC634F	GE-47		
2SC589H	GE-32	2SC596J	GE-88	2SC609X	GE-18	2SC615	GE-18	2SC622R	GE-88	2SC634G	GE-47		
2SC589J	GE-32	2SC596K	GE-88	2SC609Y	GE-17	2SC615A	GE-18	2SC622X	GE-88	2SC634GN	GE-47		
2SC589K	GE-32	2SC596L	GE-88	2SC610	GE-18	2SC615B	GE-18	2SC622Y	GE-88	2SC634H	GE-47		

UNIVERSAL REPLACEMENT SEMICONDUCTORS

2SC634J - 2SC693A

JEDEC Or Part Nr	GE Replacement	JEDEC Or Part Nr	GE Replacement	JEDEC Or Part Nr	GE Replacement	JEDEC Or Part Nr	GE Replacement	JEDEC Or Part Nr	GE Replacement	JEDEC Or Part Nr	GE Replacement	JEDEC Or Part Nr	GE Replacement
2SC634J	GE-47	2SC644OR	GE-47	2SC654G	GE-88	2SC659H	GE-86	2SC674(G)	GE-20	2SC685C	GE-12		
2SC634K	GE-47	2SC644PJ	GE-47	2SC654GN	GE-88	2SC659J	GE-86	2SC674(D)	GE-20	2SC685D	GE-12		
2SC634L	GE-47	2SC644Q	GE-17	2SC654H	GE-88	2SC659K	GE-86	2SC674E	GE-211	2SC685E	GE-12		
2SC634M	GE-47	2SC644R	GE-18	2SC654J	GE-88	2SC659L	GE-86	2SC674F	GE-211	2SC685F	GE-12		
2SC634OR	GE-47	2SC644S	GE-18	2SC654K	GE-88	2SC659M	GE-86	2SC674G	GE-20	2SC685G	GE-12		
2SC634R	GE-47	2SC644T	GE-18	2SC654L	GE-88	2SC659OR	GE-86	2SC674H	GE-20	2SC685GN	GE-12		
2SC634X	GE-47	2SC644X	GE-47	2SC654M	GE-88	2SC659R	GE-86	2SC674I	GE-11	2SC685H	GE-12		
2SC634Y	GE-47	2SC644Y	GE-47	2SC654OR	GE-88	2SC659S	GE-86	2SC674J	GE-11	2SC685J	GE-12		
2SC635	GE-28	2SC645	GE-39	2SC654R	GE-88	2SC659Y	GE-86	2SC674K	GE-300	2SC685K	GE-12		
2SC636	GE-66	2SC645A	GE-20	2SC654X	GE-88	2SC662	GE-86	2SC677	GE-22	2SC685L	GE-12		
2SC637	GE-28	2SC645B	GE-20	2SC654Y	GE-88	2SC662A	GE-61	2SC680	GE-12	2SC685M	GE-12		
2SC638	GE-66	2SC645B-1	GE-61	2SC655	GE-212	2SC662B	GE-86	2SC680(A)	GE-12	2SC685OR	GE-12		
2SC638C	GE-61	2SC645C	GE-11	2SC655A	GE-88	2SC662C	GE-86	2SC680A	GE-66	2SC685P	GE-12		
2SC640	GE-212	2SC645D	GE-61	2SC655B	GE-88	2SC662D	GE-86	2SC680B	GE-66	2SC685R	GE-12		
2SC640A	GE-88	2SC645E	GE-61	2SC655C	GE-88	2SC662E	GE-86	2SC680C	GE-66	2SC685S	GE-12		
2SC640B	GE-88	2SC645F	GE-61	2SC655D	GE-88	2SC662F	GE-86	2SC680G	GE-66	2SC685Y	GE-12		
2SC640C	GE-88	2SC645G	GE-61	2SC655E	GE-88	2SC662G	GE-86	2SC680GN	GE-66	2SC686	GE-40		
2SC640D	GE-88	2SC645GN	GE-61	2SC655F	GE-88	2SC662GN	GE-86	2SC680H	GE-66	2SC686A	GE-32		
2SC640E	GE-88	2SC645GR	GE-61	2SC655G	GE-88	2SC662H	GE-86	2SC680J	GE-66	2SC686B	GE-32		
2SC640F	GE-88	2SC645H	GE-61	2SC655GN	GE-88	2SC662J	GE-86	2SC680K	GE-66	2SC686C	GE-32		
2SC640G	GE-88	2SC645J	GE-61	2SC655H	GE-88	2SC662K	GE-86	2SC680L	GE-66	2SC686D	GE-32		
2SC640GN	GE-88	2SC645K	GE-61	2SC655J	GE-88	2SC662L	GE-86	2SC680M	GE-66	2SC686E	GE-32		
2SC640J	GE-88	2SC645L	GE-61	2SC655K	GE-88	2SC662M	GE-86	2SC680N	GE-66	2SC686F	GE-32		
2SC640K	GE-88	2SC645M	GE-61	2SC655L	GE-88	2SC662OR	GE-86	2SC681(B)	GE-36	2SC686G	GE-32		
2SC640L	GE-88	2SC645N	GE-61	2SC655M	GE-88	2SC662R	GE-86	2SC681(A)	GE-36	2SC686GN	GE-32		
2SC640M	GE-88	2SC645OR	GE-61	2SC655OR	GE-88	2SC662X	GE-86	2SC682	GE-60	2SC686H	GE-32		
2SC640R	GE-88	2SC645R	GE-61	2SC655R	GE-88	2SC662Y	GE-86	2SC682	GE-39	2SC686J	GE-32		
2SC640X	GE-88	2SC645X	GE-61	2SC655X	GE-88	2SC663	GE-214	2SC682	GE-86	2SC686K	GE-32		
2SC641	GE-210	2SC645Y	GE-61	2SC655Y	GE-88	2SC663A	GE-211	2SC682A	GE-39	2SC686L	GE-32		
2SC641A	GE-86	2SC646	GE-66	2SC656	GE-214	2SC663B	GE-211	2SC682B	GE-61	2SC686M	GE-32		
2SC641B	GE-20	2SC647	GE-73	2SC656A	GE-86	2SC663C	GE-211	2SC682C	GE-61	2SC686OR	GE-32		
2SC641C	GE-86	2SC648	GE-86	2SC656B	GE-86	2SC663D	GE-211	2SC682D	GE-61	2SC686R	GE-32		
2SC641D	GE-86	2SC648A	GE-86	2SC656C	GE-86	2SC663E	GE-211	2SC682E	GE-61	2SC686X	GE-32		
2SC641E	GE-86	2SC648B	GE-86	2SC656D	GE-86	2SC663F	GE-211	2SC682F	GE-61	2SC686Y	GE-32		
2SC641F	GE-86	2SC648C	GE-86	2SC656E	GE-86	2SC663G	GE-211	2SC682G	GE-61	2SC687	GE-73		
2SC641G	GE-86	2SC648D	GE-86	2SC656F	GE-86	2SC663GN	GE-211	2SC682GN	GE-61	2SC687A	GE-35		
2SC641GN	GE-86	2SC648E	GE-86	2SC656G	GE-86	2SC663H	GE-211	2SC682H	GE-61	2SC687B	GE-35		
2SC641H	GE-210	2SC648F	GE-86	2SC656GN	GE-86	2SC663J	GE-211	2SC682J	GE-61	2SC687C	GE-35		
2SC641J	GE-86	2SC648G	GE-86	2SC656H	GE-86	2SC663K	GE-211	2SC682K	GE-61	2SC687D	GE-35		
2SC641K	GE-22	2SC648H	GE-39	2SC656J	GE-86	2SC663L	GE-211	2SC682L	GE-61	2SC687E	GE-35		
2SC641L	GE-86	2SC648J	GE-86	2SC656K	GE-86	2SC663M	GE-211	2SC682M	GE-61	2SC687F	GE-35		
2SC641M	GE-86	2SC648K	GE-86	2SC656L	GE-86	2SC663OR	GE-211	2SC682OR	GE-61	2SC687G	GE-35		
2SC641OR	GE-86	2SC648L	GE-86	2SC656M	GE-86	2SC663R	GE-211	2SC682R	GE-61	2SC687GN	GE-35		
2SC641R	GE-86	2SC648M	GE-86	2SC656OR	GE-86	2SC663X	GE-211	2SC682X	GE-61	2SC687H	GE-35		
2SC641X	GE-86	2SC648OR	GE-86	2SC656R	GE-86	2SC663Y	GE-211	2SC682Y	GE-61	2SC687J	GE-35		
2SC641Y	GE-86	2SC648R	GE-86	2SC656X	GE-86	2SC664	GE-14	2SC683	GE-86	2SC687K	GE-35		
2SC642A	GE-37	2SC648X	GE-86	2SC656Y	GE-86	2SC664A	GE-14	2SC683(B)	GE-11	2SC687L	GE-35		
2SC643A	GE-38	2SC649	GE-86	2SC657	GE-39	2SC664A	GE-75	2SC683A	GE-11	2SC687M	GE-35		
2SC643B	GE-38	2SC649A	GE-60	2SC657A	GE-61	2SC664B	GE-75	2SC683B	GE-39	2SC687OR	GE-35		
2SC643C	GE-38	2SC649A	GE-86	2SC657B	GE-61	2SC664C	GE-75	2SC683C	GE-61	2SC687R	GE-35		
2SC643D	GE-38	2SC649B	GE-86	2SC657C	GE-61	2SC664D	GE-75	2SC683D	GE-61	2SC687X	GE-35		
2SC643E	GE-38	2SC649C	GE-86	2SC657D	GE-61	2SC664E	GE-75	2SC683E	GE-61	2SC687Y	GE-35		
2SC643F	GE-38	2SC649D	GE-86	2SC657E	GE-61	2SC664F	GE-75	2SC683F	GE-61	2SC688	GE-66		
2SC643G	GE-38	2SC649E	GE-86	2SC657F	GE-61	2SC664G	GE-75	2SC683G	GE-61	2SC688A	GE-61		
2SC643GN	GE-38	2SC649F	GE-86	2SC657G	GE-61	2SC664OR	GE-75	2SC683GN	GE-61	2SC688B	GE-61		
2SC643H	GE-38	2SC649G	GE-86	2SC657GN	GE-61	2SC664R	GE-75	2SC683H	GE-61	2SC688C	GE-61		
2SC643J	GE-38	2SC649GN	GE-86	2SC657H	GE-61	2SC664Y	GE-75	2SC683J	GE-61	2SC688D	GE-61		
2SC643K	GE-38	2SC649H	GE-86	2SC657J	GE-61	2SC667	GE-39	2SC683K	GE-61	2SC688E	GE-61		
2SC643L	GE-38	2SC649J	GE-86	2SC657K	GE-61	2SC668	GE-39	2SC683L	GE-61	2SC688F	GE-61		
2SC643M	GE-38	2SC649K	GE-86	2SC657L	GE-61	2SC668	GE-60	2SC683M	GE-61	2SC688G	GE-61		
2SC643OR	GE-38	2SC649L	GE-86	2SC657M	GE-61	2SC668A	GE-20	2SC683OR	GE-61	2SC688GN	GE-61		
2SC643R	GE-38	2SC649M	GE-86	2SC657OR	GE-61	2SC668B	GE-11	2SC683R	GE-61	2SC688H	GE-61		
2SC643X	GE-38	2SC649OR	GE-86	2SC657R	GE-61	2SC668B1	GE-17	2SC683X	GE-11	2SC688J	GE-61		
2SC643Y	GE-38	2SC649R	GE-86	2SC657X	GE-61	2SC668BC2	GE-17	2SC683Y	GE-61	2SC688K	GE-61		
2SC644	GE-212	2SC649X	GE-86	2SC657Y	GE-61	2SC668C	GE-11	2SC684	GE-61	2SC688L	GE-61		
2SC644	GE-62	2SC649Y	GE-86	2SC658	GE-17	2SC668C1	GE-11	2SC684	GE-86	2SC688M	GE-61		
2SC644	GE-62	2SC650	GE-210	2SC658A	GE-86	2SC668D	GE-11	2SC684	GE-61	2SC688OR	GE-61		
2SC644(R)	GE-10	2SC650A	GE-47	2SC658B	GE-86	2SC668D1	GE-86	2SC684	GE-11	2SC688R	GE-61		
2SC644(R)	GE-63	2SC650B	GE-20	2SC658C	GE-86	2SC668D2	GE-11	2SC684A	GE-86	2SC688X	GE-61		
2SC644(H)	GE-10	2SC650C	GE-47	2SC658D	GE-86	2SC668DV	GE-61	2SC684B	GE-86	2SC688Y	GE-61		
2SC644(R)	GE-10	2SC650D	GE-47	2SC658E	GE-86	2SC668DX	GE-61	2SC684BK	GE-86	2SC689	GE-88		
2SC644(S)	GE-62	2SC650E	GE-47	2SC658F	GE-86	2SC668E	GE-11	2SC684C	GE-86	2SC689A	GE-88		
2SC644(R,S)	GE-10	2SC650F	GE-47	2SC658G	GE-86	2SC668E1	GE-11	2SC684D	GE-86	2SC689B	GE-88		
2SC644A	GE-47	2SC650G	GE-47	2SC658GN	GE-86	2SC668E2	GE-11	2SC684E	GE-86	2SC689C	GE-88		
2SC644B	GE-47	2SC650GN	GE-47	2SC658H	GE-86	2SC668EP	GE-86	2SC684F	GE-86	2SC689D	GE-88		
2SC644C	GE-75	2SC650H	GE-47	2SC658J	GE-86	2SC668EV	GE-60	2SC684G	GE-86	2SC689E	GE-88		
2SC644D	GE-47	2SC650J	GE-47	2SC658K	GE-86	2SC668F	GE-11	2SC684GN	GE-86	2SC689G	GE-88		
2SC644E	GE-47	2SC650K	GE-47	2SC658L	GE-86	2SC668G	GE-86	2SC684H	GE-86	2SC689GN	GE-88		
2SC644F	GE-47	2SC650L	GE-47	2SC658M	GE-86	2SC668GN	GE-61	2SC684J	GE-86	2SC689H	GE-61		
2SC644	GE-47	2SC650M	GE-47	2SC658OR	GE-86	2SC668H	GE-61	2SC684K	GE-86	2SC689J	GE-88		
2SC644FHS	GE-18	2SC650	GE-47	2SC658R	GE-86	2SC668K	GE-61	2SC684L	GE-86	2SC689K	GE-88		
2SC644FS	GE-62	2SC650R	GE-47	2SC658X	GE-86	2SC668L	GE-61	2SC684M	GE-86	2SC689L	GE-88		
2SC644G	GE-47	2SC650X	GE-47	2SC658Y	GE-86	2SC668M	GE-61	2SC684OR	GE-86	2SC689M	GE-88		
2SC644GN	GE-47	2SC650Y	GE-47	2SC659	GE-20	2SC668OR	GE-61	2SC684R	GE-86	2SC689OR	GE-88		
2SC644H	GE-62	2SC653	GE-11	2SC659A	GE-86	2SC668R	GE-61	2SC684X	GE-86	2SC689R	GE-88		
2SC644H	GE-10	2SC654	GE-18	2SC659B	GE-86	2SC668X	GE-61	2SC684Y	GE-86	2SC689X	GE-88		
2SC644H	GE-62	2SC654A	GE-88	2SC659C	GE-86	2SC668Y	GE-61	2SC685	GE-27	2SC689Y	GE-88		
2SC644H(S)	GE-10	2SC654B	GE-88	2SC659D	GE-86	2SC668Z(B)	GE-21	2SC685-0	GE-12	2SC690	GE-66		
2SC644J	GE-47	2SC654C	GE-88	2SC659E	GE-86	2SC673B	GE-89	2SC685A	GE-12	2SC691	GE-28		
2SC644K	GE-47	2SC654D	GE-88	2SC659F	GE-86	2SC674	GE-39	2SC685AL	GE-12	2SC692	GE-28		
2SC644L	GE-47	2SC654E	GE-88	2SC659G	GE-86	2SC674(F)	GE-20	2SC685B	GE-12	2SC693	GE-210		
2SC644M	GE-47	2SC654F	GE-88	2SC659GN	GE-86	2SC674(F)	GE-20	2SC685BK	GE-12	2SC693A	GE-47		

UNIVERSAL REPLACEMENT SEMICONDUCTORS

2SC693B - 2SC740K

JEDEC Or Part Nr	GE Replacement	JEDEC Or Part Nr	GE Replacement	JEDEC Or Part Nr	GE Replacement	JEDEC Or Part Nr	GE Replacement	JEDEC Or Part Nr	GE Replacement	JEDEC Or Part Nr	GE Replacement	JEDEC Or Part Nr	GE Replacement
2SC693B	GE-47	2SC701J	GE-47	2SC709F	GE-88	2SC713OR	GE-88	2SC728C	GE-32	2SC734Y	GE-212		
2SC693C	GE-47	2SC701K	GE-47	2SC709G	GE-88	2SC713R	GE-88	2SC728D	GE-32	2SC734-YEL	GE-212		
2SC693D	GE-47	2SC701L	GE-47	2SC709GN	GE-88	2SC713X	GE-88	2SC728E	GE-32	2SC735	GE-20		
2SC693E	GE-20	2SC701M	GE-47	2SC709H	GE-88	2SC713Y	GE-88	2SC728F	GE-32	2SC735-0	GE-47		
2SC693EB	GE-47	2SC701OR	GE-47	2SC709J	GE-88	2SC714	GE-20	2SC728G	GE-32	2SC735A	GE-45		
2SC693F	GE-20	2SC701R	GE-47	2SC709L	GE-88	2SC714A	GE-88	2SC728GN	GE-32	2SC735B	GE-45		
2SC693FU	GE-20	2SC701X	GE-47	2SC709M	GE-88	2SC714B	GE-88	2SC728H	GE-32	2SC735C	GE-45		
2SC693G	GE-20	2SC701Y	GE-47	2SC709OR	GE-88	2SC714C	GE-88	2SC728J	GE-32	2SC735D	GE-45		
2SC693GN	GE-47	2SC702	GE-20	2SC709X	GE-88	2SC714D	GE-88	2SC728K	GE-32	2SC735E	GE-45		
2SC693GS	GE-47	2SC702A	GE-47	2SC709Y	GE-88	2SC714E	GE-88	2SC728L	GE-32	2SC735F	GE-45		
2SC693GU	GE-20	2SC702B	GE-47	2SC710	GE-20	2SC714F	GE-88	2SC728M	GE-32	2SC735G	GE-45		
2SC693GZ	GE-20	2SC702C	GE-47	2SC710(D)	GE-20	2SC714G	GE-88	2SC728OR	GE-32	2SC735GN	GE-45		
2SC693H	GE-47	2SC702D	GE-47	2SC710	GE-60	2SC714GN	GE-88	2SC728R	GE-32	2SC735GR	GE-62		
2SC693J	GE-47	2SC702E	GE-47	2SC710	GE-10	2SC714H	GE-88	2SC728S	GE-32	2SC735-GRN	GE-210		
2SC693K	GE-47	2SC702F	GE-47	2SC710AL	GE-81	2SC714J	GE-88	2SC728Y	GE-32	2SC735H	GE-45		
2SC693L	GE-47	2SC702G	GE-47	2SC710B	GE-88	2SC714K	GE-88	2SC732	GE-64	2SC735J	GE-45		
2SC693M	GE-47	2SC702GN	GE-47	2SC710BC	GE-61	2SC714L	GE-88	2SC732(BL)	GE-20	2SC735K	GE-45		
2SC693OR	GE-47	2SC702H	GE-47	2SC710C	GE-10	2SC714M	GE-88	2SC732A	GE-47	2SC735L	GE-45		
2SC693R	GE-47	2SC702J	GE-47	2SC710D	GE-88	2SC714OR	GE-88	2SC732B	GE-47	2SC735M	GE-45		
2SC693X	GE-47	2SC702K	GE-47	2SC710E	GE-20	2SC714R	GE-88	2SC732BL	GE-47	2SC735O	GE-63		
2SC693Y	GE-47	2SC702L	GE-47	2SC710F	GE-61	2SC714X	GE-88	2SC732BL-1	GE-47	2SC735OR	GE-45		
2SC694	GE-210	2SC702M	GE-47	2SC710G	GE-61	2SC714Y	GE-88	2SC732-BLU	GE-212	2SC735-ORG	GE-210		
2SC694A	GE-47	2SC702	GE-47	2SC710GN	GE-81	2SC715	GE-212	2SC732C	GE-47	2SC735R	GE-63		
2SC694B	GE-47	2SC702R	GE-47	2SC710H	GE-81	2SC715A	GE-47	2SC732D	GE-47	2SC735-RED	GE-210		
2SC694C	GE-47	2SC702X	GE-47	2SC710K	GE-61	2SC715B	GE-88	2SC732E	GE-47	2SC735X	GE-45		
2SC694D	GE-47	2SC702Y	GE-47	2SC710L	GE-81	2SC715C	GE-211	2SC732F	GE-47	2SC735Y	GE-10		
2SC694E	GE-20	2SC703	GE-66	2SC710M	GE-61	2SC715D	GE-211	2SC732G	GE-47	2SC735-YEL	GE-210		
2SC694F	GE-20	2SC704	GE-66	2SC710	GE-81	2SC715E	GE-20	2SC732GN	GE-47	2SC736	GE-14		
2SC694G	GE-88	2SC705	GE-39	2SC710	GE-61	2SC715EJ	GE-47	2SC732GR	GE-20	2SC736A	GE-75		
2SC694GN	GE-47	2SC705	GE-17	2SC710X	GE-81	2SC715EV	GE-45	2SC732-GRN	GE-212	2SC736B	GE-75		
2SC694H	GE-47	2SC705A	GE-86	2SC710XL	GE-61	2SC715F	GE-20	2SC732H	GE-88	2SC736C	GE-75		
2SC694J	GE-47	2SC705B	GE-86	2SC710Y	GE-81	2SC715G	GE-47	2SC732J	GE-47	2SC736D	GE-75		
2SC694K	GE-47	2SC705C	GE-17	2SC711(E)	GE-62	2SC715GN	GE-47	2SC732K	GE-47	2SC736E	GE-75		
2SC694L	GE-47	2SC705D	GE-17	2SC711	GE-212	2SC715H	GE-47	2SC732M	GE-47	2SC736F	GE-75		
2SC694M	GE-47	2SC705E	GE-17	2SC711	GE-18	2SC715J	GE-47	2SC732OR	GE-47	2SC736G	GE-75		
2SC694OR	GE-47	2SC705F	GE-86	2SC711	GE-62	2SC715K	GE-47	2SC732R	GE-47	2SC736GN	GE-75		
2SC694R	GE-47	2SC705G	GE-86	2SC711(F)	GE-18	2SC715L	GE-47	2SC732S	GE-47	2SC736H	GE-75		
2SC694X	GE-47	2SC705GN	GE-86	2SC711(E)	GE-18	2SC715M	GE-47	2SC732-V10	GE-20	2SC736I	GE-75		
2SC694Y	GE-47	2SC705J	GE-86	2SC711A	GE-212	2SC715OR	GE-47	2SC732-VIO	GE-64	2SC736K	GE-75		
2SC694Z	GE-86	2SC705K	GE-86	2SC711A(E)	GE-82	2SC715R	GE-47	2SC732X	GE-47	2SC736L	GE-75		
2SC695	GE-39	2SC705L	GE-86	2SC711AN	GE-61	2SC715X	GE-47	2SC732Y	GE-20	2SC736M	GE-75		
2SC696	GE-32	2SC705M	GE-86	2SC711B	GE-61	2SC715XL	GE-47	2SC733	GE-212	2SC736OR	GE-75		
2SC696-4	GE-45	2SC705OR	GE-86	2SC711C	GE-61	2SC715Y	GE-47	2SC733	GE-20	2SC736R	GE-61		
2SC696A	GE-32	2SC705R	GE-86	2SC711D	GE-21	2SC716	GE-212	2SC733A	GE-88	2SC736X	GE-75		
2SC696B	GE-18	2SC705TVV	GE-11	2SC711E	GE-18	2SC716A	GE-86	2SC733B	GE-88	2SC736Y	GE-75		
2SC696BL	GE-18	2SC705TW	GE-11	2SC711F	GE-20	2SC716B	GE-86	2SC733BL	GE-47	2SC737	GE-66		
2SC696C	GE-18	2SC705X	GE-86	2SC711G	GE-62	2SC716C	GE-86	2SC733BLK	GE-47	2SC738	GE-214		
2SC696D	GE-18	2SC705Y	GE-86	2SC711GN	GE-61	2SC716D	GE-86	2SC733-BLU	GE-212	2SC738A	GE-61		
2SC696E	GE-18	2SC707	GE-214	2SC711H	GE-61	2SC716E	GE-17	2SC733C	GE-88	2SC738B	GE-61		
2SC696F	GE-18	2SC707A	GE-86	2SC711J	GE-81	2SC716F	GE-86	2SC733D	GE-88	2SC738C	GE-86		
2SC696G	GE-45	2SC707B	GE-86	2SC711L	GE-61	2SC716G	GE-86	2SC733E	GE-88	2SC738D	GE-61		
2SC696GN	GE-45	2SC707C	GE-86	2SC711M	GE-61	2SC716GN	GE-86	2SC733F	GE-88	2SC738E	GE-61		
2SC696H	GE-18	2SC707D	GE-86	2SC711OR	GE-61	2SC716H	GE-86	2SC733G	GE-88	2SC738F	GE-61		
2SC696I	GE-18	2SC707E	GE-86	2SC711R	GE-61	2SC716J	GE-86	2SC733GN	GE-88	2SC738G	GE-61		
2SC696J	GE-45	2SC707F	GE-86	2SC711X	GE-81	2SC716K	GE-86	2SC733GR	GE-20	2SC738GN	GE-61		
2SC696K	GE-45	2SC707G	GE-86	2SC711Y	GE-61	2SC716L	GE-86	2SC733-GRN	GE-212	2SC738H	GE-61		
2SC696L	GE-45	2SC707GN	GE-86	2SC712	GE-212	2SC716M	GE-86	2SC733H	GE-88	2SC738I	GE-61		
2SC696M	GE-20	2SC707H	GE-214	2SC712(D)	GE-20	2SC716OR	GE-86	2SC733J	GE-88	2SC738J	GE-61		
2SC696OR	GE-45	2SC707K	GE-86	2SC712A	GE-17	2SC716R	GE-86	2SC733K	GE-88	2SC738L	GE-61		
2SC696R	GE-18	2SC707L	GE-86	2SC712B	GE-47	2SC716X	GE-86	2SC733L	GE-88	2SC738M	GE-61		
2SC696X	GE-45	2SC707M	GE-86	2SC712C	GE-47	2SC716Y	GE-86	2SC733M	GE-88	2SC738OR	GE-61		
2SC696Y	GE-45	2SC707OR	GE-86	2SC712CD	GE-63	2SC717	GE-86	2SC733OR	GE-88	2SC738R	GE-61		
2SC697	GE-28	2SC707R	GE-86	2SC712D	GE-18	2SC717B	GE-86	2SC733-ORG	GE-212	2SC738X	GE-61		
2SC697A	GE-46	2SC707X	GE-86	2SC712DC	GE-63	2SC717F	GE-86	2SC733R	GE-88	2SC738Y	GE-61		
2SC697B	GE-46	2SC707Y	GE-86	2SC712E	GE-47	2SC717L	GE-86	2SC733S-BL	GE-88	2SC739	GE-214		
2SC697C	GE-46	2SC708(C)	GE-18	2SC712F	GE-47	2SC717G	GE-86	2SC733X	GE-88	2SC739A	GE-61		
2SC697D	GE-46	2SC708	GE-47	2SC712G	GE-47	2SC717GN	GE-86	2SC733Y	GE-20	2SC739B	GE-61		
2SC697E	GE-46	2SC708A	GE-18	2SC712GN	GE-47	2SC717H	GE-86	2SC733-YEL	GE-212	2SC739C	GE-61		
2SC697F	GE-46	2SC708AB	GE-18	2SC712H	GE-47	2SC717K	GE-86	2SC734	GE-212	2SC739D	GE-61		
2SC697G	GE-46	2SC708AC	GE-18	2SC712J	GE-47	2SC717L	GE-86	2SC734(R)	GE-18	2SC739E	GE-61		
2SC697GN	GE-46	2SC708B	GE-18	2SC712K	GE-47	2SC717M	GE-86	2SC734-0	GE-212	2SC739F	GE-61		
2SC697H	GE-46	2SC708C	GE-18	2SC712L	GE-47	2SC717X	GE-86	2SC734A	GE-212	2SC739G	GE-61		
2SC697J	GE-46	2SC708D	GE-18	2SC712M	GE-47	2SC717Y	GE-27	2SC734B	GE-212	2SC739H	GE-61		
2SC697K	GE-46	2SC708E	GE-18	2SC712OR	GE-47	2SC727A	GE-18	2SC734C	GE-212	2SC739I	GE-61		
2SC697L	GE-46	2SC708F	GE-18	2SC712R	GE-47	2SC727B	GE-18	2SC734D	GE-212	2SC739K	GE-61		
2SC697M	GE-46	2SC708G	GE-18	2SC712W	GE-88	2SC727C	GE-18	2SC734E	GE-212	2SC739L	GE-61		
2SC697OR	GE-46	2SC708GN	GE-18	2SC712X	GE-47	2SC727D	GE-18	2SC734F	GE-212	2SC739M	GE-61		
2SC697R	GE-46	2SC708H	GE-18	2SC712Y	GE-47	2SC727E	GE-18	2SC734G	GE-212	2SC739OR	GE-61		
2SC697X	GE-46	2SC708L	GE-18	2SC713	GE-212	2SC727F	GE-18	2SC734GN	GE-212	2SC739R	GE-61		
2SC697Y	GE-46	2SC708M	GE-18	2SC713A	GE-88	2SC727G	GE-18	2SC734GR	GE-212	2SC739Y	GE-61		
2SC699	GE-63	2SC708OR	GE-18	2SC713B	GE-88	2SC727GN	GE-18	2SC734-GRN	GE-212	2SC740	GE-214		
2SC700	GE-63	2SC708R	GE-18	2SC713C	GE-88	2SC727H	GE-18	2SC734H	GE-212	2SC740A	GE-86		
2SC701	GE-20	2SC708X	GE-18	2SC713D	GE-88	2SC727J	GE-18	2SC734J	GE-212	2SC740B	GE-86		
2SC701A	GE-47	2SC708Y	GE-18	2SC713E	GE-88	2SC727K	GE-18	2SC734K	GE-212	2SC740C	GE-86		
2SC701B	GE-47	2SC709	GE-20	2SC713F	GE-88	2SC727L	GE-18	2SC734K/GR	GE-212	2SC740D	GE-86		
2SC701C	GE-47	2SC709(C)	GE-20	2SC713G	GE-88	2SC727M	GE-18	2SC734L	GE-212	2SC740E	GE-86		
2SC701D	GE-47	2SC709A	GE-88	2SC713GN	GE-88	2SC727N	GE-18	2SC734M	GE-212	2SC740F	GE-86		
2SC701E	GE-47	2SC709B	GE-88	2SC713H	GE-88	2SC727X	GE-18	2SC734OR	GE-212	2SC740G	GE-86		
2SC701F	GE-47	2SC709C	GE-81	2SC713J	GE-88	2SC727Y	GE-18	2SC					

UNIVERSAL REPLACEMENT SEMICONDUCTORS

2SC740L - 2SC789X

JEDEC Or Part Nr	GE Replacement	JEDEC Or Part Nr	GE Replacement	JEDEC Or Part Nr	GE Replacement	JEDEC Or Part Nr	GE Replacement	JEDEC Or Part Nr	GE Replacement	JEDEC Or Part Nr	GE Replacement	JEDEC Or Part Nr	GE Replacement
2SC740L	GE-88	2SC756H	GE-18	2SC768GN	GE-75	2SC774E	GE-18	2SC780A	GE-32	2SC785BL	GE-210		
2SC740M	GE-86	2SC756J	GE-18	2SC768H	GE-75	2SC774F	GE-18	2SC780A/G	GE-27	2SC785BR	GE-61		
2SC740	GE-86	2SC756K	GE-18	2SC768J	GE-75	2SC774G	GE-18	2SC780B	GE-32	2SC785-BRN	GE-60		
2SC740	GE-86	2SC756L	GE-18	2SC768K	GE-75	2SC774GN	GE-18	2SC780C	GE-32	2SC785C	GE-210		
2SC740X	GE-86	2SC756M	GE-18	2SC768L	GE-75	2SC774H	GE-18	2SC780D	GE-32	2SC785D	GE-20		
2SC740Y	GE-86	2SC756OR	GE-18	2SC768M	GE-75	2SC774J	GE-18	2SC780E	GE-32	2SC785E	GE-210		
2SC741	GE-88	2SC756R	GE-18	2SC768OR	GE-75	2SC774K	GE-18	2SC780F	GE-32	2SC785F	GE-61		
2SC741B	GE-88	2SC756X	GE-18	2SC768R	GE-75	2SC774L	GE-18	2SC780G	GE-81	2SC785G	GE-61		
2SC741C	GE-88	2SC756Y	GE-18	2SC768X	GE-75	2SC774M	GE-18	2SC780GA	GE-32	2SC785GN	GE-61		
2SC741D	GE-88	2SC758OR	GE-61	2SC768Y	GE-75	2SC774OR	GE-18	2SC780GN	GE-32	2SC785GR	GE-210		
2SC741E	GE-88	2SC781(Y)	GE-39	2SC771	GE-61	2SC774R	GE-18	2SC780H	GE-32	2SC785H	GE-61		
2SC741F	GE-88	2SC781	GE-39	2SC771A	GE-61	2SC774X	GE-18	2SC780J	GE-32	2SC785K	GE-61		
2SC741GN	GE-88	2SC781A	GE-88	2SC771B	GE-61	2SC774Y	GE-18	2SC780K	GE-32	2SC785L	GE-210		
2SC741H	GE-88	2SC781B	GE-88	2SC771BX	GE-61	2SC775	GE-45	2SC780L	GE-32	2SC785M	GE-61		
2SC741J	GE-88	2SC781C	GE-88	2SC771C	GE-61	2SC775	GE-45	2SC780M	GE-32	2SC785-O	GE-61		
2SC741K	GE-88	2SC781D	GE-88	2SC771D	GE-61	2SC775A	GE-45	2SC780	GE-32	2SC785-ORG	GE-60		
2SC741L	GE-88	2SC781E	GE-88	2SC771E	GE-61	2SC775B	GE-45	2SC780-ORG-G	GE-81	2SC785R	GE-61		
2SC741M	GE-88	2SC781F	GE-88	2SC771F	GE-61	2SC775C	GE-45	2SC780R	GE-32	2SC785RA	GE-61		
2SC741OR	GE-88	2SC781G	GE-88	2SC771G	GE-61	2SC775D	GE-45	2SC780-RED-G	GE-81	2SC785-RED	GE-60		
2SC741R	GE-88	2SC781GN	GE-88	2SC771GN	GE-61	2SC775E	GE-45	2SC780X	GE-32	2SC785V	GE-210		
2SC741X	GE-88	2SC781H	GE-88	2SC771H	GE-61	2SC775F	GE-45	2SC780Y	GE-32	2SC785X	GE-61		
2SC741Y	GE-88	2SC781J	GE-88	2SC771J	GE-61	2SC775G	GE-45	2SC780-YEL-G	GE-81	2SC785Y	GE-210		
2SC743A	GE-32	2SC781K	GE-88	2SC771K	GE-61	2SC775GN	GE-45	2SC781	GE-46	2SC785-YEL	GE-39		
2SC744	GE-17	2SC781L	GE-88	2SC771L	GE-61	2SC775H	GE-45	2SC781A	GE-46	2SC786	GE-11		
2SC744A	GE-18	2SC781M	GE-88	2SC771M	GE-61	2SC775J	GE-45			2SC786A	GE-86		
2SC746A	GE-32	2SC781OR	GE-61	2SC771OR	GE-61	2SC775K	GE-45	2SC781AK	GE-46	2SC786B	GE-86		
2SC746B	GE-32	2SC781R	GE-88	2SC771R	GE-61	2SC775L	GE-45	2SC781B	GE-46	2SC786C	GE-86		
2SC746C	GE-32	2SC781X	GE-88	2SC771X	GE-61	2SC775M	GE-45	2SC781C	GE-46	2SC786D	GE-86		
2SC746D	GE-32	2SC781Y	GE-39	2SC771Y	GE-61	2SC775OR	GE-45	2SC781D	GE-46	2SC786E	GE-86		
2SC746E	GE-32	2SC781	GE-88	2SC771Z	GE-39	2SC775R	GE-45	2SC781E	GE-46	2SC786F	GE-86		
2SC746F	GE-32	2SC782	GE-60	2SC772A	GE-61	2SC775X	GE-45	2SC781F	GE-46	2SC786G	GE-86		
2SC746GN	GE-32	2SC782B	GE-61	2SC772B	GE-11	2SC775Y	GE-45	2SC781G	GE-46	2SC786GN	GE-86		
2SC746H	GE-32	2SC782C	GE-61	2SC772BG	GE-61	2SC776	GE-45	2SC781H	GE-46	2SC786H	GE-86		
2SC746J	GE-32	2SC782D	GE-61	2SC772BH	GE-61	2SC776	GE-18	2SC781J	GE-46	2SC786J	GE-86		
2SC746K	GE-32	2SC782E	GE-61	2SC772BX	GE-61	2SC776A	GE-18	2SC781K	GE-46	2SC786K	GE-86		
2SC748L	GE-32	2SC782F	GE-61	2SC772C	GE-11	2SC776B	GE-18	2SC781M	GE-46	2SC786L	GE-86		
2SC748M	GE-32	2SC782G	GE-61	2SC772C1	GE-61	2SC776C	GE-18	2SC781	GE-46	2SC786M	GE-86		
2SC748OR	GE-32	2SC782GN	GE-61	2SC772C2	GE-61	2SC776D	GE-18	2SC781R	GE-46	2SC786OR	GE-86		
2SC748R	GE-32	2SC782H	GE-61	2SC772CX	GE-61	2SC776E	GE-18	2SC781X	GE-46	2SC786R	GE-86		
2SC748X	GE-32	2SC782J	GE-61	2SC772CL	GE-61	2SC776F	GE-18	2SC781Y	GE-46	2SC786X	GE-86		
2SC748Y	GE-32	2SC782K	GE-61	2SC772CS	GE-61	2SC776G	GE-18	2SC782	GE-12	2SC786Y	GE-86		
2SC748	GE-86	2SC782L	GE-61	2SC772CU	GE-45	2SC776GN	GE-18	2SC782A	GE-12	2SC787	GE-214		
2SC748A	GE-86	2SC782M	GE-61	2SC772CV	GE-61	2SC776H	GE-18	2SC782B	GE-12	2SC787A	GE-86		
2SC748C	GE-86	2SC782R	GE-61	2SC772CX	GE-61	2SC776J	GE-18	2SC782C	GE-12	2SC787B	GE-86		
2SC748D	GE-86	2SC782X	GE-61	2SC772D	GE-11	2SC776K	GE-18	2SC782D	GE-12	2SC787C	GE-86		
2SC748E	GE-86	2SC782Y	GE-61	2SC772DJ	GE-61	2SC776L	GE-18	2SC782E	GE-12	2SC787D	GE-86		
2SC748F	GE-86	2SC783	GE-86	2SC772DU	GE-86	2SC776M	GE-18	2SC782F	GE-12	2SC787E	GE-86		
2SC748G	GE-86	2SC783	GE-214	2SC772DX	GE-61	2SC776OR	GE-18	2SC782G	GE-12	2SC787F	GE-86		
2SC748GN	GE-86	2SC783A	GE-61	2SC772DY	GE-61	2SC776R	GE-18	2SC782GN	GE-12	2SC787G	GE-86		
2SC748H	GE-86	2SC783B	GE-61	2SC772E	GE-20	2SC776X	GE-18	2SC782H	GE-12	2SC787GN	GE-86		
2SC748J	GE-86	2SC783C	GE-61	2SC772F	GE-20	2SC776Y	GE-18	2SC782J	GE-12	2SC787H	GE-86		
2SC748K	GE-86	2SC783D	GE-61	2SC772G	GE-61	2SC777	GE-46	2SC782K	GE-12	2SC787K	GE-86		
2SC748L	GE-86	2SC783E	GE-61	2SC772GN	GE-61	2SC777A	GE-46	2SC782L	GE-12	2SC787L	GE-86		
2SC748M	GE-86	2SC783F	GE-61	2SC772H	GE-61	2SC777AP	GE-46	2SC782OR	GE-12	2SC787M	GE-86		
2SC748OR	GE-86	2SC783G	GE-81	2SC772J	GE-61			2SC782R	GE-12	2SC787OR	GE-86		
2SC748R	GE-86	2SC783GN	GE-61	2SC772K	GE-20	2SC777B	GE-46	2SC782X	GE-12	2SC787R	GE-86		
2SC748X	GE-86	2SC783H	GE-61	2SC772KB	GE-11	2SC777C	GE-46	2SC782Y	GE-12	2SC787X	GE-86		
2SC748Y	GE-86	2SC783I	GE-61	2SC772KD	GE-11	2SC777D	GE-46	2SC783	GE-12	2SC787Y	GE-86		
2SC752	GE-17	2SC783K	GE-61	2SC772KD1	GE-61	2SC777E	GE-46	2SC784	GE-60	2SC788	GE-27		
2SC752A	GE-88	2SC783L	GE-61	2SC772KD2	GE-61	2SC777F	GE-46	2SC784(BN)	GE-11	2SC788B	GE-32		
2SC752B	GE-88	2SC783M	GE-61	2SC772L	GE-61	2SC777G	GE-46	2SC784(BN)	GE-11	2SC788C	GE-32		
2SC752C	GE-88	2SC783OR	GE-61	2SC772M	GE-61	2SC777GN	GE-46	2SC784-6	GE-61	2SC788D	GE-32		
2SC752D	GE-88	2SC783X	GE-61	2SC772OR	GE-61	2SC777H	GE-46	2SC784A	GE-61	2SC788E	GE-32		
2SC752E	GE-88	2SC783Y	GE-61	2SC772R	GE-17	2SC777J	GE-46	2SC784B	GE-61	2SC788F	GE-32		
2SC752F	GE-88	2SC785	GE-19	2SC772RB-D	GE-20	2SC777K	GE-46	2SC784BN	GE-61	2SC788G	GE-32		
2SC752G	GE-20	2SC785A	GE-75	2SC772RD	GE-20	2SC777L	GE-46	2SC784BN-1	GE-61	2SC788GN	GE-32		
2SC752GA	GE-88	2SC785B	GE-75	2SC772RS-D	GE-20	2SC777M	GE-46	2SC784-BRN	GE-60	2SC788J	GE-32		
2SC752GN	GE-88	2SC785C	GE-75	2SC772X	GE-61	2SC777OR	GE-46	2SC784C	GE-61	2SC788K	GE-32		
2SC752H	GE-88	2SC785D	GE-75	2SC772Y	GE-75	2SC777R	GE-46	2SC784D	GE-61	2SC788L	GE-32		
2SC752J	GE-88	2SC785E	GE-75	2SC773	GE-210	2SC777X	GE-46	2SC784E	GE-61	2SC788M	GE-32		
2SC752K	GE-88	2SC785F	GE-75	2SC773A	GE-61	2SC777Y	GE-46	2SC784F	GE-61	2SC788OR	GE-32		
2SC752L	GE-88	2SC785G	GE-75	2SC773B	GE-61	2SC778	GE-45	2SC784G	GE-61	2SC788R	GE-32		
2SC752M	GE-88	2SC785GN	GE-75	2SC773C	GE-61	2SC778	GE-46	2SC784GN	GE-61	2SC788X	GE-32		
2SC752OR	GE-88	2SC785H	GE-75	2SC773D	GE-61	2SC778A	GE-46	2SC784H	GE-61	2SC788Y	GE-32		
2SC752-ORG-G	GE-210	2SC785J	GE-75	2SC773E	GE-61	2SC778B	GE-46	2SC784J	GE-61	2SC789	GE-28		
2SC752R	GE-88	2SC785K	GE-75	2SC773F	GE-61	2SC778C	GE-46	2SC784K	GE-61	2SC789-0	GE-66		
2SC752-RED-G	GE-210	2SC785L	GE-75	2SC773G	GE-61	2SC778D	GE-46	2SC784L	GE-61	2SC789A	GE-28		
2SC752X	GE-88	2SC785M	GE-75	2SC773GN	GE-61	2SC778E	GE-46	2SC784M	GE-61	2SC789B	GE-28		
2SC752Y	GE-88	2SC785OR	GE-75	2SC773H	GE-61	2SC778F	GE-46	2SC784-O	GE-61	2SC789C	GE-28		
2SC752-YEL-G	GE-210	2SC785R	GE-75	2SC773J	GE-61	2SC778G	GE-46	2SC784OR	GE-61	2SC789D	GE-28		
2SC756	GE-28	2SC785X	GE-75	2SC773K	GE-61	2SC778GN	GE-46	2SC784-ORG	GE-60	2SC789E	GE-28		
2SC756-1	GE-46	2SC785Y	GE-75	2SC773L	GE-61	2SC778H	GE-46	2SC784R	GE-61	2SC789F	GE-28		
2SC756-2	GE-46	2SC786	GE-19	2SC773M	GE-61	2SC778J	GE-46	2SC784RA	GE-61	2SC789G	GE-28		
2SC756A	GE-18	2SC787	GE-19	2SC773OR	GE-61	2SC778K	GE-46	2SC784-RED	GE-60	2SC789GN	GE-28		
2SC756B	GE-18	2SC788	GE-19	2SC773R	GE-61	2SC778L	GE-46	2SC784X	GE-61	2SC789H	GE-28		
2SC756C	GE-20	2SC788A	GE-61	2SC773X	GE-61	2SC778M	GE-46	2SC784-Y	GE-17	2SC789J	GE-28		
2SC756D	GE-20	2SC788B	GE-75	2SC773Y	GE-61	2SC778OR	GE-46	2SC785	GE-60	2SC789K	GE-28		
2SC756E	GE-18	2SC788C	GE-75	2SC774	GE-18	2SC778R	GE-46	2SC785(E)(D)	GE-18	2SC789L	GE-28		
2SC756F	GE-18	2SC788D	GE-75	2SC774A	GE-47	2SC778X	GE-46	2SC785(O)	GE-20	2SC789M	GE-28		
2SC756G	GE-18	2SC788E	GE-75	2SC774B	GE-75	2SC778Y	GE-46	2SC785-O	GE-20	2SC789OR	GE-28		
2SC756H	GE-18	2SC788F	GE-75	2SC774C	GE-18	2SC779	GE-46	2SC785A	GE-210	2SC789-R	GE-66		
2SC756GN	GE-18	2SC788G	GE-75	2SC774D	GE-18	2SC780	GE-81	2SC785B	GE-210	2SC789X	GE-28		

UNIVERSAL REPLACEMENT SEMICONDUCTORS

2SC789Y - 2SC848C

JEDEC Or Part Nr	GE Replacement	JEDEC Or Part Nr	GE Replacement	JEDEC Or Part Nr	GE Replacement	JEDEC Or Part Nr	GE Replacement	JEDEC Or Part Nr	GE Replacement	JEDEC Or Part Nr	GE Replacement	JEDEC Or Part Nr	GE Replacement
2SC789Y	GE-28	2SC797C	GE-18	2SC805B	GE-27	2SC816F	GE-18	2SC828(N)	GE-20	2SC837(L)	GE-61	2SC837(L)	GE-61
2SC790(O)	GE-66	2SC797D	GE-18	2SC805C	GE-27	2SC816G	GE-18	2SC828	GE-20	2SC837A	GE-61	2SC837A	GE-61
2SC791	GE-12	2SC797E	GE-18	2SC805D	GE-27	2SC816GN	GE-18	2SC828(R)	GE-20	2SC837B	GE-61	2SC837B	GE-61
2SC791A	GE-12	2SC797F	GE-18	2SC805E	GE-27	2SC816H	GE-18	2SC828(R)(S)	GE-62	2SC837C	GE-61	2SC837C	GE-61
2SC791B	GE-12	2SC797G	GE-18	2SC805F	GE-27	2SC816K	GE-18	2SC828(S)	GE-20	2SC837D	GE-61	2SC837D	GE-61
2SC791C	GE-12	2SC797GN	GE-18	2SC805G	GE-27	2SC816L	GE-18	2SC828	GE-18	2SC837E	GE-61	2SC837E	GE-61
2SC791D	GE-12	2SC797H	GE-18	2SC805GN	GE-27	2SC816M	GE-18	2SC828(T)	GE-20	2SC837F	GE-61	2SC837F	GE-61
2SC791E	GE-12	2SC797J	GE-18	2SC805H	GE-27	2SC816OR	GE-18	2SC828(T)	GE-18	2SC837G	GE-61	2SC837G	GE-61
2SC791F	GE-12	2SC797K	GE-18	2SC805J	GE-27	2SC818R	GE-18	2SC828(P)	GE-60	2SC837GN	GE-61	2SC837GN	GE-61
2SC791G	GE-12	2SC797L	GE-18	2SC805L	GE-27	2SC816X	GE-18	2SC828	GE-18	2SC837H	GE-61	2SC837H	GE-61
2SC791GM	GE-12	2SC797M	GE-18	2SC805OR	GE-27	2SC816Y	GE-18	2SC828(P)	GE-20	2SC837I	GE-61	2SC837I	GE-61
2SC791H	GE-12	2SC797OR	GE-18	2SC805R	GE-27	2SC818	GE-32	2SC828(R,S,T)	GE-18	2SC837K	GE-61	2SC837K	GE-61
2SC791J	GE-12	2SC797R	GE-18	2SC805X	GE-27	2SC818A	GE-32	2SC828(R)	GE-20	2SC837L	GE-61	2SC837L	GE-61
2SC791K	GE-12	2SC797X	GE-18	2SC805Y	GE-27	2SC818B	GE-32	2SC828(H)	GE-20	2SC837M	GE-61	2SC837M	GE-61
2SC791M	GE-12	2SC797Y	GE-18	2SC806	GE-35	2SC818C	GE-32	2SC828(O)	GE-10	2SC837OR	GE-61	2SC837OR	GE-61
2SC791OR	GE-12	2SC798	GE-46	2SC808A	GE-36	2SC818D	GE-32	2SC828(R)	GE-18	2SC837R	GE-61	2SC837R	GE-61
2SC791R	GE-12	2SC798A	GE-18	2SC808B	GE-38	2SC818E	GE-32	2SC828(H)	GE-20	2SC837X	GE-61	2SC837X	GE-61
2SC791X	GE-12	2SC798B	GE-18	2SC808C	GE-38	2SC818F	GE-32	2SC828	GE-20	2SC837Y	GE-61	2SC837Y	GE-61
2SC791Y	GE-12	2SC798C	GE-18	2SC808D	GE-38	2SC818G	GE-32	2SC828(T)	GE-10	2SC838(F)	GE-20	2SC838(F)	GE-20
2SC792	GE-73	2SC798D	GE-18	2SC808E	GE-38	2SC818GN	GE-32	2SC828(S)	GE-20	2SC838(O)	GE-20	2SC838(O)	GE-20
2SC793	GE-14	2SC798E	GE-18	2SC808F	GE-38	2SC818H	GE-32	2SC828(S)	GE-18	2SC838	GE-20	2SC838	GE-20
2SC793A	GE-14	2SC798G	GE-18	2SC808G	GE-38	2SC818J	GE-32	2SC828A(Q)	GE-61	2SC838	GE-61	2SC838	GE-61
2SC793B	GE-14	2SC798GN	GE-18	2SC808J	GE-38	2SC818K	GE-32	2SC828A	GE-39	2SC838(A)	GE-60	2SC838(A)	GE-60
2SC793C	GE-14	2SC798H	GE-18	2SC808L	GE-38	2SC818L	GE-32	2SC828A(R)	GE-61	2SC838(E)	GE-20	2SC838(E)	GE-20
2SC793E	GE-14	2SC798J	GE-18	2SC808M	GE-38	2SC818M	GE-32	2SC828B	GE-47	2SC838-2	GE-47	2SC838-2	GE-47
2SC793F	GE-14	2SC798K	GE-18	2SC808OR	GE-38	2SC818OR	GE-32	2SC828C	GE-47	2SC838A	GE-61	2SC838A	GE-61
2SC793G	GE-14	2SC798L	GE-18	2SC808R	GE-38	2SC818R	GE-32	2SC828D	GE-47	2SC838E	GE-88	2SC838E	GE-88
2SC793GM	GE-14	2SC798M	GE-18	2SC808X	GE-38	2SC818X	GE-32	2SC828E	GE-47	2SC838F	GE-88	2SC838F	GE-88
2SC793H	GE-14	2SC798OR	GE-18	2SC808Y	GE-38	2SC818Y	GE-32	2SC828F	GE-18	2SC838H	GE-20	2SC838H	GE-20
2SC793J	GE-14	2SC798R	GE-18	2SC807	GE-36	2SC821	GE-28	2SC828G	GE-47	2SC838K	GE-47	2SC838K	GE-47
2SC793K	GE-14	2SC798X	GE-18	2SC807A	GE-73	2SC822	GE-28	2SC828GN	GE-47	2SC838L	GE-17	2SC838L	GE-17
2SC793L	GE-14	2SC798Y	GE-18	2SC807AK	GE-35	2SC825	GE-12	2SC828H	GE-20	2SC838M	GE-210	2SC838M	GE-210
2SC793M	GE-14	2SC799	GE-46	2SC812A	GE-46	2SC825A	GE-12	2SC828K	GE-47	2SC839(JI)	GE-20	2SC839(JI)	GE-20
2SC793OR	GE-14	2SC799	GE-45	2SC812B	GE-46	2SC825B	GE-12	2SC828L	GE-47	2SC839(M)	GE-20	2SC839(M)	GE-20
2SC793R	GE-14	2SC799-4	GE-46	2SC812C	GE-46	2SC825C	GE-12	2SC828M	GE-47	2SC839	GE-61	2SC839	GE-61
2SC793X	GE-14	2SC799A	GE-46	2SC812D	GE-46	2SC825D	GE-12	2SC828-O	GE-88	2SC839A	GE-61	2SC839A	GE-61
2SC793Y	GE-14	2SC799AP	GE-46	2SC812E	GE-46	2SC825E	GE-12	2SC828OR	GE-47	2SC839B	GE-61	2SC839B	GE-61
2SC794	GE-75	2SC799B	GE-46	2SC812F	GE-46	2SC825F	GE-12	2SC828P	GE-88	2SC839C	GE-61	2SC839C	GE-61
2SC794A	GE-75	2SC799C	GE-46	2SC812G	GE-46	2SC825G	GE-12	2SC828Q	GE-20	2SC839D	GE-61	2SC839D	GE-61
2SC794B	GE-75	2SC799D	GE-46	2SC812GN	GE-46	2SC825GN	GE-12	2SC828Q-6	GE-88	2SC839E	GE-61	2SC839E	GE-61
2SC794C	GE-75	2SC799E	GE-46	2SC812H	GE-46	2SC825H	GE-12	2SC828R	GE-18	2SC839F	GE-17	2SC839F	GE-17
2SC794D	GE-75	2SC799F	GE-46	2SC812J	GE-46	2SC825J	GE-12	2SC828R-1	GE-88	2SC839G	GE-61	2SC839G	GE-61
2SC794E	GE-75	2SC799G	GE-46	2SC812K	GE-46	2SC825K	GE-12	2SC828RA	GE-47	2SC839GN	GE-61	2SC839GN	GE-61
2SC794F	GE-75	2SC799GN	GE-46	2SC812L	GE-46	2SC825L	GE-12	2SC828RS	GE-17	2SC839H	GE-88	2SC839H	GE-88
2SC794G	GE-75	2SC799H	GE-46	2SC812M	GE-46	2SC825M	GE-12	2SC828S	GE-18	2SC839J	GE-61	2SC839J	GE-61
2SC794GN	GE-75	2SC799J	GE-46	2SC812OR	GE-46	2SC825OR	GE-12	2SC828T	GE-20	2SC839K	GE-61	2SC839K	GE-61
2SC794H	GE-75	2SC799K	GE-46	2SC812R	GE-46	2SC825R	GE-12	2SC828X	GE-47	2SC839L	GE-61	2SC839L	GE-61
2SC794J	GE-75	2SC799L	GE-46	2SC812Y	GE-46	2SC825X	GE-12	2SC828Y	GE-47	2SC839M	GE-61	2SC839M	GE-61
2SC794K	GE-75	2SC799M	GE-46	2SC814	GE-210	2SC825Y	GE-12	2SC828YL	GE-88	2SC839OR	GE-61	2SC839OR	GE-61
2SC794L	GE-75	2SC799OR	GE-46	2SC814A	GE-46	2SC826	GE-18	2SC829	GE-39	2SC839R	GE-61	2SC839R	GE-61
2SC794OR	GE-75	2SC799R	GE-46	2SC814B	GE-47	2SC826A	GE-18	2SC829A	GE-17	2SC839X	GE-61	2SC839X	GE-61
2SC794R	GE-19	2SC799X	GE-46	2SC814C	GE-46	2SC826B	GE-18	2SC829AK	GE-61	2SC839Y	GE-61	2SC839Y	GE-61
2SC794RA	GE-75	2SC799Y	GE-46	2SC814D	GE-47	2SC826C	GE-18	2SC829B	GE-20	2SC840	GE-12	2SC840	GE-12
2SC794X	GE-75	2SC800	GE-60	2SC814E	GE-47	2SC826D	GE-18	2SC829BJ	GE-61	2SC840(P)	GE-12	2SC840(P)	GE-12
2SC794Y	GE-75	2SC800A	GE-86	2SC814F	GE-47	2SC826E	GE-18	2SC829BK	GE-61	2SC840A	GE-12	2SC840A	GE-12
2SC795(BN)	GE-11	2SC800B	GE-86	2SC814G	GE-47	2SC826F	GE-18	2SC829C	GE-20	2SC840B	GE-12	2SC840B	GE-12
2SC795A	GE-12	2SC800C	GE-86	2SC814GN	GE-47	2SC826G	GE-18	2SC829CL	GE-61	2SC840C	GE-12	2SC840C	GE-12
2SC795B	GE-12	2SC800D	GE-86	2SC814H	GE-47	2SC826H	GE-18	2SC829D	GE-61	2SC840D	GE-12	2SC840D	GE-12
2SC795C	GE-12	2SC800E	GE-86	2SC814J	GE-47	2SC826J	GE-18	2SC829E	GE-61	2SC840E	GE-12	2SC840E	GE-12
2SC795D	GE-12	2SC800F	GE-86	2SC814K	GE-47	2SC826K	GE-18	2SC829G	GE-61	2SC840F	GE-12	2SC840F	GE-12
2SC795F	GE-12	2SC800G	GE-86	2SC814M	GE-47	2SC826L	GE-18	2SC829GN	GE-61	2SC840G	GE-12	2SC840G	GE-12
2SC795G	GE-12	2SC800GN	GE-86	2SC814OR	GE-47	2SC826M	GE-18	2SC829H	GE-61	2SC840H	GE-12	2SC840H	GE-12
2SC795GN	GE-12	2SC800H	GE-86	2SC814R	GE-47	2SC826OR	GE-18	2SC829I	GE-61	2SC840I	GE-12	2SC840I	GE-12
2SC795H	GE-12	2SC800J	GE-86	2SC814X	GE-47	2SC826R	GE-18	2SC829L	GE-61	2SC840J	GE-12	2SC840J	GE-12
2SC795J	GE-12	2SC800K	GE-86	2SC814Y	GE-47	2SC826X	GE-18	2SC829M	GE-61	2SC840K	GE-12	2SC840K	GE-12
2SC795L	GE-12	2SC800L	GE-86	2SC815	GE-210	2SC826Y	GE-18	2SC829OR	GE-61	2SC840L	GE-12	2SC840L	GE-12
2SC795M	GE-12	2SC800M	GE-86	2SC815-1	GE-18	2SC827	GE-18	2SC829R	GE-61	2SC840M	GE-12	2SC840M	GE-12
2SC795OR	GE-12	2SC800OR	GE-86	2SC815A	GE-88	2SC827A	GE-18	2SC829X	GE-20	2SC840	GE-12	2SC840	GE-12
2SC795R	GE-12	2SC800R	GE-86	2SC815B	GE-88	2SC827B	GE-18	2SC829	GE-61	2SC840	GE-12	2SC840	GE-12
2SC795X	GE-12	2SC800X	GE-86	2SC815BK	GE-18	2SC827C	GE-18	2SC829Y	GE-20	2SC840X	GE-12	2SC840X	GE-12
2SC795Y	GE-12	2SC800Y	GE-86	2SC815C	GE-88	2SC827D	GE-18	2SC830	GE-216	2SC840Y	GE-12	2SC840Y	GE-12
2SC796	GE-20	2SC802	GE-63	2SC815D	GE-88	2SC827E	GE-18	2SC830A	GE-66	2SC847	GE-20	2SC847	GE-20
2SC796A	GE-88	2SC803	GE-46	2SC815E	GE-88	2SC827F	GE-18	2SC830B	GE-66	2SC847A	GE-88	2SC847A	GE-88
2SC796B	GE-88	2SC803A	GE-18	2SC815F	GE-18	2SC827G	GE-18	2SC830C	GE-66	2SC847B	GE-88	2SC847B	GE-88
2SC796C	GE-88	2SC803B	GE-18	2SC815G	GE-18	2SC827GN	GE-18	2SC830D	GE-66	2SC847C	GE-88	2SC847C	GE-88
2SC796D	GE-88	2SC803C	GE-18	2SC815GN	GE-18	2SC827H	GE-18	2SC830E	GE-66	2SC847D	GE-88	2SC847D	GE-88
2SC796E	GE-88	2SC803D	GE-18	2SC815H	GE-18	2SC827J	GE-18	2SC830F	GE-66	2SC847E	GE-88	2SC847E	GE-88
2SC796F	GE-88	2SC803E	GE-18	2SC815J	GE-18	2SC827K	GE-18	2SC830G	GE-66	2SC847F	GE-88	2SC847F	GE-88
2SC796G	GE-88	2SC803F	GE-18	2SC815K	GE-18	2SC827M	GE-18	2SC830GN	GE-66	2SC847G	GE-88	2SC847G	GE-88
2SC796GN	GE-88	2SC803G	GE-18	2SC815L	GE-18	2SC827OR	GE-18	2SC830H	GE-66	2SC847GN	GE-88	2SC847GN	GE-88
2SC796H	GE-88	2SC803H	GE-18	2SC815M	GE-18	2SC827R	GE-18	2SC830I	GE-66	2SC847H	GE-88	2SC847H	GE-88
2SC796J	GE-88	2SC803J	GE-18	2SC815N	GE-18	2SC827X	GE-18	2SC830K	GE-66	2SC847I	GE-88	2SC847I	GE-88
2SC796K	GE-88	2SC803K	GE-18	2SC815OR	GE-18	2SC827Y	GE-18	2SC830L	GE-66	2SC847J	GE-88	2SC847J	GE-88
2SC796L	GE-88	2SC803L	GE-18	2SC815R	GE-18	2SC828	GE-39						

UNIVERSAL REPLACEMENT SEMICONDUCTORS

2SC848D - 2SC918J

JEDEC Or Part Nr	GE Replacement	JEDEC Or Part Nr	GE Replacement	JEDEC Or Part Nr	GE Replacement	JEDEC Or Part Nr	GE Replacement	JEDEC Or Part Nr	GE Replacement	JEDEC Or Part Nr	GE Replacement	JEDEC Or Part Nr	GE Replacement
2SC848D	GE-88	2SC858E	GE-32	2SC864	GE-60	2SC871A	GE-61	2SC881X	GE-47	2SC900G	GE-47		
2SC848E	GE-88	2SC858F	GE-32	2SC868	GE-48	2SC871AM	GE-61	2SC881Y	GE-47	2SC900J	GE-47		
2SC848F	GE-88	2SC858G	GE-32	2SC866A	GE-48	2SC871B	GE-61	2SC889	GE-35	2SC900K	GE-47		
2SC848G	GE-88	2SC858GM	GE-32	2SC866B	GE-46	2SC871C	GE-61	2SC890	GE-28	2SC900L	GE-62		
2SC848GN	GE-88	2SC858J	GE-32	2SC868C	GE-46	2SC871D	GE-61	2SC891	GE-28	2SC900M	GE-47		
2SC848H	GE-88	2SC858K	GE-32	2SC866D	GE-46	2SC871E	GE-20	2SC892	GE-66	2SC900	GE-47		
2SC848J	GE-88	2SC858L	GE-32	2SC866E	GE-46	2SC871F	GE-62	2SC893	GE-28	2SC900	GE-47		
2SC848K	GE-88	2SC858M	GE-32	2SC866F	GE-48	2SC871G	GE-62	2SC894	GE-10	2SC900U	GE-62		
2SC848L	GE-88	2SC858OR	GE-32	2SC866G	GE-48	2SC871-G	GE-62	2SC894A	GE-88	2SC900X	GE-47		
2SC848M	GE-88	2SC858R	GE-32	2SC866GN	GE-46	2SC871GN	GE-61	2SC894B	GE-88	2SC900Y	GE-47		
2SC848OR	GE-66	2SC856X	GE-32	2SC866H	GE-48	2SC871H	GE-61	2SC894C	GE-88	2SC901	GE-35		
2SC848R	GE-88	2SC856Y	GE-32	2SC866J	GE-46	2SC871J	GE-61	2SC894D	GE-88	2SC901A	GE-35		
2SC848X	GE-88	2SC857H	GE-32	2SC868K	GE-48	2SC871K	GE-61	2SC894E	GE-88	2SC903	GE-210		
2SC848Y	GE-88	2SC857K	GE-65	2SC866L	GE-48	2SC871L	GE-61	2SC894F	GE-88	2SC904	GE-210		
2SC849	GE-20	2SC858	GE-212	2SC868M	GE-48	2SC871M	GE-61	2SC894G	GE-88	2SC905	GE-81		
2SC849A	GE-88	2SC858A	GE-47	2SC866OR	GE-46	2SC871OR	GE-61	2SC894GN	GE-88	2SC906(F)	GE-22		
2SC849B	GE-88	2SC858B	GE-47	2SC868R	GE-46	2SC871R	GE-61	2SC894H	GE-88	2SC906F	GE-89		
2SC849C	GE-88	2SC858C	GE-47	2SC868X	GE-46	2SC871X	GE-61	2SC894I	GE-88	2SC907	GE-88		
2SC849D	GE-88	2SC858D	GE-47	2SC868Y	GE-46	2SC871Y	GE-61	2SC894K	GE-88	2SC907A	GE-88		
2SC849E	GE-88	2SC858E	GE-47	2SC867	GE-32	2SC875(F)	GE-63	2SC894L	GE-88	2SC907AH	GE-88		
2SC849F	GE-88	2SC858F	GE-62	2SC867A	GE-12	2SC875(D)	GE-63	2SC894M	GE-88	2SC907B	GE-88		
2SC849G	GE-88	2SC858G	GE-17	2SC867B	GE-12	2SC875	GE-81	2SC894OR	GE-88	2SC907C	GE-88		
2SC849GN	GE-88	2SC858FG	GE-62	2SC867C	GE-12	2SC875-1	GE-18	2SC894R	GE-88	2SC907D	GE-88		
2SC849H	GE-88	2SC858G	GE-62	2SC867D	GE-12	2SC875-1C	GE-18	2SC894X	GE-88	2SC907E	GE-88		
2SC849J	GE-88	2SC858GA	GE-47	2SC867E	GE-12	2SC875-1D	GE-18	2SC894Y	GE-88	2SC907F	GE-88		
2SC849K	GE-88	2SC858GN	GE-47	2SC867F	GE-12	2SC875-1E	GE-18	2SC895	GE-12	2SC907G	GE-88		
2SC849L	GE-88	2SC858H	GE-47	2SC867G	GE-12	2SC875-2	GE-18	2SC896	GE-210	2SC907GN	GE-88		
2SC849M	GE-88	2SC858J	GE-47	2SC867GN	GE-12	2SC875-2C	GE-18	2SC896A	GE-88	2SC907H	GE-88		
2SC849OR	GE-88	2SC858K	GE-47	2SC867H	GE-12	2SC875-2D	GE-18	2SC896B	GE-88	2SC907HA	GE-88		
2SC849R	GE-88	2SC858L	GE-47	2SC867J	GE-12	2SC875-2E	GE-18	2SC896C	GE-88	2SC907J	GE-88		
2SC849X	GE-88	2SC858M	GE-47	2SC867K	GE-12	2SC875-3	GE-18	2SC896D	GE-88	2SC907K	GE-88		
2SC849Y	GE-88	2SC858OR	GE-47	2SC867L	GE-12	2SC875-3C	GE-18	2SC896E	GE-88	2SC907L	GE-88		
2SC850	GE-20	2SC858R	GE-47	2SC867M	GE-12	2SC875-3D	GE-18	2SC896F	GE-88	2SC907M	GE-88		
2SC850A	GE-88	2SC858X	GE-47	2SC867OR	GE-12	2SC875-3E	GE-18	2SC896G	GE-88	2SC907OR	GE-88		
2SC850B	GE-88	2SC858Y	GE-47	2SC867R	GE-12	2SC875B	GE-18	2SC896GN	GE-88	2SC907R	GE-88		
2SC850C	GE-88	2SC859	GE-212	2SC867X	GE-12	2SC875C	GE-18	2SC896J	GE-88	2SC907X	GE-88		
2SC850D	GE-88	2SC859A	GE-47	2SC867Y	GE-12	2SC875D	GE-18	2SC896K	GE-88	2SC907Y	GE-88		
2SC850E	GE-88	2SC859B	GE-47	2SC868	GE-32	2SC875DL	GE-18	2SC896L	GE-88	2SC909	GE-28		
2SC850F	GE-88	2SC859D	GE-47	2SC866A	GE-32	2SC875E	GE-18	2SC896M	GE-88	2SC911	GE-28		
2SC850G	GE-88	2SC859E	GE-47	2SC866B	GE-32	2SC875EL	GE-18	2SC896OR	GE-88	2SC912	GE-212		
2SC850GN	GE-88	2SC859F	GE-47	2SC866C	GE-32	2SC875F	GE-18	2SC896R	GE-88	2SC913	GE-64		
2SC850H	GE-88	2SC859G	GE-47	2SC866D	GE-32	2SC875F	GE-18	2SC896X	GE-88	2SC913A	GE-88		
2SC850J	GE-66	2SC859G	GE-47	2SC866E	GE-32	2SC875G	GE-18	2SC896Y	GE-88	2SC913B	GE-88		
2SC850K	GE-88	2SC859GK	GE-47	2SC866F	GE-32	2SC875GN	GE-18	2SC897	GE-35	2SC913C	GE-88		
2SC850L	GE-88	2SC859GL	GE-47	2SC866G	GE-32	2SC875J	GE-18	2SC897A	GE-35	2SC913D	GE-88		
2SC850M	GE-88	2SC859GN	GE-47	2SC866GN	GE-32	2SC875K	GE-18	2SC897B	GE-35	2SC913E	GE-88		
2SC850	GE-88	2SC859GN	GE-47	2SC866H	GE-32	2SC875L	GE-18	2SC898	GE-35	2SC913F	GE-88		
2SC850R	GE-88	2SC859H	GE-47	2SC866J	GE-32	2SC875M	GE-18	2SC898A	GE-35	2SC913G	GE-88		
2SC850X	GE-88	2SC859J	GE-47	2SC866K	GE-32	2SC875OR	GE-18	2SC898B	GE-35	2SC913GN	GE-88		
2SC850Y	GE-88	2SC859K	GE-47	2SC866L	GE-32	2SC875X	GE-18	2SC898D	GE-61	2SC913H	GE-88		
2SC851	GE-75	2SC859L	GE-47	2SC866M	GE-32	2SC875Y	GE-18	2SC898E	GE-61	2SC913J	GE-88		
2SC851A	GE-75	2SC859M	GE-47	2SC866OR	GE-32	2SC878(F)	GE-18	2SC898F	GE-61	2SC913K	GE-88		
2SC851B	GE-75	2SC859OR	GE-47	2SC866R	GE-32	2SC878	GE-61	2SC898G	GE-61	2SC913L	GE-88		
2SC851C	GE-75	2SC859R	GE-47	2SC866X	GE-32	2SC878A	GE-18	2SC898GN	GE-61	2SC913M	GE-88		
2SC851D	GE-75	2SC859X	GE-47	2SC866Y	GE-32	2SC878B	GE-18	2SC898H	GE-61	2SC913OR	GE-88		
2SC851E	GE-75	2SC859Y	GE-47	2SC868	GE-32	2SC878C	GE-18	2SC898I	GE-61	2SC913R	GE-88		
2SC851F	GE-75	2SC860	GE-86	2SC868A	GE-32	2SC878D	GE-18	2SC898K	GE-61	2SC913X	GE-88		
2SC851G	GE-75	2SC860A	GE-211	2SC868B	GE-32	2SC878E	GE-18	2SC898L	GE-61	2SC913Y	GE-88		
2SC851GN	GE-75	2SC860B	GE-211	2SC868C	GE-32	2SC878F	GE-18	2SC898M	GE-61	2SC914	GE-64		
2SC851H	GE-75	2SC860C	GE-211	2SC868D	GE-32	2SC878G	GE-18	2SC898OR	GE-61	2SC915	GE-64		
2SC851K	GE-75	2SC860D	GE-211	2SC868E	GE-32	2SC878GN	GE-18	2SC898X	GE-61	2SC916	GE-66		
2SC851L	GE-75	2SC860E	GE-211	2SC868F	GE-32	2SC878H	GE-18	2SC898Y	GE-61	2SC917	GE-81		
2SC851M	GE-75	2SC860F	GE-211	2SC868G	GE-32	2SC878J	GE-18	2SC899	GE-61	2SC917(K)	GE-61		
2SC851OR	GE-75	2SC860G	GE-211	2SC868GN	GE-32	2SC878K	GE-18	2SC899A	GE-88	2SC917A	GE-88		
2SC851R	GE-75	2SC860GN	GE-211	2SC868J	GE-32	2SC878L	GE-18	2SC899B	GE-88	2SC917B	GE-88		
2SC851X	GE-75	2SC860H	GE-211	2SC868K	GE-32	2SC878M	GE-18	2SC899C	GE-88	2SC917C	GE-88		
2SC851Y	GE-75	2SC860J	GE-211	2SC868L	GE-32	2SC878OR	GE-18	2SC899D	GE-88	2SC917D	GE-88		
2SC853	GE-210	2SC860K	GE-211	2SC868M	GE-32	2SC878R	GE-18	2SC899E	GE-88	2SC917E	GE-88		
2SC853A	GE-88	2SC860L	GE-211	2SC868OR	GE-32	2SC878TV	GE-18	2SC899F	GE-88	2SC917F	GE-88		
2SC853B	GE-88	2SC860M	GE-211	2SC868R	GE-32	2SC878TV(D)	GE-18	2SC899G	GE-88	2SC917G	GE-88		
2SC853C	GE-88	2SC860	GE-211	2SC868X	GE-32	2SC878TV(E)	GE-18	2SC899GN	GE-88	2SC917GN	GE-88		
2SC853D	GE-88	2SC860	GE-211	2SC868Y	GE-32	2SC878TV	GE-18	2SC899H	GE-88	2SC917H	GE-88		
2SC853E	GE-88	2SC860X	GE-211	2SC870	GE-212	2SC878TVE	GE-18	2SC899I	GE-88	2SC917J	GE-88		
2SC853F	GE-88	2SC860Y	GE-211	2SC870A	GE-47	2SC878TVF	GE-18	2SC899K	GE-47	2SC917K	GE-81		
2SC853G	GE-88	2SC863	GE-211	2SC870B	GE-47	2SC878X	GE-18	2SC899L	GE-88	2SC917L	GE-88		
2SC853GN	GE-88	2SC863A	GE-211	2SC870C	GE-47	2SC879	GE-18	2SC899M	GE-88	2SC917M	GE-88		
2SC853H	GE-88	2SC863B	GE-211	2SC870D	GE-47	2SC879	GE-11	2SC899OR	GE-88	2SC917OR	GE-88		
2SC853J	GE-88	2SC863C	GE-211	2SC870E	GE-62	2SC881	GE-210	2SC899R	GE-88	2SC917R	GE-88		
2SC853K	GE-88	2SC863D	GE-211	2SC870F	GE-47	2SC881A	GE-47	2SC899X	GE-88	2SC917X	GE-88		
2SC853KLM	GE-63	2SC863E	GE-211	2SC870FL	GE-47	2SC881B	GE-47	2SC899Y	GE-88	2SC917Y	GE-88		
2SC853L	GE-88	2SC863F	GE-211	2SC870G	GE-47	2SC881C	GE-47	2SC900(E)	GE-62	2SC918	GE-20		
2SC853M	GE-88	2SC863G	GE-211	2SC870GN	GE-47	2SC881D	GE-47	2SC900	GE-62	2SC918A	GE-61		
2SC853OR	GE-88	2SC863GN	GE-211	2SC870H	GE-47	2SC881E	GE-47	2SC900(U)	GE-62	2SC918AL	GE-86		
2SC853R	GE-88	2SC863H	GE-211	2SC870J	GE-47	2SC881F	GE-47	2SC900	GE-212	2SC918B	GE-81		
2SC853X	GE-88	2SC863J	GE-211	2SC870K	GE-47	2SC881G	GE-47	2SC900A	GE-47	2SC918C	GE-61		
2SC853Y	GE-88	2SC863K	GE-211	2SC870L	GE-47	2SC881GN	GE-47	2SC900B	GE-47	2SC918D	GE-61		
2SC856	GE-27	2SC863L	GE-211	2SC870M	GE-47	2SC881H	GE-47	2SC900C	GE-47	2SC918E	GE-61		
2SC856-02	GE-18	2SC863M	GE-211	2SC870	GE-47	2SC881K	GE-47	2SC900D	GE-47	2SC918F	GE-61		
2SC856A	GE-32	2SC863OR	GE-211	2SC870	GE-47	2SC881L	GE-47	2SC900E	GE-47	2SC918G	GE-61		
2SC856B	GE-32	2SC863R	GE-211	2SC870X	GE-47	2SC881M	GE-47	2SC900E	GE-62	2SC918GN	GE-81		
2SC856C	GE-63	2SC863X	GE-211	2SC870Y	GE-47	2SC881OR	GE-47	2SC900	GE-62	2SC918H	GE-81		
2SC856D	GE-32	2SC863Y	GE-211	2SC871	GE-212	2SC881R	GE-88	2SC900	GE-62	2SC918J	GE-61		

UNIVERSAL REPLACEMENT SEMICONDUCTORS

25C918K - 25C968R

JEDEC Or Part Nr	Replacement	GE	JEDEC Or Part Nr	Replacement	GE	JEDEC Or Part Nr	Replacement	GE	JEDEC Or Part Nr	Replacement	GE	JEDEC Or Part Nr	Replacement	GE	JEDEC Or Part Nr	Replacement	GE
25C918K	GE-61		25C924Y	GE-47		25C929E	GE-20		25C934A	GE-18		25C940(L,M)	GE-35		25C957A	GE-86	
25C918L	GE-81		25C925(M)	GE-20		25C929ED	GE-20		25C934B	GE-18		25C940	GE-73		25C957AL	GE-86	
25C918LF	GE-88		25C925A	GE-47		25C929EZ	GE-20		25C934C	GE-18		25C941	GE-60		25C957B	GE-86	
25C918M	GE-81		25C925B	GE-47		25C929F	GE-20		25C934D	GE-18		25C941(O),(R)	GE-60		25C957C	GE-86	
25C918OR	GE-81		25C925C	GE-47		25C929G	GE-86		25C934E	GE-18		25C941-O	GE-88		25C957D	GE-86	
25C918R	GE-81		25C925D	GE-47		25C929GN	GE-86		25C934F	GE-18		25C941-R	GE-88		25C957E	GE-86	
25C918X	GE-61		25C925E	GE-47		25C929H	GE-86		25C934G	GE-18		25C941Y	GE-60		25C957F	GE-86	
25C918XL	GE-86		25C925F	GE-47		25C929J	GE-86		25C934GN	GE-18		25C943	GE-210		25C957G	GE-86	
25C918Y	GE-61		25C925G	GE-47		25C929K	GE-86		25C934H	GE-18		25C943A	GE-88		25C957GM	GE-86	
25C920	GE-61		25C925GN	GE-47		25C929L	GE-86		25C934J	GE-18		25C943B	GE-88		25C957H	GE-86	
25C920	GE-20		25C925H	GE-47		25C929M	GE-86		25C934K	GE-18		25C943C	GE-88		25C957J	GE-86	
25C920-0Q	GE-61		25C925J	GE-47		25C929OR	GE-86		25C934L	GE-18		25C943D	GE-88		25C957K	GE-86	
25C920A	GE-81		25C925K	GE-47		25C929R	GE-86		25C934M	GE-18		25C943E	GE-88		25C957L	GE-86	
25C920B	GE-81		25C925L	GE-47		25C929S	GE-86		25C934OR	GE-18		25C943F	GE-88		25C957M	GE-86	
25C920C	GE-61		25C925M	GE-47		25C929Y	GE-86		25C934R	GE-18		25C943G	GE-88		25C957OR	GE-86	
25C920CL	GE-61		25C925OR	GE-47		25C930	GE-39		25C934X	GE-18		25C943GN	GE-88		25C957R	GE-86	
25C920D	GE-81		25C925R	GE-47		25C930(E)	GE-20		25C934Y	GE-18		25C943H	GE-88		25C957X	GE-86	
25C920E	GE-81		25C925X	GE-47		25C930	GE-60		25C935	GE-38		25C943J	GE-88		25C957XL	GE-86	
25C920F	GE-61		25C925Y	GE-47		25C930A	GE-81		25C935A	GE-35		25C943K	GE-88		25C957Y	GE-86	
25C920G	GE-81		25C926(A)	GE-40		25C930B	GE-81		25C935B	GE-35		25C943L	GE-88		25C959	GE-32	
25C920GN	GE-61		25C926A	GE-27		25C930BK	GE-61		25C935C	GE-35		25C943M	GE-88		25C959A	GE-32	
25C920H	GE-61		25C926B	GE-32		25C930C	GE-60		25C935D	GE-35		25C943OR	GE-88		25C959B	GE-32	
25C920L	GE-61		25C926C	GE-32		25C930CK	GE-20		25C935E	GE-35		25C943R	GE-88		25C959C	GE-32	
25C920M	GE-61		25C926D	GE-32		25C930D	GE-20		25C935F	GE-35		25C943S	GE-88		25C959D	GE-32	
25C920	GE-81		25C926E	GE-32		25C930DB	GE-60		25C935G	GE-35		25C943Y	GE-88		25C959E	GE-32	
25C920OR	GE-81		25C926F	GE-32		25C930DC	GE-60		25C935GN	GE-35		25C944	GE-210		25C959F	GE-32	
25C920Q	GE-20		25C926G	GE-32		25C930DS	GE-20		25C935H	GE-35		25C945(K)	GE-20		25C959G	GE-32	
25C920R	GE-81		25C926GN	GE-32		25C930DT-2	GE-61		25C935I	GE-35		25C945(TK,P)	GE-20		25C959GN	GE-32	
25C920X	GE-61		25C926H	GE-32		25C930DX	GE-20		25C935K	GE-35		25C945(P)	GE-20		25C959H	GE-32	
25C920Y	GE-81		25C926J	GE-32		25C930E	GE-20		25C935M	GE-35		25C945	GE-20		25C959J	GE-32	
25C921	GE-214		25C926K	GE-32		25C930E	GE-60		25C935OR	GE-35		25C945(TQ,Q)	GE-20		25C959K	GE-32	
25C921(L)	GE-20		25C926L	GE-32		25C930EP	GE-20		25C935R	GE-35		25C945(TP)	GE-20		25C959L	GE-32	
25C921(VHF)	GE-11		25C926M	GE-32		25C930EV	GE-20		25C935S	GE-35		25C945(R)	GE-20		25C959M	GE-32	
25C921A	GE-61		25C926OR	GE-32		25C930EX	GE-20		25C935Y	GE-35		25C945A	GE-47		25C959OR	GE-32	
25C921B	GE-81		25C926R	GE-32		25C930F	GE-60		25C936(BK)	GE-37		25C945B	GE-47		25C959R	GE-32	
25C921C	GE-81		25C926X	GE-32		25C930G	GE-61		25C936	GE-38		25C945C	GE-20		25C959X	GE-32	
25C921CL	GE-61		25C928Y	GE-32		25C930GN	GE-61		25C936A	GE-38		25C945D	GE-20		25C959Y	GE-32	
25C921D	GE-81		25C927(D)	GE-39		25C930H	GE-61		25C936B	GE-38		25C945D	GE-47		25C960	GE-10	
25C921E	GE-61		25C927	GE-60		25C930J	GE-61		25C936C	GE-38		25C945E	GE-47		25C966	GE-86	
25C921F	GE-81		25C927	GE-39		25C930K	GE-61		25C936D	GE-38		25C945F	GE-47		25C966A	GE-86	
25C921G	GE-61		25C927(E)	GE-39		25C930L	GE-61		25C936E	GE-38		25C945	GE-20		25C966B	GE-86	
25C921GN	GE-81		25C927	GE-60		25C930M	GE-61		25C936F	GE-38		25C945GN	GE-47		25C966C	GE-86	
25C921H	GE-61		25C927A	GE-39		25C930	GE-61		25C936G	GE-38		25C945H	GE-47		25C966D	GE-86	
25C921J	GE-61		25C927B	GE-17		25C930OR	GE-61		25C936GN	GE-38		25C945J	GE-47		25C966E	GE-86	
25C921K	GE-61		25C927C(E)	GE-39		25C930R	GE-61		25C936H	GE-38		25C945K	GE-47		25C966F	GE-86	
25C921	GE-81		25C927CU	GE-11		25C930X	GE-61		25C936J	GE-38		25C945L	GE-47		25C966G	GE-86	
25C921L	GE-81		25C927D	GE-17		25C930Y	GE-61		25C936K	GE-38		25C945M	GE-47		25C966GN	GE-86	
25C921M	GE-11		25C927E	GE-17		25C931	GE-66		25C936L	GE-38		25C945OR	GE-47		25C966H	GE-86	
25C921OR	GE-81		25C927F	GE-211		25C931C	GE-28		25C936M	GE-38		25C945P	GE-62		25C966J	GE-86	
25C921R	GE-61		25C927G	GE-211		25C931E	GE-28		25C936OR	GE-38		25C945PJ	GE-47		25C966K	GE-86	
25C921W	GE-61		25C927GN	GE-211		25C932	GE-28		25C936R	GE-38		25C945Q	GE-20		25C966L	GE-86	
25C921X	GE-81		25C927H	GE-211		25C932A	GE-28		25C936X	GE-38		25C945R	GE-47		25C966M	GE-86	
25C921Y	GE-61		25C927J	GE-211		25C932B	GE-28		25C936Y	GE-38		25C945RA	GE-47		25C966OR	GE-86	
25C922	GE-17		25C927K	GE-211		25C932BK	GE-55		25C937(YL,BK)	GE-38		25C945S	GE-20		25C966R	GE-86	
25C923	GE-20		25C927L	GE-211		25C932C	GE-28		25C937	GE-38		25C945X	GE-47		25C966X	GE-86	
25C923	GE-20		25C927M	GE-211		25C932D	GE-28		25C937A	GE-38		25C945Y	GE-47		25C966Y	GE-86	
25C923A	GE-47		25C927OR	GE-211		25C932E	GE-28		25C937B	GE-38		25C947	GE-214		25C967	GE-63	
25C923B	GE-47		25C927R	GE-211		25C932F	GE-28		25C937C	GE-38		25C947A	GE-86		25C967A	GE-86	
25C923C	GE-47		25C927X	GE-211		25C932G	GE-28		25C937D	GE-38		25C947B	GE-86		25C967B	GE-86	
			25C927XL	GE-61		25C932GN	GE-28		25C937E	GE-38		25C947C	GE-86		25C967C	GE-86	
25C923D	GE-47		25C927Y	GE-211		25C932H	GE-28		25C937F	GE-38		25C947D	GE-86		25C967D	GE-86	
25C923E	GE-47		25C928	GE-60		25C932J	GE-28		25C937G	GE-38		25C947E	GE-86		25C967E	GE-86	
25C923	GE-47		25C928A	GE-211		25C932K	GE-28		25C937GN	GE-38		25C947F	GE-86		25C967F	GE-86	
25C923F	GE-47		25C928B	GE-211		25C932L	GE-28		25C937H	GE-38		25C947G	GE-86		25C967G	GE-86	
25C923	GE-47		25C928C	GE-211		25C932M	GE-28		25C937J	GE-38		25C947GN	GE-86		25C967GM	GE-86	
25C923G	GE-47		25C928D	GE-211		25C932OR	GE-28		25C937K	GE-38		25C947H	GE-86		25C967H	GE-86	
25C923GN	GE-47		25C928E	GE-211		25C932R	GE-28		25C937L	GE-38		25C947J	GE-86		25C967J	GE-86	
25C923H	GE-47		25C928F	GE-211		25C932X	GE-28		25C937M	GE-38		25C947K	GE-86		25C967K	GE-86	
25C923K	GE-47		25C928G	GE-211		25C932Y	GE-28		25C937OR	GE-38		25C947L	GE-86		25C967L	GE-86	
25C923L	GE-47		25C928GN	GE-211		25C933	GE-20		25C937R	GE-38		25C947M	GE-86		25C967M	GE-86	
25C923M	GE-47		25C928H	GE-211		25C933(F)	GE-20		25C937X	GE-38		25C947OR	GE-86		25C967OR	GE-86	
25C923OR	GE-47		25C928J	GE-211		25C933(F)	GE-20		25C937Y	GE-38		25C947R	GE-86		25C967R	GE-86	
25C923R	GE-47		25C928K	GE-211		25C933A	GE-86		25C938	GE-81		25C947X	GE-86		25C967X	GE-86	
25C923X	GE-47		25C928L	GE-211		25C933B	GE-86		25C938A	GE-47		25C947Y	GE-86		25C967Y	GE-86	
25C923Y	GE-47		25C928M	GE-211		25C933BB	GE-81		25C938B	GE-47		25C948	GE-214		25C968	GE-63	
25C924	GE-61		25C928OR	GE-211		25C933C	GE-20		25C938C	GE-47		25C948A	GE-86		25C968	GE-63	
25C924A	GE-47		25C928R	GE-211		25C933D(F)											

UNIVERSAL REPLACEMENT SEMICONDUCTORS

2SC968X - 2SC1059J

JEDEC Or Part Nr	GE Replacement	JEDEC Or Part Nr	GE Replacement	JEDEC Or Part Nr	GE Replacement	JEDEC Or Part Nr	GE Replacement	JEDEC Or Part Nr	GE Replacement	JEDEC Or Part Nr	GE Replacement	JEDEC Or Part Nr	GE Replacement
2SC968X	GE-47	2SC992F	GE-88	2SC1004G	GE-38	2SC1014C	GE-28	2SC1026Y	GE-20	2SC1045B	GE-37		
2SC968Y	GE-47	2SC992G	GE-88	2SC1004GN	GE-38	2SC1014CD	GE-28	2SC1030	GE-14	2SC1045C	GE-37		
2SC971	GE-8	2SC992GN	GE-88	2SC1004H	GE-38	2SC1014D	GE-28	2SC1030A	GE-75	2SC1045D	GE-37		
2SC971A	GE-61	2SC992H	GE-88	2SC1004J	GE-38	2SC1014E	GE-55	2SC1030B	GE-75	2SC1045E	GE-37		
2SC971B	GE-61	2SC992J	GE-88	2SC1004K	GE-38	2SC1014F	GE-55	2SC1030C	GE-14	2SC1045F	GE-38		
2SC971BK	GE-47	2SC992K	GE-88	2SC1004L	GE-38	2SC1014G	GE-28	2SC1030C	GE-14	2SC1045G	GE-38		
2SC971C	GE-61	2SC992L	GE-88	2SC1004M	GE-38	2SC1014GA	GE-55	2SC1030D	GE-75	2SC1045GN	GE-38		
2SC971D	GE-61	2SC992M	GE-88	2SC1004OR	GE-38	2SC1014GN	GE-28	2SC1030E	GE-75	2SC1045H	GE-38		
2SC971E	GE-61	2SC992OR	GE-88	2SC1004R	GE-38	2SC1014H	GE-55	2SC1030F	GE-75	2SC1045I	GE-38		
2SC971F	GE-61	2SC992R	GE-88	2SC1004X	GE-38	2SC1014J	GE-55	2SC1030G	GE-75	2SC1045K	GE-38		
2SC971G	GE-61	2SC992X	GE-88	2SC1004Y	GE-38	2SC1014K	GE-55	2SC1030H	GE-75	2SC1045L	GE-38		
2SC971GN	GE-61	2SC992Y	GE-88	2SC1005	GE-38	2SC1014L	GE-55	2SC1030J	GE-75	2SC1045M	GE-38		
2SC971H	GE-61	2SC995	GE-27	2SC1005A	GE-38	2SC1014LG	GE-28	2SC1030K	GE-75	2SC1045OR	GE-38		
2SC971J	GE-61	2SC995A	GE-32	2SC1005B	GE-38	2SC1014LR	GE-28	2SC1030L	GE-75	2SC1045R	GE-37		
2SC971K	GE-61	2SC995B	GE-32	2SC1005C	GE-38	2SC1014M	GE-55	2SC1030M	GE-75	2SC1045X	GE-38		
2SC971L	GE-61	2SC995C	GE-32	2SC1005D	GE-38	2SC1014OR	GE-55	2SC1030	GE-75	2SC1045Y	GE-38		
2SC971M	GE-61	2SC995E	GE-32	2SC1005E	GE-38	2SC1014R	GE-28	2SC1030R	GE-75	2SC1046	GE-38		
2SC971OR	GE-61	2SC995F	GE-32	2SC1005F	GE-38	2SC1014W	GE-28	2SC1030X	GE-75	2SC1046A	GE-38		
2SC971R	GE-61	2SC995G	GE-32	2SC1005G	GE-38	2SC1014X	GE-55	2SC1030Y	GE-75	2SC1046B	GE-38		
2SC971X	GE-61	2SC995GN	GE-32	2SC1005GN	GE-38	2SC1014Y	GE-28	2SC1032	GE-20	2SC1046C	GE-38		
2SC971Y	GE-61	2SC995H	GE-32	2SC1005H	GE-38	2SC1017	GE-45	2SC1032(Y)	GE-20	2SC1046D	GE-38		
2SC972	GE-18	2SC995J	GE-32	2SC1005J	GE-38	2SC1018	GE-28	2SC1032A	GE-61	2SC1046E	GE-38		
2SC972A	GE-18	2SC995K	GE-32	2SC1005K	GE-38	2SC1018A	GE-45	2SC1032B	GE-61	2SC1046F	GE-38		
2SC972B	GE-18	2SC995L	GE-32	2SC1005L	GE-38	2SC1018B	GE-45	2SC1032BL	GE-61	2SC1046G	GE-38		
2SC972C	GE-18	2SC995M	GE-32	2SC1005M	GE-38	2SC1018C	GE-45	2SC1032C	GE-61	2SC1046GN	GE-38		
2SC972D	GE-18	2SC995OR	GE-32	2SC1005OR	GE-38	2SC1018D	GE-45	2SC1032D	GE-61	2SC1046H	GE-38		
2SC972E	GE-18	2SC995R	GE-32	2SC1005R	GE-38	2SC1018E	GE-45	2SC1032E	GE-61	2SC1046I	GE-38		
2SC972F	GE-18	2SC995X	GE-32	2SC1005X	GE-38	2SC1018F	GE-45	2SC1032F	GE-61	2SC1046K	GE-38		
2SC972G	GE-18	2SC995Y	GE-32	2SC1005Y	GE-38	2SC1018G	GE-45	2SC1032G	GE-61	2SC1046L	GE-38		
2SC972GN	GE-18	2SC996	GE-27	2SC1006	GE-212	2SC1018GN	GE-45	2SC1032GN	GE-61	2SC1046M	GE-38		
2SC972H	GE-18	2SC997	GE-60	2SC1009	GE-61	2SC1018H	GE-45	2SC1032H	GE-61	2SC1046N	GE-38		
2SC972J	GE-18	2SC997A	GE-61	2SC1010	GE-212	2SC1018J	GE-45	2SC1032J	GE-61	2SC1046OR	GE-38		
2SC972K	GE-18	2SC997B	GE-61	2SC1010A	GE-88	2SC1018K	GE-45	2SC1032K	GE-61	2SC1046R	GE-38		
2SC972L	GE-18	2SC997C	GE-61	2SC1010B	GE-88	2SC1018L	GE-45	2SC1032L	GE-61	2SC1046X	GE-38		
2SC972M	GE-18	2SC997D	GE-61	2SC1010C	GE-88	2SC1018M	GE-45	2SC1032M	GE-61	2SC1046Y	GE-38		
2SC972OR	GE-18	2SC997E	GE-61	2SC1010D	GE-88	2SC1018R	GE-45	2SC1032OR	GE-61	2SC1047	GE-60		
2SC972R	GE-18	2SC997F	GE-61	2SC1010E	GE-88	2SC1018X	GE-45	2SC1032R	GE-61	2SC1047	GE-60		
2SC972Z	GE-18	2SC997G	GE-61	2SC1010F	GE-88	2SC1018Y	GE-45	2SC1032X	GE-61	2SC1047	GE-61		
2SC972Y	GE-18	2SC997GN	GE-61	2SC1010G	GE-88	2SC1023	GE-20	2SC1032Y	GE-61	2SC1047A	GE-61		
2SC982	GE-64	2SC997H	GE-61	2SC1010GN	GE-88	2SC1023(O)	GE-20	2SC1033	GE-18	2SC1047B	GE-61		
2SC983-O	GE-27	2SC997J	GE-61	2SC1010H	GE-88	2SC1023A	GE-61	2SC1033A	GE-32	2SC1047C	GE-61		
2SC983-R	GE-27	2SC997K	GE-61	2SC1010J	GE-88	2SC1023B	GE-61	2SC1033B	GE-32	2SC1047D	GE-61		
2SC983-Y	GE-27	2SC997L	GE-61	2SC1010K	GE-88	2SC1023C	GE-61	2SC1033C	GE-32	2SC1047E	GE-61		
2SC984	GE-210	2SC997M	GE-61	2SC1010L	GE-88	2SC1023D	GE-61	2SC1033D	GE-32	2SC1047F	GE-61		
2SC984A	GE-88	2SC997OR	GE-81	2SC1010M	GE-88	2SC1023E	GE-61	2SC1033E	GE-32	2SC1047G	GE-61		
2SC984B	GE-18	2SC997R	GE-61	2SC1010	GE-88	2SC1023F	GE-61	2SC1033F	GE-32	2SC1047GN	GE-61		
2SC984C	GE-18	2SC997X	GE-61	2SC1010R	GE-88	2SC1023G	GE-61	2SC1033G	GE-32	2SC1047GR	GE-61		
2SC984D	GE-18	2SC997Y	GE-61	2SC1010X	GE-88	2SC1023GN	GE-61	2SC1033GN	GE-32	2SC1047H	GE-61		
2SC984E	GE-88	2SC999	GE-38	2SC1010Y	GE-88	2SC1023H	GE-61	2SC1033H	GE-32	2SC1047I	GE-61		
2SC984F	GE-88	2SC999A	GE-38	2SC1012	GE-40	2SC1023J	GE-61	2SC1033J	GE-32	2SC1047K	GE-61		
2SC984G	GE-88	2SC999B	GE-38	2SC1012	GE-27	2SC1023K	GE-61	2SC1033K	GE-32	2SC1047L	GE-61		
2SC984GN	GE-88	2SC999C	GE-38	2SC1012A	GE-40	2SC1023L	GE-61	2SC1033L	GE-32	2SC1047M	GE-61		
2SC984H	GE-88	2SC999D	GE-38	2SC1012B	GE-32	2SC1023M	GE-61	2SC1033OR	GE-32	2SC1047R	GE-61		
2SC984J	GE-88	2SC999E	GE-38	2SC1012C	GE-32	2SC1023-O	GE-86	2SC1033R	GE-32	2SC1047Y	GE-61		
2SC984L	GE-88	2SC999F	GE-38	2SC1012D	GE-32	2SC1023OR	GE-81	2SC1033X	GE-32	2SC1047Y	GE-61		
2SC984M	GE-88	2SC999G	GE-38	2SC1012E	GE-32	2SC1023R	GE-61	2SC1033Y	GE-32	2SC1048	GE-32		
2SC984OR	GE-88	2SC999GN	GE-38	2SC1012F	GE-32	2SC1023X	GE-61	2SC1034	GE-12	2SC1048B	GE-32		
2SC984R	GE-88	2SC999H	GE-38	2SC1012G	GE-32	2SC1023-Y	GE-86	2SC1035	GE-211	2SC1048C	GE-32		
2SC984X	GE-88	2SC999J	GE-38	2SC1012GN	GE-32	2SC1023Y	GE-61	2SC1035A	GE-211	2SC1048D	GE-32		
2SC984Y	GE-88	2SC999K	GE-38	2SC1012H	GE-32	2SC1024	GE-216	2SC1035B	GE-211	2SC1048E	GE-32		
2SC985	GE-86	2SC999L	GE-38	2SC1012J	GE-32	2SC1024	GE-66	2SC1035C	GE-211	2SC1048F	GE-32		
2SC985A	GE-61	2SC999M	GE-38	2SC1012K	GE-32	2SC1024A	GE-66	2SC1035D	GE-211	2SC1055H	GE-69		
2SC987	GE-39	2SC999OR	GE-38	2SC1012L	GE-32	2SC1024B	GE-66	2SC1035E	GE-211	2SC1056	GE-40		
2SC987A	GE-86	2SC999R	GE-38	2SC1012M	GE-32	2SC1024C	GE-66	2SC1035F	GE-211	2SC1056A	GE-32		
2SC988	GE-39	2SC999X	GE-38	2SC1012	GE-32	2SC1024D	GE-66	2SC1035GN	GE-211	2SC1056B	GE-32		
2SC988A	GE-39	2SC999Y	GE-38	2SC1012R	GE-32	2SC1024-E	GE-66	2SC1035H	GE-211	2SC1056C	GE-32		
2SC988B	GE-39	2SC1000	GE-212	2SC1012X	GE-32	2SC1024E	GE-66	2SC1035J	GE-211	2SC1056D	GE-32		
2SC990	GE-86	2SC1000(GR)	GE-62	2SC1012Y	GE-32	2SC1024F	GE-66	2SC1035L	GE-211	2SC1056E	GE-32		
2SC991	GE-88	2SC1000A	GE-47	2SC1013	GE-28	2SC1024G	GE-66	2SC1035M	GE-211	2SC1056F	GE-32		
2SC991A	GE-88	2SC1000B	GE-47	2SC1013A	GE-55	2SC1024L	GE-66	2SC1035OR	GE-211	2SC1056G	GE-32		
2SC991B	GE-88	2SC1000C	GE-47	2SC1013B	GE-55	2SC1024Y	GE-66	2SC1035R	GE-211	2SC1056GN	GE-32		
2SC991C	GE-88	2SC1000D	GE-47	2SC1013C	GE-55	2SC1025	GE-12	2SC1035X	GE-211	2SC1056H	GE-32		
2SC991D	GE-88	2SC1000E	GE-47	2SC1013D	GE-55	2SC1026(G)	GE-20	2SC1035Y	GE-211	2SC1056I	GE-32		
2SC991E	GE-88	2SC1000F	GE-47	2SC1013E	GE-55	2SC1026A	GE-86	2SC1036	GE-211	2SC1056K	GE-32		
2SC991F	GE-88	2SC1000G	GE-47	2SC1013F	GE-55	2SC1026B	GE-86	2SC1036A	GE-211	2SC1056L	GE-32		
2SC991G	GE-88	2SC1000GN	GE-47	2SC1013G	GE-55	2SC1026BL	GE-86	2SC1036B	GE-211	2SC1056M	GE-32		
2SC991GN	GE-88	2SC1000H	GE-47	2SC1013GN	GE-55	2SC1026C	GE-86	2SC1036C	GE-211	2SC1056OR	GE-32		
2SC991H	GE-88	2SC1000J	GE-47	2SC1013H	GE-55	2SC1026D	GE-61	2SC1036D	GE-211	2SC1056R	GE-32		
2SC991J	GE-88	2SC1000K	GE-47	2SC1013J	GE-55	2SC1026E	GE-61	2SC1036E	GE-211	2SC1056X	GE-32		
2SC991K	GE-88	2SC1000L	GE-47	2SC1013K	GE-55	2SC1026F	GE-61	2SC1036F	GE-211	2SC1056Y	GE-32		
2SC991L	GE-88	2SC1000M	GE-47	2SC1013L	GE-55	2SC1026G	GE-61	2SC1036G	GE-211	2SC1059	GE-12		
2SC991M	GE-88	2SC1000	GE-47	2SC1013LJ	GE-55	2SC1026GN	GE-61	2SC1036GN	GE-211	2SC1059	GE-12		
2SC991OR	GE-88	2SC1000	GE-47	2SC1013M	GE-55	2SC1026GR	GE-86	2SC1036H	GE-211	2SC1059A	GE-12		
2SC991R	GE-88	2SC1000X	GE-47	2SC1013OR	GE-55	2SC1026H	GE-61	2SC1036I	GE-211	2SC1059B	GE-12		
2SC991X	GE-88	2SC1000Y	GE-17	2SC1013PJ	GE-55	2SC1026J	GE-61	2SC1036K	GE-211	2SC1059C	GE-12		
2SC991Y	GE-88	2SC1004	GE-37	2SC1013R	GE-55	2SC1026K	GE-61	2SC1036L	GE-211	2SC1059D	GE-12		
2SC992	GE-88	2SC1004A	GE-37	2SC1013X	GE-55	2SC1026L	GE-61	2SC1036M	GE-211	2SC1059E	GE-12		
2SC992A	GE-88	2SC1004B	GE-38	2SC1013Y	GE-55	2SC1026M	GE-61	2SC1036OR	GE-211	2SC1059F	GE-12		
2SC992B	GE-88	2SC1004C	GE-38	2SC1014	GE-28	2SC1026O	GE-86	2SC1036R	GE-211	2SC1059G	GE-12		
2SC992C	GE-88	2SC1004D	GE-38	2SC1014A	GE-28	2SC1026OR	GE-61	2SC1036X	GE-211	2SC1059GN	GE-12		
2SC992D	GE-88	2SC1004E	GE-38	2SC1014B	GE-28	2SC1026-R	GE-61	2SC1036Y	GE-211	2SC1059H	GE-12		
2SC992E	GE-88	2SC1004F	GE-38	2SC1014BY	GE-28	2SC1026X	GE-61	2SC1045	GE-37	2SC1059J	GE-12		

UNIVERSAL REPLACEMENT SEMICONDUCTORS

2SC1059K - 2SC1317OR

JEDEC Or Part Nr	GE Replacement	JEDEC Or Part Nr	GE Replacement	JEDEC Or Part Nr	GE Replacement	JEDEC Or Part Nr	GE Replacement	JEDEC Or Part Nr	GE Replacement	JEDEC Or Part Nr	GE Replacement	JEDEC Or Part Nr	GE Replacement
2SC1059K	GE-12	2SC1098M	GE-28	2SC1117F	GE-86	2SC1129(M)	GE-60	2SC1172G	GE-38	2SC1215G	GE-61		
2SC1059L	GE-12	2SC1098OR	GE-28	2SC1117G	GE-86	2SC1129	GE-61	2SC1172GN	GE-38	2SC1215GN	GE-61		
2SC1059M	GE-12	2SC1098F	GE-28	2SC1117GM	GE-86	2SC1129(R)	GE-60	2SC1172H	GE-38	2SC1215H	GE-61		
2SC1059OR	GE-12	2SC1098X	GE-28	2SC1117H	GE-86	2SC1129-0	GE-61	2SC1172J	GE-38	2SC1215J	GE-61		
2SC1059R	GE-12	2SC1098Y	GE-28	2SC1117J	GE-86	2SC1129A	GE-61	2SC1172K	GE-38	2SC1215K	GE-61		
2SC1059X	GE-12	2SC1098(L)	GE-28	2SC1117K	GE-86	2SC1129B	GE-61	2SC1172L	GE-38	2SC1215L	GE-61		
2SC1059Y	GE-12	2SC1098(M)	GE-28	2SC1117L	GE-86	2SC1129BL	GE-61	2SC1172M	GE-38	2SC1215M	GE-61		
2SC1060(C, D)	GE-28	2SC1098(N)	GE-66	2SC1117M	GE-86	2SC1129C	GE-61	2SC1172	GE-38	2SC1215OR	GE-61		
2SC1060(C, D)	GE-28	2SC1098(L)	GE-66	2SC1117OR	GE-86	2SC1129G	GE-61	2SC1172R	GE-38	2SC1215R	GE-61		
2SC1060A	GE-28	2SC1098(K)	GE-36	2SC1117R	GE-86	2SC1129R	GE-61	2SC1172X	GE-38	2SC1215X	GE-61		
2SC1060B	GE-28	2SC1100	GE-38	2SC1117X	GE-86	2SC1129Y	GE-61	2SC1172Y	GE-38	2SC1215Y	GE-61		
2SC1060BL	GE-28	2SC1100A	GE-38	2SC1117Y	GE-86	2SC1151	GE-37	2SC1173	GE-28	2SC1216	GE-61		
2SC1060BM	GE-28	2SC1100B	GE-38	2SC1123	GE-61	2SC1151A	GE-37	2SC1173	GE-66	2SC1220E	GE-18		
2SC1060BY	GE-28	2SC1100C	GE-38	2SC1123A	GE-61	2SC1152(F)	GE-14	2SC1173A	GE-28	2SC1222	GE-212		
2SC1060C	GE-28	2SC1100D	GE-38	2SC1123B	GE-61	2SC1152	GE-14	2SC1173-B	GE-28	2SC1226(R)	GE-63		
2SC1060D	GE-28	2SC1100E	GE-38	2SC1123C	GE-61	2SC1152F	GE-75	2SC1173-C	GE-28	2SC1226(R)	GE-63		
2SC1060E	GE-55	2SC1100F	GE-38	2SC1123D	GE-61	2SC1153	GE-38	2SC1173-R	GE-28	2SC1226(P)	GE-28		
2SC1060F	GE-55	2SC1100G	GE-38	2SC1123E	GE-61	2SC1153	GE-32	2SC1173(X,Y)	GE-66	2SC1226(P)	GE-28		
2SC1060G	GE-55	2SC1100GN	GE-38	2SC1123F	GE-61	2SC1156A	GE-32	2SC1174	GE-38	2SC1226	GE-28		
2SC1060GN	GE-28	2SC1100H	GE-38	2SC1123GN	GE-61	2SC1156B	GE-32	2SC1174A	GE-38	2SC1226A(P)	GE-28		
2SC1060H	GE-55	2SC1100J	GE-38	2SC1123H	GE-61	2SC1156C	GE-32	2SC1174B	GE-38	2SC1226A(O)	GE-28		
2SC1060J	GE-55	2SC1100K	GE-38	2SC1123J	GE-61	2SC1156D	GE-32	2SC1174C	GE-38	2SC1226A(R)	GE-28		
2SC1060K	GE-55	2SC1100L	GE-38	2SC1123K	GE-61	2SC1156E	GE-32	2SC1174D	GE-38	2SC1226AP	GE-28		
2SC1060L	GE-55	2SC1100M	GE-38	2SC1123L	GE-61	2SC1156F	GE-32	2SC1174E	GE-38	2SC1226B	GE-28		
2SC1060M	GE-55	2SC1100	GE-38	2SC1123M	GE-61	2SC1156G	GE-32	2SC1174F	GE-38	2SC1226BL	GE-28		
2SC1060	GE-55	2SC1100	GE-38	2SC1123OR	GE-61	2SC1156GN	GE-32	2SC1174G	GE-38	2SC1226C	GE-28		
2SC1060R	GE-28	2SC1100X	GE-38	2SC1123R	GE-61	2SC1156H	GE-32	2SC1174GN	GE-38	2SC1226D	GE-28		
2SC1060X	GE-55	2SC1100Y	GE-38	2SC1123X	GE-61	2SC1156K	GE-32	2SC1174H	GE-38	2SC1226E	GE-28		
2SC1060Y	GE-28	2SC1101	GE-37	2SC1123Y	GE-61	2SC1156L	GE-32	2SC1174J	GE-38	2SC1226G	GE-28		
2SC1061(C)	GE-66	2SC1101A	GE-37	2SC1124	GE-27	2SC1156M	GE-32	2SC1174K	GE-38	2SC1226H	GE-28		
2SC1061A	GE-28	2SC1101B	GE-37	2SC1124A	GE-32	2SC1156OR	GE-32	2SC1174L	GE-38	2SC1226L	GE-28		
2SC1061B	GE-28	2SC1101C	GE-37	2SC1124B	GE-32	2SC1156R	GE-32	2SC1174M	GE-38	2SC1226OR	GE-28		
2SC1061BM	GE-28	2SC1101D	GE-37	2SC1124C	GE-32	2SC1156X	GE-32	2SC1174OR	GE-38	2SC1226P	GE-20		
2SC1061C	GE-28	2SC1101E	GE-37	2SC1124D	GE-32	2SC1156Y	GE-32	2SC1174R	GE-38	2SC1226Q	GE-28		
2SC1061D	GE-55	2SC1101F	GE-37	2SC1124E	GE-32	2SC1157	GE-32	2SC1174X	GE-38	2SC1226R	GE-28		
2SC1063	GE-47	2SC1101G	GE-38	2SC1124F	GE-32	2SC1157A	GE-32	2SC1174Y	GE-38	2SC1226Y	GE-28		
2SC1071	GE-64	2SC1101GN	GE-38	2SC1124G	GE-32	2SC1157B	GE-32	2SC1175	GE-210	2SC1235AM	GE-12		
2SC1072	GE-47	2SC1101H	GE-38	2SC1124GN	GE-32	2SC1157C	GE-32	2SC1175E,D,F	GE-20	2SC1235G	GE-20		
2SC1072A	GE-63	2SC1101J	GE-38	2SC1124H	GE-32	2SC1157E	GE-32	2SC1180	GE-39	2SC1237	GE-28		
2SC1072B	GE-18	2SC1101K	GE-38	2SC1124J	GE-32	2SC1157F	GE-32	2SC1182B	GE-20	2SC1239	GE-45		
2SC1072C	GE-18	2SC1101L	GE-37	2SC1124K	GE-32	2SC1157G	GE-32	2SC1182C	GE-20	2SC1239	GE-46		
2SC1072D	GE-18	2SC1101M	GE-38	2SC1124L	GE-32	2SC1157GN	GE-32	2SC1182D	GE-61	2SC1239	GE-46		
2SC1072E	GE-18	2SC1101OR	GE-38	2SC1124M	GE-32	2SC1157H	GE-32	2SC1184	GE-37	2SC1239	GE-46		
2SC1072F	GE-18	2SC1101R	GE-38	2SC1124OR	GE-32	2SC1157J	GE-32	2SC1184A	GE-37	2SC1243	GE-28		
2SC1072G	GE-18	2SC1101X	GE-38	2SC1124R	GE-32	2SC1157K	GE-32	2SC1184B	GE-37	2SC1243	GE-66		
2SC1072GN	GE-18	2SC1101Y	GE-38	2SC1124X	GE-32	2SC1157L	GE-32	2SC1184C	GE-37	2SC1244	GE-20		
2SC1072H	GE-18	2SC1102(M)	GE-12	2SC1124Y	GE-32	2SC1157M	GE-32	2SC1184D	GE-37	2SC1244	GE-39		
2SC1072J	GE-18	2SC1102(L)	GE-12	2SC1126	GE-61	2SC1157OR	GE-32	2SC1184E	GE-37	2SC1255	GE-212		
2SC1072K	GE-18	2SC1102K	GE-12	2SC1126A	GE-61	2SC1157R	GE-32	2SC1185	GE-38	2SC1293	GE-61		
2SC1072L	GE-18	2SC1102L	GE-12	2SC1126B	GE-61	2SC1157X	GE-32	2SC1185A	GE-35	2SC1293(A)	GE-61		
2SC1072M	GE-18	2SC1102M	GE-12	2SC1126E	GE-61	2SC1157Y	GE-32	2SC1185B	GE-35	2SC1293C	GE-61		
2SC1072OR	GE-18	2SC1103(A)	GE-40	2SC1126F	GE-61	2SC1158	GE-39	2SC1185C	GE-35	2SC1295	GE-38		
2SC1072R	GE-18	2SC1104	GE-32	2SC1126GN	GE-61	2SC1158	GE-60	2SC1185K	GE-14	2SC1296	GE-38		
2SC1072X	GE-18	2SC1105(M)	GE-12	2SC1126J	GE-61	2SC1159	GE-60	2SC1185L	GE-14	2SC1303	GE-61		
2SC1072Y	GE-18	2SC1105(K)	GE-12	2SC1126K	GE-61	2SC1160	GE-32	2SC1185	GE-14	2SC1304	GE-12		
2SC1079	GE-35	2SC1105	GE-12	2SC1126L	GE-61	2SC1160(L)	GE-12	2SC1185M	GE-14	2SC1307	GE-216		
2SC1086	GE-38	2SC1105A	GE-12	2SC1126M	GE-61	2SC1161	GE-32	2SC1187	GE-60	2SC1308(K)	GE-38		
2SC1086A	GE-38	2SC1105B	GE-12	2SC1126OR	GE-61	2SC1162(C)	GE-28	2SC1204	GE-210	2SC1308	GE-38		
2SC1086B	GE-38	2SC1105C	GE-12	2SC1126R	GE-61	2SC1162B	GE-28	2SC1205	GE-210	2SC1309	GE-38		
2SC1086C	GE-38	2SC1105D	GE-12	2SC1126X	GE-61	2SC1162CP	GE-28	2SC1206	GE-18	2SC1312	GE-20		
2SC1086D	GE-38	2SC1105E	GE-12	2SC1126Y	GE-61	2SC1162D	GE-57	2SC1209(C)	GE-63	2SC1312	GE-212		
2SC1086E	GE-38	2SC1105F	GE-12	2SC1127	GE-27	2SC1166	GE-81	2SC1209	GE-20	2SC1312A	GE-88		
2SC1086F	GE-38	2SC1105G	GE-12	2SC1127A	GE-32	2SC1168Y	GE-18	2SC1209C	GE-63	2SC1312C	GE-88		
2SC1086G	GE-38	2SC1105GN	GE-12	2SC1127B	GE-32	2SC1167	GE-38	2SC1210	GE-20	2SC1312D	GE-88		
2SC1086GN	GE-38	2SC1105H	GE-12	2SC1127C	GE-32	2SC1168	GE-12	2SC1211	GE-81	2SC1312E	GE-88		
2SC1086H	GE-38	2SC1105J	GE-12	2SC1127D	GE-32	2SC1170	GE-38	2SC1211	GE-20	2SC1312F	GE-88		
2SC1086J	GE-38	2SC1105K	GE-12	2SC1127E	GE-32	2SC1170A	GE-38	2SC1213	GE-210	2SC1312G	GE-88		
2SC1086K	GE-38	2SC1105L	GE-12	2SC1127F	GE-32	2SC1170B	GE-38	2SC1213(B)	GE-63	2SC1312GN	GE-88		
2SC1086L	GE-38	2SC1105M	GE-12	2SC1127G	GE-32	2SC1170C	GE-38	2SC1213A	GE-210	2SC1312H	GE-88		
2SC1086M	GE-38	2SC1105	GE-12	2SC1127GA	GE-32	2SC1170D	GE-38	2SC1213AK	GE-210	2SC1312J	GE-88		
2SC1086OR	GE-38	2SC1105M	GE-12	2SC1127GN	GE-32	2SC1170E	GE-38	2SC1213B	GE-18	2SC1312K	GE-88		
2SC1086R	GE-38	2SC1105	GE-12	2SC1127H	GE-32	2SC1170F	GE-38	2SC1213C	GE-63	2SC1312L	GE-88		
2SC1086X	GE-38	2SC1105OR	GE-12	2SC1127J	GE-32	2SC1170G	GE-38	2SC1213D	GE-63	2SC1312M	GE-88		
2SC1086Y	GE-38	2SC1105R	GE-12	2SC1127K	GE-32	2SC1170GN	GE-38	2SC1213E	GE-63	2SC1312N	GE-88		
2SC1089(B, D)	GE-40	2SC1105X	GE-12	2SC1127L	GE-32	2SC1170H	GE-38	2SC1213F	GE-63	2SC1312OR	GE-88		
2SC1091A	GE-X18	2SC1105Y	GE-12	2SC1127M	GE-32	2SC1170J	GE-38	2SC1213G	GE-63	2SC1312R	GE-88		
2SC1096(M)	GE-28	2SC1106	GE-14	2SC1127O	GE-32	2SC1170K	GE-38	2SC1213GN	GE-63	2SC1312X	GE-88		
2SC1096	GE-28	2SC1106(L)	GE-14	2SC1127OR	GE-32	2SC1170L	GE-38	2SC1213H	GE-63	2SC1312Y	GE-212		
2SC1096	GE-23	2SC1106(M)	GE-14	2SC1127R	GE-32	2SC1170M	GE-38	2SC1213J	GE-63	2SC1313B	GE-88		
2SC1096A	GE-55	2SC1106(K)	GE-14	2SC1127X	GE-32	2SC1170N	GE-38	2SC1213K	GE-63	2SC1313(S)	GE-18		
2SC1096B	GE-55	2SC1106K	GE-14	2SC1127Y	GE-32	2SC1170	GE-38	2SC1213L	GE-63	2SC1317(R)	GE-18		
2SC1096C	GE-55	2SC1106L	GE-14	2SC1128(S)	GE-61	2SC1170X	GE-38	2SC1213M	GE-63	2SC1317	GE-210		
2SC1096D	GE-28	2SC1106	GE-75	2SC1128(S)	GE-61	2SC1170Y	GE-38	2SC1213OR	GE-63	2SC1317A	GE-88		
2SC1096E	GE-28	2SC1107O	GE-28	2SC1128(M)	GE-61	2SC1171	GE-38	2SC1213X	GE-63	2SC1317B	GE-88		
2SC1096F	GE-26	2SC1115	GE-19	2SC1128A	GE-61	2SC1172	GE-38	2SC1213Y	GE-63	2SC1317BC	GE-88		
2SC1096G	GE-28	2SC1116	GE-35	2SC1128B	GE-61	2SC1172A	GE-38	2SC1214	GE-47	2SC1317C	GE-88		
2SC1096GN	GE-28	2SC1117	GE-214	2SC1128BL	GE-61	2SC1172B	GE-38	2SC1214(B)	GE-38	2SC1317D	GE-88		
2SC1096H	GE-28	2SC1117A	GE-66	2SC1128C	GE-61	2SC1172B	GE-38	2SC1215	GE-66	2SC1317E	GE-88		
2SC1096J	GE-28	2SC1117B	GE-66	2SC1128G	GE-61	2SC1172C	GE-38	2SC1215C	GE-61	2SC1317G	GE-88		
2SC1096K	GE-28	2SC1117C	GE-66	2SC1128-O	GE-61	2SC1172D	GE-38	2SC1215D	GE-61	2SC1317GR	GE-88		
2SC1096L	GE-28	2SC1117D	GE-66	2SC1128R	GE-61	2SC1172E	GE-38	2SC1215E	GE-61	2SC1317L	GE-88		
2SC1096	GE-55	2SC1117E	GE-66	2SC1128Y	GE-61	2SC1172F	GE-38	2SC1215F	GE-61	2SC1317OR	GE-88		

UNIVERSAL REPLACEMENT SEMICONDUCTORS

2SC1317 - 2SC5184X

JEDEC Or Part Nr	GE Replacement	JEDEC Or Part Nr	GE Replacement	JEDEC Or Part Nr	GE Replacement	JEDEC Or Part Nr	GE Replacement	JEDEC Or Part Nr	GE Replacement	JEDEC Or Part Nr	GE Replacement	JEDEC Or Part Nr	GE Replacement
2SC1317	GE-88	2SC1344	GE-210	2SC1413G	GE-38	2SC4012B	GE-47	2SC5370GM	GE-47	2SCF6A	GE-18		
2SC1317Q	GE-18	2SC1344	GE-47	2SC1413GM	GE-38	2SC4012C	GE-47	2SC5370H	GE-47	2SCF6B	GE-18		
2SC1317	GE-18	2SC1345(E)	GE-20	2SC1413K	GE-38	2SC4012D	GE-47	2SC5370J	GE-47	2SCF6C	GE-18		
2SC1317S	GE-17	2SC1345	GE-210	2SC1413L	GE-38	2SC4012E	GE-47	2SC5370K	GE-47	2SCF6D	GE-18		
2SC1317V	GE-88	2SC1346	GE-47	2SC1413R	GE-38	2SC4012F	GE-47	2SC5370L	GE-47	2SCF6E	GE-18		
2SC1317Y	GE-88	2SC1346	GE-83	2SC1413X	GE-38	2SC4012G	GE-47	2SC5370M	GE-47	2SCF6F	GE-18		
2SC1318(Q)	GE-210	2SC1346	GE-210	2SC1413Y	GE-38	2SC4012GN	GE-47	2SC5370	GE-47	2SCF6G	GE-18		
2SC1318	GE-210	2SC1347(O)	GE-83	2SC1416	GE-212	2SC4012H	GE-47	2SC5370R	GE-47	2SCF6GM	GE-18		
2SC1318(P,R)	GE-210	2SC1347	GE-47	2SC1416A	GE-81	2SC4012J	GE-47	2SC5370X	GE-47	2SCF6H	GE-18		
2SC1318A	GE-210	2SC1347R	GE-88	2SC1417	GE-61	2SC4012L	GE-47	2SC5370Y	GE-47	2SCF6J	GE-18		
2SC1318B	GE-210	2SC1358	GE-36	2SC1417	GE-61	2SC4012M	GE-47	2SC582,B	GE-12	2SCF6K	GE-18		
2SC1318C	GE-210	2SC1358K	GE-36	2SC1417D(U)	GE-20	2SC4012X	GE-47	2SC8146	GE-47	2SCF6L	GE-18		
2SC1318E	GE-210	2SC1359	GE-211	2SC1417VW	GE-20	2SC4012Y	GE-47	2SC8290	GE-20	2SCF6M	GE-18		
2SC1318F	GE-210	2SC1359(B)	GE-211	2SC1446(Q)	GE-32	2SC-4033	GE-61	2SC9011E	GE-20	2SCF6OR	GE-18		
2SC1318G	GE-210	2SC1359	GE-211	2SC1447(R)	GE-32	2SC4033A	GE-61	2SC9011F	GE-20	2SCF6R	GE-18		
2SC1318GN	GE-210	2SC1359(A)	GE-211	2SC1447	GE-32	2SC4033B	GE-61	2SC9011H	GE-20	2SCF6X	GE-18		
2SC1318H	GE-210	2SC1359(B)	GE-211	2SC1448	GE-32	2SC4033C	GE-61	2SC9012-HG	GE-21	2SCF6Y	GE-18		
2SC1318J	GE-210	2SC1359	GE-211	2SC1449	GE-57	2SC4033D	GE-61	2SC9012-HH	GE-21	2SCF8	GE-45		
2SC1318K	GE-210	2SC1359(C,B)	GE-211	2SC1453	GE-212	2SC4033E	GE-61	2SC10148	GE-28	2SCF8	GE-46		
2SC1318L	GE-210	2SC1359	GE-211	2SC1456(L)	GE-12	2SC4033F	GE-61	2SC11070	GE-28	2SCF8A	GE-46		
2SC1318M	GE-210	2SC1359B	GE-211	2SC1456(M)	GE-12	2SC4033G	GE-61	2SCD78	GE-66	2SCF8B	GE-46		
2SC1318R	GE-210	2SC1360	GE-11	2SC1456	GE-32	2SC4033GN	GE-61	2SCF1	GE-61	2SCF8C	GE-46		
2SC1318S	GE-210	2SC1362	GE-82	2SC1507	GE-32	2SC4033H	GE-61	2SCF1A	GE-61	2SCF8D	GE-46		
2SC1318S,R	GE-210	2SC1363	GE-20	2SC1518	GE-47	2SC4033J	GE-61	2SCF1B	GE-61	2SCF8E	GE-46		
2SC1318X	GE-210	2SC1364	GE-20	2SC1537(S)	GE-63	2SC4033K	GE-61	2SCF1C	GE-61	2SCF8F	GE-46		
2SC1318Y	GE-210	2SC1364A	GE-20	2SC1538(S,A)	GE-63	2SC4033L	GE-61	2SCF1D	GE-61	2SCF8G	GE-46		
2SC1320(K)	GE-61	2SC1364A	GE-20	2SC1547	GE-39	2SC4033M	GE-61	2SCF1E	GE-61	2SCF8GN	GE-46		
2SC1320A	GE-61	2SC1364B	GE-47	2SC1568(R)	GE-55	2SC4033OR	GE-61	2SCF1F	GE-61	2SCF8H	GE-46		
2SC1320B	GE-61	2SC1364C	GE-47	2SC1570	GE-212	2SC4033R	GE-61	2SCF1G	GE-61	2SCF8J	GE-46		
2SC1320C	GE-61	2SC1364D	GE-88	2SC1571	GE-212	2SC4033X	GE-61	2SCF1GN	GE-61	2SCF8K	GE-46		
2SC1320D	GE-61	2SC1364E	GE-88	2SC1571L	GE-212	2SC4033Y	GE-61	2SCF1H	GE-61	2SCF8L	GE-46		
2SC1320E	GE-61	2SC1364H	GE-47	2SC1585F,H	GE-11	2SC4116	GE-14	2SCF1J	GE-61	2SCF8OR	GE-46		
2SC1320F	GE-61	2SC1364K	GE-47	2SC1621	GE-214	2SC4116A	GE-66	2SCF1K	GE-61	2SCF8R	GE-46		
2SC1320G	GE-61	2SC1364L	GE-88	2SC1622	GE-39	2SC4116B	GE-66	2SCF1L	GE-61	2SCF8X	GE-46		
2SC1320GN	GE-61	2SC1364M	GE-88	2SC1623	GE-212	2SC4116C	GE-66	2SCF1M	GE-61	2SCF8Y	GE-46		
2SC1320H	GE-61	2SC1364OR	GE-88	2SC1919C	GE-11	2SC4116D	GE-66	2SCF1OR	GE-61	2SCF11	GE-20		
2SC1320J	GE-61	2SC1364R	GE-88	2SC2818	GE-20	2SC4116E	GE-66	2SCF1R	GE-61	2SCF12A	GE-46		
2SC1320K	GE-61	2SC1364X	GE-88	2SC3710	GE-20	2SC4116F	GE-66	2SCF1X	GE-61	2SCF12B	GE-46		
2SC1320L	GE-61	2SC1364Y	GE-88	2SC3720	GE-61	2SC4116G	GE-66	2SCF1Y	GE-61	2SCF12C	GE-46		
2SC1320M	GE-61	2SC1368(B)	GE-57	2SC3720A	GE-61	2SC4116GN	GE-66	2SCF2	GE-61	2SCF12D	GE-46		
2SC1320	GE-61	2SC1377	GE-66	2SC3720B	GE-61	2SC4116H	GE-66	2SCF2A	GE-61	2SCF12E	GE-46		
2SC1320R	GE-61	2SC1380	GE-212	2SC3720C	GE-61	2SC4116J	GE-66	2SCF2B	GE-61	2SCF12F	GE-46		
2SC1320X	GE-61	2SC1380A	GE-212	2SC3720D	GE-61	2SC4116K	GE-66	2SCF2C	GE-61	2SCF12G	GE-46		
2SC1320Y	GE-61	2SC1383	GE-20	2SC3720F	GE-61	2SC4116L	GE-66	2SCF2D	GE-61	2SCF12GN	GE-46		
2SC1321	GE-39	2SC1383	GE-18	2SC3720G	GE-61	2SC4116M	GE-66	2SCF2E	GE-61	2SCF12H	GE-46		
2SC1324(C)	GE-20	2SC1383(P,R,Q)	GE-63	2SC3720GN	GE-61	2SC4116OR	GE-66	2SCF2G	GE-61	2SCF12J	GE-46		
2SC1325	GE-38	2SC1383R	GE-63	2SC3720H	GE-61	2SC4116R	GE-66	2SCF2GN	GE-61	2SCF12K	GE-46		
2SC1327	GE-84	2SC1383S	GE-20	2SC3720J	GE-61	2SC4116X	GE-66	2SCF2H	GE-61	2SCF12L	GE-46		
2SC1327U	GE-82	2SC1384(Q)	GE-18	2SC3720K	GE-61	2SC4116Y	GE-66	2SCF2J	GE-61	2SCF12M	GE-46		
2SC1328(U,T)	GE-62	2SC1384(O)	GE-18	2SC3720L	GE-61	2SC5100	GE-32	2SCF2K	GE-61	2SCF12OR	GE-46		
2SC1328(U)	GE-62	2SC1384A	GE-88	2SC3720	GE-61	2SC5100A	GE-32	2SCF2L	GE-61	2SCF12R	GE-46		
2SC1328	GE-47	2SC1384B	GE-88	2SC3720	GE-61	2SC5100B	GE-32	2SCF2M	GE-61	2SCF12X	GE-46		
2SC1335	GE-210	2SC1384C	GE-88	2SC3720X	GE-61	2SC5100C	GE-32	2SCF2R	GE-61	2SCF12Y	GE-46		
2SC1335A	GE-210	2SC1384D	GE-88	2SC3720Y	GE-61	2SC5100D	GE-32	2SCF2X	GE-61	2SCF812	GE-46		
2SC1335B	GE-210	2SC1384E	GE-88	2SC3800	GE-61	2SC5100E	GE-32	2SCF2Y	GE-61	2SCM39J	GE-61		
2SC1335C	GE-210	2SC1384F	GE-88	2SC3800A	GE-61	2SC5100F	GE-32	2SCF3	GE-46	2SCM39X	GE-61		
2SC1335D	GE-210	2SC1384G	GE-88	2SC3800B	GE-61	2SC5100G	GE-32	2SCF3A	GE-46	2SCM39D	GE-14		
2SC1335E	GE-210	2SC1384GN	GE-88	2SC3800C	GE-61	2SC5100GN	GE-32	2SCF3B	GE-46	2SCM95K	GE-12		
2SC1335	GE-47	2SC1384H	GE-88	2SC3800D	GE-61	2SC5100H	GE-32	2SCF3C	GE-46	2SCM98F	GE-18		
2SC1335F	GE-210	2SC1384J	GE-88	2SC3800E	GE-61	2SC5100J	GE-32	2SCF3D	GE-46	2SCS183A	GE-47		
2SC1335G	GE-210	2SC1384K	GE-88	2SC3800F	GE-61	2SC5100K	GE-32	2SCF3E	GE-46	2SCS183B	GE-47		
2SC1335GN	GE-210	2SC1384L	GE-88	2SC3800G	GE-61	2SC5100L	GE-32	2SCF3F	GE-46	2SCS183C	GE-47		
2SC1335H	GE-210	2SC1384M	GE-88	2SC3800GN	GE-61	2SC5100M	GE-32	2SCF3G	GE-46	2SCS183D	GE-47		
2SC1335J	GE-210	2SC1384OR	GE-88	2SC3800H	GE-61	2SC5100N	GE-32	2SCF3H	GE-46	2SCS183E	GE-20		
2SC1335K	GE-210	2SC1384R	GE-83	2SC3800J	GE-61	2SC5100R	GE-32	2SCF3I	GE-46	2SCS183F	GE-47		
2SC1335L	GE-210	2SC1384X	GE-88	2SC3800K	GE-61	2SC5100Y	GE-32	2SCF3J	GE-46	2SCS183G	GE-47		
2SC1335M	GE-210	2SC1384Y	GE-88	2SC3800L	GE-61	2SC5110	GE-32	2SCF3K	GE-46	2SCS183GN	GE-47		
2SC1335OR	GE-210	2SC1385H	GE-47	2SC3800M	GE-61	2SC5110A	GE-32	2SCF3L	GE-46	2SCS183H	GE-47		
2SC1335R	GE-210	2SC1386H	GE-63	2SC3800	GE-61	2SC5110B	GE-32	2SCF3M	GE-46	2SCS183J	GE-47		
2SC1335X	GE-210	2SC1390	GE-20	2SC3800	GE-61	2SC5110C	GE-32	2SCF3OR	GE-46	2SCS183K	GE-47		
2SC1335Y	GE-210	2SC1390(V)	GE-20	2SC3800X	GE-61	2SC5110D	GE-32	2SCF3R	GE-46	2SCS183L	GE-47		
2SC1342	GE-39	2SC1390(Y)	GE-20	2SC3800Y	GE-61	2SC5110E	GE-32	2SCF3S	GE-46	2SCS183M	GE-47		
2SC1342(C)	GE-20	2SC1390(L,Y)	GE-10	2SC3940	GE-61	2SC5110F	GE-32	2SCF3X	GE-46	2SCS183OR	GE-47		
2SC1342(A)	GE-20	2SC1390H(W)	GE-20	2SC3940A	GE-61	2SC5110G	GE-32	2SCF5	GE-17	2SCS183R	GE-47		
2SC1342(B)	GE-20	2SC1390J(X)	GE-20	2SC3940B	GE-61	2SC5110GN	GE-32	2SCF5A	GE-45	2SCS183Y	GE-47		
2SC1342A	GE-61	2SC1390WX	GE-20	2SC3940C	GE-61	2SC5110H	GE-32	2SCF5B	GE-45	2SCS184	GE-47		
2SC1342B	GE-61	2SC1395	GE-17	2SC3940D	GE-61	2SC5110J	GE-32	2SCF5C	GE-45	2SCS184A	GE-47		
2SC1342C	GE-61	2SC1398	GE-88	2SC3940E	GE-61	2SC5110K	GE-32	2SCF5D	GE-45	2SCS184B	GE-47		
2SC1342D	GE-61	2SC1398Q	GE-88	2SC3940F	GE-61	2SC5110L	GE-32	2SCF5E	GE-45	2SCS184C	GE-47		
2SC1342E	GE-61	2SC1406(P)	GE-83	2SC3940G	GE-61	2SC5110M	GE-32	2SCF5F	GE-45	2SCS184D	GE-47		
2SC1342F	GE-61	2SC1407(O)	GE-83	2SC3940GN	GE-61	2SC5110	GE-32	2SCF5G	GE-45	2SCS184E	GE-20		
2SC1342G	GE-61	2SC1407Q	GE-83	2SC3940H	GE-61	2SC5110R	GE-32	2SCF5GN	GE-45	2SCS184F	GE-47		
2SC1342GN	GE-61	2SC1409(C)	GE-12	2SC3940J	GE-61	2SC5110X	GE-32	2SCF5H	GE-45	2SCS184G	GE-47		
2SC1342H	GE-61	2SC1409(B)	GE-88	2SC3940K	GE-61	2SC5110Y	GE-32	2SCF5J	GE-45	2SCS184GN	GE-47		
2SC1342J	GE-61	2SC1413	GE-38	2SC3940L	GE-61	2SC5370	GE-47	2SCF5K	GE-45	2SCS184H	GE-47		
2SC1342K	GE-61	2SC1413	GE-38	2SC3940M	GE-61	2SC5370A	GE-47	2SCF5L	GE-45	2SCS184J	GE-11		
2SC1342L	GE-61	2SC1413A	GE-38	2SC3940	GE-61	2SC5370B	GE-47	2SCF5M	GE-45	2SCS184K	GE-47		
2SC1342M	GE-61	2SC1413B	GE-38	2SC3940R	GE-61	2SC5370C	GE-47	2SCF5OR	GE-45	2SCS184L	GE-47		
2SC1342OR	GE-61	2SC1413C	GE-38	2SC3940X	GE-61	2SC5370D	GE-47	2SCF5R	GE-45	2SCS184M	GE-47		
2SC1342R	GE-61	2SC1413D	GE-38	2SC3940Y	GE-61	2SC5370E	GE-47	2SCF5X	GE-45	2SCS184OR	GE-47		
2SC1342X	GE-61	2SC1413E	GE-38	2SC-4012	GE-47	2SC5370F	GE-47	2SCF5Y	GE-45	2SCS184R	GE-47		
2SC1342Y	GE-61	2SC1413F	GE-38	2SC4012A	GE-47	2SC5370G	GE-47	2SCF6	GE-18	2SCS184X	GE-47		

UNIVERSAL REPLACEMENT SEMICONDUCTORS

2SCS184Y - 2SD44L

JEDEC Or Part Nr	GE Replacement	JEDEC Or Part Nr	GE Replacement	JEDEC Or Part Nr	GE Replacement	JEDEC Or Part Nr	GE Replacement	JEDEC Or Part Nr	GE Replacement	JEDEC Or Part Nr	GE Replacement	JEDEC Or Part Nr	GE Replacement
2SCS184Y	GE-47	2SD11B	GE-59	2SD19G	GE-59	2SD24J	GE-12	2SD30H	GE-59	2SD36J	GE-59		
2SCS429	GE-61	2SD11C	GE-59	2SD19GN	GE-59	2SD24K(C)	GE-12	2SD30J	GE-59	2SD36K	GE-59		
2SCS429A	GE-61	2SD11D	GE-59	2SD19H	GE-59	2SD24K	GE-12	2SD30K	GE-59	2SD36L	GE-59		
2SCS429B	GE-61	2SD11E	GE-59	2SD19J	GE-59	2SD24K(E)	GE-12	2SD30L	GE-59	2SD36M	GE-59		
2SCS429C	GE-61	2SD11F	GE-59	2SD19K	GE-59	2SD24KC	GE-12	2SD30M	GE-59	2SD36OR	GE-59		
2SCS429D	GE-61	2SD11G	GE-59	2SD19M	GE-59	2SD24KD	GE-12	2SD30-N	GE-59	2SD36R	GE-59		
2SCS429E	GE-61	2SD11GN	GE-59	2SD19Y	GE-59	2SD24L	GE-12	2SD30-O	GE-59	2SD36X	GE-59		
2SCS429F	GE-61	2SD11H	GE-59	2SD20	GE-8	2SD24M	GE-12	2SD30	GE-59	2SD36Y	GE-59		
2SCS429G	GE-61	2SD11J	GE-59	2SD20A	GE-59	2SD24OR	GE-12	2SD30P	GE-59	2SD37	GE-8		
2SCS429GN	GE-61	2SD11K	GE-59	2SD20B	GE-59	2SD24R	GE-12	2SD30R	GE-59	2SD37A	GE-59		
2SCS429H	GE-61	2SD11L	GE-59	2SD20C	GE-59	2SD24X	GE-12	2SD30X	GE-59	2SD37B	GE-59		
2SCS429J	GE-11	2SD11M	GE-59	2SD20D	GE-59	2SD24Y(E,F)	GE-12	2SD30Y	GE-59	2SD37C	GE-8		
2SCS429K	GE-61	2SD11OR	GE-59	2SD20E	GE-59	2SD24Y(D,E)	GE-12	2SD31	GE-8	2SD37D	GE-59		
2SCS429L	GE-61	2SD11R	GE-59	2SD20F	GE-59	2SD24Y(KC)	GE-12	2SD31B	GE-59	2SD37E	GE-59		
2SCS429M	GE-61	2SD11X	GE-59	2SD20G	GE-59	2SD24Y(E,F)	GE-12	2SD31C	GE-59	2SD37F	GE-59		
2SCS429OR	GE-61	2SD11Y	GE-59	2SD20GM	GE-59	2SD24YM(C-E)	GE-12	2SD31D	GE-59	2SD37G	GE-59		
2SCS429R	GE-61	2SD12	GE-72	2SD20H	GE-59	2SD25	GE-8	2SD31E	GE-59	2SD37GM	GE-59		
2SCS429X	GE-61	2SD12A	GE-75	2SD20J	GE-59	2SD25A	GE-59	2SD31F	GE-59	2SD37H	GE-59		
2SCS429Y	GE-61	2SD12B	GE-75	2SD20K	GE-59	2SD25B	GE-59	2SD31G	GE-59	2SD37K	GE-59		
2SCS430	GE-61	2SD12C	GE-75	2SD20L	GE-59	2SD25C	GE-59	2SD31GN	GE-59	2SD37L	GE-59		
2SCS430A	GE-61	2SD12E	GE-75	2SD20M	GE-59	2SD25D	GE-59	2SD31H	GE-59	2SD37M	GE-59		
2SCS430B	GE-61	2SD12F	GE-75	2SD20	GE-59	2SD25E	GE-59	2SD31J	GE-59	2SD37OR	GE-59		
2SCS430C	GE-61	2SD12G	GE-75	2SD20R	GE-59	2SD25G	GE-59	2SD31K	GE-59	2SD37R	GE-59		
2SCS430D	GE-61	2SD12GM	GE-75	2SD20X	GE-59	2SD25GN	GE-59	2SD31L	GE-59	2SD37X	GE-59		
2SCS430E	GE-61	2SD12H	GE-75	2SD20Y	GE-59	2SD25H	GE-59	2SD31M	GE-59	2SD37Y	GE-59		
2SCS430F	GE-61	2SD12J	GE-75	2SD21	GE-8	2SD25J	GE-59	2SD31OR	GE-59	2SD38	GE-59		
2SCS430GN	GE-61	2SD12K	GE-75	2SD21A	GE-59	2SD25K	GE-59	2SD31R	GE-59	2SD38A	GE-47		
2SCS430H	GE-11	2SD12L	GE-75	2SD21B	GE-59	2SD25L	GE-59	2SD31X	GE-59	2SD38B	GE-47		
2SCS430J	GE-61	2SD12M	GE-75	2SD21C	GE-59	2SD25M	GE-59	2SD31Y	GE-59	2SD38C	GE-47		
2SCS430K	GE-61	2SD12OR	GE-75	2SD21D	GE-59	2SD25OR	GE-59	2SD32	GE-8	2SD38D	GE-47		
2SCS430L	GE-61	2SD12R	GE-75	2SD21E	GE-59	2SD25R	GE-59	2SD32A	GE-59	2SD38E	GE-47		
2SCS430M	GE-61	2SD12X	GE-75	2SD21F	GE-59	2SD25X	GE-59	2SD32B	GE-59	2SD38F	GE-47		
2SCS430	GE-61	2SD12Y	GE-75	2SD21G	GE-59	2SD25Y	GE-59	2SD32C	GE-59	2SD38G	GE-47		
2SCS430R	GE-61	2SD13	GE-4	2SD21GM	GE-59	2SD26	GE-19	2SD32D	GE-59	2SD38GN	GE-47		
2SCS430X	GE-61	2SD15	GE-75	2SD21H	GE-59	2SD26A	GE-19	2SD32E	GE-59	2SD38H	GE-47		
2SCS430Y	GE-61	2SD15A	GE-75	2SD21J	GE-59	2SD26B	GE-75	2SD32F	GE-59	2SD38J	GE-47		
2SCS461	GE-61	2SD15B	GE-75	2SD21K	GE-59	2SD26C	GE-75	2SD32G	GE-59	2SD38K	GE-47		
2SCS461A	GE-61	2SD15C	GE-75	2SD21L	GE-59	2SD26D	GE-75	2SD32GN	GE-59	2SD38L	GE-47		
2SCS461B	GE-61	2SD15D	GE-75	2SD21M	GE-59	2SD26E	GE-75	2SD32H	GE-59	2SD38M	GE-47		
2SCS461C	GE-61	2SD15E	GE-75	2SD21OR	GE-59	2SD26F	GE-75	2SD32J	GE-59	2SD38OR	GE-47		
2SCS461D	GE-61	2SD15F	GE-75	2SD21R	GE-59	2SD26G	GE-75	2SD32K	GE-59	2SD38R	GE-47		
2SCS461E	GE-61	2SD15G	GE-75	2SD21X	GE-59	2SD26GN	GE-75	2SD32L	GE-59	2SD38X	GE-47		
2SCS461F	GE-11	2SD15GN	GE-75	2SD21Y	GE-59	2SD26H	GE-75	2SD32M	GE-59	2SD38Y	GE-47		
2SCS461G	GE-61	2SD15H	GE-75	2SD22	GE-8	2SD26J	GE-75	2SD32OR	GE-59	2SD41	GE-75		
2SCS461GN	GE-61	2SD15J	GE-75	2SD22A	GE-59	2SD26K	GE-75	2SD32R	GE-59	2SD41A	GE-75		
2SCS461H	GE-61	2SD15K	GE-75	2SD22B	GE-59	2SD26L	GE-75	2SD32X	GE-59	2SD41B	GE-75		
2SCS461J	GE-61	2SD15L	GE-75	2SD22C	GE-59	2SD26M	GE-75	2SD32Y	GE-59	2SD41C	GE-75		
2SCS461K	GE-61	2SD15M	GE-75	2SD22D	GE-59	2SD26OR	GE-75	2SD33	GE-5	2SD41D	GE-75		
2SCS461L	GE-61	2SD15OR	GE-75	2SD22E	GE-59	2SD26R	GE-75	2SD33A	GE-59	2SD41E	GE-75		
2SCS461M	GE-61	2SD15R	GE-75	2SD22F	GE-59	2SD26X	GE-75	2SD33B	GE-59	2SD41F	GE-75		
2SCS461OR	GE-61	2SD15X	GE-75	2SD22G	GE-59	2SD26Y	GE-75	2SD33C	GE-8	2SD41G	GE-75		
2SCS461R	GE-61	2SD15Y	GE-75	2SD22GN	GE-59	2SD28	GE-23	2SD33D	GE-59	2SD41GN	GE-75		
2SCS461X	GE-61	2SD16	GE-75	2SD22H	GE-59	2SD28A	GE-66	2SD33E	GE-59	2SD41H	GE-75		
2SCS461Y	GE-61	2SD16A	GE-75	2SD22J	GE-59	2SD28B	GE-66	2SD33F	GE-59	2SD41J	GE-75		
2SCS469	GE-61	2SD16B	GE-75	2SD22K	GE-59	2SD28C	GE-66	2SD33G	GE-59	2SD41K	GE-75		
2SCS469A	GE-61	2SD16C	GE-75	2SD22L	GE-59	2SD28D	GE-66	2SD33GN	GE-59	2SD41L	GE-75		
2SCS469B	GE-61	2SD16D	GE-75	2SD22M	GE-59	2SD28E	GE-66	2SD33H	GE-59	2SD41M	GE-75		
2SCS469C	GE-61	2SD16E	GE-75	2SD22OR	GE-59	2SD28F	GE-66	2SD33J	GE-59	2SD41OR	GE-75		
2SCS469D	GE-61	2SD16F	GE-75	2SD22R	GE-59	2SD28G	GE-66	2SD33K	GE-59	2SD41R	GE-75		
2SCS469E	GE-61	2SD16G	GE-75	2SD22X	GE-59	2SD28GN	GE-66	2SD33L	GE-59	2SD41X	GE-75		
2SCS469F	GE-11	2SD16GN	GE-75	2SD22Y	GE-59	2SD28H	GE-66	2SD33OR	GE-59	2SD41Y	GE-75		
2SCS469G	GE-61	2SD16H	GE-75	2SD23	GE-8	2SD28J	GE-66	2SD33X	GE-59	2SD43	GE-5		
2SCS469GN	GE-61	2SD16J	GE-75	2SD23A	GE-59	2SD28K	GE-66	2SD33Y	GE-59	2SD43A	GE-8		
2SCS469H	GE-61	2SD16K	GE-75	2SD23B	GE-59	2SD28L	GE-66	2SD34	GE-59	2SD43B	GE-59		
2SCS469J	GE-61	2SD16L	GE-75	2SD23C	GE-59	2SD28M	GE-66	2SD34A	GE-47	2SD43C	GE-59		
2SCS469K	GE-61	2SD16M	GE-75	2SD23D	GE-59	2SD28OR	GE-66	2SD34B	GE-47	2SD43D	GE-59		
2SCS469L	GE-61	2SD16OR	GE-75	2SD23E	GE-59	2SD28R	GE-66	2SD34C	GE-47	2SD43E	GE-59		
2SCS469M	GE-61	2SD16R	GE-75	2SD23F	GE-59	2SD28X	GE-66	2SD34D	GE-47	2SD43F	GE-59		
2SCS469R	GE-61	2SD16X	GE-75	2SD23G	GE-59	2SD28Y	GE-66	2SD34E	GE-47	2SD43G	GE-59		
2SCS469X	GE-61	2SD16Y	GE-75	2SD23GN	GE-59	2SD29	GE-23	2SD34F	GE-47	2SD43GN	GE-59		
2SCS469Y	GE-61	2SD17	GE-75	2SD23H	GE-59	2SD29A	GE-66	2SD34G	GE-47	2SD43H	GE-59		
2SCU64M	GE-45	2SD17A	GE-75	2SD23J	GE-59	2SD29B	GE-66	2SD34GN	GE-47	2SD43J	GE-59		
2SD-F1	GE-59	2SD17C	GE-75	2SD23K	GE-59	2SD29E	GE-66	2SD34H	GE-47	2SD43K	GE-59		
2SD-F1A	GE-59	2SD17D	GE-75	2SD23L	GE-59	2SD29F	GE-66	2SD34J	GE-47	2SD43L	GE-59		
2SD-F1B	GE-59	2SD17E	GE-75	2SD23M	GE-59	2SD29GN	GE-66	2SD34K	GE-47	2SD43M	GE-59		
2SD-F1C	GE-59	2SD17F	GE-75	2SD23OR	GE-59	2SD29J	GE-66	2SD34L	GE-47	2SD43OR	GE-59		
2SD-F1D	GE-59	2SD17GN	GE-75	2SD23R	GE-59	2SD29K	GE-66	2SD34M	GE-47	2SD43R	GE-59		
2SD-F1E	GE-59	2SD17H	GE-75	2SD23X	GE-59	2SD29L	GE-66	2SD34OR	GE-47	2SD43X	GE-59		
2SD-F1F	GE-59	2SD17J	GE-75	2SD23Y	GE-59	2SD29M	GE-66	2SD34R	GE-47	2SD43Y	GE-59		
2SD-F1G	GE-59	2SD17K	GE-75	2SD24(F)	GE-12	2SD29OR	GE-66	2SD34X	GE-47	2SD44	GE-59		
2SD-F1GN	GE-59	2SD17L	GE-75	2SD24(D)	GE-12	2SD29R	GE-66	2SD34Y	GE-47	2SD44A	GE-59		
2SD-F1H	GE-59	2SD17M	GE-75	2SD24A	GE-12	2SD29X	GE-66	2SD35	GE-5	2SD44B	GE-59		
2SD-F1J	GE-59	2SD17R	GE-75	2SD24B	GE-12	2SD29Y	GE-66	2SD36	GE-5	2SD44C	GE-59		
2SD-F1K	GE-59	2SD17X	GE-75	2SD24C	GE-12	2SD30	GE-59	2SD36A	GE-59	2SD44D	GE-59		
2SD-F1L	GE-59	2SD17Y	GE-75	2SD24CK	GE-12	2SD30A	GE-12	2SD36B	GE-59	2SD44E	GE-59		
2SD-F1M	GE-59	2SD18	GE-35	2SD24D	GE-12	2SD30B	GE-12	2SD36C	GE-59	2SD44F	GE-59		
2SD-F1OR	GE-59	2SD19	GE-8	2SD24E	GE-12	2SD30C	GE-12	2SD36D	GE-59	2SD44G	GE-59		
2SD-F1R	GE-59	2SD19A	GE-59	2SD24	GE-12	2SD30D	GE-12	2SD36E	GE-59	2SD44GN	GE-59		
2SD-F1X	GE-59	2SD19B	GE-59	2SD24F	GE-12	2SD30E	GE-12	2SD36F	GE-59	2SD44H	GE-59		
2SD-F1Y	GE-59	2SD19C	GE-59	2SD24G	GE-12	2SD30F	GE-12	2SD36G	GE-59	2SD44J	GE-59		
2SD11	GE-8	2SD19E	GE-59	2SD24GN	GE-12	2SD30G	GE-12	2SD36GN	GE-59	2SD44K	GE-59		
2SD11A	GE-59	2SD19F	GE-59	2SD24H	GE-12	2SD30GN	GE-12	2SD36H	GE-59	2SD44L	GE-59		

UNIVERSAL REPLACEMENT SEMICONDUCTORS

2SD44M - 2SD121B

JEDEC Or Part Nr	GE Replacement	JEDEC Or Part Nr	GE Replacement	JEDEC Or Part Nr	GE Replacement	JEDEC Or Part Nr	GE Replacement	JEDEC Or Part Nr	GE Replacement	JEDEC Or Part Nr	GE Replacement	JEDEC Or Part Nr	GE Replacement
2SD44M	GE-59	2SD58M	GE-66	2SD65OR	GE-59	2SD75G	GE-59	2SD90G	GE-18	2SD104GN	GE-59		
2SD44R	GE-59	2SD58OR	GE-66	2SD65R	GE-59	2SD75GN	GE-59	2SD90GN	GE-18	2SD104H	GE-59		
2SD44X	GE-66	2SD58R	GE-66	2SD65X	GE-59	2SD75H	GE-59	2SD90H	GE-18	2SD104K	GE-59		
2SD44Y	GE-59	2SD58X	GE-66	2SD65Y	GE-59	2SD75J	GE-59	2SD90J	GE-18	2SD104L	GE-59		
2SD45	GE-35	2SD58Y	GE-66	2SD66	GE-5	2SD75K	GE-5	2SD90K	GE-18	2SD104M	GE-59		
2SD46	GE-35	2SD57	GE-66	2SD66A	GE-59	2SD75L	GE-59	2SD90L	GE-18	2SD104OR	GE-59		
2SD47	GE-14	2SD58	GE-66	2SD66B	GE-59	2SD75M	GE-59	2SD90M	GE-18	2SD104R	GE-59		
2SD48	GE-66	2SD59	GE-75	2SD66C	GE-59	2SD75OR	GE-59	2SD90M	GE-18	2SD104X	GE-59		
2SD49	GE-28	2SD60	GE-35	2SD66D	GE-59	2SD77	GE-5	2SD90X	GE-18	2SD104Y	GE-59		
2SD49A	GE-66	2SD81	GE-59	2SD66E	GE-59	2SD77-A	GE-59	2SD90Y	GE-18	2SD105	GE-8		
2SD49B	GE-66	2SD61A	GE-59	2SD66F	GE-59	2SD77A	GE-8	2SD91	GE-12	2SD105A	GE-59		
2SD49C	GE-66	2SD61B	GE-59	2SD66G	GE-59	2SD77B	GE-8	2SD91A	GE-12	2SD105B	GE-59		
2SD49D	GE-66	2SD61C	GE-59	2SD66GN	GE-59	2SD77C	GE-8	2SD91B	GE-12	2SD105C	GE-59		
2SD49E	GE-66	2SD61D	GE-59	2SD66H	GE-59	2SD77D	GE-59	2SD91C	GE-12	2SD105D	GE-59		
2SD49F	GE-66	2SD61E	GE-59	2SD66J	GE-59	2SD77E	GE-59	2SD91D	GE-12	2SD105E	GE-59		
2SD49G	GE-66	2SD61F	GE-59	2SD66K	GE-59	2SD77F	GE-59	2SD91E	GE-12	2SD105F	GE-59		
2SD49GN	GE-66	2SD61G	GE-59	2SD66L	GE-59	2SD77G	GE-59	2SD91F	GE-66	2SD105G	GE-59		
2SD49J	GE-66	2SD61GN	GE-59	2SD66M	GE-59	2SD77GN	GE-59	2SD91G	GE-12	2SD105GN	GE-59		
2SD49K	GE-66	2SD61H	GE-59	2SD66OR	GE-59	2SD77H	GE-59	2SD91GN	GE-12	2SD105H	GE-59		
2SD49L	GE-66	2SD61J	GE-59	2SD66R	GE-59	2SD77J	GE-59	2SD91H	GE-12	2SD105J	GE-59		
2SD49M	GE-66	2SD61K	GE-59	2SD66X	GE-59	2SD77L	GE-59	2SD91H	GE-12	2SD105K	GE-59		
2SD49OR	GE-66	2SD61L	GE-59	2SD66Y	GE-59	2SD77M	GE-59	2SD91L	GE-12	2SD105K	GE-18		
2SD49R	GE-66	2SD61M	GE-59	2SD67	GE-35	2SD77OR	GE-59	2SD91M	GE-12	2SD105L	GE-59		
2SD49X	GE-66	2SD61OR	GE-59	2SD68	GE-75	2SD77P	GE-6	2SD91OR	GE-12	2SD105M	GE-59		
2SD49Y	GE-66	2SD61R	GE-59	2SD68A	GE-75	2SD77R	GE-59	2SD91R	GE-12	2SD105OR	GE-59		
2SD50	GE-14	2SD61X	GE-59	2SD68B	GE-75	2SD77X	GE-59	2SD91X	GE-12	2SD105R	GE-59		
2SD50A	GE-75	2SD81Y	GE-59	2SD68C	GE-75	2SD77Y	GE-59	2SD91Y	GE-12	2SD105Y	GE-59		
2SD50B	GE-75	2SD82	GE-59	2SD68D	GE-75	2SD78	GE-66	2SD92	GE-66	2SD105X	GE-59		
2SD50C	GE-75	2SD82A	GE-59	2SD68E	GE-75	2SD79	GE-66	2SD93	GE-72	2SD110	GE-35		
2SD50D	GE-75	2SD82B	GE-59	2SD68F	GE-75	2SD80	GE-75	2SD94	GE-72	2SD110-0	GE-35		
2SD50E	GE-75	2SD62C	GE-59	2SD68G	GE-75	2SD80A	GE-75	2SD96	GE-59	2SD110-R	GE-35		
2SD50F	GE-75	2SD82D	GE-59	2SD68GN	GE-75	2SD80B	GE-75	2SD96A	GE-59	2SD110-Y	GE-35		
2SD50G	GE-75	2SD62E	GE-59	2SD68H	GE-75	2SD80C	GE-75	2SD96B	GE-59	2SD111	GE-75		
2SD50GN	GE-75	2SD62G	GE-59	2SD68J	GE-75	2SD80D	GE-75	2SD96C	GE-59	2SD111-0	GE-35		
2SD50H	GE-75	2SD62GN	GE-59	2SD68L	GE-75	2SD80E	GE-75	2SD96D	GE-59	2SD111-ORG	GE-35		
2SD50J	GE-75	2SD62H	GE-59	2SD68M	GE-75	2SD80F	GE-75	2SD96E	GE-59	2SD111-R	GE-35		
2SD50K	GE-75	2SD62J	GE-59	2SD68OR	GE-75	2SD80G	GE-75	2SD96F	GE-59	2SD111-RED	GE-75		
2SD50L	GE-75	2SD62K	GE-59	2SD68R	GE-75	2SD80GN	GE-75	2SD96G	GE-59	2SD111-Y	GE-35		
2SD50M	GE-75	2SD82L	GE-59	2SD68X	GE-75	2SD80H	GE-75	2SD96GN	GE-59	2SD111-YEL	GE-75		
2SD50	GE-75	2SD62M	GE-59	2SD68Y	GE-75	2SD80J	GE-75	2SD96H	GE-59	2SD113	GE-75		
2SD50R	GE-75	2SD62R	GE-59	2SD70	GE-23	2SD80K	GE-75	2SD96J	GE-59	2SD113-ORG	GE-75		
2SD50X	GE-75	2SD62X	GE-59	2SD70A	GE-75	2SD80L	GE-75	2SD96K	GE-59	2SD113-RED	GE-75		
2SD50Y	GE-75	2SD62Y	GE-59	2SD70B	GE-75	2SD80M	GE-75	2SD96L	GE-59	2SD113-YEL	GE-75		
2SD51	GE-14	2SD63	GE-5	2SD70C	GE-75	2SD80OR	GE-75	2SD96OR	GE-59	2SD114	GE-75		
2SD51A	GE-75	2SD63A	GE-59	2SD70D	GE-75	2SD80X	GE-75	2SD96R	GE-59	2SD114-ORG	GE-75		
2SD51B	GE-75	2SD63B	GE-59	2SD70E	GE-75	2SD80Y	GE-75	2SD96X	GE-59	2SD114-RED	GE-75		
2SD51C	GE-75	2SD63C	GE-59	2SD70F	GE-75	2SD81	GE-75	2SD96Y	GE-59	2SD114-YEL	GE-75		
2SD51D	GE-75	2SD63E	GE-59	2SD70G	GE-75	2SD81A	GE-75	2SD100	GE-54R	2SD118	GE-35		
2SD51E	GE-75	2SD63F	GE-59	2SD70GN	GE-75	2SD81B	GE-75	2SD100A	GE-59	2SD118A	GE-14		
2SD51F	GE-75	2SD63G	GE-59	2SD70H	GE-75	2SD81C	GE-75	2SD100B	GE-59	2SD118-B	GE-35		
2SD51G	GE-75	2SD63GN	GE-59	2SD70J	GE-75	2SD81E	GE-75	2SD100C	GE-59	2SD118BL	GE-35		
2SD51GN	GE-75	2SD63H	GE-59	2SD70K	GE-75	2SD81F	GE-75	2SD100D	GE-59	2SD118-BLU	GE-75		
2SD51H	GE-75	2SD63J	GE-59	2SD70L	GE-75	2SD81G	GE-75	2SD100E	GE-59	2SD118C	GE-14		
2SD51J	GE-75	2SD63K	GE-59	2SD70M	GE-75	2SD81H	GE-75	2SD100F	GE-59	2SD118D	GE-14		
2SD51K	GE-75	2SD63L	GE-59	2SD70N	GE-75	2SD81I	GE-75	2SD100G	GE-59	2SD118-R	GE-35		
2SD51L	GE-75	2SD63M	GE-59	2SD70R	GE-75	2SD81J	GE-75	2SD100GN	GE-59	2SD118R	GE-35		
2SD51M	GE-75	2SD63OR	GE-59	2SD70X	GE-75	2SD81K	GE-75	2SD100H	GE-59	2SD118-RED	GE-75		
2SD51OR	GE-75	2SD63R	GE-59	2SD70Y	GE-75	2SD81L	GE-75	2SD100J	GE-59	2SD118-Y	GE-35		
2SD51R	GE-75	2SD63X	GE-59	2SD72(K)	GE-59	2SD81M	GE-75	2SD100K	GE-59	2SD118Y	GE-35		
2SD51X	GE-75	2SD63Y	GE-59	2SD72	GE-59	2SD81OR	GE-75	2SD100L	GE-59	2SD118-YEL	GE-75		
2SD51Y	GE-75	2SD64	GE-5	2SD72-2C	GE-59	2SD81R	GE-75	2SD100M	GE-59	2SD119	GE-75		
2SD53	GE-75	2SD64A	GE-59	2SD72-3C	GE-59	2SD81X	GE-75	2SD100	GE-59	2SD119A	GE-14		
2SD53A	GE-75	2SD64B	GE-59	2SD72-4C	GE-59	2SD81Y	GE-75	2SD100R	GE-59	2SD119B	GE-14		
2SD53B	GE-75	2SD64C	GE-59	2SD72-6	GE-59	2SD82	GE-75	2SD100X	GE-59	2SD119BL	GE-35		
2SD53C	GE-75	2SD64D	GE-59	2SD72A	GE-59	2SD82A	GE-75	2SD100Y	GE-59	2SD119-BLU	GE-75		
2SD53E	GE-75	2SD64E	GE-59	2SD72B	GE-59	2SD82B	GE-75	2SD101	GE-54	2SD119C	GE-14		
2SD53F	GE-75	2SD64F	GE-59	2SD72C	GE-47	2SD82C	GE-75	2SD102	GE-47	2SD119D	GE-14		
2SD53G	GE-75	2SD64G	GE-59	2SD72D	GE-59	2SD82D	GE-75	2SD102A	GE-47	2SD119R	GE-35		
2SD53GN	GE-75	2SD64GN	GE-59	2SD72E	GE-59	2SD82E	GE-75	2SD102B	GE-47	2SD119-RED	GE-75		
2SD53H	GE-75	2SD64H	GE-59	2SD72EJ	GE-59	2SD82F	GE-75	2SD102C	GE-47	2SD119Y	GE-35		
2SD53J	GE-75	2SD64J	GE-59	2SD72F	GE-59	2SD82G	GE-75	2SD102D	GE-47	2SD119-YEL	GE-75		
2SD53K	GE-75	2SD64K	GE-59	2SD72	GE-59	2SD82GN	GE-75	2SD102E	GE-47	2SD120	GE-46		
2SD53L	GE-75	2SD64M	GE-59	2SD72GA	GE-59	2SD82H	GE-75	2SD102F	GE-47	2SD120A	GE-18		
2SD53M	GE-75	2SD64OR	GE-59	2SD72H	GE-59	2SD82J	GE-75	2SD102G	GE-47	2SD120B	GE-18		
2SD53OR	GE-75	2SD64R	GE-59	2SD72J	GE-59	2SD82K	GE-75	2SD102GN	GE-47	2SD120C	GE-18		
2SD53R	GE-75	2SD64X	GE-59	2SD72K	GE-59	2SD82L	GE-75	2SD102H	GE-47	2SD120D	GE-18		
2SD53X	GE-75	2SD64Y	GE-59	2SD72L	GE-59	2SD82M	GE-75	2SD102J	GE-47	2SD120E	GE-18		
2SD53Y	GE-75	2SD65	GE-5	2SD72M	GE-59	2SD82OR	GE-75	2SD102K	GE-47	2SD120F	GE-18		
2SD55	GE-75	2SD65-1	GE-8	2SD72OR	GE-59	2SD82R	GE-75	2SD102L	GE-47	2SD120G	GE-18		
2SD56	GE-14	2SD65A	GE-59	2SD72P	GE-59	2SD82X	GE-75	2SD102M	GE-47	2SD120GN	GE-18		
2SD58A	GE-66	2SD65B	GE-59	2SD72R	GE-59	2SD82Y	GE-75	2SD102OR	GE-47	2SD120H	GE-18		
2SD58B	GE-66	2SD65C	GE-59	2SD72X	GE-59	2SD83	GE-35	2SD102R	GE-47	2SD120J	GE-18		
2SD58C	GE-66	2SD65D	GE-59	2SD72Y	GE-59	2SD84	GE-35	2SD102X	GE-47	2SD120K	GE-18		
2SD58D	GE-66	2SD65E	GE-59	2SD73	GE-14	2SD88	GE-35	2SD102Y	GE-47	2SD120L	GE-18		
2SD58E	GE-66	2SD65F	GE-59	2SD74	GE-73	2SD88A	GE-35	2SD104	GE-59	2SD120M	GE-18		
2SD58F	GE-66	2SD65G	GE-59	2SD75	GE-5	2SD90	GE-72	2SD104A	GE-59	2SD120	GE-18		
2SD58G	GE-66	2SD65GN	GE-59	2SD75A	GE-10	2SD90A	GE-18	2SD104B	GE-59	2SD120R	GE-18		
2SD58GN	GE-66	2SD65H	GE-59	2SD75B	GE-59	2SD90B	GE-18	2SD104C	GE-59	2SD120X	GE-18		
2SD58H	GE-66	2SD65J	GE-59	2SD75C	GE-59	2SD90C	GE-18	2SD104D	GE-59	2SD120Y	GE-18		
2SD56J	GE-66	2SD65K	GE-59	2SD75D	GE-59	2SD90D	GE-18	2SD104E	GE-59	2SD121	GE-18		
2SD58K	GE-66	2SD65L	GE-59	2SD75E	GE-59	2SD90E	GE-18	2SD104F	GE-59	2SD121A	GE-18		
2SD56L	GE-66	2SD65M	GE-59	2SD75F	GE-59	2SD90F	GE-18	2SD104G	GE-59	2SD121B	GE-18		

UNIVERSAL REPLACEMENT SEMICONDUCTORS

2SD121C - 2SD178B

JEDEC Or Part Nr	GE Replacement	JEDEC Or Part Nr	GE Replacement	JEDEC Or Part Nr	GE Replacement	JEDEC Or Part Nr	GE Replacement	JEDEC Or Part Nr	GE Replacement	JEDEC Or Part Nr	GE Replacement	JEDEC Or Part Nr	GE Replacement
2SD121C	GE-10	2SD130B	GE-66	2SD142K	GE-18	2SD152R	GE-66	2SD161B	GE-59	2SD170	GE-59		
2SD121D	GE-10	2SD130BL	GE-23	2SD142L	GE-18	2SD152X	GE-66	2SD161C	GE-59	2SD170BC	GE-54		
2SD121E	GE-10	2SD130-BLU	GE-66	2SD142OR	GE-18	2SD152Y	GE-66	2SD161D	GE-59	2SD170C	GE-8		
2SD121F	GE-10	2SD130C	GE-66	2SD142R	GE-18	2SD154(L)	GE-23	2SD161E	GE-59	2SD172	GE-75		
2SD121G	GE-10	2SD130D	GE-66	2SD142X	GE-18	2SD154A	GE-12	2SD161F	GE-59	2SD172A	GE-75		
2SD121GN	GE-10	2SD130E	GE-66	2SD142Y	GE-18	2SD154B	GE-12	2SD161G	GE-59	2SD172B	GE-75		
2SD121H	GE-10	2SD130F	GE-66	2SD143	GE-12	2SD154C	GE-12	2SD161GN	GE-59	2SD172C	GE-75		
2SD121J	GE-10	2SD130G	GE-66	2SD146	GE-14	2SD154E	GE-12	2SD161H	GE-59	2SD172D	GE-75		
2SD121K	GE-10	2SD130GM	GE-66	2SD146A	GE-75	2SD154F	GE-12	2SD161J	GE-59	2SD172E	GE-75		
2SD121L	GE-10	2SD130H	GE-66	2SD146B	GE-75	2SD154G	GE-12	2SD161K	GE-59	2SD172F	GE-75		
2SD121M	GE-10	2SD130J	GE-66	2SD146C	GE-75	2SD154GN	GE-12	2SD161L	GE-59	2SD172G	GE-75		
2SD121OR	GE-10	2SD130K	GE-66	2SD146D	GE-75	2SD154H	GE-12	2SD161M	GE-59	2SD172GN	GE-75		
2SD121R	GE-10	2SD130	GE-66	2SD146E	GE-75	2SD154J	GE-12	2SD161OR	GE-59	2SD172H	GE-75		
2SD121X	GE-10	2SD130	GE-66	2SD146F	GE-75	2SD154K	GE-12	2SD161R	GE-59	2SD172J	GE-75		
2SD121Y	GE-10	2SD130-RED	GE-216	2SD146G	GE-75	2SD154L	GE-12	2SD161X	GE-59	2SD172K	GE-75		
2SD124	GE-77	2SD130X	GE-66	2SD146GN	GE-75	2SD154M	GE-12	2SD161Y	GE-59	2SD172L	GE-75		
2SD124A	GE-77	2SD130Y	GE-66	2SD146H	GE-75	2SD154R	GE-12	2SD162	GE-5	2SD172M	GE-10		
2SD124AH	GE-77	2SD130-YEL	GE-216	2SD146J	GE-75	2SD154X	GE-12	2SD162A	GE-59	2SD172OR	GE-75		
2SD124B	GE-75	2SD134	GE-20	2SD146K	GE-75	2SD154Y	GE-12	2SD162B	GE-59	2SD172R	GE-75		
2SD124C	GE-75	2SD134A	GE-47	2SD146L	GE-75	2SD155(K)	GE-12	2SD162C	GE-59	2SD172X	GE-75		
2SD124E	GE-75	2SD134C	GE-47	2SD146OR	GE-75	2SD155(K)	GE-12	2SD162D	GE-59	2SD172Y	GE-75		
2SD124F	GE-75	2SD134D	GE-47	2SD146R	GE-75	2SD155-H	GE-66	2SD162E	GE-59	2SD173	GE-75		
2SD124G	GE-75	2SD134F	GE-47	2SD146UK	GE-23	2SD155-K	GE-66	2SD162F	GE-59	2SD173A	GE-75		
2SD124GN	GE-75	2SD134G	GE-47	2SD146VK	GE-23	2SD155L	GE-12	2SD162G	GE-59	2SD173B	GE-75		
2SD124H	GE-75	2SD134GM	GE-47	2SD146X	GE-75	2SD156	GE-12	2SD162GN	GE-59	2SD173C	GE-75		
2SD124J	GE-75	2SD134H	GE-47	2SD146Y	GE-75	2SD156B	GE-12	2SD162H	GE-59	2SD173D	GE-75		
2SD124K	GE-75	2SD134J	GE-47	2SD147	GE-75	2SD156C	GE-12	2SD162J	GE-59	2SD173E	GE-75		
2SD124L	GE-75	2SD134K	GE-47	2SD147A	GE-75	2SD156D	GE-12	2SD162K	GE-59	2SD173F	GE-75		
2SD124M	GE-75	2SD134L	GE-47	2SD147B	GE-75	2SD156E	GE-12	2SD162L	GE-59	2SD173G	GE-75		
2SD124OR	GE-75	2SD134M	GE-47	2SD147C	GE-75	2SD156F	GE-12	2SD162M	GE-59	2SD173GN	GE-75		
2SD124R	GE-75	2SD134OR	GE-47	2SD147D	GE-75	2SD156G	GE-12	2SD162OR	GE-59	2SD173H	GE-75		
2SD124X	GE-75	2SD134R	GE-47	2SD147E	GE-75	2SD156GN	GE-12	2SD162R	GE-59	2SD173J	GE-75		
2SD124Y	GE-75	2SD134X	GE-47	2SD147F	GE-75	2SD156H	GE-12	2SD162X	GE-59	2SD173K	GE-75		
2SD125	GE-14	2SD134Y	GE-47	2SD147GN	GE-75	2SD156K	GE-12	2SD162Y	GE-59	2SD173M	GE-75		
2SD125A	GE-14	2SD136	GE-66	2SD147H	GE-75	2SD156L	GE-12	2SD163	GE-77	2SD173OR	GE-75		
2SD125AH	GE-75	2SD136D	GE-12	2SD147J	GE-75	2SD156M	GE-12	2SD163A	GE-75	2SD173X	GE-75		
2SD125B	GE-75	2SD136E	GE-12	2SD147K	GE-75	2SD156OR	GE-12	2SD163B	GE-75	2SD173Y	GE-75		
2SD125C	GE-75	2SD136F	GE-12	2SD147L	GE-75	2SD156R	GE-12	2SD163C	GE-75	2SD174	GE-73		
2SD125E	GE-75	2SD136G	GE-12	2SD147M	GE-75	2SD156X	GE-12	2SD163D	GE-75	2SD174A	GE-75		
2SD125F	GE-75	2SD136GM	GE-12	2SD147OR	GE-75	2SD156Y	GE-12	2SD163E	GE-75	2SD174B	GE-75		
2SD125G	GE-75	2SD136J	GE-12	2SD147R	GE-75	2SD157	GE-12	2SD163F	GE-75	2SD174C	GE-75		
2SD125GN	GE-75	2SD136K	GE-12	2SD147X	GE-75	2SD157A	GE-12	2SD163G	GE-75	2SD174D	GE-75		
2SD125H	GE-75	2SD136L	GE-12	2SD147Y	GE-75	2SD157B	GE-12	2SD163GN	GE-75	2SD174E	GE-75		
2SD125J	GE-75	2SD136M	GE-12	2SD150	GE-12	2SD157C	GE-12	2SD163H	GE-75	2SD174F	GE-75		
2SD125K	GE-75	2SD136OR	GE-12	2SD150A	GE-12	2SD157D	GE-12	2SD163J	GE-75	2SD174G	GE-75		
2SD125L	GE-75	2SD136R	GE-12	2SD150B	GE-12	2SD157G	GE-12	2SD163K	GE-75	2SD174GN	GE-75		
2SD125M	GE-75	2SD136X	GE-12	2SD150C	GE-12	2SD157GN	GE-12	2SD163L	GE-75	2SD174H	GE-75		
2SD125OR	GE-75	2SD136Y	GE-12	2SD150E	GE-12	2SD157H	GE-12	2SD163M	GE-75	2SD174J	GE-75		
2SD125R	GE-75	2SD137	GE-12	2SD150F	GE-12	2SD157J	GE-12	2SD163OR	GE-75	2SD174K	GE-75		
2SD125X	GE-75	2SD137A	GE-12	2SD150G	GE-12	2SD157K	GE-12	2SD163R	GE-75	2SD174L	GE-75		
2SD125Y	GE-75	2SD137B	GE-12	2SD150GN	GE-12	2SD157L	GE-12	2SD163X	GE-75	2SD174M	GE-75		
2SD126H	GE-36	2SD137C	GE-12	2SD150H	GE-12	2SD157OR	GE-12	2SD163Y	GE-75	2SD174R	GE-75		
2SD126HA	GE-36	2SD137D	GE-12	2SD150J	GE-12	2SD157R	GE-12	2SD164	GE-14	2SD174X	GE-75		
2SD126HB	GE-36	2SD137F	GE-12	2SD150K	GE-12	2SD157X	GE-12	2SD164A	GE-75	2SD174Y	GE-75		
2SD127	GE-54	2SD137G	GE-12	2SD150L	GE-12	2SD157Y	GE-12	2SD164B	GE-75	2SD175	GE-73		
2SD127A	GE-54	2SD137H	GE-12	2SD150M	GE-12	2SD158	GE-32	2SD164C	GE-75	2SD175A	GE-75		
2SD127B	GE-59	2SD137J	GE-12	2SD150	GE-12	2SD158A	GE-12	2SD164D	GE-75	2SD175B	GE-75		
2SD127C	GE-59	2SD137K	GE-12	2SD150	GE-12	2SD158B	GE-12	2SD164E	GE-75	2SD175C	GE-75		
2SD127D	GE-59	2SD137L	GE-12	2SD150X	GE-12	2SD158C	GE-12	2SD164F	GE-75	2SD175D	GE-75		
2SD127E	GE-59	2SD137M	GE-12	2SD150Y	GE-12	2SD158D	GE-12	2SD164G	GE-75	2SD175E	GE-75		
2SD127F	GE-59	2SD137OR	GE-12	2SD151	GE-75	2SD158E	GE-12	2SD164GN	GE-75	2SD175F	GE-75		
2SD127G	GE-59	2SD137R	GE-12	2SD151A	GE-14	2SD158F	GE-12	2SD164H	GE-75	2SD175G	GE-75		
2SD127GN	GE-59	2SD137X	GE-12	2SD151B	GE-14	2SD158GN	GE-12	2SD164J	GE-75	2SD175GN	GE-75		
2SD127H	GE-59	2SD137Y	GE-12	2SD151C	GE-14	2SD158H	GE-12	2SD164K	GE-75	2SD175H	GE-75		
2SD127J	GE-59	2SD141	GE-28	2SD151E	GE-14	2SD158J	GE-12	2SD164L	GE-75	2SD175J	GE-75		
2SD127K	GE-59	2SD141A	GE-75	2SD151F	GE-14	2SD158K	GE-12	2SD164M	GE-75	2SD175K	GE-75		
2SD127L	GE-59	2SD141B	GE-75	2SD151G	GE-14	2SD158L	GE-12	2SD164OR	GE-75	2SD175L	GE-75		
2SD127M	GE-59	2SD141C	GE-75	2SD151GN	GE-14	2SD158M	GE-12	2SD164R	GE-75	2SD175M	GE-75		
2SD127OR	GE-59	2SD141E	GE-75	2SD151H	GE-14	2SD158OR	GE-12	2SD164X	GE-75	2SD175OR	GE-75		
2SD127R	GE-59	2SD141F	GE-75	2SD151J	GE-14	2SD158R	GE-12	2SD164Y	GE-75	2SD175R	GE-75		
2SD127X	GE-59	2SD141G	GE-75	2SD151K	GE-14	2SD158X	GE-12	2SD165	GE-35	2SD175X	GE-75		
2SD127Y	GE-59	2SD141GN	GE-75	2SD151L	GE-14	2SD158Y	GE-12	2SD166	GE-35	2SD175Y	GE-75		
2SD128	GE-59	2SD141H	GE-75	2SD151M	GE-14	2SD159	GE-32	2SD167	GE-59	2SD176	GE-75		
2SD128A	GE-59	2SD141J	GE-75	2SD151OR	GE-14	2SD159A	GE-12	2SD167A	GE-59	2SD176A	GE-75		
2SD128B	GE-59	2SD141K	GE-75	2SD151R	GE-14	2SD159B	GE-12	2SD167B	GE-59	2SD176B	GE-75		
2SD128C	GE-59	2SD141L	GE-75	2SD151Y	GE-14	2SD159C	GE-12	2SD167C	GE-59	2SD176C	GE-75		
2SD128D	GE-59	2SD141M	GE-75	2SD152(M)	GE-23	2SD159D	GE-12	2SD167E	GE-59	2SD176D	GE-75		
2SD128E	GE-59	2SD141OR	GE-75	2SD152(L)	GE-23	2SD159E	GE-12	2SD167F	GE-59	2SD176E	GE-75		
2SD128F	GE-59	2SD141R	GE-75	2SD152A	GE-66	2SD159F	GE-12	2SD167G	GE-59	2SD176F	GE-75		
2SD128G	GE-59	2SD141X	GE-75	2SD152B	GE-66	2SD159G	GE-12	2SD167GN	GE-59	2SD176G	GE-75		
2SD128GM	GE-59	2SD141Y	GE-75	2SD152C	GE-66	2SD159GN	GE-12	2SD167H	GE-59	2SD176GN	GE-75		
2SD128H	GE-59	2SD142	GE-28	2SD152D	GE-66	2SD159H	GE-12	2SD167J	GE-59	2SD176H	GE-75		
2SD128J	GE-59	2SD142A	GE-18	2SD152E	GE-66	2SD159J	GE-12	2SD167K	GE-59	2SD176J	GE-75		
2SD128K	GE-59	2SD142B	GE-18	2SD152F	GE-66	2SD159K	GE-12	2SD167L	GE-59	2SD176K	GE-75		
2SD128L	GE-59	2SD142C	GE-18	2SD152G	GE-66	2SD159L	GE-12	2SD167M	GE-59	2SD176L	GE-75		
2SD128M	GE-59	2SD142D	GE-18	2SD152GN	GE-66	2SD159M	GE-12	2SD167OR	GE-59	2SD176M	GE-75		
2SD128OR	GE-59	2SD142E	GE-18	2SD152H	GE-66	2SD159OR	GE-12	2SD167R	GE-59	2SD176OR	GE-75		
2SD128R	GE-59	2SD142F	GE-18	2SD152J	GE-66	2SD159R	GE-12	2SD167X	GE-59	2SD176X	GE-75		
2SD128X	GE-59	2SD142G	GE-18	2SD152K	GE-66	2SD159X	GE-12	2SD167Y	GE-59	2SD176Y	GE-75		
2SD128Y	GE-59	2SD142GN	GE-18	2SD152L	GE-66	2SD159Y	GE-12	2SD170	GE-54	2SD178	GE-59		
2SD130(Y)	GE-23	2SD142H	GE-18	2SD152M	GE-66	2SD161	GE-59	2SD170A	GE-54	2SD178A	GE-59		
2SD130A	GE-66	2SD142J	GE-18	2SD152OR	GE-66	2SD161A	GE-59	2SD170A/PB	GE-59	2SD178B	GE-47		

UNIVERSAL REPLACEMENT SEMICONDUCTORS

2SD178C - 2SD261Y

JEDEC Or Part Nr	GE Replacement	JEDEC Or Part Nr	GE Replacement	JEDEC Or Part Nr	GE Replacement	JEDEC Or Part Nr	GE Replacement	JEDEC Or Part Nr	GE Replacement	JEDEC Or Part Nr	GE Replacement	JEDEC Or Part Nr	GE Replacement
2SD178C	GE-47	2SD187D	GE-59	2SD198(Q,P)	GE-37	2SD211A	GE-75	2SD223	GE-32	2SD234 OR	GE-28		
2SD178D	GE-47	2SD187E	GE-59	2SD198(R)	GE-14	2SD211B	GE-75	2SD223A	GE-32	2SD234-ORG	GE-66		
2SD178E	GE-47	2SD187F	GE-59	2SD198A	GE-35	2SD211C	GE-75	2SD223B	GE-32	2SD234R	GE-66		
2SD178F	GE-47	2SD187G	GE-59	2SD198B	GE-35	2SD211D	GE-75	2SD223C	GE-32	2SD234-RED	GE-66		
2SD178G	GE-47	2SD187GN	GE-59	2SD198C	GE-35	2SD211E	GE-75	2SD223D	GE-32	2SD234X	GE-28		
2SD178GN	GE-47	2SD187H	GE-59	2SD198D	GE-35	2SD211F	GE-75	2SD223E	GE-32	2SD234Y	GE-28		
2SD178H	GE-47	2SD187J	GE-59	2SD198F	GE-35	2SD211G	GE-75	2SD223F	GE-32	2SD235(A)	GE-66		
2SD178J	GE-47	2SD187K	GE-59	2SD198G	GE-35	2SD211GN	GE-75	2SD223G	GE-32	2SD235O	GE-55		
2SD178K	GE-47	2SD187L	GE-59	2SD198H	GE-36	2SD211H	GE-75	2SD223GM	GE-32	2SD235B	GE-55		
2SD178L	GE-47	2SD187M	GE-59	2SD198J	GE-35	2SD211J	GE-75	2SD223H	GE-32	2SD235C	GE-55		
2SD178M	GE-47	2SD187OR	GE-59	2SD198K	GE-35	2SD211K	GE-75	2SD223J	GE-32	2SD235D	GE-55		
2SD178X	GE-47	2SD187R	GE-59	2SD198OR	GE-35	2SD211L	GE-75	2SD223K	GE-32	2SD235E	GE-55		
2SD178Y	GE-47	2SD187X	GE-59	2SD198R	GE-35	2SD211M	GE-75	2SD223L	GE-32	2SD235F	GE-55		
2SD180	GE-77	2SD187Y	GE-59	2SD198S	GE-14	2SD211OR	GE-75	2SD223M	GE-32	2SD235G	GE-55		
2SD180A	GE-75	2SD188	GE-75	2SD198V	GE-35	2SD211R	GE-75	2SD223OR	GE-32	2SD235GN	GE-55		
2SD180B	GE-75	2SD188A	GE-75	2SD198X	GE-35	2SD211X	GE-75	2SD223R	GE-32	2SD235H	GE-55		
2SD180C	GE-75	2SD188B	GE-75	2SD198Y	GE-35	2SD211Y	GE-75	2SD223X	GE-32	2SD235J	GE-55		
2SD180D	GE-75	2SD188C	GE-75	2SD199	GE-35	2SD212	GE-75	2SD223Y	GE-32	2SD235K	GE-55		
2SD180F	GE-75	2SD188D	GE-75	2SD200	GE-38	2SD212A	GE-75	2SD226	GE-66	2SD235M	GE-55		
2SD180G	GE-75	2SD188E	GE-75	2SD200A	GE-38	2SD212B	GE-75	2SD226A(O)	GE-23	2SD235OR	GE-55		
2SD180GN	GE-75	2SD188F	GE-75	2SD200B	GE-38	2SD212C	GE-75	2SD226B	GE-66	2SD235-ORG	GE-66		
2SD180H	GE-75	2SD188G	GE-75	2SD200C	GE-38	2SD212D	GE-75	2SD226C	GE-66	2SD235R	GE-66		
2SD180J	GE-75	2SD188GM	GE-75	2SD200D	GE-38	2SD212E	GE-75	2SD226E	GE-66	2SD235-RED	GE-66		
2SD180K	GE-75	2SD188H	GE-75	2SD200E	GE-38	2SD212F	GE-75	2SD226F	GE-66	2SD235X	GE-55		
2SD180L	GE-75	2SD188J	GE-75	2SD200F	GE-38	2SD212G	GE-75	2SD226G	GE-66	2SD235Y	GE-28		
2SD180M	GE-75	2SD188L	GE-75	2SD200G	GE-38	2SD212GN	GE-75	2SD226GN	GE-66	2SD236	GE-23		
2SD180	GE-75	2SD188M	GE-75	2SD200GN	GE-38	2SD212H	GE-75	2SD226H	GE-66	2SD236(02Y)	GE-19		
2SD180R	GE-75	2SD188OR	GE-75	2SD200H	GE-38	2SD212J	GE-75	2SD226J	GE-66	2SD236A	GE-66		
2SD180X	GE-75	2SD188R	GE-75	2SD200J	GE-38	2SD212K	GE-75	2SD226K	GE-66	2SD236B	GE-66		
2SD180Y	GE-75	2SD188X	GE-75	2SD200K	GE-38	2SD212L	GE-75	2SD226L	GE-66	2SD236C	GE-66		
2SD182	GE-28	2SD188Y	GE-75	2SD200L	GE-38	2SD212M	GE-75	2SD226M	GE-66	2SD236D	GE-66		
2SD182A	GE-18	2SD189	GE-75	2SD200M	GE-38	2SD212OR	GE-75	2SD226OR	GE-66	2SD236E	GE-66		
2SD182B	GE-18	2SD189A	GE-75	2SD200OR	GE-38	2SD212R	GE-75	2SD226R	GE-66	2SD236F	GE-66		
2SD182C	GE-18	2SD189B	GE-75	2SD200X	GE-38	2SD212X	GE-75	2SD226Q	GE-66	2SD236G	GE-66		
2SD182D	GE-18	2SD189C	GE-75	2SD200Y	GE-38	2SD212Y	GE-75	2SD226R	GE-66	2SD236GN	GE-66		
2SD182E	GE-18	2SD189D	GE-75	2SD201	GE-75	2SD217	GE-14	2SD226X	GE-66	2SD236H	GE-66		
2SD182F	GE-18	2SD189E	GE-75	2SD201A	GE-75	2SD218	GE-35	2SD226Y	GE-66	2SD236J	GE-66		
2SD182G	GE-18	2SD189F	GE-75	2SD201B	GE-75	2SD219	GE-18	2SD227	GE-64	2SD236K	GE-66		
2SD182GN	GE-18	2SD189G	GE-75	2SD201C	GE-75	2SD219A	GE-18	2SD227(PANASONIC)	GE-63	2SD236L	GE-66		
2SD182H	GE-18	2SD189GM	GE-75	2SD201F	GE-75	2SD219B	GE-18	2SD227A	GE-47	2SD236M	GE-66		
2SD182J	GE-18	2SD189H	GE-75	2SD201G	GE-75	2SD219C	GE-18	2SD227B	GE-47	2SD236R	GE-66		
2SD182K	GE-18	2SD189J	GE-75	2SD201GN	GE-75	2SD219D	GE-18	2SD227D	GE-47	2SD236X	GE-66		
2SD182L	GE-18	2SD189K	GE-75	2SD201H	GE-75	2SD219E	GE-18	2SD227E	GE-47	2SD236Y	GE-66		
2SD182OR	GE-18	2SD189L	GE-75	2SD201J	GE-75	2SD219F	GE-18	2SD227G	GE-47	2SD238(F)	GE-12		
2SD182R	GE-18	2SD189M	GE-75	2SD201K	GE-75	2SD219G	GE-18	2SD227GN	GE-47	2SD238	GE-12		
2SD182X	GE-18	2SD189OR	GE-75	2SD201L	GE-75	2SD219GN	GE-18	2SD227H	GE-47	2SD246	GE-38		
2SD182Y	GE-18	2SD189R	GE-75	2SD201M(O, Y)	GE-35	2SD219H	GE-18	2SD227J	GE-47	2SD246A	GE-38		
2SD183	GE-18	2SD189X	GE-75	2SD201M(O)	GE-35	2SD219J	GE-18	2SD227K	GE-47	2SD246B	GE-38		
2SD183B	GE-18	2SD189Y	GE-75	2SD201M(Y)	GE-35	2SD219K	GE-18	2SD227L	GE-47	2SD246C	GE-38		
2SD183E	GE-18	2SD190	GE-12	2SD201X	GE-75	2SD219L	GE-18	2SD227LF	GE-47	2SD246D	GE-38		
2SD183GN	GE-18	2SD190B	GE-12	2SD201Y	GE-75	2SD219M	GE-18	2SD227M	GE-47	2SD246E	GE-38		
2SD183K	GE-18	2SD190C	GE-12	2SD202	GE-35	2SD219OR	GE-18	2SD227OR	GE-47	2SD246F	GE-38		
2SD183L	GE-18	2SD190D	GE-12	2SD203	GE-35	2SD219R	GE-18	2SD227R	GE-47	2SD246G	GE-38		
2SD183OR	GE-18	2SD190E	GE-12	2SD204	GE-47	2SD219X	GE-18	2SD227X	GE-47	2SD246GN	GE-38		
2SD183R	GE-18	2SD190F	GE-12	2SD204(L)	GE-18	2SD219Y	GE-18	2SD227Y	GE-47	2SD246H	GE-38		
2SD184	GE-66	2SD190GN	GE-12	2SD204A	GE-18	2SD220	GE-18	2SD228	GE-210	2SD246J	GE-38		
2SD184A	GE-18	2SD190H	GE-12	2SD204B	GE-18	2SD220	GE-18	2SD228A	GE-88	2SD246K	GE-38		
2SD184B	GE-18	2SD190J	GE-12	2SD204BL	GE-18	2SD220A	GE-18	2SD228B	GE-88	2SD246L	GE-38		
2SD184C	GE-18	2SD190K	GE-12	2SD204C	GE-18	2SD220B	GE-18	2SD228C	GE-88	2SD246M	GE-38		
2SD184D	GE-18	2SD190L	GE-12	2SD204D	GE-18	2SD220C	GE-18	2SD228D	GE-88	2SD246OR	GE-38		
2SD184E	GE-18	2SD190M	GE-12	2SD204E	GE-18	2SD220D	GE-18	2SD228E	GE-88	2SD246R	GE-38		
2SD184F	GE-18	2SD190OR	GE-12	2SD204F	GE-18	2SD220E	GE-18	2SD228F	GE-88	2SD246S	GE-38		
2SD184H	GE-18	2SD190R	GE-12	2SD204G	GE-18	2SD220F	GE-18	2SD228G	GE-88	2SD246Y	GE-38		
2SD184J	GE-18	2SD190X	GE-12	2SD204GA	GE-18	2SD220G	GE-18	2SD228GN	GE-88	2SD254	GE-23		
2SD184K	GE-18	2SD190Y	GE-12	2SD204GN	GE-18	2SD220GN	GE-18	2SD228H	GE-88	2SD255	GE-216		
2SD184L	GE-18	2SD191	GE-59	2SD204H	GE-18	2SD220H	GE-18	2SD228J	GE-88	2SD256	GE-216		
2SD184M	GE-18	2SD192	GE-59	2SD204J	GE-18	2SD220J	GE-18	2SD228K	GE-88	2SD-258	GE-12		
2SD184OR	GE-18	2SD193	GE-59	2SD204K	GE-18	2SD220K	GE-18	2SD228L	GE-88	2SD259	GE-12		
2SD184Y	GE-18	2SD194	GE-59	2SD204L	GE-18	2SD220L	GE-18	2SD228M	GE-88	2SD261(O, Q)	GE-63		
2SD185	GE-66	2SD195	GE-5	2SD204M	GE-18	2SD220M	GE-18	2SD228OR	GE-88	2SD261	GE-20		
2SD186	GE-59	2SD195A	GE-8	2SD204R	GE-18	2SD220OR	GE-18	2SD228R	GE-88	2SD261	GE-63		
2SD186A	GE-59	2SD195B	GE-59	2SD204Y	GE-18	2SD220R	GE-18	2SD228X	GE-88	2SD261-0	GE-18		
2SD186B	GE-59	2SD195C	GE-59	2SD205	GE-63	2SD220X	GE-18	2SD228Y	GE-18	2SD261A	GE-18		
2SD186C	GE-59	2SD195D	GE-59	2SD205(M)	GE-18	2SD220Y	GE-18	2SD234	GE-18	2SD261B	GE-18		
2SD186D	GE-59	2SD195E	GE-59	2SD205(L)	GE-18	2SD222	GE-18	2SD234-0	GE-28	2SD261C	GE-18		
2SD186E	GE-59	2SD195F	GE-59	2SD205A	GE-18	2SD222A	GE-18	2SD234A	GE-28	2SD261D	GE-18		
2SD186F	GE-59	2SD195G	GE-59	2SD205B	GE-18	2SD222B	GE-18	2SD234B	GE-28	2SD261E	GE-18		
2SD186G	GE-59	2SD195GN	GE-59	2SD205C	GE-18	2SD222C	GE-18	2SD234C	GE-28	2SD261F	GE-18		
2SD186GN	GE-59	2SD195H	GE-59	2SD205D	GE-18	2SD222D	GE-18	2SD234D	GE-28	2SD261G	GE-18		
2SD186H	GE-59	2SD195J	GE-59	2SD205E	GE-18	2SD222E	GE-18	2SD234E	GE-28	2SD261GN	GE-18		
2SD186J	GE-59	2SD195K	GE-59	2SD205F	GE-18	2SD222F	GE-18	2SD234F	GE-28	2SD261H	GE-18		
2SD186K	GE-59	2SD195L	GE-59	2SD205G	GE-18	2SD222G	GE-18	2SD234G	GE-28	2SD261J	GE-18		
2SD186L	GE-59	2SD195M	GE-59	2SD205GN	GE-18	2SD222GN	GE-18	2SD234GN	GE-28	2SD261K	GE-18		
2SD186M	GE-59	2SD195OR	GE-59	2SD205H	GE-18	2SD222H	GE-18	2SD234GN	GE-28	2SD261L	GE-18		
2SD186OR	GE-59	2SD195R	GE-59	2SD205J	GE-18	2SD222J	GE-18	2SD234GR	GE-28	2SD261L	GE-18		
2SD186R	GE-59	2SD195X	GE-59	2SD205L	GE-18	2SD222K	GE-18	2SD234H	GE-28	2SD261M	GE-18		
2SD186X	GE-59	2SD195Y	GE-59	2SD205M	GE-18	2SD222L	GE-18	2SD234J	GE-28	2SD261OR	GE-18		
2SD186Y	GE-59	2SD198(H)	GE-14	2SD205OR	GE-18	2SD222M	GE-18	2SD234K	GE-28	2SD261R	GE-18		
2SD187	GE-59	2SD198(R)(S)	GE-63	2SD205R	GE-18	2SD222OR	GE-18	2SD234L	GE-28	2SD261S	GE-63		
2SD187A	GE-59	2SD198	GE-35	2SD205X	GE-18	2SD222R	GE-18	2SD234M	GE-28	2SD261W	GE-18		
2SD187B	GE-59	2SD198(Q)	GE-14	2SD205Y	GE-18	2SD222X	GE-18	2SD234N	GE-28	2SD261X	GE-18		
2SD187C	GE-59	2SD198(Q)	GE-37	2SD211	GE-75	2SD222Y	GE-18	2SD234-O	GE-66	2SD261Y	GE-18		

UNIVERSAL REPLACEMENT SEMICONDUCTORS

2SD284 - 3DS2

JEDEC Or Part Nr	GE Replacement	JEDEC Or Part Nr	GE Replacement	JEDEC Or Part Nr	GE Replacement	JEDEC Or Part Nr	GE Replacement	JEDEC Or Part Nr	GE Replacement	JEDEC Or Part Nr	GE Replacement	JEDEC Or Part Nr	GE Replacement
2SD284	GE-35	2SD313E	GE-28	2SD343K	GE-28	2SF1189D	GE-700	2SK43M	GEFET-1	2T315	GE-52		
2SD285	GE-35	2SD313F	GE-28	2SD348	GE-38	2SF1189E	GE-700	2SK43OR	GEFET-1	2T321	GE-53		
2SD281(R)	GE-23	2SD313G	GE-28	2SD350	GE-38	2SF1189F	GE-700	2SK43R	GEFET-1	2T322	GE-53		
2SD281(R)	GE-23	2SD313GN	GE-28	2SD351	GE-36	2SF1189G	GE-700	2SK43X	GEFET-1	2T323	GE-53		
2SD281-0	GE-66	2SD313H	GE-28	2SD352	GE-59	2SF1189H	GE-700	2SK43Y	GEFET-1	2T324	GE-53		
2SD291A	GE-66	2SD313L	GE-28	2SD353	GE-37	2SF1189K	GE-700	2SK44(D)	GE-FET-1	2T383	GE-52		
2SD291B	GE-66	2SD313M	GE-28	2SD387	GE-47	2SF1189L	GE-700	2SK49	GE-FET-2	2T402	GE-20		
2SD291BL	GE-66	2SD313N	GE-28	2SD387A	GE-47	2SF1189M	GE-700	2SK170	GEFET-1	2T403	GE-17		
2SD291C	GE-66	2SD313R	GE-28	2SD387B	GE-47	2SF1189N	GE-700	2SO12	GE-66	2T404	GE-17		
2SD291D	GE-66	2SD313Y	GE-28	2SD387C	GE-47	2SF1189R	GE-700	2SO33	GE-19	2T503	GE-50A		
2SD291E	GE-66	2SD314	GE-28	2SD387E	GE-47	2SF1189Y	GE-700	2SO34	GE-19	2T504	GE-50A		
2SD291F	GE-66	2SD314A	GE-28	2SD387F	GE-47	2SFT212	GE-25	2SO35	GE-19	2T507	GE-500		
2SD291G	GE-66	2SD314B	GE-28	2SD387H	GE-47	2SG536GN	GE-47	2SO36	GE-19	2T508	GE-500		
2SD291GA	GE-66	2SD314C	GE-28	2SD387J	GE-47	2SH21	2N2160	2SQ371	GE-20	2T509	GE-500		
2SD291GN	GE-66	2SD314D	GE-28	2SD387K	GE-47	2SH643	GE-67	2SR1K	GE-50A	2T510	GE-500		
2SD291H	GE-66	2SD314E	GE-28	2SD387L	GE-47	2SJ11	GEFET-1	2SR24	GE-FET-1	2T513	GE-8		
2SD291J	GE-66	2SD314E	GE-66	2SD387M	GE-47	2SJ12	GEFET-1	2SV341V	GE-25	2T520	GE-8		
2SD291K	GE-66	2SD314F	GE-28	2SD387OR	GE-47	2SJ60A	GE-47	2T2P	GE-2	2T521	GE-8		
2SD291L	GE-66	2SD314GN	GE-28	2SD387R	GE-47	2SK11	GEFET-2	2T3	GE-53	2T522	GE-8		
2SD291M	GE-66	2SD314H	GE-28	2SD387X	GE-47	2SK12	GEFET-2	2T11	GE-52	2T523	GE-8		
2SD291OR	GE-66	2SD314L	GE-28	2SD387Y	GE-47	2SK13	GEFET-2	2T12	GE-52	2T524	GE-8		
2SD291R	GE-66	2SD314M	GE-28	2SD389(O,L,P)	GE-66	2SK17(O)	GE-FET-1	2T13	GE-52	2T551	GE-8		
2SD291X	GE-66	2SD314N	GE-28	2SD390	GE-28	2SK17	GE-FET-2	2T14	GE-4	2T552	GE-8		
2SD291Y	GE-66	2SD314R	GE-28	2SD392	GE-210	2SK17-A	GEFET-1	2T14A	GE-52	2T650	GE-8		
2SD292	GE-66	2SD314Y	GE-28	2SD400	GE-47	2SK17A	GEFET-1	2T15	GE-52	2T681	GE-59		
2SD292-0	GE-66	2SD317A(FX(P))	GE-28	2SD582	GE-11	2SK17B	GEFET-1	2T15X3	GE-11	2T682	GE-59		
2SD292A	GE-66	2SD317A	GE-28	2SD582A	GE-88	2SK17BL	GEFET-1	2T16	GE-52	2T919	GE-17		
2SD292B	GE-66	2SD317A(F)	GE-28	2SD582B	GE-88	2SK17GR	GEFET-1	2T17	GE-52	2T2001	GE-52		
2SD292BL	GE-66	2SD318Q	GE-57	2SD582C	GE-88	2SK17-OR	GEFET-1	2T20	GE-2	2T2102	GE-63		
2SD292C	GE-66	2SD319	GE-75	2SD582D	GE-88	2SK17R	GEFET-1	2T21	GE-52	2T2708	GE-17		
2SD292D	GE-66	2SD320	GE-73	2SD582E	GE-86	2SK17Y	GEFET-1	2T22	GE-52	2T2857	GE-17		
2SD292E	GE-66	2SD321	GE-38	2SD582K	GE-86	2SK19	GE-FET-1	2T23	GE-52	2T3011	GE-76		
2SD292F	GE-66	2SD322	GE-35	2SD582L	GE-86	2SK19(BL)	GE-FET-2	2T24	GE-52	2T3021	GE-76		
2SD292G	GE-66	2SD322A	GE-35	2SD582OR	GE-86	2SK19-14	GEFET-2	2T25	GE-52	2T3022	GE-16		
2SD292GA	GE-66	2SD322B	GE-35	2SD582R	GE-86	2SK19BB	GEFET-2	2T26	GE-52	2T3030	GE-25		
2SD292GM	GE-66	2SD322C	GE-35	2SD582X	GE-86	2SK19BL	GEFET-2	2T40	GE-17	2T3031	GE-49		
2SD292H	GE-66	2SD323	GE-38	2SD582Y	GE-86	2SK19FET	GE-FET-2	2T41	GE-17	2T3032	GE-49		
2SD292J	GE-66	2SD323A	GE-35	2SD720PJ	GE-59	2SK19GR	GE-FET-2	2T42	GE-17	2T3033	GE-49		
2SD292K	GE-66	2SD323B	GE-35	2SD735	GE-8	2SK19Y	GE-FET-2	2T43	GE-17	2T3041	GE-49		
2SD292L	GE-66	2SD323C	GE-35	2SD-1283	GE-59	2SD-1283	GE-FET-2	2T44	GE-17	2T3042	GE-49		
2SD292M	GE-66	2SD325	GE-28	2SD1347	GE-47	2SK24	GEFET-4	2T51	GE-8	2T3043	GE-49		
2SD292OR	GE-66	2SD325A	GE-28	2SD2340	GE-66	2SK24DR	GE-FET-2	2T52	GE-8	2TN15	GE-1		
2SD292R	GE-66	2SD325B	GE-28	2SD2350	GE-66	2SK24E	GE-FET-1	2T53	GE-8	2TN32	GE-1		
2SD292X	GE-66	2SD325C	GE-28	2SDF1	GE-5	2SK25	GEFET-2	2T54	GE-54	2TN45A	GE-2		
2SD292Y	GE-66	2SD325D	GE-28	2SDF1A	GE-59	2SK25ET	GE-FET-2	2T55	GE-54	2TN48	GE-1		
2SD299(V)	GE-38	2SD325E	GE-28	2SDF2A	GE-75	2SK30	GE-FET-1	2T56	GE-54	2TN49	GE-1		
2SD299	GE-38	2SD325F	GE-28	2SDF2B	GE-75	2SK30A(D)	GE-FET-1	2T57	GE-54	2TN52	GE-1		
2SD299A	GE-38	2SD325G	GE-28	2SDF2C	GE-75	2SK30D	GE-FET-1	2T58	GE-54	2TN53	GE-1		
2SD299B	GE-38	2SD325GN	GE-28	2SDF2D	GE-75	2SK30GR	GE-FET-1	2T61	GE-8	2TN95	GE-1		
2SD299C	GE-38	2SD325H	GE-28	2SDF2E	GE-75	2SK30-O	GEFET-1	2T62	GE-8	2TN95A	GE-1		
2SD299E	GE-38	2SD325J	GE-28	2SDF2F	GE-75	2SK30R	GE-FET-1	2T63	GE-8	2V464	GE-52		
2SD299F	GE-38	2SD325K	GE-28	2SDF2G	GE-75	2SK30Y	GE-FET-2	2T64	GE-5	2V465	GE-52		
2SD299G	GE-38	2SD325L	GE-28	2SDF2GN	GE-75	2SK31(C)	GE-FET-2	2T64R	GE-8	2V466	GE-52		
2SD299GM	GE-38	2SD325M	GE-28	2SDF2H	GE-75	2SK32B	GEFET-1	2T65	GE-5	2V467	GE-52		
2SD299H	GE-38	2SD325OR	GE-28	2SDF2J	GE-75	2SK33	GE-FET-1	2T65R	GE-8	2V482	GE-52		
2SD299J	GE-38	2SD325R	GE-28	2SDF2K	GE-75	2SK33F	GE-FET-2	2T66	GE-5	2V483	GE-52		
2SD299K	GE-38	2SD325X	GE-28	2SDF2L	GE-75	2SK34	GE-FET-2	2T66R	GE-8	2V484	GE-52		
2SD299M	GE-38	2SD325Y	GE-28	2SDF2M	GE-75	2SK34A	GEFET-1	2T67	GE-8	2V485	GE-52		
2SD299OR	GE-38	2SD328	GE-12	2SDF2OR	GE-75	2SK34B	GEFET-1	2T69	GE-5	2V486	GE-52		
2SD299R	GE-38	2SD328	GE-12	2SDF2R	GE-75	2SK34C	GE-FET-2	2T71	GE-8	2V559	GE-52		
2SD299X	GE-38	2SD328A	GE-12	2SDF2X	GE-75	2SK34D	GEFET-2	2T72	GE-8	2V560	GE-52		
2SD299Y	GE-38	2SD328B	GE-12	2SDF2Y	GE-75	2SK35	GEFET-1	2T73	GE-7	2V561	GE-52		
2SD300	GE-38	2SD328C	GE-12	2SDL2F	GE-59	RSK35-0	GEFET-1	2T73R	GE-8	2V562	GE-52		
2SD300A	GE-38	2SD326D	GE-12	2SDU36C	GE-12	2SK35-1	GEFET-1	2T74	GE-8	2V563	GE-52		
2SD300B	GE-38	2SD326E	GE-12	2SDU37E	GE-12	2SK35-2	GEFET-1	2T75	GE-7	2V631	GE-2		
2SD300C	GE-38	2SD326L	GE-12	2SDU47X	GE-75	2SK35A	GEFET-1	2T75R	GE-8	2V632	GE-2		
2SD300D	GE-38	2SD326M	GE-12	2SDU57M	GE-12	2SK35BL	GEFET-1	2T76	GE-7	2V633	GE-2		
2SD300G	GE-38	2SD326OR	GE-12	2SDU78OR	GE-47	2SK35C	GEFET-1	2T76R	GE-8	2W4A	GE-50A		
2SD300H	GE-38	2SD326X	GE-12	2SDU84GN	GE-18	2SK35GN	GEFET-1	2T77	GE-7	2W6A	GE-500		
2SD300J	GE-38	2SD328Y	GE-12	2SDU90R	GE-59	2SK35R	GEFET-1	2T77R	GE-8	2W9A	GE-500		
2SD312	GE-37	2SD327	GE-20	2SE629	GE-61	2SK35Y	GEFET-1	2T78	GE-7	2X9A116	GE-500		
2SD312A	GE-35	2SD327A	GE-88	2SE4002	GE-59	2SK37	GE-FET-2	2T78R	GE-8	3/4Z12D5	GEZD-12		
2SD312B	GE-35	2SD327B	GE-88	2SE4002-1	GE-59	2SK37(K)	GE-FET-2	2T82	GE-8	3/4Z12D10	GEZD-12		
2SD312C	GE-35	2SD327C	GE-88	2SF-T212	GE-16	2SK37H	GE-FET-2	2T83	GE-53	3.5	GE-42		
2SD312D	GE-35	2SD327D	GE-88	2SF1188	GE-700	2SK39	GEFET-4	2T84	GE-8	3.58	GE-42		
2SD312E	GE-35	2SD327E	GE-88	2SF1188A	GE-700	2SK39	GEFET-4	2T85	GE-8	3.58	GE-42		
2SD312F	GE-35	2SD327L	GE-88	2SF1188B	GE-700	2SK40	GE-FET-2	2T85A	GE-8	3A152	GE-50A		
2SD312G	GE-35	2SD327OR	GE-88	2SF1188C	GE-700	2SK40	GE-FET-1	2T86	GE-8	3A-200	GE-510		
2SD312GN	GE-35	2SD327R	GE-88	2SF1188D	GE-700	2SK41E	GE-FET-2	2T89	GE-8	3A200	GE-50A		
2SD312H	GE-35	2SD327Y	GE-88	2SF1188E	GE-700	2SK42-CM1	GE-FET-2	2T172	GE-8	3A252	GE-50A		
2SD312J	GE-35	2SD335	GE-75	2SF1188F	GE-700	2SK43	GEFET-1	2T201	GE-51	3AF2	GE-50A		
2SD312K	GE-35	2SD336	GE-63	2SF1188G	GE-700	2SK43A	GEFET-1	2T202	GE-20	3AS1	GE-50A		
2SD312L	GE-35	2SD338	GE-75	2SF1188H	GE-700	2SK43B	GEFET-1	2T203	GE-51	3AS2	GE-50A		
2SD312M	GE-35	2SD339	GE-75	2SF1188K	GE-700	2SK43C	GEFET-1	2T204	GE-51	3B15	GE-2		
2SD312X	GE-35	2SD341H	GE-14	2SF1188L	GE-700	2SK43D	GEFET-1	2T204A	GE-50	3B15-1	GE-2		
2SD312Y	GE-35	2SD343	GE-28	2SF1188M	GE-700	2SK43E	GEFET-1	2T205	GE-51	3BB-20801	GE-50A		
2SD313	GE-28	2SD343A	GE-28	2SF1188N	GE-700	2SK43F	GEFET-1	2T205A	GE-51	3BS1	GE-50A		
2SD313(D,E)	GE-66	2SD343B	GE-28	2SF1188R	GE-700	2SK43GN	GEFET-1	2T231	GE-51	3BS2	GE-50A		
2SD313A	GE-28	2SD343C	GE-28	2SF1188Y	GE-700	2SK43H	GEFET-1	2T311	GE-52	3CS1	GE-50A		
2SD313B	GE-28	2SD343D	GE-28	2SF1189	GE-700	2SK43J	GEFET-1	2T312	GE-52	3CS2	GE-50A		
2SD313C	GE-28	2SD343H	GE-28	2SF1189A	GE-700	2SK43K	GEFET-1	2T313	GE-52	3DS1	GE-50A		
2SD313D	GE-28	2SD343J	GE-28	2SF1189C	GE-700	2SK43L	GEFET-1	2T314	GE-52	3DS2	GE-50A		

UNIVERSAL REPLACEMENT SEMICONDUCTORS

3DS3 - 8-0062

JEDEC Or Part Nr	GE Replacement	JEDEC Or Part Nr	GE Replacement	JEDEC Or Part Nr	GE Replacement	JEDEC Or Part Nr	GE Replacement	JEDEC Or Part Nr	GE Replacement	JEDEC Or Part Nr	GE Replacement	JEDEC Or Part Nr	GE Replacement
3DS3	GE-504A	3N78	GE-61	4-1848	GE-31MP	4JX16A669	GE-11	6-66	GE-53	7-59-005/3477	GE-53	7-59-005/3477	GE-20
3ES1	GE-504A	3N77	GE-61	4-2020-03173	GE-504A	4JX16A670	GE-20	6-66T	GE-53	7-59-010/3477	GE-53	7-59-010/3477	GE-20
3ES2	GE-504A	3N78	GE-61	4-2020-03200	GE-504A	4JX16B670/B	GE-17	6-67	GE-53	7-59-024/3477	GE-53	7-59-024/3477	GE-20
3F20D	GE-512	3N79	GE-61	4-2020-03500	1N60	4JX16B670/R	GE-17	6-67T	GE-53	7-59-020/3477	GE-53	7-59-020/3477	GE-20
3FS1	GE-504A	3N87	GE-11	4-2020-03571	1N34AS	4JX16B670/Y	GE-17	6-69	GE-50	7-59-021/3477	GE-50	7-59-021/3477	GE-20
3FS2	GE-504A	3N88	GE-11	4-2020-03700	GE-511	4T6.2	GEZD-6.2	6-69X	GE-50	7-59-022/3477	GE-50	7-59-022/3477	GE-17
3G8	GE-504A	3N90	GE-65	4-2020-03800	GE-511	4T6.2A	GEZD-6.2	6-70	GE-50	7-59-023/3477	GE-50	7-59-023/3477	GE-17
3G152	GE-504A	3N91	GE-65	4-2020-03900	GE-504A	4T6.2B	GEZD-6.2	6-71	GE-50	7-59-024/3477	GE-50	7-59-024/3477	GE-10
3G252	GE-504A	3N92	GE-65	4-2020-05000	6GC1	4T503	GE-504A	6-72	GE-50	7-59-029/3477	GE-50	7-59-029/3477	GE-1
3GA	GE-504A	3N93	GE-65	4-2020-05200	GE-504A	4T504	GE-504A	6-84F	GE-51	7-59-060/3477	GE-51	7-59-060/3477	GE-2
3GS1	GE-504A	3N94	GE-65	4-2020-05400	6GC1	4T507	GE-509	6-85F	GE-51	7-59-068	GE-51	7-59-068	GE-20
3HS1	GE-504A	3N95	GE-65	4-2020-05800	GE-300	4T508	GE-509	6-88	GE-53	7A30	GE-53	7A30	GE-63
3HS2	GE-504A	3N112	GE-65	4-2020-08100	GE-300	4T509	GE-509	6-87	GE-52	7A31	GE-52	7A31	GE-63
3L4-2001-1	1N60	3N113	GE-21	4-2020-08200	GE-300	4T510	GE-509	6-89	GE-51	7A32	GE-51	7A32	GE-63
3L4-2001-3	GE-300	3N114	GE-65	4-2020-06300	GE-2	4W01-13	GEZD-12	6-90	GE-20	7A35	GE-20	7A35	GE-63
3L4-2003-3	GE-300	3N115	GE-65	4-2020-06400	GE-300	5A-D	GE-504A	6-93	GE-20	7A995	GE-20	7A995	GE-18
3L4-3001-1	GE-300	3N118	GE-65	4-2020-08700	GE-504A	5A2	GE-504A	6-0451	GE-20	7A1011	GE-20	7A1011	GE-18
3L4-3001-5	GE-504A	3N117	GE-65	4-2020-07300	GE-504A	5A3	GE-504A	6-0452	GE-20	7B1	GE-20	7B1	GE-12
3L4-3001-7	GE-300	3N118	GE-65	4-2020-07500	GEZD-6.2	5A4	GE-504A	6-59010	GE-504A	7B2	GE-504A	7B2	GE-12
3L4-3002-7	1N60	3N119	GE-65	4-2020-07700	GE-504A	5A4D	GE-504A	6A10229	GE-30	7B-3B1	GE-30	7B-3B1	GE-20
3L4-3002-10	GE-300	3N120	GE-11	4-2020-08000	GE-504A	5A4D-C	GE-504A	6A10423	GE-17	7B13	GE-17	7B13	GE-63
3L4-3503-1	GE-90	3N121	GE-11	4-2020-08500	GE-504A	5A5D	GE-504A	6A10851	GE-63	7B33	GE-63	7B33	GE-12
3L4-3505-1	GE-X11	3N123	GE-65	4-2020-08600	1N60	5A6	GE-504A	6A10855	GE-63	7B34	GE-63	7B34	GE-12
3L4-3505-2	GEZD-6.2	3N127	GE-86	4-2020-09400	GE-2	5A8	GE-509	6A11180	GE-17	7C1	GE-17	7C1	GE-12
3L4-3505-3	GEZD-7.5	3N129	GE-65	4-2021-04170	GE-504	5A8D	GE-509	6A12677	GE-20	7C2	GE-20	7C2	GE-12
3L4-3506-2	GEZD-6.2	3N130	GE-65	4-2021-04570	GE-504A	5A10	GE-509	6A12678	GE-51	7C3	GE-51	7C3	GE-12
3L4-3506-29	GEZD-15	3N131	GE-65	4-2021-04770	GE-52	5A10D	GE-509	6A12679	GE-20	7C13	GE-20	7C13	GE-63
3L4-6005-1	GE-66	3N132	GE-65	4-2021-04870	GE-504A	5B-2	GE-504A	6A12680	GE-50	7D1	GE-50	7D1	GE-12
3L4-6006-1	GE-12	3N133	GE-65	4-2021-04970	GE-504A	5B3	GE-504A	6A12681	GE-10	7D2	GE-10	7D2	GE-12
3L4-6007-1	GE-20	3N134	GE-65	4-2021-05000	GE-300	5B4	GE-504A	6A12682	GE-17	7D3	GE-17	7D3	GE-12
3L4-6007-2	GE-20	3N135	GE-65	4-2021-07470	GE-300	5E1	GE-504A	6A12683	GE-20	7D13	GE-20	7D13	GE-63
3L4-6007-3	GE-20	3N136	GE-65	4-2073	GE-50	5E2	GE-504A	6A12684	GE-52	7D33	GE-52	7D33	GE-12
3L4-6007-4	GE-63	3N200	GE-FET-4	4-3033	GE-504A	5E3	GE-504A	6A12685	GE-52	7D34	GE-52	7D34	GE-12
3L4-6007-10	GE-60	3N201	GE-FET-4	4-3034	GE-300	5E4	GE-504A	6A12725	GE-20	7E1	GE-20	7E1	GE-12
3L4-6007-11	GE-60	3N203	GE-FET-4	4-202104570	GE-511	5GA	GE-504A	6A12988	GE-18	7E2	GE-18	7E2	GE-12
3L4-6007-12	GE-60	3S004	GE-17	4-202104870	GE-511	5GD	GE-504A	6A12989	GE-52	7E3	GE-52	7E3	GE-12
3L4-6007-13	GE-60	3SA324	GE-51	4-202104970	GE-300	5GFH	GE-504A	6A12992	GE-8	7E13	GE-8	7E13	GE-63
3L4-6007-14	GE-62	3SB629	GE-504A	4AJ4DX52D	GE-504A	5GJ	GE-504A	6D122	GE-52	7F13	GE-52	7F13	GE-63
3L4-6007-19	GE-62	3SK21	GE-FET-4	4C28	GE-60	5GJ/FR1N	GE-504A	6D122R	GE-52	7G1	GE-52	7G1	GE-12
3L4-6007-20	GE-60	3SK21H	GE-FET-4	4C29	GE-20	5H4D1	GE-504A	6D122T	GE-53	7G2	GE-53	7G2	GE-12
3L4-6007-21	GE-60	3SK22	GE-FET-2	4C30	GE-60	5H750M	GE-504A	6D122TC	GE-53	7G3	GE-53	7G3	GE-12
3L4-6007-22	GE-60	3SK23	GE-FET-2	4C31	GE-60	5J-F1	GE-504A	6D122TH	GE-53	7G4	GE-53	7G4	GE-12
3L4-6007-23	GE-60	3SK30	GE-FET-3	4C43	GE-81	5MA2	GE-504A	6D122U	GE-53	7G13	GE-53	7G13	GE-63
3L4-6007-35	GE-60	3SK30A	GE-FET-2	4D20	GE-60	5MA6	GE-504A	6D122V	GE-52	7K705M	GE-52	7K705M	6GC1
3L4-6010-4	GE-67	3SK34	GE-FET-1	4D21	GE-60	5MA8	GE-509	6D122W	GE-53	7MA60	GE-53	7MA60	GE-504A
3L4-6010-6	GE-18	3SK45	GE-FET-4	4D22	GE-46	5MA10	GE-509	6D122Y	GE-53	8-22	GE-53	8-22	GE-504A
3L4-6011-2	GE-29	3T503	GE-504A	4D24	GE-60	5MF1	GE-504A	6D67800A03	GE-11	8-25	GE-11	8-25	GE-504A
3L4-6011-3	GE-29	3T504	GE-504A	4D25	GE-60	5MS5	GE-504A	6G4	GE-11	8-38	GE-11	8-38	GE-504A
3L4-6012-2	GE-66	3T507	GE-509	4D26	GE-81	5MS10	GE-504A	6G8	GE-504A	6,75VZENER	GE-504A	6,75VZENER	GEZD-9.1
3L4-6012-4	GE-66	3T508	GE-509	4GA	GE-504A	5MS20	GE-504A	6L122	GE-2	8-710-222-21	GE-2	8-710-222-21	GE-504A
3L4-6012-5	GE-66	3T509	GE-509	4J24X539	GEZD-12	5MS30	GE-504A	6M4	GE-504A	8-719-205-10	GE-504A	8-719-205-10	GE-504A
3L4-6012-6	GE-66	3T510	GE-509	4JA2FX355	GE-504A	5MS40	GE-504A	6M404-1	GE-504A	8-721-323-00	GE-504A	8-721-323-00	GE-2
3L4-6012-8	GE-66	3TE140	GE-19	4JA2X355	GE-504A	5MS50	GE-504A	6M404-2	GE-504A	8-722-923-00	GE-504A	8-722-923-00	GE-11
3L4-6013-2	GE-69	3TE150	GE-63	4JA4DX520	GE-504A	5N1	GE-504A	6M404-3	GE-504A	8-724-034-00	GE-504A	8-724-034-00	GE-11
3L4-6013-4	GE-69	3TE160	GE-63	4JA10DX3	GE-504A	5N2	GEMR-1	6M404-4	GE-504A	8-724-733-30	GE-504A	8-724-733-30	GE-10
3L4-6013-5	GE-69	3TE240	GE-19	4JA10DX32	GE-504A	5N3	GEMR-1	6M404-5	GE-504A	8-902-0706-071	GE-504A	8-902-0706-071	GE-20
3L4-6013-6	GE-69	3TE250	GE-63	4JA10EX3	GE-504A	5P2	GEMR-1	6M404-6	GE-504A	8-905-313-011	GE-504A	8-905-313-011	1N34AS
3L4-6013-8	GE-69	3TE260	GE-63	4JB2C6	1N82A	5P3	GEMR-1	6M404-7	GE-504A	8-905-405-098	GE-504A	8-905-405-098	GE-300
3L4-9007-0	GEIC-15	3TX003	GE-14	4JBC12	1N82A	6-02	GE-20	6MC	GE-2	8-905-421-300	GE-2	8-905-421-300	GE-300
3L4-9007-1	GEIC-16	3TX004	GE-19	4JD1A17	GE-2	6-04	GE-20	6RS6PH13BCJ1	GECR-2	8-905-605-090	GECR-2	8-905-605-090	GE-53
3L4-9007-11	GEIC-16	3X11/1	GE-504A	4JD1A73	GE-52	6-05	GE-20	6RS6PH13BJJ1	GECR-2	8-905-605-120	GECR-2	8-905-605-120	GE-53
3L46007-1	GE-20	4-47	GE-20	4JX1A520	GE-2	6-11	GE-18	6RS6PH13BKJ1	GECR-2	8-905-605-232	GECR-2	8-905-605-232	GE-53
3L46007-2	GE-20	4-47	GE-20	4JX1A520B	GE-52	6-13	GE-53	6RS6PH13BLJ1	GECR-2	8-905-605-234	GECR-2	8-905-605-234	GE-53
3LA-6007-4	GE-63	4-48	GE-31MP	4JX1A520C	GE-52	6-19	GE-20	6RS6PH13BMJ1	GECR-2	8-905-605-269	GECR-2	8-905-605-269	GE-53
3MC	GE-2	4-50	GE-504A	4JX1A520D	GE-52	6-30	GE-20	6RS7PH13BKJ1	GECR-2	8-905-605-305	GECR-2	8-905-605-305	GE-53
3MS5	GE-504A	4-009	GEIC-12	4JX1A520E	GE-52	6-31	GE-2	6RS7PH30BCB1	GECR-1	8-905-605-320	GECR-1	8-905-605-320	GE-51
3MS10	GE-504A	4-142	GE-44	4JX1A813	GE-2	6-49	GE-21	6RS7PH30BCB1	GECR-1	8-905-605-607	GECR-1	8-905-605-607	GE-44
3MS20	GE-504A	4-202R101	GE-504A	4JX1C850	GE-52	6-50	GE-2	6RS18PH110BEB1	GECR-1	8-905-605-650	GECR-1	8-905-605-650	GE-44
3MS30	GE-504A	4-279	GE-50	4JX1C850	GE-53	6-53	GE-52	6RS18PH110BHB1	GECR-1	8-905-606-105	GECR-1	8-905-606-105	GE-51
3MS40	GE-504A	4-280	GE-50	4JX1C850A	GE-52	6-53/63	GE-2	6RS18PH110BMB1	GECR-1	8-905-606-152	GECR-1	8-905-606-152	GE-51
3MS50	GE-504A	4-282	1N60	4JX1C1224	GE-2	6-53A	GE-2						

UNIVERSAL REPLACEMENT SEMICONDUCTORS

8-00243 - 13-26377-1

JEDEC Or Part Nr	GE Replacement	JEDEC Or Part Nr	GE Replacement	JEDEC Or Part Nr	GE Replacement	JEDEC Or Part Nr	GE Replacement	JEDEC Or Part Nr	GE Replacement	JEDEC Or Part Nr	GE Replacement	JEDEC Or Part Nr	GE Replacement
8-00243	GE-20	10-085009	GE-504A	10K	GE-504A	11C557-2	GE-39	13-10321-11	GE-11	13-15833-1	GE-20		
8A10521	GE-44	10-085013	GE-90	10M	GE-504A	11C557-3	GE-39	13-10321-12	GE-17	13-15835-1	GE-11		
8A10625	GE-30	10-085014	1N60	10N1	GE-504A	11C702	GE-47	13-10321-14	GE-11	13-15840-1	GE-20		
8A11083	GE-30	10-085018	1N60	10N2	GEMR-1	11C1051	GE-17	13-10321-16	GE-11	13-15840-2	GE-20		
8A11721	GE-30	10-085026	GE-504A	10N3	GEMR-1	11C1053	GE-17	13-10321-17	GE-11	13-15841-1	GE-11		
8A12359	GE-44	10-085027	GEZD-5.1	100-202	1N60	11C1057	GE-11	13-10321-21	GE-11	13-15842-1	GE-63		
8A12991	GE-16	10-085030	GE-504A	10P1	GE-22	11C1536	GE-47	13-10321-26	GE-11	13-15895-1	GE-63		
8A13164	GE-44	10A2	GE-504A	10P2	GEMR-1	11R106	GE-12	13-10321-29	GE-11	13-16104-8	GE-504A		
8CG15	GE-504A	10AG6	GE-504A	10P3	GEMR-1	11RT1	GE-21	13-10321-31	GE-11	13-16105-3	GECR-2		
8CG15RE	GE-504A	10AG8	GE-504A	10R7B	GE-509	12/1	6GC1	13-10321-32	GE-11	13-16106-1	GECR-1		
8D	GE-51	10AL2	GE-504A	10R8B	GE-509	12/1N	6GX1	13-10321-41	GE-11	13-16219-7	6GC1		
8D4	GE-504A	10AL6	GE-504A	10R9B	GE-509	12/1N10	GE-300	13-10321-43	GE-11	13-16235-8	1N34AS		
8D6	GE-504A	10AT2	GE-504A	10R10B	GE-509	12/3	6GC1	13-10321-46	GE-11	13-17174-1	GE-509		
8D8	GE-509	10AT8	GE-504A	10RC2	GEMR-3	12/100	6GC1	13-10321-47	GE-39	13-17174-2	GE-504A		
8D10	GE-509	10B-Y	GECR-3	10RC2A	GEMR-3	12-085005	1N60	13-10321-51	GE-11	13-17174-3	GE-504A		
8E	GE-51	10B1	GE-504A	10RC5	GEMR-3	12-085029	1N34AS	13-10321-54	GE-300	13-17174-5	GE-511		
8F	GE-51	10B2	GE-504A	10RC5A	GEMR-3	12-085031	GE-504A	13-10321-55	GE-300	13-17204-1	GE-300		
8G7	GE-509	10B-2	GE-504A	10RC10	GEMR-3	12-085034	1N34AS	13-13021-15	GE-11	13-17557-1	GE-504A		
8GA	GE-509	10B-2-B1W	GE-504A	10RC10A	GEMR-3	12-085035	1N60	13-13543-1	GE-12	13-17569-1	GECR-3		
8H303	GE-16	10B-2-N1W	GE-504A	10RC15	GEMR-3	12-085038	1N34AS	13-13543-2	GE-12	13-17569-2	GECR-3		
8L	GE-51	10B-4	GE-504A	10RC15A	GEMR-3	12-085040	GE-504A	13-14065-77	GE-20	13-17596-2	GE-300		
8L201	GE-16	10B-4-C4	GECR-3	10RC20	GEMR-3	12-085041	1N60	13-14065-17	GE-20	13-17596-4	GE-300		
8L201B	GE-16	10B5	GE-504A	10RC20A	GEMR-3	12-087004	GE-300	13-14065-25	GE-52	13-17596-5	GE-504A		
8L201R	GE-3	10B6	GE-504A	10RC25	GEMR-3	12-100003	GE-504A	13-14065-26	GE-20	13-17596-7	GE-504A		
8L201V	GE-16	10B551	GE-11	10RC25A	GEMR-3	12A9275	GE-2	13-14065-27	GE-20	13-17607-1	GE-25		
8L301V	GE-3	10B551-2	GE-60	10RC30	GEMR-3	12A9275-1	GE-2	13-14065-28	GE-50	13-17607B	GE-25		
8M-26102	GE-42	10B551-3	GE-60	10RC30A	GEMR-3	12B-2	GE-504A	13-14065-29	GE-12	13-17608-1	GE-25		
8P	GE-51	10B553	GE-11	10RC40	GEMR-3	12B-2B1P-M	GE-504A	13-14065-30	GE-50	13-17608-2	GE-25		
8P40	GE-16	10B553-2	GE-60	10RC40A	GEMR-3	12C2	GE-504A	13-14065-31	GE-50	13-17608B	GE-25		
8P50S	GE-30	10B553-3	GE-60	10VZENER	GEZD-10.4	12C2P-114	GE-504A	13-14065-32	GE-50	13-17608C	GE-25		
8P202	GE-30	10B555	GE-11	10Z12	GEZD-12	12CLN	GE-20	13-14065-33	GE-50	13-18225-1	GE-504A		
8P404	GE-16	10B555-2	GE-214	11/1	GE-504A	12J2	GE-504A	13-14065-34	GE-63	13-18034	GE-16		
8P404B	GE-16	10B555-3	GE-214	11/10	GE-511	12M2	GE-16	13-14065-35	GE-52	13-18034-1	GE-16		
8P404M	GE-16	10B556	GE-11	11/15	GE-504A	12MC	GE-50	13-14065-50	GE-10	13-18034A	GE-16		
8P404M-1	GE-3	10B556-2	GE-214	11/20	GECR-2	12P2	GE-504A	13-14065-60	GE-52	13-18087-1	GE-20		
8P404N	GE-3	10B556-3	GE-214	11-102-001	GE-504A	12X047	GE-17	13-14065-71	GE-52	13-18087-2	GE-20		
8P404R	GE-16	10B1051	GE-11	11-0422	GE-17	13-1-6	GEIC-12	13-14065-72	GE-20	13-18158-1	GE-20		
8P404T	GE-16	10B1055	GE-11	11-0423	GE-64	13-9-6	GEIC-12	13-14065-74	GE-20	13-18198-1	GE-13MP		
8P404V	GE-16	10C	GE-504A	11-0429	GE-504A	13-10-6	GEIC-12	13-14065-75	GE-20	13-18282	GE-12		
8P415C	GE-3	10C1	GE-504A	11-0769	GE-504A	13-11-6	GEIC-12	13-14065-76	GE-20	13-18282-1	GE-12		
8P416C	GE-16	10C2	GE-504A	11-0770	GE-69	13-26-6	GEIC-8	13-14065-77	GE-20	13-18304-1	GE-2		
8P-505	GE-30	10C4	GE-504A	11-0771	GE-504A	13-29-6	GEIC-2	13-14065-84	GE-17	13-18359	GE-12		
8P880	GE-4	10C5	GE-504A	11-0772	GE-66	13-30-6	GEIC-20	13-14065-85	GE-17	13-18359-3	GE-12		
8P880B	GE-4	10C6	GE-504A	11-0773	GE-29	13-30-6	GEIC-20	13-14065-86	GE-29	13-18359A	GE-12		
8P9253	GE-69	10C8	GE-509	11-0774	GE-20	13-40-6	GEIC-6	13-14065-87	GE-21	13-18363	GE-20		
8PC60	GE-16	10C05	GE-504A	11-0775	GE-64	13-41-6	GEIC-18	13-14065-88	GE-28	13-18363-1	GE-20		
8PS60	GE-16	10C10	GE-509	11-0778	GE-17	13-42-6	GEIC-4	13-14065-89	GE-17	13-18363-1A	GE-20		
8Q-3-01	GE-82	10C573	GE-17	11/1592	GE-504A	13-52-6	GEIC-9	13-14065-95	GE-20	13-18364-1	GE-20		
8Q-3-02	GE-21	10C573-2	GE-39	11/1 + 12/1	GE-504A	13-56-6	GEIC-29	13-14065-96	GE-20	13-18365-1	GE-20		
8Q-3-04	GE-54	10C573-3	GE-39	11-085001	GE-504A	13-56-6	GEIC-29	13-14065-97	GE-20	13-18458-1	GE-504A		
8Q-3-10	GE-82	10C574	GE-17	11-085007	1N60	13-57-6	GEIC-30	13-14094-3	1N60	13-18481-1	GE-504A		
8Q-3-11	GE-67	10C574-2	GE-39	11-085010	GE-18	13-57-6	GEIC-30	13-14094-5	1N60	13-18642-1	GE-3		
8Q-3-12	GE-10	10C574-3	GE-39	11-085014	1N60	13-59-6	GEIC-27	13-14094-8	1N60	13-18654-1	GE-8		
8Q-3-13	GE-18	10D	GE-504A	11-085015	1N34AS	13-60-6	GEIC-9	13-14094-9	1N60	13-18924-1	GEMR-5		
8Q-3-14	GE-21	10D0.5	GE-504A	11-085022	1N60	13-0002	GEZD-10.4	13-14094-11	1N60	13-18927-1	GE-20		
8Q-7-01	GE-504A	10D1	GE-504A	11-085024	GE-504A	13-0003	GE-300	13-14094-12	GE-504A	13-18927-1A	GE-20		
8Q-7-02	GE-504A	10D-1	GE-504A	11-102003	GE-504A	13-0004	1N295	13-14094-13	GE-90	13-18944-1	GE-2		
8Q-7-03	GE-504A	10D2	GE-511	11B551	GE-11	13-0009	GE-20	13-14094-14	1N60	13-18946-1	GE-51		
9-905-606-001	GE-51	10D-2B(4)	GE-504A	11B551-2	GE-212	13-0010	GE-20	13-14094-15	1N34AS	13-18947-1	GE-51		
9A1	GE-42	10D3	GE-504A	11B551-3	GE-212	13-0014	GE-23	13-14094-16	GE-504A	13-18948-1	GE-50		
9D11	1N60	10D3G	GE-504A	11B552	GE-11	13-0020	GE-17	13-14094-17	GE-504A	13-18948-2	GE-51		
9D13	GE-504A	10D4	GE-504A	11B552-2	GE-212	13-0021	GE-20	13-14094-24	GE-504A	13-18950-1	GE-11		
9D14	GEZD-9.1	10D-5	GE-504A	11B552-3	GE-212	13-0022	GE-20	13-14094-31	GE-90	13-18950-2	GE-51		
9D11	GE-300	10D6	GE-504A	11B554	GE-11	13-0040	GE-20	13-14094-33	GE-300	13-18951-1	GE-52		
9D12	1N60	10D8	GE-509	11B554-2	GE-212	13-0041	GE-20	13-14094-38	GE-504A	13-18951-2	GE-51		
9D13	GE-300	10D-02	GE-504A	11B554-3	GE-212	13-0043	GE-21	13-14097-7	GE-300	13-21606-1	GE-25		
9D15	GEZD-9.1	10D-05	GE-504A	11B555	GE-11	13-0049	GE-66	13-14261-1	GE-504A	13-22581	GE-20		
9LR2-1	6GC1	10D10	GE-504A	11B555-2	GE-212	13-0050	GE-504A	13-14278-1	GE-90	13-22581-1	GE-63		
9LR2-24	6GC1	10DC	GE-504A	11B555-3	GE-212	13-0058	GE-20	13-14604-1	GE-13MP	13-22582-1	GE-22		
9LR21	6GC1	10DC1	GE-504A	11B556	GE-63	13-0061	GE-21	13-14627-1	GE-504A	13-22690-1	GE-FET-1		
9OC69-1	GE-504A	10DC1R	GE-504A	11B556-2	GE-18	13-0062	GE-20	13-14627-4	GE-504A	13-22692-1	GE-51		
9RE1	GE-504A	10DC-1R	GE-504A	11B556-3	GE-18	13-0063	GE-20	13-14735	GE-16	13-22739-1	GE-16		
9.S011	GE-2	10DC2	GE-504A	11B560	GE-63	13-0064	GE-17	13-14735-1	GE-16	13-22741-1	GE-3		
9.S037	GE-20	10DC-2B	GE-504A	11B560-2	GE-18	13-0065	GE-20	13-14735A	GE-16	13-22741-1	GE-16		
9TR1	GE-20	10DC-2C	GE-504A	11B560-3	GE-18	13-0079	GE-28	13-14778-1	GE-13MP	13-23543-1	GE-12		</

UNIVERSAL REPLACEMENT SEMICONDUCTORS

13-26386-1 - 16G2

JEDEC Or Part Nr	GE Replacement	JEDEC Or Part Nr	GE Replacement	JEDEC Or Part Nr	GE Replacement	JEDEC Or Part Nr	GE Replacement	JEDEC Or Part Nr	GE Replacement	JEDEC Or Part Nr	GE Replacement	JEDEC Or Part Nr	GE Replacement
13-26386-1	GE-22	13-33184-1	GE-FET-2	13-67585-5/2439-2	GE-20	14-515-25	GEZD-12	14-602-42	GE-21	15-34379-1	GEIC-7		
13-26386-3	GE-21	13-33185-1	GE-28	13-67585-6/2439-2	GE-17	14-515-26	GEZD-7.5	14-602-43	GE-83	15-34452-1	GEIC-11		
13-26576-1	GE-11	13-33186-1	GEZD-33	13-67585-7/2439-2	GE-10	14-515-73	GEZD-15	14-602-44	GE-21	15-34503-1	GEIC-9		
13-26576-2	GE-11	13-33187-3	GEZD-20	13-67586-3	GE-20	14-557-10	GE-2	14-602-45	GE-60	15-35059-1	GEIC-2		
13-26577-1	GE-20	13-33187-5	GEZD-82	13-67590-1/2439-2	1N60	14-564-08	GE-53	14-602-46	GE-20	15-36446-1	GEIC-32		
13-26577-3	GE-20	13-33187-6	GEZD-10.4	13-67599-3	GE-53	14-566-08	GE-52	14-602-47	GE-67	15-37702-1	GEIC-4		
13-26614-1	GE-504A	13-33187-12	GEZD-5.1	13-67599-3/2439-2	GE-2	14-568-04	GE-52	14-602-48	GE-62	15-37703-1	GEIC-6		
13-26666-1	GE-63	13-33187-13	GEZD-120	13-67599-9	GE-52	14-569-09	GE-51	14-602-49	GE-20	15-37704-1	GEIC-18		
13-27050-1	GE-8	13-33187-14	GEZD-3.8	13-67600-3	GE-90	14-572-10	GE-10	14-602-50	GE-62	15-39075-1	GEIC-29		
13-27404-1	GE-63	13-33187-20	GEZD-120	13-67600-4/2439-2	GE-90	14-573-10	GE-4	14-602-54	GE-21	15-39209-1	GEIC-33		
13-27404-2	GE-20	13-33188-2	GE-14	13-67600-5	GE-90	14-574-10	GE-16	14-602-55	GE-63	15-39209-1	GEIC-33		
13-27432-1	GE-63	13-33350-1	GE-20	13-85943-1	6GC1	14-575-10	GE-8	14-602-56	GE-21	15-39209-1	GEIC-33		
13-27433-1	GE-11	13-33376-1	GE-504A	13-85943-2	6GC1	14-576-10	GE-53	14-602-57	GE-67	15-085002	1N60		
13-27596-5	1N60	13-33359-1	GE-17	13-85943-3	6GC1	14-577-10	GE-53	14-602-58	GE-21	15-085003	1N60		
13-27974-1	GE-27	13-33595-2	GE-17	13-85962-1	1N34AS	14-578-10	GE-16	14-602-59	GE-63	15-085004	6GC1		
13-27974-2	GE-27	13-33742-1	GE-18	13-87539-4	GE-504A	14-579-10	GE-16	14-602-60	GE-21	15-085005	1N34AS		
13-27974-3	GE-27	13-33925-1	GE-57	13-94096-2	GE-2	14-580-01	GE-50	14-602-61	GE-20	15-085006	GE-504A		
13-27974-4	GE-27	13-34001-1	GE-64	13-085012	1N34AS	14-581-01	GE-51	14-602-62	GE-10	15-085008	GE-504A		
13-28222-1	GE-30	13-34003-1	GE-28	13-085015	GE-300	14-582-01	GE-50	14-602-63	GE-62	15-085009	1N60		
13-28222-2	GE-55	13-34004-1	GE-29	13-085022	GE-300	14-583-01	GE-8	14-602-64	GE-67	15-085018	1N82A		
13-28222-3	GE-55	13-34045-1	GE-10	13-085023	GE-300	14-584-01	GE-53	14-602-65	GE-63	15-085027	1N60		
13-28222-4	GE-55	13-34045-2	GE-10	13-085024	GE-504A	14-585-01	GE-51	14-602-66	GE-67	15-085032	1N34AS		
13-28336-1	GE-21	13-34046-1	GE-28	13-085026	1N34AS	14-586-01	GE-16	14-602-67	GE-27	15-085037	1N34AS		
13-28336-2	GE-63	13-34046-2	GE-28	13-085028	GEZD-9.1	14-587-01	GE-50	14-602-68	GE-20	15-085038	6GC1		
13-28392-2	GE-18	13-34046-3	GE-28	13-085029	1N34AS	14-589-01	GE-16	14-602-69	GE-63	15-085039	6GC1		
13-28393-1	GE-21	13-34046-4	GE-28	13-087005	GE-300	14-590-01	GE-3	14-602-70	GE-63	15-085040	GE-504A		
13-28393-2	GE-21	13-34046-5	GE-28	13-087027	GE504A	14-591-01	GE-51	14-602-71	GE-67	15-085041	GE-504A		
13-28471-1	GE-63	13-34047-1	GE-29	13BKJ1	GE-2	14-600-01	GE-51	14-602-72	GE-63	15-085043	GE-504A		
13-28532-1	GE-55	13-34047-3	GE-29	13J2	GE-504A	14-600-02	GE-51	14-602-73	GE-67	15-085047	6GC1		
13-28584-1	GE-FET-1	13-34056-1	GE-300	13P1	GE-504A	14-600-04	GE-51	14-602-74	GE-63	15-088004	GE-11		
13-28654-1	GE-FET-1	13-34057-1	GE-504A	13RC2	GEMR-3	14-600-10	GE-51	14-602-75	GE-67	15-100001	GE-504A		
13-28654-2	GE-FET-1	13-34089-2	GE-27	13RC5	GEMR-3	14-600-11	GE-50	14-602-76	GE-27	15-100002	GE-504A		
13-28654-3	GE-FET-2	13-34089-4	GE-27	13RC10	GEMR-3	14-600-13	GE-50	14-602-77	GE-63	15-100003	GE-300		
13-28654-4	GE-FET-1	13-34369-1	GE-22	13RC15	GEMR-3	14-600-16	GE-51	14-602-78	GE-11	15-100004	GE-504A		
13-29033-1	GE-11	13-34371-1	GE-18	13RC20	GEMR-3	14-600-19	GE-51	14-602-79	GE-21	15-108001	6GC1		
13-29033-2	GE-20	13-34375-1	GE-FET-2	13RC25	GEMR-3	14-600-20	GE-51	14-602-81	GE-20	15-108008	GE-300		
13-29033-3	GE-11	13-34378-1	GE-FET-2	13RC30	GEMR-3	14-600-22	GE-51	14-603-01	GE-60	15-108015	GE-504A		
13-29033-4	GE-20	13-34381-1	GE-20	13RC40	GEMR-3	14-601-01	GE-4	14-603-02	GE-20	15-108016	GE-504A		
13-29165-1	GE-504A	13-35059-1	GEIC-2	14-501-01	6GC1	14-601-02	GE-16	14-603-03	GE-17	15-108020	GE-504A		
13-29165-2	GE-504A	13-35089-1	GE-27	14-501-02	6GC1	14-601-03	GE-16	14-603-04	GE-60	15-108022	GE-504A		
13-29656-1	GE-11	13-35089-2	GE-27	14-502-01	1N295	14-601-04	GE-16	14-603-05	GE-11	15-108023	6GC1		
13-29663-1	GE-504A	13-35089-3	GE-27	14-503-01	6GD1	14-601-05	GE-16	14-603-06	GE-17	15-108024	GE-504A		
13-29775-1	GE-64	13-35089-4	GE-27	14-503-02	6GD1	14-601-06	GE-16	14-603-07	GE-60	15-108025	GE-300		
13-29775-2	GE-84	13-35226-1	GE-20	14-503-03	6GD1	14-601-07	GE-16	14-603-08	GE-60	15-108035	GE-511		
13-29775-3	GE-64	13-35257-2	GE-40	14-503-04	6GD1	14-601-08	GE-13	14-603-09	GE-60	15-108036	GE-504A		
13-29776-1	GE-21	13-35324-1	GE-64	14-503-08	6GD1	14-601-09	GE-16	14-603-10	GE-17	15-108037	GE-504A		
13-29776-2	GE-21	13-35550	GE-20	14-504-04	6GD1	14-601-11	GE-16	14-603-11	GE-11	15-108038	GE-504A		
13-29777-1	GE-90	13-35550-1	GE-40	14-507-01	GE-300	14-601-12	GE-14	14-603-12	GE-20	15-108040	GE-511		
13-29867-1	1N34AS	13-35621-1	1N60	14-508-01	GE-90	14-601-13	GE-14	14-604-01	GE-43	15-108041	GE-511		
13-29867-2	GE-300	13-35807-1	GE-20	14-509-01	GEZD-12	14-601-14	GE-19	14-604-02	GE-16	15-108042	GE-300		
13-29947-1	GE-60	13-37708-1	GE-38	14-509-02	GEZD-5.1	14-601-15	GE-14	14-604-07	GE-16	15-108043	GE-511		
13-29974-4	GE-27	13-37868-1	GE-504A	14-511-01	1N34AS	14-601-17	GE-19	14-608-01	GE-57	15-108044	GE-511		
13-30281	1N34AS	13-37889-1	GE-40	14-512-01	1N295	14-601-20	GE-14	14-608-02	GE-57	15-108046	GE-510		
13-31013-1	GE-22	13-37870-1	GE-38	14-514-02	GE-300	14-602-01	GE-18	14-609-01	GE-27	15-108047	GE-511		
13-31013-1/2	GE-22	13-39004-1	GE-32	14-514-03	GE-90	14-602-02	GE-10	14-609-02	GE-57	15-108048	GE-511		
13-31013-2	GE-22	13-39072-1	GE-504A	14-514-05	1N34AS	14-602-03	GE-20	14-609-03	GE-57	15-108049	GE-504A		
13-31013-3	6GC1	13-39073-1	GE-504A	14-514-09	1N295	14-602-04	GE-51	14-609-04	GE-28	15-108107	GE-11		
13-31013-4	GE-11	13-39074-1	GE-28	14-514-10	1N34AS	14-602-05	GE-2	14-609-05	GE-27	15N1	GE-504A		
13-31013-5	GE-11	13-39098-1	GE-27	14-514-11	1N60	14-602-05A	GE-2	14-700-01	GE-FET-2	15N2	GEMR-1		
13-31013-6	GE-504A	13-39099-1	GE-66	14-514-12	GE-300	14-602-06	GE-53	14-700-02	GE-FET-2	15N3	GEMR-1		
13-31014-1	GE-504A	13-39100-1	GE-89	14-514-14	GE-300	14-602-07	GE-53	14-700-03	GE-FET-2	15P2	GEMR-1		
13-31014-2	6GC1	13-39114-1	GE-63	14-514-15	GE-300	14-602-08	GE-53	14-700-04	GE-FET-2	15P3	GEMR-1		
13-31014-3	GE-504A	13-39115-1	GE-67	14-514-17	GE-300	14-602-09	GE-53	14-700-05	GE-FET-2	15S1	GE-504A		
13-31014-4	1N82A	13-55009-1	GE-25	14-514-19	GE-300	14-602-10	GE-52	14-0072-1	GE-504A	15S2	GE-504A		
13-31014-6	GE-504A	13-55009-2	GE-25	14-514-20	GE-300	14-602-11	GE-22	14-0072-2	GE-504A	15S4	GE-504A		
13-32362-1	GE-20	13-55018-4	GE-63	14-514-21	1N295	14-602-12	GE-10	14-0072-3	GE-504A	15S6	GE-504A		
13-32364-1	GE-21	13-55020-1	GE-20	14-514-22	1N60	14-602-13	GE-20	14-0104-1	GE-28	15S05	GE-504A		
13-32366-1	GE-20	13-55029-1	GE-504A	14-514-55	1N60	14-602-14	GE-62	14-0104-2	GE-29	16-2	GE-504A		
13-32366-2	GE-20	13-55031-1	GE-504A	14-514-61	1N60	14-602-15	GE-54	14-0104-3	GE-29	16-17	GE-FET-2		
13-32630-2	GE-63	13-55031-2	GE-504A	14-514-62	GE-300	14-602-16	GE-60	14-0104-4	GE-21	16-736	GE-11		
13-32631	GE-67	13-55031-3	GE-504A	14-514-64	GE-300	14-602-17	GE-20	14-0					

UNIVERSAL REPLACEMENT SEMICONDUCTORS

16J1 - 21M317

JEDEC Or Part Nr	GE Replacement	JEDEC Or Part Nr	GE Replacement	JEDEC Or Part Nr	GE Replacement	JEDEC Or Part Nr	GE Replacement	JEDEC Or Part Nr	GE Replacement	JEDEC Or Part Nr	GE Replacement	JEDEC Or Part Nr	GE Replacement
16J1	GE-20	19-080-002	GE-504A	19A115528-P1	GEZD-6.2	19C300073-P1	GE-2	21A015-005	GE-8	21A110-008	GE-511		
16J2	GE-20	19-080-008	GE-300	19A115528-P3	GEZD-9.1	19C300073-P2	GE-2	21A015-006	GE-2	21A110-009	GE-511		
16J3	GE-20	19-080-014	GEZD-5.1	19A115531-P1	GE-25	19C300073-P3	GE-2	21A015-008	GE-22	21A111-001	GE-300		
16K1	GE-80	19-090-008	GEZD-12	19A115540-P1	GE-4	19C300073-P4	GE-2	21A015-011	GE-21	21A111-002	GE-300		
16K2	GE-80	19-090-008A	GEZD-9.1	19A115546-P1	GE-5	19C300073-P5	GE-2	21A015-013	GE-20	21A112-001	GE-21		
16K3	GE-60	19-090-014	GEZD-5.1	19A115546-P2	GE-5	19C300073-P6	GE-2	21A015-025	GE-22	21A112-002	GE-21		
16L2	GE-212	19-090-015	GEZD-3.6	19A115548-P1	GE-1	19C300074-P2	GE-2	21A015-026	GE-20	21A112-004	GE-67		
16L3	GE-212	19-3415	GE-52	19A115552-P1	GE-17	19C300076-P1	GE-504A	21A020-001	GE-504A	21A112-004	GE-21		
16L4	GE-212	19-3416	GE-52	19A115552-P2	GE-17	19C300076-P2	GE-504A	21A020-005	1N60	21A112-006	GE-60		
16L5	GE-20	19-003935	GE-14	19A115553-P1	GE-51	19C300076-P3	GE-504A	21A037-003	GEZD-12	21A112-007	GE-60		
16L22	GE-212	19-085005	1N60	19A115554-P1	GE-51	19C300076-P4	GE-504A	21A037-008	GEZD-12	21A112-010	GE-60		
16L23	GE-212	19-085010	GE-504A	19A115554-P2	GE-51	19C300076-P5	GE-504A	21A037-009	GEZD-20	21A112-015	GE-60		
16L24	GE-212	19-085016	GE-90	19A115556-P1	GE-1	19C300076-P6	GE-504A	21A037-012	GE-X11	21A112-017	GE-20		
16L25	GE-212	19-085017	GE-X11	19A115561	GE-16	19C300076-P7	GE-3	21A038-000	GE-2	21A112-020	GE-20		
16L42	GE-212	19-085018	1N60	19A115567-P1	GE-51	19C300114-P1	GE-17	21A039-000	GE-2	21A112-023	GE-37		
16L43	GE-212	19-085022	GE-504A	19A115567-P2	GE-51	19C300114-P2	GE-17	21A040-44	GE-504A	21A112-025	GE-12		
16L44	GE-212	19A11844P1	GEIC-10	19A115569-P1	GE-504A	19C300115-P1	GE-18	21A040-000	GE 2	21A112-029	GE-12		
16L45	GE-212	19A115024-P4	GE-504A	19A115569-P2	GE-504A	19C300128-P1	GE-2	21A040-001	1N60	21A112-031	GE-14		
16L62	GE-212	19A115024-P6	GE-509	19A115563-P1	GE-12	19C300128-P2	GE-2	21A040-003	1N60	21A112-033	GE-14		
16L63	GE-212	19A115056-P1	GE-25	19A115623-P2	GE-12	19C300128-P3	GE-2	21A040-004	GE-17	21A112-033	GE-12		
16L64	GE-212	19A115061-P1	GE-17	19A115628-P1	GE-51	19C300128-P4	GE-2	21A040-007	GE-17	21A112-036	GE-36		
16L65	GE-212	19A115061-P2	GE-17	19A115628-P2	GE-51	19C300128-P5	GE-2	21A040-023	GE-11	21A500-000	GE-36		
16P2	GE-504A	19A115077-P1	GE-2	19A115635-P1	GE-51	19C300128-P6	GE-2	21A040-024	GE-11	21B1M	GEIC-8		
16P2881	GE-84	19A115077-P2	GE-2	19A115635-P1	GE-51	19C300128-P7	GE-2	21A040-025	GE-11	21B-14	GE-504A		
16P3367	GE-84	19A115086-P1	1N34AS	19A115653-P1	GE-21	19C300128-P8	GE-2	21A040-032	GE-20	21B-17	GE-504A		
16RC2	GEMR-3	19A115087-P1	GE-1	19A115653-P2	GE-21	19C300138-P4	GE-2	21A040-034	GE-63	21M006	GE-50		
16RC2A	GEMR-3	19A115089	GEMR-1	19A115654-P1	GE-21	19C300138-P8	GE-2	21A040-035	GE-52	21M007	GE-50		
16RC5	GEMR-3	19A115094-P1	GE-4	19A115654-P2	GE-21	19C300216-P1	GE-51	21A040-050	GE-67	21M018	GE-90		
16RC5A	GEMR-3	19A115098	GE-1	19A115665-P1	GE-51	19C300216-P2	GE-51	21A040-051	GE-63	21M022	GE-21		
16RC10	GEMR-3	19A115098-P1	GE-1	19A115665-P2	GE-51	19C307022	GE-90	21A040-051	GE-63	21M025	GE-69		
16RC10A	GEMR-3	19A115099-P1	GE-1	19A115666-1	GE-11	19C307022-P1	GE-90	21A040-052	GE-28	21M026	GE-29		
16RC15	GEMR-3	19A115100-P1	GE-504A	19A115673-P1	GE-7	20A-583	GE-504A	21A040-053	GE-20	21M026	GE-29		
16RC15A	GEMR-3	19A115101	GE-3	19A115673-P2	GE-7	20A-70	1N60	21A040-054	GE-20	21M028	GE-69		
16RC20	GEMR-3	19A115101-P1	GE-3	19A115674-P1	GE-2	20A79	1N34AS	21A040-055	GE-20	21M084	GE-20		
16RC20A	GEMR-3	19A115102-P1	GE-17	19A115674-P2	2N404	20A90	1N60	21A040-056	GE-17	21M086	GE-20		
16RC25	GEMR-3	19A115103-P1	GE-5	19A115683-P1	GEMR-3	20A-90H	1N60	21A040-057	GE-50	21M091	GE-61		
16RC25A	GEMR-3	19A115108-P1	GE-20	19A115688-P1	GE-21	20A-90M	1N60	21A040-058	GE-50	21M093	GE-20		
16RC30	GEMR-3	19A115108-P2	GE-20	19A115688-P2	GE-21	20A0007	GE-2	21A040-059	GE-21	21M093	GE-20		
16RC30A	GEMR-3	19A115123-P1	GE-20	19A115706-P1	GE-22	20A0009	GE-2	21A040-060	GE-54	21M094	GE-20		
16RC40	GEMR-3	19A115123-P2	GE-20	19A115706-P2	GE-22	20A0015	GE-2	21A040-061	GE-54	21M094	GE-20		
16RC40A	GEMR-3	19A115129-2	GE-8	19A115720-1	GE-20	20A0017	GE-16	21A040-063	GE-20	21M095	GE-17		
16U1	GE-20	19A115129-P1	GE-8	19A115728-1	GE-20	20B1M	GEIC-12	21A040-064	GE-20	21M099	GE-17		
16X1	GE-81	19A115140-P1	GE-51	19A115747-P1	GEMR-3	20BS	GE-504A	21A040-065	GE-20	21M099	GE-17		
16X2	GE-81	19A115140-P2	GE-51	19A115768-P1	GE-22	20C	GE-504A	21A040-066	GE-62	21M122	GE-10		
16X39	GE-300	19A115142-P1	GE-20	19A115768-P2	GE-22	20C71	GE-52	21A040-067	GE-18	21M123	GE-18		
16Z6	GEZD-5.1	19A115142-P2	GE-20	19A115786	GE-20	20C72	GE-52	21A040-077	GE-17	21M124	GE-10		
16Z6A	GEZD-5.1	19A115145-P3	GE-504A	19A115786A	GE-20	20E1114	GE-42	21A040-078	GE-17	21M125	GE-10		
17-10	GE-504A	19A115145-P4	GE-504A	19A123160-1	GE-11	20H	GE-504A	21A040-079	GE-1	21M125	GE-62		
17-443	GE-18	19A115178-P1	GE-21	19A2	GE-504A	20H3	GEMR-1	21A041-002	GE-90	21M137	GE-20		
17-451	GE-20	19A115178-P2	GE-21	19A3	1N295	20J2	GEMR-1	21A041-003	GE-90	21M138	GE-20		
17-457	GE-20	19A115180-2	GE-22	19A4	19A4	20K	GE-504A	21A045-000	GE-51	21M139	GE-20		
17-459	GE-21	19A115184-P1	GE-3	19A4-1	19A4-1	20M	GE-504A	21A049-000	GE-51	21M140	GE-20		
17A4422-1	GE-16	19A115192-P1	GE-51	19A5	19A5	20MC	GE-50	21A050-000	GE-51	21M146	GE-18		
17P2	GE-504A	19A115192-P2	GE-51	19A11	19A11	20N1	GE-504A	21A051-000	GE-1	21M149	GE-20		
17Z6	GEZD-5.6	19A115200-P1	GE-66	19A12	19A12	20N2	GEMR-1	21A053-000	GE-2	21M149	GE-18		
17Z6A	GEZD-5.6	19A115201-P1	GE-6	19A17	19A17	20N3	GEMR-1	21A054-000	GE-2	21M150	GE-18		
18J2	GE-509	19A115201-P2	GE-6	19A18	19A18	20P2	GEMR-1	21A055-000	GE-2	21M151	GE-20		
18J2F	GE-509	19A115208	GE-1	19A18-1	19A18-1	20P3	GEMR-1	21A062-000	GE-51	21M152	GE-20		
18P2	GE-504A	19A115208-P1	GE-1	19A18-2	19A18-2	20R3	GEMR-2	21A063-000	GE-2	21M153	GE-20		
18RC2	GEMR-3	19A115208-P2	GE-1	19A18-3	19A18-3	20S3	GEMR-2	21A064-000	GE-3	21M154	GE-20		
18RC5	GEMR-3	19A115249-1	GE-11	19A35	19A35	20V-HG	GE-52	21A074-000	GE-2	21M160	GE-20		
18RC10	GEMR-3	19A115253-P1	GE-17	19A36	19A36	21/3	6GC1	21A079-000	GE-504A	21M161	GE-20		
18RC15	GEMR-3	19A115253-P2	GE-17	19B200011-P1	GEMR-1	21/3.92	6GD1	21A097-000	GE-16	21M174	GE-18		
18RC20	GEMR-3	19A115281-P1	GE-2	19B200011-P2	GEMR-1	21-28	GE-3	21A101-001	GE-504A	21M178	GE-61		
18RC25	GEMR-3	19A115300-1	GE-18	19B200011-P3	GEMR-1	21-32	GE-51	21A102-001	GE-504A	21M179	GE-61		
18RC30	GEMR-3	19A115300-P1	GE-28	19B200011-P4	GEMR-1	21-33	GE-51	21A102-002	GE-504A	21M180	GE-28		
18RC40	GEMR-3	19A115300-P2	GE-28	19B200011-P5	GE-504A	21-34	GE-2	21A103-006	1N60	21M181	GE-28		
18Z6	GEZD-6.2	19A115301-P1	GE-1	19B200054-P1	GE-2	21-35	GE-12	21A103-007	GE-504A	21M181	GE-28		
18Z6A	GEZD-6.2	19A115301-P2	GE-1	19B200061-P1	GE-2	21-36	GE-2	21A103-016	1N60	21M182	GE-20		
19-020-44	GE-20	19A115315-P1	GE-17	19B200061-P2	GE-2	21-37	GE-2	21A103-017	1N60	21M183	GE-28		
19-020-033	GE-1	19A115315-P2	GE-17	19B200061-P3	GE-2	21-101	GE-63	21A103-018	GE-504A	21M184	GE-28		
19-020-034	GE-2	19A115322	1N82A	19B200061-P4	GE-2	21A2	6GC1	21A103-021	GE-504A	21M185	GE-18		
19-020-035	GE-2	19A115322-P1	1N82A	19B200063-P1	GE-2	21A3	GEMR-1	21A103-022	1N60	21M186	GE-20		
19-020-036	GE-2	19A115342-1	GE-20	19B200065-P1	GE-5	21A4	GEMR-2						

UNIVERSAL REPLACEMENT SEMICONDUCTORS

21M323 - 32-33094-3

JEDEC Or Part Nr	GE Replacement	JEDEC Or Part Nr	GE Replacement	JEDEC Or Part Nr	GE Replacement	JEDEC Or Part Nr	GE Replacement	JEDEC Or Part Nr	GE Replacement	JEDEC Or Part Nr	GE Replacement	JEDEC Or Part Nr	GE Replacement
21M323	1N60	23-5052	GE-20	24MW721	GE-504A	24MW1071	GE-504A	28-22-11	GE-504A	31-0098	GE-17		
21M325	1N34AS	23-6001-16	GE-53	24MW723	GE-FET-2	24MW1081	GE-17	28-22-12	GE-504A	31-0099	GE-20		
21M330	GE-300	23-6001-17	GE-53	24MW724	GE-11	24MW1082	GE-20	28-22-15	GE-504A	31-0100	GE-20		
21M345	GE-29	23-6001-20	GE-53	24MW725	GE-11	24MW1083	GE-52	28-22-16	GE-509	31-0101	GE-63		
21M355	GE-21	23-6001-21	GE-53	24MW726	GE-90	24MW1083	GE-1	28-22-17	GE-504A	31-0102	GE-67		
21M369	GE-28	23-6001-23	GE-53	24MW734	GE-90	24MW1084	GE-2	28-22-19	GECR-2	31-0103	GE-17		
21M386	GE-300	23B-210-025	GE-16	24MW736	GE-FET-2	24MW1089	GE-20	28-22-20	GE-504A	31-0104	GE-20		
21M387	GE-18	23B-210-230-2	GE-25	24MW737	GE-60	24MW1092	GE-504A	28-22-21	GE-504A	31-0105	GE-2		
21M408	GE-20	23B114044	GE-17	24MW738	GE-17	24MW1096	GE-17	28-22-22	GE-511	31-0106	GE-10		
21M417	GE-504A	23B114053	GE-63	24MW739	GE-61	24MW1106	GE-20	28-23-01	GECR-1	31-0107	GE-63		
21M419	GE-504A	23B114054	GE-63	24MW740	GE-63	24MW1107	GEZD-4.7	28-24-01	GECR-2	31-0108	GE-51		
21M432	1N60	23B-210087-001	GE-41	24MW741	GE-53	24MW1108	GE-504A	28-25-01	GE-504A	31-0115	GE-10		
21M433	GE-504A	23B-210087-002	GE-41	24MW742	GEZD-6.2	24MW1109	GE-300	28-26-01	GECR-3	31-0116	GE-20		
21M434	GE-504A	23B210879-1	GECR-1	24MW743	GEZD-10	24MW1112	GE-90	28-254566-1	GE-504A	31-0123	GE-51		
21M435	GE-504A	23BSC101	GE-504A	24MW744	GE-300	24MW1113	GE-504A	28A477	GE-52	31-0124	GE-51		
21M436	GE-504A	23E001-1	GE-10	24MW768	GE-504A	24MW1115	GE-52	28J2	GE-504A	31-0132	GE-51		
21M437	GE-504A	23J2	GE-504A	24MW779	GE-504A	24MW1116	GE-54	28M018	GE-90	31-0134	GE-51		
21M443	GE-29	23-PT274-125	GE-300	24MW785	1N60	24MW1118	GE-512	28Z6	GEZD-15	31-0135	GE-51		
21M446	GE-20	23-PT275-124	GE-20	24MW793	GE-61	24MW1141	GE-20	28Z6A	GEZD-15	31-0139	GE-51		
21M448	GE-18	24-002	GE-17	24MW797	GE-20	24MW1143	GE-28	29V008M01	GE-2	31-0141	GE-51		
21M455	GE-18	24-198	GE-504A	24MW807	GE-20	24MW1144	GE-504A	29V011H01	GE-2	31-0148	GE-53		
21M459	GE-67	24B	GE-20	24MW808	GE-20	24MW1147	GE-18	29V012H01	GE-2	31-0150	GE-51		
21M465	GE-29	24B1	GE-20	24MW813	GE-11	24MW1152	GE-63	29V0038H03	GE-52	31-0153	GE-2		
21M466	GE-28	24-DP1	GE-504A	24MW814	GE-20	24MW1161	GE-20	30-004-001	GE-16	31-0161	GE-51		
21M489	GE-504A	24E-002	1N82A	24MW815	GE-62	24MW1162	GE-504A	30-090	GE-28	31-0163	GE-51		
21M487	GE-504A	24E-006	GE-300	24MW817	GE-18	24R	GE-17	30AS	GE-504A	31-0165	GE-51		
21M488	GE-18	24J2	GE-504A	24MW818	GE-18	24T-002	GE-17	30BS	GE-504A	31-0166	GE-51		
21M492	GE-90	24MW11	GE-1	24MW820	1N60	24T-016	GE-17	30C	GE-504A	31-0168	GE-51		
21M493	GEZD-9.1	24MW15	GE-2	24MW825	GE-300	24T-016-001	GE-17	30H	GE-504A	31-0170	GE-51		
21M502	GE-90	24MW16	GE-2	24MW829	GE-504A	24T-016-005	GE-17	30H3	GEMR-1	31-0171	GE-51		
21M519	GE-504A	24MW27	GE-2	24MW851	GE-504A	24T-016-010	GE-11	30J2	GEMR-1	31-0172	GE-2		
21M520	GE-20	24MW28	GE-52	24MW852	GE-20	24T-016-013	GE-20	30K	GE-504A	31-0175	GE-25		
21M526	GE-90	24MW29	GE-52	24MW853	GE-2	25-100015	GE-11	30M	GE-504A	31-0177	GE-20		
21M526	GE-90	24MW34	GE-2	24MW854	GE-504A	25A	GE-20	30N2	GEMR-1	31-0178	GE-51		
21M534	GE-FET-2	24MW43	GE-2	24MW855	GE-20	25A1	GE-20	30N3	GEMR-1	31-0180	GE-50		
21M541	GE-18	24MW44	GE-51	24MW856	GE-52	25A2	GE-20	30P2	GEMR-1	31-0181	GE-51		
21M541	GE-18	24MW55	GE-1	24MW857	GE-53	25A561Y	GE-22	30P3	GEMR-1	31-0182	GE-53		
21M545	GE-504A	24MW59	GE-51	24MW858	GE-90	25A1273-001	GE-17	30S1	GE-512	31-0183	GE-53		
21M545	GE-504A	24MW60	GE-2	24MW860	1N60	25AM624	GE-20	30S2	GE-512	31-0184	GE-51		
21M556	GE-66	24MW61	GE-51	24MW861	GE-300	25B	GE-20	30S3	GE-512	31-0187	GE-20		
21M562	GE-300	24MW69	GE-2	24MW862	GE-504A	25B1	GE-20	30S4	GE-512	31-0188	GE-2		
21M562	GE-300	24MW70	GE-2	24MW863	GE-1	25B2	GE-20	30S5	GE-512	31-0189	GE-2		
21M563	GE-20	24MW76	GE-90	24MW867	GE-504A	25B21	GE-20	30S6	GE-512	31-0190	GE-51		
21M568	1N60	24MW77	GE-1	24MW871	GE-504A	25B378	GE-1	30S8	GE-512	31-0191	GE-51		
21M577	GE-81	24MW78	GE-2	24MW894	GE-300	25F-B1F	GE-510	30S10	GE-512	31-0192	GE-16		
21M578	GE-20	24MW83	GE-2	24MW899	GE-18	25J2	GE-504A	30V-HG	GE-52	31-0196	GE-25		
21M579	GE-20	24MW84	GE-2	24MW950	GE-90	25N15	GEZD-15	31-10	GE-11	31-0205	GE-2		
21M581	GE-21	24MW107	GE-2	24MW955	GE-90	25N27	GEZD-27	31-011	GE-504A	31-0206	GE-11		
21M583	GE-90	24MW111	GE-51	24MW956	GE-300	25R	GE-20	31-093	GE-504A	31-0217	GE-51		
21M584	GEZD-9.1	24MW115	GE-1	24MW957	GE-60	25T1	GE-52	31-195	GE-504A	31-0229	GE-2		
21M585	GEZD-9.1	24MW116	GE-52	24MW958	GE-60	25T-002	GE-11	31-0001	GE-50	31-0230	GE-20		
21M586	GE-300	24MW130	GE-8	24MW961	GE-20	26-16162-1	GE-42	31-0002	GE-50	31-0239	GE-20		
21M588	GEIC-9	24MW132	GE 2	24MW964	GE-20	26J2	GE-504A	31-0003	GE-50	31-0240	GE-31MP		
21M594	1N34AS	24MW197	GE-504A	24MW965	GE-20	26/P19503	GE-18	31-0004	GE-50	31-0241	GE-16		
22-002001	GE-44	24MW205	GE-51	24MW967	1N34AS	26T1	GE-52	31-0005	GE-51	31-0241-1	GE-16		
22-002008	GE-44	24MW227	GE-504A	24MW973	GE-53	27-226	6GC1	31-0006	GE-52	31-0246	GE-20		
22-002009	GE-44	24MW263	GE-2	24MW974	GE-504A	27C226	6GC1	31-0007	GE-20	31-0247	GE-52		
22E89	GE-52	24MW287	GE-504A	24MW975	GE-504A	27-C226	6GC1	31-0008	GE-52	31-0253	GE-51		
22RC2	GEMR-3	24MW268	GE-504A	24MW978	GE-21	27J2	GE-504A	31-0009	GE-17	32-0001	GE-90		
22RC5	GEMR-3	24MW269	GE-504A	24MW977	GE-28	27T401	GE-1	31-0010	GE-23	32-0002	1N34AS		
22RC10	GEMR-3	24MW277	GE-51	24MW978	GE-28	27T402	GE-1	31-0012	GE-20	32-0003	1N34AS		
22RC15	GEMR-3	24MW301	GE-51	24MW988	GE-20	27T403	GE-2	31-0013	GE-20	32-0004	1N34AS		
22RC20	GEMR-3	24MW351	GE-51	24MW989	GE-FET-2	27T404	GE-2	31-0015	GE-51	32-0005	GEZD-9.1		
22RC25	GEMR-3	24MW352	GE-1	24MW990	GE-20	27T405	GE-2	31-0016	GE-51	32-0013	1N60		
22RC30	GEMR-3	24MW353	GE-1	24MW991	GE-9	27T406	GE-16	31-0017	GE-2	32-0022	GE-300		
22RC40	GEMR-3	24MW458	GE-20	24MW992	GE-20	27T407	GE-4	31-0018	GE-2	32-0023	1N34AS		
23-0004	GE-504A	24MW593	GE-20	24MW994	GE-30	27T408	GE-5	31-0025	GE-53	32-0025	GEX-11		
23-0010	GE-504A	24MW595	GE-20	24MW995	GE-504A	27T409	GE-20	31-0033	GE-20	32-0026	GE-504A		
23-0017	GE-504A	24MW597	GE-20	24MW998	GEZD-9.1	27T410	GE-8	31-0035	GE-30	32-0029	1N34AS		
23-5009	GE-3	24MW599	GE-2	24MW1022	GE-60	27T411	GE-20	31-0042	GE-51	32-0036	1N34AS		
23-5014	GE-53	24MW603	1N60	24MW1023	GE-20	27T412	GE-51	31-0048	GE-20	32-0037	GE-504A		
23-5017	GE-2	24MW605	GE-504A	24MW1024	GE-20	28-1-01	GE-504A	31-0049	GE-17	32-0038	GE-504A		
23-5020	GE-17	24MW619	GE-504A	24MW1025	GE-20	28-1-02	GE-504A	31-0050	GE-20	32-0042	GE-504A		
23-5021	GE-17	24MW653	GE-20	24MW1029	1N34AS	28-6-01	GE-504A	31-0051	GE-20	32-0043	GE-90		
23-5022	GE-17	24MW654	GE-20	24MW1030	1N34AS	28-7-01	GE-504A	31-0051	GE-20	32-0044	GE-90		
23-5023	GE-17	24MW655	GE-18	24MW1038	GE-20	28-13-01	GE-504A	31-0052	GE-18	32-0045	GE-504A		
23-5024	GE-17	24MW656	GE-61	24MW1040	GE-53	28-14-01	GE-504A	31-0053	GE-52	32-0046	GE-504A		
23-5025	GE-17	24MW657	GE-20	24MW1043	1N60	28-15-01	GE-504A	31-0054	GE-61	32-0047	GE-504A		
23-5026	GE-17	24MW658	GE-20	24MW1049	GE-21	28-15-02	GE-504A	31-0055	GE-67	32-0048	GE-504A		
23-5027	GE-17	24MW659	GE-20	24MW1051	1N60	28-18-01	GE-504A	31-0065	GE-51	32-0049	GEZD-10-4		
23-5029	GE-17	24MW663	GE-18	24MW1052	GE-90	28-19-01	GE-504A	31-0066	GE-28	32-0050	GE-504A		
23-5031	GE-66	24MW685	1N60	24MW1057	GE-20	28-20-01	GE-504A	31-0068	GE-62	32-0057	GE-300		
23-5032	GE-30	24MW687	GE-300	24MW1058	GE-17	28-20-02	GE-504A	31-0069	GE-62	32-0063	GE-300		
23-5033	GE-20	24MW689	GE-504A	24MW1059	GE-10	28-21-01	GE-504A	31-0070	GE-52	32-16591	GE-13MP		
23-5034	GE-53	24MW670	GEZD-9.1	24MW1060	GE-62	28-22-01	GE-504A	31-0075	GE-53	32-16599	GE-13MP		
23-5035	GE-14	24MW871	GE-504A	24MW1061	GE-21	28-22-02	GE-504A	31-0080	GE-62	32-20738	GE-18		
23-5037	GE-18	24MW873	GE-20	24MW1063	GE-90	28-22-03	GE-504A	31-0081	GE-20	32-20739	GE-21		
23-5038	GE-19	24MW874	GE-18	24MW1085	GEZD-10-4	28-22-04	GE-504A	31-0082	GE-20	32-29778-3	GE-517		
23-5039	GE-18	24MW875	GE-17	24MW1086	GE-504A	28-22-05	GE-504A	31-0083	GE-63	32-33057-2	GE-517		
23-5042	GE-16	24MW876	GE-20	24MW1087	GE-90	28-22-06	GE-504A	31-0084	GE-20	32-33094-1	GE-517		
23-5045	GE-21	24MW700	GE-20	24MW1068	GE-20	28-22-07	GE-504A	31-0085	GE-20	32-33094-2	GE-517		
23-5048	GE-8	24MW714	GE-18	24MW1069	GE-20	28-22-10	GE-504A	31-0097	GE-20	32-33094-3	GE-517		

UNIVERSAL REPLACEMENT SEMICONDUCTORS

32-33094-4 - 42-22811

JEDEC Or Part Nr	GE Replacement	JEDEC Or Part Nr	GE Replacement	JEDEC Or Part Nr	GE Replacement	JEDEC Or Part Nr	GE Replacement	JEDEC Or Part Nr	GE Replacement	JEDEC Or Part Nr	GE Replacement	JEDEC Or Part Nr	GE Replacement
32-33094-4	GE-517	34-8001-19	GE-53	34-8005-3	GE-66	34-6016-25	GE-63	34-8054-23	GE-504A	40D665A03	GE-504A		
32-33094-5	GE-517	34-8001-22	GE-53	34-8006-1	GE-66	34-8016-26	GE-63	34-8054-25	GE-511	40H	GE-504A		
32-33094-6	GE-517	34-8001-26	GE-53	34-8007-1	GE-60	34-8016-27	GE-63	34-8055-2	GE-511	40H3	GEMR-1		
32-35894-2	GE-517	34-8001-28	GE-2	34-8007-2	GE-60	34-8016-28	GE-51	34-8055-3	GE-504A	40HF5	GEMR-2		
32-35894-3	GE-517	34-8001-29	GE-53	34-8007-3	GE-60	34-8016-29	GE-51	34-8056-1	GE-504A	40HF10	GEMR-2		
32-35894-4	GE-517	34-8001-30	GE-53	34-8007-4	GE-63	34-6016-30	GE-63	34-8057-1	GE-90	40HF15	GEMR-2		
32Z8	GEZD-3.8	34-8001-31	GE-53	34-8007-5	GE-10	34-8016-31	GE-66	34-8057-3	1N60	40HF20	GEMR-2		
32Z8A	GEZD-3.8	34-8001-33	GE-51	34-8007-6	GE-20	34-8016-32	GE-20	34-8057-4	GEZD-18	40HF30	GEMR-2		
33-4-3	GE-42	34-8001-34	GE-20	34-8007-7	GE-20	34-8016-33	GE-63	34-8057-5	GE-300	40HF40	GEMR-2		
33-4-3A	GE-42	34-8001-41	GE-53	34-8007-8	GE-63	34-6016-44	GE-63	34-8057-6	GE-300	40J2	GEMR-1		
33-7-3	GE-42	34-8001-42	GE-53	34-8007-9	GE-10	34-6016-45	GE-66	34-8057-7	GE-504A	40J2	GE-504A		
33-071	GE-20	34-8001-43	GE-2	34-8007-10	GE-60	34-6016-46	GE-69	34-8057-8	GE-504A	40K	GE-504A		
33-0002	GE-504A	34-8001-44	GE-2	34-8007-11	GE-60	34-6016-47	GE-21	34-8057-9	GEZD-9.1	40KR	GE-504A		
33-0008	GE-504A	34-8001-47	GE-53	34-8007-12	GE-60	34-6016-49	GE-17	34-8057-10	GEZD-7.5	40M	GE-504A		
33-0023	GE-504A	34-8001-48	GE-8	34-8007-13	GE-60	34-6016-50	GE-2	34-8057-11	GE-504A	40N1	GE-504A		
33-0029	GE-504A	34-8001-49	GE-8	34-8007-14	GE-62	34-6016-51	GE-39	34-8057-12	GEZD-18	40N2	GEMR-1		
33-0039	GE-4	34-8001-50	GE-20	34-8008	GE-52	34-6016-53	GE-28	34-8057-13	GE-300	40N3	GEMR-1		
33G59019	8GC1	34-8001-51	GE-18	34-8009	GE-52	34-6016-54	GE-29	34-8057-14	GEZD-12	40N4	GE-504A		
33G59024	GE-504A	34-8001-52	GE-20	34-8015-1	GE-11	34-6016-56	GE-10	34-8057-15	GEZD-2	40P1	GE-52		
33G59113	GEZD-2	34-8001-53	GE-20	34-8015-2	GE-20	34-6016-59	GE-67	34-8057-16	GEZD-9.1	40P2	GE-52		
33G59121	GE-504A	34-8001-54	GE-20	34-8015-3	GE-20	34-6016-60	GE-22	34-8057-18	GE-504A	40P2	GEMR-1		
33G59122	GE-504A	34-8001-55	GE-20	34-8015-4	GE-20	34-6016-64	GE-21	34-8057-19	GE-90	40P3	GEMR-1		
33H50	GE-17	34-8001-58	GE-20	34-8015-5	GE-11	34-6016-65	GE-29	34-8057-22	GEZD-2	40R3	GEMR-2		
34-298	GE-51	34-8001-57	GE-20	34-8015-6	GE-11	34-8017-3	GE-64	34-8057-23	GE-504A	40S3	GEMR-2		
34-0012	GE-42	34-8001-58	GE-20	34-8015-7	GE-20	34-6016-2	GE-FET-2	34-8057-24	GE-90	40Y3P	GE-504A		
34-1003	GE-29	34-8001-60	GE-20	34-8015-8	GE-11	34-8001-43	GE-2	34-8057-25	1N34AS	41-001	GEZD-3		
34-1027	GE-28	34-8001-61	GE-51	34-8015-9	GE-11	34-8022	1N60	34-8057-26	1N295	41-0499	GE-20		
34-2001-1	1N295	34-8001-62	GE-17	34-8015-10	GE-20	34-8022-1	1N60	34-8057-27	1N60	41-0905	GEZD-12		
34-3022-7	1N80	34-8001-63	GE-20	34-8015-11	GE-20	34-8022-2	1N295	34-8057-28	1N295	41B581014	GE-18		
34-6000-3	GE-2	34-8001-64	GE-20	34-8015-12	GE-20	34-8022-3	1N295	34-8057-29	1N60	41J2	GE-504A		
34-6000-4	GE-53	34-8001-65	GE-20	34-8015-13	GE-20	34-8022-4	1N295	34-8057-30	1N34AS	41J2	GE-504A		
34-6000-5	GE-53	34-8001-66	GE-52	34-8015-14	GE-20	34-8022-5	1N295	34-8057-31	1N295	41N2	GE-20		
34-6000-6	GE-53	34-8001-69	GE-20	34-8015-15(PHILCO)	GE-39	34-8022-6	1N60	34-8057-32	1N60	41N2AA	GE-20		
34-6000-7	GE-53	34-8001-70	GE-20	34-8015-16	GE-39	34-8022-7	1N60	34-8057-33	1N60	41N2B	GE-20		
34-6000-8	GE-53	34-8001-71	GE-63	34-8015-17	GE-20	34-8022-77	1N60	34-8057-34	1N60	41N3	GE-20		
34-6000-9	GE-51	34-8001-72	GE-52	34-8015-18	GE-20	34-8026-1	GE-504A	34-8057-37	GEZD-5.1	42-14027	GE-504A		
34-6000-10	GE-2	34-8001-73	GE-17	34-8015-19	GE-20	34-8026-2	GE-504A	34-8057-39	GE-90	42-16599	GE-20		
34-6000-11	GE-51	34-8001-74	GE-63	34-8015-20	GE-20	34-8026-3	GE-504A	34-8058-1	GEZD-3	42-17143	GE-52		
34-6000-12	GE-51	34-8001-76	GE-52	34-8015-21	GE-20	34-8026-4	GE-504A	34-8058-2	GEZD-3	42-17443	GE-504A		
34-6000-13	GE-51	34-8001-77	GE-20	34-8015-22	GE-20	34-8027	1N82A	34-8058-7	GEZD-3	42-17444	GE-20		
34-6000-14	GE-51	34-8001-78	GE-63	34-8015-23	GE-63	34-8028	GE-42	34-8062-1	GEZD-7	42-18109	GE-52		
34-6000-15	GE-53	34-8001-79	GE-63	34-8015-24	GE-63	34-8031-1	GE-504A	34-9037-1	6GC1	42-18111	GE-20		
34-6000-16	GE-51	34-8001-80	GE-63	34-8015-25	GE-20	34-8034-2	GE-504A	34E31	GE-17	42-18310	GE-12		
34-6000-17	GE-51	34-8001-82	GE-63	34-8015-26	GE-22	34-8034-3	GE-504A	34P1AA	GE-21	42-19642	GE-20		
34-6000-18	GE-2	34-8001-83	GE-63	34-8015-27	GE-39	34-8034-4	GE-42	35B611	GE-504A	42-19643	GE-21		
34-6000-19	GE-2	34-8001-84	GE-8	34-8015-28	GE-27	34-8034-7	6GC1	35BL611	GE-504A	42-19644	GE-20		
34-6000-20	GE-51	34-8001-85	GE-63	34-8015-29	GE-39	34-8037-1	6GC1	35P1	GE-52	42-19645	GE-504A		
34-6000-21	GE-53	34-8001-86	GE-63	34-8015-30	GE-63	34-8037-1	6GC1	35P2	GE-2	42-19670	GE-20		
34-6000-22	GE-53	34-8002-2	GE-3	34-8015-31	GE-50	34-8037-2	6GC1	35P2C	GE-2	42-19671	GE-52		
34-6000-23	GE-53	34-8002-3	GE-3	34-8015-32	GE-50	34-8037-3	6GC1	35T1	GE-52	42-19682	GE-52		
34-6000-24	GE-53	34-8002-4	GE-3	34-8015-33	GE-51	34-8037-4	6GC1	36-6343	GEZD-12	42-19683	GE-20		
34-6000-25	GE-53	34-8002-5	GE-3	34-8015-34	GE-51	34-8040-2	GE-504A	36D-32	GE-300	42-19792	GE-50		
34-6000-26	GE-53	34-8002-6	GE-3	34-8015-35	GE-51	34-8042-1	GE-504A	36E004-1	1N60	42-19840	GE-20		
34-6000-27	GE-53	34-8002-7	GE-3	34-8015-36	GE-51	34-8042-2	GE-504A	36J003-1	GE-52	42-19862	GE-8		
34-6000-28	GE-53	34-8002-8	GE-3	34-8015-37	GE-39	34-8042-3	GE-504A	36P1	GE-52	42-19862A	GE-52		
34-6000-29	GE-53	34-8002-9	GE-3	34-8015-38	GE-61	34-8043-4	GE-42	36P1C	GE-2	42-19863	GE-52		
34-6000-30	GE-51	34-8002-10	GE-3	34-8015-39	GE-50	34-8047-1	GE-504A	36P1F	GE-52	42-19863A	GE-2		
34-6000-31	GE-51	34-8002-11	GE-3	34-8015-40	GE-51	34-8048-1	GE-504A	36P2F	GE-52	42-19864	GE-52		
34-6000-32	GE-51	34-8002-12	GE-3	34-8015-41	GE-61	34-8048-2	GE-504A	36P3	GE-52	42-19864A	GE-2		
34-6000-33	GE-51	34-8002-13	GE-3	34-8015-42	GE-17	34-8048-3	GE-504A	36P3A	GE-2	42-19865	GE-504A		
34-6000-34	GE-51	34-8002-14	GE-3	34-8015-43	GE-17	34-8048-4	GE-504A	36P3C	GE-2	42-20738	GE-20		
34-6000-58	GE-51	34-8002-17	GE-18	34-8015-44	GE-17	34-8048-5	GE-504A	36P4	GE-2	42-20739	GE-21		
34-6000-59	GE-51	34-8002-18	GE-16	34-8015-45	GE-20	34-8050-1	GE-504A	36P4C	GE-52	42-20960	GE-23		
34-6000-60	GE-51	34-8002-18A	GE-16	34-8015-46	GE-17	34-8050-2	GE-300	36P5	GE-2	42-20961	GE-14		
34-6000-61	GE-51	34-8002-19	GE-18	34-8015-47	GE-17	34-8050-3	GE-504A	36P5C	GE-52	42-21362	GE-504A		
34-6000-62	GE-51	34-8002-20	GE-16	34-8015-48	GE-17	34-8050-4	GE-504A	36P7	GE-2	42-21401	GE-20		
34-6000-63	GE-51	34-8002-21	GE-12	34-8015-49	GE-17	34-8050-5	GE-504A	36P7C	GE-52	42-21402	GE-20		
34-6000-64	GE-11	34-8002-22	GE-16	34-8015-50	GE-20	34-8050-6	GE-504A	36P7T	GE-53	42-21403	GE-51		
34-6000-65	GE-11	34-8002-22A	GE-18	34-8015-51	GE-20	34-8050-7	GE-504A	36P8	GE-52	42-21406	GE-52		
34-6000-66	GE-50	34-8002-24	GE-25	34-8015-52	GE-17	34-8050-14	GE-504A	36P8C	GE-2	42-21407	GE-20		
34-6000-67	GE-51	34-8002-25	GE-12	34-8015-54	GE-20	34-8051	GE-504A	36T1	GE-52	42-21408	GE-504A		
34-6000-68	GE-51	34-8002-26	GE-19	34-8015-55	GE-60	34-8052-2	GEZD-5.1	36Z6	GEZD-5.1	42-21443	GE-13MP		
34-6000-69	GE-50	34-8002-27	GE-23	34-8015-56	GE-27	34-8053-3	GEZD-5.1	36Z6A	GEZD-5.1	42-21866	GE-504A		
34-6000-70	GE-50	34-8002-28	GE-14	34-8015-57	GE-20	34-8053-4	GEZD-5.1	37-8-1	GE-42	42-22008	GE-21		
34-6000-71	GE-50	34-8002-29	GE-25	34-8016-2	GE-62	34-8053-7	GEZD-5.1	37-8-01	GE-42	42-22009	GE-64		
34-6000-72	GE-50	34-8002-30	GE-25	34-8016-3	GE-62	34-8054-1	GE-504A	37T1	GE-52	42-22154	GE-63		
34-6000-73	GE-50	34-8002-31	GE-25	34-8016-4	GE-10	34-8054-2	GE-504A	37Z6	GEZD-5.6	42-22158	GE-18		
34-6000-74	GE-1	34-8002-32	GE-25	34-8016-5	GE-10	34-8054-3	GE-504A	37Z6A	GEZD-5.6	42-22532	GE-11		
34-6000-75	GE-1	34-8002-33	GE-18	34-8016-6	GE-62	34-8054-4	GE-504A	38A-64C	GEZD-7.5	42-22533	GE-20		
34-6000-76	GE-3	34-8002-34	GE-28	34-8016-7	GE-10	34-8054-5	GE-504A	38P1	GE-2	42-22534	GE-52		
34-6000-77	GE-3	34-8002-41	GE-28	34-8016-8	GE-10	34-8054-6	GE-504A	38T1	GE-52	42-22535	GE-2		
34-6001-5	GE-20	34-8002-42	GE-29	34-8016-11	GE-52	34-8054-7	GE-504A	38Z6	GEZD-6.2	42-22535Q	GE-52		
34-6001-6	GE-11	34-8002-43	GE-28	34-8016-12	GE-28	34-8054-8	GE-504A	38Z6A	GEZD-6.2	42-22536	GE-90		
34-6001-7	GE-53	34-8002-45	GE-27	34-8016-13	GE-29	34-8054-9	GE-504A	39A9	GE-52	42-22537	1N34AS		

UNIVERSAL REPLACEMENT SEMICONDUCTORS

42-22812 - 48-124309

JEDEC Or Part Nr	GE Replacement	JEDEC Or Part Nr	GE Replacement	JEDEC Or Part Nr	GE Replacement	JEDEC Or Part Nr	GE Replacement	JEDEC Or Part Nr	GE Replacement	JEDEC Or Part Nr	GE Replacement	JEDEC Or Part Nr	GE Replacement
42-22812	GE-20	46-5002-18	GEIC-20	46-86207-3	GE-11	46-86377-3	GE-21	48-10075A05	GE-16	48-63082A16	GE-53		
42-22834	GE-13MP	46-5002-23	GEIC-31	46-86208-3	GE-11	46-86378-3	GE-62	48-10075A06	GE-16	48-63082A24	GE-53		
42-22847	GE-20	46-5002-27	GEIC-13	46-86210-3	GE-63	46-86379-3	GEZD-12	48-10075A07	GE-16	48-63082A25	GE-20		
42-23622	GE-52	46-5002-31	GEIC-4	46-86211-3	GE-8	46-86380-3	GE-300	48-10075A08	GE-16	48-63082A26	GE-20		
42-23968	GE-16	46-8257-3	GE-20	46-86212-3	GE-504A	46-86381	GE-16	48-10079A01	GE-50	48-63082A27	GE-20		
42-23969	1N60	46-8601-3	GE-504A	46-86213-3	GE-16	46-86381-3	GE-18	48-10079A02	GE-50	48-63082A45	GE-20		
42-23970	GE-90	46-8610-3	GE-52	46-86214-3	1N60	46-86384-3	GE-12	48-10103A01	GE-16	48-63082A71	GE-20		
42-23972	1N60	46-8611-3	GE-52	48-86220-3	6GC1	46-86386-3	GE-12	48-10103A02	GE-16	48-63084A03	GE-53		
42-23975	GE-504A	46-8613	1N82A	46-86224-3	GE-11	46-86387-3	GE-12	48-10103A03	GE-16	48-63084A04	GE-53		
42-27277	GE-62	46-8613-3	GE-51	46-86225-3	GEZD-7.5	46-86388-3	GE-36	48-10103A04	GE-16	48-63084A05	GE-53		
42-27277	GE-62	46-8616-3	GE-25	46-86226-3	GE-23	46-86389-3	GE-38	48-10103A05	GE-16	46-64169	GE-504A		
42-27278	GE-504A	46-8619-3	GE-504A	46-86228-3	GE-20	46-86390-3	GE-38	48-10103A06	GE-16	48-64978A10	GE-16		
42-27372	GE-60	46-8619-3	1N60	46-86229-3	GE-21	46-86391-3	GE-511	48-10103A07	GE-16	48-64978A11	GE-16		
42-27373	GE-60	46-8620-3	GE-504A	46-86230-3	GE-21	46-86392-3	GEZD-18	48-10103A08	GE-16	48-64978A22	GE-16		
42-27374	GE-20	46-8623-3	1N60	46-86234-3	GE-57	46-86393-2	GEZD-18	48-10103A09	GE-16	48-64978A27	GE-50		
42-27375	GE-20	46-8629	GE-11	46-86235-3	GE-29	46-86393-3	GE-511	48-10103A10	GE-16	48-64978A28	GE-51		
42-27376	GE-2	46-8636-3	GE-9	46-86238-3	GE-17	46-86394-3	GEZD-6.2	48-10103A11	GE-16	48-64978A29	GE-51		
42-27378	1N34AS	46-8638P-3	GE-18	46-86240-3	GE-20	46-86394-3(10)	GEZD-6.2	46-13466	GE-8	48-64978A40	GE-21		
42-27379	GE-90	46-8642	GE-90	46-86244-3	GE-20	46-86400-3	GE-511	46-13470	GE-20	48-64978A41	GE-21		
42-27380	1N34AS	46-8643	1N82A	46-86247-2	GE-20	46-86397-3	GE-11	46-21598B01	GE-53	48-65108A23	GE-53		
42-27381	1N34AS	46-8644-3	1N60	46-86247-3	GE-18	46-86399-3	GE-21	48-40170G01	GE-20	48-65108A62	GE-20		
42-27463	GE-504A	46-8646-3	1N60	46-86249	GE-90	46-86400-3	GE-28	48-40171G01	GE-20	48-65112A73	1N82A		
42-28056	GE-10	46-8647	GE-11	46-86249-3	GE-90	46-86401-3	GEZD-15	48-40172G01	GE-30	48-65113A84	1N82A		
42-28057	GE-2	46-8647-3	GE-504A	46-86250-3	GE-300	46-86402-3	GE-504A	48-40246G01	GE-20	48-65123A94	GE-20		
42-28058	GE-504A	46-8661-3	GE-504A	46-86252-3	GE-20	46-86404-3	GE-17	48-40247G01	GE-20	48-65146A61	GE-20		
42-28199	1N60	46-8665-3	GE-1	46-86253-3	1N60	46-86405-3	GE-18	48-40458A06	GE-X11	48-65146A62	GE-20		
42-28200	GE-90	46-8666-3	GE-2	46-86254-3	GE-300	46-86406-3	GE-21	48-40458A064	GE-X11	48-65146A63	GE-20		
42-28201	GE-300	46-8676-3	GE-504A	46-86256-3	GE-51	46-86407-3	GE-61	48-40516C01	GE-90	48-65147A77	GE-18		
42-28202	GE-504A	46-8677-3	GE-11	46-86257-3	GE-63	46-86408-3	GE-20	48-40516C02	GE-20	48-65831A02	6GD1		
42A11	GE-504A	46-8679-3	GE-52	46-86261-3	GE-504A	46-86409-3	GE-20	46-41508A01	GE-504A	48-65837A02	1N295		
42A23	GE-504A	46-8680-3	GE-52	46-86262-3	GE-20	46-86411-3	GE-58	48-41508A02	GE-504A	48-65937A02	1N34AS		
42B2	GE-504A	46-8682-2	GE-20	46-86264-3	GE-504A	46-86412-3	GE-21	48-41763C01	GE-X11	48-66037A04	GE-504A		
42B16	GE-504A	46-8682-3	GE-20	46-86266-3	1N60	46-86415-3	GE-38	48-42383A01	GE-90	48-66037A06	GE-504A		
42X25	GE-504A	46-8682-3	GE-504A	46-86267-3	GE-504A	46-86416-3	GE-504A	48-42485B01	GE-90	48-66037A10	GE-504A		
42X32	GE-504A	46-8686-3	1N82A	46-86269-3	GE-11	46-86419-3	GE-62	48-43283A01	GE-90	48-66037A12	GE-504A		
42X210	GE-2	46-8689-3	GE-504A	46-86270-3	GE-504A	46-86420-3	GE-504A	48-43351A01	GE-53	48-66629A02	1N34AS		
42X230	GE-2	46-8689-3	GE-504A	46-86271-3	GE-504A	46-86422-3	GE-300	48-43351A02	GE-11	48-66629A03	GE-504A		
42X233	GE-2	46-16281	GE-504A	46-86274-3	GE-20	46-86424-3	GE-22	48-43351A03	GE-20	48-66629A05	GE-504A		
42X244	GE-504A	46-61249-3	GE-504A	46-86280-3	GE-504A	46-86425-3	GE-69	48-43351A04	GE-11	48-66629A06	GE-504A		
42X244B	GE-504A	46-61267-3	GE-300	46-86281-3	GE-504A	46-86426-3	GE-20	48-43351A05	GE-11	48-66653A005	GE-300		
42X245	GE-504A	46-61307-3	GE-300	46-86282-3	GE-504A	46-86427-3	GE-17	48-57120A01	GE-504A	48-66653A005	GE-300		
42X245B	GE-504A	46-60309-3	GE-300	46-86284-3	GEZD-9.1	46-86429-3	GE-22	46-60022A13	GE-12	48-66654A02	GE-504A		
42X306	GE-2	46-81187-3	GE-300	46-86285-3	GE-11	46-86430-3	GE-52	46-60022A14	GE-12	48-67120A01	GE-504A		
42X309	GE-2	46-86105-3	GE-504A	46-86286-3	1N82A	46-86431-3	GE-300	46-60022A97	1N295	48-67120A02	6GC1		
42X310	GE-6	46-86106-3	GE-509	46-86289-3	GE-300	46-86433-3	GE-504A	46-60077A06	1N295	48-67120A06	GE-504A		
42X311	GE-2	46-86109-3	GE-61	46-86290-3	GE-504A	46-86434-3	GE-60	46-61074B01	1N295	48-67120A09	1N295		
43-025834	GE-44	46-88112-3	GE-17	46-86293-3	GE-52	46-86435-3	GE-20	48-63005A76	GE-20	48-67120A11	GE-504A		
43N3	GE-20	46-88113-3	GE-80	46-86294-3	GE-6	46-86436-3	GE-300	48-63005A77	GE-20	48-67120A060	GE-504A		
43N6	GE-20	46-88123-3	GE-52	46-86295-3	GE-20	46-86437-3	GE-504A	48-63026A46	GE-20	48-67926A01	GE-504A		
43P1	GE-1	46-88125-3	GE-44	46-86296-3	GEZD-12	46-86438-3	GE-504A	48-63026A47	GE-20	48-66376-3	GE-20		
43P2	GE-1	46-88130-3	GE-45	46-86300-3	GE-50	46-86439-3	GE-12	48-63026A48	GE-20	48-90158A01	GE-504A		
43P3	GE-2	46-88131-3	GE-61	46-86303-3	GE-504A	46-86440-3	GE-511	48-63029A14	GE-51	48-90165A01	GE-21		
43P4	GE-2	46-88132-3	GE-20	46-86304-3	6GX1	46-86442-3	GE-X11	48-63029A17	GE-51	48-90172A01	GE-20		
43P4C	GE-51	46-88133-3	GE-11	46-86305-3	GE-90	46-86444-3	GE-513	48-63029A18	GE-53	48-90210A01	1N34AS		
43P6	GE-52	46-88134-3	1N82A	46-86307-3	GE-504A	46-86446-3	GE-12	48-63029A19	GE-53	48-90233A01	1N295		
43P6A	GE-2	46-86135-3	GE-44	46-86308-3	GE-504A	46-86447-3	GEZD-33	48-63029A20	1N295	48-90233A05	1N82A		
43P6C	GE-2	46-86138-3	GE-2	46-86309-3	GE-504A	46-86454-3	GE-6	48-63029A60	GE-51	48-90233A06	1N295		
43P7	GE-52	46-88139-3	GE-504A	46-88310-3	GE-20	46-86455-3	GE-37	48-63029A91	GE-51	48-90235A01	6GC1		
43P7A	GE-2	46-88140-3	GE-20	46-88312-3	6GC1	46-86456-3	GEZD-7.5	48-63029A99	GE-51	48-97046A1S	GE-44		
43P7C	GE-2	46-88143-3	GE-20	46-88320-3	GE-511	46-86457-3	GEZD-6.2	48-63029A92	GE-51	48-97168A11	GE-300		
43X16A567	GE-20	46-86144-3	GE-11	46-88321-3	GE-504A	46-86458-3	GEZD-11	48-63029A93	GE-53	48-97177A01	GE-FET-2		
43Z6	GEZD-10-4	46-86145-3	GE-17	46-86322-3	GE-504A	46-86461-3	GE-38	48-63029A94	GE-53	48-97177A02	GE-20		
43Z16	GEZD-10-4	46-86146-3	GE-504A	46-88323-3	GEZD-10-4	46-86462-3	GEZD-11	48-63044A05	GE-53	48-97238A06	GE-44		
44-13	GE-51	46-86147-3	GE-504A	46-88326-3	GE-504A	46-86463-3	GE-504A	48-63075A72	GE-51	48-123173	GE-20		
44-530	GE-504A	46-86148	GE-504A	46-86326-3	GE-504A	46-86466-3	GE-32	48-63075A73	GE-51	48-124204	GE-3		
44A354637-001	GE-23	46-86148-3	GE-504A	46-88331-3	GE-510	46-861146-3	GE-504A	48-63075A74	GE-51	48-124216	GE-54		
44B1Z	GEIC-29	46-86149-3	GE-504A	46-88332-3	6GC1	46-861179-3	GE-17	48-63075A75	GE-51	48-124217	GE-54		
44P1	GE-51	46-86150-3	GE-504A	46-88336-3	6GC1	47-2	GE-17	48-63075A76	GE-53	48-124218	GE-54		
45A2FX355	GE-504A	46-86151-3	GE-504A	46-88343-3	GE-300	47-4	1N82A	48-63075A78	1N295	48-124219	GE-53		
45N1	GE-8	46-86165-3	GE-53	46-88344-3	GE-27	47C23-3	GE-21						

UNIVERSAL REPLACEMENT SEMICONDUCTORS

48-124310 - 48-644678

JEDEC Or Part Nr	GE Replacement	JEDEC Or Part Nr	GE Replacement	JEDEC Or Part Nr	GE Replacement	JEDEC Or Part Nr	GE Replacement	JEDEC Or Part Nr	GE Replacement	JEDEC Or Part Nr	GE Replacement	JEDEC Or Part Nr	GE Replacement
48-124310	GE-3	48-134421	GE-53	48-134602	GE-51	48-134740	GE-16	48-134854	GE-20	48-134987	GE-69		
48-124311	GE-3	48-134422	GE-53	48-134603	GE-50	48-134741	GE-3	48-134855	GE-20	48-134988	GE-18		
48-124312	GE-3	48-134423	GE-53	48-134604	GE-50	48-134742	GE-3	48-134857	GE-17	48-134990	GE-504A		
48-124314	GE-53	48-134424	GE-53	48-134605	GE-51	48-134743	GE-3	48-134859	GE-51	48-134991	GEZD-5.1		
48-124315	GE-53	48-134425	GE-53	48-134610	GE-53	48-134744	GE-3	48-134860	GE-51	48-134992	GE-20		
48-124316	GE-51	48-134426	GE-53	48-134611	GE-3	48-134746	GE-3	48-134861	GE-51	48-134993	GEZD-5.6		
48-124318	GE-53	48-134429	GE-53	48-134612	GE-3	48-134747	GE-16	48-134862	GE-51	48-134994	GE-20		
48-124319	GE-53	48-134434	GE-51	48-134613	GE-3	48-134748	GE-3	48-134872	GE-12	48-134997	GE-20		
48-124327	GE-53	48-134443	GE-53	48-134621	GE-53	48-134749	GE-13MP	48-134879	GE-20	48-137000	GEZD-12		
48-124328	GE-53	48-134444	GE-53	48-134622	GE-4	48-134750	GE-3	48-134880	GE-51	48-137002	GE-27		
48-124332	GE-16	48-134445	GE-53	48-134625	GE-53	48-134751	GE-3	48-134882	GE-14	48-137003	GE-20		
48-124343	GE-53	48-134446	GE-53	48-134626	GE-53	48-134752	GE-3	48-134884	GE-14	48-137006	GE-20		
48-124344	GE-53	48-134447	GE-3	48-134631	GE-53	48-134753	GE-3	48-134888	GE-16	48-137008	GE-14		
48-124345	GE-53	48-134448	GE-3	48-134632	GE-53	48-134756	GE-20	48-134889	GE-18	48-137010	GE-20		
48-124346	GE-50	48-134449	GE-3	48-134634	GE-3	48-134757	GE-3	48-134891	GE-20	48-137013	GE-18		
48-124347	GE-50	48-134450	GE-53	48-134635	GE-51	48-134758	GE-3	48-134892	GE-20	48-137014	GE-20		
48-124348	GE-50	48-134454	GE-50	48-134636	GE-51	48-134759	GE-3	48-134893	GE-20	48-137015	GE-20		
48-124349	GE-50	48-134456	GE-50	48-134637	GE-51	48-134760	GE-3	48-134894	GE-20	48-137017	GEZD-15		
48-124350	GE-50	48-134457	GE-50	48-134638	GE-3	48-134761	GE-3	48-134895	GE-20	48-137021	GEZD-7.5		
48-124351	GE-50	48-134458	GE-53	48-134639	GE-3	48-134763	GE-3	48-134896	GE-20	48-137022	GE-18		
48-124352	GE-50	48-134462	GE-53	48-134641	GE-53	48-134764	GE-3	48-134897	GE-20	48-137027	GE-14		
48-124353	GE-53	48-134463	GE-16	48-134644	GE-3	48-134765	GE-20	48-134898	GE-27	48-137029	GE-504A		
48-124354	GE-53	48-134464	GE-18	48-134645	GE-3	48-134766	GE-3	48-134899	GE-20	48-137030	GEZD-12		
48-124355	GE-53	48-134465	GE-18	48-134646	GE-3	48-134767	GE-3	48-134902	GE-20	48-137031	GE-16		
48-124358	GE-3	48-134466	GE-53	48-134647	GE-3	48-134768	GE-18	48-134903	GE-18	48-137033	GE-20		
48-124359	GE-53	48-134468	GE-53	48-134648	GE-27	48-134769	GE-504A	48-134904	GE-20	48-137034	GEZD-27		
48-124360	GE-53	48-134469	GE-53	48-134649	GE-16	48-134772	GE-20	48-134904A1G	GE-60	48-137035	GE-27		
48-124361	GE-50	48-134470	GE-53	48-134651	GE-16	48-134773	GE-20	48-134905	GE-20	48-137037	GE-66		
48-124364	GE-51	48-134471	GE-53	48-134653	GEZD-9.1	48-134774	GE-20	48-134906	GE-20	48-137041	GE-18		
48-124365	GE-51	48-134472	GE-53	48-134654	GE-20	48-134775	GE-20	48-134907	GE-16	48-137045	GE-20		
48-124366	GE-50	48-134473	GE-53	48-134655	GE-50	48-134776	GE-20	48-134908	GE-20	48-137048	GEZD-15		
48-124367	GE-50	48-134474	GE-53	48-134656	GE-50	48-134777	GE-53	48-134909	GE-21	48-137067	GE-21		
48-124368	GE-51	48-134475	GE-53	48-134657	GE-50	48-134779	GE-53	48-134910	GE-21	48-137068	GE-21		
48-124370	GE-53	48-134476	GE-53	48-134659	GEZD-15	48-134780	GE-53	48-134912	GE-X11	48-137069	GE-21		
48-124373	GE-53	48-134477	GE-53	48-134664	GE-20	48-134781	GE-300	48-134913	GE-21	48-137074	GE-504A		
48-124377	GE-51	48-134479	GE-51	48-134665	GE-20	48-134782	GE-300	48-134914	GE-21	48-137075	GE-20		
48-124378	GE-53	48-134480	GE-51	48-134666	GE-12	48-134783	GE-20	48-134915	GE-21	48-137076	GE-20		
48-124379	GE-53	48-134481	GE-51	48-134667	GE-12	48-134784	GE-20	48-134916	6GC1	48-137077	GE-20		
48-124380	GE-53	48-134484	GE-51	48-134668	GE-18	48-134785	GE-20	48-134917	6GC1	48-137078	GE-16		
48-124398	GE-53	48-134485	GE-51	48-134669	GE-18	48-134786	GE-20	48-134918	GE-20	48-137080	GE-28		
48-124443	GE-53	48-134486	GE-51	48-134670	GE-3	48-134787	GE-20	48-134919	GE-27	48-137083	GE-20		
48-124444	GE-53	48-134488	GE-3	48-134672	GE-16	48-134788	GE-3	48-134920	GE-12	48-137089	GE-18		
48-124445	GE-53	48-134493	GE-16	48-134673	GE-20	48-134789	GE-20	48-134921	GE-509	48-137104	GE-20		
48-124446	GE-53	48-134494	GE-51	48-134674	GE-20	48-134791	GE-18	48-134922	GE-18	48-137105	GE-20		
48-125204	GE-3	48-134495	GE-51	48-134675	GE-20	48-134795	GE-51	48-134923	GE-20	48-137106	GE-20		
48-125208	GE-16	48-134496	GE-51	48-134676	GE-51	48-134796	GE-51	48-134924	GE-20	48-137111	GE-20		
48-125228	GE-51	48-134499	GE-50	48-134677	GE-51	48-134797	GE-51	48-134925	GE-20	48-137115	GE-20		
48-125229	GE-53	48-134501	GE-50	48-134678	GE-51	48-134798	GE-51	48-134926	GE-20	48-137136	GE-20		
48-125230	GE-53	48-134507	GE-51	48-134679	GE-51	48-134800	GE-20	48-134927	GE-27	48-137137	GE-12		
48-125231	GE-53	48-134508	GE-51	48-134680	GE-51	48-134801	GE-12	48-134928	GE-20	48-137138	GE-12		
48-125232	GE-53	48-134509	GE-50	48-134681	GE-51	48-134802	GE-12	48-134929	GE-20	48-137139	GE-20		
48-125233	GE-54	48-134510	GE-53	48-134682	GE-51	48-134803	GE-20	48-134930	GE-16	48-137140	GE-20		
48-125234	GE-54	48-134512	GE-53	48-134683	GE-51	48-134804	GE-20	48-134931	GE-54	48-137143	GE-504A		
48-125235	GE-54	48-134514	GE-51	48-134684	GE-51	48-134805	GE-20	48-134933	GE-18	48-137144	GE-20		
48-125237	GE-53	48-134519	GE-3	48-134689	GE-18	48-134806	GE-20	48-134935	GE-18	48-137145	GE-57		
48-125238	GE-53	48-134520	GE-54	48-134690	GE-18	48-134807	GE-20	48-134936	GE-12	48-137146	GE-57		
48-125239	GE-53	48-134522	GE-51	48-134691	GE-18	48-134808	GE-20	48-134937	GE-20	48-137147	GE-57		
48-125240	GE-53	48-134524	GE-51	48-134693	GE-51	48-134809	GE-20	48-134939	GE-504A	48-137148	GE-57		
48-125242	GE-53	48-134535	GE-50	48-134694	GE-51	48-134810	GE-20	48-134940	GE-21	48-137153	GE-29		
48-125271	GE-53	48-134536	GE-50	48-134695	GE-16	48-134811	GE-20	48-134941	GE-20	48-137154	GE-58		
48-125276	GE-53	48-134538	GE-53	48-134696	GE-3	48-134814	GE-20	48-134942	GE-20	48-137155	GE-58		
48-125278	GE-51	48-134539	GE-53	48-134697	GE-51	48-134816	GE-300	48-134943	GE-21	48-137156	GE-58		
48-125294	GE-53	48-134540	GE-53	48-134698	GEZD-5.1	48-134817	GE-20	48-134944	GE-FET-1	48-137157	GE-58		
48-125296	GE-53	48-134541	GE-53	48-134700	GE-54	48-134818	GE-20	48-134945	GE-20	48-137259	GE-69		
48-125332	GE-16	48-134542	GE-53	48-134701	GE-14	48-134819	GE-27	48-134947	GE-16	48-137311	GE-57		
48-128093	GE-53	48-134545	GE-51	48-134703	GE-18	48-134820	GE-20	48-134948	GE-20	48-137312	GE-58		
48-128094	GE-53	48-134547	GE-51	48-134704	GE-18	48-134821	GE-20	48-134949	GE-20	48-137313	GE-29		
48-128095	GE-51	48-134552	GEZD-15	48-134705	GE-18	48-134822	GE-20	48-134950	GE-20	48-137350	GE-20		
48-128096	GE-51	48-134553	GE-53	48-134706	GE-20	48-134823	GE-20	48-134952	GE-20	48-137351	GE-20		
48-128219	GE-51	48-134554	GE-53	48-134711	GE-51	48-134825	GE-17	48-134953	GE-17	48-137353	GE-20		
48-128303	GE-51	48-134555	GE-53	48-134713	GE-20	48-134826	GE-20	48-134956	GE-50	48-137354	GE-20		
48-129934	GE-3	48-134556	GE-53	48-134714	GE-18	48-134827	GE-20	48-134957	GE-20	48-137355	GE-20		
48-129935	GE-3	48-134557	GE-53	48-134715	GE-14	48-134828	GE-20	48-134958	GE-504A	48-137370	GE-58		
48-129936	GE-3	48-134558	GE-53	48-134717	GE-20	48-134830	GE-21	48-134959	GE-504A	48-137385	GE-300		
48-129937	GE-3	48-134560	GE-3	48-134718	GE-20	48-134831	GE-21	48-134960	GE-20	48-137421	GE-X11		
48-134101	GE-51	48-134561	GE-51	48-134719	GE-20	48-134832	GE-21	48-134961	GE-20	48-137437	GE-66		
48-134190A1G	GE-30	48-134562	GE-53	48-134720	GE-20	48-134837	GE-20	48-134962	GE-20	48-137487	GE-90		
48-134302	GE-3	48-134563	GE-53	48-134721	GE-20	48-134838	GE-20	48-134963	GE-20	48-137488	GE-FET-4		
48-134372	GE-51	48-134564	GE-53	48-134722	GE-3	48-134839	GE-20	48-134964	GE-20	48-137491	GE-60		
48-134404	GE-51	48-134565	GE-53	48-134723	GE-3	48-134840	GE-20	48-134965	GE-20	48-137495	1N34AS		

UNIVERSAL REPLACEMENT SEMICONDUCTORS

48-644679 - 48X97177A03

JEDEC Or Part Nr	GE Replacement	JEDEC Or Part Nr	GE Replacement	JEDEC Or Part Nr	GE Replacement	JEDEC Or Part Nr	GE Replacement	JEDEC Or Part Nr	GE Replacement	JEDEC Or Part Nr	GE Replacement	JEDEC Or Part Nr	GE Replacement
48-644679	GE-53	48D69723A02-185	GE-513	48R869170	GE-18	48S134816	GE-300	48S134992	GE-63	48SP134855	GE-10	48S134855	GE-10
48-644681	1N295	48G10346A01	GE-504A	48R869248	GE-20	48S134820	GE-17	48S134995	GE-36	48SP134857	GE-11	48S134857	GE-11
48-645867	GE-51	48G10346A02	GE-504A	48R869249	GE-2	48S134821	GE-21	48S134997	GE-20	48SP134894	GE-10	48S134894	GE-10
48-646954	GE-504A	48K35P1	GE-52	48R869253	GE-2	48S134823	GE-20	48S137000	GEZD-12	48SP134897	GE-10	48S134897	GE-10
48-647311	1N295	48K38P1	GE-52	48R869254	GE-8	48S134825	GE-11	48S137001	GE-25	48SP134903	GE-10	48S134903	GE-10
48-647713	1N295	48K38P3	GE-52	48R889282	GE-2	48S134826	GE-11	48S137002	GE-40	48SP134904	GE-11	48S134904	GE-11
48-647829	GE-504A	48K39P1	GE-16	48R889283	GE-8	48S134827	GE-17	48S137003	GE-20	48SP134905	GE-10	48S134905	GE-10
48-674297U	1N82A	48K43P3	GE-52	48R889426	GE-21	48S134830	GE-21	48S137006	GE-20	48SP134906	GE-10	48S134906	GE-10
48-674970	1N82A	48K43P4	GE-52	48R889464	GE-18	48S134831	GE-21	48S137007	GE-63	48SP134933	GE-10	48S134933	GE-10
48-711052	1N295	48K45N2	GE-8	48R889475	GE-2	48S134832	GE-20	48S137014	GE-20	48SP134937	GE-11	48S134937	GE-11
48-733748	GE-504A	48K58P1	GE-2	48R869475A	GE-2	48S134837	GE-11	48S137015	GE-20	48T66544A88	GE-42	48V34816	GE-300
48-739300	1N295	48K57B2	GE-16	48R869476	GE-8	48S134838	GE-8	48S137021(10)	GEX-11	48V34816	GE-300	48X90232A03	GE-11
48-741255	1N295	48K57B42	GE-16	48R869476A	GE-8	48S134840	GE-20	48S137029	GE-20	48X90232A03	GE-20	48X90232A04	GE-20
48-741280	1N295	48K64189	GE-504A	48S191A02	GE-504A	48S134841	GE-20	48S137031	GE-3	48X90232A05	GE-20	48X90232A05	GE-20
48-741724	6GC1	48K125230	GE-16	48S191A04(A)	GE-504A	48S134842	GE-20	48S137032	GE-20	48X90232A05	GE-20	48X90232A05	GE-20
48-741752	6GD1	48K134450	GE-2	48S191A05	GE-504A	48S134843	GE-27	48S137034	GEZD-27	48X90232A06	GE-21	48X90232A06	GE-21
48-742698	6GD1	48K134458	GE-2	48S191A06	GE-504A	48S134844	GE-20	48S137041	GE-20	48X90232A07	GE-20	48X90232A07	GE-20
48-742970	1N82A	48K134494	GE-51	48S191A07	GE-504A	48S134845	GE-20	48S137045	GE-21	48X90232A08	GE-11	48X90232A08	GE-11
48-746831	GE-504A	48K134495	GE-51	48S191A07	GE-504A	48S134846	GE-20	48S137055	GE-17	48X90232A11	GE-63	48X90232A11	GE-63
48-751656	6GC1	48K134496	GE-51	48S191A08	GE-504A	48S134853	GE-20	48S137056	GE-17	48X90232A12	GE-21	48X90232A12	GE-21
48-751724	6GX1	48K134587	1N60	48S10062A01	GE-504A	48S134854	GE-20	48S137057	GE-17	48X90232A12	GE-21	48X90232A12	GE-21
48-752497	GE-504A	48K134601	GE-51	48S10062A05	GE-504A	48S134855	GE-20	48S137070	GE-FET-2	48X90232A13	GE-20	48X90232A13	GE-20
48-754153	6GD1	48K134796	GE-51	48S10062A05A	GE-504A	48S134857	GE-11	48S137074	GE-504A	48X90232A15	GE-21	48X90232A15	GE-21
48-859428	GE-18	48K134798	GE-51	48S10346A02	1N34AS	48S134858	GEZD-33	48S137093	GE-28	48X90232A16	GE-12	48X90232A16	GE-12
48-869001	GE-51	48K644681	1N60	48S10577A01	GE-300	48S134860	GE-1	48S137106	GE-18	48X90232A17	GE-11	48X90232A17	GE-11
48-869138	GE-18	48K646954	GE-504A	48S32000	GEZD-12	48S134861	GE-1	48S137107	GE-63	48X90232A18	GE-11	48X90232A18	GE-11
48-869148	GE-53	48K647311	1N60	48S40170G01	GE-63	48S134862	GE-1	48S137108	GE-20	48X90232A19	GE-17	48X90232A19	GE-17
48-869170	GE-18	48K647829	GE-504A	48S40171G01	GE-63	48S134872	GE-12	48S137109	GE-20	48X90233A01	1N60	48X90233A01	1N60
48-869228	GE-20	48K741255	6GC1	48S40172G01	GE-30	48S134879	GE-17	48S137110	GE-17	48X90233A04	GE-504A	48X90233A04	GE-504A
48-869248	GE-18	48K741752	6GD1	48S40235G02	GE-504A	48S134888	GE-16	48S137111	GE-20	48X90233A06	1N60	48X90233A06	1N60
48-869249	GE-53	48K742898	6GD1	48S40246G01	GE-20	48S134889	GE-10	48S137113	GE-27	48X90233A07	GEZD-12	48X90233A07	GEZD-12
48-869253	GE-53	48K746831	GE-504A	48S40247G02	GE-63	48S134894	GE-20	48S137114	GE-20	48X90233A08	1N34AS	48X90233A08	1N34AS
48-869426	GE-21	48K751724	6GX1	48S40247G02	GE-63	48S134898	GE-20	48S137115	GE-20	48X90234A03	GE-504A	48X90234A03	GE-504A
48-869464	GE-18	48K752497	GE-504A	48S40382J01	GE-28	48S134899	GE-20	48S137127	GE-21	48X90234A03	GE-30	48X90234A03	GE-30
48-869475	GE-53	48K754153	6GD1	48S40383J01	GE-29	48S134900	GE-36	48S137133	GE-300	48X90235A01	6GC1	48X90235A01	6GC1
48-869476	GE-54	48K869001	GE-1	48S40606G01	GE-20	48S134901	GE-36	48S137145	GE-28	48X97046A15	GE-30	48X97046A15	GE-30
48A41508A01	GE-504A	48P1	GE-2	48S40606G02	GE-62	48S134902	GE-11	48S137158	GE-11	48X97046A16	GE-51	48X97046A16	GE-51
48A41508A02	GE-504A	48P60022A97	1N60	48S40606J02	GE-62	48S134903	GE-20	48S137164	GEZD-9.1	48X97046A17	GE-17	48X97046A17	GE-17
48A42383A01	GE-90	48P60022A98	GE-90	48S40607G01	GE-62	48S134904	GE-11	48S137167	6GX1	48X97046A18	GE-20	48X97046A18	GE-20
48A124315	GE-2	48P63005A72	GE-20	48S40607J01	GE-62	48S134905	GE-20	48S137168	GE-29	48X97046A19	GE-20	48X97046A19	GE-20
48A A0516C02	GE-90	48P63006A56	1N60	48S43240G01	GE-66	48S134906	GE-20	48S137169	GE-28	48X97046A20	GE-20	48X97046A20	GE-20
48B41266G01	GE-511	48P63076A81	GE-17	48S43241G01	GE-69	48S134908	GE-10	48S137170	GEZD-6.2	48X97046A21	GE-20	48X97046A21	GE-20
48B43265G01	GE-504A	48P63076A82	GE-17	48S44883G01	GE-66	48S134909	GE-21	48S137171(D)	GE-20	48X97046A22	GE-20	48X97046A22	GE-20
48B52334A01	1N60	48P63077A03	GE-52	48S44884G01	GE-69	48S134910	GE-21	48S137171	GE-18	48X97046A23	GE-20	48X97046A23	GE-20
48B63494A01	GE-90	48P63077A11	1N60	48S44885G01	GE-20	48S134912	GE-X11	48S137172	GE-63	48X97046A24	GE-17	48X97046A24	GE-17
48B66629A03	GE-504A	48P63077A31	GE-20	48S44885G02	GE-20	48S134916	6GC1	48S137173	GE-21	48X97046A25	GE-17	48X97046A25	GE-17
48B66629A05	GE-504A	48P63077A32	1N34AS	48S44886G01	GE-18	48S134917	6GC1	48S137174	GE-18	48X97046A31	GE-30	48X97046A31	GE-30
48B67020A11	1N34AS	48P63077A52	1N60	48S44887G01	GE-300	48S134918	GE-20	48S137190	GE-20	48X97046A32	GE-52	48X97046A32	GE-52
48B732230	GE-42	48P63078A52	GE-11	48S65123A67	GE-11	48S134919	GE-63	48S137191	GE-20	48X97046A34	GE-52	48X97046A34	GE-52
48B7322230	GE-42	48P63078A82	GE-52	48S134404	GE-52	48S134920	GE-12	48S137192	GE-20	48X97046A36	GE-67	48X97046A36	GE-67
48C40235G1	GE-504A	48P63078A69	GE-20	48S134405	GE-51	48S134921	GE-511	48S137203	GE-36	48X97046A48	GE-52	48X97046A48	GE-52
48C40235G01	GE-504A	48P63078A70	GE-11	48S134406	GE-51	48S134922	GE-11	48S137206	GE-17	48X97046A50	GE-20	48X97046A50	GE-20
48C40235G02	GE-511	48P63078A71	GE-20	48S134407	GE-51	48S134923	GE-11	48S137207	GE-12	48X97046A51	GE-17	48X97046A51	GE-17
48C61074B01	1N34AS	48P63079A97	GE-20	48S134408	GE-2	48S134924	GE-20	48S137208	GE-504A	48X97046A52	GE-18	48X97046A52	GE-18
48C61676B01	1N60	48P63082A24	GE-20	48S134587	1N60	48S134925	GE-20	48S137260	GE-20	48X97046A54	GE-2	48X97046A54	GE-2
48C65831A02	6GX1	48P63082A25	GE-10	48S134695	GE-16	48S134926	GE-20	48S137266	GEZD-33	48X97046A55	GE-2	48X97046A55	GE-2
48C65831A03	6GD1	48P63082A26	GE-20	48S134718	GE-20	48S134932	GE-17	48S137270	GE-30	48X97046A60	GE-82	48X97046A60	GE-82
48C65837A02	1N34AS	48P63082A27	GE-17	48S134719	GE-20	48S134933	GE-20	48S137272	GEZD-33	48X97046A61	GE-82	48X97046A61	GE-82
48C66037A03	GE-504A	48P63082A45	GE-20	48S134720	GE-20	48S134934	GE-25	48S137299	1N34AS	48X97046A62	GE-60	48X97046A62	GE-60
48C66037A04	GE-504A	48P63082A71	GE-20	48S134732	GE-20	48S134935	GE-20	48S137300	GE-20	48X97048A02	1N34AS	48X97048A02	1N34AS
48C66037A05	GE-504A	48P63086A18	GE-20	48S134733	GE-20	48S134936	GE-23	48S137308	GE-30	48X97048A04	GE-504A	48X97048A04	GE-504A
48C66037A10	GE-504A	48P65112A65	GE-17	48S134734	GE-20	48S134937	GE-11	48S137309	GE-66	48X97048A05	1N60	48X97048A05	1N60
48C66037A12	GE-504A	48P65112A73	1N82A	48S134734	GE-20	48S134938	GE-25	48S137310	GE-69	48X97048A06	1N60	48X97048A06	1N60
48C66629A02	GE-504A	48P65113A88	GE-17	48S134734	GE-20	48S134939	GE-504A	48S137311	GE-66	48X97048A07	GE-504A		

UNIVERSAL REPLACEMENT SEMICONDUCTORS

48X97177A12 - 57B110-9

JEDEC Or Part Nr	GE Replacement	JEDEC Or Part Nr	GE Replacement	JEDEC Or Part Nr	GE Replacement	JEDEC Or Part Nr	GE Replacement	JEDEC Or Part Nr	GE Replacement	JEDEC Or Part Nr	GE Replacement	JEDEC Or Part Nr	GE Replacement
48X97177A12	GE-63	53A001-1	1N34AS	53N002-2	GE-504A	56-62	GEZD-9.1	57A146-12	GE-11	57B2-46		GE-53	
48X97177A13	GE-20	53A001-2	1N60	53N003-1	1N60	56-63	GEZD-7.5	57A148-12	GE-22	57B2-47		GE-12	
48X97177A14	GE-21	53A001-3	GE-504A	53N003-2	1N60	56-67	GEZD-9.1	57A149-12	GE-FET-2	57B2-48		GE-51	
48X97177A15	1N60	53A001-4	GE-510	53N003-3	1N60	56-71	GEZD-5	57A150-12	GE-FET-2	57B2-49		GE-53	
48X97177H01	GE-FET-1	53A001-5	GEZD-7.5	53N004-1	GE-90	56-78	GE-504A	57A151-6	GE-11	57B2-50		GE-51	
48X97222A01	1N60	53A001-6	GE-90	53N004-5	1N34AS	56-8086	GE-17	57A152-12	GE-11	57B2-51		GE-51	
48X97222A02	GE-504A	53A001-9	GE-504A	53N004-6	1N34AS	56-8087	GE-20	57A153-9	GE-10	57B2-52		GE-53	
48X97238A01	GE-50	53A001-12	GE-504A	53N004-7	GE-504A	56-8089	GE-20	57A156	GE-18	57B2-57		GE-18	
48X97238A02	GE-50	53A006-1	1N34AS	53N004-8	GE-504A	56-8090	GE-20	57A157	GE-21	57B2-58		GE-12	
48X97238A03	GE-50	53A010-1	GE-504A	53N004-9	GE-504A	56-8091	GE-50	57A158-10	GE-12	57B2-59		GE-20	
48X97238A04	GE-17	53A011-1	GE-504A	53N004-10	1N60	56-8092	GE-1	57A159-12	GE-21	57B2-60		GE-53	
48X97238A05	GE-52	53A014-1	GE-511	53N004-11	1N60	56-8093	1N60	57A160-8	GE-61	57B2-61		GE-53	
48X97238A06	GE-31MP	53A015-1	GE-511	53N004-12	GE-300	56-8094	GE-90	57A164-4	GE-39	57B2-62		GE-20	
48X97239A01	1N34AS	53A017-1	GE-511	53N004-13	GE-90	56-8095	1N60	57A166-12	GE-20	57B2-63		GE-20	
48X97271A01	GE-504A	53A018-1	GE-300	53N004-14	1N34AS	56-8096	GEZD-7.5	57A167-9	GE-63	57B2-64		GE-20	
48X97271A02	1N60	53A019-1	GE-300	53P151	GE-20	56-8097	GE-504A	57A168-9	GE-67	57B2-67		GE-51	
48X97305A02	GEZD-5.8	53A020-1	GE-300	53P153	GE-16	56-8101	1N34AS	57A172-8	GE-27	57B2-68		GE-51	
48X97305A03	GEBR-600	53A022-2	1N60	53P157	GE-2	56-8198	GE-20	57A174-8	GE-21	57B2-70		GE-21	
48X134970	GE-20	53A022-3	GE-300	53P158	GE-20	56-8197	GE-10	57A175-12	GE-21	57B2-71		GE-21	
48X644681	1N60	53A022-4	GE-504A	53P159	GE-20	56A7-1	GEZD-33	57A177-12	GE-60	57B2-72		GE-53	
49-3112	GE-504A	53A022-5	GE-504A	53P161	GE-20	56A9-1	GEIC-26	57A178-12	GE-22	57B2-73		GE-20	
49P1C	GE-16	53A022-8	GEZD-9.1	53P162	GE-20	56A9-1	GEIC-26	57A181-12	GE-20	57B2-75		GE-51	
49X90232A05	GE-20	53A022-7	GEZD-9.1	53P183	GE-20	56C7-1	GEZD-33	57A182-12	GE-20	57B2-77		GE-51	
50A	GE-504A	53A030-1	GE-300	53P165	GE-10	56D3-1	GEIC-2	57A184-12	GE-20	57B2-78		GE-53	
50A102	GE-51	53A0081	1N60	53P166	GE-22	56D4-1	GEIC-4	57A185-12	GE-21	57B2-79		GE-20	
50A103K	GE-51	53B001-1	1N34AS	53P169	GE-18	56D5-1	GEIC-6	57A186-11	GE-38	57B2-80		GE-51	
50B5	GE-504A	53B001-2	1N60	53P170	GE-21	56D6-1	GEIC-5	57A187-12	GE-66	57B2-83		GE-53	
50B175A	GE-2	53B001-3	GE-90	53S15	GE-90	56D17-1	GEIC-33	57A188-12	GE-69	57B2-84		GE-12	
50B423	GE-2	53B001-5	GE-504A	53T001-1	1N34AS	56D20-1	GEIC-21	57A189-8	GE-22	57B2-85		GE-20	
50C538	GE-61	53B001-7	GE-300	53T001-2	GE-90	56P3	GE-2	57A191-12	GE-20	57B2-87		GE-20	
50C784	GE-17	53B001-8	GE-90	53T001-3	GE-504A	56P4	GE-51	57A192-10	GE-12	57B2-88		GE-53	
50C828	GE-20	53B001-9	GE-300	53T001-4	1N60	57-1	GE-504A	57A193-11	GE-27	57B2-89		GE-50	
50C829	GE-17	53B003-2	GE-504A	53T001-5	1N60	57-2	GE-504A	57A193-12	GE-20	57B2-90		GE-50	
50C829B	GE-17	53B010-1	1N60	53T001-7	GE-300	57-6	GE-504A	57A194-11	GE-20	57B2-93		GE-50	
50C829C	GE-17	53B010-6	GE-300	53U001-1	1N60	57-12	GE-504A	57A195-10	GE-12	57B2-97		GE-20	
50C1047	GE-17	53B010-8	GE-504A	53U001-2	GE-300	57-13	GE-504A	57A196-10	GE-14	57B2-101		GE-20	
50D2	GE-504A	53B012-1	GEBR-600	54A	GE-20	57-15	GE-504A	57A197-12	GE-21	57B2-102		GE-20	
50D4	GE-504A	53B014-1	GE-504A	54B	GE-20	57-17	GE-504A	57A198-11	GE-38	57B2-103		GE-20	
50D8	GE-509	53B018-1	GE-504A	54C	GE-20	57-20	GE-504A	57A200-12	GE-20	57B2-104		GE-51	
50D10	GE-509	53B019-2	GE-504A	54D	GE-20	57-21	GE-504A	57A201-14	GE-21	57B2-105		GE-51	
50E2	GE-504A	53B019-3	6GC1	54E	GE-20	57-22	GE-504A	57A202-13	GE-20	57B2-113		GE-20	
50E3	GE-504A	53B020-2	GE-504A	54F	GE-20	57-23	GE-504A	57A203-14	GE-20	57B2-116		GE-20	
50E4	GE-504A	53B020-3	GE-90	55-841	GE-64	57-24	GE-504A	57A204-14	GE-20	57B2-126		GE-20	
50E7	GE-509	53C001	1N60	55-1016	GE-2	57-25	GE-504A	57A205-14	GE-66	57B2-149		GE-50	
50E8	GE-509	53C001-1	1N60	55-1026	GE-20	57-26	GE-504A	57A206-14	GE-69	57B2-153		GE-20	
50E10	GE-509	53C002-1	GEBR-600	55-1027	GE-20	57-27	IN34AS	57A207-8	GE-40	57B2-157		GE-51	
50M	GE-504A	53C003-1	GE-504A	55-1029	GE-2	57-28	GE-504A	57A235-12	GE-21	57B2-158		GE-51	
50P2	GE-51	53C005-3	GE-504A	55-1031	GE-2	57-29	GE-504A	57A236-11	GE-27	57B2-159		GE-51	
50Z12	GEZD-12	53C006-1	1N60	55-1032	GE-20	57-31	GE-504A	57B2-1	GE-51	57B2-192		GE-20	
50Z12A	GEZD-12	53C006-2	1N34AS	55-1034	GE-20	57-32	6GC1	57B2-2	GE-51	57B3-1		GE-20/21	
50Z12B	GEZD-12	53C007-1	GE-504A	55-1082	GE-10	57-33	GE-504A	57B2-3	GE-2	57B3-2		GE-20/21	
50Z12C	GEZD-12	53C008-1	6GC1	55-1083	GE-22	57-36	GECR-1	57B2-4	GE-53	57B3-4		GE-53	
50Z15	GEZD-15	53C009-1	GE-504A	55-1084	GE-18	57-42	GE-504A	57B2-5	GE-54	57B3-5		GE-53	
50Z15A	GEZD-15	53C009-2	1N34AS	55-1085	GE-22	57-43	GE-504A	57B2-6	GE-53	57B3-6		GE-53	
50Z15B	GEZD-15	53C012-1	GE-504A	55P2	GE-51	57-46	GE-504A	57B2-7	GE-2	57B3-7		GE-3	
50Z15C	GEZD-15	53C013-1	GEZD-3.6	55Z4	GEZD-9.1	57-49	GE-504A	57B2-8	GE-8	57B3-8		GE-3	
50Z27	GEZD-27	53C014-1	GE-504A	56-1	1N34AS	57-0006	GE-504A	57B2-9	GE-51	57B3-9		GE-3	
50Z27A	GEZD-27	53C015-1	GE-504A	56-2	1N34AS	57A2-19	GE-51	57B2-10	GE-53	57B3-10		GE-3	
50Z27B	GEZD-27	53C016-1	GE-504A	56-3	1N34AS	57A2-24	GE-2	57B2-11	GE-51	57B3-11		GE-3	
50Z27C	GEZD-27	53C017-1	GE-504A	56-4	1N34AS	57A21-2	GE-11	57B2-12	GE-50	57B3-12		GE-16	
51-10302A1	GEIC-12	53C020-1	1N60	56-5	GE-504A	57A21-4	GE-17	57B2-13	GE-50	57B3-13		GE-20/21	
51-10302A01	GEIC-12	53C021-1	GEBR-600	56-8	GEZD-7.5	57A21-5	GE-17	57B2-14	GE-50	57B4-2		GE-16	
51-10422A01	GEIC-8	53C022-1	GE-504A	56-8	1N34AS	57A21-8	GE-20	57B2-15	GE-1	57B4-4		GE-16	
51-10566A01	GE-IC9	53D001-1	GE-90	56-10	1N34AS	57A21-10	GE-11	57B2-17	GE-51	57B6		GE-2	
51-10831A01	GE-IC10	53D002-1	1N34AS	56-11	1N295	57A21-12	GE-11	57B2-18	GE-51	57B21		GE-17	
51-10422801	GEIC-8	53D002-2	1N60	56-16	GEZD-5.1	57A21-13	GE-11	57B2-19	GE-51	57B21-2		GE-11	
51D170	GE-52	53D003-1	GE-504A	56-19	GEZD-9.1	57A21-14	GE-11	57B2-20	GE-50	57B21-4		GE-17	
51D176	GE-2	53D003-2	GE-504A	56-20	1N295	57A21-16	GE-11	57B2-21	GE-53	57B21-5		GE-17	
51D188	GE-52	53E003-1	1N60	56-21	1N82A	57A21-17	GE-39	57B2-22	GE-51	57B21-6		GE-11	
51D189	GE-52	53E003-2	GE-300	56-23	GE-90	57A21-18	GE-11	57B2-23	GE-2	57B21-7		GE-11	
51D70177A02(C)	GEIC-2	53E006-1	1N34AS	56-24	GE-300	57A21-45	GE-11	57B2-24	GE-52	57B21-9		GE-11	
51D70177A02	GEIC-2	53E009-1	GE-90	56-25	GEZD-15	57A29-2	GEIC-2	57B2-25	GE-2	57B21-12		GE-11	
51GX14	GECR-3	53E010-1	GE-504A	56-27	GE-300	57A31-1	GE-FET-2	57B2-26	GE-51	57B21-13		GE-11	
51N3M	GE-20	53E011-1	GEBR-600	56-28	GE-300	57A31-2	GE-FET-2	57B2-27	GE-20	57B21-14		GE-11	
51P2	GE-51	53E011-2	GEZD-6.2	56-31	GEZD-7.5	57A31-3	GE-FET-2	57B2-28	GE-20	57B21-15		GE-11	
51P4	GE-51	53J001-1	GE-504A	56-32	GEZD-12	57A31-4	GE-FET-1	57B2-29	GE-53	57B21-16		GE-11	
51S1S34	1N34AS	53J002-1	GE-504A	56-33	GE-504A	57A32-2	GEIC-2	57B2-30	GE-51	57B21-17		GE-39	
51S10302A01	GEIC-12	53J003-1	GE-504A	56-35	GE-20	57A32-21	GEIC-34	57B2-31	GE-51	57B21-18		GE-11	
51S10382A	GEIC-8	53J003-2	GE-300</										

UNIVERSAL REPLACEMENT SEMICONDUCTORS

57B111-9 - 63-8377

JEDEC Or Part Nr	GE Replacement	JEDEC Or Part Nr	GE Replacement	JEDEC Or Part Nr	GE Replacement	JEDEC Or Part Nr	GE Replacement	JEDEC Or Part Nr	GE Replacement	JEDEC Or Part Nr	GE Replacement	JEDEC Or Part Nr	GE Replacement
57B111-9	GE-18	57C7-10	GE-20	57D1-60	GE-53	57D180	GE-2	61-754	GE-20	62-18828	GE-20		
57B113-9	GE-18	57C7-15	GE-20	57D1-61	GE-50	57D184	GE-2	61-755	GE-20	62-19115	GE-504A		
57B117-9	GE-62	57C7-17	GE-20	57D1-62	1N34AS	57D186	GE-2	61-756	GE-504A	62-19260	1N82A		
57B118-12	GE-20	57C7-18	GE-20	57D1-63	GE-504A	57D187	GE-2	61-782	GE-16	62-19280	GE-20		
57B119-2	GE-20	57C7-20	GE-20	57D1-64	1N60	57D188	GE-52	61-813	GE-18	62-19452	GE-21		
57B120-12	GE-20	57C9-2	GE-16	57D1-65	1N82A	57D189	GE-52	61-814	GE-20	62-19516	GE-20		
57B121-9	GE-20	57C10-1	GE-20	57D1-66	GE-53	57D1127	GE-52	61-815	GE-20	62-19548	GE-20		
57B122-9	GE-21	57C10-2	GE-20	57D1-67	GE-51	57D1130	GE-50	61-820	GE-504A	62-19620	1N82A		
57B123-10	GE-12	57C11-1	GE-20	57D1-68	GE-1	57D1131	GE-50	61-926	GE-504A	62-19734	6GC1		
57B124-10	GE-3	57C12-1	GE-18	57D1-69	GE-18	57D1132	GE-50	61-928	GE-53	62-19749	GE-504A		
57B125-9	GE-20	57C12-2	GE-27	57D1-70	GE-2	57D1143	GE-52	61-929	GE-53	62-19814	GE-504A		
57B126-12	GE-18	57C12-4	GE-20	57D1-71	GE-53	57D1186	GE-50	61-1130	GE-53	62-19837	GE-20		
57B129-9	GE-18	57C12-5	GE-68	57D1-72	GE-51	57L1-1	GE-51	61-1131	GE-53	62-19838	GE-20		
57B130-9	GE-21	57C14-1	GE-18	57D1-73	GE-51	57L1-2	GE-51	61-1215	GE-53	62-19846	1N295		
57B131-10	GE-18	57C14-2	GE-18	57D1-74	GE-51	57L1-3	GE-51	61-1320	GE-504A	62-20154	GE-21		
57B132-10	GE-21	57C14-3	GE-18	57D1-75	GE-20	57L1-4	GE-51	61-1400	GE-20	62-20155	GE-20		
57B136-12	GE-18	57C15-1	GE-20	57D1-76	GE-21	57L1-5	GE-53	61-1401	GE-20	62-20223	GE-300		
57B137-12	GE-21	57C15-2	GE-20	57D1-77	GE-53	57L1-6	GE-53	61-1402	GE-20	62-20240	GE-20		
57B138-4	GE-61	57C15-3	GE-21	57D1-78	GE-54	57L1-7	GE-53	61-1403	GE-20	62-20241	GE-20		
57B139-4	GE-60	57C15-4	GE-21	57D1-79	GE-51	57L1-8	GE-53	61-1404	GE-20	62-20242	GE-20		
57B141-4	GE-20	57C15-5	GE-21	57D1-80	GE-1	57L1-9	GE-51	61-7728	GE-504A	62-20243	GE-20		
57B142-4	GE-11	57C16-1	GE-20	57D1-81	GE-51	57L1-10	GE-51	61-8968	GECR-2	62-20244	GE-21		
57B143-12	GE-20	57C19-1	GE-21	57D1-82	GE-53	57L1-11	GE-51	61-8969	GECR-1	62-20319	GE-300		
57B144-12	GE-17	57C20-1	GE-20	57D1-83	GE-53	57L1-12	GE-51	61-59395	1N34AS	62-20360	GE-20		
57B145-12	GE-67	57C23-1	GE-21	57D1-84	GE-1	57L2-1	GE-66	61A030-6	GEIC-2	62-20437	GE-300		
57B146-12	GE-20	57C23-2	GE-21	57D1-85	GE-51	57L2-2	GE-28	61B002-1	GE-50	62-20565	GECR-2		
57B147-12	GE-21	57C23-3	GE-22	57D1-86	GE-1	57L3-1	GE-20	61B003-1	GE-50	62-20597	GE-300		
57B148-12	GE-21	57C24-1	GE-20	57D1-87	GE-1	57L3-4	GE-20	61B004-1	GE-52	62-20643	GEZD-15		
57B149-12	GE-FET-1	57C24-2	GE-20	57D1-88	GE-51	57L5-1	GE-3	61B005-1	GE-52	62-21496	GE-20		
57B150-12	GE-FET-1	57C24-3	GE-20	57D1-89	GE-1	57M1-1	GE-51	61B006-1	GE-52	62-21574	GEZD-18		
57B151-6	GE-20	57C24-4	GE-20	57D1-90	GE-53	57M1-2	GE-51	61B007-2	GE-11	62-21683	GE-21		
57B152-12	GE-17	57C27-1	GE-20	57D1-91	GE-53	57M1-3	GE-51	61B009-1	GE-2	62-21699	GE-42		
57B153-9	GE-20	57C27-2	GE-11	57D1-92	GE-53	57M1-4	GE-51	61B021-1	GE-11	62-22039	GE-61		
57B155-10	GE-12	57C68	GE-53	57D1-93	GE-53	57M1-5	GE-53	61B022-2	GE-2	62-22250	GE-62		
57B156-9	GE-20	57D1-1	1N295	57D1-94	GE-50	57M1-6	GE-53	61B022-3	GE-2	62-22251	GE-20		
57B157-9	GE-21	57D1-2	1N295	57D1-95	GE-53	57M1-7	GE-53	61B023-1	GE-2	62-22524	GE-21		
57B158-10	GE-12	57D1-3	GE-7	57D1-96	GE-51	57M1-8	GE-53	61B026-1	GE-51	62-26597	GE-300		
57B159-12	GE-21	57D1-4	GE-7	57D1-97	GE-51	57M1-9	GE-51	61B027-1	GE-2	62-26851	GE-51		
57B160-8	GE-17	57D1-5	GE-7	57D1-98	GE-50	57M1-10	GE-51	61C001-1	GE-20	62-109474	6GC1		
57B162-12	GE-63	57D1-6	GE-7	57D1-99	GE-50	57M1-11	GE-51	61C002-1	GE-2	62-112524	1N60		
57B167-9	GE-63	57D1-7	GE-53	57D1-100	GE-50	57M1-12	GE-51	61C003-1	GE-2	62-113998	GE-504A		
57B168	GE-53	57D1-8	GE-53	57D1-101	GE-50	57M1-14	GE-20	61C004-1	GE-18	62-114267	GE-11		
57B168-9	GE-67	57D1-9	GE-1	57D1-102	GE-50	57M1-15	GE-20	61C005-1	GE-16	62-118825	GE-509		
57B169	GE-53	57D1-10	GE-1	57D1-103	GE-51	57M1-16	GE-54	61P1	GE-50	62-125528	GE-300		
57B170	GE-53	57D1-11	GE-2	57D1-104	GE-53	57M1-17	GE-51	61P1D	GE-51	62-126321	GE-300		
57B175-9	GE-21	57D1-12	GE-51	57D1-105	GE-2	57M1-18	GE-54	62-3597-1	GE-21	62-126856	GE-504A		
57B186	GE-51	57D1-13	GE-51	57D1-106	GE-50	57M1-19	GE-20	62-3597-2	GE-20	62-127532	1N82A		
57B213-11	GE-36	57D1-14	GE-53	57D1-107	GE-51	57M1-20	GE-20	62-7567	GE-20	62-128343	GE-1		
57C5-1	GE-51	57D1-15	GE-1	57D1-108	GE-51	57M1-21	GE-20	62-8555	GE-20	62-129556	1N82A		
57C5-2	GE-51	57D1-16	GE-1	57D1-109	GE-51	57M1-23	GE-20	62-10234	1N295	62-129604	GE-11		
57C5-3	GE-51	57D1-17	GE-53	57D1-110	GE-51	57M1-26	GE-20	62-10655	1N295	62-130045	GE-300		
57C5-4	GE-51	57D1-18	GE-53	57D1-111	GE-2	57M1-27	GE-20	62-12034	1N295	62-130046	GE-300		
57C5-5	GE-1	57D1-19	GE-53	57D1-112	GE-51	57M1-28	GE-20	62-13477	GE-504A	62-130047	GEZD-9-1		
57C5-6	GE-11	57D1-20	GE-53	57D1-113	GE-51	57M1-29	GE-20	62-15483	GE-504A	62-130139	GE-21		
57C5-7	GE-11	57D1-21	GE-53	57D1-114	GE-51	57M1-30	GE-20	62-16013	6GC1	62-130761	GEZD-15		
57C5-8	GE-17	57D1-22	GE-1	57D1-115	GE-51	57M1-31	GE-20	62-16711	GE-504A	62-130762	GEZD-15		
57C5-9	GE-51	57D1-23	GE-1	57D1-116	GE-1	57M1-32	GE-20	62-16712	6GC1	62-132497	GE-21		
57C5-10	GE-51	57D1-24	GE-51	57D1-117	GE-53	57M1-33	GE-18	62-16769	1N295	62-134074	1N82A		
57C6-1	GE-2	57D1-25	GE-51	57D1-118	GE-53	57M1-34	GE-18	62-16841	1N295	62J2	GE-504A		
57C6-2	GE-16	57D1-26	GE-2	57D1-119	GE-16	57M1-35	GE-53	62-16905	GE-20	63-3954	GE-51		
57C6-3	GE-16	57D1-27	GE-2	57D1-120	GE-2	57M2-7	GE-18	62-16918	GE-53	63-7246	GE-53		
57C6-4	GE-20	57D1-28	GE-53	57D1-121	GE-2	57M2-11	GE-18	62-16919	GE-12	63-7247	GE-53		
57C6-5	GE-2	57D1-30	GE-50	57D1-122	GE-27	57M2-14	GE-18	62-17232	1N82A	63-7248	GE-54		
57C6-6	GE-17	57D1-31	GE-50	57D1-123	GE-20	57M2-16	GE-27	62-17390	GE-51	63-7396	GE-53		
57C6-7	GE-17	57D1-32	GE-50	57D1-124	GE-20	57M2-17	GE-27	62-17391	GE-51	63-7397	GE-53		
57C6-8	GE-3	57D1-33	GE-50	57D3-6	GE-2	57M2-18	GE-18	62-17550	GE-20	63-7398	GE-53		
57C6-9	GE-20	57D1-34	GE-53	57D4-1	GE-3	57M3-1	GE-14	62-18135	GE-504A	63-7399	GE-53		
57C6-10	GE-12	57D1-35	GE-51	57D4-2	GE-3	57M3-2	GE-14	62-18337	6GC1	63-7420	GE-53		
57C6-11	GE-20	57D1-36	GE-51	57D5-1	GE-51	57M3-3	GE-18	62-18415	GE-51	63-7421	GE-20		
57C6-12	GE-16	57D1-37	GE-51	57D5-2	GE-51	57M3-4	GE-14	62-18416	GE-51	63-7433	GE-504A		
57C6-14	GE-32	57D1-38	GE-53	57D5-4	GE-51	57M3-6	GE-14	62-18417	GE-51	63-7538	GE-51		
57C6-15	GE-21	57D1-39	GE-51	57D6-10	GE-12	57M3-7	GE-3	62-18418	GE-3	63-7541	GE-51		
57C6-17	GE-20	57D1-40	GE-1	57D6-12	GE-16	57M3-8	GE-3	62-18419	GE-51	63-7547	GE-51		
57C6-18	GE-20/21	57D1-41	GE-1	57D6-19	GE-20	57M3-9P	GE-44	62-18420	GE-44	63-7548	GE-51		
57C6-19	GE-20	57D1-42	GE-2	57D9-1	GE-3	57M3-10P	GE-44	62-18421	GE-44	63-7549	GE-54		
57C6-20	GE-54	57D1-43	GE-2	57D9-2	GE-16	57M3-12	GE-44	62-18422	GE-44	63-7564	GE-53		
57C6-21	GE-52	57D1-44	GE-2	57D24-1	GE-11	57P1	GE-52	62-18423	GE-51	63-7565	GE-54		
57C6-22</													

UNIVERSAL REPLACEMENT SEMICONDUCTORS

63-8378 - 81-46123013-8

JEDEC Or Part Nr	GE Replacement	JEDEC Or Part Nr	GE Replacement	JEDEC Or Part Nr	GE Replacement	JEDEC Or Part Nr	GE Replacement	JEDEC Or Part Nr	GE Replacement	JEDEC Or Part Nr	GE Replacement	JEDEC Or Part Nr	GE Replacement
63-8378	GE-51	63-10860	GE-20	63-12943	GE-20	64-8054-6	GE-504A	68P1B	GE-16	752158	GEZD-15		
63-8379	GE-51	63-11055	GE-51	63-12944	GE-20	64J2	GE-504A	68X003-001	GE-42	75215C	GEZD-15		
63-8380	GE-53	63-11073	GE-53	63-12945	GE-53	64N1	GE-35	68X0003	GE-42	75227	GEZD-27		
63-8381	1N295	63-11074	1N34AS	63-12946	GE-20	64T1	GE-2	68X0003-001	GE-42	75227A	GEZD-27		
63-8473	GE-54	63-11143	GE-20	63-12947	GE-53	65	GE-504A	69-1810	GE-17	75227B	GEZD-27		
63-8512	GE-12	63-11144	GE-53	63-12948	GE-20	65-08001	GE-31MP	69-1811	GE-17	75227C	GEZD-27		
63-8590	GE-3	63-11147	GEZD-7.5	63-12949	GE-20	65-080001	GE-31MP	69-1812	GE-17	76-0105	GEZD-27		
63-8685	GE-504A	63-11148	GE-504A	63-12950	GE-20	65-085002	1N34AS	69-1813	GE-17	76-11770	GE-3		
63-8699	GE-51	63-11215	GE-504A	63-12951	GE-20	65-085003	1N34AS	69-1814	GE-18	76-13570-39	GE-17		
63-8700	GE-51	63-11289	GE-20	63-12952	GE-20	65-085004	GEZD-12	69-1815	GE-21	76-13570-59	GE-17		
63-8701	GE-20	63-11290	GE-12	63-12953	GE-20	65-085010	1N34AS	69-1816	GE-62	76-13570-65	1N82A		
63-8702	GE-20	63-11291	GE-504A	63-12954	GE-66	65-744238	6GD1	69-1817	GE-21	76-13848-23	1N82A		
63-8703	GE-53	63-11468	GE-20	63-12989	GE-18	65A	GE-504A	69-1818	GE-57	76-13866-17	GE-17		
63-8704	GE-53	63-11469	GE-20	63-12990	GE-18	65P117	GE-504A	69-1819	GE-58	76-13866-18	GE-17		
63-8705	GE-54	63-11470	GE-20	63-13080	1N295	65P124	GE-504A	69-1820	1N60	76-13866-19	GE-17		
63-8706	GE-3	63-11471	GE-20	63-13214	GE-18	65P124-1	GE-504A	69-1821	GE-90	76-13866-19(VHF)	GE-11		
63-8707	GE-14	63-11472	GE-20	63-13215	GE-18	65P124-2	GE-504A	69-1822	GE-300	76-13866-20	GE-20		
63-8819	GE-504A	63-11474	GE-53	63-13222	GE-21	65P153	GE-504A	69-1823	GE-504A	76-13866-59	GE-20		
63-8824	GE-504A	63-11497	GE-53	63-13323	GE-53	65P155	GE-504A	69-2246	GE-504A	76-13866-62	GE-17		
63-8825	GEZD-9.1	63-11582	GE-51	63-13419	GE-20	65P206	GE-504A	69N1	GE-17	76-14090-1	GE-18		
63-8945	GE-12	63-11584	GE-51	63-13438	GE-20	65P284	GE-504A	70.00.730	GE-50	76-14196-1	1N34AS		
63-8954	GE-51	63-11585	GE-51	63-13440	GE-20	65P297	GE-504A	70.01.704	GE-62	76-14327-1	GE-518		
63-8955	1N34AS	63-11586	GE-53	63-15483	GE-504A	65T1	GE-2	70N1	GE-20	76-14327-2	GE-518		
63-9072	GE-51	63-11859	GEZD-7.5	63-16918	GE-53	66-2246	GE-504A	70N2	GE-20	76N1	GE-20		
63-9337	GE-20	63-11860	GE-20	63-17390	GE-51	66-6023-00	GE-2	70N4	GE-10	76N1M	GE-17		
63-9338	GE-20	63-11661	GE-53	63-18135	GE-504A	66-6024-00	GE-2	71-126268	GE-20	76N2	GE-20		
63-9339	GE-20	63-11757	GE-20	63-18416	GE-51	66-6025-00	GE-2	71N1	GE-12	77-270877-2	GE-3		
63-9340	GE-54	63-11758	GE-20	63-18418	GE-51	66-6026-00	GE-2	71N1T	GE-12	77-270993-1	GE-504A		
63-9341	GE-20	63-11759	GE-20	63-18419	GE-51	66-6027-00	GE-2	71N2	GE-12	77-271025-1	GE-53		
63-9516	GE-20	63-11762	GE-509	63-18420	GE-53	66-6028-00	GE-2	71N2T	GE-12	77-271026-1	GE-52		
63-9517	GE-51	63-11825	GE-20	63-18421	GE-53	66-6030-00	GE-504A	71T2	GE-27	77-271029-1	GE-51		
63-9518	GE-20	63-11831	GE-20	63-18424	GE-51	66-6031-00	GE-504A	72-11	GE-300	77-271029-2	GE-51		
63-9519	GE-53	63-11832	GE-20	63-18428	GE-27	66F-001	GE-504A	72-15	GE-504A	77-271036-1	GE-52		
63-9520	GE-53	63-11833	GE-20	63-18427	GE-3	66F-001-1	GE-504A	72B1Z	GEIC-30	77-271037-1	GE-52		
63-9521	GE-53	63-11834	GE-90	63-18430	GE-53	66F-010	GE-66	72N1	GE-20	77-271038-1	GE-51		
63-9522	GE-90	63-11878	GE-12	63-18643	GE-20	66F-054-1	GE-517	72N2	GE-20	77-271039-1	GE-53		
63-9523	1N295	63-11881	GE-504A	63-22724	1N295	66F-054-2	GE-517	72Z	GE-504A	77-271166-2	GE-50		
63-9659	GE-53	63-11934	GE-20	63-23041	GE-53	66F-054-3	GE-517	73-31	GEZD-5.6	77-271166-3	GE-51		
63-9664	GE-51	63-11935	GE-20	63-25179	GE-53	66F-054-4	GE-517	73C180475	GEIC-2	77-271374-1	GE-504A		
63-9665	GE-51	63-11938	GE-18	63-25180	GE-53	66F-084-1	GE-FET-2	73C180837-1	GEIC-5	77-271453-1	GE-20		
63-9782	GE-90	63-11937	GE-20	63-25181	GE-53	66F-112-1	GE-517	73C180837-2	GEIC-5	77-271490-1	GE-18		
63-9783	GEZD-9.1	63-11938	GE-66	63-25182	GE-53	66F1271	GEIC-18	73C180837-3	GEIC-18	77-271491-1	GE-16		
63-9787	GE-504A	63-11957	GE-504A	63-25261	GE-53	66F1551	GEIC-29	73C180843	GEIC-21	77-271798-1	GE-62		
63-9829	GE-20	63-11989	GE-18	63-25281	GE-53	66J2	GE-504A	73C180843-1	GEIC-21	77-271798-3	GE-62		
63-9830	GE-20	63-11991	GE-14	63-25282	GE-53	66X21	6GC1	73C180843-2	GEIC-21	77-271818-1	GE-21		
63-9831	GE-20	63-12003	GE-20	63-25720	GE-53	66X23	GE-504A	73C180843-3	GEIC-21	77-271967-1	GE-60		
63-9832	GE-20	63-12004	GE-20	63-25726	GE-51	66X24	GE-504A	73C180843-4	GEIC-21	77-272913-1	GE-63		
63-9833	GE-20	63-12082	GE-20	63-25727	GE-53	66X25	6GC1	73C182051	GE-517	77-272914-1	GE-21		
63-9847	GE-20	63-12077	GE-504A	63-25728	GE-53	66X26	GE-504A	73C182186	GEIC-2	77-272999-1	GE-20		
63-9876	GE-51	63-12110	GEZD-7.5	63-25729	GE-53	66X41-1	GECR-3	73C182763-1	GEIC-30	77-273001-2	GE-20		
63-9877	GE-51	63-12154	GE-21	63-25833	1N34AS	66X041-001	GE-504A	73C182763-1	GEIC-30	77-273001-3	GE-1		
63-9941	GE-51	63-12156	GE-21	63-25842	GE-53	66X218	6GC1	73C182763-2	GEIC-30	77-273004-1	GE-53		
63-9942	GEZD-12	63-12157	GE-21	63-25944	GE-53	66X0003	GE-42	73C182763-2	GEIC-30	77-273738-1	GE-28		
63-10035	GE-51	63-12158	1N295	63-25946	GE-51	66X0003-000	GE-42	73C182764-1	GEIC-29	77-273739-1	GE-29		
63-10036	GE-51	63-12272	GE-20	63-26382	1N295	66X0020-001	1N60	73C182764-2	GEIC-29	77A01	GE-300		
63-10037	GE-53	63-12287	GE-504A	63-26597	GE-504A	66X0020-001	1N34AS	73C182764-2	GEIC-29	77N1	GE-20		
63-10038	GE-53	63-12316	GE-53	63-26849	GE-51	66X0023-001	GE-504A	73C182764-4	GEIC-29	77N2	GE-18		
63-10062	GE-12	63-12317	GE-53	63-26850	GE-51	66X0023-002	GE-504A	73N1	GE-20	77N3	GE-18		
63-10064	GE-504A	63-12805	GE-20	63-26851	GE-53	66X0023-003	GE-504A	73T2	GE-27	77N4	GE-20		
63-10145	GE-51	63-12807	1N295	63-27278	GE-51	66X0023-004	GE-504A	74	GE-11	77N6	GE-20		
63-10146	GE-51	63-12808	GE-20	63-27279	GE-51	66X0023-005	GE-504A	74P1	GE-21	78-5009	GE-16		
63-10147	GE-53	63-12809	GE-20	63-27280	GE-51	66X0023-006	GE-504A	74P1M	GE-21	78-254566-1	GE-504A		
63-10148	GE-51	63-12810	GE-51	63-27281	GE-53	66X0023-007	GE-504A	74Q1262	GE-52	78-254566-4	GE-504A		
63-10149	GE-51	63-12841	GE-20	63-27366	GE-51	66X0023-008	GE-504A	75	GE-504A	78-271030-1	GE-504A		
63-10150	GE-51	63-12842	GE-20	63-27367	GE-51	66X0023-009	GE-509	75-461	GE-53	78-271143-1	GE-504A		
63-10151	GE-53	63-12645	1N295	63-27483	GE-504A	66X0024-000	6GC1	75D1	GE-504A	78-271199-1	1N34AS		
63-10152	GE-53	63-12669	GE-53	63-27500	GE-51	66X0025-000	6GC1	75D2	GE-509	78-271228-1	1N34AS		
63-10153	GE-53	63-12670	GE-53	63-27622	GE-504A	66X0025-001	6GC1	75D8	GE-509	78-271383-1	GEZD-12		
63-10154	GE-53	63-12698	GE-20	63-28250	1N295	66X0033-000	GECR-3	75D10	GE-504A	78-271383-2	GEZD-27		
63-10156	GE-53	63-12697	GE-20	63-28348	GE-51	66X0033-001	GECR-3	75E1	GE-504A	78-271383-3	GEZD-15		
63-10158	GE-53	63-12698	GE-53	63-28358	GE-51	66X0035-001	GECR-1	75E2	GE-504A	78-271383-4	GEZD-15		
63-10159	GE-54	63-12706	GE-20	63-28390	GE-53	66X0036-001	GECR-2	75E3	GE-504A	78-272160-1	GE-504A		
63-10168	GE-20	63-12707	GE-20	63-28399	GE-53	66X0037-001	GE-504A	75E7	GE-509	78-273002-1	1N60		
63-10195	GE-51	63-12750	GE-20	63-28888	1N295	66X0038-001	GE-504A	75E8	GE-509	78-273008	GE-504A		
63-10196	GE-51	63-12751	GE-20	63-29383	GE-504A	66X0039-001	1N60	75E10	GE-509	78-273008-1	GE-504A		
63-10200	GE-51	63-12752	GE-20	63-29451	GE-3	66X0041-001	GECR-3	75N1	GE-20	78-273085	GE-504A		
63-10375	GE-51	63-12753	GE-20	63-29459	GE-16	66X0043-001	1N34AS	75N5	GEZD-15	78N1	GE-20		
63-10376	GE-51	63-12754	1N295	63-29461	GE-20	66X0044-001	GE-300	75N5.1	GEZD-5.1	79F015	1N295		
63-10377	GE-20	63-12755	1N295	63-29661	GE-51	66X0045-001	GE-520	75N5.6	GEZD-5.6	79P1	GE-51		
63-10378	GE-3	63-12756	1N295	63-29662	GE-51	66X0046-001	GE-504A	75N6.2	GEZD-6.2	80-60-1	1N34AS		
63-10383	GE-54	63-12757	1N295	63-29663	GE-51	66X0047-001	GE-504A	75N12	GEZD-12	80AS	GE-509		
63-10384	GE-53	63-12874	GE-20	63-29664	GE-51	66X0048-001	GE-504A	75N27	GEZD-27	80H	GE-509		
63-10408	GE-53	63-12875	GE-20	63-29665	GE-53	66X0049-001	1N60	75R7B	GE-509	80P1	GE-51		
63-10708	GE-20	63-12876	GE-53	63-29666	GE-53	66X0049-002	1N60	75R8B	GE-509	81-27123100-3	GE-504A		
63-10709	GE-504A	63-12877	GE-20	63-29819	GE-51	66X0050-001	GE-90	75R9B	GE-509	81-27123150-8	1N34AS		
63-10732	GE-20	63-12878	GE-20	63-29820	GE-51	66X0051-001	1N60	75R1					

UNIVERSAL REPLACEMENT SEMICONDUCTORS

81-46123014-6 - 86X7-6

JEDEC Or Part Nr	GE Replacement	JEDEC Or Part Nr	GE Replacement	JEDEC Or Part Nr	GE Replacement	JEDEC Or Part Nr	GE Replacement	JEDEC Or Part Nr	GE Replacement	JEDEC Or Part Nr	GE Replacement	JEDEC Or Part Nr	GE Replacement
81-46123014-6	GE-504A	86-39-2	GE-52	86-98-2	GE-52	86-243-2	GE-11	86-475-2	GE-21	86-0016-01	GE-504A		
81-46123015-3	1N60	86-40-3	GE-504A	86-99-2	GE-50	86-244-2	GE-11	86-476-2	GE-2	86-1392	GE-20		
81-46123018-7	GE-504A	86-41-1	GE-300	86-100-2	GE-50	86-245-2	GE-11	86-477-2	GE-FET-1	86-5000-2	GE-1		
81-46125009-4	GE-2	86-42-3	GE-504A	86-101-2	GE-50	86-246-2	GE-21	86-481-1	GE-20	86-5000-3	GE-504A		
81-46125010-2	GE-2	86-43-1	6GD1	86-102-2	GE-50	86-247-2	GE-20	86-481-2	GE-17	86-5001-2	GE-1		
81-46125011-0	GE-53	86-44-3	GE-1	86-104-3	GE-511	86-249-2	GE-52	86-482-2	GE-21	86-5001-3	GE-504A		
81-46125012-8	GE-20	86-45-1	1N60	86-105-3	GE-504A	86-250-2	GE-20	86-483-2	GE-20	86-5002-3	GE-504A		
81-46125013-6	GE-17	86-45-2	GE-52	86-106-3	GE-516	86-251-2	GE-21	86-483-3	GE-21	86-5003-2	GE-5		
81-46125016-9	GE-20	86-45-3	GE-1	86-108-2	GE-50	86-253-2	GE-50	86-484-2	GE-20	86-5003-3	GE-504A		
81-46125018-5	GE-53	86-46-2	GE-2	86-109-2	GE-50	86-254-2	GE-50	86-485-2	GE-20	86-5004-2	GE-5		
81-46125019-3	GE-82	86-46-3	GE-504A	86-110-1	GEZD-6.2	86-255-2	GE-20	86-486-2	GE-63	86-5005-2	GE-5		
81-46125026-8	GE-20	86-47-2	GE-2	86-110-2	GE-20	86-257-2	GE-12	86-487-2	GE-12	86-5006-3	GE-504A		
81-46125027-6	GE-20	86-47-3	GE-1	86-111-1	GEZD-22	86-276-2	GE-21	86-487-3	GE-12	86-5007-2	GE-5		
81-46125028-4	GE-53	86-48-2	GE-1	86-111-2	GE-50	86-277-2	GE-20	86-488-2	GE-17	86-5007-3	1N34AS		
81-46125028-4	GE-53	86-49-2	GE-52	86-111-3	GE-504A	86-278-2	GE-50	86-490-2	GE-20	86-5008-2	GE-5		
81-46125029-2	GE-52	86-49-3	GE-504A	86-112-2	GE-50	86-279-2	GE-50	86-491-2	GE-20	86-5009-3	GE-504A		
81-46125029-2	GE-52	86-50-2	GE-52	86-113-1	GEZD-24	86-280-2	GE-2	86-493-2	GE-20	86-5010-3	GE-504A		
81-46125030-0	GE-20	86-50-3	GE-504A	86-114-2	GE-52	86-281-2	GE-2	86-494-2	GE-20	86-5011-2	GE-5		
81-46125032-6	GE-20	86-51-3	GE-504A	86-114-3	GE-513	86-282-2	GE-2	86-495-2	GE-20	86-5012-2	GE-5		
81-46125033-4	GE-20	86-54-3	GE-504A	86-115-2	GE-2	86-283-2	GE-2	86-496-2	GE-20	86-5012-3	GE-504A		
81P3	GE-21	86-55-3	GE-1	86-116-2	GE-2	86-284-2	GE-20	86-497-2	GE-2	86-5013-2	GE-5		
81T2	GE-63	86-56-3	GE-1	86-116-3	GE-504A	86-287-2	GE-12	86-501-2	GE-21	86-5015-3	GE-504A		
83-43-3	GE-504A	86-56-3C	GE-1	86-117-1	GEZD-27	86-291-2	GE-20	86-506-2	GE-20	86-5016-2	GE-5		
83-829	GE-504A	86-56-3F	GE-1	86-117-2	GE-50	86-291-9	GE-20	86-507-2	GE-20	86-5017-2	GE-5		
83-880	GE-504A	86-57-3	GE-504A	86-118-1	GEZD-10	86-295-2	GE-2	86-509-2	GE-2	86-5018-2	GE-5		
83-1056	GE-3	86-58-1	GEZD-9.1	86-118-3	GE-511	86-296-2	GE-2	86-510-2	GE-63	86-5024-3	GE-504A		
83B38-1	1N34AS	86-58-2	GE-8	86-119-1	GEZD-33	86-301-2	GE-2	86-512-2	GE-4	86-5026-2	GE-5		
83P1	GE-21	86-58-3	GE-504A	86-119-2	GE-50	86-303-2	GE-2	86-515-2	GE-20	86-5027-3	GE-504A		
83P2	GE-20	86-59-2	GE-2	86-120-2	GE-16	86-304-2	GE-2	86-520-2	GE-10	86-5028-3	GE-510		
83P2AA	GE-22	86-59-3	GE-504A	86-123-2	GE-20	86-305-2	GE-2	86-525-2	GE-17	86-5029-2	GE-5		
83P2M	GE-22	86-59-3	GE-504A	86-123-2	GE-20	86-305-2	GE-2	86-525-2	GE-17	86-5029-2	GE-504A		
84-44-3	GE-21	86-60-1	1N34AS	86-125-1	1N34AS	86-308-2	GE-20	86-526-2	GE-20	86-5029-3	GE-504A		
84A20	GE-1	86-60-2	GE-2	86-126-2	GE-52	86-310-2	GE-20	86-527-2	GE-21	86-5032-3	GE-510		
85-5	GE-504A	86-61-1	GEZD-12	86-127-2	GE-16	86-311-2	GE-51	86-528-2	GE-21	86-5034-2	GE-5		
86-1-3	GE-504A	86-61-2	GE-52	86-128-2	GE-52	86-312-2	GE-51	86-529-2	GE-66	86-5037-3	GE-504A		
86-3-1	8GD1	86-62-2	GE-300	86-129-2	GE-52	86-313-2	GE-16	86-530-2	GE-69	86-5039-2	GE-16		
86-3-3	GE-504A	86-62-3	GE-16	86-130-2	GE-52	86-317-2	GE-16	86-534-2	GE-20	86-5041-2	GE-17		
86-4-1	GE-504A	86-63-2	GE-504A	86-131-2	GE-51	86-319-2	GE-16	86-536-2	GE-17	86-5042-2	GE-52		
86-4-2	GE-8	86-63-3	GE-16	86-132-2	GE-2	86-327-2	GE-20	86-537-2	GE-17	86-5043-2	GE-16		
86-6-2	GE-8	86-63-3	GE-504A	86-133-2	GE-2	86-328-2	GE-20	86-538-2	GE-17	86-5044-2	GE-18		
86-7-1	GE-504A	86-64-1	1N60	86-135-1	GE-X11	86-334-2	GE-21	86-541-2	GE-64	86-5045-2	GE-17		
86-8-2	GE-16	86-65-1	GEZD-12	86-135-2	GE-50	86-336-2	GE-63	86-547-2	GE-22	86-5047-2	GE-5		
86-9-1	8GD1	86-65-3	GE-504A	86-136-2	GE-50	86-339-2	GE-63	86-549-2	GE-64	86-5048-2	GE-5		
86-9-3	GE-504A	86-65-9	GE-504A	86-138-2	GE-20	86-339-9	GE-20	86-550-2	GE-20	86-5049-2	GE-17		
86-10-1	1N34AS	86-66-1	GEZD-20	86-138-2	GE-20	86-340-2	GE-21	86-551-2	GE-10	86-5050-2	GE-17		
86-10-2	GE-8	86-67-0	GE-504A	86-139-2	GE-20	86-342-2	GE-63	86-552-2	GE-21	86-5051-2	GE-18		
86-11-2	GE-8	86-67-1	GEZD-12	86-139-3	GE-504A	86-344-2	GE-28	86-554-2	GE-20	86-5055-2	GE-20		
86-12-2	GE-8	86-67-2	GE-509	86-141-2	GE-16	86-348-2	GE-52	86-555-2	GE-21	86-5056-2	GE-17		
86-12-3	1N62A	86-67-3	GE-504A	86-142-2	GE-16	86-362-2	GE-20	86-556-2	GE-27	86-5057-2	GE-3		
86-13-2	GE-8	86-67-9	GE-504A	86-143-2	GE-20	86-363-2	GE-51	86-557-2	GE-18	86-5058-2	GE-3		
86-14-1	1N60	86-68-3	GE-8R-600A	86-146-2	GE-16	86-367-2	GE-50	86-561-2	GE-20	86-5060-2	GE-5		
86-14-2	GE-8	86-68-3	GE-8R-600A	86-146-2	GE-16	86-367-2	GE-50	86-561-2	GE-20	86-5060-2	GE-5		
86-16-2	GE-8	86-70-1	GE-300	86-147-2	GE-16	86-368-2	GE-50	86-563-2	GE-38	86-5061-2	GE-5		
86-18-1	6GC1	86-72-2	GE-52	86-149-2	GE-50	86-370-2	GE-25	86-563-9	GE-38	86-5062-2	GE-5		
86-18-1A	6GC1	86-72-3	GE-504A	86-150-2	GE-50	86-373-2	GE-50	86-564-2	GE-38	86-5064-2	GE-21		
86-18-2	GE-50	86-73-1	GEZD-20	86-151-2	GE-50	86-374-2	GE-50	86-564-3	GE-38	86-5065-2	GE-17		
86-19-2	GE-16	86-73-2	GE-2	86-155-2	GE-20	86-381-2	GE-20	86-564-9	GE-38	86-5067-2	GE-2		
86-20-1	1N60	86-74-1	1N34AS	86-156-2	GE-2	86-386-2	GE-20	86-565-2	GE-20	86-5070-2	GE-18		
86-20-2	GE-50	86-74-2	GE-52	86-156-2A	GE-2	86-389-2	GE-20	86-566-2	GE-32	86-5073-2	GE-18		
86-21-1	GE-504A	86-74-9	GE-300	86-157-2	GE-20	86-390-2	GE-20	86-567-2	GE-18	86-5074-2	GE-18		
86-21-2	GE-2	86-75-1	GEZD-24	86-158-2	GE-20	86-391-2	GE-10	86-568-2	GE-28	86-5075-2	GE-28		
86-22-1	GE-2	86-75-2	GE-2	86-159-2	GE-52	86-392-2	GE-53	86-570-2	GE-22	86-5079-2	GE-21		
86-22-2	1N60	86-75-3	GE-504A	86-160-2	GE-53	86-396-2	GE-29	86-573-2	GE-20	86-5080-2	GE-5		
86-22-3	GE-2	86-76-2	GE-8	86-161-2	GE-20	86-399-2	GE-63	86-593-2	GE-17	86-5081-2	GE-17		
86-23-1	GE-504A	86-77-1	GE-300	86-162-2	GE-20	86-399-9	GE-20	86-594-2	GE-11	86-5082-2	GE-21		
86-23-2	GE-504A	86-77-2	GE-52	86-163-2	GE-50	86-400-2	GE-20	86-594-2	GE-20	86-5083-2	GE-16		
86-23-3	GE-504A	86-78-2	GE-2	86-164-2	GE-51	86-403-2	GE-20	86-595-2	GE-61	86-5084-2	GE-14		
86-24-2	GE-8	86-79-2	GE-2	86-169-2	GE-52	86-406-2	GE-22	86-595-2	GE-61	86-5085-2	GE-23		
86-25-2	GE-8	86-80-1	GE-504A	86-170-2	GE-20	86-407-2	GE-20	86-596-2	GE-17	86-5086-2	GE-5		
86-26-1	GE-504A	86-80-2	GE-52	86-171-2	GE-20	86-416-2	GE-20	86-597-2	GE-17	86-5087-2	GE-5		
86-26-2	GE-8	86-80-3	GE-504A	86-173-2	GE-16	86-417-2	GE-63	86-598-2	GE-10	86-5093-2	GE-18		
86-27-1	GE-8	86-81-2	GE-8	86-173-9	GE-25	86-419-2	GE-52	86-599-2	GE-10	86-5095-2	GE-FET-1		
86-27-2	GE-2	86-82-2	GE-52	86-175-2	GE-20	86-420-2	GE-63	86-600-2	GE-21	86-5096-2	GE-FET-1		
86-28-2	GE-2	86-83-2	GE-52	86-177-2	GE-12	86-421-2	GE-52	86-601-2	GE-63	86-5097-2	GE-18		
86-28-3	GE-504A	86-84-1	GE-504A	86-178-2	GE-21								

UNIVERSAL REPLACEMENT SEMICONDUCTORS

86X8-1 - 100-135

JEDEC Or Part Nr	GE Replacement	JEDEC Or Part Nr	GE Replacement	JEDEC Or Part Nr	GE Replacement	JEDEC Or Part Nr	GE Replacement	JEDEC Or Part Nr	GE Replacement	JEDEC Or Part Nr	GE Replacement	JEDEC Or Part Nr	GE Replacement
86X8-1	GE-20	90-31	GE-18	93A53-2	GE-18	93A53-2	GE-18	93B39-3	GE-20	93C26-7	6GC1	98T2	GE-210
86X8-3	GE-20	90-32	GE-20	93A53-3	GE-20	93A53-3	GE-20	93B39-4	GE-20	93C26-8	GE-504A	99AT6	GE-52
86X8-4	GE-17	90-33	GE-62	93A55-1	GE-62	93A55-1	GE-62	93B39-5	GE-17	93C26-9	6GC1	99B5	GE-52
86X007-004	GE-62	90-37	GE-51	93A57-1	GE-51	93A57-1	GE-51	93B39-6	GE-62	93C26-10	6GC1	99BA6	GE-2
86X037-001	GE-8	90-38	GE-28	93A59-1	GE-28	93A59-1	GE-28	93B39-7	GE-8	93C26-11	6GC1	99BE6	GE-2
86X0006-001	GE-20	90-45	GE-39	93A60-3	GE-39	93A60-3	GE-39	93B41	GE-20	93C27-1	1N34AS	99L6	GE-8
86X0007-001	GE-20	90-46	GE-11	93A60-5	GE-11	93A60-5	GE-11	93B41-2	GE-20	93C27-2	GE-300	99P1	GE-21
86X0007-004	GE-20	90-47	GE-10	93A60-6	GE-10	93A60-6	GE-10	93B41-3	GE-20	93C27-3	GE-300	99P2	GE-22
86X0007-104	GE-20	90-48	GE-20	93A60-7	GE-20	93A60-7	GE-20	93B41-4	GE-20	93C27-4	GE-504A	99PWR	GE-16
86X0007-204	GE-20	90-49	GE-11	93A60-8	GE-11	93A60-8	GE-11	93B41-5	GE-20	93C27-5	1N34AS	99S001	GE-16
86X0008-001	GE-20	90-50	GE-FET-2	93A60-9	GE-FET-2	93A60-9	GE-FET-2	93B41-6	GE-20	93C27-6	1N34AS	99S002	GE-52
86X0009-001	GE-16	90-54	GE-51	93A60-10	GE-51	93A60-10	GE-51	93B41-8	GE-16	93C27-7	GE-300	99S003	GE-52
86X0011-001	GE-52	90-55	GE-FET-2	93A60-11	GE-FET-2	93A60-11	GE-FET-2	93B41-12	GE-52	93C28-4	GE-504A	99S004	GE-50
86X0012-001	GE-20	90-56	GE-10	93A63-1	GE-10	93A63-1	GE-10	93B41-14	GE-20	93C30-1	GE-504A	99S005	GE-2
86X0013-001	GE-50	90-57	GE-20	93A64-1	GE-20	93A64-1	GE-20	93B41-15	GE-50	93C30-3	GE-504A	99S010	GE-53
86X0014-001	GE-50	90-58	GE-53	93A64-2	GE-53	93A64-2	GE-53	93B41-20	GE-50	93C39-2	GE-504A	99S011	GE-53
86X0015-001	GE-16	90-59	GE-51	93A64-3	GE-51	93A64-3	GE-51	93B41-29	GE-16	93C39-3	1N295	99S011A	GE-52
86X0016-001	GE-50	90-60	GE-53	93A67-1	GE-53	93A67-1	GE-53	93B42-1	GE-50	93C39-4	GE-504A	99S012	GE-20
86X0017-001	GE-52	90-61	GE-10	93A69-1	GE-10	93A69-1	GE-10	93B42-2	GE-52	93C39-5	GE-504A	99S012A	GE-20
86X0018-001	GE-52	90-62	GE-FET-2	93A69-2	GE-FET-2	93A69-2	GE-FET-2	93B42-3	GE-52	93C39-6	GE-504A	99S014	GE-16
86X0022-001	GE-20	90-65	GE-20	93A71-1	GE-20	93A71-1	GE-20	93B42-4	GE-20	93C39-7	GE-504A	99S015	GE-16
86X0024-001	GE-20	90-66	GE-18	93A75-1	GE-18	93A75-1	GE-18	93B42-5	GE-20	93C39-8	GE-504A	99S016	GE-17
86X0025-001	GE-20	90-69	GE-20	93A76-1	GE-20	93A76-1	GE-20	93B42-6	GE-20	93C39-9	GE-504A	99S017	GE-17
86X0028-001	GE-12	90-70	GE-62	93A77-1	GE-62	93A77-1	GE-62	93B42-7	GE-12	93C39-10	GE-504A	99S018	GE-17
86X0029-001	GE-20	90-71	GE-10	93A78-1	GE-10	93A78-1	GE-10	93B42-8	GE-20	93C39-11	GE-504A	99S019	GE-11
86X0030-001	GE-3	90-75	GE-28	93A79-6	GE-28	93A79-6	GE-28	93B42-9	GE-3	93C39-12	GE-504A	99S020	GE-20
86X0031-001	GE-20	90-72	GE-18	93A80-1	GE-18	93A80-1	GE-18	93B42-10	GE-20	93C39-13	GE-504A	99S022	GE-10
86X0031-002	GE-20	91-3	1N295	93A83-1	1N295	93A83-1	1N295	93B42-11	GE-20	93C39-14	GE-504A	99S025	GE-20
86X0031-003	GE-20	91-50	GE-90	93A93-1	GE-90	93A93-1	GE-90	93B42-12	GE-20	93C40	GE-504A	99S031	GE-39
86X0032-001	GE-17	91A04	GE-504A	93A96-1	GE-504A	93A96-1	GE-504A	93B44-1	GE-17	93C40-1	GE-504A	99S032	GE-39
86X0033-01	GE-30	91A05	GE-504A	93B1-1	GE-504A	93B1-1	GE-504A	93B45-1	GE-30	93C42-2	GE-504A	99S033	GE-20
86X0034-001	GE-20	91A06	GE-504A	93B1-2	GE-504A	93B1-2	GE-504A	93B45-2	GE-20	93C42-7	GE-504A	99S034	GE-20
86X0035-001	GE-20	91A08	GE-504A	93B1-3	GE-504A	93B1-3	GE-504A	93B45-3	GE-20	93C51-3	6GD1	99S035	GE-20
86X0036-001	GE-21	91N1	GE-11	93B1-4	GE-11	93B1-4	GE-11	93B47-1	GE-21	93C52-1	GE-511	99S036	GE-63
86X0037-001	GE-8	91T6	GE-212	93B1-5	GE-212	93B1-5	GE-212	93B48-1	GE-8	93C53-2	GE-300	99S036(TLEDYNE)	GE-18
86X0038-001	GE-20	92-1	1N60	93B1-6	1N60	93B1-6	1N60	93B48-2	GE-20	93C59	6GC1	99S038	GE-20
86X0040-001	GE-10	92-1001	1N60	93B1-7	1N60	93B1-7	1N60	93B48-3	GE-10	93C60-3	GE-504A	99S039	GE-22
86X0041-001	GE-22	92L102-2	GE-504A	93B1-8	GE-504A	93B1-8	GE-504A	93B48-4	GE-22	93C60-5	1N34AS	99S040	GE-20
86X0042-001	GE-58	92N1	GE-11	93B1-9	GE-11	93B1-9	GE-11	93B51-3	GE-58	93C64-1	1N34AS	99S044	GE-39
86X0042-002	GE-57	92T6	GE-212	93B1-10	GE-212	93B1-10	GE-212	93B52-1	GE-57	93C69-1	GE-504A	99S047	GE-12
86X0043-001	GE-20	93-13	GE-300	93B1-11	GE-300	93B1-11	GE-300	93B52-2	GE-20	93C218	1N295	99S053	GE-10
86X0044-001	GE-21	93.20.709	GE-510	93B1-12	GE-510	93B1-12	GE-510	93B53-2	GE-21	93C267	6GD1	99S055	GE-39
86X0045-001	GE-20	93.20.714	GE-510	93B1-13	GE-510	93B1-13	GE-510	93B57-1	GE-20	93C267	GE-511	99S056	GE-39
86X0046-001	GE-21	93.24.401	1N34AS	93B1-14	1N34AS	93B1-14	1N34AS	93B59-1	GE-21	93C267	GE-511	99S060	GE-20
86X0048-001	GE-20	93.24.601	1N34AS	93B1-15	1N34AS	93B1-15	1N34AS	93B60-3	GE-20	93C267	GE-511	99S061-1	GE-20
86X0050-001	GE-62	93.24.604	1N34AS	93B1-16	1N34AS	93B1-16	1N34AS	93B64-1	GE-62	93C218	1N295	99S063-1	GE-27
86X0051-001	GE-20	93A2	GE-504A	93B1-17	GE-504A	93B1-17	GE-504A	93B65-1	GE-20	93C267	GE-511	99S067-1	GE-27
86X0052-001	GE-60	93A3D-2	GE-504A	93B1-18	GE-504A	93B1-18	GE-504A	93B71-1	GE-60	93C267	GE-511	99S070-1	GE-20
86X0053-001	GE-12	93A4-2	GE-504A	93B1-20	GE-504A	93B1-20	GE-504A	93B71-1	GE-12	93C267	6GC1	99S073	GE-21
86X0054-001	GE-62	93A5-2	6GD1	93B1-21	6GD1	93B1-21	6GD1	93B122	GE-62	93C3-1	GE-504A	99S074	GE-20
86X0055-001	GEIC-22	93A5-9	6GC1	93B3-4	GE-42	93B3-4	GE-42	93C123	GEIC-22	93L3-2	GE-504A	99S075	GE-66
86X0056-001	GEIC-23	93A5-10	6GC1	93B3-3,4	GE-42	93B3-3,4	GE-42	93C123	GEIC-23	93L5-1	GE-504A	99S077-1	GE-20
86X0058-001	GE-20	93A6-1	GE-504A	93B5	6GC1	93B5	6GC1	93C2-6	GE-20	93L5-2	GE-504A	99S079-1	GE-37
86X0058-002	GE-20	93A6-2	GE-504A	93B5-2	6GC1	93B5-2	6GC1	93C5-1	GE-20	93L5-3	GE-509	99S081-1	GEIC-18
86X0058-003	GE-20	93A8-1	1N60	93B5-3	6GC1	93B5-3	6GC1	93C5-2	GE-20	93L5-4	GE-504A	99S082-1	GEIC-2
86X0059-001	GE-57	93A9	GE-2	93B5-3,6	6GC1	93B5-3,6	6GC1	93C5-3	GE-57	93L5-5	GE-509	99S083-1	GE-66
86X0060-001	GE-17	93A9-1	GE-53	93B5-3,8	6GC1	93B5-3,8	6GC1	93C5-4	GE-17	93L5-6	GE-504A	99S084-1	GE-21
86X0061-001	GE-20	93A9-2	GE-53	93B5-3,9	6GC1	93B5-3,9	6GC1	93C5-5	GE-20	93L5-7	GE-504A	99S085	GE-20
86X0062-001	GE-17	93A9-3	GE-1	93B5-4	6GC1	93B5-4	6GC1	93C5-6	GE-17	93L5-8	GE-509	99S090-1	GE-20
86X0063-001	GE-20	93A9-4	GE-1	93B5-5	6GC1	93B5-5	6GC1	93C5-7	GE-20	93L102-2	GE-504A	99S091-1	GE-66
86X0065-001	GE-27	93A10-1	GE-504A	93B5-6	6GC1	93B5-6	6GC1	93C5-8	GE-27	93L104-5	GE-509	99S091-1	GEIC-18
86X0066-001	GE-21	93A11	GE-504A	93B5-7	6GC1	93B5-7	6GC1	93C5-9	GE-21	93L107-2	1N4005	99S092-1	GE-69
86X0071-001	GE-18	93A12-1	GE-504A	93B5-8	6GC1	93B5-8	6GC1	93C5-10	GE-18	93M8-1	GE-504A	99S094-1	GEIC-4
86X0072-001	GE-21	93A15-1	GE-504A	93B5-9	6GC1	93B5-9	6GC1	93C9-1	GE-21	93N9-1	GE-517	99S095-1	GEIC-6
86X0073-001	GE-18	93A25-1	1N60	93B5-10	6GC1	93B5-10	6GC1	93C12-1	GE-18	93P1AA	GE-21	99S096-1	GEIC-5
86X0074-001	GE-55	93A25-2	1N34AS	93B6	6GC1	93B6	6GC1	93C12-2	GE-55	93SC165	GE-14	99S099-1	GE-69
86X0075-001	GE-56	93A25-3	1N60A	93B8	6GC1	93B8	6GC1	93C16-2	GE-56	93T6	GE-212	99S100-1	GE-66
86X0076-001	GE-27	93A27-1	1N34AS	93B8-1	1N60	93B8-1	1N60	93C18-1	GE-27	94-422-9	1N60	99S101-1	GE-18
86X0080-001	GE-58	93A27-8	1N34AS	93B9	6GC1	93B9	6GC1	93C18-2	GE-58	94-1066-1	GE-504A	99S102-1	GE-27
86X0080-002	GE-57	93A31-1	GE-300	93B12-1	GE-300	93B12-1	GE-300	93C19-1	GE-57	94N1	GE-20	99S103-1	GE-37
86X00011-001	GE-2	93A33-1	1N295	93B12-2	1N295	93B12-2	1N295	93C21-1	GE-2	94N1B			

UNIVERSAL REPLACEMENT SEMICONDUCTORS

100-136 - 121-492

JEDEC Or Part Nr	GE Replacement	JEDEC Or Part Nr	GE Replacement	JEDEC Or Part Nr	GE Replacement	JEDEC Or Part Nr	GE Replacement	JEDEC Or Part Nr	GE Replacement	JEDEC Or Part Nr	GE Replacement	JEDEC Or Part Nr	GE Replacement
100-136	1N60	103-252	GEZD-18	112-7292955	GE-3	121-48	GE-50	121-210	GE-53	121-345	GE-20		
100-137	GE-300	103-254	GE-300	113-118	GE-20	121-49	GE-50	121-211	GE-53	121-347	GE-2		
100-138	GE-504A	103-258	GE-504A	113A7739	GE-504A	121-50	GE-5	121-219	GE-51	121-348	GE-2		
100-139	GEZD-9.1	103B8	GE-504A	113N2	GE-20	121-51	GE-5	121-220	GE-51	121-349	GE-50		
100-0051	1N60	103G3125	GE-504A	114-118	GE-17	121-52	GE-52	121-221	GE-53	121-350	GE-50		
100-0124	1N60	103G3125A	GE-504A	115-1	GE-20	121-53	GE-2	121-222	GE-53	121-351	GE-50		
100-0125	1N34AS	104-17	GE-51	115-4	GE-20	121-54	GE-51	121-225	GE-52	121-352	GE-50		
100-00340-00	1N34AS	104-19	GE-51	115-13	GE-20	121-59	GE-54	121-226	GE-52	121-353	GE-50		
100-00914-10	1N60	104-21	GE-51	115Z4	GEZD-15	121-60	GE-6	121-227	GE-52	121-354	GE-51		
100-01110-01	GE-300	104B8	GE-504A	116-1	GE-12	121-61	GE-52	121-228	GE-51	121-356	GE-51		
100-10132-00	GE-504A	104H01	GE-18	117-1	GE-12	121-62	GE-50	121-229	GE-51	121-357	GE-51		
100A	GE-504A	104T2	GE-72	117-2	GE-53	121-63	GE-1	121-230	GE-51	121-358	GE-51		
100B63	GE-2	105-001-04	GE-20	117-6	GE-54	121-64	GE-52	121-231	GE-51	121-359	GE-51		
100C	GE-509	105-001-05	GE-10	117-9	GE-57/GE-58	121-65	GE-50	121-232	GE-2	121-363	GE-76		
100C-4R	GE-504A	105-001-07	GE-20	117-134-11	GE-504A	121-66	GE-50	121-233	GE-52	121-364	GE-47		
100D10	GE-509	105-005-04 / 2228-3	GE-17	118-1	GE-17	121-67	GE-51	121-234	GE-2	121-365	GE-20		
100N1	GE-20	105-005-12	GE-20	118-2	GE-17	121-68	GE-52	121-235	GE-2	121-366	GE-47		
100N1P	GE-20	105-008-04 / 2228-3	GE-20	118-3	GE-17	121-69	GE-52	121-236	GE-2	121-367	GE-17		
100N3P	GE-39	105-009-21 / 2228-3	GE-20	118-4	GE-17	121-70	GE-5	121-237	GE-54	121-370	GE-20		
100R7B	GE-509	105-085-33	GE-10	119-0077	GE-18	121-71	GE-5	121-238	GE-54	121-371	GE-3		
100R8B	GE-509	105-904-85	GE-17	120-1	GE-20	121-72	GE-2	121-239	GE-51	121-372	GE-2		
100R9B	GE-509	105-904-86	GE-17	120-2	GE-20	121-73	GE-50	121-240	GE-1	121-373	GE-53		
100T2	GE-19	105-904-87	GE-17	120-3	GE-20	121-74	GE-50	121-241	GE-47	121-374	GE-53		
100X6	GE-14	105-931-91 / 2228-3	GE-20	120-7	GE-63	121-75	GE-50	121-242	GE-51	121-375	GE-52		
101-12	GE-52	105-941-97 / 2228-3	GE-20	120-8	GE-18	121-76	GE-50	121-243	GE-51	121-377	GE-17		
101A	GE-2	105-00106-00	GE-20	120-001-300	GE-504A	121-78	GE-50	121-244	GE-51	121-378	GE-17		
101B	GE-2	105-00107-09	GE-20	120-190	GE-51	121-79	GE-2	121-245	GE-50	121-379	GE-17		
101B6	GE-504A	105-00108-07	GE-20	120-02213	GE-51	121-80	GE-2	121-246	GE-52	121-380	GE-20		
101M	GE-2	105-02004-09	GE-20	120-001192	GE-1	121-81	GE-2	121-247	GE-16	121-381	GE-50		
102-339	GE-300	105-02005-07	GE-17	120-001195	GE-2	121-82	GE-2	121-248	GE-16	121-382	GE-3		
102-412	GE-300	105-02008-05	GE-17	120-002013	GE-2	121-83	GE-2	121-254	GE-1	121-383	GE-61		
102B6	GE-504A	105-02008-01	GE-20	120-002214	GE-51	121-84	GE-2	121-256	GE-51	121-384	GE-51		
102D	GE-504A	105-06004-00	GE-20	120-002216	GE-51	121-85	GE-2	121-257	GE-50	121-385	GE-51		
103-3	1N60	105-06007-05	GE-20	120-002513	GE-51	121-86	GE-51	121-258	GE-50	121-388	GE-2		
103-19	1N295	105-08243-05	GE-62	120-002515	GE-1	121-87	GE-51	121-259	GE-50	121-389	GE-3		
103-20	6GC1	105-24191-04	GE-20	120-002518	GE-51	121-88	GE-51	121-260	GE-50	121-395	GE-2		
103-22	1N295	105-28196-07	GE-10	120-002520	GE-1	121-89	GE-51	121-261	GE-53	121-396	GE-2		
103-23	1N60	105B8	GE-504A	120-002521	GE-2	121-90	GE-51	121-262	GE-53	121-397	GE-1		
103-28	GE-42	106	GE-504A	120-002748	GE-2	121-91	GE-1	121-263	GE-53	121-398	GE-16		
103-29	GE-504A	106-1	GE-504A	120-003147	GE-300	121-92	GE-1	121-266	GE-52	121-399	GE-52		
103-31	1N295	106B6	GE-504A	120-004492	GE-50	121-93	GE-1	121-267	GE-52	121-400	GE-80		
103-32	6GC1	106M	GE-FET-2	120-004493	GE-52	121-94	GE-52	121-268	GE-51	121-401	GE-80		
103-42	1N34AS	106P1	GE-16	120-004494	GE-52	121-95	GE-2	121-269	GE-51	121-403	GE-53		
103-43	6GC1	106P1AG	GE-3	120-004495	GE-52	121-96	GE-2	121-270	GE-16	121-404	GE-20		
103-44	1N60	107A	GE-52	120-004498	GE-11	121-100	GE-1	121-271	GE-16	121-408	GE-52		
103-47	GE-90	107B	GE-52	120-004497	GE-11	121-101	GE-50	121-272	GE-52	121-409	GE-52		
103-49	1N82A	107B6	GE-504A	120-004724	GE-20	121-102	GE-50	121-273	GE-2	121-411	GE-50		
103-51	GE-300	107M	GE-52	120-004725	GE-20	121-103	GE-50	121-274	GE-52	121-412	GE-50		
103-60	1N82A	107N2	GE-18	120-004727	GE-2	121-104	GE-50	121-275	GE-2	121-413	GE-50		
103-61	1N82A	108	GE-504A	120-004728	GE-2	121-105	GE-50	121-276	GE-20	121-414	GE-50		
103-65	1N82A	108-1	GE-50	120-004729	GE-2	121-106	GE-52	121-277	GE-20	121-415	GE-50		
103-71	GE-42	108-2	GE-50	120-004730	1N60	121-107	GE-52	121-278	GE-20	121-415B	GE-50		
103-73	1N34AS	108-3	GE-51	120-004877	GE-300	121-113	GE-51	121-279	GE-20	121-417	GE-22		
103-74	1N60	108-4	GE-50	120-005291	GE-11	121-120	GE-52	121-289	GE-51	121-418	GE-16		
103-79	1N34AS	108A4	GE-504A	120-005292	GE-11	121-128	GE-51	121-290	GE-51	121-419	GE-22		
103-82	GE-504A	108B4	GE-504A	120-005293	GE-11	121-134	GE-3	121-291	GE-2	121-420	GE-52		
103-87	1N34AS	108E-E2	GE-504A	120-005294	GE-17	121-135	GE-51	121-293	GE-47	121-421	GE-53		
103-89	GE-42	109-1	GE-20	120-005295	GE-17	121-136	GE-3	121-294	GE-51	121-422	GE-20		
103-90	1N60	109B6	GE-504A	120-005298	GE-20	121-137	GE-51	121-296	GE-53	121-425	GE-53		
103-96	GEZD-12	110-829	GE-504A	120-005297	GE-20	121-138	GE-51	121-297	GE-51	121-426	GE-50		
103-101	6GC1	110-635	GE-504A	120-005298	GE-17	121-139	GE-51	121-298	GE-51	121-427	GE-51		
103-102	1N60	110-636	GE-504A	120-005299	1N34AS	121-145	GE-51	121-299	GE-51	121-428	GE-50		
103-105	GEZD-24	110-672	GE-504A	120-005300	GE-90	121-146	GE-51	121-300	GE-53	121-429	GE-50		
103-112	GE-509	110-884	GE-504A	120-006804	GE-21	121-147	GE-51	121-301	GE-52	121-430	GE-20		
103-114	1N34AS	110-763	1N60	120P1	GE-21	121-148	GE-52	121-302	GE-8	121-431	GE-20		
103-131	1N34AS	110-01563-00	GE-52	120P1M	GE-21	121-150	GE-51	121-303	GE-20	121-432	GE-51		
103-142	GE-511	110B6	GE-504A	121-1	GE-21	121-151	GE-53	121-304	GE-17	121-433	GE-20		
103-142-01	GE-300	110BH1	GE-504A	121-6	GE-5	121-152	GE-53	121-305	GE-52	121-434	GE-10		
103-144	GEZD-24	110P1	GE-21	121-7	GE-7	121-153	GE-51	121-306	GE-52	121-435	GE-10		
103-144-01	GEZD-24	111-8935	GE-51	121-8	GE-54	121-154	GE-51	121-307	GE-52	121-436	GE-12		
103-145	GE-504A	111N4B	GE-75	121-9	GE-1	121-157	GE-50	121-308	GE-16	121-437	GE-2		
103-158	GEZD-12	111P3B	GE-74	121-10	GE-51	121-160	GE-2	121-309	GE-53	121-441	GE-22		
103-159	GE-300	111T2	GE-27	121-11	GE-53	121-161	GE-50	121-310	GE-52	121-442	GE-82		
103-178	GE-300	112-2	GE-21	121-12	GE-53	121-162	GE-50	121-311	GE-53	121-445	GE-27		
103-189	GE-90	112-7	GE-67	121-14	GE-1	121-163	GE-52	121-311B	GE-53	121-446	GE-21		
103-191	GE-511	112-8	GE-21	121-15	GE-54	121-164	GE-52	121-312	GE-50	121-447	GE-20		
103-192	1N60	112-001	GE-2	121-16	GE-54	121-179	GE-50	121-313	GE-50	121-448	GE-47		
103-193	GE-511	112-003	GE-52	121-17	GE-54	121-180	GE-50	121-314	GE-2	121-449	GE-35		
103-194	GEZD-7.5	112-004	GE-52	121-18	GE-12	121-181	GE-50	121-315	GE-12	121-450	GE-17		
103-196	GE-511	112-500-0-50	GE-300	121-19	GE-52	121-184	GE-2	121-319	GE-52	121-451	GE-12		
103-202	1N60	112-500-0-501	GE-504A	121-21	GE-5	121-185	GE-50	121-320	GE-52	121-452	GE-36		
103-203	GE-504A	112-601-0-102	GE-504A	121-22	GE-5	121-186	GE-2	121-321	GE-54	121-453	GE-20		
103-216	GE-504A	112-000172	GE-51	121-24	GE-5	121-187	GE-2	121-322	GE-52	121-462	GE-11		
103-222	GE-300	112-000185	GE-51	121-25	GE-5	121-189	GE-2	121-328	GE-51	121-470	GE-11		
103-228	GE-504A	112-000187	GE-16	121-26	GE-5	121-190	GE-52	121-329	GE-51	121-472	GE-11		
103-231	GEZD-15	112-000287	GE-50	121-27	GE-53	121-191	GE-52	121-327	GE-51	121-480	GE-11		
103-236	GEZD-33	112-034923	GE-53	121-33	GE-7	121-192	GE-52	121-331	GE-51	121-481	GE-11		
103-237	GEZD-33	112-200525	GE-2	121-34	GE-53	121-193	GE-2	121-332	GE-16	121-482	GE-11		
103-240	GE-300	112-202147	GE-16	121-44	GE-50	121-205	GE-53	121-333	GE-51	121-483	GE-11		
103-244	GE-511	112-203053	GE-28	121-45	GE-50	121-206	GE-51	121-334	GE-51	121-490	GE-52		
103-247	GE-511	112-203055	GE-14	121-46	GE-53	121-207	GE-51	121-335	GE-51	121-491	GE-52		

UNIVERSAL REPLACEMENT SEMICONDUCTORS

121-493 - 212-22

JEDEC Or Part Nr	GE Replacement	JEDEC Or Part Nr	GE Replacement	JEDEC Or Part Nr	GE Replacement	JEDEC Or Part Nr	GE Replacement	JEDEC Or Part Nr	GE Replacement	JEDEC Or Part Nr	GE Replacement	JEDEC Or Part Nr	GE Replacement
121-493	GE-52	121-722	GE-81	121-966	GE-57	130-40349	GE-30	152-012-9-001	GEZD-9.1	173A4419-9	GE-3		
121-494	GE-52	121-726	GE-72	121-968	GE-11	130-40456	GE-53	152-019-9-001	GEZD-6.2	173A4420-1	GE-16		
121-495	GE-21	121-730	GE-39	121-969	GE-69	130-40883	GE-62	152-021-9-001	GEZD-12	173A4420-5	GE-16		
121-496	GE-21	121-731	GE-FET-1	121-970	GE-66	130-40896	GE-62	152-042-9-001	GE-X11	173A4422-1	GE-16		
121-497	GE-22	121-732	GE-20	121-972	GE-20	130-40901	GE-62	152-042-9-002	GEZD-6.2	173A4424	GE-2		
121-498	GE-20	121-734	GE-2	121-973	GE-20	130-40922	GE-62	152-051-9-001	GEZD-9.1	173A4436	GE-16		
121-499	GE-20	121-735	GE-210	121-974	GE-11	131N2	GE-28	152-052-9-002	GEZD-6.2	173A4470-11	GE-20		
121-500	GE-39	121-737	GE-20	121-975	GE-20	131N2G	GE-62	152-057-9-001	GEZD-15	173A4470-13	GE-20		
121-501	GE-39	121-742	GE-11	121-976	GE-66	132-90	GE-53	152N-2	GE-75	173A4473-5	GE-62		
121-502	GE-17	121-743	GE-40	121-977	GE-69	132-004	GE-20	152P1B	GE-74	173A4490-2	GE-28		
121-503	GE-20	121-744	GE-63	121-978	GE-22	132-011	GE-20	153-004-9-001	GE-90	173A4490-5	GE-18		
121-504	GE-20	121-745	GE-20	121-980	GE-58	132-017	GE-20	154A3675-105	GE-2	173A4491-2	GE-14		
121-505	GE-20	121-746	GE-21	121-982	GE-20	132-021	GE-20	154A3676	GE-51	174-1	GE-50AA		
121-506	GE-11	121-748	GE-20	121-985	GE-36	132-023	GE-20	154A3676-205	GE-2	174-2	GE-50AA		
121-507	GE-60	121-751	GE-63	121-986	GE-22	132-024	GE-26	154A3677	GE-51	174-3	GE-50AA		
121-507	GE-20	121-752	GE-64	121-987	GE-66	132-026	GE-20	154A3679	GE-2	174-002-9-001	GE-6		
121-508	GE-39	121-753	GE-20	121-988	GE-69	132B3511	6GC1	154A3679-5110	GE-51	175-008-9-001	GE-2		
121-509	GE-20	121-754	GE-11	121-989	GE-27	134B1038-4	GE-62	154A3680	GE-3	176-003	GE-17		
121-510	GE-11	121-755	GE-27	121-990	GE-27	134B1038-8	GE-62	154A3992	GE-50A	176-003-9-001	GE-20		
121-520	GE-17	121-758	GE-37	121-996	GE-28	134B1038-13	GE-62	154A5943	GE-12	176-004-9-001	GE-17		
121-521	GE-17	121-758X	GE-37	121-1032	GE-50	134B1038-21	GE-10	154A5943-1	GE-12	176-005	GE-17		
121-522	GE-61	121-759	GE-38	121-1033	GE-52	134B1038-22	GE-62	154A5944-410	GE-10	176-005-9-001	GE-20		
121-523	GE-11	121-759X	GE-38	121-1034	GE-52	134B1040-7	GE-63	154A5944-413	GE-62	176-006	GE-17		
121-524	GE-61	121-762	GE-8	121-1035	GE-52	134P1	GE-21	154A5945-519	GE-62	176-006-9-001	GE-20		
121-524	GE-39	121-766	GE-63	121-1036	GE-52	134P1A	GE-22	154A5946-622	GE-18	176-007	GE-17		
121-524A	GE-39	121-767	GE-20	121-1124	GE-16	134P1AA	GE-21	154A5946-624	GE-20	176-007-9-001	GE-20		
121-526	GE-20	121-768	GE-17	121-1134	GE-16	134P4	GE-21	154A8681	GE-2	176-008-9-001	GE-20		
121-538	GE-50	121-770	GE-66	121-1330	GE-2	134P4AA	GE-22	154T1	GE-51	176-014-9-001	GE-20		
121-538B	GE-50	121-772	GE-66	121-1350	GE-2	134P4M	GE-21	154T1A	GE-51	176-016-9-001	GE-20		
121-539	GE-50	121-773	GE-18	121-1360	GE-2	135P4	GE-50A	154T1B	GE-51	176-024-9-001	GE-17		
121-540	GE-50	121-774	GE-21	121-1390	GE-2	136-000100	GE-42	155T1	GE-51	176-025-9-001	GE-10		
121-540B	GE-50	121-776	GE-40	121-1400	GE-2	136-000200	GE-42	156	GE-18	176-026-9-001	GE-11		
121-541	GE-50	121-777	GE-20	121-1410	GE-8	136-000300	GE-42	156-83	GE-75	176-029-9-001	GE-10		
121-541B	GE-50	121-787	GE-39	121G1241	GE-511	136P1	GE-21	156-032	GE-14	176-029-9-002	GE-20		
121-542	GE-50	121-808	GE-29	122-1	GE-20	139N1	GE-20	156-043	GE-77	176-029-9-003	GE-20		
121-542B	GE-50	121-819	GE-20	122-2	GE-20	140N2	GE-14	156-044	GE-77	176-031-9-001	GE-20		
121-543	GE-52	121-821	GE-37	122-6	GE-20	141-430	GE-20	156-053	GE-14	176-031-9-002	GE-20		
121-544	GE-52	121-822	GE-27	122-80	GE-50A	142-006	GE-50A	156-063	GE-14	176-037-9-001	GE-20		
121-546	GE-20	121-825	GE-20	122-229	GE-2	142N1	GE-20	156-083	GE-75	176-037-9-002	GE-18		
121-547	GE-20	121-827	GE-20	123N1	GE-37	142N3	GE-20	156-084	GE-75	176-037-9-003	GE-20		
121-551	GE-20	121-829	GE-14	124-1	GE-16	142N4	GE-10	156-104	GE-75	176-042-9-001	GE-17		
121-552	GE-51	121-830	GE-51	124J490	GE-50A	142N6	GE-20	156T1	GE-51	176-042-9-002	GE-20		
121-553	GE-51	121-831	GE-38	125-4	GE-25	144-3	GE-300	157	GE-18	176-042-9-003	GE-20		
121-580	GE-17	121-834	GE-60	125P1	GE-22	144N1	GE-27	157N3	GE-28	176-042-9-004	GE-20		
121-581	GE-47	121-836	GE-17	125P1M	GE-21	144N1G	GE-28	157P4	GE-29	176-042-9-005	GE-28		
121-582	GE-12	121-841	GE-11	125P116	GE-22	145A9254	GE-50A	157T1	GE-51	176-042-9-006	GE-17		
121-585	GE-39	121-843	GE-63	126-4	GE-50A	145A9786	GE-50A	157T1A	GE-51	176-042-9-007	GE-66		
121-587	GE-20	121-846	GE-20	126-7	GE-50A	145N1P	GE-20	158P1M	GE-22	177-001	GE-22		
121-600	GE-20	121-848	GE-11	128-853	GE-28	145T1B	GE-51	159T1	GE-52	177-001-9-001	GE-21		
121-601	GE-50	121-850	GE-20	128N2	GE-20	146N3	GE-20	160T1	GE-52	177-006-9-001	GE-21		
121-602	GE-67	121-851	GE-11	129-4	GE-2	146T1	GE-16	161-5	GE-66	177-006-9-002	GE-21		
121-603	GE-67	121-853	GE-28	129-5	GE-16	147N1	GE-17	161N2	GE-15MP	177-007-9-001	GE-22		
121-610	GE-20	121-855	GE-11	129-6	GE-16	147P2	GE-21	161T1	GE-52	180T2	GE-19		
121-612	GE-11	121-856	GE-20	129-7	GE-16	147T1	GE-16	161T2	GE-63	180T2A	GE-19		
121-613	GE-11	121-857	GE-20	129-8	GE-52	149N2	GE-57	162N2	GE-27	180T2B	GE-19		
121-614	GE-20	121-858	GE-FET-2	129-8-1	GE-2	149P1	GE-58	162P1	GE-58	180T2C	GE-19		
121-616	GE-60	121-861	GE-22	129-8-1A	GE-2	150	GE-50A	162T1	GE-52	181-000200	GEIC-8		
121-630	GE-17	121-863	GE-20	129-8-2	GE-2	150-001-9-005	1N60	162T2	GE-63	181T2A	GE-14		
121-632	GE-2	121-865	GE-21	129-9	GE-3	150-001-9-007	1N34AS	167-9	GE-63	181T2B	GE-14		
121-633	GE-52	121-868	GE-27	129-10	GE-16	150-004-9-001	1N60	167N1	GE-10	181T2C	GE-14		
121-634	GE-52	121-869	GE-11	129-11	GE-51	150-005-9-001	1N34AS	168-9	GE-67	182-009-9-001	GE-FET-2		
121-635	GE-52	121-873	GE-58	129-13	GE-3	150-006-9-001	1N60	169-257	GE-12	182-014-9-003	GE-FET-1		
121-636	GE-53	121-877	GE-20	129-14	GE-63	150-018-9-001	GE-50A	169-284	GE-12	182-015-9-001	GE-FET-1		
121-637	GE-210	121-878	GE-20	129-15	GE-20	150-022-9-001	GE-50A	171-001-9-001	GE-3	183P1	GE-22		
121-638	GE-20	121-879	GE-21	129-16	GE-20	150D	GEZD-15	171-003-9-001	GE-12	185-736	GE-12		
121-638B	GE-210	121-880	GE-28	129-17	GE-2	150N1	GE-20	171-016-9-001	GE-30	188-68-35	GECR-3		
121-639	GE-20	121-881	GE-63	129-18	GE-2	151-001-9-001	GE-300	172-001-9-001	GE-17	189N1	GE-38		
121-640	GE-2	121-883	GE-20	129-20	GE-21	151-015-9-001	GE-300	172-003-9-001	GE-12	190N1C	GE-57		
121-641	GE-8	121-884	GE-11	129-21	GE-63	151-018-9-001	GE-50A	172-009-9-001	GE-45	190N3C	GE-57		
121-671	GE-20	121-885	GE-11	129-23	GE-23	151-021-9-001	GE-300	172-010-9-001	GE-66	200	GE-50A		
121-675	GE-20	121-886	GE-69	129-27	GE-20	151-022-9-001	GE-50A	172-011-9-001	GE-66	200-010	GE-17		
121-676	GE-20	121-887	GE-66	129-32	GE-52	151-023-9-001	GE-50A	172-013-9-001	GE-66	200-015	GE-17		
121-677	GE-20	121-888	GE-20	129-33	GE-63	151-025-9-001	GE-50A	172-014-9-001	GE-66	200-016	GE-20		
121-695	GE-20	121-888	GE-20	129-34	GE-21	151-029-9-003	GE-50A	172-014-9-002	GE-46	200A	GE-8		
121-697	GE-51	121-889	GE-20	129N1	GE-61	151-030-9-001	GE-300	172-014-9-003	GE-66	201A	GE-2		
121-699	GE-65	121-895	GE-60	130-138	GE-11	151-030-9-002	GE-300	173-1	GE-FET-1	201B	GE-2		
121-701	GE-60	121-895	GE-17	130-338-00	GE-50A	151-030-9-003	GEZD-6.2	173-15	GEZD-15	202A	GE-8		
121-702	GE-17	121-895A	GE-17	130-398-99	GE-50A	151-030-9-004	GE-300	173A3936	GE-16	203A6137	GEZD-6.2		
121-703	GE-47	121-898	GE-11	130-30189	GE-300	151-030-9-005	GE-50A	173A3963	GE-16	207A1	GE-51		
121-704	GE-60	121-899	GE-11	130-30192	GE-50A	151-030-9-006	GE-300	173A3970	GE-2	207A9	GE-17		
121-705	GE-51	121-900	GE-20	130-30256	GE-50A	151-031-9-001	GEZD-6.2	173A3981	GE-50A	207A10	GE-17		
121-706	GE-81	121-924	GE-20	130-30265	GE-300	151-031-9-006	GEZD-9.1	173A3981-1	GE-50A	207V073C04	GE-21		
121-707	GE-58	121-925	GE-20	130-30266	GE-300	151-032-9-001	GE-300	173A4348	GE-2	209-30	GE-24MP		
121-708	GE-57	121-926	GE-58	130-30274	GE-300	151-032-9-002	GE-300	173A4349	GE-2	209-31	1N60		
121-709	GE-58	121-927	GE-57	130-30281	1N34AS	151-032-9-004	GE-300	173A4393	GE-50A	209-32	GE-300		
121-710	GE-57	121-931	GE-20	130-30301	1N34AS	151-034-9-001	GE-300	173A4394-1	GE-300	209-846	GE-20		
121-711	GE-212	121-932	GE-11	130-30313	GE-50A	151-040-9-002	GE-300	173A4399	GE-18	209-852	GE-20		
121-712	GE-12	121-933	GE-21	130-30									

UNIVERSAL REPLACEMENT SEMICONDUCTORS

212-23 - 297V003H02

JEDEC Or Part Nr	GE Replacement	JEDEC Or Part Nr	GE Replacement	JEDEC Or Part Nr	GE Replacement	JEDEC Or Part Nr	GE Replacement	JEDEC Or Part Nr	GE Replacement	JEDEC Or Part Nr	GE Replacement	JEDEC Or Part Nr	GE Replacement
212-23	GE-504A	229-0077	GE-51	229-1513-46	GE-18	260P04502	GE-20	260P24408	GE-36	295V006H05	GE-504A		
212-25	GE-504A	229-0079	GE-51	229-5100-15U	GE-11	260P05801	GE-11	260P24803	GE-12	295V006H06	GE-504A		
212-27	GE-504A	229-0080	GE-53	229-5100-33V	GE-11	260P06902	GE-11	260P24901	GE-60	295V006H07	GE-504A		
212-33	GE-504A	229-0082	GE-51	229-5100-224	GE-11	260P06904	GE-20	260P33108	GE-38	295V006H08	GE-504A		
212-35	GE-504A	229-0083	GE-51	229-5100-225	GE-11	260P07001	GE-11	260Z00109	GE-20	295V006H09	GE-504A		
212-36	GE-504A	229-0085	GE-53	229-5100-226	GE-11	260P07301	GE-16	260Z00209	GE-17	295V007H02	GE-504A		
212-37	GE-504A	229-0086	GE-50	229-5100-228	GE-11	260P07502	GE-30	260Z00309	GE-17	295V008H01	GE-504A		
212-38	GE-504A	229-0087	GE-51	229-5100-231	1N34AS	260P07601	GE-52	260Z00401	GE-20	295V012H01	GE-504A		
212-39	GE-504A	229-0088	GE-53	229-5100-232	GE-504A	260P07701	GE-20	260Z00402	GE-10	295V012H02	GE-504A		
212-40	GE-504A	229-0089	GE-51	229-5100-233	GE-504A	260P07702	GE-20	260Z00703	GE-53	295V012H03	GE-504A		
212-41	GE-504A	229-0090	GE-51	229-5100-234	GE-504A	260P07703	GE-63	260Z01201	GE-53	295V012H06	GE-504A		
212-42	GE-504A	229-0091	GE-53	229-5100-235	GE-504A	260P07704	GE-63	264D00101	GE-300	295V014H7	GE-504A		
212-46	GECR-3	229-0092	GE-53	229-6011	GE-18	260P07705	GE-20	264D00209	GE-300	295V014H01	GE-504A		
212-47	GE-504A	229-0093	1N34AS	231-0000-01	GE-53	260P07707	GE-20	264D00505	GE-504A	295V014H04	GE-504A		
212-48	GECR-1	229-0095	GE-50	231-0004	GE-14	260P07901	GE-11	264D00612	1N60	295V015H02	GE-504A		
212-49	GE-504A	229-0096	GE-90	231-0004-01	GE-20	260P08001	GE-17	264D00701	1N60	295V016H01	GE-504A		
212-50	GE-504A	229-0097	GE-53	231-0006B	GE-3	260P08201	GE-21	264D00801	1N60	295V017H01	GE-504A		
212-51	GE-504A	229-0098	GE-50	231-0008	GE-66	260P08401	GE-11	264D00901	1N60	295V020H01	GE-504A		
212-58	GE-504A	229-0099	GE-51	231-0009	GE-2	260P08901	GE-38	264D01001	1N34AS	295V023H01	GE-504A		
212-59	GE-504A	229-0100	GE-53	231-0011	GE-16	260P08908	GE-35	264D01112	GE-504A	295V027C01	GE-504A		
212-60	GE-504A	229-0102	GE-504A	231-0013	GE-28	260P09201	GE-11	264P00401	1N34AS	295V028C01	GE-504A		
212-61	GE-504A	229-0105	1N34AS	231-0015	GE-16	260P09402	GE-12	264P00501	GE-504A	295V028C02	GE-504A		
212-62	GE-504A	229-0106	GE-51	232-0001	GE-504A	260P09501	GE-37	264P00502	6GC1	295V028C03	GE-509		
212-63	GECR-3	229-0107	1N295	232-0009-31	GEZD-12	260P09701	GE-36	264P00506	6GC1	295V028C04	GE-509		
212-64	GE-504A	229-0108	1N295	232-1006	GE-509	260P10005	GE-63	264P00601	GE-504A	295V029C01	GE-504A		
212-65	GE-504A	229-0110	GE-51	232-1009	GE-504A	260P10301	GE-20	264P00602	GE-504A	295V029C02	GE-504A		
212-68	GECR-2	229-0111	GE-50	232-1011	GE-504A	260P10403	GE-20	264P00801	1N34AS	295V031B	GECR-2		
212-71	GE-504A	229-0112	GE-50	235	GE-2	260P10601	GE-11	264P01301	1N60	295V031B02	GECR-3		
212-72	GE-504A	229-0114	1N82A	241-15A	GE-51	260P10801	GE-63	264P01305	1N60	295V031C02	GECR-3		
212-76	GE-511	229-0116	GE-16	247-257	GE-20	260P11101	GE-20	264P01508	GE-504A	295V033B01	GECR-1		
212-77	GE-504A	229-0117	GE-504A	247-621	GE-504A	260P11302	GE-20	264P01701	GE-511	295V034C01	GECR-2		
212-79	GE-504A	229-0119	GE-504A	247-629	GE-20	260P11303	GE-20	264P02001	GE-504A	295V035C01	GE-504A		
212-80	GE-504	229-0120	GE-504A	251M1	GE-8	260P11304	GE-20	264P02104	GECR-1	295V041H04	GE-3		
212-85	GECR-1	229-0121	GE-51	260-10-006	GE-FET-2	260P11305	GE-20	264P02301	GE-511	296-56-9	GE-3		
212-85B	GECR-1	229-0122	GE-54	260-10-016	GE-21	260P11403	GE-21	264P02501	GEZD-5.1	296-62-9	GE-52		
212-92	GE-504A	229-0123	GE-51	260-10-020	GE-20	260P11502	GE-63	264P03001	GE-504A	296-77-9	GE-18		
212-94	GE-504A	229-0124	GE-53	260-10-021	GE-17	260P11503	GE-63	264P03301	GEZD-5.2	296-86	GE-20		
212-94B	GE-504A	229-0125	GE-53	260-10-031	GE-90	260P11504	GE-63	264P03302	GEZD-12	296L002B01	1N295		
212-108	GE-520	229-0129	GE-50	260-10-033	GE-504A	260P12001	GE-20	264P03303	GEZD-12	296L003B01	GEZD-12		
212-109	GE-520	229-0130	GE-53	260-10-039	GE-21	260P12002	GE-10	264P03401	1N82A	296V001H01	GE-42		
212-110	GE-520	229-0131	GE-51	260-10-042	GE-20	264P12401	GE-18	264P03601	GE-511	296V001M01	GE-42		
212-139	GE-518	229-0132	GE-51	260-10-044	GE-X11	260P12701	GE-66	264P03603	GE-511	296V002H01	1N295		
212-139-01	GE-518	229-0133	GE-53	260-10-046	GEZD-6.2	260P13001	GE-53	264P03604	GE-511	296V002H02	1N295		
212-139-02	GE-518	229-0134	GE-54	260-10-048	1N60	260P14101	GE-20	264P03605	GE-511	296V002H05	1N295		
212-142	GE-516	229-0135	GE-504A	260-10-049	GE-300	260P14102	GE-63	264P03606	GE-511	296V002H06	1N295		
212-142-01	GE-516	229-0136	GE-51	260-10-052	GE-18	260P14103	GE-63	264P03607	GE-504A	296V002H07	1N60		
212-505	GE-20	229-0137	GE-53	260-10-053	GE-28	260P15100	GE-12	264P03802	1N34AS	296V002H08	1N34AS		
212-507	GE-20	229-0138	GE-53	260-10-054	GE-66	260P15108	GE-12	264P04003	GEZD-15	296V002M01	1N295		
212-695	GE-20	229-0139	GE-53	260-10-055	GE-66	260P15201	GE-21	264P04005	GEZD-5.6	296V004H01	6GC1		
212-699	GE-21	229-0140	GE-53	260-10-056	GE-11	260P15202	GE-21	264P04206	GE-504A	296V006H02	1N60		
215-51	GE-504A	229-0141	1N295	260-61-011	GE-300	260P15203	GE-21	264P04301	GE-511	296V006H03	GE-504A		
215-58	GE-504A	229-0142	GE-53	260-61-047	GE-300	260P16009	GE-12	264P04402	GE-504A	296V011H03	GEZD-12		
215-76GE	GE-504A	229-0143	GE-53	260D106A1	GE-18	260P16101	GE-39	264P04501	GE-300	296V012H01	GE-90		
221-32	GEIC-12	229-0144	GE-20	260D0404	GE-52	260P16202	GE-12	264P04502	GE-300	296V015H01	1N60		
221-34	GEIC-10	229-0145	GE-51	260D00401	GE-52	260P16208	GE-12	264P04701	GE-511	296V017H01	GEZD-12		
221-36	GEIC-3	229-0146	GE-53	260D00402	GE-54	260P16301	GE-11	264P04702	GE-511	296V018B01	GEZD-12		
221-37	GEIC-3	229-0147	GE-504A	260D00403	GE-52	260P16302	GE-11	264P04703	GE-504A	296V018B02	GEZD-7.5		
221-39	GEIC-3	229-0148	GE-20	260D00507	GEZD-5.6	260P16502	GE-22	264P04705	GE-511	296V019B01	GEZD-12		
221-42	GEIC-4	229-0150	GE-20	260D02501	GE-2	260P16503	GE-22	264P04901	GE-504A	296V019B04	GEZD-9.1		
221-43	GEIC-6	229-0151	GE-20	260D02601	GE-2	260P17101	GE-60	264P05001	GE-504A	296V020B01	GE-504A		
221-45	GEIC-13	229-0151-3	GE-11	260D02701	GE-53	260P17102	GE-17	264P05002	GE-504A	296V020B02	GE-504A		
221-45-01	GEIC-13	229-0152	GE-20	260D04501	GE-52	260P17103	GE-17	264P05902	GE-90	296V024B01	1N34AS		
221-46	GEIC-5	229-0154	GE-20	260D04701	GE-53	260P17104	GE-20	264P06601	GE-504A	296V024B02	GE-300		
221-48	GEIC-2	229-0162	GE-504A	260D05701	GE-17	260P17105	GE-20	264P06603	GE-511	296V034C01	GECR-2		
221-62	GEIC-5	229-0180-32	GE-11	260D05704	GE-20	260P17106	GE-20	264P08002	GE-504A	297C011H01	GE-51		
221-65	GEIC-9	229-0180-33	GE-20	260D05707	GE-20	260P17106	GE-60	264P09001	GE-504A	297L001H01	GE-54		
221-69	GEIC-33	229-0180-34	GE-11	260D05709	GE-17	260P17201	GE-11	264P09101	GE-511	297L001H02	GE-53		
221-79	GEIC-9	229-0180-119	GE-11	260D07412	GE-62	260P17501	GE-61	264P09301	GEZD-12	297L001H03	GE-53		
221-89	GEIC-17	229-0185-2	GE-11	260D08013	GE-20	260P17503	GE-63	264P09501	GE-511	297L001M01	GE-54		
221-90	GEIC-15	229-0185-3	GE-11	260D08214	GE-28	260P17601	GE-60	264Z00103	GE-90	297L001M02	GE-53		
226-3	GE-67	229-0190-30	GE-39	260D08514	GE-53	260P17603	GE-17	264Z00201	GE-504A	297L001M03	GE-53		
226-4	GE-63	229-0190-31	GE-39	260D08912	GE-53	260P17701	GE-62	264Z00701	1N60	297L002H01	GE-53		
227-2000D1	6GC1	229-0190-90	GE-20	260D09001	GE-10	260P17702	GE-61	265D00702	GE-300	297L005H01	GE-53		
229-0-180-33	GE-11	229-0191-29	GE-11	260D09314	GE-62	260P19009	GE-38	265Z00101	GE-300	297L006H01	GE-20		
229-0-180-34	GE-11	229-0191-30	GE-39	260D09413	GE-53	260P19108	GE-37	266P00101	GE-20	297L006H02	GE-20		
229-485-2	GE-11	229-0192-19	GE-11	260D09612	GE-18	260P19208	GE-38	266P10201	GE-38	297L007C02	GE-20		
229-0011	6GC1	229-0192-20	GE-FET-2	260D13701	GE-20	260P19501	GE-20	266P30103	GE-20	297L007H01	GE-20		
229-0014	1N295	229-0204-6(VHF)	GE-39	260D13702	GE-20	260P19503	GE-18	291-04	GE-504A	297L007H02	GE-20		
229-0026	GE-51	229-0204-6	GE-11	260D13703	GE-52	260P20101	GE-12	295L001H01	GE-504A	297L007H03/C03	GE-20		
229-0027	GE-53	229-0204-23	GE-17	260P1030	GE-40	260P21001	GE-53	295L001M01	GE-504A	297L008C02	GE-18		
229-0028	GE-53	229-0210-14	GE-11	260P1060	GE-11	260P21002	GE-52	295L001M02	GE-504A	297L008H01	GE-18		
229-0029	GE-53	229-0210-19	GE-11	260P1601	GE-60	260P21102	GE-28	295L002H01	GE-504A	297L010C01	GE-21		
229-0030	GE-53	229-0214-40	GE-39	260P1610	GE-39	260P21106	GE-28	295L002M03	GE-504A	297L012C01	GE-21		
229-0035	1N295	229-02											

UNIVERSAL REPLACEMENT SEMICONDUCTORS

297V003H03 - 417-228

JEDEC Or Part Nr	GE Replacement	JEDEC Or Part Nr	GE Replacement	JEDEC Or Part Nr	GE Replacement	JEDEC Or Part Nr	GE Replacement	JEDEC Or Part Nr	GE Replacement	JEDEC Or Part Nr	GE Replacement	JEDEC Or Part Nr	GE Replacement
297V003H03	GE-2	297V041H01	GE-16	297V074C08	GE-20	324-0120	GE-504A	353-9308-002	GE-20	417-47	GE-53		
297V003H06	GE-2	297V041H02	GE-16	297V074C07	GE-20	324-0128	GE-25	353-9308-003	GE-20	417-48	GE-53		
297V003H08	GE-53	297V041H03	GE-18	297V074C08	GE-20	324-0129	GE-51	353-9317-001	GE-21	417-50	GE-51		
297V003H09	GE-52	297V041H04	GE-18	297V074C09	GE-20	324-0130	GE-51	353-9318-001	GE-62	417-51	GE-53		
297V003H01	GE-52	297V041H05	GE-18	297V074C10	GE-20	324-0131	GE-51	353-9318-002	GE-62	417-52	GE-53		
297V003H07	GE-53	297V041H08	GE-16	297V074C11	GE-21	324-0132	GE-51	353-9319-001	GE-62	417-53	GE-51		
297V004H01	GE-53	297V041H07	GE-18	297V074C12	GE-20	324-0133	GE-2	353-9319-002	GE-62	417-54	GE-51		
297V004H03	GE-52	297V041H15	GE-18	297V076B01	GE-52	324-0134	GE-8	353-9502-001	GE-28	417-56	GE-51		
297V004H04	GE-53	297V042C01	GE-52	297V076C01	GE-52	324-0135	GE-504A	354-9101-002	GE-504A	417-57	GE-51		
297V004H08	GE-2	297V042C02	GE-52	297V077C01	GE-50	324-0136	GE-51	354-9102-001	GE-504A	417-59	GE-18		
297V004H08	GE-53	297V042C03	GE-52	297V078C01	GE-11	324-0137	GE-51	354-9110-001	GE-504A	417-62	GE-3		
297V004H09	GE-53	297V042C04	GE-52	297V078C02	GE-11	324-0138	GE-51	359P	GE-509	417-67	GE-20		
297V004H10	GE-52	297V042H01	GE-52	297V080C01	GE-21	324-0139	GE-2	359S	GE-509	417-69	GE-20		
297V004H11	GE-53	297V042H02	GE-52	297V081C01	GE-52	324-0140	GE-2	359Z	GE-509	417-70	GE-50		
297V004H14	GE-52	297V042H03	GE-52	297V082B01	GE-20	324-0142	GE-2	360-1	GE-18	417-71	GE-50		
297V004H15	GE-2	297V042H04	GE-50	297V082B02	GE-21	324-0143	GE-2	364-1	GE-21	417-72	GE-50		
297V004H18	GE-2	297V043H01	GE-2	297V082B03	GE-22	324-0144	GE-2	385-1	GE-20	417-73	GE-53		
297V004H010	GE-2	297V043H02	GE-51	297V083C01	GE-21	324-0145	GE-51	366-1	GE-20	417-74	GE-53		
297V004M01	GE-52	297V044H01	GE-51	297V083C02	GE-17	324-0146	GE-2	366-2	GE-20	417-76	GE-50		
297V005H01	GE-53	297V045H01	GE-50	297V083C03	GE-21	324-0147	GE-504A	366B	GE-504A	417-77	GE-20		
297V008H01	GE-51	297V045H02	GE-50	297V083C04	GE-63	324-0149	GE-20	369-2	GE-504A	417-78	GE-53		
297V008M01	GE-51	297V049H01	GE-8	297V084C01	GE-66	324-0150	GE-17	369-3	GE-504A	417-79	GE-51		
297V010H01	GE-53	297V049H03	GE-8	297V088C01	GE-21	324-0151	GE-20	378-44	GE-14	417-87	GE-18		
297V010M01	GE-53	297V049H04	GE-8	297V088C02	GE-10	324-0152	GE-20	380H61	GE-504A	417-88	GE-18		
297V011	GE-1	297V049H05	GE-20	297V088C03	GE-18	324-0154	GE-20	385P	GE-509	417-89	GE-18		
297V011H01	GE-2	297V049H08	GE-18	297V088C04	GE-29	324-0160	1N60	385S	GE-509	417-90	GE-3		
297V011H02	GE-51	297V050C02	GE-52	297V087B02	GE-28	324-6011	GE-18	386-1	GE-22	417-91	GE-20		
297V012	GE-1	297V050H01	GE-52	299POWER	GE-4	324T1	GE-2	386-718P1	GE-17	417-92	GE-20		
297V012H01	GE-51	297V050H02	GE-2	300	GE-52	325-0025-329	GE-52	388-7184P1	GE-21	417-93	GE-20		
297V012H02	GE-51	297V050H03	GE-2	301	GE-52	325-0028-79	GE-52	386-7188P1	GE-17	417-94	GE-20		
297V012H03	GE-51	297V051C03	GE-52	301-1	GE-3	325-0028-80	GE-52	392-1	GE-83	417-99	GE-3		
297V012H04	GE-51	297V051C04	GE-2	301-576-3	GEIC-10	325-0028-81	GE-52	393-1	GE-67	417-102	GE-21		
297V012H05	GE-51	297V051H01	GE-2	301-576-14	GEIC-31	325-0028-82	GE-52	394-3074-2	GE-2	417-103	GE-53		
297V012H06	GE-1	297V051H02	GE-52	302	GE-52	325-0028-83	GE-52	394-3074-5	GE-2	417-105	GE-20		
297V012H07	GE-51	297V051H03	GE-52	304B	GE-504A	325-0028-84	GE-11	394-3097-1	GE-2	417-106	GE-20		
297V012H08	GE-2	297V051H04	GE-52	307-005-9-001	GEIC-2	325-0028-85	GE-51	394-3097-2	GE-2	417-107	GE-20		
297V012H09	GE-2	297V052H01	GE-52	307A	GE-504A	325-0028-86	1N34AS	394-3127-1	GE-18	417-108	GE-20		
297V012H10	GE-2	297V052H02	GE-52	307B	GE-504A	325-0028-89	GE-504A	394-3127-2	GE-18	417-109	GE-18		
297V012H11	GE-51	297V053C01	GE-2	307C	GE-504A	325-0031-303	GE-20	394-3127-3	GE-18	417-110	GE-20		
297V012H12	GE-51	297V053H01	GE-52	307D	GE-504A	325-0031-304	GE-20	394-3135	GE-14	417-114	GE-18		
297V012H13	GE-51	297V053H02	GE-53	307F	GE-504A	325-0031-305	GE-20	396-7178P1	GE-20	417-115	GE-27		
297V012H14	GE-51	297V054C01	GE-1	307H	GE-504A	325-0031-306	GE-52	398Z	GE-512	417-116	GE-21		
297V012H15	GE-51	297V054C02	GE-1	307K	GE-504A	325-0031-310	GE-20	404-2	GE-20	417-118	GE-20		
297V017H01	GE-51	297V054H01	GE-50	307M	GE-504A	325-0042-351	GE-20	407A	GEMR-1	417-121	GE-54		
297V017H02	GE-51	297V054H02	GE-50	310	GE-52	325-0076-306	GE-20	407B	GEMR-1	417-122	GE-53		
297V018H01	GE-53	297V055C01	GE-1	310-4	GE-504A	325-0076-307	GE-20	407C	GEMR-1	417-124	GE-20		
297V019B04	GEZD-12	297V055H01	GE-50	310-88	GE-51	325-0076-308	GE-17	407D	GEMR-1	417-125	GE-20		
297V019H01	GE-51	297V057H01	GE-52	310-123	GE-51	325-0081-100	GE-20	407F	GEMR-1	417-126	GE-20		
297V020H01	GE-51	297V057H02	GE-52	310-124	GE-51	325-0081-101	GE-20	407H	GEMR-1	417-127	GE-20		
297V020H02	GE-51	297V059H01	GE-20	310-139	GE-51	325-0081-102	GE-53	408A	GEMR-1	417-128	GE-18		
297V020M01	GE-51	297V059H02	GE-20	310-187	GE-20	325-0081-109	GE-510	408B	GEMR-1	417-129	GE-20		
297V021H01	GE-51	297V059H03	GE-20	310-188	GE-2	325-0081-110	GE-504A	408C	GEMR-1	417-132	GE-21		
297V021H02	GE-51	297V060H01	GE-12	310-189	GE-2	325-0135-B	GE-504A	408D	GEMR-1	417-133	GE-18		
297V021H03	GE-51	297V060H02	GE-12	310-190	GE-51	325-0141-23	GE-504A	408F	GEMR-1	417-134	GE-20		
297V022H01	GE-51	297V060H03	GE-12	310-191	GE-2	325-0500-12	GE-20	408H	GEMR-1	417-135	GE-20		
297V024H01	GE-51	297V081C01	GE-20	310-192	GE-16	325-0500-13	GE-20	409A	GEMR-1	417-136	GE-18		
297V024H03	GE-50	297V081C02	GE-20	311-8008	GE-23	325-0574-30	GE-20	409B	GEMR-1	417-137	GE-18		
297V025H02	GE-2	297V081C03	GE-20	320A	GE-504A	325-0574-31	GE-20	409C	GEMR-1	417-139	GE-14		
297V025H03	GE-53	297V081C04	GE-20	320B	GE-504A	325-0574-32	GE-90	409D	GEMR-1	417-140	GE-FET-1		
297V025H04	GE-52	297V081C05	GE-20	320C	GE-504A	325-0670-16	GE-504A	409F	GEMR-1	417-141	GE-3		
297V025H05	GE-2	297V081C08	GE-10	320F	GE-504A	325-1370-20	GE-20	409H	GEMR-1	417-144	GE-66		
297V025H15	GE-52	297V081C07	GE-20	320H	GE-504A	325-1441-10	GE-504A	410-012-0150	GE-52	417-145	GE-69		
297V026H01	GE-51	297V081H01	GE-20	320K	GE-504A	325-1441-11	GE-504A	410-013-0240	GE-52	417-146	GE-53		
297V026H03	GE-51	297V081H02	GE-20	320M	GE-504A	325-1442-8	GE-2	412	GE-1	417-147	GE-53		
297V027H01	GE-2	297V081H03	GE-20	322T1	GE-2	325-1442-9	GE-12	417-2	GE-51	417-148	GE-53		
297V032H01	GE-2	297V082C01	GE-16	323T1	GE-2	325-1446-26	GE-20	417-5	GE-53	417-149	GE-53		
297V033H01	GE-52	297V082C05	GE-3	324-019	GE-17	325-1446-27	GE-20	417-6	GE-53	417-150	GE-53		
297V034H01	GE-2	297V082C08	GE-20	324-0011	6GC1	325-1446-28	GE-20	417-11	GE-51	417-151	GE-53		
297V035H01	GE-2	297V083C01	GE-50	324-0012	GE-42	325-1446-29	GE-504A	417-12	GE-51	417-152	GE-53		
297V036H01	GE-2	297V083H01	GE-51	324-0015	GE-3	325-1513-29	GE-20	417-13	GE-51	417-153	GE-21		
297V036H02	GE-51	297V084B01	GE-50	324-0029	GE-2	325-1513-30	GE-20	417-14	GE-51	417-155	GE-18		
297V037H01	GE-52	297V084H01	GE-51	324-0038	GE-51	325-1513-48	GE-18	417-18	GE-51	417-169	GE-FET-1		
297V038H01	GE-50	297V085C01	GE-51	324-0041	GE-2	325-1771-15	GE-10	417-18	GE-53	417-171	GE-20		
297V038H02	GE-51	297V085C02	GE-51	324-0055	GE-2	325-1771-16	GE-20	417-20	GE-3	417-172	GE-20		
297V038H03	GE-50	297V085C03	GE-51	324-0056	GE-2	325T1	GE-2	417-21	GE-53	417-176	GE-21		
297V038H04	GE-50	297V085H01	GE-51	324-0080	GE-53	326T1	GE-2	417-22	GE-51	417-177	GE-4		
297V038H05	GE-2	297V085H02	GE-51	324-0085	GE-2	344-6005-6	GE-300	417-23	GE-51	417-182	GE-21		
297V038H06	GE-2	297V085H03	GE-51	324-0088	GE-51	344-6017-1	GE-22	417-25	GE-51	417-184	GE-21		
297V038H07	GE-2	297V070C01	GE-51	324-0088	GE-2	344-6017-2	GE-20	417-27	GE-51	417-192	GE-20		
297V038H09	GE-2	297V071C03	GE-12	324-0089	GE-51	344-6017-3	GE-67	417-28	GE-53	417-194	GE-FET-1		
297V038H10	GE-2	297V071H03	GE-12	324-0090	GE-51	344-6017-4	GE-83	417-30	GE-3	417-196	GE-21		
297V038H11	GE-2	297V072C01	GE-11	324-0091	GE-2	350	GE-2	417-32	GE-3	417-197	GE-20		
297V038H12	GE-2	297V072C03	GE-11	324-0092	GE-2	352	GE-52	417-33	GE-51	417-200	GE-21		
297V040H01	GE-52	297V072C04	GE-20	324-0093	1N34AS	353	GE-52	417-35	GE-51	417-201	GE-21		
297V040H08	GE-52	297V072C05	GE-20	324-0095	GE-50	353-9001-001	GE-51	417-36	GE-51	417-211	GE-FET-2		
297V040H09	GE-53	297V073C01	GE-21	324-0098	GE-51	353-9001-002	GE-51	417-38	GE-51	417-212	GE-14		
297V040H10	GE-52	297V073C02	GE-21	324-0099	GE-51	353-9001-003	GE-51	41					

UNIVERSAL REPLACEMENT SEMICONDUCTORS

417-229 - 690V092H81

JEDEC Or Part Nr	GE Replacement	JEDEC Or Part Nr	GE Replacement	JEDEC Or Part Nr	GE Replacement	JEDEC Or Part Nr	GE Replacement	JEDEC Or Part Nr	GE Replacement	JEDEC Or Part Nr	GE Replacement	JEDEC Or Part Nr	GE Replacement
417-229	GE-20	465-038-19	GE-52	523-1000-295	1N60	601X0402-038	GEZD-12	642-319	GE-20	690V058H90	GE-2		
417-231	GE-FET-1	485-042-19	GE-51	523-1000-881	GE-504A	601X0417-086	GE-21	644-1	GE-29	690V057H25	GE-51		
417-233	GE-18	465-045-19	GE-50	523-1000-882	GE-504A	602-60	GE-21	650	1N295	690V057H27	GE-2		
417-235	GE-21	465-049-19	GE-51	523-1002-326	GE-504A	602X0008-002	GE-18	650-105	GE-2	690V057H28	GE-2		
417-237	GE-18	465-081-19	GE-51	523-2003-100	GEZD-10	602X0018-000	GE-62	650-106	GE-2	690V057H59	GE-51		
417A	GEMR-2	465-067-19	GE-53	523ES077M	GE-63	602X0018-002	GE-18	650-107	GE-2	690V057H62	GE-51		
417B	GEMR-2	465-072-19	GE-53	523ES078M	GE-63	602X0019-000	GE-504A	650-109	GE-8	690V059H21	GE-53		
417C	GEMR-2	465-073-19	GE-53	525-498	GE-504A	604	604	651	GEZD-5.1	690V059H63	1N60		
417D	GEMR-2	465-075-19	GE-53	526-376	GE-504A	604B	604B	651C4	GEZD-5.1	690V060H58	GE-20		
417F	GEMR-2	465-080-19	GE-53	527-062	6GC1	605	605	651C5	GEZD-5.1	690V060H59	GE-20		
417H	GEMR-2	465-082-19	GE-53	527-798	GE-504A	608	608	651C6	GEZD-5.1	690V061H98	GE-2		
418A	GEMR-2	465-086-19	GE-50	528-325	GE-504A	610	610	652C1	GEZD-5.6	690V061H99	GE-2		
418B	GEMR-2	465-108-19	GE-20	530-111-1	GE-504A	610C	610C	652C7	GEZD-6.2	690V062H47	GE-53		
418C	GEMR-2	465-108-19	GE-53	536GT	GE-20	612	612	655C9	GEZD-10-4	690V063H14	GE-51		
418D	GEMR-2	465-115-19	GE-52	540-013	GEZD-15	612-16	612-16	656-136	GE-52	690V063H15	GE-51		
418E	GEMR-2	465-132-19	GE-53	540-014	GE-504A	613	613	656-141	GE-504A	690V063H16	GE-2		
418F	GEMR-2	465-148-19	GE-51	540-015	GE-510	614	614	660-126	GE-20	690V063H17	GE-2		
418H	GEMR-2	465-163-19	GE-53	546	GE-20	614-118	614-118	660-127	GE-20	690V063H50	GE-53		
419A	GEMR-2	465-165-19	GE-53	565-072	GE-63	614X1	614X1	660-131	GE-20	690V063H51	GE-2		
419B	GEMR-2	465-181-19	GE-20	565-074	GE-17	614X2	614X2	660-134	GE-20	690V066H44	GE-51		
419C	GEMR-2	465-191-15	GE-53	571-844	GE-14	614X3	614X3	660-145	GE-20	690V066H45	GE-51		
419D	GEMR-2	465-199-19	GEZD-9.1	576-1	GE-61	614X4	614X4	669-1	GE-51	690V066H46	GE-2		
419F	GEMR-2	465-223-19	GE-51	576-001-013	GE-21	614X5	614X5	675-158	1N34AS	690V066H47	GE-2		
419H	GEMR-2	471-010	GE-504A	576-002-001	GE-28	614X6	614X6	684-652423-1	GE-504A	690V066H48	1N295		
421-6	GE-50	473A31	GE-16	576-003-009	GE-50	614X7	614X7	686-143	GE-14	690V066H89	GE-51		
421-6B	GE-50	473B6-2	GE-52	576-0001-002	GE-52	614X8	614X8	686-0012	GE-10	690V067H09	1N34AS		
421-7	GE-50	473B6-2A	GE-52	576-0001-003	GE-2	614X9	614X9	686-0130	GE-18	690V067H35	GE-54		
421-7B	GE-50	473B6-4	GE-52	576-0001-004	GE-20	614X10	614X10	686-0210	GE-23	690V068H29	GE-51		
421-8	GE-50	473B6-5	GE-52	576-0001-005	GE-20	616	616	686-0243	GE-504A	690V068H30	GE-2		
421-8B	GE-50	473B6-7	GE-2	576-0001-008	GE-20	617-15	617-15	690C092H88	1N60	690V068H31	GE-2		
421-11	GE-52	474-004	GE-504A	576-0001-009	GE-52	617-17	617-17	690L270H02	1N34AS	690V068H32	1N295		
421-11B	GE-52	474-025	GE-504A	576-0001-013	GE-21	617-46	617-46	690L297H01	GE-504A	690V069H39	GE-504A		
421-12	GE-52	491A948	GE-18	576-0001-014	GE-52	617-53	617-53	690L297H02	GE-504A	690V070H49	GE-17		
421-12B	GE-52	501ES001M	GE-63	576-0002-001	GE-28	617-62	617-62	690V02H69	GE-504A	690V070H98	GE-20		
421-13	GE-52	501T1	GE-52	576-0002-002	GE-3	617-66	617-66	690V08H36	GE-504A	690V073H59	GE-51		
421-13B	GE-52	503T1	GE-52	576-0002-004	GE-52	617-156	617-156	690V38H25	1N34A	690V073H60	1N34AS		
421-13C	GE-52	503-T21271	1N60	576-0002-006	GE-63	617-162	617-162	690V010H40	GE-504A	690V073H81	GE-90		
421-14	GE-53	503-T21472	1N34AS	576-0002-026	GE-55	617-163	617-163	690V010H41	GE-504A	690V073H85	GE-51		
421-15	GE-52	503-T21651	GE-90	576-0003-004	GE-20	618	618	690V010H42	GE-504A	690V075H62	GE-18		
421-15B	GE-52	504T1	GE-52	576-0003-005	GE-17	620	620	690V010H43	GE-504A	690V077H34	GE-51		
421-16	GE-50	505ES105	GE-2	576-0003-006	GE-17	620-56	620-56	690V028H28	GE-21	690V077H35	GE-51		
421-17	GE-50	505T1	GE-52	576-0003-007	GE-17	622	622	690V028H48	GE-504A	690V077H36	GE-51		
421-18	GE-12	506T1	GE-52	576-0003-008	GE-50	624	624	690V028H69	GE-504A	690V077H37	GE-2		
421-19	GE-2	507T1	GE-52	576-0003-009	GE-50	624-0005	624-0005	690V028H89	6GC1	690V077H73	GE-53		
421-20	GE-50	508ES020P	GE-21	576-0003-010	GE-51	624-0006	624-0006	690V031H33	6GC1	690V080H36	GE-17		
421-20B	GE-50	508ES021P	GE-21	576-0003-011	GE-11	624-0007	624-0007	690V034H29	6GC1	690V080H37	GE-51		
421-26	GE-50	508T1	GE-52	576-0003-012	GE-21	624-0009	624-0009	690V034H30	GE-504A	690V080H38	GE-51		
429-0092-1	GE-50	509ES025P	GE-2	576-0003-013	GE-51	624-0010	624-0010	690V034H31	GE-504A	690V080H39	GE-51		
429-0092-2	GE-2	510ED46	1N60	576-0003-014	1N295	630-052	630-052	690V034H32	GE-504A	690V080H40	GE-51		
429-0092-3	GE-2	510ES030M	GE-63	576-0003-015	GE-51	630-076	630-076	690V034H39	GE-20	690V080H41	GE-18		
429-0093-69	GE-51	510ES031M	GE-63	576-0003-017	GE-21	638	638	690V034H74	GE-20	690V080H42	1N60	GE-25	
429-0093-71	GE-90	511-515	GE-20	576-0003-018	GE-11	639	639	690V037H91	GE-20	690V080H43	1N295	GE-25	
429-0094-39	GE-51	511-519	GE-20	576-0003-024	GE-51	642-028	642-028	690V037H92	1N295	690V080H44	GE-2		
429-0910-50	GE-51	511-898	GE-504A	576-0003-027	GE-17	642-066	642-066	690V038H22	6GC1	690V080H45	GE-504A	GE-14	
429-0910-51	GE-2	511ES035P	GE-63	576-0003-028	GE-17	642-118	642-118	690V038H23	GE-50	690V080H47	6GC1	GE-504A	
429-0910-52	GE-2	511ES036P	GE-63	576-0003-029	GE-11	642-117	642-117	690V039H17	GE-53	690V080H49	GE-2	GE-504A	
429-0958-41	GE-504A	511S345	1N60	576-0004-004	GE-17	642-126	642-126	690V039H18	GE-300	690V080H50	GE-504A	GE-504A	
429-0958-42	GE-10	512ES040P	GE-2	576-0004-005	GE-63	642-147	642-147	690V039H22	GE-51	690V080H51	GE-509	GE-504A	
429-0958-43	GEZD-6.2	513-891	6GD1	576-0004-006	GE-18	642-150	642-150	690V039H52	GE-53	690V080H52	GE-504A	GE-504A	
429-0985-12	GE-20	513ES045P	GE-2	576-0004-010	GE-20	642-151	642-151	690V039H54	GE-53	690V080H53	GE-504A	GE-504A	
429-0989-68	GEBR-800	515	GE-20	576-0004-012	GE-18	642-152	642-152	690V040H56	GE-16	690V080H54	GE-51	GE-504A	
430	GE-18	515-299	GE-504A	576-0006-011	GE-17	642-173	642-173	690V040H57	GE-50	690V081H07	GE-51	GE-20	
430-31	GE-504A	515-521	GE-17	576-0007-001	GE-63	642-174	642-174	690V040H58	GE-20	690V081H08	GE-51	GE-51	
430-85	GE-53	515ES045M	GE-21	576-0038-847	GE-20	642-176	642-176	690V040H59	GE-3	690V081H09	GE-51	GE-16	
430-87	GE-18	515ES046M	GE-21	576-0038-918	GE-20	642-199	642-199	690V040H60	1N295	690V081H91	GE-51	GE-504A	
431-26551A	GEIC-9	516	GE-20	576-0038-919	GE-20	642-202	642-202	690V040H61	GE-51	690V081H92	GE-2	GEZD-15	
432-1	GE-18	516ES047M	GE-21	576-0038-920	GE-20	642-206	642-206	690V040H62	GE-16	690V081H96	GE-2	GE-54	
433	GE-18	516ES048M	GE-21	576-0038-921	GE-20	642-207	642-207	690V040H63	GE-51	690V081H97	1N34AS	GE-3	
433-1	GE-20	517-518	GE-20	576-0040-051	GE-20	642-216	642-216	690V041H08	GE-504A	690V082H40	GE-504A	GE-504A	
433M852	GE-21	517-0021	GE-504A	576-2000-993	GE-51	642-219	642-219	690V043H62	GE-504A	690V082H47	GE-2	GE-53	
442-5	GEIC-20	517-0025	GE-504A	588U	GE-FET-2	642-221	642-221	690V043H63	1N60	690V084H60	GE-2	GE-53	
442-9	GEIC-7	517-0031	GE-504A	595-1	GE-20	642-229	642-229	690V047H54	GE-60	690V084H61	GE-51	GE-53	
442-10	GEIC-3	517-0033	GE-504A	595-2	GE-20	642-230	642-230	690V047H55	GE-60	690V084H62	GE-51	GE-20	
442-16	GEIC-9	518-499	GE-504A	596-5	GE-300	642-236	642-236	690V047H56	GEZD-7.5	690V084H63	GE-1	GE-53	
442-28	GEIC-10	519ES067M	GE-17	600	GE-504A	642-242	642-242	690V047H57	GE-20	690V084H94	GE-1	GE-20	
442-33	GEIC-5	519ES068M	GE-17	600X0098-066	1N60	642-254	642-254	690V047H58	GE-20	690V084H95	GE-2	GE-20	
448A662	GE-18	520ES070M	GE-21	600X0097-066	1N60	642-255	642-255	690V047H59	GEZD-15	690V084H96	GE-2	GE-20	
449	GE-66	521-094	GE-504A	600X0099-066	GE-504A	642-260	642-260	690V047H60	GE-20	690V085H42			

UNIVERSAL REPLACEMENT SEMICONDUCTORS

690V092H84 - 921-211B

JEDEC Or Part Nr	Replacement	JEDEC Or Part Nr	Replacement	JEDEC Or Part Nr	Replacement	JEDEC Or Part Nr	Replacement	JEDEC Or Part Nr	Replacement	JEDEC Or Part Nr	Replacement	JEDEC Or Part Nr	Replacement
690V092H84	GE-20	700A858-286	GE-504A	800-036-00	GE-300	830	GE-2	909-27125-140	GE-212	919-013082	GE-504A		
690V092H85	1N60	700A858-318	GE-20	800-037-00	GE-509	851-0372-130	GE-504A	909-27125-160	GE-212	919-015618-1	GEZD-20		
690V092H86	GE-20	700A858-318	GE-62	800-038-00	GE-504A	853-0300-634	GE-69	910	GE-39	921-7	GE-20		
690V092H87	GE-20	700A858-319	GE-62	800-039-00	1N295	853-0300-644	GE-62	914F298-1	GE-18	921-8	GE-20		
690V094H35	GE-504A	700A858-328	GE-62	800-040-00	GE-300	853-0300-900	GE-20	916-31001-1	GE-52	921-20B	GE-20		
690V097H62	GE-20	700A858-328	GE-20	800-041-00	GE-504A	853-0300-923	GE-62	916-31001-1B	GE-52	921-21B	GE-20		
690V098H52	1N34AS	703B	GE-43	800-042-00	GE-300	853-0301-096	GE-28	916-31001-7B	GE-52	921-22B	GE-20		
690V098H53	GE-504A	710	GE-504A	800-043-00	GE-509	853-0301-317	GE-18	916-31003-5B	GE-52	921-23B	GE-20		
690V102H39	GE-5	720-35019	GE-2	800-046-00	GE-504A	854-0372-020	GE-504A	916-31007-5B	GE-53	921-24B	GE-52		
690V102H40	GE-300	720DC	GEIC-24	800-050-00	GE-509	859GK	GE-20	916-31012-8	GE-52	921-25B	GE-50		
690V102H71	GE-20	734EU	GE-FET-2	800-051-00	GE-509	863-567B	GE-300	916-31012-6B	GE-52	921-26B	GE-18		
690V102H72	GE-90	737	GE-18	800-205	GE-53	863-776B	GE-300	916-31019-3	GE-51	921-27B	GE-2		
690V102H96	GE-51	739DC	GEIC-19	800-250-102	GE-20	880-101-00	GEIC-12	916-31019-3B	GE-50	921-30B	GE-20		
690V103H23	GE-20	742	1N60	800-253	GE-53	880-207-000	GE-504A	916-31024-3	GE-20	921-31B	GE-20		
690V103H24	GE-20	749DHC	GEIC-25	800-256	GE-12	881-250-102	GE-20	916-31024-3B	GE-210	921-32B	GE-20		
690V103H25	GE-20	750-045	GE-23	800-051-00	GE-54	903	GE-39	916-31024-5	GE-11	921-33B	GE-20		
690V103H26	GE-20	750-137	GE-2	800-401	GE-12	903-1B	GE-90	916-31024-5B	GE-210	921-34B	GE-17		
690V103H27	GE-20	750-138	GE-2	800-501-00	GE-20	903-8B	1N60	916-31025-4	GE-11	921-36B	GE-53		
690V103H28	GE-20	750-139	GE-2	800-501-01	GE-20	903-9B	1N60	916-31025-5	GE-11	921-38B	GE-20		
690V103H29	GE-20	750-140	GE-2	800-501-02	GE-20	903-13B	1N60	916-31025-5B	GE-210	921-43E	GE-20		
690V103H30	GE-63	750-35019	GE-2	800-501-03	GE-20	903-14B	GE-504A	916-31026-9B	GE-51	921-46B	GE-10		
690V103H31	GE-23	750A858-285	GE-504A	800-501-04	GE-20	903-15B	GE-504A	916-32000-7	1N60	921-47B	GE-67		
690V103H32	GE-20	750A858-319	GE-10	800-501-11	GE-20	903-16B	1N60	916-32003-2	1N60	921-62B	GE-20		
690V103H33	GE-20	750A858-328	GE-20	800-501-22	GE-20	903-17B	GE-504A	916-32006-2	1N34AS	921-77B	GE-10		
690V103H53	GEZD-12	750A858-448	GE-66	800-502-00	GE-2	903-18B	1N34AS	916-33003-2	GE-504A	921-84B	GE-20		
690V103H54	1N60	751-6300-001	GE-504A	800-503-00	GE-8	903-25B	GE-90	919-00-1445	GEZD-7.5	921-92B	GE-20		
690V104H53	GE-52	753-0100-699	GE-29	800-504-00	GE-51	903-23B	1N34AS	919-00-1445-001	GEZD-7.5	921-93B	GE-20		
690V104H54	GE-52	753-0101-047	GE-17	800-505-00	GE-2	903-25B	GE-300	919-00-1445-002	GEZD-12	921-97B	GE-17		
690V105H19	GE-20	753-0101-226	GE-28	800-506-00	GE-8	903-26B	GEZD-3.6	919-00-2440-1	GE-504A	921-98B	GE-20		
690V105H21	GE-51	753-2000-003	GE-20	800-507-00	GE-3	903-27B	1N60	919-00-2440-2	GE-504A	921-99B	GE-10		
690V105H22	GE-20	753-2000-004	GE-10	800-508-00	GE-20	903-28B	GE-90	919-00-3309	GEZD-20	921-100B	GE-2		
690V105H24	GE-52	753-2000-007	GE-60	800-509-00	GE-20	903-29B	1N60	919-00-4326	GE-300	921-103B	GE-22		
690V105H25	GE-20	753-2000-011	GE-20	800-510-00	GE-14	903-30B	1N34AS	919-00-4799	GE-300	921-105B	GE-53		
690V105H26	GE-51	753-2000-463	GE-31MP	800-510-01	GE-14	903-34B	1N60	919-00-7109	GE-504A	921-106B	GE-17		
690V105H27	GE-17	753-2000-710	GE-20	800-512-00	GE-18	903-35B	GE-90	919-00-7394	GE-300	921-109B	GE-10		
690V105H28	GE-17	753-2000-711	GE-20	800-513-00	GE-18	903-36B	GE-504A	919-00-7776	GE-504A	921-110B	GE-67		
690V105H29	GE-20	753-2000-735	GE-20	800-514-00	GE-20	903-37B	1N60	919-00-8929	GE-300	921-111B	GE-20		
690V105H30	GE-90	753-2000-870	GE-62	800-515-00	GE-18	903-41B	GE-300	919-01-0459	GE-504A	921-112B	GE-22		
690V105H31	GE-504A	753-2000-871	GE-62	800-518-00	GE-22	903-42B	GE-300	919-01-0623	GE-504A	921-114B	GE-20		
690V105H32	GEZD-9.1	753-2100-001	GE-44	800-517-00	1N295	903-43B	1N60	919-01-0829-1	GE-504A	921-115B	GE-60		
690V109H44	GE-504A	753-2100-002	GE-30	800-518-00	GE-3	903-45B	1N34AS	919-01-0867	1N34AS	921-116B	GE-20		
690V109H72	GE-90	753-4000-011	GE-20	800-521-01	GE-20	903-47B	GE-90	919-01-0873	GE-300	921-117B	GE-10		
690V110H88	1N60	753-4000-537	GE-20	800	GE-20	903-48B	GE-300	919-01-1211	GE-504A	921-118B	GE-52		
690V110H89	GE-28	753-4000-929	GE-20	800-521-03	GE-18	903-49B	GE-504A	919-01-1212	GE-504A	921-119B	GE-17		
690V111H63	GE-90	753-4004-248	GE-21	800-522-01	GE-20	903-51B	1N60	919-01-1213	GEZD-9.1	921-120B	GE-17		
690V114H29	GE-20	753-8000-002	GE-18	800	GE-20	903-52B	GE-504A	919-01-1214	GEZD-9.1	921-123B	GE-17		
690V114H30	GE-10	753-8400-230	GE-62	800-522-03	GE-18	903-54B	1N60	919-01-1215	GE-300	921-124B	GE-17		
690V114H31	GE-17	753-8500-380	GE-18	800-522-04	GE-20	903-58B	GE-300	919-01-1307	GE-300	921-125B	GE-17		
690V114H33	GE-10	753-8510-470	GE-63	800-523-01	GE-20	903-65B	1N34AS	919-01-1339	GE-504A	921-126B	GE-FET-2		
690V114H36	GE-504A	753-9010-021	2N2160	800	GE-21	903-67B	GE-90	919-01-3035	GEZD-9.1	921-127B	GE-20		
690V116H19	GE-11	753-9010-235	GE-28	800-524-02	GE-14	903-68B	GE-504A	919-01-3058	GEZD-5.1	921-128B	GE-17		
690V116H20	GE-11	754-2000-001	1N82A	800-524-03	GE-14	903-69B	GE-504A	919-01-3072	GE-300	921-129B	GE-20		
690V116H21	GE-20	754-2000-002	GE-504A	800-525-04	GE-14	903-72B	GE-300	919-001172	GE-504A	921-140B	GE-53		
690V116H22	GE-FET-2	754-2000-005	GE-504A	800-526-00	GE-20	903-79B	GE-504A	919-001172-1	GE-504A	921-141B	GE-17		
690V116H23	GE-21	754-4000-088	1N34AS	800-527-00	GE-21	903-80B	GE-90	919-001445-2	GEZD-12	921-142B	GE-17		
690V116H24	GE-63	754-5750-282	GE-X11	800-528-00	GE-54	903-82B	GE-300	919-001449	GE-510	921-143B	GE-17		
690V116H25	GE-58	756	GE-504A	800-529-00	GE-20	903-83B	1N34AS	919-001449-1	GE-510	921-145B	GE-20		
690V116H26	GE-57	767	GE-18	800-530-00	GE-20	903-84B	GE-300	919-001449-3	GE-510	921-147B	GE-2		
690V116H40	GEZD-12	770-045	GE-23	800-530-01	GE-20	903-85B	GE-90	919-002240-1	GE-510	921-148B	GE-2		
690V116H41	GE-504A	772BY	GE-20	800	GE-63	903-92B	1N60	919-002240	GE-510	921-150B	GE-54		
690V118H57	GE-300	772CC	GE-20	800-534-00	GE-10	903-95B	GE-300	919-002440-1	GE-510	921-152B	GE-11		
690V118H58	GE-504A	772DC	GE-20	800	GE-20	903-96B	GE-90	919-002440-2	GE-504A	921-153B	GE-2		
690V118H59	GE-20	772DG	GE-20	800-534-01	GE-20	903-97B	GEZD-12	919-003309	GEZD-20	921-154B	GE-20		
690V118H60	GE-22	773	GE-63	800-535-00	GE-20	903-99B	GE-90	919-003309-1	GEZD-18	921-155B	GE-20		
690V118H61	GE-21	774	GE-67	800-535-01	GE-FET-2	903-100B	GE-300	919-004326	GE-504A	921-155B	GE-60		
690V118H62	GE-2	775-1	GE-64	800-536-00	GE-61	903-101B	GE-90	919-004799	GE-504A	921-156B	GE-12		
690V119H13	GE-90	792-286	GE-2	800-536-00	GE-61	903-103B	1N60	919-007109	GE-504A	921-170B	GE-17		
690V119H14	GE-504A	792-287	GE-2	800-537-01	GE-14	903-104B	GE-504A	919-007394	GE-504A	921-171B	GE-20		
690V119H15	GE-300	792-288	GE-2	800-538-00	GE-20	903-105B	GE-504A	919-007776	GE-504A	921-172B	GE-20		
690V119H54	GE-53	792-289	GE-2	800-544-00	GE-20	903-110B	GE-90	919-008882	GE-510	921-173B	GE-20		
690V119H94	GE-50	792-290	GE-2	800-544-10	GE-20	903-112B	GE-300	919-010459	GE-510	921-174B	GE-20		

UNIVERSAL REPLACEMENT SEMICONDUCTORS

921-212B - 1981-17

JEDEC Or Part Nr	GE Replacement	JEDEC Or Part Nr	GE Replacement	JEDEC Or Part Nr	GE Replacement	JEDEC Or Part Nr	GE Replacement	JEDEC Or Part Nr	GE Replacement	JEDEC Or Part Nr	GE Replacement	JEDEC Or Part Nr	GE Replacement
921-212B	GE-11	977-14B	6GC1	991-015615	GE-20	1030-17	1N60	1263A	GE-504A	1571-0425	GE-66		
921-213B	GE-10	977-18B	GE-504A	991-015663	GE-64	1032	GE-52	1264	GE-18	1571-0601	GE-66		
921-214B	GE-10	977-19B	GE-504A	991-016274	GE-17	1033	GE-52	1264	GE-18	1571-0602	GE-66		
921-215B	GE-62	977-20B	GE-504A	991T1	GE-52	1033-1	GE-51	1320	GE-52	1571-0620	GE-66		
921-216B	GE-53	977-22B	GE-504A	992-00-1192	GE-3	1033-2	GE-51	1329	GE-8	1582-0403	GE-77		
921-217B	GE-52	977-23B	GE-504A	992-00-2271	GE-14	1033-3	GE-51	1330	GE-52	1582-0404	GE-77		
921-222B	GE-52	977-24B	GEBR-600	992-00-2298	GE-20	1033-4	GE-51	1340	GE-52	1582-0405	GE-77		
921-223B	GE-52	977-25B	GE-504A	992-00-3139	GE-14	1033-5	GE-2	1347	GEIC-30	1582-0408	GE-75		
921-224B	GE-53	977-27B	GE-504A	992-00-3144	GE-20	1033-6	GE-8	1348	GEIC-30	1582-0410	GE-75		
921-225B	GE-20	977-21B	GEBR-600	992-00-3172	GE-12	1033-7	GE-2	1349-17	GE-8	1582-0415	GE-75		
921-226B	GE-10	987T1	GE-2	992-00-8870	GE-16	1033-17	GE-504A	1350	GE-52	1582-0508	GE-75		
921-227B	GE-53	988T1	GE-2	992-01-1216	GE-16	1034	GE-52	1351	GEIC-29	1582-0510	GE-75		
921-228B	GE-62	989T1	GE-52	992-01-1218	GE-16	1034-17	GE-20	1352	GEIC-29	1582-0603	GE-77		
921-229B	GE-62	990T1	GE-52	992-10	GE-504A	1035	GE-52	1360	GE-52	1582-0604	GE-77		
921-230B	GE-63	991-00-1172	GE-300	992-008-890	GE-16	1036	GE-52	1368C/D	GE-20	1582-0605	GE-77		
921-231B	GE-FET-2	991-00-1172-1	GE-300	992-531-01	GE-504A	1039-01	GE-20	1373-17	GE-11	1582-0608	GE-75		
921-232B	GE-17	991-00-1219	GE-20	992-00271	GE-14	1040-01	GE-62	1374-17	GE-20	1582-0610	GE-75		
921-233B	GE-11	991-00-1221	GE-53	992-001192	GE-3	1040-02	GE-28	1390	GE-51	1582-0615	GE-75		
921-234B	GE-20	991-00-1222	GE-53	992-002271	GE-14	1040-03	GE-20	1400	GE-51	1582-0803	GE-75		
921-235B	GE-61	991-00-1449	GE-504A	992-003139	GE-14	1040-08	1N60	1405-17	GE-504A	1582-0804	GE-75		
921-236B	GE-20	991-00-1449-1	GE-504A	992-003172	GE-14	1040-09	GEZD-9.1	1410	GE-51	1582-0805	GE-75		
921-237B	GE-20	991-00-2232	GE-20	992-004091	GE-14	1040-10	GE-300	1410-102	GE-504A	1582-0808	GE-75		
921-238B	GE-2	991-00-2298	GE-20	992-008870	GE-3	1042-02	GE-FET-2	1410-167	GE-504A	1582-0810	GE-75		
921-239B	GE-18	991-00-2356	GE-20	992-008890	GE-3	1042-03	GE-20	1410-169	GE-504A	1582-0815	GE-75		
921-240B	GE-18	991-00-2440	GE-504A	992-011216	GE-25	1042-04	GE-10	1410-171	1N34AS	1582-1003	GE-75		
921-241B	GE-18	991-00-2440-1	GE-504A	992-011218	GE-16	1042-05	GE-10	1411-130	GEZD-7.5	1582-1004	GE-75		
921-242B	GE-53	991-00-2440-2	GE-504A	992-011317	GE-14	1042-06	GE-22	1411-135	GEZD-12	1582-1005	GE-75		
921-243B	GE-53	991-00-2873	GE-20	992-017169	GE-14	1042-07	GE-10	1411-136	GEZD-9.1	1582-1008	GE-75		
921-244B	GE-53	991-00-2888	GE-18	992T1	GE-2	1042-09	GE-66	1411-137	GEZD-6.2	1582-1010	GE-75		
921-252B	GE-20	991-00-3144	GE-20	1000-17	1N60	1042-12	1N60	1412-170	GE-504A	1582-1015	GE-75		
921-254B	GE-21	991-00-3304	GE-20	1000-129	GE-504A	1042-13	1N60	1412-182	GE-510	1612SK24E	GE-FET-1		
921-255B	GE-62	991-00-7394	GE-504A	1000-130	GE-300	1042-14	GE-300	1413-159	GE-4	1634-17	GE-20		
921-256X	GE-2	991-00-7776	GE-504A	1000-131	1N34AS	1042-15	GE-300	1413-160	GE-53	1674-17	GE-504A		
921-257B	GE-11	991-00-8393	GE-20	1001	GE-51	1042-16	GE-300	1413-168	GE-3	1699-17	GE-300		
921-258B	GE-11	991-00-8394	GE-20	1001-02	GE-20	1042-17	GE-504A	1413-172	GE-3	1711-17	GE-17		
921-264B	GE-20	991-01-0098	GE-16	1001-0036	GEIC-7	1042-18	GEZD-9.1	1413-175	GE-53	1712-17	GE-20		
921-265B	GE-17	991-01-1216	GE-16	1002	GE-52	1042-19	GE-X11	1413-178	GE-3	1714-0402	GE-66		
921-266B	GE-20	991-01-1217	GE-53	1002-01	GE-FET-1	1044	GE-504A	1414-157	GE-18	1714-0405	GE-66		
921-267B	GE-20	991-01-1219	GE-20	1002-02	GE-11	1060-17	GE-52	1414-158	GE-32	1714-0602	GE-66		
921-268B	GE-20	991-01-1220	GE-20	1002-03	GE-20	1062GE	GE-300	1414-173	GE-18	1714-0605	GE-66		
921-269B	GE-20	991-01-1221	GE-53	1002-04	GE-17	1067	GE-40	1414-174	GE-20	1751-17	GE-20		
921-272B	GE-10	991-01-1222	GE-53	1002-05	GE-52	1068-17	GE-45	1414-176	GE-22	1751G036	GE-17		
921-273B	GE-52	991-01-1223	GE-53	1002-08	1N34AS	1069	GE-66	1414-179	GE-14	1756-17	GE-300		
921-274B	GE-2	991-01-1224	GE-53	1002-09	1N34AS	1070	GE-509	1414-180	GE-23	1766	GE-ZD-12		
921-281B	GE-20	991-01-1225	GE-21	1002-17	1N34AS	1071	GE-69	1414-183	GE-20	1794-17	GEZD-9.1		
921-282B	GE-53	991-01-1305	GE-18	1003	GE-52	1072K	GE-67	1414-184	GE-18	1794-17(10)	GEZD-9.1		
921-296B	GE-22	991-01-1306	GE-20	1003-11	GE-504A	1074	GE-36	1414-185	GE-29	1800-17	GE-20		
921-312B	GE-20	991-01-1312	GE-20	1004	GE-20	1075	GE-39	1414-186	GE-18	1804-17	GE-10		
921-313B	GE-20	991-01-1316	GE-20	1004-01	GE-52	1080	GE-509	1414-187	GE-21	1809	GE-300		
921-314B	GE-20	991-01-1318	GE-20	1004-03	GE-17	1080G	GE-67	1414-188	GE-14	1818	GE-300		
921-318B	GE-52	991-01-1319	GE-21	1004-17	GE-20	1084	GE-509	1414-189	GE-18	1835-17	GE-10		
921-319B	GE-2	991-01-1706	GE-FET-1	1005	GE-20	1090	GE-509	1420-1-1	GE-11	1848-17	GE-504A		
930B	GE-60	991-01-3044	GE-20	1005-17	GE-2	1092	GE-75	1420-2-2	GE-11	1849R	GE-504A		
930DZ	GE-20	991-01-3055	GE-FET-1	1006	GE-52	1097	GE-29	1455-7-4	GE-11	1850	GE-504A		
931	GE-300	991-01-3057	GE-20	1007	GE-504A	1100	GE-29	1459	GE-2	1850-17	GE-21		
936-10	GE-504A	991-01-3058	GE-21	1007-17	1N60	1104	GE-509	1489-17	1N34AS	1850R	GE-504A		
936-20	GE-504A	991-01-3063	GE-14	1008	GE-63	1105	GEZD-5.6	1521B	GE-75	1852-17	GE-17		
941T1	GE-2	991-002232	GE-17	1009	GE-52	1109	GE-66	1524	GE-8	1855-17	GE-504A		
947-1	GE-20	991-002298	GE-20	1009-01	GE-FET-2	1110	GEZD-10-4	1526	GE-51	1858	GE-8		
951	GE-47	991-002356	GE-20	1009-03	GE-18	1111	GE-66	1540	GE-20	1859-17	GE-FET-2		
951-1	GE-52	991-002873	GE-17	1009-05	GE-28	1113	GE-69	1548-17	GE-23	1859R	GE-504A		
952	GE-18	991-003304	GE-17	1009-06(10)	GEZD-7.5	1115	GEZD-15	1553-17	GE-21	1866-17	GE-20		
953	GE-18	991-008393	GE-10	1009-07	GE-300	1116	GE-28	1559-17	GE-16	1879-17	GE-20		
955-1	GE-51	991-010098	GE-22	1009-08	GE-300	1117(MC)	GE-20	1561-17	GE-16	1882-17	GE-62		
955-2	GE-51	991-010462	GE-17	1009-09	1N60	1118-17	1N34AS	1561-0403	GE-77	1883-17	GE-61		
955-3	GE-51	991-011217	GE-53	1010	GEZD-10-4	1119	GE-27	1561-0404	GE-77	1884-17	GE-20		
964-2209	GE-64	991-011219	GE-20	1010-17	GE-20	1120-17	GE-504A	1561-0408	GE-75	1885-17	GE-18		
964-16598	GE-53	991-011220	GE-20	1011-02	GEZD-6.2	1121-17	GE-504A	1561-0410	GE-75	1906-17	GE-8		
964-16599	GE-25	991-011221	GE-51	1012	GE-21	1124	GE-16	1561-0604	GE-77	1915-17	GE-20		
964-17142	GE-53	991-011222	GE-2	1012-17	1N34AS	1124A	GE-16	1561-0608	GE-75	1916-17	GE-45		
964-17444	GE-20	991-011223	GE-2	1013	GE-21	1124B	GE-16	1561-0610	GE-75	1917-17	GE-52		
964-17887	GE-25	991-011225	GE-21	1014	GE-52	1124C	GE-18	1561-0615	GE-75	1919-17	GE-2		
964-19862	GE-8	991-011305	GE-18	1014-25	GEIC-12	1125	GE-28	1561-0803	GE-75	1923-17	GE-20		
964-19863	GE-52	991-011306	GE-20	1015	GEZD-15	1127	GEZD-27	1561-0804	GE-75	1925-17	GE-20		
964-19864	GE-52	991-011312	GE-17	1016	GE-21	1138	GE-504A	1561-0805	GE-75	1931-17	GE-20		
964-19865	GE-504A	991-011313	GE-63	1016-77	1N34AS	1139-17	GE-504A	1561-0808	GE-75	1932-17	GE-20		
964-21866	GE-504A	991-011314	GE-18	1016-78	GE-504A	1145	GE-1	1561-0810	GE-75	1933-17	GE-18		
964-22009	GE-64	991-011318	GE-20	1016-79	GE-504A	1146	GE-1	1561-0815	GE-75	1934-17	GE-FET-1		
964-27986	GE-20	991-011319	GE-67	1020-17	GE-20	1147	GE-21	1561-1004	GE-75	1936-17	GE-23		
964-174443	GE-504A	991-011576	GE-FET-1	1023-17	GE-2	1157	GE-18	1561-1005	GE-75	1937-17	GE-504A		
965T1	GE-52	991-011706	GE-FET-1	1023G	GE-20	1184G	GE-21	1561-1010	GE-75	1945-17	GE-30		
974-2	GE-27	991-012686	GE-22	1024	GE-504A	1186-1	GE-90	1561-1015	GE-75	1947-17	1N60		
974-4	GE-27	991-013044	GE-17	1024-17	GE-3	1186-3	GE-90	1561A603	GE-77	1949-17	GE-504A		
977-1	GE-504A	991-013056	GE-17	1024G	GE-20	1187	GE-18	1561A608	GE-75	1950-17	GE-504A		
977-2B	GE-504A	991-013057	GE-10	1025G	GE-20	1192	GE-2	1561A615	GE-75	1956-17	1N34AS		
977-3B	GE-504A	991-013058	GE-21	1026G	GE-20	1206-17	1N34AS	1562	GE-504A	1958-17	GE-8		
977-4B	GEBR-600	991-013063	GE-14	1027	GEZD-27	1210-17	GE-11	1567	GE-20	1961-17	GE-17		
977-6B	GEBR-600	991-013068	GE-17	1027G	GE-18	1212	GE-300	1567-0	GE-11	1970-17	GE-504A		
977-8B	GE-504A	991-013543	GE-64	1028	GE-20	1229H	GE-20	1567-2	GE-20	1977-17	1N60		
97													

UNIVERSAL REPLACEMENT SEMICONDUCTORS

1982-17 - 3517

JEDEC Or Part Nr	GE Replacement	JEDEC Or Part Nr	GE Replacement	JEDEC Or Part Nr	GE Replacement	JEDEC Or Part Nr	GE Replacement	JEDEC Or Part Nr	GE Replacement	JEDEC Or Part Nr	GE Replacement	JEDEC Or Part Nr	GE Replacement
1982-17	GE-504A	2057A2-272	GE-20	2057B2-38	GE-20	2093A41-14	1N60	2116-17	GE-504A	2620	GE-27		
1998-17	GE-20	2057A2-273	GE-20	2057B2-41	GE-51	2093A41-16	GEZD-9.1	2120-17	GEZD-15	2634	GE-17		
1999-17	GE-20	2057A2-274	GE-20	2057B2-42	GE-51	2093A41-23	GE-90	2121-17	GE-20	2700	GE-51		
1 + 12/1	GE-504A	2057A2-275	GE-20	2057B2-43	GE-2	2093A41-24	GEZD-9.1	2122-17	GE-2	2703-389	1N34AS		
2001	GE-66	2057A2-276	GE-18	2057B2-44	GE-2	2093A41-25	GE-90	2132-17	GE-20	2703-390	GE-504A		
2001-17	GE-20	2057A2-277	GE-21	2057B2-45	GE-2	2093A41-27	GE-90	2134-17	GE-10	2704	1N34AS		
2002	GE-16	2057A2-278	GE-18	2057B2-46	GE-8	2093A41-29	1N60	2148-17	GE-504A	2704-388	1N34AS		
2003-17	GE-20	2057A2-279	GE-10	2057B2-47	GE-12	2093A41-38	1N60	2150-17	GEZD-9.1	2704-389	GE-504A		
2004	GE-52	2057A2-280	GE-20	2057B2-48	GE-2	2093A41-45	GE-504A	2151-17	1N60	2762	GE-504A		
2008-17	GE-62	2057A2-281	GE-20	2057B2-49	GE-2	2093A41-49	GE-504A	2152	GE-504A	2766	GE-504A		
2010-17	GE-FET-1	2057A2-284	GE-10	2057B2-50	GE-51	2093A41-53	GEZD-7.5	2160-17	GE-28	2777	GE-504A		
2011	GE-28	2057A2-285	GE-20	2057B2-51	GE-51	2093A41-54	GE-504A	2161-17	GE-X11	2779	GE-504A		
2015-1	GE-14	2057A2-288	GE-52	2057B2-52	GE-2	2093A41-55	GE-504A	2163-17	GE-23	2780	GE-16		
2015-2	GE-14	2057A2-289	GE-20	2057B2-57	GE-20	2093A41-56	GEZD-12	2168-17	GE-28	2780-3	GE-13MP		
2015-3	GE-14	2057A2-290	GE-20	2057B2-58	GE-12	2093A41-57	GE-504A	2181-17	GE-18	2780-4	GE-3		
2020-00	GE-51	2057A2-294	GE-62	2057B2-60	GE-2	2093A41-58	6GX1	2196-17	1N60	2780-5	GE-3		
2021-00	GE-51	2057A2-295	GE-18	2057B2-61	GE-2	2093A41-59	1N60	2197-17	GE-20	2781	GE-2		
2026-5	GE-55	2057A2-296	GE-10	2057B2-82	GE-10	2093A41-60	GEZD-12	2203-17	GE-X11	2784	GE-504A		
2028-00	GE-20	2057A2-297	GE-10	2057B2-63	GE-10	2093A41-61	GE-504A	2204-17	GE-20	2786	GE-504A		
2031-17	GE-504A	2057A2-300	GE-20	2057B2-64	GE-11	2093A41-62	GE-504A	2205-17	GE-90	2787	GE-20		
2039-2	GE-8	2057A2-302	GE-16	2057B2-65	GE-51	2093A41-63	GEZD-5.1	2206	GE-504A	2789	1N34AS		
2040-17	GEZD-10-4	2057A2-303	GE-20	2057B2-66	GE-51	2093A41-65	GE-504A	2206-17	GE-504A	2791	GE-51		
2042-17	GE-52	2057A2-304	GE-17	2057B2-67	GE-51	2093A41-66	GE-504A	2207-17	GE-20	2794	GE-504A		
2043-17	GE-21	2057A2-305	GE-20	2057B2-68	GE-51	2093A41-67	GE-511	2208-17	GE-20	2795A	GEZD-9.1		
2044-17	GE-20	2057A2-306	GE-20	2057B2-69	GE-63	2093A41-69	GE-504A	2209-17	GE-300	2797	GE-51		
2045-17	GE-504A	2057A2-307	GE-21	2057B2-70	GE-51	2093A41-70	GEZD-7.5	2210-17	GE-28	2798	GE-51		
2052	GE-504A	2057A2-309	GE-17	2057B2-71	GE-51	2093A41-72	GE-511	2211-17	GE-29	2799	GE-51		
2057A2-60	GE-52	2057A2-310	GE-11	2057B2-72	GE-2	2093A41-73	GE-511	2212-17	GE-20	2802	GE-509		
2057A2-62	GE-20	2057A2-310	GE-11	2057B2-73	GE-20	2093A41-75	GE-504A	2213-17	GE-60	2853-1	GE-28		
2057A2-64	GE-11	2057A2-311	GE-17	2057B2-77	GE-51	2093A41-76	GE-300	2214-17	GE-26	2853-2	GE-66		
2057A2-65	GE-52	2057A2-311	GE-17	2057B2-78	GE-2	2093A41-77	GE-504A	2215-17	GE-50	2853-3	GE-28		
2057A2-66	GE-52	2057A2-313	GE-20	2057B2-79	GE-51	2093A41-78	GE-504A	2218-17	GE-90	2854-1	GE-28		
2057A2-80	GE-51	2057A2-314	GE-20	2057B2-80	GE-51	2093A41-81	GE-504A	2244-1	GE-29	2854-2	GE-66		
2057A2-103	GE-17	2057A2-316	GE-10	2057B2-81	GE-51	2093A41-86	GE-504A	2245-17	GE-28	2854-3	GE-28		
2057A2-109	GE-20	2057A2-317	GE-53	2057B2-83	GE-2	2093A41-88	GE-504A	2246-17	GE-63	2855-1	GE-216		
2057A2-110	GE-20	2057A2-322	GE-17	2057B2-86	GE-2	2093A41-89	GE-504A	2252	GE-504A	2855-2	GE-66		
2057A2-116	GE-11	2057A2-323	GE-20	2057B2-87	GE-20	2093A41-90	GEZD-5.1	2275-17	GE-10	2855-3	GE-28		
2057A2-117	GE-20	2057A2-324	GE-20	2057B2-88	GE-51	2093A41-91	GE-90	2284-17	GE-20	2856-1	GE-216		
2057A2-119	GE-20	2057A2-325	GE-17	2057B2-89	GE-51	2093A41-92	1N60	2290-17	GE-10	2856-2	GE-66		
2057A2-120	GE-20	2057A2-326	GE-17	2057B2-90	GE-51	2093A41-95	GE-90	2291-17	GE-20	2856-3	GE-28		
2057A2-122	GE-20	2057A2-329	GE-52	2057B2-93	GE-51	2093A41-96	GE-300	2302	GE-504A	2900-007	GE-17		
2057A2-127	GE-20	2057A2-331	GE-20	2057B2-94	GE-52	2093A41-105	GE-300	2302-17	GE-17	2901-010	GE-3		
2057A2-128	GE-20	2057A2-332	GE-20	2057B2-97	GE-10	2093A41-108	GE-504A	2320-17	GE-20	2904-003	GE-17		
2057A2-147	GE-2	2057A2-333	GE-20	2057B2-103	GE-10	2093A41-110	GE-504A	2321-17	GE-18	2904-008	GE-3		
2057A2-148	GE-2	2057A2-334	GE-18	2057B2-104	GE-51	2093A41-115	GE-504A	2323-17	GEZD-6.2	2904-016	GE-51		
2057A2-150	GE-67	2057A2-352	GE-18	2057B2-105	GE-51	2093A41-117	GE-90	2328-17	GE-300	2904-029	GE-51		
2057A2-151	GE-63	2057A2-353	GE-22	2057B2-107	GE-52	2093A41-126	GE-504A	2336-17	GE-FET-2	2904-033	GE-20		
2057A2-152	GE-20	2057A2-356	GE-20	2057B2-113	GE-20	2093A41-130	GE-90	2337-17	GE-20	2904-034	GE-20		
2057A2-153	GE-62	2057A2-359	GE-21	2057B2-116	GE-20	2093A41-131	GE-504A	2339-17	GE-X11	2904-035	GE-20		
2057A2-154	GE-20	2057A2-370	GE-62	2057B-59	GE-10	2093A41-167	1N60	2361-17	GE-20	2957A100-25	GE-23		
2057A2-155	GE-62	2057A2-396	GE-18	2057B-84	GE-12	2093A41-169	1N60	2362-1	GE-20	3002	GE-17		
2057A2-156	GE-83	2057A2-397	GE-21	2057B-85	GE-20	2093A41-171	GE-300	2400-23	GE-504A	3008	GE-50		
2057A2-157	GE-39	2057A2-398	GE-18	2057B100-6	GE-52	2093A41-172	GE-300	2400-27	GE-504A	3009	GE-50		
2057A2-158	GE-39	2057A2-399	GE-18	2057B100-7	GE-52	2093A41-173	GE-504A	2402	GE-504A	3010	GE-52		
2057A2-159	GE-39	2057A2-400	GE-21	2057B100-8	GE-2	2093B4-6	GE-504A	2402-459	1N60	3011	GE-20		
2057A2-179	GE-20	2057A2-401	GE-17	2058	GE-50	2093B11-21	1N60	2402-461	GE-504A	3012	GE-22		
2057A2-180	GE-20	2057A2-402	GE-17	2060-024	GE-504A	2093B38-4	GE-504A	2402-462	GE-504A	3017	GE-21		
2057A2-181	GE-20	2057A2-403	GE-21	2061A45-38	GE-300	2093B38-9	1N82A	2402-463	GE-504A	3018	GE-11		
2057A2-182	GE-21	2057A2-404	GE-18	2061B45-35	GE-504A	2093B38-14	GE-504A	2408-330	1N34AS	3034	GE-18		
2057A2-183	GE-21	2057A2-405	GE-62	2062-17	GE-45	2093B41-6	GE-504A	2408-331	GE-504A	3064ATC	GEIC-20		
2057A2-184	GE-17	2057A2-406	GE-21	2063-17	GE-20	2093B41-8	GE-504A	2427	GE-11	3066DC	GEIC-22		
2057A2-192	GE-20	2057A2-432	GE-17	2064	GE-20	2093B41-9	GE-504A	2443	GE-11	3067DC	GEIC-23		
2057A2-195	GE-60	2057A2-433	GE-20	2064-17	GEZD-9.1	2093B41-21	GE-300	2445	GE-20	3069	GE-504A		
2057A2-212	GE-18	2057A2-434	GE-20	2065-17	GE-300	2093B41-23	GE-90	2446	GE-20	3075DC	GEIC-15		
2057A2-216	GE-20	2057A2-457	GE-22	2066-17	GE-300	2093B41-24	GEZD-9.1	2447	GE-20	3111	GE-20		
2057A2-217	GE-20	2057A2-501	GE-61	2074-17	GE-FET-1	2093B41-27	GE-90	2448	GE-11	3112	GE-2		
2057A2-218	GE-20	2057A2-502	GE-60	2076	GE-300	2093B41-28	GE-504A	2450	GE-17	3113	GE-20		
2057A2-219	GE-20	2057A2-503	GE-20	2081-17	GE-28	2093B41-29	1N60	2473	GE-17	3227-E	GE-17		
2057A2-220	GE-20	2057A2-504	GE-20	2084-17	GE-504A	2093B41-32	GE-504A	2474	GE-11	3322-6	1N60		
2057A2-221	GE-20	2057A2-505	GE-20	2085-17	GE-28	2093B41-34	GE-504A	2475	GE-11	3374-3	GE-42		
2057A2-222	GE-20	2057A10-64	GE-10	2090	GE-27	2093B41-35	GE-504A	2476	GE-17	3377	GE-504A		
2057A2-223	GE-12	2057A100	GE-14	2093A38-4	GE-504A	2093B41-37	GE-504A	2477	GE-17	3391	GE-83		
2057A2-224	GE-20	2057A100-4	GE-52	2093A38-5	1N60	2101	GE-10	2482	GE-52	3425	GE-2		
2057A2-225	GE-20	2057A100-8	GE-2	2093A38-8	GE-90	2102	GE-504A	2					

UNIVERSAL REPLACEMENT SEMICONDUCTORS

3518 - 22939

JEDEC Or Part Nr	GE Replacement	JEDEC Or Part Nr	GE Replacement	JEDEC Or Part Nr	GE Replacement	JEDEC Or Part Nr	GE Replacement	JEDEC Or Part Nr	GE Replacement	JEDEC Or Part Nr	GE Replacement	JEDEC Or Part Nr	GE Replacement
3518	GE-11	3907/2N404A	GE-51	4854	GE-20	7505	GE-17	8000-00011-046	GE-300	9623F	GE-20		
3519	GE-10	3961	GE-50	4857	GE-17	7506	GE-18	8000-00011-047	GE-10	9623G	GE-20		
3520	GE-12	3970	GE-52	5001-068	GE-46	7507	GE-63	8000-00011-048	GE-10	9623H	GE-20		
3520-1	GE-12	4004	GE-63	5085	GE-51	7508	GE-21	8000-00011-049	GE-20	9625F	GE-17		
3521	GE-17	4005	GE-83	5101N60	1N60	7509	GE-62	8000-00011-050	GE-66	9625H	GE-17		
3522	GE-21	4006	GE-63	5101S34	1N60	7513	GE-28	8000-00011-051	GE-45	9630C	GE-20		
3523	GE-52	4010	GE-20	5120A90	1N60	7514	GE-14	8000-00011-052	GE-45	9650-001	GE-504A		
3524	GE-17	4011	GE-300	5124	GEZD-15	7516	GE-20	8000-00011-052	GE-46	9696H	GE-18		
3524-1	GE-11	4013	GE-504A	5130	GEZD-27	7702-1A	GE-509	8000-00011-054	GE-FET-2	9803	GE-300		
3525	GE-29	4014	GE-504A	5203N1	GE-504A	7704-1	GE-509	8000-00011-055	GE-FET-2	10031	6GC1		
3526	GE-28	4041-000-10160	GE-2	5203RNI	6GX1	7706-1	GE-509	8000-00011-064	GEZD-9.1	10036	GE-52		
3527	GE-20	4041-000-30180	GE-2	5205NI	GE-504A	7708-1	GE-509	8000-00012-038	1N82A	10037	GE-52		
3529	GE-504A	4041-000-40270	GE-17	5210DC-1	GE-504A	7710-1	GE-509	8000-00012-039	GE-20	10038	GE-2		
3530	GE-11	4041-000-40300	GE-17	5222	GEZD-12	7711-1	GE-509	8000-00012-040	GE-63	10039	GE-2		
3532	GE-20	4041-000-60170	GE-20	5224	GEZD-15	7712-1	GE-509	8000-00032-025	GE-20	10180	GE-504A		
3532-1	GE-11	4041-000-60200	GE-20	5230	GEZD-27	7713-1	GE-509	8000-00032-026	GE-39	10655A03	GEIC-29		
3533	GEIC-14	4041-000-80100	GE-51	5253	GE-3	7722	GE-90	8000-00032-027	GE-59	10655B02	GEIC-2		
3533-1	GE-21	4041-200-10180	1N60	5361-1N60P	1N60	7962	GE-504	8000-00032-028	GE-66	11252	1N295		
3534	GE-51	4057	GE-20	5403-MS	GEZD-9.1	7991	GE-62	8010-51	GE-90	12112C	GE-20		
3535	GE-17	4126	GE-21	5416	GE-504A	7992	GE-62	8010-52	GE-300	12112D	GE-20		
3536	GE-63	4167	GE-20	5464	GE-2	7993	GE-53	8010-53	1N60	12112E	GE-20		
3537	GE-17	4168	GE-20	5601-MS	GE-504A	8000-0004-044	GE-504A	8010-171	GEIC-2	12112F	GE-20		
3538	GE-20	4189	GE-20	5601-NI	GE-504A	8000-0004-P060	1N34AS	8010-173	GE-FET-2	12163	GE-16		
3539	GE-17	4247	GE-16	5611-628(F)	GE-21	8000-0004-P061	GE-504A	8010-174	GE-20	12178	GE-16		
3540-1	GE-22	4312	GE-12	5611-673	GE-21	8000-0004-P062	GE-504A	8010-175	GE-20	12180	GE-51		
3541	GE-18	4315	GE-52	5611-673D	GE-21	8000-0004-P063	1N60	8010-176	GE-20	12429	GEIC-1		
3543	GE-20	4347	GE-3	5611-695	GE-67	8000-0004-P064	GE-504A	8102-206	GE-504A	12539	GE-26		
3544	GE-2	4348	GE-52	5611-695C	GE-67	8000-0004-P065	GEZD-9.1	8102-207	GE-20	12602	GE-504A		
3544-1	GE-17	4349	GE-2	5611-6730	GE-21	8000-0004-P067	GE-504A	8102-208	GE-62	12720	GE-504A		
3546	GE-20	4354	1N34AS	5612-75(C)	GE-1	8000-0004-P068	GE-504A	8102-209	GE-20	12736	GE-504A		
3547	GE-27	4366	GE-2	5612-77(C)	GE-54	8000-00003-033	GE-10	8102-210	GE-31MP	12746	GE-504A		
3548	GE-20	4367	GE-2	5612-370	GE-52	8000-00003-034	GE-17	8200-202	GE-10	12768	GE-504A		
3549	GE-21	4450	GE-52	5613-458	GE-17	8000-00003-035	GE-20	8200-203	GE-62	12786	GE-504A		
3551	GE-20	4451	GE-52	5613-458B	GE-17	8000-00003-036	GE-20	8200-204	GE-31MP	12788	GE-504A		
3552	GE-20	4459	GE-25	5613-460	GE-20	8000-00003-037	GE-21	8301	GE-21	12803	GE-504A		
3553	GE-18	4462	GE-52	5613-460	GE-20	8000-00003-038	GE-52	8302	GE-17	12837	GE-504A		
3554	GE-18	4463	GE-52	5613-460C	GE-20	8000-00003-039	GE-52	8303	GE-21	12844	GE-504A		
3555	GE-63	4464	GE-52	5613-461	GE-20	8000-00003-040	GE-30	8304	GE-63	12850	1N60		
3556	GE-63	4465	GE-52	5613-461(B)	GE-11	8000-00003-044	1N60	8394	GE-10	12901	GEZD-3.6		
3558	GE-20	4467	GE-52	5613-461C	GE-20	8000-00003-045	1N34AS	8471	GE-28	13782	GE-504A		
3559	GE-21	4470	GE-20	5613-535(B)	GE-20	8000-00003-046	GE-300	8500-201	GE-52	14027	GE-504A		
3560	GE-20	4470M-32	GE-20	5613-535	GE-20	8000-00004-060	1N34AS	8500-202	GE-52	14126-1	GE-504A		
3560-2	GE-18	4473-3	GE-20	5613-535C	GE-20	8000-00004-061	GE-504A	8500-203	GE-52	14303	GE-20		
3561	GE-20	4473-4	GE-20	5613-711(E)	GE-10	8000-00004-062	GE-300	8500-204	GE-30	14588-9	GE-504A		
3561-1	GE-18	4473-12	GE-20	5613-870(F)	GE-20	8000-00004-063	1N60	8500-206	GE-504A	15009	GE-53		
3562	GE-21	4473-M-3	GE-20	5613-871(F)	GE-62	8000-00004-064	GE-300	8800-201	GE-504A	15024	GE-16		
3563	GE-21	4473-M-12	GE-20	5613-1209	GE-63	8000-00004-065	GEZD-9.1	8800-206	GE-504A	15027	GE-16		
3565	GE-63	4473-N	GE-20	5613-1209C	GE-63	8000-00004-066	GE-300	8840-52	GE-90	15122	GE-300		
3566	GE-63	4491-6	GE-57	5613-1335	GE-17	8000-00004-067	GE-504	8840-53	GE-300	15809-1	GE-20		
3567	GE-12	4491-9	GE-57	5613-1342	GE-20	8000-00004-068	GE-504A	8840-54	1N60	15810-1	GE-20		
3568	GE-18	4562	GE-2	5613-1342C	GE-20	8000-00004-079	GE-20	8840-55	GEZD-9.1	15835-1	GE-20		
3570	GE-21	4563	GE-2	5613-4581C	GE-17	8000-00004-080	GE-FET-2	8840-56	GE-504A	15840-1	GE-20		
3571	GE-20	4565	GE-2	5631-1N34A	1N34AS	8000-00004-081	GE-FET-2	8840-161	GE-FET-2	15841-1	GE-20		
3571-1	GE-20	4567	GE-2	5631-1N60	1N60	8000-00004-085	GE-20	8840-162	GE-17	15927	GE-3		
3572	GE-20	4587	GE-17	5631-1N60P	1N60	8000-00004-086	GE-8	8840-163	GE-20	16598	GE-2		
3572-3	GE-20	4734	GE-20	5632-S1B01-02	GE-504A	8000-00004-087	GE-66	8840-164	GE-20	16599	GE-3		
3574	GE-20	4800-224	GE-504A	5632-W06A	GE-504A	8000-00004-088	GE-2	8840-165	GE-20	17047-1	GE-2		
3574-1	GE-22	4801-1100-011	GE-16	5633-1S85	GE-90	8000-00004-089	GE-21	8840-166	GE-20	17142	GE-2		
3576	GE-61	4801-1100-0111	GE-17	5633-1S85Y	GE-90 6	8000-00004-184	1N34AS	8999-115	GE-25	17143	GE-2		
3577	GE-16	4822-130-30132	GEZD-7.5	5635-ZB1-10	GEZD-10.4	8000-00004-239	GEZD-6.2	8999-201	GE-52	17412-5	GE-17		
3577-1	GE-20	4822-130-30192	GE-504A	5641-MV11	GE-504A	8000-00004-241	GE-14	8999-202	GE-2	17443	GE-504A		
3581	GE-21	4822-130-30256	GE-504A	5722-3000	GE-51	8000-00004-242	GE-63	8999-203	GE-53	17444	GE-20		
3582	GE-27	4822-130-30259	GE-504A	5847	GE-66	8000-00004-243	GE-20	8999-205	GE-504A	17887	GE-16		
3589	GE-20	4822-130-30261	GE-504A	5923	GE-504A	8000-00004-248	GE-90	9011(F)	GE-20	17945	GE-3		
3590	GE-53	4822-130-30264	GEZD-5.1	6008	GE-50	8000-00005-015	1N60	9011E	GE-20	18109	GE-2		
3591	GE-53	4822-130-30287	GEZD-7.5	6019	GE-300	8000-00005-016	1N34AS	9011F	GE-20	18310	GE-12		
3597-1	GE-21	4822-130-40095	GE-53	6100-35	GE-2	8000-00005-017	1N34AS	9013H	GE-10	18493	GE-51		
3597-2	GE-21	4822-130-40096	GE-54	6115	GE-X11	8000-00005-018	1N60	9013HF	GE-10	18509	GE-20		
3600	GE-52	4822-130-40184	GE-20	6154	GE-50	8000-00005-020	GEZD-6.2	9014(B)	GE-10	18529	GE-2		
3601	GE-18	4822-130-40214	GE-20	6155	GE-50	8000-00005-021	GEZD-9.1	9014B	GE-10	18530	GE-2		
3601-1	GE-17	4822-130-40215	GE-20	8158	GE-50	8000-00005-022	GE-504A	9014C	GE-10	18540	GE-51		
3604	GE-64	4822-130-40218	GE-20	8162	GE-50	8000-00005-023	1N60	9016(G)	GE-20	18541	GE-51		
3610	GE-11	4822-130-40233	GE-3	8440	GE-2	8000-00005-152	GE-504A	9016(F)	GE-20	18555	GE-20		
3613-2	GE-27	4822-130-40235	GE-53	8445	GE-2	8000-00006-001	GE-17	9016D	GE-20	18600-51	GE-90		
3616-1	GE-22	4822-130-40252	GE-51	8452	GE-2	8000-00006-002	GE-45	9016E	GE-20	18600-52	GE-300		
3620-1	GE-21	4822-130-40255	GE-51	8651-486	GE-18	8000-00006-003	GE-17	9018D	GE-20	18600-53	1N60		
3622-1	GE-28	4822-130-40311	GE-20	7001	GE-63	8000-00006-004	GE-21	9018G	GE-17	18600-54	GE-X11		
3631	GE-21	4822-130-40312	GE-20	7112	GE-300	8000-00006-005	GE-20	9033	GE-10	18600-151	GE-17		
3632-1	GE-27	4822-130-40313	GE-20	7129	GE-20	8000-00006-006	GE-14	9033G	GE-20	18600-152	GE-17		
3633-1	GE-27	4822-130-40315	GE-21	7130A	GEIC-2	8000-00006-007	1N60	9033Q	GE-20	18600-153	GE-20		
3634-1	GE-36	4822-130-40317	GE-20	7132	GE-18	8000-00006-008	GE-300	9203-8	GE-509	18601	GE-2		
3636	GE-12	4822-130-40318	GE-20	7209A	GEIC-3	8000-00006-009	GEZD-9.1	9330-092-90112	GEZD-6.2	18611	GE-2		
3657-1	GE-20	4822-130-40333	GE-20	7214	GE-14	8000-00006-010	GEZD-33	9367-1	GE-18	18731	GE-2		
3657-2	GE-20	4822-130-40348	GE-21	7214S	GE-504A	8000-00006-146	GEZD-5.6	9390	GE-2	19042	GE-504A		
3676	GE-60	4822-130-40356	GE-18	7252	GE-66	8000-00006-147	GE-510	9391	GE-2	19420	GE-20		
3682	GE-51	4822-130-40385	GE-51	7253	GE-27	8000-00006-190	GE-19	9502	GE-63	20738	GE-20		
3686	GE-53	4822-130-40441	GE-50	7310	GE-12	8000-00006-230	GE-46	9564					

UNIVERSAL REPLACEMENT SEMICONDUCTORS

23606 - 58840-117

JEDEC Or Part Nr	GE Replacement	JEDEC Or Part Nr	GE Replacement	JEDEC Or Part Nr	GE Replacement	JEDEC Or Part Nr	GE Replacement	JEDEC Or Part Nr	GE Replacement	JEDEC Or Part Nr	GE Replacement	JEDEC Or Part Nr	GE Replacement
23606	GE-FET-2	35170	GE-51	38207	GE-20	40319	GE-67	40456	GE-63	42221	GE-504A		
23754	GE-66	35201	GE-3	38208	GE-20	40319L	GE-67	40457	GE-47	42464	GE-20		
23762	GE-14	35218	GE-52	38209	GE-51	40319S	GE-67	40458	GE-47	43054	GE-10		
23785	GE-2	35231	GE-16	38246	GE-17	40320	GE-63	40459	GE-63	43060	GE-19		
25201-001	1N34AS	35242	GE-20	38448	GE-28	40320L	GE-63	40461	GE-FET-1	43074	GE-16		
25840-167	GEIC-7	35259	GE-11	38511	GE-17	40320S	GE-63	40461-2	GE-20	43992-2	GE-5		
27840-41	GE-504A	35260	GE-16	38785	GE-17	40321	GE-32	40462	GE-25	44465-2	GE-504A		
27840-42	1N80	35287	GE-504A	38786	GE-17	40321L	GE-32	40464	GE-73	44465-4	GE-504A		
27840-43	GE-300	35287A	GE-504A	38787	GE-20	40322	GE-12	40465	GE-75	44465-5	GE-504A		
27840-161	GE-20	35349	GE-3	38788	GE-10	40323	GE-63	40466	GE-75	44465-6	GE-504A		
27840-162	GE-20	35449	GE-17	39096	GE-20	40324	GE-66	40469	GE-39	44967-2	GE-2		
28287	1N34AS	35454	GE-2	39458	GE-28	40325	GE-77	40470	GE-39	45380	GEIC-8		
30201	GE-52	35454-1	GE-2	39767	GE-57	40326	GE-63	40471	GE-39	45381	GEIC-9		
30202	GE-52	35454-2	GE-2	40004	GE-52	40326L	GE-63	40472	GE-39	45390	GEIC-32		
30203	GE-16	35454-3	GE-2	40005	GE-2	40326S	GE-63	40473	GE-39	45393	GEIC-27		
30204	GE-2	35500	GE-504A	40006	GE-52	40327	GE-32	40474	GE-39	45395	GEIC-27		
30208	GE-52	35590	GE-53	40022	GE-25	40327L	GE-32	40475	GE-39	45495-2	GE-5		
30208-2	GE-2	35628	GE-2	40050	GE-25	40329	GE-212	40476	GE-39	46140-2	GE-504A		
30210	GE-20	35677	GE-2	40051	GE-25	40346	GE-32	40477	GE-39	46287-4	1N34AS		
30211	GE-16	35678	GE-2	40051-2	GE-3	40346	GE-32	40478	GE-39	46490-2	GE-5		
30213	GE-50	35728	GE-16	40053	GE-63	40346	GE-32	40479	GE-39	46590-2	GE-8		
30214	GE-52	35792	GE-52	40080	GE-20	40346L	GE-32	40480	GE-39	46591-2	GE-8		
30215	GE-52	35815	GE-51	40081	GE-215	40347	GE-63	40481	GE-39	46592-2	GE-8		
30216	GE-50	35816	GE-51	40082	GE-28	40347L	GE-46	40482	GE-39	46593-2	GE-8		
30218	GE-52	35817	GE-51	40108	GEMR-1	40347V1	GE-28	40487	GE-1	46631-2	GE-5		
30219	GE-20	35818	GE-51	40109	GEMR-1	40347V2	GE-28	40488	GE-50	46774-1	GE-5		
30221	GE-50	35819	GE-2	40110	GEMR-1	40348	GE-32	40489	GE-1	46775-2	GE-5		
30222	GE-50	35820	GE-2	40111	GEMR-1	40349	GE-32	40490	GE-2	47126	GE-504A		
30223	GE-50	35820-1	GE-2	40112	GEMR-1	40350	GE-11	40491	GE-12	47126-1	GE-504A		
30224	GE-20	35820-2	GE-2	40208	GEMR-2	40351	GE-11	40500	GE-20	47126-1A	GE-504A		
30226	GE-20	35820-3	GE-2	40209	GEMR-2	40352	GE-11	40501	GE-18	47126-2	GE-504A		
30227	GE-20	35824	GE-1	40210	GEMR-2	40354	GE-27	40517	GE-86	47126-3	GE-504A		
30228	GE-20	35885A	GE-3	40211	GEMR-2	40355	GE-27	40518	GE-86	47126-3A	GE-504A		
30229	GE-20	35885B	GE-3	40212	GEMR-2	40359	GE-2	40519	GE-20	47126-4	GE-504A		
30230	GE-50	35950	GE-2	40217	GE-20	40360	GE-18	40537	GE-67	47126-4A	GE-504A		
30231	GE-1	35951	GE-3	40218	GE-20	40361	GE-18	40537L	GE-67	47126-6	GE-504A		
30234	GE-12	35952	GE-2	40219	GE-20	40363	GE-75	40537S	GE-67	47126-7	GE-504A		
30235	GE-10	35953	GE-52	40220	GE-20	40366	GE-32	40538	GE-67	47126-10	GE-504A		
30238	GE-51	35954	GE-52	40221	GE-20	40366L	GE-32	40538L	GE-67	47126-12	GE-504A		
30239	GE-51	35955	GE-52	40222	GE-20	40368	GE-66	40538S	GE-67	47126-003	GE-504A		
30240	GE-51	36201	GE-504A	40231	GE-17	40369	GE-14	40539	GE-63	47127-3	GE-504A		
30241	GE-20	36212	GE-20	40232	GE-20	40372	GE-28	40539L	GE-63	47394-2	GE-2		
30242	GE-20	36212V1	GE-20	40233	GE-20	40378	GEMR-4	40539S	GE-63	47645-2	GE-8		
30243	GE-20	36303	GE-3	40234	GE-210	40379	GEMR-4	40546	GE-12	48287	1N34AS		
30244	GE-52	36304	GE-3	40235	GE-17	40385	GE-32	40547	GE-12	48287-4	1N60		
30245	GE-12	36304-4	GE-3	40236	GE-17	40385L	GE-32	40578	GE-28	48385-2	GE-8		
30246	GE-16	36387	GE-63	40237	GE-17	40389	GE-28	40581	GE-28	48937-2	GE-51		
30246A	GE-16	36395	GE-3	40238	GE-39	40390	GE-32	40582	GE-28	49058-2	GE-8		
30247	GE-51	36477	GE-16	40239	GE-39	40391	GE-29	40594	GE-66	49138-2	GE-5		
30248	GE-20	36503	GE-504A	40240	GE-39	40392	GE-28	40605	GE-28	49139-2	GE-1		
30254	GE-23	36534	GE-2	40242	GE-39	40394	GE-29	40608	GE-28	49939-2	GE-51		
30256	GE-12	36535	GE-504A	40243	GE-39	40395	GE-53	40611	GE-63	50137-2	GE-18		
30257	GE-14	36537	GE-504A	40244	GE-39	40396	GE-8	40612	GE-25	50477-4	GE-3		
30259	GE-20	36549	GE-504A	40245	GE-39	40396N	GE-54	40613	GE-66	50505-01	1N34AS		
30268	GE-20	36554	GE-504A	40246	GE-39	40396/P	GE-53	40616	GE-63	50745-06	GE-504A		
30269	GE-20	36555	GE-504A	40250	GE-66	40397	GE-210	40618	GE-66	51426-01	GE-10		
30272	GE-57	36557	GE-2	40250V1	GE-28	40398	GE-210	40621	GE-66	51429-3	GE-10		
30273	GE-51	36558	GE-2	40251	GE-77	40399	GE-210	40622	GE-66	51429-02	GE-10		
30274	GE-51	36559	GE-51	40253	GE-53	40400	GE-210	40623	GE-25	51429-03	GE-10		
30278	GE-21	36560	GE-51	40254	GE-25	40404	GE-20	40624	GE-66	51650	GE-16		
30289	GE-63	36563	GE-51	40259	GE-11	40405	GE-20	40626	GE-25	53009-1	GE-90		
30290	GE-21	36634	GE-12	40280	GE-11	40406	GE-67	40627	GE-66	53016R	GE-300		
30291	GE-63	36616	GE-52	40281	GE-51	40408L	GE-67	40629	GE-66	55166	1N60		
30292	GE-20	36647	GE-20	40282	GE-51	40408S	GE-67	40630	GE-66	55810-51	1N60		
30293	GE-52	36896	GE-3	40283	GE-50	40407	GE-63	40631	GE-66	55810-52	1N60		
30294	GE-28	36910	GE-3	40284	GE-27	40407L	GE-63	40636	GE-75	55810-161	GE-20		
30302	GE-52	36918	GE-17	40284V1	GE-12	40407S	GE-63	40637	GE-212	55810-163	GE-20		
31450	GE-510	36919	GE-17	40285	GE-12	40408	GE-20	40637A	GE-47	55810-164	GE-17		
33563	GE-20	36920	GE-17	40288	GE-1	40409	GE-18	40650	GE-27	55810-166	GE-24		
34022	GE-16	36921	GE-17	40279	GE-28	40410	GE-21	40665	GE-66	55810-167	GEIC-12		
34118	GE-51	37126-1	GE-504A	40280	GE-20	40411	GE-14	40666	GE-28	58810-80	GE-504A		
34119	GE-51	37278	GE-51	40281	GE-28	40412	GE-32	40620	GE-FET-4	58810-81	GE-90		
34174	GE-504A	37279	GE-54	40282	GE-66	40412	GE-32	40821	GE-FET-4	58810-82	GE-300		
34219	GE-1	37383	GE-20	40283	GE-210	40412	GE-32	40823	GE-FET-4	58810-83	1N60		
34220	GE-1	37464	GE-18	40290	GE-20	40412L	GE-32	40852	GE-36	58810-85	GE-504A		
34221	GE-1	37510-52	GE-300	40292	GE-66	40414	GE-86	40853	GE-36	58810-86	GEZD-10		
34298	GE-3	37510-53	1N60	40294	GE-86	40421	GE-16	40854	GE-36	58810-160	GE-FET-2		
34315	GE-16	37510-54	GE-X11	40296	GE-86	40422	GE-12	40894	GE-86	58810-161	GE-17		
34342	GE-51	37510-161	GE-20	40305	GE-28	40423	GE-12	40895	GE-86	58810-162	GE-20		
34389	GE-51	37510-162	GE-20	40306	GE-28	40424	GE-12	40896	GE-86	58810-163	GE-20		
34394	GE-504A	37510-163	GE-20	40307	GE-66	40425	GE-12	40897	GE-86	58810-164	GE-20		
34425	GE-3	37584	GE-12	40309	GE-63	40426	GE-12	40934-1	GE-14	58810-111	GE-504A		
34553	GE-51	37585	GE-10	40310	GE-66	40427	GE-12	40953	GE-45	58810-166	GE-20		
34715	GE-3	37694	GE-20	40311	GE-63	40439	GE-25	40972	GE-45	58810-167	GE-20		
34923	GE-53	37730	GE-12	40312	GE-66	40440	GE-25	40975	GE-45	58810-168	GE-20		
35004	GE-11	37800	GE-20	40313	GE-18	40446	GE-28	40976	GE-45	58810-169	GE-28		
35044	GE-3	37847	GE-18	40314	GE-63	40450	GE-63	41001-4	GE-504A	58840-111	GE-504A		
35045	GE-2	37884	GE-20	40315	GE-63	40451	GE-63	41178	GE-57	58840-112	GE-90		
35084	GE-16	38175	GE-8	40316	GE-66	40452	GE-63	41179	GE-58	58840-113	GE-300		
35144	GE-3	38176	GE-52	40317	GE-63	40453	GE-63	41342	GE-58	58840-114	1N60		
35168	GE-51	38177	GE-52	40317L	GE-63	40454	GE-63	41344	GE-57	58840-116	GE-504A		
35169	GE-51	38178	GE-8	40317S	GE-63	40455	GE-63	41616	GE-504A	58840-117	GEZD-10		

UNIVERSAL REPLACEMENT SEMICONDUCTORS

58840-192 - 117618

JEDEC Or Part Nr	GE Replacement	JEDEC Or Part Nr	GE Replacement	JEDEC Or Part Nr	GE Replacement	JEDEC Or Part Nr	GE Replacement	JEDEC Or Part Nr	GE Replacement	JEDEC Or Part Nr	GE Replacement	JEDEC Or Part Nr	GE Replacement
58840-192	GE-17	71686-4	GE-FET-1	93027	GE-504A	95202	GE-5	100581	6GC1	113938	GE-17		
58840-193	GE-20	71686-5	GE-FET-1	93028	GE-504A	95203	GE-52	100617	GE-504A	113998	GE-90		
58840-194	GE-20	71686-6	GE-FET-1	94000	GE-53	95204	GE-53	100624	GE-504A	114013	GE-504A		
58840-195	GE-20	71687	GE-67	94001	GE-53	95208	GE-2	100678	GE-51	114267	GE-11		
58840-196	GE-20	71687-1	GE-21	94002	GE-53	95209	GE-2	100693	GE-2	114525	GE-20		
58840-197	GE-20	71687-101	GE-67	94003	GE-53	95212	GE-2	101078	GE-51	115039	GE-504A		
58840-198	GE-20	71748-1	GE-FET-1	94004	GE-3	95213	GE-2	101403	GE-504A	115063	GE-16		
58840-199	GE-20	71778	1N34AS	94005	GE-53	95214	GE-52	101434	GE-20	115099	GE-90		
58840-200	GE-28	71779	GE-504A	94006	GE-53	95216	GE-20	101678	GE-5	115101	1N295		
59395	1N34AS	71783	GE-BR-600	94007	GE-50	95217	GE-2	101974	GE-2	115225	GE-10		
59625-1	GE-21	71794	GE-504A	94008	GE-2	95218	GE-52	102249	GE-42	115227	GE-50		
59625-2	GE-21	71818-1	GE-21	94009	GE-2	95219	GE-2	102989	1N60	115228	GE-50		
59625-3	GE-21	72003	GE-2	94013	GE-51	95220	GE-18	103318	GE-504A	115229	GE-50		
59625-4	GE-21	72004	GE-2	94014	GE-53	95221	GE-20	103443	GE-54	115268	GE-3		
59625-5	GE-21	72006	GE-2	94015	GE-53	95222-1	GE-52	103521	GE-20	115269	GE-16		
59625-6	GE-21	72013	1N60	94016	GE-53	95222-2	GE-8	103562	GE-2	115275	GE-51		
59625-7	GE-21	72020	GE-42	94017	GE-2	95223	GE-20	103872	6GC1	115281	GE-16		
59625-8	GE-21	72041	GE-504A	94018	GE-53	95224-1	GE-52	104009	GE-51	115282	GE-16		
59625-9	GE-21	72053	6GC1	94019	GE-53	95224-2	GE-8	104059	GE-51	115283	GE-16		
59625-10	GE-21	72054-1	GE-64	94020	GE-53	95225	GE-20	104081	GE-504A	115284	GE-16		
59625-11	GE-21	72058	GE-504A	94021	GE-53	95226-1	GE-21	104213	GE-504A	115524	GE-504A		
59625-12	GE-21	72058A	GE-504A	94022	GE-53	95226-2	GE-20	104273	GE-504A	115529	GE-504A		
59840	GE-504A	72059	GE-42	94023	GE-54	95226-3	GE-21	104325	GE-504A	115559A	GE-504A		
59840-1	1N34AS	72060	GE-504A	94024	GE-3	95226-4	GE-63	104444	GE-2	115599	GE-504A		
59844-1	GE-504A	72080	1N60	94025	GE-3	95226-003	GE-67	104615	GE-504A	115792	GE-26		
59844-2	GE-509	72097	GE-504A	94026	GE-16	95226-004	GE-63	105064	GE-3	115867	GE-504A		
59844-3	GE-504A	72101	GE-504A	94027	GE-20	95227	GE-21	105330	GE-42	115875	GE-20		
60133	GE-66	72103	GE-504A	94028	GE-51	95232	GE-21	105517	1N295	115910	GE-20		
60407	GE-28	72106	GE-90	94029	GE-54	95250	GE-3	105604	GE-3	116021	GE-300		
60413	GE-28	72109	GE-504A	94030	GE-53	95250-1	GE-16	106379	GE-504A	116048	1N295		
60987	GE-28	72110	GE-3	94032	GE-16	95251	GE-16	107268	6GX1	116052	GE-504A		
61003-4	GE-2	72111	GE-3	94033	GE-50	95252	GE-12	107540	GE-504A	116054	GE-504A		
61239	GE-29	72113	GE-504A	94034	GE-3	95252-1	GE-12	107628	6GX1	116068	GE-25		
61242	GE-28	72113A	GE-504A	94035	GE-50	95252-2	GE-12	107729	1N82A	116072	GE-51		
61244	GE-67	72119	GE-504A	94036	GE-50	95252-3	GE-12	109308	6GC1	116073	GE-17		
61366	GE-17	72123	GE-504A	94037	GE-53	95252-4	GE-12	109328	6GC1	116074	GE-20		
61566	GE-9	72123A	GE-504A	94038	GE-53	95258-1	GE-67	109474	6GC1	116075	GE-12		
62950	GE-28	72128	1N60	94039	GE-53	95258-2	GE-63	110263	GE-5	116076	GE-3		
64071-1	GE-2	72128A	1N60	94040	GE-3	95294	GE-9	110388	GE-504A	116077	GE-18		
65804-63	GE-2	72129	1N60	94041	GE-18	95296	GE-64	110494	GE-2	116078	GE-21		
66600	GE-90	72129A	1N60	94044	GE-20	99101	GE-50	110495	GE-8	116079	GE-11		
66682-42	GE-504A	72130	GE-504A	94047	GE-20	99102	GE-50	110496	GE-504A	116080	GE-11		
67193-85	GE-2	72130-1	GE-504A	94048	GE-20	99103	GE-50	110515	GE-3	116081	GE-20		
67544	GEZD-5.6	72137	GE-511	94049	GE-86	99104	GE-50	110629	GE-504A	116082	GE-20		
67586	GE-20	72146	GE-504A	94050	GE-18	99105	GE-50	110636	GE-504A	116083	GE-20		
67590	1N60	72147	GE-300	94051	GE-18	99106	GE-50	110669	GE-18	116085	GE-20		
67599	GE-53	72148	6GC1	94052	GE-18	99107	GE-50	110697	GE-20	116086	GE-25		
68504-62	GE-51	72151	GE-504A	94065	GE-14	99108	GE-50	110699	GE-18	116087	GE-25		
68504-63	GE-2	72152	GE-504A	94066	GE-18	99109-1	GE-20	110873	GE-504A	116088	GE-25		
68504-78	GE-504A	72152(TELEDYNE)	GE-300	94070	GE-18	99109-2	GE-20	110957	GE-53	116089	GE-16		
68617	GE-20	72158	GE-504A	95001	GE-50	1N295	GE-51	110958	GE-54	116091	GE-22		
68895-13	GE-2	72161-1	GE-511	95002	GE-50	1N295	GE-51	110959	GE-53	116092	GE-20		
69107-42	GE-50	72162-1	GE-517	95004	GE-50	1N295	GE-52	111086	GE-504A	116093	GE-3		
69107-44	GE-50	72163-1	GE-300	95007	GE-50	1N34AS	GEZD-6.2	111117	GE-51	116099	GE-11		
69107-45	GE-52	72165-1	GEZD-120	95015	GE-300	99201-210	GEZD-5.6	111118	GE-51	116148	GE-17		
69111	GE-504A	72165-3	GEZD-4.7	95016	GE-504A	99201-211	GEZD-6.1	111207	1N295	116198	GE-17		
69213-78	GE-504A	72168-2	GEZD-24	95101	GE-50	99201-212	GEZD-6.2	111516	GE-504A	116199	GE-61		
70231	GE-11	72168-3	GEZD-8.2	95102	GE-50	99201-216	GEZD-10.4	111605	1N34AS	116200	GE-17		
70372-2	GE-504A	72172-1	GE-509	95103	GE-50	99201-219	GEZD-12	111642	GE-504A	116201	GE-2		
70398-1	GE-20	72174-1	GE-600	95107	GE-50	99201-221	GEZD-15	111776	GE-504A	116202	GE-51		
70434	GE-16	75960CH	GE-2	95108	GE-51	99201-242	GEZD-120	111820	GE-504A	116203	GE-2		
70581-1	GE-300	78675	1N295	95110	GE-51	99201-316	GEZD-10.4	111954	GE-51	116204	GE-8		
71119-1	GE-504A	77489	1N82A	95111	GE-51	99201-325	GEZD-24	111955	GE-51	116205	GE-52		
71119-2	1N34AS	78894	GE-504A	95112	GE-10	99202	GE-2	111956	GE-51	116206	GE-2		
71193-2	GE-53	78898	GE-42	95113	GE-17	99202-22	GEZD-15	111957	GE-2	116207	GE-51		
71226-1	GE-20	78972	1N82A	95114	GE-5	99202-128	GEZD-33	111958	GE-8	116208	GE-51		
71226-2	GE-20	79985	1N295	95115	GE-5	99202-220	GEZD-12	111959	GE-2	116209	GE-51		
71226-3	GE-20	80813VM	GE-20	95117	GE-51	99202-222	GEZD-18	112017	GE-504A	116273	1N60		
71226-4	GE-20	80814VM	GE-20	95118	GE-51	99202-226	GEZD-27	112018	GE-504A	116279	GE-12		
71226-5	GE-20	80815VM	GE-20	95119	GE-51	99203	GE-52	112296	GE-51	116284	GE-22		
71226-6	GE-17	80816VM	GE-20	95120	GE-50	99203-3	GE-504A	112329	GE-300	116286	GE-52		
71226-10	GE-17	80817VM	GE-8	95120A	GE-1	99203-5	GE-504A	112355	GE-20	116314	1N82A		
71226-15	GE-20	80818VM	GE-52	95121	GE-50	99203-6	GE-504A	112356	GE-20	116588	GE-20		
71411-1	GEZD-12	83008	GE-504A	95122	GE-51	99203-7	GE-504A	112357	GE-20	116683	GE-51		
71411-2	GEZD-12	86452	GE-2	95123	GE-51	99203-8	GE-509	112358	GE-20	116684	GE-51		
71411-3	GEZD-18	86812	GE-20	95124	GE-51	99204	GE-53	112359	GE-20	116685	GE-2		
71411-4	GEZD-20	86822	GE-20	95125	GE-20	99205	GE-2	112520	GE-18	116686	GE-2		
71412-4	GE-17	86832	GE-2	95126	GE-20	99206-1	GE-20	112521	GE-18	116687	GE-8		
71447-1	GE-18	86842	GE-2	95127	GE-11	99206-2	GE-20	112522	GE-18	116756	GE-51		
71447-2	GE-10	87758	GE-300	95128	GE-11	99207-2	GE-20	112523	GE-18	116757	GE-2		
71447-3	GE-18	87759	GE-17	95129	GE-20	99210-204	GEZD-3.6	112524	1N60	116875	GE-20		
71448	GE-16	88641	GE-504A	95130	GE-20	99217	GE-52	112526	1N60	116988	GE-53		
71449-1	GE-510	91001	GE-504A	95131	GE-20	99218	GE-52	112529	GE-300	116997	GE-2		
71467-1	1N34AS	93005	GE-504A	95170-1	GE-20	99250	GE-3	112826	GE-504A	116998	GE-2		
71488-4	GE-16	93006	GE-504A	95170-2	GE-20	99252	GE-12	113039	GE-504A	117145	GE-504A		
71488-5	GE-16	93007	GE-504A	95171-1	GE-17	99252-1	GE-12	113182	GE-21	117145A	GE-504A		
71488-6	GE-16	93011	GE-504A	95171-2	GE-17	99252-2	GE-12	113321	GE-504A	117208	GE-2		
71588-1	GE-504A	93012	GE-504A	95171-3	GE-62	100017	GE-504A	113391	GE-3	117209	GE-2		
71588-2	GE-504A	93018	GEZD-9.1	95171-4	GE-20	100412	GE-504A	113392	GE-20	117210	GE-2		
71588-5	GE-504A	93022	GE-504A	95172-2	GE-52	100449	GE-42	113397	GE-1	117616	GE-1		
71588-6	GE-504A	93022A	GE-504A	95173-1	GE-2	100471	6GC1	113398	GE-504A	117617	GE-1		
71667-1	GE-504A	93023	GE-504A	95201	GE-52	100520	GE-504A	113438	GE-20	117618	GE-51		

UNIVERSAL REPLACEMENT SEMICONDUCTORS

117658 - 166881

JEDEC Or Part Nr	GE Replacement	JEDEC Or Part Nr	GE Replacement	JEDEC Or Part Nr	GE Replacement	JEDEC Or Part Nr	GE Replacement	JEDEC Or Part Nr	GE Replacement	JEDEC Or Part Nr	GE Replacement	JEDEC Or Part Nr	GE Replacement
117658	GE-51	123808	GE-30	126700	GE-22	129394	GE-20	132643	GE-17	137388	GE-60		
117659	1N295	123809	GE-53	126701	GE-18	129424	GE-FET-2	132776	GE-66	137527	GE-29		
117724	GE-51	123813	GE-300	126702	GE-20	129425	GE-20	132814	GE-504A	137606	GE-511		
117725	GE-51	123877	GE-30	126704	GE-20	129474	1N60	132815	GE-510	137607	GE-35		
117726	GE-51	123940	GE-21	126705	GE-27	129475	GE-300	132823	GE-63	137614	GE-10		
117727	GE-2	123941	GE-11	126706	GE-20	129494	GE-504A	132824	GEZD-33	137646	GE-519		
117728	GE-2	123991	GE-21	126707	GE-21	129507	GE-53	132830	GE-21	137647	GEZD-4.7		
117729	GE-90	124024	GE-20	126708	GE-20	129508	GE-53	132865	GEZD-6.2	137648	GE-18		
117730	1N60	124097	GE-51	126709	GE-20	129510	GE-17	132912	1N34AS	137652	GE-504A		
117760	1N60	124098	GE-504A	126710	GE-18	129511	GE-17	133176	GE-63	137655	GEZD-24		
117823	GE-20	124263	GE-11	126711	GE-63	129512	GE-17	133178	GE-63	137693	GE-519		
117867	GE-53	124412	GE-20	126712	GE-17	129513	GE-17	133182	GE-21	137718	GE-36		
118200	GE-20	124623	GE-11	126713	GE-63	129556	1N82A	133218	GE-20	137875	GE-10		
118244	GE-504A	124624	GE-11	126714	GE-20	129571	GE-20	133218	GE-60	137876	1N60		
118279	GE-12	124625	GE-50	126715	GE-21	129572	GE-20	133249	GE-20	138019	GE-519		
118686	GE-12	124626	GE-52	126716	GE-20	129573	GE-20	133253	GE-21	138172	GE-504A		
118713	GE-20	124753	GE-20	126717	GE-20	129574	GE-20	133265	GE-27	138173	GE-504A		
118822	GE-20	124754	GE-20	126718	GE-21	129604	GE-11	133266	GE-504A	138174	GEZD-27		
118825	GE-504A	124755	GE-21	126719	GE-21	129698	GE-20	133390	GE-504A	138175	GE-300		
118873	GE-504A	124756	GE-20	126720	GE-63	129699	GE-63	133543	GE-504A	138191	GE-20		
119013	GE-51	124757	GE-17	126721	GE-63	129759	GE-504A	133573	GE-28	138192	GE-66		
119414	GE-20	124759	GE-20	126722	GE-12	129897	GE-20	133615	GE-511	138193	GE-69		
119526	GE-2	125105	GE-504A	126724	GE-21	129899	GE-17	133616	GE-511	138194	GE-19		
119554	GE-20	125126	GEZD-12	126725	GE-27	129903	GEZD-3.6	133690	GE-20	138195	GE-19		
119555	GE-20	125127	GE-504A	126849	GE-504A	129904	GEZD-9.1	133743	GE-18	138196	GE-300		
119556	GE-11	125135	GE-20	126851	GEZD-7.5	129938	GEZD-6.1	133950	GE-504A	138763	GE-16		
119557	GE-11	125137	GE-20	126852	GEZD-15	129940	GEZD-12	134074	1N82A	139017	GE-40		
119594	GEZD-9.1	125138	GE-20	126855	GE-504A	129979	GE-11	134142	GE-11	139044	GE-27		
119596	GE-300	125139	GE-20	126856	GE-504A	130044	GEZD-10.4	134143	GE-11	139266	GE-28		
119597	GE-504A	125140	GE-20	126858	GE-504A	130045	GE-300	134263	GE-11	139267	GE-29		
119635	GE-20	125141	GE-20	126861	GECR-1	130046	GE-300	134264	1N82A	139268	GE-20		
119636	GE-20	125142	GE-21	126862	GECR-2	130047	GEZD-10.4	134279	GE-58	139269	GE-20		
119650	GE-12	125143	GE-20	126863	GEZD-10.4	130132	GEZD-18	134280	GE-57	139270	GE-12		
119662	1N82A	125144	GE-17	126864	GEZD-27	130139	GE-21	134281	GE-74	139295	GE-36		
119722	GE-25	125329	GE-20	126871	GEIC-2	130328	GEZD-12	134282	GE-75	139618	GE-64		
119723	GE-25	125330	GE-51	126885	GE-504A	130380	GEZD-12	134417	GE-11	139634	1N34AS		
119919	1N60	125389	GE-20	126898	GE-700	130536	GE-17	134442	GE-64	139706	GE-300		
119982	GE-20	125390	GE-20	126899	GE-700	130537	GE-17	134444	GEZD-15	140259	GE-40		
119983	GE-22	125394	GE-20	126945	GE-53	130607	GE-504A	134587	1N34AS	142007-2	GEIC-3		
120073	GE-10	125397	GE-300	127017	1N60	130751	GEIC-2	134771	GE-27	147112-7	GE-67		
120074	GE-10	125399	GE-90	127102	GE-504A	130761	GEZD-15	134772	GE-27	147549-1	GE-21		
120075	GE-2	125458	GE-300	127112	GE-53	130762	GEZD-15	134773	GE-36	147549-2	GE-21		
120144	GE-2	125471	GE-504A	127114	GE-53	131075	GE-28	134774	GE-12	147617-12	GE-504A		
120481	GE-20	125474	GE-20	127178	GE-504A	131139	GE-27	134989	GE-20	147922-2	1N82A		
120482	GE-20	125475	GE-20	127177	GEZD-7.5	131181	GE-66	134993	GEZD-5.6	148751-147	GE-20		
120483	GE-20	125519	GE-10	127263	GE-20	131214	1N82A	135281	GE-504A	151476	GE-511		
120503	GE-504A	125528	GE-300	127297	GE-2	131221	GE-11	135284	GE-504A	161001	1N295		
120504	GEZD-12	125529	GE-504A	127354	GE-10	131239	GE-28	135341	GECR-2	161006	1N60		
120818	GE-305	125588	GE-300	127355	GE-63	131240	GE-63	135351	GE-26	161015	1N295		
121151	GE-2	125781	GE-16	127379	GE-504A	131241	GE-67	135352	GE-35	161016	1N34AS		
121152	GE-2	125790	GE-51	127382	GEZD-15	131242	GE-21	135380	GE-511	161021	GE-504A		
121153	GE-1	125835	GE-504A	127393	GE-20	131243	GE-63	135386	GE-504A	161027	1N82A		
121154	GE-1	125844	GE-300	127396	GE-504A	131245	GE-504A	135406	GEZD-120	161029	GE-504A		
121180	GE-512	125944	GE-17	127474	GE-300	131316	GE-504A	135571	GE-504A	161030	GE-504A		
121243	GE-16	125984	GE-504A	127529	GE-11	131346	GE-700	135691	GE-519	161032	GE-504A		
121467	GE-21	125972	GE-51	127532	1N82A	131347	GE-700	135716	GE-27	161033	GECR-2		
121468	GE-504A	125992	GEZD-7.5	127695	GE-504A	131475	GE-504A	135734	GE-511	161034	1N82A		
121655	GE-20	125993	GE-504A	127784	1N60	131476	GE-504A	135735	GE-28	161037	GE-504A		
121658	GE-21	125994(RCA)	GE-11	127792	GE-20	131501	GE-504A	135739	GE-28	161038	1N60		
121659	GE-21	125994	GE-17	127793	GE-20	131502(RCA)	GE-504A	135744	GE-25	161199	GEZD-5.6		
121660	GE-20	125995	GE-11	127794	GE-63	131502	GEBR-600	135872	1N34AS	161705	GE-2		
121661	GE-20	126023	GE-17	127835	GE-510	131543	GE-11	135932	GE-305	162002-40	GE-51		
121662	GE-20	126024	GE-17	127862	GE-2	131544	GE-11	136162	GE-300	162002-41	GE-51		
121663	GE-20	126025	GE-11	127978	GE-27	131545	GE-11	136163	GE-300	162002-033	GE-16		
121664	GE-20	126093	GE-2	127993	GE-504A	131647	GE-67	136164	GE-90	162002-040	GE-51		
121680	GE-504A	126093-1	GE-2	128056	GE-28	131815	1N82A	136165	GE-20	162002-041	GE-51		
122129	GE-504A	126093-2	GE-2	128057	GE-29	131848	GE-11	136168	GE-20	162002-042	GE-51		
122166	1N60	126093-3	GE-53	128256	GE-504A	131849	GE-28	136239	GE-20	162002-062	GE-16		
122243	GE-2	126093-4	GE-2	128343	GE-53	131950	GE-504A	136240	GE-20	162002-062A	GE-16		
122244	GE-2	126131	GE-504A	128474	GE-300	132148	GE-511	136423	GE-67	162002-090	GE-20		
122517	GE-20	126138	GE-12	128940	GE-53	132149	GE-504A	136424	GE-63	162002-095	GE-3		
122518	GE-17	126148	GE-504A	129028	1N34AS	132175	GE-18	136430	GE-20	162201	GE-42		
122519	GE-10	126149	GE-90	129029	GE-504A	132176	GE-67	136605	GE-509	165358	GEZD-12		
122664	GE-20	126150	GE-62	129049	GE-20	132325	GE-700	136634	GEZD-12	165392	GE-11		
122665	GE-20	126156	GE-62	129050	GE-20	132326	GE-504A	136635	GE-504A	165572	1N60		
122792	GE-16	126176	GE-504A	129051	GE-63	132327	GE-63	136648	GE-28	165597	GE-504A		
122901	GE-2	126177	1N60	129095	GE-300	132328	GE-63	136688	GE-300	165735	GE-63		
122902	GE-20	126184	GE-51	129144	GE-17	132329	GE-20	136696	GE-27	165738	GE-18		
122904	GE-11	126185	GE-51	129145	GE-20	132418	GEZD-12	136721	GEZD-33	165737	GE-18		
123139	GE-20	126186	GE-51	129146	GE-20	132492	GEZD-62	137031	GE-519	165738	GE-23		
123274	GE-20	126187	GE-52	129158	1N60	132495	GE-28	137065	GE-69	165739	GE-504A		
123275	GE-12	126188	GE-63	129213	GE-504A	132498	GE-21	137066	GE-66	165740	GEZD-15		
123276	GE-90	126321	GE-300	129241	GEBR-600	132500	GE-28	137075	GE-511	165931	GE-20		
123296	GE-504A	126334	GE-63	129286	GE-53	132501	GE-511	137127	GE-11	165932	GE-11		
123702	GE-504A	126413	GE-504A	129334	GE-504A	132509	GE-504A	137155	GE-18	165932	GE-17		
123726	GE-90	126524	GE-21	129347	GE-50	132548	GE-504A	137241	GE-18	166040	GE-504A		
123791	GE-2	126525	GE-20	129348	GE-52	132549	GE-504A	137338	GE-60	166272	GE-20		
123792	GE-16	126526	GE-63	129359	GE-90	132571	GE-29	137339	GE-20	166273	1N34AS		
123804	GE-504A	126527	GE-511	129375	GE-300	132573	GE-28	137340	GE-21	166400	GE-52		
123805	GE-300	126697	GE-53	129389	GE-62	132574	GE-29	137352	GE-36	166593	GE-504A		
123806	GE-53	126698	GE-17	129392	GE-20	132616	GEZD-6.2	137369	GE-28	166726	GE-504A		
123807	GE-20	126699	GE-20	129393	GE-20	132642	GE-17	137383	GE-60	166881	GE-504A		

UNIVERSAL REPLACEMENT SEMICONDUCTORS

166883 - 530072-15

JEDEC Or Part Nr	GE Replacement	JEDEC Or Part Nr	GE Replacement	JEDEC Or Part Nr	GE Replacement	JEDEC Or Part Nr	GE Replacement	JEDEC Or Part Nr	GE Replacement	JEDEC Or Part Nr	GE Replacement	JEDEC Or Part Nr	GE Replacement
166883	GE-2	170753-1	GE-11	171843	GE-300	223684	GE-5	236935	GE-16	489751-174	GE-23		
166906	GE-17	170756-1	GE-11	171915	GE-20	223810	GE-2	237450	GE-12	489751-206	GE-20		
166908	GE-51	170783-3	GE-8	171916	GE-2	224503	GE-16	237452	GE-16	489751-208	GE-FET-2		
166909	GE-1	170794	GE-20	171983	GE-20	224584	GE-1	238417	GE-2	489752-08	1N34AS		
166917	GE-18	170850-1	GE-13MP	172201	GE-300	224586	GE-51	238418	GE-2	489752-001	1N60		
166918	GE-57	170856	GE-504A	172252	GEIC-2	224587	GE-51	240564	GE-300	489752-003	1N34AS		
166919	GE-58	170906-1	GE-20	172253	GE-300	224696	GE-2	250400	GE-8	489752-005	GE-504A		
166920	GE-504A	170965	GE-504A	172254	GE-90	224820	GE-8	290458LGD	GE-82	489752-013	GE-504A		
166921	GE-X11	170967	GE-504A	172463	GE-66	224857	GE-2	297065C03	GE-51	489752-015	GE-504A		
166922	GE-504A	170968-1	GE-20	172721	GE-504A	224873	GE-16	297240-1	GE-2	489752-016	GECR-2		
166985	GEZD-12	170970-1	GE-504A	172722	GE-300	225300	GE-8	300486	GE-5	489752-017	6GD1		
167034	GE-504A	171003	GE-16	175008-181	GE-51	225301	GEZD-5.6	300536	GE-5	489752-020	1N82A		
167235	GE-30	171004	GE-25	175008-182	GE-51	225311	GE-51	300538	GE-2	489752-022	GE-504A		
167263	GE-20	171005	GE-8	175008-183	GE-51	225316	GEZD-5.6	300540	GE-2	489752-025	GEBR-600		
167285	GE-30	171009	GE-20	175008-184	GE-51	225410	1N34AS	300541	GE-2	489752-027	GE-504A		
167413	GE-504A	171015	GE-12	175006-165	GE-51	225593	GE-2	300542	GE-5	489752-028	GE-504A		
167540	GE-62	171018	GE-2	175008-186	GE-2	225594	GE-51	300774	GE-5	489752-031	1N60		
167541	GE-20	171017	GE-52	175008-187	GE-20	225594A	GE-51	309421	GE-2	489752-038	GEBR-600		
167542	GE-28	171018	GE-2	175043-066	1N34AS	225595	GE-16	310017	GE-2	489752-040	GEZD-10-4		
167543	GE-504A	171019	GE-504A	175043-068	1N34AS	225596	GE-16	310030	GE-51	489752-041	GEZD-15		
167544	GE-504A	171028	GE-10	175043-069	GE-X11	225600	GE-51	310035	GE-2	489752-042	1N34AS		
167562	1N60	171027	GE-10	183013	GEIC-8	225925	GE-16	310132	GE-51	489752-043	GE-504A		
167569	GE-18	171028	GE-20	183014	GEIC-9	225927	GE-16	310157	GE-1	489752-044	6GC1		
167572	1N60	171029	GE-11	183015	GE-11	226181	GE-1	310158	GE-1	489752-049	GE-300		
167679	GE-52	171030	GE-20	183016	GE-11	226338	GE-1	310159	GE-2	489752-050	GE-504A		
167680	GE-53	171031	GE-11	183017	GE-20	226344	1N60	310160	GE-2	489752-051	GE-509		
167688	GE-18	171032	GE-20	183018	GE-20	226441	GE-5	310162	GE-51	489752-066	GE-504A		
167690	GE-21	171032-1	GE-59	183019	GE-20	226634	GE-16	310201	GE-2	489752-072	GECR-3		
167691	GE-23	171033	GE-11	183030	GE-10	226789	GE-4	310204	GE-4	489752-073	GE-504A		
167956	GE-10	171033-2	GE-57	183031	GE-10	226791	GE-8	310221	GE-51	489752-074	6GC1		
167957	GE-20	171038	GE-17	183032	GE-21	226924	GE-2	310223	GE-1	489752-075	GE-504		
167958	GE-26	171039	GE-50	183033	GE-300	226999	GE-16	310224	GE-51	489752-076	1N34AS		
167998	GE-54	171040	GE-20	183034	GE-63	227566	GE-16	310255	GE-2	489752-078	GECR-2		
167999	GE-2	171044	GE-20	183035	GE-67	227752	GE-1	317208	GEZD-12	489752-088	GE-90		
168405	GE-62	171045	GE-20	183405	GEIC-27	227804	GE-16	330003	GE-504A	489752-089	1N82A		
168567	GE-11	171046	GE-10	185022	GE-511	228229	GE-16	330018	GE-504A	489752-090	1N82A		
168651	GE-20	171048	GE-11	186342A	GE-18	228230	GE-16	330019	GE-504A	489752-091	GEZD-12		
168652	GE-90	171049	GE-2	190425	GE-16	228287	GE-2	348008-2	GE-504A	489752-092	GE-504A		
168653	GEZD-6.2	171052	GE-11	190425A	GE-16	228558	GE-16	373003	GE-2	489752-094	GE-504A		
168657	GE-20	171054	GE-11	198063-1	GE-26	228559	GE-16	373117	GE-2	489752-096	GE-504A		
168658	GE-20	171140-1	GE-11	199596	GE-300	229045	GE-4	373119	GE-2	489752-097	GE-504A		
168659	GE-20	171149-016	GE-300	199919	GE-504A	229133	GE-51	464010	GE-504A	489752-108	GE-504A		
168660	GE-18	171149-017	GE-300	199885	GE-504A	230208	GE-16	464070	GE-504A	489752-109	GEZD-10-4		
168692	GE-504A	171182-004	GE-17	205782-87	GE-20	230209	GE-5	476171-18	GE-511	489752-125	1N60		
168706	GE-300	171182-005	GE-17	205782-103	GE-20	230214	GE-18	489751-025	GE-20	489752-127	GE-90		
168906	GE-53	171182-006	GE-17	214396	GE-16	230253	GE-2	489751-026	GE-20	489752-169	GE-90		
168907	GE-52	171182-008	GE-20	215072	GE-17	230256	GE-5	489751-027	GE-20	489752-005	6GC1		
168910	1N60	171182-026	GE-20	215081	GE-20	230259	GE-2	489751-028	GE-21	489850-004	1N34AS		
168953	GE-59	171182-027	GE-20	215089	GE-30	230523	GE-16	489751-029	GE-20	500009G	1N60		
168954	GE-53	171182-042	1N60	216001	1N60	230524	GE-2	489751-030	GE-20	500859	GE-504A		
168983	GE-52	171182-090	GE-30	216003	1N60	230525	GE-2	489751-031	GE-21	501152	GE-504A		
168984	GE-52	171182-113	GE-20	216024	GE-X11	231374	GE-20	489751-032	GE-20	504833	GE-504A		
169113	GE-504A	171182-164	GE-28	216886	GE-16	231588	GE-2	489751-033	GE-63	505287	GE-18		
169114	GE-300	171182-172	GEZD-7.5	217119	GE-4	231672	GE-16	489751-037	GE-16	506911	GE-510		
169115	1N34AS	171182-186	GE-20	217230	GE-4	231797	GE-16	489751-038	GE-16	510007	GE-52		
169116	GE-504A	171182-187	GE-20	217892	GE-16	232194	GE-16	489751-040	GE-17	514023	GE-20		
169117	GE-300	171182-188	GE-18	218012DS	GE-3	232359	GE-14	489751-041	GE-17	514045	GE-11		
169195	GE-17	171182-190	GE-20	218502	GE-2	232674	GE-16	489751-043	GE-12	514067S	GE-21		
169196	GE-20	171182-191	GE-20	218503	GE-2	232675	GE-16	489751-044	GE-23	514068S	GE-67		
169198	GE-90	171182-195	GE-29	219016	GE-5	232676	GE-16	489751-045	GE-52	514072S	GE-21		
169199	GE-50	171182-196	GE-300	219361	GE-16	232680	GE-51	489751-047	GE-11	515039S	GE-18		
169359	GE-52	171182-197	GEZD-9.1	219940	GE-16	232681	GE-51	489751-052	GE-20	515041S	GE-20		
169360	GE-52	171174-1	GE-15MP	221600	GE-20	232840	GE-11	489751-058	GE-11	515043S	GE-20		
169361	GE-2	171174-3	GE-68	221601	GE-5	232841	GE-18	489751-097	GE-21	515045S	GE-20		
169362	1N60	171179-027	GEIC-2	221602	GE-16	232949	GE-5	489751-107	GE-17	516009S	GE-FET-2		
169363	GE-504A	171179-036	GEIC-2	221605	GE-16	233025	GE-511	489751-109	GE-52	530015-2	1N60		
169501	1N34AS	171206-1	GE-11	221856	GE-1	233305	GE-4	489751-113	GE-52	530045-1	6GD1		
169505	GE-17	171206-2	GE-11	221897	GE-20	233307	GE-4	489751-114	GE-52	530045-2	6GD1		
169558	GE-300	171206-4	GE-11	221918	GE-20	233507	GE-1	489751-115	GE-25	530045-3	6GD1		
169565	GE-504A	171206-5	GE-11	221924	GE-5	233508	GE-4	489751-119	GE-14	530045-4	6GD1		
169574	GE-20	171207-1	GE-11	221940	GE-16	233509	GE-16	489751-124	GE-21	530057-1	GE-504A		
169679	GE-20	171207-2	GE-11	221941	GE-16	233945	GE-1	489751-125	GE-10	530063-6	GE-504A		
169680	GE-20	171305	GE-504A	222915	GE-16	234015	GE-51	489751-127	GE-60	530063-7	GE-504A		
169765	GE-504A	171416	GE-504A	223124	GE-2	234076	GE-2	489751-128	GE-20	530063-11	GE-504A		
169771	GE-20	171522	GE-52	223365	GE-16	234077	GE-16	489751-130	GE-21	530063-12	GE-504A		
169773	GE-52	171553	GE-62	223366	GE-2	234078	GE-4	489751-131	GE-11	530065-2	1N34AS		
170128	GE-22	171554	GE-20	223367	GE-5	234565	GE-504A	489751-143	GE-20	530065-3	1N60		
170128	GE-22	171555	GE-21	223368	GE-5	234566	GE-16	489751-144	GE-18	530065-1002	1N60		
170294	GE-20	171556	GE-67	223370	GE-5	234612	GE-20	489751-145	GE-20	530065-1003	1N60		
170297	GE-504A	171557	GE-63	223371	GE-2	234630	GE-2	489751-146	GE-22	530071-1	GE-504A		
170307-1	GE-16	171558	GE-20	223372	GE-1	234631	GE-51	489751-148	GE-20	530071-2	GE-510		
170370	GE-300	171559	GE-62	223473	GE-1	235194	GE-2	489751-162	GE-11	530071-3	GE-504A		
170373	1N34AS	171560	GEZD-10	223474	GE-51	235200	GE-51	489751-163	GE-30	530072-1	GE-504A		
170376	GE-3	171561	GE-504A	223475	GE-1	235205	GE-20	489751-164	GE-20	530072-2	GE-504A		
170376-1	GE-3	171657	GE-504A	223482	GE-8	235206	GE-20	489751-165	GE-20	530072-4	GE-504A		
170388	GE-20	171676	GE-20	223483	GE-2	235312	GE-3	489751-166	GE-10	530072-5	GE-504A		
170407-1	GE-3	171677	GE-20	223484	GE-2	236251	GE-11	489751-167	GE-20	530072-6	GE-504A		
170479-1	GE-3	171678	GE-20	223485	GE-2	236265	GE-5	489751-168	GE-17	530072-8	GE-504A		
170666-1	GE-3	171678	GE-20	223486	GE-2	236285	GE-20	489751-169	GE-20	530072-9	GE-300		
170668-1	GE-13MP	171814	GE-90	223487	GE-51	236286	GE-20	489751-171	GE-11	530072-11	GE-504A		
170733-1	GE-300	171841	GE-300	223490	GE-16	236706	GE-11						

UNIVERSAL REPLACEMENT SEMICONDUCTORS

530072-18 - 772712

JEDEC Or Part Nr	GE Replacement	JEDEC Or Part Nr	GE Replacement	JEDEC Or Part Nr	GE Replacement	JEDEC Or Part Nr	GE Replacement	JEDEC Or Part Nr	GE Replacement	JEDEC Or Part Nr	GE Replacement	JEDEC Or Part Nr	GE Replacement
530072-18	GE-300	530135-2	GE-300	573335	GE-51	610020	GE-504A	610111	6GC1	613130	GE-504A		
530072-1006	GE-300	530135-1003	GE-504A	573336	GE-51	610030	1N34AS	610112	GE-504A	613132	GE-504A		
530072-1008	GE-300	530140-1	GE-90	573356	GE-1	610035-1	GE-2	610113-1	GE-20	614010	GE-504A		
530072-1009	1N34AS	530140-1(8)	GE-90	573366	GE-50	610035-2	GE-2	610113-2	GE-64	614020	1N295		
530072-1011	GE-504A	530142-8	GE-90	573371	GE-51	610036-1	GE-52	610120-1	GE-21	614112	1N82A		
530072-1014	GE-300	530144-1	GE-300	573398	GE-51	610036-2	GE-52	610122	GEZD-9.1	615010	1N295		
530072-1015	GE-300	530144-1001	GE-300	573402	GE-51	610036-3	GE-52	610123-1	GE-37	615130	GE-42		
530072-1019	GE-504A	530144-1002	GE-300	573405	GE-51	610036-4	GE-2	610125-1	GE-22	616010	6GC1		
530073-13	GEZD-12	530144-1003	GE-300	573406	GE-51	610036-5	GE-2	610128-2	GE-20	619130	GE-504A		
530073-15	GEZD-15	530145-100	GEZD-10	573422	GE-2	610036-7	GE-52	610128-4	GE-11	619377	6GD1		
530073-17	GEZD-15	530145-130	GEZD-12	573428	GE-51	610036-8	GE-52	610129-1	GE-21	650196	GE-1		
530073-21	GEZD-20	530145-339	GEZD-3.6	573467	GE-17	610039-1	GE-16	610131-2	GE-28	650859-1	GE-2		
530073-22	GEZD-18	530145-569	GEZD-5.6	573468	GE-10	610040-1	GE-2	610132	GE-21	650859-2	GE-2		
530073-24	GEZD-24	530145-689	GEZD-8.2	573489	GE-20	610040-2	GE-52	610134-1	GE-21	650859-3	GE-1		
530073-28	GEZD-20	530145-1470	GEZD-47	573471	GE-50	610041-2	GE-11	610134-4	GE-21	650860	GE-5		
530073-30	GEZD-18	530145-1569	GEZD-5.6	573472	GE-20	610041-3	GE-11	610134-6	GE-21	651012	GE-2		
530073-31	GEZD-5.6	530146-1	GE-300	573474	GE-20	610042-1	GE-17	610135-1	GE-20	651038	GE-504A		
530073-1013	GEZD-12	530146-2	GE-300	573475	GE-20	610043-3	GE-21	610136-1	GE-21	651236	GE-2		
530073-1017	GEZD-15	530148-3	GE-511	573479	GE-20	610043-4	GE-2	610139-1	GE-17	651891	GE-17		
530073-1021	GEZD-20	530148-4	GE-511	573480	GE-20	610043-6	GE-52	610140-1	GE-14	651955-1	GE-17		
530073-1023	GEZD-15	530148-1003	GE-511	573494	GE-20	610043-7	GE-52	610142-1	GE-20	651955-2	GE-17		
530073-1028	GEZD-20	530148-1004	GE-511	573495	GE-20	610045-1	GE-20	610142-3	GE-20	651955-3	GE-17		
530073-1029	GEZD-22	530151-1	GE-504A	573501	GE-27	610045-2	GE-17	610142-4	GE-20	651956	GE-18		
530073-1030	GEZD-18	530151-1001	GE-504A	573518	GE-51	610045-3	GE-51	610142-5	GE-20	652072	GE-17		
530073-1034	GEZD-6.2	530152-1	GEBR-600	573529	GE-2	610045-4	GE-20	610142-6	GE-20	652291	GE-17		
530082-1	GE-504A	530153-1	GE-517	574003	GE-2	610050-1	GE-51	610142-7	GE-20	652092	GE-504A		
530082-2	GE-504A	530157-569	GEZD-5.6	575001	1N34AS	610050-2	GE-51	610144-1	GE-28	652230	GE-17		
530082-3	GE-509	530157-870	GEZD-82	575002	1N34AS	610050-3	GE-51	610144-2	GE-27	652231	GE-20		
530082-4	GE-504A	530157-1100	GEZD-10	575005	1N295	610051-1	GE-51	610144-101	GE-27	652321	GE-20		
530082-1002	GE-504A	530182-1	GE-504A	575019	1N295	610051-2	GE-51	610145-1	GE-20	652615	GE-504A		
530082-1003	GE-504A	530185-1	GE-517	575024	GE-90	610051-4	GE-51	610146-3	GE-20	654000	GE-17		
530082-1004	GE-504A	530185-2	GE-517	575028	GE-504A	610052-1	GE-1	610146-5	GE-20	654032	GE-504A		
530084-4	GE-504A	530185-3	GE-517	575037	1N82A	610053-1	GE-51	610147-1	GE-63	654420	GE-510		
530085-2	1N60	530185-5	GE-517	575042	GE-504A	610053-2	GE-1	610147-2	GE-67	656204	GE-20		
530086-1	GE-504A	530186-1004	GEZD-6.2	575047	GE-504A	610055	GE-51	610148-1	GE-18	656524	GE-17		
530087-2	GE-300	530186-1005	GEZD-120	575049	GE-504A	610055-2	GE-51	610148-2	GE-20	656719	GE-17		
530088-1	GE-509	530186-1006	GEZD-22	575050	GE-504A	610055-3	GE-51	610148-3	GE-20	656746	GE-18		
530088-2	GE-509	530186-1007	GEZD-120	575051	GE-504A	610056-1	GE-51	610150-1	GE-17	657179	GE-69		
530088-3	GE-504A	530170-1	GE-300	576001	GE-2	610056-2	GE-51	610150-2	GE-20	657180	GE-66		
530088-4	GE-511	530171-1	GE-504A	576005	GE-2	610056-3	GE-52	610150-3	GE-20	657181	GE-29		
530088-1002	GE-504A	530171-1001	GE-504A	576054	GE-300	610056-4	GE-1	610151-1	GE-20	680030	GE-53		
530088-1003	GE-504A	530171-1002	GE-504A	580029	GE-504A	610061-1	GE-51	610151-2	GE-20	680031	GE-3		
530088-1004	GE-504A	530171-1003	GE-504A	599985	GE-42	610063-1	GE-38	610151-3	GE-20	680059	GE-2		
530089-2	GE-42	530179-1001	GE-300	601030	1N34AS	610064-1	GE-35	610151-4	GE-20	680060	GE-2		
530091-1	GE-510	530972-14	GE-511	601032	GE-51	610067-3	GE-16	610151-5	GE-8	680070	GE-18		
530092-1	1N60	533013	GE-300	601040	GE-50	610068-1	GE-16	610153-1	GE-28	680072	GE-2		
530092-1001	1N34AS	533034	GE-504A	601052	GE-51	610068-1	GE-20	610153-2	GE-21	680074	GE-18		
530092-1002	GE-300	537428	GE-50	601054	GE-51	610069-1	GE-20	610153-3	GE-14	680082	GE-2		
530093-1	6GC1	551028	GE-504A	601065	GE-8	610070-2	GE-20	610153-4	GE-20	680095	GE-16		
530093-2	6GC1	552006	GE-504A	601113	GE-17	610070-4	GE-17	610167-1	GE-20	680103	GE-3		
530093-3	6GC1	552007	GE-504A	601122	GE-20	610071-1	GE-12	610167-2	GE-20	680138	GE-26		
530094-1	GE-504A	552010	GE-504A	602032	GE-3	610071-2	GE-12	610168-1	GE-20	681010	6GC1		
530095-1	GE-504A	580004	GE-13MP	602040	GE-2	610072-1	GE-20	610168-2	GE-17	670850-1	GE-13MP		
530096	GE-300	580020S	GE-512	602051	GE-53	610072-2	GE-20	610174-1	GE-20	700080	GE-14		
530096-1	GE-300	587312	GE-18	602075	GE-51	610073-1	GE-11	610180-1	GE-61	700083	GE-14		
530096-2	GE-300	588101	1N34AS	602081	GEZD-9.1	610074-1	GE-21	610181-1	GE-60	700647	GE-504A		
530096-3	GE-300	570000-5452	GE-20	602113	GE-17	610075-1	GE-20	610181-2	GE-60	700663	GE-504A		
530097-2	GE-300	570000-5503	GE-20	602122	GE-18	610076-1	GE-20	610186-1	GE-61	700664	GE-504A		
530097-3	GE-300	570004-503	GE-20	603020	GE-51	610076-2	GE-20	610189-1	GE-38	701662-00	GE-300		
530098-1	GE-511	570005-452	GE-20	603030	GE-51	610077-1	GE-20	610190-1	GE-57	731009	GE-2		
530098-1001	GE-504A	570005-503	GE-20	603031	GE-3	610077-2	GE-20	610194-1	GE-36	740183	1N34AS		
530099-1	GE-504A	570009-01-504	GE-20	603040	GE-1	610077-3	GE-20	610195-1	GE-66	740277	GE-31MP		
530099-3	GE-504A	570029	GE-14	603112	GE-51	610077-4	GE-10	610195-2	GE-69	740289	GE-504A		
530099-4	GE-504A	570030	GE-58	603113	GE-17	610077-6	GE-20	610195-3	GE-66	740306	GE-82		
530099-5	6GC1	573001	GE-2	603114	GE-504A	610078-1	GE-20	610195-4	GE-69	740402	1N34AS		
530104-2	GE-90	573003	GE-2	603122	GE-20	610079-1	GE-2	610202-1	GE-29	740417	GE-53		
530104-2(8)	GE-90	573005	GE-2	604030	GE-51	610079-2	GE-10	610202-2	GE-29	740437	GE-20		
530104-1001	GE-90	573011	GE-2	604040	GE-51	610080-1	GE-2	610203-1	GE-FET-4	740441	GE-20		
530105-1	1N60	573012	GE-2	604080	GE-51	610083-1	GE-21	610203-4	GE-FET-4	740443	GE-31MP		
530105-1001	1N60	573018	GE-2	604112	GE-51	610083-2	GE-21	610217-1	GE-36	740461	GE-10		
530106-1	GE-511	573022	GE-2	604113	GE-17	610083-3	GE-21	610217-2	GE-36	740462	GE-20		
530106-1001	GE-509	573024	GE-53	604122	GE-20	610083-4	GE-21	611020	GE-1	740463	GE-20		
530109-1	GE-504A	573029	GE-2	605030	GE-2	610088-2	GE-2	611111	GE-504A	740466	GE-10		
530111-1	GE-504A	573101	GE-20	605112	GE-51	610091-1	GE-17	611132	6GC1	740470	GE-20		
530111-1001	GE-504A	573103	GE-2	605113	GE-2	610091-2	GE-11	612005-1	GEIC-2	740471	GE-30		
530113-1	GE-504A	573114	GE-2	605131	GE-17	610092-1	GE-11	612006-1	GEIC-9	740570	GE-504A		
530113-1001	GE-511	573117	GE-2	606020	GE-2	610093-1	GE-22	612007-1	GEIC-10	740622	GEIC-7		
530116-1	1N34AS	573118	GE-2	606112	GE-53	610094-1	GE-20	612007-2	GEIC-10	742008	GE-504A		
530116-1001	GE-300	573119	GE-2	606113	GE-504A	610096-1	GE-11	612007-3	GEIC-10	742009	GE-504A		
530116-1003	GE-504A	573125	GE-2	607030	GE-20	610099	GE-21	612007-3	GEIC-10	744002	6GC1		
530119-8	GE-300	573142	GE-2	607101	6GC1	610099-1	GE-21	612020	GE-25	744006	6GC1		
530120-1	GE-504A	573152	GE-2	607113	GE-504A	610099-2	GE-21	612020-1	GEIC-12	750748A	GE-42		
530122-1	GE-504A	573153	GE-2	607122	GE-12	610099-3	GE-52	612021-1	GEIC-8	752309	GE-504A		
530126-1	GE-504A	573166	GE-3	608030	GE-504A	610099-6	GE-21	612024-3	GEIC-13	770523	GE-1		
530127-4	GE-504A	573184	GE-52	608101	GE-504A	610100-1	GE-39	612029-1	GEIC-18	770524	GE-1		
530127-5	6GC1	573199	GE-25	608112	GE-16	610100-3	GE-39	612067	GEIC-6	770525	GE-2		
530127-6	GE-504A	573200	GE-53	608113	GE-504A	610102-1	GE-21	612070-1	GEIC-4	771907	GE-504A		
530128-1	GE-42	573212	GE-25	608122	GE-18	610106-1	GE-16	6					

UNIVERSAL REPLACEMENT SEMICONDUCTORS

772713 - 984260

JEDEC Or Part Nr	GE Replacement	JEDEC Or Part Nr	GE Replacement	JEDEC Or Part Nr	GE Replacement	JEDEC Or Part Nr	GE Replacement	JEDEC Or Part Nr	GE Replacement	JEDEC Or Part Nr	GE Replacement	JEDEC Or Part Nr	GE Replacement
772713	GE-504A	815037A	GE-1	815173C	GE-20	817155	GEZD-12	972258-4	1N295	980961	GE-2	815037A	GE-1
772714	GE-504A	815037B	GE-1	815173F	GE-20	817156	GE-504A	972258-5	1N295	981143	GE-51	815037B	GE-1
772721	GE-1	815037C	GE-1	815174	GE-20	817157	GE-42	972258-6	1N295	981144	GE-51	815037C	GE-1
772732	GE-53	815038	GE-1	815174L	GE-20	817161	GE-504A	972258-8	1N34AS	981145	GE-51	815038	GE-1
772740	1N34AS	815038A	GE-1	815175	GE-12	817164	GE-504A	972259-8	1N60	981146	GE-51	815038A	GE-1
772768	GE-51	815038B	GE-2	815175H	GE-12	817166	GE-504A	972305	GE-39	981148	GE-2	815038B	GE-2
801500	GE-2	815038C	GE-2	815177	GE-2	817172	GE-504A	972306	GE-11	981151	1N60	815038C	GE-2
801501	GE-2	815041	GE-1	815178	GE-2	817175	GE-42	972307	GE-11	981153	1N34AS	815041	GE-1
801507	GE-53	815041A	GE-1	815179	GE-2	817177	1N34AS	972417	GE-11	981153	GE-51	815041A	GE-1
801509	GE-2	815041B	GE-1	815180-3	GE-12	817179	GE-504A	972418	GE-11	981204	GE-51	815041B	GE-1
801510	GE-2	815041C	GE-1	815180-4	GE-12	817180	GE-504A	972419	GE-11	981206	GE-2	815041C	GE-1
801511	GE-2	815043	GE-2	815180-7	GE-12	817193	1N60	972420	GE-11	981248	GE-2	815043	GE-2
801512	GE-17	815043A	GE-1	815181	GE-2	817194	GE-504A	972571-1	GE-11	981249	GE-2	815043A	GE-1
801513	GE-17	815043B	GE-1	815181A	GE-2	817195	GE-504A	972571-2	GE-11	981253	GE-2	815043B	GE-1
801514	GE-17	815043C	GE-1	815181B	GE-52	817197	GEZD-9.1	972571-3	GE-11	981673	GE-2	815043C	GE-1
801515	GE-17	815055	GE-2	815181C	GE-2	817199	1N34AS	972571-4	GE-504A	981674	GE-2	815055	GE-2
801516	GE-17	815058	GE-2	815181D	GE-2	817208	GEZD-12	972571-5	GE-509	981675	GE-2	815058	GE-2
801517	GE-17	815057	GE-2	815182	GE-20	817962	6GD1	972571-6	GE-504A	981952	GE-504A	815057	GE-2
801519	GE-3	815058	GE-2	815183	GE-20	825065	GE-1	972571-7	GE-509	981953	GE-504A	815058	GE-2
801520	GE-2	815058A	GE-2	815184	GE-20	853640	GE-51	973935-20	GE-504A	981954	GE-504A	815058A	GE-2
801524	GE-17	815058B	GE-2	815184E	GE-20	860011	GE-504A	973936-1	GE-504A	981955	GE-504A	815058B	GE-2
801527	GE-10	815058C	GE-2	815185	GE-22	871125	1N60	973936-2	GE-504A	981956	GE-504A	815058C	GE-2
801529	GE-17	815058X	GE-2	815185E	GE-21	894876	GE-17	973936-3	GE-504A	981959	GE-509	815058X	GE-2
801530	GE-17	815064	GE-51	815186	GE-20	916028	GE-20	973936-4	GE-504A	981969	GE-4	815064	GE-51
801536	GE-20	815064A	GE-51	815188C	GE-20	916029	GE-20	973936-5	GE-504A	982065	1N34AS	815064A	GE-51
801537	GE-14	815064B	GE-51	815188L	GE-20	916030	GE-17	973936-6	GE-504A	982150	GE-51	815064B	GE-51
801540	GE-22	815064C	GE-51	815189	GE-2	916031	GE-17	973936-7	GE-511	982151	GE-2	815064C	GE-51
801543	GE-17	815085	GE-1	815190	GE-20	916033	GE-63	973936-8	GE-504A	982152	GE-2	815085	GE-1
801707	GE-504A	815085A	GE-1	815191	GE-20	916034	GE-63	973936-9	GE-504A	982231	GE-17	815085A	GE-1
801712	GE-504A	815085B	GE-1	815193	GE-50	916046	GE-28	973936-10	GE-504A	982268	GE-20	815085B	GE-1
801714	GE-504A	815085C	GE-1	815195	GE-52	916049	GE-20	973936-11	GE-504A	982269	GE-20	815085C	GE-1
801716	GE-504A	815086	GE-1	815198	GE-52	916050	GE-20	973936-12	GE-504A	982321	GE-11	815086	GE-1
801722	1N34AS	815086A	GE-1	815197	GE-51	916051	GE-21	973936-13	GE-504A	982322	GE-50	815086A	GE-1
801723	GE-504A	815086B	GE-1	815198	GE-20	916052	GE-63	973936-14	GE-504A	982361	6GC1	815086B	GE-1
801724	GE-504A	815086C	GE-1	815199-6	GE-21	916055	GE-62	973936-15	GE-504A	982375	GE-2	815086C	GE-1
801728	GE-504A	815087	GE-53	815201	GE-20	916060	GE-20	973936-16	GE-504A	982377	GE-504A	815087	GE-53
801729	GE-17	815088	GE-2	815202	GE-63	916063	GE1C-12	973936-17	GE-504A	982510	GE-10	815088	GE-17
801731	GEZD-12	815089	GE-2	815203-3	GE-13MP	916064	GE1C-2	973936-18	GE-504A	982511	GE-20	815089	GE-2
802560	GE-2	815089A	GE-2	815206	GE-17	916082	GE-FET-2	973936-19	GE-504A	982512	GE-10	815089A	GE-2
803696	GE-10	815089B	GE-2	815209	GE-17	916091	GE-17	973936-20	GE-504A	982523	GE-12	815089B	GE-10
814044A	GE-2	815089C	GE-2	815210	GE-20	922021	GE-300	973936-21	GE-504A	982528	GE-12	815089C	GE-2
815003	GE-2	815070	GE-53	815211	GE-21	922092	GE-504A	973962-1	GE-504A	982531	GE-2	815070	GE-53
815015	GE-2	815070A	GE-2	815212	GE-63	922183	GE-504A	980052	GE-4	982532	GE-2	815070A	GE-2
815020	GE-1	815070B	GE-2	815213	GE-21	922311	GE-504A	980132	GE-16	982822	1N34AS	815070B	GE-1
815020A	GE-1	815070C	GE-2	815227	GE-10	922358	GEZD-9.1	980134	GE-4	982823	GE-504A	815070C	GE-1
815020B	GE-1	815070D	GE-2	815228A1	GE-52	922359	GE-90	980135	GE-4	983036	GE-16	815070D	GE-1
815021	GE-1	815074	GE-2	815228A01	GE-2	922433	GE-300	980136	GE-2	983095	GE-20	815074	GE-1
815021A	GE-1	815075	GE-8	815228B1	GE-52	922603	GEZD-9.1	980138	GE-17	983097	GE-18	815075	GE-1
815021B	GE-1	815078	GE-8	815229	GE-21	922604	1N60	980139	GE-17	983099	1N60	815078	GE-1
815022	GE-2	815082	GE-53	815232	GE-8	936001	GE-42	980140	GE-51	983101	GE-504A	815082	GE-2
815022A	GE-2	815103	GE-1	815238	GE-21	942677-1	1N34AS	980142	GE-51	983233	GE-11	815103	GE-1
815022B	GE-2	815104	GE-2	815237	GE-63	942677-2	1N60	980143	GE-504A	983234	GE-11	815104	GE-2
815023	GE-2	815105	GE-1	815243	GE-63	942677-3	1N60	980144	GE-2	983235	GE-20	815105	GE-1
815023A	GE-2	815114	GE-2	816135	GE-12	942677-4	1N60	980146	GE-51	983236	GE-51	815114	GE-2
815023B	GE-2	815115	GE-1	817032	1N34AS	942677-6	1N34AS	980147	GE-20	983239	1N60	815115	GE-1
815024	GE-2	815116	GE-1	817036	GE-42	942677-7	1N34AS	980148	GE-2	983271	GE-1	815116	GE-1
815024A	GE-2	815117	GE-1	817042	GE-504A	945820-4	GE-504A	980149	GE-2	983272	GE-1	815117	GE-1
815024B	GE-2	815118	GE-2	817043	GE-504A	964158	1N82A	980150	GE-25	983405	GE-2	815118	GE-2
815025	GE-1	815120	GE-53	817044	1N295	964713	GE-20	980153	GE-2	983406	GE-2	815120	GE-53
815025A	GE-1	815120A	GE-2	817062	6GD1	964999	1N82A	980155	GE-3	983407	GE-2	815120A	GE-1
815025B	GE-1	815120B	GE-2	817067	GE-504A	965000	GE-11	980372	GE-51	983408	GE-2	815120B	GE-1
815026	GE-7	815120C	GE-2	817068	GE-504A	965073	1N82A	980373	GE-51	983409	GE-2	815120C	GE-7
815026A	GE-7	815120D	GE-2	817068P	GE-504A	965074	GE-17	980374	GE-51	983411	GE-2	815120D	GE-7
815026B	GE-7	815120E	GE-2	817074	6GC1	985632	GE-11	980375	GE-2	983742	GE-10	815120E	GE-7
815026C	GE-7	815122	GE-53	817077	1N60	985633	GE-11	980376	GE-2	983744	6GC1	815122	GE-7
815026D	GE-1	815133	GE-20	817079	GE-504A	965634	GE-11	980426	GE-1	983874	GE-16	815133	GE-1
815027	GE-1	815134	GE-20	817104	GE-504A	970046	GE-11	980432	GE-1	983945	GE-4	815134	GE-1
815027A	GE-1	815138	GE-2	817109	GE-504A	970047	1N82A	980434	GE-1	983975	GE-16	815138	GE-1
815027B	GE-1	815138	GE-16	817111	GE-504A	970245	GE-11	980435	GE-51	983995	GE-16	815138	GE-1
815027C	GE-1	815139	GE-2	817112	GE-504A	970246	GE-22	980437	GE-16	984156	GE-20	815139	GE-1
815028	GE-1	815142	GE-504A	817114	GE-504A	970247	GE-20	980438	GE-1	984158	GE-20	815142	GE-1
815028A	GE-1	815158	GE-2	817117	GE-504A	970248	GE-21	980439	GE-1	984159	GE-20	815158	GE-1
815028B	GE-1	815160	GE-2	817120	GE-504A	970249	GE-20	980440	GE-20	984160	GE-52	815160	GE-1
815028C	GE-1	815160A	GE-2	817121	GE-504A	970250	GE-20	980441	GE-51	984161	GE-53	815160A	GE-1
815029	GE-2	815160B	GE-2	817122	GE-504A	970251	GE-22	980462	GE-4	984162	GE-300	815160B	GE-2
815029A	GE-2	815160C	GE-2	817123	GE-2	970252	GE-11	980463	GE-4	984163	1N295	815160C	GE-2
815029B	GE-2	815160D	GE-2	817124	GE-2	970253	GE-FET-2	980505	GE-51	984191	GE-17	815160D	GE-2
815029C	GE-2	815160E	GE-2	817125	1N60	970254	GE-21	980506	GE-51	984192	GE-17	815160E	GE-2
815030	GE-2	815160F	GE-2	817126	6GC1	970255	GE-12	980507	GE-51	984193	GE-21	815160F	GE-2
815030A	GE-2	815160H	GE-2	817127	GE-2	970256	GE-11	980508	GE-2	984194	GE-20	815160H	GE-2
815030B	GE-2	815164	GE-20	817128	GE-504A								

UNIVERSAL REPLACEMENT SEMICONDUCTORS

984261 - 2006582-23

JEDEC Or Part Nr	GE Replacement	JEDEC Or Part Nr	GE Replacement	JEDEC Or Part Nr	GE Replacement	JEDEC Or Part Nr	GE Replacement	JEDEC Or Part Nr	GE Replacement	JEDEC Or Part Nr	GE Replacement	JEDEC Or Part Nr	GE Replacement
984261	GE-16	988994	1N34AS	1471132-3	GE-28	1473586-2	GE-20	1476171-18	GE-511	2000804-8	GE-17		
984286	GE-20	988995	GE-300	1471132-4	GE-28	1473597-1	GE-21	1476171-19	GE-504A	2000804-9	GE-2		
984431	GE-16	988996	GE-300	1471132-5	GE-57	1473597-2	GE-21	1476171-20	GE-511	2001653-20	GE-51		
984521	GE-30	988997	1N60	1471132-5	GE-57	1473601	GE-10	1476171-21	GE-510	2001653-21	GE-51		
984522	GE-504A	988998	1N60	1471133-1	GE-66	1473601-1	GE-17	1476171-22	GE-511	2001653-23	GE-2		
984577	GE-20	989171	GE-4	1471134-1	GE-69	1473601-2	GE-20	1476171-24	GE-511	2001653-24	GE-52		
984594	GE-504A	989387	GE-18	1471135-1	GE-66	1473603-1	GE-20	1476171-25	GE-511	2001653-58	GE-51		
984608	GE-12	989815	GE-4	1471135-2	GE-75	1473604-3	GE-64	1476171-27	GE-504A	2001653-59	GE-51		
984666	1N60	989892	GE-4	1471136-3	GE-64	1473608-1	GE-63	1476171-28	GE-504A	2001786-142	GE-509		
984690	GEBR-600	989893	GE-4	1471139-1	GE-74	1473608-2	GE-63	1476171-29	GE-504A	2001786-169	GE-509		
984713	GE-504A	992289	GE-2	1471140-1	GE-57	1473611-1	GE-28	1476171-31	GE-504A	2001786-207	GE-504A		
984743	GE-20	995001	GE-16	1471141-1	GE-58	1473612-1	GE-28	1476171-32	GE-300	2001812-65	GE-1		
984744	GE-17	995002	GE-2	1471393-4	GE-300	1473613-2	GE-27	1476172-12	GE-511	2002151-20	1N60		
984794	GE-504A	995003	GE-2	1471405-1	GE-512	1473613-4	GE-27	1476179-1	1N60	2002153-58	GE-51		
984795	GE-504A	995014	GE-16	1471872-1	GE-300	1473614-1	GE-20	1476183-2	GE-511	2002153-59	GE-51		
984876	GE-20	995022	GEIC-12	1471872-2	GE-504A	1473614-3	GE-10	1476183-5	GE-511	2002153-60	GE-51		
984877	GE-20	1043176-1	GE-504A	1471872-3	GE-504A	1473615-1	GE-18	1476183-6	GECR-2	2002153-71	GE-53		
984878	GE-20	1043176-2	GE-504A	1471872-4	GE-300	1473616-1	GE-22	1476188-1	GEZD-5.1	2002153-76	GE-51		
984879	GE-17	1043178-3	GE-504A	1471872-6	GE-300	1473617-1	GE-11	1476689-1	GE-90	2002153-77	GE-10		
984880	GE-300	1043178-4	GE-504A	1471872-7	GE-300	1473618-9	1N60	1476690-1	GE-300	2002153-78	GE-2		
984881	1N60	1043178-5	GE-504A	1471872-8	GE-300	1473620-1	GE-21	1476933-503	GECR-6	2002153-83	GE-20		
984882	GE-504A	1045013	GE-504A	1471872-10	GE-300	1473621-1	GE-28	1477022-1	GE-300	2002207-2	GE-90		
985036	GE-18	1045154-1	GE-504A	1471872-11	1N34AS	1473622-1	GE-28	1477046-4	GEZD-12	2002209-7	GEZD-13		
985096	GE-20	1045154-2	GE-504A	1471872-12	GE-300	1473622-2	GE-18	1477046-5	GE-504A	2002210-110	GE-2		
985097	GE-20	1045154-3	GE-504A	1471872-13	GE-300	1473623-1	GE-28	1477081-501	GEZD-15	2002211-24	GE-2		
985098	GE-17	1045154-4	GE-509	1471872-14	GE-504A	1473624-1	GE-58	1478164-1	GEZD-33	2002211-25	GE-2		
985099	GE-17	1045154-5	GE-509	1471872-15	1N34AS	1473625-1	GE-63	1810037	GE-10	2002332-55	GE-20		
985100	GE-10	1045154-8	GE-504A	1471872-18	GE-300	1473626-1	GE-20	1810038	GE-10	2002332-57	GECR-2		
985101	GE-17	1045494-1	6GD1	1471872-17	1N34AS	1473627-1	GE-21	1810039	GE-10	2002336-19	GE-2		
985102	GE-17	1107832-8	6GX1	1471872-18	GE-300	1473628-1	GE-27	1811119	GE-504A	2002336-20	1N60		
985103	GE-30	1107832-7	6GC1	1471878-3	GEZD-6.2	1473628-2	GE-27	1815036	GE-20	2002336-115	GE-504A		
985104	GE-504A	1107832-8	6GC1	1471893-4	GEZD-62	1473628-3	GE-58	1815039	GE-20	2002402	GE-300		
985105	GE-504A	1107832-9	6GC1	1471898-3	GEZD-6.2	1473629-3	GE-57	1815041	GE-20	2002403-19	GE-20		
985108	GE-300	1107832-10	6GC1	1471898-4	GEZD-82	1473631-1	GE-63	1815042	GE-20	2002620-18	GE-20		
985215	GE-20	1107832-11	6GC1	1471898-5	GEZD-4.7	1473631-1	GE-18	1815043	GE-10	2002620-19	GE-20		
985216	GE-2	1107883-1	GE-42	1471908-4	GE-305	1473632-1	GE-27	1815045	GE-20	2002621-2	GE-20		
985217	GE-51	1107883-2	GE-42	1471922-1	1N82A	1473632-2	GE-28	1815047	GE-11	2003069	GE-504A		
985218	GE-504A	1107883-3	GE-42	1472460-1	GE-504A	1473632-3	GE-66	1815067	GE-17	2003069-1	GE-504A		
985431	GE-16	1221028	GE-4	1472460-2	GE-504A	1473633-1	GE-27	1815068	GE-20	2003069-2	GE-300		
985432	GE-4	1221615	GE-3	1472460-4	GE-504A	1473634-1	GE-36	1815139	GE-8	2003069-4	1N34AS		
985443	GE-18	1221625	GE-16	1472460-5	GE-504A	1473636-1	GE-12	1815154	GE-63	2003073-8	GE-52		
985445	GE-51	1221648	GE-2	1472460-8	GE-300	1473637-1	GE-35	1815154-9	GE-63	2003073-9	GE-20		
985446	GE-51	1221900	GEZD-9.1	1472460-7	GE-300	1473638-1	GE-26	1815157-9	GE-18	2003073-10	GE-20		
985447	GE-16	1221982	GE-8	1472460-8	GE-300	1473640-1	GE-28	1817004	GE-17	2003073-11	GE-51		
985449	GE-16	1222123	GE-20	1472460-13	GE-511	1473647-1	GE-35	1817005	GE-20	2003073-12	GE-50		
985453	GE-18	1222133	GE-20	1472460-18	GE-504A	1473648-1	GE-25	1817005-3	GE-20	2003073-13	GE-51		
985455	GE-18	1222424	GE-20	1472634-1	GE-11	1473649-1	GE-36	1817006	GE-18	2003073-14	GE-52		
985472	GE-504A	1408815-1	GE-11	1472872-4	GE-300	1473652-1	GE-11	1817006-3	GE-20	2003073-15	GE-52		
985611	GE-504A	1408649-1	GE-11	1473514-1	GE-25	1473656-1	GE-27	1817007	GE-20	2003073-16	GE-8		
985621	1N60	1415721-1	GE-511	1473516-1	GE-67	1473656-2	GE-27	1817008	GE-17	2003073-67	GE-504A		
985686	GE-18	1417302-1	GE-20	1473519-1	GE-20	1473657-1	GE-20	1817017	GE-8	2003073-68	GE-504A		
985957	GE-90	1417303-1	GE-21	1473520-1	GE-12	1473657-2	GE-20	1817045	GE-20	2003073-91	GE-14		
985961	GEZD-12	1417308-1	GE-18	1473524-2	GE-11	1473665-2	GE-19	1817108	GE-62	2003073-0701	GE-20		
986414	GE-504A	1417318-1	GE-28	1473524-3	GE-11	1473666-1	GE-18	1819045	GE-20	2003073-0702	GE-21		
986576	GE-60	1417317-1	GE-29	1473530-2	GE-11	1473669-1	GE-36	1820657	GECR-1	2003168-135	GE-20		
986578	GEZD-5.1	1417318-1	GE-20	1473532-1	GE-21	1473669-2	GE-36	1826065-1	GE-519	2003168-136	GE-20		
986634	GE-17	1417321-1	GE-12	1473535-1	GE-20	1473676-1	GE-60	1826065-2	GE-519	2003779-22	GE-20		
986635	GE-20	1417322-1	GE-12	1473535-1(RCA)	GE-39	1473679-1	GE-18	1827322	GE-67	2003779-23	GE-20		
986636	GE-10	1440977	GECR-1	1473536-1	GE-63	1473680-1	GE-39	1944748	GE-16	2003779-24	GE-20		
986637	GE-504A	1440977-1	GECR-1	1473536-2	GE-20	1473681-1	GE-66	1956197	GEZD-9.1	2003779-25	GE-20		
986693	GE-60	1440990	GECR-3	1473539-1	GE-17	1473682-1	GE-69	1960584	GE-16	2004107-40	6GC1		
986694	GE-80	1442415-2	1N82A	1473540-1	GE-22	1473683-1	GE-19	1961479	GE-16	2004358-123	GE-53		
986766	GE-52	1442415-3	1N82A	1473541-1	GE-25	1473687-1	GE-40	1961480	GE-16	2004358-142	GE-504A		
986779	GE-53	1443223-1	GE-90	1473549-1	GE-21	1473777-2	GEZD-15	1961837	GE-2	2004358-168	GE-53		
986931	GE-21	1445470-502	GE-504A	1473549-2	GE-67	1474613-2	GE-27	1965017	GE-16	2004746-87	GE-12		
986932	GE-28	1482434-1	GEIC-2	1473552-1	GE-40	1474717-2	GEZD-15	1966079	GE-16	2004746-114	GE-20		
986933	GE-29	1482518	GEIC-2	1473553-1	GE-18	1474777-1	GEZD-12	2000287-28	GE-2	2004746-115	GE-20		
986935	GE-504A	1482518-1	GEIC-2	1473555-1	GE-63	1474777-2	GEZD-15	2000433-150	1N34AS	2006226-14	GE-2		
988000	GE-17	1482560-1	GEIC-23	1473555-3	GE-27	1474777-4	GEZD-27	2000625-31	GE-2	2006422-132	1N60		
988001	GE-17	1464607-1	GE-519	1473559-1	GE-21	1474777-7	GEZD-62	2000625-32	GE-2	2006422-133	GE-504A		
988002	GE-20	1464607-2	GE-519	1473560-1	GE-17	1474777-8	GE-504A	2000625-33	GE-2	2006431-44	GE-20		
988003	GE-10	1464607-3	GE-519	1473560-2	GE-20	1474778-2	GE-504A	2000625-34	GE-2	2006431-45	GE-20		
988005	GE-53	1464607-4	GE-519	1473561-1	GE-17	1474778-3	GE-504A	2000625-36	GE-504A	2006431-46	GE-20		
988048	GE-90	1464607-5	GE-519	1473561-Y	GE-20	1474778-4	GE-504A	2000626-32	GE-504A	2006431-49	GE-17		
988049	GE-504A	1464607-6	GE-519	1473562-1	GE-21	1474778-5	GE-511	2000646-103	GE-20	2006431-50	1N60		
988050	GEZD-10.4	1464778-9	GE-504A	1473563-1	GE-27	1474778-6	GE-511	2000646-104	GE-51	2006436-35	GE-28		
988051	GE-504A	1470990	GECR-3	1473565-1	GE-63	1474778-7	GE-504A	2000646-105	GE-20	2006436-36	GE-28		
988080	GE-18	1470990-1	GECR-3	1473567-2	GE-28	1474778-8	GE-510	2000646-106	GE-2	2006436-37	GE-21		
988336	GE-16	1471072-4	GE-300	1473567-4	GE-28	1474778-9	GE-504A	2000646-107	GE-20	2006436-38	GE-504A		
988413	GE-16	1471112-7	GE-67	1473568-1	GE-60	1474778-10	GE-504A	2000646-108	GE-2	2006436-40	GE-18		
988414	GE-4	1471112-8	GE-21	1473569-1	GE-20	1474778-11	GE-504A	2000646-109	GE-25	2006436-89	GE-504A		
988468	GE-18	1471112-9	GE-21	1473570-1	GE-22	1474778-12	GE-510	2000646-110	GE-25	2006441-91	GE-504A		
988977	GE-4	1471112-10	GE-21	1473571-1	GE-20	1474778-13	GE-510	2000646-111	GE-2	2006441-113	GE-2		
988985	GE-20	1471112-12	GE-87	1473572-1	GE-20	1474778-16	GE-300	2000646-113	GE-3	2006441-122	1N60		
988986	GE-17	1471115-13	GE-20	1473572-3	GE-20	1474778-21	GE-510	2000646-115	GE-504				

UNIVERSAL REPLACEMENT SEMICONDUCTORS

2006582-24 - 5490307-P2

JEDEC Or Part Nr	GE Replacement	JEDEC Or Part Nr	GE Replacement	JEDEC Or Part Nr	GE Replacement	JEDEC Or Part Nr	GE Replacement	JEDEC Or Part Nr	GE Replacement	JEDEC Or Part Nr	GE Replacement	JEDEC Or Part Nr	GE Replacement
2006582-24	GE-504A	2092055-0007	1N34AS	2093308-2	GE-17	2327283	GE-67	3596069	GE-17	4080866-0012	GE-28		
2006623-47	GE-FET-1	2092055-0016	GEZD-5.6	2093308-3	GE-17	2327293	GE-18	3596069	GE-17	4080866-0013	GE-66		
2006623-88	GE-57	2092055-0017	GE-X11	2093308-070	GE-17	2327332	GE-18	3596070	GE-17	4080873-0001	GE-29		
2006623-145	GE-10	2092055-0018	GEZD-7.5	2093308-0700	GE-20	2327363	GE-20	3596071	GE-17	4080879-0001	GE-28		
2006627-54	GE-300	2092055-0024	GEZD-2.7	2093308-0701	GE-8	2327387	GE-21	3596072	GE-17	4080879-0006	GE-28		
2006681-97	GE-90	2092055-0027	GE-X11	2093308-0702	GE-8	2327403	GE-18	3596091	GE-66	4082501-0001	GE-18		
2008292-89	GE-504A	2092055-0708	1N82A	2093308-0703	GE-8	2330011	GE-504A	3596092	GE-66	4082865	GEIC-15		
2008293-109	GE-2	2092055-0710	GEZD-7.5	2093308-0704	GE-20	2330011H	GEBR-600	3596100	GE-69	4082743-0002	GEZD-5.8		
2008293-111	GE-53	2092055-0712	GE-X11	2093308-0705	GE-20	2330021	GEZD-6.2	3596101	GE-69	4082873-0001	GE-29		
2008299-2	1N60	2092055-0713	1N34AS	2093308-0706	GE-20	2330191	GE-509	3596116	GE-20	4090805-1	GEIC-27		
2008299-3	GE-504A	2092055-0714	GE-20	2093308-0708	GE-20	2330201	GE-504A	3596117	GE-20	4101685	GE-504A		
2008302-41	GE-504A	2092117-0018	GE-11	2093308-0725	GE-11	2330211	GE-511	3596118	GE-22	4813466	GE-20		
2010088-49	GE-20	2092417-1	GE-50	2093308-8708	GE-20	2330241	GEZD-12	3596338	GE-10	4907976	GE-2		
2010499-52	GE-20	2092417-2	GE-50	2097013-0702	GE-20	2330251	GE-504A	3596339	GE-10	5073004	GE-2		
2010952-14	GE-54	2092417-3	GE-51	2243255-1	GE-53	2330252	GE-504A	3596340	GE-20	5076054	GE-300		
2010957-49	GE-504A	2092417-4	GE-51	2314009	GE-25	2330253	GE-504A	3596341	GE-20	5300073-15	GEZD-15		
2057013-0004	GE-21	2092417-5	GE-51	2320011	GE-50	2330254	GE-504A	3596354	GEIC-15	5320022	GE-20		
2057013-0007	GE-21	2092417-6	GE-50	2320022	GE-17	2330302	GEZD-7.5	3596401	GE-FET-4	5320023	GE-20		
2057013-0008	GE-21	2092417-7	GE-51	2320031	GE-20	2330341	6GC1	3596402	GE-FET-4	5320023H	GE-20		
2057013-0012	GE-21	2092417-8	GE-51	2320041	GE-63	2330351	GE-300	3596440	GE-17	5320024	GE-20		
2057013-0701	GE-21	2092417-9	GE-51	2320041H	GE-62	2330352	GE-504A	3596448	GE-66	5320026	GE-20		
2057013-0702	GE-21	2092417-0017	GE-11	2320042	GE-20	2330361	GEBR-600	3596449	GE-66	5320042H	GE-21		
2057013-0703	GE-21	2092417-0018	GE-17	2320043	GE-20	2330362	GE-504A	3596453	GE-69	5320043H	GE-21		
2057062-0702	GE-504A	2092417-0019	GE-11	2320051	GE-18	2330551	GE-504A	3596454	GE-69	5320051	GE-17		
2057323-0501	GE-28	2092417-0704	GE-51	2320062	GE-20	2330562	GE-504A	3598070	GE-17	5320064	GE-17		
2060041	GE-504A	2092417-0707	GE-51	2320063	GE-20	2330564	GE-504A	4036392-P2	GEZD-10.4	5320064H	GE-17		
2076393	GE-51	2092417-0708	GE-51	2320073	GE-20	2330611	GE-504A	4036598-P1	GE-2	5320067	GE-20		
2076403	GE-51	2092417-0709	GE-51	2320083	GE-23	2330612	GE-504A	4036598-P2	GE-3	5320101	GE-52		
2076403-0703	GE-51	2092417-0710	GE-51	2320092	GE-30	2330632	GEZD-6.2	4036612-P1	GE-1	5320151	GE-18		
2076945-0701	GE-2	2092417-0711	GE-11	2320123	GE-50	2330634	GEZD-7.5	4036612-P2	GE-1	5320295	GE-59		
2090056-1	GE-16	2092417-0712	GE-11	2320141	GE-20	2330721	GE-504A	4036707-P1	GE-1	5320295H	GE-54		
2090056-5	GE-16	2092417-0713	GE-11	2320161	GE-21	2337011	GE-300	4036707-P2	GE-1	5320286	GE-52		
2090056-27	GE-16	2092417-0714	GE-17	2320191	GE-20	2337063	GEZD-22	4036715-P1	GE-51	5320305	GE-53		
2090924-6	GE-53	2092417-0715	GE-11	2320201	GE-25	2337071	GE-504A	4036715-P2	GE-51	5320305H	GE-54		
2090924-8	GE-53	2092417-0718	GE-11	2320221	GE-12	2337101	GEZD-12	4036733-P1	GE-3	5320306	GE-8		
2090924-8A	GE-2	2092417-0717	GE-51	2320233	GE-18	2485076-2	GE-10	4036749-P1	GE-6	5320326	GE-20		
2090924-008	GE-52	2092417-0719	GE-20	2320242	GE-67	2485076-3	GE-10	4036749-P2	GE-6	5320328	GE-17		
2090924-0008	GE-2	2092417-0720	GE-20	2320243	GE-67	2485078-2	GE-20	4036754-P1	GE-8	5320327H	GE-18		
2091211-0014	GE-1	2092417-0721	GE-20	2320261	GE-52	2485078-3	GE-20	4036754-P2	GE-8	5320373	GE-18		
2091217-0014	GE-51	2092417-0724	GE-20	2320271	GE-37	2485079-1	GE-504A	4036831-P1	GE-4	5320386	GE-8		
2091241-1	GE-2	2092417-0725	GE-20	2320273	GE-38	2485079-2	GE-17	4036832-P1	GE-4	5320422H	GE-28		
2091241-2	GE-2	2092418-1	GE-50	2320281	GE-37	2485080	GE-300	4036887-P8	GE-20	5320433	GE-28		
2091241-3	GE-51	2092418-2	GE-50	2320302H	GE-25	2487340	GE-22	4036923-P1	GE-51	5320475	GE-54		
2091241-5A	GE-2	2092418-5	GE-50	2320331	GE-8	2487341	GE-22	4036923-P2	GE-51	5320485	GE-54		
2091241-7	GE-2	2092418-6	GE-50	2320413	GE-8	2487424	GE-63	4036924-P1	GE-20	5320492H	GE-28		
2091241-9	GE-53	2092418-7	GE-50	2320422	GE-67	2495012	GE-1	4036924-P2	GE-20	5320501	GE-45		
2091241-13	GE-2	2092418-8	GE-51	2320423	GE-2	2495013	GE-51	4036937-P1	GE-1	5320511	GE-45		
2091241-13	GE-53	2092418-10	GE-51	2320471	GE-60	2495014	GE-2	4036937-P2	GE-1	5320511H	GE-45		
2091241-13A	GE-2	2092418-11	GE-51	2320471H	GE-18	2495078	GE-51	4036962-P1	GE-51	5320583	GE-FET-1		
2091241-14	GE-2	2092418-071	GE-50	2320482	GE-28	2495079	GE-51	4036962-P2	GE-51	5320583	GE-FET-1		
2091241-15	GE-2	2092418-0022	GE-11	2320482H	GE-28	2495080	GE-53	4036963-P1	GE-51	5320592	GE-21		
2091241-15	GE-53	2092418-0023	GE-11	2320483	GE-28	2495082	GE-2	4036963-P2	GE-51	5320592	GE-67		
2091241-15A	GE-2	2092418-0024	GE-11	2320485	GE-28	2495083	1N60	4036965-P1	GE-51	5320612	GE-18		
2091241-0005	GE-51	2092418-0710	GE-51	2320486	GE-28	2495083-2	1N60	4036965-P2	GE-51	5320622	GE-63		
2091241-0013	GE-2	2092418-0711	GE-50	2320492	GE-2	2495166-1	GE-20	4037145-P1	GE-2	5320632	GE-29		
2091241-0014	GE-2	2092418-0712	GE-50	2320512	GE-50	2495166-2	GE-11	4037145-P2	GE-2	5320642	GE-28		
2091241-0015	GE-2	2092418-0715	GE-20	2320513	GE-50	2495166-4	GE-20	4037289-P1	GE-5	5320651	GE-20		
2091241-0018	GE-51	2092418-0716	GE-20	2320514	GE-1	2495166-8	GE-20	4037289-P2	GE-5	5320671	GE-66		
2091241-0719	GE-51	2092418-0717	GE-20	2320541	GE-16	2495166-9	GE-20	4037325-P1	GE-504A	5320702	GE-FET-2		
2091260	GE-8	2092418-0718	GE-11	2320591	GE-10	2495200	GE-1	4037410-P1	GE-51	5320851	GE-20		
2091260-1	GE-8	2092418-0719	GE-11	2320595	GE-20	2495376	GE-20	4037410-P2	GE-51	5320861	GE-20		
2091260-2	GE-8	2092418-0720	GE-11	2320596	GE-20	2495377	GE-51	4037413-P1	GEZD-6.2	5330001	GE-504A		
2091260-3	GE-8	2092418-0721	GE-11	2320631	GE-67	2495380	1N60	4037586-P1	GE-20	5330011	GEZD-9.1		
2091578-1	GE-52	2092608-22	GE-20	2320632	GE-67	2495383	1N60	4037586-P2	GE-20	5330012	GEZD-9.1		
2091578-0702	GE-2	2092609-1	GE-8	2320643	GE-63	2495388	GE-52	4037594-P1	GE-3	5330031	GE-504A		
2091858-11	GE-16	2092609-2	GE-8	2320646	GE-63	2495568-2	GE-2	4037607-P1	GE-3	5330041	GE-504A		
2091858-0712	GE-3	2092609-3	GE-8	2320647	GE-18	2497473	GE-2	4037647-P1	GE-28	5330054	GEZD-12		
2091859-2	GE-16	2092609-5	GE-8	2320651	GE-28	2497888	GE-52	4037647-P2	GE-28	5330059	GEZD-22		
2091859-4	GE-16	2092609-0001	GE-20	2320652	GE-28	2498456-2	GE-20	4037764-P1	GE-51	5330101	GE-504A		
2091859-6	GE-16	2092609-0002	GE-20	2320664	GE-18	2498482-2	GE-17	4037764-P2	GE-51	5330102	GE-504A		
2091859-8	GE-16	2092609-0022	GE-20	2320845	GE-57	2498507-3	GE-20	4037800-P1	GE-20	5330102H	GE-504A		
2091859-9	GE-16	2092609-0023	GE-17	2320852	GE-58	2498513	GE-504A	4037800-P2	GE-20	5330104	GE-504A		
2091859-10	GE-16	2092609-0024	GE-17	2327022	GE-63	2498902-1	GE-17	4037804-P1	GE-2	5330104H	GE-504A		
2091859-11	GE-16	2092609-0025	GE-17	2327031	GE-504A	2498903-1	GE-61	4037804-P2	GE-2	5330131	GE-504A		
2091859-0008	GE-16	2092609-0026	GE-17	2327041	GE-504A	2498903-2	GE-61	4037839-P1	GE-6	5330201	GE-90		
2091859-0011	GE-16	2092609-0027	GE-17	2327052	GE-14	2498904-3	GE-20	4037839-P2	GE-6	5330261	GE-300		
2091859-0711	GE-11	2092609-0028	GE-20	2327053	GE-14	2498904-6	GE-10	4037993-P1	GE-1	5330312	GEZD-7.5		
2091859-0712	GE-11	2092609-0705	GE-20	2327061	GE-12	2499048	GE-90	4037993-P2	GE-1	5330322	GEZD-9.1		
2091859-0713	GE-16	2092609-0706	GE-8	2327071	GEZD-12	2499950	GE-63	4038256-P1	GE-5	5330331	1N60		
2091859-0714	GE-16	2092609-0707	GE-20	2327074	GEZD-12	2520063	GE-10	4038256-P2	GE-5	5330332	1N60		
2091859-0715	GE-3	2092609-0713	GE-20	2327076	GEZD-33	3004856	GE-2	4038260-P1	GE-1	5330341	GE-504A		
2091859-0716	GE-3	2092609-0715	GE-20	2327077	GEZD-15	3005861	GE-20	4038260-P2	GE-1	5330371	GE-504A		
2091859-0717	GE-3	2092609-0718	GE-20	2327122	GE-62	3146977	GE-14	4038264-P1	GE-7	5330381	GE-504A		
2091859-0718	GE-16	2092609-0720	GE-20	2327132	GE-FET-2	3152170	GE						

UNIVERSAL REPLACEMENT SEMICONDUCTORS

5490307-P3 - 48134666

JEDEC Or Part Nr	GE Replacement	JEDEC Or Part Nr	GE Replacement	JEDEC Or Part Nr	GE Replacement	JEDEC Or Part Nr	GE Replacement	JEDEC Or Part Nr	GE Replacement	JEDEC Or Part Nr	GE Replacement	JEDEC Or Part Nr	GE Replacement
5490307-P3	GEZD-12	7028020	GE-20	7297092	GE-3	7910805-01	GE-504A	23114001	GE-11	23115088	1N60		
5490307-P4	GEZD-15	7027002	GE-504A	7297093	GE-3	7910872-01	GE-504A	23114004	GE-25	23115094	GE-511		
5490415-P4	GE-504A	7027005	GE-504A	7297358	GEZD-9.1	7910873-01	GE-504A	23114007	GE-20	23115108	GE-300		
5490459-P1	GE-504A	7027036	6GC1	7297980	GE-20	7910875-01	GE-21	23114011	GE-16	23115109	GE-300		
5490459-P2	GE-504A	7027038	GE-504A	7299325	GE-504A	7914009-01	GE-20	23114015	GE-20	23115113	1N82A		
5490459-P3	GE-504A	7030105	GE-53	7299720	GE-4	7914010-01	GE-20	23114017	GE-10	23115115	1N34AS		
5490459-P4	GE-504A	7043261	GE-504A	7303240	GE-504A	7914011-01	GE-504A	23114021	GE-52	23115117	GE-504A		
5490804-P1	GE-504A	7070692	GE-504A	7303105	GE-53	7914014-01	GE-300	23114023	GE-20	23115118	GE-504A		
5490804-P2	GE-504A	7071021	GE-20	7303120	GE-20	7914015-01	GE-90	23114026	GE-25	23115120	GE-300		
5490804-P3	GE-504A	7071031	GE-20	7305469	GEZD-9.1	8000736	GE-18	23114028	GE-63	23115121	1N82A		
5490804-P4	GE-504A	7100480	1N60	7305783	GE-3	8000737	GE-18	23114031	GE-17	23115130	GE-504A		
5490804-P5	GE-504A	7100628	GE-504A	7311325	GEIC-11	8010490	GE-2	23114033	GE-16	23115131	GE-504A		
5490804-P6	GE-504A	7100630	GE-504A	7440006	6GC1	8020333	GE-51	23114034	GE-17	23115140	GE-504A		
5491236-P1	1N34AS	7118600	1N60	7492377-P1	GEZD-5.1	8010530	GE-2	23114038	GE-45	23115145	GE-504A		
5491263-P1	1N34AS	7129386-P2	1N34AS	7492377-P5	GEZD-12	8014712	GE-51	23114043	GE-11	23115185	GE-504A		
5491338-P1	GEZD-5.1	7200351	GE-90	7492377-P10	GEZD-5.1	8020322	GE-2	23114044	GE-61	23115192	GE-511		
5492153-P1	GE-4	7200953	GE-504A	7570003	GE-3	8020324	GE-2	23114046	GE-20	23115199	GE-504A		
5492639-P1	GE-8	7201090	GE-X11	7570003-01	GE-16	8020333	GE-2	23114050	GE-21	23115263	GE-504A		
5492639-P2	GE-8	7201212	GE-300	7570004	GE-20	8020334	GE-2	23114051	GE-21	23115277	GE-X11		
5492653-P1	GE-7	7269847	GE-54	7570004-01	GE-20	8020540	GE-2	23114052	GE-18	23115285	GE-300		
5492653-P2	GE-7	7274653	GE-16	7570005	GE-20	8020560	GE-2	23114053	GE-18	23115296	GE-504A		
5492655-P1	GE-6	7276211	GE-2	7570005-01	GE-20	8021897	GE-2	23114054	GE-18	23115337	GE-504A		
5492655-P2	GE-6	7276805	GE-4	7570005-02	GE-20	8021898	GE-2	23114056	GE-20	23115338	GE-504A		
5492655-P3	GE-6	7277066	GE-54	7570005-03	GE-20	8022630	GE-2	23114057	GE-20	23126183	GE-39		
5492655-P4	GE-6	7278421	GE-1	7570008	GE-20	8024250	GE-25	23114067	GE-17	23126577	1N82A		
5492655-P5	GE-6	7278422	GE-53	7570008-02	GE-20	8024390	GE-2	23114061	GE-52	23126620	GE-11		
5492655-P6	GE-6	7278423	GE-2	7570009-01	GE-20	8033696	GE-10	23114070	GE-19	23311006	GE-3		
5492659-P1	GE-7	7279005	GE-4	7570009-20	GE-20	8033720	GE-10	23114078	GE-10	23311066	GE-3		
5492659-P2	GE-7	7279007	GE-4	7570013-01	GE-21	8033370	GE-17	23114081	GE-69	25114116	GE-10		
5493158-P1	GE-3	7279009	GE-4	7570016-03	1N34AS	8033803	GE-61	23114082	GE-20	25114121	GE-20		
5493159-P1	GE-1	7279011	GE-4	7570021-12	GEZD-27	8033804	GE-20	23114084	GE-12	25114130	GE-10		
5493957-P1	GE-51	7279017	GE-4	7570022-01	GE-14	8033943	GE-17	23114095	GE-63	25114143	GE-23		
5493957-P2	GE-51	7279025	GE-4	7570024-02	GE-504A	8033944	GE-17	23114104	GE-61	25114161	GE-20		
5493957-P3	GE-51	7279027	GE-4	7570215-21	GE-504A	8036683	GE-17	23114118	GE-17	26010011	GE-300		
5493957-P4	GE-51	7279031	GE-4	7578004-01	GE-21	8037330	GE-10	23114119	GE-17	26010028	GE-300		
5493957-P5	GE-51	7279033	GE-4	7578015-01	GE-20	8037333	GE-17	23114124	GE-21	26010029	GEZD-6.2		
5493957-P6	GE-51	7279035	GE-4	7777146-P2	1N34AS	8037353	GE-10	23114126	GE-20	26010030	GE-300		
5494922-P1	GE-504A	7279039	GE-3	7777146-P3	1N34AS	8051060	1N60	23114127	GE-20	26010031	1N60		
5494922-P2	GE-504A	7279049	GE-3	7777146-P4	1N34AS	8111233	GE-21	23114136	GE-21	26010033	GE-300		
5494922-P3	GE-504A	7279073	GE-4	7777146-P23	1N60	8112023	GE-52	23114137	GE-69	27123050	GE-504A		
5494922-P4	GE-504A	7279076	GE-3	7851328-01	GE-600	8112027	GE-52	23114157	GE-61	27123070	GE-504A		
5494922-P5	GE-504A	7279293	GE-4	7851657-01	GE-504A	8112071	GE-53	23114163	GE-17	27123100	GE-504A		
5494922-P6	GE-504A	7279298	GE-4	7851947-01	1N34AS	8112090	GE-52	23114163	GE-61	27123100A	GE-504A		
5494922-P7	GE-504A	7279379	GE-2	7852223-01	1N34AS	8112143	GE-30	23114164	GE-60	27123120	GE-504A		
5494922-P8	GE-504A	7279566	GE-4	7852264-01	GE-504A	8112146	GE-53	23114165	GE-60	27123150	1N34AS		
5495178-P1	GE-1	7279779	GE-50	7852438-01	1N34AS	8112162	GE-52	23114171	GE-11	27123240	1N34AS		
5495912-P2	GEZD-27	7279780	GE-51	7852439-01	GE-504A	8113034	GE-20	23114172	GE-11	27123270	1N34AS		
5495922-P1	GE-1	7279781	GE-2	7852452-01	GE-63	8115009	GE-22	23114180	GE-11	27123290	GE-504A		
5495922-P3	GE-1	7279788	GE-2	7852577-01	GE-504A	8981399-1	GE-504A	23114181	GE-11	27125080	GE-20		
5495923-P1	GE-3	7279789	GE-2	7852776-01	GE-2	8981399-2	GE-504A	23114195	GE-18	27125090	GE-20		
5496438-P1	GE-27	7279793	GE-4	7852779-01	GE-53	9100502	GE-2	23114211	GE-2	27125140	GE-20		
5496663-P1	GE-23	7279893	1N295	7852781-01	GE-20	9100621	GE-2	23114212	GE-18	27125150	GE-20		
5496665-P1	GE-2	7279940	GE-2	7852782-01	1N34AS	9100706	GE-2	23114214	GE-18	27125160	GE-20		
5496665-P2	GE-2	7279941	GE-2	7852902-01	1N60	9100944	GE-2	23114216	GE-18	27125210	GE-11		
5496665-P3	GE-2	7280281	GE-4	7852903-01	GE-90	9246055	GE-504A	23114220	GE-23	27125230	GE-51		
5496665-P4	GE-2	7281307	GE-2	7852904-01	GEZD-5.1	9248015	GE-504A	23114221	GE-23	27125240	GE-1		
5496665-P5	GE-2	7281308	GE-2	7852907-01	GE-504A	9248055	GE-504A	23114232	GE-18	27125250	GE-10		
5496665-P6	GE-2	7281309	GE-2	7853092-01	GE-20	9248058	GE-504A	23114236	GE-11	27125260	GE-2		
5496666-P1	GE-2	7281310	GE-2	7853094-01	GE-20	9330006	GE-504A	23114249	GE-18	27125310	GE-8		
5496666-P2	GE-2	7281891	GE-2	7853099-01	GE-504A	11210016/7825	1N60	23114250	GE-18	27125460	GE-10		
5496666-P3	GE-2	7282315	GE-4	7853351-01	GE-2	11220009/7825	GE-52	23114251	GE-18	27125470	GE-17		
5496666-P4	GE-2	7284751	GE-2	7853352-01	GE-52	11220018/7611	GE-2	23114275	GE-20	27125480	GE-2		
5496666-P5	GE-2	7285663	GE-3	7853354-01	GE-53	11220022/7611	GE-2	23114276	GE-20	27125490	GE-8		
5496666-P6	GE-2	7285774	GE-3	7853356-01	GE-52	11220046/7825	GE-17	23114277	GE-12	27126130	GE-300		
5496666-P7	GE-2	7285778	GE-3	7853358-01	GE-504A	11220061/7825	GE-53	23114282	GE-20	27126220	GE-11		
5496666-P8	GE-2	7286858	GE-20	7853463-01	GE-20	11220076/7825	GE-52	23114301	GE-21	41013566	GE-504A		
5496667-P1	GE-2	7287079	GEZD-9.1	7853465-01	GE-18	11220106/7611	GE-53	23114302	GE-21	41020618	GE-504A		
5496667-P2	2N188A	7287110	GE-16	7855282	1N60	13020000	GE-2	23114313	GE-67	41020687	GE-512		
5496668-P1	GE-4	7287452	GE-20	7855283-01	GE-300	13020002	GE-2	23114314	GE-63	41023224	GE-504A		
5498774-P1	GE-2	7288019	GE-90	7855357-01	1N60	13030189	GE-300	23114315	GE-12	41023225	GE-504A		
5498774-P2	GE-2	7288072	GE-4	7910071-01	GE-52	13030266	GE-300	23114321	GE-38	41520419	GE-504A		
5498774-P3	GE-2	7288073	GE-504A	7910076-01	GE-504A	13033801	GE-504A	23114994	GE-63	41522875	1N60		
5498774-P4	GE-2	7288076	GE-4	7910111-01	GE-X11	13038900	GE-504A	23114995	GE-67	42020414	GEZD-10		
5498774-P5	GE-2	7288079	GE-4	7910267-01	GE-23	14769302	GECR-7	23115012	GE-504A	42020737	GEZD-10		
5498774-P6	GE-2	7289041	GE-16	7910268-01	GE-FET-2	14769302	GECR-7	23115022	GECR-1	43021017	GE-20		
5498939-P1	GE-2	7289047	GE-3	7910269-01	GE-20	20001786-139	6GC1	23115042	GE-504A	43021067	GE-20		
5498939-P2	GE-3	7289079	GE-3	7910270-01	GE-20	20001786-141	GE-504A	23115046	GE-504A	43021083	GE-20		
5498947-P3	GEZD-27	7291252	GE-3	7910271-01	GE-17	20001786-142	GE-504A	23115049	GE-300	43021168	GE-21		
5955748	GE-2	7292308	GE-3	7910272-01	GE-17	20052600	GE-20	23115050	GE-300	43021199	GE-20		
			GE-51	7910273-01	GE-63	20115070	1N60	23115051	GE-300	43021415	GE-18		
6212096	GE-28	7292955	GE-3	7910274-01	GE-18	20918596-2	GE-16	23115058	GE-20	43022055	GE-51		
6212839	GE-20	7294133	GE-2	7910275-01	GE-504A	22114210	GE-63	23115064	GE-300	43022134	GE-FET-2		
6212922	GE-20	7294796	GE-16	7910276-01	GE-90	22114225	GE-28	23115065	GE-300	43023190	GE-19		
6218945	GE-20	7294910	GE-20	7910278-01	GEZD-9.1	22114253	GE-65	23115068	GE-300	43023212	GE-63		
6846503	GECR-3	7295195	GE-20	7910590-01	GE-504A	22114254	GE-29	23115070	1N60	43023221	GE-63		
7028011	GE-20	7295196	GE-20	7910780-01	GE-20	22115175	GE-90	23115071	GE-300	43023843	GE-14		
7028012	GE-20	7295197	GE-20	7910781-01	GE-20	2211							

UNIVERSAL REPLACEMENT SEMICONDUCTORS

51510566A01 - A054-108

JEDEC Or Part Nr	GE Replacement	JEDEC Or Part Nr	GE Replacement	JEDEC Or Part Nr	GE Replacement	JEDEC Or Part Nr	GE Replacement	JEDEC Or Part Nr	GE Replacement	JEDEC Or Part Nr	GE Replacement	JEDEC Or Part Nr	GE Replacement
51510566A01	GEIC-9	485134997	GE-10	16172190858	GE-62	A2M5	GE-509	A5H9	GE-509	A7T	GE-20		GE-20
53015201	GE-512	570004503	GE-20	16200190186	GE-2	A2M9	GE-509	A5J	GE-20	A7T3391	GE-47		GE-47
61260039	GE-51	570005452	GE-20	16201190022	GE-53	A2MA	GE-509	A5K	GE-20	A7T3391A	GE-81		GE-81
6300061	GE-42	570005503	GE-20	16201190186	GE-2	A2N	GE-20	A5K1	GE-509	A7T3392	GE-81		GE-81
70260450	GE-20	802026310	GE-2	16201190187	GE-53	A2N-1	GE-20	A5K2	GE-509	A7T5172	GE-81		GE-81
70260490	GE-90	910678870	GE-22	16204190457	GE-53	A2P	GE-20	A5K5	GE-509	A8B	GE-20		GE-20
70260540	GEZD-9.1	1522210131	GE-1	16208190187	GE-53	A2S	GE-21	A5K9	GE-509	A8E	GE-66		GE-66
70270050	GE-504A	1522210300	GE-1	16211190022	GE-53	A2SA550P	GE-21	A5L	GE-18	A8F	GE-57		GE-57
70270250	GE-300	1522211021	GE-51	16212190022	GE-53	A2SA564F	GE-21	A5M	GE-63	A8G	GE-18		GE-18
70370050	GE-504A	1522211200	GE-2	16256197228	GE-67	A2SA666PQR	GE-52	A5P	GE-20	A8K	GE-66		GE-66
76276722	GE-300	1522211221	GE-52	16307190632	GE-20	A2SB240A	GE-3	A5S	GE-20	A8T	GE-38		GE-38
80000900	GE-42	1522211328	GE-53	16343190142	GE-28	A2SB242A	GE-3	A5T	GE-27	A8T404	GE-82		GE-82
80001300	GE-504A	1522214411	GE-50	16356179229	GE-63	A2SB248A	GE-3	A5T404	GE-82	A8T404A	GE-82		GE-82
80001400	GE-504A	1522214435	GE-50	16377190632	GE-20	A2SC538PQR	GE-20	A5T404A	GE-82	A8T3391	GE-47		GE-47
80050100	GE-20	1522214821	GE-50	16401190188	1N60	A2SD226PQ	GE-23	A5T2192	GE-47	A8T3391A	GE-47		GE-47
80051001	GE-14	1522214831	GE-50	16411190188	1N60	A2SD2260P	GE-23	A5T2222	GE-20	A8T3392	GE-81		GE-81
80051500	GE-20	1522216500	GE-2	16412190410	1N34AS	A2T	GE-11	A5T2604	GE-82	A8T3702	GE-82		GE-82
80052101	GE-10	1522216600	GE-51	16415490000	GE-51	A2U	GE-12	A5T2605	GE-82	A8T3703	GE-82		GE-82
80052102	GE-20	1522217400	GE-51	16419990032	GE-51	A2V	GE-20	A5T2907	GE-21	A8T3704	GE-47		GE-47
80052201	GE-18	1522270101	1N34AS	16501090016	1N34AS	A2W	GE-20	A5T3391	GE-47	A8T3705	GE-47		GE-47
80052202	GE-20	1522270208	1N60	16501190005	GE-504A	A2Y	GE-17	A5T3391A	GE-47	A8T3706	GE-47		GE-47
80052301	GE-18	1523270105	GE-504A	16501190016	GE-504A	A3B	GE-20	A5T3392	GE-81	A8T3707	GE-81		GE-81
80052302	GE-20	1611190553	GE-90	16505090005	GE-504A	A3B3	GE-504A	A5T3504	GE-48	A8T3708	GE-81		GE-81
80052700	GE-21	1611819064	GE-20	16518390010	GE-504A	A3C3	GE-504A	A5T3505	GE-67	A8T3709	GE-81		GE-81
80052800	GE-8	3121004900	GE-51	16813190555	GE-90	A3D	GE-20	A5T3565	GE-81	A8T3710	GE-81		GE-81
80053001	GE-10	3121007744	GE-51	16829291210	GE-504A	A3D3	GE-504A	A5T3638	GE-82	A8T3711	GE-81		GE-81
80053400	GE-10	3121024033	GE-51	57000901504	GE-20	A3E	GE-63	A5T3638A	GE-82	A8T4026	GE-67		GE-67
80053600	GE-17	3121024044	GE-51	310720490201	1N60	A3F	GE-63	A5T3644	GE-21	A8T4028	GE-67		GE-67
80053702	GE-19	3121047111	GE-51	404120010180	1N60	A3G	GE-20	A5T3645	GE-21	A8T4058	GE-82		GE-82
80104900	GE-2	3122005400	GE-2	404120030110	GE-300	A3H	GE-36	A5T3707	GE-62	A8T4059	GE-82		GE-82
80105200	GE-51	3539306002	GE-20	404130010150	GE-504A	A3H1	GE-509	A5T3708	GE-62	A8T4060	GE-82		GE-82
80105300	GE-2	3539306003	GE-20	505130010150	GE-504A	A3H3	GE-509	A5T3709	GE-62	A8T4061	GE-82		GE-82
80146620	GE-51	4100104753	GE-53	515104221401	GEIC-8	A3H9	GE-509	A5T3710	GE-62	A8T4062	GE-82		GE-82
80146630	GE-51	4100206443	GE-62	A1A	GE-20	A3H9	GE-509	A5T3711	GE-62	A8T5172	GE-81		GE-81
80203350	GE-2	4100208283	GE-18	A1B	GE-504A	A3K	GE-20	A5T3903	GE-210	A8U	GE-14		GE-14
80205400	GE-52	4100208291	GE-60	A1C	GE-35	A3K1	GE-509	A5T3904	GE-20	A8V	GE-40		GE-40
80205400	GE-1	4100210472	GE-61	A1D	GE-36	A3K3	GE-509	A5T3905	GE-21	A8Y	GE-28		GE-28
80205600	GE-2	4100213591	GE-60	A1E	GE-11	A3K5	GE-509	A5T3906	GE-21	A8Z	GE-20		GE-20
80243900	GE-2	4120100090	1N34AS	A1F	GE-20	A3K9	GE-509	A5T4026	GE-67	A8Z	GE-20		GE-20
80338030	GE-20	4120200090	1N34AS	A1G	GE-11	A3M	GE-40	A5T4028	GE-67	A9M	GE-27		GE-27
80338040	GE-20	4129100800	1N60	A1H	GE-17	A3M1	GE-509	A5T4058	GE-65	A9V	GE-66		GE-66
80339430	GE-17	4129200802	1N60	A1H1	GE-509	A3M3	GE-509	A5T4059	GE-65	A01	GE-2		GE-2
80339440	GE-17	4129301329	GE-90	A1H5	GE-509	A3M5	GE-509	A5T4060	GE-65	A02	1N34AS		1N34AS
80366830	GE-17	4129321292	GE-90	A1H9	GE-509	A3M9	GE-509	A5T4061	GE-65	A04	GE-504A		GE-504A
80366840	GE-17	4129400003	GE-300	A1J	GE-10	A3N	GE-20	A5T4062	GE-65	A05	GE-504A		GE-504A
80510600	1N60	4129501200	GEZD-12	A1K	GE-17	A3S	GE-20	A5T4123	GE-210	A06	GE-504A		GE-504A
80521881	1N34AS	4139000005	GE-504A	A1K1	GE-509	A3T	GE-63	A5T4124	GE-20	A07	1N34AS, 1N60		1N34AS, 1N60
80523520	GE-90	4139104002	GE-504A	A1K5	GE-509	A3T918	GE-61	A5T4125	GE-21	A08	GE-504A		GE-504A
83073205	GE-20	4202003173	GE-504A	A1K9	GE-509	A3T929	GE-212	A5T4126	GE-21	A10A	GE-504A		GE-504A
83073206	GE-20	4202005000	6GC1	A1L	GE-20	A3T930	GE-20	A5T4248	GE-82	A10B	GE-504A		GE-504A
83073304	GE-20	4202104470	GE-509	A1M	GE-63	A3T2221	GE-210	A5T4249	GE-82	A10C	GE-504A		GE-504A
83073305	GE-20	4202105470	GEZD-7.5	A1M1	GE-509	A3T2221A	GE-20	A5T4250	GE-48	A10D	GE-504A		GE-504A
83073504	GE-20	4202108970	GE-511	A1M5	GE-509	A3T2222	GE-210	A5T4402	GE-21	A10E	GE-504A		GE-504A
87100600	1N60	4202107470	GE-300	A1M9	GE-509	A3T2224A	GE-20	A5T4403	GE-21	A10M	GE-504A		GE-504A
87204260	1N60	4202107670	GE-300	A1N	GE-12	A3T2484	GE-63	A5T4409	GE-81	A11	GE-504A		GE-504A
87205530	GE-90	4202108070	GEIC-7	A1P	GE-11	A3T2906	GE-21	A5T4410	GE-18	A13	GE-504A		GE-504A
87219410	GE-504A	4202108270	GE-504A	A1P-1	GE-20	A3T2906A	GE-21	A5T5086	GE-82	A13A2	GE-504A		GE-504A
87500820	1N60	4202108570	GEZD-22	A1R	GE-20	A3T2907	GE-48	A5T5087	GE-48	A13B2	GE-504A		GE-504A
87500720	GE-504A	4202109070	GEZD-11	A1R-1	GE-20	A3T2907A	GE-67	A5T5172	GE-81	A13C2	GE-504A		GE-504A
87500920	GEZD-9.1	5700045452	GE-20	A1R-2	GE-20	A3T3011	GE-20	A5T5209	GE-20	A13D2	GE-504A		GE-504A
90270020	GEMR-5	9511510200	1N60	A1S	GE-63	A4A	GE-20	A5T5210	GE-47	A13E2	GE-504A		GE-504A
91056140	GE-21	1511511500	GE-504A	A1T	GE-20	A4B	GE-20	A5T5219	GE-81	A13F2	GE-504A		GE-504A
91190032	GE-504A	16000190201	GE-51	A1T-1	GE-20	A4F	GE-18	A5T5220	GE-81	A13M2	GE-504A		GE-504A
92005600	GE-52	16009090545	GE-67	A1U	GE-17	A4G	GE-20	A5T5221	GE-82	A14F	GE-504A		GE-504A
93037230	GE-20	16100190668	GE-17	A1V	GE-20	A4H	GE-27	A5T5223	GE-81	A18	GE-14		GE-14
93037240	GE-20	16102190693	GE-62	A1W	GE-20	A4H1	GE-509	A5T5225	GE-81	A23	GE-504A		GE-504A
93038040	GE-20	16102190929	GE-20	A1Y	GE-23	A4H5	GE-509	A5T5226	GE-82	A25-1001	GE-51		GE-51
93039440	GE-17	16102190930	GE-20	A1Z	GE-11	A4H9	GE-509	A5T5227	GE-82	A25-1002	GE-51		GE-51
93063240	GE-20	16102190931	GE-28	A2A	GE-20	A4K	GE-66	A5T6222	GE-47	A25-1003	GE-51		GE-51
93063270	GE-20	16103190668	GE-17	A2B	GE-63	A4K1	GE-509	A5U	GE-20	A25-1004	GE-52		GE-52
93063280	GE-20	16103190930	GE-60	A2C	GE-20	A4K5	GE-509	A6-5002-9	GEIC-8	A25-1005	GE-52		GE-52
93063470	GE-20	16104190668	GE-11	A2D	GE-20	A4K9	GE-509	A6C	GE-57	A25-1006	GE-52		GE-52
93064440	GE-10	16104191168	GE-20	A2D5	GE-504A	A4M	GE-20	A6C	GE-57	A30	1N60, 1N295		1N60, 1N295
93064450	GE-18	16104191225	GE-20	A2E	GE-20	A4M1	GE-509	A6C-1	GE-57	A40A	GEMR-2		GEMR-2
93073340	GE-20	16104191226	GE-20	A2E5	GE-504A	A4M5	GE-509	A6C-1	GE-57	A40B	GEMR-2		GEMR-2
93073350	GE-63	16105190536	GE-20	A2F	GE-20	A4M9	GE-509	A6C-2	GE-57	A40C	GEMR-2		GEMR-2
93073440	GE-63	16105191229	GE-18	A2G									

UNIVERSAL REPLACEMENT SEMICONDUCTORS

A054-109 - AF107

JEDEC Or Part Nr	GE Replacement	JEDEC Or Part Nr	GE Replacement	JEDEC Or Part Nr	GE Replacement	JEDEC Or Part Nr	GE Replacement	JEDEC Or Part Nr	GE Replacement	JEDEC Or Part Nr	GE Replacement	JEDEC Or Part Nr	GE Replacement
A054-109	GE-18	A235C	GE-50	A841S	GE-212	A04166-2	GEZD-15	AC121V	GE-53	ACY16	GE-16		
A054-115	GE-10	A244	GE-11	A842L	GE-212	A04201	6GC1	AC121VI	GE-53	ACY-17	GE-2		
A054-119	GE-90	A245	GE-11	A842S	GE-212	A04212-A	GE-504A	AC121VII	GE-53	ACY-18	GE-2		
A054-150	GE-504A	A246	GE-20	A843L	GE-61	A04212-B	GE-504A	AC122	GE-52	ACY-19	GE-2		
A054-151	GEZD-12	A247	GE-28	A843S	GE-61	A04230-A	GE-504A	AC122-GRN	GE-53	ACY20	GE-80		
A054-154	GE-14	A248	GE-11	A844L	GE-212	A04233	GE-504A	AC122-RED	GE-53	ACY-21	GE-2		
A054-155	GE-17	A249	GE-17	A844S	GE-212	A04234-2	GEZD-9.1	AC122-VIO	GE-53	ACY22	GE-53		
A054-156	GE-63	A253	GE-28	A845L	GE-212	A04241-A	GE-504A	AC122-YEL	GE-53	ACY23	GE-53		
A054-157	GE-20	A270	GE-28	A845S	GE-212	A04299-202	GE-504A	AC123	GE-2	ACY23V	GE-53		
A054-158	GE-20	A271	GE-28	A849L	GE-212	A04331-023	GE-504A	AC124	GE-53	ACY23VI	GE-53		
A054-159	GE-20	A272	GE-66	A849S	GE-212	A04332-007	GE-X11	AC125	GE-53	ACY24	GE-50		
A054-160	GE-63	A273	GE-66	A860	GE-90	A04344-007	GEZD-7.5	AC126	GE-2	ACY27	GE-51		
A054-163	GE-20	A275	GE-28	A867-GRN	GE-212	A04344-026	GEZD-27	AC127	GE-59	ACY28	GE-51		
A054-164	GE-20	A276	GE-66	A867-ORG	GE-212	A04350-022	GE-504A	AC128	GE-53	ACY29	GE-51		
A054-167	1N60	A277	GE-66	A867-RED	GE-212	A04710	GE-504A	AC128-01	GE-53	ACY30	GE-51		
A054-226	1N34AS	A278	GE-27	A867-YEL	GE-212	A04716	GE-504A	AC128K	GE-53	ACY31	GE-52		
A054-230	GE-504A	A279	GE-27	A868-GRN	GE-212	A04727	GE-504A	AC129	GE-51	ACY32	GE-53		
A054-231	GEZD-12	A300	GE-504A	A868-ORG	GE-212	A04731	GE-504A	AC130	GE-5	ACY32V	GE-53		
A054-232	GEZD-20	A301	GE-212	A868-YEL	GE-212	A04735-A	GE-504A	AC131	GE-2	ACY33	GE-53		
A061-118	GE-504A	A306	GE-62	A869-GRN	GE-212	A10105	GE-504A	AC132	GE-2	ACY33	GE-53		
A061-119	GEZD-9.1	A307	GE-62	A869-YEL	GE-212	A10113	GE-504A	AC134	GE-52	ACY33VI	GE-53		
A065-101	GE-504A	A310	GE-27	A891M5-2	GE-300	A10118	GE-504A	AC135	GE-52	ACY33VII	GE-53		
A065-102	GE-20	A311	GE-213	A892T5	GE-504A	A42946	6GC1	AC136	GE-2	ACY34	GE-53		
A065-103	GE-20	A321	GE-61	A892T5-0	GE-504A	A3011112	GE-18	AC137	GE-52	ACY35	GE-53		
A065-104	GE-20	A322	GE-212	A892X13-4	1N60	A4037764-2	GE-18	AC138	GE-1	ACY36	GE-53		
A065-105	GE-2	A323	GE-212	A892X16-0	GE-504A	AA1	GE-2	AC139	GE-53	ACY38	GE-2		
A065-106	GE-2	A324	GE-212	A894X1	GEZD-12	AA2	GE-8	AC141	GE-54	ACY39	GE-53		
A065-108	GE-20	A344	GE-20	A894X1-0A	GEZD-12	AA3	GE-50	AC-141B	GE-54	ACY41	GE-53		
A065-109	GE-20	A345	GE-20	A705	GE-38	AA4	GE-16	AC141B	GE-54	ACY44	GE-53		
A065-110	GE-17	A346	GE-20	A747	GE-210	AA5	GE-4	AC-141K	GE-54	ACZ21	GE-51		
A065-112	GE-2	A350A	GE-1	A748	GE-10	AA015	1N82A	AC141K	GE-54	AD8	GE-511		
A065-113	GE-20	A354B	GE-50	A749	GE-212	AA112	1N34AS	AC148	GE-3	AD10	GE-504A		
A066-121	1N60	A376	GE-50	A757	GE-82	AA112P	1N34AS	AC150	GE-52	AD-298	GE-509		
A069-109	1N60	A400	GE-504A	A758	GE-65	AA113	1N34AS	AC150-GRN	GE-51	AD-29S	GE-511		
A069-111	1N60	A415	GE-61	A759	GE-65	AA116	1N295	AC150-YEL	GE-51	AD50	GE-504A		
A069-112	GE-504A	A417	GE-39	A777	GE-81	AA119	1N60	AC151	GE-53	AD100	GE-504A		
A069-115	1N60	A418	GE-39	A778	GE-27	AA120	1N295	AC151IV	GE-53	AD103	GE-16		
A069-118	1N60	A419	GE-39	A779	GE-27	AA130	1N295	AC151R	GE-53	AD104	GE-16		
A100	GE-504A	A420	GE-39	A800	GE-504A	AA131	1N34AS	AC151RIV	GE-53	AD105	GE-16		
A101-A	GE-504A	A427	GE-214	A937-1	GE-20	AA133	1N34AS	AC151RV	GE-53	AD130	GE-25		
A104	GE-61	A435	GE-51	A937-3	GE-20	AA134	1N34AS	AC151RVI	GE-53	AD131	GE-25		
A104A	GE-20	A451	GE-17	A-0205	GE-20	AA135	1N295	AC151V	GE-53	AD132	GE-25		
A106	GE-61	A454	GE-20	A1000	GE-509	AA138	1N34AS	AC151VI	GE-53	AD133	GE-76		
A107	GE-20	A455	GE-17	A1024	1N82A	AA137	1N295	AC151VII	GE-53	AD138	GE-76		
A108	GE-61	A466	GE-17	A1109	GE-17	AA138	1N295	AC152	GE-53	AD138/50	GE-16		
A110	GE-212	A467	GE-39	A1170	GE-11	AA140	1N295	AC152IV	GE-53	AD140	GE-3		
A111	GE-61	A473	GE-61	A1220	GE-52	AA142	1N295	AC152V	GE-53	AD142	GE-16		
A115	GE-61	A480	GE-39	A1238	GE-62	AA143	1N295	AC152VI	GE-53	AD143	GE-16		
A116	GE-61	A481	GE-60	A1243	GE-50	AA200	GE-504A	AC153	GE-53	AD145	GE-16		
A123-7	GE-504A	A482	GE-214	A1314	GE-17	AA218	1N34AS	AC153K	GE-53	AD148	GE-3		
A128	GE-20	A483	GE-214	A1341	GE-63	AA300	GE-504A	AC154	GE-2	AD149	GE-25		
A128A	GE-20	A484	GE-214	A1377	GE-52	AA400	GE-504A	AC155	GE-52	AD150	GE-25		
A130	GE-18	A485	GE-86	A1378	GE-52	AA500	GE-504A	AC156	GE-52	AD152	GE-16		
A132	GE-18	A486	GE-39	A1379	GE-81	AA600	GE-504A	AC157	GE-8	AD153	GE-16		
A141	GE-39	A490	GE-86	A1380	GE-81	AA800	GE-509	AC160	GE-50	AD156	GE-16		
A142	GE-39	A492	GE-86	A1383	GE-51	AA1000	GE-509	AC160A	GE-52	AD157	GE-44		
A143	GE-212	A494	GE-39	A1384	GE-51	AA155	1N295	AC160B	GE-52	AD159	GE-16		
A151	GE-39	A495	GE-39	A1462	GE-63	AA192	1N60	AC160-GRN	GE-51	AD160	GE-12		
A152	GE-39	A496	GE-61	A1518	GE-11	AA197	1N295	AC160-RED	GE-51	AD161	GE-43		
A153	GE-212	A497	GE-61	A1519	GE-11	AA190	1N34AS	AC160-VIO	GE-51	AD162	GE-44		
A154	GE-61	A500	GE-504A	A1520	GE-11	AA133	1N295	AC160-YEL	GE-51	AD163	GE-25		
A155	GE-61	A514-022057	1N34AS	A1521	GE-11	AA146	1N34AS	AC161	GE-2	AD164	GE-44		
A-156	GE-20	A514-023553	GE-8	A1567	GE-20	AA139	1N295	AC162	GE-53	AD166	GE-16		
A158	GE-20	A514-023626	GE-504A	A1567-1	GE-20	AAZ18	1N34AS	AC163	GE-53	AD167	GE-16		
A158B	GE-10	A514-025607	GE-504A	A1946	GE-509	AAZ18D	GE-504A	AC164	GE-52	AD169	GE-44		
A158C	GE-10	A514-027757	GE-504A	A2410	GE-11	AB50	GE-504A	AC165	GE-52	AD200	GE-504A		
A159	GE-18	A514-028072	GE-504A	A2411	GE-11	AB100	GE-504A	AC166	GE-2	AD262	GE-44		
A159B	GE-20	A514-028073	GE-504A	A2412	GE-11	AB200	GE-504A	AC167	GE-2	AD263	GE-44		
A160	GE-65	A514-032815	GE-8	A2413	GE-20	AB2027	GEZD-27	AC168	GE-8	AD4001	GE-504A		
A161	GE-85	A514-033338	GE-17	A2414	GE-52	ABF	AC169	AC169	GE-52	ADY22	GE-16		
A162	GE-65	A514-033903	GE-504A	A2415	GE-23	AC30	GE-504A	AC170	GE-53	ADY23	GE-16		
A163	GE-21	A514-035596	GE-504A	A2416	GE-63	AC50	GE-504A	AC171	GE-53	ADY24	GE-16		
A164	GE-61	A514-038984	GE-510	A2418	GE-14	AC100	GE-504A	AC172	GE-59	ADY-26	GE-4		
A165	GE-61	A514-040296	GE-FET-1	A2419	1N60	AC105	GE-2	AC173	GE-53	ADY27	GE-25		
A168	GE-20	A514-042791	1N34AS	A2420	1N34AS	AC106	GE-2	AC175	GE-20	ADZ11	GE-4		
A177(A)	GE-21	A514-044910	GE-21	A2421	GE-504A	AC107	GE-50	AC179	GE-54	ADZ12	GE-4		
A177	GE-82	A514-047830	GE-28	A2422	GE-504A	AC107M	GE-51	AC180	GE-53	AE10	GE-504A		
A178A	GE-65	A522	GE-19	A2428	GE-21	AC107N	GE-50	AC181	GE-59	AE30	GE-504A		
A178B	GE-65	A556-142	1N60	A2458	GE-21	AC108	GE-52	AC182	GE-2	AE50	GE-504A		
A179A	GE-65	A-567	GE-8	A2459	GE-8	AC109	GE-52	AC-183	GE-54	AE-50	GE-2		
A179B	GE-65	A567A	GE-20	A2460	GE-504A	AC110	GE-52	AC183	GE-54	AE100	GE-504A		
A-195C	GE-22	A572	GE-19	A2461	GE-504A	AC113	GE-52	AC184	GE-53	AE150	GE-504A		
A200	GE-504A	A580-040215	GE-75	A2462	GE-504A	AC-113A	GE-2	AC185	GE-59	AE200	GE-504A		
A201	GE-28	A580-040315	GE-75	A2473	1N60	AC-114	GE-2	AC-186	GE-54	AE907	GEIC-16		
A202	GE-86	A580-040515	GE-75	A2474	GEZD-12	AC115	GE-52	AC186	GE-54	AE907-51	GEIC-16		
A203	GE-28	A580-080215	GE-75	A2475	6GC1	AC116	GE-53	AC187	GE-54R	AF101	GE-50		
A208	GE-28	A580-080315	GE-75	A2476	1N34AS	AC117	GE-2	AC187/01	GE-59	AF102	GE-51		
A210	GE-28	A580-080515	GE-75	A2481	GE-504A	AC118	GE-53	AC188	GE-53	AF105	GE-50		
A211	GE-28	A800	GE-504A	A2485	GE-504A	AC119	GE-53	AC188/01	GE-53	AF105A	GE-51		
A234B	GE-50	A840L	GE-60	A04021	GE-42	AC120	GE-53	AC191	GE-53	AF106	GE-50		
A234C	GE-50	A840S	GE-60	A04093-A	GE-511	AC121	GE-53	AC193	GE-53	AF106A	GE-50		
A235A	GE-50	A841L	GE-212	A04093-X	GE-300	AC121IV	GE-53	AC200	GE-504A	AF107	GE-52		

UNIVERSAL REPLACEMENT SEMICONDUCTORS

AF108 - B250C100TD

JEDEC Or Part Nr	GE Replacement	JEDEC Or Part Nr	GE Replacement	JEDEC Or Part Nr	GE Replacement	JEDEC Or Part Nr	GE Replacement	JEDEC Or Part Nr	GE Replacement	JEDEC Or Part Nr	GE Replacement	JEDEC Or Part Nr	GE Replacement
AF108	GE-52	AH1005	GE-509	AO4093-A	GE-504A	ASY13-1	GE-51	AT73R	GE-8	B2	GE-214		
AF109	GE-50	AH1010	GE-509	AO4166-2	GEZD-15	ASY13-2	GE-51	AT74	GE-8	B2B	GE-36		
AF109R	GE-50	AH1015	GE-509	AO4201	6GC1	ASY14	GE-53	AT75R	GE-8	B2D	GE-20		
AF110	GE-50	AIE	GE-39	AO4210A	GE-504A	ASY14-1	GE-2	AT76R	GE-8	B2G5	GE-504A		
AF111	GE-52	AJ10	GE-504A	AO4212-A	GE-504A	ASY14-2	GE-2	AT77	GE-8	B2H	GE-35		
AF112	GE-52	AJ25	GE-504A	AO4212-B	GE-504A	ASY14-3	GE-2	AT100H	GE-52	B2H1	GE-509		
AF113	GE-52	AJ30	GE-504A	AO4233	GE-504A	ASY-24	GE-51	AT100M	GE-52	B2H5	GE-509		
AF114	GE-50	AJ35	GE-504A	AO4234-2	GEZD-9.1	ASY26	GE-51	AT100N	GE-52	B2H9	GE-509		
AF114N	GE-51	AJ40	GE-504A	AO4710	GECR-2	ASY27	GE-51	AT312	GE-17	B2K1	GE-509		
AF115	GE-50	AJ60	GE-504A	AO4716	GE-504A	ASY28	GE-51	AT316	GE-17	B2K5	GE-509		
AF115N	GE-51	AL100	GE-25	AO4727	GECR-3	ASY29	GE-5	AT470	GE-X18	B2K9	GE-509		
AF116	GE-50	AL101	GE-16	AO4735-A	GECR-1	ASY31	GE-2	AT473	GE-X18	B2M1	GE-509		
AF116N	GE-51	AL102	GE-25	AO4901A	GE-504A	ASY32	GE-2	AT476	GE-X18	B2M5	GE-509		
AF117	GE-50	AL103	GE-25	AQ2	GE-18	ASY46	GE-53	AT521	GE-8	B2M9	GE-509		
AF117N	GE-51	ALC1	8GC1	AQ3	GE-18	ASY49	GE-51	AT551	GE-8	B2S241	GE-3		
AF116	GE-51	ALC1A	8GC1	AQ4	GE-20	ASY50	GE-53	AT1138	GE-16	B2S244	GE-3		
AF119	GE-51	AM-G-11	GEBR-600	AQ5	GE-18	ASY51	GE-52	AT1138A	GE-16	B3	GE-214		
AF120	GE-51	AM3	GE-504A	AQ6	GE-20	ASY52	GE-51	AT1138B	GE-25	B3H1	GE-509		
AF121	GE-50	AM9	GE-40	AR4	GE-18	ASY53	GE-54	AT1633	GE-16	B3H5	GE-509		
AF122	GE-50	AM13	GE-504A	AR5	GE-16	ASY54	GE-51	AT1634	GE-16	B3H9	GE-509		
AF124	GE-51	AM21	GE-504A	AR6	GE-18	ASY55	GE-51	AT-1856	GE-14	B3K1	GE-509		
AF125	GE-51	AM22	GE-504A	AR7	GE-18	ASY56	GE-51	ATGP	GE-52	B3K5	GE-509		
AF126	GE-51	AM23	GE-504A	AR7C	GE-504A	ASY56N	GE-1	AU101	GE-25	B3K9	GE-509		
AF127	GE-51	AM24	GE-504A	AR8	GE-16	ASY57	GE-51	AU102	GE-25	B3M1	GE-509		
AF128	GE-50	AM32	GE-504A	AR9	GE-18	ASY57N	GE-1	AU103	GE-25	B3M5	GE-509		
AF129	GE-52	AM33	GE-504A	AR10	GE-16	ASY58	GE-51	AU104	GE-25	B3M9	GE-509		
AF130	GE-52	AM42	GE-504A	AR11	GE-18	ASY58N	GE-1	AU105	GE-25	B4	GE-214		
AF131	GE-52	AM43	GE-504A	AR12	GE-18	ASY59	GE-51	AU106	GE-25	B4H1	GE-509		
AF132	GE-52	AM53	GE-504A	AR13	GE-16	ASY61	GE-51	AU107	GE-25	B4H5	GE-509		
AF133	GE-52	AM62	GE-504A	AR14	GE-18	ASY62	GE-6	AU108	GE-25	B4H9	GE-509		
AF134	GE-50	AM83	GE-504A	AR-15	GE-12	ASY63	GE-51	AU110	GE-25	B4K1	GE-509		
AF135	GE-50	AM85	GE-504A	AR16	GE-504A	ASY63N	GE-50	AU111	GE-25	B4K5	GE-509		
AF136	GE-50	AM66	GE-504A	AR-17	GE-28	ASY67	GE-52	AU112	GE-25	B4K9	GE-509		
AF137	GE-50	AM010	GE-504A	AR17	GE-66	ASY70	GE-53	AU113	GE-25	B4M1	GE-509		
AF138	GE-50	AM020	GE-504A	AR16	GE-12	ASY70IV	GE-53	AU10	GE-16	B4M5	GE-509		
AF138 / 20	GE-51	AM025	GE-504A	AR19	GE-504A	ASY70V	GE-53	AUY19	GE-25	B4M9	GE-509		
AF142	GE-52	AM030	GE-504A	AR20	GE-504A	ASY70VI	GE-53	AUY20	GE-25	B-5	GE-2		
AF143	GE-52	AM035	GE-504A	AR21	GE-504A	ASY71	GE-53	AUY21	GE-16	B5A	GE-2		
AF144	GE-52	AM060	GE-504A	AR22	GE-504A	ASY72	GE-6	AUY21A	GE-25	B5C5	GE-504A		
AF146	GE-52	AM300	GE-504A	AR23	GE-509	ASY73	GE-7	AUY22	GE-16	B5H1	GE-509		
AF147	GE-52	AM300A	GE-504A	AR24	GE-509	ASY74	GE-7	AUY22A	GE-25	B5H5	GE-509		
AF148	GE-52	AM301	GE-504A	AR25(G)	GE-69	ASY75	GE-7	AUY28	GE-25	B5H9	GE-509		
AF149	GE-52	AM301A	GE-504A	AR26	GE-29	ASY76	GE-80	AUY31	GE-16	B5K1	GE-509		
AF150	GE-52	AM302A	GE-504A	AR27	GE-69	ASY76-RT	GE-80	AUY33	GE-16	B5K5	GE-509		
AF184	GE-52	AM303	GE-504A	AR26	GE-66	ASY77	GE-53	AUY34	GE-25	B5K9	GE-509		
AF165	GE-52	AM303A	GE-504A	AR29	GE-29	ASY80	GE-80	AUY37	GE-25	B20-001	GE-3		
AF166	GE-51	AM304	GE-504A	AR35	GE-29	ASY80-RT	GE-80	AV105	GE-16	B22-3	GE-2		
AF168	GE-52	AM304A	GE-504A	AR37	GE-69	ASY86	GE-8	AV2012	GEZD-12	B22-4	GE-2		
AF169	GE-52	AM305A	GE-504A	AR38	GE-66	ASY87	GE-8	AV2015	GEZD-15	B-23	GE-2		
AF170	GE-50	AM306	GE-504A	AR102	GE-52	ASY88	GE-8	AV0000105-0	GE-300	B-23-1	GE-2		
AF171	GE-52	AM306A	GE-504A	AR-103	GE-2	ASY89	GE-8	AW01	GEZD-12	B23-2	GE-2		
AF172	GE-50	AM307	GE-504A	AR-104	GE-2	ASZ10	GE-52	AW01-07	GEZD-7.5	B24-1	GE-2		
AF178	GE-50	AM307A	GE-504A	AR-105	GE-2	ASZ11	GE-2	AW-01-08	GEZD-9.1	B26	GE-2		
AF179	GE-50	AM308A	GE-504A	AR107	GE-8	ASZ15	GE-25	AW01-08J	GE-X11	B-28	1N34AS,1N60		
AF180	GE-53	AM420	GE-504A	AR108	GE-8	ASZ16	GE-25	AW01-09	GEZD-9.1	B30C50KP	GE-510		
AF181	GE-53	AM425	GE-504A	AR200(W)	GE-20	ASZ17	GE-25	AW-01-10	GEZD-10-4	B30C250	GE-504A		
AF182	GE-52	AM430	GE-504A	AR200	GE-20	ASZ18	GE-25	AW01-12	GEZD-12	B30C250-1	GE-504A		
AF185	GE-51	AM440	GE-504A	AR201(Y)	GE-20	ASZ20	GE-1	AW01-12C	GEZD-12	B30C250KP	GE-510		
AF186	GE-52	AM445	GE-504A	AR201	GE-20	ASZ21	GE-51	AW01-13	GEZD-12	B30C500	GE-504A		
AF186G	GE-50	AM460	GE-504A	AR202	GE-20	ASZ30	GE-2	AW01-16	GEZD-15	B30C600	GE-504A		
AF186W	GE-50	AMF104	GE-19	AR203(R)	GE-63	AT-1	GE-50	AW-01-22	GEZD-22	B30C600CB	GE-504A		
AF187	GE-52	AMF105	GE-77	AR204	GE-10	AT-2	GE-50	AW01-33	GEZD-33	B30C1000	GE-504A		
AF188	GE-2	AMF106	GE-73	AR205	GE-20	AT-3	GE-51	AWOL-13	GEZD-12	B31	GE-504A		
AF192	GE-8	AMF115	GE-77	AR206	GE-20	AT4	GE-51	AX12	GEZD-12	B33	GEZD-33		
AF193	GE-52	AMF116	GE-77	AR207	GE-63	AT5	GE-51	AX91770	GE-20	B35C600	GE-504A		
AF200	GE-51	AMF117	GE-19	AR208	GE-10	AT6	GE-51	AZ3.6	GEZD-3.6	B46-110	6GC1		
AF200U	GE-53	AMF117A	GE-19	AR209	GE-60	AT6A	GE-2	AZ5.1	GEZD-5.1	B-46-110	6GC1		
AF201	GE-51	AMF118	GE-19	AR210	GE-60	AT7	GE-63	AZ5.6	GEZD-5.6	B49	GE-2		
AF201U	GE-53	AMF118A	GE-19	AR211	GE-60	AT-8	GE-51	AZ6.2	GEZD-6.2	B51	GE-2		
AF202	GE-51	AMF119	GE-19	AR212	GE-60	AT-9	GE-51	AZ15	GEZD-15	B86X0035-001	GECR-1		
AF202L	GE-53	AMF119A	GE-19	AR213(V)	GE-62	AT-10	GE-14	AZ27	GEZD-27	B66X0036-001	GECR-2		
AF256	GE-50	AMF120	GE-19	AR218(RO)	GE-62	AT10H	GE-52	B1B	GE-504A	B66X0041-001	GECR-3		
AF279	GE-51	AMF120A	GE-19	AR219(Y)	GE-60	AT10M	GE-52	B1C	GE-28	B75A	GE-51		
AF306	GE-50	AMF-121	GE-14	AR220(GY)	GE-60	AT10N	GE-52	B1D	GE-66	B75B	GE-52		
AFY10	GE-52	AMF201	GE-77	AR221	GE-60	AT11	GE-51	B1E	GE-27	B77C	GE-53		
AFY11	GE-50	AMF201B	GE-75	AR222(BY)	GE-60	AT12	GE-63	B1E1	GE-27	B134	GE-16		
AFY12	GE-50	AMF201C	GE-75	AR224	GE-60	AT13	GE-51	B1H	GE-60	B134A	GE-16		
AFY14	GE-50	AMF210	GE-75	AR304	GE-67	AT14	GE-51	B1H1	GE-509	B134C	GE-16		
AFY15	GE-50	AMF210A	GE-75	AR306	GE-18	AT15	GE-51	B1H5	GE-509	B169	GE-20		
AFY18	GE-53	AMF210B	GE-75	AR882	GE-504A	AT16	GE-212	B1H9	GE-509	B177	GE-16		
AFY19	GE-80	AN-1	GE-504A	AS-2	GE-504A	AT17	GE-212	B1K	GE-20	B178	GE-16		
AFY34	GE-52	AN155	GEZD-33	AS-3	GE-504A	AT20H	GE-52	B1K1	GE-509	B179	GE-16		
AFY37	GE-50	AN-206	GEIC-2	AS-4	GE-504A	AT20M	GE-52	B1K5	GE-509	B186	GE-53		
AFY39	GE-50	AN221	GEIC-2	AS-5	GE-504A	AT20N	GE-52	B1K9	GE-509	B187	GE-53		
AFY40	GE-1	AN241	GEIC-2	AS-14	GE-504A	AT30H	GE-52	B1M1	GE-509	B200C40	GE-504A		
AFZ11	GE-50	AO1	GE-1	AS-15	GE-504A	AT30M	GE-52	B1M5	GE-509	B224	GE-16		
AFZ12	GE-50	AO4091A	GE-504A	AS215	GE-16	AT30N	GE-52	B1M9	GE-509	B250C7K4S	GE-504A		
AFZ23	GE-2	AO4092	GE-504A	AS33867	GE-2	AT50	GE-2	B1N	GE-20	B250C75	GE-504A		
AG134	GE-51	AO4092A	GE-504A	AS33868	GE-2	AT52	GE-8	B1T	GE-36	B250C75K4	GE-504A		
AH805	GE-509	AO4092B	GE-504A	AS34280	GE-8	AT53	GE-8	B1U	GE-28	B250C75K5	GE-504A		
AH810	GE-509	AO4093	GE-504A	ASY12-1	GE-51	AT71	GE-8	B1U148	GE-28	B250C100	GE-504A		
AH814	GE-509	AO4093A	GE-504A	ASY12-2	GE-51	AT72	GE-8	B1V	GE-12	B250C100TD	GE-504A		

UNIVERSAL REPLACEMENT SEMICONDUCTORS

B250C125K4 - BC283

JEDEC Or Part Nr	Replacement	JEDEC Or Part Nr	Replacement	JEDEC Or Part Nr	Replacement	JEDEC Or Part Nr	Replacement	JEDEC Or Part Nr	Replacement	JEDEC Or Part Nr	Replacement	JEDEC Or Part Nr	Replacement
B250C125K4	GE-504A	B102002	GE-25	B170024	GE-75	BC115	GE-212	BC-169C	GE-10	BC212KA	GE-21		
B250C125N2	GE-504A	B102003	GE-25	B170025	GE-75	BC116	GE-21	BC170A	GE-212	BC212KB	GE-48		
B250C125X4	GE-504A	B103000	GE-25	B170026	GE-75	BC116A	GE-48	BC170B	GE-212	BC212L	GE-48		
B250C150	GE-504A	B103001	GE-25	B176000	GE-73	BC117	GE-27	BC170C	GE-212	BC212LA	GE-21		
B250C150K4	GE-504A	B103002	GE-25	B176001	GE-35	BC118	GE-210	BC171	GE-212	BC212LB	GE-48		
B294	GE-504A	B103003	GE-25	B178002	GE-35	BC119	GE-47	BC171A	GE-210	BC212VI	GE-21		
B522-893	6GC1	B103004	GE-25	B178003	GE-35	BC-119	GE-18	BC171B	GE-210	BC213	GE-21		
B527-062	6GC1	B143000	GE-28	B178004	GE-73	BC120	GE-47	BC172	GE-212	BC213A	GE-21		
B692X13	1N34AS	B143001	GE-28	B178005	GE-36	BC121	GE-212	BC172A	GE-210	BC213B	GE-48		
B1017	GE-16	B143003	GE-28	B178006	GE-36	BC122	GE-212	BC172B	GE-210	BC213C	GE-48		
B1022	GE-52	B143004	GE-66	B178007	GE-36	BC123	GE-212	BC173	GE-212	BC213K	GE-21		
B1058	GE-2	B143009	GE-28	B178009	GE-36	BC125	GE-61	BC173A	GE-212	BC213KA	GE-21		
B1085	GE-25	B143010	GE-28	B178010	GE-36	BC125A	GE-210	BC173B	GE-17	BC213KB	GE-48		
B1151	GE-16	B143011	GE-66	B178011	GE-36	BC125B	GE-213	BC173C	GE-212	BC213KC	GE-48		
B1151A	GE-16	B143012	GE-66	B178013	GE-36	BC126	GE-21	BC174A	GE-63	BC213L	GE-48		
B1151B	GE-16	B143015	GE-28	B178014	GE-36	BC126A	GE-21	BC177	GE-65	BC213LA	GE-21		
B1152	GE-16	B143016	GE-28	B178015	GE-36	BC127	GE-11	BC177A	GE-48	BC213LB	GE-48		
B1152A	GE-16	B143018	GE-66	B178024	GE-36	BC128	GE-11	BC177B	GE-48	BC213LC	GE-48		
B1152B	GE-16	B143019	GE-66	B178025	GE-36	BC129	GE-20	BC177V	GE-21	BC214	GE-48		
B1154	GE-52	B143024	GE-28	B178026	GE-36	BC130	GE-20	BC177VI	GE-21	BC214A	GE-21		
B1178	GE-25	B143025	GE-28	B178027	GE-36	BC131	GE-20	BC178	GE-65	BC214B	GE-48		
B1181	GE-76	B143026	GE-66	B178028	GE-36	BC132	GE-212	BC178A	GE-48	BC214C	GE-48		
B1215	GE-16	B143027	GE-66	B178029	GE-36	BC134	GE-210	BC178B	GE-48	BC214K	GE-21		
B1274	GE-25	B170000	GE-75	B177000	GE-75	BC135	GE-210	BC178C	GE-65	BC214KB	GE-48		
B1274A	GE-25	B170000-BLK	GE-77	B232008	GE-12	BC136	GE-20	BC178V	GE-21	BC214KC	GE-48		
B1274B	GE-25	B170000-BRN	GE-77	B1045494P1	6GD1	BC137	GE-21	BC178VI	GE-21	BC214L	GE-48		
B1368	GE-16	B170000-ORG	GE-77	B1760000	GE-73	BC-138	GE-18	BC179	GE-65	BC214LB	GE-48		
B1368A	GE-16	B170000-RED	GE-77	BA6	GE-2	BC139	GE-21	BC179A	GE-65	BC214LC	GE-48		
B1368B	GE-16	B170000-YEL	GE-75	BA6A	GE-2	BC-140	GE-18	BC179B	GE-48	BC221	GE-82		
B1368C	GE-16	B170001	GE-75	BA100	GE-504A	BC140	GE-28	BC179C	GE-65	BC222	GE-210		
B1368D	GE-16	B170001-BLK	GE-77	BA102	GE-90	BC-140A	GE-18	BC180	GE-20	BC223A	GE-210		
B1368E	GE-16	B170001-BRN	GE-77	BA104	GE-504A	BC-140B	GE-18	BC181	GE-82	BC223B	GE-210		
B1368F	GE-16	B170001-ORG	GE-77	BA105	GE-504A	BC-140C	GE-18	BC181A	GE-21	BC224	GE-65		
B-1421	GE-20	B170001-RED	GE-77	BA114	GE-300	BC-140D	GE-18	BC182A	GE-210	BC225	GE-65		
B-1426	GE-67	B170001-YEL	GE-75	BA119	GE-504A	BC-141	GE-18	BC182K	GE-212	BC226	GE-47		
B-1666	GE-20	B170002	GE-75	BA120	GE-504A	BC-142	GE-18	BC182KA	GE-212	BC231A	GE-82		
B1904	GE-16	B170002-BLK	GE-77	BA124	GE-90	BC142	GE-18	BC182KB	GE-212	BC231B	GE-82		
B2090	GEZD-10.4	B170002-BRN	GE-77	BA128	GE-504A	BC143	GE-21	BC182L	GE-210	BC231M	GE-48		
B3531	GE-28	B170002-ORG	GE-77	BA129	GE-504A	BC144	GE-47	BC182LA	GE-210	BC232A	GE-81		
B3533	GE-28	B170002-RED	GE-77	BA130	GE-504A	BC145	GE-27	BC183A	GE-210	BC232B	GE-81		
B3537	GE-216	B170002-YEL	GE-75	BA133	GE-509	BC146	GE-39	BC183K	GE-212	BC233A	GE-20		
B3538	GE-28	B170003	GE-75	BA-138	GE-90	BC147	GE-210	BC183KA	GE-212	BC237A	GE-20		
B3540	GE-28	B170003-BLK	GE-75	BA-142-01	GE-504A	BC147B	GE-10	BC183KB	GE-212	BC237B	GE-212		
B3541	GE-28	B170003-BRN	GE-75	BA147	GE-504A	BC148	GE-210	BC183KC	GE-212	BC238	GE-17		
B3542	GE-28	B170003-ORG	GE-75	BA148	GE-504A	BC148	GE-20	BC183L	GE-210	BC238A	GE-212		
B3547	GE-66	B170003-RED	GE-75	BA153	GE-504A	BC-148A	GE-20	BC183LA	GE-210	BC238B	GE-212		
B3548	GE-66	B170003-YEL	GE-75	BA170	GE-504A	BC148A	GE-20	BC184	GE-210	BC238C	GE-212		
B3550	GE-66	B170004	GE-75	BA182	GE-300	BC-148B	GE-20	BC184B	GE-210	BC239A	GE-212		
B3551	GE-66	B170004-BLK	GE-75	BA216	GE-300	BC-148C	GE-20	BC184K	GE-212	BC239B	GE-212		
B3570	GE-28	B170004-BRN	GE-75	BA1003	GE-64	BC149	GE-20	BC184KB	GE-212	BC250A	GE-65		
B3576	GE-28	B170004-ORG	GE-75	BAX13	GE-300	BC149B	GE-20	BC184KC	GE-212	BC250B	GE-65		
B3577	GE-66	B170004-RED	GE-75	BAX-13	GE-300	BC149C	GE-62	BC185	GE-215	BC250C	GE-65		
B3578	GE-66	B170004-YEL	GE-75	BAX16	GE-300	BC153	GE-65	BC186	GE-65	BC251	GE-21		
B3580	GE-66	B170005	GE-75	BAY15	GE-509	BC154	GE-65	BC187	GE-65	BC251A	GE-48		
B3584	GE-66	B170005-BLK	GE-75	BAY16	GE-509	BC155	GE-17	BC190A	GE-63	BC252	GE-21		
B3585	GE-66	B170005-BRN	GE-75	BAY17	GE-504A	BC155A	GE-39	BC190B	GE-63	BC252A	GE-48		
B3586	GE-66	B170005-ORG	GE-75	BAY23	GE-509	BC155B	GE-39	BC192	GE-82	BC253	GE-21		
B3588	GE-66	B170005-RED	GE-75	BAY44	GE-504A	BC155C	GE-212	BC194	GE-20	BC253A	GE-22		
B3589	GE-66	B170005-YEL	GE-75	BAY64	GE-504A	BC156	GE-20	BC196A	GE-65	BC253B	GE-22		
B3606	GE-216	B170006	GE-75	BAY86	GE-504A	BC156A	GE-39	BC196B	GE-65	BC253C	GE-48		
B3607	GE-216	B170006-BLK	GE-75	BAY87	GE-504A	BC156B	GE-39	BC196VI	GE-65	BC254	GE-18		
B3608	GE-28	B170006-BRN	GE-75	BAY90	GE-509	BC156C	GE-212	BC197	GE-69	BC255	GE-18		
B3609	GE-216	B170006-ORG	GE-75	BB1A	GE-504A	BC157	GE-65	BC198A	GE-17	BC256A	GE-67		
B3610	GE-216	B170006-RED	GE-75	BB2	GE-511	BC157A	GE-65	BC200	GE-65	BC257	GE-65		
B3611	GE-28	B170006-YEL	GE-75	BB2A184	GE-504A	BC157B	GE-65	BC201	GE-65	BC257A	GE-65		
B3612	GE-28	B170007	GE-75	BB-4	GE-504A	BC157VI	GE-65	BC202	GE-65	BC257B	GE-65		
B3613	GE-28	B170007-BLK	GE-75	BB-6	GE-504A	BC158	GE-65	BC203	GE-65	BC257VI	GE-65		
B3614	GE-28	B170007-BRN	GE-75	BB6S	GE-511	BC158A	GE-65	BC204A	GE-21	BC258	GE-65		
B3746	GE-63	B170007-ORG	GE-75	BB-10	GE-511	BC158B	GE-65	BC204B	GE-48	BC258A	GE-65		
B3747	GE-28	B170007-RED	GE-75	BB-10S	GE-511	BC158C	GE-65	BC204V	GE-21	BC258B	GE-65		
B3748	GE-28	B170007-YEL	GE-75	BB107	GE-504A	BC158VI	GE-65	BC204VI	GE-21	BC258C	GE-65		
B3750	GE-28	B170008	GE-75	BB109	GE-90	BC159	GE-65	BC205	GE-65	BC258VI	GE-65		
B5000	GEMR-6	B170008-BLK	GE-75	BB117	GE-504A	BC159A	GE-65	BC205	GE-21	BC259	GE-65		
B5001	GEMR-6	B170008-BRN	GE-75	BB127	GE-504A	BC159B	GE-65	BC205A	GE-21	BC259A	GE-65		
B5002	GE-66	B170008-ORG	GE-75	BB1A	GE-504A	BC159C	GE-65	BC205B	GE-48	BC259B	GE-65		
B5020	GE-14	B170008-RED	GE-75	BC103	GE-18	BC160	GE-29	BC205V	GE-22	BC260A	GE-65		
B5021	GE-66	B170008-YEL	GE-75	BC107	GE-20	BC160-06	GE-48	BC205VI	GE-22	BC260B	GE-65		
B5022	GE-66	B170009	GE-77	BC107A	GE-210	BC160-10	GE-48	BC206	GE-65	BC260C	GE-65		
B5031	GE-66	B170010	GE-77	BC107B	GE-20	BC160-16	GE-48	BC206B	GE-48	BC-261	GE-21		
B5032	GE-66	B170011	GE-77	BC108	GE-20	BC161-06	GE-67	BC207	GE-210	BC261A	GE-48		
B-6001	GE-FET-1	B170012	GE-75	BC108A	GE-210	BC161-10	GE-67	BC207A	GE-210	BC262	GE-82		
B10142	GE-25	B170013	GE-75	BC-108B	GE-20	BC161-16	GE-67	BC207B	GE-210	BC262A	GE-48		
B10142A	GE-25	B170014	GE-75	BC109	GE-62	BC167	GE-210	BC208	GE-20	BC263A	GE-22		
B10142B	GE-25	B170015	GE-75	BC-109B	GE-10	BC167A	GE-210	BC208A	GE-10	BC263B	GE-22		
B10162	GE-16	B170018	GE-75	BC109C	GE-20	BC167B	GE-210	BC208B	GE-10	BC263C	GE-48		
B10163	GE-16	B170017	GE-75	BC110	GE-81	BC168	GE-210	BC209B	GE-10	BC266A	GE-67		
B10474	GE-16	B170018	GE-77	BC111	GE-11	BC168A	GE-10	BC209C	GE-10	BC267	GE-47		
B10475	GE-25	B170019	GE-77	BC112	GE-39	BC168B	GE-10	BC211	GE-18	BC280A	GE-62		
B10912	GE-16	B170020	GE-77	BC113	GE-212	BC169	GE-62	BC212	GE-21	BC280B	GE-62		
B10913	GE-16	B170021	GE-75	BC114	GE-62	BC169A	GE-20	BC212A	GE-48	BC280C	GE-62		
B102000	GE-25	B170022	GE-75	BC114	GE-212	BC-169B	GE-10	BC212B	GE-48	BC282	GE-20		
B102001	GE-25	B170023	GE-75	BC114TR	GE-62	BC169C	GE-62	BC212K	GE-21	BC283	GE-21		

UNIVERSAL REPLACEMENT SEMICONDUCTORS

BC284 - BF155

JEDEC Or Part Nr	GE Replacement	JEDEC Or Part Nr	GE Replacement	JEDEC Or Part Nr	GE Replacement	JEDEC Or Part Nr	GE Replacement	JEDEC Or Part Nr	GE Replacement	JEDEC Or Part Nr	GE Replacement	JEDEC Or Part Nr	GE Replacement
BC284	GE-20	BC416A	GE-48	BCW31	GE-39	BCW88	GE-65	BCX76-25	GE-48	BD3A-1B4	GE-66	GEBR-600	GE-66
BC284A	GE-20	BC416B	GE-48	BCW31R	GE-39	BCW90	GE-47	BCX76-40	GE-48	BD-3A-184	GE-48	GEBR-600	GE-66
BC284B	GE-20	BC417	GE-65	BCW32	GE-39	BCW90A	GE-47	BCX78IX	GE-48	BD71	GE-48	GE-20	GE-20
BC285	GE-27	BC418	GE-65	BCW32R	GE-39	BCW90B	GE-47	BCX78VII	GE-21	BD106	GE-21	GE-28	GE-28
BC286	GE-83	BC418A	GE-82	BCW34	GE-47	BCW90C	GE-47	BCX78VIII	GE-48	BD106A	GE-48	GE-28	GE-28
BC287	GE-87	BC418B	GE-48	BCW35	GE-48	BCW90K	GE-47	BCX79IX	GE-48	BD106B	GE-48	GE-28	GE-28
BC295	GE-81	BC419	GE-65	BCW36	GE-47	BCW90KA	GE-47	BCX79VII	GE-21	BD107	GE-21	GE-28	GE-28
BC297	GE-48	BC419A	GE-82	BCW37	GE-48	BCW90KB	GE-47	BCX79VIII	GE-48	BD107A	GE-48	GE-28	GE-28
BC297-7	GE-48	BC419B	GE-48	BCW44	GE-63	BCW90KC	GE-47	BCY10	GE-82	BD107B	GE-82	GE-28	GE-28
BC298	GE-48	BC429	GE-81	BCW45	GE-67	BCW91	GE-63	BCY11	GE-82	BD109	GE-82	GE-66	GE-66
BC302-4	GE-63	BC430	GE-63	BCW48A	GE-17	BCW91A	GE-63	BCY12	GE-82	BD109-6	GE-82	GE-66	GE-66
BC302-5	GE-63	BC431	GE-81	BCW50	GE-27	BCW91B	GE-63	BCY13	GE-63	BD111	GE-63	GE-19	GE-19
BC302-6	GE-63	BC432	GE-82	BCW51	GE-20	BCW91K	GE-63	BCY15	GE-63	BD112	GE-63	GE-19	GE-19
BC304-4	GE-67	BC442	GE-11	BCW52	GE-48	BCW91KA	GE-63	BCY16	GE-20	BD113	GE-20	GE-19	GE-19
BC304-5	GE-67	BC461-4	GE-67	BCW56	GE-82	BCW91KB	GE-63	BCY17	GE-65	BD115	GE-65	GE-27	GE-27
BC304-6	GE-67	BC461-5	GE-67	BCW56A	GE-82	BCW92	GE-48	BCY18	GE-65	BD116	GE-65	GE-19	GE-19
BC307	GE-65	BC481-6	GE-67	BCW57	GE-65	BCW92A	GE-48	BCY19	GE-65	BD117	GE-65	GE-75	GE-75
BC307A	GE-65	BC476	GE-65	BCW57A	GE-65	BCW92B	GE-48	BCY21	GE-65	BD118	GE-65	GE-12	GE-12
BC307B	GE-65	BC478A	GE-65	BCW57B	GE-48	BCW92K	GE-48	BCY22	GE-21	BD119	GE-21	GE-12	GE-12
BC307C	GE-65	BC478B	GE-65	BCW58	GE-65	BCW92KA	GE-48	BCY23	GE-65	BD120	GE-65	GE-12	GE-12
BC307VI	GE-65	BC479	GE-65	BCW58A	GE-65	BCW92KB	GE-48	BCY24	GE-65	BD121	GE-65	GE-19	GE-19
BC308	GE-65	BC479B	GE-65	BCW58B	GE-65	BCW93	GE-67	BCY25	GE-65	BD124	GE-65	GE-66	GE-66
BC308A	GE-65	BC507B	GE-210	BCW59	GE-65	BCW93A	GE-67	BCY26	GE-65	BD127	GE-65	GE-504A	GE-504A
BC308B	GE-65	BC508	GE-83	BCW59A	GE-65	BCW93B	GE-67	BCY27	GE-65	BD130	GE-65	GE-14	GE-14
BC308C	GE-65	BC508A	GE-210	BCW59B	GE-65	BCW93K	GE-67	BCY28	GE-65	BD-131	GE-65	GE-57	GE-57
BC308VI	GE-65	BC508B	GE-210	BCW60A	GE-210	BCW93KA	GE-67	BCY29	GE-82	BD131	GE-82	GE-57	GE-57
BC309	GE-65	BC509	GE-83	BCW60AA	GE-210	BCW93KB	GE-67	BCY30	GE-82	BD132	GE-82	GE-58	GE-58
BC309A	GE-65	BC509B	GE-210	BCW60AB	GE-210	BCW94	GE-20	BCY31	GE-20	BD132	GE-20	GE-58	GE-58
BC309B	GE-65	BC510	GE-210	BCW60AC	GE-210	BCW94A	GE-20	BCY32	GE-82	BD135	GE-82	GE-57	GE-57
BC309C	GE-65	BC510B	GE-210	BCW60B	GE-210	BCW94B	GE-20	BCY33	GE-65	BD136	GE-65	GE-58	GE-58
BC312	GE-32	BC512	GE-21	BCW60C	GE-210	BCW94C	GE-210	BCY34	GE-20	BD137	GE-20	GE-57	GE-57
BC313	GE-63	BC512A	GE-21	BCW61A	GE-65	BCW94K	GE-47	BCY38	GE-82	BD138	GE-82	GE-69	GE-69
BC315	GE-65	BC512B	GE-48	BCW61B	GE-65	BCW94KA	GE-20	BCY39	GE-82	BD139	GE-82	GE-57	GE-57
BC318	GE-20	BC513	GE-21	BCW61BA	GE-65	BCW94KB	GE-20	BCY40	GE-20	BD142	GE-20	GE-75	GE-75
BC318B	GE-20	BC513A	GE-21	BCW61BB	GE-65	BCW94KC	GE-20	BCY42	GE-20	BD145	GE-20	GE-66	GE-66
BC319	GE-20	BC513B	GE-48	BCW61BC	GE-65	BCW95	GE-81	BCY43	GE-212	BD153	GE-212	GE-17	GE-17
BC325	GE-82	BC513C	GE-48	BCW61BD	GE-65	BCW95A	GE-81	BCY49	GE-21	BD160	GE-21	GE-38	GE-38
BC326	GE-82	BC514	GE-48	BCW61C	GE-85	BCW95B	GE-81	BCY50	GE-20	BD162	GE-20	GE-66	GE-66
BC327	GE-82	BC514A	GE-21	BCW61D	GE-65	BCW95K	GE-18	BCY54	GE-210	BD163	GE-210	GE-66	GE-66
BC327-16	GE-48	BC514B	GE-48	BCW62	GE-21	BCW95KA	GE-81	BCY55	GE-212	BD165	GE-212	GE-28	GE-28
BC328	GE-22	BC514C	GE-48	BCW62A	GE-21	BCW95KB	GE-81	BCY56	GE-210	BD181	GE-210	GE-77	GE-77
BC328-16	GE-48	BC548	GE-17	BCW62B	GE-48	BCW96	GE-82	BCY58	GE-20	BD182	GE-20	GE-77	GE-77
BC337	GE-63	BC548VI	GE-17	BCW63	GE-21	BCW96A	GE-82	BCY58VII	GE-88	BD183	GE-88	GE-75	GE-75
BC337-16	GE-47	BC556	GE-82	BCW63A	GE-21	BCW96B	GE-82	BCY58VIII	GE-82	BD-00072	GE-82	GE-8	GE-8
BC338	GE-20	BC556A	GE-82	BCW63B	GE-48	BCW96K	GE-48	BCY59	GE-17	BDX10	GE-17	GE-75	GE-75
BC338-16	GE-47	BC556VI	GE-82	BCW63C	GE-48	BCW96KA	GE-82	BCY59VII	GE-88	BDX13	GE-88	GE-75	GE-75
BC340-06	GE-47	BC557	GE-82	BCW64	GE-82	BCW96KB	GE-48	BCY59VIII	GE-88	BDX18	GE-88	GE-74	GE-74
BC340-10	GE-47	BC557A	GE-82	BCW64A	GE-21	BCW97	GE-82	BCY66	GE-88	BDY10	GE-88	GE-75	GE-75
BC340-16	GE-47	BC557B	GE-48	BCW64B	GE-48	BCW97A	GE-82	BCY67	GE-48	BDY11	GE-48	GE-68	GE-68
BC341-06	GE-18	BC557VI	GE-82	BCW64C	GE-48	BCW97B	GE-82	BCY69	GE-20	BDY12	GE-20	GE-68	GE-68
BC341-10	GE-18	BC558	GE-82	BCW65EA	GE-20	BCW97K	GE-67	BCY70	GE-21	BDY13	GE-21	GE-66	GE-66
BC360-06	GE-48	BC558A	GE-48	BCW65EB	GE-20	BCW97KA	GE-82	BCY71	GE-21	BDY15	GE-21	GE-66	GE-66
BC360-10	GE-48	BC558B	GE-48	BCW65EC	GE-47	BCW97KB	GE-82	BCY72	GE-22	BDY15A	GE-22	GE-66	GE-66
BC360-16	GE-48	BC558VI	GE-82	BCW66EF	GE-47	BCW98A	GE-212	BCY77VII	GE-67	BDY15B	GE-67	GE-66	GE-66
BC361-06	GE-67	BC559	GE-82	BCW66EG	GE-47	BCW98B	GE-212	BCY77VIII	GE-67	BDY15C	GE-67	GE-66	GE-66
BC361-10	GE-67	BC559A	GE-48	BCW66EH	GE-47	BCW98C	GE-212	BCY78	GE-48	BDY16A	GE-48	GE-66	GE-66
BC370	GE-48	BC559B	GE-48	BCW66EW	GE-47	BCW98D	GE-212	BCY78A	GE-212	BDY16B	GE-212	GE-66	GE-66
BC377	GE-47	BC560A	GE-48	BCW67DA	GE-48	BCW99A	GE-48	BCY78B	GE-48	BDY17	GE-48	GE-77	GE-77
BC378	GE-47	BC560B	GE-48	BCW67DB	GE-48	BCW99B	GE-48	BCY78C	GE-48	BDY20	GE-48	GE-75	GE-75
BC381	GE-82	BC582	GE-210	BCW67DC	GE-48	BCW99C	GE-48	BCY78VII	GE-67	BDY34	GE-67	GE-28	GE-28
BC382	GE-210	BC582A	GE-210	BCW68DF	GE-48	BCX17	GE-82	BCY78VIII	GE-67	BDY38	GE-67	GE-77	GE-77
BC382B	GE-212	BC582B	GE-210	BCW68DG	GE-48	BCX17R	GE-82	BCY79	GE-48	BDY39	GE-48	GE-75	GE-75
BC382C	GE-212	BC583	GE-210	BCW68DH	GE-48	BCX18	GE-82	BCY79A	GE-82	BDY60	GE-82	GE-66	GE-66
BC383	GE-210	BC583A	GE-210	BCW69	GE-65	BCX18R	GE-82	BCY79B	GE-48	BDY61	GE-48	GE-66	GE-66
BC383B	GE-212	BC583B	GE-210	BCW69R	GE-65	BCX19	GE-210	BCY79C	GE-48	BDY62	GE-48	GE-66	GE-66
BC383C	GE-212	BC584	GE-210	BCW70	GE-65	BCX19R	GE-210	BCY79VII	GE-67	BDY73	GE-67	GE-75	GE-75
BC384	GE-210	BC682	GE-81	BCW70R	GE-65	BCX20	GE-210	BCY79VIII	GE-210	BDY76	GE-210	GE-75	GE-75
BC384B	GE-212	BC-1072	GE-20	BCW71	GE-61	BCX20R	GE-210	BCY87	GE-210	BE6	GE-210	GE-2	GE-2
BC384C	GE-212	BC1073	GE-16	BCW71R	GE-81	BCX58IX	GE-47	BCY88	GE-39	BEA	GE-39	GE-2	GE-2
BC385A	GE-212	BC1073A	GE-16	BCW72	GE-61	BCX58VII	GE-17	BCY89	GE-39	BE107	GE-39	GE-504A	GE-504A
BC385B	GE-212	BC-1082	GE-20	BCW72R	GE-61	BCX58VIII	GE-17	BCY90	GE-65	BE117	GE-65	GE-504A	GE-504A
BC386A	GE-212	BC-1086	GE-20	BCW73-16	GE-47	BCX58X	GE-47	BCY90B	GE-47	BE127	GE-47	GE-27	GE-27
BC386B	GE-212	BC-1096	GE-17	BCW74-16	GE-47	BCX59IX	GE-47	BCY91	GE-47	BF108	GE-47	GE-27	GE-27
BC394	GE-27	BC1096	GE-20	BCW75-10	GE-48	BCX59VII	GE-47	BCY91B	GE-47	BF109	GE-47	GE-27	GE-27
BC395	GE-81	BC1274	GE-25	BCW75-16	GE-48	BCX59VIII	GE-47	BCY92	GE-65	BF110	GE-65	GE-27	GE-27
BC396	GE-82	BC1274A	GE-25	BCW76-10	GE-48	BCX59X	GE-47	BCY92B	GE-82	BF111	GE-82	GE-27	GE-27
BC404	GE-82	BC1274B	GE-25	BCW76-16	GE-48	BCX70AG	GE-48	BCY93	GE-82	BF114	GE-82	GE-61	GE-61
BC404A	GE-82	BC1478	GE-17	BCW77-16	GE-83	BCX70AH	GE-210	BCY93B	GE-210	BF115	GE-210	GE-27	GE-27
BC404VI	GE-82	BC-1690	GE-10	BCW78-16	GE-83	BCX70AJ	GE-210	BCY94	GE-210	BF117	GE-210	GE-27	GE-27
BC405	GE-82	BC173,B	GE-18	BCW79-10	GE-67	BCX71BG	GE-67	BCY94B	GE-65	BF118	GE-65	GE-27	GE-27
BC405A	GE-82	BC3337	GE-47	BCW79-16	GE-67	BCX71BH	GE-65	BCY95	GE-82	BF119	GE-82	GE-27	GE-27
BC405B	GE-82	BCM1002-1	GE-51	BCW80-10	GE-67	BCX71BJ	GE-65	BCY95B	GE-82	BF120	GE-82	GE-27	GE-27
BC406	GE-48	BCM1002-2	GE-20	BCW80-16	GE-67	BCX71BK	GE-65	BCY98B	GE-82	BF121	GE-82	GE-61	GE-61
BC406B	GE-82	BCM1002-3	GE-53	BCW82	GE-210	BCX73-16	GE-210	BCY443	GE-47	BF123	GE-47	GE-61	GE-61
BC408	GE-17	BCM1002-4	GE-53	BCW82A	GE-210	BCX73-25	GE-210	BCY771X	GE-67	BF125	GE-67	GE-61	GE-61
BC409	GE-20	BCM1002-5	GE-53	BCW82B	GE-210	BCX73-40	GE-210	BCZ10	GE-47	BF127	GE-47	GE-60	GE-60
BC413B	GE-210	BCM1002-6	GE-44	BCW83	GE-210	BCX74-16	GE-210	BC					

UNIVERSAL REPLACEMENT SEMICONDUCTORS

BF156 - BSW20VI

JEDEC Or Part Nr	Replacement	JEDEC Or Part Nr	Replacement	JEDEC Or Part Nr	Replacement	JEDEC Or Part Nr	Replacement	JEDEC Or Part Nr	Replacement	JEDEC Or Part Nr	Replacement	JEDEC Or Part Nr	Replacement
BF156	GE-27	BF291A	GE-20	BFS19CB	GE-210	BFV53	GE-20	BFX92	GE-212	BLY35	GE-66		
BF157	GE-27	BF291B	GE-20	BFS19R	GE-39	BFV54	GE-20	BFX92A	GE-63	BLY36	GE-66		
BF157B	GE-27	BF292	GE-27	BFS20	GE-60	BFV55	GE-20	BFX93	GE-212	BLY37	GE-28		
BF158	GE-11	BF292A	GE-27	BFS20R	GE-60	BFV59	GE-39	BFX94	GE-210	BLY38	GE-28		
BF160	GE-11	BF292B	GE-27	BFS23	GE-28	BFV60	GE-39	BFX95	GE-20	BLY47	GE-19		
BF161	GE-61	BF292C	GE-27	BFS26E	GE-65	BFV61	GE-39	BFX95A	GE-210	BLY48	GE-19		
BF162	GE-60	BF294	GE-27	BFS26F	GE-65	BFV62	GE-212	BFX96	GE-47	BLY49	GE-19		
BF163	GE-60	BF297	GE-27	BFS26G	GE-65	BFV80	GE-39	BFX96A	GE-47	BLY50	GE-19		
BF164	GE-60	BF298	GE-27	BFS27E	GE-214	BFV82	GE-65	BFX97	GE-47	BLY53	GE-28		
BF165	GE-61	BF299	GE-27	BFS27F	GE-214	BFV82A	GE-65	BFX97A	GE-47	BLY61	GE-28		
BF166	GE-60	BF302	GE-39	BFS27G	GE-214	BFV82B	GE-65	BFX98	GE-27	BLY62	GE-28		
BF167	GE-60	BF303	GE-39	BFS29	GE-210	BFV82C	GE-65	BFY10	GE-212	BLY63	GE-66		
BF168	GE-61	BF304	GE-39	BFS29P	GE-210	BFV83	GE-61	BFY11	GE-212	BLY78	GE-28		
BF169	GE-11	BF305	GE-27	BFS30	GE-210	BFV83A	GE-61	BFY12	GE-47	BLY79	GE-66		
BF173	GE-61	BF306	GE-61	BFS30P	GE-210	BFV83B	GE-20	BFY13	GE-63	BLY88	GE-66		
BF174	GE-27	BF310	GE-61	BFS31	GE-31	BFV83C	GE-20	BFY15	GE-63	BLY89	GE-66		
BF175	GE-60	BF314	GE-61	BFS31P	GE-210	BFV85	GE-20	BFY16	GE-63	BLY91	GE-28		
BF176	GE-61	BF322	GE-47	BFS32	GE-21	BFV85A	GE-20	BFY17	GE-47	BLY92	GE-66		
BF177	GE-27	BF323	GE-48	BFS32P	GE-21	BFV85B	GE-20	BFY18	GE-210	BLY93	GE-66		
BF178	GE-27	BF332	GE-60	BFS33	GE-48	BFV85C	GE-20	BFY19	GE-20	BN7133	GE-14		
BF179A	GE-27	BF333	GE-66	BFS33P	GE-21	BFV85D	GE-212	BFY22	GE-39	BN7214	GE-14		
BF179B	GE-27	BF334	GE-61	BFS34	GE-48	BFV85E	GE-212	BFY23	GE-39	BN7253	GE-27		
BF179C	GE-27	BF335	GE-61	BFS34P	GE-21	BFV85F	GE-81	BFY23A	GE-20	BN7517	GE-20		
BF180	GE-39	BF340	GE-65	BFS36	GE-210	BFV85G	GE-81	BFY24	GE-39	BN7518	GE-20		
BF181	GE-60	BF341	GE-65	BFS36A	GE-210	BFV86	GE-21	BFY25	GE-47	BN7551	GEZD-12		
BF182	GE-214	BF342	GE-65	BFS37	GE-82	BFV86A	GE-21	BFY26	GE-210	BR-1	GEBR-600		
BF183	GE-214	BF343	GE-65	BFS37A	GE-82	BFV86B	GE-21	BFY28	GE-11	BR42	GE-504A		
BF183A	GE-20	BF344	GE-39	BFS38	GE-210	BFV86C	GE-21	BFY29	GE-39	BR44	GE-504A		
BF184	GE-39	BF345	GE-39	BFS38A	GE-210	BFV87	GE-20	BFY30	GE-39	BR46	GE-504A		
BF185	GE-39	BF357	GE-66	BFS39	GE-210	BFV88	GE-20	BFY33	GE-20	BR47	GE-504A		
BF187	GE-20	BF362	GE-39	BFS40	GE-82	BFV88A	GE-20	BFY34	GE-20	BR48	GE-504A		
BF188	GE-20	BF363	GE-39	BFS40A	GE-22	BFV88B	GE-20	BFY37	GE-10	BR52	GE-504A		
BF189	GE-20	BF364	GE-61	BFS41	GE-82	BFV88C	GE-210	BFY39	GE-210	BR100B	GE-28		
BF194	GE-60	BF365	GE-61	BFS42	GE-47	BFV89	GE-212	BFY39-1	GE-212	BR101B	GE-66		
BF195	GE-86	BF440	GE-21	BFS43	GE-63	BFV89A	GE-212	BFY39-2	GE-212	BS1	GE-504A		
BF196	GE-60	BF441	GE-21	BFS44	GE-48	BFW20	GE-67	BFY39-3	GE-212	BS-1	GE-504A		
BF197	GE-60	BF456	GE-27	BFS45	GE-67	BFW22	GE-65	BFY40	GE-47	BS2	GE-504A		
BF198	GE-20	BF457	GE-27	BFS50	GE-28	BFW29	GE-81	BFY41	GE-32	BS475	GE-20		
BF200	GE-60	BF458	GE-27	BFS51	GE-28	BFW31	GE-48	BFY43	GE-27	BSS10	GE-20		
BF-214	GE-20	BF459	GE-27	BFS55A	GE-61	BFW32	GE-20	BFY46	GE-18	BSS19	GE-27		
BF-215	GE-20	BF494	GE-61	BFS58	GE-86	BFW33	GE-18	BFY47	GE-18	BSS20	GE-27		
BF216	GE-17	BF495	GE-61	BFS59	GE-47	BFW41	GE-39	BFY48	GE-39	BSS21	GE-20		
BF217	GE-17	BF540	GE-65	BFS60	GE-47	BFW57	GE-81	BFY49	GE-39	BSS23	GE-47		
BF218	GE-17	BF541	GE-65	BFS62	GE-61	BFW58	GE-81	BFY50	GE-18	BSS26	GE-61		
BF222	GE-61	BF542	GE-65	BFS69	GE-65	BFW59	GE-210	BFY51	GE-17	BSS33	GE-32		
BF224	GE-17	BF594	GE-61	BFS96	GE-48	BFW60	GE-48	BFY52	GE-18	BSS40	GE-27		
BF224J	GE-17	BF595	GE-61	BFS97	GE-48	BFW63	GE-60	BFY53	GE-47	BSS41	GE-47		
BF225	GE-20	BF596	GE-20	BFS99	GE-27	BFW64	GE-60	BFY55	GE-45	BSSV15	GE-28		
BF225J	GE-20	BF597	GE-62	BFT21	GE-48	BFW68	GE-20	BFY56	GE-27	BSV35A	GE-20		
BF-226	GE-20	BFR11	GE-17	BFT22	GE-48	BFW68	GE-67	BFY57	GE-27	BSV40	GE-17		
BF227	GE-60	BFR16	GE-81	BFT30	GE-63	BFW89	GE-48	BFY63	GE-17	BSV41	GE-17		
BF228	GE-18	BFR18	GE-81	BFT31	GE-47	BFW90	GE-48	BFY64	GE-17	BSV43A	GE-21		
BF229	GE-39	BFR19	GE-27	BFT40	GE-63	BFW91	GE-48	BFY65	GE-27	BSV43B	GE-67		
BF230	GE-39	BFR20	GE-27	BFT41	GE-47	BFX12	GE-22	BFY66	GE-86	BSV44A	GE-21		
BF232	GE-61	BFR25	GE-62	BFT54	GE-47	BFX13	GE-22	BFY67	GE-18	BSV44B	GE-48		
BF233-2	GE-61	BFR26	GE-20	BFT55	GE-62	BFX17	GE-47	BFY67A	GE-47	BSV45A	GE-21		
BF233-3	GE-61	BFR28	GE-86	BFT61	GE-48	BFX18	GE-60	BFY67C	GE-47	BSV45B	GE-48		
BF233-4	GE-61	BFR36	GE-47	BFT62	GE-48	BFX19	GE-60	BFY68	GE-27	BSV47A	GE-21		
BF233-5	GE-61	BFR40	GE-63	BFT70	GE-67	BFX20	GE-60	BFY68A	GE-47	BSV47B	GE-67		
BF234	GE-61	BFR40T05	GE-63	BFT71	GE-48	BFX21	GE-60	BFY69	GE-214	BSV48A	GE-21		
BF235	GE-61	BFR41	GE-47	BFT80	GE-67	BFX29	GE-21	BFY69A	GE-214	BSV48B	GE-48		
BF237	GE-62	BFR41T05	GE-47	BFT81	GE-48	BFX30	GE-21	BFY69B	GE-214	BSV49A	GE-21		
BF238	GE-62	BFR51	GE-63	BFV10	GE-20	BFX31	GE-20	BFY70	GE-28	BSV49B	GE-48		
BF240	GE-61	BFR52	GE-47	BFV11	GE-20	BFX35	GE-48	BFY72	GE-215	BSV51	GE-18		
BF240B	GE-61	BFR57	GE-27	BFV12	GE-20	BFX37	GE-82	BFY73	GE-20	BSV52	GE-39		
BF241	GE-61	BFR58	GE-27	BFV14	GE-47	BFX38	GE-48	BFY74	GE-17	BSV52R	GE-39		
BF241C	GE-61	BFR59	GE-27	BFV20	GE-21	BFX39	GE-48	BFY75	GE-17	BSV53	GE-20		
BF241D	GE-61	BFR61	GE-67	BFV21	GE-21	BFX45	GE-212	BFY76	GE-62	BSV53P	GE-214		
BF245A	GE-FET-2	BFR62	GE-48	BFV22	GE-21	BFX47	GE-39	BFY77	GE-62	BSV54	GE-20		
BF248	GE-20	BFR80	GE-67	BFV25	GE-65	BFX48	GE-21	BFY78	GE-17	BSV54P	GE-214		
BF249	GE-21	BFR80T05	GE-67	BFV26	GE-65	BFX52	GE-47	BFY79	GE-61	BSV59	GE-17		
BF250	GE-20	BFR81	GE-48	BFV27	GE-39	BFX53	GE-47	BFY80	GE-27	BSV60	GE-28		
BF254	GE-60	BFR81T05	GE-48	BFV28	GE-39	BFX55	GE-28	BFY87	GE-214	BSV65FA	GE-20		
BF254B	GE-39	BFS11	GE-39	BFV30	GE-65	BFX59F	GE-62	BFY87A	GE-214	BSV65FB	GE-20		
BF255	GE-86	BFS13E	GE-80	BFV33	GE-65	BFX60	GE-61	BFY90	GE-86	BSV69	GE-47		
BF255C	GE-39	BFS13F	GE-60	BFV34	GE-65	BFX61	GE-63	BFY90B	GE-86	BSV85	GE-47		
BF255D	GE-39	BFS13G	GE-80	BFV35	GE-65	BFX62	GE-60	BFY99	GE-63	BSV86	GE-20		
BF257	GE-27	BFS14E	GE-65	BFV36	GE-65	BFX65	GE-65	BFY371	GE-20	BSV87	GE-20		
BF258	GE-27	BFS14F	GE-65	BFV37	GE-212	BFX68	GE-27	BFY391	GE-20	BSV88	GE-210		
BF259	GE-27	BFS14G	GE-65	BFV38	GE-212	BFX68A	GE-27	BH4R1	GE-504A	BSV89	GE-20		
BF260	GE-39	BFS15E	GE-60	BFV40	GE-210	BFX69	GE-27	BIP7201	GE-17	BSV90	GE-20		
BF261	GE-39	BFS15F	GE-60	BFV41	GE-210	BFX69A	GE-27	BLY10	GE-63	BSV91	GE-20		
BF262	GE-60	BFS15G	GE-60	BFV42	GE-20	BFX73	GE-86	BLY11	GE-63	BSV96	GE-82		
BF263	GE-60	BFS16E	GE-65	BFV43	GE-20	BFX74	GE-81	BLY12	GE-19	BSV97	GE-82		
BF264	GE-60	BFS16F	GE-65	BFV44	GE-20	BFX74A	GE-67	BLY15	GE-19	BSV98	GE-82		
BF270	GE-60	BFS16G	GE-65	BFV45	GE-210	BFX77	GE-61	BLY15A	GE-66	BSW11	GE-20		
BF273	GE-39	BFS17	GE-86	BFV46	GE-20	BFX84	GE-32	BLY20	GE-28	BSW12	GE-210		
BF274	GE-39	BFS17R	GE-39	BFV47	GE-20	BFX85	GE-32	BLY21	GE-66	BSW19	GE-17		
BF287	GE-39	BFS18	GE-39	BFV49	GE-210	BFX86	GE-47	BLY27	GE-63	BSW19A	GE-65		
BF288	GE-60	BFS18CA	GE-39	BFV50	GE-20	BFX87	GE-21	BLY28	GE-63	BSW19VI	GE-65		
BF290	GE-39	BFS18R	GE-39	BFV51	GE-20	BFX88	GE-21	BLY33	GE-28	BSW20A	GE-65		
BF291	GE-210	BFS19	GE-39	BFV52	GE-47	BFX89	GE-86	BLY34	GE-28	BSW20VI	GE-65		

UNIVERSAL REPLACEMENT SEMICONDUCTORS

BSW21 - CD13336

JEDEC Or Part Nr	GE Replacement	JEDEC Or Part Nr	GE Replacement	JEDEC Or Part Nr	GE Replacement	JEDEC Or Part Nr	GE Replacement	JEDEC Or Part Nr	GE Replacement	JEDEC Or Part Nr	GE Replacement	JEDEC Or Part Nr	GE Replacement
BSW21	GE-21	BSX95	GE-216	BY104	GE-509	BZY88/C5V1	GEZD-5.1	C401	GE-21	CA3066	GEIC-22		
BSW21A	GE-21	BSX96	GE-216	BY105	GE-509	BZY88/C5V6	GEZD-5.6	C402	GE-21	CA3067	GEIC-23		
BSW23	GE-21	BSY10	GE-81	BY106	GE-504A	BZY88/C6V2	GEZD-6.2	C407	GE-27	CA3070	GEIC-4		
BSW24	GE-22	BSY11	GE-81	BY107	GE-504A	BZY88/C9V1	GEZD-9.1	C420	GE-47	CA3071	GEIC-6		
BSW26	GE-47	BSY17	GE-17	BY108	GE-509	BZY88/C9V5	GEZD-9.1	C424	GE-61	CA3072	GEIC-5		
BSW27	GE-47	BSY18	GE-17	BY109	GE-509	BZY88/C9V7	GEZD-5.1	C425	GE-18	CA3075	GEIC-15		
BSW28	GE-47	BSY19	GE-17	BY111	GE-504A	BZY92/C5V1	GEZD-5.1	C426	GE-47	CA3121	GEIC-33		
BSW29	GE-63	BSY20	GE-63	BY112	GE-504A	BZY92/C5V6	GEZD-5.6	C428	GE-47	CA6664	GE-504A		
BSW32	GE-18	BSY21	GE-20	BY113	GE-504A	BZY92/C15	GEZD-15	C441	GE-210	CA6665	GE-504A		
BSW33	GE-17	BSY22	GE-11	BY114	GE-504A	BZY92/C27	GEZD-27	C442	GE-62	CA7248	GE-504A		
BSW41	GE-210	BSY23	GE-63	BY115	GE-504A	BZY94/C12	GEZD-12	C444	GE-61	CA8314	GE-504A		
BSW42	GE-20	BSY24	GE-81	BY116	GE-504A	BZY94/C15	GEZD-15	C450	GE-60	CA85028A	GE-11		
BSW44	GE-21	BSY25	GE-81	BY117	GE-504A	BZY94C27	GEZD-27	C454	GE-20	CB1F4	GE-4		
BSW44A	GE-21	BSY26	GE-10	BY118	GE-509	C0C13000-1C	GE-63	C458	GE-20	CB10	GE-504A		
BSW49	GE-47	BSY27	GE-10	BY119	GE-509	C1A	GE-300	C460	GE-20	CB20	GE-504A		
BSW58	GE-20	BSY28	GE-20	BY121	GE-504A	C1B	GE-504A	C461	GE-17	CB50	GE-504A		
BSW-68	GE-32	BSY29	GE-20	BY122	GE-504A	C1D-02A	6GC1	C535	GE-20	CB100	GE-504A		
BSW70	GE-18	BSY34	GE-28	BY123	GE-504A	C1H	GE-504A	C536	GE-20	CB-103	GE-1		
BSW72	GE-21	BSY38	GE-20	BY124	GE-504A	C6	GE-65	C538E	GE-20	CB105	1N60		
BSW73	GE-48	BSY39	GE-20	BY125	GE-504A	C7	GE-65	C538F	GE-20	CB200	GE-504A		
BSW74	GE-67	BSY40	GE-22	BY126	GE-504A	C8	GE-65	C537	GE-20	CB250	GE-504A		
BSW75	GE-67	BSY41	GE-22	BY127	GE-504A	C-10	6GC1	C537F	GE-20	CB255	GE-504A		
BSW82	GE-20	BSY44	GE-47	BY128	GE-509	C10-1B	6GC1	C644F/494	GE-62	CB393	GE-300		
BSW83	GE-20	BSY45	GE-47	BY129	GE-509	C10-04C	6GC1	C644S/494	GE-62	CC102DA	GE-504A		
BSW84	GE-20	BSY46	GE-47	BY130	GE-504A	C10-13B	6GC1	C693E	GE-20	CC102PA	GE-509		
BSW85	GE-20	BSY48	GE-20	BY141	GE-504A	C10-15B	6GC1	C693G	GE-20	CC102RA	GE-509		
BSW88	GE-210	BSY49	GE-20	BY153	GE-504A	C10-15C	6GC1	C715	GE-20	CC1168F	GE-10		
BSW88A	GE-210	BSY51	GE-47	BY164	GE-504A	C10-16A	6GC1	C720	GE-20	CC52004B	GE-62		
BSW88B	GE-210	BSY52	GE-47	BY1001	GE-509	C10-18B	6GC1	C722	GE-17	CC5-2006D	GE-17		
BSW89	GE-210	BSY53	GE-20	BY1002	GE-509	C10-20A	GE-300	C742	GE-20	CC52008F015	GE-20		
BSW89A	GE-210	BSY54	GE-20	BY1101	GE-509	C10-31A	6GC1	C744	GE-63	CC59016D	GE-20		
BSW89B	GE-210	BSY55	GE-20	BY1102	GE-509	C10-38C	6GC1	C760	GE-17	CD-2	GE-504A		
BSX12	GE-63	BSY58	GE-28	BY1201	GE-509	C11S1C1E1C	GE-504A	C762	GE-20	CD-2N	GE-504A		
BSX12A	GE-47	BSY59	GE-48	BY1202	GE-509	C20A	GEMR-3 OR 4	C764	GE-27	CD-4	GE-504A		
BSX21	GE-18	BSY61	GE-210	BYX10	GE-509	C20B	GEMR-3 OR 4	C772R	GE-20	CD05	GE-504A		
BSX22	GE-18	BSY62	GE-210	BYX31	GE-504A	C20C	GEMR-3	C825	GE-20	CD-20	GE-300		
BSX24	GE-210	BSY62A	GE-210	BYX32	GE-504A	C20D	GEMR-3	C828R/494	GE-20	CD31-00002	GEZD-3.6		
BSX25	GE-61	BSY62B	GE-210	BYX33	GE-504A	C20F	GEMR-3 OR 4	C934	GE-504A	CD31-00006	GEZD-5.1		
BSX27	GE-17	BSY63	GE-20	BYX34	GE-504A	C20H	GEMR-3 OR 4	C960	GE-8	CD31-00007	GEZD-5.6		
BSX28	GE-17	BSY66	GE-18	BYX35	GE-509	C23U112B	GE-504A	C1001	GE-20	CD31-00008	GEZD-6.2		
BSX29	GE-21	BSY70	GE-61	BYX36	GE-509	C30A	GEMR-3	C1002	GE-212	CD31-00012	GEZD-9.1		
BSX30	GE-215	BSY72	GE-61	BYX37	GE-509	C30B	GEMR-3	C1003	GE-81	CD31-00015	GEZD-12		
BSX32	GE-X18	BSY73	GE-212	BYX89	GE-504A	C30C	GEMR-3	C1004	GE-61	CD31-00017	GEZD-15		
BSX33	GE-20	BSY74	GE-212	BZ3.6	GEZD-3.6	C30D	GEMR-3	C1383R/494	GE-63	CD31-00023	GEZD-27		
BSX35	GE-21	BSY75	GE-210	BZ5.1	GEZD-5.1	C30F	GEMR-3	C1390A	GE-20	CD31-12019	GEZD-9.1		
BSX36	GE-21	BSY76	GE-210	BZ5.6	GEZD-5.6	C30U	GEMR-3	C1417C	GE-61	CD31-12022	GEZD-12		
BSX38	GE-210	BSY77	GE-81	BZ6.2	GEZD-6.2	C35A	GEMR-3	C1437	GE-2	CD31-12024	GEZD-15		
BSX38A	GE-210	BSY78	GE-81	BZ-12	GEZD-12	C35B	GEMR-3	C1438	GE-2	CD31-12030	GEZD-27		
BSX38B	GE-210	BSY79	GE-18	BZ-071	GEZD-7.5	C35C	GEMR-3	C6001	GEIC-12	CD-37	GE-300		
BSX40	GE-48	BSY80	GE-10	BZ080	GE-X11	C35D	GEMR-3	C6057P	GEIC-5	CD48	GEZD-5.6		
BSX41	GE-48	BSY81	GE-63	BZ090	GEZD-9.1	C35F	GEMR-3	C6065P	GEIC-28	CD000	1N34AS		
BSX45	GE-28	BSY82	GE-63	BZ-094	GEZD-9.1	C35G	GEMR-3	C7076	GE-212	CD-0000	GE-300		
BSX45-6	GE-63	BSY83	GE-18	BZ100	GEZD-5.1	C35U	GEMR-3	C9080	GE-82	CD0000	GE-300		
BSX45-10	GE-63	BSY87	GE-18	BZ-110	GEZD-11	C36A	GEMR-3	C9081	GE-82	CD-0000N	1N60		
BSX45-16	GE-63	BSY88	GE-27	BZ120	GEZD-12	C36B	GEMR-3	C9082	GE-82	CD0014	GE-10		
BSX46	GE-28	BSY89	GE-212	BZ140	GEZD-15	C36C	GEMR-3	C9083	GE-82	CD-0014N	GE-300		
BSX46-6	GE-63	BSY90	GE-47	BZ162	GEZD-15	C36D	GEMR-3	C9084	GE-82	CD0014NA	GE-20		
BSX46-10	GE-63	BSY91	GE-47	BZ-210	GEZD-20	C36F	GEMR-3	C9085	GE-82	CD0021	GE-18		
BSX46-16	GE-63	BSY92	GE-47	BZ/88/C4V7	GEZD-5.1	C36G	GEMR-3	C10110	GE-504A	CD-0033	GEZD-6.2		
BSX48	GE-28	BSY93	GE-62	BZX10	GEZD-6.2	C36U	GEMR-3	C10159	GE-504A	CD-0071	GE-90		
BSX49	GE-28	BSY95	GE-10	BZX14	GEZD-9.1	C37A	GEMR-3	C10176	GE-504A	CD1111	GE-504A		
BSX51	GE-20	BSY95A	GE-10	BZX17	GEZD-12	C37B	GEMR-3	C10227	GE-2	CD1112	GE-504A		
BSX53	GE-214	BSY165	GE-20	BZX19	GEZD-15	C37C	GEMR-3	C10230-3	GE-2	CD1113	GE-504A		
BSX54	GE-214	BSY168	GE-17	BZX25	GEZD-27	C37D	GEMR-3	C10279-1	GE-20	CD1114	GE-504A		
BSX59	GE-X18	BT929	GE-39	BZX29C5V1	GEZD-5.1	C37F	GEMR-3	C10279-3	GE-20	CD1115	GE-504A		
BSX60	GE-18	BT930	GE-39	BZX29C5V6	GEZD-5.6	C37G	GEMR-3	C11021	GE-2	CD1116	GE-504A		
BSX61	GE-18	BTM50	GE-504A	BZY18	GEZD-12	C37U	GEMR-3	C13901	GE-20	CD1122	GE-504A		
BSX62	GE-28	BTX-2367B	GE-10	BZY19	GEZD-15	C39-207	GE-20	C21382	GE-504A	CD1123	GE-504A		
BSX66	GE-210	BU029	GE-504A	BZY57	GEZD-5.1	C60	1N60	C21383	GEZD-9.1	CD1126	GE-504A		
BSX67	GE-210	BU105	GE-38	BZY58	GEZD-5.6	C64	GE-17	C21480	1N60	CD1127	GE-504A		
BSX68	GE-212	BU108	GE-38	BZY59	GEZD-7.5	C73	GE-2	C36577	GE-21	CD1141	GE-504A		
BSX69	GE-212	BU109	GE-38	BZY63	GEZD-9.1	C75	GE-2	C36578	GE-20	CD1142	GE-504A		
BSX70	GE-20	BU115	GE-38	BZY65	GEZD-5.1	C76	GE-2	C36579	GE-63	CD1143	GE-504A		
BSX71	GE-20	BUY10	GE-19	BZY69	GEZD-12	C83-829	GE-504A	C36580	GE-20	CD1147	GE-504A		
BSX72	GE-47	BUY11	GE-19	BZY83/C5V1	GEZD-5.1	C83-880	GE-504A	C248507	GE-504A	CD1148	GE-504A		
BSX75	GE-17	BUY24	GE-66	BZY83/C5V6	GEZD-5.6	C101	GE-21	C523383	GE-17	CD1149	GE-504A		
BSX76	GE-10	BUY43	GE-66	BZY83/C10	GEZD-10-4	C102	GE-21	C1107832P6	6GX1	CD1151	GE-504A		
BSX77	GE-210	BUY46	GE-66	BZY83/C15	GEZD-15	C103	GE-21	C1107832P7	6GC1	CD3122	GEZD-5.1		
BSX78	GE-17	BUY69B	GE-36	BZY83C16	GEZD-15	C106	GE-65	C1107832P9	6GC1	CD4116	GEZD-12		
BSX79	GE-10	BUY69C	GE-35	BZY83/D5V6	GEZD-5.6	C106A	GEMR-5	CA10	GE-504A	CD4117	GEZD-12		
BSX79A	GE-210	BWS66	GE-32	BZY83/D10	GEZD-10-4	C106B	GEMR-5	CA20	GE-504A	CD4118	GEZD-12		
BSX79B	GE-210	BWS67	GE-32	BZY83/D15	GEZD-15	C106F	GEMR-5	CA50	GE-504A	CD4121	GEZD-12		
BSX81	GE-210	BX090	GEZD-9.1	BZY85/C3V6	GEZD-3.6	C106Y	GEMR-5	CA-90	1N60	CD4122	GEZD-12		
BSX81A	GE-210	BX-324	GE-53	BZY85/C5V1	GEZD-5.1	C111B	GE-17						

UNIVERSAL REPLACEMENT SEMICONDUCTORS

CD13337 - CS-6168G

JEDEC Or Part Nr	GE Replacement	JEDEC Or Part Nr	GE Replacement	JEDEC Or Part Nr	GE Replacement	JEDEC Or Part Nr	GE Replacement	JEDEC Or Part Nr	GE Replacement	JEDEC Or Part Nr	GE Replacement	JEDEC Or Part Nr	GE Replacement
CD13337	GE-504A	CDT1350A	GE-3	CJ5210	GE-83	CK942	GE-65	CS1166D-G	GE-10	CS1351	GE-60	CS1351	GE-60
CD13338	GE-504A	CE502	GE-504A	CJ5211	GE-20	CL2	GE-504A	CS1166E	GE-63	CS1352	GE-63	CS1352	GE-63
CD13339	GE-504A	CE508	GE-509	CJ5212	GE-20	CL3	GE-504A	CS1166F	GE-18	CS1352	GE-63	CS1352	GE-63
CD-84857	GE-300	CE0360/7839	GE-2	CJ5213	GE-18	CL7	GE-509	CS1166G	GE-18	CS1354	GE-22	CS1354	GE-22
CD86003	GE-300	CE0361/7839	GE-2	CJ5214	GE-18	CL8	GE-509	CS1166H	GE-18	CS-1359	GE-17	CS-1359	GE-17
CD860011	GE-300	CE0362/7839	GE-2	CJ5215	GE-20	CM2550	GE-16	CS1166I	GE-20	CS1360	GE-17	CS1360	GE-17
CD860037	GE-300	CE0363/7839	GE-53	CK13	GE-2	CM7163	GE-10	CS1166J	GE-20	CS-1361E	GE-20	CS-1361E	GE-20
CD3112018	GE-X11	CE0378/7839	GE-90	CK13A	GE-1	CM8470	GE-504A	CS1166K	GE-20	CS-1361F	GE-20	CS-1361F	GE-20
CD3212055	GEZD-9.1	CE0398/7839	GE-504A	CK14	GE-1	CM8640E	GE-2	CS1166L	GE-20	CS-1361G	GE-10	CS-1361G	GE-10
CDC430	GE-20	CE0495/7839	1N60	CK14A	GE-1	CMO770	GE-20	CS1170F	GE-21	CS1362	GE-18	CS1362	GE-18
CDC496	GE-21	CE4001B	GE-20	CK16	GE-1	CN2484	GE-17	CS1221F	GE-21	CS1363	GE-63	CS1363	GE-63
CDC731	GE-FET-1	CE4003E	GE-20	CK16A	GE-1	CO49	GE-504A	CS1225D	GE-17	CS1368C	GE-10	CS1368C	GE-10
CDC2010	GE-20	CE4004C	GE-20	CK17	GE-1	COG13000-1C	GE-63	CS1225E	GE-20	CS1369	GE-21	CS1369	GE-21
CDC2010D	GE-20	CE4008B	GE-20	CK17A	GE-1	COD1-8045	GE-504A	CS1225F	GE-11	CS1370	GE-17	CS1370	GE-17
CDC2510C-G	GE-20	CE4008C	GE-20	CK22	GE-53	COD1-8046	GE-504A	CS1226	GE-20	CS1371	GE-17	CS1371	GE-17
CDC8000	GE-17	CEC8050	GE-504A	CK22A	GE-53	COD1-8047	GE-504A	CS1226E	GE-20	CS-1372	GE-17	CS-1372	GE-17
CDC-8000-1	GE-17	CER67	GE-504A	CK22B	GE-53	COD1-8048	GE-504A	CS1226F	GE-20	CS1383	GE-17	CS1383	GE-17
CDC8000-1B	GE-17	CER67A	GE-504A	CK22C	GE-53	COD1531	GE-504A	CS1226G	GE-20	CS-1386E	GE-20	CS-1386E	GE-20
CDC8000-1C	GE-63	CER67B	GE-504A	CK25	GE-1	COD1532	GE-504A	CS1226N	GE-20	CS-1386H	GE-20	CS-1386H	GE-20
CDC8002	GE-18	CER66	GE-504A	CK25A	GE-1	COD1533	GE-504A	CS1227D	GE-20	CS1453E	GE-63	CS1453E	GE-63
CDC8011B	GE-20	CER66A	GE-504A	CK26	GE-1	COD1536	GE-504A	CS1227E	GE-20	CS1453G	GE-63	CS1453G	GE-63
CDC8021	GE-10	CER68	GE-504A	CK26A	GE-2	COD1537	GE-509	CS1227F	GE-20	CS1555	GE-10	CS1555	GE-10
CDC8201	GE-22	CER68A	GE-504A	CK27	GE-1	COD1538	GE-509	CS1227G	GE-11	CS1585	GE-10	CS1585	GE-10
CDC-9000-1B	GE-22	CER68A	GE-504A	CK27A	GE-2	COD1551	GE-504A	CS1228	GE-21	CS1585E/F	GE-10	CS1585E/F	GE-10
CDC9000-1C	GE-67	CER70	GE-504A	CK28	GE-51	COD1553	GE-504A	CS1228E	GE-21	CS1585G	GE-10	CS1585G	GE-10
CDC10000-1E	GE-22	CER70A	GE-504A	CK28A	GE-1	COD1575	GE-504A	CS1229	GE-20	CS1585H	GE-20	CS1585H	GE-20
CDC12077F	GE-20	CER70C	GE-504A	CK64	GE-2	COD1611	GE-504A	CS1229A	GE-20	CS1609F	GE-63	CS1609F	GE-63
CDC12108	GE-20	CER71	GE-504A	CK64A	GE-2	COD1612	GE-504A	CS1229B	GE-20	CS1661	GE-20	CS1661	GE-20
CDC-13000-1	GE-17	CER71A	GE-504A	CK64B	GE-2	COD1613	GE-504A	CS1229C	GE-20	CS1664	GE-63	CS1664	GE-63
CDC13000-1C	GE-18	CER71B	GE-504A	CK64C	GE-2	COD1616	GE-504A	CS1229D	GE-20	CS1665	GE-18	CS1665	GE-18
CDC13000-18	GE-20	CER71C	GE-504A	CK65	GE-2	COD1618	GE-509	CS1229E	GE-18	CS1834	GE-20	CS1834	GE-20
CDC13016A	GE-20	CER72	GE-509	CK85A	GE-2	CP102	GE-509	CS1229F	GE-18	CS-2004C	GE-20	CS-2004C	GE-20
CDC13019B	GE-20	CER72A	GE-509	CK85B	GE-2	COD15524	GE-504A	CS1229G	GE-63	CS2004D	GE-20	CS2004D	GE-20
CDC25100-6	GE-20	CER72B	GE-509	CK85C	GE-2	COD15534	GE-504A	CS1229H	GE-20	CS2005	GE-21	CS2005	GE-21
CDG00	GE-300	CER72C	GE-509	CK66	GE-53	COD15544	GE-504A	CS1229N	GE-18	CS-2005B	GE-21	CS-2005B	GE-21
CDG-21	GE-300	CER72D	GE-509	CK66A	GE-53	COD15564	GE-504A	CS1235C	GE-10	CS2005B	GE-21	CS2005B	GE-21
CDG22	GE-300	CER72F	GE-509	CK66B	GE-53	CP102	GE-509	CS1235E	GE-20	CS-2005C	GE-21	CS-2005C	GE-21
CDG24	GE-300	CER73	GE-509	CK66C	GE-2	CP102PA	GE-509	CS1235G	GE-20	CS-2005C	GE-21	CS-2005C	GE-21
CDG27	GE-300	CER73B	GE-509	CK67	GE-53	CP102RA	GE-509	CS1238D	GE-20	CS-2007G	GE-21	CS-2007G	GE-21
CDJ-00	GE-300	CER73C	GE-509	CK67A	GE-2	CP103	GE-509	CS1237	GE-21	CS2007G	GE-20	CS2007G	GE-20
CDK-4	GE-504A	CER73D	GE-509	CK67B	GE-2	CP152VA	GE-509	CS1238	GE-11	CS-2007H	GE-20	CS-2007H	GE-20
CDQ1018	GE-20	CER73F	GE-509	CK67C	GE-2	CP400	GE-19	CS1238F	GE-63	CS-2007H	GE-20	CS-2007H	GE-20
CDQ1021	GE-20	CER680	GE-504A	CK131	1N62A	CP401	GE-19	CS1238G	GE-20	CS-2008F	GE-20	CS-2008F	GE-20
CDQ1024	GE-20	CER680A	GE-504A	CK261	GE-52	CP404	GE-19	CS1238H	GE-20	CS-2008F	GE-20	CS-2008F	GE-20
CDQ10001	GE-17	CER680B	GE-504A	CK262	GE-2	CP405	GE-19	CS1238I	GE-20	CS2008G	GE-20	CS2008G	GE-20
CDQ10002	GE-17	CER690	GE-504A	CK398	GE-27	CP406	GE-19	CS1238P	GE-20	CS-2142	GE-67	CS-2142	GE-67
CDQ10003	GE-17	CER700	GE-504A	CK419	GE-61	CP407	GE-19	CS1243E	GE-18	CS-2142	GE-67	CS-2142	GE-67
CDQ10004	GE-17	CER700A	GE-504A	CK420	GE-212	CP408	GE-19	CS1243H	GE-20	CS-2143	GE-63	CS-2143	GE-63
CDQ10005	GE-17	CER700C	GE-504A	CK421	GE-212	CP409	GE-63	CS1244J	GE-18	CS-2143	GE-63	CS-2143	GE-63
CDQ10006	GE-17	CER710	GE-504A	CK422	GE-212	CP3120E	GEIC-13	CS1244X	GE-17	CS2711	GE-17	CS2711	GE-17
CDQ10008	GE-17	CER710A	GE-504A	CK474	GE-61	CQT940A	GE-16	CS1245F	GE-20	CS2712	GE-17	CS2712	GE-17
CDQ10009	GE-17	CER710B	GE-504A	CK475	GE-61	CQT940B	GE-76	CS1245G	GE-20	CS2713	GE-17	CS2713	GE-17
CDQ10010	GE-17	CER710C	GE-504A	CK476	GE-61	CQT940BA	GE-76	CS1245H	GE-20	CS2714	GE-17	CS2714	GE-17
CDQ10011	GE-63	CER720	GE-509	CK477	GE-61	CQT1075	GE-16	CS1245I	GE-10	CS2715	GE-17	CS2715	GE-17
CDQ10012	GE-63	CER720A	GE-509	CK705	1N34AS	CQT1076	GE-16	CS1245T	GE-16	CS2716	GE-17	CS2716	GE-17
CDQ10014	GE-63	CER720B	GE-509	CK706	1N60	CQT1077	GE-16	CS1248I	GE-18	CS2923	GE-17	CS2923	GE-17
CDQ10016	GE-11	CER720C	GE-509	CK-706	1N60	CQT1110	GE-76	CS1250E	GE-18	CS2924	GE-17	CS2924	GE-17
CDQ10017	GE-11	CER730	GE-509	CK706A	1N295	CQT1110A	GE-76	CS1250F	GE-18	CS2941	GE-21	CS2941	GE-21
CDQ10018	GE-17	CER730B	GE-509	CK706-P	1N60, 1N295	CQT1111	GE-76	CS1251E	GE-21	CS-3001B	GE-20	CS-3001B	GE-20
CDQ10019	GE-11	CER730C	GE-509	CK710	1N62A	CQT1111A	GE-76	CS1251F	GE-21	CS3001B	GE-20	CS3001B	GE-20
CDQ10020	GE-11	CF3	GE-90	CK715	1N34AS	CQT1112	GE-76	CS1252B	GE-17	CS3393	GE-17	CS3393	GE-17
CDQ10021	GE-17	CF102DA	GE-504A	CK721	GE-2	CR/E	GE-504A	CS1252C	GE-17	CS3394	GE-17	CS3394	GE-17
CDQ10022	GE-11	CF102PA	GE-509	CK722	GE-2	CR956	GEZD-12	CS1255H	GE-18	CS3396	GE-17	CS3396	GE-17
CDQ10023	GE-11	CF102RA	GE-509	CK725	GE-53	CR0000	1N60	CS1255HF	GE-63	CS3397	GE-17	CS3397	GE-17
CDQ10024	GE-17	CG12-E	1N60	CK727	GE-50	CR5000	GE-305	CS1255M	GE-63	CS3398	GE-17	CS3398	GE-17
CDQ10026	GE-11	CHA4Z3.6	GEZD-3.6	CK731	1N62A	CR32077-1	GE-42	CS1256HG	GE-21	CS3805	GE-17	CS3805	GE-17
CDQ10027	GE-17	CHA4Z5.1	GEZD-5.1	CK751	GE-53	CR32077R	GE-42	CS-1258	GE-20	CS3606	GE-17	CS3606	GE-17
CDQ10032	GE-11	CHA4Z5.6	GEZD-5.6	CK754	GE-1	CRT1544	GE-76	CS-1259	GE-20	CS3607	GE-17	CS3607	GE-17
CDQ10033	GE-63	CHAZ6.2	GEZD-6.2	CK759	GE-52	CRT1545	GE-76	CS1283A	GE-18	CS3707	GE-17	CS3707	GE-17
CDQ10035	GE-11	CHAZ82.A	GEZD-8.2	CK759A	GE-52	CRT1552	GE-76	CS1286	GE-20	CS3708	GE-17	CS3708	GE-17
CDQ10036	GE-11	CHMZ3.6	GEZD-3.6	CK760	GE-1	CRT1553	GE-16	CS1288	GE-20	CS3709	GE-17	CS3709	GE-17
CDQ10037	GE-63	CHMZ5.1	GEZD-5.1	CK760A	GE-52	CRT1602	GE-16	CS1289	GE-20	CS3710	GE-17	CS3710	GE-17
CDQ10044	GE-63	CHMZ5.6	GEZD-5.6	CK761	GE-1	CRT3602A	GE-16	CS1293	GE-11	CS3711	GE-17	CS3711	GE-17
CDQ10045	GE-63	CHZ10	GEZD-10.4	CK762	GE-1	CS16E	GE-504A	CS1294E	GE-21	CS3843	GE-17	CS3843	GE-17
CDQ10046	GE-63	CHZ210A	GEZD-10.4	CK766	GE-52	CS-460B	GE-20	CS1294H	GE-21	CS3844	GE-17	CS3844	GE-17
CDQ10047	GE-63	CIL511	GE-17	CK766A	GE-52	CS-461B	GE-20	CS1295E	GE-20	CS3845	GE-17	CS3845	GE-17

UNIVERSAL REPLACEMENT SEMICONDUCTORS

CS6168G - DD003

JEDEC Or Part Nr	GE Replacement	JEDEC Or Part Nr	GE Replacement	JEDEC Or Part Nr	GE Replacement	JEDEC Or Part Nr	GE Replacement	JEDEC Or Part Nr	GE Replacement	JEDEC Or Part Nr	GE Replacement	JEDEC Or Part Nr	GE Replacement
CS6168G	GE-63	CT1122	GE-16	D1C	6GC1	D24A3393	GE-212	D29FA	GE-65	D45C		GE-504A	
CS-6168H	GE-10	CT1124	GE-16	D1D	GE-504A	D24A3394	GE-212	D29F5	GE-62	D45C1		GE-69	
CS6225E	GE-17	CT1124A	GE-16	D1E	GE-504A	D24A3900	GE-212	D29F6	GE-82	D45C2		GE-69	
CS6225F	GE-20	CT1124B	GE-16	D1F	GE-511	D24A3900A	GE-212	D29F7	GE-82	D45C3		GE-69	
CS-6225G	GE-20	CT1300	GE-17	D1G	GEZD-9.1	D25	GE-504A	D30	GE-504A	D45C4		GE-69	
CS-6227E	GE-20	CT1500	GE-17	D1H	GE-504A	D25A	GE-504A	D30A1	GE-65	D45C5		GE-69	
CS6227F	GE-20	CT-2002	1N60	D1J	GE-504A	D25B	GE-504A	D30A2	GE-65	D45C6		GE-69	
CS-6227G	GE-20	CT-2005	1N60	D1J70542	1N60	D25C	GE-504A	D30A3	GE-65	D45C7		GE-69	
CS-6228G	GE-67	CT2006	GE-90	D1J70543	1N60	D26B1	GE-60	D30A4	GE-65	D45C8		GE-69	
CS7228G	GE-67	CT2007	1N60	D1J70544	GE-504A	D26B2	GE-60	D30A5	GE-65	D45C9		GE-69	
CS7229F	GE-63	CT2008	1N60	D1J70545	GE-300	D26C1	GE-60	D32K1	GE-17	D45H1		GE-56	
CS7229G	GE-20	CT-2017	GE-90	D1K	GE-504A	D26C2	GE-60	D32K2	GE-17	D45H2		GE-56	
CS9001	GE-20	CT-3003	GE-504A	D1L	GE-504A	D26C3	GE-39	D32P1	GE-62	D45H4		GE-56	
CS9011	GE-20	CT-3005	GE-504A	D1M	GEZD-7.5	D26C4	GE-212	D32P2	GE-62	D45H5		GE-56	
CS9011(GH)	GE-20	CTN200	GE-504A	D1S	GEZD-12	D26C5	GE-212	D32P3	GE-62	D45H7		GE-56	
CS9011(EF)	GE-20	CTP-461	1N295	D1T	GEZD-15	D26E-1	GE-212	D32P4	GE-62	D45H8		GE-56	
CS9011D	GE-20	CTP1104	GE-16	D1U	GEZD-7.5	D26E-2	GE-214	D33D21	GE-20	D45H10		GE-56	
CS9011F	GE-20	CTP1108	GE-16	D1W	GEZD-27	D26E-3	GE-214	D33D21J1	GE-47	D63		GE-8	
CS-9011G	GE-20	CTP1109	GE-16	D1Z	GEZD-15	D26E-4	GE-39	D33D22	GE-47	D65		GE-51	
CS9011H	GE-20	CTP1111	GE-25	D2H	GE-504A	D26E-5	GE-212	D33D22J1	GE-47	D65C		GE-504A	
CS9011I	GE-20	CTP1117	GE-25	D2J	GE-504A	D26E-6	GE-214	D33D22J2	GE-47	D66		GE-51	
CS9011N	GE-20	CTP1124	GE-16	D2R31	1N60	D26E-7	GE-212	D33D24	GE-20	D85C		GE-509	
CS9012	GE-21	CTP1133	GE-25	D2Y	GE-300	D26G-1	GE-60	D33D24J1	GE-47	D88		GE-509	
CS9012E-F	GE-67	CTP1135	GE-25	D3A	GE-300	D27C1	GE-28	D33D25	GE-20	D004		GE-504A	
CS9012H	GE-21	CTP1136	GE-25	D3F	GEZD-9.1	D27C2	GE-28	D33D25J1	GE-47	D008		GE-52	
CS9012HF	GE-21	CTP1137	GE-16	D3G	6GX1	D27C3	GE-28	D33D26	GE-47	D010		1N60	
CS9012HG	GE-21	CTP1500	GE-3	D3H	GEZD-6.2	D27C4	GE-28	D33D26J1	GE-47	D019		GE-2	
CS9012HH	GE-21	CTP1503	GE-76	D3V	GE-504A	D27D1	GE-29	D33D28	GE-63	D031		GE-20	
CS-9013	GE-20	CTP1504	GE-76	D4	6GC1	D27D2	GE-29	D33D28J1	GE-63	D038		GE-2	
CS9013B	GE-63	CTP1508	GE-76	D4-2	GE-90	D27D3	GE-29	D33D29	GE-63	D043		GE-2	
CS9013E-F	GE-18	CTP1509	GE-4	D4C28	GE-20	D27D4	GE-29	D33D29J1	GE-63	D048		GE-20	
CS9013F	GE-20	CTP1511	GE-16	D4C29	GE-20	D28	GE-504A	D33D30J1	GE-63	D053		GE-62	
CS9013H	GE-63	CTP1512	GE-4	D4C30	GE-20	D28A1	GE-28	D33E01J1	GE-48	D063		GE-51	
CS9013HE	GE-20	CTP1513	GE-16	D4C31	GE-20	D28A2	GE-28	D33E02J1	GE-48	D078		GE-2	
CS9013HF	GE-20	CTP1514	GE-16	D4D24	GE-17	D28A3	GE-28	D40C3	GE-23	D079		GE-51	
CS9013HG	GE-20	CTP1544	GE-76	D4D25	GE-17	D28A4	GE-28	D40D1	GE-X18	D080		GE-16	
CS9013HH	GE-20	CTP1545	GE-76	D4D26	GE-17	D28A5	GE-63	D40D2	GE-X18	D081		GE-3	
CS-9014	GE-20	CTP1550	GE-16	D4H	GEZD-33	D28A6	GE-88	D40D3	GE-28	D083		GE-8	
CS9014A	GE-20	CTP1551	GE-16	D4R	1N34AS	D28A7	GE-28	D40D4	GE-X18	D085		GE-8	
CS9014D	GE-62	CTP1552	GE-76	D4R26	GE-504A	D28A9	GE-28	D40D5	GE-X18	D086		GE-51	
CS9015	GE-21	CTP1553	GE-16	D5	6GD1	D28A10	GE-28	D40D7	GE-28	D087		GE-11	
CS9015C	GE-21	CTP1728	GE-16	D5B	GEZD-15	D28A12	GE-63	D40D8	GE-28	D088		GE-11	
CS9015C2	GE-21	CTP1729	GE-16	D5G	GE-504A	D28A13	GE-88	D40N1	GE-27	D100		GE-504A	
CS9015D	GE-21	CTP1730	GE-16	D5H	GE-504A	D28D1	GE-63	D40N2	GE-27	D105B		GE-2	
CS-9016	GE-11	CTP1731	GE-16	D5V	GE-300	D28D2	GE-63	D40N3	GE-27	D105C		GE-509	
CS9016	GE-20	CTP1732	GE-16	D5W	GEZD-6.2	D28D3	GE-28	D40N4	GE-27	D108		GE-509	
CS-9016D	GE-17	CTP1733	GE-16	D6	GE-39	D28D4	GE-63	D40N5	GE-27	D124B		GE-504A	
CS9016E	GE-20	CTP1735	GE-16	D6.2	GEZD-6.2	D28D5	GE-63	D41D1	GE-29	D133		GE-17	
CS9016F	GE-11	CTP1736	GE-16	D6M	GE-X11	D28D7	GE-28	D41D2	GE-29	D135		GE-2	
CS9016G	GE-20	CTP1739	GE-16	D7	GE-210	D28D8	GE-28	D41D4	GE-29	D176		GEZD-9.1	
CS9016H	GE-20	CTP1740	GE-16	D7A30	GE-63	D28D07	GE-63	D41D5	GE-29	D191		GE-504A	
CS9017F	GE-20	CTP-2006-1004	1N34AS	D7A31	GE-63	D28E	GE-27	D41D7	GE-29	D286		1N60	
CS9017G	GE-20	CTP3500	GE-16	D7A32	GE-63	D29A4	GE-210	D41D8	GE-29	D292		GE-20	
CS9017H	GE-20	CTP3503	GE-76	D7L	GE-X11	D29A5	GE-210	D42C1	GE-28	D300		GE-504A	
CS9018	GE-11	CTP3504	GE-16	D7N	GE-90	D29A7	GE-210	D42C2	GE-28	D400		GE-504A	
CS9018D	GE-11	CTP3508	GE-16	D7Z	GE-300	D29A8	GE-210	D42C3	GE-28	D600		GE-504A	
CS9018E	GE-17	CTP3544	GE-16	D8HZ	GE-509	D29A10	GE-81	D42C4	GE-28	D800		GE-509	
CS9018F	GE-17	CTP3545	GE-16	D8L	GE-511	D29A11	GE-81	D42C5	GE-28	D818		GE-305	
CS9018G	GE-20	CTP3552	GE-16	D8M	GE-511	D29E1	GE-48	D42C6	GE-28	D975		1N82A	
CS9021G-I	GE-17	CTP3553	GE-16	D-05	GE-504A	D29E1J1	GE-48	D42C7	GE-28	D1000		GE-509	
CS9101B	GE-20	CV442	1N60,1N295	D10G1051	GE-17	D29E2	GE-48	D42C8	GE-28	D1101		GE-FET-1	
CS9102B	GE-67	CVJ70853	GE-90	D10G1052	GE-17	D29E2J1	GE-48	D43C1	GE-28	D1102		GE-FET-1	
CS9103B	GE-63	CX-0036	1N60	D11C1B1	GE-17	D29E4	GE-48	D43C2	GE-29	D1177		GE-FET-1	
CS9103C	GE-83	CX-0037	GE-504A	D11C1F1	GE-17	D29E4J1	GE-48	D43C3	GE-29	D1178		GE-FET-1	
CS9104	GE-62	CX-0039	GE-504A	D11C2D1B20	GE-17	D29E5	GE-48	D43C4	GE-29	D1180		GE-FET-1	
CS9123C1	GE-21	CX-0040	GE-504A	D11C3B1	GE-63	D29E5J1	GE-48	D43C5	GE-29	D1181		GE-FET-1	
CS9124B1	GE-20	CX-0041	1N60	D11C3F1	GE-63	D29E6	GE-48	D43C6	GE-29	D1420		GE-FET-1	
CS9124-C2	GE-20	CX-0042	1N60	D11C5B1	GE-17	D29E6J1	GE-48	D43C7	GE-29	D1421		GE-FET-1	
CS-9125B	GE-17	CX-0045	1N60	D11C5F1	GE-17	D29E7	GE-48	D43C8	GE-29	D1445		GE-504A	
CS9126	GE-20	CX-0048	GE-504A	D11C10B1	GE-12	D29E7J1	GE-48	D44C1	GE-66	D3436		GE-504A	
CS9128C1	GE-21	CX-0049	GEZD-20	D11C10F1	GE-12	D29E8	GE-67	D44C2	GE-66	D3530		1N82A	
CS9129(B)	GE-21	CX-0052	GEZD-12	D11C11B1	GE-12	D29E8J1	GE-67	D44C3	GE-66	D6462		GE-504A	
CS9129-B1	GE-21	CX-0054	GE-504A	D11C11F1	GE-12	D29E9	GE-67	D44C4	GE-66	D8410		1N295	
CS9129B2	GE-21	CX-9000	GE-42	D11C203B20	GE-63	D29E9J1	GE-67	D44C5	GE-66	D-00184R		GE-300	
CS9417	GE-63	CX9000	GE-42	D11C205B20	GE-17	D29E01	GE-48	D44C6	GE-66	D-00269C		1N34AS	
CS13401	GE-10	CX-9000	GE-42	D11C210B20	GE-12	D29E02	GE-48	D44C7	GE-66	D-00284R		1N60	
CS90111	GE-20	CX-9001	GE-504A	D11C211B20	GE-12	D29E02J1	GE-48	D44C8	GE-66	D-00469C		GEZD-6.2	
CS068	GE-90	CY1	GE-42	D13T1	GE-X17	D29E04	GE-48	D44C9	GE-66	D-00484R		GEZD-12	
CST1739	GE-18	CY2	GE-41	D14	GE-504A	D29E04J1	GE-48	D44C88	GE-48	D-00589C		GEZD-9.1	
CST1740	GE-18	CY80	GE-509	D16EC18	GE-63	D29E05	GE-48	D44H1	GE-48	D-00669C		1N34AS	
CST1741	GE-18	CY100	GE-509	D18G6	GE-11	D29E05J1	GE-48	D44H2	GE-55	D21489		GE-504A	
CST1742	GE-18	C2092	GEZD-9.1	D18K4	GE-60	D29E06	GE-48	D44H3	GE-55	DA950		1N34AS	
CST1743	GE-18	CZD010	GEZD-10.4	D18P1	GE-64	D29E06J1	GE-48	D44H4	GE-55	DA955		GE-509	
CST1744	GE-18	CZD012.5	GEZD-12	D18P2	GE-64	D29E08	GE-67	D44H5	GE-55	DA205		GE-300	
CST1745	GE-16	CZ											

UNIVERSAL REPLACEMENT SEMICONDUCTORS

DD006 - EA16X11

JEDEC Or Part Nr	GE Replacement	JEDEC Or Part Nr	GE Replacement	JEDEC Or Part Nr	GE Replacement	JEDEC Or Part Nr	GE Replacement	JEDEC Or Part Nr	GE Replacement	JEDEC Or Part Nr	GE Replacement	JEDEC Or Part Nr	GE Replacement
DD006	GE-504A	DR863	GE-504A	DS71	GE-11	DTG400M	GE-76	E158	GE-2	EA15X20	GE-20		
DD007	GE-504A	DR900	GE-509	DS72	GE-11	DTG600	GE-76	E214B	GE-2	EA15X20	GE-20		
DD056	GE-504A	DR1000	GE-509	DS73	GE-17	DTG601	GE-76	E241	GE-2	EA15X22	GE-20		
DD058	GE-509	DRS1	GE-504A	DS74	GE-86	DTG602	GE-76	E241A	GE-2	EA15X23	GE-20		
DD268	GE-509	DRS2	GE-509	DS75	GE-20	DTG603	GE-76	E300	GE-FET-2	EA15X24	GE-20		
DD2068	GE-509	DRS101	GE-504A	DS78	GE-210	DTG603M	GE-76	E300L	GE-504A	EA15X25	GE-52		
DDE-201	GE-504A	DRS102	GE-504A	DS77	GE-20	DTG1010	GE-25	E650L	GE-504A	EA15X26	GE-16		
DE-201	GE-504A	DRS104	GE-504A	DS78	GE-11	DTG1011	GE-18	E660	6GC1	EA15X27	GE-50		
DG1N	GE-504A	DRS106	GE-504A	DS-79	GE-504A	DTG1040	GE-18	E0018	1N34AS	EA15X28	GE-51		
DG1NR	GE-504A	DRS107	GE-509	DS81	GE-39	DTG1110	GE-25	E0105	GE-2	EA15X29	GE-51		
DG1PR	GE-504A	DRS108	GE-509	DS-82	GE-22	DTG1200	GE-76	E0704-W	GE-504A	EA15X30	GE-50		
DGM-3	1N34AS	DS1	GE-8	DS83	GE-82	DTG2000	GE-76	E0788-C	GE-504A	EA15X31	GE-8		
DH4R2	GE-504A	DS-1.5-2	GE-512	DS-85	GE-17	DTG2000H	GE-76	E1018N	GE-504A	EA15X33	GE-16		
DH-001	GE-504A	DS1K	GE-504A	DS-86	GE-21	DTG2100	GE-76	E1042	GE-504	EA15X35	GE-16		
DHD800	GE-300	DS-1K	GE-504A	DS-88	GE-FET-2	DTG2100A	GE-76	E1176R	GE-300	EA15X36	GE-52		
DHD805	GE-504A	DS1M	GE-504A	DS89	GE-504A	DTG2200	GE-76	E1410	GE-504A	EA15X37	GE-20		
DHD806	GE-504A	DS1N	GE-504A	DS-97	GE-300	DTG2300	GE-37	E1411	GE-504A	EA15X38	GE-16		
DHD8001	GE-300	DS1P	GE-504A	DS99	GEZD-9.1	DTG2400	GE-35	E1412	GE-504A	EA15X40	GE-51		
D17	GE-504A	DS-1U	GE-504A	DS104	GE-300	DTG2500	GE-35	E1413	GE-504A	EA15X41	GE-50		
D142S	GE-504A	DS2	GE-8	DS113B	GE-511	DTG2600	GE-35	E1440	GE-504A	EA15X43	GE-50		
D146	GE-504A	DS2K	GE-504A	DS-117	GE-300	DTG2700	GE-73	E1852	GEZD-12	EA15X44	GE-20		
D152S	GE-504A	DS-2M	GE-511	DS-130	GE-504A	DTG2800	GE-73	E2427	GE-8	EA15X45	GE-20		
D156	GE-504A	DS-2N	GE-504A	DS130E	GE-504A	DTG2900	GE-73	E2428	GE-8	EA15X48	GE-11		
D172S	GE-504A	DS2N	GE-504A	DS130YC	GE-504A	DTG3000	GE-72	E2429	GE-8	EA15X49	GE-11		
D184S	GE-504A	DS3	GE-52	DS-131A	GE-504A	DTG3100	GE-73	E2430	GE-20	EA15X50	GE-11		
D1646	GE-504A	DS4	GE-8	DS149	GEZD-9.1	DTG3200	GE-73	E2431	GE-20	EA15X51	GE-20		
D1850	GE-509	DS5	GE-7	DS-149	GE-X11	DTG3300	GE-35	E2434	GE-17	EA15X52	GE-20		
D11649	GE-504A	DS6	GE-8	DS-159	GEZD-8.2	DTG3400	GE-73	E2435	GE-20	EA15X53	GE-16		
DICR1	GE-509	DS7	GE-8	DS410	1N34AS	DTG3500	GE-36	E2436	GE-20	EA15X54	GE-17		
DIJ61224	1N60	DS8	GE-2	DS410	1N60	DTG3600	GE-36	E2438	GE-51	EA15X55	GE-17		
DIJ70485	GE-90	DS9	GE-8	DS410R	GE-300	DTG3700	GE-73	E2439	GE-50	EA15X56	GE-8		
DIJ70486	GE-300	DS-10	GE-504A	DS430	GE-504A	DTG3800	GE-73	E2440	GE-50	EA15X57	GE-20		
DIJ70486	GE-300	DS11	GE-8	DS-442	GE-300	DTG3900	GE-73	E2441	GE-18	EA15X58	GE-20		
DIJ70488	GE-504A	DS12	GE-8	DS442	GE-300	DTG4000	GE-37	E2444	GE-20	EA15X59	GE-20		
DIJ70488	GE-504A	DS13	GE-504A	DS501	GE-4	DTG4100	GE-38	E2445	GE-52	EA15X63	GE-8		
DIJ70644	1N34AS	DS14	GE-52	DS502	GE-4	DTG4200	GE-38	E2447	GE-8	EA15X66	GE-51		
DIJ70645	1N60	DS15A	GE-509	DS503	GE-25	DTG4300	GE-37	E2448	GE-20	EA15X67	GE-52		
DIJ70646	1N34AS	DS16	GE-52	DS504	GE-4	DTG4400	GE-38	E2449	GE-18	EA15X68	GE-8		
DIJ70695	GE-504A	DS-16A	GE-504A	DS505	GE-4	DTG4500	GE-38	E2450	GE-20	EA15X69	GE-22		
DIJ71711	GE-300	DS16A	GE-504A	DS506	GE-4	DTG4600	GE-37	E2451	GE-1	EA15X70	GE-21		
DIJ72163	GE-300	DS-16B	GE-504A	DS509	GE-72	DTG4700	GE-35	E2452	GE-10	EA15X71	GE-21		
DIJ72164	GE-300	DS16C	GE-504A	DS513	GE-66	DTG4800	GE-35	E2453	GE-2	EA15X72	GE-20		
DIJ72165	GEZD-9.8	DS-16D	GE-504A	DS-514	GE-19	DTG4900	GE-35	E2454	GE-20	EA15X73	GE-20		
DIJ72166	1N60	DS-16E	GE-504A	DS-515	GE-16	DTG5000	GE-504A	E2455	GE-10	EA15X75	GE-10		
DIJ72167	GE-511	DS-18ND	GE-504A	DS-519	GE-14	DTG5100	1N34AS	E2459	GE-10	EA15X76	GE-10		
DIJ72168	GE-504A	DS-18NE	GE-504A	DS520	GE-25	DTG5200	GEZD-12	E2460	GE-12	EA15X77	GE-10		
DIJ72170	GE-511	DS-16NY	GE-504A	DS525	GE-4	DTG5300	GEZD-12	E2461	GE-63	EA15X83	GE-10		
DIJ72171	GE-11	DS-16YA	GE-504A	DS570	GE-16	DTG5400	GEZD-15	E2462	GE-50	EA15X84	GE-10		
DIJ72172	GE-X11	DS17	GE-2	DS0065	GE-504A	DTG5500	GEZD-27	E2465	GE-52	EA15X85	GE-10		
DIJ72174	GE-511	DS-17-6A	GE-504A	DS16685	1N60	DTG5600	GE-X11	E2466	GE-8	EA15X86	GE-10		
DIJ72293	GEZD-6.2	DS-18	GE-504A	DT41	GE-16	DTG5700	GE-511	E2467	GE-52	EA15X88	GE-3		
DIJ72294	1N60	DS18	1N295	DT80	GE-4	DTG5800	GE-504A	E2474	GE-50	EA15X89	GE-18		
DIS1S	GE-504A	DS19	GE-2	DT100	GE-4	DTG5900	GE-509	E2475	GE-50	EA15X90	GE-20		
DM-9	GEIC-17	DS21	GE-50	DT161	GE-20	DTG6000	GE-509	E2476	GE-52	EA15X94	GE-20		
DM-11	GEIC-11	DS22	GE-52	DT230A	GE-300	DTG6100	GE-62	E2477	GE-51	EA15X96	GE-18		
DM-11A	GEIC-11	DS23	GE-2	DT230B	GE-300	DTG6200	GE-53	E2478	GE-50	EA15X98	GE-16		
DM-14	GEIC-8	DS24	GE-51	DT230F	GE-300	DTG6300	GE-62	E2479	GE-50	EA15X99	GE-28		
DM-20	GEIC-24	DS25	GE-52	DT230G	GE-300	DTG6400	GE-504A	E2480	GE-52	EA15X100	GE-14		
DM-30	GE1C-14	DS-26	GE-53	DT401	GE-16	DTG6500	GE-20	E2481	GE-52	EA15X111	GE-20		
DM-30	GEIC-14	DS28	GE-2	DT1003	GE-32	DTG6600	GE-21	E2482	GE-52	EA15X112	GE-18, GE-17		
DM-31	GEIC-11	DS27	1N34AS, 1N60	DT1040	GE-16	DTG6700	GE-21	E4676B	GE-504A	EA15X113	GE-17		
DM-32	GEIC-24	DS29	GE-51	DT1110	GE-83	DTG6800	GE-21	E7441	GE-504A	EA15X135	GE-20		
DM-41	GEIC-16	DS-31	GE-300	DT1111	GE-215	DTG6900	GE-20	E03090-002	GE-504A	EA15X136	GE-10		
DM44	GEIC-32	DS33	1N295	DT1112	GE-32	DTG7000	GE-20	E10116	GE-504A	EA15X141	GE-52		
DM-44	GEIC-35	DS34	GE-50	DT1120	GE-83	DTG7100	GE-20	E10171	GE-504A	EA15X160	GE-28		
DM-54	GEIC-28	DS35	GE-50	DT1121	GE-215	DTG7200	GE-20	E10172	GE-504A	EA15X203	GE-53		
DM54	GEIC-28	DS36	GE-50	DT1122	GE-32	DTG7300	GE-20	E21135	1N60	EA15X207	GE-52		
DND800	GE-300	DS37	GE-50	DT1311	GE-215	DTG7400	GE-21	E21430	1N34AS	EA15X212	GE-52		
D031	GE-2	DS38	GE-50	DT1321	GE-215	DTG7500	GE-27	E21431	GEZD-6.2	EA15X6840	GE-53		
DP100	GE-509	DS-39	1N60	DT1510	GE-47	DTG7600	GE-35	E24100	GE-504A	EA15X7115	GE-20		
DR1	GE-504A	DS41	GE-50	DT1511	GE-47	DTG7700	GE-36	E24103	GE-17	EA15X7119	GE-20		
DR2	GE-504A	DS42	GE-50	DT1512	GE-18	DTG7800	GE-27	E24104	GE-52	EA15X7215	GE-20		
DR3	GE-504A	DS43	GEZD-9.1	DT1520	GE-47	DTG7900	GE-27	E24105	GE-54	EA15X7231	GE-17		
DR4	GE-504A	DS44	GE-8	DT1521	GE-47	DTG8000	GE-55	E24106	GE-54	EA15X7232	GE-20		
DR5	GE-504A	DS45	GE-8	DT1522	GE-18	DTG8100	GE-18	E1-380	GE-57	EA15X7233	GE-17		
DR200	GE-504A	DS46	GE-8	DT1602	GE-81	DTG8200	GE-81	EA15Y11	GE-50	EA15X7235	GE-20		
DR300	GE-504A	DS47	GE-8	DT1603	GE-27	DTG8300	GE-27	EA15X1	GE-8	EA15X7514	GE-20		
DR400	GE-504A	DS48	GEZD-9.1	DT1810	GE-81	DTG8400	GE-504A	EA15X2	GE-8	EA15X7517	GE-10		
DR427	1N60	DS-49	GE-X11	DT1612	GE-81	DTG8500	GE-504A	EA15X3	GE-52	EA15X7519	GE-63		
DR435	GE-504A	DS51	GE-2	DT1813	GE-27	DTG8600	GE-27	EA15X4	GE-52	EA15X7638	GE-20		
DR600	GE-504A	DS52	GE-2	DT1821	GE-47	DTG8700	GE-47	E044A	GE-2	EA15X7722	GE-20		
DR658	GE-504A	DS-53	GE-2	DT3301	GE-66	DTG8800	GE-66	E086	GE-4	EA15X8443	GE-54		
DR659	GE-504A	DS55	GE-90	DT4011	GE-75	DTG8900	GE-75	E087	GE-2	EA15X8444	GE-54		
DR670	GE-504A	DS											

UNIVERSAL REPLACEMENT SEMICONDUCTORS

EA16X13 - ES15X87

JEDEC Or Part Nr	GE Replacement	JEDEC Or Part Nr	GE Replacement	JEDEC Or Part Nr	GE Replacement	JEDEC Or Part Nr	GE Replacement	JEDEC Or Part Nr	GE Replacement	JEDEC Or Part Nr	GE Replacement	JEDEC Or Part Nr	GE Replacement
EA16X13	GE-504A	EA2501	GE-504A	ECG164	GE-37	ED2109	GE-504A	EP15X26	GE-22	ER101	GE-504A		
EA16X19	GE-90	EA2502	1N60	ECG165	GE-38	ED2110	GE-504A	EP15X27	GE-27	ER102D	GE-504A		
EA16X20	GE-300	EA2503	GE-90	ECG171	GE-27	ED2843	GE-504A	EP15X28	GE-36	ER103D	GE-504A		
EA16X21	GE-504A	EA2606	1N60	ECG172	GE-64	ED2844	GE-504A	EP15X29	GE-75	ER186	GE-509		
EA16X22	1N60	EA2607	GE-300	ECG173	GE-305	ED2843	GE-504A	EP15X30	GE-66	ER187	GE-509		
EA16X27	1N60	EA2608	GEZD-5.6	ECG176	GE-80	ED2846	GE-504A	EP15X32	GE-28	ER201	GE-504A		
EA16X28	GE-90	EA2741	GE-504A	ECG177	GE-300	ED2917	GE-504A	EP15X33	GE-18	ER301	GE-504A		
EA16X29	GEZD-12	EA2770(N)	GE-10	ECG179	GE-76	ED2918	GE-504A	EP15X34	GE-28	ER308	GE-509		
EA16X30	GE-504A	EA3211	GE-62	ECG180	GE-74	ED2919	GE-504A	EP15X35	GE-12	ER310	GE-509		
EA16X31	GE-90	EA3674	GE-28	ECG181	GE-75	ED2921	GE-504A	EP16X2	GEZD-27	ER410	GE-504A		
EA16X33	GE-504A	EA3713	GE-20	ECG182	GE-55	ED3002	GE-504A	EP16X3	1N60	ER510	GE-504A		
EA16X34	GE-504A	EA3714	GE-21	ECG183	GE-56	ED3003S	GE-504A	EP16X4	GE-504A	ERB22-15	GE-504A		
EA16X39	GE-300	EA3715	GE-69	ECG184	GE-57	ED3004	GE-504A	EP16X5	GEZD-15	ERB200	GE-504A		
EA16X48	1N60	EA3716	GE-66	ECG185	GE-58	ED3006	GE-504A	EP16X6	6GC1	ERD400	GE-504A		
EA57X1	GE-504A	FA3718	1N60	ECG186	GE-28	ED3008	GE-509	EP16X7	GE-17	ERD700	GE-509		
EA57X3	GE-504A	EA3719	GEZD-12	ECG187	GE-29	ED3008A	GE-509	EP16X15	GEZD-15	ERD800	GE-509		
EA57X8	GE-504A	EA3763	GE-20	ECG192	GE-63	ED3008B	GE-509	EP16X20	1N60	ERD900	GE-509		
EA57X10	GE-504A	EB0001	GE-2	ECG193	GE-67	EDG-1	1N34AS	EP16X21	1N60	ERD1000	GE-509		
EA57X11	GE-504A	EB0003	GE-2	ECG195	GE-45	EDG-3	1N60	EP25	GE-22	ERS100	GE-18		
EA010	GE-504A	EC401	GE-504A	ECG224	GE-46	EDS-1	GE-504A	EP35	GE-67	ERS120	GE-18		
EA020	GE-504A	EC402	GE-504A	ECG226	GE-49	EDS-17	GE-504A	EP57X1	GE-504A	ERS140	GE-27		
EA030	GE-504A	ECG100	GE-1	ECG501	GE-520	EDZ-2	GE-504A	EP62X41	GE-517	ERS160	GE-27		
EA0009	GE-2	ECG101	GE-8	ECG502	GE-4	EDZ-14	GE-X11	EP84X4	GEIC-21	ERS180	GE-27		
EA0013	GE-17	ECG102	GE-2	ECG503	GE-5	EEF600-2	GE-504A	EP84X4	GEIC-21	ERS200	GE-27		
EA0015	GE-504A	ECG102A	GE-52	ECG504	GE-6	EF100	GE-509	EP100	GE-66	ERS225	GE-27		
EA0016	GE-504A	ECG103	GE-8	ECG505	GE-6	EG100	GE-504A	EP101A	GE-69	ERS250	GE-27		
EA0031	GE-504A	ECG103A	GE-59	ECG506	GE-511	EK136	GE-2	EP1259-2	GE-504A	ERS275	GE-27		
EA0081	GE-18	ECG104	GE-76	ECG703	GE-12	EK159	GE-1	EP-1428-2H	GE-504A	ERS301	GE-27		
EA0087	GE-21	ECG104MP	GE-13MP	ECG703A	GEIC-12	EL214	GE-63	EP-2798	6GC1	ERS325	GE-27		
EA0088	GE-21	ECG105	GE-4	ECG705A	GEIC-3	EL232	GE-18	EP3149	GE-504A	ERS350	GE-32		
EA0091	GE-20	ECG106	GE-21	ECG708	GEIC-10	EL264	GE-67	EP-3572	6GC1	ERS375	GE-32		
EA0092	GE-20	ECG107	GE-11	ECG709	GEIC-11	EM408	GE-509	EP-5219-1	6GX1	ERS401	GE-32		
EA0093	GE-20	ECG108	GE-11	ECG712	GEIC-2	EM410	GE-509	EP-5619-2/7628	GE-504A	ERS425	GE-32		
EA1072	GE-504A	ECG109	1N34AS	ECG713	GEIC-5	EM502	GE-504A	EP-5641H-2	GE-6	ERS450	GE-32		
EA1080	GE-20	ECG111	1N82A	ECG714	GEIC-4	EM508	GE-509	EQA01-06	GEZD-6.2	ERS475	GE-32		
EA1081	GE-52	ECG112	1N82A	ECG715	GEIC-6	EM1021	GE-504A	EQA-01-07S	GEZD-7.5	ERV-02F2150	GE-504A		
EA1082	GE-16	ECG113	6GC1	ECG718	GEIC-8	EM-1171	GE-504A	EQA01-08R	GE-X11	ES3	GE-51		
EA1128	GE-20	ECG114	6GD1	ECG719	GEIC-28	EN10	GE-17	EQA01-35	GEZD-33	ES5	GE-8		
EA1129	GE-20	ECG115	6GX1	ECG720	GEIC-7	EN30	GE-10	EQA01-072	GEZD-7.5	ES7	GE-16		
EA1135	GE-20	ECG116	GE-504A	ECG721	GEIC-14	EN40	GE-20	EQA01-24RA	GEZD-33	ES9	GE-16		
EA1145	GE-20	ECG117	GE-504A	ECG722	GEIC-9	EN697	GE-212	EQA0105T	GEZD-5.6	ES10	GE-4		
EA1318	GEZD-12	ECG118	GE-1	ECG723	GEIC-15	EN706	GE-86	EQB01-07	GEZD-7.5	ES13	GE-16		
EA1343	GE-20	ECG119	GE-2	ECG725	GEIC-19	EN708	GE-60	EQB01-09	GEZD-9.1	ES14	GE-51		
EA1344	GE-20	ECG120	GE-3	ECG728	GEIC-22	EN718A	GE-212	EQB01-11Z	GEZD-11	ES15X1	GE-52		
EA1345	GE-20	ECG121	GE-76	ECG729	GEIC-23	EN722	GE-65	EQB01-12R	GEZD-12	ES15X2	GE-52		
EA1346	GE-52	ECG122	GEMR-4	ECG731	GEIC-13	EN870	GE-18	EQB01-12Z	GEZD-12	ES15X7	GE-8		
EA1385	GE-90	ECG123	GE-20	ECG732	GEIC-27	EN914	GE-60	EQB01-16	GEZD-15	ES15X8	GE-52		
EA1405	GE-300	ECG123A	GE-20	ECG736	GEIC-17	EN916	GE-61	EQF-3	GE-FET-1	ES15X10	GE-8		
EA1406	GE-20	ECG124	GE-12	ECG737	GEIC-16	EN918	GE-86	EQG-8	GE-16	ES15X11	GE-8		
EA1407	GE-20	ECG125	GE-509	ECG738	GEIC-29	EN930	GE-212	EQR-1	GE-21	ES15X12	GE-8		
EA1408	GE-20	ECG126	GE-52	ECG739	GEIC-30	EN956	GE-212	EQS-5	GE-20	ES15X14	GE-8		
EA1448	GE-504A	ECG127	GE-25	ECG740	GEIC-31	EN1132	GE-65	EQS-9	GE-20	ES15X16	GE-8		
EA1451	GE-20	ECG128	GE-18	ECG744	GEIC-24	EN1613	GE-212	EQS-10	GE-62	ES15X17	GE-16		
EA1452	GE-20	ECG130	GE-77	ECG748	GEIC-26	EN1711	GE-212	EQS-11	GE-62	ES15X18	GE-17		
EA1499	GE-20	ECG130MP	GE-15MP	ECG780	GEIC-20	EN2229	GE-20	EQS-62	GE-17	ES15X19	GE-17		
EA1549	GE-20	ECG131	GE-78	ECG783	GEIC-21	EN2222	GE-20	EQS-64	GE-20	ES15X20	GE-8		
EA1562	GE-11	ECG132	GE-FET-1	ECG790	GEIC-18	EN2484	GE-63	EQS-66	GE-28	ES15X23	GE-8		
EA1563	GE-11	ECG133	GE-FET-1	ECG791	GEIC-33	EN2495	GE-48	EQS-67	GE-28	ES15X24	GE-8		
EA1584	GE-20	ECG134	GEZD-3.6	ECG799	GEIC-34	EN2907	GE-48	EQS-89	GE-28	ES15X30	GE-17		
EA1578	GE-20	ECG135	GEZD5.1	ECG949	GEIC-25	EN3009	GE-60	EQS-89	GE-46	ES15X31	GE-52		
EA1581	GE-20	ECG136	GEZD5.6	ECG5069	GEZD-4.7	EN3011	GE-11	EQS-100	GE-20	ES15X32	GE-52		
EA1628	GE-10	ECG137	GEZD6.2	ECG5074	GEZD-11	EN3013	GE-60	EQS131	GE-20	ES15X37	GE-8		
EA1629	GE-10	ECG138	GEZD-7.5	ECG5080	GEZD-22	EN3014	GE-60	ER11	GE-504A	ES15X42	GE-8		
EA1630	GE-10	ECG139	GEZD9.1	ECG5081	GEZD-24	EN3250	GE-21	ER15X4	GE-51	ES15X43	GE-16		
EA1684	GE-20	ECG140	GEZD10	ECG5452	GEMR-5	EN3502	GE-48	ER15X5	GE-51	ES15X45	GE-3		
EA1698	GE-20	ECG140	GEZD-10	ECG5453	GEMR-5	EN3504	GE-48	ER15X6	GE-51	ES15X48	GE-8		
EA1697	GE-20	ECG141	GEZD-11	ECG5454	GEMR-5	EN3903	GE-210	ER15X7	GE-2	ES15X49	GE-52		
EA1698	GE-63	ECG141	GEZD-11	ECR600-2	GE-504A	EN3904	GE-20	ER15X9	GE-2	ES15X50	GE-52		
EA1700	GE-16	ECG142	GEZD12	ED4	GE-504A	EN3905	GE-21	ER15X10	GE-16	ES15X51	GE-16		
EA1703	GE-20	ECG143	GEZD12	ED5	GE-504A	EN3906	GE-21	ER15X11	GE-2	ES15X52	GE-25		
EA1716	GE-20	ECG144	GEZD15	ED6	GE-504A	EN3962	GE-67	ER15X12	GE-51	ES15X53	GE-52		
EA1718	GE-20	ECG145	GEZD15	ED7	GE-504A	EO-44A	GE-2	ER15X13	GE-51	ES15X54	GE-25		
EA1733	GE-20	ECG146	GEZD27	ED46	1N60	EP6X10	GE-300	ER15X14	GE-2	ES15X55	GE-52		
EA1735	GE-20	ECG147	GEZD-33	ED51	GE-2	EP6X11	GE-511	ER15X15	GE-50	ES15X58	GE-20		
EA1740	GE-19	ECG149	GEZD-82	ED52	GE-2	EP15X1	GE-63	ER15X16	GE-50	ES15X60	GE-20		
EA1778	GE-20	ECG150	GEZD-82	ED53	GE-2	EP15X2	GE-20	ER15X17	GE-52	ES15X61	GE-50		
EA2131	GE-17	ECG151	GEZD-120	ED54B	GE-2	EP15X3	GE-63	ER15X18	GE-52	ES15X62	GE-20		
EA2132	GE-17	ECG152	GE-28	ED55	GE-52	EP15X4	GE-21	ER15X19	GE-50	ES15X63	GE-1		
EA2133	GE-1	ECG152X2	GE-24MP	ED56	GE-52	EP15X5	GE-21	ER15X20	GE-50	ES15X64	GE-63		
EA2134	GE-2	ECG153	GE-29	ED57	GE-52	EP15X6	GE-20	ER15X21	GE-50	ES15X65	GE-20		
EA2135	GE-53	ECG154	GE-40	ED60	1N60	EP15X7	GE-17	ER15X22	GE-52	ES15X67	GE-17		
EA2136	GE-53	ECG154	GE-40	ED-1402	GE-20	EP15X8	GE-17	ER15X23	GE-52	ES15X68	GE-18		
EA2137	1N60	ECG155	GE-79	ED1402A/09-305066	GE-20	EP15X9	GE-17	ER15X24	GE-50	ES15X69	GE-63		
EA2138	GE-90	ECG156	GE-512	ED1402C	GE-20	EP15X10	GE-18	ER15X25	GE-51	ES15X70	GE-17		
EA2140	GE-504A	ECG157	GE-27	ED1502B	GE-20	EP15X11	GE-66	ER15X26	GE-50	ES15X71	GE-8		
EA2429	GE-20	ECG158	GE-53	ED-1502C	GE-17	EP15X12	GE-36	ER31	GE-504A	ES15X72	GE-8		
EA2488	GE-28	ECG159	GE-22	ED1702L/09-305068	GE-20	EP15X13	GE-67	ER41	GE-504A	ES15X73	GE-51		
EA2489	GE-10	ECG160	GE-51	ED1804	GE-504A	EP15X14	GE-66	ER57X2	GE-504A	ES15X74	GE-59		
EA2494	GE-20	ECG161	GE-39	ED1892	GE-504A	EP15X15	GE-69	ER57X3	GE-504A	ES15X75	GE-52		
EA2498	GE-52	ECG161	GE-39	ED2106	GE-504A	EP15X23	GE-69	ER57X4	GE-504A	ES15X77	GE-25		
EA2499	GE-504A	ECG162	GE-35	ED2107	GE-504A	EP15X24	GE-29	ER61	GE-504A	ES15X78	GE-16		
EA2500	GEZD-12	ECG163	GE-36	ED2108	GE-504A	EP15X25	GE-28	ER81	GE-509	ES15X87	GE-20		

UNIVERSAL REPLACEMENT SEMICONDUCTORS

ES15X88 - G5.1T5

JEDEC Or Part Nr	GE Replacement	JEDEC Or Part Nr	GE Replacement	JEDEC Or Part Nr	GE Replacement	JEDEC Or Part Nr	GE Replacement	JEDEC Or Part Nr	GE Replacement	JEDEC Or Part Nr	GE Replacement	JEDEC Or Part Nr	GE Replacement
ES15X88	GE-20	ET12	GE-50	EVD-3	GE-300	F9625	GE-20	FM211N	GE-504A	FT004A	GE-11		
ES15X89	GE-18	ET15X1	GE-2	EVR4	GEZD-5.6	F10124	GE-509	FM708	GE-63	FT005	GE-11		
ES15X90	GE-21	ET15X3	GE-11	EVR4A	GEZD-5.6	F10180	GE-504A	FM709	GE-63	FT006	GE-11		
ES15X92	GE-FET-2	ET15X4	GE-3	EVR4B	GEZD-5.6	F15810	GE-20	FM720A	GE-63	FT008	GE-11		
ES15X95	GE-12	ET15X5	GE-3	EVR5	GEZD-6.2	F15835	GE-20	FM870	GE-18	FT008A	GE-11		
ES15X96	GE-20	ET15X7	GE-10	EVR5A	GEZD-6.2	F15840	GE-20	FM871	GE-18	FT023	GE-210		
ES15X97	GE-20	ET15X8	GE-20	EVR5B	GEZD-6.2	F15840-1	GE-20	FM910	GE-63	FT024	GE-210		
ES15X98	GE-66	ET15X9	GE-20	EVR9	GEZD-9.1	F15841	GE-20	FM911	GE-63	FT025	GE-212		
ES15X99	GE-30	ET15X10	GE-20	EVR9A	GEZD-9.1	F75116	GE-8	FM914	GE-63	FT026	GE-212		
ES15X100	GE-53	ET15X11	GE-10	EVR9B	GEZD-9.1	FA-1	1N60	FM1613	GE-63	FT027	GE-217		
ES15X101	GE-22	ET15X12	GE-10	EVR12	GEZD-12	FA8	GE-509	FM1711	GE-63	FT052	GE-17		
ES15X102	GE-11	ET15X13	GE-20	EVR12A	GEZD-12	FA8009	GEZD-15	FM1893	GE-63	FT053	GE-63		
ES15X122	GE-61	ET15X14	GE-10	EVR12B	GEZD-12	FA8010	GEZD-15	FM2368	GE-63	FT107B	GE-85		
ES16X3	1N60	ET15X15	GE-20	EVR15	GEZD-15	FA8011	GEZD-15	FM2369	GE-63	FT118	GE-60		
ES16X5	1N34AS	ET15X18	GE-10	EVR15A	GEZD-15	FA8012	GEZD-15	FM2846	GE-63	FT300	GE-12		
ES16X6	1N60	ET15X17	GE-3	EVR15B	GEZD-15	FB-200	GE-600	FM2894	GE-21	FT431	GE-36		
ES16X7	1N60	ET15X18	GE-11	EVR27	GEZD-27	FB401	GE-51	FM3014	GE-63	FT709	GE-61		
ES16X9	GE-504A	ET15X19	GE-20	EVR27A	GEZD-27	FB402	GE-51	FN-51-1A	GE-20	FT1315	GE-63		
ES16X12	1N60	ET15X20	GE-10	EVR27B	GEZD-27	FB403	GE-51	F05	GE-504A	FT1341	GE-17		
ES18X13	GE-504A	ET15X21	GE-20	EVS-K112C	6GC1	FB420	GE-2	FOS100	GE-212	FT1702	GE-21		
ES16X14	1N60	ET15X23	GE-20	EW166	1N60	FB421	GE-2	FOS101	GE-212	FT1746	GE-65		
ES16X16	GE-511	ET15X24	GE-10	EW167	1N60	FB440	GE-51	FOS104	GE-17	FT3567	GE-20		
ES16X25	GE-504A	ET15X25	GE-2	EW168	1N60	FB1043	1N34AS	FPR40-1006	1N60	FT3568	GE-81		
ES16X27	GE-300	ET15X27	GE-20	EW169	GE-504A	FB6853	GE-20	FR-U	GE-504A	FT3569	GE-20		
ES16X28	GE-511	ET15X29	GE-51	EW169B	GE-504A	FCD0003PC	GE-300	FR1	GE-504A	FT3641	GE-17		
ES16X29	GEZD-22	ET15X30	GE-11	EWQ202	GE-21	FCD0014NCS	GE-300	FR-1H	GE-504A	FT3642	GE-47		
ES16X30	GE-300	ET15X31	GE-2	EX15X25	GE-2	FCD0070PC	GE-90	FR1M	GE-504A	FT3643	GE-47		
ES16X31	GE-511	ET15X32	GE-2	EX4035	GEIC-9	FCD0074	GE-90	FR1MB	GE-504A	FT3644	GE-67		
ES16X32	GE-300	ET15X33	GE-22	EX4053	GEIC-9	FCS1168E	GE-20	FR1MD	GE-504A	FT3645	GE-48		
ES16X38	GE-504A	ET15X36	GE-21	EYV420D1R5JB	1N60	FCS1168G	GE-18	FR-1N	GE-504A	FT5040	GE-22		
ES16X40	GE-300	ET15X37	GE-10	F1	GE-61	FCS1170F	GE-21	FR-1P	GE-504A	FT5041	GE-82		
ES16X103	1N60	ET15X38	GE-22	F2	GE-61	FCS1225E	GE-17	FR1P	GE-504A	FU-1M	GE-504A		
ES18	GE-18	ET15X39	GE-22	F3	GE-61	FCS1227E	GE-20	FR1U	GE-504A	FU1N	GE-504A		
ES19	GE-52	ET15X40	GE-16	F4	GE-61	FCS1227E814	GE-20	FR-2	GE-504A	FU-1NA	GE-504A		
ES21	GE-4	ET15X41	GE-20	F5	GE-61	FCS1227F	GE-20	FR-2	GE-504A	FU1U	GE-504A		
ES23	GE-52	ET15X42	GE-10	F6	GE-504A	FCS1227F743	GE-20	FR2-02	GE-511	FV23	1N34AS		
ES25	GE-2	ET15X43	GE-3	F8	GE-509	FCS1227G	GE-20	FR2-06	GE-504A	FV-24	GEZD-6.2		
ES26	GE-2	ET15X45	GE-20	F05	GE-504A	FCS1227G810	GE-20	FR2-020	GE-504A	FV914	GE-39		
ES41	GE-50	ET16X1	1N60	F14A	GE-504A	FCS1229	GE-18	FR-2M	GE-504A	FV918	GE-17		
ES46	GE-8	ET16X6	1N82A	F14-C	GE-504A	FCS1229F	GE-18	FR2P	GE-504A	FV1043	GE-90		
ES47X1	GE-504A	ET16X7	6GC1	F16H1	GEZD-6.2	FCS1229G	GE-18	FR-10	GE-504A	FV2369A	GE-39		
ES51	GE-504A	ET16X10	6GC1	F20	GE-3	FCS9011H	GE-20	FR202	GE-504A	FV2484	GE-212		
ES57X1	GE-504A	ET16X11	6GC1	F20-1001	GE-17	FCS9012HE	GE-21	FR1033	GE-504A	FV2747C	GE-52		
ES57X5	GE-504A	ET16X13	1N82A	F20-1002	GE-17	FCS9012HG	GE-58	FRH-101	GE-504A	FV2894	GE-21		
ES57X6	6GC1	ET16X14	1N82A	F20-1003	GE-20	FCS9013HG	GE-57	FS-1133	GE-17	FV3014	GE-60		
ES57X7	GEZD-12	ET16X15	GEZD-12	F20-1004	GE-20	FCS9014B	GE-20	FS1168E641	GE-20	FV3299	GE-213		
ES57X8	GE-504A	ET16X16	GE-504A	F20-1005	GE-20	FCS9014D	GE-20	FS1168F813	GE-20	FV3300	GE-210		
ES57X9	GE-504A	ET16X19	1N295	F20-1006	GE-20	FCS9016	GE-20	FS1221	GE-20	FV3502	GE-82		
ES57X12	GE-300	ET16X20	1N295	F20-1007	GE-2	FCS9016D	GE-20	FS1308	GE-11	FV3503	GE-82		
ES57X14	GE-510	ET16X21	1N295	F20-1008	GE-2	FCS9018E	GE-11	FS1331	GE-20	FW100	GE-600		
ES58	GE-57	ET41X27	GE-41	F20-1009	GE-2	FCS9066	GE-20	FS1974	GE-20	FW200	GE-600		
ES501	GE-4	ET41X37	1N295	F-67-E	GE-16	FD3	GE-504A	FS2003-1	GE-14	FW400	GE-600		
ES503	GE-16	ET41X47	F98N	F98N	GE-20	FD6	GE-504A	FS2042	GE-63	FW600	GE-600		
ES1627	GE-300	ET47X27	GE-41	F103P	GE-21	FD100	GE-300	FS2043	GE-20	FW600A	GE-600		
ES3110	GE-51	ET51X25	GE-504A	F138	1N60,1N295	FD111	GE-300	FS2299	GE-21	FWL100	GE-600		
ES3111	GE-51	ET52X25	GE-504A	F209	GE-22	FD200	GE-300	FS24226	GE-21	FWL200	GE-600		
ES3112	GE-51	ET55-25	GE-504A	F215-1001	GE-17	FD222	1N34AS	FS24954	GE-21	FWL300	GE-600		
ES3113	GE-51	ET55X25	GE-504A	F215-1002	GE-17	FD300	GE-504A	FS26382	GE-21	FX709	GE-11		
ES3114	GE-51	ET55X29	GE-504A	F215-1003	GE-20	FD333	GE-504A	FS27233	GE-18	FX914	GE-61		
ES3115	GE-51	ET57X26	GE-3	F215-1004	GE-20	FD600	GE-300	FS27604	GE-20	FX918	GE-81		
ES3116	GE-51	ET57X30	GE-504A	F215-1005	GE-20	FD1599	GE-504A	FS35529	GE-11	FX2368	GE-20		
ES3120	GE-52	ET57X31	GE-2	F215-1006	GE-2	FD1708	GE-300	FSE3001	GE-20	FX2483	GE-63		
ES3121	GE-52	ET57X32	GE-2	F215-1007	GE-2	FD1843	1N34AS	FSE5002	GE-20	FX3013	GE-61		
ES3122	GE-52	ET57X33	GE-3	F215-1008	GE-2	FD3389	GE-504A	FSP1	GE-11	FX3014	GE-61		
ES3123	GE-52	ET57X35	GE-504A	F215-1009	GE-2	FD6451	GE-300	FSP-42	GE-63	FX3299	GE-213		
ES3124	GE-52	ET57X39	GE-504A	F222	GE-17	FD6489	GE-300	FSP-42-1	GE-63	FX3300	GE-210		
ES3125	GE-52	ET57X40	GE-504A	F-302-1	GE-20	FDH400	GE-504A	FSP-164	GE-11	FX3502	GE-82		
ES3126	GE-52	ET58X32	GE-3	F302-2	GE-20	FDH444	GE-504A	FSP-165	GE-63	FX3724	GE-47		
ES3266	GE-11	ET870	GE-80	F-302-1532	GE-20	FDH600	GE-300	FSP-166	GE-63	FX3962	GE-67		
ES15046	GE-11	ET1511	GE-2	F-302-2532	GE-20	FDH666	GE-300	FSP-166-1	GE-63	FX3964	GE-65		
ES15047	GE-20	ETP2008	GE-27	F549-1	GE-21	FDH694	GE-300	FSP-215	GE-63	FX4046	GE-210		
ES15048	GE-20	ETP3114	GE-32	F625-1	GE-63	FDH6229	GE-300	FSP-242-1	GE-63	FX4960	GE-63		
ES15049	GE-62	ETP3923	GE-27	F767PC	GEIC-9	FDN600	GE-300	FSP-270-1	GE-21	FZ5.1T5	GEZD-5.1		
ES15050	GE-20	ETP5092	GE-32	F1482	GE-FET-2	FDN686	GE-300	FSP-289-1	GE-63	FZ5.1T10	GEZD-5.1		
ES15051	GE-29	ETP5095	GE-32	F1483	GE-FET-2	FE100	GE-FET-1	FST2	GE-504A	FZ5.6T5	GEZD-5.6		
ES15052	GE-62	ETS-003	GE-14	F2041	GE-67	FE5245	GE-FET-2	FST3	GE-504A	FZ5.6T10	GEZD-5.6		
ES15055	GE-90	ETX18	GE-20	F2443	GE-20	FE274	GE-20	FT1	GE-504A	FZ6.2T10	GEZD-6.2		
ES15226	GE-18	EU15X1	GE-17	F2448	GE-20	FG-2N	GE-504A	FT-1M	GE-511	FZ12A	GEZD-12		
ES15227	GE-28	EU15X2	GE-11	F2450	GE-20	FG-2NA	GE-504A	FT1N	GE-504A	FZ12T10	GEZD-12		
ESK-1	GE-504A	EU15X27	GE-20	F2480	GE-2	FK914	GE-60	FT-1P	GE-511	FZ15A	GEZD-15		
ESK1	GE-504A	EU15X34	GE-20	F2584	GE-20	FK918	GE-39	FT10	GE-504A	FZ15T5	GEZD-15		
ET1	GE-51	EU16X1	1N60	F2633	GE-20	FK2369A	GE-17	FT19H	GE-82	FZ15T10	GEZD-15		
ET2	GE-2	EU16X2	GE-504A	F2634	GE-20	FK2484	GE-63	FT19M	GE-82	FZ27A	GEZD-27		
ET3	GE-52	EU16X4	1N82A	F2638	GE-20	FK3014	GE-60	FT34C	GE-17	FZ27T5	GEZD-27		
ET4	GE-52	EU16X8	6GD1	F3530	GE-11	FK3299	GE-213	FT34D	GE-17	FZ27T10	GEZD-27		
ET5	GE-52	EU16X14	1N82A	F3559	GE-21	FK3300	GE-210	FT34Y	GE-FET-2	FZ101	GE-20		
ET6	GE-16	EU16X19	1N34AS	F3561	GE-17	FK3484	GE-17	FT40	GE-17	FZ390	GEZD-5.1		
ET7	GE-4	EU16X20	1N60	F3565	GE-63	FK3494	GE-17	FT45	GE-20	FZ1215	GEZD-12		
ET8	GE-8	EU57X31	GE-2	F7316	GE-17	FK3502	GE-82	FT001	GE-20	GQ0-535-B	GE-504A		
ET9	GE-8	EU57X32	GE-2	F9600	GE-20	FK3503	GE-82	FT002	GE-20	G1	GE-504A		
ET10	GE-8	EU57X38	GE-3	F9623	GE-20	FL274	GEIC-2	FT003	GE-11	G1HA	1N34AS		
ET11	GE-8	EU57X40											

UNIVERSAL REPLACEMENT SEMICONDUCTORS

G5.1T10 - H10

JEDEC Or Part Nr	GE Replacement	JEDEC Or Part Nr	GE Replacement	JEDEC Or Part Nr	GE Replacement	JEDEC Or Part Nr	GE Replacement	JEDEC Or Part Nr	GE Replacement	JEDEC Or Part Nr	GE Replacement	JEDEC Or Part Nr	GE Replacement
G5.1T10	GEZD-5.1	G100B	GE-504A	GC1134	GE-2	GET887	GE-2	GI-3641	GE-210	GT75	GE-50		
G5.1T20	GEZD-5.1	G100D	GE-504A	GC1136	GE-53	GET888	GE-2	GI-3642	GE-210	GT81	GE-50		
G5.6T5	GEZD-5.6	G100G	GE-504A	GC1137	GE-54	GET889	GE-2	GI-3643	GE-210	GT81H	GE-52		
G5.6T10	GEZD-5.6	G100J	GE-504A	GC1142	GE-51	GET890	GE-2	GI-3644	GE-48	GT81HS	GE-53		
G5.6T20	GEZD-5.6	G100K	GE-509	GC1143	GE-2	GET895	GE-2	GI-3702	GE-82	GT81R	GE-52		
G5C	1N34AS	G100M	GE-509	GC1144	GE-20	GET896	GE-52	GI-3703	GE-82	GT82	GE-50		
G5F	1N60,1N295	G110	GE-4	GC1145	GE-53	GET897	GE-52	GI-3704	GE-20	GT83	GE-50		
G5K	1N34AS	G130	GE-504A	GC1146	GE-51	GET898	GE-52	GI-3705	GE-20	GT87	GE-50		
G7	1N82A	G222	GE-504A	GC1148	GE-51	GET914	GE-20	GI-3706	GE-20	GT88	GE-50		
G7A	1N82A	G296	GE-504A	GC1149	GE-51	GET929	GE-62	GI-3707	GE-212	GT100	GE-1		
G7D	1N34AS	G409	1N34AS	GC1150	GE-53	GET930	GE-62	GI-3708	GE-212	GT-109	GE-2		
G7E	1N34AS	G657	GE-504A	GC1159	GE-51	GET2221	GE-210	GI-3709	GE-61	GT109R	GE-52		
G7F	1N60	G659	GE-504A	GC1182	GE-51	GET2221A	GE-20	GI-3710	GE-61	GT122	GE-50		
G7G	1N60	G700	GE-504A	GC1183	GE-2	GET2222	GE-210	GI-3711	GE-212	GT123	GE-50		
G9.1T5	GEZD-9.1	G701	GE-504A	GC1184	GE-53	GET2222A	GE-20	GI-3721	GE-212	GT132	GE-52		
G9.1T10	GEZD-9.1	G702	GE-504A	GC1185	GE-54	GET2369	GE-20	GI-3793	GE-210	GT153	GE-1		
G9.1T20	GEZD-9.1	G-1010	1N60	GC1186	GE-52	GET2483	GE-62	GI-3794	GE-210	GT167	GE-5		
G00-003-A	1N60	G1010A	GE-300	GC1187	GE-52	GET2904	GE-21	GI-3900	GE-212	GT210H	GE-52		
G00-004-A	1N60	G1242	GE-504A	GC1257	GE-53	GET2905	GE-21	GI-3900A	GE-212	GT222	GE-1		
G00-008-A	1N60	G1288	1N34AS	GC1302	GE-52	GET2906	GE-48	GIP100D	GE-504A	GT229	GE-8		
G00-009-A	1N60	G9623	GE-20	GC1422	GE-53	GET2907	GE-48	GJ4M	GE-504A	GT-269	GE-2		
G00-012-A	GE-300	G9696	GE-10	GC1423	GE-54	GET3013	GE-20	GM290	GE-52	GT336	GE-8		
G00-013-B	1N34AS	G10119	GE-504A	GC1573	GE-50	GET3014	GE-20	GM290A	GE-1	GT364	GE-59		
G00-014-A	GE-300	G59019	6GC1	GC4022	GE-16	GET3582	GE-61	GM308	GE-17	GT365	GE-59		
G00-502-A	GE-504A	G59122	GE-504A	GC4045	GE-16	GET3583	GE-61	GM378	GE-52	GT366	GE-59		
G00-534-A	GE-504A	GA-52829	GE-52	GC4057	GE-16	GET3638	GE-22	GM378A	GE-1	GT751	GE-52		
G00-535A	GE-504A	GA-53149	GE-52	GC4062	GE-16	GET3638A	GE-22	GM380	GE-17	GT758	GE-1		
G00-535-B	GE-504A	GA-53242	GE-52	GC4087	GE-3	GET3646	GE-20	GM428	GE-16	GT759	GE-1		
G00-536-A	GE-504A	GB-1	1N60	GC4094	GE-44	GET3903	GE-210	GM656A	GE-1	GT-759R	GE-2		
G00-536A	GE-504A	GC60	GE-53	GC4097	GE-16	GET3904	GE-20	GM760	GE-21	GT760	GE-50		
G00-543-A	GE-504A	GC61	GE-53	GC4144	GE-53	GET3905	GE-21	GM770	GE-17	GT-760R	GE-2		
G00-803-A	GE-300	GC148	GE-8	GC4156	GE-3	GET3906	GE-21	GM0290	GE-52	GT761	GE-50		
G01	GE-504A	GC181	GE-53	GC4251	GE-3	GET5116	GE-2	GM0375	GE-51	GT-761R	GE-2		
G01-036-G	GEZD-9.1	GC182	GE-53	GC4267-2	GE-16	GET5117	GE-2	GM0376	GE-51	GT762	GE-50		
G01-209-B	GE-300	GC250	GE-2	GC5000	GE-52	GETX8	GE-8	GM0377	GE-51	GT-762R	GE-2		
G01-209B	GE-300	GC282	GE-2	GC5012	1N295	GEX36	GE-504A	GM0378	GE-52	GT763	GE-50		
G01-401-A	GE-90	GC283	GE-2	GD11E	1N60	GEX66	GE-504A	GM0380	GE-11	GT764	GE-50		
G01-803A	GE-300	GC284	GE-2	GD12	1N34AS	GEZJ252A	GE-504A	GME0404	GE-21	GT766	GE-2		
G02	GE-504A	GC285	GE-8	GD12E	1N34AS	GEZJ252B	GE-504A	GME0404-1	GE-21	GT766A	GE-52		
G02A	1N82A	GC286	GE-8	GD-25	1N34AS	GF20	GE-52	GME0404-2	GE-21	GT792	GE-5		
G03-007C	GE-28	GC343	GE-2	GD-26	1N34AS	GF21	GE-52	GME4001	GE-11	GT832	GE-2		
G04-041B	GE-20	GC380	GE-52	GD-29	1N60	GF32	GE-52	GME4002	GE-11	GT-903	GE-8		
G04-701-A	GE-16	GC387	GE-51	GD-30	1N34AS	GFT44	GE-50	GME4003	GE-11	GT904	GE-8		
G04-704-A	GE-30	GC388	GE-51	GD72E/3	1N34AS	GFT45	GE-50	GME6001	GE-11	GT905	GE-8		
G04-711-E	GE-53	GC389	GE-51	GD72E/4	1N34AS	GFT3008/40	GE-52	GME6002	GE-11	GT95FR	GE-5		
G04-711-F	GE-53	GC408	GE-52	GD72E/5	GE-504A	GI-TV3C	GE-3	GME6003	GE-63	GT-947	GE-8		
G04-711-G	GE-53	GC452	GE-5	GD400	GE-504A	GI1	GE-1	GMO-380	GE-17	GT948	GE-8		
G04-711-H	GE-53	GC453	GE-5	GD401	GE-504A	GI-1N4385	GE-504A	GI-1N4385	GE-504A	GT948R	GE-8		
G05-003-A	GE-20	GC454	GE-5	GD1001	1N34AS	GI2	GE-2	GP2-345	GE-300	GT949	GE-59		
G05-003-B	GE-20	GC460	GE-50	GD3638	GE-300	GI3	GE-1	GP1432	GE-16	GT949R	GE-5		
G05-004A	GE-11	GC461	GE-50	GE-1N5061	GE-504A	GI5	GE-5	GP1493	GE-3	GT-1200	GE-5		
G05-010-A	GE-17	GC462	GE-50	GE6.2	GEZD-6.2	GI6	GE-7	GP1494	GE-3	GT1201	GE-5		
G05-011-A	GE-17	GC463	GE-8	GE6.2A	GEZD-6.2	GI7	GE-7	GP1622	GE-3	GT1202	GE-5		
G05-015C	GE-20	GC464	GE-52	GE6.2B	GEZD-6.2	GI8	GE-8	GP1882	GE-3	GT1223	GE-52		
G05-015-D	GE-63	GC465	GE-8	GE129	1N60	GI9	GE-3	GP2354	1N34AS	GT1604	GE-50		
G05-034-D	GE-18	GC466	GE-52	QE-130	1N60	GI10	GE-4	GPT16	GE-16	GT1605	GE-50		
G05-035D	GE-82	GC467	GE-8	QE-3229	GE-86	GI-100-1	GE-504A	GSM51	GE-504A	GT1606	GE-50		
G05-035-D,E	GE-82	GC520	QE-52	QE3265	GE-10	GI-2711	GE-10	GSM52	GE-504A	GT1608	GE-5		
G05-035E	GE-82	GC521	QE-52	QE3638	1N60	GI-2712	GE-17	GSM53	GE-504A	GT1609	GE-5		
G05-036B	GE-20	GC532	QE-52	QE6083	GE-300	GI-2713	GE-210	GSM54	GE-504A	GT1644	GE-65		
G05-036C	GE-20	GC551	GE-2	QE6366	GE-504A	GI-2714	GE-210	GSM482	GE-504A	GT1658	GE-8		
G05-036-C	GE-20	GC552	GE-2	QED059850	1N34AS	GI-2715	GE-86	GSM483	GE-504A	GT1665	GE-2		
G05-036-C,D,E	GE-20	GC578	QE-52	GEL239F2	GEIC-14	GI-2716	GE-60	GT1	GE-50	GT2693	GE-51		
G05-036D	GE-18	GC579	GE-52	GEL2111	GEIC-10	GI-2921	GE-60	GT2	GE-50	GT2694	GE-50		
G05-036-E	GE-20	GC580	GE-52	GEL2111AL1	GEIC-10	GI-2922	GE-60	GT3	GE-50	GT2695	GE-51		
G05-036E	GE-20	GC581	QE-52	GEL2111F1	GEIC-10	GI-2923	GE-60	GT11	GE-50	GT2696	GE-50		
G05-037B	GE-20	GC588	GE-53	GEL2113	GEIC-11	GI-2924	GE-212	GT12	GE-50	GT2765	GE-5		
G05-050-C	GE-17	GC608	GE-8	GEL2113AL1	GEIC-11	GI-2925	GE-212	GT13	GE-50	GT2768	GE-8		
G05-055-C	GE-18	GC609	GE-8	GEL2113F1	GEIC-11	GI-2926	GE-211	GT14	GE-52	GT2883	GE-50		
G05-055-D	GE-18	GC630	QE-50	GER-A	GE-2	GI-3391	GE-212	GT14H	GE-52	GT2884	GE-5		
G05-055-E	GE-18	GC830A	QE-52	QET0-50P	GE-53	GI-3391A	GE-212	GT15T5	GEZD-15	GT2885	GE-50		
G05-413A	GE-18	GC839	QE-52	QET-103	QE-2	GI-3392	GE-212	GT20	GE-51	GT2886	GE-5		
G06-714C	GE-28	GC840	QE-52	QET-113	QE-2	GI-3393	GE-212	GT20H	GE-52	GT2887	GE-50		
G06-717-B	GE-28	GC841	QE-16	QET-113A	GE-2	GI-3394	GE-212	GT20R	GE-52	GT2888	GE-5		
G08-005L	GE-FET-1	GC680	GE-2	QET-114	GE-2	GI-3395	GE-212	GT24H	GE-50	GT2906	GE-5		
G11	GE-2	GC682	QE-2	QET-572	QE-3	GI-3396	GE-212	GT31	GE-2	GT5116	GE-50		
G12	GE-52	GC733B	QE-2	QET-872	GE-51	GI-3397	GE-212	GT32	GE-52	GT5117	GE-50		
G12T5	GEZD-12	GC858	QE-52	QET-872A	GE-51	GI-3398	GE-212	GT33	GE-52	GT5148	GE-51		
G12T10	GEZD-12	GC864	QE-52	QET-673	GE-51	GI-3402	GE-210	GT34	GE-51	GT5149	GE-50		
G12T20	GEZD-12	GC1003	QE-50	QET691	GE-2	GI-3403	GE-210	GT-34HV	GE-52	GT5151	GE-51		
G13	QE-2	GC1004	QE-50	GET-692	GE-51	GI-3404	GE-210	GT-34S	GE-2	GT5153	GE-51		
G14	GE-82	GC1005	QE-51	GET693	GE-2	GI-3405	GE-210	GT-35	GE-8	GT61	GE-2		
G15T10	GEZD-15	GC1006	QE-51	GET706	GE-210	GI-3414	GE-210	GT40	GE-51	GT62	GE-2		
G15T20	GEZD-15	GC1007	QE-51	GET708	GE-20	GI-3415	GE-210	GT41	GE-51	GT63	GE-2		
G16	GE-8	GC1034	QE-5	GET									

UNIVERSAL REPLACEMENT SEMICONDUCTORS

H12 - HF-20062

JEDEC Or Part Nr	GE Replacement	JEDEC Or Part Nr	GE Replacement	JEDEC Or Part Nr	GE Replacement	JEDEC Or Part Nr	GE Replacement	JEDEC Or Part Nr	GE Replacement	JEDEC Or Part Nr	GE Replacement	JEDEC Or Part Nr	GE Replacement
H12	GE-4	HA7521	GE-67	HB-00370	GE-52	HD2000610	GE-504A	HEP247	GE-19	HEPR0096	GE-512		
H12A	GE-4	HA7522	GE-67	HB-00405	GE-52	HD3000101-0	GEZD-12	HEP250	GE-2	HEPR0097	GE-512		
H078	GEGR-2	HA7523	GE-67	HC30	GE-504A	HD3000109-0	GEZD-11	HEP251	GE-53	HEPR0098	GE-512		
H087	1N80	HA7524	GE-67	HC-39	GE-504A	HD3000201-0	GEZD-33	HEP252	GE-2	HEPS004	GE-20		
H101	6GC1	HA7526	GE-67	HC-56	GE-20	HD3000309	GEZD-7.5	HEP253	GE-2	HEPS0002	GE-210		
H104	GE-10	HA7527	GE-67	HC67	GE-504A	HD3000309-0	GEZD-7.5	HEP254	GE-2	HEPS0004	GE-20		
H109	GE-504A	HA7528	GE-67	HC-68	GE-504A	HD3000401	GEZD-9.1	HEP300	GEMR-4	HEPS0006	GE-65		
H316	1N80	HA7530	GE-82	HC69	GE-504A	HD3000409	GEZD-11	HEP302	GEMR-4	HEPS-3001	GE-45		
H386-9	GEGR-7	HA7531	GE-82	HC206	GE-20	HD3001009	GEZD-11	HEP304	GEMR-3	HEPS5001	GE-55		
H475	GE-504A	HA7532	GE-48	HC-373	GE-63	HD3001109-0	GEZD-15	HEP306	GEMR-3	HEPS5002	GE-56		
H484	GE-513	HA7533	GE-82	HC454	GE-20	HD3001809	GEZD-11	HEP594	GEIC-8	HEPS5007	GE-58		
H501	6GC1	HA7534	GE-82	HC458	GE-20	HD3002409	GEZD-12	HEP595	GEIC-7	HEPS7000	GE-75		
H585	GE-504A	HA7536	GE-22	HC460	GE-20	HD4000109	GE-90	HEP602	GEZD-5.1	HEPS7001	GE-74		
H614	1N80	HA7537	GE-82	HC461	GE-20	HD10001050	1N60	HEP603	GEZD-5.6	HEPS9100	GE-64		
H615	6GC1	HA7538	GE-82	HC-495	GE-26	HD20003010	GE-504A	HEP604	GEZD-12	HEP20405	GEZD-4.7		
H616	GE-504A	HA7543	GE-82	HC515	GE-12	HD30001090	GEZD-11	HEP605	GEZD-12	HEP20413	GEZD-10		
H617	GE-504A	HA7597	GE-82	HC-535	GE-17	HD30010090	GEZD-11	HEP606	GEZD-15	HEP20414	GEZD-11		
H618	GE-504A	HA7598	GE-82	HC-537	GE-62	HD30011090	GEZD-15	HEP607	GEZD-15	HEP20422	GEZD-22		
H619	GE-504A	HA7599	GE-82	HC-561	GE-17	HE-CD0000	1N60	HEP608	GEZD-27	HEP20423	GEZD-24		
H620	GE-504A	HA7630	GE-82	HC645	GE-17	HE-OA90	1N60	HEP623	GE-16	HF-DS410	GE-300		
H621	GE-509	HA7631	GE-82	HC-668	GE-60	HE-1N34	1N34AS	HEP624	GE-16	HF-MV2	GE-300		
H623	1N34AS	HA7632	GE-82	HC-772	GE-17	HE-1N60	1N60	HEP625	GE-25	HF-SD1	GE-504A		
H624	1N34AS	HA7633	GE-82	HC829	GE-20	HE-1S188	1N34AS	HEP626	GE-16	HF-SD-1C	GE-504A		
H625	GE-504A	HA7723	GE-67	HC-00373	GE-62	HE-1S446	1N34AS	HEP627	GE-16	HF-SD-1Z	GE-504A		
H626	GE-504A	HA7730	GE-67	HC-00380	GE-20	HE-1S555	GE-90	HEP628	GE-16	HFOW05	GE-504A		
H781	6GC1	HA7732	GE-67	HC-00458	GE-17	HE-1024	1N60	HEP629	GE-53	HF1	GE-20		
H783	GE-504A	HA7734	GE-67	HC-00460	GE-20	HE-10001	1N34AS	HEP630	GE-2	HF-1A	GE-511		
H800	GE-509	HA7735	GE-67	HC-00461	GE-20	HE-10002	1N60	HEP631	GE-2	HF-1A	GE-504A		
H815	GE-504A	HA7736	GE-67	HC-00481	GE-31	HE-10003	1N34AS	HEP632	GE-2	HF-1B	GE-504A		
H881	GE-504A	HA7737	GE-67	HC-00496	GE-57	HE-10024	1N60	HEP633	GE-2	HF-1C	GE-511		
H889	GE-504A	HA7804	GE-22	HC-00535	GE-20	HE-10025	1N60	HEP634	GE-2	HF-1S85	GE-90		
H890	GE-504A	HA7806	GE-22	HC-00536	GE-62	HE-10027	1N60	HEP635	GE-51	HF-1S334	GEZD-9.1		
H891	GE-504A	HA7808	GE-22	HC-00537	GE-62	HE-20049	GEZD-7.5	HEP636	GE-51	HF-1S553	GE-90		
H1000	GE-509	HA7810	GE-22	HC-00537	GE-20	HEP-C6056P	GEIC-9	HEP637	GE-51	HF-1Z	GE-504A		
H-1567	GE-20	HA7815	GE-82	HC-00644	GE-20	HEP-C6057P	GEIC-5	HEP638	GE-51	HF-1Z	GE-504A		
H9623	GE-20	HA9048	GE-65	HC-00668	GE-17	HEP-C6062P	GEIC-10	HEP639	GE-51	HF2	GE-20		
H9625	GE-20	HA9049	GE-65	HC-00693	GE-20	HEP-C6063P	GEIC-2	HEP640	GE-51	HF3	GE-20		
H9896	GE-18	HA9054	GE-65	HC-00711	GE-62	HEP-S5004	GE-55	HEP641	GE-5	HF3H	GE-50		
H10174	GE-504A	HA9055	GE-65	HC00730	GE-5	HEP-S5005	GE-56	HEP643	GE-30	HF3M	GE-50		
H20052	GE-504A	HA9056	GE-65	HC-00732	GE-20	HEP-S5007	GE-58	HEP643X2	GE-31MP	HF4	GE-61		
HA12	GE-51	HA9057	GE-65	HC-00735	GE-10	HEP-S5008	GE-56	HEP700	GE-58	HF5	GE-20		
HA15	GE-1	HA9058	GE-65	HC-00772	GE-17	HEP-S5009	GE-56	HEP701	GE-57	HF6	GE-20		
HA49	GE-1	HA9059	GE-65	HC-00784	GE-20	HEP-S5010	GE-56	HEP702	GE-26	HF6H	GE-50		
HA52	GE-1	HA9078	GE-65	HC-00828	GE-17	HEP1	GE-51	HEP703	GE-66	HF6M	GE-50		
HA53	GE-1	HA9079	GE-65	HC-00829	GE-20	HEP2	GE-1	HEP703X2	GE-24MP	HF7	GE-20		
HA54	GE-2	HA9500	GE-21	HC-00838	GE-17	HEP3	GE-51	HEP704	GE-75	HF8	GE-20		
HA56	GE-2	HA9501	GE-21	HC-00839	GE-20	HEP50	GE-210	HEP704X2	GE-15MP	HF9	GE-18		
HA70	GE-51	HA9502	GE-21	HC-00871	GE-62	HEP51	GE-21	HEP705	GE-19	HF10	GE-21		
HA102	GE-1	HA9531	GE-65	HC-00900	GE-62	HEP52	GE-21	HEP706	GE-32	HF11	GE-28		
HA103	GE-51	HA9531A	GE-65	HC-00921	GE-20	HEP53	GE-47	HEP-707	GE-35	HF12	GE-29		
HA104	GE-51	HA9532	GE-65	HC-00923	GE-62	HEP54	GE-20	HEP709	GE-61	HF12H	GE-50		
HA-201	GE-2	HA9532A	GE-65	HC-00924	GE-17	HEP55	GE-210	HEP711	GE-18	HF12M	GE-50		
HA-234	GE-51	HA00052	GE-1	HC-00929	GE-20	HEP56	GE-11	HEP712	GE-18	HF12N	GE-1		
HA-234B	GE-51	HA00053	GE-1	HC-00930	GE-20	HEP57	GE-48	HEP713	GE-18	HF15	GE-28		
HA235	GE-51	HA-00102	GE-1	HC-00930	GE-60	HEP75	GE-88	HEP714	GE-18	HF16	GE-29		
HA-235A	GE-51	HA-00354	GE-50	HC-00945	GE-20	HEP76	GE-89	HEP715	GE-48	HF17	GE-62		
HA-235C	GE-51	HA-00495	GE-21	HC-01047	GE-17	HEP101	GEZD-9.1	HEP716	GE-21	HF19	GE-16		
HA266	GE-51	HA-00496	GE-58	HC-01098	GE-28	HEP102	GEZD-3.6	HEP717	GE-65	HF20	GE-16		
HA267	GE-51	HA-00634	GE-29	HC-01209	GE-63	HEP103	GEZD-8.2	HEP718	GE-11	HF20H	GE-50		
HA289	GE-51	HA-00643	GE-67	HC-01226	GE-28	HEP104	GEZD-9.1	HEP719	GE-11	HF20M	GE-50		
HA-330	GE-2	HA-00699	GE-29	HC-01317	GE-18	HEP105	GEZD-12	HEP720	GE-11	HF-35	GE-51		
HA342	GE-51	HB2	GE-504A	HC-01335	GE-62	HEP134	1N34AS	HEP721	GE-210	HF40	GE-10		
HA350	GE-51	HB3	GE-504A	HC-01359	GE-17	HEP135	1N295	HEP722	GE-10	HF43	GE-27		
HA-350A	GE-51	HB32	GE-2	HC01820	GE-20	HEP154	GE-504A	HEP723	GE-10	HF-47	GE-21		
HA353	GE-51	HB33	GE-2	HC01830	GE-17	HEP156	GE-504A	HEP724	GE-10	HF-47	GE-21		
HA-353C	GE-51	HB54	GE-2	HC1000117-0	GEIC-8	HEP157	GE-504A	HEP725	GE-10	HF47	GE-21		
HA354	GE-51	HB56	GE-53	HC10001090	GEIC-12	HEP158	GE-504A	HEP726	GE-210	HF50H	GE-50		
HA-505	GE-29	HB75	GE-2	HD-1	GE-504A	HEP159	GE-509	HEP727	GE-10	HF50M	GE-50		
HA800	GE-509	HB-75B	GE-2	HD8865	GE-504A	HEP160	GE-509	HEP728	GE-210	HF51	GE-29		
HA1040	GE-51	HB77	GE-2	HD-00072	GE-54	HEP161	GE-504A	HEP729	GE-210	HF-10024	1N60		
HA1154	GEIC-2	HB-77C	GE-2	HD-00227	GE-17	HEP162	GE-504A	HEP730	GE-212	HF-20002	GE-90		
HA1154	GEIC-2	HB-85	GE-2	HD-00261	GE-63	HEP165	6GC1	HEP731	GE-61	HF-20004	GEZD-9.1		
HA1350	GE-2	HB-156	GE-2	HD200207	GE-504A	HEP166	8GX1	HEP732	GE-61	HF-20005	GE-90		
HA1360	GE-2	HB171	GE-2	HD200301	GE-504A	HEP170	GE-509	HEP733	GE-212	HF-20007	GE-90		
HA2190	GE-51	HB172	GE-2	HD1000101	1N34AS	HEP175	GEBR-800	HEP734	GE-61	HF-20008	1N34AS		
HA3210	GE-51	HB175	GE-2	HD1000101-0	1N34AS	HEP176	GEBR-800	HEP735	GE-47	HF-20011	GE-504A		
HA3480	GE-51	HB176	GE-2	HD1000105	1N80	HEP177	GEBR-800	HEP736	GE-47	HF-20014	GE-300		
HA3670	GE-51	HB178	GE-2	HD1000105-0	1N80	HEP178	GEBR-800	HEP737	GE-212	HF-20032	GE-504A		
HA4400	GE-51	HB-186	GE-52	HD1000301	1N80	HEP200	GE-16	HEP738	GE-212	HF-20033	GEZD-6.2		
HA5002	GE-59	HB-187	GE-52	HD1000303	1N80	HEP230	GE-16	HEP739	GE-212	HF-20034	GE-300		
HA5003	GE-54R	HB263	GE-2	HD1000303-0	1N80	HEP230X2	GE-13MP	HEP-740	GE-36	HF-20035	GE-90		
HA5005	GE-59	HB459	GE-2	HD2000106	GE-300	HEP231	GE-4	HEP801	GE-FET-1	HF-20040	GE-90		
HA5012	GE-59	HB-475	GE-53	HD-2000108	GE-511	HEP232							

UNIVERSAL REPLACEMENT SEMICONDUCTORS

HF-20065 - IC-18

JEDEC Or Part Nr	GE Replacement	JEDEC Or Part Nr	GE Replacement	JEDEC Or Part Nr	GE Replacement	JEDEC Or Part Nr	GE Replacement	JEDEC Or Part Nr	GE Replacement	JEDEC Or Part Nr	GE Replacement	JEDEC Or Part Nr	GE Replacement
HF-20065	GEZD-9.1	HR9A	GE-1	HR107	GE-66	HST1058	GE-36	HT103501A	GE-51	HT309291E	GE-20		
HF-20066	GE-504A	HR10	GE-504A	HR200	GE-512	HST1059	GE-36	HT104941B-0	GE-21	HT309301C	GE-60		
HF-20067	GE-504A	HR11	GE-504A	HS1/7	GECR-1	HST1060	GE-35	HT104941C-0	GE-21	HT309301D	GE-20		
HF-20071	GE-510	HR11A	GE-20	HS7/1	GECR-1	HST1061	GE-36	HT104941CO	GE-21	HT309301E	GE-20		
HF-20083	GE-504A	HR11B	GE-20	HS8/1	GECR-1	HST1062	GE-36	HT104942A	GE-22	HT309301F	GE-60		
HF-20084	GE-504A	HR13	GE-20	HS9/1	GECR-1	HST1063	GE-36	HT104951A-0	GE-21	HT309680B	GE-18		
HF200191A	GE-FET-2	HR13A	GE-20	HS10/1	GECR-1	HST1064	GE-36	HT104951C	GE-22	HT309714A-0	GE-45		
HF200191A0	GE-FET-2	HR14	GE-20	HS15	GE-2	HST14451	GE-27	HT105611B0	GE-22	HT309841B0	GE-18		
HF200191A0	GE-FET-2	HR14A	GE-20	HS17D	GE-52	HST4452	GE-27	HT105611C	GE-22	HT309842A-0	GE-17		
HF200191B-0	GE-FET-2	HR15	GE-52	HS20-1A	GECR-5	HST4453	GE-27	HT105612B	GE-22	HT309842A-0	GE-62		
HF200191BO	GE-FET-1	HR15A	GE-20	HS20-1BS	GECR-5	HST4454	GE-27	HT105621B-0	GE-21	HT311621B	GE-57		
HF200301BO	GE-FET-1	HR16	GE-20	HS22D	GE-52	HST4483	GE-27	HT105621BO	GE-22	HT314071Q	GE-63		
HF200301BO	GE-FET-1	HR16A	GE-20	HS23D	GE-2	HST5001	GE-27	HT106731B	GE-67	HT305190C	GE-6		
HF200301C-0	GE-FET-2	HR17	GE-20	HS29D	GE-52	HST5002	GE-27	HT200540A	GE-2	HT400721D	GE-6		
HF200411B	GE-FET-2	HR17A	GE-20	HS30-1C	GECR-7	HST5003	GE-27	HT200541B	GE-52	HT400721E	GE-6		
HF309301E	GE-20	HR18	GE-20	HS30-16	GECR-6	HST5004	GE-27	HT200561B	GE-52	HT400723A	GE-54		
HF2000411B	GE-FET-2	HR18A	GE-20	HS102	GE-2	HST5005	GE-27	HT200561C	GE-52	HT401301B0	GE-23		
HFSD1	GE-504A	HR19	GE-20	HS133	1N82A	HST5006	GE-27	HT200771B	GE-2	HT600011F	GE-21		
HFSD-1A	GE-511	HR19A	GE-20	HS170	GE-52	HST5007	GE-27	HT201721A	GE-2	HT600011H	GE-21		
HFSD-1B	GE-511	HR-19E	GE-25	HS811	GECR-1	HST5008	GE-27	HT203701B	GE-53	HT600011H	GE-20		
HFSD1B	GE-504A	HR20	GE-51	HS902A	1N82A	HST5009	GE-27	HT204051E	GE-2	HT800011K	GE-20		
HFSD-1C	GE-511	HR20A	GE-51	HS1001	GE-504A	HST5010	GE-27	HT204053A	GE-54	HT800012F	GE-18		
HFSD-1Z	GE-511	HR21	GE-51	HS1002	GE-504A	HST5051	GE-27	HT303711A	GE-17	HT800191H	GE-18		
HFSD1Z	GE-504A	HR21A	GE-51	HS1003	GE-504A	HST5052	GE-27	HT303711A-0	GE-20	HT1001510	GE-50		
HFSD-14	GE-511	HR22	GE-51	HS1007	GE-504A	HST5053	GE-27	HT303711AO	GE-20	HT3036210	GE-20		
HG-R10	GE-504A	HR22A	GE-51	HS1008	GE-504A	HST5054	GE-27	HT303711B	GE-20	HT3036210	GE-20		
HJ15	GE-52	HR22B	GE-51	HS1009	GE-504A	HST5055	GE-27	HT303711B-0	GE-20	HT3037010	GE-20		
HJ15D	GE-50	HR24	GE-51	HS1010	GE-504A	HST5056	GE-27	HT303711BO	GE-20	HT3037210	GE-20		
HJ17	GE-52	HR24A	GE-51	HS1011	GE-504A	HST5501	GE-27	HT303801A	GE-20	HT3037310	GE-17		
HJ17D	GE-52	HR25	GE-51	HS1012	GE-504A	HST5502	GE-27	HT303801AO	GE-20	HT3082810	GE-18		
HJ22	GE-2	HR25A	GE-51	HS1020	GE-504A	HST5503	GE-27	HT303801AO	GE-20	HT6000210	GE-21		
HJ22D	GE-50	HR28	GE-51	HS-1168	GE-20	HST5504	GE-27	HT303801B	GE-20	HT8000110	GE-18		
HJ23	GE-2	HR28A	GE-51	HS-1225	GE-17	HST5505	GE-27	HT303801B-0	GE-20	HT8000710	GE-504A		
HJ23D	GE-50	HR27	GE-51	HS-1226	GE-20	HST5506	GE-27	HT303801BO	GE-20	HT8001610	GE-20		
HJ32	GE-50	HR27A	GE-51	HS-1227	GE-17	HST5507	GE-27	HT303801C	GE-20	HT8001710	GE-20		
HJ34	GE-50	HR28	GE-18	HS-1229	GE-10	HST5508	GE-27	HT303801CO	GE-20	HT8001810	GE-18		
HJ34A	GE-50	HR29	GE-20	HS2036	GEZD-3.8	HST5509	GE-27	HT303801CO	GE-20	HT9000410-0	GE-19		
HJ35	GE-16	HR-30	GE-52	HS2051	GEZD-5.1	HST5510	GE-27	HT304531C	GE-20	HT30373100	GE-20		
HJ37	GE-2	HR32	GE-20	HS2056	GEZD-5.6	HST5511	GE-46	HT304540AO	GE-20	HT30733100	GE-20		
HJ41	GE-1	HR36	GE-20	HS2062	GEZD-6.2	HST5551	GE-27	HT304540BO	GE-20	HV12	GE-52		
HJ43	GE-2	HR37	GE-20	HS2100	GEZD-10-4	HST5552	GE-27	HT304580B	GE-20	HV15	GE-52		
HJ50	GE-50	HR-38	GE-63	HS2120	GEZD-12	HST5553	GE-27	HT304580CO	GE-10	HV16	GE-52		
HJ51	GE-50	HR-39	GE-52	HS2150	GEZD-15	HST5554	GE-27	HT304580K	GE-63	HV17	GE-52		
HJ54	GE-2	HR40	GE-50	HS2270	GEZD-27	HST5555	GE-27	HT304580YO	GE-10	HV17B	GE-2		
HJ55	GE-50	HR41	GE-51	HS3103	GE-504A	HST5556	GE-27	HT304580Z	GE-20	HV19	GE-2		
HJ56	GE-50	HR42	GE-50	HS3104	GE-504A	HST5906	GE-216	HT304581B	GE-20	HV-23	GE-300		
HJ57	GE-50	HR-43	GE-50	HS3108	GE-509	HST7401	GE-27	HT304581B-0	GE-10	HV-23BL	1N34AS		
HJ60	GE-50	HR44	GE-50	HS3110	GE-509	HST7402	GE-27	HT304581C	GE-20	HV23F	GE-20		
HJ60A	GE-2	HR-45	GE-50	HS5810	GE-47	HST7403	GE-27	HT304601BO	GE-20	HV-23G(BL)	GE-300		
HJ60C	GE-1	HR46	GE-50	HS5811	GE-48	HST7411	GE-27	HT304601CO	GE-20	HV-25	GE-300		
HJ62	GE-2	HR-47	GE-17	HS5812	GE-47	HST7412	GE-27	HT304611B	GE-17	HV26	GE-504A		
HJ70	GE-50	HR-48	GE-20	HS5813	GE-48	HST7413	GE-27	HT304861B	GE-17	HV-26G	GE-504A		
HJ71	GE-50	HR50	GE-51	HS5814	GE-47	HST7414	GE-27	HT304941X	GE-14	HV-27	GE-300		
HJ72	GE-50	HR51	GE-51	HS5815	GE-48	HST7415	GE-27	HT304961C-0	GE-28	HV-46	GE-504A		
HJ73	GE-50	HR52	GE-51	HS5816	GE-47	HST7416	GE-27	HT304971A	GE-18	HV-46GR	GE-504A		
HJ74	GE-50	HR53	GE-52	HS5817	GE-48	HST7417	GE-46	HT304971AO	GE-18	HV-80	GE-300		
HJ75	GE-50	HR-58	GE-11	HS5818	GE-47	HST7418	GE-32	HT304971AO	GE-18	HV-100	GE-504A		
HJ226	GE-2	HR-59	GE-11	HS5819	GE-48	HST7419	GE-32	HT304971B	GE-18	HV0000102	GE-2		
HJ228	GE-2	HR-60	GE-20	HS5820	GE-63	HST7901	GE-32	HT305361CO	GE-17	HV0000105	GE-504A		
HJ230	GE-2	HR-61	GE-52	HS5821	GE-67	HST7902	GE-32	HT305361E	GE-20	HV0000105-0	GE-504A		
HJ315	GE-52	HR62	GE-20	HS5822	GE-63	HST7903	GE-32	HT306441AO	GE-18	HV0000405	GE-300		
HJ606	GE-1	HR63	GE-20	HS5823	GE-67	HST7904	GE-32	HT306441B	GE-18	HV0000405-0	GE-52		
HJX2	GE-2	HR64	GE-20	HS7036	GEZD-3.6	HST7905	GE-32	HT306441B-0	GE-17	HV0000705	GE-504A		
HK-00330	GE-FET-2	HR65	GE-62	HS7051	GEZD-5.1	HST7907	GE-32	HT306441BO	GE-18	HV00001050	GE-300		
HM-00049	GE-2	HR67	GE-63	HS7056	GEZD-5.6	HST7908	GE-32	HT306441C-0	GE-17	HW1	GEZD-9.1		
HM-08014	GE-2	HR-68	GE-28	HS7082	GEZD-6.2	HST7909	GE-32	HT306451A	GE-11	HW9.1A	GEZD-9.1		
HN-00002	GE-300	HR69	GE-66	HS7100	GEZD-10-4	HST7910	GE-32	HT306451B	GE-20	HW9.1B	GEZD-9.1		
HN-00003	1N60	HR70	GE-69	HS7120	GEZD-12	HST9001	GE-27	HT306451H	GE-17	HW12	GEZD-12		
HN-00006	GE-504A	HR71	GE-21	HS7150	GEZD-15	HST9002	GE-27	HT306962A-0	GE-20	HW12A	GEZD-12		
HO70	GECR-1	HR72	GE-67	HS7270	GEZD-27	HST9003	GE-27	HT307321B-0	GE-17	HW12B	GEZD-12		
HO91	1N60	HR-73	GE-28	HS-40014	GE-20	HST9004	GE-27	HT307322A	GE-20	HW15	GEZD-15		
HO99	GECR-3	HR-74	GE-29	HS-40027	GE-67	HST9005	GE-27	HT307331C	GE-17	HW15A	GEZD-15		
HO300	GE-25	HR76	GE-20	HS-40031	GE-22	HST9006	GE-27	HT307331CO	GE-20	HW15B	GEZD-15		
HP-5A	GE-504A	HR77	GE-17	HS40032	GE-67	HST9007	GE-27	HT307341B	GE-17	HW27A	GEZD-27		
HR1	GE-51	HR78	GE-17	HS-40037	GE-20	HST9008	GE-27	HT307341C-0	GE-17	HW27B	GEZD-27		
HR-1S85	GE-90	HR79	GE-20	HS-40039	GE-20	HST9009	GE-27	HT307342B	GE-18	HW27C	GEZD-27		
HR2	GE-51	HR80	GE-20	HS-40045	GE-20	HST9010	GE-46	HT307342C	GE-18	HY3045801C	GE-20		
HR2	GE-53	HR81	GE-20	HS-40047	GE-17	HST-9201	GE-14	HT307720B	GE-20	HZ-7(B)	GEZD-6.2		
HR2A	GE-2	HR83	GE-63	HS40049	GE-20	HST-9205	GE-14	HT307721C	GE-20	HZ-7A(B)	GEZD-7.5		
HR3	GE-2	HR84	GE-20	HS-40050	GE-21	HST-9206	GE-14	HT307721D	GE-20	HZ7C	GEZD-7.5		
HR4	GE-2	HR85	GE-28	HSC1	GE-509	HST-9210	GE-14	HT307902B	GE-66	HZ-7GR	GEZD-6.2		
HR4A	GE-1	HR86	GE-29	HSPD1	GE-511	HT100	GE-65	HT308281B	GE-18	HZ-9	GEZD-9.1		
HR5	GE-1	HR87	GE-17	HSPD-1A	GE-504A	HT101	GE-65	HT308281D	GE-18	HZ-12	GEZD-12		
HR5A	GE-504A	HR101	GE-16	HSTD-12	GE-504A	HT400	GE-61	HT308281G	GE-20	HZ-12A	GEZD-12		
HR-5AX2	GE-504A	HR101A	GE-3	HSTD1050	GE-35	HT401	GE-61	HT308282A-0	GE-17	HZ-12B	GEZD-12		
HR6	GE-2	HR102	GE-16	HST1051	GE-36	HT30491C	GE-18	HT308291A	GE-20	I538	GE-504		
HR7	GE-51	HR103	GE-3	HST1052	GE-36	HTD40519C	GE-8	HT308291B	GE-20	IC3	GEIC-1		
HR7	GE-53	HR103A	GE-3	HST1053	GE-36	HT101011X	GE-1	HT308291B-0	GE-20	IC-5	GEIC-12		
HR7A	GE-2	HR105	GE-16	HST1054	GE-36	HT101021A	GE-1	HT308291BO	GE-20	IC8B	GEIC-10		
HR8	GE-2	HR105	GE-16	HST1055	GE-35	HT102341B	GE-51	HT308291C	GE-20	IC-12	GEIC-10		
HR8A	GE-1	HR105B	GE-16	HST1056	GE-36	HT102341C	GE-51	HT308301BO	GE-23	IC-17	GEIC-8		
HR9	GE-2	HR106	GE-12	HST1057	GE-36	HT102351A	GE-51						

UNIVERSAL REPLACEMENT SEMICONDUCTORS

IC-19 - LM1108

JEDEC Or Part Nr	GE Replacement	JEDEC Or Part Nr	GE Replacement	JEDEC Or Part Nr	GE Replacement	JEDEC Or Part Nr	GE Replacement	JEDEC Or Part Nr	GE Replacement	JEDEC Or Part Nr	GE Replacement	JEDEC Or Part Nr	GE Replacement
IC-19	GEIC-3	IT2222	GE-20	J24920	GE-504A	JT-E1014	1N295	K8532799	GE-504A	KS051A	GEZD-5.1		
IC-23	GEIC-31	IT2483	GE-63	J24921	GE-20	JT-E1024D	GE-504A	K8533058-1	GE-504A	KS056A	GEZD-5.6		
IC-25	GEIC-31	IT2604	GE-65	J24923	GE-20	JT-E1031	1N295	K8533137	6GC1	KS058B	GEZD-5.6		
IC-91	GEIC-12	IT2605	GE-65	J24932	GE-62	JT-E1064	GE-504A	K8534992P1	6GC1	KS062A	GEZD-8.2		
IC91	GEIC-12	IT2904	GE-21	J24933	GE-20	JT-E1095	GE-504A	K8534992P2	6GC1	KS100A	GEZD-10.4		
IC-91	GEIC-12	IT2905	GE-21	J24934	GE-2	JT-1601-40	GE-20	KA1Z25	GE-18	KS120A	GEZD-12		
IC502	GEIC-3	IT2906	GE-21	J24935	GE-504A	JT-1601-41	1N82A	KA4559	GE-FET-2	KS120B	GEZD-12		
IC504	GEIC-10	IT2907	GE-21	J24939	GE-504A	K1H5	GE-509	KB162	GE-300	KS150A	GEZD-15		
IC505	GEIC-11	ITC918A	GE-212	J24940	GE-504A	K1K5	GE-509	KB-162	GE-300	KS150B	GEZD-15		
IC507	GEIC-2	ITE4416	GE-FET-2	J24950	GE-90	K1M5	GE-509	KB-162C5	GE-504A	KS1051	GE-77		
IC508	GEIC-5	ITT210	GE-90	J241054	GE-20	K2CDP22/1B	GE-800	KB162N	GE-300	KSD1052	GE-75		
IC509	GEIC-4	ITT-401	GE-90	J241099	GE-10	K2H5	GE-509	KB-165	GE-300	KSD1055	GE-77		
IC510	GEIC-8	ITT410	GE-90	J241100	GE-504A	K2K5	GE-509	KB169	GE-X11	KSD1056	GE-77		
IC511	GEIC-8	ITT413	GE-300	J241102	GE-511	K2M5	GE-509	KB262	GE-504A	KSD1057	GE-75		
IC513	GEIC-9	J-1	GE-504A	J241105	GE-90	K3	1N82A	KB262	GE-300	KSD2102	GE-216		
IE1225	GEZD-12	J-2	GE-504A	J241142	GE-504A	K3AST47	1N82A	KB265	GE-300	KSD2103	GE-216		
IE850	GE-20	J2-4570	GE-504A	J241164	GE-52	K3E	1N82A	KB265A	GE-300	KSD2203	GE-75		
IF65	GE-2	J-4	GE-504A	J241177	GE-20	K3H5	GE-509	KB8416	GE-17	KSD3055	GE-14		
INJ80034	1N60	J-8	GE-504A	J241178	GE-53	K3M5	GE-509	KC0.8C22/1	GE-600	KSD3771	GE-75		
INJ81224	1N60	J-8	GE-509	J241179	GEZD-6.2	K4H5	GE-509	KC0.8CP	GE-509	KSD3772	GE-75		
INJ81227	GE-504A	J-05	GE-504A	J241181	GE-90	K4K5	GE-509	KC0.8CP11	GE-504A	KSD9701	GE-75		
INJ81434	GE-504A	J-10	GE-509	J241182	GE-300	K4M5	GE-509	KC0.8CP11/1 + 12/1	GE-504A	KSD9701A	GE-75		
INJ81435	6CG1	J39B	GE-90	J241184	GE-90	K5H5	GE-509	KC0.8CP11/1 + 12/1	GE-504A	KSD9704	GE-75		
INJ81675	1N60	J241	1N34AS	J241186	GEZD-5.6	K5K5	GE-509	KC1.3C	GE-504A	KSD9707	GE-77		
IR2A	GE-504A	J242	1N34AS	J241188	GE-20	K6	1N60, 1N295	KC1.3G	GE-504A	KSKE40C200	GE-504A		
IR5JA	1N34AS	J243	1N34AS	J241189	GE-20	K14-0066-1	GE-53	KC1.3G12/1X2	GE-504A	KSKE40C500	GE-504A		
IR20	GE-504A	J685	1N34AS	J241190	GE-54	K14-0066-4	GE-1	KC1.3G22/1A	GE-504A	KT218	GE-20		
IR2160	2N2160	J2441	1N60, 1N295	J241241	GE-66	K14-0066-6	GE-61	KC2AP22/1B	GE-600	KT218F	GE-64		
IRC20	GE-509	J9880	GE-22	J241250	GE-57	K14-0066-12	GE-10	KC2AP22/16	GE-600	KT600	GE-47		
IRIF	GE-511	J9897	GE-21	J241251	GE-20	K14-0066-13	GE-18	KC2D22/1	GE-504A	KT600F	GE-47		
IRTR01	GE-16	J24282	GEZD-6.2	J241252	GE-66	K60	1N60	KC2D22/1A	GE-600	KT600G	GE-32		
IRTR02	GE-3	J24458	GE-20	J241253	GE-67	K112	6GC1	KC2DP	GE-504A	KT600T	GE-47		
IRTR03	GE-4	J24561	GE-11	J241255	GE-63	K-112C	6GC1	KC2DP11/1	GE-504A	KT1017	GE-16		
IRTR04	GE-2	J24562	GE-11	J241256	GE-63	K112D	6GD1	KC2DP12/1	GE-504A	KV-1	GE-52		
IRTR05	GE-2	J24563	GE-20	J241259	GE-67	K115J510-1	6GC1	KC2DP12/1N	GE-504A	KV2	GE-2		
IRTR06	GE-51	J24564	GE-20	J241260	GE-504A	K115J510-2	6GC1	KC2DP12/2	GE-504A	KV4	GE-52		
IRTR07	GE-51	J24565	GE-20	J310159	GE-53	K117J460-1	6GC1	KC2DP22/1	GE-600	KVR10	GEZD-10-4		
IRTR08	GE-6	J24566	GE-12	J310224	GE-53	K117J460-2	6GC1	KC2DP22/1B	GE-600	KX-1	GE-300		
IRTR09	GE-8	J24567	1N60	J310249	GE-20	K118J966-1	6GD1	KC2DP22/1C	GE-600	KZ6	GEZD-7.5		
IRTR10	GE-7	J24569	GE-90	J310250	GE-20	K118J966-2	6GX1	KC2DP22/16	GE-600	KZ6A	GEZD-7.5		
IRTR11	GE-1	J24570	GE-504A	J310251	GE-51	K118J966-3	6GX1	KC2G	GE-504A	L3/2H	GE-504A		
IRTR12	GE-51	J24596	GE-20	J310252	GE-53	K118J966-4	6GX1	KC2G11/1 + 12/1	GE-504A	L4	GE-212		
IRTR14	GE-53	J24620	GE-50	J320020	GE-504A	K-122	6GC1	KC06E11/8	GE-504A	L5	GE-212		
IRTR16	GE-3	J24621	GE-50	J320041	1N295	K-122C	6GC1	KC08C11/8	GE-504A	L6	GE-212		
IRTR16X2	GE-13MP	J24622	GE-50	JA-KCDP	GE-510	K122D	6GD1	KC08C11/10	GE-504A	L6/2H	GE-504A		
IRTR17	GE-51	J24623	GE-50	JA1050	GE-22	K122J176-1	GE-504A	KC08C21/5	GE-504A	L7	GE-212		
IRTR18	GE-51	J24624	GE-17	JA1200	GE-20	K122J176-2	GE-504A	KC08C22/19	GE-504A	L8/2H	GE-504A		
IRTR19	GE-21	J24625	GE-63	JA-M702C	GE-504A	K122J177-P1	GE-504A	KC112A	6GC1	L5022	GE-2		
IRTR20	GE-22	J24626	GE-52	JB-BB1A	GE-504A	K882	1N295	KC0911/8	GE-504A	L5022A	GE-2		
IRTR21	GE-20	J24628	1N60	JB-7B3B1	GE-BR-600	K1615	6GC1	KC1322/1	GE-504A	L5025	GE-2		
IRTR22	GE-17	J24630	GE-504A	JB-00030	GE-504A	K1616	6GD1	KCDP12-1	GE-510	L5025A	GE-2		
IRTR23	GE-12	J24631	GEZD-4.2	JB-00036	GE-504A	K1617	6GX1	KC0.8C22/1	GE-600	L5025B	GE-2		
IRTR24	GE-17	J24632	GEZD-9.1	JC-DS16E	GE-504A	K2109	GE-86	KC0-8CP	GE-504A	L5121	GE-2		
IRTR25	GE-18	J24643	1N60	JC-SD1Z	GE-504A	K2110	GE-86	KD27	1N60, 1N295	L5122	GE-2		
IRTR26	GE-19	J24645	GE-504A	JC-SG005	GE-504A	K2111	GE-86	KD2101	GE-2	LA-1201	GEIC-2		
IRTR27	GE-25	J24647	GE-504A	JC-V03C	GE-504A	K2112	GE-86	KD2102	GE-20	LA1201	GEIC-2		
IRTR28	GE-21	J24756	GE-504A	JC-10D1	GE-504A	K2113	GE-86	KD2103	GE-504A	LA1201B	GEIC-2		
IRTR30	GE-21	J24812	GE-20	JC-00012	GE-504A	K2114	GE-86	KD2501	GEZD-10-4	LA1342	GE-511		
IRTR31	GE-20	J24813	GE-20	JC-00014	GE-504A	K2115	GE-86	KD2503	GEZD-6.2	LA1364	GE-511		
IRTR50	GE-30	J24814	GE-11	JC-00017	GE-511	K2116	GE-86	KD2504	GEZD-9.1	LC0.09M	GE-511		
IRTR50X2	GE-31MP	J24817	GE-10	JC-00025	GE-504A	K2117	GE-86	KD2505	GEZD-12	LC.09M	GE-504A		
IRTR52	GE-67	J24820	1N60	JC-00028	GE-504A	K2118	GE-86	KD5000	GE-214	LD128	1N82A		
IRTR53	GE-63	J24832	GE-21	JC-00032	GE-504A	K2119	GE-11	KDC.80P11/1 + 12/1	GE-511	LDA400	GE-210		
IRTR-54	GE-21	J24833	GE-52	JC-00033	GE-504A	K2120	GE-11	KE-262	GE-504A	LDA400MP	GE-210		
IRTR55	GE-28	J24834	GE-52	JC-00037	GE-504A	K2121	GE-11	KE4416	GE-FET-2	LDA401	GE-210		
IRTR56	GE-29	J24838	1N60	JC-00045	GE-504A	K2122	GE-11	KE5105	GE-FET-2	LDA401MP	GE-210		
IRTR57	GE-23	J24840	GE-90	JCN3	GE-504A	K2123	GE-11	KGE41054	GE-17	LDA402	GE-210		
IRTR57X2	GE-24MP	J24842	GE-20	JCN4	GE-504A	K2124	GE-11	KGE41055	GE-20	LDA404	GE-20		
IRTR58	GE-26	J24843	GE-20	JCN7	GE-509	K2126	GE-11	KGE41061	GE-28	LDA405	GE-20		
IRTR60	GE-27	J24844	GE-20	JCV2	GE-504A	K2127	GE-11	KLH4793	GEIC-9	LDA406	GE-61		
IRTR61	GE-14	J24845	GE-20	JCV3	GE-504A	K2501	GE-17	KLH5489	GEIC-8	LDA408	GE-17		
IRTR61X2	GE-15MP	J24846	GE-20	JCV7	GE-509	K2502	GE-17	KN2	6GC1	LDA410	GE-62		
IRTR-62	GE-20	J24852	GE-20	JD-SD1D	GE-504A	K2503	GE-17	KO4774	GE-16	LDA420	GE-64		
IRTR-63	GE-215	J24855	GE-20	JD-SD1Z	GE-504A	K2509	GE-17	KR-Q0001	GE-53	LDA450	GE-21		
IRTR-65	GE-45	J24863	GE-20	JD-00040	GE-504A	K2601C	GE-11	KR-Q0002	GE-53	LDA451	GE-48		
IRTR-70	GE-61	J24871	GE-504A	JF-1033	GE-FET-2	K2602C	GE-11	KR-Q0004	GE-53	LDA452	GE-21		
IRTR-71	GE-60	J24874	GE-20	JJ650	GE-20	K2603C	GE-11	KR-Q0005	1N34AS	LDA453	GE-48		
IRTRFE100	GE-FET-1	J24903	GE-17	JM40	GE-300	K2604	GE-11	KR-Q1010	GE-53	LDA454	GE-65		
IS86	GE-90	J24904	GE-20	JP40	GE-16	K2604C	GE-11	KR-Q1011	GE-53	LDA455	GE-65		
ISD162	GE-8	J24905	GE-20	JP5062	GE-50	K2615	GE-11	KR-Q1012	GE-2	LDS202	GE-21		
IT108	GE-FET-2	J24906	GE-10	JP5063	GE-52	K2616	GE-11	KR-Q1013	GE-20	LDS203	GE-21		
IT120	GE-210	J24907	GE-10	JP5064	GE-52	K2657C	GE-39	KR8417	GE-17	LDS206	GE-10		
IT121													

UNIVERSAL REPLACEMENT SEMICONDUCTORS

LM1117 - MC6124A

JEDEC Or Part Nr	GE Replacement	JEDEC Or Part Nr	GE Replacement	JEDEC Or Part Nr	GE Replacement	JEDEC Or Part Nr	GE Replacement	JEDEC Or Part Nr	GE Replacement	JEDEC Or Part Nr	GE Replacement	JEDEC Or Part Nr	GE Replacement
LM1117	GE-20	M89A	GE-504A	M4315	GE-2	M4786	GE-3	M75547-2	GE-11	MA522	GE-52		
LM1120C	GE-20	M69B	GE-504A	M4331	GE-3	M4787	GE-3	M100449	GE-42	MA523	GE-52		
LM1123H	GE-20	M70C	GE-504A	M4383	GE-51	M4788	GE-20	M105064	GE-3	MB01	GE-504A		
LM1304	GE-8	M72	GE-509	M4384	GE-1	M4789	GE-20	M105330	GE-42	MB6356	GE-111		
LM1304N	GE-8	M72A	GE-509	M4385	GE-1	M4815	GE-21	M109474	6GC1	MC2	GE-300		
LM1305	GE-7	M72B	GE-509	M4386	GE-50	M4816	GEZD-9.1	M8534992-2	6GC1	MC19	GE-504A		
LM1305N	GE-7	M72C	GE-509	M4387	GE-50	M4819	GE-27	MA1	GE-50	MC010	GE-504A		
LM1310	GE-35	M72D	GE-509	M4388	GE-51	M4820	GE-17	MA8	1N34AS, 1N60	MC020	GE-504A		
LM1403	GE-10	M73	GE-509	M4398	GE-53	M4821	GE-20	MA-10	GE-64	MC020A	GE-504A		
LM1404	GE-21	M73A	GE-509	M4442	GE-20	M4825	GE-11	MA23	GE-2	MC021	GE-504A		
LM1501H	GE-83	M73B	GE-509	M4450	GE-53	M4826	GE-17	MA23A	GE-51	MC021A	GE-504A		
LM1502H	GE-67	M73C	GE-509	M4454	GE-50	M4834	GE-20	MA23B	GE-52	MC022	GE-504A		
LM1800	GE-32	M76	GE-51	M4458	GE-50	M4837	GE-17	MA25	GE-53	MC022A	GE-504A		
LM1841	GE-18	M77	GE-51	M4457	GE-50	M4838	GE-20	MA25A	GE-2	MC023	GE-504A		
LM3065	GE-2	M78	GE-50	M4462	GE-53	M4839	GE-20	MA26	GE-300	MC023A	GE-504A		
LM3065N	GE-2	M78A	GE-50	M4463	GE-16	M4840	GE-20	MA-26-1	GE-504A	MC025	GE-504A		
LP1H	GE-504A	M78B	GE-50	M4464	GE-18	M4840A	GE-17	MA26A	GE-300	MC030	GE-504A		
LP2H	GE-504A	M78BLK	GE-50	M4465	GE-18	M4841	GE-20	MA50	GE-504A	MC030A	GE-504A		
LP3H	GE-504A	M78C	GE-50	M4466	GE-53	M4842	GE-20	MA101	GE-504A	MC030B	GE-504A		
LP4H	GE-504A	M78D	GE-50	M4468	GE-53	M4842A	GE-20	MA102	GE-504A	MC035	GE-504A		
LPM9.1	GEZD-9.1	M78GRN	GE-50	M4469	GE-53	M4843	GE-27	MA110	GE-504A	MC040	GE-504A		
LPM9.1A	GEZD-9.1	M78RED	GE-50	M4470	GE-53	M4844	GE-20	MA112	GE-2	MC040A	GE-504A		
LPM12	GEZD-12	M78YEL	GE-50	M4471	GE-53	M4845	GE-20	MA113	GE-2	MC070	GE-509		
LPM12A	GEZD-12	M82	GE-509	M4472	GE-53	M4850	GEZD-12	MA114	GE-53	MC070A	GE-509		
LPM15	GEZD-15	M91A	GE-20	M4473	GE-53	M4851	GEZD-9.1	MA115	GE-2	MC080	GE-509		
LPM15A	GEZD-15	M91B	GE-20	M4474	GE-53	M4852	GE-20	MA116	GE-2	MC080A	GE-509		
LPM27	GEZD-27	M91BGRN	GE-20	M4475	GE-53	M4853	GE-63	MA117	GE-2	MC090	GE-509		
LPM27A	GEZD-27	M91C	GE-20	M4478	GE-53	M4854	GE-20	MA161	GE-300	MC090A	GE-509		
LPZT12	GEZD-12	M91CM824	GE-20	M4477	GE-53	M4855	GE-20	MA162	GE-300	MC100	GE-509		
LPZT15	GEZD-15	M91D	GE-20	M4478	GE-20	M4857	GE-20	MA203	GE-504A	MC100A	GE-509		
LPZT27	GEZD-27	M91E	GE-20	M4484	GE-51	M4858	GEZD-33	MA211	GE-504A	MC101	GE-2		
LR51CH	GEZD-5.1	M91F	GE-20	M4485	GE-51	M4860	GE-51	MA215	GE-504A	MC103	GE-51		
LR56CH	GEZD-5.1	M91FM824	GE-20	M4486	GE-51	M4872	GE-12	MA240	GE-52	MC170	GE-504A		
LR150CH	GEZD-15	M95	1N34AS	M4501	GE-50	M4882	GE-14	MA242	GE-504A	MC-301	GE-300		
LRR50	GE-504A	M100	GE-51	M4509	GE-50	M4885	GE-12	MA242C	GE-504A	MC456	GE-504A		
LRR100	GE-504A	M102	GE-509	M4510	GE-53	M4887A	GE-16	MA286	GE-2	MC1303	GEIC-19		
LRR200	GE-504A	M108	GE-52	M4545	GE-51	M4888	GE-18	MA287	GE-2	MC1303L	GEIC-19		
LRR300	GE-504A	M124J770-1	GE-504A	M4552	GEZD-15	M4898	GE-20	MA311	GE-300	MC1303P	GEIC-19		
LRR400	GE-504A	M128J422-1	GE-3	M4553	GE-53	M4900	GE-35	MA350	GE-504A	MC1304	GEIC-8		
LRR500	GE-504A	M128J753	GE-3	M4562	GE-53	M4901	GE-36	MA351	GE-504A	MC1304P	GEIC-8		
LS52	GE-16	M140-3	GE-20	M4563	GE-53	M4908	GE-20	MA393	GE-52	MC1304PQ	GEIC-8		
LS703L	GEIC-12	M150	GE-504A	M4564	GE-53	M4926	GE-20	MA393A	GE-52	MC1305	GEIC-7		
LS-0142	GEIC-18	M150-1	GE-300	M4565	GE-53	M4933	GE-20	MA393B	GE-52	MC1305P	GEIC-7		
LS3705	GE-20	M351	GE-51	M4567	GE-53	M4937	GE-20	MA393C	GE-52	MC1305PQ	GEIC-7		
LS5484	GE-FET-2	M433	GE-18	M4570	GE-16	M7003	GE-20	MA393E	GE-52	MC1370	GEIC-9		
LS5485	GE-FET-1	M500	GE-504A	M4573	GE-4	M7006	GE-20	MA393G	GE-52	MC1307P	GEIC-9		
LT1016(E)	GE-20	M501	GE-18	M4582	GE-3	M7014	GE-20	MA393R	GE-52	MC1307PQ	GEIC-9		
LT1016H	GE-20	M604	GE-504A	M4583	GE-3	M7015	GE-20	MA790	1N295	MC1310P	GEIC-35		
LT1016i,H	GE-20	M604HT	GE-504A	M4584	GE-3	M7033	GE-20	MA815	GE-2	MC1312P	GEIC-34		
LZ5.6	GEZD-5.6	M644	GE-21	M4588	GE-51	M8014	GE-2	MA890	GE-2	MC1312P	GEIC-34		
LZ10	GEZD-10-4	M652/PIC	GE-21	M4589	GE-51	M8062A	GE-2	MA891	GE-2	MC1324	GEIC-30		
M0TMJE371	GE-58	M680	GE-504A	M4590	GE-20	M8062B	GE-2	MA892	GE-2	MC1328P	GEIC-18		
M0TMJE521	GE-57	M680A	GE-504A	M4594	GE-18	M8062C	GE-2	MA893	GE-2	MC1328PQ	GEIC-18		
M1H	GE-504A	M680B	GE-504A	M4595	GE-50	M8105	GE-10	MA894	GE-2	MC1330P	GEIC-7		
M1X	GE-63	M690	GE-504A	M4596	GE-53	M8118	GE-51	MA895	GE-2	MC1351P	GEIC-26		
M2N188A	GE-8	M700C	GE-504A	M4597	GE-4	M8120	GE-7	MA896	GE-2	MC1351PQ	GEIC-26		
M4	GE-85	M702C	GE-504A	M4603	GE-50	M8124	GE-51	MA897	GE-2	MC1357	GEIC-11		
M4Z12	GEZD-12	M720	GE-509	M4604	GE-50	M8221	GE-20	MA898	GE-2	MC1357P	GEIC-10		
M4Z12A	GEZD-12	M720A	GE-509	M4605	GE-51	M8222	GE-504A	MA899	GE-2	MC1358	GEIC-2		
M4Z15	GEZD-15	M720B	GE-509	M4607	GE-53	M8482	1N82A	MA900	GE-2	MC1358P	GEIC-2		
M4Z27	GEZD-27	M720C	GE-509	M4608	GE-3	M8489	GE-300	MA901	GE-2	MC1364P	GEIC-21		
M4Z27A	GEZD-27	M730	GE-509	M4619	GE-3	M8513	1N60	MA902	GE-2	MC1364PQ	GEIC-21		
M5	GE-85	M730B	GE-509	M4620	GE-3	M8513A	GE-300	MA903	GE-2	MC1398	GEIC-29		
M5A	GE-73	M730C	GE-509	M4621	GE-51	M8513A0	GE-300	MA904	GE-2	MC1520	GE-504A		
M5B	GE-73	M758	GEZD-5.8	M4622	GE-4	M-8513R	1N60	MA0401	GE-21	MC1521	GE-504A		
M5C	GE-73	M773	GE-20	M4624	GE-18	M8604	GE-53	MA0402	GE-21	MC1522	GE-504A		
M5D	GE-73	M774	GE-20	M4627	GE-53	M8640	GE-2	MA0404	GE-22	MC1523	GE-504A		
M6	GE-85	M775	GE-20	M4630	GE-18	M8640A	GE-52	MA0404-1	GE-21	MC1524	GE-504A		
M7	GE-85	M776	GE-20	M4632	GE-51	M8640E	GE-52	MA0404-2	GE-21	MC1527	GE-509		
M12	GE-504A	M779	GE-20	M4648	GE-27	M9010	GE-86	MA0411	GE-21	MC1529	GE-509		
M24	GE-20	M780	GE-20	M4649	GE-16	M9032	GE-20	MA0412	GE-48	MC1529	GE-509		
M24A	GE-17	M783	GE-20	M4659	GEZD-15	M9095	GE-60	MA0413	GE-21	MC5321	GE-300		
M24B	GE-17	M784	GE-20	M4689	GE-18	M9134	GE-28	MA0414	GE-22	MC5007P	GEZD-5.6		
M25	GE-20	M785	GE-20	M4697	GE-2	M9138	GE-18	MA1318	GE-2	MC6007	GEZD-5.6		
M25A	GE-17	M786	GE-20	M4700	GE-54	M9148	GE-2	MA1702	GE-1	MC6008A	GEZD-6.2		
M25B	GE-17	M787	GE-20	M4705	GE-18	M9159	GE-20	MA1703	GE-2	MC6014	GEZD-10-4		
M25B2	GE-20	M818	GE-20	M4709	GE-17	M9206	GE-504A	MA1704	GE-1	MC6014A	GEZD-10-4		
M26	GE-300	M819	GE-27	M4714	GE-18	M9228	GE-18	MA1705	GE-1	MC6016	GEZD-12		
M-31	GE-504A	M822	GE-20	M4715	GE-14	M9235	GE-504A	MA1706	GE-2	MC6016A	GEZD-12		
M34A	1N34AS	M822A	GE-20	M4722	GE-16	M9312	GE-504A	MA1707	GE-1	MC6018	GEZD-15		
M51	1N34AS	M822B	GE-20	M4727	GE-16	M9314	GE-504A	MA4101	GE-61	MC6018A	GEZD-15		
M54	GE-20	M823	GE-20	M4730	GE-16	M9317	GE-504A	MA4103	GE-61	MC6024	GEZD-27		
M54A	GE-20	M827	GE-20	M4732	GE-20	M9319	GE-504A	MA4104	GE-61	MC6027	GEZD-5.6		
M54B	GE-20	M833	GE-21	M4733	GE-20	M9348	GE-26	MA4670	GE-16	MC6107A	GEZD-5.6		
M54C	GE-20	M844	GE-68	M4734	GE-20	M9408	GE-35	MA6001	GE-210	MC6108	GEZD-6.2		
M54D	GE-20	M847	GE-20	M4736	GE-504A	M9558	GE-57	MA6002	GE-210	MC6108A	GEZD-6.2		
M54E	GE-20	M912	GE-66	M4737	GE-20	M9582	GE-57	MA6003	GE-210	MC6116	GEZD-12		
M60	1N60	M0027	GE-504A	M4739	GE-20	MA1032A	GE-510	MA6101	GE-215	MC6116A	GEZD-12		
M68	GE-504A	M3016	GE-504A	M4745	GE-20	MA1223-2	GE-504A	MA6102	GE-215	MC6118	GEZD-15		
M68A	GE-504A	M3519	GE-20	M4758	GE-17	M-75517-1	GE-2	MA8001	GE-47	MC6118A	GEZD-15		
M68B	GE-504A	M3567-2	GE-28	M4757	GE-17	M-75543-1	GE-23	MA520	GE-52	MC6124	GEZD-27		
M69	GE-504A	M4313	GE-53	M4765	GE-20	M75547-1	GE-11	MA521	GE-52	MC6124A	GEZD-27		

UNIVERSAL REPLACEMENT SEMICONDUCTORS

MCR1907-1 - MP5834

JEDEC Or Part Nr	GE Replacement	JEDEC Or Part Nr	GE Replacement	JEDEC Or Part Nr	GE Replacement	JEDEC Or Part Nr	GE Replacement	JEDEC Or Part Nr	GE Replacement	JEDEC Or Part Nr	GE Replacement	JEDEC Or Part Nr	GE Replacement
MCR1907-1	GE-3	ME1001	GE-210	MHT7413	GE-27	MJE711	GE-58	MM8006	GE-11	MP1529	GE-76		
MCR1907-2	GE-3	ME1002	GE-210	MHT7414	GE-27	MJE712	GE-56	MM8007	GE-11	MP1529A	GE-76		
MCR1907-3	GE-3	ME1075	GE-81	MHT7415	GE-27	MJE720	GE-57	MMCM918	GE-86	MP1530	GE-76		
MCR1907-4	GE-3	ME1120	GE-17	MHT7416	GE-27	MJE721	GE-57	MMCM930	GE-212	MP1530A	GE-76		
MCR1907-5	GE-3	ME2001	GE-61	MHT7417	GE-46	MJE722	GE-55	MMCM2222	GE-213	MP1531	GE-76		
MCR1907-6	GE-3	ME2002	GE-61	MHT7601	GE-14	MJE2480	GE-69	MMCM2484	GE-81	MP1531A	GE-76		
MCR2604-6	GE-4	ME3001	GE-17	MHT7602	GE-14	MJE2481	GE-66	MMCM2907	GE-21	MP1534	GE-76		
MCR2604-1	GE-4	ME3440	GE-32	MHT7603	GE-14	MJE2482	GE-66	MMT70	GE-61	MP1534A	GE-76		
MCR2604-2	GE-4	ME4001	GE-61	MHT7607	GE-14	MJE2483	GE-66	MMT71	GE-65	MP1535	GE-76		
MCR2604-3	GE-4	ME4002	GE-212	MHT7608	GE-14	MJE2520	GE-66	MMT72	GE-20	MP1535A	GE-76		
MCR2604-4	GE-4	ME4003	GE-212	MHT7609	GE-14	MJE2521	GE-66	MMT75	GE-82	MP1536	GE-76		
MCR2604-5	GE-4	ME4003C	GE-212	MHT9001	GE-27	MJE2522	GE-66	MMT76	GE-64	MP1536A	GE-76		
MCR2605-1	GE-4	ME4101	GE-212	MHT9002	GE-27	MJE2523	GE-66	MMT916	GE-61	MP1539	GE-76		
MCR2605-2	GE-4	ME4102	GE-212	MHT9003	GE-27	MJE2801	GE-55	MMT2222	GE-210	MP1540A	GE-76		
MCR2605-3	GE-4	ME4103	GE-212	MHT9004	GE-27	MJE2901	GE-56	MMT2907	GE-48	MP1541	GE-76		
MCR2605-4	GE-4	ME4104	GE-61	MHT9005	GE-27	MJE2955	GE-56	MMT3014	GE-20	MP1544A	GE-76		
MCR2605-5	GE-4	ME6001	GE-82	MHT9006	GE-27	MJE3054	GE-66	MMT3798	GE-67	MP1545A	GE-76		
MCR2605-6	GE-4	ME6002	GE-82	MHT9007	GE-27	MJE3055	GE-55	MMT3903	GE-210	MP1546A	GE-76		
MCR2918-1	GE-3	ME6003	GE-82	MHT9006	GE-27	MJE3370	GE-58	MMT3904	GE-20	MP1549	GE-76		
MCR2918-3	GE-3	ME8001	GE-210	MHT9009	GE-27	MJE3371	GE-58	MMT3905	GE-21	MP1550	GE-76		
MCR2918-5	GE-3	ME8002	GE-27	MHT9010	GE-46	MJE3439	GE-80	MMT3906	GE-48	MP1551	GE-76		
MCS2135	GE-81	ME8003	GE-81	MHT18010	GE-4	MJE3440	GE-80	MMT8015	GE-11	MP1553	GE-76		
MCS2137	GE-82	ME8201	MI-301		GE-300	MJE3520	GE-57	MMZ12(06)	GEZD-12	MP1553A	GE-76		
MD04	GE-504A	ME9001	GE-61	MJ400	GE-32	MJE3521	GE-57	MN21	GE-76	MP1554	GE-76		
MD34	1N34AS	ME9002	GE-61	MJ420	GE-27	MJF10335		MN22	GE-16	MP1554A	GE-76		
MD60	1N34AS, 1N60	ME9003	GE-61	MJ421	GE-32	MK-10	GE-FET-1	MN23	GE-16	MP1555	GE-76		
MD60A	1N60	ME9021	GE-61	MJ432	GE-73	MK10	GE-FET-2	MN24	GE-3	MP1555A	GE-76		
MD134	GE-504A	ME9022	GE-211	MJ440	GE-93	MK-10-2	GE-FET-1	MN25	GE-3	MP1557	GE-76		
MD135	GE-504A	MEX27T10	GEZD-27	MJ450	GE-74	MK-10-E	GE-FET-2	MN26	GE-76	MP1557A	GE-76		
MD136	GE-504A	MEZ5.6T5	GEZD-5.6	MJ480	GE-19	MK102	GE-FET-2	MN29	GE-76	MP1558	GE-76		
MD137	GE-504A	MEZ5.6T10	GEZD-5.6	MJ481	GE-19	MM7	GE-509	MN29BLK	GE-16	MP1558A	GE-76		
MD138	GE-504A	MEZ12T5	GEZD-12	MJ802	GE-75	MM8	GE-509	MN29GRN	GE-16	MP1559	GE-76		
MD501	GE-52	MEZ12T10	GEZD-12	MJ1800	GE-35	MM9	GE-509	MN29PUR	GE-16	MP1559A	GE-76		
MD501B	GE-52	MEZ15T5	GEZD-15	MJ2249	GE-66	MM10	GE-509	MN29WHT	GE-16	MP2000A	GE-76		
MD752	GEZD-5.6	MEZ15T10	GEZD-15	MJ2250	GE-23	MM486	GE-83	MN32	GE-16	MP2060	GE-76		
MD752A	GEZD-5.6	MEZ27T5	GEZD-27	MJ2251	GE-32	MM487	GE-63	MN34A	1N34AS	MP2061	GE-76		
MD753	GEZD-6.2	MF1161	GE-11	MJ2252	GE-32	MM488	GE-63	MN46	GE-16	MP2062	GE-76		
MD753A	GEZD-6.2	MF1162	GE-11	MJ2253	GE-69	MM511	GE-63	MN48	GE-25	MP2083	GE-76		
MD757	GEZD-9.1	MF1163	GE-11	MJ2267	GE-74	MM512	GE-63	MN49	GE-76	MP2100A	GE-76		
MD757A	GEZD-9.1	MF1164	GE-11	MJ2268	GE-74	MM513	GE-63	MN51	1N34AS	MP2137A	GE-16		
MD759	GEZD-12	MF3304	GE-21	MJ2800	GE-19	MM709	GE-17	MN52	GE-53	MP2138A	GE-16		
MD759A	GEZD-12	MFC6010	GEIC-12	MJ2801	GE-77	MM1139	GE-51	MN53	GE-2	MP2139A	GE-16		
MD3133F	GE-21	MH1501	GE-63	MJ2840	GE-75	MM1151	GE-52	MN60	1N60	MP2140A	GE-76		
MD3134F	GE-21	MH1502	GE-67	MJ2841	GE-75	MM1152	GE-52	MN61	GE-3	MP2141A	GE-76		
MDA920-2	GE-504A	MHM1001	GE-17	MJ2901	GE-74	MM1153	GE-52	MN61A	GE-76	MP2143A	GE-16		
MDA920-4	GE-504A	MHM1101	GE-17	MJ2940	GE-74	MM1154	GE-52	MN62A	GE-76	MP2144A	GE-16		
MDA920-6	GE-504A	MHT180	GE-4	MJ2941	GE-74	MM1382	GE-11	MN63	GE-3	MP2200A	GE-76		
MDA920-7	GE-504A	MHT181	GE-4	MJ3010	GE-35	MM1387	GE-17	MN63A	GE-76	MP2206	GE-76		
MDP173	GE-300	MHT230	GE-4	MJ3011	GE-36	MM1619	GE-66	MN64	GE-3	MP3611	GE-76		
MDS31	GE-52	MHT1602	GE-4	MJ3026	GE-35	MM1755	GE-213	MN73	GE-16	MP3612	GE-76		
MDS32	GE-52	MHT1803	GE-4	MJ3027	GE-36	MM1756	GE-213	MN194	GE-3	MP3613	GE-76		
MDS33	GE-52	MHT1804	GE-4	MJ3028	GE-36	MM1757	GE-210	MP01	GE-504A	MP3614	GE-76		
MDS33A	GE-52	MHT1807	GE-4	MJ3029	GE-73	MM1758	GE-20	MP100	GE-504A	MP3615	GE-76		
MDS33C	GE-52	MHT1806	GE-4	MJ3030	GE-73	MM1803	GE-17	MP110	GE-76	MP3617	GE-76		
MDS33D	GE-52	MHT1809	GE-4	MJ3101	GE-66	MM1812	GE-27	MP110B-GRN	GE-76	MP3730	GE-25		
MDS34	GE-52	MHT2305	GE-4	MJ3201	GE-32	MM1941	GE-20	MP110B-RED	GE-76	MP3731	GE-25		
MDS35	GE-51	MHT4401	GE-18	MJ3202	GE-32	MM1945	GE-17	MP225	GE-504A	MP8111	GE-66		
MDS36	GE-2	MHT4402	GE-27	MJ3430	GE-73	MM2193A	GE-63	MP300	GE-504A	MP8112	GE-66		
MDS37	GE-51	MHT4411	GE-47	MJ3701	GE-69	MM2258	GE-32	MP400	GE-504A	MP8211	GE-215		
MDS38	GE-52	MHT4412	GE-47	MJ3771	GE-75	MM2259	GE-32	MP500	GE-4	MP8212	GE-215		
MDS39	GE-52	MHT4413	GE-47	MJ3772	GE-75	MM2260	GE-32	MP500A	GE-4	MP8213	GE-215		
MDS40	GE-52	MHT4414	GE-32	MJ4101	GE-32	MM2261	GE-32	MP501	GE-4	MP8221	GE-215		
ME-1	GE-62	MHT4415	GE-32	MJ4502	GE-74	MM2263	GE-32	MP501A	GE-4	MP8222	GE-215		
ME-2	GE-62	MHT4416	GE-32	MJ5202	GE-12	MM2264	GE-46	MP502	GE-4	MP8223	GE-215		
ME-3	GE-62	MHT4417	GE-32	MJ5203	GE-32	MM2266	GE-18	MP502A	GE-4	MP8231	GE-215		
ME-4	GE-300	MHT4418	GE-32	MJ5204	GE-12	MM2270	GE-63	MP503	GE-4	MP8232	GE-215		
ME-5	GE-28	MHT4419	GE-32	MJ5257	GE-75	MM2503	GE-52	MP504	GE-4	MPC3500	GE-300		
ME213	GE-61	MHT4451	GE-27	MJ8100	GE-29	MM2550	GE-2	MP504A	GE-4	MPF101	GE-FET-1		
ME213A	GE-61	MHT4452	GE-27	MJ8400	GE-38	MM2552	GE-2	MP505	GE-4	MPF102	GE-FET-1		
ME216	GE-64	MHT4453	GE-27	MJE101	GE-69	MM2554	GE-2	MP505A	GE-4	MPF103	GE-FET-2		
ME217	GE-64	MHT4454	GE-27	MJE102	GE-69	MM2894	GE-21	MP506	GE-4	MPF104	GE-FET-2		
ME501	GE-22	MHT4483	GE-27	MJE103	GE-69	MM3001	GE-32	MP506A	GE-4	MPF105	GE-FET-1		
ME502	GE-22	MHT4511	GE-63	MJE104	GE-58	MM3002	GE-27	MP507	GE-4	MPF106	GE-FET-2		
ME503	GE-21	MHT4512	GE-63	MJE105	GE-58	MM3003	GE-27	MP507A	GE-4	MPF107	GE-FET-2		
ME511	GE-21	MHT4513	GE-63	MJE181	GE-57	MM3004	GE-28	MP525	GE-16	MPF108	GE-FET-1		
ME512	GE-21	MHT5001	GE-27	MJE201	GE-66	MM3008	GE-32	MP525-1	GE-76	MPF109	GE-FET-1		
ME513	GE-67	MHT5002	GE-27	MJE202	GE-66	MM3009	GE-32	MP525-2	GE-76	MPF111	GE-FET-1		
ME900	GE-62	MHT5003	GE-27	MJE203	GE-66	MM3724	GE-215	MP525-3	GE-76	MPF112	GE-FET-1		
ME900A	GE-62	MHT5004	GE-27	MJE204	GE-55	MM3725	GE-215	MP525-4	GE-76	MPM5006	GE-20		
ME901	GE-62	MHT5005	GE-27	MJE205	GE-55	MM3726	GE-21	MP525-5	GE-76	MPS-A05	GE-63		
ME901A	GE-62	MHT5501	GE-46	MJE340	GE-27	MM3903	GE-210	MP525-6	GE-76	MPS-A06	GE-63		
ME0401	GE-21	MHT5506	GE-46	MJE341	GE-32	MM3904	GE-20	MP549	GE-510	MPS-A09	GE-62		
ME0402	GE-21	MHT5511	GE-46	MJE344	GE-66	MM3905	GE-21	MP651	GE-504A	MPS-A10	GE-20		
ME0404	GE-65	MHT5901	GE-23	MJE344D	GE-32	MM3906	GE-48	MP1003-1	GE-504A	MPS-A12	GE-64		
ME0404-1	GE-21	MHT5906	GE-23	MJE345	GE-27	MM4005	GE-67	MP1003-2	GE-504A	MPS-A55	GE-67		
ME0404-2	GE-21	MHT5911	GE-23	MJE370	GE-58	MM4008	GE-67	MP1003-4	GE-504A	MPS-A56	GE-67		
ME0411	GE-65	MHT7206	GE-35	MJE371	GE-58	MM4019	GE-29	MP1014	GE-3	MPS25	GE-20		
ME0412	GE-65	MHT7207	GE-35	MJE371K	GE-58	MM4020	GE-69	MP1014-1	GE-53	MPS40A	GE-82		
ME0413	GE-65	MHT7208	GE-35	MJE423	GE-35	MM4048	GE-65	MP1014-2	GE-20	MPS404A	GE-82		
ME0414	GE-65	MHT7209	GE-36	MJE488	GE-66	MM4052	GE-82	MP1014-4	GE-53	MPS706	GE-61		
ME0463	GE-21	MHT7411	GE-27	MJE520	GE-57	MM4429	GE-28	MP1014-5	GE-53	MPS706A	GE-61		
ME0475	GE-82	MHT7412	GE-27	MJE521	GE-57	MM4430	GE-28	MP1014-6	GE-53	MPS834	GE-20		

UNIVERSAL REPLACEMENT SEMICONDUCTORS

MPS918 - NKT701

JEDEC Or Part Nr	GE Replacement	JEDEC Or Part Nr	GE Replacement	JEDEC Or Part Nr	GE Replacement	JEDEC Or Part Nr	GE Replacement	JEDEC Or Part Nr	GE Replacement	JEDEC Or Part Nr	GE Replacement	JEDEC Or Part Nr	GE Replacement
MPS918	GE-17	MPS6548	GE-61	MPSA70-GRN	GE-65	MSP25	GE-32	MZ209	GEZD-9.1	NKT129	GE-51		
MPS1097	GE-21	MPS6552	GE-20	MPSA70-RED	GE-85	MSP30	GE-32	MZ-212	GEZD-12	NKT131	GE-52		
MPS1572	GE-62	MPS6553	GE-20	MPSA70-WHT	GE-65	MSPR-V5	GE-504A	MZ500.5	GEZD-3.6	NKT132	GE-52		
MPS2369	GE-18	MPS6554	GE-20	MPSA70-YEL	GE-65	MSPR-500	GE-504A	MZ500.9	GEZD-5.1	NKT133	GE-1		
MPS2711	GE-212	MPS6555	GE-20	MPSD05	GE-210	MSS1000	GE-300	MZ500.10	GEZD-5.6	NKT141	GE-52		
MPS2712	GE-212	MPS6556	GE-20	MPSD06	GE-62	MST10	GE-32	MZ500.15	GEZD-9.1	NKT142	GE-52		
MPS2713	GE-210	MPS6560	GE-20	MPSD55	GE-22	MST10S	GE-32	MZ500.16	GEZD-10.4	NKT143	GE-52		
MPS2714	GE-210	MPS6561	GE-20	MPSD56	GE-65	MST15	GE-32	MZ500.18	GEZD-12	NKT144	GE-52		
MPS2715	GE-61	MPS6562	GE-21	MPSH02	GE-17	MST20	GE-32	MZ500.20	GEZD-20	NKT151	GE-52		
MPS2716	GE-61	MPS6563	GE-21	MPSH04	GE-81	MST20B	GE-32	MZ500.26	GEZD-27	NKT152	GE-52		
MPS2823	GE-20	MPS6564	GE-212	MPSH05	GE-81	MST20S	GE-32	MZ605	GEZD-6.2	NKT153/25	GE-52		
MPS2894	GE-21	MPS6565	GE-210	MPSH07	GE-20	MST25	GE-32	MZ610	GEZD-6.2	NKT154/25	GE-52		
MPS2923	GE-212	MPS6566	GE-210	MPSH10	GE-61	MST30	GE-32	MZ620	GEZD-6.2	NKT162	GE-52		
MPS2924	GE-212	MPS6567	GE-61	MPSH11	GE-61	MST30B	GE-32	MZ640	GEZD-6.2	NKT163	GE-52		
MPS2925	GE-212	MPS6568	GE-61	MPSH17	GE-81	MST30S	GE-32	MZ1000-13	GEZD-10	NKT163/25	GE-52		
MPS2926	GE-20	MPS6568A	GE-61	MPSH19	GE-61	MST35	GE-32	MZ-1000-15	GEZD-12	NKT164	GE-52		
MPS2926-BRN	GE-17	MPS6569	GE-61	MPSH20	GE-20	MST40	GE-32	MZ1000-20	GEZD-20	NKT164/25	GE-52		
MPS2926-ORG	GE-17	MPS6570	GE-61	MPSH30	GE-61	MST40B	GE-32	MZ1005	GEZD-5.1	NKT202	GE-2		
MPS2926-RED	GE-17	MPS6571	GE-212	MPSH31	GE-61	MST40S	GE-32	MZ1010	GEZD-10.4	NKT203	GE-2		
MPS2926-YEL	GE-17	MPS6572	GE-62	MPSH32	GE-17	MST45	GE-32	MZ2361	GE-300	NKT204	GE-2		
MPS3392	GE-212	MPS6573	GE-20	MPSH37	GE-61	MST50	GE-32	N-EA2136	GE-53	NKT205	GE-2		
MPS3393	GE-212	MPS6574	GE-210	MPSH54	GE-82	MST50B	GE-32	N1X	GE-81	NKT206	GE-2		
MPS3394	GE-212	MPS6575	GE-210	MPSH55	GE-82	MST50S	GE-32	N2XA	GE-27	NKT207	GE-52		
MPS3395	GE-212	MPS6576	GE-210	MPSK20	GE-212	MST55	GE-32	N48	1N60, 1N295	NKT211	GE-53		
MPS3396	GE-61	MPS6580	GE-22	MPSK21	GE-212	MST105	GE-32	N-756A	GEZD-9.1	NKT212	GE-2		
MPS3397	GE-212	MPS6590	GE-18	MPSK22	GE-212	MT84	GE-509	N3563	GE-10	NKT213	GE-53		
MPS3398	GE-85	MPS6591	GE-210	MPSK70	GE-65	MT100	GE-63	N5111	GEIC-10	NKT214	GE-53		
MPS3563	GE-61	MPS8000	GE-81	MPSK71	GE-65	MT101	GE-11	N5111A	GEIC-10	NKT215	GE-53		
MPS3638	GE-22	MPS8001	GE-62	MPSK72	GE-65	MT102	GE-63	NA13	GE-504A	NKT216	GE-53		
MPS3638A	GE-82	MPS8097	GE-210	MPSU01	GE-83	MT104	GE-63	NA20	GE-8	NKT217	GE-2		
MPS3639	GE-21	MPS8098	GE-81	MPSU01A	GE-83	MT106	GE-11	NA21	GE-504A	NKT218	GE-53		
MPS3640	GE-21	MPS8099	GE-81	MPSU02	GE-63	MT107	GE-17	NA22	GE-504A	NKT219	GE-53		
MPS3642	GE-210	MPS8598	GE-82	MPSU03	GE-32	MT0404	GE-65	NA25	GE-504A	NKT221	GE-53		
MPS3644	GE-21	MPS8599	GE-82	MPSU04	GE-32	MT0404-1	GE-21	NA30	GE-8	NKT222	GE-53		
MPS3645	GE-21	MPS9185	GE-20	MPSU05	GE-18	MT0404-2	GE-21	NA32	GE-504A	NKT223	GE-53		
MPS3646	GE-20	MPS9416A	GE-63	MPSU10	GE-27	MT0411	GE-65	NA33	GE-504A	NKT224	GE-53		
MPS3693	GE-210	MPS9423	GE-20	MPSU11	GE-27	MT0412	GE-65	NA35	GE-504A	NKT225	GE-53		
MPS3694	GE-210	MPS9423H	GE-20	MPSU31	GE-63	MT0413	GE-65	NA36	GE-504A	NKT226	GE-53		
MPS3702	GE-82	MPS9423I	GE-20	MPSU51	GE-84	MT0414	GE-65	NA42	GE-504A	NKT227	GE-2		
MPS3703	GE-82	MPS9600(G)	GE-20	MPSU51A	GE-84	MT0463	GE-21	NA45	GE-504A	NKT228	GE-53		
MPS3704	GE-20	MPS9600F	GE-20	MPSU52	GE-29	MT1070	GE-28	NA46	GE-504A	NKT229	GE-53		
MPS3705	GE-20	MPS9601	GE-504A	MPX25	GE-504A	MT1075	GE-81	NA62	GE-504A	NKT231	GE-53		
MPS3706	GE-20	MPS9604I	GE-20	MQ1	GE-20	MT1100	GE-27	NA63	GE-504A	NKT232	GE-53		
MPS3707	GE-212	MPS9606(H,I)	GE-300	MQ2	GE-20	MT1889	1N60	NA65	GE-504A	NKT240	GE-80		
MPS3708	GE-212	MPS9616	GE-10	MQ3/2	GE-504A	MT3001	GE-60	NA66	GE-504A	NKT241	GE-80		
MPS3709	GE-61	MPS9618(J)	GE-20	MQ6/2	GE-504A	MT3002	GE-39	NA74	GE-509	NKT242	GE-53		
MPS3710	GE-61	MPS9623C(F)	GE-20	MQ8/2	GE-504A	MT3011	GE-214	NA75	GE-509	NKT243	GE-2		
MPS3711	GE-212	MPS9623F	GE-20	MR-1	GE-504A	MT3202	GE-12	NA76	GE-509	NKT244	GE-53		
MPS3721	GE-212	MPS9623G	GE-20	MR36H	GEZD-3.6	MT4101	GE-212	NA84	GE-509	NKT245	GE-53		
MPS3731	GE-25	MPS9623H	GE-20	MR150C-H	GEZD-1.5	MT4102	GE-212	NA85	GE-509	NKT246	GE-52		
MPS3826	GE-210	MPS9625	GE-20	MR990	GE-509	MT4103	GE-212	NA86	GE-509	NKT247	GE-52		
MPS3827	GE-210	MPS9625E	GE-20	MR1031	GE-510	MT4104	GE-39	NA104	GE-509	NKT249	GE-52		
MPS3992	GE-20	MPS9625F	GE-20	MR1120	GEMR-1	MT6001	GE-210	NA105	GE-509	NKT252	GE-52		
MPS4354	GE-67	MPS9625H	GE-20	MR1121	GEMR-1	MT6002	GE-210	NAS29	GE-32	NKT254	GE-52		
MPS4355	GE-67	MPS9630I	GE-20	MR1122	GEMR-1	MT6003	GE-60	NAS29A	GE-32	NKT255	GE-52		
MPS5086	GE-21	MPS9631(I)	GE-20	MR1123	GEMR-1	MT9003	GE-214	NAS29B	GE-32	NKT261	GE-53		
MPS5172	GE-212	MPS9632(I)	GE-20	MR1124	GEMR-1	MU9611T	GE-66	NAS29C	GE-32	NKT262	GE-52		
MPS5688	GE-FET-1	MPS9632	GE-20	MR2262	GE-504A	MV-1	GE-300	NC29	1N34AS	NKT264	GE-52		
MPS6413	GE-20	MPS9632	GE-20	MR2266	GE-509	MV-2	GE-300	NGP5002	GEZD-6.2	NKT265	GE-52		
MPS6434	GE-21	MPS9646H	GE-300	MR3932	GE-17	MV-3	GE-300	NGP5007	GEZD-9.1	NKT270	GE-53		
MPS6507	GE-20	MPS9666	GE-21	MR3933	GE-18	MV4	GE-300	NGP5010	GEZD-12	NKT271	GE-53		
MPS6511	GE-210	MPS9680	GE-21	MR3934	GE-21	MV11	GE-504A	NJ100A	GE-20	NKT272	GE-53		
MPS6512	GE-210	MPS9680J	GE-22	MR9600	GE-504A	MV-13	GE-504A	NJ100B	GE-10	NKT274	GE-53		
MPS6513	GE-210	MPS9681	GE-21	MR9601	GE-504A	MV-13	GE-300	NJ101B	GE-21	NKT275	GE-53		
MPS6514	GE-17	MPS9682(I)	GE-22	MR9602	GE-504A	MV2205(8)	GE-90	NJ107	GE-18	NKT275A	GE-52		
MPS6515	GE-62	MPS9682K	GE-22	MRD100	GE-213	MV2205	GE-90	NJ181B	GE-2	NKT275E	GE-52		
MPS6516	GE-21	MPS9696H	GE-18	MRD150	GE-60	MV9601	GE-90	NJ202B	GE-20	NKT275J	GE-52		
MPS6517	GE-48	MPS96800	GE-22	MRD450	GE-80	MV9602	GE-90	NKT11	GE-52	NKT278	GE-52		
MPS6518	GE-67	MPSA05	GE-81	MRF501	GE-86	MVA-05A	GE-504A	NKT12	GE-1	NKT281	GE-53		
MPS6519	GE-67	MPSA06	GE-81	MRF8004	GE-28	MXC-1312	GEIC-34	NKT32	GE-52	NKT303	GE-2		
MPS6520	GE-62	MPSA09	GE-212	MS1H	GE-504A	MY-1	GE-504A	NKT33	GE-52	NKT401	GE-25		
MPS6521	GE-62	MPSA10	GE-212	MS2H	GE-504A	MZ5.1T5	GEZD-5.1	NKT42	GE-52	NKT402	GE-25		
MPS6522	GE-67	MPSA10-BLU	GE-212	MS3H	GE-504A	MZ5A	GEZD-5.6	NKT43	GE-52	NKT403	GE-25		
MPS6523	GE-67	MPSA10-GRN	GE-212	MS4H	GE-504A	MZ6.2	GEZD-6.2	NKT52	GE-52	NKT404	GE-25		
MPS6528	GE-20	MPSA10-RED	GE-212	MS5H	GE-504A	MZ6.2A	GEZD-6.2	NKT53	GE-52	NKT405	GE-25		
MPS6530	GE-20	MPSA10-WHT	GE-212	MS11H	GE-504A	MZ6.2B	GEZD-6.2	NKT54	GE-52	NKT406	GE-16		
MPS6531	GE-20	MPSA10-YEL	GE-212	MS12H	GE-504A	MZ6.2T5	GEZD-6.2	NKT62	GE-52	NKT415	GE-16		
MPS6532	GE-20	MPSA13(11)	GE-64	MS13H	GE-504A	MZ8	GE-X11	NKT63	GE-52	NKT416	GE-16		
MPS6533	GE-21	MPSA13	GE-64	MS14H	GE-504A	MZ-00	GE-300	NKT64	GE-52	NKT451	GE-49		
MPS6533M	GE-21	MPSA16	GE-62	MS35H	GE-504A	MZ-08	GE-X11	NKT72	GE-50	NKT452	GE-49		
MPS6534	GE-21	MPSA17	GE-62	MS36H	GE-504A	MZ10A	GEZD-10.4	NKT73	GE-50	NKT453	GE-49		
MPS6534M	GE-21	MPSA18	GE-85	MS50	GE-504A	MZ12	GEZD-12	NKT74	GE-52	NKT454	GE-16		
MPS6535	GE-21	MPSA20	GE-20	MS510	GE-63	MZ12A	GEZD-12	NKT105	GE-1	NKT750	GE-16		
MPS6535M	GE-21	MPSA20-BLU	GE-212	MS1010	GE-83	MZ12B	GEZD-12	NKT106	GE-1	NKT503	GE-16		
MPS6539	GE-81	MPSA20-GRN	GE-212	MS3694	GE-20	MZ15A	GEZD-15	NKT121	GE-51	NKT504	GE-16		
MPS6540	GE-61	MPSA20-RED	GE-212	MS7500	GE-90	MZ15T20	GEZD-15	NKT122	GE-51	NKT618	GE-52		
MPS6541	GE-61	MPSA20-WHT	GE-212	MSA7505	GE-66	MZ27A	GEZD-27	NKT123	GE-51	NKT674F	GE-50		
MPS6543	GE-11	MPSA20-YEL	GE-212	MSA8505	GE-66	MZ-92-9.1B	GEZD-9.1	NKT124	GE-51	NKT675	GE-52		
MPS6544	GE-212	MPSA55	GE-82	MSA8506	GE-28	MZ206	GEZD-5.6	NKT125	GE-51	NKT676	GE-52		
MPS6545	GE-212	MPSA56	GE-82	MSA8508	GE-28	MZ207	GEZD-7.5	NKT126	GE-51	NKT677	GE-52		
MPS6546	GE-81	MPSA70	GE-65	MSP15	GE-32	MZ208	GE-X11	NKT127	GE-51	NKT677F	GE-50		
MPS6547	GE-81	MPSA70-BLU	GE-65	MSP20	GE-32	MZ209	GEZD-9.1	NKT128	GE-51	NKT701	GE-8		

UNIVERSAL REPLACEMENT SEMICONDUCTORS

NKT703 - PADT20

JEDEC Or Part Nr	GE Replacement	JEDEC Or Part Nr	GE Replacement	JEDEC Or Part Nr	GE Replacement	JEDEC Or Part Nr	GE Replacement	JEDEC Or Part Nr	GE Replacement	JEDEC Or Part Nr	GE Replacement	JEDEC Or Part Nr	GE Replacement
NKT703	GE-8	NR601BT	GE-22	OA90FM	1N60	OC83N	GE-53	OC469	GE-21	PAF	GE-25		
NKT713	GE-8	NR621AT	GE-22	OA91	1N34AS	OC84	GE-53	OC469K	GE-21	PAJ	GE-29		
NKT732	GE-8	NS32	GE-2	OA-95	GE-300	OC84N	GE-53	OC470	GE-21	PAJ148	GE-29		
NKT734	GE-8	NS121	GE-2	OA126/5	GEZD-5.1	OC110	GE-53	OC470K	GE-21	PAV	GE-29		
NKT751	GE-8	NS381	GE-61	OA126/10	GEZD-10-4	OC120	GE-53	OC601	GE-53	PAW	GE-69		
NKT752	GE-8	NS382	GE-63	OA126/12	GEZD-12	OC122	GE-53	OC602	GE-52	P5C	GE-67		
NKT773	GE-8	NS475	GE-210	OA127	GE-504A	OC123	GE-2	OC603	GE-50	P5D	GE-65		
NKT781	GE-59	NS476	GE-210	OA128	GE-504A	OC130	GE-2	OC604	GE-2	P5F	GE-30		
NKT4055	GE-74	NS477	GE-210	OA129	GE-504A	OC139	GE-8	OC612	GE-50	P6/2H	GE-504A		
NKT10339	GE-20	NS478	GE-81	OA130	GE-504A	OC140	GE-7	OC613	GE-50	P6RP8	GE-509		
NKT10419	GE-212	NS479	GE-81	OA131	GE-504A	OC141	GE-54	OC614	GE-51	P6RP10	GE-509		
NKT10439	GE-20	NS480	GE-81	OA132	GE-504A	OC169	GE-51	OC615	GE-51	P8/2H	GE-504A		
NKT10519	GE-212	NS661	GE-21	OA150	GE-504A	OC169	GE-51	OC700	GE-21	P20	GE-504A		
NKT12329	GE-20	NS662	GE-21	OA160	1N295	OC169R	GE-51	OC700A	GE-21	P100D	GE-504A		
NKT12429	GE-20	NS663	GE-21	OA172	1N295	OC170	GE-50	OC700B	GE-21	P580	GE-509		
NKT13329	GE-20	NS665	GE-21	OA174	1N34AS	OC170N	GE-51	OC702	GE-21	P1000	GE-509		
NKT13429	GE-20	NS666	GE-21	OA180	GE-504A	OC170R	GE-51	OC702A	GE-21	P1087	GE-FET-1		
NKT16229	GE-86	NS667	GE-21	OA200	GE-300	OC170V	GE-51	OC702B	GE-21	P1172	GE-300		
NKT20329	GE-65	NS731	GE-210	OA202	GE-300	OC171	GE-50	OC704	GE-21	P1172-1	GE-300		
NKT20339	GE-82	NS731A	GE-11	OA205	GE-300	OC171	GE-51	OC711	GE-2	P2271	GE-300		
NKT35219	GE-86	NS732	GE-210	OA210	GE-504A	OC171R	GE-51	OC740	GE-21	P2440	GE-504A		
NL-C35A	GEMR-3	NS732A	GE-11	OA211	GE-504A	OC171V	GE-51	OC740G	GE-21	P3139	GE-14		
NL-C35B	GEMR-3	NS733	GE-210	OA214	GE-504A	OC200	GE-65	OC740M	GE-21	P3172	GE-12		
NL-C35C	GEMR-3	NS733A	GE-11	OA2201	GEZD-5.1	OC201	GE-65	OC740O	GE-21	P3309	GEZD-20		
NL-C35D	GEMR-3	NS734	GE-210	OA2202	GEZD-5.6	OC202	GE-65	OC742	GE-21	PA326	GE-300		
NL-C35F	GEMR-3	NS734A	GE-11	OA2209	GEZD-5.1	OC203	GE-65	OC742G	GE-21	P5100	GE-509		
NL-C35G	GEMR-3	NS792	GE-215	OA2213	GEZD-12	OC204	GE-82	OC742M	GE-21	P5152	GE-20		
NL-C35U	GEMR-3	NS793	GE-215	OA2230	GEZD-12	OC205	GE-82	OC742O	GE-21	P5153	GE-20		
NL-C36A	GEMR-3	NS949	GE-63	OA2242	GEZD-5.6	OC206	GE-82	OC810	GE-53	P-6006	GE-300		
NL-C36B	GEMR-3	NS950	GE-63	OA2289	GEZD-5.1	OC207	GE-82	OF-129	GE-52	P7109	GE-504A		
NL-C36C	GEMR-3	NS1000	GE-17	OC16	GE-3	OC302	GE-53	OF156	GE-300	P7394	GE-300		
NL-C36D	GEMR-3	NS1001	GE-17	OC19	GE-16	OC303	GE-52	OF160	GE-504A	P8393	GE-20		
NL-C36F	GEMR-3	NS1110	GE-12	OC20	GE-25	OC304	GE-52	OF162	GE-300	P8394	GE-20		
NL-C36G	GEMR-3	NS1355	GE-63	OC22	GE-16	OC304-1	GE-52	OF173	1N34AS	P8870	GE-16		
NL-C36U	GEMR-3	NS1356	GE-17	OC23	GE-16	OC304-2	GE-52	ON174	GE-51	P10115	GE-504A		
NL-C37A	GEMR-3	NS1500	GE-11	OC24	GE-16	OC304-3	GE-52	ON271	GE-20	P10155	1N60		
NL-C37B	GEMR-3	NS1510	GE-11	OC25	GE-25	OC304N	GE-53	O570	1N34AS	P10156	GE-504A		
NL-C37C	GEMR-3	NS1900	GE-63	OC26	GE-25	OC305	GE-52	O5536G	GE-10	P21344	GEZD-9.1		
NL-C37D	GEMR-3	NS1960	GE-63	OC27	GE-25	OC305-1	GE-52	O55-16685	1N34AS	P21443	GE-504A		
NL-C37F	GEMR-3	NS1972	GE-11	OC28	GE-25	OC305-2	GE-52	OV02	GE-504A	P31898	GE-16		
NL-C37G	GEMR-3	NS1973	GE-11	OC29	GE-25	OC306	GE-52	OY101	GE-504A	P38103/507-10	GE-63		
NL-C37U	GEMR-3	NS1974	GE-11	OC30	GE-30	OC306-1	GE-52	OY5061	GE-504A	P75534	GE-16		
NL10	GE-504A	NS1975	GE-11	OC30A	GE-30	OC306-2	GE-52	OY5062	GE-504A	PA3	GE-504A		
NL20	GE-504A	NS2100	GE-63	OC30B	GE-30	OC306-3	GE-52	OY5063	GE-504A	PA069	GE-504A		
NL25	GE-504A	NS2101	GE-63	OC303	GE-53	OC307	GE-2	OY5064	GE-504A	PA070	GE-504A		
NL30	GE-504A	NS3039	GE-11	OC34	GE-52	OC307-1	GE-2	OY5065	GE-504A	PA239	GEIC-14		
NL60	GE-504A	NS3040	GE-11	OC35	GE-25	OC307-2	GE-2	OY5066	GE-504A	PA277	GEIC-27		
NL100B	GE-20	NS3041	GE-11	OC36	GE-25	OC307-3	GE-2	OY5067	GE-509	PA305	GE-504A		
NN7000	GE-47	NS3300	GE-17	OC38	GE-52	OC308	GE-2	OZ3.6T5	GEZD-3.6	PA310	GE-504A		
NN7001	GE-47	NS3903	GE-210	OC41	GE-2	OC309	GE-52	OZ3.6T10	GEZD-3.6	PA315	GE-504A		
NN7002	GE-47	NS3904	GE-20	OC41N	GE-2	OC309-1	GE-2	OZ5.1T5	GEZD-5.1	PA320	GE-504A		
NN7003	GE-47	NS3905	GE-21	OC42	GE-2	OC309-2	GE-2	OZ5.1T10	GEZD-5.1	PA320A	GE-504A		
NN7004	GE-47	NS3906	GE-21	OC43	GE-2	OC309-3	GE-2	OZ5.6T5	GEZD-5.6	PA320B	GE-504A		
NN7005	GE-47	NS6001	GE-22	OC44	GE-50	OC318	GE-52	OZ5.6T10	GEZD-5.6	PA325	GE-504A		
NN7500	GE-48	NS6062	GE-21	OC44N	GE-50	OC320	GE-51	OZ6.2T5	GEZD-6.2	PA325A	GE-504A		
NN7501	GE-48	NS6063	GE-21	OC45	GE-50	OC330	GE-52	OZ6.2T10	GEZD-6.2	PA325B	GE-504A		
NN7502	GE-48	NS6064	GE-21	OC45N	GE-50	OC331	GE-50	OZ10T5	GEZD-10-4	PA330	GE-504A		
NN7503	GE-48	NS6065	GE-21	OC46	GE-2	OC340	GE-52	OZ10T10	GEZD-10-4	PA330A	GE-504A		
NN7504	GE-48	NS6241	GE-22	OC47	GE-51	OC341	GE-50	OZ12T5	GEZD-12	PA330B	GE-504A		
NN7505	GE-48	NS7261	GE-11	OC53	GE-52	OC342	GE-50	OZ12T10	GEZD-12	PA340	GE-504A		
NN7511	GE-67	NS7262	GE-11	OC54	GE-52	OC343	GE-50	OZ15T5	GEZD-15	PA340A	GE-504A		
NP60A	GE-504A	NS7267	GE-11	OC55	GE-52	OC350	GE-52	OZ15T10	GEZD-15	PA340B	GE-504A		
NPC069	GE-212	NS9400	GE-63	OC56	GE-52	OC351	GE-50	OZ27T5	GEZD-27	PA350	GE-504A		
NPC069-98	GE-212	NS9420	GE-63	OC57	GE-51	OC360	GE-52	OZ27T10	GEZD-27	PA360	GE-504A		
NPC079	GE-65	NS9500	GE-63	OC58	GE-51	OC361	GE-50	P1B	GE-21	PA380	GE-509		
NPC079-98	GE-65	NS9540	GE-63	OC59	GE-51	OC362	GE-50	P1C	GE-21	PA1000	GE-21		
NPC115	GE-61	NS9710	GE-11	OC60	GE-51	OC363	GE-50	P1E	GE-16	PA1001	GE-21		
NPC167	GE-60	NS9728	GE-17	OC65	GE-51	OC364	GE-51	P1E-1	GE-16	PA7615	GE-504A		
NPC173	GE-61	NS9729	GE-17	OC66	GE-51	OC390	GE-50	P1F	GE-25	PA8260	GE-62		
NPC187	GE-60	NS9730	GE-17	OC70	GE-52	OC400	GE-51	P1G	GE-25	PA8261	GE-63		
NPC188	GE-61	NS9731	GE-17	OC70	GE-53	OC410	GE-50	P1H	GE-21	PA8543	GE-62		
NPC189	GE-61	NSS1021	GE-509	OC70N	GE-53	OC430	GE-21	P1J	GE-21	PA8645	GE-504A		
NPC737	GE-20	NU34	1N34AS	OC71	GE-53	OC430K	GE-21	P1K	GE-16	PA8900	GE-28		
NPC1075	GE-39	O4-8054-3	GE-504A	OC71A	GE-2	OC440	GE-21	P1L	GE-53	PA9004	GE-62		
NPS404	GE-22	O4-8054-4	GE-504A	OC71N	GE-53	OC440K	GE-21	P1P-1	GE-21	PA9005	GE-62		
NPS404A	GE-82	O4-8054-7	GE-504A	OC72	GE-53	OC443	GE-21	P1R	GE-16	PA9006	GE-10		
NPS6512	GE-210	O101	GE-504A	OC73	GE-53	OC443K	GE-21	P1V	GE-69	PA9154	GE-50		
NPS6513	GE-210	OA8	1N34AS	OC74	GE-53	OC445	GE-21	P1W	GE-21	PA9155	GE-50		
NPS6514	GE-20	OA7	1N295	OC74N	GE-53	OC449	GE-21	P1Y	GE-25	PA9156	GE-52		
NPS6516	GE-21	OA9	1N295	OC75	GE-53	OC450	GE-21	P2D	GE-16	PA9157	GE-52		
NPS6517	GE-21	OA47	1N295	OC75N	GE-53	OC460	GE-21	P2E	GE-21	PA9158	GE-53		
NPS6520	GE-20	OA50	1N34AS	OC76	GE-53	OC460K	GE-21	P2S	GE-21	PA9160	GE-504A		
NPSA20	GE-62	OA70	1N295	OC77	GE-2	OC463	GE-21	P2T	GE-29	PA9267	GEZD-6.2		
NR5	GE-7	OA71	1N34AS	OC77M	GE-52	OC463K	GE-21	P2V	GE-29	PA9483	GE-63		
NR05	GE-8	OA71C	1N34AS	OC78	GE-2	OC465	GE-21	P2W	GE-21	PA10556	GE-504A		
NR10	GE-8	OA72	1N295	OC79	GE-53	OC465K	GE-21	P3/2H	GE-504A	PA10880	GE-51		
NR20	GE-5	OA73	1N60	OC81	GE-52	OC466	GE-21	P3P	GE-69	PA10887	GE-504A		
NR30	GE-5	OA73C	1N60	OC81D	GE-52	OC466K	GE-21	P3R-2	GE-30MP	PA10889-1	GE-52		
NR-071AU	GE-20	OA79	1N60, 1N295	OC81DD	GE-2	OC467	GE-21	P3R-3	GE-30	PA10889-2	GE-2		
NR-261AS	GE-20	OA81	1N60	OC81DN	GE-53	OC467K	GE-21	P3U	GE-69	PA10890	GE-16		
NR-431AS	GE-20	OA85C	1N34AS	OC81N	GE-53	OC468	GE-21	P3V	GE-58	PA10890-1	GE-16		
NR-461AS	GE-20	OA-90(G)	1N34AS	OC83	GE-53	OC468K	GE-21	P4E	GE-29	PADT20	GE-52		

UNIVERSAL REPLACEMENT SEMICONDUCTORS

PADT21 - Q3/2

JEDEC Or Part Nr	GE Replacement	JEDEC Or Part Nr	GE Replacement	JEDEC Or Part Nr	GE Replacement	JEDEC Or Part Nr	GE Replacement	JEDEC Or Part Nr	GE Replacement	JEDEC Or Part Nr	GE Replacement	JEDEC Or Part Nr	GE Replacement
PADT21	GE-52	PD6018	GEZD-15	PL1022	GE-60	PR620	GEZD-15	PT234	GE-16	PTC106	GE-4		
PADT22	GE-52	PD6018A	GEZD-15	PL1023	GE-60	PR804	GEZD-5.1	PT235	GE-16	PTC107	GE-5		
PADT23	GE-2	PD6044	GEZD-3.6	PL1024	GE-214	PR3017	GEZD-5.1	PT235A	GE-16	PTC108	GE-51		
PADT24	GE-2	PD6048	GEZD-5.1	PL1025	GE-214	PS1	GE-16	PT236	GE-16	PTC109	GE-52		
PADT25	GE-2	PD6049	GEZD-5.6	PL1026	GE-60	PS010	GE-504A	PT236A	GE-16	PTC110	GE-28		
PADT26	GE-2	PD6055	GEZD-10-4	PL1031	GE-65	PS025	GE-504A	PT236B	GE-16	PTC111	GE-29		
PADT27	GE-2	PD6059	GEZD-15	PL1032	GE-82	PS035	GE-504A	PT242	GE-16	PTC112	GE-66		
PADT28	GE-52	PE401	GE-504A	PL1033	GE-65	PS040	GE-504A	PT250	GE-4	PTC113	GE-69		
PADT30	GE-52	PE401N	GE-504A	PL1034	GE-82	PS060	GE-504A	PT255	GE-16	PTC114	GE-16		
PADT31	GE-52	PE402	GE-504A	PL1051	GE-212	PS120	GE-504A	PT256	GE-16	PTC117	GE-27		
PADT35	GE-52	PE403	GE-504A	PL1052	GE-212	PS125	GE-504A	PT285	GE-16	PTC118	GE-73		
PADT40	GE-52	PE408	GE-509	PL1053	GE-212	PS130	GE-504A	PT285A	GE-16	PTC119	GE-77		
PADT50	GE-16	PE410	GE-509	PL1054	GE-212	PS135	GE-504A	PT301	GE-16	PTC120	GE-30		
PADT51	GE-52	PE502	GE-504A	PL1055	GE-212	PS140	GE-504A	PT301A	GE-16	PTC121	GE-61		
PAR-12	GE-16	PE504	GE-504A	PL1061	GE-39	PS160	GE-504A	PT307	GE-16	PTC122	GE-25		
PB	GE-59	PE506	GE-504A	PL1062	GE-39	PS420	GE-504A	PT307A	GE-16	PTC124	GE-32		
PB110	GE-3	PE508	GE-509	PL1063	GE-81	PS425	GE-504A	PT336B	GE-16	PTC125	GE-32		
PBC107	GE-212	PE510	GE-509	PL1064	GE-39	PS430	GE-504A	PT501	GE-4	PTC126	GE-60		
PBC107A	GE-212	PE3015	GE-17	PL1065	GE-81	PS440	GE-504A	PT505	GE-504A	PTC127	GE-18		
PBC107B	GE-212	PE5010	GE-17	PL1066	GE-60	PS460	GE-504A	PT510	GE-504A	PTC129	GE-36		
PBC108	GE-212	PE5013	GE-17	PL1067	GE-60	PS603	GE-504A	PT515	GE-4	PTC130	GE-37		
PBC108A	GE-212	PE5025	GE-17	PL1081	GE-212	PS604	GE-504A	PT520	GE-504A	PTC131	GE-67		
PBC108B	GE-212	PEP5	GE-63	PL1082	GE-212	PS605	GE-504A	PT525	GE-504A	PTC132	GE-61		
PBC108C	GE-212	PEP6	GE-20	PL1083	GE-212	PS609	GE-504A	PT530	GE-504A	PTC151	GE-FET-1		
PBC109	GE-212	PEP7	GE-20	PL1084	GE-212	PS610	GE-504A	PT-530	GE-1	PTC152	GE-FET-2		
PBC109B	GE-212	PEP8	GE-20	PL1085	GE-27	PS611	GE-504A	PT-530A	GE-1	PTC153	GE-64		
PBC109C	GE-212	PEP9	GE-210	PL1101	GE-65	PS615	GE-504A	PT540	GE-504A	PTC201	GE-511		
PBC182	GE-210	PEP95	GE-64	PL1102	GE-65	PS616	GE-504A	PT550	GE-504A	PTC202	GE-504A		
PBC183	GE-210	PEP1001	GE-17	PL1103	GE-65	PS617	GE-504A	PT554	GE-16	PTC203	GE-509		
PBC184	GE-210	PEP2001	GE-17	PL1104	GE-65	PS621	GE-504A	PT555	GE-16	PTC204	GE-512		
PBE3014-1	GE-2	PET-101-1	GE-20	PL1111	GE-60	PS622	GE-504A	PT560	GE-504A	PTC205	GE-510		
PBE3014-2	GE-2	PET1001	GE-210	PL1112	GE-60	PS623	GE-504A	PT580	GE-509	PTC206	1N60		
PBE3020-1	GE-2	PET1002	GE-210	PL1113	GE-60	PS627	GE-504A	PT600	GE-28	PTC207	1N34AS		
PBE3020-2	GE-20	PET1075	GE-18	PL4021	GE-20	PS628	GE-504A	PT601	GE-28	PTC208	GE-18		
PBE3162-2	GE-2	PET2001	GE-210	PL4031	GE-21	PS629	GE-504A	PT612	GE-66	PTC209	GE-36		
PBX103	GE-2	PET2002	GE-210	PL4032	GE-21	PS632	GE-504A	PT627	GE-20	PTC214	GE-300		
PBX113	GE-2	PET3001	GE-61	PL4033	GE-21	PS633	GE-504A	PT665	GE-66	PTC216	GE-511		
PC0211/2	GE-504A	PET3704	GE-20	PL4034	GE-21	PS636	GE-504A	PT703	GE-62	PTC402	GE-600		
PC1066T	GE-53	PET3705	GE-20	PL4051	GE-20	PS637	GE-504A	PT720	GE-210	PTC404	GE-3		
PC1067T	GE-53	PET3706	GE-20	PL4052	GE-20	PS1140	GE-509	PT850	GE-63	PTC406	6GD1		
PC1068T	GE-53	PET4001	GE-62	PL4053	GE-20	PS1511	GEZD-10-4	PT850A	GE-63	PTC407	6GC1		
PC1879-004	GEZD-10-4	PET4002	GE-62	PL4054	GE-20	PS1512	GEZD-10-4	PT851	GE-20	PTC501	GEZD-3.6		
PC3002	GE-53	PET4003	GE-62	PL4055	GE-20	PS1513	GEZD-10-4	PT886	GE-81	PTC502	GEZD-5.6		
PC3003	GE-53	PET8001	GE-20	PL4061	GE-212	PS1514	GEZD-10-4	PT887	GE-81	PTC503	GEZD-6.2		
PC3004	GE-53	PET8002	GE-20	PL4062	GE-212	PS1515	GEZD-10-4	PT888	GE-81	PTC504	GEZD-7.5		
PC3005	GE-53	PET8000	GE-20	PLE-48	GE-66	PS1516	GEZD-10-4	PT896	GE-27	PTC505	GEZD-9.1		
PC3006	GE-53	PET8001	GE-47	PM194	GE-17	PS1517	GEZD-10-4	PT897	GE-81	PTC506	GEZD-10		
PC3007	GE-53	PET8003	GE-47	PM195	GE-20	PS2207	GE-504A	PT898	GE-27	PTC507	GEZD-12		
PC3009	GE-53	PET8201	GE-20	PN26	GE-66	PS2208	GE-504A	PT0139	GE-2	PTC508	GEZD-12		
PC3010	GE-30	PET8250	GE-61	PN66	GE-66	PS2209	GE-504A	PT1515	GE-32	PTC509	GEZD-15		
PC4004	GE-504A	PET8251	GE-61	PN70	GE-21	PS2247	GE-504A	PT1544	GE-215	PTC510	GEZD-18		
PC-20018	GEIC-7	PET8300	GE-21	PN71	GE-21	PS2249	GE-504A	PT1545	GE-215	PTC511	GEZD-27		
PD101	GE-504A	PET9021	GE-17	PN72	GE-22	PS2412	GE-504A	PT1610	GE-63	PTC512	GEZD-33		
PD102	GE-504A	PET9022	GE-17	PN107	GE-210	PS2415	GE-504A	PT1835	GE-63	PTC513	GEZD-62		
PD103	GE-504A	PH9DS22/1	GE-600	PN108	GE-210	PS2416	GE-509	PT1836	GE-63	PTC514	GEZD-62		
PD104	GE-504A	PH9DS22	GE-504A	PN109	GE-210	PS2417	GE-509	PT1837	GE-63	PTC515	GEZD-82		
PD105	GE-504A	PH25C22	GE-504A	PN204	GE-504A	PS4559	GE-504A	PT1941	GE-19	PTC516	GEZD-120		
PD106	GE-504A	PH25C22/1	GE-504A	PN929	GE-212	PS4560	GE-504A	PT2040A	GE-20	PTC517	GEZD-39		
PD107	GE-504A	PH108	GE-504A	PN930	GE-212	PS4725	GE-504A	PT2523	GE-27	PTC518	GEZD-47		
PD107A	GE-504A	PH109	GE-509	PN2221	GE-47	PS5300	GE-504A	PT2524	GE-27	PTC604	GE-42		
PD108	GE-504A	PH208	GE-504A	PN2222	GE-47	PS5301	GE-504A	PT2525	GE-27	PTC605	GE-42		
PD110	GE-504A	PH404	GE-504A	PN2389	GE-81	PS5302	GE-504A	PT2525A	GE-32	PTC606	GE-41		
PD111	GE-504A	PH1021	GE-504A	PN2389A	GE-81	PS6468	GEZD-5.1	PT2540	GE-63	PTC701	GEIC-10		
PD114	GE-509	PIK	GE-22	PN2484	GE-81	PS8906	GEZD-5.1	PT2620	GE-28	PTC703	GEIC-11		
PD115	GE-509	PIK	GE-16	PN2904	GE-21	PS8908	GEZD-5.6	PT2630	GE-32	PTC705	GEIC-5		
PD116	GE-509	PIL/4956	GE-50	PN2905	GE-21	PS8909	GEZD-6.2	PT2635	GE-66	PTC708	GEIC-3		
PD122	GE-504A	PL-150-001-9-005	1N80	PN2906	GE-21	PS8915	GEZD-12	PT2640	GE-32	PTC709	GEIC-8		
PD125	GE-504A	PL-150-006-9-001	1N80	PN2906A	GE-21	PS8917	GEZD-15	PT2660	GE-215	PTC711	GEIC-28		
PD129	GE-504A	PL-151-032-9-004	GE-300	PN2907	GE-21	PS10019B	GEZD-9.1	PT2670	GE-32	PTC713	GEIC-7		
PD130	GE-504A	PL-151-035-9-001	GE-300	PN2907A	GE-21	PS10022B	GEZD-12	PT2760	GE-210	PTC715	GEIC-4		
PD131	GE-504A	PL-151-040-9-001	GE-300	PO93	1N60	PS10024B	GEZD-15	PT3141	GE-20	PTC717	GEIC-14		
PD132	GE-504A	PL-151-040-9-002	GE-300	POWER	GE-3	PS10063	GEZD-9.1	PT3141A	GE-20	PTC719	GEIC-6		
PD133	GE-504A	PL-151-040-9-003	GE-504A	POWER	GE-3	PS10066	GEZD-12	PT3151A	GE-20	PTC721	GEIC-9		
PD134	GE-504A	PL-151-045-9-001	GE-504A	POWER	GE-4	PS10068	GEZD-15	PT3151B	GE-20	PTC726	GEIC-2		
PD135	GE-504A	PL-151-045-9-002	1N80	POWER	GE-4	PT2A	GE-51	PT3501	GE-20	PTQ139	GE-52		
PD910	GE-504A	PL-151-045-9-003	GE-511	POWER	GE-4	PT2S	GE-51	PT3502	GE-28	PUG622	GE-504A		
PD913	GE-509	PL-151-045-9-004	GE-504A	POWER	GE-3	PT3	GE-16	PT3503	GE-28	PV8	GE-504A		
PD914	GE-509	PL-152-044-9-001	GEZD-9.1	POWER	GE-3	PT3A	GE-16	PT4690	GE-28	PXB103	GE-2		
PD915	GE-509	PL-152-051-9-001	GEZD-9.1	PP3000	GE-77	PT5	GE-504A	PT4800	GE-83	PXB113	GE-2		
PD916	GE-509	PL-152-052-9-002	GEZD-6.2	PP3001	GE-75	PT5B	GE-504A	PT4816	GE-27	PXC101	GE-2		
PD6003	GEZD-3.6	PL-152-054-9-001	GE-X11	PP3003	GE-77	PT6	GE-16	PT4830	GE-27	PXC101A	GE-2		
PD6003A	GEZD-3.6	PL-154-001-9-001	GE-90	PP3004	GE-75	PT6D22/1	GE-66	PT5693	GE-66	PXC101AB	GE-2		
PD6007	GEZD-5.1	PL-172-014-9-001	GE-28	PP3006	GE-77	PT9C22/1	GE-510	PT6618	GE-28	Q-1	GE-2		
PD6007A	GEZD-5.1	PL-176-025-9-001	GE-20	PP3007	GE-75	PT6	GE-16	PT6669	GE-28	Q1-7C	GE-2		
PD6008	GEZD-5.6	PL-176-042-9-001	GE-17	PP3250	GE-66	PT12	GE-16	PT6696	GE-X18	Q1B	GE-504A		
PD6008A	GEZD-5.6	PL-176-042-9-002	GE-20	PP3310	GE-66	PT25	GE-16	PT7930	GE-75	Q1H	GE-504A		
PD6009	GEZD-6.2	PL-176-042-9-003	GE-17	PP3312	GE-66	PT30	GE-16	PT7931	GE-75	Q2	GE-39		
PD6009A	GEZD-6.2	PL-176-042-9-004	GE-20	PPR1006	GE-28	PT40	GE-16	PTC101	GE-16	Q2-7C	GE-2		
PD6014	GEZD-10-4	PL-176-042-9-005	GE-28	PPR1008	GE-28	PT50	GE						

UNIVERSAL REPLACEMENT SEMICONDUCTORS

Q4 - RD9037

JEDEC Or Part Nr	GE Replacement	JEDEC Or Part Nr	GE Replacement	JEDEC Or Part Nr	GE Replacement	JEDEC Or Part Nr	GE Replacement	JEDEC Or Part Nr	GE Replacement	JEDEC Or Part Nr	GE Replacement	JEDEC Or Part Nr	GE Replacement
Q4	GE-39	QRF-2	GE-18	R608	GE-53	R3288	GE-51	R7620	GE-16	R8705	GE-51		
Q4B	GE-504A	QRF-3	GE-FET-2	R608A	GE-52	R3293	GE-8	R7682	GE-504A	R8706	GE-53		
Q5	GE-39	QS0254	GE-10	R621-1	GE-28	R3299	GE-8	R7743	GE-300	R8707	GE-53		
Q-6	GE-52	QSE1001	GE-20	R623-1	GE-28	R3301	GE-53	R7885	GE-51	R8721	GE-504A		
Q6/2	GE-504A	QSE3001	GE-20	R714	GE-53	R3309	GE-51	R7886	GE-51	R8881	GE-51		
Q-7	GE-52	QSE5020	GE-20	R715	GE-53	R3314	6GC1	R7887	GE-20	R8882	GE-51		
Q-8	GE-52	R-S-1720	GE-504A	R855-2	GE-504A	R3508	GE-63	R7888	GE-63	R8883	GE-53		
Q8/2	GE-504A	R1	GE-39	R868	GE-53	R3515	GE-16	R7889	GE-16	R8884	GE-53		
Q-16	GE-52	R2	GE-39	R1035	GE-504A	R3533	6GC1	R7890	GE-4	R8885	GE-53		
Q51	1N82A	R2SB492	GE-2	R1108	1N295	R3608	GE-18	R7891	GE-51	R8886	GE-53		
Q52	GE-504A	R-2SB492	GE-2	R1107	1N295	R3608-2	GE-63	R7893	1N295	R8887	1N295		
Q53	GE-504A	R3	GE-39	R1109	1N295	R4057	GE-20	R7894	GE-20	R8888	GE-20		
Q54	GE-504A	R3/2H	GE-504A	R1273	GE-2	R4192	GE-12	R7953	GE-12	R8889	GE-28		
Q55	GE-504A	R6	GE-504A	R1274	GE-2	R4193	GE-12	R7954	GE-504A	R8914	GE-20		
Q56	GE-504A	R6/2H	GE-504A	R1329	GE-504A	R4194	GE-12	R7962	GE-50	R8915	GE-18		
Q57	GE-504A	R8	GE-509	R1530	GE-54	R4195	GE-12	R8022	GE-300	R8916	GE-20		
Q58	GE-504A	R8/2H	GE-504A	R1531	GE-54	R4196	GE-12	R8023	GE-300	R8963	GE-20		
Q59	GE-504A	R07A	GEZD-7.5	R1532	GE-54	R4348	GE-53	R8024	GE-504A	R8964	GE-20		
Q60	GE-504A	R10D1	GE-504A	R1533	GE-54	R4349	GE-53	R8060	1N295	R8965	GE-20		
Q205	GEIC-9	R10DC	GE-504A	R1534	GE-54	R4389	GE-14	R8061	1N295	R8966	GE-20		
Q5053E	GE-20	R18	GE-52	R1537	GE-54	R4409	6GC1	R8066	GE-20	R8967	GE-21		
Q5053F	GE-20	R24-1001	GE-52	R1538	GE-54	R4666	6GC1	R8067	GE-20	R8968	GE-20		
Q5083C	GE-37	R24-1002	GE-52	R1539	GE-51	R5048	GE-18	R8068	GE-20	R8969	GE-21		
Q5100A	GE-87	R24-1003	GE-52	R1540	GE-53	R5050	GE-54	R8069	GE-20	R8970	1N295		
Q5104Z	GE-12	R24-1004	GE-52	R1541	GE-53	R5051	GE-53	R8070	GE-20	R8971	GE-53		
Q5111ZK	GE-38	R33	GE-8	R1542	GE-53	R5052	GE-53	R8115	GE-20	R8989	GE-12		
Q-01115C	GE-10	R34	GE-8	R1543	GE-53	R5053	GE-53	R8116	GE-20	R9004	GE-62		
Q-02115C	GE-10	R35	GE-52	R1544	GE-53	R5054	GE-54	R8117	GE-20	R9005	GE-62		
Q-03115C	GE-10	R56	GE-52	R1545	GE-54	R5055	GE-53	R8118	GE-20	R9006	GE-10		
Q-04115C	GE-10	R56	GE-52	R1546	GE-53	R5056	GE-54	R8119	GE-20	R9025	GE-20		
Q-05115C	GE-10	R61	GE-8	R1547	GE-54	R5096	1N295	R8120	GE-20	R9071	GE-20		
Q-06115C	GE-10	R62	GE-8	R1548	GE-53	R5097	GE-53	R8121	GE-53	R9381	GEZD-20		
Q-07115C	GE-10	R63	GE-8	R1549	GE-54	R5098	GE-53	R8128	GE-12	R9382	GE-27		
Q-08115C	GE-82	R64	GE-52	R1550	GE-51	R5099	GE-53	R8219	1N295	R9383	GE-27		
Q-09115C	GE-82	R65	GE-52	R1553	GE-54	R5100	GE-53	R8223	GE-20	R9384	GE-20		
Q-10115C	GE-20	R66	GE-52	R1554	GE-51	R5101	GE-53	R8224	GE-20	R9385	GE-20		
Q-11115C	GE-66	R67	GE-52	R1555	GE-53	R5102	GE-51	R8225	GE-20	R9470	GE-504A		
Q-12115C	GE-66	R68	GE-52	R1667	1N34AS	R5103	GE-51	R8240	GE-50	R9483	GE-20		
Q-13115C	GE-82	R69	GE-509	R1889	1N295	R5179	GE-54	R8241	GE-50	R9531	GE-51		
Q-14115C	GE-10	R118	GE-20	R2159	GE-504A	R5180	GE-54	R8242	GE-51	R9532	GE-51		
Q-15115C	GE-10	R119	GE-2	R2164	1N295	R5181	GE-53	R8243	GE-20	R9533	GE-53		
Q-16115C	GE-20	R120	GE-52	R2252	GE-504A	R5182	GE-53	R8244	GE-20	R9534	GE-53		
Q-17115C	GE-28	R122C	GE-504A	R2350	GE-53	R5522	1N34AS	R8257	1N34AS	R9590	1N295		
Q-18115C	GE-45	R123	GE-63	R2351	GE-53	R5523	GE-53	R8259	GE-62	R9597	GE-504A		
Q-20115C	GE-300	R125	GE-8	R2352	GE-53	R5524	GE-53	R8260	GE-62	R9600	GE-51		
Q-21115C	GE-300	R135	GE-8	R2353	GE-53	R5525	GE-53	R8261	GE-63	R9601	GE-51		
Q-22115C	1N60	R136	GE-8	R2355	GE-53	R5708	GE-53	R8305	GE-20	R9602	GE-51		
Q-23115C	GE-300	R137	GE-8	R2356	GE-54	R5970	1N2070	R8310	GE-53	R9603	GE-53		
Q-24115C	GE-300	R145B	GE-300	R2359	GE-54	R5971	GE-504A	R8311	GE-53	R9604	GE-53		
Q-25115C	GEZD-9.1	R152	GE-52	R2360	GE-54	R5983	GE-90	R8312	GE-20	R105064	GE-39		
Q-26115C	GE-504A	R154B	GE-504A	R2364	GE-54	R6048	GE-504A	R8313	GE-3	R105330	GE-42		
Q34450	GE-12	R163	GE-2	R2365	GE-54	R6110	GE-504A	R8314	GE-300	R106379	GE-504A		
Q40359	GE-51	R164	GE-52	R2366	GE-53	R6422	GE-504A	R8364	GEZD-12	R109328	6GC1		
QA-1	GE-51	R186	GE-2	R2367	GE-53	R8553	GE-53	R8470	GE-504A	R109474	6GC1		
QA8	GE-18	R202	GE-8	R2373	GE-53	R8789	GE-90	R8471	GE-90	R113321	GE-504A		
QA01-08R	GE-X11	R203	GE-8	R2374	GE-54	R6922	GE-53	R8472	GE-53	R113392	GE-504A		
QA-10	GE-18	R204B	GE-504A	R2375	GE-54	R7026	GE-504A	R8473	GE-504A	RA-Z	GE-511		
QA11	GE-21	R210	GE-509	R2442	GE-504A	R7028	1N60	R8474	6GC1	RA-1Z	GE-511		
QA-12	GE-20	R227	GE-2	R2444	GE-12	R7029	1N60	R8475	1N34AS	RC080	GE-509		
QA-13	GE-20	R242	GE-52	R2473	GE-20	R7030	GEZD-7.5	R8477	GE-39	RC1700	GE-14		
QA-14	GE-20	R244	GE-2	R2476	GE-20	R7048	GE-53	R8528	GE-20	RCA1B01	GE-77		
QA-15	GE-20	R245	GE-2	R2477	GE-20	R-7051	1N34AS	R8529	GE-20	RCA35953	GE-2		
QA-16	GE-27	R255	GE-52	R2675	GE-53	R-7092	GE-300	R8530	GE-20	RCA35954	GE-2		
QA-18	GE-FET-1	R258	GE-8	R2677	GE-53	R-7093	GEZD-6.2	R8543	GE-82	RCA40231	GE-8		
QA-19	GE-20	R265A	GE-3	R2683	GE-51	R-7094	GEZD-7.5	R8551	GE-20	RCC7022	GE-39		
QA-20	GE-FET-1	R289	GE-2	R2684	GE-51	R-7096	GE-504A	R8552	GE-20	RD4AM	GEZD-3.6		
QA-21	GE-21	R290	GE-52	R2685	GE-51	R-7097	GEZD-9.1	R8553	GE-20	RD5A	GEZD-5.1		
QA703E	GEIC-12	R291	GE-52	R2686	GE-51	R7124	GE-53	R8554	GE-20	RD5AM	GEZD-4.7		
QC-1	GE-42	R324	GE-2	R2687	GE-51	R7127	GE-53	R8555	GE-20	RD5B	GEZD-5.1		
QG0074	GE-3	R338	GE-2	R2688	GE-51	R7162	GE-504A	R8556	GE-20	RD6A	GEZD-5.6		
QG0078	GE-2	R339	GE-2	R2689	GE-53	R7163	GE-10	R8557	GE-20	RD-7A	GEZD-6.2		
QN2813	GE-2	R340	GE-8	R2694	GE-51	R7164	GE-53	R8559	GE-50	RD8.2E	GE-X11		
QOV60526	GE-2	R341	GE-2	R2695	GE-51	R7165	GE-10	R8560	GE-39	RD9	GEZD-9.1		
QOV60527	GE-8	R364	GE-53	R2696	GE-51	R7166	GE-53	R85620	GE-20	RD-9.1E	GEZD-9.1		
QOV60528	GE-2	R424	GE-2	R2697	GE-53	R7167	GE-16	R8645	GE-504A	RD9A(10)	GEZD-9.1		
QOV60529	GE-20	R424-1	GE-2	R2749	GE-2	R7248	GE-504A	R8646	GE-62	RD-9A	GEZD-10		
QOV60530	GE-20	R425	GE-2	R2749M	GE-2	R7249	GE-20	R8647	GE-20	RD9AL	GE-X11		
QOV60537	GE-8	R428	GE-52	R2964	GE-25	R7253	GE-3	R8648	GE-10	RD-9E	GEZD-9.1		
QOV60538	GE-2	R488	GE-52	R2982	GE-14	R7271	GE-504A	R8649	GE-18	RD11A	GEZD-9.1		
QP1	GE-16	R497	GE-2	R3057	6GC1	R7343	GE-20	R8658	GE-20	RD11AM	GEZD-9.1		
QP1A	GE-16	R506	GE-2	R3275	GE-53	R7359	GE-20	R8659	GE-3	RD-11E	GEZD-11		
QP2	GE-16	R515	GE-2	R3276	GE-53	R7360	GE-20	R8685	GE-51	RD13A	GEZD-12		
QP6	GE-16	R516	GE-16	R3277	GE-51	R7361	GE-20	R8686	GE-51	RD-13AK	GEZD-12		
QP7	GE-16	R530	GE-51	R3278	GE-51	R7362	GE-54	R8687	GE-53	RD-13AL	GE-X11		
QP8	GE-14	R537	GE-53	R3279	GE-51	R7363	GE-53	R8688	GE-53	RD13K	GEZD-12		
QP8-6623N	GE-4	R539	GE-50	R3280	GE-53	R7489	GE-53	R8692	GE-51	RD16A	GEZD-15		
OP-11	GE-14	R558	GE-53	R3282	GE-53	R7490	GE-53	R8693	GE-51	RD16H	GEZD-15		
OP-12	GE-14	R563	GE-53	R3283	GE-20	R7491	GE-53	R8694	GE-51	RD19A	GEZD-20		
OP-13	GE-58	R579	GE-1	R3284	GE-53	R7582	GE-10	R8695	GE-53	RD-24A	GEZD-24		
OP-14	GE-57	R582	GE-20	R3285	GE-504A	R7612	GE-62	R8697	GE-53	RD29AM	GEZD-33		
OP-31	GE-58	R592	GE-8	R3286	GE-53	R7613	GE-18	R8703	GE-51	RD250	GE-504A		
QR2378	GE-2	R593	GE-2	R3287	GE-51	R7615	GE-504A	R8704	GE-51	RD9037	GE-504A		

UNIVERSAL REPLACEMENT SEMICONDUCTORS

RE2 - RS7638

JEDEC Or Part Nr	GE Replacement	JEDEC Or Part Nr	GE Replacement	JEDEC Or Part Nr	GE Replacement	JEDEC Or Part Nr	GE Replacement	JEDEC Or Part Nr	GE Replacement	JEDEC Or Part Nr	GE Replacement	JEDEC Or Part Nr	GE Replacement
RE2	GE-8	RH-DX0064CEZZ	GE-504A	RS2374	GE-8	RS5109	GE-51	RS5744	GE-52	RS7175	GE-20		
RE7	GE-76	RH-DX0065CEZZ	GE-511	RS2375	GE-8	RS5201	GE-50	RS5744-3	GE-2	RS7176	GE-20		
RE11	GE-76	RH-EX0011CEZZ	GEZD-12	RS2675	GE-52	RS5202	GE-53	RS5745	GE-2	RS7177	GE-20		
RE12	GE-20	RH-EX0012CEZZ	GEZD-24	RS2677	GE-52	RS5203	GE-53	RS5746	GE-52	RS7201	GE-17		
RE13	GE-20	RH-EX0013CEZZ	GEZD-20	RS2679	GE-2	RS5204	GE-50	RS5747	GE-52	RS7202	GE-17		
RE14	GE-12	RH-EX0017CEZZ	GEZD-12	RS2680	GE-2	RS5205	GE-50	RS5748	GE-52	RS7209	GE-20		
RE16	GE-25	RH-EX0019CEZZ	GEZD-7.5	RS2683	GE-2	RS5206	GE-50	RS5749	GE-52	RS7210	GE-20		
RE20	GE-78	RH-EX0022CEZZ	GEZD-20	RS2684	GE-2	RS5207	GE-51	RS5750	GE-2	RS7211	GE-20		
RE23	GE-40	RH120	GE-63	RS2685	GE-2	RS5208	GE-2	RS5751	GE-2	RS7212	GE-17		
RE28	GE-39	RJF60313	6GC1	RS2686	GE-2	RS5209	GE-51	RS5752	GE-2	RS7214	GE-20		
RE29	GE-36	RL41	1N60	RS2687	GE-2	RS5301	GE-50	RS5753	GE-50	RS7215	GE-11		
RE31	GE-37	RL005	GE-509	RS2688	GE-2	RS5302	GE-53	RS5753-2	GE-2	RS7216	GE-20		
RE36	GE-78	RL010	GE-509	RS2689	GE-2	RS5303	GE-53	RS5754	GE-2	RS7217	GE-20		
RE37	GE-75	RL020	GE-509	RS2690	GE-1	RS5305	GE-50	RS5755	GE-2	RS7218	GE-11		
RE62	GE-65	RL040	GE-509	RS2691	GE-1	RS5306	GE-50	RS5756	GE-2	RS7219	GE-11		
RE63	GE-82	RL060	GE-509	RS2692	GE-1	RS5311	GE-50	RS5757	GE-51	RS7220	GE-20		
RE64	GE-212	RLF1G	GE-504A	RS2694	GE-2	RS5312	GE-52	RS5758	GE-51	RS7221	GE-11		
RE504	GE-504A	RMVTC00921-3	6GD1	RS2695	GE-2	RS5313	GE-2	RS5759	GE-51	RS7225	GE-11		
RE1001	GE-81	RQ-409S	GE-504A	RS2696	GE-2	RS5314	GE-50	RS5760	GE-51	RS7226	GE-11		
RE1002	GE-61	RR7504	GE-20	RS2697	GE-2	RS5317	GE-51	RS5761	GE-51	RS7227	GE-11		
RE2001	GE-60	RR8068	GE-20	RS2801	1N60	RS5401	GE-52	RS5762	GE-51	RS7228	GE-11		
RE2002	GE-60	RR8070	GE-61	RS2914	GE-20	RS5402	GE-53	RS5765	GE-52	RS7231	GE-20		
RE3001	GE-11	RR8116	GE-61	RS3211	GE-2	RS5403	GE-52	RS5766	GE-52	RS7234	GE-17		
RE3002	GE-11	RR8118	GE-61	RS3275	GE-52	RS5406	GE-52	RS5767	GE-52	RS7235	GE-17		
RE4001	GE-212	RR8119	GE-61	RS3276	GE-52	RS5502	GE-52	RS5768	GE-52	RS7237	GE-11		
RE4002	GE-212	RR8914	GE-20	RS3277	GE-2	RS5503	GE-52	RS5802	GE-50	RS7238	GE-20		
RE4010	GE-212	RR8989	GE-61	RS3278	GE-2	RS5504	GE-52	RS5818	GE-50	RS7241	GE-20		
RE5001	GE-60	RS1FM-12	GE-504A	RS3279	GE-2	RS5505	GE-52	RS5825	GE-2	RS7242	GE-20		
RE5002	GE-60	RS10	GE-504A	RS3280	GE-52	RS5506	GE-52	RS5835	GE-16	RS7310	GE-12		
REJ70148	6GC1	RS-35	GEZD-33	RS3282	GE-52	RS5507	GE-52	RS5851	GE-20	RS7311	GE-12		
REJ70643	GE-504A	RS220AF	GE-504A	RS3283	GE-52	RS5511	GE-1	RS5852	GE-52	RS7312	GE-12		
REJ71253	GE-300	RS230AF	GE-504A	RS3284	GE-2	RS5530	GE-52	RS5853	GE-20	RS7313	GE-12		
RE023	6GC1	RS-253C	GE-300	RS3285	GE-52	RS5531	GE-2	RS5854	GE-2	RS7315	GE-12		
RET20	GE-504A	RS-253S	GE-300	RS3286	GE-52	RS5532	GE-52	RS5855	GE-16	RS7316	GE-12		
RF03C06	GE-8	RS-267S	GE-300	RS3287	GE-1	RS5533	GE-52	RS5856	GE-20	RS7317	GE-12		
RF10K35	GE-511	RS-272US	GE-300	RS3288	GE-2	RS5534	GE-52	RS5857	GE-20	RS7318	GE-12		
RF3160	GE-504A	RS-280S	GE-300	RS3289	GE-2	RS5535	GE-52	RS6344	GE-504A	RS7320	GE-12		
RF3472	GE-504A	RS406	GE-2	RS3299	GE-2	RS5536	GE-52	RS6451	GE-504A	RS7321	GE-12		
RF5465-1P	6GC1	RS593	GE-2	RS3301	GE-2	RS5540	GE-1	RS6471	GE-504A	RS7327	GE-12		
RF5794	6GD1	RS684	GE-2	RS3306	GE-8	RS5541	GE-8	RS6705	GE-504A	RS7328	GE-12		
RF26234-1	GE-504A	RS685	GE-2	RS3308	GE-2	RS5542	GE-2	RS6821	GE-51	RS7329	GE-12		
RF29799P	GE-504A	RS686	GE-52	RS3309	GE-2	RS5543	GE-2	RS6822	GE-51	RS7330	GE-12		
RF31903P	GE-504A	RS687	GE-52	RS3310	GE-2	RS5544	GE-2	RS6824	GE-52	RS7407	GE-20		
RF32101-8	GE-504A	RS1049	GE-8	RS3318	GE-2	RS5545	GE-2	RS6840	GE-52	RS7408	GE-20		
RF32101-9	GE-504A	RS1059	GE-8	RS3316-1	GE-2	RS5551	GE-2	RS7102	GE-17	RS7409	GE-20		
RF32101R	GE-504A	RS1192	GE-2	RS3316-2	GE-2	RS5552	GE-2	RS7107	GE-11	RS7410	GE-20		
RF32102R	GE-504A	RS1234	GE-504A	RS3318	GE-2	RS5553	GE-2	RS7103	GE-20	RS7411	GE-20		
RF32103R	GE-504A	RS1264	GE-504A	RS3323	GE-51	RS5554	GE-2	RS7104	GE-17	RS7412	GE-20		
RF32645	GE-504A	RS-1347	GE-504A	RS3324	GE-51	RS5555	GE-2	RS7105	GE-20	RS7413	GE-20		
RF33976	GE-504A	RS1348	GEZD-12	RS3359-1	GE-16	RS5556	GE-2	RS7106	GE-11	RS7504	GE-20		
RF34383	GE-504A	RS1513	GE-8	RS3570	GE-504A	RS5557	GE-52	RS7107	GE-20	RS7510	GE-20		
RF34661	GE-300	RS1524	GE-8	RS3717	GE-8	RS5558	GE-2	RS7108	GE-11	RS7511	GE-20		
RFA70597	GE-504A	RS1530	GE-51	RS3727	GE-504A	RS5563	GE-52	RS7109	GE-17	RS7512	GE-17		
RFA70600	GE-504A	RS1531	GE-8	RS3858-1	GE-3	RS5564	GE-52	RS7110	GE-17	RS7513	GE-20		
RFJ6134	GE-504A	RS1532	GE-8	RS3862	GE-50	RS5565	GE-52	RS7111	GE-20	RS7514	GE-20		
RFJ30704	GE-504A	RS1533	GE-8	RS3863	GE-50	RS5566	GE-52	RS7112	GE-17	RS7515	GE-20		
RFJ31218	GE-504A	RS1534	GE-8	RS3866	GE-53	RS5567	GE-52	RS7113	GE-20	RS7516	GE-20		
RFJ31362	GE-504A	RS1536	GE-8	RS3867	GE-1	RS5568	GE-52	RS7114	GE-11	RS7517	GE-20		
RFJ31363	GE-504A	RS1537	GE-8	RS3868	GE-50	RS5602	GE-2	RS7115	GE-11	RS7518	GE-20		
RFJ33292	GE-504A	RS1538	GE-8	RS3880	GE-52	RS6003	GE-53	RS7116	GE-20	RS7519	GE-20		
RFJ70148	6GC1	RS1539	GE-2	RS3892	GE-51	RS5605	GE-53	RS7117	GE-20	RS7520	GE-11		
RFJ70149	GE-504A	RS1540	GE-52	RS3897	GE-52	RS5607	GE-52	RS7118	GE-20	RS7521	GE-20		
RFJ70431	6GC1	RS1541	GE-52	RS3898	GE-2	RS5608	GE-52	RS7119	GE-17	RS7522	GE-11		
RFJ70432	GE-504A	RS1542	GE-52	RS3900	GE-50	RS5610	GE-52	RS7120	GE-20	RS7523	GE-11		
RFJ70487	GE-504A	RS1543	GE-52	RS3901	GE-50	RS5612	GE-16	RS7121	GE-20	RS7525	GE-20		
RFJ70643	6GX1	RS1544	GE-52	RS3902	GE-50	RS5613	GE-50	RS7122	GE-20	RS7526	GE-20		
RFJ70703	GE-504A	RS1545	GE-8	RS3903	GE-50	RS5614	GE-16	RS7123	GE-20	RS7527	GE-20		
RFJ70931	GE-504A	RS1546	GE-52	RS3904	GE-52	RS5616	GE-52	RS7124	GE-20	RS7528	GE-20		
RFJ70970	GE-504A	RS1547	GE-8	RS3905	GE-50	RS5704	GE-52	RS7125	GE-20	RS7529	GE-20		
RFJ70971	GE-504A	RS1548	GE-52	RS3906	GE-2	RS5708	GE-2	RS7126	GE-11	RS7530	GE-20		
RFJ70974	GE-504A	RS1549	GE-8	RS3907	GE-50	RS5708-2	GE-2	RS7127	GE-11	RS7532	GE-20		
RFJ70976	GE-511	RS1550	GE-2	RS3911	GE-50	RS5709	GE-2	RS7128	GE-20	RS7533	GE-20		
RFJ70977	GE-504A	RS1553	GE-8	RS3912	GE-50	RS5711	GE-2	RS7129	GE-11	RS7542	GE-20		
RFJ71122	GE-504A	RS1554	GE-50	RS3913	GE-50	RS5717	GE-52	RS7132	GE-11	RS7555	GE-63		
RFJ71123	GE-504A	RS1555	GE-52	RS3914	GE-1	RS5717-1	GE-52	RS7133	GE-20	RS7568	GE-2		
RFJ71480	GEZD-9.1	RS1720	GE-504A	RS3915	GE-1	RS5717-3	GE-2	RS7135	GE-20	RS7606	GE-20		
RFJ72360	GE-504A	RS1811	1N295	RS3925	GE-2	RS5717-6	GE-2	RS7136	GE-20	RS7607	GE-20		
RFL30596	GE-504A	RS1823	GE-504A	RS3926	GE-50	RS5720	GE-2	RS7137	GE-11	RS7609	GE-20		
RFM33160	GE-504A	RS2350	GE-52	RS3929	GE-50	RS5731	GE-2	RS7142	GE-20	RS7610	GE-20		
RFP33118	GE-504A	RS2351	GE-52	RS3931	GE-8	RS5732	GE-2	RS7144	GE-20	RS7611	GE-20		
RFS61436	GE-504A	RS2352	GE-52	RS3959	GE-16	RS5733	GE-52	RS7160	GE-20	RS7612	GE-20		
RG1004	GE-504A	RS2353	GE-52	RS3986	GE-51	RS5734	GE-52	RS7161	GE-20	RS7613	GE-20		
RG1127	GE-504A	RS2354	GE-52	RS3995	GE-51	RS5735	GE-52	RS7162	GE-20	RS7614	GE-20		
RH-DX0008CEZZ	GE-504A	RS2355	GE-52	RS5008	GE-2	RS5736	GE-52	RS7163	GE-20	RS7620	GE-20		
RH-DX0017CEZZ	GE-511	RS2356	GE-52	RS5101	GE-50	RS5737	GE-2	RS7164	GE-20	RS7622	GE-20		
RH-DX0028CEZZ	GE-511	RS2359	GE-8	RS5102	GE-53	RS5740	GE-53	RS7165	GE-20	RS7623	GE-20		
RH-DX0041CEZZ	GE-504A	RS2360	GE-8	RS5103	GE-53	RS5740-1	GE-52	RS7166	GE-20	RS7624	GE-20		
RH-DX0042CEZZ	GE-504A	RS2364	GE-8	RS5104	GE-2	RS5742	GE-2	RS7167	GE-20	RS7625	GE-20		
RH-DX0045CEZZ	GE-511	RS2365	GE-8	RS5105	GE-50	RS5743	GE-52	RS7168	GE-20	RS7626	GE-20		
RH-DX0048CEZZ	GE-300	RS2366	GE-8	RS5106	GE-2	RS5743-1	GE-2	RS7169	GE-20	RS7627	GE-20		
RH-DX0054CEZZ	GE-300	RS2367	GE-52	RS5107	GE-51	RS5743-2	GE-2	RS7170	GE-20	RS7628	GE-20		
RH-DX0056CEZZ	GE-504A	RS2373	GE-52	RS5108	GE-2	RS5743.3	GE-52	RS7174	GE-20	RS7638	GE-20		

UNIVERSAL REPLACEMENT SEMICONDUCTORS

RS7639 - S1421

JEDEC Or Part Nr	GE Replacement	JEDEC Or Part Nr	GE Replacement	JEDEC Or Part Nr	GE Replacement	JEDEC Or Part Nr	GE Replacement	JEDEC Or Part Nr	GE Replacement	JEDEC Or Part Nr	GE Replacement	JEDEC Or Part Nr	GE Replacement
RS7639	GE-20	RT3095	GE-10	RT6602	GE-20	RVD10DC1R	GE-504A	S3AR1	GE-504A	S233	GE-504A	S233	GE-509
RS7678	GE-83	RT3096	GE-8	RT6603	GE-90	RVD12B-1	GEBR-600	S3MX	GE-504A	S234	GE-504A	S234	GE-504A
RS7814	GE-10	RT3097	GE-52	RT6604	GE-52	RVDC08P1	6GC1	S4	GE-21	S235	GE-504A	S235	GE-504A
RS8406	GE-52	RT3098	GE-52	RT6728	1N60	RVDC08P1R	6GC1	S4AO6	GE-504A	S236	GE-504A	S236	GE-504A
RS8407	GE-8	RT3225	GE-17	RT6729	GE-504A	RVDCD0033	GEZD-6.2	S4AR1	GE-504A	S239	GE-504A	S239	GE-504A
RS8430	GE-504A	RT3226	GE-20	RT6731	GE-90	RVDD124B	GEBR-600	S-4C	GE-504A	S240	GE-504A	S240	GE-504A
RS8442	GE-53	RT3227	GE-20	RT6787	GE-20	RVDD5-410	GE-504A	S4FN300	GE-504A	S243	GE-504A	S243	GE-504A
RS8503	GE-20	RT3228	GE-82	RT6789	GE-90	RVDEQA0106S	GEZD-6.2	S5S	GE-504A	S253	GE-504A	S253	GE-504A
RS57042	GE-2	RT3229	GE-2	RT6791	GE-504A	RVDEQA0107S	GEZD-7.5	S5SR	GE-504A	S254	GE-504A	S254	GE-504A
RS57062	GE-2	RT3230	GE-2	RT6921	GE-20	RVDKB265J2	GE-504A	S6-10	GEZD-10.4	S256	GE-504A	S256	GE-504A
RSLNA0004CEZZ	GE-3	RT3231	GE-2	RT7320	GE-20	RVDZM208	GEZD-7.5	S7AR1	GE-509	S257	GE-509	S257	GE-509
RSLNB0001CEZZ	6GC1	RT3232	GE-20	RT7321	GE-20	RVDZM209	GEZD-9.1	S8AR1	GE-509	S258	GE-509	S258	GE-509
RSLND0003CEZZ	GE-511	RT3233	1N34AS	RT7322	GE-20	RVDR154B	GEBR-600	S9AR1	GE-509	S260	GE-509	S260	GE-509
RT-100	GE-47	RT3336	1N34AS	RT7323	GE-20	RVDRD11AN	GEZD-9.1	S-05	GE-504A	S262	GE-504A	S262	GE-504A
RT-101	GE-48	RT3361	GE-51	RT7324	GE-20	RVDSCL5	GE-90	S-05-01	GE-504A	S305	GE-504A	S305	GE-14
RT-102	GE-20	RT3362	GE-51	RT7325	GE-17	RVDSCL5	GE-90	S-05-005	GE-504A	S305A	GE-504A	S305A	GE-14
RT-103	GE-82	RT3363	GE-2	RT7326	GE-17	RVDSCL5	GE-90	S10	GE-504A	S409F	GE-504A	S409F	GE-18
RT-104	GE-212	RT3364	GE-2	RT7327	GE-17	RVDSCL5	GE-90	S10AR1	GE-509	S428	GE-509	S428	GE-504A
RT-105	GE-212	RT3365	GE-2	RT7329	GE-90	RVDSCL5	GE-90	S11	GE-300	S431	GE-300	S431	GE-504A
RT-106	GE-85	RT3443	GE-504A	RT7330	1N60	RVDSCL5	GE-90	S13	GE-504A	S684	GE-504A	S684	GE-51
RT-107	GE-212	RT3449	GE-2	RT7399	GE-2	RVDSR3AM2N	GE-504A	S-15	GE-504A	S685	GE-504A	S685	GE-53
RT-108	GE-212	RT3467	GE-51	RT7511	GE-20	RVDMZ120L	GE-300	S-15-10	GE-504A	S686	GE-504A	S686	GE-53
RT-109	GE-81	RT3468	GE-52	RT7514	GE-20	RVDMZ209	GE-300	S16	GE-504A	S687	GE-504A	S687	GE-53
RT-111	GE-27	RT3565	GE-20	RT7515	GE-20	RVDMZ210L	GE-300	S16A	GE-504A	S715	GE-504A	S715	GE-28
RT-112	GE-212	RT3566	GE-52	RT7517	GE-20	RVDMZ211L	GE-504A	S16B	GE-504A	S801	GE-504A	S801	GE-28
RT-113	GE-39	RT3567	GE-20	RT7518	GE-20	RVDMZ212L	GE-504A	S17	GE-504A	S855	GE-504A	S855	GE-3
RT114	GE-18	RT3585	GE-504A	RT7528	GE-20	RVDMZ213	GE-504A	S17A	GE-504A	S901	GE-504A	S901	GE-504A
RT115	GE-21	RT3588	GE-504A	RT7538	1N34AS	RVDMZ214L	GE-504A	S20	GE-509	S1000	GE-509	S1000	GE-28
RT-118	GE-85	RT4089	GE-504A	RT7557	GE-63	RVDMZ215L	GE-504A	S20ND400	GE-504A	S1009	GE-504A	S1009	GE-17
RT-119	GE-8	RT4624	GE-2	RT7558	GE-52	RVDMZ216L	GE-504A	S20NH400	GE-504A	S1016	GE-504A	S1016	GE-20
RT-120	GE-85	RT4625	GE-2	RT7559	GE-20	RVDMZ217L	GE-504A	S23	GE-504A	S1019	GE-504A	S1019	GE-17
RT-121	GE-87	RT4760	GE-20	RT7634	GE-504A	RVDMZ218L	GE-504A	S24	GE-509	S-1019(UHF)	GE-509	S-1019(UHF)	GE-11
RT-124	GE-76	RT4761	GE-20	RT7636	1N60	RVDMZ219L	GE-504A	S26	GE-504A	S1037	GE-504A	S1037	GE-17
RT-126	GE-21	RT4762	GE-16	RT7638	GE-20	RVDMZ220L	GE-504A	S28	GE-509	S1041	GE-509	S1041	GE-17
RT-127	GE-76	RT4764	GE-504A	RT7689	1N34AS	RVDMZ221L	GE-504A	S31	GE-504A	S1044	GE-504A	S1044	GE-17
RT-128	GE-12	RT4880	1N60	RT7703	GE-20	RVDMZ222L	GE-504A	S32	GE-504A	S1058	GE-504A	S1058	GE-17
RT-131	GE-77	RT5070	GE-504A	RT7704	GE-20	RVDMZ223L	GE-504A	S33	GE-504A	S1059	GE-504A	S1059	GE-17
RT-135	GE-32	RT5151	GE-81	RT7849	GE-504A	RVDMZ224L	GE-504A	S34	GE-504A	S1060	GE-504A	S1060	GE-17
RT141	GE-18	RT5152	GE-81	RT7850	GE-504A	RVDMZ225L	GE-504A	S35	GE-504A	S1061	GE-504A	S1061	GE-10
RT-147	GE-76	RT5200	GE-20	RT7851	GE-90	RVDMZ226L	GE-504A	S36	GE-504A	S1062	GE-504A	S1062	GE-17
RT-148	GE-74	RT5201	GE-20	RT7943	GE-20	RVDMZ227L	GE-504A	S-39T	GE-16	S1065	GE-16	S1065	GE-20
RT-149	GE-75	RT5202	GE-10	RT7944	GE-8	RVDMZ228L	GE-504A	S-40T	GE-16	S1066	GE-16	S1066	GE-20
RT150	GE-66	RT5203	GE-81	RT7945	GE-18	RVDMZ229L	GE-504A	S-40TB	GE-16	S1068	GE-16	S1068	GE-20
RT151	GE-69	RT5204	GE-81	RT7946	GE-300	RVDMZ230L	GE-504A	S-41T	GE-16	S1069	GE-16	S1069	GE-20
RT152	GE-28	RT5205	GE-20	RT8047	GE-18	RVDMZ231L	GE-504A	S-42T	GE-16	S1074(R)	GE-16	S1074(R)	GE-20
RT154	GE-28	RT5206	GE-10	RT8193	GE-20	RVDMZ232L	GE-504A	S-43T	GE-16	S1076	GE-16	S1076	GE-20
RT155	GE-68	RT5207	GE-10	RT8195	GE-10	RVDMZ233L	GE-504A	S-46T	GE-16	S1078	GE-16	S1078	GE-20
RT-156	GE-32	RT5208	GE-10	RT8197	GE-63	RVDMZ234L	GE-504A	S-48T	GE-16	S1079	GE-16	S1079	GE-20
RT159	GE-27	RT5211	GE-90	RT8198	GE-20	RVDMZ235L	GE-504A	S-49T	GE-16	S1080	GE-16	S1080	GE-20
RT175	GE-FET-2	RT5212	GE-81	RT8199	GE-504A	RVDMZ236L	GE-504A	S-58TB	GE-16	S1090	GE-16	S1090	GE-20
RT176	GE-FET-1	RT5213	1N60	RT8200	GEZD-12	RVDMZ237L	GE-504A	S61	GE-509	S1128	GE-509	S1128	GE-20
RT185	GE-2	RT5214	1N60	RT8201	GE-20	RVDMZ238L	GE-504A	S62	GE-504A	S1142	GE-504A	S1142	GE-12
RT188	GE-18	RT5215	GEZD-7.5	RT8231	GE-504A	RVDMZ239L	GE-504A	S63	GE-504A	S1143	GE-504A	S1143	GE-20
RT210	GE-510	RT5216	GE-504A	RT8330	GE-17	RVDMZ240L	GE-504A	S70T	GE-51	S1153	GE-51	S1153	GE-20
RT213	GE-504A	RT5217	GE-300	RT8331	GE-FET-2	RVDMZ241L	GE-504A	S81	GE-504A	S1221	GE-504A	S1221	GE-20
RT214	GE-504A	RT5230	GE-82	RT8332	GE-20	RVDMZ242L	GE-504A	S82	GE-504A	S1221A	GE-504A	S1221A	GE-20
RT215	GE-504A	RT5379	1N60	RT8333	GE-17	RVDMZ243L	GE-504A	S83	GE-504A	S1226	GE-504A	S1226	GE-20
RT218	GE-300	RT5385	GE-504A	RT8337	GE-62	RVDMZ244L	GE-504A	S87TB	GE-51	S1227	GE-51	S1227	GE-17
RT248	GEZD-22	RT5401	GE-47	RT8339	GEZD-9.1	RVDMZ245L	GE-504A	S88TB	GE-51	S1240	GE-51	S1240	GE-20
RT482	GE-81	RT5402	GE-47	RT8527	GE-20	RVDMZ246L	GE-504A	S91	GE-504A	S1241	GE-504A	S1241	GE-20
RT483	GE-81	RT5403	GE-47	RT8602	GE-2	RVDMZ247L	GE-504A	S91-A	GE-504A	S1242	GE-504A	S1242	GE-20
RT484	GE-81	RT5404	GE-47	RT81015	GE-2	RVDMZ248L	GE-504A	S91-H	GE-504A	S1245	GE-504A	S1245	GE-20
RT697M	GE-210	RT5435	GE-20	RV81018	GE-2	RVDMZ249L	GE-504A	S92	GE-504A	S1272	GE-504A	S1272	GE-20
RT699M	GE-18	RT5470	1N60	RV6.2	GEZD-6.2	RVDMZ250L	GE-504A	S92-A	GE-504A	S1276	GE-504A	S1276	GE-17
RT-929-H	GE-20	RT5471	GEZD-6.2	RV1017	GE-90	RVDMZ251L	GE-504A	S92-H	GE-504A	S1286	GE-504A	S1286	GE-17
RT930H	GE-17	RT5472	GE-504A	RV1181	GEZD-5.6	RVDMZ252L	GE-504A	S93	GE-504A	S1296	GE-504A	S1296	GE-12
RT1108	1N34AS	RT5473	GE-90	RV1226	GE-300	RVDMZ253L	GE-504A	S93A	GE-504A	S1307	GE-504A	S1307	GE-20
RT1116	GE-27	RT5551	GE-20	RV1476	GE-504A	RVDMZ254L	GE-504A	S93SE133	GE-14	S1309	GE-14	S1309	GE-20
RT1184	1N60	RT5637	GE-2	RV1477	GE-90	RVDMZ255L	GE-504A	S93SE165	GE-14	S1313	GE-14	S1313	GE-17
RT1306	GEZD-5.6	RT5793	GEZD-6.2	RV1478	GE-504A	RVDMZ256L	GE-504A	S94	GE-504A	S1316	GE-504A	S1316	GE-17
RT1667	1N60	RT5907	GE-63	RV2070	GE-62	RVDMZ257L	GE-504A	S010G	GE-509	S1317	GE-509	S1317	GE-17
RT1686	GE-300	RT5908	1N60	RV2071	GE-300	RVDMZ258L	GE-504A	S082A	GE-504A	S1318	GE-504A	S1318	GE-17
RT1689	GE-300	RT5909	GE-504A	RV2072	GE-504A	RVDMZ259L	GE-504A	S100	GE-509	S1331	GE-509	S1331	GE-20
RT1840	GE-504A	RT5911	GE-504A	RV2248	GE-62	RVDMZ260L	GE-504A	S102	GE-504A	S1331W	GE-504A	S1331W	GE-20
RT1893	GE-27	RT5912	1N60	RV2249	GE-20	RVDMZ261L	GE-504A	S103	GE-511	S1348	GE-504A	S1348	GE-2
RT2016	GE-20	RT5939	1N60	RV2250	GE-504A	RVDMZ262L	GE-504A	S104	GEZD-12	S1349	GE-504A	S1349	GE-2
RT2329	GE-2	RT6105	GE-X11	RV-2289	GE-504A	RVDMZ263L	GE-504A	S105	GEZD-12	S1350	GE-504A	S1350	

UNIVERSAL REPLACEMENT SEMICONDUCTORS

S1432 - SDM445

JEDEC Or Part Nr	GE Replacement	JEDEC Or Part Nr	GE Replacement	JEDEC Or Part Nr	GE Replacement	JEDEC Or Part Nr	GE Replacement	JEDEC Or Part Nr	GE Replacement	JEDEC Or Part Nr	GE Replacement	JEDEC Or Part Nr	GE Replacement
S1432	GE-20	S2118	GE-18	S15850	GE-212	SA538	GE-65	SC256B	GE-67	SD-6	GEZD-5.1		
S1443	GE-20	S2120	GEMR-1	S15857	GE-60	SA539	GE-85	SC257	GE-65	SD7	GE-300		
S1475	GE-10	S2121	GE-20	S15858	GE-60	SA540	GE-85	SC257A	GE-65	SD8	GE-509		
S1476	GE-10	S2122	GE-20	S15859	GE-17	SAC40	GE-21	SC257VI	GE-65	SD05	GE-509		
S1487	GE-20	S2123	GE-20	S17074	6GC1	SAC40A	GE-21	SC258	GE-65	SD-11	GEZD-18		
S1502	GE-20	S2124	GE-20	S17862	GE-27	SAC40B	GE-21	SC258A	GE-65	SD-12	GE-300		
S1510	GE-20	S2125	GEMR-1	S18000	GE-21	SAC42	GE-21	SC258B	GE-65	SD-13	1N34AS		
S1512	GE-20	S2128	GE-21	S18100	GE-42	SAC42A	GE-21	SC258VI	GE-65	SD-14	1N34AS		
S1514	GE-18	S2129	GE-21	S18200	GE-18	SAC42B	GE-21	SC259	GE-65	SD-15	GEZD-9.1		
S1516	GE-18	S2130	GEMR-1	S21271	1N60	SAC44	GE-21	SC259A	GE-65	SD-16	1N34AS		
S1517	GE-18	S2135	GEMR-1	S21520	GE-23	SB-1	GE-511	SC259B	GE-65	SD-16A	GE-504A		
S1520	GE-21	S2139B	GE-90	S21549	GE-18	SB-1Z	GE-504A	SC400Y	GE-12	SD-16D	GE-504A		
S1523	GE-18	S2140	GEMR-1	S22543	GE-20	SB-2	GE-511	SC41	GE-32	SD-18	GE-504A		
S1525	GE-18	S2171	GE-20	S24528	GE-21	SB-2B	GE-511	SC727	GE-12	SD19	GE-90		
S1528	GE-20	S2172	GE-17	S24591	GE-20	SB-2C	GE-511	SC777	GE-12	SD-22	GE-511		
S1527	GE-20	S2209	GE-18	S24592	GE-62	SB-2CH	GE-511	SC832	GE-20	SD-24	GE-90		
S1529	GE-20	S2224	GE-20	S24594	GE-21	SB-2T	GE-511	SC842	GE-20	SD-27	GEZD-10		
S1530	GE-20	S2225	GE-10	S24598	GE-20	SB-3	GE-504A	SC843	GE-27	SD-31	GEZD-20		
S1533	GE-20	S2241	GE-14	S24597	GE-47	SB-3-02	GE-504A	SC0321	GE-75	SD-32	GEZD-5.6		
S1556-2	GE-16	S2274	GE-21	S24598	GE-20	SB-3F01	GE-504A	SC0328	GE-75	SD-33	GEZD-12		
S1559	GE-20	S2369	GE-18	S24812	GE-21	SB-15	GE-90	SC0421	GE-74	SD-34	GE-300		
S1568	GE-10	S2371	GE-18	S24814	GE-63	SB100	GE-51	SC0428	GE-74	SD39	GE-90		
S1570	GE-20	S2400A	GE-18	S24815	GE-21	SB101	GE-51	SC1007	GE-51	SD-43	GE-300		
S1600	GE-504A	S2401A	GE-18	S24818	GE-21	SB102	GE-51	SC4004	GE-12	SD46	1N34AS		
S1619	GE-20	S2402A	GE-18	S25805	GE-11	SB103	GE-51	SC4044	GE-20	SD-46-2	1N60		
S1620	GE-20	S2403B	GE-14	S27233	GE-18	SB200	GE-51	SC4131	GE-12	SD46R	1N34AS		
S1629	GE-10	S2427	GE-18	S27604	GE-20	SB-309A	GE-504A	SC4131-1	GE-20	SD49	GEZD-7.5		
S1639	GE-2	S2471	GE-14	S32689	GE-11	SB-309C	GE-504A	SC4133	GE-66	SD-49	GEZD-7.5		
S1640	GE-51	S2487	GE-18	S33888	GE-21	SB0319	GE-66	SC4244	GE-12	SD51	GE-504A		
S1674	GE-20	S2525	GE-21	S-88576	1N62A	SB5122	GE-51	SC5117P	GEIC-8	SD-60	1N60		
S1674A	GE-20	S2528	GE-18	S95101	GE-50	SC1	GE-504A	SC5118P	GEIC-7	SD80	GE-504A		
S1682	GE-17	S2527	GE-66	S95102	GE-50	SC2	GE-504A	SC9430P	GEIC-7	SD82	1N82A		
S1683	GE-18	S2581	GE-20	S95103	GE-50	SC4	GE-504A	SC9436P	GEIC-5	SD82A	1N82A		
S1685	GE-14	S2582	GE-20	S95104	GE-51	SC8	1N295	SCA1	GE-504A	SD91	GE-504A		
S1689	GE-18	S2593	GE-20	S95106	GE-51	SC8	GE-509	SCA2	GE-504A	SD91A	GE-504A		
S1691	GE-14	S2817	GE-17	S95125	GE-20	SC05	GE-504A	SCA3	GE-504A	SD91S	GE-504A		
S1692	GE-14	S2817(UHF)	GE-11	S95125A	GE-20	SC05E	GE-504A	SCA4	GE-504A	SD92	GE-504A		
S1697	GE-20	S2635	GE-20	S95126	GE-20	SC10	GE-509	SCA6	GE-504A	SD92A	GE-504A		
S1761A	GE-20	S2636	GE-20	S95126A	GE-20	SC12	GE-52	SCA8	GE-509	SD93	GE-504A		
S1761B	GE-20	S2645	GE-21	S95201	GE-2	SC15	GE-90	SCA05	GE-504A	SD93A	GE-504A		
S1761C	GE-20	S2648	GE-18	S95202	GE-20	SC-15	GE-90	SCA10	GE-509	SD93S	GE-504A		
S1762	GE-18	S2741	GE-14	S95203	GE-52	SC15	GE-90	SCA-45A	GE-513	SD94	GE-504A		
S1764	GE-20	S2794	GE-63	S95204	GE-2	SC16	GE-504A	SCA3021	GE-86	SD94A	GE-504A		
S1765	GE-20	S2935	GE-20	S95206	GE-20	SC20	1N34AS	SCA3244	GE-212	SD94B	GE-504A		
S1766	GE-20	S2944	GE-20	S95207	GE-2	SC-29	GE-2	SCBR1F	GE-509	SD95	GE-504A		
S1768	GE-20	S2984	GE-20	S95214	GE-52	SC43	GE-1	SCBR6F	GE-509	SD95A	GE-504A		
S1769	GE-27	S2985	GE-20	S95253	GE-16	SC44	GE-1	SCBR05F	GE-509	SD98	GE-509		
S1770	GE-20	S2986	GE-27	S95253-1	GE-16	SC45	GE-2	SCC321	GE-75	SD98A	GE-509		
S1772	GE-20	S2968	GE-21	S99101	GE-50	SC46	GE-1	SCC421	GE-74	SD020	1N60		
S1773	GE-18	S2989	GE-20	S99102	GE-50	SC54	1N34AS, 1N60	SCD321	GE-75	SD040	GE-504A		
S1777	GE-18	S2992	GE-18	S99103	GE-50	SC58	GE-8	SCD421	GE-74	SD100	GE-300		
S1784	GE-20	S2996	GE-20	S99104	GE-51	SC63	GE-2	SCE1	GE-504A	SD101	GE-504A		
S1785	GE-20	S2997	GE-20	S99201	GE-52	SC65	GE-20	SCE2	GE-504A	SD102	GE-504A		
S1801-02	GE-504A	S2998	GE-20	S99203	GE-52	SC68	GE-2	SCE3	GE-504A	SD104	GE-504A		
S1835	GE-20	S2999	GE-20	S326690	GE-11	SC68	GE-2	SCE4	GE-504A	SD105	GEZD-9.1		
S1864	GE-18	S3004-1715	GEZD-6.2	S1977634	GE-14	SC69	GE-2	SCE6	GE-504A	SD-110	GE-300		
S1865	GE-14	S3004-1716	GE-300	S2041635	GE-53	SC70	GE-3	SCE8	GE-509	SD-150	1N34AS		
S1871	GE-20	S3004-1718	GEZD-6.2	S2042634	GE-54	SC71	GE-51	SCE10	GE-509	SD201	GE-504A		
S1874	GE-10	S3016R	GE-504A	SA-2	GE-504A	SC72	GE-51	SCE321	GE-75	SD405	1N82		
S1878	GE-10	S3019	GE-17	SA2B	GE-504A	SC73	GE-2	SCE421	GE-74	SD461	1N60		
S1889	GE-67	S3105	GEMR-2	SA7	GE-8	SC74	GE-51	SCT1	GE-509	SD470	GE-504A		
S1891	GE-20	S3110	GEMR-2	SA50	GE-21	SC78	GE-51	SCT2	GE-509	SD500	GE-300		
S1891A	GE-20	S3115	GEMR-2	SA51	GE-21	SC79	GE-51	SCT3	GE-509	SD501	GE-504A		
S1891B	GE-20	S3120	GEMR-2	SA52	GE-21	SC80	GE-51	SCT4	GE-509	SD600	GE-300		
S1905	GE-14	S3125	GEMR-2	SA52A	GE-21	SC108	GE-17	SCT5	GE-509	SD630	GE-300		
S1907	GE-14	S3130	GEMR-2	SA52B	GE-21	SC108A	GE-17	SD-Y	GE-504A	SD-630	1N34AS		
S1955	GE-20	S3135	GEMR-2	SA53	GE-21	SC108B	GE-20	SD-1	GE-511	SD632(10)	GEZD-9.1		
S1993	GE-20	S3140	GEMR-2	SA54	GE-21	SC109A	GE-20	SD-1-30DA	GE-511	SD632	GEZD-9.1		
S2002	GE-20	S3205	GEMR-2	SA55	GE-21	SC110	GE-504A	SD-1-211B	GE-504A	SD701-02	GE-300		
S2003-1	GE-14	S3210	GEMR-2	SA56	GE-21	SC147A	GE-212	SD-1-211C	GE-504A	SD910	GE-509		
S2005	GEMR-1	S3215	GEMR-2	SA70	GE-21	SC147B	GE-212	SD1A	GE-504A	SD910A	GE-509		
S2010	GEMR-1	S3220	GEMR-2	SA310	GE-65	SC148	GE-212	SD-1AHF	GE-511	SD950	GEBR-600		
S2015	GEMR-1	S3225	GEMR-2	SA311	GE-65	SC148A	GE-212	SD-1AUF	GE-504A	SD974	GE-300		
S2020	GE-17	S3230	GEMR-2	SA312	GE-65	SC148B	GE-212	SD-1B	GE-511	SD1023	GE-28		
S2025	GEMR-1	S3235	GEMR-2	SA313	GE-65	SC148C	GE-212	SD-1B	GE-504A	SD1345	GE-66		
S2030	GEMR-1	S3240	GEMR-2	SA314	GE-65	SC149	GE-212	SD-1BHF	GE-511	SD1445	GE-69		
S2034	GE-20	S3655	GE-2	SA315	GE-65	SC149B	GE-212	SD1C	GE-509	SDD420	GE-20		
S2035	GEMR-1	S3771	GE-77	SA316	GE-65	SC157	GE-85	SD-1C-UF	GE-504A	SDD820	GE-11		
S2040	GEMR-1	S4002	GE-20	SA354B	GE-8	SC157A	GE-85	SD1CUF	GE-504A	SDD821	GE-11		
S2041	GE-87	S4248	GE-2	SA410	GE-65	SC157VI	GE-85	SD1DM-4	GE-504A	SDD1220	GE-63		
S2042	GE-63	S4249	GE-21	SA411	GE-65	SC158	GE-85	SD1HF	GE-504A	SDD3000	GE-11		
S2043	GE-20	S5000	GE-305	SA412	GE-65	SC158A	GE-85	SD1LA	GE-504A	SDH-2	1N60		
S2044	GE-62	S5021	GE-20	SA413	GE-65	SC158B	GE-85	SD-1UF	GE-504A	SDI345	GE-68		
S2045	GE-20	S5089-A	GE-504A	SA414	GE-85	SC158VI	GE-85	SD-1VHF	GE-504A	SDI445	GE-69		
S2059	GE-12	S5327E	GE-17	SA415	GE-85	SC159	GE-85	SD1X	GE-504A	SDJ345	GE-66		
S2085	1N34AS	S5328E	GE-17	SA416	GE-65	SC159A	GE-85	SD1Y	GE-504A				

UNIVERSAL REPLACEMENT SEMICONDUCTORS

SDN345 - SIB50B794-1

JEDEC Or Part Nr	GE Replacement	JEDEC Or Part Nr	GE Replacement	JEDEC Or Part Nr	GE Replacement	JEDEC Or Part Nr	GE Replacement	JEDEC Or Part Nr	GE Replacement	JEDEC Or Part Nr	GE Replacement	JEDEC Or Part Nr	GE Replacement
SDN345	GE-66	SDT3877	GE-74	SE1001	GE-210	SE8521	GE-18	SF310	GE-60	SFT367	GE-53		
SDN445	GE-69	SDT4301	GE-83	SE1002	GE-210	SE8540	GE-48	SF314	GE-60	SFT377	GE-54		
SDT402	GE-73	SDT4302	GE-215	SE1010	GE-88	SE8541	GE-48	SF334	GE-60	SFT523	GE-53		
SDT-410	GE-72	SDT4304	GE-83	SE1012	GE-63	SE8542	GE-67	SF334B	GE-60	SFT526	GE-53		
SDT-411	GE-73	SDT4305	GE-215	SE1019	GE-17	SE9002	GE-19	SF335	GE-60	SFT713	GE-20		
SDT-413	GE-73	SDT4307	GE-83	SE1044	GE-17	SE9080	GE-14	SF335C	GE-60	SFT714	GE-20		
SDT-423	GE-73	SDT4308	GE-215	SE1331	GE-20	SE40022	GE-16	SF335D	GE-60	SFZ708	GEZD-5.6		
SDT430	GE-73	SDT4310	GE-83	SE1419	GE-17	SEC1078	GE-63	SF1713	GE-8	SFZ716	GEZD-12		
SDT431	GE-73	SDT4311	GE-215	SE1730	GE-509	SEC1079	GE-63	SF1714	GE-8	SG005	GE-504A		
SDT445	GE-69	SDT4455	GE-28	SE2001	GE-60	SEC1477	GE-63	SF1726	GE-20	SG105	GE-504A		
SDT1001	GE-73	SDT4483	GE-216	SE2002	GE-210	SEC1479	GE-63	SF1730	GE-18	SG-105	GE-504A		
SDT1002	GE-73	SDT4551	GE-28	SE2020	GE-20	SELEN-26	6GC1	SFE145	GE-FET-1	SG205	GE-504A		
SDT1003	GE-73	SDT4553	GE-28	SE2397	GE-20	SELEN-38	6GC1	SFE303	GE-FET-4	SG305	GE-504A		
SDT1004	GE-73	SDT4583	GE-28	SE2401	GE-20	SELEN-42	GE-3	SFR135	GE-504A	SG805	GE-504A		
SDT1005	GE-73	SDT4611	GE-28	SE2402	GE-20	SELEN-48	GE-2	SFR151	GE-504A	SG1198	GE-504A		
SDT1011	GE-73	SDT4812	GE-28	SE3001	GE-11	SELEN-92	GE-511	SFR153	GE-504A	SG3400	GE-504A		
SDT1012	GE-73	SDT4814	GE-28	SE3002	GE-11	SELEN-701	GE-504A	SFR156	GE-504A	SGS87231	GE-39		
SDT1013	GE-73	SDT4615	GE-28	SE3005	GE-86	SES881	GE-14	SFR268	GE-509	SH1	GE-504A		
SDT1014	GE-73	SDT5001	GE-28	SE3019	GE-39	SF.T124	GE-53	SFT104	1N295	SH1A	GE-504A		
SDT1015	GE-73	SDT5006	GE-28	SE3030	GE-19	SF.T130	GE-53	SFT108	1N295	SH1B	GE-509		
SDT1611	GE-73	SDT5011	GE-28	SE3031	GE-19	SF.T131P	GE-53	SFT120	GE-51	SH1C	GE-509		
SDT1612	GE-73	SDT5501	GE-46	SE3032	GE-19	SF.T163	GE-50	SFT121	GE-53	SH-1DE	GE-504A		
SDT1613	GE-73	SDT5506	GE-46	SE3033	GE-19	SF.T171	GE-1	SFT122	GE-53	SH1S	GE-504A		
SDT1614	GE-73	SDT5511	GE-46	SE3034	GE-18	SF.T172	GE-1	SFT123	GE-53	SH4D1	GE-504A		
SDT1615	GE-73	SDT5901	GE-28	SE3035	GE-19	SF.T173	GE-1	SFT124	GE-53	SH4D2	GE-504A		
SDT1616	GE-73	SDT5902	GE-28	SE3036	GE-19	SF.T174	GE-1	SFT125	GE-53	SH4D8	GE-509		
SDT1617	GE-73	SDT5906	GE-28	SE3646	GE-60	SF.T184	GE-5	SFT130	GE-53	SHA7520	GE-67		
SDT1618	GE-73	SDT5907	GE-66	SE4001	GE-60	SF.T187	GE-27	SFT131	GE-53	SHA7521	GE-67		
SDT1621	GE-75	SDT6001	GE-66	SE4002	GE-212	SF.T191	GE-16	SFT143	GE-53	SHA7522	GE-67		
SDT1622	GE-75	SDT6011	GE-66	SE4002	GE-62	SF.T212	GE-25	SFT144	GE-53	SHA7523	GE-67		
SDT1623	GE-75	SDT6013	GE-66	SE4010	GE-212	SF.T213	GE-25	SFT151	GE-53	SHA7524	GE-67		
SDT1631	GE-75	SDT6031	GE-66	SE4020	GE-39	SF.T214	GE-25	SFT152	GE-53	SHA7526	GE-67		
SDT1632	GE-75	SDT6101	GE-28	SE4021	GE-85	SF.T221	GE-53	SFT163	GE-51	SHA7527	GE-67		
SDT1633	GE-75	SDT6102	GE-28	SE4022	GE-39	SF.T222	GE-2	SFT171	GE-50	SHA7528	GE-67		
SDT3321	GE-28	SDT6103	GE-66	SE4172	GE-61	SF.T223	GE-53	SFT172	GE-50	SHA7530	GE-82		
SDT3322	GE-29	SDT6104	GE-28	SE5001	GE-60	SF.T227	GE-2	SFT173	GE-50	SHA7531	GE-82		
SDT3325	GE-29	SDT6105	GE-28	SE5002	GE-60	SF.T237	GE-1	SFT174	GE-50	SHA7532	GE-22		
SDT3326	GE-28	SDT6106	GE-28	SE5003	GE-60	SF.T238	GE-25	SFT184	GE-8	SHA7533	GE-82		
SDT3421	GE-216	SDT7401	GE-28	SE5004	GE-39	SF.T239	GE-25	SFT186	GE-27	SHA7534	GE-82		
SDT3422	GE-216	SDT7402	GE-66	SE5006	GE-60	SF.T240	GE-25	SFT187	GE-32	SHA7536	GE-22		
SDT3425	GE-216	SDT7411	GE-28	SE-5006	GE-17	SF.T250	GE-25	SFT192	GE-16	SHA7537	GE-82		
SDT3426	GE-216	SDT7412	GE-66	SE5010	GE-61	SF.T251	GE-52	SFT212	GE-3	SHA7538	GE-82		
SDT3501	GE-84	SDT7414	GE-28	SE5015	GE-61	SF.T252	GE-52	SFT213	GE-16	SHA7597	GE-67		
SDT3502	GE-29	SDT7415	GE-66	SE5020	GE-60	SF.T253	GE-52	SFT214	GE-3	SHA7598	GE-67		
SDT3505	GE-84	SDT7511	GE-66	SE5021	GE-60	SF.T264	GE-4	SFT221	GE-51	SHA7599	GE-67		
SDT3506	GE-29	SDT7512	GE-66	SE5022	GE-60	SF.T306	GE-2	SFT222	GE-53	SI-RECT-2	GE-504A		
SDT3509	GE-69	SDT7514	GE-66	SE5023	GE-60	SF.T316	GE-50	SFT223	GE-51	SI-RECT-23	GE-90		
SDT3510	GE-69	SDT7515	GE-66	SE5024	GE-60	SF.T317	GE-50	SFT226	GE-51	SI-RECT-25	GE-504A		
SDT3513	GE-69	SDT9001	GE-216	SE5025	GE-81	SF.T318	GE-2	SFT227	GE-51	SI-RECT-27	GE-504A		
SDT3514	GE-69	SDT9002	GE-216	SE-5025	GE-81	SF.T319	GE-50	SFT228	GE-51	SI-RECT-33	GE-504A		
SDT3550	GE-29	SDT9003	GE-28	SE5029	GE-61	SF.T320	GE-50	SFT229	GE-51	SI-RECT-34	GE-504A		
SDT3552	GE-84	SDT9004	GE-216	SE5030	GE-61	SF.T321	GE-53	SFT237	GE-51	SI-RECT-35	GE-300		
SDT3553	GE-29	SDT9005	GE-216	SE5030A	GE-61	SF.T322	GE-53	SFT238	GE-16	SI-RECT-36	GE-511		
SDT3575	GE-26	SDT9006	GE-28	SE5031	GE-61	SF.T337	GE-2	SFT239	GE-16	SI-RECT-37	GE-504A		
SDT3576	GE-69	SDT9007	GE-28	SE5032	GE-60	SF.T351	GE-53	SFT240	GE-25	SI-RECT-39	GE-504A		
SDT3578	GE-69	SDT9008	GE-28	SE5035	GE-39	SF.T352	GE-53	SFT241	GE-53	SI-RECT-44	GE-511		
SDT3579	GE-69	SDT9009	GE-66	SE5040	GE-60	SF.T354	GE-50	SFT243	GE-53	SI-RECT-48	GE-504A		
SDT3701	GE-69	SDT9201	GE-77	SE5050	GE-60	SF.T357	GE-50	SFT250	GE-25	SI-RECT-49	GE-504A		
SDT3702	GE-69	SDT9202	GE-75	SE5051	GE-60	SF.T358	GE-50	SFT251	GE-53	SI-RECT-53	GE-504A		
SDT3703	GE-69	SDT9205	GE-77	SE5052	GE-60	SF.T377	GE-59	SFT252	GE-53	SI-RECT-59	GE-504A		
SDT3704	GE-69	SDT9206	GE-77	SE5055	GE-60	SF.T440	GE-63	SFT253	GE-53	SI-RECT-69	GE-504A		
SDT3706	GE-69	SDT9207	GE-75	SE5056	GE-61	SF.T443	GE-63	SFT259	GE-54	SI-RECT-73	GE-504A		
SDT3707	GE-69	SDT9210	GE-77	SE5151	GE-60	SF.T443A	GE-63	SFT260	GE-54	SI-RECT-84	GE-504A		
SDT3708	GE-69	SDT9301	GE-77	SE6001	GE-47	SF.T445	GE-63	SFT261	GE-54	SI-RECT-92	GE-504A		
SDT3709	GE-69	SDT9302	GE-77	SE6002	GE-47	SF.T714	GE-63	SFT264	GE-4	SI-RECT-100	GE-504A		
SDT3710	GE-69	SDT9303	GE-75	SE6006	GE-20	SF-1	GE-509	SFT265	GE-4	SI-RECT-102	GE-504A		
SDT3711	GE-69	SDT9304	GE-77	SE6010	GE-20	SF1CN1	GE-509	SFT266	GE-4	SI-RECT-110/SB-3F	GE-504A		
SDT3712	GE-69	SDT9305	GE-77	SE6020	GE-18	SF3CN1	GE-509	SFT267	GE-4	SI-RECT-112/SB-3	GE-504A		
SDT3713	GE-69	SDT9306	GE-75	SE6021	GE-18	SF4	GE-509	SFT268	GE-4	SI-RECT-122	GE-504A		
SDT3715	GE-69	SDT9307	GE-77	SE6022	GE-18	SF4CN1	GE-509	SFT288	GE-51	SI-RECT-136	GE-509		
SDT3716	GE-69	SDT9308	GE-77	SE6023	GE-18	SF5	GE-509	SFT298	GE-5	SI-RECT-140/TR6S	GEZD-6.2		
SDT3717	GE-69	SDT9309	GE-75	SE7001	GE-40	SF6	GE-509	SFT306	GE-51	SI-RECT-152	GE-300		
SDT3720	GE-69	SDT9701	GE-75	SE7002	GE-40	SF115	GE-61	SFT307	GE-53	SI-RECT-162	GE-511		
SDT3721	GE-69	SDT9704	GE-75	SE7005	GE-18	SF115A	GE-61	SFT308	GE-51	SI-RECT-174	GE-504A		
SDT3722	GE-69	SDT9707	GE-75	SE7006	GE-32	SF115B	GE-61	SFT315	GE-51	SI-RECT-178	GE-504A		
SDT3725	GE-69	SDT9901	GE-35	SE7010	GE-20	SF115C	GE-61	SFT316	GE-51	SI-RECT-204	GE-510		
SDT3726	GE-69	SDT9902	GE-35	SE7015	GE-27	SF115D	GE-61	SFT317	GE-51	SI-RECT-206	GE-511		
SDT3727	GE-69	SDT9903	GE-35	SE7016	GE-27	SF115E	GE-61	SFT318	GE-53	SI-RECT-222	GE-504A		
SDT3729	GE-69	SDT9904	GE-35	SE7017	GE-27	SF167	GE-60	SFT319	GE-51	SI-RECT-224	GE-511		
SDT3730	GE-69	SE-0.5B	GE-504A	SE7020	GE-12	SF173	GE-60	SFT320	GE-51	SI-RECT-226	GE-504A		
SDT3733	GE-69	SE-1.5A	GE-504A	SE7030	GE-12	SF194	GE-39	SFT321	GE-53	SI-RECT-228	GEZD-12		
SDT3760	GE-74	SE-2	GE-504A	SE7055	GE-40	SF194B	GE-39	SFT322	GE-53	SI341P	GE-21		
SDT3764	GE-74	SE-5	GE-504A	SE7056	GE-27	SF195	GE-39	SFT323	GE-53	SI342P	GE-21		
SDT3765	GE-74	SE05	GE-504A	SE8001	GE-18	SF195C	GE-39	SFT325	GE-53	SI343P	GE-21		
SDT3766	GE-74	SE-05-01	GE-504A	SE8002	GE-18	SF195D	GE-39	SFT327	GE-53	SI351P	GE-21		
SDT3775	GE-29	SE-05-02	GE-504A	SE8010	GE-18	SF196	GE-60	SFT337	GE-53	SI352P	GE-21		
SDT3776	GE-29	SE05C	GE-509	SE8012	GE-18	SF197	GE-60	SFT351	GE-53	SI353P	GE-21		
SDT3778	GE-29	SE05D	GE-509	SE8040	GE-20	SF294	GE-39	SFT352	GE-53	SIB01	GE-504A		
SDT3826	GE-74	SE30B26A	GE-504A	SE8041	GE-47	SF294B	GE-39	SFT353	GE-2	SIB01-02	GE-504A		
SDT3827	GE-74	SE002(1)	GE-11	SE8042	GE-63	SF295	GE-39	SFT354	GE-51	SIB-01-022	GE-504A		
SDT3875	GE-74	SE500G	GE-17	SE8510	GE-18	SF295C	GE-39	SFT357	GE-51	SIB02-CR1	GE-504A		
SDT3876	GE-74	SE504	GE-12	SE8520	GE-18	SF295D	GE-39	SFT358	GE-51	SIB50B794-1	GE-504A		

UNIVERSAL REPLACEMENT SEMICONDUCTORS

SID50B851 - SPS4459

JEDEC Or Part Nr	GE Replacement	JEDEC Or Part Nr	GE Replacement	JEDEC Or Part Nr	GE Replacement	JEDEC Or Part Nr	GE Replacement	JEDEC Or Part Nr	GE Replacement	JEDEC Or Part Nr	GE Replacement	JEDEC Or Part Nr	GE Replacement
SID50B851	GE-300	SJE721	GE-57	SK3081	GE-510	SLA445B	GE-504A	SM6814	GE-32	SPC42	GE-11		
SID51C052-19	GE-504A	SJE723	GE-58	SK3082	GE-49	SLA537	GE-504A	SM7815	GE-20	SPC50	GE-17		
SID51C169	GE-504A	SJE724	GE-57	SK3085	GE-56	SLA538	GE-504A	SM7836	GE-20	SPC51	GE-17		
SID50894	GE-300	SJE736	GE-58	SK3087	1N34AS	SLA547	GE-504A	SM7991	GE-20	SPC52	GE-17		
SIR-RECT-44	GE-504A	SJE737	GE-57	SK3088	1N60	SLA560	GE-509	SM8112	GE-20	SPC430	GE-73		
SIR-80	GE-504A	SJE743	GE-58	SK3089	1N82A	SLA561	GE-509	SM8113	GE-20	SPC431	GE-73		
SISD-1	GE-504A	SJE768	GE-58	SK3091	1N295	SLA603	GE-504A	SM8341	GE-53	SPN40411	GE-75		
SISD-1HF	GE-509	SJE769	GE-57	SK3092	GEZD-11	SLA603A	GE-504A	SM8978	GE-20	SPN01	GE-504A		
SISD-1X	GE-504A	SJE781	GE-57	SK3093	GEZD-12	SLA606	GE-504A	SM9008	GE-20	SPS20	GE-20		
SISM-150-01	GE-504A	SJE784	GE-57	SK3094	GEZD-15	SLA606A	GE-504A	SM9135	GE-20	SPS38	GE-20		
SISW-0502	GE-504A	SJE785	GE-57	SK3095	GEZD-33	SLA1096	GE-504A	SN-1	GE-504A	SPS40	GE-20		
SJ201F	GE-504A	SJE797	GE-58	SK3097	GEZD-62	SLA1100	GE-504A	SN-1Z	GE-504A	SPS41	GE-20		
SJ202F	GE-504A	SJE799	GE-58	SK3098	GEZD-82	SLA1101	GE-504A	SN60	GE-20	SPS42	GE-21		
SJ301F	GE-504A	SJE1518	GE-58	SK3099	GEZD-120	SLA1102	GE-504A	SN80	GE-20	SPS220	GE-11		
SJ302F	GE-504A	SJE1519	GE-57	SK3103	GE-32	SLA1105	GE-504A	SN166	GE-63	SPS428	GE-11		
SJ570	GE-20	SJE1520	GE-57	SK3104	GE-32	SLA1487	GE-504A	SN167	GE-63	SPS817	GE-62		
SJ801F	GE-504A	SJE3478	GE-35	SK3108	GECR-7	SLA1488	GE-504A	SN0303	GE-504A	SPS817N	GE-62		
SJ806	GE-12	SJE-5038	GE-28	SK3109	GECR-2	SLA1489	GE-504A	SN78110	GEIC-9	SPS-856	GE-11		
SJ1152	GE-26	SJE5402	GE-57	SK3110	GECR-3	SLA1492	GE-504A	SN76110M	GEIC-9	SPS-860	GE-11		
SJ1165	GE-12	SK1K-2	GE-504A	SK3112	GE-FET-1	SLA1694	GE-504A	SN76111	GEIC-28	SPS-952	GE-62		
SJ1171	GE-26	SK-1W50	GEZD-47	SK3114	GE-48	SLA1695	GE-504A	SN76115	GEIC-35	SPS1045	GE-20		
SJ1201	GE-12	SK-218	GE-509	SK3115	GE-38	SLA1697	GE-504A	SN76242N	GEIC-4	SPS1097	GE-21		
SJ1284	GE-26	SK1320	GE-11	SK3116	GE-FET-2	SLA2610	GE-504A	SN76243N	GEIC-6	SPS1351	GE-11		
SJ1286	GE-12	SK1639	GE-21	SK3117	GE-60	SLA2611	GE-504A	SN76246N	GEIC-5	SPS-1351	GE-11		
SJ2000	GE-19	SK1840	GE-21	SK3118	GE-48	SLA2612	GE-504A	SN76564	GEIC-21	SPS1352	GE-11		
SJ2095	GE-68	SK1641	GE-20	SK3122	GE-63	SLA2615	GE-504A	SN76600P	GEIC-26	SPS1353	GE-11		
SJ3423	GE-35	SK3003	GE-52	SK3124	GE-210	SLA2616	GE-509	SN76643N	GEIC-10	SPS1436	GE-66		
SJ3477	GE-35	SK3004	GE-53	SK3133	GE-37	SLA2617	GE-509	SN76653N	GEIC-10	SPS1437	GE-69		
SJE100	GE-57	SK3005	GE-1	SK3141	GEIC-20	SLA3193	GE-504A	SN76665N	GEIC-2	SPS-1473	GE-10		
SJE103	GE-27	SK3006	GE-51	SK3434A	GE-20	SLA3196	GE-509	SNT204	GE-21	SPS-1475(YT)	GE-17		
SJE106	GE-57	SK3007	GE-50	SK3500	GEMR-1	SM-1K	GE-504A	SO-1	GE-51	SPS-1539(WT)	GE-62		
SJE108	GE-58	SK3008	GE-53	SK3501	GEMR-2	SM10	GE-504A	SO-2	GE-51	SPS2110	GE-11		
SJE111	GE-58	SK3009	GE-25	SK3504	GEMR-4	SM20	GE-504A	SO-3	GE-51	SPS2111	GE-11		
SJE112	GE-58	SK3010	GE-5	SK3505	GEMR-3	SM30	GE-504A	SO25	GE-52	SPS2225	GE-20		
SJE113	GE-57	SK3011	GE-8	SK3510	GE-75	SM70	GE-509	SO65	GE-2	SPS2226	GE-22		
SJE114	GE-58	SK3012	GE-4	SK3511	GE-75	SM71	GE-509	SO88	GE-2	SPS-2265	GE-11		
SJE202	GE-58	SK3013	GE-13MP	SK3551	GE-20	SM73	GE-509	SO-832	GEZD-9.1	SPS2265-2	GE-11		
SJE203	GE-57	SK3014	GE-3	SK3730	GE-51	SM80	GE-509	SOD-200D	GE-510	SPS-2266	GE-11		
SJE210	GE-58	SK3015	GE-13MP	SK3770	GE-50	SM81	GE-509	SO200D	GE-504A	SPS2269	GE-21		
SJE211	GE-57	SK3016	GE-504A	SK3960	GE-20	SM83	GE-509	SP1	GE-504A	SPS2270	GE-18		
SJE221	GE-58	SK3017A	GE-504A	SK5814A	GE-12	SM100	GE-509	SP1K-2	GE-504A	SPS2271	GE-62		
SJE222	GE-57	SK3018	GE-39	SK5915	GE-20	SM101	GE-509	SP70	GE-21	SPS2272	GE-21		
SJE227	GE-58	SK3019	GE-11	SK6345	GE-21	SM103	GE-509	SP-70	GE-32	SPS2274	GE-21		
SJE228	GE-57	SK3020	GE-20	SK6346	GE-21	SM120	GE-504A	SP176	GE-3	SPS2320	GE-11		
SJE229	GE-57	SK3021	GE-12	SK6347	GE-21	SM130	GE-504A	SP334	GE-16	SPS3329	GE-63		
SJE231	GE-58	SK3024	GE-18	SK7181	GE-20	SM150	GE-504A	SP404	GE-16	SPS3370	GE-17		
SJE237	GE-57	SK3025	GE-22	SK8251	GE-20	SM150-01	GE-504A	SP404T	GE-16	SPS4017	GE-20		
SJE241	GE-58	SK3028	GE-66	SKA1080	GE-20	SM-150-02	GE-300	SP441	GE-16	SPS4020	GE-20		
SJE242	GE-57	SK3027	GE-75	SKA1117	GE-20	SM150-11	GE-504A	SP485	GE-16	SPS4025	GE-21		
SJE243	GE-58	SK3028	GE-24MP	SKA1279	GE-22	SM-150A	GE-511	SP485W	GE-16	SPS4026	GE-21		
SJE244	GE-57	SK3029	GE-75	SKA4074	GE-11	SM150B	GE-504A	SP486	GE-16	SPS4027	GE-21		
SJE245	GE-58	SK3030	GE-504A	SKA4075	GE-11	SM150C	GE-509	SP486W	GE-16	SPS4029	GE-20		
SJE246	GE-57	SK3031	GE-504A	SKA4410	GE-63	SM150D	GE-509	SP634	GE-16	SPS4037	GE-20		
SJE248	GE-57	SK3032	GE-509	SKA9013	GE-20	SM150S	GE-504A	SP649	GE-16	SPS4075	GE-20		
SJE253	GE-57	SK3034	GE-25	SL2	GE-504A	SM150SS	GE-504A	SP649-1	GE-16	SPS4076	GE-21		
SJE254	GE-57	SK3035	GE-25	SL3	GE-504A	SM170	GE-509	SP834	GE-16	SPS4077	GE-18		
SJE255	GE-57	SK3036	GE-75	SL-5	GE-504A	SM180	GE-509	SP880	GE-16	SPS4078	GE-21		
SJE256	GE-58	SK3037	GE-75	SL-030	GE-504A	SM200	GE-509	SP880-1	GE-16	SPS-4145	GE-11		
SJE257	GE-58	SK3038	GE-210	SL-030T	GE-504A	SM217	GE-2	SP880-3	GE-16	SPS4167	GE-17		
SJE261	GE-57	SK3039	GE-11	SL100	GE-20	SM230	GE-504A	SP891	GE-16	SPS4168	GE-20		
SJE262	GE-57	SK3040	GE-27	SL200	GE-21	SM240	GE-504A	SP891B	GE-16	SPS4169	GE-20		
SJE265	GE-58	SK3041	GE-55	SL201	GE-21	SM260	GE-504A	SP891W	GE-16	SPS4199	GE-20		
SJE267	GE-58	SK3044	GE-32	SL300	GE-20	SM270	GE-509	SP1108	GE-16	SPS4300	GE-63		
SJE271	GE-57	SK3045	GE-32	SL301C	GE-81	SM280	GE-509	SP1137	GE-16	SPS4301	GE-21		
SJE272	GE-57	SK3046	GE-20	SL301CE	GE-81	SM300	GE-509	SP1481	GE-3	SPS4302	GE-21		
SJE273	GE-58	SK3047	GE-215	SL833	GE-504A	SM483	GE-504A	SP1482	GE-3	SPS4303	GE-63		
SJE274	GE-57	SK3048	GE-215	SL833A	GE-504A	SM486	GE-504A	SP1482-3	GE-16	SPS4311	GE-18		
SJE275	GE-58	SK3049	GE-215	SL7059	GEIC-12	SM487	GE-504A	SP1482-5	GE-16	SPS4313	GE-20		
SJE276	GE-58	SK3050	GE-FET-4	SL7283	GEIC-12	SM488	GE-504A	SP1483	GE-3	SPS4314	GE-21		
SJE277	GE-58	SK3051	GE-612	SL7803	GEIC-12	SM517	GE-509	SP1484	GE-3	SPS4347	GE-20		
SJE278	GE-57	SK3052	GE-30	SL7531	GEIC-12	SM518	GE-509	SP1550-3	GE-16	SPS4348	GE-21		
SJE279	GE-58	SK3054	GE-55	SL7593	GEIC-12	SM520	GE-509	SP1556-1	GE-16	SPS4355	GE-21		
SJE280	GE-57	SK3055	GEZD-3.6	SL8020	GEIC-12	SM645	GE-504A	SP1556-2	GE-16	SPS4356	GE-20		
SJE283	GE-58	SK3056	GEZD-5.1	SL20721	GEIC-3	SM646	GE-504A	SP1556-3	GE-16	SPS4359	GE-18		
SJE284	GE-57	SK3057	GEZD-5.6	SL20755	GEIC-5	SM710	GE-504A	SP1556-4	GE-16	SPS4360	GE-20		
SJE286	GE-58	SK3058	GEZD-6.2	SL21017	GEIC-6	SM720	GE-504A	SP1603	GE-16	SPS4361	GE-18		
SJE289	GE-57	SK3059	GEZD-7.5	SL21122	GEIC-4	SM730	GE-504A	SP1603-1	GE-16	SPS4363	GE-20		
SJE305	GE-57	SK3060	GEZD-9.1	SL21441	GEIC-3	SM770	GE-509	SP1603-2	GE-16	SPS4365	GE-21		
SJE320	GE-57	SK3061	GEZD-10	SL21654	GEIC-2	SM780	GE-509	SP1742	GE-3	SPS4367	GE-16		
SJE340	GE-57	SK3062	GEZD-12	SL21864	GEIC-9	SM800	GE-509	SP2045	GE-3	SPS4368	GE-18		
SJE401	GE-57	SK3063	GEZD-15	SLA01	GE-509	SM2491	GE-50	SP2046	GE-3	SPS4382	GE-20		
SJE402	GE-57	SK3064	GEZD-27	SLA18A8	GE-509	SM2700	GE-20	SP2048	GE-3	SPS4401	GE-21		
SJE403	GE-58	SK3066	GECR-1	SLA18C	GE-509	SM2701	GE-20	SP2158</					

UNIVERSAL REPLACEMENT SEMICONDUCTORS

SPS4460 - T-E1153

JEDEC Or Part Nr	GE Replacement	JEDEC Or Part Nr	GE Replacement	JEDEC Or Part Nr	GE Replacement	JEDEC Or Part Nr	GE Replacement	JEDEC Or Part Nr	GE Replacement	JEDEC Or Part Nr	GE Replacement	JEDEC Or Part Nr	GE Replacement
SPS4460	GE-21	SR135-1	GE-504A	ST05	GE-63	ST903	GE-11	ST130	GE-32	SWT3588	GE-50		
SPS4461	GE-18	SR-136	GE-504A	ST08	GE-63	ST904	GE-11	ST140	GE-32	SX60M	GE-27		
SPS4472	GE-18	SR-150-1	GE-504A	ST10	GE-11	ST904A	GE-11	ST150	GE-32	SX61M	GE-21		
SPS4473	GE-21	SR200	GE-504A	ST11	GE-11	ST905	GE-11	STS402	GE-73	SX623	GE-504A		
SPS4476	GE-20	SR200B	GE-504A	ST12	GE-11	ST910	GE-11	STS403	GE-73	SX631	GE-504A		
SPS4478	GE-20	SR-390	GE-504A	ST13	GE-11	ST1026	GE-11	STS409	GE-73	SX633	GE-504A		
SPS4480	GE-21	SR390-2	GE-504A	ST14	GE-11	ST1050	GE-11	STS430	GE-73	SX641	GE-504A		
SPS4489	GE-21	SR401	GE-504A	ST15	GE-11	ST1051	GE-11	STS431	GE-73	SX642	GE-504A		
SPS4490	GE-82	SR499	GE-504A	ST16	GE-504A	ST1242	GE-17	STT2300	GE-75	SX643	GE-504A		
SPS4491	GE-20	SR500	GE-504A	ST18	GE-509	ST1243	GE-17	STT2405	GE-216	SX644	GE-504A		
SPS4492	GE-21	SR500B	GE-504A	ST25A	GE-20	ST1244	GE-17	STT2406	GE-216	SX645	GE-504A		
SPS4493	GE-20	SR806-126	GE-504A	ST25B	GE-20	ST1290	GE-11	STT3500	GE-75	SX3709	GE-20		
SPS4494	GE-20	SR846-2	GE-504A	ST25C	GE-20	ST1336	GE-17	STT4451	GE-28	SX3711	GE-20		
SPS4495	GE-20	SR851	GE-504A	ST28A	GE-2	ST1504	GE-63	STT4483	GE-216	SX3826	GE-20		
SPS4497	GE-67	SR851-121	GE-504A	ST28B	GE-2	ST1505	GE-63	STT9001	GE-216	SY101	GE-8		
SPS4498	GE-20	SR889	GE-504A	ST28C	GE-2	ST1694	GE-11	STT9002	GE-216	SYL101	GE-8		
SPS4610	GE-20	SR0004	6GC1	ST29	GE-11	ST2040P	GE-504A	STT9004	GE-216	SYL102	GE-8		
SPS5008	GE-21	SR1668	GE-504A	ST30	GE-11	ST3030	GE-63	STT9005	GE-216	SYL103	GE-8		
SPS6571	GE-20	SR-1668	GE-504A	ST31	GE-11	ST3031	GE-11	STX0013	GE-57	SYL104	GE-8		
SPS7652	GE-20	SR1693	GE-504A	ST32	GE-11	ST4150	GE-81	STX0015	GE-12	SYL105	GE-2		
SPT3440	GE-32	SR1894	GE-504A	ST33	GE-11	ST4201	GE-81	STX0020	GE-58	SYL106	GE-2		
SPT3713	GE-77	SR-1849-1	GE-504A	ST34	GE-11	ST4202	GE-81	STX0022	GE-57	SYL107	GE-52		
SO46	1N34AS,1N60	SR2121	GE-504A	ST35	GE-11	ST4203	GE-81	STX0029	GE-26	SYL108	GE-52		
SR1	GE-504A	SR2301	GE-504A	ST37C	GE-2	ST4204	GE-81	STX0030	GE-26	SYL109	GE-16		
SR-1	GE-504A	SR9000	GE-3R1	ST37D	GE-2	ST4341	GE-63	SUC650	GEZD-6.2	SYL152	GE-20		
SR1A1	GE-504A	SR9001	GE-3R2	ST40	GE-17	ST5060	GE-17	SUM6010	GEZD-6.2	SYL160	GE-2		
SR1A2	GE-504A	SR-9002	6GC1	ST41	GE-17	ST5061	GE-63	SUM6011	GEZD-6.2	SYL792	GE-50		
SR1A4	GE-504A	SR-9005	GE-504A	ST42	GE-17	ST5641	GE-60	SUM6020	GEZD-6.2	SYL1279	GE-8		
SR1A8	GE-504A	SR50253-2	GE-504A	ST43	GE-63	ST6110	GE-63	SUM6021	GEZD-6.2	SYL1297	GE-8		
SR1A12	GE-504A	SR50411-1	GE-504A	ST44	GE-17	ST6120	GE-63	SV-7	GEZD-7.5	SYL1310	GE-8		
SR1DM-2	GE-504A	SR50517	GE-504A	ST45	GE-17	ST6510	GE-11	SV-9	GE-300	SYL1311	GE-8		
SR1DM-4	GE-504A	SRIDM	GE-504A	ST47	1N82A	ST6511	GE-17	SV-01A	GE-504A	SYL1312	GE-8		
SR1EM-2	GE-504A	SRIDM-1	GE-504A	ST50	GE-63	ST6512	GE-17	SV-02	GE-300	SYL1313	GE-8		
SR1EM-4	GE-504A	SRIDM-4	GE-504A	ST51	GE-63	ST6573	GE-11	SV02A	GE-504A	SYL1329	GE-8		
SR1FM-1	GE-504A	SR1EM-1	GE-504A	ST53	GE-63	ST6574	GE-11	SV-03	GE-504A	SYL1380	GE-8		
SR1FM-2	GE-504A	SR1EM-2	GE-504A	ST55	GE-63	ST7100	GE-62	SV-04	GE-504A	SYL1396	GE-8		
SR1FM-4	GE-504A	SR1EM-4	GE-504A	ST58	GE-63	ST8014	GE-21	SV-05	GE-504A	SYL1524	GE-8		
SR1FM-8	GE-504A	SR1FM-2	GE-511	ST57	GE-63	ST8033	GE-21	SV30	1N34AS	SYL1538	GE-8		
SR1HM-2	GE-511	SR1FM-4	GE-511	ST58	GE-63	ST8034	GE-21	SV31	GE-52	SYL1537	GE-8		
SR1HM-8	GE-511	SR1FM-12	GE-511	ST59	GE-63	ST8035	GE-21	SV121	GEZD-5.1	SYL1538	GE-8		
SR1K	GE-504A	SRS1004	GE-32	ST60	GE-63	ST8036	GE-21	SV122	GEZD-5.1	SYL1539	GE-8		
SR1K-2	GE-504A	SRS2004	GE-32	ST61	GE-63	ST8065	GE-21	SV133	GEZD-10.4	SYL1547	GE-8		
SR1K-1	GE-504A	SRS2504	GE-32	ST62	GE-63	ST8190	GE-21	SV135	GEZD-12	SYL1583	GE-52		
SR-1K-2	GE-504A	SRS2804S	GE-32	ST63	GE-63	ST8500	GE-21	SV138	GEZD-15	SYL1588	GE-52		
SR1K-8	GE-504A	SRS3014	GE-32	ST64	GE-63	ST8509	GE-21	SV1017	GEZD-12	SYL1608	GE-2		
SR1T	GE-504A	SRS3204S	GE-32	ST70	GE-11	ST27020	GE-26	SV1020	GEZD-15	SYL1668	GE-52		
SR-1Z	GE-504A	SRS3504	GE-32	ST71	GE-11	ST61000	GE-65	SV4012	GEZD-12	SYL1890	GE-2		
SR2A1	GE-504A	SRS3604S	GE-32	ST72	GE-11	ST74000	GE-32	SV4012A	GEZD-12	SYL17500	GE-8		
SR2A2	GE-504A	SRS4014	GE-32	ST80	GE-63	ST84000	GE-32	SV4015	GEZD-15	SYL2120	GE-52		
SR2A4	GE-504A	SRS4014S	GE-32	ST82	GE-63	ST84027	GE-32	SV4015A	GEZD-15	SYL2189	GE-52		
SR2A8	GE-504A	SRS4404S	GE-32	ST108	GE-4	ST84028	GE-32	SV4027	GEZD-27	SYL2650	GE-8		
SR2A12	GE-504A	SRS4504	GE-32	ST107	GE-4	ST84029	GE-32	SV4027A	GEZD-27	SYL4131	GE-17		
SR3	GE-504A	SRS5014	GE-32	ST108	GE-4	STA9364	GE-73	SV12388	GE-504A	SYL4315	GE-8		
SR3BM-6	GE-504A	SRS5504	GE-32	ST109	GE-4	STC1080	GE-72	SV12388E	GE-504A	SZ5	GEZD-5.1		
SR5	GE-504A	SS-1	GE-504A	ST110	GE-4	STC1081	GE-72	SV625	GEZD-6.2	SZ5.6	GEZD-6.6		
SR6	6GC1	SS29A4	GE-65	ST111	GE-4	STC1082	GE-72	SVD0A79	1N34AS	SZ6.2	GEZD-6.2		
SR10	6GX1	SS29A5	GE-65	ST112	GE-4	STC1083	GE-35	SVD1S1717	GEZD-9.1	SZ6.2A	GEZD-6.2		
SR13	6GC1	SS321	GE-504A	ST122	GE-52	STC1084	GE-35	SVD1S1850	GE-504A	SZ7-7	GEZD-12		
SR-13	6GC1	SS322	GE-504A	ST123	GE-52	STC1085	GE-35	SVD1S1850R	GE-504A	SZ-9	GEZD-9.1		
SR13H	GE-504A	SS324	GE-504A	ST150	GE-63	STC1094	GE-75	SVD0228.2A	GE-X11	SZ10	GEZD-10.4		
SR14	6GX1	SS334	GE-504A	ST151	GE-11	STC1300	GE-66	SVD0229.5A	GEZD-9.1	SZ12	GEZD-12		
SR-14	6GD1	SS337	GE-504A	ST152	GE-11	STC1336	GE-63	SVD10D-1	GE-504A	SZ12.0	GEZD-12		
SR15	6GD1	SS0007	1N60	ST153	GE-11	STC1800	GE-28	SVD12B2B1P-M	GE-300	SZ15	GEZD-15		
SR17	GE-504A	SS0008	1N60	ST154	GE-11	STC1850	GE-66	SVD20A70	1N60	SZ15.0	GEZD-15		
SR-18	GE-504A	SS0009	GE-504A	ST155	GE-11	STC1860	GE-66	SVD20A79	1N34AS	SZ200-5	GEZD-5.1		
SR20	6GC1	SS1912	GE-27	ST156	GE-11	STC1862	GE-28	SVDMA26	GE-504A	SZ-200-8	GEZD-9.1		
SR-20	6GC1	SS3694	GE-20	ST157	GE-11	STC2220	GE-75	SVDMA26-1	1N60	SZ200-8.2	GE-X11		
SR21	6GC1	SS-3704	GE-FET-1	ST160	GE-63	STC2221	GE-75	SVDOA70	1N60	SZ-200-9V	GEZD-9.1		
SR22	GE-504A	SS3704	GE-FET-2	ST161	GE-63	STC2224	GE-75	SVDOA90	1N60	SZ-200-13	GEZD-12		
SR23	GE-504A	SS3735	GE-FET-1	ST182	GE-63	STC2225	GE-75	SVDS1RB10	GE-600	SZL9	GEZD-9.1		
SR24	GE-504A	SS00010	GE-504A	ST183	GE-63	STC2228	GE-75	SVDS20	1N60	SZT8	GEZD-12		
SR27	GE-504A	SSA43	GE-21	ST172	GE-5	STC2229	GE-75	SVDVD1121	GE-300	T-E0137	GE-42		
SR28	GE-504A	SSA43A	GE-21	ST175	GE-63	STC4252	GE-63	SVDVD1223	GE-504A	T-E0317	GE-42		
SR-29	6GC1	SSA46	GE-21	ST176	GE-63	STC4253	GE-63	SVM61	GEZD-6.2	T-E1014	1N60		
SR29	6GC1	SSA48	GE-21	ST177	GE-63	STC4254	GE-63	SVM601	GEZD-6.2	T-E1024	GE-504A		
SR30	GE-3R3	ST2-10	GEMR-1	ST178	GE-63	STC4255	GE-75	SVM602	GEZD-6.2	T-E1029	GE-504A		
SR-31	GE-3R2	ST2-20	GEMR-1	ST180	GE-63	STC4401	GE-216	SVM605	GEZD-6.2	T-E1042	GE-504A		
SR31	GE-3R2	ST2-30	GEMR-1	ST181	GE-63	STC5202	GE-69	SW1	GE-504A	T-E1086A	6GC1		
SR32	GE-3R1	ST2-40	GEMR-1	ST182	GE-63	STC5203	GE-69	SW-1-01	GE-504A	T-E1098	GE-300		
SR35	GE-504A	ST3-10	GEMR-2	ST250	GE-63	STC5205	GE-69	SW1C	GE-509	T-E1102	GE-504A		
SR-37	GE-3R3	ST3-20	GEMR-2	ST251	GE-63	STC5206	GE-69	SW1D	GE-509	T-E1118	GE-300		
SR37	GE-3R3	ST3-30	GEMR-2	ST301	GE-52	STC5303	GE-69	SW05	GE-504A	T-E1119	GE-300		
SR76	GE-504A	ST3-40	GEMR-2	ST302	GE-52	STC5810	GE-69	SW05-01	GE-504A	T-E1121	GE-300		
SR100													

UNIVERSAL REPLACEMENT SEMICONDUCTORS

T-E1157 - TE3417

JEDEC Or Part Nr	GE Replacement	JEDEC Or Part Nr	GE Replacement	JEDEC Or Part Nr	GE Replacement	JEDEC Or Part Nr	GE Replacement	JEDEC Or Part Nr	GE Replacement	JEDEC Or Part Nr	GE Replacement	JEDEC Or Part Nr	GE Replacement
T-E1157	GE-504A	T143	GE-20	T1011	GE-2	T1642B	GE-10	T21601	GE-90	TC2484	GE-63		
T-E1171	GE-504A	T151	GE-300	T1012	GE-2	T1657	GE-51	T21602	GE-504A	TC312307222	GE-10		
T-E1176	6GC1	T152	GE-300	T1013	GE-53	T1690	GE-51	T21636	GE-504A	TC3112008000	1N60		
T-E1177	1N34AS	T153	GE-300	T1023	GE-52	T1691	GE-51	T21639	GEZD-9.1	TC3112319300	GE-504A		
T-Q5019	GE-38	T154	GE-300	T1028	GE-51	T1692	GE-51	T21649	GE-504A	TC3123036722	GE-10		
T-Q5020	GE-1	T155	GE-300	T1032	GE-51	T1737	GE-51	T30155	GE-504A	TC3123036900	GE-10		
T-Q5027	GE-53	T156	GE-504A	T1033	GE-52	T1738	GE-51	T30155-1	GE-504A	TC3123037111	GE-17		
T-Q5028	GE-16	T157	GE-20	T1034	GE-51	T1740	GE-53	T42692-1R	GE-504A	TC3123037412	GE-10		
T-Q5030	GE-25	T158	GE-20	T1038	GE-53	T1788	GE-51	T42692-001	GE-504A	TCH98	GE-65		
T-Q5031	GE-8	T159	GE-504A	T1037	GE-53	T1810	GE-20	T50339A	GE-2	TCH99	GE-82		
T-Q5032	GE-18	T160	GE-504A	T1038	GE-50	T1811	GE-18	T50631	GE-2	TCM99B	GE-82		
T-Q5034	GE-51	T163	GE-50	T1040	GE-16	T1814	GE-51	T50944	GE-1	TCO.09M22/1	GE-82		
T-Q5036	GE-16	T170	GE-20	T1041	GE-16	T1831	GE-51	T-52149	GE-1	TCS100	GE-63		
T-Q5053	GE-20	T171	GE-20	T1042	GE-16	T-1877	GE-52	T52150	GE-2	TCS101	GE-67		
T-Q5053C	GE-20	T185	GE-83	T1043	GE-2	T1902	GE-1	T52150Z	GE-2	TCS102	GE-63		
T-Q5055	GE-20	T200	GE-504A	T1046	GE-53	T1903	GE-2	T52151	GE-2	TCS103	GE-67		
T-Q5057	GE-12	T253	GE-50	T1047	GE-2	T1904	GE-2	T52151Z	GE-2	TD-13	GE-511		
T-Q5063	GE-63	T255	GE-20	T1076	GE-53	T1909	GE-20	T52159	GE-2	TD-15	GE-210		
T-Q5073	GE-20	T257	GE-12	T1085	GE-504A	T1961	GE-2	T59235A	GE-10	TD100	GE-210		
T-Q5075	GE-12	T261	GE-12	T1168	GE-51	T2015	GE-51	T59247	GE-52	TD101	GE-210		
T-Q5077	GE-21	T278	GE-21	T1167	GE-16	T2016	GE-51	T59249	GE-20	TD102	GE-210		
T-Q5078	GE-60	T277	GE-17	T1168	GE-16	T2017	GE-51	T59276	GE-20	TD200	GE-210		
T-Q5079	GE-20	T278	GE-50	T1202	GE-39	T2019	GE-51	T59277	GE-20	TD201	GE-210		
T-Q5080	GE-12	T279	GE-50	T1208	GE-FET-2	T2020	GE-51	TA6	GE-20	TD202	GE-210		
T-Q5081	GE-63	T280	GE-50	T1224	GE-47	T2021	GE-51	TA7	GE-17	TD250	GE-210		
T-Q5083	GE-38	T281	GE-51	T1225	GE-51	T2022	GE-51	TA1575	GE-2	TD400	GE-82		
T-Q5084	GE-38	T282	GE-51	T1232	GE-2	T2024	GE-51	TA1575B	GE-2	TD401	GE-82		
T-Q5086	GE-20	T-291	GE-20	T1233	GE-2	T2025	GE-51	TA1614	GE-16	TD402	GE-82		
T-Q5087	GE-21	T300	GE-504A	T1250	GE-51	T2026	GE-51	TA1620A	GE-8	TD500	GE-82		
T-Q5093	GE-61	T327	GE-63	T1275	GE-65	T-2028	GE-51	TA1620B	GE-8	TD501	GE-82		
T-Q5099	GE-16	T336-2	GE-63	T1276	GE-65	T-2029	GE-51	TA1655B	GE-1	TD550	GE-82		
T-Q5104	GE-12	T339	GE-63	T1289	GE-51	T-2030	GE-51	TA1682	GE-16	TD2219	GE-210		
T-Q5105	GE-14	T340	GE-21	T1291	GE-51	T-2038	GE-52	TA1682A	GE-16	TD2905	GE-21		
T-Q5106	GE-20	T342	GE-63	T1298	GE-2	T-2039	GE-52	TA1704	GE-1	TE697	GE-20		
T1-1A6	GE-10	T344	GE-28	T1299	GE-2	T-2040	GE-2	TA1705	GE-16	TE706	GE-211		
T1B	GEIC-12	T346	GE-1	T1300	GE-52	T-2062	GE-511	TA1730	GE-2	TE1010	GE-504A		
T1J	GEIC-8	T348	GE-50	T1305	GE-2	T-2091	GE-52	TA1755	GE-51	TE1011	GE-504A		
T1N	GEIC-8	T387	GE-51	T1306	GE-2	T-2122	GE-2	TA1756	GE-51	TE1014	1N295		
T1S94(PENNCREST)	GE-90	T368	GE-51	T1310	GE-52	T2159	GE-1	TA1759	GE-5	TE1024	GE-504A		
T1S95	GE-10	T370	GE-25	T1314	GE-51	T2172	GE-1	TA1763	GE-1	TE1024C	GE-504A		
T1S98	GE-83	T373	GE-51	T1326	GE-1	T2173	GE-1	TA1763A	GE-1	TE1024D	GE-504A		
T1SDS1K	GE-504A	T374	GE-51	T1327	GE-1	T2191	GE-51	TA1765	GE-16	TE1029	GE-504A		
T2A	GEIC-9	T381	GE-20	T1328	GE-1	T2256	GE-2	TA1766	GE-16	TE1031	1N295		
T2C	GEIC-9	T386	GE-20	T1334	GE-1	T2257	GE-2	TA1767	GE-5	TE1042	GE-504A		
T2D	GEIC-15	T398	GE-29	T1340A3H	GE-16	T2258	GE-2	TA1771	GE-5	TE1050	GE-504A		
T2J	GEIC-10	T399	GE-63	T1340A3I	GE-20	T2259	GE-2	TA1772	GE-5	TE1061	6GC1		
T3/2	GE-504A	T400	GE-83	T1340A3J	GE-20	T2260	GE-2	TA1773	GE-16	TE1061A	6GC1		
T8/2	GE-504A	T417	GE-20	T1340A3K	GE-20	T2261	GE-2	TA1778	GE-1	TE1064	GE-509		
T12G	1N34AS	T422	GE-28	T1340A31	GE-10	T2322	GE-2	TA1782	GE-1	TE1068	GEZD-12		
T14	1N60	T423	GE-29	T1346	GE-1	T2323	GE-2	TA1783	GE-1	TE1077	GEZD-12		
T14G	1N60	T449	GE-50	T1352	GE-52	T2324	GE-2	TA1794	GE-16	TE1078	GE-504A		
T17	1N60, 1N295	T450	GE-504A	T1363	GE-51	T-2357	GE-21	TA1830	GE-51	TE1080	GE-504A		
T17A	GE-20	T452	GE-63	T1364	GE-51	T2364	GE-51	TA1846	GE-51	TE1086	6GC1		
T22G	1N60	T472	GE-20	T1368	GE-18	T2379	GE-51	TA1847	GE-51	TE1088	GE-504A		
T23	GE-2	T475	GE-21	T1387	GE-50	T2384	GE-51	TA1860	GE-51	TE1089	GE-504A		
T26G	1N60	T500	GE-504A	T1388	GE-51	T2439	GE-51	TA1861	GE-51	TE1090	GE-504A		
T-3Z21	GE-52	T550	GE-504A	T1389	GE-51	T2440	GE-51	TA1881	GE-16	TE1095	GE-1		
T39	GE-2	T600	GE-504A	T1390	GE-51	T2441	GE-51	TA1890	GE-16	TE1097	GE-504A		
T45	GE-52	T650	GE-504A	T1391	GE-51	T2446	GE-18	TA1891	GE-16	TE1098	1N34AS		
T46	GE-2	T800	GE-509	T1398	GE-80	T2634	GE-11	TA1928A	GE-3	TE1105	1N34AS		
T47	GE-52	T811	GE-50	T1397	GE-80	T2788	GE-52	TA2083	GE-3	TE1108	GE-504A		
T48	GE-2	T814	GE-52	T1400	GE-52	T2878	GE-52	TA2188	GE-25	TE1114	GE-1		
T50	GE-2	T815	GE-52	T1401	GE-51	T2896	GE-51	TA2301	GE-12	TE1420	GE-17		
T59	GE-1	T841	GE-14	T1403	GE-51	T2945	GE-52	TA2577A	GE-14	TE1990	GE-18		
T60	GE-1	T842	GE-14	T1414	GE-18	T2946	GE-52	TA2888	GEMR-5	TE2369	GE-20		
T61	GE-2	T843	GE-14	T1415	GE-20	T3005	GE-51	TA2889	GEMR-5	TE2484	GE-81		
T72	GE-2	T844	GE-14	T1416	GE-20	T3321	GE-2	TA2911	GE-57	TE2711	GE-212		
T74	GE-2	T0003	GE-52	T1417	GE-20	T3322	GE-51	TA5649	GEIC-4	TE2712	GE-212		
T76	GE-20	T0004	GE-52	T1454	GE-2	T-3568	GE-60	TA5702	GEIC-6	TE2713	GE-64		
T77	GE-2	T0005	GE-52	T1459	GE-2	T4590	GE-504A	TA5814	GEIC-2	TE2714	GE-64		
T78	GE-1	T0014	GE-52	T1460	GE-51	T6028	GE-51	TA5912	GEIC-5	TE2715	GE-61		
T81	GE-8	T0015	GE-52	T1461	GE-51	T6029	GE-51	TA6200	GE-63	TE2716	GE-61		
T82	GE-52	T0033	GE-52	T1488	GE-66	T6030	GE-51	TA7051/01	GE-511	TE2921	GE-212		
T83	GE-2	T0038	GE-52	T1487	GE-66	T6031	GE-51	TA7070P	GE-511	TE2922	GE-212		
T84	GE-2	T0039	GE-52	T1495	GE-20	T6032	GE-51	TA7554	GE-66	TE2923	GE-212		
T95	GE-2	T0040	GE-52	T1546	GE-53	T6058	GE-51	TA7555	GE-66	TE2924	GE-212		
T99	GE-51	T0041	GE-2	T1548	GE-51	T9011A1G	GE-20	TA7556	GE-69	TE2925	GE-212		
T033Z3	GE-52	T0051	GE-52	T1559	GE-53	T9011AZ	GE-10	TA7557	GE-69	TE2926	GE-212		
T065	GE-504A	T0101	GE-1	T1573	GE-80	T9011G(EF)	GE-20	TA7739	GE-27	TE3390	GE-212		
T075	GE-504A	T0102	GE-1	T1574	GE-53	T9011H(EF)	GE-20	TA7740	GE-27	TE3391	GE-212		
T100	GE-504A	T0150	GE-504A	T1577	GE-52	T9016F	GE-20	TA7741	GE-29	TE3391A	GE-212		
T101	GE-18	T1000	GE-52	T1583	GE-52	T10010	GE-2	TAC047	GE-20	TE3392	GE-212		
T108	GE-1	T1001	GE-52	T1593	GE-53	T10085	GE-53	TBRC147B	GE-10	TE3393	GE-212		
T109	GE-1	T1002	GE-53	T1594	GE-53	T10175	GE-53	TC-0.2	GE-511	TE3394	GE-212		
T116	GE-51	T1003	GE-52	T1595	GE-53	T10195	GE-53	TC0-2P11/1	GE-511	TE3395	GE-212		
T126	GE-2	T1004	GE-53	T1598	GE-53	T11618	GE-1	TC02P112	GE-504A	TE3396	GE-212		
T127	GE-3	T1005	GE-52	T1597	GE-53	T13000	GE-2	TC27A5A	GEZD-27	TE3397	GE-212		
T129	GE-52	T1008	GE-52	T1598	GE-53	T21237	1N60	TC136	GE-504A	TE3398	GE-212		
T130	GE-52	T1007	GE-52	T1599	GE-53	T21271	1N60	TC0914	GE-11	TE3414	GE-210		
T131	GE-51	T1008	GE-52	T1601	GE-3	T21312	GE-504A	TC0918	GE-63	TE3415	GE-210		
T139	GE-20	T1009	GE-53	T1602	GE-3	T21507	GE-504A	TC2369A	GE-63	TE3416	GE-210		
T142	GE-16	T1010	GE-52	T1618	GE-2	T21600	GE-300	TC2483	GE-63	TE3417	GE-210		

UNIVERSAL REPLACEMENT SEMICONDUCTORS

TE3605 - TNJ70484

JEDEC Or Part Nr	GE Replacement	JEDEC Or Part Nr	GE Replacement	JEDEC Or Part Nr	GE Replacement	JEDEC Or Part Nr	GE Replacement	JEDEC Or Part Nr	GE Replacement	JEDEC Or Part Nr	GE Replacement	JEDEC Or Part Nr	GE Replacement
TE3605	GE-20	TG-48	1N80	TI-490	GE-212	TIS61	GE-82	TIXM207	GE-51	TM1711	GE-47		
TE3605A	GE-20	TG51	GE-504A	TI-492	GE-80	TIS61M	GE-82	TIXS09	GE-86	TM1712	GE-21		
TE3606	GE-20	TG52	GE-504A	TI-493	GE-80	TIS82	GE-86	TIXS10	GE-86	TM2613	GE-20		
TE3606A	GE-20	TG61	GE-504A	TI-494	GE-80	TIS83	GE-86	TIXS12	GE-86	TM2614	GE-21		
TE3607	GE-20	TG62	GE-504A	TI-495	GE-39	TIS84	GE-86	TIXS13	GE-20	TM2711	GE-20		
TE3702	GE-48	TH-1S750	1N82A	TI-496	GE-81	TIS82	GE-215	TIXS28	GE-61	TM2712	GE-21		
TE3703	GE-82	TH2SC536	GE-20	TI-503	GE-21	TIS83	GE-61	TIXS29	GE-60	TMD01	GEZD-5.1		
TE3704	GE-20	TH2SC893	GE-20	TIS03	GE-21	TIS84	GE-61	TIXS30	GE-60	TMD01A	GEZD-5.1		
TE3705	GE-20	TH2SC715	GE-20	TI74	GE-20	TIS85	GE-61	TIXS31	GE-60	TMD02	GEZD-5.6		
TE3707	GE-61	TH50	GE-504A	TI722	GE-27	TIS-88	GE-FET-2	TJ10A	GE-504A	TMD02A	GEZD-5.6		
TE3708	GE-61	THU80U	GE-2	TI741	GE-FET-2	TIS90	GE-47	TJ15A	GE-504A	TMD03	GEZD-6.2		
TE3709	GE-61	TI-UG-1888	GE-300	TI743	GE-21	TIS91	GE-48	TJ20A	GE-504A	TMD03A	GEZD-6.2		
TE3710	GE-61	TI-1A6	GE-10	TI744	GE-21	TIS92	GE-81	TJ30A	GE-504A	TMD08	GEZD-10-4		
TE3711	GE-61	TI1A6	GE-10	TI751	GE-20	TIS92-BLU	GE-81	TJ35A	GE-504A	TMD08A	GEZD-10-4		
TE3843	GE-212	TI-51	GE-300	TI752	GE-21	TIS92-GRN	GE-81	TJ40A	GE-504A	TMD41	GE-504A		
TE3844	GE-212	TI51	GE-300	TI-890	GE-65	TIS92-GRY	GE-47	TJ60A	GE-504A	TMD42	GE-504A		
TE3845	GE-212	TI52	GE-504A	TI-891	GE-65	TIS92M	GE-63	TK10	GE-504A	TMD45	GE-504A		
TE3854	GE-212	TI53	GE-504A	T807	GE-20	TIS92-VIO	GE-81	TK20	GE-504A	TMT696	GE-17		
TE3854A	GE-212	TI54	GE-504A	T808	GE-20	TIS92-YEL	GE-81	TK23C	GE-2	TMT697	GE-17		
TE3855	GE-212	TI55	GE-504A	TI3010	GE-53	TIS93	GE-82	TK30	GE-504A	TMT839	GE-17		
TE3855A	GE-212	TI56	GE-504A	TI3011	GE-53	TIS93-BLU	GE-82	TK40	GE-2	TMT840	GE-17		
TE3859	GE-212	TI57	GE-509	TI3012	GE-16	TIS93-GRN	GE-82	TK40C	GE-2	TMT841	GE-17		
TE3859A	GE-81	TI58	GE-509	TI-3016	GE-11	TIS93-GRY	GE-48	TK41	GE-2	TMT842	GE-63		
TE3860	GE-212	TI59	GE-504A	TI3027	GE-16	TIS93M	GE-21	TK41C	GE-2	TMT843	GE-63		
TE3900	GE-212	TI60	GE-504A	TI3028	GE-3	TIS93-VIO	GE-82	TK42	GE-2	TMT1543	GE-11		
TE3900A	GE-212	TI71	GE-504A	TI3029	GE-16	TIS93-YEL	GE-82	TK42C	GE-2	TMT2427	GE-63		
TE3901	GE-212	TI-92	GE-212	TI64213	GE-20	TIS94	GE-210	TK45C	GE-2	TN53	GE-18		
TE3903	GE-210	TI266A	GE-16	TI A02	GE-50	TIS-94	GE-82	TK49C	GE-8	TN55	GE-18		
TE3904	GE-20	TI269	GE-16	TI A03	GE-53	TIS95	GE-10	TK61	GE-504A	TN59	GE-47		
TE3905	GE-21	TI338	GE-51	TI A04	GE-53	TIS96	GE-20	TK82	GE-210	TN60	GE-20		
TE3906	GE-210	TI-363	GE-1	TI A05	GE-53	TIS97	GE-20	TK582	GE-48	TN61	GE-47		
TE4123	GE-210	TI-364	GE-1	TI A06	GE-20	TIS97	GE-210	TK-705M	6GC1	TN62	GE-20		
TE4124	GE-20	TI365	GE-51	TIC44	GEMR-5	TIS98	GE-63	TK9201	GE-75	TN63	GE-47		
TE4125	GE-21	TI366	GE-16	TIC45	GEMR-5	TIS99	GE-20	TK30551	GE-75	TN64	GE-20		
TE4126	GE-21	TI366A	GE-16	TIC46	GEMR-5	TIS100	GE-27	TK30552	GE-75	TN79	GE-47		
TE4256	GE-212	TI367	GE-16	TIC47	GEMR-5	TIS101	GE-27	TK30555	GE-75	TN80	GE-20		
TE4424	GE-210	TI367A	GE-16	TIE	GEIC-8	TIS104	GE-87	TK30556	GE-75	TN81	GE-47		
TE4425	GE-81	TI368	GE-16	TIJ	GEIC-8	TIS107	GE-210	TK30557	GE-75	TN237	GE-47		
TE4951	GE-210	TI368A	GE-16	TIM-01	GE-51	TIS108	GE-61	TK30560	GE-75	TN591	GE-53		
TE4952	GE-210	TI369	GE-16	TIM-10	GE-51	TIS109	GE-20	TKF80	GE-509	TN3200	GE-60		
TE4953	GE-210	TI369A	GE-16	TIM-11	GE-51	TIS110	GE-20	TKF100	GE-509	TNJ1034	GE-20		
TE4954	GE-210	TI370	GE-16	TIN	GEIC-8	TIS111	GE-20	TM1	GEMR-1	TNJ1036	GE-20		
TE5086	GE-65	TI370A	GE-16	TIP04	GE-73	TIS112	GE-21	TM2	GEMR-1	TNJ60063	GE-51		
TE5087	GE-65	TI377	GE-51	TIP14	GE-28	TIS113	GE-47	TM3	GEMR-1	TNJ60064	GE-51		
TE5088	GE-212	TI388	GE-51	TIP24	GE-66	TIS114	GE-47	TM4	GEMR-1	TNJ60065	GE-51		
TE5089	GE-212	TI389	GE-51	TIP-29	GE-23	TIS125	GE-61	TM5	GEMR-1	TNJ60066	GE-17		
TE5249	GE-212	TI390	GE-51	TIP29A	GE-28	TIS128	GE-21	TM6	GEMR-1	TNJ60067	GE-51		
TE5309	GE-212	TI391	GE-51	TIP29B	GE-32	TIS133	GE-47	TM7	GEMR-1	TNJ60068	GE-51		
TE5310	GE-212	TI395	GE-51	TIP29C	GE-32	TIS134	GE-47	TM8	GEMR-1	TNJ60069	GE-51		
TE5311	GE-212	TI397	GE-51	TIP30	GE-69	TIS138	GE-21	TM9	GEMR-1	TNJ60070	GE-2		
TE5365	GE-82	TI398	GE-51	TIP30A	GE-69	TIS412	GE-20	TM11	GEMR-1	TNJ60071	GE-51		
TE5366	GE-82	TI399	GE-51	TIP31	GEMR-6	TIX-M01	GE-50	TM12	GEMR-1	TNJ60073	GE-51		
TE5367	GE-82	TI400	GE-51	TIP31A	GE-66	TIX-M02	GE-50	TM13	GEMR-1	TNJ60074	GE-2		
TE5368	GE-210	TI401	GE-51	TIP32	GE-69	TIX-M03	GE-50	TM14	GEMR-1	TNJ60075	GE-25		
TE5369	GE-210	TI402	GE-51	TIP32A	GE-69	TIX-M04	GE-50	TM15	GEMR-1	TNJ60076	GE-20		
TE5370	GE-210	TI403	GE-51	TIP34	GE-56	TIX-M05	GE-50	TM16	GEMR-1	TNJ60077	GE-51		
TE5371	GE-210	TI-407	GE-86	TIP34A	GE-56	TIX-M06	GE-50	TM17	GEMR-1	TNJ60079	GE-2		
TE5376	GE-20	TI-408	GE-86	TIP34B	GE-56	TIX-M07	GE-50	TM18	GEMR-1	TNJ60080	GE-3		
TE5377	GE-20	TI-409	GE-86	TIP41	GE-55	TIX-M08	GE-51	TM19	GEMR-1	TNJ60280	GE-51		
TE5378	GE-21	TI410	GE-17	TIP41A	GE-55	TIX-M08	GE-50	TM21	GEMR-1	TNJ60281	GE-51		
TE5379	GE-21	TI411	GE-20	TIP42	GE-56	TIX-M14	GE-39	TM22	GEMR-1	TNJ-60282	GE-52		
TE5447	GE-82	TI-412	GE-20	TIP42A	GE-56	TIX-M15	GE-39	TM23	GEMR-1	TNJ60283	GE-2		
TE5448	GE-82	TI-413	GE-20	TIP42B	GE-56	TIX-M16	GE-39	TM24	GEMR-1	TNJ-60362	GE-51		
TE5449	GE-20	TI-414	GE-47	TIP544	GE-74	TIX-M17	GE-51	TM25	GEMR-1	TNJ-60363	GE-51		
TE5450	GE-20	TI-415	GE-212	TI R07	GE-509	TIX-M101	GE-50	TM26	GEMR-1	TNJ-60364	GE-51		
TE5451	GE-20	TI-416	GE-82	TI R08	GE-509	TIX-M201	GE-50	TM27	GEMR-1	TNJ-60365	GE-51		
TF20	GE-504A	TI-416	GE-212	TI R09	GE-509	TIX-M202	GE-50	TM28	GEMR-1	TNJ-60604	GE-11		
TF21	GE-504A	TI-417	GE-61	TI R10	GE-509	TIX-M203	GE-50	TM29	GEMR-1	TNJ-60605	GE-11		
TF22	GE-504A	TI-418	GE-212	TIS03	GE-82	TIX-M204	GE-50	TM31	GEMR-1	TNJ-60606	GE-20		
TF23	GE-504A	TI-419	GE-212	TIS04	GE-82	TIX-M205	GE-50	TM32	GEMR-1	TNJ-60607	GE-20		
TF30	GE-2	TI-420	GE-212	TIS14	GE-FET-1	TIX-M206	GE-50	TM33	GEMR-1	TNJ-60608	GE-51		
TF65	GE-52	TI-421	GE-212	TIS18	GE-86	TIX-M207	GE-50	TM34	GEMR-1	TNJ-60610	GE-52		
TF65/30	GE-52	TI-422	GE-20	TIS22	GE-39	TIX888	GE-215	TM35	GEMR-1	TNJ-60611	GE-52		
TF65M	GE-2	TI-423	GE-20	TIS23	GE-39	TIX895	GE-52	TM36	GEMR-1	TNJ-60612	GE-52		
TF65/S/30	GE-53	TI-424	GE-81	TIS24	GE-63	TIX3016A	GE-86	TM37	GEMR-1	TNJ60728	GE-2		
TF66	GE-52	TI-425	GE-81	TIS34	GE-FET-2	TIXA01	GE-2	TM38	GEMR-1	TNJ61217	GE-11		
TF75	GE-52	TI-428	GE-82	TIS37	GE-65	TIXA02	GE-2	TM39	GEMR-1	TNJ61218	GE-20		
TF77	GE-52	TI-429	GE-82	TIS38	GE-65	TIXA03	GE-2	TM41	GEMR-1	TNJ61219	GE-20		
TF78	GE-20	TI-430	GE-61	TIS44	GE-61	TIXA04	GE-2	TM42	GEMR-1	TNJ61220	GE-20		
TF80/30Z	GE-16	TI-431	GE-61	TIS45	GE-20	TIXA05	GE-2	TM43	GEMR-1	TNJ61221	GE-52		
TFR105	GE-509	TI-432	GE-20	TIS46	GE-20	TIXD747	GEZD-3.6	TM44	GEMR-1	TNJ61222	GE-52		
TFR110	GE-509	TI-433	GE-20	TIS47	GE-20	TIXD753	GEZD-6.2	TM45	GEMR-1	TNJ61223	GE-52		
TFR120	GE-504A	TI-474	GE-212	TIS51	GE-20	TIXD758	GEZD-10-4	TM46	GEMR-1	TNJ61282	GE-52		
TFR140	GE-509	TI-475	GE-212	TIS52	GE-20	TIXM01	GE-51	TM47	GEMR-1	TNJ70478	GE-17		
TG11	GE-504A	TI-480	GE-81	TIS54	GE-22	TIXM05	GE-51	TM48	GEMR-1	TNJ70478-1	GE-17		
TG12	GE-504A	TI-481	GE-81	TIS55	GE-20	TIXM11	GE-51	TM49	GEMR-1	TNJ70479	GE-20		
TG21	GE-504A	TI-482											

UNIVERSAL REPLACEMENT SEMICONDUCTORS

TNJ70634 - TRS1805LP

JEDEC Or Part Nr	GE Replacement	JEDEC Or Part Nr	GE Replacement	JEDEC Or Part Nr	GE Replacement	JEDEC Or Part Nr	GE Replacement	JEDEC Or Part Nr	GE Replacement	JEDEC Or Part Nr	GE Replacement	JEDEC Or Part Nr	GE Replacement
TNJ70834	GE-52	TQ4	GE-20	TR14	GE-50	TR383	GE-53	TR8018	GE-19	TRC71	GE-2		
TNJ70835	GE-52	TQ5	GE-20	TR-14	GE-52	TR400	GEMR-2	TR8019	GE-26	TRC72	GE-2		
TNJ70837	GE-17	TQ6	GE-20	TR15	GE-52	TR401	GEMR-2	TR8020	GE-21	TRM13	GE-50		
TNJ70838	GE-20	TQ7	GE-20	TR16	GE-52	TR402	GEMR-2	TR8021	GE-20	TRM14	GE-50		
TNJ70839	GE-20	TQ8	GE-20	TR-16	GE-76	TR403	GEMR-2	TR8022	GE-20	TRM15	GE-52		
TNJ70840	GE-20	TQ9	GE-20	TR16X2	GE-13MP	TR482	GE-1	TR8023	GE-63	TRM16	GE-52		
TNJ70841	GE-51	TQ53	GE-67	TR17	GE-52	TR482A	GE-2	TR8024	GE-21	TRM17	GE-52		
TNJ70888	GE-52	TQ54	GE-67	TR18	GE-50	TR508	GE-1	TR8025	GE-20	TRM21	GE-52		
TNJ70891	GE-17	TQ55	GE-48	TR19	GE-50	TR508A	GE-2	TR8028	GE-20	TRM81	GE-50		
TNJ71034	GE-20	TQ56	GE-48	TR20	GE-1	TR601	GE-20	TR8029	GE-17	TR0-9004	GEIC-8		
TNJ71035	GE-18	TQ57	GE-48	TR-20	GE-21	TR650	GE-2	TR8030	GE-17	TRO-9005	GEIC-12		
TNJ71036	GE-20	TQ58	GE-48	TR-21	GE-20	TR653	GE-1	TR8031	GE-20	TRO-9006	GEIC-12		
TNJ71037	GE-20	TQ59	GE-48	TR21	GE-52	TR721	GE-1	TR8034	GE-62	TRO-9011	GEIC-7		
TNJ71173	GE-11	TQ59A	GE-67	TR-22	GE-20	TR722	GE-1	TR8035	GE-20	TRR6	GEZD-6,2		
TNJ71234	GE-18	TQ60	GE-48	TR23	GE-12	TR758A	GE-1	TR8036	GE-62	TRR6	GEZD-6,2		
TNJ71248	GE-50	TQ80A	GE-67	TR-24	GE-17	TR759	GE-1	TR8037	GE-20	TRS30X	GE-32		
TNJ71252	GE-63	TQ61	GE-21	TR-25	GE-215	TR760	GE-51	TR8038	GE-20	TRS35X	GE-32		
TNJ71271	GE-62	TQ61A	GE-21	TR26	GE-19	TR761	GE-1	TR8039	GE-20	TRS100	GE-32		
TNJ71277	GE-20	TQ62	GE-21	TR-27	GE-25	TR762	GE-2	TR8040	GE-17	TRS100A	GE-27		
TNJ71498	GE-11	TQ62A	GE-21	TR28	GE-21	TR763	GE-52	TR8030	GE-17	TRS101	GE-27		
TNJ71773	GE-21	TQ63	GE-21	TR-30	GE-21	TR764	GE-1	TR9100	GE-20	TRS120	GE-27		
TNJ71774	GE-21	TQ-63	GE-21	TR-31	GE-82	TR792	GE-52	TR01014	GE-62	TRS140	GE-27		
TNJ71937	GE-11	TQ63A	GE-21	TR33	GE-20	TR801	GE-52	TR01026	GE-20	TRS140HP	GE-27		
TNJ71963	GE-11	TQ64	GE-21	TR-34	GE-25	TR802	GE-1	TR01037	GE-62	TRS140MP	GE-32		
TNJ71964	GE-39	TQ-64	GE-21	TR-35	GE-76	TR0055	GE-21	TR01053-1	GE-21	TRS160	GE-27		
TNJ71965	GE-60	TQ64A	GE-21	TR-36	GE-75	TR0911	GEIC-7	TR02051-1	GE-21	TRS160HP	GE-27		
TNJ72146	GE-37	TQ5020	GE-2	TR43	GE-2	TR1000	GE-21	TR02062-1	GE-21	TRS160MP	GE-32		
TNJ72147	GE-12	TQ5021	GE-51	TR45	GE-2	TR-1000-2	GE-21	TR06011	GE-FET-2	TRS180	GE-27		
TNJ72148	GE-14	TQ5022	GE-51	TR50	GEMR-2	TR-1000-3	GE-18	TR-14002-10	GEZD-33	TRS180HP	GE-27		
TNJ72149	GE-38	TQ5023	GE-2	TR53	GE-2	TR-1000-7	GE-14	TR36643	GE-18	TRS180MP	GE-32		
TNJ72151	GE-60	TQ5025	GE-2	TR63	GE-52	TR1001	GE-20	TR38117	GE-53	TRS200	GE-27		
TNJ72152	GE-67	TQ5026	GE-2	TR64	GE-52	TR1002	GE-21	TR01060-2-1	GE-20	TRS200HP	GE-27		
TNJ72153	GE-12	TQ5027	GE-2	TR65	GE-52	TR1003	GE-20	TR310011	GE-2	TRS200MP	GE-32		
TNJ72154	GE-21	TQ5028	GE-16	TR72	GE-52	TR1005	GE-18	TR310012	GE-2	TRS225	GE-27		
TNJ72276	GE-39	TQ5031	GE-8	TR-75	GEZD-12	TR1009	GE-14	TR310015	GE-1	TRS225HP	GE-27		
TNJ72277	GE-20	TQ-5032	GE-54	TR77	GE-50	TR1011	GE-20	TR310017	GE-2	TRS225MP	GE-32		
TNJ72278	GE-1	TQ-5034	GE-51	TR81	GE-50	TR1025	GE-66	TR310018	GE-2	TRS250	GE-27		
TNJ72279	GE-20	TQ5035	GE-51	TR87	GE-50	TR1030	GE-21	TR310019	GE-51	TRS250HP	GE-27		
TNJ72280	GE-20	TQ5036	GE-3	TR88	GE-50	TR-1030-1	GE-21	TR310025	GE-2	TRS250MP	GE-32		
TNJ72281	GE-20	TQ5038	GE-51	TR-95(B)	GEZD-9,1	TR-1030-2	GE-21	TR310026	GE-52	TRS275	GE-27		
TNJ72282	GE-40	TQ5039	GE-8	TR100	GEMR-2	TR1031	GE-20	TR310065	GE-51	TRS275HP	GE-27		
TNJ72283	GE-1	TQ-5044	GE-54	TR103	GEMR-2	TR1032	GE-21	TR310068	GE-51	TRS275MP	GE-32		
TNJ72284	GE-8	TQ5049	GE-17	TR104	GE-52	TR-1032-1	GE-21	TR310075	GE-2	TRS301	GE-27		
TNJ72285	GE-2	TQ-5050	GE-54	TR105	GE-50	TR-1032-2	GE-21	TR310107	GE-2	TRS301HP	GE-27		
TNJ72286	GE-12	TQ-5051	GE-53	TR109	GE-52	TR1033	GE-20	TR310123	GE-51	TRS301LLC	GE-32		
TNJ72287	GE-50	TQ-5052	GE-20	TR139	GE-50	TR-1033-1	GE-20	TR310125	GE-2	TRS301MP	GE-32		
TNJ72288	GE-18	TQ-5053	GE-20	TR150	GEMR-2	TR-1033-2	GE-20	TR310136	GE-2	TRS325	GE-27		
TNJ72289	GE-2	TQ-5054	GE-20	TR151	GEMR-2	TR-1033-3	GE-18	TR310139	GE-51	TRS325HP	GE-27		
TNJ72318	GE-16	TQ-5055	GE-18	TR152	GEMR-2	TR1034	GE-21	TR310147	GE-51	TRS325MP	GE-32		
TNJ72319	GE-36	TQ-5060	GE-20	TR153	GEMR-2	TR-1036-1	GE-56	TR310150	GE-51	TRS350	GE-32		
TNJ72320	GE-14	TQ-5061	GE-53	TR182	GE-5	TR-1036-2	GE-56	TR310153	GE-2	TRS350HP	GE-32		
TNJ72368	GE-39	TQ-5062	GE-54	TR183	GE-5	TR-1036-3	GE-29	TR310155	GE-51	TRS350MP	GE-32		
TNJ72701	GE-39	TQ-5063	GE-27	TR193	GE-5	TR-1037-1	GE-55	TR310156	GE-51	TRS375	GE-32		
TNJ72774	GE-29	TQ-5064	GE-3	TR194	GE-5	TR-1037-2	GE-55	TR310157	GE-51	TRS375HP	GE-32		
TNJ72775	GE-28	TR-C44	GE-50	TR200	GEMR-2	TR-1037-3	GE-28	TR310158	GE-51	TRS375MP	GE-32		
TNJ72783	GE-20	TR-C45	GE-50	TR203	GEMR-2	TR-1039-4	GE-19	TR310159	GE-2	TRS401	GE-32		
TNJ72784	GE-20	TR-C70	GE-50	TR211	GE-5	TR1120	GEMR-1	TR310160	GE-2	TRS401HP	GE-32		
TNT839	GE-17	TR-C71	GE-50	TR212	GE-5	TR1121	GEMR-1	TR310161	GE-1	TRS401LC	GE-32		
TNT840	GE-17	TR-C72	GE-50	TR213	GE-7	TR1122	GEMR-1	TR310164	GE-2	TRS401MP	GE-32		
TNT841	GE-17	TR-FE100	GE-FET-2	TR214	GE-5	TR1123	GEMR-1	TR310230	GE-20	TRS425	GE-32		
TNT842	GE-17	TR-U1650E	GE-FET-2	TR215	GE-52	TR1124	GEMR-1	TR310231	GE-20	TRS425HP	GE-32		
TNT843	GE-17	TR-U1650E-1	GE-FET-2	TR216	GE-5	TR1490	GE-14	TR310232	GE-14	TRS425MP	GE-32		
TP34	1N34AS	TR-U1835E	GE-FET-2	TR217	GE-52	TR1491	GE-14	TR310235	GE-52	TRS450	GE-32		
TP34A	1N34AS	TR0-2012	GE-50	TR218	GE-50	TR1492	GE-14	TR310236	GE-8	TRS451	GE-32		
TP100	GEMR-1	TR1R26	GE-51	TR251	GEMR-2	TR1493	GE-14	TR310243	GE-20	TRS451MP	GE-32		
TP200	GEMR-1	TR2R26	GE-51	TR252	GEMR-2	TR1591	GE-23	TR310245	GE-20	TRS475	GE-32		
TP300	GEMR-1	TR3R26	GE-51	TR253	GEMR-2	TR1593	GE-23	TR3100227	GE-2	TRS475MP	GE-32		
TP400	GEMR-1	TR4R26	GE-51	TR262-2	GE-12	TR1605LP	GE-12	TR4	GE-20	TRS501	GE-32		
TP3638	GE-65	TR5R26	GE-2	TR266-2	GE-12	TR1993-2	GE-20	TR4A	GE-20	TRS501LC	GE-32		
TP3638A	GE-65	TR6R26	GE-2	TR300	GEMR-2	TR2083-40	GE-90	TR4B	GE-20	TRS501MP	GE-32		
TP4067-409	GE-504A	TR6S	GEZD-6,2	TR301	GEMR-2	TR2083-41	1N60	TR47R	GE-3	TRS525	GE-32		
TP4067-410	GE-62	TR7SA	GEZD-6,2	TR302	GEMR-2	TR2083-42	GE-300	TR48R	GE-3	TRS525MP	GE-32		
TP4067-411	GE-20	TR7SB	GEZD-12	TR303	GEMR-2	TR2083-44	GE-300	TR49R	GE-20	TRS550	GE-32		
TP4123	GE-210	TR-9S	GEZD-9,1	TR320	GE-1	TR2083-70	GE-FET-2	TR410R	GE-51	TRS550MP	GE-32		
TP4124	GE-20	TR-9SA	GEZD-9,1	TR320A	GE-2	TR2083-71	GE-17	TR411R	GE-51	TRS1004	GE-32		
TP4125	GE-21	TR9SB	GEZD-9,1	TR321	GE-1	TR2083-72	GE-20	TR412R	GE-51	TRS1004LP	GE-32		
TP4126	GE-21	TR-01	GE-16	TR321A	GE-2	TR2083-73	GE-20	TR422A	GE-51	TRS1005	GE-12		
TP4274	GE-61	TR-02	GE-16	TR323	GE-1	TR2083-74	GE-60	TR422B	GE-51	TRS1005LP	GE-12		
TP4275	GE-81	TR-03	GE-4	TR323A	GE-2	TR2083-75	GE-2	TR423	GE-51	TRS1204	GE-32		
TPS6512	GE-62	TR03	GE-8	TR331	GE-2	TR2880	GE-504A	TR423A	GE-51	TRS1204LP	GE-32		
TPS6513	GE-62	TR04	GE-8	TR332	GE-52	TR4010-2	GE-20	TR423B	GE-51	TRS1205	GE-12		
TPS6514	GE-62	TR05	GE-8	TR333	GE-16	TR5528	GE-FET-2	TR424	GE-51	TRS1404	GE-32		
TPS6515	GE-62	TR06	GE-51	TR334	GE-4	TR-8001	GE-51	TR424A	GE-51	TRS1404LP	GE-32		
TPS6516	GE-65	TR07	GE-8	TR335	GE-5	TR-8002	GE-51	TR425	GE-2	TRS1405	GE-12		
TPS6517	GE-65	TR08	GE-8	TR336									

UNIVERSAL REPLACEMENT SEMICONDUCTORS

TRS2004 - TVSSF-1

JEDEC Or Part Nr	GE Replacement	JEDEC Or Part Nr	GE Replacement	JEDEC Or Part Nr	GE Replacement	JEDEC Or Part Nr	GE Replacement	JEDEC Or Part Nr	GE Replacement	JEDEC Or Part Nr	GE Replacement	JEDEC Or Part Nr	GE Replacement
TRS2004	GE-32	TS827A	GE-2	TV56	GE-20	TV24234	GE-504A	TVM538	6GC1	TVS2SC762	GE-11		
TRS2004LP	GE-32	TS827B	GE-2	TV57	GE-17	TV24237	GE-504A	TVM546	GE-504A	TVS2SC828	GE-20		
TRS2005	GE-12	TS829	GE-52	TV58	GE-17	TV24239	GECR-3	TVM550	GECR-2	TVS2SC828(Q)	GE-20		
TRS2005LP	GE-12	TS630	GE-1	TV59	GE-63	TV-24266	GE-51	TVM554	6GC1	TVS-2SC828	GE-20		
TRS2006	GE-32	TS672A	GE-2	TV-59	GE-18	TV24273	GE-504A 1N60	TVM554A	6GC1	TVS2SC829(B)	GE-20		
TRS2254	GE-32	TS672B	GE-2	TV60	GE-17	TV24278							
TRS2254LP	GE-32	TS673A	GE-2	TV61	GE-52	TV24281	GE-504A	TVMK112C	6GC1	TVS2SC840	GE-12		
TRS2255	GE-12	TS673B	GE-2	TV62	GE-64	TV24282	GE-20	TVML00.09M1115	GE-504A	TVS2SC840A	GE-12		
TRS2255LP	GE-12	TS739	GE-52	TV62	GE-18	TV24283	GE-504A	TVM2M204B	GE-504A	TVS2SD226A	GE-23		
TRS2504	GE-32	TS740	GE-2	TV62(PHILCO)	GE-64	TV24285	GE-504A	TVMMPH9DZ2/1	GE-504A	TVS5B-2-H5W	GE-511		
TRS2504LP	GE-32	TS765	GE-52	TV-62	GE-20	TV24292	GE-504A	TVMTC00921-3	6GD1	TVS10D	GE-504A		
TRS2505	GE-12	TS1007	GE-52	TV65	GE-20	TV24296	GE-504A	TVS-CS1255H	GE-18	TVS10D1	GE-511		
TRS2505LP	GE-12	TS1286	GE-52	TV-66	GE-20	TV24341	GE-504A	TVS-CS1255HF	GE-18	TVS10D2	GE-511		
TRS2754	GE-32	TS1657	GE-3	TV-87	GE-18	TV24363	GE-25	TVS-CS1256HG	GE-21	TVS10D8	GE-509		
TRS2754LP	GE-32	TS1727	GE-2	TV-70	GE-40	TV24370	GE-21	TVS-DG1NR	GE-504A	TVS2SA103	GE-51		
TRS2755	GE-12	TS1728	GE-2	TV-71	GE-21	TV24372	GE-52	TVS-DS-1K	GE-504A	TVS25B172	GE-2		
TRS2755LP	GE-12	TS2218	GE-47	TV-73	GE-28	TV24380	GE-20	TVS-DS1M	GE-504A	TVS25B448	GE-25		
TRS28045	GE-32	TS2219	GE-47	TV-75	GE-28	TV24382	GE-20	TVS-DS2K	GE-504A	TVS25C208	GE-20		
TRS28055	GE-32	TS2221	GE-20	TV80	GE-FET-2	TV24383	GE-60	TVS-FR-1P(FR1P)	GE-504A	TVS25C562	GE-20		
TRS3006	GE-32	TS2222	GE-20	TV81	GE-60	TV24387	GE-17	TVS-FR2M	GE-504A	TVS25C645	GE-20		
TRS3011	GE-27	TS2904	GE-21	TV-82	GE-28	TV24435	GE-27	TVS-FR2P	GE-504A	TVS-185D	GE-504A		
TRS3012	GE-27	TS2905	GE-21	TV-83	GE-FET-2	TV24454	GE-20	TVS-FR1P	GECR-2	TVS550	GE-504A		
TRS3014	GE-27	TS2906	GE-21	TV85	GE-27	TV24458	GE-20	TVS-FU1N	GE-504A	TVS828A	GE-20		
TRS3014LP	GE-32	TS2907	GE-21	TV106	GE-25	TV24468	GE-25	TVS-HF-SD-12	GE-504A	TVS-1303	GE-21		
TRS3015	GE-32	TS9013	GE-20	TV108	GE-19	TV24495	GE-22	TVS-HFSD1Z	GE-504A	TVS25126F	GE-16		
TRS3015LP	GE-214	TSB-245	GE-504A	TV109	GE-28	TV24554	GE-20	TVS-K112C	GE-300	TVSAFSD1	GE-511		
TRS3016LC	GE-12	TSB-1000	GE-504A	TV110	GE-25	TV24571	GE-17	TVS-KC2DP12/2	6GC1	TVSAFSD10	GE-511		
TRS32045	GE-32	TSC136	GE-300	TV111	GE-25	TV24573	GE-17	TVS-KC2-LP	GE-504A	TVSAN155(10)	GEZD-33		
TRS32055	GE-32	TSC159	GE-504A	TV112	GE-28	TV24574	GE-20	TVS-OA70	1N60	TVSAN155	GEZD-33		
TRS3254	GE-32	TSC-499	GE-20	TV113	GE-12	TV24576	GE-20	TVS-OA81	1N34AS	TVSAN241	GEIC-2		
TRS3254LP	GE-32	TSC614	GE-20	TV114	GE-25	TV24582	GE-504A	TVS-OA91	1N60	TVSAW01-11	GEZD-11		
TRS3255	GE-32	TSC695	GE-17	TV-115	GE-66	TV24617	GE-509	TVS-OA91	1N34AS	TVS8AX13	GE-300		
TRS3304	GE-32	TSC-722	GE-18	TV-116	GE-69	TV24648	GE-504A	TVS-OA95	1N34AS	TVS8B2	GE-504A		
TRS3504LP	GE-32	TSC767	GE-20	TV-117	GE-66	TV24651	GE-504A	TVS-OV-02	GE-504A	TVS8B10	GE-509		
TRS38045	GE-32	TSS-616-1	GE-42	TV118	GE-36	TV24803	GE-504A	TVS-S1B02-03C	GE-504A	TVS8C1255H	GE-18		
TRS3742	GE-32	TT204	GE-17	TV121	GE-35	TV24806	GE-11	TVS-S1B02-03CR	GE-504A	TVS8C1255HF	GE-63		
TRS3754	GE-32	TT204A	GE-17	TV122	GE-12	TV24941	GE-510	TVS-SB-2C	GE-511	TVS8C1256HG	GE-67		
TRS3754LP	GE-32	TT204AB	GE-17	TV695	GECR-1	TV24942	GE-510	TVS-SB-20	GE-509	TVS8C1255HF	GE-63		
TRS4004	GE-32	TT204B	GE-17	TV1000	GE-17	TV241013	1N60	TVS-SC15	GE-90	TVS8C1255HF	GE-63		
TRS4014	GE-32	TT204C	GE-17	TV2419	GE-504A	TV241073	GE-504A	TVS-SD-1B	GE-509	TVS8C1255HF	GE-63		
TRS4014LP	GE-32	TT1083	GE-3	TV2429	GE-2	TV241074	GE-504A	TVS-SD-18	GE-509	TVS8C1255HF	GE-510		
TRS4014S	GE-32	TT1097	GE-20	TV2434	GE-2	TV241077	GE-20	TVS-SD-18	1N82A	TVS8C1255HF	GE-510		
TRS4016LC	GE-32	TV2SC208	GE-17	TV2455	GE-51	TV3	GECR-3	TVS-SF-1	GE-511	TVS8C1255HF	GE-510		
TRS4254	GE-32	TV-6	GE-20	TV2496	GE-504A	TV6	GEIC-3	TVS-SF-1	GE-504A	TVS8C1255HF	GE-510		
TRS4254LP	GE-32	TV-7	GE-20	TV24102	GE-11	TVCM-1	GEIC-3	TVS-SF-1	GEZD-12	TVS8C1255HF	GE-510		
TRS4404S	GE-32	TV8	GE-509	TV24103	1N82A	TVCM-2	GEIC-5	TVS-SF-1	GEZD-15	TVS8C1255HF	GE-510		
TRS4504	GE-32	TV11-S	GECR-4	TV24104	GE-504A	TVCM-4	GEIC-11	TVS-SF-1	GEZD-15	TVS8C1255HF	GE-510		
TRS4504LP	GE-32	TV13-S	GECR-5	TV24122	1N60	TVCM-5	GEIC-11	TVS-SF-1	GEZD-15	TVS8C1255HF	GE-510		
TRS4754	GE-32	TV15	GE-60	TV24125	GE-504A	TVCM-5	GEIC-8	TVS-SF-1	GEZD-15	TVS8C1255HF	GE-510		
TRS4754LP	GE-32	TV15A	GE-60	TV24136	GE-504A	TVCM-6	GEIC-8	TVS-SF-1	GEZD-15	TVS8C1255HF	GE-510		
TRS4926	GE-32	TV15B	GE-60	TV24137	GE-51	TVCM-6	GEIC-8	TVS-SF-1	GEZD-15	TVS8C1255HF	GE-510		
TRS4927	GE-32	TV16	GE-17	TV24142	GE-25	TVCM-7	GEIC-7	TVS-SF-1	GEZD-15	TVS8C1255HF	GE-510		
TRS5014	GE-32	TV17	GE-20	TV24143	GE-8	TVCM-8	GEIC-4	TVS-SF-1	GEZD-15	TVS8C1255HF	GE-510		
TRS5016LC	GE-32	TV18	GE-20	TV24148	GE-11	TVCM-8	GEIC-4	TVS-SF-1	GEZD-15	TVS8C1255HF	GE-510		
TRS5254	GE-32	TV18-S	GECR-6	TV24152	GE-51	TVCM-9	GEIC-6	TVS-SF-1	GEZD-15	TVS8C1255HF	GE-510		
TRS5504	GE-32	TV19	GE-40	TV24154	GE-2	TVCM-9	GEIC-6	TVS-SF-1	GEZD-15	TVS8C1255HF	GE-510		
TRS6016LC	GE-12	TV20	GE-20	TV24155	GE-504A	TVCM-10	GEIC-9	TVS-SF-1	GEZD-15	TVS8C1255HF	GE-510		
TS1	GE-509	TV20-S	GECR-7	TV24156	GE-2	TVCM-10	GEIC-9	TVS-SF-1	GEZD-15	TVS8C1255HF	GE-510		
TS2	GE-509	TV21	GE-63	TV24158	GE-51	TVCM-11	GEIC-2	TVS-SF-1	GEZD-15	TVS8C1255HF	GE-510		
TS2A	GE-509	TV22	GE-63	TV24160	GE-11	TVCM-11	GEIC-2	TVS-SF-1	GEZD-15	TVS8C1255HF	GE-510		
TS3	GE-509	TV23	GE-63	TV24161	GE-11	TVCM-12	GEIC-28	TVS-SF-1	GEZD-15	TVS8C1255HF	GE-510		
TS4	GE-504A	TV25	GE-63	TV24162	GE-16	TVCM-13	GEIC-14	TVS-SF-1	GEZD-15	TVS8C1255HF	GE-510		
TS6	GE-504A	TV26	GE-63	TV24163	GE-25	TVCM-15	GEIC-13	TVS-SF-1	GEZD-15	TVS8C1255HF	GE-510		
TS8	GE-509	TV27	GE-8	TV24166	GE-51	TVCM-16	GEIC-15	TVS-SF-1	GEZD-15	TVS8C1255HF	GE-510		
TS05	GE-504A	TV28	GE-63	TV24167	GE-504A	TVCM-18	GEIC-16	TVS-SF-1	GEZD-15	TVS8C1255HF	GE-510		
TS13	GE-2	TV29	GE-63	TV24169	GE-504A	TVCM-19	GEIC-24	TVS-SF-1	GEZD-15	TVS8C1255HF	GE-510		
TS14	GE-2	TV32	GE-20	TV24172	GE-51	TVCM-20	GEIC-17	TVS-SF-1	GEZD-15	TVS8C1255HF	GE-510		
TS15	GE-2	TV33	GE-39	TV24176	GE-42	TVCM-21	GEIC-30	TVS-SF-1	GEZD-15	TVS8C1255HF	GE-510		
TS162	GE-52	TV34	GE-39	TV24182	GE-504A	TVCM-22	GEIC-18	TVS-SF-1	GEZD-15	TVS8C1255HF	GE-510		
TS163	GE-52	TV35	GE-20	TV24189	GE-2	TVCM-26	GEIC-27	TVS-SF-1	GEZD-15	TVS8C1255HF	GE-510		
TS164	GE-52	TV35	GE-20	TV24190	6GC1	TVCM-27	GEIC-29	TVS-SF-1	GEZD-15	TVS8C1255HF	GE-510		
TS165	GE-52	TV36	GE-20	TV24191	GE-504A	TVCM-35	GEIC-31	TVS-SF-1	GEZD-15	TVS8C1255HF	GE-510		
TS166	GE-52	TV37	GE-20	TV24193	GE-504A	TVH-526	6GD1	TVS-SF-1	GEZD-15	TVS8C1255HF	GE-510		
TS173	GE-3	TV38	GE-20	TV24194	GE-2	TVH538	6GC1	TVS-SF-1	GEZD-15	TVS8C1255HF	GE-510		
TS176	GE-16	TV39	GE-20	TV24200	GE-504A	TVK-33	GE-520	TVS-SF-1	GEZD-15	TVS8C1255HF	GE-510		
TS801	GE-53	TV40	GE-20	TV24203	GE-20	TVK-55	GE-520	TVS-SF-1	GEZD-15	TVS8C1255HF	GE-510		
TS802	GE-53	TV41	GE-63	TV24204	GE-20	TVM-EH2C	GE-504A	TVS-SF-1	GEZD-15	TVS8C1255HF	GE-510		
TS803	GE-53	TV42	GE-63	TV24209	GE-17	TVM-EH2C11	GE-504A	TVS-SF-1	GEZD-15	TVS8C1255HF	GE-510		
TS804	GE-53	TV43	GE-20	TV24210	GE-17	TVM-K112C	6GC1	TVS-SF-1	GEZD-15	TVS8C1255HF	GE-510		
TS809	GE-4	TV44	GE-21	TV24211	GE-12	TVM-KT6D22/1	GE-504A	TVS-SF-1	GEZD-15	TVS8C1255HF	GE-510		
TS610	GE-16	TV45	GE-63	TV24214	GE-21	TVM-TC0.2P	6GD1	TVS-SF-1	GEZD-15	TVS8C1255HF</			

UNIVERSAL REPLACEMENT SEMICONDUCTORS

TVSSN76665 - X1C1644

JEDEC Or Part Nr	GE Replacement	JEDEC Or Part Nr	GE Replacement	JEDEC Or Part Nr	GE Replacement	JEDEC Or Part Nr	GE Replacement	JEDEC Or Part Nr	GE Replacement	JEDEC Or Part Nr	GE Replacement	JEDEC Or Part Nr	GE Replacement
TVSSN76665	GEIC-2	U6A7767394	GEIC-9	ULN2128A	GEIC-9	V6/2RJ	GE-52	V50260-36	GE-300	VSTC02P11/2	GE-504A		
TVSSV02	GE-504A	U6A7781394	GEIC-6	ULN2128N	GEIC-9	V6/4R	GE-52	VAR-1R2	GE-300	VX3375	GE-28		
TVSTD15M	GE-511	U6B7780394	GEIC-4	ULN2129A	GEIC-15	V6/4RJ	GE-52	VB11	GE-52	VX3733	GE-66		
TVSUFSD-1	GE-511	U6E7729394	GEIC-7	ULN2136A	GEIC-16	V6/8R	GE-52	VB100	GE-504A	W1A	GE-FET-1		
TVSUFSD1F	GE-504A	U7F7065354	GEIC-2	ULN2137A	GEIC-24	V01G	GE-504A	VB300	GE-504A	W1E	GE-FET-2		
TVSW04	GEBR-600	U7F7729394	GEIC-7	ULN2165A	GEIC-2	V03C	GE-504A	VB400	GE-504A	W1P	GEFET-2		
TVSW04-M	GEBR-600	U7F7732394	GEIC-8	ULN2165N	GEIC-2	V03E	GE-504A	VB500	GE-504A	W/6A	GE-504A		
TVSW04M	GEBR-600	U7F7746394	GEIC-5	ULN2209M	GEIC-17	V06	GE-504A	VB600	GE-504A	W06A	GE-504A		
TVSYZ080	GE-X11	U7F7767394	GEIC-9	ULN2210	GEIC-35	V06A	GE-504A	VB600A	GE-504A	W-06A	GE-504A		
TVSZB1-6	GEZD-6.2	U7F7780394	GEIC-4	ULN2224A	GEIC-30	V06B	GE-504A	VBH600	GE-504A	W06B	GE-504A		
TVSZB1-27	GEZD-27	U7F7781394	GEIC-6	ULN2228A	GEIC-18	V06-C	GE-504A	VD13	GE-52	W14	GE-FET-4		
TVSZB1-29	GEZD-27	U8B7703394X	GEIC-12	ULN2244A	GEIC-32	V06C(BOOST)	GE-511	VD-121C	GE-504A	WC14020	GE-504A		
TW80	GE-509	U8B7703394	GEIC-12	ULN2244N	GEIC-32	V06E	GE-504A	VD1120	GE-504A	WC14027	GE-504A		
TW100	GE-509	U8F7746394	GEIC-3	ULN2264A	GEIC-21	V06G	GE-504A	VD-1123	GE-300	WD001	GE-504A		
TW135	GE-62	U9A7746394	GEIC-5	ULN2267A	GEIC-23	V06G	GE-504A	VD1124	GE-504A	WD002	GE-504A		
TX27A	GEZD-27	U9A7781394	GEIC-6	ULN2269A	GEIC-33	V09C	GE-504A	VD1210	GE-504A	WD003	GE-504A		
TX100-1	GE-20	U9B7780394	GEIC-4	ULN2278P	GEIC-27	V09-E	GE-504A	VD-1222	GE-504A	WD004	GE-504A		
TX100-2	GE-20	U9C7065354	GEIC-2	ULN2280A	GEIC-31	V10/1S	GE-1	VFA2745C	GE-504A	WD005	GE-504A		
TX100-3	GE-12	U05G	GE-504A	ULN2298A	GEIC-29	V10/2S	GE-1	VFG2745B	GE-3	WD006	GE-504A		
TX100-4	GE-18	U06C	GE-504A	UP12217	GE-X18	V10/15A	GE-2	VFL2744K	GE-51	WD007	GE-504A		
TX100-5	GE-12	U119	GE-509	UP12218	GE-X18	V10/30A	GE-2	VFP2748C	GE-16	WD008	GE-504A		
TX101-8	GE-12	U120	GE-509	UP14046	GE-X18	V10/50A	GE-2	VFP6357C	GE-3	WD009	GE-504A		
TX101-9	GE-18	U212	GE-504A	UP14047	GE-X18	V11L	GE-504A	VFQ2745F	GE-1	WD010	GE-504A		
TX101-11	GE-12	U213	GE-504A	UPC16C	GEIC-2	V11N	GE-504A	VFS5K	GE-51	WD011	GE-504A		
TX101-12	GE-20	U361	GE-509	UPC16C	GEIC-2	V13/11	GE-2	VFS2745J	GE-1	WD012	GE-504A		
TX102-1	GE-20	U460A,B	GE-11	UPC554C	GEIC-7	V15/20R	GE-51	VFSD-1A	GE-2	WD013	GE-504A		
TX102-2	GE-20	U535A,B	GE-11	UPC555A	GEIC-12	V50A260-36	1N34AS	VFT2745H	GE-2	WD014	GE-504A		
TX102-4	GE-12	U535B	GE-20	UPC563H	GEIC-7	V51	GE-53	VFU2746B	GE-3	WD015	GE-504A		
TX103-1	GE-3	U1420	GE-FET-1	UPI706	GE-61	V60/10P	GE-16	VFW2745D	GE-51	WG0A-90	GE-300		
TX104-3	GE-2	U1421	GE-FET-1	UPI706A	GE-61	V60/20P	GE-16	VFY-2745E	GE-1	WG1010	GE-300		
TX106-1	GE-2	U1422	GE-FET-1	UPI706B	GE-61	V60/30P	GE-16	VHD1S1555-R-1	GE-300	WG1010A	GE-300		
TX-107-1	GE-20	U1585F,H	GE-11	UPI718A	GE-20	V74	1N295	VL/8RJ	GE-52	WG1010B	GE-511		
TX-107-3	GE-20	U1837E	GE-FET-2	UPI956	GE-81	V75	GE-50	VM-0.09M	6GC1	WG1012	1N34AS		
TX-107-4	GE-20	U1916	GE-FET-1	UPI1303	GE-53	V78	GE-504A	VM20233	GE-12	WG1021	GE-300		
TX-107-5	GE-20	U1994E	GE-FET-2	UPI1305	GE-53	V115	1N295	VM30203	GE-16	WG0-6A	GE-504A		
TX-107-8	GE-20	U2400-03	GE-504A	UPI1307	GE-53	V119	GE-20	VM30209	GE-20	WR-013	GE-504A		
TX-107-10	GE-20	U2848-1	GE-20	UPI1309	GE-53	V120	GE-51	VM30233	GE-12	WR200	GE-504A		
TX-107-12	GE-20	UA703	GEIC-12	UPI1345	GE-53	V120RH	GE-11	VM30234	GE-12	WR300	GE-504A		
TX-107-13	GE-12	UA703C	GEIC-12	UPI1347	GE-1	V126	GEZD-15	VM30241	GE-20	WR400	GE-504A		
TX108-1	GE-20	UA703E	GEIC-12	UPI1353	GE-2	V139	GE-18	VM30242	GE-20	WRE981	GE-504A		
TX111-1	GE-12	UA720DC	GEIC-24	UPI1613	GE-18	V140	GEZD-7.5	VM30244	GE-2	WSD002C	GE-300		
TX-112-1	GE-20	UA729	GEIC-7	UPI2217	GE-47	V144	GE-12	VM30245	GE-12	WT16X7	6GC1		
TX-119-1	GE-20	UA732	GEIC-8	UPI2218	GE-47	V145	GE-3	VMPH11D522-1	GE-504A	WTY3MC	GE-2		
TX-122-1	GE-21	UA739DC	GEIC-19	UPI2222	GE-20	V146	GE-18	VO1G	6GX1	WTY6MC	GE-2		
TX-124	GE-18	UA746	GEIC-3	UPI2222B	GE-20	V148	GE-504A	VO3G	GE-504A	WTY6PWR	GE-16		
TX124	GE-18	UA746	GEIC-5	UPI2222P	GE-20	V152	GE-21	VOG	GE-504A	WTY12MC	GE-2		
TX125	GE-21	UA749	GEIC-25	UPI4046	GE-47	V154	GE-18	VR12	GE-504A	WTY12PWR	GE-16		
TX-128-1	GE-63	UA758	GEIC-32	UPI4046-48	GE-210	V159	GE-FET-1	VR12A	GEZD-12	WTY15VMG	GE-52		
TX-134-1	GE-21	UA767	GEIC-9	UPI4047-46	GE-20	V160	GEZD-12	VR12B	GEZD-12	WTY20MC	GE-2		
TX-135	GE-63	UA760	GEIC-4	UPT011	GE-32	V162	GE-21	VR-14	GEZD-15	WTY20VH6	GE-52		
TX136	GE-21	UA781	GEIC-8	UPT012	GE-32	V166	GE-18	VS1	GE-504A	WTY20VMG	GE-52		
TX-145	GE-19	UA3064TC	GEIC-20	UPT013	GE-32	V169	GE-20	VS2-2SA71	GE-51	WTY25PWR	GE-16		
TX-163S	GE-19	UA3065	GEIC-2	UPT014	GE-32	V171	GE-504A	VS2SA71B	GE-51	WTY30VHG	GE-52		
TX100S	GE-12	UA3066DC	GEIC-22	UPT015	GE-32	V172	GE-18	VS2SA71BS	GE-51	WTY30VLG	GE-52		
TY-107-4	GE-20	UA3067DC	GEIC-23	UPT021	GE-32	V174	GEZD-7.5	VS2SA103	GE-51	WTY30VMG	GE-52		
TY-107-12	GE-20	UC701	GE-FET-1	UPT022	GE-32	V175	GEZD-27	VS2SA126V	GE-25	WTY40PWR	GE-16		
TZ5.6	GEZD-5.6	UC703	GE-FET-1	UPT023	GE-32	V176	GE-66	VS2SA378	GE-51	WTY98PWR	GE-16		
TZ8	GE-11	UC704	GE-FET-1	UPT024	GE-32	V177	GE-18	VS2SA379	GE-51	WTY129PWR	GE-4		
TZ8.2	GEZD-9.1	UC705	GE-FET-1	UPT025	GE-32	V183	GE-FET-2	VS2SA385	GE-2	WTY199PWR	GE-16		
TZ9.1	GEZD-9.1	UC714	GE-FET-1	UPT111	GE-215	V188	GEZD-5.1	VS2SA448	GE-25	WTY259PWR	GE-4		
TZ9.1A	GEZD-9.1	UC734	GE-FET-1	UPT112	GE-32	V205	GE-85	VS2SB126	GE-16	WTYAT6	GE-52		
TZ9.1B	GEZD-9.1	UC734E	GE-FET-2	UPT113	GE-32	V-210C	1N60	VS2SB126F	GE-16	WTYAT6A	GE-2		
TZ9.1C	GEZD-9.1	UC750	GE-FET-1	UPT114	GE-32	V220	GE-20	VS2SB126V	GE-16	WTYB5	GE-2		
TZ10	GE-2	UC751	GE-FET-1	UPT115	GE-32	V222	GE-20	VS2SB171	GE-2	WTYB5A	GE-52		
TZ12	GEZD-12	UC752	GE-FET-1	UPT121	GE-216	V270-D1	GE-504A	VS2SB172	GE-2	WTYB6	GE-1		
TZ12A	GEZD-12	UC753	GE-FET-1	UPT122	GE-32	V297	GE-16	VS2SB176	GE-2	WTYB6A	GE-2		
TZ12B	GEZD-12	UF-1	GE-504A	UPT123	GE-32	V409	GE-66	VS2SB178	GE-2	WTYB6A	GE-2		
TZ12C	GEZD-12	UF01	GE-504A	UPT124	GE-32	V410	GE-21	VS2SB178A	GE-2	WTYB6A	GE-52		
TZ15	GEZD-15	UFSD-1	GE-504A	UPT125	GE-32	V410A	GE-21	VS2SB324	GE-20	WTYB6E	GE-2		
TZ15A	GEZD-15	UFSD1A	GE-504A	UPT211	GE-46	V415	GE-61	VS2SC206	GE-17	WTYB6EA	GE-52		
TZ15B	GEZD-15	UFSD-1C	GE-511	UPT221	GE-23	V417	GE-211	VS2SC208	GE-20	WTYBMC	GE-1		
TZ15C	GEZD-15	UG1888	GE-300	UPT611	GE-216	V435	GE-63	VS2SC288A	GE-17	WTYVL6	GE-8		
TZ27	GEZD-27	ULN2111	GEIC-10	UPT621	GE-216	V435A	GE-85	VS2SC324H	GE-20	WTYSA7	GE-8		
TZ27B	GEZD-27	ULN2111A	GEIC-10	USD7703394	GEIC-12	V442	GE-504A	VS2SC385L	GE-51	WTYSA7	GE-8		
TZ27C	GEZD-27	ULN2111N	GEIC-10	UT16	GE-504A	V654	GE-48	VS2SC458	GE-20	WTYSQ7	GE-8		
TZ81	GE-82	ULN2113	GEIC-11	UT112	GE-504A	V655	GE-85	VS-2SC538	GE-20	WX6	1N60		
TZ82	GE-82	ULN2113A	GEIC-11	UT234	GE-504A	V741	GE-65	VS2SC538	GE-20	WZ052	GEZD-5.6		
TZ551	GE-65	ULN2113N	GEIC-11	UT235	GE-504A	V745	GE-48	VS-2SC563	GE-17	WZ-061	GEZD-6.2		
TZ552	GE-65	ULN2114A	GEIC-5	UT238	GE-504A	V781	GE-22	VS-2SC645	GE-17	WZ-071	GEZD-7.5		
TZ553	GE-65	ULN2114N	GEIC-5	UZ3.6	GEZD-3.6	V763	GE-22	VS2SC645A	GE-20	WZ-090	GEZD-9.1		
TZ554	GE-65	ULN2114W	GEIC-3	UZ5.1	GEZD-5.1	V1112	GE-300	VS2SC684	GE-11	WZ-090	GEZD-9.1		
TZ581	GE-65	ULN2120A	GEIC-8	UZ8.2	GEZD-8.2	V1650E-1	GE-FET-1	VS-2SC78					

UNIVERSAL REPLACEMENT SEMICONDUCTORS

X5M6 - ZT3375

JEDEC Or Part Nr	GE Replacement	JEDEC Or Part Nr	GE Replacement	JEDEC Or Part Nr	GE Replacement	JEDEC Or Part Nr	GE Replacement	JEDEC Or Part Nr	GE Replacement	JEDEC Or Part Nr	GE Replacement	JEDEC Or Part Nr	GE Replacement
X5M6	GE-504A	Z1B5.6	GEZD-5.6	ZB12A	GEZD-12	ZG5.6	GEZD-5.6	ZS5.6B	GEZD-5.6	ZT66	GE-17		
X16	1N34AS	Z1B6.2	GEZD-6.2	ZB12B	GEZD-12	ZG6.8	GEZD-7.5	ZS7	GE-504A	ZT80	GE-210		
X16E3860	GE-20	Z1B10	GEZD-10-4	ZB15	GEZD-15	ZG8.1	GEZD-9.1	ZS8	GE-504A	ZT81	GE-210		
X16E3890	GE-63	Z1B12	GEZD-12	ZB15A	GEZD-15	ZG10	GEZD-10-4	ZS9.1	GEZD-9.1	ZT82	GE-210		
X16E3960	GE-20	Z1B15	GEZD-15	ZB15B	GEZD-15	ZG12	GEZD-12	ZS9.1A	GEZD-9.1	ZT83	GE-210		
X16N1485	GE-20	Z1D6.2	GEZD-6.2	ZB22	GEZD-22	ZG15	GEZD-15	ZS10A	GE-504A	ZT84	GE-210		
X18	1N60	Z1D15	GEZD-15	ZB24	GEZD-24	ZG15A	GEZD-15	ZS10B	GE-504A	ZT86	GE-17		
X42	GE-2	Z2A51F	GEZD-5.1	ZB27	GEZD-27	ZG15B	GEZD-15	ZS12	GEZD-12	ZT87	GE-210		
X-78	GE-52	Z2A56F	GEZD-5.6	ZB27A	GEZD-27	ZG27	GEZD-27	ZS12A	GEZD-12	ZT88	GE-17		
X137	GE-4	Z2A62F	GEZD-6.2	ZB27B	GEZD-27	ZG27A	GEZD-27	ZS12B	GEZD-12	ZT89	GE-17		
X1005	GE-16	Z2A91F	GEZD-9.1	ZB1-13	GEZD-5.6	ZG27B	GEZD-27	ZS15	GEZD-15	ZT94	GE-215		
X1018	GE-42	Z2A120F	GEZD-12	ZC1N34A	1N34AS	ZH9.1	GEZD-9.1	ZS15A	GEZD-15	ZT90	GE-210		
X330302	GEZD-12	Z2A150F	GEZD-15	ZC1S352M	GE-90	ZH9.1A	GEZD-9.1	ZS15B	GEZD-15	ZT111	GE-210		
XA101	GE-50	Z3.6	GEZD-3.6	ZC1S358S	GE-300	ZH9.1B	GEZD-9.1	ZS20A	GE-504A	ZT112	GE-210		
XA102	GE-50	Z4B5.1	GEZD-5.1	ZC2SA70	GE-51	ZH12	GEZD-12	ZS20B	GE-504A	ZT113	GE-210		
XA103	GE-1	Z4B5.6	GEZD-5.6	ZC2SA71	GE-51	ZH12A	GEZD-12	ZS21	GE-504A	ZT114	GE-210		
XA104	GE-1	Z4B9.1	GEZD-9.1	ZC2SA71A	GE-51	ZH12B	GEZD-12	ZS22	GE-504A	ZT116	GE-17		
XA111	GE-50	Z4B12	GEZD-12	ZC2SA101	GE-51	ZH15	GEZD-15	ZS24	GE-504A	ZT117	GE-210		
XA112	GE-50	Z4B15	GEZD-15	ZC2SA101BA	GE-51	ZH15A	GEZD-15	ZS25	GE-504A	ZT118	GE-17		
XA123	GE-50	Z4B27	GEZD-27	ZC2SA102	GE-51	ZH15B	GEZD-15	ZS27	GEZD-27	ZT119	GE-17		
XA124	GE-50	Z4MW333	GE-10	ZC2SA102CA	GE-51	ZH27	GEZD-27	ZS27A	GEZD-27	ZT152	GE-22		
XA126	GE-50	Z4X5.1A	GEZD-5.1	ZC2SA103	GE-51	ZH27A	GEZD-27	ZS27B	GEZD-27	ZT153	GE-21		
XA131	GE-51	Z4X5.1B	GEZD-5.1	ZC2SA103CA	GE-51	ZH27B	GEZD-27	ZS30	GE-504A	ZT154	GE-21		
XA495	GE-52	Z4XL6.2	GEZD-6.2	ZC2SA377	GE-51	ZJ12	GEZD-12	ZS30A	GE-504A	ZT180	GE-22		
XA495AC	GE-21	Z4XL6.2B	GEZD-6.2	ZC2SA700A	GE-51	ZJ12A	GEZD-12	ZS30B	GE-504A	ZT181	GE-82		
XA495D	GE-21	Z4XL9.1	GEZD-9.1	ZC2SA700B	GE-51	ZJ12B	GEZD-12	ZS31	GE-504A	ZT182	GE-82		
XB1	GE-52	Z4XL9.1B	GEZD-9.1	ZC2SB172	GE-53	ZJ15	GEZD-15	ZS31A	GE-504A	ZT183	GE-82		
XB2	GE-52	Z4XL12	GEZD-12	ZC2SB172A	GE-53	ZJ15A	GEZD-15	ZS31B	GE-504A	ZT184	GE-82		
XB2.XB4	GE-54	Z4XL12B	GEZD-12	ZC012	GEZD-12	ZJ15B	GEZD-15	ZS32	GE-504A	ZT187	GE-22		
XB3	GE-52	Z4XL75	GEZD-7.5	ZC015	GEZD-15	ZJ27	GEZD-15	ZS32A	GE-504A	ZT189	GE-82		
XB3B	GE-2	Z5.6	GEZD-5.6	ZC027	GEZD-27	ZJ27A	GEZD-27	ZS32B	GE-504A	ZT190	GE-63		
XB3C	GE-2	Z5B3.6	GEZD-3.6	ZD5.1A	GEZD-5.1	ZJ27B	GEZD-27	ZS33A	GE-504A	ZT191	GE-63		
XB4	GE-52	Z5B5.1	GEZD-5.1	ZD5.1B	GEZD-5.1	ZJ40	GE-51	ZS33B	GE-504A	ZT192	GE-63		
XB5	GE-16	Z5B5.6	GEZD-5.6	ZD5.6A	GEZD-5.6	ZJ72	GE-51	ZS34	GE-504A	ZT193	GE-63		
XB7	GE-16	Z5B9.1	GEZD-9.1	ZD5.6B	GEZD-5.6	ZJ73	GE-51	ZS34A	GE-504A	ZT202	GE-61		
XB8	GE-50	Z5B10	GEZD-10-4	ZD6.2A	GEZD-6.2	ZJ252B	GE-504A	ZS34B	GE-504A	ZT203	GE-61		
XB9	GE-2	Z5B12	GEZD-12	ZD6.2B	GEZD-6.2	ZO-12	GEZD-12	ZS50	GE-504A	ZT204	GE-61		
XB10	GE-2	Z5B15	GEZD-15	ZD7.5	GEZD-7.5	ZO-12A	GEZD-12	ZS51	GE-504A	ZT210	GE-67		
XB12	GE-18	Z6	GEZD-5.6	ZD9.1	GEZD-9.1	ZO-12B	GEZD-12	ZS52	GE-504A	ZT211	GE-63		
XB13	GE-53	Z6.2	GEZD-6.2	ZD9.1A	GEZD-9.1	ZO-15	GEZD-15	ZS53	GE-504A	ZT280	GE-22		
XB14	GE-3	Z10	GEZD-10-4	ZD9.1B	GEZD-9.1	ZO-15A	GEZD-15	ZS71	GE-504A	ZT281	GE-82		
XB102	GE-53	Z10K	GEZD-10-4	ZD10B	GEZD-9.1	ZO-15B	GEZD-15	ZS72	GE-504A	ZT282	GE-82		
XB103	GE-53	Z12A	GEZD-12	ZD12	GEZD-12	ZO-27	GEZD-27	ZS73	GE-504A	ZT283	GE-82		
XB104	GE-50	Z12K	GEZD-12	ZD12A	GEZD-12	ZO-27A	GEZD-27	ZS78	GE-509	ZT284	GE-82		
XB112	GE-53	Z15	GEZD-15	ZD12B	GEZD-12	ZO-27B	GEZD-27	ZS78A	GE-509	ZT286	GE-21		
XB113	GE-53	Z15K	GEZD-15	ZD15	GEZD-15	ZOB3.6	GEZD-3.6	ZS78B	GE-509	ZT287	GE-22		
XB114	GE-2	Z111Z	GEZD-12	ZD15A	GEZD-15	ZOB5.1	GEZD-5.1	ZS90	GE-504A	ZT402	GE-61		
XB401	GE-28	Z1012	GEZD-10-4	ZD15B	GEZD-15	ZOB6.2	GEZD-6.2	ZS91	GE-504A	ZT403	GE-61		
XB404	GE-66	Z1014	GEZD-12	ZD27	GEZD-27	ZOB12	GEZD-12	ZS92	GE-504A	ZT404	GE-61		
XB408	GE-66	Z1104	GEZD-6.2	ZD27A	GEZD-27	ZOB15	GEZD-15	ZS94	GE-504A	ZT406	GE-17		
XB476	GE-66	Z1110	GEZD-9.1	ZD27B	GEZD-27	ZOB27	GEZD-27	ZS100	GE-504A	ZT600	GE-47		
KC101	GE-53	Z1112	GEZD-12	ZD012	GEZD-12	ZOD6.2	GEZD-6.2	ZS101	GE-504A	ZT696	GE-81		
KC121	GE-53	Z1112C	GEZD-12	ZD015	GEZD-15	ZOD15	GEZD-15	ZS102	GE-504A	ZT697	GE-81		
KC131	GE-53	Z1202	GEZD-4.7	ZD027	GEZD-27	ZOD27	GEZD-27	ZS103	GE-504A	ZT706	GE-61		
KC141	GE-16	Z1210	GEZD-10	ZDT10	GE-61	ZDP9.1	GEZD-9.1	ZS104	GE-504A	ZT706A	GE-61		
KC142	GE-16	Z1212	GEZD-11	ZDT11	GE-61	ZP9.1B	GEZD-9.1	ZS108	GE-509	ZT708	GE-17		
KC155	GE-25	ZA9.1	GEZD-9.1	ZDT20	GE-61	ZP12	GEZD-12	ZS120	GE-504A	ZT709	GE-61		
KC156	GE-25	ZA9.1A	GEZD-9.1	ZDT21	GE-61	ZP12A	GEZD-12	ZS121	GE-504A	ZT917	GE-11		
KC171	GE-53	ZA9.1B	GEZD-9.1	ZDT30	GE-39	ZP12B	GEZD-12	ZS122	GE-504A	ZT918	GE-17		
KC371	GE-20	ZA12	GEZD-12	ZDT31	GE-39	ZP15	GEZD-15	ZS123	GE-504A	ZT1479	GE-18		
KC372	GE-20	ZA12B	GEZD-12	ZE5.6	GEZD-5.6	ZP15A	GEZD-15	ZS124	GE-504A	ZT1481	GE-18		
XJ13	GE-52	ZA13B	GEZD-12	ZE10	GEZD-10-4	ZP15B	GEZD-15	ZS125	GEZD-5.6	ZT1483	GE-66		
XJ71	GE-51	ZA15	GEZD-15	ZE12	GEZD-12	ZP27	GEZD-27	ZS126	GEZD-5.6	ZT1484	GE-66		
XNC101	GE-8	ZA15A	GEZD-15	ZE12A	GEZD-12	ZP27A	GEZD-27	ZS127	GEZD-5.6	ZT1485	GE-66		
XS9.1B	GEZD-9.1	ZA15B	GEZD-15	ZE12B	GEZD-12	ZP27B	GEZD-27	ZS128	GEZD-9.1	ZT1486	GE-66		
XS10	GE-504A	ZA27	GEZD-27	ZE15	GEZD-15	ZQ-6	GEZD-6.2	ZT9.1A	GEZD-9.1	ZT1487	GE-77		
XS17	GE-504A	ZA27A	GEZD-27	ZE15A	GEZD-15	ZQ9.1	GEZD-9.1	ZT9.1B	GEZD-9.1	ZT1488	GE-75		
XS17A	GE-504A	ZA27B	GEZD-27	ZE15B	GEZD-15	ZQ12	GEZD-12	ZT12	GEZD-12	ZT1489	GE-77		
XS31	GE-504A	ZA150	GE-504A	ZE27	GEZD-27	ZQ12A	GEZD-12	ZT12A	GEZD-12	ZT1490	GE-75		
XT15X3	GE-11	ZB1	GEZD-20	ZE27A	GEZD-27	ZQ12B	GEZD-12	ZT12B	GEZD-12	ZT1613	GE-216		
XU804	GE-504A	ZB-1	GEZD-12	ZE27B	GEZD-27	ZQ15	GEZD-15	ZT15	GEZD-15	ZT1700	GE-46		
XZ-072	GEZD-7.5	ZB1-6	GEZD-6.2	ZEC5.6	GEZD-5.6	ZQ15A	GEZD-15	ZT15A	GEZD-15	ZT1701	GE-66		
Y100	8GD1	ZB1-9	GEZD-9.1	ZEC12	GEZD-12	ZQ15B	GEZD-15	ZT15B	GEZD-15	ZT1702	GE-77		
Y363	GE-53	ZB-1-9.5	GEZD-9.1	ZEC27	GEZD-27	ZQ27	GEZD-27	ZT20	GE-62	ZT1708	GE-210		
YAAD001	GE-X11	ZB1-10	GEZD-12	ZENER7-1V	GEZD-7.5	ZQ27A	GEZD-27	ZT21	GE-62	ZT1711	GE-18		
YAAD004	GE-504A	ZB1-11	GEZD-11	ZF3.6	GEZD-3.6	ZQ27B	GEZD-27	ZT22	GE-62	ZT2102	GE-28		
YAAD007	GE-300	ZB1-12	GEZD-12	ZF4.3	GEZD-4.7	ZR50B793-1	GEZD-12	ZT23	GE-62	ZT2205	GE-210		
YAAD010	GE-300	ZB1-15	GEZD-15	ZF5.1	GEZD-5.1	ZR50B793-3	GEZD-27	ZT24	GE-62	ZT2206	GE-210		
YAANZ2SC1096	GE-28	ZB1-18	GEZD-18	ZF5.6	GEZD-5.6	ZR50B849-1	GEZD-27	ZT27	GEZD-27	ZT2270	GE-63		
YEAD015	GEZD-9.1	ZB1-35	GEZD-33	ZF6.2	GEZD-6.2	ZR50B921-1	GEZD-27	ZT27A	GEZD-27	ZT2368	GE-20		
YOD4	GE-504A	ZB1-110	GEZD-120	ZF-8.2	GE-X11	ZR50B921-2	GEZD-7.5	ZT27B	GEZD-27	ZT2369	GE-20		
YR-011	GE-504A	ZB5.1	GEZD-5.1	ZF10	GEZD-10-4	ZR50B921-3	GEZD-10-4	ZT40	GE-61	ZT2369A	GE-20		
YSG-V47-7-51	8GD1	ZB5.6	GEZD-5.6	ZF12	GEZD-12	ZR61	GE-504A	ZT					

UNIVERSAL REPLACEMENT SEMICONDUCTORS

ZT3440 - ZY27B

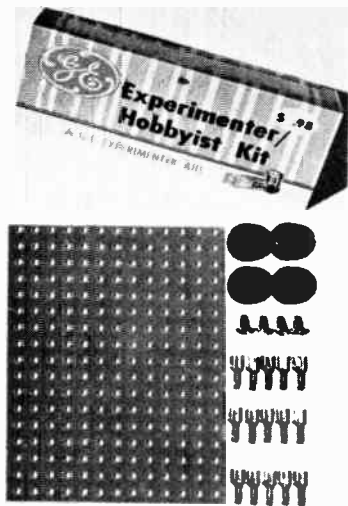
JEDEC Or Part Nr	GE Replacement	JEDEC Or Part Nr	GE Replacement	JEDEC Or Part Nr	GE Replacement	JEDEC Or Part Nr	GE Replacement	JEDEC Or Part Nr	GE Replacement	JEDEC Or Part Nr	GE Replacement
ZT3440	GE-32										
ZT3512	GE-63										
ZT3600	GE-11										
ZT3866	GE-20										
ZTX107	GE-212										
LATE ADDITIONS											
ZTX108	GE-212	1C26	GEIC-2								
ZTX109	GE-212	SN78666	GEIC-2								
ZTX300	GE-210	4206104970	GEIC-2								
ZTX301	GE-210	A1365	GEIC-2								
ZTX302	GE-210	13-40-6	GEIC-6								
ZTX303	GE-210	HEPC-8070P	GEIC-4								
ZTX304	GE-81	DS-189	GEZD-11								
ZTX310	GE-210	HA1125	GEIC-2								
ZTX311	GE-210	4208004600	GEIC-2								
ZTX312	GE-20	EP84X2	GEIC-2								
ZTX320	GE-81	EQS-57	GE-46								
ZTX321	GE-81	86-810-2	GE-21								
ZTX325	GE-88	HS20-1C	GEIC-4								
ZTX328	GE-88	HS20	GEIC-4								
ZTX330	GE-210	D1J71961	GEIC-4								
ZTX331	GE-210	US15-18	GEIC-4								
ZTX341	GE-27	5320501	GE-45								
ZTX342	GE-27	EP57X2	GEIC-7								
ZTX360	GE-47	1223	GEIC-7								
ZTX500	GE-22	EP15X18	GE-40								
ZTX501	GE-82	25810-165	GEIC-7								
ZTX502	GE-82	38A4148-000	GE-520								
ZTX503	GE-82	137245	GEIC-20								
ZTX504	GE-82	14636723	GEIC-20								
ZTX530	GE-82	132547	GEIC-4								
ZU12	GEZD-12	09-302050	GE-46								
ZU12A	GEZD-12	SI-RECT-208	GE-512								
ZU12B	GEZD-12	ES57X21	GEIC-5								
ZU15	GEZD-15	ES15X107	GE-40								
ZU15A	GEZD-15	ES57X11	GEIC-7								
ZU15B	GEZD-15	1322966	GEIC-5								
ZU27	GEZD-27	1445470-503	GEIC-5								
ZU27A	GEZD-27	34-11016	GEIC-4								
ZU27B	GEZD-27	103-239	GEIC-5								
ZV9.1	GEZD-9.1	25C1475	GE-45								
ZV9.1A	GEZD-9.1	8000-00030-008	GE-45								
ZV9.1B	GEZD-9.1	86-95-1	GEZD-24								
ZV12	GEZD-12	23115334	GE-513								
ZV12A	GEZD-12	23115321	GE-513								
ZV12B	GEZD-12	HS20	GEIC-4								
ZV15	GEZD-15	4-2021-07570	GEIC-4								
ZV15A	GEZD-15	US20-113	GEIC-4								
ZV15B	GEZD-15	SELEN-58	GEIC-4								
ZV27	GEZD-27	132547	GEIC-5								
ZV27A	GEZD-27	13-33167-10	GEZD-150								
ZV27B	GEZD-27	221-31	GEIC-12								
ZW2	GE-504A	EP84X2	GEIC-12								
ZW9.1	GEZD-9.1	EP84X3	GEIC-5								
ZX9.1	GEZD-9.1	73C182763-2	GEIC-30								
ZX12	GEZD-12										
ZY12	GEZD-12										
ZY12A	GEZD-12										
ZY12B	GEZD-12										
ZY15	GEZD-15										
ZY15A	GEZD-15										
ZY15B	GEZD-15										
ZY27	GEZD-27										
ZY27A	GEZD-27										
ZY27B	GEZD-27										
ZZ3.6	GEZD-3.6										
ZZ5.8	GEZD-5.6										
ZZ6.2	GEZD-8.2										
ZZ10	GEZD-10-4										
ZZ12	GEZD-12										
ZZ15	GEZD-15										
ZZ27	GEZD-27										
ZY27	GEZD-27										
ZY27A	GEZD-27										
ZY27B	GEZD-27										

Section III - Experimenter/Hobbyist Components

Each electronic component in this series is blister packaged with circuit diagrams showing how educational, practical, and interesting electronic devices can be built. They can also be used in many other applications mentioned in hobby magazines and articles such as found in the General Electric Components Experimenters' (Hobby) Manual (ETRM-3960).

ETRS 4288 EXPERIMENTER HOBBYIST KIT.

Easy to assemble and wire simple electronic circuits. Push-in terminals fit board holes. Component wires can be pushed into serrated slots with or without soldering. Soldered connections can also be made to terminals underneath board. Compactron Socket can be attached to (3½" x 4½") board with self-tapping screws. Terminal board will fit many small metal boxes or can be cut to size. Two or more boards can be fastened together.



SILICON CONTROLLED RECTIFIER GE-X1

This silicon controlled rectifier is a sensitive, rugged solid state switch for use on 117 volt household circuits. The GE-X1 makes a fine speed control for hand tools, blenders, mixers, lamp dimmers, HO train controls, and automotive alternator regulators.

Peak Reverse Voltage	= 200 volts
Average forward current	= 4.7 amps
Gate current to trigger	= 15 to 25 ma DC
Gate voltage to trigger	= 1.3 to 3.0 volts DC
Supply voltage	= 120 or less volts

A schematic is included for building a PLUG-IN SPEED CONTROL for general purpose applications.

You'll need the following parts:

- SCR1—GE-X1 silicon controlled rectifier
- C1—2 f, 50 volt capacitor (GE Type MTI-1)
- CR1, CR2—1N1693 rectifier diode (GE)
- CR3—GE-X14 thyrector diode (optional transient voltage suppressor)
- R1—2500 ohm, 4 watt resistor
- R2—500 ohm, 2 watt potentiometer
- R3—200 ohm, 1 watt potentiometer
- R4—1000 ohm, ½ watt resistor
- S1—SPDT switch
- F1—3 amp or 5 amp Suggested User Price \$2.80



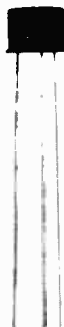
LIGHT ACTIVATED SILICON CONTROLLED RECTIFIER GE-X2A

This "mighty midget" is the first light activated SCR power switch. The GE-X2A is a genuine silicon controlled rectifier that is controlled by light. It can be used in photoelectric controls, experimental ignition systems, slave photoflash circuits, and miniature lightweight static relays.

Peak Reverse voltage	= 25 volts
Max forward current (100° F)	= 1.8 amp
Light intensity to trigger	= 200 to 500 foot candles
Supply voltage	= 6 or 12 volts AC or DC

A schematic is included for building a SLAVE PHOTOFLASH for flashbulbs. You'll need the following parts:

- GE-X2A—Light activated silicon controlled rectifier
- 15 to 22½ volt battery
- R1—10 K resistor, ½ watt
- R2—10 ohm resistor, 1 watt



- R3—56 K resistor, 1 watt
- C1—250 MFD, 25V capacitor (GE Type QTI-28)
- S1—SPST toggle switch
- Flash bulb socket Suggested User Price \$2.80

SILICON CONTROLLED RECTIFIER GE-X3

A silicon controlled rectifier for high current at lower voltage. The GE-X3 is ideal for applications requiring higher current such as battery chargers, electroplating, relay replacement, or low voltage controls such as operating from automobile or boat batteries.

Peak Reverse voltage	= 50 volts
Average forward current	= 13 amps
Gate current to trigger	= 20 to 25 ma DC
Gate voltage to trigger	= 2.0 to 2.5 volts DC
Supply voltage	= 6, 12, 28 volts DC

A schematic is included for building a 12 VOLT REGULATED BATTERY CHARGER You'll need the following parts:

- SCR1—GE-X3 silicon controlled rectifier
- SCR2—GE-X5 silicon controlled rectifier
- C1—100µf, volt capacitor (GE-type MTI-20)
- CR1—GE-X11 zener diode
- CR2—1N1692 rectifier diode (GE)
- CR3, CR4—GE-X4 rectifier diode
- CR5—GE type GE-X14 thyrector diode
- R1—500 ohm, 2 watt linear potentiometer
- R2, R3—27 ohm, 3 watt resistor
- R4—1000 ohm, ½ watt resistor
- T1—Transformer: primary, 120 volts: secondary, 24 volts (UTC-FT10 or equivalent)
- Suggested User Price \$4.00

SILICON RECTIFIER GE-X4

For the first time a low priced high current conventional silicon rectifier is available. The GE-X4 can be used in Hi-Lo lamp dimmers, motor speed controls, battery chargers, in conjunction with the GE-X1 or GE-X3, full wave SCR light dimmers, or DC power supplies.

Peak Reverse Voltage	= 200 volts
Average forward current	= 20 amps
Supply Voltage	= 120 or less volts

A schematic is included for building a HIGH-LOW-OFF CONTROL for a heater, lamp, motor, etc. You'll need the following parts:

- CR1—GE-X4 rectifier for 300 watts output
- CR2—GE-X14 thyrector diode
- S1—SPDT 120 volt AC, 3 amp switch with center "OFF" position Suggested User Price \$1.60



SILICON CONTROLLED RECTIFIER GE-X5

This rugged little silicon controlled rectifier can be activated by an extremely low signal power. The GE-X5 is invaluable for use in simple remote controls, temperature controls, alarm systems, and a host of other imaginative and intriguing devices.

Peak Reverse voltage	= 50 volts
Average forward current	= 2.0 amps
Gate current to trigger	= 50 to 200 microamp DC
Gate voltage to trigger	= .35 to .8 volts DC
Supply voltage	= 6, 12, 28 or 48 volts AC or DC

PHOTOTIMER. You'll need the following parts: A schematic is included for building an ENLARGER

SCR1—GE-X5 silicon controlled rectifier
 C1—100 μ f. 300 volt capacitor (GE type XC1-12)
 CR1, CR2, CR3—1N1693 rectifier diode (GE)
 CR4—1N1692 rectifier diode (GE)
 R1—250,000 ohm, 2 watt potentiometer
 R2, R3—3,300 ohm, 1/2 watt resistor
 R4—1 megohm, 1/2 watt resistor
 MR1—24 volt AC relay (Potter & Brumfield MR5A, or equivalent)
 S1—DPDT switch
 T1—Filament transformer; primary, 120 volts; secondary, 12 volts and 6 volts (Triad F25X, or equivalent) Suggested User Price \$2.30

PHOTOCELL GE-X6

This cadmium sulfide photo conductive cell is end-illuminated and can be used in control applications such as relay controls, automatic light flashers, remote indicators, and punched card or tape read-outs.

Wave length of maximum spectral response	= 6100 \pm 600 \AA
Max power dissipation	= 250 mw
Max applied voltage	= 250 volts
Resistance at 2 ft.-C	= 9000 ohms
Resistance at 100 ft.-C	= 480 ohms
Ambient Temp. Range	= 40°C to + 65°C

Schematics are included for building (1) NIGHT LIGHT CONTROL and (2) LIGHT FLASHER. You'll need the following parts to build the Night Light Control:

GE-X6—Photoconductive cell
 GE-X7—Reed switch
 GE-504A Silicon rectifier
 R1—5 ohm, 1 watt resistor
 R2—10 K, 5 watt resistor
 C1—4 μ f. 300 volt capacitor (GE type QTI-2)
 Lamp, 15 watt maximum
 L1—Coil at 10,000 turns No. 39 wire, wound on 2" coil form packaged with GE-X7 or GE type No. C2 @ \$1.60

Light Flasher parts are listed under REED SWITCH GE-X7 Suggested User Price \$1.40

REED SWITCH GE-X7

The GE-X7 with external magnetic actuation is ideal for liquid-level controls, weight measuring devices, temperature limiters, multiple relays, and many other applications.

Max contact rating (DC resistive) 250V @ 1 amp	= 15 watts
Max initial contact resistance	= 50 milliohms
Max breakdown voltage @ 60 CPS RMS	= 500 volts
Pull-in or operate ampere turns	= 90 \pm 15
Drop-out or release ampere turns	= 35 \pm 10
Temp range of operation	= 65°C to + 150°C



Schematics are included for building (1) LIGHT FLASHER and (2) BURGLAR ALARM. You'll need the following parts to build the Light Flasher:

GE-X7—Reed switch
 GE-X6—Photoconductive cell
 12 volt battery
 S1—SPST toggle switch
 R1—270 ohm, 1 watt resistor
 R2—500 ohm, .5 watt potentiometer
 Lamp No. 428 or equivalent, rating 12.5 volts 250 ma.
 L1—Coil at 7000 turns No. 38 wire, wound on coil form packaged with GE-X7 or GE Type No. C1 @ \$1.60

To build a Burglar Alarm you'll need these parts:
 GE-X7—Reed switch
 Note: Magnet packaged with GE-X7
 Bell transformer
 Bell or buzzer Suggested User Price \$.80

TRANSISTOR GE-X8

The GE-X8 is an NPN isolated case germanium medium speed transistor designed for low level switching and amplification in applications such as oscillators, direct coupled amplifiers, flashers and bi-stable lamp driver circuitry.

DC collector to base current @ VCB + 5 volts	= 30 μ a max
Collector emitter breakdown voltage @ IC = 300 a	= 10 volts min
$R_{sc} = 10K$	
Forward current transfer ratio @ IC = 1 ma, $V_{ce} = 1$ volt	= 15 min 45 max

Schematics are included for building (1) LIGHT FLASHER, (2) LIGHT TARGET and (3) TRIGGERED LIGHT SOURCE.

All parts are listed under TRANSISTOR GE-X9. Suggested User Price \$.70

TRANSISTOR GE-X9

The GE-X9 is a PNP germanium alloy transistor for extremely reliable medium power amplification and switching at low frequency. An ideal companion to the GE-X8, this transistor can be used to build a light flasher, light target or triggered light source.

Collector to emitter breakdown voltage @ IC=600 ma, $R_{sc}=10K$	= 9 volts min
Forward current transfer ratio IC=20 ma, $T_{cc}=1$ volt	= 34 min

Schematics are included for building (1) LIGHT FLASHER, (2) LIGHT TARGET and (3) TRIGGERED LIGHT SOURCE. You'll need the following parts to build the Light Flasher:

Q2—GE-X9
 Q1—GE-X8
 6 volt battery
 C1—20-mfd, 10 volt capacitor (GE type MTI-10)
 R1—100 K, 2 watt potentiometer
 R2—5.6 K, 1/2 watt resistor
 R3—5.6 K, 1/2 watt resistor
 Lamp No. 1850
 R4—1.2 K, 1/2 watt resistor

You'll need these parts to build the Light Target:
 Q2—GE-X9
 Q1—GE-X8
 6 volt battery
 Lamp No. 1850
 C1—20-mfd, 10 volt capacitor (GE type MTI-10)
 R1—10 K, 2 watt sensitive control
 GE-X6—Photoconductive cell
 R2—1.2 K, 1/2 watt

You'll need these parts to build the Triggered Light Source:
 Q2—GE-X9
 Q1—GE-X8



6 volt battery
 Lamp No. 1850
 C1—20-mfd, 10 volt capacitor (GE type MTI-10)
 R2—5.6 K, ½ watt resistor
 R1—100 K, 2 watt potentiometer
 R3—1.2 K, ½ watt resistor
 S1—Trigger switch

Suggested User Price \$.70

UNIUNCTION TRANSISTOR GE-X10

A device which has quite different electrical characteristics than those of the conventional transistor, the unijunction transistor is a three-terminal semi-conductor featuring: (1) Low cost (2) Low value of firing current (3) A negative resistance characteristic that is stable with temperature and life (4) A stable firing current (5) A high pulse-current capability. These characteristics make the unijunction invaluable for use in oscillators, timing circuits, voltage sensing circuits, SCR firing circuits and bi-stable circuits.

Peak point current = 25 microamps
 Min valley current = 4 milliamps
 Base one peak pulse voltage = 6 volts

A schematic is included for building a HIGH PRECISION TACHOMETER for automotive ignition systems with 12 volt negative ground. All parts are listed under ZENER DIODE GE-X11.
 Suggested User Price \$1.35

ZENER DIODE GE-X11

The GE-X11 is a silicon zener diode. It can be used in low voltage transistor or silicon controlled rectifier applications requiring voltage regulation or voltage transient protection.

Power dissipation = 1 watt
 Nominal zener voltage, ± 10% = 8.2 volts

A schematic is included for building a HIGH PRECISION TACHOMETER for automotive ignition systems with 12 volt negative ground. You'll need the following parts:

GE-X11 zener diode
 GE-X10—unijunction transistor
 GE-10—transistor
 R1—3300 ohm, ½ watt resistor
 R2, R3—1000 ohm, ½ watt resistor
 R4—3900 ohm, ½ watt resistor
 R5—470 ohm, ½ watt resistor
 R6—1000 ohm, ½ watt resistor
 R7—250 ohm, 2 watt potentiometer
 R8—330 ohm, 1 watt resistor
 C2—22 mfd, 400 volt capacitor (GE type MPC-4P22)
 C3—.047-mfd, 200 volt capacitor (GE type MPC-2S47)
 M—Meter 0-.5 ma. calibrated 0-6000 RPM
 Suggested User Price \$1.80

TRIAC GE-X12

The new GE TRIAC controlled AC switch can be used in many appliances. Here is a simple, easy-to-build example: controlling the power for a lamp or appliance from a remote location. This often requires an isolated low-voltage central circuit to eliminate danger of shock or fire, and permits use of inexpensive wiring and a small control switch.

Breakover voltage @ 100° C = ± 200 volts
 Peak gate power = 5.0 watts
 RMS current @ 75° C = 6.0 amps
 Gate current to trigger = ± 50 ma
 Gate voltage to trigger = ± 3 volts

A schematic is included for building a REMOTE CONTROL DEVICE for lamp or appliance. You'll need the following parts:

TRI-GE-X12 TRIAC
 F1—5-amp, 3AG, fuse



R1—50-ohm, 2-watt potentiometer
 S1—SPST switch
 T1—Transformer: primary, 120 volts AC; secondary, 6.3 volts; 1-amp (min) "Filament" type
 Suggested User Price \$4.50

DIAC GE-X13

Want something to turn the lights on when it gets dark and you aren't there? This circuit, using the new GE DIAC, will do that plus give full symmetrical control from zero to 100% oven an AC load. It does a complete job of dimming lamps, and is suitable for controlling AC motors.

Breakover voltage = ± 28 volts min,
 ± 36 volts max
 Breakover current = ± 200 µa max
 Peak current = ± 2 amps max

A schematic is included for building a COMBINATION FULL-WAVE LAMP DIMMER, LAMP SENTINEL, AC MOTOR CONTROL. You'll need the following parts:

DIAC-GE-X13
 TRIAC-GE-X12
 C1—0.1-mfd, 50-volt capacitor (GE MPC-2P1)
 C2—0.1-mfd, 200-volt capacitor (GE MPC-2P1)
 PC-GE-X6 cadmium sulfide photoconductor
 R1—68000-ohm, ½-watt resistor
 R2—47000-ohm, ½-watt resistor
 R3—4700-ohm, ½-watt resistor
 R4—250000-ohm, 2-watt potentiometer
 Suggested User Price \$1.60

THYRECTOR GE-X14

The GE-X14 is a transient voltage suppressor providing a power supply level ample for handling a typical 100-watt transmitter, providing two voltage outputs from a single circuit. With an adjustable transformer in the line ahead of the step-up transformer, this circuit makes an excellent variable voltage power supply for laboratory experiments.
 Steady State Ratings:

Cell voltage = 30 volts rms—42.4
 volts peak
 Stack voltage = 30 to 600 volts rms
 Max leakage current = 1.2 ma

A schematic is included for building a DUAL VOLTAGE POWER SUPPLY.

You'll need the following parts:

CR2—GE-X14 Thyrector diode (optional transient voltage suppressor)
 C1, C2—4 mfd, 1000-volt capacitor (GE 23F1027)
 C3, C4—20 mfd, 600-volt electrolytic capacitor
 CR1—16 GE type 1N1696 silicon rectifier diodes connected in groups of four
 F1—3AGC fuse, 3-amp
 I1—120-volt, 6-watt pilot lamp
 L1—5/25-henry choke, 175-ma (UTC S-30, or equivalent)
 L2—10-henry choke, 175-ma (UTC S-29 or equivalent)
 L3—30-henry choke, 25-ma (UTC S-25, or equivalent)
 R1—50000-ohm, 25-watt resistor
 R2—110000-ohm, 4-watt resistor (2-220K, 2-watt resistors in parallel)
 S1—DPST switch
 R1—200-ma transformer: primary, 120-volt AC, 60cps; secondary, 800-volt (Stancor PC-8412, or equivalent)
 Chassis—Aluminum, 12" x 8" x 3"

Suggested User Price \$1.15



THERMISTOR GE-X15

Safety conscious? Want an adjustable temperature alarm that will ring a bell, actuate a buzzer,

or turn on a light that can be used to detect a high temperature in hazardous locations? Here you are. For example, this device can be used in the home to determine when the attic ventilating fan should be turned on. Any temperature from approximately 115° to 165°F may be detected by the thermistor, at which point an alarm can be sounded or a switch actuated.

Resistance @ 25°C = 1000 ± 10% ohms
 Nominal resistance @ 150°C = 18 ohms
 Dissipation constant = T.S. mw/°C
 Thermal time constant = 19 seconds

A schematic is included for building an ADJUSTABLE TEMPERATURE ALARM.

You'll need the following parts:

R1—GE-X15 thermistor
 Battery—12 volts

L1—7000 turns of No. 38 wire (440 ohms). This is General Electric C-1 coil available at GE distributors (\$1.60)

S1—SPST toggle switch

S2—GE-X7 magnetic reed switch (magnet supplied with reed switch)

B1—Standard bell or buzzer

T1—Standard 12/24-volt AC bell transformer

Suggested User Price \$5.50

SILICON CONTROLLED RECTIFIER GE-X16

There is often a desire to use a fluorescent lamp in applications where a low-voltage battery is the only source of power. The advantage of these lamps over incandescent lamps are: higher efficiency (you get about four times the light from the same battery current), better light distribution, and less heat dissipation. This high-frequency inverter will find many useful applications for lighting in trucks, yachts, houseboats, buses, mobile homes, camp trailers, and aircraft.

Peak reverse voltage = 400 volts
 Max current DC @ 80 C case = 7.4 amps
 Gate current to trigger = 25 ma
 Gate voltage to trigger = 3 volts
 Supply voltage = 120 volts or less

A schematic is included for building a BATTERY-OPERATED FLUORESCENT LIGHT.

You'll need the following parts:

SCR1—GE-X16 Silicon Controlled Rectifier

B1—12-volt battery

C1, C5—0.01-mfd capacitor, 200-volt (GE type MPC-4S1)

C2, C3, C4—1-mfd capacitor, 200-volt (GE type QT1-1)

C6—0.04-mfd capacitor, 600-volt (GE type MPC-6S4)

C7—60-mfd tantalitic capacitor, 15-volt (GE 29F481)

CR1—GE-X4 rectifier diode

F1—5-amp fuse, type AGX2

I1—GE F8 fluorescent lamp

L1—Coil: 11 turns of No. 22 insulated wire on core No. 930157-2 made by the Arnold Engineering Co., P.O. Box G, Marengo, Illinois

Q1—GE-X10 unijunction transistor

R1—220-ohm, ½-watt resistor

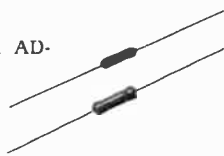
R2—47-ohm, ½-watt resistor

R3—150000-ohm, ½-watt resistor

R4—100000-ohm, ½-watt resistor

R5—68-ohm, ½-watt resistor

S1, S2—SPST switch



UNIUNCTION TRANSISTOR GE-X17

The General Electric X17 is a three-terminal planar passivated PNP device. The terminals are designated as anode, anode gate and cathode.

GE-X17 Programmable Unijunction Transistor
 Peak Point Current, I_p2 microamp
 Valley Current, I_v50 max milliamp
 Forward Voltage, V_F1.5 volts
 Pulse Output Voltage, V_o6 volts
 Operating Temperature-50°C to 100°C



Schematics are included for building

- (1) Turn Signal Reminder
- (2) Electronic Dice
- (3) Automatic Liquid-Level Control

Often while driving we become annoyed at the motorist ahead of us who has his turn signal on, but does not turn. To prevent you from being guilty of the same offense, here is a unique turn signal reminder. Should your turn signal be on for more than 30 seconds, a buzzer sounds to remind you to turn it off. The buzzer beeps in synchronism with the flasher.

You'll need the following parts:

B1—12-volt d-c buzzer

C1—25-mfd, 15-volt electrolytic capacitor

C2—0.01-mfd, 50-volt capacitor

CR1, CR2, CR3—GE-504A rectifier diode

Q1—GE-29 transistor

Q2—GE-X17 programmable unijunction transistor

R1—330K-ohm, ½-watt resistor

R2—4.7-megohm, ½-watt resistor

R3—1K-ohm, ½-watt resistor

R4—100-ohm, ½-watt resistor

R5—2.2K-ohm, ½-watt resistor

Dice are used in a multitude of gambling, board, and various fun games. In each case, the dice help us enjoy these games by introducing the element of chance. The time has come for the "old-fashioned" die to catch up with the space age, so we present a circuit for an electronic die.

With an investment of as little as ten dollars and a few hours of time, you can make your own electronic die or roulette wheel. This die can be used in a game such as Monopoly or as a spinner in other board games. Use it as a challenge to your friends to prove it is random, or as a source of random numbers for mathematical analysis, as a roulette wheel or as a wheel of chance like the one found at the local bazaar.

You'll need the following parts:

C1—50-mfd, 25-volt electrolytic capacitor

C2 thru C7—0.1-mfd paper capacitor

CR1—GE ZD-6.2 zener diode

CR2 thru CR6—GE-504A rectifier diode

I1 thru I6—GE No. 53 lamps

Q1, Q2—GE-20 transistor

R1—33K-ohm, ½-watt resistor

R2—560K-ohm, ½-watt resistor

R3, R4, R9, R11, R13, R15, R17—100K-ohm, ½-watt resistor

R5, R7—10K-ohm, ½-watt resistor

R6, R8, R10, R12, R14, R16—1K-ohm, ½-watt resistor

S1—Normally-open push-button switch

SCR1 thru SCR7—GE-X17 programmable unijunction transistor

For those experimenters with sump pumps, water storage tanks, swimming pools, animal drinking troughs, or other liquid containers where it is desirable to keep the fluid level between two fixed points, this hybrid control is extremely useful. The control takes advantage of the best characteristics of both power semiconductors and electromechanical devices. Two load sockets, marked FILL and EMPTY, are selected for the proper control when the liquid is either entering or leaving the container. These loads can be either electric motors or solenoid-operated valves operating from 120-volt a-c power. Liquid level detection is accomplished by two metal probes, one measuring the high level and the other the low level. Both probes can be single wires or conductive rods insulated from the mounting supports.

You'll need the following parts:

- CR1, CR2—GE-504A diodes
- J1, J2—Cinch a-c receptacles, or equivalent
- K1—12-volt a-c relay with DPDT contacts (Potter and Brumfield KA11AY, or equivalent)
- Q1—GEMR-5 or GE-X5 silicon controlled rectifier
- Q2—GE-X17 programmable unijunction transistor
- R1—1 megohm, ½-watt resistor
- R2—470-ohm, ½-watt resistor
- R3—1000-ohm, ½-watt resistor
- R4—100,000-ohm, ½-watt resistor
- T1—Power transformer, 120-VAC primary and 10-VAC secondary (Triad F-90X, or equivalent)
- Minibox—See text
- Line cord and fuse holder

Suggested User Price \$1.20

TRANSISTOR GE-X18

The General Electric X18 is an NPN plastic encapsulated, power transistor designed for various specific and general purpose applications.

GE-X18 Power Transistor

- Collector to Emitter Voltage45 volts
- Emitter to Base Voltage5 volts
- Collector to Emitter Voltage60 volts
- Collector Current (continuous)1 amp
- Collector Current (peak)1.5 amp
- Power Dissipation (tab at 25°C) 6 watts
- Operating Temperature -55°C to 150°C

Schematics are included for building

- (1) Capacitor Discharge SCR Ignition System (GEX16 Also Required)
- (2) 24-Volt D-C Regulated Power Supply

In this era of high-speed high-compression gasoline engines, the simple induction-coil ignition system fitted to virtually all U.S. and foreign automobiles imposes some severe limitations on today's sophisticated automobile engine. Adequate for the autos of 50 years ago, the so-called "Kettering" ignition limits both engine efficiency and performance and keeps them well below maximum capabilities.

You'll need the following parts:

- C1—10-mfd, 450-volt electrolytic capacitor
- C2—1.0-mfd, 400-volt non-polarized capacitor
- C3—0.033-mfd, 600-volt capacitor
- C4—0.1-mfd, 50-volt capacitor
- C5—200-mfd, 25-volt electrolytic capacitor
- CR1 through CR10—GE-504A rectifier diodes
- L1—250-millihenry choke; modified 0.5 millihenry choke with 0.030-inch shim (Triad C36X, or equivalent). See text.
- Q1, Q2—GE-X18 transistor
- R1—100-ohm, 2-watt resistor
- R2—5600-ohm, 1-watt resistor
- R3—50-ohm, 5-watt wire-wound resistor
- R4—100-ohm, ½-watt resistor
- SCR—GE-X16 silicon controlled rectifier
- T1—Pulse transformer *See text for winding information.
- J1, J2—Jones S-306-AB, 6-pin sockets, or equivalent



- P1—Jones, P-306-CCT, plug, or equivalent
- Heatsinks (2)—See Figure A1-3
- Box—4" x 5" x 6"; Bud CU-3007A, or equivalent

*Available from General Electric Co., 3800 N. Milwaukee Avenue, Chicago, Ill. 60641. Specify ETRS-5450 for the two E cores and ETRS-5451 for the bobbin.

Note: Printed-wiring boards with completely wound and mounted T1 transformers may be purchased from Felmo Electronics, N. Division Street Road, Auburn, N.Y. 13021.

Some of the projects require a 12- or 24-volt d-c power supply with good regulation. This supply will furnish both output voltages, up to a combined current of 500 milliamperes, which makes it an ideal unit for use with those twin audio amplifiers in a stereo system. It can also be used as a bench power supply for the serious experimenter who likes to "test as he builds" using a precise d-c voltage from a source other than batteries.

You'll need the following parts:

- C1, C2—500-mfd, 50-volt electrolytic capacitor
- C3—20-mfd, 25-volt electrolytic capacitor
- CR1 through CR4—GE-504A rectifier diode
- Q1—GE-X18 power transistor
- R1—560-ohm, ½-watt resistor
- R2—2000-ohm, ½-watt resistor
- T1—Power transformer, 120-volt primary; 24-volt, 1 amp secondary; Stancor No. P6469, or equivalent
- Z1 use Z4X12 and Z4X14 zener diodes in series, or single 27-volt zener (GE ZD-27)

Suggested User Price \$1.50

LIGHT SENSOR GE-X19

This General Electric X19 is an NPN planar silicon photo-darlington amplifier. A base lead is provided to control sensitivity and the gain of the device.

GE-X19 Phototransistor

- Light Current, I_L250 milliamps max
- Collector to Emitter (dark)25 volts
- Collector to Base (dark)25 volts
- Emitter to Base (dark) 8 volts
- Junction Temperature100°C max
- Rise Time75 microsec

A schematic is enclosed for building a Touch Switch

Have you ever walked into a darkened room and fumbled for the light switch, or discovered a switch situated in a most inaccessible spot? Perhaps in your family room, or den, you would like to turn on and off a light, TV set, or Hi Fi with a touch of your finger. If so, you will be interested in constructing the touch switch.

You'll need the following parts:

- C1—5.0-mfd, 10-volt miniature electrolytic capacitor
- CR1—GE-504A rectifier diode, or 1N5059, or equivalent
- J1—Socket, Amphenol Type 61F, or equivalent
- L1—120-volt, 6-watt lamp (night lite type)
- Q1—GE-X19 phototransistor
- Q2—GE-10 or 2N5172 transistor
- R1—5-ohm, 5-watt resistor
- R2—47,000-ohm, ½-watt resistor
- R3—22,000-ohm, ½-watt resistor
- R4—1000-ohm, ½-watt resistor
- R5—10,000-ohm, ½-watt resistor
- R6—220,000-ohm, ½-watt resistor
- R7—100,000-ohm, ½-watt resistor
- R8—47,000-ohm, ½-watt resistor
- SCR—GEMR-5
- Line Cord
- Touch Switch—see text
- Minibox—5" x 2½" x 2½", Bud CR-2104A, or equivalent

Suggested User Price \$1.10



TRANSISTOR GE-M100

A top quality germanium mesa transistor for the ham, hobbyist and citizens bander. The GE-M100 is packaged with complete circuit diagrams covering the construction of a transistorized citizens band receiver and remote control units.

Collector to emitter
breakdown voltage = 4 volts
Collector to base
breakdown voltage = 4 volts
Collector current = 3 ma

Suggested User Price \$1.20

A schematic is included for building a CITIZENS BAND RECEIVER AND CONTROL UNIT (27 MC).

You'll need the following parts:

Qty.	Qty.
1-GE-M100 transistor	2-GE-6 transistors (GE)
3-1.5 volt batteries	2-2N404 transistors (GE)
1-2 pf capacitor	1-SPDT relay
1-470 pf capacitor	1-2K, 1/2-watt resistor
1-5 to 10 pf trimmer	1-47K resistor
1-.01 mfd ceramic capacitor	1-15K=R2 resistor
3-5 mfd 50V=(MTI-3)	2-10K resistor
1-2 mfd 500V=(GE type MPC-6P2)	2-68K resistor
2-25 mfd 6V=(MTI-13)	2-1.2K resistor
1-1 mfd 6V=(MTI-1)	2-5.6 resistor
1-LS6 10 coil form with No. 26 wire =L1	1-820 ohm resistor
	1-33 ohm resistor
	1-Telex T-42 XMFR=T
	1-Crystal headphone =P
1-50 mh RF choke=L2	



TRANSISTOR 2N107

An alloy junction audio germanium transistor PNP that's ideal for hobbyist projects such as a simple audio amplifier; one, two, or three transistor radios; code practice oscillator; and loudspeaker audio amplifier.

Collector dissipation @ 25 C = 50 mw
Collector to emitter
breakdown voltage = -6 volts
Collector to base
breakdown voltage = -6 volts
Collector current = -10 ma
Collector to emitter
transfer ratio = 20 min
Transfer ratio cutoff
frequency (common emitter) = 6 mc
Collector current at
V_{ce}=-12 (open emitter) = -10 a max
Suggested List Price \$1.25

Schematics are included for building (1) AUDIO AMPLIFIER, (2) SINGLE TRANSISTOR RADIO RECEIVER, (3) CODE OSCILLATOR, (4) LOUDSPEAKER AMPLIFIER, (5) 2-TRANSISTOR RADIO RECEIVER and (6) 3-TRANSISTOR BROADCAST RADIO.

To build an Audio Amplifier you'll need these parts:

Qty.
1-2N107 transistor (GE)
1-.05 MFD, 400 volt capacitor (GE type MPC-4S5)
1-27K, 1/2-watt resistor
1-2K headphones
2-1.5 volt batteries
1-Battery holder

To build a Single Transistor Radio you'll need these parts:

Qty.	Qty.
1-2N107 transistor (GE)	1-1N60 diode (GE)
1-Antenna-Miller Loop Stick No. 6300 or equivalent	1-220K, 1/2-watt resistor
1-365 μ f variable capacitor	1-2K headphones



To build a Code Oscillator you'll need these parts:

Qty.	Qty.
1-2N107 transistor (GE)	1-50K Pot.
1-22K, 1/2-watt resistor	1-2K headphones
1-27K 1/2-watt resistor	2-1.5 volt battery
1-1.8K, 1/2-watt resistor	1-Battery holder
2-.01 MFD, 400 volt capacitor (GE type MPC-4S1)	

To build a Loudspeaker Amplifier you'll need these parts:

Qty.	Qty.
3-2N107 transistor (GE)	1-0.1K, 1/2-watt resistor
1-15K Pot.	1-DPDT switch
1-10-mfd, 25 volt capacitor (MTI-5)	2-6 volt batteries
1-1K, 1/2-watt resistor	T-T1=Triad A-81X or equivalent
1-22K, 1/2-watt resistor	1-T2=Triad S-51X or equivalent
1-2.2K, 1/2-watt resistor	

To build a 2-Transistor Radio Receiver you'll need these parts:

Qty.	Qty.
2-2N107 transistor (GE)	1-10 MFD, 25 volt capacitor (GE type MTI-5)
1-Antenna-Miller Loop Stick No. 6300 or equivalent	1-100K, 1/2-watt resistor
1-365 μ f variable capacitor	2-1.5 volt batteries
1-500K Pot.	1-Battery holder
1-T1=PRI 200K ohm Sec 1K ohm Argonne AR100 or equivalent	1-SPST switch
	1-2K headphones

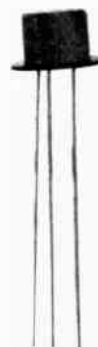
To build a 3-Transistor Broadcast Radio you'll need these parts:

Qty.
2-2N107 transistors (GE)
1-No. 26 enamel wire for L1, L2, L3
1-.01 MFD, 400 volt capacitor (GE type MPC-4S1)
1-5K control
1-GE-1 transistor
3-T1, T2, T3 Argonne AR-100
1-360K, 1/2-watt resistor
1-.001 MFD, 600 volt capacitor (GE type MPC-6D1)
2-100K, 1/2-watt resistor
1-SPST switch
2-10 MFD, 25 volt capacitors (GE type MTI-5)
1-2K headphones
2-1.5 volt batteries
1-Battery holder

TRANSISTOR 2N170

A low voltage high frequency NPN silicon uni-junction oscillator transistor is an ideal companion to the 2N107. The 2N170 can be used to build pocket radios, amplifiers and other interesting devices.

Collector dissipation @ 25°C = 25 mw
Collector to emitter breakdown voltage = -6 volts
Collector to base breakdown voltage = -6 volts
Collector current = 20 ma
Collector to emitter transfer ratio at collector current of 1 ma = .95 min.
Transfer ratio cutoff frequency (common emitter) = 4 mc
Conversion gain = 22 db min
Collector current at V_{ce} of 5 volts = 5 μ a max
Suggested List Price \$1.70



Schematics are included for building (1) 3-TRANSISTOR RADIO RECEIVER, (2) DIRECT COUPLED AMPLIFIER and (3) PRE-AMPLIFIER.

To build a 3-Transistor Radio Receiver you'll need these parts:

Qty.	Qty.
2-2N170 transistors (GE)	1-120 ohm, 1/2-watt resistor
1-2N107 transistor (GE)	Qty.
1-Variable capacitor	1-5K ohm earphones
1-Ferrite core antenna 232 μ h	2-1.5 volt batteries
1-2.5K ohm control	1-Battery holder

To build a Direct Coupled "Battery Saver" Amplifier you'll need these parts:

Qty.	Qty.
2-2N170 transistor (GE)	1-22 ohm, 1/2-watt resistor
1-2N107 transistor (GE)	1-10K ohm control
1-1 μ f, 6 volt capacitor (GE MTI-1)	1-2K headphones
1-330 ohm, 1/2-watt resistor	1-Battery holder
	2-1.5 volt batteries

To build a Variable Reluctance Compensated Pre-amplifier you'll need these parts:

Qty.	Qty.
2-2N170 transistor (GE)	1-5 mfd, 12 volt capacitor (GE type MTI-3)
2-1 mfd, 12 volt capacitor (GE type MTI-1)	1-.33 mfd, 600 volt capacitor
1-2.5K, 1/2-watt resistor	2-choose value between (100K-500K) for correct collector voltage
1-1.5K, 1/2-watt resistor	1-Battery holder
1-10K, 1/2-watt resistor	4-1.5 volt batteries
1-3.3K, 1/2-watt resistor	
1-22, 1/2-watt resistor	

UNIUNCTION TRANSISTOR 2N2160

A device which has quite different electrical characteristics than those of the conventional transistor, the unijunction transistor is a three-terminal semi-conductor featuring: (1) low cost (2) low value of firing current (3) a negative resistance characteristic that is stable with temperature and life (4) a stable firing current and (5) a high pulse-current capability. These characteristics make the unijunction invaluable for use in oscillators, timing circuits, voltage sensing circuits, SCR firing circuits and bi-stable circuits.

Collector dissipation at 25°C = 450 mw

Collector to emitter breakdown voltage = 30 volts

Collector to base breakdown voltage = 30 volts

Collector current = 50 ma

Suggested List Price \$2.75

Schematics are included for building (1) TRANSISTOR METRONOME and (2) CODE PRACTICE OSCILLATOR.

To build a Transistor Metronome you'll need these parts:

- 2N2160 Unijunction transistor (GE)
- R1-20K resistor
- R2-220K resistor
- R3-IRC type Q13-328 potentiometer (log taper)
- R4-150 ohm resistor
- R5, R6-12K resistor
- 4-1N1692 rectifiers (GE)
- C1-100 MFD, 25 volt capacitor (GE type MTI-20)
- C2-10 MFD, 25 volt capacitor (GE type MTI-5)
- Utah model SP358 speaker 3.4 ohm V.C. size, 3 1/2" Magnet 1 oz. (However any speaker may be used)



To build a Code Practice Oscillator you'll need these parts:

2N2160 Unijunction transistor (GE)	2100 ohm resistor
45 volt battery	SW2-Mallory type 3123]
SW1-SPST switch	.01 mfd, 200 volts capacitor (GE type MPC-4S1)
820 ohm resistor	8-16 ohm speaker resistor
50K volume control resistor	.33 mfd, 200 volts capacitor
2200 ohm resistor	
25K tone control resistor	

TRANSISTOR 2N5308A

The General Electric 2N5308A is a NPN, silicon, planar, epitaxial, passivated Darlington monolithic amplifier. This device is especially suited for preamplifier input stages requiring input impedances of several megohms or extremely low level, high gain, low noise amplifier applications. Additional applications include medium speed switching circuits.

A schematic is enclosed for building an Audio Amplifier (one or two watt).

For the experimenter who needs an intercom, PA system, or twin stereo amplifiers for that phonograph, tape, or FM system, this project is easy to construct and uses low-cost components. Operating from either an AC or battery supply, the output power level is determined by the applied voltage and circuit resistor selection. The one-watt output design feeds into a choice of either an eight or 16-ohm speaker load and the two-watt circuit uses a 16-ohm load only. With a typical distortion of two percent or less, this amplifier can be easily modified for a high input impedance producing good low-frequency response when used with crystal (or ceramic) microphones and phonograph cartridges.

You'll need the following parts:



Components	One Watt Output 8-ohms Load	One Watt Output 16-ohms Load	Two Watts Output 16-ohms Load
Battery (B+) Voltage and current OR AC Supply Input (approximate)	12 Vdc @ 160 MA	19 Vdc @ 110 MA	22 Vdc @ 160 MA
C1	9-12.6 Vac 0.05 Mfd	14-18 Vac 0.05 Mfd	16-20 Vac 0.05 Mfd
C2	250 Mfd, 20V	250 Mfd, 20V	250 Mfd, 20V
C3	1000 Mfd, 20V	1000 Mfd, 20V	100 Mfd, 20V
CR1	GE-504A	GE-504A	GE-504A
CR2	ETRS-4946*	ETRS-4946*	ETRS-4946*
Q1	2N5308A	2N5308A	2N5308A
Q2	ETRS-4943*	ETRS-4943*	ETRS-4943*
Q3	ETRS-4944*	ETRS-4944*	ETRS-4944*
R1 (sensitivity 0.5V)	220K ohms	470K ohms	270K ohms
R1 (sensitivity 1.0V)	470K ohms	820K ohms	510K ohms
R1 (sensitivity 1.5V)	680K ohms	1.2 megohms	750K ohms
R2	390K ohms	560K ohms	330K ohms
R3	1.5 megohms	3.6 megohms	2.7 megohms
R4	22 ohms	82 ohms	22 ohms
R5	560 ohms	1.8K ohms	1000 ohms
R6	0.68 ohm	2.7 ohms	2.7 ohms

* Available from General Electric Co., Dept. B, 3800 North Milwaukee Avenue, Chicago, Ill. 60641

Note: All resistors 1/2 watt.

Suggested User Price \$1.25

SUGGESTED LIST/USER PRICES

Type	Sugg. List Price	Type	Sugg. List Price	Type	Sugg. List Price
GE-1	\$2.00	GE-75	\$12.00	GEIC-23	\$ 9.65
GE-2	1.70	GE-76	11.50	GEIC-24	10.00
GE-3	2.95	GE-80	7.25	GEIC-25	5.15
GE-4	4.90	GE-81	1.55	GEIC-26	5.15
GE-5	2.80	GE-82	1.70	GEIC-27	10.85
GE-6	3.05	GE-83	2.90	GEIC-28	8.60
GE-7	2.95	GE-84	3.05	GEIC-29	9.95
GE-8	2.15	GE-85	2.40	GEIC-30	7.75
GE-10	2.00	GE-86	1.25	GEIC-31	8.60
GE-11	2.55	GE-88	2.80	GEIC-32	14.35
GE-12	3.90	GE-89	2.80	GEIC-33	6.65
GE-13MP	5.90	GE-90	1.35	GEIC-34	11.05
GE-14	5.85	GE-210	1.40	GEIC-35	11.90
GE-15MP	11.70	GE-211	1.00	GEMR-1	3.30*
GE-16	5.25	GE-212	1.30	GEMR-2	5.20*
GE-17	2.40	GE-213	1.85	GEMR-3	6.50*
GE-18	2.40	GE-214	3.30	GEMR-4	2.90*
GE-19	5.10	GE-215	7.75	GEMR-5	1.07*
GE-20	1.85	GE-216	14.95	GEMR-6	1.08*
GE-21	1.90	GE-300	1.35	GESS-2AV2	4.85
GE-22	1.70	GE-305	9.10	GESS-3A3	10.90
GE-23	4.20	GE-504A	1.10	GESS-3AT2	11.50
GE-24MP	8.40	GE-509	1.25	GESS-3DB3	10.90
GE-25	12.50	GE-510	1.30	GESS-6DW4	9.15
GE-26	5.20	GE-511	1.65	GEZD-10.4	1.55
GE-27	3.65	GE-512	1.80	GEZD-3.6	1.99
GE-28	3.60	GE-513	10.90	GEZD-4.7	1.99
GE-29	4.00	GE-516	33.80	GEZD-5.1	1.99
GE-30	3.70	GE-517	34.20	GEZD-5.6	1.99
GE-31MP	7.40	GE-518	36.25	GEZD-6.2	1.99
GE-32	4.65	GE-519	39.50	GEZD-6.8	1.99
GE-35	13.00	GE-520	37.90	GEZD-7.5	1.99
GE-36	17.50	GEBR-206	7.95	GEZD-8.2	1.99
GE-37	13.00	GEBR-425	11.60	GEZD-9.1	1.99
GE-38	18.95	GEBR-600	5.10	GEZD-10	1.99
GE-39	2.65	GECR-1	3.75	GEZD-11	1.99
GE-40	4.75	GECR-2	1.65	GEZD-12	1.99
GE-41	5.60	GECR-3	1.43	GEZD-15	1.99
GE-42	3.80	GECR-4	5.25	GEZD-18	1.99
GE-43	4.15	GECR-5	5.90	GEZD-20	1.99
GE-44	4.00	GECR-6	6.60	GEZD-22	1.99
GE-45	5.95	GECR-7	7.60	GEZD-24	1.99
GE-46	10.70	GE-FET-1	3.75	GEZD-27	1.99
GE-47	2.10	GE-FET-2	2.40	GEZD-30	1.99
GE-48	2.25	GE-FET-3	2.50	GEZD-33	1.99
GE-49	3.90	GE-FET-4	2.95	GEZD-39	1.99
GE-50	2.15	GEIC-2	7.60	GEZD-47	1.99
GE-51	1.90	GEIC-3	11.20	GEZD-62	1.99
GE-52	1.70	GEIC-4	7.60	GEZD-82	1.99
GE-53	1.70	GEIC-5	8.35	GEZD-120	1.99
GE-54	5.00	GEIC-6	7.60	GEZD-150	1.99
GE-55	5.10	GEIC-7	8.60	1N34AS	.55
GE-56	7.10	GEIC-8	8.60	1N60	.55
GE-57	3.25	GEIC-9	7.00	1N82A	1.45
GE-58	3.70	GEIC-10	6.65	1N91	1.55
GE-59	2.10	GEIC-11	7.60	1N295	.55
GE-60	2.00	GEIC-12	2.85	2N107	1.25
GE-61	2.20	GEIC-13	9.90	2N170	1.70
GE-62	1.35	GEIC-14	8.60	2N188A	3.05
GE-63	3.00	GEIC-15	8.60	2N190	1.40
GE-64	1.60	GEIC-16	8.75	2N324	1.20
GE-65	1.50	GEIC-17	7.35	2N404	.90
GE-66	4.15	GEIC-18	6.65	2N508	1.30
GE-67	3.00	GEIC-19	8.75	2N2160	2.75
GE-69	4.60	GEIC-20	7.50	2N5308A	1.25
GE-72	6.95	GEIC-21	7.50	6GC1	.90
GE-73	18.30	GEIC-22	8.75	6GD1	.90
GE-74	13.50			6GX1	.90

*Suggested Dealer Price (100-999)

ALL PRICES SUBJECT TO CHANGE WITHOUT NOTICE

"Semiconductor Symbols"

NAME OF DEVICE	CIRCUIT SYMBOL	ELECTRICAL CHARACTERISTICS	NAME OF DEVICE	CIRCUIT SYMBOL	ELECTRICAL CHARACTERISTICS
Diode or Rectifier			Complementary Unijunction Transistor (CUJT)		
Avalanche (Zener) Diode			Programmable Unijunction Transistor (PUT)		
Integrated Voltage Regulator (IVR)			Silicon Controlled Rectifier (SCR)		
Tunnel Diode			Complementary Silicon Controlled Rectifier (CSCR)		
Back Diode			Light Activated SCR* (LASCR)		
Thyrector			Silicon Unilateral Switch* (SUS)		
n-p-n Transistor			Silicon Bilateral Switch (SBS)		
p-n-p Transistor			Triac		
Photo Transistor			Diac Trigger		
Unijunction Transistor (UJT)					

NOTES

NOTES

BE SURE TO ORDER THESE POPULAR ITEMS FOR THE ELECTRONIC ENTHUSIAST

24-DRAWER SEMICONDUCTOR KITS



K-933
POPULAR TYPES KIT
 Replaces over 25,000 types.

KIT 933 CONTAINS:

QTY.	TYPE	QTY.	TYPE	QTY.	TYPE
2	GE-1	1	GE-12	1	GE-51
1	GE-2	1	GE-16	2	GE-53
1	GE-3	2	GE-17	1	GE-62
1	GE-4	2	GE-18	1	GE-66
1	GE-8	2	GE-20	1	GE-67
1	GE-9	2	GE-21	1	GE-69
1	GE-10	1	GE-28	2	GE-504A
1	GE-11	1	GE-30	3	GE-510

33 UNITS TOTAL



K-934
FOREIGN EXCHANGE KIT
 Replaces over 30,000 types.
 (Designed for the repair of
 Far East and Domestic sets)

KIT 934 CONTAINS:

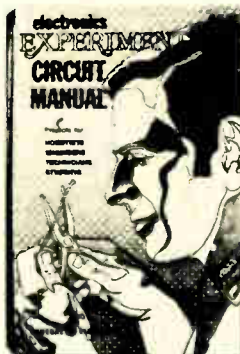
QTY.	TYPE	QTY.	TYPE	QTY.	TYPE
2	GE-10	1	GE-51	3	GE-86
1	GE-11	2	GE-52	1	GE-88
1	GE-18	1	GE-53	1	GE-89
1	GE-21	1	GE-54	3	GE-210
1	GE-28	1	GE-59	1	GE-211
3	GE-47	2	GE-62	3	GE-212
3	GE-48	2	GE-65	3	GE-213
1	GE-50	1	GE-66	1	GE-214

40 UNITS TOTAL

ELECTRONICS EXPERIMENTERS' CIRCUIT MANUAL, ETRM-3960

Engineer, experimenter, hobbyist, student, technician can learn new applications for electronic components with the simple but interesting and useful circuits in this manual.

Only \$2.00



SCR MANUAL 5th Edition, ETRC-3875B

Written by SCR experts, many of whom actually developed this useful device, the 5th edition places emphasis on the practical rather than the theoretical. It serves as a guide for applications with many new chapters and up-dated material.

Only \$3.00



**Look for your GE Distributor's
 complete "Semi Center"**

These new Replacement Semiconductor display racks (ETRB-7010) contain the complete line of General Electric Entertainment Semiconductors, as well as many informative publications.

ESSENTIAL CHARACTERISTICS MANUAL, ETRM-15P

Contains industry's most complete and comprehensive data on Receiving Tubes, Picture Tubes, Five-Star Tubes, Special Purpose Tubes, Thyratrons, Ignitrons, Planar and Ceramic Tubes, Reed Switches, Vidicons, Radio and Television Pilot Lamps and Entertainment Semiconductors.

Only \$2.00



ETRM-4311L-4-75
 Printed in U.S.A.

GENERAL ELECTRIC