



RADIO SERVICE NEWS

PUBLISHED . IN . THE . INTEREST . OF . RADIO . SERVICE . SALES . ENGINEERS

VOLUME IX, No. 1

"RADIO WILL WIN THE WAR"

NOVEMBER, 1943

RADIO PLAYS IMPORTANT ROLE IN U. S. WAR PROGRAM

REGIONAL MEETINGS FOR RCA WHOLESALERS HELD IN FOUR CITIES

Distributors of All RCA Products Gather to Hear Officials Explain Policies

About 200 RCA Distributors and their executive personnel gathered at the Waldorf-Astoria, in New York, September 13, to hear officials of the RCA Victor Division of the Radio Corporation of America discuss mutual problems and current thinking on postwar distribution of RCA products.

Represented were wholesalers for all of RCA products including radios, phonographs, records, tubes, parts, and commercial sound. To give all RCA wholesalers and their executive staffs an opportunity to participate, similar meetings were held in Chicago on September 16; San Francisco, September 20; and New Orleans, September 25.

H. C. Bonfig Opens Meeting

The program for the New York meeting was opened by H. C. Bonfig, who outlined its objectives, and introduced the speakers.

L. W. Teegarden, Assistant General Sales Manager, outlined the part which wholesalers will play in the postwar distribution of RCA products. He presented the Company's thinking on distribution policies of RCA products for the immediate postwar period, and discussed the Company's projected Sales Department organization for serving distributors.

Vance C. Woodcox, Director of Commercial Research, revealed how scientific studies are being conducted by RCA to obtain more reliable and useful information about selling RCA products.

E. W. Engstrom, Director of Research of the RCA Laboratories, described the consolidation of RCA's extensive research activities at Princeton, N. J.

Thomas F. Joyce, Manager of the Radio, Phonograph and Television Department, outlined the Company's advertising programs, which are telling the public of RCA's outstanding wartime record and reminding them of RCA's peacetime activities.

HOST AND GUEST STAR ON NEW RCA SHOW



DON AMECHE



DINAH SHORE

Don has reason to smile, especially since his companion is talented and beautiful Dinah Shore, RCA Victor Recording Artist, whose popularity is uncontested with Uncle Sam's nephews and nieces. Don emcees the RCA radio program, "What's New?" heard every Saturday evening, 7 to 8 (EWT), over the Blue Network, on which Dinah has made several guest appearances.

WPB ORDER L-265 INTERPRETED AS AID IN PLACING ORDERS

Under the provisions of WPB Order L-265, issued April 24, 1943, consumers, dealers and distributors may obtain radio tubes and other electronic equipment without the necessity of obtaining priority assistance for their order. Order L-265 revokes previous Orders L-44, L-44-A and L-183 which are no longer in force.

The provisions of Order L-265 provide that RCA (or any other manufacturer) may transfer electronic equipment to a consumer or supplier ONLY as follows:

1. To FILL "PREFERRED ORDERS"

A "Preferred Order" means any order for delivery to or for the account of the Army or Navy of the United States, the United States Maritime Commission, the War Shipping Administration, the Panama Canal, the Coast and Geodetic Survey, the Coast Guard, the Civil Aeronautics Administration, the National Advisory Committee for Aeronautics, the Office of Scientific Research and Development, Defense Supplies Corporation, Metals

(Cont. on page 2, col. 1)

CIVILIAN RENEWAL TUBE PROGRAM EXPLAINED BY L. W. TEEGARDEN

"In view of the considerable publicity which has been given to the availability of tubes for civilian renewal purposes and the steps indicated as now being taken to relieve reported shortages, it seems appropriate that we advise you of our position in the matter," states L. W. Teegarden, recently appointed assistant general sales manager, RCA Victor Division, Radio Corporation of America.

"It is true that the total demand for many types of receiving tubes has been, and continues to be, in excess of our ability to supply. On the other hand there are some types of which we currently have inventories in excess of open orders.

"Moreover, there is some encouragement in a recent WPB announcement that states provisions are now made to include civilian tube requirements in the production and allocation of several renewal tube types. Included among certain 'claimant agencies and customer groups' which have been

(Cont. on page 2, col. 4)

DEALERS AND SERVICE ORGANIZATIONS SHARE BIG RESPONSIBILITY

Vital Need of Civilian Sets Grows as Approach of Victory Spurs Demand for Information

It's been a long time—"too long" we hope our readers repeat—since the last issue of the RCA RADIO SERVICE News went to press.

However, since there is a real and growing need for much of the information that is published in the Service News, the editors feel that every effort should be made to get this paper to our readers at least once a month. That is our pledge, then, and you may be sure we'll do everything possible to observe our deadline.

With this issue, we renew a host of old friendships and say "hello" to scores of new readers for the first time. When you last heard from us, things weren't going any too well in some of the war theatres of action. Today, with new Allied advances reported almost hourly, the cause of the United Nations has taken a decided turn for the better.

"They Also Serve"

But today, on the Home Front, civilians are faced with even more limited access to certain consumer goods than a year ago. Many tube types are under direct WPB allocation and are, therefore, unavailable for civilian renewal purposes. The same is true of other items of electronic equipment.

The ingenuity of American businessmen, however, again proves itself, as substitutes are found for parts that once were irreplaceable. And so it goes. As this or that item goes on the "dead" list for the duration, engineers and servicemen discover alternates that, with a little tinkering here and there, are able to do the job.

Civilian sets must be kept in operation. Radio must perform its all-important function of keeping "Americans the best informed people in the world." That is our job—and we'll do it as well as we know how! Cooperation, plus imagination, plus hard work—that's the Radio Industry at work!

WPB ORDER L-265 INTERPRETED AS AID IN PLACING ORDERS

(Cont. from page 1, col. 2)

Reserve Company, any foreign country pursuant to the Act of March 11, 1941, entitled "An Act to Promote the Defense of the United States" (Lend-Lease Act), or any order bearing a preference rating of AA-4 or higher.

2. TO FILL ORDERS BEARING A PREFERENCE RATING OF A-1-A OR HIGHER.

3. TO FILL AN ORDER FOR ANY COMPONENT PART OF ELECTRONIC EQUIPMENT FROM CONSUMERS OR SUPPLIERS, PROVIDED—

a. The consumer returns a defective part which cannot be repaired or reconditioned or makes a certification as follows:

CONSUMER'S CERTIFICATE

I hereby certify that the part(s) specified on this order are essential for presently needed repair of electronic equipment which I own or operate.

Signature and Date

b. The supplier furnishes us with a certificate as follows:

SUPPLIER'S CERTIFICATE

I hereby certify that I am entitled to purchase the items specified on the accompanying purchase order under the provisions of Limitation Order L-265, with the terms of which I am familiar.

Signature and Date

SHE SINGS, TOO!



Lovely Nancy Norman, featured vocalist with Sammy Kaye's orchestra, is heard often these nights over the Blue Network.

COMMENTS ON L-265

Definition of Supplier

"Supplier" means any person to the extent that his business consists in whole or in part of the sale, distribution or transfer from stock or inventory of electronic equipment, and includes wholesalers, distributors, jobbers, dealers, retailers, servicemen, branch warehouses or other distribution outlets controlled by producers and other persons performing a similar function.

Returned Tubes Can Be Destroyed

To prevent defective replacement radio components from going back into trade channels, destruction of such unsalvageable parts and tubes has been ordered by WPB in an amendment issued July 23 to Limitation Order L-265. The original salvage order provided that no producer or supplier should retain in his inventory for more than sixty days any "used, defective, exhausted or condemned" parts, and then required their disposition through salvage disposal or scrap channels. The new amendment provides that such parts must be destroyed if salvage is not practicable.

Medical Uses, Etc.

Replacement tubes for medical, therapeutic, X-ray and fluoroscopic equipment must have consumers' or suppliers' certification. The purchase of tubes for original equipment for this class of merchandise is covered by other priority orders.

Phonograph Equipment

"Acoustic phonograph" is believed to be a phonograph other than one operating by devices involving the use of gaseous or vacuum tubes. Records and needles are not under the Order.

SALES AND SERVICE TIPS

We're still in the market for more of those helpful Sales and Service Tips readers of the RADIO SERVICE NEWS used to send us so frequently. Once more we offer a prize of a handsome RCA Service Engineer's Pencil for each suggestion printed in the News.

Now, more than ever before, there is a real need for information of this kind, as the diversion of certain materials vital to the war effort, causes new shortages in the civilian replacement field. So, readers, get busy—put on your thinking caps and win a fine RCA pencil by sending us practical suggestions to relieve wartime shortages.

Mail Tips c/o Editor, RCA Radio Service News, Camden, New Jersey. All material becomes the property of RCA, to be used at its discretion. Tips do not represent the opinions of RCA; although we believe they are worthwhile, we cannot be responsible for results.

PHOTOTUBE IS "HEART" OF PHOTO-ELECTRIC SAFETY DEVICE



A curtain of light, reflecting across the front of the machine and returned to the Phototube by means of two mirrors, automatically—if interrupted—locks the controls of the machine in safe "off" position. The Magic Brain of every electronic device is a tube . . . and RCA is the fountain head of modern tube development.

MANUFACTURER'S NAME TO APPEAR ON ALL TUBES SHIPPED BY RCA

As advised in Mr. Teegarden's letter of May 17, the Army and Navy have indicated their desire that the actual manufacturer's name appear on tubes finding an end use in Army and Navy equipment. To cooperate in the war program RCA has adopted a policy consistent with the desires of the Army and Navy. Since it is not possible to determine the end use of tubes at the time of their sale by us, all tubes manufactured and sold by RCA are today being branded with an RCA trade-mark.

As you know, it has been the practice of many tube manufacturers to purchase unbranded tubes from other tube manufacturers and to resell them with brands other than those of the actual manufacturer. This has permitted tube manufacturers to offer to their customers a more complete line of tubes under their own or their customer's brand name.

There are other tube manufacturers who are also meeting the desires of the Army and Navy and are discontinuing the practice of selling unbranded or private-brand tubes. Therefore, it may happen that we will no longer be able to supply certain tube types with the RCA brand name where such tubes are not in actual production on our own manufacturing facilities. Conversely, those who are accustomed to buying tubes under other manufacturers' brands may find some tube types available only with RCA brands.

RCA Not To Rebrand Tubes

It is our feeling that when a tube manufacturer places his own brand upon a tube, the tube should be sold to the ultimate consumer with that brand remaining intact. RCA has no intention to indulge

(Cont. on page 4, col. 4)

CIVILIAN RENEWAL TUBE PROGRAM EXPLAINED BY L. W. TEEGARDEN

(Cont. from page 1, col. 3)

established by WPB to share in the allocation of various glass broadcast receiver types, distributors, dealers and other suppliers should now receive a reasonable quantity, percentage-wise, of the following tube types produced during the period October 1—December 31, 1943: 12SK7GT/G, 50L6GT and type 80.

"Briefly, this action means that, although most miniature and metal types and some cathode ray and special types are now under direct allocation by WPB and where no allocation for civilian purposes has yet been made, consideration is



Tube and Equipment head, newly appointed assistant General Sales Manager, RCA Victor Division of Radio Corporation of America.

being given to civilian renewal tube requirements. RCA shipments to distributors, of course, will be made as before, based on priority regulations. Supplier's certifications, under limitation order L-265, based on the date of receipt of orders, will continue to be the guiding factor in the allocation and shipment of civilian renewal tubes."

REPLACEMENT PARTS SECTION—ANNOUNCEMENTS, TIPS, SUGGESTIONS

PARTS AVAILABLE FOR RCA 5- and 6- INCH SPEAKER CONES

For some time we have been unable to supply the many types of small cones as used in the Models RL-78, 79, 81, 85 and 86 Speakers. However, due to a new method of stocking and the assignment of new stock numbers, we are now in a position to supply the individual parts of the cones; viz., the diaphragm, the voice coil with suspension (includes dust cap), and the gaskets.

To facilitate the ordering of your requirements, we are reprinting below, a tabulation listing the stock numbers of the proper cone and voice coil combinations to be used as replacements for the original units.

The voice coils and cone diaphragms will be supplied in a standard package of five (5). The one exception is the Stock No. 70038 diaphragm, which will be supplied in a standard package quantity of ten (10). The gaskets will be supplied in a standard package quantity of ten (10).

It is suggested that, when practical, the diaphragm only be replaced. This can readily be accomplished by cutting the diaphragm from the voice coil and cementing a new diaphragm in place. We anticipate being able to fill your requirements for diaphragms; however, we may not be in a position to make complete shipment of voice coils in the quantities requested.

All orders must be in accordance with the terms of Limitation Order L-265.

CLOSE-UP OF ORDER SERVICE GROUP IN ACTION



Manpower shortages may come and go (as this picture shows), but "business as usual" is the watchword for members of the Replacement Parts order service section, under the supervision of C. R. King, Department Manager.

MOST RCA REPLACEMENT PARTS MAY STILL BE OBTAINED

We wish to call your attention to the fact that a major portion of RCA replacement parts stock numbers are still available, and can be supplied you against orders placed with your regular RCA Parts distributor under WPB Order L-265.

It is sometimes necessary for us to reduce the quantity of parts shipped against such orders due to the fact that our supply of these items is low. It is also necessary at times to cancel completely one or more items from parts orders due to the fact that our supply of these items is exhausted. In either of

these cases, it is possible that we may be fortunate enough to procure additional stock at a later date, and, therefore, we suggest that you reorder items of this character thirty or sixty days later.

RCA CAMDEN PLANT WINS THIRD "E" STAR

A third star for its Army-Navy "E" pennant has been awarded to the Camden plant of the RCA Victor Division of Radio Corporation of America.

REPLACEMENT CRYSTAL CARTRIDGES FOR PHONOGRAPHS

Apparently quite a bit of confusion exists with reference to proper procedure to follow to obtain replacement crystal cartridges for phonographs.

In order to continue to supply these replacement parts, it is necessary that defective crystal cartridges be returned to your RCA Parts distributor. We can accumulate, disassemble, and later reassemble them into the equivalent of new replacement cartridges.

It is essential, therefore, that we have your cooperation and, accordingly, we suggest that you return your defective crystals at once as outlined above. Upon receipt, we will take steps to ship replacement to the distributor with billing at our regularly established prices. We will make every effort to ship exact replacement, and no substitutions can normally be permitted. Distributors should indicate on the packing slip that they want us to ship replacement.

Limitation Order L-265 indicates that defective parts which cannot be reconditioned should be turned over to scrap or salvage channels within sixty (60) days of receipt. This procedure need not be followed in connection with these crystals, inasmuch as they can be reconditioned and should be returned to the distributor.

CHART SHOWING REPLACEMENT DIAPHRAGM AND VOICE COIL FOR RCA TYPE RL-78, 79, 81, 85, AND 86 SPEAKERS

STOCK NUMBER		REPLACED BY			STOCK NUMBER			REPLACED BY		
(Complete Cone)	Diaphragm Only	Diameter	Voice Coil & Suspension	Diameter	(Complete Cone)	Diaphragm Only	Diameter	Voice Coil & Suspension	Diameter	
32904	70040	5"	70075	3/4"	36465	70039	5"	70056	9/16"	
32934	70041	6"	70075	3/4"	38340	70038	5"	70056	9/16"	
33777	70041	6"	70075	3/4"	38392	70041	6"	70075	3/4"	
33904	70041	6"	70075	3/4"	38397	70038	5"	70056	9/16"	
34029	70041	6"	70075	3/4"	38683	70038	5"	70056	9/16"	
34374	70040	5"	70075	3/4"	39447	70039	5"	70056	9/16"	
34554	70038	5"	70056	9/16"	39478	70041	6"	70075	3/4"	
35066	70038	5"	70056	9/16"	39495	70041	6"	70075	3/4"	
35440	70040	5"	70075	3/4"	39539	70038	5"	70056	9/16"	
35441	70041	6"	70075	3/4"	39567	70038	5"	70056	9/16"	
35569	70038	5"	70056	9/16"	39900	70038	5"	70056	9/16"	
35570	70038	5"	70056	9/16"	39901	70039	5"	70056	9/16"	
36077	70041	6"	70075	3/4"	39902	70038	5"	70056	9/16"	
36295	70038	5"	70056	9/16"	39903	70040	5"	70075	3/4"	
36426	70040	5"	70075	3/4"	39904	70041	6"	70075	3/4"	

(Cont. on page 4, col. 2)

MORE TIPS ON SUBSTITUTE PARTS FOR ITEMS CURRENTLY OUT OF STOCK

RCA SUB-STANDARD TUBES SHIPPED TO EASE CIVILIAN REQUIREMENTS

Some Popular Types Now Available to Distributors

With increasing limitations on the availability of many critical materials, together with an overall demand for tubes in excess of the supply, RCA has established a policy whereby sub-standard tubes will be furnished, when available, on orders bearing L-265 supplier's certifications and any other ratings that indicate the tubes are to be used for maintenance, repair and operating supplies. The RCA policy for such sales follows:

1. Since sub-standard tubes will not pass government inspection, and are not suitable for initial equipment in new apparatus, they will be applied automatically against orders filled as a result of customer or supplier certification as provided in WPB Order L-265. They also will be applied against any other ratings assigned by WPB to orders for maintenance, repair and operating supplies.

2. On each carton in which sub-standard tubes are packed will be marked the word "Sub-Standard" of a type size sufficiently large to make the carton containing such tubes readily identified.

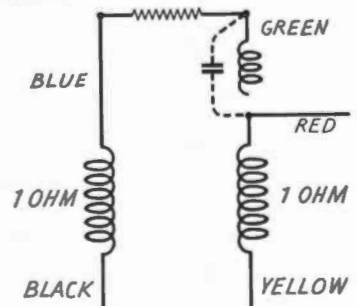
3. Upon each carton containing the sub-standard tube will be printed "OPA Retail Ceiling Price \$_____". This price will be determined by taking 85% of our current list price of each tube.

4. In accordance with WPB directives, each carton will be imprinted "M-R".

34443 OSCILLATOR COIL

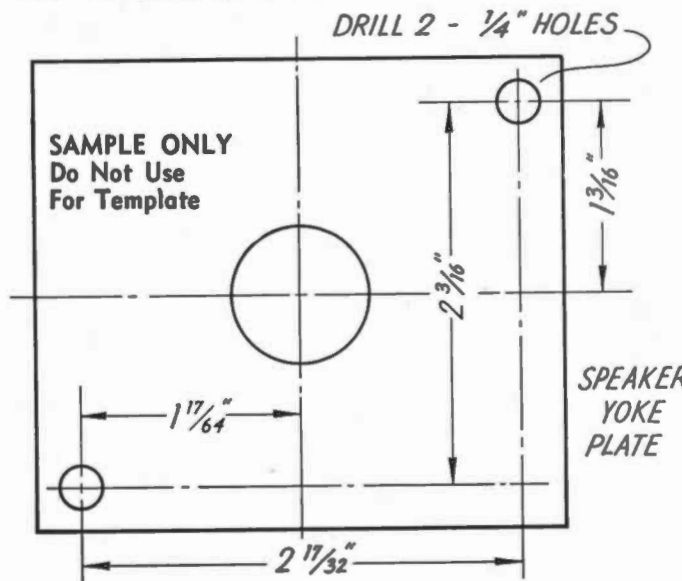
Oscillator coil 38338 is an alternate coil which will give equivalent performance to original coil.

Instruction for connecting coil and wiring connection is shown below.



Green lead is capacitor winding and can be used in place of oscillator grid capacitor. If green lead is not used, grid capacitor should be connected to red lead as indicated by dotted lines. Omit grid capacitor if green lead is used.

DIMENSIONS FOR DRILLING TEMPLATE TO USE NEW-DESIGN RL63 OR RL70 SPEAKER CONES



As stock No. 11258 (12") for early model RL70 Speakers are probably "out" for the duration, we suggest the following: Drill two holes (1/4" diameter) in yoke plate to use later designed RL70 cones such as 31275, 36145 and 34773. To locate holes, make up a paper template (as sketched), or use metal cone support bracket from any damaged RL63 or RL70 cone available.

COMBINATION CHART

(Cont. from page 3, col. 4)

Note I—See "Supplementary Information" Bulletins Nos. 6 and 7 for information on assembling breakdown cones and using cup-type suspension.

Note II—Cone gages RCA 35300 for 3/4" Voice Coil and RCA 35301 for 9/16" Voice Coil should be used when assembling cones.

Note III—The following Rim Gaskets are available:

- RCA 70042 gasket 5" dia. 5/32" thick
- RCA 70043 gasket 5" dia. 1/8" thick
- RCA 70044 gasket 5" dia. 1/32" thick
- RCA 70045 gasket 6" dia. 5/32" thick
- RCA 70046 gasket 6" dia. 1/32" thick

Transformers for RCA Models QB2, QB6

Our stocks are gone on #35941 transformer used in RCA models QB2 and QB6. Output transformer for RCA model QB1 (stock #37924) can be used in its place. Following is the color code for leads of 37924 transformer:
 Primary Start—red
 Tap—black and red
 Primary Finish—green (red tracer)
 Secondary Start—brown
 Secondary Finish—black.

38327 Capacitor Discontinued

Alternate parts for #38327 Capacitor are:
 RCA #37892 for sets operating on 220-volt supply.
 RCA #70057 for sets operating on 110-volt supply.

RCA 31275 Cone May Be Discontinued for the Duration

Should this 12" cone for RL70 type speakers be discontinued (as is likely) for the duration of the war, the following alternates are available:

Stock 36145 can be used if speaker to be serviced includes metal support bracket which centers cone and mounts in yoke plate by means of two screws. This cone can also be used by adding 36146 support bracket to replace the old-style fiber suspensions used on certain models of RL70 speaker.

Our present stock of RCA 36146 brackets is depleted, but we suggest using salvaged brackets, which are obtainable in most repair shops. In most cases, both RL63 and RL70 replacement cones are supplied complete with stock #36146 bracket. Salvage brackets from defective cones and use as suggested.

Stock 34773 can also be used as replacement on many speakers of more recent manufacture. This cone is identical to 31275 except the metal support bracket has been re-designed and mounts by means of 2 "U" clamps on support frame instead of in yoke plate.

In an emergency, stock 34773 can be mounted in yoke plate by means of screws, washers and nuts. When mounting this cone in the two holes in yoke plate, the voice coil leads are shifted 90 degrees from correct position and it may be necessary to splice one voice coil lead to reach the speaker terminal board.

If necessary, either stock 34705 or 35616 can also be used. These cones omit the metal support bracket.

MANUFACTURER'S NAME TO APPEAR ON ALL TUBES SHIPPED BY RCA

(Cont. from page 2, col. 3)

in any unfair trade practices or misrepresentation which might be involved in the rebranding of tubes. Similarly, it is expected that others will not indulge in such practices with RCA branded tubes.

It is hoped that this information may assist you in explaining to your customers why, under today's conditions, some tube types which they were accustomed to purchasing with the RCA brand are available only under other brands and it will also explain why many tube types previously available under other brands are now only available under the RCA brand.

We feel that previously accepted trade practices are secondary to our desire to cooperate with the armed forces in eliminating all but the actual manufacturer's brand.

RCA 11235 (8") Cone for Early Model RL63 Speakers Discontinued

RCA 31310 cone can be used by drilling two mounting holes in yoke plate as shown in diagram at left.

31495 Capacitor Not Available

This capacitor is discontinued as it is no longer possible to purchase capacitors with screw-base type can. We suggest RCA 32400 F.P. type as an alternate.

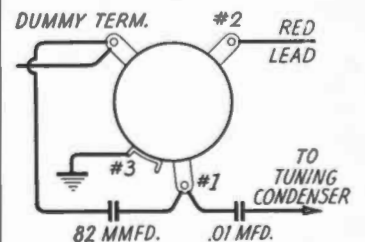
It will be necessary to insulate capacitor can from chassis. To mount, use RCA 28452 bakelite mounting plate. Drill two holes in chassis and mount plate, using suitable spacers and hardware.

A cardboard insulating cover is also available as RCA stock 28451, for use on 1" diameter F.P. condensers. Use of this cover will enable you to mount capacitor by means of a ground clamp.

32142 Capacitor Discontinued

Use RCA 32240 F.P. type condenser. Mount same as suggested for 31495 replacement.

SUBSTITUTE COIL FOR NO. 35116



RCA 34259 oscillator coil as used in the 45E can be used as alternate for stock No. 35116 for RCA models 45X1 and 45X2, with changes as shown in illustration. Circuit diagram will correspond to 45E except for changes shown.